

CONTENTS

INTRODUCTION TO CNG.....	3
SAFETY PRECAUTIONS (Do's & Don'ts)	3
LAYOUT OF THE CNG SYSTEM	4
FUEL MODES	5
SELECTOR SWITCH POSITION.....	5
PETROL MODE.....	5
AUTO MODE	6
FORCED CNG MODE.....	6
CNG LEVEL INDICATOR	6
AUTOMATIC CHANGEOVER FROM CNG MODE TO PETROL MODE.....	7
CNG FILLER VALVE.....	7
CNG CYLINDER	7
MANUAL SHUT-OFF VALVE	8
LIST OF GOVERNMENT APPROVED CNG CYLINDER TESTING STATIONS	9
TYRE REMOVAL	9
JACK REMOVAL	10
INSTRUMENT CLUSTER.....	11
CNG MALFUNCTION WARNING LAMP	12
CNG KIT IDENTIFICATION	12
CNG WARNING LABEL	13
PERIODIC MAINTENANCE SCHEDULE	14
SPECIFICATIONS.....	15
FIRE EXTINGUISHER (if equipped).....	16
PARTS DESCRIPTION.....	17
REMOVAL PROCEDURE (FROM FRONT & REAR SEAT).....	17
PROCEDURE OF OPERATION	18
FITMENT PROCEDURE.....	19
REFILLING SCHEDULES.....	19

INTRODUCTION TO CNG

CNG (Compressed Natural Gas) is principally constituted by methane. CNG is considered as clean burning fuel. Due to low density of CNG, it is compressed at a pressure of around 200 bars to enhance the vehicle on-board storage capacity.

CAUTION

In case of any symptom of CNG leakage or releasing noise or any external damage to CNG piping or during accident, do not panic.

**Stop the vehicle and switch off the engine, roll down the windows and open all the doors
Ensure to close manual shut off valve.
Contact Maruti Suzuki authorized workshop immediately for further assistance.**

SAFETY PRECAUTIONS (Do's)

1. If any service or body repair is to be carried out, turn the manual shut off valve on CNG cylinder valve to close position prior to commencement of the repair work.
2. Get the CNG cylinder checked every three (3) years from the date of last testing / retesting of cylinder by government authorized CNG cylinder testing agency.
3. If the vehicle does not changeover to CNG in AUTO MODE, then have your vehicle checked by Maruti Suzuki authorized workshop at the earliest.
4. Switch "OFF" engine while fuel filling (CNG/Petrol).
5. After refueling CNG or Petrol, ensure that the fuel filler lid is closed. (Other-wise vehicle cannot be started)
6. In AUTO MODE, It is programmed to start the vehicle in petrol and auto-matically shift to CNG based on the engine temperature etc. Do not press the accelerator pedal to change from petrol to CNG.

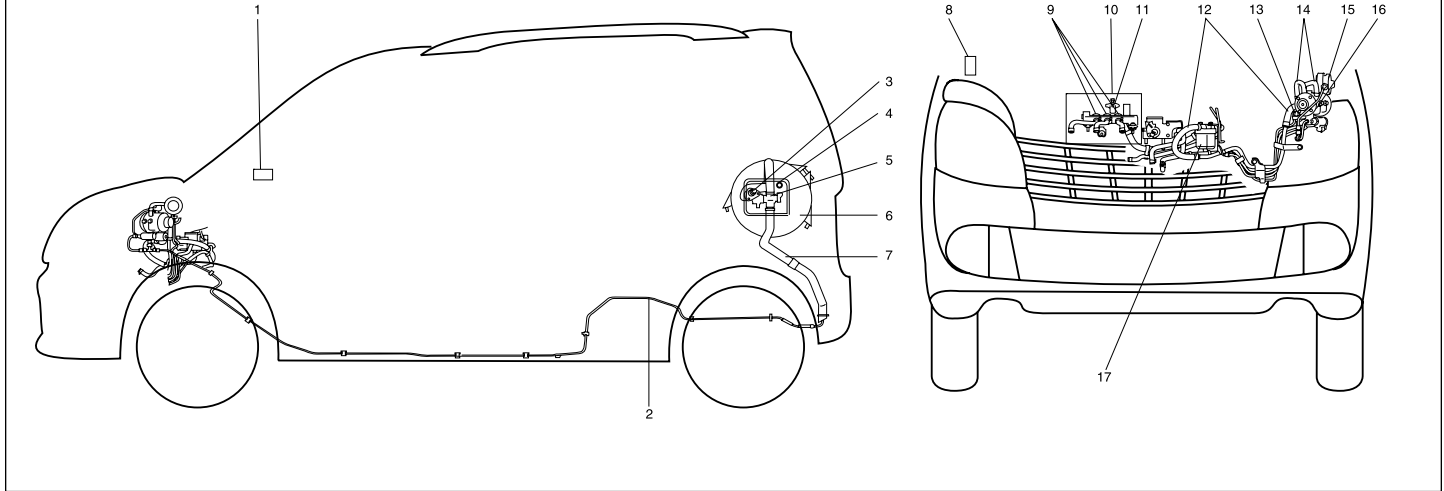
SAFETY PRECAUTIONS (Don'ts)

1. Do not change/modify the configuration, settings or the components from CNG system.
2. The CNG cylinder should not be repaired under any circumstances, in case of any problem, consult with Maruti Suzuki authorized workshop.
3. Do not adjust setting of CNG system.
4. Never install LPG or any other gas cylinder in place of CNG cylinder.
5. Avoid carrying inflammable material near the CNG cylinder.
6. Do not fill any other type of gas other than CNG.
7. Do not press the accelerator pedal to change from petrol to CNG MODE.

FOR VEHICLES FITTED WITH CNG FUEL SYSTEM

LAYOUT OF THE CNG SYSTEM

EXAMPLE



1. Changeover switch
2. High pressure pipe
3. Receptacle
4. Fuel lid switch
5. CNG cylinder valve
6. CNG cylinder

7. Vent hose
8. CNG controller
9. CNG injectors
10. Engine
11. Low pressure & temperature sensor
12. Low pressure hose

13. High pressure sensor
14. Water hose
15. High pressure gauge
16. Pressure regulator
17. CNG filter

FUEL MODES

There are three fuel modes in the vehicle (Petrol, Auto and Forced CNG) which are selectable by pressing the selector switch (1) located on the right side of the steering wheel on the dashboard.

⚠ WARNING

Make sure that the parking brake is applied fully and the transmission is in Neutral before attempting to start the engine.

CAUTION

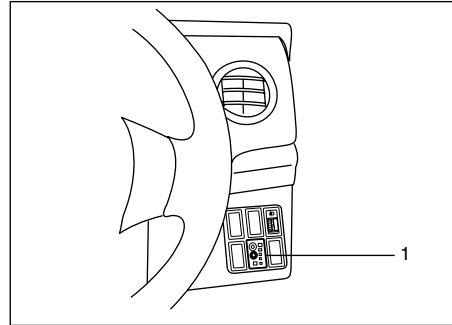
- Stop turning the starter immediately after the engine has started or the starter system can be damaged.
- Do not crank the engine for more than 15 seconds at a time. If the engine doesn't start on the first try, wait about 15 seconds before trying again.

NOTE:

Do not press the accelerator pedal to changover from petrol to CNG model.

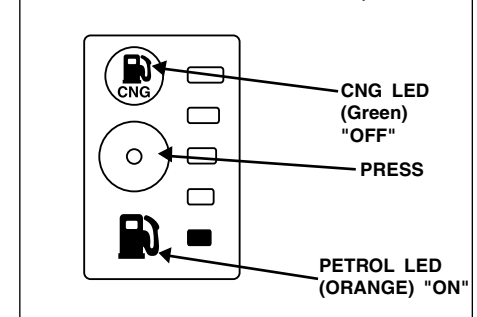
With ignition switch "ON" and engine not running, blinking of CNG malfunction warning lamp indicates that fuel lid is open. Vehicle will not start in this condition.

SELECTOR SWITCH POSITION



PETROL MODE

In this mode vehicle starts in petrol and

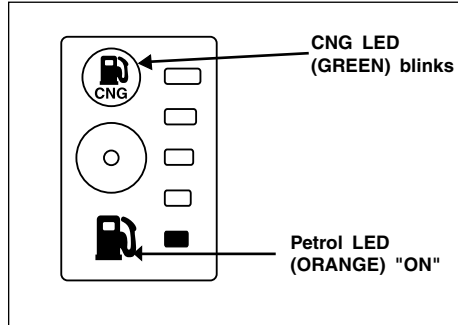


continue running in petrol mode. In this mode, petrol indicator glows continuously in ORANGE color and CNG indicator (GREEN) will remain "OFF".

AUTO MODE

FOR VEHICLES FITTED WITH CNG FUEL SYSTEM

In this mode engine starts in petrol mode and then automatically changes to CNG



after reaching programmed warming up condition. With ignition switch ON and vehicle started in "AUTO MODE", CNG indicator blinks (Green Color), and PETROL indicator glows (Orange color) continuously. After changeover to CNG, CNG indicator will glow continuously and Petrol indicator switches OFF automatically.

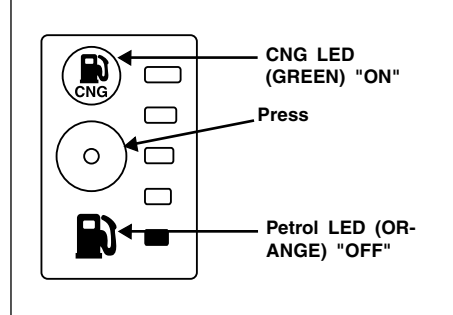
NOTE:

It is always recommended to start the vehicle in AUTO MODE or PETROL MODE to enhance the engine life.

FORCED CNG MODE (for emergency

use only)

This is emergency mode and may be used



in cases where there is no petrol in petrol tank. In this mode vehicle starts in CNG and continues running in CNG mode. With ignition "ON" and engine not running, press and hold the changeover switch till CNG indicator glows continuously. In this mode, CNG indicator glows continuously in GREEN color and Petrol indicator (ORANGE) remains "OFF".

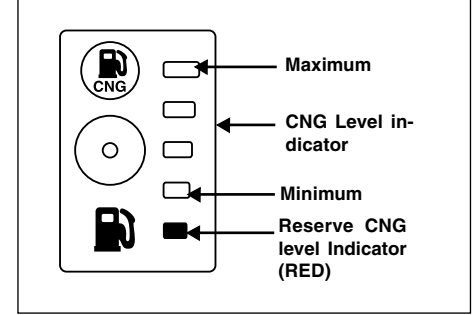
NOTE:

It is recommended to keep sufficient amount of petrol in the petrol tank.

CNG LEVEL INDICATOR

(On Dashboard)

CNG level indicator is built into the change-



over switch. It consists of four green and one red LEDs, which indicates approximate amount / level of remaining CNG in the cylinder. Red LED of CNG level indicator glows when reaches to reserve quantity.

CNG FILLER VALVE

NOTE:

When CNG reserve level indicator glows, refill CNG as soon as possible.

In case of CNG refilling, the updated CNG level indication will appear only when vehicle is running on CNG.

AUTOMATIC CHANGEOVER FROM CNG MODE TO PETROL MODE

If CNG is finished while the engine is running, vehicle will automatically change over from CNG mode to Petrol mode & CNG malfunction warning lamp will start blinking. Petrol indicator (ORANGE color) will glow continuously and CNG indicator (GREEN color) will switch OFF automatically.

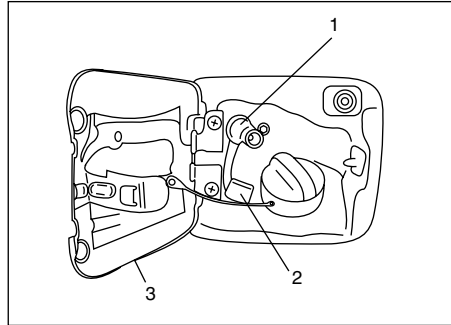
To acknowledge this information, press the changeover switch once. The CNG malfunction warning lamp will stop blinking after the changeover switch is pressed and Petrol indicator (ORANGE color) will glow continuously.

NOTE:

It is recommended to keep sufficient amount of petrol in the petrol tank to prevent engine stalling while automatic changeover from CNG mode to Petrol mode.

In case the CNG malfunction warning lamp does not stop blinking after pressing the changeover switch, take the vehicle to the nearest MARUTI SUZUKI dealer.

The CNG filler valve is integrated in fuel



box next to petrol filling area.

CNG filler valve (1) can be uncovered by pulling out the Filler valve cover (2) and it can be covered by simply pushing it back.

Filling automatically gets cut off when the cylinder pressure becomes equal to dispenser pressure. After CNG filling, ensure that the filler valve cover (2) and fuel filler lid (3) is closed.

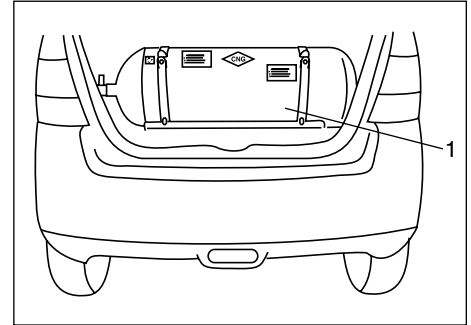
NOTE:

If the Fuel filler lid (3) is kept open, you will not be able to start the vehicle.

Engine will stop if the fuel filler lid (3) is opened in vehicle stationary condition.

CNG CYLINDER

CNG cylinder (1) is installed in the luggage compartment.



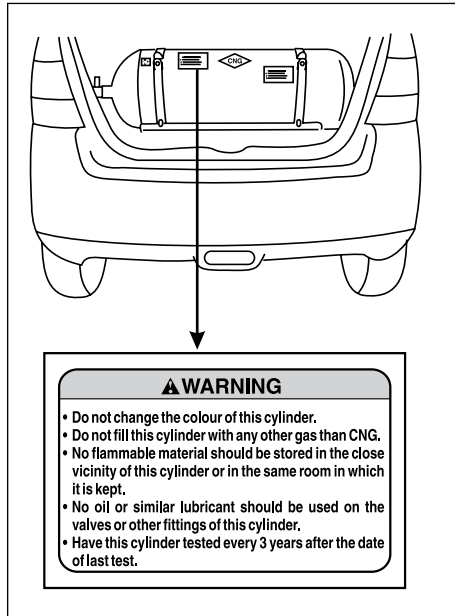
MANUAL SHUT-OFF VALVE

Manual shut-off valve (2) is located on the

<p>CAUTION</p> <p>Do not place any luggage or load over cylinder as it may damage the cylinder, pipe, hose, valve etc.</p>
--

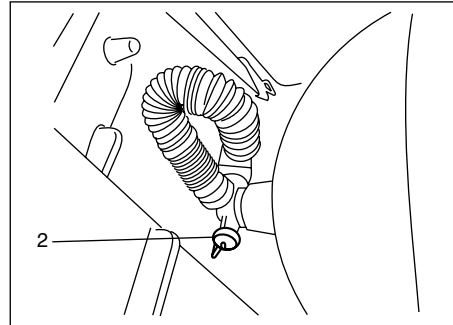
FOR VEHICLES FITTED WITH CNG FUEL SYSTEM

CNG CYLINDER WARNING LABEL



You may find this label on the CNG cylinder.

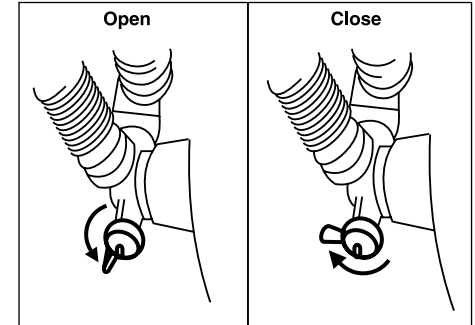
left hand side of the CNG cylinder.



MANUAL SHUT-OFF VALVE OPERATION

CNG supply can be switched off by closing

the manual shut-off valve.



Valve closing: Turn the knob completely in clockwise direction to close the CNG supply to Engine.

Valve opening: Turn the knob completely in anti-clockwise direction to open the CNG supply to Engine.

NOTE:

If the manual shut-off valve is not opened fully, then the engine may not run properly.

If the manual shut-off valve is in closed condition, it is not possible to fill CNG into the cylinder.

NOTE:

As per Government regulation, CNG cylinder needs to be checked and certified every three (3) years from the date of initial testing as mentioned on the CNG cylinder identification plate.

Customer has to present the vehicle to a government approved testing agency.

Failure to test the cylinder may result in denying of CNG filling by the CNG dispensing stations or may result in confiscating the vehicle by enforcement authorities.

All the expenses for CNG cylinder testing has to be borne by the customer.

As per Government regulation, CNG cylinder has to be discarded at 20 years from the date of initial testing as mentioned in the CNG cylinder identification plate.

Customer has to discard the cylinder at his / her expense through government approved scrap agencies.

No person shall refill any cylinder, which has been repaired under sub-rule (2) with any gas unless a full report on the repairs and test carried out on the cylinder, accompanied by the repairer's certificate of testing are furnished to the Chief Controller and his permission is obtained for its refilling.

⚠ WARNING

Never remove the cylinder valve from the cylinder assembly. For any assistance consult Maruti Suzuki authorized workshop.

Never try to clean the cylinder. In case of any problem, contact Maruti Suzuki authorized workshop.

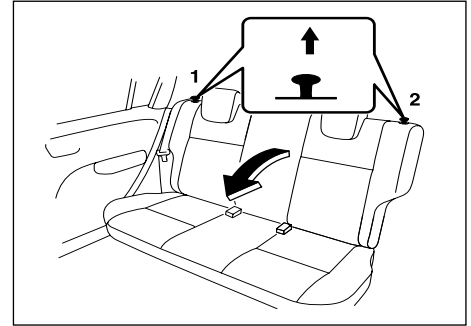
Do not reuse the cylinder valve, once it is replaced / removed from cylinder assembly.

Even if the CNG from the cylinder is consumed till engine stops, some amount of CNG will be left out in the tank under pressure.

LIST OF APPROVED CNG CYLINDERS TESTING STATIONS

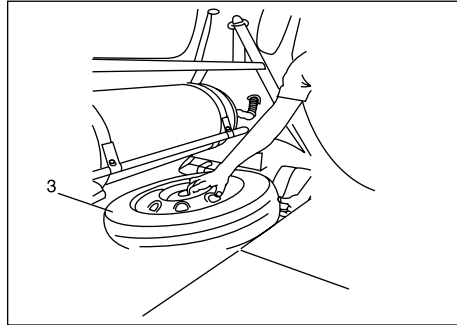
To obtain testing stations information visit the following internet website address :
 "www.peso.gov.in"

TYRE REMOVAL (For CNG vehicles)



- Fold the rear seat by pulling the knob on the top of each split seat (1 and 2) as shown, in order to access the spare wheel.

JACK REMOVAL



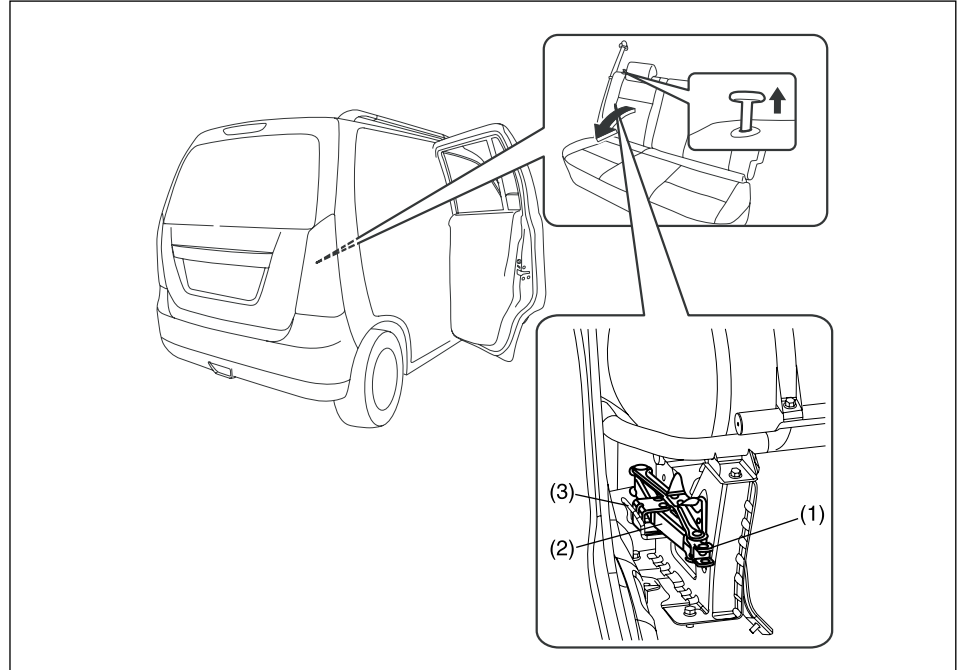
- Unscrew spare wheel screw in anti clockwise direction.
- Remove spare wheel (3) from the front side of vehicle as shown in the figure. Reverse the above procedure for fitting the spare wheel.

Note :

You may need to remove the rear head restraints (if equipped) in order to completely fold the rear seats

Spare wheel can only be removed from the front side of the vehicle.

It is recommended to remove the spare wheel first before removing the jack.

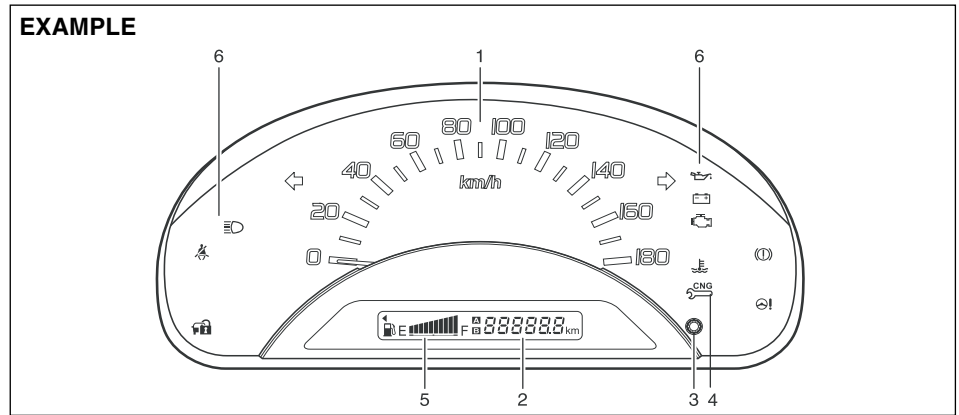


Jack is located behind rear right seat (small side) under CNG Cylinder as shown.

1. Fold the rear right seat in order to access the jack.
2. Rotate the knob (1) in Anti-clockwise direction to dis-engage jack (2) from bracket (3).
3. Reverse the removal process for fitment.

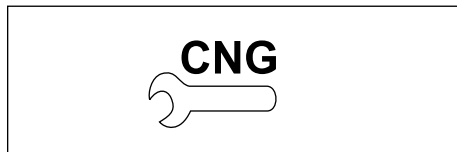
INSTRUMENT CLUSTER

- 1) Speedometer
- 2) Odometer / Tripmeter
- 3) Odometer / Tripmeter selector knob
- 4) CNG malfunction warning Indicator lamp
- 5) Fuel Indicator
- 6) Warning and Indicator lights (if equipped)



FOR VEHICLES FITTED WITH CNG FUEL SYSTEM

CNG MALFUNCTION WARNING LAMP



When the ignition switch is turned "ON", this CNG malfunction warning lamp comes on briefly, to check that the CNG system is troublefree.

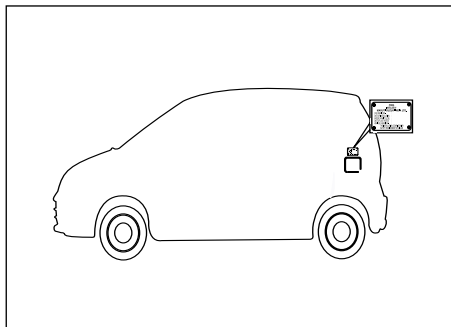
If CNG malfunction warning lamp glows continuously, with ignition "ON" there is some problem with the CNG system. Immediately get your vehicle checked by Maruti Suzuki authorized workshop.

If CNG malfunction warning lamp blinks during engine running, it means there is some problem in CNG system in which vehicle cannot continue running on CNG and automatically switchover to petrol mode. Have your vehicle checked at Maruti Suzuki authorized workshop.

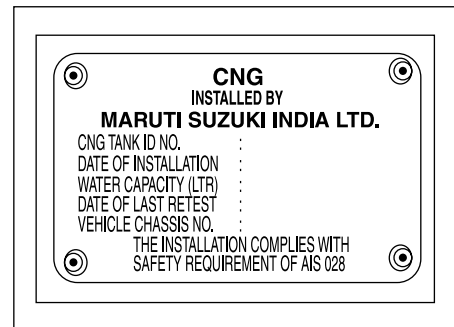
NOTE:

With ignition switch "ON" and engine not running, blinking of CNG malfunction warning lamp indicates that fuel lid is open. Vehicle will not start in this condition. Close the lid in order to start the vehicle.

KIT IDENTIFICATION

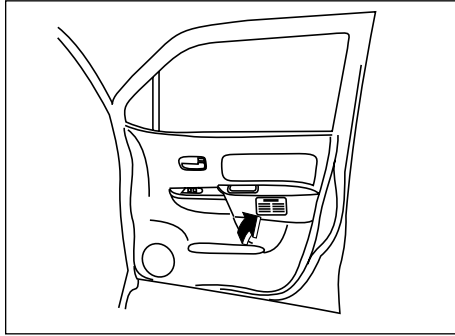


CNG cylinder identification number and CNG kit installation date is located above fuel filling area.

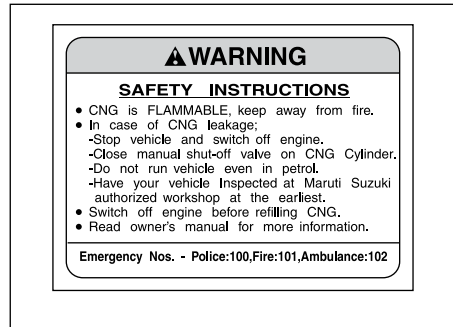
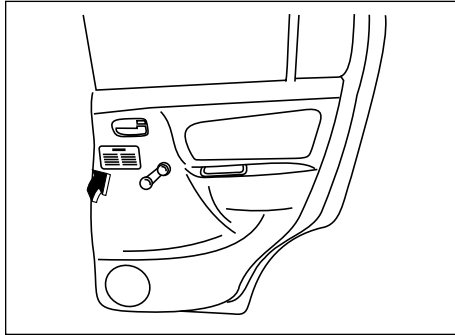


CNG WARNING LABEL

Front Driver door



Rear Right door



CNG warning label is located on front and rear Right side doors.

FOR VEHICLES FITTED WITH CNG FUEL SYSTEM

PERIODIC MAINTENANCE SCHEDULE

Kms (1 x 1000) Month	1	5	10	20	30	40	50	60	70	80	90	100
	1	6	12	24	36	48	60	72	84	96	108	120
All Joints (Gas leakage)	I	I	I	I	I	I	I	I	I	I	I	I
Coolant Hoses (Leakage, Damage)	I	I	I	I	I	I	I	I	I	I	I	I
All Fasteners Torque values	T	T	T	T	T	T	T	T	T	T	T	T
CNG reducer filter cartridge with O-Ring	-	-	-	-	-	R	-	-	-	R	-	-
CNG low pressure filter cartridge with O-Ring	-	-	-	R	-	R	-	R	-	R	-	R
CNG cylinder leak testing and certification	Every 3 years from the date of initial testing by govt. approved testing agency											
CNG filler receptacle O-Ring	Replace every 4 years or 300,000 Km, whichever comes earlier											

TTighten to Specified Torque

I.....Inspect and correct or replace if necessary

R.....Replace

Note:

This table includes services as scheduled up to 100,000 km mileage. Beyond 100,000 km, carry out the same services at the same intervals respectively.

For other maintenance details refer "Inspection & Maintenance" section in main Owner's Manual.

SPECIFICATIONS

Mass (Weight) (Kgs)	
Kerb Weight	950 - 960 Kgs
Gross Weight	1350 Kgs
Seating Capacity	5 persons
Fuel Capacity (litres)	
Petrol	35 L
<i>CNG (Water Filling Capacity)</i>	60 L

NOTE:

Specifications are subject to change without notice.

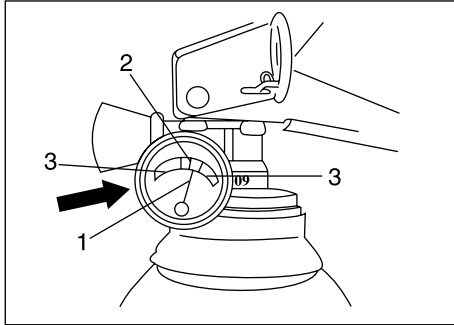
NOTE:

- 1) *It is recommended to run the vehicle on petrol mode for 5-10 kms after every 300-500 km run in CNG mode to keep fuel system in good condition.*
- 2) *Always keep minimum 5 litres of petrol in your petrol tank.*

FOR VEHICLES FITTED WITH CNG FUEL SYSTEM

FIRE EXTINGUISHER (if equipped)

Do's and Don'ts

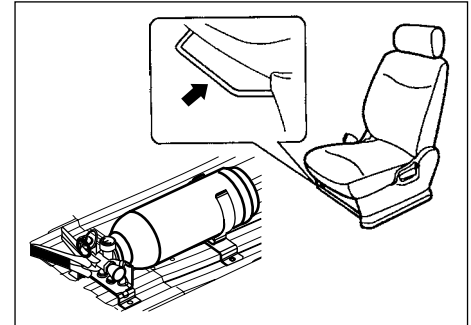


Do's

1. Check pressure gauge periodically. Max charging pressure is 15Kgf/cm² (in green zone (2)).
2. When pressure drops, indicator needle (1) will shift to the red zone (3). Immediately contact the fire extinguisher manufacturer as per the information provided on the fire extinguisher.
3. Get the fire extinguisher serviced only through the manufacturer service centre. Refer the information provided on the fire extinguisher to locate the nearest service centre.
4. Ensure that the Fire extinguisher is always kept at its prescribed position in the vehicle.
5. Refill the fire extinguisher immediately after use.

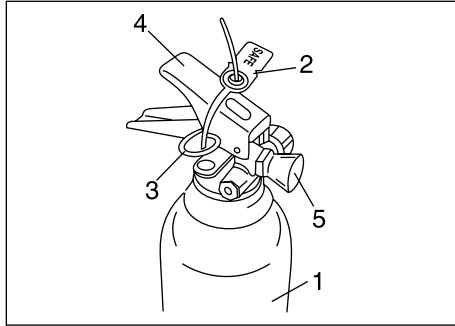
Don't

- Do not use water for cleaning fire extinguisher. (Use clean cloth for removing dust)
- Do not rely on used or discharged fire extinguisher.



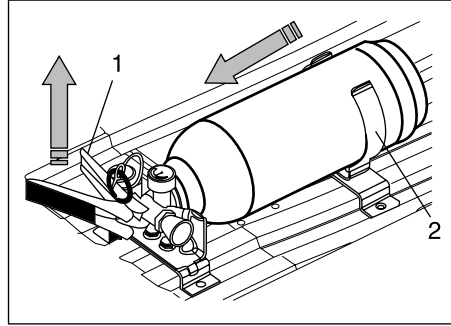
Fire extinguisher is located below co-passenger's seat.

PARTS DESCRIPTION



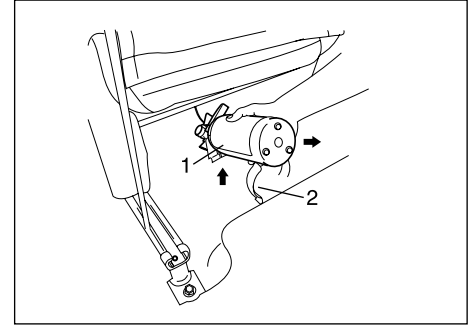
- 1) Fire extinguisher cylinder
- 2) Seal
- 3) Safety Pin
- 4) Lever
- 5) Nozzle

REMOVAL PROCEDURE (from front seat)



Lift Lever (1) of fire extinguisher slightly upwards and pull the fire extinguisher in the direction as shown in the figure, in order to disengage it from clamp (2).

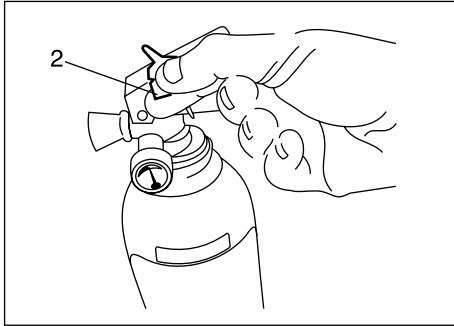
REMOVAL PROCEDURE (from rear seat)



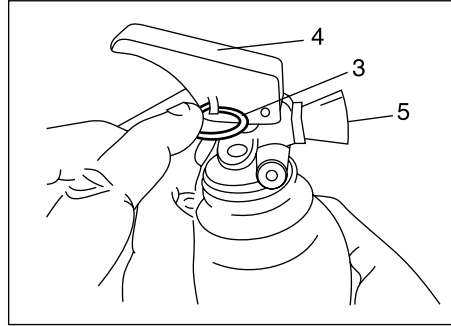
Hold the body of fire extinguisher (1) and lift it up in order to disengage it from clamp (2) as shown. Pull it out towards yourself.

FOR VEHICLES FITTED WITH CNG FUEL SYSTEM

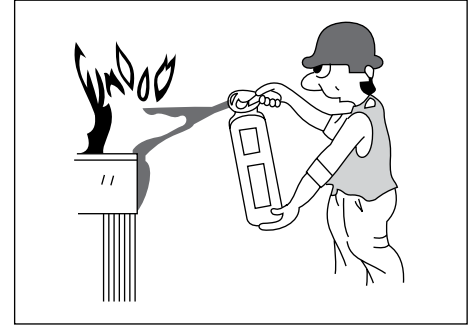
PROCEDURE OF OPERATION



1. Hold the fire extinguisher (1) upright.
2. Break seal (2) by rotating the safety pin (3).



3. Pull Safety pin (3)
4. Squeeze lever (4) and direct the jet from nozzle (5) towards the near edge of the fire with a rapid (fast) sweeping motion.

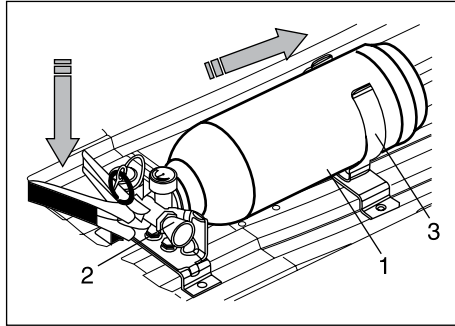


5. Drive the fire towards the far edge until flames are extinguished.

NOTE:

Fire extinguisher is only meant for small fire caused in vehicle by external source only.

FITMENT PROCEDURE



Insert the body of fire extinguisher (1) in to the clamp (3) and place the nozzle (2) carefully downwards, on the clamp

NOTE:

Ensure that the nozzle of fire extinguisher is properly seated on the clamp.

REFILLING SCHEDULES

1. Refilling is necessary after every use.
2. Fire extinguisher needs refilling after every 3 years even if it is not used.

