

# **TOUR M**

## OWNER'S MANUAL

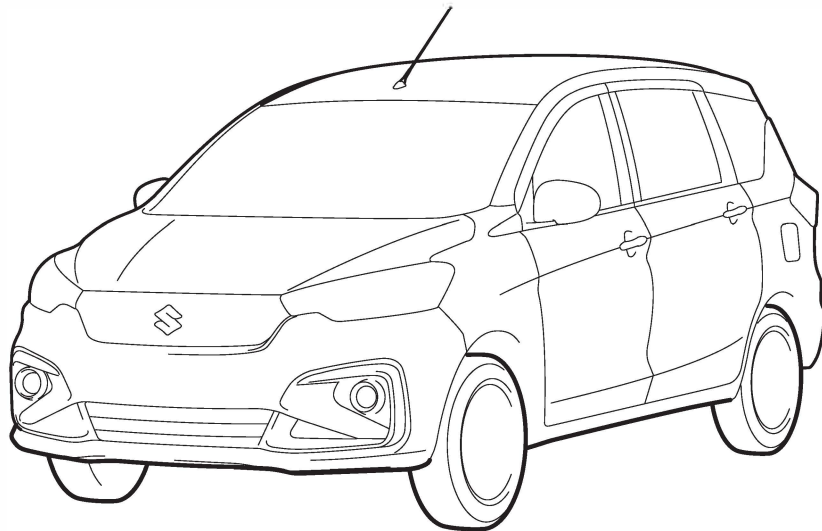
For vehicle fitted with CNG fuel system, use Tour M CNG Supplementary Owner's Manual, available with the vehicle.

Refer for vehicle usage at all times.

Contains Warranty policy and important information on Safety, Operation & Maintenance.

Part No. 99011M72R84-74W  
July, 2024 (ENG.)

This Owner's Manual applies to TOUR M models. produced by  
MARUTI SUZUKI INDIA LIMITED.



Note : The illustrated Model is one of the TOUR M series  
Accessories shown in the picture are not part of standard equipment

© Copyright 2024 **Maruti Suzuki India Limited**. All rights reserved.  
No part of this manual can be reproduced in any manner whatsoever or transmitted  
in any form or by any means without prior written consent of Maruti Suzuki India Limited.

---

## FOREWORD

The digital Owner's Manual is an essential part of your vehicle a rich document which familiarizes you with the vehicle by providing information such as features, warnings, operations and equipment description etc. Please read this manual carefully before operating your new MARUTI SUZUKI vehicle and review the manual from time to time. It is recommended to download this manual (from "Maruti Suzuki Rewards" mobile application with your registered mobile number) and save a soft copy of the same for easy access all times. Please visit MARUTI SUZUKI authorised workshop for availing any service.

To prolong the life of your vehicle and reduce maintenance cost, the periodic maintenance must be carried out according to "PERIODIC MAINTENANCE SCHEDULE" described in "INSPECTION AND MAINTENANCE" section of this manual. It is essential for preventing trouble and accidents to ensure your satisfaction and safety.

Daily inspection and care as per "DAILY INSPECTION CHECKLIST" described in the "OPERATING YOUR VEHICLE" section of this manual is essential for prolonging the life of the vehicle and for safe driving.

Vehicle and the available features/accessories therein should be used and plied by the owner/user in accordance with the applicable legal requirements.

MARUTI SUZUKI INDIA LIMITED believes in conservation and protection of Earth's natural resources.

To that end, we encourage every vehicle owner to recycle, trade-in or properly dispose of, as appropriate, used Engine Oil, coolant and other fluids, batteries and tyres etc.

### MARUTI SUZUKI INDIA LIMITED

---

**All information in this manual is based on the latest product information available at the time of publication. Due to improvements or other changes, there may be discrepancies between information in this manual and your vehicle. MARUTI SUZUKI INDIA LIMITED reserves the right to make production changes at any time, without notice and without incurring any obligation to make the same or similar changes to vehicles previously built or sold.**

**This vehicle may not comply with standards or regulations of other countries. Before attempting to register this vehicle in any other country, check all applicable regulations and make any necessary modifications.**

---

## IMPORTANT

### **▲ WARNING/ ▲ CAUTION/NOTICE/ NOTE**

Please read this manual and follow its instructions carefully. To emphasize special information, the symbol and the words **WARNING**, **CAUTION**, **NOTICE** and **NOTE** have special meanings. Pay particular attention to messages highlighted by these signal words:

#### **▲ WARNING**

Indicates a potential hazard that could result in death or serious injury.

#### **▲ CAUTION**

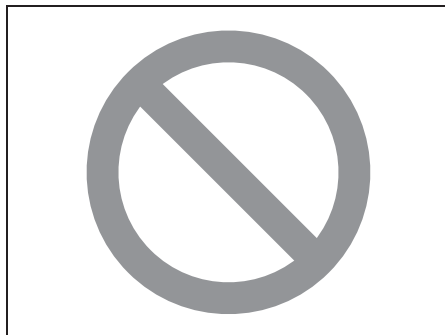
Indicates a potential hazard that could result in minor or moderate injury.

#### **NOTICE**

Indicates a potential hazard that could result in vehicle damage.

#### **NOTE:**

Indicates special information to make maintenance easier or instructions clearer.



75F135

The circle with a slash in this manual means “Don’t do this” or “Don’t let this happen”.

#### **NOTE:**

- Words like *car*, *model/variant* are invariably used in this manual to denote the “Vehicle”.
- Pictorial representations used in this manual are for reference purposes only.

## MODIFICATION WARNING

### **▲ WARNING**

Do not modify your vehicle. Modification could adversely affect safety, handling, performance, or durability and may violate governmental regulations. In addition, damage or performance problems resulting from modification shall not be covered under warranty.

### **NOTICE**

Improper installation of mobile communication equipment such as cellular telephones, CB (Citizen’s Band) radios may cause electronic interference with your vehicle’s ignition system, resulting in vehicle performance problems. Consult your Maruti Suzuki authorised workshop or qualified service technician for advice on installing such mobile communication equipment.

### **NOTICE**

The diagnostic connector of your vehicle is prepared only for the specific diagnostic tool for inspection and service purpose. Connecting any other tool or device may interfere with electronic parts operations and cause running out of batteries.

# “WARNING”



Vehicle may **break-down**, meet with an **accident** or **catch fire** due to

1. Installation of
  - High wattage bulbs
  - Non genuine lamps / horns
  - Modified suspension / wheels
  - Non genuine parts / accessories etc.
2. Retrofitment of LPG / CNG fuel systems/kits.
3. Usage of domestic LPG.
4. Short circuiting due to tampering of wiring harness.

**CAUTION: DO NOT STORE OR CARRY INFLAMMABLE MATERIALS IN THE VEHICLE.**



Avoid driving into or starting the vehicle in a heavily water logged area. Vehicle may **break-down** or engine may fail due to

1. Water entry into the engine (which may lead to hydrostatic lock).
2. Short circuiting of the electrical systems.

**If the vehicle is stuck in deep water, do not start / crank the vehicle until the level of water drops below the level of exhaust pipe.**

**NOTE:**

**IF THE VEHICLE IS SUBMERGED IN WATER, REPORT TO THE NEAREST AUTHORIZED WORKSHOP.**

# “CAUTION”

1. Retro-fitment of LPG / CNG kit may deteriorate vehicle performance, reduce engine & engine related component's life and also warranty will be null and void for such vehicles.
2. Do not use domestic LPG/LPG cylinder for your factory fitted LPG vehicles.
3. Usage of domestic LPG for running vehicles is prohibited as per law.
4. Do not remove company fitted LPG/CNG kit to install some other kit. It may affect vehicle performance and may cause fire.
5. Drive slowly on wet roads. Tires may slip while braking at higher speeds due to aquaplaning.(reduced contact area between tire and road due to presence of water)
6. Do not leave engine running in garages or confined areas, with passengers inside. This may result in accumulation of carbon-monoxide in cabin and may lead to suffocation or breathing problems.
7. Do not park vehicle on dry leaves or grass. This may lead to fire due to hot catalytic converter, igniting the dry leaves/grass.
8. If the vehicle is equipped with CNG/LPG, ensure availability of fire extinguisher in the vehicle all the time.
9. Always wear seat belt at all the times.
10. Do not use mobile phone while driving.
11. Avoid Smoking in the car, live bud thrown in car may cause fire.
12. Do not put any body part under the vehicle when it is supported on a Jack.
13. Do not use non-genuine accessories in your vehicle.
14. Do not fit accessories from unauthorized workshops/sources.
15. Usage of non-approved electrical accessories in your vehicle may result in spark, fire or personal injury.
16. Do not use camphor, incense sticks inside cabin room. Doing so may cause fire.
17. Avoid usage of cellular phones while refueling. Electric current and/or electronic interference from cellular phones can potentially ignite fuel vapors and cause fire.
18. Avoid entry inside vehicle immediately once after you have begun refueling. You can generate a build up of static electricity by touching, rubbing or sliding against any item or fabric capable of producing static electricity. Static electricity discharge can ignite fuel vapors and may causing a fire.
19. Do not check the engine room / open the hood near the fire area (Outside the vehicle). Fuel, washer fluid, etc. are flammable oils that may cause fire.
20. Avoid driving when vehicle has met with an accident . Before driving, Please contact with authorized MSIL dealership.

---

## To experience and use the Digital Owner's Manual, download Maruti Suzuki app



**Maruti Suzuki Rewards** app ensures a hassle free car ownership experience. Get easy access to all the services and information you need by downloading the app



### How to download Owners manual from Maruti Suzuki application

Step 1: Download "Maruti Suzuki Rewards" application from apple app store / google play store on your mobile phone

Step 2: Input registered mobile number and the OTP received from SMS

Step 3: Select "S-Assist BOT" icon and click "View Owner's Manual" to access digital Owner's Manual

Step 4: Click "Down Arrow" download and save Owner's Manual on your mobile phone

Now, the Owner's Manual is available on your mobile phone for reference at all times.

(For assistance, contact **Maruti Suzuki authorised workshop**)

---

## WARRANTY POLICY

Maruti Suzuki India Limited (hereinafter called "Maruti Suzuki"), warrants that each new Maruti Suzuki vehicle distributed in India by Maruti Suzuki and sold by a Maruti Suzuki authorised dealer will be free, under normal use and service, from any defects in material and workmanship at the time of manufacture SUBJECT TO THE FOLLOWING TERMS AND CONDITIONS:

### (1) Qualification:

To qualify for this warranty the vehicle must be delivered by a Maruti Suzuki authorised dealer and set-up, and serviced by a Maruti Suzuki authorised workshop.

### (2) Term:

**The term of the warranty shall be Thirty-Six (36) months or 1,00,000 kilometers (whichever occurs first) from the date of invoice to the first owner.**

#### NOTE:

*Maruti Suzuki offers warranty for the below parts in vehicle, if equipped, as follows:*

- *Lithium-ion battery, Integrated Starter Generator (ISG), Hybrid ECU, Inverter / Converter Unit, Power Management ECU - Sixty (60) months or 1,00,000 kilometers (whichever occurs first).*
- *Hybrid Electric Vehicle (HEV) Battery- Ninety six (96) months or 1,60,000 kilometers (whichever occurs first).*

### (3) Maruti Suzuki Warranty Obligation:

If any defect(s) should be found in a Maruti Suzuki vehicle within the term stipulated above, Maruti Suzuki's only obligation is to repair or replace at its sole discretion any part shown to be defective, with a new part or the equivalent at no cost to the owner for parts or labor, when Maruti Suzuki acknowledges that such a defect is attributable to faulty material or workmanship at the time of manufacture. Such defective parts, which have been replaced, will become the property of Maruti Suzuki. The owner is responsible for any repair or replacements which are not covered by this warranty. The decision of Maruti Suzuki shall be final & binding.

### (4) Limitation:

This warranty shall not apply to:

- (a) Normal maintenance service required other than the three free services, including without limitation, oil and fluid changes, Consumables, headlight aiming, fastener retightening, wheel balancing, wheel alignment and tyre rotation, cleaning of injectors, adjustments of clutch and valve clearance.
- (b) The normal wear of parts including without limitation, bulbs, tyres\* and tubes, spark plugs, belts, hoses, filters, wiper blades, brushes, contact points, fuses, clutch disc, brake shoes, brake pads, cable and all rubber parts (except oil seal and glass run).
- (c) Any vehicle which has been used for competition, rallies or racing.
- (d) Any repairs or replacement arising from accidents or collision.

(\* - If there is a complaint related to tyre, the customer may contact respective tyre manufacturer.)



- 
- (e) Any defect/ damage caused by misuse, negligence, abnormal use, insufficient care, vandalism, theft, riot, fire, flooding - not limited to entry of water in the components resulting in engine seizure, hydrostatic lock, etc. or external damages to the body/ components.
  - (f) Any damage resulting due to usage of adulterated fuel/ lubricants/ oil/ coolant/ fluids/ polishing products and fuel/ lubricants/ oil/ coolant/ fluids used other than those specified in the Owner's Manual.
  - (g) Any vehicle which has been modified or altered, including without limitation, the installation of performance accessories, enlargements of lights, other changes and external/ consequential reasons.
  - (h) Any vehicle on which parts or accessories not approved by Maruti Suzuki (Non-MSG A, Non-MSG P) have been used.
  - (i) Any vehicle which has not been operated in accordance with the operating instructions in this Owner's Manual and Service Booklet.
  - (j) Any vehicle which has not received the service inspections prescribed in this Owner's Manual and Service Booklet.
  - (k) Any vehicle which has been assembled, disassembled, adjusted or repaired by other than a Maruti Suzuki authorised workshop.
  - (l) Any vehicle which has been used for purposes other than what it was designed for.
  - (m) Any damage or deterioration caused by airborne fallout, industrial fallout, acid rain, hail or hail storm, wind storm, lightning, bird droppings, rodents bite / rat bite and such other thing that result in damage to the vehicle.
  - (n) Insignificant defects which do not affect the function of the vehicle including without limitation, sound, vibration and fluid seep.
  - (o) Any natural wear and tear including without limitation, ageing, wear & tear or deterioration such as discoloration, fading, deformation or blurring and fabric discoloration.
  - (p) Installation and usage of domestic LPG gas/LPG Cylinder.
  - (q) V-belts, hoses and gas leaks.
  - (r) Any vehicle retrofitted with LPG/CNG kits.
  - (s) Repainting including patchwork, bodywork and mouldings and interior trims.
  - (t) Corrosion, rusting of body parts and/ or components.
  - (u) Any vehicle on which odometer has been changed unauthorisedly or odometer reading has been modified/ tampered with/ or not matching the service records.
  - (v) The damage(s) caused to the vehicle being unattended despite knowledge that the defect exists and ignorance by the owner/ user of the vehicle.
  - (w) Any damage(s) caused to vehicle including battery/ tyre due to parking of the vehicle in idle condition for long duration of time periods.
  - (x) Any vehicle on which the retro-fitment is not authorized and/ or type approved as per the standards prescribed by the relevant authority including but not limited to Automotive Standards of India.
  - (y) Any vehicle on which the retro-fitment is such which directly or indirectly causes any damage to the vehicle or affects the functions of the vehicle in any manner whatsoever.

---

### **(5) Extent of Warranty:**

This warranty is the entire written warranty given by Maruti Suzuki for Maruti Suzuki vehicles and no dealer or its or his agent or employee is authorised to extend or enlarge this warranty and no dealer or its or his agent or employee is authorised to make any oral warranty or representation or assurance on behalf of Maruti Suzuki.

Maruti Suzuki reserves the right to add any improvements or change the design of any model at any time with no obligation to make the same changes on units previously sold.

### **(6) Warranty Service:**

To obtain warranty service, the complete vehicle must be presented at the owner's expenses to Maruti Suzuki authorised workshop.

The customer shall be responsible for his belongings or accessories fitted in the vehicle at the time of presenting the vehicle for service and no claim shall be entertained in any manner under any circumstances.

### **(7) Owner's Warranty Responsibilities:**

<b>NOTICE</b>
<b>The owner shall not use the vehicle in a damaged condition and report the same immediately to the nearest Maruti Suzuki authorized workshop. This would result in early inspection and repair of the vehicle and any possible harm to the person or aggravation of damage to the vehicle can be prevented.</b>

It is responsibility of each owner to:

- Have performed, at his own expenses, by a Maruti Suzuki authorised workshop all the service inspections specified in the Owner's Manual described in "INSPECTION AND MAINTENANCE" SECTION".
- Should you resell the vehicle, please guide the new users/ owners to download this manual (from "Maruti Suzuki Rewards" mobile application with your registered mobile number). Also the soft copy of the manual must be passed on to new users/ owners when resold or otherwise transferred.

If the Owner's Manual is lost due to any reason, the owner or user may download a soft copy of the same (from "Maruti Suzuki Rewards" mobile application with the mobile number) and save it for easy access at any point of time.

### **(8) Disclaimer of Consequential Damage:**

Maruti Suzuki assumes no responsibility for loss of vehicle, loss of time, inconvenience or any other indirect incidental or consequential damage resulting from the vehicle not being available to the owner because of any defect covered by this warranty.

### **(9) Change of Owner**

Even if ownership of the vehicle changes, the remaining warranty period is effective for the new owner.

This warranty is applicable only in India and not transferable to any other country.

**NOTE:**

*Notwithstanding the warranty obligations, Maruti Suzuki may reuse reworked (refurbished) parts for undertaking rectification of recalled vehicles in terms of applicable laws.*

---

## EMISSION WARRANTY POLICY

Maruti Suzuki offers the Emission Warranty on all Maruti Suzuki vehicles (apart from the Regular Warranty and will run parallel to the regular product warranty) only in four metropolitan cities (**New Delhi, Kolkata, Mumbai and Chennai**) with effect from July 1st, 2001.

### Terms:

The Emission Warranty will be applicable for **80,000 kms or 3 years** (Whichever comes earlier) from the date of invoice to the first owner. The remaining warranty terms will be valid in case of any change in ownership provided the production of all valid documents.

### Conditions:

1. Under Emission Warranty, Warranty claims will be admitted for a prima-facie examination, in case vehicle fails to meet the Emission Standard as specified in sub rule (2) of rule no. 115 of Central Motor Vehicles Rules (CMVR), 1989.
2. The warranty claims will only be accepted after examination carried out by Maruti Suzuki or Maruti Suzuki authorised workshop which leads to firm conclusions that the
  - a) Original settings have not been tampered in any case.
  - b) Part (as given in Annexure - A) has a manufacturing defect.
  - c) Vehicle is unable to meet the Emission Standards (as given in 1.), inspite of the vehicle having been maintained and used in accordance with the instructions as specified in Owner's Manual and Service Booklet and the used fuel and different oils (Engine oil, Transmission oil, Brake oil etc.) are also as per specification.
3. The method of examination for deciding the warranty of the parts will be at the sole discretion of Maruti Suzuki and Maruti Suzuki authorised workshop and results of the examination will be final and binding. If after examination, the warrantable condition is not established, Maruti Suzuki and Maruti Suzuki authorised workshop has the right to charge all, or part of the cost of such examination.
4. Under Emission Warranty, the parts (as given in Annexure - A) will be changed free of cost, but the consumables will be charged as per actual.
5. If the part covered under Emission Warranty or the associated parts, are not independently replaceable, on account of these being integral parts of a complete assembly, Maruti Suzuki and Maruti Suzuki authorised workshop will have the sole discretion to replace either the entire assembly or by using some of the parts of the system through suitable repairs or modifications.
6. Any consequential repairs or replacement of parts which may be found necessary to establish compliance of Emission Warranty, will not be considered under warranty, unless the same is under product warranty. The consumable will be charged as per actual under such repair or replacement.
7. Maruti Suzuki will not be responsible for the cost of transportation of the vehicle to the nearest Maruti Suzuki authorised workshop or any loss due to non-availability of the vehicle during the period of lodging of a warranty claim and examination and/or repair by Maruti Suzuki authorised workshop.
8. Maruti Suzuki will not be responsible for any penalty that may be charged by statutory authorities on account of failure to comply with the EMISSION STANDARDS.
9. Emission Warranty will not be affected by the change of owner, provided all the documents are available.

- 
10. All maintenance actions (as specified in the Owner's Manual need to be followed for emission warranty.
  11. The customer needs to produce the PUC (Pollution Under Control) certificate valid for the period preceding the test during which the failure is discovered. The records/receipts (for the maintenance of the vehicle as per maintenance schedule specified in the Owner's Manual and Service Booklet from the date of original purchase of the vehicle) will also be required.

**NOTE:**

*To keep the engine running at idle speed (for strong hybrid model, if equipped) switch to maintenance mode by performing following steps within 60 seconds:*

- *Turn the ignition switch to ON*
- *Move the shift lever to P or select park (P) and fully depress the accelerator pedal twice*
- *Move the shift lever to N or select neutral (N) and fully depress the accelerator pedal twice*
- *Move the shift lever to P or select park (P) and fully depress the accelerator pedal twice.*
- *Start the engine by turning the ignition switch ON (READY) while depressing the brake pedal.*
- *Check that the 2WD maintenance mode message is displayed on the multi-information display.*
- *Post completion of test:*
- *Turn the Ignition Switch OFF and wait for at least 30 seconds, the hybrid system will turn off.*
- *After deactivating maintenance mode, turn the Ignition Switch ON and check corresponding message is no longer displayed.*

**Conditions under which the Emission Warranty is not APPLICABLE**

1. In the absence of valid PUC certificate.
2. Vehicle not serviced from Maruti Suzuki authorised workshop as per the schedule specified in the Owner's Manual.
3. Vehicle subjected to abnormal use (accident, motor race, rallies or for the purpose of establishing the records etc).
4. Use of non MSGP (Maruti Suzuki Genuine Part).
5. Vehicle that has been tampered with.
6. Tampering with odometer so that the actual kilometer reading cannot be determined.
7. Use of adulterated fuel and/or unspecified oils (Engine oil, Transmission oil and Brake oil etc).

---

## **Annexure - A**

List of parts (if applicable) covered under Emission Warranty

1. Fuel Injection Assembly, Pressure Regulator, Throttle Body Assembly.
2. ECM (Electronic Control Module).
3. Intake Manifold.
4. EGR valve.
5. Ignition Coil.
6. Canister Assembly.
7. Vapour Liquid Separator.
8. Fuel Tank and Filler Cap.
9. PCV (Positive Crankcase Ventilation) Valve.
10. Oil Filler Cap.
11. Catalytic Converter.
12. Exhaust Manifold.
13. All Fuel Injection System related Sensors.
14. High Pressure Fuel Pump.
15. Glow Plug.
16. Glow Plug Controller.



---

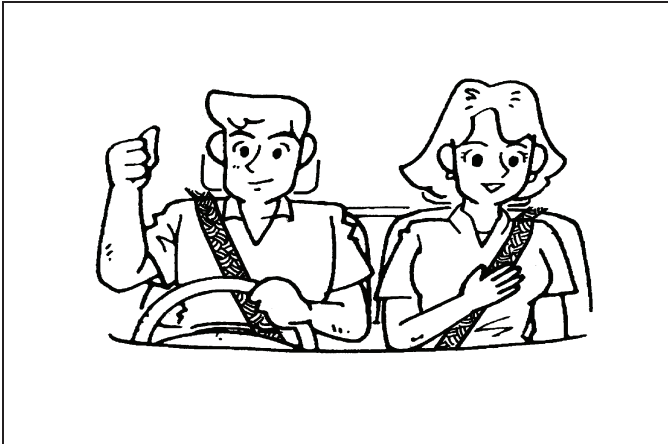
## TABLE OF CONTENTS

<b>FOR SAFE DRIVING</b>	<b>1</b>
<b>BEFORE DRIVING</b>	<b>2</b>
<b>OPERATING YOUR VEHICLE</b>	<b>3</b>
<b>DRIVING TIPS</b>	<b>4</b>
<b>OTHER CONTROLS AND EQUIPMENT</b>	<b>5</b>
<b>INSPECTION AND MAINTENANCE</b>	<b>6</b>
<b>EMERGENCY SERVICE</b>	<b>7</b>
<b>APPEARANCE CARE</b>	<b>8</b>
<b>SPECIFICATIONS</b>	<b>9</b>
<b>SERVICE NETWORK</b>	<b>10</b>





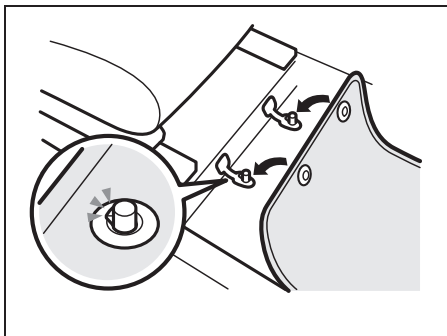
# FOR SAFE DRIVING



65D231S

- Floor Mats ..... 1-1
- Front Seats ..... 1-1
- Rear Seats ..... 1-3
- Seat Belts and Child Restraint Systems ..... 1-8
- Child restraint system ..... 1-20
- Supplemental Restraint System (airbags) ..... 1-26
- Exhaust Gas Warning ..... 1-34

### Floor Mats



60MK020

To prevent the driver's side floor mat from sliding forward and possibly interfering with the operation of the pedals, MARUTI SUZUKI genuine floor mats are recommended.

Whenever you put the driver's side floor mat back in the vehicle after it has been removed, be sure to hook the floor mat grommets to the fasteners and position the floor mat properly in the footwell.

When you replace the floor mats in your vehicle with a different type such as all-weather floor mats, we highly recommend using MARUTI SUZUKI genuine floor mats for proper fitting.

#### **⚠ WARNING**

Failure to take the following precautions may result in the driver's side floor mat interfering with the pedals and causing a loss of vehicle control or an accident.

- Make sure that the floor mat grommets are hooked to the fasteners.
- Never stack floor mats.
- Never use a floor mat which does not fit the floor as the same may cause hindrance/damage in vehicle and its functioning.
- Never use damaged floor mats.

### Front Seats

#### Seat Adjustment

#### **⚠ WARNING**

Never attempt to adjust the driver's seat or seatback while driving. The seat or seatback could move unexpectedly, causing loss of control. Make sure that the driver's seat and seatback are properly adjusted before you start driving.

#### **⚠ WARNING**

To avoid excessive seat belt slack, which reduces the effectiveness of the seat belts as a safety device, make sure that the seats are adjusted before the seat belts are fastened.

#### **⚠ WARNING**

Do not place any object under the front seat. If an object becomes caught under the front seat, the following may occur.

- The seat will not be latched.
- Also the lithium-ion battery located under the front left side seat, in a model equipped with ENG A-STOP system, will be damaged.

**⚠ WARNING**

Do not leave cigarette lighters or spray cans on the floor. If a cigarette lighter or spray can is on the floor, it may light accidentally when luggage is loaded or the seat is adjusted, causing a fire.

**Adjusting Seat Position**



73R0032

The adjustment lever for each front seat is located under the front of the seat. To adjust the seat position, pull up on the adjustment lever and slide the seat forward or rearward. After adjustment, try to move the seat forward and rearward to ensure that it is securely latched.

**Adjusting Seatbacks**

**⚠ WARNING**

All seatbacks should always be in an upright position when driving, or seat belt effectiveness may be reduced. Seat belts are designed to offer maximum protection when seatbacks are in the upright position.

**NOTE:**

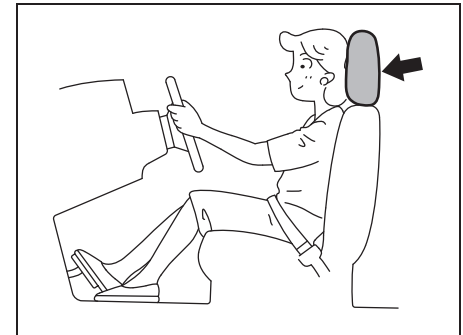
To operate the seat back smoothly, pull the seat back adjustment lever in upward direction. Ensure to move seat back only after lever is moved to fully up position. After adjustment of seat back, release the lever gently. Check that seat back is locked by moving it forward and backward.



72R0133

To adjust the seatback angle of front seats, pull up the lever on the outboard side of the seat, move the seatback to the desired position, and release the lever to lock the seatback in place.

**Head Restraints**



63J246

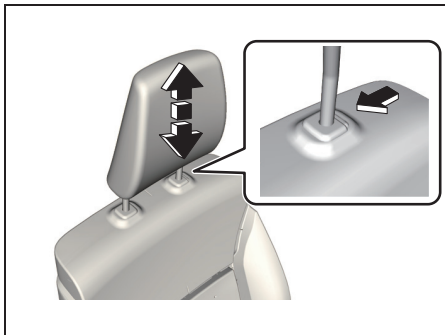
Head restraints are designed to help reduce the risk of neck injuries in the case of an accident. Adjust the head restraint to the position which places the center of the head restraint closest to the top of your ears. If this is not possible for very tall passengers, adjust the head restraint as high as possible.

### **⚠ WARNING**

- Never drive the vehicle with the head restraints removed.
- Do not attempt to adjust the head restraint while driving.

#### *NOTE:*

*It may be necessary to recline the seatback to provide enough overhead clearance to remove the head restraint.*



73R0035

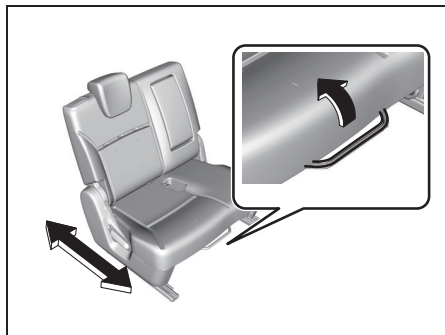
To raise the front head restraint, pull upward on the restraint until it clicks. To lower the restraint, push down on the restraint while holding in the lock lever. If a head restraint must be removed (for cleaning, replacement, etc.), push in the lock lever and pull the head restraint all the way out.

## Rear Seats Seat Adjustment

### **⚠ WARNING**

To avoid excessive seat belt slack, which reduces the effectiveness of the seat belts as a safety device, make sure that the seats are adjusted before the seat belts are fastened.

## Adjusting Seat Position (for 2nd row seats)



72R0024

The adjustment levers for 2nd row seats are located under the front of the seats. To adjust the seat position, pull up on the adjustment lever and slide the seat forward or rearward.

After adjustment, try to move the seat forward and rearward to ensure that it is securely latched.

### **NOTICE**

When the 3rd row seat is folded forward, adjust the 2nd row seat not to reach the 3rd row seat.

## Adjusting Seatbacks

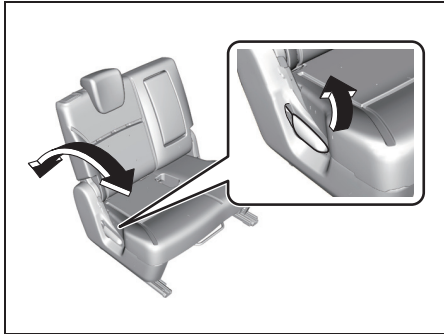
### **⚠ WARNING**

All seatbacks should always be in an upright position when driving, or seat belt effectiveness may be reduced. Seat belts are designed to offer maximum protection when seatbacks are in the upright position.

#### *NOTE:*

*To operate the seat back smoothly, pull the seat back adjustment lever in upward direction. Ensure to move seat back only after lever is moved to fully up position. After adjustment of seat back, release the lever gently. Check that seat back is locked by moving it forward and backward.*

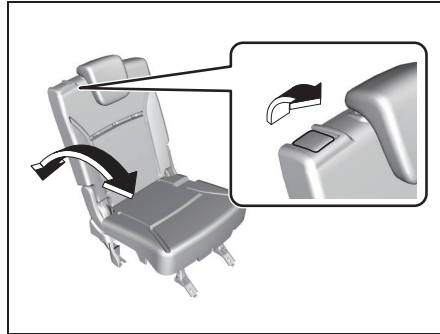
For 2nd row seats



72R0025

To adjust the seatback angle of 2nd row seats, pull up the lever on the outboard side of the seat, move the seatback to the desired position, and release the lever to lock the seatback in place.

For 3rd row seats



73RS017

To adjust the seatback angle of 3rd row seats, lift up the release lever, move the seatback to the desired position, and return the lever to lock the seatback in place.

**⚠ WARNING**

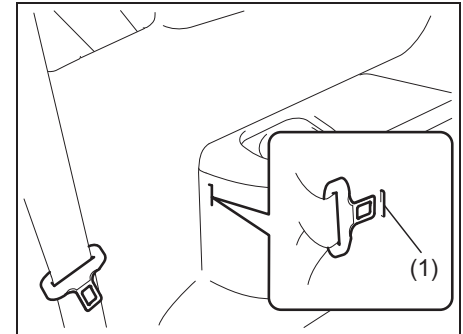
**Do not pull down the backrest more than required, the seat belt cannot show full effect.**

**NOTICE**

Adjust the 3rd row seat after getting down from the seat. If the release lever is pulled while being seated, the backrest will suddenly collapse to max angle.

Pull the release lever fully. If the seat is made to collapse without the lock being released, movement of lock will become heavy.

**Walk-in Type Seats  
(for 2nd row seats)**

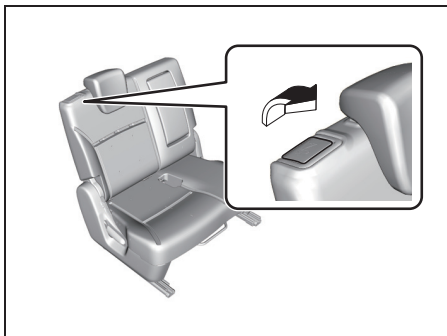


73R0038

**NOTE:**

To enter to or exit from the 3rd row seat, insert the tongue plate of the buckle into the part (1) before moving the 2nd row seat.

## FOR SAFE DRIVING



72R0026

The walk-in type seat can be moved to provide easy entry to and exit from the 3rd row seats. You can move a walk-in seat by lifting up the release lever and pushing the seatback forward.

### **⚠ WARNING**

- After using the walk-in function, be sure to return the folded seat back to an upright position.
- Before returning a walk-in seat to its normal seating position, make sure that the feet of the passenger in the 3rd row seat are out of the way.
- After returning the seat to its normal seating position, make sure it is securely latched.

### **NOTICE**

Release lever is meant for easy entry purpose only. Not to be used for adjusting seatback.

### **Head Restraints**

Head restraints are designed to help reduce the risk of neck injuries in the case of an accident.

### **⚠ WARNING**

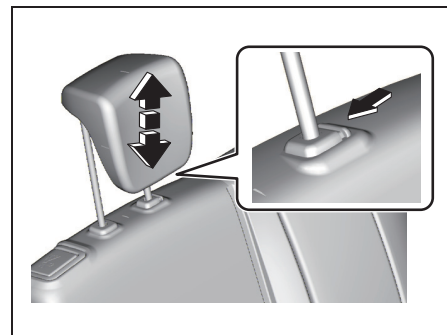
- Never drive the vehicle with the head restraints removed.
- Do not attempt to adjust the head restraint while driving.

#### **NOTE:**

*It may be necessary to fold forward the seatback to provide enough overhead clearance to remove the head restraint.*

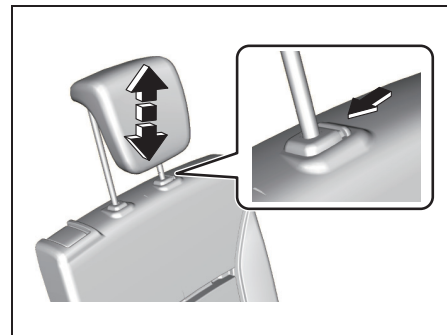
Adjust the head restraint to the position which places the center of the head restraint closest to the top of your ears. If this is not possible for very tall passengers, adjust the head restraint as high as possible.

### **2nd row seats**



72R0134

### **3rd row seats**



73R0040

To raise the rear head restraint, pull upward on the restraint until it clicks. To lower the restraint, push down on the

restraint while holding in the lock lever. If a head restraint must be removed (for cleaning, replacement, etc.), push in the lock lever and pull the head restraint all the way out.

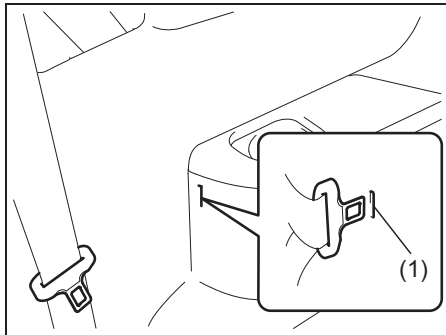
When installing a child restraint system, raise the head restraint to the most upper position.

### Folding Rear Seats

The rear seat of your vehicle can be folded forward to provide additional cargo space.

#### 2nd row seats

To fold the 2nd row seat forward:

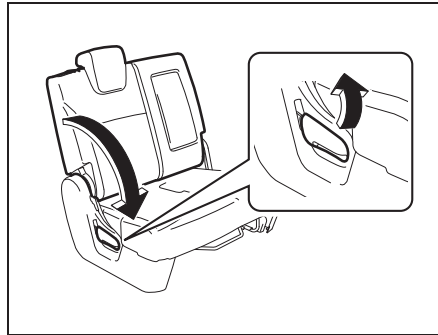


73R0038

- 1) Insert the tongue plate of the buckle into the part (1)

<b>NOTICE</b>
<ul style="list-style-type: none"> <li>• When you move a seatback, make sure the tongue plate of the buckle is inserted in the seat belt catch hole so the seat belts are not caught by the seatback, seat hinge, or seat latch. This helps prevent damage to the belt system.</li> <li>• Make sure the belt webbing is not twisted.</li> </ul>

- 2) Lower the head restraint fully.
- 3) Store the seat belt buckles in the seat cushion slit.



72R0027

- 4) Pull up the lever on the outboard side of the seat, and fold the seatback forward.

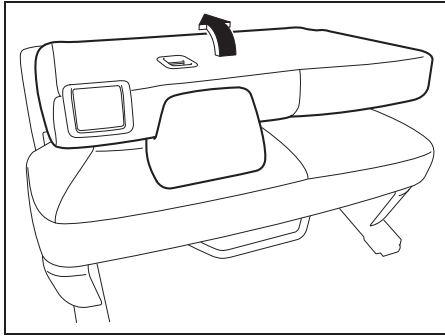
<b>NOTICE</b>
<p>When the 2nd row seat head restraint reaches the front seatback, slide the front seat forward.</p>

<b>⚠ WARNING</b>
<p>If you need to carry cargo in the passenger compartment with the 2nd row seatback folded forward, be sure to secure the cargo or it may be thrown about, causing injury. Never pile cargo higher than the seatback.</p>

To return the seat to the normal position, follow the procedure below.

<b>NOTICE</b>
<p>When you move a seatback, make sure the tongue plate of the buckle is inserted in the seat belt catch hole so the seat belts are not caught by the seatback, seat hinge, or seat latch. This helps prevent damage to the belt system.</p>

## FOR SAFE DRIVING



73R0006

Raise the seatback until it locks into place.

### NOTE:

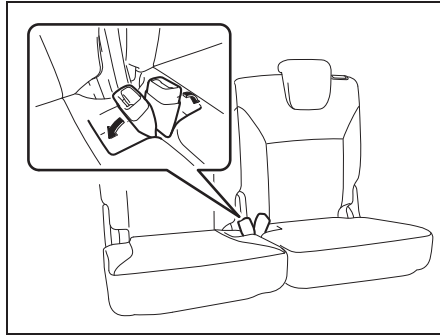
*When the seatback is locked in the folded position, pull up the lever on the outboard side of the seat to unlatch the seatback.*

After returning the seat, try moving the seatback to make sure they are securely latched.

### 3rd row seats

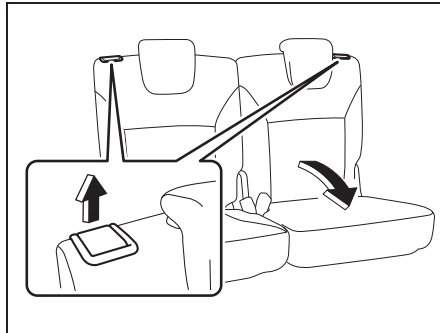
To fold the 3rd row seat forward:

- 1) Lower the head restraint fully.



73R0207

- 2) Stow the seat belt buckles of the right and left seating position into the pocket of the seat cushion as shown in the illustration.



73R0007

- 3) Lift up the release lever on the top of seat, and fold the seatback forward.

### NOTICE

When the 3rd row seat head restraint reaches the 2nd row seatback, slide the 2nd row seat forward.

### NOTICE

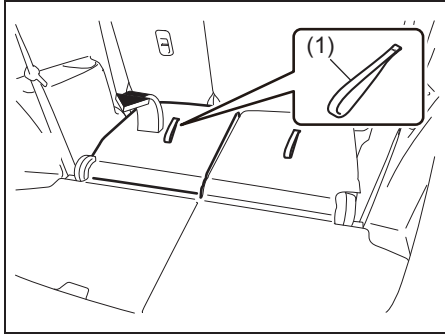
When you are not using a seat belt, stow the seat belt buckles of the right and left seating position into the pocket first. This helps prevent being caught by the seat and being damaged.

### ⚠ WARNING

If you need to carry cargo in the passenger compartment with the 3rd row seatback folded forward, be sure to secure the cargo or it may be thrown about, causing injury. Never pile cargo higher than the seatback.



To return the seat to the normal position, follow the procedure below.



73R0008

Raise the seatback until it locks into place.

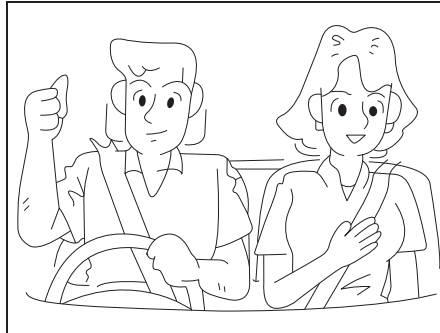
When you raise the seat from back of it, pull the strap (1).

**NOTICE**

Do not allow items in the luggage box to extend above the top of the luggage box. Otherwise, the luggage box or cover may be damaged.

After returning the seat, try moving the seatback to make sure they are securely latched.

**Seat Belts and Child Restraint Systems**



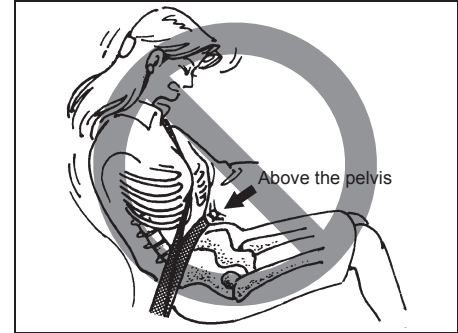
65D231S

**⚠ WARNING**

**Wear Your Seat Belts at All Times.**

**⚠ WARNING**

An airbag supplements, or adds to, the frontal collision protection offered by seat belts. The driver and all passengers must be properly restrained by wearing seat belts at all times even if driving for a very short distance, whether or not an airbag is mounted at their seating position, to minimize the risk of severe injury or death in the event of a collision.



65D606

**⚠ WARNING**

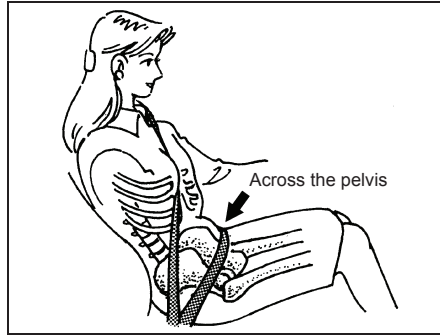
Do not modify, remove, disassemble seat belts. Doing so may prevent them from functioning properly and cause the risk of severe injury or death in the event of a collision

## FOR SAFE DRIVING

### ⚠ WARNING

- Never allow persons to ride in the cargo area of a vehicle. In the event of an accident, there is a much greater risk of injury for persons who are not riding in a seat with their seat belt securely fastened.
- Seat belts should always be adjusted as follows:
  - the lap portion of the belt should be worn low across the pelvis, not across the waist.
  - the shoulder straps should be worn on the outside shoulder only, and never under the arm.
  - the shoulder straps should be away from your face and neck, but not falling off your shoulder.

(Continued)



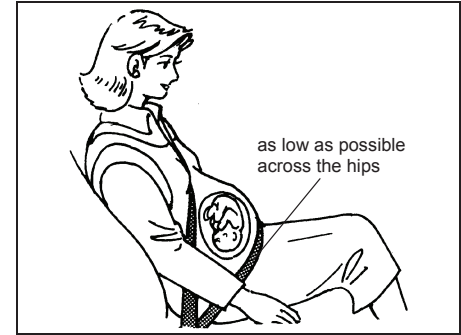
65D201

### ⚠ WARNING

(Continued)

- Seat belts should never be worn with the straps twisted and should be adjusted as tightly as is comfortable to provide the protection for which they have been designed. A slack belt will provide less protection than one which is snug.
- Ensure that all seat belts are worn correctly. An improperly worn seat belt increases the risk of injury or death if a collision occurs
- Check that seat belt latch plate (tongue) is inserted into the proper buckle especially in the rear seats. It is not possible to insert into the wrong buckles in the rear seats.

(Continued)



65D199

### ⚠ WARNING

(Continued)

- Pregnant women should use seat belts, although specific recommendations about driving should be made by the woman's medical advisor. Remember that the lap portion of the belt should be worn as low as possible across the hips, as shown in the diagram.
- Do not wear seat belts over hard, fragile, or sharp items such as pens, keys, eyeglasses, etc in pockets or on clothing. The pressure from seat belt on such items can cause injury in case of an accident.

(Continued)



65D609

### ⚠ WARNING

(Continued)

- Do not hold a child on a passenger's lap. Even if the passenger holds the child tightly, he/she would not be supported enough in the event of an accident and it could result in a serious injury of the child.
- Never use the same seat belt on more than one occupant and never attach a seat belt over an infant or child being held on an occupant's lap. Such seat belt use could cause serious injury in the event of an accident.

(Continued)

### ⚠ WARNING

(Continued)

- Periodically inspect seat belt assemblies for excessive wear and damage. Seat belts should be replaced if webbing becomes frayed, contaminated, or damaged in any way. It is essential to replace the entire seat belt assembly after it has been worn in a severe impact, even if damage to the assembly is not obvious.
- Children age 12 and under should ride properly restrained in the rear seat.
- Infants and small children should never be transported unless they are properly restrained. Restraint systems for infants and small children can be purchased locally and should be used. Make sure that the system you purchase meets applicable safety standards. Read and follow all the directions provided by the manufacturer.
- For children, if the shoulder belt irritates the neck or face, move the child closer to the center of the vehicle.

(Continued)

### ⚠ WARNING

(Continued)

- Avoid contamination of seat belt webbing by polishes, oils, chemicals, and particularly battery acid. Cleaning may safely be carried out using mild soap and water.
- Do not insert any items such as coins, clips, etc. into the seat belt buckles, and be careful not to spill liquids into these parts. If foreign materials get into a seat belt buckle, the seat belt may not work properly.
- All seatbacks should always be in an upright position when driving, or seat belt effectiveness may be reduced. Seat belts are designed to offer maximum protection when seatbacks are in the upright position.

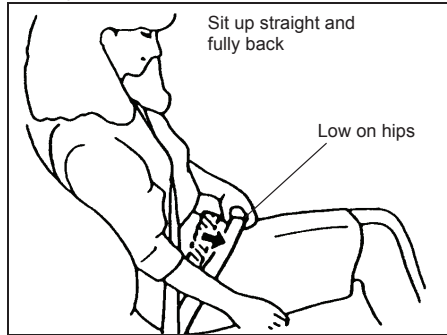
## FOR SAFE DRIVING

### Lap-Shoulder Belt

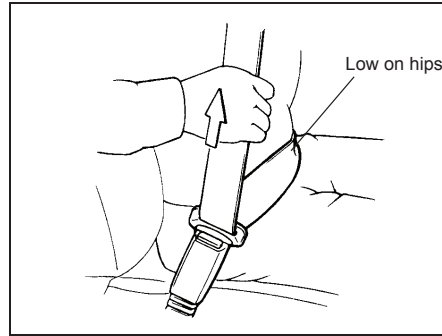
#### Emergency Locking Retractor (ELR)

The seat belt has an emergency locking retractor (ELR), which is designed to lock the seat belt only during a sudden stop or impact. It also may lock if you pull the belt across your body very quickly. If this happens, let the belt go back to unlock it, and then pull the belt across your body more slowly.

#### Safety reminder



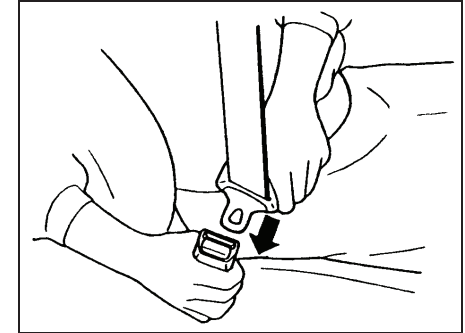
60A038



60A040

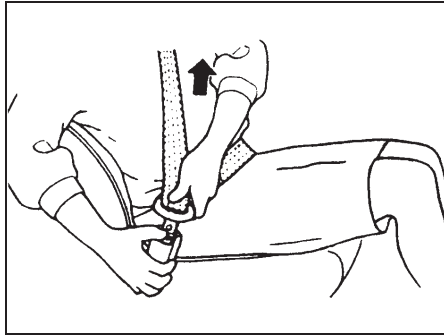
To reduce the risk of sliding under the belt during a collision, position the lap portion of the belt across your lap as low on your hips as possible and adjust it to a snug fit by pulling the shoulder portion of the belt upward through the latch plate. The length of the diagonal shoulder strap adjusts itself to allow freedom of movement.

### All Seat Belts Except Center of 2nd Row Seat



60A036

To fasten the seat belt, sit up straight and well back in the seat, pull the latch plate attached to the seat belt across your body and press it straight into the buckle until you hear a "click". After pressing the latch plate into the buckle, pull the seat belt to make sure it is securely latched.



60A039

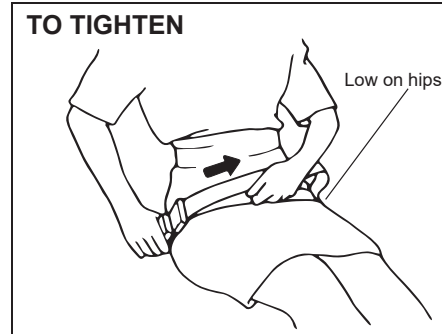
To unfasten the seat belt, push the button on the buckle and retract the belt slowly while attaching a hand to the belt or/and the latch plate.

**NOTE:**

*If the seat belt cannot be pulled from its fully retracted position, firmly pull the belt and release it. Then smoothly pull the belt out of the retractor.*

**Center Seat Belt of 2nd Row Seat  
Lap belt (If equipped)**

**TO TIGHTEN**

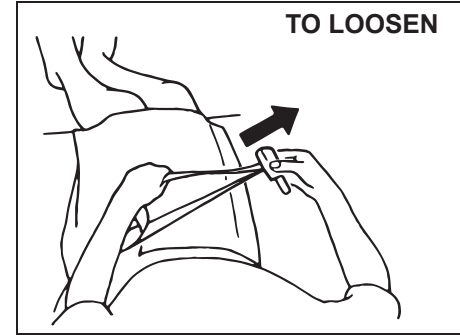


60MH021

Sit up straight and well back in the seat. To fasten the belt, pull the latch plate attached to the seat belt across your hips and press it straight into the buckle until you hear a "click". To reduce the risk of sliding under the belt during a collision, position the belt across your lap as low on your hips as possible and adjust it to a snug fit.

To tighten the belt, pull the free end of the belt across alongside the lap strap.

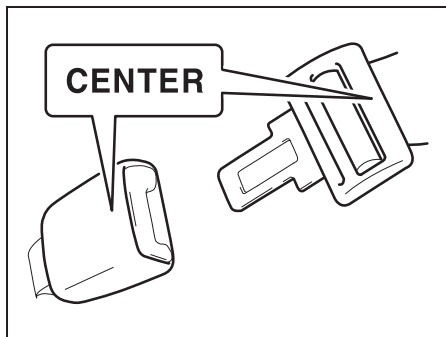
**TO LOOSEN**



60MH022

To lengthen, release the latch plate from the buckle, pull the latch plate (adjuster) in the direction of the arrow. The latch plate should then be refitted into the buckle and the belt tightened as previously described. To unfasten the belt, press the release button on the buckle latch.

## FOR SAFE DRIVING

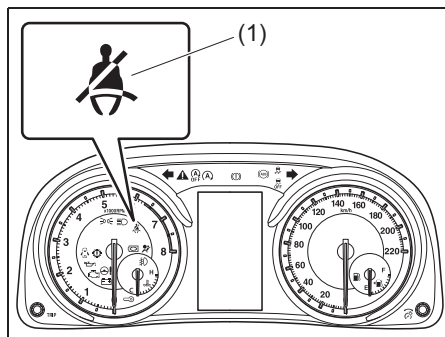


72R0153

### NOTE:

The word "CENTER" is marked into the buckle and tongue for the rear center belt (if equipped). The buckles are designed so a latch plate cannot be inserted into the wrong buckle.

## Seat belt reminder



72RH4004

(1) Driver's seat belt reminder light / front passengers' seat belt reminder light / 2nd row passengers' seat belt reminder light\* / 3rd row passengers' seat belt reminder light\*

When the driver and/or passenger (front passenger and/or 2nd row passenger\* and/or 3rd row passenger\*) do/does not fasten their seat belts, the seat belt reminder light will come on or blink and a buzzer will sound to remind the driver and/or passenger (front passenger and/or 2nd row passenger\* and/or 3rd row passenger\*) to fasten their seat belts. For more details, refer to the explanation below.

## ⚠ WARNING

It is absolutely essential that the driver, front passenger, 2nd row passenger\* and 3rd row passenger\* wear their seat belts at all times. Persons who are not wearing seat belts have a much greater risk of injury if an accident occurs. Make a regular habit of buckling your seat belt before starting the engine.

### NOTE:

The driver's seat belt reminder light / front passengers' seat belt reminder light / 2nd row passengers' seat belt reminder light\* / 3rd row passengers' seat belt reminder light\* is for all the driver, front passenger, 2nd row passenger and 3rd row passenger.

\*: If equipped

### NOTE:

Along with the seat belt reminder light, a reminder message shall also come on the information display (if equipped), for unrestrained driver and/or front passenger.

**Driver's seat belt reminder**

If the driver's or front passenger's seat belt remains unbuckled when the ignition switch is turned "ON". The reminder works as follows:

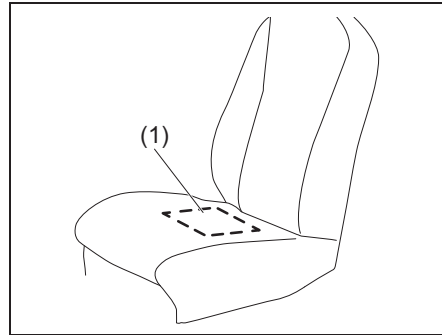
- 1) The driver's seat or front passenger's belt reminder light will come on.
- 2) After the vehicle's speed has reached about 15 km/h, the driver's or front passenger's seat belt reminder light will blink and a buzzer will sound for about 95 seconds.
- 3) After step 2) has finished, the reminder light will remain on until the driver's or front passenger's seat belt is buckled.

If the driver or front passenger has buckled his or her seat belt and later unbuckles the seat belt, the reminder system will be activated from step 1) or step 2) according to the vehicle's speed. When the vehicle's speed is below about 15 km/h, the reminder will start from step 1). When the vehicle's speed is above about 15 km/h, the reminder will start from step 2).

The reminder will be automatically canceled when the driver's or front passenger's seat belt is buckled or the ignition switch is turned off.

**Front passenger's seat belt reminder**

If there is a person sitting in the front passenger seat and the front passenger seat belt is unbuckled when the ignition switch is turned to "ON" position, the front passenger's seat belt reminder will activate.



72RS2008

- (1) The sensor of the front passenger's seat belt reminder

The seat belt reminder sensor (1) detects whether a person is sitting in the front seat. The sensor of the front passenger's seat belt reminder is located in the seat cushion. The front passenger's seat belt reminder works in the same manner as the driver's seat belt reminder.

**CAUTION**

- Do not spill liquid or semi-solid on the front passenger's seat. If you spill it on the front passenger's seat, immediately wipe it dry with a soft cloth. Contact of liquid with sensor may impact the function of seat belt reminder sensor.
- Do not place any sharp or heavy object on passenger seat which can penetrate through seat upholstery and can cause damage to sensor.

**NOTICE**

- The sensor of the front passenger's seat belt reminder is located in the seat cushion. If heavy or sharp objects are put on the seat cushion, or a removal, disassembly and modification of the passenger's seat are performed, the sensor may not work properly or can be damaged. Do not put heavy or sharp objects on the seat cushion. Do not remove, disassemble and modify the passenger's seat.

(Continued)

### NOTICE

- Depending on the variety of seat cover, operation of the sensor may be adversely affected. Maruti Suzuki highly recommends that you use Maruti Suzuki genuine seat cover exclusively for this vehicle. If a seat cover is installed, consult with a Maruti Suzuki authorised workshop.
- If you spill liquid such as liquid aromatics, soft drinks or juice on the front passenger's seat cushion, the sensor of the front passenger's seat belt reminder located in the seat cushion can be damaged. Immediately wipe it dry with a soft cloth when spilled.
- When sitting on the front passenger's seat, it is very important that the passenger sits upright, leaning against the seat backrest and centered on the seat cushion in order for the seatbelt reminder system to function effectively. An occupant sitting improperly (slouches, turns sideways, sits forward or sideways) may hamper the functioning of this system as it may not detect the occupant.

(Continued)

### NOTE:

- If you put an object on the passenger's seat, the weight of the object will be sensed by the sensor and the front passenger's seat belt reminder light will come on and then the interior buzzer may beep.
- If a child or a small sized person sit on the front passenger's seat or the cushion is put on the front passenger's seat, the weight will not be sensed by the sensor and the interior buzzer may not beep.

### 2nd row passengers' seat belt reminder (If equipped)

If the engine switch is pressed to change the ignition mode to "ON", the seat belt reminder light comes on unless all 2nd row passengers' seat belts are fastened, irrespective of the presence or absence of passenger. The 2nd row passengers' seat belt reminder works in the same manner as the driver's seat belt reminder.

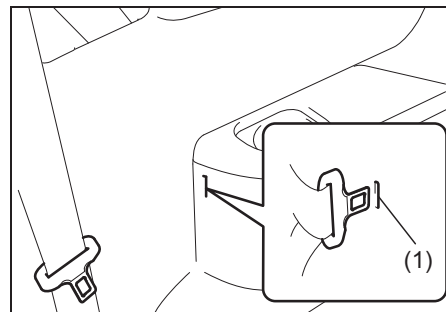
### 3rd row passengers' seat belt reminder (If equipped)

If the engine switch is pressed to change the ignition mode to "ON", the seat belt reminder light comes on unless all 3rd row passengers' seat belts are fastened, irrespective of the presence or absence of passenger. The 3rd row passengers' seat belt reminder works in the same manner as the driver's seat belt reminder.

### NOTE:

- Maruti Suzuki recommends use of Maruti Suzuki Genuine accessory of "Seat cover".

### Seat Belt Catch Hole (for 2nd row seats)



73R0038

### NOTE:

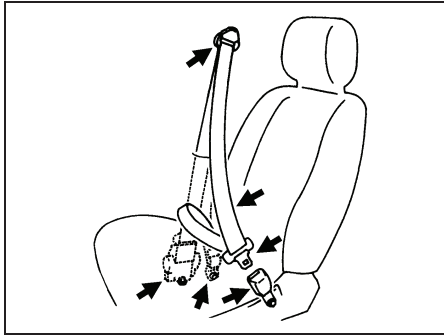
To enter to or exit from the 3rd row seat, insert the tongue plate of the buckle into the part (1) before moving the 2nd row seat.

### NOTICE

When you move a seatback, make sure the tongue plate of the buckle is inserted in the seat belt catch hole so the seat belts are not caught by the seatback, seat hinge, or seat latch. This helps prevent damage to the belt system.



## Seat Belt Inspection



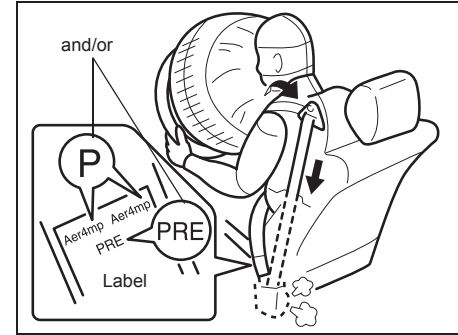
65D209S

Periodically inspect the seat belts to make sure they work properly and are not damaged. Check the webbing, buckles, latch plates, retractors, anchorages, and guide loops. Replace any seat belts which do not work properly or are damaged.

### ⚠ WARNING

Inspect all seat belt assemblies after any collision. Any seat belt assembly which was in use during a collision (other than a very minor one) should be replaced, even if damage to the assembly is not obvious. Any seat belt assembly even which was not in use during a collision must be replaced if the seat belt pretensioners were activated. The airbags, the pretensioners and the load limiter only function once. In case they did not activate, consult with Maruti Suzuki authorised workshop.

## Seat belt pretensioner system



63J269

### ⚠ WARNING

This section describes your Maruti Suzuki vehicle's seat belt pretensioner system. Read and follow all these instructions carefully to minimize your risk of severe injury or death.

## FOR SAFE DRIVING

---

To determine if your vehicle is equipped with a seat belt pretensioner system at the front seating positions, check the label on the seat belt at the bottom part. If the letters “p” and/or “PRE” appear as illustrated, your vehicle is equipped with the seat belt pretensioner system. You can use the pretensioner seat belts in the same manner as ordinary seat belts.

Read this section and “Supplemental restraint system (airbags)” section to learn more about the pretensioner system.

The seat belt pretensioner system works with the supplemental restraint system (air bags). The collision sensors and the electronic controller of the airbag system also control the seat belt pretensioners. The pretensioners are triggered only when there is a frontal collision severe enough to trigger the airbags and the seat belts are fastened. For precautions and general information including servicing the pretensioner system, refer to “Supplemental restraint system (airbags)” section in addition to this “Seat belt pretensioner system” section, and follow all those precautions.

The pretensioner is located in each front seat belt retractor. The pretensioner tightens the seat belt so the belt fits the occupant’s body more snugly in the event of a frontal collision. The retractors will remain locked after the pretensioners are activated. Upon activation, some noise will occur and some smoke may be released.

These conditions are not harmful and do not indicate a fire in the vehicle.

The driver and all passengers must be properly restrained by fastening seat belts at all times, whether or not a pretensioner is equipped at their seating position, to minimize the risk of severe injury or death in the event of a collision.

Sit fully back in the seat; sit up straight; do not lean forward or sideways. Adjust the belt so the lap portion of the belt is worn low across the pelvis, not across the waist. Please refer to “Seat adjustment” section and the instructions and precautions about the seat belts in this “Seat belts and child restraint systems” section for details on proper seat and seat belt adjustments.

Please note that the pretensioners along with the airbags will activate in severe frontal collisions. They are not designed to activate in rear impacts, roll-overs, or minor frontal collisions. The pretensioners can be activated only once. If the pretensioners are activated (that is, if the airbags are activated), have the pretensioner system serviced by a Maruti Suzuki authorised workshop as soon as possible.

The pretensioner system of the airbag system may not work properly if any of the following conditions occur:

- 1) If the airbag warning light on the instrument cluster does not come on briefly, when the ignition switch is turned to the “ON” position.
- 2) If the airbag light comes on and stays on for more than 10 seconds, when the ignition switch is turned to the “ON” position.
- 3) If the airbag light comes on while driving.

Have both systems inspected by a Maruti Suzuki authorised workshop as soon as possible.

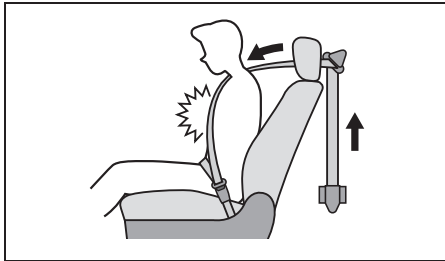
Service on or around the pretensioner system components or wiring must be performed only by a Maruti Suzuki authorised workshop who is specially trained. Improper service could result in unintended activation of pretensioners or could render the pretensioner inoperative. Either of these two conditions may result in personal injury.

To prevent damage or unintended activation of the pretensioners, check that the lead-acid battery is disconnected and the ignition switch has been in LOCK position for at least 90 seconds before performing any electrical service work on your Maruti Suzuki vehicle.

Do not touch pretensioner system components or wiring. The wires are wrapped

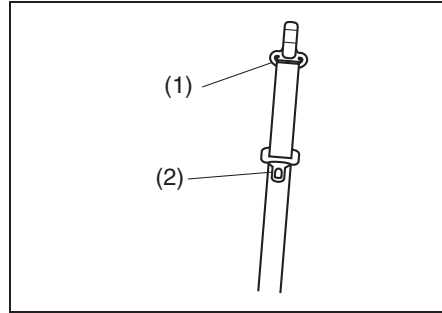
with yellow tape or yellow tubing, and the couplers are yellow. When scrapping your Maruti Suzuki vehicle, ask a Maruti Suzuki authorised workshop, body repair shop, or scrap yard for assistance.

### Seat Belt Force Limiter System (Only for Front Seat)



69RHS167

In the event of a strong impact coming from the front, the seat belt force limiter operates in two stages to reduce a force to the shoulder strap, thus lessening the impact being sustained by the front passengers.

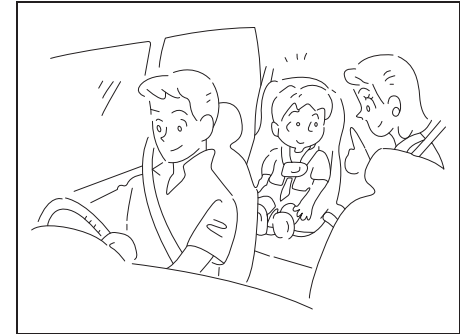


82K179

#### ⚠ WARNING

If the seat belt sustains strong impact, the resin of the shoulder anchor part (1) and the tongue plate part (2) could soften due to heavy friction, thus sticking to the seat belt, making the belt slide less easily. In such a case, the seat belt may not provide the best performance, resulting in severe injury in case of emergency. Have the seat belt replaced by a Maruti Suzuki authorised workshop.

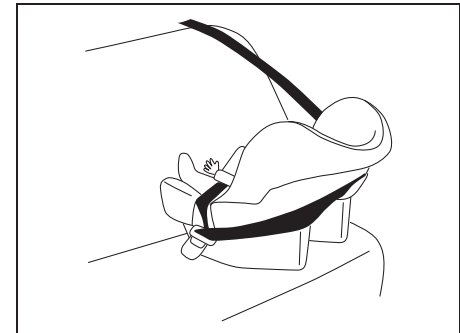
### Child Restraint Systems



60G332S

The following types of child restraint system are available generally.

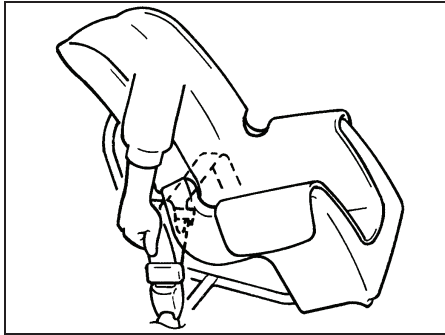
#### Infant restraint - rear seat only



80JC007

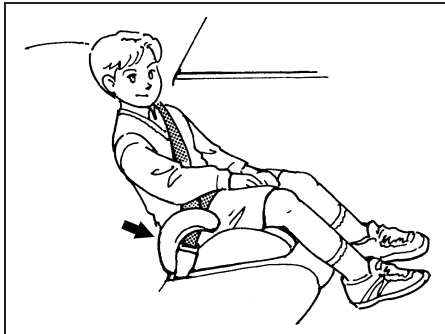
## FOR SAFE DRIVING

### Child restraint



80JC016

### Booster seat



80JC008

Maruti Suzuki highly recommends that you use a child restraint system to restrain infants and small children. Many different

types of child restraint systems are available; check that the restraint system you select meets applicable safety standards. All child restraint systems are designed to be secured in vehicle seats either by seat belts (lap belts or the lap portion of lap shoulder belts) or by special rigid lower anchor bars built into the seat.

#### NOTE:

Observe any statutory regulation about child restraints.



61M0241

#### ⚠ WARNING

- Do not install a rear-facing child restraint in the front passenger's seat. If the passenger's front airbag inflates, a child in a rear-facing child restraint could be killed or severely injured. The back of a

(Continued)

#### ⚠ WARNING

(Continued)

- rear-facing child restraint would be too close to the inflating airbag.
- If you install a child restraint system in the 2nd row seat, slide the seat installed the child restraint system as far back as possible. So that, the child's feet do not contact the front seatback. These will help avoid injury to the child in the event of an accident.
- Children could be endangered in a collision if their child restraint systems are not properly secured in the vehicle. When installing a child restraint system, follow the instructions below. secure the child in the restraint system according to the manufacturer's instructions.



65D608D

## Child restraint system for India

### Child restraint

The suitability of each passenger's seat position for carriage of children and fitting of child restraint system is shown in the table below. Whenever you carry children up to 12 years of age, properly use the child restraints which conform to AIS 072, the standard for child restraints, referring to the table.

MASS GROUP		Seating position (or other site)				
		Front Passenger	Rear Outboard	Rear Center	Intermediate Outboard	Intermediate Center
Group 0	Up to 10 kg	X	X	N.A.	U	X
Group 0+	Up to 13 kg	X	X	N.A.	U	X
Group I	9 to 18 kg	X	X	N.A.	U	X
Group II	15 to 25 kg	X	X	N.A.	U	X
Group III	22 to 36 kg	X	X	N.A.	U	X

Key of letters to be inserted in the above table:

U =Suitable for 'universal' category restraints approved for use in this mass group

X =Seat position not suitable for children in this mass group

N.A = Seat position not available for children in this mass group.

**NOTE:**

- 'universal' is the category in the AIS 072.
- 'Outboard' indicates window side seat.

## FOR SAFE DRIVING

### Installation with lap-shoulder seat belts

#### ▲ CAUTION

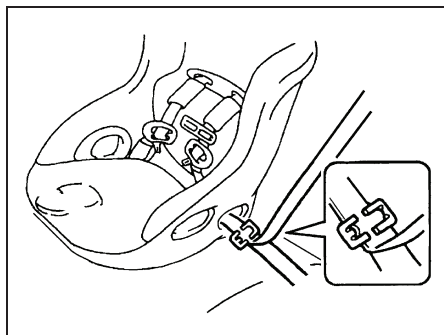
If your vehicle is equipped with the rear head restraint, adjust the height of the head restraint or remove it for fitting the child restraint, as necessary. However, if a booster cushion not equipped with the seatback is fitted, the seat head restraint should not be removed. If the head restraint is removed for fitting the child restraint, you need to install it again after removing the child restraint.

If the child restraint is fitted improperly, a child sitting in it could be injured in a collision.

#### NOTE:

Stow the removed head restraint in the luggage compartment so it will not cause inconvenience to the occupants.

### ELR type belt



80JC021

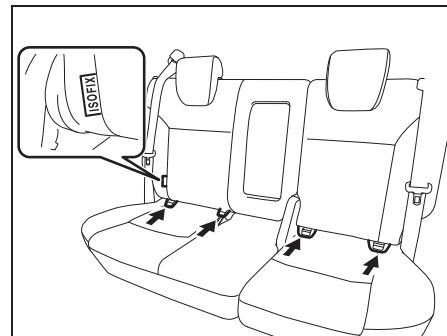
Install your child restraint system according to the instructions provided by the child restraint system manufacturer.

Check that the seat belt is securely latched.

Move the child restraint system in all directions to check that it is securely installed.

When you put your child in the child restraint system, appropriately slide the front seat forward not to touch a part of your child's body.

### Installation with ISOFIX type anchorages



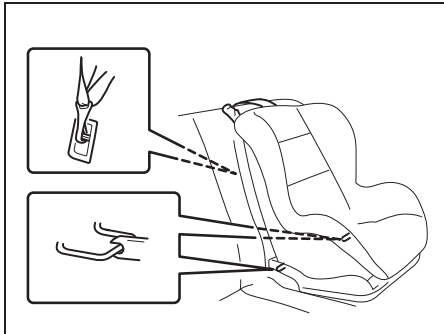
72R0029

Your vehicle is equipped with the lower anchorages in the 2nd row seat outboard seating positions for securing a ISOFIX type of child restraints with the connecting bars. The lower anchorages are located where the rear of the seat cushion meets the bottom of the seatback.

#### ▲ WARNING

Install the ISOFIX type of child restraint(s) in the only outboard seating positions, not in the central position for the 2nd row seat.

Install the ISOFIX type child restraint system according to the instructions provided by the child restraint system manufacturer. After installation, try moving the child restraint system in all directions especially forward to check that connecting bars are securely latched to the anchorages.



84MM00252

Your vehicle is equipped with the top tether anchorages. Use the top tether strap of the child restraint according to the instructions provided by the child restraint system manufacturer.

Here is a general instruction:

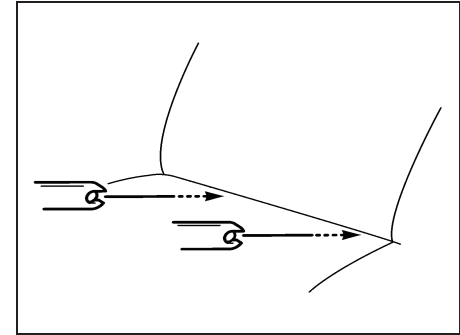
### ▲ CAUTION

If your vehicle is equipped with the rear head restraint, adjust the height of the rear head restraint or remove it for fitting the child restraint, as necessary. However, if a booster cushion not equipped with the seatback is fitted, the 2nd row seat head restraint should not be removed. If the rear head restraint is removed for fitting the child restraint, you need to install it again after removing the child restraint.

If the child restraint is fitted improperly, a child sitting in it could be injured in a collision.

#### NOTE:

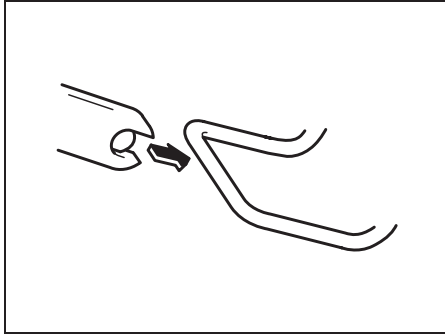
Stow the removed head restraint in the luggage compartment so it will not cause inconvenience to the occupants.



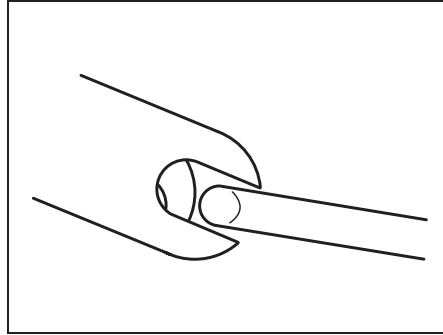
78F114

- 1) Place the child restraint in the 2nd row seat, inserting the connecting bars to the anchorages between the seat cushion and the seatback.

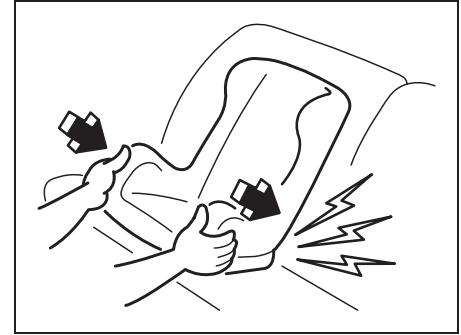
## FOR SAFE DRIVING



68LM268



54G184



54G185

2) Use your hands to carefully align the connecting bar tips with the anchorages. Take care not to pinch your fingers.

3) Push the child restraint toward the anchorages so that the connecting bar tips are partially hooked to the anchorages. Use your hands to confirm the position.

4) Grasp the front of the child restraint and push the child restraint forcefully to latch the connecting bars. Check that they are securely latched by trying to move the child restraint system in all directions, especially forward.

5) Attach the top tether strap referring to “Installation of child restraint with top tether” section.

When you put your child in the child restraint system, appropriately slide the front seat forward not to touch a part of your child’s body.

### **NOTICE**

**When installing a child restraint system to the 2nd row seat, slide the seat installed the child restraint system as far back as possible.**



## Installation of child restraint with top tether

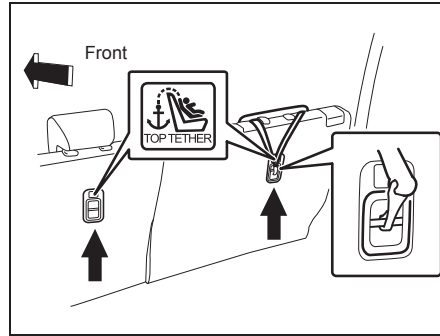
### ▲ CAUTION

If your vehicle is equipped with the rear head restraint, adjust the height of the rear head restraint or remove it for fitting the child restraint, as necessary. However, if a booster cushion not equipped with the seatback is fitted, the 2nd row seat head restraint should not be removed. If the rear head restraint is removed for fitting the child restraint, you need to install it again after removing the child restraint.

If the child restraint is fitted improperly, a child sitting in it could be injured in a collision.

#### NOTE:

Stow the removed head restraint in the luggage compartment so it will not cause inconvenience to the occupants.



73R0175

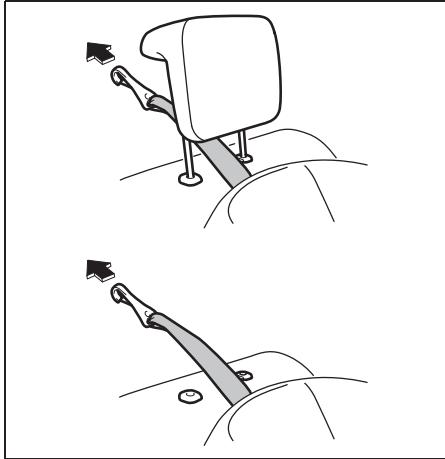
Some child restraint systems require the use of a top tether strap. Top tether anchorage brackets are provided in your vehicle at the locations shown in the illustrations.

The number of the top tether anchorage brackets provided in your vehicle depends on the vehicle specification. Install the child restraint system as follows:

- 1) Secure the child restraint on the 2nd row seat using the procedure described above for securing a restraint system that does not require a top tether strap.
- 2) Hook the top tether strap to the top tether anchorage bracket and tighten the top tether strap according to the instructions provided by the child restraint system manufacturer. Attach the top tether strap to the corresponding top tether anchorage bracket located directly behind the child restraint.

## FOR SAFE DRIVING

---



73R0176

**NOTE:**

*Maruti Suzuki recommends use of Maruti Suzuki Genuine accessory of "Child seat, ISOFIX"*

- 3) When routing the top tether strap, pass the top tether strap as shown in the illustration. (Refer to "Head restraints" section for details on how to adjust the height of head restraint or remove it.)
- 4) Check that cargo does not interfere with routing of the top tether strap.

<b>NOTICE</b>
<b>When installing a child restraint system to the 2nd row seat, adjust the front seat position so that the front seat does not interfere with the child restraint system.</b>

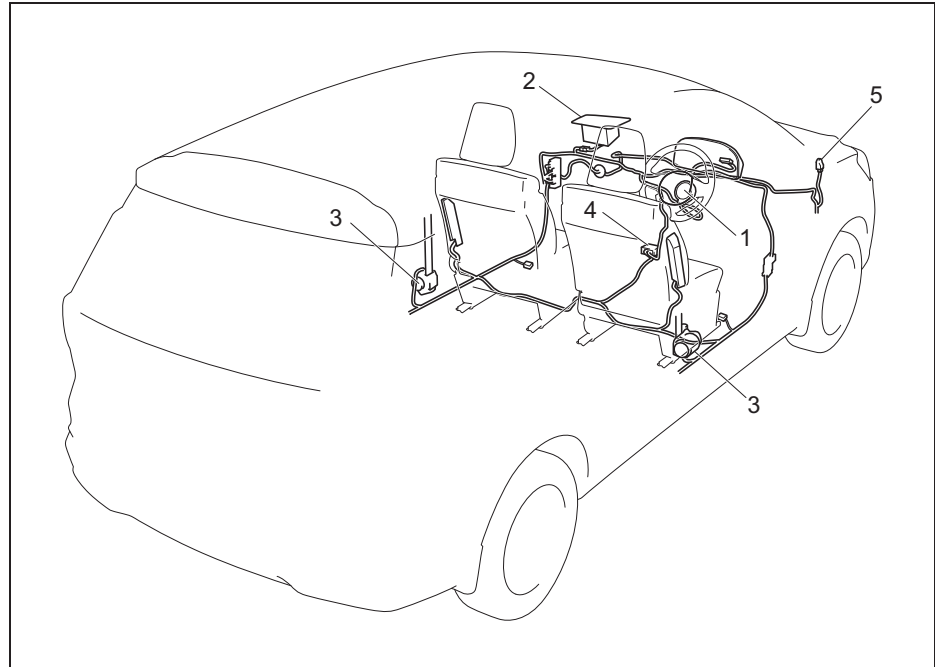
## Supplemental Restraint System (airbags)

### ⚠ WARNING

This section of the owner's manual describes the protection provided by your Maruti Suzuki's supplemental restraint system (airbags). Please read and follow all these instructions carefully to minimize your risk of severe injury or death in the event of a collision.

Your vehicle is equipped with a Supplemental Restraint System consisting of the following components in addition to a lap-shoulder belt at each front seating position.

1. Driver's front airbag module
2. Front passenger's front airbag module
3. Seat belt pretensioners
4. Airbag controller
5. Forward collision sensor



72RM01001

## FOR SAFE DRIVING

### WARNING

An airbag supplements or adds to the collision protection offered by seat belts. The driver and all passengers must be properly restrained by fastening seat belts at all times, whether or not an airbag is mounted at their seating position, to minimize the risk of severe injury or death in the event of a collision.

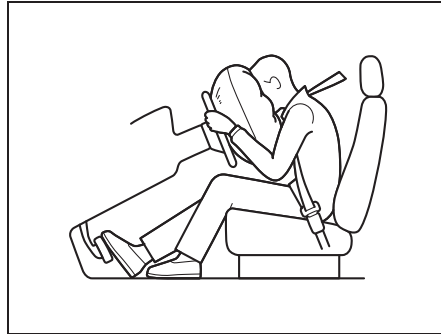
### AIRBAG warning light



63J030

If the "AIRBAG" warning light on the instrument cluster does not blink or come on when the ignition switch is first turned to the ON position, or the "AIRBAG" warning light stays on, or comes on while driving, the airbag system (or the seat belt pretensioner system) may not work properly. Have the airbag system inspected by a Maruti Suzuki authorised workshop as soon as possible.

### Front Airbags



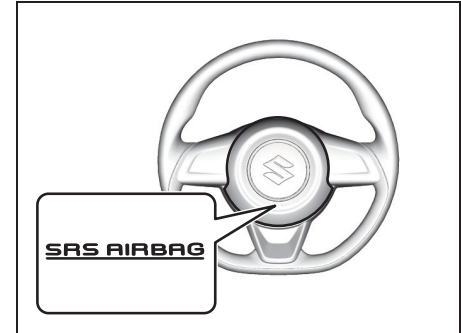
63J113

Front airbag is designed to inflate in severe frontal collisions when the ignition switch is in "ON" position.

Front airbag is not designed to inflate in rear impacts, side impacts, rollovers or minor frontal collisions, since they would offer no protection in those types of accidents. Remember, since an airbag deploys only one time during an accident, seat belts are needed to restrain occupants from further movements during the accident.

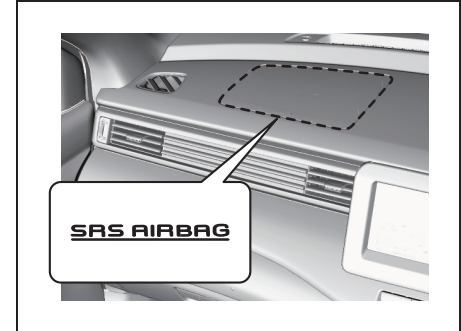
Therefore, an airbag is not a substitute for seat belts. To maximize your protection, always fasten your seat belts. Be aware that no system can prevent all possible injuries that may occur in an accident.

### Driver's front airbag



73R0009

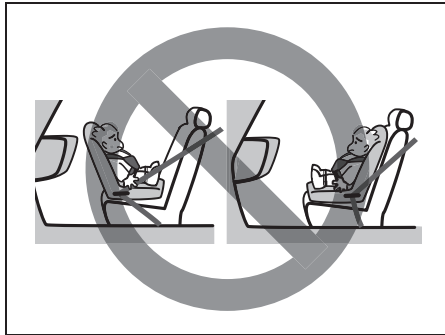
### Front passenger's front airbag



72R0143

The driver's front airbag is located behind the center pad of the steering wheel and the front passenger's front airbag is located behind the passenger's side of the

dashboard. The words "SRS AIRBAG" are molded into the airbag covers to identify the location of the airbags.



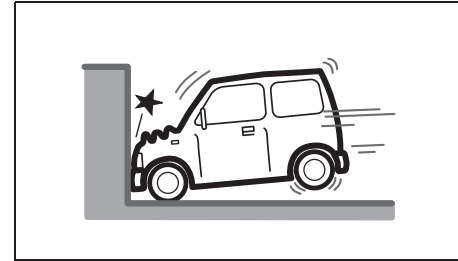
61M0241

**⚠ WARNING**

- Do not install a rear-facing child restraint in the front passenger's seat. If the passenger's front airbag inflates, a child in a rear-facing child restraint could be killed or severely injured. The back of a rear-facing child restraint would be too close to the inflating airbag.
- If the airbag stored place is damaged or cracked, the airbag system may not work properly, which could result in serious injury in the event of a collision. Have your vehicle inspected by a Maruti Suzuki authorised workshop.

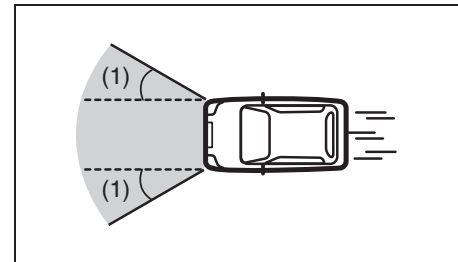
Refer to "Seat belts and child restraint systems" section for details on securing your child.

**Conditions of front airbags deployment (inflation)**



80J097

- Frontal collision with a fixed wall that does not move or deform at more than about 25 km/h



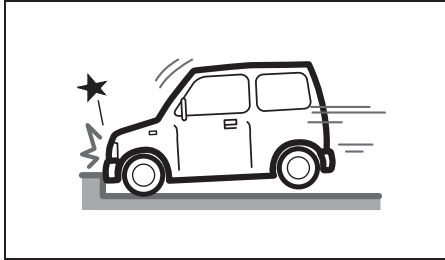
80J098E

- Strong impact equivalent to frontal collision such as above at left and right angles of about 30 degrees (1) or less from the front of your vehicle

## FOR SAFE DRIVING

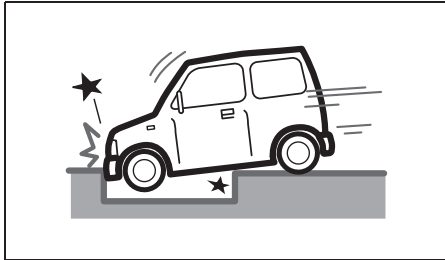
### Conditions of front airbags may inflate

Receiving a strong impact to the lower body of your vehicle, the front airbags may inflate.



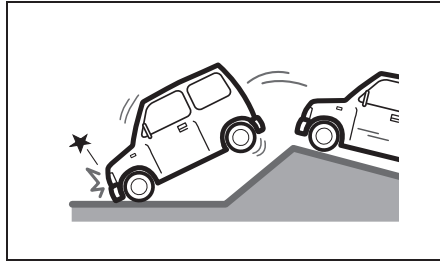
80J099

- Hitting a curb or medial strip



80J100E

- Falling into a deep hole or ditch



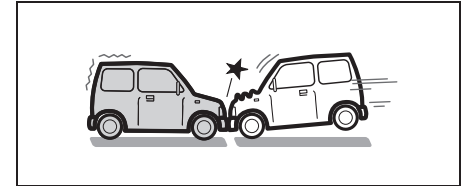
80J101

- Landing hard or falling

### Front airbags may not inflate

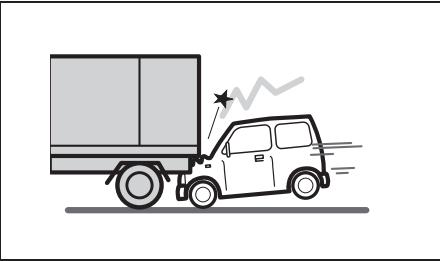
The front airbags may not inflate when a strong impact has not occurred since the collision object (including living beings like animals) was easy to be deformed or moved, or the collided portion of your vehicle was easy to be deformed.

Also, front airbags may not inflate in many cases when the collision angle is greater than about 30 degrees at left and right angles from the front of your vehicle. Also, in certain collisions at low speed, the airbags may not inflate.



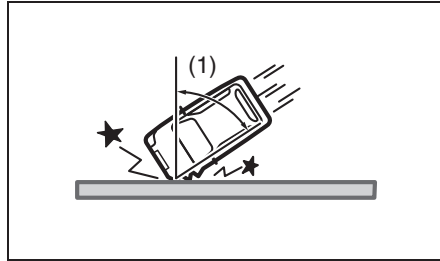
80J102

- Frontal collision to a stopped vehicle at less than about 50 km/h



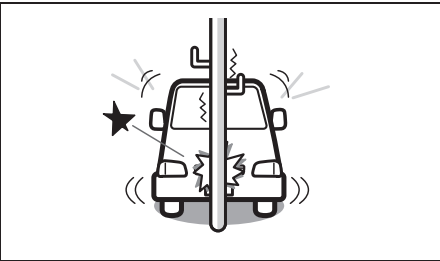
80J103

- Collision that the front of your vehicle goes under the bed of a truck etc.



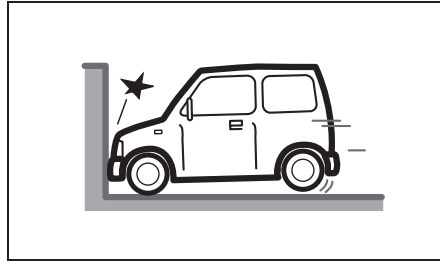
80J105E

- Collision with a fixed wall or guardrail at left and right angles of greater than about 30 degrees (1) from the front of your vehicle



80J104

- Collision with a utility pole or stumpage

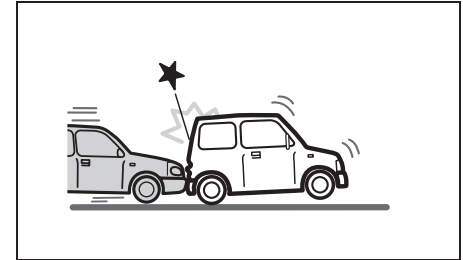


80J106

- Frontal collision with a fixed wall that does not move or deform at less than about 25 km/h

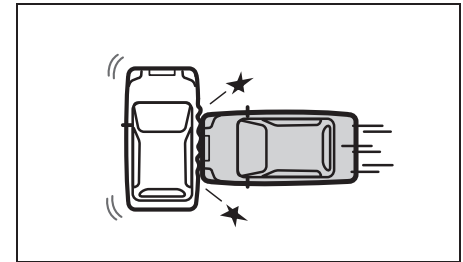
**Front airbags do not inflate**

Front airbags do not inflate in rear impacts, side impacts or rollovers, etc. However, these might inflate in a strong impact.



80J120

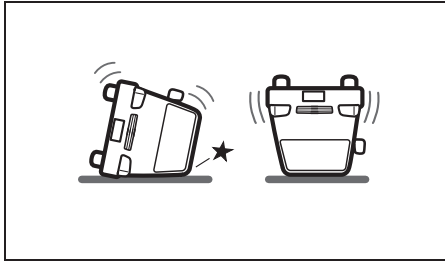
- Impact from the rear



80J119

- Impact from the side

## FOR SAFE DRIVING



80J110

- Vehicle rollover

### Airbag symbol meaning



72M00150

You may find this label on the sun visor.

### **▲ WARNING**




**NEVER** use a rearward facing child restraint on a seat protected by an **ACTIVE AIRBAG** in front of it, **DEATH** or **SERIOUS INJURY** to the **CHILD** can occur.

### **▲ WARNING**

If the **AIRBAG** warning light in the instrument cluster ever comes on and stays on, it means that something may be wrong with the airbag system. If this ever happens, have the vehicle serviced immediately, because the airbags may not offer the protection for which they were designed.



Description of warning label

Symbol	Symbol meaning
	Do not install a rear-facing child restraint system to the front passenger's seat equipped with an airbag.
	If the front passenger's seat airbag were to be deployed, a major impact could be applied to a rear-facing child restraint system and the child.
	For more details, read this owner's manual.

How the System Works

In a frontal collision, the collision sensors will detect rapid deceleration, and if the controller judges that the deceleration represents a severe frontal collision, the controller will trigger the inflators. The inflators inflate the appropriate airbags with nitrogen or argon gas. The inflated airbags provide a cushion for your head and upper body. The airbag inflates and deflates so quickly that you may not even realize that it has activated. The airbag will neither hinder your view nor make it harder to exit the vehicle.

Airbags must inflate quickly and forcefully in order to reduce the chance of serious or fatal injuries. However, an unavoidable consequence of the quick inflation is that the airbag may irritate bare skin, such as the facial area against a front airbag. Wash off any residue as soon as possible to prevent skin irritation. Also, upon inflation, a loud noise will occur and some powder and smoke will be released. These conditions are not harmful and do not indicate a fire in the vehicle. Be aware, however, that some airbag components may be hot for a while after inflation.

A seat belt helps keep you in the proper position for maximum protection when an airbag inflates. Adjust your seat as far back as possible while still maintaining control of the vehicle. Sit fully back in your seat; sit up straight; do not lean over the steering wheel or dashboard. Please refer

to the "Seat Adjustment" section and the Seat Belts and Child Restraint Systems" in this section for details on proper seat and seat belt adjustments.



65D610

**⚠ WARNING**

- The driver should not lean over the steering wheel. The front passenger should not rest his or her body against the dashboard, or otherwise get too close to the dashboard. In these situations, the out-of-position occupant would be too close to an inflating airbag, and may suffer severe injury.

(Continued)

### WARNING

(Continued)

- Do not attach any objects to, or place any objects over, the steering wheel or dashboard. Do not place any objects between the airbag and the driver or front passenger. These objects may interfere with airbag operation or may be propelled by the airbag in the event of a collision. Also, these objects may move when you start moving vehicle or while vehicle is moving, they may interfere with driver's view or safe driving. In each conditions may cause severe injury.
- Do not strike or apply significant levels of impact to the airbag component areas. It can cause the air bags to malfunction.

### WARNING

- Do not modify the system in any way including replacing the steering wheel, placing stickers on the steering wheel pad, painting the steering wheel, or covering the steering wheel with a cover.
- Do not place stickers on or paint the instrument panel. Do not install and set up accessories, air fresheners, ETC readers, or portable navigation systems. Do not stand umbrellas or similar in front of airbags.
- Excluding genuine Maruti Suzuki parts, do not attach accessories to the front windshield or the rearview mirror.

Note that even though your vehicle may be moderately damaged in a collision, the collision may not have been severe enough to trigger the airbags to inflate. If your vehicle sustains any front-end or side damage, have the airbag system inspected by a Maruti Suzuki authorised workshop to ensure it is in proper working order.

Your vehicle is equipped with a diagnostic module which records information about the airbag system if the airbags deploy in a collision. The module records information about overall system status, which sensors activated the deployment, and for a certain vehicle only, whether the driver's seat belt was in use.

### Servicing the airbag system

If the airbags inflate, have the airbags and related components replaced by a Maruti Suzuki authorised workshop as soon as possible.

If your vehicle ever gets in deep water and the driver's floor is submerged, the airbag controller could be damaged. If it does, have the airbag system inspected by the Maruti Suzuki authorised workshop as soon as possible.

Special procedures are required for servicing or replacing an airbag. For that reason, only a Maruti Suzuki authorised workshop should be allowed to service or replace your airbags. Please remind anyone who services your Maruti Suzuki vehicle that it has airbags.

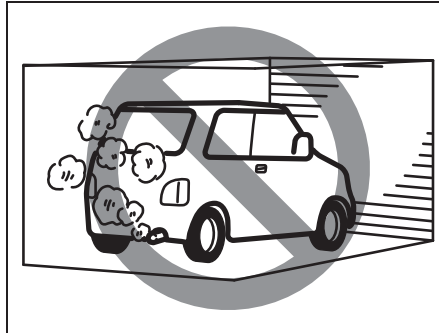
Service on or around airbag components or wiring must be performed only by a Maruti Suzuki authorised workshop. Improper service could result in unintended airbag deployment or could render the airbag inoperative. Either of these two conditions may result in severe injury.

To prevent damage or unintended inflation of the airbag system, be sure the lead-acid battery is disconnected and the ignition switch has been in the LOCK position for at least 90 seconds before performing any electrical service work on your Maruti Suzuki vehicle. Do not touch airbag system components or wires. The wires are wrapped with yellow tape or yellow tubing,

and the couplers are yellow for easy identification.

Scrapping a vehicle that has an uninflated airbag can be hazardous. Ask your dealer, body repair shop or scrap yard for help with disposal.

## Exhaust Gas Warning



52D334

### ⚠ WARNING

Avoid breathing exhaust gases. Exhaust gases contain carbon monoxide, a potentially lethal gas that is colorless and odorless. Since carbon monoxide is difficult to detect by itself, be sure to take the following precautions to help prevent carbon monoxide from entering your vehicle.

- Do not leave engine running in garages or confined areas, with passengers inside. This may result in accumulation of carbon monoxide in cabin and may lead to suffocation or breathing problems and lead to death.

(Continued)

### ⚠ WARNING

(Continued)

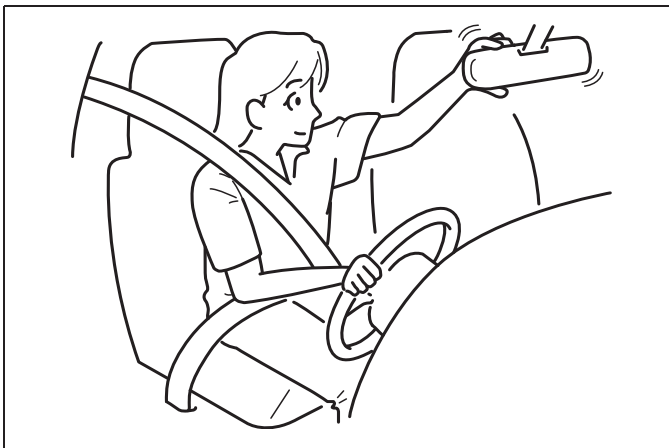
- Do not park with the engine running for a long period of time, even in an open area. In case of long periods, danger of choking and death on being inside the vehicle is a possibility when the engine is running. If it is necessary to sit for a short time in a parked vehicle with the engine running, make sure the air intake selector is set to "FRESH AIR" and the blower is at high speed.
- Avoid operating the vehicle with the tailgate or trunk open. If it is necessary to operate the vehicle with the tailgate or trunk open, make sure all windows are closed, and the blower is at high speed with the air intake selector set to "FRESH AIR".
- To allow proper operation of your vehicle's ventilation system, keep the air inlet grille in front of the windshield clear of snow, leaves or other obstructions at all times.
- Keep the exhaust tailpipe area clear of snow and other material to help reduce the buildup of exhaust gases under the vehicle. This is particularly important when parked in blizzard conditions.

(Continued)

**⚠ WARNING**

(Continued)

- **Have the exhaust system inspected periodically for damage and leaks. Any damage or leaks should be repaired immediately.**

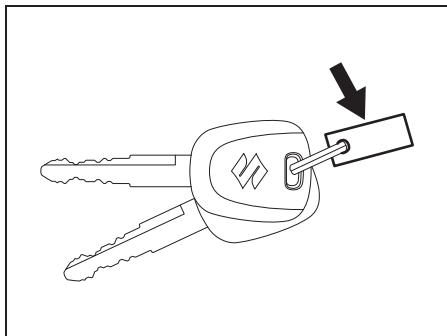


60G404

## BEFORE DRIVING

Keys .....	2-1
Door Locks .....	2-2
Keyless entry system transmitter .....	2-5
Security System (if equipped) .....	2-8
Theft deterrent light .....	2-10
Windows .....	2-11
Mirrors .....	2-13
Instrument Cluster .....	2-16
Speedometer .....	2-17
Tachometer .....	2-17
Fuel gauge .....	2-17
Temperature Gauge (if equipped).....	2-18
Brightness Control .....	2-18
Information Display .....	2-19
Warning and Indicator Lights .....	2-35
Lighting Control Lever .....	2-42
Headlight Leveling Switch .....	2-44
Turn Signal Control Lever .....	2-45
Hazard Warning Switch .....	2-46
Windshield Wiper and Washer Lever .....	2-46
Tilt Steering Lock Lever .....	2-48
Horn .....	2-48
Vehicle Loading .....	2-49
Trailer Towing your vehicle .....	2-49

### Keys



73R0130

Your vehicle comes with a pair of identical keys. Keep the spare key in a safe place. One key can open all of the locks on the vehicle.

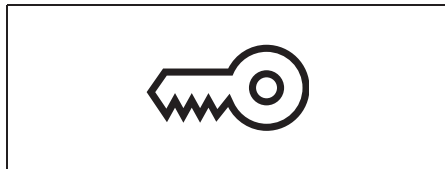
The key identification number is stamped on a metal tag provided with the keys or on the keys. Keep the tag (if equipped) in a safe place. If you lose your keys, you will need this number to have new keys made. Write the number below for your future reference.

KEY NUMBER:

### Immobilizer System

This system is designed to help prevent vehicle theft by electronically disabling the engine starting system.

The engine can be started only with your vehicle's original immobilizer ignition key, which has an electronic identification code programmed in it. The key communicates the identification code to the vehicle when the ignition switch is turned "ON". If you need to make spare keys, see a Maruti Suzuki authorised workshop. The vehicle must be programmed with the correct identification code for the spare. A key made by an ordinary locksmith will not work.



80JM122

If the immobilizer warning light blinks when the ignition switch is in "ON" position, the engine will not start.

If this light blinks, turn the ignition switch to LOCK position, and then turn it back to ON position.

If the light still blinks after the ignition switch is turned back to ON position, there may be something wrong with your key or with the immobilizer system. Ask a Maruti Suzuki authorised workshop to have the system inspected.

#### NOTE:

- If you lose your immobilizer ignition key, ask a Maruti Suzuki authorised workshop as soon as possible to deactivate the lost one, and to make a new key.
- If you own other vehicles with immobilizer keys, keep those keys away from the ignition switch or the engine switch when using your MARUTI SUZUKI vehicle. Otherwise, the engine may not be started because they may interfere with your MARUTI SUZUKI vehicle's immobilizer system.
- If you attach any metal objects to the immobilizer key, it may not start the engine.

#### NOTICE

The immobilizer key are sensitive electronic instruments.

To avoid damaging them:

- Do not expose them to impacts, moisture or high temperature such as on the dashboard under direct sunlight.
- Keep them away from magnetic objects.

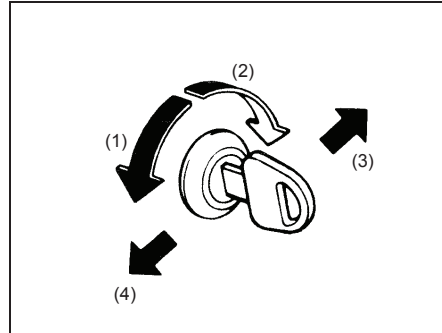
**NOTICE**

Do not modify or remove the immobilizer system.  
If modified or removed, the system cannot be properly operated.

This immobilizer system is maintenance-free.

**Ignition Key Reminder**

A buzzer sounds intermittently to remind you to remove the ignition key if it is in the ignition switch when the driver's door is opened.

**Door Locks****Side Door Locks**

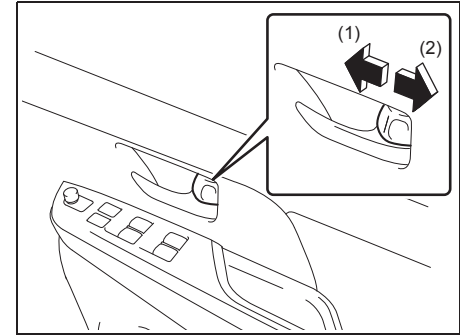
60B008

- (1) UNLOCK
- (2) LOCK
- (3) Front
- (4) Rear

To lock a front door from outside the vehicle:

- Insert the key and turn the top of the key toward the front of the vehicle, or
- Turn the lock knob forward, then pull and hold the door handle as you close the door.

To unlock a front door from outside the vehicle, insert the key and turn the top of the key toward the rear of the vehicle.



73R0001

- (1) LOCK
- (2) UNLOCK

To lock a door from inside the vehicle, turn the lock knob forward. Turn the lock knob rearward to unlock the door.

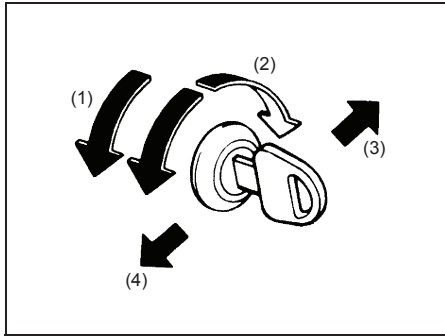
To lock a rear door from outside the vehicle, turn the lock knob forward and close the door. You do not need to pull and hold the door handle as you close the door.

**NOTE:**

*Be sure to hold the door handle when you close a locked front door, or the door will not remain locked.*

## BEFORE DRIVING

### Central Door Locking System



54G294

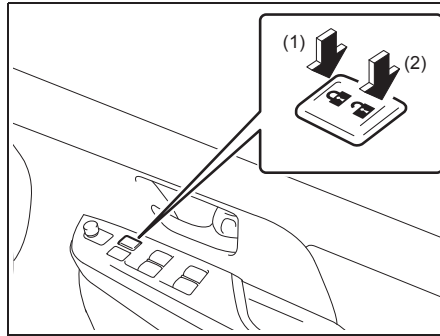
- (1) UNLOCK
- (2) LOCK
- (3) Front
- (4) Rear

You can lock and unlock all doors (including the tailgate) simultaneously by using the key in the driver's door lock.

To lock all doors simultaneously, insert the key in the driver's door lock and turn the top of the key toward the front of the vehicle once.

To unlock all doors simultaneously, insert the key in the driver's door lock and turn the top of the key toward the rear of the vehicle twice.

To unlock the driver's door only, insert the key in that door lock and turn the top of the key toward the rear of the vehicle once.



73R0002

- (1) LOCK
- (2) UNLOCK

You can also lock or unlock all doors by depressing the front or rear of the switch, respectively.

#### NOTE:

- You can also lock or unlock all doors by operating the transmitter. Refer to Keyless entry system transmitter in this section.

#### NOTE:

- All doors are automatically unlocked when you turn the ignition switch to the "LOCK" position and pull out the key.
- All doors are automatically locked for safety when the vehicle speed reaches 15 km/h.
- You can change the automatic locking or unlocking function mentioned above via

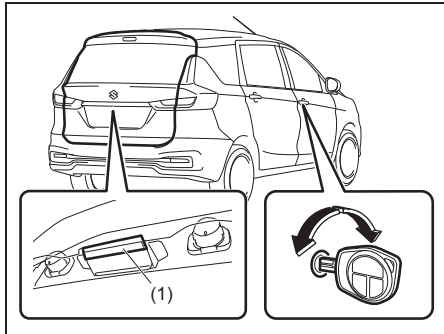
the setting mode of the information display. For details on how to use the information display, refer to "Information display" in this section.



## Tailgate

**⚠ WARNING**

Always make sure that the tailgate is closed and latched securely. Completely closing the tailgate helps prevent occupants from being thrown from the vehicle in the event of an accident. Completely closing it also helps keep exhaust gases from entering the vehicle.



73R0019

(1) Tailgate handle

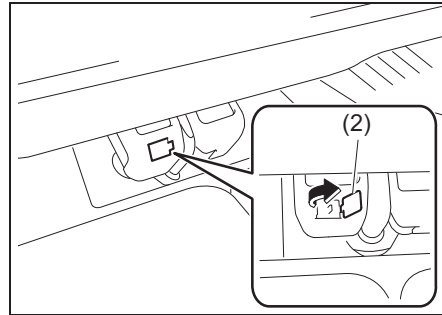
You can lock and unlock the tailgate by using the key in the driver's door lock.

To open the tailgate, pull up the tailgate handle (1) and lift the tailgate.

If you cannot unlock the tailgate by using

the key in the driver's door lock due to a discharged lead-acid battery or malfunction, follow the procedure below to unlatch the tailgate from inside the vehicle.

- 1) Fold the rear seat forward for easier access. Refer to "Folding rear seats" section for details on how to fold the rear seat forward.

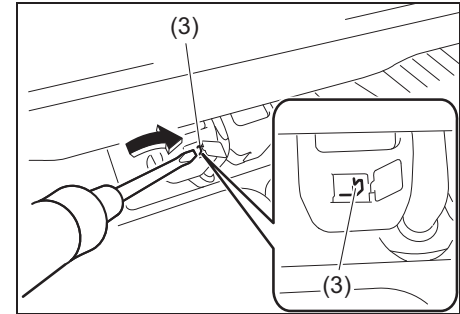


73R0020

- 2) Open the cover (2) in the lock mechanism of the tailgate.

**NOTE:**

Be careful not to lose the cover (2) because it is small and detachable.



73R0021

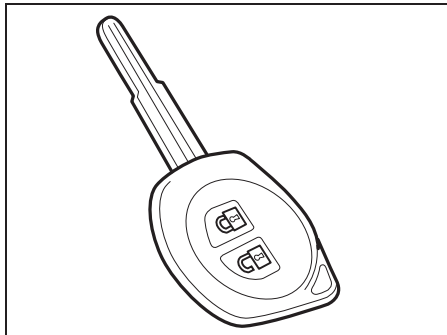
- 3) Move the lever (3) in arrow direction by using a flat-bladed screwdriver to unlock the tailgate.
- 4) Push open the tailgate from inside. The tailgate will be latched again by simply closing the tailgate.

If the tailgate cannot be unlatched by pulling up the tailgate handle, have the vehicle inspected by a Maruti Suzuki authorised workshop.

**⚠ CAUTION**

Check that there is no one near the tailgate when pushing open the tailgate from inside the vehicle.

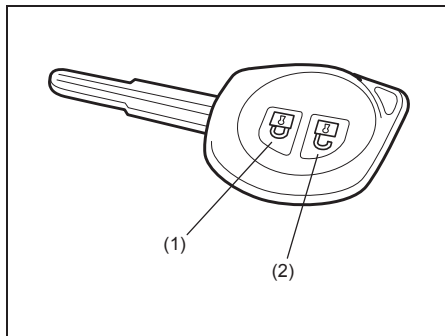
### Keyless entry system transmitter



73RM02001

Your vehicle is equipped with a keyless entry system transmitter. The transmitter has only a keyless entry function. For details, refer to the following explanations.

### Keyless Entry System Transmitter



72R0148

- (1) LOCK button
- (2) UNLOCK button

You can lock or unlock all doors (including the tailgate) simultaneously by operating the transmitter near the vehicle.

### Central door locking system

- To lock all doors, push LOCK button (1) once.
- To unlock only the driver's door, push UNLOCK button (2) once.
- To unlock other doors, push UNLOCK button (2) once again.

#### NOTE:

You can switch the function that unlocks all doors from requiring two pushes to requiring one push, and vice versa, via the information display setting mode. For details on how to use the information display, refer to "Information display" in this section.

The turn signal lights will flash once and the siren will sound once when the doors are locked.

When the doors are unlocked:

- The turn signal lights will flash twice and the siren will sound twice when unlocked.
- If the interior light switch is in the "DOOR" position, the interior light will turn on for 15 seconds and then fade out. If you insert the key into the ignition switch during this time, the light will start to fade out immediately.

Be sure the doors are locked after you operate the LOCK button (1).

#### NOTE:

If no door is opened within about 30 seconds after the UNLOCK button (2) is oper-

ated, the doors will automatically lock again.

**NOTE:**

- If the security system was triggered due to an unauthorized entry into the vehicle and then you unlock the doors using the transmitter, the siren will sound 4 times to remind you. If this happens, check whether your vehicle has been broken into while you were away from it.
- Once you push both of the LOCK button (1) and UNLOCK button (2), then you push one of the buttons within 5 seconds, the siren will not sound.

**NOTE:**

- The maximum operating distance of the keyless entry system transmitter is about 5 m (16 ft.), but this can vary depending on the surroundings, especially near other transmitting devices such as radio towers or CB (Citizen's Band) radios.
- The door locks cannot be operated with the transmitter, if the ignition key is inserted in the ignition switch.
- When any door is open, the door locks can be operated only unlock with the transmitter.
- If you lose one of the transmitters, ask a Maruti Suzuki workshop as soon as possible for a replacement. Be sure to have your dealer program the new transmitter code in your vehicle's memory so that the old code is erased.

<b>NOTICE</b>
<p><b>The transmitter is a sensitive electronic instrument. To avoid damaging the transmitter:</b></p> <ul style="list-style-type: none"> <li>• Do not expose it to impacts, moisture or high temperature such as by leaving it on the dashboard under direct sunlight.</li> <li>• Keep the transmitter away from magnetic objects such as a television.</li> </ul>

**Car locator alarm function**

This function is to get the attention of others. Push both of the LOCK button (1) and UNLOCK button (2) for more than 3 seconds. The turn signal lights will blink for about 27.5 seconds. Also, the siren will sound for about 27.5 seconds at the same time. To cancel the car locator alarm, press any button (LOCK or UNLOCK). You can also cancel the car locator alarm by turning the ignition switch to "ON" position.

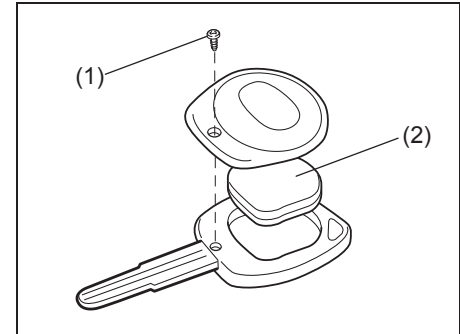
**NOTE:**

The car locator alarm function will not activate when the key is in the ignition switch.

**Battery replacement**

If the transmitter becomes unreliable, replace the battery.

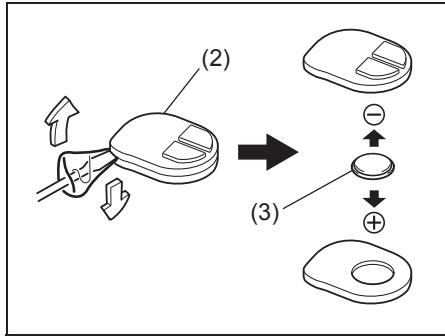
To replace the battery of the transmitter:



68LM248

- 1) Remove the screw (1), and open the transmitter cover.
- 2) Remove the transmitter (2).

## BEFORE DRIVING



73R0197

- (3) Button type lithium battery:  
CR1616 or equivalent
- Put the edge of a flat blade screwdriver covered with a soft cloth in the slot of the transmitter (2) and pry it open.
  - Replace the battery (3) so its + terminal faces the "+" mark of the transmitter.
  - Close the transmitter and install it into the transmitter holder.
  - Close the transmitter cover, install and tighten the screw (1).
  - Make sure the door locks can be operated with the transmitter.
  - Dispose of the used battery properly according to applicable rules or regulations. Do not dispose of lithium batteries as ordinary household trash.

### ⚠ WARNING

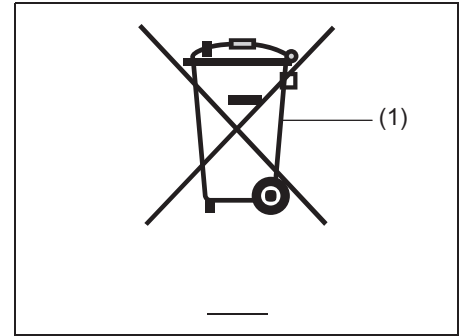
Swallowing a lithium battery may cause serious internal injury. Do not allow anyone to swallow a lithium battery. Keep lithium batteries away from children and pets. If swallowed, contact a physician immediately.

### NOTICE

- The transmitter is a sensitive electronic instrument. To avoid damaging it, do not expose it to dust or moisture or tamper with internal parts.
- When replacing the battery by yourself, the transmitter controller could be damaged affected by static electricity. Discharge the static electricity built up in your body by touching metal before replacing the battery.

#### NOTE:

Used batteries must be disposed of properly according to applicable rules or regulations and must not be disposed of with ordinary household trash.



80JM133

- (1) Crossed-out wheeled bin symbol

The crossed-out wheeled bin symbol (1) indicates that a used battery should be collected separately from ordinary household trash.

By ensuring the used battery is disposed of or recycled correctly, you will help prevent potential negative consequences for the environment and human health, which could otherwise be caused by inappropriate battery disposal. The recycling of materials will help to conserve natural resources. For more detailed information about disposing of or recycling the used battery, consult a Maruti Suzuki authorised workshop.

## Security System (If equipped)

The security system sets after you close the all doors, engine hood.

For the system to armed, you must lock the all doors with the keyless entry system transmitter.

Once the system is armed, any attempt to open a door by using any other means (\*) than the keyless entry system transmitter, or open the engine hood will cause the alarm to be triggered.

\* These means include the following:

- The key
- The lock knob on a door
- The power door locking switch

Also, in case that you have set the shock sensor to enabled state and set sensitivity of the pre-warning function and full blast warning function to a level other than 0, the alarm will be triggered if any attempt to tamper with the vehicle. The shock sensor can be selected enabled or disabled state, and sensitivity of each warning can be adjusted as desired. To set the shock sensor, ask your Maruti Suzuki authorised workshop or use the setting mode of the information display.

### NOTE:

- *The default setting of the shock sensor is in the disabled state. Set to the enabled state and adjust sensitivity of each warning according to your preference. For details on how to use the information display, refer to “Information display” in this section.*
- *Your dealer may have already set the shock sensor of the vehicle to the enabled state before you purchase it. Consult your dealer for further information.*

### NOTE:

- *The security system generates alarms when any of the predetermined conditions is met. However, the system does not have any function of blocking unauthorized entry into your vehicle.*
- *Always use the keyless entry system transmitter to unlock the doors when the security system has been armed. Using a key instead will trigger the alarm.*
- *If a person who does not know the security system is going to drive your vehicle, we recommend you explain the system and its operation to the person, or disable the system beforehand. Mistakenly triggering the alarm may cause a nuisance to others.*
- *Even if the security system is armed, you should still be careful to guard against theft. Do not leave money or things of value in your vehicle.*

### NOTICE

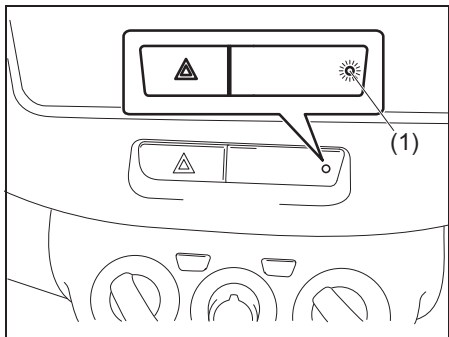
**Do not modify or remove the security system. If modified or removed, the system cannot be properly operated.**

The security system is maintenance-free.

## BEFORE DRIVING

### How to arm the security system

With the all door (including engine hood and tailgate) closed, use the keyless entry system transmitter, to lock all the doors. The security system will be armed. While the system is being armed, the indicator (1) continues to blink at intervals of approximately 2 seconds.



73R0025

### NOTE:

- To prevent the alarm from being accidentally triggered, avoid arming it while anyone remains inside the vehicle. The alarm will be triggered if any person inside opens the door, tailgate, engine hood, or swings the vehicle (if the shock sensor is in the enabled state).
- The security system is not armed when all doors are locked using the key from outside, or using the door lock levers or the power door locking switch from inside.
- If any door is not operated within approximately 30 seconds after the doors have been unlocked using the keyless entry system transmitter, the doors are automatically locked again. When the doors are locked, the security system will be armed if the system is in the enabled state.

### How to disarm the security system

Simply unlock the doors using the keyless entry system transmitter. The security light will go out, indicating that the security system is disarmed.

### How to stop the alarm

Should the alarm be triggered accidentally, unlock the doors using the keyless entry system transmitter, or turn the ignition switch to "ON" position. The alarm will then stop.

### NOTE:

- Even after the alarm has stopped, if you lock the doors using keyless entry system transmitter, the security system will be rearmed.
- If you disconnect the lead-acid battery while the security system is in the armed condition or the alarm is actually in operation, the alarm will be triggered or re-triggered when the lead-acid battery is then reconnected, although, in the latter case, the alarm remains stopped for the period between disconnection and reconnection of the lead-acid battery.
- Even after the alarm has stopped at the end of the predetermined operation time, it will be triggered again if any of the doors, tailgate or engine hood is opened, or the vehicle feels a shock (if the shock sensor is in the enabled state), without disarming the security system.

### Checking whether the alarm has been triggered during parking

If the alarm was triggered due to an unauthorized entry into the vehicle and you turn the ignition switch to ON position, the security system indicator will blink rapidly for about 8 seconds and a buzzer will beep 4 times during this period. If this happens, check whether your vehicle has been broken into while you were away from it.

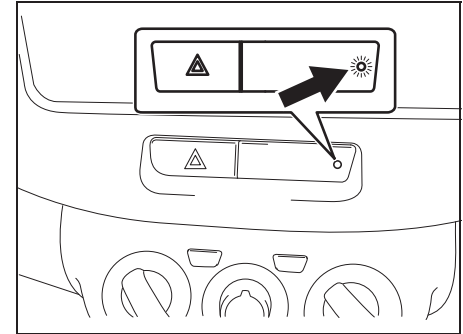
### Security system indication

- If any of the doors or tailgate are opened without unlocking by the keyless entry system transmitter, all turn signal lights start to blink and the interior buzzer beeps intermittently. After 5 seconds, the siren will sound for about 27.5 seconds. The security system indicator continues to blink during this time.
- If the engine hood is opened, all turn signal lights blink, and the siren sounds for about 27.5 seconds. The security system indicator continues to blink during this time.  
(If the shock sensor is in the enabled state.)
- If the vehicle feels a shock higher than the pre-warning sensitivity, the siren sounds for about 2 seconds (pre-warning). If the vehicle feel a shock higher than the full blast warning sensitivity, the siren sounds for about 5 seconds (full blast warning). The security system indicator continues to blink during this time.

#### NOTE:

*If you set the full blast warning sensitivity higher than the pre-warning sensitivity in the setting mode of the information display, or the vehicle feels such shock as to be able to trigger the full blast warning, the full blast warning will be triggered preferentially. In this case, the pre-warning will not be triggered.*

### Theft deterrent light



73R0178

This light will blink with the ignition switch in LOCK or ACC position. The blinking light is intended to deter theft by leading others to believe that the vehicle is equipped with a security system.

#### NOTE:

*For the security system, refer to “security system (if equipped)” in this section.*

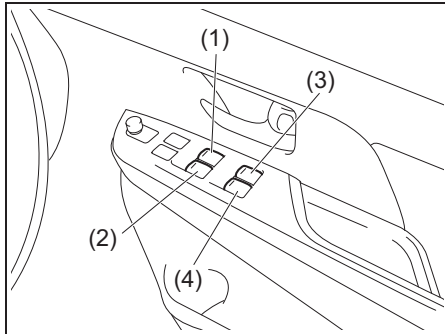
## BEFORE DRIVING

### Windows

#### Power Window Controls

The power windows can only be operated when the ignition switch is in the ON position.

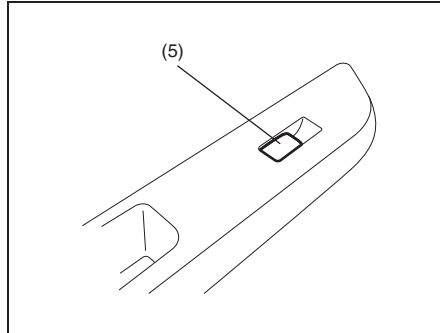
#### Driver's side



73R0004

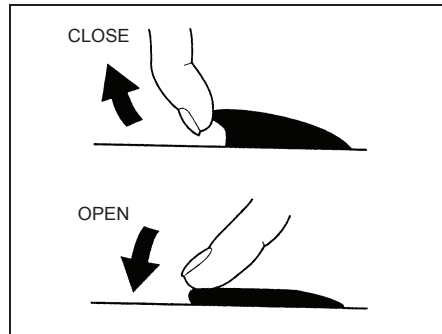
The driver's door has a switch (1) to operate the driver's window, and a switch (2) to operate the front passenger's window or there are switches (3), (4), to operate the rear right and left passenger windows, respectively.

#### Passenger's door / rear door



74LHT0205

The passenger's door has a switch (5) to operate the passenger's window.

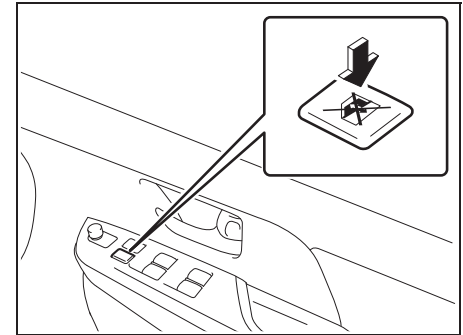


81A009

To open a window, push the top part of the switch. To close the window, lift up the top part of the switch.

The driver's window has AUTO-DOWN and AUTO-UP features for greater convenience (at toll booths or drive-through restaurants, for example). These features allow the driver to open the window without holding the window switch in DOWN or UP position. Press down or lift up the driver's window switch completely and release it. To stop the window before it reaches the FULL-DOWN or FULL-UP position, pull up or push down the switch briefly.

#### Lock switch



73R0005

The driver's door also has a lock switch for the passenger's windows. When you push in the lock switch, the passenger's windows cannot be raised or lowered by operating any of the switches (2), (3), (4) or (5). To restore normal operation, release the lock switch by pushing again.



**⚠ WARNING**

- You should always lock the passenger's window operation when there are children in the vehicle. Children can be seriously injured if they get part of their body caught by the window during operation.
- To avoid injuring an occupant by window entrapment, check that no part of the occupant's body such as hands or head is in the path of the power windows when closing them.
- Always remove the ignition key and take with you when leaving the vehicle even only for a short time. Also do not leave children alone in a parked vehicle. Unattended children could use the power window switches and get trapped by the window.

**NOTE:**

*If you drive with one of the rear windows open, you may hear a loud sound caused by air vibration. To reduce the sound, open the driver's or front passenger's window, or narrow the rear window opening.*

**Pinching Prevention Function**

The driver's window is equipped with a pinching prevention function. This function detects a foreign object that is caught in the window as it is being closed by AUTO-UP feature, which allows you to close the window without holding the window switch in UP position, and stops the window from closing to prevent damage.

**⚠ WARNING**

**To avoid injuring an occupant by window entrapment, check that no part of the occupant's body such as hands or head is in the path of the electric window when closing it. This function may not detect an object due to the size, hardness, or position of the object being caught in the closing window.**

**⚠ CAUTION**

- **The pinching prevention function does not operate while you are holding the window switch in UP position.**
- **The pinching prevention function may not detect an object caught in the window just before the window is fully closed.**

**NOTE:**

*Even if you cannot close the window by the AUTO-UP feature because there may be something wrong with the pinching prevention function, you can close the window by holding the window switch in UP position. If you drive in extreme off-road condition, the pinching prevention function may operate accidentally because the window reacts to vehicle jolting.*

**Pinching prevention function initialization**

When you disconnect and reconnect the lead-acid battery or replace the fuse, the function will be deactivated. In this condition, the AUTO-DOWN feature will be deactivated, while the AUTO-UP feature may remain activated. The pinching prevention function needs to be initialized.

To initialize the pinching prevention function, use the following procedure:

- 1) Turn the ignition switch to "ON" position.
- 2) Open the driver's window fully by holding the window switch in DOWN position.
- 3) Close the driver's window by holding the switch in UP position, and keep holding the switch for 2 seconds after the window is fully closed.
- 4) Check the driver's window to see if the AUTO-DOWN/UP feature works.

### ⚠ WARNING

Whenever you disconnect and reconnect the lead-acid battery or replace the fuse, the pinching prevention function needs to be initialized. The pinching prevention function will not be activated until the initialization is completed.

If the AUTO-DOWN/UP feature will not work after initialization, there might be something wrong with the pinching prevention function. Have your vehicle inspected by a Maruti Suzuki authorized workshop.

## Mirrors

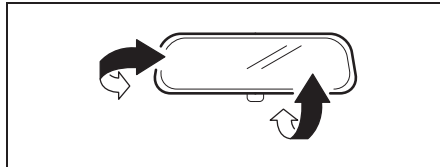
### ⚠ WARNING

Failure to observe following points may result in loss of vehicle control and cause an accident, leading to death or serious injury. Always follow below points while driving.

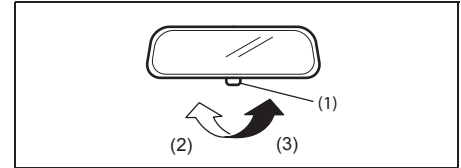
- Do not adjust the mirrors while driving.
- Always unfold all the outside rear-view mirrors and adjust properly before driving.
- Do not place objects in the rear of the vehicle which may hinder visibility or interfere with your vision from the rear window glass.

### Inside Rearview Mirror

You can adjust the inside rearview mirror by hand to see the rear of your vehicle in the mirror.



68LMT0205



68LMT0206

- (2) Day driving
- (3) Night driving

To adjust the mirror, set the selector tab (1) to the day position, and then move the mirror up, down or sideways by hand to obtain the best view.

When driving at night, you can move the selector tab to the night position to reduce glare from the headlights of vehicles behind you.

### ⚠ WARNING

- Always adjust the mirror with the selector set to the day position.
- Only use the night position if it is necessary to reduce glare from the headlights of vehicles behind you. Be aware that in this position you may not be able to see some objects that could be seen in the day position.

**⚠ CAUTION**

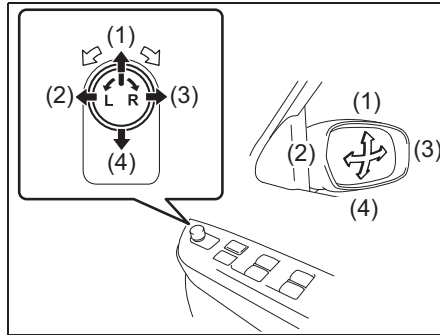
Do not modify the inside rearview mirror or install a non-genuine wide mirror. It could result in injury during accident.

**Outside Rearview Mirrors**

Adjust the outside rearview mirrors so you can just see the side of your vehicle in the mirrors.

**⚠ WARNING**

Be careful when judging the size or distance of a vehicle or other object seen in the side convex mirror. Be aware that objects look smaller and appear farther away than when seen in a flat mirror.



73R0030

The switch to control the electric mirrors is located on the driver's door panel. You can adjust the mirrors when the ignition switch is in "ACC" or "ON" position. To adjust the mirrors:

- 1) Rotate the selector switch to the left or right to select the mirror you wish to adjust.
- 2) Push the side of the switch to the direction in which you wish to move the mirror.
- 3) Return the selector switch to the center position to prevent unintended mirror movement.

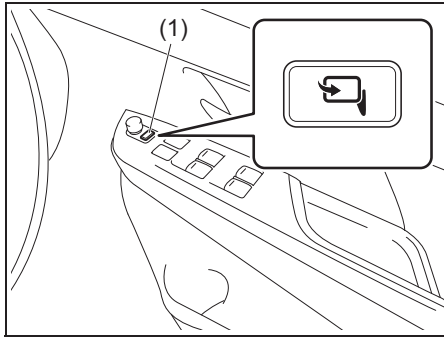
**NOTICE**

- The electric type outside rearview mirror operates even though the ignition switch is in the ACC position. However, to prevent unnecessary battery discharge, do not adjust the mirrors longer than necessary while the engine is not running.
- The mirrors stop moving when they reach the maximum adjusting angles, but the motor continues to operate while the switch is pressed. Do not continue to press the switch in such a situation as the motor may be damaged.
- Do not attempt to adjust the outside rearview mirror by hand which may cause damage to the motor.
- Do not fold the electrical foldable outside rearview mirror by hand. It could cause motor failure.

## BEFORE DRIVING

---

### Outside Rearview Mirrors Folding Switch



73R0031

You can fold the mirrors when you park the vehicle in a narrow space. When the ignition switch is in the ACC or ON position, push the folding switch (1) to fold and unfold the mirrors.

Make sure the mirrors are completely unfolded before you start driving.

#### CAUTION

**Moving mirrors can pinch and injure a hand. Do not allow any one's hand to get near the mirrors when folding and unfolding the mirrors.**

#### NOTE:

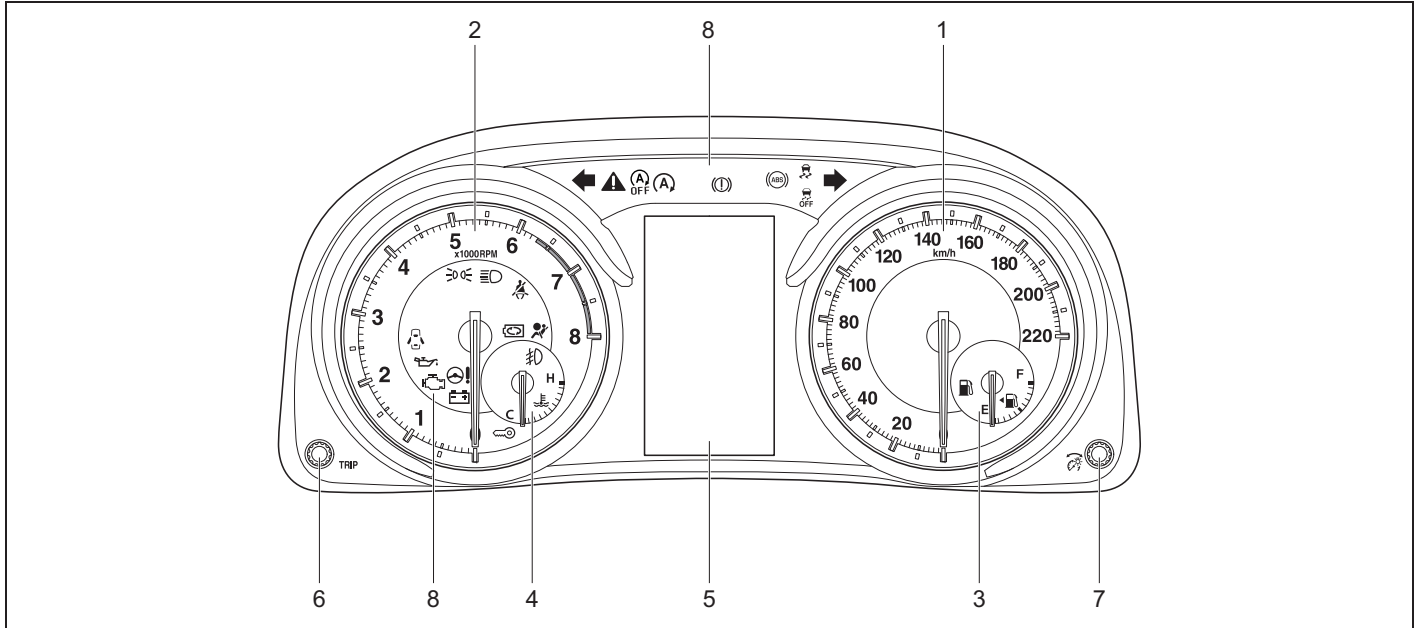
- If you press the folding switch to open the outside rearview mirrors and simultaneously start the engine, then the out-

*side rearview mirrors may get stuck during that moment. To open the outside rearview mirrors completely, again press the folding switch after starting the engine.*

- *Slight time difference in opening of both outside rearview mirrors is due to angular positioning of the driver seat.*

## Instrument Cluster

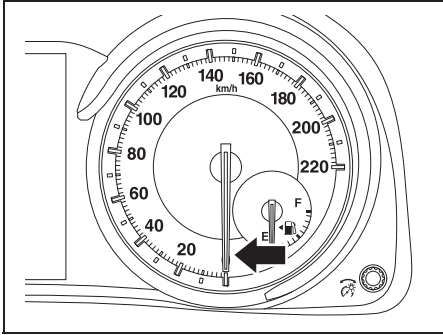
- |                |                                    |                                 |
|----------------|------------------------------------|---------------------------------|
| 1. Speedometer | 4. Temperature gauge (if equipped) | 7. Indicator selector knob      |
| 2. Tachometer  | 5. Information display             | 8. Warning and indicator lights |
| 3. Fuel gauge  | 6. Trip meter selector knob        |                                 |



72RM02022

## BEFORE DRIVING

### Speedometer



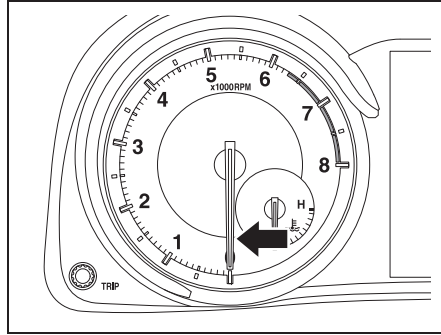
72R0056

The speedometer indicates vehicle speed in km/h.

**NOTE:**

Maximum speed of the vehicle is 80 km/hr as per government regulation.

### Tachometer



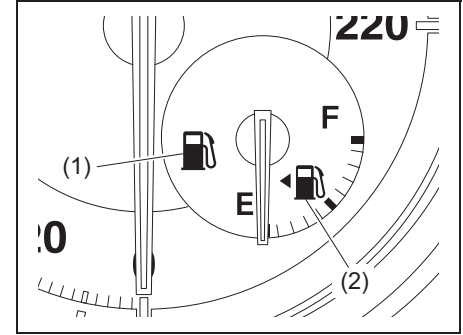
72R0057

The tachometer indicates engine speed in revolutions per minute.

#### NOTICE

Never drive the vehicle with the engine revving in the red zone or severe engine damage can result. Keep the engine speed below the red zone even when downshifting to a lower gear position. Refer to “Downshifting maximum allowable speeds” in the “OPERATING YOUR VEHICLE” section.

### Fuel gauge



72R0058

When the ignition switch is in “ON” position, this gauge gives a rough indication of the amount of fuel in the fuel tank. “F” stands for full and “E” stands for empty.

If the indicator approaches a low level (near “E”) on fuel gauge, refill the tank as soon as possible.

**NOTE:**

The indicator moves a little depending on road conditions (for example, slope or curve) and driving conditions because of fuel moving in the tank.

If the low fuel warning light (1) comes on, refill the fuel tank as soon as possible.

**NOTE:**

*The activation point of the low fuel warning light (1) varies depending on road conditions (for example, slope or curve) and driving conditions because of fuel movement in the tank.*

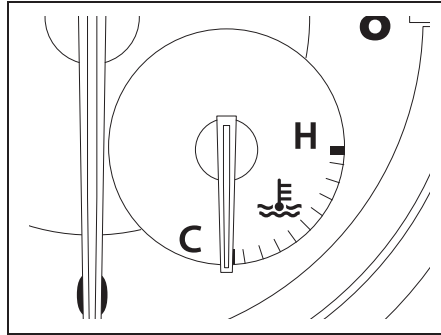
Refer to “Low fuel warning light” in “Warning and indicator lights” in this section for details.

The mark (2) indicates that the fuel filler door is located on the left side of the vehicle.

**NOTICE**

**To minimize the possibility of damage to catalytic converter or other components of the vehicle, avoid driving the vehicle near empty fuel tank level.**

## Temperature Gauge (if equipped)



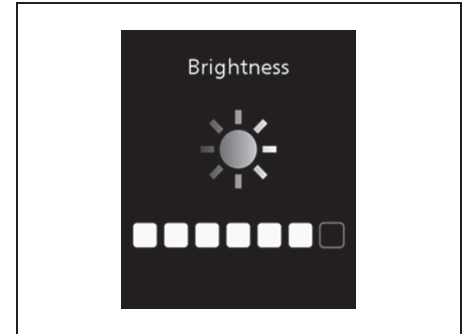
72R0059

When the ignition switch is in “ON” position, this gauge indicates the engine coolant temperature. Under normal driving conditions, the indicator should stay within the normal, acceptable temperature range between “H” and “C”. If the indicator approaches “H”, overheating is indicated. Follow the instructions for engine overheating in “EMERGENCY SERVICE” section.

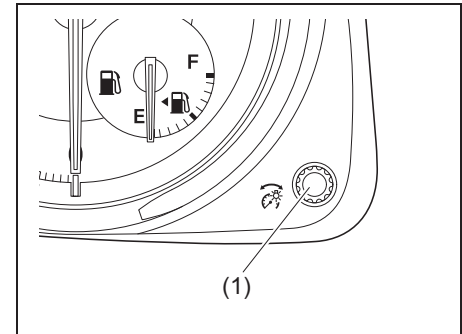
**NOTICE**

**Continuing to drive the vehicle when engine overheating is indicated can result in severe engine damage.**

## Brightness Control



72R0063



72R0060

## BEFORE DRIVING

When the ignition switch is turned "ON", the instrument panel lights come on.

Your vehicle has a system to automatically dim the brightness of the instrument panel lights when the position lights or headlights are on.

You can adjust the meter illumination brightness regardless of whether the position lights or headlights are off or on.

To increase the brightness of the instrument panel lights, turn the brightness control knob (1) clockwise.

To reduce the brightness of the instrument panel lights, turn the brightness control knob (1) counterclockwise.

### WARNING

**Do not adjust the brightness of the instrument panel lights while driving. Otherwise, you could lose control of the vehicle.**

#### NOTE:

- If you do not turn the brightness control knob within several seconds of activating, the brightness control display will be canceled automatically.
- When you reconnect the lead-acid battery, the brightness of the instrument panel lights will be reinitialized. Readjust the brightness according to your preference.

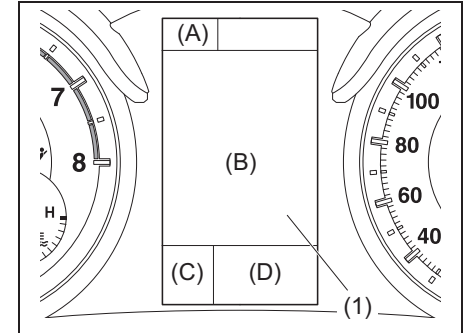
#### NOTE:

If you adjust to the maximum brightness level when the position lights or headlights are on, the following functions will be canceled.

- The function which automatically dims the brightness of instrument panel lights.
- The function which operates with the brightness control, except maximum brightness level.

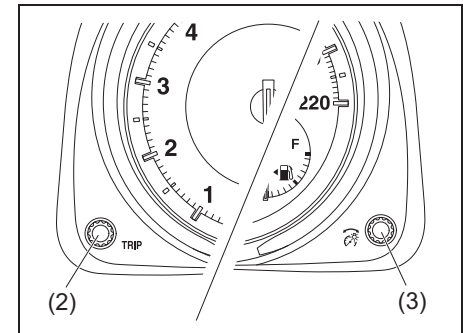
## Information Display

The information display is shown when the ignition switch is in "ON" position.



72RM02023

(1) Information display



72R0062

(2) Trip meter selector knob



(3) Indicator selector knob

The information display shows the following information.

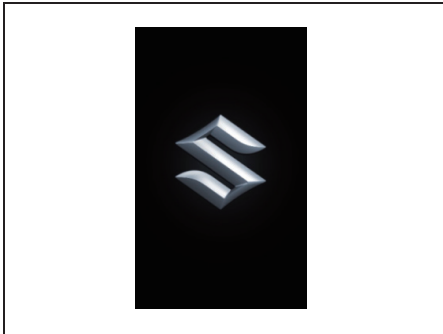
**Display (A)**  
Clock

**Display (B)**

Fuel consumption / Driving range / Average speed / Driving time / Clock and date / Motion / Torque and power / Accelerator and brake / Energy flow / Total idling stop time and Total idling fuel saved

**Display (C)**  
Gearshift indicator

**Display (D)**  
Odometer and Trip meter



72R0135

When the ignition switch is turned "ON", the message shown in the above illustra-

tion will appear on the display for several seconds.

Some warning and indicator messages may appear on the display when the ignition switch is in "ACC" or "LOCK" position.

### Clock

When the ignition switch is in "ON" position, the display (A) shows the time.

To set the clock, follow "Setting mode" instructions in this section.

### ⚠ WARNING

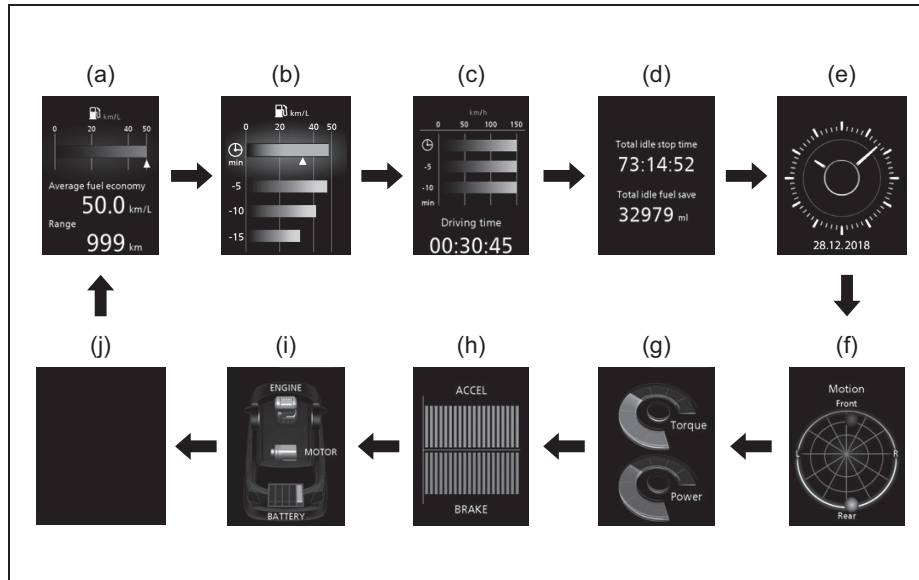
**If you attempt to adjust the display while driving, you could lose control of the vehicle.**

**Do not attempt to adjust the display while driving.**

**Fuel Consumption / Driving Range / Average Speed / Driving Time / Total Idling Stop Time and Total Idling Fuel Saved / Clock and Date / Motion / Torque and Power / Accelerator and Brake / Energy flow (if equipped)**

When there are no warning or indicator messages on the display (B), you can select one of the following indications to appear on the display: instantaneous fuel consumption, average fuel consumption, driving range, average speed, driving time, total idling stop time and total idling fuel saved, clock and date, motion, torque and power, accelerator and brake, energy flow or no indication.

## BEFORE DRIVING



72R0064

To switch the display indication, push the indicator selector knob (3) quickly.

### NOTE:

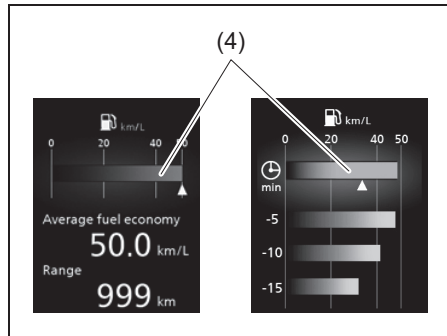
The value of instantaneous fuel consumption, average fuel consumption, driving range, average speed, total idling fuel saved, motion, torque and power, accelerator and brake and energy flow shown on the display are affected by the following conditions;

- road condition
- surrounding traffic condition
- driving condition
- vehicle condition
- a malfunction which causes the malfunction indicator light to come on or blink

- (a) Instantaneous fuel consumption / Average fuel consumption / Driving range  
 (b) Instantaneous fuel consumption / Average fuel consumption / 5-minute average fuel consumption  
 (c) Average speed / 5-minute average speed / Driving time  
 (d) Total idling stop time / Total idling fuel saved  
 (e) Clock and date  
 (f) Motion  
 (g) Torque and power  
 (h) Accelerator and brake  
 (i) Energy flow  
 (j) No indication

### Instantaneous fuel consumption

The display shows instantaneous fuel consumption with a bar graph only when the vehicle is moving.



52RM21070

(4) Instantaneous fuel consumption

#### NOTE:

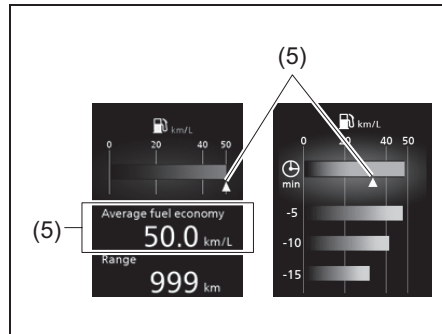
- The display does not show the bar graph unless the vehicle is moving.
- Depending on the vehicle's specification, the fuel consumption units of initial setting are indicated as L/100km, km/L, MPG (UK).
- The indicated maximum value of instantaneous fuel consumption is one of the followings. No more than the maximum value will be indicated on the display even if the actual instantaneous fuel consumption is higher.
  - For L/100km setting: 30
  - For km/L setting: 50

- For MPG (UK) setting: 80
- The indication on the display may be delayed if fuel consumption is greatly affected by driving conditions.
- The display shows estimated values. Indications may not be the same as actual values.

### Average fuel consumption / 5-minute average fuel consumption / 1-driving cycle average fuel consumption

Average fuel consumption from previous reset and 5-minute average fuel consumption, and 1-driving cycle average fuel consumption are shown.

#### (Average fuel consumption)



52RM21080

(5) Average fuel consumption

If you selected average fuel consumption the last time you drove the vehicle, the display shows the last value of average fuel consumption from previous driving when the ignition switch is turned "ON". Unless you reset the value of average fuel consumption, the display indicates the value of average fuel consumption based on the average fuel consumption during previous driving.

#### NOTE:

When you reconnect the negative (-) terminal to the lead-acid battery, the value of average fuel consumption will be shown after driving for a period of time.

You can select the timing to reset the value of average fuel consumption by one of the following three methods;

- Reset after refuel: the value of average fuel consumption will be reset automatically by refueling.
- Reset with trip meter A: the value of average fuel consumption will be reset automatically by resetting trip meter A.
- Reset manually: the value of average fuel consumption will be reset by pushing and holding the indicator selector knob (3) when the display indicates the average fuel consumption.

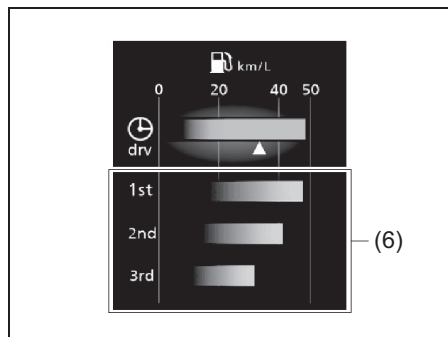
To change the timing to reset the value of average fuel consumption, refer to "Setting mode" in this section.

## BEFORE DRIVING

### NOTE:

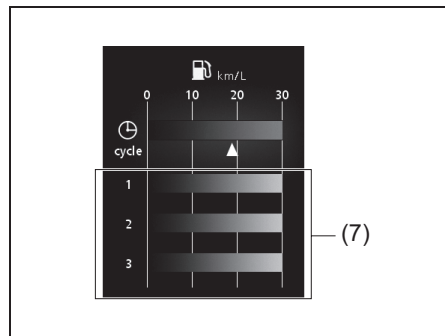
If you add only a small amount of fuel when you select "Reset after refuel", the average fuel consumption value may not be reset.

### (5-minute average fuel consumption)



(6) 5-minute average fuel consumption

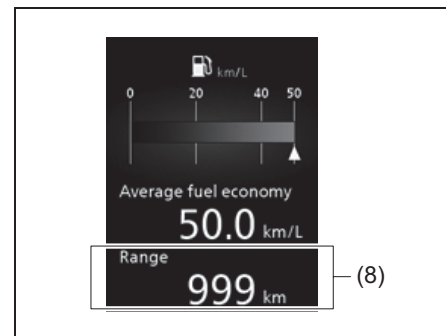
### (1-driving cycle average fuel consumption)



(7) 1-driving cycle average fuel consumption

You can check transition of average fuel consumption every 5 minutes from 15 minutes before up to now. Also, you can check transition of average fuel consumption the past 3 driving cycles. Time indication and driving cycle indication can be changed. For details, refer to "Setting mode" in this section.

### Driving range



(8) Driving range

If you selected driving range the last time you drove the vehicle, the display indicates "---" for a few seconds and then indicates the current driving range when the ignition switch is turned "ON".

The driving range shown in the display is an indicative unit of the approximate distance you can drive until the fuel gauge indicates "E", based on current driving conditions and current fuel level in the fuel tank.

When the low fuel warning light comes on, the display "---" will appear. If the low fuel warning light comes on, fill the fuel tank immediately regardless of the value of driving range shown in the display.

When you refuel, the driving range is updated. However, if you only add a small amount of fuel, the correct value will not be displayed.

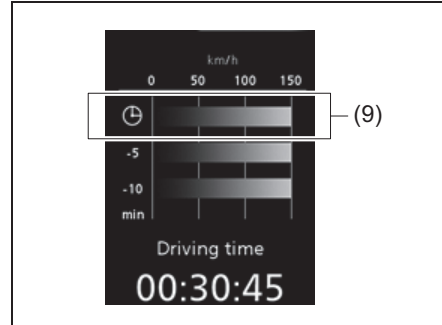
**NOTE:**

- If you refuel when the ignition switch is in "ON" position, the driving range may not indicate the correct value.
- When you reconnect the negative (-) terminal to the lead-acid battery, the value of driving range will be shown after driving for a period of time.
- If there are substantial changes in the driving pattern or vehicle usage, the displayed range may vary significantly

**Average speed / 5-minute average speed**

Average speed from previous reset and 5-minute average speed are shown.

**(Average speed)**



52RM21100

(9) Average speed

If you selected average speed the last time you drove the vehicle, the display indicates the last value of average speed from previous driving when the ignition switch is turned "ON". Unless you reset the value of average speed, the display indicates the value of average speed which includes average speed during previous driving.

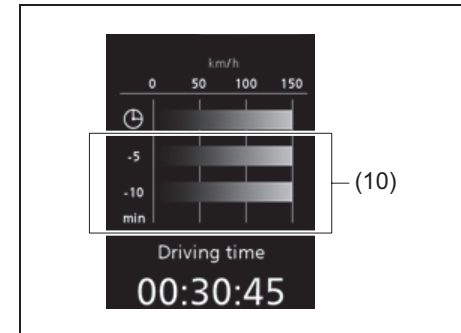
To reset the value of average speed, push and hold the indicator selector knob (3) for about 2 seconds when the display indicates an average speed. The display

shows "---" and then indicates a new average speed after driving for a short time.

**NOTE:**

When you reconnect the negative (-) terminal to the lead-acid battery, the value of average speed will be shown after driving for a period of time.

**(5-minute average speed)**



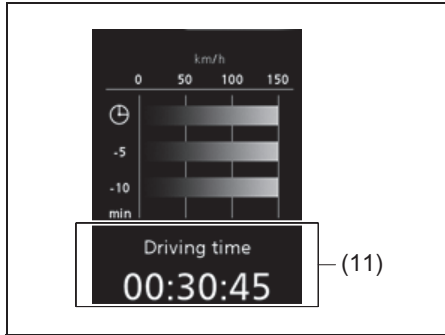
52RM21110

(10) 5-minute average speed

You can check transition of 5-minute average speed every 5 minutes from 10 minutes before up to now.

## BEFORE DRIVING

### Driving time



52RM21120

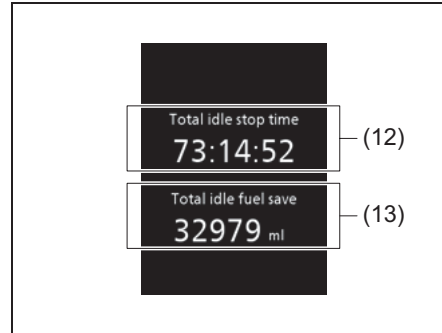
#### (11) Driving time

Driving time from previous reset is shown. To reset the driving time, push and hold the indicator selector knob (3) for about 2 seconds when the display indicates a driving time. The display shows “---” and then indicates a new driving time after driving for a short time.

#### NOTE:

- Disconnection of the lead-acid battery negative (-) terminal will reset the indication of the driving time.
- The indicated maximum value of driving time is 99:59:59. No more than this value will be indicated on the display until you reset the driving time.

### Total idling stop time and total idling fuel saved



52RM217

- (12) Total idling stop time
- (13) Total idling fuel saved

The display shows the total length (in hours, minutes and seconds) of engine stopping time and the total amount (in milliliters) of fuel conservation by ENG ASTOP system since the indication was reset.

- To reset the total idling stop time and the total idling fuel saved, push and hold the indicator selector knob (3) for a while when the display shows the total idling stop time and the total idling fuel saved.

#### NOTE:

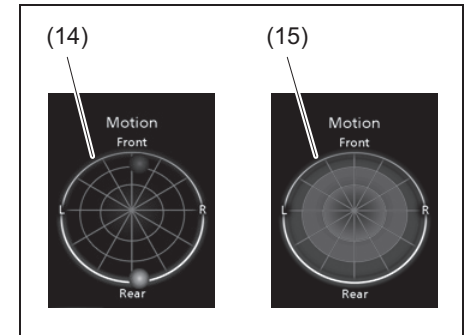
- The indicated maximum value of the total idling stop time is 99:59:59 and this value is fixed until it is reset.
- When you reconnect the negative (-) terminal to the lead-acid battery, the

value of the total idling stop time and the total idling fuel saved will be reset.

### Clock and date

Date and time are shown. For the setting procedure, refer to “Setting mode” in this section.

### Motion



52RM218

The meter indication is different depending on whether the vehicle is stopped or running.

When driving, real time movement of imaginal G position (center of gravity) is displayed on the globe (14), which is resultant with inertia force.

When stopped, historical data of imaginal G positions applied to the vehicle body during the driving is shown as a graph (15).

G position history graph when the vehicle stopped can be changed to indicate or hide. For details, refer to “Setting mode” in this section.

**⚠ WARNING**  
**Do not look in the display intensively while driving. Doing so may result in an accident.**

**NOTE:**

- If G position history graph at the vehicle stopped has been set in indication mode, the graph (15) is shown for several seconds when you turn the ignition switch to “LOCK” position after driving.
- The graph is shown approximately and the actual movement may differ.

**Torque and power**

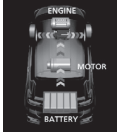
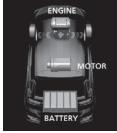


Present engine torque and power are shown.

**Accelerator and brake**

Present accelerator pedal depressing degree and brake line pressure are shown. The display is selectable to indicate or not to indicate. For details, refer to “Setting mode” in this section.

**Energy flow (if equipped)**

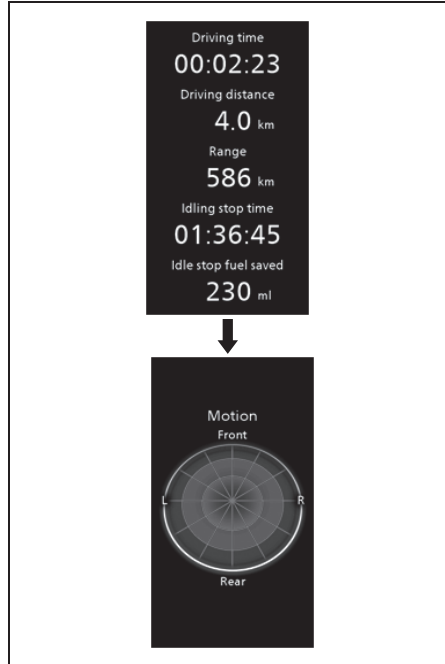
The state of SHVS operation can be checked on the information display. For details, refer to “SHVS (Smart Hybrid Vehicle by Suzuki)” in “OPERATING YOUR VEHICLE” section.

Information display	Description
 <p>72R0138</p>	<p>When the vehicle is running, ISG (Integrated Starter Generator) assists engine power as an electric motor.</p>
 <p>72R0139</p>	<p>When the vehicle is powered by the engine.</p>
 <p>72R0140</p>	<p>When decelerating your vehicle, the ISG generates electricity without engine power.</p>
 <p>72R0141</p>	<p>When the engine automatically stops by the ENG A-STOP system.</p>

## BEFORE DRIVING

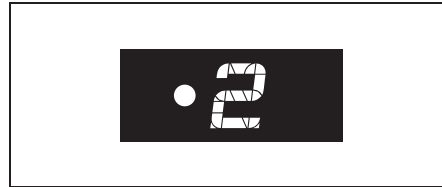
### Information shown after driving

When you turn the ignition switch to LOCK position, the following information appears for several seconds on the information display.



52RM21140

### Gearshift Indicator



72R0074

### Gearshift Indicator

Refer to "Gearshift indicator" in "OPERATING YOUR VEHICLE" section.

### Odometer / Trip meter

The display (D) shows the odometer and trip meter.

The odometer records the total distance the vehicle has been driven.

The trip meter can be used to measure the distance traveled on short trips or between fuel stops.

You can use trip meter A or trip meter B independently.

To switch the display indication (D), push the trip meter selector knob (2) quickly.

To reset the trip meter, push and hold the trip meter selector knob (2) for about 2 seconds when the display shows the trip meter.

### NOTICE

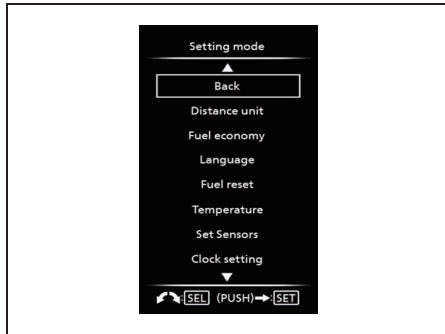
**Keep track of your odometer reading and check the maintenance schedule regularly for required services. Increased wear or damage to certain parts can result from failure to perform required services at the proper mileage intervals.**



## Setting Mode

When the ignition switch is in “ON” position and the vehicle is stationary, you can enter into the setting mode of the information display by pushing and holding the indicator selector knob (3) for more than 3 seconds.

- To select the setting item that you want to change, turn the indicator selector knob (3) left or right.
- To change the setting, push the indicator selector knob (3).
- To exit the setting mode, select “Back” and push the indicator selector knob (3).



72R0142

### NOTE:

The currently selected setting item is surrounded by a frame.

### NOTE:

- If you push and hold the indicator selector knob (3) to enter into the setting mode when the display (B) shows average fuel consumption, average speed, driving time, total idling stop time and total idling fuel saved (if equipped), the value will be reset simultaneously. If you do not want to reset the value, push the indicator selector knob quickly to switch the indication of the display.
- If you turn the ignition switch, press the engine switch or start to move the vehicle when the display is in the setting mode, the setting mode will be canceled automatically.

## Distance unit (Odometer / trip meter / driving range / average speed distance unit setting)

You can change the units in which odometer / trip meter / driving range / average speed distance is displayed.

## Fuel economy (Fuel consumption unit setting)

You can change the units that fuel consumption is displayed in.

## Language (If equipped)

You can change the language of the information display.

## Fuel reset

### (Average fuel consumption reset setting)

You can change when the value of average fuel consumption is reset.

## Temperature

### (Temperature unit setting) (if equipped)

You can change the units that temperature is displayed in.

- To change the temperature unit, select “Temperature” in “Setting mode”. Then, select “°C” or “°F”.

## BEFORE DRIVING

---

### **Clock setting (if equipped) (Adjusting the clock)**

- Adjust the clock by selecting “Clock setting” in “Setting mode”. Then, select “Adjust clock”.
- To change the hour indication, turn the indicator selector knob (3) left or right repeatedly when the hour indication blinks. To change the hour indication quickly, turn and hold the indicator selector knob (3). To set the hour indication, push the indicator selector knob (3) and the minute indication blinks.
- To change the minute indication, turn the indicator selector knob (3) left or right repeatedly when the minute indication blinks. To change the minute indication quickly, turn and hold the indicator selector knob (3). To set the minute indication, push the indicator selector knob (3).

### **(Selecting 12H/24H format)**

- Switch the time indication between 12-hour and 24-hour format by selecting “Clock setting” in “Setting mode”. Then, select “12H” or “24H”.

### **(Adjusting the date)**

- Adjust the date by selecting “Clock setting” in “Setting mode”. Then select “Adjust date”.
- To adjust year, month and day, operate the indicator selector knob (3) in the same way as adjusting the clock.

### **Set sensors (Parking sensor setting)**

The parking sensor can be switched between the normal mode and trailer mode.

### **Door lock (Door lock setting) (Door unlock)**

- All Doors:  
Unlock all doors by turning the key, or operating the keyless entry system transmitter once
- Driver Door:  
Unlock all doors by turning the key, or operating the keyless entry system transmitter, twice (default setting)

### **(Auto lock)**

- Manual Lock:  
Disable the automatic door locking function
- Speed Syncro:  
Lock all doors when the vehicle speed reaches 15 km/h (default setting)

### **(Auto unlock)**

- Syncro Off:  
Disable the automatic door unlocking function.
- IG-OFF Sync:  
Unlock all doors when the key is pulled out from the ignition switch.

### **(Alarm)**

- You can turn off or on the siren sound when the door(s) is(are) locked or unlocked.

### **Lights (Lane change setting)**

The turn signal and its indicator can be set whether they flash three times even if you return the turn signal control lever immediately after moving it.

### **Antitheft (Shock sensor system setting)**

You can change the on/off of the shock sensor.

### **(Shock sensor P setting)**

You can adjust the pre-warning sensitivity of shock sensor.

### **(Shock sensor F setting)**

You can adjust the full blast warning sensitivity of shock sensor.

### **Display item (if equipped) (“Car color” setting)**

You can change the car color of the information display.

### **(“Calendar dis” setting)**

You can select whether you show the calendar on the information display or not.

### **(“Calendar form” setting)**

You can change the calendar form of the information display.

To change the calendar form, select “Calendar form” in “Display item”. Then, select the display order of date, month and year.

**(“Fuel eco hist” setting)**

Transitional indication of average fuel consumption can be switched to time indication and driving cycle indication.

**(“Motion hist” setting)**

Indication of G position history graph at the vehicle stopped can be selected to enable or disable.

**(“Idling disp” setting)**

Display of ENG A-STOP operation with the ignition switch in LOCK position is selectable to indicate or not to indicate.

**(“Idling warn” setting)**

You can switch whether the information display shows the warning and indicator messages related on the ENG A-STOP system.

**(“Pedal op disp” setting)**

Display of “Accelerator and brake” is selectable to indicate or not to indicate.

**(“Regen disp” setting)**

You can choose that deceleration energy regenerating indicator light comes on or does not come on.

**Default****(initialization setting)**

If you select “YES” and push the indicator selector knob (3), all settings will be reinitialized.

**Warning and Indicator Messages**

The display shows warning and indicator messages to let you know about certain vehicle problems.

A tone may also sound to alert you.

If warning and indicator messages appear on the display, follow the messages.

**Master warning indicator light**

80P0382

When the display shows warning and indicator messages, the master warning indicator light may also blink.





**NOTE:**

- When the problem that causes a message to appear is corrected, the message will disappear.
- If a message is displayed, and other problems requiring a message occur, the message for each of the problems will be alternately displayed about every 5 seconds.
- When you push and hold the indicator selector knob (2) for about 2 seconds while a message is displayed, the message will disappear temporarily. If the problem that caused the message is no corrected, the message will appear again after 5 seconds.



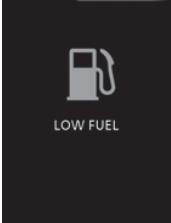
## BEFORE DRIVING

### Warning and indicator messages

All model

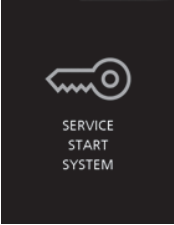

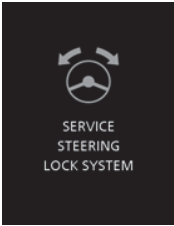

Warning and indicator message	Master warning indicator light	Sound	Cause and remedy
 72R0069	Blinks (only while vehicle is in motion) 	Beep (one time from interior buzzer; only while vehicle is in motion)	A door or tailgate is not properly closed. Stop the vehicle in a safe place and close the door or tailgate properly. (#1)
 52RS005	Blinks 	Continuous beep (from interior buzzer)	The parking brake is not released. Stop the vehicle in a safe place and release the parking brake.

(#1) This message will disappear after a while even if the problem that caused the message to appear is not corrected.





Warning and indicator message	Master warning indicator light	Sound	Cause and remedy
 <p>52RM21170</p>	<p>Blinks</p> 	<p>Continuous beep (from interior buzzer)</p>	<p>The headlights and/or the position lights are left on. Turn them off.</p>
 <p>52RM21180</p>	<p>Off</p>	<p>Beep (one time from interior buzzer)</p>	<p>Fuel is low. Refill it immediately. (#1)</p>

(#1) This message will disappear after a while even if the problem that caused the message to appear is not corrected.

## BEFORE DRIVING

 <p>SERVICE START SYSTEM</p> <p>52RM21240</p>	<p>Blinks</p> 	<p>Beep (one time from interior buzzer)</p>	<p>There is a problem with the immobilizer. Also, the vehicle lead-acid battery voltage may be decreased. When the message is displayed even if you start the engine with normal voltage of the vehicle lead-acid battery, have your vehicle inspected by a Maruti Suzuki authorised workshop.</p>
 <p>SERVICE STEERING LOCK SYSTEM</p> <p>52RM21230</p>	<p>Blinks</p> 	<p>Beep (one time from interior buzzer)</p>	<p>There is a problem with the steering lock system. Have your vehicle inspected by a Maruti Suzuki authorised workshop.</p>

**Vehicle with ESP® system**

Warning and indicator message	Master warning indicator light	Sound	Cause and remedy
 <p>52RM21340</p>	<p>Blinks</p> 	<p>Beep (one time from interior buzzer)</p>	<p>There may be a problem with ESP® system. Have your vehicle inspected by a Maruti Suzuki authorised workshop.</p>
<p>Hill hold control system</p>  <p>52RM21350</p>	<p>Blinks</p> 	<p>Beep (one time from interior buzzer)</p>	<p>There may be a problem with hill hold control system (if equipped). Have your vehicle inspected by a Maruti Suzuki authorised workshop.</p>

### Warning and Indicator Lights

#### Brake System Warning Light



82K170

Three different types of operations exist depending on the vehicle's specification.

- The light comes on briefly when the ignition switch is turned "ON".
- The light comes on when the parking brake is engaged with the ignition switch in "ON" position.
- The light comes on under either or both of above two conditions.

The light also comes on when the fluid in the brake fluid reservoir falls below the specified level.

The light should go out after starting the engine and fully releasing the parking brake, if the fluid level in the brake fluid reservoir is adequate.

The light also comes on together with the ABS warning light when the rear brake force control function (proportioning valve function) of the ABS system fails.

If the brake system warning light comes on while you are driving the vehicle, it may mean that there is something wrong with the vehicle's brake system.

If this happens:

- 1) Pull off the road and stop carefully.

#### ⚠ WARNING

**Remember that stopping distance may be longer, you may have to push harder on the pedal, and the pedal may go down farther than normal.**

- 2) Test the brakes by carefully starting and stopping the vehicle on the shoulder of the road.
- 3) If you determine that it is safe, drive the vehicle cautiously at low speed to the nearest Maruti Suzuki authorised workshop for repairs or tow the vehicle to the nearest a Maruti Suzuki authorised workshop for repairs.

#### ⚠ WARNING

**If any of the following conditions occur, you should immediately ask a Maruti Suzuki authorised workshop to inspect the brake system.**

- **If the brake system warning light does not go out after the engine has been started and the parking brake has been fully released.**
- **If the brake system warning light does not come on when the ignition switch is turned "ON".**
- **If the brake system warning light comes on at any time during vehicle operation.**

#### NOTE:

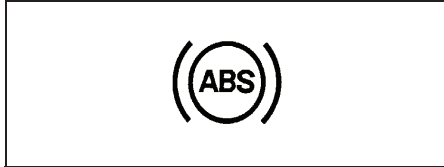
*Because the brake system is self-adjusting, the fluid level will drop as the brake pads become worn. Replenishing the brake fluid reservoir is considered normal periodic maintenance.*

#### NOTE:

*A buzzer sounds intermittently to remind you to release the parking brake if you start the vehicle without releasing the parking brake. Make sure that the parking brake is fully released and the brake system warning light turns off.*



## Anti-Lock Brake System (ABS) Warning Light



65D529

When the ignition switch is turned "ON", this light comes on briefly so you can check that the light is working.

If the light stays on, or comes on when driving, there may be something wrong with the ABS.

If this happens:

- 1) Pull off the road and stop carefully.
- 2) Turn the ignition switch to LOCK position and then start the engine again.

If the warning light comes on briefly and then turns off, the system is normal. If the warning light still stays on, something is wrong with the system.

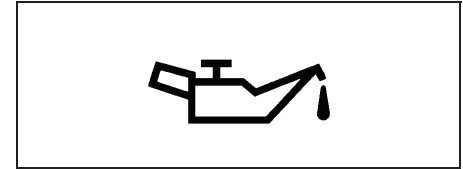
If the light and the brake system warning light stay on or come on simultaneously when driving, your ABS system is equipped with the rear brake force control function (proportioning valve function) and there may be something wrong with both the rear brake force control function and then anti-lock function of the ABS system.

If one of the above occurs, have the system inspected by a Maruti Suzuki authorised workshop.

If the ABS becomes inoperative, the brake system will function as an ordinary brake system that does not have this ABS system.

For details of ABS system, refer to "Anti-Lock Brake System (ABS)" in "OPERATING YOUR VEHICLE" section.

## Engine Oil Pressure Warning Light



50G051

When the ignition switch is turned "ON" or, this light comes on. When the engine is started, the light goes out. The light will come on and remain on if there is insufficient oil pressure. If the light comes on when driving, pull off the road as soon as you can and stop the engine.

Check the oil level and add oil if necessary. If there is enough oil, the lubrication system should be inspected by a Maruti Suzuki authorised workshop before you drive the vehicle again.

### NOTICE

- If you operate the engine with this light on, severe engine damage can result.
- Do not rely on the engine oil pressure warning light to indicate the need to add oil. Periodically check the engine oil level.

## BEFORE DRIVING

### ESP® Warning Light (if equipped)



52KM133

ESP® is a registered trademark of Daimler AG.

This light blinks 5 times per second when one of the following systems is activated.

- Stability control system
- Traction control system

If this light blinks, drive carefully.

When the ignition switch is turned “ON”, the light comes on briefly so you can check that the light is working. If the light stays on or comes on when driving, there may be something wrong with the ESP® systems (other than ABS). You should have the system inspected by a Maruti Suzuki authorised workshop.

For details of the ESP® systems, refer to “Electronic Stability Program (ESP®) (if equipped)” in “OPERATING YOUR VEHICLE” section.

#### **WARNING**

**The ESP® systems cannot prevent accidents. Always drive carefully.**

### ESP® OFF Indicator Light (if equipped)



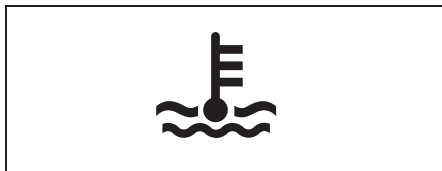
73R0196

When the ignition switch is turned “ON”, this light comes on briefly so you can check that the light is working.

When the ESP® OFF switch is pushed to turn off the ESP® systems (other than ABS), the ESP® OFF indicator light comes on and stays on.

For details of the ESP® systems, refer to “Electronic Stability Program (ESP®) (if equipped)” in “OPERATING YOUR VEHICLE” section.

### Engine coolant temperature warning light (if equipped)



69RH179

When the ignition switch is turned “ON”, this light comes on briefly so you can check that the light is working.

This indicator has the following two following functions.

#### **Low engine coolant temperature light (blue color)**

This light stays on while the engine is still cold and goes off when the engine has warmed up.

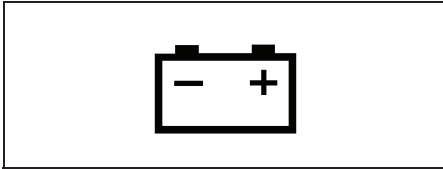
If this light blinks, there is a problem with the system. Have your vehicle inspected by an authorized Maruti Suzuki workshop.

#### **High engine coolant temperature warning light (red color)**

If this light blinks while driving, it means the engine is running hot. Avoid driving conditions that may lead to actual overheating. If the light stays on without blinking, then the engine is overheating. Follow the instructions in “Engine trouble: Overheating” of “EMERGENCY SERVICE” section.

#### **NOTICE**

**Continuing to drive the vehicle when engine overheating is indicated can result in severe engine damage.**

**Charge Warning Light**

50G052

When the ignition switch is turned “ON”, this light comes on. When the engine is started, the light goes out. The light will come on and remain on if there is something wrong with the lead-acid battery charging system. If the light comes on when the engine is running, the charging system should be inspected immediately by a Maruti Suzuki authorised workshop.

**Seat belt reminder light**

60G049

When the driver and/or passenger (front passenger and/or 2nd row passenger\* and/or 3rd row passenger\*) do(does) not buckle his or her seat belt, this light will come on and/or blink. The reminder would be on unless all rear passengers' seat belts are fastened, irrespective of presence or absence of passenger. For details of the seat belt reminder, refer to “Seat belts and child restraint systems” section.

\*: If equipped

**NOTE:**

*Along with the seat belt reminder light, a reminder message shall also come on the information display (if equipped), for unrestrained driver and/or front passenger.*

**AIRBAG Warning Light**

63J030

When the ignition switch is turned “ON”, this light comes on for several seconds so you can check that the light is working.

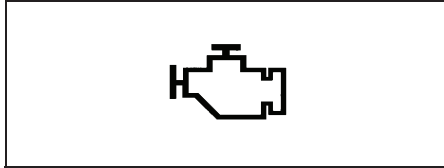
The light will come on and stay on if there is a problem in the airbag system or the seat belt pretensioner system.

**⚠ WARNING**

**If the Airbag warning light does not blink or come on briefly when the ignition switch is turned “ON”, stays on for more than 10 seconds, or comes on while driving, the airbag system or the seat belt pretensioner system may not work properly, which could result in serious injury in the event of a collision. Have both systems inspected by a Maruti Suzuki authorised workshop.**

## BEFORE DRIVING

### Malfunction Indicator Light



65D530

Your vehicle has a computer-controlled emission control system. A malfunction indicator light is provided on the instrument cluster to indicate when it is necessary to have the emission control system serviced. When the ignition switch is turned "ON", this light comes on. When the engine is started, the light goes out.

If the malfunction indicator light comes on or blinks when the engine is running, there is a damage in the emission control system.

Bring the vehicle to a Maruti Suzuki authorised workshop to have the damage fixed.

#### CAUTION

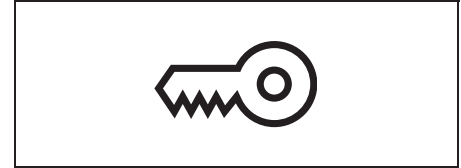
If this light blinks, stop your vehicle immediately in a safe place to avoid catalyst's melting problem since there may be a misfire in the engine.

- Do not drive or stop over such as withered grasses.
- Drive slowly if required to move the vehicle.

#### NOTICE

**Continuing to drive the vehicle when the malfunction indicator light is on or blinking can cause permanent damage to the vehicle's emission control system, and can affect fuel economy and driveability.**

### Immobilizer Warning Light

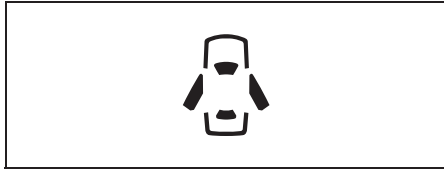


80JM122

When the ignition switch is turned "ON", this light comes on briefly so you can check that the light is working.

If this light blinks or stays on, there is a problem with the system.

If this light still blinks or stays on even if you start the engine with normal voltage of the vehicle battery, ask a Maruti Suzuki authorised workshop to have the system inspected.

**Open Door Warning Light**

54G391

This light remains on until all doors (including the tailgate) are completely closed.

If any door (including the tailgate) is open when the vehicle is moving, a ding sounds to remind you to close all doors completely.

**Low Fuel Warning Light**

54G343

If this light comes on, refuel the fuel tank as soon as possible.

When this light comes on, a ding sounds once to remind you to refuel.

If you do not refuel, a ding sounds every time when the ignition switch is turned "ON".

**NOTE:**

*The activation point of this light varies depending on road conditions (for example, slope or curve) and driving conditions because of fuel movement in the tank.*

**Electric Power Steering Light**

79J039

When the ignition switch is turned "ON", this light comes on. When the engine is started, the light goes out.

If this light comes on while driving, the power steering system may not work properly. Have the system inspected by a Maruti Suzuki authorised workshop.

**NOTE:**

*The following steering wheel operations may gradually take more effort while parking or driving at a very low speed. This is not a malfunction of the steering system, but the power steering control system limits the power assist in order to prevent it from overheating.*

- *The steering wheel is operated very often.*
- *The steering wheel is kept in a fully turned position for a long while.*

*When the power steering control system cool down, the power steering system will return to its original condition.*

*However, repeating these operations could cause damage to the power steering system.*

## BEFORE DRIVING

- This light comes on when continuing period of time of limiting the power assist in order to prevent from overheating.

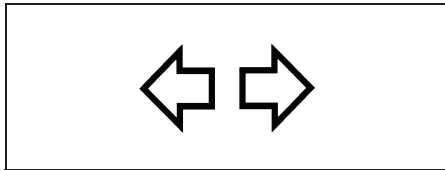
**NOTE:**

If the power steering system does not work properly, it will require greater effort to steer, but you still will be able to steer.

**NOTE:**

If the steering is operated, you may hear noise caused by electric power steering operation. This is normal and indicates that the power steering system works properly.

### Turn Signal Indicators



50G055

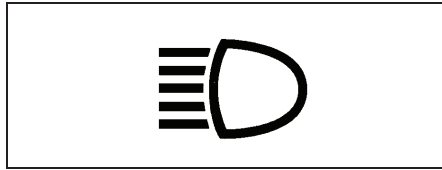
When you turn on the left or right turn signals, the corresponding green arrow on the instrument panel will blink along with the respective turn signal lights. When you turn on the hazard warning switch, both arrows will blink along with all of the turn signal lights.

**NOTE:**

If any abnormality of the turn signals is observed, such as fast blinking, there may be malfunction in the turn signal system.

Ask your Maruti Suzuki authorized workshop to inspect the system.

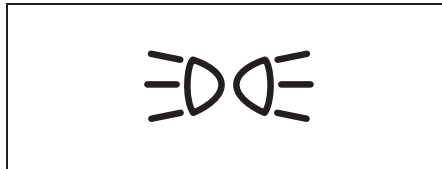
### Main Beam (high beam) Indicator Light



50G056

This indicator comes on when headlight main beams (high beams) are turned on.

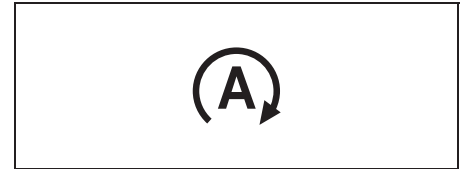
### Illumination Indicator Light



64J045

This indicator light comes on while the position lights, tail light and/or the headlights are on.

### ENG A-STOP Indicator Light (if equipped)



72M00032

When the ignition switch is turned "ON", this light comes on briefly so you can check that the light is working.

When the engine stops automatically, this light comes on.

For details, refer to "ENG A-STOP System (Engine Auto Stop Start System)" in "OPERATING YOUR VEHICLE" section.

### ENG A-STOP OFF Light (if equipped)



72M00159

When the ignition switch is turned "ON", this light comes on briefly so you can check that the light is working.

When you push the ENG A-STOP OFF switch, this light comes on.

If this light blinks when driving, there may be something wrong with the ENG A-STOP system or the SHVS system. You should have the system inspected by a Maruti Suzuki authorised workshop.

For details, refer to “ENG A-STOP System (Engine Auto Stop Start System)” and “SHVS (Smart Hybrid Vehicle by Suzuki)” in “OPERATING YOUR VEHICLE” section.

### Deceleration Energy Regenerating Indicator Light (if equipped)



72M00168

When the ignition switch is turned to “ON” position, this light comes on briefly so you can check that the light is working.

When the deceleration energy regenerating function is working, this light comes on.

For details, refer to “SHVS (Smart Hybrid Vehicle by Suzuki)” in “OPERATING YOUR VEHICLE” section.

### Master Warning Indicator Light (if equipped)



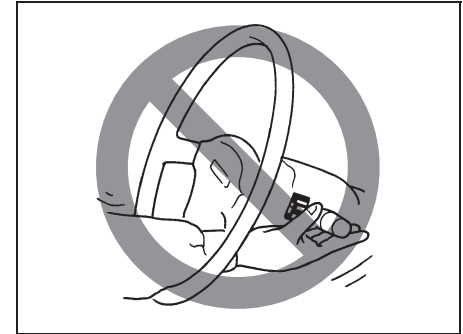
80P0382

When the ignition switch is turned “ON”, this light comes on briefly so you can check that the light is working.

When the information display shows warning and indicator messages, this indicator light may also blink.

For details, refer to “Information display” in this section.

### Lighting Control Lever



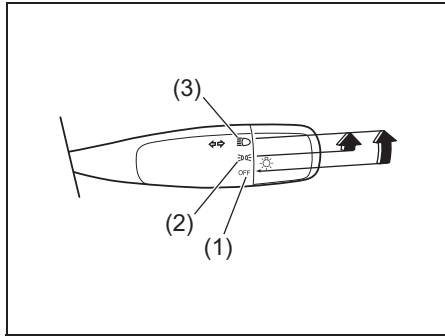
65D611

### WARNING

To avoid possible injury, do not operate controls by reaching through the steering wheel.

## BEFORE DRIVING

### Lighting Operation



To turn the lights on or off, twist the knob on the end of the lever. There are three positions:

#### **OFF (1)**

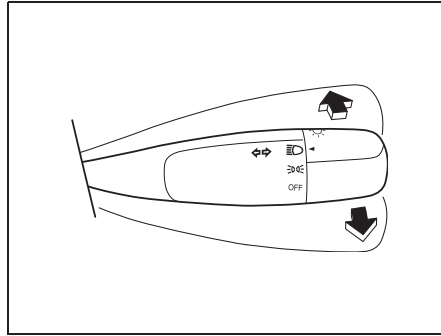
All lights are off.

#### **☞☞ (2)**

Front position lights, tail lights, license plate light and instrument lights are on, but headlights are off.

#### **≡☞ (3)**

Front position lights, tail lights, license plate light, instrument lights and headlights are on.



With the headlights on, push the lever forward to switch to the high beams (main beams) or pull the lever toward you to switch to the low beams. When the high beams (main beams) are on, a light on the instrument cluster will come on. To momentarily activate the high beams (main beams) as a passing signal, pull the lever slightly toward you and release it when you have completed the signal.

### Light Reminder Buzzer

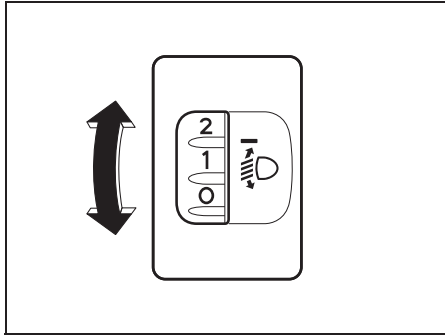
The interior buzzer continuously beeps if you open the driver's door without turning off the headlights and position lights. This function is triggered under the following condition:

The headlights and/or position lights are on even after the ignition switch is turned off.

The buzzer stops sounding when you turn off the headlights and position lights.



**Headlight Leveling Switch**



75RM008

Level the headlight beam according to the load condition of your vehicle by turning this switch. The chart shows the appropriate switch position for different vehicle-load conditions.

**(For petrol engine (without CNG) model)**

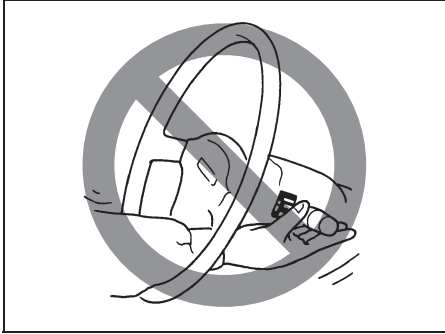
Loading Conditions	Switch Position
Driver (1 Seat)	0
Driver + Co-Driver (2 Seats)	0.5
Driver + Co-Driver + 2nd row 3 Seats (Total-5 Seats)	1.5
All Passengers (7 Seats)	2.5
All Passengers + Cargo (Evenly distributed load in luggage boot)	3
Driver + Cargo (Evenly distributed load in luggage boot)	4.5

**(For CNG model)**

Loading Conditions	Switch Position
Driver (1 Seat)	0
Driver + Co-Driver (2 Seats)	0.5
Driver + Co-Driver + 2nd row 3 Seats (Total-5 Seats)	1
All Passengers (7 Seats)	2
All Passengers + Cargo (Evenly distributed load in luggage boot)	2.5
Driver + Cargo (Evenly distributed load in luggage boot)	4

## BEFORE DRIVING

### Turn Signal Control Lever



65D611

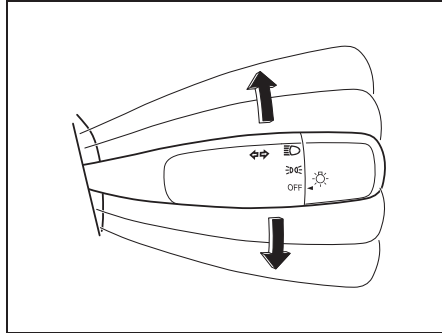
#### **WARNING**

To avoid possible injury, do not operate controls by reaching through the steering wheel.

### Turn Signal Operation

With the ignition switch in “ON” position, move the lever upward or downward to activate the right or left turn signals.

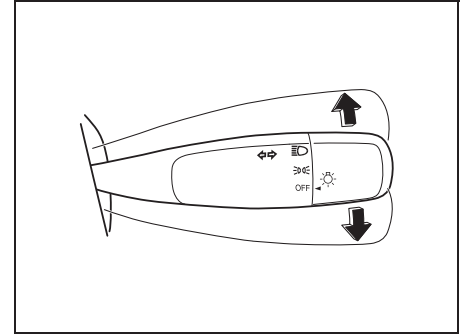
#### Normal turn signal



60MK013

Move the lever all the way upward or downward to signal. When the turn is completed, the signal will cancel and the lever will return to its normal position.

### Lane change signal



60MK014

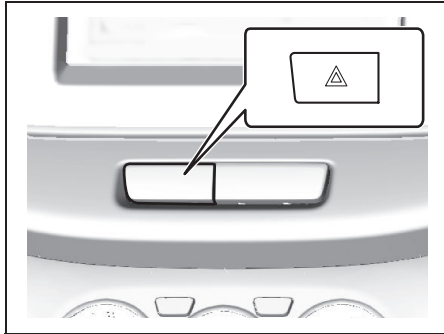
Move the lever partially upward or downward to turn right or left and hold the lever in the moved position.

- The turn signal and its indicator flash while the lever is held at the moved position.
- The turn signal and its indicator flash 3 times even if you returned the lever immediately after the activation.

#### **NOTE:**

The turn signal and its indicator can be set whether they flash 3 times after the turn signal lever is returned via the information display. Refer to “Information display” in this section.

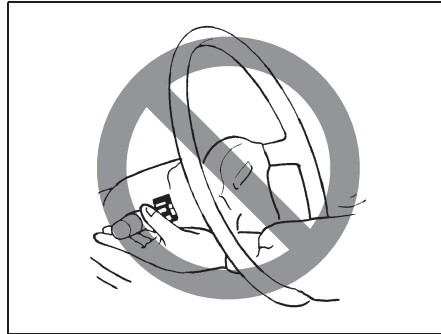
## Hazard Warning Switch



Push the hazard warning switch to activate the hazard warning lights. All turn signal lights and both turn signal indicators will flash simultaneously. To turn off the lights, push the switch again.

Use the hazard warning lights to warn other drivers of possible risk of traffic hazard when you park your vehicle in case of emergency.

## Windshield Wiper and Washer Lever



### ⚠ WARNING

**To avoid possible injury, do not operate controls by reaching through the steering wheel.**

## Wiper and Washer Operation

When the ignition switch is in "ON" position, you can use the wiper/washer lever or switch.

When the wipers are under heavy load such as covered by snow, the breaker will be activated and the wipers will stop operating to protect the wiper motor from overheating.

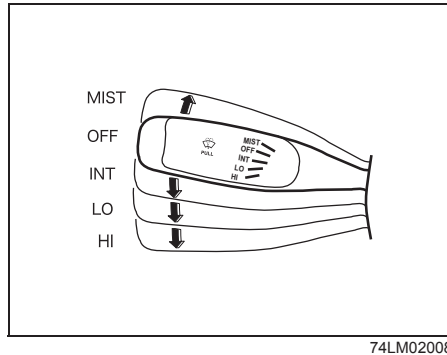
If the wiper stops during operation, do the following methods.

- 1) Stop the vehicle in a safe place, and turn the engine off.
- 2) Move the wiper lever and switch to "OFF" position.
- 3) Remove obstacles such as snow on the wipers.
- 4) After a while, when the temperature of the wiper motor becomes low enough, the breaker will be reset automatically and the wipers will be able to use.

If you cannot use the wipers after a while, there may be another problem. Ask a Maruti Suzuki authorised workshop to have the wipers inspected.

## BEFORE DRIVING

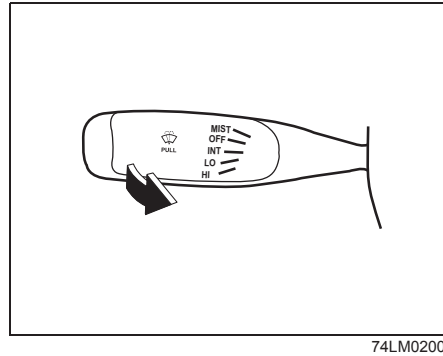
### Windshield Wipers



To turn the windshield wipers on, move the lever down to one of the three operating positions. In “INT” position, the wipers operate intermittently. “INT” position is very convenient for driving in mist or light rain. In “LO” position, the wipers operate at a steady low speed. In “HI” position, the wipers operate at a steady high speed. To turn off the wipers, move the lever back to “OFF” position.

Move the lever up and hold it to “MIST” position, the windshield wipers will turn on continuously at low speed.

### Windshield Washer



To spray windshield washer fluid, pull the lever toward you. The windshield wipers will automatically turn on at low speed if they are not already on and “INT” position is equipped.

#### WARNING

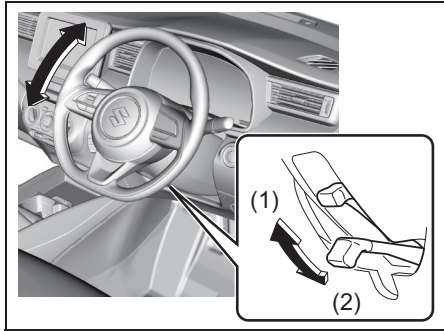
- To prevent windshield icing in cold weather, turn on the defroster to heat the windshield before and during windshield washer use.
- Do not use radiator antifreeze solution in the windshield washer reservoir. This can severely impair visibility when sprayed on the windshield, and also damage your vehicle's paint.

#### NOTICE

To help prevent damage to the windshield wiper and washer system components, you should take the following precautions:

- Do not continue to hold in the lever when there is no windshield washer fluid being sprayed or the washer motor can be damaged.
- Do not attempt to remove dirt from a dry windshield with the wipers or you can damage the windshield and the wiper blades. Always wet the windshield with washer fluid before operating the wipers.
- Clear ice or packed snow from the wiper blades before using the wipers.
- Check the washer fluid level regularly. Check it often when the weather is bad.
- Only fill the washer fluid reservoir 3/4 full during cold weather to allow room for expansion if the temperature falls low enough to freeze the solution.

## Tilt Steering Lock Lever



73R0012

- (1) LOCK
- (2) UNLOCK

The lock lever is located under the steering column. To adjust the steering wheel height:

- 1) Push down the lock lever to unlock the steering column.
- 2) Adjust the steering wheel to the desired height and lock the steering column by pulling up the lock lever.
- 3) Try moving the steering wheel up and down to make sure it is securely locked in position.

### WARNING

Never attempt to adjust the steering wheel while the vehicle is moving or you could lose control of the vehicle.

## Horn



73R0062

Press the horn button of the steering wheel to sound the horn. The horn will sound with the ignition switch in any position.

## BEFORE DRIVING

---

### Vehicle Loading

Your vehicle was designed for specific weight capacities. The weight capacities of your vehicle are indicated by the Gross Vehicle Weight Rating (GVWR) and the Permissible maximum Axle Weight (PAW, front and rear). The GVWR and PAW (front and rear) are listed in “SPECIFICATIONS” section.

GVWR – Maximum permissible overall weight of the fully loaded vehicle (including all the occupants, accessories and cargo plus the trailer nose weight if towing a trailer).

PAW – (Front and Rear) Maximum permissible weight on an individual axle.

Actual weight of the loaded vehicle and actual loads at the front and rear axles can only be determined by weighing the vehicle. Compare these weights to the GVWR and PAW (front and rear). If the gross vehicle weight or the load on either axle exceeds these ratings, you must remove enough weight to bring the load down to the rated capacity.

#### WARNING

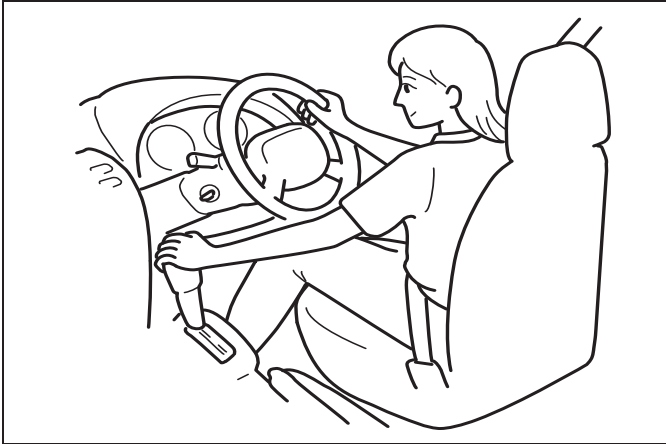
**Never overload your vehicle. The gross vehicle weight (sum of the weights of the vehicle, all the occupants, accessories, cargo plus trailer nose weight if towing a trailer) must never exceed the Gross Vehicle Weight Rating (GVWR). In addition, never distribute a load so that the weight on either the front or rear axle exceeds the Permissible maximum Axle Weight (PAW).**

#### WARNING

**Always distribute cargo evenly. To avoid personal injury or damage to your vehicle, always secure cargo to prevent it from shifting if the vehicle moves suddenly. Place heavier objects on the floor and as far forward in the cargo area as possible. Never pile cargo higher than the top of the seat backs.**

### Trailer Towing your vehicle

Your MARUTI SUZUKI was originally designed to carry people and a normal amount of cargo, not to tow a trailer.



60G408

## OPERATING YOUR VEHICLE

Daily Inspection Checklist .....	3-1
Engine Oil Consumption .....	3-2
Ignition Switch .....	3-2
Parking Brake Lever .....	3-4
Pedal .....	3-5
Starting / Stopping Engine .....	3-6
Using the Transmission .....	3-7
Gearshift Indicator .....	3-8
SHVS (Smart Hybrid Vehicle by Suzuki) (if equipped) ....	3-9
ENG A-STOP System (Engine Auto Stop Start System) (if equipped) .....	3-12
Parking Sensors .....	3-21
Braking .....	3-26
Electronic stability program (ESP®) (if equipped) .....	3-28

## OPERATING YOUR VEHICLE

### Daily Inspection Checklist

#### Before Driving



60A187S

- 1) Make sure that windows, mirrors, lights and reflectors are clean and unobstructed.
- 2) Visually check the tyres for the following points:
  - the depth of the tread groove
  - abnormal wear, cracks and damage
  - loose wheel nuts
  - existence of foreign material such as nails, stones, etc.

Refer to “Tyres” in “INSPECTION AND MAINTENANCE” section for details.

- 3) Look for fluid and oil leakage.

#### NOTE:

*It is normal for water to drip from the air conditioning system while and after use.*

- 4) Make sure the hood is fully closed and latched.
- 5) Check the headlights, turn signal lights, brake lights and horn for proper operation.
- 6) Adjust the seat and head restraint (if equipped).
- 7) Check the brake pedal feeling and the adjustment condition for the parking brake lever or pedal.  
Refer to “Brakes” in “INSPECTION AND MAINTENANCE” section for details.
- 8) Adjust the mirrors.
- 9) Make sure that you and all passengers have properly fastened the seat belts.
- 10) Make sure that all warning lights come on as the ignition switch is turned to ON position or the ignition switch is turned “ON”.
- 11) Check all gauges.
- 12) Make sure that the BRAKE SYSTEM WARNING light turns off when the parking brake is released.

Once a week, or each time you fill your fuel tank, or before a long distance driving (like highway driving) perform the following under-hood checks:

- 1) Engine oil level
- 2) Coolant level
- 3) Brake fluid level
- 4) Battery fluid (acid) level
- 5) Windshield washer fluid level
- 6) Hood latch operation

Pull the hood release handle inside the vehicle. Make sure that you cannot open the hood all the way without releasing the secondary latch. Be sure to close the hood securely after checking for proper latch operation. See the item “All latches, hinges and locks” of “CHASSIS AND BODY” in “Periodic Maintenance Schedule” in “INSPECTION AND MAINTENANCE” section for lubrication schedule.

#### WARNING

**Make sure the hood is fully closed and latched before driving. If it is not, it can fly up unexpectedly during driving, obstructing your view and resulting in an accident.**

Once a month, or each time you fill your fuel tank, or before a long distance driving (like highway driving) check the tyre pressure using a tyre pressure gauge. Also check the tyre pressure of the spare tyre.



## Engine Oil Consumption

It is normal for the engine to consume some engine oil during normal vehicle operation.

The amount of engine oil consumption depends on viscosity and quality of the oil and your driving conditions.

More oil is consumed during high-speed driving and when there is frequent acceleration and deceleration. Under high loads, your engine also will consume more oil.

A new engine also consumes more oil, since its pistons, piston rings and cylinder walls have not yet become conditioned. New engines reach the normal level of oil consumption only after approximately 5000 km driving.

### Oil consumption:

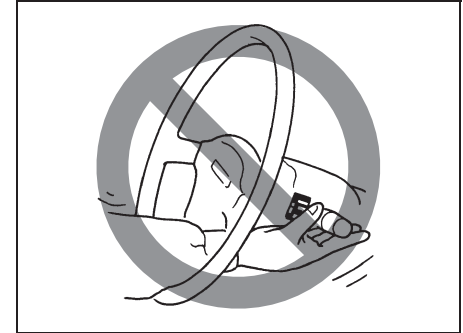
**Max. 1.0 L per 1000 km**

When judging the amount of oil consumption, note that the oil may become diluted and it is difficult to judge the accurate oil level.

As an example, if a vehicle is used for repeated short trips, and consumes a normal amount of oil, the dipstick may not show any drop in the oil level at all, even after 1000 km or more of driving. This is because the oil is gradually becoming diluted with fuel or moisture, making it appear that the oil level has not changed.

You should also be aware that the diluting ingredients evaporate out when the vehicle is subsequently driven at high speeds, such as on an expressway, making it appear that oil is excessively consumed after high-speed driving.

## Ignition Switch

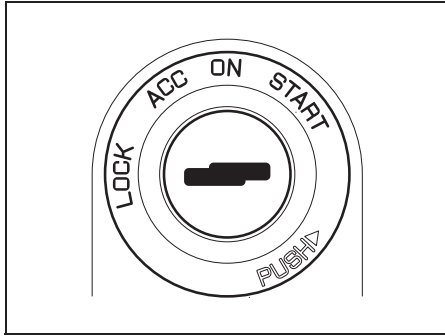


65D611

### **WARNING**

**To avoid possible injury, do not operate controls by reaching through the steering wheel.**

## OPERATING YOUR VEHICLE

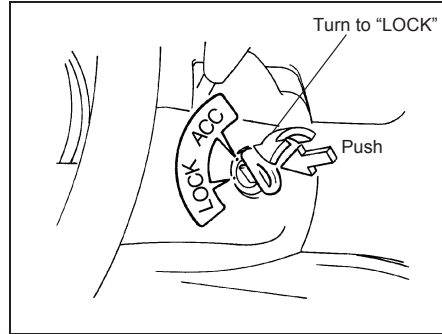


68PH00310

The ignition switch has the following four positions:

### LOCK

This is the normal parking position. It is the only position in which the key can be removed.



60G033

- You must push in the key to turn it to LOCK position. It locks the ignition, and prevents normal use of the steering wheel after the key is removed.

To release the steering lock, insert the key and turn it clockwise to one of the other positions. If you have trouble turning the key to unlock the steering wheel, try turning the steering wheel slightly to the right or left while turning the key.

### ACC

Accessories such as the radio can operate, but the engine is off.

### ON

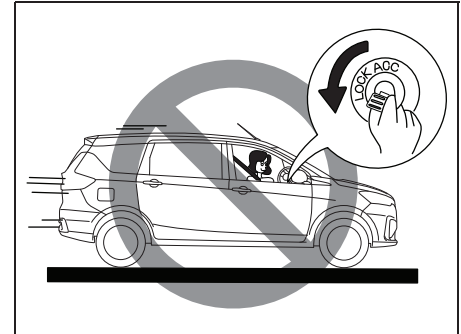
This is the normal operating position. All electrical systems are on.

### START

This is the position for starting the engine using the starter motor. The key should be released from this position as soon as the engine starts.

### Ignition key reminder

A buzzer sounds intermittently to remind you to remove the ignition key if it is in the ignition switch when the driver's door is opened.



72RM03004

### ⚠ WARNING

- Never return the ignition switch to the LOCK position and remove the ignition key while the vehicle is moving. The steering wheel will lock and you will not be able to steer the vehicle.

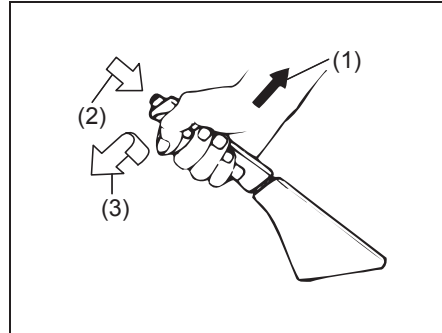
(Continued)

**⚠ WARNING**

- Always return the ignition switch to LOCK position and remove the ignition key when leaving the vehicle even only for a short time. Also do not leave children alone in a parked vehicle. Unattended children may be able to start the vehicle or shift the transmission into neutral, which could result in an accident. There is also a danger that children may injure themselves by playing with the power windows or other moving features of the vehicle. In addition, heat build-up or extremely cold temperatures inside the vehicle can be fatal to children.

**NOTICE**

- Do not leave the ignition switch in ON position if the engine is not running as the lead-acid battery will discharge.
- Do not crank the engine for more than 12 seconds at a time. If the engine does not start on the first try, wait 15 seconds before trying again. If the engine does not start after several attempts, check the fuel and ignition systems or consult a Maruti Suzuki authorised workshop.

**Parking Brake Lever**

54G039

- (1) To set
- (2) To release
- (3) To release

The parking brake lever is located between the front seats. To set the parking brake, depress the brake pedal and pull the parking brake lever all the way up. To release the parking brake, depress the brake pedal and pull up slightly on the parking brake lever, push the button on the end of the lever with your thumb, and lower the lever to its original position.

**⚠ WARNING**

- Never drive your vehicle with the parking brake on: rear brake effectiveness can be reduced from overheating, brake life may be shortened, or permanent brake damage may result.
- If the parking brake does not hold the vehicle securely or does not fully release, have your vehicle inspected immediately by a Maruti Suzuki authorised workshop.
- When parking on an uphill, turn the steering wheel so that the front wheels point to the center of the road.
- When parking on a downhill, turn the steering wheel so that the front wheels point to the curb.

## OPERATING YOUR VEHICLE

### **⚠ WARNING**

Whenever parking, make sure the gearshift lever is in 1st gear or “R” (Reverse). Remember, even though the transmission is in gear, you must set the parking brake fully.

### **⚠ WARNING**

When parking the vehicle in extremely cold weather, the following procedure should be used:

- 1) Set the parking brake.
- 2) Turn off the engine, then shift into reverse or first gear.
- 3) Get out of the vehicle and put chocks under the wheels.
- 4) Release the parking brake.

When you return to your vehicle, you must remember to first set the parking brake, then remove the wheel chocks.

### **⚠ WARNING**

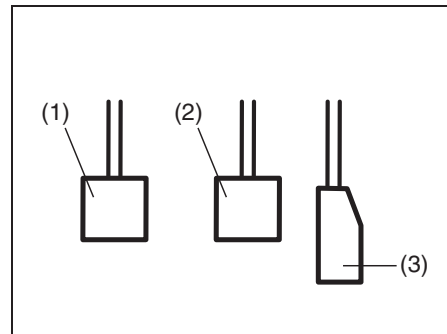
Do not leave cigarette lighters, spray cans, soft drink cans or plastic articles (such as glasses, CD cases, etc.) in sun-heated vehicle. The temperature inside the vehicle may cause as follows:

- Gas may leak from a cigarette lighter or spray can and may lead to a fire.
- The glasses, plastic cards or CD cases, etc. may deform or crack.
- Soft drink cans may fracture.

### **Parking Brake Reminder Buzzer**

A buzzer sounds intermittently to remind you to release the parking brake if you start the vehicle without fully releasing the parking brake. Make sure that the parking brake is fully released and the brake system warning light turns off.

### **Pedal**



80J2121

### **Clutch Pedal (1)**

A clutch pedal is used to disengage the driving force to the wheels when starting the engine, stopping, or shifting the gearshift lever. Depressing the pedal disengages the clutch.

### **⚠ WARNING**

Do not drive with your foot resting on the clutch pedal. It could result in excessive clutch wear, clutch damage, or unexpected loss of engine braking.

## Brake Pedal (2)

Your vehicle is equipped with front disc brakes and rear drum brakes. Depressing the brake pedal applies both sets of brakes.

You may hear occasional brake squeal when you apply the brakes. This is a normal condition caused by environmental factors such as temperature, humidity, snow or dust, etc.

### **⚠ WARNING**

**If brake squeal is excessive and occurs each time the brakes are applied, you should have the brakes checked by a Maruti Suzuki authorised workshop.**

### **⚠ WARNING**

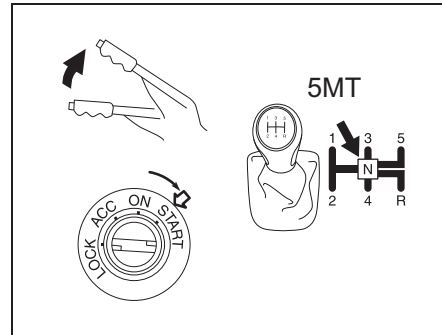
**Do not apply brakes continuously or rest your foot on the brake pedal. This will result in overheating of the brakes which could cause unpredictable braking action, longer stopping distances, or permanent brake damage.**

## Accelerator Pedal (3)

An accelerator pedal controls the speed of the engine. Depressing the accelerator pedal increases power output and speed.

## Starting / Stopping Engine

### Starting Engine



- 1) Check that the parking brake is set fully.
- 2) Turn off such loads as the headlights and air conditioning system to facilitate starting of the engine.
- 3) Shift into "N" (Neutral). Hold the clutch pedal and brake pedal fully depressed.
- 4) With your foot taken off accelerator pedal, crank the engine by turning the ignition key to "START". Release the key immediately after the engine has started.

### **⚠ WARNING**

**Make sure that the parking brake is set fully and the transmission is in Neutral before attempting to start the engine.**

### **NOTICE**

**For protection of a lead-acid battery and a starter motor, do not use the starter motor by turning the key to "START" for more than 12 seconds at a time. If the engine does not start, turn the key to "LOCK" position and wait for more than 30 seconds before trying again. If the engine does not start after several attempts, consult a Maruti Suzuki authorised workshop.**

### Starting a Cold and Warm Engine

With your foot taken off the accelerator pedal, crank the engine by turning the ignition key to "START". Release the key when the engine starts.

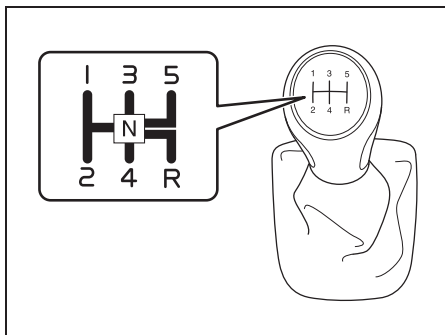
### **NOTICE**

- **Stop turning the starter immediately after the engine has started or the starter system can be damaged.**
- **Do not use the starter motor for more than 12 seconds at a time. If the engine does not start, wait 15 seconds before trying again. If the engine does not start after several attempts, check the fuel and ignition systems or consult a Maruti Suzuki authorised workshop.**

## Using the Transmission

### ⚠ WARNING

Do not hang any items on the gearshift lever and do not use the gearshift lever as a handrest. Otherwise, it could prevent proper operation of the gearshift lever and cause its malfunction, resulting in an accident.



73R0014

### Starting off

To start off, depress the clutch pedal all the way to the floor and shift into 1st gear. After releasing the parking brake, gradually release the clutch. When you hear a change in the engine's sound, slowly press the accelerator while continuing to gradually release the clutch.

### Shifting

All forward gears are synchronized, which provides for quiet and easy shifting. Always depress the clutch pedal all the way to the floor before shifting gears. Keep the engine speed does not rise into the red zone of the tachometer.

### Downshifting maximum allowable speeds

Downshifting	km/h
2nd to 1st	20
3rd to 2nd	75
4th to 3rd	110
5th to 4th	150*

### \*NOTE:

You may not accelerate to the maximum allowable speed because of the driving situation and/or the vehicle condition.

### NOTICE

Do not downshift to a lower gear at the speed faster than the maximum allowable speeds for the next lower speed, or severe damage to engine and transmission can result.

### ⚠ WARNING

- Reduce your speed and downshift to a lower gear before going down a long or steep hill. A lower gear will allow the engine to provide braking. Avoid riding the brakes or they may overheat, resulting in brake failure.
- When driving on slippery roads, slow down before downshifting. Excessive and/or sudden changes in engine speed may cause loss of traction, which could cause you to lose control.

### NOTICE

Before engaging reverse gear [R], check that the vehicle is completely stationary and gear lever is in neutral [N] position. After depressing clutch pedal fully, shift to [R].

**NOTE:**

If it is difficult to engage reverse gear [R], follow below procedure.

1. Put gear lever in neutral [N].
2. Release clutch pedal once.
3. Again depress the clutch pedal and shift from [N] to [R].

**NOTICE**

- To help avoid clutch damage, do not use the clutch pedal as a footrest while driving or use the clutch to keep the vehicle stationary on a slope. Depress the clutch fully when shifting.
- When shifting or starting off, do not race the engine. Racing the engine can shorten engine life and cause negative effect to smooth shifting.

**Gearshift Indicator**

72RH4027

In the following cases, the gearshift indicator is indicated on the information display when the ignition switch is in "ON" position.

- When the gearshift lever is in a position other than "N" (Neutral).

The electronic control system monitors driving condition (such as vehicle speed and/or engine revolution), and it shows which gear position is optimal for your driving with the indication on the display.

If UP/DOWN arrow is indicated on the display while driving, we recommend you to shift up or down the gear until the arrow disappears. It is the optimal gear position for a driving condition that reduces the over revolution and stress to the engine, and improves fuel consumption.

For details on how to use the transmission, refer to "Using the Transmission" in this section.

**⚠ WARNING**

The gearshift indicator is designed to indicate optimal gear position for your driving, however, a driver will not be relieved from the duty of care of driving operation or gear change with this indicator.




To drive safe, do not gaze the gearshift indicator, pay attention to your driving situation and shift up or down if necessary.

**NOTE:**

- The gearshift indicator is not indicated when the gear position is in "N" (Neutral).
- If you depress the clutch pedal while UP/DOWN arrow is indicated, the indication will disappear.
- In ordinary driving, UP arrow will disappear when you release your foot from the accelerator pedal.
- The indication of gearshift indicator timing may differ depending on the vehicle condition and/or driving situation even in the same vehicle speed and engine revolution.
- If any of the electrical systems such as the ESP<sup>®</sup> is working, the gearshift indicator will disappear temporarily.

## OPERATING YOUR VEHICLE

### Example of the gearshift indicator

Indication	Description
	Lower gear position is selected for the vehicle speed and/or engine revolution. Changing to a higher gear position is recommended. <ul style="list-style-type: none"><li>• In this case, shifting up to 4th gear position is recommended.</li></ul>
	Current gear position is optimal for the vehicle speed and/or engine revolution. <ul style="list-style-type: none"><li>• In this case, 3rd gear position is the best.</li></ul>
	Higher gear position is selected for the vehicle speed and/or engine revolution. Changing to a lower gear position is recommended. <ul style="list-style-type: none"><li>• In this case, shifting down to 2nd gear position is recommended.</li></ul>

### SHVS (Smart Hybrid Vehicle by Suzuki) (if equipped)

SHVS has an Integrated Starter Generator (ISG) instead of conventional generator to get a better fuel consumption.

Integrated Starter Generator (ISG) is a generator which incorporated a motor function.

The ISG has the following 3 functions.

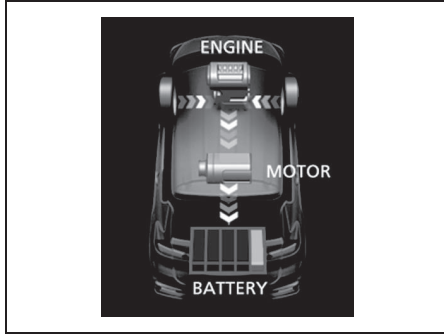
- Deceleration energy regenerating function
- Engine power assist function
- Starter motor function

#### **WARNING**

**Dripping engine oil, brake fluid and coolant, etc. to the ISG may cause a fire or malfunction. Do not spill them when pouring.**



## Deceleration Energy Regenerating Function



72R0096

While decelerating your vehicle, the ISG generates electricity without engine power. This reduces engine loads and improves fuel consumption.

While decelerating your vehicle, deceleration energy regenerating function will be activated when the following conditions are satisfied.

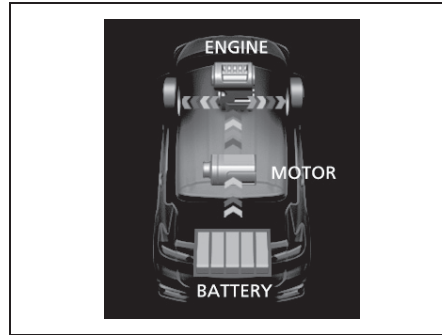
- Gearshift lever is not in “N” (Neutral).
- Clutch pedal is not depressed.
- Engine speed is more than 950 rpm.
- Inside temperature of lead-acid battery is in normal condition.
- Lithium-ion battery is not fully charged and inside temperature is in normal condition.

etc.

### NOTE:

*The deceleration energy regenerating function may not work depending on vehicle conditions.*

## Engine Power Assist Function



72R0097

While the vehicle is running, ISG assists engine power as a motor in the following limited condition. This reduces engine loads and improves fuel consumption.

While the vehicle is running with the engine speed at approximately 4000 rpm or less, engine power assist function will be activated when all of the following conditions are satisfied.

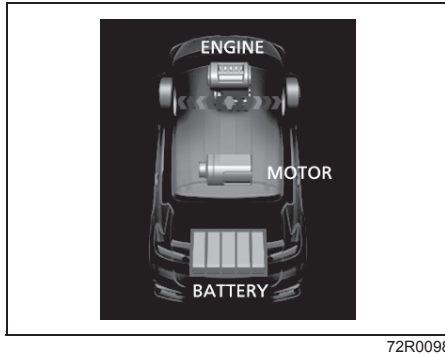
- SHVS system and ENG A-STOP system are working properly. (“ENG A-STOP OFF” indicator light is not blinking.)
- Clutch pedal is not depressed.
- ESP<sup>®</sup> (if equipped) is not activated.
- Accelerator pedal is excessively depressed.
- Lead-acid battery and lithium-ion battery are fully charged and each inside temperature is in normal condition.
- Engine coolant temperature is in normal condition.
- ISG inside temperature is in normal condition.

### NOTE:

- *The engine power assist function may not work depending on vehicle conditions.*
- *The engine power assist function may not work while the battery capacity is being checked right after the engine start, and so on.*
- *The subjective feeling of the horn sound, head lamp illumination and A/C blower speed is likely to be different when the deceleration energy regeneration function and engine power assist function are active.*

## OPERATING YOUR VEHICLE

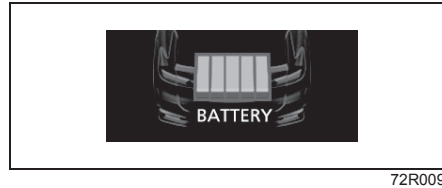
### Starter Motor Function



After the engine auto stop by the ENG A-STOP system, the engine will be restarted using a cranking power of the ISG.

The starting with the ISG is quiet compared with starting by the conventional starter motor.

### Lithium-ion Battery Indication

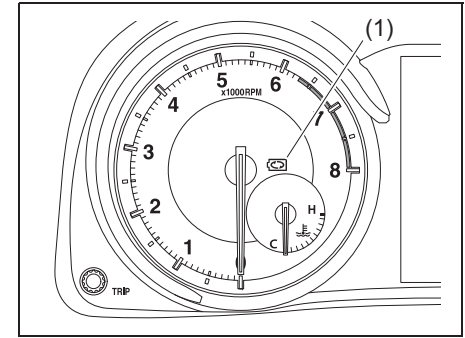


The segments in the lithium-ion battery indicator (1) give an approximate indication of the charge of the lithium-ion battery. The number of segments that appear in the indication increases or decreases with the charge of the lithium-ion battery.

#### NOTE:

*The indicator gives an approximate indication. The indication may be delayed or differ from the actual charge of the lithium-ion battery under certain conditions, for example, when the outside temperature is low. Also, the minimum segment is 1 bar and the bar will never be 0. Even when 1 bar is shown, the battery level may be close to be flat.*

### Deceleration Energy Regenerating Indicator Light



When the deceleration energy regenerating function is working, the deceleration energy regenerating indicator light (1) comes on.

#### NOTE:

*If the gearshift lever is in the "N" (Neutral) position, this light does not come on.*

**ENG A-STOP OFF Light (if equipped)**

56RM03012

If this indicator blinks when driving, there may be something wrong with the ENG A-STOP system or the SHVS system. You should have the system inspected by a Maruti Suzuki authorised workshop.

**ENG A-STOP System (Engine Auto Stop Start System) (if equipped)**

The ENG A-STOP system (engine auto stop start system) automatically stops the engine while waiting briefly at a traffic light, etc., and automatically restarts the engine afterward. This system helps reduce emissions, improve fuel consumption and lower engine noise.

This system stops the engine temporarily under specific conditions. Before parking the vehicle for an extended period of time or leaving the vehicle, properly apply the parking brake and stop the engine with the ignition switch or the engine switch.

Once the specific conditions are met, the engine will stop automatically after the vehicle has stopped. However, the engine will not be stopped automatically until confirmation of the system function is finished.

**▲ CAUTION**

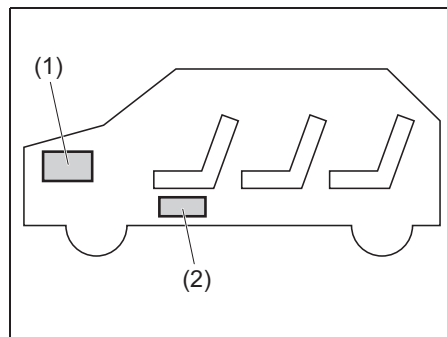
- Do not get out of the vehicle while the engine is automatically stopped by the ENG A-STOP system. Doing so may lead to an accident.
  - If the driver's seat belt is unfastened or the driver's door is opened, the engine will restart.
- If the engine does not restart automatically after having been stopped automatically by the ENG A-STOP system, turn the ignition switch to start the engine. Trying to move the vehicle when the engine has not yet restarted requires a strong force to turn the steering wheel or depress the brake pedal, potentially leading to an accident.

### NOTICE

The vehicle equipped with this system uses a dedicated high-performance lead-acid battery that supports ENG A-STOP system. Accordingly, observe the instructions listed below. If these instructions are not observed, the system may not actuate properly or the lead-acid battery may die prematurely.

- When replacing the lead-acid battery, use a Maruti Suzuki genuine battery specified in the Specification.
- Do not draw power from the lead-acid battery terminals for electrical products.
- If the vehicle key is in “ACC” position for extended duration, the vehicle may enter a state where the Audio / Navigation equipment may shut off. In any such event, turn the key to OFF position, and after that start the engine and let both the batteries charge for at least 30 Minutes. It is to enable better functioning of both the batteries.

### Lithium-ion Battery



72R0100

- (1) Battery (lead-acid battery)  
(2) Lithium-ion battery

This lithium-ion battery is used exclusively for the vehicle equipped with ENG A-STOP system or SHVS, and located below the front left side seat.

- Just like a battery (lead-acid battery), the lithium-ion battery also discharges gradually. To prevent the lithium-ion battery from dying, you must charge the lithium-ion battery by driving continuously for at least 30 minutes once a month.
- Vehicle should not be left with ignition in ON or ACC position, for extended periods of time.
- Do not add any external load to lithium-ion battery.
- The lithium-ion battery is maintenance-free.

- To replace or dispose of the lithium-ion battery, consult a Maruti Suzuki authorised workshop.

### ⚠ WARNING

Wrong handling of the lithium-ion battery may result in fire, electric shock or system malfunction. Accordingly, observe the instructions listed below:

- Do not dismount or disassemble the lithium-ion battery.
- Do not let the lithium-ion battery come in contact with water or other liquids.
- Do not apply strong impact on the lithium-ion battery.
- Do not step on the lithium-ion battery or put articles on the lithium-ion battery.
- Do not disconnect the lithium-ion battery terminals or draw power from the terminals for electrical products.
- If lithium-ion battery gets submerged under water, it can lead to fire.

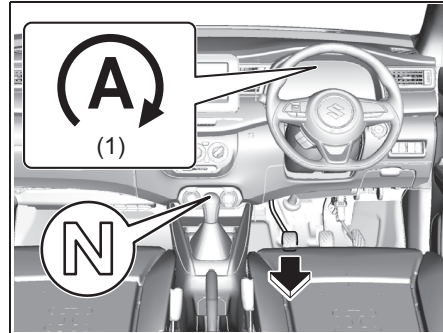
### NOTE:

Lithium-ion battery, if not disposed in an eco-friendly manner and in accordance with the applicable laws, may pose safety and environmental hazard. Maruti Suzuki ensures proper disposal of this battery through established channels in an eco-

friendly manner. Owner shall return this lithium-ion battery to Maruti Suzuki authorized dealerships as soon as it is not fit for use in vehicle. Once the owner returns the lithium-ion battery, Maruti Suzuki will ensure proper disposal in compliance with the laws to avoid legal implications to owners. If batteries are not returned to Maruti Suzuki, it will become owners' responsibility and accountability to ensure proper disposal in accordance with the applicable laws. Maruti Suzuki will not take any responsibility for consequences such as accidents or damages arising due to the abandonment, resale, inappropriate use, modification, dismantling and improper disposal of Lithium-ion battery. Contact your nearby Maruti Suzuki authorized workshop to dispose the used lithium-on battery. 'Battery Recycling Information' and necessary handling instructions are also affixed on the battery pack. For more information, connect Maruti Suzuki customer care.

### Automatic Stopping/Restarting of the Engine

- 1) With the brake pedal depressed, decelerate the vehicle.



- 2) After the vehicle has stopped with the clutch pedal depressed and the gearshift lever shifted to "N", and then release the clutch pedal, the engine will stop automatically.

The ENG A-STOP indicator light (green) (1) will come on.

- The ENG A-STOP system will not stop the engine automatically if all the automatic engine stop conditions are not met. For details, refer to the section, "Conditions to stop the engine automatically".
- During the automatic engine stop, the engine may shut down, accompanied by an interior buzzer or restarted, to ensure safety. For details, refer to the section, "Precautions of when the engine is stopped automatically".

### NOTICE

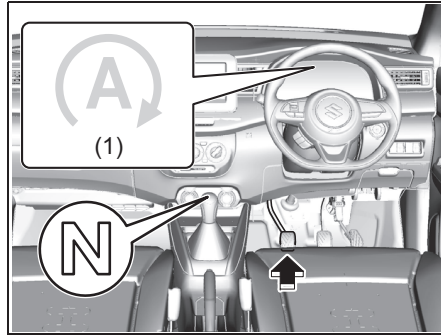
**During the automatic engine stop, do not shift the gearshift lever to a position other than "N" without depressing the clutch pedal. If the gear shift lever is in a position other than "N", the engine will not restart automatically even if the clutch pedal is depressed.**

## OPERATING YOUR VEHICLE

**NOTE:**

The ENG A-STOP system will not operate and engine does not stop automatically under the following conditions:

- Engine auto stop function will be ready once the vehicle runs at a speed exceeding 6km/h after restart of the engine.
- The audio and other electrical component can be used during the automatic engine stop, but the air conditioner will switch to the fan mode.



72R0102

- 3) Regardless of whether the vehicle has stopped or not, depressing the clutch pedal will restart the engine and ENG A-STOP indicator light (green) (1) will go off.

While the engine is stopped automatically, depressing the clutch pedal will restart the engine consuming fuel. Therefore, for fuel economy, it is recommended to depress the clutch pedal just before the vehicle start.

- Without depressing the clutch pedal, the engine may restart automatically if the automatic engine restart conditions are met.

For details, refer to the section, “Conditions to restart the engine automatically”.

**Precautions of when the engine is stopped automatically**

**⚠ WARNING**

**Do not perform any of the following operations while the engine has been stopped automatically. This may result in an accident.**

Operation/Vehicle Condition	Solution
Engine hood opened <ul style="list-style-type: none"> <li>• The interior buzzer sounds intermittently.</li> <li>• After the engine is stopped automatically, it stalls.</li> <li>• The ENG A-STOP indicator light (green) goes off.</li> </ul>	To restart the engine, follow the procedure below. <ol style="list-style-type: none"> <li>1) Set the parking brake firmly, and then place the gearshift lever in the “N” position.</li> <li>2) Securely close the engine hood.</li> <li>3) Turn the ignition switch to restart the engine.</li> </ol>
Driver’s seat belt unfastened or driver’s door opened <ul style="list-style-type: none"> <li>• The engine is restarted automatically.</li> <li>• The ENG A-STOP indicator light (green) blinks 5 times, then goes off.</li> </ul>	Fasten the driver’s seat belt and/or close the driver’s door.
Gearshift lever shifted to a position other than “N” without depressing the clutch pedal, driver’s seat belt unfastened and driver’s door opened <ul style="list-style-type: none"> <li>• The interior buzzer sounds intermittently.</li> <li>• After the engine is stopped automatically, it stalls.</li> <li>• The ENG A-STOP indicator light (green) goes off.</li> </ul>	To restart the engine, follow the procedure below. <ol style="list-style-type: none"> <li>1) Set the parking brake firmly, and then place the gearshift lever in the “N” position.</li> <li>2) Close the door and buckle the seat belt.</li> <li>3) Turn the ignition switch to restart the engine.</li> </ol>

**NOTE:**

*The following indicator lights in the instrument cluster do not come on when the engine is stopped automatically.*

- *Malfunction indicator light, electric power steering light, engine oil pressure warning light, charge warning light*

## OPERATING YOUR VEHICLE

---

### Operating conditions of ENG A-STOP system

#### Standby conditions

If all of the following conditions are met while driving, the automatic engine stop will be permitted.

When the engine is started	<ul style="list-style-type: none"><li>• The engine is started with the engine hood securely closed.</li></ul>
When driving	<ul style="list-style-type: none"><li>• The ENG A-STOP system is not deactivated (OFF).</li><li>• The battery is charged more than a certain amount, and the temperature inside the battery is within the specified range. (#1)</li><li>• The engine coolant temperature is within the specified range.</li><li>• The driver's seat belt is fastened.</li><li>• The driver's door is securely closed.</li><li>• The engine hood is securely closed.</li><li>• There is no signal to prevent stopping the engine from any electronic control systems other than the ENG A-STOP system. (#2)</li></ul>

#1: If the battery is discharged, for example, if the vehicle has not been used for a long time or electrical components, such as the navigation system or audio system, have not been used for a long time while the engine was stopped, it may take some time until the system can be in standby.

#2: If any of the warning and indicator lights affecting the ENG A-STOP system come on, the engine will not be stopped automatically.



### Conditions to stop the engine automatically

If all of the following conditions are met while the standby conditions are met, the engine is stopped automatically when the vehicle is decelerating before stopping or when the vehicle is stopped.

When the vehicle is stopped	<ul style="list-style-type: none"><li>• The ABS or ESP<sup>®</sup> system has not been activated.</li><li>• Brake booster vacuum pressure is normal.</li><li>• The gearshift lever is in “N” position.</li><li>• The clutch pedal is released.</li></ul>
-----------------------------	--

## OPERATING YOUR VEHICLE

---

### Conditions to restart the engine automatically

If any of the following vehicle conditions occur or operations are performed while the engine is stopped automatically, the engine is restarted automatically and the ENG A-STOP indicator light (green) goes off.

Common	<ul style="list-style-type: none"><li>• The ENG A-STOP system is deactivated (OFF).</li><li>• The battery continues to be discharged. (#1)</li><li>• Brake booster vacuum pressure is low. (#1)</li><li>• A malfunction was detected in this system. (#2)</li><li>• The temperature of the air from the outlets changes greatly, or the cooling and heating performance is insufficient. (#1)</li><li>• The temperature selector was greatly set toward COOL while cooling or greatly set toward HOT while heating. (#1)</li><li>• The defroster is turned on. (#1)</li><li>• The ABS or ESP<sup>®</sup> system is activated.</li><li>• The clutch pedal is depressed.</li></ul>
When the vehicle is stopped	<ul style="list-style-type: none"><li>• The driver's seat belt is unfastened. (#1)</li><li>• The driver's door is opened. (#1)</li><li>• The vehicle is moving along a slope. (#1)</li><li>• Some time (about 3 minutes) has passed since the engine was stopped automatically. (#1)</li></ul>

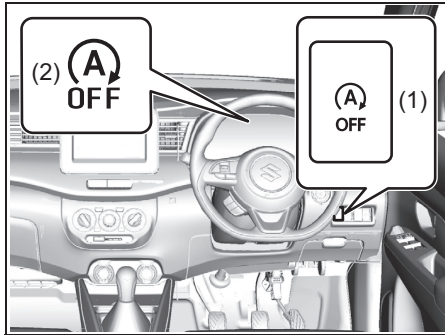
#1: After the ENG A-STOP indicator light (green) blinks, it goes off. Also, the interior buzzer may sound at the same time.

#2: Depending on the situations of malfunction, it is a normal restart or the restart as #1.

**ENG A-STOP OFF Switch (if equipped)**

The ENG A-STOP system can be deactivated.

- To deactivate the system, press the ENG A-STOP OFF switch (1) to turn on ENG A-STOP OFF light (2).
- To activate the system once again, press the switch (1) again to turn off the indicator.
- Every time the engine is stopped manually, the system is enabled again and the ENG A-STOP OFF light (2) goes off.

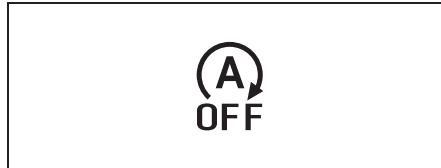


72R0104

**NOTE:**

Pressing the ENG A-STOP OFF switch (1) during the automatic engine stop will restart the engine automatically and the ENG A-STOP OFF light (2) will come on.

**ENG A-STOP OFF Light (if equipped)**



56RM03012

This indicator comes on in the information display.

- This indicator comes on when the ENG A-STOP system is deactivated.
- The indicator blinks if one of the conditions listed below is met. The ENG A-STOP system or the SHVS system does not actuate correctly while the indicator is blinking. Have the system inspected by a Maruti Suzuki authorised workshop.
  - There may be something wrong with the ENG A-STOP system or the SHVS system.
  - An engine component (ISG) or the lead-acid battery is due for replacement.

**NOTE:**

If the indicator blinks during the automatic engine stop, the engine may shut down.

### Parking Sensors

#### Information Display Symbol



72R0035

- (1) Symbol representing an obstacle detected by parking sensor\*
- \* This symbol shows that an obstacle is located on the right rear of vehicle.
- The parking sensor system uses ultrasonic sensors to detect obstacles near the rear bumper. If obstacles are sensed while you are parking or moving the vehicle slowly, the system warns you by sounding a buzzer and displaying symbols representing the obstacles on the information display in the instrument cluster.
  - The system emits an ultrasonic wave and the relevant sensor detects the return of the wave reflected by an obsta-

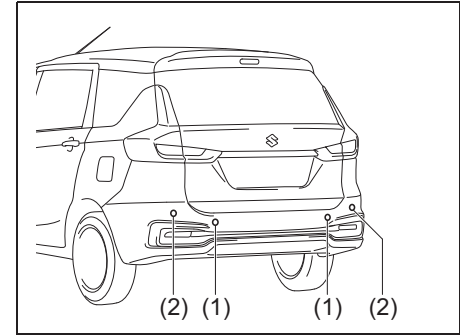
cle. The system measures the time taken by the ultrasonic wave to reach the obstacle and return from it, from which it determines the obstacle's position.

- The parking sensor function can be used when the ignition switch is turned "ON", the gearshift lever is in R position. This function is helpful in the following cases: pulling over to the curb; parallel-parking the vehicle; steering the vehicle into a garage; driving along an alley; and moving slowly in a place with obstacles.

#### **⚠ WARNING**

- **The parking sensor warns you of obstacles with buzzers and by showing you the location of the obstacles on the information display (if equipped). However, you must still pay full attention yourself while driving.**
- **The sensors can detect obstacles only within a limited area and only when the vehicle is moving within a limited speed range. So, in tricky areas, you must move the vehicle slowly while checking around it using your direct vision or rearview mirrors. There is increased risk of an accident if you control the vehicle relying only on the parking sensor.**

#### Sensor Locations



72R0036

- (1) Rear center sensors (2 places)  
(2) Rear corner sensors (2 places)

#### **NOTICE**

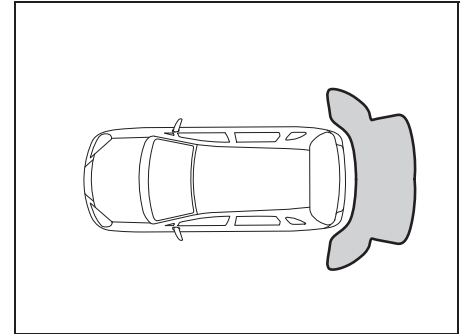
- **Avoid hitting the sensor areas or directing the nozzle of a high-pressure car washer onto the sensor areas. Otherwise, the sensors may be damaged.**
- **If the bumper hits a hard object, the sensors on it may not work properly. If this occurs, have the sensors inspected by a Maruti Suzuki authorised workshop.**

### Working sensors

The sensors that work depends on the position of the gearshift lever as follows:

Gearshift lever position		R	N, 1st - 5th
Rear sensors	Center	On	Off
	Corner	On	Off

### Approximate areas where obstacles can be detected



60MH126

- An obstacle within about 20 cm (8 in) from a sensor or just below a sensor is not detectable.
- The sensors can detect an obstacle up to about 1.5 m (5 ft) from the rear of vehicle.

## OPERATING YOUR VEHICLE

### WARNING

- Under the following conditions, the parking sensor system may not work normally because the sensors cannot detect obstacles correctly.
  - Sensors are covered with mud, ice or other materials. (Such materials must be removed for normal operation.)
  - Sensors are wet from water splashes or heavy rain.
  - Sensors are covered by a hand, sticker, accessory, etc.
  - There is an accessory or other object attached within the sensor's sensing area.
  - Items such as tow hooks, commercially available corner poles, radio antenna, etc. are installed on the bumper.
  - The height of the bumper is changed due to alteration to the suspension or other causes.
  - The sensor areas are extremely hot from direct sunlight or cold due to freezing weather.
  - The vehicle is on a rough surface, slope, gravel road or grass field.
  - The vehicle is at a steep angle.

(Continued)

### WARNING

(Continued)

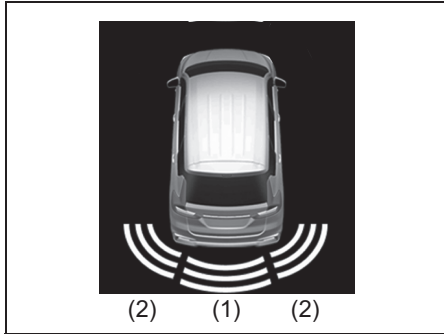
- Sensors have intercepted ultrasonic noise from another vehicle's horn, engine, air braking system (large vehicles), or parking sensor.
- Obstacles are too close to the sensors.
- Sensors are at an angle to a highly reflective object such as glass. (Ultrasonic waves are not reflected back from the obstacle.)
- Sensors may not be able to correctly detect the following types of obstacles:
  - Objects made of a thin material like wire netting and ropes
  - Square-shaped curbstones or other objects with sharp edges
  - Tall objects with a large upper part like a road sign
  - Low-profile objects such as curbstones
  - Sound-absorbing objects such as cotton and snow

### NOTE:

- *Thin poles or obstacles lower than the sensors may become undetectable as the vehicle moves closer to them even if they have been detected from longer distances.*
- *The system may calculate the distance to a road sign or similar obstacle to be shorter than the actual distance.*

**Obstacle Indication by Parking Sensor**

Information display symbol (if equipped)



72R0037

- (1) Obstacle detected by rear center sensors
- (2) Obstacle detected by rear corner sensors

Upon detecting an obstacle, the parking sensor causes an interior buzzer to sound and a symbol representing the obstacle appears on the information display in the instrument cluster (if equipped).

- A different symbol is displayed depending on the direction and distance of the obstacle. (if equipped)
- A buzzer located behind the rear seat sounds when a sensor at the rear detects an obstacle.

- Warnings when obstacles are detected by corner sensors

Distance (approx.)	Buzzer	Symbol (if equipped)
45 – 60 cm	Short beeps at short intervals	Three lines
35 – 45 cm	Short beeps at very short intervals	Two lines
Less than 35 cm	Continuous beep	One line

- Warnings when obstacles are detected by center sensors

Distance (approx.)	Buzzer	Symbol (if equipped)
60 – 150 cm	Short beeps at long intervals	Three lines
45 – 60 cm	Short beeps at short intervals	
35 – 45 cm	Short beeps at very short intervals	Two lines
Less than 35 cm	Continuous beep	One line

**NOTE:**

- Symbols are displayed with a short delay after the detection of obstacles.
- If the system detects multiple obstacles simultaneously, the display shows all of their positions using the corresponding symbols. However, the buzzers will sound only for the nearest obstacles.

## OPERATING YOUR VEHICLE

### Set sensors

You can select either the normal or trailer mode of the parking sensor via the information display. Refer to "Information display" in "BEFORE DRIVING" section.

### Normal mode

All sensors operate. Use this mode under normal conditions.

### Trailer mode

The rear corner and rear center sensors are inhibited from operating. Use this mode when towing a trailer.

#### NOTICE

**Check that the normal mode is selected with the parking sensor when steering the vehicle into a garage. If the parking sensor is left in the trailer mode, the rear corner and rear center sensors are not functioning.**

## Warning and Indicator Messages

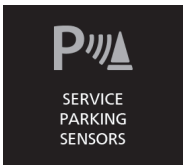
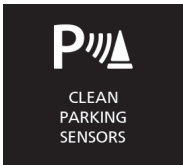
### Vehicle without the information display symbol

If there is a problem or warning regarding the parking sensor system, a buzzer inform it. Follow its instruction.

- The buzzer sounds intermittently. The indicated sensor is contaminated. Wipe it clean with a soft cloth. If the buzzer does not stop after wiping, there may be problem with the parking sensor system. Have your vehicle inspected by a Maruti Suzuki authorised workshop.

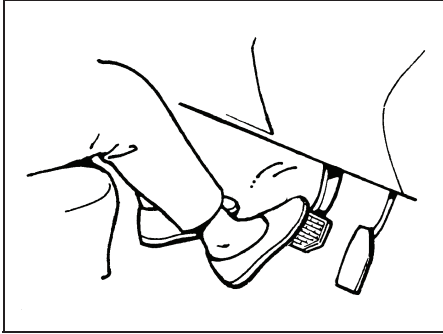
### Vehicle with the information display symbol

If there is a problem or warning regarding the parking sensor system, a message is displayed on the information display in the instrument cluster, and a symbol blinks and the buzzer sounds. If a message is displayed, follow its instruction.

Message	Symbol	Buzzer	Probable cause and remedy
 68PH02303	Two blinking lines in a sensor location.	Series of double beeps	There may be a problem with the parking sensor system. Have your vehicle inspected by a Maruti Suzuki authorised workshop.
 68PH02304	One blinking line in a sensor location.	Series of single beeps	The indicated sensor is contaminated. Wipe it clean with a soft cloth.



## Braking



60G165S

The distance needed to bring any vehicle to a halt increases with the speed of the vehicle. The braking distance needed, for example, at 60 km/h will be approximately 4 times greater than the braking distance needed at 30 km/h. Start to depress the brake pedal when there is plenty of distance between your vehicle and the stopping point, and slow down gradually.

### ⚠ WARNING

If water gets into the brake devices, brake performance may become poor and unpredictable. After driving through water or washing the underside of the vehicle, test the brakes while driving at a slow speed to see if they have maintained their normal effectiveness. If the brakes are less effective than normal, dry them by repeatedly applying the brakes while driving slowly until the brakes have regained their normal effectiveness.

## Power-Assisted Brakes

Your vehicle has power-assisted brakes. If power assistance is lost due to a stalled engine or other failures, the system is still fully operational on reserve power and you can bring the vehicle to a complete stop by pressing the brake pedal once and holding it down. The reserve power is partly used up when you depress the brake pedal and reduces each time the pedal is pressed. Apply smooth and even pressure to the pedal. Do not pump the pedal.

### ⚠ WARNING

Even without reserve power in the brake system, you can still stop the vehicle by pressing the brake pedal harder than normally required. However, the stopping distance may be longer.

## Brake assist system

When you step on the brake pedal, the brake assist system determines it to be an emergency stop and provides more powerful braking for a driver who cannot hold down the brake pedal firmly.

### NOTE:

*If you quickly and forcefully depress the brakes, you may hear a clicking sound in the brake pedal. This is normal and indicates that the brake assist system is activated properly.*

## OPERATING YOUR VEHICLE

### Anti-Lock Brake System (ABS)

ABS will help you avoid skidding by electronically controlling braking pressure. It will also help you maintain steering control when braking on slippery surfaces or when braking hard.

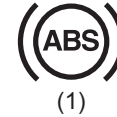
The ABS works automatically, so you do not need any special braking technique. Just push the brake pedal down without pumping. The ABS will operate whenever it senses that the wheels are locking up. You may feel the brake pedal moves a little while the ABS is operating.

#### NOTE:

- *The ABS will not work if vehicle speed is under about 9 km/h.*
- *If the ABS system is activated, you may hear a clunking noise and/or feel pulsating in the brake pedal. This is normal and indicates that the brake fluid pressure is being controlled properly.*
- *You may hear an operation sound when you start the engine or after the vehicle begins to move. This means that the above systems are in the self-check mode. This sound does not indicate a malfunction.*

#### ⚠ WARNING

- **On some types of loose surfaces (such as gravel, snow-covered roads, etc.), the stopping distance required for a vehicle with ABS may be slightly greater than the one required for a comparable vehicle with a conventional brake system. With a conventional brake system, skidding tyres are able to plow the gravel or snow layer, shortening the stopping distance. ABS minimizes this resistance effect. Allow for extra stopping distance when driving on loose surfaces.**
- **On regular paved roads, some drivers may be able to obtain slightly shorter stopping distances with conventional brake systems than with ABS.**
- **In both of the above conditions, ABS will still offer the advantage of helping you maintain directional control. However, remember that ABS will not compensate for bad road or weather conditions or poor driver judgment. Use good judgment and do not drive too fast.**



(1)



(2)

54MN069

- (1) ABS warning light  
(2) Brake system warning light

**⚠ WARNING**

- If the ABS warning light (1) on the instrument panel comes on and stays on while driving, there may be a problem with the ABS system. Ask a Maruti Suzuki authorised workshop to inspect the ABS system immediately. If the ABS system becomes inoperative, the brake system will function as an ordinary brake system that has no ABS.
- If the ABS warning light (1) and the Brake system warning light (2) on the instrument panel simultaneously stays on or comes on while driving, both anti-lock function and rear brake force control function (proportioning valve function) of the ABS system may have failed. If so, the rear wheels may easily skid or the vehicle can even spin in the worst case when braking on a slippery road or when hard braking even on a dry paved road. Ask a Maruti Suzuki authorised workshop to inspect the ABS system immediately. Drive carefully, avoiding hard braking as much as possible.

**How the ABS Works**

A computer continuously monitors wheel speed. The computer compares the changes in wheel speed when braking. If the wheels slow suddenly, indicating a skidding situation, the computer will change braking pressure several times each second to prevent the wheels from locking. When you start your vehicle or when you accelerate after a hard stop, you may hear a momentary motor or clicking noise as the system resets or checks itself. This is absolutely normal and indicate that ABS is functioning properly.

**⚠ WARNING**

The ABS may not work properly if tyres or wheels other than those specified in the owner's manual are used. This is because the ABS works by comparing changes in wheel speed. When replacing tyres or wheels, use only the size and type specified in this owner's manual.

**Electronic stability program (ESP®) (if equipped)**

ESP® is a registered trademark of Daimler AG.

The Electronic Stability Program (ESP®) helps to control the vehicle during cornering if front wheels or rear wheels skid. It also assists you in maintaining traction while accelerating on loose or slippery road surfaces. It does this by regulating the engine's output, and by selectively applying the brakes. In addition, ESP® helps to avoid skidding by controlling braking pressure.

**⚠ WARNING**

The ESP® cannot enhance the vehicle's driving stability in all situations and does not control your vehicle's entire braking system. The ESP® cannot prevent accidents, including those resulting from excessive speed in turns, or hydroplaning. Only safe and attentive drive can prevent accidents. The capabilities of an ESP®-equipped vehicle must never be used as a substitute for careful driving.

## OPERATING YOUR VEHICLE

The ESP® totally manages following four systems, (stability control, traction control, ABS and Brake assist) to help enhance vehicle stability in response to various driving conditions;

### Stability control system

The vehicle stability control system helps provide integrated control of systems such as anti-lock brakes, traction control, engine control, etc. This system automatically controls the brakes and engine to help prevent the vehicle from skidding when cornering on a slippery road surface or when turning the steering wheel abruptly.

### Traction control system

The traction control system automatically helps prevent the spinning of wheels when the vehicle is started or accelerated on slippery road surfaces. The system operates only if it senses that some of the wheels are spinning or beginning to lose traction. When this happens, the system operates the front or rear brakes and reduces engine power to limit wheel spin.

#### NOTE:

*You may hear an operation sound when you start the engine or after the vehicle begins to move. This means that the above systems are in the self-check mode. This sound does not indicate a malfunction.*

### Anti-Lock Brake System (ABS)

ABS will help you avoid skidding by electronically controlling braking pressure. It will also help you maintain steering control when braking on slippery surfaces or when braking hard. The ABS works automatically, so you do not have to use any special braking technique. Just push the brake pedal down without pumping. The ABS will operate whenever it senses that wheels are locking up. You may feel the brake pedal pulsate while the ABS is operating. (For more information on ABS, see “Braking” in this section.)

#### NOTE:

- *The ABS will not work if vehicle speed is under about 9 km/h.*

*If the ABS system is activated, you may hear a clunking noise or feel pulsating in the brake pedal. This is normal and indicates that the brake fluid pressure is being controlled properly*

### Brake assist system

When you step on the brake pedal, the brake assist system determines it to be an emergency stop and provides more powerful braking for a driver who cannot hold down the brake pedal firmly.

#### NOTE:

*If you quickly and forcefully depress the brakes, you may hear a clicking sound in the brake pedal. This is normal and indicates that the brake assist system is activated properly.*

### WARNING

- **The ESP® may not work properly if tyres or wheels other than those specified in the owner’s manual are used. When replacing tyres or wheels, use only the size and type specified in this owner’s manual.**
- **The ESP® may not work properly if tyres are not inflated to the recommended tyre pressure.**
- **The ESP® may not work properly if tyres are fitted with snow chains.**
- **The ESP® may not work properly if the tyres are excessively worn. Replace tyres when the tread wear indicators in the grooves appear on the tread surface.**
- **The ESP® is not a substitute for winter tyres or snow chains on a snow-covered road.**

**⚠ WARNING**

- The ESP<sup>®</sup> may not work properly if engine related parts such as the muffler are not equivalent to standard equipment or are extremely deteriorated.
- Do not modify the vehicle's suspension since the ESP<sup>®</sup> may not work properly.

**NOTE:**

- If the ESP<sup>®</sup> system is activated, you may hear a clunking noise and/or feel pulsating in the brake pedal. This is normal and indicates that the brake fluid pressure is being controlled properly.
- You may hear an operation sound when you start the engine or after the vehicle begins to move. This means that the above systems are in the self-check mode. This sound does not indicate a malfunction.

The ESP<sup>®</sup> indicator lights are described below:

**ESP<sup>®</sup> warning light**



52KM133

This light blinks 5 times per second when one of the following systems is activated.

- Stability control system
  - Traction control system
- If this light blinks, drive carefully.

When the ignition switch is turned "ON" or pushed to "ON" mode, this light comes on briefly so you can check that the light is working.

**NOTICE**

**If the ESP<sup>®</sup> warning light comes on and stays on while driving, there may be a malfunction of the ESP<sup>®</sup> systems (other than ABS). You should have the systems inspected by a Maruti Suzuki authorised workshop.**

**NOTE:**

When the ESP<sup>®</sup> warning light comes on and stays on while driving, indicating a malfunction of the ESP<sup>®</sup> systems (other than ABS), the brake system will function as an ordinary ABS with no additional ESP<sup>®</sup> functions.

**ESP<sup>®</sup> OFF indicator light**



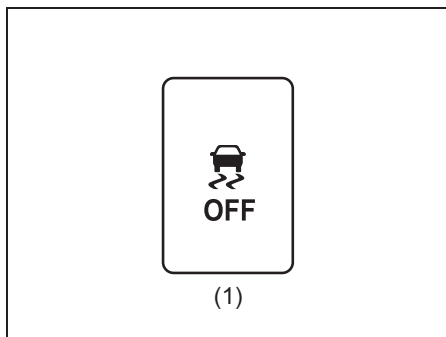
73R0196

You should turn the ESP<sup>®</sup> on during your ordinary driving, so that you have the benefits of all of the ESP<sup>®</sup> systems.

It may be required to turn the ESP<sup>®</sup> systems (other than ABS) off if your vehicle is stuck in sand, mud, or snow, where wheel spin is necessary.

## OPERATING YOUR VEHICLE

### ESP® OFF switch



(1) ESP® OFF switch

When the ESP® OFF switch located at the instrument panel is pushed and held to turn off the ESP® systems (other than ABS), the ESP® OFF indicator light in the instrument cluster comes on.

When you have turned the ESP® systems (other than ABS) off, turn them back on before resuming ordinary driving.

When you push the ESP® OFF switch again, the ESP® OFF indicator light will go out and all of the ESP® systems will be activated.

### ABS warning light / brake system warning light

See “Braking” in this section.

### Hill hold control system (if equipped)

The hill hold control system is designed to assist you in starting to move up hills. When you start to move up a hill, the system helps to prevent the vehicle from rolling downward (for approximately 2 seconds) while you move your foot from the brake pedal to the accelerator pedal.

### WARNING

- Do not rely excessively on the hill hold control system. The hill hold control system may not prevent the vehicle from rolling downward on a hill under all load or road conditions. Always be prepared to depress the brake pedal to prevent the vehicle from rolling downward. Failure to pay attention and depress the brake pedal to hold the vehicle on a hill when necessary, may result in loss of control or an accident.
- The hill hold control system is not designed to stop the vehicle on a hill.
- After you release your foot from the brake pedal, accelerate the vehicle to move up immediately. If you release your foot from the brake pedal over 2 seconds, the hill hold control system will be canceled. If so, the vehicle may roll downward, which can result in an accident depending on the degree of slope. And, the engine may stall and the power assist for the steering and brakes will not work so steering and braking will be much harder than usual which can result in an accident or vehicle damage.

The hill hold control system activates for a maximum of about 2 seconds if your foot is moved from the brake pedal when the following conditions are all met.

- 1) The gearshift lever is in a forward gear or reverse gear.
- 2) The parking brake is released.
- 3) The vehicle is on an upward incline.

On models equipped with the ENG ASTOP system, the hill hold control system is activated when the engine is restarted after being stopped automatically, even if the previous conditions are not met.

**NOTE:**

*When the hill hold control system is activated, the following conditions may be found, but this is not a malfunction.*

- *You may hear a sound from the engine room.*
- *As brake pedal becomes heavy, it may be difficult for you to depress it.*

**MEMO**

-----

-----

-----

-----

-----

-----

-----

-----

-----

-----

-----

-----

-----

-----

-----

-----

-----

-----

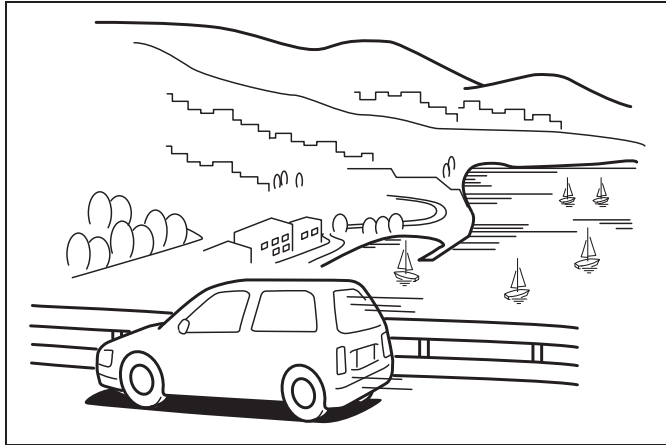
-----

-----

-----

-----

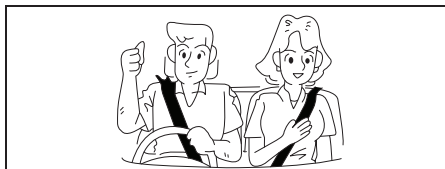




60G409

## DRIVING TIPS

Running-in .....	4-1
Catalytic Converter .....	4-1
Improving Fuel Economy .....	4-2
Highway Driving .....	4-3
Driving on Hills .....	4-3
Driving on Slippery Roads .....	4-4
Off-road Driving .....	4-6
When Encountering a Flooded Area .....	4-6
Do's and Dont's for safe driving .....	4-7
Margin for safety .....	4-9



55RM04002

### **WARNING**

- **Fasten Your Seat Belts at All Times.** Even though airbags are equipped at the front seating positions, the driver and all passengers should be properly restrained at all times, using the seat belts provided. Refer to “Seat Belts and Child Restraint Systems” section for instructions on proper use of the seat belts.
- **Never drive while under the influence of alcohol or other drugs.** Alcohol and drugs can seriously impair your ability to drive safely, greatly increasing the risk of injury to yourself and others. You should also avoid driving when you are tired, sick, irritated, or under stress.

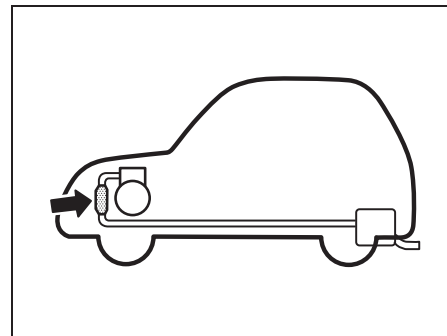
## Running-in

### **NOTICE**

The future performance and reliability of the engine depends on the care and restraint exercised during its early life. It is especially important to observe the following precautions during the first 960 km of vehicle operation.

- **After starting, do not race the engine.** Warm it up gradually.
- **Avoid prolonged vehicle operation at a constant speed.** Moving parts will break in better if you vary your speed.
- **Start off from a stop slowly.** Avoid full throttle starts.
- **Avoid hard braking, especially during the first 320 km (200 miles) of driving.**
- **Do not drive slowly with the transmission in a high gear.**
- **Drive the vehicle at moderate engine speeds.**

## Catalytic Converter



80G106

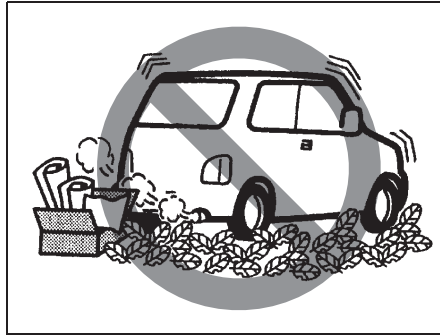
The purpose of the catalytic converter is to minimize the amount of harmful pollutants in your vehicle's exhaust. Use of leaded fuel in vehicles equipped with catalytic converters is prohibited, because lead deactivates the pollutant-reducing components of the catalyst system.

The converter is designed to last the life of the vehicle under normal usage and when unleaded fuel is used. No special maintenance is required on the converter. However, it is very important to keep the engine properly tuned. Engine misfiring, which can result from an improperly tuned engine, may cause overheating of the catalytic converter. This may result in permanent heat damage to the catalytic converter and other vehicle components.

**NOTICE**

To minimize the possibility of catalytic converter or other vehicle damage:

- Maintain the engine in the proper operating condition.
- In the event of an engine malfunction, particularly one involving engine misfiring or other apparent loss of performance, have the vehicle serviced promptly.
- Do not turn off the engine or interrupt the ignition when the transmission is in gear and the vehicle is in motion.
- Do not try to start the engine by pushing or towing the vehicle, or coasting down a hill.
- Do not idle the engine with any spark plug wires disconnected or removed, such as during diagnostic testing.
- Do not idle the vehicle for prolonged periods if idling seems rough or there are other malfunctions.
- Do not allow the fuel tank to get near the empty level.
- Avoid driving your vehicle at excessively high engine speed in or around the red zone of the tachometer.



54G584S

**▲ WARNING**

Be careful where you park and drive; the catalytic converter and other exhaust components can get very hot. As with any vehicle, do not park or operate this vehicle in areas where combustible materials such as dry grass or leaves can come in contact with a hot exhaust system.

**Improving Fuel Economy****NOTE:**

*Fuel economy (mileage) of the vehicle may vary due to several factors i.e., driving habits - gear change pattern, usage of A.C., Air pressure in the tyres, wind speed, traffic conditions, fuel quality- non adulterated standard fuel, maintenance of vehicle, road conditions, braking etc.*

The following instructions will help you improve fuel economy.

**Avoid excessive idling**

If you park your vehicle for more than one minute, stop the engine and start it again later. When warming up a cold engine, do not allow the engine to idle or apply full throttle until the engine has reached operating temperature. Allow the engine to warm up by driving.

**Avoid "fast" starts**

Fast starts away from lights or stop signs will consume fuel unnecessarily and shorten engine life. Start off slowly.

**Avoid unnecessary stops**

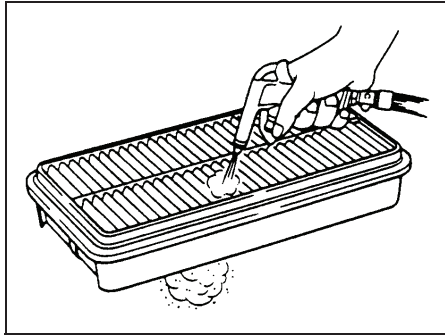
Avoid unnecessary deceleration and stopping. Try to maintain a moderate, steady speed whenever possible. Slowing down and then accelerating again uses more fuel.

**Keep a steady cruising speed**

Drive at a constant speed that road and traffic conditions will permit.

## DRIVING TIPS

### Keep the air cleaner clean



60A183S

If the air cleaner is clogged with dust, there will be greater intake resistance, resulting in decreased power output and increased fuel consumption.

### Keep weight to a minimum

The heavier the load is, the more fuel the vehicle consumes. Unload any unnecessary luggage or cargo.

### Keep tyre pressures correct

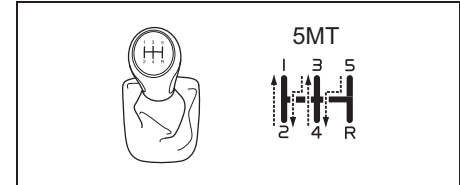
Under-inflation of the tyres can waste fuel due to increased rolling resistance of the tyres. Keep your tyres inflated to the correct pressure shown in the label on driver's door lock pillar.

## Highway Driving

When driving at highway speeds, pay attention to the following:

- Stopping distance progressively increases with vehicle speed. Apply the brakes far enough ahead of the stopping point to allow for the extra stopping distance.
- On rainy days, hydroplaning can occur. Hydroplaning is the loss of direct contact between the road surface and the vehicle's tyres due to a water film forming between them. Steering or braking the vehicle during hydroplaning can be very difficult, and loss of control can occur. Keep speed down when the road surface is wet.
- At high speeds, the vehicle may be affected by side winds. Therefore, reduce speed and be prepared for unexpected buffeting, which can occur at the exits of tunnels, when passing by a cut of a hill, or when being overtaken by large vehicles, etc.

## Driving on Hills



72RH4014

- When climbing steep hills, the vehicle may begin to slow down and show a lack of power. If this happens, you should shift to a lower gear so that the engine will again be operating in its higher power range. Shift rapidly to prevent the vehicle from losing momentum.
- When driving down a hill, the engine should be used for braking by shifting to the next lower gear.

**While moving uphill/ gradient from a standstill condition**

- Apply the parking brake firmly so that the vehicle does not roll backwards.
- Depress the clutch pedal and shift the gearshift lever to 1st select position.
- Do not slip the clutch.
- When ready to start, press accelerator pedal and slowly release the clutch pedal simultaneously. When the vehicle starts to move, gradually release the parking brake.

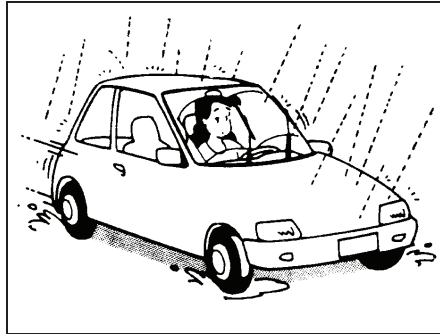
**⚠ WARNING**

**Do not hold the brake pedal down too long or too often while going down a steep or long hill. This could cause the brakes to overheat, resulting in reduced braking efficiency. Failure to take this precaution could result in loss of vehicle control.**

**NOTICE**

**When descending a downhill, Never turn the ignition key to "LOCK" position. Emission control system damage may result.**

**Driving on Slippery Roads**



60G089S

On wet roads, you should drive at a lower speed than you do on dry roads due to possible slippage of tyres during braking. When driving on icy, snow-covered, or muddy roads, reduce your speed and avoid sudden acceleration, abrupt braking, or sharp steering movements.

**Snow Chains**

Snow chains should only be used if they are needed to increase traction or are required by law. Make sure that the chains you use are the correct size for your vehicle's tyres. Also make sure that there is enough clearance between the fenders and the chains as installed on the tyres.

Install the chains on the front tyres tightly, according to the chain manufacturer's instructions. Retighten the chains after driving about 1.0 km if necessary. With the chains installed, drive slowly.

**NOTICE**

- **If you hear the chains hitting against the vehicle body while driving, stop and tighten them.**
- **If your vehicle is equipped with full wheel caps, remove the wheel caps before installing the chains or the wheel caps can be damaged by the chain bands.**

## DRIVING TIPS

### Stuck Vehicle

If your vehicle gets stuck in snow, mud, or sand, follow the directions below:

- 1) Shift the transmission back and forth between first gear and reverse. This will create a rocking motion which may give you enough momentum to free the vehicle. Press gently on the accelerator to keep wheel spinning to a minimum wheel rpm. Remove your foot from the accelerator while shifting.  
Do not race the engine. Excessive wheel spin will cause the tyres to dig deeper, making it more difficult to free the vehicle.

#### NOTE:

*If your vehicle is equipped with the ESP®, you may have to turn the ESP® system off in order to allow spinning the wheels.*

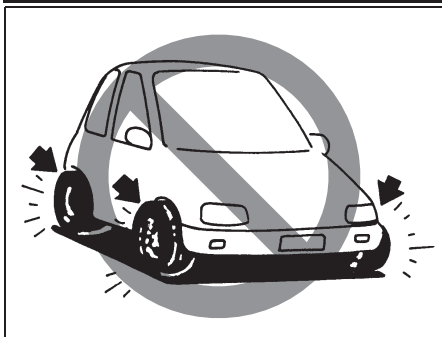
- 2) If your vehicle remains stuck after a few minutes of rocking, we recommend you to consult a Maruti Suzuki authorised workshop or a roadside assistance service. If a towing service is not available in an emergency, your vehicle may be temporarily towed by other vehicle with a towing cable or chain secured to the towing eye either on the front of the vehicle or on the rear of the vehicle. Refer to “Frame Hooks” in “OTHER CONTROLS AND EQUIPMENT” section.

#### ⚠ WARNING

**Do not allow anyone to stand near the vehicle when you are rocking it, and do not spin the wheels faster than an indicated 40 km/h on the speedometer. Personal injury and/ or vehicle damage may result from spinning the wheels too fast.**

#### NOTICE

**Do not continue rocking the vehicle for more than a few minutes. Prolonged rocking can cause engine overheating or transmission damage.**



54G638S

#### ⚠ WARNING

**In addition to following the driving tips in this section, it is important to observe the following precautions.**

- Make sure your tyres are in good condition and always maintain the specified tyre pressure. Refer to “Tyres” in the “INSPECTION AND MAINTENANCE” section for details.
- Do not use tyres other than those specified by MARUTI SUZUKI. Never use different sizes or types of tyres on the front and rear wheels. For information regarding the specified tyres, refer to the tyre information label located on the driver’s door lock pillar.
- Never use oversized tyres or special shock absorbers and springs to raise (jack up) your vehicle. This will change the handling characteristics. Oversized tyres may also rub against the fender over bumps, causing vehicle damage or tyre failure.

(Continued)

**⚠ WARNING**

(Continued)

- After driving through water, test the brakes while driving at a slow speed to see if they have maintained their normal effectiveness. If the brakes are less effective than normal, dry them by repeatedly applying the brakes while driving slowly until the brakes have regained their normal effectiveness.

**Off-road Driving****Do not drive in the field covered with grown grass**

If you drive in the field covered with grass, it may cause accident or vehicle damage by getting caught in grown grass.

**When Encountering a Flooded Area**

80J042

Avoid driving in a flooded area or a deep puddle. If driving in a flooded area is unavoidable, go slowly in the lowest gear. In case that you have driven in a flooded area, stop the vehicle in a safe and non flooded place while checking the brake effectiveness. Then, ask a Maruti Suzuki authorised workshop to check the following inspection items.

- Function of brake
- Function of electrical components
- Changes of oil level and quality for engine, transmission and differential. In case that the oil is turbid whitely, water has been mixed in the oil and an oil change is required.
- Lubricant condition of the bearings, suspension joints, etc.

**NOTICE**

Avoid driving in a flooded area or a deep puddle. It may cause an engine stall, short in electrical components, engine and transmission damages, etc.

If the vehicle get stuck in deep water do not start the engine.

## DRIVING TIPS

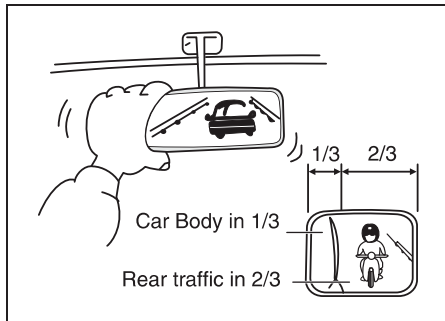
### Do's and Dont's for safe driving

Exercise care in handling your vehicle. Be conscious of not only your own safety but also the safety of others on the road, and thus enjoy the best and most comfortable driving experience.

Following are basic rules for safe driving. Read them carefully for good understanding of the content so that you can enjoy safe and pleasant driving in your vehicle.

#### Starting

- 1) Adjust the driver's seat for the proper driving posture.
- 2) Adjust the rear view mirror so as to obtain the best possible rear view.

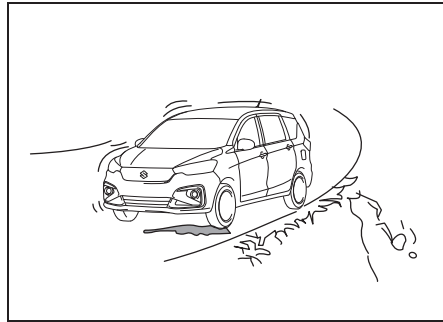


72RM04001

- 3) Before moving, look around your vehicle to confirm safety.
- 4) Don't accelerate suddenly, since it is dangerous and wastes fuel.

#### General Driving

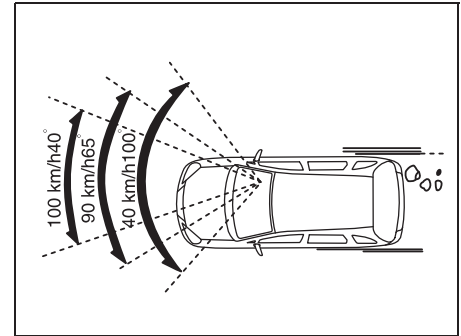
- 1) Be sure to stop before a stop light or stop sign. When moving into an intersection without any traffic lights or signs, drive slowly to confirm safety.
- 2) Always follow other vehicles at a safe distance in order to prevent a rear-end collision, in case the vehicle ahead makes a sudden stop.



72RM04002

- 3) Turn on the turn signal at least 30 meters before making a turn or changing the lane so as not to be hit.
- 4) Before entering a corner, decelerate to a safe speed. Don't apply brakes during cornering, or skidding may occur.

- 5) When overtaking other vehicles, watch out for oncoming vehicles and carefully ensure safety.
- 6) Don't attempt zigzag driving as it will hinder your control over the vehicle and may cause an accident.
- 7) Avoid reckless high speed driving and try to drive at a safe speed suitable for the road conditions while maintaining a constant speed.
- 8) The higher the speed, the narrower the driver's visual range becomes. In such a state, it is difficult to anticipate any hazard and the driver feels fatigued.

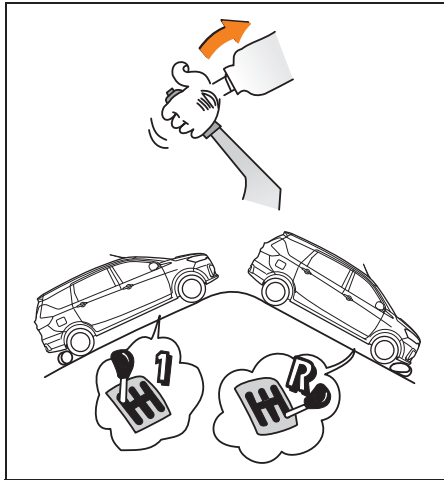


72RM04003

- 9) Do not attempt sharp handling during high speed driving. You may lose your control over your vehicle.
- 10) When overtaking or changing lanes while driving at a high speed, keep ample vehicle-to-vehicle distance.

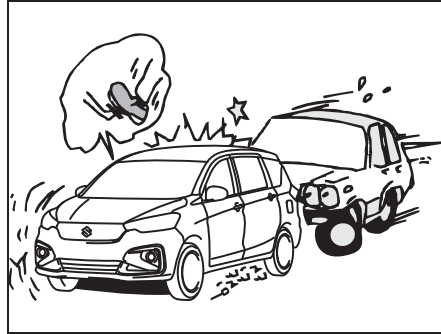


**Braking**



72RM04004

- 1) Use the parking brake when parking your vehicle and shift the gear shift lever into the first gear or reverse gear position for the sake of safety.
- 2) Don't use hand-braking unless unavoidable. It causes the vehicle to skid and a collision may occur. It is especially dangerous when the tires are worn out as they skid more.



72RM04005

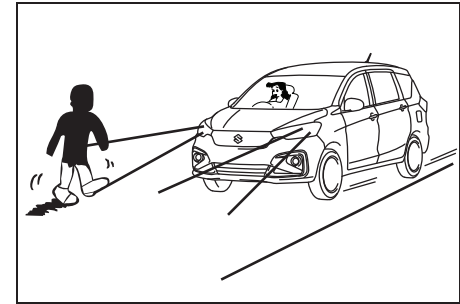
**Use foot brake in three stages**

1. Warn the vehicle behind you.
  2. Gradually apply the brake.
  3. Bring the vehicle to a halt.
- 3) When driving downhill, try not to apply the brake but use the engine brake effectively. Overuse of the foot-brake may result in reduction of brake effectiveness.

**Long Distance Driving**

- 1) Be sure to perform safety checks before starting a trip.
- 2) Take rest at regular intervals to prevent accidents which may occur due to feeling sleepy or tired.

**Night Time Driving**



72RM04006

- 1) Drive at lower speeds during the night than in the daytime, as the visual range is restricted at night.
- 2) Avoid overtaking other vehicles at night. Darkness bothers your sense of speed and hinders your judgment of vehicle-to-vehicle distance.



72F-08-021

- 3) Don't use headlights on high beam unless its use is inevitable. It may cause visual impairment to the driver of the oncoming vehicle or the vehicle ahead of you, which may cause an accident.
- 4) Always keep the window glasses clean. Don't operate the windshield wiper when the windshield glass is dry else the wiper blade and glass may get damaged.

### Margin for safety

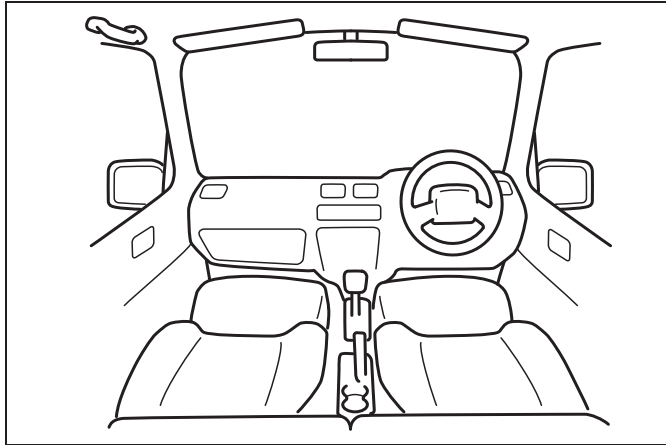
It is important to allow yourself a margin for safety during driving so that you can cope with erroneous or unexpected driving of other drivers. For that, observe the following.

- Drive at a safe speed.
- Maintain a sufficient distance between your vehicle and the vehicle ahead.
- Don't force yourself to overtake other vehicles.
- Don't accelerate suddenly, steer sharply or stop suddenly.
- Keep ample gaps between driving schedules.
- Observe traffic rules and regulations.

### Conclusion

A perfect driver does not exist. The endeavour of every motorist should be to strive for perfection. Safety consciousness not only ensures your safety and the safety of other road users, it also helps reduce the wear and tear on your vehicle, lengthens its life, gives better fuel efficiency and ensures a comfortable driving experience.

**Follow the do's and dont's listed, and driving will never be the same again.**



60G407

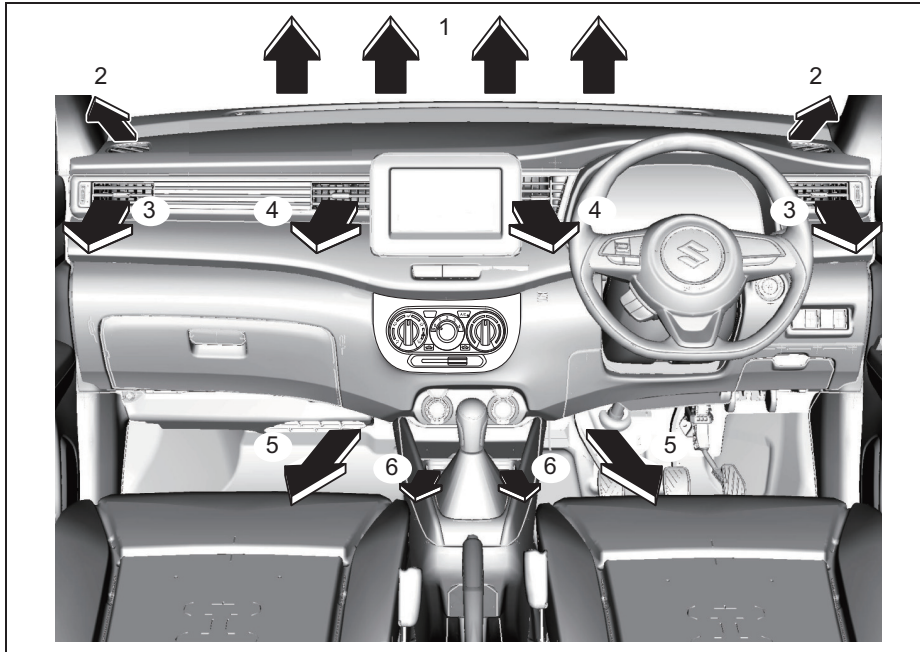
## OTHER CONTROLS AND EQUIPMENT

Heating and Air Conditioning System .....	5-1
Manual Heating and Air Conditioning System .....	5-3
Radio Antenna .....	5-8
Installation of Radio Frequency Transmitters .....	5-9
Audio System .....	5-9
Fuel Filler Cap .....	5-44
Engine Hood .....	5-45
Sun Visor .....	5-47
Interior Light .....	5-48
Accessory Socket .....	5-49
Assist Grips .....	5-50
Glove Box .....	5-51
AUX/USB Socket .....	5-52
Cup Holder and Storage Area .....	5-52
Footrest .....	5-55
Front Seat Back Pocket (if equipped) .....	5-55
Luggage Box (if equipped) .....	5-55
Frame Hooks .....	5-56

## OTHER CONTROLS AND EQUIPMENT

### Heating and Air Conditioning System

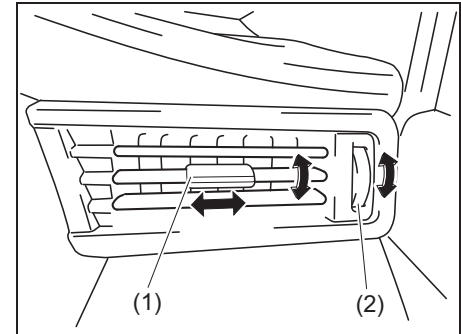
#### Air Outlet



72RM05007

1. Windshield defroster outlet
2. Side defroster outlet
3. Side outlet
4. Center outlet
5. Floor outlet
6. Cup holder outlet

#### Side outlet



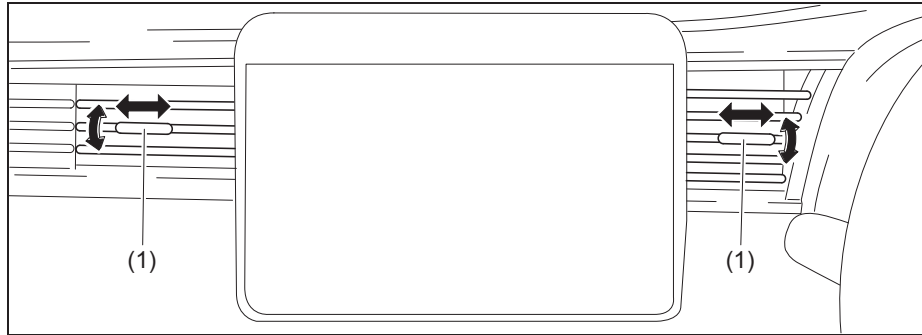
73R0076

When open, air comes out regardless of the air flow selector position.

Move the knob (1) vertically or horizontally, to adjust the direction of air flow as desired.

The side outlet opens when you turn the dial (2) upward and closes when you turn it downward.

### Center outlet



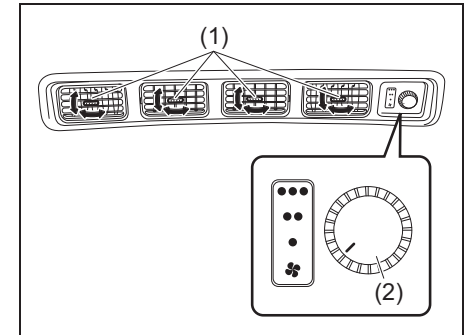
73R0075

Move the knob (1) vertically or horizontally to adjust the direction of air flow as desired.

### **⚠ CAUTION**

**Prolonged exposure to hot air from the heater or air conditioner could result in low temperature burns. All vehicle occupants, particularly children, the elderly, those with special needs, individuals with delicate skin, and sleeping individuals, should maintain sufficient distance from the air outlets to prevent prolonged exposure to hot airflow.**

### Overhead rear air conditioning system



73R0077

To turn on the overhead rear air conditioning system, set the blower speed selector of the manual heating and air conditioning system to a position other than off and push in "A/C" switch. Refer to "Air conditioning switch" in this section. And set the rear blower speed selector (2) to a position other than off.

Move the knob (1) vertically or horizontally to adjust the direction of air flow as desired.

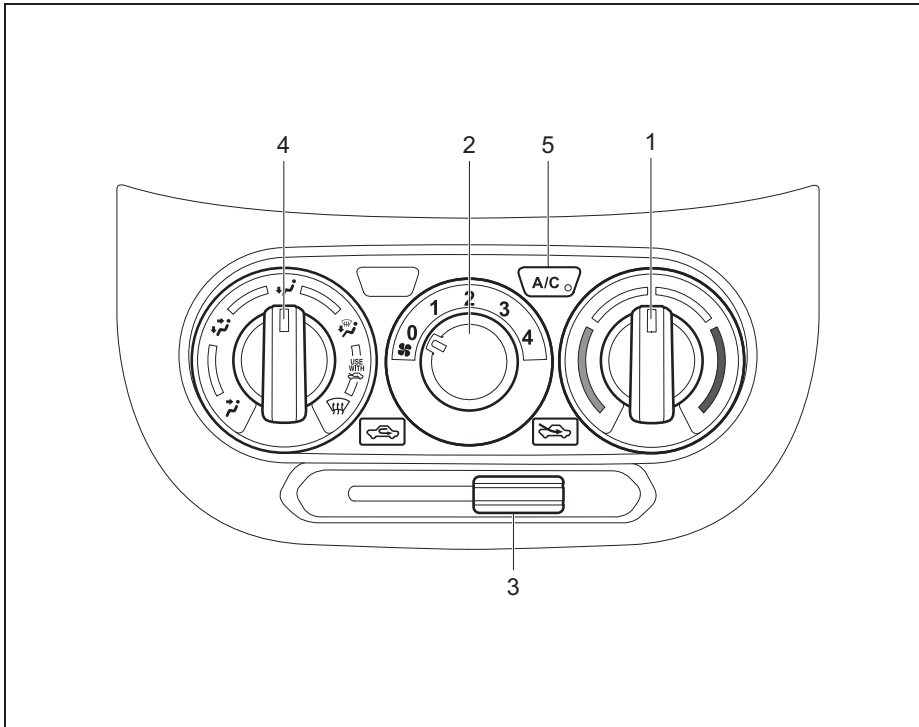
During operation of the air conditioner, you may notice slight changes in engine speed. These changes are normal, the system is designed so that the compressor turns on or off to maintain the desired temperature. Less operation of the compressor results in better fuel economy.

## OTHER CONTROLS AND EQUIPMENT

### Manual Heating and Air Conditioning System

#### Description of Controls

1. Temperature selector
2. Blower speed selector
3. Air intake selector
4. Air flow selector
5. Air conditioning switch



72R0015

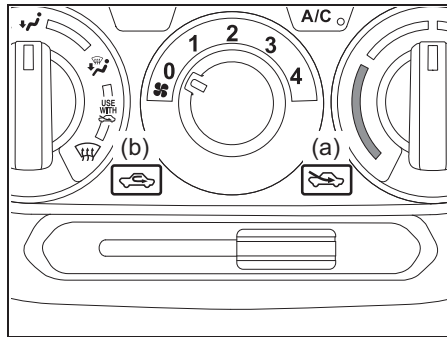
### Temperature selector (1)

This is used to adjust the temperature.

### Blower speed selector (2)

This is used to turn on the blower and to select blower speed.

### Air intake selector (3)



72R0016

This selector is used to select the following modes.

### FRESH AIR (a)

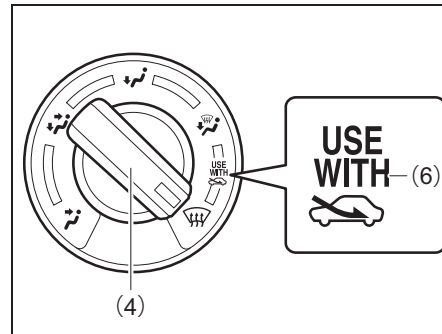
When this mode is selected by moving the lever to right, outside air comes in.

### RECIRCULATED AIR (b)

When this mode is selected by moving the lever to left, outside air is shut out and inside air is recirculated. This mode is suitable when driving through dusty or polluted air such as in a tunnel, or when attempting to quickly cool down / warm up the interior or to reduce unwanted odor from entering the vehicle.

### NOTE:

If you select RECIRCULATED AIR for an extended period of time, the air in the vehicle may become contaminated and the windows tend to get misted. Therefore, you should select FRESH AIR whenever possible.



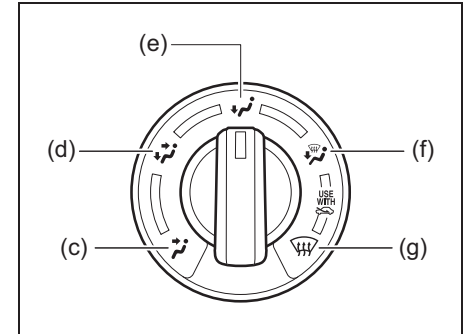
52RS0181

### NOTE:

The mark of "USE WITH" (6)

To clear fog on the windshield and/or the side windows quickly, set the air flow selector (4) to "HEAT & DEFROST" or "DEFROST" and air intake selector (3) to "FRESH AIR". These positioning will clear the fogged windshield and/or the side windows faster than the "RECIRCULATED AIR".

### Air flow selector (4)

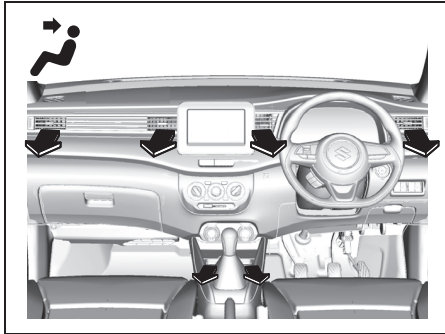


52RM50250

This is used to select one of the following functions.

## OTHER CONTROLS AND EQUIPMENT

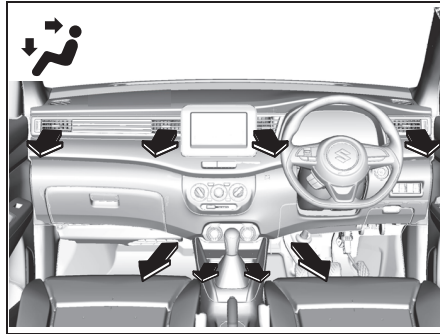
### VENTILATION (c)



72R0144

Temperature-controlled air comes out of the center, side and cup holder outlets.

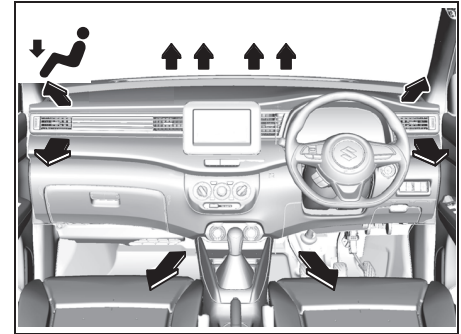
### BI-LEVEL (d)



72R0129

Temperature-controlled air comes out of the floor outlets and cooler air comes out of the center, side and cup holder outlets. When the temperature selector (1) is in the fully cold position or fully hot position, however, the air from the floor outlets and the air from the center, side and cup holder outlets. will be the same temperature.

### HEAT (e)

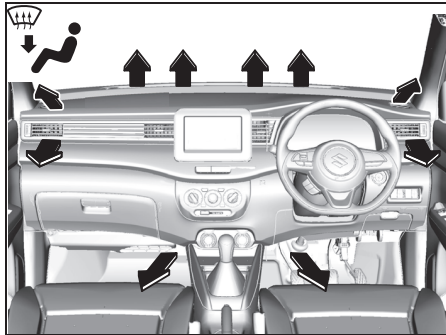


72R0017

Temperature-controlled air comes out of the floor, side and cup holder outlets, also comes out of the windshield defroster outlets and also comes slightly out of the side defroster outlets.



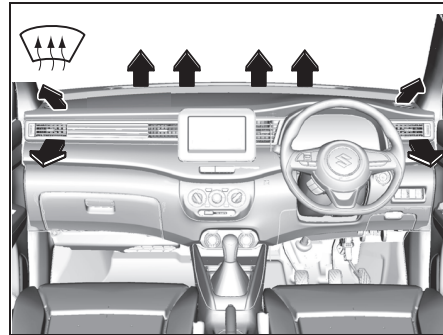
### HEAT & DEFROST (f)



72R0018

Temperature-controlled air comes out of the floor outlets, the windshield defroster outlets, the side defroster outlets and the side outlets.

### DEFROST (g)



72R0019

Temperature-controlled air comes out of the windshield defroster outlets, the side defroster outlets and the side outlets.

### Air conditioning switch (5)

To turn on the air conditioning system, set the blower speed selector to a position other than off and push in "A/C" switch. With this "A/C" switch operation, a indicator light will come on when the air conditioning system is working. To turn off the air conditioning system, push "A/C" switch again.

During operation of the air conditioner, you may notice slight changes in engine speed. These changes are normal, the system is designed so that the compressor turns on or off to maintain the desired temperature.

Less operation of the compressor results in better fuel economy.

## OTHER CONTROLS AND EQUIPMENT

### System Operating Instructions

#### Natural ventilation

Select VENTILATION and FRESH AIR, the temperature selector to the desired temperature position, and the blower speed selector to off. Fresh air will flow through the vehicle during driving.

#### Forced ventilation

The base settings are the same as for natural ventilation except you set the blower speed selector to a position other than off.

#### Normal heating (using outside air)

Select HEAT and FRESH AIR, the temperature selector to the desired temperature position and the blower speed selector to the desired blower speed position. Setting the blower speed selector to a higher blower speed position increases heating efficiency.

#### Quick heating (using recirculated air)

The base settings are the same as for normal heating except you select RECIRCULATED AIR. If you use this heating method for an extended period of time, the air in the vehicle can become contaminated and the windows can become misty. Therefore, use this method only for quick heating and change to the normal heating method as soon as possible.

#### Head cooled/Feet warmed heating

Select BI-LEVEL and FRESH AIR, the temperature selector to the desired temperature position, and the blower speed selector to the desired blower speed position. Unless the temperature selector is in the fully cold position or fully hot position, the air that comes out of the center and side outlets will be cooler than the air that comes out of the floor outlets.

#### Normal cooling

Set the air flow selector to VENTILATION, the temperature selector to the desired temperature position and the blower speed selector to the desired blower speed position, and turn on "A/C" switch. Setting the blower speed selector to a higher blower speed position increases cooling efficiency.

You can switch the air intake selector to either FRESH AIR or RECIRCULATED AIR as you desire. Choosing RECIRCULATED AIR increases cooling efficiency.

#### Quick cooling (using recirculated air)

The base settings are the same as for normal cooling except you select RECIRCULATED AIR and the highest blower speed.

#### NOTE:

- *If you select RECIRCULATED AIR for an extended period of time, the air in the vehicle can become contaminated and the windows tend to get misted. Therefore, you should select FRESH AIR whenever possible.*

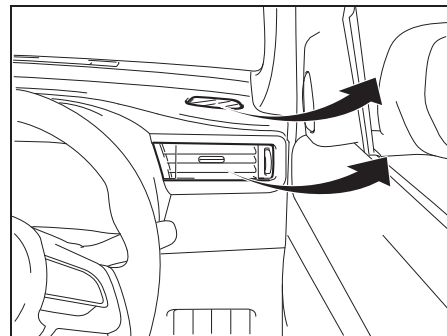
- *If your vehicle has been left in the sun with the windows closed, it will cool faster if you open the windows briefly while you operate the air conditioner with the air intake selector at FRESH AIR and the blower at high speed.*

#### Dehumidifying

Set the air flow selector to a desired air flow selector position, the temperature selector to the desired temperature position and the blower speed selector to the desired blower speed position. Also select FRESH AIR and turn on "A/C" switch.

#### NOTE:

*Because the air conditioner dehumidifies the air, turning it on will help keep the windows clear, even when blowing heated air using DEFROST or HEAT & DEFROST functions.*



72R0012

**NOTE:**

If you need maximum defrosting:

- select DEFROST and FRESH AIR,
- set the blower speed selector to high,
- adjust the temperature selector to the hot end,
- turn on “A/C” switch, and
- adjust the side outlets so the air blows on the side windows.

**Models with ENG A-STOP System (if equipped)**

- If the air conditioning performance can no longer perform at a sufficient level due to automatically stopping the engine, press the “ENG A-STOP OFF” switch to deactivate the ENG A-STOP system. (The engine will automatically restart and the air conditioning performance will be restored.)
- If the windshield and/or the driver’s side/passenger side door windows are fogged during automatically stopping the engine, stop the ENG A-STOP system and restart the engine. Then, turn the air flow selector (4) to change the air flow to the “Heat & defrost” or “Defrost” position to defog the windows.

**Maintenance**

If you do not use the air conditioner for a long period, such as during winter, it may not give the best performance when you start using it again. To help maintain optimum performance and durability of your air conditioner, it needs to be run periodically. Operate the air conditioner at least once a month for one minute with the engine idling. This circulates the refrigerant and oil and helps protect the internal components.

If your air conditioner is equipped with air filters, clean or replace them as specified in “Maintenance schedule” in “INSPECTION AND MAINTENANCE” section.

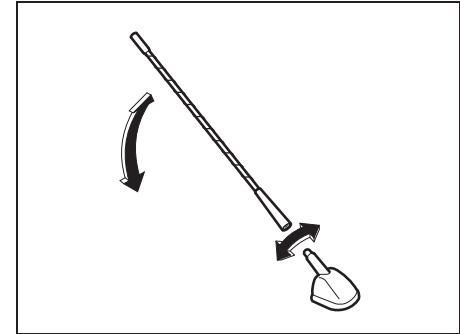
**NOTE:**

Your vehicle uses the air conditioning refrigerant HFC-134a, commonly called “R-134a”. R-134a replaced R-12 around 1993 for automotive applications. Other refrigerants are available, including recycled R-12, but only R-134a should be used in your vehicle.

**NOTICE**

Using the wrong refrigerant may damage your air conditioning system. Use R-134a only. Do not mix or replace the R-134a with other refrigerants.

**Radio Antenna**



68KH052

The radio antenna on the roof is removable. To remove the antenna, turn it counterclockwise. To reinstall the antenna, turn it clockwise firmly by hand.

**NOTE:**

Adjust the antenna angle to maximum for optimum radio reception.

**NOTICE**

To avoid damage to the radio antenna:

- Remove the antenna when using an automatic car wash.
- Remove the antenna when the antenna hits anything such as a low ceiling in a parking garage or putting a car cover over your vehicle.

### Installation of Radio Frequency Transmitters

We recommend that you always ask a Maruti Suzuki authorised workshop about frequency band, max output power, antenna position at vehicle and specific conditions for installation and/or use before installing a radio transmitter in your vehicle. Such equipments may cause the electronic control system to malfunction if they are incorrectly installed or they are not suited for the vehicle.

#### NOTICE

Improper installation of mobile communication equipment such as cellular telephones, CB (Citizen's Band) radios or any other wireless transmitters may cause electronic interference with your vehicle's ignition system or any other electrical systems resulting in vehicle performance problems. Consult a Maruti Suzuki authorised workshop for advice.

### Audio System Safety Information

#### ⚠ WARNING

**If you pay too much attention to operating the audio system or watching the audio system display while driving, an accident can occur. If you set the sound volume too loud, it could prevent you from being aware of road and traffic conditions.**

- **Keep your eyes on the road and your mind on the drive. Avoid paying too much attention to operating the audio system or watching the audio system display.**
- **Familiarize yourself with the audio system controls and operation of the audio system before driving.**
- **Preset your favorite radio stations before driving so that you can quickly tune to them using the presets.**
- **Set the sound volume to a level that will allow you to continue to be aware of surrounding road and traffic conditions while driving.**



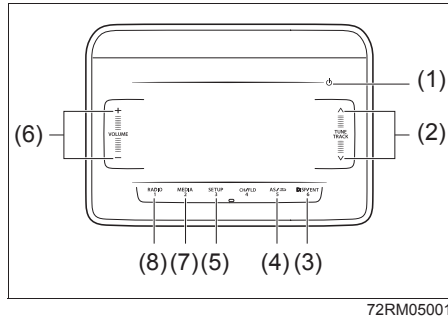
The Bluetooth® word mark and logo are registered trademarks and are owned by the Bluetooth SIG, Inc.

#### **Stop using this unit and a Bluetooth® ready device whenever requested.**

This unit shares the communication frequency with other private or public wireless communication equipment such as a wireless LAN and other wireless communication radios.

You should stop using this unit immediately whenever you are notified that your unit disturbs other wireless communication.

**Basic Operations**



- (1) POWER button
- (2) "TUNE/TRACK" Up/Down button
- (3) "ENTER" button
- (4) BACK button
- (5) "SETUP" button
- (6) "VOLUME" button
- (7) "MEDIA" button
- (8) "RADIO" button

**Turning power on/off**

Touch the POWER button (1). The audio system starts in the function mode it was in when the power was turned off last.

- Touching the POWER button (1) for 1 second or longer can turn off the audio system.

**Slide touch operation**

Operate several functions with the slide touch operation. Touch the panel and slide up or down with your finger for increase/decrease or up/down operation.

**NOTE:**

*Pay caution to the following content regarding slide touch operation:*

- The touch button may not operate properly when the touch panel or your fingers are wet. Remove any liquid before operating.
- Depending on the operation method it may react without touching.
- It may not react properly when operated with gloves on.
- When metal objects are placed near the touch panel it may cause a malfunction.
- Do not attach protective film. Otherwise, the touch panel may not operate properly.

**Functions available with the slide touch operation**



Mode	Function	+	▲ ▼
Common	Volume up/down	○	—
	Item selection	—	○
Radio	TUNE up/down	—	○
USB	File up/down	—	○
	Folder up/down (folder operation mode)	—	○
iPod	TRACK up/down	—	○
	Category selection (iPod menu)	—	○
Bluetooth® audio	TRACK up/down	—	○
	Group up/down (Group operation mode)	—	○
Hands-free	Reception/ringtone/incoming call volume up/down	○	—
	Switching pages of the speed dial selection screen	—	○

## OTHER CONTROLS AND EQUIPMENT

---

### Adjusting the volume

Touch or slide the "VOLUME" button (6).

- To increase the volume, touch  or slide upwards.
- To decrease the volume, touch  or slide downwards.

### NOTE:

*While driving, adjust the volume to an extent that sound and/or noise coming from outside can be heard.*

### Sound settings

- 1) Touch the SETUP button (5).
  - Touch for 1 second or longer when using radio mode.
- 2) Touch or slide the "TUNE/TRACK" Up/Down button (2), select "Sound", and touch the "ENTER" button (3).
  - The sound setting screen will be displayed.
- 3) Touch or slide the "TUNE/TRACK" Up/Down button (2), select the desired item, and touch the "ENTER" button (3).
  - The sound settings will change as follows:
  - EQ ↔ Bass ↔ Treble ↔ Balance ↔ Fader ↔ AVC







### Preset EQ

The preset EQ can set various types of sounds depending on the type of music.

- 1) Touch or slide the "TUNE/TRACK" Up/Down button (2) from the "Sound" screen, select "EQ", and touch the "ENTER" button (3).
  - 2) Touch or slide the "TUNE/TRACK" Up/Down button (2), select the desired item, and touch the "ENTER" button (3).
- The preset EQ settings will change as follows:  
Off (Flat) ↔ Jazz ↔ Rock ↔ Pop ↔ Classic ↔ Hip-hop

### Adjusting bass/treble/balance /fader

The preset EQ can set various types of sounds depending on the type of music.

- 1) Touch or slide the “TUNE/TRACK” Up/Down button (2) from the “Sound” screen, select “Bass”, “Treble”, “Balance”, or “Fader” and touch the “ENTER” button (3).
  - 2) Touch or slide the “TUNE/TRACK” Up/Down button (2), adjust to the desired settings and touch the “ENTER” button (3).
- “Bass”/“Treble”:
    - Can be adjusted in stages from -6 to 0 to +6.
    - Touch  to emphasize the low or high sounds, and touch  to quiet.
  - “Balance”:
    - Can be adjusted in 9 stages left to right .
    - Touch  to emphasize the right speaker, and touch  to emphasize the left speaker.
  - “Fader”:
    - Can be adjusted in 9 stages back to front.
    - Touch  to emphasize the front speaker, and touch  to emphasize the rear speaker.

### Adjusting the AVC (Auto volume control)

The Auto Volume Control (AVC) function automatically adjusts (increases/decreases) the sound volume in accordance with vehicle speed. The AVC control is provided with three selectable levels (LEVEL OFF, 1, 2, 3). The range of volume adjustment increases together with the LEVEL number.

- 1) Touch or slide the “TUNE/TRACK” Up/Down button (2) from the “Sound” screen, select “AVC”, and touch the “ENTER” button (3).
  - 2) Touch or slide the “TUNE/TRACK” Up/Down button (2), select the desired level, and touch the “ENTER” button (3).
- The AVC will change as follows:  
Off ↔ Level 1 ↔ Level 2 ↔ Level 3

### Switching the mode

Press the “MEDIA” button (7) for 1 second or more in radio mode. You can switch the radio mode to media mode.

Touch the “RADIO” button (8) in media mode. You can switch the media mode to radio mode

### System settings

Change the “Beep”, “Slide”, and “SW Sensitivity” settings.

- 1) Touch the SETUP button (5).
- Touch for 1 second or longer when using radio mode.
- 2) Touch or slide the “TUNE/TRACK” Up/Down button (2), select “System”, and touch the “ENTER” button (3).
- The system setting screen will be displayed.
- 3) Touch or slide the “TUNE/TRACK” Up/Down button (2), select the desired item, and touch the “ENTER” button (3).
- The system settings will change as follows:  
Beep ↔ Slide ↔ SW Sensitivity

## OTHER CONTROLS AND EQUIPMENT

### BEEP on/off

- 1) Touch or slide the “TUNE/TRACK” Up/Down button (2) from the “System” screen, select “Beep”, and touch the “ENTER” button (3).
- 2) Touch or slide the “TUNE/TRACK” Up/Down button (2), select on or off, and touch the “ENTER” button (3).

### Slide touch operation settings

Turn the slide operation on/off.

- 1) Touch or slide the “TUNE/TRACK” Up/Down button (2) from the “System” screen, select “Slide”, and touch the “ENTER” button (3).
- 2) Touch or slide the “TUNE/TRACK” Up/Down button (2), select on or off, and touch the “ENTER” button (3).

### Touch panel sensitivity settings

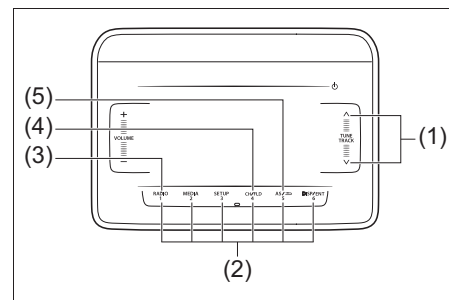
Change the touch panel sensitivity.

- 1) Touch or slide the “TUNE/TRACK” Up/Down button (2) from the “System” screen, select “SW Sensitivity”, and touch the “ENTER” button (3).
- 2) Touch or slide the “TUNE/TRACK” Up/Down button (2), select Low or High, and touch the “ENTER” button (3).

#### NOTE:

*If the touch button sensitivity is too high, set to “Low”.*

### Radio



73R0138

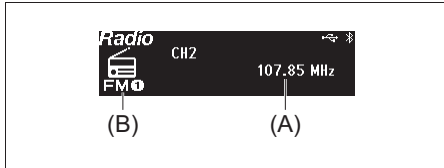
- (1) “TUNE/TRACK” Up/Down button
- (2) Preset button
- (3) “RADIO” button\*1
- (4) “CH” (channel) button
- (5) “AS” (auto store) button

\*1 Use this button to switch between manual preset and auto preset.



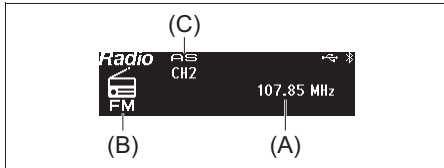
### Display

#### Manual preset



73R0139

#### Auto preset



73R0140

(A) Frequency

(B) Band

(C) Auto Store mode display

#### NOTE:

#### Radio Reception

Radio reception can be affected by environment, atmospheric conditions, or radio signal's power and distance from the station. Nearby mountains and buildings may interfere or deflect radio reception, causing poor reception. Poor reception or radio static can also be caused by electric current from overhead wires or high voltage power lines.

### Selecting the band

- 1) Touch the "RADIO" button (3) for 1 second or longer.
- Each time the button is touched, the mode will change as follows:
  - AM → FM1 → FM2 → AM (AS) → FM (AS)

### Seek tuning

- 1) Touch the "TUNE/TRACK" Up/Down button (1) for 1 second or longer.
- The audio system stops searching for a station at a frequency where a broadcast station is available.

### Manual tuning

- 1) Touch the "TUNE/TRACK" Up/Down button (1) to select the desired station.

### Storing the station

#### Manual store

- 1) Select the station and frequency.
- 2) Touch and hold the "CH" button (4) for at least 1 second.
- 3) Hold down a desired button ([1] to [6]) of the Preset buttons (2) to which you want to store the station for 2 seconds or longer.

#### NOTE:

6 stations can be stored for AM, and 6 stations for each of FM1 and FM2, thus 18 stations can be stored in total.

### Auto store

- 1) Touch the "AS" button (5) for 1 second or longer.
- Start searching from a station whose frequency is the lowest. When a broadcast station that can be received with a sufficient strength is discovered, it will be assigned to the AM (AS)/FM (AS) band's preset button (2). Once this process is completed the tuner will return to the first stored broadcast station.

#### NOTE:

- Auto store can be released by touching the "AS" button (5) while auto store is under way.
- When the auto store is performed, the station previously stored in the memory at the position is overwritten.
- 6 stations can be preset for FM, and 6 stations for AM in auto store mode.

## OTHER CONTROLS AND EQUIPMENT

### Select from the preset channels

#### Manual preset channel

- 1) Select the radio station and frequency.
- 2) Touch the “CH” button (4) for 1 second or longer.
- 3) Touch a desired button ([1] to [6]) of the Preset buttons (2).

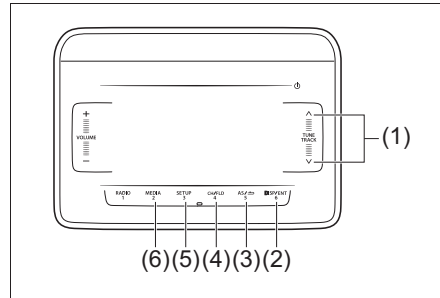
#### NOTE:

Touch and hold the “CH” button (4) for at least one second to select from the preset channel list.

#### Auto preset channel

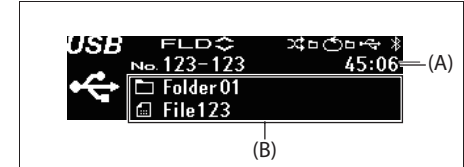
- 1) Touch the “RADIO” button (3) for 1 second or longer and select AM (AS) or FM (AS).
- 2) Touch the “CH” button (4) for 1 second or longer.
  - The preset channel list is displayed.
- 3) Touch a desired button ([1] to [6]) of the Preset buttons (2).

### USB



- (1) “TUNE/TRACK” Up/Down button
- (2) “DISP/ENTER” button
- (3) BACK button
- (4) “FLD” (folder operation) button
- (5) SETUP (random/repeat) button
- (6) “MEDIA” button

### Display



- (A) Play time
- (B) Text information display



### ⚠ WARNING

Do not connect any USB device other than a USB memory or a USB audio player. Do not connect multiple USB devices to the USB connector using a USB hub, etc. Supplying power to multiple USB devices from the connector could cause overheating and smoking.



### Selecting a USB device mode

- 1) Touch the “MEDIA” button (6).
- Each time the button is touched, the mode will change as follows:  
USB (iPod) (if equipped) → Bluetooth® audio (if equipped) → AUX (if equipped)...



### Fast forwarding/Rewinding a track

- 1) Hold down the “TUNE/TRACK” Up/Down button (1).
- : Hold down the Up button for 1 second or longer to fast forward the track.
  - : Hold down the Down button for 1 second or longer to fast rewind the track.
  - Releasing the button can stop the fast forwarding/rewinding.

### Selecting a track

- 1) Touch the “TUNE/TRACK” Up/Down button (1).
- : Touch the Up button to listen to the next track.
  - : When the Down button is touched once, the track currently being played will start from the beginning again. Touch the Down button twice to listen to the previous track.

### Selecting a folder

- 1) Touch the “FLD” (folder operation) button (4).
  - 2) Touch the “TUNE/TRACK” Up/Down button (1).
- : Touch the Up button to move to the next folder.
  - : Touch the Down button to move to the previous folder.

### Repeat playback

- 1) Touch the SETUP (random/repeat) button (5).
  - 2) Touch or slide the “TUNE/TRACK” Up/Down button (1), select “Repeat”, and touch the “DISP/ENTER” button (2).
- Each time the “DISP/ENTER” button (2) is touched, the mode will change as follows:  
Off → One song repeat → Folder repeat ...

### Random playback

- 1) Touch the SETUP (random/repeat) button (5).
- 2) Touch or slide the “TUNE/TRACK” Up/Down button (1), select “Random”, and touch the “DISP/ENTER” button (2). Each time the “DISP/ENTER” button (2) is touched, the mode will change as follows:  
Off → Folder random → All random ...

### Display change

- 1) Touch the “DISP/ENTER” button (2).
- Each time the button is touched, display will change as follows:  
MP3/AAC:  
Artist name/Track title → Album name/Track title → Folder name/File name...  
WMA:  
Artist name/Track title → Folder name/File name ...

### NOTE:

- “NO TITLE” will be displayed when there is no text information in the USB device currently being played.
- “...” is displayed if all text data cannot be displayed. Touch and hold the “DISP/ENTER” button (2) for at least 1 second to automatically display the rest of the text data.

## OTHER CONTROLS AND EQUIPMENT

---

### Notes on USB device

#### Compatible USB devices

- USB Mass Storage Class  
For details as to whether your USB memory/USB Audio is compatible with USB Mass Storage Class, please contact the USB memory/USB Audio manufacturer.
- Audio file  
MP3 (.mp3)/WMA (.wma)/AAC (.m4a)/AAC (.aac)
- File System  
FAT 12/16/32,VFAT (supporting long file name)
- USB Standard Compatibility  
1.1/2.0 Full Speed
- If a USB hub or extension cable is connected to the audio system, it may not be recognized. In this case, directly connect the USB device to the audio system.
- Devices such as MP3 players/mobile phones/digital cameras may not be recognized as audio systems for playing music.

### USB device connection

- When connecting a USB device, make sure that the connector is pushed all the way into the port.
- Depending on the USB flash drive that you are using, (non-brand product, USB flash drive that has been externally damaged) it may disable connection or cause unstable operation.
- Do not leave the USB device for long periods of time in places inside the vehicle where the temperature can rise too high.
- Back up any important data beforehand. We cannot accept responsibility for any lost data.
- It is recommended not to connect a USB device that contains data files other than MP3/WMA format.

### Recording MP3/WMA/AAC files on a USB device

- Playback or display may not be possible depending on the type of USB device in use or the condition of the recording.
- Depending on the connected USB memory, the files may be played in different order from the order that the files were stored.
- The DRM (Digital Rights Management) file cannot be played.

### Compression formats

#### MP3

- Bit rate  
MPEG1 Audio Layer III: 32 up to 320 kbps  
MPEG2 Audio Layer III: 8 up to 160 kbps  
MPEG2.5 Audio Layer III: 8 up to 160 kbps  
VBR: up to 384 kbps (MAX.)
- Sampling frequency  
MPEG1 Audio Layer III: 32/44.1/48 kHz  
MPEG2 Audio Layer III: 16/22.05/24 kHz  
MPEG2.5 Audio Layer III: 8/11.025/12 kHz
- Channel  
Stereo/Joint stereo/Dual channel/Monaural
- ID3 tag  
ID3v1.x/ID3v2.x

#### WMA

- Windows Media Audio Ver.7/Ver.8/Ver.9 Standard compliant
- Bit rate: 32 up to 320 kbps
- VBR: up to 384 kbps (MAX.)
- Sampling frequency: 32/44.1/48 kHz
- WMA tag: Ver.8.0
- Channel: 2 Channels

#### AAC

- Bit rate: 16 up to 320 kbps
- VBR: up to 320 kbps (MAX.)
- Sampling frequency: 32/44.1/48 kHz
- AAC tag: iTunes m4a metadata

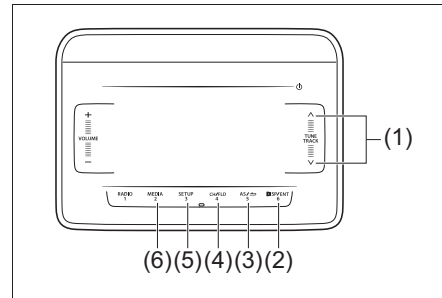
### Maximum number of files/folders

- Maximum number of files: 2500
- Maximum number of files in a folder: 255
- Maximum number of folders: 255
  - Root folder and empty folder are included.
- Maximum depth of tree structure: 8

### NOTICE

**Never use “.mp3”, “.wma” or “.m4a” as a file name extension if it is not in the MP3/WMA/AAC format file. Failure to observe this may result in damage to the speaker due to noise production.**

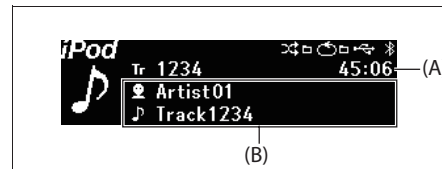
### iPod



73R0141

- (1) “TUNE/TRACK” Up/Down button
- (2) “DISP/ENTER” button
- (3) BACK button
- (4) “FLD” (iPod menu) button
- (5) SETUP (shuffle/repeat) button
- (6) “MEDIA” button

### Display



73R0143

- (A) Play time
- (B) Text information display

### Selecting an iPod mode

- 1) Touch the “MEDIA” button (6).
- Each time the button is touched, the mode will change as follows:  
USB (iPod) (if equipped) → Bluetooth® audio (if equipped) → AUX (if equipped)

### Fast forwarding/Rewinding a track

- 1) Hold down the “TUNE/TRACK” Up/Down button (1).
- : Hold down the Up button for 1 second or longer to fast forward the track.
  - : Hold down the Down button for 1 second or longer to fast rewind the track.
  - Releasing the button can stop the fast forwarding/rewinding.

### Selecting a track

- 1) Touch the “TUNE/TRACK” Up/Down button (1).
- : Touch the Up button to listen to the next track.
  - : When the Down button is touched once, the track currently being played will start from the beginning again. Touch the Down button twice to listen to the previous track.

## OTHER CONTROLS AND EQUIPMENT

---

### Select a category

- 1) Touch the “FLD” (iPod menu) button (4).
  - 2) Touch or slide the “TUNE/TRACK” Up/Down button (1), select the desired category, and touch the “DISP/ENTER” button (2).
- The Song selection mode for each category will be displayed as follows.
    - Playlists: Playlists → Songs
    - Artists: Artists → Albums → Songs
    - Songs: Songs
    - Genres: Genres → Artists → Albums → Songs
    - Radio: Station
    - Audiobooks: Audiobooks
    - Podcasts: Podcasts → Episodes
    - i Tunes U: i Tunes U → Episodes

#### NOTE:

*Categories is not displayed if the no files in the category.*

### Repeat playback

- 1) Touch the SETUP (shuffle/repeat) button (5).
  - 2) Touch or slide the “TUNE/TRACK” Up/Down button (1), select “Repeat”, and touch the “DISP/ENTER” button (2).
- Touch the “DISP/ENTER” button (2). Each time the button is touched, display will change as follows:  
The repeat mode will vary depending on your device.  
Off → 1 song repeat → All repeat ...

### Random playback

- 1) Touch the SETUP (shuffle/repeat) button (5).
  - 2) Touch or slide the “TUNE/TRACK” Up/Down button (1), select “Shuffle”, and touch the “DISP/ENTER” button (2).
- Touch the “DISP/ENTER” button (2). Each time the button is touched, display will change as follows:  
Off → Shuffle → Album shuffle ...

### Display change

- 1) Touch the “DISP/ENTER” button (2).
- Each time the button is touched, display will change as follows:  
Artist name/Track title → Album name/Track title → Playlist name/Track title ...

#### NOTE:

- “NO TITLE” is displayed if the file currently being played has no text data.
- “...” is displayed if all text data cannot be displayed. Touch and hold the “DISP/ENTER” button (2) for at least one second to automatically display the rest of the text data.
- “Playlist name/song name” is only displayed by the “FLD” (Menu) button (4) when music is selected from Playlists.

### Notes on iPod

#### Made for iPod

- iPod touch:
  - iPod touch (6th generation)
- iPhone:
  - i Phone 5s
  - i Phone 6
  - i Phone 6 Plus
  - i Phone 6s
  - i Phone 6s Plus
  - i Phone SE
  - i Phone 7
  - i Phone 7 Plus

#### NOTE:

*Some functions may not be available depending on the model of iPod.*

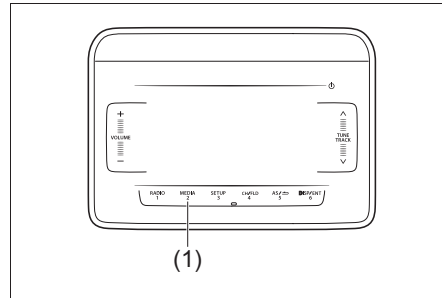
### iPod



73R0217

- “Made for iPod” and “Made for iPhone” means that an electronic accessory has been designed to connect specifically to iPod or iPhone, respectively, and has been certified by the developer to meet Apple performance standards. Apple is not responsible for the operation of this unit or its compliance with safety and regulatory standards.
- Please note that the use of this accessory with iPod or iPhone may affect wireless performance.
- iPhone, iPod, iPod classic, iPod nano, and iPod touch are trademarks of Apple Inc., registered in the U.S. and other countries.
- Lightning is a trademark of Apple Inc.

### AUX



73R0145

(1) “MEDIA” button

### Display



73R0146

### NOTICE

- Before connection, mute the unit, and also keep the volume of the auxiliary audio source within a range that will not cause distortion.
- When the audio source is turned off, noise may be emitted. Be sure to turn off the unit or switch to another mode before turning off the audio source.

### AUX selection

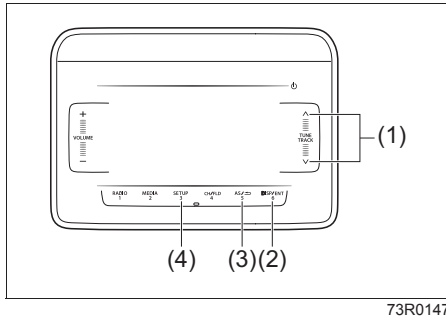
- 1) Touch the “MEDIA” button (1).
- Each time the button is touched, the mode will change as follows:  
USB (iPod) (if equipped) → Bluetooth® audio (if equipped) → AUX (if equipped)

### NOTE:

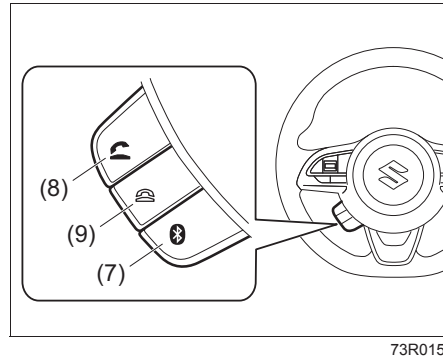
- Please consult your place of purchase for details about whether a given auxiliary audio source can be connected and the proper auxiliary cord to use.

## OTHER CONTROLS AND EQUIPMENT

### Setting of Bluetooth® devices



### Steering switch (if equipped)



- (1) "TUNE/TRACK" Up/Down button
- (2) "ENTER" button
- (3) BACK button
- (4) SETUP button
- (5) Bluetooth® button
- (6) Off-hook button

#### CAUTION

**Do not register or set the Bluetooth® device while driving. Stop your vehicle in a safe area before registering the device.**

#### Registration of Bluetooth® devices

To use Bluetooth® devices (Bluetooth® audio or mobile phone) on the audio system, it is required to register the Bluetooth® devices to the audio system. Up to 5 Bluetooth® devices can be registered.

#### NOTE:

- Certain functions cannot be used depending on the Bluetooth® device.
- Refer to the user manual included with your device regarding the operation method of Bluetooth® devices.
- Some Bluetooth® enabled phones may not be compatible fully and or partially with the audio unit.
- Bluetooth® / Telephone setup mode can be entered only when the vehicle is stationary.
- If the pairing cannot be established, the connection operation is canceled. For the Bluetooth® device pairing method, refer to the user manual included with your device or try pairing again.

- 1) The Bluetooth® setting screen will be displayed.
  - From the panel button:  
Touch the SETUP button (4).  
Touch or slide the "TUNE/TRACK" Up/Down button (1), select "Bluetooth", and touch the "ENTER" button (2).
  - From the steering switch  
Press the Bluetooth® button (5).
- 2) Touch or slide the "TUNE/TRACK" Up/Down button (1), select "Setup Bluetooth", and touch the "ENTER" button (2).
- 3) Touch or slide the "TUNE/TRACK" Up/Down button (1), select "Pairing", and touch the "ENTER" button (2).
  - The passkey will be displayed.



- 4) Operate and register the Bluetooth® device.  
**Secure Simple Pairing (SSP) incompatible Bluetooth® device:**  
Enter the passkey into the Bluetooth® device.  
**Secure Simple Pairing (SSP) compatible Bluetooth® device:**  
Select “Yes” to register the Bluetooth® device.
- It is possible to automatically register devices depending on the type of Bluetooth® device.

### NOTE:

- *If the Bluetooth® device contains music player and mobile phone function, both functions will be registered simultaneously. When deleting a Bluetooth® device, both functions will be deleted simultaneously.*
- *If a mobile phone is not registered and the off-hook button (6) is pressed and the telephone mode is selected, it will automatically switch to “Pairing”.*
- *When pairing with a mobile phone is established, it is possible to automatically transfer the phonebook and call history. If you wish to conduct an automatic transfer press “YES” and if not, press “NO”.*

### Set from the list of mobile phones

The list of paired mobile phones is displayed and the various settings can be changed.

- 1) The Bluetooth® setting screen will be displayed.
  - From the panel button:  
Touch the SETUP button (4).  
Touch or slide the “TUNE/TRACK” Up/Down button (1), select “Bluetooth”, and touch the “ENTER” button (2).
  - From the steering switch:  
Press the Bluetooth® button (5).
- 2) Touch or slide the “TUNE/TRACK” Up/Down button (1), select “Setup Bluetooth”, and touch the “ENTER” button (2).
- 3) Touch or slide the “TUNE/TRACK” Up/Down button (1), select “List Phone”, and touch the “ENTER” button (2).

### Connect a registered mobile phone

- 1) Touch or slide the “TUNE/TRACK” Up/Down button (1) from the “List Phone” screen, select the name of the desired mobile phone, and touch the “ENTER” button (2).
- 2) Touch or slide the “TUNE/TRACK” Up/Down button (1), select “Select”, and touch the “ENTER” button (2).

### Disconnect a connected mobile phone

- 1) Touch or slide the “TUNE/TRACK” Up/Down button (1) from the “List Phone” screen, select the name of the desired mobile phone, and touch the “ENTER” button (2).
- 2) Touch or slide the “TUNE/TRACK” Up/Down button (1), select “Disconnect”, and touch the “ENTER” button (2).

- 3) Touch or slide the “TUNE/TRACK” Up/Down button (1), select “YES”, and touch the “ENTER” button (2).

### Delete a registered mobile phone

- 1) Touch or slide the “TUNE/TRACK” Up/Down button (1) from the “List Phone” screen, select the name of the desired mobile phone, and touch the “ENTER” button (2).
- 2) Touch or slide the “TUNE/TRACK” Up/Down button (1), select “Delete”, and touch the “ENTER” button (2).
- 3) Touch or slide the “TUNE/TRACK” Up/Down button (1), select “YES”, and touch the “ENTER” button (2).

### Set from the Bluetooth® audio list

The list of paired Bluetooth® audio is displayed and the various settings can be changed.

- 1) The Bluetooth® setting screen will be displayed.
  - From the panel button:  
Touch the SETUP button (4).  
Touch or slide the “TUNE/TRACK” Up/Down button (1), select “Bluetooth”, and touch the “ENTER” button (2).
  - From the steering switch:  
Press the Bluetooth® button (5).
- 2) Touch or slide the “TUNE/TRACK” Up/Down button (1), select “Setup Bluetooth”, and touch the “ENTER” button (2).

## OTHER CONTROLS AND EQUIPMENT

---

- 3) Touch or slide the “TUNE/TRACK” Up/Down button (1), select “List Audio”, and touch the “ENTER” button (2).

### Connect a registered Bluetooth® audio

- 1) Touch or slide the “TUNE/TRACK” Up/Down button (1) from the “List Audio” screen, select the name of the desired Bluetooth® audio, and touch the “ENTER” button (2).
- 2) Touch or slide the “TUNE/TRACK” Up/Down button (1), select “Select”, and touch the “ENTER” button (2).

### Disconnect a registered Bluetooth® audio

- 1) Touch or slide the “TUNE/TRACK” Up/Down button (1) from the “List Audio” screen, select the name of the desired Bluetooth® audio, and touch the “ENTER” button (2).
- 2) Touch or slide the “TUNE/TRACK” Up/Down button (1), select “Disconnect”, and touch the “ENTER” button (2).
- 3) Touch or slide the “TUNE/TRACK” Up/Down button (1), select “YES”, and touch the “ENTER” button (2).

### Delete a registered Bluetooth® audio

- 1) Touch or slide the “TUNE/TRACK” Up/Down button (1) from the “List Audio” screen, select the name of the desired Bluetooth® audio, and touch the “ENTER” button (2).
- 2) Touch or slide the “TUNE/TRACK” Up/Down button (1), select “Delete”, and touch the “ENTER” button (2).
- 3) Touch or slide the “TUNE/TRACK” Up/Down button (1), select “YES”, and touch the “ENTER” button (2).

#### NOTE:

- *In case audio device does not re-connect after following above steps, delete your audio device from registered list of audio by following steps 1) to 3) of “Delete a registered Bluetooth® audio” mentioned above. Register the audio device again by referring to “Registration of Bluetooth® devices” and follow steps 1) to 4).*
- *Some audio device may not re-connect automatically. For such cases, follow steps 1) to 2) of “Connect a registered Bluetooth® audio” mentioned in further pages of this section.*

### Select a connection method

It is possible to switch connection methods when the Bluetooth® audio is registered to the audio system and the audio system and Bluetooth® audio are not connected.

- 1) Touch or slide the “TUNE/TRACK” Up/Down button (1) from the “List Audio” screen, select the name of the desired Bluetooth® audio, and touch the “ENTER” button (2).
  - 2) Touch or slide the “TUNE/TRACK” Up/Down button (1), select “Connect Method”, and touch the “ENTER” button (2).
  - 3) Touch or slide the “TUNE/TRACK” Up/Down button (1), select the connection method, and touch the “ENTER” button (2).
- From Vehicle:  
Operate from the audio system to connect to the Bluetooth® device.
  - From Audio:  
Operate from the Bluetooth® device to connect to the audio system.

### Change of Passkey

- 1) The Bluetooth® setting screen will be displayed.
  - From the panel button: Touch the SETUP button (4). Touch or slide the “TUNE/TRACK” Up/Down button (1), select “Bluetooth”, and touch the “ENTER” button (2).
  - From the steering switch: Press the Bluetooth® button (5).
- 2) Touch or slide the “TUNE/TRACK” Up/Down button (1), select “Setup Bluetooth”, and touch the “ENTER” button (2).
- 3) Touch or slide the “TUNE/TRACK” Up/Down button (1), select “Passkey”, and touch the “ENTER” button (2).
- 4) Touch or slide the “TUNE/TRACK” Up/Down button (1), select “YES”, and touch the “ENTER” button (2).
- 5) Touch or slide the “TUNE/TRACK” Up/Down button (1), select a number between 0 and 9, and touch the “ENTER” button (2). Repeat this operation several times.
  - Enter the passkey one digit by one digit.
  - The passkey must be between 4 to 8 digits.
  - In order to cancel the number that you entered and return to the previous digit, touch the BACK button (3).
  - If you do not enter a number that is 4 or more digits and re-touch the “ENTER” button (2), the passkey will be registered.

### Automatic connection with the Bluetooth® device

If the “Bluetooth Power” is set to ON, turning the ignition switch to ACC will automatically connect the registered Bluetooth® device.

- With the automatic connection, the Bluetooth® device that was connected last will be prioritized.
- 1) The Bluetooth® setting screen will be displayed.
    - From the panel button: Touch the SETUP button (4). Touch or slide the “TUNE/TRACK” Up/Down button (1), select “Bluetooth”, and touch the “ENTER” button (2).
    - From the steering switch: Press the Bluetooth button (5).
  - 2) Touch or slide the “TUNE/TRACK” Up/Down button (1), select “Setup Bluetooth”, and touch the “ENTER” button (2).
  - 3) Touch or slide the “TUNE/TRACK” Up/Down button (1), select “Bluetooth Power”, and touch the “ENTER” button (2).
    - Touch or slide the “TUNE/TRACK” Up/Down button (1), select “On” or “Off”, and touch the “ENTER” button (2).

#### NOTE:

- When “Bluetooth Power” is set to “OFF”, the audio system disconnects from the registered Bluetooth® device.
- If “Bluetooth Power” is set to “Off”, the audio system will not automatically

reconnect the next time the ignition is switched on.

### The device status will be displayed

- 1) The Bluetooth® setting screen will be displayed.
  - From the panel button: Touch the SETUP button (4). Touch or slide the “TUNE/TRACK” Up/Down button (1), select “Bluetooth”, and touch the “ENTER” button (2).
  - From the steering switch: Press the Bluetooth button (5).
- 2) Touch or slide the “TUNE/TRACK” Up/Down button (1), select “Setup Bluetooth”, and touch the “ENTER” button (2).
- 3) Touch or slide the “TUNE/TRACK” Up/Down button (1), select “Bluetooth Info”, and touch the “ENTER” button (2).
- 4) Touch or slide the “TUNE/TRACK” Up/Down button (1), select the desired status, and touch the “ENTER” button (2).
  - To display the device name, select “Device Name”.
  - To display the device address, select “Device Address”.

## OTHER CONTROLS AND EQUIPMENT

### Initialize

It is possible to initialize the audio system's Bluetooth® settings or device information.

#### CAUTION

- **Do not initialize the settings while driving. Stop your vehicle in a safe area before initializing the device.**
- **Initialize with caution. Initialized settings and history cannot be restored.**

- 1) The Bluetooth® setting screen will be displayed.
- From the panel button:  
Touch the SETUP button (4).  
Touch or slide the “TUNE/TRACK” Up/Down button (1), select “Bluetooth”, and touch the “ENTER” button (2).
- From the steering switch:  
Press the Bluetooth button (5).
- 2) Touch or slide the “TUNE/TRACK” Up/Down button (1), select “Setup Bluetooth”, and touch the “ENTER” button (2).
- 3) Touch or slide the “TUNE/TRACK” Up/Down button (1), select “Initialize”, and touch the “ENTER” button (2).
- 4) Touch or slide the “TUNE/TRACK” Up/Down button (1), select the item that you want to initialize item, and touch the “ENTER” button (2).
- HF Sound Setting:
  - Reception/ringtone volume
  - Incoming call volume

- Vehicle Device Info:  
Passkey
- All Initialize:
  - Reception/ringtone volume
  - Incoming call volume
  - Bluetooth audio volume
  - Pairing registration
  - Phonebook/history
  - Speed dial
  - Connect Method
  - Bluetooth Power
  - Auto Transfer
- 5) Touch or slide the “TUNE/TRACK” Up/Down button (1), select “YES”, and touch the “ENTER” button (2).

### Notes on Bluetooth®



73R0209

- The Bluetooth® word mark and logos are registered trademarks owned by Bluetooth SIG, Inc. and any use of such marks by Denso Ten Limited is under license. Other trademarks and trade names are those of their respective owners.  
This telecommunication equipment conforms to the requirements of the National Telecommunications Commission.
- Stop using this unit and a Bluetooth® ready device whenever requested.  
This unit shares the communication frequency with other private or public wireless communication equipment such as a wireless LAN and other wireless communication radios.  
You should stop using this unit immediately whenever you are notified that your unit disturbs other wireless communication.

### Profile

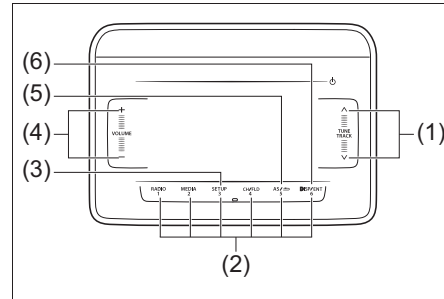
- SSP (Secure Simple Pairing)
- PBAP (Phone Book Access Profile)
- OPP (Object Push Profile)
- HFP (Hand-Free Profile)
- A2DP (Advanced Audio Distribution Profile)
- AVRCP (Audio/Video Remote Control Profile)

### Disclaimer for Bluetooth® function

- Depending on the mobile phone models, some phones may not be compatible fully or partially (some function may be restricted).
- Media playback through third-party applications may have limited support.
- Playback, display contents, connectivity or voice quality etc. may get affected depending on circumstances.
- After the ignition switch is turned to the “ON” position, the audio system takes few seconds to detect and connect to the Bluetooth® device (if already paired).
- Make sure that you are aware of all applicable local laws and accordingly use Bluetooth® device.

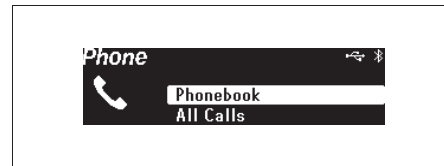
### Bluetooth® hands-free (if equipped)

To use Bluetooth® devices (Bluetooth® audio or mobile phone) on the audio system, it is required to register the Bluetooth® devices to the audio system by “Bluetooth Settings”.



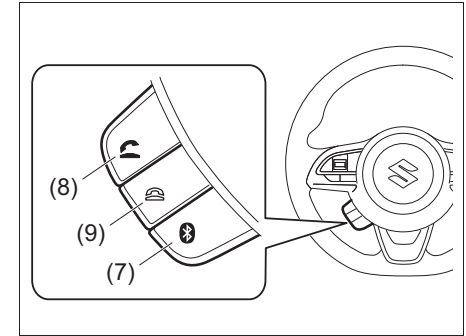
73R0150

### Display

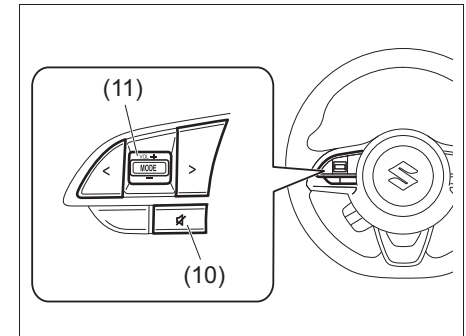


73R0151

### Steering switch



73R0152



73R0153

- (1) “TUNE/TRACK” Up/Down button
- (2) Speed dial button (1-6)
- (3) SETUP button
- (4) “VOLUME” button

## OTHER CONTROLS AND EQUIPMENT

- (5) BACK button
- (6) "ENTER" button
- (7) Bluetooth® setting button
- (8) Off-hook button
- (9) On-hook button
- (10) Mute button
- (11) "VOL" (volume) button

### NOTICE

- **Do not leave your mobile phone inside your vehicle. If the temperature inside the vehicle increases, it may damage your mobile phone.**
- **When disposing your vehicle, make sure to delete all personal information saved to the audio system.**
- **The following hands-free data must be deleted from the audio system.**
  - Speed dial
  - Reception history/Incoming call history
  - Bluetooth® phonebook data

### NOTE:

- *Please keep your phone volume low. The person's voice who you are talking to may be heard outside of the vehicle and increase the voice echo. When talking on the phone, speak clearly towards the microphone.*
- *In the following cases, your voice may not be heard clearly by the person on the other line:*
  - When driving on unpaved roads. (If there is loud traffic noise.)

- When driving at high speeds.
  - When driving with the window open.
  - If the air conditioner is blowing directly towards the microphone.
  - When the sound of the air conditioner fan is loud.
  - When there is an adverse effect to the sound quality of the phone or network that you are using.
- *The audio system may not function under the following conditions.*
    - When the phone power is not turned on.
    - When the mobile phone is out of service.
    - When the mobile phone is not connected.
    - When the mobile phone battery is low
  - *The Bluetooth's hands-free operation is dependent upon the mobile phone's compatibility.*
  - *The Bluetooth's hands-free performance is affected by the driving conditions of mobile phone networks, handsets and vehicles.*
  - *The audio system's performance may be restricted due to the model of your mobile phone.*

It is possible to register a mobile phone and register the phone number to the audio system as follows:

- Up to 1,000 phone numbers can be saved for every registered mobile phone.
- Up to 30 phone numbers can be saved to the call history menu (missed calls/incoming/outgoing calls.)
  - When the call history exceeds 30 calls, they are deleted from the oldest one first, and the latest call history information is displayed in descending order.
- Up to 6 phone numbers can be saved to the speed dial list.

### Answer the phone

- 1) Press the off-hook button (8).
- When you press the on-hook button (9) during an incoming call, you can block the call. (Only for compatible phone units)

### NOTE:

- *If you receive a call from a registered phone, the caller's name will appear on the screen.*
- *If you receive a call from an unregistered phone, only the caller's phone number will appear on the screen.*

### Hang up the phone

- 1) When the call is finished, press the on-hook button (9).

### Make a call on call waiting

When the screen is displayed during a call, it is possible to hold the call and answer the other incoming call.

- 1) When an incoming call is received during a call, press the off-hook button (8).
- When the call is on hold, it will connect to the other incoming call.
- To end the call waiting, press the off-hook button (8).
- When the call waiting is completed, the call on hold will connect.
- When switching the caller, press the off-hook button (8) again while using the call waiting.

#### NOTE:



*This function can only be used with phone units that are compatible with call waiting.*

### Mute the ringtone volume

- 1) Press the mute button (10).
- To deactivate the mute volume, press the mute button (10).

### Adjust the volume



#### Adjust the reception volume

- 1) Touch or slide the “VOLUME” button (4) or press the “VOL” button (11) during a call.
- To increase the volume, touch  or slide upwards.
- To decrease the volume, touch  or slide downwards.

#### NOTE:



*The volume and microphone sensitivity settings vary depending on the specifications of each mobile phone.*

### Adjust the ringtone volume

- 1) Touch or slide the “VOLUME” button (4) or press the “VOL” button (11) during an incoming call.
- To increase the volume, touch  or slide upwards.
- To decrease the volume, touch  or slide downwards.

### Adjust the volume with the Bluetooth® settings

- 1) Display the Bluetooth® setup menu.
- From the panel button:  
Touch the SETUP button (3).  
Touch or slide the “TUNE/TRACK” Up/Down button (1), select “Bluetooth”, and touch the “ENTER” button (6).
- From the steering switch:  
Press the Bluetooth® button (7).

- 2) Touch or slide the “TUNE/TRACK” Up/Down button (1), select “Setup Telephone”, and touch the “ENTER” button (6).
- 3) Touch or slide the “TUNE/TRACK” Up/Down button (1), select “HF Sound Setting”, and touch the “ENTER” button (6).
- 4) Touch or slide the “TUNE/TRACK” Up/Down button (1), select the item that you want to adjust, and touch the “ENTER” button (6).
- Call Volume: Reception/ringtone volume
- Ringtone Volume: Incoming call volume
- 5) Touch or slide the “VOLUME” button (4).
- To increase the volume, touch  or slide upwards.
- To decrease the volume, touch  or slide downwards.

### Make a call

Press the off-hook button (8) to enter the telephone mode.

## OTHER CONTROLS AND EQUIPMENT

---

### Use the phonebook

- 1) Touch or slide the “TUNE/TRACK” Up/Down button (1), select “Phonebook”, and touch the “ENTER” button (6).
  - 2) Touch or slide the “TUNE/TRACK” Up/Down button (1), select the desired initials, and touch the “ENTER” button (6).
  - 3) Touch or slide the “TUNE/TRACK” Up/Down button (1), select the contact number, and touch the “ENTER” button (6).
- If there are multiple phone numbers for a single contact, touch or slide the “TUNE/TRACK” Up/Down button (1), select the phone number, and touch the “ENTER” button (6).
- 4) Touch or slide the “TUNE/TRACK” Up/Down button (1), select “Yes”, and touch the “ENTER” button (6) or press the off-hook button (8).

### Use the call history

- 1) Touch or slide the “TUNE/TRACK” Up/Down button (1), select “All Calls,” “Missed Calls,” “Incoming Calls” or “Outgoing Calls” and touch the “ENTER” button (6).
- 2) Touch or slide the “TUNE/TRACK” Up/Down button (1), select the contact number, and touch the “ENTER” button (6).
- 3) Touch or slide the “TUNE/TRACK” Up/Down button (1), select “Yes”, and touch the “ENTER” button (6) or press the off-hook button (8).

### Use the speed dial

- 1) Press the Off-hook button (8) for 1 second or longer.
- 2) Touch the desired speed dial button (2) (1-6).
- 3) Touch or slide the “TUNE/TRACK” Up/Down button (1), select “YES”, and then touch the “ENTER” button (6) or press the Off-hook button (8).

#### NOTE:

*Speed dial numbers must be registered before this function can be used.*

### Transfer/delete the phonebook

- 1) Display the Bluetooth® setup menu.
- From the panel button:
    - Touch the SETUP button (3).
    - Touch or slide the “TUNE/TRACK” Up/Down button (1), select “Bluetooth”, and touch the “ENTER” button (6).
  - From the steering switch:
    - Press the Bluetooth® button (7).
- 2) Touch or slide the “TUNE/TRACK” Up/Down button (1), select “Setup Telephone”, and touch the “ENTER” button (6).
  - 3) Touch or slide the “TUNE/TRACK” Up/Down button (1), select “Setup Phonebook”, and touch the “ENTER” button (6).

### Transfer all contacts from your mobile phone

- 1) Touch or slide the “TUNE/TRACK” Up/Down button (1) from the “Setup Phonebook” screen, select “Add Contacts”, and touch the “ENTER” button (6).
- 2) Touch or slide the “TUNE/TRACK” Up/Down button (1), select “Overwrite All”, and touch the “ENTER” button (6).
- 3) Touch or slide the “TUNE/TRACK” Up/Down button (1), select “YES”, and touch the “ENTER” button (6).



### Transfer 1 contact from your mobile phone

- 1) Touch or slide the “TUNE/TRACK” Up/Down button (1) from the “Setup Phonebook” screen, select “Add Contacts”, and touch the “ENTER” button (6).
- 2) Touch or slide the “TUNE/TRACK” Up/Down button (1), select “Add One Contact”, and touch the “ENTER” button (6).
- 3) Touch or slide the “TUNE/TRACK” Up/Down button (1), select “YES”, and touch the “ENTER” button (6).

### Delete the registered phonebook

- 1) Touch or slide the “TUNE/TRACK” Up/Down button (1) from the “Setup Phonebook” screen, select “Delete Contacts”, and touch the “ENTER” button (6).
  - 2) Touch or slide the “TUNE/TRACK” Up/Down button (1), select the desired initials from the list or “All”, and touch the “ENTER” button (6).
- When you select “All”, it will transition to step 4.
- 3) Touch or slide the “TUNE/TRACK” Up/Down button (1), select the desired name from the list, and touch the “ENTER” button (6).
  - 4) Touch or slide the “TUNE/TRACK” Up/Down button (1), select “YES”, and touch the “ENTER” button (6).

### Transfer/delete the call history

- 1) Display the Bluetooth® setup menu.
  - From the panel button:  
Touch the SETUP button (3).  
Touch or slide the “TUNE/TRACK” Up/Down button (1), select “Bluetooth”, and touch the “ENTER” button (6).
  - From the steering switch:  
Press the Bluetooth® button (7).
- 2) Touch or slide the “TUNE/TRACK” Up/Down button (1), select “Setup Telephone”, and touch the “ENTER” button (6).
- 3) Touch or slide the “TUNE/TRACK” Up/Down button (1), select “Setup Call History”, and touch the “ENTER” button (6).

### Transfer the call history

- 1) Touch or slide the “TUNE/TRACK” Up/Down button (1) from the “Setup Call History” screen, select “Overwrite History”, and touch the “ENTER” button (6).
- 2) Touch or slide the “TUNE/TRACK” Up/Down button (1), select “YES”, and touch the “ENTER” button (6).

### Delete the call history

- 1) Touch or slide the “TUNE/TRACK” Up/Down button (1) from the “Setup Call History” screen, select “Delete History”, and touch the “ENTER” button (6).
- 2) Touch or slide the “TUNE/TRACK” Up/Down button (1), select “All Calls”, “Missed Calls”, “Incoming Calls” or “Outgoing Calls” and touch the “ENTER” button (6).
- 3) Touch or slide the TUNE/TRACK Up/Down button (1), select the desired data from the history or select “All”, and then touch the “ENTER” button (6).
- 4) Touch or slide the “TUNE/TRACK” Up/Down button (1), select “YES”, and touch the “ENTER” button (6).

### Registration / deletion of speed dial

- 1) Display the Bluetooth® setup menu.
  - From the panel button:  
Touch the SETUP button (3).  
Touch or slide the “TUNE/TRACK” Up/Down button (1), select “Bluetooth”, and touch the “ENTER” button (6).
  - From the steering switch:  
Press the Bluetooth® button (7).
- 2) Touch or slide the “TUNE/TRACK” Up/Down button (1), select “Setup Telephone”, and touch the “ENTER” button (6).
- 3) Touch or slide the “TUNE/TRACK” Up/Down button (1), select “Setup Speed Dials”, and touch the “ENTER” button (6).

## OTHER CONTROLS AND EQUIPMENT

### Registration in speed dial

- 1) Touch or slide the “TUNE/TRACK” Up/Down button (1) from the “Setup Speed Dials” screen, select “Add Speed Dial”, and touch the “ENTER” button (6).
- 2) Touch or slide the “TUNE/TRACK” Up/Down button (1), select the phonebook or call history, and touch the “ENTER” button (6).
- When you select the call history, it will transition to step 4.
- 3) Touch or slide the “TUNE/TRACK” Up/Down button (1), select the desired initials from the list and touch the “ENTER” button (6).
- 4) Touch or slide the “TUNE/TRACK” Up/Down button (1), select the contact number, and touch the “ENTER” button (6).
- If there are multiple phone numbers for a single contact, touch or slide the “TUNE/TRACK” Up/Down button (1), select the phone number, and touch the “ENTER” button (6).
- 5) Touch or slide the “TUNE/TRACK” Up/Down button (1), select the speed dial number that you want to register, and touch the “ENTER” button (6).

### Deletion of speed dial

- 1) Touch or slide the “TUNE/TRACK” Up/Down button (1) from the “Setup Speed Dials” screen, select “Delete Speed Dials”, and touch the “ENTER” button (6).

- 2) Touch or slide the “TUNE/TRACK” Up/Down button (1), select the speed dial number that you want to delete, and touch the “ENTER” button (6).
- 3) Touch or slide the “TUNE/TRACK” Up/Down button (1), select “YES”, and touch the “ENTER” button (6).

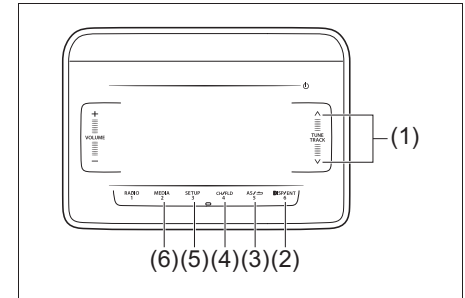
### Automatic transfer of the phonebook/call history

When registering the mobile phone, you can select to automatically transfer the phonebook and call history from your device. Select according to the following steps.

- 1) Display the Bluetooth® setup menu.
  - From the panel button:
    - Touch the SETUP button (3).
    - Touch or slide the “TUNE/TRACK” Up/Down button (1), select “Bluetooth”, and touch the “ENTER” button (6).
  - From the steering switch:
    - Press the Bluetooth® button (7).
- 2) Touch or slide the “TUNE/TRACK” Up/Down button (1), select “Setup Telephone”, and touch the “ENTER” button (6).
- 3) Touch or slide the “TUNE/TRACK” Up/Down button (1), select “Auto Transfer”, and touch the “ENTER” button (6).
- 4) Touch or slide the “TUNE/TRACK” Up/Down button (1), select “On” or “Off”, and touch the “ENTER” button (6).

### Bluetooth® audio

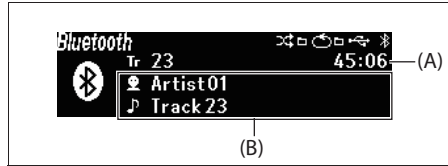
To use Bluetooth® devices (Bluetooth® audio or mobile phone) on the audio system, it is required to register the Bluetooth® devices to the audio system by “Bluetooth® Settings”.



73R0141

- (1) “TUNE/TRACK” Up/Down button
- (2) “DISP/ENTER” button
- (3) BACK button
- (4) “FLD” (group operation) button
- (5) SETUP (random/repeat) button
- (6) “MEDIA” button

## Display



73R0154

(A) Playback time

(B) Text information display

### NOTE:

Some functions may not be usable on some Bluetooth® devices.

### Selecting the Bluetooth® audio

- 1) Touch the “MEDIA” button (6).
- Touch the “MEDIA” button (6). Each time the button is touched, the mode will change as follows:  
USB (iPod) (if equipped) → Bluetooth® audio (if equipped) → AUX (if equipped)

### Fast forwarding/Rewinding a track

- 1) Hold down the “TUNE/TRACK” Up/Down button (1).
- : Hold down the Up button for 1 second or longer to fast forward the track.
- : Hold down the Down button for 1 second or longer to fast rewind the track.
- Releasing the button can stop the fast forwarding/rewinding.

### Selecting a track

- 1) Touch the “TUNE/TRACK” Up/Down button (1).
- : Touch the Up button to listen to the next track.
- : When the Down button is touched once, the track currently being played will start from the beginning again. Touch the Down button twice to listen to the previous track.

### Selecting a group (only for supported models)

- 1) Touch the “FLD” (group operation) button (4).
- 2) Touch the “TUNE/TRACK” Up/Down button (1).
- : Touch the Up button to go to the next group.
- : Touch the Down button to go to the previous group.

### Repeat playback

- 1) Touch the SETUP (random/repeat) button (5).
- 2) Touch or slide the “TUNE/TRACK” Up/Down button (1), select “Repeat”, and touch the “DISP/ENTER” button (2).
- Each time the “DISP/ENTER” button (2) is touched, display will change as follows:  
Off → One song repeat → Group repeat ...

### Random playback

- 1) Touch the SETUP (random/repeat) button (5).
- 2) Touch or slide the “TUNE/TRACK” Up/Down button (1), select “Random”, and touch the “DISP/ENTER” button (2)
- Each time the “DISP/ENTER” button (2) is touched, display will change as follows:  
Off → Group random → All random

### Display change

- 1) Touch the “DISP/ENTER” button (2).
- Each time the button is touched, display will change as follows:  
Artist name/Track title → Album name/Track title ...

### NOTE:

- “NO TITLE” will be displayed when there is no text information in the USB device currently being played.
- “...” is displayed if all text data cannot be displayed. Touch and hold the “DISP/ENTER” button (2) for at least one second to automatically display the rest of the text data.

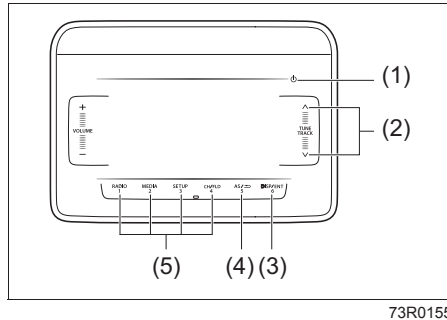
## OTHER CONTROLS AND EQUIPMENT

### Anti-Theft Feature

The anti-theft function is intended to discourage thefts, such as that the audio system becomes inoperable when it is installed on other vehicles.

This function works by entering a Personal Identification Number (PIN).

When the unit is disconnected from its power source, such as when the audio system is removed or the lead-acid battery is disconnected, the unit will become inoperable until the PIN is reentered.

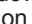


- (1) POWER button
- (2) List selection button
- (3) "ENTER" button
- (4) BACK button
- (5) PIN entry button (1-4)

### Display



### Setting the Anti-Theft Function


- 1) Touch the POWER button (1) for 1 second or longer to power off the audio system.
- 2) Hold down the button numbered [1] of the PIN entry button (5) and the "ENTER" button (3) and touch the POWER button (1).
  - "SECURITY" will be displayed.
- 3) Hold down the Up button of the List selection button (2)  and the button numbered [1] of the PIN entry button (5).
  - "----" will be displayed.
- 4) Enter a 4-digit number to be registered as PIN using the buttons numbered [1] - [4] of the PIN entry button (5).
- 5) Touch the "ENTER" button (3) for 1 second or longer.
  - "COMPLETE" will be displayed, and the power will turn off after 3 seconds.

#### NOTE:

Take a note of the registered PIN and keep it for the future use.

### Canceling the anti-theft feature

To cancel the anti-theft function, delete the registered PIN.


- 1) Touch the POWER button (1) for 1 second or longer to power off the audio system.
- 2) Hold down the buttons numbered [1] of the PIN entry button (5) and the "ENTER" button (3) and touch the POWER button (1).
  - "PIN ENTRY" will be displayed.
- 3) Hold down the Up button of the List selection button (2)  and the button numbered [1] of the PIN entry button (5).
  - "----" will be displayed.
- 4) Enter a 4-digit number to be registered as PIN using the buttons numbered [1] - [4] of the PIN entry button (5).
- 5) Touch the "ENTER" button (3) for 1 second or longer.
  - If an incorrect PIN is entered, "ERROR\* (ERR Number)" will be displayed for 3 seconds, then the audio system will go back to step 2.
  - "----" is displayed on the screen, and the power will turn off after 3 seconds.

#### NOTE:

- To change your PIN, first delete your current PIN, then set a new one.
- If an incorrect PIN is entered 10 times or more, "HELP" will be displayed and the audio system will become inoperable. In this case, contact a Maruti Suzuki authorised workshop.

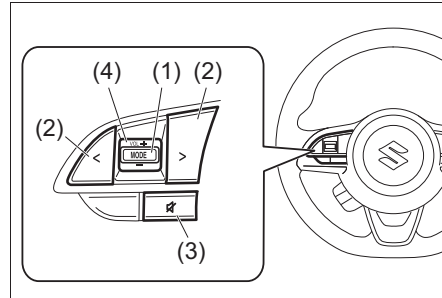
### Confirming the Personal Identification Number (PIN)

When the main power source is disconnected such as when the lead-acid battery is replaced, etc, it is required to enter the PIN to make the unit operable again.

- 1) Set the ignition switch to the ACC position.
  - “SECURITY” will be displayed.
- 2) Hold down the Up button of the List selection button (2)  and the button numbered [1] of the PIN entry button (5).
- “----” will be displayed.
- 3) Enter the registered 4-digit PIN number using the buttons numbered [1] - [4] of the PIN entry button (5).
- 4) Touch the “ENTER” button (3) for 1 second or longer.
  - If an incorrect PIN is entered, “ERROR\* (ERR Number)” will be displayed for 3 seconds, then the audio system will go back to step 2.
  - After 3 seconds, the power of the audio system will be turned off automatically and it will become operable again.

### Steering Switch (if equipped)

Use the steering wheel button to operate the basic functions of the audio system.



73R0157

- (1) MODE button
- (2) Selection button
  - Selecting the radio station
  - Selecting the track (USB (iPod), Bluetooth® audio mode)
- (3) Mute button
- (4) “VOL” (volume) button

### MODE button (1)

- Each time the button is pressed, the mode will change as follows:  
 AM → FM1 → FM2 → USB (iPod) (if equipped) → Bluetooth® audio (if equipped) → AUX (if equipped)

### Selection button (2)







- FM1, FM2, AM mode:
  - Press > to transfer to the next preset channel.
  - Press < to transfer to the previous preset channel.
  - Press > for 1 second or longer, it will search for receivable stations at a high frequency.
  - Press < for 1 second or longer, it will search for receivable stations at a low frequency.
- USB (iPod), Bluetooth® audio mode:
  - Press > to transfer to the next song. With the folder operation mode, it will transfer to the next folder.
  - Press < to return to the beginning of the currently playing song. Pressing it twice consecutively will return to the previous song. With the folder operation mode, it will return to the previous folder.
  - Press > for 1 second or longer to fast-forward the song. When the button is released, it will stop fast-forwarding.
  - Press < for 1 second or longer to rewind the song. Releasing the button can stop rewinding.

## OTHER CONTROLS AND EQUIPMENT

### Mute button (3)

- Hands-free mode  
Each time you press the button the mute will switch from ON/OFF.
- USB (iPod), Bluetooth® audio mode:  
Press the button during playback to temporarily stop the playback.

### “VOL” button (4)

- Hands-free mode:
  - Press  during an outgoing or incoming call, the reception/ringtone sound will increase.
  - Press  during an outgoing or incoming call, the reception/ringtone sound will decrease.
  - Press  during an outgoing call, the ringtone sound will increase.
  - Press  during an outgoing call, the ringtone sound will decrease.
- Radio, USB (iPod), Bluetooth® audio, AUX mode:  
Press , the volume will increase.  
Press , the volume will decrease.

### NOTE:

*Due to poor quality of FM/AM signal, some disturbance/noise may be heard from speakers. It is recommended to switch off the tuner system to prevent the said disturbance/noise in the speaker.*

### Remote Controller

#### CAUTION

Operational precautions regarding remote controller use:

- Because of its small size and light weight, use the remote controller with care. Dropping the remote controller or hitting it against hard surfaces may degrade the battery and cause malfunction.
- Do not expose the remote controller to humidity, dust, or moisture. Do not subject the remote controller to shock.
- Do not place the remote controller on the dashboard or other places that can be exposed to high temperatures, such as near heater vents. Exposing the remote controller to conditions in which it may overheat may cause the case to deform or other issues.
- Do not operate the remote controller while driving. Doing so may result in an accident.
- Direct the remote controller towards the remote controller receiver when using the remote controller.

(Continued)

#### CAUTION

(Continued)

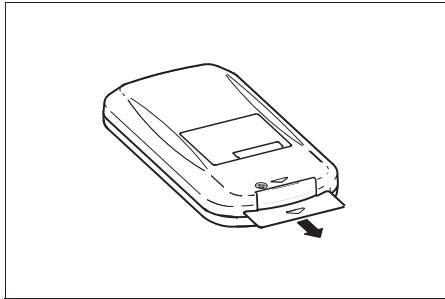
- The receiver may not operate correctly when exposed to direct sunlight or other sources of bright light.
- Remove the battery from the remote controller if the remote controller will not be used for extended periods of time.

#### CAUTION

Cleaning the remote controller:

- Use a dry cloth to clean the remote controller. If the remote controller becomes excessively soiled, use a cloth dampened lightly with a diluted liquid detergent.
- Never use organic solvents, such as benzene cleanser or thinner. Use of these substances will damage the case and finish.

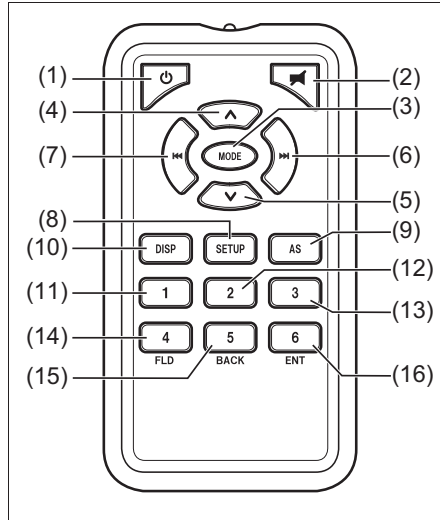
Before using the remote controller



72R0091







- 1) Pull out the battery insulated sheet tab from the remote controller in the direction indicated by the arrow.

Remote controller operation





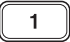

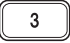


72R0092

## OTHER CONTROLS AND EQUIPMENT




No.	Button	Function
(1)		<b>POWER button:</b> <ul style="list-style-type: none"> <li>• Turns the power to the audio system on / off (press and hold)</li> </ul>
(2)		<b>Mute button:</b> <ul style="list-style-type: none"> <li>• Sound mute on / off</li> </ul>
(3)		<b>MODE button:</b> <ul style="list-style-type: none"> <li>• Switches between audio sources <ul style="list-style-type: none"> <li>– The mode changes in the following order each time the button is pressed: AM → FM1 → FM2 → USB (iPod) (if equipped) → Bluetooth® audio → AUX (if equipped) ...</li> </ul> </li> </ul> <p><i>NOTE:</i>  <i>"No Audio" will be displayed when there is no Bluetooth device connected.</i></p>
(4)		<b>Volume buttons:</b> <ul style="list-style-type: none"> <li>• Volume up / Continuous volume up (press and hold)</li> </ul>
(5)		<b>Volume buttons:</b> <ul style="list-style-type: none"> <li>• Volume down / Continuous volume down (press and hold)</li> </ul>
(6)		<b>TUNE/TRACK up button:</b> <ul style="list-style-type: none"> <li>• RADIO: <ul style="list-style-type: none"> <li>Tune up / Seek up (press and hold)</li> </ul> </li> <li>• USB, iPod, and Bluetooth® audio: <ul style="list-style-type: none"> <li>– Normal mode: Track (file) up / Fast up (press and hold)</li> <li>– FLD mode (USB and Bluetooth® audio): Folder (Group) up / Fast up (press and hold)</li> <li>– FLD mode (iPod): List up / Continuous list up (press and hold)</li> </ul> </li> <li>• FUNCTION mode (various settings): <ul style="list-style-type: none"> <li>Configures functions / Change values</li> </ul> </li> </ul>



No.	Button	Function
(7)		<p><b>TUNE/TRACK down button:</b></p> <ul style="list-style-type: none"> <li>• RADIO: Tune down / Seek down (press and hold)</li> <li>• USB, iPod, and Bluetooth® audio: <ul style="list-style-type: none"> <li>– Normal mode: Track (file) down / Fast down (press and hold)</li> <li>– FLD mode (USB and Bluetooth® audio): Folder (Group) down / Fast down (press and hold)</li> <li>– FLD mode (iPod): List down / Continuous list down (press and hold)</li> </ul> </li> <li>• FUNCTION mode (various settings): Configures functions / Change values</li> </ul>
(8)		<p><b>SETUP button:</b></p> <ul style="list-style-type: none"> <li>• Switch to the System setting mode</li> </ul>
(9)		<p><b>Auto Store button:</b></p> <ul style="list-style-type: none"> <li>• RADIO: Switches between manual preset and AS mode / Auto Store (press and hold)</li> </ul>
(10)		<p><b>DISP button:</b></p> <ul style="list-style-type: none"> <li>• Changes text displays / Changes automatic text display pages (press and hold)</li> </ul>
(11)		<p><b>Preset [1] button:</b></p> <ul style="list-style-type: none"> <li>• RADIO: Calls preset channels / Stores channel as preset (press and hold)</li> </ul>
(12)		<p><b>Preset [2] button:</b></p> <ul style="list-style-type: none"> <li>• RADIO: Calls preset channels / Stores channel as preset (press and hold)</li> </ul>
(13)		<p><b>Preset [3] button:</b></p> <ul style="list-style-type: none"> <li>• RADIO: Calls preset channels / Stores channel as preset (press and hold)</li> </ul>

## OTHER CONTROLS AND EQUIPMENT

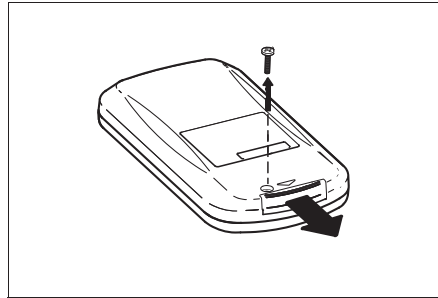
---

No.	Button	Function
(14)		<b>Preset [4] / FLD button:</b> <ul style="list-style-type: none"><li>• RADIO: Calls preset channels / Stores channel as preset (press and hold)</li><li>• USB, iPod, and Bluetooth audio: Switches between Folder operation / iPod menus / Group operation mode</li></ul>
(15)		<b>Preset [5] / BACK button:</b> <ul style="list-style-type: none"><li>• RADIO: Calls preset channels / Stores channel as preset (press and hold)</li><li>• USB, iPod, Bluetooth® audio, and settings: Switches back to the previous screen</li></ul>
(16)		<b>Preset [6] / ENTER button:</b> <ul style="list-style-type: none"><li>• RADIO: Calls preset channels / Stores channel as preset (press and hold)</li><li>• USB, iPod, Bluetooth® audio, and settings: Sets the selected item</li></ul>

### Battery replacement

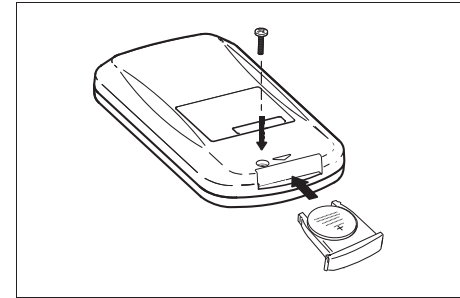
#### **⚠ CAUTION**

- Store batteries in their original packaging out of reach of children until ready for use. Discard used batteries immediately. Seek medical attention immediately if swallowed.
- Do not place batteries in locations near fire or exposed to direct sunlight. Doing so may result in fire, explosion, or excessive heat.
- Do not place the remote controller on the dashboard or other places that can be exposed to high temperatures.
- Accidentally replacing batteries with lithium-ion batteries may result in explosion. Always replace batteries with the same type.



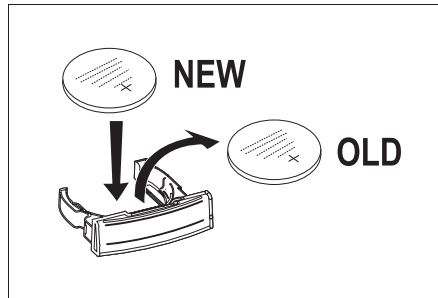
72R0088

- 1) Use a Phillips screwdriver (sold separately) of the proper size to remove the screw and pull out the battery slot cover in the direction indicated by the arrow.



72R0090

- 3) Press the battery slot cover to the direction indicated by the arrow completely and then fully tighten the screw.



72R0089

- 2) Remove the old battery and place the new battery (CR2025) into the battery slot cover with the + mark facing upwards.

## OTHER CONTROLS AND EQUIPMENT

---

### Troubleshooting

When encountered a problem, check and follow the instructions as described below.

If the described suggestions do not solve the problem, it is recommended to take the unit to a Maruti Suzuki authorised workshop.

Problem	Possible cause	Possible solution
---------	----------------	-------------------

#### Common

Unable to operate	The security function is on.	When "SECURITY" is displayed, enter the ID. When "HELP" is displayed, contact a Maruti Suzuki authorised workshop.
Unable to turn on the power (no sound). (No sound is produced)	Fuse is blown.	Contact a Maruti Suzuki authorised workshop.

#### Radio

Much noise	It may not be exactly tuned in to the station.	Tune it in exactly to the station.
Unable to receive by auto tuning	There may be no station emitting signals powerful enough.	Pick up a station by manual tuning.

#### USB

Playback does not start when the USB device is connected.	There is no supported format file to play on this unit.	Check the file format.
	The current consumption of the USB device exceeds 1.0 A.	Use an USB device with a current consumption lower than 1.0 A.
Sound skips or noise produced	Sound skipping may occur when playing VBR (Variable Bit Rate) files.	It is not recommended to play VBR files.

## OTHER CONTROLS AND EQUIPMENT

Problem	Possible cause	Possible solution
<b>Bluetooth®</b>		
Pairing failed	The distance between this unit and the Bluetooth® ready device is too far, or a metallic object may be located between the Bluetooth® ready device and this unit.	Change the location of the Bluetooth® ready device.
	The Bluetooth® function of the Bluetooth® ready device is off.	Refer to the manual of the Bluetooth® ready device. (Some devices have the power saving function that automatically activates after a certain time.)
Unable to receive a call	Your current location may be out of service area.	Drive your vehicle to the service area of the phone.
The voice quality of hands-free is low (Distortion, noise etc.)	Another wireless device may be located near the unit.	Switch off the wireless device or keep it away from the unit.

### Error Display Messages

The following messages (flashing) will be displayed onto the screen depending on the condition of the audio system.

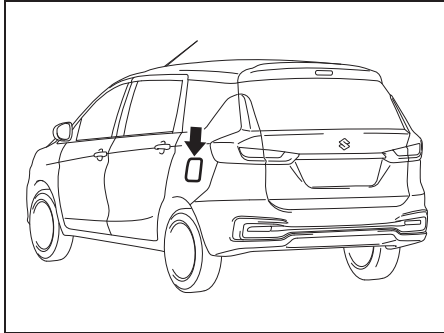
Message	Description
Reading	When the USB device or iPod's file format is being read, this message will be displayed.
ERROR 1	When the USB device or iPod's reading error occurs, this message will be displayed. Reconnect the USB device or iPod's connection cable. When the Bluetooth® audio playback malfunction occurs, this message will be displayed. Check the Bluetooth® audio body.

## OTHER CONTROLS AND EQUIPMENT

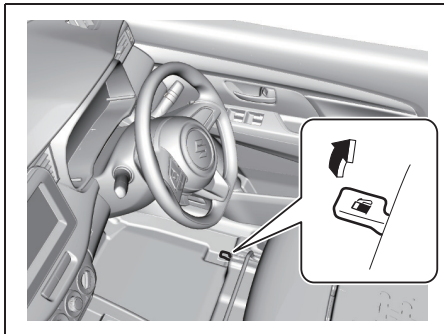
---

Message	Description
ERROR 2	When the USB device or iPod's communication error occurs, this message will be displayed. Reconnect the USB device or iPod's connection cable.
ERROR 3	When the USB device or iPod's issues are detected, this message will be displayed. Remove the USB device or iPod, and check the USB device or the iPod body.
ERROR 4	If the USB device or iPod does not operate due to an over current, this message will be displayed. Remove the USB device or iPod, and check the USB device or the iPod body.
ERROR 5	When the data playback fails with the USB device or iPod connected, or there are data unable to be transferred, this message will be displayed. Remove the USB device or iPod, and check the USB device or the iPod body.
ERROR 6	When the USB HUB is connected, this message will be displayed. Disconnect the USB HUB.
UNSUPPORTED	When an unsupported USB device or iPod is connected, this message will be displayed. Connect the supported USB device or iPod.
No Music	When an empty USB device or a USB device containing files with the extension unable to be played is connected, this message will be displayed. Connect the USB device containing files with the playable extension.
No Songs	When an iPod is connected, this message will be displayed.

## Fuel Filler Cap

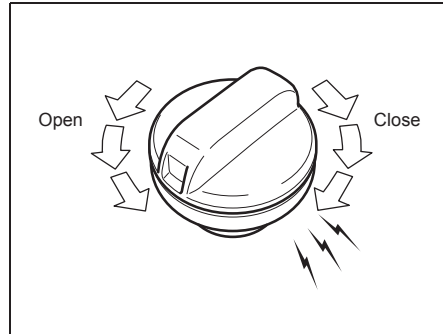


73R0083



73R0084

The fuel filler cap is located on the left rear side of the vehicle. The fuel filler door can be unlocked by pulling up the opener lever located on the outboard lower side of the driver's seat and locked by simply closing the door.



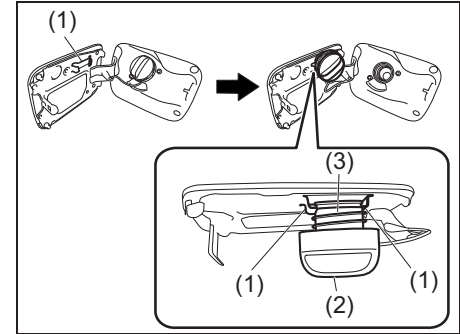
57L51093

To remove the fuel filler cap:

- 1) Stop the engine and close all the doors and windows while refueling.
- 2) Open the fuel filler door.
- 3) Remove the cap by turning it counter-clockwise.

### ⚠ CAUTION

Remove the fuel filler cap slowly. The fuel may be under pressure and may spray out, causing injury.



73R0085

**NOTE:**

The cap holder (1) holds the fuel filler cap (2) by hooking the groove (3) when refueling.

To reinstall the fuel filler cap:

- 1) Turn the cap clockwise until you hear several clicks.
- 2) Close the fuel filler door.

### ⚠ WARNING

Fuel is extremely flammable. Do not smoke when refueling, and make sure there are no open flames or sparks in the area.

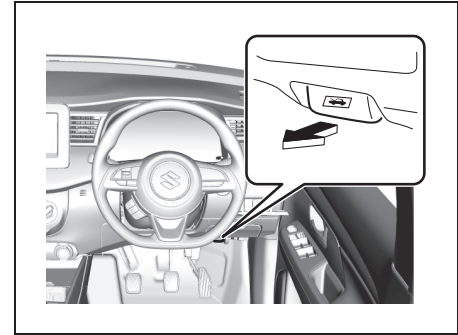
### WARNING

If you need to replace the fuel cap, use a genuine Maruti Suzuki cap. Use of an improper cap can result in a malfunction of the fuel system or emission control system. It may also result in fuel leakage while driving and in the event of an accident.

## Engine Hood

### WARNING

- Never allow children to open or close the hood. Children may injure themselves because the hood is heavy. Contact with the engine compartment and related parts may cause burns when this area/these parts are hot.
- Do not allow children to be near the vehicle when opening the hood.
- Do not leave tools, cloths, and other objects, which were used to clean or perform maintenance and inspections, in the engine compartment. Doing so may cause operational failures or even the vehicle to catch fire when the engine compartment becomes hot.

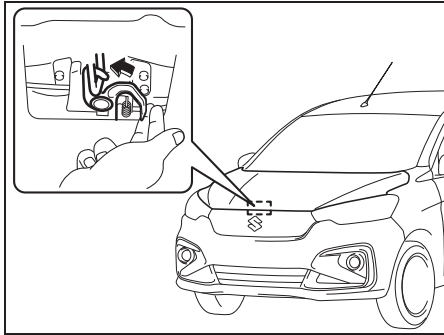


73R0086

To open the engine hood:

- 1) Pull the hood release handle located under the driver's side instrument panel in the outboard position. This will disengage the engine hood lock halfway.





73R0087

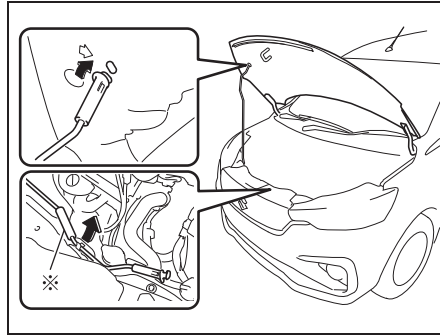
- 2) Push the under-hood release lever leftward with your finger, as shown in the illustration. While pushing the lever, lift up the engine hood.

### ⚠ CAUTION

The release lever and its peripheral, or engine hood can be hot enough to burn your finger right after driving. Touch after those becomes cool enough.

### NOTICE

Check that the wiper arms are not raised before you lift up the engine hood to avoid damaging the wiper arms and the engine hood.



73R0088

- 3) While holding the hood, pull the prop rod out from the holding clip, and then insert the end of the rod into the designated hole.

### ⚠ CAUTION

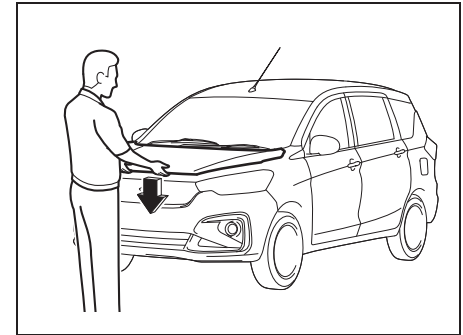
- The prop rod can be hot enough to burn your finger right after driving. Touch the rod after it becomes cool enough.
- Insert the end of the rod into the hole securely. If the rod slips out, you may get caught in the closing hood.
- The rod may slip out when the hood is blown by wind. Be careful on windy days.

### NOTICE

Hold the part made in \* when removing the bracket from the holder.

To close the engine hood:

- 1) Lift the hood up slightly and remove the prop rod from the hole. Put the prop rod back to the holding clip.



73R0158

- 2) Lower the hood to about 20 cm above the hood latch, and then let it drop down. Make sure the hood is securely latched after closing.

## OTHER CONTROLS AND EQUIPMENT

### **⚠ WARNING**

Make sure the hood is fully closed and latched before driving. If it is not, it can fly up unexpectedly during driving, obstructing your view and resulting in an accident.

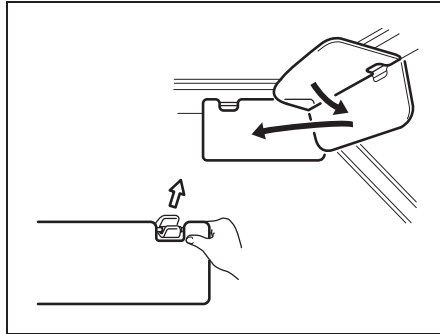
### **⚠ CAUTION**

To avoid injury, check that no part of the occupant's body such as hands or head is in the path of the hood when closing it.

### **NOTICE**

Pushing on the hood from the top may damage it.

## Sun Visor



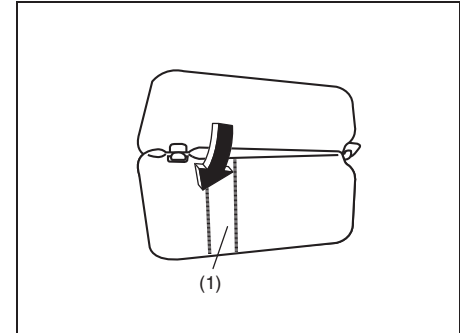
79J161

The sun visors can be pulled down to block glare coming through the windshield, or they can be unhooked and turned to the side to block glare coming through the side window.

### **NOTICE**

When unhooking and hooking a sun visor, handle it by the hard plastic parts or the sun visor can be damaged.

## Card holder



74LHT0516

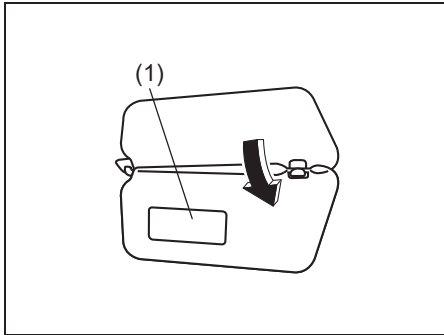
(1) Card holder

You can put a card in the card holder (1) on the back of the sun visor.

### **NOTICE**

When you park your vehicle outdoors in direct sunlight or in hot weather, do not leave plastic cards in the holder. The heat may distort them.

Vanity mirror (if equipped)



73R0167

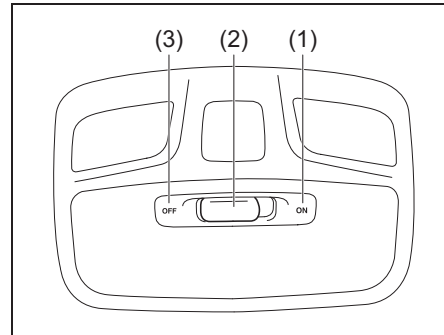
(1) Vanity mirror

**⚠ WARNING**

- Do not use the vanity mirror while driving. Doing so may result in an accident due to failure to pay attention to the road in front of you.
- Do not place any weight on or come to close to the locations where an airbag is stored when using a vanity mirror. Doing so may cause the airbag to deploy and cause serious injury due to the impact of the airbag.

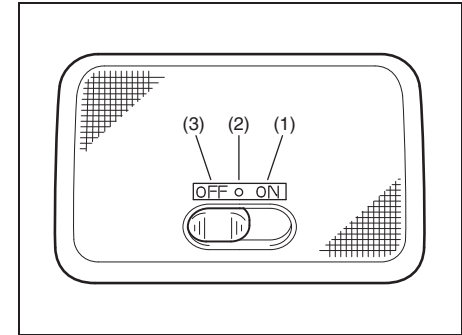
Interior Light

Front



73R0090

Rear



64J211

Interior light switch has three positions which function as described below:

**ON (1)**

The light comes on and stays on regardless of whether the door is open or closed.

**NOTE:**

*The light will automatically be turned off to prevent the lead-acid battery from discharging when the following conditions are simultaneously met:*

- The ignition switch is in "LOCK" position.
- The hazard warning lights, the position lights and the headlights are off.
- After 15 minutes from the light on.

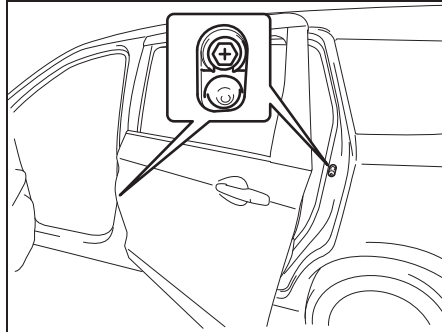
## OTHER CONTROLS AND EQUIPMENT

### DOOR (2)

- The light comes on when the door is opened. After closing all doors, the light will remain on for 15 seconds and then fade out. If you insert the key, the light will start to fade out immediately. After removing the key from the ignition switch, the light will turn on for 15 seconds and then fade out.
- When the ignition switch is in LOCK position, to prevent the lead-acid battery from discharging, the light will automatically be turned off when a period of 15 minutes has elapsed after any of the doors (including the tailgate) is opened and other operations are not done.

### OFF (3)

The light remains off even when the door is opened.



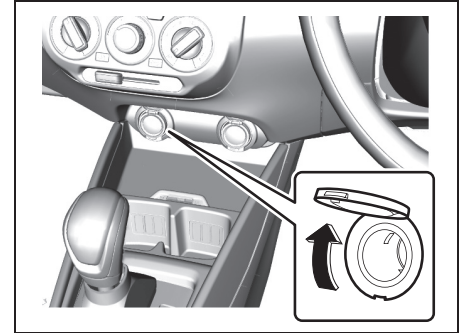
73R0091

### NOTE:

*The number of doors involved in the lighting operation of the interior light depends on the vehicle specification. If there is a switch (rubber projection) at the door opening as shown, the door is involved in the lighting operation. The tailgate is also involved in this operation even without the rubber projection depending on the vehicle specification.*

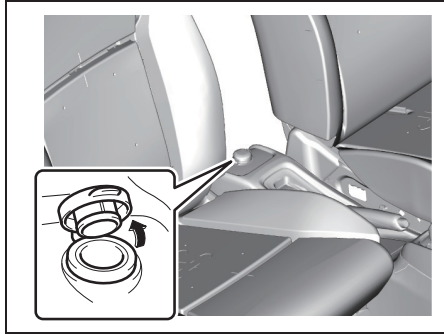
## Accessory Socket

### Center console



72RH4015

## Floor Console



73R0093

The accessory socket will work when the ignition switch is in ACC or ON position. Each socket can be used to provide 12 volt/120 watt/10 ampere power for electrical accessories when used alone.

### NOTICE

- Use of inappropriate electrical accessories can cause damage to your vehicle's electrical system. Check that any electrical accessories you use are designed to plug into this type of socket.
- Check that the cap remains on the socket when the socket is not in use.
- When the ignition switch is in "LOCK" position during using the accessory socket, the following accidents may occur;
  - the audio or navigation system does not turn off.
  - the keyless entry system does not work, etc.

If they occur, disconnect the item from the accessory socket and check whether the electrical equipments work properly.

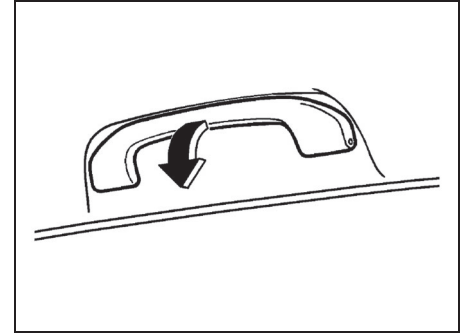
If the problem persists, ask a Maruti Suzuki authorised workshop to have the system inspected.

### ⚠ WARNING

If you pay too much attention to operating the Accessory socket while driving, an accident can occur.

## Assist Grips

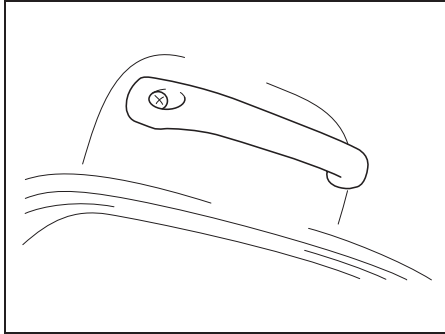
### Front Passenger's Seat / 2nd Row Seat



54G249

## OTHER CONTROLS AND EQUIPMENT

### 3rd Row Seat



73R0094

Assist grips are provided for convenience.

#### **NOTICE**

To avoid damaging the assist grip and the molded headlining, do not hang down the assist grip.

### Glove Box



73R0095

To open the glove box, pull the latch lever. To close it, push the lid until it latches securely.

#### **WARNING**

Never drive with the glove box lid open. It could cause injury if an accident occurs.

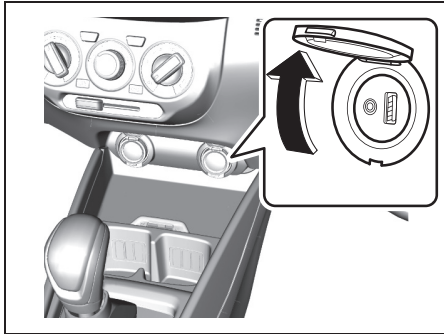
#### **WARNING**

Do not leave cigarette lighters or spray cans in the glove box. If a cigarette lighter or spray can is in a place such as the glove box, it may light accidentally when luggage is loaded, causing a fire.

#### **WARNING**

Do not drive the vehicle with the lid of glove box open.

## AUX/USB Socket



72RM05005

Connect your portable digital music player, etc. to this socket to enjoy music through the vehicle's audio system. Refer to "Audio system" in this section.

### NOTICE

**Always close the cap when not in use, since entry of foreign material, dust, water, conductive liquids may damage the audio system or USB device.**

### ⚠ WARNING

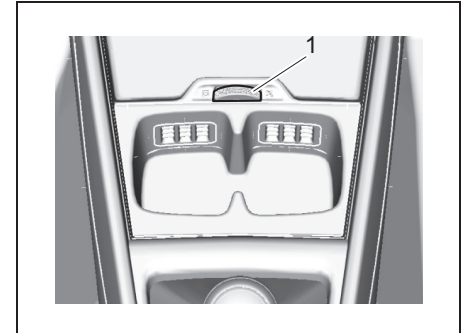
**If you pay too much attention to operating the AUX/USB socket while driving, an accident may occur.**

### ⚠ WARNING

**Do not put items in the vehicle that may fall or roll around in the vehicle while driving. Objects getting caught in the brake pedal or accelerator pedal may prevent proper operation of the pedals, which may result in an accident.**

## Cup Holder and Storage Area

### Front



73R0097

### Ventilated cup holder (if equipped)

If you turn on the air conditioning system, air flow comes out of the cup holder outlet. Air flow prevent the temperature of the drink from increasing.

Turn the dial wheel (1) clockwise, the cup holder outlet will open.

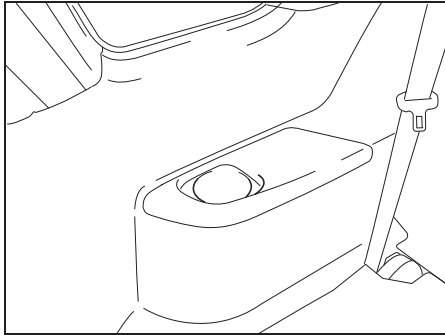
Turn the dial wheel(1) counterclockwise, the cup holder outlet will close.

### NOTE:

- *The temperature of air flow in cup holder is about the same with the center outlet.*
- *There is no effect to cool the drink in the cup holder.*

## OTHER CONTROLS AND EQUIPMENT

### 3rd Row Seats



73R0098

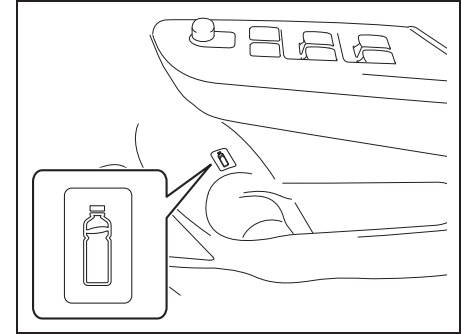
### ⚠ WARNING

Failure to take the precautions listed below could cause personal injury or vehicle damage.

- Be careful when you are using the cup holders to hold a cup containing liquid. Spilling out hot liquid can cause burn injury. The lithium-ion battery is located under the front left side seat. Spilling liquids on the lithium-ion battery in models equipped with ENG A-STOP system or Smart Hybrid may cause a fire or electric shock or damage to the battery.
- Do not use the cup holders to hold sharp-edged, hard, or breakable objects. Objects in the cup holders may be thrown about during a sudden stop or impact, and could cause personal injury.
- Be careful not to spill liquid or insert any foreign materials into the moving part of the gearshift lever, or any electrical components. Liquid or foreign materials may damage these parts.
- If you spill, or drop liquid accidentally, have your vehicle inspected by a Maruti Suzuki authorised workshop.

### Bottle Holder

#### Front seats



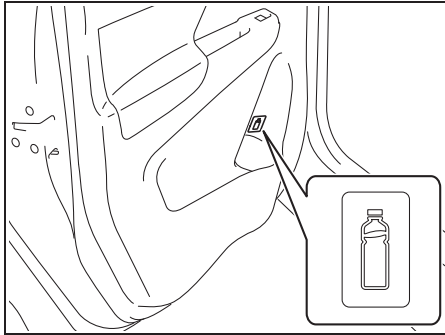
73R0099

#### NOTE:

*Maruti Suzuki recommends to use maximum 1 liter capacity of bottle.*



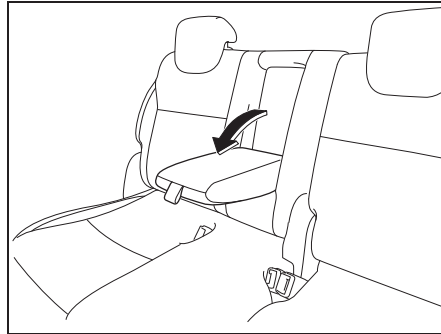
2nd row seats



73R0100

You should hold a bottle with a cap in the holder.

Rear Armrest



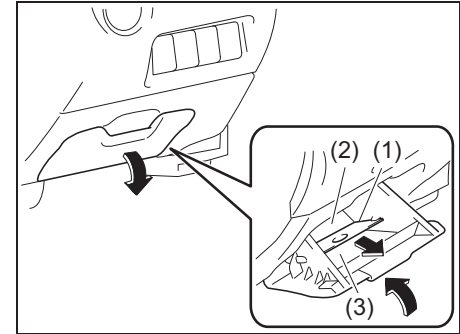
72R0046

The rear armrest is stowed in the center of the seatback. Tilt it down forward to use.

**⚠ WARNING**

**If the seat belt is obstructed by any part of the armrest when fastened, it cannot provide the intended protection. After fastening the seat belt, always check that the armrest is not interfering with the belt.**

Bill/coin Holder



73R0216

Pull the upper of the holder downward to open the cover.

It is recommended to separate coins (2) and bills (3) with partition.

The holder can also be used after sliding out and removing the partition plate (1).

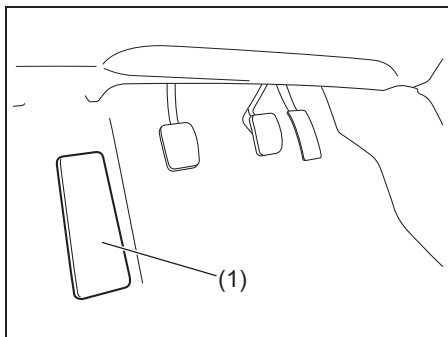
Push the upper of the holder to close the cover.

**⚠ WARNING**

**Never drive with the bill/coin holder lid open. It could cause injury if an accident occurs.**

## OTHER CONTROLS AND EQUIPMENT

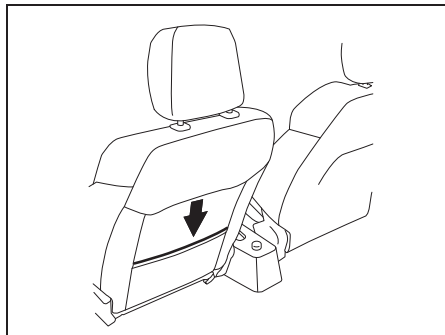
### Footrest



58MST0509

Use the footrest (1) as a support for your left foot only.

### Front Seat Back Pocket (if equipped)



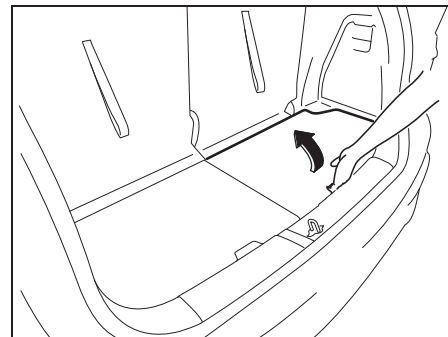
72RM05006

This pocket is provided for holding light and soft things such as gloves, newspapers or magazines.

#### CAUTION

Do not put hard or breakable objects in the pocket. If an accident occurs, objects such as bottles, cans, etc. can injure the occupants in the rear seat.

### Luggage Box (if equipped)



73R0102

Insert your hands into the notches and lift up the luggage box cover to use the box.

#### NOTICE

Do not allow items in the box to extend above the top of the box. Otherwise, the box or cover may be damaged.

#### NOTICE

Observe the following instructions, not to break the luggage box cover.

- Do not hold open the cover while driving.
- Do not apply any load to the cover while holding it open.

## Frame Hooks

It is not recommended that you use the frame hooks for towing another vehicle. They were originally designed to tow your vehicle in emergency situation. If your vehicle needs to be towed in an emergency, refer to "Towing your vehicle" in "EMERGENCY SERVICE" section.

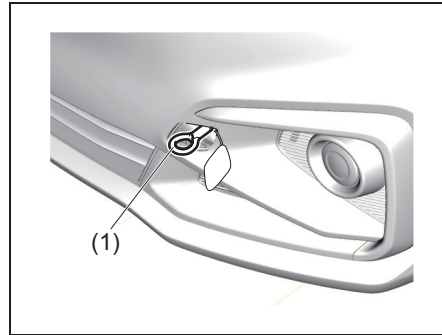
### WARNING

Observe the following instructions when using frame hooks. The towing eye or vehicle body may break and cause serious injury or damage:

- Do not use the frame hooks for towing another vehicle.
- Avoid pulling the vehicle to get out of severe snowy, muddy or sandy conditions, sudden starts or erratic driving maneuvers which could cause excessive stress on the towing eye.

In such case, we recommend that you contact a professional service.

### Front

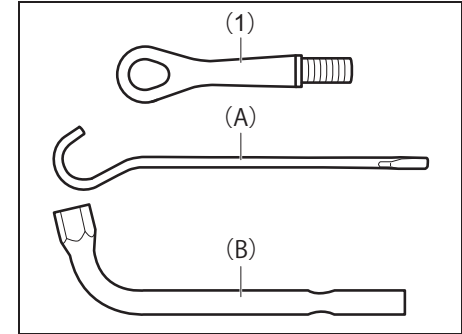


The towing eye (1) is provided on the front of the vehicle for use in emergency situations and sea shipping purpose only.

### NOTICE

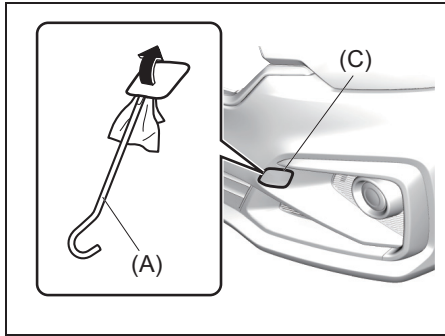
To prevent damage to the vehicle, never use the towing eye (1) for trailer / train shipping.

To install the hook (1), follow the procedure below.



- 1) Pick up the towing eye (1), jack handle (A) and wheel wrench (B) in the luggage compartment.

## OTHER CONTROLS AND EQUIPMENT

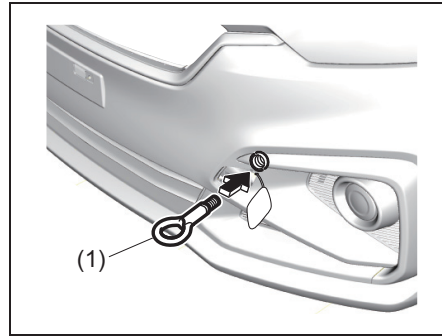


72RS2010

- 2) Remove the cover (C) by using a jack handle (A) covered with a soft cloth as shown in the illustration.

**NOTE:**

*Do not use excessive force as it may damage the cover strap.*

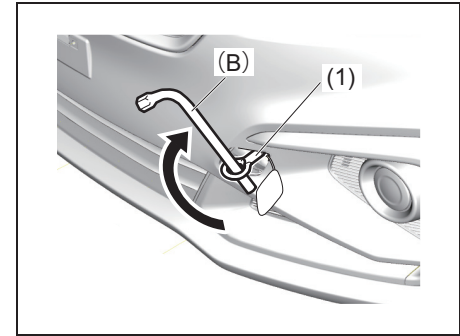


72RS2011

- 3) Install the towing eye (1) by hand.

**NOTE:**

*It is recommended to secure the cover with tape to prevent damage during towing.*

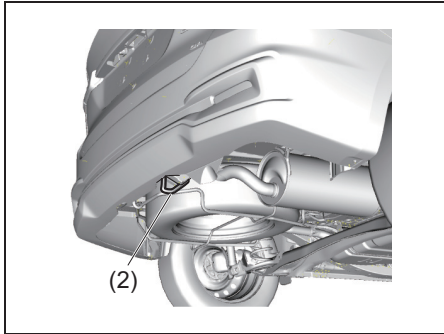


73R0185

- 4) To tighten the towing eye (1), turn it clockwise by using a wheel wrench (B) until the towing eye (1) is securely installed.

To remove the towing eye (1), reverse the installation procedure.

Rear



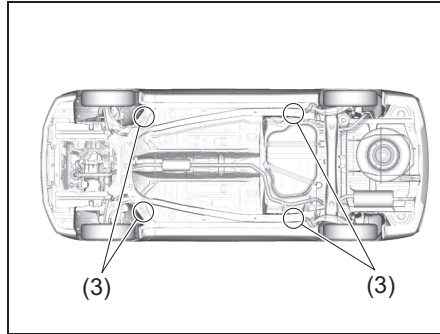
73R0104

The frame hook (2) is provided on the rear of the vehicle for use in emergency situations and sea shipping purposes only.

**NOTICE**

To prevent damage to the vehicle, never use the frame hook (2) for trailer / train shipping.

Other Holes



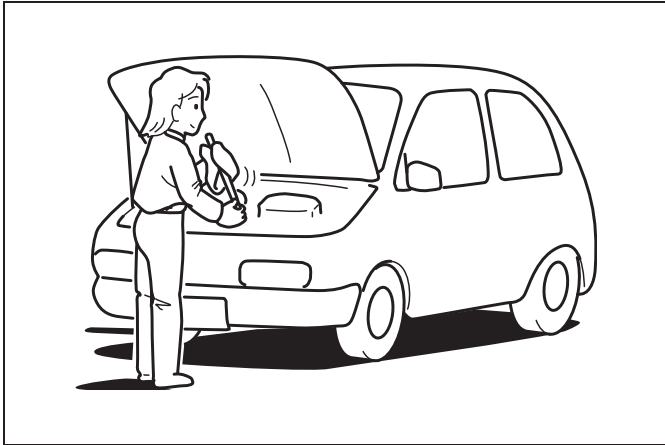
73R0105

The frame holes (3) are provided only for transporting by a car carrier trailer.

**NOTICE**

Do not use the frame holes (3) for towing purpose. These holes may break and cause serious injury or damage.





60G410

## INSPECTION AND MAINTENANCE

Maintenance Schedule .....	6-2
Periodic Maintenance Schedule .....	6-2
Drive Belt .....	6-6
Engine Oil and Filter .....	6-6
Engine Coolant .....	6-10
Air Cleaner .....	6-12
Spark Plugs .....	6-12
Gear Oil .....	6-12
Clutch Pedal .....	6-13
Brakes .....	6-14
Steering Wheel .....	6-16
Tires .....	6-17
Lead-acid Battery .....	6-19
Fuses .....	6-22
Headlight Aiming .....	6-26
Bulb Replacement .....	6-26
Wiper Blades .....	6-31
Windshield Washer Fluid .....	6-33
Air Conditioning System .....	6-34

### EXAMPLE



72SM06020

### ⚠ WARNING

Take extreme care when working on your vehicle to prevent accidental injury. Carefully observe the following precautions:

- To prevent damage or unintended activation of the airbag system or seat belt pretensioner system, be sure that the lead-acid battery is disconnected and the ignition switch has been in LOCK position for at least 90 seconds before performing any electrical service work on your MARUTI SUZUKI vehicle. Do not touch airbag system components, seat belt pretensioner system components or wires. The wires are wrapped with yellow tape or yellow tubing, and the couplers are yellow for easy identification.

(Continued)

### ⚠ WARNING

(Continued)

- Do not leave the engine running in garages or other confined areas.
- When the engine is running, keep hands, clothing, tools, and other objects away from the fan and drive belt. Even though the fan may not be moving, it can automatically turn on without warning.
- When it is necessary to perform service work with the engine running, make sure that the parking brake is set fully and the transmission is in Neutral.
- Do not touch ignition wires or other ignition system parts when starting the engine or when the engine is running, or you could receive an electric shock.
- Be careful not to touch a hot engine, exhaust manifold and pipes, muffler, radiator and water hoses.
- Do not allow smoking, sparks, or flames around fuel or the lead-acid battery. Flammable fumes are present.

(Continued)

### ⚠ WARNING

(Continued)

- Do not get under your vehicle if it is supported only with the portable jack provided in your vehicle.
- Be careful not to cause accidental short circuits between the positive and negative lead-acid battery terminals.
- Keep used oil, coolant, and other fluids away from children and pets. Dispose of used fluids properly; never pour them on the ground, into sewers, etc.



## Maintenance Schedule

The following table shows the times when you should perform regular maintenance on your vehicle. This table shows in kilometers and months when you should perform inspections, adjustments, lubrication and other services.

### WARNING

**MARUTI SUZUKI recommends that maintenance on your Maruti Suzuki vehicle should be performed by a Maruti Suzuki authorised workshop.**

### NOTICE

**Whenever it becomes necessary to replace parts on your vehicle, it is recommended that you use MARUTI SUZUKI genuine replacement parts or their equivalent.**

## Periodic Maintenance Schedule

“C”: Clean

“R”: Replace or Change

“I”: Inspect, clean, adjust, lubricate or replace as necessary

“L”: Lubricate

“T”: Tighten to Specified Torque

“O”: Rotate

### NOTE:

- This table includes services as scheduled up to 80,000 km mileage. Beyond 80,000 km, carry out the same services at the same intervals respectively.
- For free inspection the cost of material and consumables to be borne by customer.

## INSPECTION AND MAINTENANCE

Interval: This interval should be judged by odometer reading or months, whichever comes first.		FREE INSPECTION			PERIODIC MAINTENANCE AT COST							
		km (x1000)	1	5	10	20	30	40	50	60	70	80
		months	1	6	12	24	36	48	60	72	84	96
<b>ENGINE</b>												
1-1	Generator drive Belt (Wear)	Non-ISG model	-	-	I	I	I	I	I	I	I	R
		ISG model	-	-	I	I	R	I	I	R	I	I
1-2	Water pump drive belt (Wear)		-	-	I	I	I	I	I	I	I	R
1-3	Engine Coolant SUZUKI LLC: Super (Blue) (#1,2)	First time only:	Replace at 100000 km or 60 months whichever comes first									
		Second time and after:	Replace every 40000 km or 24 months whichever comes first									
	Engine Coolant SUZUKI LLC: Standard (Yellow) (#1,3)		I	I	I	R	I	R	I	R	I	R
1-4	Engine oil, engine oil filter and drain plug gasket (Level, Leakage)		I	I	R	R	R	R	R	R	R	R
1-5	Cooling system hoses and connections (Leakage and Damage)		I	I	I	I	I	I	I	I	I	I
1-6	Engine Mounting & manifold fixing (Loose, Damage)		-	-	I	-	I	-	I	-	I	-
1-7	Exhaust System (Noise, Leakage etc.)		-	I	-	I	-	I	-	I	-	I
1-8	Positive Crank Case Ventilation System (Hoses, Connections and Valve)		-	I	-	I	-	I	-	I	-	I
<b>IGNITION</b>												
2-1	Ignition wire (Damage, Deterioration)		-	-	-	I	-	I	-	I	-	I
2-2	Spark Plug	Petrol	Replace after every 100000 km or 84 months whichever comes first									
		CNG	Replace after every 50000 km or 48 months whichever comes first									
<b>FUEL</b>												
3-1	Air cleaner filter element	Paved-road	Clean after every 5000 km Replace after every 40000 km									
		Dusty Condition	Clean after every 2500 km or as required. Replace after every 40000 km									
3-2	Fuel tank cap, fuel lines and connections (Leakage and Damage)		-	I	-	-	-	I	-	-	-	I
3-3	Fuel Filter		Replace after every 100000 km or 120 months whichever comes first									

#1: Perform the engine coolant level check under the daily inspection in the "OPERATING YOUR VEHICLE" section.

The same type of coolant that is filled at the time of a brand new car should be used when you add or replace the coolant. Refer to "Engine coolant" in this section.

#2: Do not add SUZUKI LLC: Standard (Yellow) Coolant or distilled water or others when your vehicle is originally filled with SUZUKI LLC: Super (Blue) Coolant.

#3: When your vehicle is originally filled with SUZUKI LLC: Standard (Yellow) Coolant, follow the maintenance schedule of SUZUKI LLC: Standard (Yellow) Coolant.

## INSPECTION AND MAINTENANCE

Interval: This interval should be judged by odometer reading or months, whichever comes first.		FREE INSPECTION			PERIODIC MAINTENANCE AT COST							
		km (x1000)	1	5	10	20	30	40	50	60	70	80
		months	1	6	12	24	36	48	60	72	84	96
3-4	Fuel Tank		-	-	-	-	-		-	-	-	
<b>CLUTCH AND TRANSMISSION</b>												
4-1	Clutch fluid (Level, Leakage)											
		Replace after every 40000 km or 24 months whichever comes first										
4-2	Clutch slipping (Dragging or Excess Damage)											
4-3	Manual Transaxle Oil (Level, Leakage)											
4-4	Gear shifter (Operation)											
<b>DRIVE SHAFT</b>												
5-1	Drive shaft noise											
5-2	Drive shaft boot (boot damage)		-									
<b>BRAKE</b>												
6-1	Brake Fluid (Level, Leakage)											
		Replace after every 40000 km or 24 months whichever comes first										
6-2	Brake pedal (Pedal - wall clearance)											
6-3	Parking brake lever and cable (Play, Damage)											
6-4	Brake disc and pad (Wear)		-									
6-5	Brake drum and shoes (Wear)		-	-								
6-6	Brake hoses and pipes (Fluid leakage, Damage)											
6-7	Master cylinder, wheel cylinder and caliper piston (Fluid leakage, Boot/Seal damage)											
<b>WHEEL</b>												
7-1	Tires (Air pressure, Abnormal wear, Crack and Rotation)			I&O	I&O	I&O	I&O	I&O	I&O	I&O	I&O	I&O
7-2	Wheels (Damage)											
7-3	Front/Rear wheel bearing (Loose, Damage)											
<b>FRONT / REAR SUSPENSION</b>												
8-1	Suspension strut (Oil leakage, Damage)											
8-2	Suspension arms / Knuckle support and Torsion rods (Loose, Damage)		-									
8-3	Rear spring (Damage)											

## INSPECTION AND MAINTENANCE

Interval: This interval should be judged by odometer reading or months, whichever comes first.		FREE INSPECTION			PERIODIC MAINTENANCE AT COST						
		1	5	10	20	30	40	50	60	70	80
	km (x1000)	1	5	10	20	30	40	50	60	70	80
	months	1	6	12	24	36	48	60	72	84	96
8-4	Shock absorbers (Oil leakage, Damage)	I	I	I	I	I	I	I	I	I	I
8-5	All bolts and nuts (Loose)	-	T	T	T	T	T	T	T	T	T
<b>STEERING</b>											
9-1	Steering wheel (Play, Loose)	I	I	I	I	I	I	I	I	I	I
9-2	All rods and arms (Loose, Damage, Wear)	I	I	I	I	I	I	I	I	I	I
9-3	Tilt Steering (Operation)	I	I	I	I	I	I	I	I	I	I
<b>ELECTRICAL</b>											
10-1	Battery - electrolyte (Level, leakage) and voltage	I	I	I	I	I	I	I	I	I	I
10-2	Wiring harness connection (Loose, Damage)	-	I	I	I	I	I	I	I	I	I
10-3	Lighting system (Operation, Stains, Damage)	I	I	I	I	I	I	I	I	I	I
10-4	Wiper (Operation, Stains, Damage)	I	I	I	I	I	I	I	I	I	I
10-5	Horn (Operation)	I	I	I	I	I	I	I	I	I	I
10-6	AUX, USB and accessory socket (Operation)	-	I	I	I	I	I	I	I	I	I
<b>BODY</b>											
11-1	All chassis bolts and nuts (Tighten)	-	T	T	T	T	T	T	T	T	T
11-2	All latches, hinges and locks (Function)	I	I&L	I&L	I&L	I&L	I&L	I&L	I&L	I&L	I&L
<b>ROAD TEST</b>											
12-1	Operation of Brakes, gear shifting and speedometer	I	I	I	I	I	I	I	I	I	I
12-2	Body and chassis noise	I	I	I	I	I	I	I	I	I	I
<b>AIR CONDITIONER</b>											
13-1	Tighten compressor mounting bolt	-	T	T	T	T	T	T	T	T	T
13-2	All hose joint (Check, Tighten)	I	I	I	I	I	I	I	I	I	I
13-3	Check functioning of Recirculating flap	I	I	I	I	I	I	I	I	I	I
13-4	Clean condenser with low pressure water	-	C	C	C	C	C	C	C	C	C
13-5	Check all mounting bolts	I	I	I	I	I	I	I	I	I	I
13-6	Air conditioner filter element	I	I	I	I	R	I	I	R	I	I

## Drive Belt

### ⚠ WARNING

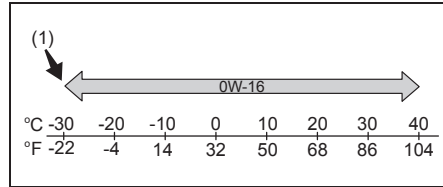
**When the engine is running, keep hands, hair, clothing, tools, etc. away from the moving fan and drive belts.**

The drive belts tension is adjusted automatically. If the belt is too loose, insufficient lead-acid battery charging, engine overheating, poor power steering, poor air conditioning, or excessive belt wear can result. The belts should also be examined to ensure that they are not damaged.

If you need to replace or adjust the belt have it done by a Maruti Suzuki authorised workshop.

## Engine Oil and Filter

### Specified Oil



72RH4037

#### (1) Recommended

Be sure that the engine oil you use comes under the quality classification as listed below.

- API SN, SP
- ILSAC GF-6

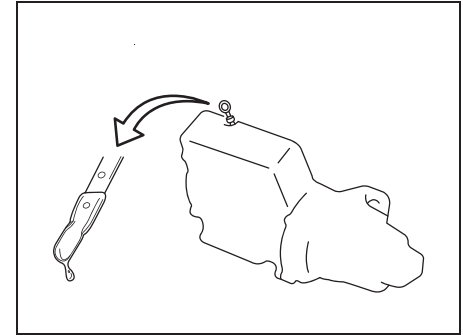
Select the appropriate oil viscosity according to the above chart.

SAE 0W-16 (1) is the best choice for good fuel economy and good startability in cold weather.

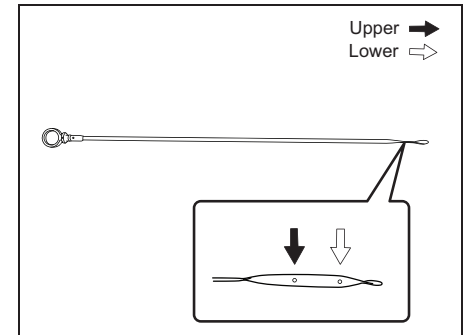
#### NOTE:

- The replacement timing varies with the type of engine oil that you choose. Refer to "Maintenance schedule" in this section for corresponding maintenance schedule.
- We recommend that you use **MARUTI SUZUKI** genuine oil. To purchase it, see a Maruti Suzuki authorised workshop.

## Oil Level Check



72R0117



72R0118

## INSPECTION AND MAINTENANCE

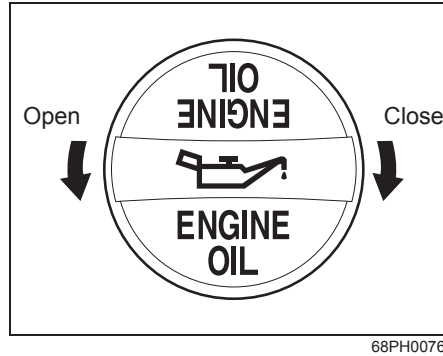
It is important to keep the engine oil at the correct level for proper lubrication of your vehicle's engine. Check the oil level with the vehicle on a level surface. The oil level indication may be inaccurate if the vehicle is on a slope. The oil level should be checked either before starting the engine or at least 5 minutes after stopping the engine.

Pull out the oil dipstick, wipe oil off with a clean cloth, insert the dipstick all the way into the engine, then remove it again. The oil on the stick should be between the upper and lower limits shown on the stick. If the oil level indication is near the lower limit, add enough oil to raise the level to the upper limit.

### NOTICE

**Failure to check the oil level regularly could lead to serious engine trouble due to insufficient oil.**

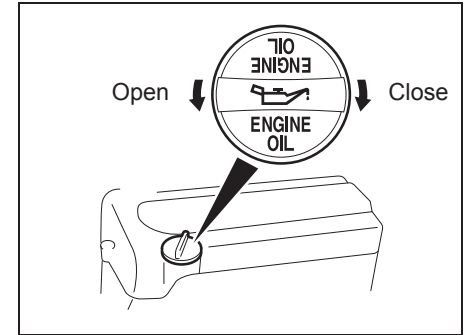
### Refilling



Remove the oil filler cap and pour oil slowly through the filler hole to bring the oil level to the upper limit on the dipstick. Be careful not to overfill the oil. Too much oil is almost as bad as too little oil. After refilling, start the engine and allow it to idle for about a minute. Stop the engine, wait about 5 minutes and check the oil level again.

### Changing Engine Oil and Filter

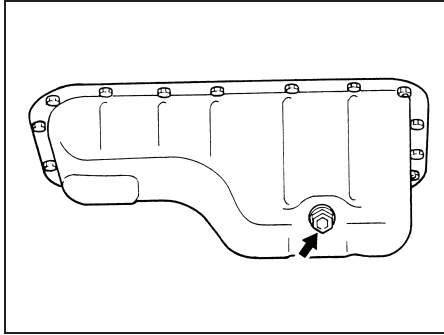
Drain the engine oil while the engine is still warm.



- 1) Remove the oil filler cap.
- 2) Place a drain pan under the drain plug.
- 3) Using a wrench, remove the drain plug and drain the engine oil.

### CAUTION

**The engine oil temperature may be high enough to burn your fingers when the drain plug is loosened. Wait until the drain plug is cool enough to touch with your bare hands.**



60G306

**Tightening torque for drain plug**  
**35 Nm (3.6 kg-m, 25.8 lb-ft)**

### ⚠ WARNING

- Engine oil can be hazardous. Children and pets may be harmed by swallowing new or used oil. Keep new and used oil and used oil filters away from children and pets.
- Repeated, prolonged contact with used engine oil may cause skin cancer.
- Brief contact with used oil may irritate skin.

(Continued)

### ⚠ WARNING

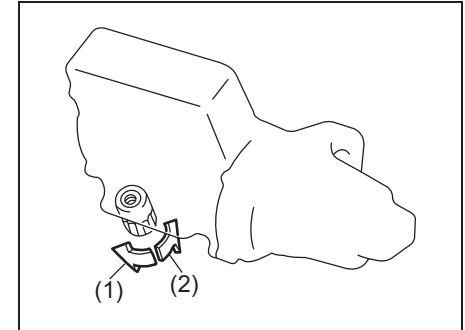
(Continued)

- To minimize your exposure to used oil, wear a long-sleeve shirt and moisture-proof gloves (such as dishwashing gloves) when changing oil. If oil contacts your skin, wash thoroughly with soap and water.
- Launder any clothing or rags if it is with oil.
- Recycle or properly dispose of used oil and filters.

- 4) Reinstall the drain plug with new gasket. Tighten the plug with a wrench to the specified torque.

### Oil Filter Replacement

- 1) Using an oil filter wrench, turn the oil filter counterclockwise and remove it.
- 2) Using a clean rag, wipe off the mounting surface on the engine where the new filter will be seated.
- 3) Smear a small amount of engine oil around the rubber gasket of the new oil filter.
- 4) Screw the new filter by hand until the filter gasket contacts the mounting surface.

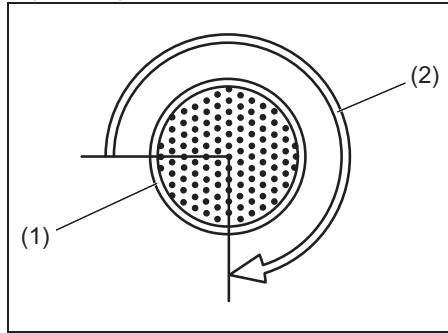


54G092

- (1) Loosen
- (2) Tighten

## INSPECTION AND MAINTENANCE

### Tightening (viewed from filter top)



54G093

- (1) Oil filter  
(2) 3/4 turn

#### NOTICE

To tighten the oil filter properly, it is important to accurately identify the position at which the filter gasket first contacts the mounting surface.

- 5) Tighten the filter as specified below from the point of contact with the mounting surface (or to the specified torque) using an oil filter wrench.

#### Tightening torque for oil filter

3/4 turn or  
14 Nm (1.4 kg-m, 10.3 lb-ft)

#### NOTICE

To prevent oil leakage, make sure that the oil filter is tight, but do not over-tighten it.

### Refill with Oil and Oil Leakage Check

- 1) Pour oil through the filler hole and install the filler cap.  
For the approximate capacity of the oil, refer to "Capacities" in "SPECIFICATIONS" section.
- 2) Start the engine and carefully check the oil filter and the drain plug for leakage. Run the engine at various speeds for at least 5 minutes.
- 3) Stop the engine and wait about 5 minutes. Check the oil level again and add oil if necessary. Check for leakage again.

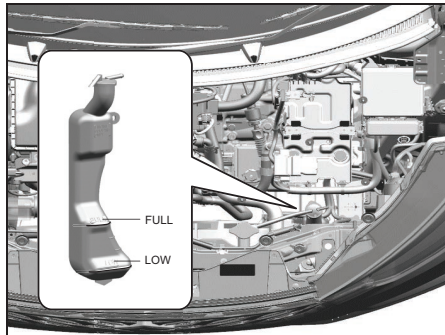
#### NOTICE

- When replacing the oil filter, it is recommended that you use a MARUTI SUZUKI genuine replacement filter. If you use an aftermarket filter, make sure it is of equivalent quality and follow the manufacturer's instructions.
- Oil leakage from the periphery of the oil filter or drain plug indicate incorrect installation or gasket damage. If you find any leakage or are not sure that the filter has been properly tightened, have the vehicle inspected by a Maruti Suzuki authorised workshop.



## Engine Coolant

### Coolant Level Check



72R06002

Check the coolant level at the reservoir tank, not at the radiator. With the engine cool, the coolant level should be between “FULL” and “LOW” marks.

If the coolant level is below “LOW” mark, coolant should be added.

### Coolant addition and replacement

When you add the coolant, remove the reservoir tank cap and add coolant until the reservoir tank level reaches “FULL” mark while the engine is cool. Never fill the reservoir tank above “FULL” mark.

Since special procedures are required for coolant replacement, ask a Maruti Suzuki authorised workshop for this job.

### ⚠ WARNING

Swallowing engine coolant can cause severe injury or death. Inhaling coolant mist or vapors or getting coolant in your eyes could result in severe injury.

- Do not drink antifreeze or coolant solution. If swallowed, do not induce vomiting. Immediately contact a poison control center or a physician.
- Avoid inhaling coolant mist or hot vapors. If inhaled, remove to a fresh air area.
- If coolant gets in the eyes, flush with water and seek medical attention.
- Wash thoroughly after handling coolant.
- Keep engine coolant out of the reach of children and pets.

### NOTICE

When putting the cap on the reservoir tank, line up the mark on the cap and the mark on the tank. Failure to follow this can result in coolant leakage.

### Selection of coolant

To maintain optimum performance and durability of your engine, use MARUTI SUZUKI genuine coolant or equivalent.

This type of coolant is the best for cooling system for the following reasons:

- The coolant helps maintain proper engine temperature.
- It gives proper protection against freezing and boiling.
- It gives proper protection against corrosion and rust.

Failure to use the proper coolant can damage your cooling system. A Maruti Suzuki authorised workshop can help you select the proper coolant.

### NOTICE

To avoid damaging your cooling system:

- Always use a high quality ethylene glycol base non-silicate type coolant diluted with distilled water at the correct mixture concentration.
- Do not add extra inhibitors or additives. They may not be compatible with your cooling system.
- Do not mix different types of base coolants. Doing so may result in accelerated seal wear and/or the possibility of severe overheating and extensive engine/transmission damage. In case of coolant mix-up

(Continued)

## INSPECTION AND MAINTENANCE

### NOTICE

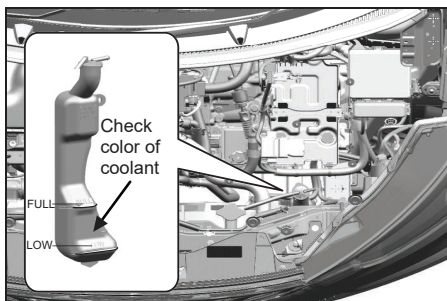
(Continued)

**have your vehicle inspected by a Maruti Suzuki authorised workshop.**

#### NOTE:

Maruti Suzuki highly recommends the use of Maruti Suzuki genuine coolant. Maruti Suzuki genuine coolant has been specially formulated for your Maruti Suzuki product and contributes to the desired vehicle performance and ideal driving experience.

Depending on the production period of your vehicle, the coolant type filled at the time of a brand new car differs. There are two coolant types, SUZUKI LLC: Super (Blue) Coolant and SUZUKI LLC: Standard (Yellow) Coolant. You can check the original coolant type in your vehicle by the color of the coolant in the reservoir tank (Refer below figure).



72R06001

Coolant Color	Coolant Type
Blue	Suzuki LLC : Super
Yellow	Suzuki LLC : Standard

#### NOTE:

The same type of coolant that is filled at the time of a brand new car should be used when you add or replace the coolant.

#### SUZUKI LLC: Super (Blue) Coolant:

### NOTICE

- This coolant is already diluted to the proper percentage. Do not dilute with distilled water additionally. Doing so may result in the possibility of freezing and/or overheating coolant.
- Do not add SUZUKI LLC: Standard (Yellow) Coolant or distilled water or others when your vehicle is originally filled with SUZUKI LLC: Super (Blue) Coolant. If such a case occurs, then get the vehicle inspected by a Maruti Suzuki authorised workshop.

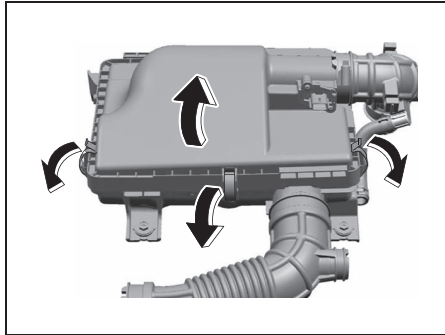
#### SUZUKI LLC: Standard (Yellow) Coolant:

### NOTICE

- The concentration of the mixture to be used shall be 30% antifreeze and 70% distilled water. Do not use straight coolant nor plain water.
- If the lowest ambient temperature in your area is expected to be  $-15^{\circ}\text{C}$  ( $5^{\circ}\text{F}$ ) or below, use higher concentrations up to 60% following the instructions on the antifreeze container. Concentrations greater than 60% will cause overheating conditions.
- When your vehicle is originally filled with SUZUKI LLC: Standard (Yellow) Coolant, follow the maintenance schedule of SUZUKI LLC: Standard (Yellow) Coolant in this section. In case you replace with Suzuki LLC: Super (Blue) Coolant, then get the vehicle inspected by a Maruti Suzuki authorised workshop.

## Air Cleaner

If the air cleaner is clogged with dust, there will be greater intake resistance, resulting in decreased power output and increased fuel consumption.



72RH4031

- 1) Unclamp the side and center clamps and remove the element from the air cleaner case. If it appears to be dirty, replace it with a new one.
- 2) Clamp the side and center clamps securely.

## Spark Plugs

### Spark plug replacement and inspection

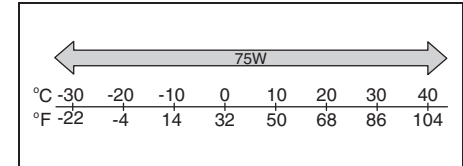
Since special procedures, materials and tools are required, it is recommended that you trust this job to a Maruti Suzuki authorised workshop.

## Gear Oil

### Specified Gear Oil

When adding gear oil, use gear oil with the appropriate viscosity and grade as shown in the chart below.

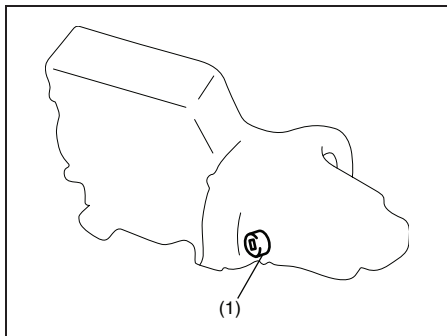
We highly recommend you use: "MARUTI GENUINE GEAR OIL 75W" gear oil.



54PI20706

## INSPECTION AND MAINTENANCE

### Gear Oil Level Check



60MH047

(1) Oil filler and level plug

To check the gear oil level, use the following procedure:

- 1) Park the vehicle on a level surface with the parking brake applied. Then, stop the engine.
- 2) Remove the oil filler and level plug (1).
- 3) If gear oil flows from the plug hole, the oil level is correct. Reinstall the plug. If gear oil does not flow from the plug hole, add oil through the filler plug hole until oil flows a little from the plug hole.
- 4) If the oil level is low, add gear oil through the oil filler and level plug hole (1) until the oil level reaches the bottom of the filler hole, then reinstall the plug.

Tightening torque for oil filler and level plug (1)

21 Nm (2.1 kg-m, 15.5 lb-ft)

#### ⚠ CAUTION

After driving the vehicle, the gear oil temperature may be high enough to burn you. Wait until the oil filler and level plug is cool enough to touch with your bare hands before inspecting gear oil level.

#### NOTICE

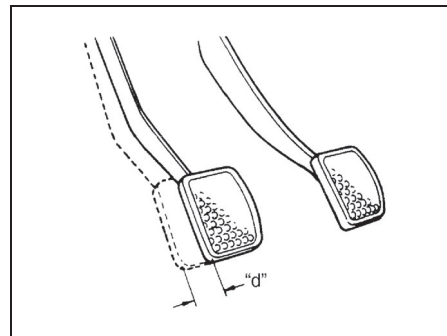
When tightening the plug, apply the following sealing compound or equivalent to the plug threads to prevent oil leakage.

**MARUTI SUZUKI Bond No. "1216E" or "1217G"**

### Gear Oil Change

Since special procedures, materials and tools are required, ask a Maruti Suzuki authorized workshop for this job.

### Clutch Pedal

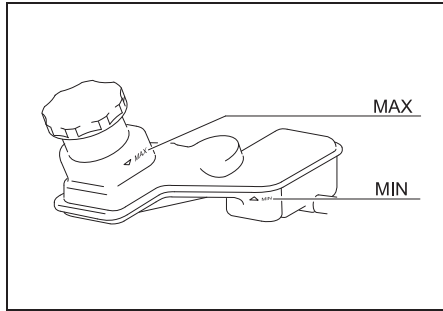


54G274

**Clutch pedal play "d":  
MAX 10 mm**

Measure the clutch pedal play by moving the clutch pedal with your hand and measuring the distance it moves until you feel slight resistance. The play in the clutch pedal should be less than the specified values. If the play is more than the above, or clutch dragging is felt with the pedal fully depressed, have the clutch inspected by a Maruti Suzuki authorised workshop.

## Clutch Fluid



73R0115

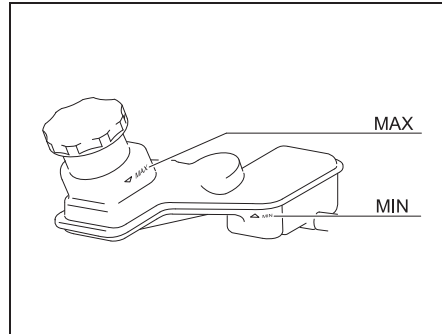
Check the clutch pedal for smooth operation and clutch fluid level from time to time. If clutch dragging is felt with the pedal fully depressed, have the clutch inspected by your Maruti Suzuki authorised workshop. If the clutch fluid level is near the "MIN" line, fill it up to the "MAX" line with Maruti Suzuki Genuine Brake Fluid (MGBF) or DOT 3.

We highly recommend to use "Maruti Suzuki Genuine Brake Fluid" (MGBF).

### NOTICE

Clutch fluid is supplied from brake fluid reservoir. If your clutch fluid level is increased or near the "MIN" line, there is a possibility of clutch or brake fluid leakage or abnormal wear of clutch. Have your vehicle inspected immediately by a Maruti Suzuki authorised workshop.

## Brakes Brake fluid



73R0116

Check the brake fluid level by looking at the reservoir in the engine compartment. Check that the fluid level is between "MAX" and "MIN" lines.

### NOTICE

- If your brake fluid level is near "MIN" line, there is a possibility of brake pad and/or shoe wear and brake fluid leakage. In this case, ask a Maruti Suzuki authorised workshop to inspect the brake system.
- Brake fluid can damage painted surfaces. Use caution when refilling the reservoir.

### ⚠ WARNING

Failure to follow the guidelines below can result in personal injury or serious damage to the brake system.

- If the brake fluid in the reservoir drops below a certain level, the brake warning light on the instrument panel will come on (the engine must be running with the parking brake fully disengaged). Should the light come on, immediately ask a Maruti Suzuki authorised workshop to inspect the brake system.
- A rapid fluid loss indicates a leakage in the brake system which should be inspected by a Maruti Suzuki authorised workshop immediately.
- Do not use any fluid other than Maruti Genuine Brake Fluid (MGBF) or DOT3 brake fluid. Do not use reclaimed fluid or fluid that has been stored in old or open containers. It is essential that foreign particles and other liquids are kept out of the brake fluid reservoir.

(Continued)

### WARNING

(Continued)

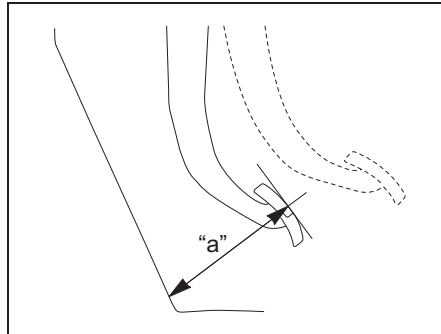
- **Brake fluid is harmful or fatal if swallowed, and harmful if it comes in contact with skin or eyes. If swallowed, do not induce vomiting. Immediately contact a poison control center or a physician. If brake fluid gets in eyes, flush eyes with water and seek medical attention. Wash thoroughly after handling. Solution can be poisonous to animals. Keep out of reach of children and animals.**

#### NOTE:

- *The fluid level can be expected to gradually fall as the brake pad and/or shoe wear.*
- *Brake fluid absorbs water over time and brake fluid with high water content may cause vapor lock or brake system malfunction.*
- *Replace your brake fluid according to the maintenance schedule in your Owner's Manual.*

### Brake Pedal

Check if the brake pedal stops at the regular height without “spongy” feeling when you depress it. If not, have the brake system inspected by a Maruti Suzuki authorised workshop. If you doubt the brake pedal for the regular height, check it as follows:



54G108

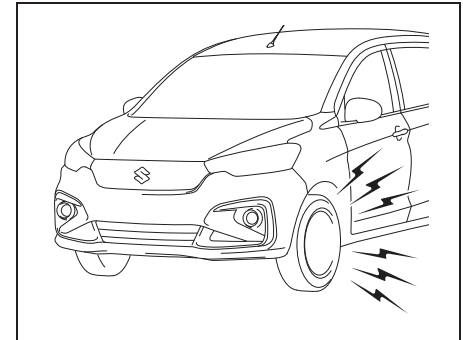
**Pedal to floor carpet minimum distance “a”:  
51 mm**

With the engine running, measure the distance between the brake pedal and floor carpet when the pedal is depressed with approximately 30 kg (66 lbs) of force. The minimum distance required is as specified. Since your vehicle's brake system is self-adjusting, there is no need for pedal adjustment.

If the pedal to floor carpet distance as measured above is less than the minimum distance required, have your vehicle inspected by a Maruti Suzuki authorised workshop.

#### NOTE:

*When measuring the distance between the brake pedal and floor wall, be sure not to include the floor mat or rubber on the floor wall in your measurement.*



60G104S

**⚠ WARNING**

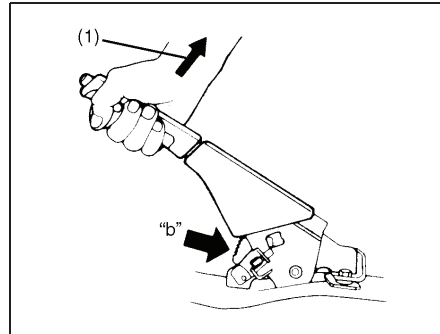
If the brake pad lining becomes worn and it has reached its minimum thickness, squealing noise sounds during braking.

If you hear this noise, have the vehicle inspected immediately by a Maruti Suzuki authorised workshop. Continued driving with this condition can cause an accident.

**⚠ CAUTION**

If you experience any of the following problems with your vehicle's brake system, have the vehicle inspected immediately by a Maruti Suzuki authorised workshop.

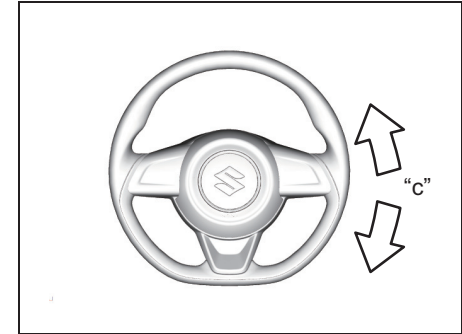
- Poor braking performance
- Uneven braking (brakes not working uniformly on all wheels.)
- Excessive pedal travel
- Brake dragging
- Excessive noise

**Parking Brake**

54G109

**Ratchet tooth specification "b":**  
**4th – 9th**  
**Lever pull force (I):**  
**200 N (20 kg, 45 lbs)**

Check the parking brake for proper adjustment by counting the number of clicks made by the ratchet teeth as you slowly pull up on the parking brake lever to the point of full engagement. The parking brake lever should stop between the specified ratchet teeth and the rear wheels should be securely locked. If the parking brake is not properly adjusted or the brakes drag is suspected even after the lever has been fully released, have the parking brake inspected and/or adjusted by a Maruti Suzuki authorised workshop.

**Steering Wheel**

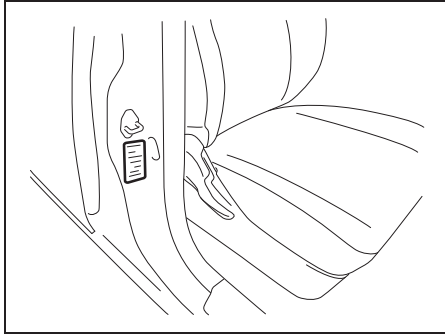
73R0117

**Steering wheel play "c":**  
**0 – 30 mm (0.0 – 1.2 in.)**

Check the play of the steering wheel by gently turning it from left to right and measuring the distance that it moves before you feel slight resistance. The play should be between the specified values.

Check that the steering wheel turns easily and smoothly without rattling by turning it all the way to the right and to the left while driving very slowly in an open area. If the amount of free play is outside the specification or you find anything else to be wrong, an inspection must be performed by a Maruti Suzuki authorised workshop.

### Tires



73R0118

The front and rear tire pressure specifications for your vehicle are listed in the tire information label. Both front and rear tires should have the specified tire pressure.

#### Tire Inspection

Inspect your vehicle's tires at least once a month or before long trip by performing the following checks:

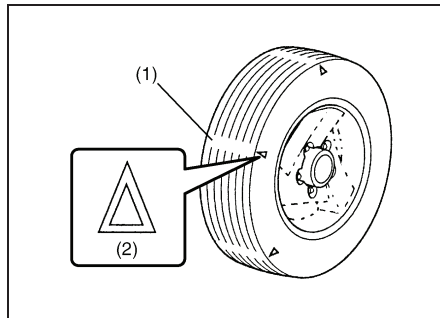
- 1) Measure the air pressure with a tire gauge. Adjust the pressure if necessary. Remember to check the spare tire, too.

#### ⚠ WARNING

- Air pressures should be checked when the tires are cold or you may get inaccurate readings.
- Check the inflation pressure from time to time while inflating the tire gradually, until the specified pressure is obtained.
- Never underinflate or over-inflate the tires.

**Underinflation can cause unusual handling characteristics or can cause the rim to slip on the tire bead, resulting in an accident or damage to the tire or rim.**

**Overinflation can cause the tire to burst, resulting in personal injury. Overinflation can also cause unusual handling characteristics which may result in an accident.**



54G136

- (1) Tread wear indicator
- (2) Indicator location mark

- 2) Check that the depth of the tread groove is more than 1.6 mm (0.06 in.). To help you check this, the tires have molded-in tread wear indicators in the grooves. When the indicators appear on the tread surface, the remaining depth of the tread is 1.6 mm (0.06 in.) or less and the tire should be replaced.
- 3) Check for abnormal wear, cracks and damage. Any tires with cracks or other damage should be replaced. If any tires show abnormal wear, have them inspected by a Maruti Suzuki authorised workshop.

#### ⚠ CAUTION

**Hitting curbs and running over rocks can damage tires and affect wheel alignment. Have tires and wheel alignment checked periodically by a Maruti Suzuki authorised workshop.**

- 4) Check for loose wheel nuts.
- 5) Check that there are no nails, stones or other objects sticking into the tires.

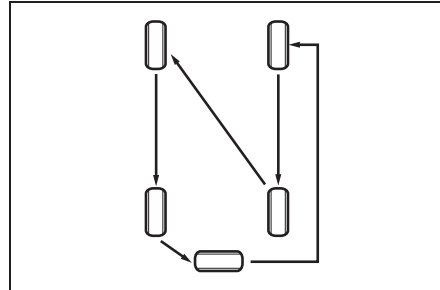


**⚠ WARNING**

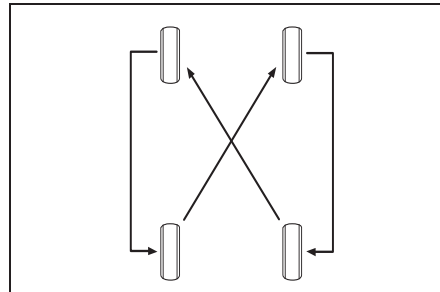
- Your **MARUTI SUZUKI** vehicle is equipped with tires which are all the same type and size. This is important to ensure proper steering and handling of the vehicle. Never mix tires of different size or type on the four wheels of your vehicle. The size and type of tires used should be only those approved by **MARUTI SUZUKI** as standard or optional equipment for your vehicle.
- Replacing the wheels and tires equipped on your vehicle with certain combinations of aftermarket wheels and tires can significantly change the steering and handling characteristics of your vehicle.
- Therefore, use only those wheel and tire combinations approved by **MARUTI SUZUKI** as standard or optional equipment for your vehicle.

**NOTICE**

Replacing the original tires with tires of a different size may result in false speedometer or odometer readings. Check with a Maruti Suzuki authorised workshop before purchasing replacement tires that differ in size from the original tires.

**Tire Rotation****5-tire rotation**

80JK040

**4-tire rotation**

54G114

To avoid uneven wear of your tires and to prolong their life, rotate the tires as illustrated. Tires should be rotated every 10000 km. After rotation, adjust front and rear tire pressures to the specification listed in your vehicle's Tire Information Label.

## INSPECTION AND MAINTENANCE

### Wheel Balancing

If the vehicle vibrates abnormally on smooth road, have the wheel balanced at Maruti Suzuki authorised workshop.

### Wheel Alignment

In case of abnormal tire wear or pulling towards one side, have the wheel aligned at Maruti Suzuki authorised workshop.

### Tubeless Tires (If equipped)

The vehicle is equipped with Tubeless Tires. In tubeless tire, a thin layer of butyl rubber is used for lining the inside of the tubeless tire. This layer is to prevent air loss and fulfilling the purpose of tube. The air pressure is maintained by the sealing between tire bead and wheel rim. Tubeless tires are having advantage of slow air loss and preventing sudden deflation while driving.

### Care and maintenance tips for tubeless tires

- 1) Always maintain recommended inflation pressure. Driving continuously at low inflation pressure can lead to tire damage.
- 2) In case any leakage is found, check for any nail penetration/valve core damage or rim bent. Damaged wheel must not be used.
- 3) In case tire has run at low pressure, it must be inspected for any defect.
- 4) Whenever new tire is fitted, replace the valve.

- 5) If continuous high speed driving is required, increase pressure of tires by 5 psi over recommended inflation pressure.
- 6) Never run the tire beyond TWI (Tread wear indicator). The tire is recommended to be replaced when the remaining tread has worn to this point. The indicators are spaced across the tread around the tire marked by a triangular symbol (TWI).
- 7) Always prefer tubeless tire mounting machine. In case of manual mounting tire/ wheel rim damage may occur.
- 8) In case of any problem, please get in touch with a Maruti Suzuki authorised workshop.

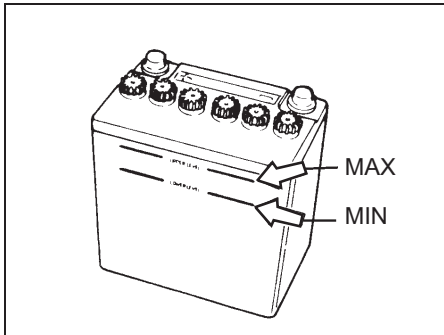
## Lead-acid Battery

### WARNING

- **Batteries produce flammable hydrogen gas. Keep flames and sparks away from the lead-acid battery or an explosion may occur. Never smoke when working in the vicinity of the lead-acid battery.**
- **When checking or servicing the lead-acid battery, disconnect the negative cable. Be careful not to cause a short circuit by allowing metal objects to contact the lead-acid battery posts and the vehicle at the same time.**
- **To avoid harm to yourself or damage to your vehicle or lead-acid battery, follow the jump starting instructions in “EMERGENCY SERVICE” section of this manual if it is necessary to jump-start your vehicle.**
- **Diluted sulfuric acid spilled from lead-acid battery can cause blindness or severe burns. Use proper eye protection and gloves. Flush eyes or body with ample water and get medical care immediately if suffered. Keep batteries out of reach of children.**

## NOTICE

If your vehicle is equipped with the ENG A-STOP system and the battery which is exclusive for the ENG A-STOP system is used, only use the specified type of battery for ENG A-STOP system. Refer to "SPECIFICATIONS" section for details. Otherwise, you could damage your vehicle, and the ENG A-STOP system could not be available. If a vehicle battery has to be replaced, consult a Maruti Suzuki authorized workshop.



54G118

For maintenance-free battery (cap-less type), you need not add water. For traditional type battery, which has water filler caps, the level of the battery fluid must be kept between the "MAX" and the "MIN" level lines at all times. You should periodically

check the battery, battery terminals, and battery hold-down bracket for corrosion. Remove corrosion using a stiff brush and ammonia mixed with water, or baking soda mixed with water. After removing corrosion, rinse with clean water.

If your vehicle is not going to be driven for a month or longer, disconnect the cable from the negative terminal of the battery to help prevent discharge

## ⚠ WARNING

If the battery is used with battery level being less than the lower level line "MIN", it may cause reduced battery life, an exothermic heat, or an explosion by hydrogen gas occurring from the battery. Do not use the battery with battery level being less than the lower level line "MIN".

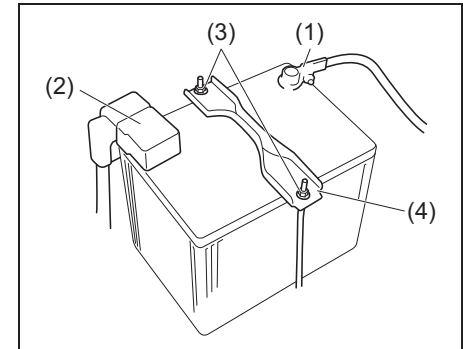
## NOTICE

If the battery liquid is added more than the upper level line "MAX", liquid may leak by vibrations during driving or liquid may spray out in some case depending on the condition of battery charging. These may cause damage to the parts near the battery. If the battery liquid over-spills, immediately wash away with water. Do not add the battery liquid more than the upper level line "MAX".

## NOTE:

The battery liquid is consumed when the battery is used. If the level is found to be less than the center of upper level "MAX" and lower level "MIN", add distilled water till it reaches the upper level line "MAX".

## Replacement of the battery



68PM00711

To remove the battery:

- 1) Disconnect the negative cable (1).
- 2) Disconnect the positive cable (2).
- 3) Remove the retainer nuts (3) and remove the retainer (4).
- 4) Remove the battery.

To install the battery:

- 1) Install the battery in the reverse order of removal.
- 2) Tighten the bracket bolt and battery cables securely.

## INSPECTION AND MAINTENANCE

### NOTE:

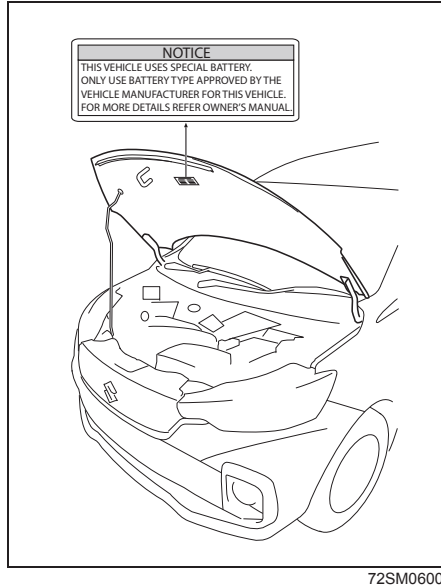
- When the battery is disconnected, some of the vehicle's functions will be initialized and/or deactivated. These functions are required to be reset after the battery is reconnected.
- Do not disconnect the battery terminals for at least one minute after the ignition switch is turned off.

### WARNING

Batteries contain toxic substances including sulfuric acid and lead. They could have potential negative consequences for the environment and human health. Used batteries must be disposed of or recycled according to applicable rules or regulations and must not be disposed of with ordinary household trash. Make sure not to tip over the battery when you remove it from the vehicle. Otherwise, sulfuric acid could run out and you might get injured.

### NOTICE

Do not use regular battery in ISG Vehicle. Use only Exide Conservo N55 battery, else it may deteriorate Smart Hybrid performance.

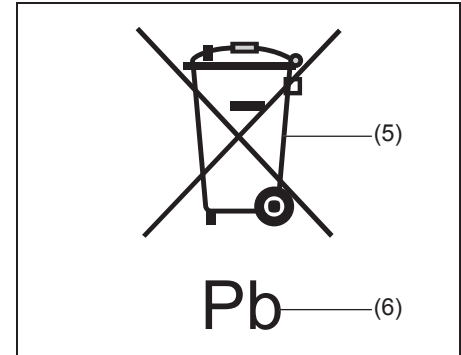


You may find this label on the inside of hood.

### NOTICE

After stopping the engine, controller and system are operated for a while. Therefore, before removing the battery, wait for more than one minute after turning the ignition switch to "OFF".

(Battery label)



51KM042

- (5) Crossed-out wheeled bin symbol  
(6) Chemical symbol of "Pb"

The crossed-out wheeled bin symbol (5) located on the battery label indicates that the used battery should be collected separately from ordinary household trash. The chemical symbol of "Pb" (6) indicates the battery contains more than 0.004% lead.

By ensuring the used battery is disposed of or recycled correctly, you will help prevent potential negative consequences for the environment and human health, which could otherwise be caused by inappropriate trash handling of the battery. The recycling of materials will help to conserve natural resources. For more detailed information about disposing of or recycling the used battery, consult an Maruti Suzuki authorised workshop.

### Fuses

Your vehicle has three types of fuses, as described below:

#### Main fuse

The main fuse takes current directly from the lead-acid battery.

#### Primary fuses

These fuses are between the main fuse and individual fuses, and are for electrical load groups.

#### Individual fuses

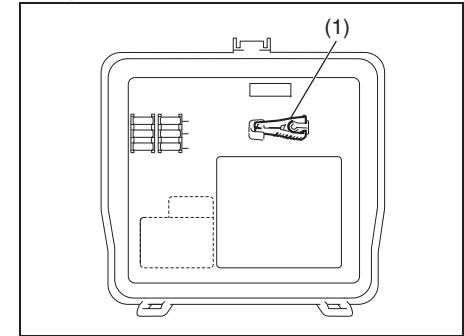
These fuses are for individual electrical circuits.

To remove a fuse, use the fuse puller (I) provided in the relay box cover.

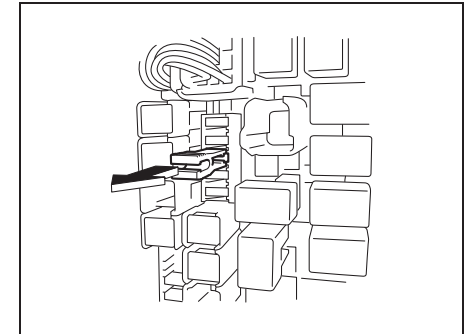
#### NOTE:

- “Blank” indicates that fuse is not applicable in the variant, even though name of fuse might be available on cover of fuse box of your vehicle.
- Some fuse may not be applicable to your vehicle according to the variant of vehicle, even though it is not mentioned as blank.

### Relay box cover



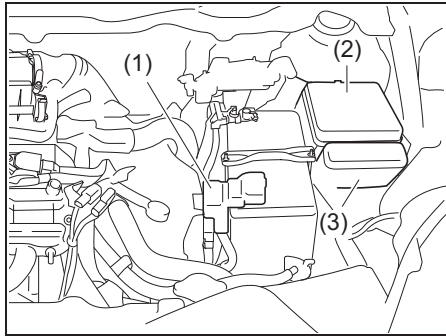
73R0204



63J095

# INSPECTION AND MAINTENANCE

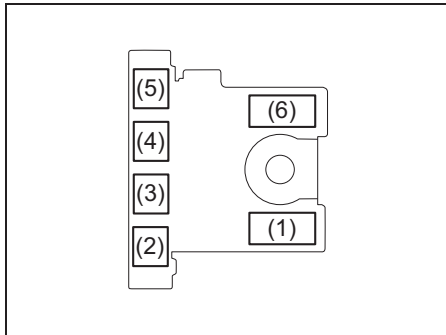
## Fuses in Engine Compartment



72RS2012

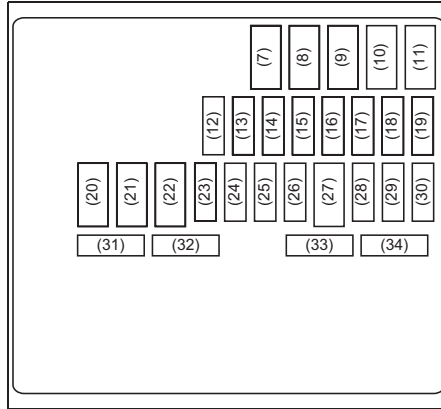
- (1) Main fuse box
- (2) Relay box
- (3) Sub relay box (if equipped)

## Main fuse box



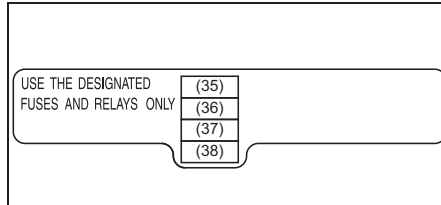
72RH4017

## Relay box



72R0115

## Sub relay box (if equipped)



72RH4018

### MAIN FUSE / PRIMARY FUSE

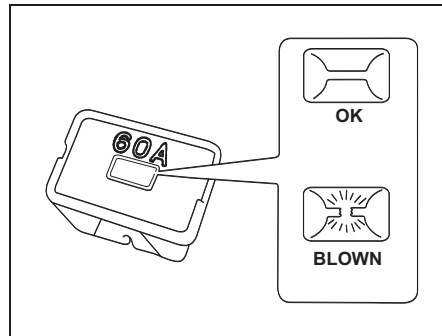
(1)	120 A	FL1 (If equipped)
(2)	100 A	FL2
(3)	80 A	FL3

(4)	100 A	FL4
(5)	50 A	FL5
(6)	200 A	FL6
(7)	30 A	Starting motor
(8)	40 A	Blower fan
(9)	–	Blank
(10)	40 A	ABS motor
(11)	40 A	Ignition switch
(12)	30 A	Back up
(13)	–	Blank
(14)	–	Blank
(15)	–	Blank
(16)	25 A	ABS SOL
(17)	–	Blank
(18)	–	Blank
(19)	25A	Headlight HI
(20)	30 A	Radiator fan
(21)	–	Blank
(22)	–	Blank
(23)	7.5 A	CNG valve (if equipped)
(24)	15 A	Headlight (Left)
(25)	15 A	Headlight (Right)
(26)	–	Blank

(27)	50 A	Ignition switch -2
(28)	–	Blank
(29)	15 A	FI (GAS)
(30)	10 A	Air compressor
(31)	15 A	Headlight HI (Left)
(32)	15 A	Headlight HI (Right)
(33)	5 A	Starting Signal
(34)	7.5 A	CNG (if equipped)
(35)	–	Blank
(36)	–	Blank
(37)	15 A	Headlight HI (Right)
(38)	15 A	Headlight HI (Left)

The main fuse, primary fuses and some of the individual fuses are located in the engine compartment. If the main fuse blows, no electrical component will function. If a primary fuse blows, no electrical component in the corresponding load group will function. When replacing the main fuse, a primary fuse or an individual fuse, use a MARUTI SUZUKI genuine replacement parts or equivalent for individual fuses.

To remove a fuse, use the fuse puller provided in the fuse box. The amperage of each fuse is shown in the back of the fuse box cover and in the relay box.



60G111

### ⚠ WARNING

**If the main fuse or a primary fuse blows, have your vehicle inspected by a Maruti Suzuki authorised workshop. Always use a MARUTI SUZUKI genuine replacement. Never use a substitute such as a wire even for a temporary repair, or extensive electrical damage and a fire can result.**

#### NOTE:

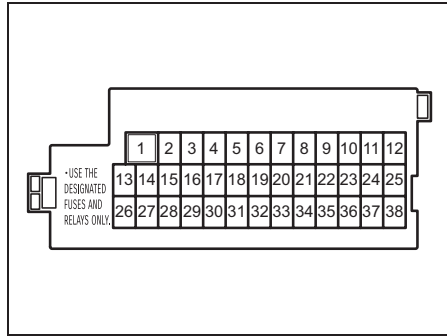
*Make sure that the fuse box always carries spare fuses.*

### Fuses under Dashboard



73R0121

## INSPECTION AND MAINTENANCE

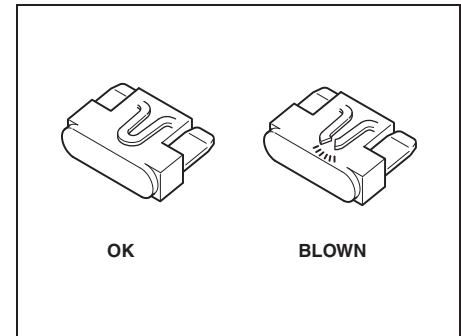


80P0185

PRIMARY FUSE		
(1)	30 A	Power window
(2)	10 A	Meter
(3)	15 A	Ignition coil
(4)	5 A	Ignition-1 signal 2
(5)	20 A	Shift
(6)	20 A	S/R
(7)	–	Blank
(8)	20 A	Door lock
(9)	15 A	Steering lock
(10)	10 A	Hazard
(11)	5 A	A-STOP

(12)	–	Blank
(13)	5 A	ABS control module
(14)	15 A	Rear air conditioner
(15)	5 A	Ignition-1 signal 3
(16)	10 A	Dome light-2
(17)	5 A	Dome light
(18)	15 A	Radio
(19)	5 A	CONT
(20)	5 A	Key2
(21)	20 A	Power window timer
(22)	5 A	Key
(23)	15 A	Horn
(24)	5 A	Tail light (Left)
(25)	10 A	Tail light
(26)	10 A	Airbag
(27)	10 A	Ignition-1 signal
(28)	10 A	Back up light
(29)	–	Blank
(30)	20 A	Rear Defogger
(31)	10 A	Heated Mirror
(32)	15 A	ACC2
(33)	5 A	ACC

(34)	10 A	Wiper
(35)	5 A	Ignition-2 signal
(36)	15 A	Washer
(37)	25 A	Front wiper
(38)	10 A	Stop light



81A283



**⚠ WARNING**

Always replace a blown fuse with a fuse of the correct amperage. Never use a substitute such as aluminum foil or wire to replace a blown fuse. If you replace a fuse and the new one blows in a short period of time, you may have a major electrical problem. Have your vehicle inspected immediately by a Maruti Suzuki authorised workshop.

**NOTE:**

According to the vehicle specifications, fuse setting may be different from the specifications which are shown in the above tables.

**Headlight Aiming**

Since special procedures are required, ask a Maruti Suzuki authorised workshop for this job.

**Bulb Replacement****⚠ CAUTION**

- Light bulbs can be hot enough to burn your finger right after turning off lights. This is true especially for halogen headlight bulbs. Replace the bulbs after they become cool enough.
- The headlight bulbs are filled with pressurized halogen gas. They can burst and injure you if they are hit or dropped. Handle them carefully.
- To avoid injury by sharp-edged parts of the body, wear gloves and a long-sleeved shirt when replacing light bulbs.

**NOTICE**

The oils from your skin may cause a halogen bulb to overheat and burst when the lights are on. Grasp a new bulb with a clean cloth.

**NOTICE**

- Frequent replacement of a bulb indicates the need for an inspection of the electrical system. This should be carried out by your Maruti Suzuki authorised workshop.
- During bulb replacement always use same bulb number as used in vehicle which is imprinted on the said bulb/unit and/or mentioned in SPECIFICATIONS.

## INSPECTION AND MAINTENANCE

### NOTE:

The inner surface of lens such as the headlights or the rear combination lights may be clouded or dew condensation may occur by driving on a rainy day or washing the vehicle. This is a temporary phenomenon caused by temperature difference between the inside and the outside of the lights. (This is the same phenomenon as the windows are clouded on a rainy day.) Also, it sometimes seems that water gets into the lights because of waterdrop on the edge of the lens. This is a temporary phenomenon caused by water adherence to the outside of the lights. The above-mentioned phenomena are not vehicle malfunction. However, if water is piled up in the lights or large waterdrop adheres to the inner surface of lens, have your vehicle inspected by a Maruti Suzuki authorised workshop.

### Non-disassembled type lights

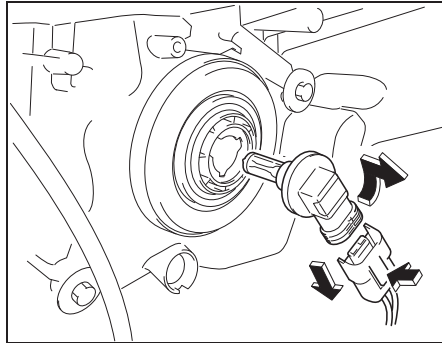
Since the lights shown below are non-disassemble type, you cannot replace a bulb. Replace the target assembly if any bulb is defective.

If you need to replace the assembly, ask your Maruti Suzuki authorised workshop.

- Tail/brake light
- Side turn signal light/hazard warning light on outside rearview mirrors
- High mount stop light

### Headlight

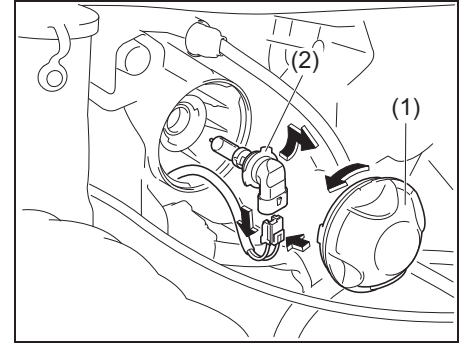
#### Low beam



73R0123

Open the engine hood while the engine is stopped.  
Disconnect the coupler with pushing the lock release. Turn the bulb holder counterclockwise and remove it.

### High beam



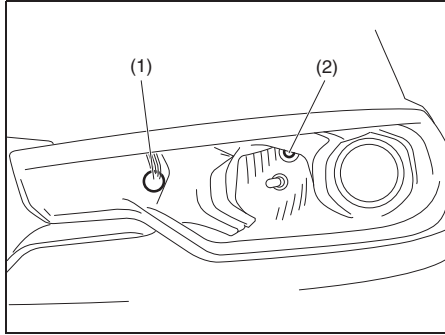
73R0134

Open the engine hood while the engine is stopped.

Turn the cover (1) counterclockwise and remove it.

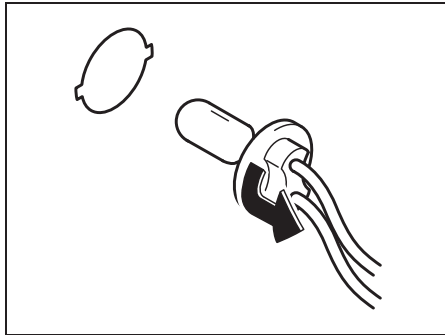
Turn the bulb (2) holder counterclockwise and remove it. Disconnect the coupler with pushing the lock release.

## Front turn signal light Front position light



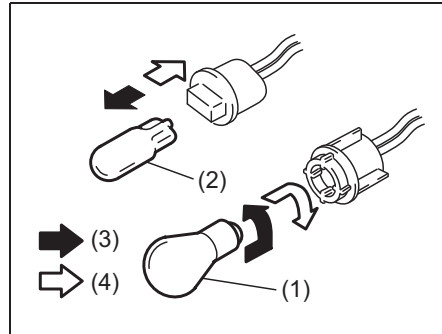
73R0124

- (1) Front turn signal light
- (2) Front position light



68PH0073

- 1) Open the engine hood while the engine is stopped. To remove the bulb holder of the front turn signal light or the front position light from the light housing, turn the holder counterclockwise and pull it out.



68PM00721

- (3) Removal
- (4) Installation

- 2) To remove the bulb of the front turn signal light (1) from the bulb holder, push in the bulb and turn it counterclockwise. To install a new bulb, push it in and turn it clockwise. To remove and install the bulb of the front position light (2), simply pull out or push in the bulb.

### NOTE:

For turn signal / position light, it is recommended that you take your vehicle to a Maruti Suzuki authorised workshop for

bulb replacement since special procedures are required.

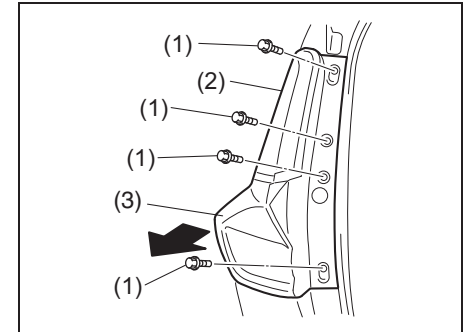
## Side Turn Signal Light

### Outside rearview mirror type

LED is used. It is recommended that you take your vehicle to a Maruti Suzuki authorised workshop for bulb replacement since special procedures are required.

## Rear combination light (tail, stop, turn signal, etc.)

For LED tail / brake light, it is recommended that you take your vehicle to a Maruti Suzuki authorised workshop for bulb replacement since special procedures are required.



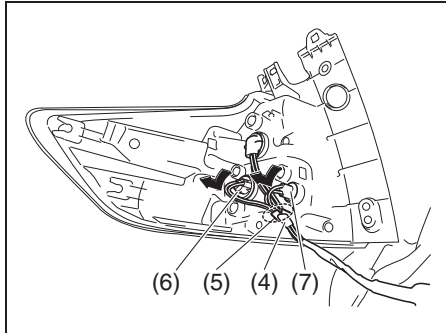
73R0186

## INSPECTION AND MAINTENANCE

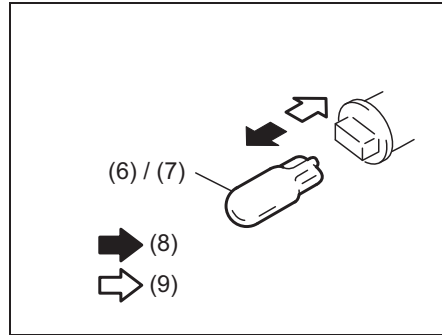
With the tailgate opened, remove the bolts (1) and tail light (2), and then pull the rear combination light (3) firmly to the rearward.

### NOTE:

When it is difficult to remove the rear combination lamp from the body at a low temperature (10 deg. C or less), pour water between the body and the rear combination lamp to make the removal smooth.

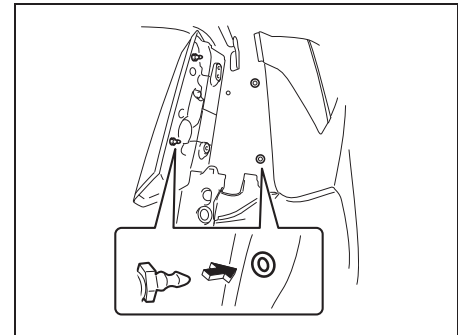
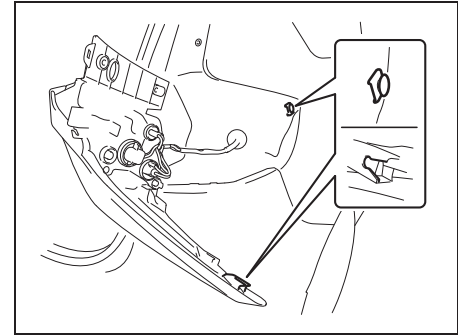


- 1) Remove the wire (4) from a clamp (5).
- 2) To remove the bulb holder of the rear turn signal light (6) or the reversing light (7) from the light housing, turn the holder counterclockwise and pull it out.



- (8) Removal  
(9) Installation

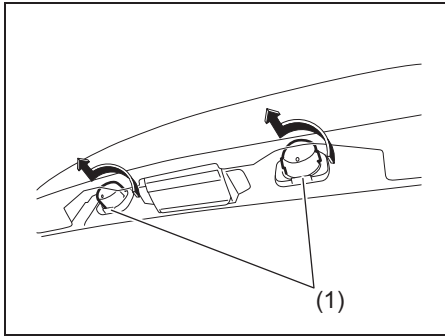
- 3) To remove and install the bulb of the rear turn signal light (6) or the reversing light (7), simply pull out or push in the bulb.



### NOTE:

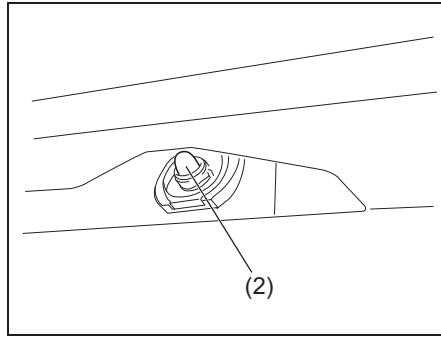
When reinstalling the light housing, check that the clips are properly attached.

**License plate light**



73R0211

1) Remove the cover (1) by turning it counterclockwise.



73R0192

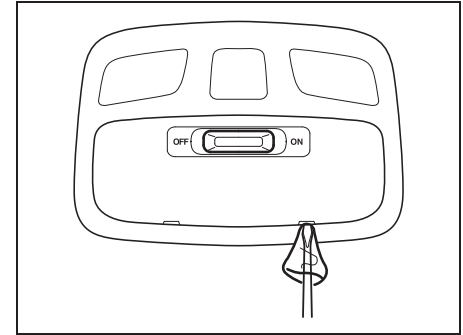
2) To remove and install the bulb of the license plate light (2), simply pull out or push in the bulb.

**High-mount stop light**

LED is used. It is recommended that you take your vehicle to a Maruti Suzuki authorised workshop for bulb replacement since special procedures are required.

**Interior Light**

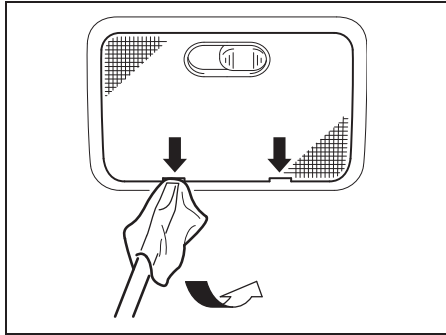
**Front**



73R0212

## INSPECTION AND MAINTENANCE

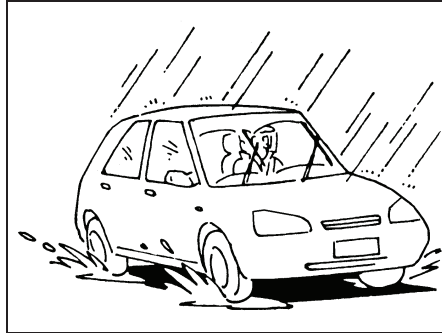
### Rear



67LH084

Remove the lens by using a flat-bladed screwdriver covered with a soft cloth as shown. To install it, simply push it back in. The bulb can be removed by simply pulling it out. When replacing the bulb, make sure that the contact springs are holding the bulb securely.

### Wiper Blades



54G129

If the wiper blades become brittle or damaged, or make streaks when wiping, replace the wiper blades.

To install new wiper blades, follow the procedures below.

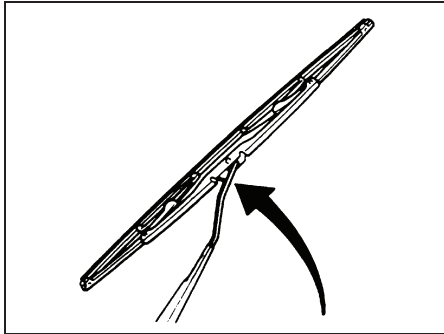
### NOTICE

To avoid scratching or breaking the window, do not let the wiper arm strike the window while replacing the wiper blade.

### NOTE:

Some wiper blades may be different from the ones described here depending on vehicle specifications. If so, consult a Maruti Suzuki authorised workshop for proper replacement method.

## For windshield wipers:

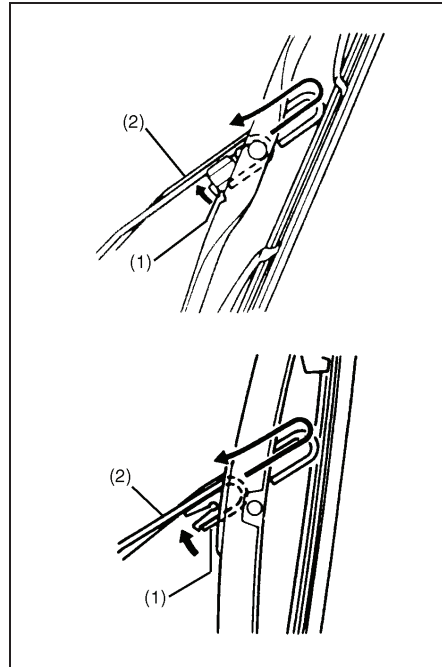


70G119

- 1) Hold the wiper arm away from the window.

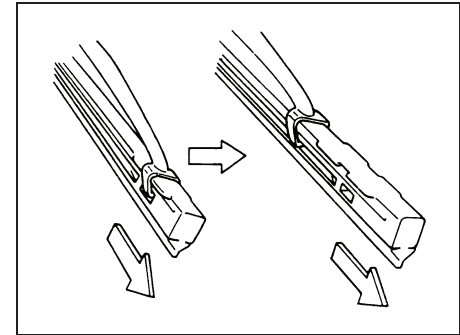
### NOTE:

When raising both of the front wiper arms, pull the driver's side wiper arm up first. When returning the wiper arms, lower the passenger's side wiper arm first. Otherwise, the wiper arms may interfere with each other.

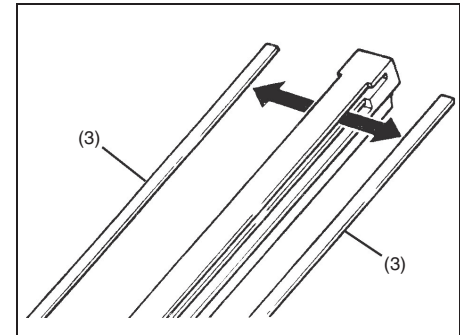


54G130

- 2) Squeeze lock (1) towards wiper arm (2) and remove the wiper frame from the arm as shown.
- 3) Unlock the lock end of the wiper blade and slide the blade out as shown.



60A260

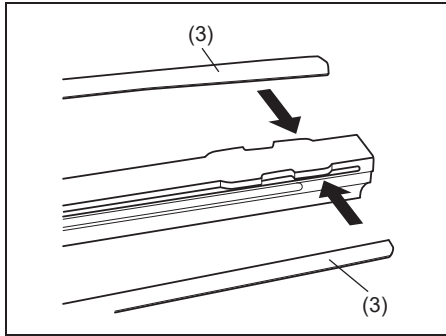


71LMT0708

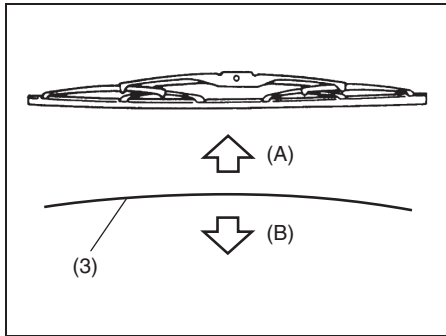
- (3) Retainer

- 4) If the new blade is provided without the two metal retainers (3), move them from the old blade to the new one.

## INSPECTION AND MAINTENANCE



73R0194

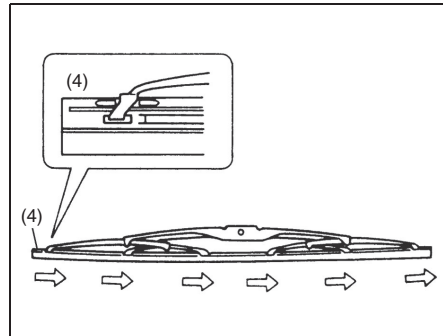


60MH072

(A) Up  
(B) Down

### NOTE:

When you install the metal retainers (3), make sure the direction of metal retainers as shown in the above illustrations.

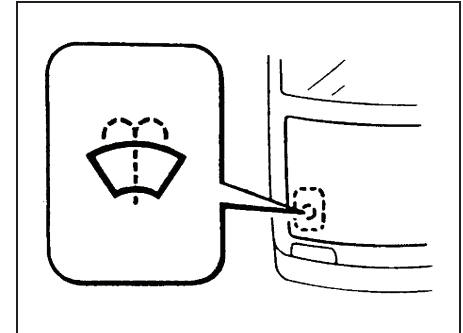


71LMT0707

(4) Locked end

- 5) Install the new blade in the reverse order of removal, with the locked end (4) positioned toward the wiper arm. Make sure the blade is properly retained by all the hooks. Lock the blade end into place.
- 6) Reinstall wiper frame to arm, making sure that the lock lever is snapped securely into the arm.

## Windshield Washer Fluid



80JM078

Check that there is washer fluid in the tank. Refill it if necessary. Use a good quality windshield washer fluid, diluted with water as necessary.



**⚠ WARNING**

Do not use radiator antifreeze solution in the windshield washer reservoir. This can severely impair visibility when sprayed on the windshield, and also can damage your vehicle's paint.

**NOTICE**

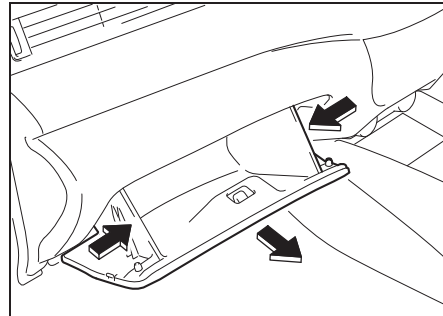
- Damage may result if the washer motor is operated with no fluid in the washer tank.
- Avoid use of hard water to prevent building of lime scale on the vehicle.

**Air Conditioning System**

If you do not use the air conditioner for a long period, such as during winter, it may not give the best performance when you start using it again. To help maintain optimum performance and durability of your air conditioner, it needs to be run periodically. Operate the air conditioner at least once a month for one minute with the engine idling. This circulates the refrigerant and oil and helps protect the internal components.

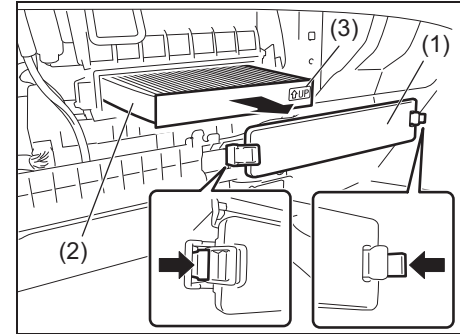
**Air conditioner filter replacement**

Since special procedures are required, ask a Maruti Suzuki authorised workshop for this job.



73R0201

- 1) To approach the air conditioner filter, remove the glove box by pressing both sides of the glove box inward and pulling it out.



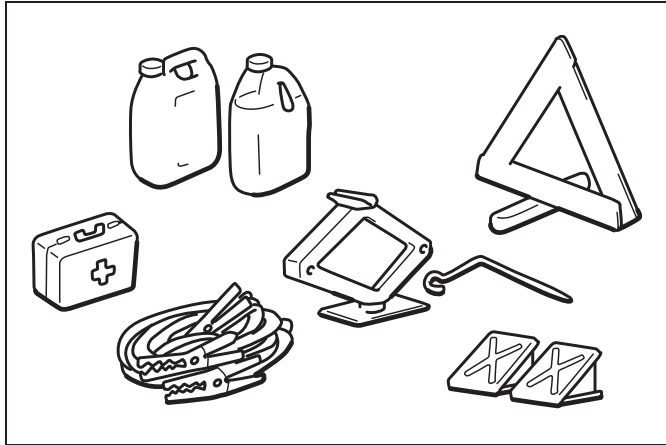
73R0202

- 2) Remove the cover (1) and pull out the air conditioner filter (2).

**NOTE:**

When you install a new filter, check that the UP mark (3) faces upward.





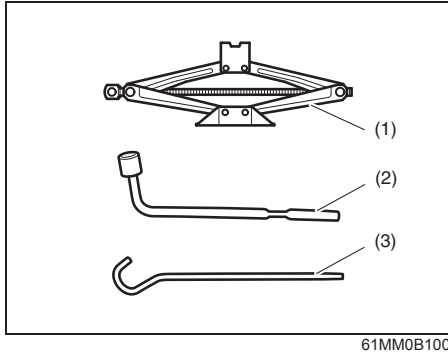
60G411

## EMERGENCY SERVICE

Tyre Changing Tool .....	7-1
Jacking Instructions .....	7-3
Jump-Starting Instructions .....	7-7
Towing your vehicle .....	7-9
Engine trouble: Starter does not operate .....	7-9
Engine trouble: Does not start .....	7-10
Engine trouble: Overheating .....	7-10
Warning Triangle .....	7-11

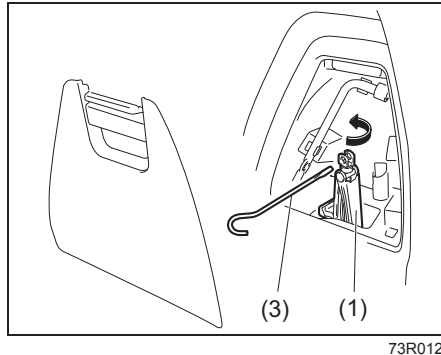
## EMERGENCY SERVICE

### Tyre Changing Tool

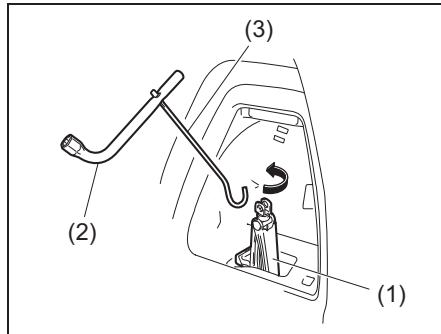


- (1) Jack
- (2) Wheel wrench
- (3) Jack handle

The tyre changing tools are stowed in the side of the luggage compartment. Remove the cover to access the tools.

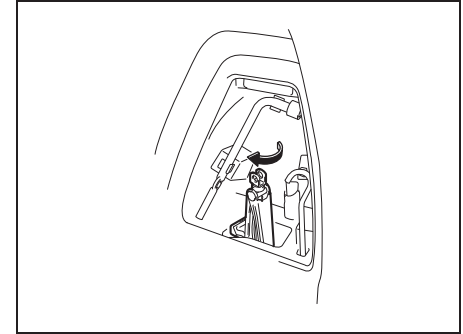


To remove the jack (1), turn its shaft counterclockwise by using jack handle (3) and pull the jack out of the storage bracket.



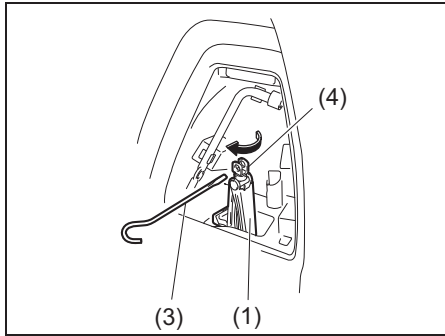
#### NOTE:

If you are difficult to use the jack handle (3), use jack handle and wheel wrench (2) as shown in the illustration.



73R0205

To stow the jack, place it in the storage bracket and turn the shaft clockwise with hand.



73R0206

After temporarily holding the jack (1) until it contacts the storage bracket, turn the shaft (4) approximately 90° to 180° by using jack handle (3) to securely hold the jack in place.

**⚠ WARNING**

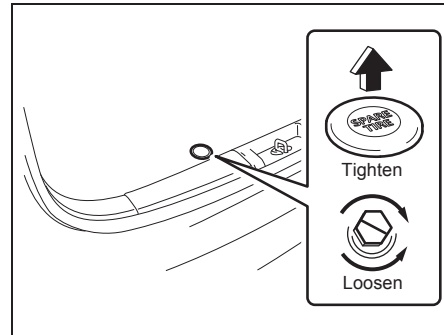
After using the tyre changing tools, stow them securely or they can cause injury if an accident occurs.

**⚠ CAUTION**

The jack should be used only to change wheels. It is important to read the jacking instructions in this section before attempting to use the jack.

The spare tyre is stowed under the rear floor.

To remove the spare tyre:

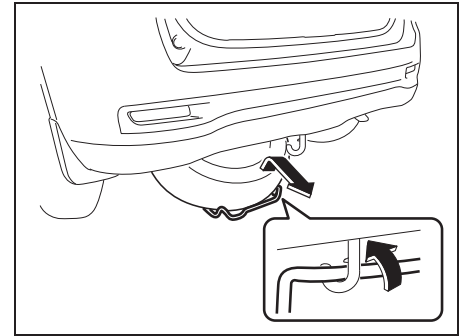


73R0127

- 1) Remove the cap and use a wheel wrench to loosen the hook bolt of the spare tyre holder. Then, rotate using the end of the jack handle.

**NOTICE**

Loose the spare tyre holder hook bolt until you can remove the hook by yourself. If the bolt is loosen too much, the hook might off and the spare tyre might drop off to the ground.



73R0128

- 2) Unhook the spare tyre holder and lower it slowly.
- 3) Remove the tyre.

To install the spare tyre:

- 1) Install the spare tyre facing up the outside of the wheel in the reverse order of removal.
- 2) Tighten the spare tyre holder hook bolt securely.

**⚠ WARNING**

Do not drive your vehicle with the loose spare tyre holder hook bolt, otherwise it may come loose or the spare tyre may drop off, which can result in an accident.

## EMERGENCY SERVICE

### NOTICE

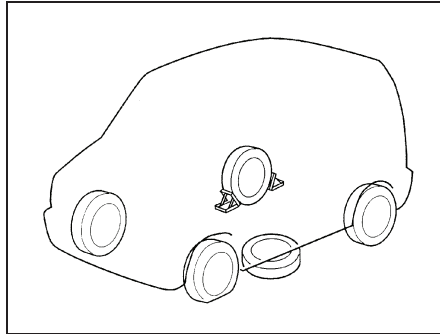
Tighten the spare tyre holder hook bolt securely. However, do not overtighten the bolt, it may be warped or broken.

Tightening torque for the spare tyre holder hook bolt  
30 Nm (3.0 kg-m, 22.1 lb-ft)

### NOTICE

Make sure that the spare tire is fixed securely. Loosely fixed tire may cause noise during driving. However, do not overtighten the bolt, it may be warped or broken.

## Jacking Instructions



75F062

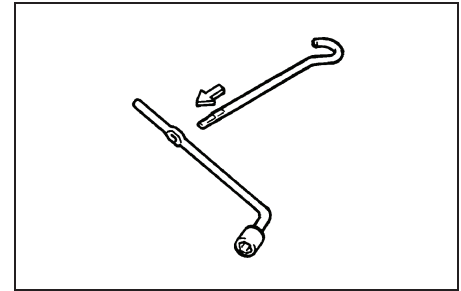
- 1) Place the vehicle on level, hard ground.
- 2) Set the parking brake firmly and shift into "R" (Reverse).

### ⚠ WARNING

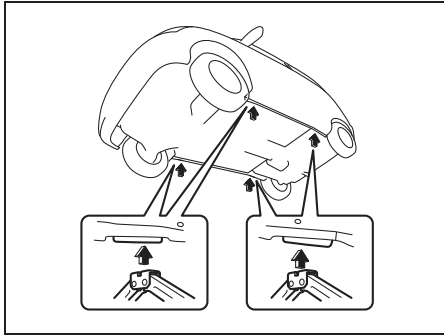
- Shift into "R" (Reverse) when you jack up the vehicle.
- Never jack up the vehicle with the transmission in "N" (Neutral). Otherwise, unstable jack may cause an accident.

- 3) Turn on the hazard warning switch if your vehicle is near traffic.
- 4) Block the front and rear of the wheel diagonally opposite of the wheel being lifted.

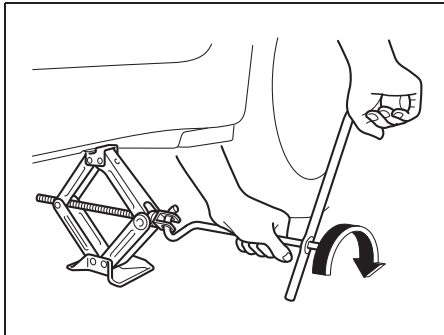
- 5) Place the spare tyre near the wheel being lifted as shown in the illustration in case the jack slips.



54G253



73R0190



73R0191

- 6) Position the jack at an angle as shown in the illustration and raise the jack by turning the jack handle clockwise until the jack-head groove fits around the jacking bar beneath the vehicle body.

- 7) Continue to raise the jack slowly and smoothly until the tyre clears the ground. Do not raise the vehicle more than necessary.

### ⚠ WARNING

- Use the jack only to change wheels on level, hard ground.
  - Never jack up the vehicle on an inclined surface.
  - Never raise the vehicle with the jack in a location other than the specified jacking point (shown in the illustration) near the wheel to be changed.
- Especially, do not raise the vehicle with a jack at a part of the torsion beam which is located under the vehicle body, between rear wheels.
- Make sure that the jack is raised at least 51 mm (2 inches) before it contacts the flange. Use of the jack when it is within 51 mm (2 inches) of being fully collapsed may result in failure of the jack.
  - Do not use wooden blocks or similar objects as a jack underlay.
  - Never get under the vehicle when it is supported by the jack. Never place your hands and feet under the raised vehicle when it is supported by a jack.

(Continued)

### ⚠ WARNING

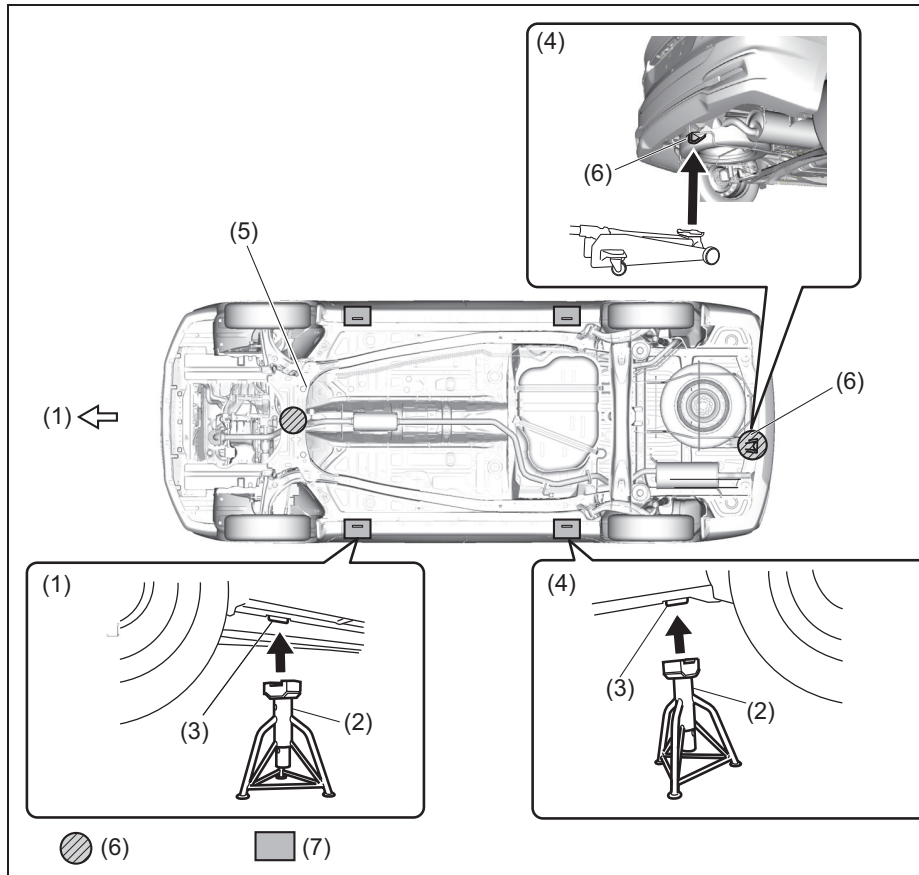
(Continued)

- Never run the engine when the vehicle is supported by the jack and never allow passengers to remain in the vehicle.

### Raising vehicle with garage jack

- Apply the garage jack to one of the points indicated below.
- Always support the raised vehicle with jack stands (commercially available) at the points indicated below.

## EMERGENCY SERVICE



- (1) Front
- (2) Jack stand
- (3) Jacking point for onboard jack
- (4) Rear
- (5) Front suspension frame
- (6) Jacking point for garage jack
- (7) Application point for two-column lift and jack stand

### NOTICE

- Never apply a garage jack to the exhaust pipe or engine undercover and rear torsion beam.
- When you apply a garage jack to the rear jacking point, it may interfere with the rear bumper depending on the shape of the garage jack.

### NOTE:

For more details, please contact a Maruti Suzuki authorised workshop.

72R0130



**Changing Wheels**

**⚠ WARNING**

- Never change a wheel in traffic lane. Always move the vehicle off the road on level, hard ground away from traffic for changing a wheel. For any further assistance contact your nearest Maruti Suzuki authorised workshop.

To change a wheel, use the following procedure:

- 1) Remove the jack, tools and spare wheel from the vehicle.
- 2) Loosen, but do not remove the wheel nuts.
- 3) Jack up the vehicle (follow the jacking instructions in this section).

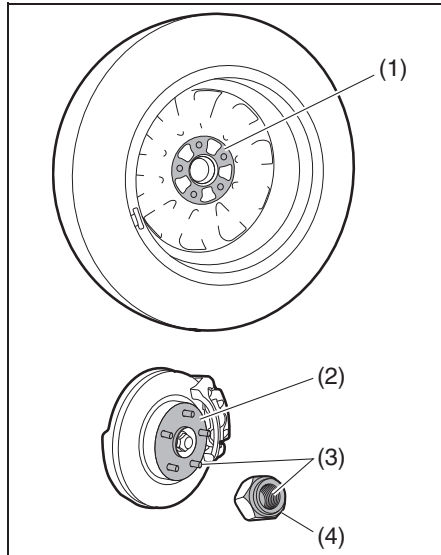
**⚠ WARNING**

- Shift into “R” (Reverse) when you jack up the vehicle.
- Never jack up the vehicle with the transmission in “N” (Neutral). Otherwise, unstable jack may cause an accident.

**⚠ CAUTION**

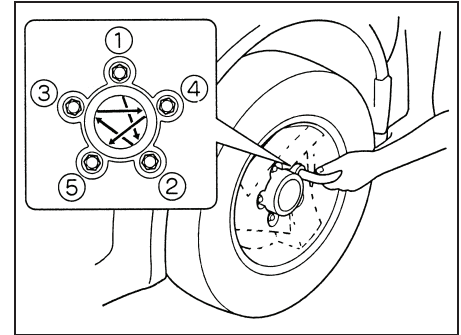
Immediately after the vehicle has been driven, the wheels, the wheel nuts and the area around the brakes might be extremely hot. Touching these areas may cause burn injury. Do not touch these areas, immediately after the vehicle has been driven.

4) Remove the wheel nuts and wheel.



65J4033

- 5) Clean any mud or dirt off from the surface of the wheel (1), hub (2), thread part (3) and surface of the wheel nuts (4) with a clean cloth. Clean the hub carefully; it may be hot from driving.
- 6) Install the new wheel and replace the wheel nuts with their cone shaped end facing the wheel. Tighten each nut snugly by hand until the wheel is securely seated on the hub.



81A057

**Tightening torque for wheel nuts  
100 Nm (10.2 kg-m, 74.0 lb-ft)**

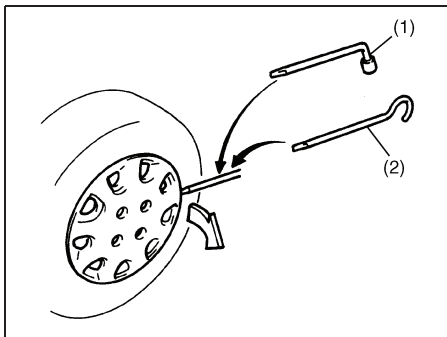
- 7) Lower the jack and fully tighten the nuts with a wheel wrench in numerical order as shown in the illustration.

## EMERGENCY SERVICE

### ⚠ WARNING

Use genuine wheel nuts and tighten them to the specified torque as soon as possible after changing wheels. Incorrect wheel nuts or improperly tightened wheel nuts may come loose or fall off, which can result in an accident. If you do not have a torque wrench, have the wheel nut torque checked by a Maruti Suzuki authorised workshop.

### Full Wheel Cover

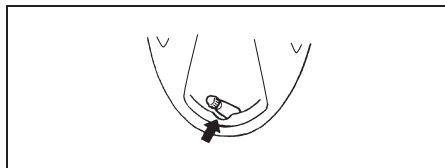


60G309

(1) or (2) Flat end tool

Your vehicle includes two tools, a lug wrench and a jack crank, one of which has a flat end.

Use the tool with the flat end to remove the full wheel cover, as shown in the illustration.



60MH074

When installing the cover, make sure that it is positioned so that it does not cover or foul the air valve.

### After Changing Wheels

Stow the tyre changing tools (jack, jack handle and lug wrench) in place. Also, stow the flat tyre in the spare tyre stowed position. Refer to "Tyre Changing Tool" in this section.

### NOTICE

Repair or replace the flat tyre immediately. If the flat tyre is placed in the spare tyre stowed position for long time, it can cause vehicle shakiness, noise, or scratches.

## Jump-Starting Instructions

### ⚠ WARNING

- Never attempt to jump-start your vehicle if the lead-acid battery appears to be frozen. Lead-acid batteries in this condition may explode.
- When making jump lead connections, be certain that your hands and the jump leads remain clear from pulleys, belts or fans.
- Batteries produce flammable hydrogen gas. Keep flames and sparks away from the lead-acid battery or an explosion may occur. Never smoke when working near the lead-acid battery.
- If the booster lead-acid battery you use for jump-starting is installed in another vehicle, make sure the two vehicles are not touching each other.
- If your lead-acid battery discharges repeatedly, for no apparent reason, have your vehicle inspected by a Maruti Suzuki authorised workshop.

(Continued)

**⚠ WARNING**

(Continued)

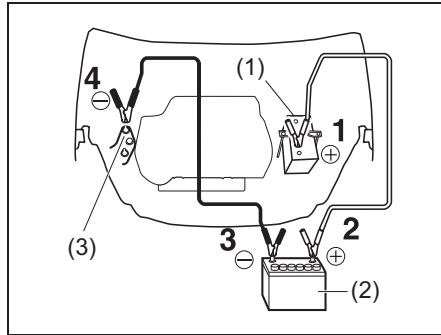
- To avoid harm to yourself or damage to your vehicle or lead-acid battery, follow the jump-starting instructions below. If you are in doubt, call for qualified road service.

**NOTICE**

Your vehicle should not be started by pushing or towing. This starting method could result in permanent damage to the catalytic converter. Use jump leads to start a vehicle with a weak or flat battery.

**Jump-Starting**

- 1) Use only a 12-volt battery to jump-start your vehicle. Position the good 12-volt battery close to your vehicle so that the jump leads will reach both batteries. When using a battery installed on another vehicle, check that two vehicles do not touch each other. Set the parking brakes fully on both vehicles.
- 2) Turn off all vehicle accessories, except those necessary for safety reasons (for example, headlights or hazard lights).



54P000804

3) Connect jump leads as follows:

1. Connect one end of the first jump lead to the positive (+) terminal of the discharged battery (1).
2. Connect the other end to the positive (+) terminal of the booster battery (2).
3. Connect one end of the second jump lead to the negative (-) terminal of the booster battery (2).
4. Make the final connection to an unpainted, heavy metal part (i.e. engine mount bolt (3)) of the engine of the vehicle with the discharged battery (1).

**⚠ WARNING**

Never connect the jump lead directly to the negative (-) terminal of the discharged lead-acid battery, or an explosion may occur.

**⚠ CAUTION**

Connect the jump lead to the engine mount bolt securely. If the jump lead disconnects from the engine mount bolt because of vibration at the start of the engine, the jump lead could be caught in the drive belts.

- 4) If the booster battery you are using is fitted to another vehicle, start the engine of the vehicle with the booster battery. Run the engine at moderate speed.
- 5) Start the engine of the vehicle with the discharged lead-acid battery.
- 6) Remove the jump leads in the exact reverse order in which you connected them.

### Towing your vehicle

If you need to have your vehicle towed, contact a professional service. Maruti Suzuki authorised workshop can provide you with detailed towing instructions.

#### **NOTICE**

**Observe the following instructions when towing your vehicle.**

- **To help avoid damage to your vehicle during towing, proper equipment and towing procedures must be used.**
- **Using the frame hook, tow your vehicle on paved roads for short distances at low speed.**

### 2-Wheel Drive (2WD)

The vehicle may be towed using either of the following methods.

- 1) From the front, with the front wheels lifted and the rear wheels on the ground. Before towing, make sure that the parking brake is released.
- 2) From the rear, with the rear wheels lifted and the front wheels on the ground, provided the steering and drivetrain are in operational condition. Before towing, make sure that transmission is in neutral, the steering wheel is unlocked the ignition key should be in "ACC" position, and the steering wheel is secured with a clamping device designed for towing service.

#### **NOTICE**

**The steering column is not strong enough to withstand shocks transmitted from the front wheels during towing. Always unlock the steering wheel before towing.**

### Engine trouble: Starter does not operate

- 1) Try turning the ignition switch to "START" position with the headlights turned on to determine the lead-acid battery condition. If the headlights go excessively dim or go off, it usually means that either the lead-acid battery is discharged or the lead-acid battery terminal contact is poor. Recharge the lead-acid battery or correct lead-acid battery terminal contact as necessary.
- 2) If the headlights remain bright, check the fuses. If the reason for failure of the starter is not obvious, there may be a major electrical problem. Have the vehicle inspected by a Maruti Suzuki authorised workshop.

## Engine trouble: Does not start

Make sure that your vehicle has enough fuel and lead-acid battery.

If the engine does not start under very cold condition, press the accelerator pedal all the way to the floor and hold it while cranking the engine.

Refer to "Starting / Stopping Engine in operating your vehicle section.

If the engine still does not start have your vehicle inspected at a Maruti Suzuki authorised workshop.

- Do not operate the starter motor for more than 12 seconds.

## Engine trouble: Overheating

The engine could overheat temporarily under severe driving conditions. If the engine coolant temperature gauge\* or high engine coolant temperature warning light\* indicates overheating during driving:

- 1) Turn off the air conditioner, if equipped.
- 2) Take the vehicle to a safe place and park.
- 3) Run the engine at a normal idle speed for a few minutes until the indicator\* is within the normal, acceptable temperature range between "H" and "C" or high engine coolant temperature warning light\* goes off.

### **WARNING**

**If you see or hear escaping steam, stop the vehicle in a safe place and immediately turn off the engine to cool it. Do not open the hood when steam is present. When the steam can no longer be seen or heard, open the hood to see if the coolant is still boiling. If it is, you must wait until it stops boiling before you proceed.**

If the temperature indication\* does not come down to within the normal, acceptable range or high engine coolant temperature warning light\* does not go off:

- 1) Turn off the engine and check that the water pump belt and pulleys are not damaged or slipping. If any abnormality is found, correct it.
- 2) Check the coolant level in the reservoir. If it is found to be lower than "LOW" line, check radiator, water pump and radiator hoses for leakage. If leakage that may cause overheating is found, do not run the engine until these problems have been corrected.
- 3) If leakage is not found, carefully add coolant to the reservoir and then the radiator, if necessary. (Refer to "Engine Coolant" in "INSPECTION AND MAINTENANCE" section.)

\*: If equipped

## EMERGENCY SERVICE

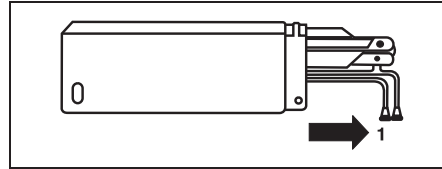


79J007

### ⚠ WARNING

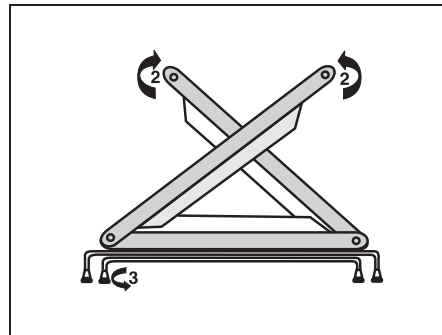
- It is hazardous to remove the radiator cap (or degassing tank cap) when the water temperature is high, because scalding fluid and steam may be blown out under pressure. The cap should only be taken off when the coolant temperature has lowered.
- To help prevent personal injury, keep hands, tools and clothing away from the engine cooling fan and air-conditioner fan (if equipped). These electric fans can automatically turn on without warning.

## Warning Triangle



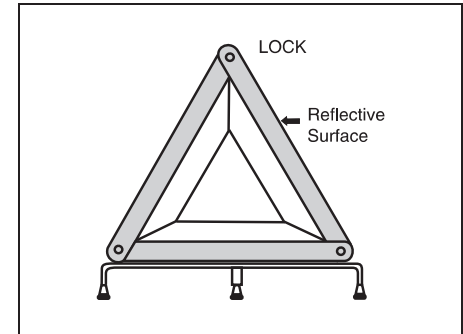
MH007001

In case of vehicle break-down or during emergency stopping, where, your vehicle could become a potential traffic hazard, keep the warning triangle, provided with your vehicle, on the road free from any obstacles behind your vehicle so as to warn the approaching traffic, at an approximate distance of 50-100 m. The reflecting side of the triangle should face the on coming traffic. Please activate the hazard warning lamps before alighting the vehicle to keep the warning triangle.



MHO-07-014

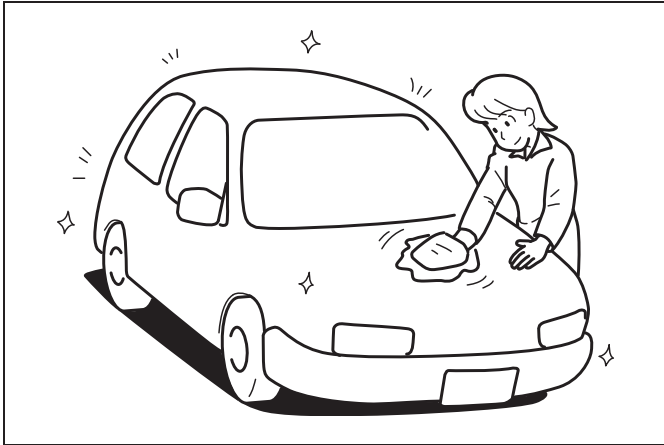
- Remove the warning triangle carefully from the cover as shown by arrow 1.
- Open both the reflector arms as shown by arrow and lock the arms with each other with the clip provided in the right arm. Open the bottom stand in counter clock-wise direction as shown by arrow 3. Position the warning triangle behind the vehicle on a plain surface.
- Reverse the removal procedure for keeping inside the cover.
- Place the warning triangle below 3rd row seat.



MHO-07-015

## APPEARANCE CARE

Corrosion Prevention .....	8-1
Vehicle Cleaning .....	8-2



60G412

### Corrosion Prevention

It is important to take good care of your vehicle to protect it from corrosion. Listed below are instructions for how to maintain your vehicle to prevent corrosion. Please read and follow these instructions carefully.

#### Important Information about Corrosion

##### Common causes of corrosion

- 1) Accumulation of road salt, dirt, moisture, or chemicals in hard-to-reach areas of the vehicle underbody or frame.
- 2) Chipping, scratches and any damage to treated or painted metal surfaces resulting from minor accidents or abrasion by stones and gravel.
- 3) Any or all of the below mentioned points:
  - Continuous exposure to sunlight.
  - Hard water & Sea water coming in contact with vehicle.
  - Foot rubbing (skirting).

##### Environmental conditions which accelerate corrosion

- 1) Road salt, dust control chemicals, sea breeze or industrial pollution will all accelerate the corrosion of metal.
- 2) High humidity will increase the rate of corrosion particularly when the temperature range is just above the freezing point.
- 3) Moisture in certain areas of a vehicle for an extended period of time may promote corrosion even though other body sections may be completely dry.
- 4) High temperatures will cause an accelerated rate of corrosion to parts of the vehicle which are not well-ventilated to permit quick drying.

This information illustrates the necessity of keeping your vehicle (particularly the underbody) as clean and dry as possible. It is equally important to repair any damage to the paint or protective coatings as soon as possible.

### How to Help Prevent Corrosion

#### Wash your vehicle frequently

The best way to preserve the finish on your vehicle and to help avoid corrosion is to keep it clean with frequent washing. Wash your vehicle at least once during the winter and once immediately after the winter. Keep your vehicle, particularly the underside, as clean and dry as possible. If you frequently drive on salted roads, your vehicle should be washed at least once a month during the winter. If you live near the ocean, your vehicle should be washed at least once a month throughout the year.

For washing instructions, refer to "Vehicle Cleaning" section.

#### Remove foreign material deposits

Foreign material such as salts, chemicals, road oil or tar, tree sap, bird droppings and industrial fall-out may damage the finish of your vehicle if it is left on painted surfaces. Remove these types of deposits as quickly as possible. If these deposits are difficult to wash off, an additional cleaner may be required. Be sure that any cleaner you use is not harmful to painted surfaces and is specifically intended for your purposes. Follow the manufacturer's directions when using these special cleaners.



**Repair finish damage**

Carefully examine your vehicle for damage to the painted surfaces. Should you find any chips or scratches in the paint, touch them up immediately to prevent corrosion from starting. If the chips or scratches have gone through to the bare metal, have a qualified body shop make the repair.

**Keep passenger and luggage compartments clean**

Moisture, dirt or mud can accumulate under the floor mats and may cause corrosion. Occasionally, check under these mats to ensure that this area is clean and dry. More frequent checks are necessary if the vehicle is used for off-road driving or in wet weather.

Certain cargos such as chemicals, fertilizers, cleaners, salts, etc. are extremely corrosive by nature. These products should be transported in sealed containers. If they are spilled or leaked, clean and dry the area immediately.

**Park your vehicle in a dry, well-ventilated area**

Park your vehicle to save it from continuous exposure to direct sunlight. Do not park your vehicle in a damp, poorly ventilated area. If you often wash your vehicle in the garage and place it there in wet condition, your garage may be damp. The high humidity in the garage may cause or accelerate corrosion. A wet vehicle may corrode even in a heated garage if the ventilation is poor.

**⚠ WARNING**

**Do not apply additional undercoating or rust preventive coating on or around exhaust system components such as the catalytic converter, exhaust pipes, etc. A fire could be started if the undercoating substance becomes overheated.**

**Vehicle Cleaning**



76G044S

**⚠ WARNING**

**When cleaning the interior or exterior of the vehicle, do not use flammable solvents such as lacquer thinners, gasoline and benzene. Also, do not use cleaning materials such as bleaches and strong household detergents. The materials could cause personal injury or damage to the vehicle.**

## APPEARANCE CARE

---

### Cleaning Interior

#### Leather upholstery

Remove loose dirt with a vacuum cleaner. Using a mild soap or saddle soap solution, wipe dirt off with a clean damp soft cloth. To remove soap, wipe the areas again with a soft cloth dampened with water. Wipe the areas dry with a soft dry cloth. Repeat this until the dirt or stain is removed, or use a commercial leather cleaner for tougher dirt or stains. If you use a leather cleaner, carefully follow the manufacturer's instructions and precautions. Do not use solvent type cleaners or abrasive cleaners.

#### NOTE:

- *In order to keep leather upholstery looking good, it should be cleaned at least twice a year.*
- *If leather upholstery becomes wet, immediately wipe it dry with tissue paper or a soft cloth. Water may cause leather to harden and shrink if it is not wiped off.*
- *When parking on sunny days, select a shady place or use a sunshade. If leather upholstery is exposed to direct sunlight for a long time, it may discolor and shrink.*
- *As is common with natural materials, leather is inherently irregular in grain and cowhide has spots in its natural state. These do not affect the performance of the leather in any way.*

#### Vinyl upholstery

Prepare a solution of soap or mild detergent mixed with warm water. Apply the solution to the vinyl with a sponge or soft cloth and let it soak for a few minutes to loosen dirt.

Rub the surface with a clean, damp cloth to remove dirt and the soap solution. If some dirt still remains on the surface, repeat this procedure.

#### Fabric upholstery (Except front passenger seat)

Remove loose dirt with a vacuum cleaner. Using a mild soap solution, rub stained areas with a clean damp cloth. To remove soap, rub the areas again with a cloth dampened with water. Repeat this until the stain is removed, or use a commercial fabric cleaner for tougher stains. If you use a fabric cleaner, carefully follow the manufacturer's instructions and precautions.

#### CAUTION

- **Do not spill liquid or semi-solid on the front passenger's seat. If you spill it on the front passenger's seat, immediately wipe it dry with a soft cloth. Contact of liquid with sensor may impact the function of seat belt reminder sensor.**
- **Do not place any sharp or heavy object on passenger seat which can penetrate through seat upholstery and can cause damage to sensor.**

#### Fabric upholstery (For front passenger seat)

Do not use liquid for cleaning as it may penetrate the fabric and damage the seat sensor.

#### Seat belts

Clean seat belts with a mild soap and water. Do not use bleach or dye on the belts. They may weaken the fabric in the belts.

#### Vinyl floor mats

Ordinary dirt can be removed from vinyl with water or mild soap. Use a brush to help loosen dirt. After the dirt is loosened, rinse the mat thoroughly with water and dry it in the shade.

#### Carpets

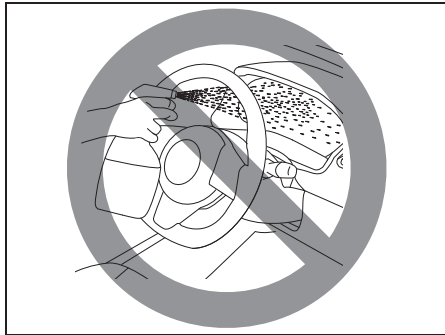
Remove dirt and soil as much as possible with a vacuum cleaner. Using a mild soap solution, rub stained areas with a clean damp cloth. To remove soap, rub the areas again with a cloth dampened with water. Repeat this until the stain is removed, or use a commercial carpet cleaner for tougher stains. If you use a carpet cleaner, carefully follow the manufacturer's instructions and precautions.

**Instrument panel and console**

Remove loose dirt with a vacuum cleaner. Gently wipe dirt off with a tightly squeezed damp clean cloth. Repeat this until the dirt is removed.

**⚠ WARNING**

Do not use chemical products that contain silicon to wipe electrical components such as the air conditioning system, audio, navigation system, or other switches. These will cause damage to the components. Do not spray water or any liquid directly on instrument cluster or any other electrical or electronic components. This may cause damage and/or lead to non-functioning of the part or may cause fire.



81RM08005

**NOTICE**

- Liquid such as liquid aromatics, soft drinks or juice may cause discoloration, wrinkles, and cracking to resin-based parts and textiles. Immediately wipe it dry with tissue paper or a soft cloth.
- Do not leave leather products with color, fur or vinyl products, etc. in your vehicle for long periods. It may cause discoloration or deterioration of interior.

**Cleaning Exterior**

**NOTICE**

It is important that your vehicle be kept clean and free from dirt. Failure to keep your vehicle clean may result in fading of the paint or corrosion to various parts of the vehicle body.

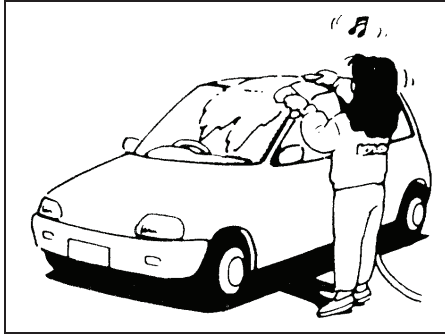
**Washing**

**⚠ WARNING**

- Never attempt to wash and wax your vehicle with the engine running.
- When cleaning the underside of the body and fender, where there may be sharp-edged parts, wear gloves and a long-sleeved shirt to protect your hands and arms from being cut.
- After washing your vehicle, carefully test the brakes before driving to make sure they have maintained their normal effectiveness.

## APPEARANCE CARE

### Washing by hand



60B212S

When washing the vehicle, park it in the place where direct sunlight does not fall on it as much as possible and follow the instructions below:

- 1) Flush the underside of body and wheel housings with pressurized water to remove mud and debris. Use plenty of water.

#### **NOTICE**

**When washing the vehicle:**

- Avoid directing steam or hot water of more than 80°C (176°F) on plastic parts.
- To avoid damaging engine components, do not use pressurized water in the engine compartment.



81RM08006

- 2) Rinse the body to loosen the dirt. Remove dirt and mud from the body exterior with running water. You may use a soft sponge or brush. Do not use hard materials which can scratch the paint or plastic. Remember that the headlight covers or lenses are made of plastic in many cases.

#### **NOTICE**

**To avoid damage to the paint or plastic surface, do not wipe the dirt off without ample water. Follow the above procedure.**

- 3) Wash the entire exterior with a mild detergent or car wash soap using a sponge or soft cloth. The sponge or cloth should be frequently soaked in the soap solution.

#### **NOTICE**

**When using a commercial car wash product, observe the cautions specified by the manufacturer. Never use strong household detergents or soaps.**

- 4) Once the dirt has been completely removed, rinse off the detergent with running water.
- 5) Wipe off the vehicle body with a wet chamois or cloth and allow it to dry in the shade.
- 6) Check carefully for damage to painted surfaces. If there is any damage, touch up the damage following the procedure below:
  1. Clean all damaged spots and allow them to dry.
  2. Stir the paint and touch up the damaged spots lightly using a small brush.
  3. Allow the paint to dry completely.

Washing by an automatic car wash

**NOTICE**

If you use an automatic car wash, make sure that your vehicle's body parts, such as spoilers, cannot be damaged. If you are in doubt, consult the car wash operator for advice.

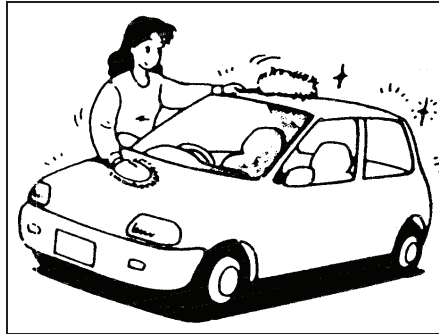
Washing by a high-pressure cleaner

**NOTICE**

If you use a high-pressure cleaner, keep away the nozzle from your vehicle sufficiently.

- Bringing the nozzle to your vehicle too close or pointing the nozzle to the opening of front grill or bumper etc. can cause damage and malfunction of the vehicle body and parts.
- Pointing the nozzle to door glasses and door frames can allow water to enter the cabin.

Waxing



60B211S

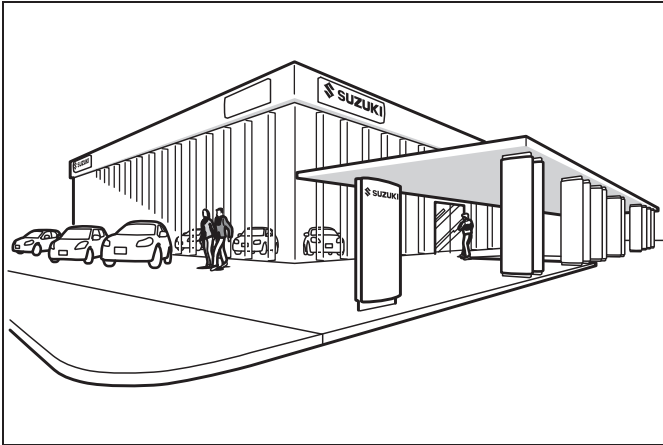
After washing the vehicle, waxing and polishing are recommended to further protect and beautify the paint.

- Only use waxes and polishes of good quality.
- When using waxes and polishes, observe the precautions specified by the manufacturers.



## SPECIFICATIONS

Vehicle Identification .....	9-1
FASTag (if equipped) .....	9-1
High security Registration Plate (HSRP) .....	9-2
Fuel Recommendation .....	9-4
SPECIFICATIONS .....	9-5

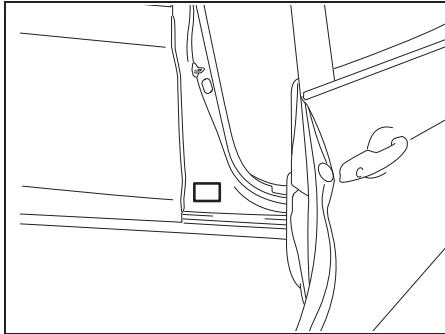


81MM01001

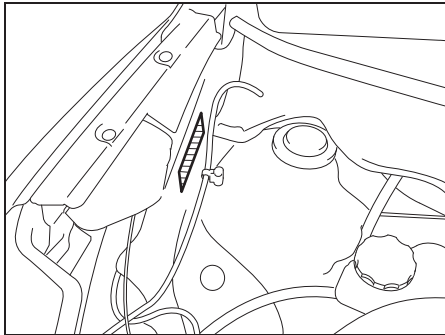
## SPECIFICATIONS

### Vehicle Identification

#### Chassis Serial Number



73R0135

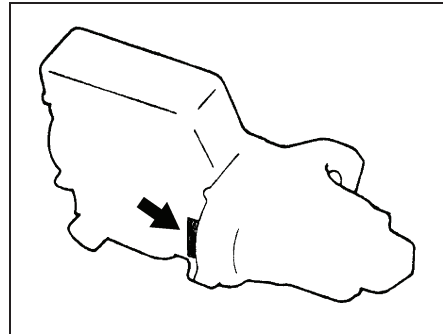


73R0136

The chassis and/or engine serial numbers are used to register the vehicle. They are

also used to assist a Maruti Suzuki authorised workshop when ordering or referring to special service information. Whenever you have occasion to consult a Maruti Suzuki authorised workshop, remember to identify your vehicle with this number. Should you find the number difficult to read, you will also find it on the identification plate.

#### Engine Serial Number

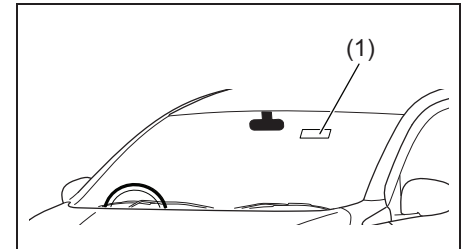


60G128

The engine serial number is stamped on the cylinder block as shown in the illustration.

#### FASTag (if equipped)

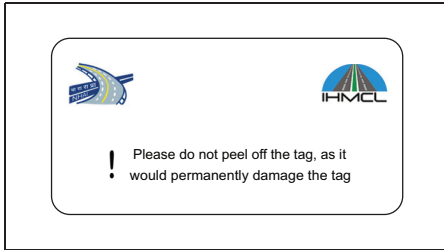
As per Ministry of Road Transport and Highways, the FASTag (1) is mandatory for each vehicle for the purpose of electronic toll collection or any other purpose as may be defined by the Government of India. In case of any damage to FASTag or replacement of front windscreen, please contact your nearest Maruti Suzuki authorised workshop.



72RM09001



**As seen from inside of the vehicle**

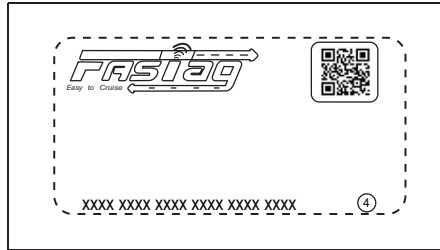


64MM01002

**NOTE:**

*The picture shown is for indicative purpose only. Internal structure of actual device mounted on vehicle may be different.*

**As seen from outside of the vehicle**



64MM01003

**NOTE:**

*The picture shown is for indicative purpose only. Internal structure of actual device mounted on vehicle may be different.*

**NOTE:**

- Any attempt to remove the tag from the windscreen will result in permanent damage to the tag.
- Use of chemical cleaners to clean the windscreen area where the tag is mounted can damage the tag.
- Use of any sharp objects on the tag can damage the tag.

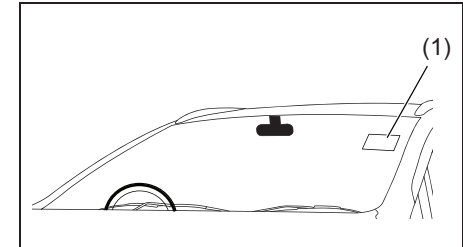
**High Security Registration Plate (HSRP)**

As per Ministry of Road Transport and Highways, every new vehicle must have HSRP.

HSRP contains:

- Front and rear HSRP, which will be fitted with 2 snap-locks each on number plate area.
- Third license plate on front windshield.

**Third License Plate**

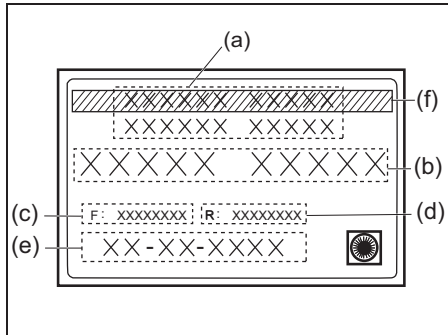


64MM01005

(1) Third license plate

## SPECIFICATIONS

### Third license plate - As seen from outside of the vehicle



- (a) HSRP issuing authority name
- (a) Vehicle registration number
- (a) Unique laser number - Front plate
- (a) Unique laser number - Rear plate
- (a) Date of 1st registration  
(in DD-MM-YYYY format)
- (a) Green strip (BS6 vehicle)

#### NOTE:

The picture shown is for indicative purpose only. Internal structure of actual label mounted on vehicle may be different.

#### NOTE:

- Any attempt to remove the third license plate from the windscreen will result in permanent damage to the label.

- Use of chemical cleaners to clean the windscreen area where the label is mounted can damage the same.
- Use of any sharp objects on the label can damage the label.
- In the event of any replacement of the third license plate may please contact the approved authority.

### Third license plate - As seen from inside of the vehicle



#### NOTE:

The picture shown is for indicative purpose only.

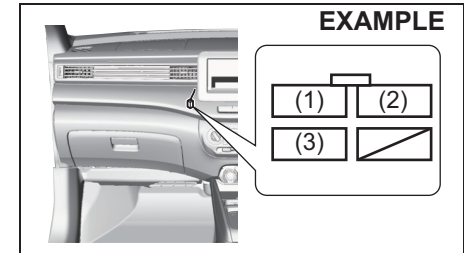
#### NOTE:

Color of third license plate (back) is as per HSRP regulation as defined by Ministry of Road Transport and highways.

## Provision for AIS140: Intelligent Transportation System (ITS)

This vehicle has provision of Power Connector for fitment of AIS140 ITS device.

Power connector is located under the dashboard as shown in below illustration.



Power connector description	
(1)	Battery
(2)	Ground
(3)	Ignition signal

## Fuel Recommendation

### Petrol Engine

To avoid damaging catalytic converter, you must use unleaded petrol with an octane number (RON) of 91 or higher.

#### Gasoline/Ethanol blends

Blends of unleaded gasoline and ethanol, also known as gasohol, are commercially available in the country and can vary with location. Gasoline Ethanol blend up to E20 can be used as fuel for this vehicle.

#### Gasoline containing MTBE

Unleaded gasoline containing MTBE (methyl tertiary butyl ether) may be used in your vehicle if the MTBE content is not greater than 15%. This oxygenated fuel does not contain alcohol.

**▲ CAUTION**

Use of Spurious, low quality, adulterated fuel can cause damage to the engine & engine auxiliaries, affect functioning of engine and degrade engine performance including but not limited to seizure.

**NOTICE**

- The fuel tank has an air space to allow for fuel expansion in hot weather. If you continue to add fuel after the filler nozzle has automatically shut off or an initial blowback occurs, the air chamber will become full. Exposure to heat when fully fuelled in this manner will result in leakage due to fuel expansion. To prevent such fuel leakage, stop filling after the filler nozzle has automatically shut off, or when initial vent blowback occurs, if using an alternative non-automatic system.
- Be careful not to spill fuel containing alcohol while refueling. If fuel is spilled on the vehicle body, wipe it up immediately. Fuels containing alcohol can cause paint damage, which is not covered under the New Vehicle Limited Warranty.

## SPECIFICATIONS

---

### SPECIFICATIONS

*NOTE:*

*Specifications are subject to change without notice.*

ITEM: Dimensions <sup>#</sup>		UNIT: mm
Overall length		4395
Overall width		1735
Overall height		1690
Wheelbase		2740
Track	Front	1510
	Rear	1520
Ground clearance		180

ITEM: Mass (weight)*		UNIT: Kg	K15C ISG 5MT
Curb mass (weight)			1170
Gross vehicle mass (weight) rating			1760
Permissible maximum Axle Weight	Front		850
	Rear		965

# - Details mentioned are related to all vehicle variants of Petrol and CNG.

\* - Details mentioned are related to Petrol engine variants only. For CNG , may please refer to the CNG supplementary manual.

<b>ITEM: Engine</b>	
Type	K15C
Number of cylinders	4
Bore	74.0 mm
Stroke	85.0 mm
Piston displacement	1462 cm <sup>3</sup> (1462 cc)
Compression ratio	12.0 : 1

<b>ITEM: Electrical</b>		
Standard spark plug	NGK ILZKR6Q11	
Lead-acid battery	Petrol	12V ISS N-55 <sup>*1</sup>
	CNG	12V 34B19L
Lithium-ion battery	Maintenance free <sup>*2</sup>	
Fuses	See "INSPECTION AND MAINTENANCE" section.	

\*1 When battery replacement is necessary, use only N55 (Exide Conservo) battery. Else it may deteriorate performance of Smart Hybrid system.

\*2 If the lithium-ion battery is completely discharged, the battery cannot be recharged. When replacing or disposing the lithium-ion battery, consult your Maruti Suzuki authorised workshop.

## SPECIFICATIONS

ITEM: Lights		WATTAGE	BULB No.
Headlight	High beam	12V 60W/65W	HB3
	Low beam	12V 55W	H11
Turn signal light	Front	12V 21W	WY21W
	Rear	12V 21W	PY21W
Side turn signal light (on outside rearview mirror) <sup>*1</sup>		LED	
Position light		12V 5W	W5W
Tail/brake light <sup>*1</sup>		LED	
License plate light		12V 5W	W5W
Reversing light		12V 16W	W16W
Interior light		12V 10W	–
High mount stop light <sup>*1</sup>		LED	

ITEM: Wheels and Tyres	
Tyre size, front, rear and spare	185/65R15 88H <sup>*2</sup>
Rim size	15X5 1/2J
Tyre pressures	For the specified tyre pressure, see the Tyre Information Label located on the driver's door lock pillar.

• If you need to replace the following bulbs indicated in the above table, consult your Maruti Suzuki authorised workshop.

\*1 Since the lights are non-disassemble type, you cannot replace a bulb. Replace the target assembly if any light is defective.

\*2 If you cannot prepare tyres with the specified load index rate and speed symbol, prepare tyres with higher load index rate and speed symbol.

<b>ITEM: Capacities (approx.)</b>		
Coolant (including reservoir tank)	"SUZUKI LLC: Super (Blue) Coolant" *1 "SUZUKI LLC: Standard (Yellow) Coolant" *1	4.5 L
Fuel tank	See "Fuel" in this section.	45 L <sup>#</sup>
Engine oil	Classification: API SN or SP ILSAC GF-6 Viscosity: SAE 0W-16	3.3 L (replacement with oil filter)
Transmission oil	"MARUTI GENUINE GEAR OIL 75W"	2.6 L
Brake fluid / Clutch fluid	MARUTI GENUINE BRAKE FLUID (MGBF) or DOT 3.	Refill to the proper oil level according to the instructions in "INSPECTION AND MAINTENANCE" section.

\*1: The recommended coolant varies depending on your vehicle. Refer to "INSPECTION AND MAINTENANCE" section.

# : The fuel tank capacity is slightly more than the recommended quantity of fuel that you can fill. The additional voluminous space is provided for safety and scientific reasons.





## SERVICE NETWORK (AS ON 31.10.2023)

- **MARUTI SUZUKI AUTHORISED DEALER WORKSHOP** : SALES, SERVICE, WARRANTY & SPARE PARTS
- **MARUTI SUZUKI NEXA DEALER WORKSHOP** : SALES, SERVICE, WARRANTY & SPARE PARTS
- **MARUTI SERVICE MASTER (MSM)** : SERVICE, WARRANTY & SPARE PARTS
- **MARUTI SERVICE ZONE (MSZ)** : SERVICE, WARRANTY & SPARE PARTS
- **MARUTI AUTHORISED SERVICE STATIONS (MASSs)** : 'A' CATEGORY MASSs (\*\*MARKED)  
Free & paid Service, Major repairs & Accidental repairs
- 'B' CATEGORY MASSs (\* MARKED)  
Free & paid Service & Major repairs
- 'C' CATEGORY MASSs (##MARKED)  
Free & paid Service & Minor repairs
- 'D' CATEGORY MASSs (#MARKED)  
Free Service & Minor repairs

**NOTE:**

*Certain MASSs are not authorised to undertake Warranty jobs. Customers are requested to approach only Maruti Suzuki Authorised Dealer Workshop / Maruti Suzuki Nexa Dealer Workshop / Maruti Service Master / Maruti Service Zone for Warranty jobs.*

*The charges and services may vary depending upon service network and location.*

For latest Service Network details kindly visit [www.marutisuzuki.com](http://www.marutisuzuki.com) or contact our regional office / area office as mentioned below.

REGIONAL OFFICE	AREA COVERED
REGIONAL OFFICE (NORTH-I) MARUTI SUZUKI INDIA LIMITED 2nd FLOOR, 157 DIVINE , RAJPUR ROAD, DEHRADUN, UTTARAKHAND - 248001 PH:- 0135-2738549	UTTARAKHAND AND PART OF U.P.
REGIONAL OFFICE (NORTH-II) MARUTI SUZUKI INDIA LIMITED SCO: 39-40, SECTOR 8C, MADHYA MARG, CHANDIGARH - 160009 PH. NO.- 0172-2780056	PUNJAB, CHANDIGARH, PANCHKULA, ZIRAKPUR, MOHALI, JAMMU AND KASHMIR & LADAKH
REGIONAL OFFICE (NORTH-III) MARUTI SUZUKI INDIA LIMITED 4TH FLOOR, SUMMIT, PLOT NO. TCG 3/3, VIBHUTI KHAND, GOMTI NAGAR – LUCKNOW - 226010	PART OF U.P.
REGIONAL OFFICE (NORTH-IV) MARUTI SUZUKI INDIA LIMITED S.C.O. 81, FIRST FLOOR, SECTOR 5, PANCHKULA (HARYANA)-134109 PH : (0172) 2590056, 2580056	PART OF HARYANA AND HIMACHAL PRADESH
REGIONAL OFFICE (EAST-I) MARUTI SUZUKI INDIA LIMITED PLOTNOID/15, ACTIONAREA/ID, NEW TOWN KOLKATA-700156	WEST BENGAL, SIKKIM, ANDAMAN & NICOBAR
REGIONAL OFFICE (EAST-II) MARUTI SUZUKI INDIA LIMITED 4TH FLOOR, ROHINI, OPP. HOTEL APSARA, 56, CIRCULAR ROAD, LALPUR RANCHI - 834001, JHARKHAND PH.: - 0651-2563931/61	BIHAR, JHARKHAND
REGIONAL OFFICE (EAST-III) MARUTI SUZUKI INDIA LIMITED 5A, 5TH FLOOR, PEACE ENCLAVE 724, ULUBARI, G.S.ROAD, GUWAHATI-781007 (ASSAM) TELE: 0361-2734308/10/11/12	ARUNACHAL PRADESH, ASSAM, MANIPUR, MEGHALYA, MIZORAM, NAGALAND, TRIPURA

## SERVICE NETWORK (AS ON 31.10.2023)

REGIONAL OFFICE (WEST-I) MARUTI SUZUKI INDIA LIMITED Plot No-GEN 25 + 25 B/2,TTC INDUSTRIAL AREA,PAWANE VILLAGE,THANE BELAPUR ROAD,NAVI MUMBAI- 400705 PH NO-022 45042300	PART OF MAHARASHTRA AND GOA
REGIONAL OFFICE (WEST-II) MARUTI SUZUKI INDIA LIMITED SACRED WORLD, 7TH FLOOR, NORTH BLOCK, UNIT NUMBER 708-715; JAGTAP CHOWK, WANAWADI, PUNE – 411 040 (MAHARASHTRA) PH. (020) 26856037 / 38 / 39	PART OF MAHARASHTRA
REGIONAL OFFICE (WEST-III) MARUTI SUZUKI INDIA LIMITED 211-213, 2ND FLOOR, ISCON MALL, ABOVE STAR INDIA BAZAR, SATELLITE, AHMEDABAD - 380015 PH NO - 079 – 40036660	GUJARAT, DADRA & NAGAR HAVELI, DAMAN AND DIU
REGIONAL OFFICE (SOUTH-I) MARUTI SUZUKI INDIA LIMITED 10th Floor, Block A, Global Infocity Park, No.40, Anna Nedunchalai, Kandanchavadi, Perungudi, Chennai, Tamil Nadu – 600096 PH. - 044 - 28233050 – 53	TAMILNADU AND PONDICHERY
REGIONAL OFFICE (SOUTH-II) MARUTI SUZUKI INDIA LIMITED #204, 2ND FLOOR, EMBASSY CLASSIC BUILDING,VITTAL MALLYA ROAD,BANGALORE- 560001, KARNATAKA. PH: (080) 41120018	KARNATAKA
REGIONAL OFFICE (SOUTH-III) MARUTI SUZUKI INDIA LIMITED 2ND FLOOR, TUTUS TOWERS, 32/1787 NH47- BYE PASS, PADIVATTOM, COCHIN- 682024	KERALA
REGIONAL OFFICE (SOUTH EAST-I) MARUTI SUZUKI INDIA LIMITED 101-102 FIRST FLOOR MAHAVIR CHAMBERS, LIBERTY SQUARE STANZA, HIMAYATH NAGAR, HYDERABAD-500029, TELANGANA CONTACT NO: 040-667299999	ANDHRA PRADESH, TELANGANA
REGIONAL OFFICE (SOUTH EAST-II) MARUTI SUZUKI INDIA LIMITED UTKAL SIGNATURE, UNIT NO. 605 & 606 (6TH FLOOR) NH-5, PAHAL, CUTTACK-BHUBANESWAR ROAD, BHUBANESWAR-752101, ODISHA PH. 0674-2914129, 0674-2914139 & 0674-2914229	ODISHA AND CHHATTISGARH
REGIONAL OFFICE (CENTRAL-I & II) MARUTI SUZUKI INDIA LIMITED Nelson Mandela Marg,Vasant Kunj II, Vasant Kunj, New Delhi, Delhi - 110070	DELHI
REGIONAL OFFICE (CENTRAL-III) MARUTI SUZUKI INDIA LIMITED 7TH POOJA TOWER, 3 GOPALPURA BYEPASS, TONK ROAD JAIPUR (RAJASTHAN)- 302018, CONTACT NO.: 0141-2550888	RAJASTHAN
REGIONAL OFFICE (CENTRAL-IV) MARUTI SUZUKI INDIA LIMITED 3RD FLOOR, COMMERCE HOUSE, 7 RACE COURSE ROAD INDORE (M.P) PIN CODE: 452001 CONTACT NO.: 07314069481/852/385.	MADHYA PRADESH

**SERVICE NETWORK (AS ON 31.10.2023)**

<b>DETAILS OF AREA OFFICES</b>	
<b>Area Office Location</b>	<b>Area Office Address</b>
Agra	Maruti Suzuki India Limited, 7th Floor, B-15/8, Shri Vrindavan Tower, Sanjay Place, Agra-282001 Ph:-0562-4052646/47
Bhopal	Maruti Suzuki India Limited, 522, 5th Floor Corporate Zone, Ashima Mall, Hoshangabad Road, Bhopal (M.P) Pin Code: 462 026 Contact : 0755 6051555
Calicut	Maruti Suzuki India Limited, Ground Floor, Aarpees Arcade, YMCA Cross Road, Opp. Indusind Bank, Kozhikode, Kerala -PIN 673001 Phone:- 0495-2723151
Coimbatore	Maruti Suzuki India Limited, Srivari Gokul Towers, First floor, (East wing), No.108/3, Race course, Coimbatore - 641018 Ph.- 0422-2221091
Hubli	Maruti Suzuki India Limited, Shiva Avenue, 2nd Floor, Gokul Road, Hubli - 580030, Ph: 0836-4259447
Jammu	Maruti Suzuki India Limited, Hall no: 315, A2,3rd Floor, South Block, Bahu Plaza, Jammu-180012 M: 9622066444/9622524343
Ludhiana	Maruti Suzuki India Limited, SCO No. 16/17, 4Th Floor, Fortune Chambers, Feroze Gandhi Market, Ludhiana-141001, Ph: 0161-4649764
Madurai	Maruti Suzuki India Limited, 3rd floor, ADR towers, Kalavasal, Theni Bye pass road, Madurai-625016 Ph. - 0452-4200203
Mangalore	Maruti Suzuki India Limited, F - 4,5,6, 1st Floor, Classic Gateway, Mahaveer Circle Pumpwell Mangalore – 575002 Ph. 0824 - 4112111

**SERVICE NETWORK (AS ON 31.10.2023)**

<b>DETAILS OF AREA OFFICES</b>	
<b>Area Office Location</b>	<b>Area Office Address</b>
Nagpur	Maruti Suzuki India Limited, Plot No.244, 1st Floor, Narayani House, Hill Road, Dharampeth Extension, Nagpur - 440010 (Maharashtra) Ph. (0712) 2225808
Nashik	Maruti Suzuki India Limited, Plot No.202, Rushiraj Towers, Jehan Circle, Gangapur Road, Nashik - 422 005 (Maharashtra) Ph. (0253) 6698551
Patna	Maruti Suzuki India Limited, 307-308, Vasundhara Metro Mall, Rajapur Pul, East Boring Canal Road, Patna - 800001, Bihar Phone - 0612-2559145
Raipur	Maruti Suzuki India Limited, 629-630, Magneto Offizo,Magneto The Mall, Labhandi, Raipur, Chhattisgarh, Pin - 492001 Ph.- 0771-4039643
Siliguri	Maruti Suzuki India Limited, Unit 401, 4th Floor, Quantum Siliguri, Parivahan Nagar, Matigara Siliguri - 734010 West Bengal
Surat	Maruti Suzuki India Limited, 304, Shivalik Western, Above TGB Restaurant, L.P. Savani Road, Adajan Surat - 395009
Trivandrum	Maruti Suzuki India Limited, 8th Floor, KEK Tower, Opp. Police Head Quarters, Vazhuthacadu, Trivandrum - 695010, Phone:- 0471-2322366
Udaipur	Maruti Suzuki India Limited, 302 & 303, 3rd Floor. Manglam's Fun Square, Durga Nursery Road. Udaipur, (Rajasthan) 313001
Vijayawada	Maruti Suzuki India Limited, Vaishinavi Complex, 4th Floor, Unit 2,Opposite Executive Club, Vijayawada, -530002,
Visakhapatnam	Maruti Suzuki India Limited, Door No. 10-50-58/1, 3rd Floor, Waltair Main Road, Ramnagar, Above westside store, RK Estates, Visakhapatnam-530002, Andhra Pradesh Contact No: 0891 2745299

**ANDAMAN AND NICOBAR ISLANDS**

**DIGLIPUR**

1. AGENCY HOUSE (A & N ISLANDS) PVT. LTD. (PU01-01-), MADHUPUR VILLAGE, TEHSIL DIGLIPUR,NORTH ANDAMAN - 744202 PH :271056.

**PORTBLAIR**

2. AGENCY HOUSE (A & N ISLANDS) PVT. LTD. (E102-01-), GARACHRAMA, PORT BLAIR - 744105 PH :251980, 253586, 211590.
3. AGENCY HOUSE (A & N ISLANDS) PVT. LTD. (E102-02-), NAYAGEN, PORTBLAIR - 744101 PH :227104, 211682.

**RANGAT**

4. AGENCY HOUSE (A & N ISLANDS) PVT. LTD. (E102-03-), NIMBUTULLA, PO RANGAT, DIST. MIDDLE ANDMAN - 744201 PH :211546.

**ANDHRA PRADESH**

**AMALAPURAM**

5. S.B. MOTOR CORPORATION (BTS1-01-), #241/2B, BESIDE: BAPUJI PRIMARY SCHOOL MAIN ROAD, OPP. RR NAGAR, BANDARULANKA, AMALAPURAM, EAST GODAVARI (DIST) - 533201 PH :8374303303.

**AMARAVATI**

6. JAYALAKSHMI AUTOMOTIVES PVT. LTD (CVB1-01-), SURVEY NO. 29, TOWNSHIP-16, SECTOR-137, COLONY-539, BLOCK-2029, PLOT NO. 1, SUB-DIVISION-L40, MALKAPURAM LIMITS, MANDAL - THULLURU, AMARAVATI-CITY, DIST.-GUNTUR, ANDHRA PRADESH. - 522237 PH :8374847777.

**ANAKAPALLE**

7. JAYABHERI AUTOMOTIVES PVT. LTD. (0N01-01-), SURVEY NO.822/1 & 2, NH-5 ROAD, ANAKAPALLE, DISTT. VISHAKHAPATNAM. - 531001 PH :7093575555.

**ANANTAPUR**

8. SRI DURGA AUTOMOBILES PVT. LTD. (1B01-01-), 17/377-A.GOOTY ROAD, ANANTAPUR - 515001 PH :9100902697.
9. JAYALAKSHMI (1B02-01-), SURVEY NO 146-3,SRI NAGAR COLONY, ANANTAPUR, ANDHRA PRADESH - 510055 PH :9177723377.

**ANNAVARAM**

10. VARUN MOTORS (SJM1-01-), DO-NO : 5/116, SURVEY NO - 59.,CHALAMAYYA NAGAR, RAILWAY STATION ROAD, NEAR SMP BAJAJ SHOWROOM, ANNAVARAM, EAST GODAVARI DISTRICT, ANDHRA PRADESH. - 533406 PH :9885288339.

**ARAKU**

11. VARUN MOTORS (SJM1-01-), SURVEY NO 33-9/A, RAVULAGADDA VILLAGE,BESIDE GOVT DEGGRE COLLEGE,ARAKU,VISHAKAPATNAM,ANDHRAPR ADESH - 531151 PH :9885317344.

**BHAINSA**

12. ADARSHA (BS11-01-), SURVEY NO 448A/1, BASAR ROAD, BHAINSA,NIRMAL DISTRICT,TELANGANA - 504103 PH :8886092222.

**BHIMAVARAM**

13. NOVELTY REDDY & REDDY MOTORS PVT LTD (7M01-01-), NEAR BYEPASS ROAD,UNDI ROAD,BHIMAVARAM - 534202 PH :7799771177.

**BOBBILI**

14. VARUN MOTORS PVT. LTD. (CAM1-01-), D. NO. 4-64, SURVEY NO. 219/8, VILLAGE - MALLAMMAPETA, BESIDE GROWTH CENTRE, BOBBILI, DISTRICT - VIZIANAGARAM, ANDHRA PRADESH. - 535558 PH :9885280772, 9885317344.

**CHALLAPALLI**

15. MITHRA AUTO AGENCIES PVT LTD (CSX1-01-), D.NO 9-30, 9TH BLOCK, LAKSHMIPURAM LIMITS, RAMANAGARAM, CHALLAPALLI MANDALAM, DISTT. KRISHNA - 521126 PH :8886063526.

**CHEPURAPALLI**

16. JAYABHERI AUTOMOBILES (SNS1-01-), 4-284, CHEEPURPALLI, VIZIANAGARAM, ANDHRA PRADESH - 535128 PH :6304902456.

**CHILKALURIPET**

17. JAYALAKSHI (SFT1-01-), M/S JAYALAKSHMI AUTO, SURVEY NO 457/C3, CHILKALURIPET, NADENLA MANDAL, GUNTUR, ANDHRA PRADESH - 522616 PH :9889144344.

**CHINTALAPUDI**

18. REDDY AND REDDY MOTORS (BYQ1-01-), RS NO.698/2 MARUTI NAGAR COURT CENTRE, ELURU-CHINTALAPUDI HIGHWAY, CHINTALAPUDI MANDAL, ANDHRA PRADESH - 534460 PH :9912341624, 9948827555.

**CHIRALA**

19. JAYALAKSHMI AUTOMOTIVES PVT. LTD (G502-04-), 9-1-92, CHURCH ROAD,CHIRALA, - 523157 PH :7331151661.

**CHITTOOR**

20. BHARGAVI AUTO PVT. LTD. (A801-03-), 22-241/A,KATTAMANCHI TRUPATI ROAD,CHITTOOR, - 517001 PH :8463955558.

**CHODAVARAM**

21. VARUN MOTORS (SHT1-01-), SURVEY:NO: 108-2-A, 108-3-A & 108-4, GOVCHODAVARAM, DIST. VISAKHAPATNAM, - 531036 PH :9885317344.

**CUDDAPAH**

22. MSA MOTORS (C201-03-), K.T. BYE PASS ROAD,CUDDPPAH,ANDHRA PRADESH, - 516001 PH :7396685628.

**ELURU**

23. REDDY & REDDY MOTORS (1E01-01-), OLD NH-5 ROAD,BESIDE C R REDDY WOMEN'S COLLEFE OLD NH-5,ELURU, - 534001 PH :9705311566.

**ENKIPADU, VIJAWADA**

24. VARUN MOTORS (2603-08-), SURVEY NO 20777, 207/8B2, 207/15B, D-NO 8-103, NEAR SHIVALAYAM TEMPLE, ENIKEPADU, VIJAYAWADA, KRISHNA DISTRICT, ANDHRA PRADESH - 521108 PH :9885576602.

**GAJAPATINAGARAM**

25. JAYABHERI AUTOMOTIVES (SNN1-01-), SURVEY NO 50-14, D.NO 3-1/C, BONDAPALLI MANADALAM, GAJAPATHINAGARAM, ANDHRA PRADESH. - 535270 PH :9100818111.

**GAMBHEERAM**

26. JAYABHERI AUTOMOTIVES PVT. LTD. (BQ01-02-), PLOT NO. 40-45 & 48, GREEN INDUSTRIAL PARK, GAMBHERAM, ANANDPURAM, VISHAKAPATNAM. - 530052 PH :9642496789.

**GUDIVADA**

27. VARUN MOTORS PVT. LTD. (2603-02-), D.NO. 1-621,AUTONAGER 1ST LANE,GUDIVADA - 521301 PH :9885651383.

**GUDUR**

28. BHARGAVI AUTO PVT. LTD. (IS01-01-), SURVEY NO.1619/3A,GUDUR BYPASS, GUDUR RURAL, GUDUR DISTT. NELLORE, A.P. - 524101 PH :9652984999.

**GUNTAKAL**

29. SRI DURGA AUTOMOBILES PVT. LTD. (8JA1-01-), SURVEY NO. 407, D. NO. 20/342-19, BELLARY ROAD, GUNTAKAL, DIST.-ANANTPUR, ANDHRA PRADESH. - 515801 PH :8886603336.

**GUNTUR**

30. JAYALAKSHMI AUTOMOTIVES PVT. LTD (G502-01-), D-N-8-24-31,MANGALAGIRI ROAD,GUNTUR - 522001 PH :7893117111/0863-2241000.
31. JAYALAKSHMI (G502-05-), AT 1-14-114, OPP. HINDU COLLEGE, BANDLAMUDI GARDENS, AMARAVATI ROAD, GUNTUR-522003, AP - 522203 PH :9848131133/9625255555.
32. JAYALAKSHMI AUTO (G502-06-), SURVEY NO 509, D.NO 25-11-50 TOWN, WARD NO 22, OPPOSITE ITC BUILDING, R AGRAHARAM, NAGARAPALAM ROAD,GUNTUR, - 522004 PH :8374847777.

**HANUMAN JUNCTION**

33. SANTOSH MOTORS (SHB1-01-), SY NO. 569/1 BESIDES NH5, VELURU VILLAGE, BAPULAPADU MANDAL, HANUMAN JUNCTION KRISHNA DISTRICT PIN 521105 - 521115 PH :9703633755.

**HINDUPUR**

34. SRI DURGA AUTOMOBILES PVT. LTD. (1B01-02-), PLOT NO.63, NEAR RELIANCE PETROL BUNK, BYE PASS ROAD, HINDUPUR - 515201 PH :9100902697.

**ICHAPURAM**

35. JAYABHERI AUTOMOTIVES PVT. LTD. (GLL1-01-), SURVEY NO. 105/3 , 105/4 AND 229/7, ICHAPURAM, BALAKRISHNAPURAM PANCHAYAT,MUNIBHADRA VILLAGE,ANDHRA PRADESH. - 532312 PH :9394006666, 8142933666.

**JAGGAIAHPETA**

36. VARUN MOTORS PVT. LTD. (2603-05-), DOOR NO. 2-20, MUTHYALAMMA GUDI STREET JAGGAIAHPET TOWN, JAGGAIAHPET, KRISHNA DISTT. - 521175 PH :964225297/9052418111.

**JAGGAMPET**

37. SB MOTORS (CDG1-01-), M/S D NO 10-37, JAGGAMPETA, EAST GODAVARI DISTRICT, ANDHRA PRADESH - 533435 PH :8886677759.

**JANGAREDDYGUDEM**

## Dealer Network (AS ON 31.10.2023)

38. REDDY & REDDY MOTORS (1E01-02-), NEAR R&B GUEST HOUSE,ELURU ROAD,JANGAREDDYGDUEM, - 534447 PH :9912563666.	48. MITHRA AUTO AGENCIES PVT LTD (2604-04-), NARASIMHA NAGAR, MACHLIPATNAM, ANDHRA PRADESH - 521001 PH :8886063526.	57. VARUN MOTORS PVT. LTD. (CUB1-01-), RE SURVEY NO. 601/1B, NH-9 ROAD, NANDIGAMA, DIST.-KRISHNA, ANDHRA PRADESH. - 521185 PH :9885576602, 7702624494.	67. VARUN MOTORS PVT. LTD. (CK01-01-), SURVEY NO. 8, ANAVARAM GRAMAM, PALAKONDA, SRIKAKULAM DISTRICT, ANDHRA PRADESH. - 532440 PH :9966877033, 9885317344.
<b>KAIKALURU</b>	<b>MADANAPALLI</b>	<b>NANDYAL</b>	<b>PALASA</b>
39. SANTOSH AUTOMOTORS PVT. LTD. (CLW1-01-), SY. NO. 12/77 89, OPP. NAIDU COMPLEX, AATAPAKA, KAIKALURU MANDAL, DIST. KRISHNA - 521333 PH :7799787969.	49. BHARGAVI AUTO PVT. LTD. (AAT1-01-), SURVEY NO.762, BASIKONDA VILLAGE, MADANPALLI, CHITTOOR DISTT. ANDHRA PRADESH - 524101 PH :9959893434.	58. MSA MOTORS (CKB1-01-), SURVEY NO. 333, VUDDUMALPURAM, MANDAL – NANDYAL, OPP. AUTO NAGAR, NANDYAL, DISTRICT – KURNOOL. - 518501 PH :9490666616.	68. JAYABHERI AUTOMOTIVES PVT. LTD. (BWH1-01-), SURVEY NO. 63 OF VILLAGE – PURUSHOTTAPURAM, PALASA MANDAL, KASIBUGGA MUNICIPALITY, DISTRICT – SRIKAKULAM, ANDHRA PRADESH. - 532221 PH :9849054442, 8790946464.
<b>KAKINADA</b>	<b>MADHURAWADA</b>	<b>NARASARAOPET</b>	<b>PARVATHIPURAM</b>
40. S B MOTORS (W701-01-), D. NO. 52-10-36/3,NEAR AMAR GHATI CENTER,KARAPPA ROAD, KANADA - 533001 PH :9885119888.	50. JAYABHERI AUTOMOTIVES PVT. LTD. (BQ01-01-), PLOT NO. 5, SURVEY NO. 4/P, KOMMADI ROAD, MADHURAWADA, VISHAKAPATNAM, ANDHRA PRADESH - 530048 PH :8886669985.	59. JAYALAKSHMI AUTOMOTIVES PVT. LTD (G502-03-), NEAR RELIANCE PETROL PUMP BUNK,VINUKONDA ROAD, NARASARAOPET, GUNTUR. - 522603 PH :7680000502/9100791343.	69. JAYABHERI AUTOMOTIVES (BYS1-01-), SY.NO. 195-1A, NEAR TBR THEATRE, NARSIPURAM, PARVATHIPURAM MANDAL, DISTRICT – VIZIANAGARAM, ANDHRAPRADESH,PINCODE – 535522 - 535522 PH :9100818111.
<b>KANCHIKACHERLA</b>	<b>MALKIPIURAM</b>	<b>NARSAPURAM</b>	<b>PATHAPATNAM</b>
41. VARUN MOTORS PVT. LTD. (GJD1-01-), SURVEY NO. 510/5, DOOR NO. 13-144, 146, 13TH WARD, KANCHIKACHERLA VILLAGE AND MANDAL, KRISHNA DIST., ANDHRA PRADESH. - 521180 PH :9855082222, 9885576602.	51. VARUN MOTORS (SEH1-01-), SURVEY NO 49/6A, MALKIPURAM VILLAGE AND MANDAL, EAST GODAVARI DISTRICT, ANDHRA PRADESH - 533250 PH :9885317344.	60. NOVELTY REDDY & REDDY (SIU1-01-), SY NO. 987, NARSAPURAM- CHINCHINDA BYPASS ROAD,NARSAPURAM, PALAKOLLA MANDAL, WEST GODAVARI DISTRICT T,ANDHRA PRADESH - 534206 PH :9703900011.	70. VARUN MOTORS (SSJ1-01-), D.NO 4-245, SURVEY NO 264/1A, PATHAPATNAM, SRIKAKULAM, ANDHRA PRADESH - 532213 PH :9885317344.
<b>KANDUKURU</b>	<b>MANDAPETA</b>	<b>NARSIPATNAM</b>	<b>PENDURTHI</b>
42. JAYALAKSHMI AUTOMOTIVES PVT. LTD (BEY1-01-), SURVEY NO. 414, MAHADEVAPURAM VILLAGE, O. V. ROAD, KANDUKURU MANDAL, DISTRICT – PRAKASHAM, ANDHRA PRADESH. - 523105 PH :9848131133.	52. S B MOTOR CORPORATION (BJC1-01-), BLOCK NO. 4, D. NO. 4-1-64, MANDAPETA, DISTRICT – EAST GODAVARI, ANDHRA PRADESH. - 533308 PH :8886664090.	61. JAYABHERI AUTOMOTIVES PVT. LTD. (WT01-01-), OPP. RDO BUNGLAW, BANK COLONY, VISAKHAPATNAM ROAD, NARSIPATNAM - 531116 PH :7702333513.	71. VARUN MOTORS PVT. LTD. (BAP1-01-), SURVEY NO.107/1B, VELAMPETA, ANAKAPALLI TO PENDURTHI HIGHWAY, NEAR BRIDGE, PENDURTHI DISTT: VISAKAPATNAM - 530047 PH :9885438455.
<b>KANIGIRI</b>	<b>MARKHAPURAM</b>	<b>NELLORE</b>	72. VARUN MOTORS PVT LTD (BAP1-02-), SURVEY NO 240/1/2 & 241, PENDURTHI, VIZAG - 531173 PH :9730843737.
43. JAYALAKSHMI AUTOMOTIVES PVT. LTD (SCC1-01-), SURVEY NO 793, PLOT NO 11, 12, KANIGIRI, PRAKASHAM DISTRICT, ANDHRA PRADESH - 523230 PH :9848131133, 9052457512.	53. JAYALAKSHMI AUTOMOTIVES PVT. LTD (CFF1-01-), D. NO. 4-515/12, SURVEY NO. 1167, OPP. INDUSTRIAL ESTATE, ONGOLE ROAD, MARKAPURAM, DISRT.-PRAKASAM, ANDHRA PRADESH. - 523316 PH :9848131133, 7331151674.	62. BHARGAVI AUTO PVT. LTD. (A801-01-), D.NO.25/11/97 INDUSTRIAL ESTATE, A.K. NAGAR, P.B.NO.18, NELLORE (A.P.) - 524004 PH :9248742225.	<b>PIDUGURALLA</b>
<b>KAVALI</b>	<b>MYLAVARAM</b>	63. BHARGAVI AUTO PVT. LTD. (A801-04-), A2, INDUSTRIAL ESTATE,A.K. NAGAR,NELLORE, - 524004 PH :9248727888.	73. JAYALAKSHMI AUTOMOTIVES PVT. LTD (BFN1-01-), SURVEY NO. 897/16, PIDUGURALLA, DISTRICT – GUNTUR, ANDHRA PRADESH. - 522413 PH :9848131133, 9100787058.
44. BHARGAVI AUTO PVT. LTD. (A801-05-), KAVALI NELLORE ANDHRA PRADESH - 524201 PH :9248702567.	54. VARUN MOTORS PVT. LTD. (GKL1-01-), D.NO. 2-176/2, MAIN ROAD, MYLAVARAM, KRISHNA DISTRICT, PIN-521230, ANDHRA PRADESH - 521230 PH :9885576602, 9581337222.	64. VISHNU CARS PVT. LTD. (A802-01-), FIELD NO. 628 /SURVEY NO. 877, 878/A/4 AND 883/A/1A, NELLORE BIT-II, BESIDES GSR GARDENS, BALAJI NAGAR, NH-16, NELLORE CITY. - 542002 PH :7337340778.	<b>PITHAPURAM</b>
<b>KURNOOL</b>	<b>NAIDUPET</b>	<b>NUZVIDU</b>	74. S B MOTORS (CTS1-01-), NO. 11-2-114, 11TH WARD, KAKINADA-KATHIPUDI ROAD, PITHAPURAM, EAST GODAVARI DIST., ANDHRA PRADESH. - 533 450 PH :8886677759, 8886677754.
45. MSA MOTORS (C201-01-), AUTO NAGAR,INDUSTRIAL ESTATE, NH-7, KURNOOL - 518004 PH :9912826682.	55. BHARGAVI (BJD1-01-), M/S SURVEY NO 11-2, JUVVALAPALEM VILLAGE, NAIDUPETA, ANDHRA PRADESH STATE - 524126 PH :9248747777.	65. VARUN MOTORS PVT. LTD. (2603-03-), BESIDE R T C BUS DEPOT.,OLD D M OFFICE,VIJAYAWADA ROAD, NIZVID - 521201 PH :2544444, 958133722.	<b>PONNUR</b>
46. ADARSHA (C202-01-), SURVEY NO 105, DINNEDVARAPADU VILLAGE, KURNOOL, ANDHRA PRADESG - 518001 PH :9160182222.	<b>NAKKAPALLI</b>	<b>ONGOLE</b>	75. JAYALAKSHMI AUTOMOTIVES PVT. LTD (CFC1-01-), PLOT NO. 4, D.NO. 213-1, VAISHNAVI NAGAR, PONNUR, GUNTUR, ANDHRA PRADESH. - 522124 PH :9849445639, 9121141913.
<b>MACHERLA</b>	56. VARUN MOTORS (SFR1-01-), SURVEY NO 202/3, 203/4, PEDGUMMULURU GRAM PANCHAYAT, RAYAVARAM MANDAL,NAKKAPALLI,VISHAKAPATNAM, ANDHRA PRADESH - 531081 PH :9885317344.	66. JAYALAKSHMI AUTOMOTIVES PVT. LTD (8Y01-02-), THROVAGANTA COMPANY CENTRE,NH-5,GUNTUR ROAD,ONGOLE,PRAKASAM DISTRICT. - 523003 PH :9701055955.	<b>RAJAHMUNDRY</b>
<b>MACHILIPATNAM</b>	<b>NANDIGAMA</b>	<b>PALAKONDA</b>	

**Dealer Network (AS ON 31.10.2023 )**

76. S.B. MOTOR CORPORATION (C501-01-),  
OPP.FCI  
GOWDOWN,JAILROAD,LALACHERUVLI,RAJAMU  
NDRY - 533101  
PH :08885585667.

77. S B MOTORS (C501-03-), D. NO. 3-243, NH-5,  
ROAD, HUKUMPETA, RAJAHMUNDRY. - 5333 107  
PH :08885886262.

78. VARUN MOTORS PVT. LTD. (C502-01-), SURVEY  
NO. 660, PALACHERLA VILLAGE OF  
RANJANAGRAM MANDAL, RAJAHMUNDRY,  
EAST GODAVARI DSIT. - 533102  
PH :9642225289.

**RAJAM**

79. VARUN MOTORS PVT. LTD. (BLJ1-01-), PLOT  
NO. 44, SARATHI NAGAR, RAJAMNAGAR  
PANCHAYAT, RAJAM, DISTRICT - SRIKAKULAM,  
ANDHRA PRADESH - 532127  
PH :7799666998.

**RAMPACHODAVARAM**

80. VARUN MOTORS (SOK1-01-), SURVEY NO  
14/1,IRLAPALLY VILLAGE,  
RAMPACHODAVARAM,ANDHRA PRADESH -  
533288  
PH :9885288339.

**REPALLE**

81. JAYALAKSHMI (SKA1-01-), D.NO 430, BESIDE  
ESAR PETROL BUNK, REPALLE, DISTRICT:  
GUNTUR, ANDHRA PRADESH - 522265  
PH :8374847777.

**S KOTA**

82. JAYABHERI (SIV1-01-), SURVEY NO  
113/3,MALLIPUDI MADHURA  
VENKATARAMANAPETA,  
SRUNGAVARAPUKOTA, VIZIANAGARAM,  
ANDHRA PRADESH - 535145  
PH :9100818111.

**SOMPETA**

83. VARUN MOTORS PVT LTD (GLX1-01-), KHATA  
NO 406,407,408 DENOTED IN SURVEY NO  
24/1,MOGILIKOTURU VILLAGE, SOMPETA,  
SRIKAKULAM, ANDHRA PRADESH - 532284  
PH :9885217344, 7382112922.

**SRIKAKULAM**

84. VARUN MOTORS PVT. LTD. (4603-09-), PEDDA  
PADDU ROAD,ARASAVILLI (P.O.),SRIKAKULAM,  
- 532001  
PH :9985477155.

85. JAYABHERI AUTOMOTIVE (4606-04-), SURVEY  
NO 22/7P,22/8 AND SURVEY NO 29/12,16,17,  
BALAGA RURAL,SRIKAKULAM CITY, DISTRICT:  
SRIKAKULAM - 532001  
PH :9100818111.

**SULURUPETA**

86. BHARGAVI AUTO PVT. LTD. (BZA1-01-), KEERTI  
ENCLAVE NEAR RTO  
OFFICE,NH-5,SULLURPETA - 524121  
PH :9848602345, 7997998516.

**TADA**

87. VISHNU CARS PVT.LTD. (SFW1-01-), SURVEY  
NO 58/3,TADA, NELLORE DISTRICT - 524401  
PH :9840434242.

**TANUKU**

88. NOVELTY REDDY & REDDY MOTORS PVT LTD  
(BAR2-01-), NH-5 ROAD, NEAR WOMEN'S  
COLLEGE, BESIDE IOC PETROL PUMP,  
TANUKU, DISTT: WEST GODAVARI(ANDHRA  
PRADESH) - 534211  
PH :9912341624.

**TENALI**

89. JAYALAKSHMI AUTOMOTIVES PVT. LTD  
(PED1-01-), KAVI RAJA NAGAR, GUNTUR ROAD,  
TENALI, GUNTUR DISTT. - 522002  
PH :226100/ 9866111788.

**THAGARAPUVALASA**

90. VARUN MOTORS PVT. LTD. (CQV1-01-),  
SURVEY NO.11/2B,11/3,NAGARAMPALEM  
VILLAGE, NH-16, NAGARAMPALEM GRAMA  
PANCHAYAT LIMITS, THAGARAPUVALASA,  
BHEEMUNIPATNAM MANDAL,  
VISHAKAPATNAM, - 531162  
PH :9885317344, 9885280772.

**TIRUPATI**

91. BHARGAVI AUTO PVT. LTD. (A801-02-),  
11/66/1,TIRUPATI RENIGUNTA ROAD,TIRUPATI,  
- 517507  
PH :7997969946.

92. BHARGAVI AUTO PVT. LTD. (A801-06-), SURVEY  
NO. 2/B3, ADJACENT TO PARK HOTEL,  
RENIGUNTA ROAD, TIRUPATI. - 517501  
PH :7997969919.

93. VISHNU CARS (N902-01-), SURVEY NO.  
192/3A2A, 200' CHENNAI – TIRUPATHI HIGHWAY,  
KOTRAMANGALAM,RENIGUNTA MANDAL,  
TIRUPATI - 517520  
PH :9154971551.

**TIRUVURU**

94. SANTOSH AUTOMOTORS PVT. LTD. (CIM1-01-),  
D NO. 23-1/5, OPP. AYYAPA SWAMY TEMPLE,  
MAIN ROAD, TIRUVURU. - 521235  
PH :7799787969.

**TUNI**

95. SATTIBABU MOTORS (PVT) LTD. (KY01-01-), D.  
NO. 65-31-15/1, OPP. FCI GODOWNS,  
NARAYANAPURAM, TUNI, EAST GODAVARI,  
ANDHRA PRADESH - 533401  
PH :7661893888.

**VENKATAGIRIKOTA**

96. BHARGAVI AUTO PVT. LTD. (CDI1-01-), M/S  
BHARGAVI AUTOMOBILES, BESIDE INDIAL OIL  
BUNK,GMR FUNTION  
HALL,DARASALLA,PALLIKUPPAM,KUPPAM  
ROAD,V KOTA - 517242  
PH :9848602345, 7799997720.

**VENKATAGIRI**

97. BHARGAVI AUTOMOBILES (SOL1-01-), SURVEY  
NO 166,169/1,169/2,RTC COLONY,VENKATAGIRI,  
NELLORE, ANDHRA PRADESH - 524132  
PH :9248747777.

**VIJAYAWADA**

98. MITHRA AUTO AGENCIES PVT LTD (2604-01-),  
40-17-3, PICHAIHAH STREET,GANDHI  
COLONY,VIJAYAWADA - 520001  
PH :8886063507.

99. VARUN MOTORS PVT. LTD. (2603-01-),  
48-17-4/1,RING ROAD,VIJAYAWADA - 520008  
PH :9885576602.

100. VARUN MOTORS PVT. LTD. (2603-06-), SURVEY  
NO.561/1, 562/5 & 561/3, 562/6  
KESARAPALLY,VIJAYAWADA, KRISHNA  
DISTRICT, A.P. - 521102  
PH :8297241177.

101. SANTOSH AUTOMOTORS PVT. LTD. (2607-01-),  
SURVEY NO. 22/3/5, D. NO. 11-61/2, KANURU  
PANCHAYAT, PENAMALURU MANDAL,  
VIJAYAWADA, KRISHNA DISTRICT, ANDHRA  
PRADESH - 520010  
PH :9209094999/7799787949.

102. VARUN MOTORS PVT. LTD. (2603-07-), DOOR  
NO. 1-4-208 AND 1-4-208(1), IN R. S. NO. 33/3A,  
BHAVANIPURAM, VIJAYAWADA, MUNICIPAL  
CORPORATION, VIJAYAWADA, ANDHRA  
PRADESH - 520012  
PH :9642225291.

103. SANTOSH AUTOMOTORS PVT. LTD (2607-02-),  
D NO. 77-42-16A, OPP, NUNNA FIRE STATION,  
PRAKASH NAGAR, INNER RING ROAD,  
VIJAYAWADA - 520 015  
PH :7799787932.

**VINUKONDA**

104. JAYALAXMI AUTOMOTIVES (SSO1-01-), SURVEY  
NO 239/3A,237/3, VINUKONDA, PALNADU  
DISTRICT, ANDHRA PRADESH - 522647  
PH :8374847777.

**VISHAKAPATNAM**

105. VARUN MOTORS PVT. LTD. (4603-0E-), PLOT NO  
88,BESIDES POLICE  
STATION,SRINAGAR,GAJUWAKA - 530026  
PH :9703843737.

106. VARUN MOTORS PVT. LTD. (4603-08-), DOOR  
NO. 58/2,BLOCK NO.5,BALAJI NAGAR, OPP.  
ANDHRA UNIVERSITY, SIRIPURAM - 580003  
PH :0891252585.

107. VARUN MOTORS PVT. LTD. (4603-0F-), D-25,  
INDUSTRIAL ESTATE, MARRIPALLEM, BESIDES  
COLA MANCHU KONA GARDENS,  
VISHAKHAPATNAM, - 530007  
PH :9885511911.

108. JAYABHERI AUTOMOTIVES PVT. LTD  
(4606-01-), PLOT NO. A-9, INDUSTRIAL ESTATE,  
VISHAKHAPATNAM, ANDHRA PRADESH -  
530018  
PH :8886332209.

109. JAYABHERI AUTOMOTIVES PVT. LTD.  
(4606-02-), D.NO:51-17-2, NH-5,  
KRANTHINAGAR, VISAKHAPATNAM(ANDHRA  
PRADESH) - 530013  
PH :7799722272.

110. VARUN MOTORS PVT. LTD. (4607-01-), S. NO. 8,  
KAPPARADA VILLAGE, BESIDE IOCL PETROL  
BUNK, MANCHUKONDA GARDENS, MURALI  
NAGAR, NATIONAL HIGHWAY,  
VISHAKHAPATNAM. - 530007  
PH :7799124243.

111. JAYABHERI AUTOMOTIVES PVT. LTD.  
(4608-03-), SURVEY NO. 119/6,  
KURMANNAPALEM, GAJUWAKA MANDAL,  
VIZAG, ANDHRA PRADESH - 530046  
PH :9897541234.

112. VARUN MOTORS PVT. LTD. (4603-0K-), SURVEY  
NO. 394 & 395, PLOT NO. 7 AT VILLAGE –  
DUPPITURU, MANDAL – ACHUTAPURAM,  
DISTRICT – VISHAKHAPATNAM, ANDHRA  
PRADESH - 531011  
PH :9968877133.

113. VARUN MOTORS PVT. LTD. (4603-0L-), SURVEY  
NO. 408/1 OF MADHURAWADA VILLAGE,  
RUSHIKONDA ITI SEZ, VISHAKHAPATNAM RURAL  
MANDAL, VISHAKHAPATNAM DISTRICT, ANDHRA  
PRADESH - 530045  
PH :9885315344.

114. VARUN MOTORS PVT. LTD. (4603-1B-), SURVEY  
NO. 2/A, SECTOR XI, MVP COLONY,  
VISHAKHAPATNAM. - 530 017  
PH :07901644535.

**VISSANNAPETA**

115. VARUN MOTORS (SNO1-01-), RS NO. 434/10,  
WARD NO. 10, VISSANNAPETA, KRISHNA  
DISTRICT, ANDHRA PRADESH - 521215  
PH :9885576602.

**VIZAG, VISHAKHAPATNAM**

116. VARUN MOTORS (4603-10-), SURVEY NO  
228/224, WARD NO 19, AGNAMPUDI,VIZAG -  
533053  
PH :9885317344.

**VIZIANAGARAM**

117. VARUN MOTORS PVT. LTD. (4603-0C-),  
OPPOSITE SUN SCHOOL, 100 FEET RING  
ROAD, VIZIANAGARAM, VIZIANAGARAM -  
535001  
PH :8886721213.

## Dealer Network (AS ON 31.10.2023)

118. JAYABHERI AUTOMOTIVES PVT. LTD.  
(N801-01-), PLOT NO.B-1,DOOR  
NO.8-32-1,SURVEY NO.108/12A & 109/2A,  
INDUSTRIAL ESTATE, VANTITHADI  
AGRAHARAM VILLAGE, VIZIANAGARAM,  
ANDHRA PRADESH - 535001  
PH :7702333514.

### YANAM

119. SB MOTORS (CTR1-01-), SURVEY NO  
82-2,TALLAREVU MANDAL,YANAM, EAST  
GODAVARI DISTRICT - 533463  
PH :886667759.

### YELAMANCHILI

120. JAYABHERI AUTOMOTIVES PVT. LTD.  
(GJR1-01-), SURVEY NO. 19-1, 2, 3, 45/1, 45/2&3,  
KOKIRAPALLI, YELAMANCHILI, NARSIPATNAM,  
VIZAG DIST., ANDHRA PRADESH. - 531055  
PH :9849445639, 9642502345.

### YELESWARAM

121. VARUN MOTORS (SQP1-01-), VARUN MOTORS  
P.LD.NO-20 – 2-4-1,BESIDE GOLLAJI GARU  
BUNK,YERRAVARAM ROAD,YELESWARAM –  
533429 - 533429  
PH :9855511911.

## ARUNACHAL PRADESH

### BHALUKPONG

122. DY MOTORS (YT01-01-), NEAR SBI UPPER  
MARKET, BHALUKPONG, WEST KAMENG ,  
ARUNACHAL PRADESH - 790114  
PH :8415075164.

### ITANAGAR

123. D Y MOTORS (7502-01-), LPC NO - DCI/CCL/LPC,  
BORUM VILLAGE, PO/PS- NAHARLAGUN,  
PAPUM PARE DIST, ARUNACHAL PRADESH -  
791100  
PH :8415075164.

### RUKSIN

124. DY MOTORS (SHZ1-01-), RUKSIN IN EAST  
SIANG DISTRICT, ARUNACHAL PRADESH -  
787060  
PH :8415075164.

## ASSAM

### BAIHATA CHARIALI

125. PALLAVI MOTORS PVT LTD (BNL1-01-), DAG NO.  
1042, PATTI NO. 17, MOUZA – BORBANKHAR,  
P.S. – BAIHATA CHARIALI, DISTRICT – KAMRUP,  
ASSAM - 781381  
PH :9864052488.

### BARAMA

126. MITTAL AUTOZONE (SOX1-01-), VILLAGE -  
BARJAR, PO & PS - BARAMA, ASSAM -781346 -  
781346  
PH :8638487401.

### BARPETA

127. BHARATI MOTORS PVT. LTD. (7N01-02-),  
SIMULGURI,NH-31,DISTRICT-BARPETA, ASSAM  
- 781313  
PH :7002819523.

### BIJOYNAGAR

128. PODDAR CAR WORLD (IA01-01-), AT/PO -  
BIJOYNAGAR, INDIAN OIL PETROL PUMP,  
KAMRUP DIST.,BIJOYNAGAR - 781125  
PH :9864209733.

### BISWANATH CHAIRALI

129. RAMLAL DURGADUTT MOTORS PVT LTD  
(BX11-01-), DAG NO- 7,8,9 PERIODIC PATTI NO -  
24, REVENUE VILLAGE, BRAHMAPUTRA  
CHAPORI, MOUZA - BAGHMORA - 784176  
PH :8724087940.

### BONGAIGAO

130. BHARATI MOTORS PVT. LTD. (7N01-01-),  
CHAPAGURI ROAD, BONGAIGAO - 783380  
PH :7002350887/9864427537.

### CHAMATA

131. PALLAVI MOTORS PVT LTD (CE11-01-), DAG  
NO.1137, PATTI NO.376, MOUZA -  
DAHRAMPUR, CHAMATA DISTT. NALBARI,  
ASSAM - 781306  
PH :9864052488.

### DHEKIAJULI

132. RAMLAL DURGADUTT MOTORS PVT LTD  
(BRX1-01-), DAG NO.242, K.P. PATTI NO.88,  
VILLAGE-BHAKUAMARI, MOUZA-BORCHOLA,  
RESIDES-NH15, DHEKIAJULI, DISTT. SONITPUR,  
ASSAM - 784110  
PH :9706568722.

### DHEMAJI

133. SAIKIA AUTO PVT. LTD. (7P01-02-), NALANIPAM  
KONCH GAON,NH-52,DHEMAJI (ASSAM) -  
787057  
PH :8638725209.

### DIBRUGARH

134. JAYBEE AUTO AGENCIES PVT. LTD. (C101-01-),  
CHIRING CHAPARI, T.R. PHUKAN ROAD, P.O.  
DIBRUGARH (ASSAM) - 786001  
PH :9954799273.

135. BIMAL AUTO AGENCY (C102-01-), DAG NO. 104,  
GHARBANDICHUK JARUA GAON, MOUZA -  
MANKHATTA KANIKA, DIST.-DIBRUGARH,  
ASSAM. - 786004  
PH :9864074525, 7003901301.

### DIGBOI

136. VISHAL CAR WORLD PVT LTD (BYD1-01-),  
BORBIL NO. 1, NEAR LIONS CLUB, NH-38, P.O. –  
DIGBOI, DISTRICT – TINSUKIA , ASSAM. -  
786171  
PH :9435860000..

### DIPHU

137. RAMLAL DURGADUTT MOTORS PVT LTD  
(1P01-01-), MANJA ROAD, DILLAJI, DIPHU,  
KARBI ANGLONG, ASSAM -- 782460  
PH :9707556868.

### DULAJAN

138. JAYBEE AUTO AGENCIES PVT. LTD. (ADA1-01-),  
JAYBEE AUTO AGENCIES, TIPLING TINIALI,  
DULAJAN DIST. DIBRUGARH - 786602  
PH :7002722358.

### GOALPARA

139. BKHARYN MOTORS PVT. LTD. (YN01-01-), PO:  
KALYANPUR, VILLAGE: SOLMARI, P/S: AGIA,  
NH: 37, DISTRICT: GOALPARA, ASSAM - 781301  
PH :9101940372.

### GOLAGHAT

140. RAMLAL DURGADUTT MOTORS PVT LTD  
(J303-01-), DAG NO - 718, 684 & 706, PATTI NO  
213, 168 & 192, KURUKA GAON, P.O - MORANGI,  
P.S -GOLAGHAT, DIST: GOLAGHAT, ASSAM  
PH :785702 - 785702  
PH :7002099547.

### GORAIMARI

141. BAJRANG CAR WORLD (A UNIT OF MAA  
VAISHNAVI AUTOMOTIVE PVT. LTD.)  
(GMB1-01-), DAG NO- 3, KP PATTI NO - 11,  
VILLAGE- CHALABASTI, MOUZA- GORAIMARI -  
783390  
PH :7002279100.

### GUWAHATI

142. BIMAL AUTO AGENCY (901-01-), JHALUKBARI,  
GUWAHATI - 781014  
PH :9864074525.

143. PALLAVI MOTORS PVT LTD (902-01-), DAG NO.  
182,NEXT TO DEPTT. OF FAMILY WELFARE,SIX  
MILE, KHANAPARA G.S. ROAD, GUWAHATI -  
781022  
PH :9864210937.

144. PODDAR CAR WORLD PVT LTD (904-01-),  
HENGREBARI, VIP ROAD, GUWAHATI - 781036  
PH :9508746340.

145. BIMAL AUTO AGENCY (903-01-), CHANDMARI,  
BAMUNI MAIDAN, OPP SBI NEW GUWAHATI  
BRANCH, GUWAHATI - 781021  
PH :9864489722.

146. BIMAL AUTO AGENCY (901-02-),  
BEHARBARI,BEHIND DHOOM RESTAURANT,  
NH-37, GUWAHATI - 781028  
PH :9864040406.

147. PODDAR CAR WORLD (905-01-), NH-37, NEAR,  
GORCHUK CHAIRALI, GUWAHATI (ASSAM). -  
781029  
PH :7002929414.

148. BIMAL AUTO AGENCY (903-03-), BESIDE NRL  
PETROL PUMP, RGB ROAD, ZOO ROAD,  
GUWAHATI, ASSAM - 781005  
PH :7578005159.

149. MITTAL AUTOZONE (908-01-), NH-37, BELTOLA,  
NEAR HANUMAN KANTA, GUWAHATI - 781028  
PH :9864296666.

150. PALLAVI MOTORS PVT LTD (902-02-), DAG NO.  
2201, PATTI NO. 237, VILLAGE – JYOTIKUCHI,  
MOUZA – BELTOLA, AK AZAD ROAD,  
GUWAHATI, DISTRICT – KAMRUP, ASSAM. -  
781034  
PH :9864052488.

### HOJAI

151. RAMLAL DURGADUTT MOTORS PVT LTD  
(ARA1-01-), KHATYAN NO.: 312/3F, HOJAI MAIN  
ROAD, NEAR UCO BANK, SHANKARDEVNAGAR,  
HOJAI, DISTRICT – NAGAON , ASSAM - 782435  
PH :7002680534.

### HOWLY

152. PODDAR CARWORLD (GKW1-01-), PATTI NO.  
601, DAG NO. 1567, HOWLI TOWN, MOUZA  
GHILAJARI, DISTT BARBETA, ASSAM - 781316  
PH :8085957586.

### HOWRAGHAT

153. BAJRANG CARWORLD (SGR1-01-),  
HOWRAGHAT TOWN, KARBI ANGLONG, ASSAM  
- 782481 - 782481  
PH :9864191169.

### JAGI ROAD

154. RAMLAL DURGADUTT MOTORS PVT LTD  
(7J1-02-),  
JAGIROAD,MORIGAON,NALAOW,ASSAM -  
782410  
PH :9365884355.

### JORHAT

155. RAMLAL DURGADUTT MOTORS PVT LTD  
(G902-01-), DAG NO. 7 & 8 OF P.P NO. 33, DAG  
O. 9 OF P.P NO. 61, DAG NO. 382 OF P.P NO.  
206, VILLAGE - PAKIMURI HABI GAON, MOUZA -  
SARAIBAHAL, JORHAT. - 785006  
PH :7002099547.

156. JAINCO AUTOTECH (G904-01-), AT ROAD,  
SEUNI ALI, JORHAT, ASSAM 785001 - 785001  
PH :9287957451.

### KALGACHIA

157. MITTAL AUTO (SLB1-01-), VILL - KALGACHIA, PO  
- KALGACHIA , DIST BARPETA - 781319  
PH :8638487401.

### KARIMGANJ

158. JAIN UDYOG (6901-04-), STEAMER GHAT ROAD,  
KARIMGANJ, ASSAM - 788710  
PH :9435179025.

### KAYAKUCHI



159. MITTAL AUTO ZONE (-), B.B ROAD, KAYAKUCHI, BARPETA, ASSAM - 781352  
PH :8638487401.

**KHARUPATIA**

160. BIMAL (BWR1-01-), VILL –BOLOGARAH, P.O – KHARUPETIA, P.S DHULA, DIST – DARRANG, ASSAM. - 784115  
PH :9864074525.

**KHATKHATI**

161. PODDAR CAR WORLD PVT. LTD. (CAZ1-01-), NEAR TELEPHONE EXCHANGE, NH-39, KHATKHATI, DISTRICT – KARBI ANGLONG . - 782460  
PH :6000900381.

**LANKA**

162. RAMLAL DURGADUTT MOTORS PVT LTD (SDD1-01-), DAG NO 95 OF PP NO 59, DAG NO 96 OF PP NO 26 & DAG NO 418 OF PP NO 73 KISAM LAKHIMPUR, MOUZA - LANKA, DIST - HOJAJ , ASSAM. - 782442  
PH :9707556888.

**MANGALDOI**

163. PODDAR CAR WORLD (YW01-01-), PUNIA, NH-52, MANGALDOI, DISTT. DARRANG - 784115  
PH :9706970132.

**MARGHERITA**

164. VISHAL CAR WORLD PVT LTD (YR01-01-), MARGERITA TOWN, BEHIND IOCL PETROL PUMP, NH-38, MARGHERITA, ASSAM - 786181  
PH :9435860000.

**MORIGAON**

165. RAMLAL DURGADUTT MOTORS PVT LTD (RB01-01-), DAG NO. 423 OF PP NO. 221, KISSAM BACHNAGHAT, MORIGAON, ASSAM. - 782105  
PH :7002239592.

**NAGAON**

166. RAMLAL DURGADUTT MOTORS PVT LTD (7J01-01-), KHUTIKHATIA, HAIBARGON, NAGAON - 782002  
PH :9706007918.

167. BAURANG CAR WORLD (A UNIT OF MAA VAISHNAVI AUTOMOTIVE PVT. LTD.) (7J03-01-), DAG NO. 255, 1508(N)/254(O), 1509(N)/257(O) AND 291, PATTA NO. 506(N)/15(O), 507(N)/15(O), 507(N)/97(O) AND 98, VILLAGE - DEODHAR, MOUZA - PAKHIMORIA, DIST.-NAGAON. - 782002  
PH :943506074/9864191169.

168. RAMLAL DURGADUTT MOTORS PVT LTD (7J01-03-), PAKHIMURIA, NEAR BHUGDOI DHABA, NAGAON, ASSAM - 782003  
PH :9706007918.

**NAHARKATIYA**

169. JAYBEE AUTO AGENCIES PVT. LTD. (C101-03-), NAHARKATIYA TOWN PART NO. 4, MOUZA – JAYPORE, NEAR ST. MARY'S SCHOOL, DISTRICT – DIBRUGARH, ASSAM . - 786610  
PH :7002722358.

**NALBARI**

170. BIMAL AUTO AGENCY (9201-01-), CHOWKBAZAR, NALBARI HAJO ROAD, NALBARI DIST. NALBARI - 781335  
PH :7576842484.

**NORTH LAKHIMPUR**

171. SAIKIA AUTO PVT. LTD. (7P01-01-), HATILUNG, NH-52 ROAD, NORTH LAKHIMPUR, ASSAM - 787031  
PH :8473946336.

172. SAIKIA AUTO PVT. LTD. (7P01-03-), KHELMATI, WARD NO. 14, NH -52, NORTH LAKHIMPUR, ASSAM - 787001  
PH :7002571073.

**PATHSALA**

173. PODDAR CAR WORLD PVT. LTD (CLD1-01-), DAG NO. 451, PATTA NO. 151 KMP, PATHSALA, DIST.-BARPETA, ASSAM. - 781325  
PH :6000900256.

**RAJGARH**

174. JAYBEE AUTO AGENCIES PVT. LTD. (CJ1-01-), DAG NO.182, PP NO.140 OF 2 NO. BHAGATIA GAON, LAT NO.11, RAJGARH, MOUZA-TINKHONG, DISTT. DIBRUGARH, ASSAM - 786611  
PH :9954799273.

**RANGIA**

175. PODDAR CAR WORLD PVT. LTD. (6X01-01-), RANGIA TOWN, WARD NO. 5, SHANTIPUR, BHUTAN ROAD, NEAR POLYCLINIC HOSPITAL, RANGIA DISTT. KAMRUP (ASSAM) - 781354  
PH :8724877892.

**SILCHAR**

176. JAIN UDYOG (6901-02-), KAUSHAL COMPLEX, SONAI ROAD, SILCHAR, ASSAM - 788006  
PH :9706002524.

**SIVASAGAR**

177. RAMLAL DURGADUTT MOTORS PVT LTD (G902-02-), RANGHAR CHARIALI, DHAPROTA, AT ROAD, OPPOSITE RANGHAR, SHIVASAGAR - 785640  
PH :7002099547.

**SORBHOG**

178. MITTAL AUTOZONE (SGS-1-01-), VILLAGE DAHALAPARA, KISMAT DWARICA, PS SORBHOG, SUB DIVISION- BARPETA- ASSAM. - 781317  
PH :8011042222.

**TANGLA**

179. BIMAL AUTO AGENCY (CHO1-01-), DAG NO.:121, PATTA NO.101/320, VILLAGE BULLARPARA, MOUZA TANGLA. - 784521  
PH :9954387619.

**TEZPUR**

180. RAMLAL DURGADUTT MOTORS PVT LTD (T102-01-), NEAR DON BASCO SCHOOL, P.O. NIKAMULSATRA, TEZPUR, ASSAM - 784154  
PH :8724087940.

181. RAMLAL DURGADUTT MOTORS PVT LTD (T102-02-), GORAIMARI, VILLAGE - SOLGAON, TEZPUR, ASSAM. - 784001  
PH :9836036157.

**TINSUKIA**

182. VISHAL CAR WORLD PVT LTD (J401-01-), LAIPULY, A.T. ROAD, TINSUKIA, DIST - TINSUKIA, ASSAM - 786183  
PH :9435860000.

**BIHAR**

**ARARIA**

183. SEEMANCHAL MOTORS PVT. LTD. (O701-01-), NEAR BUS STAND, JAGDISH RICE MILL COMPOUND, HOSPITAL ROAD, FORBESGANJ, DISTT. ARRARIA, BIHAR - 854318  
PH :8797096013.

**ARRAH**

184. PEARL CARS (VU01-01-), (A UNIT OF VINDHYAVASINI AUTOMOBILES PVT. LTD.), DHANUPRA, NEAR GANPAT CHOUDHARY DWAR, NH-30, ARRAH (BIHAR) - 802301  
PH :8294634604.

**AURANGABAD**

185. KARLO AUTO MOBILES (SNG1-01-), KARLO AUTO MOBILES PVT LTD, GT ROAD, NEAR, RAIPURA MORE, BABHANDI, AURANGABAD - 824101  
PH :70191085212.

**BANKA**

186. SEEMANCHAL MOTORS PVT. LTD. (CEQ1-01-), KHATA NO. 134, KHESRA NO. 118, BEHIND MARUTI SHOWROOM, STATION ROAD, BANKA, BIHAR. - 813101  
PH :8797096020.

**BEGUSARAI**

187. GS MOTORS PVT. LTD. (1U01-01-), HARHAR MAHADEV CHOWK, NH 31, BEGUSARAI, BIHAR - 851101  
PH :9204756206.

**BETTIAH**

188. SHREE GOPAL AUTO PVT. LTD. (O401-01-), BETTIAH - MOTIHARI HIGHWAY, NH-28 B, NEAR MACHALI LOK, BETTIAH (BIHAR) - 845438  
PH :9771486183.

**BHAGALPUR**

189. SEEMANCHAL MOTORS PVT. LTD. (G902-01-), BAUSI ROAD, ALIGANJ, NEAR SAINT TRESA SCHOOL, ALIGANJ, BHAGALPUR. - 812005  
PH :8797096020.

**BHITA**

190. REESHAV (CBY2-01-), PLOT NO 1674 & 1676, KHATA NO - 19 & 67 AT MOUZA - MAHADEOPUR PHULARI, P.O - BIHTA, P.S- BIHTA, DISTRICT - PATNA - 801103  
PH :7763954585.

**BIHARSHARIF**

191. REESHAV AUTOMOBILES (MG01-03-), PATNA RANCHI ROAD, NR GAGAN DIWAN SOGARA SCHOOL, THANA-LAHERI MURARPUR, BIHARSHARIF, DISTRICT-NALANDA, BIHAR - 803101  
PH :9263632175.

**BUXAR**

192. PEARL CARS (VV01-01-), C/O DEVDHTRHA UPDDHYA, SYNDICATE, BYE PASS ROAD, BUXAR - 802101  
PH :8294634605/8294634602.

**CHAKIA**

193. RAM KRISHNA MOTORS PVT. LTD. (CWA1-01-), OUHA TOLA, NEW BYPASS, CHAKIA-845412, PURVI CHAMPARAN DISTT., BIHAR - 845412  
PH :9801773716.

**CHAPRA**

194. REESHAV AUTOMOBILES (MG01-02-), 146, PLOT NO. 381, VILLAGE RAUJA, CHAPRA PATNA ROAD, NEAR BHIKHARI CHOWK, CHAPRA, BIHAR - 841301  
PH :7061295296.

**DANAPUR**

195. ALANKAR AUTO SALES & SERVICE PVT LTD (1504-02-), ADJASCENT ARYA SAMAJ MANDIR, NEAR SAGUNA MORE, DANAPUR, - 800018  
PH :9386898458.

**DANAPUR, PATNA**

196. ALANKAR AUTO SALES & SERVICE PVT LTD (1504-05-), TOUZI NO. 5057, THANA NO. 35, MOUZA - BABAKKARPUR, DANAPUR, PATNA. - 801503  
PH :9334415434.

**DARBHANGA**

197. RAJKRISHNA MOTORS LLP (1V02-01-), KHATA NO.61936, RAUSHAN CHOWK, BAJITPUR, B.M.P. -13, ROAD, DARBHANGA, BIHAR - 846009  
PH :7004529271.

198. RAJKRISHNA MOTORS LLP (1V02-02-), VIP ROAD, ALLALPATTI, DARBHANGA (BIHAR) - 846003  
PH :9693127351.

**DEHRI ON SONE**

## Dealer Network (AS ON 31.10.2023)

199. PEARL CARS (1X01-02-), MOUZA - KHASRA, KHATA NO. 141, PLOT NO. 186, SAAT KATDA THANA - DEHRI-ONE-SONE, DIST.-ROHTAS, BIHAR. - 821307  
PH :8294634602.

### GAYA

200. KARLO AUTOMOBILES PVT LTD (Y601-01-), BODH GAYA, GAYA. - 824231  
PH :7004574631/8539063615.  
201. DMC CARS (A UNIT OF DHANRAAJ AGENCIES PVT LTD (Y602-01-), DHANRAAJ AGENCIES PRIVATE LIMITED, MARUTI SUZUKI ARENA SHOWROOM, OPPOSITE AIRPORT RUNWAY, GAYA-DOBHI ROAD,GAYA, PIN 823004 - 823004  
PH :9031011806/9900024001.

### GOPALGANJ

202. SHREE GOPAL AUTO PVT. LTD. (O301-01-), NH-28, DANAPUR, TEHSIL-MANJAGARH,GOPALGANJ (BIHAR) - 800023  
PH :9771486170/9771486139.

### HAJIPUR

203. REESHAV AUTOMOBILES (MG01-01), KHATA 617 & KHASHRA 354/1605, NEAR RELIANCE PETROL PUMP, M G SETU ROAD, HAJIPUR ( VAISHALI). - 844101  
PH :9060945038.

### JEHANABAD

204. DMC CARS (SNV1-01-), KHATA NO - 80, PLOT NO -1490, MOUZA - MUTHER, PS- JEHANBAD, DIST. -JEHANABAD. - 804408  
PH :9031011806/9900024001.

### KATI HAR

205. SEEMANCHAL MOTORS PVT. LTD. (O601-01-), NEAR SBP VIDYIA VIHAR SCHOOL, SIRSA, KATI HAR PURNEA ROAD, KATI HAR - 854105  
PH :7762893700.

### KISHANGANJ

206. SEEMANCHAL MOTORS PVT. LTD. (PX01-01-), PASCHIM PALI ROAD, COLLEGE ROAD, THANAKNE, WARD NO.1, KISHANGANJ (BIHAR). - 855101  
PH :8797096019.

### LAKHISARAI

207. GS MOTORS PVT. LTD. (CHU1-01-), TAUZI NO. 39, KHATA NO. 3, KHESRA NO. 496, MOUZA - JAINAGAR, ANCHAL - LAKHISARAI, DIST. -LAKHISARAI, BIHAR. - 811311  
PH :9204756206.

### MADHUBANI

208. RAJKRISHNA MOTORS LLP (CAJ2-01-), BHOWRA TOLA, BARDIBAN, MADHUBANI, BIHAR - 847211  
PH :9304481978  
9693127351.

### MOHANIA

209. PEARL CARS (VW01-01-), MOHANIA-BUXAR ROAD, SH-14,MOHANIA - 821109  
PH :8294634632/8294634649.

### MOTIHARI

210. RAJIV AUTOMOBILES PVT LTD (T401-03-), NEAR CHHATAJUNI CHOWK, BESIDE NH 28 A, MOTIHARI TOWN , BIHAR - 845401  
PH :9234609669.

### MUZAFFARPUR

211. RAJIV AUTOMOBILES PVT LTD (T401-01-), RAMDAYALU NAGAR, PATNA HAZIPUR ROAD, MUZAFFARPUR, BIHAR - 842002  
PH :9910347906.  
212. RAM KRISHNA MOTORS PRIVATE LTD. (T402-01-), KRISHNA TALKIES CAMPUS, AKHARAGHAT ROAD, MUZAFFARPUR, BIHAR. - 842001  
PH :9102173333.  
213. RAJIV AUTOMOBILES PVT LTD (T401-04-), KHABRA POKHAR LANE NO -1, PANCHAYAT -KHABRA, CITY- MUZAFFARPUR - 843146  
PH :9234609671.

### NAUGACHIA

214. SEEMANCHAL MOTORS PVT. LTD. (CFS1-01-), NEAR GAYATRI PLY ROOM, NH-31, NAUGACHIA MARKET, NAUGACHIA, DISTRICT – BHAGALPUR, BIHAR. - 853204  
PH :8797096014, 8797096020.

### NAWADA

215. REESHAV AUTOMOBILES (MG01-04-), 191 & 400, KHSARA NO. 3105 & 3102, NEAR DM'S OFFICE, PATNA-RANCHI MAIN ROAD, NAWADA, BIHAR - 805110  
PH :6206162228.

### PATNA

216. VAU'S AUTOMOBILE (1503-01-), BESIDES GODAVARI APPARTMENT, ASHIANA ROAD, PATNA. - 800014  
PH :9771446012.  
217. KARLO AUTOMOBILES PVT LTD (1502-04-), NEAR BATA GUNJ, DINGA PATNA, BIHAR. - 800013  
PH :09304212119/7004573547.  
218. ALANKAR AUTO SALES & SERVICE PVT LTD (1504-03-), PLOT NO.118-119, BEHIND DURGA MARINE DRIVE APARTMENTS, DUJRA DEVI STHAN, ASHOK RAJPATH, PATNA - 800001  
PH :9934020200.  
219. REESHAV AUTOMOBILES PVT.LTD. (1506-01-), PLOT NO.25/1581 KHATA NO.494, MOUZA KUMHRAR, PARGANA AZEEMABAD, KANKARBAGH, PATNA. - 800004  
PH :7632995356.

220. KARLO AUTOMOBILES PVT LTD (1502-05-), JAGDEOPATH , NEAR SAJ CORPORATE PARK, PATNA - 801506  
PH :9264190675.

221. ALANKAR (1504-06-), ALANKAR COMPOUND, BESIDE ALANKAR SUN CITY, SANDALPUR, KUMHRAR, PATNA – 800006 - 800006  
PH :9304403916.

### PURNEA

222. SEEMANCHAL MOTORS PVT. LTD. (6V01-01-), NH-31, NEAR MARKETING YARD, GULAB BAGH, PURNEA (BIHAR) - 854326  
PH :8797096014.

### SAHARSA

223. GS MOTORS PVT. LTD. (AAP1-02-), PATUAHA, NH 107 SAHARSA,BIHAR - 852201  
PH :9263638456.

### SAMASTIPUR

224. RAJKRISHNA MOTORS LLP (1W02-01-), KHESRA NO. 3190-95, KHATA NO. 76, HERPUR ALLOTH, SAMASTIPUR, BIHAR. - 848101  
PH :9204552405.

### SASARAM

225. PEARL CARS (1X01-01-), PLOT NO.7, 9 & 11, NH-2 MORE SARAI, SASARAM (BIHAR) - 821115  
PH :8294634602/8294634649.

### SITAMARHI

226. RAJIV AUTOMOBILES PVT. LTD. (EO01-01-), DUMRA ROAD, SHANTI NAGAR, SITAMARHI. - 843301  
PH :9234609671  
7280074124.

### SIWAN

227. SHREE GOPAL AUTO PVT. LTD. (O501-01-), CHAPRA ROAD, NEAR CHAPDHALA, NH 85, SIWAN - 841236  
PH :9771486132.

## CHANDIGARH

### CHANDIGARH

228. MODERN AUTOMOBILES (702-01-), 4 M.W. INDL AREA, CHANDIGARH - 160002  
PH :9646000190.  
229. AUTOPACE NETWORK PVT LTD (705-01-), PLOT #112-113, INDUSTRIAL AREA, PHASE-1, CHANDIGARH - 160002  
PH :9878422201.  
230. TRICITY AUTOS (9M01-02-), PLOT NO 29/6, INDUSTRIAL AREA PHASE-2, CHANDIGARH - 160002  
PH :9988882335.  
231. NAVDESH AUTO LLP (708-01-), PLOT NO. 42, INDUSTRIAL AREA PHASE-1, CHANDIGARH. - 160002  
PH :7087035482.

## CHATTISGARH

### CHARODA

232. SPARSH AUTO (SIZ1-01-), NH-6, OPP. RAIL NAGAR, CHARODA, BHLILAI - 490025  
PH :8770554701.

### GHRGHODA

233. M SQAURE (SML1-01-), M/S M SQAURE,VILLAGE BHENGARI, NAVAPARA-TENDA,GHARGHODA,DISTRICT – RAIGARH CHHATTISGARH. PIN CODE: 496111 - 496111  
PH :7987690484.

### KURUD

234. HDN MOTORS (SKS1-01-), KHASRA NO 601/9 & 601/10, DHAMTARI-RAIPUR ROAD, KURUD, CHHATTISGARH - 493663  
PH :7909800004.

### PHULBANI

235. SKY AUTO (CEP1-01-), PLOT NO. 54/533, GUDRISAIH, KHAJURIAPADA, DISTRICT – KANDHAMAL ODISHA. PIN CODE: 762001 - 762001  
PH :9776900333.

## CHHATTISGARH

### PENDRA

236. M SQAURE (SCZ1-01-), – M SQUARE MOTORS, NEAR SEMRA CLOCK MAIN ROAD, PENDRA,GOURELA PENDRA MARWAHI-495119 - 495119  
PH :7987590484.

## CHHATTISGARH

### AKALTARA

237. M SQAURE (SKE1-01-), SHOP NO 4,5,6,7 & 8, SHRI NARAYAN COMPLEX & GODOWN, NEAR INDRA UDYAN,SHEORINARAYAN ROAD,AKALTARA-495552, CHHATTISGARH - 495552  
PH :7987590484.

### AMBIKAPUR

238. MAHAMAYA AUTOCARS PVT LTD (AE01-01-), MANEDRAGARH ROAD, AMBIKAPUR, CHATTISGARH. - 497001  
PH :7987741432.

### BAGBAHARA

239. HDN MOTORS (SEB1-01-), M/S HDN MOTORS, BESIDE R,N RICE MILL, NEW MAHAVEER COMPLEX, MAHASAMUND ROAD, BAGBAHARA - 493449  
PH :7909800004.

### BAIKUNTHPUR

240. MAHAMAYA AUTOCARS PVT LTD (CQU1-01-),  
WARD NO.01, KHATA NO.9116, TEHSIL -  
BAIKUNTHPUR, DISTT. - KORIYA,  
CHHATTISGARH - 497335  
PH :9179350707.

**BALOD**

241. CHOUHAN (SFE1-01-), H.NO 185, WARD NO 25,  
NAYA MARKET, DALLIRAJHARA, BALOD -491228  
- 491228  
PH :9837325267.

**BALODA BAZAR**

242. SKY AUTOMOBILES (5001-04-), AMBEDKAR  
CHOWK, RAIPUR ROAD, BALODA BAZAAR,  
CHATTISGARH. - 493332  
PH :9893307429.

**BASNA**

243. VISHWABHARTI (VT01-01-), M/S  
VISHWABHARTHI AUTO, PADAMPUR ROAD,  
BASNOUL, BASNA, CHHATTISGARH - 493554  
PH :6262620060.

**BEMETRA**

244. CHOUHAN AUTOMOBILES LLP (CBC2-01-),  
KHASRA NO. 88/2, CHOUHAN AUTOMOBILE LLP,  
KAWARDAH ROAD, NAVGHAD CHOWK,  
BEMTRA CHATTISGARH - 491335  
PH :6262000222.

**BHATAPARA**

245. SPARSH AUTOMOBILES (BBJ1-01-), RAIPUR  
ROAD, BHATAPARA (CHATTISGARH) - 493118  
PH :8921326361/9285505780.

**BHILAI**

246. CHOUHAN AUTOMOBILES LLP (8305-01-), PLOT  
NO.1 & 34, SHIVNATH COMPLEX, BEHIND  
CHOUHAN ESTATE, G.E. ROAD, SUPELA,  
BHILAI. - 490023  
PH :9111100140.

247. SPARSH AUTOMOBILES PVT LTD (8304-01-),  
R-17, INDUSTRIAL AREA, NANDNI ROAD,  
CHAWANI CHOWK, BHILAI, CHHATTISGARH -  
490026  
PH :8779064848.

248. CHOUHAN AUTOMOBILES LLP (8305-02-), NH-6,  
DURG BYPASS ROAD, KHASRA NO.1/14, 1/23,  
1/192, VILLAGE-KATULBOD, BHILAI, TEHSIL &  
DISTT. DURG, BHILAI, CHHATTISGARH - 491001  
PH :6262000222.

**BHILLAI**

249. SPARSH AUTOMOBILES (8304-02-), M/S,  
SPARSH AUTO, VEERSAVARKAR MARKET, G.E  
ROAD, SUPELA, BHILLAI-490023 - 490023  
PH :9926626662.

**BILASPUR**

250. SATYA AUTO PVT LTD (C303-01-), SECTOR C,  
PLOT NO. 42, SIRGITTI INDUSTRIAL AREA,  
BILASPUR, CHATTISGARH - 495001  
PH :9109194833.

251. SATYA AUTO PVT LTD (C303-02-), PLOT NO.  
848/20, 848/26, 848/40, MOPKA BYPASS ROAD,  
BILASPUR, CHHATTISGARH. - 495006  
PH :9977879698.

252. M SQUARE MOTORS ( A UNIT OF MAHAVIR  
MOTORCORP PRIVATE LIMITED) (C302-01-),  
KHASRA NO. 420 AND 414/1, NEAR RELIANCE  
PETROLEUM PUMP, BESIDES TRANSPORT  
NAGAR GATE, RAIPUR ROAD, PARSADA,  
BILASPUR. - 495223  
PH :6262622560.

**DALLIRAJHARA**

253. CHOUHAN (SMZ1-01-), H.NO 185, WARD NO 25,  
NAYA MARKET, DALLIRAJHARA, BALOD  
DISTRICT-491228 - 491228  
PH :6262000222.

**DEOBHOG**

254. SPARSH AUTO (SIQ1-01-), M/S SPARSH  
AUTOMOBILES PVT LTD SANTOSHI  
NAGAR, NEAR BHARAT PETROL PUMP,  
DHARAMGARH ROAD, DEOBHOG - 493890 -  
493890  
PH :9926626662.

**DHAMTARI**

255. SKY AUTOMOBILES (7V01-01-), KASRA  
NO.238/2, SEHARA DABRI, RAIPUR ROAD,  
DHAMTARI-493773 CHATTISGARH - 492009  
PH :8889988612.

**DURG**

256. SPARSH AUTOMOBILES PVT LTD (7W03-01-),  
OPP. JAINAM PLACE, BEFORE PULGAON  
CHOWK, PULGAON NAKA, DURG,  
CHHATTISGARH - 491001  
PH :9840437544.

**GARIYABANDH**

257. SPARSH AUTOMOBILES (CCH1-01-), NEAR HP  
PETROL PUMP, RAIPUR ROAD, GARIYABAND,  
CHHATTISGARH. - 756032  
PH :9669638883.

**JAGDALPUR**

258. SKY AUTOMOBILES (ECO1-01-), GEEDAM ROAD,  
JAGDALPUR, CHATTISGARH - 494001  
PH :9109996511.

**JANJGIR**

259. SATYA AUTO PVT LTD (9N02-01-), NEAR  
KHOKSHA RAILWAY CROSSING, CHAMPA  
ROAD, NH-200, JANJGIR - 495668  
PH :7747000446.

**KANKER**

260. SKY AUTOMOBILES (5001-06-), RAZA NAGAR,  
SINGARBHAT, NH-30, KANKER, DISTRICT -  
KANKER, CHHATTISGARH - 494334  
PH :888998625.

**KAWARDHA**

261. CHOUHAN AUTOMOBILES LLP (DI02-01-),  
KHASRA NO. 100/6, TALPUR BILASPUR ROAD,  
KAWARDHA, CHHATTISGARH. - 491 995  
PH :626000222.

**KHAIRAGARH**

262. SPARSH AUTOMOBILES PVT LTD (GMG1-01-),  
KHAIRAGARH -JHALBANDHA ROAD, AMLIPARA,  
OPP - BIJALI OFFICE, KHAIRAGARH -491881 -  
491881  
PH :9926626662.

**KHARSIA**

263. SATYA AUTO (SET1-01-), M/S SATYA AUTO ,  
BESIDE GOVT HIGH SCHOOL, RANISAGAR,  
KHARSIA, DISTRICT: RAIGARH, CHHATTISGARH  
- 496661  
PH :9993092051.

**KONDAGOAN**

264. SKY AUTO (SDF1-01-), - M/S SKY AUTO, NH-90  
RAIPUR ROAD, NEAR INDIAN OIL PETROL  
PUMP, KONDAGOAN, CHHATTISGARH - 494226  
PH :9425204051.

**KORBA**

265. SATYA AUTO PVT LTD (U702-01-), SHED NO. 1,  
INDUSTRIAL AREA, KORBA - 495681  
PH :8462000861.

**MAHASAMUND**

266. SPARSH AUTOMOBILES (5002-02-), BARONDA  
CHOWNK, BAGBAHRA ROAD, MAHASAMUND. -  
??  
PH :9926280700.

**MANENDRAGARH**

267. MAHAMAYA AUTOCARS PVT LTD (AE01-02-),  
WARD NO.21, NH-43, AMBIKAPUR ROAD, NEAR  
HP PETROL PUMP, MANENDRAGARH, DISTT.  
KORIYA - 497442  
PH :9584136234.

**MUNGELI**

268. SATYA AUTO PVT LTD (BLE2-01-), KHASRA NO.  
270/2, BILASPUR ROAD, MUNGELI,  
CHHATTISGARH - 861468  
PH :8462000844.

**PATHALGAON**

269. MAHAMAYA AUTOCARS PVT LTD (BX01-01-),  
KHASRA NO. 567/2, PHATALGAON, DISTRICT -  
JASPUR, CHHATTISGARH. - 496118  
PH :9752195523.

**PITHORA**

270. SPARSH AUTOMOBILES (CCG1-01-), PLOT NO.  
284/1, RAMSAGAR PARA, RAIPUR ROAD,  
PITHORA, CHHATTISGARH. - 761008  
PH :9926280700.

**RAIGARH**

271. SATYA AUTO PVT LTD (7Y03-01-), JINDAL  
ROAD, RAIGARH - 496001  
PH :7024398350.

**RAIPUR**

272. SKY AUTOMOBILES (5001-01-), G.E.ROAD,  
MOHABA BAZAR, RAIPUR. - 492010  
PH :9584433102.

273. SKY AUTOMOBILES (5001-02-), K.K. ROAD,  
MOUDHAPARA, RAIPUR. - 492001  
PH :9584460290.

274. SPARSH AUTOMOBILES (5002-01-), PACHPADI  
NAKA, OPP. DUTTA DRY CLEANER, DHAMKARI,  
JAGDALPUR ROAD, RAIPUR. - 492001  
PH :9669792000.

275. SKY AUTOMOBILES (5001-05-), NEAR R.K. MALL,  
KOTA ROAD, RAIPUR. - 492001  
PH :9893000161.

276. SKY AUTOMOBILES (5003-01-), AVANTI VIHAR  
ROAD, TELEBANDHA, RAIPUR (C.G) - 492006  
PH :9522314155.

277. SPARSH AUTOMOBILES (5002-04-), OPP. UNION  
BANK, MAIN ROAD, PANDRI, RAIPUR - 492004  
PH :900966400.

278. SPARSH AUTOMOBILES (5002-05-), PLOT - 31,  
INDUSTRIAL ESTATE, OPP MAHESH COLD  
STORAGE, BHANPURI, RAIPUR. - ??  
PH :9977220395.

279. SKY AUTOMOBILES (5001-07-), ADJOINING  
WALLFORT CITY, BHATGAON, RING ROAD NO.  
2, RAIPUR, CHHATTISGARH. - 492013  
PH :9584460289.

280. HDN MOTORS PVT. LTD. (5005-01-), BESIDES  
BHARAT BENZ SHOWROOM, DURG-BHILAI  
ROAD, TATIBANDH, RAIPUR, CHHATTISGARH. -  
492001  
PH :7909800093.

281. VISHWABHARTI AUTOMOBILES PRIVATE  
LIMITED (5004-04-), VIDHAN SABHA ROAD,  
MOWA, RAIPUR DISTT. CHHATTISGARH -  
492005  
PH :6262620057.

**RAJIM**

282. SPARSH AUTOMOBILES (5002-03-), RAIPUR  
ROAD, NEAR AMMANI PETROL PUMP,  
NAYAPARA, RAJIM. - 493881  
PH :966963883.

**RAJNANDGAON**

283. SPARSH AUTOMOBILES PVT LTD (LQ02-01-),  
NEAR HANUMAN TEMPLE, VILL.MANKI , NH-6,  
RAJNANDGAON, CHHATTISGARH - 491441  
PH :7887518100.

**SARAIPALLI**

## Dealer Network (AS ON 31.10.2023)

284. SKY AUTOMOBILES PVT. LTD. (BUF1-01-), KHASRA NO.482/5 AND 482/6, RAIPUR ROAD, SARAIPALI, DIST-MASAMUND, SARAIPALI - 493558 PH :7000723259.	293. BAGGA LINK MOTORS PVT LTD. (811-01-), 395 PATPAR GANJ INDL. AREA,PATPARGANJ,NEW DELHI - 110092 PH :46488830, 46488831. DD MOTORS (A DIVISION OF D.D. PREM PVT.LTD.) (08F1-01-), A-100 MAYAPURI,PHASE-II,NEW DELHI - 110064 PH :41845000, 49305232.	307. COMPETENT AUTOMOBILES CO. LTD. (806-06-), 650/1A, 14, SHIVAJI MARG, NAGAFGARH ROAD, NEW DELHI - 110015 PH :8377007988.	320. RANA MOTORS (08A1-08-), B-83, GT KARNAL ROAD, INDUSTRIAL AREA, OPP. GUJRANWALA TOWN, NEAR BIKANER WALA, DELHI - 110033 PH :9289496300.
<b>SARANGARH</b>	285. SATYA AUTO PVT LTD (BUC2-01-), KASRA NO. 71/4, 73/2, 74/2, 75/1 AND 76/2, SARANGARH BIKAS KHAND, SARANGARH, DISTT. RAIGARH. - 733751 PH :8462000841.	294. DD MOTORS (A DIVISION OF D.D. PREM PVT.LTD.) (08F1-01-), A-100 MAYAPURI,PHASE-II,NEW DELHI - 110064 PH :41845000, 49305232.	321. AAA VEHICLELEADES (08B9-G1-), KHASRA NO. 204, MAIN CHHATARPUR ROAD, CHHATARPUR, NEAR SAI BABA MANDIR, DELHI, PIN-110030 PH :9829342761.
<b>SIMGA</b>	286. HDN MOTOR (SS21-01-), PLOT NO 2, WARD NUMBER 05, SHANKAR NAGAR, SIMGA, BALODA BAZAR, CHHATTISGARH - 493101 PH :9826686000.	295. COMPETENT AUTOMOBILES CO. LTD. (806-03-), PLOT NO.3,GAZIPUR,DELHI, - 110096 PH :45300000.	322. SHREYASH AUTOMOTIVES PRIVATE LIMITED (08F8-01-), PLOT NO.9, SSI INDUSTRIAL ESTATE, GT KARNAL ROAD, NEW DELHI. - 110063 PH :43288888.
<b>TILDA</b>	287. SKY AUTOMOBILES (CWR1-01-), KASRA NO. 29/31, TILDA, DIST.-RAIPUR, CHHATTISGARH. - 493 114 PH :9425204051.	296. T.R. SAWHNEY MOTORS PVT LTD (819-01-), 33 & 34, HARICHAND MELARAM COMPLEX, EAST GOKULPUR, WAZIRABAD ROAD, DELHI - 110094 PH :9999399104, 9999399110.	323. SHREYASH AUTOMOTIVES PRIVATE LIMITED (08F8-02-), A-3, WAZIRPUR INDUSTRIAL AREA, DELHI. - 110052 PH :42020000, 9910114255.
<b>TITLAGARH</b>	288. ODYSSEY MOTORS (SQE1-01-), M/S PLOT NO 687/1216, MOUZA PIPALPADAR, TITLAGARH,BALANGIR, ODISHA - 767033 PH :9439314464.	297. RANA MOTORS PVT LTD (08A1-02-), C-47,OKHLA INDUSTRIAL AREA,PHASE-II,NEW DELHI - 110020 PH :41707777.	324. VIPUL MOTORS (08F7-01-), B-26, JHILMIL INDUSTRIAL AREA, DELHI -110095 - 110095 PH :9811233385.
<b>CHHATTISGARJH</b>	289. SKY AUTOMOBILES (DWR1-01-), F-9/B-1, MOHAN COOPERATIVE INDUSTRIAL ESTATE, MATHURA ROAD, DELHI - 110044 PH :40567900, 41679252-259.	298. T.R. SAWHNEY MOTORS PVT LTD (819-02-), B-6 BADLI, NEW DELHI - 110042 PH :71118333.	<b>OKHLA, DELHI</b>
<b>SHIVRINARAYAN</b>	289. SATYA AUTO (SMQ1-01-), M/S SATYA AUTO,DEORI, SHIVRINARAYA, JANJGIR - CHAMPA, CHATTISGARH - PIN 495556 - 495556 PH :9993092051.	299. DD MOTORS (A DIVISION OF D.D. PREM PVT.LTD.) (08F2-01-), 5, WAZIRPUR,INDUSTRIAL AREA,ADJACENT TO WAZIRPUR DEPOT,RING ROAD, NEW DELHI - 110035 PH :9999003388, 8860637394, 8860637306, 8448594691.	325. AAA VEHICLELEADES PVT LTD (08B4-01-), B243, OKHLA PHASE-1, OKHLA, DELHI - 110020 PH :8448582912.
<b>DADRA AND NAGAR HAVELI</b>	290. KATARIA AUTOMOBILES PVT. LTD. (ED01-01-), NEAR ATHAL CHAR RASTA,DADAR & NAGAR HAVELI, SILVASSA - 396230 PH :9723816223.	300. ROHAN MOTORS LTD. (886-01-), F-9/B-1, MOHAN COOPERATIVE INDUSTRIAL ESTATE, MATHURA ROAD, DELHI - 110044 PH :40567900, 41679252-259.	<b>WAZIRPUR - DELHI</b>
<b>SILVASSA</b>	290. KATARIA AUTOMOBILES PVT. LTD. (ED01-01-), NEAR ATHAL CHAR RASTA,DADAR & NAGAR HAVELI, SILVASSA - 396230 PH :9723816223.	301. MAGIC AUTO PVT. LTD. (888-01-), A-93,PHASE-2,MAYAPURI INDL AREA,DELHI - 110064 PH :41847777.	326. DD MOTORS (08F1-05-), A-90, WAZIRPUR INDUSTRIAL AREA, NEW DELHI-110052 - 110052 PH :9310367233.
<b>DAMAN AND DIU</b>	291. KATARIA AUTOMOBILES PVT. LTD. (104-08-), NEAR AKASWANI CENTER, RINGANWADA, NANI DAMAN , DAMAN UNION TERRITORY - 396210 PH :9924130655.	302. DD MOTORS (A DIVISION OF D.D. PREM PVT.LTD.) (08F3-01-), KHASRA NO. 544/1, MUNDKA, NEW DELHI - 110041 PH :25963535, 48616500.	<b>GOA</b>
<b>DAMAN</b>	291. KATARIA AUTOMOBILES PVT. LTD. (104-08-), NEAR AKASWANI CENTER, RINGANWADA, NANI DAMAN , DAMAN UNION TERRITORY - 396210 PH :9924130655.	303. T.R. SAWHNEY MOTORS PVT LTD (819-04-), PLOT NO.-508, FUNCTIONAL INDUSTRIAL ESTATE, PATPARGANJ - 110092 PH :9999044326, 99999525756.	<b>BICHOLIM</b>
<b>DELHI</b>	292. SAYA AUTOMOBILES PVT. LTD. (808-03-), A 21-22, G.T.KARNAL ROAD, NEW DELHI - 110033 PH :47088888.	304. MAGIC AUTO PVT. LTD. (08B7-01-), PLOT NO. 68/3,MOTINAGAR,NEW DELHI. - 110015 PH :43777777, 43777721.	327. SAI SERVICE PRIVATE LIMITED (BHN1-01-), CITY SURVEY NO. 461, MUSLIM WADDO, BICHOLIM, GOA - 403529 PH :2385500, 9881746566.
<b>DELHI</b>	292. SAYA AUTOMOBILES PVT. LTD. (808-03-), A 21-22, G.T.KARNAL ROAD, NEW DELHI - 110033 PH :47088888.	305. SAYA AUTOMOBILES (808-2B-), KHASRA NO.2,G.T. KARNAL ROAD,OPP. GURUDJARA HARGOVIND SINGH,SIRAS PUR BADLI,DELHI - 110033 PH :27731325, 27731856.	<b>CANACONA</b>
		306. RANA MOTORS PVT LTD (08A1-04-), B-6/6, OKHLA INDUSTRIAL AREA PHASE-II, NEW DELHI - 110020 PH :40877777, 26389930.	328. CHOWGULE INDUSTRIES PVT. LTD. (IT01-01-), PLOT NO.40, CANCONA INDUSTRIAL ESTATE, SHREESTAL, CANCONA, SOUTH GOA - 403702 PH :0832-2633010/8806024916.
			<b>CUNCOLIM</b>
			329. SAI SERVICE PRIVATE LIMITED (3402-06-), SURVEY NO.647, SHOP NO.3-A-II, CANCNAMODDI, CUNCOLIM, SOUTH GOA - 403703 PH :2763062, 2763063, 9850398057.
			<b>DHARBANDORA</b>
			330. CHOWGULE INDUSTRIES PVT. LTD. (3408-07-), AT-KHANDEPAR, USGAON, TAL-DHARBANDORA, SOUTH GOA - 403401 PH :0832-6623477/788004357.
			<b>MAPUSA</b>

**Dealer Network (AS ON 31.10.2023 )**

331. SAI SERVICE PRIVATE LIMITED (3402-05-), D-29,MAPUSA INDUSTRIAL ESTATE,MAPUSA, GOA - 403507 PH :2267000, 8660432266.	342. SAI SERVICE PRIVATE LIMITED (3402-01-), SURVEY NO. 36/1,PENHA DE FRANCE,TAL : BARDEZ, ALTO PCRVORIM,GOA - 403501 PH :2419200, 2414324, 9881746567.	353. KATARIA AUTOMOBILES PVT. LTD. (110-01-), BEHIND ADANAL PUMP, NEAR MAKARBA CROSSING, MAKARBA,SG HIGHWAY - 380051 PH :7089054900.	364. PEGASUS (A UNIT OF VISUAL AUTOLINK PVT. LTD.) (117-01-), PLOT NO.116 & 1182, SARDAR PATEL RING ROAD, VASTRAL, AHMEDABAD - 382418 PH :7623089000.
332. CHOWGULE INDUSTRIES PVT. LTD. (3408-03-), PLOT NO. 19/20,THIVIM INDUSTRIAL ESTATE,KARASAWDA, MAPUSA,GOA - 403507 PH :0832-6631666/6631608/8888817955.	<b>SANVORDEM</b> 343. CHOWGULE INDUSTRIES PVT. LTD. (BTK1-01-), SURVEY NO. 4, SUBDIVISION-3, VILLAGE – CAOCORA, TALUKA – CURCHOREM, SANVORDEM, DIST. – SOUTH GOA, GOA - 403706 PH :9850477607.	354. POPULAR WHEELERS (INDIA) PVT. LTD. (111-01-), BESIDE SOLA ROAD BRIDGE,S. G. HIGHWAY SOLA,AHMEDABAD - 380054 PH :65058111.	365. STARLINE CARS PVT. LTD. (D101-09-), SR NO – TP - 57, PLOT NO. 67, NEAR GOTLA FLYOVER BRIDGE, OPP. SHANKU FARM HOUSE, S.G. HIGHWAY, GOTLA, AHMEDABAD. - 382481 PH :9824601729.
<b>MARGAO</b> 333. CHOWGULE INDUSTRIES PVT. LTD. (3408-01-), OPP.DAMODAR TEMPLE,FATORDA,MARGOA,GOA - 403602 PH :0832-6623444/420/7789630235.	<b>SATTARI</b> 344. CHOWGULE INDUSTRIES PVT. LTD. (3408-10-), SURVEY NO. 60, SUB DIV NO. 05, VILLAGE ARVALEM, VILLAGE PANCHAYAT ARVALEM, TALUKA SATTARI, NORTH GOA, GOA - 403505 PH :9923464422.	355. KIRAN MOTORS LTD (112-01-), SURVEY NO. 82/1/1, NEAR H.P. PETROL PUMP, MOTERA ROAD, CHANDKHEDA, AHMEDABAD - 380005 PH :8347491800/9824023122.	366. KATARIA AUTOMOBILES PVT. LTD. (110-02-), PLOT NO. 112, 116 & 119, SURVEY NO. 283/3.7.10, B/H SILVER STAR, BESIDE HARI VILLA BUNGLOWS, GOTLA ROAD, CHANDLODIYA, AHMEDABAD. - 382481 PH :9824000378.
334. SAI POINT CARS PVT LTD (3409-01-), H.NO.17, WARD NO.5, SURVEY NO.34/3,34/A, MARGAON PONDA HIGHWAY,SONFATOR AMBORA,CAMURLIN,SALCETE ,GOA - 403722 PH :954545826/8380013499.	<b>TALEIGAON</b> 345. CHOWGULE INDUSTRIES PVT. LTD. (3408-06-), SURVEY NO. 122, MAHBOS, NEAR SHANKARWADI TEMPLE, SHANKARWADI, TALEIGAON, - 403001 PH :9922950798/9922925701.	356. UDAY AUTOLINK PVT. LTD. (113-01-), NEAR GALAXY SPACIA, OPP. DASTAN FARM, S. P. RING ROAD, KATHWADA, AHMEDABAD, GUJARAT - 382430 PH :7567229999.	367. DB MOTORS PRIVATE LIMITED (119-01-), SURVEY NO. 131A, NH-8, ASLALI, OPP-OCTROI NAKA, AHMEDABAD. - 382427 PH :9726031111.
335. SAI SERVICE PRIVATE LIMITED (3402-02-), SURVEY NO. 212/4,VILLAGE - VERNA,TAL : SALCETE, NEXT TO AGNEL POLYTECHNIC, MARGAO - 403718 PH :2883000, 2791195, 9834398096.	<b>VASCO</b> 346. SAI SERVICE PRIVATE LIMITED (3402-04-), NEXT TO SHIKALIM CHURCH,SHIKALIM,VASCO,GOA - 403802 PH :2542581/2526008/2526000/9850398058.	357. NANDA AUTOMOBILES PVT. LTD. (114-01-), SURVEY NO. 229/3, OPP. GOKULESH PETROL PUMP, NAROL - ASLALI ROAD, NAROL, AHMEDABAD, GUJARAT. - 382405 PH :886658787 / 8460088883.	368. POPULAR WHEELS (111-02-), SAVAN SQUARE, SHOP NO. 1, 2, 3, 4, 5, SERVE NO. 39/1, F.P. NO. 92, T.P. NO. 66/A, CHENPUR, NEW RANIP, AHMEDABAD. - 382 427 PH :9825203344.
336. CHOWGULE INDUSTRIES PVT. LTD. (3408-08-), PLOT NO. M-58 AND M-59, PHASE 3B, VERNA INDUSTRIAL ESTATE, MARGAO, VERNA, SALCETE SOUTH GOA, GOA - 403722 PH :0832-6621800/9922950800.	347. CHOWGULE INDUSTRIES PVT. LTD. (3408-09-), OPP BHRAMASTAL TEMPLE, PATRONG BAINA, VASCO,GOA - 403802 PH :0832-2500407/4277921943608/9850986904.	358. STARLINE CARS (AHMEDABAD) PVT LTD (115-01-), PLOT NO. 103/2, NANDA CHILODA, NEAR RAILWAY CROSSING, KRISHNANAGAR ROAD, NARODA, AHMEDABAD - 382330 PH :9824601729.	369. DB MOTORS PRIVATE LIMITED (119-02-), PLOT NO. 718, ASHRAM ROAD, OPPOSITE GANDHI ASHRAM, OLD VADAJ, HRIDAYA KINJ, AHMEDABAD - 380013 PH :9909048260.
<b>PANAJI</b> 337. CHOWGULE INDUSTRIES PVT. LTD. (3408-02-), D,B BANDODKAR MARG,CAMPAL,PANAJI,GOA - 403001 PH :9922950798/9922925701.	<b>GUJARAT</b> <b>AHMEDABAD</b> 348. KIRAN MOTORS LTD (102-01-), SARKHEJ - GANDHINAGAR HIGHWAY,OPP. RAJPATH CLUB,AHMEDABAD - 380054 PH :9624055445.	359. KIRAN MOTORS LTD (112-02-), FINAL PLOT NO.33/1/1, NEAR SHRUSHTI LAVISH, OPP SHYAM VILLA-II, NARODA-NIKOL ROAD, NIKOL DISTT. AHMEDABAD - 382330 PH :7069866374/9173840458/7383651643/9173044104	<b>AMBAJI</b> 370. TANU MOTORS (SKQ1-01-), OPP KUMBHARIYA JAIN DERASAR, GIDC ROAD, AMBAJI, DIST-BANASKANTHA, GUJARAT 385110 - 385110 PH :9727709227.
338. SAI SERVICE PRIVATE LIMITED (3402-07-), SHED NO.18/329, PLOT NO.5A, SURVEY NO.117/6, TELEIGAON, ST. INEZ, PANJIM, GOA-403 002. - 403001 PH :22229222/2225222.9923865179.	<b>AHMEDABAD</b> 349. KATARIA AUTOMOBILES PVT. LTD. (104-01-), D/8 BEHIND ESI HOSPITAL,OUTSIDE DARIAPUR DARWAJA,AHMEDABAD - 380016 PH :9824543500.	360. KIRAN MOTORS LTD (102-04-), SURVEY NO. 245/3, TP SCHEME NO. 43, NEAR KARGIL PETROL PUMP, SCIENCE CITY ROAD, AHMEDABAD - 380060 PH :9327617447, 9327214890.	<b>AMOD</b> 371. VIRAVATNA MOTORS (F801-03-), ROYAL PARK, JAMBUSAR-BHARUCH ROAD, AMOD, DISTRICT: BHARUCH, GUJARAT. - 392110 PH :9687691106/9687699383.
<b>PERNEM</b> 339. CHOWGULE INDUSTRIES PVT. LTD. (CUA1-01-), SURVEY NO. 258/1-B & 258/1-C, OPPOSITE INDUSTRIAL TRAINING INSTITUTE, TALUKA - PERNEM, DIST.-NORTH GOA. - 403512 PH :8380082893.	<b>POLEM</b> 340. CHOWGULE INDUSTRIES (SHO1-01-), DULGAL-SHELMIM,VILLAGE POLEM-LOLIEM ,SOUTH GOA,403728 - 403728 PH :9049555395.	361. POPULAR WHEELERS (INDIA) PVT. LTD. (109-01-), BEHIND G. B. SHAH COLLEGE, NEAR SWAMINARAYAN PARK, VAISHALI TOWNSHIP ROAD, VASNA, AHMEDABAD, GUJARAT. - 380007 PH :9099993830.	<b>AMRELI</b> 372. ALPHA AUTOLINK LLP (9E02-01-), LATHI BY PASS ROAD, AMRELI, GUJARAT. - 385601 PH :9978938858/9978938833.
<b>PONDA</b> 341. SAI SERVICE PRIVATE LIMITED (3402-03-),OFF PANJIM HIGHWAY,PONDA,GOA - 403401 PH :2324106, 2311499, 2324120, 9518349559.	<b>POPNORIM</b> 342. SAI SERVICE PRIVATE LIMITED (3402-01-), SURVEY NO. 36/1,PENHA DE FRANCE,TAL : BARDEZ, ALTO PCRVORIM,GOA - 403501 PH :2419200, 2414324, 9881746567.	362. PEGASUS (A UNIT OF VISUAL AUTOLINK PVT. LTD.) (129-01-), PLOT NO. 116, BOPAL – AMBIL ROAD, BOPAL, AHMEDABAD, DISTRICT – AHMEDABAD, GUJARAT. - 380058 PH :7211140026, 7211130063.	<b>ANAND</b> 373. AMAR CARS PVT. LTD. (F702-01-), JANTHA CROSSING,SQJITRA ROAD,ANAND - 388121 PH :9909960772.
		363. TANU MOTORS PVT. LTD. (118-01-), SURVEY NO. 1155/1-2, 1154 & 1156, PLOT NO. 39, SARKHEJ-SANAND ROAD, SANAND, AHMEDABAD (GUJARAT) - 382110 PH :9512009110.	374. KATARIA AUTOMOBILES PVT. LTD. (F703-01-), SURVEY NO. 189/1+2/A+3/A/K 190/P, OPP. OLD JAKAT NAKA, NEAR RAILWAY OVERBRIDGE, ANAND-CHIKHODRA ROAD, ANAND, GUJARAT. - 388 120 PH :7698954466.
			<b>ANLAV</b>

## Dealer Network (AS ON 31.10.2023)

375. KATARIA AUTOMOBILES (SEO1-01-), AMBICA COMPLEX, GROUND FLOOR SHOP NO. B, C AND D, ASODAR CHOKDI, TAL. ASODAR, CITY ANKLAV, DIST. ANAND, PIN-388510, GUJARAT - 388510  
PH :7227917151.
- ANKLESHWAR**
376. RAVIRATNA MOTORS PVT LTD (P901-01-), PLOT NO. 624/2/BA, GIDC, VALIA ROAD, ANKLESHWAR - 393002  
PH :9687691063.
- BAGODRA**
377. NANDA AUTOMOBILES PVT. LTD. (CVQ1-01-), SHOP NO. 9, 10, 11, 12, KAMDHENU COMPLEX, BAGODRA HIGHWAY, NR. SBI BANK, BAGODRA. - 382240  
PH :9727822000, 9726269111.
- BALASINOR**
378. AMAR CARS PVT. LTD. (CJE1-01-), SR. NO. 1451, OPP. OIC PETROL PUMP, AHMEDABAD, HIGHWAY (NH-47), KANTHARJINA MUVADA, VILLAGE – VADALA, TALUKA – BALASINOR, DISTRICT – MAHISAGAR, GUJARAT. - 388255  
PH :7211109960.
- BARDOLI**
379. DHRU MOTORS (4002-02-), G.I.D.C.SURAT BARDOLI ROAD,BARDOLI - 394601  
PH :9825413113/9879104454.
380. KATARIA AUTOMOBILES PVT. LTD. (Q106-02-), BLOCK NO.13, NANDIDA CROSS ROAD, BARASADI VILLAGE, SURAT-BARDOLI ROAD, BARDOLI, GUJARAT - 394310  
PH :7698022665/9924138860.
- BAREJA**
381. KATARIA AUTOMOBILES PVT. LTD. (BAN1-01-), 5/6/7, ADITYA COMPLEX NATIONAL HIGHWAY-8, BAREJA , TALUKA – DASKROI, DISTRICT – AHMEDABAD, GUJARAT - 382425  
PH :7046079997.
- BARWALA (AHMEDABAD)**
382. UDAY AUTOLINK PVT. LTD. (I401-01-), OPP. HILTON HOTEL, BHAVNAGAR HIGHWAY, TA BARWALA, DIST. AHMEDABAD - 382450  
PH :7567449999/9687677611.
- BAVLA**
383. KATARIA AUTOMOBILES PVT. LTD. (104-07-), NEAR ESSAR PETROL PUMP, BAVLA -AHMEDABAD HIGHWAY, BAVLA - 382220  
PH :9824344889.
- BECHRAJI**
384. STARLINE CARS PVT. LTD. (GJM1-01-), R.S. NO. 336 PAIKI, MOJE-BECHAR (BECHARAJI), TALUKA – BECHARAJI, DIST.-MEHSANA. - 384210  
PH :9909043244.
- BHABHAR**
385. STARLINE CARS (CWD1-01-), SHOP NO. 7, 8, 9, SIDDHI VINAYAK BUSINESS HUB, R.S. NO. 225, PANJRAPOLE ROAD, BHABAR, DIS. -BANASKANTHA, GUJARAT. - 385320  
PH :9909043244, 9824601729.
- BHACHAU**
386. K.D. MOTORS (P501-02-), SUNRISE MALL,OPP. BUS STAND,BHACHAU BHUJ ROAD, BHACHAU, GUJARAT - 370140  
PH :9909953036, 9879390919.
- BHANVAD**
387. ATUL MOTORS JAM LLP (BND2-01-), R.S. NO.439, PLOT NO.19, BHANVAD (GUJARAT) - 360510  
PH :9574005964 / 9574004714.
- BHARUCH**
388. RAVIRATNA MOTORS (F801-01-), NH 8, OPP YOGI PETROL PUMP,P.O. ZADESHWAR,BHARUCH - 392011  
PH :9687691044; 9687632647.
- BHAVNAGAR**
389. KATARIA AUTOMOBILES (C902-01-), SURVEY NO 137/2, PLOT NO 301/2&3 AND 301/4&5, VERTEJ GIDC, NARI CHOWKDI, RAJKOT ROAD, BHAVNAGAR - 364004  
PH :9426168286.
390. KATARIA AUTOMOBILES (C902-02-),PLOT NO-29, NR. TALAJA OCTROI CIRCLE, JAKATNAKA, AT-AHHEWADA, DIST-BHAVNAGAR, GUJARAT – 364002. - 364002  
PH :9638884422.
- BHUJ**
391. K.D. MOTORS (P501-01-), PLOT NO. 5/6/14,UMANAGAR,MIRZAPUR HIGHWAY ROAD , BHUJ, GUJARAT - 370001  
PH :02832-232534/5, 9879898799, 8780351870.
392. K.D. MOTORS (P501-03-), R.S NO. 25/2, 25/3, 26/2, PLOT NO. 57 TO 61, VILLAGE - MIRZAPUR, TALUKA - BHUJ, GUJARAT. - 370001  
PH :9909953124.
- BODELI**
393. KIRAN MOTORS LTD (0R01-01-), OPP.NARMADA GUEST HOUSE,DABHOI ROAD, BODELI, TALUKA: SANKHEDA,VADODARA - 391135  
PH :9714592999.
- BORSAD**
394. AMAR CARS PVT. LTD. (BJM1-01-), BORSAD – TARAPUR HIGHWAY, BORSAD, DISTRICT – ANAND, GUJARAT - 388540  
PH :9586477744.
- BOTAD**
395. KATARIA AUTOMOBILES (AP03-19-), PLOT NO.13, SURVEY NO 33.34, AND 35 PAIKAI VILLAGE, HADADAD, OPP. PATEL HYUNDAI SHOWROOM, PALLIYAD BOTAD ROAD - 384710  
PH :9558060658.
- CHANASMA**
396. STARLINE CARS (CVF1-01-), 16/17, PASABHI COMPLEX, NEAR ROYAL PALACE HOTEL, MEHSANA HIGHWAY, CHANASMA. - 384220  
PH :9909043244, 9824601729.
- CHANDIYAL**
397. DB MOTORS (SJT1-01-), SHOP NO-1,2,3 SWAPNIL ARCADE, GRAM-CHANDIYAL, TAL-DASKROI, DIST-AHEMDABAD, GUJARAT. - 382433  
PH :9909048301.
- CHANDKHEDA - AHMEDABAD**
398. KATARIA AUTOMOBILES PVT. LTD. (104-10-), SURVEY NO. 247, TP NO.73, OPP. PAVITRA ENCLAVE, MANSAROVER ROAD, NEAR HARI OM FARM, TRAGAD, CHANDKHEDA, AHMEDABAD - 382470  
PH :9723302111.
- CHANDRALA**
399. NANDA AUTOMOBILES PVT. LTD. (GLT1-01-), HIMMATNAGAR HIGHWAY NO.8, NEAR DEVANSHI PARTY PLOT, CHANDRALA, DIST-GANDHINAGAR, GUJARAT - 382320  
PH :9725062187, 9727726003.
- CHANGODAR**
400. PEGASUS (A UNIT OF VISUAL MOTORS PVT. LTD.) (CTD2-01-), SURVEY NO.393, VILLAGE – MORAIYA, CHANGODAR, TALUKA – SANAND, SUN DISTT – AHMEDABAD. - 382210  
PH :7211120014.
- CHIKHLI**
401. KATARIA AUTOMOBILES PVT. LTD. (BCB1-01-), SURVEY NO.461, VILLAGE-MAJIGAM, TALUKA-CHIKHLI, DISTT-NAVSARI, GUJARAT - 396521  
PH :7698953899.
- CHILODA**
402. PEGASUS (A UNIT OF VISUAL AUTOLINK PVT. LTD.) (GJO1+01-), PLOT NO. 332, BESIDES GALLOPS TATA, NH-8, CHILODA-HIMMATNAGAR HIGHWAY, CHILODA. - 382355  
PH :7211168938, 7623039000.
- CHOTILA**
403. DREAM VEHICLES PVT LTD (CFI1-01-), SURVEY NO. 31, PLOT NO. 1, NILKANTH SOCIETY, NH NO. 8A, AHMEDABAD-RAJKOT, AT & PO – CHOTILA, DISTRICT – SURENDRANAGAR, GUJARAT. - 363520  
PH :9227775709.
- CHUDA**
404. DREAM AUTOMOBILES (SOC1-01-), NR. GOVT HOSPITAL,CHATARLIYA ROAD,CHUDA,SURENDRANAGAR. - 363410  
PH :9313802500.
- DABHOI**
405. KATARIA AUTOMOBILES PVT. LTD. (UU01-01-), OPP. VEGA BUS STOP, NEAR VEGA CROSS ROAD, DABHOI-BODELI ROAD, DABHOI, TA:DABHOI, DI:VADODARA - 391110  
PH :8156000463.
- DAHOD**
406. R B CARS PVT. LTD. (2C01-02-), NEAR SIMANDHAR JAIN TEMPLE, OLD INDORE HIGHWAY,DAHOD - 389151  
PH :9099043715, 9727700823.
- DANTIWADA**
407. TANU MOTORS (SSX1-01-), VISHWAS COMPLEX, OPP. HINGLAJ PETROL PUMP, NR. JAIN DERASAR, DANTIWADA HIGHWAY, AT-PO PANTHWADA, TALUKA-DANTIWADA, DIST-BANASKANTHA - 385545  
PH :9099940424.
- DEESA**
408. TANU MOTORS PVT. LTD. (Q801-03-), NH-14, NR. ESSAR PETROL PUMP, RADHANAGAR HIGHWAY, HANUMAN NAGAR, MALGADH, DEESA - 385535  
PH :9909006099.
- DEHGAM**
409. NANDA AUTOMOBILES PVT. LTD. (2B01-03-), NEAR UMIYA MATAJI TEMPLE, COLLEGE ROAD,AHMEDABAD ROAD, DEHGAM - 382305  
PH :234567.
- DETROJ**
410. PEGASUS (A UNIT OF VISUAL AUTOLINK PVT LTD) (GLC1-01-), PLOT NO-61, MILKAT NO-2534, AT-DETROJ, TALUKA-DETROJ-RAMPURA-382120 - 382120  
PH :7971846442.
- DEVGADH BARIA**
411. R B CARS PVT. LTD. (2C01-05-), BESIDE ARIHANT PETROL PUMP, PIPLOD ROAD, DEVGADH BARIA - 389980  
PH :9099049344, 6352384846, 9099043715.
- DHANERA**
412. TANU MOTORS PVT. LTD. (BZM1-01-), 01 & 02, MARUTI NANDAN COMPLEX, NEAR ESSAR PETROL PUMP, DHANERA-DEESA HIGHWAY, DHANERA - 385310  
PH :9909060099, 8401784018.
- DHARAMPUR**

**Dealer Network (AS ON 31.10.2023 )**

413. KATARIA AUTOMOBILES PVT. LTD. (BSK1-01-), SURVEY NO.29/3/P1, VILLAGE ASHURA NR. ASHURA CIRCALE, DHARAMPUR DISTT. VALSHAD, GUJARAT - 396050 PH :9723455291.	423. NANDA AUTOMOBILES PVT. LTD. (2B01-05-), PLOT NO. 805, GIDC, SECTOR-28, GANDHINAGAR. - 382028 PH :079-23212692/93/94 9727726003.	433. RAVIRATNA (SKR1-01-), SURVEY NO-2939-2954, PLOT NO.2, VILLAGE-JAMBUSAR, TALUKA-JAMBUSAR, DIST-BHARUCH. - 392150 PH :9687667595.	444. RB CARS (SDN1-01-), SURVEY NO.618/2, PAKI PLOT NO. 29.30.31 AT. KAKANPUR, TAL. GODHRA, DISTRICT. PANCHMAHAL PIN-388713. - 388713 PH :9059049347.
<b>DHARI</b>	<b>GODHRA</b>	<b>JAMJODHPUR</b>	<b>KALAVAD</b>
414. ALPHA AUTOLINK LLP (GG02-01-), PLOT NO. 9, DHARI - KHAMBHA ROAD, NEAR RAILWAY FATAK DHARI , TALUKA - DHARI, DIST. - AMRELI, GUJARAT. - 365640 PH :9904549999/9978938858.	424. R B CARS PVT. LTD. (2C01-01-), PLOT NO. 112/11, 12-VAVDI,GODARA - DAHOD HIGHWAY, GODHRA, PANCHMAHAL, GUJARAT - 389001 PH :9099043715, 9727700823.	434. ATUL MOTORS (JAM LLP) (CSN3-01-), NEAR HDFC BANK, GAYATRI MANDIR ROAD, JAMJODHPUR, DIST-JAMNAGAR (GUJARAT) - 360530. - 360530 PH :9537888988.	445. ATUL MOTORS JAM LLP (BNC2-01-), SANIDHYA ARCADE, NEAR SANIDHYA PARTY PLOT, KALAVAD - DHORAJI ROAD, KALAVAD. - 361160 PH :9574222111.
<b>DHOLKA</b>		<b>JAMNAGAR</b>	<b>KALOL</b>
415. TANU MOTORS PVT. LTD. (CQ02-01), SURVEY NO. 722, OPPOSITE RANI RUDY MATAJI MANDIR, DHOLKA KALIKUND HIGHWAY, DHOLKA, GUJARAT - 382 225 PH :95122009104.	425. R B CARS PVT. LTD. (2C01-04-), SURVEY NO:107, LUNAWADA ROAD, GIDC, GODHRA, DISTT. PANCHMAHAL-389001. - 389001 PH :9099043715, 9727700823.	435. ATUL MOTORS JAM LLP (F402-01-), SURVEY NO.422, PLOT NO. 16,17 & 19, JAMNAGAR, GUJARAT - 361001 PH :9574004710 / 9574004716.	446. NANDA AUTOMOBILES PVT. LTD. (2B01-02-), PLOT NO. - 162-166, GIDC,KALOL MEHSANA HIGHWAY, NEAR CHIRAG CINEMA ROAD, KALOL. - 383028 PH :220781 / 82 / 83.
<b>DHORAJI</b>	<b>GONDAL</b>	436. STARLINE CARS PVT. LTD. (D101-02-), CHANASMA HIGHWAY, PATAN - 384265 PH :7046046187.	<b>KAPADVANJ</b>
416. PERFECT AUTO SERVICE (5502-09-), JETPUR ROAD, OPP. SHRINATHJI SOCIETY, DHORAJI -- 360410 PH :9099027402, 8200969617.	426. ATUL MOTORS PVT LTD (5503-05-), 8-B NATIONAL HIGHWAY, OPP. DAULAT OIL MILL, NR. NILKANTH VIRUDASHRAM, RAJKOT HIGHWAY,GONDAL - 360311 PH :9904922333.	437. ATUL MOTORS JAM LLP (F402-02-), C-36, MP SHAH ARUN UDYOG, SARUSECTION ROAD, JAMNAGAR - 361002 PH :9574004704 / 9574004717.	447. AMAR CARS PVT. LTD. (NC01-01-), SAMARTH SQUARE, SHAP NO.1, MODASA KAPADVANJ ROAD, KAPADVANJ, GUJARAT-387620 - 387620 PH :9909960761.
<b>DHRANGADHRA</b>	<b>GOZARIYA</b>	438. ATUL MOTORS (JAM LLP) (F402-03-), OPP MADHAV BAUG1, NEAR RAILWAY OVER BRIDGE, JAMNAGAR, GUJARAT-361006. - 361006 PH :9574004709.	<b>KARJAN</b>
417. DREAM VEHICLES PVT LTD (IM01-01-), PLOT NO. 79, SURENDRANAGAR- DHRANGADHRA ROAD, OPP. ARMY WORKSHOP, DISTRICT-SURENDRANAGAR. - 363310 PH :9227775725.	427. VIMCO MOTORS PVT. LTD. (GJN1-01-), 1597/339 P4 VISHNAGAR-GOZARIYA ROAD, GOZARIYA, DIST.-MEHSANA. - 382825 PH :7016623842.	<b>JASDAN</b>	448. AMAR CARS PVT. LTD. (UZ01-01-), SURVEY NO.851/787 BESIDE PMT TOOLS, KANDARI, N.H. -8, KARJAN, DISTT-VADODRA (GUJARAT) - 391210 PH :7567299666/99252462929.
<b>DIYODAR</b>	<b>HALOL</b>	439. ATUL MOTORS PVT LTD (5503-09-), SURVEY NO. 1253, PLOT NO. 4, NEAR KALYAN PETROL PUMP, JASDAN-ATKOT HIGHWAY, JASDAN, DIST.-RAJKOT, GUJARAT. - 360050 PH :9265404142.	<b>KATHAL</b>
418. TANU MOTORS (SFU1-01-), NR.HP PETROL PUMP, BHESANA CROSS ROAD, BHABHAR HIGWAY,DIYODAR-385330 - 385330 PH :9099017756.	428. R B CARS PVT. LTD. (BKC1-01-), PLOT NO. 104/6 & 104/6, VADODARA -- GODHRA HIGHWAY, NEAR NAVJIVAN HOTEL, HALOL, DISTRICT -- PANCHMAHAL, GUJARAT - 389350 PH :9099043715, 9727700823.	<b>JHALOD</b>	449. AMAR CARS PVT. LTD. (CXA1-01-), MAHAVEER AUTO SHOWROOM, NADIAD ROAD, JB PLAZA, KATHLAL, GUJARAT. - 387 630 PH :9909960761.
<b>DWARKA</b>	<b>HALVAD</b>	440. R B CARS PVT. LTD. (CJF1-01-), SURVEY NO. 2550B/10, 11, AT -JHALOD, TALUKA- JHALOD, DISTRICT - DAHOD. - 389170.	<b>KESHOD</b>
419. ATUL MOTORS JAM LLP (CJG2-01-), SURVEY NO. 41, NEAR, SHRI SANTAN SEVA MANDAL, CORNER PLOT OF STATION ROAD AND HIGHWAY ROAD, DWARKA, DISTRICT -- DWARKA -- , - 361335 PH :9712212900 / 9574004714.	429. DREAM VEHICLES PVT LTD (GX01-01-), PLOT NO.5 & 6, NAKLANKDHAM TOWNSHIP, OPP. HONEST RESTAURANT, AHMEDABAD HIGHWAY, HALVAD DISTT. SURENDRANAGAR (GUJARAT) - 363330 PH :8238000965.	<b>JUNAGADH</b>	450. PERFECT AUTO SERVICES (BZY1-01-), R S NO. 125/1, GADOWN NO. 01, SONDARDA, TALUKA -- KESHOD, DISTRICT -- JUNAGADH, GUJARAT. - 362220 PH :7043999073.
<b>GANDHIDHAM</b>	<b>HANSOT</b>	441. PERFECT AUTO SERVICES (5502-06-), SURVEY NO.45/1, PLOT NO. 214-C/D/E/F, GIDC-I, DOLATPURA, JUNAGADH - 362001 PH :9879518052, 7043999073, 9909022618.	<b>KHAMBHAT</b>
420. B M AUTOLINK (7702-01-), EAST OF PLOT NO. 30-35,NATIONAL HIGHWAY, GANDHIDHAM - 370201 PH :9727725723.	430. RAVIRATNA MOTORS (BGQ1-01-), AT UTRAJ, HANSOT, DISTRICT - BHARUCH. - 393030 PH :9687691063.	<b>JUNAGARH</b>	451. AMAR CARS PVT. LTD. (BNF1-01-), PLOT NO. 125/9, RAJMAHAL PARK, OPP. SARDAR CHATRALAY, LAL DARWAZA, GAYATRINAGAR ROAD, KHAMBHAT, TALUKA KHAMBHAT, ANAND DISTRICT, GUJARAT - 388620 PH :9909960772.
421. B M AUTOLINK (7702-03-), SURVEY NO.129/26 P, GALPADAR HIGHWAY, GANDHIDHAM, DISTT KACHCHH, GUJARAT. - 370110 PH :9727725723, 9727739550.	<b>HIMMATNAGAR</b>	442. PERFECT AUTO SERVICES (5502-02-), PLOT NO. 81-82,G.I.D.C. DOLATPURA,RAJKOT-JUNAGARH HIGHWAY, JUNAGARH - 362001 PH :9909006980, 7043999073, 9909022618.	<b>KHEDA</b>
<b>GANDHINAGAR</b>	<b>IDER</b>	<b>KADI</b>	452. AMAR CARS PVT. LTD. (BNA1-01-), S.NO.708, PLOT NO.1, VILLAGE-SOKHDA, TAL: MATER, DISTT. KHEDA, GUJARAT - 387570 PH :9909960761.
422. NANDA AUTOMOBILES PVT. LTD. (2B01-01-), 1003,SECTOR-28,GANDHI NAGAR - 382028 PH :079)23212692 / 93 / 94.	432. KIRAN MOTORS LTD (UX01-01-), SURVEY NO.69 IDAR-AMBAJI ROAD, IDAR DIST. SABARKANTHA - 383430 PH :8155994111.	443. STARLINE CARS PVT. LTD. (D101-07-), OPP. COTTON MARKETING YARD, KADI-CHATRAL ROAD, TAL: KADI, DIST: MEHSANA - 382715 PH :8160770156.	<b>KHEDBRAHMA</b>
	<b>JAMBUSAR</b>	<b>KAKANPUR</b>	

## Dealer Network (AS ON 31.10.2023)

453. KIRAN MOTORS (CMU1-01)- AMBAJI ROAD, KHEDBRAHMA, DIST. - SABARKANTHA, PIN - 383255 - 383255 PH :9824010721.	462. KATARIA (BRM1-01), BLOCK NO. 14/2, VILLAGE BUDHALESHWAR, SURAT SAPUTARA STATE HIGHWAY,TAL. MAHUVA, DIST. SURAT - 394250 - 394250 PH :9824051060/9824094498.	472. VIMCO MOTORS (D103-02.-) SHOP # 7&8, TRIPUJATI SAHIBAGH MARKET, MEHSANA - RADHANPUR ROAD, NEAR SAHAJ VILLA, MEHSANA - 380002 - 380002 PH :8909953333.	<b>NANA PONDHA</b> 482. AMAR CAR (SEL1-01), SHOP NO 7-11, JALASHAI SHOPPING CENTER, AT-NANA PONDHA, TALUKA- KAPRADA, DIST-VALSAD - 396126 PH :7227971155.
<b>KHERALU</b> 454. STARLINE CARS (SN02-01-), R S NO. 4962 MAHAVIR COMPLEX, KHERALU, DIST. -MEHSANA - 384325 PH :9909043244, 9824601729.	<b>MANAVADAR</b> 463. PERFECT AUTO SERVICE (CU11-01-), RS NO. 13/1, 14, PLOT NO. 48, BHAKTINAGAR, TALUKA - MANAVADAR, DIST.-JUNAGADH. - 362 630 PH :7043999073.	<b>METODA</b> 473. ATUL MOTORS PVT LTD (5503-08-), PLOT NO. 2328, GATE NO. 2, METODA GIDC, METODA, TALUKA LODHIKA, DISTRICT - RAJKOT, GUJARAT - 360021 PH :8140909095, 9924688774.	<b>NASWADI</b> 483. RAVIRATNA MOTORS (SCV1-01-), HOUSE NO-301,302,303, IN VALPURA-RAMLALNAGAR, VILLAGE AT-NASWADI, DIST: CHOTTA UDEPUR - 391150 PH :9687691047.
<b>KIM</b> 455. KATARIA AUTOMOBILES PVT. LTD. (UW01-01-), PLOT NO. 116-121, DAL MILL COMPOUND, OPP. SURAT JILLA SANGH, KIM CROSS ROAD, NH-8, KIM - 394110 PH :9723555185.	<b>MANDAL</b> 464. KIRAN MOTORS LTD (IW01-01-), SURVEY NO. 708, MANDAL - DETROJ HIGHWAY, NR. RELIANCE PETROL PUMP, MANDAL , DI: AHMEDABAD, GUJARAT. - 382130 PH :9408803925.	<b>MODASA</b> 474. KIRAN MOTORS LTD (P601-02-), SHAMALJI ROAD,SABARKANTHA DIST., MODASA - 383315 PH :8155995111.	<b>NAVARI</b> 484. KATARIA AUTOMOBILES PVT. LTD. (Q701-01-), PLOT NO.-891, OPP PAUVA MILL, NH-8,NEAR GANESH SISODRA CHOKDI,GANESH SISODIA NAVSARI, GUJRAT - 396463 PH :9723430012.
<b>KODINAR</b> 456. PERFECT AUTO SERVICES (A DIVISION OF PERFECT RETREADS PVT LTD) (CSO1-01-), R.S.NO.222, PLOT NO.2, 3 SHOPS. KODINAR-369270 DISTT. JUNAGADH, GUJARAT - 362720 PH :7043992893, 7043340792.	<b>MANDVI</b> 465. K.D. MOTORS (UY01-01-), PLOT NO.25,26 & 27, RAJ COMMERCIAL, SURVEY NO.246, NEAR "THE BEACH RESORT", MANDVI NALIYA ROAD, MANDVI-KUTCH - 370465 PH :9909953088, 9825353679.	<b>MORBI</b> 475. PERFECT AUTO SERVICES (5502-07-), SURVEY NO. 351/2, PLOT NO. 10, DHARTI INDUSTRIAL AREA, RAJUPURA ROAD, SANALA, MORBI , TEHSIL-MORBI, DISTT.-MORBI, GUJARAT. - 363941 PH :9909058044, 9925199569, 9879499088.	<b>NETRANG</b> 485. RAVIRATNA MOTORS (CUZ1-01-), SURVEY NO. 184, PLOT NO. 1 & 2, VILLAGE - NETRANG, TALUKA - VALIA, DIST.-BHARUCH. - 393130 PH :9687691063.
<b>KUKARWADA</b> 457. STARLINE CARS PVT. LTD (CSC1-01-), SHOP NO.1741, 1742 AND PLOT NO.1752, KUKARWADA TALUKA, VIJAPUR, DISTT MAHESANA (GUJARAT) - 382830 PH :9909043244, 9824601729.	<b>MANGROL</b> 466. KATARIA AUTOMOBILES PVT. LTD. (CAH1-01-), PLOT NO. 12-28, MOSALI, MANGROL, DISTRICT-SURAT. - 394410 PH :6357071775.	<b>MOTI KHAVADI</b> 477. ATUL MOTORS JAM LLP (AAU2-01-), PLOT NO.22 & 29, NEAR PADANA POLICE STATION, JAMNAGAR-KHAMBHALIYA HIGHWAY, MOTI KHAVDI, ZANKHAR, TA: LALPUR, DIST - JAMNAGAR, GUJARAT. - 361140 PH :9574004709 / 9574004743.	<b>OLPAD</b> 486. COMET CAR SALES & SERVICE PVT LTD (4006-02-), 1908/1907, OPP. KUMBHARVAD, JUNA PURA, OLPAD - 394540 PH :9099916099.
<b>LAVANA</b> 458. RB MOTORS (SLW1-01-), AT PO -LAVANA, NEAR BABILIYA CROSSING, MODASA ROAD, LAVANA-389230 - 389230 PH :9860999470.	<b>MANSI</b> 467. NANDA AUTOMOBILES PVT. LTD. (2B01-04-), OPP. GIDC, VISNAGAR ROAD, MANSI, DISTRICT-GANDHINAGAR, GUJARAT - 382845 PH :9727921000.	<b>MUNDRA</b> 478. B M AUTOLINK (7702-02-), PRAGPAR ROAD,MUNDRA,DISTRICT-KUTCH, GUJARAT. - 370421 PH :9687632631, 9978940978.	<b>PADRA</b> 487. AMAR CARS PVT. LTD. (2205-02-), NEAR WESTERN BYPASS, AT SAMIYALA, PADRA, DIST. - VADODARA, GUJARAT - 391440 PH :9890036200, 8980006795.
<b>LIMBDI</b> 459. DREAM VEHICLES PVT LTD (BSG1-01-), SURVEY NO.276/1, NEAR PANCHVATI HOTEL, LIMDI CROSS ROAD, AHMEDABAD-RAJKOT HIGHWAY, LIMDI, DISTT. SURENDRANAGAR, GUJARAT. - 363421 PH :02753-261262/ 9227775728.	<b>MEHMDABAD</b> 468. AMAR CARS PVT. LTD. (BRA1-01-), PATEL FALIYA, KHATRAJ, MEHMEDABAD, DIST. -KHEDA, GUJARAT. - 387130 PH :9909960761.	<b>NADIAD</b> 479. AMAR CARS PVT. LTD. (F702-02-), NEAR RAJHANS MULTIPLEX,NADIAD-UTTARSANDA ROAD - 387370 PH :9909960761.	<b>PALANPUR</b> 488. TANU MOTORS (Q801-01-), OPP.DHARTI RESORT, ABU- AHMEDABAD HIGHWAY, PALANPUR - 385001 PH :9099017756.
<b>LUNAWADA</b> 460. R B CARS PVT. LTD. (BYN1-01-), SURVEY NO.90, AT-BHAYASAR, GODHRA-LUNAWADA HIGHWAY, LUNAWADA , TALUK-LUNAWADA, DISTT-MAHSAGAR, GUJARAT. - 389230 PH :9099043715, 9727700823.	<b>MEHSANA</b> 469. STARLINE CARS PVT. LTD. (D101-01-), NAGALPUR HIGHWAY,MAHESANA, GUJRAT - 384002 PH :9909043635.	<b>NAKHATARANA</b> 480. KD MOTORS (CMV1-01-), PLOT NO-1, RS NO-19, AT-NANA ANGIYA, TALUKA-NAKHATARANA, KUTCH - 370615 PH :9909953119.	<b>PALEJ</b> 490. RAVIRATNA MOTORS (BGR1-01-), PLOT NO. 626/6, GIDC AREA, PALEJ, DISTRICT - BHARUCH - 392220 PH :9687691044; 9687632647.
<b>MAHUVA (BHAVNAGAR)</b> 461. KATARIA AUTOMOBILES (IV03-01-), V.P. COMPLEX, BUNDER RD, NR. GAUSHALA, BARPARA, MAHUVA, GUJARAT 364290 - 364290 PH :6357327534.	<b>471. VIMCO MOTORS PVT. LTD. (D103-01-), SURVEY NO. 104 &amp; 104 PAIKI 1, AT P.O. - PALAVASANA, MEHSANA, GUJARAT. - 384 002 PH :8909953333.</b>	<b>NALIYA</b> 481. KD MOTORS (SLX1-01-), AT PO - SHAKTI SOCIETY, MAHAVIR NAGAR, PLOT(1), OPP. BANK OF BARODA, NALIYA, TAL-ABDASA, KUTCH. - 370655 PH :9909953119.	<b>PALITANA</b> 491. KATARIA AUTOMOBILES (CSD2-01-), PLOT NO 15, YASOVJIYANAGAR, NEAR RAILWAY CROSSING, PALITANA HIGHWAY, PALITANA-364270 DIST BHAVNAGAR. - 364270 PH :6357314891.
<b>MAHUVA (SURAT)</b>			



**PALSANA**

492. KATARIA AUTOMOBILES PVT. LTD. (4004-07-), BESIDE SAINATH COMPLEX, KADDODARA AHMEDABAD ROAD , NH-8, UMBHEL GAM, TALUKA: PALSANA KADDODARA, SURAT. - 382721 PH :9924446895.

**PARDI**

493. AMAR CARS (SLJ1-01-), OPPOSITE MORARJI DESAI MEMORIAL HALL, SERVICE ROAD N.H-48, KILLA-PARDI, DIST-VALSAD - 396125 PH :7226800777.

**PATDI**

494. DREAM VEHICLES PVT LTD (BFS1-01-), R.S. NO.1514/2, PLOT NO.16, PATDI TALUKA DASADA, DISTT. SURENDRANAGAR, GUJARAT - 382765 PH :9227775709.

**PAVI JETPUR**

495. PERFECT AUTO SERVICES (PK01-01-), NEAR ANKUR HOTEL, OPP. DHARESHWAR GEB STATION, PITHADIA, RAJKOT HIGHWAY, JETPUR (GUJARAT) . - 360370 PH :9099027402, 8200969617.

**PETLAD**

496. AMAR CARS PVT. LTD. (CMW1-01-), SURVEY NO. 396/2, RANGAIPUR VILLAGE, PETLAD, DIST. -ANAND. - 388450 PH :9099017068.

**PORBANDAR**

497. ATUL MOTORS JAM LLP (T601-01-), PLOT NO. 208, GIDC VANAMA, NATIONAL HIGHWAY, PORBANDAR, DIST. PORBANDAR GUJARAT - 360577 PH :9574004746 / 7228919123.

**PRANTIJ**

498. KIRAN MOTORS LTD (AA1-01-), NO.6/P, OPP. VEGETABLE MARKET, PRANTIJ HIGHWAY, VILLAGE-KHAMALPUR, TALUKA-PRANTIJ, DISTT. SABARKANTHA, GUJARAT - 383205 PH :9624401888.

**RADHANPUR**

499. STARLINE CARS PVT. LTD. (BNI1-01-), SURVEY NO. 2008/A, MOUJA – RADHANPUR, RADHANPUR MAIN ROAD, DISTRICT – PATAN, GUJARAT. - 385340 PH :9099043244, 9824601729.

**RAJKOT**

500. PERFECT AUTO SERVICES (5502-01-), PERFECT HOUSE, GONDAL ROAD,VANDI,RAJKOT - 360004 PH :9879499077, 9909006982, 9825304940.

501. ATUL MOTORS PVT LTD (5503-01-), PLOT NO.49/1 & 2, GIDC, BHAKTI NAGAR INDUSTRIAL ESTATE, RAJKOT. - 360002 PH :8140890939.

502. PERFECT AUTO SERVICES (5502-04-), 150 RING ROAD,OPP. GANDHIGRAM POLICE CHOWKI,RAJKOT - 360005 PH :9925238691, 9925117104.

503. ATUL MOTORS PVT LTD (5503-02-), BEHIND HP PUMP,UNIVERSITY ROAD ,NEAR SNK SCHOOL, RAJKOT - 360005 PH :8347005382.

504. ATUL MOTORS PVT LTD (5503-06-), RAJKOT AHMEDABAD HIGHWAY, NR. CHANDARANA PETROL PUMP, OPP. GUJARAT SAMACHAR PRESS, AT. NAVAGAM RAJKOT - 360003 PH :9924688774.

505. PERFECT AUTO SERVICES (5502-08-), R.S. NO. 50/1, 150 FEET RING ROAD, RAIL NAGAR, RONKI, RAJKOT, GUJARAT. - 360006 PH :9979861995, 9925117104.

506. KATARIA AUTOMOBILES PVT. LTD. (5504-01-), S. NO. 10/1, TPS NO. – 10, KALAVAD ROAD, MOTAMAVA, RAJKOT, GUJARAT. - 360001 PH :7573870001.

**RAJPARDI**

507. RAVIRATNA MOTORS PVT. LTD. (CAI1-01-), R.S.NO.973, CTS NO. 1298, SHOPS PLOT NO.29 & 30, MOJE RAJPARDI, TALUKA-JHAGADIA, DISTT. BHARUCH - 393115 PH :9687691044; 9687632647.

**RAJPIPLA**

508. RAVIRATNA MOTORS PVT. LTD. (9X01-01-), OPP. JALARAM SAW MILL, NEAR HARSIDDHI METAJI TEMPLE, RAJPIPLA, DIST: NARMADA, GUJARAT - 393145 PH :9687691062;9687645880.

**RAJULA**

509. ALPHA AUTOLINK (BAK2-01-), R.S NO 96/3, PLOT NO-6 & 7, HINDORNA ROAD, RAJULA CITY, TALUKA-RAJULA. - 365560 PH :9033409043.

**RAPAR**

510. B.M. AUTOLINK (SCO1-01-), PARAGPAR CHAAR RASTA RAPAR GHANDHIDHAM KUTCH - 370165 PH :9727725723.

**SAMI**

511. STARLINE CARS (BNH1-01-), SHOP NO. 55-56, AMBESHWAR PLAZA, SAMI-HARIJ ROAD. - 384240 PH :9909043244, 9824601729.

512. VIMCO MOTORS (BNH2-01-), SURVEY NO 917, VIRA SHOPPING CENTER, AT-SAMI, TALUKA-HARIJ, DIST-PATAN, GUJARAT. - 384245 PH :8909953333.

**SANTEJ**

513. NANDA AUTOMOBILES PVT. LTD. (CXC1-01-), SUB PLOT NO. 05, SHOP NO. 3 & 4, BLOCK NO. 1162, SANTEJ, KALOL. - 380060 PH :9727822000.

**SANTRAMPUR**

514. R B CARS PVT. LTD. (2C01-03-), NEAR PTC COLLEGE, SANT ROAD, SANTRAMPUR, DISTT.- PANCHMAHAL - 389260 PH :890585851, 9099043715.

**SAVLI**

515. KIRAN MOTORS LTD (CFD1-01-), SURVEY NO. 2592/1 PAKKI 2, NEAR RELIANCE PETROL PUMP, BHADRVA CHOWKI, SAVLI – TIMBA ROAD, SAVLI, TALUK – SAVLI, DISTRICT – VADODARA, GUJARAT. - 391770 PH :7984799054.

**SAYAN**

516. KIRAN MOTORS LTD (OO01-01-), PLOT NO.6 TO 10 OF R BLOCK, SURVEY NO.209, VILLAGE PARIYA, TALUKA, OLPAD, SAYAN - 394130 PH :8155888862;9662330480.

**SAYLA**

517. DREAM VEHICLES (SJM1-01-), LALGURU COMPLEX, SUDAMDA ROAD, SAYLA, DISTRICT SURENDRANAGAR, GUJARAT PIN 363430 - 363430 PH :9227775709.

**SHANKESHWAR**

518. STARLINE CARS (SLY1-01-), MANIBHADRA SHOPPING CENTRE, SHANKHESHWAR HIGHWAY, SHANKHESHWAR (GUJARAT)- DIST: PATAN - 384246 PH :9824601729.

**SHAPAR**

519. ATUL MOTORS PVT LTD (BQZ1-01-), SHOP NO. 1 TO 4, SURVEY NO. 305/1, PLOT NO. 169, SHAPAR, DISTRICT – RAJKOT, GUJARAT - 360024 PH :9714008492, 9624711397.

**SIDDHPUR**

520. STARLINE CARS PVT. LTD. (CMY1-01-), PLOT NO. 140-1285/7, SIDHPUR, TALUKA – VADGAM, DISTRICT – PATAN - 384115 PH :9909043244, 9824601729.

**SINOR**

521. RAVIRATNA MOTORS PVT LTD (GML1-01-), NEAR SEVGA CHOKDI, SEVGA DABHOI ROAD, AT AND POST SEVGA, TALUKA SINOR, DIST. VADODARA, PIN-391105, GUJARAT - 391105 PH :7227055065.

**SITAPUR**

522. STARLINE CARS PVT LTD (SFV1-01-), SHOP NO. 2, RUDRA ARCADE, REVENUE SURVEY NO. 129, VITHLAPUR (SITAPUR) BECHARAJI – VIRAMGAM HIGHWAY, DIST. AHMEDABAD, PIN CODE: 382120 - 382120 PH :9909043244.

**SONGADH**

523. COMET CAR SALES & SERVICE PVT LTD (CWE1-01-), LAXMI PLAZA, SHOP NO. 21 & 22, SURAT DHULIYA HIGHWAY, TALUKA - SONGADH, DIST. -TAPI. - 384220 PH :9099916099.

**SUPEDI**

524. KATARIA AUTOMOBILES (SEM1-01-), SURVEY NO-482/7, PAIKI PLOT NO-18, MATRAVAD ROAD, GRAM-SUPEDI, DIST - RAJKOT - 360440 PH :9409497902.

**SURAT**

525. KIRAN MOTORS LTD (4001-01-), SURAT-BARODOLI ROAD,DUMBHAL,NEAR PUNA JAKAT NAKA,SURAT - 395010 PH :9924448715;9924637898.

526. DHRU MOTORS (4002-01-), JEEVAN GANGA NAGAR,NEAR JEEVAN JYOT THEATRE,UDHNA MAIN ROAD,SURAT - 394210 PH :9925155911;9925155907.

527. KIRAN MOTORS LTD (4001-02-), PANDESARA,BAMROLI ROAD,SURAT - 395002 PH :9824603880.

528. KATARIA AUTOMOBILES PVT. LTD. (4004-04-), TP NO. 6, SURVEY NO. 317/2, FINAL PLOT NO. 39, OPP SMS GARDEN, NEAR VIP ROAD, VESU, SURAT -395007 - 395007 PH :9714612700, 9924401000.

529. DHRU MOTORS (4002-1B-), 207, NEW INDUSTRIAL ESTATE,ROAD NO.-6,UDHNA UDYOG NAGAR, SURAT - 394210 PH :0261-2272118/ 9978900862.

530. KATARIA AUTOMOBILES PVT. LTD. (4004-05-), KATARIA ARCADE,OPP. RAJHANS CINEMA,DUMAS ROAD, PIPLOD, SURAT - 395007 PH :7698022449;9624477252.

531. COMET CAR SALES & SERVICE PVT LTD (4006-01-), CHIKUWADI COMPLEX, GHB ROAD, PANDESARA, SURAT. - 394221 PH :9099915995.

532. KATARIA AUTOMOBILES PVT. LTD. (4004-08-), BLOCK NO.233, TP NO.8, OPP. SHREE LEKHA RESIDENCY, PALANPORE, ADAJAN, SURAT - 394310 PH :9924119020.

533. KIRAN MOTORS LTD (4005-01-), PLOT NO. 443, FP NO. 26 MOJE PALGAM, ADAJAN, SURAT - 395009 PH :9824611153;9824701590.

## Dealer Network (AS ON 31.10.2023)

534. AMAR CARS PVT. LTD. (4009-02-), PLOT NO 10&11, SURVEY NO.7 & 9, SONARAS COMPOUND, NEAR DGVCL OFFICE, KARMNATH MAHADEV TEMPLE LANE, KAPODARA, VARACHHA ROAD, SURAT - 395006 PH :7069026512.	544. TANU MOTORS PVT. LTD. (CDM1-01-), PLOT NO. 21 & 22, VAJEGADH, DEESA HIGHWAY, THARAD, DIST.-BANASKANTHA - 384220 PH :9909006099, 9724219565.	553. VIMCO MOTORS PVT LTD (GKU1-01-), SHILALEKH COMPLEX, BLOCK-D, SURVEY NO-2713, VADNAGAR-VISNAGAR HIGHWAY, NEAR FOOD PARADISE HOTEL, VADNAGAR, GUJARAT - 385355 PH :7016623842.	565. KATARIA AUTOMOBILES PVT. LTD. (Q701-02-), JAMNABA PARK, VANDSA HANUMAN BARI, CHAR RASTA, VANDSA-DHARAMPUR ROAD, RANI FALIYA, VANDSA, DISTRICT – NAVSARI, GUJARAT - 396580 PH :7624088188.
535. COMET CAR SALES & SERVICE PVT LTD (4006-03-), R. S. NO. 311, T. P. SCHEME-3, FINAL PLOT NO. 102/A, KATARGAM, SURAT, DISTRICT – SURAT, GUJARAT. - 395004 PH :9099916099.	<b>THASARA</b> 545. KATARIA AUTOMOBILES (SIM1-01-), PLOT NO 1 & 2, GIDC THASRA, BESIDES NARMADA VASAHAT, DAKORE THASRA ROAD, GUJARAT-388250 - 388250 PH :7984092780.	<b>VADODARA</b> 554. KIRAN MOTORS LTD (2201-01-), 909/4, G.I.D.C.MAKARPURA,VADODARA - 390010 PH :9624472699.	<b>VAPI</b> 566. KATARIA AUTOMOBILES PVT. LTD. (104-03-), PLOT NO. C-29,NATIONAL HIGHWAY-8,G.I. D. C. ,VAPI, TAL. PARDI - 396195 PH :9924204423.
536. DHRU MOTORS (4002-03-), PLOT NO.54/A, LAXMINARAYAN LNDUSTRIAL ESTATE, UDHNA, SURAT-394210 - 394210 PH :9978900862.	<b>TILAKVADA</b> 546. RAVIRATNA (-), SURVEY NO-157, VILLAGE- MOTI KAMSOLI, TALUKA-TILAKVADA, DIST-NARMADA, PIN-391120. - 391120 PH :9687691044.	555. KIRAN MOTORS LTD (2201-02-), PLOT NO.160,SUB-1 NUTAN GUJ.INDL.ESTATE,OLD CHHANI ROAD, VADODARA - 390002 PH :9824207889.	567. KATARIA AUTOMOBILES PVT. LTD. (104-09-), PLOT NO. 304/2, VILLAGE BALITHA, NH-8, OPP BABA SITARAM TEMPLE, NEAR SWAMINARAYAN SCHOOL, SALAV, VAPI , DISTRICT -VALSAD, GUJARAT - 369191 PH :9723462612.
<b>SURENDRNAGAR</b> 537. DREAM VEHICLES PVT LTD (LC01-01-), 261/P, OPP MARKETING YARD,GIDC AREA,WADHWAN CITY, SURENDRNAGAR - 363030 PH :02752-241314 / 02752-651616/ 9227775721.	<b>UMERGAON</b> 547. KATARIA AUTOMOBILES PVT. LTD. (BNB1-01-), PLOT NO. 239, LORD COMPLEX, SHOP NO. B-9 AND B-10, UMERGAON, DISTRICT – VALSAD, GUJARAT. - 396170 PH :9624001794.	556. AMAR CARS PVT. LTD. (2203-01-), GORWA ROAD,VARODARA,GUJARAT. - 390016 PH :9981311990, 9723742425, 8980036184.	568. AMAR CARS PVT. LTD. (9701-01-), SURVEY NO. 1034, 1035, NEAR WOODLAND HOTEL, NH-8, VILLAGE - BALITHA, VAPI. - 396145 PH :9327909504.
538. DREAM VEHICLES (LC01-02-), PLOT NO-504/B, GIDC PHASE-3, WADHWAN, SURENDRANAGAR, GUJARAT-363030 - 363030 PH :9227775724.	<b>UMRETH</b> 548. AMAR CARS PVT. LTD. (CFE1-01-), R. S. NO. 30/2, NADIAD-DAKOR ROAD, UMRETH , DIST.ANAND, GUJARAT. - 388220 PH :9909960772.	557. OPP. KIRTI MANDIR, VADODARA, DIS: VADODARA, GUJARAT - 390001 PH :7211109952.	<b>VERAVAL</b> 569. PERFECT AUTO SERVICES (5502-05-), NR. BALIYA HANUMAM,VERAVAL - JUNAGADH HIGHWAY, JUNAGADH, GUJARAT - 362265 PH :9998994550, 9898121122.
<b>TALAJA</b> 539. KATARIA (BC12-01-), SURVEY NO-168, DHANJIBHAI BALADHIYA NI VADI, NEAR MAHUVA PALITANA CROSS ROAD, MAHUVA BHAVNAGAR HIGHWAY, TALAJA-364140. - 364140 PH :9316626475.	<b>UNA</b> 549. PERFECT AUTO SERVICES (BFD1-01-), SURVEY NO. 6, OPP. SWAMI VIVEKANAND VIDYALAYA, NEAR BANSIDHAR PETROL PUMP, BHAVNAGAR HIGHWAY, VAYAJPUR, UNA, DISTRICT – GIR SOMNATH, GUJARAT. - 362560 PH :7043992893, 7043340792.	558. KATARIA AUTOMOBILES PVT. LTD. (2204-01-), 984/4,GIDC, OLD NH-8,MAKARPURA ROAD, VADODARA, GUJARAT - 390010 PH :9904033422.	<b>VIJAPUR</b> 570. STARLINE CARS PVT. LTD. (D101-04-), HIMMATNAGAR HIGHWAY, ANANDPURA CHAR RASTA, VIJAPUR - 382870 PH :9909043635.
<b>TALALA</b> 540. PERFECT (JV01-01-), SURVEY NO-55/9/1, PLOT NO-10, TALALA-VERAWAL HIGHWAY, AT-TALALA, DIST-GIR SOMNATH, 362150 - 362150 PH :8511147524.	<b>UNJHA</b> 550. TANU MOTORS (Q801-02-), OPP. DHANA DAL FACTORY,MEHSANA PALANPUR HIGHWAY, UNJHA - 384170 PH :9727762079.	559. AMAR CARS PVT. LTD. (2205-01-), VARASIYA AIRPORT ROAD, OPP POONAM CINEMA, KARELIBAUG, VADODARA,GUJARAT - 390016 PH :8980006756.	<b>VIRAMGAM</b> 571. KIRAN MOTORS LTD (AAB1-01-), SURVEY NO.319/P, NILKI CHOKDI, VIRAMGAM, DISTT: AHMEDABAD, GUJARAT. - 382150 PH :8156016222.
<b>TANKARA</b> 541. ATUL MOTORS PVT LTD (BOY1-01-), PLOT NO. 8/1, S. NO. 107, VILLAGE – JABALPUR, TALUKA – TANKARA, SUB DISTRICT – MORBI, DISTRICT – RAJKOT. - 363650 PH :9714008492, 9624711397.	<b>UPLETA</b> 551. PERFECT AUTO SERVICE (CH01-01-), S. NO. 184/1, PLOT NO. 15-16, UPLETA, GUJARAT - 360490 PH :9099027402, 8200969617.	560. KIRAN MOTORS LTD (2201-03-), C/O ARBU DA COLD STORAGE, 823 POWER CABLE ROAD, DHARMSINH ROAD, OPP. UMA AMAR PARTY PLOT, NEAR CHHANI JAKAT NAKA, VADODARA - 390002 PH :2771122.	<b>VISNAGAR</b> 572. STARLINE CARS PVT. LTD. (D101-05-), VISNAGAR -AMBAJI ROAD, OPP. DHAROI COLONY, VISNAGAR, DISTT. - MEHSANA - 384315 PH :7046046174.
<b>TARAPUR</b> 542. AMAR CARS PVT. LTD. (GH01-01-), NEAR N K STEEL, TARAPUR ROAD, TARAPUR, DIST. -ANAND. - 388180 PH :9909960772.	<b>VADGAM</b> 552. VIMCO MOTORS (CMX1-01-), SURVEY NO-177, BESIDE ESSAR PETROL PUMP, VADGAM – PALANPUR ROAD, VADGAM, DIST – BANASKANTHA, GUJARAT – 385410. - 385410 PH :8909953333.	561. KATARIA AUTOMOBILES PVT. LTD. (2204-02-), OPPOSITE SHARDA MANDIR HIGH SCHOOL, VIMKOBA BHAVE ROAD, SALATWADA, VADODARA - 390001 PH :8156017770.	<b>VYARA</b> 573. COMET CAR SALES & SERVICE PVT LTD (BIY1-01-), SHOP NO. 11 & 12, BLOCK NO. 175/1/A, RS NO. 113, VYARA-SURAT ROAD, VYARA, DISTRICT – TAPI, GUJARAT - 394650 PH :9099916099.
<b>THARA</b> 543. TANU MOTORS PVT. LTD. (0V01-01-), SHOP NO.17 & 18, SIHORI HIGHWAY, R.B. THAKKAR COMPLEX, THARA, KAKREJ TALUKA, BANASKANTHA DISTT. - 385555 PH :9909006099, 9913830329.	<b>VADNAGAR</b>	562. RAVIRATNA MOTORS PVT LTD (2206-01-), SURVEY NO. 1581, MILES HOUSE, ATLADARA ROAD, VADODARA - 390012 PH :7227055065, 7227055064.	<b>WAGHODIA</b> 574. KATARIA AUTOMOBILES PVT. LTD. (BZ21-01-), OPPOSITE BHARAT PETROLEUM, WAGHODIA, TALUKA – WAGHODIA, DISTRICT – VADODARA, GUJARAT. - 391760 PH :7230313712.
<b>THARAD</b>		<b>VALOD</b> 563. DHRU MOTORS (CSW1-01-), PLOT NO.5 TO 9, TAIYABA PARK SOCIETY, AT & PO - VALOD, TALUKA - VALOD, DISTT. - TAPI, GUJARAT. - 394640 PH :9712984522.	<b>WANKANER</b>
		<b>VALSAD</b> 564. KATARIA AUTOMOBILES PVT. LTD. (104-06-), SURVEY NO. 211,ATUL-ALSAD ROAD,PARNERA,VALSAD, GUJARAT - 396020 PH :9904133306.	
		<b>VANSDA</b>	

**Dealer Network (AS ON 31.10.2023 )**

575. ATUL MOTORS PVT LTD (BAL1-01-),  
RAJKOT-WANKANER HIGHWAY, NEAR  
JAGESHWAR CHAMBERS, NEAR  
INTERNATIONAL CERAMIC, WANKANER  
(GUJARAT) - 363621  
PH :9904922333.

**KHERGAM**

576. KATARIA AUTOMOBILES (STR1-01-), SANVIRA  
HAT BAZAAR, KHERGAM-DHARAMPUR  
HIGHWAY ROAD, SH-67, KHERGAM, PIN-396040.  
- 396040  
PH :9624007774.

**SOJITRA**

577. AMAR CARS (SMT1-01-), RAMDEV ARCADE,  
OPP. BUS STATION, AT – SOJITRA, DIST. -  
ANAND GUJARAT PIN 387240. - 387240  
PH :966235757.

**HARYANA**

**GURGAON**

578. PASCO AUTO (9506-04-), KHASRA NO. 191/2 &  
190/2, MAIN DAULTABAD ROAD, OPP. OLD  
BHALLA CHEMICALS FACTORY, DAULTABAD  
INDUSTRIAL AREA, GURGAON, HARYANA -  
122006. - 122006  
PH :8851227233.

**KARNAL**

579. MODERN AUTOMOBILES (8907-03-), 117-118 KM  
MILE STONE NH1, NEAR VILLAGE KAMBOPURA,  
GT ROAD, KARNAL - 132001  
PH :7419900042.

**SAMALKHA**

580. RKH AUTO GALLERY (LY02-01-), GT ROAD,  
SAMALKHA, PANIPAT, HARYANA PIN- 132101 -  
132101  
PH :9053700003.

**HARYANA**

**ADAMPUR (HARYANA)**

581. SARAOGI AUTOMOBILES (P) LTD. (CWW2-01-),  
KEWAT NO. 663, KHAT NO. 1147, KHESRI NO.  
44/21/1/2(1-0), MANDI ADAMPUR, TEHSIL -  
ADAMPUR, DIST.-HISSAR, STATE - HARYANA. -  
125052  
PH :8607777153.

**AMBALA**

582. MODERN AUTOMOBILES (1801-01-), MODEL  
TOWN CROSSING, G.T.ROAD, AMBALA,  
HARYANA. - 134003  
PH :9215016044.

583. MODERN AUTOMOBILES (1801-02-), NEAR  
AMAR PALI RESTAURANT, G.T. ROAD, AMBALA  
- 134003  
PH :9215016044.

584. EAKANSH WHEELS (1802-01-), STONE NO. 126,  
JAGADARI ROAD, VILLAGE TEPLA, AMBALA -  
133001  
PH :9991703000.

585. EAKANSH WHEELS (1802-03-), PLOT NO. 8,  
BASANT VIHAR, BEHIND SWASTIK MARBLE,  
NEAR MOTOR MARKET, AMBALA CITY,  
HARYANA - 133001  
PH :88813874888.

586. TR SAWHNEY (1803-01-), JAGGI GARDEN,  
BALDEV NAGAR, OPPOSITE AMBALA  
PASSPORT OFFICE, AMBALA - 134003  
PH :99901110068.

**ASSANDH**

587. KARNAL MOTORS PVT. LTD. (8906-04-), OPP.  
NEW GRAIN MARKET, KARNAL ROAD  
ASSANDH, DISTT. KARNAL - 272032  
PH :7082111325.

**BABARPUR**

588. AUTO GALLERY(A UNIT OF RKH AUTOMOBILES  
P LTD) (CKX1-01-), G.T. ROAD, NEAR PARK  
RESIDENCY, SHIMLA MAULANA, BADOLI,  
BABARPUR, DISTT. PANIPAT - 132103  
PH :7009396727.

**BAHADURGARH**

589. COMPETENT AUTOMOBILES CO. LTD.  
(2G02-01-), PLOT NO. 1202, MIE PART B,  
BAHADURGARH, HARYANA - 124 507  
PH :8929648144.

**BAPOLI**

590. AUTO GALLERY(A UNIT OF RKH AUTOMOBILES  
P LTD) (CW11-01-), KHEWAT NO. 136, VILLAGE –  
JHAMBA, TEHSIL – BAPOLI, DISTRICT –  
PANIPAT. - 132103  
PH :9053400583.

**BARARA**

591. EAKANSH WHEELS (NX01-01-), SH-4, KALA AMB  
- SHAHBAD - BARARA ROAD, BARARA - 133201  
PH :9991478100.

**BARWALA**

592. MODERN AUTOMOBILES (BSA2-01-),  
KHEWAT/KHOTONI NO. 388, KHASARA NO. 46/9,  
10, OPPOSITE AXIS BANK, VILLAGE BATAPUR,  
P.O. BARWALA, TEHSIL AND DISTT.  
PANCHKULA, HARYANA - 134118  
PH :9896217059.

**BAWAL**

593. DINCO 4 WHEELS LLP (AUTO VIBES)  
(BBD2-01-), KHATA NO. 326 AND KHATAUNI NO.  
362, OPPOSITE PRATHAM HOUSING, NH-8,  
BAWAL, DISTRICT – REWARI, HARYANA. -  
123501  
PH :7082100250.

**BHIWANI**

594. JAGMOHAN MOTORS PVT LTD (X301-01-),  
DELHI ROHTAK ROAD, NEAR RADHA SWAMI  
SATSNAG MANDIR, BHIWANI - 127021  
PH :8685005592.

**BILASPUR**

595. PANDIT AUTOMOBILES PVT. LTD. (BGH1-01-),  
NEAR GRAMIN BANK, JAGADHRI ROAD,  
BILASPUR, DISTRICT – YAMUNANAGAR,  
HARYANA. - 135102  
PH :9992113854.

**BILASPUR (HARYANA)**

596. PLATINUM MOTOCORP LLP (2L04-02-), KHASRA  
NO.54/67, CHOUDHARY NIHAL SINGH MARKET,  
BILASPUR CHOWK, NH-8, BILASPUR, DISTRICT  
– GURUGRAM. - 122413  
PH :9953345329/9953345403.

**CHARKHI DADRI**

597. JAGMOHAN MOTORS PVT LTD (X301-02-),  
BHIWANI LOHARU ROAD, CHARKHI DADRI,  
BHIWANI - 127306  
PH :8059900538.

**CHEEKA**

598. EAKANSH MOTORS PVT. LTD. (U802-04-),  
MARBLE MARKET, PATIALA ROAD, CHEEKA,  
HARYANA. - 136034  
PH :8053086000.

**CHHACHHARAULI**

599. PANDIT AUTOMOBILES PVT. LTD. (CQZ1-01-),  
HB NO. 311, NEAR MDAV SCHOOL, TEHSIL –  
CHHACHHARAULI, DISTRICT – YAMUNA NAGAR.  
- 135103  
PH :9812455895.

**DADRI TOE**

600. COMPETENT AUTOMOBILES CO. LTD.  
(BVH2-01-), KHEWAT NO. – 270 MIN, KHATONI  
NO. – 319,  
DADRI TOYE, DISTT. JHAJJAR, HARYANA PIN  
124103 - 124103  
PH :9821308849.

**DAHINA**

601. DINCO 4 WHEELS LLP (AUTO VIBES)  
(GLH1-01-), REWARI MAHENDERGARH ROAD,  
NEAR RAILWAY STATION, DAHINA, REWARI -  
123411  
PH :7082100201.

**DHAND**

602. EAKANSH MOTORS (BEU1-01-), PANCHMUKHI  
CHOWK, KARNAL ROAD, DHAND, DISTT.  
KAITHAL, HARYANA. - 136020  
PH :8395906111.

**DHARUHERA**

603. DINCO 4 WHEELS LLP (AUTO VIBES)  
(CRP1-01-), KHASRA NO. 57, KILLA NO. 7,  
SOHNA-DHARUHERA ROAD, OFF SECTOR-4A,  
DHARUHERA, DIST.-REWARI.  
PH :7082100270.

**ELLENABAD**

604. SHAKTI MOTORS PVT.LTD. (E401-03-), SURERA  
CHOWNK, NEAR CHAUDHARI MANI RAM  
COLLEGE, SIRSA ROAD, ELLENABAD - 125055  
PH :8222900250.

**FARIDABAD**

605. VIPUL MOTORS PVT. LTD. (5801-01-), 27/5 KM,  
MAIN MATHURA ROAD, FARIDABAD - 121002  
PH :2555011  
2555013  
97114 14556.

606. VIPUL MOTORS PVT. LTD. (5801-03-), UNIT-II,  
PLOT NO. 1A 19/6, MATHURA ROAD,  
FARIDABAD - 121006  
PH :4286000  
4286024  
4286024  
9311321419.

607. TCS AUTOMOBILES (5804-01-), PLOT NO-1A,  
SECTOR-6, FARIDABAD. - 121001  
PH :4292929; 7503036200.

608. FAIR DEAL PREMIUM WHEELS PVT.LTD.  
(5807-01-), PLOT NO.-17A, NIT INDUSTRIAL  
AREA, NIT FARIDABAD - 121003  
PH :8448296886.

609. TCS AUTOWORLD PVT. LTD. (TCS &  
ASSOCIATES PVT. LTD. ) (5804-02-), 20 4 KMS  
MILESTONE, BHASKAR COMPOUND, AMAR  
NAGAR, MAIN MATHURA ROAD, FARIDABAD,  
HARYANA - 121003  
PH :2277225; 7290082911.

610. AUTO NATION (A UNIT OF TAYAL INDIA  
MOTORS PVT. LTD) (5806-01-), 15/3, MATHURA  
ROAD, NEAR SECTOR-28, METRO STATION,  
FARIDABAD - 121003  
PH :4180500  
7290032501.

611. AUTO NATION (A UNIT OF TAYAL INDIA  
MOTORS PVT. LTD) (5806-02-), BYE PASS  
ROAD, PLOT NO. 12 SECTOR-9, FARIDABAD. -  
121006  
PH :74287 48467.

**FARRUKHNAGAR**

612. PLATINUM MOTOCORP LLP (KE01-01-), KHEWAT  
NO. 299, MUSTL NO.-12, KHASRA NO.-19/3 AND  
22/2, VILLAGE – SEHADPUR MOHAMMADPUR,  
TEHSIL – FARRUKHNAGAR, DISTRICT –  
GURGAON. - 122506  
PH :9599007357/9953345380.

**FATEHABAD**

## Dealer Network (AS ON 31.10.2023)

613. SHAKTI MOTORS PVT.LTD. (2H02-01-), NH-10, SIRSRA ROAD, FATEHABAD - 125050 PH :8222900217.	624. PREM MOTORS PVT. LTD. (9512-01-), PLOT NO. 3,1DC, OPPOSITE SECTOR-14, GURGAON - 122001 PH :7065003373, 7065003377, 0124-4319000.	<b>ISMAILABAD</b>	647. KARNAL MOTORS PVT. LTD. (8906-01-), 7/13 MILESTONE .G.T.ROAD, KARNAL - 132001 PH :8222022399.
<b>GANAUR</b>	625. RANA MOTORS PVT LTD (9509-02-), PLOT NO.60, IDC, GURGAON - 122001 PH :4867777, 9873400882.	637. KARNAL MOTORS PVT. LTD. (I901-01-), KHEWAT NO. 928, KHASRA NO. 2760(5-14), 2761(800), VILLAGE - ISMAILABAD, TEHSIL - PEHOW, DIST.-KURUKSHETRA, HARYANA. - 136129 PH :7082007138.	648. KARNAL MOTORS PVT. LTD. (8906-02-), KHEWAT NO. 59, JHANJHARI GT ROAD, KARNAL - 132001 PH :8222022430.
614. JAGMOHAN AUTOMOTIVES PVT. LTD. (NA04-01-), RAILWAY ROAD, GANAUR - 131101 PH :8199911106.	626. PASCO AUTOMOBILES (9510-01-), PLOT NO. 34/3, DINESH JAIN COMPLEX, DELHI-JAMMER EXPRESSWAY (NH-8), RAJIV CHOWK, GURGAON, HARYANA. - 122001 PH :9953366944/9953669222.	<b>ISRANA</b>	649. MODERN AUTOMOBILES (8907-01-), NEAR NAMASTE CHOWK, OLD G.T.ROAD, KARNAL - 132001 PH :7419900042.
<b>GHARAUNDA</b>	627. PREM MOTORS PVT. LTD. (9512-02-), PLOT NO. 122, PALAM VIHAR EXTENSION, NEAR KRISHNA CHOWK, GURUGRAM - 122017 PH :4337933, 7065003442.	638. AUTO GALLERY (A UNIT OF RKH AUTOMOBILES PRIVATE LIMITED) (I802-01-), MUSHTIL NO.-119, NEAR MANDI MODI, MAIN GOHANA ROAD, ISRANA - 132107 PH :9053400417.	<b>KATHURA</b>
615. KARNAL MOTORS PVT. LTD. (8906-05-), WARD NO.-1, BEHIND GOVT. SR. SEC. SCHOOL COLONY, GHARAUNDA, - 132114 PH :8222022321.	628. PLATINUM MOTO CORP (2L04-03-), 5/13 SOHNA ROAD VILL-TIKRI ADJACENT TO POLARIS HOSPITAL GURGAON HARYANA - 122018 PH :9953345370/9899118867.	<b>JHAJJAR</b>	650. JAGMOHAN AUTOMOTIVES (SFJ1-01-), GOHANA MAHAM ROAD, KATHURA, GOHANA. - 131301 PH :3685005400.
<b>GOHANA</b>	629. PREM MOTORS (9512-G1-), QILA NUMBER 8/2, MUSTAKIL NO - 25, SECTOR 17-18, DIVIDING ROAD, GURGAON, - 122015 PH :8900000817.	639. COMPETENT (I802-01-), PLOT NO 5, NEAR GOVT POLYTECHNIC COLLEGE, JHAJJAR-BAHADURGARH ROAD, JHAJJAR, HARYANA - 124101 PH :9999493040.	<b>KHARKHODA</b>
616. JAGMOHAN AUTOMOTIVES PVT. LTD. (CU03-01-), NEAR KHANPUR CHOWNK, ROHTAK PANIPAT HIGHWAY, GOHANA, DISTT. - SONEPAT - 131301 PH :8685005521.	630. PLATINUM MOTOCORP (2L04-04-), KILA NO. 15, SECTOR 93, NEAR HAYATPUR POLICE CHOWKI, HAYATPUR, GURGAON, PIN-122050, HARYANA - 122050 PH :9899118850.	<b>JIND</b>	651. JAGMOHAN AUTOMOTIVES PVT. LTD. (BU02-01-), NEAR KANYA GURUKUL MAHAVIDYALYA, DELHI ROAD, NEAR UNION BANK, KHARKHODA (HARYANA) - 131402 PH :3685005593.
<b>GURGAON</b>	<b>HANSI</b>	640. EAKANSH MOTORS PVT. LTD. (2K01-01-), ROHTAK ROAD, NATIONAL HIGHWAY-71, OPP. GRAIN MARKET, JIND, HARYANA - 126102 PH :7876008184.	<b>KOSLI</b>
617. PASCO AUTOMOBILES (9506-01-), PASCO HOUSE, 6 PALAM GURGAON ROAD, INDUSTRIAL ESTATE, GURGAON - 122006 PH :09650790323/729006623/9999239959/4952100.	631. JAGMOHAN MOTORS PVT LTD (GT02-01-), G. T. HIGHWAY ROAD, MAIN ROHTAK HANSI ROAD, NEAR HOLLAND TRACTORS AGENCY & HP PETROL, HANSI - 124001 PH :8059900546.	<b>JULANA</b>	652. DINCO 4 WHEELS LLP (AUTO VIBES) (CAN1-01-), OPPOSITE RAJIV GANDHI STADIUM, TEHSIL ROAD KOSLI, DISTRICT - REWARI, HARYANA . - 123302 PH :7082100202.
618. VIPUL MOTORS PVT. LTD. (5801-02-), 504, UDYOG VIHAR, PHASE-III, GURGAON - 122001 PH :4395704 4395704 8448487921.	<b>HISAR</b>	641. EAKANSH MOTORS PVT. LTD. (MA01-01-), JIND ROHTAK MAIN ROAD, OPP. NEW BUS STAND, JULANA, DIST. JIND, HARYANA - 126101 PH :8816802111.	<b>KUNDI</b>
619. COMPETENT AUTOMOBILES CO. LTD. (9505-01-), A-25, INFOCITY, SECTOR-33, GURGAON - 122004 PH :42500002, 9582797735.	632. MODERN AUTOMOBILES (7602-01-), OPP. VIDYUT NAGAR, DELHI ROAD, HISAR, - 125005 PH :9355473000.	<b>KAITHAL</b>	653. DINCO 4 WHEELS LLP (AUTO VIBES) (CJL1-01-), NEAR KUND BARRIER, OPP. SBI BANK, NARNAUL ROAD, VILLAGE - MANETHI, KUND, DISTRICT - REWARI, HARYANA. - 123102 PH :856989828, 97082100000.
620. PASCO AUTOMOBILES (9506-02-), SECTOR 17-18, DIVIDER ROAD, GURGAON, HARYANA, - 122015 PH :07015804442/798208767/9650701958/.	633. SARAOGI AUTOMOBILES (P) LTD. (7604-01-), 5TH KM STONE, SIRSRA ROAD, HISSAR, HARYANA - 125001 PH :8607777043.	642. EAKANSH MOTORS PVT. LTD. (U802-01-), AMBALA ROAD, NH-65, KAITHAL - 136027 PH :9671788801.	<b>KUNDLI</b>
621. ROHAN MOTORS LTD. (9508-01-), 2482/84, SECTOR-52A, WAZIRABAD VILLAGE, OPP. AARDI CITY MALL, GURGAON - 122001 PH :08860076163/8130593202/8130593201/813059320	634. MODERN AUTOMOBILES (7602-02-), OPP. BBMB, HISSAR DELHI ROAD, HISSAR - 125001 PH :9355473000.	<b>KALANAUR</b>	654. JAGMOHAN AUTOMOTIVES PVT. LTD. (GU03-01-), 34 E, SECTOR 57, PHASE 4, KUNDLI INDUSTRIAL AREA, KUNDLI - 131001 PH :8059900518.
622. VIPUL MOTORS PVT. LTD. (5801-04-), PLOT NO.5/22/1, SARHAUL VILLAGE,SECTOR-18, MAIN ROAD, GURGAON, (HARYANA) - 201102 PH :4395800 4395806 844848936.	635. UNIQUE MOTORS PVT. LTD. (7603-01-), OPP. BHANU INDUSTRIES, DELHI ROAD, VILLAGE: SATROD,HISSAR (HARYANA) - 125006 PH :8818005535.	643. JAGMOHAN MOTORS (SPQ1-01-), BHIWANI ROAD, KALANAUR, DISTRICT ROHTAK - 124113 PH :9812000425.	<b>KURUKSHETRA</b>
623. PREM MOTORS PVT. LTD. (9511-01-), PLOT NO.101, SAINI PLAZA MARKET, OPP. H BLOCK, NEAR RAM MANDIR, PALAM VIHAR, GURGAON - 122017 PH :4337900, 7065003445.	<b>HODAL</b>	644. PANDIT AUTOMOBILES (SSN1-01-), VPO. KALANAUR, DISTRICT- YAMUNANAGAR, HARYANA - 124113 PH :9053055550.	655. KARNAL MOTORS PVT. LTD. (8906-03-), PLOT NO. 156, INDUSTRIAL AREA, SECTOR-2, KURUKSHETRA - 136 118 PH :8222022371.
	636. ROHAN MOTORS (EE01-02-), KILA NO. 8/2(7-11), 9(5-06), 12(5-0), 13(8-0), HIGHWAY ROAD, NEAR RAILWAY BYEPASS CHOWK, TEHSIL - HODDAL, DIST.-PALWAL. PH :8930202088 ; 9413080376.	<b>KALAYAT</b>	<b>LADWA</b>
		645. EAKANSH MOTORS PVT. LTD. (BJP1-01-), NEAR BUS STAND, KAITHAL-KALAYAT ROAD, VILLAGE-KALAYAT, DISTT. KAITHAL (HARYANA) - 136117 PH :9671788801.	656. KARNAL MOTORS PVT. LTD. (CRA1-01-), KHEWAT NO.197, KHATONI NO.233, KHASRA NO.27/17/1, 27/14, LADWA-KURUKSHETRA ROAD, VILLAGE - LADWA, TEHSIL THANESAR, DISTT. KURUKSHETRA - 136132 PH :7082007182.
		<b>KALKA</b>	<b>LOHARU</b>
		646. MODERN AUTOMOBILES (EG02-01-), ADJOINING INDIAN OIL PETROL PUMP, RAM NAGAR, NH-22, KALKA, DISTRICT - PANCHKULA, HARYANA - 133302 PH :9896217059.	657. JAGMOHAN MOTORS (HB02-01-), BHIWANI ROAD . OPP. ITI, CITY: LOHARU - 127201 PH :9812000425.
		<b>KARNAL</b>	

**MADLAUDA**

- 658. AUTO GALLERY (A UNIT OF RKH AUTOMOBILES PRIVATE LIMITED) (CFK2-01-), VILLAGE-BHALS, ASSANDH-PANIPAT ROAD, MADLAUDA, PIN-132113, HARYANA - 132113  
PH :9053400524.

**MAHENDARGARH**

- 659. PLATINUM MOTO CORP (DP01-01-), KHEWAT NO. 187, KILLA NO. 51/8, REVENUE ESTATE OFF VILLAGE REWASA, DADR ROAD, TEHSIL & DISTRICT, MAHENDARGARH, PIN-123029, HARYANA - 123029  
PH :9566136210, 9053088490.

**MANDI DABWALI**

- 660. SHAKTI MOTORS PVT.LTD. (E401-02-), SANGARIA ROAD, DABWALI, DISTT.-SIRSA - 125104  
PH :8222900209.

**MANESAR**

- 661. PLATINUM MOTOCORP LLP (2L04-01-), PLOT NO.282, SEC 6, IMT MANESAR DISTT. GURGAON. - 122052  
PH :09953345326/9955345324/9910100341.

**MEHAM**

- 662. JAGMOHAN MOTORS PVT LTD (A601-08-), MAIN MARKET, NATIONAL HIGHWAY-10, ROHTAK-HISSAR ROAD, MEHAM, DISTRICT-ROHTAK - 124101  
PH :8259900592.

**MOHNA**

- 663. TCS & ASSOCIATES PVT LTD (CRT1-01-), YAMUNA PUL ROAD, NEAR GYATRI PETROL PUMP - VPO-MOHANA, TEHSIL BALLABGARH, DISTT FARIDABAD - 121004  
PH :9911573130, 8929579400.

**MUSTAFABAD**

- 664. PANDIT AUTOMOBILES PVT. LTD. (CDX1-01-), KHATONI NO. 205/287, KHASRA NO. 39-17/2, VILLAGE - MANSURPUR, THANA - CHAPPER, MUSTAFABAD, DIST.-YAMUNA NAGAR, STATE - HARYANA. - 133 103  
PH :9992113854.

**NARAINGARH**

- 665. EAKANSH WHEELS (1802-02-), NH-72, AMBALA-KALA AMB ROAD, NEAR ADARSH FILLING STATION, NARAINGARH - 134203  
PH :9991143700.

**NARNAUL**

- 666. PLATINUM MOTOCORP LLP (90Q2-01-), KHALASH NAGAR, REWARI ROAD, NARNAUL, HARYANA. - 123001  
PH :09053088460/9582226838/9053088501/905308854/1/9053088500.

**NARNAUND**

- 667. JAGMOHAN MOTORS (SDK1-01-), KHASRA NO. 234, HANSI ROAD, NARNAUND, DISTT.-HANSI, HARYANA. - 125039  
PH :9812000471.

**NARWANA**

- 668. EAKANSH MOTORS PVT. LTD. (U802-03-), OPP. HAFED GODOWN-2, NH-65 AKHERAM NAGAR, NARWANA - 126116  
PH :9813583100.

**NUH**

- 669. PASCO AUTOMOBILES (7L02-01-), MAIN DELHI - ALWAR ROAD, NEAR SHAHEED PARK, NH -248A, NUH, DISTRICT - MEWAT, HARYANA. - 122107  
PH :9810014947.

**PALWAL**

- 670. ROHAN MOTORS LTD. (EE01-01-), SANWAL COLONY, MAIN MATHURA ROAD, NEAR SDM COURT, PALWAL - 121101  
PH :304100 ; 304107/8930202060.

**PANCHKULA**

- 671. MODERN AUTOMOBILES (702-03-), PLOT NO. 318, INDUSTRIAL AREA, PHASE-2, PANCHKULA - 134113  
PH :9646000165.
- 672. AUTOPACE NETWORK PVT LTD (705-03-), PLOT NO. 5, INDUSTRIAL AREA, PHASE-1, PANCHKULA, HARYANA. - 134113  
PH :7087119847.
- 673. AUTO VOGUE PVT. LTD. (K303-01-), PLOT NO-388, INDUSTRIAL AREA PHASE-1, PANCHKULA, HARYANA. - 134113  
PH :8558813181.

**PANIPAT**

- 674. AUTO GALLERY(A UNIT OF RKH AUTOMOBILES P LTD) (D302-01-), KHASRA NO. 436, 44/9 & 10, VILLAGE - JATTIPUR, NEAR HOTEL SWARNA MAHAL, NH-1, PANIPAT, HARYANA. - 132103  
PH :9053400515.

**PATAUDI**

- 675. PLATINUM MOTOCORP LLP (BY03-01-), HALI MANDI ROAD, OPPOSITE SHIV MURTI, PATAUDI, DIST. - GURGAON - 122053  
PH :9953345381/9953345488/9953345330.

**PEHOWA**

- 676. KARNAL MOTORS PVT. LTD. (2M02-01-), NEAR DAV COLLEGE, AMBALA ROAD, PEHOWA. 136128 - 136128  
PH :8222022464.

**PUNDRI**

- 677. EAKANSH MOTORS PVT. LTD. (BFF1-01-), KILA NO- 3/10, KHEWAT 2147 OPP. HARCHARAN FILLING STATION, KAITHAL ROAD, PUNDRI DIST. KAITHAL, HARYANA - 136026  
PH :9671788801.

**PUNHANA**

- 678. PASCO AUTOMOBILES (BIU1-01-), KILA NO. 4/2, PUNHANA, DIST.-MEWAT, HARYANA - 122508  
PH :9991300950, 8059730879.

**RADAUR**

- 679. PANDIT AUTOMOBILES PVT. LTD. (D201-02-), OPP. JMIT ENGG. COLLEGE, NEAR BUS STAND, RADAUR, DISTRICT-RADAUR, HARYANA - 135001  
PH :9992113854.

**RAJOUND**

- 680. EAKANSH MOTORS (SHV1-01-), MITTAL KHAL BHANDAR, RAJOUND, DISTT KAITHAL - 136044  
PH :9671788801.

**REWARI**

- 681. DINCO 4 WHEELS LLP (AUTO VIBES) (U102-01-), BAWAL ROAD, NEAR BYE PASS ROAD, REWARI (HARYANA)) - 123401  
PH :7082100200/7082100204/7082100201.

**ROHTAK**

- 682. JAGMOHAN MOTORS PVT LTD (A601-01-), SONEPAT ROAD, ROHTAK - 124001  
PH :9467465035.
- 683. JAGMOHAN MOTORS PVT LTD (A601-09-), SWAN GARDEN, DELHI ROAD, ROHTAK - 124001  
PH :9812000357.
- 684. UNIQUE AUTO LEAD LLP (A602-01-), KHASRA NO- 3597 JIND ROAD, JIND CHOWK, ROHTAK, HARYANA - 124001  
PH :9812259000.

**SAFIDON**

- 685. EAKANSH MOTORS PVT. LTD. (U802-05-), NEAR BRSK SCHOOL , OPPOSITE RELIANCE PETROL PUMP, PANIPAT ROAD, SAFFIDON, DISTRICT- JIND - 126112  
PH :9416616603.

**SAMPLA**

- 686. JAGMOHAN MOTORS PVT LTD (NY01-01-), NEAR VASUNDRA CAFE, DELHI ROHTAK ROAD, SAMPLA, DISTT. ROHTAK - 124501  
PH :9812000351.

**SATNALI**

- 687. PLATINUM (SLH1-01-), KHEVAT NO.605, KHATONI NO-1134 KILLA NO.167, VILL: SATNALI, NEAR BHARAT PETROL PUMP MAHENDRAGARH ROAD, HARYANA -123024 (LOCATION: MAHENDRAGARH) - 123024  
PH :9910100341.

**SHAHABAD**

- 688. KARNAL MOTORS PVT. LTD. (CCR2-01-), KHEWAT NO. 460, KATONI NO. 486, KHASRA NO. 170, TEHSIL - SHAHABAD, DIST.- KURUKSHETRA. - 136135  
PH :8222022338.

**SIRSA**

- 689. SHAKTI MOTORS PVT.LTD. (E401-01-), DABBALI RD., SIRSA, HARYANA - 125055  
PH :8222900201.

**SIWANI**

- 690. SARAOGI AUTOMOBILES (P) LTD. (HA03-01-), OPP GOVT HOSPITAL ,SIWANI BYPASS CHOWK,HISSAR ROAD ,SIWANI,DIST.BHIWANI -127046 HARYANA - 127046  
PH :9607771149.

**SOHNA**

- 691. PASCO AUTOMOBILES (9506-03-), 56, KILLA NO. 13 (4-10), 18(4-6), 19 (8-0), 22 (8-0), 23 (4-2), VILLAGE - ALIUPUR, SOHNA GURUGRAM ROAD, TEHSIL - SOHNA , DISTRICT -GURUGRAM. - 122103  
PH :08683000902/9873711127/8683000919.

**SONIPAT**

- 692. JAGMOHAN AUTOMOTIVES PVT. LTD. (J502-01-), BAHALGARH-DELHI ROAD, OPP. POWER HOUSE, SONIPAT - 131001  
PH :9992200372.
- 693. JAGMOHAN AUTOMOTIVES PVT. LTD. (J502-02-), GAYATRI GARDEN, MURTHAL ROAD, SONEPAT (HARYANA) - 131001  
PH :8685005686.
- 694. JAGMOHAN AUTOMOTIVES PVT. LTD. (J502-03-), O-11 INDUSTRIAL AREA, SONIPAT, HARYANA. - 131001  
PH :9812615000.

**TAURU**

- 695. PASCO AUTOMOBILES (BIV1-01-), KILA NO. 34/1/2, REWARI ROAD, TAURU, DIST.-MEWAT, HARYANA. - 122015  
PH :8683000902, 9873001497, 8683000954, 9671150250,9034926253.

**TIGAOAN**

- 696. TCS (5804-03-), TCS AUTOWORLD, ARYAN PLAZA, NEEMKA BHUPGARH, TIGAOAN-BALLABGARH ROAD, FARIDABAD, PIN-121004, HARYANA - 121004  
PH :9971422444.

**TOHANA**

- 697. SHAKTI MOTORS PVT.LTD. (XP01-01-), NEAR GREEN VALLEY PUBLIC SCHOOL, RATIA ROAD, TOHANA - 125120  
PH :8572800991.

**TOSHAM**

## Dealer Network (AS ON 31.10.2023)

698. JAGMOHAN MOTORS PVT LTD (0Y01-01-), BHIWANI ROAD, TEH. TOSHAM, DIST. BHIWANI. - 127040  
PH :8059900566.

### YAMUNANAGAR

699. PANDIT AUTOMOBILES PVT. LTD. (D201-01-), GOVINDPURI ROAD, JAGADRI, YAMUNANAGAR - 135001  
PH :9812455896.

700. PANDIT AUTOMOBILES PVT. LTD. (D201-03-), PLOT NO.E-8, INDUSTRIAL AREA, ITI ROAD, YAMUNA NAGAR (HARYANA) - 135001  
PH :9812455896.

## HIMACHAL PRADESH

### ALAMPUR

701. KANGRA VEHICLAEDES (RL01-01-), KHASRA NO. 1606/1582, STATE HIGHWAY PALAMPUR-SUJANPUR AT JANGAL, VILLAGE - ALAMPUR, DIST.-KANGRA. - 176082  
PH :8988002269.

### BADDI

702. GOYAL MOTORS PVT LTD (7D01-04-), KHATA/KHATAUNI NO. 26/26, KHASRA NO. 93/56/32 AND 94/56/32, KITAS 2, REVENUE MAUZA – CHAK JANGI, HADBAST NO. 203, TEHSIL – BADDI, DISTRICT – SOLAN, HIMACHAL PRADESH. - 173205  
PH :9418076972.

### BAIJNATH

703. KANGRA VEHICLAEDES (BBC1-01-), TASHI JONG, PAPROLA-BAIJNATH, NH-20, KANGRA -MANDI ROAD, TEHSIL BAIJNATH, DISTT. KANGRA - 176115  
PH :8628820603.

### BANIKHET

704. PATHANKOT VEHICLAEDES PVT. LTD. (BWN1-01-), KHASRA NO 709, KHATA KHATOONI NO.23, BANIKHET, THE-DALHOUSIE, DISTT. CHAMBA - 176303  
PH :254186, 232036, 9418048803.

### BILASPUR

705. COMPETENT AUTOMOBILES CO. LTD. (6Y01-01-), KHEWAT NO. 8/8 KHATAUNI, KHASRA NO. 137/30, 31, MAUZA KOTHI, PARGANA 9, P. O. – CHANDPUR, TEHSIL – SADAR, DIST. - BILASPUR, HIMACHAL PRADESH. - 174001  
PH :7807166832, 7807800330 / 7807800440.

### CHAMBA

706. KANGRA VEHICLAEDES (D902-03-), MOHALLA SULTANPUR, BALU BRIDGE, CHAMBA - 176310  
PH :9418059252, 9418045778.

707. KANGRA VEHICLAEDES (D902-05-), KHASRA NO. 88/96, 1 & KHASRA NO.628/276, VILLAGE & PO SAROO, THE. & DISTT. CHAMBA, HIMACHAL PRADESH. - 176310  
PH :9418059252, 9418013810.

### CHOWARI

708. PATHANKOT VEHICLAEDES PVT. LTD. (CWV1-01-), KHATA KHATNI NO. 24/32 MIN, KHASRA NO. 90, VILLAGE - LAHRU, P.O. - PARCHHORE, TEHSIL - BHATTIYAT, DIST. -CHAMBA, HAMACHAL PRADESH. - 144416  
PH :8894569632.

### DEHRA

709. KANGRA VEHICLAEDES (D902-02-), VILLAGE & P.O. SUNHET, TEHSIL DEHRA, DIST. KANGRA - 177101  
PH :9817013058.

### GAGGAL

710. KANGRA VEHICLAEDES (BBV1-01-), NATIONAL HIGHWAY -20, ZAMANABAD ROAD, ICHHI, GAGGAL, DISTT. KANGRA , HIMACHAL PRADESH - 176209  
PH :9418988832.

### HAMIRPUR

711. COMPETENT AUTOMOBILES CO. LTD. (W901-01-), VILLAGE TIKKAR, P.O DIDWIN TEHSIL & DISTT, HAMIRPUR - 177401  
PH :9605510276.

### INDORA

712. PATHANKOT VEHICLAEDES PVT. LTD. (BHE1-01-), VILLAGE CHANDOR, PO & TEHSIL INDORA, DISTT. KANGRA, PIN176401, HIMACHAL PRADESH - 176401  
PH :9418008627.

### JAISINGHPUR

713. KANGRA VEHICLAEDES (BVA1-01-), HRSI PATTAN ROAD, OPP. SABJI MANDI, TEHSIL – JAISINGHPUR, DIST. – KANGRA, HIMACHAL PRADESH. - 176095  
PH :9418477756.

### JAWALI

714. PATHANKOT VEHICLAEDES PVT. LTD. (BXE1-01-), VILLAGE - TIUKARI, NEAR MAHAVIR HOSPITAL LUBH ROAD, TEHSIL - JAWALI, DIST. -KANGRA, HAMACHAL PRADESH. - 176023  
PH :9418195333.

### JOGINDER NAGAR

715. COMPETENT AUTOMOBILES CO. LTD. (BBO1-01-), VILL. DHELU PO DOHAG, JOGINDER NAGAR (H.P.) - 175015  
PH :9805005754.

### JWALAMUKHI

716. KANGRA VEHICLAEDES (CND1-01-), KHASRA 880/613, MALJA BOHAN, TEHSIL JWALAMUKHI, DISTRICT KANGRA - 176031  
PH :9418488999.

### KULLU

717. COMPETENT AUTOMOBILES CO. LTD. (ZQ01-01-), PLOT 3&4, INDUSTRIAL AREA, SHAMSHI, KULLU (HP) - 175126  
PH :9018035136.

### KUNIHAR

718. GOYAL MOTORS PVT LTD (BBX1-01-), KHATA NO. – 77, VILLAGE KOTHI, P.O. KUNNIHAR, TEHSIL – ARKI, DISTRICT – SOLAN, HIMACHAL PRADESH - 173207  
PH :9418312472.

### MANALI

719. COMPETENT AUTOMOBILES CO. LTD. (BKU1-01-), VILL. CHOURI VIHAR (AALU GROUND), P.O. & TEHSIL- MANALI, DIST. KULLU, (H.P.) - 175131  
PH :9418387465.

### MANDI

720. COMPETENT AUTOMOBILES CO. LTD. (B301-01-), GUTKAR INDUSTRIAL AREA, DELHI MANDI ROAD, N.H.21 GUTKAR, MANDI - 124501  
PH :9805513208/9816664891.

### NADAUN

721. COMPETENT AUTOMOBILES CO. LTD. (BXA1-01-), VILLAGE JALAN, KHASRA NO.183, PO & TEHSIL NADAUN, DISTT. HAMIRPUR, HIMACHAL PRADESH - 177041  
PH :9805737436.

### NAGROTA

722. KANGRA VEHICLAEDES (D902-01-), MALAN, NAGROTA - BAGWAN, KANGRA, H.P. - 176047  
PH :7018268819.

### NAGROTA BAGWAN

723. KANGRA VEHICLAEDES (D902-06-), JHIKLI AMBARI, MOUZA AMBARI, MALAN, NAGROTA BAGWAN, TEHSIL & DISTT. KANGRA, HIMACHAL PRADESH - 176047  
PH :7018268819.

### NAGROTA SURIAN

724. KANGRA VEHICLAEDES (BG11-01-), KHEWAT NO. 115, KHATAUNI NO. 127, KHASRA NO. 2037, MAHAL BASSA, SUB TEHSIL – NAGROTA SURIAN, DISTRICT – KANGRA - 176027  
PH :9418488999.

### NALAGARH

725. GOYAL MOTORS PVT LTD (IB02-01-), NEAR HP PETROL PUMP, VILLAGE PEERSTHAN, P.O & TEHSIL NALAGARH, DISTT. SOLAN (H.P.) - 174101  
PH :9418704572.

### NERWA

726. GOYAL MOTORS PVT LTD (CRS1-01-), KHASRA NO. 482, VILLAGE – KEDI, TEHSIL – NERWA, DISTRICT – SHIMLA, HIMACHAL PRADESH. - 171210  
PH :9418663572.

### NURPUR

727. KANGRA VEHICLAEDES (D902-04-), VILLAGE JACHP, PO JASSUR, TEHSIL NURPUR, DISTT. KANGRA - 176201  
PH :9418195333, 9418041778.

### PALAMPUR

728. KANGRA VEHICLAEDES (2T01-01-), NEAR IOCL PUMP, KANGRA MANDI ROAD, PALAMPUR, DISTT. KANGRA, HIMACHAL PRADESH. - 176061  
PH :9418222822/ 9463265072.

### PAONTA SAHIB

729. GOYAL MOTORS PVT LTD (A901-02-), OPP BIBUEET KAUR SENIOR SECONDARY SCHOOL, SHAMSHERPUR , NH-72, PAONTA SAHIB - 173025  
PH :9459210872.

### RAJGARH

730. GOYAL MOTORS PVT LTD (BJX1-01-), KHATA NO. 517/505, 478/3, KHASRA NO. – 38/98 VILLAGE NERI RATAULI, P.O. RAJGARH TEHSIL – RAJGARH, DISTRICT – SIRMAUR, HIMACHAL PRADESH - 173101  
PH :9418312472.

### RAMPUR

731. GOYAL MOTORS PVT LTD (CEZ1-01-), KHASRA NO. 824/825, MINN NO. 155/396, 163/411, NAGLI, ROHRU ROAD, RAMPUR, TEHSIL – RAMPUR, DISTRICT – SHIMLA - 172001  
PH :9459296572.

### ROHRU

732. GOYAL MOTORS PVT LTD (JZ01-01-), CHARGAON SHIMLA ROAD, ROHRU, DISTRICT -SHIMLA - 171207  
PH :9418016072.

### SALOONI

733. PATHANKOT VEHICLAEDES (SES1-01-), KHASRA NO. 289/174, VILLAGE. MANJEEER, TEHSIL-SALOONI, DISTT. CHAMBA, PIN-176320, HIMACHAL PRADESH - 176320  
PH :9418059252.

### SHAHPUR

734. KANGRA VEHICLAEDES (SCR1-01-), VILLAGE MANJHGRAN, P.O. DRAMMAN, TEHSIL SHAHPUR, DISTT. KANGRA, HIMACHAL PRADESH - 176206  
PH :9459900241.

### SHIMLA

735. GOYAL MOTORS PVT LTD (A901-01-), TARADEVI, SHIMLA,(H.P.) - 171010  
PH :9418663572.

**SOLAN**

736. GOYAL MOTORS PVT LTD (7D01-01-), DEON GHAT, SOLAN - 173211  
PH :9418138772.

**UNA**

737. COMPETENT AUTOMOBILES CO. LTD. (QD01-01-), VILLAGE RAINARSRY,P.O JHALERA,TEHSIL & DISTRICT:UNA - 174303  
PH :9805737436.

**JAMMU**

**MARH**

738. JAMKASH VEHICLAEDES PVT. LTD (BPM1-01-), KHASRA NO. 269, LOWER MUTHI DHARMAL, DIST.-JAMMU, STATE - JAMMU & KASHMIR. - 181205  
PH :7006898474.

**JAMMU & KASHMIR**

**CHOWKI CHOURA**

739. JAMU MOTORS (SDY1-01-), KHASRA NO. 37 MIN, ADJACENT TO J&K BANK, JAMMU POONCH HIGHWAY, CHOWKI CHOURA, JAMMU & KASHMIR - 185154  
PH :9596975060.

**MAHANPUR**

740. JAMMU MOTORS (SPK1-01-), MAHANPUR, DISTRICT KATHUA, TEHSIL MAHANPUR - JAMMU & KASHMIR. - 184202  
PH :9596975060.

**MANJAKOTE**

741. JAMKASH VEHICLAEDES (SQV1-01-), NEAR PHC ROAD MANJAKOTE, TEHSIL MANJAKOTE, DISTRICT RAJOURI, J&K - 185131  
PH :7006014395.

**VIJAYPUR**

742. JAMMU MOTORS (OZ02-01-), JAMMU PATHANKOT HIGHWAY, VIJAYPUR (SAMBA), J&K - 184120  
PH :9596975060.

**JAMMU AND KASHMIR**

**AKHNOOR**

743. JAMMU MOTORS PVT. LTD. (2X02-01-), MAIN ROAD DASKAL, TEHSIL - AKHNOOR, DISTRICT - JAMMU - 181201  
PH :9419118393.

**ANANTNAG**

744. PEAKS AUTO PVT. LTD. (2Y01-01-), NH-1A, MOUZA UROONHALL, THE & DISTT. ANANTNAG - 228165  
PH :9519275151.

**ASHMUQAM**

745. PEAKS AUTOS (BOH1-01-), KP ROAD, HUTMARAH, NEAR ASHMUQAM, ANANTNAG, JAMMU AND KASHMIR - 192125  
PH :9519275151.

**BANDIPORA**

746. JAMKASH VEHICLAEDES (KASHMIR) PVT LTD (1205-04-), AJAR BANDIPORA, J&K - 193502  
PH :9149726427.

**BARAMULLA**

747. JAMKASH VEHICLAEDES (KASHMIR) PVT LTD (8C01-01-), VILLAGE SANGRAMA,WAGAROO, BARAMULA - 193101  
PH :7899612218.

**BHADRAWAH**

748. J& K VEHICLAEDES PVT. LTD (AKA1-01-), KHASRA NO.2863, LOWER SUNGLI UNIVERSITY ROAD, BHADERWAH, DISTT. DODA, J&K - 182222  
PH :9419796821.

**BHASOLI**

749. JAMKASH VEHICLAEDES PVT. LTD. (GLK1-01-), ZERO MORTH, BASHOLI, DISTT. KATHUA, BASHOLI, PIN-184201, JAMMU & KASHMIR - 184201  
PH :9018847230.

**BUDGAM**

750. HIGHLAND AUTOMOBILES PVT.LTD (1202-04-), KHASRA NO. 208 MIN, KHEWAT NO. 9 AND KHATTA NO. 55, MOUZA - PALLAR, TEHSIL AND DIST.-BUDGAM. - 191111  
PH :9419019898.

**DAYALACHAK**

751. JAMKASH VEHICLAEDES PVT. LTD (BFH1-01-), KHASRA NO. 183, KHEWAT NO.14, KHATANO-74, VILLAGE CHAK SAKTA, DAYALACHAK,TEHSIL & DISTT. KATHUA , JAMMU & KASHMIR - 184121  
PH :88492849170.

**DODA**

752. J& K VEHICLAEDES PVT. LTD (2Z02-01-), MINTO CAR CARE, AKHYARABAD, MAIN ROAD, DODA CITY, DODA (J&K) - 182202  
PH :9419796821.

**GANDERBAL**

753. JAMKASH VEHICLAEDES (KASHMIR) PVT LTD (ZAO1-01-), MALSHAIE BAGH, GANDERBAL (J&K) - 191201  
PH :9419000828.

**HANDWARA**

754. JAMKASH VEHICLAEDES (KASHMIR) PVT LTD (BYA1-01-), KHEWAT NO-31, KHATTA NO-298, SURVEY NO- 3764/1816, MOZA BRARIPORA, TEH- HANDWARA, DIST- KUPWARA, J&K - 193221  
PH :262322, 9419074012.

**JAMMU**

755. JAMKASH VEHICLAEDES PVT. LTD (3306-01-), NH-1A, BYE PASS, OPP CHANNI HIMMAT, JAMMU - 180015  
PH :8006801639.

756. JAMKASH VEHICLAEDES PVT. LTD (3306-02-), NEAR GENERAL BUS STAND, OPP. PHE OFFICE, B.C. ROAD, JAMMU - 180001  
PH :9419224014.

757. JAMKASH VEHICLAEDES PVT. LTD (3306-04-), SUNJWAN, DISTT. JAMMU - 180011  
PH :7006018600.

758. PEAKS AUTO JAMMU PVT. LTD. (3312-01-), GANGYAL INDUSTRIAL AREA, BEHIND COCA COLA FACTORY, JAMMU - 180010  
PH :9697001125.

759. JAMMU MOTORS PVT. LTD. (3308-01-), 6, AKHNOOR ROAD, JAMMU. - 180001  
PH :9419118393.

760. JAMMU MOTORS PVT. LTD. (3308-02-), PLOT NO.2, RAJPURA CHUNGI OPP AG OFFICE, AKHNOOR ROAD, JAMMU - 180002  
PH :9419118393.

761. PEAKS AUTO JAMMU PVT. LTD. (3312-02-), KHASRA NO.425 & 426, KHATA NO.425 & 426, PRICE SHRKHANIAN (BACKSIDE OF BEST PRICE), AKNOOR ROAD, JAMMU. - 180001  
PH :9697001125.

762. JAMKASH VEHICLAEDES PVT. LTD (3306-07-), KHEWAT NO. 25, KHATA NO. 355, KHASRA NO. 544 MIN PALOURA ROAD, JANIPUR, JAMMU. - 180007  
PH :9419191502.

**KATHUA**

763. JAMMU MOTORS PVT. LTD. (3B02-01-), WARD NO.13, CHAK PARTAP SINGH HATLI MORH, NH1-A, KATHUA TEHSIL KATHUA - 184101  
PH :9419118393.

**KULGAM**

764. PEAKS AUTO PVT. LTD. (OY01-01-), NEAR GRID STATION,MAIN ROAD, KULGAM - 191202  
PH :9519275151.

**KUPWARA**

765. JAMKASH VEHICLAEDES (KASHMIR) PVT LTD (1205-03-), JAMKASH VEHICLAEDES, NEAR GM FILLING STATION, DC OFFICE ROAD KUPWARA - 193223  
PH :9622499902.

**MAGAM**

766. JAMKASH VEHICLAEDES PVT. LTD (GLS1-01-), KHASRA NO. 34, MOUZA - CHICHILORA, MAGAM, GULMARG ROAD, TEHSIL - KWARHAMA, DIST.-BARAMULLA, JAMMU & KASHMIR. - 193401  
PH :8825016046.

**PHINTER**

767. JAMKASH VEHICLAEDES PVT. LTD (BHV1-01-), KHASRA NO.2293/405 AND KHEWAT NO.81/98, GURHA KALYAL, PHINTER, TEHSIL RAMKOT, DISTT. KATHUA, J&K. - 184203  
PH :9419187583.

**POONCH**

768. JAMKASH VEHICLAEDES PVT. LTD (AAW1-01-), VILLAGE KUNUYIAN, TEHSIL HAVELI POONCH, JAMMU & KASHMIR. - 185121  
PH :7006014395.

**PULWAMA**

769. PEAKS AUTO PVT. LTD. (1204-03-), MUGHAL ROAD, GUNGOO, PULWAMA - 192301  
PH :9519275151.

**RAJOURI**

770. JAMKASH VEHICLAEDES PVT. LTD (3306-06-), KALAKOTE ROAD, VILLAGE BADOL, RAJOURI - 185131  
PH :7006014395.

**RS PURA**

771. JAMKASH VEHICLAEDES PVT. LTD (3306-03-), GAGAIN MORTH, R S PURA, JAMMU. - 181102  
PH :9419190370.

**SHOPIAN**

772. PEAKS AUTO PVT. LTD. (AAA1-01-), AGLAR SOPANAMAN, SHOPIAN - 192303  
PH :9519275151.

**SIDHRA**

773. JAMKASH VEHICLAEDES PVT. LTD (CDL1-01-), KHASRA NO.80 & KHATA NO. 100, VILLAGE SIDHRA, NH1A, NEAR BHARAT PETROLEUM PETROL PUMP, TEH. & DISTT. JAMMU - 180019  
PH :9419134144.

**SRINAGAR**

774. HIGHLAND AUTOMOBILES PVT.LTD (1202-01-), SONWAR, SRINAGAR - 190001  
PH :9419057564.

775. JAMKASH VEHICLAEDES (KASHMIR) PVT LTD (1205-01-), HYDERPURA BY PASS CROSSING, SRINAGAR - 190015  
PH :7006037255.

776. PEAKS AUTO PVT. LTD. (1204-01-), BYE PASS ROAD, NH - 1A, NEAR HOTAL SILVER STAR, SRINAGAR - 191101  
PH :9519275151.

## Dealer Network (AS ON 31.10.2023)

777. JAMKASH VEHICLEADES (KASHMIR) PVT LTD (1205-05), NARBAL CROSSING, NH-1A, SRINAGAR, JAMMU & KASHMIR - 190017 PH :9796700750.	787. PEBCO MOTORS (BOY1-01-), KOLHAN TIMBER MERCHANT, NEAR RAILWAY CROSSING, TATA ROAD, CHAIBASA, DISTRICT – WEST SINGHDHUM, JHARKHAND. - 833201 PH :7070449718.	<b>DUMKA</b> 798. RELIABLE INDUSTRIES (L701-01-), OPP DUDHANI PETROL PUMP, DEOGHAR-PAKUR ROAD,DUMKA ( JHARKHAND) - 814101 PH :6205161170.	808. PEBCO MOTORS LTD. (3101-02-), 16 BALIUCHALA, CONTRACTORS & GODOWN AREA, SONARI, JAMSHEDPUR - 831011 PH :9308433388.
<b>SUNDERBANI</b> 778. PEAKS AUTO JAMMU PVT. LTD. (AAM3-01-), MOUZA THANDA PANI, TEH. SUNDERBANI - 185153 PH :9697001125.	<b>CHANDWA</b> 788. HILLTOP MOTORS (A UNIT OF HIRALAL MOTORS PVT LTD) (SCS1-01-), HILLTOP MOTORS, MAIN ROAD, CHANDWA, PO AND PS, CHANDWA – 829203, DIST – LATEHAR, JHARKHAND - 829203 PH :7061157502.	<b>GARHWA</b> 799. PREMSONS MOTOR UDYOG PVT. LTD. (VX01-01-), KHATA NO. 108, 109, THANA NO. 342, PIPRAKALA, GARHWA, JHARKHAND - 822114 PH :8662828802 9835507004.	809. MOTOR WORLD (3102-01-), N.H-33, NEAR PARDI DH CHOWK, MANGO, JAMSHEDPUR - 831012 PH :9431347164, 9570168342.
<b>SURANKOTE</b> 779. PEAKS AUTO JAMMU PVT. LTD. (TY03-01-), NEAR KNIEIT KING FILLING STATION, BHARAT PETROLEUM, POONCH MUGHAL ROAD, SURANKOTE, DISTT: POONCH - 185101 PH :9697001125.	<b>CHIRKUNDA</b> 789. RELIABLE INDUSTRIES (CQ1-01-), PLOT NO. 109-110, KHAITAN NO. 12, MOUZA NO. 251, P.S. – CHIRKUNDA, DISTRICT – DHANBAD, JHARKHAND. - 828202 PH :9905937751 9835814404.	<b>GHATSHILA</b> 800. PEBCO MOTORS LTD. (AIA1-01-), PLOT NO. 68, KHASRA NO. 128, MAUZA PAORA, NH-33, NEAR FULL-DUNGRI CHOWK, GHATSHILA, EAST SINGBHEHM (JHARKHAND) - 832303 PH :9308433388.	<b>JAMTARA</b> 810. RELIABLE INDUSTRIES (BOX1-01-), PLOT NO. 483, PARWAT BIHAR, DUMKA ROAD, JAMTARA, JHARKHAND. - 815351 PH :9835814404.
<b>THANA MANDI</b> 780. JAMKASH VEHICLEADES PVT. LTD. (SO01-01-), HASPLOTE(CHRUNG), TEHSIL THANAMANDI, DISTRICT RAJOURI -185212 - 185212 PH :9419267607.	<b>DALTONGANJ</b> 790. PREMSONS MOTORS UDYOG PVT LTD (5103-02-), KACEHRI ROAD, DALTONGANJ, PALAMU - 822101 PH :9835507004.	<b>GIRIDIH</b> 801. RELIABLE INDUSTRIES (5202-04-), MOHANPUR, PACHAMBA ROAD, GIRIDIH. - 815301 PH :8102924860 8102924858.	<b>KATRAS</b> 811. CAR ONE (A UNIT OF RAJHANS AUTOMOBILES PRIVATE LIMITED) (GLP1-01-), RAJHANS REFRACTORIES, OPP. LIC OFFICE, RAJGANJ ROAD, KATRAS, DISTT. DHANBAD, JHARKHAND-828114 - 828114 PH :8910900556.
<b>UDHAMPUR</b> 781. J & K VEHICLEADES PVT. LTD (D801-01-), NATIONAL HIGHWAY 1A, NEAR DAK BANGLOW, UDHAMPUR - 182101 PH :7006881028.	<b>DEOGHAR</b> 791. RELIABLE INDUSTRIES (5202-03-), SHAHEED ASHRAM ROAD, JHAUNSAGARIH, DEOGHAR, - 814112 PH :6207129088 7001553251.	802. RELIABLE INDUSTRIES PVT. LTD (5202-08-), PLOT NO. 7, HALKA NO. 12, KHATA NO. 2, THANA NO. 266, MOUZA - CHATRO, GIRIDIH, JHARKHAND - 815301 PH :9835835101.	<b>KHELARI</b> 812. SUDHA MOTORS(A UNIT OF SUDHA BUSINESS ENTERPRISES PVT LTD) (CF01-01-), PLOT 113, MOUZA- BUKBUKA, BESIDE PAHADI MANDIR, KHELARI, RANCHI - 829205 PH :6458222, 9534199997.
<b>URI (CHAAL BONIYAAR)</b> 782. JAMKASH VEHICLEADES (KASHMIR) PVT LTD (CCK1-01-), KHASRA NO.346/118, KEWAT NO.15, KHATA NO.30, MOUZ-CHALAL (URI), TEHSIL-BONIYAR, DISTT. BARAMULLA - 193123 PH :9419074012.	<b>DHANBAD</b> 793. RELIABLE INDUSTRIES (5202-01-), KATRAS ROAD, DHANBAD, JHARKHAND. - 826001 PH :9835830202 7369945040.	<b>GODDA</b> 803. RELIABLE INDUSTRIES (5202-05-), ASANBANI CHOWK, MAIN ROAD, GODDA. - 814133 PH :6207129088.	<b>KHUNTI</b> 813. PREMSONS MOTOR UDYOG PVT. LTD (BOL1-01-), PLOT NO. 747, KHATA NO. 2, DAHUUGTU, CHAIBASA ROAD, KHUNTI, JHARKHAND. - 835 210 PH :9835507004.
<b>JHARKHAND</b>	<b>DHANBAD</b> 794. RELIABLE INDUSTRIES (5202-02-), BEHIND PRABHAT KHABAR, AT: KOLAKUSHA, P.O K.G. ASHRAM, SARAIIDHELA , DHANBAD - 828127 PH :8102333474 7369945043.	<b>GUMLA</b> 804. PREMSONS MOTOR UDYOG PVT. LTD. (5103-04-), VANASTHALI COMPLEX PUGUCHAMPA NAGAR,NH-23,SISAI ROAD GUMLA - 835207 PH :9835507004.	<b>KODARMA</b> 814. HINDUSTAN AUTO AGENCY (YR01-01-), AT LALMAN DIGTHU, BESIDE KRISHNA SURYA COLD STORAGE, JHUMRI TILAIYA, P.S. – TILAIYA, DISTRICT – KODERMA, JHARKHAND. - 825409 PH :6201998936.
<b>BAGODAR</b> 783. RELIABLE INDUSTRIES PVT. LTD. (BHA1-01-), SONTURPI, GT ROAD, GAIDA, BAGODAR, GIRIDIH, JHARKHAND. - 825322 PH :9507102036 9835814404.	<b>DHANBAD</b> 795. RELIABLE INDUSTRIES (5202-06-), SUGIADIH, HIRAK ROAD, SARAIIDHELA, DHANBAD, JHARKHAND - 828127 PH :9334094940.	<b>HAZARIBAGH</b> 805. HINDUSTAN AUTO AGENCY (Y901-01-), NEAR SBI MAIN BRANCH, MAIN ROAD, HAZARIBAGH. - 825301 PH :9304051949, 9263631327.	<b>LOHARDAGA</b> 815. SUDHA MOTORS(A UNIT OF SUDHA BUSINESS ENTERPRISES PVT LTD) (CX01-01-), PLOT NO. 14P, 15, 23, RIADA, LOHARDAGA, JHARKHAND. - 835302 PH :9534199997.
<b>BALIAPUR</b> 784. CARONE (SNI1-01-), WARD NO 53, HOLDING NO - SAF3797, KANDRA SINDRI, BALIAPUR. - 828123 PH :7980074787.	<b>DHANBAD</b> 796. CAR ONE (A UNIT OF RAJHANS AUTOMOBILES PRIVATE LIMITED) (5205-01-), NH-2, GT ROAD, SAHARJORI, BARWADA, DHANBAD. - 828 109 PH :9006828000, 9835740433.	806. HINDUSTAN AUTO AGENCY (Y901-02-), MASIPIRIH, BABHANBAY, HAZARIBAGH , JHARKHAND - 825301 PH :9216888118 9263631327, ..	<b>MURI</b> 816. HILLTOP MOTORS (BVE2-01-), NEAR BANK OF INDIA, SILLI MAIN ROAD, MURI, PIN - 835102 - 835102 PH :7061157502.
<b>BOKARO</b> 785. HINDUSTAN AUTO AGENCY (B501-02-), R1, CITY CENTRE, SECTOR-4, BOKARO STEEL CITY, BOKARO - 827004 PH :9831550033/7070403002/9431128683.	<b>DHANBAD</b> 797. RELIABLE INDUSTRIES (5202-09-), TILAKRAIDH, K G ASHRAM, NH-32, GOVINDPUR, DHANBAD, JHARKHAND - 828109 PH :9031096662.	<b>JAMSHEDPUR</b> 807. PEBCO MOTORS LTD. (3101-01-), MEDIUM SECTOR, INDUSTRIAL AREA, ADITYAPUR, JAMSHEDPUR - 831001 PH :9308433388.	<b>PAKUR</b>
<b>CHAIBASA</b>			



817.	RELIABLE (CLO1-01-), C/O KHOKHAN RAY,HIRANPUR, PAKUR, MAIN ROAD,VILL SAHERKOL.PS PAKUR REGISTRY OFFICE - 816107 PH :9031096662.	828.	PRATHAM MOTORS PVT. LTD (205-04-), SY#45/3, KAVAL,HOSAHALLI, KASABA HOBLI, ANEKAL TALUK - 562106 PH :9945540131.	838.	MANDOVI MOTORS PVT LTD. (201-05-), NO.2/106 (NEXT TO KASSIA BLDG.),17TH CROSS,MAGADI CHORD ROAD EXTN VJAYANAGAR,BANGALORE - 560079 PH :9945235529.	851.	KALYANI MOTORS PVT. LTD. (211-04-), 119/1, 11TH CROSS,MALLESHWARAM,BANGALORE. - 560003 PH :9886026519.
<b>RAMGARH</b>		<b>ANKOLA</b>		<b>839.</b>		<b>852.</b>	
818.	HINDUSTAN AUTO AGENCY (AV01-01-), MARAR, RANCHI ROAD (NH-33), RAMGARH - 829122 PH :9263631345.	829.	BHARATH AUTO CARS PVT. LTD. (FC02-01-), NEAR NARAYANA TEMPLE KAKKAR MUTTA, BELEGULI CROSS, ANKOLA, UK DISTRICT - 581314 PH :7829567400.	839.	RNS MOTORS (7301-03-), 2275 TUMKUR ROAD, GURGUNTEPALYA, YESHWANTPUR, BANGALORE - 560022 PH :9606933236.	852.	MANDOVI MOTORS PVT LTD. (201-0D-), 6/8, SHREE GANGA GARDEN, GANGA NILAYA, HENNRU CROSS, KALYANAGAR POST - 560043 PH :9845132048.
<b>RANCHI</b>		<b>ATHANI</b>		<b>840.</b>		<b>853.</b>	
819.	PREMSONS MOTORS UDYOG PVT LTD (5103-01-), 502, KANKE ROAD, RANCHI. - 834008 PH :9304807355.	830.	SHANTESHA MOTORS (BWA1-01-), RS NO. 605, SHIVAYOGI NAGAR, BIJAPUR ROAD, ATHANI, DIST. - BELGAUM. - 591304 PH :8884472587.	840.	BIMAL AUTO AGENCY INDIA PVT. LTD. (218-01-), NO.- 60/3, VENKATALA VILLAGE, YELAHANKA HOBLI, BANGALORE NORTH TALUK - 560064 PH :9945541034.	853.	MANDOVI MOTORS PVT LTD. (201-0E-), SY NO.26,AMBILIPUR VILLAGE,VATHUR HOBLI,BANGALORE,EAST TALUKA. - 560102 PH :9945235518.
820.	PREMSONS MOTOR UDYOG PVT. LTD. (5103-03-), 10/P, NAMKUM INDUSTRIAL ESTATE,BEHIND HIGH TENSION INSULATOR FACTORY, LOWER CHUTIA, RANCHI - 834010 PH :9262899003.	<b>ATHRADI</b>		841.	BIMAL AUTO AGENCY INDIA PVT. LTD. (216-01-), 60/2, MAHADEVUPURA, WHITE FIELD ROAD, BANGALORE - 560048 PH :99723 98105.	854.	MANDOVI MOTORS PVT LTD. (201-9B-), PLOT NO.-257/11-13, BANNERGHATTA ROAD, N.S. PALYA, BANGALORE - 560076 PH :9945238559.
821.	PREMSONS MOTOR UDYOG PVT. LTD. (5103-05-), PLOT NO.31 & 134, JOHNSON MORH, TUPUDANA INDUSTRIAL AREA, TUPUDANA, RANCHI - 834003 PH :9835507004.	831.	ABHARAN MOTORS PVT LTD (G601-04-), HERABETTU ROAD ATHARDI UDUPI - 576107 PH :9845472500.	842.	RNS MOTORS (7301-04-), HOSUR ROAD,BOMMANAHALLI,MADIVALA POST,BANGALORE - 560068 PH :9148001412.	855.	KALYANI MOTORS PVT. LTD. (213-02-), SY. NO.58/1A & 61/22, AVALAHALLI, NH-4, K.R. PURAM, BANGALORE. - 560049 PH :9900037122.
822.	SUDHA MOTORS(A UNIT OF SUDHA BUSINESS ENTERPRISES PVT LTD) (5107-02-), PLOT NO. 74, OPPOSITE OTC GROUND, HEHAL, RATU ROAD, RANCHI, JHARKHAND - 834005 PH :9534199997, 8227996860.	<b>ATTIBELE</b>		843.	MANDOVI MOTORS PVT LTD. (201-08-), NO. 70 SARAKKI INDUSTRIAL LAYOUT,J.P NAGAR,3RD PHASE, BANGALORE - 560078 PH :9954235522.	856.	SURAKSHAA CAR CARE PVT LTD (280-01-), 30/3 K AGRAHARA, HOSUR MAIN ROAD, ELECTRONIC CITY, BANGALORE - 580100 PH :9449869505.
823.	SUDHA MOTORS(A UNIT OF SUDHA BUSINESS ENTERPRISES PVT LTD) (5107-03-), PLOT NO. 39, NEAR BOOTY MORE, RANCHI-RAMGARH ROAD, RANCHI. - 835217 PH :9534199997.	832.	SURAKSHAA CAR CARE PVT. LTD. (BMM1-01-), SURVEY NO.22/7/8, SARJAPUR MAIN ROAD, INDIABELE VILLAGE, OPP. TO GOLDEN LIBERTY, ATTIBELE P.O., BANGALORE. - 562107 PH :9449866565.	844.	PRATHAM MOTORS PVT. LTD (205-01-), 16, BALLANDUR, SARJAPUR RING ROAD, BANGALORE - 560037 PH :9945540126.	857.	KALYANI MOTORS PVT. LTD. (213-03-), NO.129/4, KUNDALAHALLI VILLAGE, OPP. TO BROOKE FIELD HOSPITAL, BROOKFIELD, BENGALURU - 574239 PH :9900038119.
824.	PREMSONS MOTOR UDYOG PVT. LTD. (5103-06-), PLOT NO.14 (P) KOKAR INDUSTRIAL AREA KOKAR, RANCHI. - 834001 PH :9835507004.	<b>BAGALKOT</b>		845.	BIMAL AUTO AGENCY INDIA PVT. LTD. (216-02-), NO. 69/2, SARAKKI, KANAKAPURA ROAD, BANGALORE - 560078 PH :9972398139.	858.	SURAKSHAA CAR CARE PVT. LTD. (280-02-), #54/1, BOMMANAHALLI, HOSUR MAIN ROAD, BANGALORE - 560068 PH :9449865655.
825.	HILLTOP MOTORS (A UNIT OF HIRALAL MOTORS PVT LTD) (5109-01-), KHATA NO. 247, MOUZZA - PUNDAG,P.S. - PUNDAG, RANCHI, JHARKHAND - 834004 PH :7061157502.	833.	VIJAY MOTOWINGS (ZL01-01-), 180/4-2,BELGUM RAICHUR ROAD,NEAR APMC MARKET YARD, BAGALKOT - 587103 PH :9481289167.	846.	PRATHAM MOTORS PVT. LTD (205-02-), SHTANIKAM'S ARCADE, OPP. ST THERESA HOSPITAL, DR. RAJ KUMAR ROAD, A BLOCK,RAJAJINAGAR 2 STAGE, BANGALORE - 560010 PH :9900061378.	859.	KALYANI MOTORS PVT. LTD. (213-04-), 250/1,BILEKAHALLI, BANNERGHATTA ROAD, BENGALURU - 560076 PH :9686445406.
826.	HILLTOP MOTORS (A UNIT OF HIRALAL MOTORS PVT LTD) (5109-02-), NEAR KATHAL MORE, ARGORA RANCHI RD, NEAR EKLABBA TOWER, DHIPARTOLI, ARGORA, RANCHI - 834004 PH :7061157502.	<b>BAGEPALLI</b>		847.	KALYANI MOTORS PVT. LTD. (211-01-), MYSORE ROAD,PANTHARAPALYA,KENGRI HOBLI,BANGALORE - 583201 PH :9538887078.	860.	BIMAL AUTO AGENCY INDIA PVT. LTD. (218-04-), PLOT NO.37/38, 2ND STAGE, PEENYA INDUSTRIAL AREA, BANGALORE - 560058 PH :9945237213.
<b>SIMDEGA</b>		<b>BANDAHALLI</b>		848.	BIMAL AUTO AGENCY INDIA PVT. LTD. (216-03-), NO.7/1, KALANAAGRAHARA VILLAGE, MOUNT ST. JOSEPH TRAINING COLLEGE FOR JESUITS COMPOUND, IIMB POST, BANNERGHATTA RD. , BANGALORE - 560076 PH :9845166612.	861.	RNS MOTORS (7301-0G-), 106/7, BELLARY ROAD, NEAR IOC PETROL BUNK, AMRUTHAALLI, NEAR HEBBAL FLYOVER, BENGALURU (KARNATAKA) - 560092 PH :6364884787.
827.	PREMSON (BJ01-01-), R.S PLOT NO 4674 UNDER KHATA NO 157, SITUATED AT VILLAGE - GOTRA, NEAR GOUSHALA, MAIN ROAD, SIMDEGA, JHARKHAND. - 835223 PH :9835507004.	835.	BIMAL AUTO AGENCY INDIA PVT. LTD. (STB1-01-), SURVEY NO: 44/11, TAVARAKERE VILLAGE, NANDAGUDI HOBLI, BANDHALLI, HOSKOTE TALUK, BANGALORE RURAL DIST, KARNATAKA- 562122 - 562122 PH :95137 48707.	<b>BANGALORE</b>		862.	PRATHAM MOTORS PVT. LTD (205-05-), #58/5 KUDLU VILLAGE, NEXT TO ZEE SCHOOL, SARJAPUR HOBLI, ANEKAL TALUK, BANGALORE - 560034 PH :9900058466.
<b>ANEKAL</b>		<b>BANGALORE</b>		849.	BIMAL AUTO AGENCY INDIA PVT. LTD. (216-04-), 6TH CROSS, OFF OLD AIRPORT ROAD, HAL 2ND STAGE POST, BANGALORE - 560038 PH :9972398106.	863.	RNS MOTORS LIMITED (7301-0H-), PLOT NO.129, KIADB INDUSTRIAL AREA, HEBBAGODI VILLAGE, BOMMASANDRA, JIGINI LINK ROAD, BANGALORE - 562158 PH :9538965771.
<b>KARNATAKA</b>		836.	MANDOVI MOTORS PVT LTD. (201-01-), 24/4,7TH MAIN,WILSON GARDENS,BANGALORE - 560027 PH :9945235511.	850.	MANDOVI MOTORS PVT LTD. (201-0C-), NO 1 TO 5, NAVODAYA HBSC, 4TH STAGE, 4TH MAIN, RAJAJINAGAR INDUSTRIAL TOWN, BASAVESHWAR NAGAR - 560044 PH :9945235537.		

## Dealer Network (AS ON 31.10.2023)

864. KALYANI MOTORS PVT. LTD. (291-02-), 10/1, HEBBAL, AMANIKERE KASABA HOBLI, YOGESH NAGAR, BANGALORE - 560024 PH :9740985324 , 7760983887.	876. KATARIA AUTOMOBILES PVT. LTD. (293-01-), SURVEY NO. 8/3, 10/4, 10/2, VILLAGE - THALAGHATTAPURA, KANAKAPURA MAIN ROAD, NEAR NANDI TOYOTA, UTTARAHALLI HOBLI, TALUK - BENGALURU SOUTH, BANGALORE, KARNATAKA. - 560109 PH :8884434340.	886. KALYANI MOTORS (213-06-), SURVEY NO. 67, NH-209, NAVARATAN GARDENS, (NEAR IOCL PETROL BUNK) DODDAKALASANDRA VILL., UTTARAHALLI HOBLI, KONANAKUNTE, KANAKAPURA-KENGERI ROAD, BANGALORE, KARNATAKA - 560062 PH :9900039844/9900073254.	896. SHRUTI MOTORS (F801-01-), SURVEY NO. 18/4, BH ROAD,KADADAKATTE HOBLI, KADADAKATTE, BHADRAVATI, SHIMOGA DIST., KARNATAKA - 577229 PH :7899885404.
865. BIMAL AUTO AGENCY INDIA PVT. LTD. (286-01-), #184/185, OPP. FORUM VALUE MALL, WHITE FIELD MAIN ROAD, BANGALORE - 560066 PH :9900245979.	877. RNS MOTORS LIMITED (7301-04-), SY. NO. 11/2 & 12/1, VILLAGE - ARAKERE, BEGUR HOBLI, BANNERGHATTA ROAD, BANGALORE - 560076. - 560076 PH :7760982836.	<b>BANGARPET</b> 887. SURAKSHA CAR CARE PVT. LTD. (OR04-01-), 180/4 OPP. APMC YARD, KOLAR-BANGARPET ROAD, BANGARPET (KARNATAKA) - 563114 PH :9449865601.	<b>BHATKAL</b> 897. BHARATH AUTO CARS PVT. LTD. (CEF1-01-), SURVEY NO. 157/2A, SUSGADI VILLAGE, NH66, BHATKAL, UTTARKANNADA DISTRICT, KARNATAKA. - 581320 PH :9006893940.
866. SURAKSHA CAR CARE PVT. LTD. (280-04-), PLOT NO. 8 & 9, NEXT TO BDA COMPLEX, 4TH BLOCK, 100 FT ROAD, KORAMANGALA, BANGALORE, KARNATAKA - 560034 PH :8884419010.	878. SURAKSHA CAR CARE PVT. LTD. (280-05-), SURVEY NO.2/6, BERTENA AGRAHARA, OPP. METRO CASH & CARRY, HOSUR MAIN ROAD, BANGALORE. - 560100 PH :8884471200.	<b>BANGLORE - BOMMANAHALLI</b> 888. VARUN MOTORS PVT LTD (292-03-), SY NO: 136 ( OLD NO 54/8) SANGEGURUVANAHALLI(V/P) KAMAKSHIPALAYA, WARD NO: 17, VRISHABHAVATHI NAGAR, MAGADI ROAD, BANGALORE NORTH THALUK, BANGALORE,KARNATAKA - 560079 PH :9513683052.	<b>BIDAR</b> 898. LAHOTI MOTORS PVT. LTD (EX01-01-), SI 50/51,PRATAP NAGAR, UDGIR ROAD, KIADB INDUSTRIAL AREA, NAUBAD, BIDAR - 585402 PH :8884412049. 899. LAHOTI MOTORS PVT. LTD (EX01-02-), PLOT NO. 58, NAUBAD INDUSTRIAL AREA, PRATAP NAGAR, BIDAR. - 585 401 PH :9108077709.
867. KALYANI MOTORS PVT. LTD. (287-01-), # 10/5, NAGADEVANHALLI, KENGERI, MYSORE ROAD, BANGALORE, KARNATAKA - 560056 PH :9900119961.	879. KALYANI MOTORS PVT. LTD. (211-05-), SY. NO.8/4, G HOSAHALLI MAIN ROAD, GOLLARAHATTI, V N POST, YESHWANTPURA HOBLI, MAGADI MAIN ROAD, BANGALORE - 560091 PH :9900080229.	<b>BANTWAL</b> 889. MANDOVI MOTORS PVT LTD (TR01-01-), NH-75, PANEMANGALORE, B.C. ROAD, BANTWAL, KARNATAKA - 574231 PH :9080810123.	<b>BIJAPUR</b> 900. RNS MOTORS (7301-01-), SURVEY NO.25K/1, CHITRADURGA SHOLAPUR ROAD, VIJAYPURA, BIJAPUR DISTT, KARNATAKA - 586109 PH :8861208998.
868. BIMAL AUTO AGENCY INDIA PVT. LTD. (216-06-), PLOT NO. 82, DODDA BANASWADI MAIN ROAD, BEHIND IOC PETROL PUMP, NEXT TO AIYAPPA TEMPLE, BANASWADI, BANGALORE, KARNATAKA - 560033 PH :9738501996.	880. SURAKSHA CAR CARE (280-06-), BEARING NO. 544-320/2, BEGUR HOBLI, BOMMANAHALLI VILLAGE, BEGUR HOBLI, BANGALORE, KARNATAKA - 560 068 PH :9449865665.	<b>BELGAUM</b> 890. SHANTESHA MOTOR (P) LTD (E801-01-), MUJAWAR COMPOUND,NEHRU NAGAR,BELGAUM, - 590010 PH :9902043711.	<b>BUDHIGERE</b> 901. BIMAL (SGM1-01-), KHATTA NO.115,SY. NO. 128/33, MANDUR MAIN ROAD, BUDIGERE CROSS, MANDUR VILLAGE, NEXT TO IOCL PETROL BUNK, BANGALORE EAST TALUK, BANGALORE, - 560049 PH :9742259528.
869. MANDOVI MOTORS PVT LTD. (201-0H-), BBMP NO.4C, WARD NO.83, JOLLY ESTATE, OLD MADRAS ROAD, NAGAWARAPALYA, BANGALORE - 560093 PH :9945235533.	881. PRATHAM MOTORS PVT. LTD (205-07-), SUEVY NO. 43/1, ON SH-35, VILLAGE - YAMARE, SARJAPUR MAIN ROAD, POST - DOMMASANDRA, TALUKA - ANEKAL, BENGALURU RURAL, KARNATAKA, - 562125 PH :9611834659.	891. SHANTESHA MOTOR (P) LTD (E801-04-), PLOT NO. 8, SURVEY NO. 251/51, HAVLOCK ROAD CAMP, BELGAUM - 290010 PH :9588645387.	<b>BYNDOOR</b> 902. ABHARAN MOTORS PVT LTD (BUH1-01-), 3-256 & 3-257, SOUPARNIKA COMPLEX, NH 66, VILLAGE - YEDATHRE, BYNDOOR, KUNDAPUR TALUK, UDUPI DISTT. - 576214 PH :7899751777.
870. VARUN MOTORS PVT. LTD. (292-01-), HNO. 72/19-6 & HNO. 67/2, YESHWANTPUR INDUSTRIAL SUBURB, WARD NO. 10, RAJAJI NAGAR, BANGALORE. - 560022 PH :7337834582.	882. SURAKSHA CAR CARE PVT. LTD. (280-07-), SURVEY NO 106/2A, CHANDAPURA MUNICIPAL TOWN,MUTHASANDRA HOSUR MAIN ROAD, ANEKAL TQ, BANGALORE, KARNATAKA - 560099 PH :94498 65666.	892. SHANTESHA MOTOR (P) LTD (E801-03-), PLOT NO. 39, RS NO. 670, CTS NO. 1612/3, KHANAPUR ROAD, UDAYAMBA, BELGAUM (SCREE SHOT ATTACHED) - 590006 PH :8884433911.	<b>CHALLAKERE</b> 903. SAKETH AUTOMOBILES (CKN1-01-), SITE NO. 9 & 10, SY. NO. 96/1, OPP. SUJIMALLESHWARA NAGAR, BELLARY ROAD, CHALLAKERE. - 577522 PH :9686550126.
871. KALYANI MOTORS PVT. LTD. (213-05-), PLOT NO. 74/5, HORMAVU MAIN ROAD, NEAR BBMP OFFICE, KR PURAM HOBLI, BANGALORE. - 560043 PH :9900037114.	883. KALYANI MOTORS (291-03-), SURVEY NO. 194/5, HUNSEMARANAHALLI, JALA HOBLI, DEVANAHALLI TALUK, (YELAHANKA NEW TALUK), NEW KEMPEGOWDA INTERNATIONAL AIRPORT ROAD, NORTH PH :9740985324.	893. SHANTESHA MOTORS (P) LTD (E801-06-), PLOT NO. 2/I, RS NO. 29, KIADB INDUSTRIAL AREA, KIADB BAUXITE ROAD, KANGRALI BK, BELGAUM. - 590010 PH :9731396805.	<b>CHAMARAJANAGAR</b> 904. MANDOVI MOTORS PVT LTD. (0E01-01-), RAJ KAMAL BUILDING, SATHYAMANGALA ROAD, KUVEMPU EXTENSION, CHAMRAJANAGAR (KARNATAKA) - 571313 PH :9845445588.
872. KATARIA AUTOMOBILES PVT. LTD. (294-01-), NO. 5, 15TH CROSS, KOLANDAPPA GARDEN, ANEPALYA, POST - AADUGODI, BANGALORE. - 560030 PH :7349291802.	884. MANDOVI MOTORS (201-09-), MUNICIPAL NO. 133 (OLD NO.S 133 & 133/1), BULL TEMPLE ROAD, BBMP WARD NO. 49, K G NAGAR, BANGALORE, KARNATAKA-560018. PH :9945235516.	<b>BELLARY</b> 894. K.P.F. PVT. LTD. (G201-01-), P.B. NO. 58,BELLARY HOSPET ROAD, ALLIPIURA, BELLARY - 583101 PH :9449876025.	<b>CHANNAGIRI</b>
873. MANDOVI MOTORS PVT LTD. (201-01-), KATHA NO.4, SITUATED AT GANAKAL DHAKALE, SRINIVASAPURA, KENGERI HOBLI, UTTARAHALLI, BANGALORE - 560060 PH :9945235516.	<b>BANGALORE (HEBBAGODI )</b> 885. RNS MOTORS (210-01-), SURVEY NO. 48, HEBBAGODI, HOSUR MAIN ROAD,ANEKAL TALUK, BANGALORE URBAN DIST, KARNATAKA - 560 099 PH :6366938829.	<b>BELTHANGADY</b> 895. BHARATH AUTO CARS PVT. LTD. (4503-04-), MAIN ROAD, BELTHANGADY, BELTHANGADY TALUK DK DISTRICT - 574214 PH :9886543230.	<b>BHADRAWATI</b>
874. VARUN MOTORS PVT. LTD. (292-02-), BEARING NO. 27/1 & 27/2, SURVEY NO. 41/3 & 42/7 BAGALAGUNTA, HESSARGHATTA MAIN ROAD, NEAR WIDIA SCHOOL BUS STOP, NAGASANDRA POST, BANGALORE. - 560073 PH :7338286729.	<b>BANGALORE - KP ROAD</b>		
875. MANDOVI MOTORS PVT LTD. (201-04-), SITE NO. 58/1, J.B. KAVAL, MAJOR SANDEEP UNNIKRISHNAN ROAD, VIDYARANYAPURA, BANGALORE. - 560097 PH :9945235514.			

905. SHRUTI MOTORS (BU01-01-), SURVEY NO.5, MACHANURAKANAHALLI, OPP. FIRE STATION, CHITRADURGA ROAD, N.H.13, CHANNAGIRI DISTT. DAVANGERE - 577213  
PH :7899934143.

**CHANNAPATNA**

906. KALYANI MOTORS PVT. LTD. (BSX1-01-), PROPERTY NO.58, MALLUR GRAMA, MALLUR HOBLI, CHANNAPATNA TALUKA RAMANAGARA DISTRICT - 562160  
PH :9845066682.

**CHANNARAYAPATNA**

907. VENKAT MOTORS (HC01-01-), PLOT NO. 389, 36/3, 132/1, BESIDES THIRUMALA RICE MILL, MYSORE ROAD, CHANNARAYAPATNA, DISTRICT: HASSAN, KARNATAKA. - 573116  
PH :8147077144.

**CHICKBALLAPUR**

908. BIMAL AUTO AGENCY INDIA PVT. LTD. (KJ02-01-), NO. 169/1, AMMANI KANDAVARAKERE VILLAGE, KASABA HOBLI, CHIKBALLAPURA DISTRICT - 562101  
PH :9742262499.

**CHICKMAGALUR**

909. SHRUTI MOTORS (E701-02-), AIT CIRCLE, KM ROAD, CHIKMANGALUR - 577102  
PH :9980157446.

**CHIKODI**

910. SHANTESHA MOTORS (E801-05-), OPP. IOC PUMP, NEAR B.K.COLLEGE, MIRAJ ROAD, CHIKKODI, KARNATAKA - 591201  
PH :7829925790.

**CHINTAMANI**

911. PRATHAM MOTORS PVT. LTD (205-06-), SURVEY NO. 33, NEXT TO VIJAYA P U COLLEGE, OPP. GOPASANDRA LAKE, SREENIVASPURA MAIN ROAD, CHINTAMANI, KARNATAKA - 563125  
PH :7899761301.

**CHITRADURGA**

912. SAKETH AUTOMOBILES (AL01-01-), NEAR VEDA COMPLEX, NH-4, M H ROAD, CHITRADURGA - 572130  
PH :9686550313.

**DAVANGERE**

913. SHRUTI MOTORS (S101-01-), NEAR PANCHDEVASTHANA, P. B. ROAD, DAVANGERE, KARNATAKA - 577004  
PH :9880401284.

**DAVENGERE**

914. SHRUTI MOTORS (S101-02-), DOOR NO. 473/1, SURVEY NO. 18/1, BESIDE GMIT COLLEGE, OPP. M&M SHOWROOM, OLD P. B. ROAD, DAVANGERE, KARNATAKA - 577001  
PH :9890401284.

**DEVANAHALLI**

915. BIMAL AUTO AGENCY INDIA PVT. LTD. (WH01-01-), SURVEY NO.241/114/6, 11TH WARD, BB ROAD, DEVANAHALLI, BANGALORE DISTT: - 562110  
PH :9742262514.

**DHARWAD**

916. REVANKAR MOTORS PVT. LTD. (B1X1-01-), SURVEY NO.1, PLOT NO. 10, OLD PB ROAD, OPP. KVG BANK, SAYDAPUR VILLAGE, DHARWAD, KARNATAKA - 580001  
PH :8861006707.

**DODDABALLAPUR**

917. PRATHAM MOTORS PVT. LTD. (BUA1-01-), PLOT NO. 50, OBADENAHALI INDUSTRIAL AREA, DODDABALLAPUR 3RD PHASE, SY. NO. 107, AREHALI GUDDADAHALLI, KASABA HOBLI TALUK - DODDABALLAPUR, DISTRICT - BENGALURU RURAL. - 561203  
PH :9886671687.

**GADAG**

918. RNS MOTORS (7301-0E-), PLOT NO. 64, DIAGONALLY OPP. REGIONAL TRANSPORT OFFICE, HUBLI GADAG MAIN ROAD, GADAG - 582103  
PH :9538925602.

**GANGAVATI**

919. MUNEER ENTERPRISES PVT. LTD. (N701-03-), JAGANMATHA COMPLEX,RAICHUR ROAD,GANGAVATI, - 583227  
PH :9449870754.

**GAURIBIDANUR**

920. MANDOVI MOTORS PVT LTD. (BUY1-01-), NO.592/522, E DIVISION, OPP. PUSHPANJALI TALKIES, B.H. ROAD, GAURIBIDANUR TOWN, DISTT. CHIKBALLAPUR - 561210  
PH :8217453513.

**GOKAK**

921. SHANTESHA MOTORS PVT. LTD. (IR01-01-), RS NO.106/30/2A, AFMC ROAD, GOKAK, BELGAUM DISTT. - 591307  
PH :7829925760.

**GONIKOPPAL**

922. MANDOVI MOTORS PVT LTD. (2501-07-), KAIKERY VILLAGE,GONIKOPPAL,, - 571213  
PH :9900064873.

**GUJOBANDHA**

923. BIMAL AUTO AGENCY INDIA PVT. LTD. (SGT1-01-), DOOR NO.160, 1ST WARD, OPP TO GOVERNMENT BUS STAND, BAGEPALLI ROAD, GUDIBANDA, CHICKABALLAPURA DISTRICT KARNATAKA - 561209  
PH :9742261903.

**GULBARGA**

924. LAHOTI MOTORS PVT. LTD (E902-01-), LAHOTI GARDENS, NEAR KMF, HUMNABAD ROAD, GULBARGA - 585104  
PH :9480825014.

925. LAHOTI MOTORS PVT. LTD (E902-02-), DOOR NO. 7-12-11, 2ND BLOCK, OPP. GUNJ BUS STAND, HUMNABAD ROAD, GULBARGA, KARNATAKA. - 585104  
PH :7619342035.

**GUNDLUPET**

926. KALYANI MOTORS PVT. LTD (BPU2-01-), ASSESSMENT NO. 2491/S. NO. 51/1, 2, 3, N.S. 11 AND ASSESSMENT NO. 2494/S. NO. 51/N.S. 11, MYSORE -OOTY ROAD, GUNDLUPET. - 571111  
PH :9686855799.

**HAGARIBOMMANAHALLI**

927. MUNEER ENTERPRISES PVT. LTD. (BUX1-01-), SITE NO.112A/2 & 112A/3, BLOCK NO.2, WARD NO.3, HAGARIBOMMANAHALLI PANCHAYAT, BELLARY DISTRICT. - 583212  
PH :9481343007.

**HALIYAL**

928. RNS MOTORS (SFM1-01-), SURVEY NO: 347P/27, DOOR NO:B1180/15 & B1180/16, HANUMAN COMPLEX, HALIYAL CIRCLE, MAIN ROAD, HALIYAL TOWN & TALUK, UTTARA KANNADA DISTRICT,KARNATAKA - 581329  
PH :8284200200.

**HARAHOLLI**

929. SURAKSHA (SIH1-01-), SURVEY NO. 40/4, HOSAKOTE VILLAGE, HAROHALLI HOBLI, KANAKAPURA TALUK, RAMANAGARA. - 562112  
PH :9449865608.

**HASSAN**

930. VENKAT MOTORS (C802-01-), NO. 326, HASSAN GROWTH CENTRE, H.N. PURA ROAD, HASSAN - 573201  
PH :9844044038.

**HAVERI**

931. REVANKAR MOTORS PVT LTD (BBM1-01-), NEAR TMAE SOCIETY CAMPUS, IJARILAKAMPUR, PB ROAD, HAVERI - 581110  
PH :7022016903.

**H-CROSS**

932. BIMAL AUTO AGENCY INDIA PVT. LTD. (CR01-01-), PART NO.1, SITE NO.36, SBT COMPLEX, HOSKOTE-BANGALORE ROAD, KARIYANAPURA, H CROSS, SHIDLAGHATTA TALUK, BANGALORE RURAL DISTT. CHIKKABALLAPURA - 562122  
PH :9738948126.

**HEBRI**

933. ABHARAN MOTORS PVT LTD (BGD1-01-), SURVEY NO. 61-7C1P1 & 61-2P1, VILLAGE & TALUK - HEBRI, KARKALA, DIST.-JUDUPI, KARNATAKA. - 576112  
PH :9900077605.

**HEGGADAEVANA KOTE (H D KOTE)**

934. KALYANI MOTORS PVT. LTD (CJC2-01-), SURVEY NO. 5/4, VILLAGE - YARAHALLI, KASABA HOBLI, TALUK - H.D.KOTE, DISTRICT - MYSORE. - 571125  
PH :9686855799.

**HESSARGHATA**

935. BIMAL (SGN1-01-), SY NO 294/3, HESARAGHATTA VILLAGE YELAHANKA TALUK, BENGALURU,KARNATAKA - 560088  
PH :9743658662.

**HOSDURGA**

936. SAKETH AUTOMOBILES (BWO1-01-), ASSESSMENT NO. 93106, PLOT NO. 6, HOSADURGA TOWN, SARASWATI BADAVANE, HOSADURGA, DIST.-CHITRADURGA, KARNATAKA. - 577 527  
PH :7625088946.

**HOSKOTE**

937. BIMAL AUTO AGENCY INDIA PVT. LTD. (216-05-), NO. 205/108, SITUATED AT HOSKOTE TALUK, KASABA HOSKOTE TOWN, DISTT.- BANGALORE - 562114  
PH :9742281726.

**HOSPET**

938. MUNEER ENTERPRISES PVT. LTD. (N701-01-), BELLARY ROAD, SANKLAPUR,HOSPET. - 583203  
PH :7619505001.

**HUBLI**

939. RNS MOTORS (7301-01-), PUNE - BANGALOR ROAD, UNKAL, HUBLI - 580025  
PH :9538965902.

**HRS MOTORS**

940. RNS MOTORS (7301-0F-), GOKUL ROAD MUREDESHWAR BHAVAN. HUBLI - 580030  
PH :8861208532.

**REVANKAR MOTORS PVT. LTD.**

941. REVANKAR MOTORS PVT. LTD. (7303-01-), CTS NO.165/A, WARD NO.III, DESHPANDE NAGAR, HUBLI (KARNATAKA) - 580029  
PH :8792008301.

**HUNSUR**

## Dealer Network (AS ON 31.10.2023)

942. KALYANI MOTORS PVT. LTD (GLI2-01-), M-18 & M-19, KSSICD INDUSTRIAL ESTATE, BM BYPASS ROAD, HUNSUR, MYSORE DISTRICT, KARNATAKA - 571105 PH :7022669699.	<b>KOPPAL</b> 951. K.P.F. PVT. LTD. (ER01-01-), SL. 283/10, NEAR MINI VIDHAN SOUDHA, KOPPAL HOSPITAL ROAD NH63, KOPPAL - 583238 PH :9449876027.	960. KALYANI MOTORS PVT. LTD (QX02-01-), BASAPPA THEATURE BUILDING, DASAWAL ROAD,MADEKRI KODAGU DISTRICT. - 571201 PH :9606073867.	971. BHARATH AUTO CARS PVT. LTD. (4503-03-), BHARATH BEEDI COMPOUND, NEAR ALVAR'S HOSPITAL, MOODBIDRI - 574227 PH :9866785430.
<b>JEWARGI</b>	<b>KRISHNARAJANAGARA (KRNAGARA)</b>	<b>MAGADI</b>	<b>MUDHOL</b>
943. LAHOTI (SLI1-01-), S NO: 125, PLOT NO.7, FILTER BED ROAD, OPP. BUS DEPOT, JEWARGI, KALABURGI DISTRICT (FORMERLY GULABARGA) , KARNATAK-585310. - 585310 PH :9480825004.	952. KALYANI MOTORS PVT. LTD (SCQ2-01-), NO.D, DORNAHALLI.DODDEKOPPALU GRAMA PANCHAYAT,KASABA HOBLI KRISHNARAJANAGARA, MYSORE DISTRICT,KARNATAKA - 571602 PH :8971159430.	961. PRATHAM MOTORS PVT. LTD. (BHX1-01-), SY NO:922, THIRUMALAI VILLAGE, KASABA HOBLI, MAGADI TOWN & TALUK, RAMANAGARA DISTRICT, KARNATAKA - 562120 PH :9900058483.	972. VIJAY MOTOWINGS (ET01-01-), PLOT NO. 3B, IN NARS NO. 15-2, WARD NO. 5, VISHWESHWAR COLONY, LOKAPUR ROAD, MUDHOL TOWN, BAGALKOT DIST. - 587 313 PH :9606046173.
<b>KADABA</b>	<b>KRISHNARAJAPET</b>	<b>MANCHENAHALLI</b>	<b>MULKI</b>
944. MANDОВI MOTORS PVT LTD. (BYE1-01-), SURVEY NO.-11/20, KALARA, KADABA POST, DAKSHIN KANNADA DISTT., KARNATAKA - 574221 PH :9740912365.	953. MANDОВI MOTORS PVT LTD (BMP1-01-), KHATA NO.3094, SY. NO.278, MYSORE CHENNERAYAPATNA ROAD (OPP. TO K.B.C. FUEL STATION), KRISHARAJAPET TOWN, TALUK MANDYA DISTT. KARNATAKA - 571423 PH :9845132038.	962. VARUN MOTORS (SRU1-01-), NO:1219,GOLAPPA COMPUND, MAHESHWARI CIRCLE, MANCHENAHALLI, GOWRIBIDANUR TALUK, CHIKKABALLAPUR DIST, KARNATAKA- 561211 - 561211 PH :9513979162.	973. BHARATH AUTO CARS PVT. LTD. (4503-05-), BHARATH BEEDI COMPOUND, NH-17 MULKI - 574154 PH :9986020730.
<b>KADUR</b>	<b>KUMTA</b>	<b>MANDYA</b>	<b>MURUDESHWAR</b>
945. SHRUTI MOTORS (BQS1-01-), SHOP NO. 1 & 2, DAGA COMPLEX, ULUKINAKALLU, NEAR PEARLS CLUB, B.H. ROAD, KADUR, DISTRICT – CHIKMAGALUR - 577548 PH :8904823736.	954. BHARATH AUTO CARS PVT. LTD. (AFA2-01-), MALLYA'S COMPOUND, NH-66, ALVEKODI KALBAGH VILLAGE, KUMTA (KARNATAKA) - 581334 PH :9448979530.	963. MANDОВI MOTORS PVT LTD. (2501-06-), 1660/A, KALLAHALLI EXTENSION, M.C. ROAD, - 571401 PH :9611165873.	974. RNS MOTORS (7301-02-), NH-17, MANGALORE-BOMBAY ROAD, MURUDESHWAR, KARNATAKA - 581350 PH :9538965969.
<b>KANAKAPURA</b>	<b>KUNDAPUR</b>	<b>MANGALORE</b>	<b>MYSORE</b>
946. KALYANI MOTORS PVT. LTD. (BXY1-01-), SURVEY NO. 447/1B, KASABA HOBLI, BUDIGUPPE GRAMA, TALUKA- KANAKAPURA, DISTRICT- RAMANAGARA, KARNATAKA. - 562117 PH :9900599933.	955. ABHARAN MOTORS PVT LTD (G601-02-), NH-17, THAKKATTE, KUNDAPURA - 272877 PH :9880197524.	964. MANDОВI MOTORS PVT LTD. (4502-01-), ARVIND BUILDING, BALMATTI ROAD, HAMPANKATTA, MANGALORE - 575001 PH :9845107701.	975. MANDОВI MOTORS PVT LTD. (2501-01-), NO: 5 K.R.S.ROAD, MYSORE - 570005 PH :9945248860.
<b>KARKALA</b>	<b>KUNIGAL</b>	965. BHARATH AUTO CARS PVT. LTD. (4503-01-), NH-17, KUNTINKAN JUNCTION, DEEBAIL, NEAR A.J. HOSPITAL, MANGALORE - 575004 PH :9886785730.	976. MANDОВI MOTORS PVT LTD. (2501-05-), NO.182/145/C, BANNUUR ROAD, SIDHARTHA NAGAR, MYSORE, KARNATAKA - 570011 PH :9845939936.
947. ABHARAN MOTORS PVT LTD (G601-03-), NH-13, MANGALORE KUDREMUJKH ROAD, PULKERI, KARKALA - 574104 PH :9880232666.	956. SAKETH AUTOMOBILES (VQ01-01-), NEAR KRS AGRAHARA,BM ROAD, KUNIGAL, TUMKUR DISTRICT, KARNATAKA - 572130 PH :9686550127.	966. MANDОВI MOTORS PVT LTD. (4502-03-), NO., HASSAN GROWTH CENTRE,ADYAR,N.H. -48,,MANGALORE - 575007 PH :9845514146.	977. KALYANI MOTORS PVT. LTD (2503-01-), MANATHAVADI ROAD, VIDYARANYA PURAM, MYSORE - 570008 PH :7259255558.
<b>KARWAR</b>	<b>KUSHAL NAGAR</b>	967. MANDОВI MOTORS PVT LTD. (4502-07-), BALLAL INDUSTRIAL ESTATE, YAYYADI, MANGALORE,KARNATAKA - 575008 PH :9880079235.	978. MANDОВI MOTORS PVT LTD. (2501-08-), 2172../, HUNSUR ROAD, HINKAL POST, MYSORE, KARNATAKA - 570017 PH :9845939937.
948. BHARATH AUTO CARS PVT. LTD. (8J01-01-), SURVEY NO. 459/2B, 456/2B AND 456/3, CHITTAKULA VILLAGE, KARWAR TALUKA, UTTARKANNADA DISTRICT, KARNATAKA. - 581301 PH :7829567400.	957. MANDОВI MOTORS PVT LTD. (VN01-01-), SY NO:88,MANDAPATANA,KUSHAL NAGAR,SOMVARPUR,NORTH KODAGU, KARNATAKA - 571234 PH :9900080893.	968. BHARATH AUTO CARS PVT. LTD. (4503-06-), PLOT NO. 290/1, 291/1, KODIALBAIL VILLAGE, NEXT TO BHARATH BEEDI WORKS PVT. LTD., BUNTS HOSTEL, KADRI ROAD, MANGALORE, KARNATAKA - 575002 PH :9886333030.	<b>NAGAMANGALA</b>
<b>KITTUR, BELGAUM</b>	<b>LINGASUGUR</b>	969. MANDОВI MOTORS PVT LTD. (4502-08-), DOOR NO. 2-63/4, SUIJITH BAGH LANE, YEYYADE, MANGALORE, DISTRICT – DAKSHINA KANNADA, KARNATAKA - 575008 PH :9880278077.	979. MANDОВI MOTORS PVT LTD (SFK1-01-), SURVEY NO:3316/2327,VISHALAXAMMA COMPLEX, T B BADAVANE B M ROAD, NAGAMANGALA TOWN, MANDYA DISTRICT, KARNATAKA - 571432 PH :9845132038.
949. SHANTESHA (SFO1-01-), PLOT NO. 219, KITTUR INDUSTRIAL AREA (KIADE), POONA BANGALORE HIGHWAY (NH-4) KITTUR TOWN AND TALUK, BELGAUM DISTRICT, - 591115 PH :9731398808.	958. MUNEER ENTERPRISES PVT. LTD. (BOQ1-01-), PLOT NO. 11, BASAMMA COMPLEX, RAICHUR ROAD, LINGSUGUR, RAICHUR, KARNATAKA - 584122 PH :9480830255.	970. BHARATH AUTO CARS PVT. LTD. (4503-08-), S. NO. 1376/1-41, 1375/41-2-A1P1, 2A1P3, 1373/1-40, 1369/1-40-A2, KASABA BAZAR, KANDADAPALLI, KUDROLI, TALUK - MANGALORE, MANGALORE, KARNATAKA. - 575003 PH :9866785730.	<b>NANJANGUD</b>
<b>KOLAR</b>	<b>MADDUR</b>	<b>MUDEBIDRI</b>	980. KALYANI MOTORS PVT. LTD (BYK2-01-), 4340/4159/4, HULLAHALLI ROAD, NANJANGUD, DISTRICT – MYSORE, KARNATAKA. - 571301 PH :9686855799.
950. MANDОВI MOTORS PVT LTD. (201-0F-), 67/3 BANGALORE-CHENNAI HIGHWAY, KONDARAJANA HALLI, OPP HOTEL SHANTHI SAGAR, KOLAR. - 563101 PH :9740020734.	959. MANDОВI MOTORS PVT LTD. (BMK1-01-), SURVEY NO 802/2A4B, NEAR SANJAY THEATRE, BM ROAD, MADDUR TOWN,MANDYA DISTRICT, KARNATAKA - 571428 PH :90080 31608.		<b>NARASIMHARAJAPURA</b>
	<b>MADIKERI</b>		981. SHRUTI MOTORS (SPP1-01-), SURVEY NO # SURVEY NO.173/P KOPPA ROAD, NAGALAPURA VILLAGE,NARASIMHARAJAPURA, CHIKMAGALU R DIST ,KARNATAKA - 577134 PH :8310187860.

**NARAVI**

982. MANDОВI MOTORS (SRS1-01-), SURVEY NO:122/1B1,DOOR NO:4/59,SHRI CHAITHANYA , ARASAKATTE, NARAVI, BELTHANGADY TALUK, DAKSHINA KANNADA DIST, KARNATAKA- 574109. - 574109 PH :9740392005.

**NELAMANGALA**

983. RNS MOTORS LIMITED (BBH1-01-), NO.167/2, TUMKUR ROAD, KASABA HOBLI, NH4, NELAMANGALA, BANGALORE RURAL DT., BENGALURU, KARNATAKA - 562123 PH :7259875385.

**NELYADI**

984. BHARATH AUTO CARS PVT. LTD. (BPF1-01-), SURVEY NO. 97/11P AND SURVEY NO. 97/9, VILLAGE - HOSAMAJALU KAUKRADY, POST- NELYADI, TALUK - PUTTUR, DIST.-DAKSHIN KANNADA. - 574229 PH :9886072730.

**OORGAUMPET**

985. BIMAL AUTO AGENCY (SRJ1-01-), SITE NO:10, NEW KATHA NO: 251, ROBERTSONPET, KGF, OORGAUMPET, KOLAR DIST, KARNATAKA- 563122 - 563122 PH :9513748707.

**PADUBIDRI**

986. ABHARAN MOTORS PVT LTD (CSI1-01-), PLOT NO. 51/20, VILLAGE - PADUBETTU, PADUBIDRI TOWN, TALUKA & DISTRICT - UDUPI, KARNATAKA. - 574111 PH :9880232999.

**PERESANDRA**

987. BIMAL AUTO AGENCY INDIA PVT LTD (SMU1-01-), SURVEY NO # NO.39,NO.113, SAMRUDDHI NILAYA GROUND FLOOR, NH7, ARURU VILLAGE, PERESANDRA, CHIKKABALLAPUR DISTRICT, KARNATAKA- 562104 - 562104 PH :8660799820.

**PUTTUR**

988. BHARATH AUTO CARS PVT. LTD. (4503-02-), NEAR RAILWAY STATION, HARADY, PUTTUR - 517583 PH :9886072730.

**RAICHER**

989. MUNEEER ENTERPRISES PVT. LTD. (N701-02-), #12-10-64, GOUSHAL ROAD,SIYA TALAB AREA,RAICHER - 584101 PH :9480830264.

**RAJANKUNTE**

990. VARUN MOTORS (SLE1-01-), SURVEY NO. 3/1, SITE NO. 6 , SINGANAYAKANAHALLI, RAJANKUNTE, BANGALORE NORTH TALUK, BANGALORE URBAN, KARNATAKA - 560064 PH :9513979162.

**RAMANAGARAM**

991. KALYANI MOTORS PVT. LTD. (211-02-), #K1318/2034C,OPP TO ROTARY HOSPITAL,BM ROAD, RAMNAGARAM - 571511 PH :9866689007.

**RANEENNUR**

992. REVANKAR MOTORS (BXV1-01-), SCHEDULE A-2, OPP. ST:JIT ENGINEERING COLLEGE, P B ROAD, RANEENUR, KARNATAKA - 581115 PH :8830947883.

**SAGAR**

993. SHRUTI MOTORS (WF01-01-), BESIDE H GANAPATHIYAPPA PETROL BUNK (BP), B H ROAD, NH-206, SAGAR, SHIMOGA DISTT. - 577401 PH :9740014703.

**SAKLESHPUR**

994. VENKAT MOTORS (BPW1-01-), SITE NO. 19, 3RD WARD, SARASWATHIPURAM, SAKLESHPUR TOWN, DISTRICT - HASSAN. - 573134 PH :7892809634.

**SARJAPURA**

995. PRATHAM MOTORS PVT. LTD. (BSY1-01-), SURVEY NO. 476/3, SARJAPUR TOWN, TALUKA - ANEKAL, SARJAPUR HOBLI, DISTRICT - BANGALORE URBAN, KARNATAKA. - 562125 PH :7760962890.

**SHIMOGA**

996. SHRUTI MOTORS (B701-01-), K NO 599, SHANKAR MUTT ROAD, SHIMOGA - 577201 PH :9890401283.  
997. SHRUTI MOTORS (B701-03-), BLOCK L-1, INDUSTRIAL ESTATE, BEHIND HP PETROL BUNK, SAGAR ROAD, SHIMOGA. - 577204 PH :9886829239.  
998. SHRUTI MOTORS (B701-05-), SURVEY NO. 41/3 & 41/4, HONNALI ROAD, SHANTHI NAGAR, SHIMOGA. - 577201 PH :9988625115.

**SIDDAPUR**

999. BHARATH AUTO CARS PVT. LTD. (BPY1-01-), SURVEY NO. 211, NEAR IOCL PETROL BUNK, JOG ROAD, VILLAGE - HOSUR, TALUKA - SIDDAPUR, DISTRICT - UTTARA KANNADA. - 581355 PH :9449402730.

**SIRSI**

1000. RNS MOTORS LTD (MQ01-01-), SURVEY NO 43/B, LANDAKANNALI VILLAGE. DODNALLI GRAMA,SIRSI TALUK AND HOBALI, UTTAR KANNADA, KARNATAKA - 581402 PH :9895979023.

**SIRSI**

1001. RNS MOTORS (7301-0D-), K H B COLONY, SIRSI - 581402 PH :9538925606.

**SIRUGUPPA**

1002. MUNEEER ENTERPRISES PVT. LTD. (CTN1-01-), SITE NO.31C/1B & PLOT NO.1, BELLARY - SIRUGUPPA MAIN ROAD, SIRUGUPPA TALUK, BELLARY DISTRICT. - 583121 PH :7619505001.

**SOMWARPET**

1003. MANDОВI MOTORS PVT LTD. (CSG1-01-), SURVEY NO.130 SITUATED AT MADIKERI ROAD, NAGROOR VILLAGE, BALAGUNDA POST, SOMWARPET TALUK, NORTH KODAGU DISTT. - 571236 PH :9845115665.

**SRIINIVASAPURA**

1004. SURAKSHAA CAR CARE PVT. LTD. (BUR1-01-), SY NO. 40, VPRD NO. 86, PROPERTY NO. 84 & 87, CHALDIGANA HALLI GRAMA PANCHAYATH, PANNASAMAKANA HALLI VILLAGE, SRIINIVASAPURA POST & TALUK, DIST.-KOLAR, KARNATAKA - 563135 PH :9449865601.

**SULLIYA**

1005. MANDОВI MOTORS PVT LTD. (4502-04-), ODABAI SULLIA,MANGALORE MYSORE ROAD,KARNATAKA - 574239 PH :9900002325.

**SURATHKAL**

1006. MANDОВI MOTORS PVT LTD. (4502-02-), KANA ROAD, SURATHKAL - 574158 PH :9845514143.

**T. NARASIPURA**

1007. MANDОВI MOTORS (SFL1-01-), KHATA NO:472/473/474, OPP TO SRI RAGHAVENDRA SWAMY MUTT, CHAMARAJANAGAR ROAD, T. NARASIPURA TOWN, MYSORE DISTRICT, KARNATAKA - 571124 PH :9845132038.

**TEKAL**

1008. PRATHAM MOTORS PVT. LTD. (SUE1-01-), SURVEY NO: 12, NEAR NANJUNDESHWARA PETROL BUNK, MALUR ROAD, K G HALLI, TEKAL HOBLI, KOLAR DIST., KARNATAKA-563137 - 563137 PH :9900058466.

**THIRTHAHALLI**

1009. SHRUTI MOTORS (BQR1-01-), PLOT NO. 1507/2187, OPP. TO HEGDE PETROL PUMP, KUMBGE ROAD, THIRTHAHALLI. - 577432 PH :7795851011.

**THOKOTU**

1010. BHARATH AUTO CARS PVT. LTD. (QW01-01-), NH-66, KAPIKAD, ULLAL,THOKOTU, DAKSHINA KANNADA DISTT. - 575017 PH :9538796330.

**TIPTUR**

1011. SAKETH AUTOMOBILES (H101-03-), BANDIHALLI INDUSTRIAL ESTATE, N.H.206, TIPTUR, KARNATAKA - 572201 PH :9945301023.

**TUMKUR**

1012. SAKETH AUTOMOBILES (H101-01-), SIRA ROAD, TUMKUR - 572106 PH :9686550323.

**UDUPI**

1013. ABHARAN MOTORS PVT LTD (G601-01-), N.H. 17, NITTUR, UDUPI - 576103 PH :9880232999.

1014. ABHARAN MOTORS PVT LTD (G601-05-), NO. 305/1C, DOOR NO. 5-51A, RAILWAY STATION ROAD, INDRALI, UDUPI, DISTT. - UDUPI . - 576101 PH :9686694341.

**UJIRE**

1015. BHARATH AUTO CARS PVT. LTD. (BWT1-01-), SURVEY NO.237-2B1, MANGALORE-CHARMADY ROAD, NEAR INDIAN OIL PETROL PUMP, SAMPIGE NAGAR, UJIRE, BELTHANGADY TALUKA, DISTT. DAKSHINA KANNADA, KARNATAKA. - 574240 PH :9886176130.

**UPPINANGADI**

1016. MANDОВI MOTORS PVT LTD. (4502-05-), NR.PADMA VIDYA IOC PETROL STATION-34, NEKKLADY, UPPINANGADY - 574241 PH :9740912365.

**VIJAYPURA**

1017. BIMAL AUTO AGENCY (BTZ1-01-), DOOR NO 563, MARUTHI NAGAR, CHIKKABALLAPUR ROAD, VIJAYAPURA TOWN, DEVANAHALLI TALUK, BANGALORE RURAL DISTRICT KARNATAKA. - 562135 PH :8884433996.

**VITTAL**

1018. MANDОВI MOTORS PVT LTD. (CCE1-01-), DOOR NO. 1-287 (9), JISHAN COMPLEX, VITTAL TOWN, TALUKA - BANTWAL, DISTRICT - DAKSHIN KANNADA - 574243 PH :9008810123.

**YADGIR**

## Dealer Network (AS ON 31.10.2023)

1019. LAHOTI MOTORS (SFP1-01-), SURVEY NO. 101/1, GULSARAM VILLAGE, YADGIR TOWN & DISTT, SHAHPUR TALUKA, KARNATAKA PH :9480825031.

### YELLAPUR

1020. REVANKAR MOTORS PVT. LTD (CUR1-01-), PLOT NO. 4. 1A1A1 GR 5. UDYAM NAGAR, YELLAPUR POST, BALGIMANI, HUBLI-ANKOLA, YELLAPUR TOWN, UTTARA KANNADA DIST., KARNATAKA. - 581359 PH :7090772121.

### KERALA

#### ADOOR

1021. INDUS MOTOR COMPANY PRIVATE LIMITED (2702-0A-), M. C. ROAD, MITHRAPURAM, ADOOR, PATHANMTHITTA - 689518 PH :9745988303.

1022. AVG MOTORS LTD. (Y501-02-), KOTTAMUKAL, K.P. ROAD, ADOOR PO, PATHANAMTHITTA, KERALA - 681523 PH :9446355900.

#### ALANALLUR

1023. KVR AUTOCARS PVT LTD (CIW1-01-), BUILDING NO. 10/1050, CHANDAPPADI, MANNARKAD ROAD, POST – ALANALLUR, TALUKA – MANNARKAD, DISTRICT - PALAKKAD, KERALA. - 678601 PH :9747020582.

#### ALATHIYOOR

1024. A M MOTORS (E601-11-), RE SURVEY NO. 160/3, 161/7 (OLD SURVEY NO. 359/1), VILLAGE - ALATHIYOOR, TIRUR PONNAI ROAD, TALUKA - TIRUR, DIST -MALAPPURAM, KERALA. - 676102 PH :9895940000 , 9072998833.

#### ALATHUR

1025. BRD CAR WORLD LIMITED (BRW1-01-), SURVEY NO. 456/8, 455/8, 455/9, ERATTUKKULAM, KATUSSERY VILLAGE, ALATHUR TALUKA, PALAKKAD DISTRICT, KERALA - 678682 PH :9745634999.

#### ALLEPPY

1026. INDUS MOTOR COMPANY PRIVATE LIMITED (2702-12-), BLOCK NO. 145, RE-SURVEY NO. 79, ALAPPUZHA WEST VILLAGE, AMBALAPPUZHA TALUK, ALAPPUZHA DIST. KERALA-699002. - 699002 PH :9745977744.

#### ALLEPY

1027. POPULAR VEHICLES (E502-01-), BUILDING NO. XVIII/135, DOOR NO. 13/449, CCSB ROAD, PALACE WARD, CHUNGAM, ALAPPUZHA, KERALA-688011. - 688011 PH :9778698161.

#### ALUVA

1028. BRD CAR WORLD LIMITED (A404-09-), RE SURVEY NO.3307/ NH-47, KUNNUMPURAM, PO-DESHAM PANCHAYATH, CHENGAMANAD, ALUVA. - 683102 PH :9745907100.

#### ANCHAL

1029. SARATHY AUTO CARS (BQT1-01-), SURVEY NO. 371/9, VILLAGE – IDAMULAKKAL, P.O. – ANCHAL, TALUK – PUNALUR, DISTRICT – KOLLAM. - 691306 PH :9526906665.

1030. POPULAR VEHICLE (1601-14-), RE SURVEY NO 581/5, BLOCK NO 33, ANCHAL VILLAGE, NEAR ALBILAL DRIVING SCHOOL, KATHADY JUNCTION, ANCHAL, KERALA - 691306 PH :9778698200.

#### ANGAMLY

1031. INDUS MOTOR COMPANY PRIVATE LIMITED (2702-0F-), ANGAMAALY KALADY ROAD, MC ROAD, ANGAMALY - 683572 PH :9745998434.

1032. POPULAR VEHICLES & SERVICES LTD. (2701-0D-), 182-AIRPORT JUNCTION NAGAR,M. C. ROAD,ANGAMALY - 683572 PH :8086078886.

#### ATTINGAL

1033. POPULAR VEHICLES & SERVICES LTD. (1601-07-), PALAMKONAM, PERUNKULAM,VIA.-ALAMCODE, ATTINGAL - 695102 PH :8086078788.

1034. SARATHY AUTODRIVES PVT LTD (SX05-01-), SURVEY NO. 2952/17 & 2952/4, KIZHVULLAM VILLAGE, ATTINGAL, CHARAYINKEEZHU TALUK, TRIVANDRUM DIST., KERALA. - 695 104 PH :9526052765.

1035. INDUS MOTOR COMPANY PRIVATE LIMITED (SX01-01-), SY. NO. 54/13, 14, 15, 16, (OLD SY. NO. 22, 22/13, 16), IN BLOCK NO. 3 OF VELLOOR VILLAGE, EASTERN SIDE OF NATIONAL HIGHWAY 47, NEAR INTERNATIONAL SCHOOL, CHEMBAKKAMANGALAM, KORANI PO, ATTINGAL, TRIVANDRUM DIST., KERALA. - 695104 PH :9747550888.

#### BALARAMAPURAM

1036. POPULAR VEHICLES & SERVICES LTD. (1601-11-), POOVAR ROAD, VAZHIMUKKU, BALARAMAPURAM P.O., TRIVANDRUM DISTRICT - 695501 PH :8943345922.

#### BHARANIKAVU

1037. SARATHY AUTO CARS (BQ1-01-), URVEY NO. 1162/ OF 4, SASTHAMKOTTA VILLAGE, BHARANIKAVU TOWN, KUNNATHOOR TALUK, KOLLAM DISTRICT. KERALA, PIN-690520 - 690520 PH :7994825565.

#### CALICUT

1038. INDUS MOTOR COMPANY PRIVATE LIMITED (4701-01-), MARUTI WORKSHOP, PANIKKER ROAD, CALICUT, NADAKKAVE - 673011 PH :9745998019.

1039. POPULAR VEHICLES & SERVICES LTD. (4702-02-), BEHIND MIIMS, EASWARAMANGALAM ROAD, GOVINDAPURAM P.O., CALICUT - 673016 PH :9846298613.

1040. INDUS MOTOR COMPANY PRIVATE LIMITED (4701-06-), KOYA ROAD JUNCTION, PUTHIYANCADI, POST WEST HILL, CALICUT - 673005 PH :9745998020.

1041. INDUS MOTOR COMPANY PRIVATE LIMITED (4701-08-), NEAR STEEL COMPLEX, NALLALAM, CALICUT - 673655 PH :9745998018.

1042. POPULAR VEHICLES & SERVICES LTD. (4702-07-), NH-17 BYE PASS,PACHAKKIL, MALAPARAMBU P.O., KOZHIKODE, CALICUT - 673009 PH :9288012082.

1043. BIMAL AUTO AGENCY INDIA PVT LTD (4706-01-), RE SURVEY NO. 13, BUILDING NO. 5/548, KRISHNARJUNA BUILDING, AREEKAD, VILLAGE AND PANCHAYATH – CHERUVANNUR, P.O. – NALLALAM, CALICUT (KOZHIKODE), KERALA. - 673027 PH :7592898888, 7594997888.

#### CHALAKUDY

1044. BRD CAR WORLD LIMITED (ZJ02-01-), MURINGOOR P.O., CHALAKUDY - 680316 PH :9645176999.

1045. INDUS MOTOR COMPANY PRIVATE LIMITED (ZJ03-01-), SURVEY NO. 53/1, 53/2 & 55/1, PANAMBILLY COLLEGE JUNCTION, VILLAGE-PERAMBRA, POTTA, TALUKA CHALAKUDY, DISTT. THRISSUR, PIN-680307, KERALA - 680307 PH :9747557355.

#### CHALAKUDY/ CHILLAKUDDY/ THRISSUR

1046. POPULAR VEHICLES & SERVICES LTD. (2701-0C-), OPPSITE CCMK HOSPITAL, VELLIKULAM ROAD, CHALAKUDY, KERALA - 680307 PH :9072609600.

#### CHANGANASSERY

1047. INDUS MOTORS (CNZ1-01-), BUILDING NO. 4/11, BLOCK NO. 4, RE-SURVEY NO. 224/1, VAZHAPPALLI WEST VILLAGE, CHANGANASSERY TOWN & TALUK, KOTTAYAM DIST.,KERALA - 686103 PH :9778699557.

#### CHANGARAMKULAM

1048. A M MOTORS (VH01-01-), MELE MANTHADAM, ALANKODE, P.O., CHANGARAMKULAM, MALAPPURAM DISTT, KERALA - 679585 PH :9895756008.

#### CHAVAKKAD

1049. BRD CAR WORLD LIMITED (A404-06-), ORUMANAYOOR P.O.CHAVAKKAD, DISTRICT-THRISSUR - 680512 PH :9645963999.

1050. SAI SERVICE PRIVATE LIMITED (UJ02-01-), SURVEY NO. 26/5, MULLANTHARA PARAMBU, OVUNGAL, KUNNAMKULAM ROAD, TALUK – GURUVAYUR, CHAVAKKAD.) - 680506 PH :9495883852.

#### CHENGANNUR

1051. SARATHY AUTO CARS (C701-06-), PRAVUMKOD, THIRUVANVANDOOR P.O. CHENGANNUR TALUK, ALAPPUZHA (DIST) - 689124 PH :9447002647.

1052. SAI SERVICE (UL03-01-), SURVEY NO. 276/2,11,13,13-2-2, NEAR BPCL PUMP AND SURVEY NO. 276/12, M C ROAD, NEAR LABHAM MAVELI STORE,CHENGANNUR PO & MUNICIPAL, CHENGANUUR VILL & TALUK, ALAPUZHA DISTT., KERALA-689121 - 689121 PH :9288024220.

#### CHERPULASSERY

1053. KVR AUTOCARS PVT LTD (NB01-01-), SURVEY NO. 154/4, RS NO. 154/4, VILLAGE – CHERUPPALASSERY, TALUK – OTTAPPALAM, DISTRICT – PALAKKAD - 679503 PH :9747020582, 280100.

#### CHERTHALA

1054. INDUS MOTOR COMPANY PRIVATE LIMITED (VL03-01-), OPPOSITE TO S.N. COLLEGE, S.N. PURAM P.O., KANJIKKUZH,CHERTHALA, ALAPPUZHA-DIST. - 688552 PH :9745997633.

1055. POPULAR VEHICLES & SERVICES PVT. LTD. (VL02-01-), RE-SURVEY NO.1502-1,147/3, BUILDING NO.KP-18/90, N.H. KANJIKKUZH VILLAGE, CHERTHALA, ALAPPUZHA DISTT., - 688582 PH :9072530127.

#### CHINGAVANAM

**Dealer Network (AS ON 31.10.2023 )**

1056. POPULAR (602-01-) , BUILDING NO. VI 461, RE SURVEY NO. 290/9, GOMATHI JUNCTION, MAVILANGU KARA, CHINGAVANAM P.O., DISTT, KOTTAYAM, KERALA - 686531 PH :9778698017.	1067. INDUS MOTOR COMPANY PRIVATE LIMITED (2702-0L) , SURVEY NO. 30-A/32, KARIKKAD ROAD, THEKKUMBHAGAM, PUTHIYAKAVU, TRIPUNITHURA, ERNAKULAM, KERALA - 682301 PH :9745992070.	1076. SAI SERVICE PRIVATE LIMITED (2705-07-) , VAZHIVAMBALAM PO, KALPAMANGALAM, THRISSUR - 680681 PH :8129496846.	1086. HAR CARS (K101-01), HAR AVENUE, KANNOTHUMCHAL, CHOYVA POST, KANNUR - 670006 PH :9539009480.
<b>CHITTUR</b>		<b>KALAMASSERY/ ERNAKULAM/ COCHIN</b>	1087. HAR CARS (K101-03), POTTIAN SHEKHARAN ROAD, MAKKANY , SOUTH BAZAR, KANNUR - 670002 PH :9539009443.
1057. INDUS MOTOR COMPANY PRIVATE LIMITED (BQX1-01-) , S.NO.719/3 AND 721/1, RE SURVEY NO.671/10, VELLIYAVALLAMPATHY VILLAGE, KOZHINJAMPARA, CHITTUR, PALAKKAD DISTT. - 678555 PH :9745991580.	1068. GEORGE MAJO AUTOMOBILES PVT. LTD. (2709-02), PLOT NO 2/316, NH-47, MARADU VILLAGE, KANNIDAK, NEAR SAROVARAM, KUNDANOOR, COCHIN (KERALA) - 607001 PH :7994763336.	1077. INDUS MOTOR COMPANY PRIVATE LIMITED (2702-07-) , KALAMASSERY, ALUVA WEST, ERNAKULAM DISTT, KERALA - 683106 PH :9745998012.	1088. INDUS MOTOR COMPANY PRIVATE LIMITED (4701-0E-), BALANKINAR JN., KATTAMPALLY.P.O. KANNUR - 690011 PH :9745998023.
<b>CHULLIMANOOR</b>	<b>EDAPPAL</b>	<b>KALLAMBALAM</b>	1089. KVR CARS (3L01-04-), CP-3-651-B, OPP. DHANRAJ TALKIES, PUTHIYATHERU, CHIRAKKAL POST, KANNUR, KERALA - 670011 PH :9656034333.
1058. POPULAR VEHICLES (1601-16-), RE-SURVEY NO. 43/7, VILLAGE-ANAND, CHULLIMANOOR TOWN, TALUKA-NEDUMANGAD, DIST. TRIVANDRUM, PIN-695541, KERALA - 695541 PH :9778690745.	1069. POPULAR VEHICLES & SERVICES LTD. (4702-05-) , KOZHIKKODA ROAD, KAVILPADY, EDAPPAL, MALAPPURAM - 679582 PH :9946104680.	1078. POPULAR (Q202-01-) , BUILDING NO. 5/472, NH-47, KADUVAPALLY, THOTTAKAD P.O, KALLAMBALAM, TRIVANDRUM DIST., KERALA - 695605 PH :8086078788.	1090. POPULAR VEHICLES & SERVICES LTD. (4702-0F-), PLOT NO.82/6A, NEAR CHARAPPURAM SREEMUTHAPPAN KAVU, KAPPAD ROAD, THAZHE CHOYVA (PO), KANNUR - 670018 PH :9840662796.
<b>COCHIN</b>	<b>EDAVANNAPPARA</b>	<b>KALPETA</b>	<b>KARIKKAD</b>
1059. POPULAR VEHICLES & SERVICES LTD. (2701-01-), PERANDOR ROAD, PUNNAKAL, ELAMAKKARA, COCHIN - 682025 PH :9846017725.	1070. POPULAR VEHICLES (GKP1-01-) , SURVEY NO. 77/16-1 & 77/2-4 , BUILDING NO.18/152-B, CHEEKODE VILLAGE,EDAVANNAPARA KONDOTTY ROAD, CHERUVAYOOR PO, MALLAPPURAM DISTRICT, KERALA-673645 - 673645 PH :9539007323.	1079. INDUS MOTOR COMPANY PRIVATE LIMITED (4701-0C-) , MEENANGADI, KAKKAVAYAL P.O., NORTH KALPETTA,WAYAND - 673591 PH :9745998592.	1091. BRD CAR WORLD LIMITED (A404-02-), BRD INDUSTRIAL ESTATE, KARIKKAD, KUNNAMKULAM - 680519 PH :9995804599.
1060. INDUS MOTOR COMPANY PRIVATE LIMITED (2702-02-) , BEHIND COMMERCIAL SALES TAX, M.G. ROAD, COCHIN - 682015 PH :9745998040.	<b>FORT KOCHI</b>	1080. KVR (JE02-C1-) , BUILDING NOS. 363, 364, 365, 366,367,368 AND 369 CONSTRUCTED ON THE PLOT COMPRISED IN RESURVEY NOS. 719/6, 722/3, 722/12, 722/6, 722/8, 722/10, 722/21, SITUATED AT MUTTIL NORTH VILLAGE, VYTHIRI TALUK, KALPETTA SUB-DISTRICT, WAYANAD DISTRICT, KERALA - 673 122 PH :9747021902.	<b>KARUNAGAPALLY</b>
1061. SAI SERVICE PRIVATE LIMITED (2705-01-) , 50/1 15L., CHERANALLOOR ROAD, EDAPPALLY, COCHIN - 682024 PH :9645106339.	1071. SAI SERVICE PRIVATE LIMITED (BRS1-01-) , PLOT NO.83/1.2 OPPOSITE TO KUMAR PETROL PUMP, STATUE ROAD, CHULLIKKAL POST, FORT KOCHI - 682005 PH :9645106330.	<b>KANHAGAD</b>	1092. SARATHY AUTO CARS (C701-05-), K.S. PURAM, NEELIKULAM, KARUNAGAPALLY, KOLLAM, - 690544 PH :9526691565.
1062. SAI SERVICE PRIVATE LIMITED (2705-02-), NH-47, PATHADIPALAM, EDAPPALLY, COCHIN - 682024 PH :9645105057.	<b>GURUVAYUR</b>	1081. KVR CARS (3L01-02-) , ARANGADI, P.O. KANHANGAD, DIST. KASARGOD, - 671315 PH :9805040999.	1093. INDUS MOTOR COMPANY PRIVATE LIMITED (AQ03-01-) , SY.NO.243/1, 243/10, 243/16, 243/14, 243/15, 243/16, EDAPPALLY KOTTA JUNCTION, NEAR TITANIUM, CHAVARA POST, KARUNAGAPALLY, DISTT. KOLLAM. - 691583 PH :9745998006.
1063. POPULAR VEHICLES & SERVICES LTD. (2702-04-), NEAR LISI HOSPITAL, OPP. IMA BLOOD BANK, COCHIN - 682018 PH :9846299618.	<b>IRINJALAKUDA</b>	1082. POPULAR VEHICLES & SERVICES LTD. (4702-06-) , HIGHWAY JUNCTION, KANHANGAD SOUTH P.O., KANHANGAD - 689641 PH :9946104685.	1094. SARATHY (C701-11-), SURVEY NO. 15/3, SIDCO INDUSTRIAL AREA, EDAKULANGARA PO, NEAR KARUNAGAPALLY RAILWAY STATION, KARUNAGAPALLY, KERALA. - 690 562 PH :9526691565.
1064. INDUS MOTOR COMPANY PRIVATE LIMITED (2702-09-) , PALARIVATTOM KAKANAN ROAD, KAKANAD, COCHIN - 682030 PH :9745998013.	<b>IRITTY</b>	<b>KANHANGAD</b>	<b>KASARGOD</b>
1065. SAI SERVICE PRIVATE LIMITED (2705-08-), KETTEZHUTHUM KADAVU, INTUC JUNCTION, NETTOOR, ERNAKULAM, COCHIN (KERALA) - 682040 PH :8129496818.	1074. INDUS MOTOR COMPANY PRIVATE LIMITED (R002-02-) , SURVEY NO. 48, BUILDING NO. 214, PERUPARAMBA, IRIITY, KANNUR, KERALA - 670703 PH :9747554929.	1083. INDUS MOTOR COMPANY PRIVATE LIMITED (4701-0F-) , SURVEY NO.491/3A1 AND 491/3A2, AJANUR VILLAGE, KANHANGAD, HOSADURGA TALUK, KASARAGOD DISTT, KERALA. - 671541 PH :9745998024.	1095. KVR CARS (3L01-01-), ANANGUR, VIDYANAGAR (PO), NH17, KASARGOD - 671123 PH :9747021206.
1066. GEORGE MAJO AUTOMOBILES PVT. LTD. (2709-01-) , DOOR NO.5/452, 5/452A, 5/453, OLD ELOOR ROAD, ELOOR JUNCTION, NORTH KALAMASSERY, DISTRICT - ERNAKULAM, COCHIN - 683104 PH :7559997864, 4237700.	<b>IRITY</b>	<b>KANJIRAPPALLY</b>	1096. POPULAR VEHICLES & SERVICES LTD. (4702-0D-) , MUNDAKULAM, CHEMMANAD (PO), KASARGOD - 671371 PH :9946104621.
	1075. POPULAR VEHICLE (VJ02-01-), RE-SURVEY NO: 14/4, 11/2, NEAR JABBAR KADAVU BRIDGE, KEEZHUR VILL., PERAVOOR ROAD, IRIITY MUNICIPAL, KANNUR DIST. KERALA. - 670703 PH :7902473741.	1084. INDUS MOTOR COMPANY PRIVATE LIMITED (7E01-02-) , VADAKUMBHAGAM KARAYIL, KUNNAMBHAGAM P.O. , KANJIRAPPALLY - 686506 PH :9745998009.	1097. INDUS MOTOR COMPANY PRIVATE LIMITED (R002-03-) , 18/304A & 18/304B, SY. NO. 39/38, RE SY. NO. 57/6, MOGRAL, MANJESHWAR TALUK, KASARAGOD, KERALA - 671541 PH :9747550747.
	<b>KAIPAMANGALAM</b>	<b>KANNUR</b>	<b>KATTAPANA</b>

## Dealer Network (AS ON 31.10.2023)

1098. INDUS MOTOR COMPANY PRIVATE LIMITED (ZNO1-01-), KATTAPPANA-IDUKKI KAVALA, BYE PASS ROAD, KATTAPPANA, IDUKKI (DIST.), - 685508 PH :9746743460.	1109. SARATHY AUTO CARS (C701-13-), SURVEY NO. 431/13-42, NEAR SN PUBLIC SCHOOL, VADAKKEVILA, AYATHIL, KILLIKLOOR PO, PUNTHALATHAZHAM-PALATHARA ROAD, KOLLAM. KERALA - 691004 PH :8606430765.	1118. POPULAR VEHICLES & SERVICES LTD. (4702-03), NH-17, CHANDAPARAMBU ,RANBATHANI P.O, MALAPPURAM, KOTTAKAL - 676510 PH :9946104631.	1128. AVG MOTORS LTD. (W801-03-), KOZHENCHERRY, COLLEGE JUNCTION, DISTRICT- PATHANAMTHITTA, - 689641 PH :9446092995.
1099. POPULAR VEHICLES (ZNO2-01-), RE-SURVEY NO. 81/3, VILLAGE & TOWN - KATTAPPANA, TALUK & DIST.-IDUKKI, KERALA. - 685 515 PH :9746818407.	<b>KOLLAM/ QUILON</b>	<b>KOTTARAKARA</b>	<b>KUNNAMKULAM</b>
<b>KAYAMKULAM</b>	1110. SARATHY AUTO CARS (C701-08-), SURVEY NO. (SIDCO) 318/1, SHED NO. B12, UMAVANALLUR SIDCO INDUSTRIAL ESTATE, KOLLAM. - 691589 PH :9947127565.	1119. POPULAR (S801-02-), BUILDING NO. MP/20/749,20/426, 20/748, INCHAKADU, KALAYAPURAM VILLAGE, MYLOM PANCHAYATH, KOTTARAKKARA TALUKA, KOLLAM DISTRICT, KERALA- 691560 - 691560 PH :8086073466.	1129. POPULAR VEHICLES & SERVICES LTD. (2701-07-), CHOONDAL, TRISSUR ROAD, KUNNAMKULAM, TRISSUR DIST - 680502 PH :9946105695.
1100. INDUS MOTOR COMPANY PRIVATE LIMITED (2702-05-), KARIYILAKULANGARA, KAYAMKULAM P.O., ALAPPUZHA DISTT. - 690572 PH :9745998005.	1111. SARATHY AUTO CARS (C701-12-), BUILDING NO. 15/620, SURVEY NO. 234/1, 235/2, SITHARA JUNCTION, ADICHANALLOOR VILLAGE, KOTTIYAM PO, KOLLAM DIST., KERALA. - 691571 PH :9847936165.	<b>KOTTARKKARA</b>	<b>LAKKIDI PERUR</b>
1101. POPULAR VEHICLES & SERVICES LTD. (B802-03-), NH 47, KOTTUKULANGARA, KAYAMKULAM P.O., ALAPPUZHA DISTT. - 690502 PH :9946105601.	<b>KONDOTTY</b>	1120. POPULAR VEHICLES & SERVICES LTD. (S801-01-), MYLOM, MC ROAD, KOTTARAKKARA, DISTT-KOLLAM, KERELA - 691531 PH :8086073466.	1130. A M MOTORS (CER1-01-), 217/7, 217/2, 278/2, 278/1, PALAPPURAM, P.O. OTTAPPALAM, LEKKIDI PERUR DISTT. PALAKKAD, - 679302 PH :8086305555.
<b>KODUNGALLUR</b>	1112. INDUS MOTOR COMPANY PRIVATE LIMITED (ID02-01-), SURVEY NO. 16/1, BLOCK NO. 36 (OLD SURVEY NO. 100/1), NEDIVIRUPPU VILLAGE, KONDOTTY PO, ERNAD TALUKA, MALAPURAM DISTRICT, KERALA - 685573 PH :9746743178.	1121. SARATHY AUTO CARS (S802-01-), WARD NO.40, MELILLIA PANCHAYATH, IPPALLOOR LOWER KARIKAM, KOTTARKARA DISTT. KOLLAM (KERALA) - 691531 PH :9847423365.	<b>MALAPURAM</b>
1102. SAI SERVICE PRIVATE LIMITED (2705-03-), NH-17, T.K.S.PURAM, KODUNGALLOR - 680667 PH :9645106571.	<b>KOOTHATTUKULAM</b>	1122. INDUS MOTOR COMPANY PRIVATE LIMITED (S804-01-), RE SURVEY NO.207/3-2, KIZHAKKEKKARA MURIYIL, KNS HOSPITAL JUNCTION, KOTTARAKKARA VILLAGE AND TALUKA, KOLLAM DISTT., - 691531 PH :9747562299.	1131. A M MOTORS (E601-01-), VARANGODE, DOWNHILL, MALAPURAM, - 676519 PH :9895705325.
1103. INDUS MOTOR COMPANY PRIVATE LIMITED (8K02-01-), RE-SURVEY NO. 116/1-6, 116/2-5, BUILDING NO. 560/A, WARD NO. VII, AALA VILLAGE (OLD VILLAGE-SREENARAYANAPURAM), KODUNGALLUR TALUK, MADHILAKOM SRO, SANTHIPURAM PO, THRISSUR DIST., KERALA - 680 008 PH :9747513444.	1113. SAI SERVICE PRIVATE LIMITED (VM01-01-), EDAPUTHUSSERY BUILDING, M.C. ROAD, OPP. MARYGIRI PUBLIC SCHOOL, KOOTHATHUKULAM P.O., ERNAKULAM DT. - 686662 PH :9645106258.	1123. INDUS MOTOR COMPANY PRIVATE LIMITED (S804-02-), RE-SURVEY NO.141/3-4, 142/1-2, 15-16, 143/1-2, 143/15-2, 143/15-2-2, BEARING NOS. 25/36 & 38, KOTTARAKKARA VILLAGE, KOTTARAKKARA TALUK, KOLLAM DISTRICT, KERALA- 691506 - 691506 PH :9747562299.	<b>MALLAPALLY</b>
<b>KODUVALLY</b>	<b>KOPPAM</b>	<b>KOTTAYAM</b>	1132. INDUS MOTOR COMPANY PRIVATE LIMITED (I201-01-), THOPPI COMPLEX, MALLAPALLY KOTTAYAM RD, MALLAPALLY WEST, MALLAPALLY (KERALA) - 689585 PH :9747541400.
1104. A M MOTORS (BGX1-01-), SURVEY NO:91/9, 91/10,NALLANKADY, VAVAD POST, KODUVALLY, KOZHIKODE DISTRICT, KERALA - 673572 PH :9895979023.	1114. AM MOTORS (CUU1-01-), SURVEY NOS: 331/3-6, 331/3-10, NEAR SALAFIYYA TRAINING COLLEGE, PERINTHALMANNA-PATTAMBI ROAD, KARINGANDU, VILAYUR POST, KOPPAM, PALLAKKAD DIST., KERALA-679309 - 679309 PH :9048666635.	1124. AVG MOTORS LTD. (B801-01-), ERAYILKADAVU, KOTTAYAM - 686001 PH :7510982222.	<b>MANATHAVADY</b>
<b>KOLANCHERRY</b>	<b>KOTHAMANGALAM</b>	1125. INDUS MOTOR COMPANY PRIVATE LIMITED (2702-04-), MULANKUZZHA JN., NATTAKOM P.O., KOTTAYAM, KERALA - 686013 PH :9745998148.	1133. INDUS MOTOR COMPANY PRIVATE LIMITED (IE02-01-), SURVEY NO. 1/2A1, A1, B1, RY 12/10, 1/99, MYSORE ROAD, CHETTAPALAM, MANATHAVADY CITY & TALUK, WYANAND DIST., KERALA - 670645 PH :9745997002.
1105. SAI SERVICE (SJO1-01-), SURVEY NO.138/7, BLOCK NO. 47, WARD-8, KOLENCHERRY TOWN, NH-85, AIKARANADU NORTH VILL., KUNNATHUNADU TALUK, ERNAKULAM DIST., KERALA-682311 - 682311 PH :7356605955.	1115. POPULAR VEHICLES & SERVICES LTD. (2701-08-), NEAR BSNL OFFICE, THANGALAM, KOTHAMANGALAM, KERALA - 686691 PH :9846027990.	1126. POPULAR VEHICLES & SERVICES LTD. (B802-01-), NEAR ST. THOMAS CHURCH, S.H. MOUNT, P.O, KOTTAYAM - 686006 PH :8086073454.	<b>MANJERI</b>
<b>KOLLAM</b>	1116. INDUS MOTOR COMPANY PRIVATE LIMITED (7E01-03-), PALAKKADAN BUILDING,CHANKLAM,KOTHAMANGALAM - 686691 PH :9745998479.	1127. INDUS MOTOR COMPANY PRIVATE LIMITED (2702-0C-), MANIPPUPZHA, NATTAKOM P.O.,KOTTAYAM - 686013 PH :9745998007.	1134. A M MOTORS (E601-05-), THURAKKAL BYEPASS, MANJERI, MALAPPURAM, KERALA - 676121 PH :9895756035.
1106. SARATHY AUTO CARS (C701-01-), NH-47 BYE PASS,AYATHIL(P.O.),QUILON - 691017 PH :9744552265.	<b>KOTTAKKAL</b>	<b>KOZHENCHERRY</b>	1135. KVR AUTOCARS PVT LTD (8V02-01-), CH BYE PASS ROAD, MANJERI, MALAPPURAM, KERALA - 676123 PH :9747020801.
1107. POPULAR VEHICLES & SERVICES LTD. (1601-04-), H & C COMPOUND, MUNDDACKAL, KOLLAM - 680006 PH :7594977550.	1117. INDUS MOTOR COMPANY PRIVATE LIMITED (4701-09-), NEAR MATHRUBHUMI PRESS, P.O, KOTTAKKAL, MALAPPURAM DIST, - 676503 PH :9745998017.		1136. POPULAR VEHICLES & SERVICES LTD. (4702-0E-), NARUKKA VILLAGE, RAJIV GANDHI BYEPASS JN., THURUKKAL, MANJERI (KERALA) - 676121 PH :8589992406.
1108. INDUS MOTOR COMPANY PRIVATE LIMITED (1602-03-), OLD SARATHY THEATRE, PUNALLOOR ROAD, KOLLAM - 691005 PH :9745998004.			<b>MANNARKAD</b>
			1137. A M MOTORS (E601-07-), NH-213, MANNARKAD, DIST.-PALAKKAD - 678582 PH :9895979048.
			1138. INDUS MOTOR COMPANY PRIVATE LIMITED (2702-0K-), ANAKATTY ROAD, AANDIPPADAM, NELLIPPUZHA-PO, MANNARKAD,KERALA - 678583 PH :9745995946.
			<b>MAVELIKARA</b>



1139. POPULAR VEHICLES & SERVICES LTD. (B802-02.), KONNAYIL SUVAKO INDUSTRIAL COMPLEX, SHED A-1, KOLLAADAVU INDUSTRIAL ESTATE, KOCHAL MOODU, KALLIMEL P.O., MAVELIKKARA, KERALA - 690570  
PH :9400502338.
1140. INDUS MOTOR COMPANY PRIVATE LIMITED (1602-07.), NEAR PRATHIBA THEATRE, PUTTHIYAKAVU, MAVELIKKARA - 690101  
PH :9745998137.
- MAVELIKKARA**
1141. POPULAR VEHICLES (B802-10.), BUILDING NO. 10/115-A, WARD NO. 10, CHENNITHALA VILL. AND TOWN, SHANTHIVANAM JUNCTION, CHERUKOLE P.O., MAVELIKKARA TALUK, ALAPPUZHA DIST., KERALA- 690104. - 690104  
PH :9778690833.
- MORAYUR**
1142. A M MOTORS (CUJ1-01.), SURVEY NO. 328/1, VILLAGE – MORAYUR, VALENCHEERY, DISTRICT – MALAPPURAM, KERALA. - 673642  
PH :8086526666.
- MUVATTUPUZHA**
1143. INDUS MOTOR COMPANY PRIVATE LIMITED (7E01-01-), NH-49, MUVATUPUZHA KODAMANGALAM ROAD, NEAR R.K. HOSPITAL, MUVATUPUZHA, ERNAKULAM DIST - 686661  
PH :9745998011.
1144. POPULAR VEHICLES & SERVICES LTD. (2708-02.), MUTHUKALLU JUNCTION,PERUMPALLUR P.O., MUVATTUPUZHA, KERALA - 686673  
PH :7356988840.
- NEDUMANGAD**
1145. POPULAR VEHICLES & SERVICES LTD. (Z001-01-), RE-SURVEY NO - 855/29, 855/14/1 (OLD SURVEY NO. 1583/1), KARIPPU VILLAGE, NEDUMANGAL TALUK, TRIVANDRUM DIST.,KERALA-695541. - 695541  
PH :9846036696.
- NEYYANTINKARA**
1146. INDUS MOTOR COMPANY PRIVATE LIMITED (AT01-01-), INDUS MOTOR CO. PVT. LTD., OLD M.V. THEATRE, NEAR KSRTC BUS STATION, NEYYATTINKARA. DIST. TRIVANDRUM - 695121  
PH :9747545400.
- NEYYATTINKARA**
1147. POPULAR VEHICLES (1601-15-), BUILDING NO. 11/562, KP-IX-843, NH 47, KOTTAMOM , KOLLAYIL PANCHAYAT, PANVEL - KOCHI - KANYAKUMARI HIGHWAY, KOTTAMOM, NEYYATTINKARA, TRIVANDRUM, KERALA- 695122 - 695122  
PH :9946104602.
- NILAMBUR**
1148. INDUS MOTOR COMPANY PRIVATE LIMITED (4701-0A-), MINERVA JUNCTION, NILAMBUR , KERALA - 679329  
PH :9745998396.
1149. INDUS MOTOR COMPANY PRIVATE LIMITED (4701-0D-), MANAVEDHAM HIGH SCHOOL ROAD, CHANDAKUNNU - NILAMBUR PO, NILAMBUR, MALAPURAM DIST. - 679329  
PH :9745998396.
1150. POPULAR VEHICLES & SERVICES (AF02-01-), RE-SURVEY NO: 6/1 BLOCK NO. 76, CHEMMARAN, NADUVATH PO, WANDOOR ROAD,NILAMBUR, MALAPPURAM DIST., KERALA - 679328  
PH :7736094999.
- NILAMEL**
1151. INDUS MOTOR COMPANY PRIVATE LIMITED (DA02-01-), SURVEY. NO. 195/10, 195/3-1-2, 195/3-2-1, 195/8, 195/14, 195/9-1, 195/11-1, BLOCK NO. 32, ATTINGAL MUNICIPALITY, PAZHAYAKUNNAMEL VILLAGE, CHIRAYINKIL TALUK, (BORDER OF NILAMEL TOWN), TRIVANDRUM DIST., KERALA - 695601  
PH :9745993331.
1152. POPULAR (DA03-01-), BUILDING NO. 10/279 TO 288, M. C. ROAD, KANNANCOJU, NILAMEL PO, KOLLAM (DIST.), KERALA- 691535 - 691535  
PH :8714606483.
- OTTAPALAM**
1153. INDUS MOTOR COMPANY PRIVATE LIMITED (PA01-01-), BUILDING NO 23/667, 23/669, PALAKKAD-OTTAPPALM ROAD, OTTAPPALAM VILLAGE, OTTAPPALAM TALUKA, PALAKKAD DISTT., KERALA - 679101  
PH :9747544454.
- PALA**
1154. POPULAR VEHICLES & SERVICES LTD. (B802-04-), 12TH MILE, PALA-PONKUNNAM ROAD,PALA - 686575  
PH :9072609475.
1155. INDUS MOTOR COMPANY PRIVATE LIMITED (7E01-05-), OPP. ALPHONSA COLLEGE ARUNAPURAM(PO), PALA, KOTTAYAM - 686574  
PH :9745998878.
1156. AVG MOTORS LTD. (GN03-01-), SURVEY NO.670/1, BLOCK-21, LALAM VILLAGE, ANTHINADU MEENANCHIL, PALA, KOTTAYAM DIST. - 686651  
PH :9447137246.
1157. INDUS MOTOR COMPANY PRIVATE LIMITED (7E01-07-), SURVEY NO. 176, BLOCK NO. 16, HIGHWAY JUNCTION, ETTUMANOOR-POOJAR HIGHWAY, CHERUPUNKAL, PALA, KOTTAYAM DISTRICT - 686584  
PH :9747516934.
- PALAKKAD**
1158. POPULAR VEHICLES & SERVICES LTD. (2701-09-), OPP. PALANA HOSPITAL,KODUVAYOOR ROAD,KINASSERY P.O.,PALAKKAD - 678707  
PH :9946105613.
1159. INDUS MOTOR COMPANY PRIVATE LIMITED (2702-0G-), VADAKKUMURI-NH-47, KANNADI, KUZHALMAMMAM (P.O.), PALAKKAD. - 678701  
PH :9845998590.
1160. INDUS MOTOR COMPANY PRIVATE LIMITED (Y202-01-), DOOR NO: 5/366 & 367, NH 47, KOOTUPATHA, CHANDRANAGAR POST, PALAKKAD - 678007  
PH :9747519500.
- PANDIKKAD**
1161. AM MOTORS (CUV1-01-), SURVEY NOS: 333/2-2, 333/3-2,CHOORAKKAVU, PERINTHALMANNA ROAD, NEAR INDIAN OIL PETROL PUMP, PANDIKKAD TOWN & POST, MALAPPURAM DISTRICT, KERALA - 676 521  
PH :9539999570.
- PARAPPANANGADI**
1162. A M MOTORS (CTK1-01-), SURVEY NO.66/6, 66/7, KODAPPADI, POST-CHETTIPPADY, PAPPANGADI, MALAPPURAM. - 676319  
PH :9895900466.
- PARAVUR**
1163. POPULAR VEHICLES & SERVICES LTD. (ZS01-01-), SURVEY NO. 340/1-76,77,78, NEAR HP PETROL PUMP, PARAVUR-MANJALI MAIN ROAD, MANNAP PO, NORTH PARAVUR MUNICIPAL, ERNAKULAM DIST. 683520, KERALA. - 683520  
PH :9072609638.
- PATHANAMTHITTA**
1164. AVG MOTORS LTD. (W801-02-), JUNNUGAPADY, MYLAPRA ROAD, PATHANAMTHITTA , 689671  
PH :9446002987.
1165. INDUS MOTOR COMPANY PRIVATE LIMITED (1602-13), KUMBABHA, PATHANAMTHITTA - 689653  
PH :9745998008.
1166. POPULAR VEHICLES & SERVICES LTD. (B802-05-), T.K. ROAD, NEAR COLLECTORATE,PATHANAMTHITTA - 689645  
PH :9539009734.
1167. INDUS MOTOR COMPANY PRIVATE LIMITED (1602-12), SURVEY NO. 11-13/12(1), KARIMPANKUZHY ROAD, NEAR SAROJ GAS AGENCY, MAKKANKUNNU, PATHANAMTHITTA, KERALA. - 689645  
PH :9745999858.
- PATHIRAPALLY**
1168. POPULAR VEHICLES & SERVICES LTD (E502-02-), BUILDING NO. X/832 TO 834, X/837 TO 838, OPP. UDAYA STUDIO, PATHIRAPALLY TOWN, AMBALAPUZHA TALUK, NH-47, ALAPPUZHA DIST., KERALA-688521. - 688521  
PH :9778698169.
- PATTAMBI**
1169. A M MOTORS (E601-04-), SHORANUR ROAD, PATTAMBI, DISTRICT-PALAKKAD. - 679306  
PH :9567866059.
1170. INDUS MOTOR COMPANY PRIVATE LIMITED (2702-0B-), PERINTHALMANNA ROAD, THEKKUMURI, PATTAMBI - 679303  
PH :9745998295.
1171. A M MOTORS (E601-09-), CHERPULASSERY ROAD, KOOMBAN KALLU, KARIMPULLI, MELE PATTAMBI POST, PALAKKAD DISTT., KERALA. - 679306  
PH :9567866059.
- PAYANNUR**
1172. POPULAR VEHICLES & SERVICES LTD. (4702-04-), N H 17, EZHILODE P O., ,PAYANNUR - 670309  
PH :9946104701.
1173. POPULAR VEHICLES & SERVICES LTD (9201-01-), SY. NO. 218/1, CHERUTHAZHAM VILLAGE, EZHILODE (NEAR COLONY BUS STOP), PAYANNUR-KANNUR NH, PAYANNUR TALUK, KANNUR DISTRICT, KERALA – 670 309.  
PH :9946104701.
- PAYYANUR**
1174. INDUS MOTOR COMPANY PVT. LTD. (9Z02-01-), SURVEY NO.-289/117, 290/105, KARIVELLUR PERALAM GRAM PANCHAYAT (NEAR PALATHARA BRIDGE), PAYYANUR TALUK, KANNUR DISTRICT, KERALA- PIN-670521. - 670521  
PH :9745998204.
- PERINTHALMANNA**
1175. A M MOTORS (E601-03-), NEAR FIRE STATION, HOSPITAL ROAD, PERINTHALMANNA - 679322  
PH :8129818235.
1176. KVR AUTOCARS PVT LTD (7H01-01-), SURVEY NO. 87/8-15, CALICUT ROAD, NEAR ITC, THIRURKAD, PERINTHALMANNA - 679351  
PH :9747020573.
1177. KVR AUTOCARS PVT LTD (7H01-06-), OOTY ROAD, PERINTHALMANNA, MALAPPURAM(DT.), KERALA - 679322  
PH :9747020837.
- PERUMBAVOOR**
1178. SAI SERVICE PRIVATE LIMITED (2705-04-), M.C.ROAD,PERUMBAVOOR,ERNAKULAM DIST.,KERALA - 683542  
PH :7034258335.

**Dealer Network (AS ON 31.10.2023 )**

1179. INDUS MOTOR COMPANY PRIVATE LIMITED (8W03-01-), SURVEY NO. 72/2-3, 72/3-3, TALUK - KUNNATHUNADU, VILLAGE - RAYAMANGALAM, SUB DIST. PERUMBAAVOOR, DIST.ERNAKULAM. - 683 541  
PH : 9747591803.

**PIROVAM**

1180. SAI SERVICE (BOW1-01-), SUIVEY NO. 788/12-2-5, NEAR PIRAVOM GOVT. HOSPITAL, PIRAVOM TOWN & MUNICIPALITY, MUVATTUPUZHA TALUK, ERNAKULAM DIST., KERALA. - 686 664  
PH : 9645106198.

**POINACHI**

1181. KVR CARS (3L01-03-), CHOWKI, MAILLATTY(P.O.), (VIA) UDUMA, POINACHI, KERALA - 671319  
PH : 9747021026.

**PUNALUR**

1182. SARATHY AUTO CARS (C701-03-), NH-208, Q.S. ROAD ELAMPAL POST,PUNALUR, KOLLAM DIST - 691322  
PH : 9744400265.

1183. INDUS MOTOR COMPANY PRIVATE LIMITED (8Q02-01-), SY. NO. 48/1/42, OLD, SY. NO. 231A/3324, (OLD RAMRAJ TILES FACTORY), THALICOODE, PATHANAPURAM TALUK, PUNALUR ANCHAL ROAD. - 691 305  
PH : 9747638885.

**QUILANDY**

1184. INDUS MOTOR COMPANY PRIVATE LIMITED (3001-01-), BUILDING NO.13/53 A, CHENGOTTUKKAVE VILLAGE, QUILANDY, KOZHIKODE DISTT. - 673306  
PH : 9745998785

**RAMANATTUKKARA**

1185. A M MOTORS (E601-06-), NEAR RED CRESCENT HOSPITAL, FEROKE, CHUNGAM, CALICUT DISTRICT, RAMANATTUKARA. - 673652  
PH : 9567866144.

**RANNI**

1186. INDUS MOTOR COMPANY PRIVATE LIMITED (7E01-06-), CHELLAKKAD-PO, PATHANAMTHITTA( DISTRICT), RANNI - 689677  
PH : 9745998737.

**SASTHAMKOTTAH**

1187. INDUS MOTOR COMPANY PRIVATE LIMITED (1602-09-), NO. SP IX/661, 662, 663, KADAPUZHA ROAD, PORUVAZHY P.O., BHARAMNIKUVU, SASTHAMKOTTAH, KOLLAM - , KERALA - 690520  
PH : 9745998849.

**SHORNUR**

1188. POPULAR VEHICLES & SERVICES LTD. (2701-0E-), PALAKKAD PATTAMBI ROAD, KULAPPULLY JUNCTION, VADANAMKURUSSI, SHORNUR - 679124  
PH : 8589992432.

**SULTHAN BATHERY**

1189. POPULAR VEHICLES (VK01-01-), SURVEY NO. 421/5, 421/6, BLOCK NO. 22, KRISHNAGIRY VILLAGE, PATHIRIPALAM, KOLAGAPPARA (PO), TALUK & TOWN - SULTHAN BATHERY, WAYANAD DIST., KERALA. - 673 591  
PH : 7584977551.

**TALIPARAMBA**

1190. HAR CARS (K101-02-), SREEKANDAPURAM MAIN ROAD, KANNUR (DIST), KERALA, THALIPARAMBA - 670141  
PH : 9539009473.

**THALASSERY**

1191. INDUS MOTOR COMPANY PRIVATE LIMITED (R002-01-), NETTUR POST, KODUVALLY, THALASSERY, KANNUR DISTRICT - 670105  
PH : 9745998022.

**THALASSERY/ TELlicherry**

1192. INDUS MOTOR COMPANY PRIVATE LIMITED (4701-04-), TEMPLE GATE, MAKKOOTAM, THALAYI, TELlicherry , KERALA - 670102  
PH : 9747520100.

**THALAYOLAPARAMBU**

1193. INDUS MOTOR COMPANY PRIVATE LIMITED (2702-0J-), THODUPUZHA ROAD, THALAYOLAPARAMBU, VAIKOM(TALUK), DISTRICT-KOTTAYAM, KERALA - 686605  
PH : 9746743003.

**THAMARASSERY**

1194. INDUS MOTOR COMPANY PRIVATE LIMITED (PB06-01-), RE-SY. NO. 44/5A, 44/6, RAROTH VILLAGE, (NEAR CHUNGAM), THAMARASSERY PANCHAYAT & TALUK, CALICUT DIST., KERALA. - 673573  
PH : 9747553362.

1195. POPULAR (PB07-10-), SURVEY NO.43/4 BLOCK NO:005 , RAROTH VILLAGE , THAMARASSERY TALUK , KOZHIKODE DISTRICT, KERALA - 673573  
PH : 9846397060.

**THIRUVALLA**

1196. AVG MOTORS LTD. (Y501-01-), M.C ROAD, PERUMTHURUTHI, THIRUVALLA , PATHANAMTHITTA DISTT - 689107  
PH : 9446323999.

1197. POPULAR VEHICLES & SERVICE (8802-06-), KAVUMBHAGOM P.O, THIRUVALLA, PATHANAMTHITTA (DIST.), KERALA - 689103  
PH : 8086073489.

**THODUPUZHA**

1198. INDUS MOTOR COMPANY PRIVATE LIMITED (7E01-04-), PALA ROAD, THODUPUZHA - 685584  
PH : 9745998631.

1199. POPULAR VEHICLES & SERVICES LTD. (H202-01-), SY.NO.124/7A-1, 124/7A-2, THODUPUZHA ELOOR MAIN ROAD, VILLAGE & TOWN, THODUPUZHA, DISTT. IDUKI - 685585  
PH : 9072530120.

**THRISSUR**

1200. POPULAR VEHICLES & SERVICES LTD. (2701-05-), KUNNATHUMKARA, PARAVATTANI, THRISSUR, KERALA - 680655  
PH : 6282300495.

1201. SAI SERVICE PRIVATE LIMITED (2705-06-), 17/30,POOTHOLE,THRISSUR,KERALA - 680004  
PH : 9645105051.

1202. BRD CAR WORLD LIMITED (A404-01-), NH 47,BYE PASS,KONIKARRA POST,THALORE, THRISSUR - 680031  
PH : 9995807141.

1203. INDUS MOTOR COMPANY PRIVATE LIMITED (2702-0D-), JYOTHI COMPLEX, GURUVAYOOR ROAD, WEST FORT, THRISSUR - 680004  
PH : 9745998014.

1204. BRD CAR WORLD LIMITED (A404-07-), GURUVAYOOR ROAD, PUNKUNNAM P.O., PUZHAKKAL, THRISSUR - 680002  
PH : 97464476529.

**THRITHALLUR**

1205. BRD CAR WORLD LIMITED (A404-04-), PO-THRITHALLUR, NH-17, THRITHALLUR THRISSUR - 680619  
PH : 9539197888.

**TIRUR**

1206. A M MOTORS (E601-02-), SATELLITE AUTO WORKS, PAYYANAGADI POST, TIRUR - 676101  
PH : 9995879706.

1207. KVR AUTOCARS PVT LTD (7H01-05-), T.P 7204-B, TANJUR ROAD,MOOCHIKKAL, MEEENADATHUR P.O., TIRUR, DISTRICT-MALAPPURAM, KERALA - 676307  
PH : 9747020673.

1208. A M MOTORS (E601-08-), THALAKKADATHOOR P.O, MALAPPURAM,MALAPPURAM DISTT. - 676103  
PH : 9895705323.

1209. INDUS MOTOR COMPANY PRIVATE LIMITED (Y403-01-), SURVEY NO. 119/3, 4, 9A, OLD MODERN PHARMACEUTICALS PVT. LTD., THRIKANDIYOOR VILLAGE, CHAMBAVATTOM ROAD, TIRUR, KERALA. - 676105  
PH : 9747518883.

**TRIPPUNITHURA, COCHIN**

1210. SAI SERVICE PRIVATE LIMITED (2705-05-), HILL PALACE ROAD,KARINGACHIRA, COCHIN - 682301  
PH : 9645105067.

**TRIPRAYAR**

1211. POPULAR VEHICLES & SERVICES LTD. (2701-08-), SURVEY NO. 296/5,8, 296/9, 296/9-1, NATTIKA VILLAGE, NEAR CIVIL STATION, POLY JUNCTION, TRIPRAYAR TOWN, THRISSUR TALUK & DISTRICT, KERALA-680566 - 680566  
PH : 9846699245.

**TRIVANDRUM**

1212. INDUS MOTOR COMPANY PRIVATE LIMITED (1602-01-), T.C. 24/885 THYCAUD P.O., THYCAUD P.O., METTUKUDA, TRIVANDRUM - 695014  
PH : 9745998001.

1213. POPULAR VEHICLES & SERVICES LTD. (1601-01-), C.I.T. ROAD, KILLIPALAM, KARAMANA P.O, TRIVANDRUM - 695002  
PH : 9946104601.

1214. INDUS MOTOR COMPANY PRIVATE LIMITED (1602-02-), NH BYE PASS ROAD, VEMPALAVATTOM, TRIVANDRUM - 695029  
PH : 9745998003.

1215. SARATHY AUTODRIVES PVT LTD (1607-02-), KOVALAM BYEPASS, SN NAGAR, MANACAUD (PO), TRIVANDRUM - 695009  
PH : 9947270665.

1216. INDUS MOTOR COMPANY PRIVATE LIMITED (1602-05-), G.G. MEDICAL COLLEGE P.O., MURINJAPALAM, TRIVANDRUM, MURINJAPALAM, , - 695011  
PH : 9745998002.

1217. POPULAR VEHICLES & SERVICES LTD. (1601-05-), OPP. ST. JUDE CHURCH,CIT ROAD, KILLIPALAM,TRIVANDRUM - 695002  
PH : 9846298610.

1218. INDUS MOTOR COMPANY PRIVATE LIMITED (1602-11-), SURVEY NO.3, TC-71/1069(9), MARUTHAMKUZHI, SASTHAMANGALAM VILLAGE, PTP NAGAR ROAD, KANJIRAMPARA P.O., TRIVANDRUM - 695030  
PH : 9747508822.

1219. SOUTH PARK MOTORS PVT. LTD. (1604-01-), SURVEY NO. 985/3-4-5-6, VILLAGE - KADAKAMPALLY, CHACKAI BYPASS, TALUKA - TRIVANDRUM, TRIVANDRUM, KERALA. - 695029  
PH : 9526100008.

1220. SARATHY AUTODRIVES PVT LTD (1607-03-), 77/2-11, NEMOM VILLAGE, PAPPANAMCODU INDUSTRIAL AREA, TALUKA AND DISTRICT- THIRUVANANTHAPURAM, KERALA. - 695019  
PH : 9961665865.

1221. POPULAR VEHICLES (1601-12-), RE-SURVEY NO. 26/4-1, MANANTHALA STADIUM ROAD, NEAR SURYAPRABHA AUDITORIUM, ULLOOR VILLAGE, MANANTHALA, TRIVANDRUM DIST., KERALA. - 695 015  
PH : 9846498605.

1222. POPULAR VEHICLES (1601-17-), BUILDING NO. 13/632,632-A, 633,633-A1,633-A2,634-636, 6TH MILE STONE, VAZHAYILA PO, PEROORKADA, THIRUVANANTHAPURAM, KERALA - 695521-695521  
PH :9288023313.

1223. SARATHY AUTODRIVES PVT LTD (1607-01-), SURVEY NO. 2448/4, VILL. MUTTATHARA, NH BYE PASS ROAD, KALLUMOOD JN., VALLAKADAU PO, ENCHAKKAL, THIRUVANANTHAPURAM, KERALA-695008 - 695008  
PH :9562416665.

**TRIVANDRUM-MANANTHALLA**

1224. INDUS MOTOR COMPANY PRIVATE LIMITED (1602-08-), NEAR MUSLIM JUMA MASJID, MUKKAM PLAMOODE, VATTAPPARA-MANNANTHALA M C ROAD, VATTAPPARA PO, MANNANTHALA,TRIVANDRUM - 695028  
PH :9747504100.

**UPPALA**

1225. POPULAR VEHICLES & SERVICES LTD. (4702-0A-), N.H.17, KAIKAMPA, UPPALA P.O., KASARGOD (KERALA) - 671322  
PH :8096078884.

1226. KVR CARS (4102-01-), NH 17, BANDIYOODE, MANGALAPADI (PO), UPPALA, KASARGOD DISTT.,KERALA-671324  
PH :9526021876.

**VADAKARA**

1227. INDUS MOTOR COMPANY PRIVATE LIMITED (4701-07-), BYE PASS JN,VATAKARA-673104,CALICUT. - 673104  
PH :9745998021.

1228. POPULAR VEHICLES AND SERVICES (8S02-01-), NEAR MADAPPALLY GOVT. COLLEGE, MADAPPALLY, P.O. VADAKARA, KOZHIKODE (KERALA) - 673102  
PH :8943345935.

**VALENCHERRY**

1229. A M MOTORS (CUK1-01-), SURVEY NO. 132/4, KOLAMANGALAM, PERINTHALMANNA ROAD, VALANCHERY, DIST -MALAPPURAM. - 676552  
PH :9745986666.

**VETTICHIRA**

1230. KVR AUTOCARS PVT LTD (7H01-03-), AP IV, 75A TO G, NH-17, CHUNKAM, DIST. MALAPPURAM, VETTICHIRA , - 676552  
PH :9747020023.

**WADAKKANCHERY**

1231. BRD CAR WORLD LIMITED (A404-03-), VAZHAKODE, CHELAKARA ROAD, MULLURKARA P.O., WADAKKANCHERY, THRISSUR DIST - 680563  
PH :9567969403.

**KERLA**

**EDAKKARA**

1232. KVR (GMN1-01-), SURVEY NO. 1087/1C-91, VAZHIKADAVU VILLAGE, OOTY ROAD, MUNDA, EDAKKARA TOWN, NILAMBUR TALUK, MALAPPURAM DIST., KERALA - 679 331  
PH :9747020777.

**LADAKH**

**LEH**

1233. DRUK AUTOZONE (9S02-01-), AIRPORT ROAD, LEH (LADAKH), DISTT. LADAKH, LEH - 194101  
PH :8082800205.

**MADHYA PRADESH**

**AGAR**

1234. UNITARA MOTORS (BJT2-01-), 27, UJJAIN ROAD, NEAR MARKETING FUEL STATION, AGAR, MADHYA PRADESH (465669) - 465669  
PH :9575650883.

**ALIRAJPUR**

1235. RUKMANI MOTORS PVT. LTD. (GLY11-01-), WARD NO 1, JHABUA ROAD, ALIRAJPUR, MADHYA PRADESH, MP - 457887  
PH :8889676035.

**ANUPPUR**

1236. SHUBH MOTORS PVT. LTD. (BIB1-01-), NEAR HDFC BANK, TEHSIL ROAD, ANNUPUR - 484224  
PH :9752546255, 9755505145.

**ASHOK NAGAR**

1237. PREM MOTORS PVT. LTD. (DS01-02-), SURVEY NO. 672/3, SINGAKHEDI HOUSE GUNA BYPASS NEAR RAJ MATA CIRCLE, ASHOKNAGAR, MADHYA PRADESH. - 473331  
PH :9926809856.

**ASHTA**

1238. JEEWAN MOTORS PVT. LTD. (BSF1-01-), KHASRA NO.111/11 NEAR RELIANCE PETROL PUMP, BHOPAL ROAD, ASHTA, DISTT. SEHORE (M.P.) - 466001  
PH :9826429604  
6264918307  
8718911222.

**BADNAWAR**

1239. PATEL MOTORS (INDORE) PVT. LTD. (BPT1-01-), KHASRA NO. 2194/1, BADNAGAR ROAD, BADI CHOUPATI, OPPOSITE BSNL TOWER, BADNAWAR, DISTT. - DHAR, MADHYA PRADESH. - 454660  
PH :232228, 9179653543.

**BADWAH / BARWAHA (BOTH NAMES ARE OK)**

1240. NIMAR MOTORS PVT. LTD. (AU01-05-), NIRMAL COMPLEX , INDORE ROAD , BARWAH - 451001  
PH :7770878726, 9669569496.

**BALAGHAT**

1241. KUNAL MOTORS (U501-04-), KH NO -1/56, JHULELAL DHARMSHALA ROAD, BALAGHAT, MADHYA PRADESH - 4811001  
PH :8349992181.

**BAREILI**

1242. RAJRUP MOTOR JUNCTION (A UNIT OF RMJ MOTORS PVT. LTD.) (I303-01-), SURVEY 423/2, VILLAGE KAMTON, NH 12, BAREILI, RAISEN, MADHYA PRADESH. - 464668  
PH :7909903922.

**BARHI**

1243. SHUBH MOTORS PVT. LTD. (GMK1-01-), 1286/2, BARHI, DIST. - KATNI, MADHYA PRADESH - 483770  
PH :9752546255.

**BARNAGAR**

1244. YUG CARS (A UNIT OF RUKMARANI CARS INDORE PVT. LTD) (BBK2-01-), RUNIJA ROAD ,BARNAGAR CITY, DISTRICT UJJAIN - 456771  
PH :9755512100/7898900224.

**BARWANI**

1245. NIMAR MOTORS PVT. LTD. (AU01-02-), ANJAD ROAD, VILLAGE -KARAH, BARWANI, MADHYA PRADESH - 451551  
PH :7770804492, 9669569496.

**BEGAMGANJ**

1246. RAJRUP MOTOR JUNCTION (A UNIT OF RMJ MOTORS PVT. LTD.) (CIL1-01-), IN FRONT OF DUSHERRA MAIDAN, SAGAR BHOPAL ROAD, BEGAMGANJ, DIST - RAISEN , MADHYA PRADESH - 464881 - 464881  
PH :7909997536.

**BEOHARI**

1247. SHUBH MOTORS PVT. LTD. (BKA1-01-), REEVA ROAD, NEAR AARRA MACHINE, BEOHARI, DIST. -SHAHOL, MADHYA PRADESH. - 484774  
PH :9755595423.

**BERASIA**

1248. RAJRUP MOTOR JUNCTION (A UNIT OF RMJ MOTORS PVT. LTD.) (CKG1-01-), BHOPAL ROAD, OPP. BERASIA HOSPITAL, BERASIA, DISTRICT - BHOPAL, MADHYA PRADESH. - 463106  
PH :8770593501.

**BETMA**

1249. OCEAN MOTORS PVT. LTD. (BVR1-01-), OPPOSITE MPEB OFFICE, INDORE-AHEMDABAD ROAD, BETMA, DISTRICT - INDORE, MADHYA PRADESH. - 453001  
PH :7389936444.

**BETUL**

1250. KUNAL MOTORS (U501-02-), BHOPAL - NAGPUR NATIONAL HIGHWAY, NEAR BADORA CHOWK,, BETUL - 460001  
PH :8349999177.

1251. KAMTHI MOTORS (KK02-01-), NEAR SUNITA COLONY, ITARSI ROAD, BETUL, MADHYA PRADESH - 4600013 - 4600013  
PH :9111535777.

**BHAVRA**

1252. RUKMANI MOTORS (SPT1-01-), GRAM PANCHAYAT, KALIYAVAHO, OPP SUNKER MANDIR, BHAVRA TEHSIL, ALIRAJPUR DISTRICT, MADHYA PRADESH - 457882 - 457882  
PH :9755549200.

**BHITARWAR**

1253. NIKUNJ MOTORS (SRB1-01-), BESIDE SAUSAR COTTON INDUSTRIES, CIVIL LINE, NAGPUR-CHINDWARA ROAD, DABRA- BHITARWAR ROAD, BHITARWAR, MP - 474009 - 474009  
PH :9109105599.

**BHOPAL**

1254. JEEWAN MOTORS PVT. LTD. (302-01-), 9E SECTOR A,INDUSTRIAL AREA, GOVINDPURA, BHOPAL - 462024  
PH :4058888/ 9826017799  
9826429605.

1255. SATYAM MOTORS (307-01-), NH-12,SUVEESHA NAGAR,HOSHANGABAD ROAD,MISROAD - 462040  
PH :6261900423.

1256. JEEWAN MOTORS PVT. LTD. (302-04-), KHASRA NO. 54-55/1/1, NEAR RELIANCE FRESH,CHUNA BHATTI MAIN ROAD, INDIAN OIL PETROL PUMP, BHOPAL (M.P.) - 462036  
PH :4057988  
9131364153.

1257. RAJRUP MOTOR JUNCTION (A UNIT OF RMJ MOTORS PVT. LTD.) (308-01-), 8A, SECTOR-C, J.K. ROAD, GOVINDPURA INDUSTRIAL AREA, BHOPAL, MADHYA PRADESH - 462023  
PH :4063529,30,31,32,33,34,35, 9826518501.

1258. DAGA MOTORS (A UNIT OF DAGA HEIGHTS) (309-01-), 4/I, DAGA HEIGHTS, NEAR BUDHNA MANDIR, MAIN ROAD KOLAR ROAD, CHUNABHATTI, BHOPAL, MADHYA PRADESH. - 462016  
PH :9109900400.

**BIAORA**

1259. UNITARA (OF02-01-), OLD AB ROAD, KACHNARIA, BIAORA (M.P) - 465674  
PH :9575650883.

**BIJUJI**

## Dealer Network (AS ON 31.10.2023)

1260. SHUBH MOTORS (SMJ1-01)-, GRAM - NEAR GENTRI GATE, NAGAR PALIKA PARISHAD BLJURI, DISTRICT - ANUPPUR, MADHYA PRADESH - 484116  
PH :9755580253.

### BINA

1261. ADINATH CARS PRIVATE LIMITED (BHQ2-01)-, PLOT NO. 23/4/5 AMANTIGEL LAND SEMI URBAN INDUSTRIAL AREA, BINA, KHURAI ROAD (NH 26) BINA, DISTRICT - SAGAR, MADHYA PRADESH - 470113  
PH :9009780047.

### BURHANPUR

1262. NIMAR MOTORS PVT. LTD. (BRR1-01)-, KHASRA NO. 654/15-16, BASEMENT OF HOTEL AMBIKA RESIDENCY, OPP. PAKIZA SHOWROOM, SANJAY NAGAR, AMRAVATI ROAD, BURHANPUR, MADHYA PRADESH - 450331  
PH :7694011374, 9669569496.

### CHAKGHAT

1263. CITY CARS (UNIT OF AGARWAL WHEELS) (GKQ1-01)-, GRAM AND POST - CHANDAI, CHAKGHAT, TEHSIL - TEONTHER, PRAGRAJ ROAD, NH 27, DIST- REWA, MP - 486226. - 486226  
PH :9754301199, 7354252525.

### CHATTARPUR

1264. ADINATH CARS PRIVATE LIMITED (8B02-01)-, MAHOBA ROAD, NEAR BUS STAND, CHATTARPUR, DISTT SAGAR - 471001  
PH :9009785577.

### CHHANERA

1265. NIMAR MOTORS (SMX1-01)-, NEAR ST. STEPHEN SCHOOL, HARDA ROAD, CHHANERA (KHASUD), PIN-450001, MADHYA PRADESH - 450001  
PH :9669569504.

### CHHINDWARA

1266. KUNAL MOTORS (U501-03)-, OPP. KUNAL MOTORS SHOWROOM, LAL BAGH TIRAHA,BEHIND TRUE VALUE OUTLET, NASIRABAD ROAD, CHHINDWARA(MP), - 480001  
PH :9981852239.

1267. KUNAL MOTORS (U501-06)-, PLOT NO. 546, LAHGARIA NEAR MULLU BABA MANDIR, NARSINGHPUR ROAD, CHINDWARA, MADHYA PRADESH - 480002  
PH :9981852239.

1268. KAMTHI MOTORS LLP (U502-01)-, KHASRA NO.1/53, BESIDE MVM SCHOOL, NAGPUR ROAD, VILL -SARRA, DISTT. CHHINDWARA, MADHYA PRADESH - 480001  
PH :9111488444/ 9111535777.

### CHITRAKOOT

1269. CITY CARS (UNIT OF AGARWAL WHEELS) (GKS1-01)-, PILIKOTHI CHOURAHA, BESIDE SINGH AUTOMOBILE-A HERO AGENCY, CHITRA ROAD, CHITRAKOOT, DISTRICT-SATNA (MADHYA PRADESH)- 485334 - 485334  
PH :7089906823, 7354252525.

### DABRA

1270. PREM MOTORS PVT. LTD. (BOR1-01)-, PICHHORE TIRAHA, GWALIOR JHANSI ROAD, DABRA, DIST.-GWALIOR. - 475110  
PH :9926809110.

### DAMOH

1271. ADINATH CARS PRIVATE LIMITED (RD02-01)-, SAGAR JABALPUR BYPASS ROAD, DAMOH (M.P.) - 470661  
PH :9009780035.

### DATIA

1272. PREM MOTORS PVT. LTD. (3003-05)-, NR.BHOJPURIA MOTORS, BHANDER ROAD, DATIA, MADHYA PRADESH - 475661  
PH :9165012280.

### DEORI

1273. ADINATH CARS PRIVATE LIMITED (CUO1-01)-, C/O VISHWANATH DIXIT, VIJAYSHRI GAS SERVICE, NEAR GOVT. HIGH SCHOOL, NARSINGHPUR ROAD,VILLAGE KHEER, DEORI DISTT. SAGAR (M.P.) - 470226  
PH :7000410522.

### DEPALPUR

1274. OCEAN MOTORS PVT. LTD. (WB01-03)-, NEAR LEELA RESIDENCY,INDORE ROAD,DEPALPUR,DIST.INDORE-MP - 453115  
PH :220505, 222501.

### DEWAS

1275. UNITARA MOTORS PVT LTD (3002-01)-, SURVEY NO 255, A. B. ROAD, RASULPUR SQUARE, DEWAS, MADHYA PRADESH PIN 455001 - 455001  
PH :9575650883.

### DHAMNOD

1276. KATHED MOTOCORP(A UNIT OF KATHED MOTORS PVT. LTD.) (UT01-01)-, KHASRA NO. 484/1/2, OLD A B ROAD, OPPOSITE HP PETROL PUMP, DHAMNOD, DIST.-DHAR, MADHYA PRADESH. - 454552  
PH :9981585165.

### DHAR

1277. RUKMANI MOTORS (P) LTD (5304-02)-, 41/2 MAGAJPURA, DHAR., - 454001  
PH :0731-223500, 9755549200.

### DINDORI

1278. STANDARD MOTOCORP PVT LTD (AVA2-01)-, SUKKHAR WARD 1, NEAR DHURVE PETROL PUMP,DINDORI - 481661  
PH :280300,7771014728  
9111248709.

### FALI

1279. OCEAN MOTORS (SGH1-01)-, NH 47, NEAR GRAM - FALI, TEHSIL KHUDEL, INDORE, MADHYA PRADESH. - 452016  
PH :7389936477.

### GADARWARA

1280. STANDARD MOTOCORP PVT LTD (BOI3-01)-, KHASRA NO. 130/31/A & 131/2, HALKA NO. 18/1, NO. 119, GADARWARA, DISTRICT - NARSINGHPUR. - 487551  
PH :8319784336.

### GANDHWANI

1281. RANA MOTORS (SIO1-01)-, MUKATI COMPLEX, BAGH AWALDA MAAN ROAD, TEHSIL- GANDHWANI, DIST - DHAR, MADHYA PRADESH - 454446 - 454446  
PH :9109975566.

### GANJ BASODA

1282. DAGA MOTORS (A UNIT OF DAGA HEIGHTS) (AEA2-01)-, LAL BAGH, BARETH ROAD, GANJ BASODA, VIDISHA, 464221. - 464221  
PH :9425148584.

### GARRA

1283. KAMTHI MOTORS LLP (GJC1-01)-, LALBARRA ROAD, GARRA INDUSTRIAL AREA, GARRA, BALAGHAT, MADHYA PRADESH. - 481331  
PH :7723020684.

### GAUTAMPURA

1284. OCEAN MOTORS PVT. LTD. (CFW1-01)-, RUNJI CHOURAHA, GAUTAMPURA, TEHSIL- DEPALPUR, DISTT.-INDORE, MADHYA PRADESH - 453220  
PH :230501, 7389937314.

### GHATIYA

1285. YUG CARS (SJW1-01)-, NEAR JAGOTI SQUARE, UJJAIN - AGAR ROAD, GHATIYA, MP - 456550 - 456550  
PH :9425067979.

### GOTEGAON

1286. STANDARD MOTOCORP PVT LTD (BLY2-01)-, JABALPUR ROAD, OPP. NEW KRISHI UPAJ MANDI, TEHSIL - GOTEGAON, DIST. -NARSINGHPUR. - 443 001  
PH :7771003774.

### GUNA

1287. PREM MOTORS PVT. LTD. (S301-01)-, OPP R.T.O., A.B. ROAD,GUNA, - 473001  
PH :268015.

### GWALIOR

1288. PREM MOTORS PVT. LTD. (3003-01)-, M. L. B. ROAD GWALIOR., - 474002  
PH :9926809803.

1289. PREM MOTORS PVT. LTD. (3005-01)-, SHIVPURI LINK ROAD, GWALIOR - 474002  
PH :9926809803.

1290. NIKUNJ MOTORS (3006-01)-, GOLE KA MANDIR SQUARE, AIRPORT ROAD, GWALIOR, MADHYA PRADESH - 474005 - 474005  
PH :9407067974.

### HALALPURA - BHOPAL

1291. DAGA MOTORS (309-02)-, KHASRA NO. 80/1/K, VILLAGE - HALALPURA, TEHSIL - HUZUR, DISTRICT - BHOPAL, MADHYA PRADESH. - 462030  
PH :9109900365.

### HANSA KHEDI

1292. KATHED MOTORCORP (SGI1-01)-, MAIN DHARMAT ROAD, HANSA KHEDI (CHANDRAWATI GANJ), TEHSIL -SANWER, DISTRICT -INDORE, MADHYA PRADESH. - 453551  
PH :9479952490.

### HARDA

1293. INFINITY CARS (A UNIT OF FOZDAR CARS PVT. LTD) (KM01-02)-, NEAR RTD,INDORE HIGHWAY ROAD,HARDA MP - 461331  
PH :8889284444, 8889282222.

### HATOD

1294. OCEAN MOTORS PVT. LTD. (BVT1-01)-, 726/6, INDORE-DEPALPUR MAIN ROAD, OPP. HP GAS AGENCY, HATOD DISTT. INDORE - 453111  
PH :7389936477.

### HATTA

1295. ADHINATH MOTORS (SKK1-01)-, NEAR NAVODAYA SCHOOL, DAMOH ROAD, HATTA, DISTT. DAMOH (M.P.) - 470775. - 470775  
PH :9009787562.

### HOSHANGABAD

1296. INFINITY CARS (A UNIT OF FOZDAR CARS PVT. LTD) (KM01-01)-, 185, RAMJIBABA GROUND, HOSHANGABAD, MADHYA PRADESH - 461001  
PH :8889282222.

### ICHHAWAR

1297. RAJRUP MOTOR JUNCTION (A UNIT OF RMJ MOTORS PVT. LTD.) (CIK1-01)-, SEHORE NADAN ROAD, NEAR SARASWATI SCHOOL, ICHHAWAR, DISTRICT - SEHORE, MADHYA PRADESH. - 466115  
PH :9399061645/ 9926516501.

### INDERGARH

1298. PREM MOTORS (SPU1-01)-, NEAR KHERAPATI GARDEN, Indergarh, MP - 475675. - 475675  
PH :9926809818.

## Dealer Network (AS ON 31.10.2023 )

<p><b>INDORE</b></p> <p>1299. PATEL MOTORS (INDORE) PVT. LTD. (5303-01-), 428/3/3,NIRANJANPUR A B ROAD,INDORE - 452010 PH :99777-03609/99777-03512.</p> <p>1300. RUKMANI MOTORS (P) LTD (5304-01-), 2-3,,A.B. ROAD,INDORE - 452001 PH :99071-57890/90390-88702.</p> <p>1301. PATEL MOTORS (INDORE) PVT. LTD. (5303-02-), 176/1,PIPLYA RAU,A.B. ROAD ,INDORE - 452017 PH :99777-03512/99777-03260.</p> <p>1302. RUKMANI MOTORS (P) LTD (5304-03-), NO. -4/5, MANORAMA GANJ, INDORE - 452001 PH :99071-57890/90390-88702.</p> <p>1303. OCEAN MOTORS PVT. LTD. (5306-01-), PLOT NO.49, SCHEME NO.97, PART 4, COMMERCIAL MANDI, CAIT SQUARE, RING ROAD, INDORE, MP. - 452001 PH :6627500, 6627505.</p> <p>1304. OCEAN MOTORS PVT. LTD. (5306-02-), NEAR QUEENS COLLEGE,ASHARAM BAPU ASHRAM, KHANDWA ROAD,INDORE - 452017 PH :6617505,2877505.</p> <p>1305. PATEL MOTORS (INDORE) PVT. LTD. (5303-03-), M.O.G. LINES, NEAR GANGWAL BUS STAND, DHAR ROAD, INDORE (M.P.) - 452006 PH :7314293919.</p> <p>1306. OCEAN MOTORS PVT. LTD. (5306-03-), 171A, 174A, 175A, 180A, 181A, 82A, 182A, BRAJESHWARI EXTENSION, PIPLIYAHANA, INDORE - 452001 PH :9685333331,7389936451.</p> <p>1307. KATHED MOTOCORP(A UNIT OF KATHED MOTORS PVT. LTD.) (5307-01-), PLOT NO. 483/2/2, MAIN DHAR ROAD, NEAR CHANDAN NAGAR POLICE STATION, INDORE, MADHYA PRADESH. - 452002 PH :7471111132.</p> <p>1308. RANA MOTORS (5308-01-), KHASRA NO. 293/2, 299/1, TEJIPUR, GADBADI PUL, A.B. ROAD, INDORE. - 452009 PH :9109975566.</p> <p>1309. PATEL MOTORS (INDORE) PVT. LTD. (5303-05-), SURVEY NO. 174/5 AND 174/6, PIPLIYA RAO, INDORE, MADHYA PRADESH. - 452012 PH :99777-03512/99777-03260.</p> <p>1310. RUKMANI MOTORS (P) LTD (5304-04-), MANGAL COMPOUND, GODOWN NO. 11-12, VILLAGE 15/1, PIPLYA KUMAR, MR 11 RING ROAD, DEWAS NAKA, INDORE, MADHYA PRADESH. - 452010 PH :99071-57890/90390-88702.</p> <p>1311. OCEAN MOTORS PVT. LTD. (5306-04-), PLOT NO. 142 AND 151, SCHEME NO. 97, PART-4, COMMERCIAL MANDI, NEAR CAT SQUARE, INDORE. - 452012 PH :7389936405.</p>	<p>1312. KTL AUTOMOBILES (5309-C1-), PLOT NO.5/R,C, SCHEME NO 134,MR 10,VILLAGE KHAJRANA, DIST INDORE-452010,MADHYA PRADESH - 452010 PH :6263455899.</p> <p>1313. RUKMANI MOTORS (P) LTD-C4 (5304-05-), 109, BHAWRASLA NEAR PRATAP AUTO, FRONT OF VINAYAK TOL KANTE, SANWER ROAD, INDORE, PH-453111, MADHYA PRADESH - 453111 PH :9109978301.</p> <p><b>JABALPUR</b></p> <p>1314. STANDARD MOTOCORP PVT LTD (5405-01-), OPPOSITE ALLAHABAD BANK,DELITE TALKIES ROAD,CIVIL LINES, JABALPUR - 482001 PH :4040405 / 4040406 07771003012 07771003374.</p> <p>1315. SHUBH MOTORS (5403-01-), MAHANADDA, MADAN MAHAL ROAD, JABALPUR, MADHYAPRADESH - 482001 PH :9755545540.</p> <p>1316. STANDARD MOTOCORP PVT LTD (5405-02-), DEENDAYAL CHECK, DAMOH NAKA, JABALPUR - 482002 PH :4038001 9301190205 7771006920.</p> <p>1317. SHUBH MOTORS PVT LTD (5403-03-), 156/5/1, 156/3KA, 156/3KHA, 156/3GHA, BEHIND OM PETROLEUM, ADHARTAL TIRAHA, JABALPUR, MADHYA PRADESH - 482002 PH :9755595496.</p> <p>1318. STANDARD MOTOCORP PVT LTD (5405-03-), CHIMNEY PLOT, MADAN MAHAL, NEAR GULZAR HOTEL, JABALPUR - 482001 PH :9303568517 9300008708.</p> <p>1319. MAA GAYTRI (AGGARWAL) (5404-01-), MOUZA KAREMTA N.B. 497, P.H. NO 23/26, KHASRA NO. 497 &amp; DIV. KHASRA NO. 484/6, DIV. SHEET NO 2, PLOT NO 63/1, JABALPUR-PATAN ROAD, JABALPUR. - 482002 PH :7489901021.</p> <p>1320. STANDARD MOTOCORP PVT LTD (5405-04-), NEW WARD NO. 71, IN FRONT OF ORIENTAL COLLEGE, KATNI BYPASS, JABALPUR, MP. - 482003 PH :7800806222 9303568517.</p> <p><b>JAORA</b></p> <p>1321. PATEL MOTORS (INDORE) PVT. LTD. (P801-04-), SURVEY NO.571/11, RATLAM ROAD, RATLAM NAKA, OPP. KOTHARI AGRICO, INDUSTRIAL AREA, INFRONT OF ST. PAUL SCHOOL, JAORA, DISTT. RATLAM, MADHYA PRADESH - 457226 PH :243399, 7089901505, 9296932221.</p> <p><b>JHABUA</b></p>	<p>1322. PATEL MOTORS (INDORE) PVT. LTD. (AAR1-01-), INDORE AHMEDABAD ROAD, MEGHNAGAR NAKA, JHABUA, MADHYA PRADESH. - 457661 PH :9826634449.</p> <p><b>JOBAT</b></p> <p>1323. RUKMANI MOTORS (SOA1-01-), BYEPASS ROAD, OPPOSITE JP COLLEGE, JOBAT, MP - 457990. - 457990 PH :6262505181.</p> <p><b>KARERA</b></p> <p>1324. PREM MOTORS (SMO1-01-), GRAM - JHASI ROAD, KARERA, DISTRICT - SHIVPURI, MADHYA PRADESH - 473660. - 473660 PH :9926823596.</p> <p><b>KATNI</b></p> <p>1325. SHUBH MOTORS PVT LTD (FK01-01-), KHASRA NO.850, NH-7, JHINIARI, INFRONT OF POLICE STATION, JABALPUR ROAD, KATNI, MADHYA PRADESH. - 483501 PH :9755515839.</p> <p><b>KHANDWA</b></p> <p>1326. NIMAR MOTORS PVT. LTD. (AU01-03-), BEFORE VIKAS UDYOG, INDORE ROAD, KHANDWA - 450001 PH :9575105697, 9669569496.</p> <p><b>KHARGONE</b></p> <p>1327. NIMAR MOTORS PVT. LTD. (AU01-01-), JETAPUR,SANAWAD ROAD,KHARGAONE, - 462026 PH :9669569504, 9669569496.</p> <p>1328. NIMAR MOTORS PVT. LTD. (AU01-06-), PH. NO. 35, VILLAGE - DANAPUR, TEHSIL - KHARGONE, DISTRICT - KHARGONE, MADHYA PRADESH. - 451001 PH :7694011436, 9669569496.</p> <p><b>KHATEGAON</b></p> <p>1329. UNITARA (BxB2-01-), NEMAWAR-INDORE ROAD, KHATEGAON, M.P. - 455336 - 455336 PH :9993406993.</p> <p><b>KOTMA</b></p> <p>1330. SHUBH MOTORS (DO01-01-), WARD NO.7, ANNUPPUR KOTMA ROAD, DISTT. ANNUPUR, KOTMA (M.P.) - 484336 PH :9755581441.</p> <p><b>KUKSHI</b></p> <p>1331. OCEAN MOTORS PVT. LTD. (BIO1-01-), SURVEY NO.593/5/1, 593/6/1, BARWANI ROAD, TOLL KANTE KE PASS, TEHSIL-KUKSHI - 454331 PH :9009780030, 7389945443, 8085999990.</p> <p><b>LAKHNADON</b></p>	<p>1332. KAMTHI MOTORS LLP (SCL1-01-), RANI DURGAVATI CHOWK, NH-7, WARD NO. - 05, JABALPUR ROAD, LAKHNADON, MADHYA PRADESH. - 480886 PH :982506128.</p> <p><b>MAHESHWAR</b></p> <p>1333. NIMAR MOTORS (SHH1-01-), OPPOSITE DEVRAJ HOTEL, MAIN MAHLESHWAR-DHAMNOD ROAD, MAHESHWAR, MP - 451224 PH :9669569504.</p> <p><b>MAHDIPUR</b></p> <p>1334. YUG CARS (A UNIT OF RUKMARANI CARS INDORE PVT. LTD) (CWN1-01-), 264/3, BHIMAKHEDA, MAHDIPUR, UJJAIN - 456443 PH :9109130402.</p> <p><b>MAIHAR</b></p> <p>1335. CITY CARS (UNIT OF AGARWAL WHEELS) (D702-04), UNIT OF AGARWAL WHEELS PVT. LTD., NEAR RELIANCE PETROL PUMP, NH-7, REWA ROAD, MAIHAR (M.P.) - 485771 PH :7354252525.</p> <p><b>MAJHAULI</b></p> <p>1336. CITY CARS (SPN1-01-), WARD NUMBER 14, NAGAR PARISAD MAJHAULI, DIST. SIDHI (M.P.) - 486666. - 486666 PH :7970003171.</p> <p><b>MAJHOLI</b></p> <p>1337. SHUBH MOTORS (STJ1-01-), INDRANA ROAD, SUHAJINI TIRAHA, MAJHOLI, MADHYA PRADESH - 483336 PH :911155580.</p> <p><b>MANASA</b></p> <p>1338. PATEL MOTORS (INDORE) PVT. LTD. (BZX1-01-), 982/1, RAMPURA ROAD, MANASA, DIST. NEEMUCH, MADHYA PRADESH. - 458110 PH :9644405368.</p> <p><b>MANAWAR</b></p> <p>1339. OCEAN MOTORS PVT. LTD. (BVS1-01-), NEAR SHANTIKUNJ COLONY, INDORE-MANAWAR MAIN ROAD, TEHSIL - MANAWAR, DISTRICT - DHAR. - 454335 PH :7389936477.</p> <p><b>MANDLA</b></p> <p>1340. STANDARD MOTOCORP PVT LTD (WD02-01-), KATARA ROAD, MANDLA, DIST. MANDLA MP - 481661 PH :260600,260622 9301090184 8959299089.</p> <p><b>MANDSAUR</b></p>
---	--	---	---

## Dealer Network (AS ON 31.10.2023)

1341. PATEL MOTORS (INDORE) PVT. LTD. (WC01-01-), NEAR SHIVANA BRIDGE,RATLAM MANDSAUR ROAD,MANDSAUR - 458001 PH :07422-400450, 220372.	1350. JEEWAN MOTORS PVT. LTD. (CIN1-01-), KHASRA NO. 458, VILLAGE – RALA, TEHSIL – NASRULLAGANJ, DISTRICT – SEHORE, MADHYA PRADESH. - 466331 PH :9826017799, 8959900110.	1359. INFINITY CARS (A UNIT OF FOUZDAR CARS PVT. LTD) (CG81-01), HATHWAS TIRAHA, SHOHBAPUR ROAD, PIPARIYA, MADHYA PRADESH. - 461775 PH :8889285555, 8889282222.	1370. RANA MOTORS PVT LTD (CWX1-01-), S.NO. 356/31, OLD UJJA IN BYPASS ROAD, TALUKA SANWER, DIST.-INDORE, MADHYA PRADESH. - 453551 PH :9109975566.
1342. PATEL MOTORS (INDORE) PVT. LTD. (WC01-02-), BLOCK 'C', SHED-5, WARD NO. 1, INDUSTRIAL AREA, CITY - MANDSAUR, MADHYA PRADESH. - 458001 PH :07422-400450, 220372.	<b>NEEMUCH</b> 1351. PATEL MOTORS (INDORE) PVT. LTD. (P801-02-), MHOW-NEEMUCH ROAD,NEEMUCH(MP), - 458441 PH :9977703907.	<b>PITHAMPUR</b> 1360. PATEL MOTORS (INDORE) PVT. LTD. (5303-04-), 254-A, SECTOR-1, INDUSTRIAL AREA, PITHAMPUR, DIST.T. DHAR - 454775 PH :9826360699.	<b>SATNA</b> 1371. CITY CARS (UNIT OF AGARWAL WHEELS) (D702-05-), (A UNIT OF AGRAWAL WHEELS PVT. LTD.), BESIDE BHASKAR PRESS, BEHIND MARUTI SHOWROOM, WARD NO.27, AMOUDHA KALA, PANNA ROAD, SATNA - 485001 PH :9754301199, 7354252525.
<b>MANPUR</b> 1343. PATEL MOTORS (INDORE) PVT. LTD. (BRL1-01-), KHASRA NO. 302/1/3, AB ROAD, MANPUR, DIST- INDORE - 453661 PH :9826360699.	<b>NIWARI</b> 1352. ADINATH MOTORS (SFC1-01-), ATKHASRA NO 2017/1, NEAR HDFC BANK MAIN ROAD, NIWARI, MADHYA PRADESH –472442. - 472442 PH :9009787562.	<b>RAISEN</b> 1361. RAJRUP MOTORS (RF03-01-), OPPOSITE S P OFFICE, NEAR ST. FRANCIS SCHOOL, VIDISHA ROAD, RAISEN, MADHYA PRADESH. - 464551 PH :7869755501.	<b>SAUSAR</b> 1372. KAMTHI MOTORS (SRX1-01-), BESIDE SAUSAR COTTON INDUSTRIES, CIVIL LINE, NAGPUR-CHHINDWARA ROAD, SAUSAR, DIST-CHHINDWARA, M.P – 480106. - 480106 PH :9111535777.
<b>MAUGANJ</b> 1344. CITY CARS (SEY1-01-), NEAR SENGAR PETROL PUMP ,CHACK MODE WARD NUMBER 03,NH 7 ,MAUGANJ, DISTT – REWA, MADHYA PRADESH – 486331. - 486331 PH :975301199.	<b>PANDHURNA</b> 1353. KAMTHI MOTORS (SFG1-01-), SHANKAR NAGAR, PANDHURNA, DIST. – CHHINDWARA, MADHYA PRADESH - 480334. - 480334 PH :9111535777.	1362. JEEWAN MOTORS (RF02-01-), WARD NO 14, PATANDEV, SAGAR ROAD, RAISEN, MADHYA PRADESH - 464551 PH :9826017799.	<b>SEHORE</b> 1373. JEEWAN MOTORS PVT. LTD. (302-02-), 889/1/2, OFFICERS COLONY, IN FRONT OF CHURCH GROUND,BHOPAL, INDORE ROAD - 466001 PH :2226400 9926009735.
<b>MHOW</b> 1345. OCEAN MOTORS PVT. LTD. (WA01-01-), A.B. ROAD, NEAR KISANGANJ POLICE STATION, MHOW - 453441 PH :7389936478, 266211.	<b>PANNA</b> 1354. CITY CARS (UNIT OF AGARWAL WHEELS) (EQ01-01-), KHASRA NO. 378, MOHAN RAJ VILAS CHOURAHA, BESIDE MOHAN RAJ HOTEL, CIVIL LINE NH-75, PANNA, MADHYA PRADESH . - 488001 PH :7354252525.	<b>RAJGARH</b> 1363. RUKMANI MOTORS (P) LTD (GKE1-01-), CHANDRA SHEKHAR AZAD MARG, NEAR TRIMURTI NAGAR, RAJGARH, DIST. - DHAR, MP. - 454116 PH :9755549200.	<b>SENDHWA</b> 1374. NIMAR MOTORS PVT. LTD. (CIH1-01-), KHASRA NO. 286/10 AND 287/14, HALKA NO. 11, VARLA ROAD, SENDHWA, TEHSIL – SENDHWA, DISTRICT – BARWANI, MADHYA PRADESH. - 451666 PH :7694011408, 9669569496.
<b>MORENA</b> 1346. PREM MOTORS PVT. LTD. (RG01-01-), NEAR SALES TAX BARRIER SQUARE, AB ROAD MORENA - 476001 PH :9926002791.	<b>PARASIA</b> 1355. KAMTHI MOTORS LLP (GKF1-01-), KHIRSA DOHMAL, PARASIA, CHHINDWARA. MP - 480441 PH :9285506109.	<b>RATLAM</b> 1364. PATEL MOTORS (INDORE) PVT. LTD. (P801-01-), 76 C,D&E,INDUSTRIAL AREA,RATLAM - 452001 PH :99269-32221/93404-31858.	<b>SEONI</b> 1375. KUNAL MOTORS (U501-05-), JYARAT NAKA, JABALPUR NAGPUR ROAD, SEONI (M.P.) - 480661 PH :8349999269.
<b>NAGDA</b> 1347. YUG CARS (A UNIT OF RUKMARANI CARS INDORE PVT. LTD) (CHR2-01-), PLOT NO. 17, STATE HIGHWAY NO.17, INDORIYA ROAD, NAGDA, DISTRICT – UJJAIN, MADHYA PRADESH. - 456335 PH :9755044300/9755512100.	<b>PATAN</b> 1356. MAA GAYATRI (SHP1-01-), BESIDE KRISHI UPAJ MANDI, PATAN, PIN-483119, MADHYA PRADESH - 483119 PH :9770415141.	1365. PATEL MOTORS (INDORE) PVT. LTD. (P801-03-), 181/17/18,DOSHI GOAN INDUSTRIAL AREA ,JAORA ROAD,RATLAM - 457001 PH :99269-32221/93404-31858.	<b>SEONI MALWA</b> 1376. INFINITY (SRW1-01-), NEAR AXIS BANK, SEONI MALWA, MP. - 461223 - 461223 PH :8889281113.
<b>NARAYANGARH</b> 1348. PATEL MOTORS (SFN1-01-), 1742/11, NARAYANGARH, TEHSIL – MALHARGARH, DISTRICT- MANDSAUR, MADHYA PRADESH. - 458553 PH :9977703907.	<b>PAWAI</b> 1357. CITY CARS (UNIT OF AGARWAL WHEELS) (SIX1-01-), NEAR ETORI PETROL PUMP, PANNA ROAD, PAWAI, DIST. – PANNA, MP. 488446 - 488446 PH :9754301199.	<b>REWA</b> 1366. CITY CARS (UNIT OF AGARWAL WHEELS) (D702-03-), NYPASS CHURHATA, DIST. REWA - 482001 PH :7354252525.	<b>SHADOL</b> 1377. SHUBH MOTORS (MF01-01-), JAMUA, NEAR GYAN GUPTA,BUDHAR ROAD,SHADHOL, - 484771 PH :9755595423.
<b>NARSINGHPUR</b> 1349. STANDARD MOTOCORP PVT LTD (BB02-01-), KH. NO. 82/44 & 83/44, NB NO.519, FC NO 19(42), OLD 46 (NEW) MOUZA RONRSRA R.I.M. 2, TEHSIL & DISTRICT – NARSINGHPUR, MADHYA PRADESH. - 487001 PH :232757 9303513711.	<b>PETLAWAD</b> 1358. PATEL MOTORS (INDORE) PVT. LTD. (CJD1-01-), NEAR H. P. PETROL PUMP, THANDLA ROAD, PETLAWAD, DISTRICT – JHABUA, MADHYA PRADESH. - 457773 PH :911160868.	<b>SADALPUR</b> 1368. OCEAN MOTORS (SPS1-01-), JAIN SHRI SUPER MARKET, SERVICE ROAD, MHOW- NEEMUCH ROAD, SADALPUR, DISTRICT DHAR (M.P.) - 454001 - 454001 PH :7389936423.	<b>SHAHAPURA</b> 1378. STANDARD MOTOCORP PVT LTD (CRD2-01-), KHASARA NO.172/3, BHERAV MATA MANDIR NEAR TOLL NAKA MAIN ROAD, JABALPUR NARSINGHPUR ROAD, SHAHPURA. - 483119 PH :7771000392.
<b>NASRULLAGANJ</b>	<b>PIPARIYA</b>	<b>SAGAR</b> 1369. ADINATH CARS PRIVATE LIMITED (G102-01-), STATION ROAD, TILAK GANJ, SAGAR (M.P.) - 470001 PH :9009780030.	<b>SHAJAPUR</b>

1379. UNITARA (RH03-01), LAL GHATI, A B ROAD, SHAJAPUR, MP - 465001  
PH :9993406993.

**SHAMGARH**

1380. PATEL MOTORS (INDORE) PVT. LTD. (BFZ1-01-), KHASRA NO. 1179/1, MOHALLA MAROTH, TEHSIL - SHAMGARH, DISTRICT - MANDSAUR, MADHYA PRADESH - 458883  
PH :9753088222.

**SHIVPURI**

1381. PREM MOTORS PVT. LTD. (3003-04-), A B ROAD, SIVPURI,, - 473551  
PH :9926809976.

**SHUJALPUR**

1382. UNITARA (BGP2-01-), KISHONI, OPPOSITE HP FUEL STATION, SHUJALPUR, M.P - 465333 - 465333  
PH :9575650883.

**SHYAMPUR**

1383. DAGA MOTORS (SJJX1-01-), NEAR MAHADEV RESTAURANT, NH-12, SHYAMPUR, DISTRICT - SEHORE, MADHYA PRADESH - 466651 - 466651  
PH :7909997570.

**SIDHI**

1384. CITY CARS (UNIT OF AGARWAL WHEELS) (BKM1-01-), ADHIYAR KHOH, NEAR GYAN DHARAMKATA, SIDHI, MADHYA PRADESH. - 486661  
PH :9754301199, 7354252525.

**SIHORA**

1385. SHUBH MOTORS PVT. LTD. (CIG1-01-), KHASRA NO. 311/1, P.H. - 11, MOUZA - GHAT SIMARIYA, TEHSIL - SIHORA, DISTRICT - JABALPUR, MADHYA PRADESH. - 483440  
PH :9755099971, 9752546255.

**SILWANI**

1386. RAJRUP (SRP1-01-), MAHAVIR COLONY, SAI KHEDA ROAD, SILWANI, DIST. RAISEN, MP - 464886 - 464886  
PH :9174000501.

**SIMROL**

1387. RUKMANI MOTORS (BZY2-01-), AMRIT SAGAR COLONY, SIMROL, DIST. - INDORE, MADHYA PRADESH - 452020 - 452020  
PH :9109978301.

**SINGHOLI**

1388. PATEL MOTORS (SEQ1-01-), BEGHU CHITTORGARH ROAD, SINGOLI, NEEMUCH, MP - 458228 - 458228  
PH :9977703907.

**SIRONJ**

1389. RAJRUP MOTOR JUNCTION (A UNIT OF RMJ MOTORS PVT. LTD) (CVM1-01-), OPPOSITE BALAJI DHAM, LINK ROAD, SIRONJ, MADHYA PRADESH. - 464228  
PH :7909997585.

**SITAMAU**

1390. PATEL MOTORS (SLL1-01-), MAUKHEDA, TEHSIL - SITAMAU, DISTRICT - MANDAU, MADHYA PRADESH - 458990 - 458990  
PH :9826360699.

**TARANA**

1391. YUG CARS (A UNIT OF RUKMARANI CARS INDORE PVT. LTD) (CHQ2-01-), HOUSE NO. 1/6, WARD NO. 10, TOTLA MARG, TARANA-UJJAIN ROAD, TARANA, MADHYA PRADESH - 456665  
PH :9893563031/9755512100.

**TENDUKHEDA**

1392. STANDARD MOTOCORP PVT LTD (CRC2-01-), KHASARA NO. 49/6, MOUZA - TENDUKHEDA, DISTRICT - NARSINGHPUR. - 470880  
PH :7771014773.

**THIKRI**

1393. NIMAR CAR (SED1-01-), OPPOSITE OF SHREE BALAJI TYRE SALES & SERVICE, SHREE NAGAR, THIKRI, MADHYA PRADESH -451660 - 451660  
PH :9109202186.

**TIKAMGARH**

1394. ADINATH CARS PRIVATE LIMITED (RE02-01-), NEAR NEW BUS STATI ON, OPPOSITE OF BANKE BIHARI COLONY, MAURANIPUR ROAD, TIKAMGARH, MADHYA PRADESH - 472001  
PH :9200888454.

**UDAIPURA**

1395. JEEWAN (SCI1-01-), WARD NO. 3, NH-12, UDAIPURA, DIST. - RAISEN, MADHYA PRADESH - 464770  
PH :9826017799.

**UJJAIN**

1396. YUG CARS (A UNIT OF RUKMARANI CARS INDORE PVT. LTD) (3W03-01-), SURVEY NO. 59/3, DEWAS ROAD, UJJAIN - 456010  
PH :0734-2524002, 9755512100.

1397. YUG CARS (3W03-02-), 54/3/2, AGAR NAKA, NEAR VARDHAN HOTEL, MAKODI AAM CHAURAHA, INDIRA NAGAR, UJJAIN, MADHYA PRADESH - 456001  
PH :9425067979.

**UMARIA**

1398. SHUBH MOTORS (5403-04-), 8/2 GRAM BHAGRA, KIRANTAL KHURD, UMARIA DISTRICT UMARIA (MADHYA PRADESH) - 484661  
PH :9755502682.

**VIDISHA**

1399. DAGA MOTORS (A UNIT OF DAGA HEIGHTS) (AY02-01-), PLOT NO 59/1, VILLAGE RANGAI, VIDISHA, MADHYA PRADESH - 464001  
PH :9109900374.

**VIDISHA**

1400. RAJRUP (AY03-01-), UDAYNAGAR COLONY, NEAR OIL FACTORY, SAGAR ROAD, VIDISHA, DISTRICT-VIDISHA (M.P.) - 464001 - 464001  
PH :7869755501.

**WAIDHEN**

1401. CITY CARS (UNIT OF AGARWAL WHEELS) (D702-02-), NEAR VIJAY BANDHU PETROL PUMP, KACHANI, THE. WAIDHEN, DISTRICT, SINGRAULLI, MADHYA PRADESH - 486886  
PH :7354252525.

**MAHARASHTRA**

**AHMEDNAGAR**

1402. KANKARIYA AUTOMOBILES PVT. LTD. (A501-01-), SARDA MILLS, SAVEDI ROAD, AHMEDNAGAR, MAHARASHTRA - 414001  
PH :7410024227.

1403. KANKARIYA AUTOMOBILES PVT. LTD. (A501-05-), MIDC, AHMEDNAGAR - 414003  
PH :7447700029.

**AJARA**

1404. SAI SERVICE PRIVATE LIMITED (CIR1-01-), GAT NO. 30, PLOT NO. 24, GP MILKAT NO. 906/3, NEAR MAYUR PETROL PUMP, AJARA, DISTRICT - KOLHAPUR. - 416505  
PH :7776837717, 9673331977.

**AKLUJ**

1405. CHAVAN MOTORS DIVISION INDIA PVT LTD (B102-04-), PLOT NO. 15/3-A, PANCHVATI STOP, MALINAGAR ROAD, AKLUJ - 413101  
PH :0217-223033/8805898688.

**AKOLA**

1406. KHANDLWAL AUTOWHEELS PVT. LTD. (F101-01-), TIRUPATI CHAMBERS, CONVENT ROAD, AKOLA - 444005  
PH :9767892552/9112220551.

1407. KHANDLWAL AUTOWHEELS PVT. LTD. (F101-02-), PLOT NO E/12-13-MIDC PHASE-2, AKOLA - 444001  
PH :9767892552/9112220551.

**AKOT**

1408. KHANDLWAL AUTO (SMN1-01-), PLOT NO 18 & 19, SURVEY NO 600/3, AKOT - AKOLA ROAD, AKOT, AKOLA (MAHARASHTRA) - 444101 - 444101  
PH :9112220551, 9767892552.

**ALEPHATA**

1409. KOTHARI AUTO WHEELS PVT LTD (CSZ2-01-), GAT NO.446, MATOSHRI PRIDE, NEAR SADHANA BANK, KALYAN ROAD, AIP - ALEPHATA, TALUKA - JUNNAR, DISTT. PUNE, PIN-412411 - 412411  
PH :8421753278.

**ALIBAUG**

1410. SIMRAN MOTORS PVT. LTD. (7S01-05-), SURVEY NO. 30/1, OPP. RCF COLONY, VILLAGE - VESHVI, ALIBAUG, DISTRICT - RAIGAD, MAHARASHTRA - 402201  
PH :9223161512, 9270888786.

**AMALNER**

1411. MANRAJ MOTORS (EL01-01-), PRASAD MOTORS, RAVI NAGAR, NEAR NAYARA PETROL PUMP, DHULE ROAD, AMALNER, DIST. JALGAON-425401 - 425401  
PH :#N/A.

**AMBERNATH**

1412. AHER AUTOPRIME LLP (COP1-01-), PLOT NO-24,26,27/17, MIDC, KALYAN-BADLAPUR ROAD, VILLAGE - KOHOJ, KHUNTAVLI, AMBERNATH - 421501  
PH :8422871720.

**AMRVATI**

1413. ASPA BANDSONS AUTO PVT. LTD. (F201-01-), SATURNA BADNERA ROAD, AMRVATI, MAHARASHTRA. - 444607  
PH :9423123665.

1414. ASPA BANDSONS AUTO PVT. LTD. (F201-05-), A1/A2, OLD BY PASS ROAD, MIDC, AMRVATI, DIST: AMRVATI, MAHARASHTRA. - 444607  
PH :9423339601.

**APTA**

1415. K.T.S. AUTOMOTORS PVT. LTD. (582-01-), VILLAGE: APTA, OPP. APTA RAILWAY STATION, LADIWALI, DIST: RAIGAD, PANVEL (MAHARASHTRA) - 410207  
PH :9420611356/94206611326.

**ARVI**

1416. SEVA AUTOMOBILES (SMF1-01-), PLOT NO-7, SURVEY NO-32/7, MAUZA - AHMADNAGAR, WARDHA ROAD, NAGAR PARISHAD-ARVI, TEHSIL-ARVI, DIST-WARDHA - 442201  
PH :8484988769.

**AURANGABAD**

1417. AUTOMOTIVE MANUFACTURERS PVT. LTD. (2102-01), PLOT NO. 1, P. B. NO. 716, CHIKAL THANANA, AURANGABAD - 431210  
PH :9158000046.

## Dealer Network (AS ON 31.10.2023)

1418. PAGARIYA AUTO PVT. LTD. (2103-01-), OPP. OLD HIGH COURT, NEAR HOTEL ASHOKA EXECUTIVE, JALANA ROAD, AURANGABAD - 431005 PH :02406659902.	<b>BHIGWAN</b> 1428. MAHALAXMI AUTO (SMP1-01-), GAT NUMBER-342, NEXT TO HOTEL SAGAR, PUNE-SOLAPUR HIGHWAY, BHIGWAN - 413130. - 413130 PH :9922979653.	<b>CHIPLUN</b> 1438. JAGRUT MOTORS PVT LTD (9A01-01-), SURVEY NO-543, NH-17, MUMBAI-GOIA HIGHWAY,AT-KALAMBASTE,TAL-CHIPLUN, DIST-RATNAGIRI,MAHARASHTRA - 415605 PH :7083687172/8308917693.	1447. ARYA CARS (UNIT OF BARBATE AUTOMOTIVE (I) PVT. LTD) (ZK02-01-), PLOT NO. 10, GANESH NAGAR, MUL ROAD, GADCHIROLI , MAHARASTRA - 442702 PH :86699291188.
1419. AUTOMOTIVE MANUFACTURERS PVT. LTD. (2102-03-), C-27,MIDC, CHIKALTHANA , N/R LUPIN LABORATORIES, AURANGABAD, MAHARASHTRA - 431006 PH :9158000059.	<b>BHOR</b> 1429. SEHGAL AUTORIDERS PVT. LTD. (BSV1-01-), GUT NO. 929/1, UTTROLI, BHOR, TALUKA - BHOR, DISTRICT - PUNE, MAHARASHTRA. - 412206 PH :9527771016.	<b>CHOUK</b> 1439. SIMRAN MOTORS (SNK1-01-), SIMRAN MOTORS PVT LTD STOCKYARD , AT WAVANDAL ,SURVEY NO- 62/2A POST- CHOWK, NEAR ARUN HOTEL, MUMBAI-PUNE HIGHWAY, TALUKA - KHALAPUR, DISTRICT - RAIGAD - 410206 PH :8691988895.	<b>GADINGALAJ</b> 1448. SAI SERVICE PRIVATE LIMITED (3802-04-), 581/7B, PLOK NO-12, SANKESHWAR ROAD, OPP. HOTEL NEELKAMAL, TAL. GADINGLAIJ - 416502 PH :02327-222239.
1420. PAGARIYA AUTO PVT. LTD. (2103-05-), GAT NO. 46, PLOT NO. 50, NEAR MASTER COOK RESTAURANT (KAILASH HOTEL) BEED BYPASS ROAD, AURANGABAD, MAHARASHTRA - 431005 PH :9860999484/9860999468.	<b>BHUSAWAL</b> 1430. MANRAJ AUTO (C401-02-), NATIONAL HIGHWAY 6, NEAR KHADKA ROAD CROSSING, BHUSAWAL 425201. - 425201 PH :9422867242.	<b>DAHANU</b> 1440. SAI SERVICE PRIVATE LIMITED (V901-03-), DAHANU-JAWAHAR ROAD, DAHANU(E), TAL-DAHANU, DIST. TAHNE - 401602 PH :9730302821/9167980005/9594952211.	<b>GONDIA</b> 1449. ARYA CARS (UNIT OF BARBATE AUTOMOTIVE (I) PVT. LTD) (2004-02-), ITI ROAD,NR. FULCHUR NAKA,OPP LAXMI FLOUR MILL,GONDIA - 441601 PH :8888837023/8888859487.
1421. PAGARIYA AUTO PVT. LTD. (2103-06-), PLOT NO.A-35 MIDC, NEAR MAIN RAILWAY STATION, AURANGABAD - 431001 PH :8408886768/738279311.	<b>BOISAR</b> 1431. SHIVAM AUTO ZONE (ES02-01-), PLOT NO. J-240, MIDC ROAD, BOISAR, TARAPUR INDUSTRIAL, MUMBAI, PIN-401501, MAHARASHTRA - 401501 PH :8082551155.	<b>DAPOLI</b> 1441. JAGRUT MOTORS PVT LTD (G301-06-), AT/POST-DAPOLI, DAPOLI-KHED ROAD,DAPOLI.DIST RATANAGIRI. - 415712 PH :8308816572/7447752372.	1450. ARYA CARS (UNIT OF BARBATE AUTOMOTIVE (I) PVT. LTD) (2004-03-), NI KAWLEWADA ROAD, NEAR HIMGIRI LAYOUT, KARANJA, GONDIA, MAHARASHTRA. - 441 601 PH :8888837023/8888859487.
<b>BADLAPUR</b> 1422. PRAKASH AUTO PVT. LTD. (9001-01-), SHOP NO. 2, S. NO. 16, PLOT NO. 25 & 26, KRISHNA WATER SUPPLY, OPP. INDIAN OIL PETROL PUMP, MIDC ROAD, KATRAP, BADLAPUR (EAST) - 421503 PH :8655791288/9870453155.	<b>BRAMHAPURI</b> 1432. TRISTAR CARS PVT LTD (H302-02-), 165, NAVEGAON, NEAR VIDYANIKETAN SCHOLL, WADSA ROAD, BRAHMPURI, DIST: CHANDARPUR, MAHARASHTRA - 441206 PH :7745883000.	<b>DHAMANGAON</b> 1442. ASPA (SFZ1-01-), RAMDEVBABA NAGAR, ANJANISINGH ROAD, DHAMANGAON RAILWAY, DIST- AMRAVATI - 444709 PH :9850333558.	<b>GUHAGAR</b> 1451. JAGRUT MOTORS PVT LTD (BJV1-01-), SURVEY NO. 23A, SHRUNGALTALI, GUHAGAR-CHIPLUN ROAD, GUHAGAR, RATNAGIRI, MAHARASHTRA - 415703 PH :7218548798/7447752027.
<b>BALLARPUR</b> 1423. TRISTAR CARS (H302-04-), PLOT NO.11, BEHIND ZAWERI PETROL PUMP, NEAR GURU NANAK COLLEGE, ALLAPALLI ROAD, BAMNI, TAH. BALLARPUR - DIST. - 442701 PH :7447473304.	<b>BULDHANA</b> 1433. MANRAJ MOTORS PVT LTD (COU1-01-), GAT NO. 94, PLOT NO. 11, SUNDERKHED, BULDHANA, MAHARASHTRA - 443 001 PH :7875051521.	<b>DHULE</b> 1443. SEVA AUTOMOTIVE LTD. (P301-01-), GATE NO. 90,AWADHAN,MUMBAI AGRRA ROAD,DHULE - 424001 PH :02562-281128/29.	<b>HINGANGHAT</b> 1452. SEVA AUTOMOTIVE PVT. LTD. (CD21-01-), PLOT NO. P-1, HINGANGHAT INDUSTRIAL AREA, NH-7, AJANTI, HINGANGHAT, TALUK - HINGANGHAT, DISTRICT - WARDHA, MAHARASHTRA. - 442301 PH :7722067843.
<b>BARAMATI</b> 1424. MAHALAXMI AUTOMOTIVES PVT. LTD. (7R01-01-), BARAMATI- PHALTAN RD , KASBA, BARAMATI, DIST. PUNE - 413102 PH :9881370310.	<b>CHALISGAON</b> 1434. MANRAJ MOTORS PVT LTD (AAE1-01-), SL. NO 406, PLOT NO. 2, NEAR HOTEL RANI PARK, DHULE ROAD, CHALISGAON, DIST: JALGAON, MAHARASHTRA. - 424101 PH :8408889861.	<b>DINDORI</b> 1444. AUTOMOTIVE MANUFACTURERS PVT. LTD. (AAF1-01-), S.NO.753, NEAR PANDAV PETROL PUMP,NASIK DINDORI ROAD, TAL. DINDORI, DISTT. NASIK - 422202 PH :9673000822.	<b>HINGOLI</b> 1453. PAGARIYA AUTO PVT. LTD. (IF03-01-), PLOT NO.5,7 & 8, SURVEY NO.292, AKOLA BY PASS ROAD, HINGOLI. - 431513 PH :8411961177.
<b>BARSHI</b> 1425. CHAVAN MOTORS DIVISION INDIA PVT LTD (BBA1-01-), GAT NO.1407/1, LATUR ROAD, NEAR ESSAR PETROL PUMP, BARSHI. - 413401 PH :0217-229666/8378983726.	<b>CHANDGAD</b> 1435. SAI SERVICE PRIVATE LIMITED (BTF1-01-), GAT NO.360, G.P.M NO.157, A/P HALKARNI TALUKA CHANDGAD, DISTT. KOLHAPUR, MAHARASHTRA. - 416507 PH :9673339103.	<b>DOMBIVALI</b> 1445. AUTOMOTIVE MANUFACTURERS PVT. LTD. (3901-02-), PLOT NO. B-43, PHASE-1,DOMBIVALI INDUSTRIAL AREA, DOMBIVALI,DISTT-THANE, MAHARASHTRA. - 421201 PH :8879050913/9769206095/9769206101.	<b>HUPARI</b> 1454. SAI SERVICE PRIVATE LIMITED (CIQ1-01-), GAT NO.925/8K/2, PLOT NO.7, HUPARI TO YALGUD ROAD, HUPARI, TAL-HATKANANGALE, DISTRICT - KOLHAPUR. - 416203 PH :9923208454.
<b>BEED</b> 1426. PAGARIYA AUTO PVT. LTD. (V602-01-), GUT NO. 61, VILLAGE - GHOSAPURI, TALUKA AND DISTRICT - BEED, MAHARASHTRA. - 431122 PH :9834161614/02442256058/02442256056/02442256057.	<b>CHANDRAPUR</b> 1436. TRISTAR CARS PVT LTD (H302-01-), NR. HOTEL KUNDAN PLAZA,NAGPUR ROAD,CHANDRAPUR - 442401 PH :7722068612.	1446. FORT POINT AUTOMOTIVE (CARS) PVT. LTD. (3906-02-), SURVEY NO.13, NEAR PIMPLESHWAR TEMPLE, OPP. MAHANAGAR CNG PUMP, KALYAN-SHILPHATA ROAD, MANGAON, SONARPADA, DOMBIVLI EAST. - 421203 PH :8422800740, 8422978490.	<b>ICHALKARANJI</b> 1455. SAI SERVICE PRIVATE LIMITED (4D01-01-), GATE NO. 107,KOLHAPUR ROAD,KABNOOR,ICHALKARANJI - 416122 PH :0230-2425282.
<b>BHANDARA</b> 1427. AUTOMOTIVE MANUFACTURERS PVT. LTD. (2001-03-), JINDAL'S BLDG, NEAR NAVKAR PETROL PUMP, SAINATH NAGAR, NH-6, BHANDARA. - 441904 PH :7030932330/9673004280.	1437. TRISTAR CARS PVT LTD (H302-03-), NAGPUR ROAD, CHANDRAPUR - 442401 PH :7722068603.	<b>GADCHIROLI</b>	<b>INDAPUR</b> 1456. MAHALAXMI AUTOMOTIVES PVT. LTD. (7R01-02-), STATE HIGHWAY NO. 151, INDAPUR - 412219 PH :8308807314.



**ISLAMPUR**

1457. CHOWGULE INDUSTRIES PVT. LTD. (PJ02-01-), GATE NO.905/A/3, NEAR BOMBAY RAYAN, PUNE-BANGALORE HIGHWAY (NH-4), ISLAMPUR TALUKA - WALVA, DIST-SANGLI - 415409 PH :02342-225757.

**JALGAON**

1458. MANRAJ MOTORS PVT LTD (C401-01-), AJINTA ROAD, MIDC INDL AREA, JALGAON - 425003 PH :0257-2212120.

**JALNA**

1459. AUTOMOTIVE MANUFACTURERS PVT. LTD. (2102-02), PLOT NO. 4 & 5 , CTS NO. 11427/4-A, BALAJI COMPLEX, JALNA-AURANGABAD ROAD, JALNA, - 431203 PH :9158000063.

**JATH**

1460. CHOWGULE INDUSTRIES PVT. LTD. (J102-05-), PLOT NO. 12, SAWANT ESTATE, MORE COLONY, OPP. CATTLE BAZAR, SATARA ROAD, JATH, DISTRICT SANGLI, MAHARASHTRA - 416404 PH :02344-246598.

1461. SIDHI WHEELS (BLX1-01-), GAT NO- 27/1B, POST-RAMPUR, JATH-SANGLI ROAD, TALUKA-JATH, DISTRICT-SANGLI - 416404 PH :8956454526.

**JAYSINGPUR**

1462. SAI SERVICE PRIVATE LIMITED (ASA1-01-), GATE NO. 1239, NEAR ACHRYA TULSI BLOOD BANK, A/P UDGAON(JAYSINGHPUR), TALUKA-SHIROL, DIST. KOLHAPUR - 416134 PH :9673339762.

**JEJURI**

1463. EXCELL AUTO VISTA (SKY1-01-), GAT NO - 224, AT POST-SAKURDE, JEJURI, TALUKA-PURANDHAR, DISTRICT-PUNE, PIN-412303. - 412303 PH :9146052651.

**KALWAN**

1464. SHAAN CARS PRIVATE LIMITED (BNW1-01-), GAT NO. 189, PLOT NO. 7, MALEGAON ROAD, A/P KALWAN, NASHIK. - 423501 PH :9075028780, 9689003988.

**KALYAN**

1465. AHER AUTOPRIME LLP (CFV1-01-), SURVEY NO.53 & 54, HIND MILL, OPPOSITE STATE BANK OF INDIA, ANDHARWADI ROAD, KALYAN, MUMBAI - 421301 PH :9819705444/8657402204/9769927505.

1466. AHER AUTOPRIME LLP (CFV1-02-), SURVEY NO.31B, MOHANE ROAD, NEAR SHAHAD RAILWAY STATION, SHAHAD,KALYAN. - 421103 PH :8422871720/8657402204/9833993076.

**KAMSHET**

1467. SEHGAL AUTO (CEA1-01-), AT NAYGAON, POST KAMSHET, TALUKA MAVAL, DISTRICT PUNE, MAHARASHTRA (410405) - 410405 PH :8888881358.

**KANKAVLI**

1468. JAGRUT MOTORS PVT LTD (G301-05-), PLOT NO.32-33,SURVEY NO-1886/F1,,MUMBAI-GOIA HIGHWAY (NH-17),JANAVLI,KANKAVLI,MAHARASHTRA - 416002 PH :7499051071/9021095805.

**KARAD**

1469. CHOWGULE INDUSTRIES PVT. LTD. (F303-02-), 112/3, PUNE-BANGALORE ROAD, NEAR RELIANCE GAS PUMP, A/P MALKAPUR, TAL. KARAD, DISTT. SATARA - 415110 PH :9922569835.

**KARJAT**

1470. SIMRAN MOTORS PVT. LTD. (7S01-03-), PANVEL-KARJAT ROAD, KARJAT, DIST. RAIGAD - 410201 PH :8691988895, 8108181978.

1471. KANKARIYA AUTOMOBILES PVT. LTD. (GJV1-01-), KARJAT-NAGAR ROAD, KARJAT, MAHARASHTRA - 414402 PH :9890843771.

**KARMAD**

1472. PAGARIYA (CEB1-01-), GAT NO-245, BHAKTI COMPLEX, BEHIND BHARAT PETROL PUMP, AURANGABAD ROAD, KARMAD - 431007. - 431007 PH :7575077181 / 9687668929.

**KARMALA**

1473. CHAVAN MOTORS DIVISION INDIA PVT LTD (GJO1-01-), GAT NO. 105, SURVEY NO. 3961, KARMALA-NAGAR ROAD, A/P- KARMALA, TALUKA - KARMALA, DIST.-SOLAPUR. - 413202 PH :8806665691.

**KAVATE MAHANKAL**

1474. CHOWGULE INDUSTRIES PVT. LTD. (SC02-01-), MAHANKALI BAAZAR, KAVATE MAHANKAL-JAT ROAD, KAVATE MAHANKAL, SANGLI, MAHARASHTRA - 416405 PH :02341-222102.

**KHAMGAON**

1475. MANRAJ MOTORS PVT LTD (BXU1-01-), GAT NO 41, OLD SURVEY NO. 12/1A, NEAR AMRUT PETROL PUMP, AKOLA ROAD, KHAMGAON , MAHARASHTRA - 444303 PH :07623-250002/3.

**KHANAPUR (SANGLI)**

1476. CHOWGULE INDUSTRIES LTD (SNM1-01-), KHANAPUR VITA ROAD, KHANAPUR, TAL-KHANAPUR, DIST-SANGLI - 415307 PH :9767899653.

**KHARGHAR**

1477. EXCELL AUTOVISTA PVT LTD (AAC1-01-), SURVEY NO.742/439, KOPRA VILLAGE, SECTOR-10, SION-PANVEL HIGHWAY, KHARGHAR, DIST. RAIGAD - 410210 PH :7666703636 / 9594153308 / 8422991300 / 9320357300.

**KHED**

1478. JAGRUT MOTORS (COR1-01-), GAT NO - 43/B, MAUZA-BHARNE NAKA, TALUKA-KHED, DIST-RATNAGIRI. - 415709 PH :9689533472.

**KHOPOLI**

1479. KIRAN MOTORS (9C02-01-), PLOT NO-68, VILLAGE-MULGAON, KHOPOLI INDUSTRIAL ESTATE, KHOPOLI, TALUKA-KHALAPUR DIST-RAIGARH - 410204 PH :8976791922, 8976791920.

**KOLHAPUR**

1480. SAI SERVICE PRIVATE LIMITED (3802-01-), PLOT NO. 1, E WARD, BEHIND PARVATI TALKIES, SHIVAJI UDYAMNAGAR, KOLHAPUR - 416008 PH :0231-2681676.

1481. SAI SERVICE PRIVATE LIMITED (3803-01-), C-6, SHIROLI MIDC, MENON OPP MENON PISTONS,NH-4, KOLHAPUR - 416122 PH :0230-2489376.

1482. SAI SERVICE PRIVATE LIMITED (3802-06-), R S NO. 1018/1, PLOT NO. 28, APATE NAGAR, KALAMBA RING ROAD, KOLHAPUR, MAHARASHTRA. - 416012 PH :0231-2329494.

1483. KR MOTORS KOLKOHUR PVT LTD (3804-01-), PLOT NO. 216/2, 216/3, 216/5, NH-4, GOKUL SHIRGAON, KOLHAPUR. - 416234 PH :9850500550, 7447755504.

**KONGAON**

1484. PRAKASH AUTO PVT. LTD. (3903-02-), SURVEY NO.126/127,98/38,AT & POST KONGAON, - 421302 PH :9702809668/9870453155.

**KOPARGAON**

1485. SHAAN CARS PRIVATE LIMITED (COV1-01-), SURVEY NO. 15/36 GAWARE PATIL ESTATE, NAGAR MANMAD HIGHWAY, NEAR ASHOKA HOTEL, KOPARGAON. - 423 601 PH :9075028780.

**KOREGAON BHIMA**

1486. SAI SERVICE (BU01-01-), GAT NO-373, VILLAGE-KOREGAON BHIMA, TALUKA-SHIRUR, DIST-PUNE. - 415501 PH :7774979005.

**KUDAL**

1487. JAGRUT MOTORS PVT LTD (9B01-01-), SURVEY NO. 50/5, 51/5, A/P PINGULI, TEMBHDURI, TALUKA - KUDAL, DISTRICT - SINDHURBURG, MAHARASHTRA - 416520 PH :8806664572/8208965235.

**KUDITRE**

1488. SAI SERVICE (SRV1-01-), KUDITRE FACTORY PHATA, A/P-KOPARDE, TALUKA-KARVEER, DIST-KOLHAPUR-416205. - 416205 PH :9923208460.

**KURUDWADI**

1489. CHAVAN MOTORS DIVISION INDIA PVT LTD (CUF1-01-), GAT NO.-256, BYPASS ROAD, A/P KURDA, TALUKA-MADHA, DISTT. SOLAPUR. - 413208 PH :8806665691.

**KURUNDWAD**

1490. SAI SERVICE PVT. LTD. (BHO1-01-), GAT NO. 250, AT POST - KURUNDWAD, TALUKA - SHUROO, DIST.-KOLHAPUR. - 416106 PH :9673339695.

**LANJA**

1491. JAGRUT MOTORS (SER1-01-), GAT NO-663, TALUKA-LANJA, DIST - RATNAGIRI, MAHARASHTRA -416701 - 416701 PH :8108718346.

**LASALGAON**

1492. SHAAN CARS PRIVATE LIMITED (BZM1-01-), PLOT NO. 337, LASALGAON MAIN ROAD, LASALGAON, TALUKA - NANDGAON, DISTRICT - NASHIK. - 422306 PH :9075028780, 7720094874.

**LATUR**

1493. AUTOMOTIVE MANUFACTURERS PVT. LTD. (V801-01-), CITY SURVEY NO. 2960, NANDED ROAD, OPP. TIRUPATHI LODGE, LATUR - 413512 PH :9607999095.

1494. AUTOMOTIVE MANUFACTURERS PVT. LTD. (V801-02-), PLOT NO. 28, 29, 30, SURVEY NO. 36, VARVATTI VILLAGE, LATUR - BARSHI ROAD, LATUR - 413512 PH :9607999091/9607999092/9607999093/9607999094

**LONAVALA**

## Dealer Network (AS ON 31.10.2023)

1495. SEHGAL AUTORIDERS PVT. LTD. (CGA1-01-), GATE NO. 1201, VILLAGE – WAKSAI, TALUKA – MAVAL, LUNAWALA, DISTRICT – PUNE, MAHARASHTRA. - 410405 PH :89753 73431.	1504. SUPREME AUTOMOBILES (3915-01-), BRILLIANT COMPLEX, WESTERN EXPRESS HIGHWAY, MIRA ROAD, THANE- 401107. - 401107 PH :8591942704.	1515. FORT POINT AUTOMOTIVE (CARS) PVT. LTD. (521-02), D-9, STREET NO. 21, OPP PATNI COMPUTERS, SEEPEZ, MIDC, ANDHERI, MUMBAI - 400096 PH :9694973889, 822800747.	1525. KHANDELWAL AUTOWHEELS (SHE1-01-), SURVEY NO 38, MALUJA SONORI, NH 06, NEAR HOTEL DEVA, MURTIZAPUR, DISTRICT-AKOLA - 444107 PH :8484063274.
<b>MAHAD</b>	<b>MIRAJ</b>		<b>NAGPUR</b>
1496. SIMRAN MOTORS PVT. LTD. (7S01-04-), NEAR RELIENCE PUMP, PANVEL-GOIA ROAD, MAHAD, DIST. RAIGAD - 402301 PH :9870404323.	1505. CHOWGULE INDUSTRIES PVT. LTD. (J102-03-), 42C , OPP. WHISPERING WOODS, MIDC AREA, TALUKA MIRAJ, DIST. SANGLI, MAHARASHTRA - 416410 PH :0233-2643221,0233-264322.	1516. SHIVAM AUTO ZONE (I) PVT. LTD. (531-01-), CHARKOP INDUSTRIAL ESTATE, KANDIVALI(WEST), MUMBAI, MAHARASHTRA - 400067 PH :7718893072/9152001329/8082551017/9870938888	1526. SEVA AUTOMOTIVE LTD. (2002-01-), 34/3, KACHIMET AREA, NEAR VAYUSENA NAGAR BUS STOP, WADI, AMRAVATI ROAD, NAGPUR - 440023 PH :0712-6652863.
<b>MALEGAON</b>	<b>MORGAON</b>		1527. AUTOMOTIVE MANUFACTURERS PVT. LTD. (2001-02-), 575 KAMPTEE ROAD,NAGPUR-26, - 440026 PH :9673004226/9673004223.
1497. SHAAAN CARS PRIVATE LIMITED (3703-02-), PLOT NO. 572/81,CHANDANPURI SHIVAR,OLD MUMBAI, AGRA ROAD, DIST- NASIK,MALEGAON - 423203 PH :9922969620/9922969656.	1506. MAHALAXMI AUTO (SRN1-01-), GAT NO-179, MORGAON, - TALUKA- BARAMATI, DIST-PUNE - 412304 PH :9850994014.	1517. VITESSE PRIVATE LIMITED (503-07-), PLOT NO.A59, KANDIVALI INDUSTRIAL CO-OP. SOC., GOVERNMENT INDUSTRIAL ESTATE, CHARKOP, KANDIVALI (W), MUMBAI - 400067 PH :02228674753.	1528. SEVA AUTOMOTIVE LTD. (2002-03-), PLOT NO. 33A, CENTRAL MIDC, HIGNA ROAD, NAGPUR, MAHARASHTRA. - 440016 PH :0712-666444.
<b>MANCHAR</b>	<b>MUMBAI</b>		1529. ARYA CARS (UNIT OF BARBATE AUTOMOTIVE (I) PVT. LTD) (2004-01-), NEAR PARDY NAKA (OUTSIDE), NH-6, BHANDARA ROAD,NAGPUR - 440035 PH :8888859506/8888859534.
1498. KOTHARI AUTO WHEELS PVT LTD (CSH2-01-), SOHAM NAGARI, A-WING, SHOP NO 8 & 16, PUNE NASIK HIGHWAY, A/P MANCHAR, TALUKA: AMBEGAON, DISTT: PUNE, MAHARASHTRA - 410503 PH :841103068.	1507. SAI SERVICE PRIVATE LIMITED (504-01-), 462 SENAPATI BAPAT MARG, WORLI NAKA,LOWER PAREL,MUMBAI - 400013 PH :9594952122/9594952088/9167980082.	1518. FORT POINT AUTOMOTIVE (CARS) PVT. LTD. (521-03-), C/O VARUN STEEL INDUSTRIES,AAM TOOL COMPOUND,BOAT HURT ROAD, BEHIND SEWARI POLICE STATION, DARUKHANA, REAY ROAD, MUMBAI - 400010 PH :9594974678, 8691045341.	1530. AUTOMOTIVE MANUFACTURERS PVT. LTD. (2001-05-), PLOT NO. 38/1, NEAR BOUDDHA VIHAR, OPP. DELHI PUBLIC SCHOOL, KAMPTEE ROAD, NAGPUR, MAHARASHTRA - 441001 PH :9168699701/9673004277.
<b>MANGALVEDHA</b>		1519. SHIVAM AUTO ZONE (I) PVT. LTD. (531-02-), PLOT NO. 485, RAMCHANDRA LANE EXTN., OFF LINK ROAD, KANCHPADA, MALAD-WEST, MUMBAI, 400064. - 400064 PH :8082551115/9362721124/9870938888.	1531. ARYA CARS (UNIT OF BARBATE AUTOMOTIVE (I) PVT. LTD) (2007-01-), PLOT NO. 4, NEW COTTON MARKET, GHAT ROAD, NAGPUR, MAHARASHTRA - 440018 PH :8888859542.
1499. CHAVAN MOTORS (SOR1-01-), NEAR SWARAJYA HOTEL, PANDHARPUR ROAD, CHOKAMELANAGAR, MANGALVEDHA, MAHARASHTRA, PIN-413305 - 413305 PH :8905778881.	1508. SAI SERVICE PRIVATE LIMITED (504-02-), ARVIND CHAMBERS,194 ANDHERI KURLA ROAD, ANDHERI(EAST), MUMBAI - 400069 PH :43030606 /600, 95949552341 / 9594952084 / 9594952250.	1520. VELOX MOTORS (A UNIT OF CARCRAFT AUTOMOBILES PVT LTD) (05A3-01-), PLOT NO.115/116/117 MIVERVA INDUSTRIAL ESTATE, MULUND-WEST, MUMBAI - 400080 PH :810489839/8104989847.	1532. ARYA CARS (UNIT OF BARBATE AUTOMOTIVE (I) PVT. LTD) (2007-02-), PLOT NO. 131, NH-6, BHANDARA ROAD, MAHALGAON, NAGPUR, MAHARASHTRA. - 441202 PH :8888820312.
<b>MANGAON</b>		1521. KIRAN MOTORS (05A7-01-), CTS NO. 170 & 4081, BOMBAY AGRA ROAD, LB SHASTRI MARG, GHATKOPAR (WEST), MUMBAI, MAHARASHTRA, PINCODE: 400086. - 400086 PH :9152004223/7700988886.	1533. SEVA AUTOMOTIVE PVT. LTD. (2002-04-), PLOT NO.05, 12, 13A, 13B CHANDRABHAGA GRUHA NIRMAN SHAKARI LIMITED, KH NO.45/3, CITY SURVEY NO.570, MANEWADA RING ROAD, NAGPUR, MAHARASHTRA - 440027 PH :8390446644.
1500. SIMRAN MOTORS PVT. LTD. (BAM1-01-), SURVEY NO.97, AT-POST-NANORE, NH-17, MUMBAI-GOIA HIGHWAY, MANGAON, RAIGAD, MAHARASHTRA. - 402104 PH :9223181120.	1509. VITESSE PRIVATE LIMITED (503-01-), SHAH INDL.ESTATE, PLOT 11 LINK ROAD, ANDHERI (WEST), MUMBAI - 400058 PH :02226730787/02226730280/02226730296/02261642500/02261642500.	1522. MY CAR (PUNE) PVT LTD (05A8-01-), PLOT NO-10, CHANDIVALI ESTATE, CHANDIVALI FARM ROAD, OPP LAKE HOMES, ANDHERI EAST, MUMBAI, MAHARASHTRA - 400072 PH :8104907081.	1534. ARUN MOTORS (2008-01-), PLOT NO-9&10, PATNI PLAZA, KHAMLA RING ROAD, SAWARKAR NAGAR, NAGPUR, MAHARASHTRA - 440025 PH :7757988800/7028688800.
<b>MANMAD</b>		1523. PRAKASH AUTO PVT. LTD. (BYO1-01-), SURVEY NO. 61/2, KALYAN - MURBAD ROAD, VILLAGE – DAHAGAON, TALUKA – MURBAD, DISTRICT – THANE, MAHARASHTRA. - 421605 PH :7798725726.	1535. ARUN MOTORS (2008-02-), C-48/1, MIDC HINGNA MAIN ROAD, WADI, NAGPUR, PIN-440028, MAHARASHTRA - 440028 PH :7757988800.
1501. SHAAAN CARS PRIVATE LIMITED (BNX1-01-), GAT NO. 11/3, PLOT NO. 1 AND SHOP NO. 3 & 4, NANDGAON ROAD, MANMAD. - 423104 PH :9075028780, 8888832369.	1510. VITESSE PRIVATE LIMITED (503-02-), 77 AF PALKY GULLY,OFF VEER SAVARKAR MARG, PRABHADEVI, MUMBAI - 400025 PH :24229747/2422393/9821894915.	<b>MURBAD</b>	<b>NALASOPARA</b>
<b>MANOR</b>	1511. SAH & SANGHI AUTO AGENCIES PVT LTD (505-01-), PRAKASH MILLS COMPOUND OFF. GLOBE MILLS PASSAGE,WORLI,MUMBAI - 400013 PH :02224925452/02224925453/02224925454.	1524. SAI SERVICE PRIVATE LIMITED (AWA1-01-), R.S. NO. 188/4, A/P MURGUD, TALUKA: KAGAL, DIST: KOLHAPUR - 416219 PH :02325-265553.	
1502. SAI SERVICE PRIVATE LIMITED (CRE1-01-), GUT NO. 37, NEAR MISEB POWER STATION, PALGHAR MANOR ROAD, AT POST – TAKVAHAL, DISTRICT – PALGHAR, MANOR. - 401403 PH :9167980005.	1512. SAI SERVICE PRIVATE LIMITED (504-04-), C/O SHAKTI INDUSTRIAL WIRE COMPOUND,DATTA PADA ROAD,BORIVILI (EAST),MUMBAI - 400066 PH :28707000 / 9594057006 / 9594952344 / 9594952417.	<b>MURTIZAPUR</b>	
<b>MAYANI</b>	1513. EXCELL AUTOVISTA PVT LTD (510-01-), RESHAM SINGH COMPOUND,CST ROAD,KALINA, SANTACRUZ EAST,MUMBAI - 400098 PH :67743888,26653242, 43, 46 / 7666703636 / 9594972889 / 7715804477.		
1503. CHOWGULE INDUSTRIES (STQ1-01-), GAT NO - 2101/1, 560/1, MAYANI VADJU ROAD, A/P- MAYANI, TAL-KHATAV, DIST-SATARA-415102. - 415102 PH :8888866659.	1514. AUTOMOTIVE MANUFACTURERS PVT. LTD. (3901-04-), PLOT NO. 108, BAZAR WARD, KURLA(WEST), MUMBAI - 400070 PH :61563734 / 61563744 / 61563713 /9167773925.		
<b>MIRA ROAD, THANE</b>			

1536. SHIVAM AUTO (CUH1-01), SURVEY NO. 91.92 , PLOT NO. 7, VILLAGE, DHANIV, NALASOPARA, DIST. PALGHAR, MAHARASHTRA - 401209 PH :9152001458/7777002930.

**NANDED**

1537. SEVA AUTOMOTIVE LTD. (6801-01-), NANDED HYDERABAD ROAD, NANDED - 431604 PH :7447415607.

**NANDURBAR**

1538. SEVA AUTOMOTIVE LTD. (P301-02-), P.NO.-324, BASILAL NAGAR SHAHADDA BYPASS ROAD, NEAR HOTEL KAREN GARDEN, CHAUFULLY NANDURBAR-425412 - 425412 PH :7720017528.

**NARAYANGAON**

1539. KOTHARI AUTO WHEELS PVT LTD (FV03-01-), GATE NO. 747, PUNE NASIK HIGHWAY, WARULWADI, NARAYANGAON - 410504 PH :8411003608.

**NASHIK**

1540. AUTOMOTIVE MANUFACTURERS PVT. LTD. (3702-01-), P-1-12, ADDITIONAL NASIK INDL. AREA, AMBAD, NASIK - 422010 PH :0253-6636329/ 319/312/313/314/317.

1541. SEVA AUTOMOTIVE LTD. (3701-01-), PLOT NO. X - 46, MIDC, AMBAD, NASIK - 422010 PH :0253-6644444.

1542. SHAAAN CARS PRIVATE LIMITED (3703-01-), E-3 MIDC AREA, SATPUR , NASIK, MAHARASHTRA - 422007 PH :9075028780, 9922969646.

1543. SHAAAN CARS PRIVATE LIMITED (3703-04-), 03/810, NEAR NASARDI BRIDGE, WADALA ROAD, NASIK ROAD, NASIK - 422011 PH :0253-2236080.

1544. SEVA AUTOMOTIVE LTD. (3701-06-), SEVA FARMS, GATE NO. 82/2, AMBE BAHULA ROAD, VILHOLI, TALUKA & DISTRICT: NASIK, MAHARASHTRA - 422010 PH :9146000709.

1545. SEVA AUTOMOTIVE PVT LTD (3701-07-), PLOT NO.A-23, NICE INDUSTRIAL AREA, MIDC, SATPUR, NASIK (MAHARASHTRA) - 422006 PH :0253-6634444.

1546. SEVA AUTOMOTIVES PVT LTD (3701-08-), SHOP NO. 1 & 2, SER. NO. 241/1-B-1/2, OPPOSITE NMC SCHOOL, DINDORI ROAD, MAHSRUL, NASHIK, MAHARASHTRA - 422004 PH :0253-6654444.

**NAVI MUMBAI**

1547. AUTOMOTIVE MANUFACTURERS PVT. LTD. (3901-01-), D-234 MIDC TTC INDL AREA, SHIRIVANE NERUL, NEW BOMBAY, - 400706 PH :66143900/66133923/66143924.

1548. SIMRAN MOTORS PVT. LTD. (3913-01-), CAMEO FABRIC COMPANY, GEN 16, NEAR SULZER COMPANY, DIGHA, TTC AREA, AIROLI - 400701 PH :8788582329, 8369658212.

**NEVASA**

1549. KANKARIYA AUTOMOBILES PVT. LTD. (BSU1-01-), BELOW ADARSH GRAMIN BANK, OPP. ILAKSHI MOTORS, NEVASA PHATA, AURANGABAD ROAD, TALUKA - NEVASA, DISTRICT - AHMEDNAGAR. - 414603 PH :9420494601.

**NIPHAD**

1550. SHAAAN CARS PVT. LTD. (COX1-01-), GAT NO. 99/3, RASALPUR AURANGABAD HIGHWAY, NIPHAD, DISTRICT - NASHIK, MAHARASHTRA. - 422303 PH :9075028780.

**OSMANABAD**

1551. CHAVAN MOTORS DIVISION INDIA PVT LTD (B102-03-), PLOT NO. A-53, INDUSTRIAL AREA, MIDC, OSMANABAD - 413501 PH :8888867861.

**OTUR**

1552. KOTHARI AUTO WHEELS PVT LTD (SLG2-01-), GAT NO-184/3/B, ALEPHATA-KALYAN ROAD, OPP HP PETROL PUMP, VILLAGE-OTUR, TALUKA- JUNNAR, DIST-PUNE - 412409 PH :8411003608.

**PABAL**

1553. MAHALAXMI (SKB1-01-), 3733, SHINALKAR WASTI, PABAL, TALUK SHIRUR, PUNE, PIN 412403 - 412403 PH :8956288087.

**PAITHAN**

1554. PAGARIYA AUTO PVT. LTD. (BNQ1-01-), GAT NO-277, MALUZA- PAITHAN, TALUKA- PAITHAN, DIST - AURANGABAD 431107. - 431107 PH :9922994237.

**PALGHAR**

1555. SAI SERVICE PRIVATE LIMITED (TE01-01-), SURVEY NO. 86/1, TEMBHODE, MANOR-MAHIH ROAD, PALGHAR, DISTRICT: THANE - 401404 PH :9167980042/9167980005/9594952211.

**PALUS**

1556. CHOWGULE INDUSTRIES PVT. LTD. (J102-04-), PLOT NO.B-3, MIDC AREA, TALUKA PALUS, DISTT. SANGLI. - 416308 PH :8888870122.

**PANDHARPUR**

1557. CHAVAN MOTORS DIVISION INDIA PVT LTD (B102-05-), GAT NO.56, ESABAVI, PUNE ROAD, TAL-PANDERPUR, SOLAPUR - 413001 PH :7774997005.

**PANVEL**

1558. SIMRAN MOTORS PVT. LTD. (7S01-01-), PLOT2-8,SECTOR-15, OPP. HOTEL GARDEN,OLD MUMBAI PUNE HIGHWAY ,PANVEL - 412026 PH :8291957798, 8657443202.

1559. AUTOMOTIVE MANUFACTURERS PVT. LTD. (3901-03-), PLOT NO:92/1, VILLAGE KOLAKHA, MUMBAI-GOA HIGHWAY , PANVEL, DISTT. RAIGAD - 412026 PH :9769202055/9769206045/9769206018/8291467042

**PARATWADA**

1560. ASPA BANDSONS AUTO PVT. LTD. (CFZ1-01-), SURVEY NO. 26/4A, RAMGAON, AMRAVATI PARATWADA ROAD, NEAR JAWARDI PHATA, PARATWADA TALUKA - ACHALPUR, DISTRICT - AMRAVATI. - 444 805 PH :8888897629.

**PARBHANI**

1561. PAGARIYA AUTO PVT. LTD. (LN02-01-), SURVEY NO-301, PLOT NO-86/A, OPP GULMOHAR LODGE, BASMAT ROAD, PARBHANI - 431401 PH :9511868433.

**PATAS**

1562. MAHALAXMI AUTOMOTIVES PVT. LTD. (TR01-03-), PUNE-SOLAPUR HIGHWAY, PATAS, TALUKA DAUND DISTT.-PUNE - 413106 PH :8888890957.

**PEN**

1563. SIMRAN MOTORS (9I01-01-), AT SURVEY NO 75, PLOT NO 2, MUMBAI-GOA HIGHWAY, WADHKAL (PEN) - 402107 PH :9503381198.

**PHALTAN**

1564. CHOWGULE INDUSTRIES PVT. LTD. (KH02-01-), PLOT NO.83/1B/1, LONAND-PUNE ROAD, PHRANANDWADI, TALUKA-PHALTAN, DISTRICT: SATARA, MAHARASHTRA. - 415523 PH :8888886301.

**PIMPLEGAON**

1565. AUTOMOTIVE MANUFACTURERS PVT. LTD. (BAY1-01-), GAT NO.517/P NEAR MARKET COMMITTEE, MUMBAI AGRA HIGHWAY, NH3 A/P PIMPLEGAON BASWANT, TALUKA: NIPHAD, DIST-NASHIK - 422202 PH :02550-252808.

**PIRANGUT**

1566. MY CAR (SEC1-01-), GAT NO-314, AT VILLAGE-KASAR AMBOLI, PIRANGUT, TALUKA -AMBOLI, DIST-PUNE, PIN-412108. - 412108 PH :9325424613.

**PUNE**

1567. SAI SERVICE PRIVATE LIMITED (1901-01-), BOMBAY PUNE ROAD, FUGEWADI, PUNE - 411012 PH :020-4604440/020-4640448.

1568. SAI SERVICE PRIVATE LIMITED (1901-02-), 889/90 J.M.ROAD, DECCAN GYMKHANA, PUNE - 411004 PH :9923208347.

1569. CHOWGULE INDUSTRIES PVT. LTD. (1908-02-), S.NO. 53,PUNE SATARA HIGHWAY,KATRAJ,PUNE - 411046 PH :020-66786200.

1570. SAI SERVICE PRIVATE LIMITED (1901-03-), S.NO.15A GIDWANI COMPOUND, KONDDWA BUDRUK, HAVELI, PUNE - 411046 PH :9923208345.

1571. WONDER CARS PVT LTD (1903-02-), 12, NPS LINES,SOLAPUR ROAD ,OLD POOL GATE,CAMP ,PUNE - 411001 PH :020-26332934/35.

1572. KOTHARI AUTO WHEELS PVT LTD (1984-01-), 110/A, PUNE SOLAPUR ROAD, NEAR FATIMA NAGAR, PUNE - 411039 PH :7498272309.

1573. MY CAR (PUNE) PVT. LTD. (1907-01-), SURVEY NO. 131, MUMBAI BANGALORE HIGHWAY, WAKAD, PUNE - 411057 PH :020-6792900.

1574. ACE KUDALE CAR PVT. LTD. (1910-01-), 36/2C/1, MANRAJ BUDRUK, PUNE-SOLHAPUR ROAD, TALUKA HAVELI, DISTRICT PUNE - 412201 PH :855262454.

1575. CHOWGULE INDUSTRIES PVT. LTD. (1911-01-), S.NO.1, NEXT TO PODAR INTERNATIONAL SCHOOL, KATRAJ BYPASS ROAD, AMBEGAON-B, TALUKA-HAVELI, PUNE - 411046 PH :02066803555/02066803500.

1576. SAI SERVICE PRIVATE LIMITED (1901-05-), NEAR NIGDI-BHOSARI ROAD, CHINCHWAD, PUNE - 411019 PH :020-46605999/020-46605995.

1577. MENHAI AUTORIDERS PVT. LTD. (1913-01-), SURVEY NO. 51, BAVDHAN KHRUD, TAL: HAVELI, DIST: PUNE - 411021 PH :8308304444, 020-41463625, 020-41463627.

1578. SAI SERVICE PRIVATE LIMITED (1901-06-), SURVEY NO.244/1, PHASE-II, NEAR BANK OF MAHARASHTRA, HINGEWADI, TAL - MULSHI, DISTRICT-PUNE,MAHARASHTRA - 411057 PH :9923208302.

1579. ACE KUDALE CAR PVT. LTD. (1910-02-), ATLAS TANKS VESSELS, SR. NO 23/22, PUNE-NASIK ROAD, KHANDOABAMAL, BHOSARI, PUNE, - 411039 PH :9552193904.

1580. KOTHARI AUTO WHEELS PVT LTD (1984-03-), PLOT NO. 2B, D1 BLOCK, CHINCHWAD, PUNE, DIST. PUNE - 411019 PH :9168662302.

## Dealer Network (AS ON 31.10.2023)

1581. MAHALAXMI AUTOMOTIVES PVT. LTD. (1912-03-1), 59/A, MUNDHWA KHARADI ROAD, OPP. MUNDHWA POLICE STATION, MUNDHWA, PUNE, MAHARASHTRA - 411036 PH :8888874980.	1592. SUMANKIRTI CARS PVT. LTD. (1915-02-), SURVEY NO. 9, NEAR BALEWADI SPORTS STADIUM MUMBAI-BANGALORE HIGHWAYS, MAHALUNGE PUNE, MAHARASHTRA. - 411045 PH :8551990106.	<b>ROHA</b> 1602. EXCELL AUTOVISTA (COS1-01-), SHOP NO. 1 & 2, PANCHARATNA APARTMENTS, ROHA, ROHA KOLAD ROAD, RAIGAD - 402109 PH :9209200073.	1611. JAGRUT MOTORS PVT LTD (BBL1-01-), SHIVSHAMBHO APARTMENT, 1190, A/P KOLGAON, SURVEY NO.187, HISSA NO.33B, TAL-SAWANTWADI, DISTT. SINDHUDURG. - 416510 PH :9970654699, 9689533472.
1582. WONDER CARS PVT LTD (1903-03-), PLOT NO.52/1 BLOCK F2, MIDC, PIMPRI, PUNE. - 411018 PH :020-46608888.	1593. MY CAR (PUNE) PVT. LTD. (1918-01-), GAT NO. 625, HISSA NO. 1/3/1, VILLAGE - KURULLI, TALUKA - KHED, CHAKAN, DISTRICT - PUNE. - 410501 PH :7755900000.	<b>SANGAMNER</b> 1603. SHAAN CARS PRIVATE LIMITED (HE03-01-), GAT NO. 1734/5/6, A/P VELHALE, NASHIK PUNE HIGHWAY, SANGAMNER, DIST AHMEDNAGAR, MAHARASHTRA - 422605 PH :02425-259197.	<b>SHAHAPUR</b> 1612. SHIVAM AUTO ZONE (I) PVT. LTD. (BZU1-01-), DR. DESHPANDE COMPOUND, NEAR BHATSA COLONY, VILLAGE - GOTHEGHAR, TALUKA - SHAHPUR, DISTRICT - THANE, MAHARASHTRA - 421601 PH :7718893483.
1583. SAI SERVICE PRIVATE LIMITED (1901-07-), 4/A/1A, 1/3 A, SALUNKE VIHAR ROAD, BORADE NAGAR, KONDWA, PUNE, MAHARASHTRA. - 411048 PH :9923208358.	1594. WONDER CARS PVT LTD (1903-04-), SURVEY NO. 20, HISSA NO. 1/1/2, THERGAON, BAL KRISHNA MANGAL KARYALAYA, TALUKA - MULSHI, DANGE CHOWK, PUNE - 411 033. - 411033 PH :7887883311.	<b>SANGLI</b> 1604. CHOWGULE INDUSTRIES PVT. LTD. (J102-01-), GAT NO.243 SANGLI KOLHAPUR ROAD, OPP. TO GAJANAN MAHARAJ MANDIR, ANKALI, TAL-SANGLI, DISTT. SANGLI - 416416 PH :9850966805.	<b>SHAHUWADI</b> 1613. SAI SERVICE (BFT1-01-), GATE NO. 1213, R/AT DONOLI, TALUKA - SHAHUWADI, DIST. -KOLHAPUR - 416 213 PH :9923208448.
1584. MAHALAXMI AUTOMOTIVES PVT. LTD. (1912-04-), NO.485/1, CTS NO.1041, OM SUPER MARKET, GHOKALE CROSS ROAD, MODEL COLONY, SHIVAJI NAGAR, PUNE - 411016 PH :8888842887.	<b>PUNE (LOHEGAON)</b> 1595. MAHALAXMI AUTO (1912-05-), LANE NO 9, SAANT NAGAR, BEHIND IOCL PETROL PUMP, LOHEGAON, PUNE, MAHARASHTRA-411047 - 411047 PH :8956045026.	1605. SIDDIHI WHEELS (J104-01-), SR NO. 9177/2/B, SANGLI MIRAJ ROAD, MIRAJ, DISTRICT - SANGLI. - 416410 PH :9371727001, 0233-2211610/1620/1630.	<b>SHILTPATA</b> 1614. VELOX MOTORS (SGJ1-01-), SURVEY NO- 99/2B, VILLAGE-DAIGHAR, KALYAN SHIL-PHATA ROAD, NEAR DATTA MANDIR, POST-PADALE, DIST-THANE, PIN-421204. - 421204 PH :8419984188.
1585. CHOWGULE INDUSTRIES PVT. LTD. (1908-05-), 129/2B/1, NEW PUNE MUMBAI HIGHWAY, KATRAJ DEHU ROAD BYPASS, TATHWADE, TAL-MULASHI, DISTT. PUNE (MAHARASHTRA) - 411033 PH :020-67915700.	<b>RAHATA</b> 1596. KANKARIYA AUTOMOBILES PVT. LTD. (ZV03-01-), SHIRDI ROAD, SAKORI, RAHATA, - 423107 PH :8275033313.	<b>SANGOLA</b> 1606. CHAVAN MOTORS DIVISION INDIA PVT LTD (CUE1-01-), GAT NO. 276/14/A, MAIN ROAD, KOLHAPUR HIGHWAY, A/P & TALUKA - SANGOLA, DIST -SOLAPUR. - 413307 PH :8806665691.	<b>SHIRUR</b> 1615. MAHALAXMI AUTOMOTIVES PVT. LTD. (1912-02-), 1023/1, NEXT INDIAN OIL PETROL PUMP, SARADWADI, PUNE-AHMEDNAGAR HIGHWAY, TAL. SJURUR, DIST: PUNE, MAHARASHTRA - 412210 PH :8888837082 /9011038682.
1586. SAI SERVICE PRIVATE LIMITED (1901-08-), SURVEY NO. 37, HISSA NO. 2, SITUATED AT WADGAON KHURD, NEAR NANDED CITY, SINHGAD ROAD, TALUKA - HAVELI, DISTRICT - PUNE, MAHARASHTRA. - 411 041 PH :9923208312.	<b>RAHURI</b> 1597. KANKARIYA AUTOMOBILES PVT. LTD. (COZ1-01-), TRIMURTI CRANE SERVICE, NAGAR-MANMAD ROAD, RAHURI, MAHARASHTRA. - 413705 PH :9420036767.	<b>SASWAD</b> 1607. CHOWGULE INDUSTRIES PVT. LTD. (1908-03-), SOLAPUR HIGHWAY, SASWAD, DIST. PUNE - 412301 PH :02115224450/02115225210.	<b>SHIRWAL</b> 1616. CHOWGULE INDUSTRIES PVT. LTD. (BSD1-01-), GAT NO.175, A/P SHINDEWADI, SHIRWAL-BHOR ROAD, SHIRWAL, TAL KHANDALA, DISTT. SATARA - 412801 PH :9637399003.
1587. KOTHARI AUTO WHEELS PVT LTD (1984-05-), PLOT NO. 24/B, HADAPSAR INDUSTRIAL ESTATE, PUNE. - 411028 PH :8411002005, 8087060432.	<b>RAJAPUR</b> 1598. JAGRUT MOTORS PVT LTD (AHA1-01-), SURVEY NO. 14/8, TARALWADI, RAJAPUR, DIST: RATNAGIRI - 416702 PH :9527623963/8806665572.	<b>SATANA</b> 1608. SHAAN CARS (BSW1-01-), GAT NO 322/2/A/7, PUNDLIK NAGAR MALEGAON ROAD, AT POST SATANA DIST NASHIK - 423301 - 423301 PH :9922969656.	<b>SHRIRAMPUR</b> 1617. KANKARIYA AUTOMOBILES PVT. LTD. (LV03-01-), S.NO.139/1/3, NEAR NAKA NO.4, SANGAMNER ROAD, SHRIRAMPUR DIST. AHMEDNAGAR - 413709 PH :9420494543.
1588. CHOWGULE INDUSTRIES PVT. LTD. (1908-06-), SR. NO. -4334/5, 7 PARVATI INDUSTRIAL ESTATE, OPP. ADINATH SOCIETY, PUNE-SATARA ROAD, PUNE. - 411009 PH :020-67273200.	<b>RAJGURUNAGAR</b> 1599. MY CAR (PUNE) PVT. LTD. (CBZ1-01-), SURVEY NO.84, SANDBHORWADI, NEAR TUKAI MANDIR, PUNE-NASIK HIGHWAY, TAL-KHED, RAJGURUNAGAR DISTT. PUNE. - 410505 PH :9112231553.	<b>SATARA</b> 1609. CHOWGULE INDUSTRIES PVT. LTD. (F303-01-), PLOT NO. B-2, OLD MIDC, SATARA - 415002 PH :9011015066/9850966823.	<b>SIKRAPUR</b> 1618. EXCELL AUTOVISTA PVT LTD (GKJ1-01-), AT POST SHIKRAPUR MALTHAN PHATA, OPP. CHAURASIYA CHANA CENTER, PUNE NAGAR ROAD, TALUKA SHIRUR, DIST. PUNE, PIN-412208, PUNE - 412208 PH :9146194973.
1589. EXCELL AUTOVISTA PVT LTD (1917-01-), GATE NO.1232, 10TH MALL, PUNE SASWAD ROAD, VILLAGE - WADKI, TAL - HAVELI, DIST PUNE. - 412308 PH :9594632888/9146052651.	<b>RAMTEK</b> 1600. SEVA AUTO (BTU1-01-), MOUZA NO 275, P H NO 24, GRAM PANCHAYAT - MANSAR,TEHSIL - RAMTEK, DISTRICT - NAGPUR, MAHARASHTRA. - 441401 PH :7758028060.	<b>SAVNER</b> 1610. ARYA CARS (UNIT OF BARBATE AUTOMOTIVE (I) PVT. LTD) (BTJ1-01-), PLOT NO.2, MADANE LAYOUT, MOUZA GUJARKHEDI, NR. INDIAN PETROL PUMP, NAGPUR ROAD, SAVNER DISTT. NAGPUR. - 441107 PH :8888859546.	<b>SILLOD</b> 1619. PAGARIYA AUTO PVT. LTD. (2103-04-), PLOT NO. 19/20, SURVEY NO. 386, AURANGABAD NAKA, SILLOD, AURANGABAD - 431112 PH :8600037213.
1590. KOTHARI AUTO WHEELS PVT LTD (1984-06-), SURVEY NO.46, HISSA 9/1 (CITY SURVEY NO.6181+6180), WADGAON SHERI, CHANDAN NAGAR, PUNE NAGAR ROAD, TAL-HAVELI, PUNE. - 411014 PH :8411003631.	<b>RATNAGIRI</b> 1601. JAGRUT MOTORS PVT LTD (G301-01-), D-25, MIDC MIRJOLE, MAHARASHTRA, RATNAGIRI - 415639 PH :2352228380/9130013172.		
1591. ACE KUDALE CAR PVT. LTD. (1910-03-), SURVEY NO. 272, 1/4, NEAR MOSHI TOLL PLAZA, MOSHI GAON, TALUKA - HAVELI, DISTRICT - PUNE. - 412105 PH :7767814381.			

<p><b>SINNAR</b> 1620. SHAAAN CARS PRIVATE LIMITED (3703-03-), A-24, MIDC AREA MALEGAON, SINNAR TAL- SINNAR,, - 422103 PH :02551-230305.</p>	<p>1630. VELOX MOTORS (A UNIT OF CARCRAFT AUTOMOBILES PVT LTD) (05A3-02-), NEW SURVEY NO. 17/1/B, NEAR BLUE ROOF CLUB, VILLAGE - OWALE, GHODBUNDER ROAD, THANE (W) - 400615 PH :8104989847,96536 88455.</p>	<p><b>VASHI</b> 1640. MY CAR (PUNE) PVT. LTD. (05A4-01-), A-751/2, MIDC TTD, TURBHE MAHAPE ROAD, PAWANE, NAVI MUMBAI - - 400 071 PH :8104906953, 9372002861, 9326713481.</p>	<p>1650. SEVA AUTOMOTIVE PVT. LTD. (2002-05-), PLOT NO. 177, WARDHA-NAGPUR HIGHWAY, AT. PAVNAR, THANE - WARDHA, DIST - WARDH, PH-4422111, MAHARASHTRA - 442111 PH :7720009444.</p>
<p><b>SOLAPUR</b> 1621. CHAVAN MOTORS DIVISION INDIA PVT LTD (B102-02-), 150, AKALKOT ROAD OPP. SVCS HIGH SCHOOL, SOLAPUR, - 413006 PH :0217-2606668/8805986818. 1622. CHAVAN MOTORS DIVISION INDIA PVT LTD (B102-01-), 18.39, INDUSTRIAL ESTATE, HOTAGI ROAD, SOLAPUR, - 413224 PH :8805778881. 1623. CHAVAN MOTORS DIVISION INDIA PVT LTD (B102-06-), PLOT NO.95, IND. ESTATE, HOTAGI ROAD, SOLAPUR, - 413003 PH :8805986826.</p>	<p><b>TITWALA</b> 1631. AHER AUTOPRIME (BYP2-01-), SURVEY NO. 23/2, SHOP NO. 3, NEAR GOVELI, TITWALA ROAD, GHOTSAI, TITWALA, PIN-421301, MAHARASHTRA - 421301 PH :18008334369.</p>	<p><b>VELHE</b> 1641. SUMANKIRTI CARS (SLO1-01-), MAUZA NO-492/2, A/P-VELHA, TAL-VELHA, DIST-PUNE-412212 - 412212 PH :8554981603/8550995444.</p>	<p><b>WARUD</b> 1651. ASPA BANDSONS AUTO PVT. LTD. (F201-04-), SURVEY NO. 50/3, SETURJANAGATH ROAD, TALUKA: WARUD, DIST. AMRAWATI - 444906 PH :7248925887.</p>
<p><b>TALASARI</b> 1624. SHIVAM AUTO ZONE (I) PVT. LTD. (BIN1-01-), SURVEY NO. 19/1/F PLOT NO. 5, AT-POST – VADAVALI, NH-8, TALASARI, THANE, MAHARASHTRA - 401606 PH :6355248143/777002930.</p>	<p><b>TUMSAR</b> 1632. AML (SLV1-01-), GAT NOS. 1350/149 &amp; 1350/150, VILLAGE TUMSAR, TQ TUMSAR, DIST - BHANDARA, STATE-MAHARASHTRA - 441912 PH :7391075992.</p>	<p><b>VIKRAMGADH</b> 1642. SHIVAM AUTOZONE (SKV1-01-), NEAR GOVERNMENT DISPENSARY HOSPITAL, DAHANU ROAD, TEHSIL-VIKRAMGADH, DIST-PALGHAR-401605 - 401605 PH :8082551080.</p>	<p><b>WASHIM</b> 1652. ASPA BANDSONS AUTO PVT. LTD. (F201-02-), NEAR RAILWAY CROSSING,HIGOLI ROAD,WASHIM, - 444505 PH :9922500981/ 9146191534.</p>
<p><b>TALEGAON</b> 1625. MY CAR (PUNE) PVT. LTD. (4K01-01-), SR.NO.113, HISSA NO.1/32/A, MUMBAI PUNE OLD HIGHWAY, MAVAL, TALEGAON - 410506 PH :9730955855.</p>	<p><b>TURBHE</b> 1633. SAI SERVICE (504-06-), D.42, TTC INDUSTRIAL AREA, NAVI MUMBAI, PIN-400705 - 400705 PH :022-26861111/ 8976999060.</p>	<p><b>VIRAR</b> 1643. SAI SERVICE PRIVATE LIMITED (V901-02-), SURVEY NO.16, AGASHI ROAD, PADMAN NAGAR, VIRAR-WEST, DISTT. PALGHAR - 401301 PH :9594952343/9167980036/9594952211.</p>	<p><b>YAVATMAL</b> 1653. HIMALAYA CARS (4M01-01-), OPPOSITE RAUT PETROL PUMP, DARWHA ROAD, YAVATMAL, MAHARASHTRA - 445001 PH :07232-249991.</p>
<p><b>TALOJA</b> 1626. EXCELL AUTOVISTA PVT LTD (AAC1-02-), PLOT NO-9,MIDC,NAVADE,TALOJA, TAL-PANVEL ,DIST-RAIGAD - 410208 PH :9136948195/9320357300.</p>	<p><b>ULHASNAGAR</b> 1634. PRAKASH AUTO PVT. LTD. (3903-01-), U NO-3,SHEET NO. 30,VITHALWADI STATION ROAD, ULHASNAGAR - 421003 PH :9987992127/9870453155.</p>	<p><b>VITA</b> 1644. CHOWGULE INDUSTRIES PVT. LTD. (BSE1-01-), S NO. 900, HISSA NO. 1.2.3/1/2, SANGLI VITA ROAD, VITA, TALUKA – KHANAPUR, DISTRICT – SANGLI, MAHARASHTRA - 415311 PH :8888870120.</p>	<p><b>YEOLA</b> 1654. SEVA AUTOMOTIVES PVT LTD (BST1-01-), GAT NO. 65-A, PLOT NO. 41, AHMED NAGAR-MANMAD ROAD, NEAR TEHSIL OFFICE, YEOLA, TALUKA – YEOLA, DISTRICT – NASHIK, MAHARASHTRA. - 423401 PH :9130033944.</p>
<p><b>TASGAON</b> 1627. SIDDHI WHEELS (A UNIT OF TARALEKAR MOTORS PVT. LTD.) (GKB1-01-), SHETKARI MARKET, NEAR ISHA HOTEL, TASGAON-SANGLI ROAD, TALUKA - TASGAON, DIST.-SANGLI. - 416312 PH :8275030748.</p>	<p><b>URALI KANCHAN</b> 1635. EXCELL AUTOVISTA PVT LTD (GK1-01-), GAT NO-244, VILLAGE-SORTAPWADI, TALUKA -HAVELI, URULI KANCHAN, DIST-PUNE, PIN-412201 - 412201 PH :8097452280.</p>	<p><b>WAGHOLI</b> 1645. SAI SERVICE PRIVATE LIMITED (1901-04-), GAT NO 2406/1440, VILLAGE- WAGHOLI,TAL- HAVELI, DIST- PUNE. - 412202 PH :9923208313/9923208221/9923208133.</p>	<p><b>YEWAT</b> 1655. MALHALAXMI AUTOMOTIVES PVT. LTD. (AZA1-01-), SOLAPUR PUNE NATIONAL HIGHWAY, SAHAJAPUR, YEWAT, TALUKA: DAUND, DISTT: PUNE (MAHARASHTRA). - 412202 PH :8308818946.</p>
<p><b>THANE</b> 1628. FORT POINT AUTOMOTIVE (CARS) PVT. LTD. (3906-01-), KOTHARI WAREHOUSE NO. 111,POKHRAN ROAD NO. 11,MANPADA, CHATALSAR,THANE - 400607 PH :9594974658, 8691039873. 1629. NAVNEET MOTORS (3908-02-), B R T PLOT THANE (W), MAHARASHTRA - 400607 PH :9664496732, 9167215178.</p>	<p><b>VADUJ</b> 1636. CHOWGULE INDUSTRIES PVT. LTD. (F303-03-), KALEVASTI, VADUJ DAHIWAD ROAD , VADUJ - 415506 PH :8888866659. <b>VAIJAPUR</b> 1637. PAGARIYA AUTO PVT. LTD. (BNR1-01-), NEAR SUBHASH BUNGLOW, STATION ROAD, VAIJAPUR, AURANGABAD. - 423701 PH :9922994237.</p>	<p><b>WAI</b> 1646. CHOWGULE INDUSTRIES PVT. LTD. (BYC1-01-), GAT NO. 407, A/P SHENDURJANE, MIDC ROAD, NEAR HOTEL GANDHARVA, OPP. DHOM LEFT CANAL, TAL – WAI, DISTT. SATARA - 412803 PH :8380080501.</p>	<p><b>MANIPUR</b> <b>BISHNUPUR</b> 1656. EASTERN MOTORS (CSA1-01-), BISHNUPUR BAZAR, TIDIM ROAD, BISHNUPUR DISTT. MANIPUR. - 795126 PH :8415945626.</p>
	<p><b>VASAI</b> 1638. SAI SERVICE PRIVATE LIMITED (V901-01-), ANDRADESH BHAVAN, SURVEY #27 A,NEAR UMELA PHATAK, VASAI (WEST), DIST. THANE, MAHARASHTRA - 401202 PH :9167980080/9167980036/9594952211. 1639. SAI SERVICE PRIVATE LIMITED (504-03-), C/O MR. KENNETH NICHOLAS D'SOUZA, SURVEY NO-89, SATIVALI ROAD, VILLAGE-WALIV, VASAI (EAST), DIST-PALGHAR, MAHARASHTRA, PIN-410208 - 401208 PH :9167980004/9167980084/9594950000.</p>	<p><b>WALUJ</b> 1647. PAGARIYA AUTO PVT. LTD. (2103-03-), E-16,WALUJ,AURANGABAD - 431001 PH :9860999466. <b>WARANANAGAR</b> 1648. SAI SERVICE PRIVATE LIMITED (CRB1-01-), GAT NO.:1122/A, KODOLI, TALUKA: PANHALA, DIST. KOLHAPUR - 416114 PH :9923204173.</p>	<p><b>CHANDEL</b> 1657. EASTERN MOTORS (CSB1-01-), KAKCHING LAMKHAJ, AH1 (INDO BURMA ROAD), CHANDEL (MANIPUR) - 795103 PH :8415945626. <b>CHURACHANDPUR</b> 1658. EASTERN MOTORS (BBE1-01-), HMUIA VENG, TEDDIM ROAD, CHURACHANDPUR, MANIPUR. - 795128 PH :03874235969, 9862555472. <b>IMPHAL</b> 1659. EASTERN MOTORS (7401-01-), CHINGMEIRONG EAST, IMPHAL, MANIPUR - 795 001 PH :8415945626.</p>

## Dealer Network (AS ON 31.10.2023)

1660. EASTERN MOTORS (7401-02-), NH.39,  
CHINGMEIRONG, WEST, IMPHAL. - 795010  
PH :8415945626.

1661. SAMADON ENTERPRISE (7402-01-), 82 GHARI  
MAKHA LEIKAI, IMPHAL WEST, MANIPUR. - 795  
140  
PH :7005987123.

### JIRIBAM

1662. EASTERN MOTORS (SMG1-01-), AT HILGHAT,  
IMPHAL SILCHAR ROAD, JIRIBAM - 788104  
PH :8415945626.

### SENAPATI

1663. EASTERN MOTORS (CNN1-01-), DIST.-COUNCIL  
(POULEA) VILLAGE, P.O. - SENAPATI,  
SENAPATI, MANIPUR. - 795 106  
PH :8415945626.

### THOUBAL

1664. EASTERN MOTORS (BUL1-01-), THOUBAL  
ATHOKPAM KHUNOU, NEAR D.C. OFFICE  
COMPLEX, THOUBAL, MANIPUR - 795138  
PH :986266225.

### UKHRUL

1665. SAMADON ENTERPRISE (SCK1-01-),  
KAMPHASOM, UKHRUL, MANIPUR - 795142  
PH :9774216305.

## MEGHALAYA

### BHAITBARI

1666. RANI MOTORS (-), NEW BHAITBARI, WEST  
GARO HILLS, MEGHALAYA, (PATTA NO - 89  
SONG - NEKEKONA, MOZUZA NO - VI - 3 LOT) -  
794104  
PH :8638220312.

### BHOIRYMBONG

1667. RANI MOTORS (CHP1-01-), VILLAGE – UMROI  
MADAN, DISTRICT – RI BHOI, MEGHALAYA. -  
793103  
PH :9774478281.

### JOWAI

1668. RANI MOTORS (3101-01-), LADTHADLABHO,  
OPP. PWD OFFICE, JOWAI, DIST - JAINTIA  
HILLS, MEGHALAYA - 793150  
PH :7085849525.

### KHLEHRIAT

1669. BANALARI WORLD CARS (8502-03-),  
JOWAI-SICHHAR ROAD, MEGHALAYA,  
KHLEHRIAT - 793150  
PH :7005757760/7005569550.

### MAWKYRWAT

1670. RANI MOTORS (CGR1-01-), DAK BANGLA,  
MAWKYRWAT, WEST KHASI HILLS, MEGALAYA  
- 793114  
PH :9856005544.

### MAWNGAP

1671. BANALARI WORLD CARS (CBK1-01-),  
LAITPYNTER, SHILLONG NONGTION ROAD,  
MANGAP, DIST -EAST KHASI HILLS,  
MEGHALAYA - 793121  
PH :7005757760/7005569550.

### MOIRANG

1672. SAMADON (SLD1-01-), MOIRANG LAISHANGBAM  
LEIKAI, PO AND PS: MOIRANG, DIST-  
BISHNUPUR, MANIPUR - 795133  
PH :7005987122.

### MYLTIEM

1673. BANALARI WORLD CARS (CSK1-01-),  
MADANIANG SYIEM, MYLTIEM, SHILLONG  
CHERRAPUNJI ROAD, DISTT: EAST KHASI  
HILLS, MEGHALAYA. - 793009  
PH :7005757760/7005569550.

### NONGPOH

1674. RANI MOTORS (8501-05-), NEAR D.T.O. OFFICE,  
G.S. ROAD, NONGHPOH, RIBHOI DISTT. -  
793102  
PH :9774478281.

### NONGSTOIN

1675. RANI MOTORS (8501-04-), OPP. IRANI PETROL  
PUMP, NEW NONGSTEIN, DISTRICT-WEST  
KHASI HILLS, MEGHALAYA - 793119  
PH :9856005544.

### PYNURSULA

1676. BANALARI CAR WORLD (CBJ1-01-),  
PHLANGSHLAIN MAIN ROAD, SHILONG DAWKI,  
PYNURSULA, DISTRICT - EAST KHASI HILLS,  
MEGHALAYA - 793110 - 793110  
PH :8415942700.

### SHILLONG

1677. RANI MOTORS (8501-01-), SUNNY HILLS,  
GARIKHANA, G.S.ROAD, SHILLONG - 793014  
PH :9862099400.

1678. RANI MOTORS (8501-02-), MAWBLEI, NH-44,  
SHILLONG JOWAI ROAD, MEGHALAYA. - 793021  
PH :8014734780.

1679. BANALARI WORLD CARS (8502-01-), MAWLAI  
NONGKWAR, G.S. ROAD, SHILLONG - 793017  
PH :7005757760/7005569550.

### TURA

1680. RANI MOTORS (CLF1-01-), AGILLANGRE,  
ARAIMILE, PO NEW TURA, TURA - 794101  
PH :7005563791.

### UMSAW

1681. BANALARI WORLD CARS (CHZ1-01-),  
UMSAWKHWAN RAID MAWBUBH, MYLTIEM  
SYIEMSHIP, RI BHOI DISTRICT, MEGHALAYA. -  
793123  
PH :7005757760/7005569550.

## MIZORAM

### AIZAWL

1682. G.I.G. MOTORS (9103-01-), EDENTHAR, AIZAWL,  
MIZORAM - 796001  
PH :8974559065.

### LUNGLEI

1683. GIG (YS01-01-), RAMTHAR VILLAGE, LUNGLEI,  
DISTRICT-LUNGLEI, MIZORAM - 796701  
PH :8974559065.

## MP

### BHANPURA

1684. PATEL MOTORS (-), GAROTH RD., BHANPURA,  
MADHYA PRADESH - 458775 - 458775  
PH :9826360699.

### BHOPAL

1685. SRISATYA SAI AUTOMOBILES PVT. LTD.  
(310-01-), RAJENDRA PRASAD BHAWAN  
PARISHAR, INFRONT OF OLD VIDHAN SABHA  
BUILDING, PO – JAHANGIRABAD, MALVIYA  
NAGAR, BHOPAL, DISTRICT – BHOPAL,  
MADHYA PRADESH – 462008 - 462008  
PH :7415862390.

### BICHHIYA

1686. MAA GAYATRI AUTOMOBILES (SMK1-01-),  
SALPURA ROAD, ATRU, NEAR DEPUTY OFFICE,  
PIN-325218, RAJASTHAN - 481995  
PH :9303143327.

### NAINPUR

1687. STANDARD MOTOCORP PVT LTD (SEZ2-01-),  
MANJU SAHU, MANDLA ROAD, NEAR MPEB  
OFFICE, ADJOINING TO BAJAJ SHOW ROOM,  
NAINPUR, DISST MANDLA, MADHYA PRADESH  
-481776 - 481776  
PH :7771003374.

### NIWAS

1688. STANDARD MOTOCORP (-), OPP. INDIAL OIL  
PETROL PUMP, NIWAS , DISTRICT MANDLA,  
MADHYA PRADESH – 483001. - 483001  
PH :7800806222.

## NAGALAND

### DIMAPUR

1689. PROGRESSIVE MOTORS (3201-01-), OPPOSITE  
AIRPORT, N.H.39, DIMAPUR KOHIMA ROAD,  
DIMAPUR - 797112  
PH :7005254089.

### KOHIMA

1690. SEYIE AUTO (4N02-01-), TSIECIE, NH-29, PHEK  
ROAD, KOHIMA, NAGALAND - 797001  
PH :7005867051.

### MOKOKCHUNG

1691. PROGRESSIVE MOTORS (CGL1-01-),  
SUNGKONMEN ROAD, MOKOKCHUNG,  
NAGALAND. - 798601  
PH :87877325534.

### WOKHA

1692. PROGRESSIVE MOTORS (SFH1-01-), NIROPEN  
COLONY, WOKHA-797111, NAGALAND - 797111  
PH :9774070707.

## NEW DELHI

### DELHI (GTX)

1693. DD MOTORS (A DIVISION OF D.D. PREM  
PVT.LTD.) (08F2-02-), GROUND FLOOR, PLOT  
NO. C-7, SMA CO-OPERATIVE INDUSTRIAL  
AREA, GTK ROAD, AZADPUR, PIN-110033,  
DELHI - 110033  
PH :9873187388.

### NEW DELHI

1694. COMPETENT AUTO (806-08-), 43/12,  
NAJAFGARH BAHUDRGARH ROAD, NEW ANAJ  
MANDI, NEAR JAAT BHAWAN, NAJAFGARH,  
PIN-110043, DELHI - 110043  
PH :8750700420.

### ATTAGARH

1695. TUSHI (SLZ1-01-), KHATA NO 212/420,MOUZA  
:BIRAKHSHOREPUR ATHAGARH, DISTRICT:  
CUTTACK - 754029  
PH :7504890838.

## ODHISA

## ODISHA

### ANANDAPUR

1696. JYOTE MOTORS PVT LTD (CIU2-01-), KHATA  
NO. 246/407, PLOT NO. 76, P.S. – KHASIPURA,  
MOUZA – SUDUSUDIA, DISTRICT – GEONJHAR,  
ANANDPUR, ODISHA . - 758021  
PH :7381028525.

### ANGUL

1697. ODYSSEY MOTORS PVT LTD (W101-01-), AT/PO  
KULAD (NEAR NALCO CPP PLANT), KANDASAR,  
NALCO NAGAR, ANGUL (DISTT: ANGUL). -  
759145  
PH :9439817308.

### BALASORE

1698. JYOTE MOTORS (BALASORE) PVT. LTD  
(L501-01-), PLOT NO. 276,  
GANESHWARPUR-NH-5, POST-JANUGANU VIA  
REMUNA, DIST.-BALASORE - 756019  
PH :7381072600.

### BALUGOAN

1699. JYOTE MOTORS (CWG1-01-), .MS PLOT NO  
758/31, KHATA NO  
350/30, MOUZA-GOBARDHANPUR, BALUGOAN,  
DISTRICT-KHORDA, ODISHA-752030 - 752030  
PH :9776615001.

### BAMRA

1700. ODYSSEY MOTORS (SIA1-01-), M/S ODYSSEY MOTORS NEAR SATSANG KENDRA, DUMERANDA COLLEGE ROAD, BAMRA,GOVINDPUR-768221. - 768221 PH :9439914464.

**BARGARH**

1701. ODYSSEY MOTORS PVT LTD (D401-04-), AT/PO -BARGARH, NH-6, DISTT.-BARGARH, ORISSA - 768028 PH :8908944206.

**BARIPADA**

1702. JYOTE MOTORS (BALASORE) PVT. LTD (L501-02-), PLOT NO. 90/523/904, SWARUP VILLA, NH-5, BARIPADA - 757001 PH :7381072624.

**BERHAMPUR**

1703. SKY AUTOMOBILES (E203-01-), PLOT NO.80/1191 DHARMA NAGAR, MAIN ROAD, BERHAMPUR - 760002 PH :7381266000.

1704. SKY AUTOMOBILES (E203-02-), PLOT NO. 876, WESTERN ROW NH-5, KONISI HATO, VILLAGE – KONISI, BERHAMPURE, GANJAM, ODISHA. - 761008 PH :7381266000.

**BHADRAK**

1705. JYOTE MOTORS (BALASORE) PVT. LTD (I201-01-), PLOT NO. 14/4837, KHATA NO. 1345/1087, TRISHALPUR, CHARMPA, BHADRAK , ODISHA - 756101 PH :9776345311.

**BHAWANIPATNA**

1706. LEGEND CARS PVT. LTD. (SW01-02-), NH-201, KESINGA ROAD, BHAWANIPATNA - 766001 PH :9937198684.

**BHUBANESHWAR (NAYAPALLI)**

1707. JYOTE MOTORS PVT LTD (405-01-), A/62, NAYAPALLI,NH-5,BHUBANESHWAR,ORISSA-751003 - 751003 PH :7381028525.

**BHUBANESHWAR**

1708. NARAYANI MOTORS PVT. LTD. (403-01-), 217, CUTTACK ROAD, JHARPARA, BHUBANESHWAR - 751006 PH :9583022031.

1709. JYOTE MOTORS PVT LTD (402-01-), A-62, NAYAPALLI,NEAR CRPF SQUARE, BHUBANESHWAR - 751003 PH :7064493302.

1710. SKY AUTOMOBILES (404-01-), PLOT NO. -435/1866, NEAR KIIT SQUARE PATIA, BHUBNESHWAR. - 751022 PH :8117829611.

1711. NARAYANI MOTORS PVT. LTD. (403-02-), PLOT NO 56 AND 57,RASULGARH, BHUBANESHWAR, ODISHA - 751010 PH :9583022046.

1712. JYOTE MOTORS PVT LTD (402-04-), PLOT NO. 22 & 23, SECTOR-A, ZONE-D, MANCHESWAR INDUSTRIAL ESTATE AREA, BHUBANESHWAR. - 751010 PH :7978910223.

1713. SKY AUTOMOBILES (404-02-), KHATA NO. 457/675, PLOT NO. 543, 756, 789 AND 546, SRIVIHAR, INFRONT OF IOCL OFFICE, P.S. -CHADRASHEKARPUR, BHUBANESHWAR, ODISHA. - 751 024 PH :7440011604.

**BOLANGIR**

1714. ODYSSEY MOTORS PVT LTD (D401-03-), NH-201, MADHIAPALI, SAMBHALPUR ROAD, BOLANGIR, ORISSA - 767001 PH :8895418122.

**CHANDIKHOLE**

1715. SKY AUTOMOBILES (BXL1-01-), PLOT NO.285/3, SHANTI MANDAP MOUZA -SUNGUDA, TEHSIL-DARPANI, PO CHANDIKHOL, DIST. -JAJPUR, ODISHA. - 755044 PH :9776645798.

**CUTTACK**

1716. SKY AUTOMOBILES (6701-02-), BHANPUR, NH-5, CUTTACK - 753011 PH :9776645798.

1717. TUSHI MOTORS PVT. LTD. (6702-01-), PLOT NO. C-14, PLOT NO.C-13 ,INDUSTRIAL ESTATE ,KHAPURIA,TAHASIL - CUTTACK SADAR ,CUTTACK DISTRICT,BHUBANESWAR - 753001 PH :9692912345.

**DEOGARH**

1718. ORBIT MOTORS PVT. LTD. (CBB1-01-), KHATA NO. 270, OI MOUZA, DEOGARH, ODISHA - 768108 PH :9437607865.

**DHENKANAL**

1719. SKY AUTOMOBILES (6701-04-), PLOT NO:-136/1103, KATHAGARA , NEARASSAM OIL, NH-42, DHENKANAL. - 759001 PH :7440025919.

**GANDAI**

1720. SPARSH AUTOMOBILES (SHU1-01-), M/S SPARSH AUTOMOBILES ,WARD NO – 7, NEAR KRISHI UPAJ MANDI, GANDAI RAJNANDGAON ROAD – 491888 - 491888 PH :9926626662.

**JAGATISINGHPUR**

1721. NARAYANI MOTORS PVT. LTD. (CFM1-01-), KHATTA NO. 827/221 & 827/222, PLOT NO. 1197 & 1199/3065, MOUZA-MARKHANDPUR, PO PUNABGA, DISTT. JAGATISINGHPUR, ODISHA - 754103 PH :9565611213.

**JAJPUR**

1722. SKY AUTOMOBILES (6701-05-), P.O JAHNA, P.S KORAI, KEONJHAR ROAD, JAJPUR, ORRISSA - 7553019 PH :9583011010.

**JALESWAR**

1723. JYOTE MOTORS (BALASORE) PVT. LTD (BXP1-01-), KHATA NO. 422/744, PLOT NO. 2304 AT P.O. - NAYABAZAR, JALESWAR, DIST.- BALASORE, ODISHA. - 756032 PH :7381072600.

**JEYPORE**

1724. LEGEND CARS PVT. LTD. (SW01-03-), SOURAGUDA,JEYPORE,DISTT-KORAPUT,ORISSA ,INDIA - 764001 PH :9437575188.

**JHARSUGUDA**

1725. ODYSSEY MOTORS PVT LTD (BJU1-01-), KHATA NO. 466/502, PLOT NO. 966, JHARSUGUDA TOWN, UNIT NO. 7, SARBAHAL P.S. JHARSUGUDA, ORISSA - 768201 PH :9439548823.

**KEONJHAR**

1726. JYOTE MOTORS PVT LTD (7U01-01-), NH 215, DHRUPADA, BARBIL ROAD, KEONJHAR. - 758001 PH :7064499047.

**NAYAGARH**

1727. JYOTE MOTORS PVT LTD (402-02-), PLOT NO. 1319/3750, KHANDAPADA, NAYAGARH - 752069 PH :7064499048.

**NIMPARA**

1728. NARAYANI MOTORS PVT. LTD. (CFL1-01-), PLOT NO. 345/1344, GANESH BAZAR, NIMAPARA, DISTRICT – PURI, ODISHA. - 752106 PH :7381093622.

**PALLAHARA**

1729. ODYSSEY MOTORS PVT LTD (CHV1-01-), KHATA NO. 260, PLOT NO. 998/3720, PAHALLARA, ODISHA. - 759119 PH :9439817308.

**PARADEEP**

1730. NARAYANI MOTORS PVT. LTD. (OE01-01-), PLOT NO. 1438, UDAYA VIHAR, NEAR DO CHOWKI SQUARE, PARADEEP, ODISHA. - 754141 PH :9583022020.

**PARLAKHEMUNDI**

1731. SKY AUTOMOBILES (CLG1-01-), PLOT NO. 273, KHATA NO. 78, WARD NO. 1, PARLAKHEMUNDI, GAJAPATI, ORISSA. - 761211 PH :9776999977.

**PURI**

1732. NARAYANI MOTORS PVT. LTD. (4Q01-01-), PLOT NO.1797/2449, KHATA NO.187A/32, AT. BATAMANGLA,PO HAREKRISHNAPUR, BATAGAON, PURI, ODISHA - 752002 PH :9583022220.

**RAIRANGPUR**

1733. JYOTE MOTORS (BALASORE) PVT. LTD (CES1-01-), PLOT NO.1077/2466, PURNAGHATI, RAIRANGPUR, DISTT: MAYURBHANJ, ODISHA - 757046 PH :7064499936.

**RAYAGADA**

1734. LEGEND CARS (YB01-01-), M/S LEGEND CARS, JK PUR, ROAD, KOMTALPETA, NEAR ENFIELD SHOWROOM, RAYAGADDA, ODISHA - 765001 PH :7008771180.

**ROURKELA**

1735. ORBIT MOTORS PVT. LTD. (8701-01-), VEDVYAS, NEAR PAAHADI BAR, ROURKELA,ORRISA - 769041 PH :9437061040.

**SAMBALPUR**

1736. ODYSSEY MOTORS PVT LTD (D401-01-), AINTHAPALI, SAMBALPUR, ORISSA - 768004 PH :7381083571.

1737. APARNAA MOTORS (A UNIT OF APARNAA VAHAN) (D402-01-), PLOT NO 969/4497,PANCHGACHIA SAMBALPUR - 768019 PH :8260966698.

1738. ODYSSEY (D401-05-), ODYSSEY MOTORS, AINTHAPALI, SAMBALPUR - 768004 PH :9692200963.

**SORO**

1739. JYOTE MOTORS (SQF1-01-), PLOT NO 15/1269,KHATA NO 442, SORO, BALASORE, ODISHA STATE. - 756045 PH :9776615001.

**SUBARNAPUR**

1740. ODYSSEY MOTORS PVT LTD (BUK1-01-), KHATA NO.32, MOUZA – SANJHINK, SONEPUR (ALSO KNOWN AS SUBARNAPUR), DISTRICT – SUBARNPUR, ODISHA - 767017 PH :8895418122.

**SUNDERGARH**

1741. ORBIT MOTORS PVT. LTD. (BWJ1-01-), M/S ORBIT MOTORS, AT - PATRAPALI, PO SUNDERGARH, BY PASS ROAD, NEAR BJP OFFICE, SUNDERGARH - 770001 PH :8249354447.

## Dealer Network (AS ON 31.10.2023)

### TANGI

1742. SKY AUTO (SKM1-01-), KHATA NO 731/18, PLOT NO.107,CHAMPAGARH NH 5,TANGI, DISTRICT – KHORDHA, - 752023  
PH :9776900333.

### UDALA

1743. JYOTE MOTORS (BALASORE) PVT. LTD (CHW1-01-), MOUZA - UDALA, TOWN UNIT NO. 7, NAGBANI, TEHSIL NO. 325, THANA NO. 110, DIST.-MAYURBHANJ, ODISHA - 757041  
PH :8249877935.

### ODISHAN

### NIRGUNDI

1744. NARAYANI (403-04-), KHATA NO 251/255, PLOT NO 233,MALGOWDINI-MOUZA BLITERUA, NIRGUNDI,DISTRICT-CUTTACK, ORISSA. - 754025  
PH :9583001877.

### ORISSA

### BHUBANESWAR

1745. NARAYANI (403-03-), KHATA NO-652,PLOT NO 4493, MAUZA PANDRA THANA-RASULGARH,BHUABNESHWAR - 751025  
PH :9583001877.

### KENDRAPARA

1746. JYOTE MOTORS (SF11-01-), M/S JYOTE MOTORS, KHATA NO: 351/85, PLOT NUMBER 633, MOUZA-ALBANKA, KENDRAPARA, ODISHA, - 754208  
PH :9776615001.

### KUCHINDA

1747. ODYSSEY MOTORS (SLN1-01-), /S ODYSSEY MOTORS ,PLOT NO 146,KHATA NO 7619,MOUZA-KUNDAPOSHI,NEAR KUNDESHWAR MANDIR,KUCHINDA,SAMBULPUR. - 768222  
PH :9439314464.

### PADAMPUR

1748. ODYSSEY MOTORS (SFB1-01-), M/S ODYSSEY MOTORS, CHARPALLI,PADAMPUR, NEAR REGENCY HOTEL,DISTRICT-BARGARH, ORISSA - 770039  
PH :9439314464.

### PUDUCHERRY

### KARAIKAL

1749. SHENBAKA CARS PVT. LTD. (CCF1-01-), R. S. NO. 173/3PT, T. S. NO. 9/5, WARD, L-BLOCK, NO. 3, KARAIKAL NAGORE MAIN ROAD, VILLAGE - ODUTHURAI REVENUE, NERAVY COMMUNE, KARAIKAL MUNICIPALITY, KARAIKAL, - 609602  
PH :04368-227800/1/2.

### MADAGADIPET

1750. SHENBAKA CARS PVT. LTD (CUD1-01-), SURVEY NO. 1294/A/2, MADAGADIPET REVENUE VILLAGE, MADAGADIPET, PONDICHERRY - 605 107  
PH :8220046178.

### PONDICHERRY

1751. SHENBAKA CARS PRIVATE LIMITED (9601-01-), 133/1A, MOOLAKULAM, VILLUPURAM MAIN ROAD, PONDICHERRY - 605010  
PH :0413-2293391/92/93.

### PUNJAB

### ABOHAR

1752. TARA AUTOMOBILES (ABOHAR) (H501-01-), SHREE GURU JAMBHESHWAR CHOWK, MALOUT SHREE GANGA NAGAR BYPASS, ABOHAR, PUNJAB - 152116  
PH :9876047847.

### ADAMPUR

1753. LOVELY AUTOS (CHA1-01-), KHASRA NO.10/771, JALANDHAR-HOSHARPUR HIGHWAY, ADAMPUR DISTT. JALANDHAR - 144102  
PH :8288050777.

### AJNALA

1754. SWANI MOTORS PVT. LTD. (CBP1-01-), KHASRA NO. 71, AJNALA-AMRITSAR ROAD, VILLAGE - BHARKA TARA SINGH, TEHSIL - AJNALA, DISTRICT - AMRITSAR, PUNJAB. - 143102  
PH :8872001731.

### AMRITSAR

1755. SWANI MOTORS LTD. (1701-01-), 81,COURT ROAD, AMRITSAR - 143001  
PH :9877482175, 9872000000.  
1756. JAYCEE MOTORS (1704-01-), 274 EST MOHAN NAGAR, G.T. ROAD, AMRITSAR - 143006  
PH :9780038335.  
1757. RISHABH FOURWHEELS PVT. LTD. (1703-01-), ADARSH SOAP COMPLEX, BATALA ROAD, AMRITSAR - 143004  
PH :9914841577.

### ANANADPUR SAHIB

1758. CM AUTOSALES PVT. LTD. (OF01-01-), VILLAGE MIYANPUR, NAINA DEVI ROAD, ANANADPUR SAHIB,TEHSIL ANANADPUR SAHIB, DISTT. ROPAR,PUNJAB - 140123  
PH :9915022897.

### APRA

1759. LOVELY AUTOS (CVW1-01-), SAMRAI CHOWK PHILLAUR ROAD, VILLAGE - APRA, TEHSIL - PHILLAUR, DIST.-JALANDHAR, STATE - PUNJAB. - 144416  
PH :9915020515.

### AUR

1760. LOVELY AUTOS (CVY1-01-), KHATUNI NO. 479/588, KHASRA NO. 2720/04(2-18), 21/2(2-10), VILLAGE - AUR, TEHSIL - NAWASHAR, DIST. -SSB NAGAR, STATE - PUNJAB. - 144417  
PH :9915020510.

### BAGHA PURANA

1761. REMIRA MOTORS PVT. LTD. (BAH2-01-), BUILDING NO.68, OPP. SHINA ENCLAVE, MOGA ROAD, BAGHA PURANA, DISTT. MOGA, PIN-142038 - 142038  
PH :7087025009.

### BALACHAUR

1762. LOVELY AUTOS (XV01-01-), NEAR MCDONALD – GHUGGI JUNCTION), VPO-GARHI KANUGO, NAWANSHAHR CHANDIGARH HIGHWAY, CHANDIGARH ROAD, BALACHAUR, DISTRICT-S.B.S NAGAR, PUNJAB (NAWANSHAHR) - 144521  
PH :9878427910.

### BALBEHRA

1763. HIRA AUTOWORLD (SOG1-01-), NEAR HDFC BANK LTD., SAMANA ROAD, BALBEHRA - 147101  
PH :9888341118.

### BANGA

1764. LOVELY AUTOS (3503-03-), NAWASEHAR-JALANDHAR ROAD, BANGA - 144505  
PH :9915028625.

### BANUR

1765. TRICITY AUTOS PVT. LTD. (BRT1-01-), SANDHU MARKET NEAR SALES TAX BARRIER, BANUR RAJPARA HIGHWAY, BANUR, PUNJAB - 140601  
PH :9988882330.

### BARNALA

1766. MAX AUTOMOBILES (4502-01-), NR. HANDIYAN CHOWK,MANSABA BYE PASS,BARNALA,PUNJAB - 151001  
PH :285022, 9216529220.

### BATALA

1767. PATHANKOT VEHICLEADES PVT. LTD. (A701-05-), NEAR VMS INSTITUTE, SAID MUBARAK, GT ROAD, BATALA - 143505  
PH :9417900850, 9417900918.

### BEGOWAL

1768. MARWAHA AUTOS (BHF2-01-), PELIA TOWN, BHADAS ROAD, WARD NO. 11, JALANDHAR ROAD, VPO. BEGOWAL, KAPURTHALA, PIN-144621, PUNJAB - 144621  
PH :9779166004.

### BHADSON

1769. HIRA AUTOMOBILES LTD (BAG1-01-), VILLAGE CHASWAL, NABHA ROAD, BHADSON - 147202  
PH :9217048236, 9217048250.

### BHAGTA BHAI KA

1770. TARA AUTOMOBILES (BHG1-01-), NEAR SARPANCH HOUSE, BHAGTA BHAI KA, DISTRICT – BHATINDA. - 151206  
PH :8437030666.

### BHATINDA

1771. TARA AUTOMOBILES (BHATINDA) (7002-01-), MANSARA ROAD, OPP. I.T.I, BATHINDA - 151001  
PH :0164-2235349, 50.

### BHIKHIWIND

1772. RISHABH FOURWHEELS PVT. LTD. (BPK1-01-), KHASRA NO. 67/3/2, 4/1, 7/2, 8/1, 8/2, PIND BHIKHIWIND, TEHSIL – PATTI, DISTRICT – TARAN TARAN, PUNJAB. - 143303  
PH :9914708577.

### BHOGPUR

1773. LOVELY AUTOS (BRU2-01-), KHASRA NO. 31/114, 17/2 18/2 23, MAIN JALANDHAR-PATHANKOT HIGHWAY,OPP- AJIT PALACE, BHOGPUR - 144201  
PH :9872030006.

### BHULATH

1774. LOVELY AUTOS (CHB1-01-), WARD NO. 1, NADALA-BEGOWAL ROAD, VPO BHULATH, DISTRICT – KAPURTHALA, PUNJAB. - 144622  
PH :9876541065, 8288050777.

### BILGA

1775. LOVELY AUTOMOBILES (SPM1-01-), VPO BILGA, NEAR LAUR. PRIMARY SCHOOL, TEHSIL PHILLAUR, JALANDHAR. - 144036  
PH :9815069814.

### CHUNNI KALAN

1776. HOSHIARPUR AUTOMOBILES (CFG1-01-), NEAR RAJINDER MOTORS, SIRHIND-CHANDIGARH ROAD, VILLAGE CHUNNI, DIST. FATEHGARH SAHIB. - 140307  
PH :248005, 9815131766.

### DASUYA

1777. HOSHIARPUR AUTOMOBILES (H402-04-), OPP CHEEMA PETROL PUMP, G.T. ROAD, DASUYA - 144205  
PH :9815131766, 9872312371.

### DERABASSI

1778. AUTOPAGE NETWORK PVT LTD (705-02-), AT NH-2, NEAR DERABASSI, TOLL BARRIER-DERABASSI - 140507  
PH :9815011669.

### DEVIGARH

1779. HIRA AUTOMOBILES LTD (OG01-01-), CHANNA MOUR, PEHOWA PATIALA ROAD, DEVIGARH, DISTT. PATIALA (PUNJAB). - 147111  
PH :8872034118, 9217048250.

### DHILWAN



1780. MARWAHA AUTOS (SGU1-01-), MIANI BAKRAPUR,AMRITSAR ROAD, OPP-INDIAN OIL PETROL PUMP, DHILWAN DISTT KAPURTHALA - 144804  
PH :9779166004.

**DORAHA**

1781. GULZAR MOTORS (QC02-01-), G.T. ROAD, NEAR ARRICHAN CHOWK, DORAHA, DISTT. LUDHIANA, PUNJAB. - 141421  
PH :9814191122.

**FARIDKOT**

1782. MAPSKO AUTO INDIA PVT. LTD. (4U02-01-), FARIDKOT- KOTKAPURA ROAD, FARIDKOT, PUNJAB - 151204  
PH :01639- 264001,7347000520.

**FATEHGARH CHURIAN**

1783. PATHANKOT VEHICLEADES PVT. LTD. (BA01-01-), KHASRA NO. 17 R, DERABABA NANAK ROAD, FATEHGARH CHURIAN, TEHSIL - BATALA, DIST.-GURDASPUR, STATE - PUNJAB. - 143 02  
PH :9417900850 , 9875930180.

**FAZILKA**

1784. TARA AUTOMOBILES (H501-03-), NH-10, NEAR SARVHITKARI BAL VIDYA MANDIR, FAZILKA - 152116  
PH :9876047847.

**FEROZEPUR**

1785. BABA AUTOS (7C01-01-), MOGA ROAD, FEROZEPUR CANTT - 152002  
PH :8872013211.

**GARHSHANKAR**

1786. HOSHIARPUR AUTOMOBILES (H402-02-), OPP. COURT, CHANDIGARH ROAD, GARHSHANKAR, DIST. HOSHIARPUR - 144527  
PH :9815311766, 9781543131.

**GHANAUR**

1787. HIRA AUTOWORLD LLP (CVX2-01-), WARD NO. 1, OPPOSITE OLD PETROL PUMP GHANAUR PATIALA ROAD, SUB TEHSIL - GHANAUR, TEHSIL - RAJPURA, DIST.-PATIALA, STATE - PUNJAB. - 140401  
PH :9217048437.

**GHAROTA**

1788. PATHANKOT VEHICLEADES (SFF1-01-), VILLAGE AND PO GHAROTA, OPPOSITE PUNJAB GRAMIN BANK, TEHSIL & DISTT. PATHANKOT - 143533. - 143533  
PH :8264105000.

**GHOMAN**

1789. PATHANKOT VEHICLEADES PVT. LTD. (CUL1-01-), KHEWAT NO. 36, KHATAUNI NO. 122, KHASRA NO. 11/25 (7-18), VILLAGE - BALRAMPUR ADDA, KHASBA - GHOMAN. - 143514  
PH :8054500130.

**GIDDARBAHA**

1790. HIRA AUTOMOBILES LTD (AUA1-01-), NEAR BHARU CHOWK, BATHINDA-MALOUT ROAD, GIDDERBAHA, DISTT. SRI MUKTSAR SAHIB (PUNJAB) - 152101  
PH :231510, 9217048250.

**GORAYA**

1791. LOVELY AUTOS (BJR1-01-), NEAR MILAN PALACE, G.T. ROAD, GORAYA. - 144409  
PH :9417804049.

**GURDASPUR**

1792. PATHANKOT VEHICLEADES PVT. LTD. (A701-03-), V.P.O. BABRI NH-15, DIST. GURDASPUR - 143521  
PH :9417900070, 9878050710.  
1793. PATHANKOT VEHICLEADES PVT. LTD. (A701-06-), VPO - JEEWANWAL BABRI, NH-15, GURDASPUR (PUNJAB) - 143521  
PH :9417900870.

**HOSHIARPUR**

1794. HOSHIARPUR AUTOMOBILES (H402-01-), SINGRIWALA, JALLANDHAR ROAD, HOSHIARPUR, - 146001  
PH :9815131766, 9878632537.

**JAGRAON**

1795. SANDHU AUTOMOBILES (6206-05-), NATIONAL HIGHWAY-64, JAGRAON - 142026  
PH :8437025969.

**JAITU**

1796. MAPSKO AUTO INDIA PVT. LTD. (YX02-01-), NEAR CANAL, BATHINDA ROAD, JAITU, DISTRICT - FARIDKOT. - 151202  
PH :7347000520.

**JALALABAD**

1797. TARA AUTOMOBILES (H501-02-), F.F. ROAD, NEAR THANA SADAR, JALALABAD - 152024  
PH :9876047847.

**JALANDHAR**

1798. LOVELY AUTOS (3503-01-), DR. AMBEDKAR CHOWK, JALANDHAR CITY - 144001  
PH :9915020515.  
1799. MARWAHA AUTOS (A UNIT OF INDERJIT MARWAHA AUTOS PVT. LTD.) (3506-01-), OPP DRS SCHOOL, G.T. ROAD, JALANDHAR - 144010  
PH :9779166004.  
1800. LOVELY AUTOS (3505-01-), KHASRA NO. 24/20/4, B D ENCLAVE, VILLAGE - JALANDHAR, DIST. -JALANDHAR, PUNJAB. - 144001  
PH :9876044001, 9915020515.

**JANDIALA GURU**

1801. BABA AUTOS (7C01-03-), GT ROAD, NEAR TARAN BYE PASS, JANDIALA GURU - 143115  
PH :8872013029.

**JANDIALA MANJKI**

1802. LOVELY AUTOS (BJS1-01-), SANT MARKET, JANDIALA-BUNDALA ROAD, VILLAGE - JANDIALA MANJKI, TEHSIL - NOORMAHAL, DISTRICT - JALANDHAR, PUNJAB. - 144033  
PH :7087439797.

**KAHNUWAN**

1803. PATHANKOT VEHICLEADES PVT. LTD. (CGM1-01-), KHASRA NO.606, VPO-KAHNUWAN, THE. & DISTT. GURDASPUR. - 143528  
PH :828899301.

**KALA SANGHAN**

1804. MARWAHA AUTOS (SPL1-01-), MAIN CHOWK, KALA SANGHAN, DISTRICT KAPURTHALA, PUNJAB - 144623  
PH :9779166004.

**KALANAUR**

1805. PATHANKOT VEHICLEADES (SJI1-01-), KALANAUR-GURDASPUR ROAD, VILLAGE KALANAUR, TEHSIL AND DISTRICT GURDASPUR, PUNJAB - 143512  
PH :9417900879.

**KAPURTHALA**

1806. MARWAHA AUTOS (A UNIT OF INDERJIT MARWAHA AUTOS PVT. LTD.) (4Z02-01-), SIDHU COMPLEX, CIRCLE ROAD - KAPURTHALA, PUNJAB - 144602  
PH :9779166004.

**KATHU NANGAL**

1807. JAYCEE MOTORS (CSP2-01-), KHASRA NO.12/20/2, 2/1/1 KHATA NO.212/186/229 GILL KHETI STORE, GT ROAD, VILLAGE-KATHUNANGAL, DISTT. AMRITSAR, PUNJAB - 143502  
PH :9780038335.

**KHANNA**

1808. HOSHIARPUR AUTOMOBILES (N302-01-), VILLAGE-KAUNI, NEAR GILL PETROL PUMP, GT ROAD, KHANNA, DIST.-LUDHIANA, PUNJAB. - 141401  
PH :9888716261.

**KHARAR**

1809. CM AUTOSALES PVT. LTD. (7K01-03-), NH-95, MORINDA ROAD,KHANPUR, KHARAR, DIST. MOHALI - 140301  
PH :9915022878.

**KILANWALI**

1810. HIRA AUTOMOBILES LTD (BFV1-01-), GT ROAD (NH NO. 09), NEAR GURU NANAK COLLEGE, KILANWALI, TEHSIL - MALOUT, DISTRICT - MUKTSAR SAHIB. - 152107  
PH :8872034131.

**KOTKAPURA**

1811. MAPSKO AUTO INDIA PVT. LTD. (BIS2-01-), MOGA ROAD, NEAR GREEN DHABA OPPOSITE FUN PLAZA, KOTKAPURA, DISTRICT - FARIDKOT - 151204  
PH :7347000518.

**LALRU**

1812. AUTOPAGE NETWORK PVT LTD (BRJ1-01-), VILLAGE - LALRU, DERA BASSI, SAS NAGAR MOHALI, PUNJAB. - 140501  
PH :9815011669.

**LUDHIANA**

1813. GULZAR MOTORS LTD. (6204-01-), G.T.ROAD, DHOLEWAL, OPP. MILITARY CARM, LUDHIANA - 141003  
PH :9814160099.  
1814. SANDHU AUTOMOBILES (6206-01-), DHOLEWAL CHOWK, LINK ROAD, LUDHIANA - 141203  
PH :9815600095.  
1815. LIBRA AUTO CAR CO. LTD (6207-01-), G.T. ROAD, NEAR AIRPORT, LUDHIANA - 141020  
PH :0160-2512701, 03.  
1816. LIBRA AUTO CAR CO. LTD (6207-02-), G.T ROAD, NEAR AIRPORT, LUDHIANA. - 141020  
PH :0160-25035130.  
1817. LOVELY AUTO (6209-01-), BABA NAND SINGH NAGAR, NEAR AYALLI CHOWK, FEROZEPUR ROAD, LUDHIANA - 141001 - 141001  
PH :9875928451, 9875928450.  
1818. LOVELY AUTOS (6209-02-), GILL ROAD, NEAR CANAL BRIDGE, LUDHIANA, PUNJAB - 141003  
PH :9815069814.  
1819. LOVELY AUTOS (6209-03-), OPPOSITE BHAI BALA SAHIB GURUDWARA, VILLAGE DAD, PAKHOWAL ROAD, LUDHIANA, PIN-141001, PUNJAB - 141001  
PH :9815069814.  
1820. LOVELY AUTOS (6209-04-), EURO MART COMPLEX, HAMBARAN ROAD, NEAR RADHA SWAMI SATSANG BHAWAN - 141008  
PH :9815069814.  
1821. MARWAHA AUTOS (A UNIT OF INDERJIT MARWAHA AUTOS PRIVATE LIMITED) (6210-01-), GT ROAD, OPPOSITE GOYAL HYUNDAI, VILLAGE DHANDHARI KHURD, LUDHIANA, DISTRICT - LUDHIANA, PUNJAB - 141010  
PH :8054399990.

**MACHIWARA**

## Dealer Network (AS ON 31.10.2023)

1822. HOSHIARPUR AUTOMOBILES (9T03-01), SAMRALA ROAD, MACHIWARA, NEAR SHEEVA MARRIAGE PALACE - 141115 PH :9875900147.	1832. CM AUTOSALES PVT. LTD. (706-03-), PLOT NO. B-64, INDUSTRIAL AREA PHASE-7, MOHALI – PUNJAB - 140110 PH :8284800597.	1842. REMIRA MOTORS PVT LTD (QB02-01-), BARNALA ROAD, NEAR DEAR BABA SEWA DASS, TEHSIL-NIHALSINGHWALA, DIST.-MOGA. - 142 055 PH :7067025009.	1853. LOVELY AUTOS (XS02-01-), LUDHIANA-MALERKOTLA ROAD, NEAR SODHI MARRIAGE PALACE, POHAR, DISTRICT LUDHIANA, PUNJAB. - 141204 PH :9915020513.
<b>MAHILPUR</b>	<b>MORINDA</b>	<b>PATHANKOT</b>	<b>RAIKOT</b>
1823. HOSHIARPUR AUTOMOBILES (H402-05-), NEAR NEW BUS STAND, CHANDIGARH ROAD, MAHILPUR, DIST. HOSHIARPUR - 146105 PH :9914720244.	1833. CM AUTOSALES PVT. LTD. (BHH1-01-), KHASRA NO. 1092, CHANDIGARH-SAMRALA ROAD, MORINDA, DIST.-ROPAR, PUNJAB. - 140 101 PH :9915022811.	1843. PATHANKOT VEHICLEADS PVT. LTD. (A701-01-), NEAR MAAMON CHOWK, DALHOUSIE ROAD, PATHANKOT, - 145001 PH :8264105000, 9417900883.	1854. GULZAR MOTORS PVT LTD (XT02-01-), BARNALA BY PASS ROAD, RAIKOT - 141109 PH :9814160099.
<b>MAJITHA</b>	<b>MUKERIAN</b>	1844. PATHANKOT VEHICLEADS PVT. LTD. (A701-04-), NEAR A. B. COLLEGE, PATAHANAKOT - 145001 PH :9417900828, 9417900842.	<b>RAJPURA</b>
1824. RISHABH FOURWHEELS PVT. LTD. (CDR1-01-), PLOT NO. 130, OPP. DANA MANDI, AMRITSAR ROAD, MAJITHA - 143601 PH :9914841577.	1834. HOSHIARPUR AUTOMOBILES (IP01-01-), VILL. TALWANDI KALAN, GT ROAD, MUKERIAN - 144211 PH :9815131766, 8437919900.	<b>PATIALA</b>	1855. HIRA AUTOWORLD LLP (HK02-01-), VILLAGE BADHAK, RAJPUR PATIALA ROAD, RAJPURA - 140401 PH :244881-84, 9217048437,9217048250.
<b>MALERKOTLA</b>	<b>MUKTSAR</b>	1845. HIRA AUTOMOBILES LTD (6302-01-), 13-B, FACTORY AREA, PATIALA - 147001 PH :2360131, 2360562,9217048250.	<b>RAMPURA PHUL</b>
1825. MAX AUTOMOBILES (CCI2-01-), MALERKOTLA-LUDHIANA MAIN ROAD, VILLAGE - BHOGIWAL, MALERKOTLA, DIST.-SANGRUR, PUNJAB. - 148023 PH :9814403131, 9056903131.	1835. HIRA AUTOMOBILES LTD (6302-03-), BHAJ COMPLEX, MALOUT ROAD, MUKTSAR, PUNJAB - 152026 PH :9217048250, 9056900042.	1846. HIRA AUTOMOBILES LTD (6302-04-), C-20 & C-45, FOCAL POINT, PATIALA, PUNJAB - 147001 PH :2232377, 9217048234, 9217048250.	1856. TARA AUTOMOBILES (XR01-01-), RAMPURA -BARNALA ROAD, RAMPURA PHUL - 151103 PH :01651-266643.
<b>MALOUT</b>	<b>MULLANPUR</b>	1847. HIRA AUTOMOBILES LTD (6302-07-), D-1A, INDUSTRIAL FOCAL POINT, PATIALA (PUNJAB). - 147001 PH :2232295, 2232296, 9217048250.	<b>RAYYA</b>
1826. HIRA AUTOMOBILES LTD (6302-05-), TINKONI CHOWK, NEAR LIC BUILDING, MALOUT - 152107 PH :299524, 264724,9988417000.	1836. SANDHU AUTOMOBILES (YY01-01-), OPPOSITE DHAKA ROAD, FEROZEPUR ROAD, MULLANPUR - 141101 PH :8437025969.	1848. ATELIER AUTOMOBILES (6304-01-), VILLAGE MITHUJAJRA, RAJPURA-PATIALA ROAD, NEAR CASABA RESORT, PATIALA - 147001 PH :7527000106, 7527000111.	1857. RISHABH FOURWHEELS PVT. LTD. (CAK1-01-), NH-1, GT ROAD RAYYA, TEHSIL – BABA BAKALA, DISTRICT – AMRITSAR - 143112 PH :9914708577.
<b>MANDI GOBINDGARH</b>	<b>MULLANPUR GARIBDASS</b>	<b>PATRAN</b>	<b>ROPAR</b>
1827. HOSHIARPUR AUTOMOBILES (U903-01-), PLOT GOYAL MOTORS, NEAR YES BANK, MANDI SIRHIND ROAD, NH-1, MANDIGOBINDGARH, PUNJAB. - 147301 PH :9815131766, ,9914119292.	1837. NAVDESH AUTOS LLP (CVZ2-01-), H NO. 341, POST OFFICE - MULLAPUR GARIBDASS, TEHSIL - MAJRI, DIST.-SAS NAGAR, STATE - PUNJAB. - 140901 PH :8872004676.	1849. HIRA AUTOMOBILES LTD (6302-02-), NARWANNA ROAD, PATRAN, PUNJAB. - 147105 PH :244445, 245788, 9217048250.	1858. CM AUTOSALES PVT. LTD. (7K01-01-), CHANDIGARH ROPAR ROAD, ROPAR - 140001 PH :9915022802.
<b>MANSA</b>	<b>NABHA</b>	<b>PATTI</b>	<b>SAMANA</b>
1828. TARA AUTOMOBILES (7002-02-), BALATA ROAD, NEAR ARVIND NAGAR, MANSA , PUNJAB - 151505 PH :01652-216042.	1838. HIRA AUTOMOBILES LTD (6302-06-), RADHA SWAMI ROAD, NABHA - 147201 PH :9317000004, 9217048250.	1850. JAYCEE MOTORS (BOA2-01-), KHASRA NO. 64/19/2/1 KA 16/49 & KHASRA NO. 64/20 KA 29/94, NEAR RADHA SWAMI, TARN TARAN ROAD, VILLAGE - PATTI, DISTT.-TARN TARAN, PUNJAB. - 143416 PH :9780083335.	1859. HIRA AUTOMOBILES LTD (BFU1-01-), KEWAT NO. 948/950, KHATUNI NO. 1427, KHASRA NO. 101/27(4-7), PATIALA SAMANA ROAD, SAMANA, DIST.-PATIALA, STATE PUNJAB. - 147101 PH :9217048236.
<b>MEHTA</b>	<b>NAKODAR</b>	<b>PHAGWARA</b>	<b>SANGRUR</b>
1829. RISHAB (CDS1-01-), KHASRA NO. 343, BABA BAKALA ROAD, VILLAGE MEHTA CHOW, TEHSIL: BABA BAKALA, DIST AMRITSAR, PUNJAB - 143114 PH :7760315710.	1839. LOVELY AUTOS (3503-04-), JALANDHAR ROAD, NEAR MALARI GATE, NAKODAR - 144040 PH :9915028603.	1851. MARWAHA AUTOS (A UNIT OF INDERJIT MARWAHA AUTOS PVT. LTD.) (SC02-01-), PLOT NO.62, INDUSTRIAL AREA, NEAR JCT BRIDGE LUDHIANA - 141001 PH :9779166004.	1860. MAX AUTOMOBILES (G402-01-), DHURI ROAD, SANGRUR. - 148024 PH :01672-239627.
<b>MOGA</b>	<b>NANGAL</b>	<b>PHILLAUR</b>	<b>SHAHKOT</b>
1830. REMIRA MOTORS PVT. LTD. (H602-01-), INDUSTRIAL AREA, OPPOSITE ITI, GT ROAD, MOGA. - 142001 PH :7087025402.	1840. CM AUTOSALES PVT. LTD. (7K01-02-), PLOT#36,AJLOI MOR, FOCAL POINT INDUSTRIAL AREA, NAPA NANGAL ,PUNJAB - 140126 PH :9592916811.	1852. LOVELY AUTO (XU01-01-), OLD NAWANSHAHR ROAD CIVIL LINE, PHILLAUR, DISTRICT JALANDHAR - 144410 PH :9815069814.	1861. LOVELY AUTOS (BHT1-01-), PUBLIC SCHOOL ROAD, SHAHKOT, DISTRICT – JALANDHAR, PUNJAB. - 144702 PH :8437936811.
<b>MOHALI</b>	<b>NAWANSHAHR</b>	<b>POHIR</b>	<b>SIRHIND</b>
1831. NAVDESH AUTOS LLP (L105-01-), PLOT NO.C-89, INDUSTRIAL AREA, PHASE-7, MOHALI - 160059 PH :8872016453.	1841. LOVELY AUTOS (3503-02-), NAWANSHAHR CHANDIGARH ROAD, VILL.- LANGROHA, DISTT.- NAWANSHAHR, PUNJAB - 144514 PH :9915028682.		1862. HOSHIARPUR AUTOMOBILES (TF03-01-), KHEWAT KHATONI NO. 802/1049 & 821/1070 KHEWAT KHAS NO. 43/1/2/1 (1-0), BESIDE SBI BANK, BASSI ROAD, SIRHIND, TEHSIL AND DISTRICT – FATEHGARH SAHIB - 140406 PH :9815131766, 7527082471.
	<b>NIHAL SINGH WALA</b>		<b>SULTANPUR LODHI</b>

1863. MARWAHA AUTOS (A UNIT OF INDERJIT MARWAHA AUTOS PVT. LTD.) (ZY02-01-), NEAR TALWADI BRIDGE, TALWADI ROAD, SULTANPUR LODHI, DISTRICT -KAPURTHALA - 144626  
PH :9779166004.

**TALWADI BHAI**

1864. BABA AUTOS (GMF1-01-), FEROEZPUR ROAD, NEAR FUNISLAND, TALWADI BHAI, DISTT. FEROEZPUR - 142050  
PH :872013002.

**TALWADI SABO**

1865. TARA AUTOMOBILES (ON01-01-), TALWADI RAMA MAIN ROAD, NEAR VILLAGE-JAJJAL, RAMAMANDI, TALWADI SABO, BHATINDA - 1551302  
PH :9646691047, 8437008666.

**TALWARA**

1866. HOSHIARPUR AUTOMOBILES (H402-07-), DAM ROAD, NEAR KALI MATA MANDIR, VILLAGE-NAGAR, TALWARA, PUNJAB - 144216  
PH :9815131766, 9781842244.

**TANDA**

1867. HOSHIARPUR AUTOMOBILES (H402-06-), VILL,PULPUKHATA, MIANI ROAD, TANDA - 144203  
PH :9815131766, 8437430400.

**TARAGARH**

1868. PATHANKOT VEHICLEADES PVT. LTD. (BVC1-01-), VILLAGE - RAHIMPUR, VPO-TARAGARH, TEHSIL & DISTT. PATHANKOT, HIMACHAL PRADESH - 143534  
PH :9988639963.

**TARN TARAN**

1869. JAYCEE MOTORS (BLP2-01-), VILLAGE - KAKKA, KANDIALA, NEAR SANDHU PETROL PUMP, AMRITSAR ROAD, TARN TARAN, PUNJAB - 143401  
PH :9780038039.

**ZIRA**

1870. BABA AUTOS (7C01-02-), FEROEZPUR ROAD, ZIRA - 142047  
PH :8720132300.

**ZIRAKPUR**

1871. TRICITY AUTOS (9M01-01-), PATIALA HIGHWAY,VILLAGE - NABHA, ZIRAKPIR, PUNJAB - 140603  
PH :9988882330.

**RAJASTHAN**

**JAIPUR**

1872. AURIC MOTORS (1116-C1-), COMMERCIAL PLOT NO. J4, COMMERCIAL BELT B, VT ROAD, NEW SANGANER ROAD, MANSAROVAR SCHEME, JAIPUR, RAJASTHAN 302020 - 302020  
PH :9571105651.

**RAJASTHAN**

**AANDHI**

1873. KP AUTO (SJK1-01-), KHASRA NUMBER 11 25 , VILL AANDHI , DISTT JAIPUR, RAJASTHAN- 303001 - 303001  
PH :9549656559.

**ABU ROAD**

1874. NAVNEET MOTORS (OQ01-01-), PLOT NO. E-26, RIICO AMBAJI INDUSTRIAL AREA, PALANPUR HIGHWAY, ABU ROAD DISTT. SIROHI - 307026  
PH :7665000644.

**ACHROL**

1875. KTL AUTOMOBILE PVT. LTD. (GKD1-01-), KHASRA NO. 37/1522,GRAM ANI, ACHROL, DELHI ROAD,TEHSIL - ACHROL, DISTRICT - JAIPUR, 303002 - 303002  
PH :7412077022.

**AHORE**

1876. AURIC MOTORS (SHN1-01-), MADHOPURA, NEAR KARNAWATI HOSPITAL, AHORE, DISTRICT - JALORE, RAJASTHAN PIN CODE: 307029 - 307029  
PH :8875088998.

**AJMER**

1877. AJMER AUTO AGENCIES PVT. LTD. (B201-01-), SRINAGAR ROAD,AJMER (RAJASTHAN) - 305001  
PH :9314955201.

1878. RELAN MOTORS (B203-01-), NEAR BIRLA WATER TANK, PARABATPURA BYEPASS, AJMER - 305001  
PH :95876 87000, 84400 41027.

1879. RELAN MOTORS (B203-02-), F-243 RIICO INDUSTRIAL AREA, PALRA, AJMER - 305001  
PH :95876 87000, 87400 16329.

1880. AJMER AUTO AGENCIES PVT. LTD. (B201-05-), KHASRA NO.343/2, 344, 345, 347 GHUGHRA GHATI, JAIPUR ROAD, AJMER. - 305001  
PH :9314955201.

**AKLERA**

1881. BHATIA AND COMPANY (SGK1-01-), NH-52, RAM NAGAR COLONY, AKLERA, JHALAWAR, PIN-326033, RAJASTHAN - 326033  
PH :9799299971.

**ALWAR**

1882. MG MOTORS (F901-01-), MUKESH GENERAL FINANCE COMPANY, ROAD NO. 2, NEAR MEO BOARDING, ALWAR - 301001  
PH :9001795520.

1883. MG MOTORS (F901-02-), KHASRA NO.803/198, BHUGROV TIARAHA, NEAR ALWAR PUBLIC SCHOOL, JAIPUR ROAD, ALWAR - 301001  
PH :9001795520.

**ANOOPGARH**

1884. AURIC MOTORS (A UNIT OF AUDI MOTORS PVT LTD) (BFE1-01-), PLOT NO. AMEDKAR CHARAHARA,RAILWAY STATION ROAD ,ANUPGARH (ANOOPGARH ),DISTT SRI GANGANAGAR . - 335701  
PH :9982638516.

**ANTA**

1885. BHATIA & COMPANY (A UNIT OF BHATIA CORPORATION PVT. LTD.) (CTG2-01-), KOTA-BARAN ROAD, ANTAH, DIST.-BARAN. - 325502  
PH :9413379001.

**ASIND**

1886. CHAMPION CARS (SID1-01-), DEV TOWERS, BEAWAR ROAD, ASIND, DISTRICT - BHLWARA, RAJASTHAN - 311302 - 311302  
PH :9887063862.

**ATRU**

1887. SUWALKA MOTORS (SNU1-01-), JAISALMER ROAD ,CHANDAN , DISTT JAISALMER ,RAJASTHAN - 325218  
PH :8306333731.

**BAGRU**

1888. PREM MOTORS PVT. LTD. (US02-01-), JAIPUR-AJMER HIGHWAY, BAGRU, DISTRICT-JAIPUR - 303007  
PH :01414711118,8058411181.

**BALESAR**

1889. AURIC MOTORS (A UNIT OF AUDI MOTORS PVT LTD) (CWO1-01-), KHASRA NO. 2167, JODHPUR JAISALMER ROAD, VILL.- BALESAR SATTA, TEH- BALESAR , DIST.- JODHPUR ( RAJ. ) - 342203  
PH :7412087344.

**BALOTRA**

1890. LMJ SERVICES LTD. (6502-05-), JODHPUR BALOTRA ROAD,BALOTRA, RAJASTHAN - 344022  
PH :8005898360.

**BANSUR**

1891. FORTUNE CARS (A UNIT OF JYOTI AUTOMOBILES PVT LTD) (BOP1-01-), KOTPUTLI ROAD, NEAR SUBHASH CHOWK, BANSUR, RAJASTHAN - 301402  
PH :8875005116.

**BANSWARA**

1892. NAVNEET MOTORS (X903-01-), NEAR J.C. MILL, OPPOSITE AKASHWANI,DAHOD ROAD,BANSWARA - 327001  
PH :02962-254546, 257596,7665000879.

**BARAN**

1893. BHATIA & COMPANY (A UNIT OF BHATIA CORPORATION PVT. LTD.) (6101-03-), BESIDE OJHA METAL, ATRU ROAD, BARAN - 325205  
PH :8929854244.

**BARMER**

1894. LMJ SERVICES LTD. (6502-06-), G-216, RIICO INDUSTRIAL AREA, BARMER - 344001  
PH :8005898360.  
1895. LMJ SERVICES LTD. (SH01-01-), NH# 68, OPP. SADAR THANA - 344001  
PH :8005898360.

**BASSI**

1896. PREM MOTORS PVT. LTD. (VF02-01-), MOHAN PURA BASSI, JAIPUR, RAJASTHAN - 303301  
PH :01414711118,80587945151.

**BAYTU**

1897. LMJ SERVICES (SIT1-01-), NH-8 ,NEAR JAGDAMBA PETROL PUMP , BAYTU - 344034  
PH :8094011126.

**BEAWAR**

1898. RELAN MOTORS (FL03-01-), PLOT NO 1, INDIRA GANDHI UDYOGPURI , AJMER ROAD ,BEAWAR, RAJASTHAN . - 305202  
PH :9587687800.

**BEGUN**

1899. BHATIA & CO (BTD1-01-), BHATIA & CO. (A UNIT OF BHATIA CORPORATION PVT LTD),IN FRONT OF GURUKUL, CHITTOR ROAD,BEGUN, TEHSIL - BEGUN, DISTRICT CHITTORGARH, 312023 - 312023  
PH :9837325267.

**BEHROR**

1900. MG MOTORS (FQ01-01-), B-168, RIICO INDUSTRIAL AREA, PHASE-II, OPP. APEX TUBE, BEHROR, DISTT: ALWAR. - 301701  
PH :9001795520.

**BHADRA**

1901. AURIC MOTORS (A UNIT OF AUDI MOTORS PVT LTD) (BIF1-01-), CHAK NUMBER-8,BARANI, NEAR HISAR BYEPASS BHADRA -BALSAMAND ROAD ,BHADRA. - 335501  
PH :9166712222, 9413311745.

**BHARATPUR**

1902. TM MOTORS PVT. LTD. (5J01-01-), BRIJ VIHAR COLONY,MADARPUR ROAD,BHARATPUR,RAJASTHAN - 321001  
PH :9251423392.

**BHAWANI MANDI**

## Dealer Network (AS ON 31.10.2023)

1903. SUWALKA MOTORS PVT LTD (SDB1-01-), K.NO. 327 MANDAVI OPPOSITE SDM OFFICE JHALAWAR ROAD, BHAWANIMANDI,JHALAWAR- 326502. - 326502 PH :9414242256.

### BHILWARA

1904. LOHIA AUTOMOBILES (E301-01-), AJMER ROAD,NEAR OCTROI POST,BHILWARA - 311001 PH :7568378555,9462979233.

1905. CHAMPION CARS (UNIT OF PREM CARS PVT. LTD) (E302-01-), CHITTORGARH ROAD, BHILWARA, RAJASTHAN. - 311001 PH :01462-267096,9356130064, 9356130066.

1906. LOHIA AUTOMOBILES (E301-03-), PLOT NO. H-11, EVERGREEN TEXTILE PARK, RIICO INDUSTRIAL AREA, PUR ROAD, BHILWARA - 311001 PH :9667187847.

### BHINDER

1907. TECHNOY MOTORS INDIA PVT. LTD. (CBS1-01-), NEAR RAILWAY STATION,SALUMBAR CHOURAHA, BHINDER - 313603 PH :8306111337.

### BHINMAL

1908. SHRI KRISHNA AUTOSALES PVT LTD (CON1-01-), KHASRA NO. 2281, KARADA CROSSING, BHINMAL, DISTRICT - JALORE, RAJASTHAN. PH :9610242790.

### BHIWADI

1909. FORTUNE CARS (A UNIT OF JYOTI AUTOMOBILES PVT LTD) (9H01-01-), OPP. INDAG RUBBER,MAIN ROAD, BHIWADI - 301019 PH :9214794326,8875005116.

1910. FORTUNE CARS (A UNIT OF JYOTI AUTOMOBILES PVT LTD) (9H01-02-), F-458-C,RIICO,INDUSTRIAL AREA,BHIWADI - 301019 PH :9214794326,8875005116.

1911. FORTUNE CARS (A UNIT OF JYOTI AUTOMOBILES PVT LTD) (9H01-04-), KHASRA NO. 656/431, ALWAR ROAD, BHIWADI. - 301019 PH :9214794326,8875005116.

### BIJAYNAGAR

1912. AJMER AUTO AGENCIES PVT LTD (GLF1-01-), KHASRA NO 39, AJMER-BHILWARA HIGHWAY CITY-BIJAYNAGAR DISTRICT - AJMER ,RAJASTHAN - 305624 PH :8890902472.

### BIJOLIA

1913. LOHIA AUTOMOBILES (E301-02-), R/O GOLDEN CORRIDOR, OPP. ASHOK LEYLAND W/S, CHITTOR-BIJOLIA HIGHWAY, BIJOLIA, DIST. -BHILWARA - 311602 PH :7568378555,7230094157.

### BIKANER

1914. AJURIC MOTORS (A UNIT OF AUDI MOTORS PVT LTD) (7101-01-), OPP. URMUL DAIRY PLANT,GANGANAGAR ROAD,BIKANER - 334004 PH :1512253984,9414138511.

1915. AJURIC MOTORS (A UNIT OF AUDI MOTORS PVT LTD) (7101-04-), JAIPUR BYE PASS,BIKANER - 334004 PH :1512230384,8875010507.

1916. AJURIC MOTORS (A UNIT OF AUDI MOTORS PVT LTD) (7101-05-), OPP. AVYYAPPA TEMPLE, K. K. COLONY, BIKANER - 334003 PH :7014063193,9413311949.

1917. DUDI AUTOMOBILES (A UNIT OF DMAS AUTOMOBILES) (7102-01-), KHASRA NO. 376/33, JAIPUR ROAD, NH-11, BIKANER, RAJASTHAN. - 334001 PH :8929834417.

### BILARA

1918. LMJ SERVICES LTD. (BZB1-01-), BANGANGA MOD, JODHPUR ROAD, BILARA , RAJASTHAN - 342602 PH :8104698935.

### BORUNDA

1919. AJURIC MOTORS (SNT1-01-), NEAR KESARGARH PALACE, HANUMANGARH ROAD, TIBBI, DIST. HANUMNAGARH, PIN-335526, RAJASTHAN - 342604 PH :9413311745.

### BUNDI

1920. BHATIA & COMPANY (A UNIT OF BHATIA CORPORATION PVT. LTD.) (6101-02-), SUMAN PLAZA, NEAR TEACHER'S COLONY, CHITTOR ROAD, OPPOSITE ICICI ATM, BUNDI - 323001 PH :8929853245.

### CHAKSU

1921. K P AUTOMOTIVES PVT LTD (1104-03-), TONK ROAD, CHAKSU - 303901 PH :0141-4071111, 4071101,8696934973.

### CHANDAN

1922. LMJ SERVICES LTD. (SHR1-01-), JAISALMER ROAD ,CHANDAN - DISTT JAISALMER ,RAJASTHAN - 345031 PH :8094011126.

### CHIRAWA

1923. AJURIC MOTORS (A UNIT OF AUDI MOTORS PVT LTD) (SY02-01-), NEAR PILANI CIRCLE, LOHARU ROAD, STATE HIGHWAY-8, CHIRAWA - 333026 PH :01596-217163,7230081668.

### CHITTORGARH

1924. BHATIA & COMPANY (A UNIT OF BHATIA CORPORATION PVT. LTD.) (K901-01-), PLOT NO. 1001/1-1002/1,NIMBAHERA ROAD,CHITTORGARH - 312001 PH :01472 240999,9549277861.

### CHOMU

1925. KTL AUTOMOBILES (HW02-01-), KHARSA NO.695, JAIPUR SIKAR BYPASS ROAD, CHOMU, RAJASTHAN - 303702 PH :7412077034.

1926. SATNAM MOTORS (HW03-01-), NEAR CM CHOPRA HOSPITAL, JAIPUR ROAD, CHOMU, DISTRICT - JAIPUR, RAJASTHAN - 303702 PH :8302090000.

### CHURU

1927. TR SAWHNEY (MD04-01-), KHASRA NO. 913/54, JAIPUR ROAD, VILLAGE RAMSARA, CHURU, PIN-331001, RAJASTHAN - 331001 PH :9782078531.

### DANTA RAMGARH

1928. JAMU AUTOMOBILES PVT LTD (CTQ1-01-), KHASRA NO. 1016/256, VILLAGE - RAMGARH, TEHSIL - DATAH RAMGARH, DIST.-SIKAR - 327073 PH :9116816905.

### DAUSA

1929. VIPUL MOTORS PVT. LTD. (1102-03-), AGRA JAIPUR ROAD, DAUSA - 303303 PH :9672211333.

### DEGANA

1930. SHRI MANGALAM (SDJ1-01-), PLOT NUMBER -189 , NEAR NAGAUR RAILWAY STATION ROAD, DEGANA - 341503 PH :7230055955.

### DEOLI

1931. K P AUTOMOTIVES PVT LTD (Z001-01-), KOTA- JAIPUR HIGHWAY, NH-12, DEOLI - 304804 PH :8696925259.

### DEVGARH

1932. LOHIA AUTOMOBILES (CUQ1-01-), NEAR KRISHI MANDI, KAMLIGHAT ROAD, TEHSIL - DEVGARH, DISTRICT - RAJSAMAND, RAJASTHAN. - 313331 PH :9772626856.

### DHARIYAWAD

1933. BHATIA & CO. (SMC1-01-), PRATAPGARH ROAD, DHARIYAWAD , DIST. - PRATAPGARH, RAJASTHAN - 313605 - 313605 PH :9829736081.

### DHOLPUR

1934. TM MOTORS PVT. LTD. (5K01-01-), TM MOTORS PVT. LTD. , GT ROAD DHOLPUR, RAJASTHAN. - 328001 PH :8094777862.

### DIDWANA

1935. SHRI MANGLAM AUTO PVT. LTD. (FT03-01-), KHASRA NO. 73, NEAR CHOTI DEVI SCHOOL, LADNU ROAD, DIDWANA , DISTRICT - NAGAUR. - 341303 PH :7230055924.

### DUDU

1936. PREM MOTORS PVT. LTD. (BRY1-01-), KHASRA NO.1107 & 1108, OPPOSITE POWER HOUSE SERVICE LANE, NH-8, DUDU. - 303008 PH :8058411181.

### DUNGURPUR

1937. NAVNET MOTORS (4902-02-), G-71, INDUSTRIAL AREA, DUNGURPUR - 314001 PH :9414104833,9414104833.

### FALNA

1938. LMJ SERVICES LTD. (BBR1-01-), OPPOSITE PRAKASH DINING HOTEL ,FALNA - 306116 PH :8094011126.

### FATEHNAGAR

1939. TECHNOY MOTORS INDIA PVT. LTD. (4903-03-), PLOT NO.15, FATENAGAR SANWAR ROAD, UDAIPUR-CHITTORGARH HIGHWAY NO.76, FATEHNAGAR-312025 DISTT. UDAIPUR - 312025 PH :9772564139,9772564139.

### GANGAPUR CITY

1940. PREM MOTORS PVT. LTD. (BUT1-01-), KHASRA NO. 5854, 5858, 5860, 5861, VILLAGE UDAI KALAN, THE GANGAPUR CITY - 322201 PH :8058794122.

### GUDAMALINI

1941. LMJ SERVICES (SJB1-01-), KHARSA NO. 1360/5, RATHORO KI DHANI, JODHPUR ROAD, GUDAMALANI, DISTRICT - BARMER, RAJASTHAN - 344031 - 344031 PH :8094011126.

### GUDHAGORJI

1942. AJURIC MOTORS (A UNIT OF AUDI MOTORS PVT LTD) (CGC1-01-), BHORKI ROAD, GUDHAGORJI, DISTRICT - JHUNJHUNUN, RAJASTHAN. - 333022 PH :7412059848.

### HANUMANGARH

1943. AJURIC MOTORS (A UNIT OF AUDI MOTORS PVT LTD) (7101-03-), JUNCTION TOWN ROAD,HANUMANGARH - 335512 PH :01552-231295,9166712222, 9413311745.

1944. AJURIC MOTORS (7101-06-), PLOT NUMBER 134, INDUSTRIAL AREA, HANUMANGARH, RAJASTHAN. - 335512 PH :9413311745.

### HINDAUN

1945. FORTUNE CARS (A UNIT OF JYOTI AUTOMOBILES PVT LTD) (S002-01), KHASRA NO. 737, VILLAGE – PATTI NARAINPUR, NEAR HANUMAN MANDIR, HINDAUN-MAHWA ROAD, HINDAUN - 322230  
PH :7017024146,7017024146.

**JAIPUR**

1946. VIPUL MOTORS PVT. LTD. (1102-01-), F-124A,MALVIYA INDUSTRIAL AREA,MALVIYA NAGAR,JAIPUR - 302017  
PH :9269117654,8949686508.

1947. K P AUTOMOTIVES PVT LTD (1104-01), E-198, SANGANER INDUSTRIAL AREA,MANSAROWAR,JAIPUR - 302020  
PH :0141-4071111, 4071101,6377203709, 6377203731.

1948. PREM MOTORS PVT. LTD. (1112-02-), 12 13,SUDARSHANPURA INDUSTRIAL AREA, JAIPUR - 302006  
PH :0141-4711111,8058703388, 8058794122.

1949. SANGA AUTOMOBILES PVT. LTD. (1110-01-), SECTOR 35, PRATAP NAGAR,SANGANER, JAIPUR - 302033  
PH :9772210922.

1950. VIPUL MOTORS PVT. LTD. (1102-05-), 29, INDUSTRIAL AREA, JHOTWARA, JAIPUR - 302012  
PH :0141-3524203,9672211333.

1951. PREM MOTORS PVT. LTD. (1112-01-), PLOT NO. E101(A, VKI, JAIPUR - 302039  
PH :01414411123,8929409921.

1952. SATNAM MOTOCORP PVT. LTD. (1113-01-), PLOT NO. E-524, SITAPURA INDUSTRIAL AREA, JAIPUR – 302 022, RAJASTHAN - 302022  
PH :1412771976, 8302390000.

1953. KTL AUTOMOBILE PVT. LTD. (1115-01-), PLOT NO. 13B, JHOTWARA INDUSTRIAL AREA, JAIPUR - 302012  
PH :7412077022.

1954. PREM MOTORS PVT. LTD. (1112-03-), PLOT NO. B-12, MALVIYA NAGAR, JAIPUR - 302017  
PH :9358715550,8929409921.

1955. KTL AUTOMOBILES (1115-02-), KHASRA NO 1210-1216/2959, BHANKROTA, TEH SANGANER 1, DISTRICT JAIPUR. - 302026  
PH :7412077007.

1956. KTL AUTOMOBILES (1115-03-), ORBIT MALL CIVIL LINES METRO STATION AJMER ROAD ,JAIPUR. - 302006  
PH :7412077007.

1957. K.P. AUTOMOTIVE (1104-G1-), B-1, GOVIND MARG, ADARSH NAGAR, JAIPUR – 302004 - 302004  
PH :9549656559.

1958. KTL AUTOMOBILES (1115-04-), CHOKDI HAWALI SHAHAR, SHIRKI SHAHAR, NEAR IDGAH, BILOCHOYAN MOHALLA, TRANSPORT NAGAR, DELHI ROAD, JAIPUR - 302002 - 302002  
PH :9772210922.

1959. KP AUTO (1104-G2-), PLOT NO. 4, RAJIV COLONY, RPA ROAD, OPP RADHA SWAMI SATSANG BHAWAN, SHASTRI NAGAR, JAIPUR 302016 - 302016  
PH :9549656559.

1960. SANGA AUTONATION (1117-01-), SECTOR 35, PRATAP NAGAR, SANGANER, JAIPUR, PIN-302023, RAJASTHAN - 302023  
PH :9929365847.

**JAISALMER**

1961. LMJ SERVICES LTD. (5L01-01-), PLOT NO.36, 37, MAHESH REFUGEE COLONY,HDC SOCIETY, DABLA ROAD, JAISALMER (RAJASTHAN) - 345001  
PH :8005898360.

**JAITARAN**

1962. LMJ SERVICES LTD. (BNY1-01-), KHASRA NO. 784, JAIPUR-JODHPUR BYE PASS ROAD, JAITARAN, DIST.-PALI. - 306302  
PH :9269971266.

**JALORE**

1963. SHRI KRISHNA AUTOSALES PVT LTD (VD01-01-), KHASRA NO.6809/2616, 2623, INDUSTRIAL AREA, JALORE-BHINMAL ROAD, JALORE - 343001  
PH :2973211613,9829203644.

**JAMWA RAMGARH**

1964. K P AUTOMOTIVES PVT LTD (BZ1-01-), KHASRA NUMBER- 228/169,OPP UDAY AUTOMOBILES,JAIPUR ALWAR ROAD –JAMWA RAMGARH. - 303109  
PH :6377203709, 6377203731.

**JHADOL**

1965. TECHNOY MOTORS (SKO1-01-), KHASRA NO. 186/1, NH # 8, NEAR ASHOK LEYLAND WORKSHOP, SARDARPURA, SOJAT, PIN-306104, RAJASTHAN - 306104  
PH :8890673099.

**JHALAWAR**

1966. BHATIA & COMPANY (A UNIT OF BHATIA CORPORATION PVT. LTD.) (6102-02-), OPP. BALAJI KI CHHATRI , KHEL CIRCULAR STADIUM, BUS STAND ROAD, JHALAWAR - 326001  
PH :9413350336.

**JHUNJHUNU**

1967. AURIC MOTORS (A UNIT OF AUDI MOTORS PVT LTD) (FN03-02-), E1-2, AUTOMOBILES SERVICE SECTOR, RICO INDUSTRIAL AREA, PHASE-2, SIKAR JAIPUR ROAD, JHUNJHUNU - 333001  
PH :01592-250045,7412087489.

**JOBNER**

1968. PREM MOTORS PVT. LTD. (BRD1-01-), KHASRA NO. 758 & 754, BABER WALON KI DHANI, JOBNER, TEHSIL – PHULERA, DISTRICT – JAIPUR, RAJASTHAN - 303328  
PH :8058411181.

**JODHPUR**

1969. LMJ SERVICES LTD. (6502-01-), PRATAP NAGAR, JODHPUR - 340002  
PH :9950496202.

1970. LMJ SERVICES LTD. (6502-04-), OPP TO RFC OFFICE,NEW POWER HOUSE ROAD,JODHPUR - 342003  
PH :8094011127.

1971. SHRI KRISHNA AUTOSALES PVT LTD (6503-01-), 32A,HEAVY INDUSTRIAL AREA,NR FCI GODOWNS, JODHPUR - 342005  
PH :2912748402,9001894669.

1972. LMJ SERVICES LTD. (6502-09-), B-8,9 10, MARUDHAR INDUSTRIAL AREA, PHASE 1, BASNI, JODHPUR - 342008  
PH :8094011147.

1973. LMJ SERVICES LTD. (6502-0C-), 21/1, PAL MAIN BALOTRA ROAD, NEAR D.P.S. CIRCLE, JODHPUR - 342002  
PH :7230057721.

1974. AURIC MOTORS (A UNIT OF AUDI MOTORS PVT LTD) (6504-01-), C-62 BASNI INDUSTRIAL AREA, PHASE-1, JODHPUR - 342005  
PH :7412059839.

1975. LMJ SERVICES LTD. (6502-0D-), PARSHWANATH COLONY, KAYLANA ROAD, JODHPUR - 342 001  
PH :8696916455.

1976. LMJ SERVICES LTD. (6502-10-), KHASRA NO. 357/5, BANAR ROAD, OPPOSITE VIDHYA PUBLIC SCHOOL, JODHPUR, RAJASTHAN - 342 003  
PH :7222002424.

**KAPRAIN**

1977. BHATIA & COMPANY (A UNIT OF BHATIA CORPORATION PVT. LTD.) (BGG1-01-), MEGA HIGHWAY ROAD, NEAR PETROL PUMP, KAPRAIN DISTT. BUNDI - 323301  
PH :9413379001.

**KEKRI**

1978. AJMER AUTO AGENCIES PVT. LTD. (B201-03-), KOTA SAWAR ROAD,KEKRI - 305404  
PH :9314955201.

**KHAJUWALA**

1979. AURIC MOTORS (SJC1-01-), DANTOR ROAD, KHAJUWALA, DIST. - BIKANER, RAJASTHAN. - 3340323  
PH :9982299866.

**KHANDAR**

1980. PREM MOTORS (SQM1-01-), SAWAI MADHOPUR-KHANDAR RD., KHANDAR, RAJASTHAN - 322025 - 322025  
PH :8058899960.

**KHANPUR**

1981. SUWALKHA MOTORS (SMA1-01-), BYPASS CHORAYA, MEGA HIGHWAY BARAN-JHALAWAR, KHANPUR, TEHSIL – KHANPUR, DISTRICT – JHALAWAR, RAJASTHAN PIN CODE: 326038 - 326038  
PH :8306333731.

**KHERLI**

1982. MG MOTORS (BZE1-01-), KHERLI KATHUMAR ROAD, VILLAGE KHERLI, DISTT. ALWAR, RAJASTHAN - 321606  
PH :9001795520.

**KHERWARA**

1983. TECHNOY MOTORS (SEE1-01-), OPP. ATITHI PALACE, VILLAGE BADLA, NH 8,KHERWARA, TEHSIL – KHERWARA, DISTRICT – UDAIPUR, RAJASTHAN PIN CODE: 313803 - 313803  
PH :9530396845.

**KISHANGARH**

1984. AJMER AUTO AGENCIES PVT LTD (TU01-01-), R K LINK ROAD, - 305802  
PH :9314391011.

**KISHANGARH BAS**

1985. FORTUNE CARS (A UNIT OF JYOTI AUTOMOBILES PVT LTD) (9H01-03-), KISHANGARH BIWADI HIGHWAY, NEAR KISHANGARH, DISTRICT ALWAR - 301405  
PH :8875007753,8875007753.

**KOTA**

1986. BHATIA & COMPANY (A UNIT OF BHATIA CORPORATION PVT. LTD.) (6101-01-), 13-16 B,INDUSTRIAL ESTATE, KOTA - 324007  
PH :8929400447.

1987. BHATIA & COMPANY (A UNIT OF BHATIA CORPORATION PVT. LTD.) (6102-01-), AUTO MOBILE ZONE,G-11/12 INDUSTRIAL AREA, KOTA - 324005  
PH :0744-2439008,2439006,9587894887.

1988. BHATIA & COMPANY (A UNIT OF BHATIA CORPORATION PVT. LTD.) (6101-04-), 3(K),CHAMBAL INDUSTRIAL AREA,KOTA,RAJASTHAN - 324007  
PH :8929400447.

1989. BHATIA & COMPANY (A UNIT OF BHATIA CORPORATION PVT. LTD.) (6101-05-), E-46, CHAMBAL INDUSTRIAL AREA, KOTA - 324007  
PH :8929400447.

1990. BHATIA & COMPANY (A UNIT OF BHATIA CORPORATION PVT. LTD.) (6101-06-), PLOT NO. E-222, ROAD NUMBER 5, INDRAPRASTHA INDUSTRIAL AREA, KOTA, RAJASTHAN. - 324005  
PH :0744-2439008,2439006,9587894887.

## Dealer Network (AS ON 31.10.2023)

1991. SUWALKA MOTORS PVT. LTD. (6104-01-), RIDDHI SIDDHI NAGAR, KUNHARI, BUNDI ROAD, KOTA, RAJASTHAN. - 324008  
PH :0744-2661226,7742121212.

### KOTPUTLI

1992. PREM MOTORS PVT. LTD. (MH09-01-), NH-8, BUCHARA COLONY, OPP. SHAKTI VIHAR, KOTPUTLI, JAIPUR - 303108  
PH :01414711118,8058411181.

1993. PREM MOTORS PVT. LTD. (MH09-02-), KHASRA NO- 636, KOTPUTLI, DIST. JAIPUR, RAJASTHAN - 303108  
PH :01414711118,8058411181.

### KUCHAMAN

1994. SHRI MANGLAM AUTO PVT. LTD. (VA02-01-), SUDARSHAN NAGAR, BURSU ROAD, KHASRA NO.148, KUCHAMAN. - 341508  
PH :7230055928.

### LADNU

1995. SHRI MANGLAM AUTO PVT. LTD. (CUP1-01-), KHASRA NO. 1011, SUJANGARH ROAD, LADNUN - 341306  
PH :7412044506.

### LALSOT

1996. VIPUL MOTORS PVT. LTD. (BZF1-01-), PLOT NO.22.23, KHASRA NO.1502-03, NARAYAN VIHAR, SAWAI MADHOPUR ROAD, LALSOT, RAJASTHAN - 303502  
PH :9672211333.

### LOSAL

1997. JAMU MOTORS (SMD1-01-), LOSAL-SALASAR-DIDWANA ROAD, OPPOSITE SHIV MANDIR, WARD NO. 1, LOSAL, RAJASTHAN - 332025. - 332025  
PH :9057400761.

### LUNI

1998. LMJ SERVICES (SFD1-01-), NEAR SBI BANK, SALAWAS ROAD,LUNI, TEHSIL - LUNI,DISTRICT - JODHPUR,RAJASTHAN PIN CODE: 342802 - 342802  
PH :8094011126.

### MAHWA

1999. VIPUL MOTORS PVT. LTD. (BK21-01-), KHASRA NO.377364, BHARATPUR ROAD BYE-PASS, N.H. -11, MAHWA, DISTT. DAUSA (RAJASTHAN) - 321608  
PH :9672211333.

### MAKRANA

2000. SHRI MANGLAM AUTO PVT. LTD. (CFX1-01-), KHASRA NO. 609/4, NEAR BAJAJ SHOWROOM, MANGLANA ROAD, MAKRANA, DISTRICT - NAGAUUR. - 341505  
PH :7230055934.

### MALPURA

2001. K P AUTOMOTIVES PVT LTD (BLB1-01-), PLOT NO.07, SHRI KALYAN NAGAR COLONY, JAIPUR-KEKRI ROAD, MALPURA - 304502  
PH :8696925262.

### MANDALGARH

2002. CHAMPION (SHA1-01-), OPP. MODEL SCHOOL, BIJOLIA ROAD, MANDALGARH, DISTRICT - BHILWARA, PIN-311604, RAJASTHAN - 311604  
PH :9837325267.

### MERTA

2003. SHRI MANGLAM MOTORS (NG03-01-), KHASRA NUMBER 1679, NH-89,MERTA ,RAJASTHAN. - 341510  
PH :9116007201.

### NAGAUUR

2004. SHRI MANGLAM AUTO PVT. LTD. (HLG03-01-), KHASRA NO. 1479/982 & 1478/83, BIKANER ROAD, NAGAUUR. - 341 001  
PH :9116008624.

### NAINWA

2005. BHATIA & COMPANY (A UNIT OF BHATIA CORPORATION PVT. LTD.) (CTJ1-01-), UNIARA ROAD, OPP: PETROL PUMP, NAINWA, DIST. KOTA - 323801  
PH :9413379001.

### NARAYANPUR

2006. FORTUNE CARS (SDV1-01-), KHASRA NO. 2848, JAIPUR ROAD,NEAR NARAYANPUR BYPASS VILLAGE, NARAYANPUR TEHSIL - NARAYANPUR, DISTRICT - ALWAR,RAJASTHAN PIN CODE: 301024. - 301024  
PH :8875004375.

### NASIRABAD

2007. AJMER AUTO AGENCIES PVT. LTD. (B201-04-), CHAVANI BOARD NO:1613, HAWA CHAKKI, NASIRABAD ROAD, NASIRABAD, DISTT. AJMER - 305601  
PH :9314955201.

### NATHWARA

2008. LOHIA AUTOMOBILES (X201-02-), NH-8, LAL BAG, NATHWARA, DISTRICT: RAJSAMAND - 313301  
PH :8306009399.

### NAWALGARH

2009. AURIC MOTORS (SIE1-01-), KHATA NO. 76, PUNIA KI DHANI, SIKAR ROAD, NAWALGARH, DISTRICT - JHUNJHUNU, RAJASTHAN PIN CODE: 333042 - 333042  
PH :9928720360.

### NEEM KA THANA

2010. JAMU AUTOMOBILES PVT LTD (K701-03-), NEAR TOLL PLAZA, KOTPUTLI ROAD, NEEM KA THANA, SIKAR - 332713  
PH :9116816905,9116816905.

### NEEMRANA

2011. FORTUNE CARS (A UNIT OF JYOTI AUTOMOBILES PVT LTD) (OP01-01-), F-42 & 42(B), PHASE-1, NEEMRANA, TEHSIL: BEHROR, DISTT. ALWAR - 301705  
PH :9610715222,9636139386.

### NIMBAHERA

2012. BHATIA & COMPANY (A UNIT OF BHATIA CORPORATION PVT. LTD.) (CTH1-01-), PLOT NO. 7-8, 33-34, 35-36, NIMBAHERA, DIST. -CHITTORGARH. - 312601  
PH :9772378681,9772378681.

### NIWAI

2013. K P AUTOMOTIVES PVT LTD (BLA1-01-), VANASTHALI CIRCLE, NEAR PRATEEK GAS AGENCY, TONK ROAD, NIWAI, DISTRICT - TONK. - 304021  
PH :8696925262.

### NOHAR

2014. AURIC MOTORS (A UNIT OF AUDI MOTORS PVT LTD) (VE02-01-), OPP. RAILWAY STATION, NOHAR, DISTRICT-HANUMANGARH - 335523  
PH :0155-5221485,7412059821, 8875010541.

### NOKHA

2015. AURIC MOTORS (A UNIT OF AUDI MOTORS PVT LTD) (IS01-01-), F-46, RIICO EXTENSION, NOKHA INDUSTRIAL AREA, NOKHA DISTT- BIKANER (RAJASTHAN) - 334803  
PH :7412059805.

### PADAMPUR

2016. DUDI MOTORS (SGC1-01-), NEAR BASANT PLACE, BHAGAT SINGH CHOWK, KARANPUR ROAD, PADAMPUR SRI GANGANAGAR 335041 - 335041  
PH :8619215475.

### PALI

2017. LMJ SERVICES LTD. (6502-03-), KHASRA NO. 771/1, JODHPUR PALI ROAD, PALI - 306401  
PH :9269971266.

### PAOTA

2018. K P AUTOMOTIVES PVT LTD (BRH1-01-), PATTI SANKHYA 31, MISAL SANKHYA 89, NEAR BAMORIA PETROL PUMP, NH-8, PAOTA, RAJASTHAN. - 303106  
PH :6377203709, 6377203731.

### PARBATSAR

2019. SRI MANGLAM (SKT1-01-), NEAR IFL HOUSING FINANCE CO., KISHANGARGH ROAD, PARBATSAR, DISTRICT - NAGAUUR, RAJASTHAN - 341512. - 341512  
PH :8740909096.

### PARTAPUR

2020. NAVNEET MOTORS (BKY1-01-), AAASHAPURA CHAURAHA, BHAGORA MOR, NEAR AAASHAPURA MANDIR, PARTAPUR RAJASATHAN - 327024  
PH :9001550644.

### PHALODI

2021. SHRI KRISHNA AUTOSALES PVT LTD (BQ11-01-), OPP. RCP GUEST HOUSE, NAGAUUR KHICHAN ROAD, PHALODI, RAJASTHAN - 342301  
PH :9116011958.

### PHULERA

2022. KTL AUTOMOBILE PVT. LTD. (CUS1-01-), KHASRA NO. 21 TO 24 AND PLOT NO. 189 IN RAM VIHAR COLONY, PANCHBHATI, PHULERA, DISTRICT - JAIPUR, RAJASTHAN - 303338  
PH :7412077022.

### PINDWARA

2023. NAVNEET MOTORS (COP1-01-), OPPOSITE WOLKEM FACTORY, SIROHI ROAD, PINDWARA, DIST. - SIROHI. - 307022  
PH :7230036616,7230019849.

### PIPAR

2024. LMJ SERVICES LTD. (BT11-01-), KHASRA NO. 1095, PIPAR CITY, DIST.-JODHPUR. - 342601  
PH :9462616268.

### PISANGAN

2025. AJMER AUTO AGENCIES PVT. LTD. (CTL1-01-), PLOT NO.11, SHIV VIHAR COLONY, MANGLIYAWAS ROAD, PISANGAN, DISTRICT - AJMER, RAJASTHAN. - 305204  
PH :9314955201.

### POKHRAN

2026. LMJ SERVICES (BOA1-01-), SUNDER NAGAR, TEHSIL POKHRAN, DISTRICT - JAISALMER, RAJASTHAN. - 345021  
PH :9610115660.

### PRATAPGARH (RAJASTHAN)

2027. BHATIA & COMPANY (A UNIT OF BHATIA CORPORATION PVT. LTD.) (PN01-01-), CHITTORGARH-PRATAPGARH ROAD, GRAM-BAMBOTARA, PRATAPGARH (RAJASTHAN) - 312605  
PH :9571274999.

### RAIPUR

2028. LMJ SERVICES LTD. (CRZ1-01-), NATIONAL HIGHWAY, PALI ROAD, VILLAGE - RAIPUR, DISTRICT - PALI. - 306304  
PH :9269971266.

### RAISINGHNAGAR

2029. AURIC MOTORS (A UNIT OF AUDI MOTORS PVT LTD) (BHK1-01-), PLOT NO. H-2, INDUSTRIAL AREA, RAISINGHNAGAR, DISTRICT - SRIGANGANAGAR. - 335051  
PH :9982638516.

**RAJGARH**

2030. MG MOTORS (IY01-01-), ALWAR SIKANDRA MEGA HIGHWAY, VILLAGE DIGAWARA, TEHSIL RAJGARH DISTT. ALWAR - 301408 PH :9001795520.

2031. AURIC MOTORS (A UNIT OF AUDI MOTORS PVT LTD) (CGD1-01-), NH-65, OPP. BHAGAT SINGH CHOWK, RAJGARH DISTT. CHURU, - 331023 PH :9602261977.

**RAJSAMAND**

2032. LOHIA AUTOMOBILES (X201-01-), BHLWARA ROAD,KHANKROLI,RAJSAMAND DISTT, RAJSAMAND - 313301 PH :8306009399.

**RAMGANJMANDI**

2033. BHATIA & COMPANY (A UNIT OF BHATIA CORPORATION PVT. LTD.) (BAZ1-01-), KHAIRABAD ROAD, KHASARA NO. 753, A.S.I COLONY, RAMGANJ MANDI - 326519 PH :9414085790.

**RANIWARA**

2034. SHRI KRISHNA AUTOSALES PVT LTD (SGX1-01-), NEAR RAILWAY GATE, BHNIMAL ROAD ,RANIWARA, TEHSIL – RANIWARA, DISTRICT – JALORE, RAJASTHAN,PIN CODE: 343040 - 343040 PH :9928377669.

**RATANGARH**

2035. AURIC MOTORS (A UNIT OF AUDI MOTORS PVT LTD) (BHJ1-01-), PLOT NO. AREA F-186 INDUSTRIAL AREA, RATANGARH. - 331 022 PH :7412087301.

**RAWATBHATA**

2036. BHATIA & COMPANY (A UNIT OF BHATIA CORPORATION PVT. LTD.) (JU01-01-), NEAR INDIAN OIL PETROL PUMP, KOTA ROAD, RAWATBHATA ,DIST. CHITTORGARH, RAJASTHAN. - 323307 PH :-,9587894887.

**RAWATSAR**

2037. AURIC MOTORS (A UNIT OF AUDI MOTORS PVT LTD) (SDA1-01-), CHAK 21-22,DWD,PLOT NUMBER -10 & 11, RAWATSAR (RAJASTHAN). - 335524 PH :9166712222, 9413311745.

**REENGUS**

2038. JAMMU MOTORS (SGL1-01-), REENGUS HIGHWAY , REENGUS DISTT. SIKAR -332404 PH :332404.

**RENWAL MANJHI**

2039. PREM MOTORS PVT. LTD. (GK21-01-), KHASRA NUMBER 2286/110,OPP ROHINI NAGAR 1 ,JAIPUR BHLWARA HIGHWAY ,RENWAL,TEHSIL PHAGI JAIPUR, RAJASTHAN (303904) - 303904 PH :01414711118,9928494441.

**REVDAR**

2040. TECHNOY MOTORS INDIA PVT. LTD. (CRY1-01-), OPP. TIRUPATI PETROL PUMP, KAROTI ROAD, REVDAR, DISTT. SIROHI, RAJASTHAN. - 307514 PH :9116653766,9116653766.

**SAGWARA**

2041. TECHNOY MOTORS INDIA PVT. LTD. (CK01-01-), BANSWARA ROAD, CHUNGINAKA, NR. CENTRAL JAIL, SAGWARA, DUNGARPUR DISTT., RAJASTHAN - 314025 PH :02966254767,7230088824.

**SALUMBAR**

2042. NAVNEET MOTORS (BZH1-01-), GANESH GHATI, BANSWARA ROAD, SALUMBAR, DISTRICT – UDAIPUR, - 313027 PH :7665887444.

**SAMBHAR**

2043. KTL AUTOMOBILE PVT. LTD. (CVD1-01-), PLOT NUMBER -C1 NEAR SHAKUMARI PG COLLEGE , PHULERA ROAD ,SAMBHAR 303604 - 303604 PH :7412077022.

**SANCHORE**

2044. SHRI KRISHNA AUTOSALES PVT LTD (GY01-01-), PLOT NO. 217, KHASRA NO. 844, 865, 867, MANMOHAN SINGH PARK, NH-15, BARMER ROAD, SANCHORE, DIST.-JALORE. - 343041 PH :9636224546.

**SANGARIA**

2045. AURIC MOTORS (A UNIT OF AUDI MOTORS PVT LTD) (GKK1-01-), HANUMANGARH ROAD NEAR KARMA PETROL PUMP - 335035 PH :7412059827.

**SANGOD**

2046. BHATIA & COMPANY (A UNIT OF BHATIA CORPORATION PVT. LTD.) (GLG1-01-), KHASRA NO 1637 ,SANGOD BAPAPAR MAIN ROAD ,SANGOD - 325601 PH :9413353999.

**SARDARSHAHR**

2047. AURIC MOTORS (A UNIT OF AUDI MOTORS PVT LTD) (BID1-01-), KHASRA NO.134, MOTOR MARKET, RATANGARH SARDARSHAHR ROAD, SARDARSHAHR DISTT. CHURU, RAJASTHAN - 331403 PH :9799833995.

**SARWAR**

2048. RELAN MOTORS (SJR1-01-), CHAMAN CHOURAHA, AJMER ROAD, SARWAR, DISTRICT – AJMER, RAJASTHAN 305403 - 305403 PH :9587687000.

**SAWAI MADHOPUR**

2049. PREM MOTORS PVT. LTD. (FY03-01-), PLOT NO.14, RIICO INDUSTRIAL AREA, KHERDA, SAWAI MADHOPUR - 322001 PH :01414711118,9358725409.

**SAYALA**

2050. AURIC MOTORS (SHM1-01-), NEAR PETROL PUMP, HANUMAN MANDIR SOUTH STYLE, MAIN ROAD SAYALA, SAYALA TEHSIL – SAYALA, DISTRICT – JALORE, RAJASTHAN PIN CODE: 343022 - 343022 PH :9460739993.

**SHAHPURA**

2051. K P AUTOMOTIVES PVT LTD (1104-05-), VILLAGE RAJPURA,GRAM PANCHAYAT BIDARA,NH-8, SHAHPURA - 303103 PH :0141-4071111, 4071101,8696934964, 9358220012.

2052. LOHIA AUTOMOBILES (CCP1-01-), OPPOSITE LIC OFFICE, BHLWARA ROAD, SHAHPURA DISTT. BHLWARA - 311404 PH :7568378555,9462979238.

**SHEO**

2053. LMJ SERVICES LTD. (SDO1-01-), NEAR RIDDI SIDDIH HOTEL, OPPOSITE HP PETROL PUMP ,TEH SHEO, DISTT – BARMER - 335521 PH :8094011144.

**SHEOGANJ**

2054. NAVNEET MOTORS (SMI1-01-), F 132 ,OPP. 3311 KV STATION, RIICO INDUSTRIAL AREA, SHEOGANJ, DISTRICT – SIROHI, RAJASTHAN - 307027 - 307027 PH :9414159146.

**SIKAR**

2055. JAMU AUTOMOBILES PVT LTD (K701-01-), F-54 ,JAIPUR ROAD (NH-11),SIKAR - 332001 PH :9116816905,9116816905.

**SIMALWARA**

2056. NAVNEET MOTORS (SLF101-), RAJPUR PEETH ROAD, SIMALWARA, DISTRICT - DUNGARPUR, RAJASTHAN - 314403 - 314403 PH :9001550644.

**SIROHI**

2057. NAVNEET MOTORS (4902-03-), PLOT NO. 8,BHADRANAGAR NAGAR, ANADRA ROAD, SIROHI - 307001 PH :779960998.

**SIVANA**

2058. LMJ SERVICES LTD. (CCO1-01-), BALOTRA ROAD, SIWANA, DISTRICT - JODHPUR, RAJASHTHAN - 344044 PH :8005898360.

**SOJAT**

2059. LMJ SERVICES LTD. (BW11-01-), KHASRA NO. – 186/1, NH-8, NEAR ASHOK LEYLAND WORKSHOP, SARDARPURA, SOJAT , RAJASTHAN - 306104 PH :9269971266.

**SRI DUNGARGARH**

2060. AURIC MOTORS (A UNIT OF AUDI MOTORS PVT LTD) (BIG1-01-), 1563/1273, NH-11, MOMASAR BASS, DUNGARGARH, DISTRICT - BIKANER, RAJASTHAN. - 331803 PH :9414138511.

**SRI KARANPUR**

2061. AURIC MOTORS (SDL1-01-), PADAMPUR ROAD, NEAR DHAN MANDI, SRI KARANPUR,TEHSIL – SRI KARANPUR, DISTRICT – SRI GANGANAGAR,RAJASTHAN, PIN CODE: 3355073 - 3355073 PH :8875088998.

**SRI MADHOPUR**

2062. JAMU AUTOMOBILES PVT LTD (BZD1-01-), WARD NO.4, RINGUS ROAD, SRI MADHOPUR DISTT. SIKAR. - 332715 PH :9116816905.

**SRIGANGANAGAR**

2063. AURIC MOTORS (A UNIT OF AUDI MOTORS PVT LTD) (U201-01-), NEW AUTOMOBILE MARKET,SURATGARH-HANUMANGARH ROAD, SRIGANGANAGAR - 335001 PH :0154-2465226,7412059837.

2064. AURIC MOTORS (A UNIT OF AUDI MOTORS PVT LTD) (U201-03-), CHAK 1G CHOTI, NH15, SRIGANGANAGAR, RAJASTHAN - 335001 PH :8875911503.

**SUJANGARH**

2065. AURIC MOTORS (A UNIT OF AUDI MOTORS PVT LTD) (BRB1-01-), KHASRA NO.459/333, SALASAR ROAD, NEAR ANAJ MANDI, SUJANGARH , DISTT. CHURU - 331507 PH :8875011561.

**SULTANPUR**

2066. SUWALKA MOTORS PRIVATE LIMITED (GKY1-01-), KHASRA NUMBER 485, NEAR PETROL PUMP, SULTANPUR ROAD, SULTANPUR ,DISTT KOTA - 325204 PH :7742121212.

**SUMERPUR**

2067. LMJ SERVICES LTD. (6502-08-), G-14 JAKHAMATA INDUSTRIAL AREA, OPP. DASHAREA GROUND, SUMERPUR - 306902 PH :8094002633.

## Dealer Network (AS ON 31.10.2023)

### SURATGARH

2068. AURIC MOTORS (A UNIT OF AUDI MOTORS PVT LTD) (U201-02-), OPP. RELIANCE PETROL PUMP,NH-15, SURATGARH - 335804  
PH :8875012667.

### THANAGAZI

2069. MG MOTORS (CFJ1-01-), NEAR INDIA PETOL PUMP, THANAGAZI, ALWAR ROAD, DIST. ALWAR, PIN-301022, RAJASTHAN - 301022  
PH :9799398200.

### TIBBI

2070. AURIC MOTORS (SNJ1-01-), KHASRA NO.2261, NEAR T POINT , BYPASS SIKARPUR ROAD ,BULANDSHAHR - 335626  
PH :9413311745.

### TINWARI

2071. LMJ (STK1-01-), OPPOSITE NEW TEHSIL OFFI CE, TIWARI, MATHANIA ROAD, TIWARI -342306 - 342306  
PH :809011126.

### TONK

2072. K P AUTOMOTIVES PVT LTD (GM01-01-), F-94, RICO INDUSTRIAL AREA, TONK , RAJASTHAN - 304001  
PH :9549651972.

### TUNGA

2073. PREM MOTORS (SMB1-01-), VILLAGE BAWALI, BASSI-LALSOT ROAD, TUNGA, TEHSIL- BASSI, JAIPUR - 303302 - 303302  
PH :8058998123.

### UDAIPUR

2074. NAVNEET MOTORS (4901-01-), 7 CITY STATION ROAD,UDAIPUR - 313001  
PH :7230046375.

2075. NAVNEET MOTORS (4902-01-), S-140,MADRI INDUSTRIAL AREA,OPP. BSNL OFFICE, UDAIPUR - 313002  
PH :0294-2494451-54,7665000881.

2076. TECHNOY MOTORS INDIA PVT. LTD. (4903-02-), NH-8, GOVERDHAN VILLAS, DEVALI, NEAR JEEVAN TARA RESORT, UDAIPUR - 313002  
PH :7073468292.

2077. TECHNOY MOTORS INDIA PVT. LTD. (4903-04-), KHASRA NO. 546, 547, 554 AND 555, NEAR CHITRAKOOT NAGAR, OPP. BHIRAVGARH HOTEL, SUKHER, TEHSIL - BADGAON, UDAIPUR, RAJASTHAN - 313001  
PH :7297062111,9116101063.

### VIRATNAGAR

2078. K.P. AUTOMOTIVES PVT. LTD. (SCB1-01-), KHASRA NUMBER 1156,,OPP HOTEL GULMOHAR ,,JAIPUR ROAD ,VIRATNAGAR,DISTT JAIPUR - 303102  
PH :0141-4071111, 4071101,9358220012.

### SIKKIM

#### GANGTOK

2079. ENTEL MOTORS (B902-01-), 6TH MILE, P.O.TADONG, GANGTOK, SIKKIM - 737102  
PH :9933031829  
9933032059.

#### JORTHANG

2080. ENTEL MOTORS (ND02-01-), PIPEALEY ROHTAK, NEAR JNU SCHOOL, WEST SIKKIM, JORTHANG - 737121  
PH :9733164882  
9933009934.

### TAMIL NADU

#### ALANDURAI

2081. AADHI CARS PVT. LTD. (CTO1-01-), NO.69/1 A, SIRUVANI MAIN ROAD, URIPALLAM PUDHUR, ALANDURAI, COIMBATORE (TAMIL NADU) - 641101  
PH :8754045816.

#### ALANGULAM

2082. AADHI CARS PVT. LTD. (SJF1-01-), SURVEY NO. 495/7, TIRUNELVELI - TENKASI ROAD, ALANGULAM, TIRUNELVELI DISTRICT,TN - 627851  
PH :8754044143.

#### AMBASAMUNDRAM (AMBAI)

2083. AADHI CARS PVT. LTD. (BXT1-01-), DOOR NO. 2/253, SURVEY NO. 104/2, RTO OFFICE ROAD, VILLAGE - VAGAIKULAM, AMBASAMUNDRAM. - 627 401  
PH :7397188858.

#### ANAMALAI

2084. ABT (CHE1-01-), SITE NO. 6/12, NEAR ABT SAMUGA KOODAM, SETHUMADAI ROAD, ANAMALAI, COIMBATORE DISTRICT, TAMILNADU - 642 104  
PH :9788174244.

#### ANDIPATTI

2085. ASIR (S1S1-01-), SURVEY NO. 459/1A1, THENI MAIN ROAD, ANDIPATTI, THENI DISTRICT,TAMILNADU - 625512  
PH :9750372220.

#### ANNUR

2086. JAIKRISHNAA AUTOSALES PVT. LTD. (DN01-01-), SF NO.266/1B, OTTRAPALAYAM VILLAGE, OPP. TO KG SCHOOL, ANNUR,COIMBATORE (DIST), TAMILNADU - 641653  
PH :9788850733.

#### ANTHIYUR

2087. SREE SARADHAMBAL AUTOMOBILES PVT LTD (CUX1-01-), SURVEY NO.495/4, OLD NO.724B, KANCHI THOTTI THOTTAM, BHAVANI MAIN ROAD,ANTHIYUR. - 638501  
PH :8754086777.

#### ARAKKONAM

2088. GANESH CARS PVT. LTD. (BKQ1-01-), SURVEY NO. 556A/3, VILLAGE - ICHIPUDHUR, TALUKA - ARAKKONAM, VELLORE. - 631003  
PH :9842345399.

#### ARIYALUR

2089. PILLAI & SONS MOTOR CO. (EB01-01-), NO.1/1 , NEAR ULAVAR SANTHAI, JAYAMKONDAM ROAD, ARIYALUR (TAMIL NADU). - 621704  
PH :04329-228300, 9442281302.

#### ARNI

2090. GANESH CARS PVT. LTD. (BKP1-01-), DOOR NO. 1151/3, VELLORE MAIN ROAD, OPPOSITE TO HERO MOTORS SHOWROOM, RATNAMANGALAM BUS STOP, ARNI, THIRUVANMALAI, TAMIL NADU. - 632301  
PH :9585553266.

#### ARUPPUKKOTTAI

2091. ASIR AUTOMOBILES PVT LTD (CWF1-01-), SURVEY NO. 205/1, 5/5C, NEHRU NAGAR, ARUPPUKKOTTAI TO MADURAI BYPASS ROAD, ARUPPUKKOTTAI, DIST.-VIRUDHUNAGAR. - 626 101  
PH :9944059911.

#### ATTUR

2092. S.M.CAR PVT. LTD. (QT02-01-), SF NO. 351/10A, SALEM TO CHENNAI BY PASS ROAD, APPAMASAMDURAM, ATTUR, SALEM. - 636108  
PH :7094440057.

#### AVADI

2093. VISHNU CARS PVT. LTD. (5P01-01-), SURVEY NO. 146, 147/1F & 147/G, NO. 17 VILLAGE - KAVARAPALAYAM, CTH ROAD, AVADI, DISTRICT - THIRUVALLUR, CHENNAI, TAMIL NADU - 600054  
PH :733888021,  
7358024470.

#### AVINASHI

2094. SHASHTI CAR PVT LTD (CLK1-01-), SURVEY NO. 373/1E, THEEKU THOTTAM, NALLIGOUNDANPALAYAM, PALANGARAI, KUPPOUDAMPALAYAM POST, NH ROAD, AVINASHI EAST, TIRUPPUR DISTRICT, TAMILNADU - 641654  
PH :9942903319.

#### BHAVANI

2095. SREE SARADHAMBAL AUTOMOBILES PVT LTD (H701-05-), NO.5/1072, LAKSHMI NAGAR, NH-47, VASAVI COLLEGE (P.O.), BHAVANI, ERODE (DIST), TAMIL NADU. - 638316  
PH :9597385777.

#### CHENGALPETTU

2096. AIE CARS (A UNIT OF AI ENTERPRISES PVT LTD) (BBS1-01-), PLOT NO. 98/1, PULIPAKKAM VILLAGE, CHENGALPETTU, DISTRICT-KACHEEPURAM, TAMIL NADU. - 603002  
PH :7299057387.

2097. AIE CARS (A UNIT OF AI ENTERPRISES PVT LTD) (BBS1-02-), DOOR NO. 41, GST ROAD, PULIPAKKAM, CHANGALPET, TAMILNADU - 603202  
PH :7299057387.

#### CHENGAM

2098. GANESH CARS PVT. LTD. (BUP1-01-), SURVEY NO. 293/3A, 3A1,VILLAGE - THUKAPETTAI, CHENGAM, DIST.-TIRUVANNAMALAI. - 606 701  
PH :7397395289.

#### CHENNAI

2099. ABT LIMITED (1401-01-), # 355-A, GST ROAD, ALANDUR, CHENNAI, TAMILNADU - 600032  
PH :044-42254544, 42254554.

2100. KHIVRAJ MOTORS PVT LTD. (1400-01-), 623 MOUNT ROAD, CHENNAI - 600006  
PH :9043014530.

2101. CARS INDIA PVT. LTD. (1403-01-), 16 & 17 INDUSTRIAL ESTATE, AMBATTUR, CHENNAI - 600058  
PH :9952000089.

2102. CARS INDIA PVT. LTD. (1403-02-), NO.17, LATTICE BRIDGE ROAD, ADYAR, CHENNAI - 600020  
PH :044-24462020.

2103. POPULAR VEHICLES & SERVICES LTD. (1410-02-), OLD NO.155, NEW NO.123, PONRANJITHAM COMPLEX, MEDAVAKKAM MAIN ROAD, NEAR BUS TERMINUS, KEEKATTALAI, CHENNAI - 600117  
PH :9176906334, 9176906335, 9176906336.

2104. ABT LIMITED (1401-05-), A/2, BHARANI STUDIO COMPLEX, DR. BHANUMATHI KRISHNA ROAD,22, ARCOT ROAD, SALIGRAMMAM, CHENNAI - 600093  
PH :044-23650488, 23650490.

2105. ABT LIMITED (1401-06-), NO. 1 & 2, VASANTHA PRESS,ROAD, OPPOSITE MALAR HOSPITAL, ADYAR, CHENNAI - 600020  
PH :044-24465814 , 24465815.

2106. CARS INDIA PVT. LTD. (1403-03-), 4/321, OLD MAHABALIKPURAM RD. ,KOTTIVAKKAM, CHENNAI - 600040  
PH :044-24540182 /43590913.



**Dealer Network (AS ON 31.10.2023 )**

2107. POPULAR VEHICLES & SERVICES LTD. (1410-01), NO.11, ARUNACHALAM ROAD, SALIGRAMM, CHENNAI - 600093 PH :9284205819, 9282346331, 8939915206.	2121. VISHNU CARS PVT. LTD. (1427-03), 4/13 LOYAL GARDEN, KALAHATHAMMAN KOVIL STREET, RAMAPURAM, CHENNAI, TAMIL NADU. - 600089 PH :8754440002/ 9677244332.	2133. POPULAR VEHICLES AND SERVICES LTD (1410-G1), SURVEY NO: 18/1B2A1A, NAZARATHPET VILLAGE, POONAMALLE, CHENNAI, TAMIL NADU- 600123 - 600123 PH :799449644.	2145. JAIKRISHNAA AUTOSALES PVT. LTD. (4107-02-), DOOR NO. 48, KAMARAJAR ROAD, LAKSHMIPURAM, PEELAMEDU, COIMBATORE, TAMIL NADU - 641004 PH :0422-383220.
2108. ABT LIMITED (1401-07), NO.2 KOLLA PERUMMAL SCHOOL STREET, POONMA MALLE HIGH ROAD, CHENNAI - 600106 PH :044-42267628/604.	2122. VISHNU CARS PVT. LTD. (1487-01), NO.203 TO 206 MOUNT POONAMALLE ROAD, KATTUPAKKAM, CHENNAI - 600056 PH :9677127432.	<b>CHENNAI (GUINDY)</b>	2146. SREE SARADHAMBAL AUTOMOBILES PVT LTD (4103-0D-), 98/1 VILANKURICHI MAIN ROAD, THANEER PANDAL ROAD, COIMBATORE - 641004 PH :9655345775.
2109. CRESCO (A UNIT OF NEXGEN VENTURES PVT LTD), (1493-01-), 5, THIRUMURUGAN ST, KOYAMBEDU, CHENNAI - 600107 PH :7305087055.	2123. VISHNU CARS PVT. LTD. (1487-02-), NO.120, MAMBAKKAM MAIN ROAD, MEDAVAKKAM, CHENNAI - 600100 PH :9840929994/ 9840944478.	2134. ABT (1401-11-), OLD SURVEY NO: 84/1A & 85/1A, NEW TOWN SURVEY NO:1, RACE COURSE ROAD, GUINDY, CHENNAI, TAMILNADU - 600032 PH :9994437421.	2147. AADHI CARS PVT. LTD. (4108-01-), SURVEY NO 469/2, DOOR NO: 46-2, SATHY MAIN ROAD, RAMAKRISHNAPURAM, GANAPATHY, COIMBATORE - 641035 PH :0422-4000600.
2110. ABT LIMITED (1411-01-), 29, WALLS ROAD, OPP. ALBERT THEATER, EGMORE, AMBATTUR, CHENNAI - 600058 PH :044-42281707 / 714 / 719 / 720 / 721 / 737/.	2124. VISHNU CARS PVT. LTD. (1427-04-), NEW S. NO. 314/1B1A, PALLAVARAM - THORAIPAKKAM RADIAL ROAD, NEAR OLD CHETTINADU CEMENT GOWDOWN, KEELAKATTALAI, CHENNAI - 600117 PH :9940057775.	<b>CHEYGAR</b>	2148. ABT LIMITED (4101-0D-), 36-A GANDHI NAGAR, SUNDRARAPURAM, COIMBATORE (DIST) COIMBATORE - 641024 PH :78457 74069.
2111. VISHNU CARS PVT. LTD. (1427-02-), 176/1, LUZ CHURCH ROAD, NEAR KAMADHENU THEATRE MYLAPORE, CHENNAI - 600004 PH :0427-24661973/74/75.	2125. VISHNU CARS PVT. LTD. (1427-06-), PLOT NO. 4, MORISON 4 STREET, ALANDUR, CHENNAI. - 600016 PH :044-45590293.	2135. GANESH CARS PVT. LTD. (BUD1-01-), NO.16, KANCHEEPURAM ROAD, CHEYYAR, TIRUVANNAMALAI DIST. - 604407 PH :9787699339.	2149. AADHI CARS PVT. LTD. (4108-02-), NEAR KOVAI MEDICAL CENTRE & HOSPITAL, AVINASHI ROAD, CIVIL AERODROME POST, CHINNITYAMPALAYAM, COIMBATORE - 641004 PH :0422-3007701.
2112. VISHNU CARS PVT. LTD. (1427-01-), NO. 91, GST ROAD, ALWITONE ESTATE, BEHIND LAXMI THEATRE, PALLAVARAM, CHENNAI - 600043 PH :044-66813729/733888000.	2126. RAJALAKSHMI CARS PVT. LTD. (1486-02-), OLD NO. 27, NEW NO. 22A, ALAPAKKAM MAIN ROAD, MADURAVOYAL, CHENNAI - 600095 PH :9841427572/9500125083.	<b>CHIDAMBARAM</b>	2150. AADHI CARS PVT. LTD. (4108-03-), NO.71, OLD SRIRAM THEATRE COMPLEX, MARUDHA MALAI MAIN ROAD, VADAVALLI, COIMBATORE - 641041 PH :0422-3000201.
2113. POPULAR VEHICLES & SERVICES LTD. (1410-03-), NO. 3, 200 RING ROAD, RETTERI JUNCTION, RETTERI, CHENNAI - 600099 PH :7448814728/23/33.	2127. CRESCO (A UNIT OF NEXGEN VENTURES PVT LTD), (1493-03-), PLOT NO. G30, 3RD MAIN ROAD, 9TH STREET, AMBATTUR INDUSTRIAL ESTATE, DIAGONALLY TO TELEPHONE EXCHANGE, CHENNAI. - 600058 PH :7305087033.	2136. VISHNU CARS PVT. LTD. (CPK1-01-), SURVEY NO. 102/2 & 102/5, BHUVANAGIRI MAIN ROAD, KEERAPALAYAM, CHIDAMBARAM TOWN, CUDDALORE, TAMIL NADU. - 608 602 PH :041-44241334/358004555.	2151. AADHI CARS PVT. LTD. (4108-03-), PLOT NO.295, RADHA RANI THEATER COMPLEX, NEAR JAYASHANTHI THEATER, TRICHY ROAD, ONDIPUDUR, COIMBATORE. - 641005 PH :0422-4000777.
2114. CARS INDIA PVT. LTD. (1403-05-), PLOT NO - 80, BABU JAGAGEVAN RAM STREET, GERUGAMBAKKAM, CHENNAI - 600112 PH :9952000079.	2128. POPULAR VEHICLES AND SERVICES LTD (1410-06-), PLOT NO. 10, NEW SURVEY NO. 88/1A1, 88/1C, 88/1B & 88/2B, NOOMBAL MAIN ROAD, VANAKARAM, CHENNAI. - 600 077 PH :044-6134334, 46490006/9.	<b>COIMBATORE</b>	2152. SREE SARADHAMBAL AUTOMOBILES PVT LTD (4103-0E-), PLOT NO. 210, PALAKAD ROAD, BK PUDUR, COIMBATORE, TAMIL NADU. - 641008 PH :0422-2251225.
2115. KHIVRAJ MOTORS PVT LTD. (1404-03-), SURVEY NO. A1& A2, SIDCO INDUSTRIAL ESTATE, GUINDY, CHENNAI - 600032 PH :729991978.	2129. AIE CARS (A UNIT OF AI ENTERPRISES PVT LTD) (1484-02-), PLOT NO. L-1 SIDCO INDUSTRIAL ESTATE, VILLIVAKKAM, CHENNAI, TAMIL NADU. - 600 049. PH :9841742926.	2137. ABT LIMITED (4101-06-), 744, PULIYAKULAM ROAD, P.N. PALAYAM, COIMBATORE - 641037 PH :9944400987.	2153. AADHI CARS PVT. LTD. (4108-06-), SF NO. 1478-A, RENUKA SHELTERS, VILANKURICHI MAIN ROAD, KALAPATTI, COIMBATORE, TAMIL NADU-641048. - 641 006 PH :8754045840.
2116. ABT LIMITED (1401-0D-), NO.2/170, ECR ROAD, INJAMBAKKAM, CHENNAI TAMIL NADU. - 600041 PH :044-24490584 / 585 /586.	2130. VISHNU CARS PVT. LTD. (1427-07-), SURVEY NO. 19/1A2, 83/18, DOOR NO. 113, NEAR PARIMALAM THEATER, KUNDRATHUR MAIN ROAD, MANNADY THALAI, NALLUR, SAMBA THALAI, MOONRAMKATTALAI VILLAGE, ONDI COLONY, KUNDRATHUR, CHENNAI. - 600069 PH :95000 82346.	2138. SREE SARADHAMBAL AUTOMOBILES PVT LTD (4103-01-), IYER HOSPITAL PREMISES, TRICHY ROAD, COIMBATORE - 641005 PH :8220892666.	2154. SREE SARADHAMBAL AUTOMOBILES PVT. LTD. (4103-11-), PLOT NO. 1, RAJA STREET, KALLIMADAI, NANJAPPA NAGAR, COIMBATORE, TAMIL NADU - 641005 PH :9344870035.
2117. AIE CARS (A UNIT OF AI ENTERPRISES PVT LTD) (1484-01-), PLOT NO.1,2,3 & 4, SURVEY NO.91/2, B1, A2 & B, NEELANKARAI, EAST COAST ROAD, CHENNAI - 600115 PH :7401211553.	2131. VISHNU CARS PVT. LTD. (1427-08-), SURVEY NO. 62/28, DOOR NO. 1/63, AGARAM MAIN ROAD, THIRUVANCHERRY VILLAGE, TAMBARAM TALUK, SELAIYUR, KANCHIPURAM DIST., CHENNAI, TAMIL NADU. - 600 073 PH :8056260022.	2139. ABT LIMITED (4101-05-), LAKSHMI THEATRE BUILDING, T.S. NO. 1199/2, TS WARD NO. 3, KEMPATTY COLONY, SOUTH UKKADAM, COIMBATORE - 641001 PH :044-4232660, 4232666.	<b>COONOOR</b>
2118. RAJALAKSHMI CARS PVT. LTD. (1486-01-), OLD DOOR NO.89, NEW DOOR NO.20,GRAND NELLORE TRUNK ROAD, MADHAVARAM, CHENNAI . - 600060 PH :89399954/8939995404.	2132. ABT LIMITED (1401-10-), S. NO: 32/2, NANDAMBAKKAM, PADMINI GARDEN, CHENNAI - 600089, TN. - 600089 PH :044-22320161, 8220011558.	2140. SREE SARADHAMBAL AUTOMOBILES PVT LTD (4103-03-), 555, NSR ROAD, SAIBABA COLONY, COIMBATORE - 641011 PH :9047055667.	2155. SREE SARADHAMBAL AUTOMOBILES PVT LTD (3G01-01-), 78 E, BRINDAVAN SCHOOL ROAD, CONOOR, NILGIRIS DIST- TN - 643102 PH :95852 77775.
2119. KHIVRAJ MOTORS PVT LTD. (1480-02-), PLOT NO.119 & 120, ELECTRICAL & ELECTRONICS INDUSTRIAL ESTATE, PERUNGUDI, CHENNAI - 600096 PH :98414 23569.		2141. ABT LIMITED (4101-08-), 15/55-C, ALAGESAN ROAD (EAST), METTUPALAYAM ROAD, COIMBATORE - 641043 PH :96009 60656.	<b>CUDDALORE</b>
2120. ABT LIMITED (1401-0E-), NO. 1/132, RAJEEV GANDHI SALAI, SHOLINGANALLUR, DISTRICT - CHENNAI, TAMIL NADU. - 600119 PH :044-24502185 / 87 / 88 / 89.		2142. JAIKRISHNAA AUTOSALES PVT. LTD. (4107-01-), 8/6-C&8/62-D, METTUPALAYAM ROAD, G.N.MILLS POST , NEARJOHNBOSCO CHURCH,COIMBATORE - 641029 PH :044-4519140.	2156. ABT LIMITED (5001-01-), K. V. SUBRAMANIAM NAGAR, CHIDAMBARAM MAIN ROAD, CUDDALORE O. T - 607003 PH :04142-224567.

## Dealer Network (AS ON 31.10.2023)

2157. VISHNU CARS PVT. LTD. (50Q2-01-), SURVEY NO. 35/8, 35/8A, 35/21, 35/6, 35/6A1A, 35/20, VILLAGE - PERIYA KANANGAKUPPAM, CUDDALORE - 607 001  
PH :7338884131.

### CUMBUM

2158. MEENAKSHI AUTO ZONE PVT. LTD. (CJS1-01-), PATTI NO. 4388, SURVEY NO. 1003/2 & 1003, VILLAGE - UTHAMAPURAM, SUB DIST. -CUMBUM, TAMIL NADU - 625516  
PH :9940094881.

### DEVAKOTTAI

2159. SIVA AUTOMOTIVE TRADING PVT LTD (GKVI-01-), SURVEY NO. 5/1A, MULL IGUNDU (SOMANTHAL VILLAGE), DEVAKOTTAI TALUK, SIVAGANGAI DISTRICT, TAMILNADU - 630 303  
PH :7094688870.

### DHARAPURAM

2160. SREE SARADHAMBAL AUTOMOBILES PVT LTD (H701-04-), OPP. TO ANJANEYAR TEMPLE, NEAR FIVE CORNER, MADURAI ROAD, DHARAPURAM - 638656  
PH :9597550777.

### DHARMAPURI

2161. SRI AMMAN CARS INDIA PVT. LTD. (7Q01-02-), NEAR COLLECTOR BUNGALOW, OLD HOSUR ROAD, JETTITHALLI (PO), DHARMAPURI, TAMILNADU - 638607  
PH :9750938892/ 9159086222.

### DINDIGUL

2162. PLA MOTORS (S401-01-), NO. 5, TRICHY MADURAI BY PASS ROAD, NH-45, DINDIGUL - 624001  
PH :7010075200.

### EDAYARPALAYAM, COIMBATORE

2163. SREE SARADHAMBAL AUTOMOBILES PVT LTD (CJ1-01-), SITE NO. 2, SY. NO. 404/1A1, THADAGAM ROAD, TVS NAGAR, EDAYARPALAYAM, COIMBATORE - 641025  
PH :9047081914.

### ERODE

2164. SREE SARADHAMBAL AUTOMOBILES PVT LTD (H701-01-), 23/1, PERUND, URAI ROAD, ERODE, - 638011  
PH :9677987777.

2165. SREE SARADHAMBAL AUTOMOBILES PVT LTD (H701-06-), SURVEY NO. 1363/3, 1363/5, 1363/6, BEHIND MANIKAVASAKAR COLONY BUS STOP, OPPOSITE TO CANARA BANK, KARUR BYPASS ROAD, SOLAR, ERODE, - 638 002  
PH :6385805777.

2166. SRI CITY AUTO (A UNIT OF CITY AUTO PVT LTD) (H702-01-), OLD G.S. NO. 337 (1 TO 4), RS NO. 259/11A, 10.9.8., SATHY ROAD, PERIYA SEMUR VILLAGE, ERODE, TAMILNADU - 638003  
PH :9171791991.

2167. SRICITY AUTO (H702-02-), R.S. NO.1098/3, VINAYAGAR KOVIL STREET, TELEPHONE NAGAR, POONDURAI MAIN ROAD, ,ERODE, TAMILNADU - 638002  
PH :9626671444.

### GOBICHETTIPALAYAM

2168. SREE SARADHAMBAL AUTOMOBILES PVT LTD (H701-03-), NO. 318, CUTCHERY, GOBICHETTIPALAYAM - 638476  
PH :9597560777.

### GUDIYATHAM

2169. GANESH CARS PVT. LTD. (CQW1-01-), SURVEY NO.250/1, NEAR NH-75, GANDHI NAGAR, SETHUVADAI, GUDIYATTAM. - 653803  
PH :04171-290172.

### GUDUVANCHERY

2170. VISHNU CARS PVT. LTD. (BAD1-01-), 52, THAILAVARAM VILLAGE, BEHIND HOTEL PATTIKADU, GUDUVANCHERRY, KANCHEEPURAM DISTT. - 603203  
PH :9500121553/ 9677122225.

### GUMMIDIPOONDI

2171. RAJALAKSHMI CARS PVT. LTD. (BIZ1-01-), PLOT NO. F-13, SURVEY NO. 26/22, SIPCOT INDUSTRIAL COMPLEX VILLAGE - PAPPANAKUPPAM, GUMMIDIPOONDI, THIRUVALLUR - 601201  
PH :044-27922060.

### HARUR

2172. SRI AMMAN CARS INDIA PVT. LTD. (AAV1-01-), 429/9, HARUR SALEM MAIN ROAD, HARUR POST, DHARMAPURI, TAMIL NADU - 636903  
PH :8220014360/7339071500.

### HOSUR

2173. SRI AMMAN CARS INDIA PVT. LTD. (7Q01-01-), P.O.- PERANDAPALLI, NH-7, KRISHNAGIRI MAIN ROAD, HOSUR, TAMILNADU - 635109  
PH :9790036377/8883259555.

### IDAPPADI

2174. THRIVENI CAR COMPANY PVT LTD. (HI01-01-), SURVEY NO.330/3B16, AVANI PERUR, KILLUGAM VILLAGE, IDAPPADI DISTT. SALEM - 637101  
PH :9003311488.

### KALLAKURICHI

2175. ABT LIMITED (CHG1-01-), SURVEY NO. 215/4, NEAR AKT SCHOOL, DURUGAM ROAD, NEAR DOORDARSHAN BLDG, NEELAMANGALAM VILLAGE., KALLAKURICHI TALUK & DIST., TAMILNADU - 606 202  
PH :9047514890.

2176. S M CARS (CHG2-01-), SF: 31/3B, NO. 19 EMAPPER VILLAGE, KALLAKURICHI, TAMILNADU - 606213  
PH :7094440010.

### KANCHEEPURAM

2177. GANESH CARS PVT. LTD. (C601-02-), ANBU NAGAR, DHIMMA SAMUDRAM POST, NEAR VELLA GATE, CHENNAI BANGALORE NH-4, KANCHEEPURAM - 631502  
PH :9842306061.

### KANGAYAM

2178. SREE SARADHAMBAL AUTOMOBILES PVT LTD (GJI1-01-), NO. 407/263, TIRUPPUR ROAD, KANGAYAM TALUK & TOWN, TIRUPPUR DIST. ,TAMIL NADU. - 638701  
PH :7708531777.

### KARAIKUDI

2179. ABT LIMITED (4202-05-), 42-43 KOVLOOR ROAD, OPP. TNSTC DEPOT - 630302  
PH :4565-232484, 232486.

2180. SIVA AUTOMOTIVE TRADING PVT LTD (HX02-01-), NO. 73, SUBRAMANIPURAM 9TH STREET, COLLEGE ROAD, KARAUKUDI, SIVAGANGA DIST, TAMILNADU-630002 - 630002  
PH :7402710000.

### KARUMATHAMPATTI

2181. SREE SARADHAMBAL AUTOMOBILES PVT LTD (CJ01-01-), SF. NO.281/B, NEAR BHARAT PETROL BUNK, VILLAGE - VAGUTHANKADU, SOMANUR ROAD, KARUMATHAMPATTI TOWN, TALUK-PALLADAM, DISTT. COIMBATORE - 641659  
PH :9195210008.

### KARUNGAL

2182. ATHEN (SGE1-01-), SURVEY NO. 639/5, KARUNGAL TOWN, VILAVANCODE TALUK, KANYAKUMARI DISTRICT, TAMILNADU - 629157  
PH :7094434179.

### KARUNGALPALAYAM, ERODE

2183. SREE SARADAMBAL AUTOMOBILES PVT. LTD. (H701-08-), RF. NO. 17/1, 2. CAVERI ROAD, KARUNGALPALAYAM, ERODE, TAMILNADU - 638003  
PH :8098825000.

### KARUR

2184. ABT LIMITED (K401-01-), SF NO. 529/1, SALEM BY PASS, ROAD, VENGAMEDU CIRCLE, SEMMADAI - 639002  
PH :04324-222261/62/63.

### KATPADI

2185. GANESH CARS PVT. LTD. (C601-04-), 170/28 THIRUVALLAM ROAD, ARUMPARUTHI VILLAGE, KATPADI, VELLORE DISTT. - 632004  
PH :9842313139.

### KATTUMANNARKOIL

2186. VISHNU CARS (SKG1-01-), SURVEY NO. 6& 7, PERIYAKULAM VADA KARAI, OPP TO GANAVINAYAGAR KOIL, KATTUMANNARKOIL TOWN AND TALUK, CUDDALORE DIST., TAMILNADU - 608301  
PH :7358004555.

### KELAMBAKKAM

2187. CRESO (A UNIT OF NEXGEN VENTURE PVT LTD) (SVJ1-01-), AGP MAHAAL, SURVEY NO.43, OMR, 80 FEET VEERANAM HIGH ROAD, PADUR, KELAMBAKKAM, CHENGALPATTU DISTRICT, TAMIL NADU - 603 103  
PH :7305087002.

### KINATHUKADAVU

2188. AADHI CARS PVT. LTD. (BBI1-01-), NO.212, KAMARAJ NAGAR, SOLAVALAM PALAYAM PANJAYATH, KINATHUKADAVU DISTT. COIMBATORE (T.N.) - 642109  
PH :0422-3000506/ 3000505.

### KODUMUDI

2189. SREE SARADHAMBAL AUTOMOBILES PVT LTD (CUY1-01-), SURVEY NO.548/A, KARUR MAIN ROAD, NEAR BUS STAND, KODUMUDI. - 638151  
PH :8754756777.

### KOTAGIRI

2190. AADHI CARS PVT. LTD. (BAS1-01-), SURVEY NO.89/79, OOTY MAIN ROAD, KOTAGIRI, DISTT. NILGIRIS, TAMIL NADU. - 643217  
PH :8754045891/ 8754045442.

### KOVILPATTI

2191. ASIR AUTOMOBILES PVT LTD (NO01-01-), OLD NO.1, NEW NO.13, SATTUR MAIN ROAD, KOVILPATTI (TAMIL NADU) - 628501  
PH :4632-232220.

### KRISHNAGIRI

2192. SRI AMMAN CARS INDIA PVT. LTD. (7Q01-03-), NH-7,NR. AAVIN DAIRY,MOTTUR,SALEM BYE PASS ROAD, KRISHNAGIRI, TAMILNADU - 635001  
PH :9500202416/ 8220004270.

### KUMBAKONAM

2193. PILLAI & SONS MOTOR CO. (E701-02-), 369/2 B, KUMBAKONAM CHENNAI MAIN ROAD, KUMBAKONAM, TANJAVUR - 612501  
PH :0435-2442566, 2442565, 9443264696.

### MADURAI

**Dealer Network (AS ON 31.10.2023 )**

2194. ABT LIMITED (4202-02), MADURAI-DINDIGAL BYE PASS ROAD,NEAR FATHIMA COLLEGE MADURAI - 625018 PH :9994400615.

2195. ABT LIMITED (4202-04), 09, 109A, GST ROAD, TIRUPARANKUNDRAM, MADURAI - 625005 PH :9600966164.

2196. SIVA AUTOMOTIVE TRADING PVT. LTD. (4205-01-), 2C, GATE LOCK ROAD, NEAR NEW RAMNAD ROAD, MADURAI - 625016 PH :7402780000.

2197. SIVA AUTOMOTIVE TRADING PVT. LTD. (4205-02-), NO. 6-A, TPK ROAD, NEAR SAIBABA TEMPLE, ANDALPURAM, MADURAI. - 625003 PH :7402788840.

2198. ASIR AUTOMOBILES PVT LTD (4206-01-), 9, CHAMBAKULAM, MELUR MAIN ROAD, MATTUTHAVANI, MADURAI, TAMIL NADU - 625007 PH :9944059911.

2199. MEENAKSHI AUTO ZONE PVT. LTD. (4207-01-), PLOT NO. 25 D, SIDCO INDUSTRIAL ESTATE, KAPPALUR, MADURAI, TAMIL NADU. - 625008 PH :9442799581.

2200. MEENAKSHI AUTO ZONE PVT. LTD. (4207-02-), SURVEY NO. 238/2A, PLOT NO. 36, 37, 38, TALLAKULAM VILLAGE, SVAGAMI NAGAR, NATHAM MAIN ROAD, MADURAI - 652 014 PH :9940224881.

**MADURANTHAKAM**

2201. AIE CARS (A UNIT OF AI ENTERPRISES PVT LTD) (CEW1-01-), SURVEY NO. 38/3 A2B, NH-45, MADURANTHAKAM, KANCHIPURAM. - 603306 PH :7401212797.

**MALLASAMUDRAM**

2202. SREE SARADHAMBAL AUTOMOBILES PVT LTD (CWY1-01-), SF NO. 194/3C, MALLASAMUDRAM MAIN ROAD, MALLASAMUDRAM TOWN, TIRUCHENGODE TALUK, NAMAKKAL DIST., TAMIL NADU. - 637503 PH :9894932019.

**MALLUR**

2203. THRIVENI CAR COMPANY PVT LTD. (CDH1-01-), SURVEY NO.50/4A, AMANI AMMAPALAYAM VILLAGE, DISTT :DADHAGAPATTY SUB REGISTRATION , MALLUR DISTT. SALEM - 636309 PH :0427-2422399.

**MANAMADURAI**

2204. ABT LIMITED (CHF1-01-), NO. 35, OLD RAMNAD ROAD, MANAMADURAI TOWN, DISTRICT – SIVANGAI. - 630606 PH :9994450331.

**MANAPPARAI**

2205. PILLAI AND SONS MOTOR COMPANY (SKW1-01-), PLOT NO.262, TRICHY DINDIGUL BYPASS ROAD, VENGAIKURUCHI VILLAGE,MANAPPARAI, TRICHY,TN - 621307 PH :8489900908.

**MANGALAPURAM**

2206. SREE SARADHAMBAL AUTOMOBILES PVT LTD (CLX1-01-), DOOR NO. 1/518, SURVEY NO. 75/1, ATTUR MAIN ROAD, MANGALAPURAM (POST), TALUK – RASIPURAM, DISTRICT – NAMAKKAL. - 636202 PH :7094447871.

**MANNARGUDI**

2207. PILLAI & SONS MOTOR CO. (BKR1-01-), NO. 37, THIRUTHURAIPOONDI ROAD, MANNARGUDI, THIRUVARUR DISTRICT, TAMIL NADU. - 614001 PH :7094411675.

**MAYILADUTHURAI**

2208. PILLAI & SONS MOTOR CO. (E701-04-), 46,VELLALAGARAM VILLAGE, MAYILADUTHURAI, TAMILNADU - 609007 PH :04364-251767, 251765, 9442141703.

**MECHERI**

2209. SM CARS (CVK1-01-), SURVEY NO. 139A/5, PATTI NO. 653, AMANI M.KALIPATTY VILLAGE, MECHERI TOWN, METTUR TALUK, SALEMN DIST., TAMIL NADU. - 636 453 PH :7094440010.

**MELUR**

2210. SIVA AUTOMOTIVE TRADING PVT. LTD. (CHC1-01-), OLD SN. 138/1, SURVEY WARD C, BLOCK NO. 1, T.S. NO. 21/7, VILLAGE AND TOWN – MELUR, MELUR , DIST.-MADURAI. - 625109 PH :8098120000.

**METTUPALAYAM**

2211. ABT LIMITED (4101-0C-), PLOT NO. 6 TO 9,PONVIZHA NAGAR, KARAMADAI KOVALI MAIN ROAD, METTUPALAYAM - 641043 PH :95009 45094.

**METTUR**

2212. THRIVENI CARS (BUI1-01-), S.F. NO. 73/7A3C, METTUR TO BHAVANI ROAD, NEAR NATAMANGALAM BUS STOP, MADHAIYANKUTTAI (PO), METTUR TALUK, SALEM, TAMILNADU - 636452 PH :9159566999.

**MINJUR**

2213. RAJALAKSHMI CARS PVT. LTD. (BPE1-01-), PLOT NO. 27, SRI JANAKI RATHINA NAGAR, VILLAGE AND TOWN – MINJUR, PONNERI – 601 203, DISTRICT – THIRUVALUR. - 601203 PH :044-27933331.

**NAGAPATTINAM**

2214. PILLAI & SONS MOTOR CO. (COQ1-01-), NO.181, KEELA ANTHANAPETTAI, ANTHANAPETTAI, P.O. - MANJAKOLLA, PUTHUR, NAGAPATTINAM DISTT. TAMIL NADU - 611106 PH :4365220250.

**NAGARCOIL**

2215. ATHEN (S503-01-), RESURVEY NO. G.3/9-7, BUILDING NO. 254-A/3 & 4 K.P ROAD ,PARAVATHIPURAM, NAGERCOIL ,KANYAKUMARI DISTRICT TAMILNADU - 629003 PH :8012029777.

**NAMAKKAL**

2216. SREE SARADHAMBAL AUTOMOBILES PVT LTD (X401-01-), SURVEY NO. 1/10-11, NEAR MURUGAN TEMPLE, SALEM ROAD, NAMAKKAL - 637001 PH :937164888.

2217. SREE SARADHAMBAL AUTOMOBILES PVT LTD (X401-03-), 1/412/1 NEAR PON NAGAR, MUDALAI PATTY, SALEM ROAD, NH-7, NAMAKKAL (TAMIL NADU) - 637001 PH :737192888.

**NATRAMPALLI**

2218. GANESH CARS PVT. LTD. (SPR1-01-), NO/8/12-1, NEAR ARJUANA SULOCHANA MAHAL, BENGALURU- CHENNAI MAIN ROAD,VELAKALNATHAM, NATRAMPALLI, TIRUPATTUR DIST. TAMIL NADU - 635854. - 635854 PH :73977 53146.

**NEGAMAM**

2219. ABT LIMITED (CHD1-01-), 68, 69, ABT BUS STAND, PALLADAM ROAD, PERIA NEGAMAM, POLLACHI, TAMIL NADU - 642120 PH :99948 76794.

**OMALUR**

2220. SRI AMMAN CARS INDIA PVT. LTD. (7Q01-04-), 123, 3B, NH-7, BANGALORE BYE PASS ROAD, KOTTAMETTUPATTI, OMALUR, SALEM (DIST.), TAMIL NADU - 636012 PH :8220010070/6893529888.

2221. THRIVENI CAR COMPANY PVT LTD. (UM01-01-), PLOT NO. 44 & 45, PALANIYAPPA NAGAR LAYOUT, NH-7, KAMALAPURAM VILLAGE, OMALUR, DISTRICT – SALEM, TAMIL NADU - 636309 PH :4290-222711.

**OOTY**

2222. SREE SARADHAMBAL AUTOMOBILES PVT LTD (4103-05-), VIJAYANAGARAM FARM ROAD, NEAR ROSE GARDEN, OOTY - 643001 PH :97511 09229.

**P.N. PALAYAM, COIMBATORE**

2223. JAIKRISHNAA AUTOSALES PVT. LTD. (4107-04-), NO.12/190 SRKY PORT, MTR ROAD, P.N. PALAYAM, COIMBATORE - 641020 PH :0422-698989.

**PADAPPAI**

2224. VISHNU CARS PVT. LTD. (CRO1-01-), SURVEY NO.368/2A/1, 368/2A/2, VANDALLUR-WALAJABAD MAIN ROAD, PADAPPAI EAST, CHENNAI. - 601301 PH :8754417168.

**PALANI**

2225. PLA MOTORS (S401-02-), NO:13-1-11C-1, WEST AYAKUDI, DINDIGUL ROAD, PALANI, DINDIGUL DISTRICT, TAMIL NADU - 624613 PH :04545-290900.

**PARAMATHIVELUR**

2226. SREE SARADHAMBAL AUTOMOBILES PVT LTD (CC01-01-), SURVEY NO. 171, NEAR KONGU SCHOOL, NAMAKKAL BYPASS ROAD, PADAMUDI PALAYAM, TALLUK – PARAMATHIVELUR, NAMAKKAL , TAMIL NADU. - 638182 PH :8870666599.

**PATTUKOTTAI**

2227. PILLAI & SONS MOTOR CO. (CJA1-01-), SURVEY NO. 85/6, 85/4, 84/6, DOOR NO.314/11, SRI JANAGALLAKSHMI NAGAR, THANJAVUR ROAD, ALADIKUMULAI VILLAGE, TALLUK PATTUKOTTAI, THANJAVUR. - 614615 PH :7094433074.

**PAVITHRAM**

2228. SREE SARADHAMBAL AUTOMOBILES PVT LTD (CWT1-01-), SURVEY NO. 102/1B, NAMAKKAL MAIN ROAD, PAVITHRAM - 637 021 PH :9600320888.

**PENNAGARAM**

2229. SRI AMMAN CARS INDIA PVT. LTD. (BXZ1-01-), SURVEY NO. 419/1, VILLAGE – PARUVADHANALLI, PENNAGARAM, DHARMAPURI. - 636810 PH :9715044700.

**PERAMBALUR**

2230. PLA MOTORS (2305-04-), SURVEY NO.88/1, A3,NH45, ELAMBALUR VILLAGE, PERAMBALUR, TAMILNADU - 621212 PH :8870004960.

**PERNAMBU**

2231. SRI AMMAN CARS INDIA PVT LTD (SRA1-01-), SURVEY NO:708,PLOT NO: 87, 88 & 89, PERNAMBU TO GUDIYATTAM ROAD, PERNAMBU,VELLORE DISTRICT, TAMIL NADU - 635810 - 635810 PH :7094403100.

**PERUNDURAI**

## Dealer Network (AS ON 31.10.2023)

2232. SREE SARADHAMBAL AUTOMOBILES PVT LTD (BTX1-01-), SF NO.542/1, KOVAI MAIN ROAD, PERUNDURAI VILLAGE, PERUNDURAI DISTT, ERODE, TAMIL NADU - 638052 PH :9597490777.	<b>RANIPET</b> 2241. GANESH CARS PVT. LTD. (CJJ1-01-), SURVEY NO. 44/1, PLOT NO. 484, OPPOSITE TO THIRUMALAI CHEMICALS. SIPCOT LAYOUT OF HOUSE SITES. SIPCOTS INDUSTRIAL COMPLEX, RANIPET , TAMIL NADU. - 632403 PH :9842330388.	2251. SREE SARADAMBAL AUTOMOBILES PVT. LTD. (H701-09-), SF:NO.245, KANDHAIYAN THOTTAM, SOOLAI, SATHY ROAD, VEERAPPANCHATTIRAM, ERODE, TAMILNADU - 638004 PH :9655240486.	2259. JAIRISHNAA AUTOSALES PVT. LTD. (4107-05-), DOOR NO. 37 F, RANGANATHAPURAM, TRICHY ROAD, SULLUR - 641 402 PH :0422-3199901.
<b>POCHAMPALLI</b> 2233. SRI AMMAN CARS PVT. LTD. (CUW1-01-), NEW SURVEY NO. 561/5, VILLAGE – JUMBUKUTTANPATTI, POCHAMPALLI, KRISHNAGIRI. - 635206 PH :9842046988.	<b>RASIPURAM</b> 2242. SREE SARADHAMBAL AUTOMOBILES PVT LTD (BSJ1-01-), SURVEY NO:41/1 B1A, MOOLAKADU VILLAGE, MASAKALIPATTI, SALEM MAIN ROAD, RASIPURAM DISTT. NAMAKKAL - 637401 PH :4286-231402/7539972888.	<b>SATHYAMANGALAM</b> 2252. SREE SARADHAMBAL AUTOMOBILES PVT LTD (BGU1-01-), SURVEY NO. 51, 54 & RS NO. 37, KOTTUVEERAMPALAYAM VILLAGE, SATHYAMANGALAM – 638 401, DISTRICT – ERODE, TAMIL NADU - 638401 PH :9597592777.	<b>TENKASI</b> 2260. AADHI CARS PVT. LTD. (BXR1-01-), DOOR NO. 3/50-1, SURVEY NO. 447B, TIRUNELVELI MAIN ROAD, VILLAGE – KUNARAMANGALLUR, TENKASI. - 627814 PH :9500991475.
<b>POLLACHI</b> 2234. ABT LIMITED (L301-01-), NACHIMUTHU POLYTECHNIC CAMPUS, UDUMALPET ROAD, POLLACHI - 642003. PH :99944 53265.	<b>REDHILLS</b> 2243. CARS INDIA PVT. LTD. (1403-04-), NO.503, G.N.T. ROAD, REDHILLS, CHENNAI - 600066 PH :9952000078.	<b>SATTUR</b> 2253. MEENAKSHI AUTO ZONE PVT. LTD. (SDR1-01-), SURVEY NO. 18/10,CHATRAPATTI VILLAGE, MADURAI KANYAKUMARI NATIONAL HIGHWAYS, SATTUR, VIRUDHUNAGAR DISTRICT,TAMILNADU - 626203 PH :9940094881.	<b>THAMMAPATI</b> 2262. SM CARS (SNH1-01-), SURVEY NO # SF: 328/11, NAGIAMPATTI, THAMMAPATTI,SALEM DISTRICT, TAMILNADU - 636113 - 636113 PH :7094440010.
<b>POLUR</b> 2235. GANESH CARS PVT. LTD. (GLV1-01-), AZHAGO COMPLEX, SURVEY NO:77/1, CIJADALOR TO CHITTOOR ROAD, POLUR, THIRUVANNAMALAI DISTRICT, TAMILNADU - 606803 PH :9842345200.	<b>SALEM</b> 2244. ABT LIMITED (4101-03-), 32 THAMANA CHETTY ROAD, ARISIPALAYAM, SALEM - 636009 PH :0427-4066988, 406999.	<b>SEYDUNGANALLUR</b> 2254. ASIR AUTOMOBILES PVT LTD (S603-02-), SURVEY NO. 59/3E, TIRUCHENDUR ROAD, SEYDUNGANALLUR TOWN, TALUK - SRIVAIKUNTAM, TUTICORIN DIST., TAMIL NADU. - 628809 PH :8344992220.	<b>THANJAVUR</b> 2263. PILLAI & SONS MOTOR CO. (E701-01-), 12A, SELVAM NAGAR, TANJAVUR, TAMILNADU - 613007 PH :04362-271723, 271724, 9443264164.
<b>PUDUKOTTAI</b> 2236. PLA MOTORS (2305-02-), NO. 10, MARIAMALAI NAGAR, ALANGUDI- THIRUMAYOAM ROAD, PUDUKOTTAI, - 622003 PH :04322-265566/67.	2245. THRIVENI CAR COMPANY PVT. LTD. (A203-01-), 12/2E1, SUBRAMANIA NAGAR, 2ND GATE, JUNCTION ROAD, SALEM. - 636005 PH :0427-2440000.	<b>SHOLINGUR</b> 2255. GANESH CARS PVT. LTD. (GLU1-01-), NO:401, ARAKKONAM MAIN ROAD, OPPOSITE TVS FOUNDRY, PANDIYANELLORE, SHOLINGHUR, WALAJA TALUK, RANIPET DISTRICT, TMLANADU - 631102 PH :7397395259.	<b>THARAMANGALAM</b> 2264. THRIVENI (CSQ1-01-), NO. 1/122, KATTAMPATTI, JALAKANADAPURAM, THARAMANGALAM, SALEM DIST., TAMIL NADU. - 636501 PH :9159355999/9003504760.
<b>PUNJAI PULIAMPATTI</b> 2237. SREE SARADHAMBAL AUTOMOBILES PVT LTD (BKO1-01-), SURVEY NO. 250/1, PANKAU PULIYAMPATTU MUNICIPALITY, PUNJAI PULIYAMPATTI - 638459, SATHY THALUK, ERODE. - 638459 PH :6385810777.	2246. S.M.CARS PVT. LTD. (A204-01-), SF NO. 64/2C3, ATTUR SALEM BYPASS ROAD, PINANGUKARAR THOTTAM, SEELANIKANPATTY, SALEM. - 636202 PH :70944489000, 7034449000.	<b>SIVAKASI</b> 2256. MEENAKSHI AUTO ZONE PVT. LTD. (X602-01-), 372 D & E, ARUNACHALAM COMPLEX, THIRUTHANGAL ROAD, SIVAKASI. - 626123 PH :4562-231281.	<b>THENI</b> 2265. MEENAKSHI AUTO ZONE PVT. LTD. (9U02-01-), DOOR NO. 871/1, RATHINAM NAGAR, PERIYAKULAM MAIN ROAD, THENI TOWN, DISTRICT – THENI - 625531 PH :9789703881.
<b>RAJAPALAYAM</b> 2238. MEENAKSHI (5V02-01-), DOOR NO. 96, COTTON MARKET, TENKASI-MADURAI ROAD, RAJAPALAYAM, VIRUDHUNAGAR DIST., TAMILNADU - 626117 PH :9443785681.	2247. THRIVENI CAR COMPANY PVT. LTD. (A203-03-), SURVEY NO. 57, VILLAGE - MASSAICKENPATTY, AYOTHIAPPATTINAM, AMMAPET, SALEM. - 636103 PH :0427-2291000.	<b>SRIPERUMBUDUR</b> 2257. RAJALAKSHMI CARS PVT. LTD. (7B01-01-), SURVEY NO. 150/1A, DOOR NO 1C, THERADI STREET, NEW VILLAGE NO 42, SRIPERUMBADUR, KANCHEEPURAM DISTRICT, TAMIL NADU. - 602105 PH :8939995469.	<b>THIRUMULAIVOYAL</b> 2266. CRESO (A UNIT OF NEXGEN VENTURES PVT LTD) (CDW2-01-), NO. 48, BALAJI NAGAR, NEW SIR IRVANSTADE FORD HOSPITAL, THIRUMULAIVOYAL DISTT. CHENNAI - 600062 PH :7305087044.
<b>RAMANATHAPURAM</b> 2239. SIVA AUTOMOTIVE TRADING PVT. LTD. (0U02-01-), SURVEY NO. 172/1B2C, 172/2C, VILLAGE - ACHUNTHANVAYAL, ACHUNTHANGAL GROUP, TALUK - RAMANATHAPURAM, RAMANATHAPURAM. - 623502 PH :8098110000.	<b>SANKAGIRI</b> 2249. THRIVENI CAR COMPANY PVT LTD. (BTN1-01-), SURVEY NO.17/15B, KCK PLAZA, KACHERIDADU, DEPUTY COLLECTOR ROAD, SALEM, SANKAGIRI (TAMIL NADU) - 637301 PH :+914283242600 +914283242601.	<b>SRIVILLIPUTHUR (RAJAPALYAM)</b> 2258. ABT LIMITED (4202-03-), NO. 10/32, PADIKKASUVAIATHANPATTI , NEAR RTO OFFICE, SRIVILLIPUTHUR, VIRUDHUNAGAR, TAMIL NADU - 626125 PH :95009 05020.	<b>THIRUVALLUR</b> 2267. KHIVRAJ MOTORS PVT LTD. (1404-04-), 2151, KAKKULUR ROAD, THIRUVALLUR - 602001 PH :99520 78443.
<b>RAMESHWARAM</b> 2240. SIVA AUTOMOTIVE (SKI1-01-), NO:2307, SURVEY NO:279/3A, RAMNAD ROAD, ARIYANKADU, RAMESHWARAM, RAMANATHAPURAM DISTRICT, TAMILNADU - 623529 PH :7402788898.	<b>SANKARANKOVAL</b> 2250. AADHI CARS PVT. LTD. (BXS1-01-), PLOT NO. 132/H, OPPOSITE TO NEW TALUK OFFICE, TIRUVENGADAM ROAD, SANKARANKOVAL. - 627756 PH :7397728025.	<b>SULUR</b>	2268. KHIVRAJ MOTORS PVT LTD. (1404-05-), PLOT NOS.218,219,220,225,226,227,228 AND S NOS.18/5,18/6, EMPIRE CITY PART-3, KAKKALUR VILLAGE, THIRUVALLUR THALUK, THIRUVALLUR - 602001 PH :97103 94818.

**Dealer Network (AS ON 31.10.2023 )**

2269. GANESH CARS PVT. LTD. (C601-03)-, NO.-5, NH-78, KRISHANAGIRI PONDY ROAD, CHINA KANKEYANUR, OPP SKP ENGG. COLLEGE, THIRUVANNAMALAI - 606601  
PH :9842305072.
- THIRUVARUR**
2270. PILLAI & SONS MOTOR CO. (E701-03)-, THANJAI NAGARI ROAD, OPP. TO S. P. OFFICE - 610001  
PH :04366-250250, 9442163707.
2271. PILLAI & SONS MOTOR COMPANY (LJ01-01)-, NO. 9, WARD NO.-4, BLOCK NO. 10, NEW SY. NO. 601/BB1, SUNDARAVILAGAM, NARSINGHAMPET, THIRUVARUR TOWN & DIST., TAMIL NADU - 610001  
PH :9442163509.
- THISAYANVILLAI**
2272. AADHI CARS PVT. LTD. (CVL1-01)-, SURVEY NO. 240/1, 7/1, HIGHWAYS ROAD, OPP. TO VO OFFICE, SELVA MARUTHUR, THISAYANVILLAI. - 627 657  
PH :7339511187.
- THUCKALAY**
2273. ATHENS (BWQ2-01)-, DOOR NO. 576B, (RE SURVEY NO-5307) THIRUVITHANCODE ROAD, KERALAPURAM, MUTHALAKURCHI, VILLAGE – MUTHALAKURUCHI, KALKULAM-TALUK, THUCKALAY, DISCTRICT – KANYAKUMARI, TAMILNADU - 629174  
PH :8012029888.
- THURAIYUR**
2274. PLA MOTORS (CSE1-01)-, D.NO.-5/300, SINGALDANAPURAM VILLAGE, THURAIYUR DISTT. TRICHY (TAMIL NADU) - 621010  
PH :9486763725.
- TIRUCHENDUR**
2275. ASIR AUTOMOBILES PVT LTD (CCJ1-01)-, SURVEY NO. 220/1D1A, 221/3, 221/4, 221/5, 221/5A, 221/5B, PODHIGAI NAGAR, VILLAGE-VEERAPANDIYAPATINAM, THIRUCHENDUR, TUTUCORIN. - 628215  
PH :8013900220.
- TIRUCHENGODE**
2276. SREE SARADHAMBAL AUTOMOBILES PVT LTD (X401-02)-, PLOT NO-10, OPP TO PONNUSWAMY KALYANA MANDAPAM, KOOTAPALLI COLONY, TIRUCHENGODE - 637001  
PH :4288-282292.
- TIRUNELVELI**
2277. AADHI CARS PVT. LTD. (A303-01)-, PLOT NO. 261, MADURAI MAIN ROAD, KARAIERUPPI, TIRUNELVELI, TAMIL NADU - 627357  
PH :9500991610.
2278. AADHI CARS PVT. LTD. (A303-03)-, DOOR NO. 37, RAMNAGAR, KTC NAGAR, TIRUNELVELI, TAMIL NADU - 627 011.  
PH :9500991610.
- TIRUNVELI**
2279. AADHI CARS PVT. LTD. (A303-04)-, SF NO:161/4, SF NO: 893/2, NORTH BYPASS ROAD, GALAXY HOSPITAL BACKSIDE, PALAYANKOTTAI, TIRUNELVELI, TAMILNADU - 627001  
PH :95009 91479.
- TIRUPATHUR**
2280. GANESH CARS PVT. LTD. (BPD1-01)-, SURVEY NO.54/4, TIRUPATHUR TO KRISHNAGIRI ROAD, PALLIPET VILLAGE, TIRUPATHUR DISTT. VELLORE - 635601  
PH :9842308909.
- TIRUPATTUR( SIVAGANGAI)**
2281. ABT LIMITED (CHH1-01)-, DOOR NO. 8/2/29A, KARAIKUDI ROAD, TIRUPATHUR, DISTRICT – SIVAGANGAI - 630211  
PH :9994450331.
- TIRUPUR**
2282. ABT LIMITED (4101-09)-, NO. 4, SABHAPATHI PURAM, NEAR TMF HOSPITAL, TIRUPUR - 641601  
PH :95009 98368.
2283. SHASHTI CAR PVT LTD (Y701-01)-, SRI PADMINI GARDENS, KANGAYAM ROAD, OPP. ST JOSEPH SCHOOL, TIRUPUR - 641604  
PH :044-2430275/ 2430276.
- TIRUTHANI**
2284. CARS INDIA PVT. LTD. (CIC1-01)-, NO. 9/13, CHENNAI BY PASS ROAD, OLD CHENNAI ROAD, DISTT. THIRUVALLUR, TIRUTHANI, TAMILNADU - 631209  
PH :7358773860.
- TIRUVANNAMALAI**
2285. SRI AMMAN CARS INDIA PVT LTD. (LX02-01)-, 2A/2, SURVEY NO. 367/3, ANNA SALAI, TIRUVANNAMALAI-CHENNAI NH-101, TIRUVANNAMALAI TOWN AND DIST., TAMILNADU - 602601  
PH :7094471293.
- TONDI**
2286. SIVA AUTOMOTIVES (SHW1-01)-, SURVEY NO: 85/16, WARD 10/78, SOUTH THOPU STREET, ECR MAIN ROAD, ECR, THONDI, RAMANATHAPURAM DISTRICT, TAMIL NADU - 623409  
PH :7402788820.
- TRICHY**
2287. ABT LIMITED (2302-02)-, 4/40, COLLECTOR OFFICE ROAD, CANTONMENT, TRICHY - 620001  
PH :0431-4221620.
2288. PLA MOTORS (2305-01)-, NO. 18/2, NA-45, DHEERAN NAGAR, TRICHY-DINDUGAL MAIN ROAD, TRICHY - 620009  
PH :9994599777/9600950960.
2289. ABT LIMITED (2302-03)-, MADRAS TRUNK ROAD, MAMBALASALAI, TRICHY - 620005  
PH :0431-4221555.
2290. PLA MOTORS (2305-03)-, 10A & B, ALXANDRIA ROAD, CANTONMENT, TRICHY - 620001  
PH :0431-2411540/530.
2291. PILLAI & SONS MOTOR CO. (2306-01)-, SURVEY NO. 10B, 1A/D, CHENNAI TRICHY BY-PASS ROAD, VILLAGE - THIRUNALLUR, TRICHY. - 620002  
PH :8488900902, 9384826814.
- TUTICORIN**
2292. ASIR AUTOMOBILES PVT LTD (S603-01)-, SURVEY NO. 25/1B, MAPPILLAIURINI VILLAGE, ETTAYAPURAM ROAD, TUTICORIN, TAMIL NADU - 628002  
PH :7373501220.
- UDUMALPET**
2293. ABT LIMITED (QR01-01)-, 2/3, PERIYAKOTTAI PIRUVU, S.V. MILL POST, UDUMALPET - 642126  
PH :99944 41645.
- USILAMPATTI**
2294. SIVA AUTOMOTIVE TRADING PVT LTD (SNC1-01)-, NO. 33/1B2A, USILAMPATTI - MADURAI HIGHWAY, POTTULUPATTI PANCHAYATH, USILAMPATTI, MADURAI DISTRICT, TAMILNADU-625532 - 625532  
PH :7868088840.
- UTHANGARAI**
2295. SRI AMMAN CARS INDIA PVT. LTD. (CFY1-01)-, SURVEY NO. 104/1, 104/1B, VILLAGE – THANDIYAPANUR, UTHANGARAI, KRISHNAGIRI. - 635304  
PH :9715044600.
- UTHUKOTTAI**
2296. KHIVRAJ MOTORS PVT LTD. (CUC1-01)-, SURVEY NO. 442/1, NEHRU BAZZAR STREET, UTHUKOTTAI, DIST.-THIRUVALLUR - 602 026  
PH :7299635536.
- VALLIYUR**
2297. AADHI CARS PVT. LTD. (BXQ1-01)-, DOOR NO. 314A/11-14, WITHIN VADAKU VALLIOOR, REVENUE VILLAGE, VADAKKU VALLIOOR PANCHAYAT, RADHAPURAM TALUK, VALLIOOR. - 627002  
PH :7373091462.
- VANDAVASI**
2298. GANESH CARS PVT. LTD. (CRN1-01)-, SURVEY NO 272, KEELSATHAMANGALAM VILLAGE, CHETPET ROAD, VANDAVASI, THIRUVANNAMALAI, DISTT. T. N. - 604408  
PH :984802484.
- VANIYAMBADI**
2299. GANESH CARS PVT. LTD. (BJY1-01)-, NO. 197/1B1, NH-46 (AH-7), PETHAKALLUPALLI VILLAGE, NEAR TOLL GATE, VANIYAMBADI , VELLORE (DIST), TAMIL NADU. - 635801  
PH :9843227709.
- VELLORE**
2300. GANESH CARS PVT. LTD. (C601-01)-, 91 NEW BY-PASS ROAD, VELLORE - 632004  
PH :9842377110.
2301. SRI AMMAN CARS INDIA PVT. LTD. (C602-01)-, DOOR NO. 68, SURVEY NO. 66/7, NEAR RANGALAYA KALYANA MANDAPAM, VELLORE-KATPADI ROAD, KALINJUR VILLAGE, KATPADI TALUKA, GANDHINAGAR, VELLORE DIST., TAMIL NADU. - 632006  
PH :7094471320, 7094471321.
2302. SRI AMMAN CARS INDIA PVT. LTD. (C602-02)-, SURVEY NO. 316/3B2, 316/8A, 316/8B, NEAR SHELL PETROL PUMP, MELMONAVUR VILLAGE,VELLORE TALUK & DIST. ON NH48 (CHENNAI – BENGALURU HIGHWAY), VELLORE, TAMILNADUR - 632010  
PH :7094471320.
- VILLUPURAM**
2303. ABT LIMITED (5Q01-02)-, 264/1, GINGEE MAIN ROAD, AYINAMPALAYAM, VILLUPURAM - 605602  
PH :04146-225509 / 225590.
- VIRODHCHALAM**
2304. ABT LIMITED (BMA1-01)-, PLOT NO. 56, JUNCTION ROAD, NEAR SHANMUGA LODGE, VIRODHCHALAM, DISTRICT – CUDDALORE, TAMIL NADU. - 606101  
PH :04143-262631/262632/262633.
- VIRODHUNAGAR**
2305. MEENAKSHI AUTO ZONE PVT LTD (SCF1-0A)-, DOOR NO:6/504, SURVEY NO. 11/6, PELAMPATTI VILLAGE, VIRODHUNAGAR MADURAI HIGH WAY, OPPOSITE TO VVV COLLEGE. - TALUK & DIST. VIRODHUNAGAR, TAMILNADU - 626001  
PH :3940094881.
- TAMILNADU**
2306. PLA MOTORS (SLR1-01)-, S. NO. 400/6-A-2, NO. 1/85, MANGALAPURAM, PUDDUKOTTAI TO ALANGUDI ROAD, NEAR KNP KALYANA MANDAPAM, ALANGUDI TOWN & TALUK, PUDUKKOTTAI DIST., TN - 622301 - 622301  
PH :8870454466.

## Dealer Network (AS ON 31.10.2023)

### CHENNAI

2307. VISHNU CARS (1488-01-), DOOR NO. 8, NP INDUSTRIAL ESTATE, JAWAHARLAL NEHRU ROAD, EKKATUTHANGAL, CHENNAI, TN - 600032 PH :7550360444.

### CHENNAI- MAMBAKKAM

2308. KHIVRAJ MOTORS (1404-G1-), SURVEY NO.76/A, NO.27, PLOT NO. D-2, KEELAKOTTAYUR, VANDALUR TO KELAMBAKKAM MAIN ROAD, MAMBAKKAM, CHENGALPET, CHENNAI, TN - 600127 PH :9841591558.

### CHETPET

2309. GANESH CARS (SGY1-01-), DOOR NO. 35/C, CHETPET TOWN, CHETPET TALUKA, TIRUVANNAMALAI DIST., TAMILNADU, - 606 801 PH -98423 06337.

### CHINNAMANUR

2310. ABT LIMITED (SKX1-01-), SF NO. 446 /1A, WARD A, BLOCK-2, TS NO.8/15, PERIYAKULAM TO CHINNAMANUR MAIN ROAD, KEELAPOOLANANDHAPURAM, CHINNAMANUR MUNICIPAL TOWN & TALUK, THENI DIST., TN- 625515 - 625515 PH :9715863213.

### DENKANIKOTTAI

2311. AMMAN CARS (SDT1-01-), SURVEY NO:766/ 1B11, THABILAGOUNDAN THOTTI, DENKANIKOTTAI , KRISHNAGIRI DISTRICT, TAMILNADU - 635107 PH :9585599935.

### DHARAPURAM

2312. SREE SARADHAMBAL AUTOMOBILES PVT LTD (QN01-01-), SF 134/4A3, DINDIGUL BYPASS ROAD, NEAR INDIAN OIL PETROL PUMP, DHARAPURAM TOWN AND TALUKA, TIRUPPUR DIST., TAMILNADU-638656 - 638656 PH :9787853000.

### GANGAVALI

2313. THRIVANI CARS (SOS1-01-), SURVEY NO # SF NO. 22/3A1A, 106 ATTUR MAIN ROAD, GANGAVALLI, SALEM, TN - 636105 PH :9159722999.

### KAWALKINARU

2314. AADHI CARS PVT. LTD. (CSU1-01-), SURVEY NO:1943/1, SURESH COMPLEX, KANYAKUMARI BYPASS ROAD, KAVALKINARU JUNCTION, KAVALKINARU (VADAKANKULAM), TIRUNELVELI, - 627105 PH :7339111259.

### KULASEKHARAM

2315. ATHEN CARS (SIL1-01-), ITE NO : 409/17A – ARANVILAI, NEAR RANGE OFFICE, CONVENT ROAD – KULASEKARAM, KALKULAM –TALUK,KANYAKUMARI DIST. TN - 629 161 PH :7094471569.

### KUMBAKONAM

2316. PILLAI AND SONS MOTOR CO. (E701-06-), D. NO. HP-1, GOVT. INDUSTRIAL ESTATE, SIDCO, THIRUBHUVANAM TOWN & POST, KUMBAKONAM, THANJAVUR DISTRICT, TAMILNADU - 612103 PH :8489900136.

### MADURAI

2317. SIVA AUTOMOTIVE TRADING PVT LTD (4205-03-), PATA NO. 615, SURVEY NO. 32/2, 32/4, THENI MAIN ROAD, ACHAMPATHU, MADURAI, TN - 625019 PH :7402738888.

### NEYVELI

2318. VISHNU CARS (CPN1-01-), SURVEY NO:545/2A1A, NH-45C, OPP. NATIONAL COLLEGE,KUMBAKONAM - CHENNAI HIGH WAY, NEAR NEYVELI ARCH GATE, NEYVELI T.S. KEELAKOLLAI, MARUNGUR POST,PANRUTI,CUDDALORE DISTRICT, TAMILNADU - 607103 PH :9384059575.

### PERUMBAKKAM

2319. KHIVRAJ MOTORS PVT LTD (SSL1-01-), NO.1,VARALAKSHMI NAGAR, THIRUVALLUR ROAD, PERAMBAKKAM,KANCHIPURAM DIST, TAMILNADU- 631402 - 631402 PH :7338786693.

### SIVANGAI

2320. ASIR AUTOMOBILES (SDCC1-01-), S. NO: 144/1, SIVANGAI-THONDI ROAD, PAIYAUROPILLAIVAYAL, SIVANGAI, TAMILNADU - 630561 PH :9750372220.

### THANJAVUR

2321. PLA MOTORS FIRM (E702-01-), SURVEY NO. 173/6B4, TRICHY-THANJAVUR ROAD, NANJIKOTTAI BYPASS, THANJAVUR, TAMILNADU - 613005 PH :9344006433/9344003877.

### THIRUMAZHISAI

2322. CARS INDIAPVT LTD (SMH1-01-), DP 30, SIDCO INDUSTRIAL ESTATE, THIRUMAZHISAI, - 600124 PH :9500064259.

### THOPPUR

2323. SRI AMMAN CARS (SLU1-01-), SITE NO. 422 /2A, BANGALORE TO SALEM HIGH WAY, AMMANI, THOPPUR VILLAGE & TOWN,NALLAMPALLI TK, DHARMAPURI DISTRICT, - 636352 PH :9790004273.

### TINDIVARAM

2324. VISHNU CARS (SD11-01-), SURVEY NO. 50/4, 50/5 & 63, NEAR RTO OFFICE, MOLASUR, TINDIVANAM, VILUPPURAM, TAMILNADU - 604102 PH :9500039023.

### TIRUPPUVANAM

2325. MEENAKSHI AUTO ZONE PVT LTD (SOZ1-01-), NO.21,BAKHYA NAGAR, WARD NO:1, MANDAPAM MAIN ROAD, TIRUPPUVANAM, SIVAGANGA DISTRICT, TAMIL NADU - 630611 - 630611 PH :9442799581.

### UTHIRAMERUR

2326. AIE CARS (SHG1-01-), SURVEY NO:383/3B-82, UTHIRAMERUR MAIN ROAD, UTHIRAMERUR, KANCHEEPURAM DISTRICT, TAMILNADU - 603406 PH :7299057387.

### VELLAKOVIL

2327. SRI CITI AUTO (SGO1-01-), SURVEY NO:502/C &371/D, NO. 196,197,KOVAI KARUR MAIN ROAD, VELLAKOVIL, TIRUPUR DIST., TAMILNADU - 638111 PH :9994606000.

### VENGAL

2328. VISHNU CARS PVT LTD (STC1-01-), NEW SURVEY NO:67/1B, 67/20, CHINMAYA NAGAPAM,THAMARAIPAKKAM VILLAGE, VENGAL,THIRUVALLUR DIST., TAMILNADU- 601103 - 601103 PH :9500121559.

## TELANGANA

### ADILABAD

2329. ADARSHA AUTOMOTIVES PVT LTD (BTM1-01-), SURVEY NO:131/6 & 131/7, NH-44, ADILABAD TOWN ROAD, MAVALA, ADILABAD, TELANGANA. - 504001 PH :9133307724.

### ARMUR

2330. VARUN MOTORS PVT. LTD. (BBN1-01-), SURVEY NO.277, ARGUL VILLAGE, JAKARANPALLY (MANDAL), ARMUR, NIZAMABAD DISTT. (A.P.) - 503224 PH :9052901888.

### BASARA

2331. ADARSHA (SSY1-01-), URVEY NO 58/E, RAVINDRAPUR, BASARA, NIRMAL DISTRICT, TELANGANA - 504101 PH :8886092222.

### BATCHUPALLY , HYDERABAD

2332. SAI SERVICE PRIVATE LIMITED (1011-09-), SURVEY NO 489/1, MIYAPUR TO BACHUPALLY ROAD,BACHUPALLY,HYDERABAD. - 500090 PH :7330771111.

### BELLAMPALLY

2333. ADARSHA AUTOMOTIVES (SJJ2-01-), SURVEY NO 5/31, PEDANAPALLI, BELLAMPALLY, MANCHERIAL DISTRICT, TELANGANA - 504251 PH :8886092222.

### BHADRALAM

2334. VARUN MOTORS (CLZ1-01-), H-NO 1-138/1B-OLD SARPAKA ROAD, BHADRACHALAM, BHADRADI-KOTHAGUDEM, TELANGANA - 507111 PH :9885576602.

### BHUPALAPALLY

2335. ADARSHA AUTOMOTIVES PVT LTD (D502-04-), 6-113, JAWAHAR NAGAR, MAIN ROAD, SBH MAIN BRANCH ROAD, BHUPPALPALLY, DISTRICT - WARANGAL, ANDHRA PRADESH - 506169 PH :7799790526.

### BODHAN

2336. VARUN MOTORS PVT. LTD. (O801-01-), PLOT NO. 5/2, ACHANAPALLY CROSS ROAD, BODHAN, DIST.-NIZAMABAD, TELANGANA - 503 185 PH :9885576602, 9553714189.

### CHEVELLA

2337. GEM MOTORS (INDIA) PVT. LTD. (CBL1-01-), SURVEY NO. 17/A, MANDAL – CHEVELLA, DISTRICT – RANGA REDDY, TELANGANA. - 510101 PH :9912899128, 9912834567.

### DUBBAK

2338. ADARSHA (-), ADARSHA AUTOMOTIVE PVT LTD, OPP. BUS DEPOT, BYPASS ROAD, SIDDIKET, TELANGANA - 502108 PH :9160746633.

### ETUNAGARAM

2339. WIN MOTORS (SOJ1-01-), H.NO 12-412 & 12-413,AKULAVARI GHANPUR, ETURNAGARAM, MULUGU DISTRICT,TELANGANA - 506165 PH :868828005.

### GADWAL

2340. SRI JAYARAMA MOTORS PVT. LTD. (WP01-02-), PLOT NO. 5 & 6, BESIDE RURAL POLICE STATION, KURNOL ROAD, MAHABUB NAGAR DISTRICT, ANDHRA PRADESH - 500125 PH :8096990074, 8096996671.

### GAJWEL

**Dealer Network (AS ON 31.10.2023 )**

2341. ACER MOTORS (A DIVISION OF KRISHNAIAH MOTORS PVT. LTD) (BYU1-01-), SURVEY NO. 220, VILLAGE - PRADYANPUR, GAJWEL, DISTRICT - MEDAK, TELANGANA. - 502311 PH :8885088080, 9849017827.	2352. THE MITHRA AGENCIES (1002-03), PLOT NO. 3-4-10,NEAR MADHAPUR POLICE STATION, MADHAPUR, HYDERABAD - 500081 PH :04023113399 04023113388 9959912702.	2364. VARUN MOTORS PVT. LTD. (4603-0H-), PLOT NO. 1354/1, ROAD NO. 1, NEAR IOC PETROL PUMP, JUBILEE HILLS, HYDERABAD, ANDHRA PRADESH - 500033 PH :8886322776.	2375. KALYANI MOTORS PVT. LTD. (1018-02-), M/S VIDHATA BINNY MODERN RICE MILL, BEARING NO. 8-4-15 IN SURVEY NO. 239 & 240 OF VILLAGE - KARMANGHAT, MANDAL - SAROORNAGAR, DISTRICT - RANGA REDDY, HYDERABAD - 500079 PH :9100222377.
<b>GHATKESAR</b>	2353. RKS MOTORS PVT. LTD. (1003-05-), 11-6-191/192,OPP. HOTEL HARSHA,PUBLIC GARDEN ROAD, NAMPALLY, HYDERABAD - 500001 PH :9848811158.	2365. VARUN MOTORS PVT. LTD. (4603-0J-), PLOT NO. 1-45, SY.NO:1 TO 7, GOPINATH COMPLEX, TARANAGAR, LINGAMPALLY, HYDERABAD, RANGAREDDY DISTRICT, TELANGANA STATE - 500019 PH :8886067847.	2376. ADARSHA AUTOMOTIVES PVT LTD (1019-01-), H. NO. 2-4-43/15, SURVEY NO. 34, SOGBOWLI (PILLER NO. 185 OF P.V. NARSIMHA RAO EXPRESSWAY), RAJENDRANAGAR, UPPERPALLY, ATTAPUR, RANGA REDDY, HYDERABAD, TELEGANA. - 500048 PH :9705436633, 8297426633.
2342. ACER MOTORS (A DIVISION OF KRISHNAIAH MOTORS PVT. LTD) (BYL1-01-), 3-21, JODIMETLA, CHOUDA RIGID VILLAGE GHATKESAR MANDAL, DISTRICT - RANGA REDDY. - 501301 PH :8885088075, 9849017827.	2354. VARUN MOTORS PVT. LTD. (4603-0A-), 1-11-200.SHAMLALA BUILDING BEGUMPET, HYDERABAD - 500016 PH :9885206655.	2366. SAI SERVICE PRIVATE LIMITED (1011-07-), PLOT NO.B-21 & B-34, BHEL ANCILLARY INDUSTRIAL ESTATE, RAMACHANDRAPURM, HYDERABAD - 502032 PH :9703811411.	2377. THE MITHRA AGENCIES (1002-06-), SURVEY NO.57, D.NO.8-2-108, BIRAMGLUDA, KARMANGHAT NAGARJUN SAGAR ROAD, HYDERABAD, TELANGANA. - 500079 PH :8886621232.
<b>HUSNABAD</b>	2355. THE MITHRA AGENCIES (1002-04-), 8-18-138, PLOT NO. 8,NEAR MARGADARSI CHIT FUND,L.B. NAGAR RING ROAD, RR DIST,HYDERABAD - 500074 PH :9963551265.	2367. ADARSHA AUTOMOTIVES PVT LTD (1014-01-), 18-2-45 NEAR FLYOVER, CHANDRAYANGUTTA "X" ROAD, HYDERABAD - 500005 PH :8142326633.	2378. VARUN MOTORS PVT. LTD. (4603-0M-), KSN GARDENS, 5-162b, BORABANDA MAIN ROAD, HYDERABAD - 500018 PH :9885579623.
2343. ADARSHA AUTOMOTIVES PVT LTD (GJE1-01-), SURVEY NO. 202/E, H. NO. 12-1/4 & 12-1/A, VILLAGE & MANDAL - HUSNABAD, DIST. -SIDDIPET, TELANGANA. - 505467 PH :8886092222, 7995835552.	2356. GEM MOTORS (INDIA) PVT. LTD. (1009-01-), RAGHUVENDRA SOCIETY,KONDAPUR,,HYDERABAD , ANDHRA PRADESH - 500084 PH :9912999128.	2368. RKS MOTORS PVT. LTD. (1003-09-), SURVEY NO.434, 5-5-33/19, BEHIND HUDA TRUCK PARKING, KUKATPALLY, DISTT : RANGAREDDY, HYDERABAD - 500072 PH :9010811131.	2379. JAYABHERI AUTOMOTIVES PVT. LTD. (1017-03-), SURVEY NO.283, PLOT NO.D-46 & 47, PHASE-V, IDA, JEEDIMETLA, QUTUBULLAPUR MANDAL, RANGA REDDY DISTTT., HYDERABAD (TELANGANA). - 500055 PH :7799784567.
<b>HYDERABAD</b>	2357. GEM MOTORS (INDIA) PVT. LTD. (1009-02-), 2-11, SURVEY NO. 165, 172,HYDERNAGAR, KUKATPALLY, HYDERABAD, ANDHRA PRADESH - 500072 PH :9912344538.	2369. SAI SERVICE PRIVATE LIMITED (1011-08-), DOOR NO.7-2-C33 & C34, INDUSTRIAL ESTATE, SANATH NAGAR, HYDERABAD - 500018 PH :7799360003.	2380. ADARSHA AUTOMOTIVES PVT LTD (1014-03-), SURVEY NO. 220/A, AMBEDKAR ROAD, OPP HERITAGE FRESH, NEAR AMBAEDKAR STATUE, NEAR ALWAL, SECUNDERABAD. - 500 010 PH :9291859954.
2344. THE MITHRA AGENCIES (1002-01-), 1-8-670, NEAR RTC CROSS ROAD, AZAMABAD INDUSTRIAL AREA, HYDERABAD, - 500020 PH :9966838294.	2358. SAI SERVICE PRIVATE LIMITED (1011-01-), PLOT NO. 88, INDUSTRIAL AREA,C.I.E. GANDHI NAGAR, BALANAGAR, HYDERABAD - 500037 PH :9010827755.	2370. KALYANI MOTORS PVT. LTD. (1018-01-), PLOT NO. A-23 & A31/1, I.D.A. NACHARAM, HYDERABAD - 500076 PH :9100114863.	2381. KALYANI MOTORS PVT. LTD. (1018-03-), SURVEY NO. 305, NIZAMPET, MANDAL - QUTBULLAPUR, DIST.-RANGA REDDY, HYDERABAD - 500 072 PH :040 68158999, 9121223221.
2345. RKS MOTORS PVT. LTD. (1003-01-), SABOC TOWERS, RAJBHAVAN ROAD, SOMAJIGUDA, HYDERABAD - 500482 PH :040 44454443, 9010811166.	2359. THE MITHRA AGENCIES (1002-05-), PLOT NO. 19,20 & 21,ROAD NO. 10,IDA NACHARAM, HYDERABAD - 500076 PH :04027176999 04027177999 9963551267.	2371. GEM MOTORS (INDIA) PVT. LTD. (1009-03-), RAJNEY NO. 135/A & 135/AA, MANIKONDA, RAJENDRA NAGAR MANDAL, RANGAREDDY DISTRICT, HYDERABAD, TELANGANA. - 500089 PH :9912341524.	2382. THE MITHRA AGENCIES (1002-07-), SURVEY NO. 12, 13, 14, 15, MEDIPALLY, GHATKESAR MANDAL, RANGA REDDY DISTRICT, HYDERABAD, TELANGANA - 500098 PH :8886697954.
2346. RKS MOTORS PVT. LTD. (1003-02-), R-4/A,IDA BLOCK, INDUSTRIAL ESTATE,UPPAL, HYDERABAD - 500039 PH :040 23434504, 9010822210.	2360. VARUN MOTORS PVT. LTD. (1012-01-), MARUTI AUTHORISED DEALER, SURVEY NO. 115, IT PARK, NANAKRAMGUDA, GACHIBOWLI, HYDERABAD - 500008 PH :9985104860, 69997979.	2372. ADARSHA AUTOMOTIVES PVT LTD (1014-02-), H. NO. 8-64/1, RUDRA COLONY, SHAMSHABAD, HYDERABAD - 501218 PH :9603296633.	2383. JAYABHERI (1085-01-), SURVEY NO 686,UPPAL, MEDCHAL-MALKAJIGIRI DISTRICT,HYDERABAD,TELANGANA - 500013 PH :8142506666.
2347. VARUN MOTORS PVT. LTD. (4603-04-), B-11 CO-OPERATIVE INDUSTRIAL ESTATE, BALANAGAR, HYDERABAD. - 500037 PH :9885208555, 9985745222.	2361. RKS MOTORS PVT. LTD. (1003-08-), D.NO.1-10-1/285/1, OPP. VEGETABLE MARKET, ECIL CROSS ROADS, KUSAIGUDA, HYDERABAD - 500062 PH :7799779810.	2373. JAYABHERI AUTOMOTIVES PVT. LTD. (1017-01-), PLOT NO. 113, 114, 115 IN LUMBINI ENCLAVE CB SQUARE, VILLAGE - GACHIBOWLI, SHERLINGAMPALLY MNADAL, HYDERABAD, TELANGANA STATE. - 500032 PH :9100909401.	<b>IBRAHIMPATNAM</b>
2348. VARUN MOTORS PVT. LTD. (4603-0B-), ADITYA NAGAR COLONY, ,ADITYA NAGAR COLONY, TOLICHOWKI, SHAIKPET (VILLAGE, HYDERABAD, HYDERABAD - 500008 PH :64551700, 8886114856.	2362. SAI SERVICE PRIVATE LIMITED (1011-04-), H.NO.16-2-839/4/10, SAIDABAD, L.B.NAGAR, HYDERABAD - 500059 PH :7799352000.	2374. JAYABHERI AUTOMOTIVES PVT. LTD. (1017-02-), SURVEY NO.1136, PLOT NO.32, 39 & 40, NEAR N CONVENTION CENTRE, KHANAMET, HYDERABAD, SHERLINGAMPALLY MANDAL, HYDERABAD - 500081 PH :7799916666.	2384. PAVAN MOTORS PVT. LTD (CSF1-01-), S.NO.123/E, MPP PATELGUDA, IBRAHIMPATNAM, RANGA REDDY - 501506 PH :8790144499.
2350. VARUN MOTORS PVT. LTD. (4603-06-), SHOP NO. 31, SRIRUKUPA MARKET, D.NO. 16-10-11F/31, MALAKAPET, HYDERABAD - 500036 PH :4553395, 4547676, 9885093360.	2363. VARUN MOTORS PVT. LTD. (4603-0G-), 1-10-28/1 SY. NO.285, KUSHAIGUDA, NEAR ECIL X ROADS, HYDERABAD - 500062 PH :7799600093.		<b>JAGTIAL</b>
2351. RKS MOTORS PVT. LTD. (1003-04-), 16-11-19/5/2/C, SALEEM NAGAR COLONY,MALAKPET (NEAR FARHAT HOSPITAL),HYDERABAD - 500036 PH :9010811192.			

## Dealer Network (AS ON 31.10.2023)

2385. ADARSHA AUTOMOTIVES PVT LTD (N601-04-), HOUSE NO.-1-5-216/A, OPPOSITE TO KVA SUBSTATION, KARIMNAGAR ROAD, JAGTIAL, - 505327  
PH :8886152222.

### JANGAON

2386. ADARSHA AUTOMOTIVES PVT LTD (K101-01-), H.NO.339, HYDERABAD ROAD, JANGAON. - 506167  
PH :7799626633.

### KAMAREDDY

2387. VARUN MOTORS PVT. LTD. (KX01-01-), H.NO.11-107/61, BESIDE:GURU RAGHAVENDRA COLONY, CHINNA MALLAREDDY VILLAGE, KAMAREDDY. - 503111  
PH :9985557570.

### KARIMNAGAR

2388. ADARSHA AUTOMOTIVES PVT LTD (N601-01-), H.NO. 8-6-313/H, HYDERABAD ROAD,BY-PASS JUNCTION,KARIMNAGAR - 505001  
PH :8886600315.

2389. ADARSHA AUTOMOTIVES PVT LTD (N601-05-), H.NO.8-6-301/18, BY-PASS ROAD, AUTONAGAR, KARIM NAGAR, TELANGANA. - 505001  
PH :8886152222.

2390. VARUN MOTORS PVT. LTD. (N603-01-), BEARING NO. 1-81/3/10/2, SURVEY NO. 221 & 222, REKURTHY VILLAGE, KARIMNAGAR-JAGTIAL ROAD, KARIMNAGAR MANDAL & DIST., TELANGANA. - 505 001  
PH :09133376762, 8886619373.

2391. VARUN MOTORS (N603-02-), SURVEY NO. 277.278/B, AREPALLI VILLAGE, TEEGALAGUTTAPALLI GRAM PANCHAYAT, KARIMNAGAR - 505001  
PH :9885210555.

### KEESARA

2392. JAYABHERI AUTO (SEI1-01-), H-NO 3-56/9/6A, SURVEY NO 5,KEESARA, MEDCHAL-MALKAJGIRI, TELANGANA - 501301  
PH :9676076666.

### KHAMMAM

2393. MITHRA AUTO AGENCIES PVT LTD (2604-02-), SURVY NO. 182,WARANGAL ROAD, OPP. FCI GODOWNS,PEDA THANDA,KHAMMAM - 507003  
PH :8886063527.

### KHANAPUR

2394. VARUN MOTORS (SND1-01-), H.NO:14-10A, NEAR SAI BABA TEMPLE, OPP. GIRLS HIGH SCHOOL, VILL & MANDAL: KHANAPOOR, DIST- NIRMAL - 504203  
PH :8886619373.

### KODAD

2395. PAVAN MOTORS PVT. LTD (BRP2-01-), SURVEY NO. 42, KOMARBANDA REVENUE LIMITED, KODAD, DISTRICT - NALGONDA, TELANGANA - 508206  
PH :8008899995.

### KOLLAPUR

2396. SRI JAYARAMA (SHC1-01-), SURVEY NO 259/AA2, 259/E2,KOLLAPUR, NAGAR KURNOOL DISTRICT, TELANGANA - 509102  
PH :9985880015.

### KOSGI

2397. JAYARAMA (-), SY. NO. 1798/B, KOSGI TOWN, SITUATED TANDOR ROAD KOSGI(G.P & MANDAL), NARAYANPET DIST, TELANGANA - 509339  
PH :8096990069.

### KOTHAGUDEM

2398. VARUN MOTORS PVT. LTD. (2603-04-), DOOR NO. 5-35/4/B,LAKSHMIDAVI PALLI,BHADRACHALAM ROAD, KOTTHAGUDEM - 507101  
PH :8297168222/9052549111.

### LUXITIPET

2399. VARUN MOTORS (SFS1-01-), SURVEY NO 289/E, NEAR BY SSR GARDENS,LUXETIPET, MANCHERIAL DISTRICT, TELANGANA - 504215  
PH :8297848999.

### MAHABUBABAD

2400. ADARSHA AUTOMOTIVES PVT LTD (CQS1-01-), SY. NO.38/A, MAHBUBABAD REVENUE VILLAGE AND MANDAL, MAHBUBABAD. - 506101  
PH :9177746333, 7799700525.

### MAHABUBNAGAR

2401. SRI JAYARAMA MOTORS PVT. LTD. (WP01-01-), PLOT NO C1 & C2, INDUSTRIAL ESTATE, METTUGADA, MEHBOOBNAGAR - 504001  
PH :8096998846.

### MAHESHWARAM

2402. ADARSHA AUTOMOTIVES PVT LTD (CQR1-01-), (BEARING #5-187, SURVEY NO.338/A1, VILLAGE & MANDAL: MAHESHWARAM DISTT. RANGA REDDY - 501359  
PH :8142326633, 9703152222.

### MANCHERIAL

2403. ADARSHA AUTOMOTIVES PVT LTD (N601-03-), BEHIND MAHINDRA TRACTORS SHOWROOM,BELLAMPALLY ROAD, MANCHIRIAL , DISTT. ADILABAD - 504208  
PH :8886302222.

### MANTHANI

2404. VARUN MOTORS (SHS1-01-), SURVEY NO 1018, H NO 16-4/D2, PLOT NO 5, LAINGADDA STREET, MANTHANI, - 505184  
PH :8886619373.

### MEDAK

2405. VARUN MOTORS PVT. LTD. (KF01-01-), SY.NO.:1486/A3, HYDERABAD ROAD, MEDAK (MDL & TOWN) - 502110  
PH :9154953337.

### MEDCHAL

2406. AUTOFIN LIMITED (CID1-01-), H. NO. 11-27/1, SURVEY NO.401, MEDCHAL VILLAGE AND MANDAL, DIST. - MEDCHAL. - 501401  
PH :8885040020.

### METAPALLY

2407. ADARSHA (BJF1-01-), SURVEY NO. 40/U/2 CHOULAMADHI, METPALLY PIN CODE 505325 - 505325  
PH :8886092222.

### MIRYALGUDA

2408. PAVAN MOTORS PVT. LTD (WR01-01-), SURVEY NO-940 &943, (OPPOSITE TO MINA ENGINEERING COLLEGE) NARKETPALLY ADANKI BY-PASS ROAD,MIRYALAGUDA ,NALGONDA DISTRICT,ANDHRA PRADESH - 508207  
PH :8790900399.

### MOINABAD

2409. GEM MOTORS (INDIA) PVT. LTD. (CFN1-01-), SURVEY NO. 70, PLOT NO. 4, VILLAGE AND GRAM PANCHAYAT - HIMAYATH NAGAR, MANDAL - MOINABAD, DISTRICT - RANGA REDDY. - 500075  
PH :9912899128, 7997994845.

### NAGARKURNOOL

2410. SRI JAYARAMA MOTORS PVT. LTD. (EV01-01-), SURVEY NO.44/A AND 45/A, UYYALWADA VILLAGE, NAGARKURNOOL, TELANGANA - 509209  
PH :8096990074.

### NALGONDA

2411. PAVAN MOTORS PVT. LTD (AN01-01-), CHERLAPALLY VILLAGE, NALGONDA ROAD, NALGONDA - 508001  
PH :247399,8790344499.

### NARAYANKHED

2412. VARUN MOTORS PVT. LTD. (CG11-01-), D. NO. 1-6-111/25/B/5/A/1, SY NO. 57/2, BHUMAN COLONY, GRAM PANCHAYAT & MANDAL - NARAYANKHED, DISTRICT - MEDAK, TELANGANA. - 502286  
PH :9885210555.

### NARAYANPET

2413. SRI JAYARAMA MOTORS PVT. LTD. (BPG1-01-), SURVEY NO. 468/4, MAHABUBNAGAR ROAD, NARAYANPET TOWN, DIST. MAHABUBNAGAR, STATE - TELANGANA. - 509210  
PH :8096997701, 7893177448.

### NARSAPUR

2414. KALYANI MOTORS PVT. LTD. (SCX1-01-), SURVEY NO 66, BLOCK NO-19,NARSAPUR,DISTRICT:MEDAK, TELANGANA. - 534275  
PH :9100067766.

### NIRMAL

2415. ADARSHA AUTOMOTIVES PVT LTD (N601-02-), H. NO. 1-1-131, ,SHASTRINAGAR, MANCHIRIAL ROAD, DISTT. ADILABAD, NIRMAL - 504106  
PH :8886342222.

### NIZAMABAD

2416. VARUN MOTORS PVT. LTD. (1H02-01-), PLOT NO. GP 1-57/4/1,PANGARA BORGON,NIZAMABAD - 503230  
PH :8297848999, 9052080444.

### PALWANCHA

2417. VARUN MOTORS PVT. LTD. (HF01-01-), SURVEY NO.758 & 757, NEHRU NAGAR, PALWANCHA (NEW POLANCHA) MANDAL & TOWN, BHADRADRI KOTHAGUDEM DISTT., TELANGANA. - 507115  
PH :8297163222.

### PARGI

2418. VARUN MOTORS PVT. LTD. (CBO1-01-), HOUSE NO. 2-356 JANGAIAH COMPLEX, SURVEY NO. 217/EE4, JAYANTHI NAGAR COLONY, MANDAL - PARGI, DISTRICT - RANGA REDDY. - 510501  
PH :988521055, 9885200000.

### PARKAL

2419. ADARSHA (SEK1-01-), SY.NO 946, H.NO 5-27, VIKAS NAGAR, PARKAL,WARANGAL. - 506164  
PH :8886742222.

### PEDAPALLY

2420. ADARSHA AUTOMOTIVES PVT LTD (GKN1-01-), SURVEY NO 142, H NO 185, RANGAMPALLI VILLAGE, PEDDAPALLI , TELANGANA - 505172  
PH :8886618155, 8886672222.

### RAMAGUNDAM

2421. ADARSHA AUTOMOTIVES PVT LTD (BGA1-01-), 5-6-172 SURVEY NO. - 259/B, MEDIPALLY SHIVAR, RAMAGUNDAM MUNICIPALITY, DISTRICT - KARIM NAGAR, ANDHRA PRADESH - 505209  
PH :8886144550.

### RAMAYAMPET

2422. VARUN MOTORS PVT. LTD. (CDO1-01-), SURVEY NO. 1626 & 1626/2 SITUATED AT BLOCK NO. 16, RAMAYAMPET, DISTRICT - MEDAK. - 502101  
PH :9885205555, 9703803399.

### SADHASHIVPET



2423. SAI SERVICE (SFQ1-01-), PLOT NO. 2, SY NO. 974, GURUNAGAR COLONY, OLD BOMBAY HIGHWAY ROAD, SADASHIVPET, SANGAREDDY DIST. 502291 - 502291  
PH :9966377888.

**SANGAREDDY**

2424. SAI SERVICE PRIVATE LIMITED (1011-05-), H.NO.4-8-92/1/4/5, AHMED NAGAR, OPP.GOVV.ITI, SANGAREDDY, MEDAK (DIST), ANDHRA PRADESH - 502001  
PH :7661811000.

**SATUPALLI**

2425. MITHRA AUTO AGENCIES PVT LTD (SHD1-01-), SURVEY NO. 75 NEAR VIVEKANANDA STATUE,SATHUPALLI, KHAMMAM - 507303  
PH :9848988312.

**SECUNDERABAD**

2426. ACER MOTORS (A DIVISION OF KRISHNAIAH MOTORS PVT. LTD) (K601-01), A1, MOTI VALLEY,TRIMULGHERRY,SECUNDERABAD, - 500015  
PH :040 44554747, 8885080800.

2427. AUTOFIN LIMITED (K606-01-), SURVEY NO. 33, MEDCHAL ROAD, BOWENPALLY, SECUNDERABAD - 500011  
PH :8855040130.

2428. VARUN MOTORS PVT. LTD. (4603-01-), 1-10-176/1, BEHIND VARUN TOWERS-I, OPP. HYDERABAD PUBLIC SCHOOL, BEGUMPET, SECUNDERABAD, HYDERABAD, TELANGANA STATE - 500016  
PH :9985552452.

2429. RKS MOTORS PVT. LTD (K605-01-), PLOT NO. 207, TADBUND, SECUNDERABAD - 500009  
PH :9010801004.

2430. AUTOFIN LIMITED (K606-02-), SURVEY NO. 177/B & 178/C SITUATED AT VILLAGE – KOMPALLY, MANDAL – QUTHBULLAPUR, HYDERABAD. - 500090  
PH :8855040126.

2431. PAVAN MOTORS PVT. LTD (K608-02-), PLOT NO. 1-12, 749, 750, SURVEY NO. 751/2, VENKATADRI NAGAR, NEW MIRJALGUDA, MALKAJGIRI, SECUNDERABAD, TELANGANA - 500047  
PH :9121293690.

**SHAD NAGAR**

2432. SRI JAYARAMA MOTORS (P) LTD. (WS01-01-), SERVEY NO.445, FAROOQ NAGAR, SHADNAGAR, MAHABUB NAGAR DISTT. ANDHRA PRADESH. - 500216  
PH :8096998661.

**SHAMIRPET**

2433. RKS MOTOR PVT. LTD. (SDE1-01-), SHED NO 2-242, MAJEEDPUR CROSS ROADS,SHAMIRPET, MEDCHAL-MALKAJGIRI,TELANGANA - 500078  
PH :9848866618.

**SHANKARPALLY**

2434. SAI SERVICE PRIVATE LIMITED (CEX1-01-), SURVEY NO. 203, HYDERABAD ROAD OPP. SM FUNCTION HALL ROAD, SHANKARPALLY, RANGA REDDY DISTT. - 501203  
PH :9966377888, 9912899128, 9703811011.

**SIDDIPET**

2435. ADARSHA AUTOMOTIVES PVT LTD (CAL1-01-), SURVEY 197/A, VILLAGE – PONNALA, SIDDIPET, DISTRICT – MEDAK, TELANGANA - 502103  
PH :09703716633, 9160746633.

**SIRCILLA**

2436. ADARSHA AUTOMOTIVES PVT LTD (BYW1-01-), H. NO. 10-1-7/2, 10-1-7/3, 10-1-7/3/A/1, KARIMNAGAR ROAD, SIRCILLA, DISTRICT – KARIMNAGAR, TELANGANA - 505301  
PH :8886618155, 8142244131.

**SURYAPET**

2437. PAVAN MOTORS PVT. LTD (BLC1-01-), SURVEY NO. 493, THALLAGADDA, SURYAPET MANDAL, NALGONDA DISTRICT, ANDHRA PRADESH. - 508213  
PH :8008899995, 27502750.

**TALLADA**

2438. MITHRA AUTO (SOU1-01-), SURVEY NO 890/A, D.NO 7-8, NARAYANAPURAM, TALLADA, TELANGANA - 507167  
PH :9848988312.

**TANDUR**

2439. VARUN MOTORS PVT. LTD. (CFR1-01-), H. NO. 2-1-20/3, 2-1-20/3/A & 2-1-20/9, PLOT NO. 45, 46, 47, SURVEY NO. 57 OF MALIREDDY PALLY VILLAGE, TANDUR MUNICIPALITY, VIKARABAD DISTRICT, TELANGANA. - 501141  
PH :8886619370.

**THORRUR**

2440. ADARSHA AUTOMOTIVES PVT LTD (BYV1-01-), SURVEY NO.1 TO 5, BEARING M. NO.4-153/1, VILLAGE & MANDAL THORRUR DISTT. WARANGAL - 506163  
PH :9059438007, 7799790527.

**TOOPRAN**

2441. ADARSHA (SEJ1-01-), PLOT NO 7&8, SY NO 185, 184, 179U, NAGULAPALLY VILLAGE,TOOPRAN MANDAL,TELANGANA STATE: TELANGANA CITY: TOOPRAN PIN : 502334 CITY CATEGO - 502334  
PH :9291859954.

**UTNOOR**

2442. ADARSHA AUTOMOBILES (SEG1-01-), OPP., KB COMPLEX, UTNOOR, DIST- ADILABAD - 504311  
PH :7075792221.

**VIKARABAD**

2443. GEM MOTORS (INDIA) PVT. LTD. (BYM1-01-), SHOP NO. 3-2-83/2, VILLAGE – YENNAPALLY, VIKARABAD MUNICIPALITY, VIKARABAD, DISTRICT – RANGA REDDY, TELANGANA. - 501101  
PH :9912349840.

**WANAPARTHY**

2444. SRI JAYARAMA MOTORS (P) LTD. (WQ01-01-), SURVEY NO.1149, KURNOOL ROAD, WANAPARTHY (A.P.) - 509103  
PH :8096903879.

**WARANGAL**

2445. ADARSHA AUTOMOTIVES PVT LTD (D502-02-), PLOT NO.10, INDUSTRIAL AREA, MULUGU ROAD, WARRANGAL - 506007  
PH :8886132222.

2446. ADARSHA AUTOMOTIVES PVT LTD (D502-03-), OPPOSITE TO ORUGALLU FILLING STATION, HUNTER ROAD, SHAYAMPET, HUNAMKONDA, WARANGAL - 506001  
PH :8886492222.

2447. WIN MOTORS (A UNIT OF BHADRAKALI AUTOCARE PVT. LTD) (D503-01-), SURVEY NO. 16, 16/A & 16/B, OPPOSITE KAKATIYA UNIVERSITY GATE-2, LASHKERSINGARAM REVENUE VILLAGE, HANAMKONDA MANDAL, WARANGAL - 506 001  
PH :8688828010.

2448. WIN MOTORS (A UNIT OF BHADRAKALI AUTOCARE PVT. LTD) (D503-02-), PLOT NUMBER 9, 10, 11 & 13/A, SURVEY NUMBER 148/A&B OF BHEEMRAM VILLAGE, WARANGAL. - 506015  
PH :8688828015.

**ZAHIRABAD**

2449. SAI SERVICE PRIVATE LIMITED (BAT1-01-), PLOT NO.5, NEAR IBP PETROL BUNK, NH-9, ALIPUR, ZAHIRABAD, MEDAK (DIST), ANDHRA PRADESH - 502220  
PH :7660005206.

**TELANGANA**

2450. ADARSHA AUTOMOTIVES (SCN1-01-), H.NO -1-61/3, BORIGAON, KAGHAZNAGAR, KOMARAMB HEEM - 504296  
PH :8886092222.

**PALAKURTHY**

2451. WIN MOTORS (SCY1-01-), SURVEY NO 537/B, MAIN RAOD, PALAKURTHY, JANGAON DISTRICT,TELANGANA. - 506317  
PH :8688838005.

**TRIPURA**

**AGARTALA**

2452. JAIN UDYOG (6901-01-), ARUNDHUTI NAGAR, OPP. INDUSTRIAL ESTATE, AGARTALA - 799003  
PH :9862149275.

2453. JAIN UDYOG (6901-05-), 58-B/C, INDUSTRIAL AREA ARUNDHATI NAGAR, AGARTALA. - 799003  
PH :70057 71216.

2454. JAIN UDYOG (6901-06-), KHATIAN NO. 1843, MOUJIA & TEHSIL – KHAYERPUR, JIRANIA SUBDIVISION, AGARTALA - 799008  
PH :97746 16831.

2455. PALLAVI MOTORS (6902-01-), 44 NH ROAD, DAG NO. 495, DAG NO. 1748, DAG NO. 867, POST OFFICE KHERPUR, AGARTALA (TRIPURA) - 799008  
PH :9864052488.

**AMARPUR**

2456. JAIN UDYOG (CVR1-01-), NEAR MOTOR STAND, AMARPUR, TRIPURA - 799101  
PH :97748 45751.

**AMBASSA**

2457. JAIN UDYOG (CDT1-01-), A.A. ROAD, OPPOSITE OF CHANDRA PARA HS SCHOOL, AMBASSA, DHALAI, TRIPURA. - 799289  
PH :70052 88437.

**DHARMANAGAR**

2458. JAIN UDYOG (6901-03-), DHARMANAGAR COLLEGE ROAD, DHARMANAGAR, TRIPURA(NORTH). - 799250  
PH :97747 93164.

**UDAIPUR**

2459. JAIN UDYOG (YU01-01-), DHWAJANAGAR INDUSTRIAL ESTATE, UDAIPUR, TRIPURA (SOUTH) - 799116  
PH :9774020152.

**UP**

**GREATER NOIDA**

2460. VIPUL MOTORS (T202-01-), PLOT NO. 64, ECOTECH 12, GREATER NOIDA (WEST), UP. - 201009  
PH :9811233385.

**UTTAR PRADESH**

**AGRA**

2461. MADHUSUDAN MOTORS PVT LTD (6603-01-), B-5 LAWYERS COLONY, BYE PASS ROAD, AGRA - 282005  
PH :531102-05.

2462. MADHUSUDAN MOTORS PVT LTD (6603-02-), GANESH GANJ, PRATAPPURA, AGRA - 282001  
PH :9837097887.

2463. MADHUSUDAN MOTORS PVT LTD (6603-03-), 6-A, VIBHAV INDUSTRIAL STATE, AGRA - 282007  
PH :3299221.

## Dealer Network (AS ON 31.10.2023)

2464. MADHUSUDAN MOTORS PVT LTD (6603-04), 26/253, SULTAN GANJI KI PULLIA, MAUZA LASKARPUR, AGRA - 283203 PH :9837097894.	2476. STAR CARS (A UNIT OF SARASWATI VEHICLES LLP) (NJ02-01.), KAHUWA NALA, AURI-BINA ROAD, AURI ANPARA. DISTRICT – SONEBHADRA. - 232101 PH :7052547903, 9721905002, 9151154306, 9450544961.	2485. KTL PVT. LTD. (CHI1-01-), 16B, DHOBAIR, VILLAGE - BAH, DIST.-AGRA, UTTAR PRADESH. - 283104 PH :7055707169, 8449715033.	2496. CORAL MOTORS (P) LTD. (6602-01-), STATION ROAD, BAREILLY - 243001 PH :559191.
2465. KTL PVT. LTD. (6606-01-), MUGHAL ROAD, KAMLA NAGAR, AGRA - 282004 PH :8449715033, 8449715099.	<b>ANUPSHAHR</b> 2477. SK UNIVERSE (SI01-01-), KHASRA NO. 341, BULANDESHAHR ROAD, ANOOPSHAHR, DIST. BULANDESHAHR, PIN-203390, UTTAR PRADESH - 203390 PH :7055118430.	<b>BAHERI</b> 2486. KAVISHA MOTORS PVT LTD (BSB1-01-), KASRA NO. 530, 531, 532, 533. NAINITAL ROAD, OPP. RAMLILA GROUND, BAHERI, DISTRICT – BAREILLY, UTTAR PRADESH - 243201 PH :8756000000, 7607696666.	2497. CORAL MOTORS (P) LTD. (6602-03-), PILIBHIT BYE PASS ROAD, EXECUTIVE CLUB CROSSING, BAREILLY, UTTAR PRADESH - 243002 PH :0581-2554922.
2466. PREM MOTORS PVT. LTD. (6607-01-), 45, OPPOSITE AGRA COLLEGE, GOKULPURA, AGRA, UTTAR PRADESH - 282002 PH :9690010799.	<b>AONLA</b> 2478. KAVISHA MOTORS PVT LTD (CV11-01-), COMMERCIAL PLOT, RAN NAGAR ROAD, NEAR MUNICIPALITY OFFICE, TEHSIL - AONLA, DIST., BAREILLY, STATE- UTTAR PRADESH. - 243301 PH :07895980222, 07895980300.	<b>BAHRAICH</b> 2487. ANAND MOTORS AGENCIES LTD (1301-05-), LUCKNOW ROAD, BEHRAICH, UTTAR PRADESH - 271801 PH :9519596080.	2498. KAVISHA MOTORS PVT LTD (6601-01-), 4TH KM, RAMPUR ROAD, CLUTTER BUCKGANJ, BAREILLY - 243502 PH :8756000000, 7607696666.
2467. KTL PVT. LTD. (6606-02-), KHASRA NO. 171, SEWLA JAT, GWALIOR ROAD, AGRA, UTTAR PRADESH - 282001 PH :8449715099.	<b>AURAI</b> 2479. VARANASI MOTORS PVT LTD (CBM1-01-), KHATA / KHATAUNI NO. 00045, GT ROAD (EHAH BHAUARA), OPP. CHINI MILL, VILLAGE & TEHSIL AURAI, DISTT: BHADHOI, UTTAR PRADESH, PIN 2221 301 - 2221301 PH :9838360662, 7617002786.	<b>BALLIA</b> 2488. DEEP MOTORS (K501-03-), MAIDEYUPUR, RAJDHANI ROAD, BALLIA - 277001 PH :9838072917.	2499. ETERNITY MOTORS LLP (5603-01-), KHASRA NO. 803/2, PILIBHIT BYPASS ROAD, PEER BAHORA, OPP. FUN CITY, BAREILLY, UTTAR PRADESH. - 243001 PH :9105555746.
2468. MERAK VEHICLES (6609-01-), KHASRA NO 65 & 74, MAUZA MOHAMMADPUR, AGRA-DELHI ROAD (NH-2), SIKANDRA, AGRA UTTAR PRADESH-282007. - 282007 PH :9690486139.	<b>AURAIYA</b> 2480. KULDEEP MOTORS (QJ01-01-), NEAR INDIAN OIL TIRAHA, KANPUR ROAD, AURAIYA. - 206241 PH :9233558444.	<b>BALRAMPUR</b> 2489. ANAND MOTORS AGENCIES LTD (XB01-01-), NEAR BALRAMPUR CHINI MILLS, GONDA ROAD, BALRAMPUR-UTTAR PRADESH - 217201 PH :6307995976.	<b>BASTI</b> 2500. SMARTWHEELS PVT. LTD. (7201-05-), MANORI CHAURAHA, DUMARIYA GANJ ROAD, BASTI - 270002 PH :286294.
<b>AKBARPUR</b> 2469. KTL PVT. LTD. (2801-03-), KANPUR ROAD, AKBARPUR - 209206 PH :7408409348.	<b>AYODHYA (FAIZABAD)</b> 2481. SMART WHEELS (7201-03-), GHATAMPUR MAGALS, OPP TRIMURTI HOTEL, TEHSIL SOHAWAL, FAIZABAD, UTTAR PRADESH - 224001 PH :7705800602.	<b>BANDA</b> 2490. MY CAR PVT. LTD. (2803-03-), KALUKUAN, TINDWARI ROAD, BANDA - 210001 PH :9792971223.	2501. ARBIT AUTOMOBILES (7203-03-), SANSARPUR FUTAHIA POST GANDHI NAGAR DISTRICT BASTI UTTAR PRADESH - 272182 PH :8953412821.
2470. SMARTWHEELS PVT. LTD. (7201-08-), TANDA ROAD, VILL-BUDHAEERPUR, PO-KATRIYA YAKOOPUR, AKBARPUR , DIST-AMBEDKAR NAGAR (U.P.) - 224122 PH :7705803248.	<b>AZAMGARH</b> 2482. DEEP MOTORS (K501-01-), HARBANSHPUR NARAUJI, AZAMGARH - 276001 PH :9838072905.	2491. SUMITRA DS MOTORS (SPB1-01-), PURANPUR ROAD, BANDA, TEHSIL BANDA, THANA BANDA, DISTT. SHAHJAHANPUR – U.P. - 242042 PH :9336408074.	<b>BEHTA</b> 2502. MEGA MOTORS (A UNIT OF AKM MOTORS PVT. LTD) (GMI1-01-), KHASRA NO. 254, OPPOSITE SANGAM MOTORS, KURSI ROAD, BEHTA - 226206 PH :6388901514.
<b>ALIGARH</b> 2471. DEV MOTORS (P) LTD (B601-01-), NEAR BANNA DEVI, G.T. ROAD, ALIGARH - 202001 PH :521771.	<b>BABRALA</b> 2483. AKANKSHA AUTOMOBILES PVT. LTD. (SJU1-01-), CHANDAUSI ROAD, BABRALA, DISTRICT SAMBAL, UTTAR PRADESH. - 243751 PH :7895600005.	<b>BANSI</b> 2492. ARBIT AUTOMOBILES PVT LTD (GMD1-01-), KHASRA NO. 66 M. GRAM: BHAWNI, TAPPA: KUNDRANA, PARGANA: BANSI EAST, TEHSIL BANSI, DISTT : SIDARTHANAGAR - 272153 PH :89534 12821.	<b>BHADHOI</b> 2503. VARANASI MOTORS PVT. LTD. (8402-02-), VARNASI ROAD, BHADHOI - 221401 PH :9838360662.
2472. DEV MOTORS (B601-04-), PLOT NO 97, VILLAGE SIKANDERPUR, BHUKRAVALI, GT ROAD BYE PASS, ALIGARH - 202002 PH :7351345577.	<b>BACHRAWAN</b> 2484. KTL AUTOMOBILE PVT. LTD. (CGX2-01-), VISHNUPUR, PHARWAN, RAEBARELI-LUCKNOW ROAD, DIST. -RAEBARELI. - 229301 PH :9918451222.	<b>BANTHRA</b> 2493. MEGA MOTORS (SGQ1-01-), KHASRA NO.1628 AMARPUR, SIKANDARPUR MARKET, BANTHRA, KANPUR ROAD LUCKNOW - 226401 PH :9919101456.	<b>BHINGA</b> 2504. ANAND MOTORS (BVG1-01-), PATNAKHARGAURA, BHINGA, SHRAVASTI - 271831 PH :9415013059.
<b>ALLAHABAD</b> 2473. AMITDEEP MOTORS (2901-01-), 26 SULEM SARAI, G.T. ROAD, ALLAHABAD - 211001 PH :8948122749, 9026111339, 7738555692, 9839890333, 9936413399.	<b>BAH</b>	<b>BARABANKI</b> 2494. BRIGHT 4 WHEEL SALES PVT. LTD. (1305-03-), VILL. DHARSANIA, LUCKNOW ROAD, NAWABGANJ, BARABANKI - 225001 PH :9838075960.	<b>BHOJPUR</b> 2505. MOTORCRAFT SALES INDIA PVT LTD (SDO1-01-), OPPOSITE PRIMARY GOVERNMENT SCHOOL, HAPUR ROAD, VILLAGE BHOJPUR, TEHSIL – MODINAGAR, DISTRICT – GHAZIABAD. - 201204 PH :9410038456.
<b>AMETHI</b> 2474. KTL AUTOMOBILE PVT. LTD. (BBB2-01-), PLOT NO – E 32, INDUSTRIAL AREA TEKARIA, UPSIDC, GAURIGANJ, DIST: C.S.M.NAGAR - 227409 PH :7379557377.		<b>BARAULT</b> 2495. TANYA AUTOMOBILES (LL02-01-), 240/2 SHAHPUR-BADOLI, DELHI SAHARANPUR ROAD, BARAULT, BAGHPAT, UTTAR PRADESH. - 250611 PH :7055300019.	<b>BIJNOR</b> 2506. SHAKUMBARI AUTOMOBILES (P) LTD (6D01-01-), PLOT & KHASRA NO. 253/3 & 258/1 ADJACENT KHEDI CHAURAHA, NEAR PULKIT HOSPITAL, DELHI-BIJNOR HIGHWAY, BIJNOR, DIST. – BIJNOR, UTTAR PRADESH. - 246701 PH :8630881409.
<b>AMROHA</b> 2475. AKANKSHA AUTOMOBILES PVT. LTD. (AO01-01-), AMROHA – JOYA ROAD, NEAR PUNJAB NATIONAL BANK, AMROHA, UTTAR PRADESH, PIN CODE: 244221 - 244221 PH :7247800064.		<b>BAREILLY</b>	<b>BILARI</b>
<b>ANPARA</b>			

2507. AKANKSHA AUTOMOBILES PVT. LTD.  
(SDM1-01-1), 2KM-BILARI NH 509, NEAR SBS  
SCHOOL, BILARI, MORADABAD 244001 - 244001  
PH :7900600008.

**BILASPUR**

2508. AKANKSHA AUTOMOBILES PVT. LTD.  
(BCN1-01-1), NH-87 ,OPPOSITE SHAGUN  
BANQUET HALL, NEAR MILTON ACADEMY  
SCHOOL, RAMPUR NAINITAL ROAD, BILASPUR,  
DISTRICT – RAMPUR. - 244921  
PH :9105370007.

**BISALPUR**

2509. CORAL MOTORS PVT LTD (CXB1-01-1), KHASRA  
NO. 668, VILLAGE : BISALPUR, DISTT: PILIBHIT,  
UTTAR PRADESH - 262201  
PH :9837891846.

**BISWAN**

2510. CONCEPT CARS LIMITED (SEW1-01-1),  
BILJHARIYA, OPPOSITE-555, BRICK FIELD,  
BISWAN - 261201 - 261201  
PH :7607966666.

**BUDAUN**

2511. CORAL MOTORS (P) LTD. (5602-04-1), PLOT NO.-  
72, BAREILY-MATHURA HIGHWAY, BUDAUN,  
UTTAR PRADESH - 132103  
PH :9837891846.

**BULANDSHAHR**

2512. SK UNIVERSE (M502-02-1), KHASRA NO.2261,  
NEAR T POINT , BYPASS SIKARPUR ROAD  
,BULANDSHAHR - 203001  
PH :7055118430.

**BULANDSHAHR**

2513. SK UNIVERSE (M502-01-1), KHASRA NO 561 ,  
BHOOR, OPP PANDIT PETROL PUMP ,  
BULANSHAHR - 203001  
PH :9219694600.

**CHAKIA**

2514. STAR CARS (A UNIT OF SARASWATI VEHICLES  
LLP) (CJH1-01-1), KATHSILA NAHER, NEAR SAINT  
JOHN'S SCHOOL CHAKIA, DISTRICT –  
CHANDAULI. - 232101  
PH :9450544961.

**CHANDAUSI**

2515. AKANKSHA AUTOMOBILES PVT. LTD.  
(XA01-01-1), AZAD ROAD, NEAR ROADWAYS,  
CHANDAUSI (BHEEM NAGAR) - 202412  
PH :7248000002.

**CHAURI CHAURA**

2516. ARBIT AUTOMOBILES (SIR1-01-1), ARAZI NO 561  
DOMARI KHURD, CHAURI CHAURA,  
GORAKHPUR - 273201  
PH :8953412821.

**CHIBRAMAU**

2517. KTL PVT. LTD. (BMY1-01-1), PLOT GHATA NO. 70,  
MAUJA - LALAKPUR, VILLAGE - CHHIBRAMAU,  
DIST.-KANNAUJ, UTTAR PRADES. - 209721  
PH :7408409200, 9414113666.

**CHITRASENPUR**

2518. AGR (SMM1-01-1), KHASRA  
NO-194,CHITRASENPUR, KACHHUWA ROAD,  
VARANASI, PIN -221313 - 221313  
PH :9889803355.

**DALMAU**

2519. KTL AUTOMOBIELS (SGZ1-01-1), DALMAU ROAD,  
OPPOSITE BHAGIRATHI GUEST HOUSE -  
229203  
PH :9918451222.

**DANKAUR**

2520. MOTORCRAFT SALES (HG01-01-1), OPP. SHRI  
DRONACHARYA DEGREE COLLEGE, DANKAUR,  
DIST. - GAUTAM BUDDH NAGAR, HARYANA. -  
203201  
PH :9810289355.

**DEOBAND**

2521. ATELIER AUTOMOBILES (XK02-01-1), OPPOSITE  
CIVIL COURT, MUZZAFARNAGAR HIGHWAY,  
DEOBAND - 247001  
PH :7500220011.

**DEORIA**

2522. SMARTWHEELS PVT. LTD. (M601-01-1), PLOT  
NO. C-7, AND SHED NO. D-3, GOVERNMENT  
INDUSTRIAL ESTATE MEHRA, DEORIA, DIST.  
-DEORIA, UTTAR PRADESH. - 274001  
PH :7705800602.

2523. ARBIT AUTOMOBILES (M602-01-1), ARAZI NO 467  
MI & 607 MAUJA SONUGHAT PARGANA  
SALEMUR MAJHAULI, DEORIA, UTTAR  
PRADESH - 274001  
PH :8953412821.

**DHAMPUR**

2524. SHAKUMBARI AUTOMOBILES (P) LTD  
(CPQ1-01-1), KHASRA NO. 205, OPPOSITE, UHSA  
SMARAK SCHOOL, MORADABAD ROAD, TEHSIL  
- DHAMPUR, MOJA - ALEHPUR, DIST.-BJUNOR,  
UTTAR PRADESH - 246761  
PH :9675970960.

**DIBYAPUR**

2525. KULDEEP MOTORS (SLA1-01-1), AURAIYYA  
ROAD, DIBYAPUR - 206244  
PH :9235258425.

**DOMARIAGANJ**

2526. SMARTWHEELS (SMW1-01-1), VILL & POST –  
CHAUKHARA, DOMARIAGANJ, DISTT –  
SIDDHARTH NAGAR - 272193  
PH :7705800602.

**ETAH**

2527. MADHUSUDAN VEHICLES PRIVATE LTD.  
(XG01-01-1), 472 ASROLI, GT ROAD, ETAH -  
207125  
PH :9837097894.

2528. DEV MOTORS (XG02-01-1), GATA NO 685/4 VILL  
GIRORA, ETAH-KASGANJ ROAD, ETAH, UP -  
207001  
PH :7351345577.

**ETAWAH**

2529. KULDEEP MOTORS (6E01-01-1), PAKKA BAGH,  
KANPUR ROAD, ETAWAH - 206001  
PH :257029.

**FAIZABAD**

2530. SMARTWHEELS PVT. LTD. (7201-02-1), SAHADAT  
GANJ, LUCKNOW ROAD, FAIZABAD, UTTAR  
PRADESH. - 224001  
PH :7705803245.

**FAKHARPUR**

2531. ONE UP (SRT1-01-1), GHASIPUR, FAKHARPUR,  
BAHRAICH (UP) - 271902  
PH :9935275786.

**FARIDPUR**

2532. KAVISHA MOTORS PVT LTD (CEM1-01-1), GATE  
NO. 216, KASBA SARAI, TEHSIL – FARIDPUR,  
DISTRICT – BAREILLY, UTTAR PRADESH. -  
243503  
PH :0789598022, 07895980300.

**FARRUKHABAD**

2533. MY CAR PVT. LTD. (2803-04-1), NEKPUR KALAN,  
FARRUKHABAD - 209625  
PH :9792970093.

**FATEHABAD**

2534. KTL PVT. LTD. (BLQ1-01-1), KHASRA NO. 730/731,  
GRAM MAUJA, MADAYNA SIKRARA MODE,  
FATEHABAD, DISTRICT – AGRA, UTTAR  
PRADESH - 283111  
PH :8449710051.

**FATEHPUR**

2535. KTL PVT. LTD. (2801-04-1), NH-2, OPP. RTO  
OFFICE, KANPUR ROAD, FATEHPUR - 212601  
PH :7408409383, 7408400000.

**FEROZABAD**

2536. MADHUSUDAN VEHICLES PRIVATE LTD.  
(DF01-01-1), 746, ALI NAGAR KEJRA , NEAR RAJA  
KA TAL CROSSING, NH 2, FEROZABAD - 283203  
PH :9690003077.

**GAJRAULA**

2537. AKANKSHA AUTOMOBILES PVT. LTD.  
(XD01-01-1), JHANAKPURI OPPOSITE RELIANCE  
PETROL PUMP, DELHI ROAD, GAJRAULA -  
244235  
PH :7895400003.

**GHAZIABAD**

2538. ROHAN MOTORS LTD. (5904-01-1), 432 MUKAND  
NAGAR, G.T.ROAD, GHAZIABAD - 201001  
PH :9971466644, 011-204170810, +911204170816,  
+911204170826, +911204170819.

2539. REGENT AUTOLINKS (P) LTD (5902-01-1), A-10/9  
INDUSTRIAL AREA, SITE NO 3, MEERUT ROAD,  
GHAZIABAD - 201001  
PH  
:0120-4641900, 904,911,8744402111,9999740464,9  
711127008.

2540. ROHAN MOTORS (5904-02-1), PLOT NO.46,  
MEERUT-DELHI ROAD, MORTA, GHAZIABAD -  
201102  
PH :09310404354 , 9971466644.

2541. T.R. SAWHNEY MOTORS PVT LTD (5905-01-1),  
PLOT NO. 96, RAJINDER NAGAR INDUSTRIAL  
AREA, MOHAN NAGAR, GHAZIABAD, DISTT. -  
GHAZIABAD, U.P. - 201007  
PH :9999052148, 9999130612.

2542. SNV AUTO (5906-01-1), PLOT NO. 15, SOUTH  
SIDE GT ROAD INDUSTRIAL AREA, GHAZIABAD,  
UTTAR PRADESH - 201001 - 201001  
PH :9650324325.

2543. GLOBUS AUTO (5907-01-1), 139, PANDAV NAGAR,  
GHAZIABAD, PIN-201001, UTTAR PRADESH -  
201001  
PH :8588872804.

**GHAZIPUR**

2544. AGR AUTOMOBILES PVT. LTD. (8403-03-1), RKBK  
PETROL PUMP, NEAR BANSI BAZAR, GAZIPUR -  
2333001  
PH :2361136.

**GHIROR**

2545. KULDEEP MOTORS (CVA1-01-1), KARHAL ROAD,  
TEHSIL – GHIROR, DISTRICT – MAINPURI,  
UTTAR PRADESH. - 205121  
PH :9536755555.

**GOLA**

2546. SMARTWHEELS PVT LTD (SMS1-01-1), NEAR  
KANYA INTER COLLEGE, BHARASADA, GOLA,  
DISTT – GORAKHPUR, UTTAR PRADESH -  
273408  
PH :7705800602.

**GONDA**

2547. SMARTWHEELS PVT. LTD. (7201-07-1), JANKI  
NAGAR, OPP INDIAN OIL DEPOT, BAHRAICH  
ROAD, GONDA, UTTAR PRADESH. - 271001  
PH :7705803261.

**GORAKHPUR**

2548. SMARTWHEELS PVT. LTD. (7201-01-1),  
MOHADDIPUR, (NEAR RAMGARH TAL),  
GORAKHPUR (U.P.) - 273012  
PH :7705803152.

2549. SMARTWHEELS PVT. LTD. (7201-06-1), NEAR T B  
HOSPITAL, LACHCHIPUR, NEPAL ROAD,  
GORAKHPUR - 273012  
PH :7705803109.

## Dealer Network (AS ON 31.10.2023 )

2550. SMARTWHEELS PVT. LTD. (7202-01-), PLOT NO AL-4, SECTOR-9, GIDA, GORAKHPUR. - 273209 PH :9235401004.	<b>IGLAS</b> 2561. DEV MOTORS (SOD1-01-), MATHURA ROAD, IGLAS, DISTRICT ALIGARH. - 202124 PH :9837549000.	2572. KTL PVT. LTD. (2801-02-), SHVAATRA KRISHNA NAGAR. G T ROAD, KANPUR - 208007 PH :7408409253.	<b>KHAIR</b> 2585. DEV MOTORS (SHQ1-01-), PLOT 117, ALIGARH PALWAL ROAD, VILLAGE CHAMAN NAGARIYA, KHAIR - 202138 PH :7351345577.
2551. ARBIT AUTOMOBILES PVT LTD (7203-01-), MAHU NO. 66/1/1 MI & 66/2/1MI, 66 MI, MAUZA - MAHEWA MUSTAKIL, NEAR FALMANDI CHOWK, TRANSPORT NAGAR, GORAKHPUR, UTTAR PRADESH. - 273016 PH :8953412821.	<b>ITUNJA</b> 2562. BRIGHT 4 WHEEL (SJD1-01-), 90M GATA GRAM MANDOLI, ITTANUNJA, LUCKNOW, UTTAR PRADESH-226203. - 226203 PH :7011482503.	2573. MY CAR PVT. LTD. (2803-02-), C-16, SITE-1, PANKI INDUSTRIAL AREA, KANPUR - 208022 PH :9792970086.	<b>KHANDAULI</b> 2586. MADHUSUDAN MOTORS PVT LTD (BVV1-01-), KHASRA NO. 97, AGRA-SADABAD, HATHRAS ROAD, OPP. HDFC BANK, VILL-KHANDAULI, TEHSIL ETHMADPUR, DIST. AGRA, UTTAR PRADESH. - 283126 PH :9837097863, 9690003034.
2552. ARBIT AUTOMOBILES (7203-1B-), MEDICAL COLLEGE ROAD, NEAR SPORTS COLLEGE, GORAKHPUR, UTTAR PRADESH - 273016 PH :8953412821.	<b>JAGDISHPUR</b> 2563. BRIGHT 4 WHEEL SALES PVT. LTD. (XC001-01-), KATHORA, MUSAFIRKHANA, LUCKNOW SULTANPUR ROAD, JAGDISPUR-UTTAR PRADESH - 227817 PH :9721526961 , 9628374814.	2574. S B CARS PVT.LTD. (2806-01-), 77B , FAZALGANJ, KANPUR - 208012 PH :2241660.	<b>KHURJA</b> 2587. SK UNIVERSE (SKP1-01-), OLD GT ROAD, KHURJA, DISTRICT- BULANDSHAHR, UTTAR PRADESH - 203131. - 203131 PH :7055118430.
<b>GOSAIGANJ</b> 2553. BRIGHT 4 WHEEL SALES PVT. LTD. (CWK1-01-), KHASRA NO. 24, VILLAGE - SHEKHANPUR, PARGANA MOHANLALGANJ, TEHSIL - MOHANLALGANJ, DIST.-LUCKNOW, UTTAR PRADESH. - 226501 PH :9838075929.	<b>JAGNER</b> 2564. MERAK VEHICLES (SPJ1-01-), SHRI RAM GARDEN, AGRA ROAD, NEAR RADHA KRISHNA MANDHIR, JAGNER, UTTAR PRADESH, 283115 - 283115 PH :7896500400.	2575. MY CAR PVT. LTD. (2803-05-), 88, BLOCK-T, FACTORY AREA, FAZALGANJ, KANPUR - 208004 PH :9792970081.	<b>KHUTAR</b> 2588. SUMITRA DS MOTORS PVT LTD (CIO1-01-), VILLAGE - NARAINPUR, VIKRAMPUR GOLA ROAD, KHUTAR, DISTRICT - SHAHJAHANPUR, UTTAR PRADESH. - 242405 PH :9336408074.
<b>GREATER NOIDA</b> 2554. ROHAN MOTORS LTD. (T201-01-), 63-A, UDYOG VIHAR, GREATER NOIDA, UTTAR PRADESH - 201306 PH :4513739, 4513736, 4513734, 4513700/9958906111.	<b>JALALABAD</b> 2565. SUMITRA DS MOTORS PVT. LTD. (GJX1-01-), GRAM: SUJAWALPUR, BAREILLY ROAD, TEHSIL:- JALALBAD, DIST. SHAHJAHANPUR - 242221 PH :9336408074, 9897019488.	2576. S B CARS PVT.LTD (2806-05-), 1/6-7 AMBEDKAR PURAM, AWAS VIKASH, KALYANPUR, KANPUR - 208017 PH :7408525252.	<b>KIRAOLI</b> 2589. PREM MOTORS PVT. LTD. (BJJ1-01-), GOVIND PALACE, NEAR KIRAWALI TEHSIL, AGRA - JAIPUR HIGHWAY, KIRAWALI, DISTRICT - AGRA, UTTAR PRADESH. - 283122 PH :9690010799.
<b>HAIDERGARH</b> 2555. BRIGHT 4 WHEEL SALES PVT. LTD. (CVU1-01-), PROPERTY SHOP NO. 5, 6 AND 7, VILLAGE - GOTAUINA, PARGANA - HAIDERGARH, TEHSIL - HAIDERGARH, DISTRICT - BARABANKI. - 225124 PH :9935275786, 9838075929.	<b>JAUNPUR</b> 2566. KIRTIKUNJ AUTOMOBILES PVT. LTD. (6H01-01-), KHANPUR AKBAR, KUTTUPUR TIRAHA - 222001 PH :9554951026.	<b>KARWI</b> 2579. MY CAR PVT. LTD. (CBU1-01-), ARAJI NO. 58, MAUJA - AMANPUR, TEHSIL - KARWI, DIST. -CHITRAKOOT, UTTAR PRADESH. - 210205 PH :9839029868, 9792970391.	<b>KONCH</b> 2590. KULDEEP MOTORS (SNZ1-01-), NEW PATEL NAGAR, CITY KONCH, DISTRICT - JALAUIN, UTTAR PRADESH - 285205 PH :9839015046.
<b>HAMIRPUR</b> 2556. KTL PVT. LTD. (QH01-01-), VILLAGE RAMEDI, KANPUR ROAD, HAMIRPUR - 210301 PH :7704907587.	<b>JHANSI</b> 2567. SURI AUTOMOBILES (6001-01-), BALAJI UNNA ROAD, ANSAL COLONY, JHANSI PIN - 284002. - 284002 PH :8881811383.	<b>KASGANJ</b> 2580. MADHUSUDAN VEHICLES PRIVATE LTD. (BVX1-01-), ARAJI NO. 646, SAURO ROAD, KASGANJ, DISTRICT - KASGANJ, UTTAR PRADESH. - 207123 PH :9837097863, 9690003034.	<b>KOSI</b> 2591. UMA MOTORS PVT. LTD. (CPV1-01-), KHASRA NO. 245, CITY - KOSI, DIST.-MATHURA. - 281004 PH :9997683333, 9997511006.
<b>HAPUR</b> 2557. ROHAN MOTORS (6G01-01-), DELHI-HAPUR ROAD, OPPOSITE SSV INTERCOLLEGE,HAPUR, DISTRICT- GHAZIABAD - 245101 PH :8476853930, 9536129292.	<b>JHANSI</b> 2568. VELOCITY CARS (A UNIT OF BASERA VELOCITY AUTOHUB PVT. LTD) (6002-01-), PLOT NO 486, 487, 488, 489 AND 477 (PATTA NUMBERS), MAUZA - KOCCHABHANWAR, BLOCK - BADAGAON, TEHSIL AND DISTT - JHANSI. - 284128 PH :9889440999.	<b>KASIA</b> 2581. ARBIT AUTOMOBILES PVT LTD (GMJ1-01-), MAUJA BHAISAAH, HETIMPUR KASIA, KUSHINAGAR, UTTAR PRADESH - 274206 PH :8953412821.	<b>KUBERPUR</b> 2592. KTL PVT. LTD. (6606-04-), KHASRA NO 248, 249, 251, NAWALPUR, BHAGPUR, POST-ETHMADPUR, NH-2, KUBERPUR, AGRA, UTTAR PRADESH - 282006 PH :8449715099.
<b>HARDOI</b> 2558. CONCEPT CARS PVT. LTD. (QE01-01-), NANAK GANJ, LUCKNOW ROAD, HARDOI - 241001 PH :8756000000, 7607696666.	<b>KANNAUJ</b> 2569. KTL PVT. LTD. (2801-05-), PLOT NO - 377, AKBARPUR, KANNAUJ - 209725 PH :7408409305.	<b>KATRA</b> 2582. SUMITRA DS (SHY1-01-), GRAM: SAALPUR NAVADIYAM, NH24, KATRA, TEHSIL - TILHAR, SHAHJAHANPUR - 242301 PH :9336408074.	<b>KUNDA</b> 2593. SARASWATI MOTORS (CBF2-01-), ALLAHABAD-LUCKNOW HIGHWAY, KUNDA, DISTRICT PRATAPGARH. - 230204 PH :8090854005.
2559. CONCEPT CARS PVT. LTD. (QE01-04-), PLOT NO. 1609 & 1605 GANGA BUX PURVA, BILGRAM ROAD, HARDOI KANPUR HIGHWAY, HARDOI, UTTAR PRADESH. - 241001 PH :7607696666, 8756000000.	<b>KANPUR</b> 2570. KTL PVT. LTD. (2801-01-), 9/46, BENAJIHABAR ROAD, HARSH NAGAR, KANPUR - 208002 PH :7408409341.	<b>KAUSHAMBI</b> 2583. SARASWATI MOTORS (SQ1-01-), ARAZI NO 1228, KORRO MANJHANPUR, KAUSHAMBI, UTTAR PRADESH, PINCODE - 212207. PH :8090854005.	<b>LAKHIMPUR</b> 2594. SUMITRA DS MOTORS PVT LTD (W201-02-), GATA NO. 66, LRP ROAD, TOWARDS GOLA, LAKHIMPUR KHERI - 242001 PH :7522888333, 9415770000.
<b>HATHRAS</b> 2560. DEV MOTORS (P) LTD (B601-03-), NEAR NAGLA UMMED, ALIGARH ROAD, HATHRAS - 204101 PH :9917435500.	2571. MY CAR PVT. LTD (2803-01-), 84/54 C, JARIB CHOWKI, G.T. ROAD, KANPUR - 208003 PH :9792970511.	<b>KAYAMGANJ</b> 2584. MY CAR PVT. LTD. (CBV1-01-), BYE PASS ROAD , NEAR KHAN PETROL PUMP, VILLAGE : KAYAMGANJ , DISTT : FARUKHABAD - 209502 PH :9839029868, 9792970391.	

2595. SUMITRA DS (M301-01-), GATE NO 604, PALIA ROAD, NEAR FCI WEAR HOUSE, VILLAGE - BHARDSARIYA, KHERI, LAKHIMPUR - 262702 PH :752288833, 9415770000.

**LALGANJ**

2596. KTL AUTOMOBILE PVT. LTD. (CSL2-01-), JEEWAN DEEP COMPOUND, ALLAHABAD ROAD, LALGANJ, DISTT. RAIBARELLI - 229206 PH :9918451222.

**LALITPUR**

2597. SURI AUTOMOBILES (6001-03-), JAHANSI SAGAR ROAD, LALITPUR - 284001 PH :9451496015.

2598. VELOCITY CARS (6J02-01-), LALITPUR BYPASS ROAD, NH26 (LALITPUR-MEHRAUNI HIGHWAY), IN FRONT OF RMV COLLEGE ROAD, MAIN HIGHWAY, LALITPUR, UTTAR PRADESH - 284403 PH :9560998709.

**LUCKNOW**

2599. ANAND MOTORS AGENCIES LTD (1301-01-), 11TH KMS, FAIZABAD ROAD, CHINHAT, LUCKNOW - 227105 PH :7080000462.

2600. KTL AUTOMOBILE PVT. LTD. (1311-01-), MATIYARI CHAURAHA, CHINHAT, FAIZABAD ROAD, LUCKNOW - 227105 PH :7408411453.

2601. ANAND MOTORS AGENCIES LTD (1301-02-), 47, NEHRU ROAD, SADAR BAZAR, LUCKNOW - 226016 PH :3098257, 7080000463.

2602. BRIGHT 4 WHEEL SALES PVT. LTD. (1305-01-), 11/CP- 6, VIKAS NAGAR, RING ROAD, LUCKNOW - 226022 PH :2739501.

2603. ONE UP MOTORS INDIA PVT. LTD. (1306-01-), C-16A, TRANSPORT NAGAR, KANPUR ROAD, LUCKNOW, KANPUR ROAD, LUCKNOW - 226012 PH :9918100801.

2604. KTL AUTOMOBILE PVT. LTD. (1311-02-), INDRA NAGAR, OPP. HALFAIZABAD ROAD, LUCKNOW, UTTAR PRADESH - 226016 PH :7408411478.

2605. KTL AUTOMOBILE PVT. LTD. (1311-03-), BEHIND N S KOHLI PETROL PUMP, SARDARI KHEDA, KANPUR ROAD, ALAMBAGH, LUCKNOW - 226005 PH :9918451222.

2606. ANAND MOTORS AGENCIES LTD (1301-04-), G-3, LDA MARKET, ALIGANJ, LUCKNOW - 226024 PH :4103406/407/408, 7080000464.

2607. ONE UP MOTORS INDIA PVT. LTD. (1306-03-), CHHANNILAL CROSSING, MANDIR MARG, LUCKNOW - 226005 PH :9918500451.

2608. BRIGHT 4 WHEEL SALES PVT. LTD. (1305-02-), PARGANNA MOHANNA, STP ROAD, CHATMEEL, LUCKNOW - 226021 PH :9838075960.

2609. BRIGHT 4 WHEEL SALES PVT. LTD. (1305-04-), PLOT NO: 57 TO 60, KAUSHALABAD, BADHAULI BKT, PARGANA MOHANNA, SITAPUR ROAD, BAKSHI KA TALAB, LUCKNOW - 226020 PH :7317049000.

2610. BRIGHT 4 WHEEL SALES PVT. LTD. (1305-05-), PLOT NO. 68, BUTLER GANJ, BAALU ADDA, LUCKNOW. - 226001 PH :8756000000, 7607696666.

2611. MEGA MOTORS (A UNIT OF AKM MOTORS PVT. LTD) (1313-01-), CP1 (COMMERCIAL PLOT 1), VIBHAV KHAND, GOMTI NAGAR, LUCKNOW. - 226 010 PH :9935096417, 7054631666.

2612. KTL AUTOMOBILE PVT. LTD. (1311-07-), B-6/1A, AMAUSI INDUSTRIAL AREA, NADARGANJ, LUCKNOW, UTTAR PRADESH. - 226008 PH :7800007376.

2613. BRIGHT 4 WHEEL SALES PVT. LTD. (1305-06-), KHASRA NO. 418, MISHRAPUR PARGANA MAHONA, KURSI ROAD, LUCKNOW. - 226022 PH :9935275786.

2614. ONE UP MOTORS INDIA PVT. LTD. (1314-01-), KHASRA NO. 20 TO 25, 30, 35, 37, 42, 43, 45, 47, 48, 49, 67, 88, 71 & 99, RAJJABGANJ, HARDOI ROAD, LUCKNOW. - 226003 PH :9821026545, 7800005200.

2615. MEGA MOTORS (A UNIT OF AKM MOTORS PVT. LTD) (1313-02-), KHASRA NO. 614, VILLAGE: BHADRUKH, VIP CANNEL RING ROAD, DEVI KHERA, TELIBAGH (VIP ROAD), TEHSIL: SAROJNI NAGAR, LUCKNOW, UAR PRADESH 226002 - 226002 PH :6388901514.

**MADHOGANJ**

2616. CONCEPT CARS PVT. LTD. (BH11-01-), KANPUR ROAD, NEAR RAILWAY CROSSING, MADHOGANJ DIST. HARDOI. - 241001 PH :220016, 220064, 7607696666.

**MAHARAJGANJ**

2617. SMARTWHEELS PVT. LTD. (EI01-01-), NEAR PHARENDA TAXI STAND, NAHAR ROAD, PIPAR DEORA, MAHARAJGANJ, DIST. MAHARAJGANJ, UTTAR PRADESH. - 273303 PH :7705800602, 7705803109.

2618. KTL AUTOMOBILE PVT. LTD. (CSM2-01-), MUNNA MARKET HAIDERGARH ROAD TOWN AREA, TEHSIL - MAHARAJGANG, DISTRICT - RAIBAREILLY, UTTAR PRADESH. - 229306 PH :99184512222.

**MAHMUDABAD**

2619. CONCEPT CARS PVT. LTD. (AAN1-01-), IN FRONT OF POWER HOUSE, SIDAULI ROAD, MAHMOODABAD (U.P.) - 261203 PH :7607696666, 8756000000.

**MAHOBA**

2620. SURI AUTOMOBILES (6001-02-), NEAR PARMANAND CHOWK, GANDHINAGAR, MAHOBA, UTTAR PRADESH. - 284001 PH :244344, 9451496015.

2621. VELOCITY MOTORS (RM02-01-), BAJRANG CHOWK, SAGAR-KANPUR HIGHWAY, MAHOBA - 210427 PH :9960998709.

**MAHOLI**

2622. CONCEPT CARS PVT. LTD. (CWS1-01-), MUSKAN TRACTORS, NEAR MELA MAIDAN, SHAJHANPUR ROAD, MAHSUNIYAGANJ, MAHOLI, DIST.-SITAPUR, UTTAR PRADESH. - 261141 PH :7607696666.

**MAINPURI**

2623. KULDEEP MOTORS (6E01-02-), SKP-4A, MAINPURI - 205001 PH :9235258444.

**MALIHABAD**

2624. ONE UP MOTORS INDIA PVT. LTD. (BOD1-01-), KHASRA NO. 326/1 AND 327, VILLAGE PARGANA, TEHSIL - MALIHABAD, DISTRICT - LUCKNOW, UTTAR PRADESH. - 227111 PH :99187100781.

**MANDURI**

2625. DEEP MOTORS (K501-04-), VILLAGE - BALDEV MADURI, TEHSIL - SAGRI, DISTRICT - AZAMGARH, UTTAR PRADESH. - 276138 PH :99838072902.

**MATHURA**

2626. UMA MOTORS PVT. LTD. (H801-01-), 68, MAHOLI, NEAR JAI GURUDEW TEMPLE, NH-2, KM STONE 146, MATHURA - 281004 PH :2463043/ 6290700.

**MATI**

2627. MEGA MOTORS (A UNIT OF AKM MOTORS PVT. LTD) (SCG1-01-), GATA NO 761, NEAR MATI POLICE CHOWKI, VILLAGE- MATI, PARGANA-DEWA, TEHSIL- NAWABGANJ, BARABANKI, UTTAR PRADESH - 225 003 PH :6388901514.

**MAU**

2628. DEEP MOTORS (BWK1-01-), DARI CHATTI , KHUKHUNDVA, MAU, UTTAR PRADESH. - 275305 PH :7704000552.

**MAURANIPUR**

2629. VELOCITY CARS (A UNIT OF BASERA VELOCITY AUTOHUB PVT. LTD) (GLJ1-01-), BASERA CITY, MAURANIPUR - GARUTHA ROAD, MAURANIPUR, DISTT.: JHANSI, UTTAR PRADESH - 284204 PH :8299202863.

**MAWANNA**

2630. RADHA GOVIND AUTOMOBILES PVT LTD (CWZ1-01-), MAIN SHANTI NAGAR ROAD, MAWANNA KALAN, SUBDIVISION HASTINAPUR, TEHSIL MAWANNA, DISTRICT MEERUT - 250401 PH :7456001002.

**MEERUT**

2631. TANYA AUTOMOBILES PVT. LTD. (4802-01-), GOVT. INDUSTRIAL TRAINING INSTITUTE, BACHHA PARK, MEERUT - 250001 PH :9837077003.

2632. TANYA AUTOMOBILES PVT. LTD. (4802-03-), 90, NAUCHANDI GROUND, GARH ROAD, MEERUT - 250001 PH :9837077004.

2633. RADHA GOVIND AUTOMOBILES PVT. LTD. (4807-01-), VILLAGE - BARAL, KUNDA GATE NEAR YOGI FARM HOUSE, PARTAPUR, DELHI ROAD, MEERUT. - 250002 PH :7456001030, 7456003222.

2634. TANYA AUTOMOBILES PVT. LTD. (4802-04-), MUNICIPAL NO. 9, 9/2, 9/3, 9/4, 11, 11/1, VILLAGE - ROSHANPUR DORLI, OPP. KONARK COLONY, NEAR RAJMANDIR MANDAP, ROORKEE ROAD, TEHSIL - SARDHANA, MEERUT, U.P. - 250001 PH :7900201515.

2635. TR SAWHNEY (4808-01-), MUNICIPAL NO 101, KHASRA NO 1926/ MINJUMLA & 1927/1, MAHAL LEKHRAJ MUBJITA, MAIN DELHI ROAD, MEERUT, UP - 250002 - 250002 PH :9999163125.

**MIRZAPUR**

2636. STAR CARS (6K02-01-), PILI KOTHI, STATION ROAD, MIRZAPUR, UTTAR PRADESH - 231001 PH :7052547903, 9721905002, 9151154306, 9450544961.

**MISHRIKH**

2637. CONCEPT CAR (SKJ1-01-), NEAR ARYAVART BANK, SITAPUR ROAD, MISHRIKH, SITAPUR, U.P. PINCODE: 261401 - 261401 PH :7607696666.

**MODINAGAR**

2638. MOTORCRACK SALES PVT. LTD. (5903-02-), OPPOSITE SONIA ENCLAVE, ADJACENT SUMAN CINEMA, NH-58, MODINAGAR - 201204 PH :09557338222 & 07042427140.

**MOHANLAL GANJ**

## Dealer Network (AS ON 31.10.2023)

2639. BRIGHT 4 WHEEL SALES PVT. LTD. (BWU1-01-), KHASARA PLOT NO.581, VILLAGE PURSANJI, PARGANA AND TEHSIL MOHANLALGANJ, LUCKNOW DISTT., UTTAR PRADESH - 227305  
PH :7571905966.

### MOOSANAGAR

2640. MY CAR (SLP1-01-), VILL GAUSGANJ, POST MOOSANAGAR, KANPUR DEHAT, UTTAR PRADESH. - 209208  
PH :97929 70005.

### MORADABAD

2641. AKANKSHA AUTOMOBILES PVT. LTD. (B401-01-), DELHI ROAD, 5TH KM, MORADABAD (U.P.) - 244001  
PH :7247800008.

2642. AKANKSHA AUTOMOBILES PVT. LTD. (B401-03-), 5TH KM DELHI ROAD, MORADABAD - 244001  
PH :9568200001.

2643. AKANKSHA AUTOMOBILES PVT. LTD. (B401-04-), KHASRA NO. 569-570, VILLAGE – KAJIPIURA, KANT ROAD, MORADABAD, UTTAR PRADESH. - 244001  
PH :7895600007.

### MUZAFFARNAGAR

2644. RADHA GOVIND (H903-01-), NH -58 ,121 KM STONE, BY-PASS ROAD, NEAR TRANSPORT NAGAR, MUZAFFARNAGAR - 251001  
PH :9760092009 , 7535007026.

### NAJIBABAD

2645. SHAKUMBARI AUTOMOBILES (P) LTD (CPS1-01-), NEAR BUS STAND, BUNORE BYPASS ROAD, NAJIBABAD, DIST.-BUNORE, UTTAR PRADESH. - 246 701  
PH :8630881459.

### NARWAL

2646. MY CAR (SSB1-01-), GATA NO. 821 , KARIBGWANA ROAD , NARWAL , KANPUR, UTTAR PRADESH. - 209401  
PH :9792970005.

### NAUGARH

2647. SMARTWHEELS PVT. LTD. (QG01-01-), NEAR PAKARI CHAURAHA, NAUGARH ROAD, SIDDHARTHINAGAR - 272205  
PH :7705803129.

### NAUTANWA

2648. SMARTWHEELS PVT LTD (SDW1-01-), OPP. RAJIV GANDHI DEGREE COLLEGE, BYPASS ROAD, NAUTANWA, DISTT – MAHARAJGANJ - 273164  
PH :77058 00602.

### NAWABGANJ

2649. KAVISHA MOTORS PVT LTD (CHT1-01-), VILLAGE – EIDH JAGIR NEAR GURUDWARA AT NH-74, TEHSIL – NAWABGANJ, DISTRICT – BAREILLY. - 262406  
PH :07895980222, 07895980300.

### NIGOHA

2650. BRIGHT 4 WHEELS (SGV1-01-), GATA NO 146, VILL NIGOHA, TEHSIL MOHANLALGANJ, LUCKNOW - 226302  
PH :7011482503.

### NOIDA

2651. ROHAN MOTORS LTD. (A102-01-), C-8/9, SECTOR - I, NOIDA - 201301  
PH :4071900, 4071909, 4071931, 4071932, 4071209, 4071949/9582210152.

2652. ROHAN MOTORS LTD. (A102-02-), C-11, SECTOR-1, NOIDA, UTTAR PRADESH - 201301  
PH :4071900, 209.31.32/9582210152.

2653. FAIR DEAL PREMIUM WHEELS PVT.LTD. (A108-01-), D-39, SEC-10, NOIDA - 201301  
PH :08448296694 & 09654326008.

2654. VIPUL MOTORS PVT. LTD. (A101-02-), B-124 & B-125, SECTOR – 5, NOIDA, UTTAR PRADESH - 201301  
PH :4603100/28/33/8527835888.

2655. VIPUL MOTORS PVT. LTD. (A106-01-), J-14, SECTOR-63, NOIDA, DISTT. GAUTAM BUDDH NAGAR (U.P.) - 201301  
PH :4758600/01/02/8448589759.

2656. MOTORCRAFT SALES PVT. LTD. (5903-04-), PLOT NO.15, SECTOR-140, NOIDA (U.P.) - 201305  
PH :09818532222 & 09971733233.

2657. MOTORCRAFT SALES (5903-05-), PLOT NO 19 ECOTECH 12 GREATER NOIDA WEST ,GB NAGAR , UP - 201306  
PH :8826312222.

### ORAI

2658. S B CARS PVT.LTD (2806-02-), KANPUR ROAD, ORAI - 285001  
PH :9307219303.

### PADRONA

2659. SMARTWHEELS PVT. LTD. (BGJ1-01-), AARJI NO. 37 & 38, MAUJA - BELWA MISRA, TAPPA PAKDI, PARAGNA - SIDHUWA JAUBNA, TEHSIL - PADRAUNA, DIST.-KUSHINAGAR, UTTAR PRADESH. - 274304  
PH :7705803259.

### PANWARI

2660. SURI AUTOMOBILES (SLC1-01-), PANWARI, NEAR RAM LEELA GROUND, TEHSIL KULPAHAR, DISTRICT MAHOBA. - 210429  
PH :9452287690.

### PAPHUNDA

2661. TANYA AUTOMOBILES (4802-05-), 354/1, MAIN HAPUR ROAD, PHAPHUNDA. - 245206  
PH :9917547777.

### PEPPEGANJ

2662. ARBIT AUTOMOBILES PVT LTD (GKG1-01-), GHATA NO. 466, 465 & 472, PEPPEGANJ, MOUZA - SAHABGANJ, TEHSIL - CAMPIERGANJ, DISTT: GORAKHPUR - 273165  
PH :89534 12821.

### PILIBHIT

2663. CORAL MOTORS (P) LTD. (IL01-01-), BISALPUR ROAD, PILIBHIT, U.P. - 262001  
PH :9837891846.

### POOTH KHAS

2664. TR SAWHNEY (SSM1-01-), POOTH KHAS, ROHTA ROAD, MEERUT, UTTAR PRADESH. - 250502  
PH :9999790229.

### PRAYAGRAJ

2665. SARASWATI MOTORS (2904-01-), PLOT NO 24, INDUSTRIAL AREA MNIT COLLEGE, TELIYARGANJ, PRAYAGRAJ, UTTAR PRADESH. - 211004  
PH :8090854053.

2666. BRIGHT 4WHEELS (2905-01-), ARAZI NO 390 AND 389 AT KATKA, ANDAWA SAHSON BYPASS, PRAYAGRAJ - 211002  
PH :9415324201.

### PURANPUR

2667. CORAL MOTORS (P) LTD. (CAD1-01-), KHASRA NO. 768 & 770, VILLAGE – KHAMRIYA PATTI, PURANPUR – PILIBHIT ROAD, TEHSIL AND PARGANA – PURANPUR, DIST. PILIBHIT. - 262124  
PH :9837891846, 9927001120.

### RAIBAREILLY

2668. KTL AUTOMOBILE PVT. LTD. (HS07-01-), PLOT NO. 1550, GULLUPUR, P O KATWARA, HIJARCHANDRAPUR, RAIBAREILLY - 229303  
PH :7800001601.

### RAM SANEHI GHAT

2669. BRIGHT 4WHEELS (SDH1-01-), GATA NO 76, VILLAGE – BHENDUWA BRAHMANAN, TEHSIL - RAM SANEHI GHAT, BARABANKI, UTTAR PRADESH, PIN 225409 - 225409  
PH :9935275786.

### RAMNAGAR

2670. BRIGHT 4 WHEEL SALES PVT. LTD. (BRK1-01-), KHASRA NO. 629, VILLAGE - BUDHAWAL, TEHSIL - RAMNAGAR, DIST -BARABANKI, UTTAR PRADESH. - 225205  
PH :9935275786, 9838075929.

### RAMPUR

2671. AKANKSHA AUTOMOBILES PVT. LTD. (B401-02), SHAHZAD NAGAR BAREILLY ROAD RAMPUR, UTTAR PRADESH - 244901  
PH :7895500007.

### RAYA

2672. UMA MOTORS PVT. LTD. (BXX1-01-), CHAUDHARY PADAM SINGH MARKET, NEAR INDIA INTER COLLEGE, RAYA - MAANT ROAD, RAYA, DISTT. MATHURA (U.P.) - 281204  
PH :9997683333, 9997511006.

### ROBERTSGANJ

2673. STAR CAR (CTY1-01-), UMRAURA, PIMPRI ROAD, ROBERTSGANJ, UTTAR PRADESH. - 231 216  
PH :7052547903, 9721905002, 9151154306, 9450544961.

### RUNKATA

2674. PREM MOTORS (SLS1-01-), ROYAL BANDHAN RESORT, KHASRA NO 108, NH-2, RUNKATA, AGRA. - 282101  
PH :7060112245.

### SAHARANPUR

2675. ATELIER AUTOMOBILES (S203-01-), NEAR BARI NAHAR, AMBALA ROAD, SAHARANPUR - 247001  
PH :7500250070.

2676. TANYA AUTOMOBILES PVT. LTD. (S204-01-), AAWAS VIKAS YOJNA, DELHI ROAD, SAHARANPUR, UTTAR PRADESH - 247001  
PH :9837077004.

### SAHASWAN

2677. CORAL MOTORS, (SGA1-01-), OPP BHARAT PETROL PUMP, BADAUN ROAD, SAHASWAN, DISTT. BADAUN. - 243638  
PH :9837891846.

### SAHIBABAD

2678. FAIR DEAL WHEELS PVT.LTD (80-01-), 12/67 SITE 4, INDUSTRIAL AREA, SAHIBABAD, GHAZIABAD - 110095  
PH :4740409/102/436, 8860088659.

2679. MOTORCRAFT SALES PVT. LTD. (5903-01-), S-7 SITE-IV, SAHIBABAD INDUSTRIAL AREA, NEAR DABUR CHOWK, SAHIBABAD - 201010  
PH :4172222 / 4102222, 09958562222 & 09560605122.

2680. T.R. SAWHNEY MOTORS PVT LTD (819-03-), 28/1/1, SITE-IV, SAHIBABAD INDUSTRIAL AREA, DISTT- GHAZIABAD, UTTAR PRADESH - 201010  
PH :9999399152; 9999399143.

### SALEMUR

2681. SMARTWHEELS PVT LTD (GKA1-01-), GHATA NO. 48, GRAM: DEVPAR, TEHSIL: SALEMURPUR, PARGANA: SALEMURPUR MAJUHAULI, DISTT: DEORIA - 274509  
PH :7705800602, 7705803321.

**SALON**

2682. KTL AUTOMOBILES (SCP1-01-), SALON BYPASS, PARSHEDAPUR ROAD, SALON, DISTRICT RAIBARELLI, UTTAR PRADESH - 229127  
PH :9918451222.

**SAMBHAL**

2683. AKANKSHA AUTOMOBILES PVT. LTD. (BBP1-01-), PLOT NO. 303, NEAR TAJ MILK FACTORY, MORADABAD SAMBHAL ROAD, SAMBHAL, UTTAR PRADESH - 244302  
PH :7248000028.

**SANDILA**

2684. CONCEPT CARS PVT. LTD. (WY01-01-), PLOT NO.371, SARAY MARUFPUR, LUCKNOW ROAD, SANDILA-241204 DISTT. HARDOI. - 241204  
PH :8756001000, 7607696666.

**SARDHANA**

2685. RADHAGOVIND AUTOMOBILES (MM01-01-), DAURALA ROAD, NEAR RADHASWAMI SATSANG, SARDANA - 250342  
PH :7456001030.

**SHAHABAD**

2686. CONCEPT CARS PVT. LTD. (AA1-01-), VILLAGE MUJAGADH, SHAHABAD - 241124  
PH :8756000000, 7607696666.

**SHAHJAHANPUR**

2687. SUMITRA DS MOTORS PVT LTD (W201-01-), SITAPUR ROAD, NH-24, SHAHJAHANPUR - 242001  
PH :7522888333, 9415770000.

**SHAMLI**

2688. RADHA GOVIND AUTOMOBILES PVT. LTD. (XJ01-01-), KHERI KARMU, OPPOSITE POWER HOUSE, PANIPAT-KAIRANA ROAD, SHAMLI UTTAR PRADESH - 247776  
PH :8979862084, 7535007010.

**SHIKOHABAD**

2689. MADHUSUDAN VEHICLES PRIVATE LTD. (XH01-01-), 2508, KATRA MIRA, MAHAMMABAD, OPP PROFESSOR COLONY, NH 2, BYE PASS ROAD, SHIKOHABAD, DISTT: FIROZABAD,UTTAR PRADESH - 283203  
PH :9837097894, 96900003001.

**SHIVRAJPUR**

2690. KTL PVT LTD. (STD1-01-), ARAZI NO. 67K, DUBIYANA, GT ROAD, SHIVRAJPUR, KANPUR, UTTAR PRADESH - 209205  
PH :9414113666.

**SIDHAULI**

2691. CONCEPT CARS PVT. LTD. (BFO1-01-), R/O MISHRIKH ROAD NOROTTAM NAGAR, DAKSHIDI, OPP. BLOCK, SIDHAULI, SITAPUR. - 261303  
PH :7607596666.

**SIKANDRA**

2692. KTL PVT LTD (SJE1-01-), YADAV MARKET, NEAR SURYA DHABA, NH-19, ETAWAH-KANPURROAD, SIKANDRA, U.P. - 209715  
PH :9414113666.

**SIKANDRABAD**

2693. SK UNIVERSE (CWQ1-01-), NEAR R K SCHOOL, VILLAGE – SANWALI SIKANDRABAD , DIST - BULANDSHAHR UTTAR PRADESH , PIN 203202 - 203202  
PH :7310106565.

**SIRAULI GHAUSPUR**

2694. BRIGHT FOUR WHEELS (SMR1-01-), KHASRA 77, GRAM GHUSEDIYA, POST & TEHSIL SIRAULI GAUSPUR, BARABANKI UTTAR PRADESH- 225207 - 225207  
PH :7011482503.

**SITAPUR**

2695. CONCEPT CARS PVT. LTD. (OE01-02-), LUCKNOW-DELHI ROAD, NH-24, VILLAGE JAMMAYAPUR, SITAPUR - 261001  
PH :7607696666, 8756000000.

**SIYANA**

2696. SK UNIVERSE (SIN1-01-), BULANDSHAHR ROAD, SIYANA DIST- BULANDSHAHR, UTTAR PRADESH PIN CODE 203412 - 203412  
PH :9219694600.

**SULTANPUR**

2697. KIRTIKUNJ AUTOMOBILES PVT. LTD. (N101-01-), SHAURYAMAU, MIRANPUR, VARANSI-LUCKNOW HIGHWAY, NH-56 (FAIZABAD BYPASS) SULTANPUR - 228001  
PH :227760 , 220107.

**SWAR**

2698. AKANKSHA AUTOMOBILES PVT. LTD. (COX1-01-), IN FRONT OF EIDGAH, TEHSIL – SWAR, DISTRICT – RAMPUR, UTTAR PRADESH. - 244924  
PH :7900600041.

**TAMBOUR**

2699. CONCEPT CARS (SOB1-01-), NEAR INDIAN GAS GANJAR, SITAPUR ROAD TAMBOUR - 261208  
PH :7607696666.

**THAKURDWARA**

2700. AKANKSHA AUTOMOBILES PVT. LTD. (K001-01-), 2 KM. MORADABAD ROAD, NEAR JEETA KA DHABA, SAHAB GANJ (MUNSHI GANJ), THAKURDWARA, DISTT. MBD. UTTAR PRADESH - 244601  
PH :7248000040.

**TIKAITGANJ**

2701. KTL AUTOMOBILE (SNB1-01-), KANAUJIA CITY, PHASE 2, MADARPUR, MOHAN ROAD, LUCKNOW. - 226013  
PH :9918451222.

**TILOI**

2702. KTL AUTOMOBILE PVT. LTD. (CGY2-01-), VILLAGE PURE LANGDA, PAKAR GAON, MOHAN GUNJ, TEHSIL - TILOHI, DIST.-RAIBARELLI. - 229309  
PH :99184512222.

**UJHANI**

2703. ETERNITY MOTORS LLP (GJK1-01-), BADAUN BYE PASS ROAD, UJHANI - 243639  
PH :94122 89074.

**UNCHAHAR**

2704. KTL AUTOMOBILE PVT. LTD. (IH02-01-), ALLAHABAD LUCKNOW ROAD, NEAR PURANA PETROL PUMP, WARD NO. 5, UNCHAHAR, DISTT: RAIBARELLI - 229404  
PH :99184512222.

**UNNAO**

2705. S B CARS (2806-04-), HUSSAIN NAGAR BYPASS,KANPUR-LUCKNOW HIGHWAY ROAD, UNNAO,U.P. - 209801  
PH :9839806451.

**VARANASI**

2706. VARANASI MOTORS PVT. LTD. (8402-01-), THE MALL, CANTONMENT, VARANASI - 221001  
PH :2509068, 2509069.

2707. AGR AUTOMOBILES PVT. LTD. (8403-01-), B-38/2A, MAHMOORGANJ, GOPAL VIHAR, VARANASI - 221010  
PH :2360436.

2708. VARANASI MOTORS PVT. LTD. (8402-03-), AARAJI NO.2 AND 48, G.T. ROAD, TODAPUR, MOHANSARAI, RAJATALAB, VARANASI (U.P.) - 221311  
PH :2632786, 9838360662.

2709. AGR AUTOMOBILES PVT. LTD. (8403-04-), ARAZI NO. 399, 398, 400, 401, NH2 PANDITPUR, DEHAT AMANAT, TEHSIL - RAJATALAB, VARANASI - 221112  
PH :98898 03355.

**UTTARAKHAND**

**ALMORA**

2710. NAINITAL MOTORS PVT LTD (J603-04-), PAWAR BHAWAN, JOSHI KHOLA RAJAJPURA, PITHRAGARH ROAD, ALMORA - 263801  
PH :9997194132.

**BAGESHWAR**

2711. NAINITAL MOTORS PVT LTD (J603-05-), VILL. BILOMA, SERA, BAGESHWAR, UT, BAGESHWAR - 263642  
PH :9557200522.

**BAZPUR**

2712. AKANKSHA AUTOMOBILES (RUDRAPUR) PVT LTD (CGU2-01-), KHASRA NO. 96/2, VILLAGE – BHONA, ISLAM NAGAR, TEHSIL – BAZPUR, UTTARAKHAND. - 262401  
PH :8929400544, 8191000204.

**CHAMPAWAT**

2713. AKANKSHA AUTOMOBILES (RUDRAPUR) PVT LTD (SF02-01-), TANAKPUR LOHAGHAT ROAD, CHAMPAWAT, UTTARAKHAND - 262523  
PH :8929400545, 8191000832.

**CHANDRAPURI**

2714. SHAKUMBARI AUTOMOBILES (–), KEDARNATH ROAD, BANASBARA, CHANDRAPURI, DISTRICT RUDRAPRAYAG, UTTARAKHAND - 246425  
PH :9927877715.

**CHAUKHUTIYA**

2715. NAINITAL MOTORS PVT LTD (CVG1-01-), NH-58, BADRINATH ROAD, CHAUKHUTIYA, DIST. -ALMORA, UTTARAKHAND - 263656  
PH :9997026565.

**DEHRADUN**

2716. ROHAN MOTORS LTD. (5702-01-), 130/1 CHAKRATA ROAD, YAMUNA COLONY, DEHRADUN - 248001  
PH :0135-2530050, 0135-2531097, 7217014647.

2717. DD MOTORS (A DIVISION OF D. D. PREM PVT LTD.) (5707-01-), 918/221, PATEL NAGAR, INDUSTRIAL AREA, DEHRADUN - 248001,  
PH :9368193007.

2718. ROHAN MOTORS LTD. (5702-02-), 257/2, GMS ROAD, VILL. NIRANJANPUR, ADJ TO KAMLA PALACE, DEHRADUN - 248001  
PH :0135-2725376, 0135-2720342, 7217014647.

2719. FUTURE AUTO WHEELS PVT LTD (5706-01-), KHASRA NO. 8KHA, MOHABEWALA INDUSTRIAL AREA, DEHRADUN. - 248001  
PH :0135-2640263, 7895956011.

2720. FUTURE AUTO WHEELS (5706-02-), MUNICIPAL NUMBER 45 AND 46, RAJPUR ROAD, DEHRADUN, PIN: 248001 - 248001  
PH :9760444430.

**DIDIHAT**

## Dealer Network (AS ON 31.10.2023)

2721. NAINITAL MOTORS (SKN1-01-), SUBHASH CHANDRA BOSE WARD, NEAR D.I.E.T. DIDIHAT, DISTT PITHORAGARH, PINCODE: 262551. - 262551  
PH :9634092692.

### DOIWALA

2722. FUTURE AUTO WHEELS PVT LTD (BRI1-01-), 26, MISSARAWALA, DOIWALA, DISTRICT – DEHRADUN, UTTARAKHAND. - 248140  
PH :7883473506.

### GADARPUR

2723. AKANKSHA AUTOMOBILES (RUDRAPUR) PVT LTD (CVS1-01-), BHASIYA MOD, RUDRAPUR ROAD, GADARPUR, UDHAM SINGH NAGAR, UTTARAKHAND. - 263152  
PH :8929400545, 9917467845.

### GAIRSAIN

2724. ROHAN MOTORS LTD (CRH1-01-), KHASRA NO. 1048, RANIKHET ROAD, OPP. GIC GROUND, GAIRSAIN, DISTRICT – CHAMOLI, UTTARA KHAND. - 246428  
PH :8126484626.

### GANGOLIHAT

2725. NAINITAL MOTORS (SQX1-01-), VILL- KHETIGARA, PITHORAGARH-GANGOLIHAT ROAD, GANGOLIHAT, DISTT: PITHORAGARH - 262522  
PH :9997093043.

### GOPESHWAR

2726. ROHAN MOTORS LTD. (5702-03-), CHOPTA MANDAL ROAD, NEAR FOREST GATE, GOPESHWAR - 131028  
PH :9634852898.

### HALDWANI

2727. NAINITAL MOTORS PVT LTD (J603-01-), VILLAGE JEETPUR NEGY, 5TH KM RAMPUR ROAD, HALDWANI - 263139  
PH :7060201024.

2728. NAINITAL MOTORS PVT LTD (J603-02-), KALA DUNGI, NEAR ABDULLAH PETROL PUMP, HALDWANI - 263139  
PH :8126359222.

### HARIDWAR

2729. SHAKUMBARİ AUTOMOBILES (P) LTD (6N02-01-), E-5/6, INDUSTRIAL AREA, HARIDWAR - 249407  
PH :9927870025, 8869064400.

### JASPUR

2730. AKANKSHA AUTOMOBILES (RUDRAPUR) PVT LTD (BKL2-01-), GANGUWALA, INFRONT OF ROOPAM CONVENT, KASHIPUR ROAD, JASPUR. UTTARAKHAND. - 244712  
PH :8192000724.

### KARANPRAYAG

2731. ROHAN MOTORS LTD (CRG1-01-), BADRINATH ROAD, KARANPRAYAG, DISTRICT – CHAMOLI, UTTARAKHAND. - 246444  
PH :8126129148.

### KASHIPUR

2732. AKANKSHA AUTOMOBILES (RUDRAPUR) PVT LTD (DG02-01-), BAZPUR ROAD, KASHIPUR - 244713  
PH :8929400544, 8859502626.

### KHATIMA

2733. AKANKSHA AUTOMOBILES (RUDRAPUR) PVT LTD (XL02-01-), VILLAGE: CHARUBETA, NEAR RTO CHECK POST, PILIBHIT ROAD KHATIMA, U S NAGAR, UTTARAKHAND - 262308  
PH :8929400545, 8191000565.

### KOTDWAR

2734. SHAKUMBARİ AUTOMOBILES (P) LTD (6N02-02-), PLOT NO.23 & 30 INDUSTRIAL ESTATE, SITAPUR, KOTDWAR, DIS. PAURI (GARHWAL), UTTARAKHAND - 249001  
PH :875599075, 7310106565.

### LAKSAR

2735. SHAKUMBARİ AUTOMOBILES (CTF1-01-), HARIDWAR ROAD, LAKSAR - 247664  
PH :9927877715.

### NANAKMATA

2736. AKANKSHA AUTOMOBILES (RUDRAPUR) PVT LTD (CVT1-01-), KHATIMA ROAD, OPP GURURAMDAS HOSPITAL, NANAKMATA, U.S. NAGAR, UTTARAKHAND. - 262311  
PH :9012172084.

### PITHORAGARH

2737. NAINITAL MOTORS PVT LTD (J603-03-), VILLAGE PANDA, ODSAINI, DHARCHULA ROAD, PITHORAGARH - 262501  
PH :9634092692.

### PRATAPNAGAR

2738. SHAKUMBARİ AUTOMOBILES (STT1-01-), NEAR AISHWARYA FILLING STATION, LAMBGAON, PRATAPNAGAR, DISTRICT TEHRI., UTTARAKHAND - 249165  
PH :9927877715.

### RAMNAGAR

2739. NAINITAL MOTORS PVT LTD (XM01-01-), BASAI, KASIPUR ROAD, RAMNAGER - 244137  
PH :9639016895, 9634093404.

### RANIKHET

2740. NAINITAL MOTORS PVT LTD (AXA1-01-), GANYADYOLI, NEAR DRUG FACTORY, RANIKHET DISTT. ALMORA (UTTARAKHAND) - 263645  
PH :9557243222.

### RISHIKESH

2741. FUTURE AUTO WHEELS PVT LTD (AAS1-01-), 640, LAXMAN JHULA ROAD, RISHIKESH. DISTT. DEHRADUN, UTTARAKHAND - 249201  
PH :0135-2432387, 7895614411.

### ROORKEE

2742. SHAKUMBARİ AUTOMOBILES (P) LTD (H201-01-), 3RD KM STONE, DELHI-ROORKEE HIGHWAY, NEAR IOC PETROL BUNK, ROORKEE DISTT HARIDWAR - 247667  
PH :7055104191.

### RUDRAPRAYAG

2743. ROHAN MOTORS (IK01-01-), GULABRAI-BADRINATH ROAD, RUDRAPRAYAG - 246171  
PH :8650876815.

### RUDRAPUR

2744. AKANKSHA AUTOMOBILES (RUDRAPUR) PVT LTD (U404-01-), KICHA BYE PASS ROAD, INDUSTRIAL AREA, RUDRAPUR - 263153  
PH :8929400545, 8859502864.

### SELAQUI

2745. ROHAN MOTORS LTD (CRF1-01-), KHASRA NO.783, BAHADURPUR ROAD, NH-72, SELAQUI, DISTT.-DEHRADUN, UTTARAKHAND. - 248011  
PH :8006000439.

### SITARGANJ

2746. AKANKSHA AUTOMOBILES (RUDRAPUR) PVT LTD (CD02-01-), PLOT NO.228/5 AND 228/6 KHATIMA ROAD, SITARGANJ, DISTT - RUDRAPUR, UTTARAKHAND. - 262405  
PH :8929400545, 8859502846.

### SRINAGAR

2747. SHAKUMBARİ AUTOMOBILES (ANA1-01-), SRICOT GANAGANALI, NEAR MEDICAL COLLEGE, PO- SRICOT, SRINAGAR - 246174  
PH :87559903005, 9897476897.

### TEHRI

2748. DD MOTORS (A DIVISION OF D.D. PREM PVT LTD.) (QA02-01-), PLOT NO. 541, SECTOR-8E, DISTT. - NEW TEHRI - 249001  
PH :8006000914.

### UTTARKASHI

2749. DD MOTORS (A DIVISION OF D.D. PREM PVT LTD.) (6I02-01-), HOTEL RAMOLA, BARETHI CHUNGI, GANGOTRI NATIONAL HIGHWAY, UTTARKASHI. - 249151  
PH :8006000922.

### VIKAS NAGAR

2750. ROHAN MOTORS (RI02-01-), KHASRA NO. 433/79/2, JEEVANGARI, POST OFFICE- AMBARI, CHAKRATA-BARKOT ROAD, VIKAS NAGAR - 248198  
PH :9897507410.

### DEHRADUN

2751. SHAKUMBARİ AUTOMOBILES (5708-01-), KHASRA NO.15-ANA, MOHABBEWALA, SAHARANPUR ROAD, DEHRADUN, PIN-248001, UTTARAKHAND - 248001  
PH :9927870025, 8869064400.

### PATI

2752. AKANKSHA AUTOMOBILES (RUDRAPUR) PVT LTD (SFX1-01-), LOHAGHAT- HALDWANI MAIN ROAD, NEAR PITHORAGARH CO-OPERATIVE BANK, PATI-262528 - 262528  
PH :9917467820.

## WEST BENGAL

### ALIPURDUAR

2753. PODDAR CAR WORLD PVT. LTD. (BZ01-01-), BIRPARA MORE, COOCH BEHAR ROAD, BESIDE GOENKA PETROL PUMP, ALIPURDUAR, WEST BENGAL. - 736121  
PH :8945533002  
9735008343  
9749707070.

### AMTALA

2754. BHANDARI AUTOMOBILES PVT LTD (BQH1-01-), VILLAGE - UDAYRAMPUR, P.O. - KANYANAGAR, P.S. - BISHNUPUR, AMTALA, DIST.-24 PARGANAS SOUTH, WEST BENGAL - 743 398  
PH :9903850402.

### ARAMBAGH

2755. SANEI MOTORS PVT. LTD. (7T02-01-), R.S. DAG NO. 1887, R.S. KHATIAN NO. 104, HAL KHATIAN NO. 1233, MOUZA-PARUL, J.L. NO. 38, R.S.NO. 3111, P.S. ARAMBAGH, DISTT. HOOGHLY, WEST BENGAL - 712601  
PH :8584050184.

### ASANSOL

2756. BEEKAY AUTO PVT LTD (F601-01-), CHANDA MORE, N.H.-2, ASANSOL - 713301  
PH :9932049425, 9932049435.

### BADURIA

2757. PREMIER CARWORLD (SOE1-01-), VILL- KIRRTIPUR, P.O- MANDRA, P.S - BADURIA, DIST - NORTH 24 PARGANAS, WEST BENGAL, PIN - 743438. - 743438  
PH :9831414956.

### BAGDAH

2758. SANEI MOTORS PVT. LTD. (BON1-01-), C/O, DINABANDHU TARAFDAR, S/O LATE NARENDRAMATH TARAFDAR, VILLAGE – HALENCHA SOUTH, P.O. – HALENCHA COLONY, P.S. – BAGDAH, DISTRICT – NORTH 24 PARGANAS, WEST BENGAL. - 743270  
PH :8584050184.

### BAHRAMPUR

## UTTARAKHAND



2759. BEEKAY AUTO PVT LTD (DJ02-01-), BOKULTALA (PASCHIM GAMINI), NH-34, BAHARAMPUR, DISTT. MURSHIDABAD. - 742101 PH :267340.

**BAJKUL**

2760. BHANDARI AUTOMOBILES PVT LTD (CAV1-01-), VILLAGE – KAPTYAPA BARI, P.O. – KAJLAGARH, P.S. – BHAGWANPUR, BAJKUL, DISTRICT – PURBA MIDNAPORE. - 721626 PH :9933055539.

**BALAGARH**

2761. SANEI MOTORS PVT. LTD (BM1-01-), DAG NO. 671, MOUZA - BARUIPARA, J L NO. 100, P.O. - BALAGARH, DIST.-HOOGLY, WEST BENGAL - 712 501 PH :8584050184.

**BALURGHAT**

2762. J K WHEELS PVT. LTD. (PT01-01-), BARO RAGHUNATHPUR, P.O. - BELTALA PARK, P. S. - BALURGHAT, DIST.-DAKSHIN DINAJPUR. - 733 103 PH :9064301464.

**BANDEL**

2763. SANEI (612-03-), C/O G.S. LAMINATOR, BANDEL STATION ROAD, HOOGLY 712123 - 712123 PH :8336969010.

**BANKURA**

2764. BHANDARI AUTOMOBILES PVT LTD (G701-02-), PLOT NO.-156, KH NO.-173, MITHILA MOUZA, AT/PO-BANKURA (WB) - 722101 PH :256766.

**BARASAT**

2765. PREMIER CARWORLD PVT. LTD. (XZ03-01-), R.S DAG NO. 512 AND PARTY IN DAG NO. 513, MOUZA-KHILKAPUR, P.O BARASAT, POLICE STATION: DUTTA PUKUR, TOUZI NO. 146, J.L NO. 4, DISTRICT – NORTH 24 PARGANAS, WEST BENGAL - 700125 PH :8420122407.

**BARDHAMAN**

2766. BEEKAY AUTO PVT LTD (T301-03-), NH-2, PAMRA VILLAGE ROAD, CHANDNI MORE, SATTAR MILE, BURDWAN, WEST BENGAL - 713101 PH :9932049454.

**BARJORA**

2767. BHANDARI AUTOMOBILES PVT LTD (BED1-01-), VILLAGE + P.O. + P.S. – BARJORA, MOUZA – BARJORA, JL NO. 46, KHATIAN NO. 3380, PLOT NO. 2795, BARJORA DISTRICT – BANKURA, WEST BENGAL. - 722202 PH :8016087297.

**BARRACKPORE**

2768. STARBURST MOTORS PVT LTD (BX11-02-), NEAR RAIL GATE, WARD NO. 24, WEST BARASAT ROAD, P.S. – TITAGARH BARRACKPORE, DISTRICT – NORTH 24 PARGANAS, KOLKATA. - 700120 PH :8335061333.

**BARSUNDR**

2769. BHANDARI AUTOMOBILES PVT LTD (G701-05-), PLOT NO. 610, BARSUNDARA, ISHWARDAHA, JALPAI, P.S. BHAWANIPUR, EAST MIDNAPORE. WEST BENGAL - 721654 PH :9933055539.

**BASIRHAT**

2770. BHANDARI AUTOMOBILES PVT LTD (X701-03-), RAGHUNATHPUR, TALKI ROAD, BASIRHAT NR. INDIAN PERTOL PUMP, NORTH-24 PARGANAS. - 743428 PH :8017569789.

**BELACOBA**

2771. PODDAR CARWORLD (SCU1-01-), PRASANNA NAGAR, BELACOBA, BATTALA, JALPAIGURI - 735133 - 735133 PH :8945533002.

**BIRPARA**

2772. SEVOKE MOTORS (COL1-01-), BHAGAT PARA, NH - 31, MADARIHAT ROAD, BIRPARA, BESIDE TASHI HOTEL, OPP - HIMALYAN HOTEL, P.S - MADARIHAT, DIST - ALIPURDUAR, PIN - 735204 - 735204 PH :9800069144.

**BISHNUPUR**

2773. BHANDARI AUTOMOBILES PVT LTD (AAG1-01-), STATION ROAD, P.O+P.S- BISHNUPUR, DIST: BANKURA, WEST BENGAL - 722122 PH :9933055539.

**BOLPUR**

2774. SAINATH AUTOLINKS PVT. LTD. (4402-03-), KABI JOYDEB ROAD, NEAR BOLPUR BY PASS, BOLPUR, DIST: BIRBHUM - 731204 PH :9647444888 8927895511.

**BONGAON**

2775. STARBURST MOTORS PVT LTD (TQ02-01-), 376/D, R D B ROAD, NEAR JESSORE ROAD, BAKSHIPALLY, BONGAON, NORTH 24 PARGANAS, WEST BENGAL - 743235 PH :9748298939.

**BUDGE BUDGE**

2776. ONE AUTO PVT. LTD. (BAV1-01-), MAHESH TALA, NEAR DAKGHAR KALIMANDIR, BUDGE BUDGE TRUNK ROAD, DAKGHAR, WARD NO. 22, POLICE STATION-MAHESHITALA, WEST BENGAL - 700141 PH :8584878802 7604084762.

**C K ROAD**

2777. BHANDARI AUTOMOBILES PVT LTD (D001-01-), P.O:SAT BANKURA, PS:GARBETA, CHANDRAKONA ROAD, DIST. PASCHIM MIDNAPORE, WEST BENGAL - 721252 PH :9933055539.

**CANNING**

2778. ONE AUTO (CEG2-01-), SUSUMAPALLY, CANNING, DIST – SOUTH 24 PARGANAS, WB - 743329 PH :8442830001.

**CHAKDAHA**

2779. BHANDARI AUTOMOBILES PVT LTD (OM01-01-), VILLAGE – PUMLIA, P.O. – CHAKDAHA, DISTRICT – NADIA, WEST BENGAL. - 741222 PH :9073940368, 9674735303, 9674169007.

**CHANCHAL**

2780. J K WHEELS (SSH1-01-), CHANCHAL AZAD PALLY, OPPOSITE OF PWD 2ND GATE, P.O - CHANDRAPARA, P.S - CHANCHAL, DIST - MALDA - 732123 - 732123 PH :9734963360.

**CHANDITALA**

2781. BHANDARI AUTOMOBILES PVT LTD (BPC3-01-), RS DAG NO.2986, LR DAG NO. 3150, UNDER LR KHATIAN NO.3859, MOUZA- KRISHNARAMPUR, J.L. 59, POLICE STATION- CHANDITALA, HOOGHLY, WEST BENGAL - 712702 PH :6296900498.

**CHANDRAKONA**

2782. BHANDARI AUTOMOBILES PVT LTD (D001-02-), AT. VILL. GOSAI PO+PS CHANDRAKONA TOWIN, MOUZA DHARABILA, J.L.NO. 095, KHATIAN NO. 315, PLOT NO. 203 & 189, NEAR MUNIPAL GATE TOWARDS C.K. ROAD. - 721201 PH :8945526833.

**CONTAI**

2783. BHANDARI AUTOMOBILES PVT LTD (G701-03-), SERPUR BAMUNBAR, P.O- MARISHDA, NEAR MECHEDA BYPASS, CONTAI, WEST BENGAL - 721401 PH :254572.

**COOCH BEHAR**

2784. PODDAR CAR WORLD PVT. LTD. (BWZ1-01-), CHAKCHAKA, NEELKUTHI BAZAR, NEAR ADA FACTORY, NH-31, COOCH BEHAR, WEST BENGAL. - 736101 PH :8945533002 9735008343.

**DARJEELING**

2785. BEEKAY AUTO PVT LTD (4301-05-), MERRY VILLA, DARJEELING, DISTRICT-DARJEELING. - 734101 PH :9932049347 9932049382 7478004430.

**DHUPGURI**

2786. BEEKAY AUTO PVT LTD (BWD1-01-), MOUZA – DHUPGURI, PLOT NO. 1814, WARD NO. 16, DHUPGURI, DISTRICT – JALPAIGURI, WEST BENGAL. - 735210 PH :7477785203 9932049347 9932049382 7478004430.

**DIAMOND HARBOUR**

2787. ONE AUTO PVT. LTD. (YE01-01-), VILLAGE – CHEWRA, OPPOSITE – K.E. CARMEL SCHOOL, P.O. – SARISHA HAT, P.S. – DIAMOND HARBOUR, DISTRICT – 24 PARGANAS (S), WEST BENGAL - 743368 PH :8584862243.

**DINHATA**

2788. BEEKAY AUTO (BWE1-01-), ADDRESS: VILLAGE - KARISHAL, MAIN ROAD, P.O. DINHATA, DIST - COOCHBEHAR, - 736135 PH :9932049347.

**DURGAPUR**

2789. SAINATH AUTOLINKS PVT. LTD. (4402-01-), PLOT NO:743, MALUA FRIDPUR, BURDWAN, DURGAPUR - 713213 PH :9647444888 8927895511.

**FALAKATA**

2790. PODDAR CAR WORLD PVT. LTD. (CSR1-01-), DAKSHIN PARANGAPAR, KHATIAN NO. 167/1 J.L NO. 60, DAG NO. 652/1159, P.S. – FALAKATA , DISTT ALIPURDWAR - 735211 PH :8945533002.

**GAZOLE**

2791. JK WHEELS (SKZ1-01-), MOUZA- BAJEGAIRAL, RANIGANJ, PURBAPARA, KAMALDANGA, P.S- GAZOLE, DIST-MALDA, PIN - 732138 - 732138 PH :9734963360.

**GHATAL**

2792. BHANDARI AUTOMOBILES PVT LTD (AAD1-01-), VILL. NIMTOLA, P.O. & P.S. DASPUR, GHATAL, WEST MIDNAPORE, WEST BENGAL - 721211 PH :9933055539.

**GOPIBALLAVPUR**

## Dealer Network (AS ON 31.10.2023)

2793. BHANDARI AUTOMOBILES PVT LTD (BPO1-01-), JL NO. 1103, KHATIAN NO. 1103, PLOT NO. 438, VILLAGE + P.O. + P.S. - GORIBALLVPUR , MOUZA - GOPIBALLVPUR, WEST MIDNAPUR, WEST BENGAL. - 721506  
PH :993055539, 8170018577.

### GUMA (ASHOKNAGAR)

2794. STARBURST MOTORS PVT LTD (BXJ1-03-), JESSORE ROAD, MANIKNAGAR, KHOSDELPUR MORE, P. S. - ASHOKNAGAR, NORTH 24 PARGANAS, WEST BENGAL. - 743222  
PH :8697731763, 8336993447.

### HALDIA

2795. BHANDARI AUTOMOBILES PVT LTD (G701-04-), BALGHASIPUR, BHABANIPUR, PURBA MEDIANPUR, HALDIA - 721657  
PH :8016082344, 9233502421.

### HOWRAH

2796. BHANDARI AUTOMOBILES PVT LTD (X701-01-), BANKRA THANA DOMJUR, HOWRAH. - 711403  
PH :9674735304.

2797. PREMIER CARWORLD PVT. LTD. (611-02-), MOUZA - PRASANTHA, P.S. - DOMJUR, UNDER MOHIARY 2 NO. GRAM PANCHAYAT, ANKURHATI, HOWRAH, WEST BENGAL. - 711302  
PH :8420122402.

### JALPAIGURI

2798. PODDAR CAR WORLD PVT. LTD. (XY01-01-), COLLEGE PARA, SIRISHTALA, NEAR ASSAM MORE, JALPAIGURI, WEST BENGAL. - 735101  
PH :8945533002.

### JAYGAON

2799. SEVOKE MOTORS PVT. LTD. (CHS1-01-), HOUSE NO.43, WARD NO.11/22, N.S ROAD DARAGAON, P.S - JAYGAON, DISTT. ALIPURDUAR, WEST BENGAL - 736182  
PH :9433825851.

### JHARGRAM

2800. BHANDARI AUTOMOBILES PVT LTD (BUG1-01-), DAG NO.383, KHATAN NO. JL.396, WARD NO.11, RAUBATI CAMPUS, JHARGRAM, WEST BENGAL - 721507  
PH :8016087297, 993305539.

### KADAMBAGACHI

2801. STARBURST MOTORS PVT LTD (BXJ1-04-), MOUZA - PURBA ICHAPUR, J.L NO. 111, RESU NO. 131, DAG NO. 385, KHATIAN NO. L R 754, KADAMBAGACHI, P.S. - BARASAT, DIST.-NORTH 24 PARGANAS, WEST BENGAL. - 700125  
PH :83369933410.

### KALIMPONG

2802. BEEKAY AUTO (BWF1-01-), 10TH MILE, GUMBA HATTA, PO&PS -KALIMPONG, DIST - KALIMPONG, WB. - 734301  
PH :9932049347.

### KALNA

2803. BEEKAY AUTO PVT LTD (WZ01-01-), KALNA ROAD, NEAR KALNA SUB DIVISIONAL HOSPITAL, KALNA, PO+PS: KALNA, DISTT. BURDWAN, (W.B.) - 713409  
PH :9932251483.

### KALYANI

2804. STARBURST MOTORS PVT LTD (JU01-01-), KALYANI INDUSTRIAL GROWTH CENTRE, PHASE-III, A-5 (OPP. U I C UDYOG, NEAR: J I S COLLEGE), KALYANI. - 741234  
PH :8584040215, 8336993447.

### KHARAGPUR

2805. BHANDARI AUTOMOBILES PVT LTD (G701-01-), BHANDARI BUILDING, JHAPATAPUR, KHARAGPUR, WEST BENGAL - 721301  
PH :755537.

2806. PODDAR CARWORLD (G702-01-), RS DAG NO - 147, RS KHATIAN NO 7, MOUZA - MOBARAKCHAK, JL NO-210, PS - KHARAGPUR - 721301  
PH :9831348626.

### KHATRA

2807. BHANDARI AUTOMOBILES PVT LTD (BGZ1-01-), VILLAGE - SENAPATI, P.O & P.S - KHATRA, MOUZA-SENAPATI, JL NO.189, KHATIAN NO.659, PLOT NO.33/34, DISTT. BANKURA, WEST BENGAL. - 722140  
PH :9933055539.

### KOLKATA

2808. MACHINO TECHNO SALES LTD. (601-02-), 48 A, TARATALA ROAD, KOLKATA - 700066  
PH :9073330177.

2809. DEWAR'S GARAGE (605-01-), (PROP. DELTA INTERNATIONAL LTD.), 14 BRITISH INDIAN STREET, CALCUTTA - 700069  
PH :8584015205.

2810. MACHINO TECHNO SALES LTD. (601-01-), 21/1 DARGA ROAD, (PARK CIRCUS), CALCUTTA - 700017  
PH :9073330178.

2811. PREMIER CARWORLD PVT. LTD. (611-01-), AGARPARA JUTE MILL, 28-B.T. ROAD, P.O.: -KAMARHATI, DISTT.-KOLKATA - 700058  
PH :8697730344.

2812. BHANDARI AUTOMOBILES PVT LTD (609-01-), BUDGE BUDGE TRUNK ROAD, NEW GOPALPUR, SARKARPOOL, MAHESHITALA, DISTT. SOUTH 24 PARGANAS, WEST BENGAL - 700143  
PH :9674476000.

2813. BHANDARI AUTOMOBILES PVT LTD (609-02-), 37, GULAM JILANI KHAN ROAD, KOLKATA. - 700039  
PH :9903850402.

2814. SANEI MOTORS PVT. LTD. (612-01-), 16/2 CANAL EAST ROAD, NEAR MANIKTALA POLICE STATION,KOLKATA - 700067  
PH :8584050184.

2815. ONE AUTO PVT. LTD. (614-02-), 62 EAST TOPSIA ROAD, P.S. TILJALA, ARUPOTA, KOLKATA , WEST BENGAL - 700105  
PH :8584878802.

2816. ONE AUTO PVT. LTD. (614-01-), JL NO.3, MOUZA-JAGADIPOTA, P.S-SONARPUR, KHEYADAHA NO.2, GRAM PANCHAYAT, DISTT. SOUTH 24 PARGANAS. - 700099  
PH :8584870725.

2817. DEWAR'S GARAGE (605-03-), P-27/2, TARATALA ROAD, KOLKATA - 700088  
PH :8584015293.

2818. SANEI MOTORS PVT LTD (612-02-), 235, HATTYARA ROAD, SITALATALA, BAGUIATI, KOLKATA, WEST BENGAL - 700059  
PH :8584050184.

2819. OSL MOTOCORP PVT LTD (616-01-), 49 DEBENDRA CHANDRA DEY ROAD, LANE BESIDE SILVER SPRING CLUB, E.M. BYE-PASS, KOLKATA - 700015  
PH :8336996355  
8697982283.

2820. JYOTE MOTORS (624-01-), NAZIRABAD MAIN ROAD, NAZIRABAD, ANANDAPUR, NEAR BISHNU BIJOLI GARDEN, KOLKATA, PIN-700150, WEST BENGAL - 700150  
PH :8334930830.

### KOLKATTA

2821. BHANDARI AUTOMOBILES (619-C1-), PLOT NO. IID/15, ACTION AREA 2D, NEW TOWN, P.S. RAJARHAT, KOLKATA, WEST BENGAL PIN-700156 - 700156  
PH :6291042160.

### KOTULPUR

2822. BHANDARI AUTOMOBILES PVT LTD (BIP1-01-), KHATIAN NO.644, PLOT NO.373, JL NO. 101, VILLAGE - MULDARA, P.S. + P.S. - KOTULPUR, DISTT.-BANKURA, WEST BENGAL. - 722141  
PH :9933055539.

### KRISHNANAGAR

2823. BHANDARI AUTOMOBILES PVT LTD (X701-02-), PLOT NO.-1874, MOUZA-GOBINDSARAK ,J.K. NO. 94, PS-KOTWAL, OLD WARD NO. 20, LAL MOHAN GHOSH ROAD, KRISHNANAGAR - 742011  
PH :9051999742.

### MADHYAMGRAM

2824. STARBURST MOTORS PVT LTD (BXJ1-01-), 9/1, HEMANTA BOSE SARANI, BASUNAGAR, NEAR DEAF & DUMB SCHOOL, UDAYRAJPUR, MADHYAMGRAM - 700129  
PH :9836675989, 83369933447.

### MALBAZAR

2825. BEEKAY AUTO PVT LTD (BWG1-01-), CALTEX MORE, VILLAGE + P.S. - MALBAZAR AND DISTRICT - JALPAIGURI - 735221  
PH :9932049347  
9932049382  
7478004430  
7477785203.

### MALDA

2826. J K WHEELS PVT. LTD. (L801-01-), GABGACHHI, N.H. 34, MALDA. - 732103  
PH :9851520855, 9735003949.

### MATHABHANGA

2827. BEEKAY AUTO PVT LTD (BQF1-01-), SITAKULCHI ROAD, WARD NO.9,MATHABHANGA, DISTRICT - COOCHBEHAR - 736146  
PH :7477785202  
9932049347  
9932049382  
7478004430.

### MOHANPUR

2828. BHANDARI AUTOMOBILES PVT LTD (CIV1-01-), VILLAGE-NAYAGAON, P.O.-PAROI, P.S. -MOHANPUR, MOUZA -NAYAGAON, JL NO.395, KHATIAN NO.175/1, PLOT NO.895, DISTT. -PASCHIM MIDNAPUR,W.BENGAL. - 721436  
PH :9933055539.

### NAIHATI

2829. PREMIER CARWORLD PVT. LTD. (YD01-01-), P.O. BHATPARA, GRAM-MUKTARPUR, P.S. - JAGATDAL, DIST-24 PGS (N), NAIHATI (WB) - 743123  
PH :801700824.

### NAKASHIPARA

2830. BHANDARI AUTOMOBILES PVT LTD (BMJ1-01-), L R DAG NO. 7271, UNDER L R KHATIAN NO. 6734, MOUZA - DEBAGRAM, J L NO. 60, POLICE STATION - KALIGANJ, BLOCK - KALIGANJ, NAKASHIPARA, DIST.-NADIA, WEST BENGAL. - 741138  
PH :9163314418.

### NAXALBARI

2831. BEEKAY AUTO PVT LTD (CSJ1-01-), MOUZA – GENI, KHATIAN NO.275, PARGANA-HATIGHISHA, P.S. NAXALBARI, DISTT: DARJEELING, WEST BENGAL - 734429  
PH :9932049347  
9932049382  
7478004430  
9563370099.

**PANCHLA**

2832. BHANDARI AUTOMOBILES PVT. LTD. (BP11-01-), L.R DAG NO 3274, UNDER L.R KHATIAN NO 3044, MOUZA-MALLICKBAGAN, JL NO-7, POLICE STATION – PANCHLA, DIST- HOWRAH - 711310  
PH :9073664926.

**PANDUA**

2833. BHANDARI AUTOMOBILES PVT LTD (BOS1-01-), GT ROAD, PANDUA, NEAR KAKOLI CINEMA HALL, OPP. POWER HOUSE, HOOGLY, WEST BENGAL. - 712149  
PH :9073912566.

**PANSKURA**

2834. BHANDARI AUTOMOBILES PVT LTD (BPS1-01-), MOUZA – PASCHIM NEKRA, JL NO.98, LR NO.1154, LR NO.1156, PANSKURA, WEST BENGAL. - 721139  
PH :9933055539.

**PURULIA**

2835. SAINATH AUTOLINKS PVT. LTD. (4402-02-), PO. LAKDA, VILLAGE-DADKA . ON RANCHI ROAD, PURULIA - 723149  
PH :9647444888  
8927895511.

**RAGHUNATHPUR**

2836. BEEKAY AUTO PVT LTD (CKZ1-01-), MOUZA – BUNDLA, J.L. NO. 197, PLOT NO. 2656, KHATIAN NO. LR 207, P.O. – RAGHUNATHPUR, P.S. – RAGHUNATHPUR, DISTRICT – PURULIA. - 723133  
PH :9932049425,  
9932049435.

**RAIGANJ**

2837. J K WHEELS PVT. LTD. (BN02-01-), JL NO. 150, KHATIAN NO. 168/3 & 168/4, PLOT NO. 4158., P.S. – RAIGANJ, MUNICIPALITY – RAIGANJ, WARD NO. 11, HOLDING NO. 577/N, MOUZA – RAIGANJ, DISTRICT – UTTAR DINAJPUR, - 733134  
PH :9735008842.

**RAJARHAT – KOLKATA**

2838. STARBURST MOTORS PVT LTD (BXJ1-05-), R.S & L.R. DAG NO. 3434, MOUZA- GOPALPUR, JL NO. -02, RS NO. -140, LR KHATIAN NO. -5638, NEW TOWN, RAJARHAT - 700136  
PH :9681080301.

**RANAGHAT**

2839. STARBURST MOTORS PVT LTD (BBW1-01-), THANA: GANGNAPUR, ADSR OFFICE, 151 NO.MOUZA PATULI. PLOT NO.309, RANAGHAT, DISTT: NADIA - 741256  
PH :8145821191, 8584040215.

**RUPNARAYANPUR**

2840. BEEKAY AUTO PVT LTD (BWS1-01-), P.S. – SALANOUR, UNDER MOUZA – JEMARI, J.L. NO. 32, PLOT NO. 343-344, KHAITAN NO. 933, RUPNARAYANPUR, PASCHIM BARDHAMAN DISTRICT, WEST BENGAL. - 713335  
PH :9932049425,  
9932049435.

**SABANG**

2841. BHANDARI AUTOMOBILES PVT LTD (CCL1-01-), VILLAGE - PAKAN DAKSHINBARH, P.O. - DHANSWARPUR & P.S. - PINGLA, DIST. -PASCHIM MIDNAPORE, SABANG - 721 166, WEST BENGAL. - 721166  
PH :9933055539.

**SEORI**

2842. BEEKAY AUTO PVT LTD (F601-02-), RAMBADANPUR, NEAR SP MORE, DIST-BIRBHUM, SEORI - 731101  
PH :9932049425,  
9932049406.

**SHYAMPUR**

2843. SANEI MOTORS PVT LTD (CAW1-01-), VILLAGE + P.O. – GOBINAPUR, P.S. – SHYAMPUR, DISTRICT – HOWRAH, WEST BENGAL. - 711314  
PH :8584050184.

**SILIGURI**

2844. BEEKAY AUTO PVT LTD (4301-01-), NH-31, P.O. MATIGARA, SILIGURI. - 734428  
PH :9932049347  
9932049382  
7478004430.

2845. BEEKAY AUTO PVT LTD (4301-04-), AMAI DIGHI, PHOOL BARI, STATE HIGHWAY -12, SILIGURI - 734001  
PH :9932049347  
9932049380.

2846. SEVOLVE MOTORS PVT. LTD. (4302-01-), 233, SEVOKE ROAD, 2ND MILE, SILIGURI - 734001  
PH :9706010366.

2847. PODDAR CAR WORLD PVT LTD (XY01-02-), VILL. EAST DHANTALLA, FULBARI II G.P. P.O SATELLITE TOWNSHIP, DIST- JALPAIGURI - 734015  
PH :8945533002.

**SONADA**

2848. SEVOK (SDX1-01-), RATO MATEY DARA, NEAR PETROL PUMP, P.O- SONADA, WEST BENGAL  
PIN - 734209 - 734209  
PH :9800069144.

**SONAMUKHI**

2849. BHANDARI AUTOMOBILES PVT LTD (CAU1-01-), J.L NO. 77, KHATIAN NO. 360, PLOT NO. 114/287, SONAMUKHI BISHNUPUR ROAD, VILLAGE - CHURAMANIPUR, P.O. & P.S. - SONAMUKHI, WEST BENGAL. - 722207  
PH :9933055539.

**SREERAMPURE (SREERAMPUR)**

2850. BHANDARI AUTOMOBILES PVT LTD (BBT1-01-), BANGIHATI (MADPUR) DELHI ROAD, SREERAMPUR, DISTT: HOOGHLY, WB - 712203  
PH :66137505, 66137585, 9674741544.

**TAMLUK**

2851. BHANDARI AUTOMOBILES PVT LTD (OL01-01-), MOUZA PADUMBASAN, WARD NO 10, JL NO:144, DISTT: EAST MIDNAPUR, WEST BENGAL - 721636  
PH :9933055539.

**TARAKESHWAR**

2852. SANEI MOTORS PVT. LTD. (YH01-01-), MOUZA BAIDYAPUR, UNDER BALIGORI(1), GRAM PANCHAYET, TARAKESHWAR, DISTT. HOOGLY, WEST BENGAL. - 712410  
PH :8584050184.

**TOOFANGANJ**

2853. PODDAR CAR (SDG1-01-), POWER HOUSE PARA, PO ANDARANFULBARI (WEST), TUFANGANJ, COOCHBEHAR, PIN-736159, WEST BENGAL - 736159  
PH :8945533002.

**UDAYNARAYANPUR**

2854. BHANDARI AUTOMOBILES PVT LTD (BOO1-01-), VILLAGE-JANGALPARA BELGRAM, PS-UDAYNARAYANPUR, DIST- HOWRAH, WEST BENGAL. - 711226  
PH :9073664902.

**ULUBERIA**

2855. BHANDARI AUTOMOBILES PVT LTD (2401-01-), HOLDING 1242A, BANITABLA, P.O+P.S: ULUBERIA, NH-6, DISTT: HOWRAH, WEST BENGAL - 711316  
PH :8335052335.

**ANDHRA PRADESH**

**ANANTHAPUR**

1. SRI DURGA (18NA-01), NO.124, SOMALADODDI, ANANTHAPUR, ANDRA PRADESH - 515004  
PH :9885183651.

**GUNTUR**

2. JAYLAXMI (G5NA-01), D-NO:199/2, OPP.AUTONAGAR, NH 16, VJA - GNT SERVICE ROAD, GUNTUR, ANDHRA PRADESH - 522001  
PH :9599844644.

**NELLORE**

3. BHARGAVI AUTO (A8NA-01), SURVEY NO 245B, CHEMUDUGUNTA VILLAGE, NH-16, ADJACENT TO SRIDS KALYANA MANDAPAM, NELLORE, ANDHRA PRADESH - 524002  
PH :8866682222.

**ONGOLE**

4. JAYALAXMI (8YNA-01), SURVEY NO:194/2, BESIDE NH 5, MUKHTHINUTHALAPADU, ONGOLE, ANDHRA PRADESH - 523225 - 523225  
PH :9492133433.

**RAJAHMUNDRY**

5. SB MOTORS (C5NA-01), D.NO:84-1-12, PADMAVATI NAGAR, BESIDE ONGC BASE COMPLEX, NH-45, RAJAHMUNDRY, ANDRAPRADESH-533106. - 533016  
PH :9248727888.

**SRIKAKULAM**

6. VARUN MOTORS (W6NA-01), PEDDAPADU ROAD, ARASAVALLI POST, SRIKAKULAM DISTRICT, ANDHRA PRADESH - 532401  
PH :9885317344.

**VIJAYAWADA**

7. VARUN MOTORS (26NA-26-01), OPP TO PRIYA PICKLES, BANDAR ROAD, PORANKI, VIJAYAWADA, ANDRAPRADESH-521137. - 521137  
PH :6309955655.
8. PARAMSHIVA MOTORS (26NB-26-01), NO. 20-1-34, C K REDDY ROAD, AYODHYA NAGAR, VIJAYAWADA, ANDRAPRADESH- 520003. - 520003  
PH :9866551078.

**ASSAM**

**BONGAIGAON**

9. BHARATI MOTORS (7NNA-01), CHAPAGURI RD, NEAR POST OFFICE, NORTH BONGAIGAON, AMGURI, BONGAIGAON, ASSAM 783380 - 783380  
PH :7002350887.

**DIBRUGARH**

10. VISHAL CAR WORLD (C1NA-01), MOHPALIUMORA GOHAIN GAON, A.T ROAD, DIBRUGARH, ASSAM - 786008  
PH :800900008.

**GUWAHATI**

11. PODDAR AUTO (09NA-01), AT ROAD ,KAMAKHYA GATE, GUWHATI ,KAMRUP-781009 - 781009  
PH :8085957586.
12. BIMAL AUTO (09NB-01), DREAMLAND APPARTMENT ,NAHRANI PATH, DISPUR LAST GATE, GUWAHATI - 781006 (ASSAM)  
PH :9864074525.

**JORHAT**

13. RD MOTOR (G9NB-01), M/S R D MOTORS PVT LTD , DHAPKATA, NEAR TINALI, JORHAT -785006 - 785006  
PH :7002099547.

**SILCHAR**

14. JAIN UDHYOG (J2NA-01), R.S. PATTA NO.149, DAG NO.579, MOUZA RONGPUR, SILCHAR, ASSAM - 788009  
PH :9436121557.

**TEZPUR**

15. RD MOTOR (T1NA-01), SOLAGAN VILLAGE , GOROIMARI , SONABEEL, BEFORE MAA KALYANI PETROL PUMP, TEZPUR -784105  
PH :9836872710.

**TINSUKIA**

16. VISHAL CAR WORLD (J4NA-01), NEXA SHOWROOM (BESIDE VISHAL BIKER'S WORLD),A.T. ROAD, LAIPULI,TINSUKIA ,ASSAM -786183  
PH :9864211022.

**BIHAR**

**PATNA**

17. ALANKAR AUTO SALES AND SERVICE (15NA-15-01), 70 FEET, BYEPASS ROAD, SARISTABAD, PATNA - 800020  
PH :9262899356.
18. REESHAV AUTOMOBILES (15NB-15-01), MUKDUMPUR,DIGHA,90 NO GATE, PATNA - 800012  
PH :7369844132.
19. SHREEGOPAL AUTO (15NC-15-01), BHIKACHAK, ANISABAD, NEW BYEPSS ROAD, OPP. SITA RAM PATH, PATNA - 800002  
PH :9262853333.

**PURNEA**

20. SEEMANCHAL MOTORS (6VNA-01), DAMKA CHOWK,KISHANGANJ ROAD, NH-31,GUALBBAGH,PURNEA,BIHAR - 854326  
PH :9334710055.

**CHANDIGARH**

**CHANDIGARH**

21. AUTOPACE (FEB) (07NA-01), PLOT NO. 37, INDUSTRIAL AREA - PHASE 1, CHANDIGARH - 160002  
PH :7087119796.
22. AUTOVOGUE PVT LTD (07NC-02), PLOT NO 29/4, INDUSTRIAL AREA PHASE 2, CHANDIGARH - 160002  
PH :8725099835.
23. NAVDESH AUTO (07NE-01), PLOT NO 182/11, INDUSTRIAL AREA PHASE 1, CHANDIGARH - 160002  
PH :8827057534.

**CHATTISGARH**

**AMBIKAPUR**

24. MAHAMAYA (AENA-01), AJAB NAGAR,MAHATMA GANDHI ROAD,AMBIKAPUR - 497001  
PH :9516609632.

**BILASPUR**

25. SATYA AUTOMOBILES (C3NB-01), PLOT NO 53, SECTOR C, SIRGITTI INDUSTRIAL AREA, BILASPUR, CHHATTISGARH - 495001  
PH :6372803057.

**RAIPUR**

26. SPARSH (50NA-50-01), NEAR TCI GODDOWN, NH-6, CHANDANDIH, TATIBANDH, RAIPUR, CHATTISGARH - 492029  
PH :9926626662.
27. SKY AUTOMOBILES (50NB-50-01), NEXA MAGNETO, LABHANDHI ,G. E. ROAD, RAIPUR

**DELHI**

**DELHI**

28. RANA MOTORS (08NE-01), B-242, OKHLA INDUSTRIAL AREA PHASE 1, OKHLA, NEW DELHI
29. TR SAWHNEY (08NN-01), C-46, OKHLA INDUSTRIAL AREA PHASE 2, OKHLA NEW DELHI  
PH :9953350008.
30. PLATINUM MOTORS (08NQ-01), PLOT NO-H4,BLOCK-B1, MOHAN CO-OPERATIVE INDEX,MATHURA ROAD,PIN-110044 - 110044
31. MAGIC AUTO (08NA-01), CISF GATE NO 1, D-21, CORPORATE PARK, NEAR DWARKA SEC-8 METRO STATION, NEW DELHI - 110075  
PH :9873052000.
32. AAA VEHICLEADES (08NW-01), BLOCK C, NAJFARGARH ROAD INDUSTRIAL AREA, NEW DELHI, DELHI 110015 - 110015  
PH :8750611111.
33. COMPETENT AUTO (08NF-01), PLOT NO-34,RAJASTHAN UDYOG NAGAR, GT AKRNAL ROAD ,DELHI - 110033  
PH :9932049425.

34. JAGMOHAN MOTORS (08NX-01), C13-136(PART, PHASE I, INDUSTRIAL AREA, MANGOLPURI S BLOCK, NEW DELHI, DELHI 110083 - 110083  
PH :9812259000.

**GOA**

**MARGAOA (GOA)**

35. CHOWGULE INDUSTRIES (34NB-34-01), SY. NO. 267/1, NEXE TO ARLEM RTD, ARLEM, RAJA, SALCETE - (GOA) - 403720. - 403720  
PH :9850966950.

**PORVORIM(PANJIM)**

36. SAI SERVICE (34NA-34-01), EMPRESSA INDUSTRIAL CHODANKAR, SURVEY NO. 114/2, SALVADOR DO MUNDO, PORVORIM, BARADEX, GOA - 403521

**GUJARAT**

**AHEMADABAD**

37. STAR LINE CARS (01NE-01), PLOT NO 236, GIDC, NARODA, AHMEDABAD, GUJARAT. 382 330 - 382330  
PH :7436003235.
38. PEGASUS (01NG-01), PLOT NO 9, OPP RABARI COLONY BR'S STOP, CTM, NAROL - NARODA HIGHWAY, NH-8, AHMEDABAD, GUJARAT. - 380026  
PH :9909023000.
39. POPULAR WHEELERS (01NC-01), T P 20, F P 78, OPPOSITE SUN SQUARE COMPLEX OFF. C G ROAD, NEAR HL COLLEGE, NAVRANGPURA GULBAI TEKRA, AHMEDABAD, GUJARAT - 380009  
PH :9925203344.

**ANAND**

40. AMAR CARS (F7NA-01), SURVEY NO 1583, PLOT NO 144, NEAR GANESH CROSSING, ANAND SOJITRA ROAD, ANAND, GUJARAT - 388001  
PH :9925407666.

**BHARUCH**

41. RAVIRATNA (F8NA-01), SURVEY NO 185/3, NH8, ZARDESHWAR, BHARUCH, GUJARAT. - 392001  
PH :9727700823.

**BHUJ**

42. KD MOTORS (P5NA-01), 33, UMA PARK, BEHIND MARUTI SUZUKI SHOWROOM, MIRZAPUR HIGHWAY, BHUJ - 370040  
PH :9879898799.

**GANDHIDHAM**

43. BM AUTO LINK (77NA-77-01), SURVEY NO 129/26, GALPADAR - ANJAR HIGHWAY, AIRPORT ROAD, GANDHIDHAM, KUTCH , GUJARAT - 370201  
PH :7211120014.

**GANDHINAGAR**

44. NANDA AUTOMOBILES (2BNA-01), BLOCK NO 403, NR SANGATH GATEWAY, OPP RAISAN PETROL PUMP, KUDASAN, GANDHINAGAR, GUJARAT. - 382421  
PH :9687641974.

**GODHRA**

45. RB CARS (2CNA-01), SURVEY NO. 3812 PAIKE 1 PAIKE 2, LUNAWADA ROAD, OPP. GIDC, GODHRA - 389001 - 389001  
PH :9925051444.

**JUNAGARH**

46. PERFECT AUTO SERVICES (K8NA-01), GIDC 2, RAJKOT HIGHWAY, JUNAGARH - 362037  
PH :9909022619.

**MEHASANA**

47. STAR LINE CARS (D1NA-01), REVENUE SURVEY NO. 342, PLOT NO.1, 4, 5 AND 6 TO 12, VILLAGE NAGALPUR, DISTRICT MEHSANA, GUJARAT - 384002

**PATAN**

48. STARINE CARS (Q9NA-01), ADJACENT ARENA SET UP, PATAN UNJHA ROAD, PATAN (GUJARAT) - 382465 - 382465  
PH :9909043244.

**RAJKOT**

49. PERFECT AUTO SERVICES (55NB-55-01), PLOT NO. 110, 111, 127 & 128, KOTHARIYA, NEAR PERFECT HOUSE, GONDAL ROAD, RAJKOT - 360004  
PH :9512035501.

**SURAT**

50. KIRAN MOTORS (40NB-40-01), BLOCK NO 443, FP NO 26 MOJE PALGAM, ADAJAN, SURAT, GUJARAT - 395009 - 395009  
PH :7020569426.

51. AMAR CARS (40ND-40-01), SURVEY NO 139,BLOCK NO-"218"A,OPPOSITE TO AWADH ARENA MALL,V.I.P ROAD ,BHARTHAMA,SURAT,GUJRAT - 395007  
PH :9871389795.

**SURENDRANAGAR**

52. DREAM VEHICLES (LCNA-01), PLOT NO. 302, GIDC AREA, WADHWAN CITY, SURENDRANAGAR, GUJARAT. - 363035  
PH :8511104644.

**VADODARA**

53. KATARIA AUTO (22NA-22-01), WARD NO 11 CIRCLE SAINATH ROAD, HARINAGAR-VASNA ROAD VADODARA - 390007  
PH :9824701590.

**VAPI**

54. KATARIA AUTO (97NA-97-01), NEAR CROMA OUTLET, RATHOD CHAMBERS, DAMAN ROAD,CHALA VAPI - 396191  
PH :9714799985.

**AMBALA**

55. EAKANSH WHEELS (18NA-18-01), AMBALA-CHANDIGARH HIGHWAY ADJOINING AAJ SAMAJ VILLAGE-SADDOPUR, AMBALA PH :8395903111.

**BHIWANI**

56. PASCO AUTOMOBILES (X3NA-01), NEAR HUNNAMAL PIAYU, ROHTAK ROAD, BHIWANI-HARYANA-127021 - 127021  
PH :9289192582.

**FARIDABAD**

57. PASCO AUTOMOBILES (58NB-58-01), 14/4, MATHURA ROAD, FARIDABAD, HARYANA - 121003  
PH :9999790229.

58. BVA AUTO (58NC-58-01), 2J/53-54, NH-2, NIT FARIDABAD, HARYANA  
PH :9911259288.

59. VIPUL MOTORS (58NA-58-01), SUB DIVISION NO-3, INDUSTRIAL PLOT NO. -34, N.I.T, FARIDABAD HARYANA - 121001  
PH :8562019252.

**GURGAON**

60. PREM MOTORS (95ND-95-01), PLOT NO. 5, IDC, SECTOR-16, GURGAON, HARYANA - 122001  
PH :1292565666.

61. TR SAWHNEY (95NB-95-01), CRPF CAMP ROAD, VILLAGE ULLAWAS, NR. PIONEER PARK SECTOR-62, GURGAON, HARYANA - 122001  
PH :1274254441.

**HISAR**

62. SARAOGI AUTOMOBILES (76NB-1-76-01), PLOT NO. 180, SECTOR 27-28, INDUSTRIAL AREA HISAR. - 125001

**KAITHAL**

63. EAKANSH MOTORS (U8NA-01), NH-65, OPP RKM FARM, AMBALA ROAD, KAITHAL - 136027

64. EAKANSH MOTORS (U8NA-02), KHEWAT NO -458, KHATONI - 563, KITTAS - 20/87K 01M ADJOINING NEXA SHOWROOM, AMBALA HISAR ROAD, KAITHAL - 136027  
PH :8813038777.

**KARNAL**

65. KARNAL MOTORS (89NA-89-01), 118-119 KM MILESTONE, G.T. ROAD, KARNAL, HARYANA - 132001

**PANIPAT**

**HARYANA**

66. AUTO GALLERY (D3NB-01), NANGAL KHERI, NEAR BBMB POWER HOUSE, OPP. SEC-29, PANIPAT, HARYANA - 132103  
PH :9812815000.

**REWARI**

67. DINCO MOTORS (U1NA-01), OPP. TULARAM STADIUM, DELHI ROAD, REWARI - 123401

**ROHTAK**

68. JAGMOHAN MOTORS (A6NA-01), NORTHERN BYPASS, SUKHPURA CHOWK, JIND ROAD, ROHTAK, HARYANA  
PH :8754045446.

**SIRSA**

69. SHAKTI MOTORS (E4NA-01), OPP. DELHI PUBLIC SCHOOL, NH-09, HISSAR ROAD, SIRSA - 125055

**SONIPAT**

70. JAGMOHAN AUTOMOBILES (J5NB-01), SONIPAT MURTHAL ROAD NEAR ASR CNG PUMP - 131001

**HIMACHAL**

**KANGRA**

71. KANGRA VEHICLEADES (D9NA-01), VPO-HATWAS, NAGROTA BAGWAN, DISTRICT-KANGRA, HIMACHAL PRADESH - 176047  
PH :7018145653.

**JAMMU & KASHMIR**

**JAMMU**

72. JAMKASH VEHICLES (33NB-33-01), NH-1A BYE PASS OPPOSITE CHANNI HIMMAT, JAMMU (J&K)

73. JAMMU MOTORS (33ND-33-01), KHASRA NO. 421, TOPE SHERKHANIA, AKHNOOR ROAD, OPPOSITE BEST PRICE, JAMMU, JAMMU & KASHMIR - 180016

**SRINAGAR**

74. PEAKS AUTO (12NA-12-01), DR. ALI JAN ROAD, SOURA, SRINAGAR PIN - 190011. - 190011  
PH :7006285604.

**JHARKHAND**

**BOKARO**

75. HINDUSTAN AUTO AGENCY (B5NA-01), KHATA NO. 752, PLOT NO. 7792, NH-32, CHAS, BOKARO. - 827013  
PH :9304807318.

**DEOGHAR**

76. PREMSONS (SGWN-01), PLOT NO 318/319 UNDER THANA NO 583,MAHESHMARA MOUJA ,DEOGHAR - 814112  
PH :9835507004.

**DHANBAD**

77. RELIABLE (52NA-52-01), RELIABLE INDUSTRIES NEXA WORKSHOP AMAGHATA, BY PASS ROAD SUGADIHPIN -828109 - 828109  
PH :7992470853.

**HAZARIBAGH**

78. PREMSONS (Y9NA-01), PREMSON MOTOR UDYOG PVT LTD, NEXA SHOWROOM NEXT TO GST OFFICE,ARYA NAGAR,HURHURU,HAZARIBAGH,JHARKHAND 825301 - 825301  
PH :9835507004.

**JAMSHEDPUR**

79. MOTOR WORLD (31NB-31-01), NS-6, 2ND PHASE, ADITYAPUR INDUSTRIAL AREA, JAMSHEDPUR - 831013

80. PEBCO MOTORS (31NA-31-01), KANDRA ROAD, ADITYAPUR INDUSTRIAL AREA, JAMSHEDPUR - 831013  
PH :99334183260.

**RANCHI**

81. SUDHA MOTORS (51NB-51-01), KATHALMORE, OPP. MANER DHABA, RANCHI - 834005

82. PREMSONS (51NC-51-01), PLOT NO 2651/2652, KHATA NO 239, MAUJA, VILLAGE BARAGAI , BARIATU MAIN ROAD, RANCHI, JHARKHAND - 834009  
PH :9334811248.

**KARNATAKA**

**BANGALORE**

83. MANDOVI MOTORS (02NJ-01), SURVEY NO.33/2,ALLALASANDRA, YELAHANKA NORTH, BANGALORE, KARNATAKA - 560064  
PH :9513729888.

84. KALYANI MOTORS (02NI-01), SURVEY NO.1712, KENCHENAHALLI VILLAGE, RAJARAJESHWARI NAGAR, MYSORE ROAD,BANGALORE, KARNATAKA - 560032  
PH :9845049626.

85. SURAKSHAA CAR CARE (02NF-01), 2/6, BERTEN AGRAHARA, OPP TO METRO CASH & CARRY, HOSUR MAIN ROAD, ELECTRONIC CITY, BANGALORE, KARNATAKA - 560100  
PH :9845047393.

86. PRATHAM MOTORS (02NK-01), 120,SARJAPUR MAIN ROAD DODDAKANAHALLI, VARTHUR HOBLI, BANGALORE EAST, KARNATAKA- 560035. - 560035  
PH :888400579.

87. VARUN MOTORS (02NG-01), NO.23/A, INDUSTRIAL SUBURG, 2ND STAGE, TUMKUR ROAD,YESHWANTPUR, BANGALORE, KARNATAKA- 560022. - 560022  
PH :8971888885.

88. VARUN MOTORS (02NM-01), 37/56 NAGAVARA VILLAGE,HEBBAL RING ROAD, BANGALORE - 560024  
PH :9513394753.

## Nexa Network (AS ON 31.10.2023 )

89. KALYANI MOTORS (02NN-01), 152/7, OUTER RING ROAD, DODDA BANASWADI, HORAMAVU, KR PURAM HOBALLI, BANGALORE -560043. - 560043 PH :99002020454.	100. KALYANI MOTORS PVT LTD (25NC-01), KALYANI MOTORS PVT LTD - 570016	110. PATEL MOTORS (53NA-53-01), 1105/1528/5/2, MIN-1 AND 1105/1528/4/5, GRAM: KHAJRANA, DISTRICT: INDORE, KANADIA ROAD, INDORE (M.P.) - 452016 PH :7771002581.	120. AUTOMOTIVE MANUFACTURER LTD (21NB-21-01), PLOT NO - L 3 / 1 , BETWEEN GARWARE & WOCKHARDT LTD, JALGAON ROAD, MIDC CHIKHALTHANA,AURANGABAD PIN : - 431006, MAHARASHTRA - 431006 PH :9970499273.
90. BIMAL AUTO AGENCY INDIA PVT LTD (02NL-01), NO 1, 3 RD BLOCK, 2ND STAGE, NAGARBHAVI, OUTER RING ROAD, BANGALORE - 560072	<b>SHIMOGA</b> 101. SHRUTI MOTORS (B7NA-01), 217/215/91/79/1, OPP TO FOREST OFFICE, SHANTI NAAGARA, HONNALI ROAD, SHIMOGA, KARNATAKA - 577201 PH :989596666.	111. OCEAN MOTORS (53NB-53-01), BICHOLI MARDANA NEAR SAMPATH PALACE OPP HOTEL PRIDE - 452001	121. PAGARIYA AUTO (21NA-21-01), OPP AIRPORT, NEXT TO INDIAN OIL PETROL PUMP, JALNA ROAD, AURANGABAD, MAHARASHTRA - 431006 PH :8888859502.
91. BIMAL AUTO AGENCY INDIA PVT LTD (02NC-01), SY.NO.9/04, NEAR KATAMANALLUR GATE, KANNAMANGALA, KADUGODI MAIN ROAD, SANNATAMMANAHALLI, BENGALURU, KARNATAKA - 560067 PH :9742269137.	<b>KERELA</b> 102. AM MOTORS (47NA-47-01), 18/1472, OPP TO COMTRUST EYE HOSPITAL, SRAMBICKAL PARAMBA,MINI BYPASS JAIL ROAD JUNCTION,PUTHIYARA POST,CALICUT, KERALA-673004. - 673004 PH :7708933966.	112. RANA MOTORS (53ND-53-01), LASUDIA MORI, DEWAS NAKA, INDORE, PIN CODE 452010 - 452010 PH :9933055539.	<b>BARAMATI</b> 122. MAHALAXMI AUTO (7RNA-01), BHIGWAN ROAD, SHIV NAGAR, BARAMATI (MAHARASHTRA) PH :9850994014.
<b>BELGAUM</b> 92. SHANTESHA MOTORS (E8NA-01), PLOT NO. 6/B, R.S.NO. 34, BOUXIDE ROAD, KANGRALI B K, BELGAUM, KARNATAKA-590010. - 590010 PH :9538195381.	103. POPULAR VEHICLES (47NB-47-01), BYPASS SERVICE ROAD, BEHIND JAYA ARCADE THONDAYADU, CALICUT, KERALA - 673017 PH :9946104660.	<b>JABALPUR</b> 114. STANDARD MOTORS (54NC-54-01), KHARSA NO-529/11/1, NEAR TRIPURI CHOWK GARHA JABALPUR M. P. - 482003 PH :9773543358.	<b>CHANDRAPUR</b> 123. BARBATE AUTO (H3NA-01), PLOT NO 15-18, OUT OF SURVEY NO 14/4, 15/5, MAUZA BADOLI, NAGPUR CHANDRAPUR HIGHWAY, CHANDRAPUR, MAHARASHTRA - 440025 PH :8380887666.
<b>BIJAPUR</b> 93. CHAVAN MOTORS (KTK) PRIVATE LIMITED (T7NA-01), #262, RANE MADRAS ROAD RING ROAD, NEAR SESHADRIPURAM COLLEGE HEBBAL MYSORE - 586109 PH :8799957100.	<b>COCHIN</b> 104. INDUS MOTOR (27NC-27-01), NH 47, THAIKATTUKARA PO,THAIKAVU, ALUVA, COCHIN - 683106 - 683106 PH :9747508822.	115. ADINATH CARS (G1NA-01), KHASRA NO 155, P H NO. -77, BAHERIA GADGAD, SAGAR JABALPUR ROAD, SAGAR - 470004, MADHYA PRADESH, INDIA - 470004 PH :9752447690.	<b>JALGAON</b> 124. MANRAJ AUTO (C4NB-01), P.93, MIDC, R L CHOWK, AJANTA ROAD, JALGAON, MAHARASHTRA - 425003 - 425003
<b>DAVANGERE</b> 94. SHRUTI MOTORS (S1NA-01), #323/1A, OLD PB ROAD AVARAGERE, DAVANGERE - 577003	105. SAI SERVICE (27NA-27-01), 723/7, 6, 18, OPP TO HOTEL AARYAS, SEAPORT-AIRPORT, POOJARY VALAVU, KANAYANNOOR TALUK, THIRRAKKARA NORTH, COCHIN-682021. - 682021 PH :9645106193.	<b>SAGAR</b> 116. CITY CARS (D7NA-01), BEHIND NEXA SHOWROOM, 666/2, AMOUDHA, PANNA ROAD, SATNA, MADHYA PRADESH - 485001 PH :6262230999.	<b>KHARGHAR</b> 125. SIMRAN MOTORS (AACN-01), 60/72, JAWAHAR COOPERATIVE INDUSTRIAL ESTATE, KALAMBOLI, KHARGHAR, MUMBAI, MAHARASHTRA - 410209
<b>HASSAN</b> 95. VENKAT MOTORS (C8NA-01), VENKAT MOTORS #200/46/2,D.M HALLI,NEAR GHEKALAMMA TEMPLE,B.M ROAD ,HASSAN - 573201	<b>KAYAMKULAM</b> 106. SAI SERVICE (8LNA-01), S.NO 111/48, KP ROAD, KAYAMKULAM, KERALA - 690502 PH :9288024222.	<b>SATNA</b> 117. RUKMARANI (YUG) (3WNA-01), 59/1, DEWAS ROAD, ADARSH NAGAR, NAGZIRI, UJJAIN - 456664 PH :9755512100.	<b>KOLHAPUR</b> 126. SAI SERVICE (38NA-38-01), 1243/66, E WARD, SHIVAJI UDYAMNAGAR, KOLHAPUR - 416001 PH :9923208401.
<b>HUBLI</b> 96. LEKHYA MOTORS (73NA-73-01), OPP TO APMC 2ND GATE, ESHWAR NAGAR, HUBLI-DHARWAD ROAD, HUBLI-580025. - 580025 PH :9513777265.	<b>KOLLAM</b> 107. SARATHY AUTOCARS (C7NA-01), NH-47 BYE PASS ROAD, AYATHIL P O KOLLAM DIST, KERALA STATE PIN 691021 - 691021 PH :9848659456.	<b>UJJAIN</b> 118. RUKMARANI (YUG) (3WNA-01), 59/1, DEWAS ROAD, ADARSH NAGAR, NAGZIRI, UJJAIN - 456664 PH :9755512100.	<b>MUMBAI</b> 127. SAI SERVICE (05NB-01), JOSEPH CARDIUN TECHNICAL SCHOOL , KHASHABA JADHAV MARG, OFF DR. AMBEDKAR ROAD ,DADAR (EAST) MUMBAI, MAHARASHTRA - 400014
<b>MANGLORE</b> 97. MANDOVI MOTORS (45NA-45-01), SUMIT APARTMENT BUILDING, AIRPORT ROAD, MARY HILL, MANGLORE - 574142 PH :9845133077.	<b>TRIVANDRUM</b> 108. INDUS MOTOR (16NB-16-01), OPPOSITE EVM ASHOK LEYLAND,ALUMOOD JN,NH 47, KANNIYAPURAM, TRIVANDRUM - 695301 - 695301 PH :9656685678.	<b>MAHARASHTRA</b> <b>AHMEDNAGAR</b> 119. KANKARIYA AUTOMOBILES (A5NA-01), SH-60,NEWASA ROAD ,NAGARDEOLE,AHEMDANAGAR,MAHARASHTRA - 414601 PH :9403961522.	128. SHIVAM MOTORS (05ND-01), PLOT NO SILVER HOUSE, 110 MIDC, ROAD NO 13, MAROL, ANDHERI (EAST), MUMBAI, MAHARASHTRA. - 400069
<b>MYSORE</b> 98. FRIENDLY MOTORS (25NB-25-01), PLOT NO.262, HEBBAL INDUSTRIAL AREA, MYSORE, KARNATAKA- 570016. - 570016 PH :9845011686.	<b>MADHYA PRADESH</b> <b>BHOPAL</b> 109. RAJRUP MOTOR JUNCTION (A UNIT OF RMJ MOTORS PVT LTD) (03NC-01), 42, 6, BLOCK, BHEL INDUSTRIAL ESTATE, HABIBGANJ, HOSHANGABAD ROAD, BHOPAL (M.P.)	<b>AMARAVATI</b> 119. ASPA BANDSONS (F2NA-01), F32/1 MIDC, AURANGABAD NAGPUR EXPRESS HIGHWAY, AMRAVATI, MAHARASHTRA - 444607 PH :9130041513.	129. KTS AUTOMOTORS (05NH-01), UNIT NO A1, PANNALAL COMPOUND, LBS KANTILAL MANGANLAL ESTATE, L.B S MARG, BHANDUP (W), MUMBAI - 400078
99. MANDOVI MOTORS PRIVATE LIMITED (25NA-01), MANDOVI MOTORS PRIVATE LIMITED NEXA SERVICE #90/7,DATTAGALLI RING ROAD, R.T.NAGAR JUNCTION, MYSURU - 570023	<b>INDORE</b>	<b>AURANGABAD</b>	130. SHIVAM AUTOZONE (05NE-01), PLOT NO. 1 & 2, RAMCHANDRA LANE EXTN., KANCHPADA, OFF LINK ROAD, MALAD-WEST. - 400064 PH :9870938888.

132. SEVA AUTOMOBILES (68NA-68-01), AIRPORT ROAD,SANGVI - 431605  
PH :7065028520.

**NASHIK**

133. SEVA AUTOMOBILES (37NA-37-01), PLOT B-17, MIDC, AMBAD, NASIK, MAHARASHTRA - 422010  
PH :8975762303.

**NAVI MUMBAI**

134. AUTOMOTIVE MANUFACTURER LTD (39NB-39-01), NERULL, MUMBAI PUNE HIGHWAY, NAVI MUMBAI - 400706  
PH :9769206120.

**PUNE**

135. KOTHARI WHEELS (19NB-19-01), GATE NO 1605, OLD 1099, KESNAND ROAD, WAGHOLI, TAL-HAVELI, DISTRICT - PUNE, MAHARASHTRA - 412207  
PH :7721865000.

136. EXCEL AUTOVISTA (19NG-19-01), SURVEY NO 98/2AP, NEW PUNE - MUMBAI HIGHWAY, NEAR BALEWADI STADIUM, BANER TALUKA, PUNE - 411045

137. SEHGAL AUTO RIDERS (19NE-19-01), SURVEY NO 6/32, SHEWALEWADI, MANJARI BUDRUK, PUNE SOLAPUR HIGHWAY, PUNE, MAHARASHTRA - 412307  
PH :9158000049.

138. WONDER CARS (19ND-19-01), PLOT NO 52/1 BLOCK F2, MIDC PIMPRI, PUNE - 411019  
PH :9850094151.

139. MAHALAXMI AUTO (19NI-19-01), NEAR SADGURU PETROL PUMP, PUNE NASHIK HIGHWAY, AT KURALI, KHED TALUKA, CHAKAN - 410501  
PH :9923589214.

140. SAI SERVICE (19NC-19-01), SINHAGAD ROAD, NEAR NANDED CITY, VADGAON KHURD, PUNE. (MAHARASHTRA)  
PH :9923308333.

**RATNAGIRI**

141. JAGRUT MOTORS (G3NA--01), 410/6/1B, SALVI STOP, SHIVAJI NAGAR MAIN ROAD RATNAGIRI, MAHARASHTRA - 415612  
PH :9820039626.

**SHOLAPUR**

142. CHAVAN MOTORS (B1NA--01), SURVEY NO. 534/4, BALE PUNE ROAD, SOLAPUR, MAHARASHTRA - 413224 - 413224  
PH :8888881314.

**THANE**

143. EXCEL AUTOVISTA (39NA-39-01), MOHAN MILL COMPOUND, GHODBUNDER ROAD , THANE , MAHARASHTRA - 400607  
PH :9967331726.

144. EXCEL AUTOVISTA (39NA-39-02), NEAR ARIHANT COMPOUND, KALHER, BHIWANDI, THANE - 400607  
PH :9967331726.

**NAGALAND**

**DIMAPUR**

145. PROGRESSIVE MOTORS (32NA-32-01), OPPOSITE AIRPORT, N.H.39, DIMAPUR KOHIMA ROAD, DIMAPUR OPPOSITE AIRPORT, N.H.39, DIMAPUR KOHIMA ROAD. - 797115  
PH :7669223736.

**ODISHA**

**BERHAMPUR**

146. SKY AUTOMOBILES (E2NA--01), PLOT NO 373/2229 & 373/1204, AMABAPUA MOUZA, BRAHMAPUR (ODISHA) - 760007

**ROURKELA**

147. ORBIT MOTORS (87NA-87-01), PLOT NO 5G/3, VED VYAS, SUNDARGARH, ROURKELA - 769041  
PH :9165071234.

**SAMBHALPUR**

148. ODYSSEY MOTORS (D4NA--01), SAMBALPUR, CHOWK, REMED, ODISHA 768006 - 768006

**PUNJAB**

**AMRITSAR**

149. JAYCEE MOTORS (17NA-17-01), JAYCEE MOTORS, VERKA BYE PASS, OUTSIDE ASHBERRY HOMES, VILLAGE VALLAH, AMRITSAR, PUNJAB - 143501

**BHATINDA**

150. TARA (70NA-70-01), KHASRA NO. 3534, NEAR ITI CHOWK, MANSA ROAD, BHATHINDA, PUNJAB - 151001  
PH :8437019666.

**JALLANDHAR**

151. LOVELY AUTO (35NA-35-01), NH 1 GT ROAD, FRAGPUR, JALANDHAR PUNJAB  
152. MARWAHA AUTOS (35NC-35-01), KHASRA NO - 16450, SITUATED AT RAJA GARDEN, KAPURTHALA RD, JALANDHAR - 144001  
PH :9915944600.

**LUDHIANA**

153. GULZAR (62NE-62-01), PLOT NO 2662 NEAR SILVER ARC MALL, AARTI CHOWK, LUDHIANA, PUNJAB - 141003  
PH :9814839777.

154. HOSHARPUR AUTO (62NG-62-01), S-46/1616/1, G.T. ROAD, DHOLEWAL CHOWK, LUDHIANA, PUNJAB - 141003  
PH :8872501234.

155. MARWAHA AUTOS (62NH-62-01), FERAZEPUR RD, AMAN PARK, NEW SUNDER NAGAR, LUDHIANA, PUNJAB - 141012  
PH :887200357.

156. LOVELY AUTOS (62NF-62-01), NEAR SAMRALA CHOWNK, MOTI NAGAR, LUDHIANA - 141010  
PH :9875999161.

**MOHALI**

157. CM AUTO SALES (L1NA--01), B-64A, INDUSTRIAL AREA, PHASE-7, MOHALI

**NAWANSHAHR**

158. LOVELY AUTOS (J7NA--01), VPO LANGROYA, CHANDIGARH ROAD, NAWANSHAHR - 144514  
PH :9915028682.

**PATHANKOT**

159. PATHANKOT VEHICLELEADS (A7NA--01), PLOT NO.-C-30, INDUSTRIAL GROWTH CENTRE, VILL. CHACELI, PATHANKOT - 145023  
PH :7527006800.

**RAJASTHAN**

**AJMER**

160. NAVNEET MOTORS (B2NA--01), PLOT NO7 -8,RIICO INDUTRAIL ESTATE MAKHAPURA NASIRBAD ROAD,AJMER(RAJASTHAN)-PIN CODE-305002 - 305002  
PH :9414149149.

**ALWAR**

161. FORTUNE CAR (F9NA--01), 6TH MILESTONE VILLAGE JATIYANA,OPP. PETROL BEHROR ROAD ALWAR - 301001  
PH :9982341741.

**BHILWARA**

162. CHAMPION CARS (E3NA--01), NEXA SUKHADIA CIRCLE, CHAMPION CARS, AJMER ROAD, BHILWARA - 311001  
PH :9001027933.

**BIKANER**

163. AUDI MOTORS (71NA-71-01), PLOT NO. F-189, SRI GANAGANAGAR ROAD, OPPOSITE RAC-3RD , BICHHWAL INDUSTRIAL AREA , BIKANER 334001 - 334001  
PH :9987222786.

**CHITTORGARH**

164. TECHNOY (K9NA--01), PLOT NO-28. OLD RIICO INDUSTRIAL AREA, CHITTORGARH, RAJASTHAN - 312001

**JAIPUR**

165. K P AUTOMOTIVES (11NB-11-01), PLOT NO.3-4,MANGLAM RIICO INDUSTRIAL AREA,NEAR KANAKPURA RAILWAY STATION,SIRSI ROAD - 302034  
PH :7412059823.

166. SATNAM MOTORS (11ND-11-01), D-27, KULM, ROAD NO-3,SIKAR ROAD, VISHWAKARMA INDUSTRIAL AREA, JAIPUR, RAJASTHAN-302023 - 302023  
PH :9649373311.

**JHUNJHUNU**

167. AUDI MOTORS (FNNA--01), NEAR TVS TWO WHEELER SHOWROOM ROAD NO 3 GUDHA MOD, RAJASTHAN 333001 - 333001  
PH :7970006402.

**JODHPUR**

168. AUDI MOTORS (65NA-65-01), 14 A, HEAVY INDUSTRIAL AREA, ITI CIRCLE, SARASH DAIRY ROAD, JODHPUR - 334001  
PH :7300077394.

169. LMJ AUTO (65NB-65-01), B-8, C-9,10, MIA, BASNI, PHASE-1 JODHPUR - 342009  
PH :7412087320.

170. LMJ SERVICES (65NB-65-02), PLOT NO.-61, GERU MARKET, BHADWASIYA FRUIT MANDI, JODHPUR, RAJASTHAN - 342001  
PH :8094011126.

**KOTA**

171. BHATIA & CO. (61NA-61-01), G-11A, AUTOMOBILE ZONE, IPIA, NEAR DAKANIYA RAILWAY STATION, KOTA - 324005  
PH :8094011126.

**SIKAR**

172. JAMU (K7NA--01), THAR PETROL PUMP,JAIPUR ROAD,SIKAR - 332001  
PH :9414037515.

**UDAIPUR**

173. TECHNOY (49NB-49-01), OPP. NAND BHAWAN, GOVERDHAN VILLAS , UDAIPUR

**TAMIL NADU**

174. PILLAI & SONS (14NC-14-01), DOOR NO.46, MEDAVAKKAM MAIN ROAD, KEELAKATTALAI, CHENNAI, TAMILNADU - 600117  
PH :9994950505.

175. POPULAR VEHICLES (14NB-14-01), 69/A & 69/B, SAMAYAPURAM MAIN ROAD, PORUR, CHENNAI,TAMILNADU- 600116 - 600116  
PH :9842389111.

176. KHIVRAJ MOTORS (14NA-14-01), PLOT NO.21, AMBIIT IT PARK ROAD, AMBATTUR INDUSTRIAL ESTATE, CHENNAI-600058 - 600058  
PH :9626099999

177. VISHNU CAR (14NG-14-01), SURVEY NO 219, ADJOINING HP PETROL PUMP, POONAMALLE HIGH ROAD, KATTUPAKKAM, CHENNAI, TAMIL NDU - 600056  
PH :7339359111.

## Nexa Network (AS ON 31.10.2023 )

178. ABT (14NJ-14-01), NO123, KANNIGAPURAM, VELACHERY MAIN ROAD, BEHIND RACE COURSE, GUINDY, CHENNAI, TAMIL NADU - 600032  
PH :9944443303.
179. VISHNU CAR (14NG-14-02), POONAMALLE HIGH ROAD, ARUMBAKKAM, KOYAMBEDU, CHENNAI, TAMIL NADU. - 600056  
PH :755033622.

### COIMBATORE

180. AADHI CARS (41NB-41-01), OLD KALIAPPA KALYANAMANDAM, PREMISES, KAVUNDAMPALAYAM, COIMBATORE, TAMIL NADU - 627007  
PH :9003977577.
181. SREE SARADHAMBAL (41NA-41-01), 18/1472, S.N.R COLLEGE ROAD, NAVA INDIA, COIMBATORE, AND TAMILNADU-641004. - 641004  
PH :9790004271.

### ERODE

182. SREE SARADHAMBAL (H7NA-01), NO.75, NEAR SURABI NURSERY, PERUNDURAI ROAD, ERODE, TAMILNADU-638011. - 638011  
PH :9786022272.

### HOSUR

183. SRI AMMAN CARS (7QNA-01), NEAR CATER PILLAR WARE HOUSE, SEETHA RAMNAGAR,NH-44,OPP TO ANAND ELECTRONICS, HOSUR, KRISHNAGIRI DISTRICT, TAMILNADU - 635109  
PH :9841033464.

### KARAIKUDI

184. MEENAKSHI AUTOZONE (HXNA-01), T S NO 624/1, DOOR NO. 5, 1ST STREET, SUBRAMANIAMPURAM, KARAIKUDI, TAMIL NADU - 630001  
PH :9940094881.

### MADURAI

185. ASIR (42NA-42-01), 176, MAIN ROAD, KAMARAJAR ROAD, MADURAI, TAMIL NADU - 625001 - 625001

### NAGERCOIL

186. ATHEN CARS (S5NA-01), NO. G. 3/9, NO. 1197, NELSON COMPOUND, KP ROAD, PARVATHIPURAM, NAGERCOIL, TAMILNADU - 629003 - 629003  
PH :9751196436.

### PONDICHERRY

187. SHENBAKA CARS (96NA-96-01), RS NO 50/5A, PONDICHERRY CUDDLORE MAIN ROAD ,KIRUMAMBAKKAM, BAHOR COMMUNE,PONDICHERRY - 607402  
PH :7338322220.

### SALEM

188. THRIVENI CARS (A2NA-01), 2/6, KANDHAMPATTY.BYE PASS ROAD, SALEM, TAMILNADU - 636005  
PH :9786022272.
189. SM CAR (A2NB-01), S NO 131/1A,BYPASS ROAD, NEAR INDIAN OIL ASSOCIATION, PETROL BUNK, KONDALAMPATTY, SALEM - 636010  
PH :7094440010.

### THANJAVUR

190. PILLAI & SONS (E7NA-01), SURVEY NO 237/1, NEELAGIRI THAKUR THOTTAM, VALLAM ROAD, THANJAVUR, TAMIL NADU - 613403  
PH :9443264165.

### TRICHY

191. PLA MOTORS (23NA-23-01), TS NO.29P,31P & 32P,36P, NEW WARD "E", NEW BLOCK NO 27, ANNA NAGAR, TRICHY, TAMILNADU - 620017. - 620017  
PH :8110099991.

### TRIPUR

192. SHASHTI (Y7NA-01), 16A-1,SHREE PADMINI GARDENS, KANGAYAM RD, TIRUPPUR, TAMIL NADU - 641604  
PH :9942903310.

### VELLORE

193. SRI GANESH CARS (C6NA-01), 96/6, CHENNAI-BANGALORE HIGHWAY, NH-46, PERUMUGAI,VELLORE, TAMILNADU - 632009  
PH :9884722126.

## TELANGANA

### HYDERABAD

194. KALYANI MOTORS (10NE-10-01), SURVEY NO.184, KARMAGHAT VILLAGE, BESIDE KHARMANGHAT HANUMAN TEMPLE, R.R DISTRICT, HYDERABAD, TELANGANA - 500079  
PH :9347121212.
195. VARUN MOTORS (10NB-10-01), B-54, CO.INDUTRIAL ESTATE, BALANAGAR, HYDERABAD, TELENGANA - 500037
196. GEM MOTORS (10NH-10-01), D.NO.8-96, SURVEY NO.128/2 & 129, TYAGARAYANANAGAR COLONY, KOTHAPET, HYDERABAD, TELANGANA - 500084  
PH :9912345899.
197. JAYABHERI AUTO (10ND-10-01), HNO 2-40/64, SURVEY NO 23 TO 28, JUBILEE GARDENS, KOTHAGUDA, HYDERABAD, TELANGANA-500032. - 500032
198. VARUN MOTORS (10NB-10-02), H.NO. 8-2-120/117/A/2, PLOT NO. 83.83A,83B, ROAD NO. 2, BESIDES SBI BANK, BANJARA HILLS, HYDERABAD - TELANGANA - 500033  
PH :9898510555.

199. SAI SERVICE (10NC-10-01), SURVEY NO 78, ADJACENT TO HP PETROL PUMP, GOPANAPALLY, GACHIBOWLI, HYDERABAD -500046 - 500046  
PH :99966377888.
200. RKS (10NI-10-01), SY NO-42, PET BAMPHERABAD, QUTHBULLAPUR, MEDCHAL MANDAL, HYDERABAD - 500014
201. ADARSHA AUTOMOTIVE (10NG-10-01), PLOT NO 6/P, 54, SURVEY NO. 204, PRAGATI NAGAR, BALANAGAR, KUKATPALLY, HYDERABAD - 500072
202. ADARSHA AUTOMOTIVE, SHAMSHABAD (10NG-02), SHAMSHABAD, NH44, HYDERABAD, TELANGANA - 501218 - 501218  
PH :8297116633.

### KARIMNAGAR

203. ADARSHA AUTOMOTIVE (N6NA-01), 8-6-301, BY PASS ROAD, AUTO NAGAR, KARIMNAGAR, TELANGANA - 505001  
PH :9847073265.

### MAHBUBNAGAR

204. JAYARAMMA AUTO (WPNA-01), CHRISTIANPALLY, BHOOTPOOR ROAD, MAHBUBNAGAR, TELANGANA - 509001  
PH :8096990074.

### MANCHERIAL

205. ADARSHA AUTO (CMNA-01), SURVEY NO-417,BELLAMPALLI MANCHERIAL ROAD ,MANCHERIAL,TELANGANA - 504208  
PH :9133329709.

### NIZAMABAD

206. VARUN MOTORS (1HNA-01), 1-51/4/1/D4 MADAHAYA NAGAR,HYDERABAD ROAD ,NIZAMABAD,TELANGANA,503320 - 503230  
PH :9542222486.

### SECUNDERABAD

207. MITHRA AGENCIES (10NK-10-01), USHA MAYURTI THEATER, OPP TO SPENCERS MARKET, MUSHHEERABAD, SECUNDERABAD, ANDHRA PRADESH-500020. - 500020
208. AUTO FIN (K6NB-01), PLOT NO.6, SURVEY NO.287/1 & 287/2, BOWENPALLY, BALANAGAR MAIN ROAD, SECUNDERABAD, TELANGANA - 500011  
PH :8886144551.
209. VARUN MOTORS (K6NC-01), VARUN MOTORS,2ND CROSS ROAD,SAINIKPURI,SECUNDERABAD PH :779960094.

### WARANGAL

210. ADARSHA AUTOMOTIVE (D5NA-01), H.NO: 23-6-132, HUNTER ROAD, OPP TO CITIZENS CLUB, WARANGAL, TELANGANA - 506007  
PH :8978944414.

## UTTAR PRADESH

### AGRA

211. MADHUSUDAN MOTORS (66NA-66-01), ADJOINING HEMA PETROL PUMP, EIT MANDI, BODLA, AGRA

### ALIGARH

212. CLML (B6NA-01), PLOT NO. 5/129, GT ROAD, RAM NAGAR COLONY, SARSOOL, ALIGARH, UTTAR PRADESH. - 202002  
PH :9639775522.
213. CLML (B6NA-02), VILL KARSUA, PALWAL-DELHI ROAD, ALIGARH PIN 202140 - 202140  
PH :9358373099.

### BARIELY

214. CORAL (56NA-56-01), DELHI RAMPUR ROAD, IN FRONT OF MINI BYPASS, CB GANJ, BARIELY, UP - 243001  
PH :9359101010.

### GHAZIABAD

215. ROHAN MOTORS (59NA-59-01), KHASRA NO 46 , DELHI MEERUT ROAD MEERUT ROAD INDUSTRIAL AREA, MORTA, GHAZIABAD, UTTAR PRADESH 245101 - 245101  
PH :8178839830.

216. J J IMPEX (5982-59-N1), PLOT NO C, J IMPEX (DELHI) LIMITED, 224, SITE-1, INDUSTRIAL AREA, BULANDSHAHR ROAD INDUSTRIAL AREA, GHAZIABAD, UTTAR PRADESH - 201003 - 201003

### GORAKHPUR

217. SMART WHEELS (72NA-72-01), ARAZI NO. 623, 624 & 625, GULHARIA BAZAR, MEDICAL COLLEGE ROAD, GORAKHPUR, UTTAR PRADESH - 273009  
PH :8222002147.

### GREATER NOIDA

218. MSM (JJ IMPEX) (T283-N1), MARUTI SERVICE MASTERS, NEXA SERVICE, PLOT NO 02, ECOTECH 12, GREATER NOIDA, GAUTAM BUDDHA NAGAR, UTTAR PRADESH - 201009

### HARDOI

219. CONCEPT (QENA-01), PLOT NO. 1609 & 1605, GUNGABUX PURVA, BILGRAM RD, HARDOI, UTTAR PRADESH - 241001  
PH :7607696666.

### JHANSI

220. SURI (60NA-60-01), SHIVPURI - JHANSI ROAD, OPPOSITE HANSRAJ MODERN SCHOOL, JHANSI, UTTAR PRADESH - 284003  
PH :7705000558.

### KANPUR



221. KTL (28NB-28-01), ARAZI NO. 352, SINGHPUR KACHHAR, BITTHOOR ROAD, NORTHERN RAILYWAY COLONY, KANPUR, UTTAR PRADESH. - 208017  
PH :7408409312.

**LUCKNOW**

222. ANAND MOTORS (13NC-13-01), GATA NO. 1062 PARGANA RAJA BIJLI PASI VILLAGE AURANGABAD, SHAHEED PATH (OPPOSITE TO RAMABAI AMBEDKAR MAIDAN), LUCKNOW, UTTAR PRADESH - 226012

223. KTL AUTOMOBILE PVT LTD (13ND-13-01), PLOT NO - 513, VILL HARIHARPUR BIJNAUR, OPP ANSAL API, AMAR SHAHEED PATH, LUCKNOW - 227105  
PH :7311190503.

**MATHURA**

224. UMA MOTORS (H8NA--01), PLOT NO 222, MAHOLI, NEAR KIRAN HOSPITAL, MATHURA - 281004  
PH :9997385999.

**MEERUT**

225. TR SAWHNEY (48NB-48-01), 1183/17 RITHANI, ZONE - A, SECTOR 4 NEAR PETROL PUMP, MEERUT, UTTAR PRADESH - 250103  
PH :18002704142.

**NOIDA**

226. FAIR DEAL (A1ND--01), A-107, SECTOR-5, NOIDA - 201301  
PH :9810542222.

227. MOTOR CRAFT (59NB-59-01), C 42 SECTOR 57, NOIDA, UTTAR PRADESH - 201301

**RAIBAREILY**

228. KTL AUTOMOBILE PVT LTD (HSNA--01), 1481, NEAR KATHWARA BUS STAND, LUCKNOW RAIBARELI HIGHWAY, HARCHANDPUR, RAIBARELI - 229303  
PH :7311190503.

**SAHIBABAD**

229. MSM (M983--N1), MARUTI SERVICE MASTERS, NEXA SERVICE, PLOT NUMBER 58/4, SITE 4, SAHIBABAD INDUSTRIAL AREA, - 201010  
PH :9711474930.

**SHAHJHANPUR**

230. SUMITRA DS (W2NA--01), SH25 , RETI ROAD SHAHJHANPUR

**UTTARAKHAND****HALDWANI**

231. NAINITAL MOTORS (J6NA--01), 5TH KM RAMPUR ROAD, JEETPUR NEGI, NEAR AMAR UJALA PRINTING PRESS, HALDWANI, UTTARAKHAND - 263139

**ROORKEE**

232. SHAKUMBARI (H2NA--01), 5 KM MILESTONE NH-58,ROORKEE-DELHI ROAD ,NEAR HOTEL GODWARI,ROORKEE, UTTARAKHAND - 247667

**RUDRAPUR**

233. AKANKSHA AUTOMOBILES (RUDRAPUR) PVT. LTD. (U4NB--01), KASHIPUR ROAD, OPPOSITE GREEN PARK COLONY, VILLAGE DIBDIBA, TEHSIL BILASPUR, RAMPUR, UTTRAKHAND - 244901

**WEST BENGAL****ASANSOL**

234. BEEKAY AUTO (F6NA--01), NH-2 ,CHANDA MORE ,POST KALI PAHARDI, JAMMURIA DISTRICT WEST BARDHAMAN - 713339  
PH :9932049425.

**HOWRAH**

235. MACHINOTECHNO (X7NA--01), 109, 1, UPPER FORESHORE RD, CHOURA BUSTEE, SHIBPUR, HOWRAH, WEST BENGAL 711102 - 711102  
PH :9830081632.

**JALPAIGURI**

236. PODDAR AUTO (XYNA--01), ASSAM MORE BUS STOP, SH12A, JALPAIGURI, WEST BENGAL 735102 - 735102  
PH :8945533002.

**KHARAGPUR**

237. BHANDARI AUTOMOBILES (G7NA--01), CHOWRANGEE, PLOT NO-138 & 139, O T ROAD, KHARAGPUR - 721301  
PH :7603076061.

**KOLKATA**

238. JYOTE MOTORS (06ND--01), MIRANIA ROAD, ARUPOTA ON BASANTI HIGHWAY, - 700105  
PH :9074158220.

## Mass Network (AS ON 31.10.2023 )

### ANDHRA PRADESH

#### ANANTAPUR

1.\*\* GOWRI AUTO. & ENGG. WORKS (2621),  
PA TEL ROAD, ANANTHAPUR-515 001 (A.P.),  
PH :-984879075.

#### ARMOOR

2.## HYDERABAD MARUTI MOTORS (4932), PLOT  
NO. 6, BESIDE THAKUR BEEDI FACTORY,  
ARMOOR, DISTRICT-NIZAMABAD (ANDHRA  
PRADESH),  
PH :503224-9848205619.

#### CUDDAPPAAH

3.## SIVAJI MOTORS (3275), BESIDES  
PADMASHALI KALYANA MANDAPAM,  
MADRAS ROAD, KADAPA-516002, ANDHRA  
PRADESH

PH :516002-9849113189.  
4.## SREE VENKATESWARA AUTO. (1030),  
SANKARA PURAM, CUDDAPPAH (A.P.),  
PH :516002-9704209620.

#### GUNTAKAL

5.## S. MAHA BOOB AUTOMOBILES (4075), ALUR  
ROAD, GUNTAKAL-515802, .  
PH :515802-9440208312.

#### GUNTUR

6.## S. S. MOTORS (4946), OPP. JKC COLLEGE,  
JKC COLLEGE ROAD, GUNTUR-522006,  
ANDHRA PRADESH,  
PH :522006-9848936363.

#### HYDERABAD

7.\* BHARAT MOTORS (3574), 1-90/7, BEHIND  
SUPRBHAT HOTEL, HABSIGUDA "X" ROAD,  
HYDERABAD-500 007,  
PH :500077-9848193837.

8.## NEW TECHNICRAFTS AUTO SERVICES  
(4477), 1-2-607/231/C, AMBEDKAR NAGAR,  
INDIRA PARK ROAD, HYDERABAD-500029  
(ANDHRA PRAESH),  
PH :500029-9347511963.

#### KAKINADA

9.## SATISH AUTO CARE (5038), BEHIND  
KALPANA THEATRE, BEACH ROAD  
KAKINADA, DISTRICT EAST GODAVARI,  
ANDHRA PRADESH,  
PH :533005-9848313599.

10.## SRI SHIRDI SAI TECHNOCRAFTS (1459),  
FLAT NO 36/2, I.D.A. , RAMANAYYAPETA,  
BESIDE MAHINDRA SHOW ROOM, OPP:  
BHAVANI CASTING ROAD,  
KAKINADA-533005,  
PH :533005-9848633336.

#### KAVALI

11.## KAMAL MOTORS (3842), 10-15-43/J3A OPP  
LIC, TANK RAOD, KAVALI,  
PH :524201-9440928888.

#### KURNOOL

12.# SRINIWAS AUTO GARAGE (5170), KALLUR  
ROAD, KURNOOL, DISTRICT - KURNOOL,  
ANDHRA PRADESH,  
PH :518002-9440244660.

#### MACHILIPATNAM

13.## SRI MARUTI MECHANICAL WORKS (4172),  
D.NO 4-121, PLOT NO 26.27, , POTEPALLI  
INDUSTRIAL PARK, MACHILIPATNAM-  
521002,  
PH :521002-9440538012.

#### MANDAPETA

14.# MODERN MARUTI CARE (4866), D.NO.  
4-1-59/2, MAIN ROAD, MANDAPETA-533039,  
DISTRICT-EAST GODAVARI, ANDHRA  
PRADESH,  
PH :533309-9133198494.

#### MATHURAWADA

15.## ANY TIME SERVICE CENTRE (4860), BESIDE  
ELECTRICAL SUBSATION , MADHURAWADA  
- 530041, DISTRICT VISAKHAPATNAM,  
ANDHRA PRADESH,  
PH :530048-8977799888.

#### NAGARI

16.# PUJITHA SERVICE CENTER (5872),  
TIRUPATI ROAD, NAGARI-517583,  
DISTRICT-CHITTOOR, ANDHRA PRADESH,  
PH :517583-9966106126.

#### NANDYAL

17.## MARUTI MOTORS (2635), PLOT NO 428,  
NH-18 , NEAR RAILWAY GATE , NANDYAL-  
518501,  
PH :518501-9440554617.

#### NELLORE

18.## MARUTI AUTO SERVICE STN. (2620), 16/796  
SANKARA AGRAHARAM, NELLORE-524 001  
(A.P.),  
PH :524001-9885881905.  
19.\*\* MARUTI MOTORS (176), 16-3-995, MINI  
BYPASS ROAD, RAMALINGAPURAM,  
NELLORE-524 003,(A.P.),  
PH :524003-9440278243.

#### PATTIKONDA

20.# ROYAL MOTORS (5776), ADONI ARTS &  
SCIENCE, COLLEGE ROAD  
ADONI,PATTIKONDA-518302,  
DISTRICT-KURNOOL, ANDHRA PRADESH,  
PH :518302-9866362847.

#### PRODDATTUR

21.## SRI RAM MOTORS (3642), 189 INDUSTRIAL  
AREA, NEAR SRI LAKSMI NAGAR, MYDUKUR  
ROAD, FRODDATTUR (A.P.),  
PH :516360-9666890525.

#### RAJAHMUNDRY

22.## MARUTHI MOTORS (1257), D.NO 88-30-04,  
OPP I.T.C. GADALAMMA NAGAR, NH-16,  
RAJAMAHENDRAVARAM -533107,  
PH :533107-9848253434.

#### SIDDIPET

23.\* POOJA MOTORS (4076), 19/180  
KARINAGAR ROAD, G.P. PRASANTH  
ROAD, SIDDIPET, DISTRICT MEDAK (AP),  
PH :502103-9848348344.

#### SRIKALAHASTI

24.## SUNDEEP CARS (5972), 16/769,SRI RAM  
NAGAR COLONY, SRIKALAHASTI-517640,  
DISTRICT-CHITTOOR, ANDHRA PRADESH,  
PH :517640-9848294869.

#### TENALI

25.## HIMAJA MARUTI SERVICE STATION (2828),  
LECTURER'S COLONY, GIRIJA HOSPITAL  
ROAD, GANGANAMMAPET, TENALI-522 201  
GUNTUR DIST. (A.P.),  
PH :522201-9849715727.

26.## RAHUL MOTORS (5157), D.NO.18-3-4BITRA  
SRI RAMULU STREET, BEHIND TELEPHONE  
EXCHANGE SALIPET, TENALI, ANDHRA  
PRADESH,  
PH :522201-9490187453.

#### VISAKHAPATNAM

27.## SIRI AUTOMOBILES (5232), PLOT O 94/A IDA  
E BLOCK, AUTO NAGAR,GAJUWAKA,  
VISAKHAPATNAM, ANDHRA PRADESH,  
PH :530012-9963296667.

28.# SRINIWASA AUTO GARAGE (5440), OPP.  
KANTI ROAD, NEAR RAYS PETROL PUMP -  
VISAKHAPATNAM, DISTRICT -  
VISAKHAPATNAM, ANDHRA PRADESH,  
PH :530031-9912688943.

29.\*\* VISAG AUTO SCANS (461), 49-52-1/4/2,OPP  
HNR VIHAR APPARTMENTS, SANTHIPURAM,  
SANKARMATAM ROAD,  
VISAKHAPATNAM-530016,  
PH :530016-92446625885.

#### VIZIANAGARAM

30.\* VIKRAMA AUTOMOBILES (4621), 17-13-4  
TEMPLE STREET, VIZIANAGARAM - 531 202  
(A.P.),  
PH :535003-9440192224.

### ARUNACHAL PRADESH

#### ALONG

31.## BAANU MOTORS (1744), SIYOM MARKET,  
ALONG, WEST SIANG DISTT. (ARUNACHAL  
PRADESH),  
PH :791001-.

#### BOMDILA

32.## GURU MOTORS (3921), BIRPUR, RUPA,  
ARUNACHAL PRADESH 790003,  
PH :790003-7640898278.

#### NIRJULI

33.## SANGO SERVICE CENTRE (5742), LEKHI  
VILLAGE, NH-415, NEAR MAHINDRA  
AUTOMOBILE, NAHARLAGUN, ARUNACHAL  
PRADESH - 791110,  
PH :791110-.

#### TAWANG

34.## TAWANG MARUTI SERVICING STATION  
(4255), OLD BAZAR LINE, P.O. & P.S.,  
TAWANG, ARUNACHAL PRADESH,  
PH :790104-9402493456.

#### ZIRO

35.## HILLS AUTO AGENCY (3922), POLICE  
RESERVE & PETROL PUMP ROAD, HAPOLI  
BAZAR P.O.ZIRO, DISTT. LOWER  
SUBANSIRI, ARUNACHAL PRADESH - 791  
120,  
PH :791120-9436047232.

### ASSAM

#### BADARPUR

36.## MARUTI CAR PLAZA (3635), NEAR  
INDUSTRIAL AREA, S.T. ROAD, BADARPUR,  
DISTT. KARIMGANJ (ASSAM) PIN-788 806,  
PH :788806-9854970591.

#### BISHAWANATH CHARIALI

37.\* BINA AUTOMATION (3677) , P.O.  
BISHAWANATH CHARIALI, DISTT.  
SONITPUR, ASSAM-784 176,  
PH :784176-9957309744.

38.## DISHANG DONE (1058), 52 N.H.,  
BISHWANATH CHARIALI-784176, DISTT.  
SONITPUR, ASSAM,  
PH :784176-9854004161.

39.# BINA AUTOMATION (1), P.O. BISHAWANATH  
CHARIALI, DISTT. SONITPUR, ASSAM-784  
176,  
PH :784176-9957309744.

#### BOKAJAN

40.## SHREE GANESH MOTORS (6040),  
SUKHANJAN SUPER  
MARKET P.O.BOKAJAN(C.F.), DISTRICT  
KARBI ANGLONG , ASSAM ,  
PH :782480-9435167138.

#### BOKAKHAT

\*\* A-Category Mass : Free & paid Service, Major repairs & Accidental repairs  
## C-Category Mass : Free & paid Service & Minor repairs

\* B-Category Mass : Free & paid Service & Major repairs  
# D-Category Mass : Free Service & Minor repairs

41.## GOENKA AUTOMOBILES (2878), P.O. BOKAKHAT, DISTT. GOLAGHAT, ASSAM-785 612, PH :785612-9854048910.

**DHALIGAON**

42.## ADHIKARI MOTOR WORKS (4049), P.O. DHALIGAON, DIST-BONGAIGAON, ASSAM-783385, PH :783385-9435020938.

**DHEMAJI**

43.## NARAH AUTOMOBILES (3852), C/O BLUE HILL COUNTER, P.O. DHEMAJI, DISTT. DHEMAJI, PIN-787 057 (ASSAM), PH :787057-9954390916.

**DHUBRI**

44.## BRAHMAPUTRA MOTOR SERVICING STATION (3127), G.T.B ROAD, DHUBRI-783 301, (ASSAM), PH :783324-9101176148.

**DIBRUGARH**

45.\* GEE DEE AUTO SERVICE (953), JHALUKPARA, DIBRUGARH-786 001, ASSAM, PH :786001-9435131119.

46.\*\* MEHBOOB AUTOMOBILES & TYRE SERVICES (1760), CHOWKIDINGHEE, NEAR STATE TRANSPORT, DIBRUGARH-3, PH :786005-9854432207.

**DIGBOI**

47.\*\* GAURI AUTOMOBILES (3760), MULIABARI, DIGBOI 786 171, , PH :786171-9435137556.

**DIPHU**

48.## WOJARU MOTORS (4377), DPHU MANJA ROAD, DILAJI, NEAR BIRLA FACTORY, DIPHU, PH :782460-8473875926.

**DOOM DOOMA**

49.\* S K AUTO CARE (3962), UCHAMATI, NATIONAL HIGHWAY, DOOM DUMA, ASSAM 786151, PH :786151-9435135876.

**GOALPARA**

50.## BHARAT ENGINEERING WORKS (969), P.O - BALDMARI, AGIA ROAD, GOALPARA (ASSAM)-783 102, PH :783102-9864767777.

**GOLAGHAT**

51.## KAKOTI MOTOR WORKS (1074), NEW AMOLAPATTY, RANGPUR, P.O. GOLAGHAT-785 621, DISTT. GOLAGHAT (ASSAM), PH :785621-9435053663.

**GOSSAIGAON**

52.## A.R. AUTOMOBILES (4544), NH-31C, HABRUBIL, GOSSAIGAON, DIST KOKRAJHAR, ASSAM-783360, PH :783360-9435109765.

**GUWAHATI**

53.\*\* MONO MOTOR WORKS (966), BAMUNI MAIDAN, GUWAHATI-781 021, , PH :781021-9864186600.

**HAILAKANDI**

54.## RONOK AUTOMOBILES (5978), LALA ROAD,NEAR CIVIL HOSPITAL, HAILAKANDI-788151, DISTRICT-HAILAKANDI, ASSAM, PH :788151-.

**HOJAI**

55.## PRAMAN MOTORS (5730), WARD NO. 12, HOLDING NO. 14, COLLEGE ROAD, HOJAI, ASSAM-782435, PH :782435-9954369700.

**JONAI**

56.## BOROAH MOTORS (4545), NH-515, MURKONG SLEEK, DIST. DHEMAJI, JONAI-787060, ASSAM, PH :787060-9864590237.

**KARIMGANJ**

57.## S D AUTOMOBILE (4931), SILCHAR ROAD, KARIMGANJ - 788710, , PH :788710-.

**LUMDING**

58.## BEDI MOTORS (5827), MAIN ROAD,NORTH LUMDING,LUMDING-782447, DISTRICT - NAGAON, (ASSAM), PH :782447-9957333991.

**MANGALDAI**

59.## PRIYAM AUTOMOBILES (2424), NH 52 COLLEGE ROAD, MANGALDOI, ASSAM, PIN-784 125, PH :784125-.

**MARGHERITA**

60.\* VIRDI MOTOR WORKS (955), MISSION ROAD, P.O. MARGHERITA-786 181, DIST. TINSUKIA, (ASSAM), PH :786181-8011164932.

**MARIANI**

61.## VASKAR AUTOMOBILES (5237), NEAR NST TINALI. P.O. :MARIANI, DISTRICT - JORHAT, ASSAM, PH :785634-9508486813.

**MORANHAT**

62.\* CHINAKI SERVICE STATION (2973), (MARUTI AUTHORISED SERVICE STATION), NATUN NAGAR - A.T. ROAD, MORANHAT-785 670, (ASSAM), PH :785670-9401512821.

**MORIGAON**

63.## PRAGATI MOTORS (5273), MORIGAON TOWN, WARD NO.1, BHATBOR-, DOLON PATH, P.O.: MORIGAON, DISTRICT - MORIGAON, ASSAM, PH :782105-9435064356.

**NAGAON**

64.## DAS MARUTI MOTOR WORKS (3734), NAGAON -782001, , (ASSAM), PH :782002-9435360246.

**NALBARI**

65.## B.R.K. AUTOMOBILES ENGINEERING WORKS (2838), HAJO ROAD, NALBARI-781 335, (ASSAM), PH :781335-9954895264.

**NAMRUP**

66.## RAJ ENTERPRISES (3849), NAMRUP INDUSTRIAL ENTERPRISES, SONARI TINIALI, PARBATPUR, NAMRUP-786 623 (ASSAM), PH :786623-9854135646.

**NORTH LAKHIMPUR**

67.\*\* GREEN LAND MARUTI WORKS (2974), NEAR GURUDWARA, NH 52, NORTH LAKHIMPUR-787 001, (ASSAM), PH :787031-9435086197.

**PATHSALA**

68.## USHA AUTOMOBILES (4240), N.H 31.PATHSALA-781325, DISTRICT-BARPETA, ASSAM, PH :781325-9401310431.

**SILAPATHAR**

69.## BORLUIT MOTOR (5743), KHANAMUKH, P.O/P.S -SILAPATHAR, DIST-DHEMAJI, ASSAM PIN-787059, PH :787059-8638981308.

**SILCHAR**

70.\*\* CARDROME (1559), 2ND LINK ROAD JUNCTION, SONAI ROAD (M H C ROAD), SILCHAR-788 006, (ASSAM), PH :788006-9435071212.

**TEZPUR**

71.## POOJA MOTOR WORKS (4373), N.T. ROAD, MURATETLI, TEZPUR-784001, ASSAM, PH :784001-9957907256.

**TINSUKIA**

72.\* AUTO MAKERS (934), MAKUM ROAD, UDOYG NAGAR, TINSUKIA -786 146 (ASSAM), PH :786146-9435035341.

**TITABAR**

73.## SHANKAR AUTO WORKS (5174), C/O:SHIV SHAKTI AUTO WORKS,BALAJI, MARKET TITABAR CHARIALI TITABAR, DISTRICT - JORHAT, ASSAM, PH :785630-.

**UDALGURI**

74.## RENU MOTORS (4543), WARD NO.2, U.T. ROAD, UDALGURI TOWN, UDALGURI-784509, ASSAM, PH :784509-9854348875.

**BIHAR**

**ARRAH**

75.## ANJALI ENTERPRISES (5533), ARRAH - PATNA MAIN BYPASS ROAD, NH-30, AHIRPURWA, OPPOSITE SURYA MANDIR, ARRAH, BIHAR -802232, PH :802232-9304918043.

**AURANGABAD (BIHAR)**

76.## K R N AUTOMOBILE (2242), NEW G.T. ROAD, (NH-2), AURANGABAD-824 101, (BIHAR), PH :824101-9304930657.

**BEGUSARAI**

77.## K.B. MOTORS (4768), NH-31, SINGHAUL, POKHAR, BEGUSARAI-851134, BIHAR, PH :851134-.

78.\* NATIONAL AUTO WORKS (1536), INDUSTRIAL AREA, BARAUN, BEGUSARAI-851 122, PH :851122-9973381733.

**BHAGALPUR**

79.\*\* RUPRA AUTOMOBILE (1577), EAST OF AIRPORT, BHAGALPUR-813 210, P.O. BAHADURPUR, (BIHAR), PH :813210-9334385521.

**BIHAR SHARIF**

80.## SARVODAY ENGG. & AUTO SERVICE (1549), INDUSTRIAL ESTATE, RAMCHANDRAPUR, BIHARSHARIF,NALANDA, BIHAR, PH :803101-9334672919.

**CHAPRA**

81.## PRASAD AUTOMOBILES (1974), BHAGWAN BAZAR, CHAPRA-841 301, (BIHAR), PH :841301-.

**DARBHANGA**

\*\* A-Category Mass : Free & paid Service, Major repairs & Accidental repairs  
## C-Category Mass : Free & paid Service & Minor repairs

\* B-Category Mass : Free & paid Service & Major repairs  
# D-Category Mass : Free Service & Minor repairs

## Mass Network (AS ON 31.10.2023 )

82.\* SINGH MARUTI CARE (2277),  
RAJKUMARGANJ, P.O. LALBAGH,  
DARBHANGA-846 004, (BIHAR),  
PH :946004-9431293796.

### GAYA

83.\* AUTO CARE (3027), DURGA BARI, HARIDAS  
CHATTERJEE LANE, NEAR SAINT PAUL  
SCHOOL, GAYA-823 001 (BIHAR),  
PH :823001-9102609555.

### HAJIPUR

84.## ALFA AUTO (5454), PASWAN CHOWK,  
NH-13, HAJIPUR, DISTRICT - VAISHALI,  
BIHAR - 844101,  
PH :844101-.

85.\*\* HI-TECH AUTOMOBILES (3123), GANDHI  
SETU PATH, N.H.-19, HAJIPUR, VAISHALI  
(BIHAR),  
PH :844101-9835044502.

### KAHALGAON

86.## MAHA GAURI ENTERPRISES (5822), NTPC  
ROAD,GANGANAGAR  
\_CHOWRATHIYASTHAN,  
KAHALGAON-813203,  
DISTRICT-BHAGALPUR, BIHAR,  
PH :813203-9431463558.

### KHAGARIA

87.## HIGHWAY SERVICE STATION (2374), NH-31,  
P.O. KOSHI COLLEGE, KHAGARIA-851 204  
(BIHAR),  
PH :851204-9430067775.

### MADHEPURA

88.## KRISHNA AUTOMOBILES (2639),  
SINGHSWAR ROAD, PATHRAHA,  
MADHEPURA-852 213, (BIHAR),  
PH :852213-9430583338.

### MADHUBANI

89.## VIDYAPATI AUTOMOBILE (4234), BHUAARA,  
GANGASAGAR, MADHUBANI, BIHAR -  
847212,  
PH :847212-.

### MOTIHARI

90.## PUJA AUTOMOBILES (3174), NEAR LAL PD.  
PETROL PUMP, NH-28 CHHATAUNI,  
MOTIHARI, EAST CHAMPARAN (BIHAR),  
PH :-.

### MUNGER

91.## SUNBEAM ENGINEERING WORKS (1533),  
150 BETWEEN BAZAR, NEAR KHANKAH,  
P.O.& DISTT. MUNGER, BIHAR - 811201,  
PH :811201-9931962944.

### MUZAFFARPUR

92.\*\* DYNAMIC MARUTI SERVICE CENTRE (1163),  
HARI SHARAN MARG, AMGOLA, POST OFF  
RAMNA, MUZAFFARPUR-842 002,  
PH :842002-.

93.## PERFECT MOTORS (3465), NEAR CHANDNI  
CHAUK, JHITKAIYA, POST: MIT PS:  
BRAHAMPURA, MUZAFFARPUR-842 003  
(BIHAR),  
PH :842003-9835007407.

### PATNA

94.\*\* CAR SCANNER (1552), OPP. BATA, KANKAR  
BAGH COLONY, PATNA-800 020,  
PH :800020-9431016342.

95.\*\* GOOD WRENCH SERVICES (3364), NH 30,  
BETWEEN BHARAT PETROLEUM & HP  
PETROL PUMPS, , 1 KM WEST OF "0" MILE,  
ASHOCHAK, NANDLAL CHAPRA, PATNA -  
800007,  
PH :800007-7277772777.

96.## MARUTI MAINTAINER (4842), PLOT NO 73,  
MAIN ROAD, KANKARBAGH, NEAR  
RAJENDRA NAGAR OVERBRIDGE, PATNA,  
BIHAR-800020,  
PH :800020-7903741541.

97.\* MOHINI AUTOMOBILES (1049), BEHIND  
RESERVE BANK OF INDIA, EXHIBITION  
ROAD, PATNA-800 001,  
PH :800001-.

98.\*\* TIRUPATI AUTO (1956), ASHIANA MORE,  
BAILEY ROAD OPPOSITE UNION BANK,  
RAJABAZAR, PATNA-14,  
PH :800014-.

99.\*\* RANJAN MOTORS (3665), SUDARSHAN  
PATH, NEAR PATNA SAHIB STATION,  
PATNA CITY -800 009,  
PH :800009-9334084343.

100.\*\* CITY AUTO SERVICE (1250), NEAR ALPANA  
MARKET, PATLIPUTRA COLONY,  
PATNA-800013,  
PH :800013-9334117070.

### PURNEA

101.## AUTO INDIA (3026), SRI DHAM MANDIR,  
PURNEA CITY, PURNEA 854302,  
PH :854301-9470204501.

### SAMASTIPUR

102.## MARUTI CARE (1526), TAJPUR ROAD,  
SAMASTIPUR -848 101, (BIHAR),  
PH :848101-.

### SASARAM

103.## TRIPTY CAR SERVICE CENTRE (5535),  
NEAR RELIANCE PETROL PUMP, G.T.  
ROAD,NH-2,SASARAM-821115,  
DISTRICT-SASARAM, BIHAR,  
PH :821115-9934792421.

### SITAMARHI

104.\* SITAMARHI AUTO CARE (6050), INDUSTRIAL  
AREA,RAJOPATTI, PO.SITAMARHI-8433002,  
DISTRICT-SITAMARHI, BIHAR,  
PH :843302-9430012437.

### CHANDIGARH

### CHANDIGARH

105.\*\* CAR CLINIC (179), PLOT NO-81, INDUSTRIAL  
AREA, PHASE-2, CHANDIGARH,  
PH :160002-9417216782.

106.## HI-TEK MOTORZ (4743), PLOT NO. 658,  
INDUSTRIAL AREA, PHASE-1, CHANDIGARH,  
PH :160002-9872567868.

107.## RATTAN MOTORS (1155), SECTOR 23-C,  
CHANDIGARH-160 023, ,  
PH :160023-9814008335.

### CHHATTISGARH

### AMBIKAPUR

108.# MARUTI AUTO CARE (4839), KHARSIA NAKA,  
AMBIKAPUR -497001, DISTRICT-SURGUJA,  
CHATTISGARH,  
PH :497001-9425256087.

### BILASPUR (CHHATTISGARH)

109.## RAINEY'S AUTO CARE (4770), NEAR GREEN  
PARK COLONY, JARHABHATA, BILASPUR,  
CHATTISGARH- 495001,  
PH :495001-9229884951.

### JAGDALPUR

110.## VISHWAKARMA AUTOMOBILES (4467),  
RAJMAHAL PARISHAR, CHAMBER OF  
COMMERCE ROAD, JAGDALPUR,  
CHATTISGARH- 494001,  
PH :494001-9753300033.

### JAMNIPALI

111.## AUTO CARE (3823), 203, J P COMPLEX  
SADA COLONY, JAMNIPALI-495 450, TEH.  
KATHGHORA DIST. KORBA (CHATTISGARH),  
PH :495450-7587399102.

### KORBA

112.## AUTO SELF SERVICE (6940), RAILWAY  
STATION CANAL ROAD, NEAR SUNALIYA  
RAILWAY CROSSING, MURARKA GALLI,  
KORBA, CHATTISGARH -495678,  
PH :495678-9229495000.

### MANENDRAGARH

113.## SHARMA AUTO CENTRE (5354), MAIN ROAD  
- MANENDRAGARH, DISTRICT -KOREA, PIN  
- 497442, CHHATTISGARH,  
PH :497442-7771011802.

### RAIPUR

114.## SHIVAM CAR SERVICES (4774), BILASPUR  
ROAD, KHAMTARAI, RAIPUR-492006,  
CHATTISGARH,  
PH :492006-9039090522.

### RAJNANDGAON

115.## SAI MOTORS (3672), OPP DENTAL  
COLLEGE, SUNDARA, DURG NAGPUR  
HIGHWAY (NH-8), RAJNANDGAON - 491 441,  
PH :491441-9893404117.

### A AND NAGAR HAVELI AND DAMAN AN DAMAN

116.## CAR ZONE (4358), SURVEY NO. 70/3,  
VARKUND, OPP VEERA DA DHABA, VAPI  
DAMAN ROAD, DAMAN-396210,  
PH :396210-9824184449.

117.## TOP GEAR (5469), DAMAN-KUNTA  
ROAD,KUNTA DAMAN-396210, DISTRICT -  
UNION TERRITORY - GUJARAT,  
PH :396210-9825631264.

### DELHI

118.\* AAPKA KARKHANA (MOTORS) PVT. LTD.  
(869), 62/1 POSANGIPUR MAIN MARKET, A-3  
BLOCK JANAKPURI, NEW DELHI-58,  
PH :110058-9811034869.

119.## ANAND MOTORS (4471), B-27, G.T. KARNAL  
ROAD, INDUSTRIAL AREA, NEW  
DELHI-110033,  
PH :110033-9582379699.

120.\*\* A-ONE AUTOMOBILES (3362), 487/35  
NATIONAL MARKET, PEERAGARHI,  
DELHI-110 087,  
PH :110087-9810257472.

121.## ASHA AUTOMOBILES (850), A-2 CHOTTEY  
LAL PARK, NAJAFGARH ROAD, OPP.KIRTI  
NGR.P.O, NEW DELHI-15,  
PH :110015-9818467898.

122.## AUTO ENGRS SERVICE STN. (8023),  
OPP.MODEL TOWN, DERAWAL NAGAR,  
DELHI-9,  
PH :110009-9811137929.

123.\* AUTO POINT SERVICE (1267), 70B RATTAN  
PARK, OPP. RAMESH NAGAR, NEW  
DELHI-110 015,  
PH :110015-9958062220.

124.## AUTOTECH ENGINEERS (4551), PLOT NO.  
20-24, MATIYALA VILLAGE, SECTOR-3,  
NEAR DPS DWARKA, NEW DELHI-110075,  
PH :110075-9811608008.

125.## BASANT MOTORS (8003), 78 TOLSTOY  
LANE, BEHIND SCINDIA HOUSE, NEW  
DELHI-110 001,  
PH :110001-9811522626.

\*\* A-Category Mass : Free & paid Service, Major repairs & Accidental repairs

## C-Category Mass : Free & paid Service & Minor repairs

\* B-Category Mass : Free & paid Service & Major repairs

# D-Category Mass : Free Service & Minor repairs

126.##	BHAGRATHI MOTORS (4737), PLOT NO. 153/543, POOTH KHURD, DELHI-110039, PH :110039-9810804556.	139.##	NORTHERN SERVICE STATION (337), SARAI BASTI, ROAD NO.40, OPP. SHASTRI NAGAR, DELHI-35, PH :110035-9213710643.	152.##	YASHWANT PLACE SER.STN. (8022), AFRICA AVENUE, (OPP.CHANAKYA CINEMA), NEW DELHI-21, PH :110021-988265789.	<b>MAPUSA</b>			
127.##	BHASIN SERVICE STATION (830), DR.R.S.KRISHNAN ROAD, NEAR PUSA GATE, NEW DELHI-110 012., PH :110012-9971977992.	140.**	P R G MOTORS (365), A-99,103CH.TEKCHAND MARKET, GANESH NAGAR - TILAK NAGAR, DELHI-110 018, DELHI, PH :110018-9711196811.	153.*	CMP AUTOMOBILES (8073), C-18 SHASHI GARDEN, OPP. MAYUR VIHAR, DELHI-110 092, PH :110092-9818278323.	165.##	SARDESAI AUTOMOBILES (2176), 194, GAUNSAWADA , NEAR MILAGRES CHURCH, MAPUSA, GOA-403 507, PH :403507-9764448741.		
128.**	BRIGHT MOTORS (P) LTD. (885), C-263 PEERAGARHI, OUTER RING ROAD, DELHI - 110 087, PH :110087-9810203018.	141.##	QUTAB SERVICE STATION (8078), MEHRAULI ROAD, NEW DELHI-110 017, , PH :110017-9811021862.	154.##	KITCHNER ROAD SERVICE STATION (864), ROAD NO 41, SAHEED LALA JAGAT NARAYAN MARG, NEAR T.V. TOWER PITAMPURA, DELHI-110 034, PH :110034-9211728002.	<b>PONDA</b>	166.*	DHAVLIKAR AUTOMOBILES (2041), NO.5 TIP TOP MANSION IV, INDIRA NAGAR, DHAVALI, PONDA, GOA-403 401, PH :403401-9890669879.	
129.*	DRIVE WELL SERVICE STN. (866), 1/486,G.C.S. COMPLEX,MAIN G.T. ROAD , DILSHAD GARDEN,NEW DELHI-110095 , DELHI , PH :110095-9811020603.	142.**	RAJINDRA SERVICES P.LTD. (826), B-55 G.T.KARNAL ROAD, INDUSTRIAL AREA, DELHI-110 033., PH :110033-9899580820.	155.**	SUBHYATRA AUTOMOBILES (5045), PLOT NO 31, N BLOCK SECTOR - 3, BAWANA INDUSTRIAL AREA BAWANA, PH :110039-9810668715.	<b>VERNA</b>	167.*	LUBRICARE SERVICES (261), 7-D GOULLOY, NH-17 NUVEM, SALCETE, GOA-403 601, PH :403601-9822124376.	
130.##	ENGINEERS SERVICE STATION (834), SHRI AUROBINDO MARG, (SAFDARJANG AIRPORT), NEW DELHI-110 003, PH :110003-9654262692.	143.##	ROHAN SERVICES (5444), PLOT NO.125.VILLAGE POCHANPUR, SECTOR - 23 DWARKA, DISTRICT - DELHI (WEST), DELHI, PH :110075-9911180827.	156.##	GUPTA SERVICE STATION (872), MOTI BAGH SOUGH, NEW DELHI-110021., PH :110021-9810118027.	<b>GUJARAT</b>	168.*	AUTOWAY (125), MANGALYA COMPLEX, NEAR ANJALI CINEMA CROSS ROAD, BATTHA, AHMEDABAD, PH :380007-9825016888.	
131.##	EXCEL AUTOMOBILES (3342), PLOT NO. 78, BAGDOLA VILLAGE, SECTOR 8, DWARKA, NEW DELHI-110 077, PH :110077-7011765194.	144.*	SATYA SERVICE STATION PVT. LTD. (3625), L-BLOCK HARI NAGAR, JAIL ROAD, NEW DELHI-64, PH :110064-9873461414.	157.##	SHARMA AUTOMOBILES (1939), 11/78 VILLAGE MOTI BAGH, NEAR NANAKPURA GURDWARA, RING ROAD, NEW DELHI-110 021, PH :110021-9911699999.	169.##	DAHISON MOTORS (143), NEAR MANAV MANDIR, DRIVE IN ROAD, AHMEDABAD-380 052, PH :380052-9898096242.		
132.*	EXCLUSIVE AUTOMOBILES PVT. LTD. (3546), 98 MANGOLPUR KALAN, SECTOR-2 NEAR JAIPUR GOLDEN HOSPITAL, ROHINI, DELHI-110 085, PH :110085-9910782127.	145.**	SEVEN HILLS AUTOMOBILES PVT LTD. (848), D-20/1 OKHLA INDUSTRIAL AREA, PHASE II, NEW DELHI-110 020., PH :110020-9811037954.	158.*	STAR AUTOMOBILES (2574), MAIN SAFIABAD ROAD, NARELA, DELHI-110 040, PH :110040-9266661213.	170.##	MEGHDOOT MOTORS (3437), MASONIC LODGE COMPOUND, SHAHIBAUG ROAD, AHMEDABAD-4, PH :380004-9825972345.		
133.##	GLOBE SERVICE STATION (8961), A-17, B1, EXTENSION MCIE, MATHURA ROAD, BADARPUR, DELHI-110 044, PH :110044-9540994009.	146.**	SHALIMAR AUTOMOBILES PVT. LTD (871), C-91/9 WAZIRPUR INDUSTRIAL AREA, ASHOK VIHAR CROSSING, DELHI-110052, DELHI, PH :110052-9811171489.	159.**	MULTAN AUTOMOBILE ENGINEERS (853), B-7/1 OKHLA INDUSTRIAL AREA, NEW DELHI-110 020., PH :110020-9810186699.	171.*	POKAR AUTO REPAIRERS (2479), NEAR UNION CO. BANK, SALPUR BOGHA, NARODA ROAD, AHMEDABAD-382 345, PH :382345-9428608515.		
134.##	HUNDRED PERCENT (8967), LSC, SECTOR-9, OPP. NHAJ, DWARKA, NEW DELHI-110075, PH :110075-9910586999.	147.##	SHIKHAR AUTOMOBILES (5546), A-2/1CHOTTEY LAL PARK,SHIVAJI MARG, OPP KIRTI NAGAR,METRO PILLAR NO.341, DISTRICT -WEST DELHI, NEW DELHI-110015, PH :110015-9810047047.	160.##	BAJAJ MOTORS (4940), T-5/242, MANGOLPURI INDUSTRIAL AREA, PHASE-1, NEW DELHI-110083, PH :110083-9811418505.	172.*	RAJAN MOTORS (8968), 60, MADHUVAN PARK SOCIETY, B/H, TRAFFIC CHOWDKI, GHODASAR CHAR RASTA, GHODASAR, AHMEDABAD - 380050, PH :380008-9825972345.		
135.##	IMAGE (2561), IOC PUMP, NEAR SAMACHAR APT. OPP. KIRTI APT., MAYUR VIHAR PHASE-I EXT., DELHI-110 091, PH :110091-9312082213.	148.##	SINTEX SERVICE STATION (777), 883,RITHALA INDUSTRIAL AREA, FIRN NALA ROAD., DELHI - 85, DELHI, PH :110085-9868030802.	161.##	SHRI BALAJI CAR SCAN (2677), 43/12 OPP. NEW ANAJ MANDI, NAJAFGARH, NEW DELHI-110 043, PH :110043-9811891740.	<b>GOA</b>	173.**	SPEED AUTO CARE PVT. LTD (5524), GIDC PLOT NO 12, ODHAV INDUSTRIAL ESTATE, NEAR BRTS GRID STATION, NEXT TORRENT POWER SUB STATION, ODHAV, AHMEDABAD, PH :380023-9979992779.	
136.**	R S AUTOMOBILES (273), 111/9 KISHANGARH, OPP. CNG PUMP NEAR SPYM INSTITUTE, ARUNA ASAF ALI ROAD, VASANT KUNJ, NEW DELHI - 110070, PH :110070-9540994009.	149.##	SRI BALAJI AUTOMOBILE (8038), KHASRA NO.33, 13/2-12 MAIN BAWANA ROAD, SAMEYPUR (NEAR DELHI COLLEGE OF ENGG.), DELHI, PH :110085-9811039601.	<b>BICHOLIM</b>	162.##	SHREE GURUKRUPA AUTOWORLD (1249), PLOT NO.76 , BICHOLIM, GOA-403 529, PH :403529-9422057272.	<b>CURCHOREM</b>	174.*	CAR CARE CENTRE (2734), PATEL GARAGE, CHAKRAGADH ROAD, AMRELI-365 601, (GUJARAT), PH :365601-9825422922.
137.**	KUMAR AUTOMOBILES (855), B-281 OKHLA INDUSTRIAL AREA, PHASE-I, NEW DELHI-110 020, PH :110020-9810001625.	150.##	SRI SAI AUTO ENGINEERS (8074), 487/59 PEERA GARHI, INDUSTRIAL AREA, DELHI, PH :110087-9650531812.	<b>KUNDAIM</b>	163.##	VIPUL AUTOMOBILES (5376), PLOT NO.7,8,9,KAKODA INSUSTRIAL ESTATE, KAKODA, CURCHOREM, DISTRICT - SOUTH GOA, GOA, PH :403706-9422018746.	<b>AMRELI</b>	175.*	KHODIAR MOTORS (3029), GAVADKA ROAD, AMRELI-365 601, (GUJARAT), PH :365601-982672657.
138.**	NAVREEN AUTOMOBILES (4934), 37, PATPARGANJ INDUSTRIAL AREA, NEW DELHI-110092 , PH :110092-9911278537.	151.##	WIG AUTOMOBILES (8012), D-3, S.M.A CO-OP. INDL. ESTATE, (OPP. JAHANGIR PURI CHOWK), G.T. KARNAL ROAD, DELHI-110 033, PH :110033-9811297607.				<b>ANAND</b>		

\*\* A-Category Mass : Free & paid Service, Major repairs & Accidental repairs  
## C-Category Mass : Free & paid Service & Minor repairs

\* B-Category Mass : Free & paid Service & Major repairs  
# D-Category Mass : Free Service & Minor repairs

**Mass Network (AS ON 31.10.2023 )**

176.\* PATEL TRACTOR COMPANY (2221), (SERVICE DIVISION), BEHIND SUNIL CHAMBERS, STATION ROAD, ANAND-388 001, PH :388001-9925534494.  
177.## SHAKTI MOTORS (2226), OPP. J.K. PARK, NATIONAL HIGHWAY NO.8, P.O. VAGHASHI-388 320, TA: ANAND DISTT. KHEDA. PH :388320-9825792999.

**ANJAR**

178.# CAR AGE (5542), PLOT NO.11, MAHATMA NAGAR-1,ANJAR - , GADHPADAR ROAD,NR.MAHAKALESHWAR, MAHADEV MANDIR,ANJAR , GUJARAT, PH :370110-9427216886.

**BARDOI**

179.\*\* POOJA MOTORS (361), NEAR GIDC, SURAT ROAD, BARDOI-394 601, (GUJARAT), PH :394601-9825762621.

**BHARUCH**

180.\* NEW MARUTI MOTORS (5156), 9/16 AKASH GANGA,B/H CNG PUMP, OLD NH -8,BHOLAV ,DISTRICT - BHARUCH, GUJARAT, PH :392001-9899611424.

**BHAVNAGAR**

181.## VIKRAM MOTOR GARAGE (127), TAKHTESHWAR PLOT, NEAR CHANDRA BHUVAN, BHAVNAGAR - 364 002., PH :364002-9427145452.

**BHUJ**

182.\* ASHA MOTORS (3629), NEAR JAY NAGAR BUS STOP, MIRZAPUR HIGHWAY, BHUJ KUTCH, GUJARAT - 370001., PH :370001-9825225088.

**BILIMORA**

183.## PATEL AUTOMOBILES (4030), DANDEKAR COMPOUND, GANDEVI ROAD, BILIMORA, PH :396321-9824123875.

**BORSAD**

184.## SPEED AUTO (8953), I B PETROL PUMP, VASAD-TARAPUR HIGHWAY ROAD, VILLAGE BORSAD, TALUKA BORSAD, DISTRICT ANAND, GUJARAT- 388540, PH :388540-9979992779.

**CHAND KHEDA**

185.\* BALVINDER AUTOMOBILES (8948), ZUNDAL CIRCLE, BEHINDDWARIKESH PARTY PLOT,NEAR SHAGUN 108,CHANDKHEDA, VILLAGEZUNDAL, DISTRICTGANDHINAGAR, GUJARAT -382421, PH :382424-9924016000.

**CHIKHLI (GUJ.)**

186.## INAL MOTORS (3929), POST MAJIGAM, CHIKLI BILIMORA ROAD, DISTT NAVSARI, PH :396521-9099033773.  
187.## SHREE AMBICA MOTORS (2663), KUNDI FATAK, NEAR ADARSH NURSEERY, N.H.8, CHIKHLI DISTT. VALSAD (GUJARAT)-396 001, PH :396001-9825131520.

**DAHOD**

188.\* CAR SEVA (2438), SAINT STEPHEN SCHOOL ROAD, GODHRA ROAD., DAHOD. PIN-389151, PH :389151-9426469122.

**DEESA**

189.## VAKHARIA MOTORS (3970), G L PADIAR COMPLEX, PALANPUR PATHAN HIGHWAY, OPP. RAJMANDIR TALKIES, DEESA, PH :385535-937728841.

**DHARI**

190.## GURUKRUPA MOTORS (5876), NR. NARMADESHWAR MAHADEV TEMPLE, DHARI,AMRELI ROAD,DHARI-365640, DISTRICT-AMRELI, GUJARAT, PH :365640-9825374658.

**DHORAJI**

191.## UNIVERSE AUTO (5837), SARDAR CHOWK,DHORAJI-360410, DISTRICT- RAJKOT, GUJARAT, PH :360410-9727714643.

**GANDHI NAGAR**

192.\* LABH MOTORS (4527), PLOT NO - B -206+207 ., GIDC, SECTOR -25., GANDHINAGAR GUJARAT, PH :382024-9825020030.  
193.\* RIDDIH MARUTI(A DIVISION OF SHREE ARBODA PVT. LTD (2151), E-19/10 G.I.D.C. SECTOR 26, NEAR K-7, GANDHINAGAR-382 044, PH :382044-9825041331.

194.## SHITAL MOTORS P.LTD. (134), 304 G.I.D.C., SECTOR-28, GANDHINAGAR - 382 028 (GUJARAT)., PH :382028-9924127065.

**HALOL**

195.## MAA MOTORS (4767), GODHRA ROAD, NEAR TELEPHONE EXCHANGE, HALOL, GUJARAT, PH :389350-9898610212.

**HIMMATNAGAR**

196.## MEHTA SERVICE STATION (135), NEAR SHANTI GARDEN, RESTAURANT, DIWALI BAJUS MOTIPIURA, N.H.B. HIMMATNAGAR GUJARAT-383 001, PH :383001-9426556664.

**IDAR**

197.## SUN MOTORS (5175), IDAR-HIMMATNAGAR HIGHWAY ROAD, AT.KRUSHNAGAR.PO NETRAMLI., TA.IDER DISTRICT SABARKANTA, GUJARAT, PH :383430-9228286768.

198.## ADINATH AUTOMOBILE & WORKSHOP (3136), NEAR HOTEL GREEN PARK, AMBAJI HIGHWAY ROAD, IDAR-383 430, (GUJARAT), PH :383430-9825052940.

**JAMKHAMBHALLIA**

199.## SHRI HARI OM MOTORS (4539), JADESWAR ROAD CHAR RASTA, OPP. KRISHNA WAY BRIDGE, JAM KHAMBHALLIA-361305, GUJARAT, PH :361305-9426955344.

**JAMNAGAR**

200.\* LANDMARK AUTOMOBILES (1973), PLOT NC-4/2, JAMNAGAR- KALVAD ROAD, MAHAPRASHHJI BETHAK ROAD, OPP SUBHASH BRIDGE, JAMNAGAR-361 006, (GUJARAT), PH :361006-7600000733.

**JETPUR**

201.## GIRIRAJ MOTORS (3971), JUNAGADH HIGHWAY, NEAR JALARAM TEMPLE, JETPUR, PH :360370-9727154392.

**JUNAGADH**

202.## MARUTI MOTORS (266), G.I.D.C. - I, RAJKOT HIGHWAY, DOLATPARA, JUNAGADH(GUJARAT), PH :362001-9099848888.

**KALOL**

203.## SUNRISE AUTO CENTRE (146), BLOCK SURVEY NO. 1141, OPP JANPATH PETROLEUM, NEAR SINDBAD HOTEL, AHMEDABAD-MEHSANA HIGHWAY, KALOL, DISTRICT – GANDHINAGAR, GUJARAT, PH :382721-9879542207.

**KAMREJ**

204.\* PATEL MOTOR GARAGE (2764), PLOT NO 1,2,3, NAVAGAM., NR. MANISHA HOTEL, OPP. DADABHAGWAN TEMPLE, NAVAGAM, KAMREJ., DIST: SURAT-394185, PH :394185-9825127413.

**KAPADVANJ**

205.## DISHA MOTORS (5960), MAHAMADPURA,KAPADVANJ-NADIAD ROAD, KAPADVANJ-387620, DISTRICT-KHEDA, GUJARAT, PH :387620-9825641244.

**KESHOD**

206.## PRASAD MOTORS (3969), VERAVAL HIGHWAY, KESHOD, , PH :362220-9825024488.

**KHEDBRAHMA**

207.## MARUTI AUTO CARE (5342), OPP POLICE STATION, AHMEDABAD-AMBAJI STATE HIGHWAY, KHEDBRAHMA , GUJARAT, PH :383255-9427369512.

**LIMDI**

208.## PARTH AUTOMOBILES (4171), OPP.SWAMINARAYAN TEMPLE, NH NO-8A, LIMBDI DIST, SURENDRNAGAR , PIN-363421, PH :363421-9426714510.

**LUNAWADA**

209.## N.J. MOTORS (4370), MODASSA ROAD, NR. SAIFEE HOSPITAL, LUNAWADA, DIST: PANCHMAHAL (GUJARAT), PH :389230-9924252700.

**MEHSANA**

210.\* SANSKAR MOTORS (5468), PALAVASANA -BECHARAJI ROAD, , NR.ONGC FIRE STATION, MEHSANA-384002 , DISTRICT-MEHSANA, GUJARAT, PH :384002-9825106359.

211.\*\* SHUBH AUTO SERVICES (3367), NEAR AGRO PETROL PUMP, OLD RTO, RAMOSNA JAKAT NAKA, MEHSANA (GUJARAT), PH :384001-9825322460.

**MORBI**

212.## ARUN MOTORS SERVICE (2071), SANALA BYE PASS, NEAR G.P. GINING MILLS, MORBI -363641, GUJARAT, PH :363641-9825228285.

**NADIAD**

213.## SHIVAM MOTORS (4430), PLOT NO 35/1, QUALITY SEEDS COMPOUND, NEAR BHUTIA BUNGLow, DABHAM, NADIAD, DISTRICT KHEDA, GUJARAT- 387320, PH :387320-982501960.

**NAKHATRANA**

214.# ASHA MOTORS (4340), NANA ANGLADESH, NAKHATRANA HIGHWAY ROAD, NAKHATRANA, KUTCH, PH :370615-9727499383.

**NAVSARI**

**Mass Network (AS ON 31.10.2023 )**

215.## JIGAR MOTORS (133), N.H-8.KABILAPORE, NAVSARI, VALSAD DIST.-396 424 (GUJARAT), PH :396424-9879549533.

**PALANPUR**

216.## PANCHAL AUTO REPAIRING WO (138), HIGHWAY ROAD, NEAR RAILWAY CORSSING, PALANPUR-385001, PH :385001-8758048385.

**PETLAD**

217.## SIDDHI MOTORS (4166), OPP. GEB, NEAR RAILWAY CROSSING, NADIAD-KHAMBHAT HIGHWAY, PETLAD, ANAND, PIN-388450, PH :388450-7359465067.

**PULSANA**

218.## ZEBA MOTORS (4535), PLOT NO. 5, ZAIBUNISHA MANZIL, ANUKOOL NAGAR, BEHIND SAFED CHAL, UNN SURAT (GUJARAT), PH :394305-9913278658.

**RAJKOT**

219.\*\* KHODIYAR MOTORS (356), DHEBAR ROAD (SOUTH), ATIKA INDUSTRIAL ESTATE, RAJKOT-360 001, PH :360001-9426202885.

220.\* UNIVERSE AUTO (5544), C/O DELHI GUJARAT TRANSPORT.NR. NAVAGAM, OCTROI POINT, AHMEDABAD HIGHWAY, RAJKOT-380002, DISTRICT - RAJKOT , GUJARAT, PH :380002-9879616643.

**RAJPIPLA**

221.## R. N. MOTORS (5255), 22-GIDC NEAR PETROL PUMP , RAJPIPLA, DISTRICT - NARMADA , GUJARAT, PH :393145-9925325300.

**SAVARKUNDLA**

222.## SHYAM MOTORS (8925), OPP. ESSAR PETROL PUMP, AMRELI ROAD, SAVARKUNDLA-364515, DISTRICT-AMRELI, GUJARAT, PH :364515-9427742134.

**SIDDHPUR**

223.## GOOD LUCK MOTORS (5341), 2,UMIYA COMPLEX ,NEAR GURUKUL , HIGH SCHOOL SIDDHPUR , DISTRICT - PATAN, GUJARAT, PH :384151-9898428989.

**SIHOR**

224.## MOMAI MOTORS (6032), NR. RAJ MOMAI PETROLIUM , BHAVNAGAR-RAJKOT HIGHWAY SIHOR-364240, DISTRICT-BHAVNAGAR, GUJARAT, PH :364240-9510201800.

**SILVASSA**

225.## SHREE KRISHNA MOTORS (5374), PLOM NO.43.66 KVA ROAD AMLI , SILVASSA-396230, DISTRICT -(UT), GUJARAT, PH :396230-8155000345.

**SURAT**

226.## EMPEROR CAR TECH (1748), F.PLOT NO.124 NEAR RELIANCE COMPLEX, BESIDE SHEETAL MARBLE, SURAT-DUMAS ROAD PIPLOD, SURAT-395 007, PH :395007-9825033396.

227.\*\* J.K.MOTORS (5158), LUHAR MOHALLA ,POSTT PALGAM, DISTRICT - SURAT, SURAT -394510, GUJARAT, PH :394510-9909920902.

228.\* NILESH MOTORS (5347), AMBER SHOPPING CENTRE.OPP.SADHNA CHAMBERS, VARACHHA ROAD - DISTRICT - SURAT , GUJARAT, PH :395004-9377762660.

229.\*\* PATEL MOTORS (3060), 64 BAJRANG NAGAR, NEAR OCTROI CHECK POST, NANA VARCHA, SURAT-395 006, PH :395006-9909149498.

230.\* TARUN MOTORS (5254), PLOT NO.A-10/14.ROAD NO.4, MAHATMA GANDHI ROAD,UDYOG NAGAR , UDHNA - SURAT , GUJARAT, PH :395210-9712976141.

231.## SEIKON MOTORS (3161), PLOT NO.49.50.51 SAI ASHISH INDL. ESTATE, NEAR BAMROLI BRIDGE, 120 FT. BAMROLI ROAD, SURAT (GUJARAT), PH :394210-9426149996.

**SURENDERANAGAR**

232.## ADIT MOTORS (1247), PLOT NO 101.4/B, OPP ANAND BHAWAN, NEAR SHITAL MOTORS (MAHINDRA DEALERSHIP), WADHWAN CITY, GUJARAT -363035, PH :363035-9879114222.

**TALALA**

233.\* RUBY MOTORS (5942), TALALA ROAD , RAMRECHI(GIR), DIST - GIR, SOMNATH - 362150, . PH :362150-9824061044.

**UMBERGAON**

234.## KARAN AUTOMOBILES (2571), OPP. DAMRU WADI, UMBERGAON SANJAN ROAD, UMBERGAON DIST. VALSAD, GUJARAT-396 170, PH :396170-9824336583.

**UNJHA**

235.## AMBIKA MOTORS (3932), SADGURU COMPLEX, AHMEDABAD PALAM PUR HIGHWAY ROAD, UNJHA, MEHSANA-384170, PH :384170-9824517382.

**VADALI**

236.# VRAJ MOTORS (4560), UMIYA PARK, HIGHWAY ROAD, VADALI TA, VADALI, SABARKANTA (GUJARAT), PH :383235-9427364109.

**VADGAM**

237.# CHAUDHARY & CHAUDHARY MOTORS (5651), OPP.RELIANCE PETROL PUMP, PALAMPUR ROAD - VADGAM, DISTRICT - BANASKANTHA, GUJARAT, PH :385410-9664590698.

**VADDARA**

238.\*\* CAR CARE (2229), NEAR GANDHI OIL MILL, GORWA INDUSTRIAL ESTATE, BARODA-390 016, PH :390016-9825044610.

239.\* CAR CLINIC (4640), PLOT NO. B-7 (PART), ANUR ESTATE, NEAR DABHOI ROAD, JAKATNAKA, VADODARA (GUJARAT), PH :390004-9925003558.

240.## DREAM MACHINES (2933), 19 MULJINAGAR COLONY, OPP. GHELANI PETROL PUMP, NIZAMPURA, VADODARA-390 002, PH :390005-7575809940.

241.\* GENERAL MOTOR REPAIRING WORKS (2529), NEAR LOK SATTA PRESS, NAGARWADA, VADODARA-390 001, PH :390001-9825026106.

242.\*\* HONEST AUTO STRUCTURE WORKS (279), 9, WINDOBAUG BEHIND HOTEL SANMAN, JETPUR ROAD, VADODARA, PIN : 390005, PH :390002-9824014046.

243.## MAYUR SERVICE STATION (2224), NEAR POLICE STATION, PRATAPNAGAR ROAD, BARODA-390 004, PH :390001-9879453031.

**VALIA**

244.## HARI OM AUTO CARE (5750), NEAR MAZDA HOTEL - VALIA, ANKALSHWAR ROAD-VALIA, DISTRICT-BHARUCH, GUJARAT, PH :393135-9427336094.

**VALSAD**

245.\* HONEST AUTO GARAGE (2220), SUGHAR FALIA, BEHIND MOTA GHANCHIWAD, VALSAD-396 001 (GUJARAT), PH :396001-9426110767.

**VANTHLI**

246.\* INFINITY MOTORS (5963), RAVI RATAN VADLA FATAK , OPP.HP PETROL PUMP ,POST VADLA, TAL VANTHLI-362205, DISTRICT-JUNAGADH, GUJARAT, PH :362001-9898990120.

**VIRAMGAM**

247.## KRISHNA MOTOR GARAGE (4038), OUTSIDE BHARWADI GATE, NEAR BHARAT PETROL PUMP, VIRAMGAM, PH :382150-9426415274.

**VYARA**

248.# PARTH MOTORS (8928), D-1.CITY LIGHT TOWER KAKRAPAR, BYPASS ROAD-VYARA, DISTRICT-SURAT, GUJARAT, PH :394650-9898292020.

**HARYANA**

**AMBALA**

249.## BASSAN MOTORS (4964), 99 TH MALL, AMBALA CATT - 133001, HARYANA, PH :133001-9466000000.

250.\*\* GURU NANAK MOTORS (2036), POLICE LINES CHOWK, AMBALA CITY , PH :134003-8708357725.

251.## HIPRA MOTORS (2740), 207 MILE STONE, VASANT VIHAR GT ROAD, N.H.-1, AMBALA CITY, PH :134002-9255285212.

252.\*\* RAVI MOTORS (1957), 125 STAFF ROAD, HOTEL SAVOY, AMBALA CANTT-126 102, PH :133001-9315110209.

**BADHARA**

253.\* S.S MOTORS (5735), NEAR REST HOUSE, BADHARA-123308, DISTRICT-BHIWANI, HARYANA, PH :127308-9255141288.

**BAHADURGARH**

254.## GL AUTO MOBILES (5263), MAIN ROHTAK ROAD, SANKHOL OPP CH. DEVI LAL PARK, DISTRICT - BHADURGARH, HARYANA, PH :124507-9416303473.

**BARARA**

255.## LUXMI AUTOZONE (5334), VPO BARARA , DISTRICT - AMBALA, HARYANA, PH :133201-8222024046.

**BARWALA (HARYANA)**

\*\* A-Category Mass : Free & paid Service, Major repairs & Accidental repairs

## C-Category Mass : Free & paid Service & Minor repairs

\* B-Category Mass : Free & paid Service & Major repairs

# D-Category Mass : Free Service & Minor repairs

## Mass Network (AS ON 31.10.2023 )

256.**	FAQIR CHAND QUALITY FUELS (5435), KILLA NO.20L.H.S. NH-65., CHANDIGARH ROAD - BARWALA, DISTRICT - HISAR, HARYANA, PH :125121-9991000764.	<b>GANAUR</b>	280.##	SRI PARKASH AUTOMOBILES (5862), BAJGHERA ROAD,NEAR PARKASH PURI ASHRAM, NEW PALAM VIHAR GURGAON-122001, DISTRICT-GURGAON, HARYANA, PH :122001-.	<b>JIND</b>	
<b>BHIWANI</b>		268.##	SITA AUTOMOBILES (4260), 347, WARD NO. 10, BST ROAD, GANAUR, DISTT- SONEPAT, PH :131101-9992022047.	291.###	MOHIT MOTORS (1574), SAFIDON GATE, JIND-126 102, , PH :126102-9355129844.	
257.##	VEER MOTOR WORKSHOP (8958), 22.23.24 AUTO MARKET, LOHARU ROAD, BHIWANI, HARYANA-127021, PH :127021-9416057857.	<b>GANGWA</b>	281.##	TOP GEAR AUTOMOTIVE ENGINEERS (4464), G-34, REZANG LA ROAD, ASHOK VIHAR PHASE 2, GURGAON 122006, PH :122001-.	<b>KATHAL</b>	
<b>BHUNA</b>		269.**	PANCHMUKHI AUTOMOBILES (5968), HISSAR RAJGARH ROAD, ,GANGWA-125001, DISTRICT-HISSAR, HARYANA, PH :125001-9728100029.	292.#	HIND AUTOMOBILES (1858), AMBALA ROAD, KATHAL, , PH :136027-7015806781.	
258.*	MITTAL AUTOMOBILES (5748), NEAR BUS STAND ,JAKHAL ROAD - BHUNA, PIN-125111, DISTRICT-FATEHABAD, HARYANA, PH :125111-9813207221.	<b>GOHANA</b>	282.**	VIKAS AUTOMOBILES (4744), SHANTI NIKETAN, OPP. JIND BYE PASS, G.T. ROAD, HANSI, DISTRICT-HISSAR (HARYANA), PH :125033-9466248037.	<b>KANINA</b>	
<b>FARIDABAD</b>		270.##	KRISHNA MOTORS (4132), ROHTAK ROAD, GOHANA , PH :131301-9017062999.	293.###	SREE KRISHNA MOTORS (5953), BHOOP SINGH MARKET,NEAR PETROL PUMP, MAHINDERGARH ROAD,KANINA-123027, DISTRICT-MAHINDERGARH, HARYANA, PH :123027-9467641678.	
259.##	BALAJI SERVICE STATION (4956), SECTOR 23-24, MAIN ROAD, NEAR BALAJI DHARM KATA, FARIDABAD-121004, HARYANA, PH :121001-.	<b>GURGAON</b>	271.##	A & A ENTERPRISES (4639), 396, PHASE-IV, UDYOG VIHAR, GURGAON (HARYANA), PH :122015-8951819511.	<b>KARNAL</b>	
260.**	INSUH AUTO (377), 13/3 MAIN MATHURA ROAD, NEAR NHPIC CHOWK, FARIDABAD, HARYANA - 121003, PH :121003-.	272.##	GANGA MOTORS (363), SHIVPURI, GURGAON-122 001, , PH :122001-.	283.*	PALCO MOTOR GARAGE (4739), 96 AUTO MARKET, HISSAR-125001, HARYANA, PH :125001-9729601111.	
261.##	KHURANA AUTOMOBILES (2863), 3C/60 B.P. (OPPOSITE ESI HOSPITAL), N.I.T., FARIDABAD, PH :121001-.	273.*	KUMAR AUTOMOBILES (4848), KILLA NO 12/2, NEAR BMW TRAINING CENTER, SPR ROAD, GURUGRAM, HARYANA, PH :122002-.	284.*	SAI AUTOMOBILES (5267), TOSHAM ROAD, NEAR AAKASH INSTITUTE, SECTOR-13, HISSAR, HARYANA, PH :125001-7988238034.	
262.**	PERFECT AUTOZONE (P), LTD. (5667), PLOT NO 9, ADJACENT TO UNION BANK OF INDIA, ANKHIR, OPP SEC 21-D, MAIN BADHKAL ROAD, DISTT FARIDABAD, HARYANA - 121001, PH :121001-.	274.##	MANISH AUTOMOBILES (4777), GHATA ROAD, WAZIRABAD, NEAR SECTOR-56, GURGAON-122001, HARYANA, PH :122001-.	285.**	SALASAR AUTO (4735), OPP. VIDYUT NAGAR GATE NO. 2, DELHI ROAD, HANSI-125001, HARYANA, PH :125001-9355486716.	
263.##	SARASWATI AUTOMOBILES (4465), 44 B.P, NEELAM BATA ROAD, N.I.T, FARIDABAD, PH :121001-.	275.**	QUTAB AUTOMOBILES (3668), KHEWAT/ KHATA NO 714/909, VILLAGE JHARSA, UNITECH CYBER PARK ROAD, SECTOR 39, GURGAON, HARYANA 122001, PH :122001-9811687333.	<b>HODAL</b>		
264.##	AUTO ENGINEERS (5350), 131, DLF INDUSTRIAL AREA, PHASE-1, DISTRICT - FARIDABAD , HARYANA., PH :121003-.	276.##	RAJASTHAN AUTO WORKS (4760), LT. ATUL KARATIA MARG, NEAR PETROL PUMP, AKASHI FILLING STATION, AMAN PURA, SECTOR-5 ROAD, GURGAON-122001 (HARYANA), PH :122001-9910070220.	286.##	VED MOTORS (2247), HIGHWAY ROAD, NEAR RAILWAY STATION CHOWK, HODAL-121 106, (FARIDABAD), PH :121106-7988978936.	
<b>FARRUKHNAGAR</b>		277.##	S G MOTORS (5756), PLOT NO 494, SECTOR 37, PACE CITY II,VUDYOG VIHAR VI - GURGAON, DISTRICT-GURGAON, HARYANA, PH :122001-9711770092.	<b>INDRI</b>		
265.**	M R MOTORS (5946), GURGAON-JHAJJAR ROAD,OPP. ANAAS MANDI, FARRUKHNAGAR-123506, DISTRICT-GURGAON, HARYANA, PH :122506-9810831200.	278.**	M R MOTORS (8946), VIJAY VIHAR,MAIN SILOKHRA ROAD SEC-30, GURGAON-122002 , HARYANA, PH :122001-9992111244.	287.##	ASHOKA MOTORS (6041), OPP. PARTAP FILLING STATION,LADWA ROAD,, TEHSIL-INDRI,DISTRICT-KARNAL, HARYANA, PH :132041-8813000316.	
<b>FATEHABAD (HARYANA)</b>		279.**	SOMESH AUTOMOBILES (455), PLOT NO 249/2/8, BLOCK A, ROAD NO A-56, DLF PHASE 1, GURGAON 122002, PH :122002-9717070830.	<b>ISMALABAD</b>		
266.##	DHINGRA AUTOMOBILES (1856), G.T. ROAD, FATEHABAD, (HARYANA), PH :125050-9896012906.			288.*	VINAYAK MOTORS (6052), OPP. MAHARAJA PALACE , AMBALA HISSAR ROAD , ISMALABAD-136129 , HARYANA, PH :136129-9034820190.	
267.##	INDORA MARUTI SERVICE STATION (3064), OPPOSITE M M COLLEGE, SIRSA ROAD, FATEHABAD, 125050, PH :125050-9254080200.			<b>ISRAMA</b>		
				289.##	SHIV DARSHAN AUTOMOBILES (6051), ISRAMA PANIPAT ROAD, NR. NC COLLEGE,ISRAMA-132103, DISTRICT-PANIPAT , HARYANA, PH :132107-9911366230.	
				<b>JHAJJAR</b>		
				290.##	VASUNDHRA MOTORS (1467), REWARI ROAD ,JHAJJAR-124 103, (HARYANA), PH :124103-981201180.	
					<b>LOHARU</b>	
					300.##	BHAWNA MOTORS (6028), BHIWANI ROAD, LOHARU-127201, DISTRICT-BHIWANI HARYANA, PH :127201-8901276555.
					<b>MAHENDERGARH</b>	
					301.##	SHREE SHYAM MOTORS (8960), NEAR I.O.C PETROL PUMP, MAHENDERGARH-123029, DISTRICT-MAHENDERGARH, (HARYANA), PH :123028-.

\*\* A-Category Mass : Free & paid Service, Major repairs & Accidental repairs

## C-Category Mass : Free & paid Service & Minor repairs

\* B-Category Mass : Free & paid Service & Major repairs

# D-Category Mass : Free Service & Minor repairs



**MANDI ADAMPUR**

302.## MITTAL AUTO AGENCIES (2966), 113-15 AUTO MARKET, MANDI ADAMPUR, (HARYANA), PH :125052-9729173300.

**MANESAR**

303.## MAITRI SERVICE STATION (2378), N.H.8, DELHI-JAIPUR ROAD, MANESAR (GURGAON), PH :122001-9818001128.

**NARNAUL**

304.## SHYAM AUTO TRADE (1571), SINGHANA ROAD, NARNAUL-123 001, (HARYANA), PH :123001-.

**NILOKHERI**

305.## SAHIL MOTORS (5049), NEW NEHSIL ROAD, NILOKHERI, DISTRICT KARNAL , NILOKHERI-132117, HARYANA, PH :132117-9812510190.

**PALWAL**

306.\*\* D.K. & R.K. MOTORS (1159), NEAR BUS STAND , NH-2 PALWAL, PALWAL, PH :121102-.

307.\* SHEELA MOTORS (5141), OPP MUNICIPAL COUNCIL OFFICE, OLD G T ROAD, PALWAL, DISTRICT - FARIDABAD, HARYANA, PH :121102-.

**PANCHKULA**

308.\*\* PANCHKULA AUTO SERVICES (1949), PLOT NO.300, PHASE-II INDUSTRIAL AREA, PANCHKULA-134 109, (HARYANA), PH :134109-9872441546.

**PANIPAT**

309.\*\* PREM MOTORS (2266), PLOT NO.134, SECTOR 25 INDUSTRIAL AREA, PANIPAT, PH :132103-9896306380.

**PATAUDI**

310.\*\* SHUBHAM AUTOMOBILES (4641), REWARI ROAD, PATAUDI, DISTT. GURGAON, PH :122413-.

**PEHOWA**

311.\* AMAR AUTOMOBILES (2270), OPP. DAV COLLEGE, AMBALA ROAD, PEHOWA DISTT. KURUKSHETRA, (HARYANA), PH :136128-9896002974.

**RADAUR**

312.## SHRI SHIVAM AUTOMOBILES (5852), S.K. ROAD,OPP. ESSAR PETROL PUMP, RADAUR-135133, DISTRICT-YAMUNANAGAR, HARYANA, PH :135133-9034384003.

**RAANIA**

313.## SINGLA MOTORS (3779), NEAR BUS STAND, RANIA-125 076, DISTT. SIRSA (HARYANA), PH :125076-9416011238.

**REWARI**

314.## GAUTAM MOTORS (1837), NARNAUL ROAD, REWARI -123401 (HARYANA), ., PH :123401-9416064994.

315.## PULYANI MOTORS (4663), BEHIND KAMLA PALACE, CIRCULAR ROAD, REWARI-123401, HARYANA, PH :123401-.

316.\* SHIVAM SERVICES (1466), OPPOSITE B.D.O. BLOCK OFFICE, GARHI BOLNI ROAD, REWARI, HARYANA - 123401, PH :123401-.

**SADHAURA**

317.## SHREE GANESH MOTORS (5959), NEAR INDIAN OIL PETROL PUMP, KALA AMB ROAD, SADHAURA-133204, DISTRICT-YAMUNANAGAR, HARYANA, PH :133204-9813376260.

**SHAHABAD**

318.\*\* MAHALAXMI MOTORS (354), LADWA ROAD, SHAHABAD MARKANDA-136 135, (HARYANA), PH :136135-9812036433.

**SIWANI**

319.## GANESH AUTOMOBILES (5931), NEAR RELIANCE PETROL PUMP, HISAR ROAD, SIWANI, DISTRICT-BHIWANI, HARYANA - 127046, PH :127046-8607113000.

**SOHNA**

320.\*\* SHRI SHYAM MOTORS (8930), OPP. RAGHUNANDAN PETROL PUMP, NEAR GD GOENKA INTERNATIONAL SCHOOL, SOHNA-122103, HARYANA, PH :122103-9582350079.

**SONIPAT**

321.## NEW HIGHWAY MOTORS (8923), MAIN DELHI ROAD, SONEPAT, HARYANA, PH :131001-9416672009.

**TAURU**

322.## R M MOTORS (5842), WADE NO:4BEHIND WINE SHOP MAIN REWARI SOHNA ROAD, TAURU-122105, DISTRICT-MEWAT, HARYANA, PH :122105-9812378663.

**TOHANA**

323.## DHANDA MOTORS (2271), PLOT NO.4, RATIA ROAD, TOHANA, DISTT. FATEHABAD, PH :125120-9486615006.

**TOSHAM**

324.## MOHINI AUTOMOBILES (6026), OPP. NEW ANAJ MANDI , NEAR MINI BANK, TOSHAM-127040 , DISTRICT-BHIWANI, HARYANA, PH :127040-.

**UKLANA**

325.\* SHREE GANESH MOTORS (5747), PLOT NO:29 UKLANA MANDI, DISTRICT-HISSAR, PIN-125113, HARYANA, PH :125713-8168399836.

**YAMUNANAGAR**

326.\*\* GOPAL AUTOMOBILE SERVICE STATION (1874), NEAR LAL DAWARA, JAGADHRI ROAD, YAMUNANAGAR-135 001, PH :135001-9896308515.

**HIMACHAL PRADESH**

**ALAMPUR**

327.## SUBH AUTOMOBILES (5964), SH-39, ALAMPUR-176110, DISTRICT-KANGRA, HIMACHAL PRADESH, PH :176082-9816675551.

**AMB**

328.## SHUBHAM MOTORS (5933), NEAR PINDI ASHRAM, HAMIRPUR ROAD, AMB-177203, DISTRICT-UNA, HIMACHAL PRADESH, PH :177203-9418114176.

**ANNI**

329.## SARAJ AUTO WORLD (6044), VERMA BUILDING, NR. NAGAN HARIPUR , TEHSIL, ANNI-172026 , DISTRICT-KULLU , HIMACHAL PRADESH, PH :172026-.

**BADDI**

330.\*\* LAJ MOTORS (5541), 436. MAUJA SURAJ, MAJRA LABANA, BADDI, DISTRICT - SOLAN, HIMACHAL PRADESH, PH :173205-9816039189.

**BANGANA**

331.## TRISHLA AUTOMOBILES (5869), VILLAGE BPO & TEHSIL, BANGANA, BANGANA-174307, DISTRICT-UNA, HIMACHAL PRADESH, PH :174307-9817645350.

**BANOI**

332.## BABA SERVICE STATION (4634), VILL BANOI, TEH SHAHPUR P.O., BANOI, DIST KANGRA (HIMACHAL PRADESH), PH :176209-9418051290.

**BARMANA**

333.## AVER AUTO (5955), VILLAGE LAGHAT, TEHSIL SADAR, PO BARMANA-174013, HIMACHAL PRADESH, PH :174013-9418064130.

**BHAMBLA**

334.\* DHIMAN MOTORS (3837), PLOT NO. 42,, INDUSTRIAL AREA, BHAMBLA, JAHU, DISTT MANDI, PH :175004-9816227437.

**BHUNTAR**

335.## HANDA MOTORS (4262), HANDA COMPLEX, NEAR AIRPORT, BHUNTAR, KULLU (H.P.), PH :175125-9816007003.

**BILASPUR (H.P)**

336.## BHASKAR AUTO SPARE & SERVICE (1730), 8-B ROURA SECTOR II, (NEAR DURGA MANDIR), BILASPUR-174 001 (H.P.), PH :174001-9816436001.

**CHAMBA**

337.\* AUTOZONE (5247), PATHANKOT RAOD , PAREL , SULTANPUR - CHAMBA , DISTRICT - CHAMBA , HIMACHAL PRADESH, PH :176310-9418214848.

338.## KAILASH SERVICE STATION (3527), AMRIT NIWAS MOHALLA, BONGTUA, CHAMBA TOWN, DISTT CHAMBA, PH :176310-9896679445.

**DARLAGHAT**

339.## CHANDEL SERVICE STATION (5233), DARLAGHAT , DISTRICT-SOLAN, HIMACHAL PRADESH, PH :171102-9816039865.

**DEHRA**

340.\* WALIA ENTERPRISES (4252), HANUMAN CHOWK, NEAR DEHRA BRIDGE, DEHRA, DISTT. KANGRA, PH :177101-9418152855.

**DHARAMSHALA**

341.## EAGLE MOTOR SERVICE STN. (6426), SHAM NAGAR, DHARAMSALA-176215 (HIMACHAL PRD.), , PH :176215-8219915841.

342.## HIM AUTO STATION (8964), VPO DARI, DHARAMSHALA, (H.P.), PH :176057-9418029655.

343.## SHIV SHAKTI CAR CARE (1277), NEAR RAINBOW SCHOOL, DARI ROAD, DHARAMSHALA-176 057, PH :176057-9318752074.

**GHUMARWIN**

\*\* A-Category Mass : Free & paid Service, Major repairs & Accidental repairs  
## C-Category Mass : Free & paid Service & Minor repairs

\* B-Category Mass : Free & paid Service & Major repairs  
# D-Category Mass : Free Service & Minor repairs

## Mass Network (AS ON 31.10.2023 )

344.##	BHASKAR AUTO SPARES & SERVICES (5147), VILLAGE KULARU, GHUMARWIN, DISTRICT - BILASPUR, HIMACHAL PRADESH, PH :174021-9816090504.	354.##	RED LINE (5965), VILL. KEPU,PO KIRTI SAINZ, TEHSIL,KUMARSAIN-172030, DISTRICT-SHIMLA, HIMACHAL PRADESH, PH :172030-9816027007.	365.##	ABROL AUTOMOBILES (3470), VPO PAPROLA, TEHSIL BAIJNATH, DISTT KANGRA, HIMACHAL PRADESH -176115, PH :176115-9418066917.	<b>SOLAN</b>	377.##	SOLAN SERVICE CENTRE (764), BYE PASS, NEAR PWD OFFICE, SOLAN-173 212, PH :173212-9816022640.		
<b>GUMMA</b>		<b>MANDI</b>		<b>PARWANAO</b>		<b>SUBATHU</b>	378.##	SHYAM AUTOMOBILES (4558), NEAR SHANTI FILLING STATION, V.P.O RADYANA, SUBATHU, DIST SOLAN (HIMACHAL PRADESH), PH :173206-9418061757.		
345.##	CHAUHAN ENTERPRISES (5660), VILLAGE GUMMA,TEHSIL KOTKHAI, GUMMA, DISTRICT - SHIMLA, HIMACHAL PRADESH, PH :171202-9218690917.	355.**	BHAGWATI AUTOMOBILES (269), PLOT NO. 13 INDUSTRIAL AREA PHASE 3 SAULI KHAD MANDI (H.P.), PH :175001-9418461897.	366.##	DIVYA SALES (6428), DIVYA BHAWAN VILL. KAMLI, SECTOR-1, PARWANAO, PH :173220-9816032002.	<b>SUNDERNAGAR</b>	379.**	V.M. SERVICE STATION (3777), CHAMUKHA, P O HARABAGH, NH-21, SUNDER NAGAR-174 402 (H.P.), PH :175019-9418064130.		
<b>JAWALA JI</b>		<b>MARANDA</b>	356.##	MODERN SERVICE CENTRE (1175), PUSHP COMPLEX, MARANDA-176 102, (H.P.), PH :176102-7018243011.	<b>PATLI KUHAL</b>					
346.##	SRI PARBHAT MOTORS (5036), VPO & TEHSIL, JAWALH(BHANEI), DISTRICT - KANGRA, (HIMACHAL PRADESH), PH :176023-9805511205.	<b>MEHATPUR</b>	357.##	BUDHA AUTO HOUSE (6422), MAIN BAZAR, UNA, MEHATPUR-174315 (H.P), PH :174315-9815971708.	367.*	JAMDAGNI MOTORS (760), VILLAGE PATLI KUHAL, P.O.KATRAN, DISTT.KULLU (H.P.), PH :175129-9816040247.				
<b>JAWALAMUKHI</b>				<b>RAJGARH (H.P)</b>	368.##	RAJGARH AUTOMOBILES (5458), PO RAJGARH.TEH RAJGARH, DISTRICT - SIRMOUR, HIMACHAL PRADESH, PH :173101-9418021344.	<b>THEOG</b>	380.##	JOSHI MOTORS (2778), SHALLI BAZAR, THEOG, DIST. SHIMLA, (H.P.), PH :171201-9459100051.	
347.##	LAKSHMI AUTO SPARES & SERVICE CENTRE (4630), NEAR GANJU BAGH, DEHRA ROAD, JWALAMUKHI, TEH. DEHRA, DIST. KANGRA (HIMACHAL PRADESH), PH :176031-9418091048.	<b>MUBARAKPUR</b>	358.##	SHIV SHAKTI AUTOMOBILES (1732), HOSHIARPUR ROAD, MUBARAKPUR, DISTT. UNA, (H.P.), PH :177202-9418328361.	<b>RAMPUR BUSHAHR</b>	369.**	HIGHWAY SERVICE STATION (2649), CHUHA BAG, RAMPUR BUSHAHR, (H.P.) - 172001, PH :172001-9805831627.	<b>UNA (H.P)</b>	381.##	RUDRA MOTORS (3925), NEAR OLD HOSPITAL CHOWK, NH-22, UNA - 174303 (H.P.), PH :174303-8628803717.
<b>KARSOG</b>		<b>NADAUN</b>	359.**	CAR CARE ENGINEERS (4423), HOSHIARPUR ROAD, MANPUL, NADAUN DISTT, HAMIRPUR, HP, PH :177033-9857799080.	<b>RECONG PEO</b>	370.##	KRISHNA AUTOMOBILE (4438), VILL CHUHA BAG, RAMPUR BUSHAHR-172001, , PH :172001-9418036091.	382.##	TRINITY AUTO FAST ENGINEERS (1755), JALGRAN TABBA, NANGAL ROAD, UNA, HIMACHAL PRADESH - 174303, PH :174303-9816628020.	
348.##	DEEPAK AUTOMOBILES (4057), MR. DEEPAK SHARMA, C/O SHARMA GENERAL STORE, KARSOG, MAIN BAZAR, DIST MANDI, HIMACHAL PRADESH, PH :175011-.	<b>NAHAN</b>	360.##	AGGARWAL MOTORS (3334), GUNNU GHAT, NEAR TELECOM COLONY, NAHAN-173 001, PH :173001-9418023558.	371.##	KRISH AUTO (4134), RECONG PEO, TEHSIL KALPA, DISTT KINNAUR, HIMACHAL PRADESH - 172707, PH :172107-9816579999.	<b>JAMMU AND KASHMIR</b>			
<b>KAZA</b>		<b>NALAGARH</b>	361.##	KRISHNA MOTOR (5275), PEERTHAN.PO NALAGARH, DISTRICT - SOLAN, HIMACHAL PRADESH, PH :174101-9418094064.	<b>ROHRU</b>	372.##	KAMTA SERVICE STATION (2338), ROHRU, DISTT. SHIMLA, (H.P.), PH :171207-9418040106.	<b>AWANTIPORA</b>	383.##	KESAR AUTOMOBILES (5938), KHAR ,MORH,NATIONAL HIGHWAY 1A, AWANTIPORA-192122, DISTRICT-PULWAMA, JAMMU & KASHMIR, PH :192122-7780873161.
349.##	SPTI MOTORS (6033), VILL. & PO,KAZA-172114, DISTRICT-LAHAUL & SPTI, HIMACHAL PRADESH, PH :172114-9418759974.	<b>PALAMPUR</b>	362.**	SANGRAI AUTO SERVICE (6430), OPP. SITLA MATA MANDIR, PALAMPUR-176 061, DISTT. KANGRA (H.P.), PH :176061-9418085915.	<b>SALASHI</b>	373.##	THAKUR AUTOMOBILES (3838), JALANDHAR MANALI NATIONAL HIGHWAY (NH70), NEAR DAV SCHOOL, VILLAGE SALASHI, DISTT HAMIRPUR, PH :177001-9418490904.	<b>BARAMULA</b>	384.*	MARUTI MASTERS (4369), KANIPORA, BARAMULA, KASHMIR, PH :193101-9906864748.
<b>KEYLONG</b>			363.##	SANTOSHI AUTOMOBILES (4776), VILLAGE & P.O. BHAWARNA, TEHSIL, PALAMPUR, DISTRICT- KANGRA (HIMACHAL PRADESH), PH :176083-9418184367.	<b>SARKAGHAT</b>	374.##	SHAKUNTLA MOTORS (5755), MANDI ROAD-SARKAGHAT, DISTRICT-MANDI, PIN-175024, HIMACHAL PRADESH, PH :175024-9817818822.	<b>CHADOORA</b>	385.*	VEHICLE MASTERS (4661), MAIN ROAD, CHADOORA-190001, DIST. BUDGAM, JAMMU & KASHMIR, PH :190001-9419441217.
350.##	YOLAX MOTORS (3830), KEYLONG, DISTT. LAHAUL & SPTI, , PH :175133-7651031580.	<b>PAONTA SAHIB</b>	364.##	SUMEET MOTORS (1441), SHAMSHERPUR, PAONTA SAHIB-173 025, (H.P.), PH :173025-9418018329.	<b>SHIMLA</b>	375.**	GURRAJ AUTO SERVICE (757), NEAR CPRI ROAD, BEMLOI, SHIMLA-171 001, PH :171001-9816233030.	<b>JAMMU</b>	386.*	CARE POINT AUTOMOBILES (4652), OPP. BSF CAMPUS ROAD, AKHNOOR ROAD, JAMMU-180002, PH :180002-9419283151.
<b>KULLU</b>		<b>PAPROLA</b>			376.**	MOTO WORLD (6433), NAVBAHAR, SHIMLA-171 002, , PH :171002-9459050769.				
351.##	PURI BROTHER'S (4242), I.O.C DEALER, DHALPUR, KULLU, H.P, PH :175101-9418395358.									
352.##	SURYA MOTORS & SERVICE CENTRE (2943), NH-21, MANALI ROAD, BABELI, DISTT. KULLU-175 138 (H.P.), PH :175138-9418059956.									
<b>KUMARHATTI</b>										
353.*	SOLAN AUTOMOBILES PVT. LTD. (6420), DAGHOTI(SOLAN), P.O.KUMAR HATTI-173 229 (H.P.), , PH :173229-9816030330.									
<b>KUMARSAIN</b>										

\*\* A-Category Mass : Free & paid Service, Major repairs & Accidental repairs

## C-Category Mass : Free & paid Service & Minor repairs

\* B-Category Mass : Free & paid Service & Major repairs

# D-Category Mass : Free Service & Minor repairs

387.\*\* CHECK N CARE AUTOMOBILE CENTRE (1773), OPP. GURUDWARA SRI SINGH SABHA, NARVAL BYE PASS ROAD, JAMMU, PH :180001-9419190796.

388.\*\* KWIK FIT (2343), AMBPBALLA, B.C. ROAD, JAMMU-180 001, PH :180001-9419104400.

389.\*\* MAGNA GARAGES (441), NARVAL CHOWK, TRANSPORT NAGAR, JAMMU-180 006, PH :180006-9796800000.

390.## NATIONAL MOTORS (5074), OPP APNA VIHAR B.P. PETROL PUMP , NH-1A.KUNJWANI JAMMU, DISTRICT - JAMMU, JAMMU & KASHMIR, PH :180010-9419322222.

**KATHUA**

391.\* KATHUA MOTORS (3323), HATLI MORE, KATHUA-184 102, (J&K), PH :184102-9419150694.

**KATRA**

392.## VIDYA AUTOMOBILES (1165), JAMMU ROAD, KATRA, (J&K), PH :182320-9596676576.

**KISHTWAR**

393.## MINTOO MOTORS (4133), NEAR H.H.P.C SCHOOL, KISHTWAR, DISTT DODA (J & K), PH :182204-9622052520.

**MATTAN**

394.## DANISH AUTOMOBILES (5478), PAHAL GAM ROAD, STATE HIGHWAY - MATTAN, DISTRICT - ANANTNAG, JAMMU & KASHMIR, PH :192125-9419041724.

**PHINTER**

395.## BADYAL AUTOMOBILES (4149), C/O BADYAL AUTOMOBILE, PHINTER, TEH BILLAWAR, DISTT KATHUA PHINTER (J & K), PH :184203-9419691916.

**PULWAMA**

396.\*\* KASHMIR AUTOMOBILES (8969), NEAR FRUIT MANDI, PRICHOO PULWAMA, KASHMIR, PH :192301-9622742291.

**RAJOURI**

397.## MILLENNIUM MOTORADES (2937), ALPHA GATE, T.C.P., RAJOURI-185 132, (J&K), PH :185132-7006122022.

**REASI**

398.## U LIKE CAR CLINIC (4771), GITA NAGAR, REASI JYOTIPURAM ROAD, REASI, DISTRICT-UDHAMPUR (JAMMU & KASHMIR), PH :182311-7006083550.

**SAMBHA**

399.## DHANSAR CAR CLINIC (5146), NATIONAL HIGHWAY , SUPVAL SAMBHA , DISTRICT - JAMMU, J&K, PH :184120-9419393949.

**SOPORE**

400.## HASSAN MOTORS (2434), BPC DEALER, SOPORE, KASHMIR, PH :193201-9906506786.

**SRINAGAR**

401.\* A.B. MOTORS (5072), BEHIND NEW SECRETARIAT ROAD, SRINAGAR, DISTRICT - SRINAGAR, JAMMU & KASHMIR, PH :190009-9419007966.

402.\*\* ADAM'S AUTOAIDES (5766), SIDCO INDUSTRIAL EXTATE,SHALTENG, SRINAGAR-, DISTRICT-SRINAGAR, JAMMU & KASHMIR, PH :191202-9906580089.

403.\* HASEEN MOTORS (5249), BY-PASS BRIDGE BAGH MEHTAB, SRINAGAR , JAMMU & KASHMIR , PH :190019-9419006847.

404.## NEW NATIONAL AUTOMOBILES (5073), RAM BAGH AIRPORT ROAD SRINAGAR, DISTRICT - SRINAGAR, JAMMU & KASHMIR, PH :190009-9419013778.

405.\* SRINAGAR AUTOMOBILES (4925), M.A. LINK ROAD, NEAR TRANSPORT YARD BRIDGE, CHINARBAGH, SRINAGAR-190001 (JAMMU & KASHMIR), PH :190001-9419001793.

**SURNKOTE**

406.## A.S. AUTOMOBILES (5976), IQBAL NAGAR,SURANKOTE, DISTRICT-POONCH, JAMMU & KASHMIR , PH :185121-9469014765.

**THANA MANDI**

407.## DANISH AUTOMOBILES (6047), R/O W NO.3,HUSPLATE , THANAMANDI-185212 , DISTRICT-RAJOURI , JAMMU & KASHMIR, PH :185212-7006485949.

**VIJAYPUR**

408.## BANSI LAL MARUTI SERVICE STATION (4748), SWANKHA MORH, NATIONAL HIGHWAY, VIJAYPUR-180001, DISTRICT-SAMBA (JAMMU & KASHMIR), PH :180001-9419106798.

**JHARKHAND**

**BOKARO**

409.## UUEA (4845), S-21 CITY CENTRE, BOKARO STEEL CITY, BOKARO-827004, JHARKHAND, PH :827004-9431127441.

**DEOGHAR**

410.\* GARGEE AUTOMOBILES (2276), OPP. D.C. RESIDENCE, CIRCULAR ROAD, BARMASIA, DEOGHAR-814 112 (JHARKHAND), PH :814112-9940580983.

**DHANBAD**

411.## MAZUMDAR CAR SCAN (5135), BHUIFORE, K G ASHIRAM ROAD , SARAIDELA , DISTRICT - DHANBAD , JHARKHAND - 828301, PH :828301-9835361472.

412.## PRIYA AUTO (4868), OPPOSITE MINNING SCHOOL, SINDRI ROAD, BHAGA, DHANBAD-828301, JHARKHAND, PH :828301-9431124817.

**DUMKA**

413.\* NATIONAL ENGG. WORKS (5220), AUTOMOBILE ENGINEERS, DUMKA (BIHAR), PH :814110-9431945507.

**GARHWA**

414.## VIKAS AUTOMOBILE SERVICES (2647), RAILWAY STATION ROAD, GARHWA-822114, ZARKHAND, PH :822114-9204527287.

**HAZARIBAGH**

415.## ALOK MOTORS (379), NEAR INDRAPURI CHAWIK, HAZARIBAG-825 301, (JHARKHAND), PH :825301-9431140740.

416.## SRI RAM MARUTI SERVICE STATION (3663), DEVI DAYAL LANE, HAZARIBAG-825 301, (JHARKHAND), PH :825301-9431384877.

**JAMSHEDPUR**

417.\*\* CAR CURE (1261), C/O MODERN AUTO STORES, KALIMATI ROAD, SAKCHI, JAMSHEDPUR-1, PH :831001-9234608016.

418.## MAHESHWARI BROS. (5124), NATIONAL HIGHWAY 33, BALIGUMA MANGO, P.O. -M.G.M. MEDICAL COLLEGE, JAMSHEDPUR-831 018, PH :831018-9031144444.

**KHUNTI**

419.## MOD MOBILES (5579), MAIN ROAD,RANCHI ROAD - KHUNTI, DISTRICT - KHUNTI, PIN - 835210, JHARKHAND, PH :835210-9304468855.

**MAITHON**

420.# MAITHON SERVICING CENTRE (5838), MAITHON ROAD,NEAR VMC COLONY, SANJAY CHOWK ,PO CHIRKUNDA-MAITHON, DISTRICT-DHANBAD, (JHARKHAND), PH :828203-7209423707.

**PAKUR**

421.## SPEED WHEEL SERVICE CENTRE-PAKUR (4976), MAIN ROAD, PAKUR - 816107, . PH :816107-9434101917.

**RAMGARH**

422.## RAHL MOTORS (5054), C/O NIYAMAT MISTRI, DUSHAD MOHLA, DISTRICT RAMGARH CANTT., PH :829122-9771577422.

423.## SAINI MOTORS (5126), NEAR VISWAKARMA MANDIR, MAIN ROAD, RAMGARH CANTT 829 122, DISTT. HAZARIBAG, PH :829122-9835141302.

**RANCHI**

424.## BHARAT MOTORS (5970), SHIV JEE CHOWK,HARMJU ROAD,RANCHI-834001, DISTRICT-RANCHI, JHARKHAND - 834001, PH :834001-9608502258.

425.\*\* MARUTI AUTOMOBILES (5127), HOTEL AKASHWANI MANSION, RATU ROAD, RANCHI-834 001, PH :834001-9835156186.

426.## MARUTI CLINIC (2548), LAL KOTHI, OLD HAZARIBAGH ROAD, KANTA TOLI, RANCHI-1, JHARKHAND, PH :834001-9431109214.

427.## MOTOR KRAFT (4769), H.B. ROAD, DIPATA TOLI, RANCHI-834009, JHARKHAND, PH :834009-9431152162.

**SIDRAUL**

428.## KRITIVASA AUTOMOBILES (8944), RANCHI TATA HIGHWAY, SIDRAUL, P.S NAMKCOM, PH :834010-9661144866.

**KARNATAKA**

**ATHANI**

429.## CHOUGULE MOTORS (3874), MIRAJ ROAD, ATHANI, . , PH :587314-9448436776.

**BAGALKOT**

430.## NARA AUTOMOBILES (4357), TP NO. 158 A/2, WARD NO. 10, SHABADI COMPOUND EXTN, BAGALKOT-587101, PH :587101-9880875595.

**BAGEPALLI**

\*\* A-Category Mass : Free & paid Service, Major repairs & Accidental repairs

## C-Category Mass : Free & paid Service & Minor repairs

\* B-Category Mass : Free & paid Service & Major repairs

# D-Category Mass : Free Service & Minor repairs

## Mass Network (AS ON 31.10.2023 )

431.##	N.N. GARAGE (4263), T.B. CROSS, NH-7, BAGEPALLI, NEAR RTO OFFICE, KOLAR DISTRICT, KARNATAKA, PH :571603-9845125260.	442.**	LE MANS MOTORS (3460), NEAR AYYAPPA TEMPLE, S.M. ROAD, T. DASARAHALLY, BANGALORE-560 057, PH -9845145001.	454.**	TRINITY CAR CARE PVT. LTD (5851), SURVEY NO 52/1,SRI GANDHADAKAVAL VILLAGE NAGARHAVI,BANGALORE-560091, DISTRICT-BANGALORE ,KARNATAKA, PH :560091-9880793980.	465.#	OM MOTORS (4445), 1751, ANKALI ROAD, NEAR B K COLLEGE, CHIKODI-591201, KARNATAKA, PH :591201-8861555999.
<b>BAILHONGAL</b>							
432.*	MAHANTH MOTORS (5763), RTO ROAD BAILHONGAL ,TALUK-591102, DISTRICT-BELGAUR, KARNATAKA, PH :591102-9535653166.	443.*	MAYUR ENTERPRISES (249), NEXT TO PIA BHAVAN KIADB MAIN ROAD, PEENYA 1ST STAGE, BANGALORE-58, PH :560058-9845122156.	455.**	TRINITY MOTORS (4638), NO. 36, 4TH STAGE, W.C. ROAD, BASAVESHWARANAGAR, BANGALORE-560079, PH :560079-9845539474.	<b>CHINTAMANI</b>	
<b>BALEHONNUR</b>							
433.##	SRI ANNAPOORNA MOTORS (5253), MALLE GOWDA COMPLEX,JAYAPURA, ROAD BALEHONNUR ROAD, DISTRICT - CHIKMAGALUR, KARNATAKA, PH :577204-9448000131.	445.**	NEXUS (2768) , #275/301, 80 FEET ROAD, OPP. M.S. RAMAIAH HOSPITAL (BEL ROAD), RMV 2ND STAGE, BANGALORE-560 094, PH :9844013436.	456.**	U.M. CARS PVT. LTD. (2847), KARNATAKA GOLF ASSOCIATION ROAD, KODIHALLI, OFF. AIR PORT ROAD, BANGALORE-560 008, PH :9845165365.	466.#	TIPPUR AUTO GARAGE (5770), MG ROAD,NEAR BAGEPALLI CROSS, CHINTAMANI-563125, DISTRICT-KALOR, KARNATAKA, PH :563125-9036698340.
<b>BANGALORE</b>							
434.##	ADARSHA AUTOMOBILES (4553), # 974 VARATHUR MAIN ROAD, NEAR PURVANKARA APARTMENTS, AFTER MARATHAHALLI, RAILWAY BRIDGE, BANGALORE-560037, PH :560037-9880195465.	446.**	PACE AUTOMOBILES (1057), 6TH MAIN HMT LAYOUT, R.T. NAGAR, BANGALORE-560 032, PH :9845004710.	457.*	VISWAS CAR SERVICES PVT. LTD. (3238), NO 2 , (OUT NO OF SY.NO 100/2) OFF SERVICE ROAD , KALYAN NAGAR ROAD, CHELEKERE , BANASWADI POST BANGALORE -560043, PH :560043-9591313379.	<b>CHITRADURGA</b>	
435.**	ANEKAR MOTORS (227), 230 MAGADI ROAD, BANGALORE-560 023, (KARNATAKA),, PH :9845899911.	447.##	PUSHPAK MOTORS (4642), 105/1 2ND MAIN NANJAPPA LAYOUT, VIDYARANYAPURA MAIN ROAD, (OPP KRUTHIKA HOSPITAL), BANGALORE-560097, PH :560097-9845087842.	458.**	MARS ENTERPRISES PVT. LTD. (238), NO 41 SANJAY NAGAR MAIN ROAD, ASWATH NAGAR, BANGALORE-560 094, PH -8861218160.	467.##	PRINCIPAL (255), J.M.I.T, N.H.4, P.B. NO.73, CHITRADURGA-577 502, PH :9731330300.
436.*	ASHWA CARS (2827), #14, 1ST MAIN, 6TH CROSS, SANJEEVINI NAGAR, MOODAPALYA, BANGALORE 560072, PH :560072-9341228231.	448.##	RAJ MOTORS (2829), NO.10 MAGADI MAIN ROAD, OPP. UNANI MEDICINE INSTITUTE, KOTIGEPAHYA, BANGALORE-560 091, PH :9663555677.	459.##	VAHAN UDYOG (4626), # 45/28 GUBBANNA INDUSTRIAL ESTATE, DR. RAJ KUMAR ROAD, 6TH BLOCK, RAJAJI NAGAR, BANGALORE-560010, PH :560010-8277398624.	468.##	SAI AUTOMOBILES (2473), OPP. R.T.O. NH-4, IIND CROSS, JCR EXTN., CHITRADURGA-577 501, PH :9448154945.
437.##	BENAKA MOTORS (3237), NO.158/2 VIBHUTIPURA, VIGNAN NAGAR BEHIND B.E.M.L., NEAR RENUKA SWIMMING POOL, BANGALORE-560 017, PH :9845212416.	449.**	SMART CARS (3571), 3RD CROSS NEAR J.B. TILES, KACGADASA PURA MAIN ROAD, C.V. RAMAN NAGAR, BANGALORE-560 093, PH :9663324361.	<b>BELGAUM</b>			
438.##	CHANDANA MOTORS (4872), NO. 9 UNIVERSITY ROAD, GNANABHARTHI (POST), MARIYAPPANNA PALYA, BANGALORE-560056 (KARNATAKA), PH :560056-9880659864.	450.##	SOLOTECH MOTORS (2760), SURVEY NO 82/2,D'SOUIZA NAGAR, HOSAKEREHALLI-BANGALURU, DISTRICT-BANGALURU 560085, KARNATAKA, PH :560085-.	460.*	BHARAT AUTO SCAN (350), 892/1 PB ROAD, BELGAUM-590 016, , PH :9448120495.	<b>DAVANGERE</b>	
439.*	GIRIMAJI ENTERPRISES (258), NO.2 27TH CROSS, K R ROAD, B S K II STAGE, BANGALORE-560 070, PH :9844004403.	451.##	SOLOTECH SERVICE CENTRE (5245), 50 FEET MAIN ROAD AVALAHALLI, MUNESHWARA BLOCK , DISTRICT - BANGALORE, KARNATAKA, PH :560010-9845772634.	<b>DEBANAHALLI</b>			
440.**	GREEN CARS PVT. LTD. (2154), NO.12/6 80 FEET ROAD, 6TH BLOCK KORAMANGALA, BANGALORE-560 095, PH :9845020796.	452.*	SPEED MOTORS (1750), 17/1 SUBRAMANYAPURA MAIN ROAD, KADIRENAHALLI, PADMANABHA NAGAR, BANGALORE-560 070, PH :9845153102.	<b>DEVANAHALLI</b>			
441.*	KESHKAMAL MOTORS (2075), NO.943 21ST MAIN, BANASHANKARI 2ND STAGE, (NEAR KIMS MEDICAL COLLEGE), BANGALORE-560 070, PH :9448071067.	453.##	TEAM TECH AUTOMOBILES (5662), 78/1,SULEKUNDE, NEAR MUTHANALLUR CROSS, SARJAPURA MAIN ROAD, BANGALORE -562125, PH :562125-9538516111.	<b>DHARWAD</b>			
<b>BIJAPUR</b>							
461.##	BAGALI MOTORS (5159), SHIKARKHANA ROAD, BIJAPUR - 586104, DISTRICT - BIJAPUR, KARNATAKA, PH :586104-9448100444.	<b>CHIKBALLAPUR</b>					
<b>CHIKMAGALUR</b>							
462.##	SUKOVE ENTERPRISES (3426), B.B. ROAD N.H.7, CHIKBALLAPUR-562 101, (KARNATAKA), PH :-9880607034.	463.##	AAMANTHRANA MOTORS (4346), K.M. ROAD, CHIKMAGALUR, , PH :577101-9945462658.	464.##	FORMULA MOTORS (338), K.M. ROAD, CHIKMAGALUR-577 101, , PH :9448743284.	<b>CHIKODI</b>	
<b>GADAG</b>							
473.**	MYSORE GARAGE (2468), BELGAUM ROAD, DHARWAD-580 001, (KARNATAKA), PH :-9844133273.	<b>GULBARGA</b>					
474.#	PRESTIGE MOTORS (4875), NEAR RAILWAY STATION KHASBHAG, DODDABALLAPUR, , PH :560026-9900274594.	<b>CHINTAMANI</b>					
475.##	MODERN MOTORS (8939), HUBLI ROAD, GADAG-582 103, (KARNATAKA), PH :-9448746579.	<b>CHITRADURGA</b>					
<b>CHITRADURGA</b>							
476.##	SAI AUTOMOBILES (2473), OPP. R.T.O. NH-4, IIND CROSS, JCR EXTN., CHITRADURGA-577 501, PH :9448154945.	<b>CHITRADURGA</b>					
477.##	SAI AUTOMOBILES (2473), OPP. R.T.O. NH-4, IIND CROSS, JCR EXTN., CHITRADURGA-577 501, PH :9448154945.	<b>CHITRADURGA</b>					
478.##	SAI AUTOMOBILES (2473), OPP. R.T.O. NH-4, IIND CROSS, JCR EXTN., CHITRADURGA-577 501, PH :9448154945.	<b>CHITRADURGA</b>					
479.##	HEGDE AUTO CENTRE (172), NO 2007/37, NEAR BIET, SHAMANUR ROAD, DAVANGERE, KARNATAKA-577004, PH :577004-8494853646.	<b>CHITRADURGA</b>					
480.##	SREE MALLIKARJUNA MOTOR (229), NO 68, RMC ROAD, NEAR KSRTC BUS STAND, DAVANGERE, KARNATAKA - 577003, PH :9880701015.	<b>CHITRADURGA</b>					
481.##	SREE MALLIKARJUNA MOTOR (229), NO 68, RMC ROAD, NEAR KSRTC BUS STAND, DAVANGERE, KARNATAKA - 577003, PH :9880701015.	<b>CHITRADURGA</b>					
482.#	SAHARA AUTOMOBILES (4731), OPP. A . RTO OFFICE, NH-7, B.B. ROAD, DEVANAHALLI-562110, KARNATAKA, PH :562110-9448662364.	<b>CHITRADURGA</b>					
483.##	MODERN MOTORS (8939), HUBLI ROAD, GADAG-582 103, (KARNATAKA), PH :-9448746579.	<b>CHITRADURGA</b>					

\*\* A-Category Mass : Free & paid Service, Major repairs & Accidental repairs

\* B-Category Mass : Free & paid Service & Major repairs

## C-Category Mass : Free & paid Service & Minor repairs

# D-Category Mass : Free Service & Minor repairs

476.## DELUX AUTO SERVICE (5840), SURVEY NO 77/8,VILLAGE KUSNOOR.NEAR -, UNIVERSITY,SEDAM ROAD,GULBARGA-585104, DISTRICT-GULBARGA, (KARNATAKA), PH :585104-9242991292.

**HOSPET**

477.## SUPREME AUTO SERVICE (2569), NEAR RTO OFFICE, HARIHAR ROAD, HOSPET-583 203, (KARNATAKA), PH :-9845307361.

**HUBLI**

478.## SHRI BASAVA MOTORS (4968), OPP SANA COLLEGE.APMC PB ROAD, BHIRIDEVARKOPPA,HUBLI-580025, , PH :-580025-9880025644.

**KADUR**

479.# SRI SAI MARUTHI SERVICE STATION (5725), ULUKINAKALLU, NH 206, KADUR, , PH :583201-9916947196.

**KARKALA**

480.## KARKALA MOTORS (3549), TELLAR ROAD, KARKALA-574 104, (KARNATAKA), PH :-9845356244.

**KOLAR**

481.## SHIVA SERVICE POINT (2472), M.B. ROAD, KOLAR-563 101, (KARNATAKA), PH :-9448228604.

**KOLLEGAL**

482.# FIX PLUS AUTO CARE CENTRE (4249), C-8, IND. ESTATE, MAHADESHWARA COLLEGE ROAD, KOLLEGAL-571440, PH :571440-9448807237.

**KOPPA**

483.## AUTO TECH (3448), MAIN ROAD, UPPERPET, KOPPA-577 126, (CHIKMAGALUR DIST.), PH :-9448156950.

**KRISHNA RAJA NAGAR**

484.## MOHIT MOTORS (5752), 212,CHIRNAHALLI ROAD,VINAYAKA EXTENSION, KRISHNA RAJA NAGAR-571602, DISTRICT-MYSORE, KARNATAKA, PH :571602-98803002051.

**KUMTA**

485.# SOLOTECH (4547), NEAR MARUTI TEMPLE, HANDIGON, KUMTA- 581343, PH :581362-9448149607.

**KUNDAPUR**

486.\* PRAKASH AUTO SERVICE (4522), NH-66, NEAR K.E.B., VODERHOBLI, KUNDAPURA, KARNATAKA - 576201, PH :-9341035642.

**MANIPAL**

487.# MANIPAL MARUTI AUTO WORKS (4578), MANIPAL ALEVOOR ROAD, NEAR R.C. CHURCH, OPP. SIGMA BAZAR, MANIPAL (UDUPI DIST), PH :591102-9448108318.

**MUDHOL**

488.## OM MOTORS (5857), OPP TALUKA OFFICE, LOKAPUR ROAD,MUDHOL-587313, DISTRICT-BAGALKOT, KARNATAKA, PH :587313-9663830660.

**MUDIGERE**

489.## BADRIYA CAR SERVICE POINT (5364), K.M. ROAD,MUDIGERE , DISTRICT- CHIKAMANGALORE , PIN - 577132 , (KARNATAKA), PH :577132-9448007094.

**MYSORE**

490.\*\* CAR CLINIC (346), 1959/A, BOGADI RING ROAD, NEAR GLN CONVENTION HALL, BOGADI, MYSORE, PH :585106-9342184831.

**NELAMANGALA**

491.## GOUTHAM MOTORS (4332), PATEL CHANNAPPA EXTN, NELAMANGALA-562123, KARNATAKA, PH :562123-9880251546.

**RABAKAVI BANAHATTI**

492.# SANGAMA MOTORS (5726), BESIDE CMC,RAMPUR MAIN ROAD, RABAKAVI-587314, DISTRICT-BAGALKOT, KARNATAKA, PH :587314-9480035617.

**RAICHUR**

493.## HEERA MOTORS (3730), OPP. MOTI MASJID, SHIVJI OIL MILL COMPOUND, TIPU SULTAN ROAD, RAICHUR-584 101 (KARNATAKA), PH :-9845156322.

**RAMNAGARAM**

494.# MENEZES MOTORS (4969), NO:315/298A NEAR KANAKAPURACIRCLE., B. M. ROAD,ARCHAKARAHALL,BAGALORE., DISTRICT-BANGALORE RURAL , KARNATAKA, PH :584101-9986301054.

**RANEENNUR**

495.# KIZEN MOTORS (4568), P.B.ROAD, RANEENNUR, KARNATAKA - 581115, PH :581115-9900922022.

**SAGAR (KARNATAKA)**

496.## ADITYA AUTOMOBILES (2077), JOG ROAD, SAGAR-577 401, (KARNATAKA), PH :-9448024395.

497.## MALLIKA AUTO CENTRE (2133), MALLIK COMPLEX, B.H. ROAD, SAGAR-577 401, PH :-9448139605.

**SHIMOGA**

498.## NEPTUNE AUTO WORKS (5271), PLOT -5 AUTO COMPLEX , SAGAR ROAD - SHIMOGA ,DISTRICT - SHIMOGA , KARNATAKA, PH :577204-9448319758.

499.\* SHIMOGA AUTO ENGINEERING WORKS (8955), GARDEN AREA, 2ND CROSS, SHIMOGA KARNATAKA-577 201, PH :-7899114872.

**SIDDAPUR**

500.## MARUTI AUTO WORKS (5335), SORAB ROAD,SIDDAPUR (U.K)-581355, DISTRICT - UTTAR KANAND, PIN- 581355, KARNATAKA, PH :581355-944852801.

**SIRSI**

501.\* ARUNDHATI MOTORS (1258), HUBLI ROAD, SIRSI-581 402, (UTTAR KARNATAKA), PH :-9845098822.

**SRINGERI**

502.# SHUBHASHREE MOTORS (5434), AGUMBLE ROAD ,SRINGERI , DISTRICT - CHIKAMAGALUR , SRINGERI - 577139, KARNATAKA, PH :577139-9448170400.

**TIRTHALLI**

503.## SUMUKA AUTOMOBILES (5133), AP ROAD,CEEENE KERI, DISTRICT-SINGA, SHIMGA-577414, KARNATAKA, PH :577414-9686944949.

**TUMKUR**

504.## APOORVA CAR CARE CENTRE (5327), B.N.P. COMPOUND, BEHIND KRISHNA THEATRE, M.G. ROAD - TUMKUR, DISTRICT - TUMKUR, KARNATAKA, PH :571440-9901515516.

**UDUPI**

505.\* ST. JUDE AUTOMOBILE ENGG. WORKS (4521), B.D.MARG, AMBALAPADI, UDIPI-576 103, PH :-9844991241.

**UPPINANGADI**

506.## RATNA ENTERPRISES (5447), BUILDING NO 5/514 KUKKAJE, SUBRAMNYA ROAD, UPPINANGADI , PH :587313-9972995341.

**KERALA**

**ADIMALY**

507.## PLATHOTTAM AUTOMOBILES (3864), NH-49, OPPOSITE TO MINI INDUSTRIAL ESTATE, ADIMALY-685561, PH :685561-9447023073.

**ADOOR**

508.## AUTO CLUB (2132), NEAR H.P. PUMP, VADAKKADATHUKAVU P.O, ADOOR, PATHNAMTHITTA DISTT, PH :691523-9447440184.

**ALAPPUZA**

509.## ESSAR MOTORS (4959), KALARKODE, NEAR CHINMYA SCHOOL, NH-47, ALAPPUZA-688003, KERALA, PH :688003-9249938474.

**ALUVA**

510.## AUTO TEAM (2630), A/189 A, PARUR JUNCTION, ALUVA, (KERALA), PH :683108-9947333760.

**AMBALLUR**

511.## LAKSHMI DEVI AUTO GARAGE (4137), AMBALLUR, P.O. PUDUKAD, TRICHUR, KERALA, PH :680301-9847903949.

**ANCHAL**

512.## NAMI-TAJ (2534), NEAR ST. GEORGE CENTRAL SCHOOL, R.O. JUNCTION, ANCHAL, KERALA -691 306., PH :691306-9447453745.

**ANJUMOORTHY**

513.## SAFA AUTO CARE (3847), N H ROAD, MANGALAM PALAM, ANJUMOORTHY POST, VADAKKENCHERY, PALAKKAD DISTT, KERALA, PH :678682-9447303347.

**ATTINGAL**

514.## OM SHAKTI AUTOMOBILES (4666), KIZHUVILAM P.O, MAMOM, ATTINGAL, KERALA-695104, PH :695104-9744658881.

**AYOOR**

515.\* MAKKATTU AUTO CLINIC (5051), AYOOR- ANCHAL ROAD.PANACHAILA, AYOOR - 691306, DISTRICT - KOLLAM, KERALA, PH :691306-9847288624.

\*\* A-Category Mass : Free & paid Service, Major repairs & Accidental repairs  
## C-Category Mass : Free & paid Service & Minor repairs

\* B-Category Mass : Free & paid Service & Major repairs  
# D-Category Mass : Free Service & Minor repairs

**Mass Network (AS ON 31.10.2023 )****CALICUT**

- 516.## MALABAR MOTORS (4655), EAST NADAKKAVU, P.O. ERANIPALAM, CALICUT-673006, KERALA, PH :673006-9846089190.
- 517.## MARUTI SCAN (1675), BYE PASS JUNCTION, MEENCHANDA, CALICUT-673 018, PH :673018-9847130508.

**CHALAKUDY**

- 518.## STAR MARUTI GARAGE (5367), NH47 BYE PASS, NEAR CRESCENT PUBLIC SCHOOL, CHALAKKUDY, DISTRICT - THRISSUR, PH :680307-9946009375.
- 519.\* VIJAY AUTO SERVICE (1626), POTTA, CHALAKUDY-680 307, , PH :680307-9995074628.

**CHANGANACHERRY**

- 520.\* PALATHRA MOTORS & SERVICE CENTRE (1072), VADAKKAKARA, VEROOR P.O., CHANGANACHERRY-686 104, PH :686104-9447195154.
- 521.## SAAFAA AUTOMOBILES (1148), PALATHARA CHIRA, BY PASS ROAD, CHANGANACHERRY, KOTTAYAM-686104, , PH :686104-9447042517.

**CHAVARA**

- 522.## CHITHIRA AUTOMOBILES (4755), KANKATHU MUKKU, CHAVARA, KOLLAM, PH :691583-944771007.

**CHENGANNUR**

- 523.\* NEW TECH AUTOMOBILES (1978), INDUSTRIAL ESTATE, MUNDANCAVU, CHENGANNUR-689 121, KERALA, PH :689121-9388915757.

**CHERTHALA**

- 524.\* POZHICKAL CAR WORLD (3037), NEAR BOYS HIGH SCHOOL, CHERTHALA, ALAPPUZHA DIST., KERALA-688 524, PH :688524-9947474752.

**ERATTUPETA**

- 525.## AUTO COMFORT (3948), PKMS BUILDING, ERATTUPETA-2, , PH :686121-9447186876.

**ETTUMANOR**

- 526.## ROHIT MOTORS (4636), THELLAKOM P.O., M.C. ROAD, ETTUMANOR, KERALA, PH :686630-9447709010.

**KALANJOOR**

- 527.## AGT MOTORS (5937), KIP JUNCTION, KALANJOOR-689694, DISTRICT-PATHANAMTHITTA, KERALA, PH :689698-9744409444.

**KALLAMBALAM**

- 528.## PRAKASH AUTO ENGINEERS (5548), VADASSERIKONAM P.O. KALLAMBALAM, VARKALA,KALLAMBALAM-695143, DISTRICT-TRIVANDRUM, KERALA, PH :695143-9847159618.

**KALLUMUTTY**

- 529.## MARUTI CARE (4179), KALLUMUTTY, IRITTY P.O., KANNUR, KERALA - 670703, PH :670703-9946703070.

**KALPETTA**

- 530.## VARCO MOTORS (4724), 18/226-1, NEAR VELLARAMKUNNU, NH 212, KALPETTA - 673121, , PH :673121-9961569898.

**KANJIRAPPALLY**

- 531.## MACK ENTERPRISES (2729), T.B.ROAD, KANJIRAPPALLY, , PH :686507-9447093739.

**KANNUR**

- 532.## AREN MOTORS (5139), CHAKKARAKAL P.O. MUZHAPPALA, DISTRICT - KANNUR, KERALA, PH :670613-9446771237.
- 533.\*\* PIONEER AUTO & ENGG.WORKS (4722), KANNOTHUMCHAL ROAD, KANNUR - 2, (KERALA), PH :670005-9447798255.

**KARIMANOOR**

- 534.## MACS AUTOMOBILES (5745), SILVER SQUARE ,KARIMANOOR,THODUPUZHA, DISTRICT-IDUKKI, KERALA, PH :685581-9633275410.

**KASARGOD**

- 535.## CARS CARE (4579), ANANDPUR, VIDYANAGAR P.O., KASARGOD, KERALA-671123, PH :671123-9847251115.

**KATTAKADA**

- 536.## CITY ENGINEERS (4947), MARUTI SERVICE CENTRE, NEYYATTINKARA ROAD, KATTAKADA-695572, DISTRICT-TRIVANDRUM (KERALA), PH :695572-9447206257.
- 537.## MADATHIL MOTORS (5456), MADATHIL HOUSE,CHOONDUPALAKA , KATTAKADA P.O. - TRIVANDRUM , DISTRICT - TRIVANDRUM ,(KERALA), PH :695543-9495192389.

**KATTAPPANA**

- 538.## UNITED SERVICE CENTER (4433), EDASSERT JUNCTION, KATTAPPANA-685508, KERALA, PH :685508-9961432941.

**KAYAMKULAM**

- 539.## PERFECT MOTORS (4948), MARUTI SERVICE CENTRE, NH-47, CHEPPAD, KAYANKULAM-690507, DISTRICT-ALAPPUZHA (KERALA), PH :690507-9447048338.

**KOLLAM**

- 540.## QUILON MARUTI SERVICE (2737), CHANDANATHOPE P.O., KOLLAM-691 014, (KERALA), PH :691014-9387307562.

**KONNI**

- 541.## GLOBAL MOTORS (2836), VAKAYAR P.O., KONNI-689 698, (KERALA), PH :689698-9446222944.

- 542.## MUTTATH AUTOMOBILES (5525), AROORPALAM,KONNI-689691, DISTRICT - PATHANANTHITTA, KERALA, PH :689691-9447431751.

**KOOTHATTUKULAM**

- 543.## EXTRA CARE SERVICES (3232), DEVA MATHA JUNCTION, M.C. ROAD, KOOTHATTUKULAM-686 662, ERNAKULAM DIST. (KERALA), PH :689121-9544552080.

**KOTHAMANGALAM**

- 544.## EXCEL MARUTI SERVICE (4342), BYE-PASS ROAD, KOTHAMANGALAM, ERNAKULAM-686691, PH :686691-8848605865.

- 545.## MAJESTIC MOTORS (1253), NEAR THANKALAM BYE-PASS ROAD, KOTHAMANGALAM-686 691, KERALA, PH :686691-9946427528.

**KUNDARA**

- 546.# SPARK SERVICE (5772), ELAMPALLOOR,P.O. KUNDARA-691501, DISTRICT-KOLLAM, (KERALA), PH :691501-9809608020.

**KUTHUPARAMBA**

- 547.## KRISHNA MOTORS (3435), KUTTIKUNNU, NEAR 66 KV SUB STATION, KUTHUPARAMBA-670 643, KANNUR DIST. (KERALA), PH :670643-9497296380.

**MANANTHAVADY**

- 548.## AUTO CARE (2541), (SHEEJA AUTO ENGG. WORKS), THALASSERY ROAD, MANANTHAVADY-670 645, WAYANAD (DIST.), PH :670645-9447040068.

**MANJERI**

- 549.## MARUTI AUTO HOUSE (4726), CHERANI, KARUVAMBARAM PO, MANJERI, KERALA. PIN 676123, PH :676123-9447129289.

**MANNAR**

- 550.## MOHANS AUTOMOBILES (5457), MOHANS AUTOMOBILES & ENGINEERS KUTTEMPEROOR P.O. MANNAR, DISTRICT - ALAPPUZHA ,(KERALA), PH :689622-9447877377.

**MANNUTHY**

- 551.\*\* TOP CLEAN SERVICES (2834), 13/450 MANNUTHY BYE PASS, P.O. OLLUKKARA, THRISSUR, (KERALA), PH :680651-8592947776.

**MEENANGADI**

- 552.## MOTOR TECH (2440), EAST MEENANGADI, KRISHNAGIRI P.O., WAYANAD-673 591, (KERALA), PH :673591-9539195850.

**MOOCHIKKAL**

- 553.## CHELADANS MARUTI ENGINEERS (4659), THANUR ROAD, MOOCHIKKAL-676307, MEENADATHUR, TIRUR, MALAPURAM DIST (KERALA), PH :676307-9895443563.

**MUNNAR**

- 554.## PLATHOTTAM AUTOMOBILES (4447), COLONY ROAD, IKKA NAGAR, MUNNAR, IDUKKI, KERALA - 685612, PH :685612-9447023073.

**MUVATTUPUZHA**

- 555.\*\* JAWAN AUTOMOBILES (2730), MADAVOOR POST, MUVATTUPUZHA-686 669, , PH :686699-8943345500.

**NEYYATTINKARA**

- 556.## XANON ENGINEERS (8951), RAVELI TOLL JUNCTION, NEYYATTINKARA, TRIVANDRUM-695121, PH :695121-9946357813.

**NILAMBUR**

- 557.## CONFIDENCE MOTORS (5140), PALUNDA,CHUNGATHARA, NILAMBUR-679334, DISTRICT - MALLAPURAM, KERALA, PH :679334-8075272281.

\*\* A-Category Mass : Free & paid Service, Major repairs & Accidental repairs  
## C-Category Mass : Free & paid Service & Minor repairs

\* B-Category Mass : Free & paid Service & Major repairs  
# D-Category Mass : Free Service & Minor repairs

<b>NILAMEL</b>	<b>QUILANDY</b>	<b>THODUPUZZHA</b>	<b>591.##</b>
558.## LIBRA (3431), M.C. ROAD, NILAMEL-691 535, KOLLAM DIST., (KERALA), PH :691535-9895629768.	569.## HITECH MARUTI (3025), MAIN ROAD, KOYILANDY, PIN-673 305, CALICUT DISTT., PH :673305-9447457996.	580.## UNIVERSAL MARUTI (2563), VENGALLOOR P.O., THODUPUZZHA, (KERALA), PH :685585-9447023024.	RANI AUTOMOBILES & ENGINEERING WORKS (8957), BUILDING NO. 10/496A, NADAPURAM ROAD,MADAPPALLI COLLEGE POST, VATAKARA, DISTRICT KOZHIKODE, KERALA- 673102, PH :673102-9400513139.
<b>OCHIRA</b>	<b>RANNY</b>	<b>TRIVANDRUM</b>	<b>LADAKH</b>
559.* MANGALATH AUTOMOBILES (3836), NH 47 VALIYAKULANGARA, OCHIRA P O, KOLLAM DIST, KERALA-690526, PH :690526-9847258696.	570.## DEEPA AUTOMOBILES(5177), DEEPA AUTOMOBILES.PAZHAVANGADI, P.O. RANNY -689673, DISTRICT-PATHANAMTHITTA, KERALA, PH :689673-9447216725.	581.## EMINENT MARUTI SERVICE (2360), T.C. 610 M.C. ROAD, MANNANTHALA, TRIVANDRUM-695 015, PH :695015-9447713639.	<b>KARGIL</b>
<b>OLLUR</b>	<b>SASTHA MANGALAM</b>	582.## HITECH INDUSTRIES (1951), NEAR ULLOOR BRIDGE, PATTOM P.O., THIRUVANANTHAPURAM-695 004, (KERALA), PH :695004-9447732057.	592.* ZOZILA ENGG. WORKS (374), KARGIL, LADAKH-194 105, PH :194015-9419176212.
560.## TOPCLEAN SERVICES (4468), 10/153, CHRISTOPHER NAGAR, P.O OLLUR, TRICHUR (KERALA), PH :680306-9846037818.	571.## MARSHAL AUTOMOBILES (4035), SWATI NAGAR, TC 10/147, PIPPIN MOODU, SASTHA MANGALAM, PEROORKADA, TRIVANDRUM 695005, PH :695005-9447461101.	583.* KICHU MOTORS (5453), TC 49/962 SREEMOOLAM NAGAR CHIRAMUKKU - MANACARU (PO) TRIVANDRUM, DISTRICT - TRIVANDRUM, KERALA, PH :695572-9847023025.	<b>LAKSHADWEEP</b>
<b>PALAKKAD</b>	<b>SULTAN BATHERY</b>	584.## MUKUNDANS (3434), POONTHY ROAD, PADMAVILASAM, KUMARAPURAM., THIRUVANANTHAPURAM-695 011, PH :695011-9349882788.	593.## POPULAR REPAIR & SERVICE CENTRE (2944), SECRETARIAT ROAD, KAVARATTI, LAKSHADWEEP-682 555, PH :682555-9448463737.
561.## CAR CRAFT (2139), 5/682 (1), MANALI, PALAKAD-678 001, (KERALA), PH :678001-9349807619.	572.## AUTOMEK (4725), BEENCHI P.O., SULTAN BATTERY-673 592, PH :673592-9249999515.	585.* PROFESSIONAL MOTORS (1256), NEAR ELECTRICITY BOARD, PEROORKADA, TRIVANDRUM-695 005, PH :695005-9947175650.	<b>LAKSHADWEEP</b>
<b>PANDALAM</b>	573.## NEW INDIAN (I), MYSORE ROAD, SULTAN BATHERY, WAYANAD DISTRICT, KERALA-673592, PH :673592-8281682822.	586.## SREEKARIYAM AUTOMOBILES (353), SREEKARIYAM P.O., THIRUVANANTHAPURAM-695 017, . PH :695017-9447050313.	<b>MADHYA PRADESH</b>
562.* AISHWARYA AUTOMOBILES (2067), NEAR K.S.R.T.C. BUS STOP, PANDALAM-689 501, . PH :689501-9847049140.	574.## TEE PEE MOTORS (4773), 9/668-B OOTY ROAD, NEAR BLOCK OFFICE, SULTAN BATHERY, WAYANAD (KERALA), PH :673592-8547201421.	<b>VADAKKANCHERY</b>	<b>BALAGHAT</b>
<b>PARIPALLY</b>	<b>TALIPARAMBA</b>	587.## TOPCLEAN SERVICES (4354), 275-A, NEAR UTHRALIKKAVU TEMPLE, KUMARANELLUR P.O., VADAKKANCHERY, TRICHUR, PH :680590-9846037818.	594.## GULAB AUTOMOBILES (1553), VARDHMAN NAGAR, NEAR SHUBHARAM LAW, GONDIYA ROAD, KOSMI, BALAGHAT, MP - 481001, PH :481001-9425402926.
563.## ALLIANCE MARUTI SERVICES (3243), NH-47, PARIPALLY-691 574, KOLLAM DIST. (KERALA), PH :691574-9349926440.	575.## YESKAY (3368), KAKATHODE, TALIPAPARAMBA - 670141, KANNUR DISTT (KERALA), PH :670141-9744076850.	<b>VADANAPPALLY</b>	595.## SAURAV MOTORS (4069), DEENHI ROAD, GARRA INDUSTRIAL AREA, BALAGHAT, MADHYA PRADESH, PH :481001-9300963731.
<b>PATHANAPURAM</b>	<b>THALASSERY</b>	588.## MONARCH MARUTI SERVICE CENTRE (4079), NEAR NORTH JUMA MASJID, GANESHA MANGALAM, P O VADANAPPALLY, TRICHUR DIST (KERALA), PH :680614-9847792696.	<b>BARWANI</b>
564.## MANNIL AUTOMOBILES (4150), NEAR PANCHAYAT OFFICE, PATHANAPURAM, KERALA-689695, PH :689695-9447258496.	576.## SAFE HANDS (3038), ERANHOLI, CHUNGAM, THALASSERY - 670 107, (KERALA), PH :670107-9744322317.	<b>VADAVATHOOR</b>	596.## SPEED AUTOMOBILES (5260), KHANDWA BARODA ROAD, NR. BALAJI TOLL KANTA, BARWANI-451552, DISTRICT-BARWANI, MADHYA PRADESH, PH :451552-9926146073.
<b>PATHNAMTHITTA</b>	<b>THALAYOLAPARAMBU</b>	589.## C CARS (5754), VADAVATHOOR PO-KOTTAYAM, DISTRICT-KOTTAYAM, PIN-686503, KERALA, PH :685503-9447208558.	<b>BETUL</b>
565.** C.J. MARUTI CARE CENTRE (1255), VARIYAPURAM, ELANTHOOR EAST P.O., PATHANAMTHITTA-689 643, (KERALA), PH :689643-9446913874.	577.* MYALIPARAMPIL MOTORS (3233), SILON JUNCTION, NEAR THALAYOLAPARAMBU, POOZHIKOL P O 686604, PH :686604-9447562050.	<b>VARKALA</b>	597.## ADITYA MOTORS (1263), NAGPUR BHOPAL ROAD, SADAR, BETUL-461 001, MADHYA PRADESH, PH :460001-9425381581.
<b>PERAVOOR</b>	<b>THAMARASSERY</b>	590.* S.S. MOTORS (2979), NEAR POLICE STATION, VARKALA-695 141, TRIVANDRUM DISTT., PH :695141-9446104991.	<b>BHIND</b>
566.## CAR CARE AUTOMOBILES (4422), KODENCHAL, PERAVOOR, NIDUMPOYIL P.O., KANNUR - 670650, PH :670650-9946444691.	578.## MALABAR MOTORS (4645), WARD NO. 12, BLDG NO. 121, WAYANAD ROAD, KARADY, THAMARASSERY, CALICUT, PH :673573-9349114119.	<b>VATAKARA</b>	598.## MA A PITAMBARA MOTORS (5241), OPP.RAJENDERA CONVENT SCHOOL , LAKSHAR ROAD - BHIND , MADHYA PRADESH, PH :477001-9826240582.
<b>PERUMBAVOOR</b>	<b>THIRUVALLA</b>		<b>BHOPAL</b>
567.## MILLENNIUM MOTORS (4873), OLD VALLAM ROAD, KADUVAL, PERUMBAVOOR-683542, DISTRICT-ERNAKULAM (KERALA), PH :683542-9446661111.	579.## MARUTI AUTO SPOT (1628), MUTHOOR, M C ROAD, THIRUVALLA 689 107, PH :689107-9447860777.		599.## SHRI KRISHAN CAR CARE (1679), POLYTECHNIC ROAD, NEAR PETROL PUMP, BHOPAL, (M.P.), PH :462002-9424454030.

\*\* A-Category Mass : Free & paid Service, Major repairs & Accidental repairs

## C-Category Mass : Free & paid Service & Minor repairs

\* B-Category Mass : Free & paid Service & Major repairs

# D-Category Mass : Free Service & Minor repairs

## Mass Network (AS ON 31.10.2023 )

600.##	SHUBHAM AUTOMOBILES (5052), PLOT NO. 1 & 2, TIRANGA ROAD, SHAHPURA, BHOPAL, MADHYA PRADESH -462039, PH :462039-9425005969.	<b>DHAR</b>	611.##	JIYO MOTORS (5031), OPP DAK BANGLA,INDORE ROAD DHAR, DISTRICT - DHAR, DHAR - 454001, MADHYA PRADESH, PH :454001-9893633559.	<b>JAWAD</b>	623.##	SHARMA MOTORS (5764), IN FRONT OF PAWAN MILL, STATION ROAD,JAWAD-458330, DISTRICT-NEEMUCH, MADHYA PRADESH, PH :458330-9425441270.	<b>SARNI</b>	633.##	JHANVI SERVICE STATION (3738), MAIN ROAD, BAGDONA, SARNI-460 449, DISTT. BETUL (M.P.), PH :460449-9589650034.
601.*	TAURUS AUTOMOBILES (3372), ALAKNANDA COMPLEX, OPP.VIJAY STAMBH PRESS COMPLEX, M.P. NAGAR -ZONE-I, BHOPAL (M.P.), PH :462011-9303131403.	<b>GWALIOR</b>	612.##	CLASSIC MOTORS & SERVICE STATION (5242), CHAUHAN PIAO.M.G. ROAD, THATIPUR ,MORAR, GWALIOR, MADHYA PRADESH, PH :474011-9329603001.	<b>KATNI</b>	624.##	KATNI MOTORS (4949), C/O MAHURANIPUR UNION, TRANSPORT CORPORATION, NH-7, PANNA MORH, KATNI-483501 (MADHYA PRADESH), PH :483501-9425162660.	<b>SATNA</b>	634.*	KAPOOR SERVICING CENTRE (1162), 90 PREM NAGAR, SATNA-485 001, (M.P.), PH :470661-9827095182.
602.**	VIDHYA AUTOMOBILES (320), PLOT NO. 235, ZONE II, B, PH :462011-9826053198.		613.**	MARUTI ENTERPRISES (3021), KHERAPATI ROAD, GWALIOR-474 002, (M.P), PH :474002-9425116466.	<b>KHANDWA</b>	625.##	M.K.AUTOMOBILES (5326), SANTOSH NAGAR, OPP. JHEELODHYAN, INDORE ROAD, KHANDWA - 450 001, PH :450001-9425085666.		635.#	KAPOOR SERVICING CENTRE ( ), 90 PREM NAGAR, SATNA-485 001, (M.P.), PH :470661-9827095182.
603.**	RANJIT AUTOMOBILES (5452), 117.ZONE II .M.P. NAGAR.BHOPAL, DISTRICT - BHOPAL, PIN-462011, MADHYA PRADESH, PH :462011-.	<b>HARDA</b>	614.##	MANOJ UDYOG & SERVICE CENTER (4145), 87-88, INDUSTRIAL AREA, CHHIPANER ROAD, HARDA, M.P., PH :461331-9826227245.	<b>KUKSHI</b>	626.##	DILIP MARUTI SERVICE CENTER (4649), OPP. GAYATRI SAROVAR, KUKSHI, DISTT DHAR, PH :454331-9179649974.	<b>SEONI</b>	636.##	HIGHWAY MOTORS (2262), NEAR HOTEL CENTER POINT, SEONI-JABALPUR HIGHWAY, SEONI, (M.P.), PH :480882-9424928978.
<b>BIAORA</b>			<b>INDORE</b>	615.##	616.**	617.##	618.**	<b>SHAHNOL</b>	637.##	638.##
604.##	GURUKRUPA MOTORS (5670), OPP PRABHAT BREAD INDUSTRY, AB ROAD - BIAORA, DISTRICT - BIAORA, MADHYA PRADESH, PH :465674-9425038727.		615.##	BADSHAH MOTORS (5027), 150/2.NOORANI NAGAR,NEAR JAIMAL SINGH PETROL PUMP, DHAR ROAD,INDORE-452008, DISTRICT-INDORE, MADHYA PRADESH, PH :452008-9826098427.	616.**	617.##	618.**	SHAHNOL (M.P.), PH :484001-942701495.	637.##	638.##
<b>BURHANPUR</b>			615.##	BOMBAY MOTORS (1655), 10 Y.N. ROAD, INDORE-452 003, (M.P.), PH :452003-7314222786.	616.**	617.##	618.**	SHAHNOL (M.P.), PH :484001-942701495.	637.##	638.##
605.**	SWADESHI MOTORS (4229), NEAR GANPATI MANDIR, GANPATI NAKA, BURHANPUR, MADHYA PRADESH, PH :450331-.		615.##	JYOTI RAGHUNATH MOTORS (5149), 3/3 RAMBAGH, BEHIND PETROL PUMP - INDORE -452001, MADHYA PRADESH, PH :452001-9425353568.	616.**	617.##	618.**	SHAHNOL (M.P.), PH :484001-942701495.	637.##	638.##
<b>DABRA</b>			615.##	KHALSA AUTO SERVICE (5325), 36 KIBE COMPOUND, INDORE-452 001, , PH :452001-.	616.**	617.##	618.**	SHAHNOL (M.P.), PH :484001-942701495.	637.##	638.##
606.##	MODI MOTORS (3857), BALLA KA DERA, JHANSI ROAD, DABRA, GWALIOR, PH :475110-8770360194.	<b>ITARSI</b>	619.##	PITAMBARA MOTORS (5041), NH-69,BETUL ROAD,NEAR PLYBOARD, FACTORY ITARSI, DISTRICT - ITARSI, MADHYA PRADESH, PH :461111-9406525060.	616.**	617.##	618.**	SHAHNOL (M.P.), PH :484001-942701495.	637.##	638.##
<b>DAMOH</b>			619.##	UNITY ENTERPRISES (3270), PLOT NO.97, INDUSTRIAL AREA, KHEDA, ITARSI-461 111 (M.P.), PH :-8120025666.	616.**	617.##	618.**	SHAHNOL (M.P.), PH :484001-942701495.	637.##	638.##
607.##	MARUTI PRIME (1156), BUS STAND, STATION ROAD, DAMOH-470 661, PH :-8319706998.		619.##		616.**	617.##	618.**	SHAHNOL (M.P.), PH :484001-942701495.	637.##	638.##
<b>DATIA</b>			619.##		616.**	617.##	618.**	SHAHNOL (M.P.), PH :484001-942701495.	637.##	638.##
608.##	HIND MOTORS (4470), NH-75, JHANSI BYPASS ROAD, NEAR S.R.I COLLEGE, KALAMPURAM TIRHA, DATIA, MADHYA PRADESH - 475661, PH :475661-9406969206.	<b>JABALPUR</b>	621.##	SUPER MARUTI SERVICE (4952), 375-A PREM NAGAR, OPP. GURUDWARA, JABALPUR-482001, MADHYA PRADESH, PH :482001-7999993375.	616.**	617.##	618.**	SHAHNOL (M.P.), PH :484001-942701495.	637.##	638.##
<b>DEWAS</b>			621.##	YASH VEHICLES CARE (2169), 1664, WRIGHT TOWN ,OPP. TELEGRAPH GATE NO. 2 ,JABALPUR (M.P), PH :482002-9893237505.	616.**	617.##	618.**	SHAHNOL (M.P.), PH :484001-942701495.	637.##	638.##
609.##	AZAD MOTORS (4534), 10, JAWAHAR NAGAR COMPLEX AB ROAD DEWAS(MP)404051, PH :455001-9827533591.		621.##		616.**	617.##	618.**	SHAHNOL (M.P.), PH :484001-942701495.	637.##	638.##
<b>DHAMNOD</b>			621.##		616.**	617.##	618.**	SHAHNOL (M.P.), PH :484001-942701495.	637.##	638.##
610.##	REWANCHAL MOTORS (6027), NEW PRAKASH NAGAR, ,AB ROAD,DHAMNOD-454552 , DISTRICT-DHAR , MADHYA PRADESH, PH :454552-7974408538.		621.##		616.**	617.##	618.**	SHAHNOL (M.P.), PH :484001-942701495.	637.##	638.##

\*\* A-Category Mass : Free & paid Service, Major repairs & Accidental repairs  
## C-Category Mass : Free & paid Service & Minor repairs

\* B-Category Mass : Free & paid Service & Major repairs  
# D-Category Mass : Free Service & Minor repairs



644.## ZALANI AUTO SERVICE (1554), A 15/9, MAHAKAL VANIJYA KENDRA., NANAKHEDA, UJJAIN 456010, PH :456010-9713884177.

**VIDISHA**

645.## SAMAY MOTORS (5179), NEAR SC/ST SHED , PITALMIL CHOURAHA, SAGAR ROAD NH-86, VIDISHA, MP-464002, PH :464002-9425392521.

**WAIDHAN**

646.## ANANT MOTORS (5732), NEAR ESSAR TOWNSHIP, BILAJUNJI, WAIDHAN, DISTRICT-SINGRAULI, PIN-468686, MADHYA PRADESH, PH :468686-8319050124.

**MAHARASHTRA**

**AHMEDNAGAR**

647.\* AMIT SERVICE STATION (4158), NEAR NAGAPUR HIGHWAY BRIDGE, NAGAR-MANMAD HIGHWAY, NAGAPUR DIST-AHMEDNAGAR, MAHARASHTRA, PH :4141111.

**AKLUJ**

648.## SONAJ AUTOMOTIVES PVT. LTD. (2665), SHANKARRAO MOHITE PATIL, CO-OP INDUSTRIAL ESTATE, PLOT NO.36 P.O. BOX NO.-11, AKLUJ -413 101 (MAHARASHTRA), PH :413101-9657173360.

**AKOLA**

649.## AUTOLAND (5936), RAM NAGAR,TOSHNIWAL LAYOUT, AKOLA-444005, DISTRICT-AKOLA, MAHARASHTRA, PH :444005-9422164050.

**AKOLE**

650.## SAMARTH CAR CARE (5555), MAHALAXMI COLONY,K.G. ROAD-AKOLE, DISTRICT -AHMEDNAGAR, PIN-422601, MAHARASHTRA, PH :422601-9881759099.

**AMALNER**

651.## LUCKY AUTO CARES (5853), R.K. COMPLEX,R.K. NAGAR,DHULE ROAD, AMALNER-425401, DISTRICT-JALGAON, MAHARASHTRA, PH :425401-9422789764.

**AMBERNATH**

652.\* J.S. AUTOMOBILES (4567), B-31/3, MIDC, KALYAN AMBERNATH ROAD, AMBERNATH-421501, MAHARASHTRA, PH :421501-9370116436.

**AURANGABAD**

653.\* CAR CARE (5173), #85.SERVICE INDUSTRIAL SECTOR, TOWN CENTRE,CIDCO, DISTRICT-AURANGABAD, MAHARASHTRA, PH :431006-9158000029.

**BEED**

654.\* MARUTI AUTOMOBILES (3441), CHETAN TRADE CENTRE, JALNA ROAD,OPP. SFS SCHOOL, AURANGABAD - 431001, PH :431101-9767301999.

**BADLAPUR**

655.## OMKAR AUTO SERVICES (3376), PLOT NO-A/54/1, KARJAT -BADLAPUR ROAD, MIDC BADLAPUR, MAHARASHTRA 421503, PH :421503-9326080457.

**BARSHI**

656.## OM SERVICING CENTRE (5359), KURWEDI ROAD - BARSII, DISTRICT - SOLAPUR , PIN - 413401, (MAHARASHTRA) , PH :413401-9850437003.

**BEED**

657.## NEW AGWAN SERVICES (2235), 850 SHYOG NAGAR, JALNA ROAD, BEED-431 122, PH :431122-9822217321.

**BHUSAWAL**

658.\* SAIKRIPA AUTOMOBILES (2129), NATIONAL HIGHWAY NO.6, S.NO.54/5X6 NEAR KHADKA ROAD CROSSING, BHUSAWAL-425 201, DISTT. JALGAON (MAHARASHTRA), PH :425201-9823271027.

**BOISAR**

659.## SIFAR CAR CARE (4055), PLOT NO. 15 AT-KURGAON, P O KUNDAN, BOISAR TARAPUR ROAD, TAL PALGHAR, DISTT THANE, PH :401506-9765509990.

**CHANDRAPUR (MAHARASHTRA)**

660.## SHEIKH AUTOMOBILES (5379), APPOSITE GOVT. ITI CIVIL LINES ,CHANDRAPUR, DISTRICT - CHANDRAPUR, MAHARASHTRA, PH :442401-9422171896.

**CHIPLUN**

661.## MANORKAR AUTOMOBILES (270), NEAR RAILWAY STATION, BOMBAY-GOA HIGHWAY, WALOPE CHIPLUN-415 605, DISTT. RATNAGIRI, PH :415605-9421239999.

662.## MAYUR MOTORS (168), SITA APARTMENTS, NEAR BAHADUR SHEIKH NAKA, CHIPLUN DISTT. RATNAGIRI, MAHARASHTRA, PH :415605-9422431112.

**DAPOLI**

663.\* ROYAL AUTO SERVICE STATION (3444), DAPOLI-MANDANGAD ROAD, DAPOLI-DAPOLI, TAL- DAPOLI, DIST. RATNAGIRI-415 712 (MAHARASHTRA), PH :415712-8888101776.

**DEOPUR**

664.\*\* AGRO ENGINEERING SERVICES (2244), DIVERSION ROAD, DEOPUR, DHULE-424 005, PH :424005-9823059471.

**DOMBIVI**

665.## MEGA SERVICES (2573), A-173.PHASE-1., NEW KALYAN BYPASS ROAD, OPPOSITE ADARSH PARK, MIDC, DOMBIVI (E)-421203, PH :421203-8424070777.

**GADACHIROLI**

666.## VENUS AUTOMOTIVE (4170), PLOT # 2, NR GOVERNMENT ITI COLLEGE, ADJ TO CHANDRAPUR GADACHIROLI HIGHWAY, GADACHIROLI, MAHARASHTRA-442605, PH :442605-9689282222.

**HINGANGHAT**

667.## S.K MOTORS (5530), SANT KABIR WARD, NEAR SIVAJI MARKET, NH 07, HINGANGHAT.DISTRICT - WARDHA, PIN-442301, MAHARASHTRA, PH :442301-9421726700.

**ICHALKARANJI**

668.## SAI AUTO LEADS (3821), 7/597 SANGLI VES, ICHALKARANJI-416 115, DIST. KOLHAPUR, PH :416115-.

**ISLAMPUR**

669.## VIJAY MOTORS (5134), PETH ISLAMPUR ROAD , NEAR PETH NAKA -ISLAMPUR, DISTRICT - SANGLI, MAHARASHTRA, PH :415409-9860446084.

**JALGAON**

670.\* SHREE MOTORS (3040), 362 SHIVAJI NAGAR, JALGAON-425 001 , PH :425001-9823150704.

**KALWA**

671.\*\* SHREE SIDDHI MOTORS (5668), NEXT TO LILAVATI CO-OP SOCIETY,DATTAWADA, KALWA KHAREGAON ROAD-KALWA(W) -400605, DISTRICT - THANE, (MAHARASHTRA), PH :400605-9769775444.

**KALWAN**

672.## KRISHNA AUTOMOTIVE (4037), GANESH NAGAR, AT POST & TALUKA, KALWAN, DIST NASHIK-423501, PH :423501-8087988735.

**KALYAN**

673.## SHIVAM AUTO CARE (571), C/O GRIHALAXMI YATSU NIRMAN, MURBAD ROAD, KALYAN, MUMBAI-421 304, PH :421304-.

**KANKAVLI**

674.\*\* SAPALE AUTO SERVICE PRIVATE LIMITED (1975), MUMBAI GOA ROAD, N.H.17, KALMATH, KANKAVLI DISTT. SINDHUDURG-416 602, PH :416602-9422434701.

**KATOL**

675.## BALAJI SERVICE STATION (5962), PLOT NO. XI,MIDC,SAWARGAON ROAD,DONGARGAON-, KATOL,NAGPUR-441302, DISTRICT-NAGPUR, MAHARASHTRA, PH :441302-9763867144.

**KHAMGAON**

676.## JAIDEEP MOTORS (4779), NEAR RELIANCE PETROL PUMP, NANDURA ROAD, KHAMGAON-444303, DISTRICT-BULDHANA (MAHARASHTRA), PH :444303-9850352826.

**KHED**

677.## BHARAT AGENCIES (4548), NEAR KAMAKSHI PETROL PUMP, AT POST KALBANI, TALUKA KHED, DISTRICT RATNAGIRI, 415621, PH :415621-9049024781.

**KOLHAPUR**

678.## YAKRATUNDA MOTORS (3142), OPP MAHAVIR COLLEGE, NAGALA POKK, KOLHAPUR, PH :416003-9822611559.

**KOPARGAON**

679.\* SAI MOTORS (4449), NAGAR MANMAD HIGHWAY, NEAR HOTEL ASHOKA, KOPARGAON, DIST. AHMEDNAGAR (MAHARASHTRA) PH :423601-9850684384.

**LONAVALA**

680.## APPOLO MOTOR REPAIRING WORKS (2543), MUMBAI-PUNE ROAD, LONAVALA, MAHARASHTRA-410 401, PH :415409-9370721905.

**MAHAD**

681.## SHREE AUTO (2572), NAGALWADI PHATA BOMBAY-GOA HIGHWAY, AT & TALUKA - MAHAD, DISTT. RAIGAD, MAHARASHTRA-402 301, PH :402301-9422495799.

\*\* A-Category Mass : Free & paid Service, Major repairs & Accidental repairs  
## C-Category Mass : Free & paid Service & Minor repairs

\* B-Category Mass : Free & paid Service & Major repairs  
# D-Category Mass : Free Service & Minor repairs

**Mass Network (AS ON 31.10.2023)****MALEGAON**

682.## MALEGAON AUTO CENTRE (3721), NEAR MOTI BAUG NAKA, MALEGAON-423 203, , PH :423203-9371376911.

**MANGAON**

683.# KRUPA SERVICES (574), KRUPA SERVICES, AT : NANORE, POST : MANGAON, DISTT-RAIGAD-402 104, PH :402104-9422375444.

**MIRAJ**

684.## ASHOK AUTOMOBILES (5672), C.S. NO:70-C,CHH - SHIVAJI ROAD, MIRAJ, DISTRICT - SANGLI, MAHARASHTRA, PH :416140-.

**MUMBAI**

685.\* ALLIED AUTO AGENCIES (2666), 86/20 DR. AMBEDKAR ROAD, KHAR, MUMBAI-400 052, PH :400052-9768257450.

686.\* ASHA AUTO SERVICE (570), I.O.C. DEALER, L.B. SHASTRI MARG, KURLA, MUMBAI-400 070, PH :400070-9833728833.

687.\*\* AUTO CRAFT (4759), PLOT NO. 1-B, NEXT TO DAMJI SHAMJI IND ESTATE, LBS MARG, VIKHROLI (W), MUMBAI-400083, PH :400083-9820022227.

688.## AMAR AUTOMOBILES (526), KING'S CIRCLE, MATUNGA, MUMBAI-400 019 (MHRS)., PH :400019-9869473310.

689.## BANAJ AUTO CARE (6053), OPP. MAROL POLICE CAMP, NEXT TO AAREY CHECK POST, MAROL MAROSHI ROAD, MUMBAI-400 059, PH :400059-9819844333.

690.\*\* CARKRAFT AUTO MOBILES AND INFRASTRUCTURE PVT. LTD. (4654), ABC GODOWN, MINERVA INDUSTRIAL ESTATE, OFF P.K. ROAD, NEAR SAI DHAM MANDHIR, MULUND (W), MUMBAI, PH :400080-982029624.

691.\*\* CHAMUNDA MOTORS (P) LTD. (520), RAMBAUG NEAR SUNDAR DHAM, OFF S.V. ROAD, BORIVILI (W), MUMBAI-400 092, PH :400092-9820063626.

692.## CHEMBUR MOTORS (2526), 31/A ANAND NAGAR, OFF SION TROMBAY ROAD, SINDHI SOCIETY CHEMBUR, MUMBAI-400 071, PH :400071-9820475704.

693.## CHHAGAN MITHA (8945), CORNER OF WARDEN ROAD & PEDDAR ROAD, POST BOX NO. 6521, MUMBAI -400026, MAHARASHTRA, PH :400026-9820861441.

694.## HIND AUTOMOBILES (550), 29 SEWREE WADALA ROAD, KING'S CIRCLE, MUMBAI - 400 019 (MHRS)., PH :400019-9833878440.

695.## LAXMI AUTO WORKS (2542), PLOT NO.1041, SAYANI ROAD, PRABHADEVI, MUMBAI-400 025, PH :400025-9820303646.

696.\*\* ORIX AUTO INFRASTRUCTURE SERVICES LTD (1971), 94 MAROL INDUSTRIAL ESTATE, ANDHERI KURLA ROAD, ANDHERI (EAST), MUMBAI-400 059, PH :400059-9820409079.

697.\*\* POWAI AUTO WORKS (1660), OPP. PANCH KUTIR BUS STOP, 19 ADI SANKARACHARYA MARG, POWAI, MUMBAI-400 076, PH :400076-9820635317.

698.\*\* POWAI AUTO WORKS (4966), GALA NO 14/15/16, BUILDING NO1, C WING, KAILAS INDUSTRIAL COMPLEX, PARKSITE VIDHROLI (W), PH :400079-9820635317.

699.## PRINCE SERVICE CENTRE LLP (8931), 34 GAMDEVI ROAD, SANGHANI ESTATE, GHATKOPAR (WEST), MUMBAI-400 086, PH :400086-9869034445.

700.\*\* RAVI AUTOMOBILE SERVICES (553), GHATKOPAR-MAHUL ROAD, TILAK NAGAR, CHAMBUR, MUMBAI-400 089, PH :400089-8657442190.

701.\*\* SHAH CAR CARE (5436), SADANWADI LAKE ROAD, OFF LBS MARG, NEAR KRISHNA TALKIES, DISTRICT - MUMBAI (MAHARASHTRA), PH :400078-982068380.

702.\*\* SHAMAL MOTORS (1154), VAITY WADI, BHANDUP-SONAPUR ROAD, BHANDUP (WEST), MUMBAI-400 078, PH :400078-9773911111.

703.\* ST.FRANCIS AUTOMOBILES (5154), MOUNT POINSUR BORIVALI (WEST), MUMBAI - 400103, DISTRICT - MUMBAI, MAHARASHTRA, PH :400103-9892876396.

704.\* SUPER AUTO SERVICE PVT. LTD. (2430), DESAI WADI JAYWANT SAWANT ROAD, NEAR HAPPY HOME SOCIETY, DAHISAR (W), MUMBAI-400 068, PH :400068-9867253000.

705.## SURAJ SANGHI SERVICE STATION (438), DR. ANNIE BESANT ROAD, WORLI, MUMBAI-400 018, PH :400018-9821115492.

706.\*\* ZENITA AUTO WORKS (525), BEHIND H.P.PETROL PUMP, NAV PADA MAROL NAKA, ANDHERI E, MUMBAI-400 059 (MHRS)., PH :400059-9833553598.

707.## JAGMAN MOTORS (1556), NEXT TO HOTEL ROYAL SALUTE, ANDHERI KURLA ROAD, SAGBAUG, MUMBAI-400 059, PH :400059-9892752672.

**MURBAD**

708.## JAYDEEP AUTOMOBILES (5676), MURBAD KALYAN HIGHWAY(NH-222),NEAR NAVDURGA HOTEL, AT-PO-TAL:MURBAD-421401, DISTRICT-THANE, MAHARASHTRA, PH :415621-9423370219.

**NAGPUR**

709.\* BELAJI MOTORS (3078), PLOT NO.18/27, NEAR NAKA NO.-1, KORADI ROAD, NAGPUR-20, PH :440020-9960634068.

710.\*\* HASAN GARAGE (2021), MOHAN NAGAR, NAGPUR - 440 001 (MHRS)., PH :440001-.

711.## M S SERVICES (5339), 14 HILL ROAD , GANDHI NAGAR - NAGPUR , DISTRICT - NAGPUR , MAHARASHTRA, PH :440010-9373422822.

712.## R. K. MOTORS (3023), 69 A V A LAYOUT, LAKADGANJ, NAGPUR-440 008, PH :440008-9422113088.

713.\* SAGAR AUTOMOBILES (2667), MARUTI AUTHORISED SERVICE STATION, PLOT NO 3 NEAR PETROL PUMP, WADHA ROAD UJJWAL NAGAR, NAGPUR-440 025, PH :440025-9960695823.

714.\*\* SAGAR AUTOMOBILES (4971), WARDHA ROAD , CHINCHBHAWAN, NAGPUR – 441108, PH :441108-9422145365.

715.## SHREEJEE SERVICES (2027), CHANDAK KOTHI, SUBASH ROAD, NAGPUR-440 018, PH :440018-9766699321.

**NANDED**

716.## MARUTI CARES AND COLOURS (5778), LABH NAGAR,BACK SIDE OF SURABH HOTEL, NANDED-431605, DISTRICT-NANDED, MAHARASHTRA, PH :431605-9225751444.

**NANDURBAR**

717.\* MAULEE MOTORS (4736), SURVEY NO. 130/2, PLOT NO. 43, ADARSHA NAGAR, NIZAR ROAD, NANDURBAR-425412, MAHARASHTRA, PH :425412-9822377931.

**NASHIK**

718.## HITECH AUTO SERVICES (4451), SURVEY NO 89/2, PLOT 1 & 2, OPP MOTIWALA MEDICAL COLLEGE, GANGAPUR SHIWAR., NASHIK, PH :422007-9225142471.

719.## RACCA SERVICES (3720), RACCA ESTATE, OLD GANGAPUR NAKA, HANUMAN WADI LINK ROAD , PANCHVATI, NASHIK - 422003, PH :422003-9096846468.

720.## SAI AUTOMOBILES (3722), SAPAT COMPLEX, OPP. PRESS HOSPITAL, NASIK ROAD-422 101, PH :422101-9822027931.

**NAVI MUMBAI**

721.\* BOSS (265), AT/P.O. - TURBHE, SECTOR-22, VASHI, NAVI MUMBAI-400 705, PH :400705-9167766474.

722.## C G MOTORS (4138), PLOT NO R-966, NEAR MK ENGINEERING, RABALE MIDC, RABALE, NAVI MUMBAI, PINCODE 400701, PH :400701-9920205756.

723.\*\* CHETAN MOTORS (3143), PLOT NO -45, SECTOR-19A, OPP. DANA BAZAR EXIT GATE NO.3, BEHIND SHAMRAO VITHAL CO-OP BANK, VASHI, NAVI MUMBAI - 400705, PH :400705-9892067288.

**NIGDI**

724.## SHALU AGENCY (2872), 516/27 PRADHIKARAN, NIGADI, PUNE-411 044, PH :411014-.

**NIPHAD**

725.## SHRI SAI SERVICE STATION (4452), NIPHAD AURANGABAD ROAD, NIPHAD, NASIK, MAHARASHTRA, PH :422303-9823679999.

**OMERGA**

726.## SHRI SWAMI SAMARTH SERVICES (5874), 311/1,OPP. H.P. PETROL PUMP,NH-9, OMERGA-413606, DISTRICT-OSMANABAD, MAHARASHTRA, PH :413606-7666018372.

**PACHORA**

727.## POOJA MARUTI SERVICE CENTRE (5564), PLOT NO 75,PREM NAGAR ,KRISHNA PURI SHEVAR, PACHORA, DISTRICT -JALGAON , MAHARASHTRA , PH :424201-9890320803.

**PALGHAR**

728.## SIDDIH MOTORS (5553), THEMBEHEDE ROAD,GANESH KUND , PALGHAR,DISTRICT - THANE, MAHARASHTRA, PH :401404-9890609107.

<b>PANVEL</b>	739.*	ATHARVA CAR SERVICES (5161), 5, BHUSARI COLONY, PAUD ROAD, KOTHRUD PUNE-411038 , MAHARASHTRA, PH :411038-9855024803.	749.**	ASHOK AUTOMOBILES (3723), 595/B, M.G.ROAD, SANGLI-416 416, PH :416416.	759.*	PATRICIA AUTOMOBILES (529), ALIGHT CHAMBER, ADJACENT GOLDEN DYES, OLD AGRA ROAD, HARDAS NAGAR, GOKUL NAGAR, THANE, WEST - 400601, PH :400601-987175866.		
729.**	GANGAL MOTORS (2934), PLOT NO.:132.133 &117, SECTOR 1-S, ROAD NO-5, BEHIND CIDCO GODOWN, NEW PANVEL, DISTRICT - RAIGAD, (MAHARASHTRA), PH :410206-9320226072.	740.*	MANAS AUTOMOTIVE (5443), SURVEY NO 2/4 PARRANKUTI LANE NO.1., KARVE NAGAR - PUNE, DISTRICT - PUNE, MAHARASHTRA, PH :411052-9822043007.	750.*	AWATI MOTORS (4772), PADMAVATI COLONY, NEMINATH NAGAR VISHRAMBHAG, SANGLI-416415, MAHARASTRA, PH :416415-9422407284.	760.*	SEAN MOTORS (5377), SATPALA NAKA, ARNALA-VASAL ROAD, NEXT TO ZEAL RESTAURANT, VIRAR (W) PIN 401301, PH :401301-9324003123.	
730.**	IDEAL AUTOMOBILES (2279), IDEAL HOUSE,PLOT NO-83., PANVEL INDUSTRIAL CO OP ESTATE LTD., PANVEL, DISTRICT - RAIGAD, (MAHARASHTRA), PH :410206-9969602650.	741.*	MARUTI CARE POINT (3337), S. NO 273/5,BANER ROAD,OPP. VARSHA PARK, BANER,PUNE-411045, MAHARASHTRA, PH :411045-9689901475.	751.###	BALAJI AUTO SERVICE (1564), PLOT NO.43,GOLDEN PARK , BYPASS ROAD,SANGLI-416416 ,DISTRICT-SANGLI , MAHARASHTRA, PH :416416-9822106126.	761.**	STERLING MOTOR GARAGE (555), B1/B2, KOTHARI COMPOUND NO.3, 27 ACRES, NEXT TO DM'ART, OFF GHODBUNDER ROAD, MANPADA, THANE (WEST), MAHARASHTRA - 400610, PH :400601-9820252926.	
<b>PARBHANI</b>	731.###	SAI SERVICING CENTRE (5252), P7/5 MIDC, PARBHANI-431 401, MAHARASHTRA, PH :431401-9404504111.	742.**	SAINATH AUTOMOBILES INDUSTRIES (1569), SURVEY NO.36 PLOT NO.1, VADGAON KHURD SINHAGAD ROAD, NEAR GREEN FIELD HOTEL, PUNE-411 041, PH :411041-9822214282.	<b>SATANA</b>	762.**	THANAWALA MOTOR AGENCY (3724), DHIRAJ BAUG, L.B.S. MARG, NAUPAD, NEAR HARINIWAS CIRCLE, THANE-400 602, PH :400602-9820106904.	
<b>PASHAN</b>	732.*	MARUTI CAR SANJIVANI (5278), SURVEY NO 5/2,SUTARWADI ,SUSROAD,PASHAN, DISTRICT - PUNE, PUNE - 411021, MAHARASHTRA, PH :411021-9960733360.	743.*	SANTOOR CAR CARE (2053), ASHOK PLAZA, 32/2 WADGAON SHERI NEAR WEIKFIELD, PUNE NAGAR ROAD, PUNE-411 014, PH :411014-.	752.###	762.**	THANAWALA MOTOR AGENCY (3724), DHIRAJ BAUG, L.B.S. MARG, NAUPAD, NEAR HARINIWAS CIRCLE, THANE-400 602, PH :400602-9820106904.	
<b>PATHARDI</b>	733.###	SAGAR MOTORS (5979), MALIBABHULGAON, NAGAR ROAD PATHARDI, MAHARASHTRA 414102, PH :414102-9822197969.	<b>RAHURI</b>	744.*	ANAND MOTORS (4152), IN FRONT OF ASHWINI HOTEL, NAGAR MANMA ROAD, A/P RAHURI DIST- AHMADNAGAR, MAHARASHTRA, PH :413705-7350008501.	763.*	TOP GEAR AUTOMOBILES (4840), SAI NAGAR, GHODBUNDER ROAD, KASARVADAVALI, THANE (W), PH :400615-9833795855.	
<b>PEN</b>	734.###	NAVNATH AUTO (5677), OPPOSITE RAMWADI,S.T. STAND, NATIONAL HIGHWAY-17,TAL PEN-402107, DISTRICT-RAIGAD, MAHARASHTRA, PH :402107-9834279228.	745.###	RUCHI MOTORS (2631), MARUTI AUTHORISED SERVICE STATION, RAVER-425 508, DISTT. JALGAON, (MAHARASHTRA), PH :425508-8805373406.	<b>SATARA</b>	764.*	CHIMAN AUTOMOBILES (3845), NEAR KAJAL PETROL PUMP, BALANI COMPOUND, VITHALWADI STATION ROAD, ULHASNAGAR 421003, PH :421003-9850223422.	
<b>PHALTAN</b>	735.###	VORA AUTOMOTIVE (2436), SHINGNAPUR ROAD, KOLKI, PHALTAN-415523, PH :415523-7709436262.	<b>RAVER</b>	746.*	AMIT MOTORS (4972), NANA SHANKAR SHETH ROAD , NEAR GOVT REST HOUSE, DISTRICT - RAIGAD , ROHA - 402109, MAHARASHTRA, PH :402109-9028376141.	765.*	MODERN CAR CARE (3260), 171/2.RRV INDUSTRIAL AREA, BEHIND SAI BABA MANDIR,SHANTINAGAR, ULHASNAGAR-421 003, MAHARASHTRA, PH :421003-9819774588.	
<b>PIMPALGAON</b>	736.###	ASHWAMEDHA AUTO (2435), "ASHWAMEDH", MUMBAI-AGRA HIGHWAY, PIMPLEGAON (B), DISTT. NASHIK, PH :422209-976600064.	<b>ROHA</b>	747.###	SHREE SAI SERVICE CENTRE (5344), NAGAR-MANMAD ROAD ,GODAVARI, HOTEL JEWEL ,PO-SAKURI ,TAL-RAHATA, DISTRICT - AHMEDNAGAR, MAHARASHTRA, PH :423107-9970741777.	<b>URAN</b>	766.###	SAI AUTOMOBILES (5665), STATE HIGHWAY NO.56,NEAR JASAI NAKA, JASAI VILLAGE,URAN-410206, DISTRICT - RAIGAD, MAHARASHTRA, PH :410206-9821806806.
<b>PUNE</b>	737.**	APPU AUTOMOBILES (5029), MARUTI AUTHORISED REPAIR STATION , #81.SR NO 164.TALAWAD ROAD , KANBAY ROAD,TRIVENI NAGAR , AHAARASHTRA, PH :411062-9371017595.	<b>SAKURI</b>	748.*	SAI MOTORS (2840), NEAR GULEWADI PHATA, PUNE NASIK ROAD, SANGAMNER DIST. AHMEDNAGAR, PIN-422 608 (MHRS.), PH :422608-9860027513.	767.###	SAI MOTORS & SERVICE CENTRE (5675), VARALA, OPP. LAKE CITY, MANOR ROAD, WADA, , PH :421303-9226338578.	
738.*	APPU SERVICE STATION (8966), T BLOCK, S-32, NEAR PAWANA COMPLEX, MIDC, PUNE-411026 (MAHARASHTRA), PH :411026-.	<b>SANGAMNER</b>	749.**	BALAJI MOTORS (1930), 8536 B/1 MURARJI PETH, OPP. OLD PUNE NAKA OFFICE, SOLAPUR-413 002, PH :413008-9765111110.	<b>SOLAPUR</b>	768.###	SONA AUTOMOTIVE (5671), MAYANI ROAD, NEAR PRUTHIVIRAJ HOTEL, OPP. LAKADE PETROL PUMP, DISTT VITA- 415311, PH :415311-9890223938.	
		<b>SANGLI</b>	750.*	MANAS AUTOMOTIVE (5443), SURVEY NO 2/4 PARRANKUTI LANE NO.1., KARVE NAGAR - PUNE, DISTRICT - PUNE, MAHARASHTRA, PH :411052-9822043007.	<b>THANE</b>	<b>WAI</b>	769.###	ADITYA AUTO SERVICE (4271), WAI SATARA ROAD, WAI-412803, SATARA DIST., PH :412803-9423862119.

\*\* A-Category Mass : Free & paid Service, Major repairs & Accidental repairs

### C-Category Mass : Free & paid Service & Minor repairs

\* B-Category Mass : Free & paid Service & Major repairs

# D-Category Mass : Free Service & Minor repairs

## Mass Network (AS ON 31.10.2023)

### WANI

770.## SHEIKH AUTOMOBILES (8950), PLOT NO 101, WANI GHUGUS ROAD, OM NAGRI, LAL GUDA TALAO, WANI, DIST. YAVATMAL, MAHARASHTRA 445304, PH :445304-9422171896.

### WARDHA

771.## BHARAT MOTOR (1631), NAGPUR ROAD, NALWADI, WARDHA, MAHARASHTRA, PH :442001-9881588388.

### WARORA

772.## ROHIT AUTOMOTIVE (5873), NAGPUR, CHANDRAPUR ROAD, VINAYAK-, LAYOUT, TILAK WARD, WARORA-442907, DISTRICT-CHANDRAPUR, MAHARASHTRA, PH :442907-9172060099.

### YAVATMAL

773.## M.S. MOTORS (460), AMRAVATI ROAD HIGHWAY, LOHARA, YAVATMAL-445 001, PH :445001-9822222579.

774.## RAMESH MOTORS (2024), GARDEN ROAD, YAVATMAL, MAHARASHTRA-445 001, PH :445001-9422865222.

### YEOLA

775.## BIJASANI AUTOMOTIVE (3041), PLOT NO 46, SURVEY NO 35/3, VINCHUR ROAD, YEOLA, DIST. NASIK, MAHARASHTRA, PH :423401-9423185025.

## MANIPUR

### IMPHAL

776.## BORDIN MARUTI GARAGE (4879), SANGAIPROU AIRPORT ROAD,, IMPHAL WEST, MANIPUR - 795001 , , PH :795001-.

### SENAPATI

777.## KOMUO MARUTI WORKS (4644), NH-2, MAO TAPHOU, SENAPATI HQ, SENAPATI DISTRICT, MANIPUR - 795106, PH :795106-8794109474.

## MEGHALAYA

### TURA

778.## MULTI MOBILE PRECISION (3222), AGLANGGARE, PO ARAMILI, NEW TURA, MEGHALAYA, 794101, PH :794101-8974057627.

## MIZORAM

### CHAMPAL

779.## IRDIV- TC AUTO WORKS (5744), SVENITH DAY TLANG,ZOTLANG ROAD, NEW CHAMPAL-CHAMPAL, DISTRICT-CHAMPAL, MIZORAM, PH :796321-9862405715.

### LUNGLEI

780.## LAWMA ENGINEERING WORKS (3125), A O C SQUARE, LUNGLEI, MIZORAM-796 701, PH :796701-9436147141.

## NAGALAND

### DIMAPUR

781.\*\* ERJO MOTORS (4871), EAST BLOCK, BURMA CAMP, NEAR BIBLE HOUSE, DIMAPUR, NAGALAND - 797112., PH :797112-9436004350.

## ODISHA

### ANGUL

782.## ZEET AUTOMOBILES (1573), NALCO NAGAR, KANDASAR, ANGUL - 759 145, ORISSA, PH :759145-9437021285.

### BALANGIR

783.## ASHIRWAD AUTOMOBILE WORKS (3177), DAMJI GARAGE, THIKADARPARA, , , BALANGIR-767 001, PH :767001-9437223452.

### BALASORE

784.## AUTO CARE (432), AT-BAMPADA, PO-CHHANPUR, CITY - BALESHWAR (BALASORE), ODISHA - 756056, PH :756056-9437051944.

785.\* TEKNO INDIA (3666), D-2/9 INDUSTRIAL AREA, O.T. ROAD, BALASORE-756 003, (ORISSA), PH :756001-9861034990.

### BARBIL

786.## INDU MOTORS (3241), IN FRONT OF UTKAL AUTOMOBILES, JODA-BARBIL HIGHWAY, BARBIL-758 035, (ORISSA), PH :758035-9437718008.

### BARGARH

787.## CARSCAN (1164), PLOT - 1/1 INDUSTRIAL ESTATE, RAILWAY STATION ROAD, BARGARH-768 028, PH :768028-9658010355.

### BHUBANESWAR

788.## INDO JAPAN SERVICE (4936), PLOT NO. 18, 19, 30 & 31, BHAGABANPUR INDUSTRIAL ESTATE, PO. PATRAPADA, BHUBANESHWAR-752019, ORISSA, PH :752019-9861095444.

### CUTTACK

789.\* AUTO MATES (426), BIJU PATNAIK CHHAK, TULASIPUR, CUTTACK, ODISHA-753008, PH :753008-9437020646.

790.\* DURGA SERVICE CENTRE (427), NEAR PALAMANDAP, BADAMBADI, PO - ARUNODAY MARKET, DISTT - CUTTACK, PIN-753012, PH :753012-9437025762.

### DHENKANAL

791.## ANAND AUTOMOBILES (5449), ANAND NAGAR,IN FRONT OF TARINI MANDIR , , DISTRICT -DHENKANAL , PIN - 759001 , , (ORISSA), PH :759001-9437414972.

### JHARSUGUDA

792.## AUTO MECHANIKA (2638), S.H.-10 BEHERAMAL, JHARSUGUDA-768 203, ORISSA, PH :768203-9040380001.

### PARALAKHEMUNDI

793.## GANAPATI AUTOMOBILES (3178), B. SITAPUR, PARALAKHEMUNDI, DIST. GAJAPATI-761 200, (ORISSA), PH :761200-9827176849.

### PURI

794.## URMILA MOTORS (5040), HERA GOHRI SAHI CHOWK ,PURI -1, DISTRICT - PURI, (ORISSA), PH :752001-7008651960.

### SAMBALPUR

795.# ANITA AUTO CARE (4834), SALIA BAGICHA, LIONS CLUB ROAD, KUMBHARPARA, SAMBALPUR-768001 (ORISSA), PH :768001-9861248403.

### SEMLIGUDA

796.## ASHUTOSH MOTORS (5035), MAIN ROAD, NH-43., SEMILIGUDA, DISTRICT-KORAPUT, (ORISSA), PH :764036-9437405417.

## PONDICHERRY

### KARAİKAL

797.## MARUTI TECH (2669), NO.1,AKKARAIVATTAM,NAGAORE MAIN ROAD - OPP TO ONGC,KARAİKAL-609604, DISTRICT-KARAİKAL, PONDICHERRY, PH :609604-7373788705.

### PUDUCHERRY

798.\* A.P.P. MARUTI MOTORS (2670), PLOT NO.6 GUNDU SALAI ROAD, NATESAN NAGAR, NEAR 100 FEET ROAD, PONDICHERRY-605 005,

PH :605009-7094449900.  
799.## MARUTI MISSION (5067), 60 RAGAVENDIRA NAGAR,KAMARAJ SALAI, THATTANCHAVADY PONDICHERRY, TINDIVANAM ROAD PONDICHERRY-9, PONDICHERRY,

PH :605009-9786589000.

800.\*\* S D K MOTORS (471), PLOT NO.12, 100 FEET ROAD, OZHANDAI KEERAPALAYAM MUDALIARPET, PONDICHERRY-605 004, PH :605004-9843045689.

## PUNJAB

### AHMEDGARH

801.## GAHIR AUTOMOBILES (2877), LUDHIANA MALER KOTLA ROAD, VILL. GOPALPUR CITY, AHMEDGARH, (PUNJAB), PH :148021-9417553627.

### AJNALI

802.# VISHWAKARMA MOTORS (5666), NEAR VIMAL DHARAMKANITA 'A' AJNALI, DISTRICT - FATEHGARH SAHIB, PUNJAB, PH :147301-9814528084.

### AMLOH

803.## BINDRA MOTORS (5844), NEAR DESH BHAGAT COLLEGE SONTI, AMLOH, DISTRICT-FATEH GARH SAHIB, PUNJAB, PH :147203-.

### AMRITSAR

804.\*\* HANSON AUTOMOBILES (1722), MAQBOL PURA, G.T. ROAD, AMRITSAR, PH :143001-9815167669

805.\*\* JACKSON LUBRICANTS (364), 16 COURT ROAD, NEAR RAVI GAS AGENCY, AMRITSAR-143 001, PH :143001-9814299944.

806.\*\* KAPOOR'S KAR KARE (737), II/5 MAHA LAKSHMI, CALICO PRINTING MILLS, OLD JAIL ROAD, AMRITSAR(PUNJAB),, PH :143001-9814213113.

807.\* SAGGU SERVICE STATION (733), HIDE MARKET, AMRITSAR-143 001 (PUNJAB), , PH :143001-8968497779.

### BANUR

808.## AMRIK SERVICE STATION (2433), PATIALA ROAD, BANUR, DISTT. MOHALI(PUNJAB), PH :140601-9815915325.

### BARNALA

\*\* A-Category Mass : Free & paid Service, Major repairs & Accidental repairs

## C-Category Mass : Free & paid Service & Minor repairs

\* B-Category Mass : Free & paid Service & Major repairs

# D-Category Mass : Free Service & Minor repairs

809.##	GAURAV MOTORS (4962), DHANAULA ROAD, BARNALA - 148101, DISTRICT SANGRUR, PUNJAB, PH :148101-9317512916.	821.##	BAHL MOTORS (6229), ABOHAR ROAD, FAZILKA-152 123, , PH :152123-9815700550.	<b>KAPURTHALA</b>	845.*	GURU NANAK MOTOR REPAIRING WORKS (732), G.T.ROAD, MOGA-142 001 (PUNJAB), , PH :142001-9914121387.	
810.*	PUNJAB MOTOR GARAGE (6222), DHANAULA ROAD, BARNALA (PUNJAB), , PH :148101-9317512360.	<b>FIROZPUR</b>		833.##	T.S. WALIA MOTORS (267), MANSOORWAL, JALLANDHAR ROAD, KAPURTHALA, PH :144601-9357211525.	<b>MOHALI</b>	
<b>BHADSON</b>		822.##	SUTLEJ AUTOMOBILES (3568), G.T. ROAD, FEROZEPUR CANTT., PIN-152 001 (PUNJAB), PH :152001-9417009985.	834.##	AVTAR AUTO TECH (5329), KANJLI ROAD,NEAR OCTROI, KAPURTHALA, PUNJAB, PH :144601-9888262026.	846.**	BENZ AUTO SCAN (5734), E-153,PHASE 7, INDUSTRIAL AREA -MOHALI, DISTRICT-MOHALI, PUNJAB, PH :160055-9876101806.
811.##	FRIENDS MOTORS (2233), NABHA ROAD, BHADSON-147 202, DISTT. PATIALA, (PUNJAB), PH :147202-9815700778.	823.##	BOBB MOTORS (4378), NEAR BSF COLONY, MOGA ROAD, FEROZEPUR CANTT, PH :152001-9781187142.	<b>KURALI</b>		847.**	MOHALI MOTORS (756), C-55 INDUSTRIAL AREA, PHASE-VI, S.A.S. NAGAR, MOHALI-160 055, PH :160055-9781815959.
<b>BHATINDA</b>		<b>GIDDARBAHA</b>		835.##	V K MOTORS (8943), CHANDIGARH ROPAR ROAD, KURALI, DISTRICT SAS NAGAR (MOHALI), PUNJAB -140103, PH :140103-9814273873.	848.**	SETHI MOTORS (4742), PLOT NO. E-159, INDUSTRIAL AREA, PHASE-7, MOHALI, PUNJAB, PH :160055-9814307002.
812.##	KRISHNA AUTOS (4571), 40FT ROAD NAMEDEV MARG NEAR INDRANI HOSPITAL ,BATHINDA (PUNJAB) 151001, PH :151001-9888671810.	824.*	JIWAN CAR CENTRE (3442), BHATINDA ABOHAR, NATIONAL HIGHWAY, GIDDERBAHA-152 101, DIST. MUKETSAR (PUNJAB), PH :152101-9779600086.	<b>LALRU</b>		849.##	UNIPOINT (5043), PLOT NO.593, INDUSTRIAL AREA PHASE-IX,MOHALI, DISTRICT - MOHALI, (PUNJAB), PH :160062-7814402838.
813.**	MODERN MOTORS (6234), OPP. T.V. TOWER, MANSARA ROAD, BHATINDA, PH :151001-9814177075.	<b>GOINDWAL SAHIB</b>		836.##	VIKAS MOTORS (2777), IOC PETROL PUMP, AMBALA CHANDIGARH ROAD, LALRU DISTT. PATIALA, PUNJAB, PH :140501-9888191444.	<b>MORINDA</b>	
814.##	SUPER AUTOMOBILES (6232), TINKONI, GONIANA ROAD, BHATINDA, PH :151001-9814036163.	825.##	DASS MOTORS (8941), KAPURTHALA CHOWK, GOINDWAL SAHIB, DISTT. AMRITSAR-143 429, (PUNJAB), PH :143429-9914699121.	<b>LUDHIANA</b>		850.##	SONY MOTOR PALACE (1077), SIRHIND ROAD, MORINDA-140 101, , PH :140101-9815612477.
<b>BUDHLADHA</b>		<b>GURDASPUR</b>		837.**	PUNJAB AUTO CENTRE (6221), OPP TELEPHONE EXCHANGE, BHARAT NAGAR CHOWK, LUDHIANA-141 001, PH :141001-9855117003.	<b>MUKERIAN</b>	
815.##	JINDAL AUTOMOBILES (2147), NEAR P.S.E.B., BHIKHI ROAD, BUDHLADA-151 502, DISTT. MANSARA, PH :151502-9815516964.	826.*	VIJAY SERVICE STATION (749), NEAR RAILWAY CROSSING, PATHANKOT ROAD, GURDASPUR, (PUNJAB), PH :143521-9814437637.	838.*	REEHAL AUTOMOBILE SERVICES (1176), OPP. JAMALPUR POWER HOUSE, CHANDIGARH ROAD, LUDHIANA-141 010, PH :141015-9357110000.	851.*	MARSHAL SALES CORPORATION (5251), NEAR RADHA SOAMI SATSANG, PATHANKOT ROAD, MUKERIAN - 144211, DISTRICT HOSHIARPUR, PUNJAB, PH :144211-8283835926.
<b>DERABASSI</b>		<b>HOSHIARPUR</b>		839.##	SATNAM MOTOR WORKSHOP (4533), OPP MILK PLANT, FIROZPUR ROAD, LUDHIANA, PH :141003-9855228591.	852.##	NEW MODERN AUTOMOBILES (4437), G.T. ROAD, MUKERIAN, PUNJAB, PH :144211-9463292013.
816.##	BINDAL AUTOMOBILES (1248), CHANDIGARH AMBALA ROAD, PARAS RAM MARKET, DERA BASSI-140 507, PH :140507-9914449711.	827.##	JOGINDER MOTORS (2268), BYE PASS TANDA ROAD, HOSHIARPUR-146 001, , PH :146001-9803227000.	840.##	STAR AUTOS (4650), JALANDHAR BY PASS, G.T. ROAD, LUDHIANA, PH :141012-9216844220.	<b>MUKTSAR</b>	
<b>DHURI</b>		<b>JAGRAON</b>		841.##	VISHAL AUTOMOBILES (1262), G.T. ROAD, DHOLEWAL, LUDHIANA-141 003, PH :141003-9815206060.	853.##	MALWA MARUTI CENTRE (4764), OPP GOVT COLLEGE KOTKAPURA ROAD, MUKTSAR, PUNJAB, PH :152026-9814622081.
817.##	SHIV MOTORS (1962), NEAR SDM OFFICE, SANGRUR ROAD, DHURI-148 024, PH :148024-9872851068.	828.##	DHALIWAL AUTOMOBILES (2035), NEAR AJANTA PETROL PUMP, G.T. ROAD, JAGRAON DISTT. LUDHIANA, (PUNJAB), PH :142026-9814318600.	<b>MALOUT</b>		<b>NAKODAR</b>	
<b>DINANAGAR</b>		<b>JALANDHAR</b>		842.##	DELHI MOTORS (6225), TINKONI CHOWK, BHATINDA ROAD, MALOUT-152107, PH :152107-9876074061.	854.##	MEHTA MOTORS (3531), KHADDAR BHANDAR ROAD, NAKODAR-144040, PH :144040-9815600082.
818.##	D.S. MARUTI SERVICE STATION (3333), G.T. ROAD, DINA NAGAR, DIST. GURDASPUR-143 531, (PUNJAB), PH :143531-9814873101.	829.##	CITY POINT SERVICE STATION (4528), AVTAR NAGAR ROAD, BEHIND T.V. CENTRE, OPP HOTEL REGENT PARK, JALANDHAR, PH :144003-9779613576.	<b>MANDI GOBINDGARH</b>		<b>PATIALA</b>	
<b>DIRBA</b>		830.**	KAAR KARES (725), G.T.ROAD, JALANDHAR, 144 001 (PUNJAB), PH :144001-9569295585.	843.##	NATIONAL MOTORS (1070), G.T. ROAD, NEAR P & S BANK, MANDI GOBINDGARH-147 301, PH :147301-9317862000.	855.**	PARAS MOTORS (4778), PLOT NO. 25-A, NEAR HOTEL FLYOVER FACTORY AREA, PATIALA-147001, PUNJAB, PH :147001-9814088861.
819.##	PENTAGON MECHANICAL WORKS (2564), JIND-SANGRUR ROAD, DIRBA, DISTT. SANGRUR, (PUNJAB), PH :148035-9876543400.	831.*	KAPOOR MOTOR GARAGE (1649), OPP. SPORTS COLLEGE, KAPURTHALA ROAD, JALANDHAR CITY, PH :144623-9815040411.	<b>MANSARA (PUNJAB)</b>		856.##	RAJINDRA MOTORS (8924), C-177, INDUSTRIAL FOCAL POINT, PATIALA, PUNJAB, PH :147003-9316200335.
<b>DORAHA</b>		832.*	PUNJAB MOTOR GARAGE (8959), HMV CHOWK, NEW GRAIN MARKET ROAD, JALANDHAR CITY-144 008, PH :144008-9814675433.	<b>MOGA</b>		<b>PATTI</b>	
820.*	FATEH MOTORS (2048), G.T. ROAD, DORAHA, (LUDHIANA), PH :141421-9814031784.						
<b>FAZILKA</b>							

\*\* A-Category Mass : Free & paid Service, Major repairs & Accidental repairs

## C-Category Mass : Free & paid Service & Minor repairs

\* B-Category Mass : Free & paid Service & Major repairs

# D-Category Mass : Free Service & Minor repairs

## Mass Network (AS ON 31.10.2023)

857.## ANU AUTOMOBILE (2747), AMRITSAR ROAD, NEAR RADHA SWAMI SATSANG, PATTI DISTT. AMRITSAR, (PUNJAB), PH :143416-8575210003.

### PHAGWARA

858.## SWAMI MOTORS (3774), (PAMMI W/SHOP), OPP. B.N. DUGGAL PETROL PUMP, G.T. ROAD, PHAGWARA DIST. KAPURTHALA, PH :144401-9815107989.

859.## VIVA MOTORS (4740), G.T. ROAD, PHAGWARA-144463, DISTRICT-KAPURTHALA, PUNJAB, PH :144463-9814310021.

### QADIAN

860.# HI-TECH AUTOMOBILES (4945), NEAR VILLAGE NATHPURA, BATALA ROAD, QADIAN, DISTT. - GURDASPUR, PIN - 143516, PUNJAB, PH:143516-9877510294.

### RAIKOT

861.## RANA SUPREME MOTOR GARAGE (3732), NEAR GURUDWARA TAHLIANA SAHIB, BARNALA BYE PASS ROAD, RAIKOT, DISTT. LUDHIANA (PUNJAB), PH :141109-9814265791.

### RAJPURA

862.## NOOR MOTORS (3045), PATIALA ROAD, RAJPURA-140 401, (PUNJAB), PH :140401-9814507867.

### RAMPURAPHUL

863.## BALAJI AUTOMOBILES (4443), BARNALA ROAD, RAMPURA PHUL-151103, DISTT BHATINDA, PUNJAB, PH :151103-941712671.

864.## VIRDI MOTOR GARAGE (3046), BARNALA ROAD, RAMPURAPHUL-151 103, DISTT. BATHINDA, (PUNJAB), PH :151103-9872874175.

### SAMANA

865.\* CITY MOTORS (1867), P.B.NO.11, MAIN ROAD, SAMANA-147 101, DISTT. PATIALA (PUNJAB), PH :147101-9814221981.

### SANGRUR

866.\*\* RAKESH MARUTI SERVICE (6325), JIND - DELHI ROAD, NEAR E.S.I. DISPENSARY, SANGRUR-148 001, PH :148001-9815103944.

867.## SANGRUR MARUTI CENTRE (1632), PATIALA ROAD, OPP. MILITARY CAMPUS, SANGRUR-148 001, (PUNJAB), PH :148001-9417510111.

### SIRHIND

868.## BADRI DHAM CAR SERVICE (1062), G.T. ROAD, SIRHIND-140 406, . PH :140406-.

869.## MALHOTRA MOTORS (4657), OPP. INCOME TAX OFFICE, SIRHIND, DISTT FATEHGARH SAHIB, PUNJAB, PH :140406-9815844008.

### SULTANPUR LODHI

870.## HANDA MOTORS (2776), TALWANDI ROAD, SULTANPUR LODHI, DISTT. KAPURTHALA, (PUNJAB), PH :144626-9815623392.

### SUNAM

871.## SUNAM AUTOMOBILES (3924), PATIALA ROAD, NEAR OCTROI POST, SUNAM, DISTT. SANGRUR, PH :148028-9417076315.

### TANDA

872.## MALWA AUTO CARE CENTRE (2073), G.T. ROAD -BY-PASS, TANDA, DISTT. HOSHIARPUR, (PUNJAB), PH :144204-9814392103.

### TARN TARAN

873.## GURMEET MOTORS (4757), CHABHAL KHURD, TARN TARAN, DISTRICT-AMRITSAR, PUNJAB, PH :143301-8360197519.

### ZIRA

874.## NEW AUTOMOBILES (5477), NEAR BYE PASS, FEROPUR ROAD, ZIRA, TEHSIL ZIRA, DIST. FEROPUR, PUNJAB - 142047., PH :142047-9463240231.

## RAJASTHAN

### ABU ROAD

875.## UNIQUE MOTORS (4923), MOUNT ROAD, AKRABHATTA, ABU ROAD-307 510, (RAJASTHAN), PH :307510-9929177781.

### AJMER

876.## ASHOK AUTOMOBILES (1121), BYEPASS ROAD, PARVATPURA, IND.AREA, AJMER (RAJASTHAN), PH :305002-.

### ALWAR

877.## POOJA MOTORS (5439), POOJA MOTORS,NEAR AMARNATH PETROL PUMP,DELHI ROAD ,MUNGSKA - ALWAR , DISTRICT - ALWAR , RAJASTHAN , PH :301001-.

878.## VERTEX AUTOMOBILES PVT. LTD. (1944), CHANDUKA BHAWAN, SWARG ROAD, ALWAR-301 001, PH :301001-.

### BARMER

879.\* VEW SERVICE (1238), S-181 & 182, RIICO, BARMER-344 001, (RAJASTHAN), PH :344001-.

### BASSI

880.## YARDHANI MOTORS (5358), NEAR NALAYA BASSI, DISTRICT - JAIPUR , RAJASTHAN, PH :303301-9950107203.

### BEHORR

881.## K.L. INTERNATIONAL AUTOMOBILES (1763), DELHI JAIPUR HIGHWAY, VILLAGE DHAMI, P.O. KANKARDOPA, TEHSIL BEHORR DIST. ALWAR (RAJASTHAN), PH :301701-.

### BHARATPUR

882.\*\* CLASSIC MOTORS (2348), DEEG ROAD, KUMHER GATE, BHARATPUR-321 001, (RAJASTHAN), PH :321001-9414026545.

### BHILWARA

883.## NATIONAL SERVICE CENTER (4761), SANGANER COLONY, KOTA ROAD, BHILWARA-311001, RAJASTHAN, PH :311001-9829120285.

884.\* QUICK SERVICES (3473), SABUN MARG, PURAN DAS JI KI BAGICHEE, BHILWARA-311 001, PH :311001-.

### BHINIMAL

885.## GURJAR MOTORS (5567), RAMSIN ROAD,OPP PRADEEP PETROL PUMP, BHINMAL, DISTRICT - JALOR, RAJASTHAN, PH :343029-9414374962.

### BHIWADI

886.\*\* WHEEL-O-CITY (4246), E-7D (A) PHASE-1, NEAR RIICO CHOWK, BHIWADI, RAJASTHAN, PH :301019-.

### BIKANER

887.## GENERAL AUTOMOBILES (1123), RANI BAZAR, RAIWAY CROSSING, BIKANER (RAJASTHAN), PH :334001-.

888.## VISHI MOTORS (5559), PLOT NO 55(A) ,I.A. RANI BAZAR-BIKANER, DISTRICT - BIKANER, RAJASTHAN, PH :334001-.

### BUNDI

889.## SHRI JI MOTORS (2174), OPP. KUMBHA STADIUM, KHOJA GATE, BUNDI, (RAJASTHAN), PH :323001-9990270676.

### CHITTORGARH

890.## SISODIA MOTORS (5673), 31.OLD INDUSTRIAL AREA,BYE PASS ROAD, CHITTORGARH, DISTRICT - CHITTORGARH, RAJASTHAN, PH :312001-9414110657.

### CHOMU

891.## SHREE LAXMI MOTORS (3072), MORIJA ROAD, CHOMU, JAIPUR-303702, (RAJASTHAN), PH :303702-9828160281.

### CHURU

892.\* ABS MOTORS (2978), JAIPUR ROAD, CHURU-331 001, (RAJASTHAN), PH :331001-.

### DAUSA

893.## BALAJI MOTORS (4564), NEW MANDI ROAD, NEAR TRANSFORMER, DAUSA-303303, PH :303303-.

### DHAULPUR

894.\*\* NARAYAN MOTORS (3345), G.T. ROAD, DHOLPUR, (RAJASTHAN), PH :328001-9116013413.

895.## NARSING SERVICE CENTRE (3074), NEAR JAGDISH TALKIES, BARI ROAD, DHOLPUR-328 001, (RAJASTHAN), PH :328001-9414026820.

### DIDWANA

896.## SANTOSH AUTOMOBILES (5450), SANTOSH AUTOMOBILES ,KUCHAMAN ROAD , DIDWANA , DISTRICT - NAGAU R , (RAJASTHAN), PH :341303-9828833363.

### DUDU

897.## NEETA AUTOMOBILES (4855), C/O NEW JAIN GUEST HOUSE, NH-8, JAIPUR AJMER ROAD, DUDU, RAJASTHAN, PH :303008-9667031098.

### JAIPUR

898.## A-1 MOTORS (4856), D-28 MALVIYA NAGAR., INDUSTRIAL AREA JAIPUR., DISTRICT - JAIPUR , RAJASTHAN, PH :302017-9414047628.

899.\* ARGI AUTOMOBILES (1938), AIRPORT CIRCLE, KOTA ROAD, JAIPUR-302 011, PH :302011-9828012009.

\*\* A-Category Mass : Free & paid Service, Major repairs & Accidental repairs

## C-Category Mass : Free & paid Service & Minor repairs

\* B-Category Mass : Free & paid Service & Major repairs

# D-Category Mass : Free Service & Minor repairs

900.##	AUTONITY JAIPUR (482), GOPALPURA BYPASS, DELHI KISHANGARH, HIGHWAY JAIPUR, DISTRICT - JAIPUR - 302019, RAJASTHAN, PH :302019-9784377503.	914.##	R.R. AUTOMOBILES (1473), OPP. GEETA ASHRAM, JAISALMER-345 001, (RAJASTHAN), PH :345001-8619638276.	<b>MAKRANA</b>	934.**	RAJ AUTOMOBILES (8949), NEAR RTO ROAD, JAIPUR JHUNJHUNU BYPEASS, SIKAR, DISTRICT - SIKAR, RAJASTHAN, PH :332001-.	
901.**	AUTONITY VKIA (8927), PLOT NO.6, GRIDHAR COLONY, SIKAR ROAD, JAIPUR-302 013, PH :302039.	<b>JHUNJHUNU</b>		924.###	<b>SRI MADHOPUR</b>		
902.##	J.K. AUTOMOBILES (2058), 38 SUSHILPURA, AJMER ROAD ,JAIPUR-302 007, PH :302007-.	915.##	VISHWAKARMA AUTOMOBILES (3071), HPC DEALER, RANI SATHI ROAD, JHUNJHUNU-333 001, (RAJASTHAN), PH :333001-9461058839.	<b>MERTA</b>	935.###	BHARAT MOTORS (5757), WARD NO 4 BYE PASS ROAD , SRI MADHOPUR-332715, DISTRICT- TONK, (RAJASTHAN), PH :332715-9251377020.	
903.**	JAI SHRI RAM AUTO SERVICE CENTRE (1140), OPP. SHYAM NAGAR TURN, MAIN AJMER ROAD, SODALA JAIPUR, RAJASTHAN, PH :302019-.	<b>JHUNJHUNU</b>		925.##	<b>SRIGANGANAGAR</b>		
904.##	KATARIA MOTORS (2577), 9-A NEMINAGAR VISTAR ,AMRAPALI MARG, VAISHALI NAGAR, JAIPUR -302021, PH :302021-.	916.##	DADHIMATI MOTORS (1648), OPPOSITE RSEB OFFICE, BAGAR ROAD, JHUNJHUNU, (RAJASTHAN), PH :333001-9587007122.	<b>NAGAUR</b>	936.##	ROHIT UDYOG (1132), 75 K-BLOCK, SRIGANGANAGAR , PH :335001-.	
905.##	KRISHNA AUTOMOBILES (5363), B-27 SUNDAR NAGAR, MANSAROVAR , JAIPUR, DISTRICT - JAIPUR, RAJASTHAN, PH :302020-9829968075.	<b>JODHPUR</b>		926.*	937.*	NAGPAL MOTORS (3341), NAGPAL COMPLEX, SUKHARIA CIRCLE, SRIGANGANAGAR-335 001, PH :335001-9214904222.	
906.##	LAXMI MOTORS (2576), OPP METRO PILLAR NO 34, GANGA JAMUNA CROSSING, NIRMAN NAGAR, JAIPUR, RAJASTHAN - 302019, PH :302019-9351551181.	917.##	DEORA MOTORS (5353), UPPER UNDER BRIDGE ,PAOTA 'C' ROAD, JODHPUR, DISTRICT - JODHPUR, RAJASTHAN, PH :342006-9829026069.	<b>NEWAI</b>		<b>SUJANGARH</b>	
907.*	M. R. MOTORS (8933), PLOT NO. 120-121 & 125-126, VANE VIHAR, 200FT BYE PASS, JHOTWARA, JAIPUR (RAJASTHAN), PH :302012-.	918.*	P. D. MOTORS (3340), NATIONAL HIGHWAY NO. 62, NEW PALI ROAD, NEAR JHALAMAND CIRCLE, JODHPUR, RAJASTHAN - 342005., PH :342005-.	927.###		938.##	SHRI CHARBHUJA MARUTI (4924), LANDU ROAD, SUJANGARH, DISTRICT-CHURU, RAJASTHAN, PH :331507-9828118827.
908.*	RIGHTWAYS CO. (1131), KISHANPOLE BAZAR, JAIPUR, , PH :302002-.	<b>KALWAR</b>		<b>PILANI</b>		<b>SURATGARH</b>	
909.**	SAISHA MOTORS (1764), MAIN SHIPRA PATH, OPP. SECTOR 93, AGARWAL FARM, MANSAROVAR, JAIPUR-302 020, PH :302020-.	919.##	ROLANIYA MOTORS (5554), KALWAR MAIN TIRHIA, NEAR KHARBAS, NEAR PETROL PUMP,JHOTWARA ROAD, DISTRICT - KALWAR, RAJASTHAN, PH :303706-9983111634.	928.##		939.##	ROHIN SERVICE STATION (2646), N.H.15 BIKANER ROAD, OPP. G.S.S. POWER HOUSE, SURATGARH-335 804, (RAJASTHAN), PH :335804-.
910.*	SERVICE CENTRE (1139), OPP. TOURIST HOTEL, M.I. ROAD, JAIPUR-1, PH :302001-9351551181.	<b>KISHANGARH</b>		929.*		<b>TIJARA</b>	
911.*	SHARP MOTORS (2032), J-3 HIMMAT NAGAR, MAIN TONK ROAD, GOPAL PURA CIRCLE, JAIPUR-302 004, PH :302004-9694420002.	920.##	RADHA SWAMI AUTOMOBILES (440), NEAR AJMER ROAD - BUS STAND, , KISHANGARH., DISTRICT AJMER, RAJASTHAN, PH :305801-9252059798.	<b>PINDWARA</b>		940.##	M D MOTORS (5875), ALWAR ROAD,NEAR BOLLYWOOD FARM, TIJARA, DISTRICT-ALWAR, RAJASTHAN, PH :301411-9351607080.
912.##	SUPREME MOTORS (8952), A-25 ASSAM MANSION, TRANSPORT NAGAR, JAIPUR-302 003, PH :302003-7737279332.	<b>KOTA</b>		930.##		<b>TONK</b>	
913.##	TOSHNIWAL AUTOMOBILES (3475), 131 SHRI GOPAL NGAR, GOPALPURA BYPEASS, JAIPUR, (RAJASTHAN), PH :302015-9887553936.	921.##	FRIENDS AUTOMOBILES ( ), KOTA BUNDI ROAD, NH 12, OPP. HOTEL MENAL RESIDENCY, KOTA, PH :323021-9829529479.	931.##		941.##	SUMIT MARUTI (4566), G 1 - 103, RIICO INDUSTRIAL AREA, JAIPUR ROAD, TONK-304001, RAJASTHAN, PH :304001-9214494900.
	<b>JAISALMER</b>	<b>KOTPUTLI</b>		<b>RAJSAMAND</b>		<b>UDAIPUR (RAJASTHAN)</b>	
		922.##	VIKAS MARUTI SERVICE CENTRE (4970), NH-8, NEAR MEENA GAS AGENCY GODOWN, KOTPUTLI - 303108, RAJASTHAN, PH :303108-9929383045.	932.##		942.**	ALOK AUTOMOBILES PVT. LTD. (1977), B.N. COLLEGE PREMISES, OPP. DALAL PETROL PUMP, SEVASHRAM ROAD, UDAIPUR, PH :313001-9414166305.
		<b>KUCHAMAN</b>		<b>RAWATBHATA</b>		943.**	SHREE SAI CAR CARE (2376), PUNJAWATI, PULLA, UDAIPUR-313 001, PH :313001-9414167605.
		923.##	DALUKA AUTO SALES (4565), NEARBY SHARDA PALACE HOTEL, KUCHAMAN BYE PASS,, KUCHAMAN CITY, 341508, PH :341508-9414433240.	933.##			<b>TAMIL NADU</b>
				<b>SIKAR</b>		<b>AMBUR</b>	
						944.##	MARUTHI MOTORS (2864), 10-C M.C. ROAD, AMBUR-635 802, (TAMIL NADU), PH :635802-.

\*\* A-Category Mass : Free & paid Service, Major repairs & Accidental repairs  
## C-Category Mass : Free & paid Service & Minor repairs

\* B-Category Mass : Free & paid Service & Major repairs  
# D-Category Mass : Free Service & Minor repairs

## Mass Network (AS ON 31.10.2023 )

<b>ARAVAKURICHI</b>	957.*	P.A. SERVICE STATION (2346), NO. 1 GOVINDARAJ ALLUMEL AMMAL NAGAR, NEAR 100 FEET ROAD, AGRAHARAM, KORATTUR, CHENNAI-600 076, PH :600076-9840378025.	<b>COONOOR</b>	978.**	BALAJI MOTORS (5136), PLOT NO. 11 & 18, MARUTHI NAGAR, KRISHNAGIRI MAIN ROAD, HOSUR, TAMILNADU - 635109, PH :635109-9842755402.		
945.#	GOWRI MARUTI (5570), OPPOSITE IOCL PETROL PUMP,NH-7, ARAVAKURICHI, DISTRICT - KARUR, TAMILNADU, PH :639201-9994818043.	958.**	SWAMY AUTOMOBILES (456), 23 CASA MAJOR ROAD, EGMORE, CHENNAI-600 008, PH :600008-9840891916.	979.##	SRI VINAYAKA MOTORS (3848), 5/2C/1 (OPP TAMIL NADU HOTEL), BYE PASS ROAD, HOSUR, PH :635109-9443245096.		
<b>ARCOT</b>	946.##	HARI AGENCIES (468), #27, ANNA SALAI, ARCOT , TAMIL NADU -632503, PH :632503-.	959.*	VAISHALI MOTORS (4529), 4/577 RAJIV STREET, OLD MAHABALIPURAM ROAD, KOTTIVAKAM, CHENNAI-600041, PH :600041-9840138888.	<b>KALPAKKAM</b>		
<b>ATTUR</b>	947.##	GANESAA MOTORS (4538), 1/1-D ARANGA BALA NAGAR, SALEM CUDDLORE MAIN ROAD, NARASINGARAM, ATTUR-636108 (TAMIL NADU), PH :636108-9443273866.	960.*	WHEELS AUTO (469), 40 KASTURIBA NAGAR, 1ST CROSS ROAD, ADYAR, CHENNAI-600 020, PH :600020-9840138888.	980.#	MARUTI MOTORS (4253), SURVEY 309/5-A, PUDUPATTINAM VILLAGE PANCHAYAT, THIRUKALUKUNDRAM TALUKA, KANCHEEPURAM, KALPAKKAM-603102, PH :603102-9443366535.	
<b>AVINASHI</b>	948.##	K.P.K AUTOMOTIVE (5547), SF NO.4602, TIRUPPUR MAIN ROAD, AVINASHILINGAMALAYAM,AVINASHI-641654, DISTRICT-COIMBATORE, TAMILNADU, PH :641654-9443301732.	961.##	EASVARI MOTORS PRIVATE LIMITED (2236), AC-123.4TH AVENUE SHANTHY COLONY, ANNA NAGAR-CHENNAI, CHENNAI-600040, MAHARASHTRA, PH :9840820212.	<b>KANCHEEPURAM</b>		
<b>BHAVANI</b>	949.##	CAR ZONE AUTO SERVICE (5332), METTUR MAIN ROAD , NATARAJAPURAM BHAVANI, DISTRICT - ERODE , TAMILNADU, PH :638301-9442085670.	962.*	PERFECT MARUTI CARE (4632), NO. 51/26, 4TH MAIN ROAD, RAJA ANNAMALLI PURAM, CHENNAI-600028, PH :600028-9789974300.	981.*	SVS MARUTI SERVICE CENTRE (5466), NO1 MILITARY ROAD, SEVILIMEDU, OPP BRINDAVANAM NAGAR, KANCHIPURAM, TAMILNADU 631501, PH :631501-.	
<b>CHENGLEPUT</b>	950.##	AMMA AUTOMOBILES (2941), 57-A/1 THIRUKAZHUKUNDRAM ROAD, CHENGALPATTU-603 002, (T.N.), PH :603002-.	963.**	O.M.S. MOTORS (P) LTD. (2140), NO.27 VELACHERRY MAIN ROAD, RAM NAGAR NORTH, MADIPAKKAM, CHENNAI-600 091 (TAMIL NADU), PH :600091-9444081390.	<b>KANGAYAM</b>		
<b>CHENNAI</b>	951.##	ABIRAMI MOTORS (5131), 6ANNA NEDUMATHAI , CHOOLABEDU, CHENNAI-600094, TAMILNADU, PH :600094-984017558.	<b>CHIDAMBARAM</b>	964.##	HI-TECH MARUTI (3231), NO.45,SITHIVEL NAGAR,SALIYANTHOPPU , BYE PASS ROAD,CHIDAMBARAM-608001 , DISTRICT-CUDDALORE , TAMILNADU, PH :608001-9585538671.		
952.##	AUTO TECH (3445), NO 6 G.S.T. ROAD, KAMATCHI COLONY, SANATORIM, CHENNAI-600 040, PH :600047-9841019455.	<b>COIMBATORE</b>	965.##	GURU AUTO GARAGE (4965), 2/98, IRUGUR ROAD, NEAR BSNL OFFICE, CHINNAMPALAYAM, COIMBATORE, TAMIL NADU, PH :641062-9843256247.	<b>KARAIKUDI</b>		
953.*	EASVARI MOTORS PRIVATE LIMITED (1431), W-110 ANNA NAGAR, CHENNAI-600 040 , PH :600010-9840855655.	966.##	LOTUS AUTOMOBILES (4758), 1647-A AVINASHI ROAD, HOPE COLLEGE, PEELAMEDU, COIMBATORE-641004 (TAMILNADU), PH :641004-9842265133.	967.*	SOUTH INDIA MOTORS (MARUTI) (4752), 9A/3 AVINASHI ROAD, NEAR KMCH POLICE CHECK POST, CIVIL AERODROME POST, SITRA, COIMBATORE-641014 (TAMIL NADU), PH :641014-9843027601.		
954.##	KARS KARE SERVICE CENTRE (2579) , 648 T.H. ROAD, TONDIARPET, CHENNAI-600 081, PH :600081-9841097259.	968.##	TDK AUTOMOBILES PVT. LTD. (160), 9A NEHRU STREET, B.R. PURAM AVINASI ROAD, PEELAMEDU, COIMBATORE-641 004, PH :641004-9952300666.	<b>HOSUR</b>	977.##	AUTO SCAN (2070), DOOR NO. OLD NO.-77, NEW NO. 58 -D2, BANGALORE ROAD, NEW VIVEK GARDEN, HOSUR TALUK, KRISHNAGIRI DISTRICT, TAMILNADU - 635109., PH :635109-8122904091.	
955.**	MARUTI NEEDS (2531), NO.2 PARK ROAD, PADI, CHENNAI-600 050, PH :600050-9940099500.			<b>COONOOR</b>	978.**	SHANTHI AUTO CARE (6054), FIGURE OF 8 ROAD, COONOOR-643101, NILGIRIS, (TAMIL NADU), PH :643101-9443273888.	
956.**	NSK MARUTI (4975), 2/547, EAST COAST ROAD, NEELANKARAI, CHENNAI, TAMIL NADU, PH :600115-9841047232.			<b>CUDDALORE</b>	979.##	SUNTAR AUTOS (2134), KTR BUILDINGS, CHIDAMBARAM ROAD, CUDDALORE-607 002, PH :607002-9842345690.	
				<b>CUMBUM</b>	980.##	SRI BALAJI MOTOR WORKS (3139), 221-A 1/3 THENI ROAD, NEAR REGULATED MARKET, UTHAMAPURAM, CUMBUM-625 516, PH :625516-9994169309.	
				<b>DINDIGUL</b>	981.*	MAGNUM MOTORS (1241), MEENACHINAIKEN PATTY, NH-7 BYE-PASS ROAD, DINDIGUL-624 002, (TAMIL NADU), PH :624002-9842231340.	
				<b>ERODE</b>	982.##	SRI ARUN CAR CARE (3949), COIMBATORE ROAD, NEAR IBP PETROL BUNK, KANGAYAM - 638701, PH :638701-9443239526.	
				973.**	SRI KRISHNA AUTOMOBILE ENTERPRISES (2320), 184, CAUVERY ROAD, ERODE - 638003, TAMIL NADU, PH :638003-9842721805.	<b>KARAIKUDI</b>	
				974.**	SRI SAKTHI CARE (8937), 13, NGGO COLONY MAIN STREET, ERODE, TAMILNADU, 638009, PH :638009-9597726311.	983.##	SURABI MOTORS (2340), NO.11 TRICHY MAIN ROAD, (NEAR RAILWAY CROSS), SRRAM NAGAR, KOTAIYUR, KARAIKUDI-630 001, PH :630106-9443351484.
				<b>GADALUR</b>	984.##	SIVAN MOTORS (3832), OPP IBP NH47, NEAR KONGU VELLALAR SCHOOL, KARUMATHAMATTY, PH :641659-9842231819.	
				975.##	GREENWAY MARUTI SERVICE CENTRE (5471), KALAMPUZHHA,D.O. NO 12/59-3, GUDALUR, DISTRICT - NILGIRLS, TAMILNADU, PH :643212-9443603815.	<b>KARUMATHAMPATTY</b>	
				<b>GOBICHETTIPALAYAM</b>	985.**	SRI SAKTHI AUTO CARE (2532), 3/291 COVAI ROAD, VADIVEL NAGAR L.N.S. POST, KARUR-639 002, (TAMIL NADU), PH :638009-9842265585.	
				976.##	HI-TEC AUTO GARAGE (2426), 426 ASIRIYAR NAGAR, KULLAMPALAYAM A26, ERODE MAIN ROAD, GOBICHETTIPALAYAM-638 476, PH :638476-9842447725.	<b>KARUR</b>	
				<b>HOSUR</b>	977.##	CLASSIC AUTOMOBILES (6037), 3/531 - B, TIRUNELVELI TO MADURAI BYPASS ROAD, NH-7, INAM MANIYACHI, KOVILPATTI, TAMIL NADU - 628502., PH :628502-9442552000.	
						<b>KRISHNAGIRI</b>	
						987.##	THRUTHANIGAI MOTORS (2427), SALEM-CHENNAI BYE PASS ROAD, KRISHNAGIRI-635 001, (TAMILNADU), PH :635001-9842129890.

\*\* A-Category Mass : Free & paid Service, Major repairs & Accidental repairs  
## C-Category Mass : Free & paid Service & Minor repairs

\* B-Category Mass : Free & paid Service & Major repairs  
# D-Category Mass : Free Service & Minor repairs



**KUMBAKONAM**

988.## SRI SAKTHI MOTORS (4330), #7/228, PULIYAMPETTAI, MAYILADUTHURAI MAIN ROAD, KUMBAKONAM, TAMILNADU -612103, PH :612103-9443131513.

**MADURAI**

989.## FRIENDLY MOTORS (3141), 32 PALAM STATION ROAD, NEAR LIC BUS STOP, SELLUR, MADURAI-625 002, PH :625002-9842714047.

990.## SHALOM MOTORS (4629), THENI MAIN ROAD, ACHAMPATHU, NEAR BHARAT PETROLEUM, MADURAI-625019, PH :625019-8754033244.

**MADURANTHAKAM**

991.## MARUTHI MOTORS (6036), NO.33.G.S.T. ROAD,KARUNGUZH, MADURANTHAKAM-603303, DISTRICT-KANCHIPURAM, TAMILNADU, PH :603303-9443354073.

**MAYILADUTHURAI**

992.## R.M.S. MARUTI AUTO (2237), 53/54 MAHADHANA STREET, MAYILADUTHURAI-609 001, (TAMIL NADU), PH :609001-9842922685.

**NAGAPATTINAM**

993.\* MARUTI-TECH (1671), PUTHUR ROUNDANA E C R ROAD, NAGAPATTINAM, , PH :611001-9842653718.

**NAGERCOIL**

994.\* SREE GANAPATHY MOTORS (1629), NO.12 JAWAHAR STREET, R.V. PURAM, NAGERCOIL-629 001, PH :629001-9345323333.

**NAMAKKAL**

995.## ARUNA MOTORS (1461), MARUTI SERVICE CENTRE, OPP. N.S.R. BUILDING, SALEM MAIN ROAD, NAMAKKAL-637 001, PH :637001-9842775761.

**NEYVELI**

996.## SRI MARUTHI MOTOR SERVICE (1458), 8-A DAILY BAZAR, BLOCK-19, NEYVELI-607 803, PH :607803-9443203191.

**PALLADAM**

997.## CHENDU MOTORS (4333), KALIVELAMPATTI PIRIVU, TRICHY ROAD, PALLADAM-641662, COIMBATORE DIST, PH :641662-984225058.

**PALLAVARAM**

998.\* VBK MOTORS (4463), OLD NO. 99, NEW NO. 91, G.S.T ROAD, ALVITONE ESTATE, (BEHIND LAKSHMI THEATRE), PALLAVARAM, CHENNAI-600043, PH :600043-9841425030.

**PARAMAKUDI**

999.## SIVA AUTOMOBILES (4542), NEAR SRIKUMARA SUBRAMANIYA SWAMY TEMPLE, OPP FIRE STATION, MADURAI RAMESWARAM ROAD, PARAMAKUDI-623707 RAMNAD DIST, PH :623707-9388405305.

**PARAMATHIVELUR**

1000.## RADHA CAR CARE (5828), NO 96/1 BYE PASS ROAD,VETTUKATTU PUODAR, PIRIVUR ROAD,PARAMATHIVELUR-638182, DISTRICT-NAMAKKAL, TAMILNADU, PH :638182-8608090140.

**PERUNDURAI**

1001.## PRIYAM AUTOMOBILES (3036), 139 KOVAI MAIN ROAD, PERUNDURAI-638 052, (TAMIL NADU), PH :638052-.

**POLACHI**

1002.\* J D & COMPANY (6055), COIMBATORE ROAD, POLLACHI-642 002, , PH :642002-9443565785.

**RAJAPALYAM**

1003.## RAJA MOTORS (4128), 52/ A, SRI JANAKIRAM MILLS ROAD, SRIVILLIPUTTUR MAIN ROAD, RAJAPALAYAM, VIRUDHUNAGAR- 620117, PH :626117-7094597178.

**RASIPURAM**

1004.## ROYAL AUTO CARS (4052), 5/120 NH-7, SALEM MAIN ROAD, NEAR STIC DEPOT, MUTHUKALIPATTI POST, RASIPURAM TALUK, NAMAKKAL DISTRICT-637408, PH :637401-9443230339.

**RED HILLS**

1005.## UNIQUE CAR CARE (5868), NO.54, FIRST STREET, MANIKANDAPURAM, MTH HIGH ROAD, THIRUMULLAIVOYAL, CHENNAI, TAMILNADU - 600062, PH :600062-.

**SALEM**

1006.## MEENATCHI AUTO (2940), 57 KALARAMPATTY MAIN ROAD, (NEAR DEVI THEATRE), SALEM-636 015, (T.N.), PH :636015-.

1007.\*\* NATSUN MOTORS (6029), NO.220,BANGALORE BYE PASS ROAD (NH-7), KODALAMPATTY,SALEM-636010, DISTRICT-SALEM, TAMILNADU, PH :636005-9842704499.

**SANKAGIRI**

1008.## TECH ZONE AUTO SERVICE (2640), 10/78 BHAVANI MAIN ROAD, (NEAR ERODE PIRIVU), SANKAGIRI SALEM DISTT., PIN-637 303, PH :637303-.

**SANKARANKOIL**

1009.## RAJA MOTORS (4555), RALAPALAYAM ROAD, OPPOSITE TO LIC BUILDING, SANKARANKOIL-627756, PH :627756-9994409363.

**TENKASI**

1010.## CARE ZONE (3766), 5/165, MADURAI ROAD, KUTHUKKAL VALASAI, TENKASI, TAMILNADU - 627803, PH :627811-9842133134.

**THANJAVUR**

1011.## R K P MOTORS (5238), 121/7.THANJAVUR KUMBAKONAM, HIGHWAY PALLIAGRAHARAM, THANJAVUR, TAMILNADU, PH :613003-.

**THENI**

1012.## SATHURAGIRI MOTOR WORKS (1650), 3--31 TO 36, CUMBUM ROAD, THENI-625 531, (TAMIL NADU), PH :625531-9047033678.

**TIRUCHENDUR**

1013.\* CLASSIC AUTOMOBILES (4355), 269/2, V.K.N NAGAR, PALAYAMKOTTAI ROAD, TIRUCHENDUR-628215, PH :628215-8807755140.

**TIRUNELVELI**

1014.## FRIENDS INDIA AUTO CLINIC (5030), NO.16 D.BYE PASS ROAD, VANNARAPETAI, TIRUNELVELI 627003, TAMILNADU, PH :627003-9786606111.

**TIRUPUR**

1015.\*\* LAKSHMI MOTORZ (2461), 4/146 PALLADAM ROAD, OPP. LAKSHMI KALYANA MANDAPAM, TIRUPUR-641 604, (T.N.), PH :641605-9842377959.

**TRICHY**

1016.\* VYTHES MOBILE PARK (443), 8/6 TANJORE ROAD, THIRUCHIRAPALLI-620 008, , PH :620008-6383353727.

**UDAMALAPET**

1017.\* S.R.K. MOTORS (1456), C-109 GANDHI NAGAR, UDAMALAPET-642 154, COIMBATORE (DT.), (TAMIL NADU), PH :642126-9843011520.

**VELLORE**

1018.\* MARUTI AUTO SERVICE (2844), 106 (OLD NO.: 78), KATPADI ROAD, GANDHI NAGAR, VELLORE-632 006 (T.N.), PH :632006-9843093422.

**VILLUPURAM**

1019.## RAGAVENDRA MOTORS (2361), 2/3 MADRAS TRUNK ROAD, VILLUPURAM-605 602, (TAMIL NADU), PH :605602-9244555860.

**VRIDDHACHALAM**

1020.# VISHWA MARUTI CARE CENTER (8934), NO412,PERIYAR NAGAR (NEAR FIRE SERVICE S. STATION)VRIDDHACHALAM - 606001 , DISTRICT - CUDDLALORE , (TAMILNADU), PH :606001-9842246092.

**TELANGANA**

**ADILABAD**

1021.## MAHA LAXMI AUTOMOTIVES (2240), NH# 7 OPP. H.P. PETROL BUNK, TIRUPALLY, ADILABAD-504 001, (A.P.), PH :9000345313.

**BHADRACHALAM**

1022.## SRI VENKATARAMANA AUTO CARE (2831), MARUTI SERVICE STATION, OPP. COLLEGE GROUNDS, GOLLAGATTA ROAD, BHADRACHALAM-507 111 (A.P.), PH :507111-9290792269.

**GAJWEL**

1023.# VIJAY MOTORS (4864), HYDERABAD ROAD, STATE HIGH WAY FROM HYDERABAD, TO KARIMNAGAR, PREGHAPUR - GAJWL, TELANGANA, PH :502278-9849883665.

**HYDERABAD**

1024.## ARYAN MOTORS (3264), D.NO 17-1-382/K/5 & 6, CHAMPAPET SAIDABAD, SAGAR ROAD, HYDERABAD, PH :500059-9246155464.  
1025.## COSMO AUTO CLINIC PVT. LTD. (1045), PLOT NO 1, RD NO 5, CHANDRAPURI COLONY ,LB NAGAR, HYDERABAD - 500074, PH :500074-.

\*\* A-Category Mass : Free & paid Service, Major repairs & Accidental repairs  
## C-Category Mass : Free & paid Service & Minor repairs

\* B-Category Mass : Free & paid Service & Major repairs  
# D-Category Mass : Free Service & Minor repairs

**Mass Network (AS ON 31.10.2023 )**

1026.## PISTONS & SPANNERS (2766), 2-3-37 MAHARANA PRATAP FUNCTION HALL, AMBERPET, HYDERABAD-500 013, PH :9990649504.

1027.## SERWELL AUTOMOBILES (5234), PLOT NO 202.203 ADITYA NAGAR OPP. JNTU, KUKA TPALLY, HYDERABAD, TELANGANA, PH :500085-9490105147.

**JAGTIAL**

1028.## PARAMESHWARA MOTORS (3851), OPP P R OFFICE, DHAROOR CAMP, JAGTIAL 505327, DT. KARIMNAGAR (A.P.), PH :505455-9912664659.

**KARIMNAGAR**

1029.## MYTRI MOTORS (5152), 8-6 188 KOTHI RAMPUR, KARIMNAGAR, DISTRICT - KARIMNAGAR, TELANGANA, PH :505001-9441475357.

1030.\*\* PUSHPAK MOTORS (1032), KOTHI RAMPUR, HYDERABAD ROAD, KARIMNAGAR - 505 001 (A.P), PH :505001-9849489431.

**KHAMMAM**

1031.## EXCEL AUTO CARE (1043), RAPARTHI NAGAR, BYPASS ROAD, KHAMMAM - 507001, PH :507001-9848158363.

**KODAD**

1032.# SAI KAKATIYA SERVICE STATION (4664), SURYAPETA ROAD, OPPOSITE LORRY ASSOCIATION BUILDING, KODAD-508206, DISTRICT-NALGONDA (TELANGANA), PH :508206-9848057813.

**MAHABUB NAGAR**

1033.## SRI AYYAPPA MARUTI CLINIC (3941), OPP HOSPITAL, HYDERABAD ROAD, YEMUGONDA, MAHABUB NAGAR (TELANGANA), PH :509002-9440569259.

**MANCHERIAL**

1034.## PARVATHI MOTORS (4129), 4-53 BPL ROAD, MANCHERIAL, DISTRICT ADILABAD, TELANGANA, PH :504208-988554888.

**MIRYALGUDA**

1035.## GANESH MOTORS (4536), D.NO. 6-366, P.V. COMPLEX, NALGONDA ROAD, MIRYALGUDA, NALGONDA DISTT (TELANGANA), PH :508207-9393900666.

**NALGONDA**

1036.# SRIRAM AUTHORISED SERVICE STATION (4627), HYDERABAD ROAD, OPP. SUB STATION, NALGONDA, TELANGANA, PH :508001-9848378133.

**NIZAMABAD**

1037.## PRIYA SERVICING (1771), C/O TIRUMALA CHITRA MANDIR, HOUSE NO.1-9-833, PHULANG ROAD, NIZAMABAD-503 003 (A.P.), PH :-9848034523.

**RAMAGUNDAM**

1038.## ALI AUTOMOBILES (2849), NEAR TV RELAY STATION, NTPC JYOTHINAGAR, RAMAGUNDAM-505 215, DISTT. KARIMNAGAR (TELANGANA), PH :505208-9848219102.

**SECUNDERABAD**

1039.## ANNAPURNA MOTORS (2947), # 6-3-23/5 JAYANAGAR COLONY, NEAR MEKALMANDI, NEW BHOIGUDA, SECUNDERABAD-500 080, PH :-9849061136.

**SIRSILLA**

1040.# SATHVIKA MOTORS (5649), KARIMNAGAR ROAD,OPP HP PETROL PUMP, SIRSILLA-505301, DISTRICT - KARIMNAGAR, TELANGANA, PH :505301-9490284276.

**SURYAPET**

1041.## SAI GLOBAL AUTO SERVICES (4550), OPP. AYYAPPA SWAMY TEMPLE, BY PASS ROAD, NH-9, SURYAPET-508213, TELANGANA, PH :508213-9848076108.

**WANAPARTHY**

1042.# SMC MOTORS (5658), K.K.T. ROAD,BASAVANNA GADDA, WANAPARTHY, DISTRICT -MAHABUBNAGAR, TELANGANA, PH :509103-9440142927.

**WARANGAL**

1043.## VAISHNAVI AUTOMOBILES (470), OPP. NEW SCIENCE DEGREE COLLEGE, HUNTER ROAD, HANAMKONDA, WARANGAL-506 001, PH :-9849002528

**TRIPURA****AMBASSA**

1044.## CHAKRABORTY MECHANICAL WORKSHOP (5351), NH-44,NEAR ZILLA PARISWAD OFFICE , AMBASSA, DISTRICT - DHALAI, TRIPURA, PH :799289-9436136054.

**BELONIA**

1045.## JOY UDYOG (3977), KALINAGAR, BELONIA, SOUTH TRIPURA 799155, PH :799155-9446799415.

**DHARMANAGAR**

1046.## RAJ AUTOMOBILES (2868), STATION ROAD, RAJABARI, DHARMANAGAR, TRIPURA (NORTH)-799 253, PH :799253-9436477578.

**UDAIPUR**

1047.## SUR UDYOG (3963), TOWN FULKUMARI NO. 1, BRAMHABARI, P O UDAIPUR COURT, UDAIPUR, TRIPURA SOUTH, PH :799120-9862276650.

1048.## RAMKRISHNA MARUTI ENGINEERING (4865), RAJARBAGH MOTOR STAND, UDAIPUR WEST-799120, DISTRICT-TRIPURA SOUTH, PH :799120-9436135422.

**UTTAR PRADESH****AGRA**

1049.## GAYATRI MOTORS (4730), 101-102,SHASHI NAGAR,CHANDRAKALA-COMPLEX.SIKANDRA BODLA ROAD, AGRA - 282008, (UTTAR PRADESH), PH :282007-8077786331.

**ALIGARH**

1050.## KAPIL AUTOMOBILES (1344), OLD KHURJA BUS STAND, G.T.ROAD, ALIGARH(U.P.), PH :202002-9837007636.

1051.## KAR SCAN CENTRE (449), RAMGHAT ROAD, KWARSI, ALIGARH-202 002, PH :202002-8937000111.

**ALLAHABAD**

1052.## ANSHUMAN AUTOMOBILES (4933), 6D, DAUD NAGAR, OPPOSITE BAIDYANATH COMPANY, MIRZAPUR ROAD, NAINI, ALLAHABAD, UTTAR PRADESH - 211008, PH :211008-9335138119.

1053.\*\* KAY CEE AUTOMOBILES (2155), 72/60 L.B. SHASTRI MARG, ALLAHABAD, PH :211001-9415317225.

1054.## TRIBENI MOTORS (2539), 23 KANPUR ROAD, ALLAHABAD-211 001, (U.P.), PH :211001-9415324244.

**ALMORA**

1055.## AROMA AUTOMOBILES (3149), THE MALL, ALMORA, (UTTRAKHAND), PH :263601-9412093410.

**AMROHA**

1056.## SUNNY MOTORS (2165), BIJNOR ROAD, J.P. NAGAR, AMROHA-244 221, (U.P.), PH :244221-9412248884.

**AURAIYA**

1057.\*\* SINGH AUTOMOBILES (5248), KANPUR ROAD,AURAIYA, DISTRICT -AURAIYA , PIN - 206122, UTTAR PRADESH, PH :206122-9808403258.

1058.## VINAYAK AUTOMOBILES (2842), OPP. NTPC COLONY IIND GATE, PHAPHUNG ROAD, DIBIYAPUR, AURAIYA (U.P.), PH :-9412182060.

**BABUGARH**

1059.\* GURUNANAK AUTOMOBILES (5977), NH- 9, VILL SIMROLI, BABUGARH CANTT. , DISTRICT-HAPUR, UTTAR PRADESH, PH :245102-.

**BAGHPAT**

1060.# KAUSHIK MOTORS (4473), PLOT NO 525, DELHI SAHARANPUR ROAD,PALI, BAGHPAT, UTTAR PRADESH 250609, PH :250609-9837800582.

**BALRAMPUR**

1061.## D M AUTOMOBILES (3933), NEAR S.P.AWAS, GONDA ROAD, BAHADURPUR, DISTT: BALRAMPUR, UTTAR PRADESH - 271201, PH :271201-9415071840.

**BANDA**

1062.## CHAUDHARY TRACTORS (2249), STATION ROAD, BANDA-210 001, (U.P.), PH :210001-9415143033.

**BARAUT**

1063.## HIGH TECH ENGINEERS (4821), 216/5 SAHARANPUR ROAD, BARAUT, , PH :250611-7302352660.

1064.## SIGNET AUTOMOBILES (4441), NEAR INDUSTRIAL POLICE CHOWKI, DELHI ROAD, BARAUT-250611, DISTT BAGHPAT (U.P), PH :250611-8218779429.

**BAREILLY**

1065.## S P MOTORS (5746), 383,SURKHA CHAWNINAINITAL ROAD, BAREILLY-243001, DISTRICT-BAREILLY, UTTAR PRADESH, PH :243001-9568033111.

1066.\*\* SAVVY MOTORS (4559), BALWANT MOTORS BUILDING, 131 CIVIL LINES, NEAR DANIK JAGRAN, BAREILLY (UTTAR PRADESH), PH :243001-9837044991.

**BIJNOR**

1067.## SARDAR MOTORS (4671), DELHI HIGHWAY ROAD , 4TH KM MILE STONE , BIJNOR - 246701, UTTAR PRADESH, PH :246701-9837265076.

**BULANDSHAHR**

\*\* A-Category Mass : Free & paid Service, Major repairs & Accidental repairs

## C-Category Mass : Free & paid Service & Minor repairs

\* B-Category Mass : Free & paid Service & Major repairs

# D-Category Mass : Free Service & Minor repairs

1068.## DELHI AUTO ENGRS (1351), PLOT NO-106, NEAR TAFE TRACTOR AGENCY, NEAR CHANDPUR VILLAGE, DELHI ALIGARH BYPASS ROAD, BULANDSHAHR (UP) 203001. PH :203001-.

**CHANDPUR**

1069.## BHARTI AUTOMOBILES (1777), DHANORA ROAD, CHANDPUR, DISTT. BJINOR, (U.P.), PH :246725-983780551.

**CHITRAKOOT**

1070.\* SHYAM MOTORS (4367), BUS STAND, KARWI, CHITRAKOOT-210205, PH :210205-9415143900.

**DADRI**

1071.## NATIONAL MOTOR AGENCY (5143), NOIDA ROAD, DADRI -203207, DISTRICT - GAUTAMBUDH NAGAR , UTTAR PRADESH, PH :203207-.

**DANKAUR**

1072.## MARUTI CARS CARE (5934), SIKANDRABAD ROAD,NEAR KISAN INTER COLLEGE, DANKAUR-203201, DISTRICT- GAUTAM BUDH NAGAR, UTTAR PRADESH, PH :203201-7599195174.

**DEOBAND**

1073.## PRACHI MOTORS (3361), ADJACENT TO CIVIL COURTS, G.T. ROAD, DEOBAND, DISTT. SAHARANPUR (U.P.), PH :247554-7017803402.

**DEORIA**

1074.\*\* CLASSIC MOTORS (2971), D-13/14 INDUSTRIAL ESTATE, OPPOSITE RTO OFFICE, GORAKHPUR ROAD, DEORIA-274 001 (U.P.), PH :274001-9415313939.

**DHAMPUR**

1075.## AUTAR AUTOMOBILES (4846), NOORPUR ROAD, DHAMPUR-246761, DISTRICT-BJINOR, UTTAR PRADESH, PH :246761-7017211986.

**FAIZABAD**

1076.\* S K MOTORS (4672), CHANDPUR HARBANS ALLAHABAD ROAD, NH-96, FAIZABAD-224001, UTTAR PRADESH, PH :224001-9307088750.

**FARUKHABAD**

1077.## APOORVA MOTORS (4675), SATANPUR MANDI ROAD, FARRUKHABAD, DISTRICT FARRUKHABAD, UTTAR PRADESH, PH :209625-9044498958.

1078.## SANDEEP MOTORS (4161), THANDI SADAQ, OPP. JITENDRA GAS GODOWN, FARUKHABAD, UTTAR PRADESH, PH :209625-9838840322.

**FATEHPUR SIKRI**

1079.## LAXMI MOTORS (5943), FATEHPUR SIKRI ROAD,KHEDA KORAI , FATEHPUR SIKRI-283110, DISTRICT-AGRA, UTTAR PRADESH, PH :283110-9837749949.

**FIROZABAD**

1080.\*\* AMAN MOTORS (4366), OPP CAR CARE (INDIA), BYE PASS ROAD, FIROZABAD, UTTAR PRADESH, PH :283203-9837500220.

1081.## GOVIND AUTOMOBILES (1739), NH-2, INFROUT OF SUB POWER STATION, MODHA, ASFABAD CHAURAHA, FIROZABAD, UTTAR PRADESH, 283203, PH :283203-9837169332.

**GANGOH**

1082.# SHRI KRISHNA MOTORS (5939), BYE PASS ROAD RAM GARH,GANGOH-247341, DISTRICT-SAHARANPUR, UTTAR PRADESH, PH :247341-9997102785.

**GHAZIABAD**

1083.\* CHAWLA AUTOMOBILES (2643), 67 AMBEDKAR ROAD, OPP. NEHRU YUVA KENDRA, GHAZIABAD, PH :201001-9811720929.

1084.\* D.N. AUTOLAND (272), E-4 MEERUT ROAD, INDUSTRIAL AREA, (NEAR OLD MEERUT CHUNGI), GHAZIABAD., PH :201003-.

1085.\*\* KRISHNA AUTOMOBILES (5356), 101 LAL KUAN, SHIV MANDIR , BULANDSHAHAH ROAD , DISTRICT - GHAZIABAD, UTTAR PRADESH, PH :274001-9415313939.

1086.## S P MOTORS (4973), HAPUR BYPASS ROAD, MEHRAULI, GHAZIABAD, PH :201001-.

1087.\* SHIVA MOTORS (3343), 17TH KM STONE, 118-119 SHIVPURI, SECTOR-9 VIJAY NAGAR BYEPASS NH-24, GHAZIABAD-201 009 (U.P.), PH :201009-.

**GONDA**

1088.\*\* AMAN MOTORS (3858), PORTER GANJ, LUCKNOW ROAD, GONDA, UTTAR PRADESH, PH :271001-9415120101.

1089.\* PANKAJ AUTOMOBILES (1370), C/O NEW DELHI MOTOR WORKS, BARAICH ROAD, GONDA, PH :271801-9415664930.

**GREATER NOIDA**

1090.## JAISWAL MOTORS (5078), PLOT NO. 31, SECTOR MUP-II, GREATER NOIDA , DISTRICT - GAUTAM BUDH NAGAR, UTTARPRADESH, PH :201308-.

1091.## KUMAR MOTORS (8926), M-8, SITE-5, UPSIDC, KASNA INDUSTRIAL AREA, GREATER NOIDA, DISTRICT-GOUTAM BUDH NAGAR, UTTAR PRADESH, PH :201312-.

**HAPUR**

1092.\* SRANSHI MOTORS (3076), NEAR HDFC BANK, DELHI ROAD, HAPUR, (U.P.)-245 101, PH :245101-.

**HARDOI**

1093.## M. MOTORS & SERVICE CENTRE (3371), CHAND BEHTA, LUCKNOW ROAD, HARDOI-241 001, (U.P.), PH :241001-9415175610.

1094.\*\* TAYAL AUTOMOTIVES (4265), SOHRA KOTHI, BAWAN CHUNGI, HARDOI-241001, PH :241001-9415149951.

**HATHRAS**

1095.## RADHEY RADHEY AUTOMOBILES (4344), NEAR BUS STAND, AGRA ROAD, HATHRAS-204 101, PH :204101-9897069159.

**JAGDISHPUR**

1096.## SUPER AUTOMOBILES (3564), JAFARGANJ P.O., INDUSTRIAL AREA, JAGDISHPUR, DISTT. SULTANPUR-227 817 (U.P.), PH :227817-9415177882.

**JAUNPUR**

1097.## SADGURU MOTORS (5071), FAIZBAGH (NEAR TOM OFFICE), UMARPUR,JAUNPUR, JAUNPUR-222142, UTTAR PRADESH, PH :222142-8318984440.

**JHANSI**

1098.\* A.B. MOTORS (8938), 4 KHATTERYANA, JHANSI, . PH :284001-9415059820.

1099.## JALIM PAINTER (5661), 1051.NEAR ADINATH HOTEL,STATION ROAD, JHANSI - 284001, DISTRICT - JHANSI, UTTAR PRADESH, PH :284001-9415113566.

**KANNAUJ**

1100.## SARALA AUTO CARE (5854), G.T. ROAD,KANNAUJ, DISTRICT-KANNAUJ, UTTAR PRADESH, PH :209725-991892324.

**KANPUR**

1101.\* AJAY SALES (3134), 117/N/81 KAKADEV0, KANPUR, . PH :208025-9919828000.

1102.\*\* AUTO GARAGE (4266), P-22-A, PRATAP GANJ, FACTORY AREA, OPP GANDA NALA, KANPUR-208012, PH :208012-9415126189.

1103.\*\* CHANDRA MOTORS (4458), 621/3 W-2 JUHI, BEHIND SACHAN GUEST HOUSE, KANPUR, PH :208027-9839928280.

1104.\*\* EXCELLENT MOTORS (2968), 123/793 FAZALGANJ, KANPUR-208 012, . PH :208012-9336119374.

1105.## KANPUR AUTO CENTRE (2823), 14/142, CHUNNIGANJ, KANPUR, PH :208001-9415045438.

1106.\*\* SUJIPA MOTORS (4337), 127/465, U-BLOCK, NIRALA NAGAR, KANPUR, PH :208014-9415050146.

**KHALILABAD**

1107.## RATAN MOTORS (5645), RAILWAY STATION ROAD - KHALILABAD, DISTRICT- SANT KABIR NAGAR, PIN-272175, UTTAR PRADESH, PH :272175-9621294899.

**KHATAULI**

1108.## EAGLE MOTORS (5142), OPPOSITE EW ROADWAYS , G.T. ROAD, NH -58, KHATAULI, DISTRICT - MUZAFFARNAGAR, UTTAR PRADESH, PH :251201-9997039786.

**KHEKRA**

1109.\*\* KAILASAH MOTORS (5767), OPP TEHSIL ,DELHI BAGHPAT ROAD, KHEKRA-201101, DISTRICT-BAGHPAT, UTTAR PRADESH, PH :250101-9760027001.

**KOSIKALAN**

1110.\*\* ADITYA MOTORS (1940), IOC PUMP, NATIONAL HIGHWAY, KOSIKALAN, (U.P.), PH :281403-9837050778.

**LAKHIMPUR KHERI**

1111.\*\* AJMANI TRACTORS (4143), NIGHASAN ROAD, LAKHIMPUR KHERI, UTTER PRADESH, PH :262701-9918802167.

**LALITPUR**

\*\* A-Category Mass : Free & paid Service, Major repairs & Accidental repairs  
## C-Category Mass : Free & paid Service & Minor repairs

\* B-Category Mass : Free & paid Service & Major repairs  
# D-Category Mass : Free Service & Minor repairs

## Mass Network (AS ON 31.10.2023 )

1112.## VARDHMAN MOTORS (1073), SAGAR ROAD, LALITPUR-284 403, (U.P.), PH :284403-9453909196.

### LAMBHUA BAZAR

1113.## VIKRAM MOTORS (3729), LAMBHUA BAZAR, SULTANPUR (DIST.), UTTAR PRADESH-222 302, PH :222302-9450215996.

### LONI

1114.## SAMBHAV AUTOMOBILES (5168), 31.RURAL INDUSTRIAL ESTATE , ARYA NAGAR INDUSTRIAL AREA, MAIN DELHI SHAHRANPUR HIGHWAY, UTTAR PRADESH, PH :201102-.

### LUCKNOW

1115.\*\* B.K. MOTORS (2537), KALYANPUR, RING ROAD, OPP. CARRIER CONVENT ROAD, LUCKNOW-226 015, PH :226015-9335908130.

1116.## BALAJI MOTORS (1336), 1 NEWAL KISHORE ROAD, LUCKNOW-226 001,(U.P.), . PH :226001-9336253838.

1117.## GALAXY MOTORS (5274), KASHANA SITAPUR ROAD,NEAR SHIA, P G COLLGEG - LUCKNOW , DISTRICT - LUCKNOW, UTTAR PRADESH PH :226021-9305567878.

1118.\*\* GUD'S CAR CARE (2538), MAIN ROAD, NISHATGANJ, LUCKNOW-226 006, PH :226006-9415024495.

1119.\*\* KALYAN MOTORS (1161), GOVT. POLYTECHNIC CROSSING, FAIZABAD ROAD, GOMTI NAGAR, LUCKNOW, PH :226010-9936942527.

1120.\*\* KAPOOR MOTORS (1751), PLOT NO.380, NEAR GUNGA BAHARA SCHOOL, TILAK NAGAR , UTTAR PRADESH, PH :206122-9795457050.

1121.\*\* KAPOOR MOTORS (5044), 555/GA/50,BARA BIRWA, KANPUR ROAD- ALAMBAGH LUCKNOW., DISTRICT - LUCKNOW, (UTTAR PRADESH), PH :226005-9795457050.

1122.\* KRISHNA MOTORS (5026), BALAGANJ HARDOI ROAD, CHOWK LUCKNOW, DISTRICT LUCKNOW, UTTAR PRADESH, PH :226020-9839177777.

1123.\*\* MVV MOTORS (5531), A11/14,VIJAY KHAND GOMTI NAGAR, LUCKNOW-226010, DISTRICT - LUCKNOW, UTTAR PRADESH, PH :226010-9792877779.

1124.\*\* RELIANCE MOTORS CARE (1236), 7-B/1 PRIME PALACE, FAIZABAD ROAD, INDIRA NAGAR, LUCKNOW-226 016, PH :226016-9918100051.

1125.\* S.K. MOTORS (2449), 8/881 VIKAS NAGAR, PICNIC SPOT ROAD, KHURAM NAGAR, LUCKNOW-226 013, PH :226013-9415005564.

1126.\* THE GARAGE (5479), BEHIND NEW HANUMAN MANDIR,MADIR PARK , MAHANAGAR - LUCKNOW , DISTRICT - LUCKNOW, UTTAR PRADESH, PH :226006-9236711634.

1127.\* V.S. MOTORS (4745), RAMADHIN SINGH INTER COLLEGE CAMPUS, BABU GANJ, LUCKNOW-226007, UTTAR PRADESH, PH :226007-9984749000.

### MAHOBA

1128.## ROYAL SERVICE STATION (2238), HAMIRPUR CHUNGHI, KANPUR ROAD, MAHOBA, (U.P.), PH :210427-9450269053.

### MAINPURI

1129.## JATIN MOTORS (5540), GANESH MILL COLONY,RADHA RAMAN ROAD, MAINPURI-205001, DISTRICT-MAINPURI, UTTAR PRADESH, PH :205001-8193825000.

### MARIAHU

1130.## BABU MOTORS (5740), MACHALISHAHAR ROAD,NEAR POST OFFICE, MARIAHU-222161, DISTRICT - JAUNPUR, UTTAR PRADESH, PH :222161-9919263663.

### MATHURA

1131.## GIRIRAJ CAR CARE (5624), BIMAL ENGG COMPLEX, BAD, MATHURA-281 006, PH :281006-9837071321.

1132.\*\* NAND SERVICE STATION (3578), GOPAL PURA VILLAGE, REFINDERY TOWNSHIP, NH-2, MATHURA, PH :281001-9997982828.

1133.## SHREE GOPAL AUTOMOBILES (5664), DELHI BYE PASS ROAD,NEAR CCKJUL RESTAURANT, MATHURA -281001, DISTRICT - MATHURA, UTTAR PRADESH, PH :281001-9412726760.

1134.\* SIVA RAM MOTORS (1666), JAYSINGHPURA, NEAR BIRLA MANDIR, MATHURA-281 003, (U.P.), PH :281003-9897053962.

### MEERUT

1135.\*\* EXPERT CAR SCANNER (1174), 83 HILL STREET (KATH-KA-PUL), BEHIND ABU LANE, MEERUT CANTT., (U.P.), PH :250001-9412201195.

1136.## KRISHNA AUTOMOBILES (5573), PLOT NO D-10,SHRADHA PURI., KANKARKHERA - MEERUT, DISTRICT - MEERUT, UTTAR PRADESH, PH :250001-9927241738.

1137.## SARAN AUTOMOBILES LTD. (1078), DELHI ROAD, RITHANI, MEERUT, PH :250001-93594506555.

### MIRZAPUR

1138.## PRABHAT MOTORS (4131), NH-7 REWA ROAD, CHANDAIPUR LAKHAMPUR, MIRZAPUR, U.P. PH :231309-9838940382.

### MOHANLAL GANJ

1139.\*\* GURU TEG BAHADUR AUTO ENTERPRISES (4072), 4 SENANI VIHAR, RAI BAREILLY ROAD, MOHANLAL GANJ, LUCKNOW U P, PH :226027-9415229172.

### MORADABAD

1140.## ASHISH AUTOMOBILES (1477), KANTH ROAD, MORADABAD-244 001, . PH :244001-9837055258.

### NAJIBABAD

1141.## SETHI MOTORS (4557), C/O SETHI BOARD INDUSTRIES LIMITED, OPP. HINDUSTAN COCO-COLA BOTTLING PLANT, NAGINA ROAD, NAJIBABAD-246763, DISTT. BUNOR (UTTAR PRADESH), PH :246732-9837590800.

### NOIDA

1142.## AUTOPOINT (2263), G-6,SECTOR 11,NOIDA, PH :201301-9870555981.

1143.\*\* RAHUL MOTORS (4862), A-59 SECTOR-80, PHASE-I, NOIDA-201303, UTTAR PRADESH, PH :201303-.

1144.\*\* RAJESH & ANIL MOTOR CO (5330), B-110, SECTOR 2, NOIDA, DISTRICT - GAUTAM BUDDH NAGAR , UTTAR PRADESH, PH :201301-.

1145.\* SKUNIVERSE AUTOMOBILE PRIVATE LIMITED (8922), C-2 SECTOR 63, NOIDA - 201301, PH :201301-.

1146.## NANDA MOTORS (5733), B-180,PHASE-2,NOIDA, DISTRICT-NOIDA, PIN-201305, UTTAR PRADESH, PH :201305-9566003839.

### OBRA

1147.## APPRECIATE SERVICES (4678), BILLI RAILWAY STATION ROAD, OBRA, SONEBHADRA, UTTAR PRADESH - 231219, PH :231219-8765833557.

### PILIBHIT

1148.\* UNIVERSAL MARUTI SERVICE STATION (4385), BYE PASS ROAD, PILIBHIT, UTTAR PRADESH, PH :243004-9412313499.

### PILKHUWA

1149.\* SHREE BANKEY BIHARI MOTORS (6025), NH-24,DELHI-GARH ROAD,PILKHUWA-245307, DISTRICT-GHAZIABAD, UTTAR PRADESH, PH :245304-9045548101.

### PRATAPGARH (U.P)

1150.\*\* SHREE MOTORS (4146), 10, CHIBILA RANJEETPUR, PRAYAGRAJ AYODHYA HIGHWAY, NH-330, PRATAPGARH, UTTAR PRADESH, PIN-230001, PH :230001-9415229257.

### RAI-BARELI

1151.\*\* STANDARD GARAGE (4429), MANIKA CENEMA ROAD, NEAR INSPECTION HOUSE, RAE BAREILLY, PH :229206-9415190703.

### RAMPUR

1152.## FURZA MOTORS (2241), NEAR AMBEDKAR PARK, CIVIL LINES, RAMPUR (U.P.), PIN-244 901, PH :244901-9897879711.

### RATH

1153.## MARUTI POINT (4228), ROOP NAGAR, BUDHOLIYANA, NEAR BUS STAND, ORAI ROAD, RATH, DIST, HAMIRPUR (U.P), PH :210431-9415317375.

### RENUKUT

1154.## AMBIKA MOTORS (1050), PATEL NAGAR, MURDHAWA, RENUKUT-231 217, SONBHADRA (U.P.), PH :231217-9415251724.

### RIHAND NAGAR

1155.## OUDH MOTORS (4421), RIHAND NAGAR , SONEBHADRA, U.P, PH :231207-9415230855.

### ROBERTSGANJ

1156.\* KAMAKHYA AUTOMOBILES (4163), PIPRI ROAD, ROBERTSGANJ, SONEBHADRA (U.P), PH :231216-9918301052.

### SADABAD

1157.## ASHU SERVICE CENTRE (5849), AGRA BYE PASS ROAD, SADABAD-281306, DISTRICT-THATHRAS, UTTAR PRADESH, PH :281306-9058832658.

### SAHARANPUR

\*\* A-Category Mass : Free & paid Service, Major repairs & Accidental repairs  
## C-Category Mass : Free & paid Service & Minor repairs

\* B-Category Mass : Free & paid Service & Major repairs  
# D-Category Mass : Free Service & Minor repairs

1158.## GANESH CAR SERVICES (1871), OPP. REMOUNT DEPOT GATE, DEHRADUN ROAD, SAHARANPUR-247 001, PH :247001-9358306804.

**SAHIBABAD**

1159.## HINDON MOTORS (3576), S-69, SITE 2, INDUSTRIAL AREA, MOHAN NAGAR, NEAR HINDON AIRFORCE ROUND ABOUT, SAHIBABAD, UTTAR PRADESH, PH :201007-.

1160.\*\* MOTOR MAGIC AUTO ZONE (4462), 4/29-A SITE-IV, INDUSTRIAL AREA, SAHIBABAD, DISTT. GHAZIABAD, PH :201005-.

1161.\*\* PANDIT AUTOMOBILES (4647), 3/1/1, SITE-IV, INDUSTRIAL AREA, SAHIBABAD, OPP. KAUSHAMBI, GHAZIABAD (UTTAR PRADESH, PH :201010-.

1162.## POOJA MOTORS (3562), TEELA MORE, SHAHBAJPUR, LONI, DISTT. GHAZIABAD (U.P.), PH :201102-.

1163.\*\* SANSAR MOTORS PVT. LTD. (2061), 11/27 SECTOR-3, RAJINDER NAGAR, SAHIBABAD, DISTT. GHAZIABAD, PH :201005-9811004475.

**SANDILA**

1164.## SUBHAM SERVICE CENTRE (4042), NEAR NEHA KOTHI ROAD, SANDILA, HARDOI, PH :241204-9506181818.

**SHAHJAHANPUR**

1165.## SUPER AUTO (3135), OLD DIST. HOSPITAL ROAD, SHAHJAHANPUR (U.P.), PIN-242 001, PH :242001-9415035644.

**SHAMLI**

1166.## ROYAL MOTORS (5277), PANIPAT KARANA ROAD, SHAMLI, SHAMLI-247776, UTTAR PRADESH, PH :247776-9927272766.

**SHIKOHABAD**

1167.## KUMAR MOTORS (5575), SUBHASH TIRAHA ,AGRA GATE - SIKOHABAD, DISTRICT - FERROZABAD, UTTAR PRADESH, PH :283203-9411937033.

**SIDDHARTH NAGAR**

1168.## MARUTI CARE CENTRE (2736), OPP. SIDDHARTH SCHOOL, AZAD NAGAR, SIDDHARTH NAGAR-272 207, (U.P.), PH :272207-9935642651.

**SIKANDRABAD**

1169.## NALIN AUTO (8921), G.T. ROAD, SIKANDRABAD, DISTT. BULANDSHAHAR, (U.P.), PH :203205-.

**SIRSAGANJ**

1170.## SATGURU MOTORS (3739), BYE PASS KAURARA ROAD, SIRSAGANJ DISTT. FIROZABAD, ETAWAH-AGRA ROAD, SIRSAGANJ (U.P.), PH :281431-9412316660.

**SONEBHADRA**

1171.## OUDH SERVICE STATION (8956), SHAKTI NAGAR, SONEBHADRA-231 222, , PH :231222-7408434860.

**SULTANPUR**

1172.## HINDUSTAN AUTO GARAGE (1360), BARHAIYA BEER RD., (ADJ.BUS STAND), SULTANPUR-228 001 (U.P.), PH :228001-9984154002.

**VARANASI**

1173.\*\* MISHRA ENGINEERS (4957), S-4/68, NAI BASTI, PAHARIA, VARANASI-221002, UTTAR PRADESH, PH :221002-9415301483.

**UTTARAKHAND**

**BAZPUR**

1174.## TARAI AUTOMOBILE ENGG WORKS (4459), GURUTEG BAHADUR ROAD, U.S. NAGAR, BAZPUR-262401, UTTARAKHAND, PH :263401-9837506765.

**BHAGESWAR**

1175.## SHREE ISHT DEV AUTOMOBILES (4570), GARUR ROAD, MOTA SIMAL, DIST. BAGESHWAR, UTTARAKHAND, PH :262642-9997895347.

**DEHRADUN**

1176.## ASHIRWAD MOTORS (5144), CANAL ROAD, NEAR BALLUPUR CHOWK, DEHRADUN-248001, UTTARAKHAND, PH :248001-9219594748.

1177.## HANS LAKHERA MOTORS (5032), JOGI WALA RING ROAD, NATHAPUR APPARTMNT., NAR NEHRU GRAM POST OFFC, MASSOORI BYEPASS, DEHRADUN, PH :248001-9897456677.

1178.## KRIPALAI SHWARI MOTORS (8947), HARIDWAR ROAD, NEAR LIC BUILDING, DEHRADUN-248001, UTTARAKHAND, PH :248001-9412963384.

**HALDWANI**

1179.## EXCEL MOTORS & ENGG. WORKS (3827), RAMPUR ROAD, NEAR STM FOREST HOSPITAL, HALDWANI, NAINITAL, PH :263139-9837191688.

1180.\* HARYAL SERVICE CENTRE (5340), BAREILY ROAD GUJAJALI - TALLI, HALDWANI, DISTRICT - NAINITAL, UTTARAKHAND, PH :263139-9997200227.

**HARIDWAR**

1181.## PREET MOTORS (5561), SHRI NATH NAGAR, RAILWAY ROAD, JAWALPUR - HARDWAR, DISTRICT - HARDWAR, UTTARAKHAND, PH :249408-9012010497.

**KANKHAL**

1182.## HIGHWAY MOTORS (4261), NEAR SINGH DWAR CHOWK, ROORKEE-HARDWAR BY PASS ROAD, POST OFFICE, GURUKUL KANGRI, KANKHAL, DISTT HARDWAR, PH :249408-9412072889.

**KASHIPUR**

1183.## OM MOTORS (4329), OPPOSITE SWAGAT MANDAP, BAZPUR ROAD, KASHIPUR DIST., U.S. NAGAR (UTTARAKHAND), PH :244713-9927500077.

1184.## KRISHNA AUTOMOBILES (4824), MORADABAD ROAD, KASHIPUR, , PH :244713-9870998368.

**KICHHA**

1185.## SHRI SHYAMJI AUTO SERVICE CENTER (5648), BAREILY ROAD, KICHHA, PIN-263148, DISTRICT-UDHAM SINGH NAGAR, UTTARAKHAND, PH :263148-9837033377.

**KOTDWAR**

1186.## BHATT MOTORS (1775), NAJIBABAD ROAD, KOTDWARA, (GARHWAL), UTTARAKHAND, PH :246149-9917050404.

**LAKSAR**

1187.# SHIV AUTOMOBILES (5560), 110/1/3 BALAWALI ROAD - LAKSAR, DISTRICT - HARIDWAR, PIN - 247663, UTTARAKHAND, PH :247663-9690111444.

**LOHRIASAL MALLA**

1188.## ANJINI SERVICE CENTRE (5552), NEAR BLOCK OFFICE, KALADHUNGI ROAD, LOHRIASAL MALLA, CITY - HALDWANI, UTTARAKHAND - 263139., PH :263139-9837098699.

**NEW TEHRI**

1189.## BHAGWATI SERVICE CENTER (4472), SECTOR-8E/537, NEAR STADIUM, BARURI, NEW TEHRI, GARWAL (UTTARAKHAND), PH :249001-7895219517.

**PAURI**

1190.## KRISHNA MOTORS (5957), SHRINAGAR ROAD, NEAR KARGIL SHAHEED PETROL PUMP, PAURI-246001, DISTRICT-PAURI GARHWAL, UTTARAKHAND, PH :246001-9719723484.

**PITHORAGARH**

1191.## CAR CARE CENTER (4371), CAN'TT ROAD, PITHORAGARH, UTTARAKHAND, PH :262501-9756284676.

1192.## MA MAHAKALI MOTORS (4142), DHARCHULA ROAD, RAI BRIDGE, PITHORAGARH, UTTARAKHAND, PH :262501-.

**RANIKHET**

1193.## LATIF MOTOR WORKS (3269), SADAR BAZAR, GANDHI CHOWK, RANIKHET, (UTTARAKHAND), PH :263645-9761250801.

**RISHIKESH**

1194.## GARHWAL GASOLINE STATION (3639), , H.P. PETROL PUMP, LAXMAN JHULA ROAD, RISHIKESH-249 201, PH :249137-9837377677.

1195.\* RAKESH AUTOMOBILE ENGINEERS (1464), OPP. BHARAT MANDIR INTER COLLEGE, HARDWAR ROAD, RISHIKESH-249 201, PH :249137-9412051655.

**ROORKEE**

1196.## DUM DUM ENGG. WORKS (1343), GROUND FLOOR, A TO Z TOWER, NEAR SOLANI BRIDGE, HARIDWAR ROAD, ROORKEE, PH :247664-8449155002.

1197.## ROORKEE AUTO SCANNERS (2675), 786 WEST AMBER TALAB, RAM NAGAR CHOWK, ROORKEE-247 667, PH :247664-9837032367.

**RUDRAPRAYAG**

1198.# RAJESHWARI AUTOMOBILES (5669), BADRINATH ROAD, GHOLTIR, RUDRAPRAYAG, DISTRICT - RUDRAPRAYAG, UTTARAKHAND, PH :246171-9997217788.

**RUDRAPUR**

1199.\*\* BALAJI SERVICE CENTRE (1335), HALDWANI ROAD, RUDRAPUR(NAINITAL), (UTTARAKHAND), PH :263153-9897057385.

\*\* A-Category Mass : Free & paid Service, Major repairs & Accidental repairs

## C-Category Mass : Free & paid Service & Minor repairs

\* B-Category Mass : Free & paid Service & Major repairs

# D-Category Mass : Free Service & Minor repairs

## Mass Network (AS ON 31.10.2023 )

1200.**	CORUS MOTORS (5059), D1 D2.20/1, NAINITAL ROAD, DISTRICT - U.S. NAGAR , UTTARAKHAND, PH :263153-9927500007.	<b>BAHRAMPUR</b>	1210.*	MARUTI CARE (3674), NH-34 UTTARPARA MORE, P.O. RADHARGHAT, BERHAMPORE, MURSHIDABAD -742 187 (WEST BENGAL), PH :742187-9434394040.	<b>DURGAPUR</b>	1220.##	THE QUICKEST (2879), BANS KOPA, (NEAR PARADISE INN), G.T. ROAD, DURGAPUR-713 212, PH :713212-9832165126.	1230.**	ADAMS MOTOR WORKS (465), 61 A SHAKESPEARE SARANI, CALCUTTA-700 017 , PH :700017-9830703287.		
<b>SIMLI</b>			1211.##	NARAYAN BUS SERVICE (656), 17 RABINDRA THAKUR ROAD, P.O.BAHARAMPUR (WEST BENGAL), , PH :742101-9732628065.	<b>FARAKKA</b>	1221.**	SPEED WHEEL SERVICE CENTRE (1056), TTS HCC COLONY, FARAKKA, P.O. NABARUN, DISTT. MURSHIDABAD (W.B.), PH :742236-9434101917.	1231.##	AUTO SCAN (2272), 100/1, B.T.ROAD, BARGANAG, DISTRICT - NORTH 24 PARANAS, WEST BENGAL - 700090, PH :700090-9231622309.		
<b>SITARGANJ</b>		<b>BALURGHAT</b>	1212.##	GHOSH AUTOMOBILES (2644), NARAYANPUR, BALURGHAT, DAKSHIN DINAJPUR-733 101, PH :733101-9434963493.	<b>HALDIA</b>	1222.**	S.D. REPAIRING CENTRE (2168), I.O.C. GATE NO.1, P.O. HALDIA OIL REFINERY, HALDIA-721 606, DISTT. MIDNAPORE (W.B.), PH :721606-9434021405.	1232.**	AUTOKRAFT (620), F 1/G-3, RIC IND ESTATE UPEN BANERJEE ROAD, PARNASREE, CALCUTTA - 700060 (W.B), PH :700060-983053331.		
1202.##	SHRI RAM MOTORS (5833), AGARWAL BHAWAN,BYE PASS ROAD, SITARGANJ-242605, DISTRICT-UDHAM SINGH NAGAR, UTTARAKHAND, PH :262405-8859465786.	<b>BANDEL</b>	1213.##	CAR HOSPITAL (3675), 2 NO. NETAJI PARK, G.T. ROAD, (OPP. MILITARY COLONY), BANDEL (WEST BENGAL), PH :712102-9038021085.	<b>HOWRAH</b>	1223.##	GREWAL AUTO SERVICE (1570), 97/1 FORESHORE ROAD, SHIBPUR, HOWRAH-711 102, PH :711102-9831017806.	1233.*	BHAWANIPUR AUTO CENTRE (628), 49 S.P.MUKHERJEE ROAD, CALCUTTA - 700 026 (W.B) , PH :700026-9831783130.		
<b>VIKASNAGAR</b>			1214.##	SAMANTA AUTOMOBILES PVT LTD (268), CHIRMORE, BARRACKPORE-743 101, NORTH -24 PARGANAS, WEST BENGAL, PH :743101-9831054432.		1224.##	WHEEL WORKS (5063), GIP COLONY,JAGACHA, KONA EXPRESS WAY,HOWRAH, DISTRICT - HOWRAH, WEST BENGAL, PH :700006-9903441038.	1234.##	CAMAC (621), 2/E CAMAC STREET, CALCUTTA-700016(W.B), , PH :700016-9831493716.		
1203.*	SHREE RAM AUTOMOBILES (5066), NEAR TEHSIL, CHAKROTA ROAD, VIKAS NAGAR- DEHRADUN, UTTARAKHAND, PH :248198-9897731200.	<b>BARRACKPORE</b>	1215.##	PARTAP ENGINEERING WORKS (8942), VILLAGE DEMDIMA, PO-BIRPARA, DISTRICT ALIPURDUAR, WEST BENGAL, PIN -735204, PH :735204-9832429319.		1225.**	SHAKTI TRADING CO. (770), M.G. ROAD, JAIGAON-736 182 , PH :736182-7760808990.	1235.##	CLASSIC ENGINEERING WORKS (3171), C/O CLASSIC ENGINEERING WORKS, 620 D H ROAD BEHALA INDUSTRIAL ESTATE, PLOT NO G-1, KOLKATA-700 034, PH :700034-9903390559.		
1204.##	SOUMYA MOTORS (4272), CHAKRATA ROAD, BEHIND STATE BANK OF INDIA, VIKASNAGAR, DISTT. DEHRADUN (U.A), PH :248198-9412382490.		<b>BIRPARA</b>		<b>JAIGAON</b>	1226.**	SHAKTI TRADING CO. (770), M.G. ROAD, JAIGAON-736 182 , PH :736182-7760808990.	1236.*	DELUXE SERVICE STATION (672), P-256 257 CIT ROAD, CALCUTTA-700 010 , PH :700010-9836490083.		
	<b>UTTRAKHAND</b>					1227.**	S.S. AUTOMOBILES (3664), ASSAM MORE, JALPAIGURI, WEST BENGAL-735 101, PH :735101-9434340252.	1237.**	DIAL AUTOMOBILES PVT.LTD. (643), 162 A PARY MOHAN RAY ROAD, CALCUTTA-700027(W.B), , PH :700027-9830552191.		
<b>RAMNAGAR</b>			<b>BOLPUR</b>	1216.##	BASUNDHARA AUTOMOBILES (4241), GOAL PARA, BOLPUR SURI ROAD, BOLPUR, PH :731235-9832132851.	<b>JALPAIGURI</b>	1226.##	AUTOSTEL (646), SAKOAJHORA, P.O. GAIRKATA-735 212, DIST.JALPAIGURI, (W.B.), PH :735212-9934118668.	1238.##	FORTUNE AUTO CARE (3167), 16 G/6 KHANPUR ROAD, KOLKATA-700 047, (W.B.), PH :700047-9831754527.	
1205.##	MAHI AUTOMOBILES (5532), SHANKARPUR RAMNAGAR, DISTRICT - NAINITAL, UTTRAKHAND, PH :244715-9837920845.			<b>CHINSURAH</b>	1217.##	UNIVERSAL AUTO REMEDY (648), C/O MR. BN CHATTERJEE, BHAGABATI DANGA KHADINA MORE, PO CHINSURAH, HOOGHLY-712102, PH :712102-9830056592.	1227.**	S.S. AUTOMOBILES (3664), ASSAM MORE, JALPAIGURI, WEST BENGAL-735 101, PH :735101-9434340252.	1239.##	INTERNATIONAL AUTO WORKS (2648), 48-C SOUTH TANGRA ROAD, KOLKATA-700 046 , PH :700046-9163703015.	
	<b>WEST BENGAL</b>		<b>BOLPUR</b>		<b>COOCH BEHAR</b>	1218.##	PROVA AUTOMOBILES (8936), NH-17 (FORMERLY NH-31), CHAKCHAKA CHECK POST, P.O. - NILKUTHI BABURHAT, DIST. - COOCH BEHAR, PIN-736156, WEST BENGAL, PH :736101-9434174309.	1228.**	GOPAL AUTO SERVICE CENTRE (3373), B.K. EXPRESSWAY, BUDHA PARK, KALYANI-741 235, NADIA (WEST BENGAL), PH :741235-9831319161.	1240.*	MARUTI LINK (1633), CK-12 SECTOR 2, SALT LAKE, CALCUTTA-700 091, PH :700091-9831180421.
<b>ALIPURDUAR</b>						1229.##	KRISHNA ENGINEERING WORKS (5270), PLOT NO.199,KANTABELE O.N.G.C ROAD, KALYANI EXPRESS ROAD,PO.GHORAGACHHA, PS - KALYANI, WEST BENGAL, PH :741245-7439007218.	1241.**	MOTORKRAFT (635), P-149 REMOUNT ROAD, CALCUTTA-700 027 (W.B) , PH :700027-.	1242.**	NORTH POINT MOTORS PVT. LTD. (344), DUTTO BAGAN - 3D/1 BUS TERMINUS, 64/2B BELGACHHA ROAD, CALCUTTA-700 037, PH :700037-9830220069.
1206.##	PRADDYOUT AUTOMOBILE WORK (653), PURAN BAZAR, P.O.ALIPURDUAR, JALPAIGURI, WEST BENGAL, PH :736121-9832487473.							1243.*	PRINCE MOTOR WORKSHOP (2845), TM - 2/8 TEGHARIA, P.O. HATIARA, CALCUTTA-700 059, PH :700059-9875625595.	1244.**	R.S. SERVICE CENTRE (1948), 1/2 MAHENDRE ROY LANE, CALCUTTA-700 046, PH :700046-9831170273.
<b>ARAMBAGH</b>											
1207.##	MARUTI ZONE (3748), VILLAGE GARBARI, PO DIHIBAIRA, P.S. ARAMBAGH, DISTRICT HOOGHLY, WEST BENGAL, PH :712413-9434345047.										
<b>ASANSOL</b>											
1208.##	AGARWALLA AUTO SERVICE (3122), 181 BURNPUR ROAD, P.O. BURNPUR, DT, BURDWAN-713 325, (WEST BENGAL), PH :713325-9832179346.										
1209.**	WEST END MOTORS (1665), KALYANPUR SATELITE TOWNSHIP PROJECT, KANYAPUR LINK ROAD, PALASHDIAH MORE, PO-KANYAPUR, PIN-713341, ASANSOL, WESTBENGAL, PH :713341-8798107541.										

\*\* A-Category Mass : Free & paid Service, Major repairs & Accidental repairs  
## C-Category Mass : Free & paid Service & Minor repairs

\* B-Category Mass : Free & paid Service & Major repairs  
# D-Category Mass : Free Service & Minor repairs

- 1245.\* RAJ AUTO SERVICE (5338), 35.CANAL EAST ROAD, KOLKATA , PIN - 700011, WEST BENGAL,  
PH :700011-9831103901.
- 1246.## ROYAL CALCUTTA AUTOMOBILES (4651), 68 BROAD STREET, KOLKATA-700019, ,  
PH :700019-8777762005.
- 1247.## RUSSA ROAD SERVICE STATION (622), 30 SP MUKERJEE ROAD, CALCUTTA - 700025 (W.B.) ,  
PH :700025-9748757842.
- 1248.## SONA AUTO UDYOG (3144), 1404 PURBACHAL MAIN ROAD, OPP. KALIKAPUR MARKET, KOLKATA-700 099,  
PH :700099-9804608684.
- 1249.## TECHNO AUTO WORKS (4669), 619, RAJA RAM MOHAN ROY ROAD, BIREN ROY ROAD EAST, BEHALA, KOLKATA-700008,  
PH :700008-9830111258.
- 1250.## ULTRA CRAFT (4643), 103/1B, RAJA DINENDRA STREET, KOLKATA-700006, WEST BENGAL,  
PH :700006-9831313321.
- 1251.## YOUNG AUTOMOBILES (637), 50/2 HAZARA ROAD, CALCUTTA-700 019.(W.B.) ,  
PH :700019-9830778611.
- 1252.## ZENITH AUTO (5529), BOHLA NATH SARANI CHINAR PARK, RAJARHAT , KOLKATA-700157, DISTRICT - KOLKATA, WEST BENGAL,  
PH :700157-9830643781.
- 1253.## ZOVAN AUTOMOBILES PVT. LTD (5578), 42/A1B,RAJA SANTOSH ROAD, KOLKATA, DISTRICT - KOLKATA, WEST BENGAL,  
PH :700027-9831082193.
- 1254.## SUNNY AUTOMOBILE (3166), 105/H/18 BIDHAN NAGAR ROAD, KOLKATA-700 067 ,  
PH :700067-.
- KRISHNANAGAR**
- 1255.## HIGHWAY SERVICE CENTRE (4455), ASHA DEEP, N.H-34, KRISHNANAGAR, NADIA-741101, WEST BENGAL,  
PH :741101-9434165494.
- 1256.## TARA MA AUTOMOBILES (1947), AUROBINDRA SARANI (NEAR KRISHNANAGAR WOMEN'S COLLEGE), KRISHNANAGAR,NADIA, , WEST BENGAL 7411011,  
PH :741101-8001100930.
- MADHYAMGRAM**
- 1257.# J G BEHAL AUTO (4653), DOLTALA, GANGANAGAR, MADHYAMGRAM, KOLKATA-700129 (WEST BENGAL),  
PH :700129-9831094430.

- 1258.\* PAUL AUTOMOBILE (671), JESSORE ROAD, MADHYAMGRAM, DOHARIYA PO GANGANAGAR, DISTT 24 PGNS NORTH,  
PH :700132-9830239001.
- MALDA**
- 1259.## ABHISEK AUTO CENTRE (1976), N.H.34, NEAR ST. XAVIER SCHOOL, P.O. MOKDUMPUR, DISTT. MALDA-732 101 (W.B.) ,  
PH :732101-9434065360.
- MIDNAPORE**
- 1260.# CHATTERJEE AUTOMOBILE (4960), INDUSTRIAL GROWTH AREA, KHASJANGAL (NEAR KERANICHOTI), MIDNAPORE-721101, DISTRICT-PACHIM MIDNAPORE,  
PH :721101-9434043558.
- NARENDRAPUR**
- 1261.## A.M. AUTOMOBILES (3175), KAMALGAZI, NARENDURPUR, KOLKATA-700 103, (WEST BENGAL),  
PH :700103-8335860051.
- PURULIA**
- 1262.## BANERJEE AUTO SERVICE (640), ANABILA VILLA, RANCHI ROAD, PURULIA, (W.B),  
PH :723101-9434656942.
- RAGHUNATHGANJ**
- 1263.## AUTO WHEEL (4427), NH 34, UMARPUR, PO GHORSALA, DO MURSHIDABAD, WEST BENGAL, PIN 742235,  
PH :742235-9434101917.
- RUPNARAYANPUR**
- 1264.## L K MOTORS (3477), NH 2 BYPASS, POINT (CHOWRANGI), RUPNARAYANPUR (CHALBALPUR), BURDWAN-713 343,  
PH :713343-9091392314.
- SILIGURI**
- 1265.# BHAWANI MOTOR GARAGE (4844), BIDYASAGAR PALLY, NEAR RISHI BHAWAN, BURDWAN ROAD, SILIGURI-734405, WEST BENGAL,  
PH :734405-9641162127.
- 1266.# MUM AUTO WORKS (4835), NEAR DELHI PUBLIC SCHOOL, PANCHANAI (DAGAPUR), SILIGURI, WEST BENGAL-734003,  
PH :734003-9832068537.
- SODEPUR**
- 1267.\*\* CAR CARE (8929), B.T. ROAD, SODEPUR, P.O.: SUKCHAR, 24 PARGANAS (NORTH),  
PH :700115-9674907411.
- SRIRAMPUR**

- 1268.\* MARUTI AUTO CENTRE (2167), 85/18 G.T. ROAD (WEST), PO : MULLIKPARA, SRIRAMPUR, HOOGLY-712 203 (W.B.),  
PH :712203-8777417901.
- SURI**
- 1269.## PANCHANATH AUTOMOBILES (4456), BROJARGRAM BARABAGAN, BAKRESWAR PATHARCHAPURI HIGHWAY MORE, SURI, WEST BENGAL-731101 ,  
PH :731101-9732026250.
- ULUBERIA**
- 1270.## APSARA SERVICE STATION (3374), NEAR BANITABLA CHECKPOST, ON NH-6, ULUBERIA-711 316, (W.B.),  
PH :711316-7797484735.

\*\* A-Category Mass : Free & paid Service, Major repairs & Accidental repairs  
## C-Category Mass : Free & paid Service & Minor repairs

\* B-Category Mass : Free & paid Service & Major repairs  
# D-Category Mass : Free Service & Minor repairs

## Maruti Service Zone (AS ON 30.10.2023 )

### ARUNACHAL PRADESH

#### ITANAGAR

1. HIBRO AUTOMOBILES (7581-75-01), D-SECTOR, DISTT: PAPUMPARE, ITANAGAR - 791111 PH :7005379398.

### ASSAM

#### BARPETA

2. ROY AUTO ENGINEERING WORKS (7Z81-7Z-01), POST OFFICE, BARPETA ROAD, MAIN ROAD , WARD NO.-4, ASSAM - 781315 PH :9954069396.

#### DULIAJAN

3. B.S. MOTORS (X881-X8-01), NO. 01, BORPOTHAR TINALI, DULIAJAN. - 786602 PH :9435719753.

### BIHAR

#### PATNA

4. CITY AUTO SERVICES (1582-15-01), 9/1, PATLIPUTRA INDUSTRIAL ESTATE, PATLIPUTRA , PATNA - 800013 PH :9334117070/8210810240.

### DELHI

5. GALAXY AUTOMOBILES (0881-08-01), 8 INDUSTRIAL AREA, TILAK NAGAR, NEW DELHI, - 110018 PH :43276666.
6. A M AUTOMOBILES ( A UNIT OF BLUE BIRD ENTERPRISES) (0891-08-01), 189-91, LAWRENCE ROAD, DELHI - 110035 PH :48280000.

### HARYANA

#### BALLABGARH

7. ROYAL MOTORS (9R82-9R-01), 21/5, G.T. ROAD, BALLABHGARD, DISTT-FARIDABAD - 121004 PH :4271800; 9899232536; 9212142536.

#### MURTHAL

8. MURTHAL AUTO PVT. LTD. (BV81-BV-01), 44 HSIDC, MURTHAL - 131027 PH :9215182230.

#### PANCHKULA

9. CARE TAKER (K381-K3-01), PLOT NO. 36, INDUSTRIAL AREA, PHASE-2, PANCHKULA - 134113 PH :9914115427.

#### PANIPAT

10. VIJAY MOTORS (D381-D3-01), PLOT# 136, INDUSTRIAL AREA, PHASE-1 - 132103 PH :9896118618.

#### SAHA

11. PUNJAB MOTOR & ENGG WORKS (1881-18-01), NH-73, SHAHZADPUR ROAD, SAHA, DISTT.- AMBALA - 133104 PH :9896666402.

#### YAMUNANAGAR

12. HIRA MOTOR GARAGE (D281-D2-01), PLOT NO 46, SHIVAJI PARK, OPPOSITE MADHU PALACE, YAMUNANAGAR, HARYANA - 135001 PH :8950000069.

### HIMACHAL PRADESH

#### JASSUR

13. CLASSIC MOTOR GARAGE (8H81-8H-01), TEHSEEL NOOPUR, KANGRA, JASSUR, HIMACHAL PRADESH - 176201 PH :9882217575 , 9459500613.

### JAMMU AND KASHMIR

#### SRINAGAR

14. RAHIM MOTORS (1281-12-01), SIDGO INDUSTRIAL AREA, RANGRETH, SRINAGAR - 2441384 PH :9906631702.

### JHARKHAND

#### RANCHI

15. PODDAR MOTOR (P) LTD. (5181-51-01), 47, 48 , KOKAR INDUSTRIAL AREA, RANCHI. - 834001 PH :2544661, 2542650.

### KERALA

#### COCHIN

16. AUTOTEAM SALES & SERVICES PVT.LTD (2781-27-01), PIPELINE ROAD, PADIVATTOM, COCHIN, ERNAKULAM, COCHIN - 682024 PH :9025730007.

#### PATHANAMTHITTA

17. AGT MOTORS (W881-W8-01), AGT TOWERS, PUTHENPEEDI, OMALLUR, PATHANAMTHITTA - 689640 PH :9288117477.

### MADHYA PRADESH

#### NEEMUCH

18. AUTO SCAN (3T81-3T-01), MHOW ROAD, NEEMUCH, MADHYAPRADESH, - 458441 PH :9425106588.

### MAHARASHTRA

#### PUNE

19. MARUTI CARE POINT (1981-19-02), 17/1, RAHATANI, AUNDH-CHINCHWAD ROAD, OPP PCMC 'D' PRABHAG KARYALAY, NEXT TO HP SUBHIKA PETROL PUMP, RAHATANI, PUNE, MAHARASHTRA - 411017 PH :9689901459.

#### THANE

20. THANAWALA MOTOR AGENCY (P) LTD (3981-39-01), B-31, OPPOSITE ITI, WAGLE ESTATE MAIN ROAD, WAGLE ESTATE, THANE - 400007 PH :9833947772, 9833947778.

### ODISHA

#### KEONJHAR

21. CITI AUTOMOBILES (7U81-7U-01), DHRUPADA, KEONJHAR, ORISSA - 758001 PH :9437075366.

### PUNJAB

#### BATALA

22. CITI AUTOMOBILES (V581-V5-01), NEAR GURUDWARA ACHAL SAHIB, PATHANKOT JALANDHAR ROAD, BATALA, - 143505 PH :9876024243 , 9876024254.

#### MOGA

23. SM AUTO CARE CENTRE (H681-H6-01), OOP. ITI , G.T. ROAD, MOGA - 142001 PH :06136-226807.

### RAJASTHAN

#### JAIPUR

24. KATARIA AUTOZONE PVT.LTD (1181-11-01), 1-A ; NARAYANPURI, KATARIA KRISHI FARM, SIRSI ROAD, JAIPUR - 302034 PH :7427059388.

### TELANGANA

#### HYDERABAD

25. RETOUCH (1082-10-01), H.NO. 3-67/A, B, C, D, NEW NAGOLE COLONY, NAGOLE VILLAGE, HYDERABAD, NAGOLE, HYDERABAD - 500068 PH :9848062263.

### UTTAR PRADESH

#### ALIGARH

26. VINEET MOTORS (B681-B6-02), PLOT NO.D-138 &139, SECTOR-1, TALA NAGARI, RAMGHAT ROAD, ALIGARH - 202001 PH :9917473052, 9582123586.

#### GHAZIABAD

27. KAP AUTOMOBILES PVT. LTD. (5981-59-01), D-BLOCK SHASHTRI NAGAR, HAPUR ROAD, GHAZIABAD - 201002 PH :0120-4538200, 9717629599, 9810523345.
28. CHIRAG AUTOMOBILES (5983-59-01), PLOT NO. B1, SECTOR-B3, TRONICA CITY, GHAZIABAD - 201102 PH :9582945510, 9999107841.

#### LUCKNOW

29. K M AUTOCRAFT (1381-13-01), 76/3, BARAURA, HUSSAIN BARI, HARDOI ROAD, LUCKNOW - 226003 PH :2473369.

#### MEERUT

30. UNIQUE CAR SCANNERS (4881-48-01), PLOT NO:514/4, SURAJ KUND ROAD, MEERUT, - 250001 PH :9837072642.

#### NOIDA

31. MOTORCRAFT INDIA PVT LTD (A181-A1-01), F-8 & 9 SECTOR-8, NOIDA - 201301 PH :08826172222 & 09971689689.
32. MOTORCRAFT INDIA PVT LTD (A181-A1-02), C-125, SECTOR-63, NOIDA, - 201301 PH :09958732222 & 09910282222.
33. JKM MOTORS (A184-A1-01), A-25, SECTOR 9, DISTT. GAUTAM BUDDH NAGAR, NOIDA - 201301 PH :0120-4052400, 9899424000.
34. FAST TRACK AUTOCARE(INDIA) PVT. LTD. (A185-A1-01), A-13, SECTOR 63, NOIDA, G.B. NAGAR - 201301 PH :4581111; 4581131/9650631111.

#### SAHIBABAD

35. FAST TRACK SERVICES (M981-M9-01), PLOT NO.40/1B/2, 3 & 4, SITE 4, INDUSTRIAL AREA, SAHIBABAD, DISTT. GHAZIABAD (U.P.). - 201010 PH :9560868111.

#### UNNAO

36. VISHAL WHEELERS PVT. LTD. (1382-KL-01), PLOT NO. 1164, KANPUR-LUCKNOW BYPASS, UNNAO, UTTAR PRADESH. - 209801 PH :2830610, 2831248.

#### VARANASI

37. PRATAP ENGINEERS (8481-84-01), S 2, 653/A-2, CLUB ROAD, VARANASI - 221002 PH :25100469, 9415203641.

### WEST BENGAL

#### KOLKATA

38. MANOCO SALES (P) LTD. (0681-06-01), 25/1, CHETLA CENTRAL ROAD, OPPOSITE CHETLA PARK, KOLKATA - 700027 PH :24568326, 24486668, 24568325.



**DELHI**

**DELHI**







1. MARUTI SALES & SERVICE(DELHI) (0810-08-01),  
C-119, INDUSTRIAL AREA PHASE-I, NARAINA,  
NEW DELHI - 110028  
PH :45541113.
2. J J IMPEX (DELHI) LTD(MARUTI SERVICE  
MASTERS) (0883-08-01), F-39,OKHLA  
INDUSTRIAL AREA,PHASE-II,NEW DELHI -  
110020  
PH :41612194, 40685500.

**TAMIL NADU**

**CHENNAI**

3. J J IMPEX (DELHI) LTD(MARUTI SERVICE  
MASTERS) (1485-14-01), # 9, (SP),THIRU-VI-KA  
INDUSTRIAL ESTATE, GUINDY, CHENNAI -  
600032  
PH :044-43563366, 43563367, 9176615000.

## BATTERY LABEL SYMBOL MEANINGS

	No smoking, no naked flames, no sparks		Battery acid
	Shield eyes		Note operating instructions
	Keep away from children		Explosive gas

Prepared by

**MARUTI SUZUKI INDIA LIMITED**

Service Division

July, 2024

Part No. 99011M72R84-74W

Printed in India

**For round-the-clock on-road assistance,  
call Maruti On-road Service at 1800 102 1800<sup>#</sup> / 1800 1800 180<sup>#</sup>**

*# No STD code to be prefixed.*

 **MARUTI SUZUKI**  
GENUINE ACCESSORIES

 **MARUTI SUZUKI**  
GENUINE PARTS

 **MARUTI SUZUKI**  
COST PROTECT

 **MARUTI SUZUKI**  
HELPLINE

 **MARUTI SUZUKI**  
ROAD SERVICE

SERVICE DIVISION

**MARUTI SUZUKI INDIA LIMITED**

Palam-Gurgaon Road, Gurgaon – 122 015 (Haryana), India

Visit us at: [www.marutisuzuki.com](http://www.marutisuzuki.com)



99011M72R84-74W