

SUPER CARRY

OWNER'S MANUAL

Keep with vehicle at all times. Contains warranty policy and important information on safety, operation & maintenance

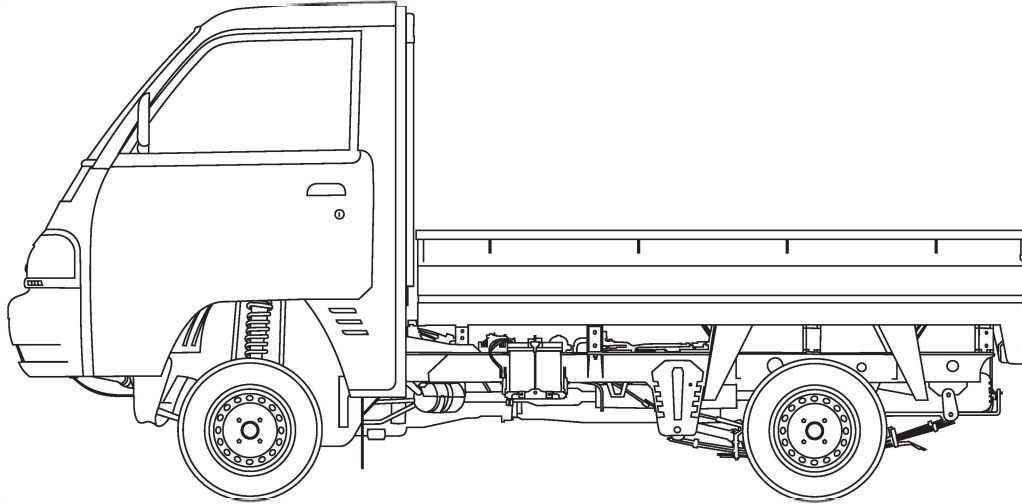
యజమాని కరదీపిక & సర్వీసు వరాల పుస్తకం

ఎల్లప్పుడూ వాహనంతోనే ఉంచండి. సురక్షత, వాడకం & నిర్వహణల గురించిన వారంటీ ధానం మరియు ముఖ్యమైన సమాచారాన్ని కలిగిఉంటుంది.

Part No.99011M77P12-744
July,2024 (ENG.) (TEL.)

This owners manual applies to the Super Carry series produced by
MARUTI SUZUKI INDIA LIMITED.

ఈ యజమాని కరదీపిక & నర్వీసు వరాల పుస్తకం మాతుతి సుజుకీ ఇండియా లి ంటెడ్ వాతు ఉత్పత్తి
వసే సూపర్ క్యారి సీరీస్కి వర్తిస్తుంది.



© COPYRIGHT MARUTI SUZUKI INDIA LIMITED 2024
© కాపీరైట్ మారుతి సుజుకీ ఇండియా లి ంటెడ్ వారిది 2024

NOTE: The illustrated models are one of the Super Carry series.
ఇచ్చట ఉదహరించబడిన మోడళ్ళు సూపర్ క్యారి శ్రేణిలోని

FOREWORD

This manual is an essential part of your vehicle and should remain with the vehicle when resold or otherwise transferred to a new owner or operator. Please read this manual carefully before operating your new MARUTI SUZUKI and review the manual from time to time. It contains important information on safety, operation and maintenance. You are invited to avail the four Free Inspection Services as described in the manual. Four free inspection coupons are attached to this manual. Please show this manual to your dealer while you take your MARUTI SUZUKI for any Service.

To prolong the life of your vehicle and reduce maintenance cost, the periodic maintenance must be carried out according to "PERIODIC MAINTENANCE SCHEDULE" described in "INSPECTION AND MAINTENANCE" section of this manual. It is essential for preventing trouble and accidents to ensure your satisfaction and safety.

Daily inspection and care as per "DAILY INSPECTION CHECKLIST" described in the "OPERATING YOUR VEHICLE" section of this manual is essential for prolonging the life of the vehicle and for safe driving.

Vehicle and the available features/accessories therein should be used and plied by the owner/user in accordance with the applicable legal requirements.

MARUTI SUZUKI INDIA LIMITED believes in conservation and protection of Earth's natural resources.

To that end, we encourage every vehicle owner to recycle, trade-in or properly dispose of, as appropriate, used Engine Oil, coolant and other fluids, batteries and tyres etc.

MARUTI SUZUKI INDIA LIMITED

All information in this manual is based on the latest product information available at the time of publication. Due to improvements or other changes, there may be discrepancies between information in this manual and your vehicle. MARUTI SUZUKI INDIA LIMITED reserves the right to make production changes at any time, without notice and without incurring any obligation to make the same or similar changes to vehicles previously built or sold.

This vehicle may not comply with standards or regulations of other countries. Before attempting to register this vehicle in any other country, check all applicable regulations and make any necessary modifications.

IMPORTANT

▲ WARNING/ ▲ CAUTION/NOTICE/ NOTE

Please read this manual and follow its instructions carefully. To emphasize special information, the symbol ▲ and the words **WARNING**, **CAUTION**, **NOTICE** and **NOTE** have special meanings. Pay particular attention to messages highlighted by these signal words:

▲ WARNING

Indicates a potential hazard that could result in death or serious injury.

▲ CAUTION

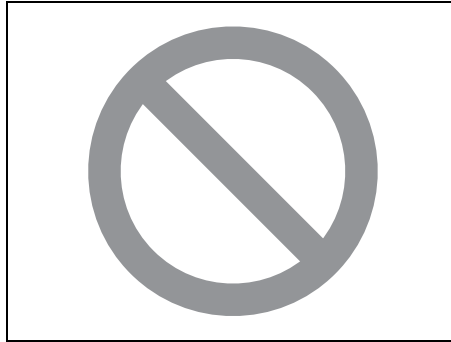
Indicates a potential hazard that could result in minor or moderate injury.

NOTICE

Indicates a potential hazard that could result in vehicle damage.

NOTE:

Indicates special information to make maintenance easier or instructions clearer.



75F135

The circle with a slash in this manual means “Don’t do this” or “Don’t let this happen”.

NOTE:

- Words like *car*, *model/variant* are invariably used in this manual to denote the “Vehicle”.
- Pictorial representations used in this manual are for reference purposes only.

MODIFICATION WARNING

▲ WARNING

Do not modify your vehicle. Modification could adversely affect safety, handling, performance, or durability and may violate governmental regulations. In addition, damage or performance problems resulting from modification shall not be covered under warranty.

NOTICE

Improper installation of mobile communication equipment such as cellular telephones or CB (Citizen’s Band) radios may cause electronic interference with your vehicle’s ignition system, resulting in vehicle performance problems. Consult your authorized **MARUTI SUZUKI COMMERCIAL** dealer for advice on installing such mobile communication equipment.

NOTICE

Severe damage may be caused by the use of either poor quality fuel and/or lubricants not recommended by **MARUTI SUZUKI**.

“WARNING”



Vehicle may **break-down**, meet with an **accident** or **catch fire** due to

1. Installation of
 - High wattage bulbs
 - Non genuine lamps / horns
 - Modified suspension / wheels
 - Non genuine parts / accessories etc.
2. Retrofitment of LPG / CNG fuel systems/kits.
3. Usage of domestic LPG.
4. Short circuiting due to tampering of wiring harness.

CAUTION: DO NOT STORE OR CARRY INFLAMMABLE MATERIALS IN THE VEHICLE.



Avoid driving into or starting the vehicle in a heavily water logged area. Vehicle may **break-down** or engine may fail due to

1. Water entry into the engine (which may lead to hydrostatic lock).
2. Short circuiting of the electrical systems.

If the vehicle is stuck in deep water, do not start / crank the vehicle until the level of water drops below the level of exhaust pipe.

NOTE:

IF THE VEHICLE IS SUBMERGED IN WATER, REPORT TO THE NEAREST AUTHORIZED WORKSHOP.

“CAUTION”

1. Retro-fitting of LPG / CNG kit may deteriorate vehicle performance, reduce engine & engine related component's life and also warranty will be null and void for such vehicles.
2. Do not use domestic LPG/LPG cylinder for your factory fitted LPG vehicles.
3. Usage of domestic LPG for running vehicles is prohibited as per law.
4. Do not remove company fitted LPG/CNG kit to install some other kit. It may affect vehicle performance and may cause fire.
5. Drive slowly on wet roads. Tires may slip while braking at higher speeds due to aquaplaning. (reduced contact area between tire and road due to presence of water)
6. Do not leave engine running in garages or confined areas, with passengers inside. This may result in accumulation of carbon-monoxide in cabin and may lead to suffocation or breathing problems.
7. Do not park vehicle on dry leaves or grass. This may lead to fire due to hot catalytic converter, igniting the dry leaves/grass.
8. If the vehicle is equipped with CNG/LPG, ensure availability of fire extinguisher in the vehicle all the time.
9. Always wear seat belt at all the times.
10. Do not use mobile phone while driving.
11. Avoid Smoking in the car, live bud thrown in car may cause fire.
12. Do not put any body part under the vehicle when it is supported on a Jack.
13. Do not use non-genuine accessories in your vehicle.
14. Do not fit accessories from unauthorized workshops/sources.
15. Usage of non-approved electrical accessories in your vehicle may result in spark, fire or personal injury.

WARRANTY POLICY

Maruti Suzuki India Limited (hereinafter called “Maruti Suzuki”), warrants that each new Maruti Suzuki vehicle distributed in India by Maruti Suzuki and sold by a Maruti Suzuki authorised dealer will be free, under normal use and service, from any defects in material and workmanship at the time of manufacture SUBJECT TO THE FOLLOWING TERMS AND CONDITIONS:

(1) Qualification:

To qualify for this warranty the vehicle must be delivered by a Maruti Suzuki authorised dealer and set-up, and serviced by a Maruti Suzuki authorised workshop.

(2) Term:

The term of the warranty shall be thirty-six (36) months or 1,00,000 kilometers (whichever occurs first) from the date of invoice to the first owner.

(3) Maruti Suzuki Warranty Obligation:

If any defect(s) should be found in a Maruti Suzuki vehicle within the term stipulated above, Maruti Suzuki’s only obligation is to repair or replace at its sole discretion any part shown to be defective, with a new part or the equivalent at no cost to the owner for parts or labour, when Maruti Suzuki acknowledges that such a defect is attributable to faulty material or workmanship at the time of manufacture. Such defective parts, which have been replaced, will become the property of Maruti Suzuki. The owner is responsible for any repair or replacements which are not covered by this warranty. The decision of Maruti Suzuki shall be final & binding.

(4) Limitation:

This warranty shall not apply to:

- (a) Normal maintenance service required other than the four free services, including without limitation, oil and fluid changes, Consumables, headlight aiming, fastener retightening, wheel balancing, wheel alignment and tyre rotation, cleaning of injectors, adjustments of clutch and valve clearance.
- (b) The normal wear of parts including without limitation, bulbs, tyres and tubes, spark plugs, belts, hoses, filters, wiper blades, brushes, contact points, fuses, clutch disc, brake shoes, brake pads, cable and all rubber parts (except oil seal and glass run).
- (c) Any vehicle which has been used for competition, rallies or racing.
- (d) Any repairs or replacement arising from accidents or collision.
- (e) Any defect/ damage caused by misuse, negligence, abnormal use, insufficient care, vandalism, theft, riot, fire, flooding - not limited to entry of water in the components resulting in engine seizure, hydrostatic lock, etc. or external damages to the body/ components.
- (f) Any damage resulting due to usage of adulterated fuel/ lubricants/ oil/ coolant/ fluids/ polishing products and fuel/ lubricants/ oil/ coolant/ fluids used other than those specified in the Owner’s Manual.
- (g) Any vehicle which has been modified or altered, including without limitation, the installation of performance accessories, enlargements of lights, other changes and external/ consequential reasons.
- (h) Any vehicle on which parts or accessories not approved by Maruti Suzuki (Non-MSGA, Non-MSGP) have been used.
- (i) Any vehicle which has not been operated in accordance with the operating instructions in this Owner’s Manual and Service Booklet.

-
- (j) Any vehicle which has not received the service inspections prescribed in this Owner's Manual and Service Booklet.
 - (k) Any vehicle which has been assembled, disassembled, adjusted or repaired by other than a Maruti Suzuki authorised workshop.
 - (l) Any vehicle which has been used for purposes other than what it was designed for.
 - (m) Any damage or deterioration caused by airborne fallout, industrial fallout, acid rain, hail or hail storm, wind storm, lightning, bird droppings, rodents bite / rat bite and such other thing that result in damage to the vehicle.
 - (n) Insignificant defects/noise which do not affect the function of the vehicle including without limitation, sound, vibration and fluid seep.
 - (o) Any natural wear and tear including without limitation, ageing, wear & tear or deterioration such as discoloration, fading, deformation or blurring and fabric discoloration.
 - (p) Installation and usage of domestic LPG gas/LPG Cylinder.
 - (q) V-belts, hoses and gas leaks.
 - (r) Any vehicle retrofitted with LPG/CNG kits.
 - (s) Repainting including patchwork, bodywork and mouldings and interior trims.
 - (t) Corrosion, rusting of body parts and/ or components.
 - (u) Any vehicle on which odometer has been changed unauthorisedly or odometer reading has been modified/ tampered with/ or not matching the service records.
 - (v) The damage(s) caused to the vehicle being unattended despite knowledge that the defect exists and ignorance by the owner/ user of the vehicle.
 - (w) Any damage(s) caused to vehicle including battery/ tyre due to parking of the vehicle in idle condition for long duration of time periods.
 - (x) Any vehicle on which the retro-fitment is not authorized and/ or type approved as per the standards prescribed by the relevant authority including but not limited to Automotive Standards of India.

- (y) Any vehicle on which the retro-fitment is such which directly or indirectly causes any damage to the vehicle or affects the functions of the vehicle in any manner whatsoever.

(5)Extent of Warranty:

This warranty is the entire written warranty given by Maruti Suzuki for Maruti Suzuki vehicles and no dealer or its or his agent or employee is authorised to extend or enlarge this warranty and no dealer or its or his agent or employee is authorised to make any oral warranty or representation or assurance on behalf of Maruti Suzuki.

Maruti Suzuki reserves the right to add any improvements or change the design of any model at any time with no obligation to make the same changes on units previously sold.

(6) Warranty Service:

To obtain warranty service, the complete vehicle must be presented at the owner's expenses to Maruti Suzuki authorised workshop.

The customer shall be responsible for his belongings or accessories fitted in the vehicle at the time of presenting the vehicle for service and no claim shall be entertained in any manner under any circumstances.

(7) Owner's Warranty Obligations:

NOTICE
The owner shall not use the vehicle in a damaged condition and report the same immediately to the nearest Maruti Suzuki authorized workshop. This would result in early inspection and repair of the vehicle and any possible harm to the person or aggravation of damage to the vehicle can be prevented.

It is responsibility of each owner to:

- Have performed, at his own expenses, by a Maruti Suzuki authorised workshop all the service inspections specified in the Maruti Suzuki “Owner’s Manual and Service Booklet” and maintain adequate proof that such service inspections have been performed.
- Update and maintain the 'Customer service maintenance records' page in the “Owner’s Manual and Service Booklet”, whenever service inspection or warranty service is carried out on the vehicle in a Maruti Suzuki authorised workshop.
- Present the Maruti Suzuki “Owner’s Manual and Service Booklet” to the Maruti Suzuki authorised workshop whenever requesting service inspections or warranty service.

If the “Owner’s Manual and Service Booklet” should be lost or destroyed the owner should consult the Maruti Suzuki authorised dealer from whom the vehicle was purchased for instructions concerning replacement of the “Owner’s Manual and Service Booklet”.

(8) Disclaimer of Consequential Damage:

Maruti Suzuki assumes no responsibility for loss of vehicle, loss of time, inconvenience or any other indirect incidental or consequential damage resulting from the vehicle not being available to the owner because of any defect covered by this warranty.

(9) Change of Owner

Even if ownership of the vehicle changes, the remaining warranty period is effective for the new owner.

This Warranty is applicable only in India and not transferable to any other country.

EMISSION WARRANTY POLICY

Maruti Suzuki offers the Emission Warranty on all Maruti Suzuki vehicles (apart from the Regular Warranty and will run parallel to the regular product warranty) only in four metropolitan cities (New Delhi, Kolkata, Mumbai and Chennai) with effect from July 1st, 2001.

Terms:

The Emission Warranty will be applicable for 80,000 kms or 3 years (Whichever comes earlier) from the date of delivery to the first owner. The remaining warranty terms will be valid in case of any change in ownership provided the production of all valid documents.

Conditions:

1. Under Emission Warranty, Warranty claims will be admitted for a prima facie examination, in case vehicle fails to meet the Emission Standard as specified in sub rule (2) of rule no. 115 of Central Motor Vehicles Rules (CMVR), 1989.
2. The warranty claims will only be accepted after examination carried out by Maruti Suzuki or it's dealer which leads to firm conclusions that the
 - a) Original settings have not been tempered in any case.
 - b) Part (as given in Annexure - A) has a manufacturing defect.
 - c) Vehicle is unable to meet the Emission Standards (as given in 1.), inspite of the vehicle having been maintained and used in accordance with the instructions as specified in Owner's Manual and Service Booklet and the used fuel and different oils (Engine oil, Transmission oil, Brake oil etc.) are also as per specification.
3. The method of examination for deciding the warranty of the parts will be at the sole discretion of Maruti Suzuki and it's dealer and results of the examination will be final and binding. If after examination, the warrant-able condition is not established, Maruti Suzuki and it's dealer has the right to charge all, or part of the cost of such examination.
4. Under Emission Warranty, the parts (as given in Annexure - A) will be changed free of cost, but the consumables will be charged as per actual.
5. If the part covered under Emission Warranty or the associated parts, are not independently replaceable, on account of these being integral parts of a complete assembly, Maruti Suzuki and it's dealer will have the sole discretion to replace either the entire assembly or by using some of the parts of the system through suitable repairs or modifications.
6. Any consequential repairs or replacement of parts which may be found necessary to establish compliance of Emission Warranty, will not be considered under warranty, unless the same is under product warranty. The consumable will be charged as per actual under such repair or replacement.
7. Maruti Suzuki will not be responsible for the cost of transportation of the vehicle to the nearest Maruti Suzuki dealer workshop or any loss due to non-availability of the vehicle during the period of lodging of a warranty claim and examination and/or repair by Maruti Suzuki dealer.
8. Maruti Suzuki will not be responsible for any penalty that may be charged by statutory authorities on account of failure to comply with the EMISSION STANDARDS.
9. Emission Warranty will not be affected on the change of owner, provided all the documents are available.

10. All maintenance actions (as specified in the Owner's Manual and Service Booklet) need to be followed and recorded in the manual for emission warranty.

11. The customer needs to produce the PUC (Pollution Under Control) certificate valid for the period preceding the test during which the failure is discovered. The receipts (for the maintenance of the vehicle as per specification in Owner's Manual and Service Booklet from the date of original purchase of the vehicle) will also be required.

Conditions under which the Emission Warranty is not APPLICABLE

1. In the absence of valid PUC certificate.
2. Vehicle not serviced from Maruti Suzuki authorized workshop as per the schedule specified in the Owner's Manual.
3. Vehicle subjected to abnormal use (accident, motor race, rallies or for the purpose of establishing the records etc).
4. Use of non MGP (Maruti Genuine Part).
5. Vehicle tampered in an unauthorized manner.
6. Tampering with odometer so that the actual kilometer reading can not be read.
7. Use of adulterated fuel and/or unspecified oils (Engine oil, Transmission oil and Brake oil etc).

Annexure - A

List of parts covered under Emission Warranty

1. Fuel Injection Assembly, Pressure Regulator, Throttle Body Assembly.
2. Electronic Control Module (ECM).
3. Intake Manifold.
4. EGR valve.
5. Distributor and internal parts.
6. Ignition Coil.
7. Canister Assembly.
8. Vapour Liquid Separator.
9. Fuel Tank and Filler Cap.
10. PCV (Positive Crankcase Ventilation) Valve.
11. Oil Filler Cap.
12. Catalytic Converter.
13. Exhaust Manifold.
14. All Fuel Injection System related SENSORS.
15. High Pressure Fuel Pump.
16. Glow Plug.
17. Glow Plug Controller.
18. Maniferter

TABLE OF CONTENTS

FUEL RECOMMENDATION	1
BEFORE DRIVING	2
OPERATING YOUR VEHICLE	3
DRIVING TIPS	4
OTHER CONTROLS AND EQUIPMENT	5
VEHICLE LOADING AND TOWING	6
INSPECTION AND MAINTENANCE	7
EMERGENCY SERVICE	8
APPEARANCE CARE	9
GENERAL INFORMATION	10
SPECIFICATIONS	11
INSTRUCTIONS FOR BODY FABRICATION (chassis variant)	12

FUEL RECOMMENDATION

Fuel Recommendation 1-1

FUEL RECOMMENDATION

Fuel Recommendation

(For Petrol and CNG Engine Model)

For Petrol Engine Model

To avoid damaging catalytic converter, you must use unleaded petrol with an octane number (RON) of 91 or higher.

Gasoline/Ethanol blends

Blends of unleaded gasoline and ethanol, also known as gasohol, are commercially available in the country and can vary with location. Gasoline Ethanol blend up to E20 can be used as fuel for this vehicle.

Gasoline containing MTBE

Unleaded gasoline containing MTBE (methyl tertiary butyl ether) may be used in your vehicle if the MTBE content is not greater than 15%. This oxygenated fuel does not contain alcohol.

CAUTION

Use of spurious, low quality, adulterated fuel can cause damage to the engine and engine auxiliaries, affect functioning of engine and degrade engine performance including but not limited to engine seizure.

NOTICE

- **The fuel tank has an air space to allow for fuel expansion in hot weather. If you continue to add fuel after the filler nozzle has automatically shut off or an initial blowback occurs, the air chamber will become full. Exposure to heat when fully fuelled in this manner will result in leakage due to fuel expansion. To prevent such fuel leakage, stop filling after the filler nozzle has automatically shut off, or when initial vent blowback occurs, if using an alternative non-automatic system.**
- **Be careful not to spill fuel containing alcohol while refueling. If fuel is spilled on the vehicle body, wipe it up immediately. Fuels containing alcohol can cause paint damage, which is not covered under the New Vehicle Limited Warranty.**

For CNG Engine Model

CNG

CNG (Compressed Natural Gas) is principally constituted by methane. CNG is considered as clean burning fuel. Due to low density of CNG, it is compressed at a pressure of around 200 bars to enhance the vehicle on-board storage capacity.

CAUTION

In case of any symptom of CNG leakage or releasing noise or any external damage to CNG piping or during accident, do not panic.

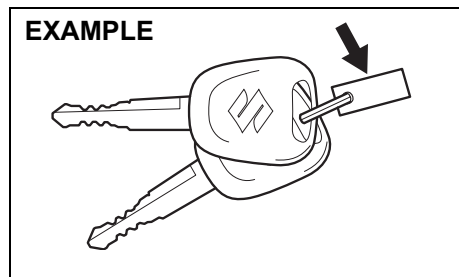
- **Stop the vehicle and switch off the engine, roll down the windows and open all the doors.**
- **Ensure to close manual shut off valve.**
- **Contact authorised MARUTI SUZUKI COMMERCIAL workshop immediately for further assistance.**

BEFORE DRIVING

Keys	2-1
Door Locks	2-2
Tailgate	2-2
Windows	2-3
Mirrors	2-4
Seats	2-5
Seat Belts	2-5
Instrument Cluster	2-11
Speedometer	2-12
Fuel Gauge	2-12
Information Display	2-12
Warning and Indicator Lights	2-16
Lighting Control Lever	2-19
Headlight Leveling Switch	2-20
Turn Signal Control Lever	2-20
Hazard Warning Switch	2-21
Windshield Wiper and Washer Lever	2-21
Horn	2-23
CNG Cylinder Warning Label (if equipped)	2-23
CNG Warning Label (if equipped)	2-23
CNG Manual Shut-OFF Valve (if equipped)	2-24

BEFORE DRIVING

Keys



51KM024

Your vehicle comes with a pair of keys. The key(s) may or may not be equipped with a transmitter depending on model variant. Keep the spare key in a safe place. One key can open all of the locks on the vehicle.

The key identification number is stamped on a metal tag provided with the keys or on the keys. Keep the tag (if equipped) in a safe place. If you lose your keys, you will need this number to have new keys made. Write the number below for your future reference.

KEY NUMBER:

Immobilizer system

This system is designed to help prevent vehicle theft by electronically disabling the engine starting system.

The engine can be started only with your vehicle's original immobilizer ignition key, which has an electronic identification code programmed into it. The key communicates the identification code to the vehicle when the ignition switch is turned to "ON" position. If you need to make spare keys, see a Maruti Suzuki authorised workshop. The vehicle must be programmed with the correct identification code for the spare. A key made by an ordinary locksmith will not work.



65D239

If the immobilizer system warning light blinks when the ignition switch is in "ON" position, the engine will not start.

If this light blinks, turn the ignition switch to "LOCK" position, and then turn it back to "ON" position.

If the light still blinks after the ignition switch is turned back to "ON" position, there may be something wrong with your

key or with the immobilizer system. Ask a Maruti Suzuki authorised workshop to have the system inspected.

NOTE:

- If you lose your immobilizer ignition key, ask a Maruti Suzuki authorised workshop as soon as possible to deactivate the lost one, and to make a new key.
- If you own other vehicles with immobilizer keys, keep those keys away from the ignition switch when using your MARUTI SUZUKI vehicle. Otherwise, the engine may not be started because they may interfere with your MARUTI SUZUKI vehicle's immobilizer system.
- If you attach any metal objects to the immobilizer key, it may not start the engine.
- This immobilizer system is maintenance-free.

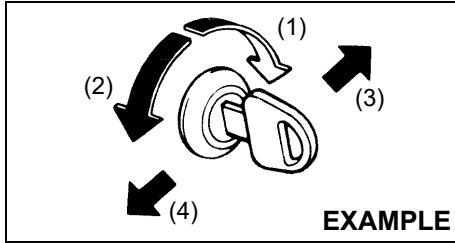
NOTICE

The immobilizer key is sensitive electronic instrument. To avoid damaging it:

- **Do not expose it to impacts, moisture or high temperature such as on the dashboard under direct sunlight.**
- **Keep it away from magnetic objects.**

Door Locks

**Side Door Locks
Driver's door**



76MH0A001

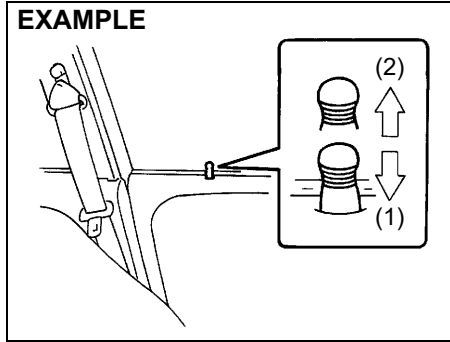
- (1) LOCK
- (2) UNLOCK
- (3) Front
- (4) Rear

To lock a driver's door from outside the vehicle:

- Insert the key and turn the top of the key toward the front of the vehicle, or
- Push the lock knob down, then pull and hold the door handle as you close the door.

To unlock a driver's door from outside the vehicle, insert the key and turn the top of the key toward the rear of the vehicle.

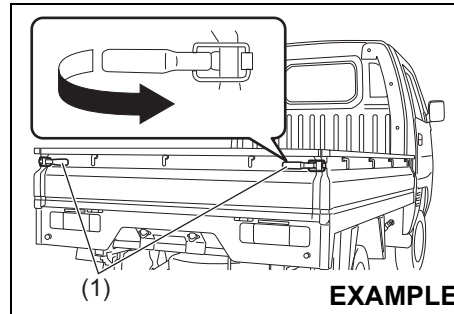
To lock a passenger's door from outside the vehicle, push the lock knob down, then pull and hold the door handle as you close the door.



54G005

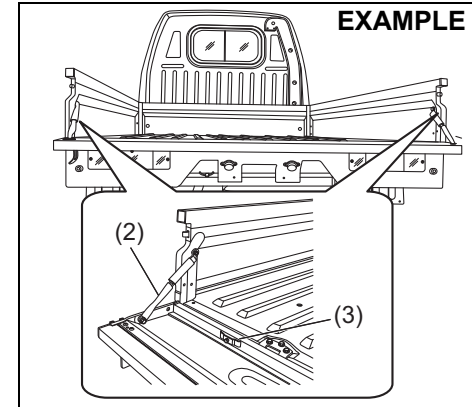
- (1) LOCK
- (2) UNLOCK

Tailgate



77PH025

The tailgate can be opened by pulling the lock handles (1). When closing, lock them firmly.



77PM201

The tailgate can also be locked in an intermediate position with the help of tailgate chain (2).

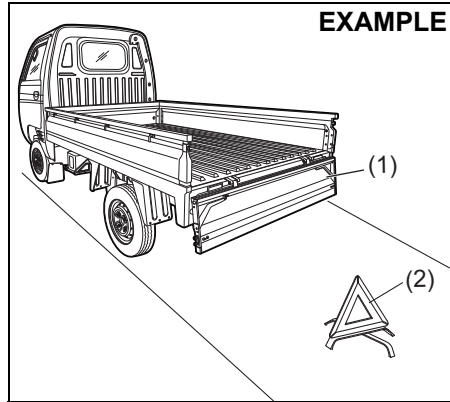
NOTICE

Lock the tailgate chain (2) with pin (3) when not in use.

BEFORE DRIVING

⚠ WARNING

- Driving with the tailgate in open / intermediate position will allow the tailgate to swing and hit others, causing injury or even death.
- The tailgate in open / intermediate position will hinder other drivers from seeing the taillights, causing accidents. Make sure the tailgate is closed and locked firmly before driving.
- Make sure that the tailgate is always closed and locked firmly to prevent cargo from being thrown out of the vehicle in the event of an accident.
- Do not stand, put load or put cargo on the tailgate when locked at an intermediate position.
- If the tailgate is in fully open condition, vehicle rear lighting devices such as position lamp, turn signal indicator and stop lamp get hidden, and are not visible.

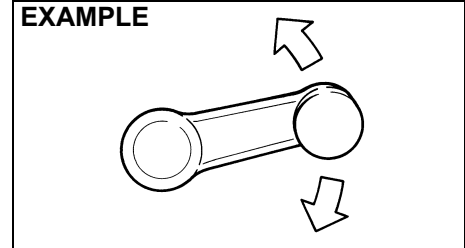


⚠ WARNING

- If the loading and unloading is done while tailgate (1) is in fully open position, a warning triangle (2) must be placed on the road in visible manner to alert other users about the presence of the vehicle.

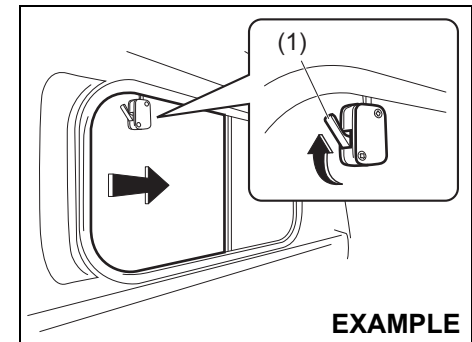
Windows

Manual Window Control



Raise or lower the door windows by turning the handle located on the door panel.

Rear Window



To open the window, push the lock (1) and slide the window.

Mirrors

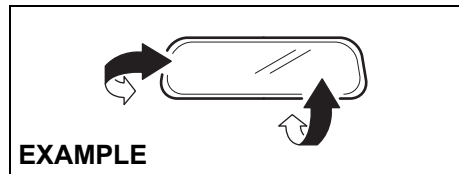
⚠ WARNING

Failure to observe following point may result in loss of vehicle control and cause an accident, leading to death or serious injury. Always follow below points while driving.

- Do not adjust the mirrors while driving.
- Always unfold all the outside rearview mirrors and adjust properly before driving.
- Do not place objects in the rear of the vehicle which may hinder visibility or interfere with your vision from the rear window glass.

Inside Rearview Mirror

You can adjust the inside rearview mirror by hand so as to see the rear of your vehicle in the mirror.



74LHT0235

⚠ CAUTION

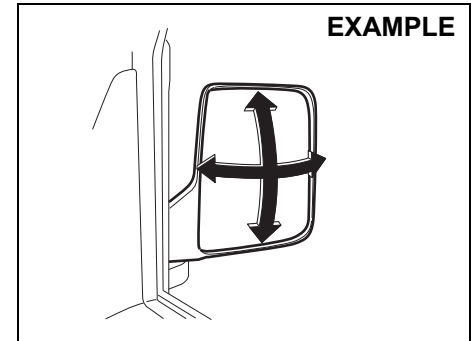
Do not modify the inside rearview mirror or install a non-genuine wide mirror. It could result in injury during accident.

Outside Rearview Mirror(s)

Adjust the outside rearview mirror(s) so you can just see the side of your vehicle in the mirror(s).

⚠ WARNING

Be careful when judging the size or distance of a vehicle or other object seen in the side convex mirror. Be aware that objects look smaller and appear farther away than when seen in a flat mirror.



64P0190

BEFORE DRIVING

Seats

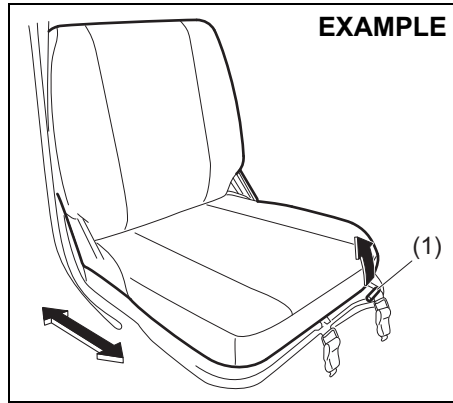
Seat Adjustment (driver's seat)

⚠ WARNING

Never attempt to adjust the driver's seat while driving. The seat could move unexpectedly, causing loss of control. Make sure that the driver's seat is properly adjusted before you start driving.

⚠ WARNING

To avoid excessive seat belt slack, which reduces effectiveness of the seat belts as a safety device, make sure that the seats are adjusted before the seat belts are fastened.



77PH087

Seat position adjustment lever (1)

Pull the lever up and slide the seat.

After adjustment, try to move the seat forward and rearward to ensure that it is securely latched.

⚠ CAUTION

While adjusting the seat, be careful that the seat does not pinch your hands, or hit your body.

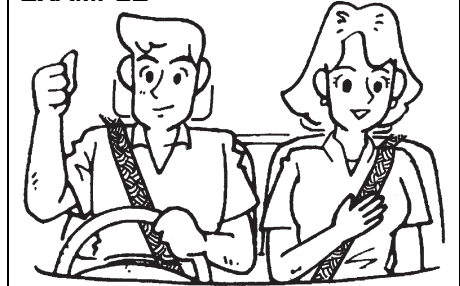
NOTE:

To operate the seat back smoothly, pull the seat back adjustment lever (2) in upward direction. Ensure to move seat back only after lever is moved to fully up position. After adjustment of seat back, release the

lever gently. Check that seat back is locked by moving it forward and backward.

Seat Belts

EXAMPLE



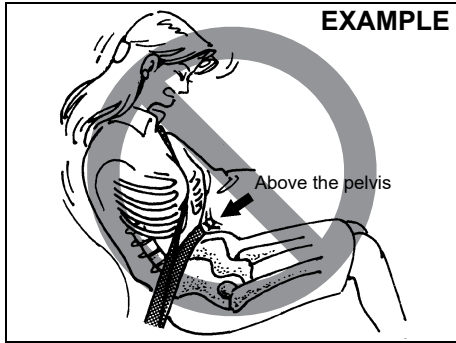
65D231S

⚠ WARNING

Wear Your Seat Belts at All Times.

⚠ WARNING

The driver and the passenger must be properly restrained by wearing seat belts at all times even if driving for a very short distance, whether or not an air bag is mounted at their seating position, to minimize the risk of severe injury or death in the event of a crash.

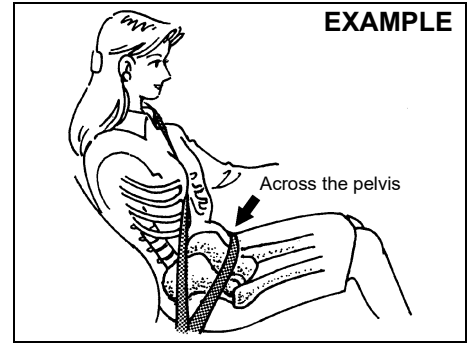


65D606

⚠ WARNING

- Never allow persons to ride in the cargo area of a vehicle. In the event of an accident, there is a much greater risk of injury for persons who are not riding in a seat with their seat belt securely fastened.
- Ensure that all seat belts are worn correctly. An improperly worn seat belt increases the risk of injury or death if a collision occurs.
- Seat belts should always be adjusted as follows:
 - the lap portion of the belt should be worn low across the pelvis, not across the waist.
 - the shoulder straps should be worn on the outside shoulder only, and never under the arm.
 - the shoulder straps should be away from your face and neck, but not falling off your shoulder.

(Continued)



65D201

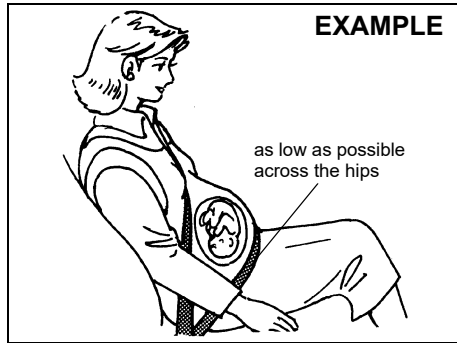
⚠ WARNING

(Continued)

- Seat belts should never be worn with the straps twisted and should be adjusted as tightly as is comfortable to provide the protection for which they have been designed. A slack belt will provide less protection than one which is snug.
- Make sure that each seat belt buckle is inserted into the proper buckle catch.

(Continued)

BEFORE DRIVING



65D199

⚠ WARNING

(Continued)

- Pregnant women should use seat belts, although specific recommendations about driving should be made by the woman's medical advisor. Remember that the lap portion of the belt should be worn as low as possible across the hips, as shown in the diagram.
- Do not wear seat belts over hard, fragile, or sharp items such as pens, keys, eyeglasses, etc. in pockets or on clothing. The pressure from seat belt on such items can cause injury in case of an accident.
- Do not wear your seat belt over hard or breakable objects in your pockets or on your clothing. If an accident occurs, objects such as glasses, pens, etc. under the seat belt can cause injury.

(Continued)

⚠ WARNING

(Continued)

- Never use the same seat belt on more than one occupant and never attach a seat belt over an infant or child being held on an occupant's lap. Such seat belt use could cause serious injury in the event of an accident.
- Periodically inspect seat belt assemblies for excessive wear and damage. Seat belts should be replaced if webbing becomes frayed, contaminated, or damaged in any way. It is essential to replace the entire seat belt assembly after it has been worn in a severe impact, even if damage to the assembly is not obvious.
- Infants and small children should never be transported unless they are properly restrained.
- For children, if the shoulder belt irritates the neck or face, move the child closer to the center of the vehicle.
- Avoid contamination of seat belt webbing by polishes, oils, chemicals, and particularly battery acid. Cleaning may safely be carried out using mild soap and water.

(Continued)

▲ WARNING

(Continued)

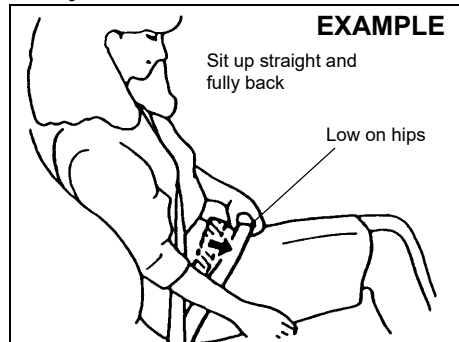
- Do not insert any items such as coins, clips, etc. into the seat belt buckles, and be careful not to spill liquids into these parts. If foreign materials get into a seat belt buckle, the seat belt may not work properly.

Lap-Shoulder Belt

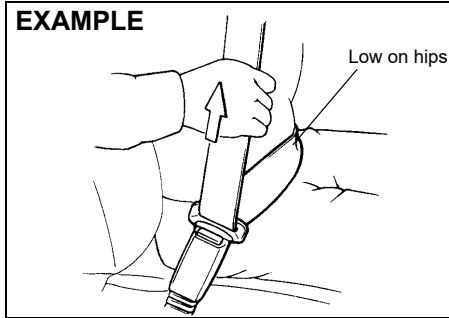
Emergency Locking Retractor (ELR)

The seat belt has an emergency locking retractor (ELR), which is designed to lock the seat belt only during a sudden stop or impact. It also may lock if you pull the belt across your body very quickly. If this happens, let the belt go back to unlock it, then pull the belt across your body more slowly.

Safety reminder

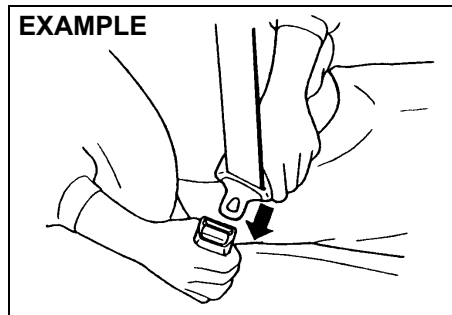


60A038



60A040

To reduce the risk of sliding under the belt during a collision, position the lap portion of the belt across your lap as low on your hips as possible and adjust it to a snug fit by pulling the shoulder portion of the belt upward through the latch plate. The length of the diagonal shoulder strap adjusts itself to allow freedom of movement.

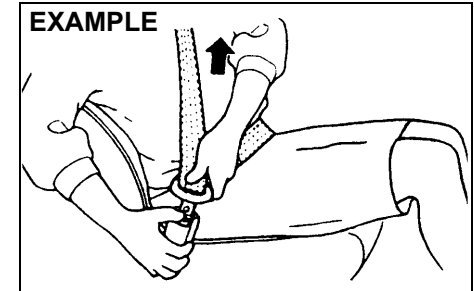


60A036

To fasten the seat belt, sit up straight and well back in the seat, pull the latch plate attached to the seat belt across your body and press it straight into the buckle until you hear a click.

NOTE:

If the seat belt cannot be pulled from its fully retracted position, firmly pull the belt and release it. Then smoothly pull the belt out of the retractor.

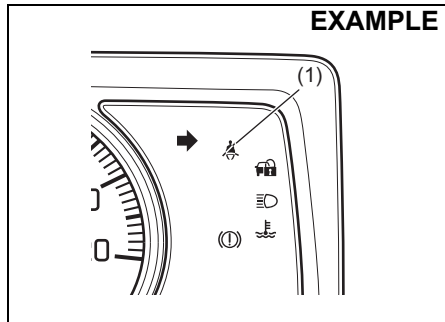


60A039

To unfasten the seat belt, push the button on the buckle and retract the belt slowly while attaching a hand to the belt or/and the latch plate.

BEFORE DRIVING

Seat Belt Reminder



- (1) Driver's seat belt reminder light / front passenger's seat belt reminder light

When the driver and / or front passenger do / does not fasten their seat belts, the seat belt reminder light will come on or blink and a buzzer will sound to remind the driver and/or passenger to fasten their seat belts. For more details, refer to the explanation below.

▲ WARNING

It is absolutely essential that the driver and passengers fasten their seat belts at all times. Persons who are not fastening seat belts have a much greater risk of injury if an accident occurs. Make a regular habit of buckling your seat belt before putting the key in the ignition switch.

NOTE:

The driver's seat belt reminder light / front passenger's seat belt reminder light is for both the driver and front passenger.

Driver's or front passenger's seat belt reminder

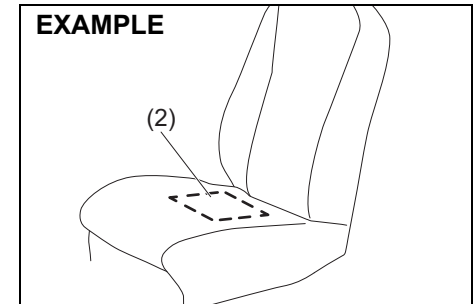
If the driver's or front passenger's seat belt remains unbuckled when the ignition switch is turned "ON", the reminder works as follows:

- 1) The driver's or front passenger's seat belt reminder light will come on.
- 2) After the vehicle's speed has reached about 15 km/h, the driver's or front passenger's seat belt reminder light will blink and a buzzer will sound for about 95 seconds.
- 3) After step 2) has finished, the reminder light will remain on until the driver's or front passenger's seat belt is buckled.

If the driver or front passenger has buckled his or her seat belt and later unbuckles the seat belt, the reminder system will be activated from Step 1) or 2) according to the vehicle's speed. When the vehicle's speed is less than 15 km/h, the reminder will start from Step 1). When the vehicle's speed is more than 15 km/h, the reminder will start from Step 2). The reminder will be automatically canceled when the driver's or front passenger's seat belt is buckled or the ignition switch is turned off.

Front passenger's seat belt reminder

If there is a person sitting on the front passenger seat and the front passenger seat belt is unbuckled when the ignition switch is turned to "ON" position, the front passenger's seat belt reminder will activate.



- (2) The sensor of the front passenger's seat belt reminder

The seat belt reminder sensor (2) detects whether a person is sitting in the front seat. The sensor of the front passenger's seat belt reminder is located in the seat cushion. The front passenger's seat belt reminder works in the same manner as the driver's seat belt reminder.

NOTICE

- The sensor of the front passenger's seat belt reminder is located in the seat cushion. If heavy or sharp objects are put on the seat cushion, or a removal, disassembly and modification of the passenger's seat are performed, the sensor may not work properly or can be damaged. Do not put heavy or sharp objects on the seat cushion. Do not remove, disassemble and modify the passenger's seat.
- Depending on the variety of seat cover, operation of the sensor may be adversely affected. MARUTI SUZUKI highly recommends that you use MARUTI SUZUKI genuine seat cover exclusively for this vehicle.
- If you spill liquid such as liquid aromatics, soft drinks or juice on the front passenger's seat cushion, the sensor of the front passenger's seat belt reminder located in the seat cushion can be damaged. Immediately wipe it dry with a soft cloth when spilled.

(Continued)

NOTICE

(Continued)

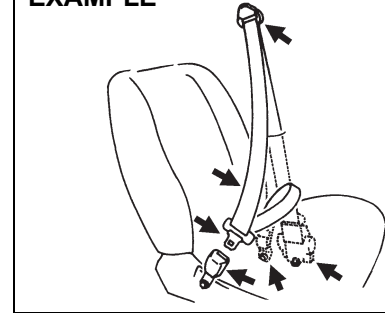
- When sitting on the front passenger's seat, it is very important that the passenger sits upright, leaning against the seat backrest and centered on the seat cushion in order for the seatbelt reminder system to function effectively. An occupant sitting improperly (slouches, turns sideways, sits forward or sideways) may hamper the functioning of this system as it may not detect the occupant.

NOTE:

- If you put an object on the passenger's seat, the weight of the object will be sensed by the sensor and the front passenger's seat belt reminder light will come on and then the interior buzzer may beep.
- If a child or a small sized person sits on the front passenger's seat or the cushion is put on the front passenger's seat, the weight may not be sensed by the sensor and the interior buzzer may not beep.

NOTE:

Maruti Suzuki recommends use of Maruti Suzuki Genuine accessory of "Seat cover".

Seat Belt Inspection**EXAMPLE**

65D209S

Periodically inspect the seat belts to make sure they work properly and are not damaged. Check the webbing, buckles, latch plates, retractors, anchorages, and guide loops. Replace any seat belts which do not work properly or are damaged.

⚠ WARNING

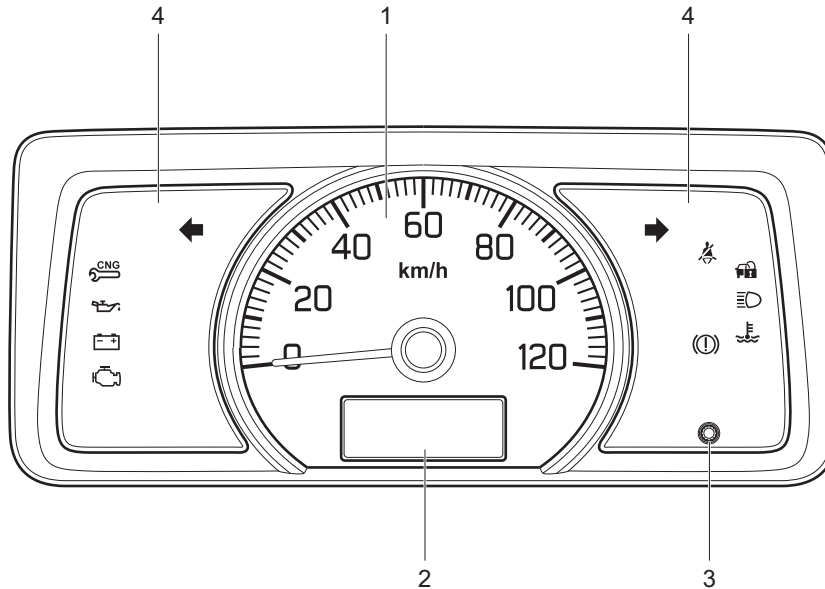
Be sure to inspect all seat belt assemblies after any collision. Any seat belt assembly which was in use during a collision (other than a very minor one) should be replaced, even if damage to the assembly is not obvious. Any seat belt assembly which was not in use during a collision should be replaced if it does not function properly or if it is damaged in any way.

BEFORE DRIVING

Instrument Cluster

1. Speedometer
2. Information display
3. Trip meter selector knob
4. Warning and indicator lights

EXAMPLE



77PM02001

Speedometer

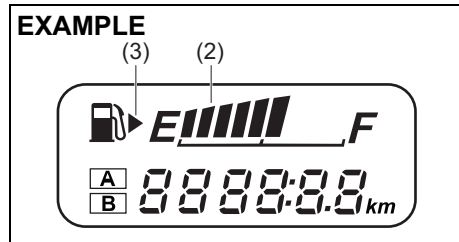
The speedometer indicates vehicle speed.

NOTE:

Maximum speed of the vehicle is 80 km/hr as per government regulation.

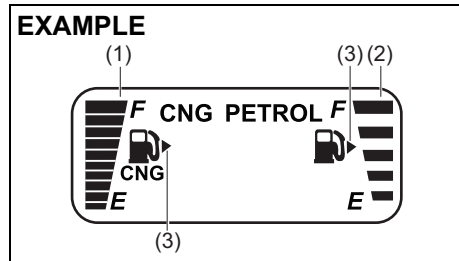
Fuel Gauge

Petrol Model



77PM02018

CNG Model



77PM07019

- (1) Indicates CNG fuel gauge.
- (2) Indicates Petrol fuel gauge.

When the ignition switch is in the “ON” position, this gauge gives an approximate indication of the amount of fuel in the fuel tank. “F” stands for full and “E” stands for empty.

If the fuel meter indicator shows only one segment to “E”, refill the tank as soon as possible.

The mark (3) indicates that the fuel filler door is located on the right side of the vehicle.

NOTICE

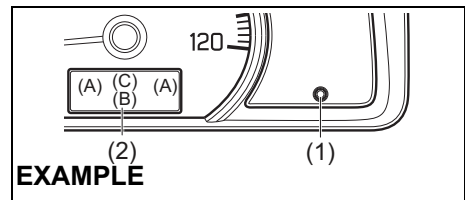
To minimize the possibility of damage to catalytic converter or other components of the vehicle, avoid driving the vehicle near empty fuel tank level.

NOTE:

If the last segment blinks, it means that the fuel is almost empty.

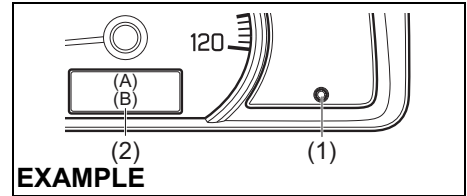
Information Display

For CNG Model



77PM07029

For Petrol Model



77PM07031

- (1) Trip meter selector knob
- (2) Information display

When the ignition switch is in the “ON” position, the information display shows the following information.

Display (A)
Fuel gauge

Display (B)
Odometer / Trip meter / Clock / Brightness control

Display (C)
Fuel modes (if equipped)

Fuel Gauge
When the ignition switch is in the “ON” position, the display (A) shows the fuel gauge.

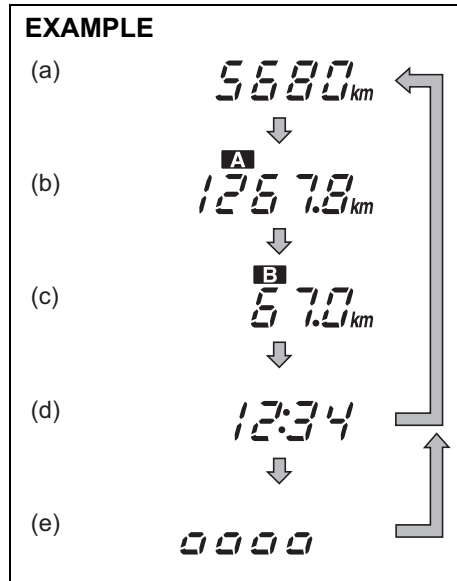
Refer to “Fuel Gauge” in this section.

BEFORE DRIVING

Odometer / Trip meter / Clock / Brightness Control

When the ignition switch is in the "ON" position, the display (B) shows one of the following indications, odometer, trip meter A, trip meter B or clock.

To switch the display indication (B), push the trip meter selector knob (1) quickly.



- (a) Odometer
(b) Trip meter A

- (c) Trip meter B
(d) Clock
(e) Brightness control*

* The brightness control will appear when the position lights and/or headlights are on.

⚠ WARNING

If you attempt to adjust the display while driving, you could lose control of the vehicle.

Do not attempt to adjust the display while driving.

NOTE:

Indications will change when you push and release the knob.

Odometer

The odometer records the total distance for which the vehicle has been driven.

NOTICE

Keep track of your odometer reading and check the maintenance schedule regularly for required services. Increased wear or damage to certain parts can result from failure to perform required services at the proper mileage intervals.

Trip meter

The trip meter can be used to measure the distance traveled on short trips or between fuel stops.

You can use the trip meter A or trip meter B independently.

To reset the trip meter to zero, push and hold the trip meter selector knob (1) for a while when the display shows the trip meter.

NOTE:

The indicated maximum value of the trip meter is 9999.9. When you run past the maximum value, the indicated value will return to 0.0.

Clock

The display shows the time.

To change the time indication:

- 1) Push and hold the trip meter selector knob (1) until the minute indication blinks.
- 2) To change the minute indication, push the trip meter selector knob (1) repeatedly when the minute indication blinks. To change the minute indication quickly, push and hold the trip meter selector knob (1). To set the minute indication, wait for about 5 seconds till the hour indication starts to blink.
- 3) To change the hour indication, push the trip meter selector knob (1) repeatedly till the minute indication begins to blink. Wait for about 5 seconds and hour indication will begin to blink. To change the

hour indication, quickly push and hold the trip meter selector knob (1). To set the hour indication, wait for about 5 seconds.

▲ WARNING

If you attempt to adjust the display while driving, you could lose control of the vehicle.

Do not attempt to adjust the display while driving.

NOTE:

When you reconnect the negative (-) terminal to the battery, the clock indication will be reinitialized. Change the indication again to your preference.

Brightness control

When the position lights and/or headlights are ON, you can control the meter illumination intensity.

To change the brightness of the instrument panel lights, push and hold the trip meter selector knob (1).

▲ WARNING

If you attempt to adjust the display while driving, you could lose control of the vehicle.

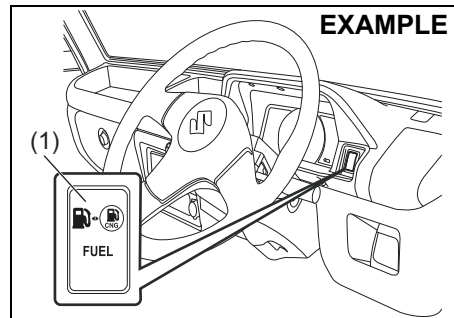
Do not attempt to adjust the display while driving.

NOTE:

- *If you do not push the trip meter selector knob within about 10 seconds of activating the brightness control display, the brightness control display will be canceled automatically.*
- *When you reconnect the battery, the brightness of the instrument panel lights will be reinitialized. Readjust the brightness according to your preference.*

Fuel Modes for CNG model (if equipped)

There are three fuel modes in the vehicle Petrol, Auto and Forced CNG modes which are selectable by pressing the selector switch(1) located on the right side of the steering wheel on the dashboard.



77PM02005

Petrol Mode

EXAMPLE



77PM02002

In this mode vehicle starts in petrol and continue running in petrol mode. In this mode, petrol indicator is continuously displayed and CNG indicator will remain "OFF".

Auto Mode

EXAMPLE



77PM02003

In this mode engine starts in petrol mode and then automatically changes to CNG after reaching programmed warming up condition. With ignition switch ON and vehicle started in "AUTO MODE", CNG indicator blinks on the display and PETROL indicator is displayed. After change-over to CNG, CNG indicator will be

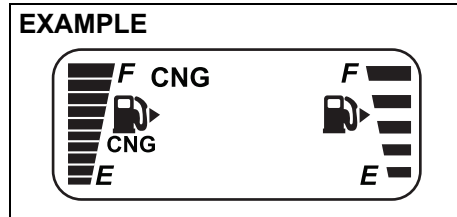
BEFORE DRIVING

displayed and Petrol indicator will switch OFF automatically.

NOTE:

- It is always recommended to start the vehicle in AUTO MODE or PETROL MODE to enhance the engine life.
- The fuel changeover to CNG may not happen if the vehicle is started when the ambient / engine temperature is below Zero Degree Celsius. In such a case, run the engine in PETROL MODE till it warms up and then try restarting the engine to changeover to CNG.

Forced CNG Mode



77PM02004

This is emergency mode and may be used in cases where there is no petrol in petrol tank. In this mode vehicle starts in CNG mode and continues running in CNG mode. With ignition "ON" and engine not running, press and hold the changeover switch till only CNG indicator is displayed. In this mode, CNG indicator is displayed and Petrol indicator remains "OFF".

NOTE:

- It is recommended to keep sufficient amount of petrol in the petrol tank.
- The vehicle may not start in Forced CNG mode if the ambient / engine temperature is below Zero Degree Celsius. It is recommended to start the vehicle in Auto mode.

Automatic Changeover From CNG Mode To Petrol Mode

If CNG is finished while the engine is running, vehicle will automatically changeover from CNG mode to Petrol mode & CNG malfunction warning lamp will start blinking. Petrol indicator will be displayed continuously and CNG indicator will switch OFF automatically.

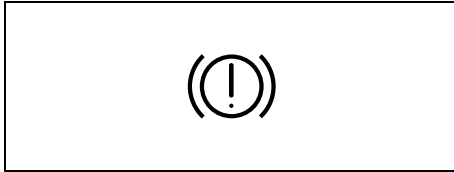
To acknowledge this information, press the changeover switch once. The CNG malfunction warning lamp will stop blinking after the changeover switch is pressed and Petrol indicator will glow continuously. However the CNG malfunction indicator lamp will continue to blink after every subsequent Ignition ON - Ignition OFF condition until the vehicle is refilled with CNG. In case CNG is refilled, please press the fuel changeover switch once to changeover to CNG. Then, vehicle can run on CNG.

NOTE:

- It is recommended to keep sufficient amount of petrol in the petrol tank to prevent engine stalling while automatic changeover from CNG mode to Petrol mode.
- In case the CNG malfunction warning lamp does not stop blinking after pressing the changeover switch, have the vehicle inspected at the nearest authorised MARUTI SUZUKI COMMERCIAL workshop.

Warning and Indicator Lights

Brake System Warning Light



82K170

Four different types of operations exist depending on the vehicle's specification.

- 1) The light comes on briefly when the ignition switch is turned to the "ON" position.
- 2) The light comes on when the parking brake is engaged with the ignition switch in the "ON" position.
- 3) The light comes on when under either or both of above two conditions.
- 4) The light also comes on when the fluid in the brake fluid reservoir falls below the specified level.

The light should go out after starting the engine and fully releasing the parking brake, if the fluid level in the brake fluid reservoir is adequate.

If the brake system warning light comes on while you are driving the vehicle, it may mean that there is something wrong with the vehicle's brake system. If this happens, you should:

- 1) Pull off the road and stop carefully.

⚠ WARNING

Remember that stopping distance may be longer, you may have to push harder on the pedal, and the pedal may go down farther than normal.

- 2) Test the brakes by carefully starting and stopping at the side of the road.
 - If you determine that it is safe, drive carefully at low speed to the nearest dealer for repairs, or
 - Have the vehicle towed to the nearest authorised MARUTI SUZUKI COMMERCIAL workshop for repairs.

⚠ WARNING

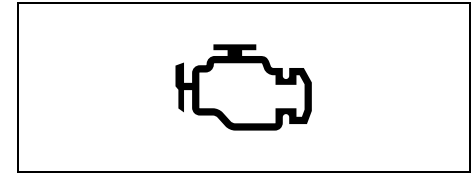
If any of the following conditions occur, you should immediately ask your authorised MARUTI SUZUKI COMMERCIAL workshop to inspect the brake system.

- **If the brake system warning light does not go out after the engine has been started and the parking brake has been fully released.**
- **If the brake system warning light does not come on when the ignition switch is turned to the "ON" position.**
- **If the brake system warning light comes on at any time during vehicle operation.**

NOTE:

Because the brake system is self-adjusting, the fluid level will drop as the brake pads become worn. Replenishing the brake fluid reservoir is considered normal periodic maintenance.

Malfunction Indicator Light



63J031

Your vehicle has a computer-controlled emission control system. A malfunction indicator light is provided on the instrument panel to indicate when it is necessary to have the emission control system serviced. The malfunction indicator light comes on when the ignition switch is turned to "ON" position to let you know the light is working and goes out when the engine is started.

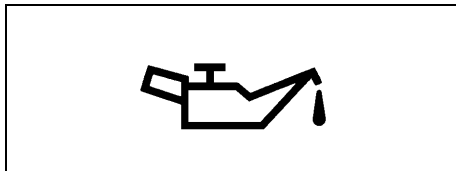
If the malfunction indicator light comes on when the engine is running, there is a problem with the emission control system. Take the vehicle to your nearest authorised MARUTI SUZUKI COMMERCIAL workshop to have the damage fixed.

BEFORE DRIVING

NOTICE

Continuing to drive the vehicle when the malfunction indicator light is on can cause permanent damage to the vehicle's emission control system, and can affect fuel economy and driveability.

Oil Pressure Light



50G051

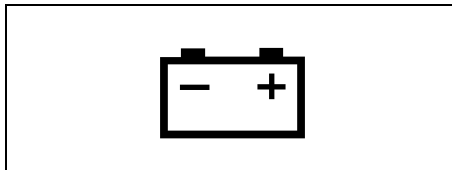
This light comes on when the ignition switch is turned to the "ON" position, and goes out when the engine is started. The light will come on and remain on if there is insufficient oil pressure. If the light comes on when driving, pull off the road as soon as you can and stop the engine.

Check the oil level and add recommended engine oil if necessary. If there is enough oil, the lubrication system should be inspected by your authorised MARUTI SUZUKI COMMERCIAL workshop before you drive the vehicle again.

NOTICE

- If you operate the engine with this light on, severe engine damage can result.
- Do not rely on the Oil Pressure Light to indicate the need to add oil. Be sure to periodically check the engine oil level.

Charging Light



50G052

This light comes on when the ignition switch is turned to the "ON" position, and goes out when the engine is started. The light will come on and remain on if there is something wrong with the battery charging system. If the light comes on when the engine is running, the charging system should be inspected immediately by your authorised MARUTI SUZUKI COMMERCIAL workshop.

Driver's Seat Belt Warning Light / Front Passenger's Seat Belt Warning Light

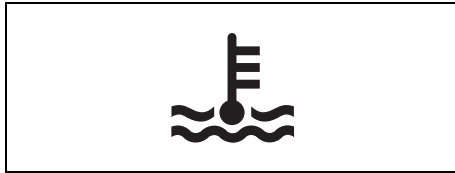


60G049

When the driver or front passenger does not buckle his or her seat belt, this light will come on and/or blink.

For details about the seat belt reminder, refer to "Seat Belts and Child Restraint Systems" in this section.

High Engine Coolant Temperature Warning Light (red color)



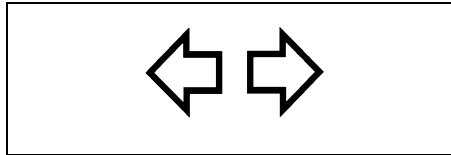
54G344

When the ignition switch is turned to the "ON" position, this light comes on briefly so you can check that the light is working. If this light blinks while driving, it means the engine is running hot. Avoid driving conditions that may lead to actual overheating. If the light stays on without blinking, then the engine is overheating. Follow the instructions in the "If the Engine Overheats" of "EMERGENCY SERVICE" section.

NOTICE

Continuing to drive the vehicle when engine overheating is indicated can result in severe engine damage.

Turn Signal Indicators



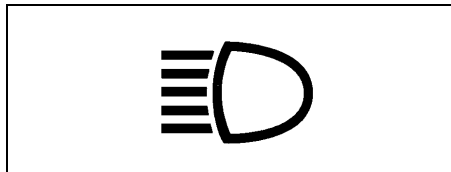
50G055

When you turn on the left or right turn signals, the corresponding green arrow on the instrument panel will flash along with the respective turn signal lights. When you turn on the hazard warning switch, both arrows will flash along with all of the turn signal lights.

NOTE:

If any abnormality of the turn signals is observed, such as fast blinking, there may be malfunction in the turn signal system. Ask your Maruti Suzuki authorized workshop to inspect the system.

Main Beam (high beam) Indicator Light



50G056

This indicator comes on when headlight main beams (high beams) are turned on.

Immobilizer system warning light



65D239

When the ignition switch is turned to the "ON" position, this light comes on to let you know the light is working. If this light blinks with the ignition switch turned to "ON", there may be something wrong with the immobilizer system. Ask a Maruti Suzuki authorised workshop to have the system inspected.

BEFORE DRIVING

CNG Malfunction Warning Light (if equipped)



77PMC015

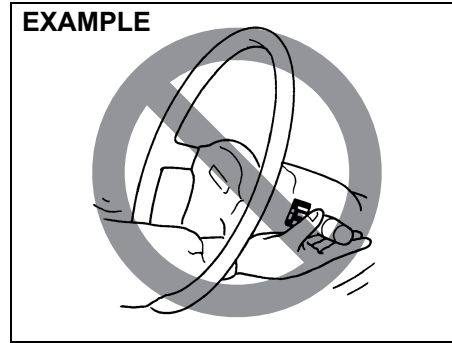
When the ignition switch is turned "ON", this CNG malfunction warning lamp comes on briefly, to check that the CNG malfunction lamp is trouble free.

- If CNG malfunction warning lamp glows continuously, with ignition "ON" there is some problem with the CNG system. Immediately get your vehicle checked by authorised MARUTI SUZUKI COMMERCIAL workshop.
- If CNG malfunction warning lamp blinks during engine running, it means there is some problem in CNG system in which vehicle cannot continue running in CNG-MODE and automatically switchover to petrol mode. Have your vehicle checked at authorised MARUTI SUZUKI COMMERCIAL workshop.

NOTE:

With ignition switch "ON" and engine not running, blinking of CNG lamp indicates that fuel lid is open. Vehicle will not start in this condition. Close the lid in order to start the vehicle.

Lighting Control Lever

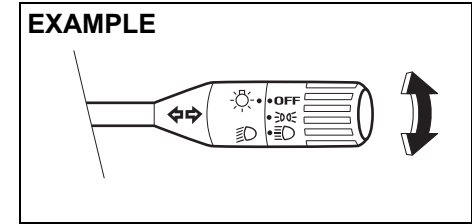


65D611

⚠ WARNING

To avoid possible injury, do not operate controls by reaching through the steering wheel.

Lighting Operation



77PH110

To turn the lights on or off, twist the knob at the end of the lever. There are three positions:

OFF

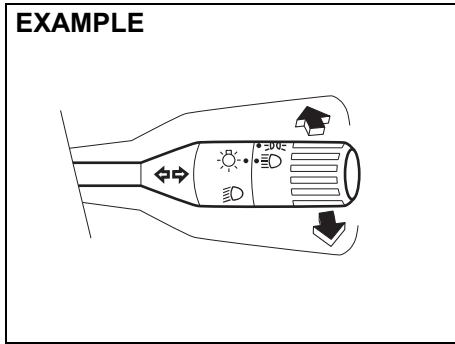
All lights are off.



Front position lights, tail lights, license plate lights and instrument lights are on, but headlights are off.



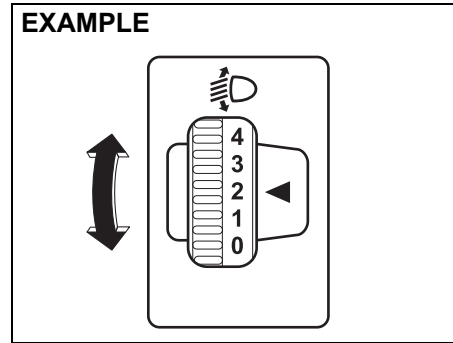
Front position lights, tail lights, license plate lights, instrument lights and headlights are on.



77PH111

With the headlights on, push the lever forward to switch to the high beams (main beams) or pull the lever toward you to switch to the low beams. When the high beams (main beams) are on, main beam (high beam) indicator light on the instrument panel will come on. To momentarily activate the high beams (main beams) as a passing signal, pull the lever slightly toward you and release it when you have completed the signal.

Headlight Leveling Switch

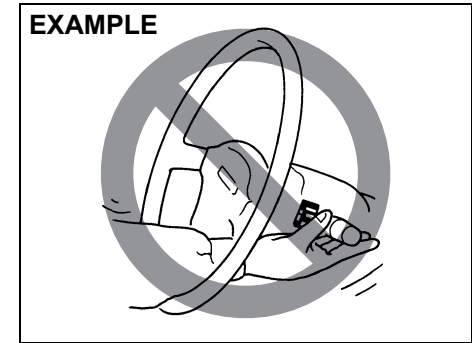


77PH010

Level the headlight beam according to the load condition of your vehicle by turning this switch. The chart below shows the appropriate switch position for different vehicle-load conditions.

Vehicle Load Condition	Switch Position
Driver only	0
Driver + full cargo	2

Turn Signal Control Lever



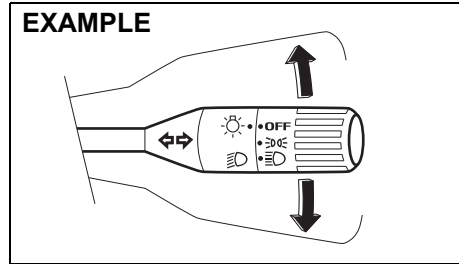
65D611

⚠ WARNING
To avoid possible injury, do not operate controls by reaching through the steering wheel.

BEFORE DRIVING

Turn Signal Operation

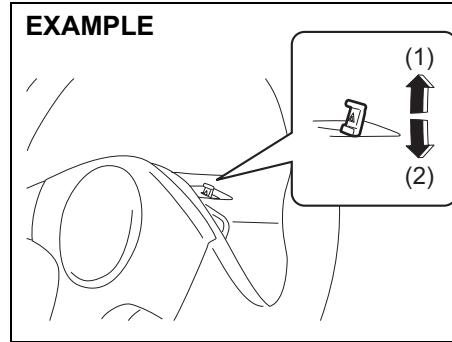
With the ignition switch in the "ON" position, move the lever up or down to activate the right or left turn signals.



77PH112

Move the lever upward or downward to signal. When the turn is completed, the signal will cancel and the lever will return to its normal position.

Hazard Warning Switch



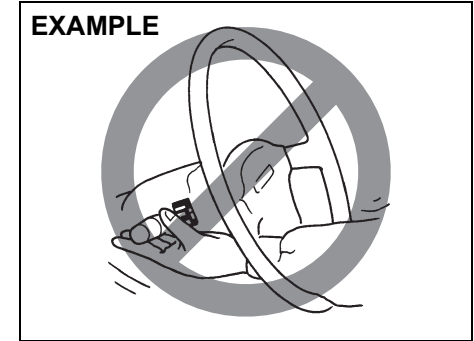
77PH028

- (1) ON
- (2) OFF

Pull up the hazard warning switch to activate the hazard warning lights. All turn signal lights and both turn signal indicators will flash simultaneously. To turn off the lights, push down the switch.

Use the hazard warning lights to warn other traffic during emergency parking or when your vehicle could otherwise become a traffic hazard.

Windshield Wiper and Washer Lever



65D611

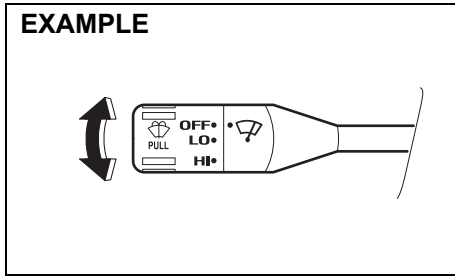
WARNING

To avoid possible injury, do not operate controls by reaching through the steering wheel.

Wiper Operation

When the ignition switch is in the "ON" position, you can use the wiper lever.

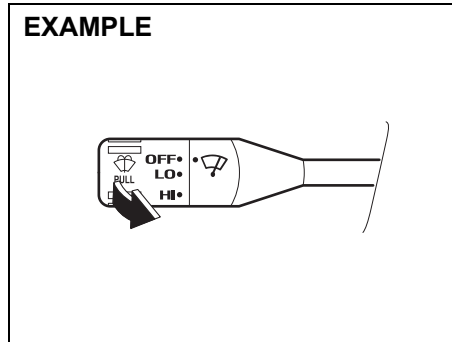
Windshield Wipers



77PM02015

To turn the windshield wipers on, twist the knob at the end of the lever to one of the operating positions. In the “LO” position, the wipers operate at a steady low speed. In the “HI” position, the wipers operate at a steady high speed. To turn off the wipers, twist the lever back to the “OFF” position.

Windshield Washer



77PM02016

To spray windshield washer fluid, pull the lever towards you.

⚠ WARNING
 Do not use radiator antifreeze in the windshield washer reservoir. It can severely impair visibility when sprayed on the windshield, and can also damage your vehicle’s paint.

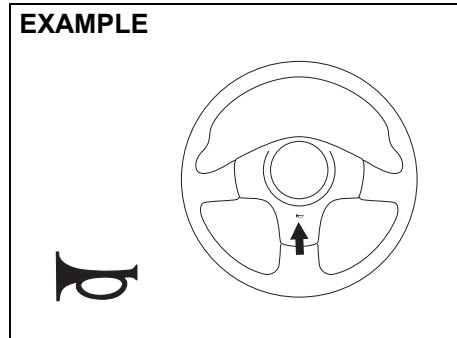
NOTICE

To help prevent damage to the windshield wiper and washer system components, you should take the following precautions:

- Do not continue to hold in the lever when there is no windshield washer fluid being sprayed or the washer motor can be damaged.
- Do not attempt to remove dirt from a dry windshield with the wipers or you can damage the windshield and the wiper blades. Always wet the windshield with washer fluid before operating the wipers.
- Clear ice or packed snow from the wiper blades before using the wipers.
- Check the washer fluid level regularly. Check it often when the weather is bad.
- Only fill the washer fluid reservoir 3/4 full during cold weather to allow room for expansion if the temperature falls low enough to freeze the solution.

BEFORE DRIVING

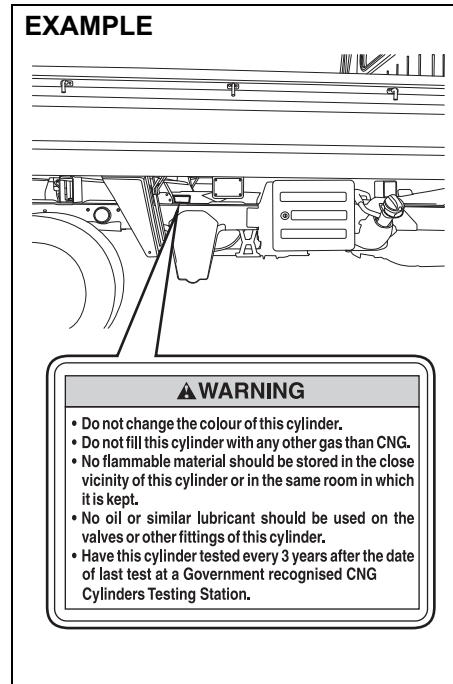
Horn



77PH029

Press the horn button of the steering wheel to sound the horn. The horn will sound with the ignition switch in any position.

CNG Cylinder Warning Label (if equipped)

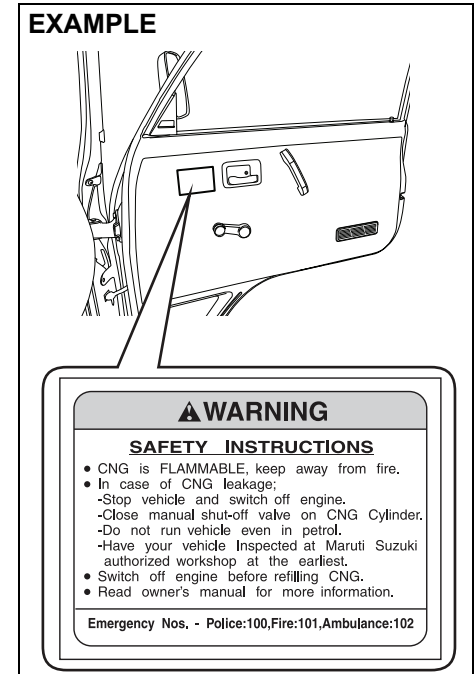


77PM02006

You may find this label on the CNG cylinder.

CNG Warning Label (if equipped)

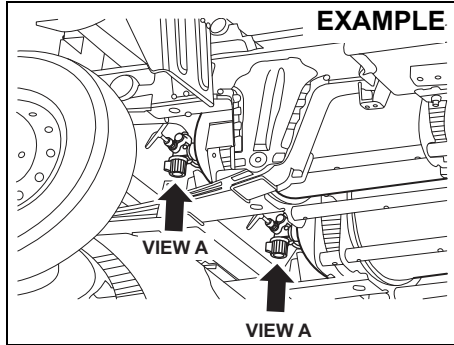
Front Driver Door



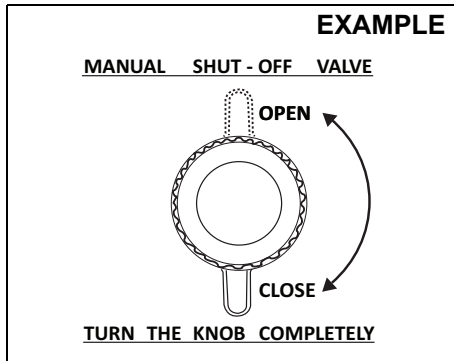
77PM02007

CNG warning label is located on front right door.

**CNG Manual Shut-OFF Valve
(if equipped)**

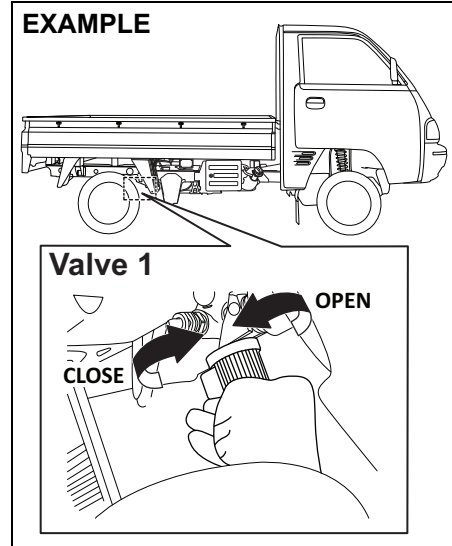


77PM02011



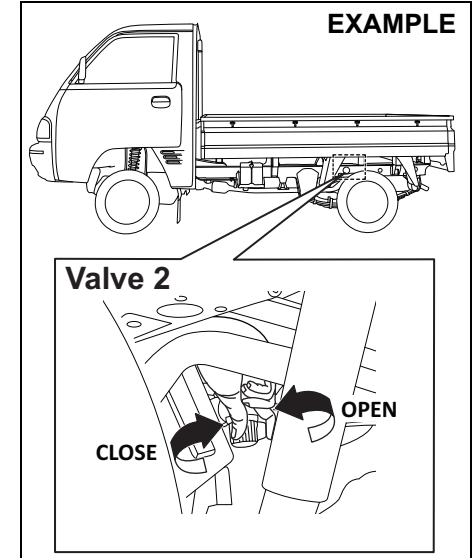
77PM02014

Right Hand Side (RHS)



77PM02012

Left Hand Side (LHS)



77PM02013

Manual shut off valve is located on CNG cylinders which are provided in vehicle under body.

There are two CNG cylinders in the vehicle under body, each containing one manual shut off valve.

The manual shutoff valve 1 and valve 2 are accessed from right hand side (RHS) and left hand side (LHS) of the vehicle respectively.

BEFORE DRIVING

CNG supply can be switched off by closing the manual shut-off valve on both the CNG cylinders.

Valve closing: Turn the knob completely in clockwise direction (from view A) to close the CNG supply to Engine.

Valve opening: Turn the knob completely in anti-clockwise direction (from view A) to open the CNG supply to Engine.

CAUTION

Be careful that your hand does not touch exhaust pipe while accessing the manual shut off valve 2 (LHS). After driving, exhaust pipe can be hot enough to burn your hand.

NOTE:

- If the manual shut-off valve is not opened fully, then the engine may not run properly.
- If the manual shut-off valve is in closed condition, it is not possible to fill CNG into the cylinder.

NOTE:

- As per Government regulation, CNG cylinder needs to be checked and certified every three (3) years from the date of initial testing as mentioned on the CNG cylinder identification plate.
- Customer has to present the vehicle to a government approved testing agency.
- Failure to test the cylinder may result in denying of CNG filling by the CNG dispensing stations or may result in confiscating the vehicle by enforcement authorities.
- All the expenses for CNG cylinder testing has to be borne by the customer.
- As per Government regulation, CNG cylinder has to be discarded at 20 years from the date of initial testing as mentioned in the CNG cylinder identification plate.
- Customer has to discard the cylinder at his / her expense through government approved scrap agencies.
- No person shall refill any cylinder, which has been repaired under sub-rule (2) with any gas unless a full report on the repairs and test carried out on the cylinder, accompanied by the repairer's certificate of testing are furnished to the Chief Controller and his permission is obtained for its refilling.

WARNING

- Never remove the cylinder valve from the cylinder assembly. For any assistance consult authorised MARUTI SUZUKI COMMERCIAL workshop.
- Never try to clean the cylinder. In case of any problem, contact authorised MARUTI SUZUKI COMMERCIAL workshop.
- Do not reuse the cylinder valve, once it is replaced / removed from cylinder assembly.
- Even if the CNG from the cylinder is consumed till engine stops, some amount of CNG will be left out in the tank under pressure.

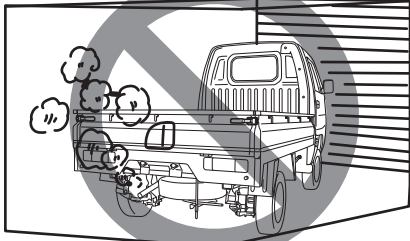
OPERATING YOUR VEHICLE

Exhaust Gas Warning	3-1
Daily Inspection Checklist	3-1
Engine Oil Consumption	3-2
Ignition Switch	3-2
Parking Brake Lever	3-4
Pedal	3-5
Starting the Engine	3-5
Using the Transmission	3-6
Parking Sensors	3-8
Braking	3-11

OPERATING YOUR VEHICLE

Exhaust Gas Warning

EXAMPLE



82DY03

⚠ WARNING

Avoid breathing exhaust gases. Exhaust gases contain carbon monoxide, a potentially lethal gas that is colorless and odorless. Since carbon monoxide is difficult to detect by itself, be sure to take the following precautions to help prevent carbon monoxide from entering your vehicle.

- Do not leave engine running in garages or confined areas, with passengers inside. This may result in accumulation of carbon-monoxide in cabin and may lead to suffocation or breathing problems and lead to death.

(Continued)

⚠ WARNING

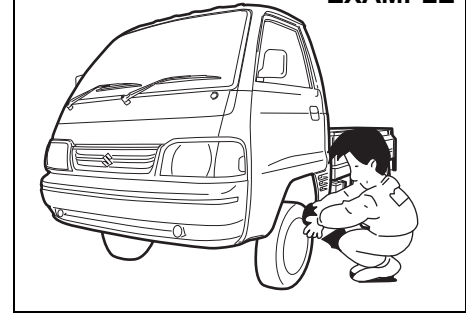
(Continued)

- Do not park with the engine running for a long period of time, even in an open area. In case of long periods, danger of choking and death on being inside the vehicle is a possibility when the engine is running. If it is necessary to sit for a short time in a parked vehicle with the engine running, make sure the air intake selector is set to "FRESH AIR" and the blower is at high speed.
- To allow proper operation of your vehicle's ventilation system, keep the air inlet grille in front of the vehicle clear of snow, leaves, or other obstructions at all times.
- Keep the exhaust pipe area clear of snow and other material to help reduce the buildup of exhaust gases under the vehicle. This is particularly important when parked in blizzard conditions.
- Have the exhaust system inspected periodically for damage and leaks. Any damage or leaks should be repaired immediately.

Daily Inspection Checklist

Before Driving

EXAMPLE



77PM03001

- 1) Make sure that windows, mirrors, lights, and reflectors are clean and unobstructed.
- 2) Visually check the tyres for the following points:
 - the depth of the tread groove
 - abnormal wear, cracks and damage
 - loose wheel nuts
 - existence of foreign material such as nails, stones, etc.

Refer to "Tyres" in "INSPECTION AND MAINTENANCE" section for details.

- 3) Look for fluid and oil leaks.
- 4) Make sure the engine compartment is fully closed and latched.
- 5) Check the headlights, turn signal lights, brake lights and horn for proper operation.

- 6) Adjust the driver's seat.
- 7) Check the brake pedal and the parking brake lever.
- 8) Adjust the mirrors.
- 9) Make sure that you and passenger have properly fastened seat belts.
- 10) Make sure that all warning lights come on as the key is turned to the "ON" position.
- 11) Check all gauges.
- 12) Make sure that the BRAKE SYSTEM WARNING light turns off when the parking brake is released.

Once a week, or each time you fill your fuel tank or before a long distance driving (like highway driving), perform the following under-hood checks:

- 1) Engine oil level
- 2) Coolant level
- 3) Brake fluid level
- 4) Windshield washer fluid (if equipped) level
- 5) Battery electrolyte level
- 6) Latch operation
See "All latches, hinges & locks" of "CHASSIS AND BODY" in the "Periodic Maintenance Schedule" in the "INSPECTION AND MAINTENANCE" section for lubrication schedule.

Once a month, or each time you fill your fuel tank or before a long distance driving (like highway driving), check the tyre pressure using a tyre pressure gauge. Also check the tyre pressure of the spare tyre.

Engine Oil Consumption

It is normal for the engine to consume some engine oil during normal vehicle operation.

The amount of engine oil consumed depends on the viscosity of the oil, the quality of the oil and the conditions the vehicle is driven under.

More oil is consumed during high-speed driving and when there is frequent acceleration and deceleration. Under high loads, your engine also will consume more oil. A new engine also consumes more oil, since its pistons, piston rings and cylinder walls have not yet become conditioned. New engines reach the normal level of oil consumption only after approximately 5000 km (3000 miles) driving.

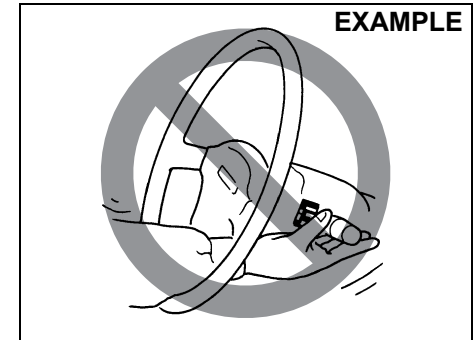
Oil consumption:
Max. 1.0 L per 1000 km
(1 Qt. per 600 miles)

When judging the amount of oil consumption, note that the oil may become diluted and make it difficult to accurately judge the true oil level.

As an example, if a vehicle is used for repeated short trips, and consumes a normal amount of oil, the dipstick may not show any drop in the oil level at all, even after 1000 km (600 miles) or more of driving. This is because the oil is gradually becoming diluted with fuel or moisture, making it appear that the oil level has not changed.

You should also be aware that the diluting ingredients evaporate out when the vehicle is subsequently driven at high speeds, such as on an expressway, making it appear that oil is excessively consumed after high-speed driving.

Ignition Switch



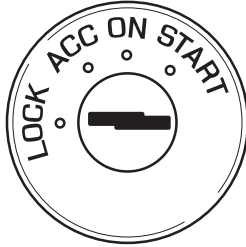
65D611

WARNING

To avoid possible injury, do not operate controls by reaching through the steering wheel.

OPERATING YOUR VEHICLE

EXAMPLE



77PH002

The ignition switch has the following four positions:

LOCK

This is the normal parking position. It is the only position in which the key can be removed.

To release the steering lock, insert the key and turn it clockwise to one of the other positions. If you have trouble turning the key to unlock the steering, try turning the steering wheel slightly to the right or left while turning the key.

ACC

Accessories such as the accessory socket can operate, but the engine is off.

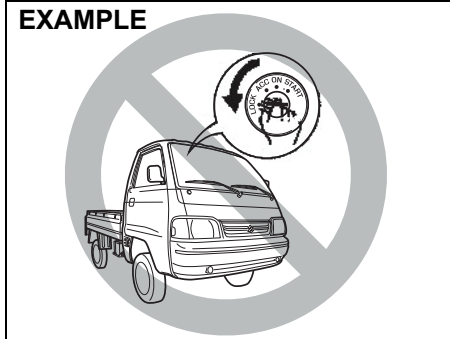
ON

This is the normal operating position. All electrical systems are on.

START

This is the position for starting the engine using the starter motor. The key should be released from this position as soon as the engine starts.

EXAMPLE



82DY04

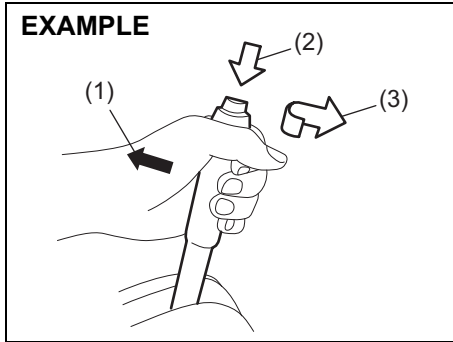
NOTICE

- Do not use the starter motor for more than 30 seconds at a time. If the engine does not start, wait 15 seconds before trying again. If the engine does not start after several attempts, check the fuel and ignition systems or consult your authorised MARUTI SUZUKI COMMERCIAL workshop.
- Do not leave the ignition switch in the "ON" position if the engine is not running as the battery will discharge.

⚠ WARNING

- Never remove the ignition key while the vehicle is moving. The steering wheel will lock and you will not be able to steer the vehicle.
- Always remove the ignition key when leaving the vehicle even if only for a short time. Also do not leave children alone in a parked vehicle. They also could suffer from heat stroke in warm or hot weather. These could result in severe injury or even death.

Parking Brake Lever



77PH030

- (1) To set
- (2) To release
- (3) To release

The parking brake lever is located between the seats. To set the parking brake, hold the brake pedal down and pull the parking brake lever all the way up. To release the parking brake, hold the brake pedal down, pull up slightly on the parking brake lever, push the button on the end of the lever with your thumb, and lower the lever to its original position.

⚠ WARNING

- Never drive your vehicle with the parking brake on: rear brake effectiveness can be reduced from overheating, brake life may be shortened, or permanent brake damage may result.
- If the parking brake does not hold the vehicle securely or does not fully release, have your vehicle inspected immediately by an authorised MARUTI SUZUKI COMMERCIAL workshop.

⚠ WARNING

Always set the parking brake fully before leaving your vehicle or it may move, causing injury or damage. When parking, make sure the gear-shift lever is in reverse or first gear. Remember, even though the transmission is in gear, you must set the parking brake fully.

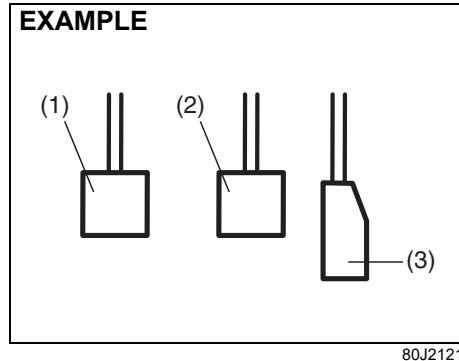
⚠ WARNING

When parking the vehicle in extremely cold weather, the following procedure should be used:

- 1) Set the parking brake.
 - 2) Turn off the engine, then shift into reverse or first gear.
 - 3) Get out of the vehicle and put chocks under the wheels.
 - 4) Release the parking brake.
- When you return to your vehicle, you must remember to first set the parking brake, then remove the wheel chocks.

OPERATING YOUR VEHICLE

Pedal



Clutch Pedal (1)

The clutch pedal is used to disengage the drive to the wheels when starting the engine, stopping, or shifting the gearshift lever. Depressing the pedal disengages the clutch.

⚠ WARNING

Do not drive with your foot resting on the clutch pedal. It could result in excessive clutch wear, clutch damage, or unexpected loss of engine braking.

Brake Pedal (2)

Your vehicle is equipped with front disc brakes and rear drum brakes. Depressing the brake pedal applies both sets of brakes.

You may hear occasional brake squeal when you apply the brakes. This is a normal condition caused by environmental factors such as temperature, humidity, snow or dust, etc.

⚠ WARNING

If brake squeal is excessive and occurs each time the brakes are applied, you should have the brakes checked by your authorised MARUTI SUZUKI COMMERCIAL workshop.

⚠ WARNING

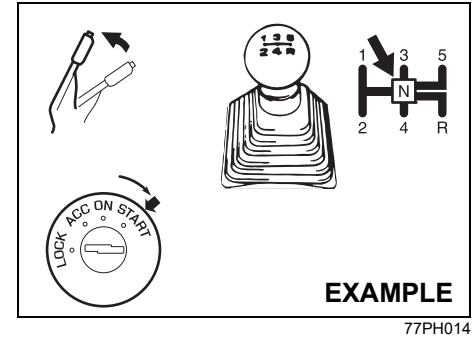
Do not ride the brakes by applying them continuously or resting your foot on the pedal. This will result in overheating of the brakes which could cause unpredictable braking action, longer stopping distances, or permanent brake damage.

Accelerator Pedal (3)

This pedal controls the speed of the engine. Depressing the accelerator pedal increases power output and speed.

Starting the Engine

Before Starting the Engine



- 1) Make sure the parking brake is set fully.
- 2) Shift into "N" (Neutral) and depress the clutch pedal all the way to the floor. Hold the clutch pedal while starting the engine.

⚠ WARNING

Make sure that the parking brake is set fully and the transmission is in neutral before attempting to start the engine.

Starting a Cold and Warm Engine

With your foot off the accelerator pedal, crank the engine by turning the ignition key to "START". Release the key when the engine starts.

NOTICE

- Stop turning the starter immediately after the engine has started or the starter system can be damaged.
- Do not crank the engine for more than 12 seconds at a time. If the engine doesn't start on the first try, wait about 15 seconds before trying again.

If the engine does not start after 12 seconds of cranking, wait about 15 seconds, then press down the accelerator pedal to 1/3 of its travel and try cranking the engine again. Release the key and accelerator pedal when the engine starts. If the engine still does not start, try holding the accelerator pedal all the way to the floor while cranking. This should clear the engine if it is flooded.

NOTE:

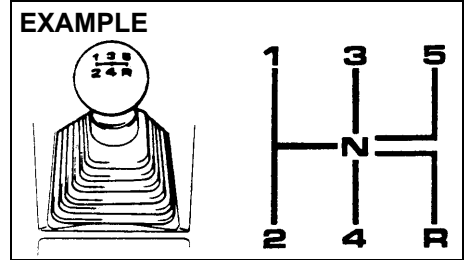
(For CNG Engine Model)

- Do not press the accelerator pedal to changeover from petrol to CNG mode.
- With ignition switch "ON" and engine not running, blinking of CNG malfunction warning lamp indicates that fuel lid is open. Vehicle will not start in this condition.

- It is always recommended to start the vehicle in AUTO MODE or PETROL MODE to enhance the engine life.
- The fuel changeover to CNG may not happen if the vehicle is started when the ambient / engine temperature is below Zero Degree Celsius. In such a case, run the engine in PETROL MODE till it warms up and then try restarting the engine to changeover to CNG.
- It is recommended to keep sufficient amount of petrol in the petrol tank.
- The vehicle may not start in Forced CNG mode if the ambient / engine temperature is below Zero Degree Celsius. It is recommended to start the vehicle in Auto mode.
- It is recommended to keep sufficient amount of petrol in the petrol tank to prevent engine stalling while automatic changeover from CNG mode to Petrol mode.
- In case the CNG malfunction warning lamp does not stop blinking after pressing the changeover switch, take the vehicle to the nearest authorised MARUTI SUZUKI COMMERCIAL workshop.

Using the Transmission

Manual Transmission



65D038

Starting off

To start off, depress the clutch pedal all the way to the floor and shift into 1st or 2nd gear. After releasing the parking brake, gradually release the clutch. When you hear a change in the engine's sound, slowly press the accelerator while continuing to gradually release the clutch.

NOTE:

- The recommended gear position for start off during normal driving is 2nd gear.
- In case of the cross country driving, crawling or loading driving that needs big driving force, shift position recommended is 1st gear.

Shifting

All forward gears are synchronized, which provides for quiet and easy shifting. Always push in the clutch pedal fully before shifting gears.

OPERATING YOUR VEHICLE

Downshifting maximum allowable speeds (For Petrol Model)

Downshifting	km/h
2nd to 1st	10
3rd to 2nd	65
4th to 3rd	100
5th to 4th	140*

Downshifting maximum allowable speeds (For CNG Model)

Downshifting	km/h
2nd to 1st	10
3rd to 2nd	55
4th to 3rd	90
5th to 4th	125*

***NOTE:**

You may not accelerate to the maximum allowable speed because of the driving situation and/or the vehicle condition.

NOTICE

When downshifting to a lower gear, make sure not to downshift at the speed faster than the maximum allowable speeds, or severe engine damage can result.

⚠ WARNING

- Reduce your speed and downshift to a lower gear before going down a long or steep hill. A lower gear will allow the engine to provide braking. Avoid riding the brakes or they may overheat, resulting in brake failure.
- When driving on slippery roads, be sure to slow down before downshifting. Excessive and or sudden changes in engine speed may cause loss of traction, which could cause you to lose control.

NOTICE

- To help avoid clutch damage, do not use the clutch pedal as a footrest while driving or use the clutch to keep the vehicle stationary on a slope. Depress the clutch fully when shifting.
- When shifting or starting off, do not race the engine. Racing the engine can shorten engine life and affect smooth shifting.

NOTICE

Before engaging reverse gear “R”, check that the vehicle is completely stationary and gear lever is in neutral [N] position. After depressing clutch pedal fully, shift to [R].

NOTE:

If it is difficult to engage reverse gear “R”, follow below procedure:-

1. Put gear lever in neutral “N”.
2. Release the clutch pedal once.
3. Again depress the clutch pedal, and shift from “N” to “R”.

Parking Sensors

- The parking sensor system uses ultrasonic sensors to detect obstacles near the rear bumper. If obstacles are sensed while you are parking or moving the vehicle slowly, the system warns you by sounding a buzzer.
- The system emits an ultrasonic wave and the relevant sensor detects the return of the wave reflected by an obstacle. The system measures the time taken by the ultrasonic wave to reach the obstacle and return from it, from which it determines the obstacle's position.
- The parking sensor function can be used when you turn the ignition switch to "ON" position and the gearshift lever is in the "R" position. This function is helpful in the following cases: pulling over to the curb; parallel parking the vehicle; steering the vehicle into a garage; driving along an alley; and moving slowly in a place with obstacles.

⚠ WARNING

- The parking sensor warns you of obstacles with buzzers. However, you still have to drive with particular care.
- The sensors can detect obstacles only within a limited area and only when the vehicle is moving within a limited speed range. So, in tricky areas, you must move the vehicle slowly while checking around it using your direct vision or rearview mirrors. There is increased risk of an accident if you control the vehicle relying only on the parking sensor.

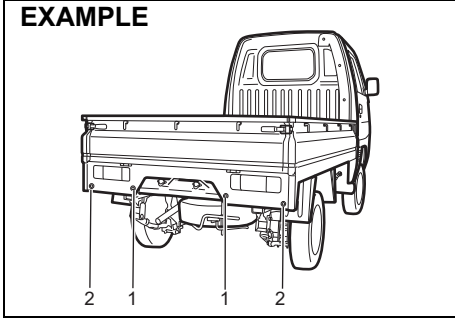
NOTE:
When the gearshift lever is shifted to the "R" position, a buzzer will sound once.

NOTICE

Parking sensors are only for driver's assistance.

Sensor locations

On rear bumper



- (1) Rear center sensors (2 places)
- (2) Rear corner sensors (2 places)

NOTICE

- Avoid hitting the sensor areas or directing the nozzle of a high-pressure car washer onto the sensor areas. Otherwise, the sensors may be damaged.
- If the bumper hits a hard object, the sensors on it may not work properly. If this occurs, have the sensors inspected by a Maruti Suzuki authorised workshop.

OPERATING YOUR VEHICLE

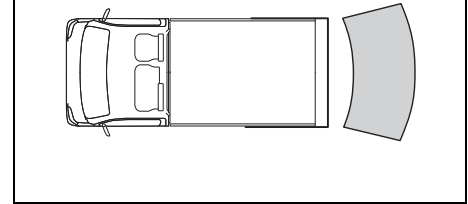
Working sensors

The sensors work depending on the gearshift lever position as follows:

Gearshift lever position	R	N, 1st – 5th
Rear sensors	On	Off

Approximate areas where obstacles can be detected

EXAMPLE



78MM05003

- An obstacle within about 20 cm (8 in) from a sensor or just below a sensor is not detectable.

The sensors can detect an obstacles such as wall up to about 1.8 m (6 ft) from the rear of vehicle.

⚠ WARNING

Under the following conditions, the parking sensor system may not work normally because the sensors cannot detect obstacles correctly.

- Sensors are covered with mud, ice or other materials. (Such materials must be removed for normal operation.)
- Sensors are wet from water splashes or heavy rain.
- Sensors are covered by a hand, sticker, accessory, etc.
- There is an accessory or other object attached within the sensor's sensing area.
- Items such as tow hooks, commercially available corner poles, radio antenna, etc. are installed on the bumper.
- The height of the bumper is changed due to alteration to the suspension or other causes.
- The sensor areas are extremely hot from direct sunlight or cold due to freezing weather.
- The vehicle is on a rough surface, slope, gravel road or grass field.
- The vehicle is at a steep angle.

(Continued)

⚠ WARNING

(Continued)

- Sensors have intercepted ultrasonic noise from another vehicle's horn, engine, air braking system (large vehicles), or parking sensor.
- Obstacles are too close to the sensors.
- Sensors are at an angle to a highly reflective object such as glass. (Ultrasonic waves are not reflected back from the obstacle.)
- Sensors may not be able to correctly detect the following types of obstacles:
 - Objects made of a thin material such as wire netting and ropes
 - Square-shaped curbstones or other objects with sharp edges
 - Tall objects with a large upper part such as a road sign
 - Low-profile objects such as curbstones
 - Sound-absorbing objects such as cotton and snow

NOTE:

Thin poles or obstacles lower than the sensors may become undetectable as the vehicle moves closer to them even if they have been detected from longer distances.

- The system may calculate the distance to a road sign or similar obstacle to be shorter than the actual distance.

Obstacle indication by parking sensor

Upon detecting an obstacle, the parking sensor causes an interior buzzer to sound.

- A buzzer located behind the rear seat sounds when a sensor at the rear detects an obstacle.
- Warnings when obstacles such as wall are detected by sensors

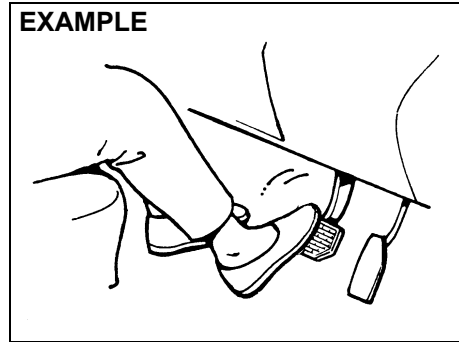
Distance (approx.)	Buzzer
100-180 cm	Short beeps at long intervals
80-100 cm	Short beeps at short intervals
70-80 cm	Short beeps at very short intervals
Less than 70 cm	Continuous beep

Warning and indicator messages

If there is a problem or warning regarding the parking sensor system, a buzzer informs it. Follow its instruction.

The buzzer sounds intermittently. The indicated sensor is contaminated. Wipe it clean with a soft cloth. If the buzzer does not stop after wiping, there may be problem with the parking sensor system. Have your vehicle inspected by a Maruti Suzuki authorised workshop.

Braking



60G165S

The distance needed to bring any vehicle to a halt increases with the speed of the vehicle. The braking distance needed, for example, at 60 km/h (37 mph) will be approximately 4 times greater than the braking distance needed at 30 km/h (19 mph). Start to brake the vehicle when there is plenty of distance between your vehicle and the stopping point, and slow down gradually.

⚠ WARNING

If water gets into the brake drums, brake performance may become poor and unpredictable.

After driving through water or washing the underside of the vehicle, test the brakes while driving at a slow speed to see if they have maintained their normal effectiveness. If the brakes are less effective than normal, dry them by repeatedly applying the brakes while driving slowly until the brakes have regained their normal effectiveness.

NOTE:

While braking you may hear operational noise due to friction between brake disc/drum and brake lining. This is a normal phenomenon and does not indicate any abnormality or affect normal functioning of the vehicle.

Power-Assisted Brakes

Your vehicle has power-assisted brakes. If power assistance is lost due to a stalled engine or other failures, the system is still fully operational on reserve power and you can bring the vehicle to a complete stop by pressing the brake pedal once and holding it down. The reserve power is partly used up when you depress the brake pedal and reduces each time the pedal is pressed. Apply smooth and even pressure to the pedal. Do not pump the pedal.

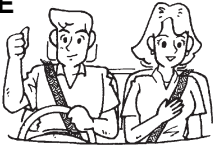
⚠ WARNING

Even without reserve power in the brake system, you can still stop the vehicle by pressing the brake pedal harder than normally required. However, the stopping distance may be longer.

DRIVING TIPS

Running-in	4-1
Catalytic Converter	4-1
Improving Fuel Economy	4-2
Highway Driving	4-3
Driving on Hills	4-3
Driving on Slippery Roads	4-4
Driving on Wet Roads	4-5
Do's and Dont's for Safe Driving	4-6
Margin for Safety	4-7

EXAMPLE



52D078S

⚠ WARNING

- **WEAR YOUR SEAT BELTS AT ALL TIMES.** The driver and passenger should be properly restrained at all times, using the seat belts provided. Refer to the “Seat Belts” section for instructions on proper use of the seat belts.
- **Never drive while under the influence of alcohol or other drugs.** Alcohol and drugs can seriously impair your ability to drive safely, greatly increasing the risk of injury to yourself and others. You should also avoid driving when you are tired, sick, irritated, or under stress.

Running-in

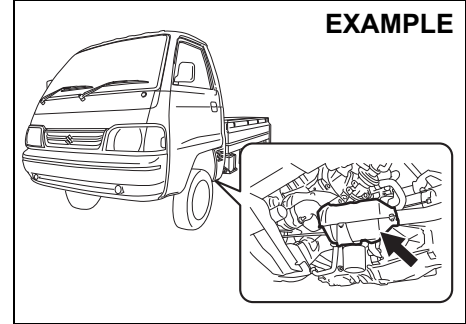
NOTICE

The future performance and reliability of the engine depends on the care and restraint exercised during its early life. It is especially important to observe the following precautions during the initial 960 km of vehicle operation.

- After starting, do not race the engine. Warm it up gradually.
- Avoid prolonged vehicle operation at a constant speed. Moving parts will break in better if you vary your speed.
- Start off from a stop slowly. Avoid full throttle starts.
- Avoid hard braking, especially during the first 320 km of driving.
- Do not drive slowly with the transmission in a high gear.
- Drive the vehicle at moderate engine speeds.
- Do not tow a trailer.

Catalytic Converter

EXAMPLE



77PH201

The purpose of the catalytic converter is to minimize the amount of harmful pollutants in your vehicle's exhaust. Use of leaded fuel in vehicles equipped with catalytic converters is prohibited, because lead deactivates the pollutant-reducing components of the catalyst system.

The converter is designed to last the life of the vehicle under normal usage and when unleaded fuel is used. No special maintenance is required on the converter. However, it is very important to keep the engine properly tuned. Engine misfiring, which can result from an improperly tuned engine, may cause overheating of the catalyst. This may result in permanent heat damage to the catalyst and other vehicle components.

NOTICE

To avoid damaging catalyst or other vehicle damage:

- Maintain the engine in the proper operating condition.
- In the event of an engine malfunction, particularly one involving engine misfiring or other apparent loss of performance, have the vehicle serviced promptly.
- Do not turn off the engine or interrupt the ignition when the transmission is in gear and the vehicle is in motion.
- Do not try to start the engine by pushing or towing the vehicle, or coasting down a hill.
- Do not idle the engine with any spark plug wires disconnected or removed, such as during diagnostic testing.
- Do not idle the vehicle for prolonged periods if idling seems rough or there are other malfunctions.
- Do not allow the fuel tank to get near the empty level.
- Avoid driving your vehicle at excessively high engine speed.

⚠ WARNING

Be careful in areas where you park and drive; the catalytic converter and other exhaust components can get very hot. As with any vehicle, do not park or operate this vehicle in areas where combustible materials such as dry grass or leaves can come in contact with a hot exhaust system.

EXAMPLE



82DY05

NOTE:

Non-usage of vehicle for long duration may cause gradual rusting of brake disc surface as it is made of cast iron. This may result in noise/vibration. This same has no bearing on functioning of the vehicle. Regular driving of vehicle may prevent/remove rust, thus reducing the noise and vibration.

Improving Fuel Economy

NOTE:

Fuel economy (mileage) of the vehicle may vary due to several factors i.e., driving habits - gear change pattern, usage of A.C, Air pressure in the tyres, wind speed, traffic conditions, fuel quality- non adulterated standard fuel, maintenance of vehicle, road conditions, braking etc.

The following instructions will help you improve fuel economy.

Avoid excessive idling

If you are to wait for more than a minute while you are parked, stop the engine and start it again later. When warming up a cold engine, do not allow the engine to idle or apply full throttle until the engine has reached operating temperature. Allow the engine to warm up while driving.

Avoid sudden acceleration

Sudden acceleration starting from rest or while driving will consume fuel unnecessarily and shorten engine life. Start off slowly.

Avoid unnecessary stops

Avoid unnecessary deceleration and stopping. Try to maintain a slow, steady speed whenever possible. Slowing down and then accelerating again uses more fuel.

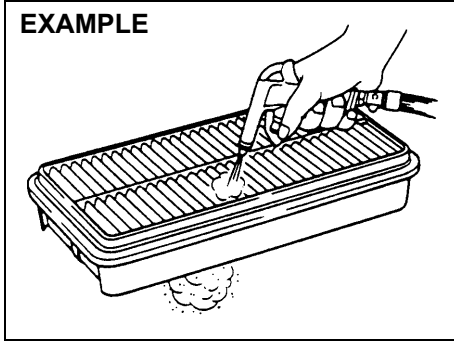
Keep a steady cruising speed

Keep as constant a speed as road and traffic conditions will permit.

DRIVING TIPS

Keep the air cleaner clean

EXAMPLE



60A183S

If the air cleaner is clogged with dust, there will be greater intake resistance, resulting in decreased power output and increased fuel consumption.

Keep weight to a minimum

Heavier the load, more fuel the vehicle consumes. Take out any luggage or cargo when it is not necessary.

Keep tyre pressures correct

Underinflation of the tyres can waste fuel due to increased running resistance of the tyres. Keep your tyres inflated to the correct pressure shown on the label on the driver's door lock pillar.

Highway Driving

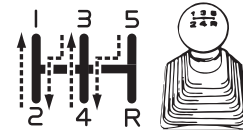
When driving at highway speeds, pay attention to the following:

- Stopping distance progressively increases with vehicle speed. Apply the brakes far enough ahead of the stopping point to allow for the extra stopping distance.
- On rainy days, hydroplaning can occur. Hydroplaning is the loss of direct contact between the road surface and the vehicle's tyres due to a water film forming between them. Steering or braking the vehicle while hydroplaning can be very difficult, and loss of control can occur. Keep speed down when the road surface is wet.
- At high speeds, the vehicle may be affected by side winds. Therefore, reduce speed and be prepared for unexpected buffeting, which can occur at the exits of tunnels, when passing by a cut of a hill, or when being overtaken by large vehicles, etc.

Driving on Hills

- When climbing steep hills, the vehicle may begin to slow down and show a lack of power. If this happens, you should shift to a lower gear so that the engine will again be operating in its normal power range. Shift rapidly to prevent the vehicle from losing momentum.
- When driving down a hill, the engine should be used for braking by shifting into a lower gear.

EXAMPLE



77PH003

⚠ WARNING

Try not to hold the brake pedal down too long or too often while going down a steep or long hill. This could cause the brakes to overheat, resulting in reduced braking efficiency. Failure to take this precaution could result in loss of vehicle control.

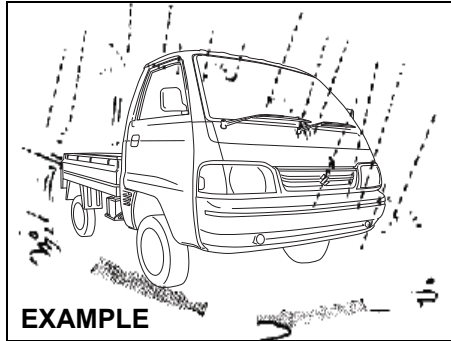
While moving uphill/gradient from a stand still condition

- Apply the parking brake firmly so that the vehicle does not roll backwards.
- Depress the Clutch pedal and Shift the gearshift lever to 1st Select position.
- Do not slip the clutch.
- When ready to start, press accelerator pedal and slowly release the clutch pedal simultaneously. When the vehicle starts to move, gradually release the parking brake.

NOTICE

When descending down a hill, **NEVER** turn the ignition key to the “LOCK” position. Emission control system damage may result.

Driving on Slippery Roads



82DY06

Under wet road conditions you should drive at a lower speed than on dry roads due to possible slippage of tyres during braking. When driving on icy, snow-covered, or muddy roads, reduce your speed and avoid sudden acceleration, abrupt braking, or sharp steering movements.

If Your Vehicle Gets Stuck

If your vehicle gets stuck in snow, mud, or sand, follow the directions below:

- 1) Shift the transmission back and forth between first gear and reverse. This will create a rocking motion which may give you enough momentum to free the vehicle. Press gently on the accelerator to keep wheel spinning to a minimum wheel rpm. Remove your foot from the accelerator while shifting.

Do not race the engine. Excessive wheel spin will cause the tyres to dig deeper, making it more difficult to free the vehicle.

- 2) If your vehicle remains stuck after a few minutes of rocking, get another vehicle to pull your vehicle out.

⚠ WARNING

Do not allow anyone to stand near the vehicle when you are rocking it, and do not spin the wheels faster than an indicated 40 km/h on the speedometer. Personal injury and/or vehicle damage may result from spinning the wheels too fast.

NOTICE

Do not continue rocking the vehicle for more than a few minutes. Prolonged rocking can cause engine overheating or transmission damage.

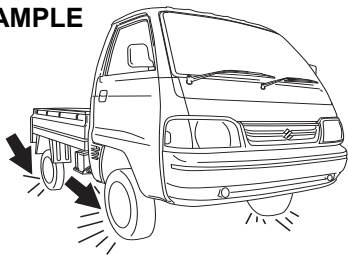
DRIVING TIPS

Driving on Wet Roads

NOTICE

- When driving on wet roads, avoid driving through large amount of standing water on the road. Large amount of water entering the engine compartment may cause damage to the engine and or electrical components.
- If stuck in deep water, do not start till water level drops.
- Water is incompressible substance, water inside engine is harmful to the engine.

EXAMPLE



82DY07

⚠ WARNING

In addition to following the driving tips in this section, it is important to observe the following precautions.

- Make sure your tyres are in good condition and always maintain the specified tyre pressure. Refer to “Tyres” in the “INSPECTION AND MAINTENANCE” section for details.
- Do not use tyres other than those specified by MARUTI SUZUKI. Never use different sizes or types of tyres on the front and rear wheels. For information regarding the specified tyres, refer to the Tyre Information Label located on the driver's door lock pillar.
- Never use oversized tyres or special shock absorbers and springs to raise (jack up) your vehicle. This will change the handling characteristics. Oversized tyres may also rub against the vehicle body over bumps, causing vehicle damage or tyre failure.
- After driving through water, test the brakes while driving at a slow speed to see if they have maintained their normal effectiveness. If they are less effective than normal, dry them by repeatedly applying the brakes while driving slowly until the brakes have regained their normal effectiveness.

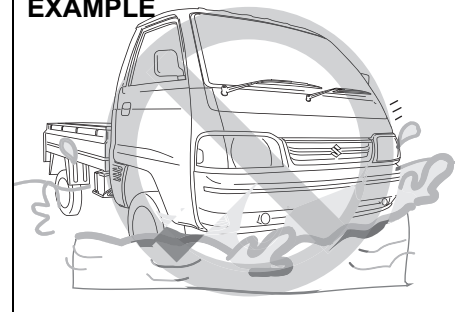
Off-road Driving

Do not drive in the field covered with grown grass.

If you drive in the field covered with grass, it may cause accident or fire or vehicle damage by getting caught in grown grass.

When Encountering a Flooded Area

EXAMPLE



77PM04011

Avoid driving in a flooded area or a deep puddle. If driving in a flooded area is unavoidable, go slowly in the lowest gear. In case that you have driven in a flooded area, stop the vehicle in a safe and non flooded place while checking the brake effectiveness. Then, ask a Maruti Suzuki authorised workshop to check the following inspection items.

- Function of brake
- Function of electrical components

- Changes in oil level and quality for engine and transmission. In case that the oil is turbid whitish, water has been mixed in the oil and an oil change is required.
- Lubricant condition of the bearings, suspension joints, etc.

NOTICE

- **Avoid driving in a flooded area or a deep puddle. It may cause an engine stall, short in electrical components, engine and transmission damages, etc.**
- **If the vehicle gets stuck in deep water do not start the engine.**

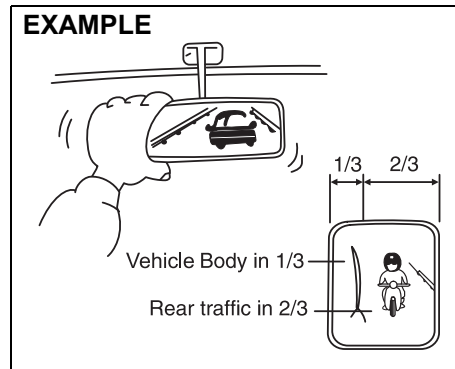
Do's and Dont's for Safe Driving

Exercise care in handling your vehicle. Be conscious of not only your own safety but also the safety of others on the road, and thus enjoy the best and most comfortable driving experience.

Following are basic rules for safe driving. Read them carefully for good understanding of the content so that you can enjoy safe and pleasant driving in your vehicle.

Starting

- 1) Adjust the driver's seat for the proper driving posture.
- 2) Adjust the rear view mirror so as to obtain the best possible rear view.



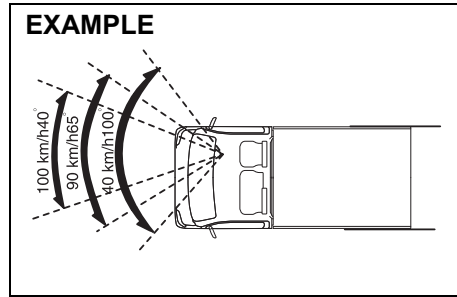
77PM04002

- 3) Before moving, look around your vehicle to confirm safety.
- 4) Don't accelerate suddenly, since it is dangerous and wastes fuel.

General driving

- 1) Be sure to stop before a stop light or stop sign. When moving into an intersection without any traffic lights or signs, drive slowly to confirm safety.
- 2) Always follow other vehicles at a safe distance in order to prevent a rear-end collision, in case the vehicle ahead makes a sudden stop.
- 3) Turn ON the turn signal at least 30 meters before making a turn or changing the lane so as to not be hit.
- 4) Before entering a corner, decelerate to a safe speed. Don't apply brakes during cornering, or skidding may occur.
- 5) When overtaking other vehicles, watch out for oncoming vehicles and carefully ensure safety.
- 6) Don't attempt zigzag driving as it will hinder your control over the vehicle and may cause an accident.
- 7) Avoid reckless high speed driving and try to drive at a safe speed suitable for the road conditions while maintaining a constant speed.
- 8) The higher the speed, the narrower the driver's visual range becomes. In such a state, it is difficult to anticipate any hazard and the driver feels fatigued.

DRIVING TIPS



77PM04001

- 9) Do not attempt sharp handling during high speed driving. You may lose your control over your vehicle.
- 10) When overtaking or changing lanes while driving at a high speed, keep ample vehicle-to-vehicle distance.

Braking

- 1) Use the parking brake when parking your vehicle and shift the gear shift lever into the first gear or reverse gear position for the sake of safety.
- 2) Don't use hand-braking unless unavoidable. It causes the vehicle to skid and a collision may occur. It is especially dangerous when the tyres are worn out as they skid more.

Use foot brake in three stages

1. Warn the vehicle behind you
2. Gradually apply the brake.
3. Bring the vehicle to a halt.

- 3) When driving downhill, try not to apply the brake but use the engine brake effectively. Overuse of the foot-brake may result in reduction of brake effectiveness.

Long distance driving

- 1) Be sure to perform safety checks before starting a trip.
- 2) Take rest at regular intervals to prevent accidents which may occur due to feeling sleepy or tired.

Night time driving

- 1) Drive at lower speeds during the night than in the daytime, as the visual range is restricted at night.
- 2) Avoid overtaking other vehicles at night. Darkness bothers your sense of speed and hinders your judgment of vehicle-to-vehicle distance.
- 3) Don't use headlights on high beam unless its use is inevitable. It may cause visual impairment to the driver of the oncoming vehicle or the vehicle ahead of you, which may cause an accident.
- 4) Always keep the window glasses clean. Don't operate the windshield wiper when the windshield glass is dry else the wiper blade and glass may get damaged.

Margin for Safety

It is important to allow yourself a margin for safety during driving so that you can cope with erroneous or unexpected driving of other drivers. For that, observe the following.

- Drive at a safe speed.
- Maintain a sufficient distance between your vehicle and the vehicle ahead.
- Don't force yourself to overtake other vehicles.
- Don't accelerate suddenly, steer sharply or stop suddenly.
- Keep ample gaps between driving schedules.
- Observe traffic rules and regulations.

Conclusion

A perfect driver does not exist. The endeavour of every motorist should be to strive for perfection. Safety consciousness not only ensures your safety and the safety of other road users, it also helps reduce the wear and tear on your vehicle, lengthens its life, gives better fuel efficiency and ensures a comfortable driving experience.

Follow the do's and don'ts listed, and driving will never be the same again.

OTHER CONTROLS AND EQUIPMENT

Fuel Filler Cap 5-1
Engine Compartment 5-3
Sun Visor 5-4
Interior Light 5-5
Accessory Socket 5-5
Glove Box 5-5
Storage Area 5-6
Air Vent 5-6
Frame Hook 5-7
Assist Grip 5-7

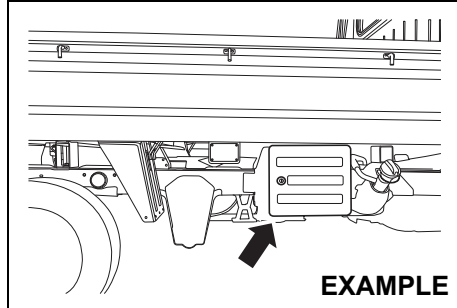
OTHER CONTROLS AND EQUIPMENT

Fuel Filler Cap

(For Petrol and CNG Engine Model)

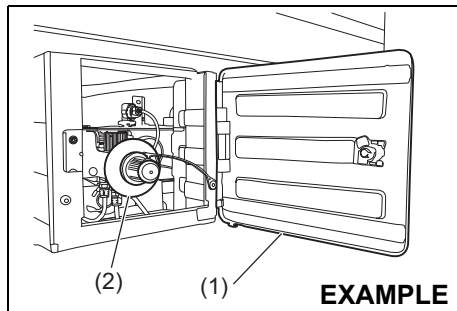
CNG filler valve

(For CNG engine model)



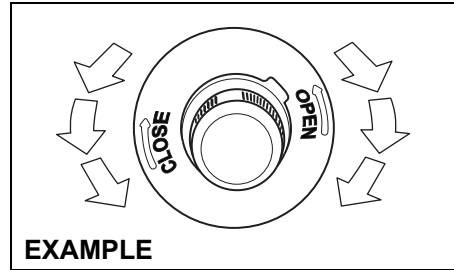
77PM05003

The CNG filler valve is located on the right side of the vehicle.



77PM05001

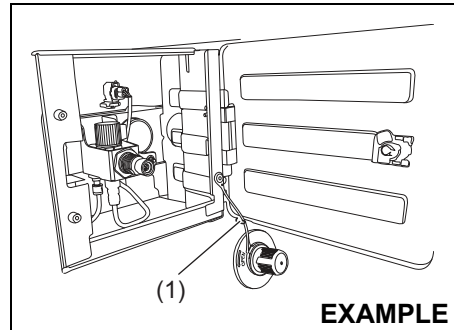
To unlock CNG filler door (1), insert the key and turn top of the key towards front of the vehicle.



77PM05005

To remove the CNG filler valve cover:

- 1) Open the CNG filler door (1).
- 2) Remove the CNG filler valve cover (2) by turning it anticlockwise direction.



77PM05006

NOTE:

If the fuel filler door is equipped with the cap holder (3), then use the cap holder to hold fuel filler cap while refueling.

Filling automatically gets cut off when the cylinder pressure becomes equal to dispenser pressure.

To reinstall the CNG filler valve cover:

- 1) Turn the CNG filler valve cover (2) clockwise direction until its completely closed.
- 2) Close the CNG filler door (1).

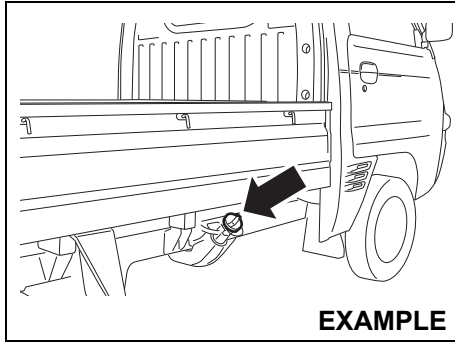
NOTE:

- *If the CNG filler cover (2) is not closed properly, you will not be able to start the vehicle.*
- *Engine will stop if the CNG filler cover (2) is opened in vehicle stationary condition.*

NOTE:

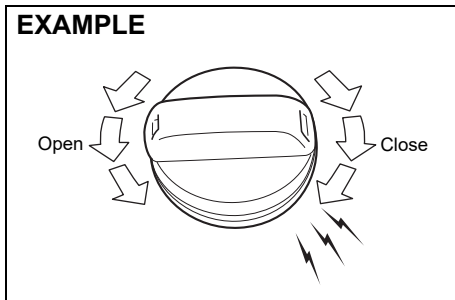
During vehicle operation gravels may enter the CNG filler box. Remove whenever observed.

**Petrol filling cap
(For Petrol engine model)**



77PH031

The fuel filler cap is located on the right side of the vehicle.



68KN048

To remove the fuel filler cap, turn it counterclockwise. To reinstall the fuel filler cap, turn it in clockwise direction until you hear several clicks.

⚠ CAUTION

Remove the fuel filler cap slowly. The fuel may be under pressure and may spray out, causing injury.

⚠ WARNING

Fuel is extremely flammable. Do not smoke when refueling, and make sure there are no open flames or sparks in the area.

⚠ WARNING

If you need to replace the fuel cap, use a MARUTI genuine cap. Use of an improper cap can result in a malfunction of the fuel system or emission control system. It may also result in fuel leakage in the event of an accident.

⚠ CAUTION

Remove the fuel filler cap slowly. The fuel may be under pressure and may spray out, causing injury.

⚠ WARNING

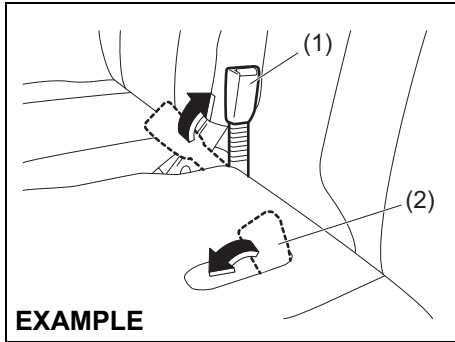
Fuel is extremely flammable. Do not smoke when refueling, and make sure there are no open flames or sparks in the area.

⚠ WARNING

If you need to replace the fuel cap, use a MARUTI genuine cap. Use of an improper cap can result in a malfunction of the fuel system or emission control system. It may also result in fuel leakage in the event of an accident.

OTHER CONTROLS AND EQUIPMENT

Engine Compartment



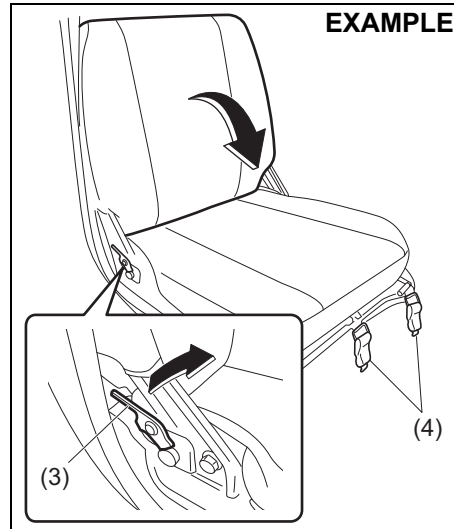
77PH094

To open the engine compartment:

- 1) Raise the driver's seat belt buckle (1) to the seatback position. Store the passenger's seat belt buckle (2).
- 2) For the driver's seat, slide the seat to the most rearward position.

CAUTION

When you slide the driver's seat rearward, push the seatback. If you hold the seatback top, your hand could be pinched between the seatback and cabin back panel, may result in personal injury.



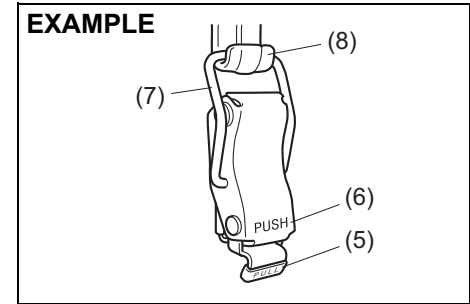
77PH093

- 3) For the driver's seat, pull the lock lever (3) to fold the seatback forward.

NOTE:

The seatback can be folded only up to the position where it comes in contact with the steering wheel.

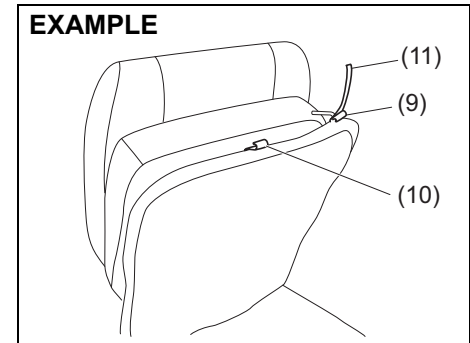
- 4) Unhook the lock handles (4) on the front end of each seat.



77PH081

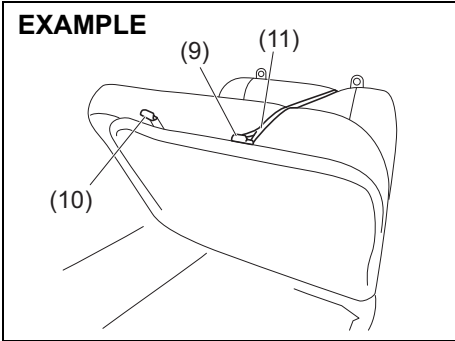
- To unhook the lock handle, pull the "PULL" part (5) and unhook the ring (7) from the hook (8).
- To lock the lock handle, put the ring (7) on the hook (8) and then push the "PUSH" part (6).

Driver side



77PH102

Passenger side



77PH103

NOTE:
The straps (11) are available behind the seatback of passenger seat.

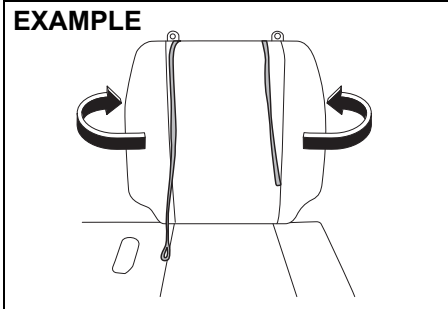
- 5) Raise the seat and hook the strap (11) to the hook (9). The hook (10) is not used for attaching the seat strap.

NOTICE

Do not hook the strap to the driver's seat position adjustment lever or do not apply undue force to the seats when being hooked by the straps. Doing so could break the straps, hooks and/or the driver's seat position adjustment lever.

- To close the engine compartment, reverse the steps in which you have opened it.

- After closing, try to move the seats to ensure that they are securely latched.
- Store the straps in space behind the passenger's seat as shown in the illustration.



77PH097

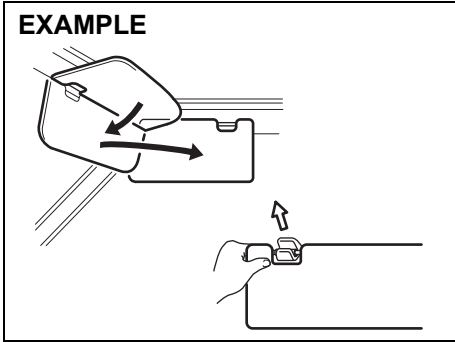
WARNING

Store the straps in space behind the passenger's seat. If an occupant's body gets caught by the straps, there is a risk of serious injury such as suffocation. If this happens, cut the straps with scissors.

CAUTION

When closing the engine compartment, be careful that the seats do not pinch your hands or the driver's seat belt buckle, or hit your body.

Sun Visor



77PH004

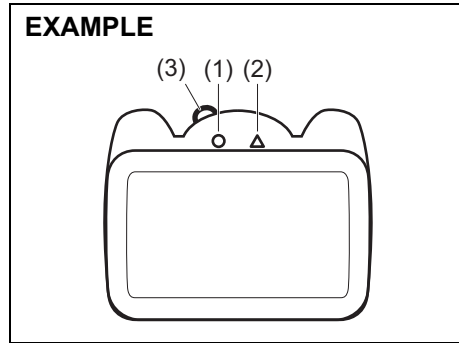
Sun visor is available on the driver side of the vehicle. The sun visor can be pulled down to block the glare coming through the windshield, or they can be unhooked and turned to the side to block the glare coming through the side window.

NOTICE

When unhooking and hooking a sun visor, be sure to handle it by side of the sun visor as shown in the figure else sun visor may get damaged.

OTHER CONTROLS AND EQUIPMENT

Interior Light



This light switch has two positions. These positions can be selected using knob (3). The functions of the two positions are:

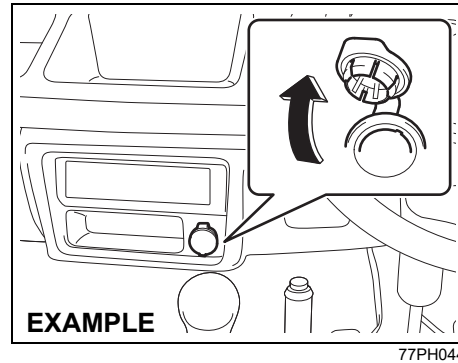
ON (1)

The light comes on and stays on.

OFF (2)

The light remains off.

Accessory Socket

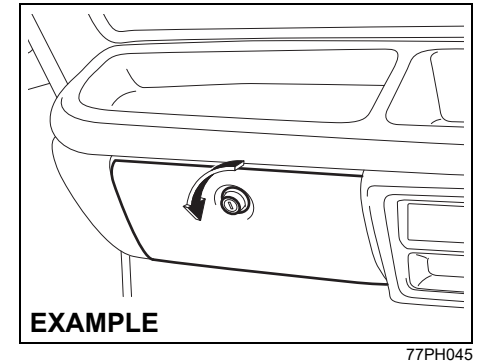


The accessory socket will work when the ignition switch is in the "ACC" or "ON" position. This socket can be used to provide 12 volt/120 watt power for electrical accessories.

NOTICE

Use of inappropriate electrical accessories can cause damage to your vehicle's electrical system. Make sure that any electrical accessories you use are designed to plug into this type of socket.

Glove Box

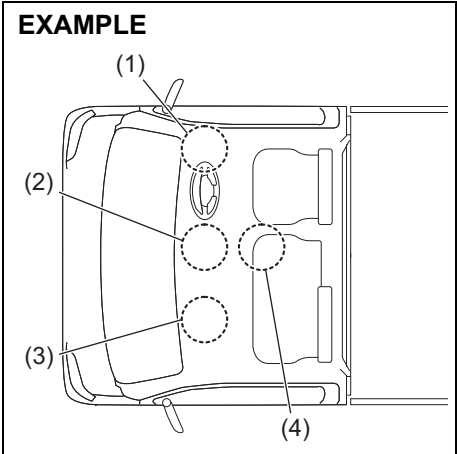


To open the glove box, twist the knob counterclockwise. To close it, push the lid until it latches securely. To lock the glove box, insert the key into the knob and turn it clockwise. To unlock the glove box, insert the key into the knob and turn it counterclockwise.

⚠ WARNING

Never drive with the glove box lid open. It could cause injury if an accident occurs.

Storage Area



77PH104

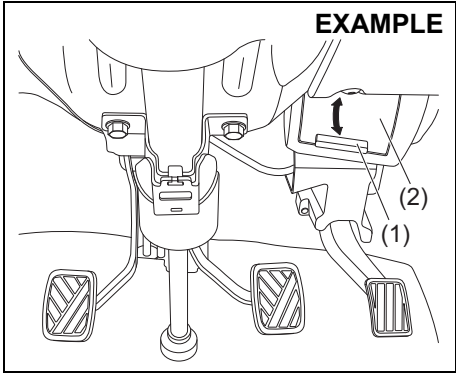
- (1) Instrument panel pocket (driver's side)
- (2) Instrument panel tray (center) / Instrument panel pocket (center)
- (3) Instrument panel tray (passenger's side)
- (4) Center pocket

Instrument Panel Pocket (1)/(2) / Instrument Panel Tray (2)/(3) / Center Pocket (4)

⚠ WARNING

Do not place any objects which may fall out from the pocket/tray when the vehicle is moving. Failure to take the precaution may result in an object interfering with the pedals and causing a loss of vehicle control or an accident.

Air Vent



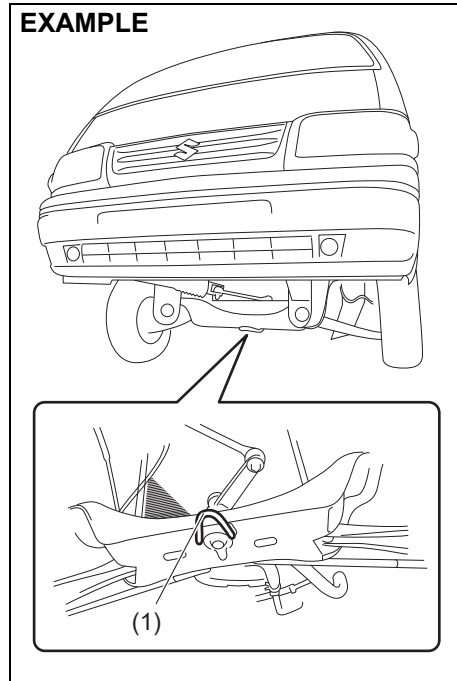
77PM502

Air vents are located on driver side and passenger side of the vehicle. For opening or closing the air vent, move the knob (1) vertically to open or close the flap (2). When "OPEN", fresh air will come inside the cabin.

OTHER CONTROLS AND EQUIPMENT

Frame Hook

Front



The frame hook (1) is provided on the front of the vehicle for use in emergency situations and shipping purposes only.

To tow your vehicle on the road or highway, follow the instruction of "Towing" in "EMERGENCY SERVICE" section.

⚠ WARNING

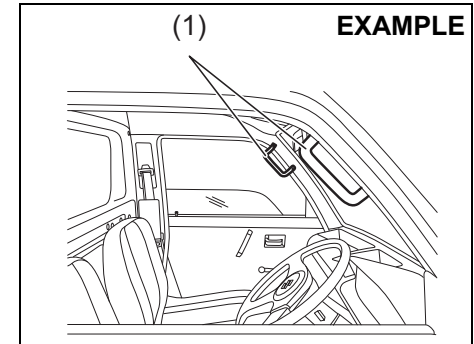
Do not use the frame hook to tow another vehicle or to have your vehicle towed on the road or highway. The hook (1) is designed for use in emergency situations only, such as if your vehicle or another vehicle gets stuck in deep mud or snow.

NOTICE

When you use the frame hook (1), avoid driving in the manner that may give significant shock to the hook. Such operation can damage the hook, or the vehicle body.

Do not accelerate suddenly.

Assist Grip



77PM501

Assist grips (1) are available on driver side and passenger side of the vehicle. The assist grips are meant for driver / passenger to get in and get out of the vehicle easily.

VEHICLE LOADING AND TOWING

Vehicle Loading	6-1
Trailer Towing	6-1

VEHICLE LOADING AND TOWING

Vehicle Loading

Your vehicle was designed for specific weight capacities. The weight capacities of your vehicle are indicated by the Gross Vehicle Weight Rating (GVWR) and the Permissible maximum Axle Weight (PAW, front and rear). The GVWR and PAW (front and rear) are listed in the "SPECIFICATIONS" section.

GVWR – Maximum permissible overall weight of the fully loaded vehicle (including all the occupants, accessories and cargo plus the trailer nose weight if towing a trailer).

PAW – (Front and Rear) Maximum permissible weight on an individual axle.

Actual weight of the loaded vehicle and actual loads at the front and rear axles can only be determined by weighing the vehicle. Compare these weights to the GVWR and PAW (front and rear). If the gross vehicle weight or the load on either axle exceeds these ratings, you must remove enough weight to bring the load down to the rated capacity.

WARNING

Never overload your vehicle. The gross vehicle weight (sum of the weights of the vehicle, all the occupants, accessories, cargo plus trailer nose weight if towing a trailer) must never exceed the Gross Vehicle Weight Rating (GVWR). In addition, never distribute a load so that the weight on either the front or rear axle exceeds the Permissible maximum Axle Weight (PAW).

WARNING

Always distribute cargo evenly. To avoid personal injury or damage to your vehicle, always secure cargo to prevent it from shifting if the vehicle moves suddenly. Place heavier objects on the floor and as far forward in the cargo area as possible. Never pile cargo higher than the top of the seat backs.

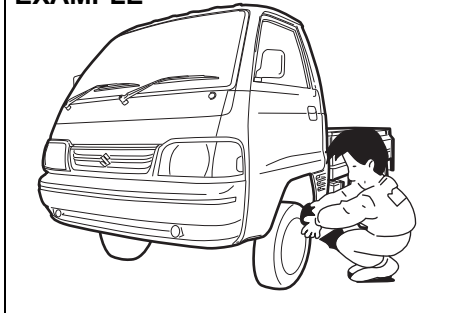
Trailer Towing

Your vehicle was originally designed to carry one driver, one passenger and a certain amount of cargo, not to tow a trailer. MARUTI does not recommend you to use your vehicle to tow a trailer. Towing a trailer can adversely affect handling, durability, and fuel economy.

INSPECTION AND MAINTENANCE

- Maintenance Schedule 7-1
- Periodic Maintenance Schedule 7-2
- Inspection and Maintenance operations to be performed by customer 7-6
- Drive Belt 7-8
- Engine Oil and Filter 7-8
- Engine Coolant 7-12
- Air Cleaner 7-14
- Spark Plugs 7-14
- Gear Oil 7-14
- Clutch Pedal 7-16
- Brakes 7-16
- Steering 7-18
- Propeller Shaft Universal Joint 7-18
- Tyres 7-19
- Battery 7-20
- Fuses 7-21
- Bulb Replacement 7-24
- Wiper Blades 7-27
- Windshield Washer Fluid (If equipped)..... 7-29

EXAMPLE



77PM07008

⚠ WARNING

You should take extreme care when working on your vehicle to prevent accidental injury. Here are a few precautions that you should be especially careful to observe:

- Do not leave the engine running in garages or other confined areas.
- When the engine is running, keep hands, clothing, tools, and other objects away from the fan and drive belt. Even though the fan may not be moving, it can automatically turn on without warning.

(Continued)

⚠ WARNING

(Continued)

- When it is necessary to do service work with the engine running, make sure that the parking brake is set fully and the transmission is in Neutral.
- Do not touch ignition wires or other ignition system parts when starting the engine or when the engine is running, or you could receive an electric shock.
- Be careful not to touch a hot engine, exhaust manifold and pipes, muffler, radiator and water hoses.
- Do not allow smoking, sparks, or flames around fuel or the battery. Flammable fumes are present.
- Do not get under your vehicle if it is supported only with the portable jack provided in your vehicle.
- Be careful not to cause accidental short circuits between the positive and negative battery terminals.
- Keep used oil, coolant, and other fluids away from children and pets. Dispose of used fluids properly; never pour them on the ground, into sewers, etc.

Maintenance Schedule

The following table shows the times when you should perform regular maintenance on your vehicle. This table shows in kilometers and months when you should perform inspections, adjustments, lubrication and other services.

⚠ WARNING

MARUTI SUZUKI recommends that maintenance on your vehicle should be performed by your authorised **MARUTI SUZUKI COMMERCIAL** workshop.

NOTICE

Whenever it becomes necessary to replace parts on your vehicle, it is recommended that you use **MARUTI** genuine replacement parts or their equivalent.

Periodic Maintenance Schedule

“C”: Clean

“R”: Replace or Change

“I”: Inspect, clean, adjust, lubricate or replace as necessary

“L”: Lubricate

“T”: Tighten to Specified Torque

“O”: Rotate

NOTE:

This table includes services as scheduled up to 90,000 km mileage. Beyond 90,000km, carry out the same services at the same intervals respectively.

INSPECTION AND MAINTENANCE

Interval: This interval should be judged by odometer reading or months, whichever comes first.		FREE INSPECTION				PERIODIC MAINTENANCE AT COST						
		km (x1000)	5	10	20	30	40	50	60	70	80	90
		months	2	4	8	12	16	20	24	28	32	36
ENGINE												
1-1.	Water pump drive belt (Tension, Wear)		-	I	I	I	I	I	I	I	R	I
1-2.	Engine Coolant SUZUKI LLC: Super (Blue) (#1,2)	First time only:	Replace at 100000 km or 60 months whichever comes first.									
		Second time and after:	Replace every 40000 km or 24 months whichever comes first.									
	Engine Coolant SUZUKI LLC: Standard (Yellow) (#1,3)		I	I	R	I	R	I	R	I	R	I
1-3.	Engine oil, engine oil filter and drain plug gasket (Level, Leakage)		I	R	R	R	R	R	R	R	R	R
1-4.	Cooling system hoses and connections (Leakage and Damage)		I	I	I	I	I	I	I	I	I	I
1-5.	Engine Mounting and Manifold fixing (Loose, Damage)		I	I	I	I	I	I	I	I	I	I
1-6.	Exhaust System (Noise, Leakage etc.)		I	-	I	-	I	-	I	-	I	-
1-7.	Positive Crank Case Ventilation System (Hoses, Connections and Valve)		I	-	I	-	I	-	I	-	I	-
1-8.	Exhaust Gas Recirculation Valve		-	-	-	C	-	-	C	-	-	C
IGNITION												
2-1.	Ignition wire (Damage, Deterioration)		-	-	I	-	I	-	I	-	I	-
2-2.	Spark Plug	Petrol	Replace every 100000 km or 84 months whichever comes first									
		CNG	Replace every 50000 km or 48 months whichever comes first									
FUEL												
3-1.	Air cleaner filter element	Paved-road	Clean every 5000 km. Replace every 40000 km									
		Dusty Condition	Clean every 2500 km. Replace every 40000 km. More frequent replacement if the conditions are severe.									
3-2.	Fuel tank cap, fuel lines and connections (Leakage and Damage)		I	-	-	-	I	-	-	-	I	-
3-3.	Fuel Filter (Leakage)		I	I	I	I	R	I	I	I	R	I

#1: Perform the engine coolant level check under the daily inspection in the "OPERATING YOUR VEHICLE" section.

The same type of coolant that is filled at the time of a brand new car should be used when you add or replace the coolant. Refer to "Engine coolant" in this section.

#2: Do not add SUZUKI LLC: Standard (Yellow) Coolant or distilled water or others when your vehicle is originally filled with SUZUKI LLC: Super (Blue) Coolant.

#3: When your vehicle is originally filled with SUZUKI LLC: Standard (Yellow) Coolant, follow the maintenance schedule of SUZUKI LLC: Standard (Yellow) Coolant.

INSPECTION AND MAINTENANCE

Interval: This interval should be judged by odometer reading or months, whichever comes first.		FREE INSPECTION				PERIODIC MAINTENANCE AT COST						
		km (x1000)	5	10	20	30	40	50	60	70	80	90
		months	2	4	8	12	16	20	24	28	32	36
3-4.	CNG fuel line joints (Gas leakage)											
3-5.	CNG low pressure filter cartridge with O-Ring	-	-	R	-	R	-	R	-	R	-	
3-6.	CNG cylinder leak testing and certification	Every 3 years from the date of initial testing by govt. approved testing agency										
3-7.	CNG filler receptacle O-Ring	Replace every 4 years or 300000 km whichever comes earlier										
CLUTCH AND TRANSMISSION												
4-1.	Clutch Pedal (Play)											
4-2.	Clutch slipping (Dragging or Excess Damage)											
4-3.	Gear shifter (Operation)											
4-4.	Manual Transmission Oil (Level, Leakage)											
4-5.	Rear Differential Oil (Level, Leakage)	Replace at 80000 km or 4 years whichever comes first										
4-6.	Propeller shaft / Universal joint (Loose, Damage)		I&L	I&L	I&L	I&L	I&L	I&L	I&L	I&L	I&L	
BRAKE												
5-1.	Brake Fluid (Level, Leakage)											
		Replace every 40000 km or 24 months whichever comes first										
5-2.	Brake pedal (Pedal - Front Panel Clearance)											
5-3.	Parking brake lever and cable (Play, Damage)											
5-4.	Brake disc and pad (Wear)											
5-5.	Brake drum and shoes (Wear)	-										
5-6.	Master cylinder, wheel cylinder and caliper piston (Fluid Leakage, Boot/Seal Damage)											
5-7.	Brake hoses and pipes (Leakage, Damage)											
WHEEL												
6-1.	Tyres (Air pressure, Abnormal wear, Crack and Rotation)	I&O	I&O	I&O	I&O	I&O	I&O	I&O	I&O	I&O	I&O	
6-2.	Wheels (Damage)											
6-3.	Front/Rear wheel bearing (Loose, Damage)											

INSPECTION AND MAINTENANCE

Interval: This interval should be judged by odometer reading or months, whichever comes first.		FREE INSPECTION				PERIODIC MAINTENANCE AT COST						
		km (x1000)	5	10	20	30	40	50	60	70	80	90
		months	2	4	8	12	16	20	24	28	32	36
FRONT / REAR SUSPENSION												
7-1.	Front suspension strut and shock absorber (Oil leakage, Damage)											
7-2.	Front suspension arms, Knuckle support and Tension rods (Loose, Damage)											
7-3.	Rear leaf spring (Damage)											
7-4.	Rear shock absorber (Oil leakage, Damage)											
7-5.	All bolts and nuts (Loose)	T	T	T	T	T	T	T	T	T	T	
STEERING												
8-1.	Steering wheel (Play, Loose)											
8-2.	Steering column rods and arms (Loose, Damage, Wear)											
ELECTRICAL												
9-1.	Battery - Electrolyte (Level, Leakage) and voltage											
9-2.	Wiring harness connection (Loose, Damage)											
9-3.	Lighting system (Operation)											
9-4.	Wiper (Operation, Stains, Damage)											
9-5.	Horn (Operation)											
9-6.	Accessory socket (Operation)											
BODY												
10-1.	All chassis bolts and nuts (Tighten)		T	T	T	T	T	T	T	T	T	
10-2.	All latches, hinges and locks (Function)	I&L	I&L	I&L	I&L	I&L	I&L	I&L	I&L	I&L	I&L	
10-3.	Cargo bed (Inspect)											
ROAD TEST												
11-1.	Operation of brakes, clutch, gear shifting and speedometer											
11-2.	Body and chassis noise											

Inspection & Maintenance operations to be performed by customer

The following table shows the inspection & maintenance operations that you can perform.
This table shows the frequency when you should perform inspection, greasing, lubrication & other services.

FREQUENCY	SR.NO.	OPERATION	REFERENCE
Daily	1	Inspect all tyres (including spare wheel) for air pressure, abnormal wear, cracks and damage.	Page No. 7-19
Weekly	2	Inspect engine oil level, if necessary, top up with Maruti Genuine Engine oil.	Page No. 7-9
	3	Inspect coolant level in coolant reservoir and if necessary, top up with a mixture of recommended Maruti Genuine Coolant and distilled water in specified ratio.	Page No. 7-12
	4	Inspect transmission oil level and differential oil level.	Page No. 7-15
	5	Inspect brake fluid level in brake fluid reservoir and if necessary, top up with Maruti Genuine Brake Fluid.	Page No. 7-16
	6	Inspect vehicle for <ul style="list-style-type: none"> • Engine oil leakage • Coolant leakage • Brake fluid leakage <ul style="list-style-type: none"> • Front suspension strut leakage • Rear shock absorber leakage • Fuel leakage • Transmission oil and differential oil leakage 	Inspection & maintenance Section
	7	Inspect battery electrolyte level, terminals and bracket.	Page No. 7-20
	8	Inspect wheel mounting nuts and tighten if necessary.	Page No. 8-5

INSPECTION AND MAINTENANCE

Monthly	9	Inspect drive belt for damage or deterioration.	Page No. 7-8
	10	Clean air filter element.	Page No. 7-13
	11	Grease all latches, hinges and locks using multi purpose grease.	Page No. 7-5
	12	Grease propeller shaft universal joint with grease gun.	Page No. 7-18
As and when required	13	Inspect clutch pedal play.	Page No. 7-16
	14	Inspect the brake pedal to floor panel distance by applying the brakes, when engine is running.	Page No. 7-17
	15	Inspect parking brake for proper adjustment.	Page No. 7-18

*** Inspect and/or adjust wheel alignment and balancing if the vehicle pulls to one side or vibrates at high speed.**

Drive Belt

⚠ WARNING
When the engine is running, keep hands, hair, clothing, tools, etc. away from the moving fan and drive belts.

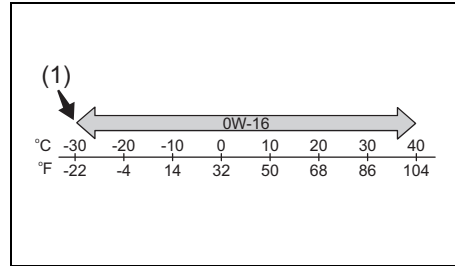
Make sure the drive belt tension is correct. If the belt is too loose, insufficient battery charging, engine overheating, or excessive belt wear can result.

The belts should also be examined to ensure that they are not damaged.

If you need to replace or adjust the belt have it done by your Maruti Suzuki authorised workshop.

Engine Oil and Filter Specified Oil

For India



56RM07013

(1) Recommended

Check that the engine oil you use comes under the quality classification of API SN. Select the appropriate oil viscosity according to the above chart

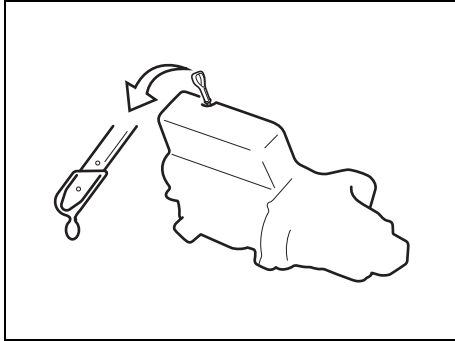
SAE 0W-16 (1) is the best choice for good fuel economy and good startability in cold weather.

NOTE:

- The replacement timing varies with the type of engine oil that you choose. Refer to "Maintenance schedule" in this section for corresponding maintenance schedule.
- We recommend that you use MARUTI SUZUKI genuine oil. To purchase it, see a Maruti Suzuki authorised workshop.

INSPECTION AND MAINTENANCE

Oil Level Check



55RH07002

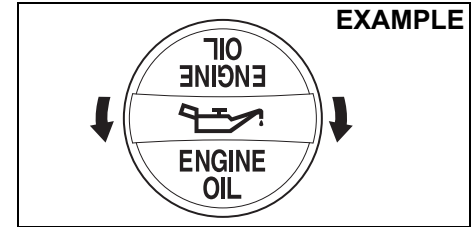
It is important to keep the engine oil at the correct level for proper lubrication of your vehicle's engine. Check the oil level with the vehicle on a level surface. The oil level indication may be inaccurate if the vehicle is on a slope. The oil level should be checked either before starting the engine or at least 5 minutes after stopping the engine.

Pull out the oil dipstick, wipe the oil off with a clean cloth, insert the dipstick all the way into the engine, and then remove it again. The oil on the stick should be between the upper and lower limits shown on the stick. If the oil level indication is near the lower limit, add enough oil to raise the level to the upper limit.

NOTICE

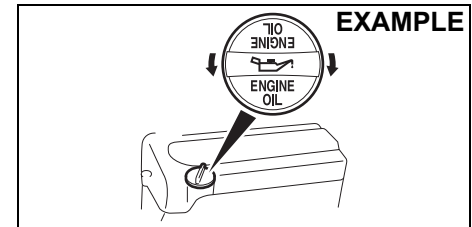
Failure to check the oil level regularly could lead to serious engine trouble due to insufficient oil.

Refilling



68PH00762

Remove the oil filler cap and pour oil slowly through the filler hole to bring the oil level to the upper limit on the dipstick. Be careful not to overfill. Too much oil is almost as bad as too little oil. After refilling, start the engine and allow it to idle for about a minute. Stop the engine, wait about 5 minutes and check the oil level again.



68PM00703

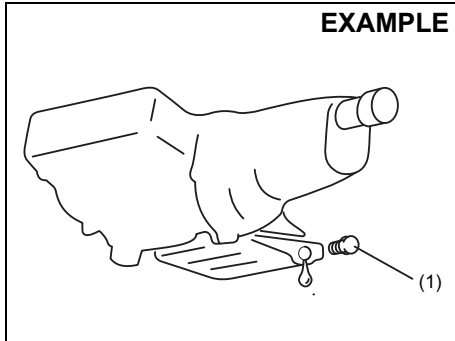
Changing Engine Oil and Filter

Drain the engine oil while the engine is still warm.

- 1) Remove the oil filler cap.
- 2) Place a drain pan under the drain plug.
- 3) Using a wrench, remove the drain plug and drain out the engine oil.

CAUTION

The engine oil temperature may be high enough to burn your fingers when the drain plug is loosened. Wait until the drain plug is cool enough to touch with your bare hands.



77PM07007

**Tightening torque for drain plug (1):
50 Nm (5.1 kg-m, 36.9 lb-ft)**

WARNING

New and used oil can be hazardous. Children and pets may be harmed by swallowing new or used oil. Keep new and used oil and used oil filters away from children and pets.

Repeated, prolonged contact with used engine oil may cause skin cancer.

Brief contact with used oil may irritate skin.

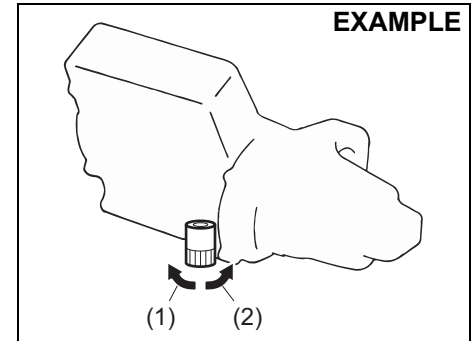
To minimize your exposure to used oil, wear a long-sleeve shirt and moisture-proof gloves (such as dish-washing gloves) when changing oil. If oil contacts your skin, wash thoroughly with soap and water. Launder any clothing or rags if wet with oil.

Recycle or properly dispose of used oil and filters.

- 4) Reinstall the drain plug and gasket. Tighten the plug with a wrench to the specified torque.

Replace the Oil Filter

- 1) Using an oil filter wrench, turn the oil filter counterclockwise and remove it.
- 2) Using a clean rag, wipe off the mounting surface on the engine where the new filter will be seated.
- 3) Smear a little engine oil around the rubber gasket of the new oil filter.
- 4) Screw on the new filter by hand until the filter gasket contacts the mounting surface.

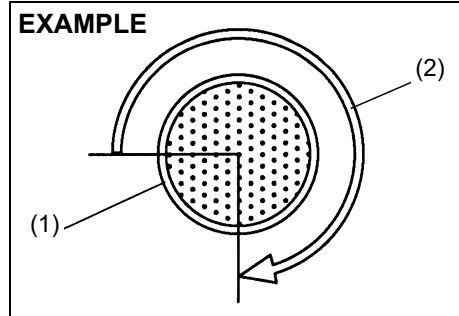


77PH017

- (1) Loosen
- (2) Tighten

INSPECTION AND MAINTENANCE

Tightening (viewed from filter top)



54G093

- (1) Oil filter
(2) 3/4 turn

NOTICE

To tighten the oil filter properly, it is important to accurately identify the position at which the filter gasket first contacts the mounting surface.

- 5) Tighten the filter specified turn from the point of contact with the mounting surface (or to the specified torque) using an oil filter wrench.

Tightening torque for oil filter
3/4 turn or
14 Nm (1.4 kgf-m, 10.3 lbf-ft)

NOTICE

To prevent oil leakage, make sure that the oil filter is tight, but do not over-tighten it.

Refill with Oil and Check for Leaks

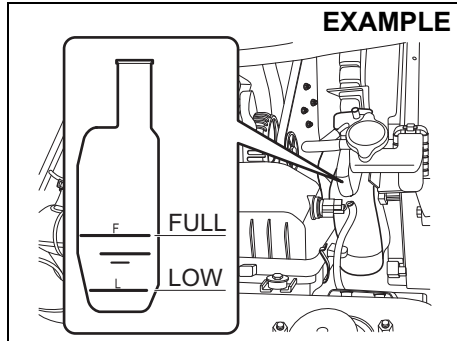
- 1) Pour oil through the filler hole and install the filler cap.
For the approximate capacity of the oil, refer to the "CAPACITIES" item in the "SPECIFICATIONS" section.
- 2) Start the engine and look carefully for leaks at the oil filter and drain plug. Run the engine at various speeds for at least 5 minutes.
- 3) Stop the engine and wait about 5 minutes. Check the oil level again and add oil if necessary. Check for leaks again.

NOTICE

- When replacing the oil filter, it is recommended that you use a MARUTI genuine filter. If you use an after market filter, make sure it is of equivalent quality and follow the manufacturer's instructions.
- Oil leaks from around the oil filter or drain plug indicate incorrect installation or gasket damage. If you find any leaks or are not sure that the filter has been properly tightened, have the vehicle inspected by your authorised MARUTI SUZUKI COMMERCIAL workshop.

Engine Coolant

Coolant Level Check



77PM07010

Check the coolant level at the reservoir tank, not at the radiator. With the engine cool, the coolant level should be between "FULL" and "LOW" marks. If the coolant level is below "LOW" mark, coolant should be added.

Coolant addition and replacement

When you add the coolant, remove the reservoir tank cap and add coolant until the reservoir tank level reaches "FULL" mark while the engine is cool. Never fill the reservoir tank above "FULL" mark.

Since special procedures are required for coolant replacement, ask a Maruti Suzuki authorised workshop for this job.

⚠ WARNING

Swallowing engine coolant can cause severe injury or death. Inhaling coolant mist or vapors or getting coolant in your eyes could result in severe injury.

- **Do not drink antifreeze or coolant solution. If swallowed, do not induce vomiting. Immediately contact a poison control center or a physician.**
- **Avoid inhaling coolant mist or hot vapors. If inhaled, remove to a fresh air area.**
- **If coolant gets in the eyes, flush with water and seek medical attention.**
- **Wash thoroughly after handling coolant.**
- **Keep engine coolant out of the reach of children and pets.**

NOTICE

When putting the cap on the reservoir tank, line up the mark on the cap and the mark on the tank. Failure to follow this can result in coolant leakage.

Selection of coolant

To maintain optimum performance and durability of your engine, use MARUTI SUZUKI genuine coolant or equivalent.

This type of coolant is the best for cooling system for the following reasons:

- The coolant helps maintain proper engine temperature.
- It gives proper protection against freezing and boiling.
- It gives proper protection against corrosion and rust.

Failure to use the proper coolant can damage your cooling system. A Maruti Suzuki authorised workshop can help you select the proper coolant.

NOTICE

To avoid damaging your cooling system:

- **Always use a high quality ethylene glycol base non-silicate type coolant diluted with distilled water at the correct mixture concentration.**
- **Do not add extra inhibitors or additives. They may not be compatible with your cooling system.**
- **Do not mix different types of base coolants. Doing so may result in accelerated seal wear and/or the possibility of severe overheating and extensive engine/transmission damage. In case of coolant mix-up**

(Continued)

INSPECTION AND MAINTENANCE

NOTICE

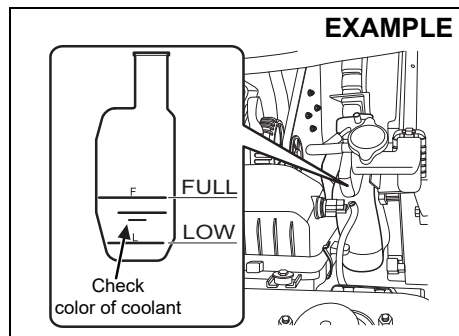
(Continued)

have your vehicle inspected by a Maruti Suzuki authorised workshop.

NOTE:

Maruti Suzuki highly recommends the use of Maruti Suzuki genuine coolant. Maruti Suzuki genuine coolant has been specially formulated for your Maruti Suzuki product and contributes to the desired vehicle performance and ideal driving experience.

Depending on the production period of your vehicle, the coolant type filled at the time of a brand new car differs. There are two coolant types, SUZUKI LLC: Super (Blue) Coolant and SUZUKI LLC: Standard (Yellow) Coolant. You can check the original coolant type in your vehicle by the color of the coolant in the reservoir tank (Refer below figure).



77PM07033

Coolant Color	Coolant Type
Blue	Suzuki LLC : Super
Yellow	Suzuki LLC : Standard

NOTE:

The same type of coolant that is filled at the time of a brand new car should be used when you add or replace the coolant.

SUZUKI LLC: Super (Blue) Coolant:

NOTICE

- This coolant is already diluted to the proper percentage. Do not dilute with distilled water additionally. Doing so may result in the possibility of freezing and/or overheating coolant.
- Do not add SUZUKI LLC: Standard (Yellow) Coolant or distilled water or others when your vehicle is originally filled with SUZUKI LLC: Super (Blue) Coolant. If such a case occurs, then get the vehicle inspected by a Maruti Suzuki authorised workshop.

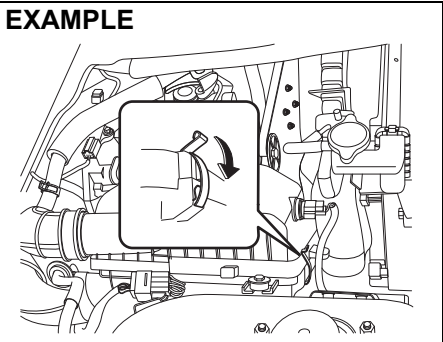
SUZUKI LLC: Standard (Yellow) Coolant:

NOTICE

- The concentration of the mixture to be used shall be 30% antifreeze and 70% distilled water. Do not use straight coolant nor plain water.
- If the lowest ambient temperature in your area is expected to be -15°C (5°F) or below, use higher concentrations up to 60% following the instructions on the antifreeze container. Concentrations greater than 60% will cause overheating conditions.
- When your vehicle is originally filled with SUZUKI LLC: Standard (Yellow) Coolant, follow the maintenance schedule of SUZUKI LLC: Standard (Yellow) Coolant in this section. In case you replace with Suzuki LLC: Super (Blue) Coolant, then get the vehicle inspected by a Maruti Suzuki authorised workshop.

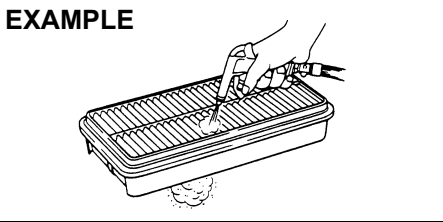
Air Cleaner

If the air cleaner is clogged with dust, there will be greater intake resistance, resulting in decreased power output and increased fuel consumption.



77PM07011

Unclamp the side clamps, and remove the element from the air cleaner case.



60A183

If it appears to be dirty, clean or replace the air cleaner with a new one as per periodic maintenance schedule.

Spark Plugs

Replacing and inspection of spark plugs

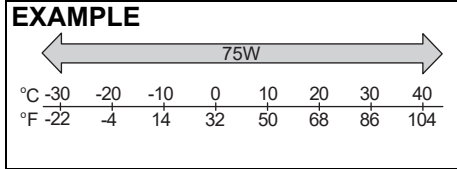
Since special procedures, materials and tools are required, it is recommended that you trust this job to your Maruti Suzuki authorised workshop.

Gear Oil

**Manual Transmission Oil/
Differential Oil**

When adding gear oil, use gear oil with the appropriate viscosity and grade as shown in the chart below.

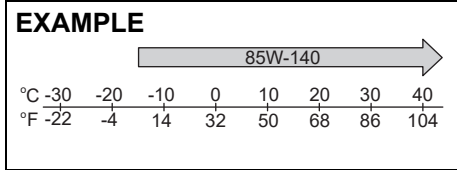
Manual transmission oil



68LM728

We highly recommend you use: "MARUTI GENUINE GEAR OIL 75W" for manual transmission gear oil.

Rear differential oil



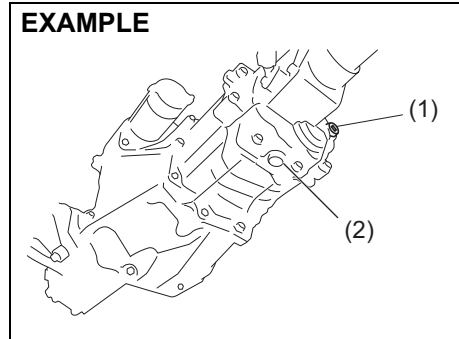
77PH075

We highly recommend you use: "TOTALFINAELF TRANSELF LL 85W-140" for rear differential oil.

INSPECTION AND MAINTENANCE

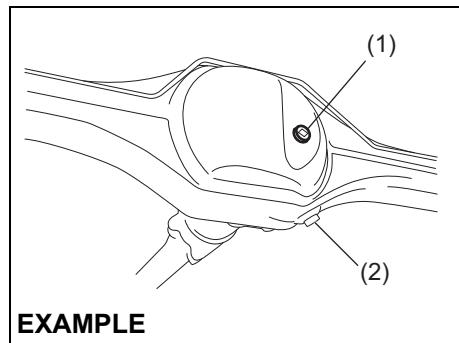
Gear Oil Level Check

Manual transmission



77PH078

Rear differential



77PH047

1. Oil filler and level plug (Do not reuse).
2. Oil drain plug.

To check the gear oil level, use the following procedure:

- 1) Park the vehicle on a level surface with the parking brake applied. Then, stop the engine.
- 2) Remove the oil filler and level plug (1).
- 3) Check the inside of the hole with your finger. If the oil level comes up to the bottom of the plug hole, the oil level is correct. If so, reinstall the plug.
- 4) If the oil level is low, add gear oil through the oil filler plug hole (1) until the oil level reaches the bottom of the filler hole, then reinstall the plug.

Tightening torque for oil filler and level plug

Manual transmission (1):

23 Nm (2.3 kgf-m, 17.0 lbf-ft)

Rear differential (1):

25 Nm (2.5 kgf-m, 18.5 lbf-ft)

NOTE:

For Rear differential always use a new oil filler and level plug (1).

CAUTION

After driving the vehicle, the gear oil temperature may be high enough to burn your skin. Wait until the oil filler plug is cool enough to touch with your bare hands before inspecting gear oil level.

NOTICE

When tightening the plug, apply the following sealing compound or equivalent to the plug threads to prevent oil leakage.

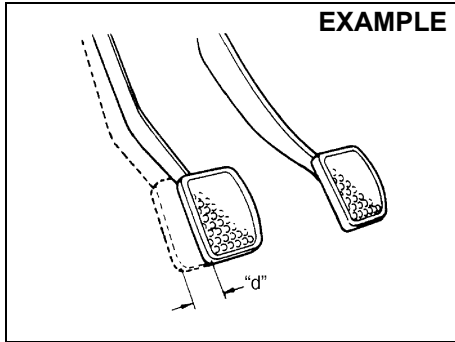
MARUTI SUZUKI Bond No. "1216E" or "1217G"

Gear Oil Change

Since special procedures, materials and tools are required, it is recommended that you trust this job to your authorised MARUTI SUZUKI COMMERCIAL workshop.

Clutch Pedal

Cable control clutch



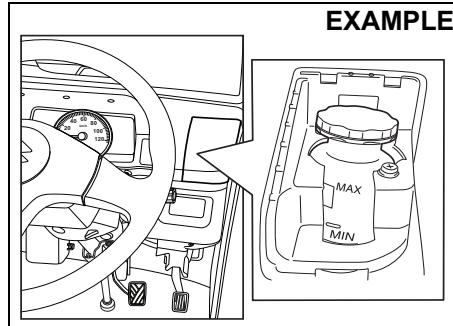
54G274

Clutch pedal play “d”: 10 - 15 mm (0.4 - 0.6 in.)

Measure the clutch pedal play by moving the clutch pedal with your hand and measuring the distance it moves until you feel slight resistance. The play in the clutch pedal should be between the specified values. If the play is more or less than the above, or clutch dragging is felt with the pedal fully depressed, have the clutch inspected by your authorised MARUTI SUZUKI COMMERCIAL workshop.

Brakes

Brake Fluid



77PM706

Check the brake fluid level by looking at the reservoir in the instrument panel. Remove the cover on right hand side of steering wheel to check the brake fluid reservoir level. Check that the fluid level is between the “MAX” and “MIN” lines. If the brake fluid level is near the “MIN” line, fill it up to the “MAX” line with Maruti Genuine Brake Fluid (MGBF) or DOT 3. We highly recommend to use “Maruti Genuine Brake Fluid” (MGBF).

⚠ WARNING

Failure to follow the guidelines below can result in personal injury or serious damage to the brake system.

- If the brake fluid in the reservoir drops below a certain level, the brake warning light on the instrument panel will come ‘ON’ (the engine must be running with the parking brake fully disengaged). Should the light come on, immediately ask your authorised MARUTI SUZUKI COMMERCIAL workshop to inspect the brake system.
- A rapid fluid loss indicates a leak in the brake system which should be inspected by your authorised MARUTI SUZUKI COMMERCIAL workshop immediately.
- Do not use any fluid other than Maruti Genuine Brake Fluid (MGBF) or DOT 3. We highly recommend to use Maruti Genuine Brake Fluid (MGBF). Do not use reclaimed fluid or fluid that has been stored in old or open containers. It is essential that foreign particles and other liquids are kept out of the brake fluid reservoir.

⚠ CAUTION

Brake fluid can harm your eyes and damage painted surfaces. Use caution when refilling the reservoir.

INSPECTION AND MAINTENANCE

⚠ WARNING

- In case vehicle is driven in overloaded condition, the braking distance may be longer and higher pedal force may be required.

⚠ WARNING

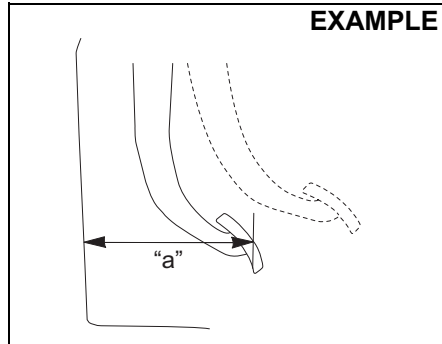
Brake fluid is harmful or fatal if swallowed, and harmful if it comes in contact with skin or eyes. If swallowed, do not induce vomiting. Immediately contact a poison control center or a physician. If brake fluid gets in eyes, flush eyes with water and seek medical attention. Wash thoroughly after handling. Solution can be poisonous to animals. Keep out of the reach of children and animals.

NOTE:

With disc brakes, the fluid level can be expected to gradually fall as the brake pads wear.

Brake Pedal

Check if the brake pedal stops at the regular height without spongy feeling when you depress it. If not, have the brake system inspected by your authorised MARUTI SUZUKI COMMERCIAL workshop. If you doubt the brake pedal for the regular height, check it as follows:



54G108S

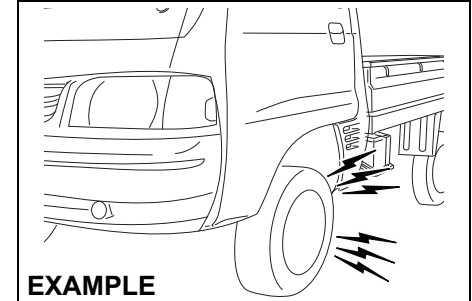
Pedal to Front Panel minimum distance "a":
Petrol and CNG Engine Model:
157 mm

With the engine running, measure the distance between the brake pedal and front panel when the pedal is depressed with approximately 30 kg (66 lbs) of force. The minimum distance required is as specified. Since your vehicle's brake system is self-adjusting, there is no need for pedal adjustment.

If the pedal to front panel distance as measured above is less than the minimum distance required, have your vehicle inspected by your authorised MARUTI SUZUKI COMMERCIAL workshop.

NOTE:

When measuring the distance between the brake pedal and front panel, be sure not to include the floor mat or rubber on the front panel in your measurement.



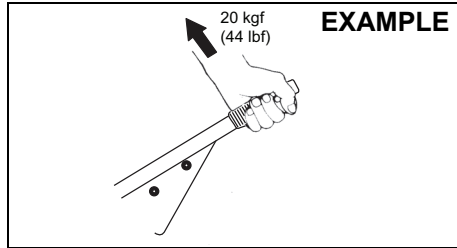
77PM07013

⚠ WARNING

If you experience any of the following problems with your vehicle's brake system, have the vehicle inspected immediately by your authorised MARUTI SUZUKI COMMERCIAL workshop.

- Poor braking performance
- Uneven braking (brakes not working uniformly on all wheels)
- Excessive pedal travel
- Brake dragging
- Excessive noise
- Pedal pulsation (pedal pulsates when depressed)

Parking Brake



77PM702

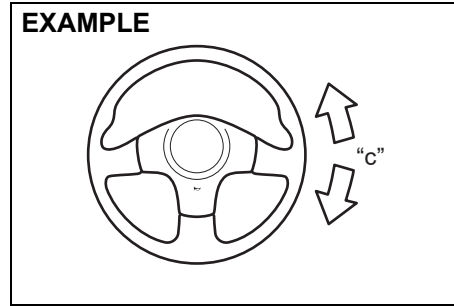
Ratchet tooth specification
6th – 9th teeth
Lever pull force (1):
200 N (20 kgf, 44 lbf)

Check the parking brake for proper adjustment by counting the number of clicks made by the ratchet teeth as you slowly pull up on the parking brake lever to the point of full engagement. The parking brake lever should stop between the specified ratchet teeth and the rear wheels should be securely locked. If the parking brake is not properly adjusted or the brakes drag after the lever has been fully released, have the parking brake inspected and/or adjusted by your authorised MARUTI SUZUKI COMMERCIAL workshop.

⚠ WARNING

- **Parking Brake may not be effective in case vehicle is over-loaded. Use additional chocks to hold the vehicle.**

Steering



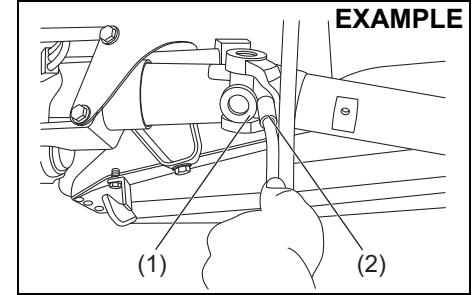
77PH042

Steering wheel play “c”:
0 – 30 mm (0.0 – 1.2 in.)

Check the play of the steering wheel by gently turning it from left to right and right to left, with wheels in straight ahead position and engine in OFF condition. Measure the distance that the steering moves before you feel slight resistance. The play should be between the specified values. Check that the steering wheel turns easily and smoothly without rattling by turning it all the way to the right and to the left while driving very slowly in an open area. If the amount of free play is outside the specification or you find anything else to be wrong, an inspection must be performed by your authorised MARUTI SUZUKI COMMERCIAL workshop.

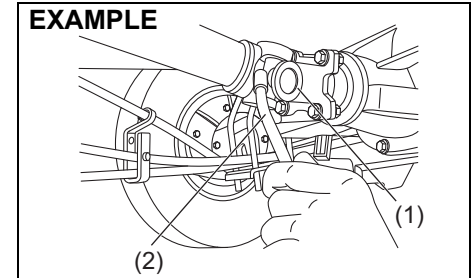
Propeller Shaft Universal Joint

Front



77PM703

Rear



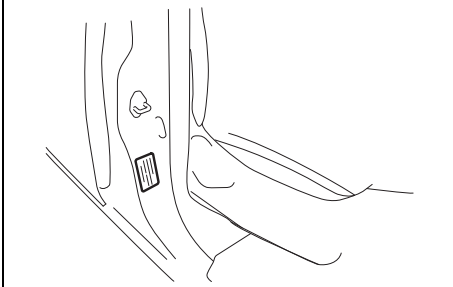
77PM704

Lubricate propeller shaft universal joint (1) (front & rear) as per the service schedule.

To lubricate the propeller shaft universal joint you should use grease gun (2) and specified grease NLGI GRADE 2.

Tyres

EXAMPLE



77PM705

The front and rear tyre pressure specifications for your vehicle are listed on the Tyre Information Label. Both the front and rear tyres should have the specified tyre pressure.

Note that the value does not apply to the compact spare tyre, if equipped.

Tyre Inspection

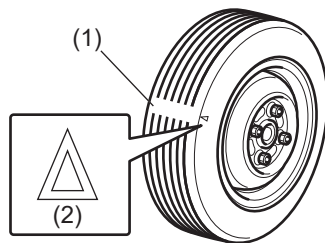
Inspect your vehicle's tyres at least once a month by performing the following checks:

- 1) Measure the air pressure with a tyre pressure gauge. Adjust the pressure if necessary. Remember to check the spare tyre, too.

⚠ WARNING

- Air pressures should be checked when the tyres are cold or you may get inaccurate readings.
- Check the inflation pressure from time to time while inflating the tyre gradually, until the specified pressure is obtained.
- Never under-inflate or over inflate the tyres.
- Under inflation can cause unusual handling characteristics or can cause the rim to slip on the tyre bead, resulting in an accident or damage to the tyre or rim.
- Overinflation can cause the tyre to burst, resulting in personal injury. Overinflation can also cause unusual handling characteristics which may result in an accident.

EXAMPLE



52KM110

- (1) Tread wear indicator
- (2) Indicator location mark

- 2) Check that the depth of the tread groove is more than 1.6 mm (0.06 in.). To help you check this, the tyres have molded-in tread wear indicators in the grooves. When the indicators appear on the tread surface, the remaining depth of the tread is 1.6 mm (0.06 in.) or less and the tyre should be replaced.
- 3) Check for abnormal wear, cracks and damage. Any tyres with cracks or other damage should be replaced. If any tyres show abnormal wear, have them inspected by your authorised MARUTI SUZUKI COMMERCIAL workshop.

⚠ CAUTION

Hitting curbs and running over rocks can damage tyres and affect wheel alignment. Be sure to have tyres and wheel alignment checked periodically by your authorised MARUTI SUZUKI COMMERCIAL workshop.

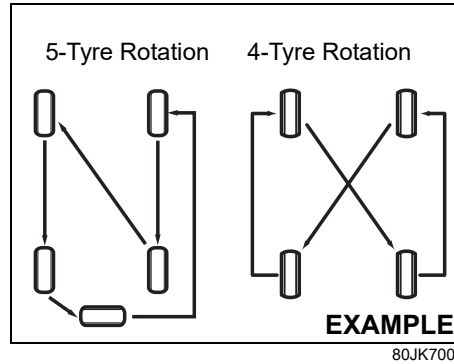
- 4) Check for loose wheel nuts.
- 5) Check that there are no nails, stones or other objects sticking into the tyres.

⚠ WARNING

- Your Vehicle is equipped with tyres which are all the same type and size. This is important to ensure proper steering and handling of the vehicle. Never mix tyres of different size or type on the four wheels of your vehicle. The size and type of tyres used should be only those approved by MARUTI SUZUKI as standard or optional equipment for your vehicle.
- Replacing the wheels and tyres equipped on your vehicle with certain combinations of aftermarket wheels and tyres can significantly change the steering and handling characteristics of your vehicle.
- Therefore, use only those wheel and tyre combinations approved by MARUTI SUZUKI as standard or optional equipment for your vehicle.

NOTICE

Replacing the original tyres with tyres of a different size may result in incorrect speedometer or odometer readings. Check with your authorised MARUTI SUZUKI COMMERCIAL workshop before purchasing replacement tyres that differ in size from the original tyres.

Tyre Rotation

To avoid uneven wear of your tyres and to prolong their life, rotate the tyres as illustrated. Tyres should be rotated every 10000 km. After rotation, adjust front and rear tyre pressures to the specification listed on your vehicle's Tyre Information Label.

Wheel Balancing

If the vehicle vibrates abnormally on smooth road, have the wheel balanced at authorised MARUTI SUZUKI COMMERCIAL workshop.

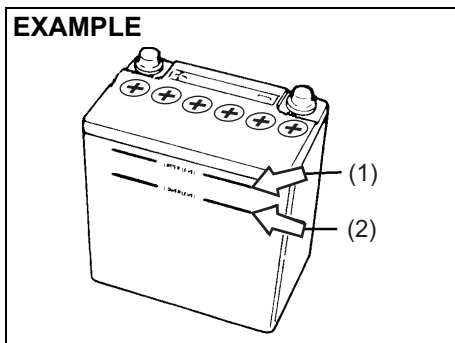
Wheel Alignment

In case of abnormal tyre wear or pulling towards one side, have the wheel aligned at authorised MARUTI SUZUKI COMMERCIAL workshop.

Battery**⚠ WARNING**

- Batteries produce flammable hydrogen gas. Keep flames and sparks away from the battery or an explosion may occur. Never smoke when working in the vicinity of the battery.
- When checking or servicing the battery, disconnect the negative cable. Be careful not to cause a short circuit by allowing metal objects to contact the battery posts and the vehicle at the same time.
- To avoid harm to yourself or damage to your vehicle or battery, follow the jump starting instructions in the "EMERGENCY SERVICE" section of this manual if it is necessary to jump start your vehicle.

EXAMPLE



54GM701

For maintenance-free battery (cap-less type), you need not add water. For traditional type battery, which has water filler caps, the level of the battery solution must be kept between the upper level line (1) and lower level line (2) at all times. You should periodically check the battery, case battery terminals, and battery hold-down bracket for damage or corrosion. Remove corrosion using a stiff brush and ammonia mixed with water, or baking soda mixed with water. After removing corrosion, rinse with clean water.

If your vehicle is not going to be driven for a month or longer, disconnect the cable from the negative terminal of the battery to help prevent discharge.

⚠ WARNING

If the battery is used with battery level being less than the lower level line (2), it may cause reduced battery life, an exothermic heat, or an explosion by hydrogen gas occurring from the battery. Do not use the battery with battery level being less than the lower level line (2).

NOTICE

If the battery liquid is added more than the upper level line (1), liquid may leak by vibrations during driving or liquid may spray out in some case depending on the condition of battery charging. These may cause damage to the parts near the battery. If the battery liquid overflows, immediately wash away with water. Do not add the battery liquid more than the upper level line (1).

NOTE:

The battery liquid is consumed when the battery is used. If the level is found to be less than the center of upper level (1) and lower level (2), add distilled water till it reaches the upper level line (1).

Fuses

Your vehicle has three types of fuses, as described below:

Fusible Link Wire and Main fuse

The main fuse takes current directly from the battery.

Primary fuses

These fuses are between the main fuse and individual fuses, and are for electrical load groups.

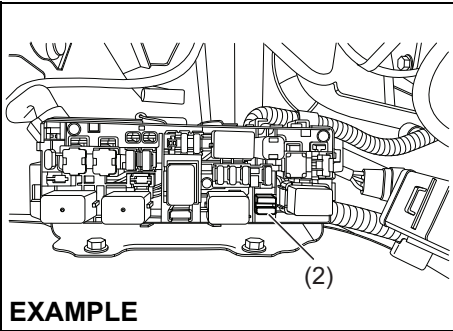
Individual fuses

These fuses are for individual electrical circuits.

NOTE:

- "Blank" indicates that fuse is not applicable in the variant, even though name of fuse might be available on cover of fuse box of your vehicle.
- Some fuse may not be applicable to your vehicle according to the variant of vehicle, even though it is not mentioned as blank.

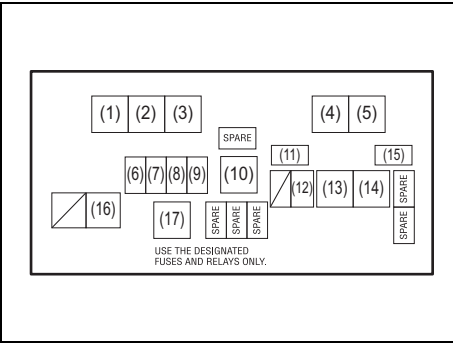
To remove a fuse, use the fuse puller (2) provided in the relay box.



77PM07012

NOTE:
Some fuse may not be applicable to your vehicle according to the variant of vehicle, even though it is not mentioned as blank.

Fuses in the Engine Compartment

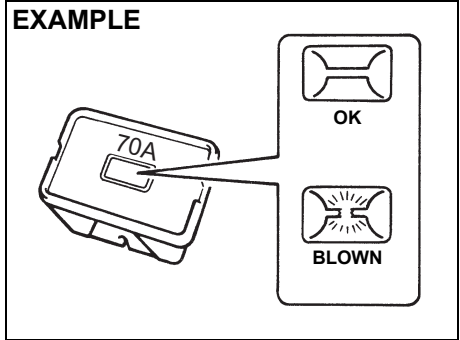


77PM07030

MAIN FUSE/PRIMARY FUSE / RELAY		
S. No.	Rating	Fuse / Relay
(1)	–	CNG valve relay*
(2)	–	Fuse puller
(3)	–	Radiator fan relay
(4)	–	Fuel pump relay
(5)		Starting motor relay
(6)	7.5A	CNG valve*
(7)	20A	Fuel Injection
(8)	30A	Starting motor
(9)	15A	Horn
(10)	70A	Alternator
(11)	7.5A	CNG*
(12)	10A	Hazard warning light
(13)	40A	Battery
(14)	40A	Ignition switch
(15)	7.5A	ST SIG 2 (starting signal)
(16)	30A	Radiator fan
(17)	–	FI main relay

*: For CNG model

The main fuse, primary fuses and some of the individual fuses are located in the engine compartment. If the main fuse blows, no electrical component will function. If a primary fuse blows, no electrical component in the corresponding load group will function. When replacing the main fuse, a primary fuse or an individual fuse, use a MARUTI genuine replacement. To remove a fuse, use the fuse puller (2) provided in the relay box. The amperage of each fuse is shown inside of the fuse box cover.



60G111

INSPECTION AND MAINTENANCE

WARNING

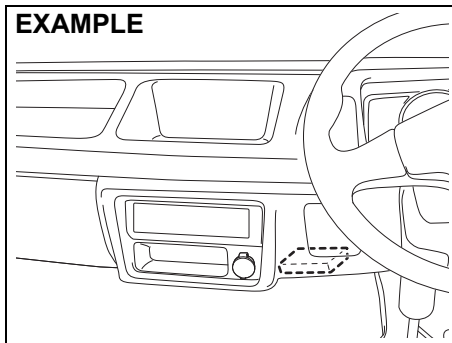
If the main fuse or a primary fuse blows, be sure to have your vehicle inspected by an authorised MARUTI SUZUKI COMMERCIAL workshop. Always use a MARUTI genuine replacement part. Never use a substitute such as a wire even for temporary repair, or extensive electrical damage / fire can result.

NOTE:

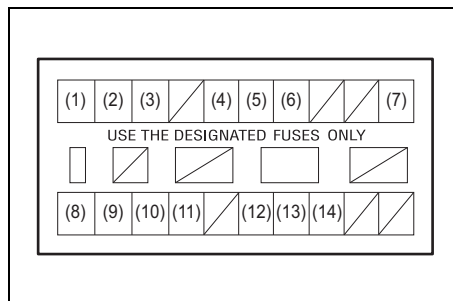
Make sure that the fuse box always carries spare fuses and fuse puller.

Fuses under the Dash Board

EXAMPLE



77PH048

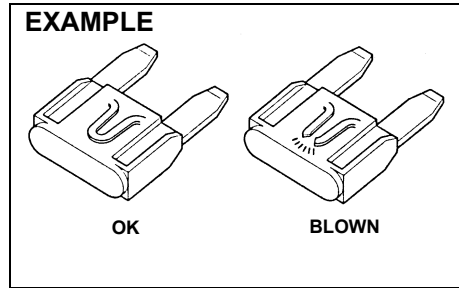


77PH049

MAIN FUSE/PRIMARY FUSE		
(1)	10A	Headlight (Right)
(2)	10A	Headlight (Left)
(3)	10A	Dome light
(4)	10A	Tail light
(5)	10A	Stop light
(6)	15A	Radio
(7)	10A	Starting signal
(8)	10A	Meter
(9)	15A	Ignition
(10)	10A	Back-up light
(11)	15A	Front wiper
(12)	15A	Accessory 2
(13)	10A	Accessory
(14)	7.5A	CNG Ignition*

*: For CNG model

The fuse box is located under the dashboard.



65D046

▲ WARNING

Always be sure to replace a blown fuse with a fuse of the correct amperage. Never use a substitute such as aluminum foil or wire to replace a blown fuse. If you replace a fuse and the new one blows in a short period of time, you may have a major electrical problem. Have your vehicle inspected immediately by your authorised MARUTI SUZUKI COMMERCIAL workshop.

Bulb Replacement

▲ CAUTION

- Light bulbs can be hot enough to burn your finger right after being turned off. This is true especially for halogen headlight bulbs. Replace the bulbs after they become cool enough.
- The headlight bulbs are filled with pressurized halogen gas. They can burst and injure you if they are hit or dropped. Handle them carefully.

NOTICE

The oils from your skin may cause a halogen bulb to overheat and burst when the lights are on. Grasp a new bulb with a clean cloth.

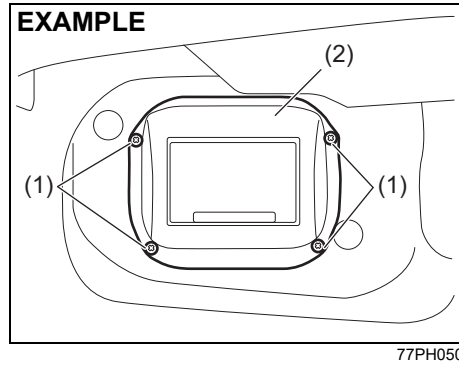
NOTICE

- Frequent replacement of a bulb indicates the need for an inspection of the electrical system. This should be carried out by your Maruti Suzuki authorised workshop.
- During bulb replacement always use same bulb number as used in vehicle which is imprinted on the said bulb/unit and/or mentioned in SPECIFICATIONS.

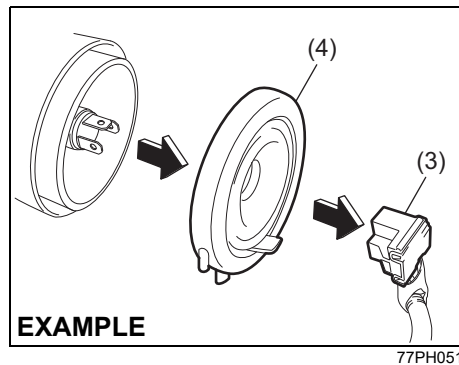
NOTE:
Mist may form on the lenses of exterior lights (Headlight, Rear combination light etc.) during or after driving in the rain or after car washing. This is a natural phenomenon which occurs due to temperature difference between lamp inside and outside. Temporary mist on the lens is not a malfunction and will not cause any discomfort during vehicle driving. The mist would get cleared when the environmental condition change to sunny or when headlamp is kept on. However if there is water leakage inside the lamp, contact your authorised Maruti Suzuki workshop.

INSPECTION AND MAINTENANCE

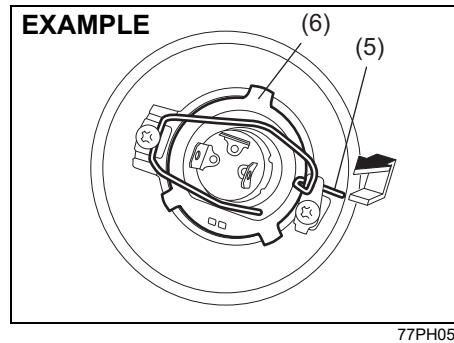
Headlights



- 1) Remove the screws (1) and remove the air inlet box (2).



- 2) Disconnect the coupler (3). Remove the sealing rubber (4).

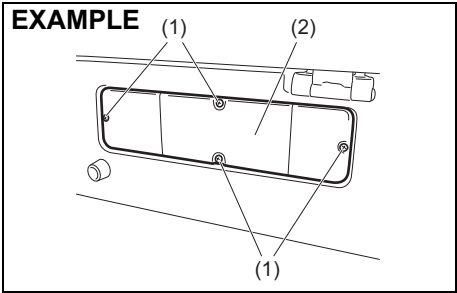


- 3) Push the retaining spring (5) forward and unhook it. Then remove the bulb (6). Install a new bulb in the reverse order of removal.

Front Turn Signal Light Front Position Light

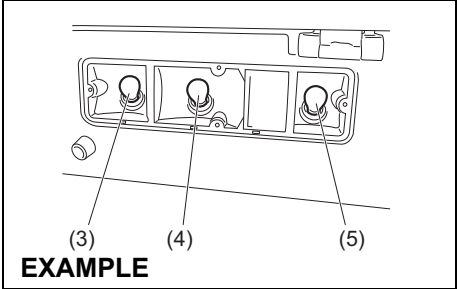
Since special procedures are required, we recommend you take your vehicle to your authorised MARUTI SUZUKI COMMERCIAL workshop for bulb replacement.

Rear Combination Light

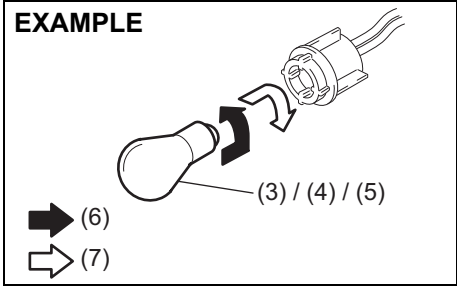


77PH055

1) Remove the screws (1) and remove the cover (2).



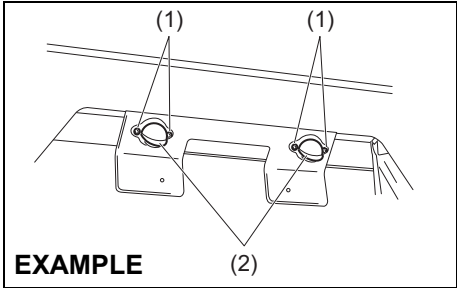
77PH056



76MH0A123

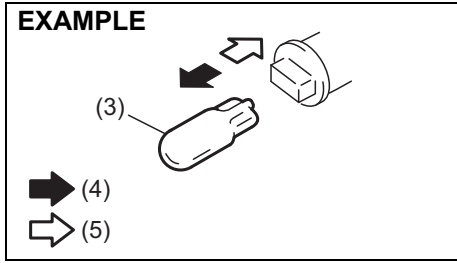
(6) Removal
(7) Install
2) To remove the bulb of the turn signal light (3), the tail/brake light (4) or the reversing light (5) bulb holder, push in the bulb and turn it counterclockwise. To install a new bulb, push it in and turn it clockwise.

License Plate Light



77PH066

1) Remove the screws (1) and remove the cover (2).

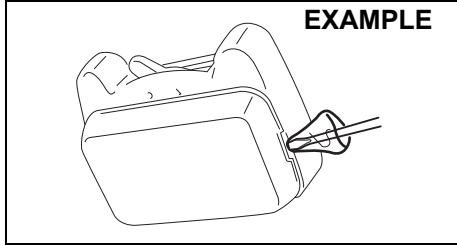


77PH063

(4) Removal
(5) Install
2) To remove and install the bulb of the license plate light (3), simply pull out or push in the bulb.

Interior Light

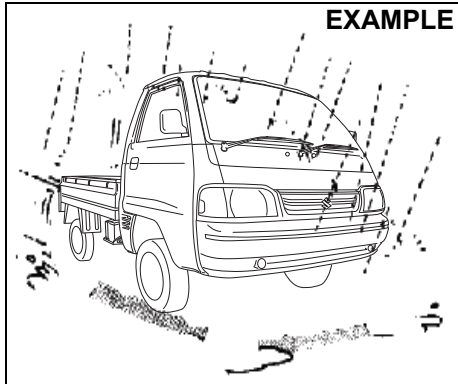
Remove the lens by using a flat blade screwdriver covered with a soft cloth as shown. To install it, simply push it back in.



77PH057

INSPECTION AND MAINTENANCE

Wiper Blades



77PM07028

If the wiper blades become brittle or damaged, or make streaks when wiping, replace the wiper blades.

To install new wiper blades, follow the procedures below.

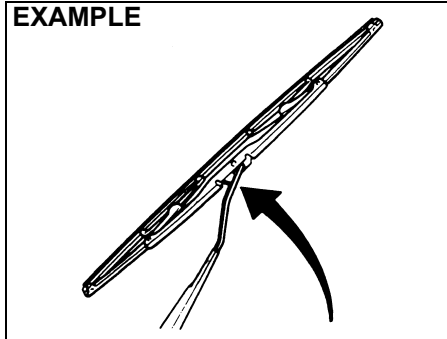
NOTICE

To avoid scratching or breaking the window, do not let the wiper arm strike the window while replacing the wiper blade.

NOTE:

Some wiper blades may be different from the ones described here depending on vehicle specifications. If so, consult your authorised MARUTI SUZUKI COMMERCIAL workshop for proper replacement method.

For windshield wipers:



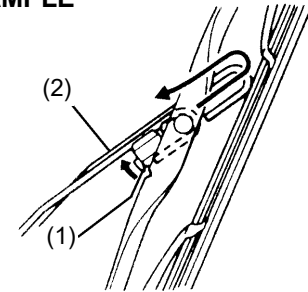
70G119

- 1) Hold the wiper arm away from the windshield.

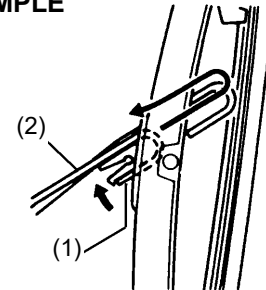
NOTE:

When raising both of the front wiper arms, pull the driver's side wiper arm up first. When returning the wiper arms, lower the passenger's side wiper arm first. Otherwise, the wiper arms may interfere with each other.

EXAMPLE



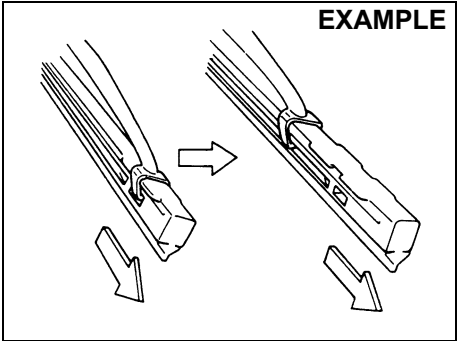
EXAMPLE



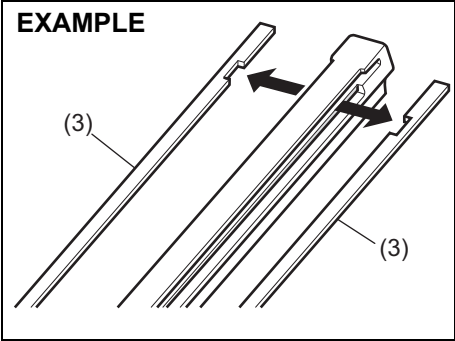
54G130

- 2) Squeeze lock (1) towards wiper arm (2) and remove the wiper frame from the arm as shown.
- 3) Unlock the lock end of the wiper blade and slide the blade out as shown.

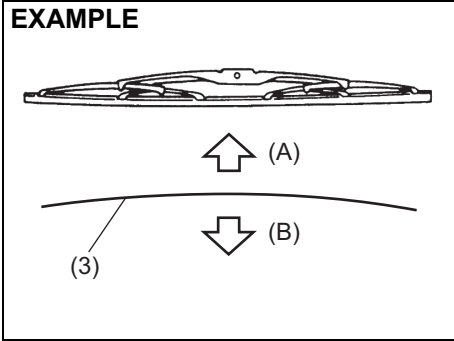
Removal



60A260

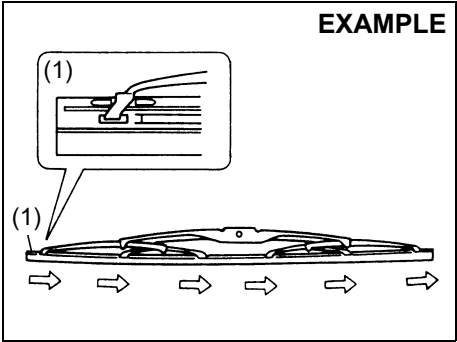


68PH00754



60MH072

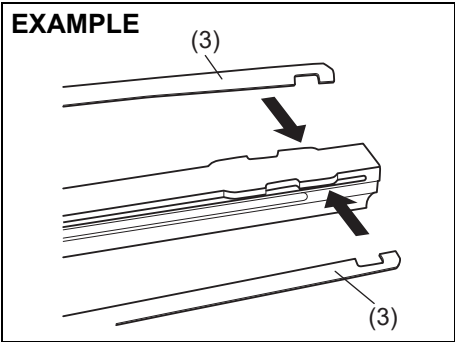
Installation



54G132

(1) Locked end

- (3) Retainer
- 4) If the new blade is provided without the two metal retainers, move them from the old blade to the new one.



60MH071

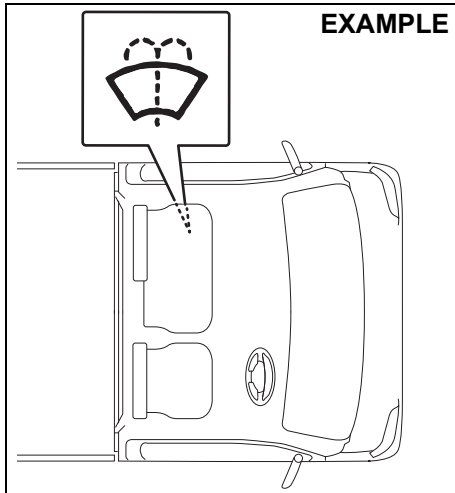
- (A) Up
- (B) Down

NOTE:
When you install the metal retainers (3), make sure the direction of metal retainers is as shown in the above illustrations.

- 5) Install the new blade in the reverse order of removal, with the locked end positioned toward the wiper arm. Make sure the blade is properly retained by all the hooks. Lock the blade end into place.
- 6) Reinstall wiper frame to arm, making sure that the lock lever is snapped securely into the arm.

INSPECTION AND MAINTENANCE

Windshield Washer Fluid (If equipped)



77PM07027

Visually inspect that there is washer fluid in the tank. Refill it if necessary. Use a good quality windshield washer fluid, diluted with water as necessary.

NOTICE

Avoid use of hard water to prevent building of lime scale on the vehicle.

⚠ WARNING

Do not use radiator antifreeze in the windshield washer reservoir. This can severely impair visibility when sprayed on the windshield, and can also damage your vehicle's paint.

NOTICE

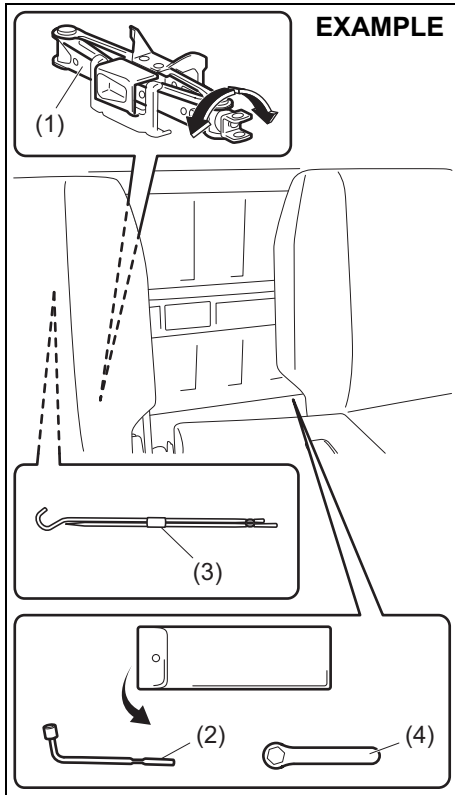
Damage may result if the washer motor is operated with no fluid in the washer tank.

EMERGENCY SERVICE

Tyre Changing Tool	8-1
Jacking Instructions	8-2
Changing Wheels	8-5
Jump Starting Instructions	8-6
Towing	8-7
If the Starter Does Not Operate	8-8
If the Engine is Flooded	8-8
If the Engine Overheats	8-8
Underbody Trouble by Hitting	8-9
Warning Triangle	8-9
Fire Extinguisher (if equipped)	8-10

EMERGENCY SERVICE

Tyre Changing Tool



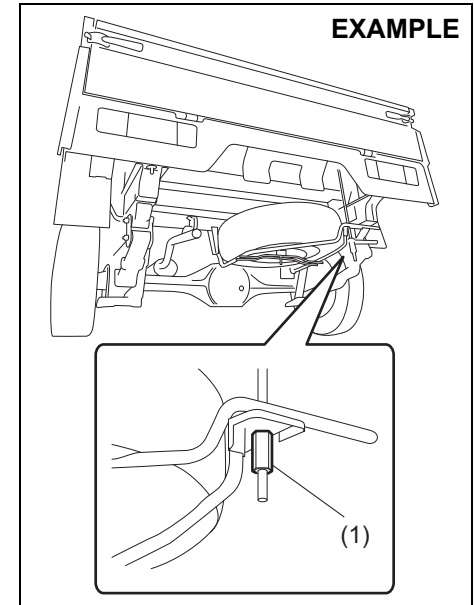
77PH202

- (1) Jack
- (2) Wheel brace
- (3) Jack handle
- (4) Spanner

The tyre changing tools are stowed behind the driver seat.

To remove the jack, turn its shaft counter-clockwise and pull the jack out of the storage bracket. To stow the jack, place it in the storage bracket and turn the shaft clockwise until the jack is securely held in place.

The spare tyre is stowed under the bed.
To remove the spare tyre:



77PH099

- 1) Loosen the spare tyre holder hook nut (1).
- 2) Unhook the spare tyre holder and lower it slowly.
- 3) Remove the screw in the center of the spare tyre, and remove the tyre.

⚠ WARNING

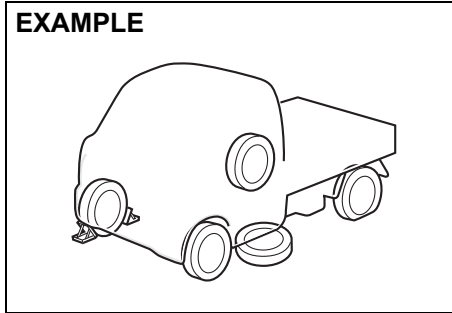
After using the tyre changing tools, be sure to stow them securely or they can cause injury if an accident occurs.

⚠ CAUTION

The jack should be used only to change wheels. It is important to read the jacking instructions in this section before attempting to use the jack.

Jacking Instructions

EXAMPLE



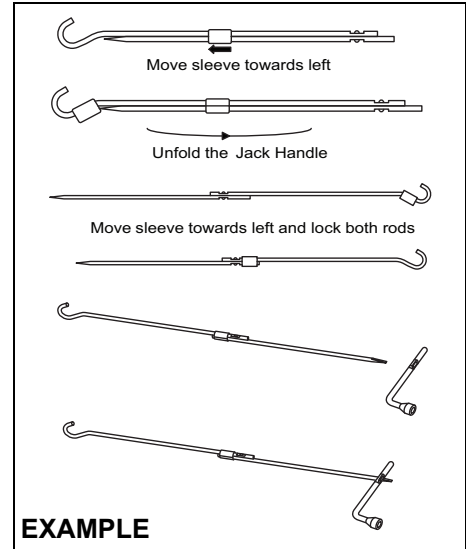
77PH054

- 1) Place the vehicle on level, hard ground.
- 2) Set the parking brake firmly and shift into "R" (Reverse).

⚠ WARNING

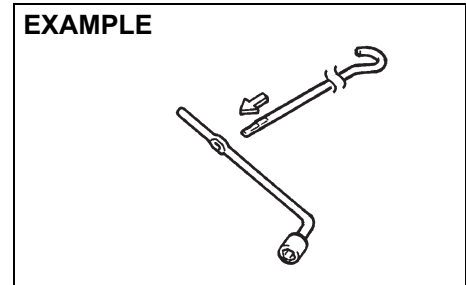
- Be sure to shift into "R" (Reverse) when you jack up the vehicle.
- Never jack up the vehicle with the transmission in "N" (Neutral). Otherwise, unstable jack may cause an accident.

- 3) Turn on the hazard warning flasher if your vehicle is near traffic.
- 4) Block the front and rear of the wheel diagonally opposite of the wheel being lifted.
- 5) Place the spare wheel near the wheel being lifted as shown in the illustration in case the jack slips.



EXAMPLE

77PH802



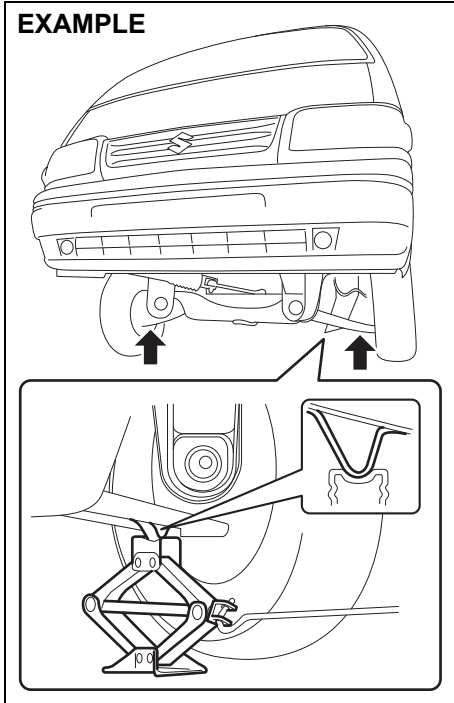
EXAMPLE

54G253

EMERGENCY SERVICE

Front jacking point

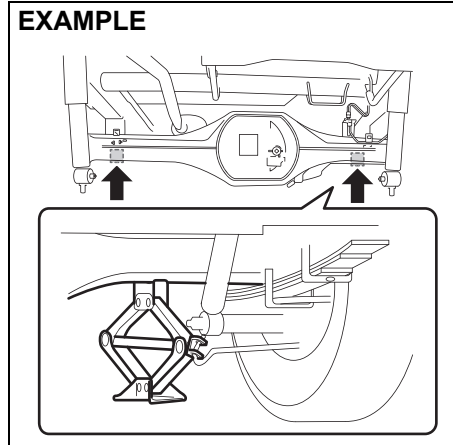
EXAMPLE



77PH084

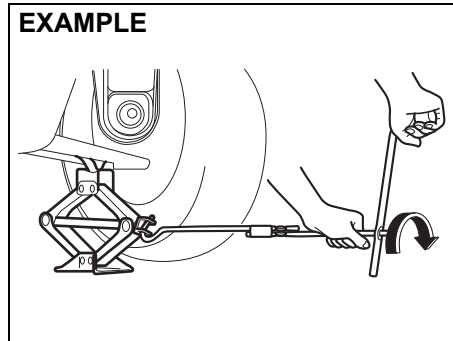
Rear jacking point

EXAMPLE



77PH106

EXAMPLE



77PS052

- 6) Position the jack vertically and raise the jack by turning the jack handle clockwise until the jack head groove fits around the jacking bar beneath the vehicle body. See illustrations.
- 7) Continue to raise the jack slowly and smoothly until the tyre clears the ground. Do not raise the vehicle more than necessary.

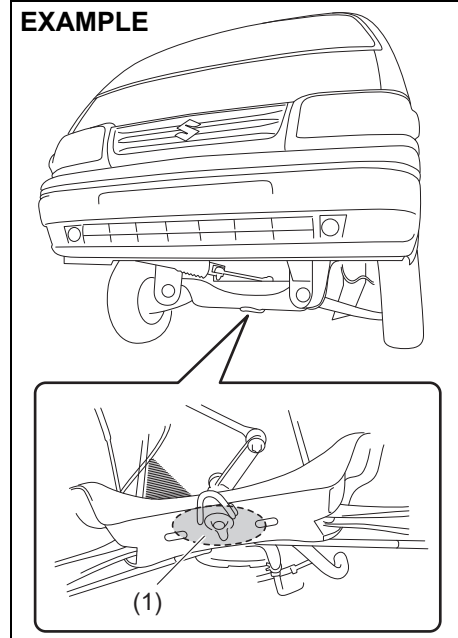
⚠ WARNING

- Use the jack only to change wheels on level, hard ground.
- Never jack up the vehicle on an inclined surface.
- Never raise the vehicle with the jack in a location other than the specified jacking point (shown in the illustration) near the wheel to be changed.
- Do not use wooden blocks or similar objects as a jack underlay.
- Never get under the vehicle when it is supported by the jack. Never place your hands and feet under the raised vehicle when it is supported by a jack.
- Never run the engine when the vehicle is supported by the jack and never allow passengers to remain in the vehicle.

To Raise the Vehicle with a Garage Jack

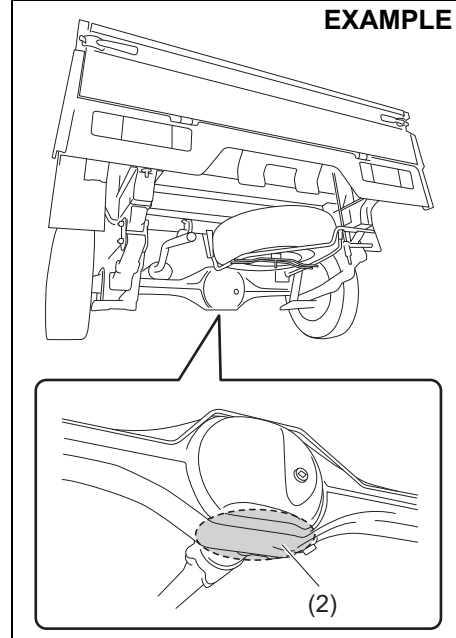
- Apply the garage jack to one of the points indicated below.
- Always support the raised vehicle with jack stands (commercially available) at the points indicated below.

Front jacking point for garage jack (1)



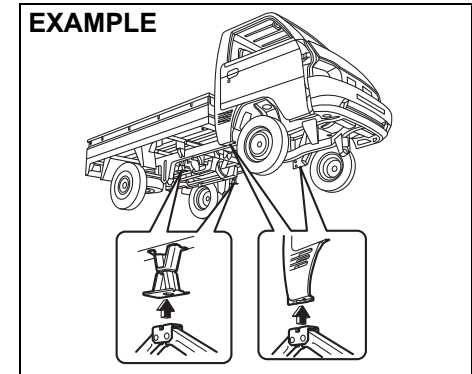
77PH060

Rear jacking point for garage jack (2)



77PH101

Application point for jack stand (3) or two-column lift



77PS055 (2)

NOTICE

- Never apply a garage jack to the exhaust pipe.
- When applying the jack stand or the two-column lift to the application point of the rear side, be careful not to interfere with the surrounding parts such as the parking cable or the flange of the fuel tank.

NOTE:

For more details, please contact an authorised MARUTI SUZUKI COMMERCIAL workshop.

EMERGENCY SERVICE

Changing Wheels

⚠ WARNING

Never change a wheel in traffic lane. Always move the vehicle off the road on level, hard ground away from traffic for changing a wheel. For any further assistance contact your nearest Maruti Suzuki authorised workshop.

To change a wheel, use the following procedure:

- 1) Clear all passengers and cargo from the vehicle.
- 2) Remove the jack, tools and spare wheel from the vehicle.
- 3) Loosen, but do not remove the wheel nuts.
- 4) Jack up the vehicle.

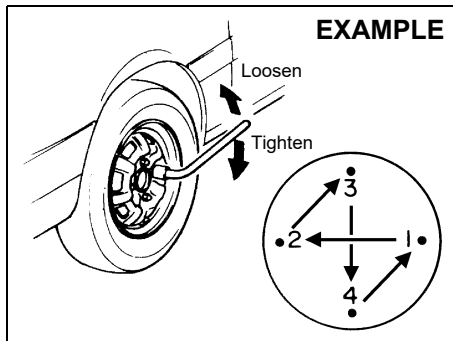
⚠ CAUTION

Immediately after the vehicle has been driven, the wheels, the wheel nuts and the area around the brakes might be extremely hot. Touching these areas may cause burn injury. Do not touch these areas immediately after the vehicle has been driven.

- 5) Remove the wheel nuts and wheel.
- 6) Before installing the new wheel, clean any mud or dirt off from the surface of

the wheel and hub with a clean cloth. Clean the hub carefully; it may be hot from driving.

- 7) Install the new wheel and replace the wheel nuts with their cone shaped end facing the wheel. Tighten each nut snugly by hand until the wheel is securely seated on the hub.



54G116

Tightening torque for wheel nut
100 Nm (10.2 kgf-m, 73.8 lbf-ft)

- 8) Lower the jack and fully tighten the nuts in a crisscross fashion with a wrench as shown in the illustration.

⚠ WARNING

Use genuine wheel nuts and tighten them to the specified torque as soon as possible after changing wheels. Incorrect wheel nuts or improperly tightened wheel nuts may come loose or fall off, which can result in an accident. If you do not have a torque wrench, have the wheel nut torque checked by an authorised MARUTI SUZUKI COMMERCIAL workshop.

Jump Starting Instructions

⚠ WARNING

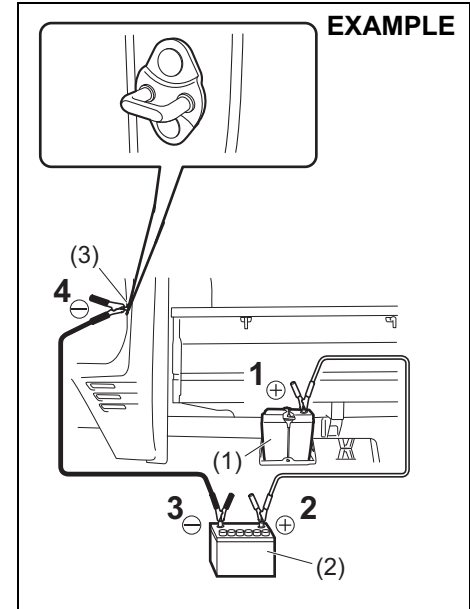
- Never attempt to jump start your vehicle if the battery appears to be frozen. Batteries in this condition may explode or rupture if jump starting is attempted.
- When making jump lead connections, be certain that your hands and the jump leads remain clear from pulleys, belts, or fans.
- Batteries produce flammable hydrogen gas. Keep flames and sparks away from the battery or an explosion may occur. Never smoke when working in the vicinity of the battery.
- If the booster battery you use for jump starting is installed in another vehicle, make sure the two vehicles are not touching each other.
- If your battery discharges repeatedly, for no apparent reason, have your vehicle inspected by an authorised MARUTI SUZUKI COMMERCIAL workshop.
- To avoid harm to yourself or damage to your vehicle or battery, follow the jump starting instructions below precisely and in order. If you are in doubt, call for qualified road service.

NOTICE

Your vehicle should not be started by pushing or towing. This starting method could result in permanent damage to the catalytic converter. Use jump leads to start a vehicle with a weak or flat battery.

When Jump Starting Your Vehicle, Use the Following Procedure:

- 1) Use only a 12-volt battery to jump start your vehicle. Position the good 12-volt battery close to your vehicle so that the jump leads will reach both batteries. When using a battery installed on another vehicle, DO NOT LET THE VEHICLES TOUCH. Set the parking brakes fully on both vehicles.
- 2) Turn off all vehicle accessories, except those necessary for safety reasons (for example, headlights or hazard lights).



77PS056

- 3) Make jump lead connections as follows:
 1. Connect one end of the first jump lead to the positive (+) terminal of the flat battery (1).
 2. Connect the other end to the positive (+) terminal of the booster battery (2).

EMERGENCY SERVICE

3. Connect one end of the second jump lead to the negative (-) terminal of the booster battery (2).
4. Make the final connection to an unpainted, heavy metal part (i.e. door latch striker (3)) of the vehicle with the flat battery (1).

WARNING

Never connect the jump lead directly to the negative (-) terminal of the discharged battery, or an explosion may occur.

- 4) If the booster battery you are using is fitted to another vehicle, start the engine of the vehicle with the booster battery. Run the engine at moderate speed.
- 5) Start the engine of the vehicle with the flat battery.
- 6) Remove the jump leads in the exact reverse order in which you connected them.

Towing

If you need to have your vehicle towed, contact a professional service. Your dealer can provide you with detailed towing instructions.

NOTICE

To help avoid damage to your vehicle during towing, proper equipment and towing procedures must be used.

2-Wheel Drive (2WD) Manual Transmission

Manual transmission vehicles may be towed using either of the following methods.

- 1) From the front, with the front wheels lifted and the rear wheels on the ground. Before towing, make sure that the transmission is in neutral and the parking brake is released.
- 2) From the rear, with the rear wheels lifted and the front wheels on the ground, provided the steering and drivetrain are in operational condition. Before towing, make sure that the steering wheel is unlocked (the ignition key should be in the "ACC" position), and the steering wheel is secured with a clamping device designed for towing service.

NOTICE

The steering column is not strong enough to withstand shocks transmitted from the front wheels during towing. Always unlock the steering wheel before towing.

If the Starter Does Not Operate

- 1) Try turning the ignition switch to the "START" position with the headlights turned on to determine the battery condition. If the headlights go excessively dim or go off, it usually means that either the battery is flat or the battery terminal contact is poor. Recharge the battery or correct battery terminal contact as necessary.
- 2) If the headlights remain bright, check the fuses. If the reason for failure of the starter is not obvious, there may be a major electrical problem. Have the vehicle inspected by your authorised MARUTI SUZUKI COMMERCIAL workshop.

If the Engine is Flooded

If the engine is flooded with fuel, it may be hard to start. If this happens, press the accelerator pedal all the way to the floor and hold it there while cranking the engine.

- Do not operate the starter motor for more than 30 seconds.

If the Engine Overheats

The engine could overheat temporarily under severe driving conditions. If the high engine coolant temperature warning light comes on during driving:

- 1) Take the vehicle to a safe place and park.
- 2) Let the engine run at the normal idle speed for a few minutes until the high engine coolant temperature warning light goes off.

▲ WARNING

If you see or hear escaping steam, stop the vehicle in a safe place and immediately turn off the engine to let it cool. Do not open the engine compartment when steam is present. When the steam can no longer be seen or heard, open the engine compartment to see if the coolant is still boiling. If it is, you must wait until it stops boiling before you proceed.

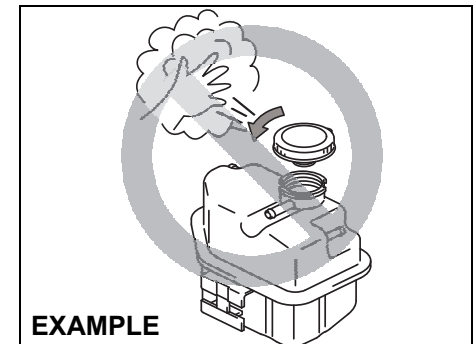
If the high engine coolant temperature warning light does not go off:

- 1) Turn off the engine and check that the water pump belt and pulleys are not damaged or slipping. If any abnormality is found, correct it.

- 2) Check the coolant level in the reservoir. If it is found to be lower than the "LOW" line, look for leaks at the radiator, water pump, and radiator and heater hoses. If you locate any leaks that may have caused the overheating, do not run the engine until these problems have been corrected.
- 3) If you do not find a leak, carefully add coolant to the reservoir and then the radiator, if necessary. (Refer to "Engine Coolant" in the "INSPECTION AND MAINTENANCE" section.)

NOTE:

If your engine overheats and you are unsure what to do, contact your authorised MARUTI SUZUKI COMMERCIAL workshop.



65D350d

WARNING

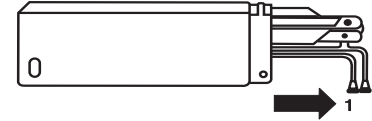
- It is hazardous to remove the radiator cap (or degassing tank cap for a diesel engine) when the water temperature is high, because scalding fluid and steam may be blown out under pressure. The cap should only be taken off when the coolant temperature has lowered.
- To help prevent personal injury, keep hands, tools and clothing away from the engine cooling fan. These electric fans can automatically turn on without warning.

Underbody Trouble by Hitting

If you hit underbody of your vehicle, ask an authorised MARUTI SUZUKI COMMERCIAL workshop for inspection. Otherwise damage to steering, Suspension, Drive-line, and Brake etc. could prevent your safe driving.

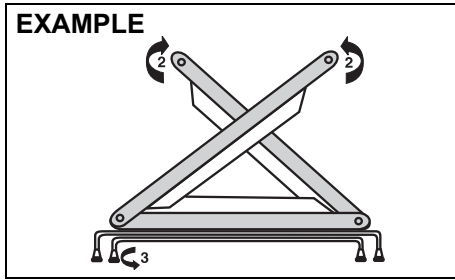
Warning Triangle

EXAMPLE



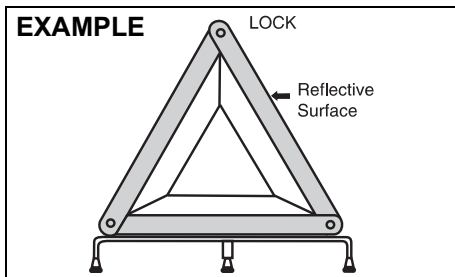
MHO-07-001

In case of vehicle break-down or during emergency stopping, where, your vehicle could become a potential traffic hazard, keep the warning triangle, provided with your vehicle, on the road free from any obstacles behind your vehicle so as to warn the approaching traffic, at an approximate distance of 50-100 m. The reflecting side of the triangle should face the on coming traffic. Please activate the hazard warning lamps before alighting the vehicle to keep the warning triangle.



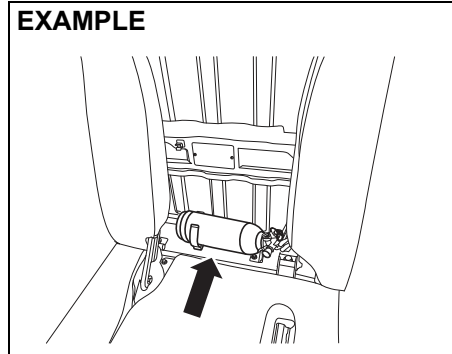
MHO-07-014-1

- Remove the warning triangle carefully from the cover as shown by arrow 1.
- Open both the reflector arms as shown by arrow 2 and lock the arms with each other with the clip provided in the right arm. Open the bottom stand in counter clock-wise direction as shown by arrow 3. Position the warning triangle behind the vehicle on a plain surface.
- Reverse the removal procedure for keeping inside the cover.



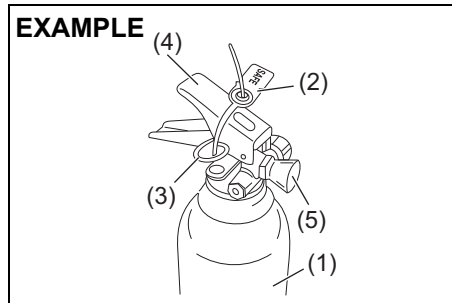
MHO-07-014

Fire Extinguisher (if equipped)



77PM08009

Fire extinguisher is stowed behind the seats (between driver seat and passenger seat).

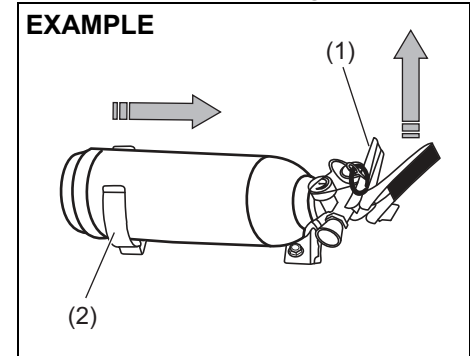


77PM08003

- (1) Fire extinguisher cylinder
- (2) Seal
- (3) Safety Pin
- (4) Lever
- (5) Nozzle

Removal and Refitment of Fire Extinguisher

For Removal of Fire Extinguisher

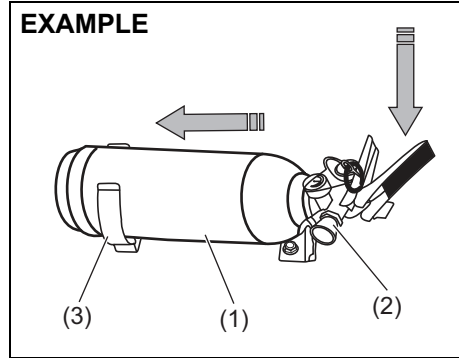


77PM08004

Lift Lever (1) of fire extinguisher slightly upwards and pull the fire extinguisher in the direction as shown in the figure, in order to disengage it from clamp (2).

EMERGENCY SERVICE

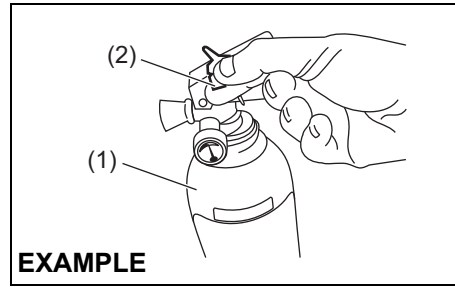
For Refitment of Fire Extinguisher



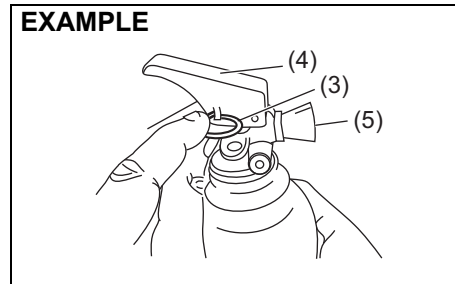
Insert the body of fire extinguisher (1) in to the clamp (3) and place the nozzle (2) carefully downwards, on the clamp.

NOTE:
Ensure that the nozzle of fire extinguisher is properly seated on the clamp.

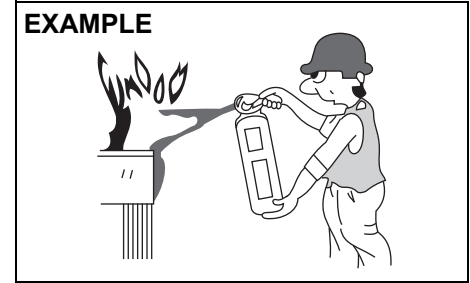
Procedure of Operation



- 1) Hold the fire extinguisher (1) upright.
- 2) Break seal (2) by rotating the safety pin(3).



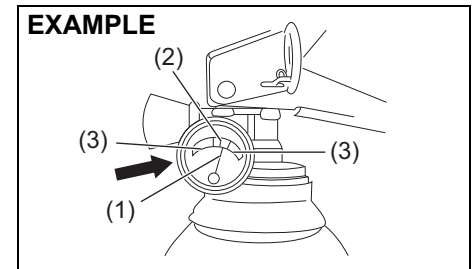
- 3) Pull Safety pin (3)
- 4) Squeeze lever (4) and direct the jet from nozzle (5) towards the near edge of the fire with a rapid (fast) sweeping motion.



- 5) Drive the fire towards the far edge until flames are extinguished.

NOTE:
Fire extinguisher is only meant for small fire caused in vehicle by external source only.

Do's and Dont's



Do's

- 1) Check pressure gauge periodically. Max charging pressure is 15Kgf/cm² (in green zone (2)).
- 2) When pressure drops, indicator needle(1) will shift to the red zone (3).Immediately contact the fire extinguisher manufacturer as per the information provided on the fire extinguisher.
- 3) Get the fire extinguisher serviced only through the manufacturer service centre.Refer the information provided on the fire extinguisher to locate the nearest service centre.
- 4) Ensure that the Fire extinguisher is always kept at its prescribed position in the vehicle.
- 5) Refill the fire extinguisher immediately after use.

Don't

- 1) Do not use water for cleaning fire extinguisher. (Use clean cloth for removing dust)
- 2) Do not rely on used or discharged fire extinguisher.

NOTE:

- *Refilling is necessary after every use.*
- *Fire extinguisher needs refilling after every 3 years even if it is not used.*

APPEARANCE CARE

Corrosion Prevention	9-1
Vehicle Cleaning	9-2

Corrosion Prevention

It is important to take good care of your vehicle to protect it from corrosion. Listed below are instructions for how to maintain your vehicle to prevent corrosion. Please read and follow these instructions carefully.

Important Information About Corrosion

Common causes of corrosion

- 1) Accumulation of road salt, dirt, moisture, or chemicals in hard-to-reach areas of the vehicle underbody or frame.
- 2) Chipping, scratches and any damage to treated or painted metal surfaces resulting from minor accidents or abrasion by stones and gravel.
- 3) Any or all of the below mentioned points:
 - Continuous exposure to sunlight
 - Hard water and sea water coming in contact with vehicle.
 - Foot rubbing (skirting).

Environmental conditions which accelerate corrosion

- 1) Road salt, dust control chemicals, sea air or industrial pollution will all accelerate the corrosion of metal.
- 2) High humidity will increase the rate of corrosion particularly when the temperature range is just above the freezing point.

- 3) Moisture in certain areas of a vehicle for an extended period of time may promote corrosion even though other body sections may be completely dry.
- 4) High temperatures will cause an accelerated rate of corrosion to parts of the vehicle which are not well ventilated to permit quick drying.

This information illustrates the necessity of keeping your vehicle (particularly the underbody) as clean and dry as possible. It is equally important to repair any damage to the paint or protective coatings as soon as possible.

How to Help Prevent Corrosion

Wash your vehicle frequently

The best way to preserve the finish on your vehicle and to help avoid corrosion is to keep it clean with frequent washing.

Wash your vehicle at least once during the winter and once immediately after the winter. Keep your vehicle, particularly the underside, as clean and dry as possible. If you frequently drive on salted roads, your vehicle should be washed at least once a month during the winter. If you live near the ocean, your vehicle should be washed at least once a month throughout the year.

For washing instructions, refer to the "Vehicle Cleaning" section.

Remove foreign material deposits

Foreign material such as salts, chemicals, road oil or tar, tree sap, bird droppings and industrial fall-out may damage the finish of your vehicle if it is left on painted surfaces. Remove these types of deposits as quickly as possible. If these deposits are difficult to wash off, an additional cleaner may be required. Be sure that any cleaner you use is not harmful to painted surfaces and is specifically intended for your purposes. Follow the manufacturer's directions when using these special cleaners.

Repair finish damage

Carefully examine your vehicle for damage to the painted surfaces. If you find any chips or scratches in the paint, touch them up immediately to prevent corrosion from starting. If the chips or scratches have gone through to the bare metal, have a qualified body shop make the repair.

Keep passenger and luggage compartments clean

Moisture, dirt or mud can accumulate under the floor mats and may cause corrosion. Occasionally, check under these mats to ensure that this area is clean and dry. More frequent checks are necessary if the vehicle is used off road or in wet weather.

Certain cargos such as chemicals, fertilizers, cleaners, salts, etc. are extremely corrosive by nature. These products should be transported in sealed containers. If a spill or leak does occur, clean and dry the area immediately.

Store your vehicle in a dry, well-ventilated area

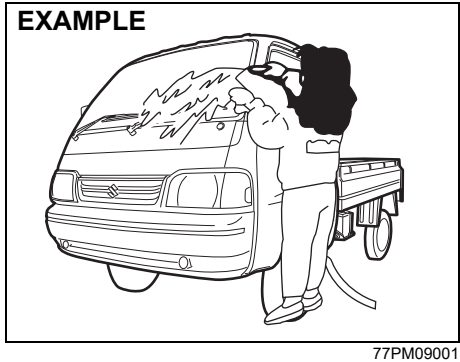
Park your vehicle to save it from continuous exposure to direct sunlight. Do not park your vehicle in a damp, poorly ventilated area. If you often wash your vehicle in the garage or if you frequently drive it in when wet, your garage may be damp. The high humidity in the garage may cause or accelerate corrosion. A wet vehicle may corrode even in a heated garage if the ventilation is poor.

⚠ WARNING

Do not apply additional undercoating or rust preventive coating on or around exhaust system components such as the catalytic converter, exhaust pipes, etc. A fire could be started if the undercoating substance becomes overheated.

Vehicle Cleaning

EXAMPLE



⚠ WARNING

When cleaning the interior or exterior of the vehicle, **NEVER USE** flammable solvents such as lacquer thinners, Petrol, benzene or cleaning materials such as bleaches or strong household detergents. The materials could cause personal injury or damage to the vehicle.

Cleaning the Interior

Vinyl upholstery

Prepare a solution of soap or mild detergent mixed with warm water. Apply the solution to the vinyl with a sponge or soft cloth and let it soak for a few minutes to loosen dirt. Rub the surface with a clean, damp cloth to remove dirt and the soap solution. If some dirt still remains on the surface, repeat this procedure.

Fabric upholstery (Except front passenger seat)

Remove loose dirt with a vacuum cleaner. Using a mild soap solution, rub stained areas with a clean damp cloth. To remove soap, rub the areas again with a cloth dampened with water. Repeat this until the stain is removed, or use a commercial fabric cleaner for tougher stains. If you use a fabric cleaner, carefully follow the manufacturer's instructions and precautions.

⚠ CAUTION

- Do not spill liquid or semi-solid on the front passenger's seat. If you spill it on the front passenger's seat, immediately wipe it dry with a soft cloth. Contact of liquid with sensor may impact the function of seat belt reminder sensor.
- Do not place any sharp or heavy object on passenger seat which can penetrate through seat upholstery and can cause damage to sensor.

APPEARANCE CARE

Fabric upholstery (For front passenger seat)

Do not use liquid for cleaning as it may penetrate the fabric and damage the seat sensor.

Leather upholstery

Remove loose dirt with a vacuum cleaner. Using a mild soap or saddle soap solution, wipe dirt off with a clean damp soft cloth. To remove soap, wipe the areas again with a soft cloth dampened with water. Wipe the areas dry with a soft dry cloth. Repeat this until the dirt or stain is removed, or use a commercial leather cleaner for tougher dirt or stains. If you use a leather cleaner, carefully follow the manufacturer's instructions and precautions. Do not use solvent type cleaners or abrasive cleaners.

NOTE:

- In order to keep leather upholstery looking good, it should be cleaned at least twice a year.
- If leather upholstery becomes wet, immediately wipe it dry with tissue paper or a soft cloth. Water may cause leather to harden and shrink if it is not wiped off.
- When parking on sunny days, select a shady place or use a sunshade. If leather upholstery is exposed to direct sunlight for a long time, it may discolor and shrink.
- As is common with natural materials, leather is inherently irregular in grain and cowhide has spots in its natural state. These do not affect the performance of the leather in any way.

Seat belts

Clean seat belts with a mild soap and water. Do not use bleach or dye on the belts. They may weaken the fabric in the belts.

Vinyl floor mats

Ordinary dirt can be removed from vinyl with water or mild soap. Use a brush to help loosen dirt. After the dirt is loosened, rinse the mat thoroughly with water and dry it in the shade.

Carpets

Remove dirt and soil as much as possible with a vacuum cleaner. Using a mild soap solution, rub stained areas with a clean damp cloth. To remove soap, rub the areas again with a cloth dampened with water. Repeat this until the stain is removed, or use a commercial carpet cleaner for tougher stains. If you use a carpet cleaner, carefully follow the manufacturer's instructions and precautions.

Instrument panel and console

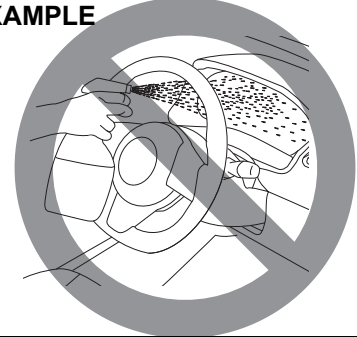
Remove loose dirt with a vacuum cleaner. Gently wipe dirt off with a tightly squeezed damp clean cloth. Repeat this until the dirt is removed.

NOTICE

Do not use chemical products that contain silicon to wipe electrical components such as the switches. These will cause damage to the components.

Do not spray water or any liquid directly on instrument cluster or any other electrical or electronic components. This may cause damage and/or lead to non-functioning of the part.

EXAMPLE



81RM08005

Cleaning the Exterior

NOTICE

It is important that your vehicle to be kept clean and free from dirt. Failure to keep your vehicle clean may result in fading of the paint or corrosion to various parts of the vehicle body.

Washing

EXAMPLE



82DY0

⚠ WARNING

- Never attempt to wash and wax your vehicle with the engine running.
- When cleaning the underside of the body and fender, where there may be sharp-edged parts, you should wear gloves and a long-sleeved shirt to protect your hands and arms from being cut.
- After washing your vehicle, carefully test the brakes before driving to make sure they have maintained their normal effectiveness.

When washing the vehicle, park it where direct sunlight does not fall on it and follow the instructions below:

- 1) Flush the underside of body and wheel housings with pressurized water to remove mud and debris. Use plenty of water.

NOTICE

- When washing the vehicle:**
- Avoid directing steam or hot water of more than 80°C (176°F) on plastic parts.
 - To avoid damaging engine components, do not use pressurized water in the engine compartment.

- 2) Rinse the body to loosen the dirt. Remove dirt and mud from the body exterior with running water. You may use a soft sponge or brush. Do not use hard materials which can scratch the paint or plastic. Remember that the headlight covers or lenses are made of plastic in many cases.

NOTICE

To avoid damage to the paint or plastic surface, do not wipe the dirt off without ample water. Be sure to follow above procedure.

- 3) Wash the entire exterior with a mild detergent or car wash soap using a sponge or soft cloth. The sponge or cloth should be frequently soaked in the soap solution.

NOTICE

When using a commercial car wash product, observe the cautions specified by the manufacturer. Never use strong household detergents or soaps.

- 4) Once the dirt has been completely removed, rinse off the detergent with running water.
- 5) After rinsing, wipe off the vehicle body with a wet chamois or cloth and allow it to dry in the shade.

APPEARANCE CARE

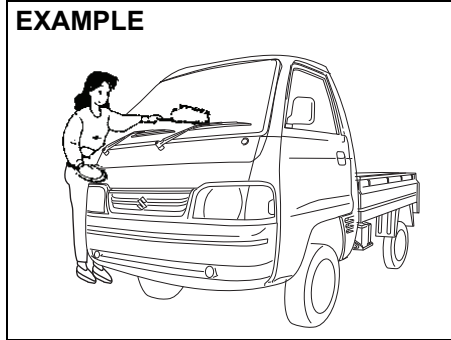
- 6) Check carefully for damage to painted surfaces. If there is any damage, touch up the damage following the procedure below:
1. Clean all damaged spots and allow them to dry.
 2. Stir the paint and touch up the damaged spots lightly using a small brush.
 3. Allow the paint to dry completely.

NOTICE

If you use an automatic car wash, make sure that your vehicle's body parts, such as spoilers, cannot be damaged. If you are in doubt, consult the car wash operator for advice.

Waxing

EXAMPLE



77PM09002

After washing the vehicle, waxing and polishing are recommended to further protect and beautify the paint.

- Only use waxes and polishes of good quality.
- When using waxes and polishes, observe the precautions specified by the manufacturers.

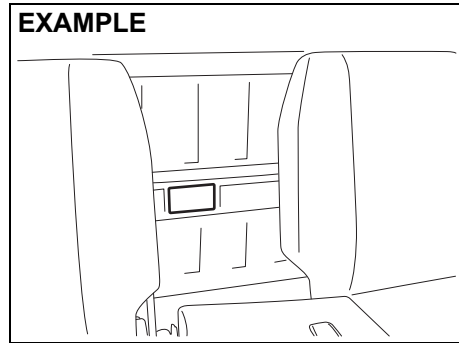
GENERAL INFORMATION

Vehicle Identification 10-1
FASTag (if equipped)..... 10-1
CNG Kit Number Identification (if equipped) 10-2
High Security Registration Plate (HSRP)
(if applicable) 10-3

GENERAL INFORMATION

Vehicle Identification

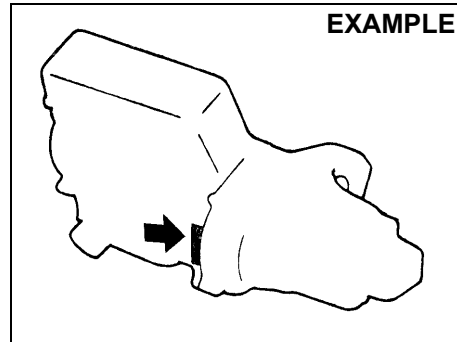
Chassis Serial Number



77PH059

The chassis and/or engine serial numbers are used to register the vehicle. They are also used to assist your dealer when ordering or referring to special service information. Whenever you have occasion to consult your authorised MARUTI SUZUKI COMMERCIAL workshop, remember to identify your vehicle with this number. If you find the number difficult to read, you can also find it on the identification plate.

Engine Serial Number



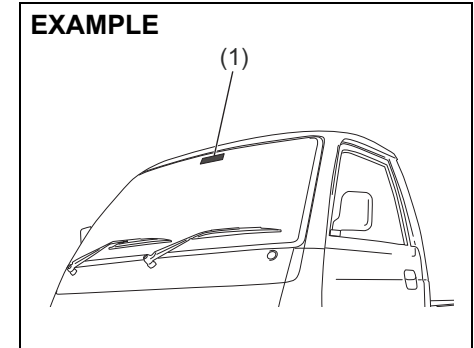
54G082

The engine serial number is stamped on the cylinder block as shown in the illustration.

FASTag (if equipped)

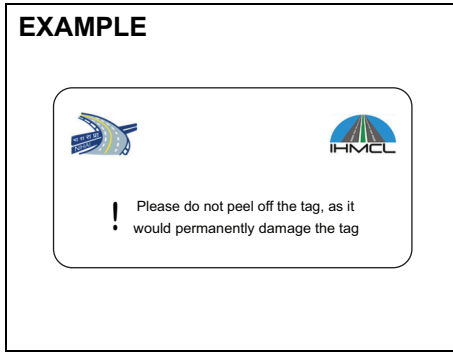
As per Ministry of Road Transport and Highways, the FASTag (1) is mandatory for each vehicle for the purpose of electronic toll collection or any other purpose as may be defined by the Government of India.

In case of any damage to FASTag or replacement of front windscreen, please contact your nearest authorised Maruti Suzuki workshop.



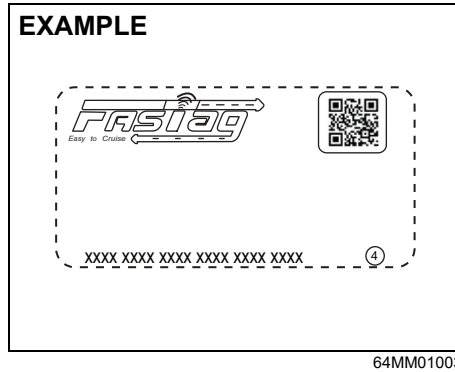
66MM01001

As seen from inside of the vehicle



NOTE:
The picture shown is for indicative purpose only. Internal structure of actual device mounted on vehicle may be different.

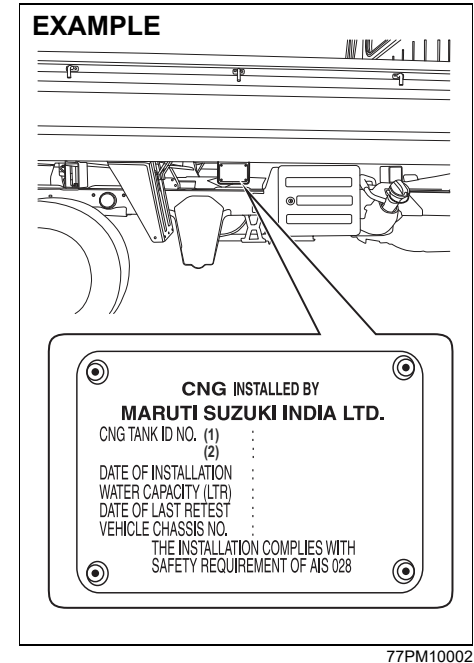
As seen from outside of the vehicle



NOTE:
The picture shown is for indicative purpose only. Internal structure of actual device mounted on vehicle may be different.

- NOTE:**
- Any attempt to remove the tag from the windscreen will result in permanent damage to the tag.
 - Use of chemical cleaners to clean the windscreen area where the tag is mounted can damage the tag.
 - Use of any sharp objects on the tag can damage the tag.

CNG Kit Number Identification (if equipped)



CNG cylinder identification number and CNG kit installation date is located on right side of cargo body as shown.

GENERAL INFORMATION

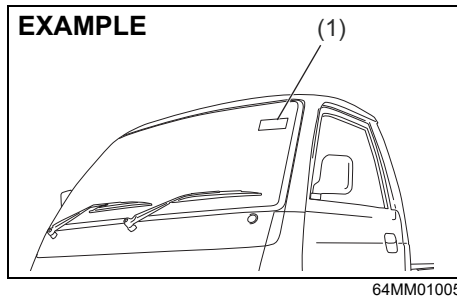
High Security Registration Plate (HSRP) (if applicable)

As per Ministry of Road Transport and Highways, every new vehicle must have HSRP.

HSRP contains;

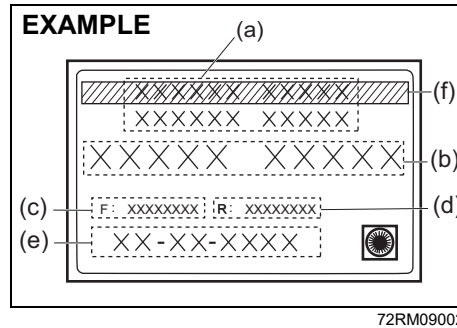
- Front and rear HSRP, which will be fitted with 2 snap-locks each on number plate area.
- Third license plate on front windshield.

Third License Plate



(1) Third license plate

Third license plate - As seen from outside of the vehicle



- (a) HSRP issuing authority name
- (b) Vehicle registration number
- (c) Unique laser number - Front plate
- (d) Unique laser number - Rear plate
- (e) Date of 1st registration
(in DD-MM-YYYY format)
- (f) Green stripes (BS6 vehicle)

NOTE:

The picture shown is for indicative purpose only. Internal structure of actual label mounted on vehicle may be different.

NOTE:

- Any attempt to remove the third license plate from the windscreen will result in permanent damage to the label.
- Use of chemical cleaners to clean the windscreen area where the label is mounted can damage the same.

- Use of any sharp objects on the label can damage the label.
- In the event of any replacement of the third license plate, may please contact the approved authority.

Third license plate - As seen from inside of the vehicle



NOTE:

The picture shown is for indicative purpose only.

NOTE:

Color of third license plate (back) is as per HSRP regulation as defined by Ministry of Road Transport and highways.

SPECIFICATIONS

SPECIFICATIONS

NOTE:

Specifications are subject to change without notice.

Specification related to “**chassis**” variants refer “**Instructions For Body Fabrication**”

ITEM: Dimensions		UNIT: mm
Overall length		3800
Overall width		1562
Overall height		1883
Wheelbase		2110
Track	Front	1345
	Rear	1330

ITEM: Mass (weight)		UNIT: kg
Curb mass (weight)	Petrol	860
	CNG	975
Gross Vehicle Mass (weight) Rating		1600
Permissible maximum Axle Weight	Front	900
	Rear	1020

SPECIFICATIONS

ITEM: Engine	Petrol and CNG
Type	K12N (DOHC)
Number of cylinders	4
Bore	73.0 mm
Stroke	71.5 mm
Piston displacement	1197 cm ³ (1197 cc)
Compression ratio	12.0: 1

ITEM: Electrical	
Spark plug	NGK ILZKR6F11
Battery	12V 38B20R
Fuses	See "INSPECTION AND MAINTENANCE" section.

ITEM: Lights	WATTAGE	BULB No.
Headlight	12V 60/55W	H4
Position light	12V 5W	W5W
Turn signal light	Front	PY21W
	Rear	P21W
Brake/tail light	12V 21/5W	P21/5W
Reversing light	12V 21W	P21W
License plate light	12V 5W	W5W
Interior light	12V 5W	C5W

SPECIFICATIONS

ITEM: Wheels and Tyres	
Tyre size, front, rear and spare	155R13 LT 8PR 89/88S* / 155R13 LT 8PR 90/89Q*
Rim size	13X4J
Tyre pressures	For the specified Tyre pressure, see the Tyre Information Label located on the driver's door lock pillar.

* If you cannot prepare a tyre with the specified load index rate and speed symbol, prepare a tyre with higher load index rate and speed symbol.

ITEM: Recommended Fuel / Lubricants and Capacities (approx.)			
Fuel	Petrol		30 L [#]
	CNG	Petrol	5 L [#]
		CNG	35 L × 2 tanks [#]
Engine oil	Petrol		Classification: API SN Viscosity: SAE 0W-16
	CNG		3.8 L (replacement without oil filter) 4.2 L (replacement with oil filter)
Engine coolant			“SUZUKI LLC: Super (Blue) Coolant” *1 “SUZUKI LLC: Standard (Yellow) Coolant” *1
Manual transmission oil			MARUTI GENUINE GEAR OIL 75W
Rear differential oil			“TOTALFINAELF TRANSELF LL 85W-140”
Brake fluid			Maruti Genuine Brake Fluid (MGBF) or DOT 3
			Refill to the proper oil level according to the instructions in the “INSPECTION AND MAINTENANCE” section.

*1: The recommended coolant varies depending on your vehicle. Refer to “INSPECTION AND MAINTENANCE” section.

#: The fuel tank capacity is slightly more than the recommended quantity of fuel that you can fill. The additional voluminous space is provided for safety and scientific reasons.

INSTRUCTIONS FOR BODY FABRICATION

INSTRUCTIONS FOR BODY FABRICATION (Chassis Variant)

The body fabrication on the cab-chassis vehicle shall be carried out ensuring the following instructions and boundary conditions:

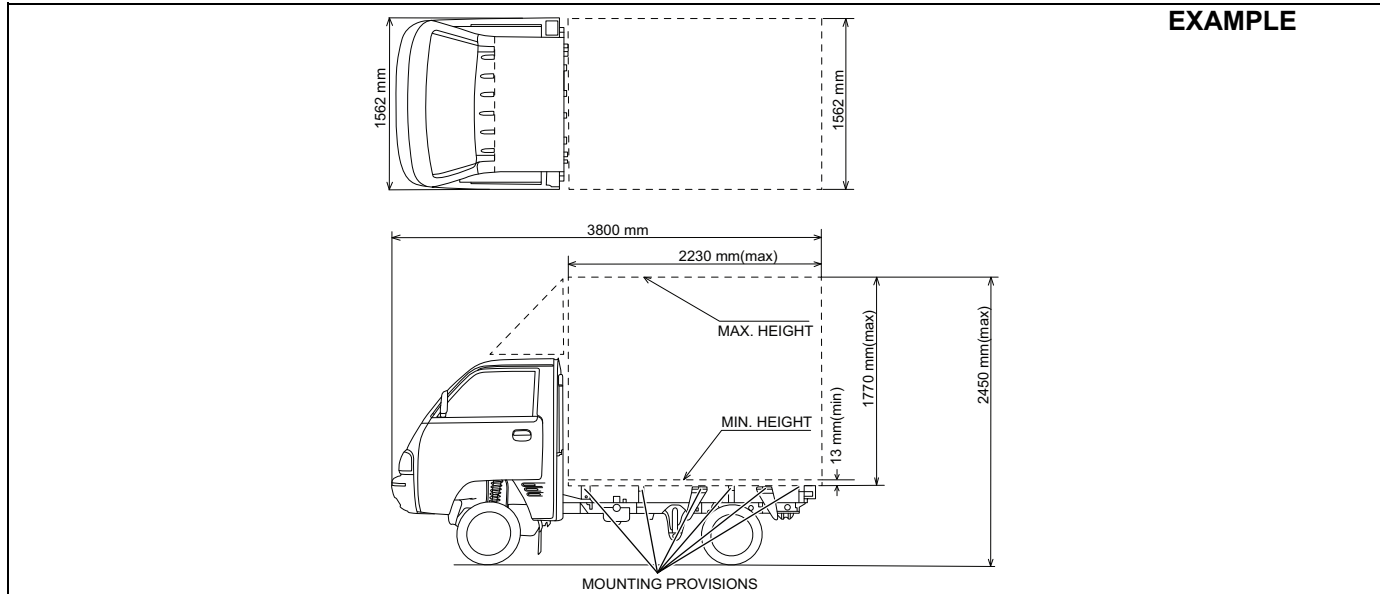
- (a) **Body exteriors:** The load body/ application shall be fabricated such that the external surface of the vehicle shall not have sharp edges or sharp projecting parts which are likely to increase the risk or seriousness of bodily injury to a person hit by the bodywork or brushing against it in the event of a collision. This is valid both when the complete vehicle is stationary and in motion. It is to be ensured a minimum 2.5mm or more radius of curvature on external edges and projecting parts. Body shall meet the stipulated requirement as defined under CMVR Rule 124(1)-11.

For body layouts (like Tipper Application), where battery mountings are exposed, a cover shall be provided in order to meet the necessary requirements of exterior projections as defined under CMVR Rule 124(1)-11.

- (b) **Reflective Tape:** The body builder shall paste a red reflective tape (of not less than 20mm width) running across the width of the body on the rear of the vehicle and shall comply with requirements under CMVR Rule No. 104.
- (c) **Head Lamp:** After the body fabrication, Initial inclination of Head lamp shall be adjusted as marked on the headlamp (as per CMVR 124 (1)-20). The head lamp leveling switch position for GVW condition shall be specified by Body Fabricator to the Customer.
- (d) **Body Builder's Plate:** The body builder shall place the body-builder's plate specifying the unladen weight, payload and other details as per requirement under CMVR Rule 122.
- (e) **Form 22A Part II:** The body builder shall provide Form 22A Part II as per requirement under CMVR Rule 47.
- (f) The body builder shall not alter with the electrical wiring, electrical equipment, brake connections, brake piping, fuel connection, exhaust system and chassis components during the body fabrication.

INSTRUCTIONS FOR BODY FABRICATION

- (g) **Dimensions:** The load body/application to be built upon the manufacturer supplied cab chassis vehicle shall be designed to fit within a minimum and maximum envelop as specified in below illustration.



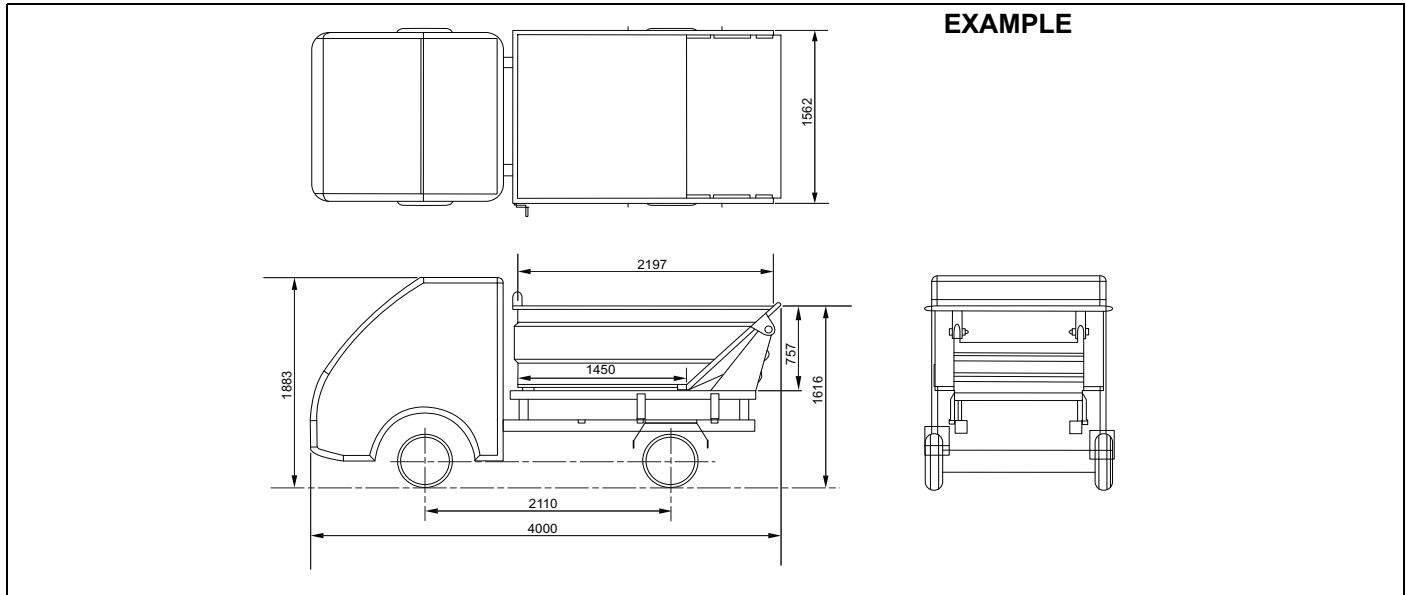
77PM12003

INSTRUCTIONS FOR BODY FABRICATION

For Petrol Model Tipper (Open Tipper & Closed Tipper)

The load body/application to be built upon the manufacturer supplied cab chassis vehicle shall be designed to fit within specified dimension as in the below illustration.

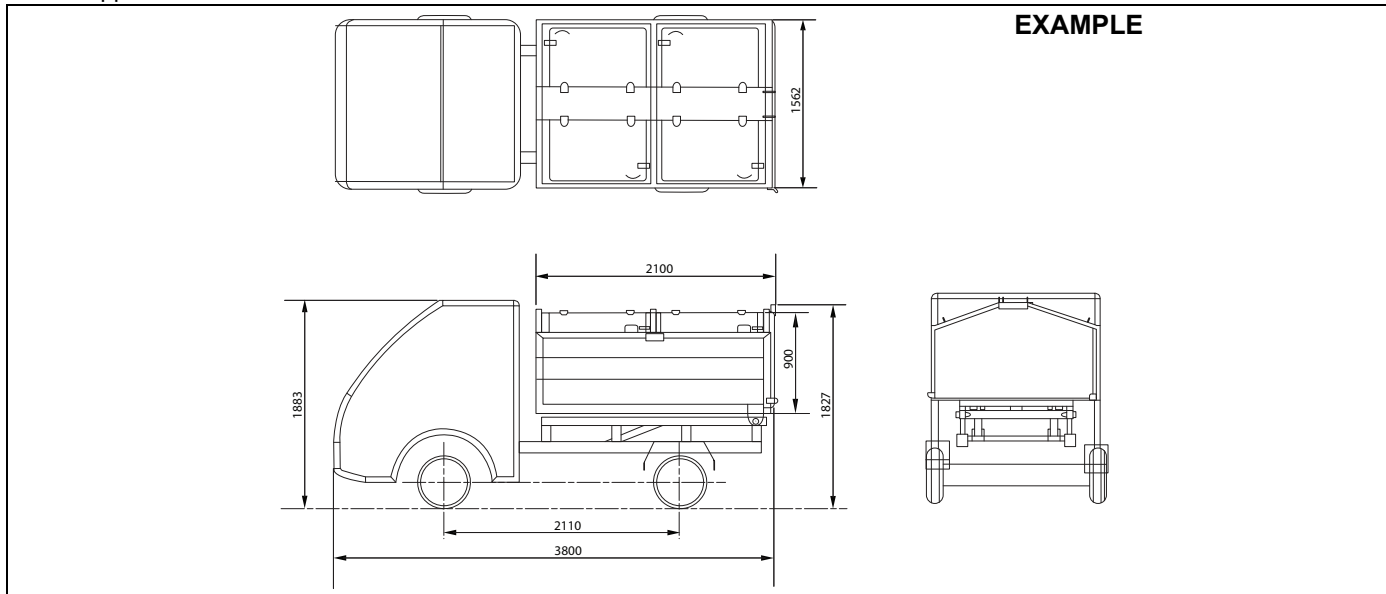
- Open Tipper:



77PM12006

INSTRUCTIONS FOR BODY FABRICATION

- Closed Tipper:



EXAMPLE

77PM12007

- (h) **Weight and its distribution:** The load body/application shall be fabricated considering the minimum kerb weight of complete vehicle as 860kg (Petrol), 975kg (CNG) and maximum kerb weight of complete vehicle as 1140kg (Petrol), 1255kg (CNG). The ratio of front axle and rear axle kerb weight shall not exceed 1.46 (Petrol), 1.24 (CNG).

For Petrol Model Tipper Application, the load body/application shall be fabricated considering the following Kerb weight.

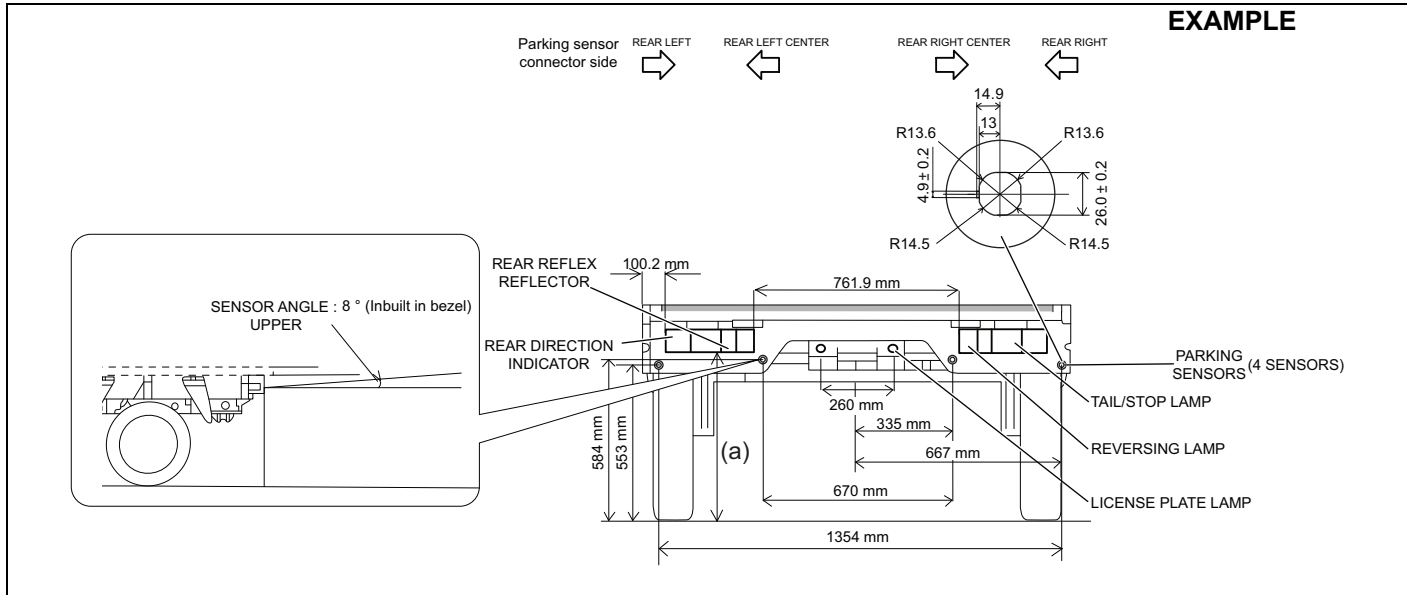
Kerb weight of open tipper: 1070kg

Kerb weight of closed tipper: 1140kg

The ratio of front axle and rear axle Kerb weight shall not exceed 1.46.

INSTRUCTIONS FOR BODY FABRICATION

- (i) **Lighting and signaling devices:** The cab chassis is being supplied with head lamp assembly inbuilt with the cab and a temporary panel with rear combination lamps and registration plate lamps. There shall not be any modifications done with the position of Head lamp assembly. The rear combination lamps, registration plate lamps and parking sensors (provided along with vehicle in glove box) shall be fitted on the load body/ application as per the specified position as in below illustration.

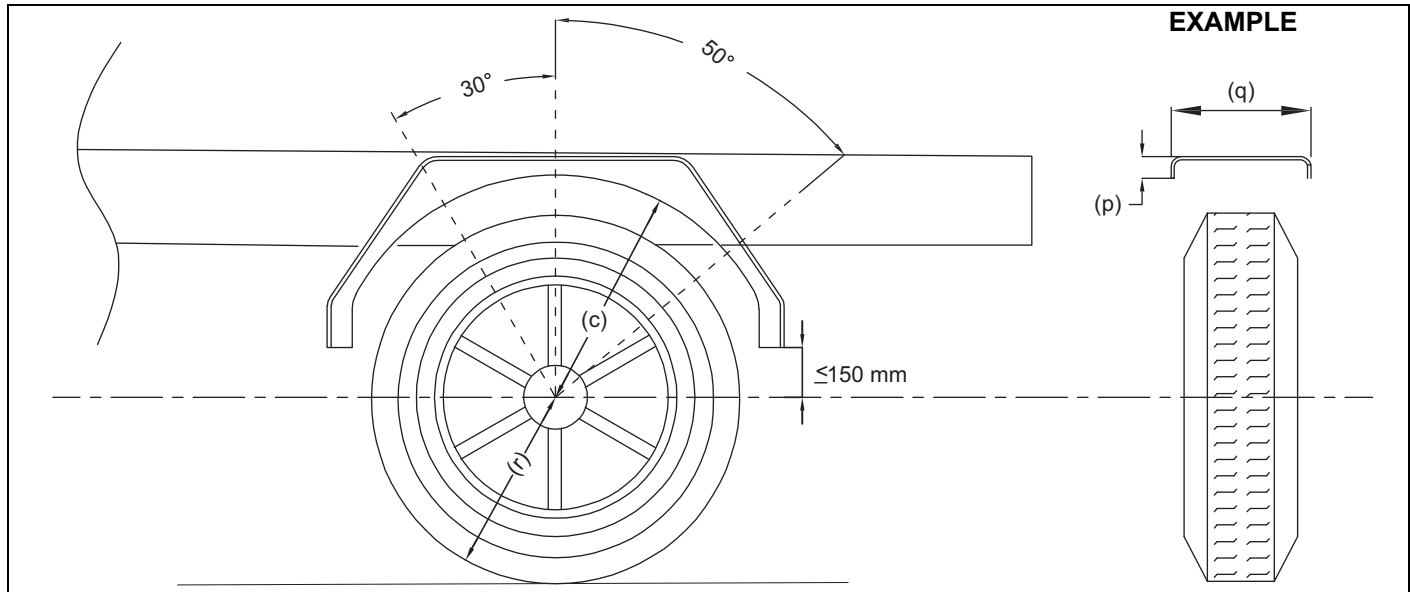


77PM12008

"a" Value	
Chassis Applications (Petrol & CNG)	612 mm
Petrol Model Open Tipper Application	620 mm
Petrol Model Closed Tipper Application	660 mm

INSTRUCTIONS FOR BODY FABRICATION

(j) **Wheel Guard:** Wheel guards shall comply with requirements under CMVR Rule No. 124(1)-13. The wheel guard (rear) must be fabricated as per design parameters specified in below illustration.



77PM12106

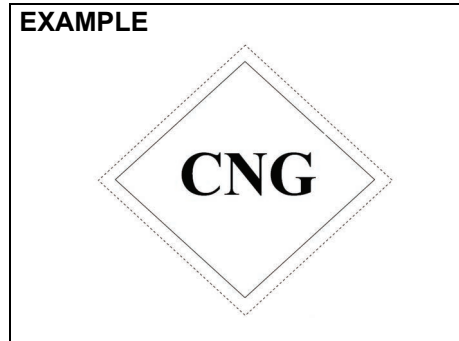
c	$\leq 2r$
p	> 30 mm
q	> Total Tyre Width
r	Tyre Static Radius

INSTRUCTIONS FOR BODY FABRICATION

(k) Application for CNG Variant :

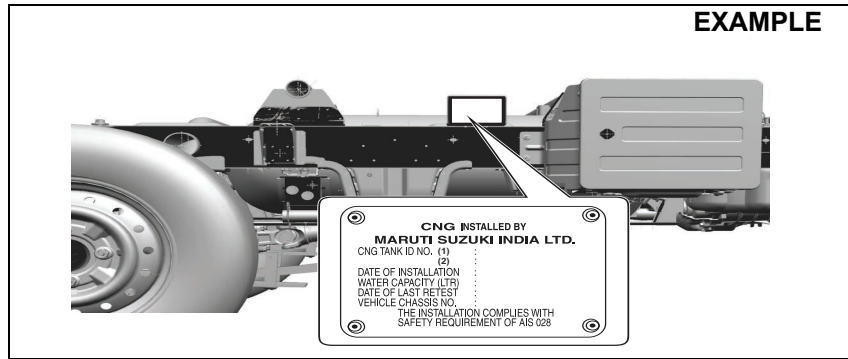
CNG Label:

The body builder shall paste “CNG Label” (provided along with vehicle Tool kit packet) on the load body on rear side as per below guidelines.



- Label shall be affixed in a vertical position (as shown above) on flat surface as close to the vehicle number plate as practical.
- Affixed label shall ensure visibility from rear sides.
- The label shall be in position at all times, shall be in good condition, and the shape, colouring and lettering shall be easily identifiable.

CNG Kit Number Identification:

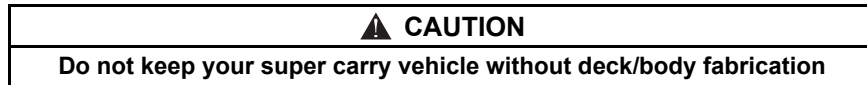


The load body/application shall be fabricated such that it does not impact the visibility of CNG compliance plate.

Disclaimer:

The owner/body-builder shall comply to applicable CMVR requirements and also State Motor vehicle Rules as applicable from time to time in respect of body fabrication of super carry chassis variant.

The vehicle manufacturer shall not be liable for any non-conformity of applicable laws arising due to fabrication of body/ application, in contradiction to manufacturer's instructions and prevailing regulations.



ముందుమాట

ఈ కరదీపిక మీ వాహనంలో ఒక ముఖ్యమైన భాగం. మీరు ఈ వాహనాన్ని ఒక క్రొత్త యజమానికి లేదా నడిపివారికి అమ్మేటప్పుడు లేదా వేరవిధంగా బదిలీ చేసేటప్పుడు ఇది వాహనంతో పాటు ఉండాలి. మీ క్రొత్త మారుతి సుజుకీని నడిపే ముందు దయచేసి ఈ కరదీపికని చదవండి. ఇంకా అప్పుడప్పుడు ఈ కరదీపికని సమీక్షిస్తుండండి. దీనిలో సురక్షత, నడపటం మరియు నిర్వహణల గురించి ముఖ్యమైన సమాచారం ఉంది. ఈ కరదీపికలో పేర్కొన్న విధంగా నాలుగు ఉచిత తనిఖీ సర్వీసులకు మీరు ఆహ్వానించబడ్డారు. ఈ కరదీపికకి నాలుగు ఉచిత తనిఖీ కూపన్లు జతచేయబడ్డాయి. మీరు మారుతి సుజుకీని సర్వీసు కేంద్రం డీలరు దగ్గరకి తీసుకెళ్ళినప్పుడు ఈ కరదీపికని చూపించండి. మీ వాహనపు జీవితకాలం పొడిగించటానికి మరియు నిర్వహణా ఖర్చులు తగ్గించటానికి, ఈ కరదీపికలోని "తనిఖీ మరియు నిర్వహణ" విభాగంలో పేర్కొన్న "ఆవరిత నిర్వహణ ప్రణాళిక" ప్రకారం క్రమమైన కాలవ్యవధుల్లో నిర్వహణ చేసేటారాలి. ఇబ్బందులు రాకుండా ఉండటానికి మరియు మీకు తగిన సంతృప్తి మరియు సురక్షతలకై ఇది తప్పనిసరి. మీ వాహనపు జీవితకాలం పొడిగించటానికి మరియు సురక్షితంగా నడపగలగటానికి, ఈ కరదీపికలోని "తనిఖీ మరియు నిర్వహణ" విభాగంలో పేర్కొన్న "రోజూ తనిఖీ చేసుకోవలసిన వాటి జాబితా" ప్రకారం రోజువారీ తనిఖీ మరియు సురక్షణ చేయాలి.

వేహికల్ మరియు అందులో అందుబాటులో ఉన్న లక్షణాలు/ఉపకరణాలు వర్తించే చట్టపరమైన అవసరాలకు అనుగుణంగా యజమాని/వినియోగదారు ఉపయోగించుకోవాలి. మారుతి సుజుకీ ఇండియా లిమిటెడ్ భూమి యొక్క సహజ వనరులను పరిరక్షించటం మరియు కాపాడటాన్ని నమ్ముతుంది. దానికి అనుగుణంగా మేము ప్రతి వాహన యజమానిని, వారు వాడేసిన ఇంజన్ ఆయిల్, కూలెంట్ ఇంకా ఇతర ద్రవాలు, బ్యాటరీలు మరియు టైర్లు మొదలైనవాటిని తగినవిధంగా రీఫిల్ చేయటం, తర్రగి అమ్మటం లేదా సరైన పద్ధతిలో పారవేసే విషయాలలో ప్రోత్సహిస్తాము.

మారుతి సుజుకీ ఇండియా లిమిటెడ్

ఈ కరదీపికలోని సమాచారమంతా దీనిని ముద్రించే సమయానికి అందుబాటులో ఉన్న అధునాతన ఉత్పత్తి సమాచారం ఆధారంగా ఇవ్వబడింది. మెరుగుపరచటం లేదా ఇతర మార్పుల వల్ల, ఈ కరదీపికలోని సమాచారం మరియు మీ వాహనానికి మధ్య తేడాలుండవచ్చు. ముందుగా తెలియచేయకుండా ఏసమయంలోనైనా ఉత్పత్తిలో మార్పు చేసే అధికారం మారుతి సుజుకీ ఇండియా లిమిటెడ్ వారికి ఉంది. అంతకుముందే నిర్మించబడిన లేదా అమ్మబడిన వాహనాలకు అదే లేదా అటువంటి మార్పునే చేయమని కోరటానికి అవకాశం లేదు.

ఈ వాహనం ఇతర దేశాల ప్రమాణాలు లేదా నిబంధనలకు అనుగుణంగా ఉండకపోవచ్చు. ఈ వాహనాన్ని ఇతర దేశాల్లో రిజిస్టర్ చేయించటానికి ప్రయత్నించే ముందు వర్తించే నిబంధనలన్నింటినీ పరిశీలించి మార్పులు అవసరమైతే చేయించాలి.

ముఖ్యమైన విషయం

▲ హాచరిక / ▲ జాగ్రత్త / నోటీసు / గమనిక కరదీపికనీ జాగ్రత్తగా చదివి దానిలోని సూచనలను పాటించండి. ప్రత్యేకమైన సమాచారాన్ని నొక్కీ చెప్పటానికై ▲ గుర్తు ఇంకా హాచరిక, జాగ్రత్త, నోటీసు మరియు గమనిక లు ప్రత్యేక అర్థాలను కలిగిఉన్నాయి. ఇలా ప్రత్యేకార్థాన్నిచ్చే ఏదాల ద్వారా ప్రత్యేకంగా ఇవ్వబడిన సందేశాల పట్ల ప్రత్యేకంగా దృష్టి పెట్టండి.

▲ హాచరిక

ఇది మరణం లేదా తీవ్రగాయాలయ్యే అవకాశమున్నటువంటి ప్రమాదాన్ని సూచిస్తుంది.

▲ జాగ్రత్త

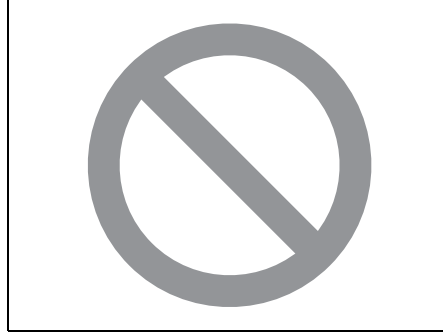
చిన్నది లేదా ఒక మాదిరి గాయాలయ్యే అవకాశమున్న ప్రమాదాన్ని సూచిస్తుంది.

నోటీసు

వాహనం దెబ్బతినే అవకాశమున్న ప్రమాదాలను సూచిస్తుంది.

గమనిక:

నిర్వహణ తేలికగా ఉండేలా లేదా సూచనలు స్పష్టంగా ఉండేలా చేయటానికి ఉపయోగపడే ప్రత్యేక సమాచారాన్ని సూచిస్తుంది.



75F135

ఈ కరదీపికలో ఒక స్లాష్ తో కూడిన వృత్తం ఉంటే "అది చేయకూడదు" లేదా "అలా జరగనీయకూడదు" అని అర్థం.

గమనిక :

- కారు, మోడల్/వేరియంట్ వంటి పదాలు ఈ మాన్యువల్లో "వేహికల్" ను సూచించడానికి స్థిరంగా ఉపయోగించబడతాయి.
- ఈ మాన్యువల్లో ఉపయోగించిన ప్రిక్టోరియల్ ప్రాతినిధ్యాలు సూచన ప్రయోజనాల కోసం మాత్రమే.

మార్పుల గురించి హెచ్చరిక

▲ హాచరిక

మీ వేహికల్ ను సవరించవద్దు. మార్పు భద్రత, నిర్వహణ, పనితీరు లేదా మన్నికను ప్రతికూలంగా ప్రభావితం చేస్తుంది మరియు ప్రభుత్వ నిబంధనలను ఉల్లంఘించవచ్చు. అదనంగా, సవరణ వలన కలిగే నష్టం లేదా పనితీరు సమస్యలు వారంటి పరిధిలోకి రావు.

నోటీసు

సిల్వోస్టు లేదా సిబి (సిటిజన్ బ్యాండ్) రేడియోలు వంటి మొబైల్ ప్రసార సామగ్రిని సరిగా బిగించకపోతే, అవి వాహనం యొక్క ఇగ్నిషన్ సిస్టమ్లో ఎలక్ట్రానిక్ ఇంటర్ఫెరెన్స్ ఏర్పడి వాహనం పనితీరులో సమస్యలు ఏర్పడవచ్చు. అటువంటి మొబైల్ ప్రసార సామగ్రిని బిగించేటప్పుడు సలహా కోసం మీ అధీకృత మారుతి సుజుకీ కమర్షియల్ డిలీవర్ని సంప్రదించండి.

నోటీసు

తక్కువ నాణ్యత ఉన్న ఇంధనం మరియు/లేదా మారుతి సుజుకీచే సిఫారసు చేయబడని లూబ్రికెంట్లను వాడటం వల్ల తీవ్రమైన నష్టం వాటిల్లవచ్చు.

వారంటీ విధానం

మారుతి సుజుకీ ఇండియా లిమిటెడ్ (ఇకముందు "మారుతి సుజుకీ" గా పేర్కొనబడుతుంది), భారతదేశంలో మారుతి సుజుకీ చేత పంపిణీ చేయబడిన మరియు అదీకృత మారుతి సుజుకీ డీలర్స్ అమ్మబడిన ప్రతి కొత్త మారుతి సుజుకీ వాహనానికి, సాధారణ వాడకం మరియు సర్వీసు పరిస్థితుల్లో ఉపయోగించినపుడు, వాహనం తయారీ సమయంలోనే వాహనం సామగ్రిలో లేదా బిగించటంలో లోపాలకు ఈ క్రింది నియమ నిబంధనలకు కట్టుబడి ఉచిత వారంటీ ఇస్తుంది:

(1) అర్హత :

ఈ వారంటీకి అర్హత పొందటానికై వాహనం అదీకృత మారుతి సుజుకీ డీలర్స్ డెలివరీ చేయబడి ఉండాలి మరియు అదీకృత మారుతి సుజుకీ వర్క్ షాప్లో వర్క్ ఓట్లో బిగించబడి మరియు సర్వీస్ చేయించబడి ఉండాలి.

(2) కాలవ్యవధి:

ఈ వారంటీ యొక్క కాలవ్యవధి మొదటి యజమాని ఇన్వాయిస్ తేదీ నుండి ముప్పై ఆరు (36) నెలలు లేదా 1,00,000 కిలోమీటర్లు (ఏది ముందుగా పూర్తయితే అది).

(3) మారుతి సుజుకీ వారంటీ భాద్యత :

పైన పేర్కొనబడిన కాలవ్యవధిలోపల మారుతి సుజుకీ వాహనానికి ఏదైనా లోపం (లోపాలు) తలెత్తితే, ఆ లోపం నాణ్యతలేని విడిభాగాలను వాడటం, లేదా తయారీ సమయంలో పనివారీలో లోపం అని మారుతి సుజుకీ నిర్ధారిస్తే సుజుకీ భాద్యత కేవలం చెడిపోయిందన్న విడిభాగాన్ని బాగుచేయటం లేదా పాతదానిని మార్చి కొత్త విడిభాగం లేదా తత్సమాన విడిభాగం బిగించటాన్ని యజమానికి ఆ విడిభాగం ఖరీదు లేదా బిగించినందుకు ఖర్చు లేకుండా చేస్తుంది. అట్టి చెడిపోయిన, మార్చబడిన విడిభాగాలు,

మారుతి సుజుకీ సొంతమవుతాయి. వారంటీ క్రిందకు రాని మరమ్మత్తులు చేయించటం, లేదా విడిభాగాలను మార్చుకోవటం యజమాని భాద్యతే. మారుతి సుజుకీ నిర్ణయమే అంతిమం & దానికి కట్టుబడి ఉండాలి.

(4) పరిమితి:

క్రింది వాటికి ఈ వారంటీ వర్తించదు:

- ఇచ్చిన ఆ నాలుగు ఉచిత సర్వీసులు కాకుండా ఇతర సాధారణ నిర్వహణ సర్వీసులు, పరిమితి లేకుండా ఆయిల్, పూయిడ్ మార్చటం, ఖర్చయిపోయేవి, హెడ్లైట్ సరిచేయటం, గిట్టిగా బిగించటం, వీల్ బాలెన్సింగ్, వీల్ అలైన్మెంట్, టైర్లు మార్చటం, ఇంజెకర్లను శుభ్రం చేయటం, క్లచ్ మరియు వాల్వ్ క్రియరేస్స్ లను సరిచేయటం వంటివి.
- సాధారణంగా మార్చవలసిన విడిభాగాలు, పరిమితి లేకుండా, బల్బులు, టైర్లు, ట్యూట్లు, స్పార్క్ ప్లగ్లు, బెలులు, హోసులు, ఫిల్టర్లు, వైపర్ బ్లేడులు, బ్రష్లు, సందాసించే ప్రాంతాలు, ప్యూజ్లు, క్లచ్ డిస్క్, బ్రేక్ షూలు, బ్రేక్ ప్యాడ్లు, కేబుల్ ఇంకా రబ్బరు విడిభాగాలన్నీ (ఆయిల్ సేల్ మరియు గ్లాస్ రన్ తప్ప) వంటివి.
- పోటీలు, ర్యాళీలకు లేదా రేసింగులకు ఉపయోగించబడిన ఏ వాహనమైనా.
- ప్రమాదాలు లేదా గుడ్డుకోవటం వలన అవసరమయ్యే ఏవైనా మరమ్మత్తులు లేదా మార్చటాలు.
- తప్పుగా ఉపయోగించటం, నిర్లక్ష్యం, అసాధారణంగా ఉపయోగించటం, తగిన జాగ్రత్త తీసుకోకపోవటం, విధ్వంసం, దొంగతనం, దొమ్మి, మంట, వరదలు - ఇంజన్ పట్టుకుపోవటం, హెడ్లైట్లలోకి లాక్ మొదలైన వాటికి కారణమయ్యే విడిభాగాలలోకి నీరు చేరటానికే పరిమితం కాకపోవటం మొదలైన తేడాలు/ నష్టాలు లేదా బాడీ/ విడిభాగాలకు బయటివైపున కలిగే నష్టాలు.

- (f) కల్పి చేయబడ్డ ఇందనం/ లూబ్రికెంటు/ ఆయిల్/ కూలెంట్/ పూయిడ్లు/ మిరుగును కలిగించే ఉత్పత్తులు మరియు యజమాని కరదీపికలో పేర్కొనబడినవి కాకుండా ఇతరములైన ఇందనం/ లూబ్రికెంటు/ ఆయిల్/ కూలెంట్/ పూయిడ్లు ఉపయోగం వల్ల కలిగే ఏదైనా నష్టం.
- (g) సవరించబడిన లేదా మార్చబడిన, పరిమితి లేకుండా, పనితీరు ఉపకరణాలు బిగించిన, లైట్లను విస్తరించినా, ఇతర మార్పులు మరియు బాహ్య/ సంభవనీయ కారణాల గల వాహనాలలాంటివేమైనా.
- (h) మారుతి సుజుకీ (ఎం.ఎస్.జి.ఎ. కాని, ఎం.ఎస్.జి.పి. కాని) చేత అనుమతించబడిన విడిభాగాలను ఉపయోగించబడిన వాహనమేదైనా.
- (i) మారుతి సుజుకీ యజమాని కరదీపిక మరియు సర్వీసు వివరాల పుస్తకంలో పేర్కొనబడిన సూచనలకు అనుగుణంగా నడపబడిన వాహనమేదైనా.
- (j) మారుతి సుజుకీ యజమాని కరదీపిక మరియు సర్వీసు వివరాల పుస్తకంలో పేర్కొనబడిన సర్వీసు తనిఖీలను చేయించని ఏ వాహనమైనా.
- (k) మారుతి సుజుకీ అధికృత వర్క్ షాప్ వద్ద కాకుండా వేరేచోట్ల బిగించబడిన, ఊడదీయబడిన, సరిచేయబడిన లేదా బాగుచేయబడిన ఏదైనా వాహనం.
- (l) వాహనాన్ని రూపొందించబడిన ఉద్దేశాల కోసం కాకుండా ఇతర కార్యకలాపాలకోసం వాడిన ఏ వాహనమైనా.
- (m) గాలివల్ల, పారిశ్రామిక కారణాల వల్ల, ఆమ్ల వర్షం, వడగళ్ళు లేదా వడగళ్ళ వాన, గాలి వాన, పీడుగులు, పక్షి రెట్టలు, చుంచులు కొరకటం / ఎలుకలు కొరకటం వల్ల ఏదైనా నష్టం లేదా క్షీణత మరియు వాహనం చెడిపోవటానికి కారణమయ్యే అట్టి ఇతర కారణాల వల్ల.
- (n) పరిమితి లేకుండా, శబ్దం, వైబ్రేషన్ ఇంకా పూయిడ్ కారటం వంటి వాహనం పనితీరుపై ప్రభావం చూపనీ చిన్న చిన్న లోపాలు/శబ్దం.

- (o) పరిమితి లేకుండా ఏదైనా సహజమైన అరుగుదల మరియు గీతలు పడటం, పాతదవటం అరగటం & గీతలు పడటం వల్ల రంగుపోవటం, వెలిసిపోవటం, ఆకారాలు మారటం లేదా మాసిపోవటం మరియు రంగు పోగొట్టబడటం.
- (p) గృహవసరాలకు వినియోగించే ఎల్.పీ.జి. గాస్/ ఎల్.పి.జి. సిలెండర్లు బిగించటం మరియు ఉపయోగించటం.
- (q) వి-బెలులు, హోను మరియు గాస్ లీకులు.
- (r) ఎల్.పీ.జి./సి.ఎన్.జి. కిట్లతో తదనంతరం మార్పులు చేయబడిన ఏదైనా వాహనం.
- (s) ప్యాచ్‌వర్క్, బాడీవర్క్ తో సహా తిరిగి రంగు వేయటం మరియు అచ్చులు మరియు లోపలివైపు మార్పులు.
- (t) బాడీ భాగాలు మరియు / లేదా ఇతర విడిభాగాలు తుప్పుపట్టటం, అరిగిపోవటం.
- (u) ఓడోమీటర్ అనధికారికంగా మార్చబడిన లేదా ఓడోమీటర్ రీడింగ్ సర్వీసు రికార్డులతో సరిపోయేటట్లు / లేదా సరిపోకుండా మార్చబడిన/ చెడగొట్టబడిన వాహనాలు.
- (v) లోపం ఉందని తెలిసినప్పటికీ దాన్ని సరిచేయకపోవటం వల్ల మరియు వాహనం యొక్క యజమాని/ వాడేవారి తెలియకపోవటం వాహనానికి జరిగిన నష్టం (నష్టాలు)
- (w) చాలా కాలంపాటు ఐడల్ స్థితిలో పార్క్ చేసి ఉండితం వల్ల బ్యాటరీ/ టైరులతో సహా వాహనానికి కలిగిన ఏవైనా నష్టం (నష్టాలు).
- (x) రెల్వో-ఫెట్టెంట్ అధికారం లేని మరియు/లేదా సంబంధిత అధికారం సూచించిన ప్రమాణాల ప్రకారం ఆమోదించబడిన ఏ వేహికల్ అయినా ఆటోమోటివ్ స్టాండర్డ్స్ ఆఫ్ ఇండియాతో సహా పరిమితం కాదు.
- (y) రెల్వో-ఫెట్టెంట్ ఉన్న ఏ వేహికల్ అయినా ప్రత్యక్షంగా లేదా పరోక్షంగా వేహికల్ కు ఏదైనా నష్టం కలిగిస్తుంది లేదా వేహికల్ యొక్క విధులను ఏ విధంగానైనా ప్రభావితం చేస్తుంది.

(5) వారంటీ పరిధి :

మారుతి సుజుకీ వాహనాల కోసం మారుతి సుజుకీ చేత ఇవ్వబడిన ఈ వారంటీ పూర్తిగా వ్రాయబడి ఉన్న వారంటీ. దీని విస్తృతిని లేదా కాలవ్యవధిని పెంచటానికి డీలర్స్ గాని, దాని లేదా అతని ప్రతినిధికి లేదా ఉద్యోగికి ఎటువంటి అధికారం లేదు. డీలర్స్ గాని దాని లేదా అతని ప్రతినిధికి లేదా ఉద్యోగికి మారుతి సుజుకీ తరుపున నోటిమాటగా వారంటీ లేదా వినతి లేదా హామీ ఇచ్చే అధికారం లేదు.

గతంలో అమ్మిన వాహనాలలో అదేవిధమైన మార్పులు చేయవలసిన భాద్యతలేకుండా, ఏ మోడల్ యొక్క డిజైనిని ఏ సమయంలోనైనా మారుగుపరచే లేదా మార్పుచేసే అధికారం మారుతి సుజుకీకి ఉంది.

(6) వారంటీ సర్వీసు :

వారంటీ సర్వీసును పొందటానికి, మొత్తం వాహనాన్ని యజమాని ఖర్చుతోనే అధీకృత మారుతి సుజుకీ వర్క్ షాప్ దగ్గరకి చేర్చాలి. వాహనాన్ని సర్వీస్స్ ఇచ్చేటప్పుడు వాహనంలోపల బిగించిన వినియోగదారుని వస్తువులు లేదా ఇతర భాగాలకి వినియోగదారునిదే భాద్యత మరియు ఏవిధంగానూ, ఎట్టి పరిస్థితుల్లోనూ పరిహారం కోరటం అనుమతించబడదు.

(7) యజమాని యొక్క వారంటీ బాధ్యతలు:

నోటీసు
<p>యజమాని వేహికల్ ను దెబ్బతిన్న స్థితిలో ఉపయోగించకూడదు మరియు దానిని వెంటనే సమీప మారుతి సుజుకీ అధీకృత వర్క్ షాపు తీసుకెళ్ళాలి. ఇది వేహికల్ యొక్క ముందస్తు తనిఖీ మరియు మరమ్మత్తుకు దారితీస్తుంది మరియు వ్యక్తికి ఏదైనా హాని లేదా వేహికల్ కు నష్టం జరగకుండా నిరోధించవచ్చు.</p>

ప్రతి యజమాని నిర్వర్తించవలసిన తనవంతు భాద్యతలు:

- మారుతి సుజుకీ “యజమానుల కరదీపిక మరియు సర్వీసు వివరాలు” పుస్తకంలో పేర్కొన్న ప్రకారం అన్ని సర్వీసు తనిఖీలు మారుతి సుజుకీ వర్క్ షాప్ వద్ద సొంత ఖర్చులతో చేయించుకుని, అవి జరిపించబడినట్లు తగిన ఋజువులను సేకరించి ఉంచుకోవాలి.
- మారుతి సుజుకీ అధీకృత వర్క్ షాప్ వాహనానికి ‘సర్వీసు తనిఖీ లేదా వారంటీ సర్వీసు’ చేయించినప్పుడల్లా “యజమాని కరదీపిక మరియు సర్వీసు వివరాల పుస్తకం” లోని వినియోగదారుని సర్వీసు నిర్వహణ రికార్డుల పేజీని నవీకరించండి మరియు నిర్వహించండి.
- సర్వీసు తనిఖీలు లేదా వారంటీ సర్వీసు అవసరమైనప్పుడు అధీకృత మారుతి సుజుకీ వర్క్ షాప్ వారికి “యజమాని కరదీపిక మరియు సర్వీసు వివరాల పుస్తకాన్ని” అందించాలి. “యజమాని కరదీపిక మరియు సర్వీసు వివరాల పుస్తకం” పోయినా లేదా చిరిగిపోయినా, కొత్త “యజమాని కరదీపిక మరియు సర్వీసు వివరాల పుస్తకం” పొందటానికి తగిన సూచనలకై యజమాని వాహనాన్ని కొన్న అధీకృత మారుతి సుజుకీ డీలర్ ని సంప్రదించాలి.

(8) పరిణామ పూర్వక నష్టానికి వివరణ :

వాహనాన్ని పోగొట్టుకోవటం, కాలాన్ని నష్టపోవటం, అసౌకర్యం లేదా ఈ వారంటీ పీరిడ్ లో ఉన్న ఏదైనా లోపం చేత వాహనం యజమానికి అందుబాటులో లేనందువల్ల పరోక్షంగా అనుకోని లేదా సంభవించే అవకాశమున్న ఇతర నష్టం ఏదైనా జరిగితే మారుతి సుజుకీ భాద్యత వహించదు.

(9) యాజమాన్య మార్పిడి :

వాహనం యొక్క యాజమాన్యం మారినా కొత్త యజమానికి మిగిలిఉన్న వారంటీ కాలావధి వర్తిస్తుంది. ఈ వారంటీ భారతదేశంలో మాత్రమే వర్తిస్తుంది మరియు మరే దేశానికి బదిలీ చేయబడదు.

ఎమిషన్ వారంటీ పాలసీ

మారుతి సుజుకీ జులై 1, 2001 నుండి కేవలం నాలుగు మహా నగరాలలో (న్యూఢిల్లీ, కోల్కతా, ముంబై, చెన్నైలలో) మారుతి సుజుకీ యొక్క అన్ని వాహనాలపై ఎమిషన్ వారంటీని (యధావిధిగా అందించే వారంటీకి అనుగుణంగా, దానికి సమాంతరంగా) అందిస్తోంది.

నియమాలు :

మొదటి యజమానికి వాహనం అందచేసిన నాటినుండి 3 సంవత్సరాలు లేదా 80,000 కి.మీ.ల వరకు (ఏది ముందు పూర్తయితే అది) ఎమిషన్ వారంటీ వర్తిస్తుంది. యాజమాన్యంలో మార్పు వచ్చినప్పుడు చెల్లుబాటుయ్యే పత్రాలు అందచేసినప్పుడు మిగిలిన వారంటీ నియమాలు వర్తిస్తాయి.

నిబంధనలు :

1. ఎమిషన్ వారంటీ క్రింద, కేంద్ర మోటారు వాహన నిబంధనలు (సి.ఎం.వి.ఆర్.), 1989 యొక్క నిబంధన 115 లోని ఉప నిబంధన (2) లో పేర్కొన్న ఉద్ధార ప్రమాణాన్ని వాహనం అందుకోని పక్షంలో కూడా, విచారణ పరీక్షకై వారంటీ క్లెయింట్లు అంగీకరించబడతాయి.
2. ఈ క్రింద పేర్కొన్నవి సరిగా ఉన్నాయని మారుతి సుజుకీ లేదా దాని డీలర్స్ పరీక్షించబడి నిరారించుకున్న తర్వాత మాత్రమే వారంటీ క్లెయింట్లు అంగీకరించబడతాయి.
 - a) ఎట్టి పరిస్థితుల్లో మొదటి సెట్టింగులు చెడగొట్టబడలేదని.
 - b) విడిభాగం (అనుబంధం - ఎ లో ఇచ్చిన ప్రకారం)లో తయారీలోపం తలెత్తినప్పుడు.
 - c) యజమాని కరదీపిక మరియు సర్వీసు వివరాల పుస్తకంలో పేర్కొన్న ప్రకారం వాహనాన్ని నిర్వహించినప్పటికీ మరియు

నిర్దేశించిన విధంగా ఇంధనం ఇంకా ఇతర ఆయిల్స్ (ఇంజన్ ఆయిల్, ట్రాన్సిమిషన్ ఆయిల్, బ్రేక్ ఆయిల్, మొ.)ను ఉపయోగించినప్పటికీ వాహనం ఉద్ధార ప్రమాణాలను (1.లో పేర్కొన్న ప్రకారం) అందుకోలేకపోతే.

3. విడిభాగాల వారంటీని నిర్ణయించటానికి పరిశీలించే పద్ధతి మారుతి సుజుకీ మరియు దాని డీలర్ల విచక్షణతో నిర్ధారించబడుతుంది మరియు ఫలితాలు అంతిమం ఇంకా వాటికి కట్టుబడి ఉంటాయి. పరీక్ష తర్వాత వారంటీ వర్తించాల్సిన పరిస్థితి నిర్ధారణ కాకపోతే, మారుతి సుజుకీ మరియు దాని డీలర్ పరీక్షలకయిన ఖర్చు మొత్తం లేదా కొంతభాగాన్ని వసూలు చేసే అధికారాన్ని కలిగిఉంటాయి.
4. ఎమిషన్ వారంటీ క్రింద విడిభాగాలు (అనుబంధం - ఎ లో ఇవ్వబడిన ప్రకారం) ఉచితంగా మార్చబడతాయి, వినిమయ వస్తువులకు యధాప్రకారం రుసుం వసూలు చేయబడుతుంది.
5. ఎమిషన్ వారంటీ పరిధిలోకి వచ్చిన విడిభాగం లేదా భాగాల సమూహం, విడిగా మార్చలేకపోతే, అవి ఒక పూర్తి అసెంబ్లీలోని భాగాలుగా ఉంటే, మారుతి సుజుకీ మరియు దాని డీలర్ల మొత్తం అసెంబ్లీని మార్చటం, లేదా కొన్ని భాగాలకి తగిన మరమ్మత్తులు లేదా మార్పులు చేసే తిరిగి ఉపయోగించటానికి విచక్షణాధికారం ఉంది.

6. ఎమిషన్ వారంటీకి అనుగుణంగా ఉండేలా చేయటానికి ఏదైనా జరిగే అవకాశమున్న మరమ్మత్తులు లేదా విడిభాగాలను మార్పిడి చేయటం తప్పనిసరి అయినట్లయితే, అది ఉత్పత్తి వారంటీ కిందకి రానప్పుడు, వారంటీ కిందకి వచ్చినట్లుగా పరిగణించరు. అటువంటి మరమ్మత్తు లేదా మార్పిడిలోనికి వచ్చిన వినిమయ వస్తువులకు యధాప్రకారం రుసుము వసూలు చేయబడుతుంది.
7. వాహనాన్ని దగ్గరలో ఉన్న మారుతి సుజుకీ డీలర్ వర్క్ షాప్ దగ్గరికి చేర్చటానికి అయ్యే ఖర్చుకు, లేదా వారంటీని క్లెయిం చేసేటప్పుడు మరియు మారుతి సుజుకీ డీలర్ చేత పరీక్ష చేసేటప్పుడు మరియు/లేదా మరమ్మత్తు చేసేటప్పుడు వాహనం అందుబాటులో లేనందువల్ల ఏదైనా నష్టం జరిగితే దానికి మారుతి సుజుకీ ఎటువంటి భాద్యత వహించదు.
8. ఉద్ధార ప్రమాణాలకు అనుగుణంగా లేనందువల్ల చట్టబద్ధమైన సంస్థలు ఏదైనా జరిమానా విధిస్తే మారుతి సుజుకీ దానికి భాద్యత వహించదు.
9. యజమాని మారినప్పుడు అవసరమైన పత్రాలన్నీ అందుబాటులో ఉంచితే ఎమిషన్ వారంటీపై ఎటువంటి ప్రభావం ఉండదు.
10. ఎమిషన్ వారంటీకై అన్ని నిర్వహణ చర్యలు (యజమాని కరదీపిక మరియు సర్వీసు వివరాల పుస్తకంలో పేర్కొనబడినవి) పాటించాలి మరియు ఎమిషన్ వారంటీ కరదీపికలో నమోదు చేయాలి.

11. వినయోగదారుడు వాహనం విఫలమైందని తెలుసుకోవటానికి చేసే పరీక్ష ముందు, దాని కాలవ్యవధికి సంబంధించిన చెల్లుబాటుయ్యే పి.యు.సి. (పోల్యూషన్ అండర్ కంట్రోల్)ని అందచేయాలి. రసీదులు (వాహనాన్ని కొన్ననాటి నుండి యజమాని కరదీపిక మరియు సర్వీసు వివరాల పుస్తకంలో పేర్కొన్న విధంగా వాహనం నిర్వహణకి సంబంధించినవి) కూడా కావాలి.

ఎమిషన్ వారంటీ వర్తించని పరిస్థితులు

1. చెల్లుబాటు అయ్యే పి యు సి సర్టిఫికేట్ లేనప్పుడు.
2. ఓనర్ యొక్క మాన్యువల్ లో పేర్కొన్న షెడ్యూల్ ప్రకారం మారుతి సుజుకీ అధికృత వర్షింగ్ నుండి వేహికల్ సర్వీస్ చేయబడలేదు.
3. వేహికల్ అసాధారణ వినయోగానికి లోబడి ఉంటుంది (ప్రమాదం, మోటార్ రేసు, ర్యాల్లీలు లేదా రికార్డులు ఏర్పాటు చేసే ప్రయోజనం కోసం).
4. ఎం సీ జి ప్ కాని ఉపయోగం (మారుతి సుజుకీ సుజుకీ నిఖారైన భాగం).
5. దానితో ట్యాంపర్ చెయ్యబడిన వేహికల్.

6. అసలు కిలోమీటర్ రీడింగ్ నిర్ణయించబడని విధంగా ఒడోమీటర్ తో ట్యాంపరింగ్.
7. కల్తీ ప్యూయల్ మరియు/లేదా పేర్కొనబడని ఆయిల్స్ వాడకం (ఇంజిన్ ఆయిల్ , ట్రాన్సిమిషన్ ఆయిల్ మరియు బ్రేక్ ఆయిల్ మొదలైనవి).

అనుబంధం - A

ఎమిషన్ వారంటీ క్రింద భాగాల జాబితా (ఒకవేళ వర్తించబడితే)

1. ప్యూయల్ ఇంజెక్షన్ అసెంబ్లీ , ప్రెషర్ రెగ్యులేటర్ , ట్రోటిల్ బాడీ అసెంబ్లీ.
2. ఇ సీ ఎమ్ (ఎలక్ట్రానిక్ కంట్రోల్ మాడ్యూల్)
3. ఇన్టేక్ మ్యాన్సిఫోల్డ్
4. ఇ జి ఆర్ వాల్వ్.
5. ఇగ్నీషన్ కాయిల్
6. కానిస్టర్ అసెంబ్లీ
7. ఆవిరి ద్రవాలను వేరుచేసేది
8. ప్యూయల్ ట్యాంక్ మరియు ఫిల్టర్ క్యాప్
9. పి సీ వి (ధనాత్మక క్రాంక్స్ వేంటిలేషన్) వాల్వ్.
10. ఆయిల్ ఫిల్టర్ క్యాప్
11. క్యాటలిస్ట్ కన్వర్టర్
12. ఎగ్జాస్ట్ మ్యాన్సిఫోల్డ్
13. అన్ని ప్యూయల్ ఇంజెక్షన్ సిస్టమ్ సంబంధిత సెన్సార్స్.
14. హై ప్రెషర్ ప్యూయల్ పంప్
15. గ్లో ఫ్లగ్
16. గ్లో ఫ్లగ్ కంట్రోలర్

విషయ సూచిక

ఇంధన సిఫార్సు	1
డ్రైవింగ్ చేయడానికి ముందు	2
మీ వాహనాన్ని ఆపరేట్ చేయడం	3
డ్రైవింగ్ చిట్కాలు	4
ఇతర కంట్రోల్స్ మరియు ఎక్స్‌పెక్ట్	5
వేహికల్లో డింగ్ మరియు టోవింగ్	6
తనిఖీ మరియు మెయింటెనెన్స్	7
అత్యవసర సేవ	8
ఆకార సంరక్షణ	9
సాధారణ సమాచారం	10
స్పెసిఫికేషన్లు	11
బాడీ ఫ్యాబ్రికేషన్ కొరకు సూచనలు (ఛాసిస్ వేరియంట్)	12

ಇಂಧನ ಸಿಫಾರು

ಇಂಧನ ಸಿಫಾರು 1-1

ఇంధన సిఫార్సు

పెట్రోల్ (Petrol) మరియు సి.ఎన్.జి. ఇంజిన్ మోడల్ (CNG Engine Model) కొరకు

పెట్రోల్ ఇంజిన్ మోడల్ (Petrol Engine Model) కొరకు


క్యాటలిస్ట్ స్వర్గర్ దెబ్బతినకుండా ఉండటానికి, మీరు 91 లేదా అంతకంటే ఎక్కువ ఆక్టేన్ నెంబర్ (RON) ఉన్న అన్లెడెడ్ పెట్రోల్ను ఉపయోగించాలి.

గ్యాసోలిన్/ఎథనాల్ల మిశ్రమం (Gasoline/Ethanol blends)

సాధారణంగా గ్యాసోలిన్ అని పిలువబడే, లెడ్లేని గ్యాసోలిన్ మరియు ఎథనాల్ల మిశ్రమం ఇప్పుడు దేశంలో వాణిజ్యపరంగా లభ్యమవుతోంది మరియు ఇది ప్రదేశాన్ని బట్టి మారవచ్చు. ఈ వాహనానికి గ్యాసోలిన్ ఎథనాల్ల మిశ్రమాన్ని E20 వరకు ఇంధనంగా వాడవచ్చు.

MTBE న గ్యాసోలిన్

MTBE కంటెంట్ 15% మించతే, MTBE (మిథైల్ త్యతీయ బ్యూటైల్ ఈథర్) న అన్ లీడెడ్ గ్యాసోలిన్ ని మీ వాహనంలో ఉపయోగించవచ్చు. ఈ ఆక్సిజనేటెడ్ ప్యూయల్తో ఆల్కహాల్ ఉండదు.

 జాగ్రత్త
<p>కల్తీ, నాణ్యత తక్కువగా ఉండటం, కల్తీ ఇంధనాన్ని ఉపయోగించడం వల్ల ఇంజిన్ మరియు ఇంజిన్ యాక్సీలరేటర్లకు నష్టం వాటిల్లుతుంది, ఇంజిన్ పనితీరును ప్రభావితం చేస్తుంది మరియు ఇంజిన్ ఆగిపోవడంతో సహా ఇంజిన్ పనితీరు క్షీణిస్తుంది.</p>

గమనించండి
<ul style="list-style-type: none"> • వేడి వాతావరణంలో ఇంధన విస్తరణకు వీలుగా ప్యూయల్ ట్యాంకు ఎయిర్ స్పేస్ ఉంటుంది. ఫిల్లర్ నాజిల్ ఆటోమేటిక్ల మూసివేసిన తర్వాత లేదా ప్రారంభ బ్లో బ్యాక్ సంభవించిన తర్వాత మీరు ఇంధనాన్ని జోడించడం కొనసాగిస్తే, ఎయిర్ ఛాంబర్ నిండుతుంది. ఈ విధంగా పూర్తిగా ప్యూయల్ నింపినప్పుడు వేడికి గురికావడం వల్ల ఇంధన (ప్యూయల్) విస్తరణ కారణంగా లీకేజీ జరుగుతుంది. అటువంటి ఇంధన లీకేజీని నిరోధించడానికి, ఫిల్లర్ నాజిల్ ఆటోమేటిక్ల మూసివేసిన తర్వాత, లేదా ప్రత్యామ్నాయ నాస్-ఆటోమేటిక్ సిస్టమ్ ఉపయోగిస్తుంటే, ప్రారంభ వెంట్ బ్లో బ్యాక్ సంభవించినప్పుడు నింపడం ఆపివేయండి. • ప్యూయల్ నింపేటప్పుడు ఆల్కహాల్ ఉన్న ఇంధనాన్ని చిందిపోకుండా జాగ్రత్త వహించండి. వాహనం బాడీపై ప్యూయల్ మిమ్మితే, వెంటనే దానిని తుడవాలి. ఆల్కహాల్ ఉండే ఇంధనాలు పెయింట్ డ్యామేజ్ కారణమవుతాయి, ఇది కొత్త వాహనం పరిమితి వారెంటీ కింద కవర్ చేయదు.

సి.ఎస్.జి. ఇంజిన్యోడల్ (CNG Engine Model) కొరకు

సి.ఎస్.జి. (CNG)

CNG (కంప్రెస్డ్ నేచురల్ గ్యాస్) ప్రధానంగా మీథేన్ ద్వారా ఏర్పడుతుంది. CNGని క్షీన్ బర్నింగ్ ఫ్యూయల్గా పరిగణిస్తారు. CNG తక్కువ సాంద్రత కారణంగా, వేహికల్ ఆన్-బోర్డ్ స్టోరేజ్ సామర్థ్యాన్ని పెంచడానికి దీనిని సుమారు 200 బార్ల పీడనం వద్ద కంప్రెస్ చేస్తారు.

▲ జాగ్రత్త

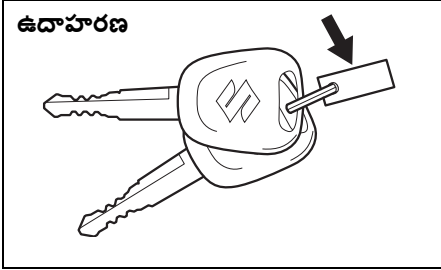
CNG లీకేజీ లేదా విడుదల శబ్దం లేదా CNG పైపింగ్కు ఏదైనా బాహ్య నష్టం లేదా ప్రమాదం సమయంలో, భయాందోళన చెందవద్దు.

- వాహనాన్ని ఆపి ఇంజిన్ స్వీచ్ ఆఫ్ చేసి, కిటికీలను కిందకు దించి, అన్ని తలుపులు తెరవండి.
- మాస్కువల్ షట్ ఆఫ్ వాల్వ్స్ క్లోజ్ చేసేలా చూసుకోండి.
- తదుపరి సహాయం కొరకు వెంటనే అధికృత మారుతి సుజికి కమర్షియల్ వర్క్ కప్పు సంప్రదించండి.

డ్రైవింగ్ చేయడానికి ముందు

కీలు	2-1
డోర్ లాక్లు.....	2-2
టెయిల్ గేట్.....	2-3
విండోలు.....	2-4
అద్దాలు.....	2-5
స్పీట్లు	2-6
స్పీటు బెల్టులు.....	2-6
ఇన్సుమెంట్ క్లస్టర్.....	2-13
స్పీడ్ మీటర్.....	2-14
ఫ్యూయల్ గేజ్	2-14
సమాచార డిస్ప్లీ.....	2-14
వార్నింగ్ మరియు ఇండికేటర్ లైట్లు.....	2-19
లైటింగ్ కంట్రోల్ లీవర్.....	2-23
హెడ్ లైట్ లావలింగ్ స్విచ్.....	2-24
టర్న్ సిగ్నల్ కంట్రోల్ లీవర్	2-24
ప్రమాద హెచ్చరిక స్విచ్	2-25
విండో పీల్డ్ వైపర్ మరియు వాషర్ లీవర్	2-25
హారన్.....	2-27
సి.ఎస్.జి. సిలెండర్ వార్నింగ్ లేబుల్ (అమర్చినట్లయితే)	2-27
సి.ఎస్.జి. వార్నింగ్ లేబుల్ (ఎక్స్‌ప్లై అయి ఉంటే)	2-27
సి.ఎస్.జి. మాన్యువల్ షట్-ఆఫ్ వాల్వ్ (ఎక్స్‌ప్లై అయి ఉంటే)	2-28

కీలు



51KM024

మీ వాహనం ఒక జత తాళాలతో వస్తుంది. మోడల్ వేరియంట్లు బట్టి కీ(లు) ట్రాన్సిట్టర్ ఉండవచ్చు లేదా ఉండకపోవచ్చు. స్పర్ కీని సురక్షితమైన ప్రదేశంలో ఉంచండి. ఒక కీ వాహనంలోని అన్ని తాళాలను తెరవగలదు.

కీ ఐడెంటిఫికేషన్ నెంబరు కీలతో అందించిన మెటల్ ట్యాగ్స్ లేదా కీలపై స్టాంప్ చేయబడుతుంది. ట్యాగ్స్ (అమర్చితే) సురక్షితమైన ప్రదేశంలో ఉంచండి. మీరు మీ కీలను పోగొట్టుకుంటే, కొత్త కీలను తయారు చేయడానికి మీకు ఈ నెంబర్ అవసరం. మీ భవిష్యత్తు రిఫరెన్స్ కొరకు దిగువ నెంబర్ను రాసుకోండి.

కీ నెంబర్:

ఇమ్మ్యుబిలైజర్ సిస్టమ్

ఇంజిన్ స్టార్టింగ్ సిస్టమ్ను ఎలక్ట్రానిక్ డిసేబుల్ చేయడం ద్వారా వాహన దొంగతనాన్ని నిరోధించడంలో సహాయపడేందుకు ఈ సిస్టమ్ రూపొందించబడింది.

మీ వాహనం ఒరిజినల్ ఇమ్మ్యుబిలైజర్ ఇగ్నీషన్ కీతో మాత్రమే ఇంజిన్ స్టార్ట్ చేయబడుతుంది, దీనిలో ఎలక్ట్రానిక్ ఐడెంటిఫికేషన్ కోడ్ ప్రోగ్రామ్ చేయబడుతుంది. ఇగ్నీషన్ స్విచ్ను "ఆన్" పోజిషన్కు తిప్పినప్పుడు కీ వాహనానికి ఐడెంటిఫికేషన్ కోడ్ను కమ్యూనికేట్ చేస్తుంది. మీరు స్పర్ కీలను తయారు చేయాలని అనుకుంటే, మారుతి సుజికి అధికృత వర్కౌట్ సందర్శించండి. స్పర్ కొరకు వేహికల్ని సరైన ఐడెంటిఫికేషన్ కోడ్లో ప్రోగ్రామ్ చేయాలి. సాధారణ తాళాలు తయారు చేసే వ్యక్తి చేసే తాళం పనిచేయదు.



65D239

ఇగ్నీషన్ స్విచ్ "ఆన్" పోజిషన్లో ఉంటే ఇమ్మ్యుబిలైజర్ సిస్టమ్ వార్నింగ్ బ్లింక్ అయితే, ఇంజిన్ స్టార్ట్ కాదు.

ఈ లైట్ బ్లింక్ అయితే ఇగ్నీషన్ స్విచ్ను "లాక్" పోజిషన్కు తిప్పండి, ఆపై దానిని తిరిగి "ఆన్" పోజిషన్కు తిప్పండి.

ఇగ్నీషన్ స్విచ్ను "ఆన్" పోజిషన్కు తిప్పిన తర్వాత కూడా లైట్ బ్లింక్ అయితే, మీ కీతో లేదా ఇమ్మ్యుబిలైజర్ సిస్టమ్ వ్యా ఏదైనా లోపం ఉండవచ్చు. సిస్టమ్ తనిఖీ చేయమని మారుతి సుజికి అధికృత వర్కౌట్ అడగండి.

గమనిక :

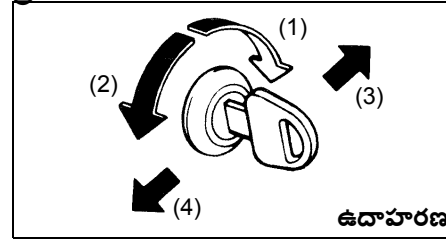
- మీరు మీ ఇమ్మ్యుబిలైజర్ ఇగ్నీషన్ కీని పోగొట్టుకుంటే, పోయిన దానిని డియాక్టివేట్ చేయడానికి మరియు కొత్త కీని తయారు చేయడానికి వీలైనంత త్వరగా మారుతి సుజికి అధికృత వర్కౌట్ అడగండి.
- మీరు ఇమ్మ్యుబిలైజర్ కీలతో ఇతర వాహనాలను ఉంటే, మీ మారుతి సుజికి వాహనాన్ని ఉపయోగించేటప్పుడు ఆ తాళాలను ఇగ్నీషన్ స్విచ్ నుండి దూరంగా ఉంచండి. లేకపోతే, ఇంజిన్ స్టార్ట్ కాకపోవచ్చు ఎందుకంటే అవి మీ మారుతి సుజికి వాహనం ఇమ్మ్యుబిలైజర్ సిస్టమ్ను అంతరాయం కలిగించవచ్చు.
- మీరు ఏదైనా లోపా వస్తువులను ఇమ్మ్యుబిలైజర్ కీకి జత చేస్తే, అది ఇంజిన్ స్టార్ట్ కాకపోవచ్చు.

- ఈ ఇమ్మ్యుబిల్జర్ సస్టెమ్ యింటి నెన్సహితంగా ఉంటుంది.

గమనించండి
<p>ఇమ్మ్యుబిల్జర్ కీ సున్నితమైన ఎలక్ట్రానిక్ పరికరం. ఇది దెబ్బతినకుండా ఉండటానికి:</p> <ul style="list-style-type: none"> • ప్రత్యక్ష సూర్యరశ్మి కింద డ్రాప్ బోర్డ్ వంటి ప్రభావాలు, తేమ లేదా అధిక ఉష్ణోగ్రతకు దానిని బహిర్గతం చేయవద్దు. • అయస్కాంత వస్తువులకు దూరంగా ఉంచండి.

డోర్ లాక్స్

స్టాండీ డోర్ లాక్స్ డ్రైవర్ డోర్



76MH0A001

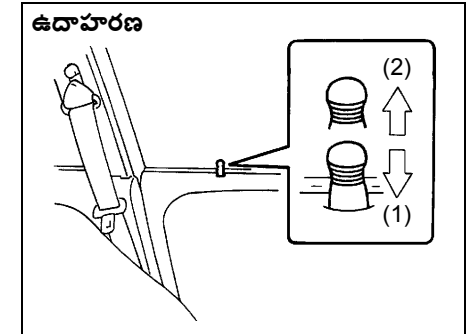
- (1) తాళం
- (2) అన్లాక్
- (3) ముందు (ఫ్రంట్)
- (4) వెనుక (రియర్)

వాహనం వెలుపల నుండి డ్రైవర్ డోర్ లాక్ చేయడానికి:

- కీని చొప్పించండి మరియు కీ పైభాగాన్ని వేహికల్ ముందు వైపు తిప్పండి, లేదా
- లాక్ నాబ్బు కిందకు నెట్టండి, ఆపై మీరు తలుపును మూసివేస్తున్నప్పుడు డోర్ హ్యాండిల్ను లాగి పట్టుకోండి.

వాహనం వెలుపల నుండి డ్రైవర్ డోర్ను అన్లాక్ చేయడానికి, కీని చొప్పించండి మరియు కీ పైభాగాన్ని వాహనం వెనుక వైపు తిప్పండి.

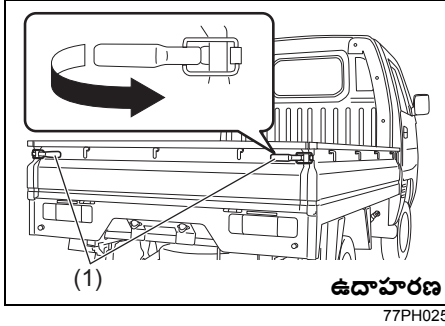
వాహనం వెలుపల నుండి ప్యాసింజర్ డోర్ లాక్ చేయడానికి, లాక్ నాబ్బు కిందకు నెట్టండి, ఆపై డోర్ హ్యాండ్ చేసేటప్పుడు డోర్ హ్యాండిల్ను లాగి పట్టుకోండి.



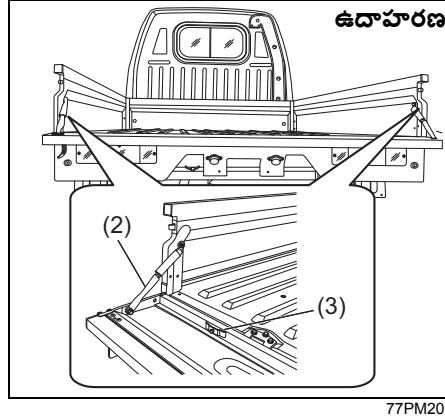
54G005

- (1) తాళం
- (2) అన్లాక్

టెయిల్ గేట్



లాక్ హ్యాండిల్స్ (lock handles) (1) లాగడం ద్వారా టెయిల్ గేట్ను తెరవవచ్చు. మూసివేసేటప్పుడు, వాటిని గట్టిగా లాక్ చేయండి.



టెయిల్ గేట్ చైన్ (tailgate chain) (2) సహాయంతో టెయిల్ గేట్ను ఇంటర్మీడియట్ పొజిషన్లో కూడా లాక్ చేయవచ్చు.

గమనించండి

ఉపయోగంలో లేనప్పుడు టెయిల్ గేట్ చైన్ (tailgate chain) (2)ని పిన్ (pin) (3)తో లాక్ చేయండి.

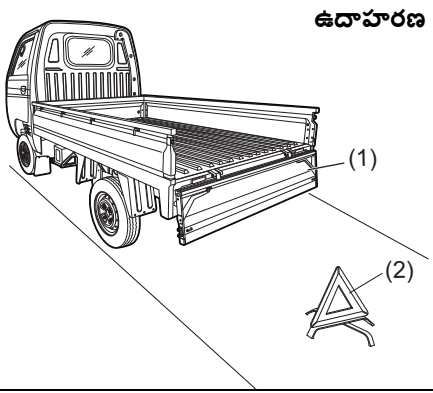
⚠ హెచ్చరిక

- టెయిల్ గేట్ను ఓపెన్ / ఇంటర్మీడియట్ పొజిషన్లో డ్రైవింగ్ చేయడం వల్ల టెయిల్ గేట్ స్వింగ్ మరియు ఇతరులను డీకొట్టడానికి అనుమతిస్తుంది, దీని వల్ల గాయం లేదా మరణం కూడా సంభవిస్తుంది.
- ఓపెన్/ఇంటర్మీడియట్ పొజిషన్లో ఉన్న టెయిల్ గేట్ ఇతర డ్రైవర్లు టెయిల్ లైట్లను చూడకుండా అడ్డుకుంటుంది, ఇది ప్రమాదాలకు కారణం అవుతుంది. డ్రైవింగ్ చేయడానికి ముందు టెయిల్ గేట్ మూసివేసినట్లుగా మరియు గట్టిగా లాక్ చేసినట్లుగా నిర్ధారించుకోండి.
- ఏదైనా ప్రమాదం జరిగినప్పుడు వాహనం నుంచి సరుకు బయటకు విసిరివేయకుండా నిరోధించడానికి టెయిల్ గేట్ ఎప్పుడూ మూసివేసినట్లుగా మరియు గట్టిగా లాక్ చేసినట్లుగా ధృవీకరించుకోండి.
- ఇంటర్మీడియట్ స్థానంలో లాక్ చేయబడినప్పుడు టెయిల్ గేట్ను నిలవద్దు, లోడ్ ఉంచవద్దు లేదా లోడా కార్గోను ఉంచవద్దు (కొనసాగుతుంది)

⚠ హెచ్చరిక

(కొనసాగుతుంది)

- టెయిల్ గేట్ పూర్తిగా ఓపెన్ కండిషన్లో ఉంటే, పొజిషన్ ల్యాంప్, టర్న్ సిగ్నల్ ఇండికేటర్ మరియు స్టాప్ ల్యాంప్ వంటి వేహికల్ రియర్ లైటింగ్ ఎక్స్‌ప్లెంట్లచతాయి మరియు కనిపించవు.

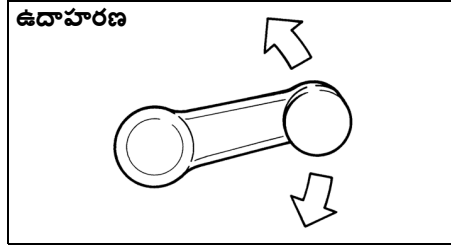


77PM202

⚠ హెచ్చరిక

- టెయిల్ గేట్ (tailgate) (1) పూర్తిగా ఓపెన్ పొజిషన్లో ఉంటే లోడింగ్ మరియు అన్లోడింగ్ చేసితే, వేహికల్ ఉనికి గురించి ఇతర వినియోగదారులను అలర్ట్ చేయడానికి రోడ్డుపై కనిపించే విధంగా ఒక వార్నింగ్ ట్రయాంగిల్ (warning triangle) (2)ని ఉంచాలి.

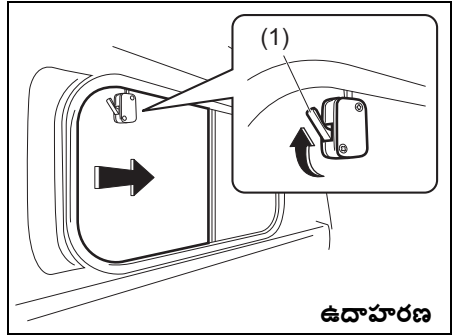
**విండోలు
మాన్యువల్ విండో కంట్రోల్**



60G010

డోర్ ప్యానెల్లో ఉన్న హ్యాండిల్ను తిప్పుడం ద్వారా డోర్ కిటికీలను పైకి లేపండి లేదా కిందకు దించండి.

రియర్ విండో



77PH073

విండోను తెరవడానికి, లాక్ (lock) (1) ను నెట్టి, విండోను స్టాప్ చేయండి.

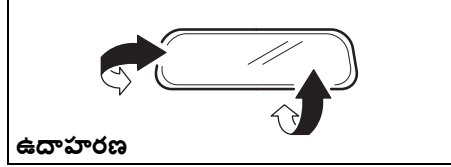
అడ్డాలు

⚠ హెచ్చరిక

దిగువ పాయింట్లు గమనించడంలో విఫలం కావడం వల్ల వేహికల్ కంట్రోల్ కోల్పోవచ్చు మరియు ప్రమాదానికి దారితీయవచ్చు, ఇది మరణానికి లేదా తీవ్రమైన గాయానికి దారితీయవచ్చు. డ్రైవింగ్ చేసేటప్పుడు ఎప్పుడూ ఈ క్రింది పాయింట్లను అనుసరించండి.

- డ్రైవింగ్ చేసేటప్పుడు అడ్డాలను సర్దుబాటు చేయవద్దు.
- డ్రైవింగ్ చేయడానికి ముందు ఎప్పుడూ వెలుపలి రియర్ వ్యూ అడ్డాలు అన్నింటినీ తెరవండి మరియు సరిగ్గా సర్దుబాటు చేయండి.
- వెనుక విండో గ్లాస్ నుండి విజిబిలిటీకి ఆటంకం కలిగించే లేదా మీ దృష్టికి అంతరాయం కలిగించే వస్తువులను వాహనం వెనుక భాగంలో ఉంచవద్దు.

ఇస్ సైడ్ రియర్ వ్యూ మిర్రర్
 మీ వాహనం వెనుక భాగాన్ని అడ్డంలో చూడటానికి మీరు లోపలి రియర్ వ్యూ మిర్రర్ను చేతిలో సర్దుబాటు చేయవచ్చు.



ఉదాహరణ 74LHT0235

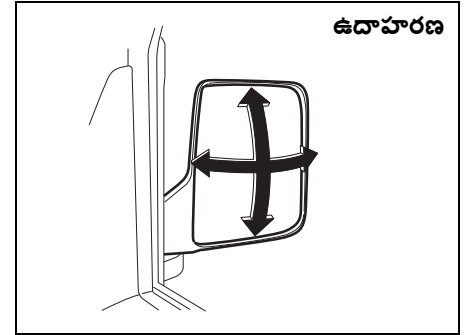
⚠ జాగ్రత్త

లోపలి రియర్ వ్యూ మిర్రర్ను సవరించవద్దు లేదా అసలైన వెడల్పు లేని వైడ్ మిర్రర్ని ఇన్స్టాల్ చేయవద్దు. ఇది ప్రమాద సమయంలో గాయాలకు దారితీస్తుంది.

వెలుపలి రియర్ వ్యూ మిర్రర్(లు)
 వెలుపలి రియర్ వ్యూ మిర్రర్(లు)ని సర్దుబాటు చేయండి, తద్వారా మీరు మీ వాహనం సైడ్ వ్యూ అడ్డం(లు)లో చూడవచ్చు.

⚠ హెచ్చరిక

సైడ్ కన్వెక్స్ అడ్డంలో కనిపించే వాహనం లేదా ఇతర వస్తువు పరిమాణం లేదా దూరాన్ని నిర్ణయించేటప్పుడు జాగ్రత్తగా ఉండండి. చదునైన అడ్డంలో చూసినప్పుడు వస్తువులు చిన్నవిగా కనిపిస్తాయని మరియు దూరంగా కనిపిస్తాయని తెలుసుకోండి.



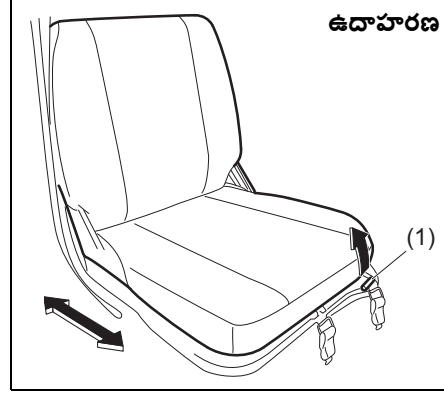
ఉదాహరణ 64P0190

సీట్లు

సీటు సర్దుబాటు (డ్రైవర్ సీటు)

⚠ హెచ్చరిక

డ్రైవింగ్ చేసేటప్పుడు డ్రైవర్ సీటును సర్దుబాటు చేయడానికి ఎప్పుడూ ప్రయత్నించవద్దు. సీటు అనూహ్యంగా కదిలి నియంత్రణ కోల్పోయే ప్రమాదం ఉంది. మీరు డ్రైవింగ్ ప్రారంభించడానికి ముందు డ్రైవర్ సీటు సరిగ్గా సర్దుబాటు చేసినట్లుగా నిర్ధారించుకోండి.



గమనిక :

సీటును తిరిగి సజావుగా ఆపరేట్ చేయడానికి, సీటు వెనుక సర్దుబాటు లీవర్ (lever) (2)ను పైకి లాగండి. లీవర్పూర్తిగా పైకి తరలించిన తరువాత మాత్రమే సీటును వెనుక్కి కదిలించేలా చూసుకోండి. సీటును వెనుక సర్దుబాటు చేసిన తర్వాత, లీవర్ను సున్నితంగా రిలీజ్ చేయండి. సీటును ముందుకు మరియు వెనుకకు కదిలించడం ద్వారా వెనుకకు లాక్ చేసినట్లుగా తనిఖీ చేయండి.

సీటు బెల్టులు (Seat Belts)

⚠ హెచ్చరిక

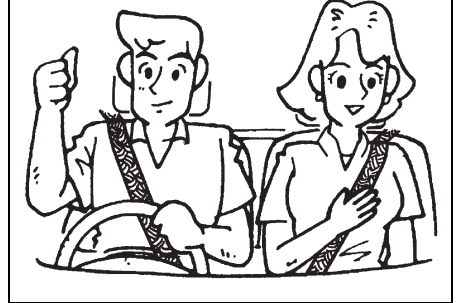
భద్రతా పరికరంగా సీట్ బెల్ట్ ప్రభావాన్ని తగ్గించే అధిక సీట్ బెల్ట్ స్ట్రాక్చర్ నివారించడానికి, సీటు బెల్టులను బిగించడానికి ముందు సీట్లను సర్దుబాటు చేసినట్లు నిర్ధారించుకోండి.

సీటు పొజిషన్ సర్దుబాటు లీవర్ (1)

లివర్ను పైకి లాగండి మరియు సీటును స్టైడ్ చేయండి.

సర్దుబాటు చేసిన తరువాత, సీటు సురక్షితంగా లాక్ చేసినట్లుగా నిర్ధారించుకోవడానికి ముందుకు మరియు వెనుకకు కదిలించడానికి ప్రయత్నించండి.

ఉదాహరణ



⚠ జాగ్రత్త

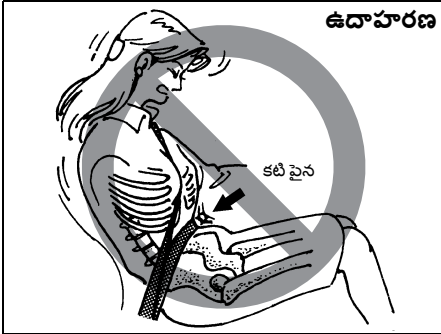
సీటు సర్దుబాటు చేసేటప్పుడు, సీటు మీ చేతులను నలిగిపోకుండా లేదా మీ శరీరాన్ని తాకకుండా జాగ్రత్త వహించండి.

⚠ హెచ్చరిక

అన్నివేళలా మీ సీట్ బెల్టును ధరించండి.

⚠ హెచ్చరిక

అతి తక్కువ దూరం డైవింగ్ చేసినా, వారి సీటింగ్ పొజిషన్లో ఎయిర్ బ్యాగ్ అమర్చినా, చేయకపోయినా డైవర్, ప్యాసింజర్ అన్నివేళలా సీటు బెల్టులు ధరించడం ద్వారా సరైన నియంత్రణ పాటించాలి, తద్వారా ప్రమాదం జరిగినప్పుడు తీవ్రమైన గాయాలు లేదా మరణాల ప్రమాదాన్ని తగ్గించవచ్చు.

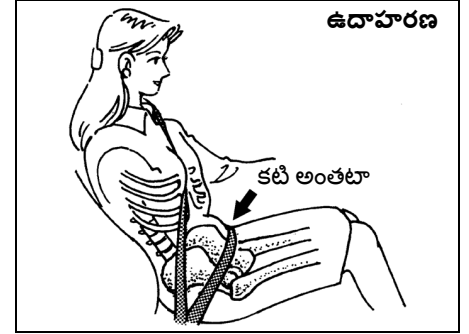


65D606

⚠ హెచ్చరిక

- వాహనం కార్లో ప్రాంతంలో ప్రయాణించడానికి వ్యక్తులను ఎప్పుడూ అనుమతించవద్దు. ప్రమాదం జరిగినప్పుడు సీటు బెల్టును సురక్షితంగా బిగించి సీటులో ప్రయాణించని వ్యక్తులకు గాయాలయ్యే ప్రమాదం ఉంది.
- అన్ని సీట్ బెల్టు సరిగ్గా ధరించేలా చూసుకోండి. సరిగ్గా ధరించని సీట్ బెల్ట్ డీకొనడం జరిగితే గాయం లేదా మరణం సంభవించే ప్రమాదాన్ని పెంచుతుంది.
- సీటు బెల్టులను ఎప్పుడూ ఈ క్రింది విధంగా సర్దుబాటు చేయాలి:
 - బెల్ట్ ల్యాప్ భాగాన్ని నడుము అంతటా కాకుండా కటి అంతటా తక్కువగా ధరించాలి.
 - భుజం స్ట్రాప్లను బయటి భుజంపై మాత్రమే ధరించాలి మరియు చేతి కింద ఎప్పుడూ ధరించకూడదు.
 - భుజం స్ట్రాప్లొప్పు మీ ముఖం మరియు మెడకు దూరంగా ఉండాలి, అయితే మీ భుజం నుండి పడిపోకూడదు.

(కొనసాగుతుంది)



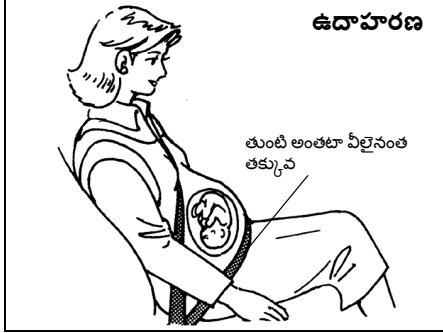
65D201

⚠ హెచ్చరిక

(కొనసాగుతుంది)

- సీట్ బెల్టును ఎప్పుడూ స్టాపు మెలి తిరిగి ఉంటే స్టాప్లరించకూడదు మరియు వాటిని డిజైన్ చేసిన రక్షణను అందించడానికి సాకర్యవంతంగా ఉన్నంత వరకు గట్టిగా సర్దుబాటు చేయాలి. స్టాక్ బెల్ట్ స్పీక్ బెల్ట్ కంటే తక్కువ రక్షణను అందిస్తుంది.
- ప్రతి సీట్ బెల్ట్ బకిల్ను సరైన బకిల్ క్యాచ్ చేప్పించేలా చూసుకోండి.

(కొనసాగుతుంది)



65D199

⚠ హెచ్చరిక

(కొనసాగుతుంది)

- గర్భిణీ స్త్రీలు సీటు బెల్టులను ఉపయోగించాలి, అయినప్పటికీ డైవింగ్ గురించి నిర్దిష్ట సిఫార్సులు మహిళ వైద్య సలహాదారు చేయాలి. పటంలో చూపించిన విధంగా బెల్ట్ ల్యాప్ భాగాన్ని తుంటి అంతటా వీలైనంత తక్కువగా ధరించాలని గుర్తుంచుకోండి.

(కొనసాగుతుంది)

⚠ హెచ్చరిక

- పెన్నులు, తాళాలు, కళ్లద్దాలు వంటి కఠినమైన, పెళుసైన లేదా పదునైన వస్తువులపై సీటు బెల్టులు ధరించవద్దు. అలాంటి వస్తువులపై సీట్ బెల్ట్ నుంచి వచ్చే ఒత్తిడి వల్ల ప్రమాదం జరిగినప్పుడు గాయాలకు కారణం కావచ్చు.
- మీ సాకెట్లో లేదా మీ దుస్తులపై కఠినమైన లేదా విరిగిపోయే వస్తువులపై మీ సీటు బెల్ట్ ధరించవద్దు. ఏదైనా ప్రమాదం జరిగితే అద్దాలు, పెన్నులు వంటి వస్తువులు. సీట్ బెల్ట్ కింద గాయాలు కావచ్చు.
- ఒకే సీటు బెల్టును ఒకటి కంటే ఎక్కువ మంది నివాసితులకు ఎప్పుడూ ఉపయోగించవద్దు మరియు శిశువు లేదా ప్రయాణికుడి ఒడిలో ఉంచిన బిడ్డకు సీట్ బెల్ట్ ఎప్పుడూ జతచేయవద్దు. ఇలాంటి సీట్ బెల్ట్ వాడకం వల్ల ప్రమాదం జరిగినప్పుడు తీవ్ర గాయాలయ్యే అవకాశం ఉంది.

(కొనసాగుతుంది)

⚠ హెచ్చరిక

(కొనసాగుతుంది)

- సీట్ బెల్ట్ అసెంబ్లీని అధికంగా అడుగుదల మరియు డ్యామేజ్ గురయ్యాయా అని క్రమానుగతంగా తనిఖీ చేయండి. వెబ్లింగ్ డెబ్బతిన్నా, కలుషితమైనా, ఏ విధంగానైనా డెబ్బతిన్నా సీటు బెల్టులు మార్చాలి. అసెంబ్లీకి జరిగిన నష్టం స్పష్టంగా కనిపించకపోయినా, తీవ్రమైన ప్రభావం చూపిన తర్వాత మొత్తం సీట్ బెల్ట్ అసెంబ్లీని మార్చడం చాలా అవసరం.
- శిశువులు మరియు చిన్న పిల్లలను సరిగ్గా నియంత్రించకపోతే వారితో ఎప్పుడూ రవాణా చేయకూడదు.
- పిల్లలకు, భుజం బెల్ట్ మెడ లేదా ముఖానికి చికాకు కలిగిస్తే, పిల్లవాడిని హాహనం మధ్య భాగానికి దగ్గరగా తరలించండి.
- పాలిష్టు, ఆయిల్లు, రసాయనాలు మరియు ముఖ్యంగా బ్యాటరీ యాసిడ్ ద్వారా సీట్ బెల్ట్ వెబ్లింగ్ కలుషితం కాకుండా చూడండి. తేలికపాటి సబ్బు మరియు నీటిని ఉపయోగించి శుభ్రపరచడం సురక్షితంగా చేపట్టవచ్చు.

(కొనసాగుతుంది)

⚠ హెచ్చరిక

(కొనసాగుతుంది)

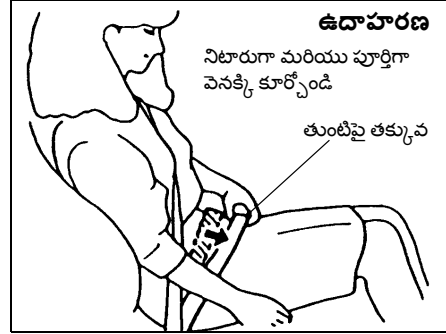
- నాణీలు, క్షిప్రు మొదలైన వాటిని చొప్పించవద్దు. సీట్ బెల్ట్ బకిలోకి, మరియు ఈ భాగాల్లోకి ద్రవాలు చిమ్ముకుండా జాగ్రత్త వహించండి. అవాంఛిత సామగ్రి సీట్ బెల్ట్ బకిన్లోకి వస్తే సీట్ బెల్ట్ సరిగ్గా పనిచేయకపోవచ్చు.

ల్యాప్-షోల్డర్ బెల్ట్ (Lap-Shoulder Belt)

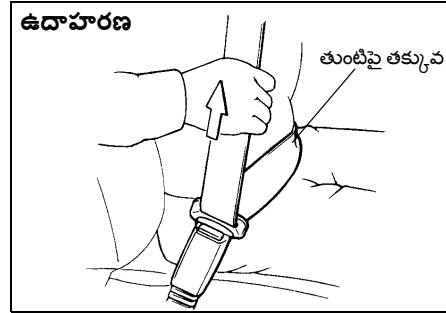
ఎమర్జెన్సీ లాకింగ్ రిట్రాక్టర్ (ELR)

సీట్ బెల్ట్లో ఎమర్జెన్సీ లాకింగ్ రిట్రాక్టర్ (ELR) ఉంటుంది, ఇది అకస్మాత్తుగా ఆగిపోయినప్పుడు లేదా ప్రభావం చూపినప్పుడు మాత్రమే సీటు బెల్ట్ బెల్టు లాక్ చేయడానికి రూపొందించబడింది. మీరు మీ శరీరం అంతటా బెల్టు చాలా త్వరగా లాగితే ఇది లాక్ చేయవచ్చు. ఇది జరిగితే, బెల్టు అన్లాక్ చేయడానికి తిరిగి వెళ్ళనివ్వండి, ఆపై బెల్టు మీ శరీరం అంతటా మరింత నెమ్మదిగా లాగండి.

భద్రతా రిమైండర్ (Safety reminder)



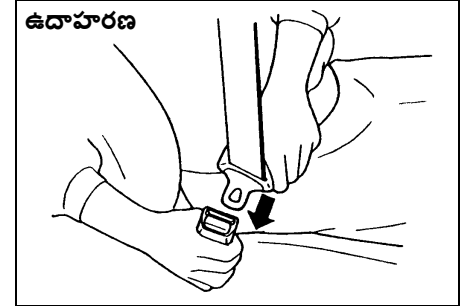
60A038



60A040

డీకొన్నప్పుడు బెల్ట్ కింద జారిపోయే ప్రమాదాన్ని తగ్గించడానికి, బెల్ట్ ల్యాప్ భాగాన్ని మీ ఒడిలో మీ తుంటిపై వీలైనంత తక్కువగా ఉంచండి మరియు బెల్ట్ భుజం భాగాన్ని లాచ్ ఫ్లెట్ ద్వారా

పైకి లాగడం ద్వారా చక్కగా సరిపోయేలా సర్దుబాటు చేయండి. స్వేచ్ఛగా కదలించేందుకు అనుమతించేందుకు డయాగ్నోస్టిక్ భుజం స్ట్రాప్స్ వద్దవు తనను తాను సర్దుబాటు చేసుకుంటుంది.

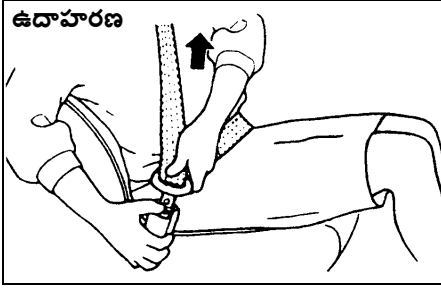


60A036

సీట్ బెల్ట్ బిగించడానికి, సీటులో నిటారుగా మరియు బాగా వెనుకకు కూర్చోండి, సీటు బెల్టు జతచేసిన లాచ్ ఫ్లెట్టు మీ శరీరం అంతటా లాగండి మరియు మీరు క్లిక్ చేసే వరకు నేరుగా బకిన్లోకి వెళ్ళండి.

గమనిక :

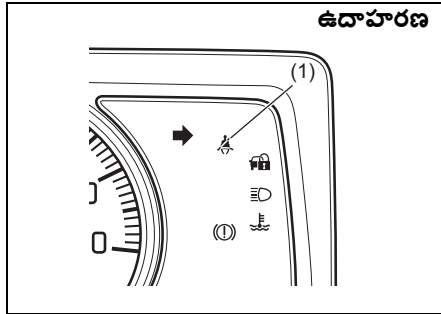
సీటు బెల్టును పూర్తిగా రిట్రాక్టర్ పోజిషన్ నుంచి లాగలేకపోతే, బెల్టును గట్టిగా లాగి, దానిని రిలీజ్ చేయండి. తరువాత రిట్రాక్టర్ నుండి బెల్టును సున్నితంగా బయటకు లాగండి.



60A039

సీట్ బెల్టు అన్లాక్ చేయడానికి, బెల్ట్ లేదా/మరియు లాచ్ ప్లేట్కు ఒక చేతిని జత చేసేటప్పుడు బకెట్ మీద ఉన్న బటన్ను నొక్కండి మరియు బెల్ట్ నెమ్మదిగా వెనక్కి తీసుకోండి.

సీట్ బెల్ట్ రిమైండర్ (Seat Belt Reminder)



77PM02017

(1) డ్రైవర్ సీట్ బెల్ట్ రిమైండర్ లైట్ / ఫ్రంట్ ప్యాసింజర్ సీట్ బెల్ట్ రిమైండర్ లైట్ డ్రైవర్ మరియు / లేదా ఫ్రంట్ ప్యాసింజర్ తమ సీట్ బెల్టును బిగించినప్పుడు / బిగించనప్పుడు, సీట్ బెల్ట్ రిమైండర్ లైట్ ఆన్ అవుతుంది లేదా బ్లింక్ అవుతుంది. బ్లింక్ కావడం, డ్రైవర్ మరియు / లేదా ప్యాసింజర్ వారి సీటు బెల్టులను బిగించుకోమని గుర్తు చేయడానికి బజర్ మోగుతుంది. మరియు వివరాలకు, క్రింది వివరణను చూడండి.

⚠ హెచ్చరిక

డ్రైవర్ మరియు ప్రయాణీకులు తమ సీటు బెల్టులను ఎప్పుడూ బిగించడం చాలా అవసరం. సీటు బెల్టు పెట్టుకోని వ్యక్తులు ప్రమాదం జరిగితే గాయపడే ప్రమాదం ఉంది. ఇగ్నీషన్ స్వీచ్ కిని ఉంచే ముందు మీ సీట్ బెల్టు క్రమం తప్పకుండా బక చేయడం అలవాటు చేసుకోండి.

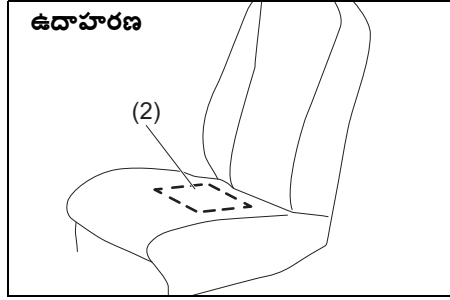
గమనిక :
డ్రైవర్ సీట్ బెల్ట్ రిమైండర్ లైట్/ ఫ్రంట్ ప్యాసింజర్ సీట్ బెల్ట్ రిమైండర్ లైట్ డ్రైవర్ మరియు ఫ్రంట్ ప్యాసింజర్ ఇద్దరికీ ఉంటుంది.

డ్రైవర్ లేదా ఫ్రంట్ ప్యాసింజర్ సీట్ బెల్ట్ రిమైండర్ ఇగ్నీషన్ స్విచ్ "ఆన్" చేసినప్పుడు డ్రైవర్ లేదా ఫ్రంట్ ప్యాసింజర్ సీటు బెల్ట్ పెట్టుకోనట్లయితే, రిమైండర్ ఈ క్రింది విధంగా పనిచేస్తుంది:

- 1) డ్రైవర్ లేదా ఫ్రంట్ ప్యాసింజర్ సీటు బెల్ట్ రిమైండర్ లైట్ ఆన్ అవుతుంది.
- 2) వాహనం వేగం గంటకు 15 km/h తర్వాత, డ్రైవర్ సీట్ బెల్ట్ రిమైండర్ లైట్ బ్లింక్ కావడం మరియు బజర్ సుమారు 95 సెకన్ల పాటు ద్వనిస్తుంది.
- 3) డడశ 2) పూర్తయిన తరువాత, డ్రైవర్ లేదా ఫ్రంట్ ప్యాసింజర్ సీటు బెల్ట్ పెట్టుకునేంత వరకు రిమైండర్ లైట్ ఆన్లో ఉంటుంది. డ్రైవర్ లేదా ఫ్రంట్ ప్యాసింజర్ తన సీట్ బెల్ట్ ను పెట్టుకొని, తరువాత సీట్ బెల్ట్ ను తీసేసినట్లయితే, వాహనం వేగాన్ని బట్టి రిమైండర్ సిస్టమ్ దశ 1) లేదా 2) నుండి యాక్టివేట్ చేయబడుతుంది. వాహనం వేగం గంటకు 15 km/h కంటే తక్కువగా ఉంటే, రిమైండర్ దశ 1 నుండి ప్రారంభమవుతుంది). వాహనం వేగం గంటకు 15 km/h కంటే ఎక్కువగా ఉంటే, రిమైండర్ దశ 2 నుండి ప్రారంభమవుతుంది). డ్రైవర్ సీట్ బెల్ట్ బక చేసినప్పుడు లేదా ఇగ్నీషన్ స్విచ్ ఆఫ్ చేయబడినప్పుడు రిమైండర్ ఆటోమేటిక్ గా రద్దు చేయబడుతుంది.

ఫ్రంట్ ప్యాసింజర్ సీట్ బెల్ట్ రిమైండర్ (Front passenger's seat belt reminder)

ముందు ప్యాసింజర్ సీటులో కూర్చున్న వ్యక్తి ఉండి, ఇగ్నీషన్ స్విచ్ "ఆన్" పొజిషన్లో ఉంటే ఫ్రంట్ ప్యాసింజర్ సీట్ బెల్ట్ అన్ బక్లింగ్ చేయబడితే, ఫ్రంట్ ప్యాసింజర్ సీట్ బెల్ట్ రిమైండర్ యాక్షివేట్ అవుతుంది.



69RH203

(1) ఫ్రంట్ ప్యాసింజర్ సీట్ బెల్ట్ రిమైండర్ సెన్సార్ (seat belt reminder sensor)

సీట్ బెల్ట్ రిమైండర్ సెన్సార్ (seat belt reminder sensor) (2) ఒక వ్యక్తి ముందు సీటులో కూర్చున్నాడో లేదో గుర్తిస్తుంది. ఫ్రంట్ ప్యాసింజర్ సీట్ బెల్ట్ రిమైండర్ సెన్సార్ సీటు కుషన్లో ఉంటుంది.

ఫ్రంట్ ప్యాసింజర్ సీట్ బెల్ట్ రిమైండర్ డ్రైవర్ సీట్ బెల్ట్ రిమైండర్ మాదిరిగానే పనిచేస్తుంది.

గమనించండి
<ul style="list-style-type: none"> ఫ్రంట్ ప్యాసింజర్ సీట్ బెల్ట్ రిమైండర్ సెన్సార్ (seat belt reminder sensor) సీటు కుషన్లో ఉంటుంది. భారీ లేదా పదునైన వస్తువులను సీటు కుషన్పై ఉంచితే, లేదా ప్యాసింజర్ సీటును తొలగించడం, విడదీయడం మరియు సవరిస్తే, సెన్సార్ సరిగ్గా పనిచేయకపోవచ్చు లేదా దెబ్బతినవచ్చు. సీటు కుషన్ మీద భారీ లేదా పదునైన వస్తువులను ఉంచవద్దు. ప్యాసింజర్ సీటును తొలగించడం, విడదీయడం మరియు సవరించడం చేయవద్దు. సీట్ కవర్ రకాన్ని బట్టి, సెన్సార్ పనితీరు ప్రతికూలంగా ప్రభావితం కావచ్చు. మారుతి సుజికి ఈ వాహనం కోసం ప్రత్యేకంగా మారుతి సుజికి ఒరిజినల్స్ కవర్ ఉపయోగించాలని సిఫార్సు చేసింది.

(కొనసాగుతుంది)

గమనించండి
<p>(కొనసాగుతుంది)</p> <ul style="list-style-type: none"> ఫ్రంట్ ప్యాసింజర్ సీటు కుషన్ పై లిక్విడ్ ఆరోమాటిక్స్, సాఫ్ట్ డ్రింక్స్ లేదా జ్యూస్ వంటి లిక్విడ్ చిమ్మితే, సీట్ కుషన్లో ఉన్న ఫ్రంట్ ప్యాసింజర్ సీట్ బెల్ట్ రిమైండర్ సెన్సార్ (seat belt reminder sensor) దెబ్బతింటుంది. చిమ్మినప్పుడు వెంటనే మెత్తటి గుడ్డతో తుడవాలి. ఫ్రంట్ ప్యాసింజర్ సీటులో కూర్చున్నప్పుడు, సీట్ బెల్ట్ రిమైండర్ సిస్టమ్ సమర్థవంతంగా పనిచేయడానికి ప్రయాణికుడు నితారుగా కూర్చోవడం, సీటు బ్యాక్ రెస్ట్ర్ వంగి, సీటు కుషన్పై కేంద్రీకరించడం చాలా ముఖ్యం. సరిగ్గా కూర్చోని వ్యక్తి (వంగి ఉండటం, పక్కకు తిరగడం, ముందుకు లేదా పక్కకు కూర్చోవడం) ఈ సిస్టమ్ పనితీరుకు ఆటంకం కలిగిస్తుంది, ఎందుకంటే ఇది లోపల ఉన్న వ్యక్తిని గుర్తించకపోవచ్చు.

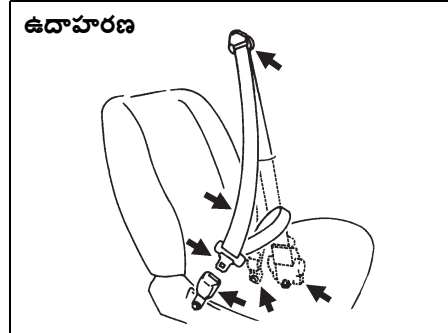
గమనిక :

- ఒక వస్తువును ప్యాసింజర్ సీటుపై పెడితే ఆ వస్తువు బరువును సెన్సార్ ద్వారా గ్రహించి ఫ్రంట్ ప్యాసింజర్ సీట్ బెల్ట్ రిమైండర్ లైట్ ఆన్ చేసి ఇంటీరియర్ బజర్ బిప్ చేస్తుంది.

- ఒక పిల్లవాడు లేదా చిన్న పరిమాణంలో ఉన్న వ్యక్తి ముందు ప్యాసింజర్ సీటులో కూర్చున్నా లేదా ముందు ప్రయాణికుడి సీటుపై కుషన్ ఉంచినా, బరువును సెన్సార్ ద్వారా గ్రహించలేకపోవచ్చు మరియు ఇంటీరియర్ బజర్ బీప్ చేయకపోవచ్చు.

గమనిక : మారుతి సుజికి "సీట్ కవర్" మారుతి సుజికి ఒరిజినల్ యాక్సెసరీని ఉపయోగించాలని సిఫార్సు చేసింది.

సీటు బెల్ట్ తనిఖీ



65D209S

సీట్ బెల్టులు సరిగ్గా పనిచేస్తున్నాయని మరియు పాడైపోలేదని ధృవీకరించుకోవడానికి వాటిని క్రమానుగతంగా తనిఖీ చేయండి. వెల్బింగ్,

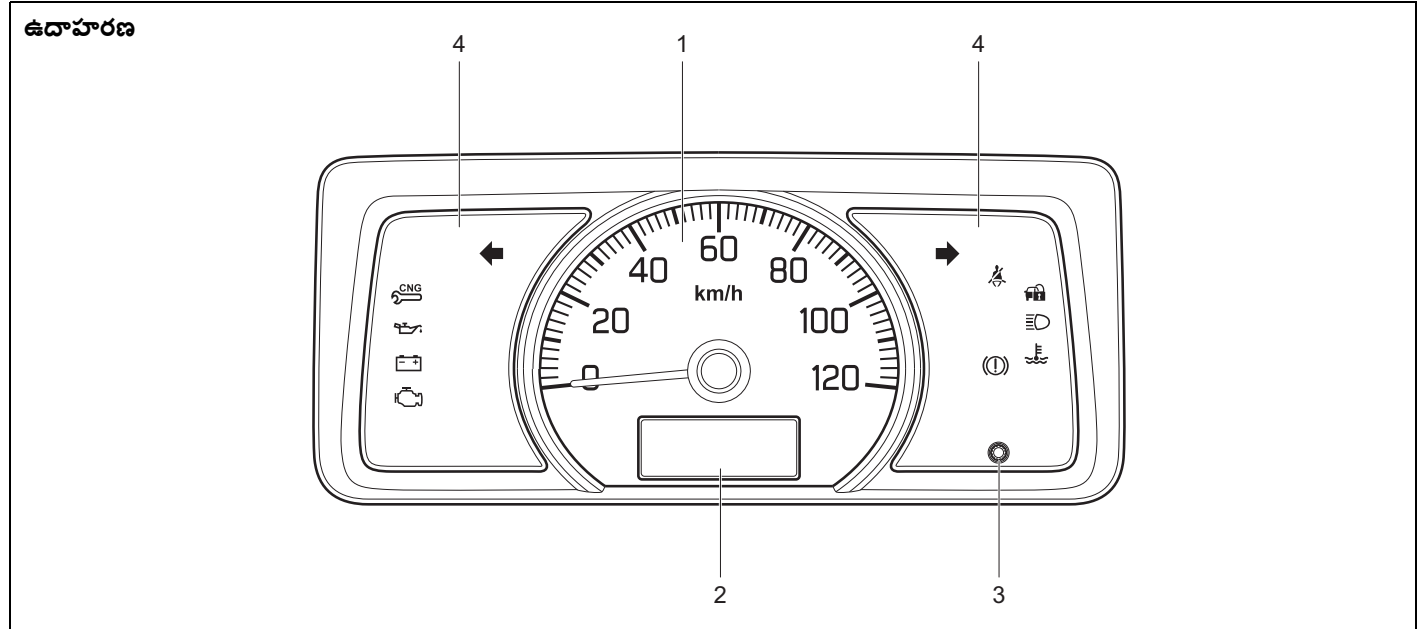
బకిల్స్, లాచ్ ప్లేట్లు, రిట్రాక్టర్లు, యాంకరేజ్లు మరియు గైడ్ లూప్లను తనిఖీ చేయండి.

⚠ హెచ్చరిక

ఏదైనా డీకోన్న తరువాత అన్ని సీట్ బెల్ట్ అసెంబ్లీంగ్లను తప్పకుండా తనిఖీ చేయండి. అసెంబ్లీకి నష్టం సృష్టంగా లేనప్పటికీ, డీకోన్నప్పుడు ఉపయోగంలో ఉన్న ఏదైనా సీట్ బెల్ట్ అసెంబ్లీని (చాలా చిన్నది మినహా) మార్చాలి. డీకోన్నప్పుడు ఉపయోగంలో లేని ఏదైనా సీట్ బెల్ట్ అసెంబ్లీ సరిగ్గా పనిచేయకపోతే లేదా ఏదైనా విధంగా దెబ్బతిన్నట్లయితే దానిని మార్చాలి.

ఇన్స్ట్రుమెంట్ క్లస్టర్

1. స్పీడోమీటర్
2. సమాచార డిస్ప్లే
3. ట్రిప్ మీటర్ సెలెక్టర్ నాబ్
4. హెచ్చరిక మరియు ఇండికేటర్ లైట్లు



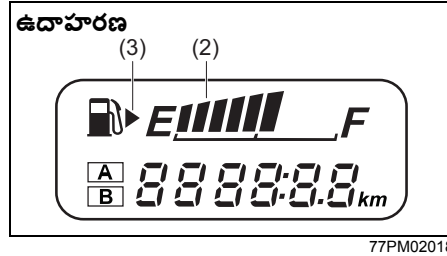
స్పీడోమీటర్

స్పీడోమీటర్ వాహన వేగాన్ని సూచిస్తుంది.

గమనిక :

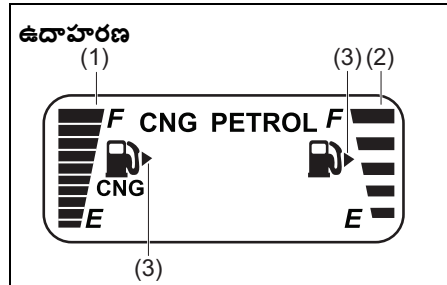
ప్రభుత్వ నిబంధనల ప్రకారం వాహనం గరిష్ట వేగం గంటకు 80 కి.మీ.

ఫ్యూయల్ గేజ్ పెట్రోల్ మోడల్



77PM02018

సి.ఎన్.జి. మోడల్



77PM07019

(1) సి.ఎన్.జి. ఫ్యూయల్ గేజ్ను (CNG fuel gauge) సూచిస్తుంది.

(2) పెట్రోల్ ఫ్యూయల్ గేజ్ను (Petrol fuel gauge) సూచిస్తుంది.

ఇగ్నీషన్ స్విచ్ "ఆన్" పొజిషన్లో ఉంటే, ఈ గేజ్ ఫ్యూయల్ ట్యాంకులోని (fuel tank) ఫ్యూయల్ మోతాదును సుమారుగా తెలియజేస్తుంది. "F" అంటే పూర్తి మరియు "E" అంటే ఖాళీ అని అర్థం.

ఫ్యూయల్ మీటర్ ఇండికేటర్ "E"కు ఒక సెగ్మెంట్లు మాత్రమే చూపిస్తే, సాధ్యమైనంత త్వరగా ట్యాంకును రిఫిల్ చేయండి.

మార్క్ (3) ఫ్యూయల్ ఫిల్లర్ డోర్ (fuel filler door) వేహికల్ కుడి వైపున ఉన్నట్లుగా సూచిస్తుంది.

గమనించండి

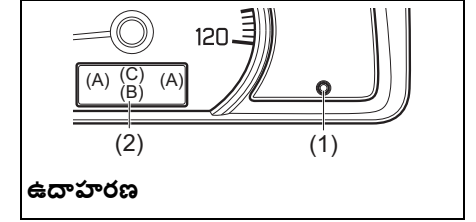
క్యాటలిటిక్ కన్వర్టర్ లేదా వేహికల్ ఇతర కాంపోనెంట్లు దెబ్బతినే అవకాశాన్ని కనిష్టం చేయడానికి, ఖాళీ ఫ్యూయల్ ట్యాంక్ లెవల్ (fuel tank level) వద్ద వేహికల్ డ్రైవ్ చేయడం పరిహరించండి.

గమనిక :

చివరి సెగ్మెంట్ బ్లింక్ అయితే, ఫ్యూయల్ దాదాపు ఖాళీగా ఉన్నట్లుగా అర్థం.

సమాచార డిస్ప్లీ

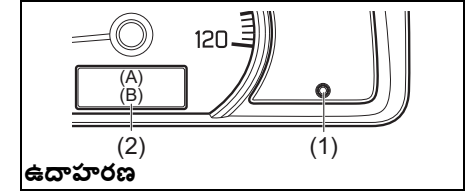
సి.ఎన్.జి. మోడల్ (CNG model) కోసం



ఉదాహరణ

77PM07029

పెట్రోల్ మోడల్ (Petrol Model) కోసం



ఉదాహరణ

77PM07031

(1) ట్రిప్ మీటర్ సెలెక్టర్ నాబ్ (Trip meter selector knob)

(2) సమాచార డిస్ప్లీ (Information display)

ఇగ్నీషన్ స్విచ్ "ఆన్" పొజిషన్లో ఉంటే, ఇన్ఫర్మేషన్ డిస్ప్లీ ఈ క్రింది సమాచారాన్ని చూపుతుంది.

డ్రైవింగ్ చేయడానికి ముందు

డిస్ప్లీ (A)

ఫ్యూయల్ గేజ్ (Fuel gauge)

డిస్ప్లీ (B)

ఓడోమీటర్ / ట్రిప్ మీటర్ / క్లాక్ / బ్రైట్నెస్ కంట్రోల్

డిస్ప్లీ (C)

ఫ్యూయల్ మోడ్లు (Fuel modes) (ఎక్స్ప్రెస్ అయి ఉంటే)

ఫ్యూయల్ గేజ్

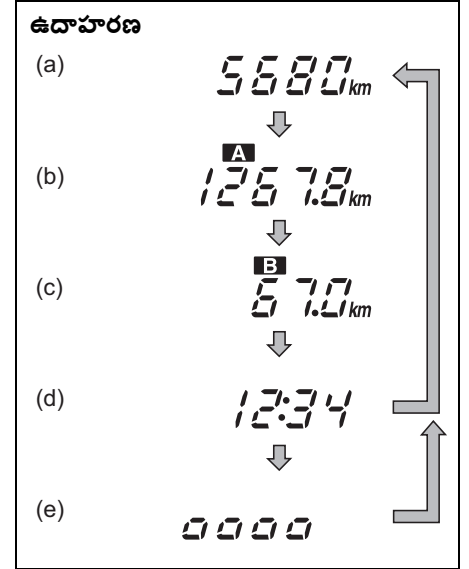
ఇగ్నీషన్ స్విచ్ "ఆన్" పొజిషన్లో ఉంటే, డిస్ప్లీ (A) ఫ్యూయల్ గేజ్ను చూపుతుంది.

ఈ విభాగంలో "ఫ్యూయల్ గేజ్" చూడండి.

ఓడోమీటర్ / ట్రిప్ మీటర్ / క్లాక్ / బ్రైట్నెస్ కంట్రోల్ (Odometer / Trip meter / Clock / Brightness Control)

ఇగ్నీషన్ స్విచ్ "ఆన్" పొజిషన్లో ఉంటే, డిస్ప్లీ (display) (B) ఈ క్రింది సూచనల్లో ఒకదాన్ని చూపుతుంది, ఓడోమీటర్, ట్రిప్ మీటర్ (trip meter) A, ట్రిప్ మీటర్ (trip meter) B లేదా గడియారం.

డిస్ప్లీ ఇండికేషన్ (B)ని మార్చడానికి, ట్రిప్ మీటర్ సెలెక్టర్ నాబ్ (Trip meter selector knob) (1)ని వేగంగా నెట్టండి.



77PH007

(a) ఓడోమీటర్ (Odometer)

(b) ట్రిప్ మీటర్ (trip meter) A

(c) ట్రిప్ మీటర్ (trip meter) B

(d) గడియారం

(e) బ్రైట్నెస్ కంట్రోల్*

* పొజిషన్ లొట్టు లేదా హెడ్ లొట్టు ఆన్ చేసినప్పుడు బ్రైట్నెస్ కంట్రోల్ కనిపిస్తుంది.

⚠ హెచ్చరిక

డ్రైవింగ్ చేసేటప్పుడు డిస్పీను సర్దుబాటు చేయడానికి ప్రయత్నిస్తే, మీరు వాహనంపై నియంత్రణ కోల్పోవచ్చు.

డ్రైవింగ్ చేసేటప్పుడు డిస్పీను సర్దుబాటు చేయడానికి ప్రయత్నించవద్దు.

గమనిక :

మీరు నాబ్బు నెట్టి విడుదల చేసినప్పుడు ఇండికేటర్లు మారతాయి.

ఓడోమీటర్ (Odometer)

ఓడోమీటర్ వాహనం నడిపిన మొత్తం దూరాన్ని నమోదు చేస్తుంది.

గమనించండి

మీ ఓడోమీటర్ రీడింగ్ను ట్రాక్ చేయండి మరియు అవసరమైన సర్వీస్ కోసం మెయింటెనెన్స్ షెడ్యూల్ను క్రమం తప్పకుండా తనిఖీ చేయండి.

సరైన వైలేజీ విరామాల్లో అవసరమైన సర్వీస్ను నిర్వహించడంలో విఫలం కావడం వల్ల కొన్ని భాగాలకు అరుగుదల లేదా నష్టం పెరగవచ్చు.

ట్రీప్ మీటర్ (Trip meter)

షార్ట్ ట్రిప్పులు లేదా పూయల్ స్టాప్ ల మధ్య ప్రయాణించిన దూరాన్ని కొలవడానికి ట్రీప్ మీటర్ (trip meter) ఉపయోగించవచ్చు.

ట్రీప్ మీటర్ (trip meter) A లేదా ట్రీప్ మీటర్ (trip meter) Bని స్వతంత్రంగా ఉపయోగించవచ్చు.

ట్రీప్ మీటర్ను సున్నాకు రీసెట్ చేయడానికి, డిస్పీ ట్రీప్ మీటర్ని చూపించినప్పుడు ట్రీప్ మీటర్ సెలెక్టర్ నాబ్ (Trip meter selector knob) (1)ని కాసేపు నెట్టి పట్టుకోండి.

గమనిక :

ట్రీప్ మీటర్ (trip meter) సూచించిన గరిష్ట విలువ 9999.9. మీరు గరిష్ట విలువను దాటినప్పుడు, సూచించిన విలువ 0.0 కు తిరిగి వస్తుంది.

గడియారం

డిస్పీ సమయాన్ని చూపిస్తుంది.

టైమ్ ఇండికేషన్ మార్చడానికి:

1) నిమిషం ఇండికేషన్ బ్లింక్ అయ్యే వరకు ట్రీప్ మీటర్ సెలెక్టర్ నాబ్ (Trip meter selector knob) (1)ని నొక్కి పట్టుకోండి.

2) నిమిషం ఇండికేషన్ను మార్చడానికి, నిమిషం సూచిక బ్లింక్ కావడం అయినప్పుడు ట్రీప్ మీటర్ సెలెక్టర్ నాబ్ (Trip meter selector knob) (1) ను పదేపదే నెట్టుండి. నిమిష ఇండికేటర్ని త్వరగా మార్చడానికి, ట్రీప్ మీటర్ సెలెక్టర్ నాబ్ (Trip meter selector knob) (1) ను నెట్టి పట్టుకోండి. నిమిషం ఇండికేటర్ను సెట్ చేయడానికి, గంట సూచన బ్లింక్ అయ్యే వరకు సుమారు 5 సెకన్ల పాటు వేచి ఉండండి. బ్లింక్ కావడం

3) గంట ఇండికేటర్ మార్చడానికి, ట్రీప్ మీటర్ సెలెక్టర్ నాబ్ (Trip meter selector knob) (1) ను నిమిషం ఇండికేటర్ బ్లింక్ అవ్వడం ప్రారంభించే వరకు పదేపదే నెట్టుండి. సుమారు 5 సెకన్ల పాటు వేచి ఉండండి మరియు ఇండికేటర్ బ్లింక్ కావడం ప్రారంభం అవుతుంది. గంట ఇండికేటర్ను మార్చడానికి, ట్రీప్ మీటర్ సెలెక్టర్ నాబ్ (Trip meter selector knob) (1)ను వేగంగా నెట్టి పట్టుకోండి.

⚠ హెచ్చరిక

డ్రైవింగ్ చేసేటప్పుడు డిస్సేను సర్దుబాటు చేయడానికి ప్రయత్నిస్తే, మీరు వాహనంపై నియంత్రణ కోల్పోవచ్చు.

డ్రైవింగ్ చేసేటప్పుడు డిస్సేను సర్దుబాటు చేయడానికి ప్రయత్నించవద్దు.

⚠ హెచ్చరిక

డ్రైవింగ్ చేసేటప్పుడు డిస్సేను సర్దుబాటు చేయడానికి ప్రయత్నిస్తే, మీరు వాహనంపై నియంత్రణ కోల్పోవచ్చు.

డ్రైవింగ్ చేసేటప్పుడు డిస్సేను సర్దుబాటు చేయడానికి ప్రయత్నించవద్దు.

గమనిక :

మీరు ప్రతికూల (negative) (-) టెర్మినల్ను బ్యాటరీకి తిరిగి కనెక్ట్ చేసినప్పుడు, క్లాక్ ఇండికేషన్ తిరిగి పునరుద్ధరించబడుతుంది. ఇండికేటర్ను మీ ప్రాధాన్యతకు అనుగుణంగా మళ్ళీ మార్చండి.

బ్రైట్నెస్ కంట్రోల్ (Brightness control)

పోజిషన్ లైట్లు మరియు/లేదా హెడ్లైట్లు ఆన్లో ఉంటే, మీరు మీటర్ కాంట్రోల్ తీవ్రతను నియంత్రించవచ్చు.

ఇన్స్ట్రుమెంట్ ప్యానెల్ లైట్ల ప్రకాశాన్ని మార్చడానికి, ట్రిప్ మీటర్ సెలెక్టర్ నాబ్ (Trip meter selector knob) (1)ను నెట్టి పట్టుకోండి.

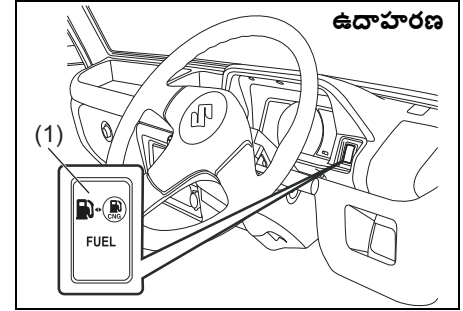
గమనిక :

- బ్రైట్నెస్ కంట్రోల్ డిస్సేను యాక్టివేట్ చేసిన 10 సెకన్ల లోపు ట్రిప్ మీటర్ సెలెక్టర్ నాబ్ను మీరు నెట్టికపోతే, బ్రైట్నెస్ కంట్రోల్ డిస్సే ఆటోమేటిక్ గా క్యాన్సిల్ అవుతుంది.
- మీరు బ్యాటరీని తిరిగి కనెక్ట్ చేసినప్పుడు, ఇన్స్ట్రుమెంట్ ప్యానెల్ లైట్ల బ్రైట్నెస్ తిరిగి పునరుద్ధరించబడుతుంది. మీ అభిరుచికి అనుగుణంగా ప్రకాశాన్ని సర్దుబాటు చేసుకోండి.

సి.ఎస్.జి. మోడల్ (CNG model) కొరకు ఫ్యూయల్ మోడ్లు (Fuel Modes) (అమర్చినట్లయితే)

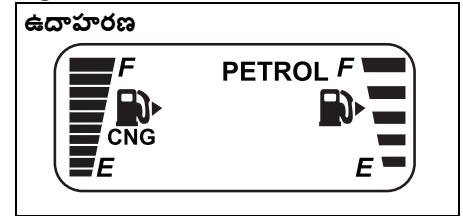
వాహనంలో పెట్రోల్, ఆటో మరియు సి.ఎస్.జి. మోడ్లు మూడు ఉన్నాయి, ఇవి డాష్బోర్డ్ స్ట్రీరింగ్ వీల్కు కుడి వైపున ఉన్న సెలెక్టర్ స్విచ్ (selec-

tor switch) (1) నొక్కడం ద్వారా ఎంచుకోవచ్చు.



77PM02005

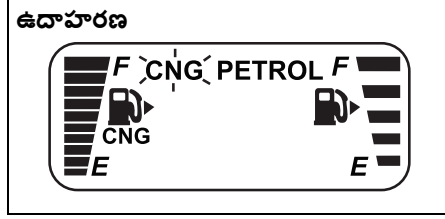
పెట్రోల్ మోడ్ (Petrol Mode)



77PM02002

ఈ మోడ్లో వాహనం పెట్రోల్ మొదలై పెట్రోల్ మోడ్లో రన్ అవుతూ ఉంటుంది. ఈ మోడ్లో, పెట్రోల్ ఇండికేటర్ని రంతరం ప్రదర్శించబడుతుంది మరియు సి.ఎస్.జి. ఇండికేటర్ "ఆఫ్"గా ఉంటుంది.

ఆటో మోడ్ (Auto Mode)



77PM02003

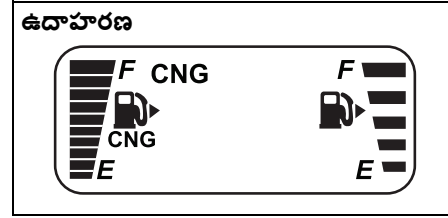
ఈ మోడ్లో ఇంజిన్ పెట్రోల్ మోడ్లో ప్రారంభమవుతుంది, ప్రోగ్రామ్ చేయబడిన వార్మింగ్ కండిషన్లు చేరుకున్న తర్వాత ఆటోమేటిక్ సి.ఎన్.జి. (CNG) కి మారుతుంది. ఇగ్నీషన్ స్విచ్ ఆన్ చేసి వాహనం "ఆటో మోడ్"లో స్టార్ట్ చేసినప్పుడు, సి.ఎన్.జి. ఇండికేటర్ డిస్పిజ్ట్ బ్లింక్ అవుతుంది మరియు పెట్రోల్ ఇండికేటర్ డిస్పిజ్ట్ అవుతుంది. CNGకి మారిన తరువాత, సి.ఎన్.జి. ఇండికేటర్ డిస్పిజ్ట్ చేయబడుతుంది మరియు పెట్రోల్ ఇండికేటర్ ఆటోమేటిక్గా స్విచ్ ఆఫ్ చేయబడుతుంది.

గమనిక :

- ఇంజిన్ లైఫ్ పెంచడానికి వాహనాన్ని ఆటో మోడ్ లేదా పెట్రోల్ మోడ్లో స్టార్ట్ చేయాలని ఎప్పుడూ సిఫార్సు చేయబడుతుంది.
- పరిసర/ఇంజిన్ ఉష్ణోగ్రత సున్నా డిగ్రీల సెల్సియస్ కంటే తక్కువగా ఉంటే వేహికల్

స్టార్ట్ చేయబడితే ప్యూయల్ చేంజ్ ఓవర్ CNGకి మారకపోవచ్చు. అటువంటి సందర్భంలో, ఇంజిన్ వేడెక్కే వరకు పెట్రోల్ మోడ్లో రన్ చేయండి మరియు తరువాత ఇంజిన్ను CNGకి మార్చడానికి రిస్టార్ట్ చేయడానికి ప్రయత్నించండి.

బలవంతపు సి.ఎన్.జి. మోడ్ (Forced CNG Mode)



77PM02004

ఇది ఎమర్జెన్సీ మోడ్ మరియు పెట్రోల్ ట్యాంకులో పెట్రోల్ లేని సందర్భాల్లో ఉపయోగించవచ్చు. ఈ మోడ్లో వాహనం సి.ఎన్.జి. మోడ్లో ప్రారంభమై సి.ఎన్.జి. మోడ్లో రన్ అవుతూ ఉంటుంది. ఇగ్నీషన్ "ఆన్" మరియు ఇంజిన్ పనిచేయనందున, కేవలం సి.ఎన్.జి. ఇండికేటర్ మాత్రమే ప్రదర్శించబడే వరకు చేంజ్ ఓవర్ స్విచ్ ప్రెస్ చేయండి మరియు పట్టుకోండి. ఈ మోడ్లో, సి.ఎన్.జి.

ఇండికేటర్ డిస్పిజ్ట్ చేయబడుతుంది మరియు పెట్రోల్ ఇండికేటర్ "ఆఫ్"గా ఉంటుంది.

గమనిక :

- పెట్రోల్ ట్యాంకులో తగినంత మొత్తంలో పెట్రోల్ ఉంచాలని సిఫార్సు చేయబడుతుంది.
- పరిసర/ఇంజిన్ టెంపరేచర్ జీరో డిగ్రీ సెల్సియస్ కంటే తక్కువగా ఉన్నట్లయితే వాహనం సి.ఎన్.జి. మోడ్లో స్టార్ట్ కాకపోవచ్చు. ఆటో మోడ్లో వాహనాన్ని స్టార్ట్ చేయాలని సిఫార్సు చేయబడుతుంది.

సి.ఎన్.జి. మోడ్ (CNG Mode) నుండి పెట్రోల్ మోడ్కు ఆటోమేటిక్ మారడం

ఇంజిన్ నడుస్తున్నప్పుడు CNG పూర్తయితే, వాహనం ఆటోమేటిక్ సి.ఎన్.జి. మోడ్ నుంచి పెట్రోల్ మోడ్కు మారుతుంది మరియు సి.ఎన్.జి. (CNG) సరిగ్గా పనిచేయని హెచ్చరిక ల్యాంప్ బ్లింక్ చేయడం ప్రారంభిస్తుంది. పెట్రోల్ ఇండికేటర్ రిఫిల్ చేయబడుతుంది మరియు సి.ఎన్.జి. ఇండికేటర్ ఆటోమేటిక్గా స్విచ్ ఆఫ్ చేయబడుతుంది.

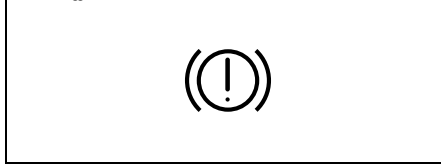
ఈ సమాచారాన్ని గుర్తించడానికి, చేంజ్ ఓవర్ స్విచ్ ఒక్కసారి ప్రెస్ చేయండి. చేంజ్ ఓవర్ స్విచ్ ప్రెస్ చేసిన తరువాత సి.ఎన్.జి. (CNG)

పనిచేయని హెచ్చరిక ల్యాంప్ బ్లింక్ కావడం ఆగిపోతుంది మరియు పెట్రోల్ ఇండికేటర్ మరలు వెలుగుతుంది. ఏదేమైనా, వాహనం CNGతో రీఫిల్ అయ్యేంత వరకు ప్రతి తదుపరి ఇగ్నిషన్ ఆన్ - ఇగ్నిషన్ ఆఫ్ కండిషన్ తరువాత కూడా సి.ఎన్.జి. (CNG) సరిగ్గా పనిచేయకపోవడం ఇండికేటర్ ల్యాంప్ బ్లింక్ అవుతూనే ఉంటుంది. సి.ఎన్.జి. (CNG)ని రీఫిల్ చేస్తే, CNGకి మార్పడానికి దయచేసి ఫ్యూయల్ చేంజ్ ఓవర్ స్విచ్ను ఒక్కసారి ప్రెస్ చేయండి. అప్పుడు, వాహనం సి.ఎన్.జి. (CNG)తో నడుస్తుంది.

గమనిక :

- సి.ఎన్.జి. మోడ్ నుండి పెట్రోల్ మోడ్కు ఆటోమేటిక్ మార్చేటప్పుడు ఇంజిన్ ఆగిపోకుండా నిరోధించడానికి పెట్రోల్ ట్యాంక్లో తగినంత మొత్తంలో పెట్రోల్ ఉండాలని సిఫార్సు చేయబడుతుంది.
- ఛేంజ్ ఓవర్ స్విచ్ నొక్కేసే తర్వాత సి.ఎన్.జి. (CNG) పనిచేయని హెచ్చరిక ల్యాంప్ బ్లింక్ కావడం ఆగకపోతే, సమీప అధికృత మారుతి సుజీకి కమెరిషియల్ వర్క్ డివిజన్ వాహనాన్ని తనిఖీ చేయండి.

వార్నింగ్ మరియు ఇండికేటర్ లైట్లు బ్రేక్ సిస్టమ్ వార్నింగ్ లైట్



82K170

వాహనం స్పెసిఫికేషన్లు బట్టి నాలుగు విభిన్న రకాల ఆపరేషన్లు ఉంటాయి.

- 1) ఇగ్నిషన్ స్విచ్ను "ఆన్" పొజిషన్కు తిప్పినప్పుడు లైట్ క్లుప్తంగా ఆన్ అవుతుంది.
- 2) పార్కింగ్ బ్రేక్కు "ఆన్" పొజిషన్లో ఇగ్నిషన్ స్విచ్లో నిమగ్నం చేసినప్పుడు లైట్ ఆన్ అవుతుంది.
- 3) పై రెండు షరతుల్లో ఒకటి లేదా రెండింటిలో ఉంటే కాంటి వెలుగుతుంది.
- 4) బ్రేక్ ఫ్లూయిడ్ రిజర్వాయర్ లోని ఫ్లూయిడ్ నిర్దేశిత స్థాయి కంటే తక్కువగా ఉంటే కూడా లైట్ ఆన్ అవుతుంది.

బ్రేక్ ఫ్లూయిడ్ రిజర్వాయర్లో ఫ్లూయిడ్ లెవల్ తగినంతగా ఉన్నట్లయితే, ఇంజిన్ స్టార్ట్ చేసి, పార్కింగ్ బ్రేక్కు పూర్తిగా విడుదల చేసిన తరువాత లైట్ ఆరిపోవాలి.

మీరు వాహనాన్ని నడుపుతున్నప్పుడు బ్రేక్ సిస్టమ్ వార్నింగ్ లైట్ ఆన్ అయితే, వాహనం బ్రేక్ సిస్టమ్లో ఏదో లోపం ఉన్నట్లుగా అర్థం. ఇది జరిగితే, మీరు వీటిని చేయాలి:

- 1) రోడ్డు మీద నుంచి లాగి జాగ్రత్తగా ఆపండి.

⚠ హెచ్చరిక

ఆపి దూరం ఎక్కువ ఉండవచ్చని గుర్తుంచుకోండి, మీరు పెడల్పై గట్టిగా నెట్టాలి ఉంటుంది మరియు పెడల్ సాధారణం కంటే ఎక్కువ దూరం వెళ్ళవచ్చు.

- 2) రోడ్డు పక్కన జాగ్రత్తగా స్టార్ట్ చేయడం మరియు ఆపడం ద్వారా బ్రేకులను పరీక్షించండి.
 - ఇది సురక్షితమని మీరు నిర్ధారించే, రిపేర్ల కొరకు సమీప డీలర్ వద్దకు తక్కువ వేగంతో జాగ్రత్తగా డ్రైవ్ చేయండి, లేదా
 - రిపేర్ల కొరకు వేహికల్ని దగ్గరలోని అధికృత మారుతి సుజీకి కమర్షియల్ వర్క్ డివిజన్ తీసుకెళ్ళండి.

⚠ హెచ్చరిక

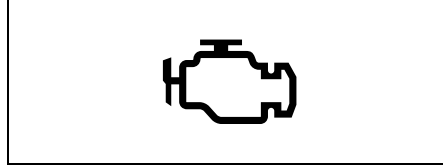
దిగువ పేర్కొన్న ఏవైనా పరిస్థితులు సంభవించితే, బ్రేక్ సిస్టమ్ని తనిఖీ చేయమని మీరు వెంటనే మీ అధికృత మారుతి సుజికి కమర్షియల్ వర్కెట్లకు అడగాలి.

- ఇంజిన్ స్టార్ట్ అయిన తరువాత మరియు పార్కింగ్ బ్రేక్ పూర్తిగా విడుదల అయిన తరువాత బ్రేక్ సిస్టమ్ వార్నింగ్ లైట్ ఆరిపోకపోతే.
- ఇగ్నీషన్ స్విచ్ను "ఆన్" పొజిషన్కు తిప్పినప్పుడు బ్రేక్ సిస్టమ్ వార్నింగ్ లైట్ ఆన్ కాకపోతే.
- వేహికల్ ఆపరేషన్ సమయంలో ఎప్పుడైనా బ్రేక్ సిస్టమ్ వార్నింగ్ లైట్ ఆన్ అయితే.

గమనిక :

ఎందుకంటే బ్రేక్ సిస్టమ్ సెల్స్ అడ్జస్ట్ అవుతుంది కాబట్టి బ్రేక్ ప్యాడ్స్ అరిగిపోయే కొద్దీ పూయిడ్ లావల్ పడిపోతుంది. బ్రేక్ పూయిడ్ రిజర్వాయర్ను తిరిగి నింపడం సాధారణ ఆవర్తన మెయింటెనెన్స్ పరిగణించబడుతుంది.

సరిగ్గా పనిచేయని ఇండికేటర్ లైట్



63J031

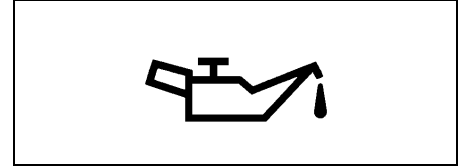
మీ వాహనంలో కంప్యూటర్మియంత్రిత ఎమిషన్ కంట్రోల్స్ సిస్టమ్ ఉంది. ఎమిషన్ కంట్రోల్ సిస్టమ్ సర్వీస్ చేయాల్సిన అవసరం ఎప్పుడు ఉందో సూచించడానికి ఇన్స్ట్రుమెంట్ ప్యానెల్లో సరిగ్గా పనిచేయని ఇండికేటర్ లైట్ ఇవ్వబడుతుంది. ఇగ్నీషన్ స్విచ్ను "ఆన్" పొజిషన్కు తిప్పినప్పుడు సరిగ్గా పనిచేయని ఇండికేటర్ లైట్ ఆన్ అవుతుంది, ఇది లైట్ పనిచేస్తోందని మరియు ఇంజిన్ స్టార్ట్ చేయబడినప్పుడు బయటకు వెళ్తుంది.

ఇంజిన్ నడుస్తున్నప్పుడు సరిగ్గా పనిచేయకపోవడం ఇండికేటర్ లైట్ ఆన్ అయితే, ఎమిషన్ కంట్రోల్ సిస్టమ్ సమస్య ఉంది. డ్యూమేజ్ సరి చేయడానికి వాహనాన్ని మీ సమీప అధికృత మారుతి సుజికి కమర్షియల్ వర్కెట్లకు తీసుకెళ్ళండి.

గమనించండి

సరిగ్గా పనిచేయని ఇండికేటర్ లైట్ ఆన్లో ఉంటే వాహనాన్ని నడపడం కొనసాగించడం వల్ల వేహికల్ ఎమిషన్ కంట్రోల్ సిస్టమ్కు శాశ్వత నష్టం జరగవచ్చు మరియు ఫ్యూయల్ ఎకానమీ మరియు డ్రైవబిలిటీపై ప్రభావం చూపుతుంది.

ఆయిల్ ప్రెజర్ లైట్



50G051

ఇగ్నీషన్ స్విచ్ను "ఆన్" పొజిషన్కు తిప్పినప్పుడు ఈ లైట్ ఆన్ అవుతుంది మరియు ఇంజిన్ స్టార్ట్ అయినప్పుడు ఆరిపోతుంది. తగినంత ఆయిల్ పీడనం లేకపోతే లైట్ ఆన్ అవుతుంది మరియు ఆన్లో ఉంటుంది. డ్రైవింగ్ చేసేటప్పుడు లైట్ ఆన్ అయితే, వీలైనంత త్వరగా రోడ్డు నుంచి పక్కకు దిగి లాగి ఇంజిన్ ఆపండి.

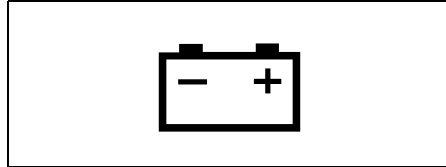
ఆయిల్ లావల్ చెక్ చేయండి మరియు అవసరమైతే సిఫారసు చేసిన ఇంజిన్ ఆయిల్

డ్రైవింగ్ చేయడానికి ముందు

జోడించండి. తగినంత ఆయిల్ ఉన్నట్లయితే, మీరు వాహనాన్ని తిరిగి నడపడానికి ముందు మీ అధికృత మారుతి సుజికి కమర్షియల్ వర్క్ కస్టోమర్ లూబ్రికేషన్ సిస్టమ్ తనిఖీ చేయాలి.

గమనించండి
<ul style="list-style-type: none"> • మీరు ఈ లైట్ ఆన్లో ఇంజిన్ను ఆపరేట్ చేస్తే, ఇంజిన్ తీవ్రంగా డ్యామేజ్ ఏర్పడుతుంది. • ఆయిల్ జోడించాల్సిన అవసరాన్ని సూచించడానికి ఆయిల్ ప్రెజర్ లైట్ మీద ఆధారపడవద్దు. ఇంజిన్ ఆయిల్ లెవల్ని ఎప్పటికప్పుడు చెక్ చేసుకోండి.

చార్జింగ్ లైట్ (Charging Light)



50G052

ఇగ్నీషన్ స్విచ్ను "ఆన్" పొజిషన్కు తిప్పినప్పుడు ఈ లైట్ ఆన్ అవుతుంది మరియు ఇంజిన్ స్టార్ట్ అయినప్పుడు ఆరిపోతుంది. బ్యాటరీ చార్జింగ్ సిస్టమ్లో ఏదైనా లోపం ఉంటే లైట్ ఆన్ అయి ఉంటుంది. ఇంజిన్

నడుస్తున్నప్పుడు లైట్ ఆన్ అయితే, చార్జింగ్ సిస్టమ్ను వెంటనే మీ అధికృత మారుతి సుజికి కమర్షియల్ వర్క్ కస్టోమర్ తనిఖీ చేయాలి.

డ్రైవర్ సీట్ బెల్ట్ వార్నింగ్ లైట్ / ఫ్రంట్ ప్యాసింజర్ సీట్ బెల్ట్ వార్నింగ్ లైట్



60G049

డ్రైవర్ లేదా ఫ్రంట్ ప్యాసింజర్ తన సీటు బెల్టు పెట్టుకోనప్పుడు, ఈ లైట్ ఆన్ అవుతుంది మరియు/లేదా బ్లింక్ అవుతుంది.

సీట్ బెల్ట్ రిమైండర్ గురించి వివరాల కోసం, ఈ విభాగంలోని "సీట్ బెల్ట్ లు మరియు పిల్లల నియంత్రణ సిస్టమ్లు" చూడండి. హై ఇంజిన్ కూలెంట్ టెంపరేచర్ వార్నింగ్ లైట్ (ఎరుపు రంగు)

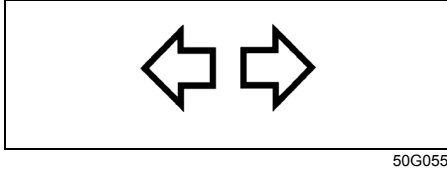


54G344

ఇగ్నీషన్ స్విచ్ను "ఆన్" పొజిషన్కు తిప్పినప్పుడు, ఈ లైట్ క్లుప్తంగా ఆన్ అవుతుంది, తద్వారా మీరు లైట్ పనిచేస్తుందో లేదో తనిఖీ చేయవచ్చు. డ్రైవింగ్ చేసేటప్పుడు ఈ లైట్ బ్లింక్ అయితే ఇంజిన్ వేడిగా నడుస్తోందని అర్థం. వాస్తవంగా వేడెక్కడానికి దారితీసే డ్రైవింగ్ పరిస్థితులను నివారించండి. బ్లింక్ కాకుండా లైట్ ఆన్లో ఉంటే ఇంజిన్ వేడెక్కినట్టే. "అత్యవసర సేవ" విభాగంలోని "ఇంజిన్ వేడెక్కితే"లోని ఇండికేటర్లను అనుసరించండి.

గమనించండి
ఇంజిన్ వేడెక్కినట్లు సూచించినప్పుడు వాహనాన్ని నడపడం కొనసాగించడం వల్ల ఇంజిన్ తీవ్రంగా దెబ్బతినవచ్చు.

సిగ్నల్ సూచికలను టర్న్ చేయండి

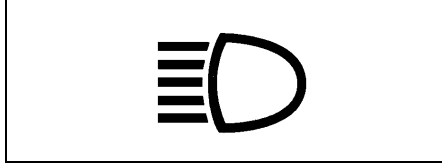


మీరు ఎడమ లేదా కుడి టర్న్ సిగ్నల్స్ ఆన్ చేసినప్పుడు, ఇన్స్ట్రుమెంట్ ప్యానెల్పై సంబంధిత ఆకుపచ్చ బాణం సంబంధిత టర్న్ సిగ్నల్ లైట్లతో పాటు ఫ్లాష్ అవుతుంది. మీరు ప్రమాద హెచ్చరిక స్విచ్ ఆన్ చేసినప్పుడు, అన్ని టర్న్ సిగ్నల్ లైట్లతో పాటు రెండు యారోలు కూడా ఫ్లాష్ అవుతాయి.

గమనిక :

వేగవంతమైన బ్లింకింగ్ వంటి టర్న్ సిగ్నల్స్ ఏదైనా అసాధారణత గమనిస్తే, టర్న్ సిగ్నల్ సిస్టమ్లో లోపం ఉండవచ్చు. సిస్టమ్ను తనిఖీ చేయమని మీ మారుతి సుజికి అధికృత వర్కౌట్ అడగండి.

మెయిన్ బీమ్ (హై బీమ్) ఇండికేటర్ లైట్



హెడ్ లైట్ మెయిన్ బీమ్స్ (హై బీమ్స్) ఆన్ చేసినప్పుడు ఈ ఇండికేటర్ ఆన్ అవుతుంది.

ఇమ్మ్యుబిలైజర్ సిస్టమ్ వార్నింగ్ లైట్



ఇగ్నీషన్ స్విచ్ను "ఆన్" పోజిషన్కు తిప్పినప్పుడు, లైట్ పని చేస్తోందని మీకు తెలియజేయడానికి ఈ లైట్ ఆన్ అవుతుంది. ఇగ్నీషన్ స్విచ్ "ఆన్"కు మారడంతో ఈ లైట్ బ్లింక్ కావడం జరిగే, ఇమ్మ్యుబిలైజర్ సిస్టమ్లో ఏదైనా లోపం ఉండవచ్చు. సిస్టమ్ తనిఖీ చేయమని మారుతి సుజికి అధికృత వర్కౌట్ అడగండి.

సి.ఎన్.జి. సరిగ్గా పనిచేయకపోవడం వార్నింగ్ లైట్ (అమర్నినట్లయితే)



ఇగ్నీషన్ స్విచ్ "ఆన్" చేయబడినప్పుడు, సి.ఎన్.జి. (CNG) ల్యాంప్లో ఎలాంటి ఇబ్బంది లేదని తనిఖీ చేయడానికి, ఈ సి.ఎన్.జి. (CNG) పనిచేయని హెచ్చరిక ల్యాంప్ క్లుప్తంగా ఆన్ అవుతుంది

- సి.ఎన్.జి. (CNG) సరిగ్గా పనిచేయని హెచ్చరిక ల్యాంప్ నిరంతరం వెలుగుతున్నట్లయితే, ఇగ్నీషన్ "ఆన్"తో CNG సిస్టమ్లో ఏదో సమస్య ఉంటుంది. వెంటనే అధికృత మారుతి సుజికి కమర్షియల్ వర్కౌట్స్ మారుతి వాహనాన్ని చెక్ చేసుకోండి.
- ఇంజిన్ వార్నింగ్ సమయంలో సి.ఎన్.జి. (CNG) సరిగ్గా పనిచేయని హెచ్చరిక ల్యాంప్ బ్లింక్ అయితే, CNG సిస్టమ్లో ఏదో సమస్య ఉన్నట్లుగా అర్థం, దీనిలో వాహనం CNG మోడ్లో రన్ను కొనసాగించలేదు మరియు ఆటోమేటిక్ పెట్రోల్ మోడ్కు మారలేదు.

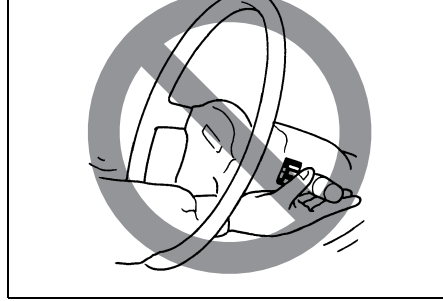
అధికృత మారుతి సుజికి కమర్షియల్ వర్కెస్ పర్మిట్ మీ వాహనాన్ని తనిఖీ చేయండి.

గమనిక :

ఇగ్నీషన్ స్విచ్ "ఆన్" మరియు ఇంజిన్ రన్ కాకపోవడం వల్ల, సి.ఎన్.జి. (CNG) ల్యాంప్ బ్లింక్ కావడం అనేది ఫ్యూయల్ మూత తెరిచి ఉన్నట్లుగా సూచిస్తుంది. ఈ స్థితిలో వాహనం స్టార్ట్ కాదు. వేహికల్ స్టార్ట్ చేయడానికి మూత మూసివేయండి.

లైటింగ్ కంట్రోల్ లీవర్ (Lighting Control Lever)

ఉదాహరణ



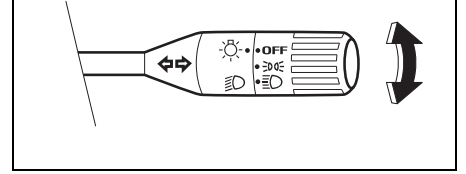
65D611

⚠ హెచ్చరిక

సంభావ్య గాయాలను పరిహారించడానికి, స్టీరింగ్ వీల్ ద్వారా చేరుకోవడం ద్వారా కంట్రోల్లను ఆపరేట్ చేయవద్దు.

లైటింగ్ ఆపరేషన్

ఉదాహరణ



77PH110

లైట్లను ఆన్ లేదా ఆఫ్ చేయడానికి, లీవర్ని వరనాబ్బు తిప్పండి. ఇందులో మూడు స్థానాలు ఉంటాయి:.

ఆఫ్ (OFF)

అన్ని లైట్లు ఆఫ్ అవుతాయి.

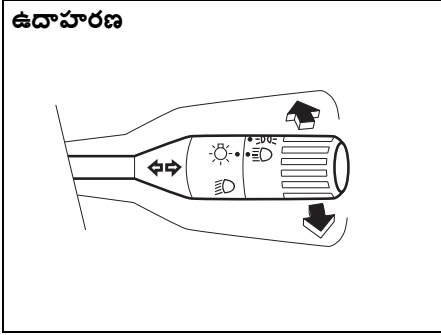
☀

ఫ్రంట్ పోజిషన్ లైట్లు, టెయిల్ లైట్లు, లైసెన్స్ ప్లేట్ లైట్లు, ఇన్స్ట్రుమెంట్ లైట్లు ఆన్లో ఉంటాయి, కానీ హెడ్ లైట్లు ఆఫ్ అవుతాయి.

☀

ఫ్రంట్ పోజిషన్ లైట్లు, టెయిల్ లైట్లు, లైసెన్స్ ప్లేట్ లైట్లు, ఇన్స్ట్రుమెంట్ లైట్లు, హెడ్ లైట్లు ఆన్లో ఉంటాయి.

ఉదాహరణ

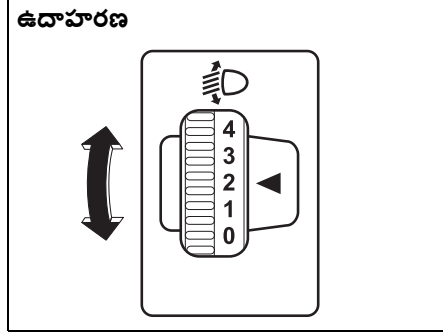


77PH111

హెడ్ లైట్లు ఆన్ చేసి, అధిక బీమ్లుకు (మెయిన్ బీమ్స్) మారడానికి లీవర్ను ముందుకు నెట్టండి లేదా తక్కువ బీమ్లుకు మారడానికి లీవర్ను మీ వైపు లాగండి. హై బీమ్స్ (మెయిన్ బీమ్స్) ఆన్లో ఉంటే ఇన్సుమెంట్ ప్యానెల్పై మెయిన్ బీమ్ (హై బీమ్) ఇండికేటర్ లైట్ ఆన్ అవుతుంది. హై బీమ్లను (మెయిన్ బీమ్స్) పాస్ సిగ్నల్ల యాక్టివేట్ చేయడానికి, లీవర్ను మీ వైపు కొద్దిగా లాగండి మరియు మీరు సిగ్నల్ పూర్తి చేసినప్పుడు దానిని రిలీజ్ చేయండి.

హెడ్ లైట్ లెవెలింగ్ స్విచ్ (Headlight Leveling Switch)

ఉదాహరణ



77PH010

ఈ స్విచ్ను తిప్పడం ద్వారా మీ వేహికల్లోడ్ కండిషన్లు అనుగుణంగా హెడ్ లైట్ బీమ్స్ లెవల్ చేయండి. దిగువ ఛార్ట్ విభిన్న వేహికల్లోడ్ పరిస్థితులకు తగిన స్విచ్ పొజిషన్లు చూపుతుంది.

వేహికల్లోడ్ కండిషన్	పొజిషన్ మార్పడం
డ్రైవర్ మాత్రమే	0
డ్రైవర్ + పుల్ కార్గో	2

టర్న్ సిగ్నల్ కంట్రోల్ లీవర్ (Turn Signal Control Lever)

ఉదాహరణ



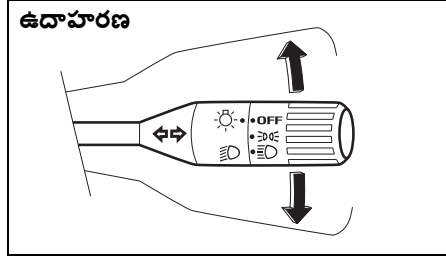
65D611

⚠ హెచ్చరిక

సంభావ్య గాయాలను పరిహారించడానికి, స్టీరింగ్ వీల్ ద్వారా చేరుకోవడం ద్వారా కంట్రోల్స్ను ఆపరేట్ చేయవద్దు.

టర్న్ సిగ్నల్ ఆపరేషన్ (Turn Signal Operation)

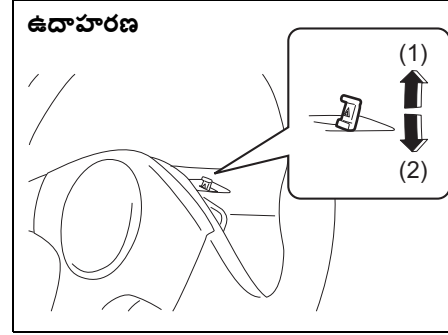
"ఆన్" పొజిషన్లో ఇగ్నీషన్ స్విచ్తో, కుడి లేదా ఎడమ టర్న్ సిగ్నల్స్ని యాక్టివేట్ చేయడానికి లీవర్ని పైకి లేదా కిందకు కదిలించండి.



77PH112

సిగ్నల్ ఇవ్వడానికి లీవర్ని పైకి లేదా దిగువకు కదిలించండి. టర్న్ పూర్తయిన తరువాత, సిగ్నల్ రద్దు చేయబడుతుంది, లీవర్ని సాధారణ స్థానానికి తిరిగి వస్తుంది.

ప్రమాద హెచ్చరిక స్విచ్ (Hazard Warning Switch)

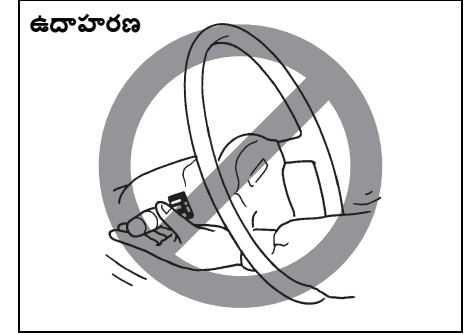


77PH028

- (1) ఆన్ (ON)
- (2) ఆఫ్ (OFF)

హజార్డ్ వార్నింగ్ లైట్లను యాక్టివేట్ చేయడానికి హజార్డ్ వార్నింగ్ స్విచ్ను లాగండి. అన్ని టర్న్ సిగ్నల్ లైట్లు మరియు రెండు టర్న్ సిగ్నల్ ఇండికేటర్లు ఒకేసారి ఫ్లాష్ అవుతాయి. లైట్లను ఆఫ్ చేయడానికి, స్విచ్ను కిందకు నెట్టండి. అత్యవసర పార్కింగ్ సమయంలో లేదా మీ వాహనం ట్రాఫిక్ ప్రమాదంగా మారినప్పుడు ఇతర ట్రాఫిక్కు హెచ్చరించడానికి ప్రమాద హెచ్చరిక లైట్లను ఉపయోగించండి.

విండ్ షీల్డ్ వైపర్ మరియు వాషర్ లీవర్



65D611

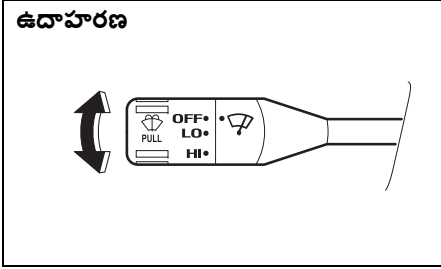
⚠ హెచ్చరిక

సంభావ్య గాయాలను పరిహారించడానికి, స్టీరింగ్ వీల్ ద్వారా చేరుకోవడం ద్వారా కంట్రోల్లను ఆపరేట్ చేయవద్దు.

వైపర్లు ఆపరేషన్ (Wiper Operation)

ఇగ్నీషన్ స్విచ్ "ఆన్" పొజిషన్లో ఉంటే, మీరు వైపర్ లీవర్ని ఉపయోగించవచ్చు.

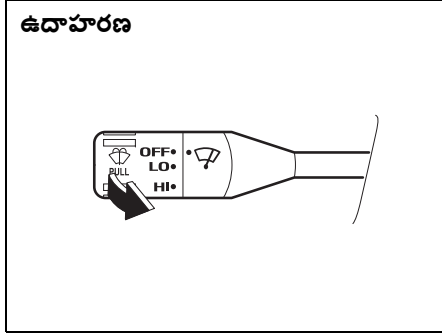
విండీ షీల్డ్ వైపర్లు (Windshield Wipers)



77PM02015

విండీ షీల్డ్ వైపర్లను ఆన్ చేయడానికి, లీవర్నివర ఉన్న నాబ్బు ఆపరేటింగ్ పొజిషన్లో ఒకదానికి తిప్పండి. "LO" పొజిషన్లో, వైపర్లు స్థిరమైన తక్కువ వేగంతో పనిచేస్తాయి. "HI" పొజిషన్లో, వైపర్లు స్థిరమైన అధిక వేగంతో పనిచేస్తాయి. వైపర్లను ఆఫ్ చేయడానికి, లీవర్ను తిరిగి "ఆఫ్" పొజిషన్కు తిప్పండి.

విండీ షీల్డ్ వాషర్ (Windshield Washer)



77PM02016

విండీ షీల్డ్ వాషర్ ఫ్లూయిడ్ స్పృ చేయడానికి, లీవర్ని మీ వైపు లాగండి.

⚠ హెచ్చరిక

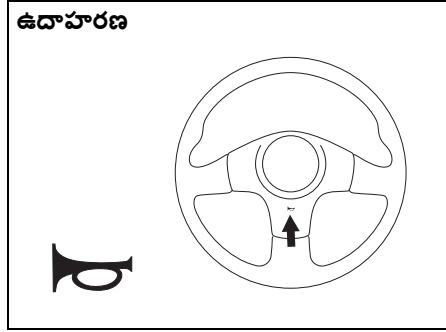
విండీ షీల్డ్ వాషర్ రిజర్వాయర్లో రేడియేటర్ యాంటిఫ్రీజ్ ఉపయోగించవద్దు. ఇది విండీ షీల్డ్ స్పృ చేసినప్పుడు దృశ్యమానతను తీవ్రంగా దెబ్బతీస్తుంది, మీ వాహనం పెయింటు కూడా దెబ్బతీస్తుంది.

గమనించండి

విండీ షీల్డ్ వైపర్ మరియు వాషర్ సిస్టమ్ భాగాలకు నష్టం జరగకుండా నిరోధించడంలో సహాయపడటానికి, మీరు ఈ క్రింది జాగ్రత్తలు తీసుకోవాలి:

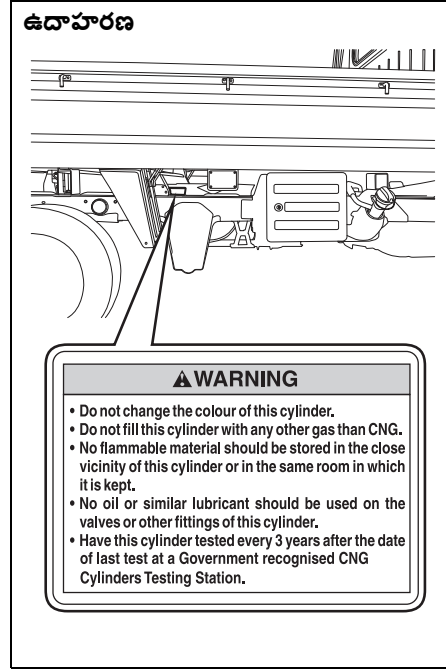
- విండీ షీల్డ్ వాషర్ ఫ్లూయిడ్ స్పృ చేయనప్పుడు లేదా వాషర్ మోటార్ పాడైపోయినప్పుడు లీవర్ని పట్టుకోవడం కొనసాగించవద్దు.
- డ్రై విండీ షీల్డ్ నుండి ధూళిని వైపర్లతో తొలగించడానికి ప్రయత్నించవద్దు లేదా మీరు విండీ షీల్డ్ మరియు వైపర్ బ్లేడ్లను దెబ్బతీయవచ్చు. వైపర్లను ఆపరేట్ చేయడానికి ముందు ఎప్పుడూ వాషర్ ఫ్లూయిడ్లో విండీ షీల్డ్ను తడి చేయండి.
- వైపర్లను ఉపయోగించే ముందు వైపర్ బ్లేడ్ల నుండి మంచు లేదా ప్యాక్ చేసిన మంచును క్లియర్ చేయండి.
- వాషర్ ఫ్లూయిడ్ లోపల్ని క్రమం తప్పకుండా చెక్ చేయండి. వాతావరణం బాగోలేనప్పుడు తరచూ చెక్ చేయండి.
- ద్రావణాన్ని స్తంభించేంతగా ఉష్ణోగ్రత పడిపోతే విస్తరణకు అవకాశం కల్పించడానికి చల్లని వాతావరణంలో వాషర్ ఫ్లూయిడ్ రిజర్వాయర్ని 3/4 నిండుగా నింపండి.

హారన్



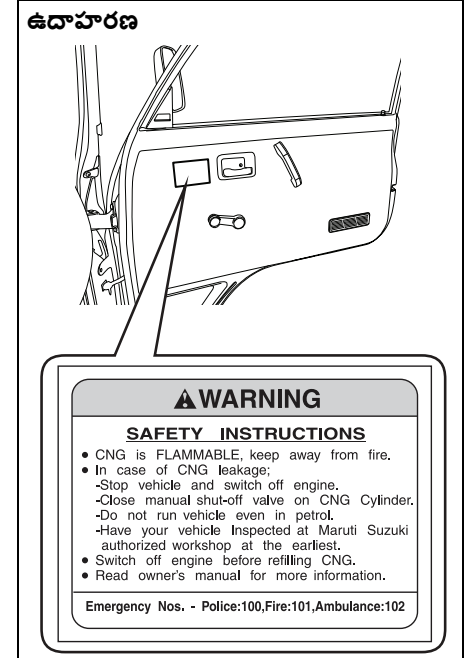
హార్న్ శబ్దం చేయడానికి స్టీరింగ్ వీల్ హార్న్ బటన్ నొక్కండి. ఏ పొజిషన్లోనైనా ఇగ్నీషన్ స్విచ్ హారన్ మోగుతుంది.

సి.ఎన్.జి. సిలండర్ వార్నింగ్ లేబుల్ (అమర్చినట్లయితే)



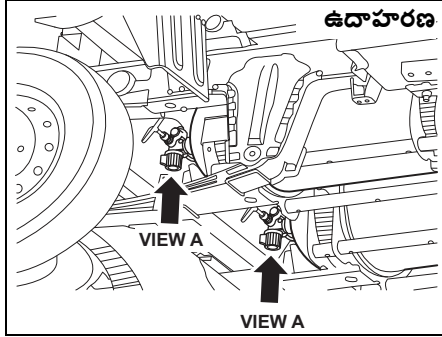
మీరు సి.ఎన్.జి. సిలిండర్పై ఈ లేబుల్ని కనుగొనవచ్చు.

సి.ఎన్.జి. వార్నింగ్ లేబుల్ (ఎక్స్ప్రెస్ అయి ఉంటే) ఫుట్ డ్రైవర్ డోర్

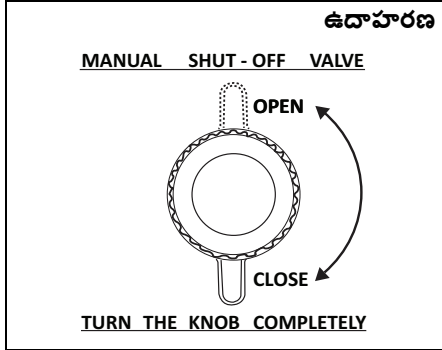


సి.ఎన్.జి. వార్నింగ్ లేబుల్ ముందు కుడి డోర్పై ఉంటుంది.

సి.ఎస్.జి. మాన్యువల్ ఫుట్-ఆఫ్ వాల్వ్ (ఎక్స్ప్రెస్ అయి ఉంటే)

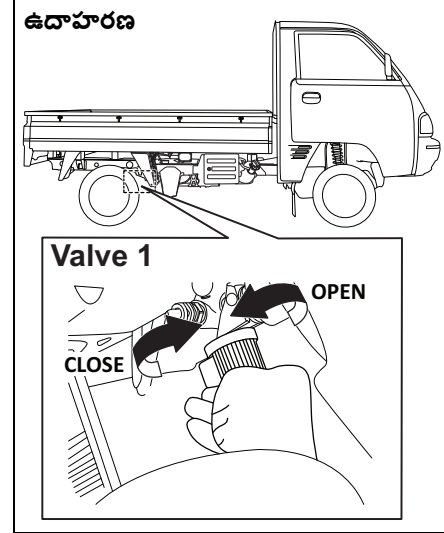


77PM02011



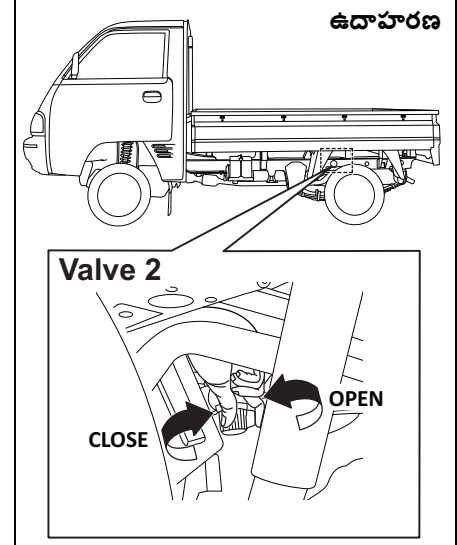
77PM02014

కుడి చేతి వైపు (RHS)



77PM02012

ఎడమ చేతి వైపు (LHS)



77PM02013

మాన్యువల్ ఫుట్ ఆఫ్ వాల్వ్ సి.ఎస్.జి. సిలిండర్లపై ఉంటుంది, ఇది బాడీ కింద వాహనంలో అందించబడుతుంది. బాడీ కింద వాహనంలో రెండు సి.ఎస్.జి. సిలిండర్లు ఉన్నాయి, ప్రతి ఒక్కటి ఒక మాన్యువల్ ఫుట్ ఆఫ్ వాల్వ్ ఉంటాయి. మాన్యువల్ ఫుట్ ఆఫ్ వాల్వ్ 1 మరియు వాల్వ్ 2 వరుసగా వాహనం కుడి చేతి వైపు (RHS)

డ్రైవింగ్ చేయడానికి ముందు

మరియు ఎడమ చేతి వైపు (LHS) నుండి యాక్సెస్ చేయతాయి.

రెండు సి.ఎన్.జి. సిలిండర్లపై మాన్యువల్ షట్-ఆఫ్ వాల్వ్స్ మూసివేయడం ద్వారా సి.ఎన్.జి. సరఫరాను ఆఫ్ చేయవచ్చు.

వాల్వ్ క్లోజింగ్: ఇంజిన్కు సి.ఎన్.జి. (CNG) సప్లైని క్లోజ్ చేయడానికి నాబ్బి పూర్తిగా క్లాక్ వైజ్ దిశలో (వ్యూ A నుంచి) తిప్పండి.

వాల్వ్ ఓపెనింగ్: ఇంజిన్కు సి.ఎన్.జి. (CNG) సప్లైని తెరవడానికి నాబ్బి పూర్తిగా యాంటీ క్లాక్ వైజ్ దిశలో (వ్యూ A నుంచి) తిప్పండి.

▲ జాగ్రత్త
<p>మాన్యువల్ షట్ ఆఫ్ వాల్వ్ 2 (LHS)ను యాక్సెస్ చేసేటప్పుడు మీ చేయి ఎగ్జాస్ట్ పైపును తాకకుండా జాగ్రత్త వహించండి. డ్రైవింగ్ చేసిన తరువాత, ఎగ్జాస్ట్ పైప్ మీ చేతిని కాలేంత వేడిగా ఉంటుంది.</p>

గమనిక :

- మాన్యువల్ షట్-ఆఫ్ వాల్వ్ పూర్తిగా తెరవకపోతే, ఇంజిన్ సరిగ్గా పనిచేయకపోవచ్చు.
- మాన్యువల్ షట్-ఆఫ్ వాల్వ్ క్లోజ్ కండిషన్లో ఉన్నట్లయితే, సిలెండర్లో సి.ఎన్.జి. (CNG) నింపడం సాధ్యం కాదు.

గమనిక :

- ప్రభుత్వ నిబంధనల ప్రకారం, సి.ఎన్.జి. సిలెండర్ ఐడెంటిఫికేషన్ ప్లేట్ పేర్కొన్న విధంగా ప్రారంభ పరీక్ష తేదీ నుండి ప్రతి మూడు (3) సంవత్సరాలకు సి.ఎన్.జి. సిలిండర్లు తనిఖీ చేసి ధృవీకరించాల్సి ఉంటుంది.
- కస్టమర్ వాహనాన్ని ప్రభుత్వం ఆమోదించిన టెస్టింగ్ ఏజెన్సీకే సమర్పించాలి.
- సిలిండర్లు పరీక్షించడంలో విఫలం కావడం వల్ల సి.ఎన్.జి. డిస్ట్రీబ్యుషన్ ప్లేషన్ల ద్వారా సి.ఎన్.జి. ఫిల్లింగ్ నిరాకరించవచ్చు లేదా ఎన్ఫోర్స్మెంట్ అధికారులు వాహనాన్ని బంధించేయవచ్చు.
- సి.ఎన్.జి. సిలెండర్ టెస్టింగ్ అయ్యే అన్ని ఖర్చులను కస్టమర్ భరించాలి.
- ప్రభుత్వ నిబంధనల ప్రకారం, సి.ఎన్.జి. సిలెండర్ ఐడెంటిఫికేషన్ ప్లేట్ పేర్కొన్న

విధంగా ప్రారంభ పరీక్ష తేదీ నుండి 20 సంవత్సరాల తరువాత సి.ఎన్.జి. సిలిండర్లు పారవేయాలి.

- ప్రభుత్వం ఆమోదించిన స్కాప్ ఏజెన్సీల ద్వారా కస్టమర్ తన ఖర్చుతో సిలిండర్లు పారవేయాల్సి ఉంటుంది.
- సబ్ రూల్ (2) కింద రిపేర్ చేసిన సిలిండర్ని, సిలిండర్లపై చేసిన రిపేర్లు మరియు టెస్టు సంబంధించిన పూర్తి రిపోర్టుతో పాటు రిపేర్ చేసే వ్యక్తి టెస్టింగ్ సర్టిఫికేట్ చీఫ్ కంట్రోలర్కు సమర్పించి, దాని రిఫిల్లింగ్ కోరకు అతని అనుమతిని పొందనంత వరకు ఏ వ్యక్తి కూడా ఏదైనా గ్యాస్లో రిఫిల్ చేయకూడదు.

⚠ హెచ్చరిక

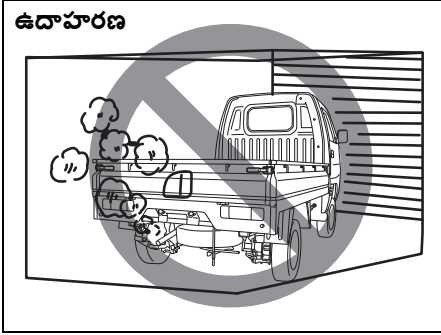
- సిలెండర్ అసెంబ్లీ నుంచి సిలెండర్ వాల్చువు ఎప్పుడూ తీసివేయరాదు. ఏదైనా సహాయం కొరకు అధీకృత మారుతి సుజికి కమర్షియల్ వర్క్ షాపు సంప్రదించండి.
- సిలెండర్ శుభ్రం చేయడానికి ఎప్పుడూ ప్రయత్నించవద్దు. ఏదైనా సమస్య ఉన్నట్లయితే, అధీకృత మారుతి సుజికి కమర్షియల్ వర్క్ షాపు సంప్రదించండి.
- సిలెండర్ వాల్చువు సిలెండర్ అసెంబ్లింగ్ నుంచి రీఫ్లెస్ చేసిన/తొలగించిన తర్వాత, దానిని తిరిగి ఉపయోగించవద్దు.
- సిలెండర్ నుంచి సి.ఎన్.జి. (CNG)ని ఇంజిన్ ఆగిపోయే వరకు వినియోగించినా, ఒత్తిడికి గురై కొంత మొత్తంలో సి.ఎన్.జి. (CNG) ట్యాంకులో మిగిలిపోతుంది.

మీ వాహనాన్ని ఆపరేట్ చేయడం

ఎగ్జాస్ట్ గ్యాస్ హెచ్చరిక	3-1
రోజువారీ ఆనిఫీ చెక్ లిస్ట్	3-1
ఇంజిన్ ఆయిల్ వినియోగం	3-3
ఇగ్నీషన్ స్విచ్	3-4
పార్కింగ్ బ్రేక్ లీవర్	3-5
పెడల్	3-6
ఇంజిన్ని స్టార్ట్ చేయడం	3-7
ట్రాన్సిమిషన్ ఉపయోగించడం	3-8
పార్కింగ్ సెన్సార్లు	3-10
బ్రేకింగ్	3-14

ఎగ్జాస్ట్ గ్యాస్ హెచ్చరిక (Exhaust Gas Warning)

ఉదాహరణ



82DY03

⚠ హెచ్చరిక

ఎగ్జాస్ట్ వాయువులను పీల్చడాన్ని పరిహారించండి. ఎగ్జాస్ట్ వాయువుల్లో కార్బన్ మోనాక్సైడ్ ఉంటుంది, ఇది రంగులేని మరియు వాసన లేని ప్రాణాంతక వాయువు. కార్బన్ మోనాక్సైడ్ స్వయంగా గుర్తించడం కష్టం కాబట్టి, కార్బన్ మోనాక్సైడ్ మీ వాహనంలోకి ప్రవేశించకుండా నిరోధించడంలో సహాయపడటానికి ఈ క్రింది జాగ్రత్తలు తీసుకోండి.

- గ్యారేజీలు లేదా ప్రవేశ పరిమిత ప్రాంతాల్లో ఇంజిన్ రన్ అవుతూ, ప్రయాణీకులను లోపల ఉంచవద్దు. ఇది క్యాబిన్లో కార్బన్-మోనాక్సైడ్ పేరుకుపోవడానికి దారితీస్తుంది మరియు ఊపిరాడకపోవడం లేదా శ్వాస సమస్యలకు దారితీస్తుంది మరియు మరణానికి దారితీస్తుంది.

(కొనసాగుతుంది)

⚠ హెచ్చరిక

(కొనసాగుతుంది)

- బహిరంగ ప్రదేశంలో కూడా ఇంజిన్ ఎక్కువసేపు రన్ అవుతూ పార్క్ చేయవద్దు. ఎక్కువ సేపు ఉంటే ఇంజిన్ నడుస్తున్నప్పుడు వాహనం లోపల ఉంటే ఊపిరాడక చనిపోయే ప్రమాదం ఉంది. ఇంజిన్ రన్ అవుతున్న పార్క్ చేసిన వాహనంలో క్రొద్దిసేపు కూర్చోవాల్సిన అవసరం ఉన్నట్లయితే, ఎయిర్ ఇస్ టేక్ సెలెక్టర్ "ప్రెస్ ఎయిర్"కు సెట్ చేసినట్లుగా మరియు బ్లోయర్ అధిక వేగంతో ఉన్నట్లుగా ధృవీకరించుకోండి.
- మీ వాహనం వెంటిలేషన్ సిస్టమ్ సరైన పనితీరును అనుమతించడానికి, వాహనం ముందు ఉన్న ఎయిర్ ఇన్లెట్ గ్రిల్ను ఎప్పుడూ మంచు, ఆకులు లేదా ఇతర అవరోధాలు లేకుండా ఉంచండి.

(కొనసాగుతుంది)

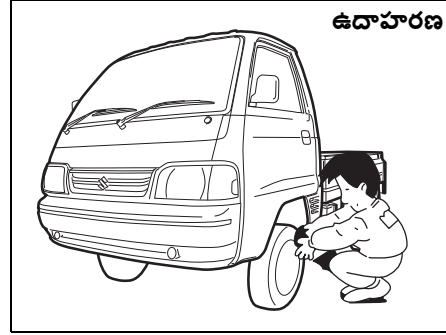
⚠ హెచ్చరిక

(కొనసాగుతుంది)

- వాహనం కింద ఎగ్జాస్ట్ వాయువులు ఏర్పడటాన్ని తగ్గించడంలో సహాయపడటం కొరకు ఎగ్జాస్ట్ పైప్ ప్రాంతాన్ని మంచు మరియు ఇతర మెటీరియల్ లేకుండా దూరంగా ఉంచండి. మంచు తుఫాను పరిస్థితుల్లో పార్క్ చేసినప్పుడు ఇది చాలా ముఖ్యం.
- డ్యామేజీ మరియు లీకేజీల కొరకు ఎగ్జాస్ట్ సిస్టమ్ని క్రమం తప్పకుండా తనిఖీ చేయాలి. ఏదైనా డ్యామేజ్ లేదా లీకేజీలు ఉంటే వెంటనే రిపేర్ చేయాలి.

రోజువారీ తనిఖీ చెక్ లిస్ట్

డ్రైవింగ్ చేయడానికి ముందు



77PM03001

- 1) కిటికీలు, అద్దాలు, లైట్లు, రిఫ్లెక్టర్లు శుభ్రంగా, అడ్డంకులు లేకుండా చూసుకోవాలి.
 - 2) ఈ క్రింది పాయింట్ల కొరకు టైర్లను విజువల్గా చెక్ చేయండి:
 - ట్రైడ్ గ్రూప్ లోతు
 - అసాధారణ అరుగుదల, పగుళ్లు మరియు నష్టం
 - లూజ్ వీల్ నట్లు
 - మేకులు, రాళ్ళు మొదలైన అవాంఛిత పదార్థాలు ఉండటం.
- వివరాల కొరకు "తనిఖీ మరియు మెయింటెనెన్స్" విభాగంలోని "టైర్లు"ను చూడండి.

- 3) పూయిడ్మరీయు ఆయిల్ లీకేజీల కోసం చూడండి.
- 4) ఇంజిన్ కంపార్ట్మెంట్ పూర్తిగా మూసివేసినట్లుగా మరియు లాక్ చేసినట్లుగా ధృవీకరించండి.
- 5) హెడ్ లైట్లు, టర్న్ సిగ్నల్ లైట్లు, బ్రేక్ లైట్లు మరియు హార్న్ సరిగ్గా పనిచేయడానికి చెక్ చేయండి.
- 6) డ్రైవర్ సీటును సర్దుబాటు చేయండి.
- 7) బ్రేక్ పెడల్ మరియు పార్కింగ్ బ్రేక్ లీవర్స్ చేయండి.
- 8) అద్దాలను సర్దుబాటు చేయండి.
- 9) మీరు మరియు ప్రయాణికుడు సరిగ్గా సీటు బెల్టును బిగించారని నిర్ధారించుకోండి.
- 10) కిసీ "ఆన్" పొజిషన్కు తిప్పినప్పుడు అన్ని వార్నింగ్ లైట్లు ఆన్ అయ్యేలా చూసుకోండి.
- 11) అన్ని గేజును తనిఖీ చేయండి.
- 12) పార్కింగ్ బ్రేక్ విడుదలైనప్పుడు బ్రేక్ సిస్టమ్ వార్నింగ్ లైట్ ఆఫ్ అయ్యేలా చూసుకోండి.

వారానికి ఒకసారి, లేదా మీరు మీ ప్యూయల్ ట్యాంక్ని నింపిన ప్రతిసారి లేదా సుదూర డ్రైవింగ్ (హైవే డ్రైవింగ్ వంటివి) ముందు, ఈ క్రింది అండర్-హుడ్ తనిఖీలను చేయండి:

- 1) ఇంజిన్ ఆయిల్ లెవల్ (Engine oil level)
- 2) కూలెంట్ లెవల్ (Coolant level)
- 3) బ్రేక్ ఫ్లూయిడ్ లెవల్ (Brake fluid level)
- 4) విండ్ షీల్డ్ వాషర్ ఫ్లూయిడ్ (ఎక్స్ప్రెస్ అయి ఉంటే) స్థాయి
- 5) బ్యాటరీ ఎలక్ట్రోలైట్ స్థాయి (Battery electrolyte level)
- 6) ల్యాచ్ ఆపరేషన్ (Latch operation)
లూబ్రికేషన్ షెడ్యూల్ కొరకు "తనిఖీ మరియు మెయింటెనెన్స్" విభాగంలో "పీరియాడిక్ మెయింటెనెన్స్ షెడ్యూల్"లో "డాసిస్ మరియు బాడీ" అన్ని ల్యాంబ్లు, హింజ్లు & లాక్లు" చూడండి.

నెలకు ఒకసారి, లేదా మీరు మీ ఫ్యూయల్ ట్యాంక్ (fuel tank) నింపిన ప్రతిసారి లేదా సుదూర డ్రైవింగు ముందు (హైవే డ్రైవింగ్ వంటివి), టైర్ ప్రెజర్ గేజ్ ఉపయోగించి టైర్ ప్రెజర్ చెక్ చేయండి. అలాగే స్పీర్ టైర్ టైర్ ప్రెజర్ చెక్ చేయండి.

ఇంజిన్ ఆయిల్ వినియోగం

సాధారణ వేహికల్ ఆపరేషన్ సమయంలో ఇంజిన్ కొంత ఇంజిన్ ఆయిల్ను వినియోగించడం సాధారణం.

వినియోగించే ఇంజిన్ ఆయిల్ పరిమాణం ఆయిల్ స్పిగ్డత, ఆయిల్ నాణ్యత మరియు వాహనం నడిపే పరిస్థితులపై ఆధారపడి ఉంటుంది.

హై-స్పీడ్ డ్రైవింగ్ సమయంలో మరియు తరచుగా యాక్సిలరేషన్ మరియు క్షీణత ఉంటే ఎక్కువ ఆయిల్ వినియోగించబడుతుంది. అధిక లోడ్ల కింద, మీ ఇంజిన్ కూడా ఎక్కువ ఆయిల్ని వినియోగిస్తుంది.

ఆయిల్స్పిష్టం, పిస్టన్ రింగ్లు మరియు సెలెండర్ గోడలు ఇంకా కండిషన్ చేయకపోవడం వల్ల, కొత్త ఇంజిన్ కూడా ఎక్కువ ఆయిల్ని వినియోగిస్తుంది. కొత్త ఇంజిన్లు సుమారు 5000 కిలోమీటర్లు (3000 మైళ్ళు) డ్రైవింగ్ చేసిన తర్వాత మాత్రమే ఆయిల్స్వినియోగం సాధారణ స్థాయికి చేరుకుంటాయి.

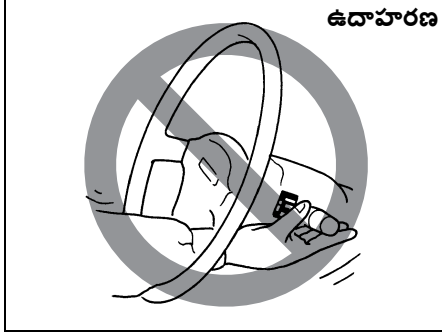
ఆయిల్స్వినియోగం:
ప్రతి 1000 కిలోమీటర్లకు గరిష్టంగా 1.0 L
(ప్రతి 600 మైళ్ళకు 1 Qt)

ఆయిల్స్వినియోగం మొత్తాన్ని నిర్ణయించేటప్పుడు, ఆయిల్స్వలుచన కావచ్చుని గమనించండి మరియు ఒరిజినల్ ఆయిల్స్వాయిని ఖచ్చితంగా నిర్ణయించడం కష్టమవుతుంది.

ఉదాహరణకు, ఒక వాహనాన్ని పదేపదే స్వల్ప ప్రయాణాల కోసం ఉపయోగిస్తే, సాధారణ మొత్తంలో ఆయిల్ను వినియోగిస్తే, డిస్పిక్ 1000 కిలోమీటర్లు (600 మైళ్ళు) లేదా అంతకంటే ఎక్కువ డ్రైవింగ్ తర్వాత కూడా ఆయిల్స్వాయిలో ఎటువంటి తగ్గుదలను చూపించకపోవచ్చు. ఎందుకంటే ఆయిల్స్వయంగా ఫ్యూయల్ లేదా తేమతో పలుచబడుతోంది, తద్వారా ఆయిల్స్వాయి మారలేదని అనిపిస్తుంది.

ఎక్స్ప్రెస్ వే వంటి అధిక వేగంతో వాహనాన్ని నడిపినప్పుడు పలుచని పదార్థాలు ఆవిర్భవించాయని కూడా మీరు తెలుసుకోవాలి, హై-స్పీడ్ డ్రైవింగ్ తర్వాత ఆయిల్ అధికంగా వినియోగించినట్లు అనిపిస్తుంది.

ఇగ్నీషన్ స్విచ్ (Ignition Switch)



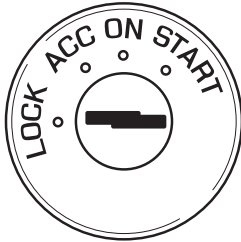
ఉదాహరణ

65D611

⚠ హెచ్చరిక

సంభావ్య గాయాలను పరిహారించడానికి, స్టీరింగ్ వీల్ ద్వారా చేరుకోవడం ద్వారా కంట్రోల్లను ఆపరేట్ చేయవద్దు.

ఉదాహరణ



77PH002

ఇగ్నీషన్ స్విచ్ ఈ క్రింది నాలుగు స్థానాలను ఉంటుంది:

తాళం

ఇది సాధారణ పార్కింగ్ పొజిషన్. కీని తొలగించగల ఏకైక స్థానం ఇది.

స్టీరింగ్ లాక్కు విడుదల చేయడానికి, కీని చొప్పించండి మరియు దానిని క్లాక్వైజ్ ఇతర పొజిషన్లో ఒకదానికి తిప్పండి. స్టీరింగ్ అనలాక్ చేయడానికి కీని తిప్పుడంలో మీకు ఇబ్బంది ఉన్నట్లయితే, కీని తిప్పేటప్పుడు స్టీరింగ్ వల్ని కొద్దిగా కుడి లేదా ఎడమ వైపుకు తిప్పడానికి ప్రయత్నించండి.

ACC

యాక్ససరీ సాకెట్ వంటి యాక్ససరీలు పనిచేయగలవు, కానీ ఇంజిన్ ఆఫ్ చేయబడింది.

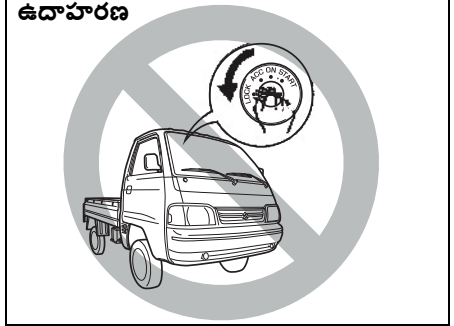
ఆన్ (ON)

ఇది సాధారణ ఆపరేటింగ్ పొజిషన్. అన్ని విద్యుత్ సిస్టమ్లు ఆన్లో ఉన్నాయి.

స్టారంభించు (START)

స్టార్టర్ మోటారును ఉపయోగించి ఇంజిన్ స్టార్ట్ చేయడానికి ఇది స్థానం. ఇంజిన్ స్టార్ట్ అయిన వెంటనే ఈ పొజిషన్ నుంచి కీని విడుదల చేయాలి.

ఉదాహరణ



82DY04

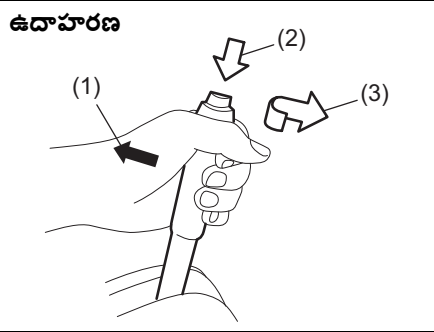
⚠ హెచ్చరిక

- వేహికల్ కదులుతున్నప్పుడు ఇగ్నీషన్ కీని ఎప్పుడూ తీసివేయరాదు. స్టీరింగ్ వీల్ లాక్ అవుతుంది మరియు మీరు వాహనాన్ని నడపలేరు.
- కొద్దిసేపు మాత్రమే అయినా వేహికల్ని విడిచిపెట్టవద్దు. ఎప్పుడూ ఇగ్నీషన్ కీని తీసివేయండి. అలాగే పార్కింగ్ చేసిన వాహనంలో పిల్లలను ఒంటరిగా విడిచిపెట్టవద్దు. వెచ్చని లేదా వేడి వాతావరణంలో వారు వడదెబ్బకు కూడా గురవుతారు. ఇవి తీవ్రమైన గాయం లేదా మరణానికి కూడా దారితీయవచ్చు.

గమనించండి

- స్టాండర్ మోటార్స్ ఒకేసారి 30 సెకన్ల కంటే ఎక్కువసేపు ఉపయోగించవద్దు. ఇంజిన్ స్టార్ట్ కాకపోతే, మళ్ళీ ప్రయత్నించడానికి ముందు 15 సెకన్లు వేచి ఉండండి. అనేక ప్రయత్నాల తరువాత కూడా ఇంజిన్ స్టార్ట్ కాకపోతే, ప్యూయల్ మరియు ఇగ్నిషన్ సిస్టమ్లను చెక్ చేయండి లేదా మీ అధికృత మారుతి సుజికి కమర్షియల్ వర్క్ షాపు సంప్రదించండి.
- ఇంజిన్ రన్ కాకపోతే ఇగ్నిషన్ స్విచ్ను "ఆన్" పొజిషన్లో ఉంచవద్దు, ఎందుకంటే బ్యాటరీ డిశ్చార్జ్ అవుతుంది.

పార్కింగ్ బ్రేక్ లీవర్ (Parking Brake Lever)



- (1) సెట్ చేయడానికి
- (2) విడుదల చేయడానికి.
- (3) విడుదల చేయడానికి.

సీట్ల మధ్య పార్కింగ్ బ్రేక్ లీవర్ ఉంటుంది. పార్కింగ్ బ్రేక్ సెట్ చేయడానికి, బ్రేక్ పెడల్ని కిందకు పట్టుకోండి మరియు పార్కింగ్ బ్రేక్ లీవర్ని పైకి లాగండి. పార్కింగ్ బ్రేక్ను విడుదల చేయడానికి, బ్రేక్ పెడల్ను కిందకు పట్టుకోండి, పార్కింగ్ బ్రేక్ లీవర్ని కొద్దిగా పైకి లాగండి, మీ బొటనవేలుతో లీవర్ని వరకు ఉన్న బటన్ను నొక్కండి మరియు లీవర్ను దాని ఒరిజినల్ స్థానానికి దించండి.

⚠ హెచ్చరిక

- పార్కింగ్ బ్రేక్ ఆన్ చేసి మీ వాహనాన్ని ఎన్నడూ నడపవద్దు: ఓవర్ హీటింగ్ వల్ల రియర్ బ్రేక్ సమర్థత తగ్గుతుంది, బ్రేక్ జీవితకాలం తగ్గిపోవచ్చు లేదా బ్రేక్ శాశ్వతంగా పాడైపోవచ్చు.
- పార్కింగ్ బ్రేక్ వాహనాన్ని సురక్షితంగా పట్టుకోకపోతే లేదా పూర్తిగా విడుదల చేయతే, అధికృత మారుతి సుజికి కమర్షియల్ వర్క్ షాప్స్ వంటనే మీ వాహనాన్ని తనిఖీ చేయండి.

⚠ హెచ్చరిక

మీ వాహనాన్ని విడిచిపెట్టడానికి ముందు పార్కింగ్ బ్రేక్ను ఎప్పుడూ పూర్తిగా సెట్ చేయండి లేదా అది కదలవచ్చు, దీని వలన గాయం లేదా నష్టం జరగవచ్చు. పార్కింగ్ చేసేటప్పుడు, గేర్ పిస్ట్ లీవర్ని వరకు ఉన్న గేర్లో ఉన్నట్లుగా ధృవీకరించుకోండి. గుర్తుంచుకోండి, ట్రాన్స్మిస్ గేర్లో ఉన్నప్పుటికీ, మీరు పార్కింగ్ బ్రేక్ను పూర్తిగా సెట్ చేయాలి.

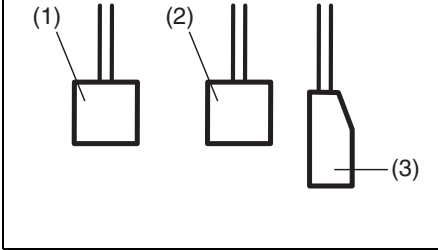
▲ హెచ్చరిక

అత్యంత చల్లని వాతావరణంలో వాహనాన్ని పార్కింగ్ చేసేటప్పుడు, ఈ క్రింది ప్రక్రియను ఉపయోగించాలి:

- 1) పార్కింగ్ బ్రేక్ సెట్ చేయండి.
- 2) ఇంజిన్ని ఆఫ్ చేయండి, తరువాత రివర్స్ లేదా ఫస్ట్ గేర్కు మార్చండి.
- 3) వాహనం నుంచి దిగి చక్రాల కింద చోక్కాలు పెట్టుకోవాలి.
- 4) పార్కింగ్ బ్రేక్కు రిలీజ్ చేయండి.
మీరు మీ వేహికల్కు తిరిగి వచ్చినప్పుడు, ముందుగా పార్కింగ్ బ్రేక్ సెట్ చేయాలని, తరువాత వీల్ చోక్సు తొలగించాలని గుర్తుంచుకోవాలి.

పెడల్ (Pedal)

ఉదాహరణ



80J2121

క్లచ్ పెడల్ (1)

ఇంజిన్ స్టార్ట్ చేసేటప్పుడు, ఆపేటప్పుడు లేదా గేర్ షిఫ్ట్ లీవర్ని మార్చేటప్పుడు చక్రాలకు డ్రైవ్పు విడదీయడానికి క్లచ్ పెడల్ ఉపయోగిస్తారు. పెడల్ను నొక్కడం క్లచ్ను విడదీస్తుంది.

▲ హెచ్చరిక

క్లచ్ పెడల్ మీద మీ పాదాన్ని ఉంచి డ్రైవ్ చేయవద్దు. దీని ఫలితంగా అధిక క్లచ్ అరుగుదల, క్లచ్ డ్యామేజ్ లేదా అనుకోకుండా ఇంజిన్ బ్రేకింగ్ కోల్పోవచ్చు.

బ్రేక్ పెడల్ (2)

మీ వాహనం ఫుట్ డిస్క్ బ్రేక్కు మరియు రియర్ డ్రమ్ బ్రేక్కును ఉంటుంది. బ్రేక్ పెడల్ను తగ్గించడం వల్ల రెండు సెట్ల బ్రేక్కు వర్తిస్తాయి.

మీరు బ్రేకులు వేసినప్పుడు అప్పుడప్పుడు బ్రేక్ చప్పుడు వినవచ్చు. ఉష్ణోగ్రత, తేమ, మంచు లేదా ధూళి వంటి పర్యావరణ కారకాల వల్ల కలిగే సాధారణ పరిస్థితి ఇది.

▲ హెచ్చరిక

బ్రేక్లో చప్పుడు ఎక్కువగా ఉండి, బ్రేకులు వేసిన ప్రతిసారీ కలిగితే, మీ అధీకృత మారుతి సుజికి కమర్షియల్ వర్క్ షాప్ ద్వారా మీరు బ్రేకులను చెక్ చేయాలి.

▲ హెచ్చరిక

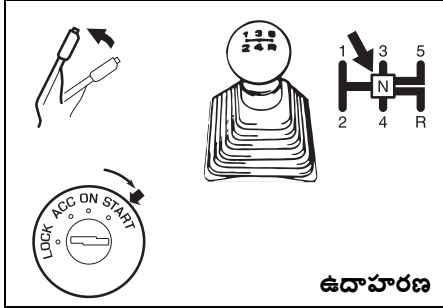
బ్రేకులను నిరంతరం వర్తించడం ద్వారా లేదా మీ పాదాన్ని పెడల్పై ఉంచడం ద్వారా వాటిని నడపవద్దు. దీని ఫలితంగా బ్రేకులు వేడెక్కడం వల్ల అనూహ్యమైన బ్రేకింగ్ చర్య, ఎక్కువ దూరం ఆగిపోవడం లేదా శాశ్వత బ్రేక్ డ్యామేజ్ అవుతుంది.

యాక్సిలరేటర్ పెడల్ (3)

ఈ పెడల్ ఇంజిన్ వేగాన్ని నియంత్రిస్తుంది. యాక్సిలరేటర్ పెడల్ను తగ్గించడం వల్ల పవర్ అవుట్పుట్ మరియు వేగం పెరుగుతుంది.

ఇంజిన్ని స్టార్ట్ చేయడం

ఇంజిన్ స్టార్ట్ చేయడానికి ముందు



ఉదాహరణ

77PH014

- 1) పార్కింగ్ బ్రేక్ పూర్తిగా సెట్ చేసినట్లుగా ధృవీకరించుకోండి.
- 2) "N" (న్యూట్రల్)లోకి మారండి మరియు క్లచ్ పెడల్ని కింద వరకు నొక్కండి. ఇంజిన్ స్టార్ట్ చేసినట్లుగా క్లచ్ పెడల్ పట్టుకోండి.

⚠ హెచ్చరిక

ఇంజిన్ స్టార్ట్ చేయడానికి ప్రయత్నించే ముందు పార్కింగ్ బ్రేక్ పూర్తిగా సెట్ చేసినట్లుగా మరియు ట్రాన్సిమిషన్ తటస్థంగా ఉన్నట్లుగా ధృవీకరించుకోండి.

కోర్ట్ మరియు వార్మ్ ఇంజిన్ని ప్రారంభించడం

యాక్సిలరేటర్ పెడల్ నుంచి మీ కాలును తీసివేసి, ఇగ్నీషన్ కీని "స్టార్ట్"కు తిప్పడం ద్వారా ఇంజిన్ను క్రాంక్ చేయండి. ఇంజిన్ స్టార్ట్ అయినప్పుడు కీని రిలీజ్ చేయండి.

గమనించండి

- ఇంజిన్ స్టార్ట్ అయిన వెంటనే స్టార్టర్ తిప్పడం ఆపివేయండి లేదా స్టార్టర్ సిస్టమ్ దెబ్బతినవచ్చు.
- ఒకేసారి 12 సెకన్ల కంటే ఎక్కువసేపు ఇంజిన్ను క్రాంక్ చేయవద్దు. మొదటి ప్రయత్నంలో ఇంజిన్ స్టార్ట్ కాకపోతే, మళ్ళీ ప్రయత్నించే ముందు 15 సెకన్లు వేచి ఉండండి.

క్రాంకింగ్ చేసిన 12 సెకన్ల తరువాత ఇంజిన్ స్టార్ట్ కాకపోతే, సుమారు 15 సెకన్లు వేచి ఉండండి, ఆపై యాక్సిలరేటర్ పెడల్ను దాని ట్రావెల్స్ 1/3

వరకు నొక్కండి మరియు ఇంజిన్ను మళ్ళీ క్రాంక్ చేయడానికి ప్రయత్నించండి. ఇంజిన్ స్టార్ట్ అయినప్పుడు కీ మరియు యాక్సిలరేటర్ పెడల్ని రిలీజ్ చేయండి.

ఇంజిన్ ఇంకా స్టార్ట్ కాకపోతే, క్రాంకింగ్ చేసినట్లుగా యాక్సిలరేటర్ పెడల్ని నేల వరకు పట్టుకోవడానికి ప్రయత్నించండి. ఇది ఇంజిన్ వరదలో ఉంటే వస్త్రేక్షయర్ చేయాలి.

గమనిక :

(సి.ఎన్.జి. ఇంజిన్ మోడల్ (CNG Engine Model) కొరకు)

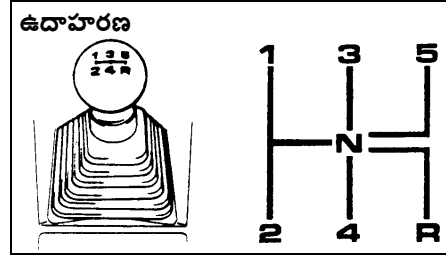
- పెట్రోల్ నుంచి సి.ఎన్.జి. మోడ్యూ మారడానికి యాక్సిలరేటర్ పెడల్ని పైన్ చేయవద్దు.
- ఇగ్నీషన్ స్వీచ్ "ఆన్" మరియు ఇంజిన్ రన్ కాకపోవడం వల్ల, సి.ఎన్.జి. (CNG) సరిగ్గా పనిచేయని వార్నింగ్ ల్యాంప్ బ్లింక్ చేయడం వల్ల ప్యూయల్ మూత తెరిచి ఉన్నట్లుగా సూచిస్తుంది. ఈ స్థితిలో వాహనం స్టార్ట్ కాదు.
- ఇంజిన్ లైఫ్ పెంచడానికి వాహనాన్ని ఆటో మోడ్ (AUTO MODE) లేదా పెట్రోల్ మోడ్ (PETROL MODE) స్టార్ట్ చేయాలని ఎప్పుడూ సిఫార్సు చేయబడుతుంది.
- పరిసర/ఇంజిన్ ఉష్ణోగ్రత సున్నా డిగ్రీల సెల్సియస్ కంటే తక్కువగా ఉంటే వేహికల్ స్టార్ట్ చేయబడితే ప్యూయల్ చేంజ్ ఓవర్

సి.ఎన్.జి. (CNG)కి మారకపోవచ్చు. అటువంటి సందర్భంలో, ఇంజిన్ వేడక్కే వరకు పెట్రోల్ మోడ్లో (PET-ROL MODE) రన్ చేయండి మరియు తరువాత ఇంజిన్ను సి.ఎన్.జి. (CNG)కి మార్చడానికి రీస్టార్ట్ చేయడానికి ప్రయత్నించండి.

- పెట్రోల్ ట్యాంకులో తగినంత మొత్తంలో పెట్రోల్ ఉండాలని సీఫార్సు చేయబడుతుంది.
- పరిసర/ఇంజిన్ టెంపరేచర్ జీరో డిగ్రీ సెల్సియస్ కంటే తక్కువగా ఉన్నట్లయితే వాహనం సి.ఎన్.జి. మోడ్లో స్టార్ట్ కాకపోవచ్చు. ఆటో మోడ్లో వాహనాన్ని స్టార్ట్ చేయాలని సీఫార్సు చేయబడుతుంది.
- సి.ఎన్.జి. మోడ్ నుండి పెట్రోల్ మోడ్కు ఆటోమేటిక్ మార్చేటప్పుడు ఇంజిన్ ఆగిపోకుండా నిరోధించడానికి పెట్రోల్ ట్యాంక్లో తగినంత మొత్తంలో పెట్రోల్ ఉండాలని సీఫార్సు చేయబడుతుంది.
- ఛంజీవర్ స్వీచ్ నొక్కే తర్వాత సి.ఎన్.జి. పనిచేయని హెచ్చరిక ల్యాంప్లింగ్ కావడం ఆపకపోతే, వాహనాన్ని సమీపంలోని అదీక్వత మారుతి సుజికి కమర్షియల్ వర్క్ షాపు తీసుకోవండి.

ట్రాన్సిమిషన్ ఉపయోగించడం

మాన్యువల్ ట్రాన్స్ మిషన్ (Manual Transmission)



స్టాక్ చేయడం

ప్రారంభించడానికి, క్లచ్ పెడల్ను దిగువ వరకు నొక్కండి మరియు 1 వ లోడా 2 వ గేర్కు మారండి. పార్కింగ్ బ్రేక్ విడుదల చేసిన తరువాత, క్రమంగా క్లచ్ను రిలీజ్ చేయండి. ఇంజిన్ ధ్వనిలో మార్పును మీరు విన్నప్పుడు, క్లచ్ క్రమంగా విడుదల చేస్తూనే నెమ్మదిగా యాక్సిలరేటర్ను నొక్కండి.

గమనిక :

- సాధారణ డ్రైవింగ్ సమయంలో స్టాక్ చేయడానికి సీఫారసు చేసిన గేర్ పొజిషన్ 2వ గేర్.

- పెద్ద డ్రైవింగ్ శక్తి అవసరమయ్యే క్రాస్ కంట్రీ డ్రైవింగ్, క్రాలింగ్ లోడా లోడింగ్ డ్రైవింగ్ విషయంలో, పీస్ట్ పొజిషన్ సీఫార్సు చేయబడినది 1 వ గేర్.

షిఫ్టింగ్ (Shifting)

అన్ని ఫార్వర్డ్ గేర్లు సింక్లనైజ్ చేయతాయి, ఇది నిశ్శబ్ద మరియు సులభమైన తరలింపును అందిస్తుంది. గేర్లు మార్చడానికి ముందు ఎప్పుడూ క్లచ్ పెడల్ను పూర్తిగా నెట్టండి.

అనుమతించదగిన గరిష్ట వేగాన్ని తగ్గించడం (పెట్రోల్ మోడల్ కోసం)

డ్రాన్ షిఫ్టింగ్	కి.మీ/గం
2 నుండి 1 వ వరకు	10
3 నుండి 2వ స్థానం	65
4 నుండి 3 వ వరకు	100
5 నుండి 4 వ తేదీ వరకు	140

మీ వాహనాన్ని ఆపరేట్ చేయడం

అనుమతించదగిన గరిష్ట వేగాన్ని తగ్గించడం (సి.ఎస్.జి. మోడల్ కోసం)

డ్రాన్ పిష్టింగ్	కి.మీ/గం
2 నుండి 1 వ వరకు	10
3 నుంచి 2వ స్థానం	55
4 నుండి 3 వ వరకు	90
5 నుండి 4 వ తేదీ వరకు	125

గమనిక :

డ్రైవింగ్ పరిస్థితి మరియు/లేదా వేహికల్ కండిషన్ కారణంగా మీరు అనుమతించదగిన గరిష్ట వేగాన్ని వేగవంతం చేయలేకపోవచ్చు.

గమనించండి
తక్కువ గేర్లు డ్రాన్సిఫ్ట్ చేసేటప్పుడు, గరిష్టంగా అనుమతించదగిన వేగం కంటే వేగంగా డ్రాన్సిఫ్ట్ చేయకుండా చూసుకోండి, లేదా ఇంజిన్ తీవ్రంగా దెబ్బతినవచ్చు.

⚠ హెచ్చరిక

- పొడవైన లేదా నిటారుగా ఉన్న కొండపైకి వెళ్ళే ముందు మీ వేగాన్ని తగ్గించండి మరియు తక్కువ గేర్లు డ్రాన్సిఫ్ట్ చేయండి. తక్కువ గేర్ ఇంజిన్కు బ్రేకింగు అందించడానికి అనుమతిస్తుంది. బ్రేకులు నడపవద్దు లేదా అవి వేడెక్కువచ్చు, ఫలితంగా బ్రేక్ ఫెయిల్ కావచ్చు.
- జారిపోయే రోడ్లపై డ్రైవింగ్ చేసేటప్పుడు, డ్రాన్ పిష్ట్ చేయడానికి ముందు నెమ్మదిగా ఉండేలా చూసుకోండి. ఇంజిన్ వేగంలో అధిక మరియు లేదా ఆకస్మిక మార్పులు ట్రాక్షన్ కోల్పోవడానికి కారణం కావచ్చు, ఇది మీరు నియంత్రణను కోల్పోయేలా చేస్తుంది.

గమనించండి
<ul style="list-style-type: none"> • క్లచ్ డ్యామేజ్ నివారించడంలో సహాయపడటానికి, డ్రైవింగ్ చేసేటప్పుడు క్లచ్ పెడల్ను ఫుట్ రెస్ట్టో ఉపయోగించవద్దు లేదా వాలుపై వాహనాన్ని స్థిరంగా ఉంచడానికి క్లమ్ను ఉపయోగించవద్దు. మార్సేటప్పుడు క్లమ్ను పూర్తిగా తగ్గించండి. • పిష్ట్ చేసేటప్పుడు లేదా స్టార్ట్ చేసేటప్పుడు, ఇంజిన్ రేస్ చేయవద్దు. ఇంజిన్ రేసింగ్ ఇంజిన్ జీవితకాలాన్ని తగ్గిస్తుంది మరియు స్కూల్ పిష్టింగు ప్రభావితం చేస్తుంది.

గమనించండి
రివర్స్ గేర్ "R"ని నిమగ్నం చేయడానికి ముందు, వేహికల్ పూర్తిగా స్థిరంగా ఉన్నట్లుగా మరియు గేర్ లీవర్లు స్థ [N] పొజిషన్లో ఉండే లేదో చెక్ చేయండి. క్లచ్ పెడల్ను పూర్తిగా నొక్కిన తరువాత, [R]కు మారండి.

గమనిక :

రివర్స్ గేర్ "R"ని నిమగ్నం చేయడం కష్టమైతే, ఈ క్రింది ప్రక్రియను అనుసరించండి:-

1. గేర్ లీవర్ను న్యూట్రల్ "N"లో ఉంచండి.
2. క్లచ్ పేడల్ను ఒకసారి రిలీజ్ చేయండి.
3. క్లచ్ పేడల్ను మళ్ళీ తగ్గించండి మరియు "N" నుండి "R"కు మారండి.

పార్కింగ్ సెన్సార్లు

- పార్కింగ్ సెన్సార్ సిస్టమ్స్నుక బంపర్ దగ్గర అడ్డంకులను గుర్తించడానికి అల్ట్రాసోనిక్ సెన్సార్లను ఉపయోగిస్తుంది. మీరు పార్కింగ్ చేసేటప్పుడు లేదా వాహనాన్ని నెమ్మదిగా కదిలిస్తున్నప్పుడు అడ్డంకులు కనిపిస్తే, సిస్టమ్ బజర్ మోగించడం ద్వారా మిమ్మల్ని హెచ్చరిస్తుంది.
- సిస్టమ్ ఒక అల్ట్రాసోనిక్ వేల్ను విడుదల చేస్తుంది మరియు సంబంధిత సెన్సార్ ఒక అవరోధం ద్వారా ప్రతిబింబించే తరంగం రిటర్న్ గుర్తిస్తుంది. అల్ట్రాసోనిక్ తరంగాలు అడ్డంకిని చేరుకోవడానికి మరియు దాని నుండి తిరిగి రావడానికి పట్టే సమయాన్ని సిస్టమ్ మొలుస్తుంది, దీని నుండి అది అడ్డంకి స్థానాన్ని నిర్ణయిస్తుంది.

- మీరు ఇగ్నీషన్ స్విచ్ను "ఆన్" పొజిషన్కు తిప్పినప్పుడు మరియు గేర్ షిఫ్ట్ లీవర్ "R" పొజిషన్లో ఉంటే పార్కింగ్ సెన్సార్ ఫంక్షన్ ఉపయోగించబడుతుంది. ఈ విధి ఈ క్రింది సందర్భాల్లో సహాయపడుతుంది: కర్నూనికి లాగడం; వాహనాన్ని సమాంతరంగా పార్కింగ్ చేయడం; వాహనాన్ని గ్యారేజీలోకి నడపడం; ఒక ఇరుకు వీధిలో డ్రైవింగ్ చేయడం; అడ్డంకులు ఉన్న ప్రదేశంలో నెమ్మదిగా కదులుతుంది.

▲ హెచ్చరిక
<ul style="list-style-type: none"> • పార్కింగ్ సెన్సార్ బజర్లతో అడ్డంకులను హెచ్చరిస్తుంది. అయినప్పటికీ, మీరు ఇప్పటికే ప్రత్యేక శ్రద్ధతో డ్రైవింగ్ చేయాలి. • సెన్సార్లు పరిమిత ప్రాంతంలో మరియు వాహనం పరిమిత వేగ పరిధిలో కదులుతున్నప్పుడు మాత్రమే అడ్డంకులను గుర్తించగలవు. కాబట్టి, గమ్మత్తైన ప్రాంతాల్లో, మీ డ్రైవర్స్ విజన్ లేదా రియర్ వ్యూ అడ్డాలను ఉపయోగించి దాని చుట్టూ తనిఖీ చేసేటప్పుడు మీరు వాహనాన్ని నెమ్మదిగా కదిలించాలి. కేవలం పార్కింగ్ సెన్సార్స్ ఆధారపడి వాహనాన్ని కంట్రోల్ చేస్తే ప్రమాదం జరగవచ్చు.

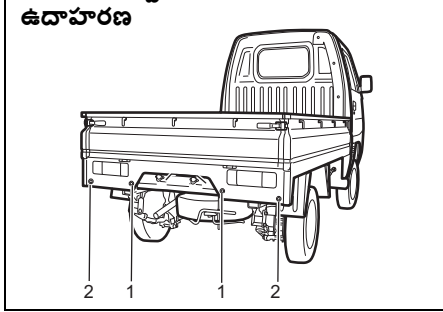
గమనిక :
గేర్ షిఫ్ట్ లీవర్ని "R" పొజిషన్కు మార్చినప్పుడు, బజర్ ఒక్కసారి మోగుతుంది.

గమనించండి
<p>పార్కింగ్ సెన్సార్లు డ్రైవర్ సహాయం కోసం మాత్రమే ఉంటాయి.</p>

సెన్సార్ లోకేషన్లు (Sensor locations)

రియర్ బంపర్

ఉదాహరణ



77PM03003

(1) రియర్ కార్పర్ సెన్సార్లు (2 ప్రదేశాలు)

(2) రియర్ కార్పర్ సెన్సార్లు (2 ప్రదేశాలు)

గమనించండి

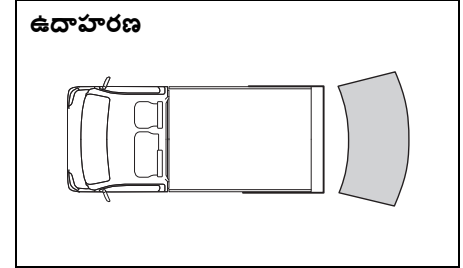
- సెన్సార్ ప్రాంతాలను తాకడం లేదా అధిక పీడనం ఉండే కారు వాషర్ నాజిల్లు సెన్సార్ ప్రాంతాలకు డైరెక్ట్ చేయవద్దు. లేదంటే సెన్సార్లు దెబ్బతినే అవకాశం ఉంది.
- బంపర్ గట్టి వస్తువును తాకితే అందులోని సెన్సార్లు సరిగా పనిచేయకపోవచ్చు. ఇది జరిగితే, సెన్సార్లను మారుతూ సుజికి అధికృత వర్క్ షాప్ ద్వారా తనిఖీ చేయండి.

పనిచేసే సెన్సార్లు

గెర్లిస్ట్ లీవర్పొజిషన్ ఆధారంగా సెన్సార్లు ఈ క్రింది విధంగా పనిచేస్తాయి:

గేర్ షిఫ్ట్ లీవర్ పొజిషన్	R	N, 1st – 5th
రియర్ సెన్సార్లు	ఆన్	ఆఫ్

సుమారుగా అడ్డంకులను గుర్తించగల ప్రాంతాలు



78MM05003

- సెన్సార్ నుండి 20 సెం.మీ (8 అంగుళాలు) లోపల లేదా సెన్సార్ క్రింద ఉన్న అడ్డంకు గుర్తించదు.
- సెన్సార్లు వాహనం వెనుక భాగం నుండి 1.8 మీటర్లు (6 అడుగులు) వరకు గొడవ వంటి అడ్డంకులను గుర్తించగలవు.

▲ హెచ్చరిక

దిగువ పరిస్థితుల్లో, పార్కింగ్ సెన్సార్ సిస్టమ్ ద్వారా పనిచేయకపోవచ్చు, ఎందుకంటే సెన్సార్లు అడ్డంకులను సరిగ్గా గుర్తించలేవు.

- సెన్సార్లు మట్టి, మంచు లేదా ఇతర పదార్థాలతో కప్పబడి ఉంటాయి. (సాధారణ ఆపరేషన్ కొరకు అటువంటి మెటీరియల్ ని తప్పనిసరిగా తొలగించాలి.)
- సెన్సార్లు నీటి స్పాష్ లు లేదా భారీ వర్షం నుండి తడిసిపోతాయి.
- సెన్సార్లు హ్యాండ్, సిక్యూర్, యాక్సెసరీ మొదలైన వాటితో కవర్ చేయతాయి
- సెన్సార్ సెన్సింగ్ ప్రాంతంలో ఒక యాక్సెసరీ లేదా ఇతర వస్తువు జతచేయబడి ఉంటుంది.
- టో హుక్స్, వాణిజ్యపరంగా లభించే కార్పర్ పోల్స్, రేడియో యాంటెన్నా మొదలైన వస్తువులు బంపర్లపై ఇన్స్టాల్ చేశారు.
- సస్పెన్షన్ మార్పు లేదా ఇతర కారణాల వల్ల బంపర్ ఎత్తు మారుతుంది.
- సెన్సార్ ప్రాంతాలు ప్రత్యక్ష సూర్యరశ్మి నుండి చాలా వేడిగా లేదా గడ్డకట్ట వాతావరణం కారణంగా చల్లగా ఉంటాయి.
- వాహనం కఠినమైన ఉపరితలం, వాలు, కంకర రోడ్లు లేదా గడ్డి మైదానంలో ఉంటుంది.
- వాహనం నిటారుగా ఉంటుంది.

(కొనసాగుతుంది)

▲ హెచ్చరిక

(కొనసాగుతుంది)

- సెన్సార్లు మరొక వాహనం హార్న్, ఇంజిన్, ఎయిర్ బ్రేకింగ్ సిస్టమ్ (పెద్ద వాహనాలు) లేదా పార్కింగ్ సెన్సార్ నుండి అలాసోనిక్ శబ్దాన్ని నిరోధించాయి.
- అడ్డంకులు సెన్సార్లకు చాలా దగ్గరగా ఉన్నాయి.
- సెన్సార్లు గాజు వంటి అత్యంత పరావర్తన వస్తువుకు ఒక కోణంలో ఉన్నాయి. (అలాసోనిక్ తరంగాలు అడ్డంకి నుండి తిరిగి ప్రతిబింబించవు.)
- సెన్సార్లు ఈ క్రింది రకాల అడ్డంకులను సరిగ్గా గుర్తించలేకపోవచ్చు:
 - ఫ్రెం నెటింగ్ మరియు తాడులు వంటి సన్నని పదార్థంతో చేసిన వస్తువులు
 - చతురస్రాకారంలో ఉండే రోళ్ళు లేదా పదునైన అంచులు ఉండే ఇతర వస్తువులు
 - రోడ్డు సైన్ వంటి పెద్ద ఎగువ భాగం న వొడ్డవైన వస్తువులు
 - కర్న స్ట్రోన్స్ వంటి తక్కువ-ప్రోఫైల్ వస్తువులు
- కాటన్ మరియు మంచు వంటి ధ్వనిని గ్రహించే వస్తువులు

గమనిక:

సెన్సార్ల కంటే దిగువన ఉన్న సన్నని స్టంభాలు లేదా అవరోధాలు ఎక్కువ దూరం నుండి గుర్తించినప్పటికీ వాహనం వాటికి దగ్గరగా కదులుతున్నప్పుడు గుర్తించలేకపోవచ్చు.

- సిస్టమ్ ఒక రోడ్డు సైన్లు దూరం లేదా ఇలాంటి అడ్డంకి వాస్తవ దూరం కంటే తక్కువగా ఉంటుందని లెక్కించవచ్చు.

పార్కింగ్ సెన్సార్ ద్వారా అడ్డంకి ఇండికేటర్ అడ్డంకిని గుర్తించిన తరువాత, పార్కింగ్ సెన్సార్ ఇంటియర్ బజర్ ధ్వనిని స్తుంది

- వెనుక సిటు వెనుక ఉన్న బజర్ అవరోధాన్ని గుర్తించినప్పుడు శబ్దం చేస్తుంది.
- గోడ్ వంటి అడ్డంకులను సెన్సార్ల ద్వారా గుర్తించినప్పుడు హెచ్చరికలు

దూరం (సుమారు.)	బజర్
100-180 6౧౯	సుదీర్ఘ విరామాల్లో చిన్న బీప్లు
80-100 6౧౯	స్వల్ప విరామాల్లో చిన్న బీప్లు
70-80 6౧౯	చాలా తక్కువ విరామాల్లో చిన్న బీప్లు
సెం.మీ కంటే తక్కువ 70 6౧౯	నిరంతర బీప్

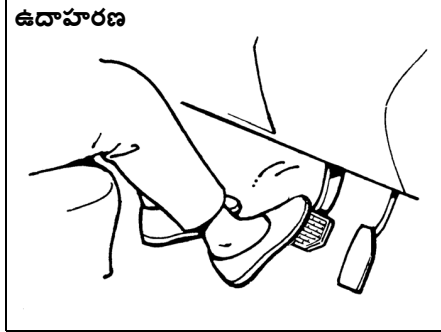
హెచ్చరిక మరియు సూచిక సందేశాలు

పార్కింగ్ సెన్సార్ సిస్టమ్ము సంబంధించి ఏదైనా సమస్య లేదా హెచ్చరిక ఉంటే, బజర్ దానికి సమాచారం ఇస్తుంది. దాని సూచనలను పాటించండి.

బజర్ అడపాదడపా వినిపిస్తుంది.. సూచించిన సెన్సార్ కలుషితమైంది.. మెత్తటి గుడ్డతో శుభ్రంగా తుడవాలి.. తుడిచిన తర్వాత బజర్ ఆగకపోతే పార్కింగ్ సెన్సార్ సిస్టమ్మో సమస్య ఉండి ఉండవచ్చు.. మారుతి సుజీకి అధీకృత వర్క్ షాప్లారా మీ వాహనాన్ని తనిఖీ చేయండి..

బ్రేకింగ్

ఉదాహరణ



60G165S

ఏదైనా వాహనాన్ని నిలపడానికి అవసరమైన దూరం వాహన వేగంతో పెరుగుతుంది. ఉదాహరణకు, 60 కి.మీ/గం (37 మైళ్ళు) వద్ద అవసరమైన బ్రేకింగ్ దూరం 30 కి.మీ/గం (19 మైళ్ళు) వద్ద అవసరమైన బ్రేకింగ్ దూరం కంటే సుమారు 4 రెట్లు ఎక్కువగా ఉంటుంది. మీ వాహనానికి మరియు స్టాపింగ్ పాయింట్లు మధ్య చాలా దూరం ఉంటే వాహనాన్ని బ్రేక్ చేయడం ప్రారంభించండి మరియు క్రమంగా నెమ్మదిగా వేగాన్ని తగ్గించండి.

▲ హెచ్చరిక

బ్రేక్ డ్రమ్ముల్లోకి నీరు చేరితే, బ్రేక్ పనితీరు పీలవంగా మరియు అనూహ్యంగా మారవచ్చు.

నీటి గుండా డ్రైవింగ్ చేసిన తర్వాత లేదా వాహనం దిగువ భాగాన్ని కడిగిన తర్వాత, నెమ్మదిగా డ్రైవింగ్ చేసేటప్పుడు బ్రేకులు వాటి సాధారణ ప్రభావాన్ని కొనసాగించాయో లేదో పరీక్షించండి. బ్రేకులు సాధారణం కంటే తక్కువ ప్రభావవంతంగా ఉన్నట్లయితే, బ్రేకులు వాటి సాధారణ ప్రభావాన్ని తిరిగి పొందే వరకు నెమ్మదిగా డ్రైవింగ్ చేసేటప్పుడు పదేపదే బ్రేకులు వేయడం ద్వారా వాటిని ఎండనివ్వండి.

గమనిక :

బ్రేక్ వేయునప్పుడు బ్రేక్ డిస్క్ / డ్రమ్ మరియు బ్రేక్ లైనింగ్ మధ్య ఫ్రీక్షన్ కారణంగా మీరు ఆపరేషనల్ శబ్దం వినివచ్చు. ఇది మామూలుగా జరిగే విషయమే, ఇది ఏదైనా అబ్నార్మాలిటీని సూచించదు, లేదా వెహికల్ మామూలు పనిని దెబ్బతీయదు.

పవర్-అసిస్టెడ్ బ్రేక్లు (Power-Assisted Brakes)

మీ వాహనంలో పవర్ అసిస్టెడ్ బ్రేకులు ఉంటాయి. ఇంజిన్ నిలిచిపోవడం లేదా ఇతర వైఫల్యాల వల్ల పవర్ అసిస్టెన్స్ కోల్పోయితే, సిస్టమ్ ఇంకా రిజర్వ్ పవర్ను పూర్తిగా పనిచేస్తుంది మరియు మీరు బ్రేక్ పెడల్ను ఒకసారి నొక్కి దానిని పట్టుకోవడం ద్వారా వాహనాన్ని పూర్తిగా నిలిపివేయవచ్చు. మీరు బ్రేక్ పెడల్ను కుదించినప్పుడు రిజర్వ్ పవర్ పాక్షికంగా ఉపయోగించబడుతుంది మరియు పెడల్ నొక్కిన ప్రతిసారీ తగ్గుతుంది. పెడల్ పంప్ చేయవద్దు. పెడల్ పంప్ చేయవద్దు.

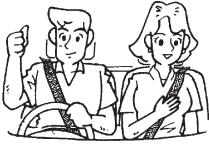
⚠ హెచ్చరిక

బ్రేక్ సిస్టమ్లో రిజర్వ్ పవర్ లేకపోయినా, సాధారణంగా అవసరమైన దానికంటే గట్టిగా బ్రేక్ పెడల్ను నొక్కడం ద్వారా మీరు వాహనాన్ని ఆపవచ్చు. అయితే, ఆగే దూరం ఎక్కువ ఉండవచ్చు.

డైవింగ్ చిట్కాలు

రన్నింగ్-ఇన్	4-1
క్యాటలిస్ట్ కన్వర్టర్	4-2
ఇంధన (ఫ్యూయల్) సమర్థతను మెరుగుపరచడం	4-3
హైవే డైవింగ్	4-4
కొండలపై డైవింగ్ చేసేటప్పుడు	4-4
జారిపోయే రోడ్లపై డైవింగ్ చేయడం	4-5
తడి రోడ్లపై డైవింగ్	4-6
ఆఫ్-రోడ్ డైవింగ్	4-7
వరద ముంపు ప్రాంతాన్ని ఎదుర్కొన్నప్పుడు	4-7
సేఫ్ డైవింగ్ కొరకు చేయాల్సినవి మరియు చేయకూడనివి	4-7
భద్రత కొరకు మార్జిన్	4-9

ఉదాహరణ



52D078S

▲ హెచ్చరిక

- మీ సీట్ బెల్ట్ లను ఎప్పుడూ ధరించండి. ఇవ్వబడ్డ సీట్ బెల్ట్లను ఉపయోగించి డ్రైవర్ మరియు ప్యాసింజర్లను అన్నివేళలా సరిగ్గా నియంత్రణలో ఉంచాలి. సీట్బెల్ట్లను సరిగ్గా ఉపయోగించడంపై ఇండికేటర్ల కొరకు "సీట్బెల్ట్లు" విభాగాన్ని చూడండి.
- మద్యం లేదా ఇతర మాదకద్రవ్యాలు సేవించి ఎప్పుడూ డ్రైవింగ్ చేయవద్దు. ఆల్కహాల్ మరియు మాదకద్రవ్యాలు సురక్షితంగా డ్రైవ్ చేసే మీ సామర్థ్యాన్ని తీవ్రంగా దెబ్బతీస్తాయి, మీకు మరియు ఇతరులకు గాయం అయ్యే ప్రమాదాన్ని బాగా పెంచుతాయి. మీరు అలసిపోయినప్పుడు, అనారోగ్యంతో, చిరాకుగా లేదా ఒత్తిడిలో ఉంటే కూడా మీరు డ్రైవింగ్ చేయకుండా ఉండాలి.

రన్నింగ్-ఇన్ (Running-in)

గమనించండి

ఇంజిన్ భవిష్యత్తు పనితీరు మరియు విశ్వసనీయత దాని ప్రారంభ జీవితంలో ప్రదర్శించిన శ్రద్ధ మరియు సంయమనంపై ఆధారపడి ఉంటుంది. ప్రారంభ 960 కిలోమీటర్ల వాహన ఆపరేషన్ సమయంలో ఈ క్రింది జాగ్రత్తలను పాటించడం చాలా ముఖ్యం.

- స్టార్ట్ చేసిన తరువాత, ఇంజిన్ని రేస్ చేయవద్దు. దాన్ని క్రమంగా వేడెక్కించాలి.
- స్థిరమైన వేగంతో ఎక్కువ కాలం వాహనాలు నడపడం మానుకోండి. మీరు మీ వేగాన్ని మారిస్తే కదిలే భాగాలు బాగా విచ్చిన్నమవుతాయి.

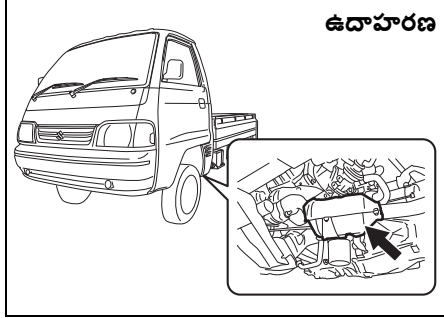
(కొనసాగుతుంది)

గమనించండి

(కొనసాగుతుంది)

- స్టాప్ నుండి నెమ్మదిగా ప్రారంభించండి. ఫుల్ థ్రోటిల్ స్టార్ట్లను నివారించండి.
- ముఖ్యంగా మొదటి 320 కిలోమీటర్ల డ్రైవింగ్ సమయంలో హార్ట్ బ్రేకింగు దూరంగా ఉండాలి.
- అధిక గేర్లో ట్రాన్సిస్మిషన్ నెమ్మదిగా డ్రైవ్ చేయవద్దు.
- వాహనాన్ని మితమైన ఇంజిన్ వేగంతో నడపండి.
- ట్రైలర్ని బో చేయవద్దు.

క్యాటలిస్ట్ కన్వర్టర్ (Catalytic Converter)



ఉదాహరణ

77PH201

క్యాటలిస్ట్ కన్వర్టర్ ఉద్దేశ్యం మీ వాహనం ఎక్స్టాన్సీవి హానికరమైన కాలుష్య కారకాల మొత్తాన్ని తగ్గించడం. క్యాటలిస్ట్ కన్వర్టర్లను అమర్చిన వాహనాల్లో సీసం ఇంధనాన్ని ఉపయోగించడం నిషేధించబడింది, ఎందుకంటే సీసం క్యాటలిస్ట్ స్ట్రూమూల్యాన్ని తగ్గించే భాగాలను నిర్వీర్యం చేస్తుంది.

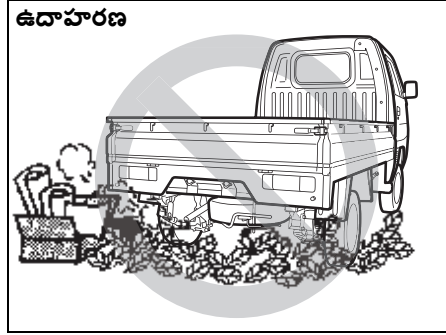
సాధారణ వినియోగంలో మరియు అన్ లీడెడ్ ఫ్యూయల్ ఉపయోగించినప్పుడు వాహనం జీవితకాలం అంతటా ఉండేలా కన్వర్టర్ రూపొందించబడింది. కన్వర్టర్లపై ప్రత్యేక మెయింటెనెన్స్ అవసరం లేదు. అయితే, ఇంజిన్ను సరిగ్గా ట్యూన్ చేయడం చాలా

ముఖ్యం. సరిగ్గా ట్యూన్ చేయని ఇంజిన్ వల్ల ఏర్పడే ఇంజిన్ మిస్ఫైరింగ్, ఉత్పేరకం వేడెక్కుడానికి కారణం కావచ్చు. దీని ఫలితంగా ఉత్పేరకం మరియు ఇతర వాహన భాగాలకు శాశ్వత ఉష్ణ నష్టం జరగవచ్చు.

గమనించండి
హానికరమైన ఉత్పేరకం లేదా ఇతర వాహన నష్టాన్ని నివారించడానికి:
<ul style="list-style-type: none"> • ఇంజిన్ సరైన ఆపరేటింగ్ కండిషన్లో మెయింటెన్స్ చేయండి. • ఇంజిన్ సరిగ్గా పనిచేయనప్పుడు, ముఖ్యంగా ఇంజిన్ మిస్ఫైరింగ్ లేదా ఇతర స్పష్టమైన పనితీరును కోల్పోయితే, వాహనాన్ని వెంటనే సర్వీస్ చేయండి. • ట్రాన్సిమిషన్ గేర్లో ఉంటే మరియు వేహికల్ చలనంలో ఉంటే ఇంజిన్ ఆఫ్ చేయవద్దు లేదా ఇగ్నీషన్ అంతరాయం కలిగించవద్దు. • వాహనాన్ని నెట్టడం లేదా తోయడం లేదా కొండపైకి దిగడం ద్వారా ఇంజిన్ స్టార్ట్ చేయడానికి ప్రయత్నించవద్దు. • డయగ్నాస్టిక్ టెస్టింగ్ సమయంలో వంటి ఏదైనా స్పార్క్ ప్లగ్ వైర్లు (spark plug wires) డిస్కనెక్ట్ చేసిన లేదా తొలగించిన వాటితో ఇంజిన్ను ఐడల్ చేయవద్దు.
(కొనసాగుతుంది)

గమనించండి
(కొనసాగుతుంది)
<ul style="list-style-type: none"> • ఐడిలింగ్ కఠినంగా అనిపిస్తే లేదా ఇతర లోపాలు ఉన్నట్లయితే వాహనాన్ని ఎక్కువసేపు ఖాళీగా ఉంచవద్దు. • ఫ్యూయల్ ట్యాంకు (fuel tank) ఖాళీ లోపల్కు దగ్గరగా రావడానికి అనుమతించవద్దు. • మీ వాహనాన్ని అధిక ఇంజిన్ వేగంతో నడపడం మానుకోండి.

⚠ హెచ్చరిక
మీరు పార్కింగ్ మరియు డైప్ చేసే ప్రదేశాల్లో జాగ్రత్తగా ఉండండి; క్యాటలిస్ట్ కన్వర్టర్ మరియు ఇతర ఎగ్జాస్ట్ భాగాలు చాలా వేడిగా ఉంటాయి. ఏదైనా వాహనం మాదిరిగానే, ఎండు గడ్డి లేదా ఆకులు వంటి మండే పదార్థాలు వేడి ఎగ్జాస్ట్ సిస్టమ్ము తాకగల ప్రాంతాల్లో ఈ వాహనాన్ని పార్క్ చేయవద్దు లేదా ఆపరేట్ చేయవద్దు.



82DY05

గమనిక : ట్రైక్ డిస్క్ క్యాస్ట్ ఐరన్ తో తయారు చేయబడి ఉంటుంది కాబట్టి వెహికల్ ఎక్కువ కాలం వాడకపోతే క్రమేపీ తుప్పు పట్టవచ్చు. ఇందువల్ల శబ్దం/వైబ్రేషన్ కలగవచ్చు. అది వెహికల్ పనిచేసే తీరుపై ఎటువంటి ప్రభావం చూపదు. వెహికల్ ని క్రమం తప్పకుండా డ్రైవ్ చేస్తే తుప్పు తొలగిపోతుంది/ వదిలిపోతుంది, తద్వారా శబ్దం మరియు వైబ్రేషన్ తగ్గిపోతుంది.

ఇంధన (ప్రూయల్) సమర్థతను మెరుగుపరచడం

గమనిక : డ్రైవింగ్ అలవాట్లు - గేర్ మార్పు సరళి, ఏసీ వాడకం, ట్రైల్లో గాలి వీడనం, గాలి వేగం, ట్రాఫిక్ పరిస్థితులు, ఇంధన (ప్రూయల్) నాణ్యత కల్తీ

లేని ప్రామాణిక ప్యూయల్, వాహన మెయింటెనెన్స్, రోడ్డు పరిస్థితులు, ట్రైకింగ్ వంటి అనేక కారణాల వల్ల వాహనం ఇంధన పొదుపు (మైలేజీ) మారవచ్చు.

దిగువ సూచనలు ఇంధన (ప్రూయల్) సమర్థతను మెరుగుపరచడానికి మీకు సాయపడతాయి

అధిక ఐడ్లింగ్ మానుకోండి

మీరు పార్క్ చేసేటప్పుడు ఒక నిమిషం కంటే ఎక్కువసేపు వేచి ఉండాల్సి వస్తే, ఇంజిన్ ఆపి, తరువాత మళ్ళీ స్టార్ట్ చేయండి.కోల్డ్ ఇంజిన్ వేడెక్కించేటప్పుడు, ఇంజిన్ ఆపరేటింగ్ టెంపరేచర్లు చేరుకునేంత వరకు ఇంజిన్ ఖాళీగా ఉంచవద్దు లేదా ఫుల్ త్రోటిల్ వర్తించవద్దు. డ్రైవింగ్ చేసేటప్పుడు ఇంజిన్ వేడెక్కడానికి అనుమతించండి.

ఆకస్మిక యాక్సిలరేషన్ నివారించండి

విశ్రాంతి నుండి లేదా డ్రైవింగ్ చేసేటప్పుడు ఆకస్మిక యాక్సిలరేషన్ అనవసరంగా ఇంధనాన్ని ఖర్చు చేస్తుంది మరియు ఇంజిన్ జీవితకాలాన్ని తగ్గిస్తుంది.నెమ్మదిగా మొదలు పెట్టండి.

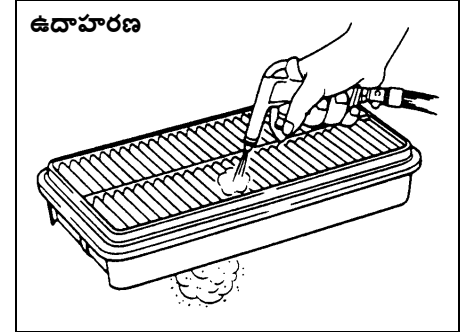
అనవసరమైన స్టాప్లను నివారించండి.

అనవసరమైన డీయాక్సిలరేషన్ మరియు ఆపడాన్ని పరిహారించండి.సాధ్యమైనప్పుడల్లా నెమ్మదిగా, స్థిరమైన వేగాన్ని నిర్వహించడానికి ప్రయత్నించండి.వేగాన్ని తగ్గించి, మళ్ళీ వేగవంతం చేయడం వల్ల ప్యూయల్ ఎక్కువగా ఉపయోగించబడుతుంది.

స్థిరమైన క్రూయిజింగ్ వేగాన్ని ఉంచండి

రహదారి మరియు ట్రాఫిక్ పరిస్థితులు అనుమతించినంత వేగాన్ని స్థిరంగా ఉంచండి.

ఎయిర్ క్లీనర్ శుభ్రంగా ఉంచండి.



60A183S

ఎయిర్ క్లీనర్ ధూళితో నిండి ఉంటే, ఎక్కువ ఇన్జెక్ రెసిస్టెన్స్ ఉంటుంది, ఫలితంగా సవర్ అవుట్పుట్ తగ్గుతుంది మరియు ఇంధన (ప్రూయల్) వినియోగం పెరుగుతుంది.

బరువును కనిష్టంగా ఉంచండి.

లోడ్ ఎక్కువగా ఉంటే, వాహనం ఎక్కువ ఇంధనాన్ని వినియోగిస్తుంది. అవసరం లేనప్పుడు ఏదైనా లగ్జీ లేదా సరుకును బయటకు తీయండి.

టైర్ ప్రెజర్లను సరిగ్గా ఉంచండి.

టైర్ల రన్నింగ్ రెసిస్టెన్స్ పెరగడం వల్ల టైర్లు తక్కువగా గాలి నింపడం వల్ల ప్యూయల్స్ డా అవుతుంది. డ్రైవర్ డోర్ లాక్ పిల్లర్స్ లేబుల్స్ చూపించిన సరైన పీడనానికి మీ టైర్ల గాలిని నింపండి.

హైవే డ్రైవింగ్ (Highway Driving)

హైవే వేగంతో డ్రైవింగ్ చేసేటప్పుడు, ఈ క్రింది వాటిపై శ్రద్ధ వహించండి:

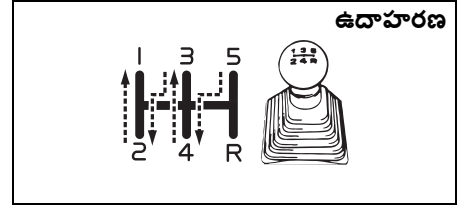
- వాహనాల వేగంతో ఆగే దూరం క్రమంగా పెరుగుతుంది. అదనపు ఆగే దూరాన్ని అనుమతించడానికి స్టాపింగ్ పాయింట్లు తగినంత ముందు బ్రేకులు వేయండి.
- వర్షాకాలంలో హైడ్రోప్లానింగ్ జరుగుతుంది. హైడ్రోప్లానింగ్ అంటే రోడ్డు ఉపరితలం మరియు వాహనం టైర్ల మధ్య నీటి పిల్వ ఏర్పడటం వల్ల వాటి మధ్య ప్రత్యక్ష సంబంధాన్ని కోల్పోవడం. హైడ్రోప్లానింగ్ చేసేటప్పుడు వాహనాన్ని స్టీరింగ్ చేయడం లేదా బ్రేకింగ్ చేయడం చాలా కష్టం,

మరియు నియంత్రణ కోల్పోవడం సంభవించవచ్చు. రోడ్డు ఉపరితలం తడిగా ఉంటే వేగాన్ని తగ్గించండి.

- అధిక వేగంతో, వాహనం పక్క గాలుల వల్ల ప్రభావితమయ్యే అవకాశం ఉంది. అందువల్ల, వేగాన్ని తగ్గించండి మరియు సోరంగాల నిమ్మమణల వద్ద, కొండను దాటేటప్పుడు లేదా పెద్ద వాహనాలు ఓవర్ టేక్ చేసినప్పుడు సంభవించే అనుకోని బఫేటింగు సిద్ధంగా ఉండండి.

కొండలపై డ్రైవింగ్ చేసేటప్పుడు

- నిటారుగా ఉన్న కొండలను ఎక్కేటప్పుడు, వాహనం నెమ్మదిగా రావడం ప్రారంభిస్తుంది మరియు పవర్ తక్కువగా ఉండటం చూపుతుంది. ఇది జరిగితే, మీరు తక్కువ గేర్లు మారాలి, తద్వారా ఇంజిన్ తిరిగి దాని సాధారణ శక్తి పరిధిలో పనిచేస్తుంది. వాహనం వేగాన్ని కోల్పోకుండా నిరోధించడానికి వేగంగా కదలండి.
- కొండపై నుంచి డ్రైవింగ్ చేసేటప్పుడు ఇంజిన్ను లోయర్ గేర్ లోకి మార్చడం ద్వారా బ్రేకింగ్ కోసం ఉపయోగించాలి.



77PH003

⚠ హెచ్చరిక

నిటారుగా లేదా పొడవైన కొండపైకి వెళ్ళేటప్పుడు బ్రేక్ పెడల్ను ఎక్కువసేపు లేదా చాలా తరచుగా పట్టుకోకుండా ఉండటానికి ప్రయత్నించండి. దీనివల్ల బ్రేకులు వేడెక్కడం, ఫలితంగా బ్రేకింగ్ సామర్థ్యం తగ్గుతుంది. ఈ జాగ్రత్తలు తీసుకోవడంలో విఫలమైతే వాహన నియంత్రణ కోల్పోయే ప్రమాదం ఉంది.

విశ్వల స్థితి నుంచి పైకి / గ్రేడియంట్లు కదులుతున్నప్పుడు

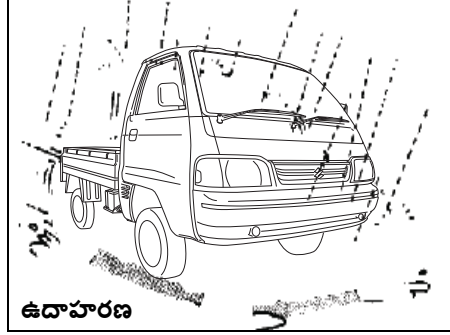
- వాహనం వెనక్కి తిరగకుండా పార్కింగ్ బ్రేక్ని గట్టిగా అపై చేయాలి.
- క్లచ్ పెడల్ని తగ్గించండి మరియు గేర్ పిష్ట లీవర్ని 1వ సెలెక్ట్ పొజిషన్కు మార్చండి.
- క్లచ్ జారిపోరాదు.

డ్రైవింగ్ చిట్కాలు

- ప్రారంభించడానికి సిద్ధంగా ఉంటే, యాక్సిలరేటర్ పెడల్ నొక్కండి మరియు క్లచ్ పెడల్ను నెమ్మదిగా ఒకేసారి రిలీజ్ చేయండి. వాహనం కదలడం ప్రారంభించినప్పుడు, క్రమంగా పార్కింగ్ బ్రేక్కు రిలీజ్ చేయండి.

గమనించండి
కొండ దిగేటప్పుడు, ఇగ్నీషన్ కీని "లాక్" పొజిషన్కు ఎప్పుడూ తిప్పవద్దు. ఎమిషన్ కంట్రోల్స్ స్టెబ్బులైనవచ్చు.

జారిపోయే రోడ్లపై డ్రైవింగ్ చేయడం



ఉదాహరణ

82DY06

ట్రైకుల సమయంలో ట్రైడ్లు జారిపోయే అవకాశం ఉన్నందున తడి రోడ్లలో పొడి రోడ్ల కంటే

తక్కువ వేగంతో డ్రైవింగ్ చేయాలి. మంచు, మంచుతో కప్పబడిన లేదా బురద రోడ్లపై డ్రైవింగ్ చేసేటప్పుడు, మీ వేగాన్ని తగ్గించండి మరియు ఆకస్మిక త్వరణం, ఆకస్మిక బ్రేకింగ్ లేదా పదునైన స్టీరింగ్ కదలికలను నివారించండి.

మీ వాహనం ఇరుక్కుపోతే

మీ వాహనం మంచు, బురద లేదా ఇసుకలో చిక్కుకుంటే, ఈ క్రింది దిశలను అనుసరించండి:

- 1) మొదటి గేర్ మరియు రివర్స్ మధ్య ట్రాన్సిమిషన్ ముందుకు మరియు వెనుకకు మార్చండి. ఇది రాకింగ్ మోషన్కు సృష్టిస్తుంది, ఇది వాహనాన్ని విడిపించడానికి మీకు తగినంత వేగాన్ని ఇస్తుంది. వీల్స్ నిమిషం వీల్ rpm కు తిరుగుతూ ఉండటానికి యాక్సిలరేటర్ను సున్నితంగా నొక్కండి. మార్చేటప్పుడు యాక్సిలరేటర్ నుండి మీ పాదాన్ని తొలగించండి. ఇంజిన్ను రేస్ చేయవద్దు. అధిక వీల్ స్పిన్ వల్ల ట్రైడ్లు మరింత లోతుగా తవ్వతాయి, ఇది వాహనాన్ని విడిపించడం మరింత కష్టతరం అవుతుంది.

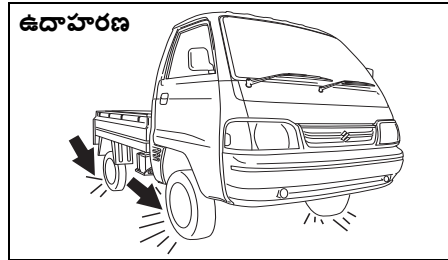
- 2) కొన్ని నిమిషాల తర్వాత మీ వాహనం ఇరుక్కుపోతే, మీ వాహనాన్ని బయటకు లాగడానికి మరొక వాహనాన్ని తీసుకోండి.

⚠ హెచ్చరిక
మీరు కదిలిస్తున్నప్పుడు వాహనం దగ్గర నిలబడటానికి ఎవరినీ అనుమతించవద్దు మరియు స్పీడ్ బ్రేక్ పై సూచించిన 40 కిలోమీటర్ల కంటే వేగంగా చక్రాలను తిప్పవద్దు. చక్రాలను చాలా వేగంగా తిప్పడం వల్ల వ్యక్తిగత గాయం మరియు/లేదా వాహనం దెబ్బతినవచ్చు.

గమనించండి
కొన్ని నిమిషాల కంటే ఎక్కువ సేపు వాహనాన్ని కదిలించవద్దు. దీర్ఘకాలిక రాకింగ్ వల్ల ఇంజిన్ వేడెక్కడం లేదా ట్రాన్సిమిషన్ దెబ్బతినవచ్చు.

తడి రోడ్లపై డ్రైవింగ్

గమనించండి
<ul style="list-style-type: none"> • తడి రోడ్లపై డ్రైవింగ్ చేసేటప్పుడు, రోడ్డుపై పెద్ద మొత్తంలో నిలిచిన నీటిలో డ్రైవింగ్ చేయవద్దు. ఇంజిన్ కంపార్ట్మెంట్లోనికి పెద్ద మొత్తంలో నీరు ప్రవేశించడం వల్ల ఇంజిన్ మరియు లేదా ఎలక్ట్రికల్ కాంపోనెంట్లు దెబ్బతినవచ్చు. • లోతైన నీటిలో చిక్కుకుంటే, నీటిమట్టం పడిపోయే వరకు ప్రారంభించవద్దు. • నీరు కంప్రెస్ చేయలేని పదార్థం పదార్థం, ఇంజిన్లోనికి ప్రవేశించే నీరు ఇంజిన్ను హానికరం.



82DY07

⚠ హెచ్చరిక

ఈ విభాగంలో డ్రైవింగ్ చిట్కాలను పాటించడంతో పాటు, ఈ క్రింది జాగ్రత్తలు పాటించడం చాలా ముఖ్యం.

- మీ ట్రెయిల్ల మంచి కండిషన్లో ఉన్నాయని ధృవీకరించుకోండి మరియు ఎప్పుడూ నిర్దిష్ట ట్రైల్ ప్రజర్సి మెయింటెన్ చేయండి. వివరాల కొరకు "తనిఖీ మరియు మెయింటెనెన్స్" విభాగంలోని "ట్రెయిల్" చూడండి.
- మారుతి సుజికి సూచించిన ట్రెయిల్ కాకుండా ఇతర ట్రెయిల్ను ఉపయోగించవద్దు. ముందు మరియు వెనుక చక్రాలపై విభిన్న పరిమాణాలు లేదా రకాల ట్రెయిల్ను ఎప్పుడూ ఉపయోగించవద్దు. నిర్దిష్ట ట్రెయిల్కు సంబంధించిన సమాచారం కొరకు, డ్రైవర్ డోర్ లాక్ పిల్లరై ఉన్న ట్రైల్ ఇన్ఫర్మేషన్ లేబుల్ని చూడండి.

(కొనసాగుతుంది)

⚠ హెచ్చరిక

(కొనసాగుతుంది)

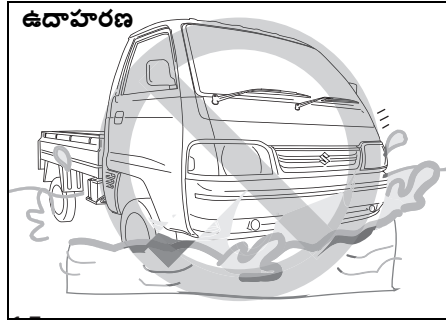
- మీ వాహనాన్ని సైకి లేపడానికి (జాక్ అప్) పెద్ద ట్రెయిల్ లేదా ప్రత్యేక షాక్ అబ్జార్బర్లు మరియు స్ప్రింగ్ను ఎప్పుడూ ఉపయోగించవద్దు. ఇది హ్యాండ్లింగ్ లక్షణాలను మారుస్తుంది. పెద్ద సైజు ట్రెయిల్ బంపింపు వాహనం శరీరంపై రుద్దవచ్చు, దీనివల్ల వాహనం దెబ్బతినడం లేదా ట్రైల్ ఫెయిల్చూర్లు కారణం కావచ్చు.
- నీటి గుండా డ్రైవింగ్ చేసిన తరువాత, నెమ్మదిగా డ్రైవింగ్ చేసేటప్పుడు బ్రేకులు వాటి సాధారణ ప్రభావాన్ని కొనసాగించాయో లేదో పరీక్షించండి. అవి సాధారణం కంటే తక్కువ ప్రభావవంతంగా ఉన్నట్లయితే, బ్రేకులు వాటి సాధారణ ప్రభావాన్ని తిరిగి పొందే వరకు నెమ్మదిగా డ్రైవింగ్ చేసేటప్పుడు పదేపదే బ్రేకులు వేయడం ద్వారా వాటిని ఎండబెట్టాలి.

ఆఫ్-రోడ్ డ్రైవింగ్ (Off-road Driving)

గడ్డి పెరిగిన పొలంలో డ్రైవింగ్ చేయవద్దు.

గడ్డితో కప్పబడిన పొలంలో మీరు డ్రైవింగ్ చేస్తే, పెరిగిన గడ్డిలో చిక్కుకోవడం ద్వారా ప్రమాదం లేదా మంటలు లేదా వాహనానికి నష్టం కలగవచ్చు.

వరద ముంపు ప్రాంతాన్ని ఎదుర్కొన్నప్పుడు



ఉదాహరణ

వరద ప్రాంతంలో లేదా లోతైన గుంతలో డ్రైవింగ్ చేయవద్దు. వరద ప్రాంతంలో డ్రైవింగ్ చేయడం అనివార్యమైతే, దిగువ గేర్లో నెమ్మదిగా వెళ్లండి. మీరు వరద ప్రాంతంలో డ్రైవ్ చేసితే, బ్రేక్

సమర్థతను తనిఖీ చేసేటప్పుడు వాహనాన్ని సురక్షితమైన మరియు వరదలు లేని ప్రదేశంలో ఆపండి. తరువాత, దిగువ తనిఖీ ఐటమ్లను చెక్ చేయడానికి మారుతి సుజీకి అధీకృత వర్కృత్తు అడగండి.

- బ్రేక్ విడులు
- విద్యుత్ భాగాల పనితీరు
- ఇంజిన్ మరియు ట్రాన్సిమిషన్ కొరకు ఆయిల్ లెవల్ మరియు క్వాలిటీలో మార్పులు. ఆయిల్ లెవల్ వైట్లూ ఉంటే, ఆయిల్లో నీరు కలపబడింది మరియు ఆయిల్ మార్పు అవసరం అవుతుంది.
- బేరింగ్లు, సస్పెన్షన్ జాయింట్లు మొదలైన వాటి లూబ్రికేట్ కండిషన్.

గమనించండి
<ul style="list-style-type: none"> • వరద ప్రాంతంలో లేదా లోతైన గుంతలో డ్రైవింగ్ చేయవద్దు. ఇది ఇంజిన్ స్ట్రాల్, ఎలక్ట్రికల్ కాంపోనెంట్స్ తక్కువగా ఉండటం, ఇంజిన్ మరియు ట్రాన్స్ మిషన్ దెబ్బతినడం మొదలైన వాటికి కారణం కావచ్చు. • వాహనం లోతైన నీటిలో ఇరుక్కుపోతే ఇంజిన్ స్టార్ట్ చేయవద్దు.

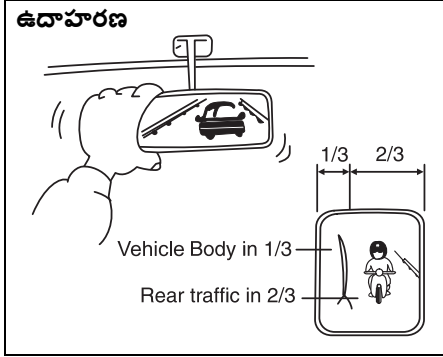
సేఫ్ డ్రైవింగ్ కొరకు చేయాల్సినవి మరియు చేయకూడనివి

వాహనం మెయింటెనెన్స్ జాగ్రత్త పహించండి. మీ స్వంత భద్రత గురించి మాత్రమే కాకుండా రోడ్డుపై ఇతరుల భద్రత గురించి కూడా స్పృహతో ఉండండి, తద్వారా ఉత్తమమైన మరియు అత్యంత సౌకర్యవంతమైన డ్రైవింగ్ అనుభవాన్ని ఆస్వాదించండి.

సేఫ్ డ్రైవింగ్ కొరకు ప్రాథమిక నియమాలు ఈ క్రింది విధంగా ఉన్నాయి. కంటింట గురించి మంచి అవగాహన కోసం వాటిని జాగ్రత్తగా చదవండి, తద్వారా మీరు మీ వాహనంలో సురక్షితమైన మరియు ఆహ్లాదకరమైన డ్రైవింగ్ను ఆస్వాదించవచ్చు.

స్టార్ట్ చేయడం

- 1) సరైన డ్రైవింగ్ భంగిమ కోసం డ్రైవర్ సీటును సర్దుబాటు చేయండి.
- 2) సాధ్యమైనంత ఉత్తమమైన రియర్ వ్యూ పొందడానికి రియర్ వ్యూ మిరర్ని సర్దుబాటు చేయండి.



- 3) కదిలే ముందు, భద్రతను ధృవీకరించడానికి మీ వాహనం చుట్టూ చూడండి.
- 4) అకస్మాత్తుగా వేగం పెంచవద్దు, ఎందుకంటే ఇది ప్రమాదకరమైనది మరియు ఇంధనాన్ని వృధా చేస్తుంది.

సాధారణ డ్రైవింగ్

- 1) స్పాష్టబ్ లేదా స్టాప్ సిగ్నల్ ముందు ఆపాలని నిర్దేశించుకోండి. ఎటువంటి ట్రాఫిక్ లైట్లు లేదా సంకేతాలు లేని కూడలిలోకి వెళ్ళేటప్పుడు, భద్రతను ధృవీకరించడానికి నెమ్మదిగా డ్రైవ్ చేయండి.

2) ఎదురుగా ఉన్న వాహనం అకస్మాత్తుగా ఆగిపోయితే, వెనుక-ఎండ్ డీకొనకుండా నిరోధించడానికి ఎప్పుడూ సురక్షితమైన దూరంలో ఇతర వాహనాలను అనుసరించండి.

3) టర్న్ చేయడానికి లేదా లేన్ను మార్చడానికి ముందు కనీసం 30 మీటర్లు ముందు టర్న్ సిగ్నల్ ఆన్ చేయండి, తద్వారా అది దెబ్బతినకుండా ఉంటుంది.

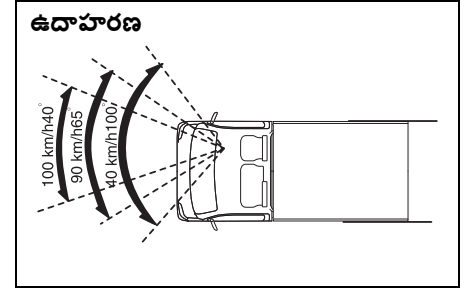
4) ఒక కార్పర్లోనికి ప్రవేశించే ముందు, సురక్షితమైన వేగానికి తగ్గించండి. కార్పరింగ్ సమయంలో బ్రేకులు వేయరాదు, లేదా జారిపోవచ్చు.

5) ఇతర వాహనాలను ఓవర్ టేక్ చేసేటప్పుడు, ఎదురుగా వచ్చే వాహనాలను గమనించండి మరియు జాగ్రత్తగా భద్రతను ధృవీకరించండి.

6) జిగ్గా డ్రైవింగ్ చేయవద్దు, ఎందుకంటే ఇది వాహనంపై మీ నియంత్రణకు ఆటంకం కలిగిస్తుంది మరియు ప్రమాదానికి కారణం కావచ్చు.

7) నిర్లక్ష్యంగా అధిక వేగంతో డ్రైవింగ్ చేయడం మానుకోండి, స్థిరమైన వేగాన్ని నిర్వహిస్తూ రోడ్డు పరిస్థితులకు తగిన సురక్షితమైన వేగంతో నడపడానికి ప్రయత్నించండి.

8) వేగం ఎక్కువైతే డ్రైవర్ విజువల్ రేంజ్ అంతగా తగ్గిపోతుంది. ఎటువంటి స్థితిలో, ఏదైనా ప్రమాదాన్ని ఊహించడం కష్టం మరియు డ్రైవర్కు అలసిపోయినట్లు అనిపిస్తుంది.



9) హైస్పీడ్ డ్రైవింగ్ చేసేటప్పుడు షార్ప్ హ్యాండ్లింగ్కు ప్రయత్నించవద్దు. మీరు మీ వాహనంపై నియంత్రణ కోల్పోతారు.

10) అధిక వేగంతో డ్రైవింగ్ చేసేటప్పుడు ఓవర్ టేక్ చేసేటప్పుడు లేదా లేన్లను మార్చేటప్పుడు, వాహనం నుంచి వాహనానికి తగినంత దూరం ఉంచండి.

బ్రేకింగ్

- 1) మీ వేహికల్ని పార్కింగ్ చేసేటప్పుడు పార్కింగ్ బ్రేక్ ఉపయోగించండి మరియు భద్రత కొరకు గేర్ పిష్టి లీవర్ని మొదటి గేర్ లేదా రివర్స్ గేర్ పొజిషన్కు మార్చండి.
- 2) అనివార్యమైతే తప్ప హ్యాండ్ బ్రేకింగ్ ఉపయోగించవద్దు. దీని వల్ల వాహనం స్కిడ్ అయ్యి డీకొనీ అవకాశం ఉంది. బ్రేక్ ఎక్కువగా స్కిడ్ అవడంతో అవి అరిగిపోయినప్పుడు ఇది చాలా ప్రమాదకరం.

మూడు దశల్లో ఫుల్ బ్రేక్ ఉపయోగించండి.

1. మీ వెనుక ఉన్న వాహనాన్ని హెచ్చరించండి.
 2. క్రమంగా బ్రేక్ వేయాలి.
 3. వాహనాన్ని నిలిపివేయండి.
- 3) దిగువకు డైవింగ్ చేసేటప్పుడు, బ్రేక్ వేయకుండా, ఇంజిన్ బ్రేక్ని సమర్థవంతంగా ఉపయోగించడానికి ప్రయత్నించండి. ఫుట్ బ్రేక్ అతిగా ఉపయోగించడం వల్ల బ్రేక్ సామర్థ్యం తగ్గుతుంది.

సుదూర డైవింగ్

- 1) ట్రీప్ ప్రారంభించడానికి ముందు భద్రతా తనిఖీలు చేయాలని నిర్ధారించుకోండి.
- 2) నిద్ర లేదా అలసట కారణంగా సంభవించే ప్రమాదాలను నివారించడానికి క్రమం తప్పకుండా విశ్రాంతి తీసుకోండి.

రాత్రివేళ డైవింగ్

- 1) పగటిపూట కంటే రాత్రిపూట తక్కువ వేగంతో డ్రైవ్ చేయండి, ఎందుకంటే రాత్రిపూట దృశ్య పరిధి పరిమితం చేయబడింది.
- 2) రాత్రిపూట ఇతర వాహనాలను ఓవర్ టీక్ చేయవద్దు. చీకటి మీ వేగాన్ని దెబ్బతీస్తుంది, వాహనం నుండి వాహనం మధ్య దూరాన్ని నిర్ణయించడంలో మీ నిర్ణయానికి ఆటంకం సృష్టిస్తుంది.
- 3) హై బీమ్స్ని హెడ్ లైట్లను ఉపయోగించడం అనివార్యమైతే తప్ప ఉపయోగించవద్దు. ఇది ఎదురుగా వస్తున్న వాహనం డ్రైవర్ లేదా మీ ముందున్న వాహనానికి దృష్టి లోపాన్ని కలిగిస్తుంది, ఇది ప్రమాదానికి కారణం కావచ్చు.
- 4) కిటికీ అడ్డాలను ఎప్పుడూ శుభ్రంగా ఉంచండి. విండీ పీల్డ్ గ్లాస్ పోడిగా ఉంటే విండీ పీల్డ్ వైపర్ని ఆపరేట్ చేయవద్దు, లేకపోతే వైపర్ బ్లేడ్ మరియు గ్లాస్ దెబ్బతినవచ్చు.

భద్రత కొరకు మార్జిన్

డైవింగ్ చేసేటప్పుడు భద్రత కోసం మీరే మార్జిన్ను అనుమతించడం చాలా ముఖ్యం, తద్వారా మీరు ఇతర డ్రైవర్ల తప్పు లేదా ఉపయోగం డైవింగ్కు ఎదుర్కోవచ్చు. అందుకోసం ఈ క్రింది వాటిని గమనించండి.

- సురక్షితమైన వేగంతో డ్రైవ్ చేయండి.
- మీ వాహనానికి మరియు ముందున్న వాహనానికి మధ్య తగినంత దూరం పాటించండి.
- ఇతర వాహనాలను ఓవర్ టీక్ చేయమని మిమ్మల్ని మీరు బలవంతం చేయవద్దు.
- అకస్మాత్తుగా వేగవంతం చేయవద్దు, వేగంగా నడపవద్దు లేదా అకస్మాత్తుగా ఆపవద్దు.
- డైవింగ్ షెడ్యూల్ మధ్య తగినంత గ్యాప్ ఉండేలా చూసుకోవాలి.
- ట్రాఫిక్ రూల్స్, రెగ్యులేషన్స్ పాటించాలి.

ముగింపు

పరిపూర్ణమైన డ్రైవర్ ఎవరూ ఉండరు పరిపూర్ణత కోసం కృషి చేయడమే ప్రతి వాహనదారుడి ప్రయత్నం కావాలి. భద్రతా స్పృహ మీ భద్రత మరియు ఇతర రహదారి వినియోగదారుల భద్రతను నిర్ధారించడమే కాకుండా, ఇది మీ వాహనంపై అరుగుదలను తగ్గించడానికి, దాని జీవితకాలాన్ని పొడిగించడానికి, మెరుగైన ఇంధన (ఫ్యూయల్) సామర్థ్యాన్ని ఇవ్వడానికి మరియు సౌకర్యవంతమైన డ్రైవింగ్ అనుభవాన్ని అందించడానికి సహాయపడుతుంది.

జాబితా చేసిన చేయాల్సిన మరియు చేయకూడని వాటిని అనుసరించండి మరియు డ్రైవింగ్ మళ్ళీ ఒకేలా ఉండదు.

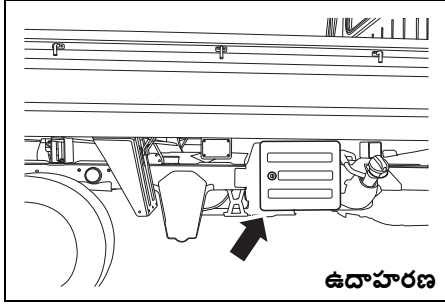
ఇతర కంట్రోల్స్ మరియు ఎక్స్‌పెంట్

ఫ్యూయల్ ఫిల్లర్ క్యాప్	5-1
ఇంజిన్ కంపార్ట్మెంట్.....	5-3
సన్ విజర్	5-5
ఇంటీరియర్ లైట్.....	5-6
యాక్సెసరీ సాకెట్.....	5-6
గ్లప్ బాక్స్.....	5-6
స్టోరేజీ ప్రాంతం.....	5-7
ఎయిర్ వెంట్	5-7
ఫ్రీమ్ హుక్.....	5-8
గ్రిప్పు సహాయపడండి.....	5-8

ఫ్యూయల్ ఫిల్లర్ క్యాప్ (Fuel Filler Cap)

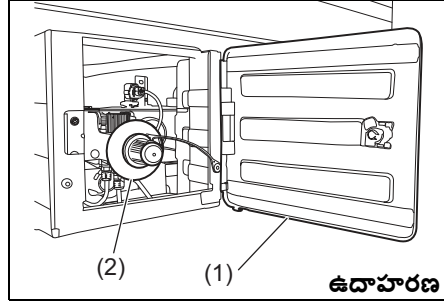
(పెట్రోల్ మరియు సి.ఎన్.జి. ఇంజిన్‌మోడల్ (CNG Engine Model) కొరకు)

సి.ఎన్.జి. ఫిల్లర్ వాల్వ్ (CNG filler valve)
(సి.ఎన్.జి. ఇంజిన్‌మోడల్ (CNG Engine Model) కోసం)



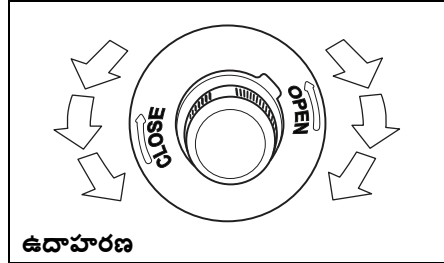
77PM05003

సి.ఎన్.జి. ఫిల్లర్ వాల్వ్ వాహనం కుడి వైపున ఉంటుంది.



77PM05001

సి.ఎన్.జి. ఫిల్లర్ డోర్ (CNG filler door) (1) అన్లాక్ చేయడానికి, కీని చొప్పించండి మరియు కీ పైభాగాన్ని వేహికల్ ముందు వైపు తిప్పండి.

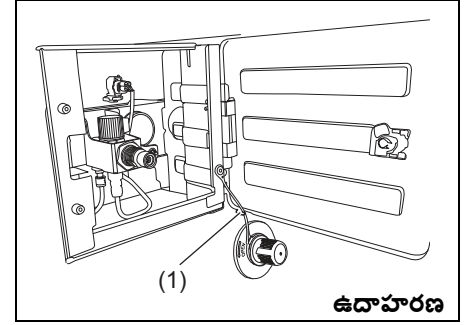


77PM05005

సి.ఎన్.జి. ఫిల్లర్ వాల్వ్ కవర్ (CNG filler valve cover) తొలగించడానికి:

1) సి.ఎన్.జి. ఫిల్లర్ డోర్ (CNG filler door) (1) తెరవండి.

2) సి.ఎన్.జి. ఫిల్లర్ వాల్వ్ కవర్ (CNG filler valve cover) (2)ని యాంటీలాక్ వైజ్ దిశలో తిప్పడం ద్వారా తీసివేయండి.



77PM05006

గమనిక :

ఫ్యూయల్ ఫిల్లర్ డోర్ లో క్యాప్ హోల్డర్ (cap holder) (3) ఉన్నట్లయితే,

ఫ్యూయల్‌నింపేటప్పుడు ఫ్యూయల్ ఫిల్లర్ క్యాప్ పట్టుకోవడానికి క్యాప్ హోల్డ్‌ర్ని ఉపయోగించండి.

సిలెండర్ పీడనం డిస్సెన్సర్ ప్రజయ్య సమానంగా మారినప్పుడు ఫిల్లింగ్ ఆటోమేటిక్స్ కట్ అవుతుంది.

సి.ఎన్.జి. ఫిల్లర్ వాల్యూ కవర్ని (CNG filler value cover) తిరిగి ఇన్సూల్ చేయడానికి:

- 1) సి.ఎన్.జి. ఫిల్లర్ వాల్వ్ కవర్ (CNG filler valve cover) (2) పూర్తిగా మూసివేసే వరకు క్లాక్ వైజ్ దిశలో తిప్పండి.
- 2) సి.ఎన్.జి. ఫిల్లర్ డోర్ (CNG filler door) (1) మూసివేయండి.

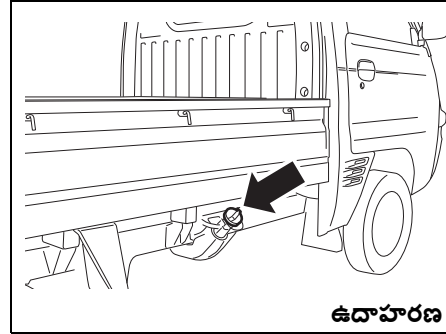
గమనిక :

- సి.ఎన్.జి. ఫిల్లర్ కవర్ (CNG filler cover) (2) సరిగా క్లోజ్ చేయకపోతే, మీరు వాహనాన్ని స్టార్ట్ చేయలేరు.
- వేహికల్ స్టేషనరీ కండిషన్లో సి.ఎన్.జి. ఫిల్లర్ కవర్ (CNG filler cover) (2) ఓపెన్ చేస్తే ఇంజిన్ ఆగిపోతుంది.

గమనిక :

వేహికల్ ఆపరేషన్ సమయంలో గ్రావెల్స్ సి.ఎన్.జి. ఫిల్లర్ బాక్స్‌నికే ప్రవేశించవచ్చు. గమనించినప్పుడల్లా తొలగించండి.

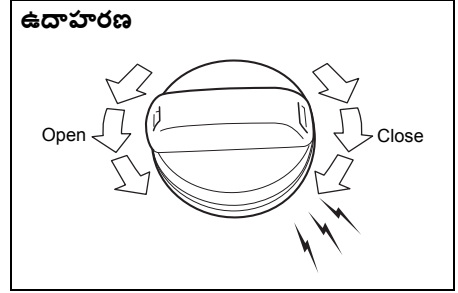
పెట్రోల్ ఫిల్లింగ్ క్యాప్ (Petrol filling cap) (పెట్రోల్ ఇంజిన్ మోడల్ (Petrol Engine Model) కొరకు)



ఉదాహరణ

77PH031

ఫ్యూయల్ ఫిల్లర్ క్యాప్ వాహనం కుడి వైపున ఉంటుంది.



68KN048

ఫ్యూయల్ ఫిల్లర్ క్యాప్ తొలగించడానికి, దానిని కొంటర్ లాక్స్‌లో తిప్పండి. ఫ్యూయల్ ఫిల్లర్ క్యాప్‌ను తిరిగి ఇన్సూల్ చేయడానికి, మీరు అనేక క్లిక్‌ను వినే వరకు దానిని సవ్య దిశలో తిప్పండి.

⚠️ జాగ్రత్త

ఫ్యూయల్ ఫిల్లర్ క్యాప్‌ని నెమ్మదిగా తొలగించండి. ఫ్యూయల్ పీడనంలో ఉండవచ్చు మరియు స్ప్రి చేయవచ్చు, దీనివల్ల గాయం జరగవచ్చు.

⚠ హెచ్చరి
 ఫ్యూయల్కు చాలా మండే స్వభావం ఉంటుంది. ఫ్యూయల్నింపేటప్పుడు ధూమపానం చేయవద్దు మరియు ఆ ప్రాంతంలో బహిరంగ మంటలు లేదా స్పార్కు లేవని నిర్ధారించుకోండి.

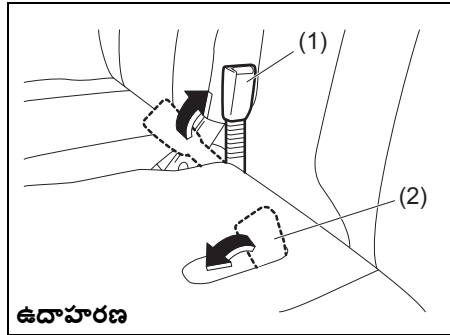
⚠ హెచ్చరి
 మీరు ఫ్యూయల్ క్యాప్ను రిఫ్లీస్ చేయాలని అనుకుంటే, మారుతి రియల్ క్యాప్ ఉపయోగించండి. సరిగ్గా లేని క్యాప్ ఉపయోగించడం వల్ల ఫ్యూయల్ సిస్టమ్ లేదా ఎమిషన్ కంట్రోల్ సిస్టమ్ సరిగ్గా పనిచేయకపోవడం జరుగుతుంది. ఇది ప్రమాదం జరిగినప్పుడు ఇంధన (ఫ్యూయల్) లీకేజీకి కూడా దారితీయవచ్చు.

⚠ జాగ్రత్త
 ఫ్యూయల్ ఫిల్లర్ క్యాప్ని నెమ్మదిగా తొలగించండి. ఫ్యూయల్ డిస్‌టెంజన్ లో ఉండవచ్చు మరియు స్ప్రే చేయవచ్చు, దీనివల్ల గాయం జరగవచ్చు.

⚠ హెచ్చరి
 ఫ్యూయల్కు చాలా మండే స్వభావం ఉంటుంది. ఫ్యూయల్నింపేటప్పుడు ధూమపానం చేయవద్దు మరియు ఆ ప్రాంతంలో బహిరంగ మంటలు లేదా స్పార్కు లేవని నిర్ధారించుకోండి.

⚠ హెచ్చరి
 మీరు ఫ్యూయల్ క్యాప్ను రిఫ్లీస్ చేయాలని అనుకుంటే, Maruti రియల్ క్యాప్ ఉపయోగించండి. సరికాని క్యాప్ ఉపయోగించడం వల్ల ఫ్యూయల్ సిస్టమ్ లేదా ఎమిషన్ కంట్రోల్ సిస్టమ్ సరిగ్గా పనిచేయకపోవచ్చు. ఇది ప్రమాదం జరిగినప్పుడు ఇంధన (ఫ్యూయల్) లీకేజీకి కూడా దారితీయవచ్చు.

ఇంజిన్ కంపార్ట్మెంట్ (Engine Compartment)



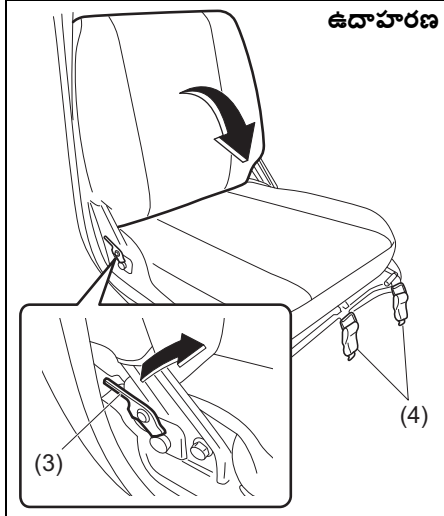
77PH094

ఇంజిన్ కంపార్ట్మెంట్ను తెరవడానికి:

- 1) డ్రైవర్ సీట్ బెల్ట్ బకెట్ (driver seat belt buckle) (1)ని సీట్ బ్యాక్ పొజిషన్కు ఎత్తండి. ప్యాసింజర్ సీట్ బెల్ట్ బకెట్ (passenger seat belt buckle) (2)ని స్టోర్ చేయండి.
- 2) డ్రైవర్ సీటు కోసం, సీటును అత్యంత వెనుక వైపు పొజిషన్కు స్టైడ్ చేయండి.

⚠️ జాగ్రత్త

మీరు డ్రైవర్ సీటును వెనుకకు సైడ్ చేసినప్పుడు, సీటును వెనక్కి నెట్టండి. మీరు సీట్ బ్యాక్ టాప్పు పట్టుకుంటే, మీ చేతిని సీట్ బ్యాక్ మరియు క్యాబిన్ బ్యాక్ ప్యానెల్ మధ్య పిచ్ చేయవచ్చు, ఇది వ్యక్తిగత గాయానికి దారితీయవచ్చు.

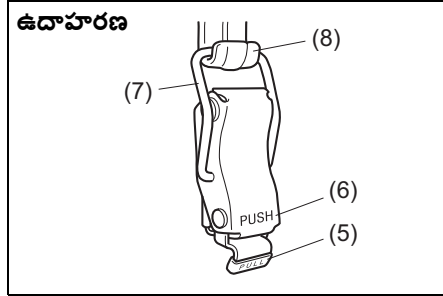


77PH093

3) డ్రైవర్ సీటు కొరకు, సీట్ బ్యాక్కి ముందుకు ఫోల్డ్ చేయడానికి లాక్ లీవర్ (lock lever) (3)ని లాగండి.

గమనిక : సీట్ బ్యాక్కు స్ట్రీరింగ్ వీల్కు తాకిన పొజిషన్ వరకు మాత్రమే ఫోల్డ్ చేయవచ్చు.

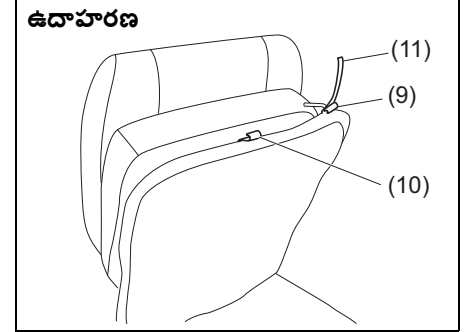
4) ప్రతి సీటు ముందు భాగంలో లాక్ హ్యాండిల్స్ (lock handles) (4)ను అన్ హూక్ చేయండి.



77PH081

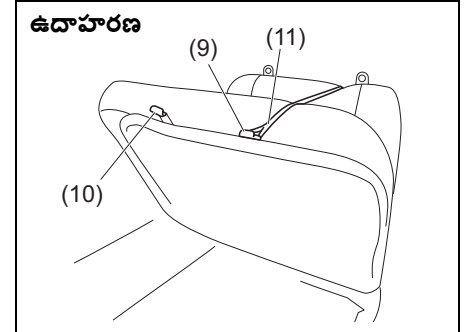
- లాక్ హ్యాండిల్ను అన్ హూక్ చేయడానికి, "పుల్" (PULL) భాగాన్ని (5) లాగండి మరియు హుక్ (hook) (8) నుండి రింగ్ (ring) (7) అన్ హూక్ చేయండి.
- లాక్ హ్యాండిల్ని లాక్ చేయడానికి, రింగ్ (7)ను హుక్ (8) పై ఉంచండి మరియు తరువాత "పుష్" (PUSH) భాగాన్ని (6) నెట్టండి.

డ్రైవర్ సైడ్ (Driver side)



77PH102

ప్యాసింజర్ సైడ్ (Passenger side)



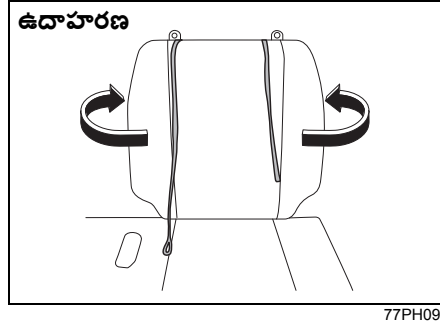
77PH103

గమనిక :
ప్యాసింజర్ సీటు వెనుక స్ట్రాప్స్ (straps) (11)
లభిస్తాయి.

5) సీటును పైకి లేపండి మరియు స్ట్రాప్ (strap)
(11) ను హుక్ (hook) (9)కు హుక్
చేయండి. సీట్ స్ట్రాప్ జతచేయడానికి హుక్
(hook) (10) ఉపయోగించరాదు.

గమనించండి
డ్రైవర్ సీటు పొజిషన్ సర్దుబాటు లీవర్ను స్ట్రాప్ బిగించవద్దు లేదా స్ట్రాప్ కు కట్టినప్పుడు సీట్ కు అనవసరమైన బలాన్ని వర్తించవద్దు. అలా చేయడం వల్ల స్ట్రాప్లు, హుక్లు మరియు/లేదా డ్రైవర్ సీటు పొజిషన్ సర్దుబాటు లీవర్నిచ్చిస్తూ అవుతుంది.

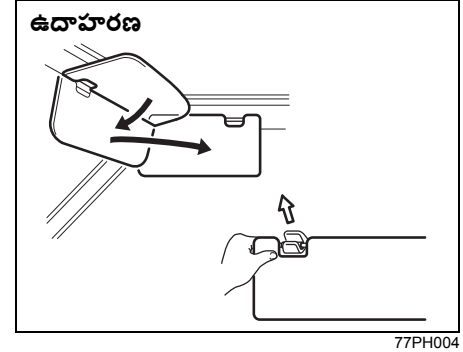
- ఇంజన్ కంపార్ట్మెంట్ క్లోజ్ చేయడానికి, మీరు దానిని తెరిచిన దశలను రివర్స్ చేయండి.
- మూసివేసిన తరువాత, సీట్లు సురక్షితంగా లాక్ చేయబడ్డాయని నిర్ధారించుకోవడానికి వాటిని తరలించడానికి ప్రయత్నించండి.
- పటంలో చూపించిన విధంగా ప్యాసింజర్ సీటు వెనుక స్థలంలో స్ట్రాప్లను నిల్వ చేయండి.



⚠ హెచ్చరి
స్ట్రాప్లను ప్యాసింజర్ సీటు వెనుక స్థలంలో భద్రపరచండి. ఒక వ్యక్తి శరీరం స్ట్రాప్లకు చిక్కుకుంటే, ఊపిరాడకపోవడం వంటి తీవ్రమైన గాయాలు అయ్యే ప్రమాదం ఉంది. ఇది జరిగితే, కత్తెరతో స్ట్రాప్లను కత్తిరించండి.

⚠ జాగ్రత్త
ఇంజన్ కంపార్ట్మెంట్ క్లోజ్ చేసేటప్పుడు, సీట్లు మీ చేతులను లేదా డ్రైవర్ సీటు బెల్ట్ బకిల్ను గుచ్చుకోకుండా లేదా మీ శరీరాన్ని తాకకుండా జాగ్రత్త వహించండి.

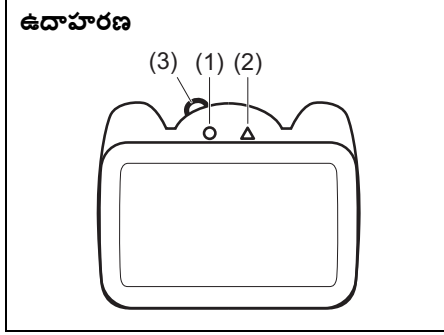
సన్ విజర్ (Sun Visor)



వాహనం డ్రైవర్ సైడ్లో సన్విజర్ అందుబాటులో ఉంది. విండీ పీల్డ్ ద్వారా వచ్చే కాంతిని నిరోధించడానికి సన్విజర్ కిందకు లాగవచ్చు, లేదా సైడ్ విండీ ద్వారా వచ్చే కాంతిని నిరోధించడానికి వాటిని అప్ హూక్ చేసి పక్కకు తిప్పవచ్చు.

గమనించండి
సన్ వైజర్లు అప్ హూకింగ్ చేసేటప్పుడు మరియు హుక్ చేసేటప్పుడు, పటంలో చూపించిన విధంగా సన్ వైజర్ పక్కన దానిని నిర్వహించాలని నిర్ధారించుకోండి, లేకపోతే సన్ వైజర్ దెబ్బతినివచ్చు.

ఇంటీరియర్ లైట్ (Interior Light)



77PH074

ఈ లైట్ స్విచ్స్ రెండు స్థానాలు ఉంటాయి. నాబ్ (knob) (3) ఉపయోగించి ఈ స్థానాలను ఎంచుకోవచ్చు. రెండు స్థానాల విధులు:

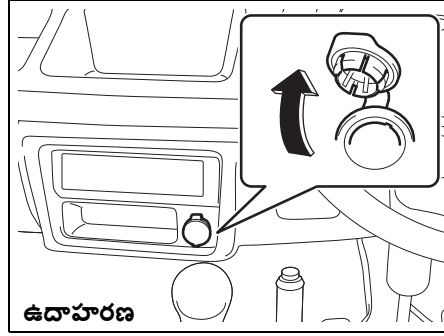
ఆన్ (1)

లైటు వెలుగుతూనే ఉంటుంది.

ఆఫ్ (2)

లైట్ ఆఫ్ చేసి ఉంటుంది.

యాక్సెసరీ సాకెట్ (Accessory Socket)



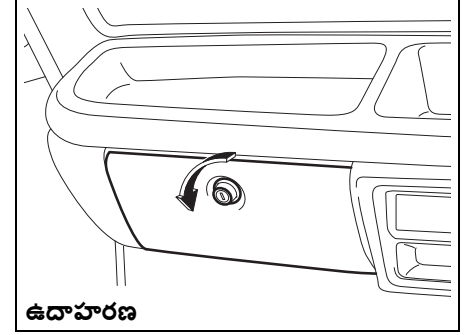
77PH044

ఇగ్నీషన్ స్విచ్ "ACC" లేదా "ఆన్" పొజిషన్లో ఉంటే యాక్సెసరీ సాకెట్ పనిచేస్తుంది. ఎలక్ట్రికల్ యాక్సెసరీలకు 12 వోల్టులు/120 వాట్ల శక్తిని అందించడానికి ఈ సాకెట్ ఉపయోగిస్తారు.

గమనించండి

అనుచితమైన ఎలక్ట్రికల్ ఉపకరణాలను ఉపయోగించడం వల్ల మీ వేహికల్ ఎలక్ట్రికల్ సిస్టమ్ దెబ్బతినవచ్చు. మీరు ఉపయోగించే ఏదైనా ఎలక్ట్రికల్ ఉపకరణాలు ఈ రకమైన సాకెట్టు ప్లగ్ చేయడానికి రూపొందించబడ్డాయని నిర్ధారించుకోండి.

గ్లోవ్ బాక్స్ (Glove Box)



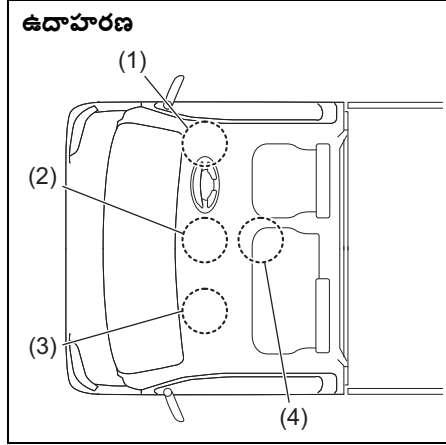
77PH045

గ్లోవ్ బాక్స్ తిరవడానికి, నాబ్ కొంటర్ క్లాక్ వైజ్లో తిప్పండి. దానిని మూసివేయడానికి, మూత సురక్షితంగా పట్టి వరకు నెట్టండి. గ్లోవ్ బాక్స్ లాక్ చేయడానికి, కీని నాబ్ కి చొప్పించండి మరియు దానిని క్లాక్ వైజ్లో తిప్పండి. గ్లోవ్ బాక్స్ అన్లాక్ చేయడానికి, కీని నాబ్ కి చొప్పించండి మరియు దానిని కొంటర్ లాక్ వైజ్లో తిప్పండి.

⚠ హెచ్చరిక

గ్లోవ్ బాక్స్ మూత తెరిచి ఎప్పుడూ డ్రైవ్ చేయవద్దు. ప్రమాదం జరిగితే గాయాలయ్యే అవకాశం ఉంది.

స్టోరేజీ ప్రాంతం (Storage Area)



77PH104

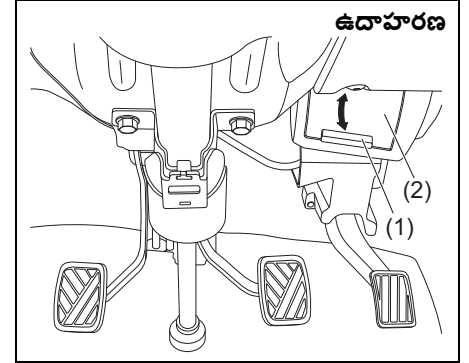
- (1) ఇన్స్ట్రుమెంట్ ప్యానెల్ పాకెట్ (Instrument panel pocket) (డ్రైవర్ సైడ్)
- (2) ఇన్స్ట్రుమెంట్ ప్యానెల్ ట్రే (సెంటర్) / ఇన్స్ట్రుమెంట్ ప్యానెల్ పాకెట్ (సెంటర్)
- (3) ఇన్స్ట్రుమెంట్ ప్యానెల్ ట్రే (ప్యాసింజర్ సైడ్)
- (4) సెంటర్ పాకెట్ (Center pocket)

ఇన్స్ట్రుమెంట్ ప్యానెల్ పాకెట్ (1)/(2) /
ఇన్స్ట్రుమెంట్ ప్యానెల్ ట్రే (2)/(3) / సెంటర్
పాకెట్ (4)

⚠ హెచ్చరిక

వాహనం కదులుతున్నప్పుడు పాకెట్/ట్రే నుంచి పడే వస్తువులను ఉంచవద్దు. ముందుజాగ్రత్త తీసుకోవడంలో విఫలమైతే ఒక వస్తువు పెడల్కు అంతరాయం కలిగించవచ్చు మరియు వాహన నియంత్రణ కోల్పోవడం లేదా ప్రమాదానికి కారణం కావచ్చు.

ఎయిర్ వెంట్ (Air Vent)

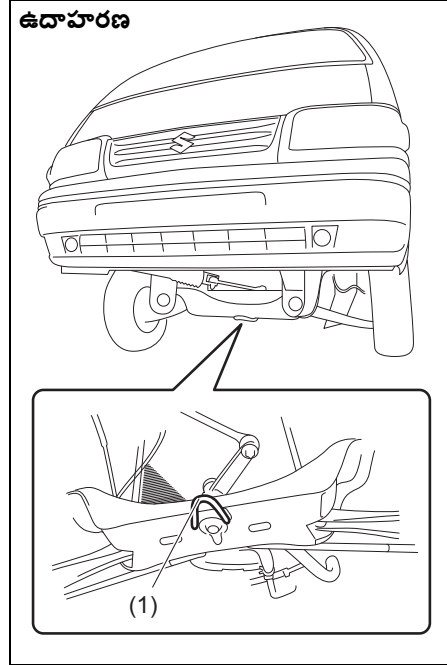


77PM502

ఎయిర్ వెంట్లు వాహనం డ్రైవర్ వైపు మరియు ప్యాసింజర్ వైపు ఉంటాయి. ఎయిర్ వెంట్ తెరవడానికి లేదా మూసివేయడానికి, ఫాల్ప్ (falp) (2)ను తెరవడానికి లేదా మూసివేయడానికి నాబ్ (knob) (1)ను నిలువుగా కదిలించండి. "ఓపెన్" అయినప్పుడు, క్యాబినలోపల స్వచ్ఛమైన గాలి వస్తుంది.

ఫ్రేమ్ హుక్

ముందు (ఫ్రంట్)



ఫ్రేమ్ హుక్ (frame hook) (1) అత్యవసర పరిస్థితుల్లో మరియు పిప్పింగ్ ప్రయోజనాల

కోసం మాత్రమే వాహనం ముందు భాగంలో అందించబడుతుంది.

మీ వాహనాన్ని రోడ్డు లేదా హైవేపై తిప్పుడానికి, "అత్యవసర సేవ" విభాగంలోని "టోపింగ్" ఇండికేటర్ను అనుసరించండి.

⚠ హెచ్చరి

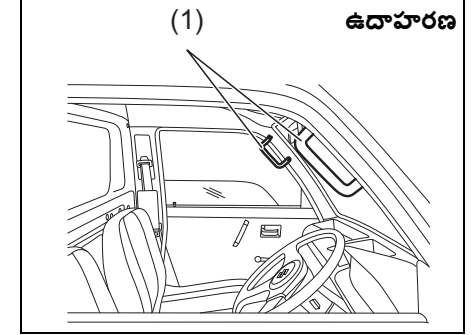
మరొక వాహనాన్ని తోయడానికి లేదా మీ వాహనాన్ని రోడ్డు లేదా హైవేపై తో చేయడానికి ఫ్రేమ్ హుక్ ఉపయోగించవద్దు. మీ వాహనం లేదా మరొక వాహనం లోతైన బురద లేదా మంచులో చిక్కుకున్నప్పుడు వంటి అత్యవసర పరిస్థితుల్లో మాత్రమే ఉపయోగించడానికి హుక్ (1) రూపొందించబడింది.

గమనించండి

మీరు ఫ్రేమ్ హుక్ (1) ఉపయోగించినప్పుడు, హుక్కు గణనీయమైన షాక్ కలిగించే విధంగా డ్రైవింగ్ చేయవద్దు. అటువంటి ఆపరేషన్ హుక్ లేదా వాహన బాడీని దెబ్బతీస్తుంది.

అకస్మాత్తుగా వేగవంతం చేయవద్దు.

గ్రిప్పు సహాయపడండి



వాహనం డ్రైవర్ సైడ్ మరియు ప్యాసింజర్ సైడ్లో అసిస్ట్ గ్రిప్స్ (grips) (1) అందుబాటులో ఉన్నాయి. అసిస్ట్ గ్రిప్స్ డ్రైవర్/ప్యాసింజర్ సులభంగా వాహనంలోకి ప్రవేశించడానికి మరియు బయటకు రావడానికి ఉద్దేశించినవి.

వేహికల్లోడింగ్ మరియు టోవింగ్

వేహికల్లోడింగ్	6-1
ట్రైలర్ టోవింగ్	6-1

వహికల్లోడింగ్ (Vehicle Loading)

మీ వాహనం నిర్దిష్ట బరువు సామర్థ్యాల కోసం రూపొందించబడింది. మీ వాహనం బరువు సామర్థ్యాలను గ్రాస్ వెహికల్ వెయిట్ రేటింగ్ (GVWR) మరియు అనుమతించదగిన గరిష్ట యాక్సిల్ వెయిట్ (PAW, ముందు మరియు వెనుక) ద్వారా సూచిస్తారు. TGVMR మరియు PAW (ముందు మరియు వెనుక) "స్పెసిఫికేషన్స్" విభాగంలో జాబితా చేయబడ్డాయి.

GVWR - పూర్తిగా లోడ్ చేసిన వాహనం గరిష్టంగా అనుమతించే మొత్తం బరువు (అన్ని ప్రయాణికులు, యాక్సెసరీలు మరియు కార్గోతో సహా మరియు ట్రైలర్ని టోయింగ్ చేస్తే ట్రైలర్ నోస్ బరువుతో సహా).

PAW - (ముందు మరియు వెనుక) వ్యక్తిగత యాక్సిల్పై గరిష్టంగా అనుమతించబడే బరువు.

లోడ్ చేసిన వాహనం వాస్తవ బరువు మరియు ముందు మరియు వెనుక యాక్సిల్స్ వద్ద వాస్తవ లోడ్లను వాహనాన్ని తూకం వేయడం ద్వారా మాత్రమే నిర్ణయించవచ్చు. ఈ బరువులను GVWR మరియు PAW (ముందు మరియు వెనుక) తో పోల్చండి. స్థూల వాహన బరువు లేదా యాక్సిల్స్ లోడ్ ఈ రేటింగ్లను మించితే, లోడ్లు రేటింగ్ కెపాసిటీకి

తీసుకూరవడానికి మీరు తగినంత బరువును తొలగించాలి.

⚠ హెచ్చరిక

మీ వాహనాన్ని ఎప్పుడూ ఓవర్లోడ్ చేయవద్దు. స్థూల వాహన బరువు (వాహనం బరువుల మొత్తం, అన్ని ప్రయాణికులు, యాక్సెసరీలు, కార్గో ఫ్లస్ ట్రైలర్లు టోయింగ్ చేస్తే ట్రైలర్ ముక్కు బరువు) గ్రాస్ వెహికల్ వెయిట్ రేటింగ్ (GVWR) ను మించకూడదు. అదనంగా, ముందు లేదా వెనుక యాక్సిల్పై బరువు అనుమతించదగిన గరిష్ట యాక్సిల్ వెయిట్ (PAW) కంటే ఎక్కువగా ఉండేలా లోడ్లు ఎప్పుడూ పంపిణీ చేయవద్దు.

⚠ హెచ్చరిక

సరుకును ఎప్పుడూ సమానంగా పంపిణీ చేయండి. వ్యక్తిగత గాయం లేదా మీ వాహనానికి నష్టాన్ని నివారించడానికి, వాహనం అకస్మాత్తుగా కదులుతున్నట్లయితే దానిని మార్చకుండా నిరోధించడానికి ఎప్పుడూ సరుకును భద్రపరచండి. బరువైన వస్తువులను నేలపై మరియు కార్గో ప్రాంతంలో వీలైనంత ముందుకు ఉంచండి. నీటు వెనుక భాగం కంటే ఎక్కువ సరుకును ఎప్పుడూ కుమ్మరించవద్దు.

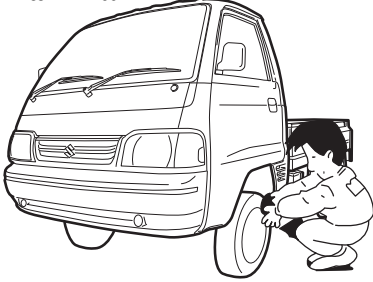
ట్రైలర్ టోవింగ్ (Trailer Towing)

మీ వాహనం మొదట ఒక డ్రైవర్, ఒక ప్రయాణికుడు మరియు ఒక నిర్దిష్ట మొత్తంలో సరుకును తీసుకువెళ్ళడానికి రూపొందించబడింది, ట్రైలర్లు తోయడానికి కాదు. ట్రైలర్లు టోయింగ్ చేయడానికి మీ వాహనాన్ని ఉపయోగించాలని Maruti మీకు సిఫారసు చేయదు. ట్రైలర్లు టోయింగ్ చేయడం వల్ల హ్యాండ్లింగ్, మన్నిక మరియు ఫ్యూయల్ ఎకానమీపై ప్రతికూల ప్రభావం పడుతుంది.

తనిఖీ మరియు మెయింటనెన్స్

మెయింటనెన్సెడ్యూల్	7-2
పీరియాడిక్ మెయింటనెన్స్ షెడ్యూల్	7-3
కస్టమర్ ద్వారా నిర్వహించబడే తనిఖీ మరియు మెయింటనెన్స్ ఆపరేషన్లు	7-8
డ్రైప్ బెల్ట్	7-10
ఇంజిన్ ఆయిల్ మరియు ఫిల్టర్	7-10
ఇంజిన్ కూలెంట్	7-14
ఎయిర్ క్లీనర్	7-17
స్పార్క్ ప్లగ్స్	7-17
గేర్ ఆయిల్	7-18
క్లచ్ పెడల్	7-19
బ్రేక్లు	7-20
స్టీరింగ్	7-22
ట్రాపెల్లర్ షాఫ్ట్ యూనివర్సల్ జాయింట్	7-23
టైర్లు	7-24
బ్యాటరీ	7-26
ఫ్యూజులు	7-27
బల్బ్ మార్చడం	7-30
వైపర్ బ్లేడ్లు	7-34
నిండీ పీల్డ్ వాషర్ ఫ్లూయిడ్ (ఎక్స్ప్లెస్ అయి ఉంటే)	7-37

ఉదాహరణ



77PM07008

⚠ హెచ్చరిక

ప్రమాదవశాత్తు గాయాలు కాకుండా నిరోధించడానికి మీ వాహనంపై పనిచేసేటప్పుడు మీరు చాలా జాగ్రత్తలు తీసుకోవాలి. మీరు ప్రత్యేకంగా గమనించాల్సిన కొన్ని జాగ్రత్తలు ఇక్కడ ఉన్నాయి:

- గ్యారేజీలు లేదా ఇతర పరిమిత ప్రాంతాల్లో ఇంజిన్‌నిరన్ చేయవద్దు.
- ఇంజిన్ నడుస్తున్నప్పుడు, చేతులు, దుస్తులు, టూల్స్ మరియు ఇతర వస్తువులను ఫ్యాన్ మరియు డ్రైవ్ బెల్టు దూరంగా ఉంచండి. ఫ్యాన్ కదలకపోయినా, హెచ్చరిక లేకుండా ఆటోమేటిక్ ఆన్ అవుతుంది.

(కొనసాగుతుంది)

⚠ హెచ్చరిక

(కొనసాగుతుంది)

- ఇంజిన్ రన్ అవుతూ సర్వీస్ వర్క్ చేయాల్సిన అవసరం వచ్చినప్పుడు, పార్కింగ్ బ్రేక్ పూర్తిగా సెట్ చేసినట్లుగా మరియు ట్రాన్సిమిషన్ న్యూట్రల్లో ఉన్నట్లుగా ధృవీకరించుకోండి.
- ఇంజిన్ స్టార్ట్ చేసేటప్పుడు లేదా ఇంజిన్ నడుస్తున్నప్పుడు ఇగ్నీషన్ వైర్లు లేదా ఇతర ఇగ్నీషన్ సిస్టమ్ భాగాలను తాకవద్దు, లేదా మీరు విద్యుత్ షాక్ కలగవచ్చు.
- వేడి ఇంజిన్, ఎగ్జాస్ట్ మరియు పైపులు, మఫ్లర్, రేడియేటర్ మరియు నీటి గొట్టాలను తాకకుండా జాగ్రత్త వహించండి.
- ప్యూయల్లేదా బ్యాటరీ చుట్టూ ధూమపానం, స్మోక్ లేదా మంటలను అనుమతించవద్దు. మండి స్వభావం కలిగిన పొగలు ఉంటాయి. మీ వాహనంలో ఇచ్చిన పోర్టబుల్ జాక్ మాత్రమే సపోర్ట్ చేస్తే మీ వాహనం కిందకు వెళ్లకండి.

⚠ హెచ్చరిక

- పాజిటివ్ మరియు నెగటివ్ బ్యాటరీ టెర్మినల్స్ మధ్య ప్రమాదవశాత్తు షార్ట్ సర్క్యూట్లు జరగకుండా జాగ్రత్త వహించండి.
- ఉపయోగించిన ఆయిల్, కూలెంట్ మరియు ఇతర ద్రవాలను పిల్లలు మరియు పెంపుడు జంతువుల నుండి దూరంగా ఉంచండి. ఉపయోగించిన ద్రవాలను సరిగ్గా పారవేయడం; వాటిని ఎప్పుడూ నేలపై, మురుగు కాల్వల్లో పోయవద్దు.
(కొనసాగుతుంది)

మెయింటనెన్సెడ్వ్యూల్

ఈ క్రింది పట్టిక మీ వేహికల్వై రెగ్యులర్ మెయింటనెన్స్ చేయాల్సిన సమయాలను చూపుతుంది. ఈ పట్టిక మీరు తనిఖీలు, సర్దుబాట్లు, లూబ్రికెంట్లు మరియు ఇతర సర్వీస్లను ఎప్పుడు చేయాలో కిలోమీటర్లు మరియు నెలల్లో చూపుతుంది.

⚠ హెచ్చరిక

మీ వాహనం మెయింటనెన్స్ మీ అధీకృత మారుతి సుజికి కమర్షియల్ వర్క్ షాప్స్ వారి నిర్వహించాలని మారుతి సుజికి సిఫార్సు చేస్తుంది.

గమనించండి

మీ వాహనంలోని విడిభాగాలను మార్చాల్సిన అవసరం వచ్చినప్పుడల్లా, మీరు Maruti ఒరిజినల్స్ ప్లస్ స్మార్ట్ విడిభాగాలు లేదా వాటికి సమానమైన వాటిని ఉపయోగించాలని సిఫార్సు చేయబడుతుంది.

పీరియాడిక్ మెయింటెనెన్స్ షెడ్యూల్

"C" : శుభ్రం చేయడం

"R" : రీఫ్లిస్ చేయడం లేదా మార్పడం

"I" : తనిఖీ చేయండి, శుభ్రం చేయండి, సర్దుబాటు చేయండి, లూబ్రికేషన్ చేయండి లేదా అవసరమైన విధంగా మార్చండి

"L" : లూబ్రికేట్

"T" : నిర్దిష్ట టార్క్కు బిగించండి

"O" : తిప్పడం

గమనిక:

ఈ పట్టికలో షెడ్యూల్ ప్రకారం 90,000 కిలోమీటర్ల మైలేజ్ వరకు సర్వీసులు ఉన్నాయి. 90,000 కి.మీ దాటిన తర్వాత, ఒకే విరామాల్లో ఒకే సర్వీస్‌లను నిర్వహించండి. m

తనిఖీ మరియు మెయింటనెన్స్

సం.:	ఓడోమీటర్ రీడింగులు లేదా నెలలు, ఏది ముందు వస్తే దాని ఆధారంగా, మెయింటనెన్స్ అంతరాలను నిర్ధారించవలసి ఉంటుంది.	ఉచిత తనిఖీ				ఖర్చుతో పీరియాడిక్ (కాలానుగుణ) మెయింటనెన్స్ షెడ్యూల్						
		కి.మీ (x1000)	5	10	20	30	40	50	60	70	80	90
		నెలలు	2	4	8	12	16	20	24	28	32	36
ఇంజను												
1-1.	వాటర్ పంప్ డ్రైవ్ బెల్ట్ (Water pump drive belt) (టెన్షన్, వేర)	-	I	I	I	I	I	I	I	R	I	
1-2.	ఇంజిన్ కూలెంట్ SUZUKI LLC: Super (Blue) (#1,2)	ముదటిసారి మాత్రమే:	1,00,000 కి.మీ లేదా 60 నెలల్లో ఏది మొదట వస్తే అది మార్చండి.									
	ఇంజిన్ కూలెంట్ SUZUKI LLC: Standard (Yellow) (#1,3)	రెండవసారి మరియు తరువాత:	ప్రతి 40,000 కి.మీ లేదా 24 నెలలకు ఏది మొదట వస్తే అది మార్చండి.									
1-3.	ఇంజిన్ ఆయిల్, ఇంజిన్ ఆయిల్ ఫిల్టర్ మరియు డ్రైయిన్ ప్లగ్ గ్యాస్యూట్ (లేవల్, లీకేజీ)	I	R	R	R	R	R	R	R	R	R	
1-4.	కూలింగ్ సిస్టమ్ హోస్టు మరియు కనెక్షన్లు (లీకేజీ మరియు డ్యామేజ్)	I	I	I	I	I	I	I	I	I	I	
1-5.	ఇంజిన్ మౌంటింగ్ మరియు హ్యానిపోల్డ్ ఫిక్సింగ్ (లూజ్, డ్యామేజ్)	I	I	I	I	I	I	I	I	I	I	
1-6.	ఎగ్జాస్ట్ సిస్టమ్ (శబ్దం, లీకేజీ మొదలైనవి)	I	-	I	-	I	-	I	-	I	-	
1-7.	పాజిటివ్ క్రాంక్ కేస్ వెంటిలేషన్ సిస్టమ్ (హోస్టు, కనెక్షన్లు మరియు వాల్వ్)	I	-	I	-	I	-	I	-	I	-	
1-8.	ఎగ్జాస్ట్ గ్యాస్ రీసర్క్యులేషన్ వాల్వ్ (Exhaust Gas Recirculation Valve)	-	-	-	C	-	-	C	-	-	C	
ఇగ్నీషన్												
2-1.	ఇగ్నీషన్ వైర్ (డ్యామేజ్, క్షీణత)	-	-	I	-	I	-	I	-	I	-	
2-2.	స్పార్క్ ప్లగ్ (Spark Plug)	పెట్రోలు (Petrol)	ప్రతి 1,00,000 కి.మీ లేదా 84 నెలలకు ఏది మొదట వస్తే అది మార్చండి.									
		సి.ఎన్.జి. (CNG)	ప్రతి 50,000 కి.మీ లేదా 48 నెలలకు ఏది మొదట వస్తే అది మార్చండి.									

- #1: "మీ వాహనాన్ని ఆపరేట్ చేయడం" (OPERATING YOUR VEHICLE) సెక్షన్లో రోజువారీ తనిఖీ కింద ఇంజిన్ కూలెంట్ లేవల్ చెక్ చేయండి. కొత్త కారు సమయంలో నింపిన అదే రకం కూలెంట్ను మీరు కూలెంట్ జోడించేటప్పుడు లేదా మార్చేటప్పుడు ఉపయోగించాలి. ఈ సెక్షన్లో "ఇంజిన్ కూలెంట్" (Engine Coolant) చూడండి.
- #2: మీ వాహనంలో ఒరిజినల్ SUZUKI LLC: Super (Blue) కూలెంట్ నింపినప్పుడు, మీ వాహనానికి SUZUKI LLC: Standard (Yellow) కూలెంట్ లేదా డిస్టిల్డ్ వాటర్ (distilled water) లేదా వేరేవాటిని జోడించవద్దు.
- #3: మీ వాహనంలో ఒరిజినల్ SUZUKI LLC: Standard (Yellow) కూలెంట్ నింపినప్పుడు, SUZUKI LLC: Standard (Yellow) కూలెంట్ యొక్క మెయింటనెన్స్ షెడ్యూల్స్ అనుసరించండి.

తనిఖీ మరియు మెయింటెనెన్స్

సంధు: ఓడోమీటర్ రీడింగులు లేదా నెలలు, ఏది ముందు వస్తే దాని ఆధారంగా, మెయింటెనెన్స్ అంతరాలను నిర్ధారించవలసి ఉంటుంది.		ఉచిత తనిఖీ				ఖర్చుతో పీరియాడిక్ (కాలానుగుణ) మెయింటెనెన్స్ షెడ్యూల్						
		కి.మీ (x1000)	5	10	20	30	40	50	60	70	80	90
		నెలలు	2	4	8	12	16	20	24	28	32	36
ఘ్రాయల్												
3-1.	ఎయిర్ క్లీనర్ ఫిల్టర్ ఎలిమెంట్ (Air cleaner filter element)	పేవ్-రోడ్ (Paved-road) దుమ్ముతో కూడిన పరిస్థితి	ప్రతి 5,000 కిలోమీటర్లకు ఒకసారి శుభ్రం చేయండి. ప్రతి 40,000 కిలోమీటర్లకు మార్పిడి ప్రతి 2,500 కిలోమీటర్లకు ఒకసారి శుభ్రం చేయాలి. ప్రతి 40,000 కిలోమీటర్లకు మార్పిడి. పరిస్థితులు తీవ్రంగా ఉంటే.									
3-2.	ఘ్రాయల్ ట్యాంక్ క్యాప్ (fuel tank cap), ఘ్రాయల్ లైన్లు మరియు కనెక్షన్లు (లీకేజీ మరియు డ్యామేజ్)			-	-	-		-	-	-		-
3-3.	ఘ్రాయల్ ఫిల్టర్ (Fuel Filter) (లీకేజీ)						R				R	
3-4.	సి.ఎన్.బి. ఘ్రాయల్ లైన్ జాయింట్స్ (గ్యాస్ లీకేజీ)											
3-5.	O-రింగ్ తో సి.ఎన్.బి. లో ప్రజర్ ఫిల్టర్ కార్ట్రీడ్జ్ (CNG low pressure filter cartridge)		-	-	R	-	R	-	R	-	R	-
3-6.	సి.ఎన్.బి. సిలండర్ లీక్ టెస్టింగ్ (CNG cylinder leak testing) మరియు సర్టిఫికేషన్ (certification)		ప్రభుత్వం ఆమోదించిన టెస్టింగ్ ఏజెన్సీ ద్వారా ప్రాథమిక పరీక్ష తేదీ నుండి ప్రతి 3 సంవత్సరాలకు									
3-7.	సి.ఎన్.బి. ఫిల్టర్ రిసెప్టాకెల్ O-రింగ్		ప్రతి 4 సంవత్సరాలకు లేదా 3,00,000 కి.మీ.లకు ఏది ముందుగా వస్తే అది మార్పిడి.									
క్లచ్ మరియు ట్రాన్సిమిషన్												
4-1.	క్లచ్ పెడల్ (Clutch Pedal) (ఫ్లె)											
4-2.	క్లచ్ జారడం (లాగడం లేదా అదనపు నష్టం)											
4-3.	గేర్ షిఫ్టర్ (ఆపరేషన్)											
4-4.	మాన్యువల్ ట్రాన్సిమిషన్ ఆయిల్ (లెవల్, లీకేజీ)											
4-5.	రియర్ డిఫరెన్షియల్ ఆయిల్ (లెవల్, లీకేజీ)		80,000 కిలోమీటర్లు లేదా 4 సంవత్సరాల్లో ఏది మొదట వస్తే అది మార్పిడి									
4-6.	ప్రొపెల్లర్ పాస్ట్/యూనివర్సల్ జాయింట్ (వదులుగా ఉండటం, డ్యామేజ్)			I&L	I&L	I&L	I&L	I&L	I&L	I&L	I&L	I&L
బ్రేకు												
5-1.	బ్రేక్ ఫ్లూయిడ్ (లెవల్, లీకేజీ)		ప్రతి 40,000 కి.మీ లేదా 24 నెలలకు ఏది మొదట వస్తే అది మార్పిడి									
5-2.	బ్రేక్ పెడల్ (పెడల్ - ఫుట్ ప్యానెల్ క్లియరెన్స్)											
5-3.	పార్కింగ్ బ్రేక్ లీవర్ మరియు కేబుల్ (ఫ్లె, డ్యామేజ్)											

తనిఖీ మరియు మెయింటెనెన్స్

సంఖ్య: ఓడోమీటర్ రీడింగులు లేదా నెలలు, ఏది ముందు వస్తే దాని ఆధారంగా, మెయింటెనెన్స్ అంతరాలను నిర్ధారించవలసి ఉంటుంది.	ఉచిత తనిఖీ	ఖర్చుతో పీరియాడిక్ (కాలానుగుణ) మెయింటెనెన్స్ షెడ్యూల్										
		కీమీ (x1000)	5	10	20	30	40	50	60	70	80	90
		నెలలు	2	4	8	12	16	20	24	28	32	36
5-4. బ్రేక్ డిస్క్ మరియు ప్యాడ్ (అరుగుదల)												
5-5. బ్రేక్ డ్రమ్ మరియు షూస్ (ధరించండి)		-										
5-6. మాస్టర్ సిలెండర్, వీల్ సిలెండర్ మరియు కాలిపర్ పిస్టన్ (ఫ్లూయిడ్ లీకేజీ, బూట్/సీల్ డ్యామేజ్)												
5-7. బ్రేక్ హోస్టు మరియు సైపులు (లీకేజీ, డ్యామేజ్)												
వీల్												
6-1. టైర్లు (గాలి పీడనం, అసాధారణ అరుగుదల, పగుళ్లు మరియు రోటేషన్)		I&O	I&O	I&O	I&O	I&O	I&O	I&O	I&O	I&O	I&O	
6-2. చక్రాలు (డ్యామేజ్)												
6-3. ఫ్రంట్/రియర్ వీల్ బేరింగ్ (వదులుగా ఉండటం, డ్యామేజ్)												
ఫ్రంట్/రియర్ సస్పెన్షన్												
7-1. ఫ్రంట్ సస్పెన్షన్ మరియు షాక్ అబ్జార్బర్ (ఆయిల్ లీకేజీ, డ్యామేజ్)												
7-2. ఫ్రంట్ సస్పెన్షన్ ఆర్మ్లర్ల సెట్ సపోర్ట్ మరియు టెన్షన్ రాడ్ లు (వదులుగా ఉండటం, డ్యామేజ్)												
7-3. రియర్ లిఫ్ట్ స్ప్రింగ్(నష్టం)												
7-4. రియర్ షాక్ అబ్జార్బర్ (ఆయిల్ లీకేజీ, డ్యామేజ్)												
7-5. అన్ని బోల్ట్ లు మరియు నట్లు (లూజ్)		T	T	T	T	T	T	T	T	T	T	
స్టీరింగ్												
8-1. స్టీరింగ్ వీల్ (Steering wheel) (స్ప్రి, లూజ్)												
8-2. స్టీరింగ్ కాలమ్ రాడ్లు మరియు చేతులు (వదులుగా, డ్యామేజ్, వేర్)												
ఎలక్ట్రికల్												
9-1. బ్యాటరీ - ఎలక్ట్రికల్ (లవల్, లీకేజీ) మరియు వోల్టేజీ												
9-2. వైరింగ్ హార్నెస్ కనెక్షన్ (లూజ్, డ్యామేజ్)												
9-3. లైటింగ్ సిస్టమ్ (ఆపరేషన్)												
9-4. వైపర్ (ఆపరేషన్, మరకలు, డ్యామేజ్)												
9-5. హోర్న్ (ఆపరేషన్)												

తనిఖీ మరియు మెయింటెనెన్స్

సంఖ్య	సంఘటన: ఓడోమీటర్ రీడింగులు లేదా నెలలు, ఏది ముందు వస్తే దాని ఆధారంగా, మెయింటెనెన్స్ అంతరాలను నిర్ధారించవలసి ఉంటుంది.	ఉచిత తనిఖీ				ఖర్చుతో పీరియాడిక్ (కాలానుగుణ) మెయింటెనెన్స్ షెడ్యూల్						
		కేమ్ (x1000)	5	10	20	30	40	50	60	70	80	90
		నెలలు	2	4	8	12	16	20	24	28	32	36
9-6.	యాక్సరీ సాకెట్ (Accessory socket) (ఆపరేషన్)											
బాడీ												
10-1.	అన్ని ఛాసిస్ బోల్ట్ల మరియు నట్ల (బిగించండి)		T	T	T	T	T	T	T	T	T	
10-2.	అన్ని లాఘు, హింజ్ల మరియు తాళాలు (ఫంక్షన్)	I&L	I&L	I&L	I&L	I&L	I&L	I&L	I&L	I&L	I&L	
10-3.	కార్టో బెడ్ (తనిఖీ)											
రోడ్ టెస్ట్												
11-1.	ట్రేకులు, క్లచ్, గేర్ షిఫ్టింగ్ మరియు స్పీడోమీటర్ ఆపరేషన్											
11-2.	బాడీ మరియు ఛాసిస్ శబ్దం											

కస్టమర్ ద్వారా నిర్వహించబడే తనిఖీ మరియు మెయింటెనెన్స్ ఆపరేషన్లు

దిగువ పట్టిక మీరు నిర్వహించగల తనిఖీ మరియు మెయింటెనెన్స్ కార్యకలాపాలను చూపుతుంది. తనిఖీ, గ్రీసింగ్, లూబ్రికేషన్ మరియు ఇతర సర్వీస్లను మీరు చేయాల్సిన ప్రీక్వెన్సీని ఈ పట్టిక చూపిస్తుంది.

పానఃపున్యం	క్రమ నెంబర్	ఆపరేషన్	రిఫరెన్స్
రోజువారీ	1	గాలి పీడనం, అసాధారణ అరుగుదల, పగుళ్లు మరియు డ్యామేజ్ కొరకు అన్ని టైర్లను (స్పిర్ వీల్తో సహా) తనిఖీ చేయండి.	పేజీ నెంబరు 7-24
వీక్లీ	2	ఇంజిన్ ఆయిల్ లెవల్ చెక్ చేయండి, అవసరం అయితే, Maruti జెన్యూన్ ఇంజిన్ ఆయిల్లో టాప్ అప్ చేయండి.	పేజీ నెంబరు 7-10
	3	కూలెంట్ రిజర్వాయర్లో కూలెంట్ లెవల్ని తనిఖీ చేయండి మరియు అవసరం అయితే, సిఫారసు చేసిన మారుతి జెన్యూన్ కూలెంట్ మరియు డిస్టిల్డ్ వాటర్ మిశ్రమాన్ని నిర్దిష్ట నిష్పత్తిలో టాప్ అప్ చేయండి.	పేజీ నెంబరు 7-14
	4	ట్రాన్సిమిషన్ ఆయిల్ లెవల్ మరియు డిఫరెన్షియల్ ఆయిల్ లెవల్ తనిఖీ చేయండి.	పేజీ నెంబరు 7-18
	5	బ్రేక్ ఫ్లూయిడ్ రిజర్వాయర్లో బ్రేక్ ఫ్లూయిడ్ లెవల్ చెక్ చేయండి మరియు అవసరం అయితే, మారుతి జెన్యూన్ బ్రేక్ ఫ్లూయిడ్లో టాప్ అప్ చేయండి.	పేజీ నెంబరు 7-20

తనిఖీ మరియు మెయింటెనెన్స్

	6	<p>దేని కొరకు వాహనాన్ని తనిఖీ చేయండి</p> <ul style="list-style-type: none"> • ఇంజిన్ ఆయిల్ లీకేజీ • కూలెంట్ లీకేజీ • బ్రేక్ ఫ్లూయిడ్ లీకేజీ • ఫ్రంట్ సస్పెన్షన్ స్ట్రట్ లీకేజీ • రియర్ షాక్ అబ్జార్వర్ లీకేజీ • ప్యూయల్ లీకేజీ • ట్రాన్సిమిషన్ ఆయిల్ మరియు డిఫరెన్షియల్ ఆయిల్ లీకేజీ 	తనిఖీ మరియు మెయింటెనెన్స్ సెక్షన్
	7	బ్యాటరీ ఎలక్ట్రోలైట్ లెవల్, టెర్మినల్స్ మరియు బ్రాకెట్ తనిఖీ చేయండి.	పేజీ నెంబరు 7-26
	8	వీల్ మౌంటింగ్ నట్లను తనిఖీ చేయండి మరియు అవసరమైతే బిగించండి.	పేజీ నెంబరు 8-5
నెలసరి	9	డ్యామేజ్ లేదా క్షీణత కొరకు డ్రైవ్ బెల్ట్లను తనిఖీ చేయండి.	పేజీ నెంబరు 7-9
	10	ఎయిర్ ఫిల్టర్ ఎలిమెంట్లను శుభ్రం చేయండి.	పేజీ నెంబరు 7-17
	11	మల్టీ పర్పస్ గ్రీజును ఉపయోగించి అన్ని లాడ్లు, హింజు మరియు తాళాలను గ్రీజ్ చేయండి.	పేజీ నెంబరు 7-6
	12	గ్రీజ్ గన్తో గ్రీజ్ ప్రొపెల్లర్ షాఫ్ట్ యూనివర్సల్ జాయింట్.	పేజీ నెంబరు 7-23
అవసరమైనప్పుడు	13	క్లచ్ పెడల్ ఫ్లెను తనిఖీ చేయండి.	పేజీ నెంబరు 7-19
	14	ఇంజిన్ నడుస్తున్నప్పుడు, బ్రేకులు వేయడం ద్వారా బ్రేక్ పెడల్ని ఫ్లోర్ ప్యానెల్ దూరం వరకు తనిఖీ చేయండి.	పేజీ నెంబరు 7-21
	15	సరైన సర్దుబాటు కొరకు పార్కింగ్ బ్రేక్కు తనిఖీ చేయండి.	పేజీ నెంబరు 7-22

***వాహనం ఒక వైపుకు లాగినా లేదా అధిక వేగంతో కంపించినా వీల్ అలైన్మెంట్ మరియు బ్యాలెన్సింగ్ను తనిఖీ చేయండి మరియు/లేదా సర్దుబాటు చేయండి.**

డ్రైవ్ బెల్ట్

⚠ హెచ్చరిక

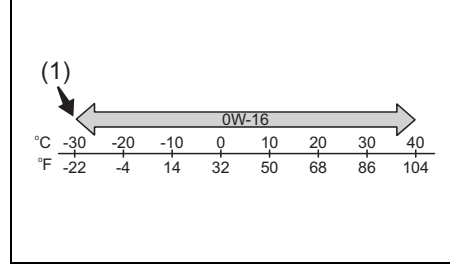
ఇంజిన్ నడుస్తున్నప్పుడు, చేతులు, జుట్టు, దుస్తులు, పనిముట్లు మొదలైన వాటిని ఉంచండి. కదిలే ఫ్యాన్ మరియు డ్రైవ్ బెల్టులకు దూరంగా ఉండాలి.

డ్రైవ్ బెల్ట్ టెన్షన్ సరిగ్గా ఉన్నట్లుగా ధృవీకరించుకోండి. బెల్ట్ చాలా వదులుగా ఉన్నట్లయితే, తగినంత బ్యాటరీ ఛార్జింగ్ లేకపోవడం, ఇంజిన్ వేడెక్కడం లేదా అధిక బెల్ట్ అరుగుదల ఫలితంగా సంభవించవచ్చు.

బెల్టులు దెబ్బతినకుండా ఉండేందుకు వాటిని కూడా పరిశీలించాలి.

ఒకవేళ మీరు బెల్ట్ ని మార్చాల్సి వస్తే లేదా అడ్జస్ట్ చేయాల్సి వస్తే దాన్ని మీ మారుతి సుజుకి అధికృత వర్కషాప్ వద్ద చేయించుకోండి.

ఇంజిన్ ఆయిల్ మరియు ఫిల్టర్ నిర్దిష్ట ఆయిల్ భారత్ కోసం.



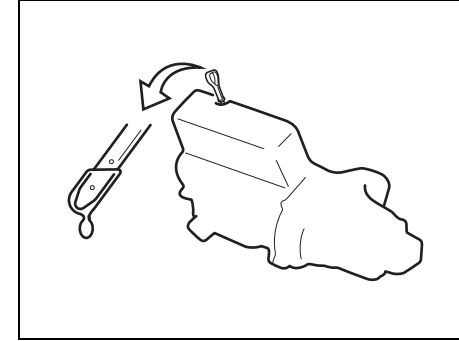
56RM07013

(1) సిఫార్సు చేయబడుతుంది మీరు ఉపయోగించే ఇంజిన్ ఆయిల్ **API SN** క్వాలిటీ క్లాసిఫికేషన్ కిందకు వస్తుందా అని చెక్ చేయండి. పై ఛార్జ్ ప్రకారము తగిన ఆయిల్ స్పిగ్గతను ఎంచుకోండి. చల్లని వాతావరణంలో మంచి ఇంధన (ఫ్యూయల్) పొందుపు మరియు మంచి ప్రారంభత కోసం **SAE 0W-16 (1)** ఉత్తమ ఎంపిక.

గమనిక :

- మీరు ఎంచుకున్న ఇంజిన్ ఆయిల్ రకాన్ని బట్టి రిఫ్లెక్టుంట్ టైమింగ్ మారుతుంది. సంబంధిత మెయింటెనెన్స్ షెడ్యూల్ కోరకు ఈ విభాగంలోని "మెయింటెనెన్స్ షెడ్యూల్"ను చూడండి.
- మీరు మారుతి సుజుకి ఒరిజినల్ ఆయిల్ ఉపయోగించాలని మేము సిఫార్సు చేస్తున్నాం. దీనిని కొనుగోలు చేయడానికి, మారుతి సుజుకి అధికృత వర్కషూప్ చూడండి.

ఆయిల్ లెవల్ చెక్



55RH07002

మీ వేహికల్ ఇంజిన్ సరైన లూబ్రికేషన్ కోరకు ఇంజిన్ ఆయిల్ స్థాయిలో ఉండడం చాలా ముఖ్యం. లెవల్ ఉపరితలంపై వేహికల్ ఆయిల్

తనిఖీ మరియు మెయింటెనెన్స్

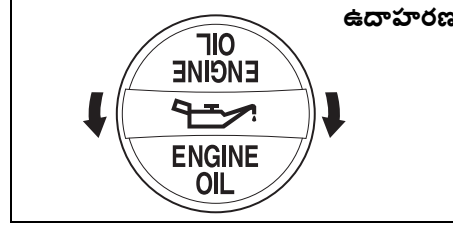
లెవల్ చెక్ చేయండి. వాహనం వాలులో ఉన్నట్లయితే ఆయిల్ లెవల్ సూచిక తప్పుగా ఉండవచ్చు. ఇంజిన్ స్టార్ట్ చేయడానికి ముందు లోదా ఇంజిన్ ఆపిన తర్వాత కనీసం 5 నిమిషాల తర్వాత ఆయిల్ లెవల్ చెక్ చేయాలి.

ఆయిల్ డిస్ట్రిక్చు బయటకు తీసి, శుభ్రమైన గుడ్డతో ఆయిల్ను తుడిచి, డిస్ట్రిక్చు ఇంజిన్లోనికి చొప్పించి, ఆపై మళ్ళీ తీసివేయండి. కర్రపై ఆయిల్ కర్రపై చూపించిన ఎగువ మరియు దిగువ పరిమితుల మధ్య ఉండాలి. ఆయిల్ లెవల్ సూచిక దిగువ లిమిట్కు దగ్గరగా ఉన్నట్లయితే, లెవల్ని ఎగువ లిమిట్కు పెంచడానికి తగినంత ఆయిల్ జోడించండి.

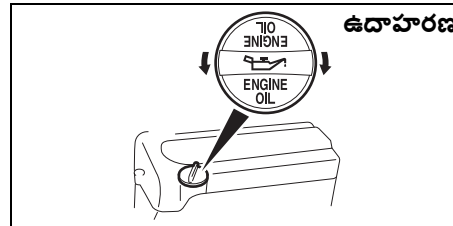
గమనించండి

క్రమం తప్పకుండా ఆయిల్ లెవల్ చెక్ చేయడంలో విఫలం కావడం వల్ల, తగినంత ఆయిల్ లేకపోవడం వల్ల ఇంజిన్ తీవ్రంగా సమస్యకు దారితీయవచ్చు.

రీఫిల్లింగ్ (Refilling)



ఆయిల్ ఫిల్లర్ క్యాప్ (oil filler cap) తొలగించి, డిస్ట్రిక్చు ఆయిల్ లెవల్ను ఎగువ పరిమితికి తీసుకురావడానికి ఫిల్లర్ రంధ్రం ద్వారా నెమ్మదిగా ఆయిల్ పోయాలి. అతిగా నింపకుండా జాగ్రత్త పడాలి. ఎక్కువ ఆయిల్ పోతే తక్కువ ఆయిల్ లెవల్ చెడ్డది. రీఫిల్లింగ్ చేసిన తరువాత, ఇంజిన్ స్టార్ట్ చేయండి మరియు దానిని ఒక నిమిషం పాటు ఐడిల్లో ఉంచండి. ఇంజిన్ ఆపండి, సుమారు 5 నిమిషాలు వేచి ఉండండి మరియు ఆయిల్ లెవల్ని మళ్ళీ చెక్ చేయండి.



ఇంజిన్ ఆయిల్ మరియు ఫిల్లర్ మార్పడం

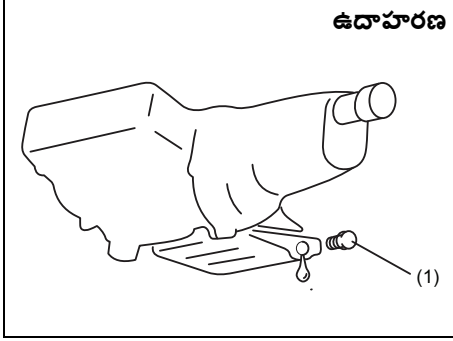
ఇంజిన్ ఇంకా వెచ్చగా ఉంటే ఇంజిన్ ఆయిల్ను వడకట్టండి.

- 1) ఆయిల్ ఫిల్లర్ క్యాప్ (oil filler cap) తొలగించండి.
- 2) డ్రైస్ ఫ్లగ్ కింద డ్రైస్ పాస్ ఉంచండి.
- 3) రెంచ్ ఉపయోగించి, డ్రైస్ ఫ్లగ్ను తొలగించండి మరియు ఇంజిన్ ఆయిల్ను బయటకు తీయండి.

⚠ జాగ్రత్త

డ్రైస్ ఫ్లగ్ సడలించినప్పుడు మీ వేళ్లను కాలేవంతగా కి ఇంజిన్ ఆయిల్ ఉష్ణోగ్రత ఎక్కువగా ఉండవచ్చు. డ్రైస్ ఫ్లగ్ మీ వట్టి చేతులతో తాకేంత చల్లబడే వరకు వేచి ఉండండి.

తనిఖీ మరియు మెయింటనెన్స్



ఉదాహరణ

77PM07007

డ్రైయిన్ ప్లగ్ (drain plug) కొరకు టార్క్ బిగించడం (1):

50 Nm (5.1 kg-m, 36.9 lb-ft)

⚠ హెచ్చరిక

కొత్త మరియు ఉపయోగించిన ఆయిల్ ప్రమాదకరం. పిల్లలు మరియు పెంపుడు జంతువులు కొత్త లేదా ఉపయోగించిన ఆయిల్ను తాగినట్లయితే హాని కలగవచ్చు. కొత్త మరియు ఉపయోగించిన ఆయిల్ ఫిల్టర్లను పిల్లలు మరియు పెంపుడు జంతువుల నుండి దూరంగా ఉంచండి.

ఉపయోగించిన ఇంజిన్ ఆయిల్ను పడేపడే తాకడం వల్ల, దీర్ఘకాలిక సంబంధం చర్మ క్యాన్సర్ కారణం కావచ్చు.

ఉపయోగించిన ఆయిల్లో సంక్షిప్త పరిచయం చర్మాన్ని చికాకుపెడుతుంది.

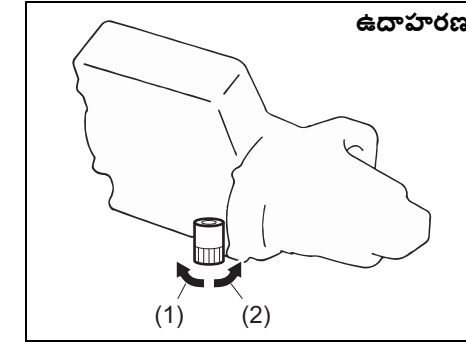
ఉపయోగించిన ఆయిల్కు మీరు గురికావడాన్ని తగ్గించడానికి, ఆయిల్ను మార్చేటప్పుడు లాంగ్-స్లేప్ షర్ట్ మరియు తేమ-పూఫ్ గ్లోజులు (డిప్ వాషింగ్ గ్లోజులు వంటివి) ధరించండి. ఆయిల్ చర్మాన్ని తాకితే, సబ్బు మరియు నీటితో బాగా కడగాలి. ఏదైనా దుస్తులు లేదా దుప్పట్లు ఆయిల్లో తడిసితే వాటిని తుడిచివేయండి.

ఉపయోగించిన ఆయిల్ మరియు ఫిల్టర్లను రీసైకిల్ చేయండి లేదా సరిగ్గా పారవేయండి.

4) డ్రైయిన్ ప్లగ్ (drain plug) మరియు గ్యాస్కెట్ను తిరిగి ఇన్స్టాల్ చేయండి. నిర్దేశిత టార్క్ రెంచితో ప్లగ్ను బిగించండి.

ఆయిల్ ఫిల్టర్ మార్చండి

- 1) ఆయిల్ ఫిల్టర్ రెంచ్ ఉపయోగించి, ఆయిల్ ఫిల్టర్ను కౌంటర్ క్లాక్ వైజ్లో తిప్పండి మరియు దానిని తొలగించండి.
- 2) శుభ్రమైన రాగ్ ఉపయోగించి, కొత్త ఫిల్టర్ కూర్చునే ఇంజిన్ మౌంటింగ్ ఉపరితలాన్ని తుడిచివేయండి.
- 3) కొత్త ఆయిల్ ఫిల్టర్ రబ్బర్ గ్యాస్కెట్ చుట్టూ కొద్దిగా ఇంజిన్ ఆయిల్ను పూయండి.
- 4) ఫిల్టర్ గ్యాస్కెట్ మౌంటింగ్ ఉపరితలాన్ని తాకే వరకు కొత్త ఫిల్టర్ను చేతితో స్కూ చేయండి.



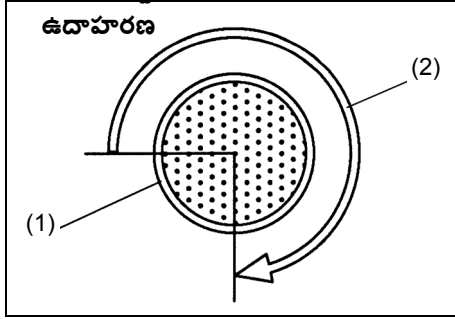
ఉదాహరణ

77PH017

తనిఖీ మరియు మెయింటెనెన్స్

- (1) వదులు చేయడం
- (2) బిగించడం

బిగించడం (ఫిల్టర్ టాప్ నుండి వీక్షించబడింది)



54G093

- (1) ఆయిల్ ఫిల్టర్
- (2) 3/4 టర్న్

గమనించండి

ఆయిల్ ఫిల్టర్ని సరిగ్గా బిగించడానికి, ఫిల్టర్ గ్యాస్కెట్ మొదట మౌంటింగ్ ఉపరితలాన్ని తాకే స్థానాన్ని ఖచ్చితంగా గుర్తించడం చాలా ముఖ్యం.

- 5) ఆయిల్ ఫిల్టర్ రెండు ఉపయోగించి మౌంటింగ్ ఉపరితలంతో తాకిన స్థానం నుండి (లేదా నిర్దిష్ట టార్క్ వరకు) ఫిల్టర్నిర్దిష్ట మలుపును బిగించండి.

ఆయిల్ ఫిల్టర్ కొరకు బిగించే టార్క్ 3/4 టర్న్ లేదా

14 Nm (1.4 kgf-m, 10.3 lbf-ft)

గమనించండి

ఆయిల్ లీకేజీని నివారించడానికి, ఆయిల్ ఫిల్టర్ గట్టిగా ఉన్నట్లుగా నిర్ధారించుకోండి, కానీ దానిని ఎక్కువగా బిగించవద్దు.

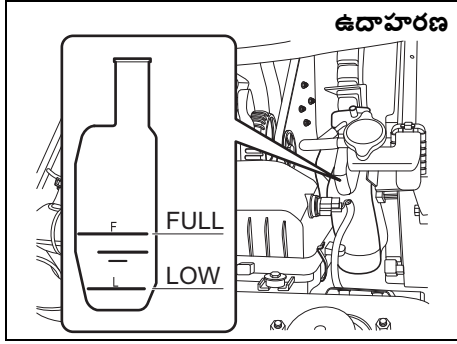
ఆయిల్లో రీఫిల్ చేయండి మరియు లీకేజీలకు చెక్ పెట్టండి

- 1) ఫిల్టర్ రంధ్రం గుండా ఆయిల్ స్పేస్, ఫిల్టర్ క్యాప్ ఇన్స్టాల్ చేయండి. ఆయిల్ సుమారు సామర్థ్యం కొరకు, "స్పాసిఫికేషన్లు" విభాగంలోని "కెపాసిటీస్" ఐటమ్ని చూడండి.
- 2) ఇంజిన్ స్టార్ట్ చేయండి మరియు ఆయిల్ ఫిల్టర్ మరియు డ్రైయిన్ ప్లగ్ (drain plug) వద్ద లీకేజీల కోసం జాగ్రత్తగా చూడండి. ఇంజిన్ కనీసం 5 నిమిషాల పాటు వివిధ వేగాలతో రన్ చేయండి.
- 3) ఇంజిన్ ఆపి సుమారు 5 నిమిషాలు వేచి ఉండండి. మరోసారి ఆయిల్ లెవల్ చెక్ చేసి అవసరమైతే ఆయిల్ ట్యాంకుని మళ్లీ లీక్కు కొరకు చెక్ చేయండి.

గమనించండి

- ఆయిల్ ఫిల్టర్ని రీఫిల్ చేసేటప్పుడు, మీరు Maruti ఒరిజినల్ ఫిల్టర్ ఉపయోగించాలని సిఫార్సు చేయబడుతోంది. మీరు ఆఫ్టర్ మార్కెట్ ఫిల్టర్ను ఉపయోగిస్తే, అది సమాన నాణ్యతతో ఉన్నట్లుగా నిర్ధారించుకోండి మరియు తయారీదారు ఇండికేటర్లను అనుసరించండి.
- ఆయిల్ ఫిల్టర్ లేదా డ్రైయిన్ ప్లగ్ (drain plug) చుట్టూ ఉన్న ఆయిల్ లీక్లు తప్పుడు ఇన్స్టలేషన్ లేదా గ్యాస్కెట్ డ్యామేజ్ ను సూచిస్తాయి. మీకు ఏవైనా లీక్లు కనిపించితే లేదా ఫిల్టర్ సరిగ్గా బిగించబడిందని ఖచ్చితంగా తెలియతే, మీ అధీకృత మారుతి సుజికి కమర్షియల్ వర్క్ డివిజన్ వాహనాన్ని తనిఖీ చేయండి.

ఇంజిన్ కూలెంట్ కూలెంట్ లెవల్ చెక్



రేడియేటర్ వద్ద కాకుండా రిజర్వాయర్ ట్యాంక్ వద్ద కూలెంట్ లెవల్ చెక్ చేయండి. ఇంజిన్ చల్లగా ఉండటం వల్ల, కూలెంట్ లెవల్ "ఫుల్" (FULL) మరియు "లో" (LOW) మార్కుల మధ్య ఉండాలి.

ఒకవేళ కూలెంట్ లెవల్ "లో" (LOW) మార్క్ కంటే తక్కువగా ఉన్నట్లయితే, కూలెంట్ జోడించాలి.

కూలెంట్ జోడించడం మరియు మార్పడం మీరు కూలెంట్ జోడించినప్పుడు, రిజర్వాయర్ ట్యాంక్ క్యాప్పు తీసివేసి, ఇంజిన్ చల్లగా ఉన్నప్పుడు రిజర్వాయర్ ట్యాంక్ లెవల్ "ఫుల్"

(FULL) మార్క్ చేరుకునే వరకు కూలెంట్ జోడించండి. రిజర్వాయర్ ట్యాంకును "ఫుల్" (FULL) మార్క్ కంటే ఎక్కువగా నింపవద్దు. కూలెంట్ రిఫిల్స్ మెంట్ కొరకు ప్రత్యేక విధానాలు అవసరం అవుతాయి కనుక, ఈ జాబ్ కొరకు మారుతి సుజికి (Maruti Suzuki) అధికృత వర్గిషాప్ ని అడగండి.

⚠ హెచ్చరిక

ఇంజిన్ కూలెంట్ (Engine Coolant) లోపలికి తీసుకోవడం వల్ల తీవ్రమైన గాయం లేదా మరణం సంభవించవచ్చు. చల్లని పొగమంచు లేదా ఆవిరిని పీల్చడం లేదా మీ కళ్ళలోకి కూలెంట్ పోవడం వల్ల తీవ్రమైన గాయానికి దారితీస్తుంది.

- యాంటిఫ్రీజ్ లేదా కూలెంట్ ద్రావణాన్ని లోపలికి తీసుకోవద్దు. మింగితే, వాంటిని ప్రేరేపించవద్దు. వెంటనే పాయిజన్ కంట్రోల్ సెంటర్ లేదా వైద్యుడిని సంప్రదించండి.
- చల్లని పొగమంచు లేదా వేడి ఆవిరిని పీల్చడం మానుకోండి. పీల్చినట్లయితే, తాజా గాలి ప్రాంతానికి తీసుకు వెళ్లండి.
- కూలెంట్ కళ్ళలోకి వస్తే, నీటితో కడగాలి మరియు వైద్య సహాయం తీసుకోవాలి.
- కూలెంట్ హ్యాండిల్ చేసిన తర్వాత బాగా కడుక్కోవాలి.
- ఇంజిన్ కూలెంట్ను పిల్లలు మరియు పెంపుడు జంతువులకు అందుబాటులో లేకుండా ఉంచండి.

తనిఖీ మరియు మెయింటెనెన్స్

గమనించండి
రిజర్వాయర్ ట్యాంకుపై క్యాప్ పెట్టబప్పుడు, టోపిపై గుర్తు మరియు ట్యాంకు గుర్తును లైన్ చేయండి. దీనిని పాటించడంలో విఫలమైతే కూలెంట్ లీకేజీకి దారితీస్తుంది.

కూలెంట్ యొక్క ఎంపిక

మీ ఇంజిన్ గరిష్ట పనితీరు మరియు మన్నికను మెయింటైన్ చేయడానికి, మారుతి సుజికి (Maruti Suzuki) నిజమైన కూలెంట్ లేదా సమానమైన దానిని ఉపయోగించండి.

ఈ రకమైన కూలెంట్ ఈ క్రింది కారణాల వల్ల కూలింగ్ సిస్టమ్కు ఉత్తమమైనది:

- సరైన ఇంజిన్ టెంపరేచర్ మెయింటైన్ చేయడానికి కూలెంట్ (coolant) సహాయపడుతుంది.
- ఇది గడ్డకట్టడం మరియు మరగకుండా సరైన రక్షణను ఇస్తుంది.
- ఇది తుప్పు మరియు తినివేయడం నుండి సరైన రక్షణను ఇస్తుంది.

సరైన కూలెంట్ (coolant) ఉపయోగించడంలో విఫలం కావడం వల్ల మీ కూలింగ్ సిస్టమ్ దెబ్బతింటుంది. మారుతి సుజికి (Maruti Suzuki) అధికృత వర్కీ షాప్ సరైన కూలెంట్ ఎంచుకోవడంలో మీకు సహాయపడుతుంది.

7-15

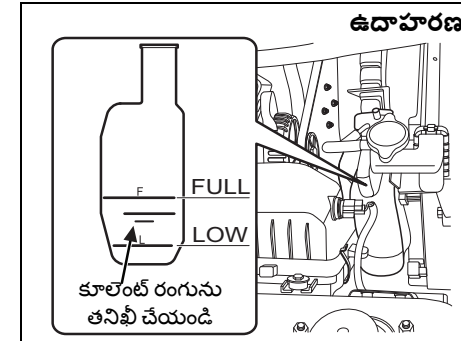
గమనించండి
మీ కూలింగ్ సిస్టమ్ దెబ్బతినకుండా ఉండటానికి:
<ul style="list-style-type: none"> • ఎల్లప్పుడూ సరైన మిశ్రమ సాంద్రత వద్ద డిస్టిల్డ్ వాటర్తో పలుచన చేసిన అధిక నాణ్యత కలిగిన ఇథిలీన్ గ్లైకోల్ బేస్ నాన్-సిలికేట్ రకం కూలెంట్ (coolant) ఉపయోగించండి. • అదనపు ఇన్జిబిటర్లు లేదా ఎడిటివ్లును జోడించవద్దు. అవి మీ కూలింగ్ సిస్టమ్కు అనుకూలంగా ఉండకపోవచ్చు. • వివిధ రకాల బేస్ కూలెంట్లను కలపవద్దు. అలా చేయడం వల్ల వేగవంతమైన సీల్ అరుగుదల మరియు/లేదా తీవ్రమైన వేడెక్కడం మరియు విస్తృతమైన ఇంజిన్ (engine) / ట్రాన్సిమిషన్ (transmission) దెబ్బతినే అవకాశం ఉండవచ్చు. కూలెంట్ (coolant) మిక్స్ చేయడం, మారుతి సుజికి (Maruti Suzuki) అధికృత వర్కీ షాప్ ద్వారా మీ వాహనాన్ని తనిఖీ చేయండి.

గమనిక :

మారుతి సుజికి (Maruti SUZUKI) నిజమైన కూలెంట్ (coolant) ఉపయోగించాలని మారుతి సుజికి చాలా సిఫార్సు చేస్తుంది. మారుతి సుజికి

నిజమైన కూలెంట్ మీ మారుతి సుజికి ఉత్పత్తి కోసం ప్రత్యేకంగా రూపొందించబడింది మరియు కోరుకున్న వాహన పనితీరు మరియు ఆదర్శవంతమైన డ్రైవింగ్ అనుభవానికి దోహదం చేస్తుంది.

మీ వాహనం యొక్క ఉత్పత్తి వ్యవధిని బట్టి, సరికొత్త కారు సమయంలో నింపిన కూలెంట్ (coolant) రకం భిన్నంగా ఉండొచ్చు. రెండు కూలెంట్ రకాలున్నాయి, **SUZUKI LLC: Super (Blue)** కూలెంట్ మరియు **SUZUKI LLC: Standard (Yellow)** కూలెంట్. రిజర్వాయర్ ట్యాంకులోని కూలెంట్ రంగు ద్వారా మీరు మీ వాహనంలోని ఒరిజినల్ కూలెంట్ రకాన్ని తనిఖీ చేయవచ్చు (దిగువ పటం చూడండి).



77PM07033

కూలెంట్ (Coolant) రంగు	కూలెంట్ (Coolant) రకం
Blue	Suzuki LLC : Super
Yellow	Suzuki LLC : Standard

గమనిక :

కొత్త కారు సమయంలో నింపిన అదే రకం కూలెంట్ను మీరు కూలెంట్ (coolant) జోడించేటప్పుడు లేదా మార్చేటప్పుడు ఉపయోగించాలి..

SUZUKI LLC: Super (Blue) కూలెంట్:

గమనించండి

- ఈ కూలెంట్ ఇప్పటికే సరైన శాతానికి డైల్యూట్ చేయబడింది. అదనంగా డిస్టిల్డ్ వాటర్ డిస్టిల్ చేయవద్దు. ఈ విధంగా చేయడం వల్ల కూలెంట్ ఫ్రీజింగ్ కావడం మరియు/లేదా ఎక్కువగా వేడెక్కే సంభావ్యత ఉంది.
- మీ వాహనంలో ఒరిజినల్ SUZUKI LLC: Super (Blue) కూలెంట్ నింపినప్పుడు, మీ వాహనానికి SUZUKI LLC: Standard (Yellow) కూలెంట్ లేదా డిస్టిల్డ్ వాటర్ (distilled water) లేదా వేరేవాటిని జోడించవద్దు. అటువంటి సందర్భాల్లో, మారుతి సుజుకి (Maruti Suzuki) అధికృత వర్కషాప్ ద్వారా మీ వాహనాన్ని తనిఖీ చేయండి.

SUZUKI LLC: Standard (Yellow) కూలెంట్:

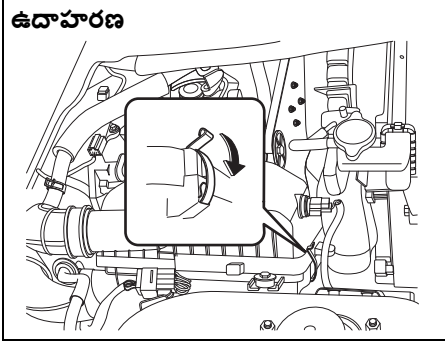
గమనించండి

- ఉపయోగించాల్సిన మిశ్రమం యొక్క గాఢత 30% యాంటిఫ్రీజ్ (antifreeze) మరియు 70% డిస్టిల్డ్ వాటర్ (distilled water) ఉండాలి. స్ప్రియట్ కూలెంట్ లేదా మామూలు నీటిని ఉపయోగించవద్దు.
- మీ ప్రాంతంలో అత్యల్ప పరిసర ఉష్ణోగ్రత - 15 °C (5 °F) లేదా అంతకంటే తక్కువగా ఉంటే, యాంటిఫ్రీజ్ కంటైనర్లోని (anti-freeze container) సూచనలను అనుసరించి 60% వరకు అధిక సాంద్రతలను ఉపయోగించండి. 60% కంటే ఎక్కువ సాంద్రతలు వేడెక్కే పరిస్థితులకు కారణమవుతాయి.
- మీ వాహనంలో ఒరిజినల్ SUZUKI LLC: Standard (Yellow) కూలెంట్ నింపినప్పుడు, ఈ సెక్షన్లో SUZUKI LLC: Standard (Yellow) కూలెంట్ యొక్క మెయింటనెన్స్ షెడ్యూల్స్ అనుసరించండి. అటువంటి సందర్భాల్లో SUZUKI LLC: Super (Blue) కూలెంట్ మార్పండి, తరువాత మారుతి సుజుకి (Maruti Suzuki) అధికృత వర్కషాప్ ద్వారా మీ వాహనాన్ని తనిఖీ చేయండి.

తనిఖీ మరియు మెయింటెనెన్స్

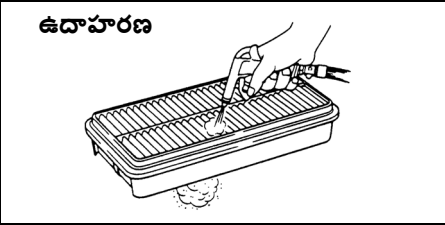
ఎయిర్ క్లీనర్

ఎయిర్ క్లీనర్ ధూళితో నిండి ఉంటే, ఎక్కువ ఇన్స్ట్రక్ రెసిస్టెన్స్ ఉంటుంది, ఫలితంగా పవర్ అవుట్పుట్ తగ్గుతుంది మరియు ఇంధన (ఫ్యూయల్) వినియోగం పెరుగుతుంది.



77PM07011

సైడ్ క్లాంప్ను అన్ల్యాంప్ చేయండి మరియు ఎయిర్ క్లీనర్ కేస్ నుంచి ఎలిమెంట్ తొలగించండి.



60A183

7-17

మురికిగా కనిపించితే, కాలానుగుణ మెయింటెనెన్స్ షెడ్యూల్ ప్రకారం ఎయిర్ క్లీనర్ని శుభ్రం చేయండి లేదా కొత్తదానితో రీఫ్లస్ చేయండి.

స్పార్క్ ప్లగ్స్ (Spark Plugs)

స్పార్క్ ప్లగ్లను మార్చడం మరియు తనిఖీ చేయడం

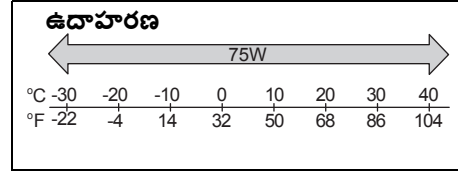
ప్రత్యేక విధానాలు, మెటీరియల్స్ మరియు టూల్స్ అవసరం కాబట్టి, మీరు ఈ పనిని మీ మారుతి సుజికి అధీకృత వర్కౌట్స్ విశ్వసించాలని సిఫార్సు చేయబడుతుంది.

గేర్ ఆయిల్ (Gear Oil)

మాన్యువల్ ట్రాన్సిమిషన్ ఆయిల్/ డిఫరెన్షియల్ ఆయిల్

గేర్ ఆయిల్ జోడించేటప్పుడు, దిగువ ఛార్ట్లో చూపించిన విధంగా తగిన స్పెర్గత మరియు గ్రేడ్లో గేర్ ఆయిల్ ఉపయోగించండి.

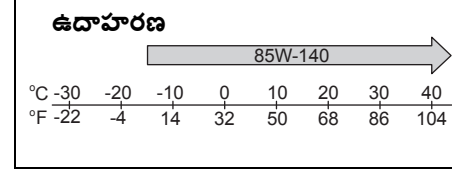
మాన్యువల్ ట్రాన్సిమిషన్ ఆయిల్ (Manual transmission oil)



68LM728

మీరు ఉపయోగించాలని మేం ఎక్కువగా సిఫార్సు చేస్తున్నాం:
మాన్యువల్ ట్రాన్సిమిషన్ గేర్ ఆయిల్ కొరకు "MARUTI GENUINE GEAR OIL 75W".

రియర్ డిఫరెన్షియల్ ఆయిల్ (Rear differential oil)

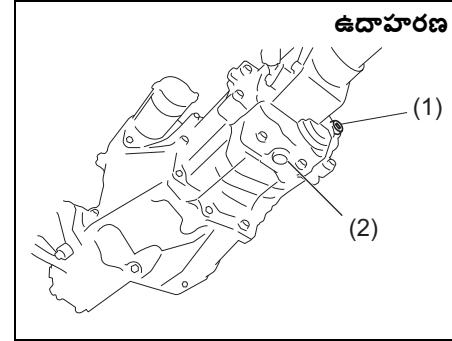


77PH075

మీరు వీటిని ఉపయోగించాలని మేం ఎక్కువగా సిఫార్సు చేస్తున్నాం:
రియర్ డిఫరెన్షియల్ ఆయిల్ కొరకు రియర్ డిఫరెన్షియల్ ఆయిల్ కొరకు "TOTALFL-NAELF TRANSELF LL 85W-140".

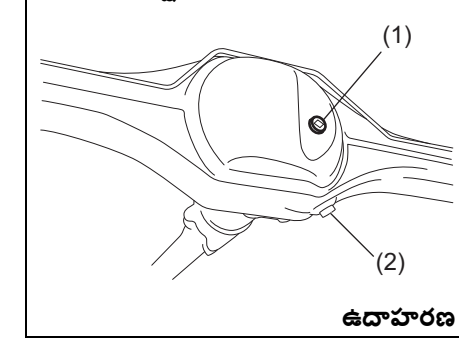
గేర్ ఆయిల్ లెవల్ చెక్

మాన్యువల్ ట్రాన్సి మిషన్



77PH078

రియర్ డిఫరెన్షియల్ (Rear differential)



77PH047

1. ఆయిల్ ఫిల్లర్ (oil filler) మరియు లెవల్ ప్లగ్ (level plug) (తరిగి ఉపయోగించవద్దు).
2. ఆయిల్ డ్రైన్ ప్లగ్ (Oil drain plug). గేర్ ఆయిల్ స్థాయిని తనిఖీ చేయడానికి, ఈ క్రింది ప్రక్రియను ఉపయోగించండి:
1) పార్కింగ్ బ్రేక్ అప్లై చేయడం ద్వారా వేహికల్ని లెవల్ ఉపరితలంపై పార్క్ చేయండి. తరువాత, ఇంజిన్ ఆపివేయండి.
2) ఆయిల్ ఫిల్లర్ (oil filler) మరియు లెవల్ ప్లగ్ (level plug) (1) తొలగించండి.
3) రంధ్రం లోపలి భాగాన్ని మీ వేలితో తనిఖీ చేయండి. ప్లగ్ హోల్ దిగువకు ఆయిల్ లెవల్ వస్తే, ఆయిల్ లెవల్ సరిగ్గా

తనిఖీ మరియు మెయింటెనెన్స్

ఉంటుంది. అలా అయితే, ప్లగ్ను తిరిగి ఇన్స్టాల్ చేయండి.

- 4) ఆయిల్ లెవల్ తక్కువగా ఉన్నట్లయితే, ఆయిల్ లెవల్ ఫిల్లర్ రంధ్రం దిగువకు చేరుకునే వరకు ఆయిల్ ఫిల్లర్ ప్లగ్ హోల్ (oil filler plug hole) (1) ద్వారా గేర్ ఆయిల్ జోడించండి, ఆపై ప్లగ్ను తిరిగి ఇన్స్టాల్ చేయండి.

ఆయిల్ ఫిల్లర్ (oil filler) మరియు లెవల్ ప్లగ్ (level plug) కొరకు బిగింపు టార్క్ మాన్యువల్ ట్రాన్సిమిషన్ (Manual transmission) (1):

23 Nm (2.3 kgf-m, 17.0 lbf-ft)
రియర్ డిఫరెన్షియల్ (1):
25 Nm (2.5 kgf-m, 18.5 lbf-ft)

గమనిక :

రియర్ డిఫరెన్షియల్ కొరకు ఎప్పుడూ కొత్త ఆయిల్ ఫిల్లర్ (oil filler) మరియు లెవల్ ప్లగ్ (level plug) (1) ఉపయోగించండి.

⚠ జాగ్రత్త

వాహనం నడిపిన తరువాత, గేర్ ఆయిల్ ఉష్ణోగ్రత మీ చర్మాన్ని కాల్చేంత ఎక్కువగా ఉండవచ్చు. గేర్ ఆయిల్ స్టాయిని తనిఖీ చేయడానికి ముందు ఆయిల్ ఫిల్లర్ ప్లగ్ మీ వట్టి చేతులతో తాకేంత చల్లబడే వరకు వేచి ఉండండి.

గమనించండి

ప్లగ్ను బిగించేటప్పుడు, ఆయిల్ లీకేజీని నిరోధించడానికి ఈ క్రింది సీలింగ్ సమ్మేళనాన్ని లేదా ప్లగ్ డ్రెస్టింగ్ సమానంగా వర్తించండి.

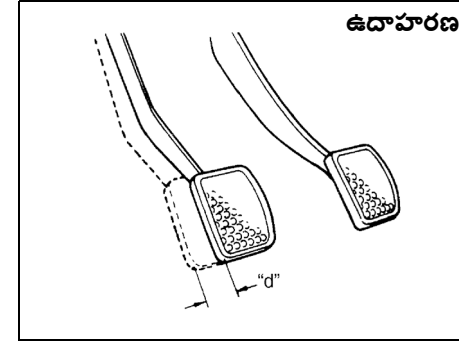
మారుతి సుజికి బాండ్ నెంబరు "1216E" లేదా "1217G"

గేర్ ఆయిల్ మార్పడం

ప్రత్యేక విధానాలు, మెటీరియల్స్ మరియు టూల్స్ అవసరం అవుతాయి కనుక, మీ అధీకృత మారుతి సుజికి కమర్షియల్ వర్క్స్ కు మీరు ఈ పనిని విశ్వసించాలని సిఫార్సు చేయబడుతుంది.

క్లచ్ పెడల్

కేబుల్ కంట్రోల్ క్లచ్



54G274

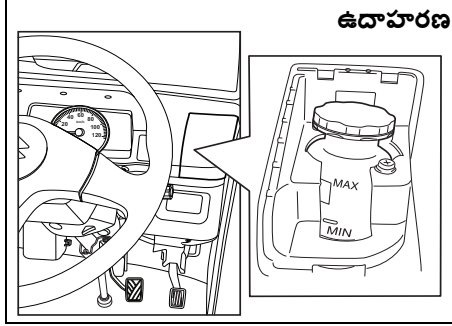
క్లచ్ పెడల్ స్ట్రో "d":

10 - 15 మిమీ (0.4 - 0.6 అంగుళాలు)

క్లచ్ పెడల్ను మీ చేతితో కదిలించడం ద్వారా మరియు మీరు కొద్దిగా నిరోధకతను అనుభవించే వరకు అది కదులుతున్న దూరాన్ని కొలవడం ద్వారా క్లచ్ పెడల్ ఆటను కొలవండి. క్లచ్ పెడల్లో స్ట్రో నిర్దేశిత విలువల మధ్య ఉండాలి. స్ట్రో పైన పేర్కొన్న దానికంటే ఎక్కువ లేదా తక్కువగా ఉన్నట్లయితే, లేదా పెడల్ పూర్తిగా డిప్రెషన్ గురైతే, క్లచ్ లాగడం అనుభూతి చెందితే, మీ అధీకృత మారుతి సుజికి కమర్షియల్ వర్క్స్ ద్వారా క్లచ్ తనిఖీ చేయించండి.

ట్రేకు

ట్రేక్ ఫ్లూయిడ్



77PM706

ఇన్సుమెంట్ ప్యానెల్లోని రిజర్వాయర్ని చూడటం ద్వారా ట్రేక్ ఫ్లూయిడ్ లెవల్ చెక్ చేయండి. ట్రేక్ ఫ్లూయిడ్ రిజర్వాయర్ లెవల్ చెక్ చేయడానికి స్టీరింగ్ వీల్ కుడివైపున ఉన్న కవర్ని తొలగించండి. ఫ్లూయిడ్ లెవల్ "MAX" మరియు "MIN" లైన్ల మధ్య ఉండే లోదో చెక్ చేయండి. ట్రేక్ ఫ్లూయిడ్ లెవల్ "MIN" లైన్కు దగ్గరగా ఉన్నట్లయితే, మారుతి జెన్యాస్ ట్రేక్ ఫ్లూయిడ్ (MGBF) లేదా DOT 3తో "మ్యాక్స్" లైన్ వరకు నింపండి.

"మారుతి జెన్యాస్ ట్రేక్ ఫ్లూయిడ్" (MGBF) ఉపయోగించాలని మేము సిఫార్సు చేస్తున్నాం.

⚠ హెచ్చరిక

దిగువ మార్గదర్శకాలను పాటించడంలో విఫలం కావడం వల్ల వ్యక్తిగత గాయం లేదా ట్రేక్ సిస్టమ్కు తీవ్రమైన నష్టం వాటిల్లవచ్చు.

- రిజర్వాయర్లోని ట్రేక్ ఫ్లూయిడ్ ఒక నిర్దిష్ట స్థాయి కంటే దిగువకు పడిపోతే, ఇన్సుమెంట్ ప్యానెల్లోని ట్రేక్ వార్నింగ్ లైట్ 'ఆన్' అవుతుంది (పార్కింగ్ బ్రేక్ పూర్తిగా తొలగించబడి ఇంజిన్ రన్ అవుతుంది). లైట్ వెలుగుతున్నట్లయితే, ట్రేక్ సిస్టమ్ని తనిఖీ చేయమని వెంటనే మీ అధీకృత మారుతి సుజికి కమర్షియల్ వర్కెట్స్కు అడగండి.

- వేగంగా ఫ్లూయిడ్ కోల్పోవడం అనేది ట్రేక్ సిస్టమ్లో లీకేజీని సూచిస్తుంది, దీనిని వెంటనే మీ అధీకృత మారుతి సుజికి కమర్షియల్ వర్కెట్స్ ద్వారా తనిఖీ చేయాలి.

(కొనసాగుతుంది)

⚠ హెచ్చరిక

(కొనసాగుతుంది)

- Maruti జెన్యాస్ ట్రేక్ ఫ్లూయిడ్ (ఎంజిబిఎఫ్) లేదా DOT 3 కాకుండా మరే ఇతర ఫ్లూయిడ్ ఉపయోగించవద్దు. Maruti జెన్యాస్ ట్రేక్ ఫ్లూయిడ్ (ఎంజిబిఎఫ్) ఉపయోగించాలని మేము సిఫార్సు చేస్తున్నాము. పాత లేదా తెరిచిన కంటైనర్లలో నిల్వ చేసిన ఫ్లూయిడ్ల ద్రవాన్ని ఉపయోగించవద్దు. ట్రేక్ ఫ్లూయిడ్ రిజర్వాయర్ నుండి అవాంఛిత పదార్థాలు మరియు ఇతర ద్రవాలను దూరంగా ఉంచడం చాలా అవసరం.

⚠ జాగ్రత్త

ట్రేక్ ఫ్లూయిడ్ మీ కళ్ళకు హాని కలిగిస్తుంది మరియు పెయింట్ చేసిన ఉపరితలాలను దెబ్బతీస్తుంది. రిజర్వాయర్ని రీఫిల్ చేసేటప్పుడు జాగ్రత్తగా ఉండండి.

తనిఖీ మరియు మెయింటెనెన్స్

⚠ హెచ్చరిక

- వేహికల్ ఓవర్ లోడ్ కండిషన్లో డ్రైవ్ చేస్తే, బ్రేకింగ్ దూరం ఎక్కువగా ఉండవచ్చు మరియు అధిక పెడల్ ఫోర్స్ అవసరం కావచ్చు.

⚠ హెచ్చరిక

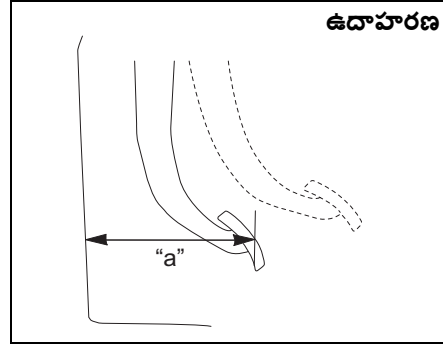
బ్రేక్ ఫ్లూయిడ్ మింగితే హానికరం లేదా ప్రాణాంతకం, చర్మం లేదా కళ్ళను తాకితే హానికరంగా ఉంటుంది. మింగితే, వాంటి చేసుకోవడానికి ప్రేరేపించవద్దు. వెంటనే పాయిజన్ కంట్రోల్ సెంటర్ లేదా వైద్యుడిని సంప్రదించండి. బ్రేక్ ఫ్లూయిడ్ కళ్ళలోకి వస్తే, కళ్ళను నీటితో కడగాలి మరియు వైద్య సహాయం తీసుకోండి. హ్యాండిల్ చేసిన తరువాత బాగా కడగాలి. ద్రావణం జంతువులకు విషపూరితం కావచ్చు. పిల్లలు, జంతువులకు దూరంగా ఉంచాలి.

గమనిక :

డిస్క బ్రేకులతో, బ్రేక్ ప్యాడ్లు అరిగిపోయే కొద్దే ఫ్లూయిడ్ లెవల్ క్రమంగా పడిపోతుందని ఆశించవచ్చు.

బ్రేక్ పెడల్

బ్రేక్ పెడల్ను మీరు నొక్కినప్పుడు స్పాంజి ఫీలింగ్ లేకుండా సాధారణ ఎత్తులో ఆగిపోతుందో లేదో తనిఖీ చేయండి. కాకపోతే, బ్రేక్ సిస్టమ్ను మీ అధికృత మారుతి సుజికి కమర్షియల్ వర్క్ షాప్స్ వారి తనిఖీ చేయండి. రెగ్యులర్ ఎత్తు కొరకు బ్రేక్ పెడల్ను మీరు అనుమానించితే, దానిని ఈ క్రింది విధంగా చెక్ చేయండి:



54G108S

ఫ్రంట్ ప్యానెల్కు పెడల్ కనీస దూరం "a":
పెట్రోల్ మరియు సి.ఎస్.జి. ఇంజిన్మోడల్
(CNG Engine Model):
157 మిమీ

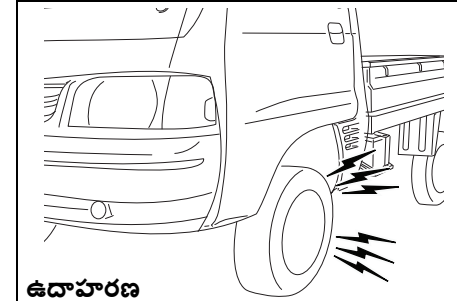
ఇంజిన్ నడుస్తున్నప్పుడు, సుమారు 30 kg (66 పౌండ్లు) బలంతో పెడల్ కీణించినప్పుడు బ్రేక్

పెడల్ మరియు ఫ్రంట్ ప్యానెల్ మధ్య దూరాన్ని లెక్కించండి. అవసరమైన కనీస దూరం నిర్దేశించిన విధంగా ఉండాలి. మీ వేహికల్ బ్రేక్ సిస్టమ్ సెల్స్ అడ్జస్టింగ్ కాబట్టి, పెడల్ సర్దుబాటు అవసరం లేదు.

పైన కొలిచిన విధంగా పెడల్ టు ఫ్రంట్ ప్యానెల్ దూరం అవసరమైన కనీస దూరం కంటే తక్కువగా ఉన్నట్లయితే, మీ వాహనాన్ని మీ అధికృత మారుతి సుజికి కమర్షియల్ వర్క్ షాప్స్ వారి తనిఖీ చేయండి.

గమనిక :

బ్రేక్ పెడల్ మరియు ఫ్రంట్ ప్యానెల్ మధ్య దూరాన్ని కొలిచేటప్పుడు, మీ కొలతలో ఫ్రంట్ ప్యానెల్పై ఫ్లోర్ మ్యాట్ లేదా రబ్బరును చేర్చకుండా చూసుకోండి.



ఉదాహరణ

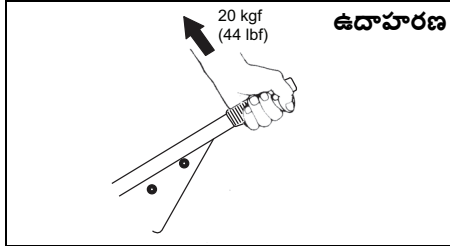
77PM07013

⚠ హెచ్చరిక

మీ వేహికల్ బ్రేక్ సిస్టమ్లో దిగువ పేర్కొన్న ఏవైనా సమస్యలను మీరు ఎదుర్కొంటే, వెంటనే మీ అధీకృత మారుతి సుజికి కమర్షియల్ వర్క్ షాపు వాహనాన్ని తనిఖీ చేయండి.

- పీలవమైన బ్రేకింగ్ పనితీరు
- అసమాన బ్రేకింగ్ (అన్ని చక్రాలపై బ్రేకులు ఏకరీతిగా పనిచేయవు)
- మితిమీరిన పెడల్ ప్రయాణం
- బ్రేక్ డ్రాగింగ్
- అధిక శబ్దం
- పెడల్ పల్స్ షస్ (నొక్కినప్పుడు పెడల్ పల్స్ షస్)

పార్కింగ్ బ్రేక్



77PM702

రాచెట్ టూత్ స్పిసిఫికేషన్
6వ - 9వ టీత్

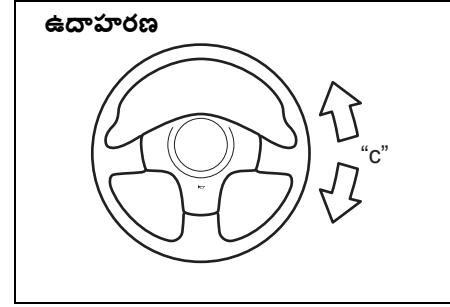
లీవర్చుల్ ఫోర్స్ (1):
200 N (20 kgf, 44 lbf)

పార్కింగ్ బ్రేక్ లీవర్చుల్ మీరు నెమ్మదిగా పూర్తి నిమగ్నత స్థాయికి లాగుతున్నప్పుడు రాచెట్ టీత్ ద్వారా చేసిన క్లిక్ నెంబర్ను లెక్కించడం ద్వారా సరైన సర్దుబాటు కోసం పార్కింగ్ బ్రేక్ చెక్ చేయండి. పార్కింగ్ బ్రేక్ లీవర్చుల్ శిథిల దంతాల మధ్య ఆగిపోవాలి మరియు వెనుక చక్రాలను సురక్షితంగా లాక్ చేయాలి. పార్కింగ్ బ్రేక్ సరిగ్గా సర్దుబాటు చేయకపోతే లేదా లీవర్చుల్ విడుదలైన తరువాత బ్రేకులు డ్రాగ్ అయితే, పార్కింగ్ బ్రేక్ తనిఖీ చేయండి మరియు/లేదా మీ అధీకృత మారుతి సుజికి కమర్షియల్ వర్క్ షాపు సర్దుబాటు చేయండి.

⚠ హెచ్చరిక

- వేహికల్ ఓవర్ లోడ్ అయితే పార్కింగ్ బ్రేక్ ప్రభావవంతంగా ఉండకపోవచ్చు. వాహనాన్ని పట్టుకోవడానికి అదనపు చోక్లను ఉపయోగించండి.

స్టీరింగ్



77PH042

స్టీరింగ్ వీల్ ప్లే "C":
0 – 30 mm (0.0 – 1.2 in.)

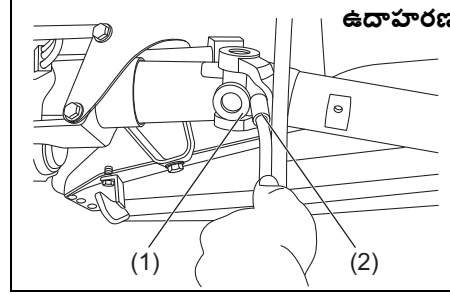
స్టీరింగ్ వీల్ ప్లే ఎడమ నుంచి కుడికి మరియు కుడి నుంచి ఎడమకు సున్నితంగా తిప్పడం ద్వారా స్టీరింగ్ వీల్ ఆటను చెక్ చేయండి, చక్రాలు నిటారుగా ముందు పొజిషన్లో మరియు ఇంజిన్ ఆఫ్ కండిషన్లో ఉండాలి. మీరు కొద్దిగా ప్రతిఘటనను అనుభూతి చెందడానికి ముందు స్టీరింగ్ కదిలే దూరాన్ని కొలవండి. నిర్ణీత విలువల మధ్య నాటకం ఉండాలి. ఓపెన్ ఏరియాలో చాలా నెమ్మదిగా డ్రైవింగ్ చేసేటప్పుడు స్టీరింగ్ వీల్ కుడి మరియు ఎడమ వైపుకు తిప్పడం ద్వారా కదలకుండా సులభంగా మరియు సాఫీగా తిరుగుతుందని తనిఖీ

తనిఖీ మరియు మెయింటెనెన్స్

చేయండి. ఉచిత ఆట పరిమాణం స్పెసిఫికేషన్కు వెలుపల ఉన్నట్లయితే లేదా మరేదైనా తప్పుగా మీరు కనుగొంటే, మీ అధీకృత మారుతి సుజికి కమర్షియల్ వర్క్ షాపురా తనిఖీ నిర్వహించాలి.

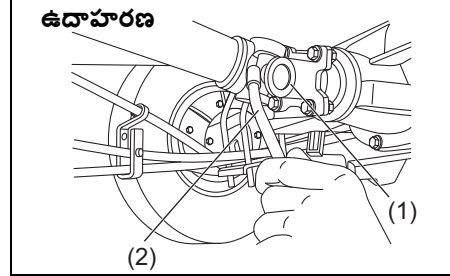
ప్రోపెల్లర్ షాఫ్ట్ యూనివర్సల్ జాయింట్ (Propeller Shaft Universal Joint)

ముందు



77PM703

రియర్

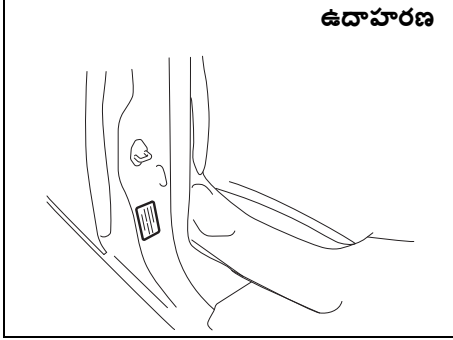


77PM704

సర్వీస్ షెడ్యూల్ ప్రకారం లూబ్రికేట్ ప్రోపెల్లర్ షాఫ్ట్ యూనివర్సల్ జాయింట్ (1) (ఫ్రంట్ మరియు రియర్)

ప్రోపెల్లర్ షాఫ్ట్ యూనివర్సల్ జాయింట్ను లూబ్రికేషన్ చేయడానికి మీరు గ్రీజ్ గన్ (2) మరియు స్పెసిఫైడ్ గ్రీజ్ NLGI గ్రేడ్ 2 ఉపయోగించాలి.

టైర్లు



77PM705

మీ వేహికల్ కొరకు ఫ్రంట్ మరియు రియర్ టైర్ ప్రెజర్ స్పెసిఫికేషన్లు టైర్ ఇన్స్ట్రక్షన్ లేబుల్లో జాబితా చేయబడ్డాయి. ముందు మరియు వెనుక టైర్లు రెండూ నిర్దిష్ట టైర్ ప్రెజర్ ఉండాలి. అమర్చితే, కాంపాక్ట్ స్పేర్ టైర్లు విలువ వర్ధించదని గమనించండి.

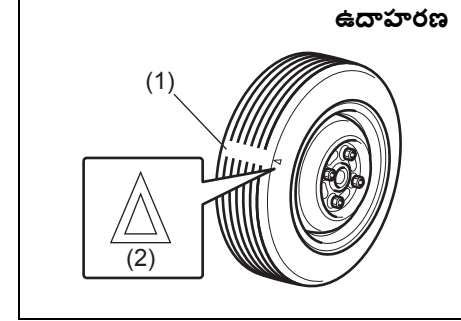
టైర్ తనిఖీ

ఈ క్రింది తనిఖీలు చేయడం ద్వారా కనీసం నెలకు ఒకసారి మీ వాహనం టైర్లను తనిఖీ చేయండి:

- 1) టైర్ ప్రెజర్ గేజ్ గాలి పీడనాన్ని లెక్కించండి. అవసరమైతే ఒత్తిడిని సర్దుబాటు చేసుకోండి. స్పేర్ టైర్లు కూడా తనిఖీ చేయడం గుర్తుంచుకోండి.

⚠ హెచ్చరిక

- టైర్లు చల్లగా ఉంటే లేదా మీకు తప్పుడు రీడింగులు వచ్చినప్పుడు ఎయిర్ ప్రజర్లను తనిఖీ చేయాలి.
- నిర్దిష్ట పీడనం లభించే వరకు, టైరును క్రమంగా పెంచేటప్పుడు ఇన్స్ట్రక్షన్ ప్రజర్ని ఎప్పటికప్పుడు తనిఖీ చేయండి.
- టైర్లను ఎప్పుడూ తక్కువ ఉబ్బడం లేదా ఎక్కువ పెంచడం చేయవద్దు.
- ఇన్స్ట్రక్షన్ అసాధారణ హ్యాండింగ్ లక్షణాలను కలిగిస్తుంది లేదా టైర్ బీడైరిమ్ జారిపోయేలా చేస్తుంది, ఫలితంగా ప్రమాదం లేదా టైర్ లేదా రిమ్ దెబ్బతింటుంది.
- అతిగా ఇన్స్ట్రక్షన్ చేయడం వల్ల టైర్ పగిలిపోతుంది, ఫలితంగా వ్యక్తిగత గాయాలు అవుతాయి. అధిక ద్రవ్యోల్పణం అసాధారణ మెయింటనెన్స్ లక్షణాలను కూడా కలిగిస్తుంది, ఇది ప్రమాదానికి దారితీస్తుంది.



52KM110

- (1) ట్రెడ్ వేర్ ఇండికేటర్ (Tread wear indicator)
 - (2) ఇండికేటర్ స్థానం గుర్తు
- 2) ట్రెడ్ గ్రూప్ లోతు 1.6 మిమీ (0.06 అంగుళాలు) కంటే ఎక్కువగా ఉండే లేదో తనిఖీ చేయండి. దీనిని తనిఖీ చేయడంలో మీకు సహాయపడటానికి, టైర్లు మోల్డ్-ఇన్ ట్రెడ్ వేర్ ఇండికేటర్లను గ్రూప్లో ఉంటాయి. ట్రెడ్ ఉపరితలంపై ఇండికేటర్లు కనిపించినప్పుడు, ట్రెడ్ మిగిలిన లోతు 1.6 మిమీ (0.06 అంగుళాలు) లేదా అంతకంటే తక్కువగా ఉంటుంది మరియు టైరును మార్చాలి.
 - 3) అసాధారణ అరుగుదల, పగుళ్లు మరియు నష్టాన్ని తనిఖీ చేయండి. పగుళ్లు లేదా ఇతర డ్యామేజీ ఉన్న టైర్లను మార్చాలి.

తనిఖీ మరియు మెయింటెనెన్స్

ఏవైనా ట్రైర్లు అసాధారణ అరుగుదలని చూపించితే, వాటిని మీ అధీకృత మారుతి సుజికి కమర్షియల్ వర్క్ షాప్స్ తనిఖీ చేయండి.

⚠️ జాగ్రత్త

అడ్డంకులను కొట్టడం మరియు రాళ్లపై పరిగెత్తడం ట్రైర్లను దెబ్బతీస్తుంది మరియు వీల్ అలైన్మెంట్స్ ప్రభావితం చేస్తుంది. మీ అధీకృత మారుతి సుజికి కమర్షియల్ వర్క్ షాప్స్ ట్రైర్లు మరియు వీల్ అలైన్మెంట్స్ క్రమానుగతంగా చెక్ చేసుకోండి.

- 4) లూజ్ వీల్ నట్స్ కు చెక్ పెట్టండి.
- 5) ట్రైర్లకు గోర్లు, రాళ్లు, ఇతర వస్తువులు అంటుకోకుండా చూసుకోవాలి.

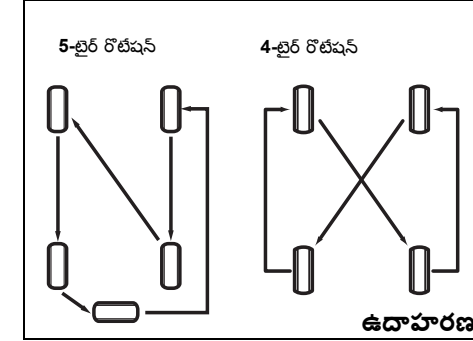
⚠️ హెచ్చరిక

- మీ వేహికల్లో ఒకే రకం మరియు సైజులో ఉండే ట్రైర్లు ఉంటాయి. వేహికల్ సరైన స్టీరింగ్ మరియు హ్యాండ్లింగ్ ధృవీకరించడానికి ఇది చాలా ముఖ్యం. మీ వాహనం నాలుగు చక్రాలపై విభిన్న పరిమాణం లేదా రకం ట్రైర్లను ఎప్పుడూ కలపవద్దు. ఉపయోగించే ట్రైర్ల పరిమాణం మరియు రకం మీ వేహికల్ కొరకు ప్రామాణిక లేదా ఆప్షనల్ ఎక్స్ ప్లెంట్ల మారుతి సుజికి ద్వారా ఆమోదించబడినవి మాత్రమే ఉండాలి.
- మీ వాహనంలో అమర్చిన చక్రాలు మరియు ట్రైర్లను ఆఫ్ టర్ మార్కెట్ చక్రాలు మరియు ట్రైర్ల నిర్దిష్ట కలయికలతో భర్తీ చేయడం వల్ల మీ వాహనం స్టీరింగ్ మరియు హ్యాండ్లింగ్ లక్షణాలను గణనీయంగా మార్చవచ్చు.
- అందువల్ల, మారుతి సుజికి ఆమోదించిన వీల్మరియు ట్రైర్ కాంబినేషన్లను మాత్రమే మీ వేహికల్ కొరకు ప్రామాణిక లేదా ఆప్షనల్ ఎక్స్ ప్లెంట్ల ఉపయోగించండి.

గమనించండి

ఒరిజినల్ ట్రైర్లను వేరే సైజు ట్రైర్లతో రీఫ్లెస్ చేయడం వల్ల స్పీడ్ మీటర్ లేదా ఓడోమీటర్ రీడింగ్లు తప్పుగా ఉండవచ్చు. ఒరిజినల్ ట్రైర్ల కంటే పరిమాణంలో భిన్నమైన రీఫ్లెస్మెంట్ ట్రైర్లను కొనుగోలు చేయడానికి ముందు మీ అధీకృత మారుతి సుజికి కమర్షియల్ వర్క్ షాప్స్ తనిఖీ చేయండి.

ట్రైర్ రోటేషన్



మీ ట్రైర్ల అసమాన అరుగుదలను నివారించడానికి మరియు వాటి జీవితకాలాన్ని పొడిగించడానికి, వివరించిన విధంగా ట్రైర్లను తిప్పండి. ప్రతి 10000 కిలోమీటర్లకు ట్రైర్లను

తిప్పాలి. రోటేషన్ తరువాత, మీ వేహికల్ ట్రైర్ ఇన్స్ట్రక్షన్ లేబుల్స్ జాబితా చేసిన స్పెసిఫికేషన్లు ముందు మరియు వెనుక ట్రైర్ ప్రెజర్లను సర్దుబాటు చేయండి.

వీల్ బ్యాలెన్సింగ్

వాహనం స్కూత్ రోడ్డుపై అసాధారణంగా కంపించితే, అధికృత మారుతి సుజికి కమర్షియల్ వర్క్షాపుద్ల చక్రాన్ని బ్యాలెన్స్ చేయండి.

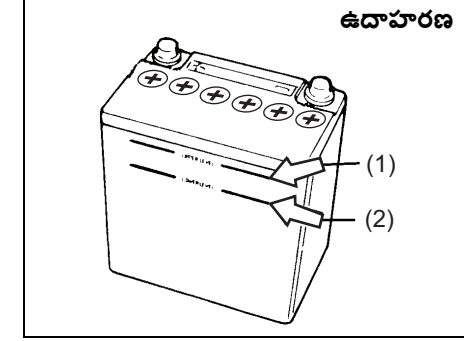
చక్ర అమరిక

అసాధారణంగా ట్రైర్ అరుగుదల లేదా ఒక వైపుకు లాగడం జరిగితే, అధికృత మారుతి సుజికి కమర్షియల్ వర్క్షాపుద్ల చక్రాన్ని అలైన్ చేయండి.

బ్యాటరీ (Battery)

⚠ హెచ్చరిక

- బ్యాటరీలు మండే స్వభావం కలిగిన హైడ్రోజన్ వాయువును ఉత్పత్తి చేస్తాయి. మంటలు మరియు స్పార్క్లను బ్యాటరీకి దూరంగా ఉంచండి లేదా పేలుడు సంభవించవచ్చు. బ్యాటరీ సమీపంలో పనిచేసేటప్పుడు ఎప్పుడూ పొగ తాగవద్దు.
- బ్యాటరీని చెక్ చేసేటప్పుడు లేదా సర్వీసింగ్ చేసేటప్పుడు, నెగిటివ్ కేబుల్ని డిస్కనెక్ట్ చేయండి. మెటల్ వస్తువులు ఒకే సమయంలో బ్యాటరీ పోస్టులను మరియు వాహనాన్ని తాకడానికి అనుమతించడం ద్వారా షార్ట్ సర్క్యూట్ జరగకుండా జాగ్రత్త వహించండి.
- మీకు హాని కలిగించకుండా లేదా మీ వాహనం లేదా బ్యాటరీకి నష్టం జరగకుండా ఉండటానికి, మీ వాహనాన్ని జంప్ స్టార్ట్ చేయడం అవసరం అయితే ఈ మాన్యువల్లోని "ఎమర్జెన్సీ సర్వీస్" విభాగంలోని జంప్ స్టార్టింగ్ ఇండికేటర్లను అనుసరించండి.



54GM701

మెయింటెనెన్స్ ప్లీ బ్యాటరీ (క్యాప్-లెస్ రకం) కోసం, మీరు నీటిని జోడించాల్సిన అవసరం లేదు. వాటర్ ఫిల్లర్ క్యాప్లు ఉన్న సాంప్రదాయ రకం బ్యాటరీ కొరకు, బ్యాటరీ ద్రావణం స్థాయిని అన్నివేళలా ఎగువ స్థాయి లైన్ (1) మరియు దిగువ స్థాయి రేఖ (2) మధ్య ఉంచాలి. బ్యాటరీ, కేస్ బ్యాటరీ టెర్మినల్స్ మరియు బ్యాటరీ హోల్ట్ డౌన్ బ్రాకెట్ డ్యామేజ్ లేదా తుప్పు పట్టడానికి మీరు క్రమానుగతంగా చెక్ చేయాలి. గట్టి బ్రష్ మరియు అమ్మోనియాను నీటితో కలిపి లేదా నీటితో కలిపిన బేకింగ్ సోడాను ఉపయోగించి తుప్పును తొలగించండి. తుప్పును తొలగించిన తర్వాత, శుభ్రమైన నీటితో కడగాలి.

మీ వాహనం ఒక నెల లేదా అంతకంటే ఎక్కువ కాలం నడపకపోతే, డిశ్చార్జ్ నిరోధించడంలో

తనిఖీ మరియు మెయింటెనెన్స్

సహాయపడటానికి బ్యాటరీ నెగటివ్ టెర్మినల్ నుంచి కేబుల్ని డిస్కనెక్ట్ చేయండి.

⚠ హెచ్చరిక

బ్యాటరీ లోవ్‌లైట్ లోవల్ లైన్ (lower level line) (2) కంటే తక్కువగా ఉన్నట్లయితే, అది బ్యాటరీ జీవితకాలం తగ్గడం, ఎక్స్‌థెర్నిక్ హీట్ లేదా బ్యాటరీ నుండి సంభవించే హైడ్రోజన్ వాయువు ద్వారా పేలుడుకు కారణం కావచ్చు. బ్యాటరీ లోవ్‌లైట్ లోవల్ లైన్ (lower level line) (2) కంటే తక్కువగా ఉన్న బ్యాటరీని ఉపయోగించవద్దు.

గమనించండి

బ్యాటరీ ఫ్లూయిడ్ ఎగువ స్థాయి రేఖ (upper level line) (1) కంటే ఎక్కువగా జోడించబడితే, డ్రైవింగ్ చేసేటప్పుడు ప్రకంపనల ద్వారా ఫ్లూయిడ్ డిక్ కావచ్చు లేదా బ్యాటరీ ఛార్జింగ్ పరిస్థితిని బట్టి కొన్ని సందర్భాల్లో ఫ్లూయిడ్ యటకు రావచ్చు. ఇవి బ్యాటరీ దగ్గర భాగాలకు నష్టం కలిగించవచ్చు. బ్యాటరీ లిక్విడ్ ఓవర్ స్పిల్స్ అయితే, వెంటనే సీట్ తో కడగాలి. బ్యాటరీ ద్రవాన్ని ఎగువ స్థాయి లైన్ (upper level line) (1) కంటే ఎక్కువగా జోడించవద్దు.

గమనిక :

బ్యాటరీని ఉపయోగించినప్పుడు బ్యాటరీ లిక్విడ్ వినియోగించబడుతుంది. లోవల్ ఎగువ స్థాయి (upper level) (1) మరియు దిగువ స్థాయి (lower level) (2) మధ్య కంటే తక్కువగా ఉన్నట్లు కనుగొనబడితే, ఎగువ స్థాయి రేఖ (upper level line) (1) కు చేరుకునే వరకు స్వేదనజలాన్ని జోడించండి.

ఫ్యూజులు (Fuses)

మీ వాహనం క్రింద వివరించిన విధంగా మూడు రకాల ఫ్యూజులు ఉంటాయి:

ఫ్యూసియబుల్ లింక్ వైర్ మరియు మెయిన్ ఫ్యూజ్
మెయిన్ ఫ్యూజ్ బ్యాటరీ నుండి నేరుగా విద్యుత్తు తీసుకుంటుంది.

ప్రాథమిక ఫ్యూజు

ఈ ఫ్యూజు ప్రధాన ఫ్యూజ్ మరియు వ్యక్తిగత ఫ్యూజు మధ్య ఉంటాయి మరియు విద్యుత్ లోడ్ సమూహాల కోసం ఉంటాయి.

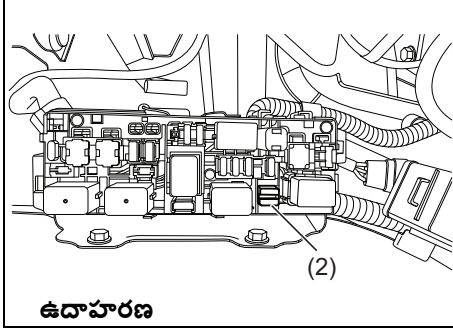
వ్యక్తిగత ఫ్యూజు

ఈ ఫ్యూజు వ్యక్తిగత విద్యుత్ సర్క్యూట్ల కొరకు ఉంటాయి.

గమనిక :

- మీ వాహనం ఫ్యూజ్ బాక్స్ కవర్పై ఫ్యూజ్ పేరు అందుబాటులో ఉన్నప్పటికీ, వేరియంట్ల ఫ్యూజ్ వర్తించదని "బ్లాంక్" సూచిస్తుంది.
- ఖాళీగా పేర్కొననప్పటికీ, వేహికల్ వేరియంట్ ప్రకారం కొంత ఫ్యూజ్ మీ వాహనానికి వర్తించకపోవచ్చు.

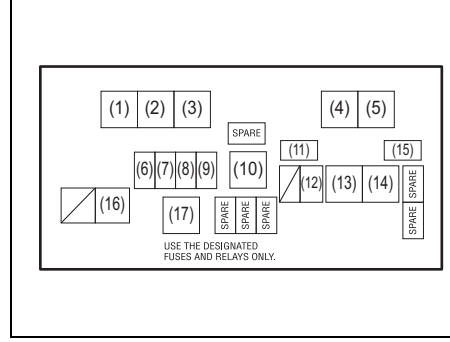
ఫ్యూజ్ తొలగించడానికి, రిలే బాక్స్ ఇవ్వబడ్డ ఫ్యూజ్ పుల్లర్ (2) ఉపయోగించండి.



ఉదాహరణ

77PM07012

ఇంజిన్ కంపార్ట్మెంట్ ఫ్యూజ్



77PM07030

గమనిక :

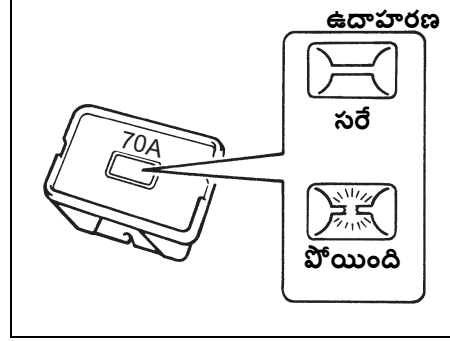
ఖాళీగా పేర్కొననప్పటికీ, వేహికల్ వేరియంట్ ప్రకారం కొంత ఫ్యూజ్ మీ వాహనానికి వర్తించకపోవచ్చు.

మెయిన్ ఫ్యూజ్/ప్రైమరీ ఫ్యూజ్/రిలే		
సీ. బర్	రేటింగ్	ఫ్యూజ్ /రిలే
(1)	-	సి.ఎన్.జి. వాల్ట్ రిలే *
(2)	-	ఫ్యూజ్ పుల్లర్
(3)	-	రేడియేటర్ ఫ్యాన్ రిలే
(4)	-	ఫ్యూయల్ పంప్ రిలే
(5)		మోటార్ రిలే ప్రారంభించడం
(6)	7.5A	సి.ఎన్.జి. వాల్ట్ *
(7)	20A	ఫ్యూయల్ ఇంజెక్షన్
(8)	30A	స్టార్టింగ్ మోటార్
(9)	15A	హోరన్
(10)	70A	ఆల్టర్నేటర్
(11)	7.5A	సి.ఎన్.జి. *
(12)	10A	ప్రమాద హెచ్చరిక లైట్
(13)	40A	బ్యాటరీ
(14)	40A	ఇగ్నీషన్ స్విచ్
(15)	7.5A	ST SIG 2 (స్టార్టింగ్ సిగ్నల్)
(16)	30A	రేడియేటర్ ఫ్యాన్
(17)	-	FI మెయిన్ రిలే

*: సి.ఎన్.జి. మోడల్ (CNG model) కోసం

తనిఖీ మరియు మెయింటెనెన్స్

మెయిన్ ఫ్యూజ్, పైమరీ ఫ్యూజ్ మరియు కొన్ని వ్యక్తిగత ఫ్యూజ్ ఇంజిన్ కంపార్ట్మెంట్లో ఉంటాయి. మెయిన్ ఫ్యూజ్ పేలితే, ఏ ఎలక్ట్రికల్ కాంపోనెంట్ పనిచేయదు. పైమరీ ఫ్యూజ్ పేలితే, సంబంధిత లోడ్ గ్రూపులోని ఏ ఎలక్ట్రికల్ కాంపోనెంట్ పనిచేయదు. మెయిన్ ఫ్యూజ్, పైమరీ ఫ్యూజ్ లేదా వ్యక్తిగత ఫ్యూజ్ రిఫ్లెక్ట్ చేసేటప్పుడు, Maruti ఒరిజినల్ ఫ్యూజ్స్ ఉపయోగించండి. ఫ్యూజ్ తొలగించడానికి, రిలే బాక్స్ ఇవ్వబడ్డ ఫ్యూజ్ పుల్లర్ (2) ఉపయోగించండి. ఫ్యూజ్ బాక్స్ కవర్ లోపల ప్రతి ఫ్యూజ్ యాంపిరేజ్ చూపించబడుతుంది.



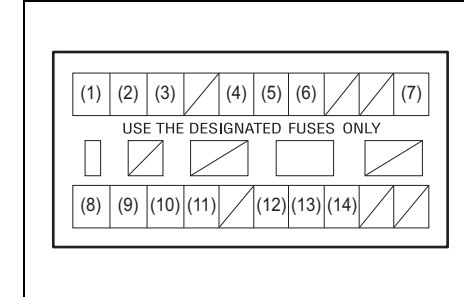
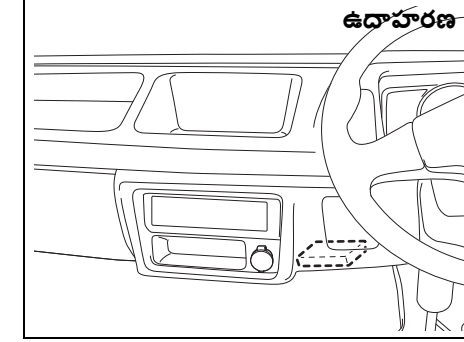
⚠ హెచ్చరిక

మెయిన్ ఫ్యూజ్ లేదా పైమరీ ఫ్యూజ్ పేలితే, అధికృత మారుతి సుజికి కమర్షియల్ వర్క్ షాప్స్ మా మీ వాహనాన్ని తనిఖీ చేయాలని నిర్ధారించుకోండి. ఎప్పుడూ Maruti ఒరిజినల్ ఫ్యూజ్స్ భాగాన్ని ఉపయోగించండి. తాత్కాలిక మరమ్మత్తు కొరకు కూడా వైరు వంటి ప్రత్యామ్నాయాన్ని ఎన్నడూ ఉపయోగించవద్దు, లేదా విస్తృతమైన విద్యుత్ నష్టం/అగ్ని ప్రమాదం సంభవించవచ్చు.

గమనిక :

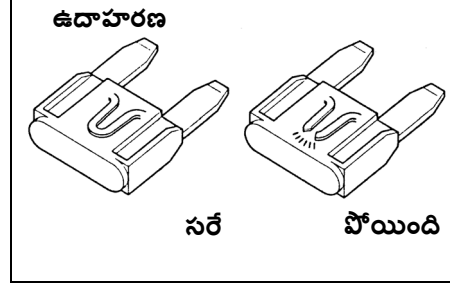
ఫ్యూజ్ బాక్స్ ఎప్పుడూ స్పీర్ ఫ్యూజ్ మరియు ఫ్యూజ్ పుల్లర్ని ఉండేలా చూసుకోండి.

డాప్లోర్లు కింద ఫ్యూజ్



మెయిన్ ప్యూజ్/ప్రైమరీ ప్యూజ్		
(1)	10A	హెడ్ లైట్ (కుడి)
(2)	10A	హెడ్ లైట్ (ఎడమ)
(3)	10A	డోమ్ లైట్
(4)	10A	టెయిల్ లైట్
(5)	10A	స్టాప్ లైట్
(6)	15A	రేడియో
(7)	10A	ఈ-స్టార్లింగ్ సిగ్నల్
(8)	10A	మీటర్
(9)	15A	ఇగ్నీషన్
(10)	10A	బ్యాకప్ లైట్
(11)	15A	ఫ్రంట్ వైపర్
(12)	15A	యాక్ససరీ 2
(13)	10A	యాక్ససరీ
(14)	7.5A	సి.ఎన్.జి. ఇగ్నీషన్ *

*: సి.ఎన్.జి. మోడల్ (CNG model) కోసం ప్యూజ్ బాక్స్ డ్రాప్ బోర్డు కింద ఉంటుంది.



65D046

⚠ హెచ్చరిక

పేలిన ప్యూజు ఎప్పుడూ సరైన యాంపిరేజ్ ప్యూజ్ భర్తీ చేయాలని నిర్ధారించుకోండి. పేలిపోయిన ప్యూజు భర్తీ చేయడానికి అల్యూమినియం ఫాయిల్ లేదా వైరు వంటి ప్రత్యామ్నాయాన్ని ఎన్నడూ ఉపయోగించవద్దు. ప్యూజు రీఫ్లెక్స్ చేసి, కొత్త ప్యూజు తక్కువ సమయంలో పోతే, మీకు పెద్ద విద్యుత్ సమస్య ఉండవచ్చు. మీ అధికృత మారుతి సుజికి కమర్షియల్ వర్క్ షాప్స్ వంటనే మీ వాహనాన్ని తనిఖీ చేయండి.

బల్బ్ మార్చడం

⚠ జాగ్రత్త

- లైట్ బల్బులు ఆఫ్ చేసిన వెంటనే మీ వేలిని కాల్చేంత వేడిగా ఉంటాయి. ముఖ్యంగా హాలోజెన్ హెడ్ లైట్ బల్బులకు ఇది వర్తిస్తుంది. బల్బులు తగినంత చల్లారిన తర్వాత వాటిని మార్చండి.
- హెడ్ లైట్ బల్బులు ప్రజరెక్ట్ హాలోజెన్ నాయువుతో నిండి ఉంటాయి. వాటిని పగలబెట్టినా, పడిపోయినా అవి పేలి మిమ్మల్ని గాయపరుస్తాయి. వాటిని జాగ్రత్తగా నిర్వహించండి.

గమనించండి

మీ చర్మం నుండి వచ్చే ఆయిలు లైట్లు ఆఫ్ చేసినప్పుడు హాలోజెన్ బల్బ్ వేడెక్కడానికి మరియు పేలడానికి కారణం కావచ్చు. శుభ్రమైన గుడ్డతో కొత్త బల్బును పట్టుకోండి.

తనిఖీ మరియు మెయింటెనెన్స్

గమనించండి

- బల్బును తరచుగా మార్పడం విద్యుత్ సిస్టమ్లనిఖీ అవసరాన్ని సూచిస్తుంది. ఇది మీ మారుతి సుజికి అధీకృత వర్కషాప్స్ నిర్వహించబడుతుంది.
- బల్బ్ రిఫ్లెక్టర్ల సమయంలో ఎప్పుడూ వాహనంలో ఉపయోగించిన అదే బల్బ్ నెంబరును ఉపయోగించండి, ఇది పేర్కొన్న బల్బ్/యూనిట్ల ముద్రించబడింది మరియు/లేదా స్పెసిఫికేషన్లో పేర్కొనబడింది.

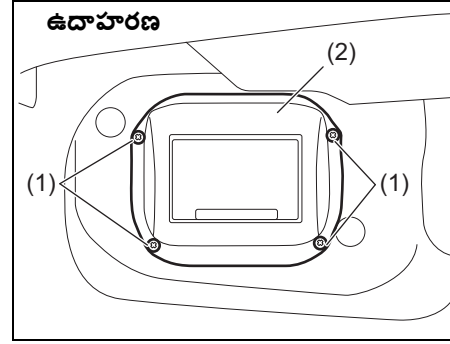
గమనిక :

వర్షంలో డ్రైవింగ్ చేసేటప్పుడు లేదా తరువాత లేదా కాదు కడిగిన తర్వాత బాహ్య లైట్ల (హెడ్ లైట్, రియర్ కాంబినేషన్ లైట్ మొదలైనవి) లోన్లపై పొగమంచు ఏర్పడవచ్చు. ఇది లోపల మరియు వెలుపల ల్యాంప్లకు ఉష్ణోగ్రత వ్యత్యాసం కారణంగా సంభవించే సహజ దృగ్విషయం. లోన్లపై తాత్కాలిక పొగమంచు పనిచేయకపోవడం కాదు మరియు వాహనం నడిపేటప్పుడు ఎటువంటి అసౌకర్యాన్ని కలిగించదు.

వాతావరణ పరిస్థితి ఎండగా మారినప్పుడు లేదా హెడ్ ల్యాంప్ ఆన్ చేసినప్పుడు పొగమంచు క్షయం అవుతుంది. అయితే ల్యాంప్లోపల నీటి

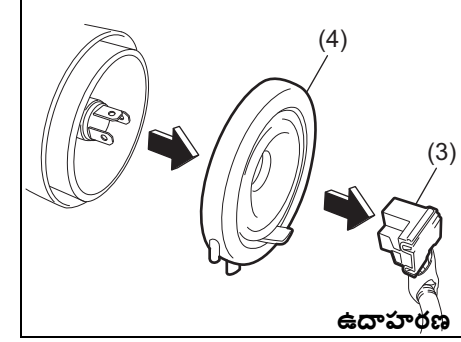
లీకేజీ ఉంటే, మీ అధీకృత మారుతి సుజికి వర్కషాప్స్ సంప్రదించండి.

హెడ్ లైట్లు



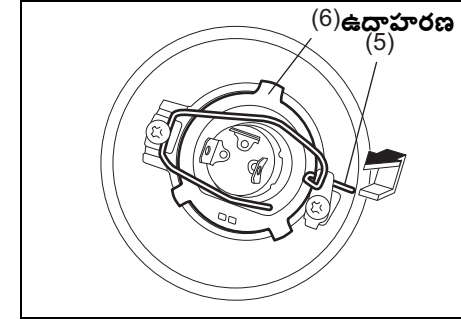
77PH050

- 1) స్కూలు (screws) (1) తొలగించండి మరియు ఎయిర్ ఇన్లెట్ బాక్స్ (air inlet box) (2) తొలగించండి.



77PH051

- 2) కపులర్ని డిస్కనెక్ట్ చేయండి (coupler) (3). సీలింగ్ రబ్బరును తొలగించండి (rubber) (4).



77PH052

- 3) రిటైనింగ్ స్ప్రింగ్ (retaining spring) (5)ని ముందుకు నెట్టండి మరియు దానిని అస్టాక్

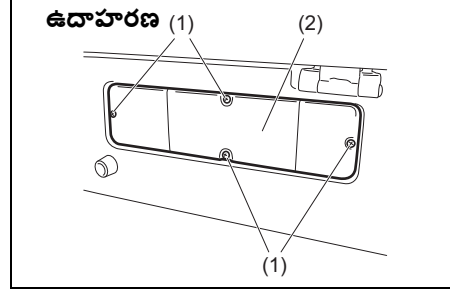
చేయండి. తరువాత బల్బు (bulb) (6)
తొలగించండి. తొలగింపు రివర్స్ ఆర్డర్లో కొత్త
బల్బు ఇన్స్టాల్ చేయండి.

తనిఖీ మరియు మెయింటెనెన్స్

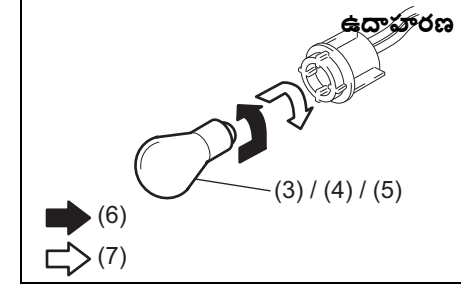
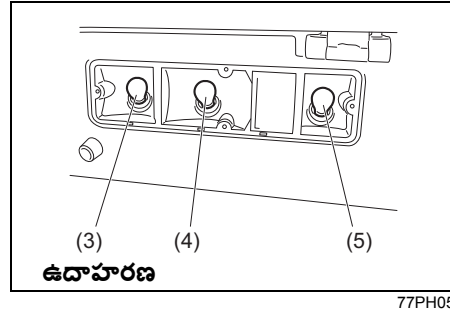
ఫ్రంట్ టర్న్ సిగ్నల్ లైట్ ఫ్రంట్ పొజిషన్ లైట్

ప్రత్యేక విదానాలు అవసరం కాబట్టి, బల్బ్ రిఫ్లెక్స్ మెంట్ కొరకు మీ వాహనాన్ని మీ అధికృత మారుతి సుజికి కమర్షియల్ వర్కస్కు తీసుకెళ్లాలని మేం సిఫార్సు చేస్తున్నాం.

రియర్ కాంబినేషన్ లైట్

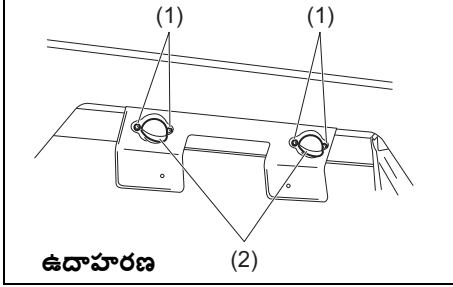


- 1) స్క్రూలు (screws) (1) తొలగించండి మరియు కవర్ (cover) (2) తొలగించండి.



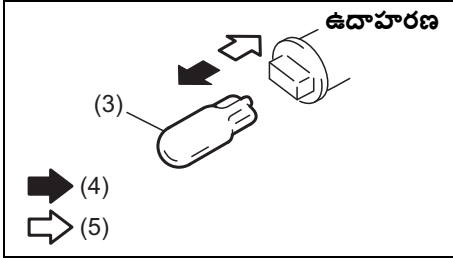
- (1) తొలగింపు
- (2) ఇన్స్టాల్ చేయండి
- 2) టర్న్ సిగ్నల్ లైట్ (turn signal light) (3), టయిల్/బ్రేక్ లైట్ (tail/brake light) (4) లేదా రివర్సింగ్ లైట్ (reversing light) (5) బల్బ్ హోల్డర్ బల్బును తొలగించడానికి, బల్బు నెట్టి, దానిని కొంటర్ క్లాక్వైజ్గా తిప్పండి. ఒక కొత్త బల్బును ఇన్స్టాల్ చేయడానికి, దానిని నెట్టి, దానిని క్లాక్వైజ్గా తిప్పండి.

లైసెన్స్ ప్లేట్ లైట్ (License Plate Light)



77PH066

- 1) స్క్రూలు (screws) (1) తొలగించండి మరియు కవర్ (cover) (2) తొలగించండి.



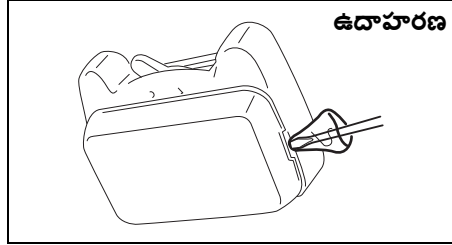
77PH063

- (1) తొలగించు
 (2) ఇన్స్టాల్ చేయండి
 2) లైసెన్స్ ప్లేట్ లైట్ (3) బల్బును తొలగించడానికి మరియు ఇన్స్టాల్

చేయడానికి, బల్బు బయటకు లాగండి లేదా నెట్టండి.

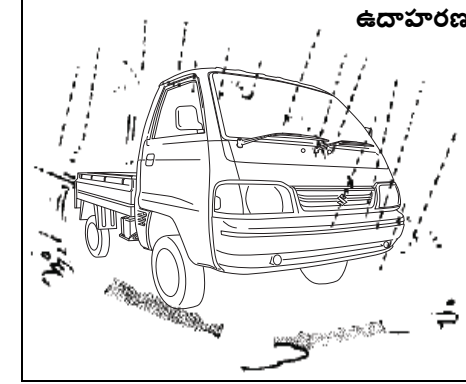
ఇంటీరియర్ లైట్

చూపించిన విధంగా మృదువైన గుడ్డతో కప్పబడిన ప్లాట్ బ్లేడ్ స్క్రూడ్రైవర్ ఉపయోగించడం ద్వారా లైట్ తొలగించండి. దానిని ఇన్స్టాల్ చేయడానికి, దానిని వెనక్కి నెట్టండి.



77PH057

వైపర్ బ్లేడ్లు (Wiper Blades)



77PM07028

వైపర్ బ్లేడ్లు పెళుసుగా లేదా దెబ్బతిన్నట్లయితే, లేదా తుడిచేటప్పుడు గీతలు ఏర్పడితే, వైపర్ బ్లేడ్లను మార్చండి. కొత్త వైపర్ బ్లేడ్లను ఇన్స్టాల్ చేయడానికి, దిగువ ప్రక్రియలను అనుసరించండి.

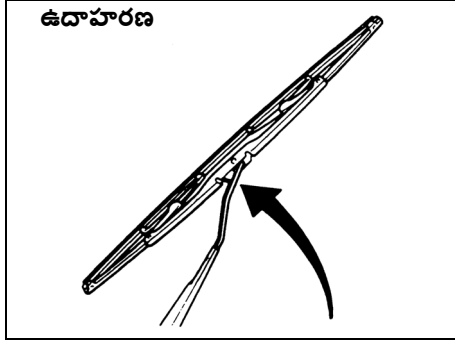
గమనించండి
గీతలు పడటం లేదా విండో పగిలిపోవడాన్ని పరిహరించడానికి, వైపర్ బ్లేడ్లు మార్చేటప్పుడు వైపర్ చేతిని కిటికీని తాకనివ్వవద్దు.

తనిఖీ మరియు మెయింటెనెన్స్

గమనిక :

కొన్ని వైపర్ బ్లేడ్లు వాహన స్పెసిఫికేషన్లను బట్టి ఇక్కడ వివరించిన వాటి కంటే భిన్నంగా ఉండవచ్చు. అలా అయితే, సరైన రిఫ్లెస్సింట్ పద్ధతి కోరకు మీ అధికృత మారుతి సుజీకీ కమర్షియల్ వర్కెట్లకు సంప్రదించండి.

విండీ పీల్ వైపర్ కోసం:



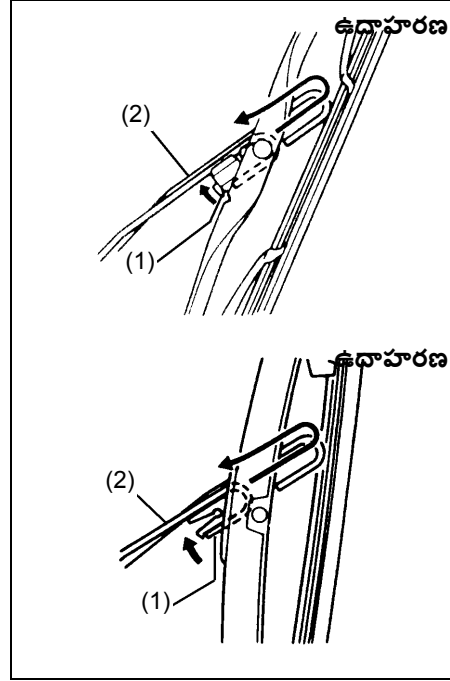
1) వైపర్ ఆర్మ్కి విండీ పీల్ నుండి దూరంగా ఉంచండి.

గమనిక :

ఫ్రంట్ వైపర్ ఆర్మ్ రెండింటినీ పైకి లోపేటప్పుడు, ముందుగా డ్రైవర్ సైడ్ వైపర్ చేతిని పైకి లాగండి. వైపర్ చేతులను తిరిగి ఇచ్చేటప్పుడు, ముందుగా ప్యాసింజర్ సైడ్ వైపర్ చేతిని కిందకు

7-35

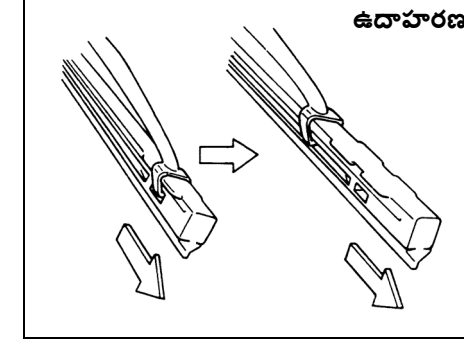
దించండి. లేకపోతే, వైపర్ చేతులు ఒకదానికొకటి ఆటంకం కలిగిస్తాయి.



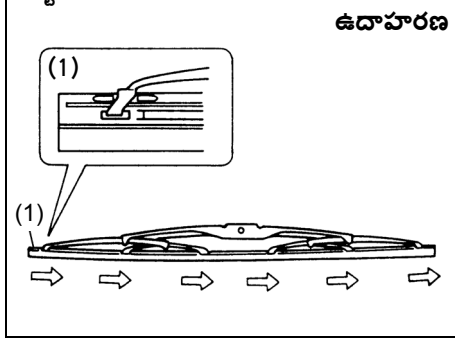
2) వైపర్ ఆర్మ్ (2) వైపు లాక్ (1) నొక్కండి మరియు చూపించిన విధంగా చేతి నుండి వైపర్ ప్రిమ్ తొలగించండి.

3) వైపర్ బ్లేడ్ లాక్ ఎండ్ని అన్లాక్ చేయండి మరియు చూపించిన విధంగా బ్లేడ్ను స్టైడ్ చేయండి.

తొలగించడం



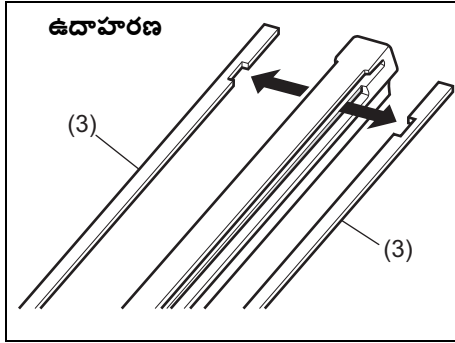
ఇన్స్టలేషన్



ఉదాహరణ

54G132

(1) లాక్ చేసిన ఎండ్

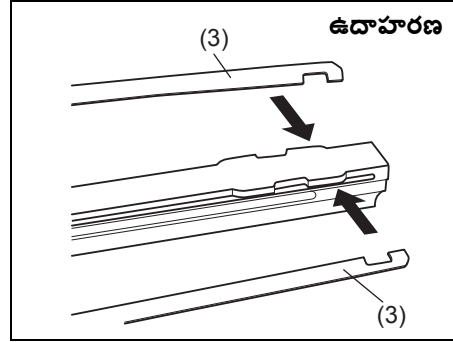


ఉదాహరణ

68PH00754

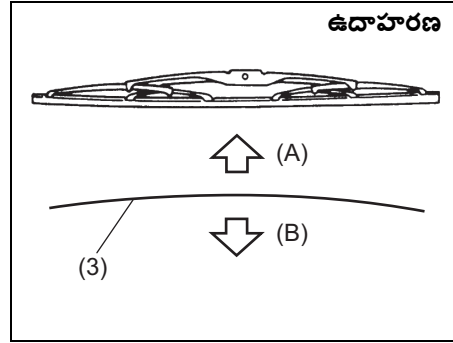
(3) రిట్రెన్

4) రెండు మెటల్ రిట్రెన్లు లేకుండా కొత్త బ్లేడ్ అందిస్తే, వాటిని పాత బ్లేడ్ నుండి కొత్తదానికి తరలించండి.



ఉదాహరణ

60MH071



ఉదాహరణ

60MH072

(A) పైకి
(B) కింద

గమనిక :

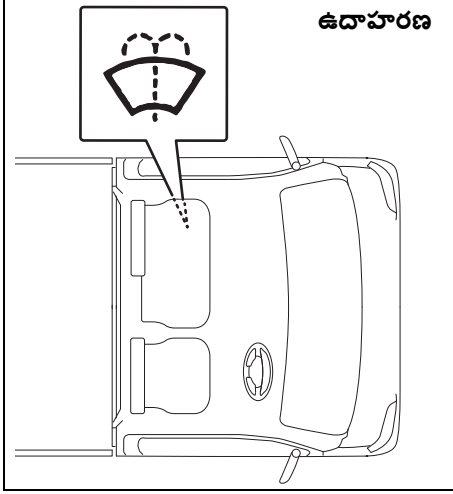
మీరు మెటల్ రిట్రెన్లను (3) ఇన్స్టాల్ చేసేటప్పుడు, వై ఉదాహరణల్లో చూపించిన విధంగా మెటల్ రిట్రెన్ల దిశ ఉండేలా చూసుకోండి.

5) లాక్ చేసిన ఎండ్ని వైపర్ ఆర్మ్ వైపు ఉంచి, తొలగించే రివర్స్ ఆర్డర్లో కొత్త బ్లేడ్ని ఇన్స్టాల్ చేయండి.

అన్ని హుక్ల ద్వారా బ్లేడ్ సరిగ్గా నిలుపుకున్నట్లుగా ధృవీకరించుకోండి. బ్లేడ్ ఎండ్కు తాళం వేయండి.

6) వైపర్ ప్రేమ్ము చేతికి తిరిగి ఇన్స్టాల్ చేయండి, లాక్ లీవర్ను రక్షితంగా చేతికి తగిలించని నిర్ధారించుకోండి.

విండ్ షీల్డ్ వాషర్ ఫ్లూయిడ్ (ఎక్విప్ అయి ఉంటే)



ట్యాంకులో వాషర్ ఫ్లూయిడ్ ఉన్నదా అని విజువల్ గా చెక్ చేయండి. అవసరమైతే రీఫిల్ చేయండి. మంచి నాణ్యమైన విండ్ షీల్డ్ వాషర్ ఫ్లూయిడ్ ఉపయోగించండి, దీనిని అవసరమైనప్పుడు నీటితో కరిగించండి.

గమనించండి
వెహికల్ పై సున్నపు మరకలు పడకుండా నివారించడానికి, ఉప్పు నీటిని వాడటం నివారించండి.

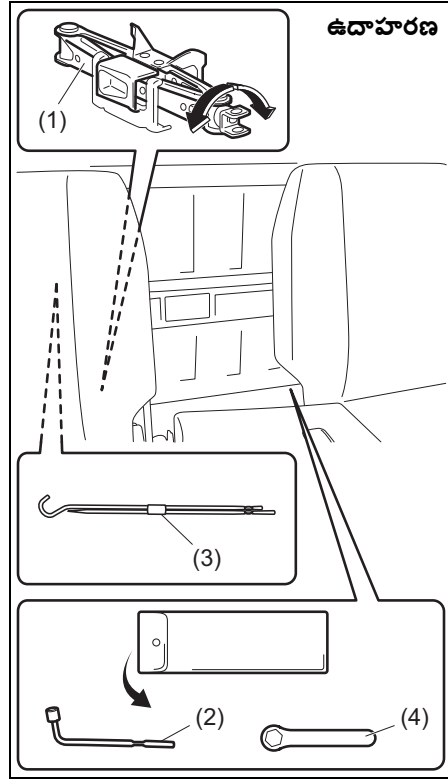
⚠ హెచ్చరిక
విండ్ షీల్డ్ వాషర్ రిజర్వాయర్లో రేడియేటర్ యాంటిఫ్రీజ్ ఉపయోగించవద్దు. ఇది విండ్ షీల్డ్ పై స్పృశ చేసినప్పుడు దృశ్యమానతను తీవ్రంగా దెబ్బతీస్తుంది మరియు మీ వాహనం పెయింట్ను కూడా దెబ్బతీస్తుంది.

గమనించండి
వాషర్ ట్యాంకులో ఫ్లూయిడ్ లేకుండా వాషర్ మోటార్ ఆపరేట్ చేస్తే నష్టం సంభవించవచ్చు.

ఎమర్జెన్సీ సర్వీస్

టైర్ మార్చే టూల్.....	8-1
జాకింగ్ సూచనలు.....	8-2
మారుతున్న చక్రాలు	8-6
జంప్ స్టార్టింగ్ సూచనలు	8-7
టోవింగ్	8-9
స్టార్టర్ పనిచేయకపోతే.....	8-9
ఇంజిన్ ఫ్లడెడ్ అయితే.....	8-9
ఇంజిన్ వేడెక్కితే.....	8-9
హిట్టింగ్ ద్వారా అండర్ బాడీ ట్రబుల్	8-10
హెచ్చరిక త్రిభుజం	8-11
అగ్నిమాపక యంత్రం (ఎక్స్‌ప్రెస్ అయి ఉంటే)	8-11

టైర్ మార్షే టూల్



77PH202

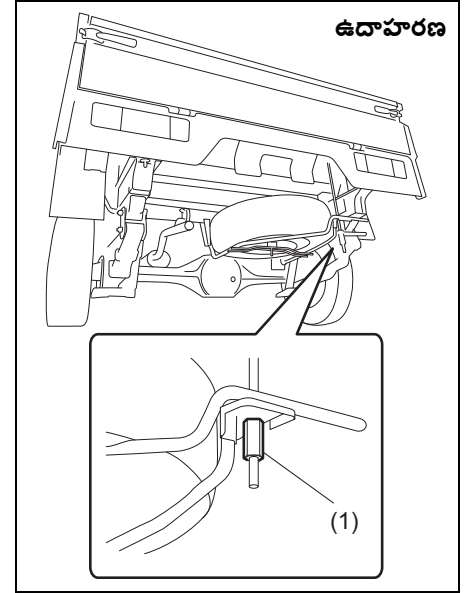
ఉదాహరణ

- (1) జాకీ
- (2) వీల్ బ్రేస్
- (3) జాక్ హ్యాండిల్
- (4) స్పానర్

డ్రైవర్ సీటు వెనుక టైర్ మార్షే టూల్స్ అమర్చారు.

జాక్ను తొలగించడానికి, దాని షాఫ్ట్ కొంటర్లను లాక్ వైపు తిప్పండి మరియు స్టోరేజీ బ్రాకెట్ నుండి జాక్కు బయటకు లాగండి. జాక్కు నిల్వ చేయడానికి, దానిని స్టోరేజీ బ్రాకెట్లో ఉంచండి మరియు జాక్ సురక్షితంగా పట్టుకునే వరకు షాఫ్టు క్లాక్సెట్లో తిప్పండి.

స్పర్ టైర్ను బెడ్ కింద అమర్చారు.
స్పర్ టైర్ తొలగించడానికి:



ఉదాహరణ

77PH099

- 1) 5స్పర్ టైర్ హోల్డర్ హుక్ నట్ (1)ను విప్పండి.
- 2) స్పర్ టైర్ హోల్డర్ను అన్ హుక్ చేయండి మరియు దానిని నెమ్మదిగా దించండి.
- 3) స్పర్ టైర్ మధ్యలో ఉన్న స్కూను తొలగించండి మరియు టైర్ని తొలగించండి.

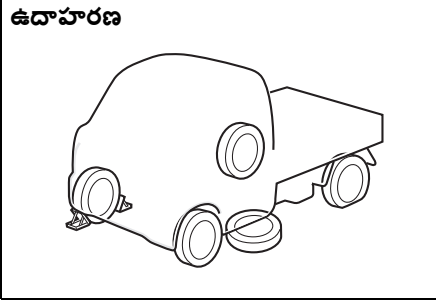
⚠ హెచ్చరిక

ట్రైల్ మార్చ్ సాధనాలను ఉపయోగించిన తర్వాత, వాటిని సురక్షితంగా భద్రపరచాలని నిర్ధారించుకోండి లేదా ప్రమాదం జరిగితే అవి గాయాన్ని కలిగిస్తాయి.

⚠ జాగ్రత్త

చక్రాలను మార్చడానికి మాత్రమే జాక్ ఉపయోగించాలి. జాక్ని ఉపయోగించడానికి ప్రయత్నించే ముందు ఈ విభాగంలోని జాకింగ్ ఇండికేటర్లను చదవడం చాలా ముఖ్యం.

జాకింగ్ (Jack) సూచనలు

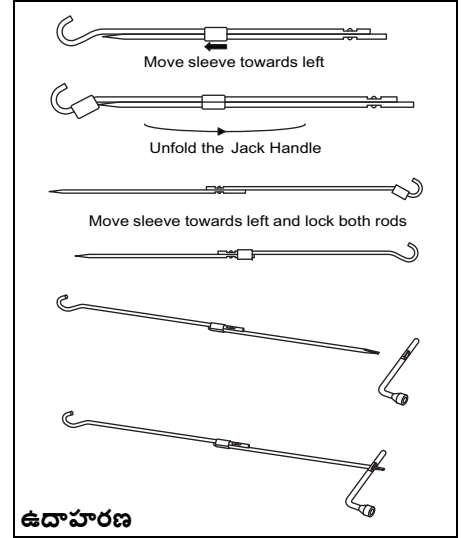


- 1) వేహికల్ని సమతలంగా, గట్టిగా ఉండే గ్రౌండ్ మీద ఉంచండి.
- 2) పార్కింగ్ బ్రేక్ని గట్టిగా సెట్ చేయండి మరియు "R" (రివర్స్)కు మారండి.

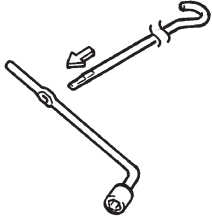
⚠ హెచ్చరిక

- మీరు వాహనాన్ని జాక్ చేసేటప్పుడు "R" (రివర్స్) కు మారాలని నిర్ధారించుకోండి.
- "N" (న్యూట్రల్) లోని ట్రాన్స్మిషన్తో వాహనాన్ని ఎన్నడూ జాక్ చేయవద్దు. లేకపోతే, అస్థిరమైన జాక్ ప్రమాదానికి కారణం కావచ్చు.

- 3) మీ వాహనం ట్రాపిక్కు దగ్గరగా ఉన్నట్లయితే ప్రమాద హెచ్చరిక ప్లాషర్లు ఆన్ చేయండి.
- 4) వీల్ పైకి లేపడానికి ఎదురుగా వీల్ ముందు మరియు వెనుక భాగాలను అడ్డం పెట్టండి.
- 5) జాక్ జారిపోయితే, ఉదాహరణలో చూపించిన విధంగా ఎత్తబడుతున్న చక్రానికి సమీపంలో స్పర్ వీల్ని ఉంచండి.



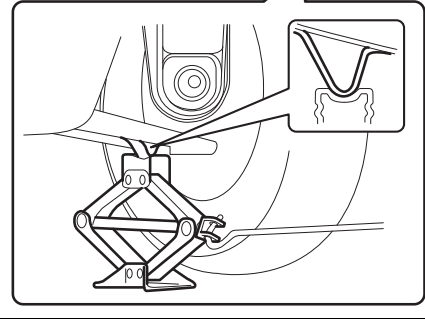
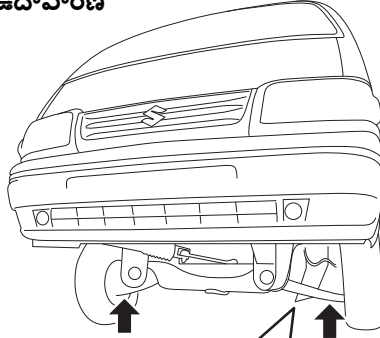
ఉదాహరణ



54G253

ఫ్రంట్ జాకింగ్ పాయింట్ (Front jacking point)

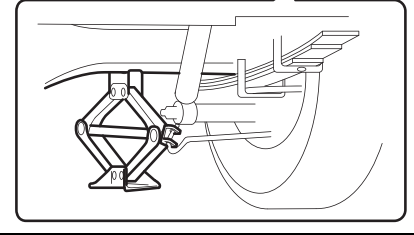
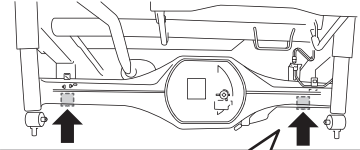
ఉదాహరణ



77PH084

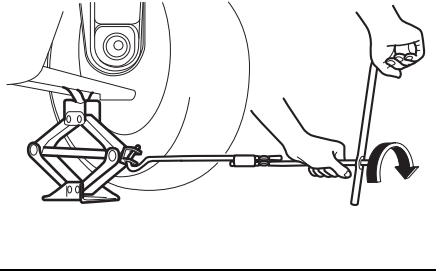
రియర్ జాకింగ్ పాయింట్ (Rear jacking point)

ఉదాహరణ



77PH106

ఉదాహరణ



77PS052

- 6) జాక్కు నిలువుగా ఉంచండి మరియు జాక్ హ్యాండిల్ను సవ్యదిశలో తిప్పడం ద్వారా జాక్కు పైకి లేపండి, జాక్ హ్యాండ్ గ్రూప్ వెహికల్ బాడీ కింద ఉన్న జాకింగ్ బార్ చుట్టూ సరిపోతుంది. పటాలను చూడండి.
- 7) టైరు భూమిని క్లియర్ చేసే వరకు జాక్కు నెమ్మదిగా మరియు మృదువుగా పైకి లేపడం కొనసాగించండి. అవసరానికి మించి వాహనాన్ని పైకి లేపవద్దు.

⚠ హెచ్చరిక

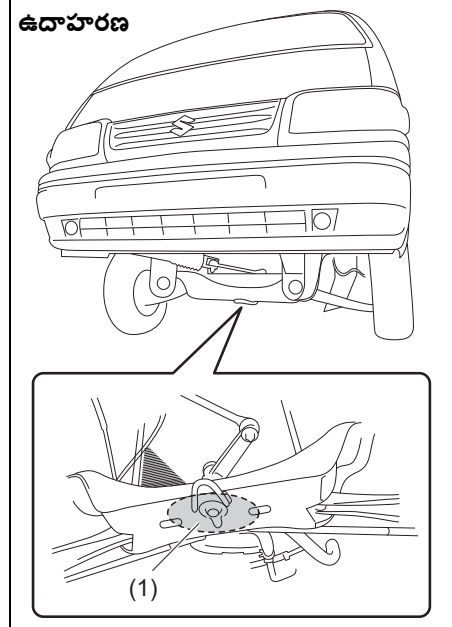
- లేవల్, హార్డ్ గ్రౌండ్స్ చక్రాలను మార్పడానికి మాత్రమే జాక్ ఉపయోగించండి.
- వంగిన ఉపరితలంపై వాహనాన్ని ఎప్పుడూ జాక్ చేయవద్దు.
- మార్పాలిన్ చక్రానికి సమీపంలో నిర్దేశిత జాకింగ్ పాయింట్ (ఉదాహరణలో చూపించబడింది) కాకుండా వేరే ప్రదేశంలో జాక్ వాహనాన్ని ఎప్పుడూ ఎత్తవద్దు.
- జాక్ అండర్ లే వలే చెక్క బ్లాక్కు లేదా ఇలాంటి వస్తువులను ఉపయోగించవద్దు.
- జాక్ సపోర్ట్ చేసినప్పుడు వాహనం కిందకు ఎప్పుడూ వెళ్లవద్దు. జాక్ మద్దతు ఉంటే ఎత్తబడిన వాహనం కింద మీ చేతులు మరియు కాళ్ళను ఎప్పుడూ ఉంచవద్దు.
- వాహనం జాక్ ద్వారా మద్దతు పొందినప్పుడు ఇంజిన్ను ఎప్పుడూ నడపవద్దు మరియు ప్రయాణీకులను వాహనంలో ఉండటానికి ఎప్పుడూ అనుమతించవద్దు.

గ్యారేజ్ జాక్ వాహనాన్ని పైకి లేపడానికి

- దిగువ సూచించిన పాయింట్లలో ఒకదానికి గ్యారేజ్ జాక్కు వర్తించండి.
- దిగువ సూచించిన పాయింట్ల వద్ద జాక్ స్టాండ్రతో (వాణిజ్యపరంగా లభ్యం అయ్యే) పెంచిన వాహనానికి ఎప్పుడూ మద్దతు ఇవ్వండి.

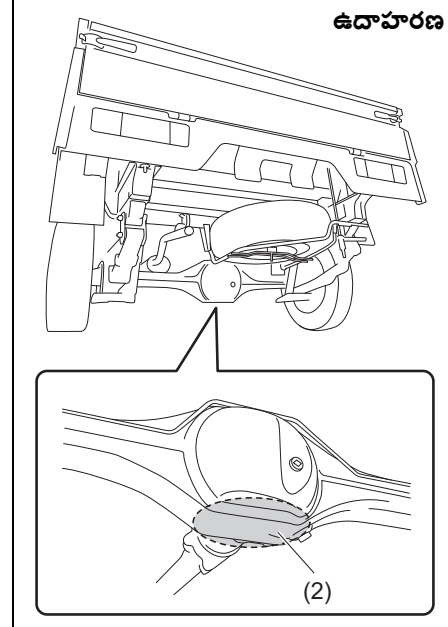
ఎమర్జెన్సీ సర్వీస్

గ్యారేజీ జాక్ (garage jack) కోసం ఫ్రంట్ జాకింగ్ పాయింట్ (1)



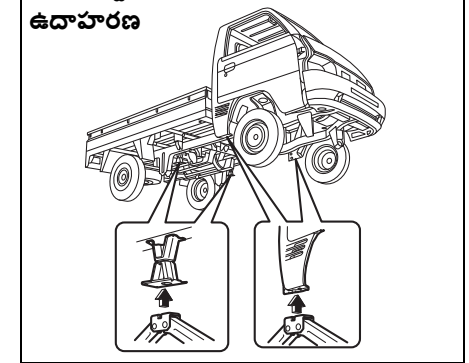
77PH060

గ్యారేజీ జాక్ (garage jack) కోసం రియర్ జాకింగ్ పాయింట్ (2)



77PH101

జాక్ స్టాండ్ (jack stand) (3) లేదా రెండు కాలమ్ లిఫ్ట్ కోరకు అప్లికేషన్ పాయింట్



77PS055 (2)

గమనించండి

- ఎగ్జాస్ట్ పైపుకు గ్యారేజీ జాక్కు ఎప్పుడూ అప్లికేషన్ చేయవద్దు.
- జాక్ స్టాండ్ లేదా టూ కాలమ్ లిఫ్టు వెనుక వైపు అప్లికేషన్ పాయింట్కు అప్లికేషన్ చేసేటప్పుడు, పార్కింగ్ కేబుల్ లేదా ఫ్యూయల్ ట్యాంక్ (fuel tank) ఫ్లాంజ్ వంటి చుట్టూపక్కల భాగాలకు అంతరాయం కలిగించకుండా జాగ్రత్త వహించండి.

గమనిక :

మరిన్ని వివరాల కొరకు, దయచేసి అధీకృత మారుతి సుజీకి కమర్షియల్ వర్క్ కప్పు సంప్రదించండి.

మారుతున్న చక్రాలు

⚠ హెచ్చరిక

ట్రాఫిక్ లేన్లో చక్రాన్ని ఎప్పుడూ మార్చవద్దు. చక్రాన్ని మార్చడానికి ఎప్పుడూ వాహనాన్ని రోడ్డుపై నుంచి లవల్ మీద, ట్రాఫిక్కు దూరంగా తరలించండి. ఏదైనా తదుపరి సహాయం కోసం మీ సమీప మారుతి సుజీకి అధీకృత వర్క్ కప్పు సంప్రదించండి.

చక్రాన్ని మార్చడానికి, ఈ క్రింది విధానాన్ని ఉపయోగించండి:

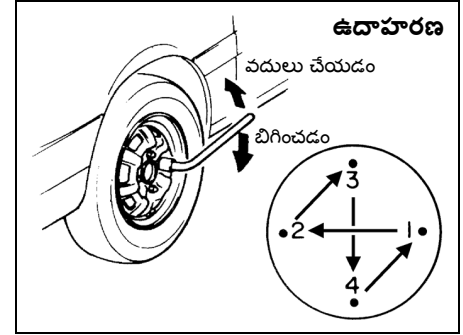
- 1) వాహనం నుండి ప్రయాణీకులు మరియు సరుకును క్లియర్ చేయండి.
- 2) వేహికల్ నుంచి జాక్, టూల్స్ మరియు స్పేర్ వీల్ తొలగించండి.
- 3) వదులు చేయండి, కానీ వీల్ నట్లను తొలగించవద్దు.
- 4) వాహనాన్ని జాక్ చేయండి.

⚠ జాగ్రత్త

వాహనం నడిపిన వెంటనే చక్రాలు, చక్రాలు, బ్రేకుల చుట్టుపక్కల ప్రాంతం చాలా వేడిగా ఉంటుంది.

ఈ ప్రాంతాలను తాకడం వల్ల కాలిన గాయాలు కావచ్చు. వాహనం నడిపిన వెంటనే ఈ ప్రాంతాలను తాకవద్దు.

- 5) వీల్ నట్స్ మరియు వీల్ తొలగించండి.
- 6) కొత్త చక్రాన్ని ఇన్స్టాల్ చేయడానికి ముందు, వీల్ మరియు హబ్ ఉపరితలం నుండి ఏదైనా బురద లేదా ధూళిని శుభ్రమైన గుడ్డతో శుభ్రం చేయండి. హబ్ని జాగ్రత్తగా శుభ్రం చేయండి; డ్రైవింగ్ నుండి వేడిగా ఉండవచ్చు.
- 7) కొత్త చక్రాన్ని ఇన్స్టాల్ చేయండి మరియు వీల్ నట్లను చక్రానికి అభిముఖంగా వాటి కోస్ ఆకారంలో ఉన్న ఎండ్లో భర్తీ చేయండి. వీల్ నట్లపై సురక్షితంగా కూర్చునే వరకు ప్రతి నట్ను చేతితో గట్టిగా బిగించండి.



54G116

వీల్ నట్ కొరకు బిగించే టార్క్
100 Nm (10.2 kgf-m, 73.8 lbf-ft)

- 8) జాక్కు కిందకు దించండి మరియు ఉదాహరణలో చూపించిన విధంగా రెంచితో క్రీస్ క్రాస్ పద్ధతిలో నట్లను పూర్తిగా బిగించండి.

⚠ హెచ్చరిక

ఒరిజినల్స్ నట్స్ ఉపయోగించండి మరియు చక్రాలను మార్చిన తరువాత వీలైనంత త్వరగా వాటిని నిర్దిష్ట టారుక్కు బిగించండి. సరైన వీల్ నట్స్ లేదా సరిగ్గా బిగించని వీల్ నట్లు వదులుగా ఉండవచ్చు లేదా పడిపోవచ్చు, ఇది ప్రమాదానికి దారితీస్తుంది. మీకు టారుక్ రెండ్ లేనట్లయితే, అధికృత మారుతి సుజికి కమర్షియల్ వర్క్ షాప్స్ వీల్ నట్ టారుక్ చెక్ చేసుకోండి.

జంప్ స్టార్టింగ్ సూచనలు (Jump Starting Instructions)

⚠ హెచ్చరిక

- బ్యాటరీ స్తంభించినట్లు కనిపిస్తే మీ వాహనాన్ని జంప్ స్టార్ట్ చేయడానికి ఎప్పుడూ ప్రయత్నించవద్దు. జంప్ స్టార్టింగ్ ప్రయత్నిస్తే ఈ స్థితిలో బ్యాటరీలు పీలవచ్చు లేదా పగిలిపోవచ్చు.
- జంప్ లోడ్ కనెక్షన్లు చేసేటప్పుడు, మీ చేతులు మరియు జంప్ లీడ్లు పుల్లీలు, బెల్టులు లేదా ఫ్యాన్ల నుండి స్పష్టంగా ఉన్నాయని నిర్ధారించుకోండి.
- బ్యాటరీలు మండే స్వభావం వలన హైడ్రోజన్ వాయువును ఉత్పత్తి చేస్తాయి. మంటలు మరియు స్పార్కును బ్యాటరీకి దూరంగా ఉంచండి లేదా పేలుడు సంభవించవచ్చు. బ్యాటరీ సమీపంలో పనిచేసేటప్పుడు ఎప్పుడూ పొగ తాగవద్దు.
- జంప్ స్టార్టింగ్ కోసం మీరు ఉపయోగించే బూస్టర్ బ్యాటరీని మరో వాహనంలో అమర్చితే, రెండు వాహనాలు ఒకదానికోకటి తాకకుండా చూసుకోండి.

(కొనసాగుతుంది)

⚠ హెచ్చరిక

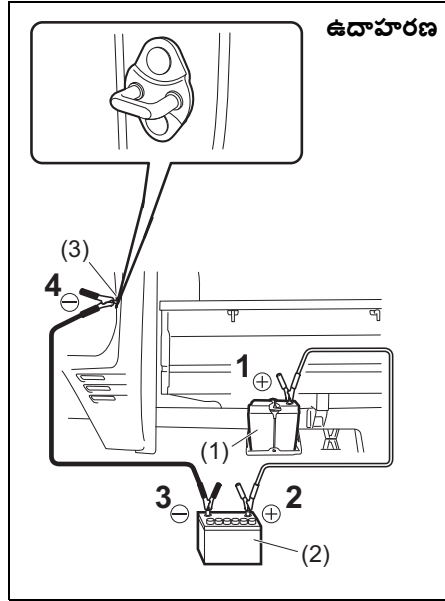
(కొనసాగుతుంది)

- స్పష్టమైన కారణం లేకుండా, మీ బ్యాటరీ పడేపడే డిశ్చార్జ్ అయితే, అధికృత మారుతి సుజికి కమర్షియల్ వర్క్ షాప్స్ వాహనాన్ని తనిఖీ చేయండి.
- మీకు హాని జరగకుండా లేదా మీ వాహనం లేదా బ్యాటరీకి నష్టం జరగకుండా ఉండటానికి, క్రింద జంప్ స్టార్టింగ్ ఇండికేటర్లను ఖచ్చితంగా మరియు క్రమం ప్రకారం అనుసరించండి. మీకు అనుమానం ఉంటే, క్వాలిఫైడ్ రోడ్ సర్వీస్ కోసం కాల్ చేయండి.

గమనించండి
 మీ వాహనాన్ని నెట్టడం లేదా టోయింగ్ చేయడం ద్వారా ప్రారంభించరాదు. ఈ ప్రారంభ పద్ధతి క్యాటలిస్ట్రాఫర్స్, శాశ్వత నష్టాన్ని కలిగిస్తుంది. బలహీనమైన లేదా చదునైన బ్యాటరీతో వాహనాన్ని ప్రారంభించడానికి జంప్ ఉపయోగించండి.

మీ వాహనాన్ని జంప్ స్టార్ట్ చేసేటప్పుడు, ఈ క్రింది ప్రక్రియను ఉపయోగించండి:

- 1) మీ వాహనాన్ని జంప్ స్టార్ట్ చేయడానికి 12-వోల్టుల బ్యాటరీని మాత్రమే ఉపయోగించండి. మంచి 12-వోల్టుల బ్యాటరీని మీ వాహనానికి దగ్గరగా ఉంచండి, తద్వారా జంప్ లీడ్స్ రెండు బ్యాటరీలను చేరుతాయి. వేరొక వాహనంలో ఇన్వోల్ట్ చేసిన బ్యాటరీని ఉపయోగించేటప్పుడు, వాహనాలను తాకనివ్వవద్దు. రెండు వాహనాలకు పార్కింగ్ బ్రేకులు పూర్తిగా సెట్ చేయండి.
- 2) భద్రతా కారణాల కొరకు అవసరమైనవి మినహా అన్ని వేహికల్ యాక్ససరీలను ఆఫ్ చేయండి (ఉదాహరణకు, హెడ్లైట్లు లేదా హజార్డ్ లైట్లు).



- 3) జంప్ లెడ్ కనెక్షన్లను ఈ క్రింది విధంగా చేయండి:
 1. ఫ్లాట్ బ్యాటరీ (flat battery) (1) పాజిటివ్ (+) టెర్మినల్కు మొదటి జంప్ ఒక చివరను కనెక్ట్ చేయండి.

2. బూస్టర్ బ్యాటరీ (booster battery) (2) పాజిటివ్ (+) టెర్మినల్కు మరొక చివరను కనెక్ట్ చేయండి.
3. రెండవ జంప్ లీడ్ ఒక చివరను బూస్టర్ బ్యాటరీ (booster battery) (2) నెగటివ్ (-) టెర్మినల్కు కనెక్ట్ చేయండి.
4. ఫ్లాట్ బ్యాటరీ (flat battery) (1)తో వాహనం పెయింట్ చేయని, హెవీ మెటల్ భాగానికి (అనగా డోర్ లాచ్ స్ట్రైకర్ (door latch striker) (3)) తుప్పే కనెక్ట్ చేయండి.

⚠ హెచ్చరిక
 జంప్ లీడ్ని డిశ్చార్జ్ చేసిన బ్యాటరీ నెగటివ్ (explosion) (-) టెర్మినల్ లేదా పేలుడుకు నేరుగా కనెక్ట్ చేయవద్దు.

- 4) మీరు ఉపయోగిస్తున్న బూస్టర్ బ్యాటరీని మరో వాహనానికి అమర్చితే, బూస్టర్ బ్యాటరీతో వాహనం ఇంజిన్ను స్టార్ట్ చేయండి. ఇంజిన్ని మితమైన వేగంతో నడపండి.
- 5) చదునైన బ్యాటరీతో వేహికల్ ఇంజిన్ని స్టార్ట్ చేయండి.
- 6) జంప్ లీడ్లను మీరు కనెక్ట్ చేసిన ఖచ్చితమైన రివర్స్ ఆర్డర్లో తొలగించండి.

టోవింగ్ (Towing)

మీరు మీ వాహనాన్ని టోవ్ చేయాలని అనుకుంటే, ప్రొఫెషనల్ సర్వీస్ని సంప్రదించండి. మీ డీలర్ మీకు వివరణాత్మక టోయింగ్ ఇండికేటర్లను అందించగలడు.

గమనించండి
టోయింగ్ సమయంలో మీ వాహనానికి నష్టం జరగకుండా నిరోధించడానికి, సరైన ఎక్స్‌ప్లైట్ మరియు టోవింగ్ విధానాలను ఉపయోగించాలి.

2-వీల్ డ్రైవ్ (2WD) మాన్యువల్ ట్రాన్స్‌మిషన్

మాన్యువల్ ట్రాన్స్ మిషన్ వాహనాలను ఈ క్రింది పద్ధతుల్లో దేనినైనా ఉపయోగించి తోయవచ్చు.

- 1) ముందు నుంచి, ముందు చక్రాలను పైకి లేపి, వెనుక చక్రాలను నేలపై ఉంచాలి. టోయింగ్ చేయడానికి ముందు, ట్రాన్స్మిషన్ తటస్థంగా ఉన్నట్లుగా మరియు పార్కింగ్ బ్రేక్ విడుదల చేసినట్లుగా ధృవీకరించుకోండి.
- 2) వెనుక చక్రాలను పైకి లేపి, ముందు చక్రాలను నేలపై ఉంచి, స్టీరింగ్ మరియు డ్రైవ్ ట్రైన్ పనిచేసే స్థితిలో ఉంటే. టోయింగ్ చేయడానికి ముందు, స్టీరింగ్ వీల్ అన్లాక్ చేసినట్లుగా నిర్ధారించుకోండి (ఇగ్నీషన్ కీ

"ACC" పొజిషన్లో ఉండాలి), మరియు స్టీరింగ్ వీల్ టోయింగ్ సర్వీస్ కొరకు డిజైన్ చేసిన క్లాంపింగ్ పరికరంతో సురక్షితంగా ఉన్నట్లుగా ధృవీకరించుకోండి.

గమనించండి
టోయింగ్ సమయంలో ముందు చక్రాల నుంచి వచ్చే పాక్షను తట్టుకునేంత బలంగా స్టీరింగ్ కాలమ్ లేదు. టోయింగ్ చేయడానికి ముందు ఎప్పుడూ స్టీరింగ్ వీల్ని అన్లాక్ చేయండి.

స్టార్టర్ (Starter) పనిచేయకపోతే

- 1) బ్యాటరీ పరిస్థితిని తెలుసుకోవడానికి హెడ్ లైట్లు ఆన్ చేయడం ద్వారా ఇగ్నీషన్ స్విచ్ను "స్టార్ట్" పొజిషన్లో మార్చడానికి ప్రయత్నించండి. హెడ్ లైట్లు ఎక్కువగా మసకగా లేదా ఆఫ్ అయితే, సాధారణంగా బ్యాటరీ ప్లాట్లా ఉన్నట్లుగా లేదా బ్యాటరీ టెర్మినల్ కాంటాక్ట్ పేలవంగా ఉన్నట్లుగా అర్థం. బ్యాటరీ రీఛార్జ్ చేయండి లేదా అవసరమైన విధంగా బ్యాటరీ టెర్మినల్ కాంటాక్ట్ సరి చేయండి.
- 2) హెడ్లైట్లు ప్రకాశవంతంగా ఉంటే, ప్యూజును తనిఖీ చేయండి. స్టార్టర్ విఫలం కావడానికి కారణం స్పష్టంగా తెలియకపోతే, భారీ విద్యుత్ సమస్య ఉండవచ్చు. మీ అధీకృత

మారుతీ సుజుకి కమర్షియల్ వర్క్ షాప్స్ వాహనాన్ని తనిఖీ చేయండి.

ఇంజిన్ ఫ్లడెడ్ అయితే

ఇంజిన్ పూయల్నిండి ఉంటే, స్టార్ట్ చేయడం కష్టం కావచ్చు. ఇది జరిగితే, ఇంజిన్ క్రాంక్ చేసేటప్పుడు యాక్సిలరేటర్ పెడల్ను కింద వరకు నొక్కండి మరియు దానిని అక్కడే ఉంచండి.

- స్టార్టర్ మోటార్ని 30 సెకన్ల కంటే ఎక్కువసేపు ఆపరేట్ చేయవద్దు.

ఇంజిన్ వేడెక్కితే

తీవ్రమైన డ్రైవింగ్ పరిస్థితుల్లో ఇంజిన్ తాత్కాలికంగా వేడెక్కువచ్చు. డ్రైవింగ్ చేసేటప్పుడు హై ఇంజిన్యూలంట్ టెంపరేచర్ వార్నింగ్ లైట్ ఆన్ అయితే:

- 1) వాహనాన్ని సురక్షిత ప్రాంతానికి తీసుకెళ్లి పార్క్ చేయాలి.
- 2) అధిక ఇంజిన్ కూలంట్ టెంపరేచర్ వార్నింగ్ లైట్ ఆఫ్ అయ్యే వరకు ఇంజిన్ను సాధారణ ఐడిల్ స్పీడ్ వద్ద కొన్ని నిమిషాల పాటు నడపండి.

▲ హెచ్చరిక

ఆవిరిని మీరు చూసితే లేదా విన్నట్లయితే, వాహనాన్ని సురక్షితమైన ప్రదేశంలో ఆపండి మరియు చల్లబరచడానికి వెంటనే ఇంజిన్ను ఆఫ్ చేయండి. ఆవిరి ఉంటే ఇంజిన్ కంపార్ట్మెంట్ను తెరవవద్దు. ఆవిరి ఇకపై కనిపించనప్పుడు లేదా విననప్పుడు, కూలెంట్ ఇంకా మరుగుతుందో లేదో చూడటానికి ఇంజిన్ కంపార్ట్మెంట్ను తెరవండి. ఇది ఉంటే, మీరు ముందుకు సాగడానికి ముందు అది ఉడకబెట్టడం ఆపి వరకు మీరు వేచి ఉండాలి.

హై ఇంజిన్ కూలెంట్ టెంపరేచర్ వార్నింగ్ లైట్ ఆఫ్ కాకపోతే:

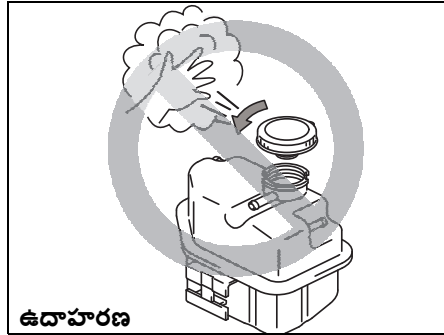
- 1) ఇంజిన్ను ఆఫ్ చేయండి మరియు వాటర్ పంప్ బెల్ట్ మరియు పుల్లీలు పాడైపోలేదని లేదా జారిపోలేదని చెక్ చేయండి. ఏదైనా అసాధారణత కనిపిస్తే, దానిని సరిదిద్దండి.
- 2) రిజర్వాయర్లో కూలెంట్ లెవల్ చెక్ చేయండి. ఇది "లో" లైన్ కంటే తక్కువగా ఉన్నట్లు కనుగొనబడితే, రేడియేటర్, వాటర్ పంప్ మరియు రేడియేటర్ మరియు హీటర్ గొట్టాల వద్ద లీకేజీల కోసం చూడండి. ఓవర్ హీటింగ్ను కారణమైన ఏవైనా లీకులను

మీరు కనుగొంటే, ఈ సమస్యలు సరిదిద్దబడే వరకు ఇంజిన్ను రన్ చేయవద్దు.

- 3) మీరు లీకేజీని కనుగొనకపోతే, జాగ్రత్తగా రిజర్వాయర్ను కూలెంట్ జోడించండి మరియు అవసరమైతే రేడియేటర్ను జోడించండి. ("తనివీ మరియు మెయింటెనెన్స్" విభాగంలో "ఇంజిన్ కూలెంట్" చూడండి.)

గమనిక :

మీ ఇంజిన్ వేడైతే మరియు ఏమి చేయాలో మీకు తెలియకపోతే, మీ అధికృత మారుతి సుజికి కమర్షియల్ వర్క్స్ పు సుప్రదించండి.



65D350d

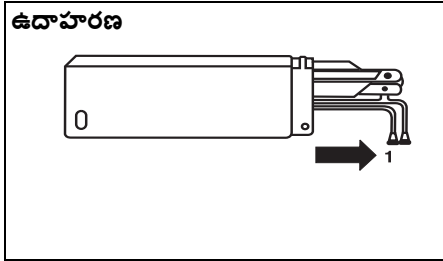
▲ హెచ్చరిక

- నీటి ఉష్ణోగ్రత ఎక్కువగా ఉంటే రేడియేటర్ క్యాప్ (లేదా డీజిల్ ఇంజిన్ కొరకు డిగ్రాసింగ్ ట్యాంక్ క్యాప్) తొలగించడం ప్రమాదకరం, ఎందుకంటే స్టీలింగ్ ప్లూయిడ్ మరియు ఆవిరి పీడనంలో పీల్చోవచ్చు. కూలెంట్ టెంపరేచర్ తగ్గినప్పుడు మాత్రమే క్యాప్ తీసియాలి.
- వ్యక్తిగత గాయాలను నివారించడంలో సహాయపడటానికి, చేతులు, టూల్స్ మరియు దుస్తులను ఇంజిన్ కూలింగ్ ఫ్యాన్లు దూరంగా ఉంచండి. ఈ ఎలక్ట్రిక్ ఫ్యాన్లు ఎటువంటి హెచ్చరిక లేకుండా ఆటోమేటిక్ ఆన్ అవుతాయి.

హిట్టింగ్ ద్వారా అండర్ బాడీ ట్రబుల్

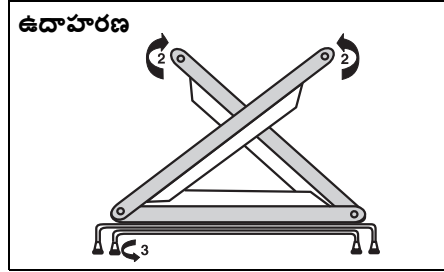
మీరు మీ వాహనం అండర్ బాడీని తాకితే, తనివీ చేయడం కొరకు అధికృత మారుతి సుజికి కమర్షియల్ వర్క్స్ పు అడగండి. లేదంటే స్టీరింగ్, సస్పెన్షన్, డ్రైవ్ లైన్ మరియు బ్రేక్ మొదలైన వాటికి నష్టం వాటిల్లుతుంది. మీ సురక్షితమైన డ్రైవింగ్ను నిరోధించగలదు.

హెచ్చరిక త్రిభుజం (Warning Triangle)



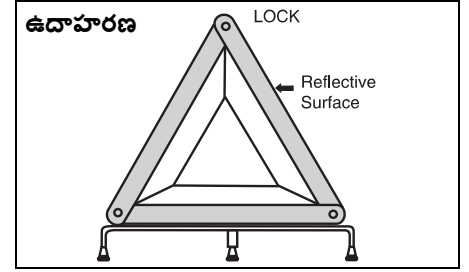
MHO-07-001

వాహనం బ్రేక్ డౌన్ అయినప్పుడు లేదా అత్యవసరంగా ఆగిపోయే సమయంలో, మీ వాహనం సంభావ్య ట్రాఫిక్ ప్రమాదంగా మారే అవకాశం ఉన్నట్లయితే, మీ వాహనంతో అందించిన హెచ్చరిక త్రిభుజాన్ని మీ వాహనం వెనుక ఉన్న ఏవైనా అడ్లంకులు లేకుండా రోడ్డుపై ఉంచండి, తద్వారా సమీపిస్తున్న ట్రాఫిక్కు సుమారు 50-100 మీటర్ల దూరంలో ఉంచండి. త్రిభుజం రిఫ్లెక్టింగ్ సైడ్ వస్తున్న ట్రాఫిక్కు ఎదుర్కోవాలి. వార్నింగ్ ట్రయాంగిల్ ఉంచడానికి వేహికల్ని దిగడానికి ముందు దయచేసి హజార్డ్ వార్నింగ్ ల్యాంప్లను యాక్టివేట్ చేయండి.



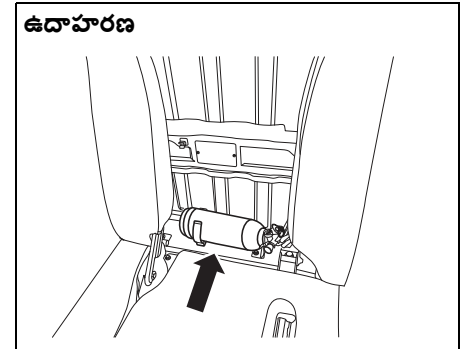
MHO-07-014-1

- బాణం 1 ద్వారా చూపించిన విధంగా హెచ్చరిక త్రిభుజాన్ని కవర్ నుండి జాగ్రత్తగా తొలగించండి.
- బాణం ద్వారా చూపించిన విధంగా రెండు రిఫ్లెక్టర్ చేతులను తెరవండి మరియు కుడి చేతిలో ఇవ్వబడ్డ క్లిప్తో చేతులను ఒకదానితో ఒకటి లాక్ చేయండి. బాణం 3 ద్వారా చూపించిన విధంగా కొంటర్ క్లాక్-వైజ్ దిశలో దిగువ స్టాండ్ని తెరవండి. సాదా ఉపరితలంపై వాహనం వెనుక ఉన్న హెచ్చరిక త్రిభుజాన్ని ఉంచండి.
- కవర్ లోపల ఉంచడానికి తొలగింపు ప్రక్రియను రివర్స్ చేయండి.



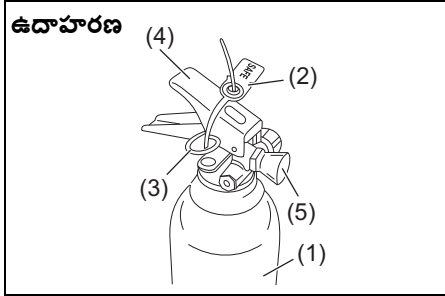
MHO-07-014

అగ్నిమాపక యంత్రం (Fire Extinguisher) (ఎక్స్-1 అయి ఉంటే)



77PM08009

అగ్నిమాపక యంత్రాన్ని సీట్ల వెనుక (డ్రైవర్ సీటు మరియు ప్యాసింజర్ సీటు మధ్య) అమర్చారు.

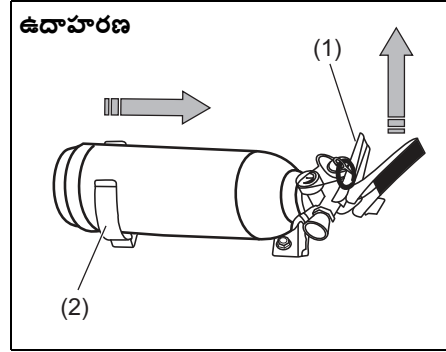


- 1) అగ్నిమాపక యంత్రం సిలెండర్ (Fire extinguisher cylinder)
- 2) సీల్ (Seal)
- 3) సేఫ్టీ పిన్ (Safety Pin)
- 4) లీవర్ (Lever)
- 5) నాజిల్ (Nozzle)

అగ్నిమాపక యంత్రాన్ని తొలగించడం మరియు తిరిగి నింపడం

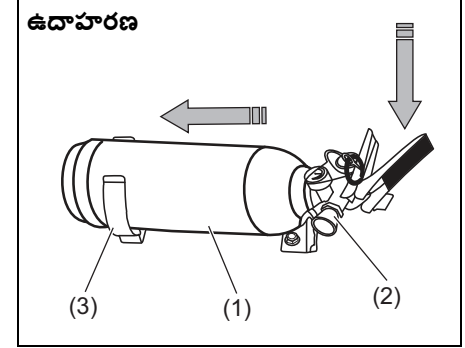
అగ్నిమాపక తొలగించడానికి

యంత్రాన్ని



అగ్నిమాపక యంత్రం లీవర్ (Lever) (1)ను కొద్దిగా పైకి ఎత్తండి మరియు క్లాంప్ (clamp) (2) నుంచి బయటకు తీయడానికి, పటంలో చూపించిన దిశలో అగ్నిమాపక యంత్రాన్ని లాగండి.

అగ్నిమాపక యంత్రం రిఫిల్ట్రీంట్ కొరకు

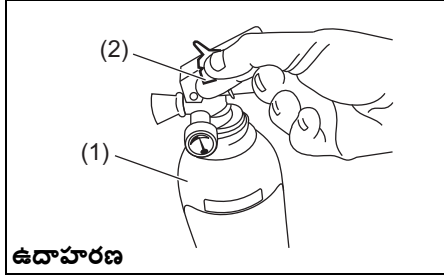


అగ్నిమాపక యంత్రం (fire extinguisher) (1) బాడీని క్లాంప్ (clamp) (3)లోకి చొప్పించండి మరియు నాజిల్ (nozzle) (2)ని క్లాంప్పై జార్రతగా దిగువకు ఉంచండి.

గమనిక :

అగ్నిమాపక యంత్రం నాజిల్ క్లాంప్పై సరిగ్గా కూర్చుని ఉన్నట్లుగా ధృవీకరించుకోండి.

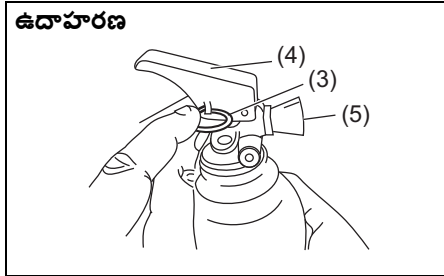
ఆపరేషన్ విధానం



ఉదాహరణ

77PM08006

- 1) అగ్నిమాపక యంత్రాన్ని (fire extinguisher) (1) నిటారుగా ఉంచండి.
- 2) సేఫ్టీ పిన్ (safety pin) (3)ను తిప్పుడం ద్వారా బ్రేక్ సీల్ (Break seal) (2).



ఉదాహరణ

77PM08007

- 3) పుల్ సేఫ్టీ పిన్ (Pull Safety pin) (3)

- 4) స్క్వీజ్ లీవర్ (Squeeze lever) (4)ని నొక్కండి మరియు జెట్టు నాజిల్ (5) నుంచి వేగవంతమైన (ఫాస్ట్) కదలికతో మంటల అంచు వైపు మళ్లించండి.



ఉదాహరణ

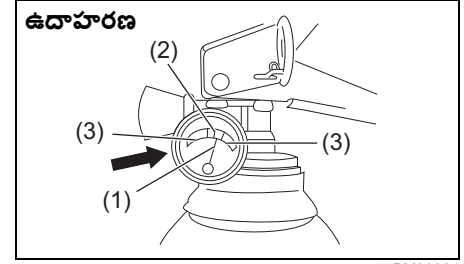
77PM08008

- 5) మంటలు ఆర్పేంత వరకు మంటలను సుదూర అంచుకు నడపండి.

గమనిక :

అగ్నిమాపక యంత్రం బాహ్య మూలం ద్వారా వాహనంలో సంభవించే చిన్న మంటలకు మాత్రమే ఉద్దేశించబడింది.

చేయాల్సినవి మరియు చేయకూడనివి



ఉదాహరణ

77PM08001

చేయాల్సినవి

- 1) ప్రజర్ గేజ్ క్రమానుగతంగా చెక్ చేయండి. గరిష్ట ఛార్జింగ్ పీడనం 15Kgf/cm2 (గ్రీన్ జోన్ (2)లో).
- 2) పీడనం తగ్గినప్పుడు, ఇండికేటర్ నీడిల్ (1) రెడ్ జోన్ (3)కు మారుతుంది. అగ్నిమాపక యంత్రంలో ఇవ్వబడ్డ సమాచారం ప్రకారం వెంటనే అగ్నిమాపక వాహన తయారీదారుని సంప్రదించండి.
- 3) తయారీదారు సర్వీస్ సెంటర్ ద్వారా మాత్రమే అగ్నిమాపక యంత్రాన్ని సర్వీస్ చేయండి. సమీప సేవా కేంద్రాన్ని గుర్తించడానికి అగ్నిమాపక యంత్రంపై ఇవ్వబడ్డ సమాచారాన్ని రిఫర్ చేయండి.

- 4) అగ్నిమాపక యంత్రం ఎప్పుడూ వాహనంలో దాని నిర్దేశిత స్థానంలో ఉంచేలా చూసుకోండి.
- 5) ఉపయోగించిన వెంటనే అగ్నిమాపక యంత్రాన్ని తిరిగి నింపండి.

వద్దు

- 1) అగ్నిమాపక యంత్రాన్ని శుభ్రం చేయడానికి నీటిని ఉపయోగించవద్దు. (ధూళిని తొలగించడానికి శుభ్రమైన గుడ్డను ఉపయోగించండి)
- 2) ఉపయోగించిన లేదా డిస్చార్జ్ చేసిన అగ్నిమాపక యంత్రంపై ఆధారపడవద్దు.

గమనిక :

- ప్రతి ఉపయోగం తర్వాత రిఫిల్లింగ్ అవసరం.
- అగ్నిమాపక యంత్రాన్ని ఉపయోగించకపోయినా ప్రతి 3 సంవత్సరాలకు ఒకసారి రిఫిల్లింగ్ చేయాల్సి ఉంటుంది.

ఆకార సంరక్షణ

తుప్పు నివారణ 9-1
వెహికల్ క్లీనింగ్ 9-2

తుప్పు నివారణ

మీ వాహనాన్ని తుప్పు పట్టకుండా సంరక్షించడానికి దానిని బాగా చూసుకోవడం చాలా ముఖ్యం. తుప్పును నివారించడానికి మీ వాహనాన్ని ఎలా నిర్వహించాలో ఇండికేటర్లు క్రింద జాబితా చేయబడ్డాయి. దయచేసి ఈ ఇండికేటర్లను జాగ్రత్తగా చదవండి మరియు అనుసరించండి.

తుప్పు గురించి ముఖ్యమైన సమాచారం తుప్పు సాధారణ కారణాలు

- 1) రోడ్డు ఉప్పు, ధూళి, తేమ లేదా రసాయనాలు వాహనం అండర్ బాడీ లేదా ప్రీమ్ చేరుకోలేని ప్రాంతాల్లో పేరుకుపోవడం.
- 2) చిన్న ప్రమాదాలు లేదా రాళ్ళు మరియు కంకర ద్వారా రాపిడి ఫలితంగా శుద్ధి చేసిన లేదా పెయింట్ చేసిన లోహ ఉపరితలాలకు చిప్పింగ్, గీతలు మరియు ఏదైనా నష్టం.
- 3) ఈ క్రింద పేర్కొన్న పాయింట్లలో ఏవైనా లేదా అన్ని:
 - నిరంతరం సూర్యరశ్మికి గురికావడం
 - కఠినమైన నీరు మరియు సముద్రపు నీరు వాహనాన్ని తాకడం
 - పాదాలను రుద్దడం (స్కర్టింగ్).

తుప్పును వేగవంతం చేసే పర్యావరణ పరిస్థితులు

- 1) రోడ్డు ఉప్పు, ధూళి నియంత్రణ రసాయనాలు, సముద్రపు గాలి లేదా పారిశ్రామిక కాలుష్యం ఇవన్నీ లోహ తుప్పును వేగవంతం చేస్తాయి.
- 2) అధిక తేమ తుప్పు రేటును పెంచుతుంది, ముఖ్యంగా ఉష్ణోగ్రత పరిధి ఘనీభవన స్థానం కంటే ఎక్కువగా ఉంటే.
- 3) ఇతర బాడీ పార్ట్లు పూర్తిగా పొడిగా ఉన్నప్పటికీ వాహనం కొన్ని ప్రాంతాల్లో ఎక్కువసేపు తేమ తుప్పును ప్రోత్సహిస్తాయి.
- 4) అధిక ఉష్ణోగ్రతలు వాహనం త్వరగా ఎండిపోవడానికి అనుమతించడానికి బాగా గాలి వెలుతురు లేని భాగాలకు వేగంగా తుప్పు పట్టే రేటు ఉంటుంది.

ఈ సమాచారం మీ వాహనాన్ని (ముఖ్యంగా అండర్ బాడీ) సాధ్యమైనంత శుభ్రంగా మరియు పొడిగా ఉంచాల్సిన అవసరాన్ని వివరిస్తుంది. పెయింట్ లేదా రక్షణ పూతలకు ఏదైనా నష్టాన్ని వీలైనంత త్వరగా సరిచేయడం కూడా అంతే ముఖ్యం.

తుప్పును నివారించడంలో ఎలా సహాయపడాలి

మీ వాహనాన్ని తరచుగా కడగాలి

మీ వాహనంపై ఫేనిషు సంరక్షించడానికి మరియు తుప్పును నివారించడంలో సహాయపడటానికి ఉత్తమ మార్గం తరచుగా కడగడం ద్వారా దానిని శుభ్రంగా ఉంచడం.

శీతాకాలంలో కనీసం ఒకసారి మరియు శీతాకాలం తర్వాత ఒకసారి మీ వాహనాన్ని కడగాలి. మీ వాహనాన్ని, ముఖ్యంగా అండర్ సైడ్లు వీలైనంత శుభ్రంగా మరియు పొడిగా ఉంచండి.

మీరు తరచూ ఉప్పుతో కూడిన రోడ్లపై డ్రైవ్ చేస్తుంటే, శీతాకాలంలో మీ వాహనాన్ని కనీసం నెలకు ఒకసారి కడగాలి. మీరు సముద్రానికి సమీపంలో నివసిస్తుంటే, మీ వాహనాన్ని ఏడాది పొడవునా కనీసం నెలకు ఒకసారి కడగాలి.

వాషింగ్ ఇండికేటర్ కోసం, "వెహికల్ క్లీనింగ్" విభాగాన్ని చూడండి.

విదేశీ మెటీరియల్ని క్షేపాలను తొలగించండి

లవణాలు, రసాయనాలు, రోడ్డు ఆయిల్ లేదా తారు, చెట్ల రసం, పక్షి వ్యర్థాలు మరియు పారిశ్రామిక వ్యర్థాలు వంటి అవాంఛిత

పదార్థాలను పెయింట్ చేసిన ఉపరితలాలపై వదిలేస్తే మీ వాహనం పినిపింగ్ దెబ్బతినవచ్చు. వీలైనంత త్వరగా ఈ తరహా అవక్షేపాలను తొలగించండి. ఈ నిక్షేపాలను కడగడం కష్టమైతే, అదనపు క్లీనర్ అవసరం కావచ్చు. మీరు ఉపయోగించే ఏదైనా క్లీనర్ పెయింట్ చేసిన ఉపరితలాలకు హానికరం కాదని మరియు మీ ప్రయోజనాల కోసం ప్రత్యేకంగా ఉద్దేశించినట్లుగా నిర్ధారించుకోండి. ఈ ప్రత్యేక క్లీనర్లను ఉపయోగించేటప్పుడు తయారీదారు ఇండికేటర్లను అనుసరించండి.

ఫినిష్ డ్యామేజ్ రిపేర్ చేయండి

పెయింట్ చేసిన ఉపరితలాలకు నష్టం జరిగిందా అని మీ వాహనాన్ని జాగ్రత్తగా తనిఖీ చేయండి. పెయింట్లో ఏదైనా చిప్పు లేదా గీతలను మీరు గమనిస్తే, తుప్పు పట్టకుండా నిరోధించడానికి వెంటనే వాటిని తాకండి. చిప్ప లేదా గీతలు బేర్ మెటల్స్ కి వెళ్ళితే, అర్హత కలిగిన బాడీ పాప్ రిపేర్ చేయండి.

స్యాసింజర్ మరియు లగేజీ కంపార్ట్మెంట్లను శుభ్రంగా ఉంచండి.

నేల చాపల కింద తేమ, ధూళి లేదా బురద పేరుకుపోతుంది మరియు తుప్పుకు కారణం కావచ్చు. అప్పుడప్పుడు, ఈ ప్రాంతం శుభ్రంగా మరియు పొడిగా ఉన్నట్లుగా

నిర్ధారించుకోవడానికి ఈ మ్యాట్ల కింద తనిఖీ చేయండి. రోడ్డు మీద లేదా తడి వాతావరణంలో వాహనం ఉపయోగిస్తే మరింత తరచుగా తనిఖీలు అవసరం.

రసాయనాలు, ఎరువులు, క్లీనర్లు, లవణాలు మొదలైన కొన్ని సరుకులు, స్వభావరీత్యా చాలా తుప్పుపట్టివి. ఈ ఉత్పత్తులను సీల్డ్ కంటైనర్లలో రవాణా చేయాలి. ఒలికిపోవడం లేదా లీక్ అయితే, వెంటనే ఆ ప్రాంతాన్ని శుభ్రం చేసి ఆరబెట్టండి.

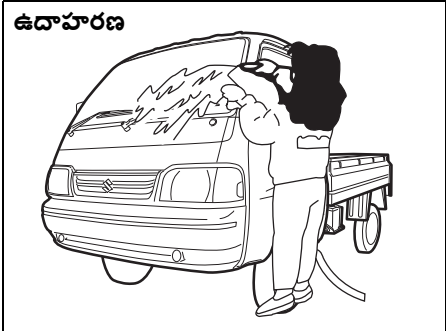
మీ వాహనాన్ని పొడిగా, బాగా వెలుతురు వచ్చే ప్రదేశంలో నిల్వ చేయండి. ప్రత్యక్ష సూర్యరశ్మికి నిరంతరం గురికాకుండా ఉండటానికి మీ వాహనాన్ని పార్క్ చేయండి.

తేమగా, గాలి వెలుతురు సరిగా లేని ప్రదేశంలో మీ వాహనాన్ని పార్క్ చేయవద్దు. మీరు తరచుగా గ్యారేజీలో మీ వాహనాన్ని కడగుతుంటే లేదా తడిగా ఉంటే మీరు తరచుగా డ్రైప్ చేస్తే, మీ గ్యారేజీ తడిగా ఉండవచ్చు. గ్యారేజీలో అధిక తేమ తుప్పుకు కారణం కావచ్చు లేదా వేగవంతం చేయవచ్చు. వేడి గ్యారేజీలో కూడా వెంటిలేషన్ సరిగా లేకపోతే తడి వాహనం తుప్పు పట్టవచ్చు.

⚠ హెచ్చరిక

క్యాటలిస్ట్ న్యర్లర్, ఎగ్జాస్ట్ పైపులు మొదలైన ఎగ్జాస్ట్ సిస్టమ్ కాంపోనెంట్లపై లేదా చుట్టుపక్కల అదనపు అండర్ కోటింగ్ లేదా తుప్పు నివారణ పూతను అప్లై చేయవద్దు. అండర్ కోటింగ్ పదార్థం వేడెక్కేతే మంటలు చెలరేగవచ్చు.

వెహికల్ క్లీనింగ్



77PM09001

▲ హెచ్చరిక

వేహికల్ ఇంటీరియర్ లేదా బాహ్య భాగాలను శుభ్రం చేసేటప్పుడు, లక్కర్ ఢిన్నర్స్, పెట్రోల్, బెంజిన్ లేదా బ్లీచు లేదా స్ట్రాంగ్ హాస్ డిటర్జెంట్స్ వంటి క్లీనింగ్ మెటీరియల్స్ వంటి మండే స్వభావం ఉన్న సాల్వెంట్లను ఎన్నడూ ఉపయోగించవద్దు. మెటీరియల్స్ వ్యక్తిగత గాయం లేదా వాహనానికి నష్టం కలిగించవచ్చు.

ఇంటీరియర్ని శుభ్రం చేయడం

విన్యైల్ అప్హోల్స్ట్రీ (Vinyl upholstery)

గోరువెచ్చని నీటితో కలిపిన సబ్బు లేదా తేలికపాటి డిటర్జెంట్ ద్రావణాన్ని సిద్ధం చేయండి. ద్రావణాన్ని స్పాంజ్ లేదా మృదువైన గుడ్డతో విన్యైల్ పూయండి మరియు ధూళిని తొలగించడానికి కొన్ని నిమిషాలు నానబెట్టండి.

ధూళి మరియు సబ్బు ద్రావణం తొలగించడానికి ఉపరితలాన్ని శుభ్రమైన, తడి బట్టతో రుద్దండి. ఉపరితలంపై ఇంకా కొంత మురికి మిగిలి ఉంటే, ఈ విధానాన్ని పునరావృతం చేయండి.

ఫ్యాబ్రిక్ అప్హోల్స్ట్రీ (ఫ్రంట్ ప్యాసింజర్ సీటు మినహా)

వాక్యూమ్ క్లీనర్ తో వదులుగా ఉండే మురికిని తొలగించండి. తేలికపాటి సబ్బు ద్రావణాన్ని ఉపయోగించి, శుభ్రమైన తడి గుడ్డతో మరకలు ఉన్న ప్రాంతాలను రుద్దండి. సబ్బును తొలగించడానికి, నీటితో తడిసిన గుడ్డతో ఆ ప్రాంతాలను మళ్ళీ రుద్దండి. మరక తొలగించబడే వరకు దీనిని పునరావృతం చేయండి లేదా కఠినమైన మరకల కోసం వాణిజ్య ఫ్యాబ్రిక్ క్లీనర్ ఉపయోగించండి. మీరు ఫ్యాబ్రిక్ క్లీనర్లు ఉపయోగిస్తే, తయారీదారు ఇండికేటర్లను మరియు జాగ్రత్తలను జాగ్రత్తగా అనుసరించండి.

▲ జాగ్రత్త

- ముందు ప్యాసింజర్ సీటుపై లిక్విడ్ లేదా సెమీ సాలిడ్ ని చల్లవద్దు. ముందు సీట్లో పడితే వెంటనే మెత్తటి గుడ్డతో తుడుచుకోవాలి. సెన్సార్లో లిక్విడ్ను తాకడం వల్ల సీట్ బెల్ట్ రిమైండర్ సెన్సార్ (seat belt reminder sensor) పనితీరుపై ప్రభావం పడుతుంది.
- ప్యాసింజర్ సీటుపై పడునైన లేదా భారీ వస్తువును ఉంచవద్దు, ఇది సీటు అప్హోల్స్ట్రీ గుండా చొచ్చుకుపోతుంది మరియు సెన్సార్కు హాని కలిగిస్తుంది.

ఫ్యాబ్రిక్ అప్హోల్స్ట్రీ (Fabric upholstery) (ఫ్రంట్ ప్యాసింజర్ సీటు కొరకు)

క్లీనింగ్ కొరకు ద్రవాన్ని ఉపయోగించవద్దు, ఎందుకంటే ఇది ఫ్యాబ్రిక్కి చొచ్చుకుపోతుంది మరియు సీటు సెన్సార్ దెబ్బతినవచ్చు.

లెదర్ అప్హోల్స్ట్రీ (Leather upholstery)

వాక్యూమ్ క్లీనర్లో వదులుగా ఉండే మురికిని తొలగించండి. తేలికపాటి సబ్బు లేదా శాండిల్ సబ్బు ద్రావణాన్ని ఉపయోగించి, శుభ్రమైన తడి మృదువైన వస్త్రంతో మురికిని తుడవండి. సబ్బును తొలగించడానికి, నీటితో తడిసిన మృదువైన గుడ్డతో ప్రాంతాలను మళ్ళీ తుడవాలి. మెత్తటి పొడి గుడ్డతో ఎండిన ప్రాంతాలను తుడవాలి. ముమ్మీ లేదా మరక తొలగించే వరకు దీనిని పునరావృతం చేయండి లేదా కఠినమైన ధూళి లేదా మరకల కోసం వాణిజ్య లెదర్ క్లీనర్లు ఉపయోగించండి. మీరు లెదర్ క్లీనర్లు ఉపయోగిస్తే, తయారీదారు ఇండికేటర్లను మరియు జాగ్రత్తలను జాగ్రత్తగా అనుసరించండి. సాల్వెంట్ ట్రిప్ క్లీనర్లు లేదా రాపిడి క్లీనర్లను ఉపయోగించవద్దు.

గమనిక :

- లెదర్ అప్ హోల్ స్ట్రీ అందంగా కనిపించాలంటే ఏడాదికి కనీసం రెండుసార్లు శుభ్రం చేసుకోవాలి.

- లెదర్ ఉపరితలం తడిగా మారితే వెంటనే టిష్యూ పేపర్ లేదా మెత్తటి గుడ్డతో తుడవాలి. నీరు తుడిచివేయకపోతే తోలు గట్టిపడటానికి మరియు కుంచించుకుపోవడానికి కారణం కావచ్చు.

- ఎండ రోజుల్లో పార్కింగ్ చేసేటప్పుడు, నీడ ఉన్న ప్రదేశాన్ని ఎంచుకోండి లేదా సన్ షేడ్ ఉపయోగించండి. లెదర్ అప్రోలెస్టీ ఎక్కువసేపు ప్రత్యేక సూర్యరశ్మికి గురైతే, అది రంగు పాలిపోతుంది మరియు కుంచించుకుపోతుంది.

- సహజ పదార్థాలతో సాధారణమైనట్లుగా, తోలు సహజంగా గ్రెయిన్లో దాన్యంలో క్రమరహితంగా ఉంటుంది మరియు సహజ స్థితిలో మచ్చలు ఉంటుంది. ఇవి లెదర్ పనితీరును ఏ విధంగానూ ప్రభావితం చేయవు.

సీటు బెల్టులు (Seat belts)

తేలికపాటి సబ్బు మరియు నీటితో సీటు బెల్టులను శుభ్రం చేయండి. బెల్టులపై బ్లీచ్ లేదా డై ఉపయోగించవద్దు. అవి బెల్టుల్లోని ఫ్యాబ్రిక్కు బలహీనపరుస్తాయి.

విన్యైల్ ఫ్లోర్ మ్యాట్లు (Vinyl floor mats)

సాధారణ మురికిని నీరు లేదా తేలికపాటి సబ్బుతో విన్యైల్ నుండి తొలగించవచ్చు. దూళిని తొలగించడంలో సహాయపడటానికి బ్రష్ ఉపయోగించండి. మురికి తొలగిపోయిన తర్వాత మ్యాట్ని నీటితో బాగా కడిగి నీడలో ఆరబెట్టాలి.

కార్పెట్లు (Carpets)

వాక్యూమ్ క్లీనర్లో వీలైనంత వరకు దుమ్ము, దూళిని తొలగించండి. తేలికపాటి సబ్బు ద్రావణాన్ని ఉపయోగించి, శుభ్రమైన తడి గుడ్డతో మరకలు ఉన్న ప్రాంతాలను రుద్దండి. సబ్బును తొలగించడానికి, నీటితో తడిసిన గుడ్డతో ఆ ప్రాంతాలను మళ్ళీ రుద్దండి. మరక తొలగించబడే వరకు దీనిని పునరావృతం చేయండి లేదా కఠినమైన మరకల కోసం వాణిజ్య కార్పెట్ క్లీనర్ ఉపయోగించండి. మీరు కార్పెట్ క్లీనర్ను ఉపయోగిస్తే, తయారీదారు ఇండికేటర్లను మరియు జాగ్రత్తలను అనుసరించండి.

ఇన్స్ట్రుమెంట్ ప్యానెల్ (Instrument panel) మరియు కన్సోల్ (console)

వాక్యూమ్ క్లీనర్లో వదులుగా ఉండే మురికిని తొలగించండి. గట్టిగా పిండిన తడి శుభ్రమైన గుడ్డతో మురికిని సున్నితంగా తుడవాలి. మురికి తొలగిపోయే వరకు ఇలా చేయండి.

గమనించండి

స్విచ్లు వంటి ఎలక్ట్రికల్ కాంపోనెంట్లను తుడిచేందుకు సిలికాస్ ఉన్న రసాయన ఉత్పత్తులను ఉపయోగించవద్దు. ఇవి కాంపోనెంట్స్ డ్యామేజ్ చేస్తాయి.

ఇన్స్ట్రుమెంట్ క్లస్టర్ లేదా మరే ఇతర ఎలక్ట్రికల్ లేదా ఎలక్ట్రానిక్ కాంపోనెంట్లపై నీరు లేదా ఏదైనా ద్రవాన్ని నేరుగా పిచికారీ చేయవద్దు. ఇది నష్టం కలిగించవచ్చు మరియు/లేదా భాగం పనిచేయకపోవడానికి దారితీయవచ్చు.



81RM08005

బాహ్య భాగాన్ని శుభ్రపరచడం

గమనించండి
<p>మీ వాహనాన్ని శుభ్రంగా మరియు మురికి లేకుండా ఉంచడం చాలా ముఖ్యం. మీ వాహనాన్ని శుభ్రంగా ఉంచడంలో విఫలం కావడం వల్ల పెయింట్ మసకబారడం లేదా వాహనం వివిధ భాగాలకు తుప్పు పట్టడం జరుగుతుంది.</p>

కడగడం



82DY0

హెచ్చరిక
<ul style="list-style-type: none"> • ఇంజిన్ నడుస్తున్నప్పుడు మీ వాహనాన్ని కడగడానికి మరియు వ్యాక్స్ చేయడానికి ఎప్పుడూ ప్రయత్నించవద్దు. • పదునైన అంచుల భాగాలు ఉన్న శరీరం మరియు ఫెండర్ దిగువ భాగాన్ని శుభ్రం చేసేటప్పుడు, మీ చేతులు మరియు చేతులు కత్తిరించకుండా రక్షించడానికి మీరు చేతి గ్లవులు మరియు పొడవాటి చొక్కా ధరించాలి. • మీ వాహనాన్ని కడిగిన తరువాత, డ్రైవింగ్ చేయడానికి ముందు బ్రేకులు వాటి సాధారణ ప్రభావాన్ని కొనసాగించాయని నిర్ధారించుకోవడానికి వాటిని జాగ్రత్తగా పరీక్షించండి.

వాహనాన్ని కడిగేటప్పుడు, దానిపై ప్రత్యేక సూర్యరశ్మి పడని చోట పార్క్ చేయండి మరియు ఈ క్రింది సూచనలను అనుసరించండి:

- 1) బురద మరియు శిథిలాలను తొలగించడానికి బాడీ మరియు వీల్ హౌసింగ్ దిగువ భాగాన్ని ఒత్తిడితో కూడిన నీటితో ఫ్లష్ చేయండి. నీరు పుష్కలంగా వాడండి.

గమనించండి
<p>వాహనాన్ని శుభ్రం చేసేటప్పుడు:</p> <ul style="list-style-type: none"> • ఫ్లాష్టిక్ భాగాలపై 80°C (176°F) కంటే ఎక్కువ ఆవిరి లేదా వేడి నీటిని మళ్లించడం మానుకోండి. • ఇంజిన్ కాంపోనెంట్లు దెబ్బతినకుండా ఉండటానికి, ఇంజిన్ కంపార్ట్మెంట్లో ప్రెజర్డ్ వాటర్ని ఉపయోగించవద్దు.

- 2) శరీరంలోని మురికిని తొలగించడానికి శుభ్రంగా కడుక్కోవాలి. రన్నింగ్ వాటర్లో శరీరం వెలుపలి భాగంలోని మురికి, బురదను తొలగించండి. మీరు మృదువైన స్పాజ్ లేదా బ్రష్ ఉపయోగించవచ్చు. పెయింట్ లేదా ఫ్లాష్టిక్కు స్క్రాచ్ చేసే హార్డ్ మెటీరియల్స్ ఉపయోగించవద్దు. హెడ్ లైట్ కవర్లు లేదా లెన్సులు చాలా సందర్భాల్లో ఫ్లాష్టిక్ తయారవుతాయని గుర్తుంచుకోండి.

గమనించండి
<p>పెయింట్ లేదా ఫ్లాష్టిక్ ఉపరితలం దెబ్బతినకుండా ఉండటానికి, తగినంత నీరు లేకుండా మురికిని తుడిచివేయరాదు. పై ప్రక్రియను తప్పకుండా పాటించండి.</p>

3) మొత్తం బాహ్య భాగాన్ని తేలికపాటి డిటర్జెంట్ లేదా కారు వాష్ సబ్బుతో స్పాంజ్ లేదా మృదువైన వస్త్రాన్ని ఉపయోగించి కడగాలి. స్పాంజ్ లేదా గుడ్డను సబ్బు ద్రావణంలో తరచుగా నానబెట్టాలి.

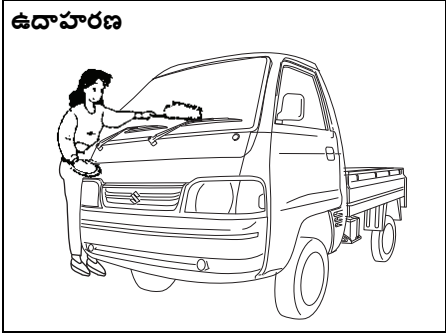
గమనించండి
కమర్షియల్ కార్ వాష్ ప్రొడక్ట్లను ఉపయోగిస్తున్నప్పుడు, తయారీదారు పేర్కొన్న జాగ్రత్తలను పాటించండి. బలమైన ఇంటి డిటర్జెంట్లు లేదా సబ్బులను ఎప్పుడూ ఉపయోగించవద్దు.

- 4) మురికి పూర్తిగా తొలగించిన తర్వాత, డిటర్జెంట్ను రన్నింగ్ నీటితో కడగాలి.
- 5) కడిగిన తరువాత, తడి చమోయిస్ లేదా గుడ్డతో వాహనం శరీరాన్ని తుడిచి నీడలో ఆరనివ్వండి.
- 6) పెయింట్ చేసిన ఉపరితలాలు దెబ్బతిన్నాయా అని జాగ్రత్తగా తనిఖీ చేయండి. ఏదైనా నష్టం ఉంటే, క్రింది ప్రక్రియను అనుసరించి నష్టాన్ని తాకండి:
1. దెబ్బతిన్న అన్ని మచ్చలను శుభ్రపరచండి మరియు వాటిని ఆరబెట్టడానికి అనుమతించండి.

2. పెయింట్ కలపండి మరియు దెబ్బతిన్న మచ్చలను చిన్నబ్రష్ ఉపయోగించి తేలికగా తాకండి.
3. పెయింట్ పూర్తిగా ఆరనివ్వండి.

గమనించండి
మీరు ఆటోమేటిక్ కార్ వాష్ ఉపయోగిస్తే, స్పాయిలర్లు వంటి మీ వాహనం బాడీ భాగాలు దెబ్బతినకుండా చూసుకోండి. మీకు అనుమానం ఉంటే, సలహా కోసం కార్ వాష్ ఆపరేటర్ను సంప్రదించండి.

వ్యాక్సింగ్ (Waxing)



77PM09002

వాహనాన్ని కడిగిన తరువాత, పెయింట్ను మరింత సంరక్షించడానికి మరియు అందంగా మార్చడానికి వ్యాక్సింగ్ మరియు పాలిషింగ్ సిఫార్సు చేయబడుతుంది.

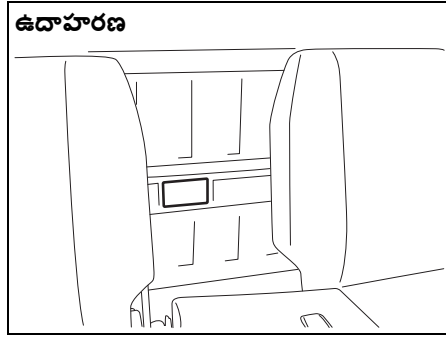
- మంచి నాణ్యత కలిగిన వ్యాక్సు మరియు పాలిషును మాత్రమే ఉపయోగించండి.
- మైనపులు మరియు పాలిషును ఉపయోగించేటప్పుడు, తయారీదారులు సూచించిన జాగ్రత్తలను గమనించండి.

సాధారణ సమాచారం

వాహన గుర్తింపు	10-1
(ఫాస్ట్ట్యాగ్ ఫా) (ఎక్స్‌ప్ అయి ఉంటే)	10-1
సి.ఎస్.జి. కిట్ నెంబరు గుర్తింపు (అమర్చినట్లయితే)	10-2
హై సెక్యూరిటీ రిజిస్ట్రేషన్ ప్లేట్ (వర్షిస్).....	10-3

వాహన గుర్తింపు

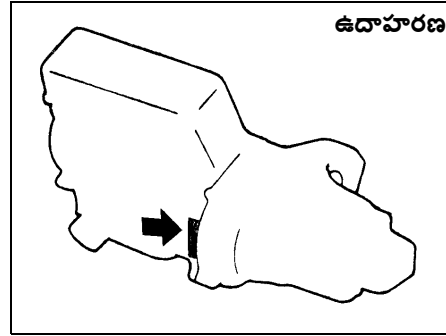
ఛాసిస్ సీరియల్ నెంబరు



77PH059

వాహనాన్ని రిజిస్టర్ చేయడానికి ఛాసిస్ మరియు/లేదా ఇంజిన్ సీరియల్ నెంబర్లు ఉపయోగించబడతాయి. ప్రత్యేక సర్వీస్ సమాచారాన్ని ఆర్డర్ చేసేటప్పుడు లేదా రిఫర్ చేసేటప్పుడు మీ డీలర్కు సహాయపడటానికి కూడా ఉపయోగించతాయి. మీ అధీకృత మారుతి సుజికి కమర్షియల్ వర్క్ కప్పు సంప్రదించడానికి మీకు అవకాశం దొరికినప్పుడల్లా, ఈ నెంబరుతో మీ వాహనాన్ని గుర్తించాలని గుర్తుంచుకోండి. ఆ నెంబరు చదవడం కష్టంగా అనిపిస్తే ఐడెంటిఫికేషన్ ప్లేట్ కు కూడా తెలుసుకోవచ్చు.

ఇంజిన్ సీరియల్ నెంబరు



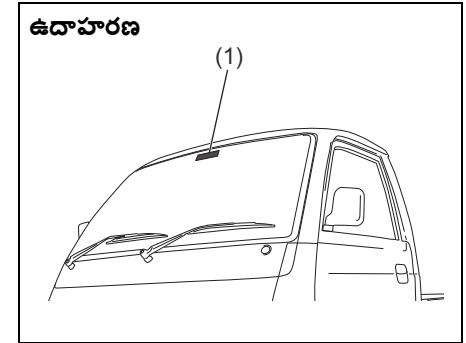
54G082

ఇలస్ట్రేషన్లో చూపించిన విధంగా సిలెండర్ బ్లాక్పై ఇంజిన్ సీరియల్ నెంబరు స్టాంప్ చేయబడుతుంది.

FASTag (ఫాస్ట్ ట్యాగ్ ఫా) (ఎక్స్ప్రెస్ అయి ఉంటే)

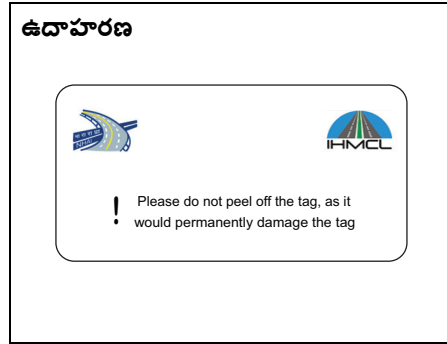
రోడ్డు రవాణా మరియు రహదారుల మంత్రిత్వ శాఖ ప్రకారం, ఎలక్ట్రానిక్ టోల్ వసూలు లేదా భారత ప్రభుత్వం నిర్వచించిన మరేదైనా ప్రయోజనం కోసం ప్రతి వాహనానికి FASTag (ఫాస్ట్ ట్యాగ్) (1) తప్పనిసరి.

ఫాస్ట్ ట్యాగ్కు ఏదైనా సప్లం జరిగితే లేదా ఫ్రంట్ విండ్ర్ స్క్రీన్ మార్చడానికి, దయచేసి మీ సమీప అధీకృత మారుతి సుజికి వర్క్ కప్పు సంప్రదించండి.



66MM01001

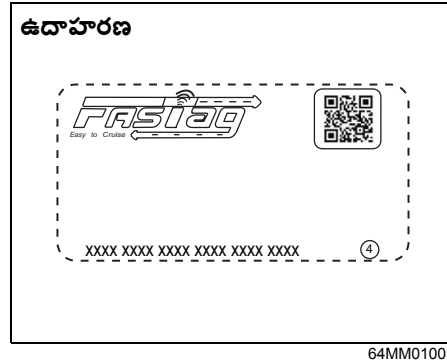
వాహనం లోపలి నుంచి చూస్తే.



గమనిక :

చూపించిన చిత్రం సూచనాత్మక ప్రయోజనం కోరకు మాత్రమే వేహికల్నై అమర్చిన వాస్తవ పరికరం అంతర్గత నిర్మాణం భిన్నంగా ఉండవచ్చు.

వాహనం వెలుపల నుంచి చూస్తే.



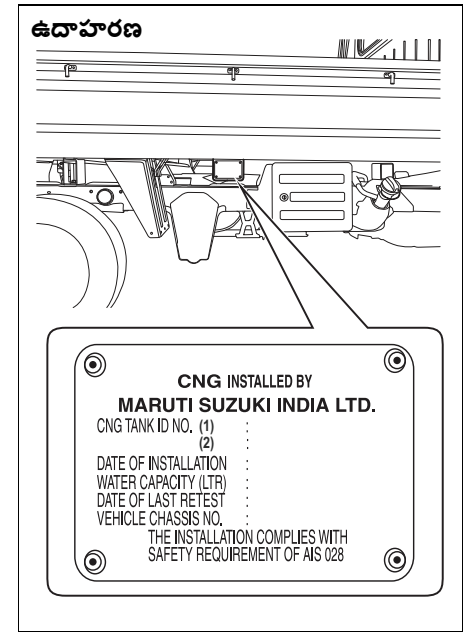
గమనిక :

చూపించిన చిత్రం సూచనాత్మక ప్రయోజనం కోరకు మాత్రమే వేహికల్నై అమర్చిన వాస్తవ పరికరం అంతర్గత నిర్మాణం భిన్నంగా ఉండవచ్చు.

గమనిక :

- విండీ స్కీన్ నుండి ట్యాగ్ను తొలగించడానికి చేసే ఏదైనా ప్రయత్నం ట్యాగ్ను శాశ్వత నష్టం కలిగిస్తుంది.
- ట్యాగ్ అమర్చిన విండీ స్కీన్ ప్రాంతాన్ని శుభ్రం చేయడానికి కేమికల్ క్లీనర్లను ఉపయోగించడం వల్ల ట్యాగ్ దెబ్బ తింటుంది.
- ట్యాగ్నై ఏదైనా పదునైన వస్తువులను ఉపయోగించడం వల్ల ట్యాగ్ దెబ్బ తింటుంది.

సి.ఎన్.జి. కిట్ నెంబరు గుర్తింపు (అమర్చినట్లయితే)



సి.ఎన్.జి. సిలెండర్ ఐడెంటిఫికేషన్ నెంబరు (CNG cylinder identification Number) మరియు సి.ఎన్.జి. కిట్ (CNG Kit) ఇన్స్టాల్షన్ తేదీ కార్లో బాడీ కుడి వైపున చూపించబడింది.

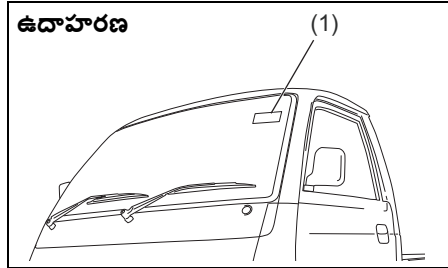
హై సెక్యూరిటీ రిజిస్ట్రేషన్ ప్లేట్ (HSRP) (వర్షిస్తే)

రోడ్డు రవాణా మరియు రహదారుల మంత్రిత్వ శాఖ ప్రకారం, ప్రతి కొత్త వాహనం తప్పనిసరిగా HSRPని ఉంచాలి.

HSRPలో ఇవి ఉంటాయి;

- ముందు మరియు వెనుక HSRP, ఇది నెంబర్ ప్లేట్ ప్రాంతంలో 2 స్నాప్-లాక్లను అమర్చబడుతుంది.
- ఫుట్ వీల్డ్ పీల్డ్ పై మూడవ లైసెన్స్ ప్లేట్.

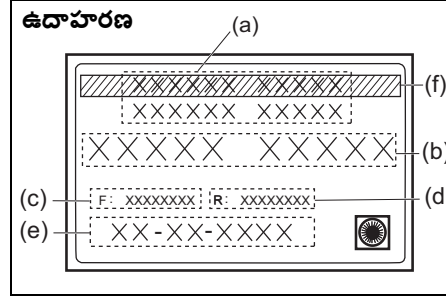
మూడవ లైసెన్స్ ప్లేట్



64MM01005

(1) మూడవ లైసెన్స్ ప్లేట్

మూడవ లైసెన్స్ ప్లేట్ - వాహనం వెలుపల నుండి చూసినట్లుగా



72RM09002

- (a) HSRP జారీ చేసే అధికారి పేరు
- (b) వాహన రిజిస్ట్రేషన్ నెంబరు
- (c) ప్రత్యేకమైన లేజర్ నెంబరు - ఫుట్ ప్లేట్
- (d) ప్రత్యేకమైన లేజర్ నెంబరు - రియర్ ప్లేట్
- (e) 1 వ రిజిస్ట్రేషన్ తేదీ
(DD-MM-YYYY ఫార్మాట్ లో)
- (f) గ్రీన్ స్ట్రీప్ (BS6 వాహనం)

గమనిక : చూపించబడే చిత్రం సూచనాత్మక ప్రయోజనం కొరకు మాత్రమే. వేషికల్స్ అమర్చిన వాస్తవ లోబుల్ అంతర్గత నిర్మాణం భిన్నంగా ఉండవచ్చు.

గమనిక : • వీల్డ్ స్ట్రీప్ నుండి మూడవ లైసెన్స్ ప్లేట్ తొలగించే ఏదైనా ప్రయత్నం లోబుల్ కౌన్సిల్ నష్టం కలిగిస్తుంది.

- లోబుల్ అమర్చిన విండ్రీస్ ప్రాంతాన్ని శుభ్రం చేయడానికి కెమికల్ క్లీనర్లను ఉపయోగించడం వల్ల నష్టం జరుగుతుంది.
- లోబుల్స్ ఏదైనా పడునైన వస్తువులను ఉపయోగించడం వల్ల లోబుల్ దెబ్బతింటుంది.
- మూడవ లైసెన్స్ ప్లేట్ ఏదైనా రిఫైన్ చేసేటే, దయచేసి ఆమోదించిన అధికారిని సంప్రదించవచ్చు.

మూడవ లైసెన్స్ ప్లేట్ - వాహనం లోపల నుండి చూసినట్లుగా



64MM01009

గమనిక : చూపించిన చిత్రం సూచనాత్మక ప్రయోజనం కొరకు మాత్రమే.

గమనిక : మూడవ లైసెన్స్ ప్లేట్ (వెనుక) రంగు రోడ్డు రవాణా మరియు రహదారుల మంత్రిత్వ శాఖ ద్వారా నిర్వచించిన HSRP రెగ్యులేషన్ ప్రకారం ఉంటుంది.

స్పెసిఫికేషన్లు

గమనిక :
నోటీసు లోకుండా స్పెసిఫికేషన్లు మార్చతాయి.

"ఛాసిస్" వేరియంట్లకు సంబంధించిన స్పెసిఫికేషన్లు "బాడీ ఫ్యాలిక్వెషన్ కోరకు సూచనలు" అని సూచిస్తాయి.

అంశం: కొలతలు		యూనిట్: మిమీ	
మొత్తం పొడవు			3800
మొత్తం వెడల్పు			1562
మొత్తం ఎత్తు			1883
వీల్ బేస్			2110
ట్రాక్	ఫ్రంట్		1345
	రియర్		1330

అంశం: ద్రవ్యరాశి (బరువు)		యూనిట్: కేజీ	
కర్బ్ ద్రవ్యరాశి (బరువు)	పెట్రోలు		860
	సి.ఎన్.జి. (CNG)		975
స్థూల వాహన ద్రవ్యరాశి (బరువు) రేటింగ్			1600
అనుమతించబడే గరిష్ట యాక్సిల్ బరువు	ఫ్రంట్		900
	రియర్		1020

స్పెసిఫికేషన్లు

అంశం: ఇంజను	పెట్రోల్ మరియు సి.ఎస్.జి.
రకం	K12N (DOHC)
సిలిండర్ల నెంబర్	4
బోర్	73.0 మిమీ
స్ట్రోక్	71.5 మిమీ
పిస్టన్ స్ట్రోక్ శాసనం	1197 cm ³ (1197 cc)
కంప్రెషన్ నిష్పత్తి	12.0: 1

అంశం: ఎలక్ట్రికల్	
స్పార్క్ ప్లగ్	NGK ILZKR6F11
బ్యాటరీ	12V 38B20R
ప్యూజ్	"తనిఖీ మరియు మెయింటెనెన్స్" విభాగాన్ని చూడండి.

అంశం: లైట్లు	వాట్జ్	బల్బు నెంబరు.
హెడ్ లైట్	12V 60/55W	H4
లైట్టి పొజిషన్ చేయండి	12V 5W	W5W
సిగ్నల్ లైట్టి టర్న్ చేయండి	ప్రంట్	PY21W
	రియర్	P21W
బ్రేక్/టయిల్ లైట్	12V 21/5W	P21/5W
లైట్టి రివర్స్ చేయడం	12V 21W	P21W
లైసెన్స్ ప్లేట్ లైట్	12V 5W	W5W
ఇంటీరియర్ లైట్	12V 5W	C5W

అంశం: చక్రాలు మరియు టైర్లు	
టైర్ సైజు, ప్రంట్, రియర్ మరియు స్పేర్	155R13 LT 8PR 89/88S* / 155R13 LT 8PR 90/89Q*
రిమ్ పరిమాణం	13X4J
టైర్ ప్రజర్లు	నిర్దిష్ట టైర్ ప్రెజర్ కొరకు, డ్రైవర్ డోర్ లాక్ పిల్లర్నె ఉన్న టైర్ ఇన్స్పెక్షన్ లేబుల్ని చూడండి.

* నిర్దేశిత లోడ్ ఇండెక్స్ రేటు, స్పీడ్ సింబల్తో టైర్ను తయారు చేయలేకపోతే, అధిక లోడ్ ఇండెక్స్ రేటు, స్పీడ్ సింబల్తో టైర్ను సిద్ధం చేయండి.

అంకం: సిఫారసు చేసిన ఫ్యూయల్/ లూబ్రికెంట్లు మరియు సామగ్రిలు (సుమారుగా)			
ఫ్యూయల్	పెట్రోలు (Petrol)		30 L #
	సి.ఎన్.జి. (CNG)	పెట్రోలు (Petrol)	5 L#
		సి.ఎన్.జి. (CNG)	35 లీటర్ల × 2 ట్యాంకులు #
ఇంజిన్ ఆయిల్	పెట్రోలు (Petrol)		3.8L (ఆయిల్ ఫిల్టర్ తో రిఫ్లెస్ మెంట్)
	సి.ఎన్.జి. (CNG)		4.2 L (ఆయిల్ ఫిల్టర్ తో రిఫ్లెస్ మెంట్)
ఇంజిన్ కూలెంట్		“SUZUKI LLC: Super (Blue) కూలెంట్” *1 “SUZUKI LLC: Standard (Yellow) కూలెంట్” *1	3.5 లీటర్లు (రిజర్వాయర్ ట్యాంకుతో సహా)
మాన్యువల్ ట్రాన్స్ మిషన్ ఆయిల్		“మారుతి జెన్యూన్ గేర్ ఆయిల్ 75W	1.4 L
రియర్ డిఫరెన్షియల్ ఆయిల్ (Rear differential oil)		“TOTALFINAELF TRANSELF LL 85W-140”	1.6 L
బ్రేక్ ఫ్లూయిడ్ (Brake fluid)		Maruti జెన్యూన్ బ్రేక్ ఫ్లూయిడ్ (MGBF) లేదా DOT 3	"తనిఖీ మరియు మెయింటెనెన్స్" విభాగంలోని ఇండికేటర్లకు అనుగుణంగా సరైన ఆయిల్ లెవల్ కు రిఫిల్ చేయండి.

*1: సిఫార్సు చేయబడిన కూలెంట్ మీ వాహనాన్ని బట్టి మారుతుంది. "తనిఖీ మరియు మెయింటెనెన్స్" (Inspection and Maintenance) సెక్షన్ చూడండి.

#: ఫ్యూయల్ ట్యాంక్ (fuel tank) కెపాసిటీ మీరు నింపగల సిఫార్సు చేసిన ఫ్యూయల్ పరిమాణం కంటే కొంచెం ఎక్కువ. భద్రత, శాస్త్రీయ కారణాల దృష్ట్యా అదనపు స్థలాన్ని కేటాయించారు.

బాడీ ఫ్యాబ్రికేషన్ కొరకు సూచనలు (ఛాసిస్ వేరియంట్)

క్యాబ్-ఛాసిస్ (cab-chassis) వాహనంపై బాడీ ఫ్యాబ్రికేషన్ ఈ క్రింది సూచనలు మరియు సరిహద్దు పరిస్థితులను ధృవీకరిస్తూ చేపట్టాలి:

(a) **బాడీ బాహ్య భాగాలు:** వాహనం బాహ్య ఉపరితలం పదునైన అంచులు లేదా పదునైన ప్రొజెక్షింగ్ భాగాలను ఉండకుండా లోడ్ బాడీ/అప్లికేషన్ ను రూపొందించాలి, ఇది డికోర్ను సందర్భంలో బాడీవర్క్ లేదా బ్రష్ చేయడం వల్ల ఒక వ్యక్తికి శారీరక గాయం ప్రమాదం లేదా తీవ్రతను పెంచే అవకాశం ఉంది. ఇది మొత్తం వాహనం స్థిరంగా మరియు కదలికలో ఉంటే చెల్లుబాటు అవుతుంది. బాహ్య అంచులు మరియు ప్రొజెక్షింగ్ భాగాలపై కనీసం 2.5 మిమీ వక్రత ఉండేలా చూసుకోవాలని సిఫార్సు చేయబడుతుంది. **CMVR రూల్ 124(1)-11** కింద నిర్వచించిన నిర్దేశిత ఆవశ్యకతను బాడీ తీర్చాలి.

బ్యాటరీ మౌంటింగ్ లు బహిష్కరించబడే బాడీ లేఅవుట్ల కొరకు (టిప్పర్ అప్లికేషన్ వంటివి), **CMVR రూల్ 124(1)-11** కింద నిర్వచించబడిన బాహ్య ప్రొజెక్షన్ ల అవసరమైన అవసరాలను తీర్చడానికి ఒక కవర్ అందించబడుతుంది.

(b) **రిఫ్లెక్టివ్ టేప్ :** బాడీ బిల్డర్ వాహనం వెనుక భాగంలో బాడీ వెడల్పుతో నడిచే ఎరుపు రిఫ్లెక్టివ్ టేప్ (20 mm కంటే తక్కువ వెడల్పు) అతికించాలి మరియు **CMVR రూల్ నెంబరు 104** కింద ఆవశ్యకతలకు అనుగుణంగా ఉండాలి.

(c) **హెడ్ ల్యాంప్ :** బాడీ ఫ్యాబ్రికేషన్ తరువాత, హెడ్ ల్యాంప్ ప్రారంభ వంపును హెడ్ ల్యాంప్ పై మార్క్ చేసిన విధంగా సర్దుబాటు చేయాలి (**CMVR 124 (1)-20** ప్రకారం). **GVW** కండిషన్ కొరకు సిఫారసు చేసిన హెడ్ ల్యాంప్ స్విచ్ పోజిషన్ నిబాడీ ఫ్యాబ్రికేటర్ కస్టమర్ కు తెలియజేస్తుంది.

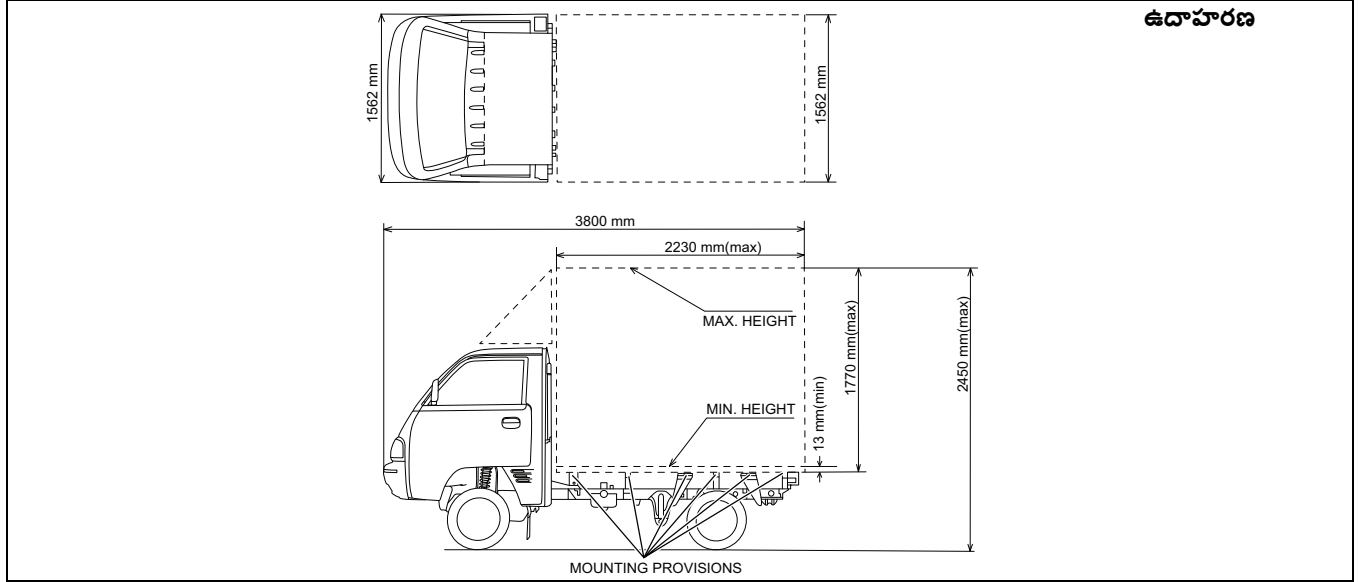
(d) **బాడీ బిల్డర్ ఫ్లెట్ :** బాడీ బిల్డర్ **CMVR రూల్ 122** కింద అవసరానికి అనుగుణంగా ఆన్ లేడెన్ బరువు, పేలోడ్ ను పేర్కొంటూ బాడీ బిల్డర్ ఫ్లెట్ ను ఉంచాలి.

(e) **Form 22A Part II (ఫారం 22A పార్ట్ II):** బాడీ బిల్డర్ **CMVR Rule 47** కింద అవసరాన్ని బట్టి **Form 22A Part II** ను అందించాలి.

(f) బాడీ ఫ్యాబ్రికేషన్ సమయంలో ఎలక్ట్రికల్ వైరింగ్, ఎలక్ట్రికల్ ఎక్స్ ప్లెజ్ మెంట్, బ్రేక్ కనెక్షన్లు, బ్రేక్ పైపింగ్, ప్యూయల్ కనెక్షన్, ఎగ్జాస్ట్ సిస్టమ్ మరియు ఛాసిస్ కాంపోనెంట్లతో బాడీ బిల్డర్ మార్చరాదు.

బాడీ ఫ్యాబ్రికేషన్ కొరకు సూచనలు

- (g) కొలతలు: తయారీదారు సరఫరా చేసిన క్యాబ్ ఛాసిస్ వాహనంపై నిర్మించాల్సిన లోడ్ బాడీ/అప్లికేషన్ దిగువ పటంలో పేర్కొన్న విధంగా కనిష్ట మరియు గరిష్ట కవర్ లో సరిపోయేలా డిజైన్ చేయాలి.



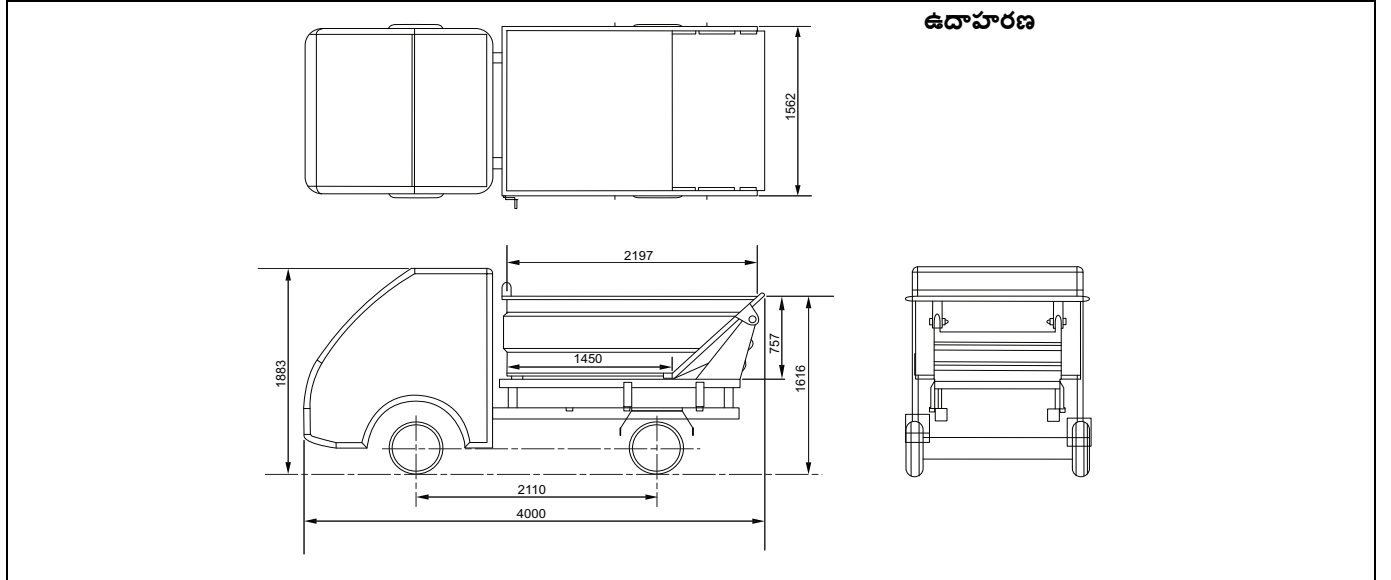
77PM12003

బాడీ ఫ్యాబ్రికేషన్ కొరకు ఇండికేటర్లు

పెట్రోల్ మోడల్ టిప్పర్ కొరకు (ఓపెన్ టిప్పర్ & క్లోజ్డ్ టిప్పర్)

తయారీదారుడు సరఫరా చేసిన క్యూబ్ ఛాసిస్ వాహనంపై నిర్మించాల్సిన లోడ్ బాడీ (load body) / అప్లికేషన్ (application) ఈ క్రింది ఉదాహరణలో పేర్కొన్న విధంగా నిర్దిష్ట కొలతలో సరిపోయేలా డిజైన్ చేయాలి.

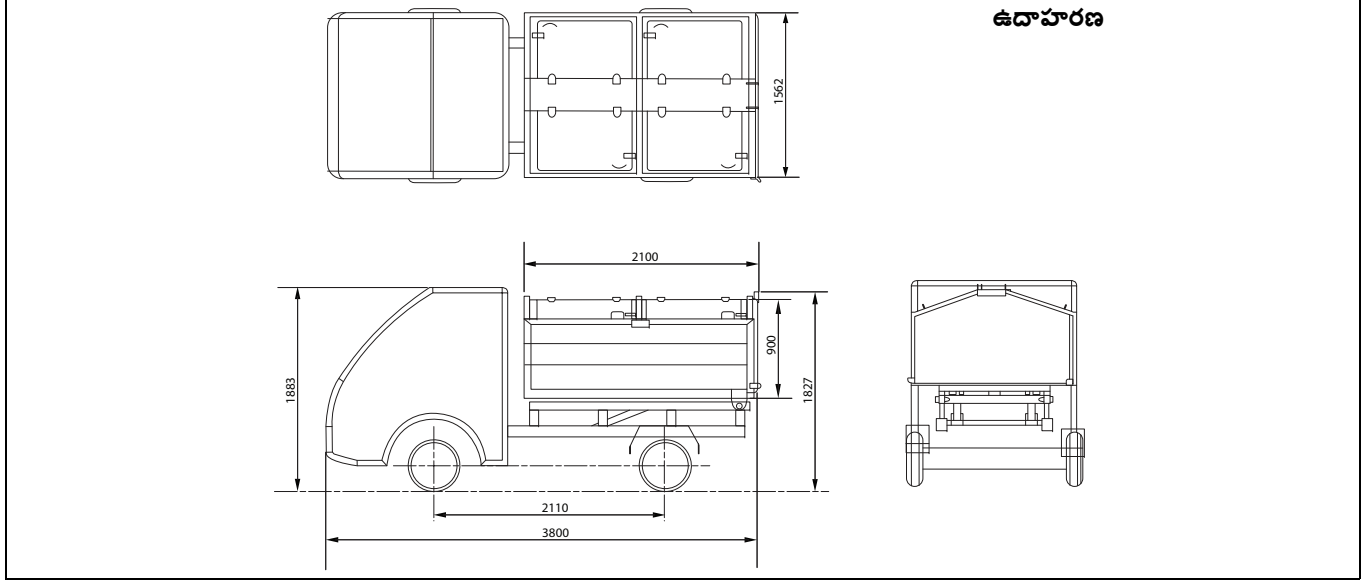
- ఓపెన్ టిప్పర్ :



77PM12006

బాడీ ఫ్యాబ్రికేషన్ కొరకు సూచనలు

- క్రోజ్ టీప్పర్ :



77PM12007

- (h) బరువు మరియు దాని డిస్ట్రిబ్యూషన్ : మొత్తం వాహనం యొక్క కనీస కెర్బ్ బరువును 860 కిలోలు (పెట్రోల్), 975 కిలోలు (CNG) మరియు పూర్తి వాహనం యొక్క గరిష్ట కెర్బ్ బరువును 1140 కిలోలు (పెట్రోల్), 1255 కిలోలు (CNG)గా పరిగణనలోకి తీసుకొని లోడ్ బాడీ (load body) / అప్లికేషన్ (application) తీయారు చేయాలి. ఫ్రంట్ యాక్సిల్ మరియు రియర్ యాక్సిల్ కెర్బ్ బరువు నిష్పత్తి 1.46 (పెట్రోల్), 1.24 (CNG) మించరాదు.

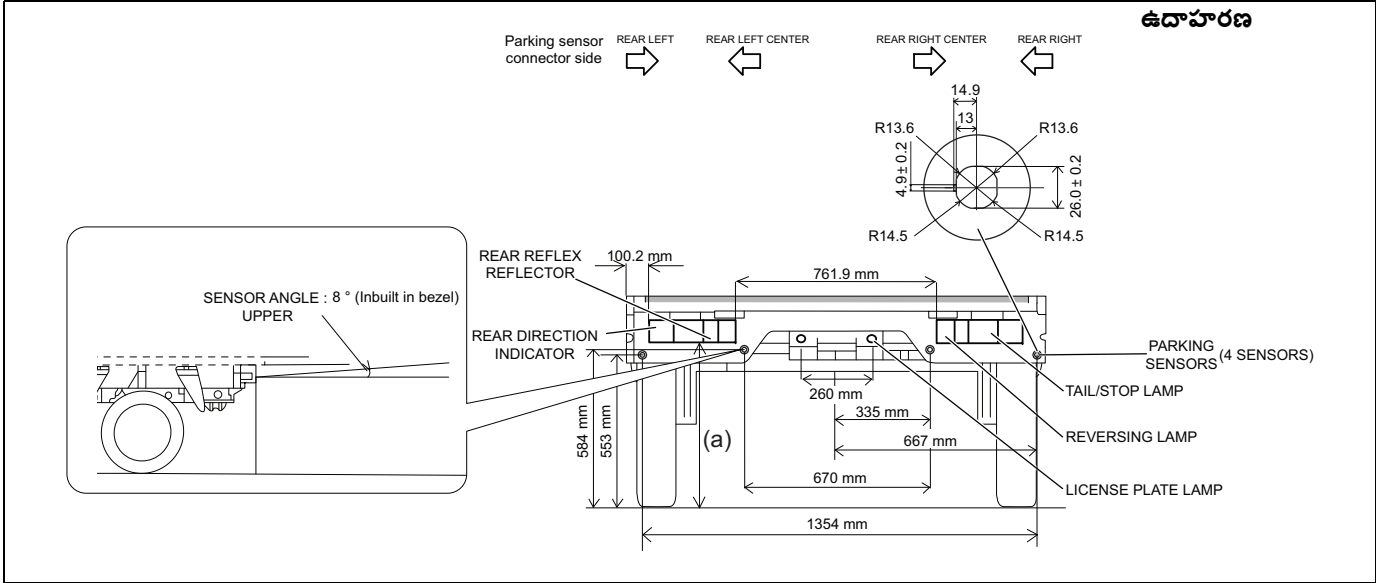
పెట్రోల్ మోడల్ టీప్పర్ అప్లికేషన్ కొరకు, దిగువ కెర్బ్ బరువును పరిగణనలోకి తీసుకొని లోడ్ బాడీ / అప్లికేషన్ ఫ్యాబ్రికేట్ చేయబడుతుంది.

ఓపెన్ టీప్పర్ కెర్బ్ బరువు : 1070kg

క్రోజ్ టీప్పర్ కెర్బ్ బరువు : 1140kg

ఫ్రంట్ యాక్సిల్ మరియు రియర్ యాక్సిల్ కెర్బ్ బరువు నిష్పత్తి 1.46 మించరాదు.

- (i) లోటింగ్ మరియు సిగ్నలింగ్ ఎక్సెప్షన్లు: క్యాబ్ ఛాసిస్ను క్యాబ్తో ఇన్ బిల్ చేసిన హెడ్ ల్యాంప్ అసెంబ్లీ, రియర్ కాంబినేషన్ ల్యాంప్, రిజిస్ట్రేషన్ ప్లేట్ ల్యాంప్ తో కూడిన తాత్కాలిక పార్కింగ్ అందిస్తున్నాయి. హెడ్ ల్యాంప్ అసెంబ్లీ సాన్సిటీతో ఎలాంటి మార్పులు చేయవద్దు. వెస్టిక కాంబినేషన్ ల్యాంప్లు, రిజిస్ట్రేషన్ ప్లేట్ ల్యాంప్లు మరియు పార్కింగ్ సెన్సార్లు (గ్రేవ్ బ్యాక్స్లో హాహానితో పాటు అందించబడ్డాయి) దిగువ పటంలో పేర్కొనబడ్డ సిఫార్సు చేసిన పోజిషన్కు అనుగుణంగా లోడ్ బాడ్లీ/అప్లికేషన్పై బిగించాలి.

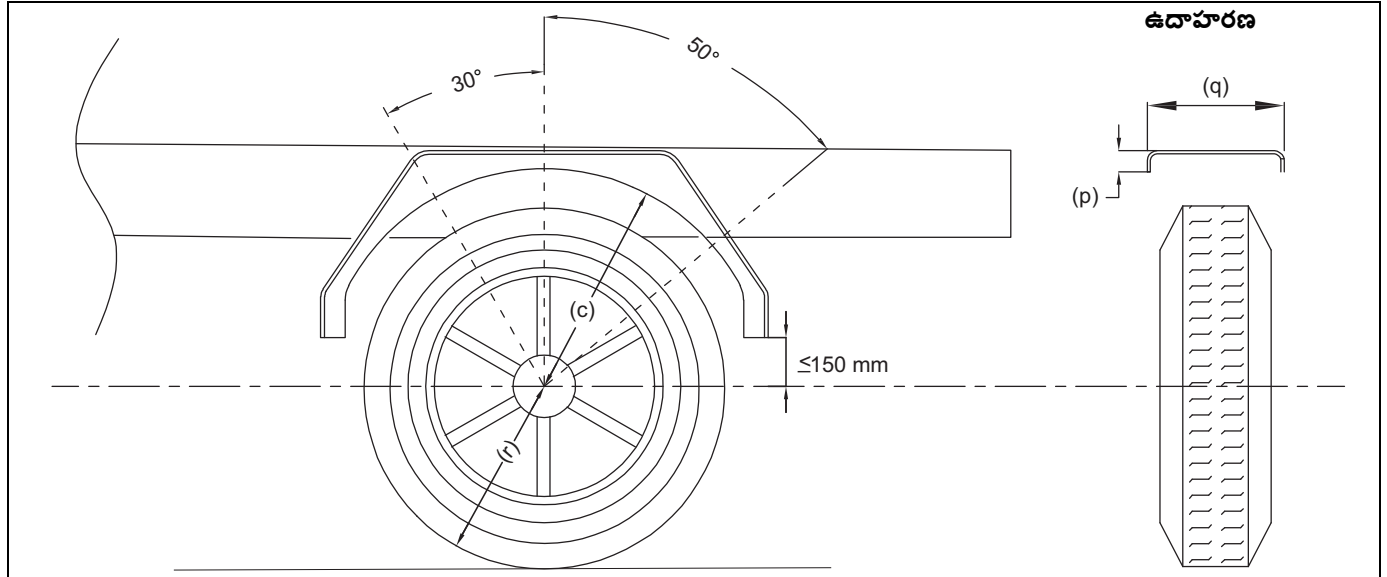


77PM12008

“ఇ” విలువ	
ఛాసిస్ అప్లికేషన్స్ (పెట్రోల్ & సి.ఎన్.జి.)	612 mm
పెట్రోల్ మోడల్ ఓపెన్ టిప్పర్ అప్లికేషన్	620 mm
పెట్రోల్ మోడల్ క్లోజ్డ్ టిప్పర్ అప్లికేషన్	660 mm

బాడీ ఫ్యాబ్రికేషన్ కొరకు సూచనలు

(j) **వీల్ గార్డ్:** వీల్ గార్డులు **CMVR** రూల్ నెంబర్ **124(1)-13** ప్రకారం నిబంధనలకు అనుగుణంగా ఉండాలి. దిగువ పటంలో పేర్కొన్న డిజైన్ పరామితులకు అనుగుణంగా వీల్ గార్డ్ (రియర్) తప్పనిసరిగా ఫ్యాబ్రికేట్ చేయాలి.



77PM12106

c	≤ 2r
p	> 30 mm
q	> మొత్తం టైర్ వెడల్పు
r	టైరు స్టాటిక్ వ్యాసార్థం

(k) సి.ఎన్.జి. వేరియంట్ కొరకు అప్లికేషన్:

సి.ఎన్.జి. లేబుల్ :

బాడీబిల్డర్ దిగువ మార్గదర్శకాలకు అనుగుణంగా లోడ్ బాడీపై సి.ఎన్.జి. లేబుల్ (CNG Label) (వహికల్ టూల్ కిట్ ప్యాకెట్లో పాటు అందించబడింది) అతికించాలి.

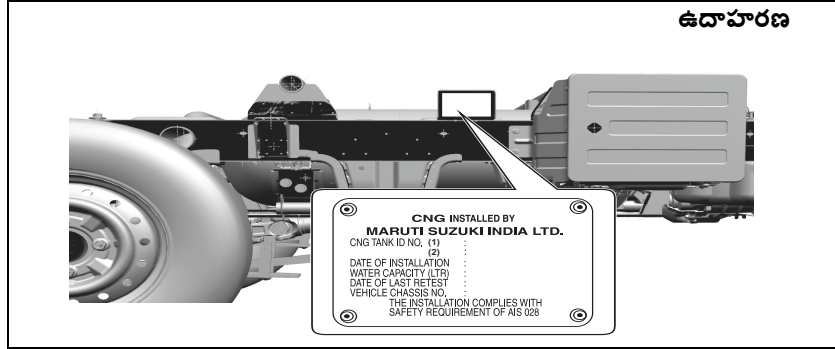
ఉదాహరణ



77PM12011

- ప్రాక్టికల్ గా వహికల్ నెంబర్ ప్లేట్ కు దగ్గరగా చదునైన ఉపరితలంపై ఒక నిలువు పోజిషన్ లో (పైన చూపించిన విధంగా) లేబుల్ అతికించాలి.
- అతికించిన లేబుల్ వెనుక వైపుల నుంచి విజిబిలిటీ ఉండేలా చూసుకోవాలి.
- లేబుల్ అన్ని వేళలా పోజిషన్ లో ఉండాలి, మంచి కండిషన్ లో ఉండాలి మరియు ఆకారం, రంగు మరియు అక్షరం సులభంగా గుర్తించేలా ఉండాలి.

సి.ఎన్.జి. కిట్ నెంబరు గుర్తింపు :



77PM07032

లోడ్ బాడీ (load body) / అప్లికేషన్ (application) సి.ఎన్.జి. కాంప్లయన్స్ ప్లేట్ విజిబిలిటీని ప్రభావితం చేయని విధంగా ఫ్యాబ్రికేట్ చేయబడుతుంది.

అవసరం:

సూపర్ క్యారి ఛాసిస్ వేరియంట్ బాడీ ఫ్యాబ్రికేషన్ కు సంబంధించి యజమాని/బాడీ-బిల్డర్ (body-builder) వర్తించే CMVR ఆవశ్యకతలకు మరియు ఎప్పటికప్పుడు వర్తించే రాష్ట్ర మోటోరు వాహన నిబంధనలకు కట్టుబడి ఉండాలి.

తయారీదారుడి సీఫారసు మరియు ప్రస్తుత నిబంధనలకు విరుద్ధంగా, బాడీ/అప్లికేషన్ ఫ్యాబ్రికేషన్ కారణంగా ఉత్పన్నమయ్యే వర్తించే చట్టాలకు వాహన తయారీదారు బాధ్యత వహించడు.

⚠️ జాగ్రత్త

డెక్/బాడీ ఫ్యాబ్రికేషన్ లేకుండా మీ సూపర్ క్యారి వాహనాన్ని ఉంచవద్దు.

Prepared by
MARUTI SUZUKI INDIA LIMITED

Service Division
July, 2024

Part No. 99011M77P12-744
Printed in India

**For round-the-clock on-road assistance, call Maruti On-road Service at 1800 102 1800* / 1800 1800 180*
#No STD code to be prefixed.**

అన్ని వేళలయందూ 24 గంటలకు వచ్చి సహాయం చేసేందుకు, మారుతి ఆన్ రోడ్ సర్వీస్ కి 1800 102 1800* / 1800 1800 180* కిఫోను చేయండి.
ముందు ఎస్.టి.డి. కోడ్ చెప్పనవసరం లేదు.

Service Division
MARUTI SUZUKI INDIA LIMITED
Palam Gurgaon Road, Gurgaon - 122 015 (Haryana)
www.marutisuzuki.com



99011M77P12-744

