

SUPER CARRY

OWNER'S MANUAL

Keep with vehicle at all times. Contains warranty policy and important information on safety, operation & maintenance

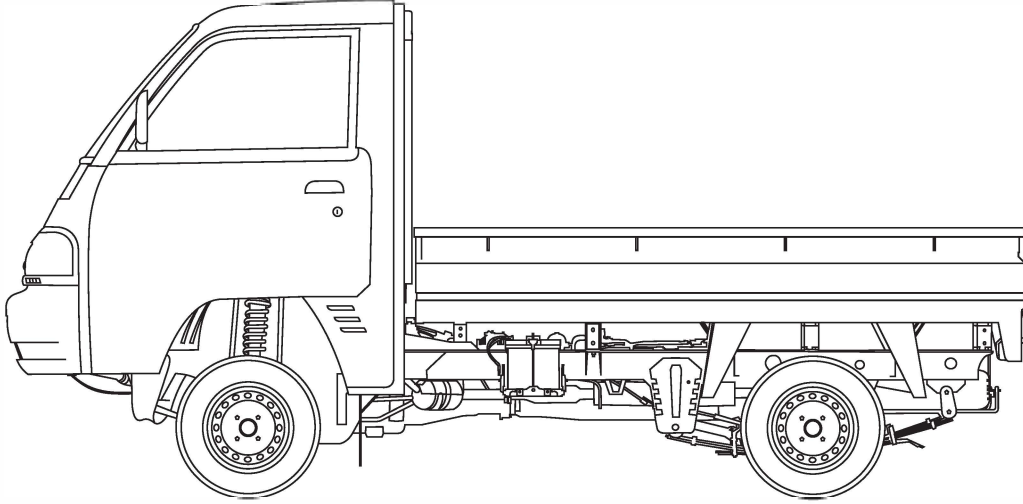
உரிமையாளர்கையேடு மற்றும் சர்வீஸ் புக்லெட்

செயல்பாடு மற்றும் பராமரிப்பு ஆகியவை குறித்த முக்கியமான தகவலைக் கொண்டுள்ளது.

Part No. 99011M77P11-749
July., 2024 (ENG.) (TAM.)

This owners manual applies to the Super Carry series
produced by MARUTI SUZUKI INDIA LIMITED.

இந்த உரிமையாளர் கையேடு மற்றும் சர்வீஸ் புக்லெட் ஆனது மாருதி சுசுக்கி இந்தியா லிமிடெட்டால்
வழங்கப்படும் சூப்பர் கேரி சீரியஸுக்கும் பொருந்தும்.



© COPYRIGHT MARUTI SUZUKI INDIA LIMITED 2024

© பதிப்புரிமை மாருதி சுசுக்கி இந்தியா லிமிடெட் 2024

NOTE: The illustrated model is one of the Super Carry series.

குறிப்பு: படத்தில் விளக்கப்பட்டுள்ள மாடல் சூப்பர் கேரி சீரியஸில் ஒன்றாகும்.

FOREWORD

This manual is an essential part of your vehicle and should remain with the vehicle when resold or otherwise transferred to a new owner or operator. Please read this manual carefully before operating your new MARUTI SUZUKI and review the manual from time to time. It contains important information on safety, operation and maintenance. You are invited to avail the four Free Inspection Services as described in the manual. Four free inspection coupons are attached to this manual. Please show this manual to your dealer while you take your MARUTI SUZUKI for any Service.

To prolong the life of your vehicle and reduce maintenance cost, the periodic maintenance must be carried out according to "PERIODIC MAINTENANCE SCHEDULE" described in "INSPECTION AND MAINTENANCE" section of this manual. It is essential for preventing trouble and accidents to ensure your satisfaction and safety.

Daily inspection and care as per "DAILY INSPECTION CHECKLIST" described in the "OPERATING YOUR VEHICLE" section of this manual is essential for prolonging the life of the vehicle and for safe driving.

Vehicle and the available features/accessories therein should be used and plied by the owner/user in accordance with the applicable legal requirements.

MARUTI SUZUKI INDIA LIMITED believes in conservation and protection of Earth's natural resources.

To that end, we encourage every vehicle owner to recycle, trade-in or properly dispose of, as appropriate, used Engine Oil, coolant and other fluids, batteries and tyres etc.

MARUTI SUZUKI INDIA LIMITED

All information in this manual is based on the latest product information available at the time of publication. Due to improvements or other changes, there may be discrepancies between information in this manual and your vehicle. MARUTI SUZUKI INDIA LIMITED reserves the right to make production changes at any time, without notice and without incurring any obligation to make the same or similar changes to vehicles previously built or sold.

This vehicle may not comply with standards or regulations of other countries. Before attempting to register this vehicle in any other country, check all applicable regulations and make any necessary modifications.

IMPORTANT

▲ WARNING/ ▲ CAUTION/NOTICE/ NOTE

Please read this manual and follow its instructions carefully. To emphasize special information, the symbol ▲ and the words **WARNING**, **CAUTION**, **NOTICE** and **NOTE** have special meanings. Pay particular attention to messages highlighted by these signal words:

▲ WARNING

Indicates a potential hazard that could result in death or serious injury.

▲ CAUTION

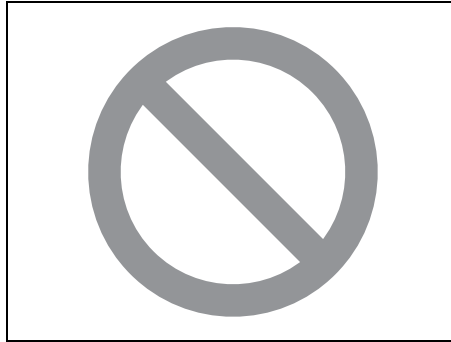
Indicates a potential hazard that could result in minor or moderate injury.

NOTICE

Indicates a potential hazard that could result in vehicle damage.

NOTE:

Indicates special information to make maintenance easier or instructions clearer.



75F135

The circle with a slash in this manual means “Don’t do this” or “Don’t let this happen”.

NOTE:

- Words like *car*, *model/variant* are invariably used in this manual to denote the “Vehicle”.
- Pictorial representations used in this manual are for reference purposes only.

MODIFICATION WARNING

▲ WARNING

Do not modify your vehicle. Modification could adversely affect safety, handling, performance, or durability and may violate governmental regulations. In addition, damage or performance problems resulting from modification shall not be covered under warranty.

NOTICE

Improper installation of mobile communication equipment such as cellular telephones or CB (Citizen’s Band) radios may cause electronic interference with your vehicle’s ignition system, resulting in vehicle performance problems. Consult your authorized **MARUTI SUZUKI COMMERCIAL** dealer for advice on installing such mobile communication equipment.

NOTICE

Severe damage may be caused by the use of either poor quality fuel and/or lubricants not recommended by **MARUTI SUZUKI**.

“WARNING”



Vehicle may **break-down**, meet with an **accident** or **catch fire** due to

1. Installation of
 - High wattage bulbs
 - Non genuine lamps / horns
 - Modified suspension / wheels
 - Non genuine parts / accessories etc.
2. Retrofitment of LPG / CNG fuel systems/kits.
3. Usage of domestic LPG.
4. Short circuiting due to tampering of wiring harness.

CAUTION: DO NOT STORE OR CARRY INFLAMMABLE MATERIALS IN THE VEHICLE.



Avoid driving into or starting the vehicle in a heavily water logged area. Vehicle may break-down or engine may fail due to

1. Water entry into the engine (which may lead to hydrostatic lock).
2. Short circuiting of the electrical systems.

If the vehicle is stuck in deep water, do not start / crank the vehicle until the level of water drops below the level of exhaust pipe.

NOTE:

IF THE VEHICLE IS SUBMERGED IN WATER, REPORT TO THE NEAREST AUTHORIZED WORKSHOP.

“CAUTION”

1. Retro-fitting of LPG / CNG kit may deteriorate vehicle performance, reduce engine & engine related component's life and also warranty will be null and void for such vehicles.
2. Do not use domestic LPG/LPG cylinder for your factory fitted LPG vehicles.
3. Usage of domestic LPG for running vehicles is prohibited as per law.
4. Do not remove company fitted LPG/CNG kit to install some other kit. It may affect vehicle performance and may cause fire.
5. Drive slowly on wet roads. Tires may slip while braking at higher speeds due to aquaplaning. (reduced contact area between tire and road due to presence of water)
6. Do not leave engine running in garages or confined areas, with passengers inside. This may result in accumulation of carbon-monoxide in cabin and may lead to suffocation or breathing problems.
7. Do not park vehicle on dry leaves or grass. This may lead to fire due to hot catalytic converter, igniting the dry leaves/grass.
8. If the vehicle is equipped with CNG/LPG, ensure availability of fire extinguisher in the vehicle all the time.
9. Always wear seat belt at all the times.
10. Do not use mobile phone while driving.
11. Avoid Smoking in the car, live bud thrown in car may cause fire.
12. Do not put any body part under the vehicle when it is supported on a Jack.
13. Do not use non-genuine accessories in your vehicle.
14. Do not fit accessories from unauthorized workshops/sources.
15. Usage of non-approved electrical accessories in your vehicle may result in spark, fire or personal injury.

WARRANTY POLICY

Maruti Suzuki India Limited (hereinafter called “Maruti Suzuki”), warrants that each new Maruti Suzuki vehicle distributed in India by Maruti Suzuki and sold by a Maruti Suzuki authorised dealer will be free, under normal use and service, from any defects in material and workmanship at the time of manufacture SUBJECT TO THE FOLLOWING TERMS AND CONDITIONS:

(1) Qualification:

To qualify for this warranty the vehicle must be delivered by a Maruti Suzuki authorised dealer and set-up, and serviced by a Maruti Suzuki authorised workshop.

(2) Term:

The term of the warranty shall be thirty-six (36) months or 1,00,000 kilometers (whichever occurs first) from the date of invoice to the first owner.

(3) Maruti Suzuki Warranty Obligation:

If any defect(s) should be found in a Maruti Suzuki vehicle within the term stipulated above, Maruti Suzuki’s only obligation is to repair or replace at its sole discretion any part shown to be defective, with a new part or the equivalent at no cost to the owner for parts or labour, when Maruti Suzuki acknowledges that such a defect is attributable to faulty material or workmanship at the time of manufacture. Such defective parts, which have been replaced, will become the property of Maruti Suzuki. The owner is responsible for any repair or replacements which are not covered by this warranty. The decision of Maruti Suzuki shall be final & binding.

(4) Limitation:

This warranty shall not apply to:

- (a) Normal maintenance service required other than the four free services, including without limitation, oil and fluid changes, Consumables, headlight aiming, fastener retightening, wheel balancing, wheel alignment and tyre rotation, cleaning of injectors, adjustments of clutch and valve clearance.
- (b) The normal wear of parts including without limitation, bulbs, tyres and tubes, spark plugs, belts, hoses, filters, wiper blades, brushes, contact points, fuses, clutch disc, brake shoes, brake pads, cable and all rubber parts (except oil seal and glass run).
- (c) Any vehicle which has been used for competition, rallies or racing.
- (d) Any repairs or replacement arising from accidents or collision.
- (e) Any defect/ damage caused by misuse, negligence, abnormal use, insufficient care, vandalism, theft, riot, fire, flooding - not limited to entry of water in the components resulting in engine seizure, hydrostatic lock, etc. or external damages to the body/ components.
- (f) Any damage resulting due to usage of adulterated fuel/ lubricants/ oil/ coolant/ fluids/ polishing products and fuel/ lubricants/ oil/ coolant/ fluids used other than those specified in the Owner’s Manual.
- (g) Any vehicle which has been modified or altered, including without limitation, the installation of performance accessories, enlargements of lights, other changes and external/ consequential reasons.
- (h) Any vehicle on which parts or accessories not approved by Maruti Suzuki (Non-MSGA, Non-MSGP) have been used.
- (i) Any vehicle which has not been operated in accordance with the operating instructions in this Owner’s Manual and Service Booklet.

-
- (j) Any vehicle which has not received the service inspections prescribed in this Owner's Manual and Service Booklet.
 - (k) Any vehicle which has been assembled, disassembled, adjusted or repaired by other than a Maruti Suzuki authorised workshop.
 - (l) Any vehicle which has been used for purposes other than what it was designed for.
 - (m) Any damage or deterioration caused by airborne fallout, industrial fallout, acid rain, hail or hail storm, wind storm, lightning, bird droppings, rodents bite / rat bite and such other thing that result in damage to the vehicle.
 - (n) Insignificant defects/noise which do not affect the function of the vehicle including without limitation, sound, vibration and fluid seep.
 - (o) Any natural wear and tear including without limitation, ageing, wear & tear or deterioration such as discoloration, fading, deformation or blurring and fabric discoloration.
 - (p) Installation and usage of domestic LPG gas/LPG Cylinder.
 - (q) V-belts, hoses and gas leaks.
 - (r) Any vehicle retrofitted with LPG/CNG kits.
 - (s) Repainting including patchwork, bodywork and mouldings and interior trims.
 - (t) Corrosion, rusting of body parts and/ or components.
 - (u) Any vehicle on which odometer has been changed unauthorisedly or odometer reading has been modified/ tampered with/ or not matching the service records.
 - (v) The damage(s) caused to the vehicle being unattended despite knowledge that the defect exists and ignorance by the owner/ user of the vehicle.
 - (w) Any damage(s) caused to vehicle including battery/ tyre due to parking of the vehicle in idle condition for long duration of time periods.
 - (x) Any vehicle on which the retro-fitment is not authorized and/ or type approved as per the standards prescribed by the relevant authority including but not limited to Automotive Standards of India.

- (y) Any vehicle on which the retro-fitment is such which directly or indirectly causes any damage to the vehicle or affects the functions of the vehicle in any manner whatsoever.

(5)Extent of Warranty:

This warranty is the entire written warranty given by Maruti Suzuki for Maruti Suzuki vehicles and no dealer or its or his agent or employee is authorised to extend or enlarge this warranty and no dealer or its or his agent or employee is authorised to make any oral warranty or representation or assurance on behalf of Maruti Suzuki.

Maruti Suzuki reserves the right to add any improvements or change the design of any model at any time with no obligation to make the same changes on units previously sold.

(6) Warranty Service:

To obtain warranty service, the complete vehicle must be presented at the owner's expenses to Maruti Suzuki authorised workshop.

The customer shall be responsible for his belongings or accessories fitted in the vehicle at the time of presenting the vehicle for service and no claim shall be entertained in any manner under any circumstances.

(7) Owner's Warranty Obligations:

NOTICE
The owner shall not use the vehicle in a damaged condition and report the same immediately to the nearest Maruti Suzuki authorized workshop. This would result in early inspection and repair of the vehicle and any possible harm to the person or aggravation of damage to the vehicle can be prevented.

It is responsibility of each owner to:

- Have performed, at his own expenses, by a Maruti Suzuki authorised workshop all the service inspections specified in the Maruti Suzuki “Owner’s Manual and Service Booklet” and maintain adequate proof that such service inspections have been performed.
- Update and maintain the 'Customer service maintenance records' page in the “Owner’s Manual and Service Booklet”, whenever service inspection or warranty service is carried out on the vehicle in a Maruti Suzuki authorised workshop.
- Present the Maruti Suzuki “Owner’s Manual and Service Booklet” to the Maruti Suzuki authorised workshop whenever requesting service inspections or warranty service.

If the “Owner’s Manual and Service Booklet” should be lost or destroyed the owner should consult the Maruti Suzuki authorised dealer from whom the vehicle was purchased for instructions concerning replacement of the “Owner’s Manual and Service Booklet”.

(8) Disclaimer of Consequential Damage:

Maruti Suzuki assumes no responsibility for loss of vehicle, loss of time, inconvenience or any other indirect incidental or consequential damage resulting from the vehicle not being available to the owner because of any defect covered by this warranty.

(9) Change of Owner

Even if ownership of the vehicle changes, the remaining warranty period is effective for the new owner.

This Warranty is applicable only in India and not transferable to any other country.

EMISSION WARRANTY POLICY

Maruti Suzuki offers the Emission Warranty on all Maruti Suzuki vehicles (apart from the Regular Warranty and will run parallel to the regular product warranty) only in four metropolitan cities (New Delhi, Kolkata, Mumbai and Chennai) with effect from July 1st, 2001.

Terms:

The Emission Warranty will be applicable for 80,000 kms or 3 years (Whichever comes earlier) from the date of delivery to the first owner. The remaining warranty terms will be valid in case of any change in ownership provided the production of all valid documents.

Conditions:

1. Under Emission Warranty, Warranty claims will be admitted for a prima facie examination, in case vehicle fails to meet the Emission Standard as specified in sub rule (2) of rule no. 115 of Central Motor Vehicles Rules (CMVR), 1989.
2. The warranty claims will only be accepted after examination carried out by Maruti Suzuki or it's dealer which leads to firm conclusions that the
 - a) Original settings have not been tempered in any case.
 - b) Part (as given in Annexure - A) has a manufacturing defect.
 - c) Vehicle is unable to meet the Emission Standards (as given in 1.), inspite of the vehicle having been maintained and used in accordance with the instructions as specified in Owner's Manual and Service Booklet and the used fuel and different oils (Engine oil, Transmission oil, Brake oil etc.) are also as per specification.
3. The method of examination for deciding the warranty of the parts will be at the sole discretion of Maruti Suzuki and it's dealer and results of the examination will be final and binding. If after examination, the warrant-able condition is not established, Maruti Suzuki and it's dealer has the right to charge all, or part of the cost of such examination.
4. Under Emission Warranty, the parts (as given in Annexure - A) will be changed free of cost, but the consumables will be charged as per actual.
5. If the part covered under Emission Warranty or the associated parts, are not independently replaceable, on account of these being integral parts of a complete assembly, Maruti Suzuki and it's dealer will have the sole discretion to replace either the entire assembly or by using some of the parts of the system through suitable repairs or modifications.
6. Any consequential repairs or replacement of parts which may be found necessary to establish compliance of Emission Warranty, will not be considered under warranty, unless the same is under product warranty. The consumable will be charged as per actual under such repair or replacement.
7. Maruti Suzuki will not be responsible for the cost of transportation of the vehicle to the nearest Maruti Suzuki dealer workshop or any loss due to non-availability of the vehicle during the period of lodging of a warranty claim and examination and/or repair by Maruti Suzuki dealer.
8. Maruti Suzuki will not be responsible for any penalty that may be charged by statutory authorities on account of failure to comply with the EMISSION STANDARDS.
9. Emission Warranty will not be affected on the change of owner, provided all the documents are available.

10. All maintenance actions (as specified in the Owner's Manual and Service Booklet) need to be followed and recorded in the manual for emission warranty.

11. The customer needs to produce the PUC (Pollution Under Control) certificate valid for the period preceding the test during which the failure is discovered. The receipts (for the maintenance of the vehicle as per specification in Owner's Manual and Service Booklet from the date of original purchase of the vehicle) will also be required.

Conditions under which the Emission Warranty is not APPLICABLE

1. In the absence of valid PUC certificate.
2. Vehicle not serviced from Maruti Suzuki authorized workshop as per the schedule specified in the Owner's Manual.
3. Vehicle subjected to abnormal use (accident, motor race, rallies or for the purpose of establishing the records etc).
4. Use of non MGP (Maruti Genuine Part).
5. Vehicle tampered in an unauthorized manner.
6. Tampering with odometer so that the actual kilometer reading can not be read.
7. Use of adulterated fuel and/or unspecified oils (Engine oil, Transmission oil and Brake oil etc).

Annexure - A

List of parts covered under Emission Warranty

1. Fuel Injection Assembly, Pressure Regulator, Throttle Body Assembly.
2. Electronic Control Module (ECM).
3. Intake Manifold.
4. EGR valve.
5. Distributor and internal parts.
6. Ignition Coil.
7. Canister Assembly.
8. Vapour Liquid Separator.
9. Fuel Tank and Filler Cap.
10. PCV (Positive Crankcase Ventilation) Valve.
11. Oil Filler Cap.
12. Catalytic Converter.
13. Exhaust Manifold.
14. All Fuel Injection System related SENSORS.
15. High Pressure Fuel Pump.
16. Glow Plug.
17. Glow Plug Controller.
18. Maniferter

TABLE OF CONTENTS

FUEL RECOMMENDATION	1
BEFORE DRIVING	2
OPERATING YOUR VEHICLE	3
DRIVING TIPS	4
OTHER CONTROLS AND EQUIPMENT	5
VEHICLE LOADING AND TOWING	6
INSPECTION AND MAINTENANCE	7
EMERGENCY SERVICE	8
APPEARANCE CARE	9
GENERAL INFORMATION	10
SPECIFICATIONS	11
INSTRUCTIONS FOR BODY FABRICATION (chassis variant)	12

FUEL RECOMMENDATION

Fuel Recommendation 1-1

FUEL RECOMMENDATION

Fuel Recommendation

(For Petrol and CNG Engine Model)

For Petrol Engine Model

To avoid damaging catalytic converter, you must use unleaded petrol with an octane number (RON) of 91 or higher.

Gasoline/Ethanol blends

Blends of unleaded gasoline and ethanol, also known as gasohol, are commercially available in the country and can vary with location. Gasoline Ethanol blend up to E20 can be used as fuel for this vehicle.

Gasoline containing MTBE

Unleaded gasoline containing MTBE (methyl tertiary butyl ether) may be used in your vehicle if the MTBE content is not greater than 15%. This oxygenated fuel does not contain alcohol.

CAUTION

Use of spurious, low quality, adulterated fuel can cause damage to the engine and engine auxiliaries, affect functioning of engine and degrade engine performance including but not limited to engine seizure.

NOTICE

- The fuel tank has an air space to allow for fuel expansion in hot weather. If you continue to add fuel after the filler nozzle has automatically shut off or an initial blowback occurs, the air chamber will become full. Exposure to heat when fully fuelled in this manner will result in leakage due to fuel expansion. To prevent such fuel leakage, stop filling after the filler nozzle has automatically shut off, or when initial vent blowback occurs, if using an alternative non-automatic system.
- Be careful not to spill fuel containing alcohol while refueling. If fuel is spilled on the vehicle body, wipe it up immediately. Fuels containing alcohol can cause paint damage, which is not covered under the New Vehicle Limited Warranty.

For CNG Engine Model

CNG

CNG (Compressed Natural Gas) is principally constituted by methane. CNG is considered as clean burning fuel. Due to low density of CNG, it is compressed at a pressure of around 200 bars to enhance the vehicle on-board storage capacity.

CAUTION

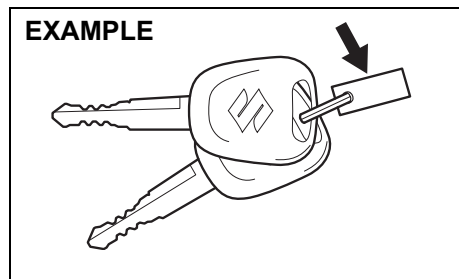
- In case of any symptom of CNG leakage or releasing noise or any external damage to CNG piping or during accident, do not panic.**
- Stop the vehicle and switch off the engine, roll down the windows and open all the doors.
 - Ensure to close manual shut off valve.
 - Contact authorised **MARUTI SUZUKI COMMERCIAL** workshop immediately for further assistance.

BEFORE DRIVING

Keys	2-1
Door Locks	2-2
Tailgate	2-2
Windows	2-3
Mirrors	2-4
Seats	2-5
Seat Belts	2-5
Instrument Cluster	2-11
Speedometer	2-12
Fuel Gauge	2-12
Information Display	2-12
Warning and Indicator Lights	2-16
Lighting Control Lever	2-19
Headlight Leveling Switch	2-20
Turn Signal Control Lever	2-20
Hazard Warning Switch	2-21
Windshield Wiper and Washer Lever	2-21
Horn	2-23
CNG Cylinder Warning Label (if equipped)	2-23
CNG Warning Label (if equipped)	2-23
CNG Manual Shut-OFF Valve (if equipped)	2-24

BEFORE DRIVING

Keys



51KM024

Your vehicle comes with a pair of keys. The key(s) may or may not be equipped with a transmitter depending on model variant. Keep the spare key in a safe place. One key can open all of the locks on the vehicle.

The key identification number is stamped on a metal tag provided with the keys or on the keys. Keep the tag (if equipped) in a safe place. If you lose your keys, you will need this number to have new keys made. Write the number below for your future reference.

KEY NUMBER:

Immobilizer system

This system is designed to help prevent vehicle theft by electronically disabling the engine starting system.

The engine can be started only with your vehicle's original immobilizer ignition key, which has an electronic identification code programmed into it. The key communicates the identification code to the vehicle when the ignition switch is turned to "ON" position. If you need to make spare keys, see a Maruti Suzuki authorised workshop. The vehicle must be programmed with the correct identification code for the spare. A key made by an ordinary locksmith will not work.



65D239

If the immobilizer system warning light blinks when the ignition switch is in "ON" position, the engine will not start.

If this light blinks, turn the ignition switch to "LOCK" position, and then turn it back to "ON" position.

If the light still blinks after the ignition switch is turned back to "ON" position, there may be something wrong with your

key or with the immobilizer system. Ask a Maruti Suzuki authorised workshop to have the system inspected.

NOTE:

- If you lose your immobilizer ignition key, ask a Maruti Suzuki authorised workshop as soon as possible to deactivate the lost one, and to make a new key.
- If you own other vehicles with immobilizer keys, keep those keys away from the ignition switch when using your MARUTI SUZUKI vehicle. Otherwise, the engine may not be started because they may interfere with your MARUTI SUZUKI vehicle's immobilizer system.
- If you attach any metal objects to the immobilizer key, it may not start the engine.
- This immobilizer system is maintenance-free.

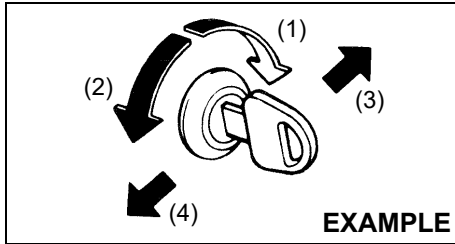
NOTICE

The immobilizer key is sensitive electronic instrument. To avoid damaging it:

- Do not expose it to impacts, moisture or high temperature such as on the dashboard under direct sunlight.
- Keep it away from magnetic objects.

Door Locks

**Side Door Locks
Driver's door**



EXAMPLE

76MHOA001

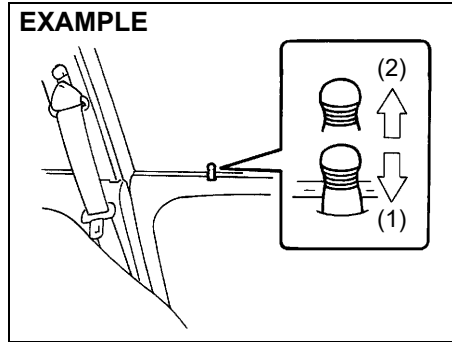
- (1) LOCK
- (2) UNLOCK
- (3) Front
- (4) Rear

To lock a driver's door from outside the vehicle:

- Insert the key and turn the top of the key toward the front of the vehicle, or
- Push the lock knob down, then pull and hold the door handle as you close the door.

To unlock a driver's door from outside the vehicle, insert the key and turn the top of the key toward the rear of the vehicle.

To lock a passenger's door from outside the vehicle, push the lock knob down, then pull and hold the door handle as you close the door.

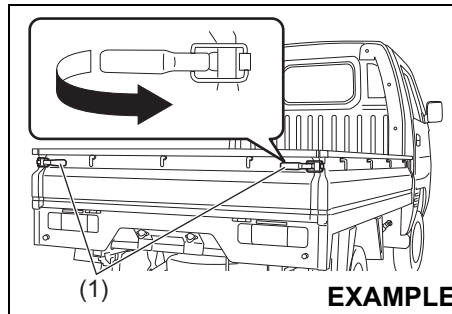


EXAMPLE

- (1) LOCK
- (2) UNLOCK

54G005

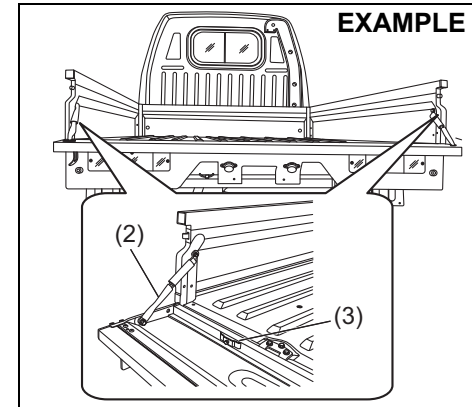
Tailgate



EXAMPLE

77PH025

The tailgate can be opened by pulling the lock handles (1). When closing, lock them firmly.



EXAMPLE

77PM201

The tailgate can also be locked in an intermediate position with the help of tailgate chain (2).

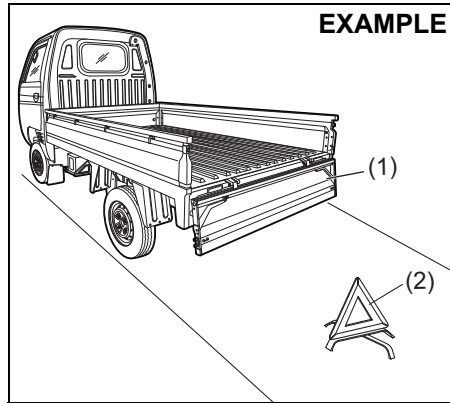
NOTICE

Lock the tailgate chain (2) with pin (3) when not in use.

BEFORE DRIVING

⚠ WARNING

- Driving with the tailgate in open / intermediate position will allow the tailgate to swing and hit others, causing injury or even death.
- The tailgate in open / intermediate position will hinder other drivers from seeing the taillights, causing accidents. Make sure the tailgate is closed and locked firmly before driving.
- Make sure that the tailgate is always closed and locked firmly to prevent cargo from being thrown out of the vehicle in the event of an accident.
- Do not stand, put load or put cargo on the tailgate when locked at an intermediate position.
- If the tailgate is in fully open condition, vehicle rear lighting devices such as position lamp, turn signal indicator and stop lamp get hidden, and are not visible.



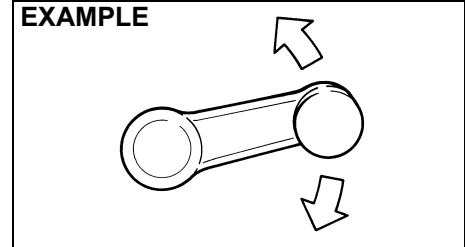
77PM202

⚠ WARNING

- If the loading and unloading is done while tailgate (1) is in fully open position, a warning triangle (2) must be placed on the road in visible manner to alert other users about the presence of the vehicle.

Windows

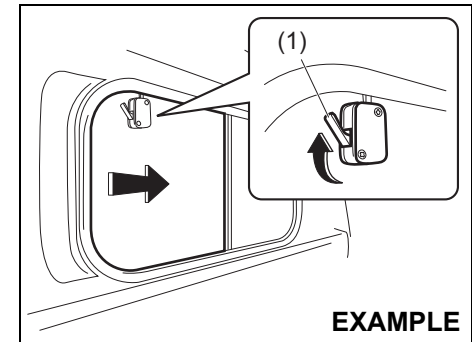
Manual Window Control



60G010

Raise or lower the door windows by turning the handle located on the door panel.

Rear Window



77PH073

To open the window, push the lock (1) and slide the window.

Mirrors

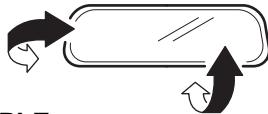
▲ WARNING

Failure to observe following point may result in loss of vehicle control and cause an accident, leading to death or serious injury. Always follow below points while driving.

- Do not adjust the mirrors while driving.
- Always unfold all the outside rearview mirrors and adjust properly before driving.
- Do not place objects in the rear of the vehicle which may hinder visibility or interfere with your vision from the rear window glass.

Inside Rearview Mirror

You can adjust the inside rearview mirror by hand so as to see the rear of your vehicle in the mirror.



EXAMPLE

74LHT0235

▲ CAUTION

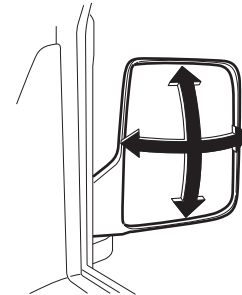
Do not modify the inside rearview mirror or install a non-genuine wide mirror. It could result in injury during accident.

Outside Rearview Mirror(s)

Adjust the outside rearview mirror(s) so you can just see the side of your vehicle in the mirror(s).

▲ WARNING

Be careful when judging the size or distance of a vehicle or other object seen in the side convex mirror. Be aware that objects look smaller and appear farther away than when seen in a flat mirror.



EXAMPLE

64P0190

BEFORE DRIVING

Seats

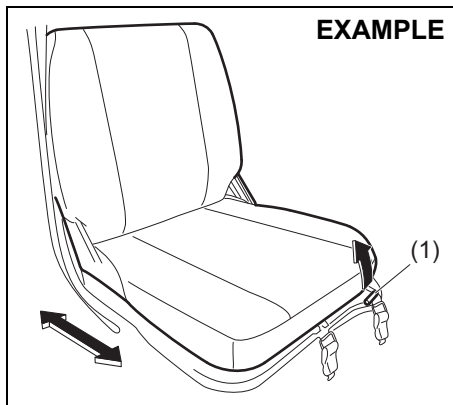
Seat Adjustment (driver's seat)

⚠ WARNING

Never attempt to adjust the driver's seat while driving. The seat could move unexpectedly, causing loss of control. Make sure that the driver's seat is properly adjusted before you start driving.

⚠ WARNING

To avoid excessive seat belt slack, which reduces effectiveness of the seat belts as a safety device, make sure that the seats are adjusted before the seat belts are fastened.



77PH087

Seat position adjustment lever (1)

Pull the lever up and slide the seat.

After adjustment, try to move the seat forward and rearward to ensure that it is securely latched.

⚠ CAUTION

While adjusting the seat, be careful that the seat does not pinch your hands, or hit your body.

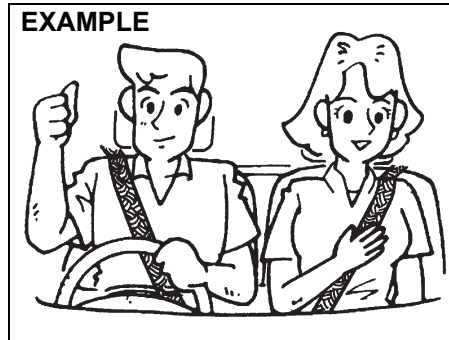
NOTE:

To operate the seat back smoothly, pull the seat back adjustment lever (2) in upward direction. Ensure to move seat back only after lever is moved to fully up position. After adjustment of seat back, release the

lever gently. Check that seat back is locked by moving it forward and backward.

Seat Belts

EXAMPLE



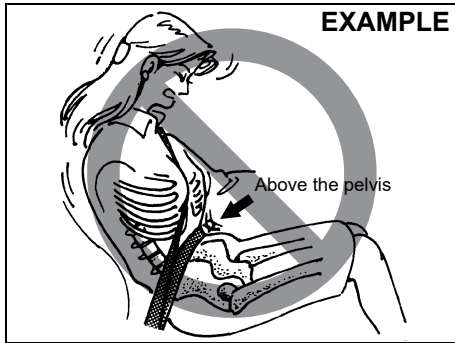
65D231S

⚠ WARNING

Wear Your Seat Belts at All Times.

⚠ WARNING

The driver and the passenger must be properly restrained by wearing seat belts at all times even if driving for a very short distance, whether or not an air bag is mounted at their seating position, to minimize the risk of severe injury or death in the event of a crash.

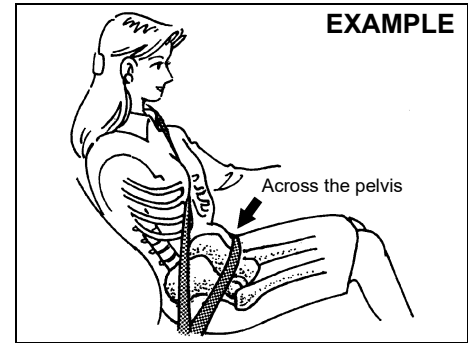


65D606

⚠ WARNING

- Never allow persons to ride in the cargo area of a vehicle. In the event of an accident, there is a much greater risk of injury for persons who are not riding in a seat with their seat belt securely fastened.
- Ensure that all seat belts are worn correctly. An improperly worn seat belt increases the risk of injury or death if a collision occurs.
- Seat belts should always be adjusted as follows:
 - the lap portion of the belt should be worn low across the pelvis, not across the waist.
 - the shoulder straps should be worn on the outside shoulder only, and never under the arm.
 - the shoulder straps should be away from your face and neck, but not falling off your shoulder.

(Continued)



65D201

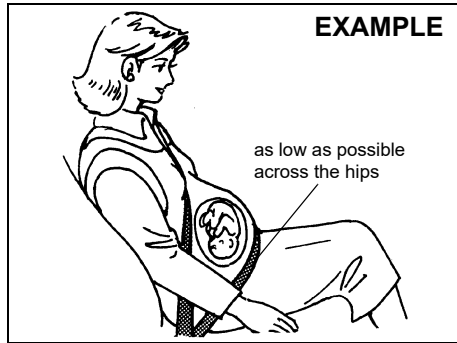
⚠ WARNING

(Continued)

- Seat belts should never be worn with the straps twisted and should be adjusted as tightly as is comfortable to provide the protection for which they have been designed. A slack belt will provide less protection than one which is snug.
- Make sure that each seat belt buckle is inserted into the proper buckle catch.

(Continued)

BEFORE DRIVING



65D199

⚠ WARNING

(Continued)

- **Pregnant women should use seat belts, although specific recommendations about driving should be made by the woman's medical advisor. Remember that the lap portion of the belt should be worn as low as possible across the hips, as shown in the diagram.**
- **Do not wear seat belts over hard, fragile, or sharp items such as pens, keys, eyeglasses, etc. in pockets or on clothing. The pressure from seat belt on such items can cause injury in case of an accident.**
- **Do not wear your seat belt over hard or breakable objects in your pockets or on your clothing. If an accident occurs, objects such as glasses, pens, etc. under the seat belt can cause injury.**

(Continued)

⚠ WARNING

(Continued)

- **Never use the same seat belt on more than one occupant and never attach a seat belt over an infant or child being held on an occupant's lap. Such seat belt use could cause serious injury in the event of an accident.**
- **Periodically inspect seat belt assemblies for excessive wear and damage. Seat belts should be replaced if webbing becomes frayed, contaminated, or damaged in any way. It is essential to replace the entire seat belt assembly after it has been worn in a severe impact, even if damage to the assembly is not obvious.**
- **Infants and small children should never be transported unless they are properly restrained.**
- **For children, if the shoulder belt irritates the neck or face, move the child closer to the center of the vehicle.**
- **Avoid contamination of seat belt webbing by polishes, oils, chemicals, and particularly battery acid. Cleaning may safely be carried out using mild soap and water.**

(Continued)

⚠ WARNING

(Continued)

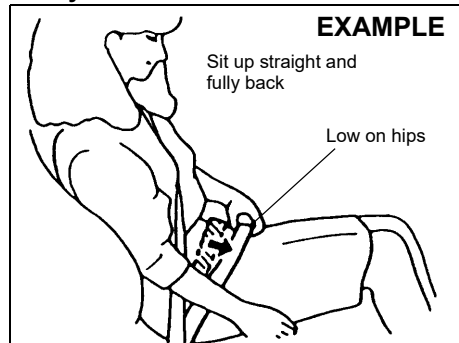
- Do not insert any items such as coins, clips, etc. into the seat belt buckles, and be careful not to spill liquids into these parts. If foreign materials get into a seat belt buckle, the seat belt may not work properly.

Lap-Shoulder Belt

Emergency Locking Retractor (ELR)

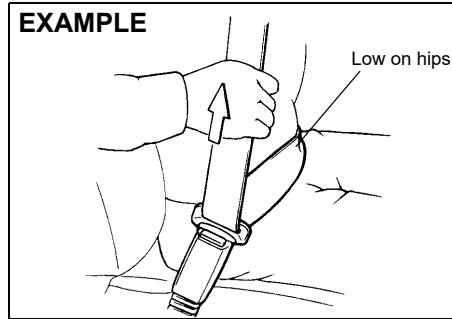
The seat belt has an emergency locking retractor (ELR), which is designed to lock the seat belt only during a sudden stop or impact. It also may lock if you pull the belt across your body very quickly. If this happens, let the belt go back to unlock it, then pull the belt across your body more slowly.

Safety reminder



60A038

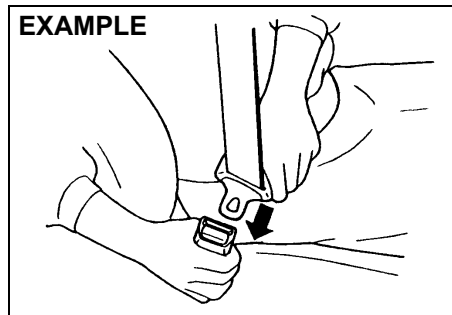
EXAMPLE



60A040

To reduce the risk of sliding under the belt during a collision, position the lap portion of the belt across your lap as low on your hips as possible and adjust it to a snug fit by pulling the shoulder portion of the belt upward through the latch plate. The length of the diagonal shoulder strap adjusts itself to allow freedom of movement.

EXAMPLE



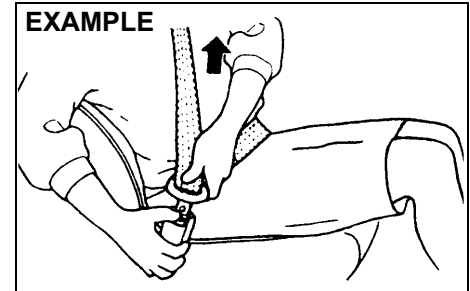
60A036

To fasten the seat belt, sit up straight and well back in the seat, pull the latch plate attached to the seat belt across your body and press it straight into the buckle until you hear a click.

NOTE:

If the seat belt cannot be pulled from its fully retracted position, firmly pull the belt and release it. Then smoothly pull the belt out of the retractor.

EXAMPLE

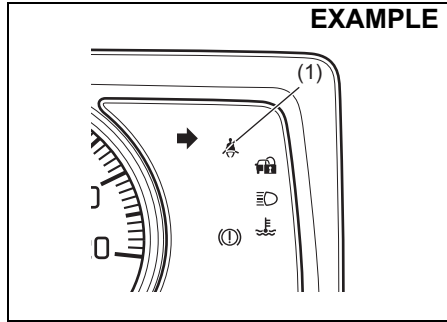


60A039

To unfasten the seat belt, push the button on the buckle and retract the belt slowly while attaching a hand to the belt or/and the latch plate.

BEFORE DRIVING

Seat Belt Reminder



77PM02017

- (1) Driver's seat belt reminder light / front passenger's seat belt reminder light

When the driver and / or front passenger do / does not fasten their seat belts, the seat belt reminder light will come on or blink and a buzzer will sound to remind the driver and/or passenger to fasten their seat belts. For more details, refer to the explanation below.

⚠ WARNING

It is absolutely essential that the driver and passengers fasten their seat belts at all times. Persons who are not fastening seat belts have a much greater risk of injury if an accident occurs. Make a regular habit of buckling your seat belt before putting the key in the ignition switch.

NOTE:

The driver's seat belt reminder light / front passenger's seat belt reminder light is for both the driver and front passenger.

Driver's or front passenger's seat belt reminder

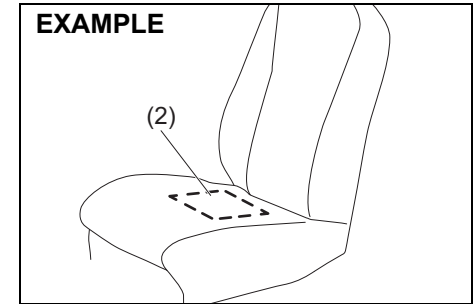
If the driver's or front passenger's seat belt remains unbuckled when the ignition switch is turned "ON", the reminder works as follows:

- 1) The driver's or front passenger's seat belt reminder light will come on.
- 2) After the vehicle's speed has reached about 15 km/h, the driver's or front passenger's seat belt reminder light will blink and a buzzer will sound for about 95 seconds.
- 3) After step 2) has finished, the reminder light will remain on until the driver's or front passenger's seat belt is buckled.

If the driver or front passenger has buckled his or her seat belt and later unbuckles the seat belt, the reminder system will be activated from Step 1) or 2) according to the vehicle's speed. When the vehicle's speed is less than 15 km/h, the reminder will start from Step 1). When the vehicle's speed is more than 15 km/h, the reminder will start from Step 2). The reminder will be automatically canceled when the driver's or front passenger's seat belt is buckled or the ignition switch is turned off.

Front passenger's seat belt reminder

If there is a person sitting on the front passenger seat and the front passenger seat belt is unbuckled when the ignition switch is turned to "ON" position, the front passenger's seat belt reminder will activate.



69RH203

- (2) The sensor of the front passenger's seat belt reminder

The seat belt reminder sensor (2) detects whether a person is sitting in the front seat. The sensor of the front passenger's seat belt reminder is located in the seat cushion. The front passenger's seat belt reminder works in the same manner as the driver's seat belt reminder.

NOTICE

- The sensor of the front passenger's seat belt reminder is located in the seat cushion. If heavy or sharp objects are put on the seat cushion, or a removal, disassembly and modification of the passenger's seat are performed, the sensor may not work properly or can be damaged. Do not put heavy or sharp objects on the seat cushion. Do not remove, disassemble and modify the passenger's seat.
- Depending on the variety of seat cover, operation of the sensor may be adversely affected. MARUTI SUZUKI highly recommends that you use MARUTI SUZUKI genuine seat cover exclusively for this vehicle.
- If you spill liquid such as liquid aromatics, soft drinks or juice on the front passenger's seat cushion, the sensor of the front passenger's seat belt reminder located in the seat cushion can be damaged. Immediately wipe it dry with a soft cloth when spilled.

(Continued)

NOTICE

(Continued)

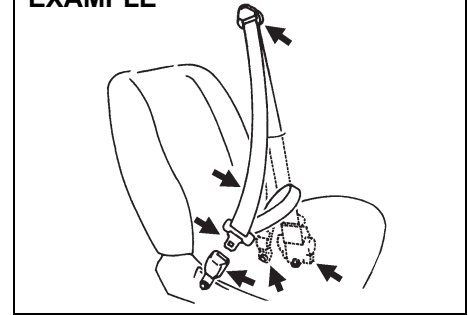
- When sitting on the front passenger's seat, it is very important that the passenger sits upright, leaning against the seat backrest and centered on the seat cushion in order for the seatbelt reminder system to function effectively. An occupant sitting improperly (slouches, turns sideways, sits forward or sideways) may hamper the functioning of this system as it may not detect the occupant.

NOTE:

- If you put an object on the passenger's seat, the weight of the object will be sensed by the sensor and the front passenger's seat belt reminder light will come on and then the interior buzzer may beep.
- If a child or a small sized person sits on the front passenger's seat or the cushion is put on the front passenger's seat, the weight may not be sensed by the sensor and the interior buzzer may not beep.

NOTE:

Maruti Suzuki recommends use of Maruti Suzuki Genuine accessory of "Seat cover".

Seat Belt Inspection**EXAMPLE**

65D209S

Periodically inspect the seat belts to make sure they work properly and are not damaged. Check the webbing, buckles, latch plates, retractors, anchorages, and guide loops. Replace any seat belts which do not work properly or are damaged.

⚠ WARNING

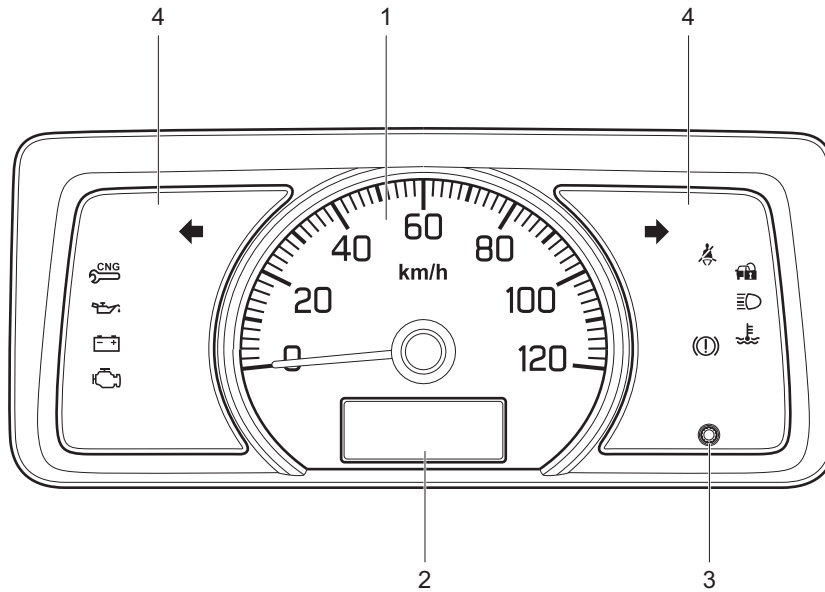
Be sure to inspect all seat belt assemblies after any collision. Any seat belt assembly which was in use during a collision (other than a very minor one) should be replaced, even if damage to the assembly is not obvious. Any seat belt assembly which was not in use during a collision should be replaced if it does not function properly or if it is damaged in any way.

BEFORE DRIVING

Instrument Cluster

1. Speedometer
2. Information display
3. Trip meter selector knob
4. Warning and indicator lights

EXAMPLE



77PM02001

Speedometer

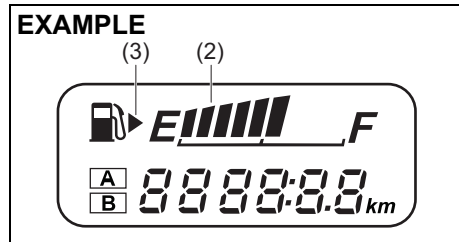
The speedometer indicates vehicle speed.

NOTE:

Maximum speed of the vehicle is 80 km/hr as per government regulation.

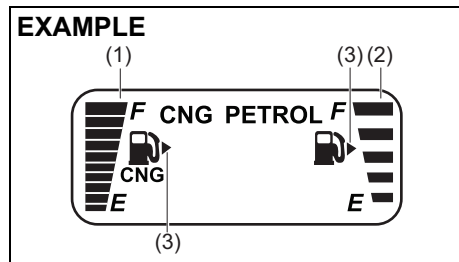
Fuel Gauge

Petrol Model



77PM02018

CNG Model



77PM07019

- (1) Indicates CNG fuel gauge.
- (2) Indicates Petrol fuel gauge.

When the ignition switch is in the “ON” position, this gauge gives an approximate indication of the amount of fuel in the fuel tank. “F” stands for full and “E” stands for empty.

If the fuel meter indicator shows only one segment to “E”, refill the tank as soon as possible.

The mark (3) indicates that the fuel filler door is located on the right side of the vehicle.

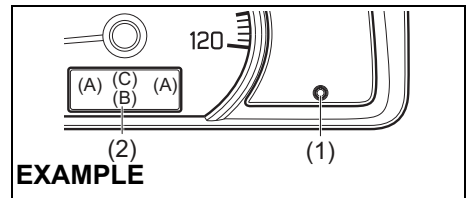
NOTICE

To minimize the possibility of damage to catalytic converter or other components of the vehicle, avoid driving the vehicle near empty fuel tank level.

NOTE:
If the last segment blinks, it means that the fuel is almost empty.

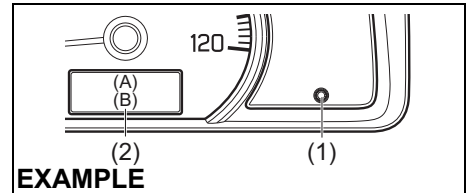
Information Display

For CNG Model



77PM07029

For Petrol Model



77PM07031

- (1) Trip meter selector knob
- (2) Information display

When the ignition switch is in the “ON” position, the information display shows the following information.

Display (A)

Fuel gauge

Display (B)

Odometer / Trip meter / Clock / Brightness control

Display (C)

Fuel modes (if equipped)

Fuel Gauge

When the ignition switch is in the “ON” position, the display (A) shows the fuel gauge.

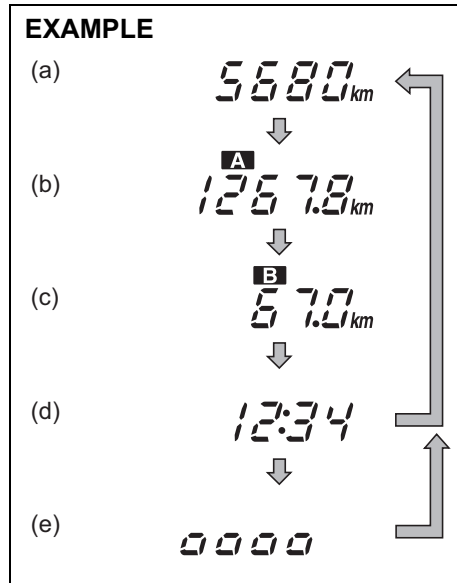
Refer to “Fuel Gauge” in this section.

BEFORE DRIVING

Odometer / Trip meter / Clock / Brightness Control

When the ignition switch is in the "ON" position, the display (B) shows one of the following indications, odometer, trip meter A, trip meter B or clock.

To switch the display indication (B), push the trip meter selector knob (1) quickly.



- (a) Odometer
(b) Trip meter A

- (c) Trip meter B
(d) Clock
(e) Brightness control*

* The brightness control will appear when the position lights and/or headlights are on.

⚠ WARNING

If you attempt to adjust the display while driving, you could lose control of the vehicle.

Do not attempt to adjust the display while driving.

NOTE:
Indications will change when you push and release the knob.

Odometer
The odometer records the total distance for which the vehicle has been driven.

NOTICE

Keep track of your odometer reading and check the maintenance schedule regularly for required services. Increased wear or damage to certain parts can result from failure to perform required services at the proper mileage intervals.

Trip meter

The trip meter can be used to measure the distance traveled on short trips or between fuel stops.

You can use the trip meter A or trip meter B independently.

To reset the trip meter to zero, push and hold the trip meter selector knob (1) for a while when the display shows the trip meter.

NOTE:

The indicated maximum value of the trip meter is 9999.9. When you run past the maximum value, the indicated value will return to 0.0.

Clock

The display shows the time.

To change the time indication:

- 1) Push and hold the trip meter selector knob (1) until the minute indication blinks.
- 2) To change the minute indication, push the trip meter selector knob (1) repeatedly when the minute indication blinks. To change the minute indication quickly, push and hold the trip meter selector knob (1). To set the minute indication, wait for about 5 seconds till the hour indication starts to blink.
- 3) To change the hour indication, push the trip meter selector knob (1) repeatedly till the minute indication begins to blink. Wait for about 5 seconds and hour indication will begin to blink. To change the

hour indication, quickly push and hold the trip meter selector knob (1). To set the hour indication, wait for about 5 seconds.

⚠ WARNING

If you attempt to adjust the display while driving, you could lose control of the vehicle.

Do not attempt to adjust the display while driving.

NOTE:

When you reconnect the negative (-) terminal to the battery, the clock indication will be reinitialized. Change the indication again to your preference.

Brightness control

When the position lights and/or headlights are ON, you can control the meter illumination intensity.

To change the brightness of the instrument panel lights, push and hold the trip meter selector knob (1).

⚠ WARNING

If you attempt to adjust the display while driving, you could lose control of the vehicle.

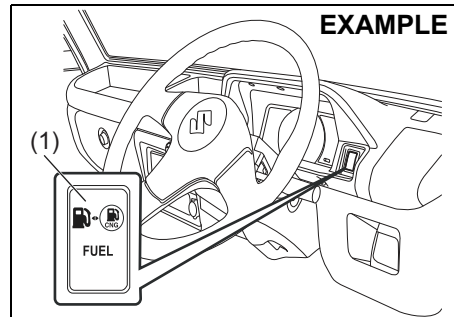
Do not attempt to adjust the display while driving.

NOTE:

- *If you do not push the trip meter selector knob within about 10 seconds of activating the brightness control display, the brightness control display will be canceled automatically.*
- *When you reconnect the battery, the brightness of the instrument panel lights will be reinitialized. Readjust the brightness according to your preference.*

Fuel Modes for CNG model (if equipped)

There are three fuel modes in the vehicle Petrol, Auto and Forced CNG modes which are selectable by pressing the selector switch(1) located on the right side of the steering wheel on the dashboard.



77PM02005

Petrol Mode

EXAMPLE



77PM02002

In this mode vehicle starts in petrol and continue running in petrol mode. In this mode, petrol indicator is continuously displayed and CNG indicator will remain "OFF".

Auto Mode

EXAMPLE



77PM02003

In this mode engine starts in petrol mode and then automatically changes to CNG after reaching programmed warming up condition. With ignition switch ON and vehicle started in "AUTO MODE", CNG indicator blinks on the display and PETROL indicator is displayed. After change-over to CNG, CNG indicator will be

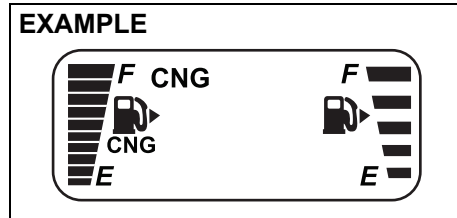
BEFORE DRIVING

displayed and Petrol indicator will switch OFF automatically.

NOTE:

- It is always recommended to start the vehicle in AUTO MODE or PETROL MODE to enhance the engine life.
- The fuel changeover to CNG may not happen if the vehicle is started when the ambient / engine temperature is below Zero Degree Celsius. In such a case, run the engine in PETROL MODE till it warms up and then try restarting the engine to changeover to CNG.

Forced CNG Mode



77PM02004

This is emergency mode and may be used in cases where there is no petrol in petrol tank. In this mode vehicle starts in CNG mode and continues running in CNG mode. With ignition "ON" and engine not running, press and hold the changeover switch till only CNG indicator is displayed. In this mode, CNG indicator is displayed and Petrol indicator remains "OFF".

NOTE:

- It is recommended to keep sufficient amount of petrol in the petrol tank.
- The vehicle may not start in Forced CNG mode if the ambient / engine temperature is below Zero Degree Celsius. It is recommended to start the vehicle in Auto mode.

Automatic Changeover From CNG Mode To Petrol Mode

If CNG is finished while the engine is running, vehicle will automatically changeover from CNG mode to Petrol mode & CNG malfunction warning lamp will start blinking. Petrol indicator will be displayed continuously and CNG indicator will switch OFF automatically.

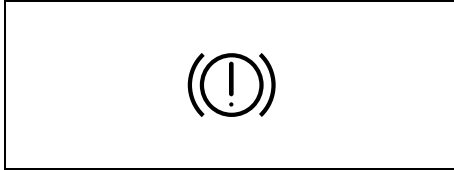
To acknowledge this information, press the changeover switch once. The CNG malfunction warning lamp will stop blinking after the changeover switch is pressed and Petrol indicator will glow continuously. However the CNG malfunction indicator lamp will continue to blink after every subsequent Ignition ON - Ignition OFF condition until the vehicle is refilled with CNG. In case CNG is refilled, please press the fuel changeover switch once to changeover to CNG. Then, vehicle can run on CNG.

NOTE:

- It is recommended to keep sufficient amount of petrol in the petrol tank to prevent engine stalling while automatic changeover from CNG mode to Petrol mode.
- In case the CNG malfunction warning lamp does not stop blinking after pressing the changeover switch, have the vehicle inspected at the nearest authorised MARUTI SUZUKI COMMERCIAL workshop.

Warning and Indicator Lights

Brake System Warning Light



82K170

Four different types of operations exist depending on the vehicle's specification.

- 1) The light comes on briefly when the ignition switch is turned to the "ON" position.
- 2) The light comes on when the parking brake is engaged with the ignition switch in the "ON" position.
- 3) The light comes on when under either or both of above two conditions.
- 4) The light also comes on when the fluid in the brake fluid reservoir falls below the specified level.

The light should go out after starting the engine and fully releasing the parking brake, if the fluid level in the brake fluid reservoir is adequate.

If the brake system warning light comes on while you are driving the vehicle, it may mean that there is something wrong with the vehicle's brake system. If this happens, you should:

- 1) Pull off the road and stop carefully.

WARNING

Remember that stopping distance may be longer, you may have to push harder on the pedal, and the pedal may go down farther than normal.

- 2) Test the brakes by carefully starting and stopping at the side of the road.
 - If you determine that it is safe, drive carefully at low speed to the nearest dealer for repairs, or
 - Have the vehicle towed to the nearest authorised MARUTI SUZUKI COMMERCIAL workshop for repairs.

WARNING

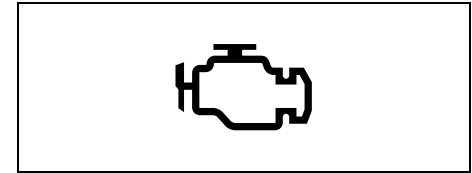
If any of the following conditions occur, you should immediately ask your authorised MARUTI SUZUKI COMMERCIAL workshop to inspect the brake system.

- **If the brake system warning light does not go out after the engine has been started and the parking brake has been fully released.**
- **If the brake system warning light does not come on when the ignition switch is turned to the "ON" position.**
- **If the brake system warning light comes on at any time during vehicle operation.**

NOTE:

Because the brake system is self-adjusting, the fluid level will drop as the brake pads become worn. Replenishing the brake fluid reservoir is considered normal periodic maintenance.

Malfunction Indicator Light



63J031

Your vehicle has a computer-controlled emission control system. A malfunction indicator light is provided on the instrument panel to indicate when it is necessary to have the emission control system serviced. The malfunction indicator light comes on when the ignition switch is turned to "ON" position to let you know the light is working and goes out when the engine is started.

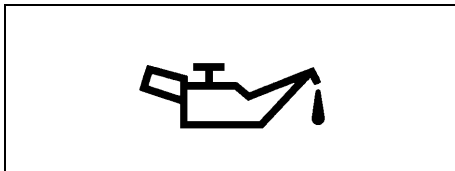
If the malfunction indicator light comes on when the engine is running, there is a problem with the emission control system. Take the vehicle to your nearest authorised MARUTI SUZUKI COMMERCIAL workshop to have the damage fixed.

BEFORE DRIVING

NOTICE

Continuing to drive the vehicle when the malfunction indicator light is on can cause permanent damage to the vehicle's emission control system, and can affect fuel economy and driveability.

Oil Pressure Light



50G051

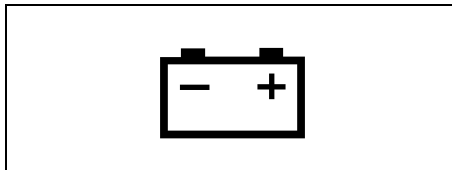
This light comes on when the ignition switch is turned to the "ON" position, and goes out when the engine is started. The light will come on and remain on if there is insufficient oil pressure. If the light comes on when driving, pull off the road as soon as you can and stop the engine.

Check the oil level and add recommended engine oil if necessary. If there is enough oil, the lubrication system should be inspected by your authorised MARUTI SUZUKI COMMERCIAL workshop before you drive the vehicle again.

NOTICE

- If you operate the engine with this light on, severe engine damage can result.
- Do not rely on the Oil Pressure Light to indicate the need to add oil. Be sure to periodically check the engine oil level.

Charging Light



50G052

This light comes on when the ignition switch is turned to the "ON" position, and goes out when the engine is started. The light will come on and remain on if there is something wrong with the battery charging system. If the light comes on when the engine is running, the charging system should be inspected immediately by your authorised MARUTI SUZUKI COMMERCIAL workshop.

Driver's Seat Belt Warning Light / Front Passenger's Seat Belt Warning Light

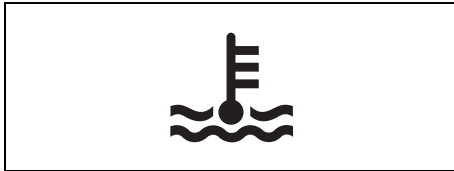


60G049

When the driver or front passenger does not buckle his or her seat belt, this light will come on and/or blink.

For details about the seat belt reminder, refer to "Seat Belts and Child Restraint Systems" in this section.

High Engine Coolant Temperature Warning Light (red color)



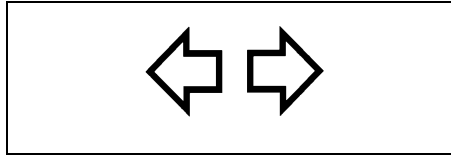
54G344

When the ignition switch is turned to the "ON" position, this light comes on briefly so you can check that the light is working. If this light blinks while driving, it means the engine is running hot. Avoid driving conditions that may lead to actual overheating. If the light stays on without blinking, then the engine is overheating. Follow the instructions in the "If the Engine Overheats" of "EMERGENCY SERVICE" section.

NOTICE

Continuing to drive the vehicle when engine overheating is indicated can result in severe engine damage.

Turn Signal Indicators



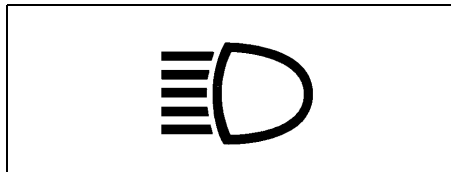
50G055

When you turn on the left or right turn signals, the corresponding green arrow on the instrument panel will flash along with the respective turn signal lights. When you turn on the hazard warning switch, both arrows will flash along with all of the turn signal lights.

NOTE:

If any abnormality of the turn signals is observed, such as fast blinking, there may be malfunction in the turn signal system. Ask your Maruti Suzuki authorized workshop to inspect the system.

Main Beam (high beam) Indicator Light



50G056

This indicator comes on when headlight main beams (high beams) are turned on.

Immobilizer system warning light

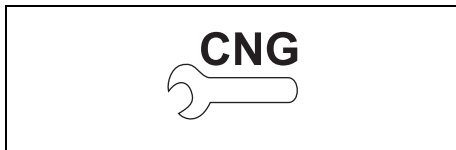


65D239

When the ignition switch is turned to the "ON" position, this light comes on to let you know the light is working. If this light blinks with the ignition switch turned to "ON", there may be something wrong with the immobilizer system. Ask a Maruti Suzuki authorised workshop to have the system inspected.

BEFORE DRIVING

CNG Malfunction Warning Light (if equipped)



77PMC015

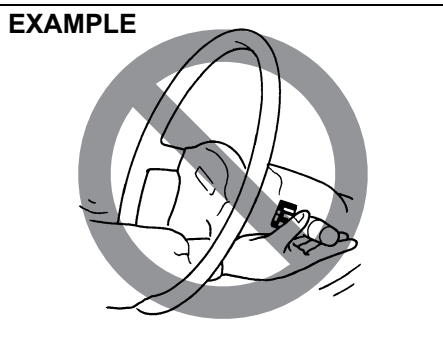
When the ignition switch is turned "ON", this CNG malfunction warning lamp comes on briefly, to check that the CNG malfunction lamp is trouble free.

- If CNG malfunction warning lamp glows continuously, with ignition "ON" there is some problem with the CNG system. Immediately get your vehicle checked by authorised MARUTI SUZUKI COMMERCIAL workshop.
- If CNG malfunction warning lamp blinks during engine running, it means there is some problem in CNG system in which vehicle cannot continue running in CNG-MODE and automatically switchover to petrol mode. Have your vehicle checked at authorised MARUTI SUZUKI COMMERCIAL workshop.

NOTE:

With ignition switch "ON" and engine not running, blinking of CNG lamp indicates that fuel lid is open. Vehicle will not start in this condition. Close the lid in order to start the vehicle.

Lighting Control Lever

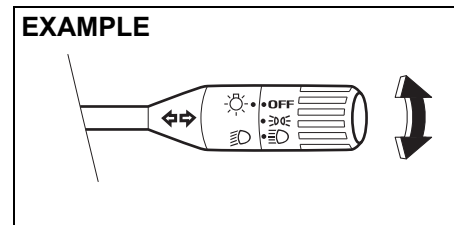


65D611

⚠ WARNING

To avoid possible injury, do not operate controls by reaching through the steering wheel.

Lighting Operation



77PH110

To turn the lights on or off, twist the knob at the end of the lever. There are three positions:

OFF

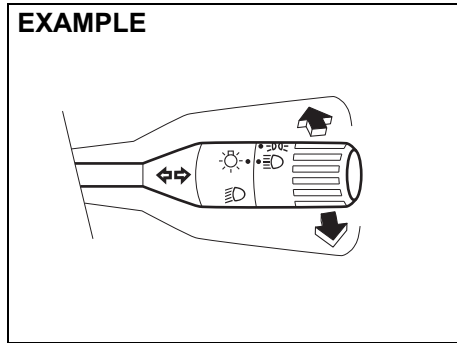
All lights are off.



Front position lights, tail lights, license plate lights and instrument lights are on, but headlights are off.



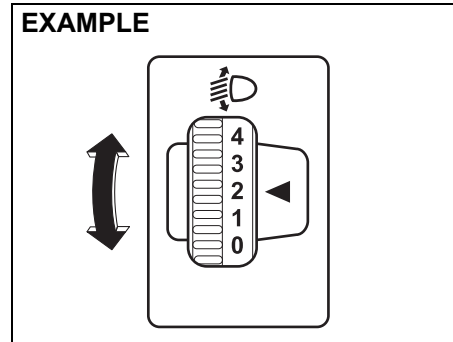
Front position lights, tail lights, license plate lights, instrument lights and headlights are on.



77PH111

With the headlights on, push the lever forward to switch to the high beams (main beams) or pull the lever toward you to switch to the low beams. When the high beams (main beams) are on, main beam (high beam) indicator light on the instrument panel will come on. To momentarily activate the high beams (main beams) as a passing signal, pull the lever slightly toward you and release it when you have completed the signal.

Headlight Leveling Switch

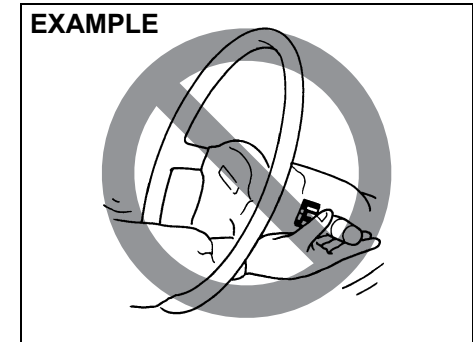


77PH010

Level the headlight beam according to the load condition of your vehicle by turning this switch. The chart below shows the appropriate switch position for different vehicle-load conditions.

Vehicle Load Condition	Switch Position
Driver only	0
Driver + full cargo	2

Turn Signal Control Lever



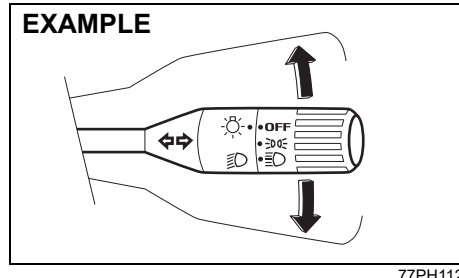
65D611

⚠ WARNING
To avoid possible injury, do not operate controls by reaching through the steering wheel.

BEFORE DRIVING

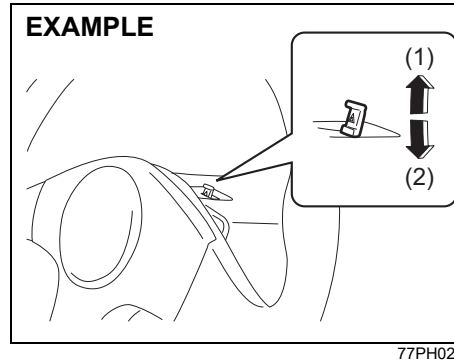
Turn Signal Operation

With the ignition switch in the “ON” position, move the lever up or down to activate the right or left turn signals.



Move the lever upward or downward to signal. When the turn is completed, the signal will cancel and the lever will return to its normal position.

Hazard Warning Switch

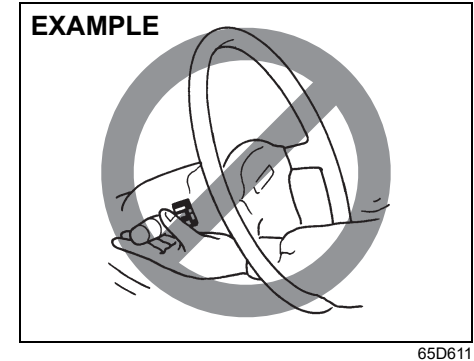


- (1) ON
- (2) OFF

Pull up the hazard warning switch to activate the hazard warning lights. All turn signal lights and both turn signal indicators will flash simultaneously. To turn off the lights, push down the switch.

Use the hazard warning lights to warn other traffic during emergency parking or when your vehicle could otherwise become a traffic hazard.

Windshield Wiper and Washer Lever



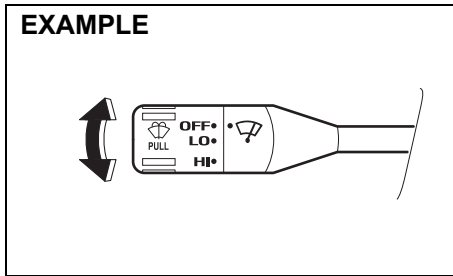
WARNING

To avoid possible injury, do not operate controls by reaching through the steering wheel.

Wiper Operation

When the ignition switch is in the “ON” position, you can use the wiper lever.

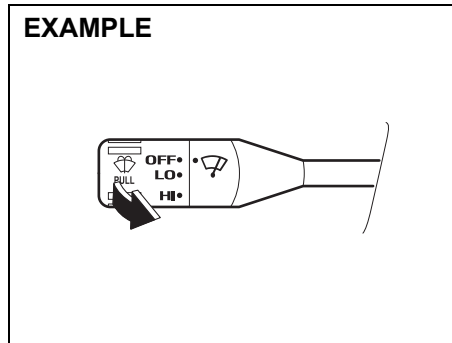
Windshield Wipers



77PM02015

To turn the windshield wipers on, twist the knob at the end of the lever to one of the operating positions. In the “LO” position, the wipers operate at a steady low speed. In the “HI” position, the wipers operate at a steady high speed. To turn off the wipers, twist the lever back to the “OFF” position.

Windshield Washer



77PM02016

To spray windshield washer fluid, pull the lever towards you.

⚠ WARNING

Do not use radiator antifreeze in the windshield washer reservoir. It can severely impair visibility when sprayed on the windshield, and can also damage your vehicle's paint.

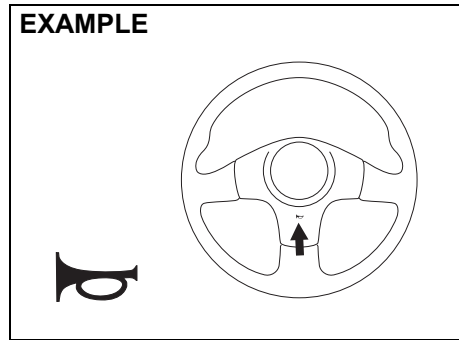
NOTICE

To help prevent damage to the windshield wiper and washer system components, you should take the following precautions:

- Do not continue to hold in the lever when there is no windshield washer fluid being sprayed or the washer motor can be damaged.
- Do not attempt to remove dirt from a dry windshield with the wipers or you can damage the windshield and the wiper blades. Always wet the windshield with washer fluid before operating the wipers.
- Clear ice or packed snow from the wiper blades before using the wipers.
- Check the washer fluid level regularly. Check it often when the weather is bad.
- Only fill the washer fluid reservoir 3/4 full during cold weather to allow room for expansion if the temperature falls low enough to freeze the solution.

BEFORE DRIVING

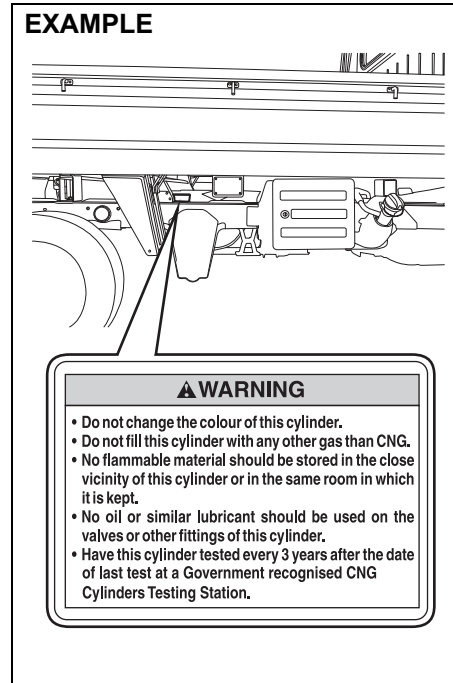
Horn



77PH029

Press the horn button of the steering wheel to sound the horn. The horn will sound with the ignition switch in any position.

CNG Cylinder Warning Label (if equipped)

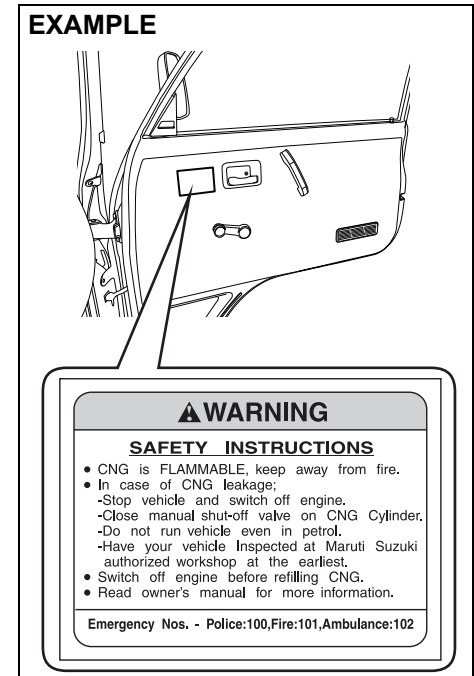


77PM02006

You may find this label on the CNG cylinder.

CNG Warning Label (if equipped)

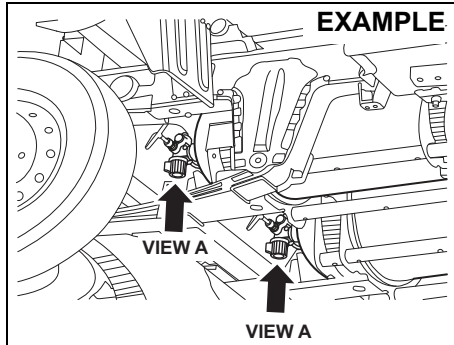
Front Driver Door



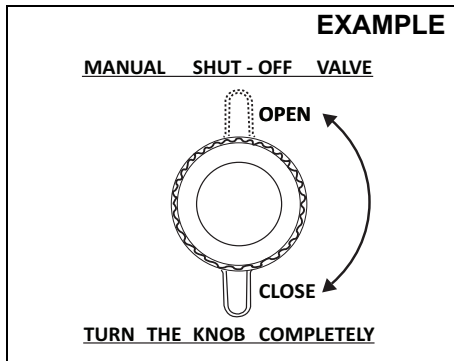
77PM02007

CNG warning label is located on front right door.

**CNG Manual Shut-OFF Valve
(if equipped)**

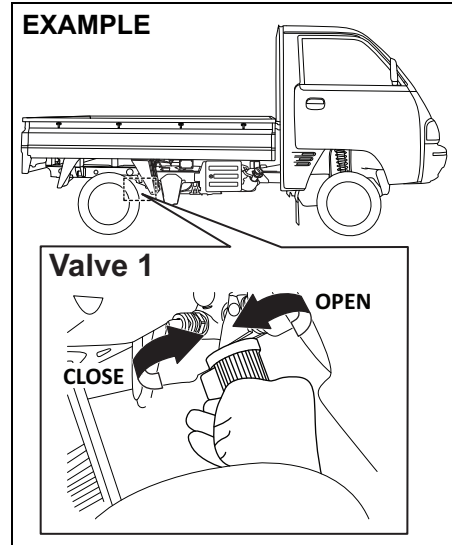


77PM02011



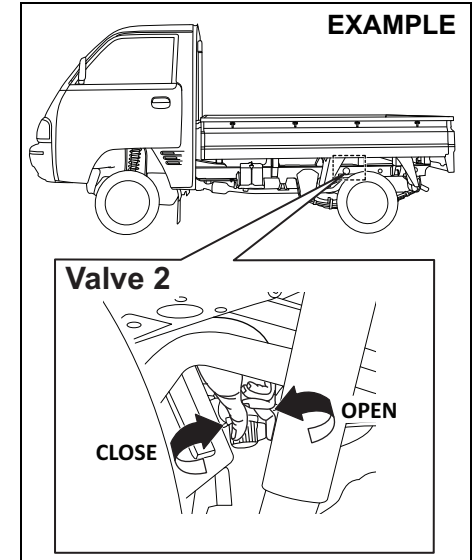
77PM02014

Right Hand Side (RHS)



77PM02012

Left Hand Side (LHS)



77PM02013

Manual shut off valve is located on CNG cylinders which are provided in vehicle under body.

There are two CNG cylinders in the vehicle under body, each containing one manual shut off valve.

The manual shutoff valve 1 and valve 2 are accessed from right hand side (RHS) and left hand side (LHS) of the vehicle respectively.

BEFORE DRIVING

CNG supply can be switched off by closing the manual shut-off valve on both the CNG cylinders.

Valve closing: Turn the knob completely in clockwise direction (from view A) to close the CNG supply to Engine.

Valve opening: Turn the knob completely in anti-clockwise direction (from view A) to open the CNG supply to Engine.

CAUTION

Be careful that your hand does not touch exhaust pipe while accessing the manual shut off valve 2 (LHS). After driving, exhaust pipe can be hot enough to burn your hand.

NOTE:

- If the manual shut-off valve is not opened fully, then the engine may not run properly.
- If the manual shut-off valve is in closed condition, it is not possible to fill CNG into the cylinder.

NOTE:

- As per Government regulation, CNG cylinder needs to be checked and certified every three (3) years from the date of initial testing as mentioned on the CNG cylinder identification plate.
- Customer has to present the vehicle to a government approved testing agency.
- Failure to test the cylinder may result in denying of CNG filling by the CNG dispensing stations or may result in confiscating the vehicle by enforcement authorities.
- All the expenses for CNG cylinder testing has to be borne by the customer.
- As per Government regulation, CNG cylinder has to be discarded at 20 years from the date of initial testing as mentioned in the CNG cylinder identification plate.
- Customer has to discard the cylinder at his / her expense through government approved scrap agencies.
- No person shall refill any cylinder, which has been repaired under sub-rule (2) with any gas unless a full report on the repairs and test carried out on the cylinder, accompanied by the repairer's certificate of testing are furnished to the Chief Controller and his permission is obtained for its refilling.

WARNING

- Never remove the cylinder valve from the cylinder assembly. For any assistance consult authorised MARUTI SUZUKI COMMERCIAL workshop.
- Never try to clean the cylinder. In case of any problem, contact authorised MARUTI SUZUKI COMMERCIAL workshop.
- Do not reuse the cylinder valve, once it is replaced / removed from cylinder assembly.
- Even if the CNG from the cylinder is consumed till engine stops, some amount of CNG will be left out in the tank under pressure.

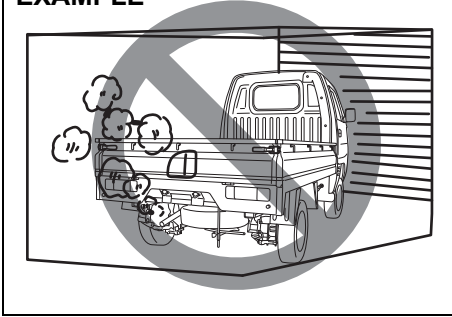
OPERATING YOUR VEHICLE

Exhaust Gas Warning 3-1
Daily Inspection Checklist 3-1
Engine Oil Consumption 3-2
Ignition Switch 3-2
Parking Brake Lever 3-4
Pedal 3-5
Starting the Engine 3-5
Using the Transmission 3-6
Parking Sensors 3-8
Braking 3-11

OPERATING YOUR VEHICLE

Exhaust Gas Warning

EXAMPLE



82DY03

⚠ WARNING

Avoid breathing exhaust gases. Exhaust gases contain carbon monoxide, a potentially lethal gas that is colorless and odorless. Since carbon monoxide is difficult to detect by itself, be sure to take the following precautions to help prevent carbon monoxide from entering your vehicle.

- Do not leave engine running in garages or confined areas, with passengers inside. This may result in accumulation of carbon-monoxide in cabin and may lead to suffocation or breathing problems and lead to death.

(Continued)

⚠ WARNING

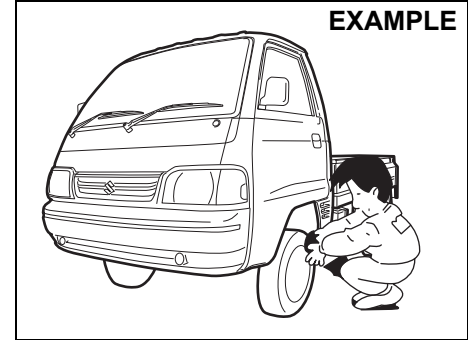
(Continued)

- Do not park with the engine running for a long period of time, even in an open area. In case of long periods, danger of choking and death on being inside the vehicle is a possibility when the engine is running. If it is necessary to sit for a short time in a parked vehicle with the engine running, make sure the air intake selector is set to "FRESH AIR" and the blower is at high speed.
- To allow proper operation of your vehicle's ventilation system, keep the air inlet grille in front of the vehicle clear of snow, leaves, or other obstructions at all times.
- Keep the exhaust pipe area clear of snow and other material to help reduce the buildup of exhaust gases under the vehicle. This is particularly important when parked in blizzard conditions.
- Have the exhaust system inspected periodically for damage and leaks. Any damage or leaks should be repaired immediately.

Daily Inspection Checklist

Before Driving

EXAMPLE



77PM03001

- 1) Make sure that windows, mirrors, lights, and reflectors are clean and unobstructed.
- 2) Visually check the tyres for the following points:
 - the depth of the tread groove
 - abnormal wear, cracks and damage
 - loose wheel nuts
 - existence of foreign material such as nails, stones, etc.

Refer to "Tyres" in "INSPECTION AND MAINTENANCE" section for details.

- 3) Look for fluid and oil leaks.
- 4) Make sure the engine compartment is fully closed and latched.
- 5) Check the headlights, turn signal lights, brake lights and horn for proper operation.

- 6) Adjust the driver's seat.
- 7) Check the brake pedal and the parking brake lever.
- 8) Adjust the mirrors.
- 9) Make sure that you and passenger have properly fastened seat belts.
- 10) Make sure that all warning lights come on as the key is turned to the "ON" position.
- 11) Check all gauges.
- 12) Make sure that the BRAKE SYSTEM WARNING light turns off when the parking brake is released.

Once a week, or each time you fill your fuel tank or before a long distance driving (like highway driving), perform the following under-hood checks:

- 1) Engine oil level
- 2) Coolant level
- 3) Brake fluid level
- 4) Windshield washer fluid (if equipped) level
- 5) Battery electrolyte level
- 6) Latch operation
See "All latches, hinges & locks" of "CHASSIS AND BODY" in the "Periodic Maintenance Schedule" in the "INSPECTION AND MAINTENANCE" section for lubrication schedule.

Once a month, or each time you fill your fuel tank or before a long distance driving (like highway driving), check the tyre pressure using a tyre pressure gauge. Also check the tyre pressure of the spare tyre.

Engine Oil Consumption

It is normal for the engine to consume some engine oil during normal vehicle operation.

The amount of engine oil consumed depends on the viscosity of the oil, the quality of the oil and the conditions the vehicle is driven under.

More oil is consumed during high-speed driving and when there is frequent acceleration and deceleration. Under high loads, your engine also will consume more oil. A new engine also consumes more oil, since its pistons, piston rings and cylinder walls have not yet become conditioned. New engines reach the normal level of oil consumption only after approximately 5000 km (3000 miles) driving.

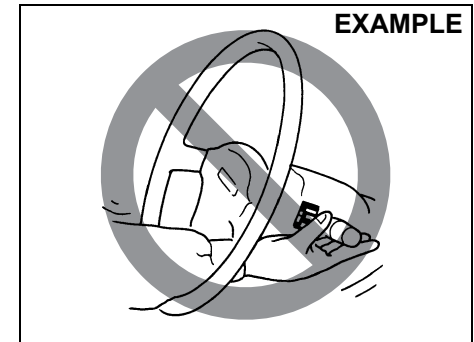
Oil consumption:
Max. 1.0 L per 1000 km
(1 Qt. per 600 miles)

When judging the amount of oil consumption, note that the oil may become diluted and make it difficult to accurately judge the true oil level.

As an example, if a vehicle is used for repeated short trips, and consumes a normal amount of oil, the dipstick may not show any drop in the oil level at all, even after 1000 km (600 miles) or more of driving. This is because the oil is gradually becoming diluted with fuel or moisture, making it appear that the oil level has not changed.

You should also be aware that the diluting ingredients evaporate out when the vehicle is subsequently driven at high speeds, such as on an expressway, making it appear that oil is excessively consumed after high-speed driving.

Ignition Switch



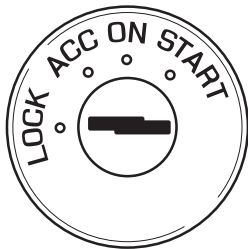
65D611

⚠ WARNING

To avoid possible injury, do not operate controls by reaching through the steering wheel.

OPERATING YOUR VEHICLE

EXAMPLE



77PH002

The ignition switch has the following four positions:

LOCK

This is the normal parking position. It is the only position in which the key can be removed.

To release the steering lock, insert the key and turn it clockwise to one of the other positions. If you have trouble turning the key to unlock the steering, try turning the steering wheel slightly to the right or left while turning the key.

ACC

Accessories such as the accessory socket can operate, but the engine is off.

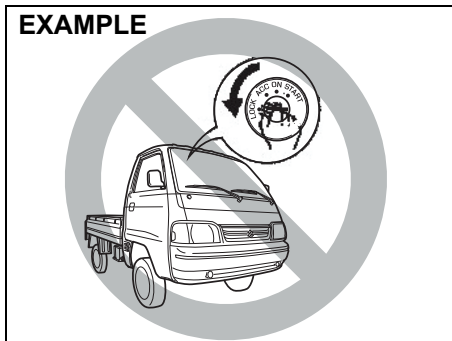
ON

This is the normal operating position. All electrical systems are on.

START

This is the position for starting the engine using the starter motor. The key should be released from this position as soon as the engine starts.

EXAMPLE



82DY04

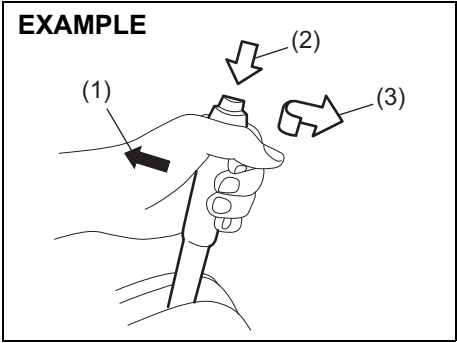
NOTICE

- Do not use the starter motor for more than 30 seconds at a time. If the engine does not start, wait 15 seconds before trying again. If the engine does not start after several attempts, check the fuel and ignition systems or consult your authorised MARUTI SUZUKI COMMERCIAL workshop.
- Do not leave the ignition switch in the "ON" position if the engine is not running as the battery will discharge.

⚠ WARNING

- Never remove the ignition key while the vehicle is moving. The steering wheel will lock and you will not be able to steer the vehicle.
- Always remove the ignition key when leaving the vehicle even if only for a short time. Also do not leave children alone in a parked vehicle. They also could suffer from heat stroke in warm or hot weather. These could result in severe injury or even death.

Parking Brake Lever



77PH030

- (1) To set
- (2) To release
- (3) To release

The parking brake lever is located between the seats. To set the parking brake, hold the brake pedal down and pull the parking brake lever all the way up. To release the parking brake, hold the brake pedal down, pull up slightly on the parking brake lever, push the button on the end of the lever with your thumb, and lower the lever to its original position.

⚠ WARNING

- Never drive your vehicle with the parking brake on: rear brake effectiveness can be reduced from overheating, brake life may be shortened, or permanent brake damage may result.
- If the parking brake does not hold the vehicle securely or does not fully release, have your vehicle inspected immediately by an authorised MARUTI SUZUKI COMMERCIAL workshop.

⚠ WARNING

Always set the parking brake fully before leaving your vehicle or it may move, causing injury or damage. When parking, make sure the gear-shift lever is in reverse or first gear. Remember, even though the transmission is in gear, you must set the parking brake fully.

⚠ WARNING

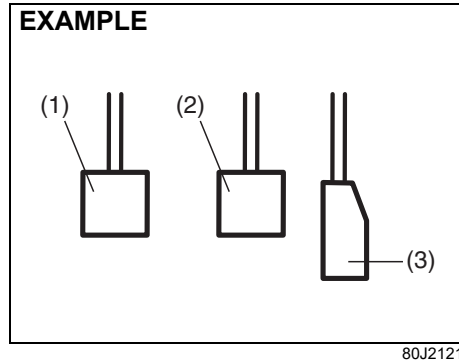
When parking the vehicle in extremely cold weather, the following procedure should be used:

- 1) Set the parking brake.
- 2) Turn off the engine, then shift into reverse or first gear.
- 3) Get out of the vehicle and put chocks under the wheels.
- 4) Release the parking brake.

When you return to your vehicle, you must remember to first set the parking brake, then remove the wheel chocks.

OPERATING YOUR VEHICLE

Pedal



Clutch Pedal (1)

The clutch pedal is used to disengage the drive to the wheels when starting the engine, stopping, or shifting the gearshift lever. Depressing the pedal disengages the clutch.

⚠ WARNING

Do not drive with your foot resting on the clutch pedal. It could result in excessive clutch wear, clutch damage, or unexpected loss of engine braking.

Brake Pedal (2)

Your vehicle is equipped with front disc brakes and rear drum brakes. Depressing the brake pedal applies both sets of brakes.

You may hear occasional brake squeal when you apply the brakes. This is a normal condition caused by environmental factors such as temperature, humidity, snow or dust, etc.

⚠ WARNING

If brake squeal is excessive and occurs each time the brakes are applied, you should have the brakes checked by your authorised MARUTI SUZUKI COMMERCIAL workshop.

⚠ WARNING

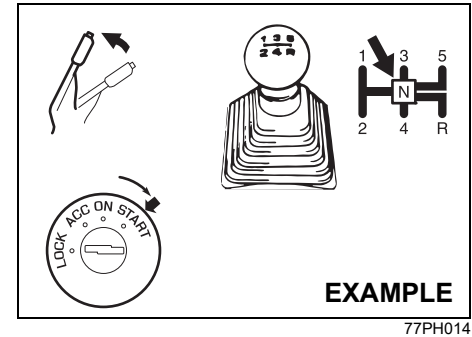
Do not ride the brakes by applying them continuously or resting your foot on the pedal. This will result in overheating of the brakes which could cause unpredictable braking action, longer stopping distances, or permanent brake damage.

Accelerator Pedal (3)

This pedal controls the speed of the engine. Depressing the accelerator pedal increases power output and speed.

Starting the Engine

Before Starting the Engine



- 1) Make sure the parking brake is set fully.
- 2) Shift into "N" (Neutral) and depress the clutch pedal all the way to the floor. Hold the clutch pedal while starting the engine.

⚠ WARNING

Make sure that the parking brake is set fully and the transmission is in neutral before attempting to start the engine.

Starting a Cold and Warm Engine

With your foot off the accelerator pedal, crank the engine by turning the ignition key to "START". Release the key when the engine starts.

NOTICE

- Stop turning the starter immediately after the engine has started or the starter system can be damaged.
- Do not crank the engine for more than 12 seconds at a time. If the engine doesn't start on the first try, wait about 15 seconds before trying again.

If the engine does not start after 12 seconds of cranking, wait about 15 seconds, then press down the accelerator pedal to 1/3 of its travel and try cranking the engine again. Release the key and accelerator pedal when the engine starts.

If the engine still does not start, try holding the accelerator pedal all the way to the floor while cranking. This should clear the engine if it is flooded.

NOTE:

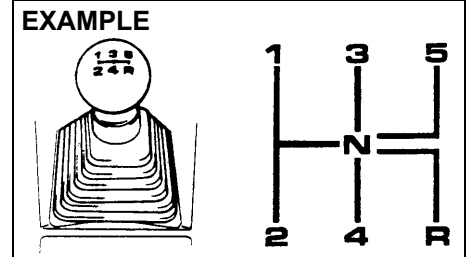
(For CNG Engine Model)

- Do not press the accelerator pedal to changeover from petrol to CNG mode.
- With ignition switch "ON" and engine not running, blinking of CNG malfunction warning lamp indicates that fuel lid is open. Vehicle will not start in this condition.

- It is always recommended to start the vehicle in AUTO MODE or PETROL MODE to enhance the engine life.
- The fuel changeover to CNG may not happen if the vehicle is started when the ambient / engine temperature is below Zero Degree Celsius. In such a case, run the engine in PETROL MODE till it warms up and then try restarting the engine to changeover to CNG.
- It is recommended to keep sufficient amount of petrol in the petrol tank.
- The vehicle may not start in Forced CNG mode if the ambient / engine temperature is below Zero Degree Celsius. It is recommended to start the vehicle in Auto mode.
- It is recommended to keep sufficient amount of petrol in the petrol tank to prevent engine stalling while automatic changeover from CNG mode to Petrol mode.
- In case the CNG malfunction warning lamp does not stop blinking after pressing the changeover switch, take the vehicle to the nearest authorised MARUTI SUZUKI COMMERCIAL workshop.

Using the Transmission

Manual Transmission



65D038

Starting off

To start off, depress the clutch pedal all the way to the floor and shift into 1st or 2nd gear. After releasing the parking brake, gradually release the clutch. When you hear a change in the engine's sound, slowly press the accelerator while continuing to gradually release the clutch.

NOTE:

- The recommended gear position for start off during normal driving is 2nd gear.
- In case of the cross country driving, crawling or loading driving that needs big driving force, shift position recommended is 1st gear.

Shifting

All forward gears are synchronized, which provides for quiet and easy shifting. Always push in the clutch pedal fully before shifting gears.

OPERATING YOUR VEHICLE

Downshifting maximum allowable speeds (For Petrol Model)

Downshifting	km/h
2nd to 1st	10
3rd to 2nd	65
4th to 3rd	100
5th to 4th	140*

Downshifting maximum allowable speeds (For CNG Model)

Downshifting	km/h
2nd to 1st	10
3rd to 2nd	55
4th to 3rd	90
5th to 4th	125*

***NOTE:**

You may not accelerate to the maximum allowable speed because of the driving situation and/or the vehicle condition.

NOTICE

When downshifting to a lower gear, make sure not to downshift at the speed faster than the maximum allowable speeds, or severe engine damage can result.

⚠ WARNING

- Reduce your speed and downshift to a lower gear before going down a long or steep hill. A lower gear will allow the engine to provide braking. Avoid riding the brakes or they may overheat, resulting in brake failure.
- When driving on slippery roads, be sure to slow down before downshifting. Excessive and or sudden changes in engine speed may cause loss of traction, which could cause you to lose control.

NOTICE

- To help avoid clutch damage, do not use the clutch pedal as a footrest while driving or use the clutch to keep the vehicle stationary on a slope. Depress the clutch fully when shifting.
- When shifting or starting off, do not race the engine. Racing the engine can shorten engine life and affect smooth shifting.

NOTICE

Before engaging reverse gear "R", check that the vehicle is completely stationary and gear lever is in neutral [N] position. After depressing clutch pedal fully, shift to [R].

NOTE:

If it is difficult to engage reverse gear "R", follow below procedure:-

1. Put gear lever in neutral "N".
2. Release the clutch pedal once.
3. Again depress the clutch pedal, and shift from "N" to "R".

Parking Sensors

- The parking sensor system uses ultrasonic sensors to detect obstacles near the rear bumper. If obstacles are sensed while you are parking or moving the vehicle slowly, the system warns you by sounding a buzzer.
- The system emits an ultrasonic wave and the relevant sensor detects the return of the wave reflected by an obstacle. The system measures the time taken by the ultrasonic wave to reach the obstacle and return from it, from which it determines the obstacle's position.
- The parking sensor function can be used when you turn the ignition switch to "ON" position and the gearshift lever is in the "R" position. This function is helpful in the following cases: pulling over to the curb; parallel parking the vehicle; steering the vehicle into a garage; driving along an alley; and moving slowly in a place with obstacles.

⚠ WARNING

- The parking sensor warns you of obstacles with buzzers. However, you still have to drive with particular care.
- The sensors can detect obstacles only within a limited area and only when the vehicle is moving within a limited speed range. So, in tricky areas, you must move the vehicle slowly while checking around it using your direct vision or rearview mirrors. There is increased risk of an accident if you control the vehicle relying only on the parking sensor.

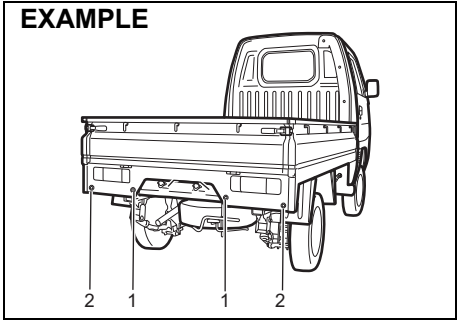
NOTE:
When the gearshift lever is shifted to the "R" position, a buzzer will sound once.

NOTICE

Parking sensors are only for driver's assistance.

Sensor locations

On rear bumper



77PM03003

- (1) Rear center sensors (2 places)
- (2) Rear corner sensors (2 places)

NOTICE

- Avoid hitting the sensor areas or directing the nozzle of a high-pressure car washer onto the sensor areas. Otherwise, the sensors may be damaged.
- If the bumper hits a hard object, the sensors on it may not work properly. If this occurs, have the sensors inspected by a Maruti Suzuki authorised workshop.

OPERATING YOUR VEHICLE

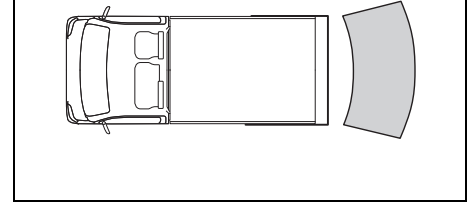
Working sensors

The sensors work depending on the gearshift lever position as follows:

Gearshift lever position	R	N, 1st – 5th
Rear sensors	On	Off

Approximate areas where obstacles can be detected

EXAMPLE



78MM05003

- An obstacle within about 20 cm (8 in) from a sensor or just below a sensor is not detectable.

The sensors can detect an obstacles such as wall up to about 1.8 m (6 ft) from the rear of vehicle.

⚠ WARNING

Under the following conditions, the parking sensor system may not work normally because the sensors cannot detect obstacles correctly.

- Sensors are covered with mud, ice or other materials. (Such materials must be removed for normal operation.)
- Sensors are wet from water splashes or heavy rain.
- Sensors are covered by a hand, sticker, accessory, etc.
- There is an accessory or other object attached within the sensor's sensing area.
- Items such as tow hooks, commercially available corner poles, radio antenna, etc. are installed on the bumper.
- The height of the bumper is changed due to alteration to the suspension or other causes.
- The sensor areas are extremely hot from direct sunlight or cold due to freezing weather.
- The vehicle is on a rough surface, slope, gravel road or grass field.
- The vehicle is at a steep angle.

(Continued)

⚠ WARNING

(Continued)

- Sensors have intercepted ultrasonic noise from another vehicle's horn, engine, air braking system (large vehicles), or parking sensor.
- Obstacles are too close to the sensors.
- Sensors are at an angle to a highly reflective object such as glass. (Ultrasonic waves are not reflected back from the obstacle.)
- Sensors may not be able to correctly detect the following types of obstacles:
 - Objects made of a thin material such as wire netting and ropes
 - Square-shaped curbstones or other objects with sharp edges
 - Tall objects with a large upper part such as a road sign
 - Low-profile objects such as curbstones
 - Sound-absorbing objects such as cotton and snow

NOTE:

Thin poles or obstacles lower than the sensors may become undetectable as the vehicle moves closer to them even if they have been detected from longer distances.

- The system may calculate the distance to a road sign or similar obstacle to be shorter than the actual distance.

Obstacle indication by parking sensor

Upon detecting an obstacle, the parking sensor causes an interior buzzer to sound.

- A buzzer located behind the rear seat sounds when a sensor at the rear detects an obstacle.
- Warnings when obstacles such as wall are detected by sensors

Distance (approx.)	Buzzer
100-180 cm	Short beeps at long intervals
80-100 cm	Short beeps at short intervals
70-80 cm	Short beeps at very short intervals
Less than 70 cm	Continuous beep

Warning and indicator messages

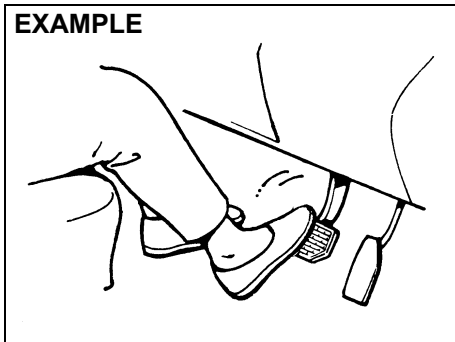
If there is a problem or warning regarding the parking sensor system, a buzzer informs it. Follow its instruction.

The buzzer sounds intermittently. The indicated sensor is contaminated. Wipe it clean with a soft cloth. If the buzzer does not stop after wiping, there may be problem with the parking sensor system. Have your vehicle inspected by a Maruti Suzuki authorised workshop.

OPERATING YOUR VEHICLE

Braking

EXAMPLE



60G165S

The distance needed to bring any vehicle to a halt increases with the speed of the vehicle. The braking distance needed, for example, at 60 km/h (37 mph) will be approximately 4 times greater than the braking distance needed at 30 km/h (19 mph). Start to brake the vehicle when there is plenty of distance between your vehicle and the stopping point, and slow down gradually.

WARNING

If water gets into the brake drums, brake performance may become poor and unpredictable.

After driving through water or washing the underside of the vehicle, test the brakes while driving at a slow speed to see if they have maintained their normal effectiveness. If the brakes are less effective than normal, dry them by repeatedly applying the brakes while driving slowly until the brakes have regained their normal effectiveness.

NOTE:

While braking you may hear operational noise due to friction between brake disc/drum and brake lining. This is a normal phenomenon and does not indicate any abnormality or affect normal functioning of the vehicle.

Power-Assisted Brakes

Your vehicle has power-assisted brakes. If power assistance is lost due to a stalled engine or other failures, the system is still fully operational on reserve power and you can bring the vehicle to a complete stop by pressing the brake pedal once and holding it down. The reserve power is partly used up when you depress the brake pedal and reduces each time the pedal is pressed. Apply smooth and even pressure to the pedal. Do not pump the pedal.

WARNING

Even without reserve power in the brake system, you can still stop the vehicle by pressing the brake pedal harder than normally required. However, the stopping distance may be longer.

DRIVING TIPS

Running-in	4-1
Catalytic Converter	4-1
Improving Fuel Economy	4-2
Highway Driving	4-3
Driving on Hills	4-3
Driving on Slippery Roads	4-4
Driving on Wet Roads	4-5
Do's and Dont's for Safe Driving	4-6
Margin for Safety	4-7

DRIVING TIPS

EXAMPLE



52D078S

⚠ WARNING

- **WEAR YOUR SEAT BELTS AT ALL TIMES.** The driver and passenger should be properly restrained at all times, using the seat belts provided. Refer to the “Seat Belts” section for instructions on proper use of the seat belts.
- **Never drive while under the influence of alcohol or other drugs.** Alcohol and drugs can seriously impair your ability to drive safely, greatly increasing the risk of injury to yourself and others. You should also avoid driving when you are tired, sick, irritated, or under stress.

Running-in

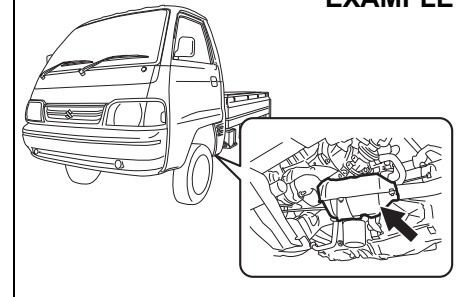
NOTICE

The future performance and reliability of the engine depends on the care and restraint exercised during its early life. It is especially important to observe the following precautions during the initial 960 km of vehicle operation.

- After starting, do not race the engine. Warm it up gradually.
- Avoid prolonged vehicle operation at a constant speed. Moving parts will break in better if you vary your speed.
- Start off from a stop slowly. Avoid full throttle starts.
- Avoid hard braking, especially during the first 320 km of driving.
- Do not drive slowly with the transmission in a high gear.
- Drive the vehicle at moderate engine speeds.
- Do not tow a trailer.

Catalytic Converter

EXAMPLE



77PH201

The purpose of the catalytic converter is to minimize the amount of harmful pollutants in your vehicle's exhaust. Use of leaded fuel in vehicles equipped with catalytic converters is prohibited, because lead deactivates the pollutant-reducing components of the catalyst system.

The converter is designed to last the life of the vehicle under normal usage and when unleaded fuel is used. No special maintenance is required on the converter. However, it is very important to keep the engine properly tuned. Engine misfiring, which can result from an improperly tuned engine, may cause overheating of the catalyst. This may result in permanent heat damage to the catalyst and other vehicle components.

NOTICE

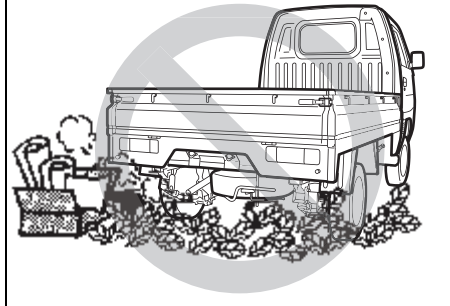
To avoid damaging catalyst or other vehicle damage:

- Maintain the engine in the proper operating condition.
- In the event of an engine malfunction, particularly one involving engine misfiring or other apparent loss of performance, have the vehicle serviced promptly.
- Do not turn off the engine or interrupt the ignition when the transmission is in gear and the vehicle is in motion.
- Do not try to start the engine by pushing or towing the vehicle, or coasting down a hill.
- Do not idle the engine with any spark plug wires disconnected or removed, such as during diagnostic testing.
- Do not idle the vehicle for prolonged periods if idling seems rough or there are other malfunctions.
- Do not allow the fuel tank to get near the empty level.
- Avoid driving your vehicle at excessively high engine speed.

WARNING

Be careful in areas where you park and drive; the catalytic converter and other exhaust components can get very hot. As with any vehicle, do not park or operate this vehicle in areas where combustible materials such as dry grass or leaves can come in contact with a hot exhaust system.

EXAMPLE



82DY05

NOTE:

Non-usage of vehicle for long duration may cause gradual rusting of brake disc surface as it is made of cast iron. This may result in noise/vibration. The same has no bearing on functioning of the vehicle. Regular driving of vehicle may prevent/remove rust, thus reducing the noise and vibration.

Improving Fuel Economy

NOTE:

Fuel economy (mileage) of the vehicle may vary due to several factors i.e., driving habits - gear change pattern, usage of A.C, Air pressure in the tyres, wind speed, traffic conditions, fuel quality- non adulterated standard fuel, maintenance of vehicle, road conditions, braking etc.

The following instructions will help you improve fuel economy.

Avoid excessive idling

If you are to wait for more than a minute while you are parked, stop the engine and start it again later. When warming up a cold engine, do not allow the engine to idle or apply full throttle until the engine has reached operating temperature. Allow the engine to warm up while driving.

Avoid sudden acceleration

Sudden acceleration starting from rest or while driving will consume fuel unnecessarily and shorten engine life. Start off slowly.

Avoid unnecessary stops

Avoid unnecessary deceleration and stopping. Try to maintain a slow, steady speed whenever possible. Slowing down and then accelerating again uses more fuel.

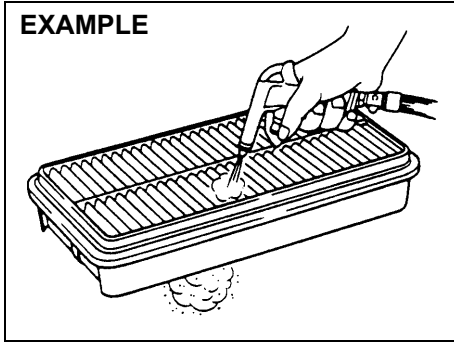
Keep a steady cruising speed

Keep as constant a speed as road and traffic conditions will permit.

DRIVING TIPS

Keep the air cleaner clean

EXAMPLE



60A183S

If the air cleaner is clogged with dust, there will be greater intake resistance, resulting in decreased power output and increased fuel consumption.

Keep weight to a minimum

Heavier the load, more fuel the vehicle consumes. Take out any luggage or cargo when it is not necessary.

Keep tyre pressures correct

Underinflation of the tyres can waste fuel due to increased running resistance of the tyres. Keep your tyres inflated to the correct pressure shown on the label on the driver's door lock pillar.

Highway Driving

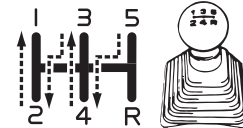
When driving at highway speeds, pay attention to the following:

- Stopping distance progressively increases with vehicle speed. Apply the brakes far enough ahead of the stopping point to allow for the extra stopping distance.
- On rainy days, hydroplaning can occur. Hydroplaning is the loss of direct contact between the road surface and the vehicle's tyres due to a water film forming between them. Steering or braking the vehicle while hydroplaning can be very difficult, and loss of control can occur. Keep speed down when the road surface is wet.
- At high speeds, the vehicle may be affected by side winds. Therefore, reduce speed and be prepared for unexpected buffeting, which can occur at the exits of tunnels, when passing by a cut of a hill, or when being overtaken by large vehicles, etc.

Driving on Hills

- When climbing steep hills, the vehicle may begin to slow down and show a lack of power. If this happens, you should shift to a lower gear so that the engine will again be operating in its normal power range. Shift rapidly to prevent the vehicle from losing momentum.
- When driving down a hill, the engine should be used for braking by shifting into a lower gear.

EXAMPLE



77PH003

⚠ WARNING

Try not to hold the brake pedal down too long or too often while going down a steep or long hill. This could cause the brakes to overheat, resulting in reduced braking efficiency. Failure to take this precaution could result in loss of vehicle control.

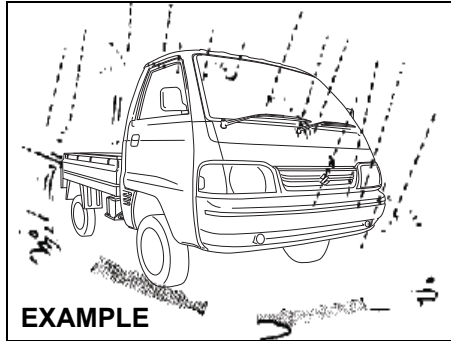
While moving uphill/gradient from a stand still condition

- Apply the parking brake firmly so that the vehicle does not roll backwards.
- Depress the Clutch pedal and Shift the gearshift lever to 1st Select position.
- Do not slip the clutch.
- When ready to start, press accelerator pedal and slowly release the clutch pedal simultaneously. When the vehicle starts to move, gradually release the parking brake.

NOTICE

When descending down a hill, **NEVER** turn the ignition key to the "LOCK" position. Emission control system damage may result.

Driving on Slippery Roads



82DY06

Under wet road conditions you should drive at a lower speed than on dry roads due to possible slippage of tyres during braking. When driving on icy, snow-covered, or muddy roads, reduce your speed and avoid sudden acceleration, abrupt braking, or sharp steering movements.

If Your Vehicle Gets Stuck

If your vehicle gets stuck in snow, mud, or sand, follow the directions below:

- 1) Shift the transmission back and forth between first gear and reverse. This will create a rocking motion which may give you enough momentum to free the vehicle. Press gently on the accelerator to keep wheel spinning to a minimum wheel rpm. Remove your foot from the accelerator while shifting.

Do not race the engine. Excessive wheel spin will cause the tyres to dig deeper, making it more difficult to free the vehicle.

- 2) If your vehicle remains stuck after a few minutes of rocking, get another vehicle to pull your vehicle out.

⚠ WARNING

Do not allow anyone to stand near the vehicle when you are rocking it, and do not spin the wheels faster than an indicated 40 km/h on the speedometer. Personal injury and/or vehicle damage may result from spinning the wheels too fast.

NOTICE

Do not continue rocking the vehicle for more than a few minutes. Prolonged rocking can cause engine overheating or transmission damage.

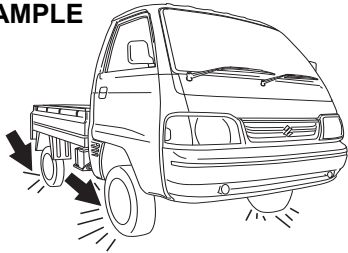
DRIVING TIPS

Driving on Wet Roads

NOTICE

- When driving on wet roads, avoid driving through large amount of standing water on the road. Large amount of water entering the engine compartment may cause damage to the engine and or electrical components.
- If stuck in deep water, do not start till water level drops.
- Water is incompressible substance, water inside engine is harmful to the engine.

EXAMPLE



82DY07

⚠ WARNING

In addition to following the driving tips in this section, it is important to observe the following precautions.

- Make sure your tyres are in good condition and always maintain the specified tyre pressure. Refer to “Tyres” in the “INSPECTION AND MAINTENANCE” section for details.
- Do not use tyres other than those specified by MARUTI SUZUKI. Never use different sizes or types of tyres on the front and rear wheels. For information regarding the specified tyres, refer to the Tyre Information Label located on the driver's door lock pillar.
- Never use oversized tyres or special shock absorbers and springs to raise (jack up) your vehicle. This will change the handling characteristics. Oversized tyres may also rub against the vehicle body over bumps, causing vehicle damage or tyre failure.
- After driving through water, test the brakes while driving at a slow speed to see if they have maintained their normal effectiveness. If they are less effective than normal, dry them by repeatedly applying the brakes while driving slowly until the brakes have regained their normal effectiveness.

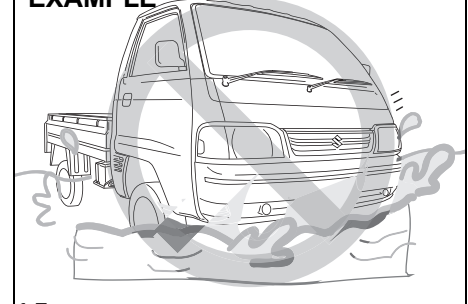
Off-road Driving

Do not drive in the field covered with grown grass.

If you drive in the field covered with grass, it may cause accident or fire or vehicle damage by getting caught in grown grass.

When Encountering a Flooded Area

EXAMPLE



77PM04011

Avoid driving in a flooded area or a deep puddle. If driving in a flooded area is unavoidable, go slowly in the lowest gear. In case that you have driven in a flooded area, stop the vehicle in a safe and non flooded place while checking the brake effectiveness. Then, ask a Maruti Suzuki authorised workshop to check the following inspection items.

- Function of brake
- Function of electrical components

- Changes in oil level and quality for engine and transmission. In case that the oil is turbid whitish, water has been mixed in the oil and an oil change is required.
- Lubricant condition of the bearings, suspension joints, etc.

NOTICE

- **Avoid driving in a flooded area or a deep puddle. It may cause an engine stall, short in electrical components, engine and transmission damages, etc.**
- **If the vehicle gets stuck in deep water do not start the engine.**

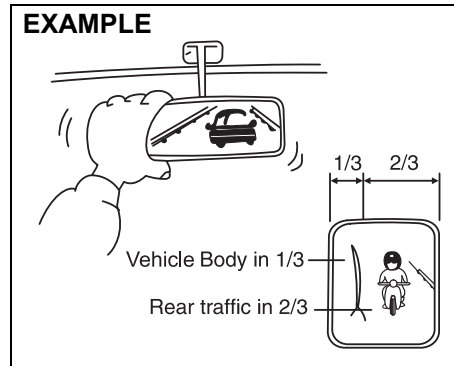
Do's and Dont's for Safe Driving

Exercise care in handling your vehicle. Be conscious of not only your own safety but also the safety of others on the road, and thus enjoy the best and most comfortable driving experience.

Following are basic rules for safe driving. Read them carefully for good understanding of the content so that you can enjoy safe and pleasant driving in your vehicle.

Starting

- 1) Adjust the driver's seat for the proper driving posture.
- 2) Adjust the rear view mirror so as to obtain the best possible rear view.



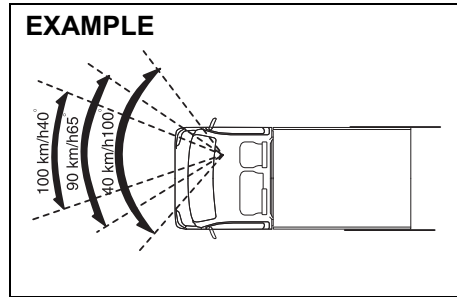
77PM04002

- 3) Before moving, look around your vehicle to confirm safety.
- 4) Don't accelerate suddenly, since it is dangerous and wastes fuel.

General driving

- 1) Be sure to stop before a stop light or stop sign. When moving into an intersection without any traffic lights or signs, drive slowly to confirm safety.
- 2) Always follow other vehicles at a safe distance in order to prevent a rear-end collision, in case the vehicle ahead makes a sudden stop.
- 3) Turn ON the turn signal at least 30 meters before making a turn or changing the lane so as to not be hit.
- 4) Before entering a corner, decelerate to a safe speed. Don't apply brakes during cornering, or skidding may occur.
- 5) When overtaking other vehicles, watch out for oncoming vehicles and carefully ensure safety.
- 6) Don't attempt zigzag driving as it will hinder your control over the vehicle and may cause an accident.
- 7) Avoid reckless high speed driving and try to drive at a safe speed suitable for the road conditions while maintaining a constant speed.
- 8) The higher the speed, the narrower the driver's visual range becomes. In such a state, it is difficult to anticipate any hazard and the driver feels fatigued.

DRIVING TIPS



77PM04001

- 9) Do not attempt sharp handling during high speed driving. You may lose your control over your vehicle.
- 10) When overtaking or changing lanes while driving at a high speed, keep ample vehicle-to-vehicle distance.

Braking

- 1) Use the parking brake when parking your vehicle and shift the gear shift lever into the first gear or reverse gear position for the sake of safety.
- 2) Don't use hand-braking unless unavoidable. It causes the vehicle to skid and a collision may occur. It is especially dangerous when the tyres are worn out as they skid more.

Use foot brake in three stages

1. Warn the vehicle behind you
2. Gradually apply the brake.
3. Bring the vehicle to a halt.

- 3) When driving downhill, try not to apply the brake but use the engine brake effectively. Overuse of the foot-brake may result in reduction of brake effectiveness.

Long distance driving

- 1) Be sure to perform safety checks before starting a trip.
- 2) Take rest at regular intervals to prevent accidents which may occur due to feeling sleepy or tired.

Night time driving

- 1) Drive at lower speeds during the night than in the daytime, as the visual range is restricted at night.
- 2) Avoid overtaking other vehicles at night. Darkness bothers your sense of speed and hinders your judgment of vehicle-to-vehicle distance.
- 3) Don't use headlights on high beam unless its use is inevitable. It may cause visual impairment to the driver of the oncoming vehicle or the vehicle ahead of you, which may cause an accident.
- 4) Always keep the window glasses clean. Don't operate the windshield wiper when the windshield glass is dry else the wiper blade and glass may get damaged.

Margin for Safety

It is important to allow yourself a margin for safety during driving so that you can cope with erroneous or unexpected driving of other drivers. For that, observe the following.

- Drive at a safe speed.
- Maintain a sufficient distance between your vehicle and the vehicle ahead.
- Don't force yourself to overtake other vehicles.
- Don't accelerate suddenly, steer sharply or stop suddenly.
- Keep ample gaps between driving schedules.
- Observe traffic rules and regulations.

Conclusion

A perfect driver does not exist. The endeavour of every motorist should be to strive for perfection. Safety consciousness not only ensures your safety and the safety of other road users, it also helps reduce the wear and tear on your vehicle, lengthens its life, gives better fuel efficiency and ensures a comfortable driving experience. **Follow the do's and don'ts listed, and driving will never be the same again.**

OTHER CONTROLS AND EQUIPMENT

Fuel Filler Cap 5-1
Engine Compartment 5-3
Sun Visor 5-4
Interior Light 5-5
Accessory Socket 5-5
Glove Box 5-5
Storage Area 5-6
Air Vent 5-6
Frame Hook 5-7
Assist Grip 5-7

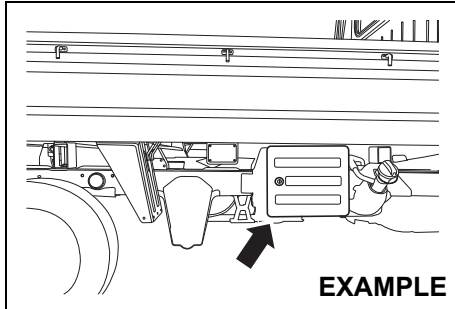
OTHER CONTROLS AND EQUIPMENT

Fuel Filler Cap

(For Petrol and CNG Engine Model)

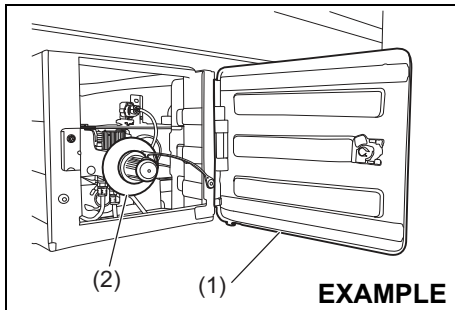
CNG filler valve

(For CNG engine model)



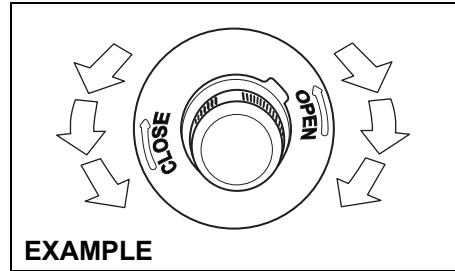
77PM05003

The CNG filler valve is located on the right side of the vehicle.



77PM05001

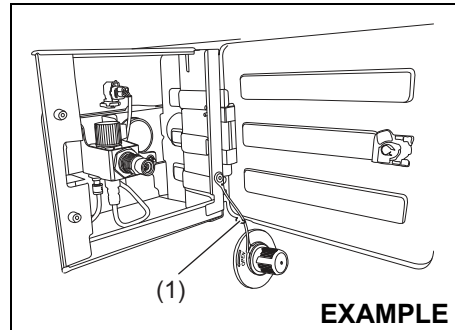
To unlock CNG filler door (1), insert the key and turn top of the key towards front of the vehicle.



77PM05005

To remove the CNG filler valve cover:

- 1) Open the CNG filler door (1).
- 2) Remove the CNG filler valve cover (2) by turning it anticlockwise direction.



77PM05006

NOTE:

If the fuel filler door is equipped with the cap holder (3), then use the cap holder to hold fuel filler cap while refueling.

Filling automatically gets cut off when the cylinder pressure becomes equal to dispenser pressure.

To reinstall the CNG filler valve cover:

- 1) Turn the CNG filler valve cover (2) clockwise direction until its completely closed.
- 2) Close the CNG filler door (1).

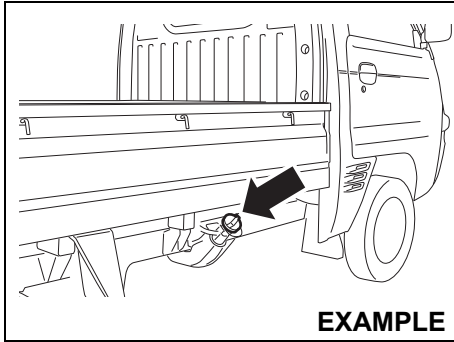
NOTE:

- *If the CNG filler cover (2) is not closed properly, you will not be able to start the vehicle.*
- *Engine will stop if the CNG filler cover (2) is opened in vehicle stationary condition.*

NOTE:

During vehicle operation gravels may enter the CNG filler box. Remove whenever observed.

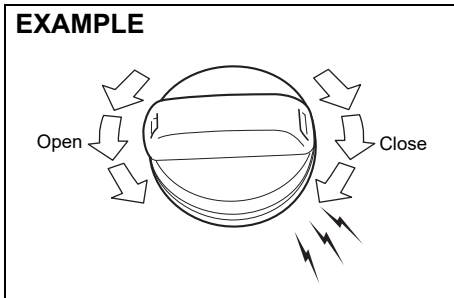
**Petrol filling cap
(For Petrol engine model)**



EXAMPLE

77PH031

The fuel filler cap is located on the right side of the vehicle.



68KN048

To remove the fuel filler cap, turn it counterclockwise. To reinstall the fuel filler cap, turn it in clockwise direction until you hear several clicks.

⚠ CAUTION

Remove the fuel filler cap slowly. The fuel may be under pressure and may spray out, causing injury.

⚠ WARNING

Fuel is extremely flammable. Do not smoke when refueling, and make sure there are no open flames or sparks in the area.

⚠ WARNING

If you need to replace the fuel cap, use a MARUTI genuine cap. Use of an improper cap can result in a malfunction of the fuel system or emission control system. It may also result in fuel leakage in the event of an accident.

⚠ CAUTION

Remove the fuel filler cap slowly. The fuel may be under pressure and may spray out, causing injury.

⚠ WARNING

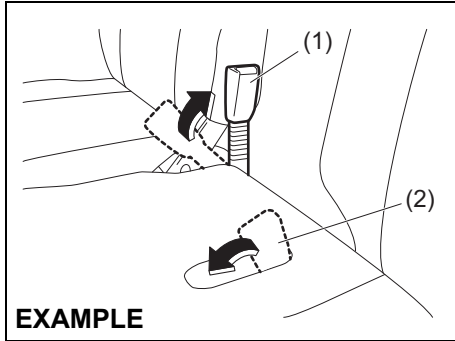
Fuel is extremely flammable. Do not smoke when refueling, and make sure there are no open flames or sparks in the area.

⚠ WARNING

If you need to replace the fuel cap, use a MARUTI genuine cap. Use of an improper cap can result in a malfunction of the fuel system or emission control system. It may also result in fuel leakage in the event of an accident.

OTHER CONTROLS AND EQUIPMENT

Engine Compartment



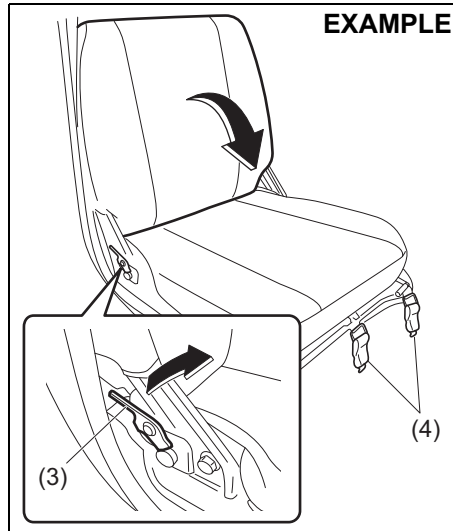
77PH094

To open the engine compartment:

- 1) Raise the driver's seat belt buckle (1) to the seatback position. Store the passenger's seat belt buckle (2).
- 2) For the driver's seat, slide the seat to the most rearward position.

CAUTION

When you slide the driver's seat rearward, push the seatback. If you hold the seatback top, your hand could be pinched between the seatback and cabin back panel, may result in personal injury.



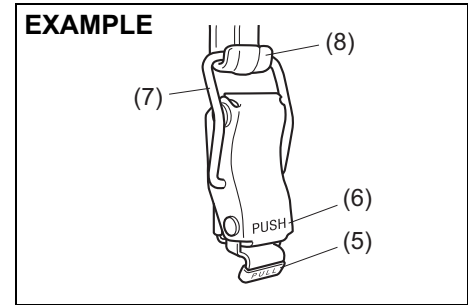
77PH093

- 3) For the driver's seat, pull the lock lever (3) to fold the seatback forward.

NOTE:

The seatback can be folded only up to the position where it comes in contact with the steering wheel.

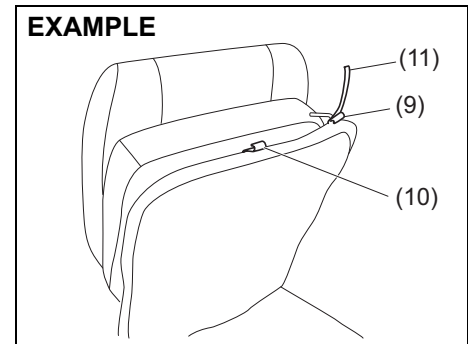
- 4) Unhook the lock handles (4) on the front end of each seat.



77PH081

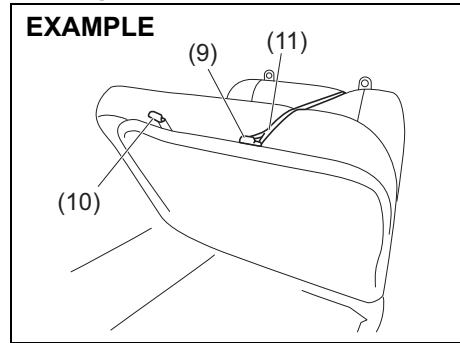
- To unhook the lock handle, pull the "PULL" part (5) and unhook the ring (7) from the hook (8).
- To lock the lock handle, put the ring (7) on the hook (8) and then push the "PUSH" part (6).

Driver side



77PH102

Passenger side



77PH103

NOTE:

The straps (11) are available behind the seatback of passenger seat.

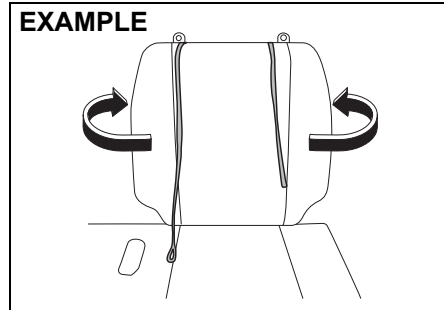
- 5) Raise the seat and hook the strap (11) to the hook (9). The hook (10) is not used for attaching the seat strap.

NOTICE

Do not hook the strap to the driver's seat position adjustment lever or do not apply undue force to the seats when being hooked by the straps. Doing so could break the straps, hooks and/or the driver's seat position adjustment lever.

- To close the engine compartment, reverse the steps in which you have opened it.

- After closing, try to move the seats to ensure that they are securely latched.
- Store the straps in space behind the passenger's seat as shown in the illustration.



77PH097

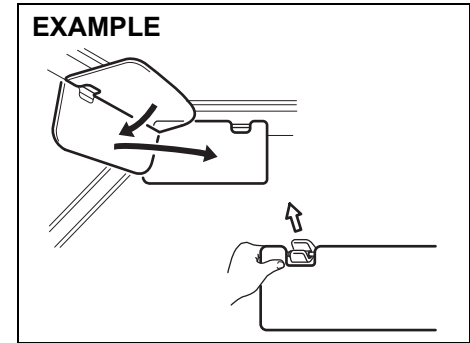
⚠ WARNING

Store the straps in space behind the passenger's seat. If an occupant's body gets caught by the straps, there is a risk of serious injury such as suffocation. If this happens, cut the straps with scissors.

⚠ CAUTION

When closing the engine compartment, be careful that the seats do not pinch your hands or the driver's seat belt buckle, or hit your body.

Sun Visor



77PH004

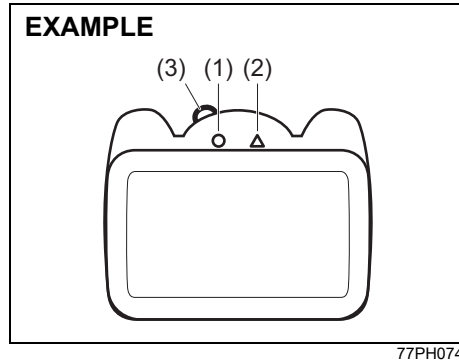
Sun visor is available on the driver side of the vehicle. The sun visor can be pulled down to block the glare coming through the windshield, or they can be unhooked and turned to the side to block the glare coming through the side window.

NOTICE

When unhooking and hooking a sun visor, be sure to handle it by side of the sun visor as shown in the figure else sun visor may get damaged.

OTHER CONTROLS AND EQUIPMENT

Interior Light



This light switch has two positions. These positions can be selected using knob (3). The functions of the two positions are:

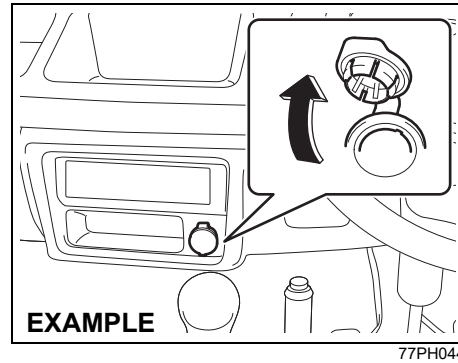
ON (1)

The light comes on and stays on.

OFF (2)

The light remains off.

Accessory Socket

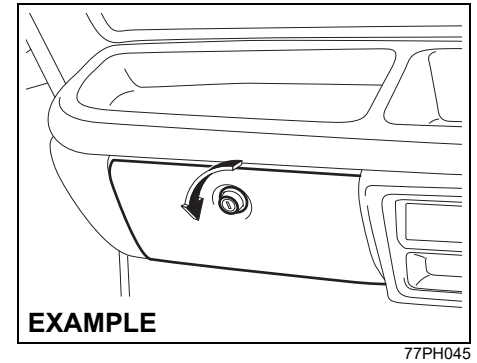


The accessory socket will work when the ignition switch is in the "ACC" or "ON" position. This socket can be used to provide 12 volt/120 watt power for electrical accessories.

NOTICE

Use of inappropriate electrical accessories can cause damage to your vehicle's electrical system. Make sure that any electrical accessories you use are designed to plug into this type of socket.

Glove Box

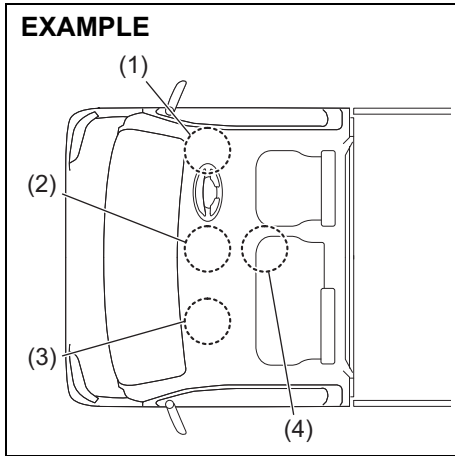


To open the glove box, twist the knob counterclockwise. To close it, push the lid until it latches securely. To lock the glove box, insert the key into the knob and turn it clockwise. To unlock the glove box, insert the key into the knob and turn it counterclockwise.

⚠ WARNING

Never drive with the glove box lid open. It could cause injury if an accident occurs.

Storage Area



77PH104

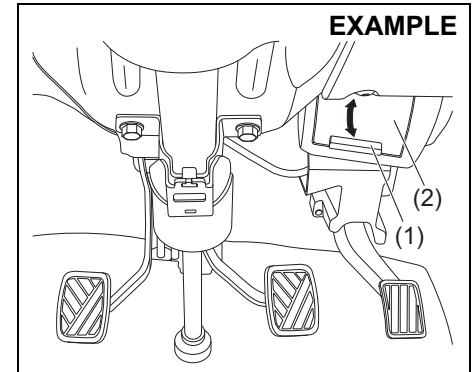
- (1) Instrument panel pocket (driver's side)
- (2) Instrument panel tray (center) / Instrument panel pocket (center)
- (3) Instrument panel tray (passenger's side)
- (4) Center pocket

Instrument Panel Pocket (1)/(2) / Instrument Panel Tray (2)/(3) / Center Pocket (4)

⚠ WARNING

Do not place any objects which may fall out from the pocket/tray when the vehicle is moving. Failure to take the precaution may result in an object interfering with the pedals and causing a loss of vehicle control or an accident.

Air Vent



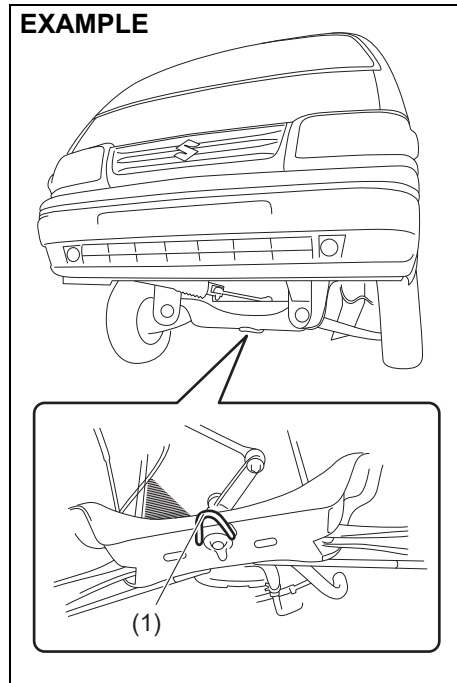
77PM502

Air vents are located on driver side and passenger side of the vehicle. For opening or closing the air vent, move the knob (1) vertically to open or close the flap (2). When "OPEN", fresh air will come inside the cabin.

OTHER CONTROLS AND EQUIPMENT

Frame Hook

Front



77PH035

The frame hook (1) is provided on the front of the vehicle for use in emergency situations and shipping purposes only.

To tow your vehicle on the road or highway, follow the instruction of "Towing" in "EMERGENCY SERVICE" section.

⚠ WARNING

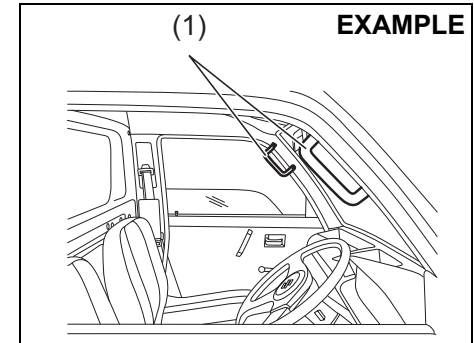
Do not use the frame hook to tow another vehicle or to have your vehicle towed on the road or highway. The hook (1) is designed for use in emergency situations only, such as if your vehicle or another vehicle gets stuck in deep mud or snow.

NOTICE

When you use the frame hook (1), avoid driving in the manner that may give significant shock to the hook. Such operation can damage the hook, or the vehicle body.

Do not accelerate suddenly.

Assist Grip



77PM501

Assist grips (1) are available on driver side and passenger side of the vehicle. The assist grips are meant for driver / passenger to get in and get out of the vehicle easily.

VEHICLE LOADING AND TOWING

Vehicle Loading	6-1
Trailer Towing	6-1

VEHICLE LOADING AND TOWING

Vehicle Loading

Your vehicle was designed for specific weight capacities. The weight capacities of your vehicle are indicated by the Gross Vehicle Weight Rating (GVWR) and the Permissible maximum Axle Weight (PAW, front and rear). The GVWR and PAW (front and rear) are listed in the "SPECIFICATIONS" section.

GVWR – Maximum permissible overall weight of the fully loaded vehicle (including all the occupants, accessories and cargo plus the trailer nose weight if towing a trailer).

PAW – (Front and Rear) Maximum permissible weight on an individual axle.

Actual weight of the loaded vehicle and actual loads at the front and rear axles can only be determined by weighing the vehicle. Compare these weights to the GVWR and PAW (front and rear). If the gross vehicle weight or the load on either axle exceeds these ratings, you must remove enough weight to bring the load down to the rated capacity.

WARNING

Never overload your vehicle. The gross vehicle weight (sum of the weights of the vehicle, all the occupants, accessories, cargo plus trailer nose weight if towing a trailer) must never exceed the Gross Vehicle Weight Rating (GVWR). In addition, never distribute a load so that the weight on either the front or rear axle exceeds the Permissible maximum Axle Weight (PAW).

WARNING

Always distribute cargo evenly. To avoid personal injury or damage to your vehicle, always secure cargo to prevent it from shifting if the vehicle moves suddenly. Place heavier objects on the floor and as far forward in the cargo area as possible. Never pile cargo higher than the top of the seat backs.

Trailer Towing

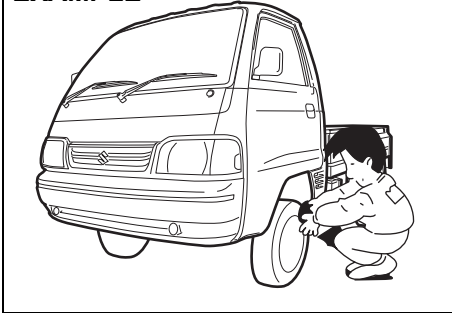
Your vehicle was originally designed to carry one driver, one passenger and a certain amount of cargo, not to tow a trailer. MARUTI does not recommend you to use your vehicle to tow a trailer. Towing a trailer can adversely affect handling, durability, and fuel economy.

INSPECTION AND MAINTENANCE

- Maintenance Schedule 7-1
- Periodic Maintenance Schedule 7-2
- Inspection and Maintenance operations to be performed by customer 7-6
- Drive Belt 7-8
- Engine Oil and Filter 7-8
- Engine Coolant 7-12
- Air Cleaner 7-14
- Spark Plugs 7-14
- Gear Oil 7-14
- Clutch Pedal 7-16
- Brakes 7-16
- Steering 7-18
- Propeller Shaft Universal Joint 7-18
- Tyres 7-19
- Battery 7-20
- Fuses 7-21
- Bulb Replacement 7-24
- Wiper Blades 7-27
- Windshield Washer Fluid (If equipped)..... 7-29

INSPECTION AND MAINTENANCE

EXAMPLE



77PM07008

⚠ WARNING

You should take extreme care when working on your vehicle to prevent accidental injury. Here are a few precautions that you should be especially careful to observe:

- Do not leave the engine running in garages or other confined areas.
- When the engine is running, keep hands, clothing, tools, and other objects away from the fan and drive belt. Even though the fan may not be moving, it can automatically turn on without warning.

(Continued)

⚠ WARNING

(Continued)

- When it is necessary to do service work with the engine running, make sure that the parking brake is set fully and the transmission is in Neutral.
- Do not touch ignition wires or other ignition system parts when starting the engine or when the engine is running, or you could receive an electric shock.
- Be careful not to touch a hot engine, exhaust manifold and pipes, muffler, radiator and water hoses.
- Do not allow smoking, sparks, or flames around fuel or the battery. Flammable fumes are present.
- Do not get under your vehicle if it is supported only with the portable jack provided in your vehicle.
- Be careful not to cause accidental short circuits between the positive and negative battery terminals.
- Keep used oil, coolant, and other fluids away from children and pets. Dispose of used fluids properly; never pour them on the ground, into sewers, etc.

Maintenance Schedule

The following table shows the times when you should perform regular maintenance on your vehicle. This table shows in kilometers and months when you should perform inspections, adjustments, lubrication and other services.

⚠ WARNING

MARUTI SUZUKI recommends that maintenance on your vehicle should be performed by your authorised MARUTI SUZUKI COMMERCIAL workshop.

NOTICE

Whenever it becomes necessary to replace parts on your vehicle, it is recommended that you use MARUTI genuine replacement parts or their equivalent.

Periodic Maintenance Schedule

“C”: Clean

“R”: Replace or Change

“I”: Inspect, clean, adjust, lubricate or replace as necessary

“L”: Lubricate

“T”: Tighten to Specified Torque

“O”: Rotate

NOTE:

This table includes services as scheduled up to 90,000 km mileage. Beyond 90,000km, carry out the same services at the same intervals respectively.

INSPECTION AND MAINTENANCE

Interval: This interval should be judged by odometer reading or months, whichever comes first.		FREE INSPECTION				PERIODIC MAINTENANCE AT COST						
		km (x1000)	5	10	20	30	40	50	60	70	80	90
		months	2	4	8	12	16	20	24	28	32	36
ENGINE												
1-1.	Water pump drive belt (Tension, Wear)		-	I	I	I	I	I	I	I	R	I
1-2.	Engine Coolant SUZUKI LLC: Super (Blue) (#1,2)	First time only:	Replace at 100000 km or 60 months whichever comes first.									
		Second time and after:	Replace every 40000 km or 24 months whichever comes first.									
	Engine Coolant SUZUKI LLC: Standard (Yellow) (#1,3)		I	I	R	I	R	I	R	I	R	I
1-3.	Engine oil, engine oil filter and drain plug gasket (Level, Leakage)		I	R	R	R	R	R	R	R	R	R
1-4.	Cooling system hoses and connections (Leakage and Damage)		I	I	I	I	I	I	I	I	I	I
1-5.	Engine Mounting and Manifold fixing (Loose, Damage)		I	I	I	I	I	I	I	I	I	I
1-6.	Exhaust System (Noise, Leakage etc.)		I	-	I	-	I	-	I	-	I	-
1-7.	Positive Crank Case Ventilation System (Hoses, Connections and Valve)		I	-	I	-	I	-	I	-	I	-
1-8.	Exhaust Gas Recirculation Valve		-	-	-	C	-	-	C	-	-	C
IGNITION												
2-1.	Ignition wire (Damage, Deterioration)		-	-	I	-	I	-	I	-	I	-
2-2.	Spark Plug	Petrol	Replace every 100000 km or 84 months whichever comes first									
		CNG	Replace every 50000 km or 48 months whichever comes first									
FUEL												
3-1.	Air cleaner filter element	Paved-road	Clean every 5000 km. Replace every 40000 km									
		Dusty Condition	Clean every 2500 km. Replace every 40000 km. More frequent replacement if the conditions are severe.									
3-2.	Fuel tank cap, fuel lines and connections (Leakage and Damage)		I	-	-	-	I	-	-	-	I	-
3-3.	Fuel Filter (Leakage)		I	I	I	I	R	I	I	I	R	I

#1: Perform the engine coolant level check under the daily inspection in the "OPERATING YOUR VEHICLE" section.

The same type of coolant that is filled at the time of a brand new car should be used when you add or replace the coolant. Refer to "Engine coolant" in this section.

#2: Do not add SUZUKI LLC: Standard (Yellow) Coolant or distilled water or others when your vehicle is originally filled with SUZUKI LLC: Super (Blue) Coolant.

#3: When your vehicle is originally filled with SUZUKI LLC: Standard (Yellow) Coolant, follow the maintenance schedule of SUZUKI LLC: Standard (Yellow) Coolant.

INSPECTION AND MAINTENANCE

Interval: This interval should be judged by odometer reading or months, whichever comes first.		FREE INSPECTION				PERIODIC MAINTENANCE AT COST						
		km (x1000)	5	10	20	30	40	50	60	70	80	90
		months	2	4	8	12	16	20	24	28	32	36
3-4.	CNG fuel line joints (Gas leakage)											
3-5.	CNG low pressure filter cartridge with O-Ring	-	-	R	-	R	-	R	-	R	-	
3-6.	CNG cylinder leak testing and certification	Every 3 years from the date of initial testing by govt. approved testing agency										
3-7.	CNG filler receptacle O-Ring	Replace every 4 years or 300000 km whichever comes earlier										
CLUTCH AND TRANSMISSION												
4-1.	Clutch Pedal (Play)											
4-2.	Clutch slipping (Dragging or Excess Damage)											
4-3.	Gear shifter (Operation)											
4-4.	Manual Transmission Oil (Level, Leakage)											
4-5.	Rear Differential Oil (Level, Leakage)	Replace at 80000 km or 4 years whichever comes first										
4-6.	Propeller shaft / Universal joint (Loose, Damage)		I&L	I&L	I&L	I&L	I&L	I&L	I&L	I&L	I&L	
BRAKE												
5-1.	Brake Fluid (Level, Leakage)											
		Replace every 40000 km or 24 months whichever comes first										
5-2.	Brake pedal (Pedal - Front Panel Clearance)											
5-3.	Parking brake lever and cable (Play, Damage)											
5-4.	Brake disc and pad (Wear)											
5-5.	Brake drum and shoes (Wear)	-										
5-6.	Master cylinder, wheel cylinder and caliper piston (Fluid Leakage, Boot/Seal Damage)											
5-7.	Brake hoses and pipes (Leakage, Damage)											
WHEEL												
6-1.	Tyres (Air pressure, Abnormal wear, Crack and Rotation)	I&O	I&O	I&O	I&O	I&O	I&O	I&O	I&O	I&O	I&O	
6-2.	Wheels (Damage)											
6-3.	Front/Rear wheel bearing (Loose, Damage)											

INSPECTION AND MAINTENANCE

Interval: This interval should be judged by odometer reading or months, whichever comes first.		FREE INSPECTION				PERIODIC MAINTENANCE AT COST						
		km (x1000)	5	10	20	30	40	50	60	70	80	90
		months	2	4	8	12	16	20	24	28	32	36
FRONT / REAR SUSPENSION												
7-1.	Front suspension strut and shock absorber (Oil leakage, Damage)											
7-2.	Front suspension arms, Knuckle support and Tension rods (Loose, Damage)											
7-3.	Rear leaf spring (Damage)											
7-4.	Rear shock absorber (Oil leakage, Damage)											
7-5.	All bolts and nuts (Loose)	T	T	T	T	T	T	T	T	T	T	
STEERING												
8-1.	Steering wheel (Play, Loose)											
8-2.	Steering column rods and arms (Loose, Damage, Wear)											
ELECTRICAL												
9-1.	Battery - Electrolyte (Level, Leakage) and voltage											
9-2.	Wiring harness connection (Loose, Damage)											
9-3.	Lighting system (Operation)											
9-4.	Wiper (Operation, Stains, Damage)											
9-5.	Horn (Operation)											
9-6.	Accessory socket (Operation)											
BODY												
10-1.	All chassis bolts and nuts (Tighten)		T	T	T	T	T	T	T	T	T	
10-2.	All latches, hinges and locks (Function)	I&L	I&L	I&L	I&L	I&L	I&L	I&L	I&L	I&L	I&L	
10-3.	Cargo bed (Inspect)											
ROAD TEST												
11-1.	Operation of brakes, clutch, gear shifting and speedometer											
11-2.	Body and chassis noise											

Inspection & Maintenance operations to be performed by customer

The following table shows the inspection & maintenance operations that you can perform.
This table shows the frequency when you should perform inspection, greasing, lubrication & other services.

FREQUENCY	SR.NO.	OPERATION	REFERENCE
Daily	1	Inspect all tyres (including spare wheel) for air pressure, abnormal wear, cracks and damage.	Page No. 7-19
Weekly	2	Inspect engine oil level, if necessary, top up with Maruti Genuine Engine oil.	Page No. 7-9
	3	Inspect coolant level in coolant reservoir and if necessary, top up with a mixture of recommended Maruti Genuine Coolant and distilled water in specified ratio.	Page No. 7-12
	4	Inspect transmission oil level and differential oil level.	Page No. 7-15
	5	Inspect brake fluid level in brake fluid reservoir and if necessary, top up with Maruti Genuine Brake Fluid.	Page No. 7-16
	6	Inspect vehicle for <ul style="list-style-type: none"> • Engine oil leakage • Coolant leakage • Brake fluid leakage <ul style="list-style-type: none"> • Front suspension strut leakage • Rear shock absorber leakage • Fuel leakage • Transmission oil and differential oil leakage 	Inspection & maintenance Section
	7	Inspect battery electrolyte level, terminals and bracket.	Page No. 7-20
	8	Inspect wheel mounting nuts and tighten if necessary.	Page No. 8-5

INSPECTION AND MAINTENANCE

Monthly	9	Inspect drive belt for damage or deterioration.	Page No. 7-8
	10	Clean air filter element.	Page No. 7-13
	11	Grease all latches, hinges and locks using multi purpose grease.	Page No. 7-5
	12	Grease propeller shaft universal joint with grease gun.	Page No. 7-18
As and when required	13	Inspect clutch pedal play.	Page No. 7-16
	14	Inspect the brake pedal to floor panel distance by applying the brakes, when engine is running.	Page No. 7-17
	15	Inspect parking brake for proper adjustment.	Page No. 7-18

*** Inspect and/or adjust wheel alignment and balancing if the vehicle pulls to one side or vibrates at high speed.**

Drive Belt

WARNING

When the engine is running, keep hands, hair, clothing, tools, etc. away from the moving fan and drive belts.

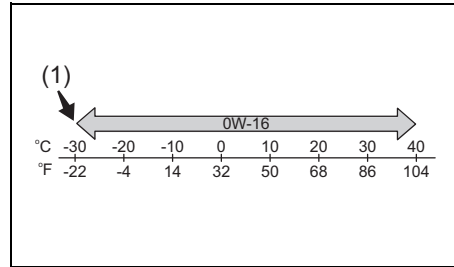
Make sure the drive belt tension is correct. If the belt is too loose, insufficient battery charging, engine overheating, or excessive belt wear can result.

The belts should also be examined to ensure that they are not damaged.

If you need to replace or adjust the belt have it done by your Maruti Suzuki authorised workshop.

Engine Oil and Filter Specified Oil

For India



56RM07013

(1) Recommended

Check that the engine oil you use comes under the quality classification of API SN. Select the appropriate oil viscosity according to the above chart

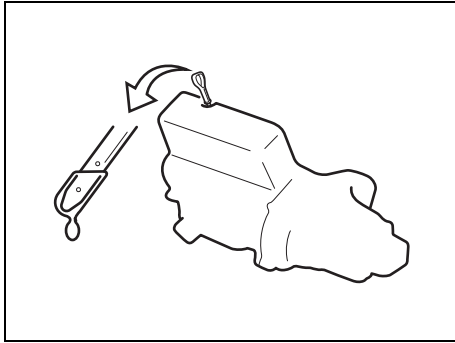
SAE 0W-16 (1) is the best choice for good fuel economy and good startability in cold weather.

NOTE:

- *The replacement timing varies with the type of engine oil that you choose. Refer to "Maintenance schedule" in this section for corresponding maintenance schedule.*
- *We recommend that you use MARUTI SUZUKI genuine oil. To purchase it, see a Maruti Suzuki authorised workshop.*

INSPECTION AND MAINTENANCE

Oil Level Check



55RH07002

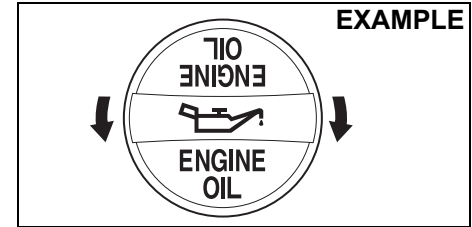
It is important to keep the engine oil at the correct level for proper lubrication of your vehicle's engine. Check the oil level with the vehicle on a level surface. The oil level indication may be inaccurate if the vehicle is on a slope. The oil level should be checked either before starting the engine or at least 5 minutes after stopping the engine.

Pull out the oil dipstick, wipe the oil off with a clean cloth, insert the dipstick all the way into the engine, and then remove it again. The oil on the stick should be between the upper and lower limits shown on the stick. If the oil level indication is near the lower limit, add enough oil to raise the level to the upper limit.

NOTICE

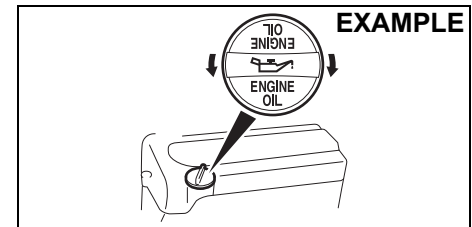
Failure to check the oil level regularly could lead to serious engine trouble due to insufficient oil.

Refilling



68PH00762

Remove the oil filler cap and pour oil slowly through the filler hole to bring the oil level to the upper limit on the dipstick. Be careful not to overfill. Too much oil is almost as bad as too little oil. After refilling, start the engine and allow it to idle for about a minute. Stop the engine, wait about 5 minutes and check the oil level again.



68PM00703

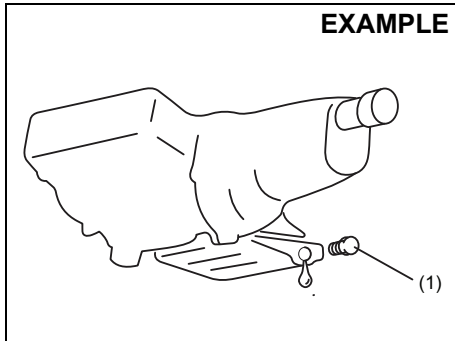
Changing Engine Oil and Filter

Drain the engine oil while the engine is still warm.

- 1) Remove the oil filler cap.
- 2) Place a drain pan under the drain plug.
- 3) Using a wrench, remove the drain plug and drain out the engine oil.

CAUTION

The engine oil temperature may be high enough to burn your fingers when the drain plug is loosened. Wait until the drain plug is cool enough to touch with your bare hands.



77PM07007

Tightening torque for drain plug (1):
50 Nm (5.1 kg-m, 36.9 lb-ft)

WARNING

New and used oil can be hazardous. Children and pets may be harmed by swallowing new or used oil. Keep new and used oil and used oil filters away from children and pets. Repeated, prolonged contact with used engine oil may cause skin cancer.

Brief contact with used oil may irritate skin.

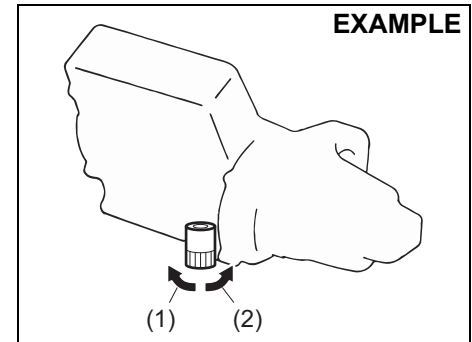
To minimize your exposure to used oil, wear a long-sleeve shirt and moisture-proof gloves (such as dish-washing gloves) when changing oil. If oil contacts your skin, wash thoroughly with soap and water. Launder any clothing or rags if wet with oil.

Recycle or properly dispose of used oil and filters.

- 4) Reinstall the drain plug and gasket. Tighten the plug with a wrench to the specified torque.

Replace the Oil Filter

- 1) Using an oil filter wrench, turn the oil filter counterclockwise and remove it.
- 2) Using a clean rag, wipe off the mounting surface on the engine where the new filter will be seated.
- 3) Smear a little engine oil around the rubber gasket of the new oil filter.
- 4) Screw on the new filter by hand until the filter gasket contacts the mounting surface.

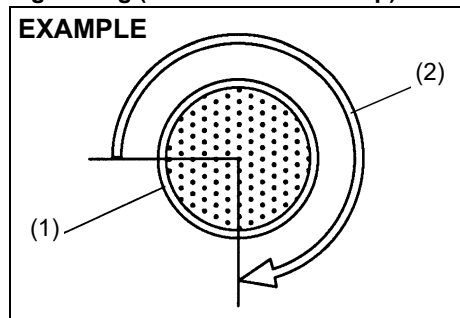


77PH017

- (1) Loosen
- (2) Tighten

INSPECTION AND MAINTENANCE

Tightening (viewed from filter top)



54G093

- (1) Oil filter
(2) 3/4 turn

NOTICE

To tighten the oil filter properly, it is important to accurately identify the position at which the filter gasket first contacts the mounting surface.

- 5) Tighten the filter specified turn from the point of contact with the mounting surface (or to the specified torque) using an oil filter wrench.

Tightening torque for oil filter
3/4 turn or
14 Nm (1.4 kgf-m, 10.3 lbf-ft)

NOTICE

To prevent oil leakage, make sure that the oil filter is tight, but do not over-tighten it.

Refill with Oil and Check for Leaks

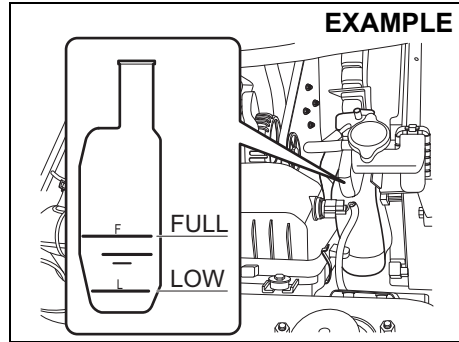
- 1) Pour oil through the filler hole and install the filler cap.
For the approximate capacity of the oil, refer to the "CAPACITIES" item in the "SPECIFICATIONS" section.
- 2) Start the engine and look carefully for leaks at the oil filter and drain plug. Run the engine at various speeds for at least 5 minutes.
- 3) Stop the engine and wait about 5 minutes. Check the oil level again and add oil if necessary. Check for leaks again.

NOTICE

- When replacing the oil filter, it is recommended that you use a MARUTI genuine filter. If you use an after market filter, make sure it is of equivalent quality and follow the manufacturer's instructions.
- Oil leaks from around the oil filter or drain plug indicate incorrect installation or gasket damage. If you find any leaks or are not sure that the filter has been properly tightened, have the vehicle inspected by your authorised MARUTI SUZUKI COMMERCIAL workshop.

Engine Coolant

Coolant Level Check



77PM07010

Check the coolant level at the reservoir tank, not at the radiator. With the engine cool, the coolant level should be between "FULL" and "LOW" marks.

If the coolant level is below "LOW" mark, coolant should be added.

Coolant addition and replacement

When you add the coolant, remove the reservoir tank cap and add coolant until the reservoir tank level reaches "FULL" mark while the engine is cool. Never fill the reservoir tank above "FULL" mark.

Since special procedures are required for coolant replacement, ask a Maruti Suzuki authorised workshop for this job.

⚠ WARNING

Swallowing engine coolant can cause severe injury or death. Inhaling coolant mist or vapors or getting coolant in your eyes could result in severe injury.

- Do not drink antifreeze or coolant solution. If swallowed, do not induce vomiting. Immediately contact a poison control center or a physician.
- Avoid inhaling coolant mist or hot vapors. If inhaled, remove to a fresh air area.
- If coolant gets in the eyes, flush with water and seek medical attention.
- Wash thoroughly after handling coolant.
- Keep engine coolant out of the reach of children and pets.

NOTICE

When putting the cap on the reservoir tank, line up the mark on the cap and the mark on the tank. Failure to follow this can result in coolant leakage.

Selection of coolant

To maintain optimum performance and durability of your engine, use MARUTI SUZUKI genuine coolant or equivalent.

This type of coolant is the best for cooling system for the following reasons:

- The coolant helps maintain proper engine temperature.
- It gives proper protection against freezing and boiling.
- It gives proper protection against corrosion and rust.

Failure to use the proper coolant can damage your cooling system. A Maruti Suzuki authorised workshop can help you select the proper coolant.

NOTICE

To avoid damaging your cooling system:

- Always use a high quality ethylene glycol base non-silicate type coolant diluted with distilled water at the correct mixture concentration.
- Do not add extra inhibitors or additives. They may not be compatible with your cooling system.
- Do not mix different types of base coolants. Doing so may result in accelerated seal wear and/or the possibility of severe overheating and extensive engine/transmission damage. In case of coolant mix-up

(Continued)

INSPECTION AND MAINTENANCE

NOTICE

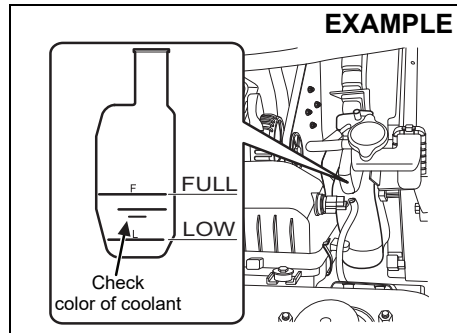
(Continued)

have your vehicle inspected by a Maruti Suzuki authorised workshop.

NOTE:

Maruti Suzuki highly recommends the use of Maruti Suzuki genuine coolant. Maruti Suzuki genuine coolant has been specially formulated for your Maruti Suzuki product and contributes to the desired vehicle performance and ideal driving experience.

Depending on the production period of your vehicle, the coolant type filled at the time of a brand new car differs. There are two coolant types, SUZUKI LLC: Super (Blue) Coolant and SUZUKI LLC: Standard (Yellow) Coolant. You can check the original coolant type in your vehicle by the color of the coolant in the reservoir tank (Refer below figure).



77PM07033

Coolant Color	Coolant Type
Blue	Suzuki LLC : Super
Yellow	Suzuki LLC : Standard

NOTE:

The same type of coolant that is filled at the time of a brand new car should be used when you add or replace the coolant.

SUZUKI LLC: Super (Blue) Coolant:

NOTICE

- This coolant is already diluted to the proper percentage. Do not dilute with distilled water additionally. Doing so may result in the possibility of freezing and/or overheating coolant.
- Do not add SUZUKI LLC: Standard (Yellow) Coolant or distilled water or others when your vehicle is originally filled with SUZUKI LLC: Super (Blue) Coolant. If such a case occurs, then get the vehicle inspected by a Maruti Suzuki authorised workshop.

SUZUKI LLC: Standard (Yellow) Coolant:

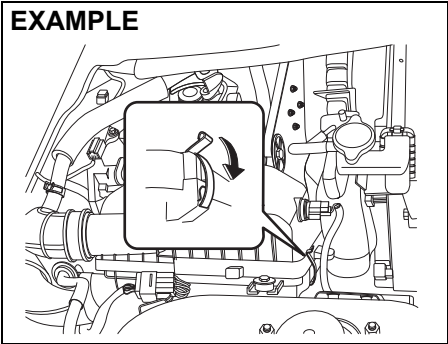
NOTICE

- The concentration of the mixture to be used shall be 30% antifreeze and 70% distilled water. Do not use straight coolant nor plain water.
- If the lowest ambient temperature in your area is expected to be -15°C (5°F) or below, use higher concentrations up to 60% following the instructions on the antifreeze container. Concentrations greater than 60% will cause overheating conditions.
- When your vehicle is originally filled with SUZUKI LLC: Standard (Yellow) Coolant, follow the maintenance schedule of SUZUKI LLC: Standard (Yellow) Coolant in this section. In case you replace with Suzuki LLC: Super (Blue) Coolant, then get the vehicle inspected by a Maruti Suzuki authorised workshop.

Air Cleaner

If the air cleaner is clogged with dust, there will be greater intake resistance, resulting in decreased power output and increased fuel consumption.

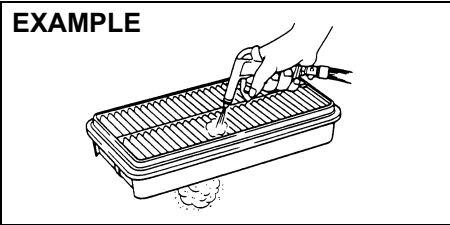
EXAMPLE



77PM07011

Unclamp the side clamps, and remove the element from the air cleaner case.

EXAMPLE



60A183

If it appears to be dirty, clean or replace the air cleaner with a new one as per periodic maintenance schedule.

Spark Plugs

Replacing and inspection of spark plugs

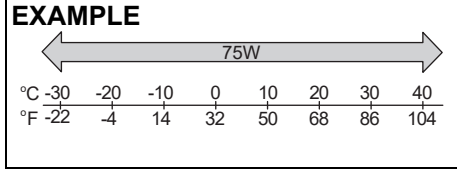
Since special procedures, materials and tools are required, it is recommended that you trust this job to your Maruti Suzuki authorised workshop.

Gear Oil

**Manual Transmission Oil/
Differential Oil**

When adding gear oil, use gear oil with the appropriate viscosity and grade as shown in the chart below.

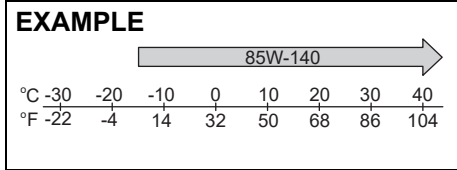
Manual transmission oil



68LM728

We highly recommend you use: "MARUTI GENUINE GEAR OIL 75W" for manual transmission gear oil.

Rear differential oil



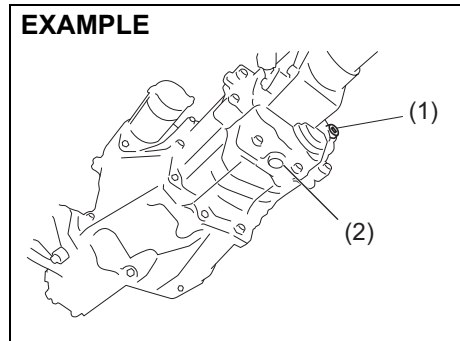
77PH075

We highly recommend you use: "TOTALFINAELF TRANSELF LL 85W-140" for rear differential oil.

INSPECTION AND MAINTENANCE

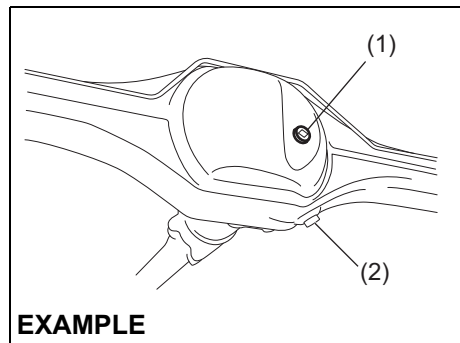
Gear Oil Level Check

Manual transmission



77PH078

Rear differential



77PH047

1. Oil filler and level plug (Do not reuse).
2. Oil drain plug.

To check the gear oil level, use the following procedure:

- 1) Park the vehicle on a level surface with the parking brake applied. Then, stop the engine.
- 2) Remove the oil filler and level plug (1).
- 3) Check the inside of the hole with your finger. If the oil level comes up to the bottom of the plug hole, the oil level is correct. If so, reinstall the plug.
- 4) If the oil level is low, add gear oil through the oil filler plug hole (1) until the oil level reaches the bottom of the filler hole, then reinstall the plug.

Tightening torque for oil filler and level plug

Manual transmission (1):

23 Nm (2.3 kgf-m, 17.0 lbf-ft)

Rear differential (1):

25 Nm (2.5 kgf-m, 18.5 lbf-ft)

NOTE:

For Rear differential always use a new oil filler and level plug (1).

▲ CAUTION

After driving the vehicle, the gear oil temperature may be high enough to burn your skin. Wait until the oil filler plug is cool enough to touch with your bare hands before inspecting gear oil level.

NOTICE

When tightening the plug, apply the following sealing compound or equivalent to the plug threads to prevent oil leakage.

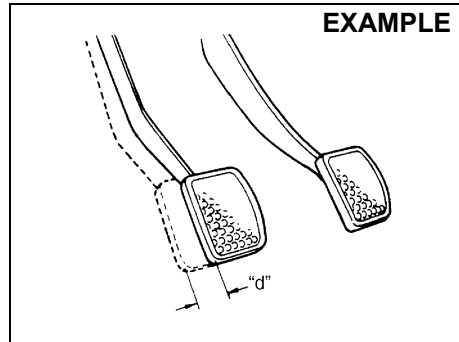
MARUTI SUZUKI Bond No. "1216E" or "1217G"

Gear Oil Change

Since special procedures, materials and tools are required, it is recommended that you trust this job to your authorised MARUTI SUZUKI COMMERCIAL workshop.

Clutch Pedal

Cable control clutch



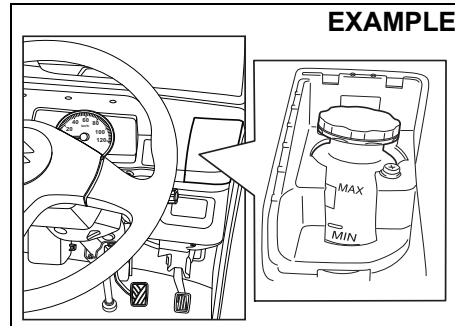
54G274

Clutch pedal play "d": 10 - 15 mm (0.4 - 0.6 in.)

Measure the clutch pedal play by moving the clutch pedal with your hand and measuring the distance it moves until you feel slight resistance. The play in the clutch pedal should be between the specified values. If the play is more or less than the above, or clutch dragging is felt with the pedal fully depressed, have the clutch inspected by your authorised MARUTI SUZUKI COMMERCIAL workshop.

Brakes

Brake Fluid



77PM706

Check the brake fluid level by looking at the reservoir in the instrument panel. Remove the cover on right hand side of steering wheel to check the brake fluid reservoir level. Check that the fluid level is between the "MAX" and "MIN" lines. If the brake fluid level is near the "MIN" line, fill it up to the "MAX" line with Maruti Genuine Brake Fluid (MGBF) or DOT 3. We highly recommend to use "Maruti Genuine Brake Fluid" (MGBF).

⚠ WARNING

Failure to follow the guidelines below can result in personal injury or serious damage to the brake system.

- If the brake fluid in the reservoir drops below a certain level, the brake warning light on the instrument panel will come 'ON' (the engine must be running with the parking brake fully disengaged). Should the light come on, immediately ask your authorised MARUTI SUZUKI COMMERCIAL workshop to inspect the brake system.
- A rapid fluid loss indicates a leak in the brake system which should be inspected by your authorised MARUTI SUZUKI COMMERCIAL workshop immediately.
- Do not use any fluid other than Maruti Genuine Brake Fluid (MGBF) or DOT 3. We highly recommend to use Maruti Genuine Brake Fluid (MGBF). Do not use reclaimed fluid or fluid that has been stored in old or open containers. It is essential that foreign particles and other liquids are kept out of the brake fluid reservoir.

⚠ CAUTION

Brake fluid can harm your eyes and damage painted surfaces. Use caution when refilling the reservoir.

INSPECTION AND MAINTENANCE

⚠ WARNING

- In case vehicle is driven in overloaded condition, the braking distance may be longer and higher pedal force may be required.

⚠ WARNING

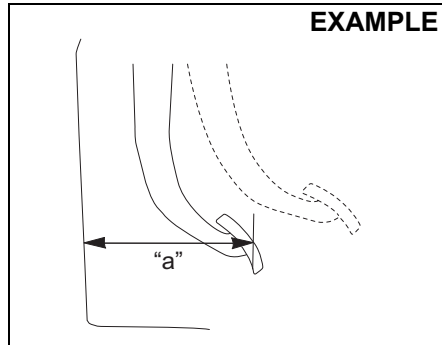
Brake fluid is harmful or fatal if swallowed, and harmful if it comes in contact with skin or eyes. If swallowed, do not induce vomiting. Immediately contact a poison control center or a physician. If brake fluid gets in eyes, flush eyes with water and seek medical attention. Wash thoroughly after handling. Solution can be poisonous to animals. Keep out of the reach of children and animals.

NOTE:

With disc brakes, the fluid level can be expected to gradually fall as the brake pads wear.

Brake Pedal

Check if the brake pedal stops at the regular height without spongy feeling when you depress it. If not, have the brake system inspected by your authorised MARUTI SUZUKI COMMERCIAL workshop. If you doubt the brake pedal for the regular height, check it as follows:



54G108S

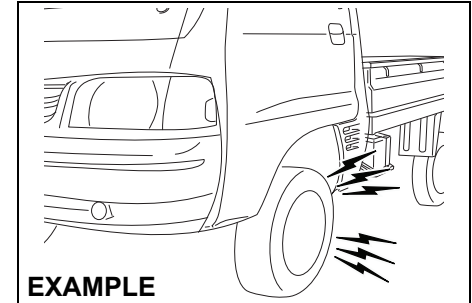
Pedal to Front Panel minimum distance "a":
Petrol and CNG Engine Model:
157 mm

With the engine running, measure the distance between the brake pedal and front panel when the pedal is depressed with approximately 30 kg (66 lbs) of force. The minimum distance required is as specified. Since your vehicle's brake system is self-adjusting, there is no need for pedal adjustment.

If the pedal to front panel distance as measured above is less than the minimum distance required, have your vehicle inspected by your authorised MARUTI SUZUKI COMMERCIAL workshop.

NOTE:

When measuring the distance between the brake pedal and front panel, be sure not to include the floor mat or rubber on the front panel in your measurement.



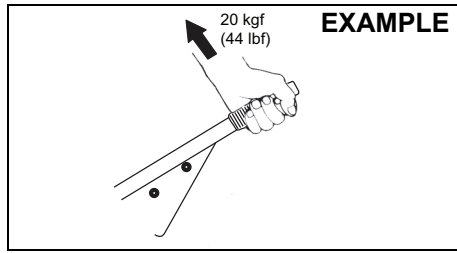
77PM07013

⚠ WARNING

If you experience any of the following problems with your vehicle's brake system, have the vehicle inspected immediately by your authorised MARUTI SUZUKI COMMERCIAL workshop.

- Poor braking performance
- Uneven braking (brakes not working uniformly on all wheels)
- Excessive pedal travel
- Brake dragging
- Excessive noise
- Pedal pulsation (pedal pulsates when depressed)

Parking Brake



77PM702

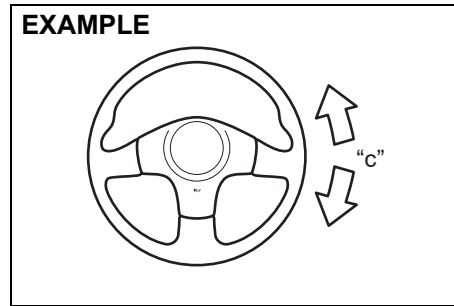
Ratchet tooth specification
6th – 9th teeth
Lever pull force (1):
200 N (20 kgf, 44 lbf)

Check the parking brake for proper adjustment by counting the number of clicks made by the ratchet teeth as you slowly pull up on the parking brake lever to the point of full engagement. The parking brake lever should stop between the specified ratchet teeth and the rear wheels should be securely locked. If the parking brake is not properly adjusted or the brakes drag after the lever has been fully released, have the parking brake inspected and/or adjusted by your authorised MARUTI SUZUKI COMMERCIAL workshop.

▲ WARNING

- **Parking Brake may not be effective in case vehicle is over-loaded. Use additional chocks to hold the vehicle.**

Steering



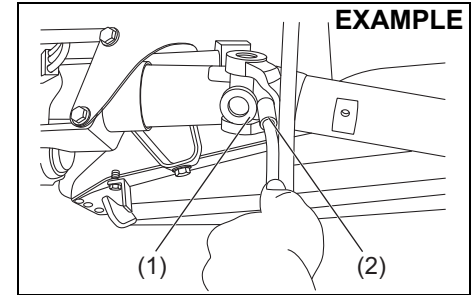
77PH042

Steering wheel play "c":
0 – 30 mm (0.0 – 1.2 in.)

Check the play of the steering wheel by gently turning it from left to right and right to left, with wheels in straight ahead position and engine in OFF condition. Measure the distance that the steering moves before you feel slight resistance. The play should be between the specified values. Check that the steering wheel turns easily and smoothly without rattling by turning it all the way to the right and to the left while driving very slowly in an open area. If the amount of free play is outside the specification or you find anything else to be wrong, an inspection must be performed by your authorised MARUTI SUZUKI COMMERCIAL workshop.

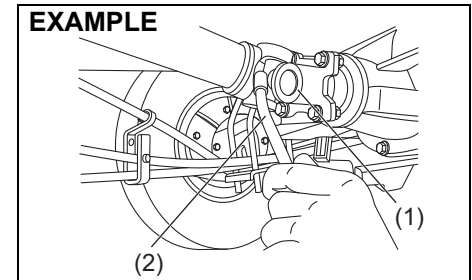
Propeller Shaft Universal Joint

Front



77PM703

Rear



77PM704

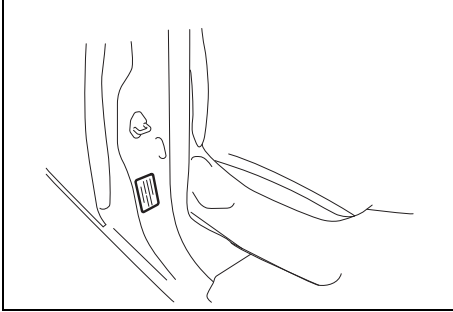
Lubricate propeller shaft universal joint (1) (front & rear) as per the service schedule.

To lubricate the propeller shaft universal joint you should use grease gun (2) and specified grease NLGI GRADE 2.

INSPECTION AND MAINTENANCE

Tyres

EXAMPLE



77PM705

The front and rear tyre pressure specifications for your vehicle are listed on the Tyre Information Label. Both the front and rear tyres should have the specified tyre pressure.

Note that the value does not apply to the compact spare tyre, if equipped.

Tyre Inspection

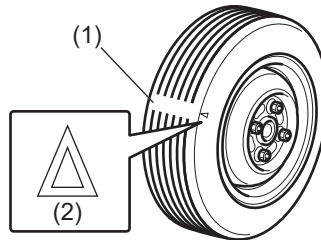
Inspect your vehicle's tyres at least once a month by performing the following checks:

- 1) Measure the air pressure with a tyre pressure gauge. Adjust the pressure if necessary. Remember to check the spare tyre, too.

⚠ WARNING

- Air pressures should be checked when the tyres are cold or you may get inaccurate readings.
- Check the inflation pressure from time to time while inflating the tyre gradually, until the specified pressure is obtained.
- Never under-inflate or over inflate the tyres.
- Under inflation can cause unusual handling characteristics or can cause the rim to slip on the tyre bead, resulting in an accident or damage to the tyre or rim.
- Overinflation can cause the tyre to burst, resulting in personal injury. Overinflation can also cause unusual handling characteristics which may result in an accident.

EXAMPLE



52KM110

- (1) Tread wear indicator
- (2) Indicator location mark

- 2) Check that the depth of the tread groove is more than 1.6 mm (0.06 in.). To help you check this, the tyres have molded-in tread wear indicators in the grooves. When the indicators appear on the tread surface, the remaining depth of the tread is 1.6 mm (0.06 in.) or less and the tyre should be replaced.
- 3) Check for abnormal wear, cracks and damage. Any tyres with cracks or other damage should be replaced. If any tyres show abnormal wear, have them inspected by your authorised MARUTI SUZUKI COMMERCIAL workshop.

⚠ CAUTION

Hitting curbs and running over rocks can damage tyres and affect wheel alignment. Be sure to have tyres and wheel alignment checked periodically by your authorised MARUTI SUZUKI COMMERCIAL workshop.

- 4) Check for loose wheel nuts.
- 5) Check that there are no nails, stones or other objects sticking into the tyres.

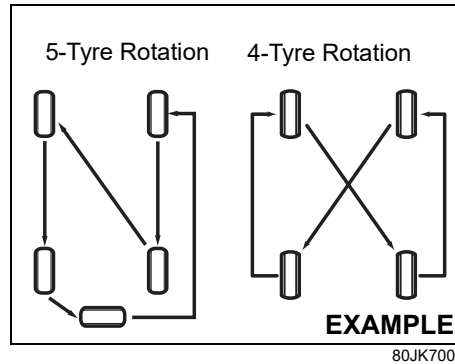
⚠ WARNING

- Your Vehicle is equipped with tyres which are all the same type and size. This is important to ensure proper steering and handling of the vehicle. Never mix tyres of different size or type on the four wheels of your vehicle. The size and type of tyres used should be only those approved by MARUTI SUZUKI as standard or optional equipment for your vehicle.
- Replacing the wheels and tyres equipped on your vehicle with certain combinations of aftermarket wheels and tyres can significantly change the steering and handling characteristics of your vehicle.
- Therefore, use only those wheel and tyre combinations approved by MARUTI SUZUKI as standard or optional equipment for your vehicle.

NOTICE

Replacing the original tyres with tyres of a different size may result in incorrect speedometer or odometer readings. Check with your authorised MARUTI SUZUKI COMMERCIAL workshop before purchasing replacement tyres that differ in size from the original tyres.

Tyre Rotation



To avoid uneven wear of your tyres and to prolong their life, rotate the tyres as illustrated. Tyres should be rotated every 10000 km. After rotation, adjust front and rear tyre pressures to the specification listed on your vehicle's Tyre Information Label.

Wheel Balancing

If the vehicle vibrates abnormally on smooth road, have the wheel balanced at authorised MARUTI SUZUKI COMMERCIAL workshop.

Wheel Alignment

In case of abnormal tyre wear or pulling towards one side, have the wheel aligned at authorised MARUTI SUZUKI COMMERCIAL workshop.

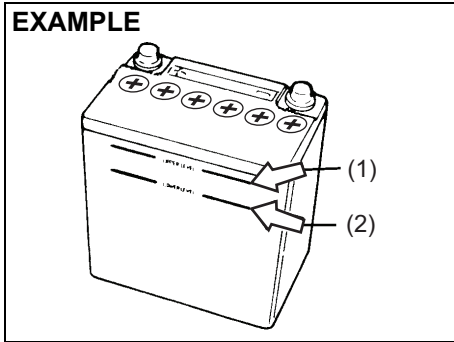
Battery

⚠ WARNING

- Batteries produce flammable hydrogen gas. Keep flames and sparks away from the battery or an explosion may occur. Never smoke when working in the vicinity of the battery.
- When checking or servicing the battery, disconnect the negative cable. Be careful not to cause a short circuit by allowing metal objects to contact the battery posts and the vehicle at the same time.
- To avoid harm to yourself or damage to your vehicle or battery, follow the jump starting instructions in the "EMERGENCY SERVICE" section of this manual if it is necessary to jump start your vehicle.

INSPECTION AND MAINTENANCE

EXAMPLE



54GM701

For maintenance-free battery (cap-less type), you need not add water. For traditional type battery, which has water filler caps, the level of the battery solution must be kept between the upper level line (1) and lower level line (2) at all times. You should periodically check the battery, case battery terminals, and battery hold-down bracket for damage or corrosion. Remove corrosion using a stiff brush and ammonia mixed with water, or baking soda mixed with water. After removing corrosion, rinse with clean water.

If your vehicle is not going to be driven for a month or longer, disconnect the cable from the negative terminal of the battery to help prevent discharge.

⚠ WARNING

If the battery is used with battery level being less than the lower level line (2), it may cause reduced battery life, an exothermic heat, or an explosion by hydrogen gas occurring from the battery. Do not use the battery with battery level being less than the lower level line (2).

NOTICE

If the battery liquid is added more than the upper level line (1), liquid may leak by vibrations during driving or liquid may spray out in some case depending on the condition of battery charging. These may cause damage to the parts near the battery. If the battery liquid overflows, immediately wash away with water. Do not add the battery liquid more than the upper level line (1).

NOTE:

The battery liquid is consumed when the battery is used. If the level is found to be less than the center of upper level (1) and lower level (2), add distilled water till it reaches the upper level line (1).

Fuses

Your vehicle has three types of fuses, as described below:

Fusible Link Wire and Main fuse

The main fuse takes current directly from the battery.

Primary fuses

These fuses are between the main fuse and individual fuses, and are for electrical load groups.

Individual fuses

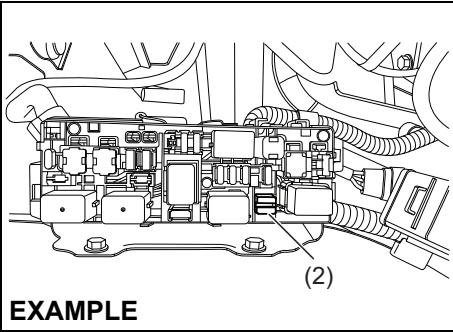
These fuses are for individual electrical circuits.

NOTE:

- "Blank" indicates that fuse is not applicable in the variant, even though name of fuse might be available on cover of fuse box of your vehicle.
- Some fuse may not be applicable to your vehicle according to the variant of vehicle, even though it is not mentioned as blank.

To remove a fuse, use the fuse puller (2) provided in the relay box.

INSPECTION AND MAINTENANCE

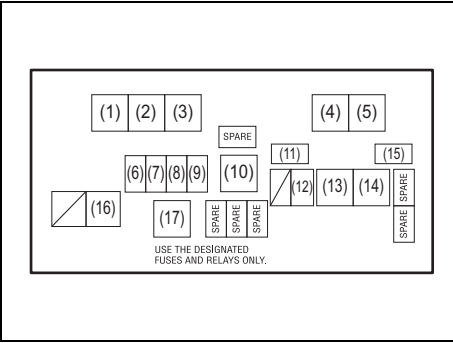


EXAMPLE

77PM07012

NOTE:
Some fuse may not be applicable to your vehicle according to the variant of vehicle, even though it is not mentioned as blank.

Fuses in the Engine Compartment



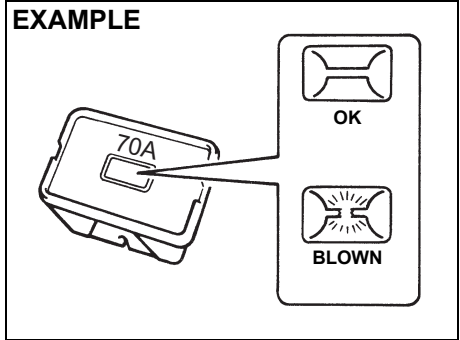
USE THE DESIGNATED FUSES AND RELAYS ONLY.

77PM07030

MAIN FUSE/PRIMARY FUSE / RELAY		
S. No.	Rating	Fuse / Relay
(1)	–	CNG valve relay*
(2)	–	Fuse puller
(3)	–	Radiator fan relay
(4)	–	Fuel pump relay
(5)		Starting motor relay
(6)	7.5A	CNG valve*
(7)	20A	Fuel Injection
(8)	30A	Starting motor
(9)	15A	Horn
(10)	70A	Alternator
(11)	7.5A	CNG*
(12)	10A	Hazard warning light
(13)	40A	Battery
(14)	40A	Ignition switch
(15)	7.5A	ST SIG 2 (starting signal)
(16)	30A	Radiator fan
(17)	–	FI main relay

*: For CNG model

The main fuse, primary fuses and some of the individual fuses are located in the engine compartment. If the main fuse blows, no electrical component will function. If a primary fuse blows, no electrical component in the corresponding load group will function. When replacing the main fuse, a primary fuse or an individual fuse, use a MARUTI genuine replacement. To remove a fuse, use the fuse puller (2) provided in the relay box. The amperage of each fuse is shown inside of the fuse box cover.



60G111

INSPECTION AND MAINTENANCE

WARNING

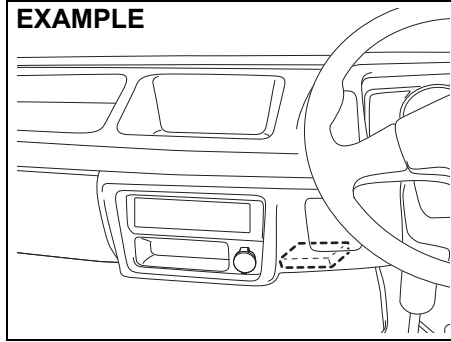
If the main fuse or a primary fuse blows, be sure to have your vehicle inspected by an authorised MARUTI SUZUKI COMMERCIAL workshop. Always use a MARUTI genuine replacement part. Never use a substitute such as a wire even for temporary repair, or extensive electrical damage / fire can result.

NOTE:

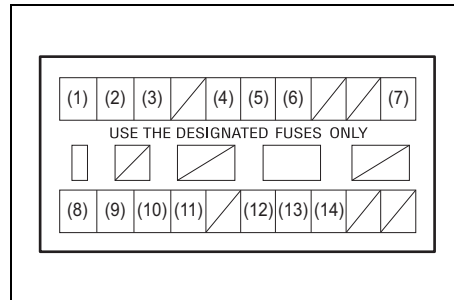
Make sure that the fuse box always carries spare fuses and fuse puller.

Fuses under the Dash Board

EXAMPLE



77PH048

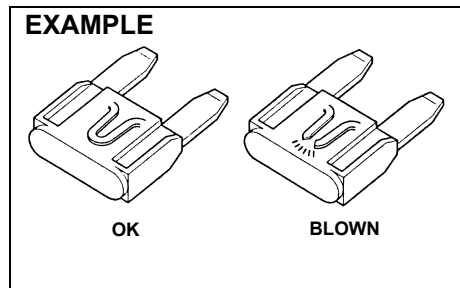


77PH049

MAIN FUSE/PRIMARY FUSE		
(1)	10A	Headlight (Right)
(2)	10A	Headlight (Left)
(3)	10A	Dome light
(4)	10A	Tail light
(5)	10A	Stop light
(6)	15A	Radio
(7)	10A	Starting signal
(8)	10A	Meter
(9)	15A	Ignition
(10)	10A	Back-up light
(11)	15A	Front wiper
(12)	15A	Accessory 2
(13)	10A	Accessory
(14)	7.5A	CNG Ignition*

*: For CNG model

The fuse box is located under the dashboard.



65D046

⚠ WARNING

Always be sure to replace a blown fuse with a fuse of the correct amperage. Never use a substitute such as aluminum foil or wire to replace a blown fuse. If you replace a fuse and the new one blows in a short period of time, you may have a major electrical problem. Have your vehicle inspected immediately by your authorised MARUTI SUZUKI COMMERCIAL workshop.

Bulb Replacement

⚠ CAUTION

- Light bulbs can be hot enough to burn your finger right after being turned off. This is true especially for halogen headlight bulbs. Replace the bulbs after they become cool enough.
- The headlight bulbs are filled with pressurized halogen gas. They can burst and injure you if they are hit or dropped. Handle them carefully.

NOTICE

The oils from your skin may cause a halogen bulb to overheat and burst when the lights are on. Grasp a new bulb with a clean cloth.

NOTICE

- Frequent replacement of a bulb indicates the need for an inspection of the electrical system. This should be carried out by your Maruti Suzuki authorised workshop.
- During bulb replacement always use same bulb number as used in vehicle which is imprinted on the said bulb/unit and/or mentioned in SPECIFICATIONS.

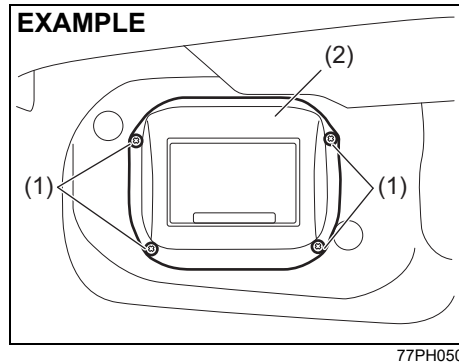
NOTE:

Mist may form on the lenses of exterior lights (Headlight, Rear combination light etc.) during or after driving in the rain or after car washing. This is a natural phenomenon which occurs due to temperature difference between lamp inside and outside. Temporary mist on the lens is not a malfunction and will not cause any discomfort during vehicle driving.

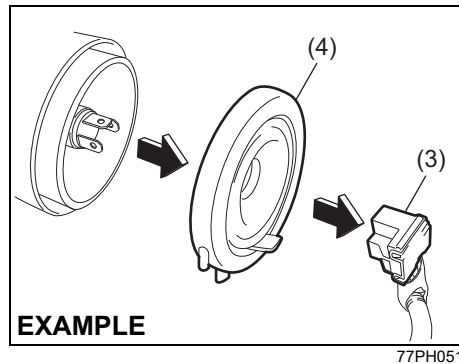
The mist would get cleared when the environmental condition change to sunny or when headlamp is kept on. However if there is water leakage inside the lamp, contact your authorised Maruti Suzuki workshop.

INSPECTION AND MAINTENANCE

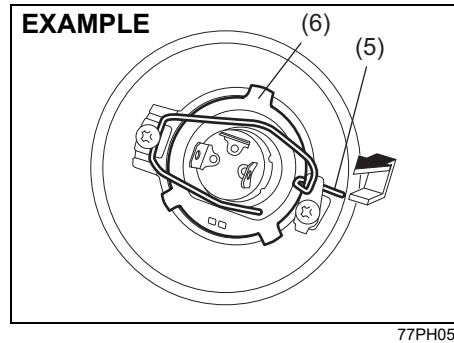
Headlights



- 1) Remove the screws (1) and remove the air inlet box (2).



- 2) Disconnect the coupler (3). Remove the sealing rubber (4).

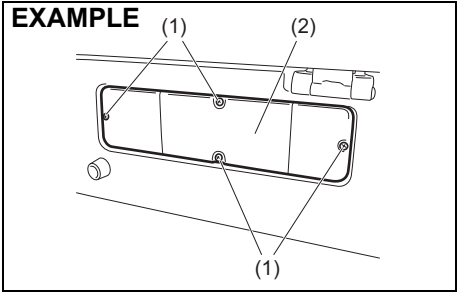


- 3) Push the retaining spring (5) forward and unhook it. Then remove the bulb (6). Install a new bulb in the reverse order of removal.

Front Turn Signal Light Front Position Light

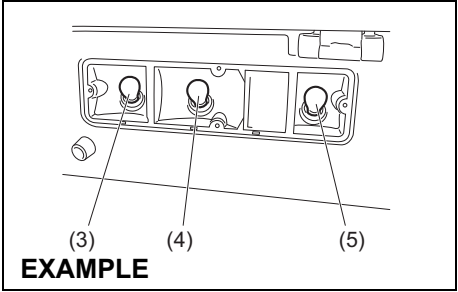
Since special procedures are required, we recommend you take your vehicle to your authorised MARUTI SUZUKI COMMERCIAL workshop for bulb replacement.

Rear Combination Light

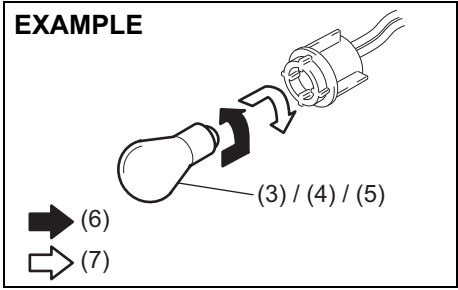


77PH055

- 1) Remove the screws (1) and remove the cover (2).



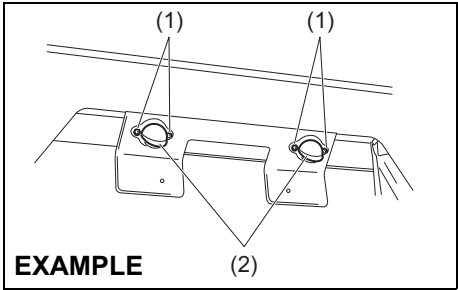
77PH056



76MH0A123

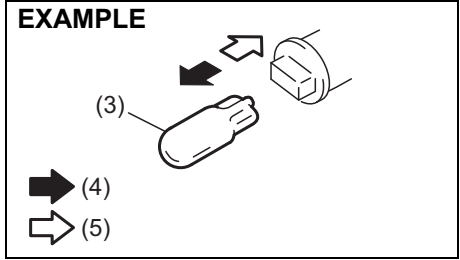
- (6) Removal
 - (7) Install
- 2) To remove the bulb of the turn signal light (3), the tail/brake light (4) or the reversing light (5) bulb holder, push in the bulb and turn it counterclockwise. To install a new bulb, push it in and turn it clockwise.

License Plate Light



77PH066

- 1) Remove the screws (1) and remove the cover (2).

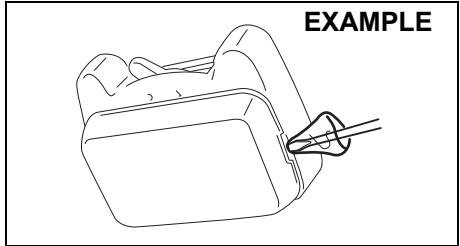


77PH063

- (4) Removal
 - (5) Install
- 2) To remove and install the bulb of the license plate light (3), simply pull out or push in the bulb.

Interior Light

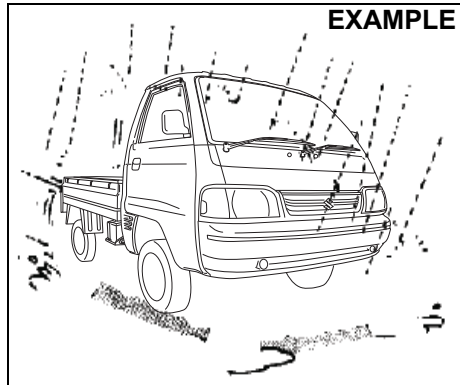
Remove the lens by using a flat blade screwdriver covered with a soft cloth as shown. To install it, simply push it back in.



77PH057

INSPECTION AND MAINTENANCE

Wiper Blades



If the wiper blades become brittle or damaged, or make streaks when wiping, replace the wiper blades.

To install new wiper blades, follow the procedures below.

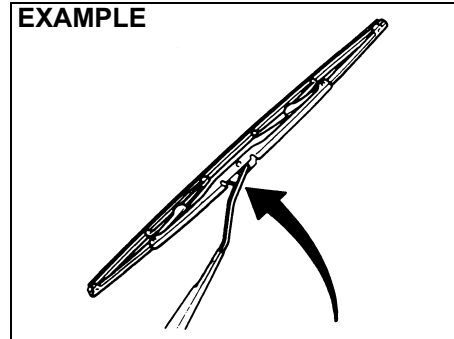
NOTICE

To avoid scratching or breaking the window, do not let the wiper arm strike the window while replacing the wiper blade.

NOTE:

Some wiper blades may be different from the ones described here depending on vehicle specifications. If so, consult your authorised MARUTI SUZUKI COMMERCIAL workshop for proper replacement method.

For windshield wipers:

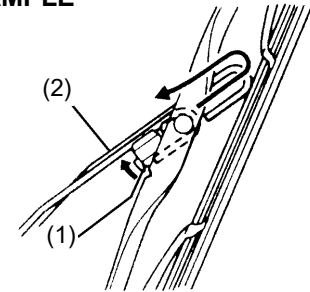


- 1) Hold the wiper arm away from the windshield.

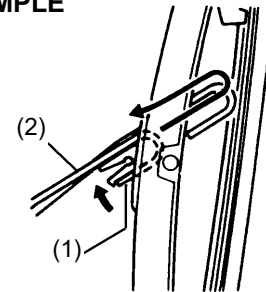
NOTE:

When raising both of the front wiper arms, pull the driver's side wiper arm up first. When returning the wiper arms, lower the passenger's side wiper arm first. Otherwise, the wiper arms may interfere with each other.

EXAMPLE



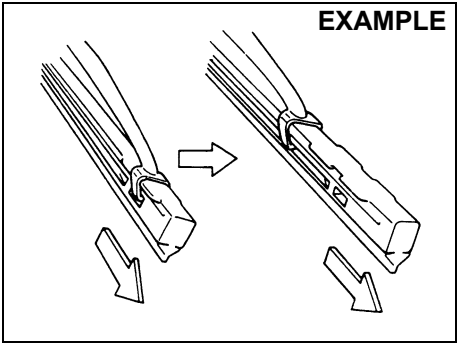
EXAMPLE



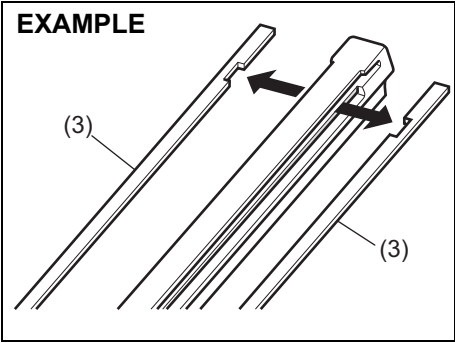
- 2) Squeeze lock (1) towards wiper arm (2) and remove the wiper frame from the arm as shown.
- 3) Unlock the lock end of the wiper blade and slide the blade out as shown.

54G130

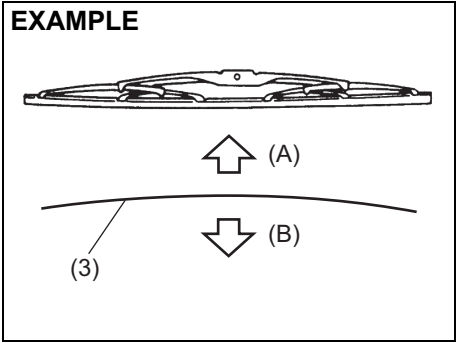
Removal



60A260

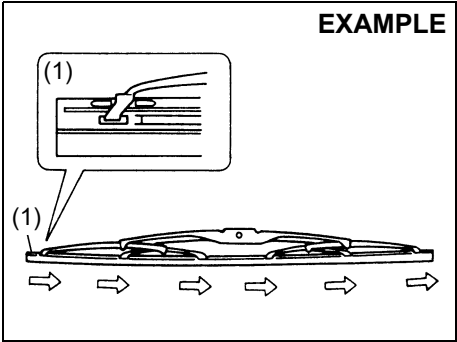


68PH00754



60MH072

Installation

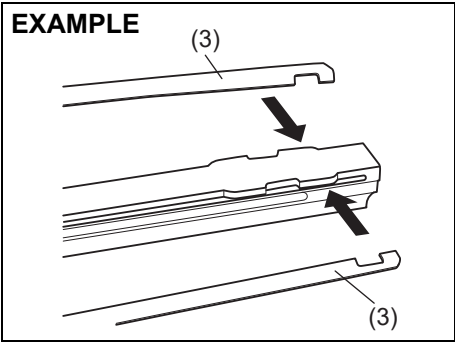


54G132

(1) Locked end

(3) Retainer

4) If the new blade is provided without the two metal retainers, move them from the old blade to the new one.



60MH071

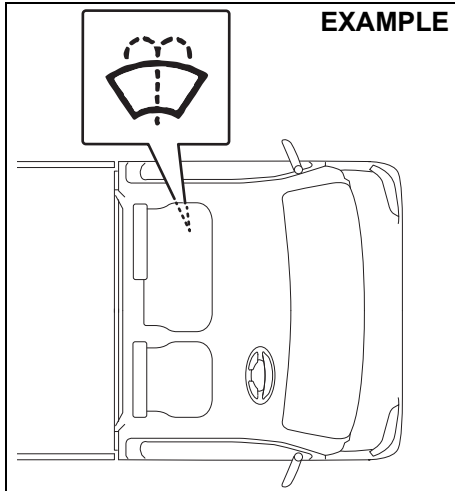
(A) Up
(B) Down

NOTE:
When you install the metal retainers (3), make sure the direction of metal retainers is as shown in the above illustrations.

- 5) Install the new blade in the reverse order of removal, with the locked end positioned toward the wiper arm. Make sure the blade is properly retained by all the hooks. Lock the blade end into place.
- 6) Reinstall wiper frame to arm, making sure that the lock lever is snapped securely into the arm.

INSPECTION AND MAINTENANCE

Windshield Washer Fluid (If equipped)



77PM07027

Visually inspect that there is washer fluid in the tank. Refill it if necessary. Use a good quality windshield washer fluid, diluted with water as necessary.

NOTICE

Avoid use of hard water to prevent building of lime scale on the vehicle.

⚠ WARNING

Do not use radiator antifreeze in the windshield washer reservoir. This can severely impair visibility when sprayed on the windshield, and can also damage your vehicle's paint.

NOTICE

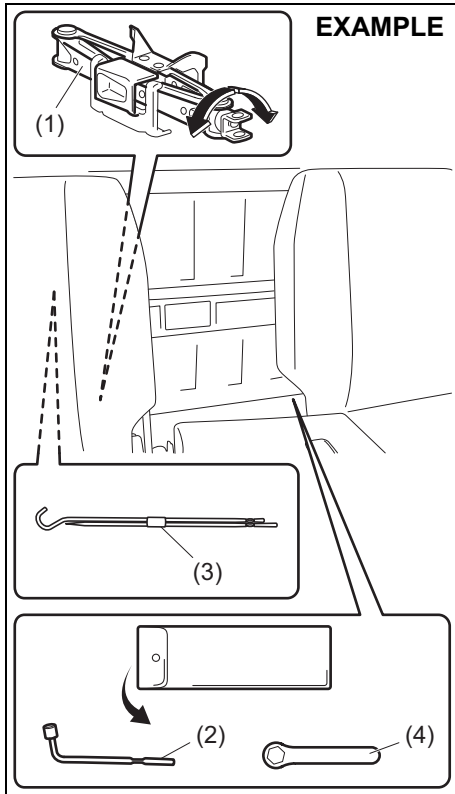
Damage may result if the washer motor is operated with no fluid in the washer tank.

EMERGENCY SERVICE

Tyre Changing Tool	8-1
Jacking Instructions	8-2
Changing Wheels	8-5
Jump Starting Instructions	8-6
Towing	8-7
If the Starter Does Not Operate	8-8
If the Engine is Flooded	8-8
If the Engine Overheats	8-8
Underbody Trouble by Hitting	8-9
Warning Triangle	8-9
Fire Extinguisher (if equipped)	8-10

EMERGENCY SERVICE

Tyre Changing Tool



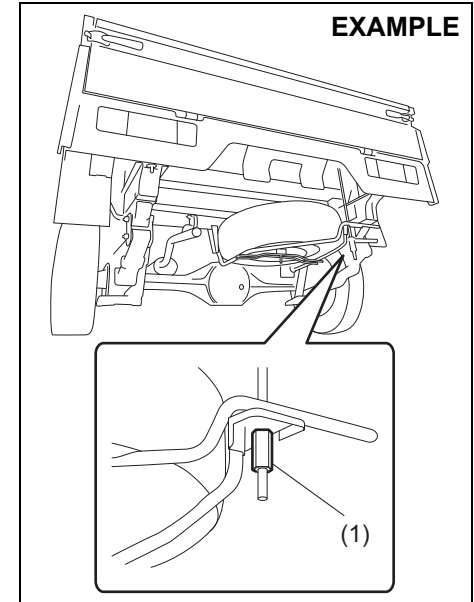
77PH202

- (1) Jack
- (2) Wheel brace
- (3) Jack handle
- (4) Spanner

The tyre changing tools are stowed behind the driver seat.

To remove the jack, turn its shaft counter-clockwise and pull the jack out of the storage bracket. To stow the jack, place it in the storage bracket and turn the shaft clockwise until the jack is securely held in place.

The spare tyre is stowed under the bed. To remove the spare tyre:



77PH099

- 1) Loosen the spare tyre holder hook nut (1).
- 2) Unhook the spare tyre holder and lower it slowly.
- 3) Remove the screw in the center of the spare tyre, and remove the tyre.

⚠ WARNING

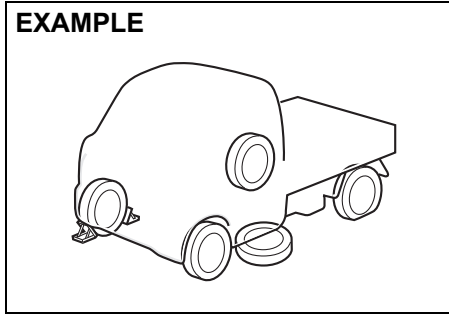
After using the tyre changing tools, be sure to stow them securely or they can cause injury if an accident occurs.

⚠ CAUTION

The jack should be used only to change wheels. It is important to read the jacking instructions in this section before attempting to use the jack.

Jacking Instructions

EXAMPLE



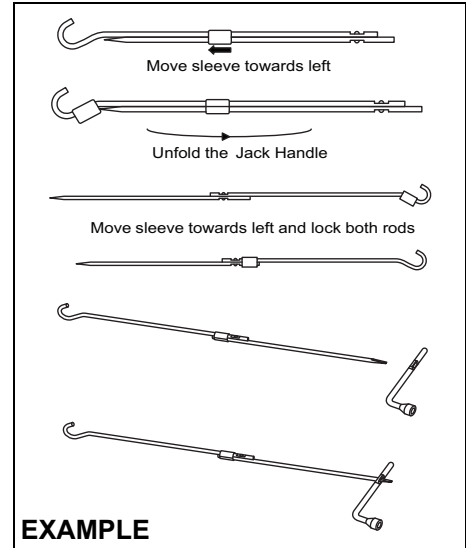
77PH054

- 1) Place the vehicle on level, hard ground.
- 2) Set the parking brake firmly and shift into "R" (Reverse).

⚠ WARNING

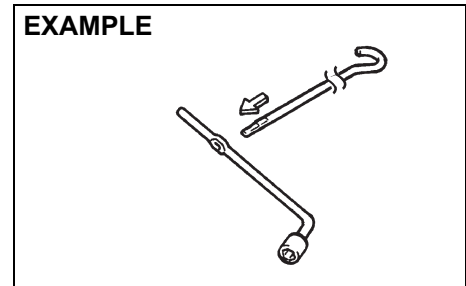
- Be sure to shift into "R" (Reverse) when you jack up the vehicle.
- Never jack up the vehicle with the transmission in "N" (Neutral). Otherwise, unstable jack may cause an accident.

- 3) Turn on the hazard warning flasher if your vehicle is near traffic.
- 4) Block the front and rear of the wheel diagonally opposite of the wheel being lifted.
- 5) Place the spare wheel near the wheel being lifted as shown in the illustration in case the jack slips.



EXAMPLE

77PH802



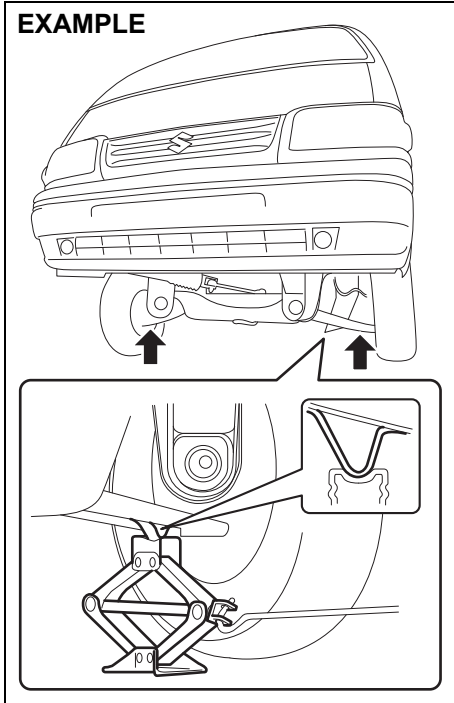
EXAMPLE

54G253

EMERGENCY SERVICE

Front jacking point

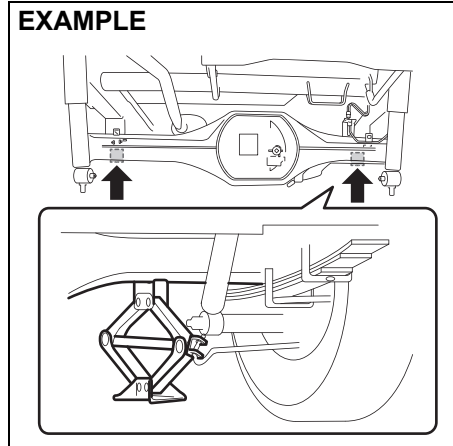
EXAMPLE



77PH084

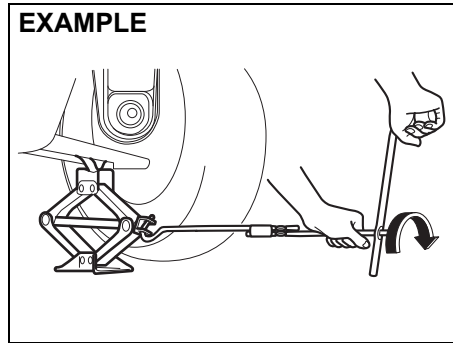
Rear jacking point

EXAMPLE



77PH106

EXAMPLE



77PS052

- 6) Position the jack vertically and raise the jack by turning the jack handle clockwise until the jack head groove fits around the jacking bar beneath the vehicle body. See illustrations.
- 7) Continue to raise the jack slowly and smoothly until the tyre clears the ground. Do not raise the vehicle more than necessary.

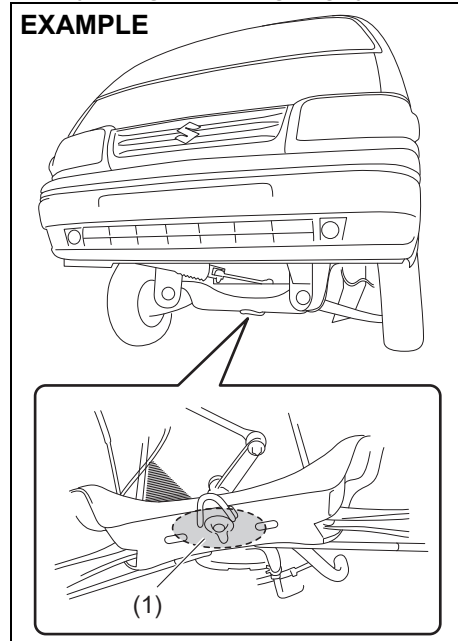
⚠ WARNING

- Use the jack only to change wheels on level, hard ground.
- Never jack up the vehicle on an inclined surface.
- Never raise the vehicle with the jack in a location other than the specified jacking point (shown in the illustration) near the wheel to be changed.
- Do not use wooden blocks or similar objects as a jack underlay.
- Never get under the vehicle when it is supported by the jack. Never place your hands and feet under the raised vehicle when it is supported by a jack.
- Never run the engine when the vehicle is supported by the jack and never allow passengers to remain in the vehicle.

To Raise the Vehicle with a Garage Jack

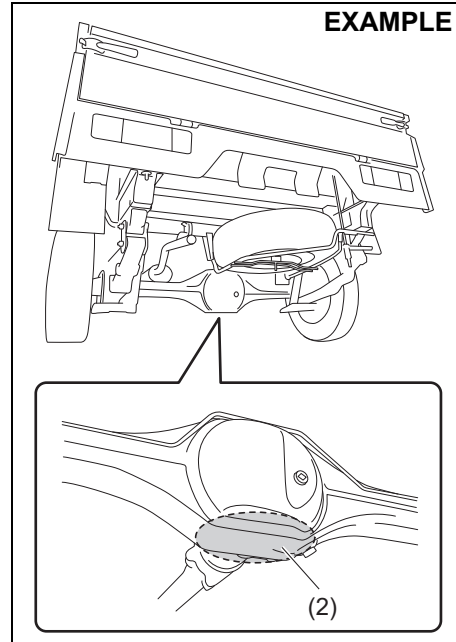
- Apply the garage jack to one of the points indicated below.
- Always support the raised vehicle with jack stands (commercially available) at the points indicated below.

Front jacking point for garage jack (1)



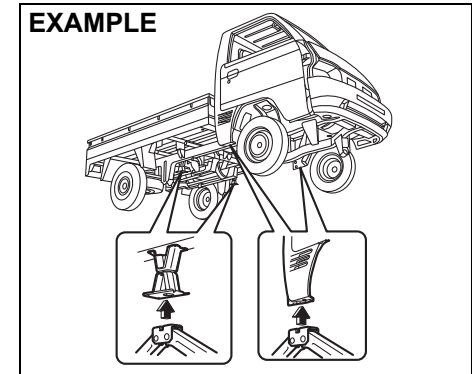
77PH060

Rear jacking point for garage jack (2)



77PH101

Application point for jack stand (3) or two-column lift



77PS055 (2)

NOTICE

- Never apply a garage jack to the exhaust pipe.
- When applying the jack stand or the two-column lift to the application point of the rear side, be careful not to interfere with the surrounding parts such as the parking cable or the flange of the fuel tank.

NOTE:

For more details, please contact an authorised MARUTI SUZUKI COMMERCIAL workshop.

EMERGENCY SERVICE

Changing Wheels

⚠ WARNING

Never change a wheel in traffic lane. Always move the vehicle off the road on level, hard ground away from traffic for changing a wheel. For any further assistance contact your nearest Maruti Suzuki authorised workshop.

To change a wheel, use the following procedure:

- 1) Clear all passengers and cargo from the vehicle.
- 2) Remove the jack, tools and spare wheel from the vehicle.
- 3) Loosen, but do not remove the wheel nuts.
- 4) Jack up the vehicle.

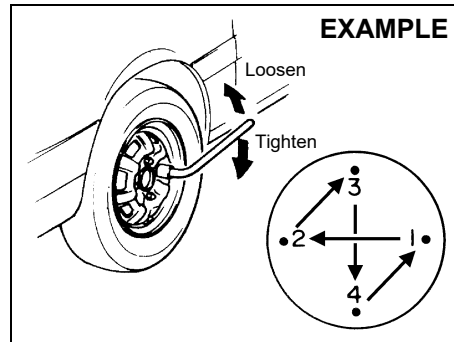
⚠ CAUTION

Immediately after the vehicle has been driven, the wheels, the wheel nuts and the area around the brakes might be extremely hot. Touching these areas may cause burn injury. Do not touch these areas immediately after the vehicle has been driven.

- 5) Remove the wheel nuts and wheel.
- 6) Before installing the new wheel, clean any mud or dirt off from the surface of

the wheel and hub with a clean cloth. Clean the hub carefully; it may be hot from driving.

- 7) Install the new wheel and replace the wheel nuts with their cone shaped end facing the wheel. Tighten each nut snugly by hand until the wheel is securely seated on the hub.



54G116

**Tightening torque for wheel nut
100 Nm (10.2 kgf-m, 73.8 lbf-ft)**

- 8) Lower the jack and fully tighten the nuts in a crisscross fashion with a wrench as shown in the illustration.

⚠ WARNING

Use genuine wheel nuts and tighten them to the specified torque as soon as possible after changing wheels. Incorrect wheel nuts or improperly tightened wheel nuts may come loose or fall off, which can result in an accident. If you do not have a torque wrench, have the wheel nut torque checked by an authorised MARUTI SUZUKI COMMERCIAL workshop.

Jump Starting Instructions

▲ WARNING

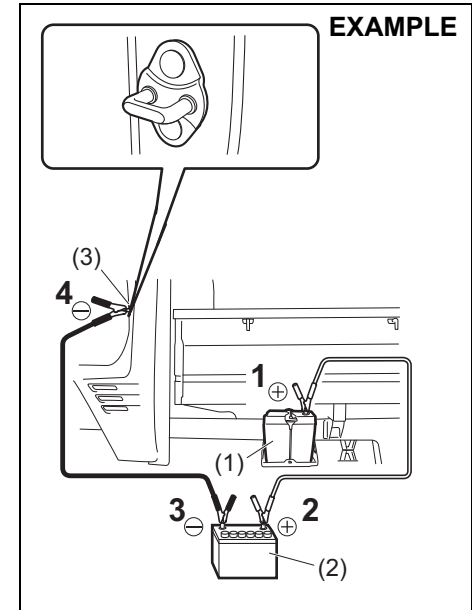
- Never attempt to jump start your vehicle if the battery appears to be frozen. Batteries in this condition may explode or rupture if jump starting is attempted.
- When making jump lead connections, be certain that your hands and the jump leads remain clear from pulleys, belts, or fans.
- Batteries produce flammable hydrogen gas. Keep flames and sparks away from the battery or an explosion may occur. Never smoke when working in the vicinity of the battery.
- If the booster battery you use for jump starting is installed in another vehicle, make sure the two vehicles are not touching each other.
- If your battery discharges repeatedly, for no apparent reason, have your vehicle inspected by an authorised MARUTI SUZUKI COMMERCIAL workshop.
- To avoid harm to yourself or damage to your vehicle or battery, follow the jump starting instructions below precisely and in order. If you are in doubt, call for qualified road service.

NOTICE

Your vehicle should not be started by pushing or towing. This starting method could result in permanent damage to the catalytic converter. Use jump leads to start a vehicle with a weak or flat battery.

When Jump Starting Your Vehicle, Use the Following Procedure:

- 1) Use only a 12-volt battery to jump start your vehicle. Position the good 12-volt battery close to your vehicle so that the jump leads will reach both batteries. When using a battery installed on another vehicle, DO NOT LET THE VEHICLES TOUCH. Set the parking brakes fully on both vehicles.
- 2) Turn off all vehicle accessories, except those necessary for safety reasons (for example, headlights or hazard lights).



77PS056

- 3) Make jump lead connections as follows:
 1. Connect one end of the first jump lead to the positive (+) terminal of the flat battery (1).
 2. Connect the other end to the positive (+) terminal of the booster battery (2).

EMERGENCY SERVICE

3. Connect one end of the second jump lead to the negative (-) terminal of the booster battery (2).
4. Make the final connection to an unpainted, heavy metal part (i.e. door latch striker (3)) of the vehicle with the flat battery (1).

WARNING

Never connect the jump lead directly to the negative (-) terminal of the discharged battery, or an explosion may occur.

- 4) If the booster battery you are using is fitted to another vehicle, start the engine of the vehicle with the booster battery. Run the engine at moderate speed.
- 5) Start the engine of the vehicle with the flat battery.
- 6) Remove the jump leads in the exact reverse order in which you connected them.

Towing

If you need to have your vehicle towed, contact a professional service. Your dealer can provide you with detailed towing instructions.

NOTICE

To help avoid damage to your vehicle during towing, proper equipment and towing procedures must be used.

2-Wheel Drive (2WD) Manual Transmission

Manual transmission vehicles may be towed using either of the following methods.

- 1) From the front, with the front wheels lifted and the rear wheels on the ground. Before towing, make sure that the transmission is in neutral and the parking brake is released.
- 2) From the rear, with the rear wheels lifted and the front wheels on the ground, provided the steering and drivetrain are in operational condition. Before towing, make sure that the steering wheel is unlocked (the ignition key should be in the "ACC" position), and the steering wheel is secured with a clamping device designed for towing service.

NOTICE

The steering column is not strong enough to withstand shocks transmitted from the front wheels during towing. Always unlock the steering wheel before towing.

If the Starter Does Not Operate

- 1) Try turning the ignition switch to the "START" position with the headlights turned on to determine the battery condition. If the headlights go excessively dim or go off, it usually means that either the battery is flat or the battery terminal contact is poor. Recharge the battery or correct battery terminal contact as necessary.
- 2) If the headlights remain bright, check the fuses. If the reason for failure of the starter is not obvious, there may be a major electrical problem. Have the vehicle inspected by your authorised MARUTI SUZUKI COMMERCIAL workshop.

If the Engine is Flooded

If the engine is flooded with fuel, it may be hard to start. If this happens, press the accelerator pedal all the way to the floor and hold it there while cranking the engine.

- Do not operate the starter motor for more than 30 seconds.

If the Engine Overheats

The engine could overheat temporarily under severe driving conditions. If the high engine coolant temperature warning light comes on during driving:

- 1) Take the vehicle to a safe place and park.
- 2) Let the engine run at the normal idle speed for a few minutes until the high engine coolant temperature warning light goes off.

▲ WARNING

If you see or hear escaping steam, stop the vehicle in a safe place and immediately turn off the engine to let it cool. Do not open the engine compartment when steam is present. When the steam can no longer be seen or heard, open the engine compartment to see if the coolant is still boiling. If it is, you must wait until it stops boiling before you proceed.

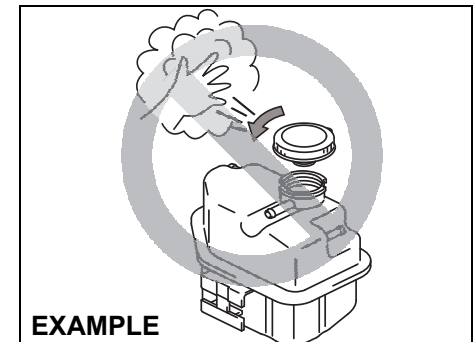
If the high engine coolant temperature warning light does not go off:

- 1) Turn off the engine and check that the water pump belt and pulleys are not damaged or slipping. If any abnormality is found, correct it.

- 2) Check the coolant level in the reservoir. If it is found to be lower than the "LOW" line, look for leaks at the radiator, water pump, and radiator and heater hoses. If you locate any leaks that may have caused the overheating, do not run the engine until these problems have been corrected.
- 3) If you do not find a leak, carefully add coolant to the reservoir and then the radiator, if necessary. (Refer to "Engine Coolant" in the "INSPECTION AND MAINTENANCE" section.)

NOTE:

If your engine overheats and you are unsure what to do, contact your authorised MARUTI SUZUKI COMMERCIAL workshop.



65D350d

WARNING

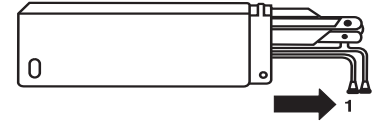
- It is hazardous to remove the radiator cap (or degassing tank cap for a diesel engine) when the water temperature is high, because scalding fluid and steam may be blown out under pressure. The cap should only be taken off when the coolant temperature has lowered.
- To help prevent personal injury, keep hands, tools and clothing away from the engine cooling fan. These electric fans can automatically turn on without warning.

Underbody Trouble by Hitting

If you hit underbody of your vehicle, ask an authorised MARUTI SUZUKI COMMERCIAL workshop for inspection. Otherwise damage to steering, Suspension, Drive-line, and Brake etc. could prevent your safe driving.

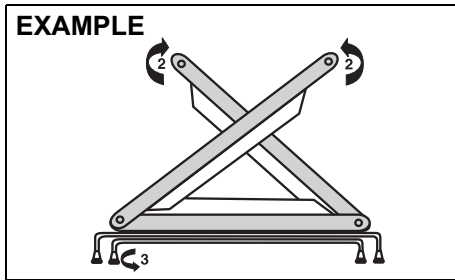
Warning Triangle

EXAMPLE



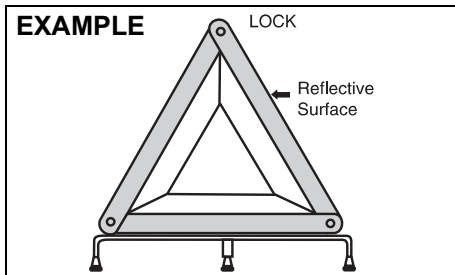
MHO-07-001

In case of vehicle break-down or during emergency stopping, where, your vehicle could become a potential traffic hazard, keep the warning triangle, provided with your vehicle, on the road free from any obstacles behind your vehicle so as to warn the approaching traffic, at an approximate distance of 50-100 m. The reflecting side of the triangle should face the on coming traffic. Please activate the hazard warning lamps before alighting the vehicle to keep the warning triangle.



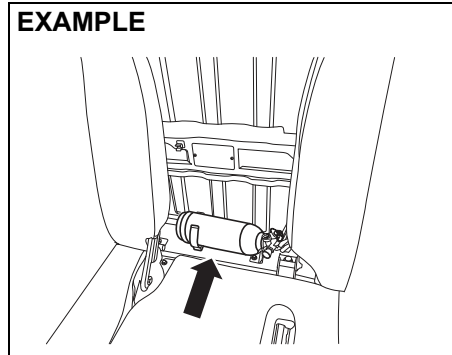
MHO-07-014-1

- Remove the warning triangle carefully from the cover as shown by arrow 1.
- Open both the reflector arms as shown by arrow 2 and lock the arms with each other with the clip provided in the right arm. Open the bottom stand in counter clock-wise direction as shown by arrow 3. Position the warning triangle behind the vehicle on a plain surface.
- Reverse the removal procedure for keeping inside the cover.



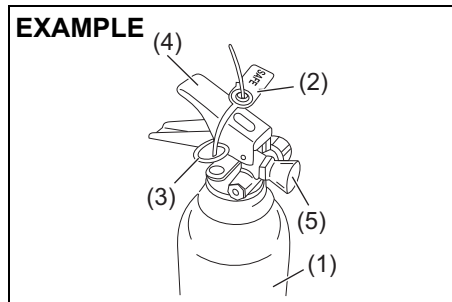
MHO-07-014

Fire Extinguisher (if equipped)



77PM08009

Fire extinguisher is stowed behind the seats (between driver seat and passenger seat).

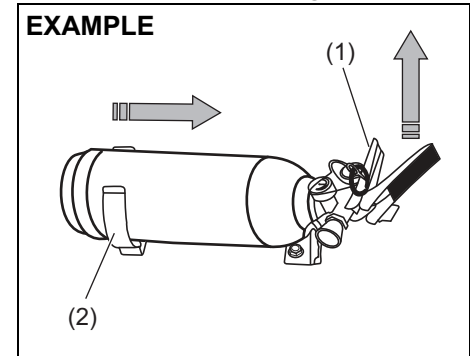


77PM08003

- (1) Fire extinguisher cylinder
- (2) Seal
- (3) Safety Pin
- (4) Lever
- (5) Nozzle

Removal and Refitment of Fire Extinguisher

For Removal of Fire Extinguisher

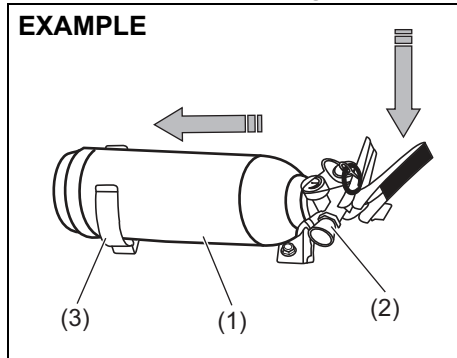


77PM08004

Lift Lever (1) of fire extinguisher slightly upwards and pull the fire extinguisher in the direction as shown in the figure, in order to disengage it from clamp (2).

EMERGENCY SERVICE

For Refitment of Fire Extinguisher

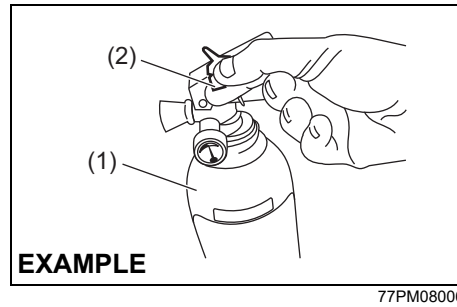


Insert the body of fire extinguisher (1) in to the clamp (3) and place the nozzle (2) carefully downwards, on the clamp.

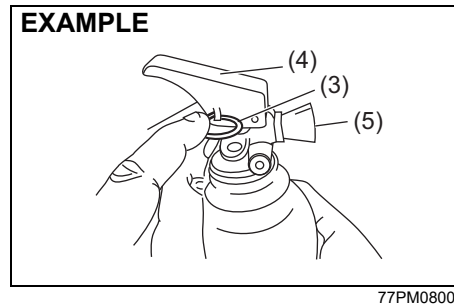
NOTE:

Ensure that the nozzle of fire extinguisher is properly seated on the clamp.

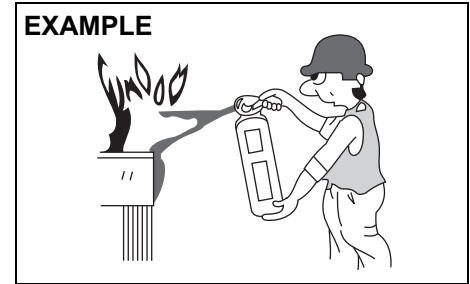
Procedure of Operation



- 1) Hold the fire extinguisher (1) upright.
- 2) Break seal (2) by rotating the safety pin(3).



- 3) Pull Safety pin (3)
- 4) Squeeze lever (4) and direct the jet from nozzle (5) towards the near edge of the fire with a rapid (fast) sweeping motion.

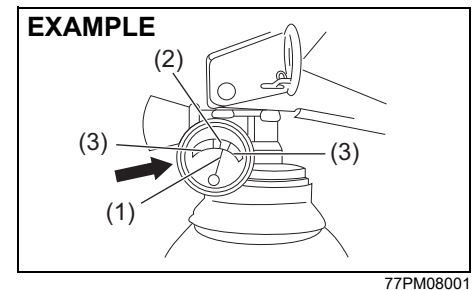


- 5) Drive the fire towards the far edge until flames are extinguished.

NOTE:

Fire extinguisher is only meant for small fire caused in vehicle by external source only.

Do's and Dont's



Do's

- 1) Check pressure gauge periodically. Max charging pressure is 15Kgf/cm² (in green zone (2)).
- 2) When pressure drops, indicator needle(1) will shift to the red zone (3).Immediately contact the fire extinguisher manufacturer as per the information provided on the fire extinguisher.
- 3) Get the fire extinguisher serviced only through the manufacturer service centre.Refer the information provided on the fire extinguisher to locate the nearest service centre.
- 4) Ensure that the Fire extinguisher is always kept at its prescribed position in the vehicle.
- 5) Refill the fire extinguisher immediately after use.

Don't

- 1) Do not use water for cleaning fire extinguisher. (Use clean cloth for removing dust)
- 2) Do not rely on used or discharged fire extinguisher.

NOTE:

- *Refilling is necessary after every use.*
- *Fire extinguisher needs refilling after every 3 years even if it is not used.*

APPEARANCE CARE

Corrosion Prevention	9-1
Vehicle Cleaning	9-2

APPEARANCE CARE

Corrosion Prevention

It is important to take good care of your vehicle to protect it from corrosion. Listed below are instructions for how to maintain your vehicle to prevent corrosion. Please read and follow these instructions carefully.

Important Information About Corrosion

Common causes of corrosion

- 1) Accumulation of road salt, dirt, moisture, or chemicals in hard-to-reach areas of the vehicle underbody or frame.
- 2) Chipping, scratches and any damage to treated or painted metal surfaces resulting from minor accidents or abrasion by stones and gravel.
- 3) Any or all of the below mentioned points:
 - Continuous exposure to sunlight
 - Hard water and sea water coming in contact with vehicle.
 - Foot rubbing (skirting).

Environmental conditions which accelerate corrosion

- 1) Road salt, dust control chemicals, sea air or industrial pollution will all accelerate the corrosion of metal.
- 2) High humidity will increase the rate of corrosion particularly when the temperature range is just above the freezing point.

- 3) Moisture in certain areas of a vehicle for an extended period of time may promote corrosion even though other body sections may be completely dry.
- 4) High temperatures will cause an accelerated rate of corrosion to parts of the vehicle which are not well ventilated to permit quick drying.

This information illustrates the necessity of keeping your vehicle (particularly the underbody) as clean and dry as possible. It is equally important to repair any damage to the paint or protective coatings as soon as possible.

How to Help Prevent Corrosion

Wash your vehicle frequently

The best way to preserve the finish on your vehicle and to help avoid corrosion is to keep it clean with frequent washing. Wash your vehicle at least once during the winter and once immediately after the winter. Keep your vehicle, particularly the underside, as clean and dry as possible. If you frequently drive on salted roads, your vehicle should be washed at least once a month during the winter. If you live near the ocean, your vehicle should be washed at least once a month throughout the year.

For washing instructions, refer to the "Vehicle Cleaning" section.

Remove foreign material deposits

Foreign material such as salts, chemicals, road oil or tar, tree sap, bird droppings and industrial fall-out may damage the finish of your vehicle if it is left on painted surfaces. Remove these types of deposits as quickly as possible. If these deposits are difficult to wash off, an additional cleaner may be required. Be sure that any cleaner you use is not harmful to painted surfaces and is specifically intended for your purposes. Follow the manufacturer's directions when using these special cleaners.

Repair finish damage

Carefully examine your vehicle for damage to the painted surfaces. If you find any chips or scratches in the paint, touch them up immediately to prevent corrosion from starting. If the chips or scratches have gone through to the bare metal, have a qualified body shop make the repair.

Keep passenger and luggage compartments clean

Moisture, dirt or mud can accumulate under the floor mats and may cause corrosion. Occasionally, check under these mats to ensure that this area is clean and dry. More frequent checks are necessary if the vehicle is used off road or in wet weather.

Certain cargos such as chemicals, fertilizers, cleaners, salts, etc. are extremely corrosive by nature. These products should be transported in sealed containers. If a spill or leak does occur, clean and dry the area immediately.

Store your vehicle in a dry, well-ventilated area

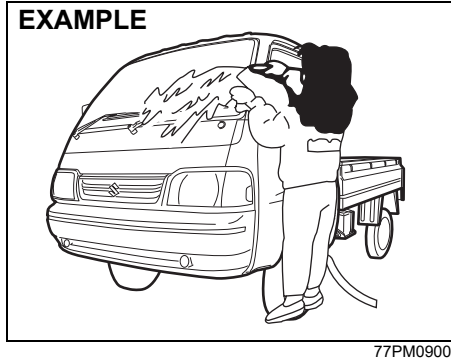
Park your vehicle to save it from continuous exposure to direct sunlight. Do not park your vehicle in a damp, poorly ventilated area. If you often wash your vehicle in the garage or if you frequently drive it in when wet, your garage may be damp. The high humidity in the garage may cause or accelerate corrosion. A wet vehicle may corrode even in a heated garage if the ventilation is poor.

⚠ WARNING

Do not apply additional undercoating or rust preventive coating on or around exhaust system components such as the catalytic converter, exhaust pipes, etc. A fire could be started if the undercoating substance becomes overheated.

Vehicle Cleaning

EXAMPLE



77PM09001

⚠ WARNING

When cleaning the interior or exterior of the vehicle, **NEVER USE** flammable solvents such as lacquer thinners, Petrol, benzene or cleaning materials such as bleaches or strong household detergents. The materials could cause personal injury or damage to the vehicle.

Cleaning the Interior

Vinyl upholstery

Prepare a solution of soap or mild detergent mixed with warm water. Apply the solution to the vinyl with a sponge or soft cloth and let it soak for a few minutes to loosen dirt. Rub the surface with a clean, damp cloth to remove dirt and the soap solution. If some dirt still remains on the surface, repeat this procedure.

Fabric upholstery (Except front passenger seat)

Remove loose dirt with a vacuum cleaner. Using a mild soap solution, rub stained areas with a clean damp cloth. To remove soap, rub the areas again with a cloth dampened with water. Repeat this until the stain is removed, or use a commercial fabric cleaner for tougher stains. If you use a fabric cleaner, carefully follow the manufacturer's instructions and precautions.

⚠ CAUTION

- Do not spill liquid or semi-solid on the front passenger's seat. If you spill it on the front passenger's seat, immediately wipe it dry with a soft cloth. Contact of liquid with sensor may impact the function of seat belt reminder sensor.
- Do not place any sharp or heavy object on passenger seat which can penetrate through seat upholstery and can cause damage to sensor.

APPEARANCE CARE

Fabric upholstery (For front passenger seat)

Do not use liquid for cleaning as it may penetrate the fabric and damage the seat sensor.

Leather upholstery

Remove loose dirt with a vacuum cleaner. Using a mild soap or saddle soap solution, wipe dirt off with a clean damp soft cloth. To remove soap, wipe the areas again with a soft cloth dampened with water. Wipe the areas dry with a soft dry cloth. Repeat this until the dirt or stain is removed, or use a commercial leather cleaner for tougher dirt or stains. If you use a leather cleaner, carefully follow the manufacturer's instructions and precautions. Do not use solvent type cleaners or abrasive cleaners.

NOTE:

- In order to keep leather upholstery looking good, it should be cleaned at least twice a year.
- If leather upholstery becomes wet, immediately wipe it dry with tissue paper or a soft cloth. Water may cause leather to harden and shrink if it is not wiped off.
- When parking on sunny days, select a shady place or use a sunshade. If leather upholstery is exposed to direct sunlight for a long time, it may discolor and shrink.
- As is common with natural materials, leather is inherently irregular in grain and cowhide has spots in its natural state. These do not affect the performance of the leather in any way.

Seat belts

Clean seat belts with a mild soap and water. Do not use bleach or dye on the belts. They may weaken the fabric in the belts.

Vinyl floor mats

Ordinary dirt can be removed from vinyl with water or mild soap. Use a brush to help loosen dirt. After the dirt is loosened, rinse the mat thoroughly with water and dry it in the shade.

Carpets

Remove dirt and soil as much as possible with a vacuum cleaner. Using a mild soap solution, rub stained areas with a clean damp cloth. To remove soap, rub the areas again with a cloth dampened with water. Repeat this until the stain is removed, or use a commercial carpet cleaner for tougher stains. If you use a carpet cleaner, carefully follow the manufacturer's instructions and precautions.

Instrument panel and console

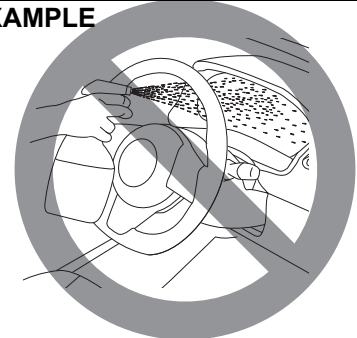
Remove loose dirt with a vacuum cleaner. Gently wipe dirt off with a tightly squeezed damp clean cloth. Repeat this until the dirt is removed.

NOTICE

Do not use chemical products that contain silicon to wipe electrical components such as the switches. These will cause damage to the components.

Do not spray water or any liquid directly on instrument cluster or any other electrical or electronic components. This may cause damage and/or lead to non-functioning of the part.

EXAMPLE



81RM08005

Cleaning the Exterior

NOTICE

It is important that your vehicle to be kept clean and free from dirt. Failure to keep your vehicle clean may result in fading of the paint or corrosion to various parts of the vehicle body.

Washing

EXAMPLE



82DY0

⚠ WARNING

- Never attempt to wash and wax your vehicle with the engine running.
- When cleaning the underside of the body and fender, where there may be sharp-edged parts, you should wear gloves and a long-sleeved shirt to protect your hands and arms from being cut.
- After washing your vehicle, carefully test the brakes before driving to make sure they have maintained their normal effectiveness.

When washing the vehicle, park it where direct sunlight does not fall on it and follow the instructions below:

- 1) Flush the underside of body and wheel housings with pressurized water to remove mud and debris. Use plenty of water.

NOTICE

When washing the vehicle:

- Avoid directing steam or hot water of more than 80°C (176°F) on plastic parts.
- To avoid damaging engine components, do not use pressurized water in the engine compartment.

- 2) Rinse the body to loosen the dirt. Remove dirt and mud from the body exterior with running water. You may use a soft sponge or brush. Do not use hard materials which can scratch the paint or plastic. Remember that the headlight covers or lenses are made of plastic in many cases.

NOTICE

To avoid damage to the paint or plastic surface, do not wipe the dirt off without ample water. Be sure to follow above procedure.

- 3) Wash the entire exterior with a mild detergent or car wash soap using a sponge or soft cloth. The sponge or cloth should be frequently soaked in the soap solution.

NOTICE

When using a commercial car wash product, observe the cautions specified by the manufacturer. Never use strong household detergents or soaps.

- 4) Once the dirt has been completely removed, rinse off the detergent with running water.
- 5) After rinsing, wipe off the vehicle body with a wet chamois or cloth and allow it to dry in the shade.

APPEARANCE CARE

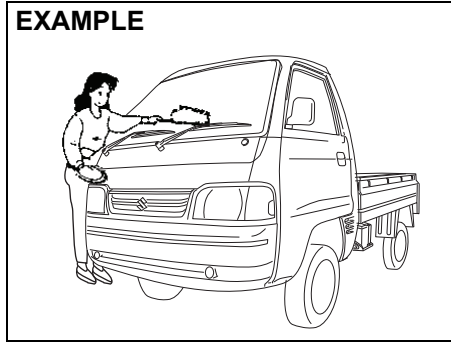
- 6) Check carefully for damage to painted surfaces. If there is any damage, touch up the damage following the procedure below:
1. Clean all damaged spots and allow them to dry.
 2. Stir the paint and touch up the damaged spots lightly using a small brush.
 3. Allow the paint to dry completely.

NOTICE

If you use an automatic car wash, make sure that your vehicle's body parts, such as spoilers, cannot be damaged. If you are in doubt, consult the car wash operator for advice.

Waxing

EXAMPLE



77PM09002

After washing the vehicle, waxing and polishing are recommended to further protect and beautify the paint.

- Only use waxes and polishes of good quality.
- When using waxes and polishes, observe the precautions specified by the manufacturers.

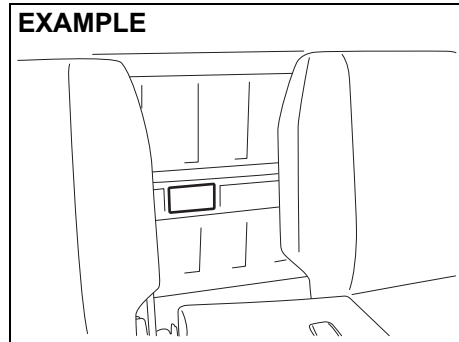
GENERAL INFORMATION

Vehicle Identification 10-1
FASTag (if equipped)..... 10-1
CNG Kit Number Identification (if equipped) 10-2
High Security Registration Plate (HSRP)
(if applicable) 10-3

GENERAL INFORMATION

Vehicle Identification

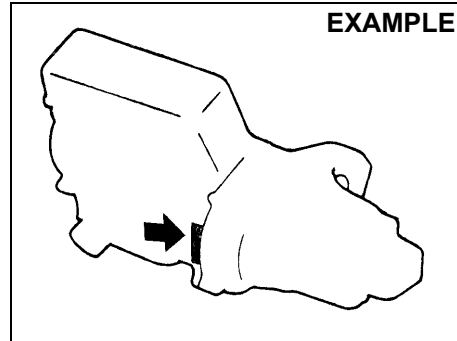
Chassis Serial Number



77PH059

The chassis and/or engine serial numbers are used to register the vehicle. They are also used to assist your dealer when ordering or referring to special service information. Whenever you have occasion to consult your authorised MARUTI SUZUKI COMMERCIAL workshop, remember to identify your vehicle with this number. If you find the number difficult to read, you can also find it on the identification plate.

Engine Serial Number



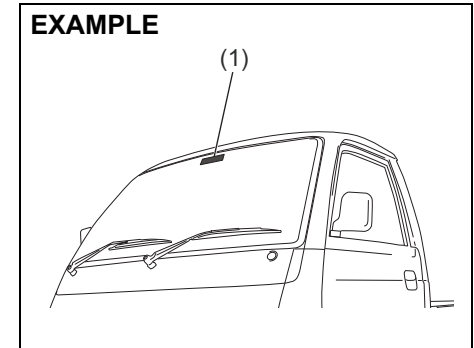
54G082

The engine serial number is stamped on the cylinder block as shown in the illustration.

FASTag (if equipped)

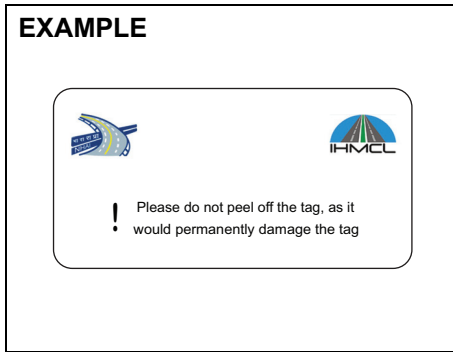
As per Ministry of Road Transport and Highways, the FASTag (1) is mandatory for each vehicle for the purpose of electronic toll collection or any other purpose as may be defined by the Government of India.

In case of any damage to FASTag or replacement of front windscreen, please contact your nearest authorised Maruti Suzuki workshop.



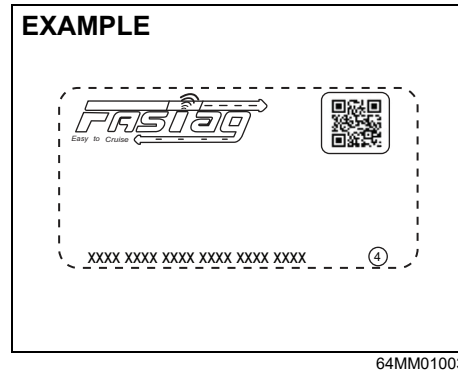
66MM01001

As seen from inside of the vehicle



NOTE:
The picture shown is for indicative purpose only. Internal structure of actual device mounted on vehicle may be different.

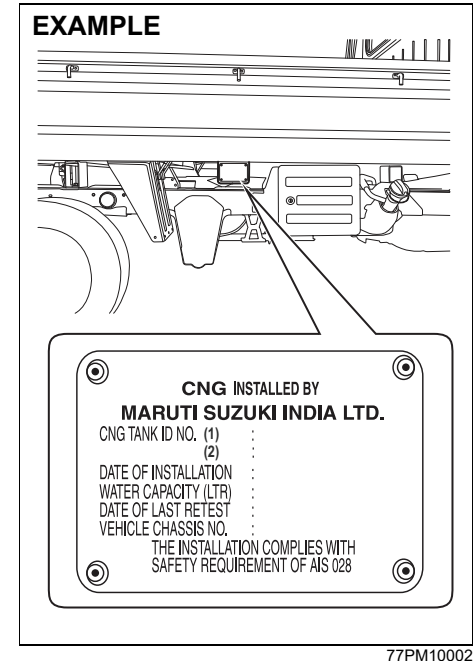
As seen from outside of the vehicle



NOTE:
The picture shown is for indicative purpose only. Internal structure of actual device mounted on vehicle may be different.

- NOTE:**
- Any attempt to remove the tag from the windscreen will result in permanent damage to the tag.
 - Use of chemical cleaners to clean the windscreen area where the tag is mounted can damage the tag.
 - Use of any sharp objects on the tag can damage the tag.

CNG Kit Number Identification (if equipped)



CNG cylinder identification number and CNG kit installation date is located on right side of cargo body as shown.

GENERAL INFORMATION

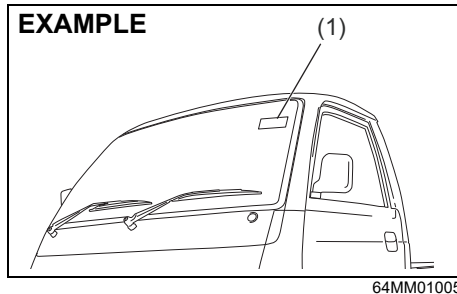
High Security Registration Plate (HSRP) (if applicable)

As per Ministry of Road Transport and Highways, every new vehicle must have HSRP.

HSRP contains;

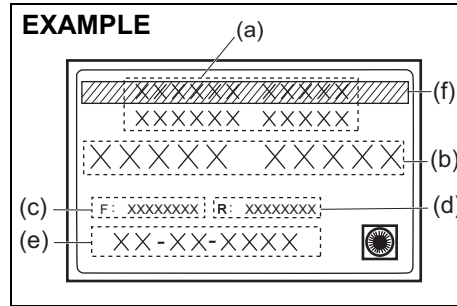
- Front and rear HSRP, which will be fitted with 2 snap-locks each on number plate area.
- Third license plate on front windshield.

Third License Plate



(1) Third license plate

Third license plate - As seen from outside of the vehicle



- (a) HSRP issuing authority name
- (b) Vehicle registration number
- (c) Unique laser number - Front plate
- (d) Unique laser number - Rear plate
- (e) Date of 1st registration
(in DD-MM-YYYY format)
- (f) Green stripes (BS6 vehicle)

NOTE:

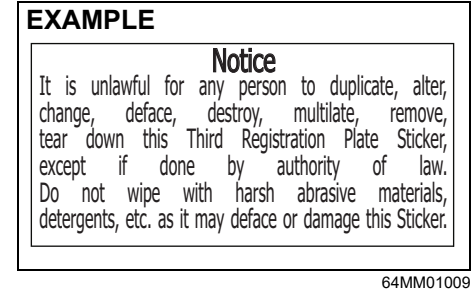
The picture shown is for indicative purpose only. Internal structure of actual label mounted on vehicle may be different.

NOTE:

- Any attempt to remove the third license plate from the windscreen will result in permanent damage to the label.
- Use of chemical cleaners to clean the windscreen area where the label is mounted can damage the same.

- Use of any sharp objects on the label can damage the label.
- In the event of any replacement of the third license plate, may please contact the approved authority.

Third license plate - As seen from inside of the vehicle



NOTE:

The picture shown is for indicative purpose only.

NOTE:

Color of third license plate (back) is as per HSRP regulation as defined by Ministry of Road Transport and highways.

SPECIFICATIONS

SPECIFICATIONS

NOTE:

Specifications are subject to change without notice.

Specification related to “chassis” variants refer “Instructions For Body Fabrication”

ITEM: Dimensions		UNIT: mm
Overall length		3800
Overall width		1562
Overall height		1883
Wheelbase		2110
Track	Front	1345
	Rear	1330

ITEM: Mass (weight)		UNIT: kg
Curb mass (weight)	Petrol	860
	CNG	975
Gross Vehicle Mass (weight) Rating		1600
Permissible maximum Axle Weight	Front	900
	Rear	1020

SPECIFICATIONS

ITEM: Engine	Petrol and CNG
Type	K12N (DOHC)
Number of cylinders	4
Bore	73.0 mm
Stroke	71.5 mm
Piston displacement	1197 cm ³ (1197 cc)
Compression ratio	12.0: 1

ITEM: Electrical	
Spark plug	NGK ILZKR6F11
Battery	12V 38B20R
Fuses	See "INSPECTION AND MAINTENANCE" section.

ITEM: Lights	WATTAGE	BULB No.
Headlight	12V 60/55W	H4
Position light	12V 5W	W5W
Turn signal light	Front	PY21W
	Rear	P21W
Brake/tail light	12V 21/5W	P21/5W
Reversing light	12V 21W	P21W
License plate light	12V 5W	W5W
Interior light	12V 5W	C5W

SPECIFICATIONS

ITEM: Wheels and Tyres	
Tyre size, front, rear and spare	155R13 LT 8PR 89/88S* / 155R13 LT 8PR 90/89Q*
Rim size	13X4J
Tyre pressures	For the specified Tyre pressure, see the Tyre Information Label located on the driver's door lock pillar.

* If you cannot prepare a tyre with the specified load index rate and speed symbol, prepare a tyre with higher load index rate and speed symbol.

ITEM: Recommended Fuel / Lubricants and Capacities (approx.)			
Fuel	Petrol		30 L [#]
	CNG	Petrol	5 L [#]
		CNG	35 L × 2 tanks [#]
Engine oil	Petrol		Classification: API SN Viscosity: SAE 0W-16 3.8 L (replacement without oil filter) 4.2 L (replacement with oil filter)
	CNG		
Engine coolant			“SUZUKI LLC: Super (Blue) Coolant” *1 “SUZUKI LLC: Standard (Yellow) Coolant” *1 3.5 L (including reservoir tank)
Manual transmission oil			MARUTI GENUINE GEAR OIL 75W 1.4 L
Rear differential oil			“TOTALFINAELF TRANSELF LL 85W-140” 1.6 L
Brake fluid			Maruti Genuine Brake Fluid (MGBF) or DOT 3 Refill to the proper oil level according to the instructions in the “INSPECTION AND MAINTENANCE” section.

*1: The recommended coolant varies depending on your vehicle. Refer to “INSPECTION AND MAINTENANCE” section.

#: The fuel tank capacity is slightly more than the recommended quantity of fuel that you can fill. The additional voluminous space is provided for safety and scientific reasons.

INSTRUCTIONS FOR BODY FABRICATION

INSTRUCTIONS FOR BODY FABRICATION (Chassis Variant)

The body fabrication on the cab-chassis vehicle shall be carried out ensuring the following instructions and boundary conditions:

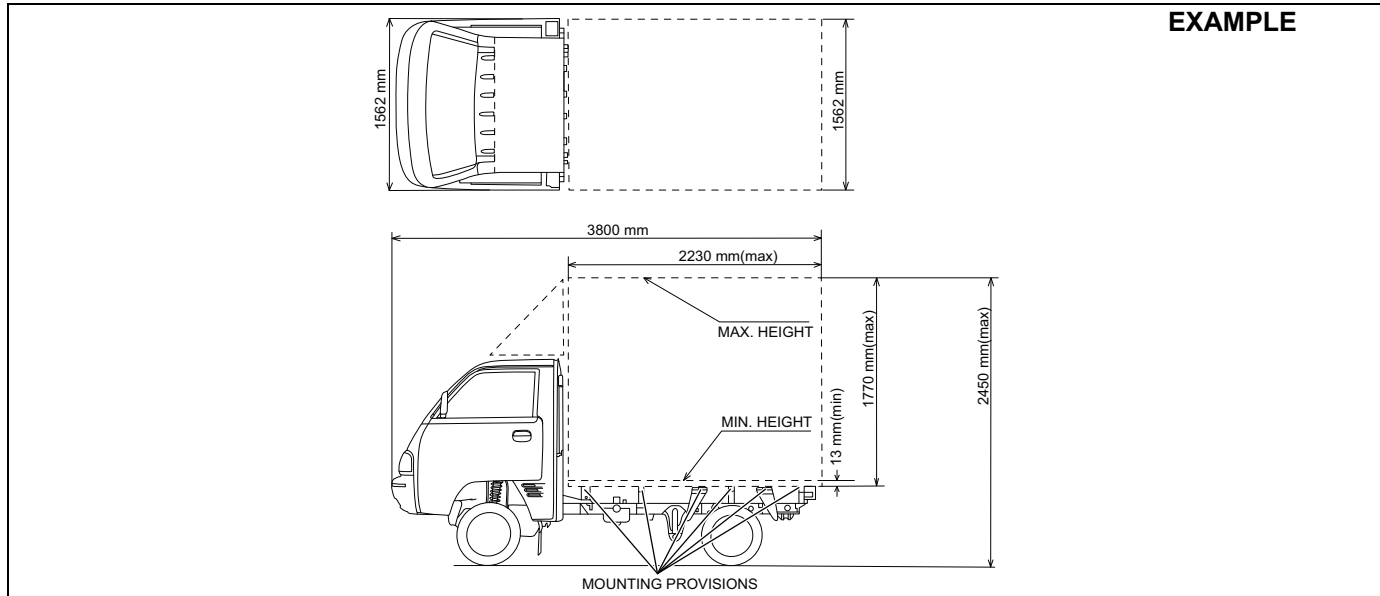
- (a) **Body exteriors:** The load body/ application shall be fabricated such that the external surface of the vehicle shall not have sharp edges or sharp projecting parts which are likely to increase the risk or seriousness of bodily injury to a person hit by the bodywork or brushing against it in the event of a collision. This is valid both when the complete vehicle is stationary and in motion. It is to be ensured a minimum 2.5mm or more radius of curvature on external edges and projecting parts. Body shall meet the stipulated requirement as defined under CMVR Rule 124(1)-11.

For body layouts (like Tipper Application), where battery mountings are exposed, a cover shall be provided in order to meet the necessary requirements of exterior projections as defined under CMVR Rule 124(1)-11.

- (b) **Reflective Tape:** The body builder shall paste a red reflective tape (of not less than 20mm width) running across the width of the body on the rear of the vehicle and shall comply with requirements under CMVR Rule No. 104.
- (c) **Head Lamp:** After the body fabrication, Initial inclination of Head lamp shall be adjusted as marked on the headlamp (as per CMVR 124 (1)-20). The head lamp leveling switch position for GVW condition shall be specified by Body Fabricator to the Customer.
- (d) **Body Builder's Plate:** The body builder shall place the body-builder's plate specifying the unladen weight, payload and other details as per requirement under CMVR Rule 122.
- (e) **Form 22A Part II:** The body builder shall provide Form 22A Part II as per requirement under CMVR Rule 47.
- (f) The body builder shall not alter with the electrical wiring, electrical equipment, brake connections, brake piping, fuel connection, exhaust system and chassis components during the body fabrication.

INSTRUCTIONS FOR BODY FABRICATION

- (g) **Dimensions:** The load body/application to be built upon the manufacturer supplied cab chassis vehicle shall be designed to fit within a minimum and maximum envelop as specified in below illustration.



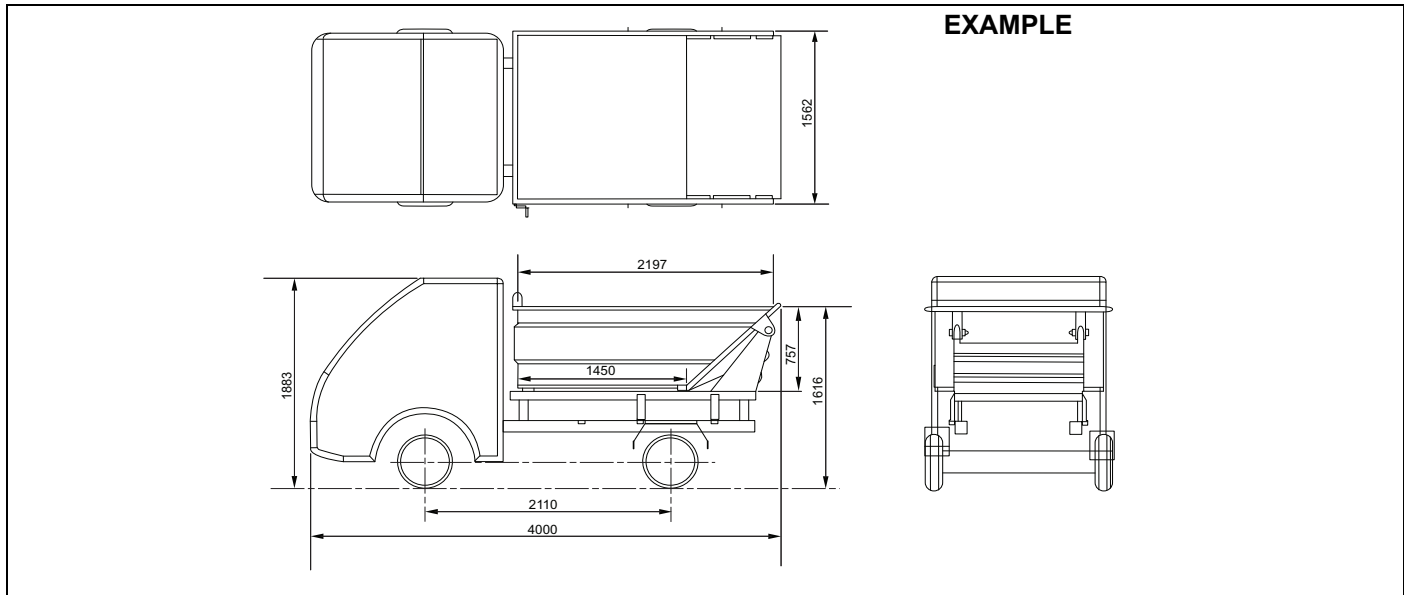
77PM12003

INSTRUCTIONS FOR BODY FABRICATION

For Petrol Model Tipper (Open Tipper & Closed Tipper)

The load body/application to be built upon the manufacturer supplied cab chassis vehicle shall be designed to fit within specified dimension as in the below illustration.

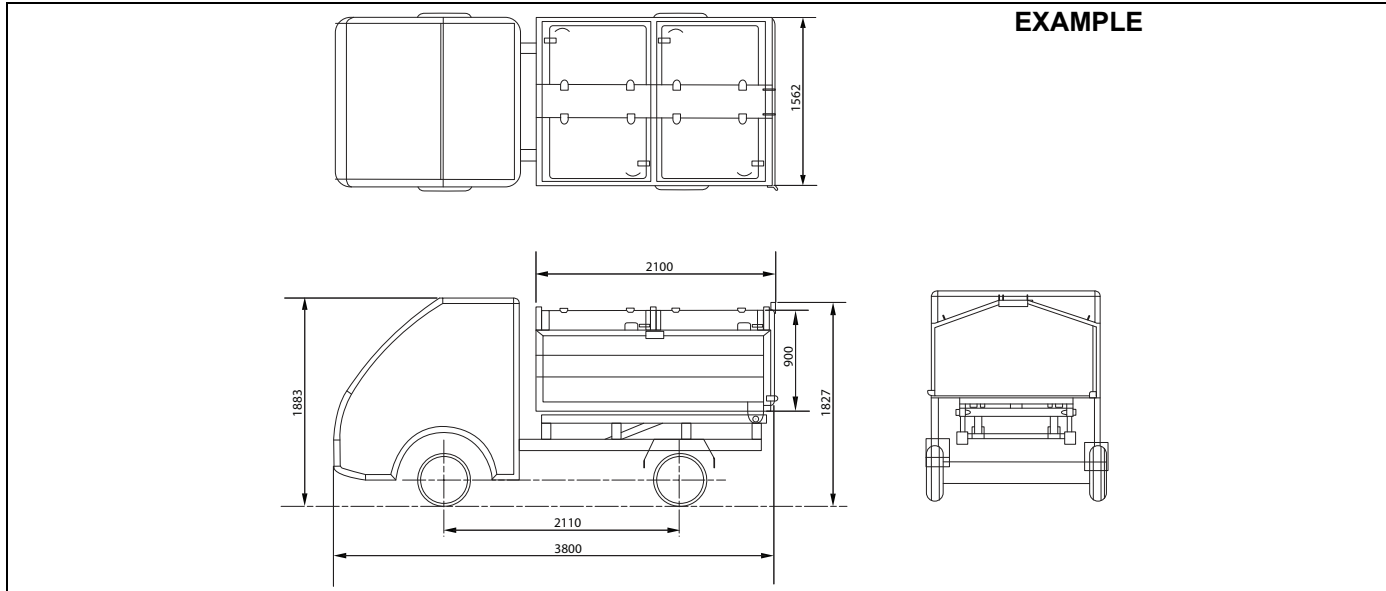
- Open Tipper:



77PM12006

INSTRUCTIONS FOR BODY FABRICATION

- Closed Tipper:



77PM12007

- (h) **Weight and its distribution:** The load body/application shall be fabricated considering the minimum kerb weight of complete vehicle as 860kg (Petrol), 975kg (CNG) and maximum kerb weight of complete vehicle as 1140kg (Petrol), 1255kg (CNG). The ratio of front axle and rear axle kerb weight shall not exceed 1.46 (Petrol), 1.24 (CNG).

For Petrol Model Tipper Application, the load body/application shall be fabricated considering the following Kerb weight.

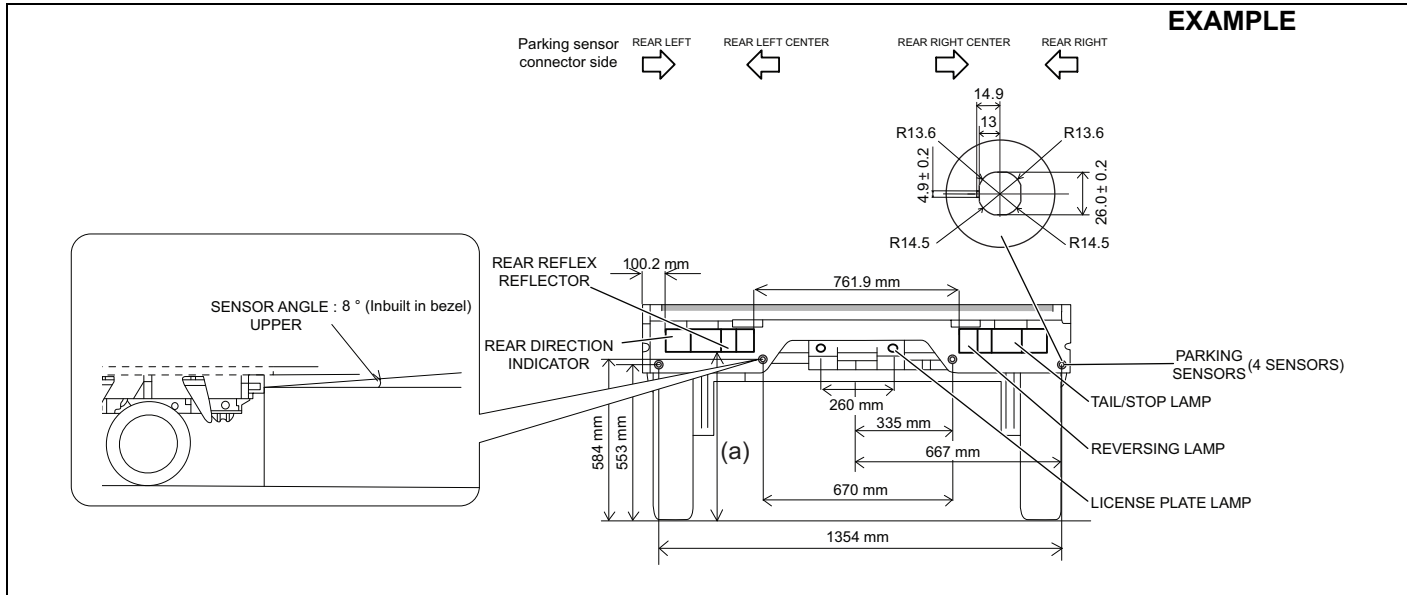
Kerb weight of open tipper: 1070kg

Kerb weight of closed tipper: 1140kg

The ratio of front axle and rear axle Kerb weight shall not exceed 1.46.

INSTRUCTIONS FOR BODY FABRICATION

- (i) **Lighting and signaling devices:** The cab chassis is being supplied with head lamp assembly inbuilt with the cab and a temporary panel with rear combination lamps and registration plate lamps. There shall not be any modifications done with the position of Head lamp assembly. The rear combination lamps, registration plate lamps and parking sensors (provided along with vehicle in glove box) shall be fitted on the load body/ application as per the specified position as in below illustration.

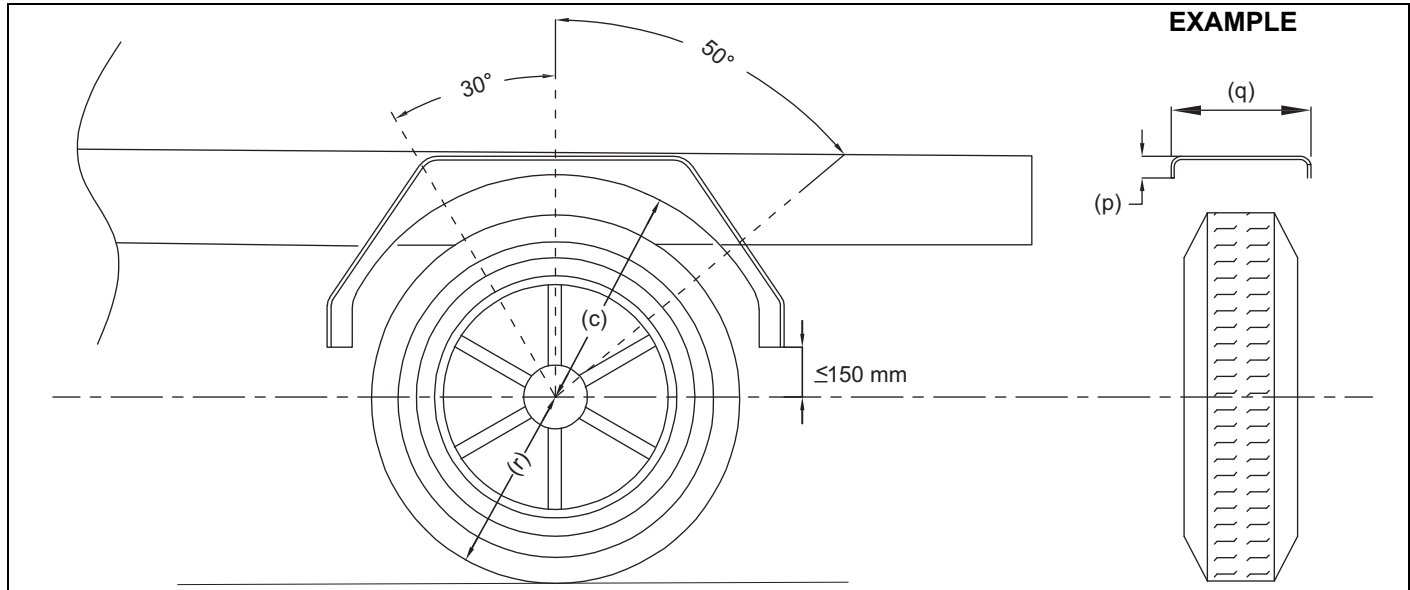


77PM12008

“a” Value	
Chassis Applications (Petrol & CNG)	612 mm
Petrol Model Open Tipper Application	620 mm
Petrol Model Closed Tipper Application	660 mm

INSTRUCTIONS FOR BODY FABRICATION

- (j) **Wheel Guard:** Wheel guards shall comply with requirements under CMVR Rule No. 124(1)-13. The wheel guard (rear) must be fabricated as per design parameters specified in below illustration.



77PM12106

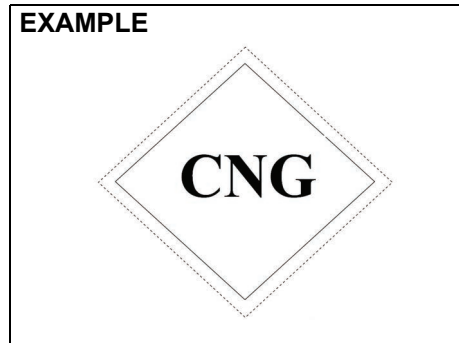
c	$\leq 2r$
p	> 30 mm
q	> Total Tyre Width
r	Tyre Static Radius

INSTRUCTIONS FOR BODY FABRICATION

(k) Application for CNG Variant :

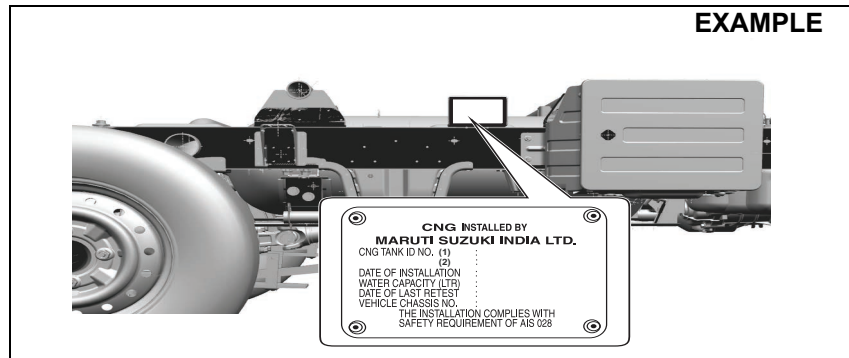
CNG Label:

The body builder shall paste “CNG Label” (provided along with vehicle Tool kit packet) on the load body on rear side as per below guidelines.



- Label shall be affixed in a vertical position (as shown above) on flat surface as close to the vehicle number plate as practical.
- Affixed label shall ensure visibility from rear sides.
- The label shall be in position at all times, shall be in good condition, and the shape, colouring and lettering shall be easily identifiable.

CNG Kit Number Identification:

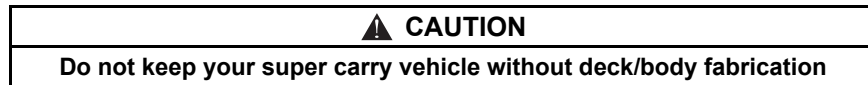


The load body/application shall be fabricated such that it does not impact the visibility of CNG compliance plate.

Disclaimer:

The owner/body-builder shall comply to applicable CMVR requirements and also State Motor vehicle Rules as applicable from time to time in respect of body fabrication of super carry chassis variant.

The vehicle manufacturer shall not be liable for any non-conformity of applicable laws arising due to fabrication of body/ application, in contradiction to manufacturer's instructions and prevailing regulations.



முன்னுரை

உங்களது வாகனத்தின் மிக முக்கிய அங்கமான இக்கையேடு நீங்கள் வாகனத்தை விற்கும்போது அல்லது வேறொருவருக்கு அல்லது வேறொரு நிறுவனத்துக்குச் சொந்தமாக்கும் வரை எப்போதும் வாகனத்திலேயே இருக்க வேண்டும். உங்களது புத்தம்புதிய 'மாருதி சுசூகி' -ஐ செலுத்த ஆரம்பிப்பதற்கு முன் இக்கையேட்டைக் கவனத்துடன் படிக்கவும்; அவ்வப்போது அதில் குறிப்பிட்டுள்ளவற்றை பரிசீலித்துக் கொள்ளவும். பாதுகாப்பு, இயக்குதல், பராமரிப்பு தொடர்பான முக்கியமான தகவல்கள் கையேட்டில் உள்ளன. கையேட்டில் குறிப்பிட்டுள்ள 'இலவச சோதனைச் சேவைகளை' முழுவுதுமாக நீங்கள் பயன்படுத்திக் கொள்ளுமாறு கேட்டுக் கொள்ளப்படுகிறது. 'இலவச சோதனைக்கான' 4 கூப்பன்கள் இக்கையேட்டுடன் இணைக்கப்பட்டுள்ளன. மாருதி சுசூகி -ஐ சர்வீஸுக்காக அல்லது வேறு காரணத்துக்காக உங்களது டீலரிடம் கொண்டு செல்லும்போது இக்கையேட்டை அவர்களிடம் கண்டிப்பாகக் காட்டவும்.

உங்களது வாகனத்தின் 'ஆயுளை' நீட்டிக்கவும் பராமரிப்புச் செலவைக் குறைக்கவும், 'கால அளவுக்குள்ளான பராமரிப்புத் திட்டத்தில்' அவ்வப்போது மேற்கொள்ளப்பட வேண்டிய பராமரிப்புப் பணிகள் பற்றி "சோதனை மற்றும் பராமரிப்பு" என்ற பிரிவில் விவரமாகத் தரப்பட்டுள்ளன. பிரச்சினை வராமலிருக்கவும், விபத்துக்களைத் தடுக்கவும் உங்களது திருப்தியையும் பாதுகாக்கவும் உறுதி செய்யவும் இது மிகவும் அவசியமானது.

வாகனத்தின் ஆயுளை நீட்டிக்கவும் பாதுகாப்பான முறையில் வாகனத்தைச் செலுத்தவும் அன்றாட பரிசோதனைக்கான சோதனைப் பட்டியலில் "சோதனை மற்றும்

வெறிகின் மற்றும் அதில் கிடைக்கும் அம்சங்கள்/துணைபாகங்கள் உரிமையாளர்/பயனரால் பொருந்தக்கூடிய சட்டத் தேவைகளுக்கு ஏற்ப பழுதுபார்க்கப்பட வேண்டும். பராமரிப்பு" என்ற பிரிவில் இக்கையேட்டில் விவரிக்கப்பட்டுள்ளவை மிக அவசியமானவை. பூவுலகின் இயற்கை வள ஆதாரங்களை சேமித்து, போற்றிப் பாதுகாக்கப்பட வேண்டும் என்று 'மாருதி சுசூகி இந்தியா லிமிடெட்' நிறுவனம் பலமாக நம்புகிறது. வாகனம் வைத்துள்ள ஒவ்வொருவரும் அதை ரீ-சைக்கிள் செய்து, முறையான விதத்தில் வேண்டாமென்று ஒதுக்கவும், பயன்படுத்தப்பட்ட என் ஜின் எண்ணெய், கூலண்ட் மற்றும் பிற திரவங்கள், பேட்டரிகள், டயர்களைச் சரியான விதத்தில் ஒதுக்கவும் வாடிக்கையாளர்களுக்கு அறிவுறுத்துகிறோம்.

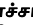
மாருதி சுசூகி இந்தியா லிமிடெட்

இக்கையேட்டை அச்சிடும் சமயம் வரை எமது தயாரிப்புக்களைப் பற்றி எமக்குக் கிடைத்துள்ள அண்மைத் தகவல்களின் அடிப்படையில்தான் இக்கையேடு தயாரிக்கப்பட்டுள்ளது. மேம்பாடு மற்றும் பிற மாற்றங்களின் காரணமாக உங்களது வாகனத்திற்கும் இங்குத் தரப்பட்டுள்ள தகவல்களுக்கும் ஆங்காங்கே சில வித்தியாசங்கள் இருக்கலாம். எவ்வித முன்னறிவிப்பின்மீது உற்பத்தியில் எப்போது வேண்டுமானாலும் மாற்றங்கள் கொண்டு வரவும் முன்னர் தயாரிக்கப்பட்ட அல்லது விற்பனை செய்யப்பட்ட வாகனத்தை ஒட்டியே மாற்றங்கள் இருக்க வேண்டுமென்ற கட்டுப்பாட்டின்மீது செயல்படவும் மாருதி சுசூகி இந்தியா லிமிடெட் நிறுவனத்துக்கு முழு உரிமை உண்டு.

பிற நாடுகளில் நிலுவையில் இருக்கும் தர நிர்ணயங்கள், நெறிமுறைகளுக்கு உகந்ததாக எமது வாகனம் இல்லாமல் போகலாம். பிற நாடுகளில் எமது வாகனத்தைப் பதிவு செய்ய முயற்சிக்கும் முன்பு, பொருத்தமான நெறிமுறைகள் அனைத்தையும் சோதித்து, தேவைப்படும் திருத்தங்களைச் செய்யவும்.

முக்கியமானவை

எச்சரிக்கை /  நிதானம் / அறிவிப்பு / குறிப்பு

இக்கையேட்டைக் கவனமாகப் படித்து அதில் உள்ள குறிப்புகளைக் கவனமாகப் பின்பற்றவும் சிறப்பான தகவல்களை வலியுறுத்தும்  பொருட்டு எச்சரிக்கை , நிதானம், அறிவிப்பு மற்றும் குறிப்பு போன்ற வார்த்தைகளும் அவற்றிற்கான குறியீட்டுக்களும் சிறப்பான அர்த்தங்களைக் கொண்டுள்ளன. பின்வரும் குறியீட்டு வார்த்தைகள் மூலம் கூறப்படும் செய்தியை கவனத்துடன் பாருங்கள்.

எச்சரிக்கை

மரணம் அல்லது மோசமான காயங்களை ஏற்படுத்தக்கூடிய தீங்கு எச்சரிக்கை ஆகும்.

நிதானம்

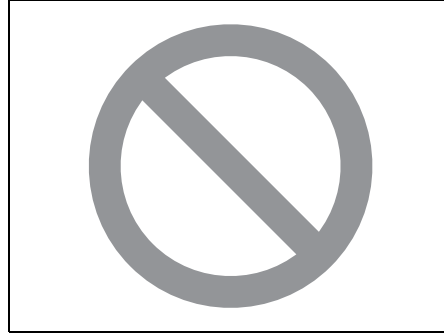
சிறிய அல்லது மிதமான காயங்களை ஏற்படுத்தக்கூடிய தீங்கு நிதானம் ஆகும்.

அறிவிப்பு

வாகனம் சேதமடையும் நிலையை ஏற்படுத்தக் கூடிய தீங்கு அறிவிப்பு ஆகும்.

அறிவிப்பு :

பரமமரிப்புப் பணியைச் சுலபமாக்க அல்லது குறிப்புகளைத் தெளிவாக்கத் தரப்படும் சிறப்பு விவரங்களைக் குறிக்கிறது



75F135

இக்கையேட்டில் வட்டத்தின் குறுக்கே கோடுள்ள குறியீடு 'இதைச் செய்யாதீர்கள்' அல்லது 'இது நிகழாதவாறு பார்த்துக் கொள்ளுங்கள்' என்பதை உணர்த்துகிறது.

குறிப்பு:

- இந்த கையேட்டில் கார், மாடல்/மாறுபாடு போன்ற சொற்கள் "வெறிகிள்" என்பதைக் குறிக்க மாறாமல் பயன்படுத்தப்படுகின்றன.
- இந்த கையேட்டில் பயன்படுத்தப்படும் சித்திர பிரதிநிதித்துவங்கள் குறிப்பு நோக்கங்களுக்காக மட்டுமே.

திருத்தம் தொடர்பான எச்சரிக்கை

எச்சரிக்கை

உங்கள் வெறிகிள் மாற்றியமைக்க வேண்டாம். மாற்றியமைத்தல் பாதுகாப்பு, கையாளுதல், செயல்திறன் அல்லது நீடித்து நிலைக்கும் தன்மை ஆகியவற்றை மோசமாக பாதிக்கும் மற்றும் அரசாங்க ஒழுங்குமுறைகளை மீறக்கூடும். கூடுதலாக, மாற்றியமைத்தலின் விளைவாக ஏற்படும் சேதம் அல்லது செயல்திறன் பிரச்சனைகள், உத்தரவாதத்தின் கீழ் இருக்காது.

அறிவிப்பு

செல்போன் அல்லது சிபி (சிட்டிசன் பேன்ட்) ரேடியோ உள்ளிட்ட மொபைல் தொலைதொடர்புக் கருவிகளைச் சரிவரப் பொருத்தாவிடில் வாகனத்தின் இக்னிஷன் சிஸ்டத்தின் மின்னணைப்புகளில் பிரச்சினை ஏற்பட்டு, வாகனச் செயல்திறன் பிரச்சினைகள் உருவாகக் காரணமாகலாம். அதிகாரபூர்வ மாருதி சூகூகி கமர்சியல் டீலருடன் அடிக்கடி தொடர்பு கொண்டு இத்தகைய மொபைல் தொலைதொடர்புக் கருவிகளைப் பொருத்துவது குறித்த அறிவுரைகளைக் கேட்டுப் பெறவும்.

அறிவிப்பு

மாருதி சூகூகி நிறுவனம் பரிந்துரைக்காத மோசமான, தரமற்ற எரிபொருள் அல்லது லூபரிகேண்டுகளைப் பயன்படுத்தினால் வாகனங்கள் தீவிரப்பாதிப்புக்கு உள்ளாகலாம்.

வாரண்ட்டி பாலிசி

மாருதி சுசுகி இந்தியா லிமிடட், (இனி மாருதி சுசுகி என்று குறிப்பிடப்படும்), இந்தியாவில் விநியோகிக்கப்பட்டு அதிகாரபூர்வ மாருதி சுசுகி டீலர்களால் விநியோகம் செய்யப்படும் ஒவ்வொரு புதிய மாருதி சுசுகி வாகனங்களுக்கும் சாதாரண பயன்பாடு மற்றும் சேவைகளின் கீழ் உற்பத்தியின்போது பொருள்கள் மற்றும் தொழினுட்பத்தில் எந்த வகையான பாதிப்பு இருந்தாலும் பின்வரும் விதிமுறைகள் மற்றும் நிபந்தனைகளின்படி இலவசமாக வழங்கப்படும்:

(1) தகுதி:

இந்த வாரண்ட்டிக்கு தகுதி பெற: இந்த உத்தரவாதத்திற்குத் தகுதி பெற வாகனமானது மாருதி சுசுகி யின் அதிகாரபூர்வ டீலர் மற்றும் அமைப்பால் டெலிவரி செய்யப்பட்டு, மாருதி சுசுகி யின் அதிகாரபூர்வ ஒர்க் ஷாப் மூலம் சர்வீஸ் செய்யப்பட்டிருக்க வேண்டும்.

(2) காலஅளவு:

முதல் உரிமையாளருக்கு வாகனம் டெலிவரி செய்யப்பட்டது முதல் முப்பத்து ஆறு (36) மாதங்கள் அல்லது 1,00,000 கிலோ மீட்டர் (எது முதலில் வருகிறதோ) வாரண்ட்டியின் காலஅளவு அமையும்.

(3) மாருதி சுசுகி வாரண்ட்டி கடமை:

மேற்குறிப்பிட்ட காலஅளவிற்குள் மாருதி சுசுகி வாகனத்தில் ஏதாவது பழுது காணப்பட்டால், அந்தப் பழுது அல்லது குறைபாடு உற்பத்தியின்போது அல்லது தொழினுட்பத்தில் ஏதாவது குறைபாடு என்று தெரிந்தால், மாருதி சுசுகி உணர்ந்தால், மாருதி சுசுகி யின் தன் சொந்த விருப்பப்படி அதை பழுது பார்த்தல் அல்லது பழுதடைந்த உதிரிப் பாகத்திற்கு பதிலாக அதே போன்ற புதிய பாகத்தை உரிமையாளரிடம் அதற்கான பணத்தையோ அல்லது அதை மாற்று வதற்கான கூலியோ கேட்காமல் மாற்றும் பொறுப்பில் உள்ளது. மாற்றப்பட்ட அத்தகைய குறைபாடுள்ள பாகங்கள், மாருதி சுசுகி யின் சொத்துகளாக மாறும். இந்த வாரண்ட்டி நிபந்தனைக்குள் வராத வேறு எந்த பழுதுகள் அல்லது உதிரிப்பாக மாற்றங்களுக்கு வாகனத்தின் உரிமையாளர்தான் பொறுப்பு. மாருதி சுசுகி நிறுவனத்தின் முடிவே இறுதியானது.

(4) வரையறைகள்:

இந்த வாரண்ட்டி பின்வருவனவற்றுக்குப் பொருந்தாது:

- 1) நான்கு இலவச சேவைகள் தவிர சாதாரணமாகத் தேவைப்படும், எண்ணெய், திரவ மாற்றங்கள், நுகர்பொருள்கள், ஹெட்லைட் எய்மிங், ஃபாஸ்ட்னர்கள், ஈ டைட்னிங், சக்கர பாலன்ஸ், சக்கர சீரமைப்பு, டயர் சுழற்சி, இன்ஜெக்டர்களை சுத்தம் செய்தல், கார்ப்ரெட்டர் சரிசெய்தல், இக்ஸ்ஷன் டைமிங், கிளட்ச் மற்றும் வால்வ் கிளியரன்ஸ் உட்பட்ட ஆனால் வரையறையில்லாத பராமரிப்பு சேவைகள்.
- 2) சாதாரணமாக தேய்மானம் ஏற்படும் பாகங்களான பல்புகள், டயர்கள், ட்யூப்கள், ஸ்பார்க் பிளக்குகள், பெல்ட்டுகள், ஹோஸ்கள், ஃபில்டர்கள், வைப்பர் பிளேடுகள், பிரஷ்கள், காண்டாக்ட் பாயிண்டுகள், ஃப்யூஸ்கள், கிளெட்ஜ் டிஸ்க், பிரேக் ஷூக்கள், பிரேக் பேடுகள், கேபிள் மற்ற அனைத்து ரப்பர் பாகங்களை (ஆயில் சீல் மற்றும் கிளாஸ் ரன் தவிர) வரையறையில்லாத, மாற்றுதல்.
- 3) போட்டிகள், பேரணிகள் அல்லது ரேஸ்களுக்குப் பயன்படுத்தப்பட்ட எந்த வாகனமும்.
- 4) விபத்துகள் அல்லது மோதலின் விளைவால் ஏற்பட்ட எந்த பழுதுகள் அல்லது உதிரிப் பாக மாற்றங்கள்.
- 5) தவறான உபயோகம், அலட்சியம், அசாதாரண உபயோகம், போதிய கவனமின்மை, விபத்து, திருட்டு, கலவரம், தீ, வெள்ளம் ஆகியவற்றால் ஏற்படுகின்ற எந்தவொரு குறைபாடு/சேதம் - அது மட்டுமில்லாமல் பாகங்களின் உள்ளே தண்ணீர் புகுவதால் ஏற்படும் என்ஜின் சீல் ஆகுதல், ஹைட்ரோஸ்டேடிக் லாக் போன்றவை அல்லது பாடி/பாகங்களுக்கு வெளிப்புறத்தில் ஏற்படும் சேதங்கள்.
- 6) கலப்படம் செய்யப்பட்ட எரிபொருள்/ லூபரிகண்டுகள்/ ஆயில்/ கூலன்ட்/ திரவங்கள்/ பாலிஷ் பொருட்கள் மற்றும் உரிமையாளர் கையேட்டில் குறிப்பிடப்படாத எரிபொருள் / லூபரிகண்டுகள் / ஆயில் / கூலன்ட்/ திரவங்கள் ஆகியவற்றைப் பயன்படுத்துவதால் ஏற்படும் எந்த சேதமும்.
- 7) வரம்பில்லாமல் மேம்பட்ட செயல்பாட்டுக்காக துணை பாகங்கள் பொருத்துதல், விளக்குகளைப் பெரிதாக்குதல், பிற மாற்றங்கள் மற்றும் வெளிப்புற/ அதனால் ஏற்படுகிற காரணங்கள் உட்பட எந்த வாகனமும் திருத்தப்பட்டால் அல்லது மாற்றப்பட்டால்.
- 8) மாருதி சுசுகி யால் (எம் எஸ் ஜி ஏ அல்லாத, எம் எஸ் ஜி பி அல்லாத) ஒப்புதல் அளிக்கப்படாத எந்த ஒரு பாகம் அல்லது சாதனங்களைப் பயன்படுத்திய எந்த ஒரு வாகனமும்.

- 9) மாருதி சுசூகி யின் உரிமையாளர் கையேடு மற்றும் சர்வீஸ் புத்தகத்தில் குறிப்பிட்டுள்ளபடி உள்ள வாகன ஓட்டுநலுக்கான குறிப்புகளின்படி செயல்படாத எந்த ஒரு வாகனமும்.
- 10) மாருதி சுசூகி யின் உரிமையாளர் கையேடு மற்றும் சர்வீஸ் புத்தகத்தில் குறிப்பிட்டுள்ளபடி சர்வீஸ் ஆய்வுகளைப் பெறாத எந்த ஒரு வாகனமும்.
- 11) மாருதி சுசூகி யின் அங்கீகரிக்கப்பட்ட ஓர்க் ஷாப்தவிர வேறு எங்காவது பொருத்துதல், பிரித்தல், பழுது பார்த்தல் மேற்கொள்ளப்பட்ட எந்த வாகனமும்.
- 12) எந்த நோக்கத்திற்காக வடிவமைக்கப்பட்டதோ அதைத் தவிர வேறு நோக்கங்களுக்குப் பயன்படுத்தப்பட்ட எந்த வாகனமும்.
- 13) காற்றில் பரவும் கழிவு, தொழிற்சாலை கழிவு, அமில மழை, ஆலங்கட்டி மழை அல்லது ஆலங்கட்டி புயல், புயல் காற்று, மின்னல், பறவை எச்சம், எலி போன்ற கொறிப்பு விலங்குகள் கடித்தது மற்றும் வாகனத்திற்கு சேதத்தை விளைவிக்கும் மற்றவை என இவற்றால் ஏற்படும் எந்தவொரு சேதம் அல்லது அழிவு.
- 14) வாகனத்தின் செயல்பாட்டை பாதிக்காத முக்கியத்துவம் இல்லாத ஒலி, அதிர்வு, திரவ ஒழுக்க குறைபாடுகள்/சத்தம்ள் உட்பட்ட ஆனால் வரையறையில்லாத
- 15) வரம்பில்லாமல் பழையதாகுல், கிழிதல் அல்லது நிறமாற்றம், மங்குதல், உருமாறுதல் மற்றும் துணி சாயம்போதல் போன்ற தரம் கெடுதல் உட்பட இயற்கையான கிழிந்து போதல் எதுவும்.
- 16) வீட்டு உபயோக எல்.பி.ஜி எரிவாயு/எல்.பி.ஜி. சிலிண்டர் பொருத்துதல் மற்றும் பயன்படுத்துதல்.
- 17) வி-பெல்ட்டுகள், ஹோஸ்கள் மற்றும் வாயு கசிவு.
- 18) எல்.பி.ஜி./சி.என்.ஜி. கிட்டிகள் சேர்க்கப்பட்ட எந்த வாகனமும்.
- 19) ஓட்டு வேலை, பாடி வேலைப்பாடு மற்றும் மோட்டிங் மற்றும் இன்டீரியர் ட்ரிம் செய்தல் உட்பட மீண்டும் பெயின்ட் செய்தல்.
- 20) அரித்தல், பாடி பாகங்களில் துருப்பிடித்தல்.
- 21) அங்கீகாரமில்லாமல் மாற்றப்பட்ட ஓடோமீட்டர் அல்லது மாற்றப்பட்ட/ அழிக்கப்பட்ட ஓடோமீட்டர் அளவீடுகளை கொண்ட அல்லது சர்வீஸ் பதிவேடுகள் பொருந்தாத எந்தவொரு வாகனமும்.
- 22) ஏற்கனவே குறைபாடு இருந்து, வாகனத்தின் உரிமையாளர்/ பயனரின் கவனக்குறைவால் ஏற்படும் சேதங்கள்.

- 23) வெறுமனே வாகனத்தை நீண்ட காலமாக அப்படியே நிறுத்திவைப்பதால் பேட்டரி/ டயர் போன்றவற்றில் ஏற்படும் எந்தவொரு சேதங்களும்.
- 24) இந்திய ஆட்டோமோட்டிவ் ஸ்டாண்டர்ட்ஸ் உட்பட ஆனால் அவை மட்டுமேயல்லாத சம்பந்தப்பட்ட அதிகாரத்தால் நிர்ணயிக்கப்பட்ட தரநிலைகளின்படி, ரெட்ரோ-பொருத்தம் அங்கீகரிக்கப்படாத மற்றும்/அல்லது வகை அங்கீகரிக்கப்பட்ட எந்தவொரு வெஹிகிளும்.
- 25) நேரடியாகவோ அல்லது மறைமுகமாகவோ வெஹிகிள்-க்கு எதெனும் சேதத்தை ஏற்படுத்தும் அல்லது வெஹிகிள் செயல்பாடுகளை எந்த வகையிலும் பாதிக்கும் ரெட்ரோ-பொருத்தம் இருக்கும் எந்தவொரு வெஹிகிளும்.

(5) வாரண்ட்டியை விரிவுபடுத்துதல்:

இந்த உத்தரவாதம் மாருதி சுசூகி வாகனங்களுக்காக மாருதி சுசூகி யால் முழுமையாக எழுதி வழங்குவது ஆகும். எந்தவொரு டீலரும் அல்லது இதன் எஜன்ட்டும் அல்லது ஊழியரும் இதை நீட்டிப்பதற்கோ அல்லது விரிவாக்கம் செய்வதற்கோ அதிகாரம் கொண்டிருக்கவில்லை. மேலும் எந்தவொரு டீலர் அல்லது இதன் எஜன்ட் அல்லது ஊழியர் மாருதி சுசூகி யின் சார்பாக எந்த வகையான வாங்குபதற்கோ உத்தரவாதம் அல்லது பிரதிநிதித்துவம் அல்லது உறுதி அளிப்பதற்கும் அதிகாரம் இல்லை. எந்த மாடலிலும், எந்த நேரத்திலும் ஒரு மேம்பாடுகள் அல்லது மாற்றங்கள் செய்யும் உரிமையை மாருதி சுசூகி பெற்றுள்ளது. அதே மாற்றங்களை ஏற்கெனவே விற்ற வாகனங்களிலும் செய்ய வேண்டும் என்ற எந்த கட்டாயமும் கிடையாது .

(6) வாரண்ட்டி சேவை:

உத்தரவாத சர்வீஸ் பெறுவதற்கு, உரிமையாளரின் செலவில் எந்த ஒரு அதிகாரபூர்வ மாருதி சுசூகி யின் அங்கீகரிக்கப்பட்ட ஓர்க் ஷாப்பில் முழு வாகனத்தையும் கொண்டு வரவேண்டும். சர்வீஸ்ஸிக்காக வாகனத்தைக் கொடுக்கும்போது வாகனத்திலுள்ள அவரது உடமைகள் அல்லது பொருத்தப்பட்டிருக்கும் பாகங்களுக்கு வாடிக்கையாளரே பொறுப்பாவார், எந்தவொரு சூழ்நிலையிலும் எந்தவொரு கோரிக்கையும் எந்த விதத்திலும் ஊக்குவிக்கப்படாது.

(7) உரிமையாளரின் வாரண்ட்டி கடமை பொறுப்புகள்:

அறிவிப்பு

உரிமையாளர் சேதமடைந்த நிலையில் வெவ்விதிகள் -ஐ பயன்படுத்தக்கூடாது, அதை உடனடியாக அருகிலுள்ள மாருதி சுசூகி அங்கீகரிக்கப்பட்ட வொர்சுஷாப்பிற்கு கொண்டு செல்ல வேண்டும். இது வெவ்விதிகள் -இன் ஆரம்ப நிலை ஆய்வு மற்றும் பழுதுபார்ப்புக்கு வழிவகுக்கும் மற்றும் நபருக்கு ஏதேனும் தீங்கு அல்லது வெவ்விதிகள் -க்கு சேதம் ஏற்படுவதைத் தடுக்கலாம்.

ஒவ்வொரு உரிமையாளரின் பொறுப்புகள் பின்வருமாறு:

- மாருதி சுசூகி யின் அதிகாரபூர்வ ஒர்க் ஷாப்பில் மாருதி சுசூகி யின் உரிமையாளரின் கையேடு மற்றும் சர்வீஸ் கையேட்டில் குறிப்பிட்டுள்ள அனைத்து சோதனைகளும் மேற்கொள்ளப்பட்டு விட்டதா என்பதையும் இப்படிப்பட்ட சர்வீஸ் சோதனைகள் மேற்கொள்ளப்பட்டன என்பதற்கான போதுமான நிரூபணங்களையும் வைத்திருக்க வேண்டும்.
- மாருதி சுசூகி அங்கீகரிக்கப்பட்ட ஒர்க் ஷாப்பில் வாகனத்தின் மீது சர்வீஸ் ஆய்வு அல்லது உத்தரவாத சர்வீஸ் மேற்கொள்ளப்படும் போதெல்லாம் "உரிமையாளரின் கையேடு மற்றும் சர்வீஸ் கையேட்டில்" 'வாடிக்கையாளர் சர்வீஸ் பராமரிப்பு பதிவேடுகள்' என்பதைப் புதுப்பித்து பராமரிக்கவும்.
- சர்வீஸ் சோதனைகள் அல்லது உத்தரவாத சேவைகளுக்காக வரும்போது, மாருதி சுசூகி யின் 'உரிமையாளர் கையேடு மற்றும் சர்வீஸ் குறிப்பேட்டை' 'மாருதி சுசூகி யின் அதிகாரபூர்வ ஒர்க் ஷாப்பில் காட்ட வேண்டும்.

உரிமையாளர் கையேடு மற்றும் சர்வீஸ் குறிப்பேடு தொலைந்து போனாலோ அல்லது சேதமடைந்தாலோ அந்த உரிமையாளர், அந்த வாகனத்தை தான் வாங்கிய மாருதி சுசூகி அங்கீகரிக்கப்பட்ட டீலரிடம் மாற்று 'உரிமையாளர் கையேடு மற்றும் சர்வீஸ் குறிப்பேடுகளைப்' பெறுவதற்கான ஆலோசனை பெற வேண்டும்.

(8) பின்வரும் விளைவுகளால் ஏற்படும் பாதிப்புகளுக்குப் பொறுப்பாகாமை:

வாகனம் தொலைந்து போதல், நேரம் வீணாதல், அசவுகரியம் அல்லது வேறு விதமான மறைமுக தற்செயல் நிகழ்வுகள் அல்லது வாரண்ட்டி சேவைக்கு உட்பட்ட ஏதாவது குறைபாடால், வாகனத்தை அந்த உரிமையாளர் பயன்படுத்த முடியாமல் போனதால் ஏற்படும் பாதிப்பு ஆகியவற்றுக்கு மாருதி சுசூகி எந்தப் பொறுப்பும் ஏற்காது.

(9) உரிமையாளர் மாற்றம்:

வாகனத்தில் உரிமையாளர் மாறினாலும்கூட, புதிய உரிமையாளருக்கும் மீதமிருக்கும் வாரண்ட்டி கால அளவு பொருந்தும்.

இந்த உத்தரவாதம் இந்தியாவில் மட்டுமே பொருந்தும் மற்றும் வேறு எந்த நாட்டிற்கும் மாற்றப்பட முடியாது .

புகை வெளியேற்ற வாரண்ட்டி பாலிசி

அனைத்து மாருதி சுசூகி வாகனங்களுக்கும் (வழக்கமான வாரண்ட்டி தவிர, இதுவும் ரெகுலர் பிராடக்ட் வாரண்ட்டி போன்றதுதான்) மாருதி சுசூகி புகைவெளியேற்ற வாரண்ட்டி நான்கு மாநாங்களில் மட்டும் (தில்லி, கொல்கத்தா, மும்பை மற்றும் சென்னை) வழங்கப்படும். இது 2001, ஜூலை 1-ம் தேதியிலிருந்து அமலுக்கு வந்தது.

விதிமுறைகள்:

முதல் உரிமையாளரிடம் டெலிவரி செய்யப்பட்ட நாளிலிருந்து 80,000 கி.மீ. அல்லது 3 வருடங்கள் (எது முதலில் வருகிறதோ) புகைவெளியேற்ற வாரண்ட்டி செல்லுபடியாகும். வாகன உரிமையில் ஏதாவது மாற்றம் இருந்தாலும் முறையான ஆவணங்கள் சமர்ப்பிக்கப்படும் பட்சத்தில் மீதமிருக்கும் வாரண்ட்டி காலம் இவருக்கும் பொருந்தும்.

நிபந்தனைகள்:

- 1989-ம் ஆண்டில் மத்திய மோட்டார் வாகன சட்ட விதிமுறைகளின் (சிஎம்விஆர்) விதி எண் 115-ன் துணை விதி (2) யின்படி வாகனம் புகைவெளியேற்ற தர நிர்ணயப்படி இல்லாவிட்டால், புகைவெளியேற்ற வாரண்ட்டியின் கீழ், முதல் கட்ட பரிசோதனையின் அடிப்படையில் தான் வாரண்ட்டி ஏற்றுக் கொள்ளப்படும்.
- மாருதி சுசூகி அல்லது அதன் டீலரால் நடத்தப்படும் பரிசோதனைக்குப் பிறகே பின்வரும் நிலைகளில் வாரண்ட்டி கோரல் ஏற்றுக்கொள்ளப்படும்.
(அ) அசல் பாகங்கள் எந்த விதத்திலும் பழுதடையவில்லை.
(ஆ) குறிப்பிட்ட பகுதி (இணைப்பு -(ஏ)யில் உள்ளபடி) உற்பத்தி குறைபாடு ஏதுமில்லை.
(இ) உரிமையாளர் கையேட்டிலும், சர்வீஸ் குறிப்பேட்டிலும் கூறப்பட்டுள்ளபடி வாகனத்தை முறையாகப் பராமரித்தும் எரிபொருள் மற்றும் ஆயிலை (என்ஜின் ஆயில், டிரான்ஸ்மிஷன் ஆயில், பிரேக் ஆயில் முதலானவை) பயன்படுத்தியும் புகைவெளியேற்றத் தர நிர்ணயத்தை (1-ல் குறிப்பிட்டுள்ளபடி.) வாகனம் பூர்த்தி செய்யவில்லை.

- உதிரிப் பாகங்களின் வாரண்ட்டியைத் தீர்மானிப்பதற்கான பரிசோதனை முறையை முடிவுசெய்வது மாருதி சுசூகி மற்றும் அதன் விற்பனையாளர் மட்டுமே. இந்தப் பரிசோதனையின் முடிவுகள் இறுதியானவை, கட்டுப்படுத்தப்படவை. இந்தப் பரிசோதனைக்குப் பிறகு வாரண்ட்டி பெறுவது உறுதிபடுத்தப்படாவிட்டால், இந்தப் பரிசோதனைக்கான ஒட்டுமொத்த செலவையோ அல்லது ஒரு பகுதி செலவையோ வசூலிக்கும் உரிமை மாருதி சுசூகி க்கும் அதன் விற்பனையாளருக்கும் உண்டு.
- புகை வெளியேறும் வாரண்ட்டி விதியின் கீழ் உதிரிப் பாகங்கள் (இணைப்பு -(ஏ) பட்டியலில் குறிப்பிட்டுள்ளபடி) கட்டணமில்லாமல் மாற்றிக் கொடுக்கப்படும். ஆனால் நுகர்வூப் பரிசோதனைக்கான கட்டணம் அசல் விலைப்படி வசூலிக்கப்படும்.
- புகை வெளியேற்ற வாரண்ட்டிக்கு உட்பட்ட ஒரு குறிப்பிட்ட பாகத்தையோ அல்லது அதனுடன் இணைக்கப்பட்டுள்ள பாகங்களையோ, இவை ஒரு முழுமையான அசெம்பிளியில் இணைக்கப்பட்டுள்ளவையாக இருக்கும்பட்சத்தில் தனித்தனியாக மாற்ற முடியாவிட்டால், ஒட்டுமொத்த அசெம்பிளியை மாற்றிக் கொடுப்பதா அல்லது அந்த அமைப்பின் சில பாகங்களைப் பயன்படுத்தி, உரிய முறையில் பழுது நீக்குவது அல்லது மாற்றிக்கொடுப்பதா என்பதை மாருதி சுசூகி அல்லது அதன் விற்பனையாளர்தான் தீர்மானிப்பார்கள.
- புகை வெளியேற்ற வாரண்ட்டி தரத்தைத் தக்கவைப்பதற்காக பின்னர் பழுதுபார்க்க நேர்ந்தாலோ அல்லது சில பாகங்களை மாற்ற வேண்டிய வந்தாலோ, பொருள் வாரண்ட்டிக்கு உட்படாத நிலையில், அவற்றுக்கு வாரண்ட்டி பொருந்தாது. இப்படிப்பட்ட பழுதுகள் அல்லது மாற்றப்படும் பாகங்களுக்கு நுகர்பொருளுக்கான அசல் கட்டணம் வசூலிக்கப்படும்.
- அருகாமையில் உள்ள மாருதி சுசூகி விற்பனையாளரின் பட்டறைக்கு வாகனத்தை கொண்டு செல்வதற்கான செலவுக்கோ அல்லது வாரண்ட்டி கோரலை சமர்ப்பிப்பது, பரிசோதனை செய்வது மாருதி சுசூகி டீலர் பழுது நீக்குவது ஆகிய சந்தர்ப்பங்களில் வாகனத்தைப் பயன்படுத்த முடியாததால் ஏற்படும் இழப்புக்கோ மாருதி சுசூகி பொறுப்பேற்காது.
- புகை வெளியேற்ற தர நிர்ணயத்தை பின்பற்றாததால் சட்டப்படியான அமைப்புகள் விதிக்கும் எந்தவிதமான அபராதத் தொகைக்கும் மாருதி சுசூகி பொறுப்பேற்காது.

9. அனைத்து உரிய ஆவணங்களும் இருக்கும்பட்சத்தில் வாகன உரிமையாளர் மாறினாலும் புகை வெளியேற்ற வாரண்ட்டி செல்லுபடியாகும்.
10. புகைவெளியேற்ற வாரண்ட்டிக்கான அனைத்துப் பராமரிப்பு நடவடிக்கைகளும் (உரிமையாளர் கையேடு மற்றும் சர்வீஸ் குறிப்பேட்டில் இடம்பெற்றுள்ளபடி) பின்பற்றப்பட வேண்டும், கையேட்டில் பதிவு செய்யப்பட வேண்டும்.
11. மாசுபடுதல் தர அளவு மீறப்பட்டது கண்டுபிடிக்கப்பட்ட சோதனைக்கு முந்தைய காலம் வரை செல்லுபடியாகும் பி.யு.சி. (பொல்லுஷன் அண்டர் கண்ட்ரோல்) வாடிக்கையாளர் சமர்ப்பிக்க வேண்டும். ரசீதுகளும் (வாகனத்தை வாங்கிய தேதியிலிருந்து உரிமையாளர் கையேடு மற்றும் சர்வீஸ் குறிப்பேட்டில் இடம் பெற்றுள்ளபடி வாகன பராமரிப்பு செலவுக்கான) தேவைப்படும்.

இந்த சூழ்நிலைகளின் கீழ் மாசு வெளியிடல் உத்தரவாதம் பொருந்தாது

1. செல்லுபடியாகும் பி யு சி சான்றிதழ் இல்லாத சமயம்.
2. ஓனர்'ஸ் மாநுவலில் குறிப்பிடப்பட்டுள்ள அட்டவணைப்படி மாருதி சுசூகியின் அங்கீகரிக்கப்பட்ட பணிமனையில் வெஹிகிள் சரிசெய்யப்படவில்லை.
3. வெஹிகிள் இயல்பற்ற பயன்பாட்டிற்கு உட்பட்டுள்ளது (விபத்து, மோட்டர் பந்தயம், பேரணிகள் அல்லது பதிவுகளை நிறுவுவதற்கான நோக்கத்திற்காக).
4. எம் எஸ் ஜி பி அல்லாத பயன்பாடு (மாருதி சுசூகி உண்மையான பாகம்).
5. சிதைந்துள்ள வெஹிகிள்.
6. ஓடோமீட்டரை சிதைப்பதன் மூலம் உண்மையான கிலோமீட்டர் பதிவை தீர்மானிக்க முடியாது.
7. கலப்படம் செய்யப்பட்ட ப்யூயல் மற்றும்/அல்லது குறிப்பிடப்படாத ஆயில்கள் (என்ஜின் ஆயில் , ட்ரான்ஸ்மிஷன் ஆயில் மற்றும் ப்ரேக் ஆயில் முதலியவை).

இணைப்பு – (ஏ)

மாசு வெளியிடல் உத்தரவாதத்தின் கீழ் அடங்கும் பாகங்களின் (பொருந்தினால்) பட்டியல்

1. ப்யூயல் இன்ஜெக்ஷன் அஸெம்பிளி, பிரஷர் ரெகுலேட்டர், த்ராட்டில் பாடி அஸெம்பிளி.
2. ஈ சி எம் (எலக்ட்ரானிக் கண்ட்ரோல் மாட்யூல்.)
3. இன்டேக் மேனிஃபோல்ட்.
4. ஈ ஜி ஆர் வால்வ்
5. இக்னிஷன் காயில்.
6. கேனிஸ்டர் அஸெம்பிளி.
7. நீராவி திரவ பிரிப்பான்.
8. ப்யூயல் டேங்க் மற்றும்பில்லர் கேப் .
9. பி சி வி (நேர்மறையான க்ராங்கேஸ் காற்றோட்டம்) வால்வ்.
10. ஆயில் பில்லர் கேப்.
11. கேட்டலிடிக் கன்வெர்ட்டர்.
12. எக்ஸாஸ்ட் மேனிஃபோல்ட்.
13. அனைத்து ப்யூயல் இன்ஜெக்ஷன் சிஸ்டம் சம்மந்தப்பட்ட சென்சார்களும்.
14. ஹை பிரஷர் ப்யூயல் பம்ப்.
15. க்ளோ ப்ளக்.
16. க்ளோ ப்ளக் கண்ட்ரோலர்.

பொருளடக்கம்

எரிபொருள் தொடர்பான பரிந்துரை	1
வாகனம் ஓட்டுவதற்கு முன்பு	2
உங்களது வாகனத்தை இயக்குதல்	3
ஓட்டுவதற்கான குறிப்புக்கள்	4
பிற கண்ட்ரோல்கள் மற்றும் உபகரணங்கள்	5
வாகனத்தில் லோடிங் மற்றும் டோயிங்	6
பரிசோதனை மற்றும் பராமரிப்பு	7
எமர்ஜென்சி சர்வீஸ்	8
வெளிப்புறம் குறித்த பராமரிப்பு	9
பொதுவான தகவல்கள்	10
குறிப்புகள்	11
பாடி :பேப்ரிகேசனுக்கான குறிப்புகள் (சேஸிஸ் வேறுபாடுக்காக)	12

எரிபொருள் தொடர்பான பரிந்துரை

1

எரிபொருள் தொடர்பான பரிந்துரை 1-1

எரிபொருள் (ஃப்யூயல்) தொடர்பான பரிந்துரை

(பெட்ரோல் மற்றும் சி.என்.ஜி.
என்ஜின் மாடலுக்காக)

பெட்ரோல் என்ஜின்
மாடலுக்காக

கேட்டலிடிக் கன்வெர்ட்டர்
சேதமடைவதைத் தவிர்க்க, ஆக்டேன்
எண் (RON) 91 அல்லது அதைவிட
அதிக எண்ணுள்ள அன்லீட்டட்
பெட்ரோலை நீங்கள் பயன்படுத்த
வேண்டும்.

கேசோலின் (Gasoline) / எத்தனால்
(Ethanol) கலந்த எரிபொருள்
கேசோஹால் (பெட்ரோல்) என்றும்
அழைக்கப்படும் அன்லெட்டட்
கேசோலின் (unleaded gasoline)
மற்றும் எத்தனால் கலந்த எரிபொருள்
இப்போது நாட்டில் பல இடங்களில்
வர்த்தகரீதியாகக் கிடைக்கின்றன,
மேலும் அவை இருப்பிடத்திற்கு ஏற்ப
வேறுபடலாம். இந்த வாகனத்திற்கு
எரிபொருளாக E20 அளவுக்கு
கேசோலின் எத்தனால் கலந்த
எரிபொருளைப் பயன்படுத்தலாம்.

MTBE அடங்கியுள்ள கேசோலைன்
வாகனத்தில் MTBE உட்பொருள் 15%ஐ
விட அதிகமாக இல்லாவிட்டால்,
MTBE (மெத்தில் மூன்றாம் நிலை
பியூட்டில் எதர்) அடங்கிய அன்லீட்டட்
பெட்ரோலை உங்கள் வாகனத்தில்
பயன்படுத்தப்படலாம். இந்த
ஆக்ஸிஜனேற்ற ஃப்யூயல் ஆல்கஹால்
இல்லை.

▲ கவனம்

போலியான, தரம் குறைந்த,
கலப்பட எரிபொருளின் பயன்பாடு
என்ஜின் மற்றும் என்ஜின் துணைப்
பொருட்களுக்கு சேதம்
விளைவிக்கும், அது என்ஜினின்
செயல்பாட்டை பாதிக்கலாம்
மற்றும் என்ஜின் பிடிப்பு உட்பட
பல பாதிப்புகள் ஏற்படலாம்.

அறிவிப்பு

- வெட்பமான சூழலில் எரிபொருள்
விரிவதற்கு ஏதுவாக ஃப்யூயல்
டேங்கில் ஒரு ஏர் ஸ்பேஸ்
தரப்பட்டுள்ளது. ஃபில்லரின்
நாசில் (filler nozzle) தானாவே
முடிக்கொண்டபின் (அ)
எரிபொருள் (ஃப்யூயல்) சரியாக
நிரம்பாதபோது எரிபொருளை
நிரப்பினால், ஏர் ஸ்பேஸ்
முழுக்க நிரம்பிவிடும். இவ்வாறு
எரிபொருள் நிரம்பிய நிலையில்
இருக்கும்போது வெப்பத்திற்கு
வெளிப்படுத்துவது எரிபொருள்
விரிவாக்கம் காரணமாக கசிவை
ஏற்படுத்தும். இவ்வாறான
கசிவைத் தடுக்க ஃபில்லர் நாசில்
(filler nozzle) தானாக
முடிக்கொண்ட பின் நிரப்புவதை
விட்டுவிடவும் (அ) மாற்று
தானியங்கியற்ற அமைப்பை
பயன்படுத்துகையில், ஆரம்ப
வென்ட் ப்ளோபேக் ஏற்படுகிறது.
(தொடர்ச்சி)

அறிவிப்பு	
(தொடர்ச்சி)	
• எரிபொருள்	(ஃப்யூயல்)
நிரப்புகையில்	ஆல்கஹால்
உள்ள	எரிபொருள் கீழே
சிந்திவிடாமல்	பத்திரமாகப்
பார்த்து	கொள்ளவும்.
வாகனத்தின் மீது	எரிபொருள்
கொட்டப்பட்டால்,	உடனடியாக
அதை துடைக்கவும்.	ஆல்கஹால்
கொண்ட	எரிபொருள்கள்
பெயிண்ட்டை	பாதிக்கும், இது
புதிய வாகன வரையறுக்கப்பட்ட	
உத்தரவாதத்தின்	கீழ்
அடங்குவது	கிடையாது.

சி.என்.ஜி. என்ஜின் மாடலுக்காக
சி.என்.ஜி. (CNG)

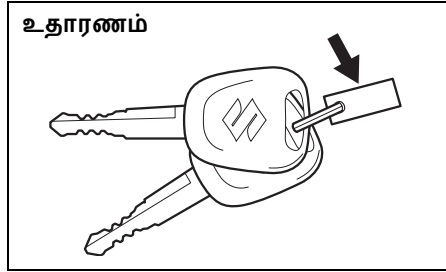
சி.என்.ஜி. (கம்ப்ரெஸ்ட் நேச்சுரல் கேஸ்) என்பது பிரதானமாக மீத்தேனைக் கொண்டது. சி.என்.ஜி. சுத்தமான எரிபொருளாகக் கருதப்படுகிறது. இதன் குறைவான அடர்த்தியின் காரணமாக, இது 200 பார்கள் வரை அழுத்தப்படுவதால் வண்டியின் ஆன் போர்டு ஸ்டோரேஜ் திறனைக் கூட்டுகிறது

▲ கவனம்
சி.என்.ஜி. கசிவது அல்லது சத்தம் வெளியேறுதல் அல்லது சி.என்.ஜி. குழாய் வெளிப்புறம் சேதாரம் ஆகிய அறிகுறி தெரிந்தால் அல்லது விபத்து நடந்தால் பயந்துவிடாதீர்கள்.
• வாகனத்தை நிறுத்தி என்ஜினை ஆஃப் செய்து, விண்டோக்களைத் (ஜன்னல்) திறந்து எல்லாக் கதவுகளையும் திறந்து வைக்கவும்.
• மாணுவல் ஷட் ஆஃப் வால்வ் மூடியிருப்பதை உறுதிப்படுத்தவும்.
• மேலும் உதவி தேவையெனில் அங்கீகரிக்கப்பட்ட மாருதி சுகுகி கமர்ஷியல் ஒர்க்ஷாப்புடன் உடனடியாகத் தொடர்பு கொள்ளவும்.

ஓட்டுவதற்கு முன்பு

சாவிகள்	2-1
டோர் லாக்ஸ்.....	2-2
டெயில்கேட்.....	2-3
விண்டோகள் (ஜன்னல்கள்).....	2-4
கண்ணாடிகள்.....	2-5
இருக்கைகள் (சீட்டுகள்).....	2-6
சீட் பெல்ட்டுகள்	2-7
இன்ஸ்ட்ருமண்ட்	
கிளஸ்டர்.....	2-15
ஸ்பீடோமீட்டர்	2-16
ஃப்ரூயல் கேஜ்	2-16
தகவல் திரை	
(இன்ஃபர்மேஷன் டிஸ்பிளே).....	2-17
வார்னிங் மற்றும்	
இண்டிகேட்டர் லைட்கள்.....	2-21
லைட்டிங் கண்ட்ரோல் லீவர்.....	2-26
ஹெட்லைட் லெவலிங் சுவிட்ச்.....	2-27
டர்ன் சிக்னல் கண்ட்ரோல் லீவர்.....	2-27
ஹஸார்ட் வார்னிங் சுவிட்ச்	2-28
விண்ட்ஷீல்டு வைப்பர் மற்றும்	
வாஷர் லிவர்	2-28
ஹாரன்	2-30
சி.என்.ஜி. சிலிண்டர் வார்னிங் லேபிள்	
(கருவி பொருத்தப்பட்டிருந்தால்).....	2-30
சி.என்.ஜி. வார்னிங் லேபிள்	
(கருவி பொருத்தப்பட்டிருந்தால்).....	2-30
சி.என்.ஜி. மானுவல் ஓட-ஆஃப் வால்வ்	
(கருவி பொருத்தப்பட்டிருந்தால்).....	2-31

சாவிகள்



51KM024

உங்கள் வாகனம் ஒரு ஜோடி சாவியுடன் வருகிறது. கார் வகைகளைப் பொறுத்து சாவிகள்(கள்) டிரான்ஸ்மிட்டருடன் பொருத்தப்பட்டிருக்கலாம் அல்லது பொருத்தப்படாமல் இருக்கலாம். உபரி சாவியை பாதுகாப்பான இடத்தில் வைக்கவும். ஒரு சாவியால் வாகனத்தின் பூட்டுகள் அனைத்தையும் திறக்க முடியும்.

சாவியின் அடையாள எண்ணானது அத்துடன் தரப்பட்டுள்ள மெட்டல் டேகில் அல்லது சாவியின் மீதே அச்சிடப்பட்டிருக்கும். முடிந்தால் மெட்டல் டேகைத் தனியே பத்திரமாக எடுத்து வைக்கவும். சாவியைத் தொலைத்து விட்டால், இந்த எண்ணைப் பயன்படுத்தி புதிய சாவியைச் செய்து கொள்ளலாம்.

உங்களது எதிர்காலத் தேவைக்காக இந்த எண்ணை எழுதி வைக்கவும்.

சாவி எண்:

இம்மொபிலைசர் அமைப்பு (Immobilizer system)

என்ஜின் ஸ்டார்ட் அமைப்பை மின்னணு முறையில் முடக்குவதன் மூலம் வாகனத் திருட்டைத் தடுக்க இந்த அமைப்பு வடிவமைக்கப்பட்டுள்ளது.

உங்கள் வாகனத்தின் அசல் இம்மொபிலைசர் இக்னிஷன் சாவியால் மட்டுமே என்ஜினைத் தொடங்க முடியும், அதில் மின்னணு அடையாளக் குறியீடு திட்டமிடப்பட்டுள்ளது. இக்னிஷன் சவிட்ச் "ஆன்" நிலைக்குத் திரும்பும்போது சாவி அடையாளக் குறியீட்டை வாகனத்திற்குத் தெரிவிக்கிறது. நீங்கள் உபரி சாவிகளை உருவாக்க வேண்டும் என்றால், மாருதி சுசுகி அங்கீகரிக்கப்பட்ட ஓர்சுலாப்பில் விவரம் தெரிந்து கொள்ளவும். உபரிக்கான சரியான அடையாளக் குறியீட்டுடன் வாகனம் திட்டமிடப்பட்டிருக்க வேண்டும். சாதாரண பூட்டுத் தொழிலாளியால் செய்யப்பட்ட சாவி வேலை செய்யாது.

உதாரணம்



65D239

இக்னிஷன் சவிட்ச் "ஆன்" நிலையில் இருக்கும்போது, இம்மொபிலைசர் சிஸ்டத்தின் வார்னிங் லைட் ஒளிர்கிறது என்றால், என்ஜின் ஸ்டார்ட் ஆகாது.

இந்த ஒளி ஒளிர்கிறது என்றால், இக்னிஷன் சவிட்சை "லாக்" (LOCK) நிலைக்கு மாற்றவும், பின்னர் அதை மீண்டும் "ஆன்" நிலைக்கு மாற்றவும். இக்னிஷன் சவிட்ச் "ஆன்" நிலைக்குத் திரும்பிய பிறகும் லைட் ஒளிர்ந்தால், உங்கள் சாவியிலோ அல்லது இம்மொபிலைசர் அமைப்பிலோ ஏதோ தவறு இருக்கலாம். அமைப்பை ஆய்வு செய்ய மாருதி சுஸுகி அங்கீகரிக்கப்பட்ட ஓர்சுலாப்பில் கேளுங்கள்.

குறிப்பு :

- உங்கள் இம்மொபிலைசர் இக்னிஷன் சாவியை நீங்கள் தொலைத்துவிட்டால், தொலைந்ததை செயலிழக்கச் செய்து, புதிய சாவியை உருவாக்க

மாருதி சசுகி அங்கீகரிக்கப்பட்ட ஓர்ஸ்கூடாப்பில் விரைவில் கேட்கவும்.

- இம்மொபிலைசர் சாவிகள் கொண்ட பிற வாகனங்கள் உங்களிடம் இருந்தால், உங்கள் மாருதி சசுகி வாகனத்தைப் பயன்படுத்தும் போது, அந்த சாவிகளை இக்னிஷன் சுவிட்சில் இருந்து விலக்கி வைக்கவும். இல்லையெனில், உங்கள் மாருதி சசுகி வாகனத்தின் இம்மொபைலைசர் அமைப்பில் அவை குறுக்கிடக்கூடும் என்பதால் என்ஜின் ஸ்டார்ட் ஆகாமல் போகலாம்.
- இம்மொபிலைசர் சாவியில் ஏதேனும் உலோகப் பொருட்களை இணைத்தால், அது என்ஜினை இயக்காமல் போகலாம்.
- இந்த இம்மொபிலைசர் அமைப்புக்கு பராமரிப்பு தேவையில்லை.

அறிவிப்பு

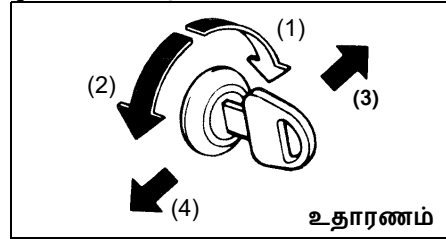
இம்மொபைலைசர் சாவி (immobilizer key) என்பது உணர்திறன் கொண்ட மின்னணு கருவியாகும். அதை சேதப்படுத்தாமல் இருக்க:

- நேரடி சூரிய ஒளியில் டாஷ்போர்டில் உள்ள பாதிப்புகள், ஈரப்பதம் அல்லது அதிக வெப்பநிலைக்கு அதை வெளிப்படுத்த வேண்டாம்.
- காந்தப் பொருட்களிலிருந்து அதை விலக்கி வைக்கவும்..

டோர் லாக்ஸ் (Door Locks)

சைடு டோர் லாக்ஸ் (Side Door Locks)

ஓட்டுநரின் கதவு



- (1) லாக் (பூட்டவும்)
- (2) அன்லாக் (திறக்கவும்)
- (3) முன்பக்கம்
- (4) பின்பக்கம்

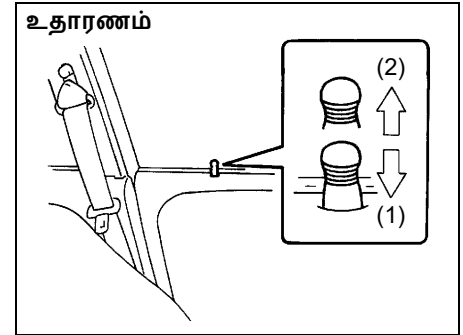
வாகனத்தின் வெளிப்பகுதியிலிருந்து ஓட்டுநரின் கதவைப் பூட்ட செய்ய வேண்டியவை:

- சாவியைப் பொருத்தி அதன் மேல்பக்கத்தை வாகனத்தின் முன்பக்கத்தை நோக்கித் திருப்பவும், அல்லது
- லாக் நாப்பைக் கீழே தள்ளி, இழுத்து கதவை மூடும்போது அதைக் கதவின் கைப்பிடியுடன் சேர்த்துப் பிடிக்கவும்.

சாவியைப் பொருத்தி அதை வண்டியின் பின்பக்கத்தை நோக்கித்

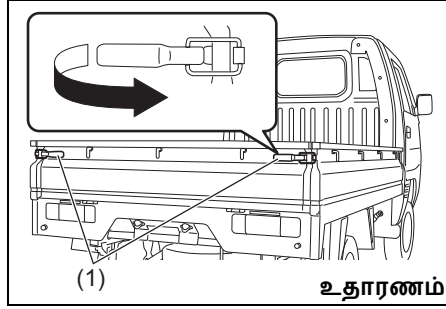
திருப்பினால் வாகனத்தின் வெளிப்பகுதியிலிருந்து ஓட்டுநரின் கதவைத் திறக்க முடியும்.

வாகனத்தின் வெளிப்பகுதியிலிருந்து ஓட்டுநரின் கதவைப் பூட்ட, லாக் நாப்பை கீழே தள்ளி, இழுத்து கதவைத் திறக்கும்போது அதைக் கதவின் கைப்பிடியுடன் சேர்த்துப் பிடிக்கவும்.



- (1) லாக் (பூட்டவும்)
- (2) அன்லாக் (திறக்கவும்)

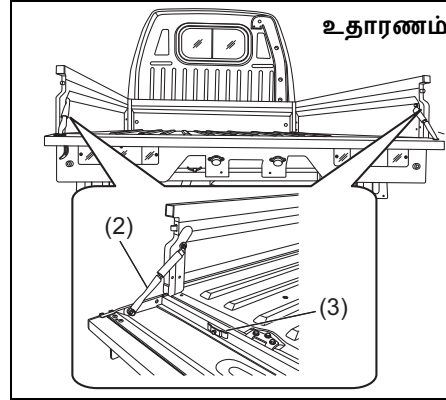
டெயில்கேட் (Tailgate)



உதாரணம்

77PH025

லாக்கின் கைப்பிடிக்களை (1) இழுப்பதன் மூலம் டெயில்கேட்டைத் திறக்கலாம். மூடும்போது, லாக்கை கவனமாகப் பூட்டவும்.



உதாரணம்

77PM201

டெயில்கேட் செயினைப் (tailgate chain) (2) பயன்படுத்தி டெயில்கேட்டை ஒரு இடைப்பட்ட நிலையிலும் பூட்டலாம்.

அறிவிப்பு

பயன்பாட்டில் இல்லாதபோது டெயில்கேட் செயினை (tailgate chain) (2) பின்னுடன் (pin) (3) சேர்த்துப் பூட்டவும்.

⚠ எச்சரிக்கை

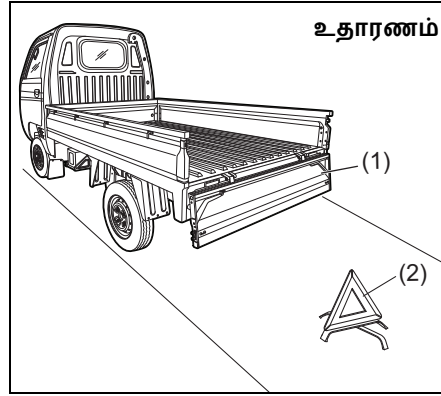
- டெயில்கேட் திறந்த/இடைப்பட்ட நிலையில் இருக்கும்போது வாகனத்தை ஓட்டினால் டெயில்கேட் ஊசலாடி மற்ற வாகனங்களை இடிக்கும்; இதனால் காயம் அல்லது மரணமும் ஏற்படலாம்.
- திறந்த/இடைப்பட்ட நிலையில் இருக்கும் டெயில்கேட், பின்புற லைட்களைப் பார்க்க முடியாமல் மற்ற ஓட்டுநர்களைத் தடுக்கும்; இதனால் விபத்துக்கள் ஏற்படலாம். வாகனம் ஓட்ட ஆரம்பிக்கும் முன் டெயில்கேட் நன்கு மூடப்பட்டு, பூட்டப் பட்டிருக்கிறதா என்று உறுதி செய்து கொள்ளவும்.
- விபத்து நேரிடும் பட்சத்தில் உள்ளிருக்கும் லக்கேஜ் வெளியே தூக்கி எறியப்பட்டு விடாமல் இருக்க டெயில்கேட் நன்கு மூடப்பட்டு, பூட்டப் பட்டிருக்கிறதா என உறுதி செய்து கொள்ளவும்.

(தொடர்ச்சி)

▲ எச்சரிக்கை

(தொடர்ச்சி)

- டெயில்கேட் இடைப்பட்ட நிலையில் பூட்டப் பட்டுள்ளபோது அதில் சுமையை, அதிக எடையை வைக்கவும் கூடாது.
- டெயில்கேட் முழுவதும் திறந்த நிலையில் இருந்தால் வாகனத்தின் பின்புற விளக்குக் கருவிகளான பொசிசன் விளக்கு, டர்ன் சிக்னல் இண்டிகேட்டர் மற்றும் நிறுத்தும் ஸ்டாப் லேம்ப் ஆகியவை பிறரின் பார்வையிலிருந்து மறைக்கப்பட்டு விடும்.



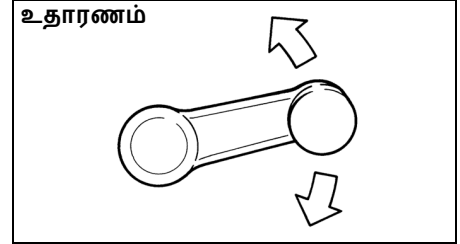
77PM202

▲ எச்சரிக்கை

- டெயில்கேட் (tailgate) (1) முழுவதும் திறந்த நிலையில் இருக்கும்போது சரக்கு ஏற்றப்பட்டு இறக்கப் பட்டால், அது பற்றி மற்ற வாகன ஓட்டுநர்களை எச்சரிக்க வார்னிங் டிரைஆங்கிள் (எச்சரிக்கை முக்கோணம்) (2) ஒன்று அவர்களுக்குத் தெரியும்படி சாலையில் அமைக்கப்பட வேண்டும்.

விண்டோகள் (ஜன்னல்கள்) மானுவல் விண்டோ கண்ட்ரோல் (Manual Window Control)

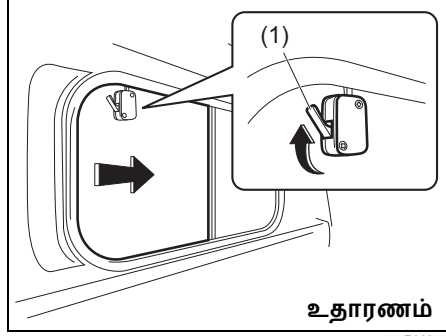
உதாரணம்



60G010

டோர் பேனலில் இருக்கும் கைப்பிடியைத் திருப்பி விண்டோக்களைத் திறக்கலாம், மூடலாம். (ஜன்னல்கள்)

பின்புற விண்டோ (ஜன்னல்)



77PH073

ஜன்னலைத் திறக்க வேண்டுமானால் லாக்கை (lock) (1) அழுத்தி, விண்டோவைத் தள்ள வேண்டும்.

கண்ணாடிகள்

▲ எச்சரிக்கை

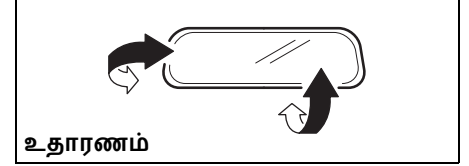
பின்வருவனவற்றை கவனிக்கத் தவறினால், வாகனக் கட்டுப்பாட்டை இழந்து விபத்து ஏற்படலாம், மரணம் அல்லது கடுமையான காயம் ஏற்படலாம். வாகனம் ஓட்டும் போது எப்போதும் கீழே உள்ள படிகளைப் பின்பற்றவும்.

- வாகனம் ஓட்டும் போது கண்ணாடிகளை சரிசெய்ய வேண்டாம்.
- எப்பொழுதும் அனைத்து வெளிப்புற ரியர்வியூ கண்ணாடிகளையும் விரித்து, வாகனம் ஓட்டுவதற்கு முன் சரிசெய்யவும்.
- வாகனத்தின் பிற்பகுதியில் பார்வைக்கு இடையூறாக இருக்கும் அல்லது பின்புற ஜன்னல் கண்ணாடியில் இருந்து உங்கள் பார்வைக்கு இடையூறு விளைவிக்கும் பொருட்களை வைக்க வேண்டாம்.

உட்புறம் உள்ள ரியர்வியூ (பின்புற) கண்ணாடி

உட்புறமுள்ள ரியர்வியூ கண்ணாடியைக் கையால் சரி செய்து, அதன் மூலம் உங்களுக்குப் பின்னால்

வரும் வண்டிகளைக் கண்ணாடியில் பார்க்கலாம்.



உதாரணம்

74LHT0235

▲ கவனம்

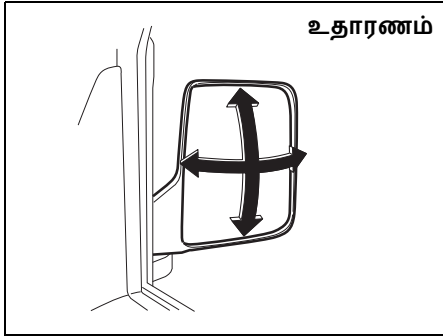
உட்புற ரியர்வியூ கண்ணாடியை மாற்றவோ அல்லது அகலமற்ற கண்ணாடியை நிறுவவோ வேண்டாம். இதனால் விபத்தின் போது காயம் ஏற்படலாம்.

வெளிப்புறம் உள்ள ரியர்வியூ (பின்புற) கண்ணாடி(கள்)

வெளிப்புறமுள்ள ரியர்வியூ கண்ணாடிகளை சரி செய்து அதன் மூலம் வாகனத்தின் பக்கவாட்டுக் காட்சிகளைக் கண்ணாடியில் பார்க்கலாம்.

▲ எச்சரிக்கை

கண்ணாடியில் பார்த்து மற்ற வாகனங்கள் அல்லது பொருட்களின் அளவு அல்லது தூரத்தைக் கணிக்கும்போது மிகவும் கவனத்துடன் செயல்பட வேண்டும். ஃப்ளாட் கண்ணாடியில் பார்ப்பதை விட வாகனங்களிலுள்ள குவிஆடி கண்ணாடியில் பார்க்கும்போது பொருட்கள் சிறியதாகவும் வெகு தூரத்தில் இருப்பது போலவும் தோன்றும் என்பதை எப்போதும் நினைவில் கொள்ளவும்.



உதாரணம்

64P0190

**இருக்கைகள் (சீட்டுகள்)
சீட் அட்ஜஸ்ட்மெண்ட்
(ஓட்டுநரின் சீட்)**

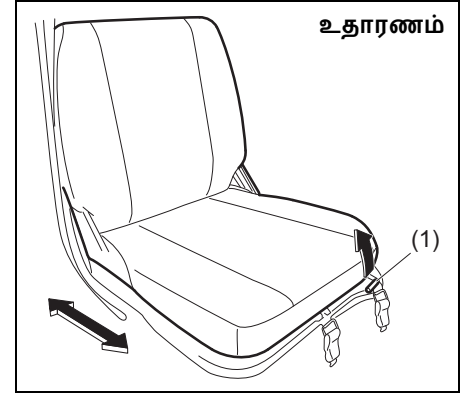
▲ எச்சரிக்கை

வாகனத்தை ஓட்டிக் கொண்டே ஓட்டுநரின் சீட்டை அட்ஜஸ்ட் செய்ய எப்போதும் முயற்சி செய்யாதீர்கள். சீட் திடீரென்று எதிர்பாராத விதமாக நகர்ந்தால், வாகனம் கட்டுப்பாட்டு இழந்து விடக்கூடும். வாகனத்தை ஓட்ட ஆரம்பிப்பதற்கு முன்னர் ஓட்டுநரின் சீட் சரியான முறையில் அட்ஜஸ்ட் செய்யப்பட்டுள்ளதை உறுதி செய்யவும்.

▲ எச்சரிக்கை

பெல்ட் லூஸாக இருந்தால் உயிரைப் பாதுகாக்கும் அதன் பயன்பாடு வீணாகி விடும் என்பதால், சீட் பெல்ட் லூஸாக இருப்பதைத் தவிர்க்க சீட் பெல்ட்டுகளை இறுக்கமாக்கும் முன்பு சீட்டுகள் அட்ஜஸ்ட் செய்யப் பட்டுள்ளனவா என உறுதி செய்து கொள்ளவும்.

உதாரணம்



77PH087

**சீட் பொஸிஷன்
அட்ஜஸ்ட்மெண்ட் லீவர் (Seat
position adjustment lever) (1)**

லீவரை மேல் நோக்கி இழுத்து சீட்டைச் சரித்துக் கொள்ளவும்.

அட்ஜஸ்ட் செய்தபின் இணைப்பு சரியாக இருக்கிறதா என்று உறுதி செய்ய சீட்டை முன்பும் பின்புமாக நகர்த்திப் பார்க்கவும்.

▲ கவனம்

சீட்டை அட்ஜஸ்ட் செய்யும்போது, சீட்டின் இடுக்கில் கைகள் சிக்கிக் கொள்ளாமலும், அல்லது பாடி அடிபடாமலும் இருக்கக் கவனத்துடன் செயல்படவும்.

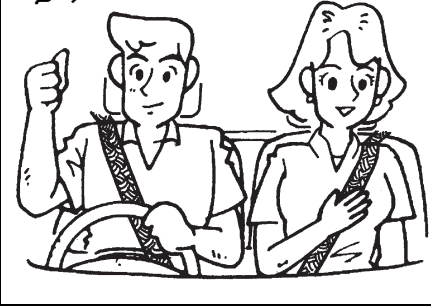
ஓட்டுவதற்கு முன்பு

குறிப்பு :

சீட் பேக்கை சீராக இயக்க, சீட் பேக் அட்ஜஸ்ட்மென்ட் லீவரை (seat back adjustment lever) (2) மேல்நோக்கி இழுக்கவும். லீவரை முழுமையாக மேல் நிலைக்கு நகர்த்திய பின்னரே சீட் பேக்கை நகர்த்துவதை உறுதி செய்யவும். சீட் பேக்கை சரிசெய்த பிறகு, லீவரை மெதுவாக விடுங்கள். சீட் பேக்கை முன்னும் பின்னும் நகர்த்துவதன் மூலம் அது பூட்டப்பட்டுள்ளதா என்பதைச் சரிபார்க்கவும்.

சீட் பெல்ட்டுகள் (Seat Belts)

உதாரணம்



65D231S

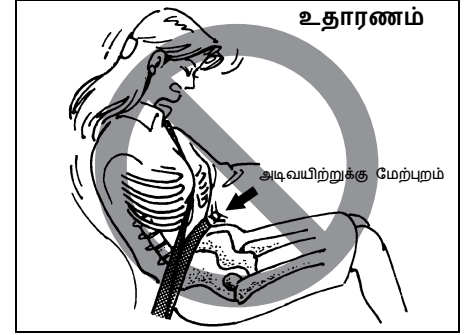
⚠ எச்சரிக்கை

பயணத்தின்போது உங்களது சீட் பெல்ட்டை எப்போதும் அணிந்திருக்கவும்.

⚠ எச்சரிக்கை

சீட்டிங் பொஸிஷனில் ஏர்பேக் இருந்தாலும் இல்லாவிட்டாலும், ஓட்டுநரும் பயணிகளும் எப்போதும் சீட் பெல்ட்டுகளை அணிந்திருக்க வேண்டும்; அப்போதுதான், விபத்து நேரிடும் தருணங்களில் தீவிரமான காயமடையும் அல்லது மரணமடையும் அபாயத்தை முடிந்தவரை தவிர்க்க முடியும்.

உதாரணம்



65D606

▲ எச்சரிக்கை

- சரக்கு வைக்கும் இடத்தில் அமர்ந்து பயணம் செய்ய யாரையும் எப்போதும் அனுமதிக்காதீர்கள். சீட்டில் அமராமல், சீட் பெல்ட் அணியாமல் வாகனத்தில் பயணிப்பவர்கள் விபத்தின்போது காயமுறும் வாய்ப்பு மிக அதிகமாகும்.
- அனைத்து சீட் பெல்ட்டுகளும் சரியாக இருப்பதை உறுதி செய்யவும். தவறான முறையில் அணியும் சீட் பெல்ட், மோதல் ஏற்பட்டால் காயம் அல்லது இறப்பு அபாயத்தை அதிகரிக்கிறது.
- எப்போதும் கீழே குறிப்பிடப்பட்டுள்ளது போல்தான் சீட் பெல்ட்டுகளை அட்ஜஸ்ட் செய்து கொள்ள வேண்டும்:
 - பெல்ட்டின் கீழ்ப்பகுதியை அடிவயிற்றின் குறுக்கே அணிந்து கொள்ள வேண்டுமே தவிர இடுப்புக்கு குறுக்கே அல்ல.

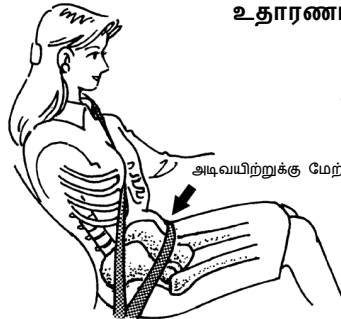
(தொடர்ச்சி)

▲ எச்சரிக்கை

(தொடர்ச்சி)

- தோள்பட்டை ஸ்டிராப்புகளைத் தோளுக்கு வெளியே அணிந்து கொள்ள வேண்டுமே தவிர, கைகளுக்கு அடியில் அல்ல.
- தோள்பட்டை ஸ்டிராப்புகள் உங்கள் முகம் மற்றும் கழுத்தை விட்டுச் சற்று தூரம் தள்ளியே இருக்க வேண்டும், அதே வேளையில் அவை தோள்பட்டையை விட்டுக் கீழிறங்கி விடவும் கூடாது.

(தொடர்ச்சி)



உதாரணம்

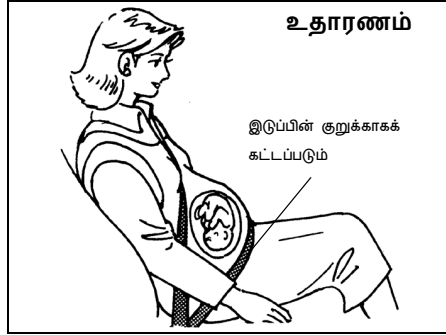
65D201

▲ எச்சரிக்கை

(தொடர்ச்சி)

- சீட் பெல்ட்டுகள் பல பாதுகாப்பு அம்சங்களைக் கருத்தில் கொண்டு வடிவமைக்கப்பட்டுள்ளதால் அவற்றை இறுக்கமாக அட்ஜஸ்ட் செய்து, ஸ்டிராப்புகள் முறுக்குடன் இல்லாதவாறு அணிந்து கொள்ள வேண்டும். இறுக்கமாக இருக்கும் சீட் பெல்ட்டை விட தளர்வாக இருக்கும் பெல்ட்டானது குறைந்த அளவு பாதுகாப்பையே தரும்.
- சீட் பெல்ட்டின் ஒவ்வொரு பக்கங்களும் அவற்றிற்கான சரியான பக்கிள் துவாரங்களில் செருகப்பட்டுள்ளன என்பதை உறுதி செய்து கொள்ள வேண்டும்.

(தொடர்ச்சி)



65D199

▲ எச்சரிக்கை

- (தொடர்ச்சி)
- கர்ப்பவதிகளும் சீட் பெல்ட்டைக் கட்டாயம் அணிந்து கொள்ள வேண்டும்; ஆனால் அவர்கள் பயணம் செய்யும்போது வாகனத்தை எவ்வாறு செலுத்துவது என்பது குறித்துத் மருத்துவ ஆலோசகர் தனிப்பட்ட பரிந்துரைகளைச் செய்வது அவர்களுக்கு உகந்ததாக இருக்கும். பெல்ட்டின் கீழ்ப்பகுதியானது வரைபடத்தில் காட்டப்பட்டுள்ளவாறு முடிந்தவரை அடிவயிற்றின் கீழ் தொடுமாறு அணியப்பட வேண்டும்.
 - பாக்கெட்டுகள் அல்லது ஆடைகளில் பேனாக்கள், சாவிகள், கண்கண்ணாடிகள் போன்ற கடினமான, உடையக்கூடிய அல்லது கூர்மையான பொருட்களை வைத்துக்கொண்டு சீட் பெல்ட்களை அணிய வேண்டாம். சீட் பெல்ட்டின் அழுத்தம் காரணமாக அத்தகைய பொருட்களுக்கு சேதம் ஏற்பட்டால் காயத்தை ஏற்படுத்தும்.

(தொடர்ச்சி)

▲ எச்சரிக்கை

- (தொடர்ச்சி)
- பாக்கெட்டுகளில் அல்லது ஆடைகளில் உடையக் கூடிய பொருட்கள் வைத்திருந்தால் அவற்றின் மிது படும்படியாக சீட் பெல்ட்டை அணிந்து கொள்ளாதீர்கள். விபத்து நேரிடும் பட்சத்தில் கண்ணாடி, பேனா போன்ற பொருட்கள் சீட் பெல்ட்டுக்கடியில் இருந்தால் காயங்களை உண்டாக்கி விடும்.
 - ஒன்றுக்கு மேற்பட்டவர்களுக்கு ஒரே ஒரு சீட் பெல்ட்டை அணிவிக்காதீர்கள்; மடியில் அமர வைக்கப்பட்டிருக்கும் கைக்குழந்தை அல்லது குழந்தைக்கும் சேர்த்து உங்களது சீட் பெல்ட்டை அணிவிக்காதீர்கள். அவ்வாறு அணிவித்தீர்களானால், விபத்து நேரிடும் பட்சத்தில் தீவிர காயம் ஏற்படும் அபாயம் இருக்கிறது.

(தொடர்ச்சி)

▲ எச்சரிக்கை

(தொடர்ச்சி)

- அடிக்கடி பயன்படுத்தப்படும் சீட் பெல்ட்களின் அசெம்பிளிகளை அவை சேதமடைந்துள்ளனவா என்று அவ்வப்போது சோதித்துப் பார்க்கவும். அசெம்பிளிகள் சரியில்லாமல் பெலட்டுகள் தேய்மானம் அடைந்திருந்தால் அல்லது சேதமுற்றிருந்தால் அவற்றை உடனடியாக மாற்றவும். அசெம்பிளிகள் சேதமுற்றிருப்பது போல் தெரியாவிட்டாலும் தீவிர பாதிப்பிற்குப் பின் சீட் பெலட்டுகளை முற்றிலுமாக மாற்ற வேண்டியது மிக அவசியமான ஒன்றாகும்.
- சரியாக, பாதுகாப்பாக வைத்துக் கொள்ள முடியுமென்று தோன்றினாலொழிய தோன்றாதென மற்றும் கைக்குழந்தைகளை வாகனங்களில் ஏற்றிக் கொண்டு பயணிக்கக் கூடாது.

(தொடர்ச்சி)

▲ எச்சரிக்கை

(தொடர்ச்சி)

- தோள்பட்டையில் படும் பெல்ட் கழுத்தில் அல்லது முகத்தில் எரிச்சலை ஏற்படுத்தினால் குழந்தைகளை வாகனத்தின் மையப்பகுதிக்கு அருகில் இருக்குமாறு இடமாற்றம் செய்யவும்.
- பாலிஷ், எண்ணெய், வேதிப் பொருட்கள் மற்றும் பேட்டரி அமிலத்தால் சீட் பெலட்டுகள் கெட்டுப் போகாதவாறு பார்த்துக் கொள்ளவும். இதமான சோப்பு மற்றும் நீரால் வாகனத்தைப் பாதுகாப்பாகச் சுத்தம் செய்து கொள்ளவும்.
- நாணயம், க்ளிப்புகள் போன்ற பொருட்களை சீட் பெல்ட் பக்கிகளுக்குள் செருகி வைக்காதீர்கள்; இப்பாகங்களில் திரவம் ஏதும் படாதவாறு பார்த்துக் கொள்ளவும். சீட் பெல்டின் பக்கிகளில் வெளிப் பொருள் ஏதும் சிக்கிக் கொண்டால், பெல்ட் சரியாக வேலை செய்யாமல் போய்விடலாம்.

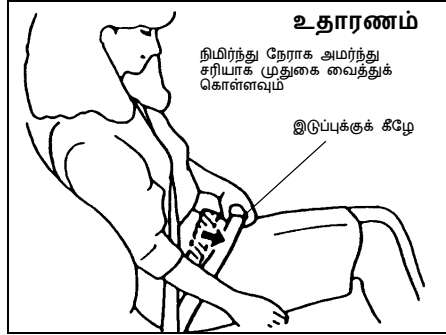
லேப்-ஷோல்டர் பெல்ட் (Lap-Shoulder Belt)

எமர்ஜென்சி ரிட்ராக்டர் (ELR)

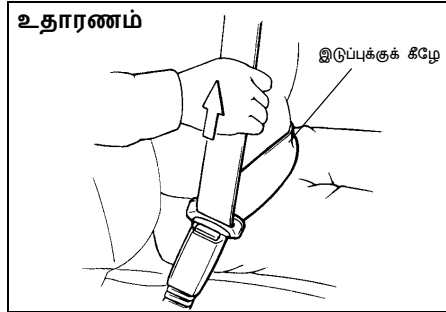
லாக்கிங்

சீட் பெல்ட்டில் ELR எனப்படும் எமர்ஜென்சி லாக்கிங் ரிட்ராக்டர் உள்ளது; திடீரென்று வாகனம் நிறுத்தப்பட்டால் அல்லது மோதலுக்கு உள்ளானால் சீட் பெல்ட் தானாக லாக்க ஆகும்படி இது வடிவமைக்கப்பட்டுள்ளது. உடம்பின் குறுக்கே இப்பெல்ட்டைத் துரிதமாக இழுக்கும் போதும் பெல்ட் தானாகவே லாக்க ஆகி விடும். அவ்வாறு நிகழ்ந்தால், பெல்ட் தானாகவே பின்னோக்கி வந்து அவிழும் வரை காத்திருந்து, பெல்ட்டை உங்களது உடம்பின் குறுக்கே மெதுவாக இழுக்கவும்.

சேப்டி ரிமைண்டர் (பாதுகாப்பு நினைவூட்டல்)



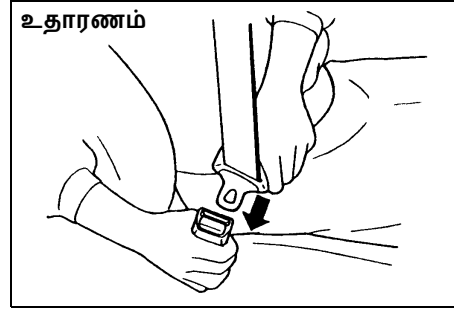
60A038



60A040

மோதல் ஏற்படும்போது பெல்ட்டுக்கு அடியில் நாம் சரிந்து விடும் அபாயத்தைக் குறைக்க, பெல்ட்டின் லேப் பொஸிஷன் முடிந்த வரை

அடிவயிற்றுக்குக் கீழிருக்க வேண்டும்; அதை தோள்பட்டைப் பகுதி பெல்ட்டுடன் சேர்த்து, பக்கிளுக்கு மேல் பெல்ட் இருக்குமாறு நன்றாக இழுத்து விடவும். தோள்பட்டையிலிருந்து குறுக்காகப் போகும் பெல்ட்டு நீளமானது அதைப் போட்டுள்ளவர் தடையின்றி இயங்குவதற்கு ஏற்ப தன்னைத் தானே அட்ஜஸ்ட் செய்து கொள்ளக் கூடியது.

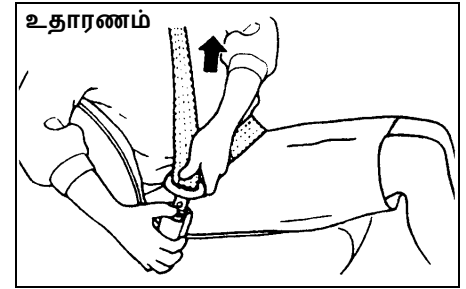


60A036

சீட் பெல்ட்டை இறுக்கமாக்க வேண்டுமெனில், நேராக அமர்ந்து சீட்டின் பின்பகுதி வரை சென்று விடவும்; அதன் பின் சீட் பெல்ட்டின் இணைப்பை உடம்பின் குறுக்கே இழுத்து, அதை பக்கிளுக்குள் செல்லுமாறு ஒரு க்ளிக் சப்தம் வரும் வரை நேராக அழுத்த வேண்டும்.

குறிப்பு :

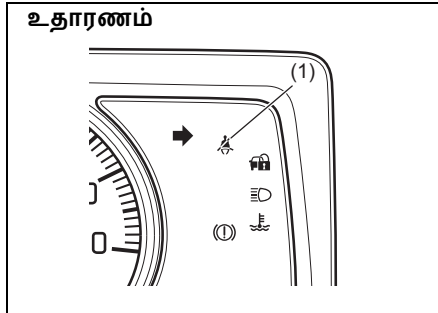
சீட் பெல்ட்டை முழுமையாக உள்ளிழுக்கப்பட்ட நிலையில் இருந்து இழுக்க முடியாவிட்டால், பெல்ட்டை உறுதியாக இழுத்து அதை விட்டுவிடுங்கள். பின் சுமுகமாக ரிட்ராக்கரில் இருந்து பெல்ட்டை வெளியே இழுக்கவும்.



60A039

சீட் பெல்ட்டை அவிழ்க்க பக்கிலில் உள்ள பட்டனை அழுத்தி, பெல்ட்டை மெதுவாக விட வேண்டும். அதேசமயம் ஒரு கையை பெல்ட் அல்லது/மற்றும் லேட்ச் பிளேட்டுடன் வைத்திருக்க வேண்டும். பெல்ட்டின் மீதோ அல்லது லேட்ச் பிளேட்டின் மீதோ ஏதாவது ஒரு கை பட்டுக் கொண்டிருக்க வேண்டும்.

சீட் பெல்ட் ரிமைண்டர்



77PM02017

(1) டிரைவர் சீட் பெல்ட் ரிமைண்டர் லைட் / முன்பக்கப் பயணி சீட் பெல்ட் ரிமைண்டர் லைட்

டிரைவர் மற்றும் / முன்புறப் பயணி தங்கள் சீட் பெல்டை அணிந்திருக்கவில்லை எனில், சீட் பெல்ட் ரிமைண்டர் லைட் ஒளிர்ந்து அல்லது பஸ்ஸர் ஒலி எழுந்து, டிரைவர் மற்றும் பயணிக்கு சீட் பெல்ட் அணிய நினைவூட்டும். மேலும் விவரங்களுக்கு, கீழே உள்ள விளக்கத்தைக் காணவும்.

▲ எச்சரிக்கை
 ஓட்டுநர் மற்றும் பயணிகள் எல்லா நேரங்களிலும் சீட் பெல்டை அணிவது முற்றிலும் அவசியம். சீட் பெல்ட் அணியாத நபர்களுக்கு விபத்து ஏற்பட்டால் காயம் ஏற்படும் அபாயம் அதிகம். இக்னிஷன் சுவிட்சில் சாவியை வைப்பதற்கு முன் உங்கள் சீட் பெல்டை அணிவதை வழக்கமாக்கிக் கொள்ளுங்கள்.

குறிப்பு :

டிரைவர் சீட் பெல்ட் ரிமைண்டர் லைட் / முன்புறப்பயணி சீட் பெல்ட் ரிமைண்டர் லைட் டிரைவர் மற்றும் முன்புறப் பயணி இருவருக்குமானது.

ஓட்டுநர் அல்லது முன்புற பயணியின் சீட் பெல்ட் ரிமைண்டர்

இக்னிசன் ஸ்விட்ச் 'ஆன்' நிலையில் இருக்கும்போது, ஓட்டுநர் அல்லது முன்புற பயணியின் சீட் பெல்ட் அணியப்படாமலிருந்தால், ரிமைண்டர் பின்வருமாறு செயல்படும்:

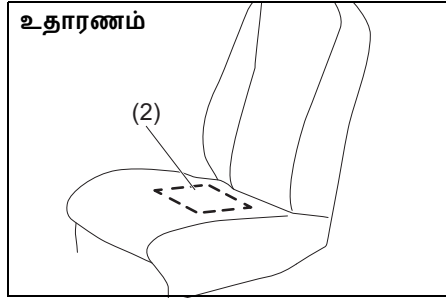
- 1) ஓட்டுநர் அல்லது முன்புற பயணியின் சீட் பெல்ட் ரிமைண்டர் லைட் எரியும்.
- 2) வாகனத்தின் வேகம் சுமார் 15 km/h-ஐ அடைந்த பிறகு, ஓட்டுநர் அல்லது முன்புற பயணியின் சீட் பெல்ட் ரிமைண்டர் லைட் எரியும் மேலும் 95 வினாடிகளுக்கு பசர் ஒலிக்கும்.

3) படி 2) முடிந்த பிறகு, ஓட்டுநர் அல்லது முன்புற பயணி சீட் பெல்டை அணியும்வரை ரிமைண்டர் லைட் எரிந்து கொண்டே இருக்கும்.

ஓட்டுநர் அல்லது முன்பக்க பயணி தனது சீட் பெல்டை அணிந்து கொண்டு அதன் பிறகு, சீட் பெல்டை நீக்கினால், வாகன வேகத்திற்கு ஏற்ப, ரிமைண்டர் அமைப்பு படி 1 அல்லது படி 2-யில் இயங்கும். வாகன வேகம் மணிக்கு 15 கிமீக்கு குறைவாக இருந்தால் படி 1 இருந்து ரிமைண்டர் துவங்கும். வாகன வேகம் மணிக்கு 15 கிமீக்கு மேல் இருந்தால் படி 2-யில் இருந்து துவங்கும். சீட் பெல்ட் அணியப்பட்டால் அல்லது இக்னிஷன் ஆஃப் செய்யப்பட்டால் அல்லது இக்னிஷன் மோட் ஆஃப் செய்யப்பட்டால், ரிமைண்டர் தானாக நின்றுவிடும்.

முன்புறப் பயணி சீட் பெல்ட் ரிமைண்டர்

முன்புறப் பயணி இடத்தில் ஒருவர் அமர்ந்திருந்து, இக்னிஷன் சுவிட்ச் ஆன் செய்யப்படும் போது அல்லது இன்கேஷன் மோட் "ஆன்" நிலையினில் இருக்கும் போது, முன்பக்கப் பயணி சீட் பெல்ட் அணியாமல் இருந்தால், முன்பக்கப் பயணி சீட் பெல்ட் ரிமைண்டர் இயக்கப்படும்.



69RH203

(2) முன்புறப் பயணி சீட் பெல்டின் ரிமைண்டரின் சென்சார்.

சீட் பெல்ட் ரிமைண்டர் சென்சார் (seat belt reminder sensor) (2) முன்பயணி சீட்டில் ஒருவர் அமர்ந்திருக்கிறாரா என கண்டறியும். முன்பக்கப் பயணி சீட் பெல்ட் ரிமைண்டர் சீட் குஷனில் இருக்கும். முன்பக்கப் பயணி சீட் பெல்ட் ரிமைண்டர், டிரைவ்பர் சீட் பெல்ட் ரிமைண்டர் போலவே செயல்படும்.

அறிவிப்பு

- முன்பக்கப் பயணி சீட் பெல்ட் ரிமைண்டர், சீட் குஷனில் அமைந்துள்ளது. சீட் குஷன் மீது கனமான அல்லது கூரான பொருட்கள் வைக்கப்பட்டால் அல்லது சீட்டில் மாற்றம் செய்யப்பட்டால் அல்லது அகற்றப்பட்டால், சென்சார் சரியாக வேலை செய்யாது அல்லது பழுதாகிவிடலாம். சீட் குஷனில் கனமான அல்லது கூரான பொருட்களை வைக்க வேண்டாம். முன்பக்க சீட்டை மாற்ற, திருத்த அல்லது அகற்ற வேண்டாம்.
- சீட் கவரின் தன்மைக்கேற்ப சென்சார் செயல்பாடு பாதிக்கப்படலாம். இந்த வாகனத்திற்காக மாருதி சுதூகியின் பிரத்யேக சீட் கவரை மட்டும் தான் பயன்படுத்த வேண்டும் என மாருதி சுதூகி தெரிவிக்கிறது.

(தொடர்ச்சி)

அறிவிப்பு

- (தொடர்ச்சி)
- பயணிகள் சீட் குஷன் மீது வாசனை திரவியம், குளிர்பானம், பழச்சாறு போன்ற திரவத்தை சிந்தினால், சீட் குஷனில் அமைந்திருக்கும் சீட் பெல்ட் ரிமைண்டர் சென்சார் சேதமாகலாம். எனவே, உடனடியாக மென்மையான துணியால் துடைத்து சுத்தமாக்கவும்.
 - முன்பக்கப் பயணி இருக்கையில் அமர்ந்திருக்கும் போது, சீட் பெல்ட் ரிமைண்டர் அமைப்பு சரியாக செயல்படுவதற்கு, அமர்ந்திருப்பவர், நேராக, சீட் பேக்ரெஸ்ட்டில் சாய்ந்த படி, சீட் குஷன் மையத்தில் அமர்ந்திருப்பது அவசியம். அமர்ந்திருப்பவர் சரியாக அமரவில்லை எனில் (காலை நீட்டியபடி, பக்கவாட்டில், முன்பக்கம் அல்லது பக்கவாட்டில் அமர்வது) அமைப்பின் செயல்பாட்டை பாதிக்கும். அதனால் அமர்ந்திருப்பவரை சிஸ்டத்தால் உணர முடியாது.

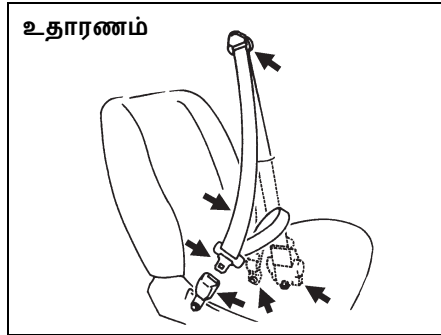
குறிப்பு :

- பயணிகள் சீட்டில் ஒரு பொருளை வைத்தால், அதன் எடை சென்சாரால் உணரப்பட்டு சீட் பெல்ட் ரிமைண்டர் லைட் ஒளிர்ந்து, உள் பஸ்ஸர் ஒலிக்கலாம்.
- குழந்தை அல்லது சிறிய உடலமைப்பு கொண்ட நபர் முன்பக்கப் பயணி சீட்டில் அமர்ந்தால் அல்லது அதில் குஷன் வைத்தால், எடை சென்சாரால் உணரப்பட வாய்ப்பில்லை. உள் பஸ்ஸர் ஒலிக்காமல் போகலாம்.

குறிப்பு :

மாருதி சுதுகியின் அசல் "சீட் கவர்" வாங்குமாறு மாருதி சுதுகி பரிந்துரைக்கிறது.

சீட் பெல்ட் பரிசோதனை



65D209S

சீட் பெல்ட்டுகளை அவ்வப்போது சீரான கால இடைவெளியில் ஆய்வு செய்து, சரியான முறையில் சேதமின்றி வேலை செய்கின்றனவா என்பதை உறுதி செய்து கொள்ள வேண்டும். வெப்பிங் பக்கிகள், லேட்ச் பிளேட்ஸ், ரிட்ராக்டர்கள், ஆங்கரேஜுகள் மற்றும் கைடு லூப்புகள் சரியாக உள்ளனவா என்று சோதித்துப் பார்க்க வேண்டும். சரியாக வேலை செய்யாத, சேதமுற்றிருக்கும் சீட் பெல்ட்டுகளை உடனடியாக மாற்றவும்.

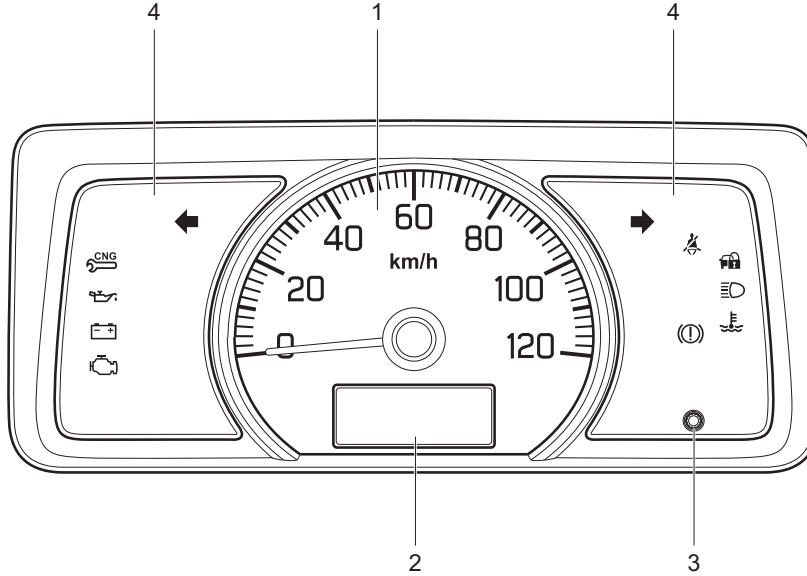
⚠ எச்சரிக்கை

எத்தகைய மோதலாக இருந்தாலும் ஒவ்வொரு முறையும் சீட் பெல்ட் அசெம்பிளிகளை சோதனை செய்வதில் கவனமாக இருங்கள். ஒரு மோதலின்போது (சிறிய வகை மோதலாக இருந்தாலொழிய) இடம் பெற்றிருந்த சீட் பெல்ட் அசெம்பிளிகள் மோசமான சேதாரமாக இல்லாவிட்டாலும் மாற்றியமைக்க வேண்டும். ஒரு மோதலின்போது மோசமான சேதாரமாக இல்லாவிட்டாலும் அவை சரியாகச் செயல்படாவிட்டாலும் சீட் பெல்ட்டுக்களை முழுவதுமாக மாற்றியமைத்தாக வேண்டும்.

இன்ஸ்ட்ருமண்ட் கிளஸ்டர் (Instrument Cluster)

1. ஸ்பீடோமீட்டர் (Speedometer)
2. தகவல் திரை (இன்ஃபர்மேஷன் டிஸ்பிளே)
3. டிரிப் மீட்டர் செலெக்டர் நாப் (Trip meter selector knob)
4. வார்னிங் மற்றும் இன்டிகேட்டர் லைட்ஸ்

உதாரணம்



ஸ்பீடோமீட்டர் (Speedometer)

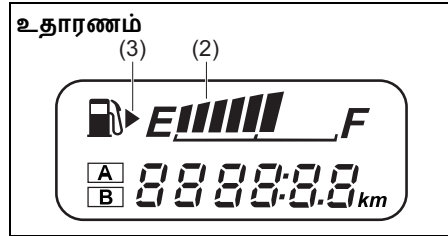
வாகனத்தின்
ஸ்பீடோமீட்டர் குறிக்கிறது வேகத்தை

குறிப்பு :

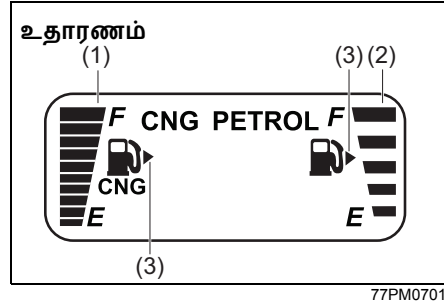
அரசாங்க விதிகளின்படி வாகனத்தின் அதிகபட்ச வேகம் மணிக்கு 80 கிமீ ஆகும்

ஃப்யூயல் கேஜ் (Fuel Gauge)

பெட்ரோல் மாடல் (Petrol Model)



சி.என்.ஜி. மாடல் (CNG Model)



(1) சி.என்.ஜி. ஃப்யூயல் கேஜ் (CNG fuel gauge) குறிக்கிறது.
(2) பெட்ரோல் ஃப்யூயல் கேஜ் (Petrol fuel gauge) குறிக்கிறது

இக்னிஷன் சுவிட்ச் “ஆன்” ஆகி இருக்கையில் கேஜ், ஃப்யூயல் டேங்கில் உள்ள எரிபொருளின் அளவைத் துல்லியமாகக் காட்டும். “F” என்றால் ஃப்யூயல் டேங்க் (fuel tank) முழுக்க நிரம்பியுள்ளது என்றும் “E” என்றால் அது காலியாக இருக்கிறது என்றும் அர்த்தம்.

ஃப்யூயல் மீட்டர் “E” என்று மட்டும் காட்டினால் முடிந்தவரை உடனடியாக நீங்கள் எரிபொருளை நிரப்பியாக வேண்டும்.

குறி (3) என்பது ஃப்யூயல் ஃபில்லர் டோர் (fuel filler door) உங்களது

வாகனத்தின் வலதுபுறம் அமைந்துள்ளதைக் குறிக்கிறது.

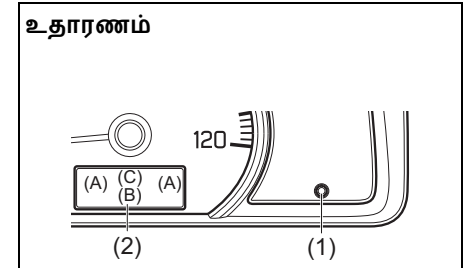
அறிவிப்பு
கேட்டலிடிக் கன்வெர்ட்டர் அல்லது வாகனத்தின் மற்ற பாகங்கள் சேதமடையும் வாய்ப்பைக் குறைக்க, ஃப்யூயல் டேங்க் (fuel tank) காலியான நிலைக்கு வரும்வரையில் வாகனத்தை ஓட்டுவதைத் தவிர்க்கவும்.

குறிப்பு :

இப்பிரிவில் லைட் விட்டு விட்டு எரிந்தால் எரிபொருள் கிட்டத்தட்ட காலியாகி விட்டது என்று அர்த்தம்.

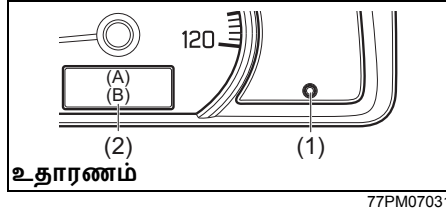
தகவல் திரை (இன்ஃபர்மேஷன் டிஸ்பிளே)

சி.என்.ஜி. மாடலுக்கானது



77PM07029

பெட்ரோல் மாடலுக்கானது



உதாரணம்

77PM07031

- (1) டிரிப் மீட்டர் செலக்டர் நாப் (Trip meter selector knob)
- (2) தகவல் திரை (இன்ஃபர்மேஷன் டிஸ்பிளே)

இக்னிஷன் சுவிட்ச் “ஆன்” ஆகி இருக்கையில், இன்ஃபர்மேஷன் டிஸ்பிளே பின்வரும் விவரங்களை தருகிறது.

டிஸ்பிளே (A)

ஃப்யூயல் கேஜ்

டிஸ்பிளே (B)

ஓடோமீட்டர் / டிரிப் மீட்டர் / கடிகாரம் / பிரைட்னெஸ் கண்ட்ரோல்

டிஸ்பிளே (C)

ஃப்யூயல் மோடுகள்(கருவிகள் இருந்தால்)

ஃப்யூயல் கேஜ்

இக்னிஷன் சுவிட்ச் “ஆன்” ஆகி இருக்கையில் டிஸ்பிளே (A) ஃப்யூயல் கேஜ்க் காட்டுகிறது.

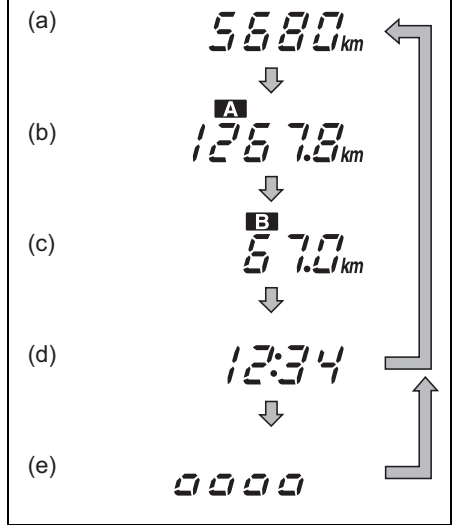
இந்த பிரிவில் “ஃப்யூயல் கேஜ்”ஐப் பார்க்கவும்.

ஓடோமீட்டர் / டிரிப் மீட்டர் / கடிகாரம் / பிரைட்னெஸ் கண்ட்ரோல்

இக்னிஷன் சுவிட்ச் “ஆன்” ஆகி இருக்கையில், டிஸ்பிளே (B)யில் பின்வருவனவற்றில் ஏதேனும் ஒன்றைக் காட்டும். ஓடோமீட்டர் (odometer), டிரிப் மீட்டர் (Trip meter) A, டிரிப் மீட்டர் (Trip meter) B அல்லது கடிகாரம்.

டிஸ்பிளே (B)-ஐப் பார்க்க வேண்டுமென்றால், டிரிப் மீட்டர் செலக்டர் நாப்பை (trip meter selector knob) (1)-ஐ வேகமாக அழுத்தவும்

உதாரணம்



77PH007

- (a) ஓடோமீட்டர் (Odometer)
- (b) டிரிப் மீட்டர் A
- (c) டிரிப் மீட்டர் B
- (d) கடிகாரம்
- (e) பிரைட்னெஸ் கண்ட்ரோல் (Brightness control)*

* பொஸிஷன் லைட்கள் மற்றும்/ அல்லது ஹெட்லைட்டுகள் ஆன் செய்யப்படும்போது டிஸ்பிளேயில் 'பிரைட்னெஸ் கண்ட்ரோல்' தோன்றும்.

▲ எச்சரிக்கை

வாகனம் ஓட்டும்போது டிஸ்பிளேயை அட்ஜஸ்ட் செய்ய முயற்சித்தால், ஒருவேளை வாகனக் கட்டுப்பாட்டை நீங்கள் இழக்கக்கூடும். வாகனம் செலுத்தும்போது டிஸ்பிளேயை அட்ஜஸ்ட் செய்யும் முயற்சியில் ஈடுபடாதீர்கள்.

குறிப்பு :

நாப்பை அழுத்தி அதிலிருந்து உங்கள் கையை நீங்கள் எடுக்கும்போது சுட்டிக்காட்டுதல்கள் (இண்டிகேசனைஸ்) மாறிவிடும்.

ஓடோமீட்டர் (Odometer)

வாகனம் சென்றுள்ள மொத்த தூரம் பற்றிய தகவல்களை ஓடோமீட்டர் பதிவு செய்கிறது.

அறிவிப்பு

ஓடோமீட்டர் காட்டும் எண்ணைப் பொறுத்து வாகனப் பராமரிப்புப் பணிகளைத் திட்டமிட்டு, தேவைப்படும் சர்வீஸ்களைச் செய்து கொள்ள வேண்டும்.

மைலேஜின் அடிப்படையில் தேவையான சர்வீஸ்களை அவ்வப்போது செய்யாமல் இருந்தால் குறிப்பிட்ட சில பாகங்கள் தேய்ந்து அல்லது சேதமடைந்து விடும்.

டிரிப் மீட்டர் (Trip meter)

குறைந்த தூரமுடைய பயணங்களுக்கு எவ்வளவு தூரம் பயணம், எரிபொருள் நிரப்பப்படும் வரை வாகனம் எவ்வளவு தூரம் பயணித்தது என்பவை டிரிப் மீட்டர் மூலம் தெரிந்து விடும். டிரிப் மீட்டர் 'A' அல்லது 'B' இரண்டையும் தனித்தனியே பயன்படுத்திக் கொள்ளலாம்.

டிரிப் மீட்டரில் ஜீரோவைத் தேர்ந்தெடுத்து டிரிப் மீட்டர் செலக்டர் நாப்பைச் (trip meter selector knob) (1) சற்று நேரம் அழுத்திப் பிடித்தால் டிஸ்பிளேயில் டிரிப் மீட்டரின் அளவுகள் தெரியும்.

குறிப்பு :

டிரிப் மீட்டரில் காட்டப்படும் அதிகபட்ச அளவு 9999.9 ஆகும் அதிகபட்ச அளவை உங்களது வாகனம் தாண்டி

விட்டால், டிரிப் மீட்டர் ரீடிங் மறுபடியும் 0.0 என்றதான் காட்டும்.

கடிகாரம்

டிஸ்பிளேயில் எப்போதும் நேரம் காட்டப்படும்.

டைம் இண்டிகேசனை மாற்ற வேண்டுமென்றால்:

- 1) நிமிடத்திற்கான இண்டிகேஷன் ஒளிரும் வரை டிரிப் மீட்டர் செலக்டர் நாப்பை (trip meter selector knob) (1) அழுத்திப் பிடிக்கவும்.
- 2) நிமிடத்திற்கான இண்டிகேஷனை மாற்றுவதற்கு டிரிப் மீட்டர் செலக்டர் நாப்பைச் (trip meter selector knob) (1) மீண்டும் மீண்டும் அழுத்தினால் நிமிட இண்டிகேஷன் சிமிட்ட ஆரம்பிக்கும். நிமிடத்திற்கான இண்டிகேஷன் துரிதமாக மாற்றுவதற்கு டிரிப் மீட்டர் செலக்டர் நாப்பைச் (trip meter selector knob) (1) அழுத்திப் பிடிக்கவும். நிமிடத்திற்கான இண்டிகேஷனை சரியான நிலையில் வைப்பதற்கு மணிநேரத்திற்கான இண்டிகேஷன் சிமிட்ட ஆரம்பித்து ஐந்து நொடி வரை காத்திருக்கவும்.
- 3) மணிநேர இண்டிகேஷனை மாற்ற, டிரிப் மீட்டர் செலக்டர் நாப்பைச் (trip meter selector knob) (1) நிமிட இண்டிகேஷன் சிமிட்ட ஆரம்பிக்கும்

வரை அழுத்திப்பிடிக்கவும். ஐந்து நொடிகள் வரை காத்திருந்தால் மணிநேர இண்டிகேஷன் சிமிட்டத் தொடங்கும். மணிநேர இண்டிகேஷனை மாற்றுவதற்கு டிரிப் மீட்டர் செலக்டர் நாப்பைச் (trip meter selector knob) (1) துரிதமாக அழுத்திப் பிடிக்கவும். மணிநேர இண்டிகேஷனை செட் செய்வதற்கு 5 நொடிகள் வரை காத்திருக்கவும்.

▲ எச்சரிக்கை

வாகனம் செலுத்தும்போது டிஸ்பிளேயை அட்ஜஸ்ட் செய்ய முயற்சித்தால், ஒருவேளை வாகனக் கட்டுப்பாட்டை நீங்கள் இழக்கக்கூடும்.

குறிப்பு :

நெகட்டிவ் (-) டெர்மினலை பேட்டரியுடன் மீண்டும் இணைக்கும்போது கடிகாரத்திற்கான இண்டிகேஷன் மீண்டும் செட் செய்யப்படும். இண்டிகேஷனை உங்களது தேவைக்கேற்ப மாற்றி அமைத்துக் கொள்ளவும்.

பிரைட்னெஸ் கண்ட்ரோல் (Brightness control)

பொஸிஷன் லைட்டுகள் மற்றும்/ அல்லது ஹெட்லைட்டுகள் “ஆன்” நிலையில் இருக்கும்போதுதான் உங்களால் மீட்டரின் ஒளிரும் வேகத்தைக் கண்ட்ரோல் செய்ய முடியும்.

டிரிப் மீட்டர் செலக்டர் நாப்பைச் (trip meter selector knob) (1) அழுத்திப் பிடித்து இன்ஸ்ட்ருமெண்ட் பேனல் லைட்களின் வெளிச்சத்தை மாற்றலாம்.

▲ எச்சரிக்கை

வாகனம் செலுத்தும்போது டிஸ்பிளேயை அட்ஜஸ்ட் செய்ய முயற்சித்தால், ஒருவேளை வாகனக் கட்டுப்பாட்டை நீங்கள் இழக்கக்கூடும். வாகனம்

செலுத்தும்போது டிஸ்பிளேயை அட்ஜஸ்ட் செய்யும் முயற்சியில் ஈடுபடாதீர்கள்.

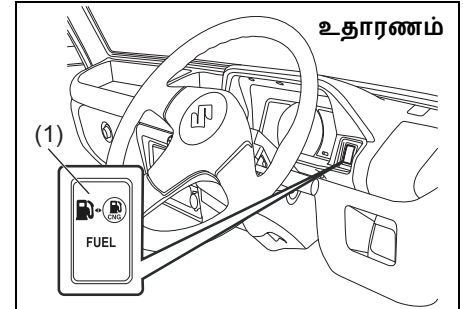
குறிப்பு :

• பிரைட்னெஸ் கண்ட்ரோல் டிஸ்பிளேயை இயக்கிய 10 நொடிகளுக்குள் டிரிப் மீட்டர் செலக்டர் நாப்பைச் (trip meter selector knob) அழுத்தாவிட்டால், அத்திரை தானாகவே உடனடியாக மறைந்து போய்விடும்.

• பேட்டரியுடன் மீண்டும் இணைக்கப்படும்போது இன்ஸ்ட்ருமெண்ட் பேனல் லைட்டுகளின் வெளிச்சம் மீண்டும் செட் செய்யப்படுகிறது. உங்களது தேவைக்கேற்ப பிரைட்னெஸை அட்ஜஸ்ட் செய்து கொள்ளவும்.

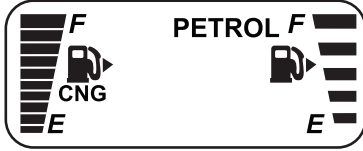
சி.என்.ஜி. மாடலுக்கான பியூயல் மோடுகள் (கருவி பொருத்தப்பட்டிருந்தால்)

வாகனத்தில் பெட்ரோல், ஆட்டோ மற்றும் போர்ஸ்டு சி.என்.ஜி. மோடுகள் உள்ளன. ஸ்டீயரிங் வீலுக்கு வலதுபுறம் டாஷ்போர்டில் உள்ள செலக்டர் சவிட்ச் (selector switch) (1) ஐ அழுத்தி இதை நாம் தேர்ந்தெடுக்கலாம்.



பெட்ரோல் மோடு

உதாரணம்



77PM02002

இந்த மோடில் வாகனம் பெட்ரோலில் ஓட ஆரம்பித்து பெட்ரோலிலேயே இயங்குகிறது. இதில் பெட்ரோல் இண்டிகேட்டர் தொடர்ந்து வேலை செய்ய, சி.என்.ஜி. இண்டிகேட்டர் 'ஆஃப்' என்ற நிலையில் இருக்கும்.

ஆட்டோ மோடு

உதாரணம்



77PM02003

இந்த மோடில் என்ஜின், பெட்ரோலில் ஓட ஆரம்பித்து ஏற்கனவே அமைக்கப்பட்டுள்ள வார்ப்பிங்-அப் (warming up) நிலையை அடைந்ததும் தானாகவே சி.என்.ஜி. க்கு செல்லும். இக்னிஷன் சுவிட்ச் 'ஆன்' ஆக இருக்க,

வாகனம் 'ஆட்டோ மோடில்' (AUTO MODE) ஆரம்பிக்கும்; சி.என்.ஜி. இண்டிகேட்டர் டிஸ்ப்ளேயில் ஒளிர, பெட்ரோல் இண்டிகேட்டரும் தெரிகிறது. சி.என்.ஜி. மாடலுக்கு மாறியதும் சி.என்.ஜி.-யை காட்டும் இண்டிகேட்டர் ஒளிர, பெட்ரோல் இண்டிகேட்டர் தானாகவே 'ஆப்' ஆகிவிடும்.

குறிப்பு :

- வாகனத்தை 'ஆட்டோ மோடில்' (AUTO MODE) (அ) 'பெட்ரோல் மோடில்' (PETROL MODE) ஸ்டார்ட் செய்தால் என்ஜின் ஆயுட்காலம் சீராக இருக்கும் என பரிந்துரைக்கப்படுகிறது.
- இயல்பானஎன்ஜின் வெப்பநிலை 0°C-க்கும் குறைவாக இருக்கும்போது வாகனம் சி.என்.ஜி. எரிபொருளுக்கு மாறுவது நடவாது. அவ்வாறு நிகழ்ந்தால், 'பெட்ரோல் மோடில்' என்ஜினை தூடாகும் வரை இயக்கி பின்னர் என்ஜினை மீண்டும் ஸ்டார்ட் செய்து சி.என்.ஜி. மாடலுக்கு மாறவும்.

::போர்ஸ்ட் சி.என்.ஜி. மோடு (Forced CNG Mode)

உதாரணம்



77PM02004

இது எம்ர்ஜென்சி மோடு; வண்டியில் பெட்ரோல் காலியாகும்நிலையில் இந்நிலையைப் பயன் படுத்தலாம். இதில் வண்டி சி.என்.ஜி. மோடில் ஸ்டார்ட் ஆகி அதிலேயே ஓடும். இக்னிஷன் 'ஆன்' நிலையில் இருக்க என்ஜின் ஓடாமல் இருந்தால், சி.என்.ஜி. இண்டிகேட்டர் வரும் வரை சேஞ்சுஓவர் சுவிட்சை அழுத்தி பிடிக்கவும். இந்த மோடில் சி.என்.ஜி. இண்டிகேட்டர் ஒளிர, பெட்ரோல் இண்டிகேட்டர் 'ஆஃப்' நிலையில் இருக்கும்.

குறிப்பு :

- பெட்ரோல் டேங்கில் கணிசமான அளவு பெட்ரோலை வைத்திருக்குமாறு உங்களுக்கு பரிந்துரை செய்யப்படுகிறது.
- இயல்பானஎன்ஜின் வெப்பநிலை 0°C-க்கும் குறைவாக இருந்தால் '::போர்ஸ்ட் சி.என்.ஜி.' மோடில்

வண்டி ஸ்டார்ட் ஆகாது. வண்டியை 'ஆட்டோ மோடில் ஸ்டார்ட் செய்யுமாறு பரிந்துரைக்கப்படுகிறது.

சி.என்.ஜி. மோடிலிருந்து பெட்ரோல் மோடுக்கு ஆட்டோமெட்டிக் சேஞ்ச்ஓவர் (Automatic Changeover)

என்ஜின் ஓடும்போதே சி.என்.ஜி. தீர்ந்துவிட்டால் வண்டி தானாகவே சி.என்.ஜி. மோடிலிருந்து பெட்ரோல் மோடுக்கு மாறும்; சி.என்.ஜி. வேலை செய்யவில்லை என்ற வார்னிங் லைட்ம் ஒளிர ஆரம்பிக்கும். சி.என்.ஜி. இண்டிகேட்டர் தானாக 'ஆப்' ஆகிவிட பெட்ரோல் இண்டிகேட்டர் தொடர்ந்து ஒளிர்ந்து கொண்டிருக்கும்.

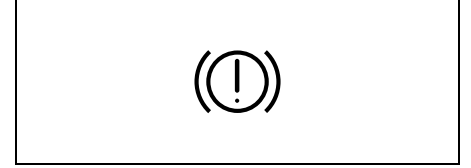
இத்தகவலைப் பெற்ற அடையாளமாக, சேஞ்ச்ஓவர் சுவிட்சை ஒருமுறை அழுத்தவும். சேஞ்ச் ஓவர் சுவிட்சை அழுத்தியதும் சி.என்.ஜி. வேலை செய்யாததை எச்சரிக்கும் லைட் ஒளிர ஆரம்பிக்கும்; பெட்ரோல் இண்டிகேட்டர் தொடர்ந்து ஒளிர்ந்து கொண்டிருக்கும். ஒவ்வொரு இக்னிஷன் ஆன் - ஆஃப் நிலையில் இருந்து சி.என்.ஜி. ரீ:பில் ஆகும் வரை சி.என்.ஜி. மால்:பன்சூன் இண்டிகேட்டர் லைட் ஒளிரும். சி.என்.ஜி. ரீ:பில் ஆகிவிட்டால், ஃப்யூயல் சேஞ்ச்ஓவர் சுவிட்சை அழுத்தி சி.என்.ஜி. க்கு மாற்றவும்.

பின்பு வாகனம் சி.என்.ஜி. நிலையில் செல்லும்.

குறிப்பு :

- பெட்ரோல் டேங்கில் கணிசமான அளவு பெட்ரோலை வைத்திருக்குமாறு பரிந்துரை செய்யப்படுகிறது; இதனால் என்ஜின் நின்று விடுவது தடுக்கப்படுவதுடன் சி.என்.ஜி. மோடில் இருந்து பெட்ரோல் மோடுக்கு தானாகவே சேஞ்ச்ஓவர் நிகழும்.
- சேஞ்ச்ஓவர் சுவிட்சை அழுத்திய பின்பும் சி.என்.ஜி. வேலை செய்யாமல் எச்சரிக்கும் லைட் ஒளிர்ந்துக் கொண்டே இருந்தால், வண்டியை அருகில் உள்ள மாருதி சுகுகி கமர்ஷியல் ஓர்சூடாப்பில் சென்று சோதிக்கவும்.

வார்னிங் மற்றும் இண்டிகேட்டர் லைட்கள் ப்ரேக் சிஸ்டம் வார்னிங் லைட்



82K170

வாகனத்தின் தன்மையைப் பொறுத்து நான்கு வகையான செயல்பாடுகள் உள்ளன.

- 1) இக்னிஷன் சுவிட்ச் "ஆன்" நிலைக்கு திருப்பும்போது சிறிது நேரம் லைட் ஒளிரும்.
- 2) இக்னிஷன் சுவிட்ச் "ஆன்" பொஸிஷனில் இருக்கும்போது பார்சிக் ப்ரேக் பயன்படுத்தப்பட்டால் லைட் எரிய ஆரம்பிக்கும்.
- 3) மேற்சொன்ன ஒன்று அல்லது இரண்டும் நிகழும்போதும் லைட் எரிய ஆரம்பிக்கும்.
- 4) ப்ரேக் ப்ளூயிட் ரிசர்வாயரின் திரவம் குறிப்பிட்ட ஒரு மட்டத்திற்குக் கீழே குறையும்போதும் லைட் எரிய ஆரம்பிக்கிறது

என்ஜினை இயக்கி பார்கிங் ப்ரேக்கை அழுத்தியதும் ப்ரேக் ப்ளூயிட் ரிசர்வாயரில் திரவம் போதுமான அளவில் இருந்தால் லைட் உடனடியாக அணைந்துவிட வேண்டும்.

வாகனத்தை ஓட்டும்போதே ப்ரேக் சிஸ்டம் வார்னிங் லைட் எரிய ஆரம்பித்தால், ப்ரேக் சிஸ்டத்தில் பெரிய பிரச்சினை இருக்கிறது என்று அர்த்தம். அவ்வாறு நிகழ்ந்தால், நீங்கள் செய்ய வேண்டியவை:

- 1) சாலையின் ஓரத்தில் வாகனத்தைக் கவனமாக நிறுத்தி வைக்கவும்

▲ எச்சரிக்கை

ஸ்டாப்பிங் தூரம் அதிகமாக இருந்து நீங்கள் பெடலை அதிக அழுத்தத்துடன் மிதித்தால் வழக்கத்தை விட கீழ் மட்டம் வரை பெடல் செல்லக்கூடும்.

- 2) சாலையின் ஒரு ஓரத்தில் வாகனத்தை நிறுத்தி வாகனத்தை சில முறை ஆன் மற்றும் ஆஃப் செய்து பரிசோதிக்கவும்.

- பாதுகாப்பானதுதான் என்று தோன்றினால், வாகனத்தைக் கவனமாக, குறைந்த வேகத்தில் செலுத்தி அருகாமையிலுள்ள டிரைலரிடம் சென்று பழுது பார்த்துக் கொள்ளவும், அல்லது

- அருகாமையிலுள்ள அங்கீகரிக்கப்பட்ட மாருதி சுகுகி கமர்ஷியல் டிரைலரிடம் வாகனத்தைக் கொண்டு சென்று பழுது பார்த்துக் கொள்ளவும்.

▲ எச்சரிக்கை

பின்வரும் நிகழ்வுகளின் ஏதாவது நேரிட்டால், உடனடியாக உங்களது அங்கீகரிக்கப்பட்ட மாருதி சுகுகி கமர்ஷியல் டிரைலரிடம் அணுகி ப்ரேக் சிஸ்டத்தைச் சோதித்துக் கொள்ளவும்.

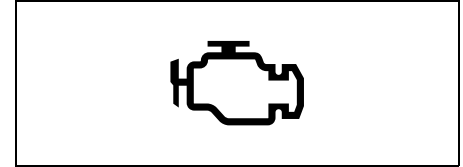
- என்ஜின் இயக்கப்பட்டு, பின்னர் பார்கிங் ப்ரேக் முழுவதுமாக விடப்பட்ட பின்னரும் ப்ரேக் சிஸ்டம் வார்னிங் லைட் அணையாமல் இருந்தால்
- இக்னிஷன் சவிட்ச் “ஆன்” பொஸிஷனில் வைக்கப்பட்ட பின்னரும் ப்ரேக் சிஸ்டம் வார்னிங் லைட் எரியவில்லை என்றால்;
- வாகனம் ஓட்டும்போது எந்த நிலையிலாவது ப்ரேக் சிஸ்டம் வார்னிங் லைட் எரிய ஆரம்பித்தால்;

குறிப்பு :

ப்ரேக் சிஸ்டம் தானாகவே அட்ஜஸ்ட் செய்து கொள்ளக் கூடியது என்பதால் ப்ரேக் பேடுகள் சேதமடைந்தால் திரவத்தின் மட்டம் குறைந்து விடும். ப்ரேக் ப்ளூயிட் ரிசர்வாயரில்

திரவத்தை மீண்டும் நிரப்புவது சாதாரண பராமரிப்புப் பணிகளுள் ஒன்றாகக் கருதப்படுகிறது

மால்ஃபங்ஷன் இண்டிகேட்டர் லைட் (Malfunction Indicator Light)



63J031

கம்ப்யூட்டரால் கட்டுப்படுத்தப்படும் எமிஷன் கண்ட்ரோல் சிஸ்டம் உங்களது வாகனத்திற்குள் பொருத்தப் பட்டுள்ளது. இன்ஸ்ட்ரூமெண்ட் பேனலில் எமிஷன் கண்ட்ரோல் சிஸ்டத்தை சர்வீசுக்கு விட வேண்டியதை நினைவூட்ட ஒரு மால்ஃபங்ஷன் இண்டிகேட்டர் லைட் தரப்பட்டுள்ளது. இக்னிஷன் சவிட்ச் “ஆன்” (ஆன்) நிலைக்குத் திருப்பப்படும்போது மால்ஃபங்ஷன் இண்டிகேட்டர் லைட் எரிய ஆரம்பிக்கும்; என்ஜின் இயங்கும்போது லைட் அணைந்து விடும். இதனால் லைட் வேலை செய்வதை நீங்கள் உறுதி செய்து கொள்ளலாம்.

என்ஜின் இயங்கும்போது மால்ஃபங்ஷன் இண்டிகேட்டர் லைட்

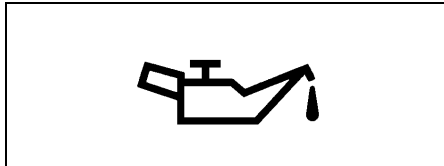
ஓட்டுவதற்கு முன்பு

எரிய ஆரம்பித்தால், வாகனத்தின் எமிஷன் கண்ட்ரோல் சிஸ்டத்தில் பிரச்சினை இருக்கிறதென அர்த்தம். வாகனத்தை அருகிலுள்ள அங்கீகரிக்கப்பட்ட மாருதி சுகுகி கமர்ஷியல் டீலரிடம் எடுத்துச் சென்று சேதத்தைச் சரிசெய்து கொள்ளவும்.

அறிவிப்பு

மால்.பங்ஷன் இண்டிகேட்டர் லைட் எரிகையில் தொடர்ந்து வாகனத்தைச் செலுத்தினால் வாகனத்தின் மாசு கட்டுப்பாட்டுக் கட்டமைப்பு நிரந்தரமாகப் பாதிக்கப்படலாம்; இதனால் எரிபொருள் சிக்கனமும் ஓட்டும் திறனும் கூட பாதிப்புக்குள்ளாகலாம்.

ஆயில் பிரஷர் லைட்



50G051

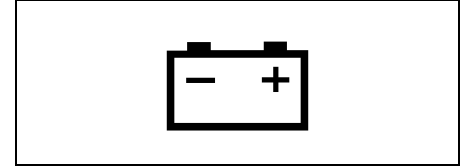
இக்னிஷன் சுவிட்ச் “ஆன்” நிலைக்குத் திருப்பப்படும்போது “ஆன்” செய்யப்படும் இந்த லைட், என்ஜின் இயங்க ஆரம்பிக்கும்போது அணைந்து விடுகிறது. போதுமான ஆயில் பிரஷர்

இல்லாதபோது எரிய ஆரம்பிக்கும் லைட் அப்படியே நிலைத்து நின்று விடும். வாகனம் ஓடுகையில் லைட் எரிய ஆரம்பித்தால் முடிந்தவரை சீக்கிரம் சாலையின் ஒரு ஓரத்தில் வாகனத்தை நிறுத்தி என்ஜினை முழுவதுமாக அணைத்து விடவும். ஆயில் மட்டத்தைச் சோதித்து, தேவையானால் பரிந்துரைக்கப்பட்ட என்ஜின் ஆயிலையே எப்போதும் சேர்க்கவும். ஆயில் போதுமான அளவு இருந்தால், மீண்டும் வாகனத்தைச் செலுத்த ஆரம்பிப்பதற்கு முன் அதன் லூபரிகேஷன் சிஸ்டத்தை உங்களது அங்கீகரிக்கப்பட்ட மாருதி சுகுகி கமர்ஷியல் டீலர் மூலம் ஆய்வு செய்து கொள்ளவும்.

அறிவிப்பு

- இந்த லைட் எரியும்போது என்ஜினை இயக்கினால் என்ஜின் மோசமான அளவில் சேதமடையலாம்.
- ஆயில்தேவையைப் பற்றித் தெரிந்து கொள்ள ஆயில் பிரஷர் லைட்டை மட்டுமே நம்பி இருக்காதீர்கள். என்ஜின் ஆயில் மட்டத்தை அவ்வப்போது சோதிக்க மறக்காதீர்கள்.

சார்ஜிங் லைட்



50G052

இக்னிஷன் சுவிட்ச் “ஆன்” நிலைக்குத் திருப்பப்படும்போது “ஆன்” செய்யப்படும் இந்த லைட், என்ஜின் இயங்க ஆரம்பிக்கும்போது அணைந்து விடுகிறது. பேட்டரி சார்ஜிங் சிஸ்டத்தில் கோளாறு எதுவும் இருந்தால் லைட் எரிய ஆரம்பித்து நிலைத்து நின்று விடும். என்ஜின் ஓட்டும்போது லைட் எரிய ஆரம்பித்தால் அங்கீகரிக்கப்பட்ட மாருதி சுகுகி கமர்ஷியல் டீலரிடம் சென்று சார்ஜிங் சிஸ்டத்தை உடனடியாக சோதிக்கவும்.

டிரைவர் சீட் பெல்ட்
எச்சரிக்கை லைட் /
முன்பக்கப் பயணி சீட் பெல்ட்
வார்னிங் லைட்

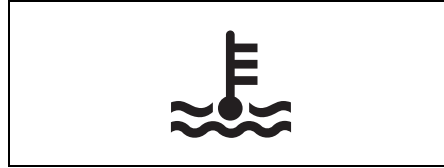


60G049

டிரைவர் அல்லது முன்பக்க சீட்
பயணி, தன் சீட் பெல்டை
அணியாவிட்டால், லைட் ஒளிரும்.

சீட் பெல்ட் ரிமைண்டர்
விவரங்களுக்கு, "சீட் பெல்ட் மற்றும்
சைல்டு ரீஸ்ட்ரெயின்ட் சிஸ்டம்" (Seat
Belts and Child Restraint Systems)ஐப்
பார்க்கவும்.

ஹை என்ஜின் கூலண்ட்
டெம்பரேச்சர் வார்னிங் லைட்
(சிவப்பு நிறம்)



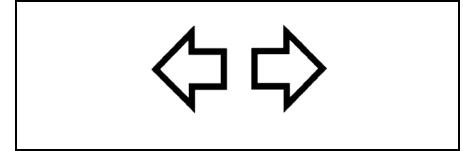
54G344

இக்னிஷன் சுவிட்ச் "ஆன்" நிலைக்குத்
திருப்பப்படும்போது லைட் வேலை
செய்வது உங்களுக்குத் தெரிய
வேண்டுமென்பதற்காகச் சிறிது நேரம்
எரிந்து அணைந்து விடும். வாகனம்
ஓட்டும்போது லைட் ஒளிர்ந்தால்
என்ஜின் அதிகம் சூடாகி விட்டதென
அர்த்தம். என்ஜின் அதிகம் சூடாகும்
தட்பவெப்ப நிலைக் காலத்தில்
வாகனம் ஓட்டுவதைத் தவிர்க்கவும்.
லைட் சிமிட்டாமல் எரிந்தால் என்ஜின்
அதிகம் சூடாகிக் கொண்டிருக்கிறது
என்று அர்த்தம். "எமர்ஜென்ஸி சர்வீஸ்"
பிரிவில் "என்ஜின் அதிக
சூடாகும்போது" என்ற தலைப்பின்
கீழுள்ள குறிப்புக்களைப் படித்துப்
பின்பற்றவும்.

அறிவிப்பு

என்ஜின் சூடாகும்போது தொடர்ந்து
வாகனத்தை ஓட்டினால் என்ஜின்
மிக மோசமான பாதிப்பை
எதிர்கொள்ள நேரிடும்.

டர்ன் சிக்னல்
இண்டிகேட்டர்ஸ் (Turn Signal
Indicators)



50G055

இடது அல்லது வலப்புற டர்ன்
சிக்னல்களை ஆன் செய்யும்போது
இன்ஸ்ட்ருமெண்ட் பேனலில்
அதற்கேற்ற பச்சை அம்பு அதற்குரிய
டர்ன் சிக்னல் விளக்குகளுடன்
ஒளிரும். ஹஸார்ட் வார்னிங்
சுவிட்சை ஆன் செய்தால் இரு
அம்புகளும் அனைத்து டர்ன் சிக்னல்
விளக்குகளுடன் சேர்ந்து ஒளிரும்.

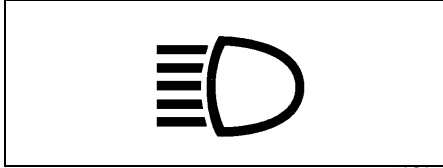
குறிப்பு :

வேகமாக ஒளிர்ந்தல் போன்ற டர்ன்
சிக்னல்களில் ஏதேனும் பாதிப்புகள்
காணப்பட்டால், டர்ன் சிக்னல்
சிஸ்டத்தில் செயலிழப்பு இருக்கலாம்.
சிஸ்டத்தை ஆய்வு செய்ய உங்கள்

ஓட்டுவதற்கு முன்பு

அங்கீகரிக்கப்பட்ட மாருதி சுகுகி
அங்கீகரிக்கப்பட்ட ஓர்சூடாப்பில்
கேளுங்கள்.

**மெயின் பீம் (ஹை பீம்)
இண்டிகேட்டர் லைட் (Main
Beam (high beam) Indicator
Light)**



50G056

மெயின் பீம் (ஹை பீம்) ஆன்
ஆகும்போது இந்த இண்டிகேட்டர்
ஒளிர ஆரம்பிக்கும்.

**இம்மொபிலைசர் சிஸ்டம்
வார்னிங் லைட் (Immobilizer
system warning light)**

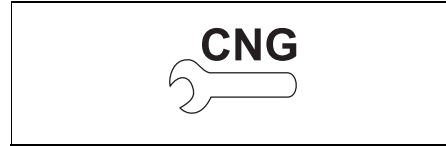


65D239

இக்னிஷன் சவிட்ச் "ஆன்" நிலைக்குத்
திரும்பும்போது, லைட் செயல்படுவதை

உங்களுக்குத் தெரியப்படுத்த இந்த
லைட் ஒளிரும். இக்னிஷன் சவிட்ச்
"ஆன்" ஆக மாறியவுடன் இந்த லைட்
ஒளிர்ந்தது என்றால், இம்மொபிலைசர்
அமைப்பில் ஏதேனும் தவறு
இருக்கலாம். சிஸ்டத்தை ஆய்வு
செய்ய மாருதி சுகுகி
அங்கீகரிக்கப்பட்ட ஓர்சூடாப்பில்
கேளுங்கள்

**சி.என்.ஜி. மால்:பங்ஷன்
வார்னிங் லைட் (CNG
Malfunction Warning Light)
(கருவி
பொருத்தப்பட்டிருந்தால்)**



77PMC015

இக்னிஷன் சவிட்ச் 'ஆன்' ஆகும்போது
சி.என்.ஜி. பழுதை எச்சரிக்கும் லைட்
எரியும்; இதனால் சி.என்.ஜி. பழுதை
எச்சரிக்கும் லைட் நன்கு எரிவதைப்
பரிசோதிக்கலாம்.

• சி.என்.ஜி. பழுதை எச்சரிக்கும் லைட்
தொடர்ந்து எரிந்தால் இக்னிஷன்
'ஆன்' ஆக இருக்கையில் சி.என்.ஜி.
அமைப்பில் பிரச்சினை உள்ளது
என்பது தெரியவருகிறது. உடனே

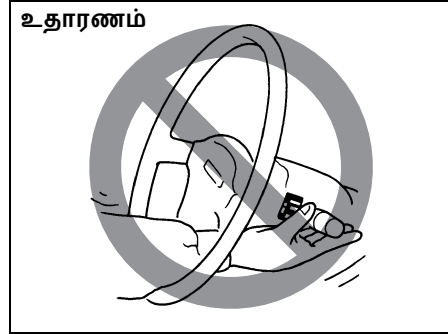
அருகில் உள்ள அங்கீகரிக்கப்பட்ட
மாருதி சுகுகி கமர்ஷியல்
வொர்சூடாப்பில் சென்று வண்டியைச்
சோதிக்கவும்

- என்ஜின் ஓடும்போது சி.என்.ஜி.
பழுதை எச்சரிக்கும் லைட்
ஒளிர்ந்தால், சி.என்.ஜி.யில்
பிரச்சனை உள்ளதென்றும்
அந்நிலையில் வாகனம் அதிகநேரம்
ஓடாதென்றும் அர்த்தம்; வாகனம்
அப்போது தானாகவே பெட்ரோல்
மாடலுக்கு மாறிவிடும். அருகில்
உள்ள அங்கீகரிக்கப்பட்ட மாருதி
சுகுகி கமர்ஷியல் வொர்சூடாப்பில்
சென்று வாகனத்தைச் சோதிக்கவும்.

குறிப்பு :

இக்னிஷன் சவிட்ச் 'ஆன்' ஆக இருந்து
என்ஜின் ஓடாவிடில், சி.என்.ஜி. லைட்
ஒளிர்வது பெட்ரோல் மூடி
திறந்துள்ளதையே குறிக்கும்.
இந்நிலையில் வாகனம் ஸ்டார்ட்
ஆகாது. மூடியை மூடிவிட்டு
வாகனத்தை மீண்டும் ஸ்டார்ட்
செய்யவும்.

லைட்டிங் கண்ட்ரோல் லீவர்

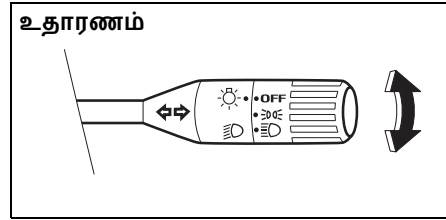


எச்சரிக்கை

காயங்கள் சாத்தியங்களைத் ஸ்டீயரிங் வீல் கட்டுப்பாடுகளை வேண்டாம்.

ஏற்படும் தவிர்க்க, வழியாக இயக்க

லைட்டிங் செயல்பாடு



லீவரின் முனையில் உள்ள பட்டனைத் திருப்பி லைட்களை "ஆன்" அல்லது "ஆஃப்" செய்யலாம். மூன்று பொஸிஷன்கள் பின்வருமாறு:

ஆஃப் பொஸிஷன்

அனைத்து லைட்களும் அணைந்து விட்டன.

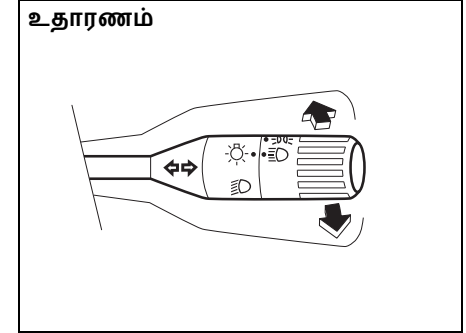
☹

முன்புற பொஸிஷன் லைட்டுகள், டெயில் லைட்டுகள், லைசென்ஸ் ப்ளேட் லைட்டுகள் மற்றும் இன்ஸ்ட்ருமெண்ட் லைட்டுகள், 'ஆன்' ஆகியுள்ளன; ஹெட்லைட்டுகள் 'ஆஃப்' ஆகி விட்டன.

☹

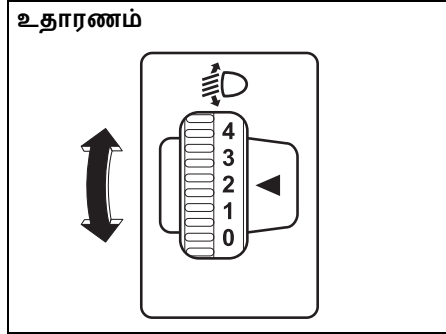
முன்புற பொஸிஷன் லைட்டுகள், டெயில் லைட்டுகள், லைசென்ஸ் ப்ளேட் லைட்டுகள், இன்ஸ்ட்ருமெண்ட்

லைட்டுகள் மற்றும் ஹெட்லைட்டுகள் ஆகிவை 'ஆன்' ஆகியுள்ளன.



ஹெட்லைட்டுகள் 'ஆன்' ஆகியுள்ளபோது, லீவரை முன்புறம் தள்ளி விட்டு ஹைபீமுக்கு (மெயின் பீம்) அல்லது லீவரை உங்கள் பக்கம் இழுத்து விட்டு லோபீமுக்கு மாறிக் கொள்ளவும். ஹைபீம்கள் (மெயின் பீம்கள்) 'ஆன்' செய்யப் பட்டால், மெயின் பீம் (ஹை பீம்) இன்ஸ்ட்ருமெண்ட் பேனலில் உள்ள இண்டிகேட்டர் லைட்டும் 'ஆன்' ஆகிவிடும். எஹைபீம்களைக் (மெயின் பீம்கள்) கடந்துசெல்லும் சிக்னல்களாக இயக்க, லீவரைச் சற்றே உங்களை நோக்கி இழுத்து, பின் நீங்கள் சிக்னலை முடித்த பின்பு அதை விடுவித்து விடவும்.

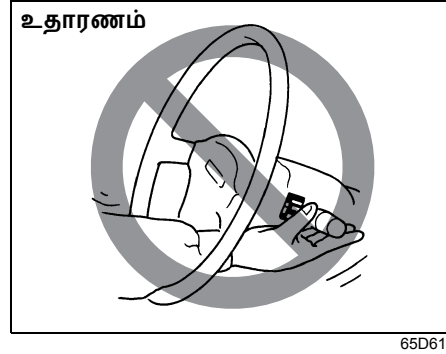
ஹெட்லைட் லெவலிங் சுவிட்ச்



இந்த சுவிட்சைத் திருப்புவதன் மூலம் வாகனத்தின் எடை நிலைக்கு ஏற்ப ஹெட்லைட் பீமை லெவல் செய்யலாம். பல்வேறு எடையுள்ள வாகனங்களின் லெவலுக்கு ஏற்ற பொருத்தமான சுவிட்ச் பொஸிஷன் பற்றிப் பின்வரும் அட்டவணை விவரமாகச் சொல்கிறது.

வாகன எடை நிலவரம்	சுவிட்ச் பொஸிஷன்
ஓட்டுநர் மட்டும்	0
ஓட்டுநர் + முழுச்சரக்கு	2

டர்ன் சிக்னல் கண்ட்ரோல் லீவர்

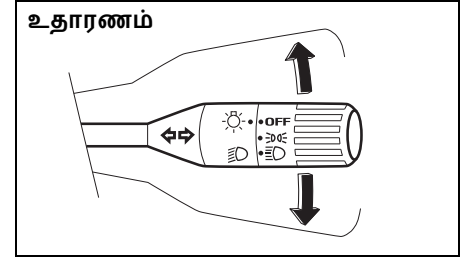


⚠ எச்சரிக்கை

காயங்கள்	ஏற்படும்
சாத்தியங்களைத்	தவிர்க்க,
ஸ்டீயரிங் வில்	வழியாகக்
கட்டுப்பாடுகளை	இயக்க
வேண்டாம்.	

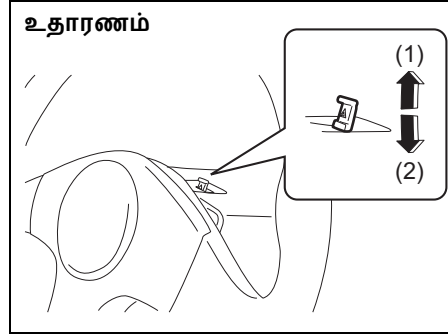
டர்ன் சிக்னல் ஆபரேஷன்

இக்னிஷன் சுவிட்ச் “ஆன்” பொஸிஷனில் இருக்கும்போது லீவரை மேலும் கீழுமாக இயக்கி வலது/இடது புறத்தில் அமைந்துள்ள டர்ன் சிக்னல்களைச் செயல்படுத்தவும்.



லீவரை மேல்நோக்கி அல்லது கீழ்நோக்கி நகர்த்தினால் சிக்னல் கிடைக்கின்றது. டர்ன் முடிந்ததும் சிக்னல் நீங்கி லீவர் தனது இயல்பான பொஸிஷனுக்கு திரும்பி விடும்.

ஹஸார்ட் வார்னிங் சுவிட்ச்

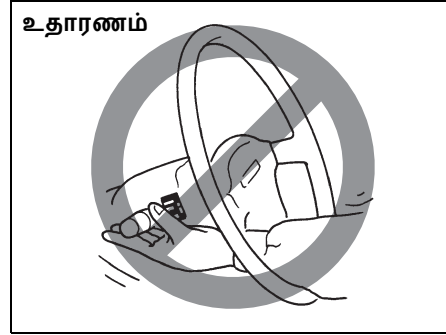


77PH028

- (1) ஆன்
- (2) ஆஃப்

ஹஸார்ட் வார்னிங் சுவிட்சை இழுத்து ஹஸார்ட் வார்னிங் லைட்டுகளை இயக்கவும். அனைத்து டர்ன் சிக்னல் லைட்டுகளும், இரண்டு டர்ன் சிக்னல் இண்டிகேட்டர்களும் ஒரே நேரத்தில் எரிய ஆரம்பிக்கும். லைட்டுகளை அணைக்க, சுவிட்சைக் கீழ்நோக்கி அழுத்தவும். எம்ர்ஜென்சி பार्கிங்கின்போது பிறருக்கு டிராஃபிக்கை பற்றி எச்சரிக்க ஹசார்ட் வார்னிங் லைட்டுகளை பயன்படுத்தவும் அல்லது உங்கள் வாகனமே டிராஃபிக் ஹசார்டாக மாறக்கூடும்.

விண்ட்ஷீல்டு வைப்பர் மற்றும் வாஷர் லிவர்



65D611

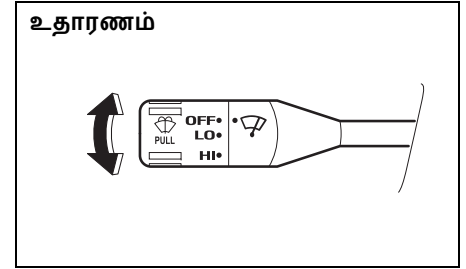
⚠ எச்சரிக்கை

<p>காயங்கள் சாத்தியங்களைத் ஸ்டீயரிங் வீல் கட்டுப்பாடுகளை வேண்டாம்.</p>	<p>ஏற்படும் தவிர்க்க, வழியாகக் கீழ்க்க</p>
---	---

வைப்பர் ஆபரேஷன்

இக்னிஷன் சுவிட்ச் “ஆன்” பொஸிஷனில் இருக்கும்போதுதான் உங்களால் வைப்பர் லீவரைப் பயன்படுத்த முடியும்.

விண்ட்ஷீல்டு வைப்பர்கள்

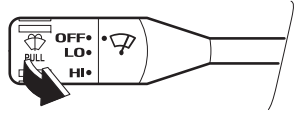


77PM02015

லீவரின் முனையிலுள்ள பட்டனைத் திருப்பி ஏதாவதொரு பொஸிஷனில் வைப்பதன் மூலம் விண்ட்ஷீல்டு வைப்பர்களை “ஆன்” செய்யலாம். “LO” பொஸிஷனில் வைப்பர்கள் குறைந்த வேகத்தில் சீராகச் செயல்படும். “HI” பொஸிஷனில் வைப்பர்கள் உயர் வேகத்தில் சீராகச் செயல்படும். லீவரைப் பின்புறம் திருப்பி “ஆஃப்” பொஸிஷனில் வைப்பதன் மூலம் வைப்பர்களை “ஆஃப்” செய்யலாம்.

வினட்ஷீல்டு வாஷர்

உதாரணம்



77PM02016

வினட்ஷீல்டு வாஷர் திரவத்தைத் தெளிக்க, லிவரை உங்கள் பக்கம் நோக்கி இழுக்கவும்.

⚠ எச்சரிக்கை

வினட்ஷீல்டு வாஷர் ரிசர்வாயரில், ரேடியேட்டர் ஆன்டிஃப்ரீஸைப் பயன்படுத்த வேண்டாம். அப்படி பயன்படுத்தினால் வினட்ஷீல்டில் அது தெளிக்கப்பட்டவுடன், பார்வைத் திறனைப் பாதிக்கும், மேலும் வாகனத்தின் பெயின்ட்டையும் சேதப்படுத்தும்.

அறிவிப்பு

வினட்ஷீல்டு வைப்பர் மற்றும் வாஷர் சிஸ்டம் கூறுகள் சேதமடைவதைத் தடுக்க, பின்வரும் முன்னெச்சரிக்கை நடவடிக்கைகளை எடுக்க வேண்டும்:

- வினட்ஷீல்டு வாஷர் திரவத்தை தெளிக்காமல் இருக்கும்போதும் அல்லது வாஷர் மோட்டார் சேதமடைந்திருக்கும்போதும் லிவரைத் தொடர்ந்து பிடித்துக் கொண்டிருக்கக்கூடாது.
- உலர்வான வினட்ஷீல்டில் உள்ள அழுக்கை வைப்பர்களைக் கொண்டு அகற்ற முயற்சிக்க வேண்டாம், அப்படிச் செய்தால் வினட்ஷீல்டும் வைப்பர் பிளேடுகளும் சேதமடையக்கூடும். வைப்பர்களை இயக்குவதற்கு முன்னர், வாஷர் திரவத்தைக் கொண்டு வினட்ஷீல்டை எப்போதும் ஈரப்படுத்த வேண்டும்.
- வைப்பர்களைப் பயன்படுத்துவதற்கு முன்பு, வைப்பர் பிளேடுகளில் உள்ள ஜஸ் அல்லது பனிக்கட்டிகளை அகற்ற வேண்டும்.

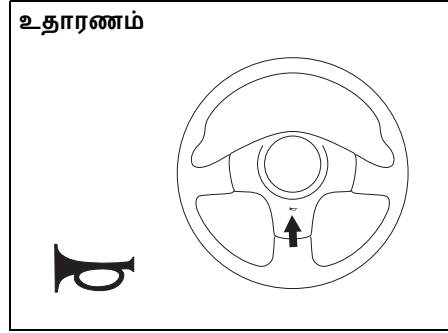
(தொடர்ச்சி)

அறிவிப்பு

(தொடர்ச்சி)

- தொடர்ந்து வாஷர் திரவ நிலையைச் சரிபார்க்க வேண்டும். வானிலை மோசமாக இருக்கும்போது அடிக்கடி சோதிக்கவும்.
- குளிர் காலங்களில் வாஷர் ப்ளூயிட் ரிசர்வாயரில் 3/4 பங்கு மட்டும் திரவத்தை நிரப்புங்கள். ஏனெனில் வெப்பநிலை மிகவும் குறையும்போது திரவம் உறைவதற்கு கொஞ்சம் இடம் தேவைப்படும்.

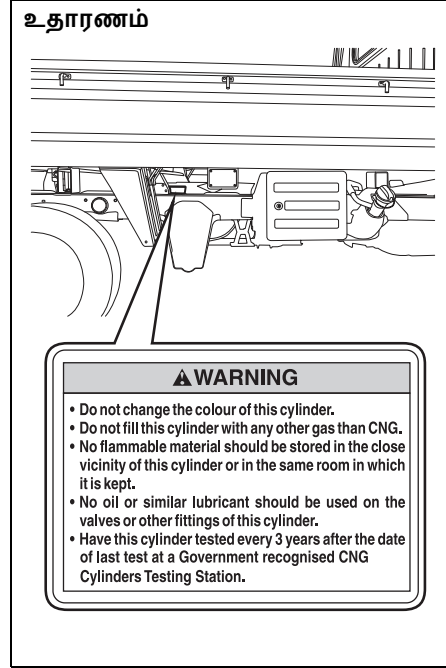
ஹாரன்



77PH029

ஸ்டீயரிங் வீலில் உள்ள பட்டனை அழுத்தி ஹாரனை ஒலிக்கச் செய்யவும். இக்னிஷன் சுவிட்ச் எந்த பொஸிஷனில் இருந்தாலும் ஹாரன் வேலை செய்யும்.

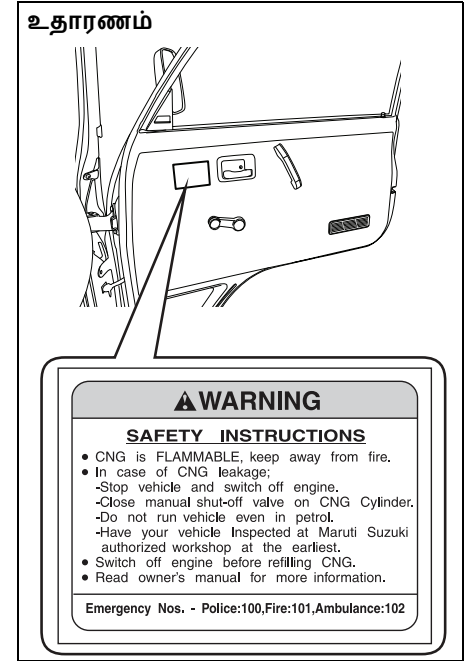
சி.என்.ஜி. சிலிண்டர் வார்னிங் லேபிள் (CNG Cylinder Warning Label) (கருவி பொருத்தப்பட்டிருந்தால்)



77PM02006

சி.என்.ஜி. சிலிண்டரில் இந்த லேபிளை நீங்கள் பார்க்கலாம்:

சி.என்.ஜி. வார்னிங் லேபிள் (கருவி பொருத்தப்பட்டிருந்தால்) முன்புற டிரைவர் டோர்



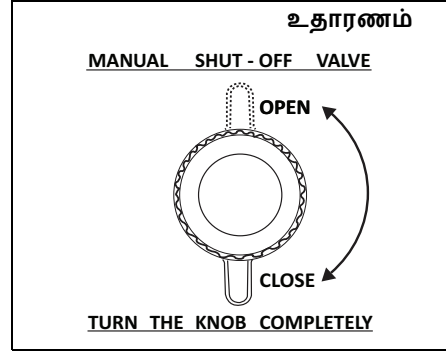
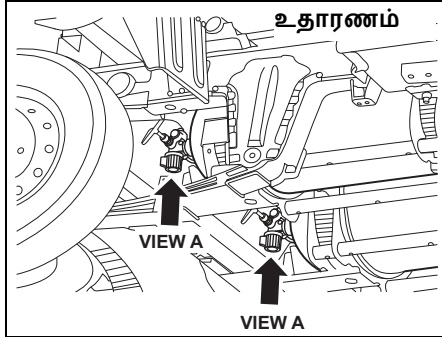
77PM02007

ஓட்டுவதற்கு முன்பு

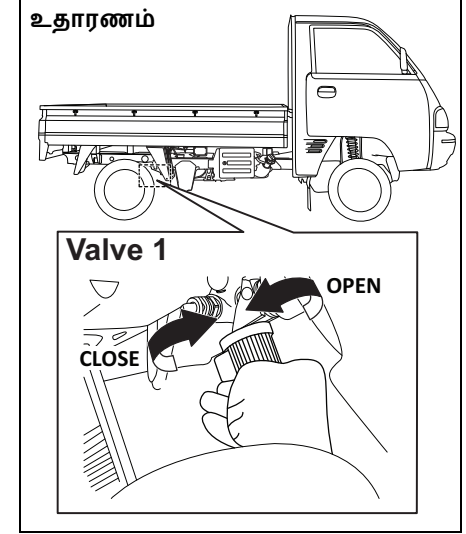
சி.என்.ஜி. வார்னிங் லேபிள் முன்புற வலது கதவில் அமைந்துள்ளது.

சி.என்.ஜி. மானுவல் ஷட்-ஆஃப் வால்வ் (CNG Manual Shut-OFF Valve)

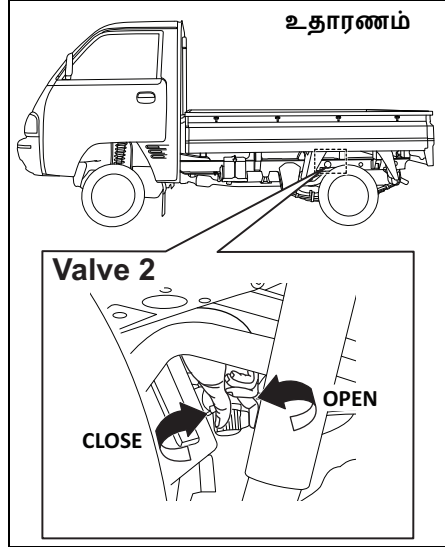
(கருவி பொருத்தப்பட்டிருந்தால்)



வலது கை பக்கம் (RHS)



இடது கை பக்கம் (LHS)



உதாரணம்

77PM02013

மானுவல் ஓட்ட வால்வானது வாகனத்தின் பாடி அடியில் உள்ள சி.என்.ஜி. சிலிண்டர் (CNG cylinders) மேல் அமைந்துள்ளது. தலா ஒரு மானுவல் ஓட்ட வால்வ் கொண்ட 2 சி.என்.ஜி. சிலிண்டர்கள் வாகனத்தின் பாடி அடியில் உள்ளன. மானுவல் ஓட்ட வால்வ் 1 மற்றும் வால்வ் 2 ஆகியவற்றை முறையே வாகனத்தின் வலப்புறமிருந்தும் இடப்புறமிருந்தும் அணுகலாம்.

சி.என்.ஜி. சிலிண்டர்களின் இரண்டிலும் உள்ள மானுவல் ஓட்ட வால்வை மூடுவதன் சி.என்.ஜி. சப்ளையை சுவிட்ச் ஆப் செய்யலாம்.

வால்வை மூடுதல்: நாப்பை வலது இடதாகத் திருப்பி (காட்சி A-யிலிருந்து) என்ஜினுக்கான சி.என்.ஜி. சப்ளையை மூடலாம்.

வால்வை திறத்தல்: நாப்பை இடது வலமாகத் திருப்பி (காட்சி A-யிலிருந்து) என்ஜினுக்கான சி.என்.ஜி. சப்ளையை திறக்கலாம்.

▲ கவனம்		
மானுவல் ஓட்ட வால்வ்2ஐ (இடதுபக்கம்) தொடும் போது உங்களது கைகள் எக்ஸாஸ்ட் பைப்பில் படாமல் கவனமாக இருக்கவும். வாகனத்தை அணைத்தபின் எக்ஸாஸ்ட் பைப் கையை எரித்து விடும் அளவுக்கு வெப்பத்துடன் இருக்கும்.		

குறிப்பு :

- மானுவல் ஓட்ட வால்வை முழுதும் திறக்காவிட்டால், என்ஜின் சரியாக ஓடாது.
- மானுவல் ஓட்ட வால்வ் மூடியிருந்தால் சி.என்.ஜி.யை சாத்தியமில்லை.

குறிப்பு :

- அரசு விதிமுறைப்படி, சி.என்.ஜி. சிலிண்டர் ஐடென்டிபிகேசன் பிளேட்டில் (CNG cylinder identification plate) குறிப்பிட்டுள்ளபடி சி.என்.ஜி. சிலிண்டர் (CNG cylinder) முதல் சோதனைக்குப்பின் 3 ஆண்டுகளுக்கு ஒருமுறை சோதிக்கப்பட்டு சான்றளிக்கப்பட வேண்டும்.
- அரசு அங்கீகாரம் பெற்ற சோதனை நிலையத்தில் வாடிக்கையாளர் வாகனத்தைச் சோதித்துக் கொள்ளலாம்.
- சிலிண்டரை சோதிக்கத் தவறினால் சி.என்.ஜி. டிஸ்பென்சிங் ஸ்டேசன்கள் சி.என்.ஜி.யை நிரப்ப மறுக்கும் (அ) அரசு அதிகாரிகள் வண்டியைக் கைப்பற்றக்கூடிய நிலையும் ஏற்படலாம்.
- சி.என்.ஜி. சிலிண்டர் (CNG cylinder) சோதனைக்கான எல்லா செலவுகளும் வாடிக்கையாளரையே சேரும்.
- அரசு விதிமுறைப்படி, சி.என்.ஜி. சிலிண்டர் ஐடென்டிபிகேசன் பிளேட்டில் (CNG cylinder identification plate) குறிப்பிட்டுள்ளபடி சி.என்.ஜி. சிலிண்டர் (CNG cylinder) முதலில் சோதிக்கப்பட்டு 20 ஆண்டுகளுக்குள் கழித்துக்கட்டப்பட வேண்டும்.

- அரசு அங்கீகாரம் பெற்ற ஸ்கிராப் ஏஜன்சி மூலம் வாடிக்கையாளர் சிலிண்டரைத் தன் செலவில் கழித்துக்கட்ட வேண்டும்.
- பழுதுகள் பற்றிய அறிக்கை, பழுதுபார்த்தவரின் சான்றிதழ், சோதித்தவரின் அறிக்கை ஆகியவை முக்கிய கண்காணிப்பாளருக்கு சமர்ப்பிக்கப்பட்டு மீண்டும் நிரப்புவதற்கு அவரது அனுமதியும் பெறப்பட்டாக வேண்டும். அதுவரை உபவிதி (2)-ன் கீழ் பழுது பார்க்கப்பட்ட எந்த சிலிண்டரையும் யாரும் எந்த வாயுவாலும் திரும்ப நிரப்பக்கூடாது.

▲ எச்சரிக்கை

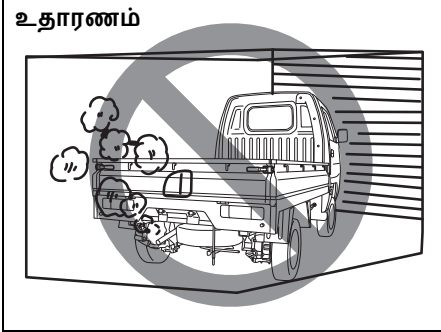
- சிலிண்டர் அசெம்பிளியிலிருந்து சிலிண்டர் வால்வை எப்போதும் அகற்றாதீர்கள். உதவி தேவைப்பட்டால் அருகிலுள்ள அங்கீகரிக்கப்பட்ட மாருதி சுசுகி கமர்ஷியல் ஒர்க்ஷாப்பை அணுகவும்.
- சிலிண்டரை சுத்தம் செய்ய முயற்சிக்காதீர்கள். ஏதேனும் சிக்கல் ஏற்பட்டால், அங்கீகரிக்கப்பட்ட மாருதி சுசுகிகமர்ஷியல் ஒர்க்ஷாப்பை தொடர்பு கொள்ளவும்.
- சிலிண்டர் அசெம்பிளியிலிருந்து அகற்றப்பட்ட (அ) ஒருமுறை மாற்றப்பட்ட சிலிண்டர் வால்வை மீண்டும் பயன்படுத்த வேண்டாம்.
- சிலிண்டரிலிருந்து என்ஜின் முழுதும் நிற்கும்வரை சி.என்.ஜி. பயன்படுத்தப்பட்டாலும் சில சி.என்.ஜி. துகள்கள் (அழுத்தம் காரணமாக) டேங்கில் மீதமிருக்கும் வாய்ப்புள்ளது.

உங்களது வாகனத்தை இயக்குதல்

எக்ஹாஸ்ட் கேஸ் எச்சரிக்கை).....	3-1
தினசரி ஆய்வுக்கான	
சோதனைப்பட்டியல் (செக்லிஸ்ட்).....	3-2
என்ஜின் ஆயில் நுகர்வு.....	3-3
இக்னிஷன் சுவிட்ச்	3-3
பார்கிங் ப்ரேக் லீவர்.....	3-5
பெடல்.....	3-6
என்ஜினை ஸ்டார்ட் செய்தல்.....	3-7
டிரான்ஸ்மிஷனைப் பயன்படுத்துதல்	3-9
பார்கிங் சென்சார்கள்.....	3-10
ப்ரேக்கிங்.....	3-14

**எக்ஹாஸ்ட் கேஸ்
எச்சரிக்கை)**

உதாரணம்



82DY03

▲ எச்சரிக்கை

எக்ஸாஸ்ட் வாயுக்களை
சுவாசிப்பதைத் தவிர்க்கவும்
வண்ணமற்ற, நறுமணமற்ற
கார்பன் மோனாக்சைடு என்ற நச்சு
வாயு எக்ஸாஸ்ட் வாயுக்களில்
கலந்துள்ளது. கார்பன்
மோனாக்சைடைக் கண்டறிவது
கடினம் என்பதால், பின்வரும்
முன்னெச்சரிக்கைகளைக்
கையாண்டு கார்பன்
மோனாக்சைடு உங்களது
வாகனத்திற்குள் புகாமல்
பாதுகாத்துக் கொள்ளவும்.
(தொடர்ச்சி)

▲ எச்சரிக்கை

(தொடர்ச்சி)

• காரேஜ் அல்லது பிற மூடப்பட்ட இடங்களில் என்ஜின் ஓடிக் கொண்டிருக்கும்படி விட்டு விட்டுச் சென்று விடாதீர்கள். இதனால் கேபினில் கார்பன்-மோனாக்சைடு குவிந்து, மூச்சுத்திணறல் அல்லது சுவாசப் பிரச்சனைகளுக்கு வழிவகுக்கும் மற்றும் மரணத்திற்கு வழிவகுக்கும்.

• திறந்த வெளியில் கூட நீண்ட நேரம் என்ஜின் இயங்கும் நிலையில் வாகனத்தை நிறுத்த வேண்டாம். நீண்ட நேரம் இருக்கும் பட்சத்தில், என்ஜின் இயங்கும் போது, வாகனத்தின் உள்ளே மூச்சுத் திணறல் மற்றும் மரணம் ஏற்படும் அபாயம் உள்ளது. என்ஜின் இயங்கும் நிலையில் நிறுத்தப்பட்ட வாகனத்தில் சிறிது நேரம் உட்கார வேண்டிய அவசியம் ஏற்பட்டால், ஏர் இன்டேக் செலக்டர் "ஃப்ரெஷ் ஏர்" ஆக அமைக்கப்பட்டிருப்பதையும், புளோயர் அதிக வேகத்தில் இருப்பதையும் உறுதிப்படுத்தவும்.
(தொடர்ச்சி)

▲ எச்சரிக்கை

(தொடர்ச்சி)

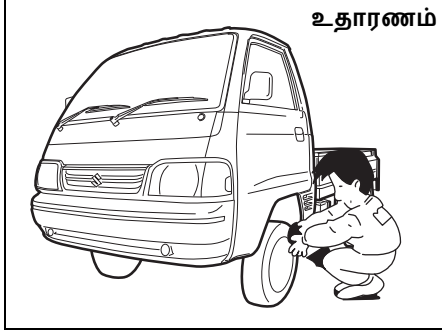
• எக்ஸஹாஸ்ட் பைப் ஏரியாவில் ஸ்னோ மற்றும் பிற மெட்டீரியல்களை வைக்காமல் சுத்தமாக வைத்துள்ள வேண்டும்.

• அப்படி சுத்தமாக வைத்துக்கொள்ளாதல், வாகனத்தின் கீழ் வெளியாகும் எக்ஸஹாஸ்ட் கேஸ்களின் சேர்க்கையைக் குறைக்க உதவும். குறிப்பாக ப்ளிசார்ட் கண்டிஷனில் பார்க் செய்திருக்கும்போது இது மிகவும் முக்கியமாகும்.

• எக்ஸாஸ்ட் அமைப்பை சீரான கால இடைவெளியில் அவ்வப்போது ஆய்வு செய்து சேதம், கசிவு இருக்கிறதா என்று பார்க்கவும். சேதம் அல்லது கசிவு இருந்தால் அவற்றை உடனடியாகப் பழுது பார்க்கவும்.
(தொடர்ச்சி)

தினசரி ஆய்வுக்கான சோதனைப்பட்டியல் (செக்லிஸ்ட்)

ஓட்டுவதற்கு முன்பு



உதாரணம்

77PM03001

- 1) விண்டோகள், கண்ணாடிகள், லைட்கள் மற்றும் ரிஃப்ளெக்டர்கள் போன்றவை சுத்தமாகவும் தடையின்றியும் இருப்பதை உறுதி செய்யவும்.
- 2) கீழ்க்காணும் அம்சங்களுக்காக டயர்களை நீங்களே பார்த்து சோதிக்கவும்:
 - ட்ரெட் குரூவின் அகலம்
 - அசாதாரணமான தேய்மானம், பிளவு, சேதம்
 - நட்டுகள்/போல்டுகள் தளர்வாக இருப்பது

- ஆணிகள், கல்கள் உள்ளிட்ட அந்நியப் பொருட்கள் டயரில் ஒட்டிக் கொண்டிருப்பது.
- "ஆய்வு மற்றும் பராமரிப்பு" பிரிவில் "டயர்கள்" என்ற தலைப்பின் கீழ் கொடுக்கப்பட்டுள்ள விவரங்களைப் பார்க்கவும்.
- 3) எண்ணெய்திரவக் கசிவு இருக்கிறதா என்று ஆய்வு செய்யவும்.
 - 4) என்ஜின் கம்பார்ட்மெண்ட் முழுதும் மூடப்பட்டு, பூட்டப்பட்டுள்ளதை உறுதி செய்து கொள்ளவும்.
 - 5) ஹெட்லைட்டுகள், டர்ன் சிக்னல் லைட்டுகள், ப்ரேக் லைட்டுகள் மற்றும் ஹாரன் ஆகியவை சரியாக இயங்குகின்றனவா என சோதிக்கவும்.
 - 6) ஓட்டுநரின் சீட்டை அட்ஜஸ்ட் செய்யவும்.
 - 7) ப்ரேக் பெடல், பார்கிங் ப்ரேக் லீவர் ஆகிய இரண்டையும் ஆய்வு செய்யவும்.
 - 8) கண்ணாடிகளை அட்ஜஸ்ட் செய்யவும்.
 - 9) நீங்களும் பிற பயணிகளும் சீட் பெல்ட்டுகளைச் சரியாக
 - 10) சாவி செருகப்பட்டு "ஆன்" பொஸிஷனுக்கு வந்தவுடன் அனைத்து வார்னிங் லைட்டுகளும் எரியத் தொடங்குவதை உறுதி செய்யவும்.

- 11) அனைத்து அளவிடும் கருவிகளையும் சோதித்துப் பார்க்கவும்.
 - 12) பார்கிங் ப்ரேக் ரிலீஸ் செய்யப்படும்போது ப்ரேக் சிஸ்டம் வார்னிங் லைட்யை அனைத்து விட்டதை உறுதி செய்து கொள்ளவும்.
- வாரந்தோறும் அல்லது ஒவ்வொரு முறை எரிபொருள் நிரப்பும்போதெல்லாம் பின்வரும் சோதனைகளைச் செய்யவும்:
- 1) என்ஜின் ஆயில் லெவல்
 - 2) கூலண்ட் லெவல்
 - 3) ப்ரேக் ப்ளூயிட் லெவல்
 - 4) வின்ட்ஷீல்டு வாஷர் திரவ லெவல் (கருவி பொருத்தப்பட்டிருந்தால்)
 - 5) பேட்டரி எலக்ட்ரோலைட் லெவல்
 - 6) லேட்ச் செயல்பாடு தாழ்ப்பாள், கீல்கள் மற்றும் பூட்டுகள் செயல்பாடுகள் "சோதனை மற்றும் பராமரிப்பு" பிரிவில் "காலமுறை பராமரித்தல் பற்றிய திட்டம்" என்பதன் கீழ் "சேஸிஸ் மற்றும் பாடி" என்ற தலைப்பில் லூபரிகேசன் ஷெட்யூலைக் காணவும்
- ஒரு மாதத்திற்கு ஒருமுறை, அல்லது ஒவ்வொரு முறையும் உங்கள் ஃப்யூயல் டேங்கை நிரப்பும்போது அல்லது நீண்ட தூரம் ஓட்டுவதற்கு முன் (நெடுஞ்சாலைப் பயணம் போன்றவை), டயர் பிரஷர் கேஜ்ப் (tyre

உங்களது வாகனத்தை இயக்குதல்

pressure gauge) பயன்படுத்தி டயர் அழுத்தத்தைச் சரிபார்க்கவும். உபரி டயரின் டயர் அழுத்தத்தையும் சரிபார்க்கவும்

என்ஜின் ஆயில் நுகர்வு

வாகனம் ஓடும்போது மிகக் குறைந்த அளவில் என்ஜின் ஆயில் நுகர்வு இயல்பானதே.

ஆயிலின் விஸ்காசிட்டி (பாகுமை), தரம் மற்றும் வாகனம் ஓட்டப்படும் நிலையைப் பொறுத்தே ஆயில் செலவாகும்.

அதிக வேகத்தில் வாகனம் ஓட்டப்படும்போதும் வேகத்தை அடிக்கடி குறைத்து, கூட்டும்போதும் ஆயில் அதிகம் செலவாகும்.

வாகனத்தில் அதிக எடை ஏற்றப்படும்போதும் என்ஜின் ஆயில் அதிக அளவு செலவாகும்.

பிஸ்டன்கள், பிஸ்டன் வளையங்கள் மற்றும் சிலிண்டரின் சுவர்கள் ஆகியவை புதிதாக இருப்பதால் புதிய என்ஜின் பயன்படுத்தும்போது அதிக அளவு ஆயில் செலவாகும்.

5000 கி.மீ. (3000 மைல்கள்) வரை ஓடிய பின்னரே இயல்பான அளவு ஆயில் செலவாகும் நிலையைப் புதிய என்ஜின்கள் அடையும்.

ஆயில் நுகர்வு:

1000 கி.மீ.-க்கு அதிகபட்சம் 1.0

லிட்டர்

(1 Qt. 600 மைலுக்கு)

3-3

ஆயில் நுகர்வைக் கணக்கிடும்போது, ஆயில் நீர்த்துப்போகும் என்பதையும் அதனால் அதன் உண்மையான மட்டத்தைத் துல்லியமாக கண்டுபிடிப்பது கடினம் என்பதையும் நினைவில் கொள்ளவும்.

உதாரணமாக, சிறிய பயணங்களுக்கு அடிக்கடி வாகனங்கள் பயன்படுத்தப்பட்டு அதிக ஆயில் செலவானால், 1000 கி.மீ. (600 மைல்) வரை சென்றிருந்தாலும் ஆயில் குறைந்துள்ளதை டிப்-ஸ்டிக் காட்டாது. ஏனெனில் எரிபொருள் அல்லது ஈரப்பதத்தின் காரணமாககொஞ்சம் கொஞ்சமாக ஆயில் நீர்த்துப் போவதால், அது செலவானது போன்று தோற்றமளிப்பதில்லை.

வாகனத்தை அதிக வேகத்தில் செலுத்தும்போது நீர்க்கச் செய்யும் காரணிகள் ஆவியாகி விடுவதால் வேகமாகச் செல்கையில் ஆயில் அதிகம் செலவாவது போல் தோன்றுகிறது.

அதாவது எக்ஸ்பிரஸ்வே பயணத்தில் அதி வேக பயணத்தின்போது கூடுதல் ஆயில் செலவாகியுள்ளதாக தெரிகிறது.

இக்னிஷன் சுவிட்ச் (Ignition Switch)

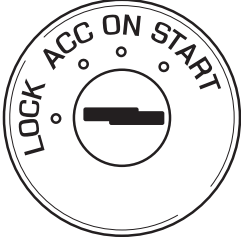


65D611

▲ எச்சரிக்கை

காயங்கள் ஏற்படுவதைத் தவிர்க்க, ஸ்டியரிங் வீலின் வழியாக கண்ட்ரோல்களை இயக்க வேண்டாம்.

உதாரணம்



77PH002

இக்னிஷன் சுவிட்ச் பின்வரும் நான்கு பொசிஷன்களில் அமைந்திருக்கும்:

லாக்

இதுதான் வாகனத்தின் இயல்பான நிலை. இந்நிலையில் தான் சாவியை வாகனத்திலிருந்து எடுக்க முடியும்.

ஸ்டீயரிங் லாக்கை விடுவிக்க, சாவியைப் பொருத்தி அதை வலது இடமாகத் திருப்பி மூன்று பொசிஷன்களில் ஏதாவதொரு நிலையில் வைக்கவும். சாவியைத் திருப்பி ஸ்டீயரிங்கை விடுவிப்பதில் பிரச்சினை இருந்தால் சாவியைத் திருப்பும்போது ஸ்டீயரிங் வீலை இடது (அ) வலது புறம் சற்றே திருப்பவும்.

ஏ.சி.சி. (ACC)

உபகரணங்கள் வைக்கப்பட்டுள்ள சாக்கெட்டும் இயங்கும்; ஆனால் இன்ஜின் 'ஆஃப்' செய்யப் பட்டிருக்கும்.

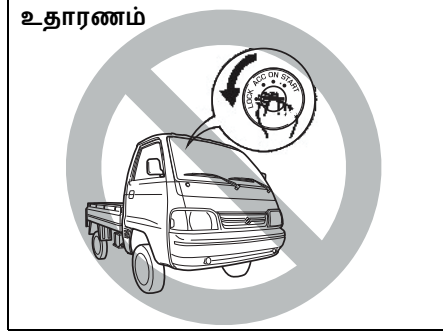
ஆன்

இதுதான் இயல்பான இயங்கும் நிலையாகும். அனைத்து மின்சார சாதனங்களும் 'ஆன்' நிலையில் உள்ளன.

ஸ்டார்ட்

ஸ்டார்ட்டர் மோட்டாரைப் பயன்படுத்தி என்ஜினை இயக்குவது இந்த நிலையில்தான். என்ஜின் இயங்க ஆரம்பித்ததும் இந்த பொசிஷனில் இருந்து சாவியை விடுவித்து விட வேண்டும்.

உதாரணம்



82DY04

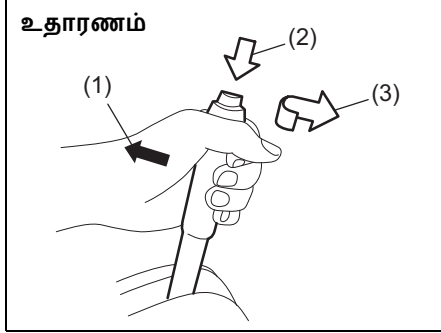
▲ எச்சரிக்கை

- வாகனம் ஓடும்போது இக்னிஷன் சாவியை அகற்றக் கூடாது. அவ்வாறு செய்தால் ஸ்டீயரிங் வில் தானாகவே லாக் ஆகி விடும்; உங்களால் வாகனத்தைச் செலுத்த முடியாமல் போய்விடும்.
- வாகனத்தை விட்டுக் குறைந்த நேரம் வெளியே செல்ல வேண்டியிருந்தாலும் இக்னிஷன் சாவியை கண்டிப்பாக அகற்றவிடுங்கள். நிறுத்தப்பட்டுள்ள வாகனத்திற்குள் குழந்தைகளைத் தனியே விடாதீர்கள். மிதமான அல்லது சூடான தட்ப வெப்பநிலையால் அவர்கள் மயக்கமடையும் சூழல் ஏற்படலாம். இதனால் தீவிரமான காயங்கள் அல்லது மரணம் சம்பவிக்கலாம்.

அறிவிப்பு

- ஒரு நேரத்தில் ஸ்டார்ட்டர் மோட்டாரை 30 விநாடிகளுக்கு மேல் பயன்படுத்தாதீர்கள். என்ஜின் இயங்க ஆரம்பிக்கவில்லை என்றால், 15 நொடிகள் வரை காத்திருந்து பின்னர் மீண்டும் முயற்சி செய்யவும். பல முறை முயற்சி செய்தபின்னும் என்ஜின் ஸ்டார்ட் ஆகவில்லையென்றால் எரிபொருள் மற்றும் இக்னிஷன் அமைப்புக்களைச் சோதித்துப் பார்க்கவும்; அல்லது உங்களது அங்கீகரிக்கப்பட்ட மாருதி சுகுகி கமர்ஷியல் டீலரைத் தொடர்பு கொள்ளவும்
- இன்ஜின் இயங்காதபோது இக்னிஷன் சுவிட்சை “ஆன்” பொஸிஷனில் விட்டு விட்டால் பேட்டரி சார்ஜ் குறைந்து விடும்

பார்கிங் ப்ரேக் லீவர்



77PH030

- (1) ஆரம்பிக்க
- (2) விடுவிக்க
- (3) விடுவிக்க

பார்கிங் ப்ரேக் லீவர், சீட்டுகளுக்கிடையில் அமைக்கப்பட்டுள்ளது. பார்கிங் ப்ரேக்கை இயக்க, ப்ரேக் பெடலை அழுத்திப் பிடித்து, பார்கிங் ப்ரேக் லீவரை முடிந்தவரை மேல்நோக்கி இழுக்கவும். பார்கிங் ப்ரேக்கை விடுவிக்க, ப்ரேக் பெடலை அழுத்திப் பிடித்து, பார்கிங் ப்ரேக் லீவரை மேல்நோக்கி இழுத்து, லீவரின் முனையிலுள்ள பட்டனை உங்களது கட்டை விரலால் அழுத்தி, லீவரை மீண்டும் அதன் இயல்பான நிலையில் வைத்து விடவும்.

▲ எச்சரிக்கை

- பார்கிங் ப்ரேக் ‘ஆன்’ ஆக இருக்கும்போது வாகனத்தைச் ஓட்டக்கூடாது: அதிக வெப்பம் அடைவதால் பின்புற ப்ரேக்கின் பயன்பாடு குறையலாம், ப்ரேக்கின் ஆயுள் குறையலாம் அல்லது ப்ரேக் நிரந்தரமாக சேதமடையலாம்.
- பார்கிங் ப்ரேக் வாகனத்தைப் பாதுகாப்பாகப் பிடிக்கவில்லை அல்லது முழுவதுமாக விடுவிக்கப்படவில்லை என்றால், உடனடியாக அங்கீகரிக்கப்பட்ட மாருதி சுகுகி கமர்ஷியல் ஓர்ஷாப்பில் வாகனத்தைப் பரிசோதித்துக் கொள்ளவும்.

▲ எச்சரிக்கை

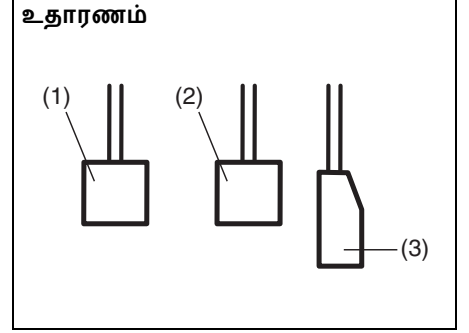
வாகனத்தை விட்டுக் கீழே இறங்கும் முன்பு பार्சு ப்ரேக்கை முழுவதுமாக இயங்கும் நிலையில் வைக்க வேண்டும்; இல்லையெனில் வாகனம் நகர்ந்து, காயம் அல்லது சேதத்தை உண்டாக்கும். வாகனத்தை நிறுத்தும்போது, கியர்ஷிஃப்ட் லீவர் பின்புற நிலையிலோ அல்லது முதலாவது கியரிலோ இருப்பதை உறுதி செய்யவும். வாகனம் கியரில் இருந்தாலும், பார்சு ப்ரேக்கை முழுவதுமாக செட் செய்ய வேண்டும் என்பதை நினைவில் கொள்ளுங்கள்..

▲ எச்சரிக்கை

அதீதமான குளிர் காலநிலையில் வாகனத்தை பார்சு ப்ரேக்கை செய்யும்போது பின்வரும் செயல்பாட்டைக் கடைப்பிடிக்கவும்:

- 1) பார்சு ப்ரேக்கை செட் செய்யவும்.
- 2) என்ஜினை ஆஃப் செய்து, அதை மறுபக்கம் அல்லது முதல் கியருக்கு மாற்றவும்.
- 3) வாகனத்தை விட்டு வெளியேறி, சக்கரங்களுக்கு அடியில் நகராதவாறு கட்டைகளை வைக்கவும். பார்சு ப்ரேக்கை விடுவிக்கவும்.
- 4) வாகனத்திற்குத் திரும்ப வரும்போது பார்சு ப்ரேக்கை செட் செய்து, மரக்கட்டைகளை அகற்றி விடுங்கள், இவற்றை மறக்காதீர்கள்.

பெடல்



80J2121

க்ளட்ச் பெடல் (1)

என்ஜினை இயக்கும்போதும், நிறுத்தும்போதும் கியர்ஷிஃப்ட் லீவரை மாற்றும் போதும் வீல்களை இயக்க க்ளட்ச் பெடல் பயன்படுத்தப்படுகிறது. பெடலை அழுத்தினால் க்ளட்ச் விடுபடுகிறது.

▲ எச்சரிக்கை

க்ளட்ச் பெடலின் மேல் உங்களது பாதங்களை வைத்து வாகனத்தைச் செலுத்தாதீர்கள். இதனால் க்ளட்ச் தேய்ந்து போகலாம், சேதம் அடையலாம் அல்லது எதிர்பாராதவிதமாகத் திடீரென்று என்ஜின் ப்ரேக்கிங் கோளாறாகலாம்.

ப்ரேக் பெடல் (2)

உங்களது வாகனத்தின் முன்புறம் டிஸ்க் ப்ரேக்குகளும் பின்புறம் டிரம் ப்ரேக்குகளும் அமைக்கப்பட்டுள்ளன. ப்ரேக் பெடலை அழுத்தினால் இரண்டு வகை ப்ரேக்குகளும் இயக்கப்படுகின்றன.

ப்ரேக்கை அழுத்தும்போது எப்போதாவது 'கிரீச்' சப்தம் கேட்கலாம். சுற்றுப்புற சூழல் காரணிகளான வெப்பநிலை, பனி அல்லது தூசி, ஈரப்பதம் போன்றவற்றால் ஏற்படும் இது மிகவும் இயல்பான ஒரு நிலைதான்.

▲ எச்சரிக்கை

ஒவ்வொரு முறை ப்ரேக்கை அழுத்தும்போதும் அதிகமாக 'கிரீச்' சப்தம் வந்தால், அங்கீகரிக்கப்பட்ட மாருதி சுகுகி கமர்ஷியல் ஓர்ஷாப்பில் ப்ரேக்குகளைச் சோதனை செய்யச் சொல்லவும்.

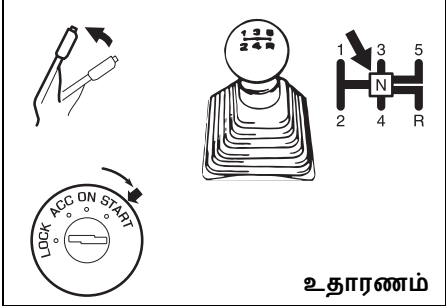
▲ எச்சரிக்கை

ப்ரேக்குகளைத் தொடர்ந்து இடைவிடாமல் அழுத்துவதோ அல்லது பாதங்களை பெடல் மீது வைப்பதோ கூடாது. இதனால் ப்ரேக்குகள் அதிக சூடாகி, எதிர்பாராத பிரெக்கிங் செயல்பாட்டுக் பாதிப்பும், நிரந்தர ப்ரேக் சேதாரமும், வாகனத்தை நிறுத்தும்போது அதிகதூரம் வரை செல்வதும் ஏற்படலாம்.

ஆக்சிலரேட்டர் பெடல் (3)
 என்ஜினின் வேகத்தை இந்தப் பெடல்தான் கண்ட்ரோல் செய்கிறது. ஆக்சிலரேட்டர் பெடலை அழுத்துவதன் மூலம் அதிக வெளியீடும் வேகமும் கிடைக்கிறது.

என்ஜினை ஸ்டார்ட் செய்தல்

என்ஜினை ஸ்டார்ட் (இயக்க) ஆரம்பிப்பதற்கு முன்



உதாரணம்

77PH014

- 1) பार्கிங் ப்ரேக் முழுவதுமாக செட் செய்யப் பட்டிருப்பதை உறுதி செய்து கொள்ளவும்.
- 2) "N" (நியூட்ரல்) குறியீட்டுக்கு மாறி, க்ளட்ச் பெடலை அது தரையைத் தொடும் வரை அழுத்தவும். என்ஜினை ஸ்டார்ட் செய்யும்போது க்ளட்ச் பெடலைப் அழுத்தி பிடிக்கவும்.

▲ எச்சரிக்கை

என்ஜினை ஸ்டார்ட் செய்யும் முன்பு பार्சிகிங் பீரேக் செட் செய்யப்பட்டு டிரான்ஸ்மிஷன் 'நியூட்ரல்' நிலையிலிருப்பதை உறுதி செய்யவும்.

குளிர்ச்சியான மற்றும் மித வெப்பமான நிலையில் இருக்கும் என்ஜினை ஸ்டார்ட் செய்தல் ஆக்சிலரேட்டர் பெடலிலிருந்து பாதத்தை எடுத்தவுடன் இக்னிஷன் சாவியை "ஸ்டார்ட்" என்ற பொசிஷனுக்குத் திருப்பவும். என்ஜின் ஸ்டார்ட் ஆனவுடன் சாவிலிருந்து கையை எடுக்கவும்.

அறிவிப்பு

• என்ஜின் ஸ்டார்ட் ஆனவுடன் ஸ்டார்ட்டரை ஆன் செய்வதை நிறுத்தவும்; இல்லையெனில் ஸ்டார்ட்டர் சிஸ்டம் சேதாரமடையக்கூடும்
• ஒரு தடவைக்கு 12 நொடிகள் வரை மட்டுமே என்ஜினை இயக்கத்தில் வைக்கவும். முதல் முயற்சியில் என்ஜின் கிளம்பாவிடில், 15 நொடிகள் பொறுத்து அதன்பின்னர் மீண்டும் முயற்சி செய்யவும்

12 நொடிகளுக்குப் பின்னரும் என்ஜின் ஸ்டார்ட் ஆகாவிடில், 15 நொடி வரை காத்திருக்கவும், பின்பு ஆக்சிலரேட்டர் பெடலை 1/3 பங்கு வரை அழுத்தி என்ஜினை திரும்பவும் ஸ்டார்ட் செய்ய முயற்சிக்கவும். என்ஜின் ஸ்டார்ட் ஆனவுடன் சாவியை விட்டு விட்டு ஆக்சிலரேட்டர் பெடலை மிதிக்கவும். என்ஜின் ஸ்டார்ட் ஆகாவிடால், ஆக்சிலரேட்டர் பெடலைத் தரையில் பழுப்படி அழுத்தி திரும்ப ஸ்டார்ட் செய்யவும். என்ஜினில் எந்த விதமான அடைப்பு இருந்தாலும் இதனால் சரியாகி விடும்.

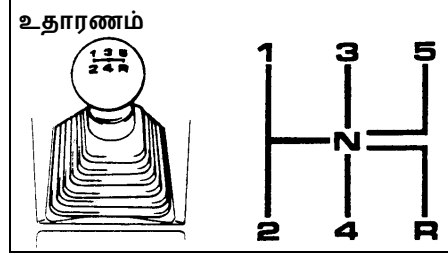
குறிப்பு :

- (சி.என்.ஜி. என்ஜின் மாடலுக்காக)
- பெட்ரோலிலிருந்து சி.என்.ஜி. மாடலுக்கு மாற ஆக்சிலரேட்டர் பெடலை அழுத்தாதீர்கள்
 - இக்னிஷன் 'ஆன்' ஆக இருந்து என்ஜின் இயங்காமல் இருந்தால், சி.என்.ஜி. பழுதானதை எச்சரிக்கும் விளக்கானது ஃப்யூயல் கேப் திறந்துள்ளதைச் சுட்டிக்காட்டும். இந்நிலையில் வாகனம் ஸ்டார்ட் ஆகாது.
 - வண்டியை 'ஆட்டோ மோடில்' (AUTO MODE) (அ) 'பெட்ரோல் மோடில்' (PETROL MODE) ஸ்டார்ட் செய்தால் என்ஜின் ஆயுள் நீடிக்கும் என்று பரிந்துரைக்கப்படுகிறது.
 - இயல்பான நிலை/என்ஜின் வெப்பநிலை 0°C-க்கும் குறைவாக

- இருக்கும்போது என்ஜின் ஸ்டார்ட் செய்யப்பட்டால் சி.என்.ஜி.யாக எரிபொருள் மாற்றம் நிகழாது. அவ்வாறான நிலையில் என்ஜினை பெட்ரோல் மோடில் அது தூடாகும் வரை இயக்கி பின்னர் என்ஜினை மீண்டும் ஸ்டார்ட் செய்து சி.என்.ஜி. மோடுக்கு மாறிக் கொள்ளவும்.
- பெட்ரோல் டேங்கில் கணிசமான பெட்ரோல் வைத்திருக்கும்படி பரிந்துரைக்கப்படுகிறது
 - இயல்பான நிலை/என்ஜின் வெப்பநிலை 0°C-க்கும் குறைவாக இருக்கும்போது :பேர்ஸ்டு சி.என்.ஜி. மோடில் வாகனம் ஸ்டார்ட் ஆகாது. வாகனத்தை 'ஆட்டோ' மோடில் ஸ்டார்ட் செய்யுமாறு பரிந்துரைக்கப்படுகிறது.
 - தானியங்கி நிலையில் சி.என்.ஜி. மாடலில் இருந்து பெட்ரோல் மாடலுக்கு வண்டி மாறும்போது என்ஜின் நின்றிடுவதைத் தடுக்க பெட்ரோல் டேங்கில் கணிசமான அளவு பெட்ரோல் வைத்திருக்க பரிந்துரைக்கப் படுகிறது
 - சேஞ்ச்ஓவர் சுவிட்சை அழுத்திய பின்பும் சி.என்.ஜி. பழுதை எச்சரிக்கும் லைட் ஒளிரவது நிற்காவிடில் வாகனத்தை அருகிலுள்ள அங்கீகரிக்கப்பட்ட மாருதி சுகுகி கமர்ஷியல் ஓர்ஷாப்புக்குக் கொண்டு செல்லவும்.

டிரான்ஸ்மிஷனைப் பயன்படுத்துதல்

மானுவல் டிரான்ஸ்மிஷன் (Manual Transmission)



ஸ்டார்ட்டிங் ஆஃப் (Starting off)

க்ளட்ச் பெடலை அது தரையில் படும் வரை அழுத்தி முதல் அல்லது 2-வது கியருக்குச் சென்று இயக்க ஆரம்பிக்கவும். பார்சிங் ப்ரேக்கை விடுவித்த பின், க்ளட்சைப் படிப்படியாக விடவும். என்ஜினின் சப்தத்தில் மாற்றம் தெரிந்தால், ஆக்சிலரேட்டரை மெதுவாக அழுத்தி, க்ளட்சைப் படிப்படியாக விடவும்.

குறிப்பு :

- இயல்பான நிலையில் வாகனம் செலுத்த, அதை இயக்க ஆரம்பிப்பதற்குப் பரிந்துரைக்கப்பட்ட கியர் பொஸிஷன் 2-வது கியர் ஆகும்.

- நாடு விட்டு நாடு பயணம் செல்லும்போதும், அதிக தூரம் பயணிக்கையில் சரக்குகளைக் கொண்டு செல்லும்போதும் பரிந்துரைக்கப்பட்ட கியர் பொஸிஷன் 1-வது கியர் ஆகும்.

விஃபிங் (மாற்றுவது)

எல்லா முன்புற கியர்களும் ஒருங்கிணைக்கப் பட்டுள்ளன; இதனால் அமைதியான, சுலபமான விதத்தில் விஃபிங் நடைபெறும். கியர்களை மாற்றுவதற்கு முன்பு க்ளட்ச் பெடலை மறக்காமல் எப்போதும் அழுத்தவும்.

அதிகபட்சமாக அனுமதிக்கப்பட்ட வேகத்தை குறைத்து மாற்றுதல் (பெட்ரோல் மாடலுக்கானது)

வேகத்தை குறைத்து மாற்றுதல்	கிமீ/மணி
2-வதிலிருந்து 1-வதுக்கு	10
3-வதிலிருந்து 2-வதுக்கு	65
4-வதிலிருந்து 3-வதுக்கு	100
5-வதிலிருந்து 4-வதுக்கு	140

அதிகபட்சமாக அனுமதிக்கப்பட்ட வேகத்தை குறைத்து மாற்றுதல் (சி.என்.ஜி. மாடலுக்கானது)

வேகத்தை குறைத்து மாற்றுதல்	கிமீ/மணி
2-வதிலிருந்து 1-வதுக்கு	10
3-வதிலிருந்து 2-வதுக்கு	55
4-வதிலிருந்து 3-வதுக்கு	90
5-வதிலிருந்து 4-வதுக்கு	125

குறிப்பு :

ஓட்டும் தூழல் மற்றும் வாகனத்தின் நிலைமையைக் கருதி அதிகபட்சமாக அனுமதிக்கப்பட்ட வேகத்தை நீங்கள் அதிகரிக்க கூடாது.

அறிவிப்பு
குறைந்த கியருக்கு மாறும்போது, அதிபட்சம் அனுமதிக்கப்பட்ட வேகத்தை விட அதிகமான வேகத்தில் இல்லாததை உறுதி செய்யவும்; இல்லையேல், என்ஜின் தீவிரமான சேதத்துக்கு உள்ளாகும்.

▲ எச்சரிக்கை

- சரிவில் கீழ்நோக்கிப் பயணிக்கும்போது அல்லது நீளமான, செங்குத்தான பாதையில் செல்லும்போது வேகத்தைக் குறைத்து, குறைவான கியருக்கு மாறவும். குறைவான கியரில் சென்றால் ப்ரேக்கிங் வசதியைத் தர என்ஜினுக்குப் பேருதவியாக இருக்கும். ப்ரேக்கை அழுத்தி பயணிப்பதைத் தவிர்க்கவும்; அல்லது அவை மிகவும் சூடாகி ப்ரேக்குகள் வேலை செய்யாமல் போய்விடும்.
- வழக்கும் பாதைகளில் வாகனம் ஓட்டும்போது, கியர் மாற்றுவதற்கு முன் வேகத்தைக் குறைக்க மறந்து விடாதீர்கள். என்ஜின் வேகத்தில் அதிக/திடீர் மாற்றங்கள் இருந்தால் உராய்வு சக்தி குறைவதுடன் உங்களால் வாகனத்தைக் கட்டுப்பாட்டுக்குள் வைக்க முடியாமலும் போகலாம்

அறிவிப்பு

- வாகனம் ஓட்டும்போது அல்லது சரிவுப் பாதையில் செல்லும்போது க்ளட்ச் சேதமடைவதைத் தவிர்க்க க்ளட்ச் பெடல் மீது பாதத்தை வைக்க வேண்டாம். கியர் மாற்றும்போது க்ளட்சை நன்கு அழுத்தவும்.
- ஷிஃப்டிங் அல்லது ஸ்டார்ட்டிங் ஆஃப்-இன்போது, என்ஜினின் வேகத்தை அதிகரிக்கக் கூடாது. அவ்வாறு செய்தால் என்ஜினின் ஆயுள் பாதிக்கப் படுவதுடன் எளிய முறையில் கியர் மாறுவதும் பாதிக்கப்படும்

அறிவிப்பு

ரிவர்ஸ் கியர் “R”ஐ இயக்குவதற்கு முன்னர், வாகனம் முழுமையாக நிலையாக இருக்கிறதா மற்றும் கியர் லீவர் நியூட்ரல் [N] பொசிஷனில் இருக்கிறதா என சோதிக்கவும். க்ளட்ச் பெடலை முழுமையாக அழுத்தி [R]க்கு அதனை மாற்றவும்.

குறிப்பு :

ரிவர்ஸ் கியர் “R”ஐ செயல்படுத்துவது மிகவும் கடினமானது, பின்வரும் படிமுறைகளை பின்பற்றவும்

- 1) கியர் லீவரை நியூட்ரல் “N” இல் வைக்கவும்
- 2) க்ளட்ச் பெடலை ஒருமுறை விடுவிக்கவும்
- 3) மறுபடியும் க்ளட்ச் பெடலை அழுத்தவும் மேலும் “N” இலிருந்து “R”க்கு மாற்றவும்.

பார்கிங் சென்சார்கள் (Parking Sensors)

- பார்கிங் சென்சார் அமைப்பு, பம்பர் அருகே உள்ள தடைகளை அறிய அல்ட்ராசோனிக் சென்சார்களை பயன்படுத்துகிறது. காரை பார்க் செய்யும் போது அல்லது மெதுவாக இயக்கும் போது, ஏதேனும் தடைகள் உணரப்பட்டால், பஸ்ஸர் ஒலி மூலம் அது உங்களை எச்சரிக்கும்.
- இந்த அமைப்பு அல்ட்ராசோனிக் அலையை வெளியிடுகிறது. தொடர்புடைய சென்சார், அது தடைகள் மீது பட்டு திரும்புவதை உணர்கிறது. அல்ட்ராசோனிக் அலை தடையை அடைந்து, திரும்பி வருவதற்கான நேரத்தை அமைப்பு கணக்கிட்டு அதன் அடிப்படையில் தடையின் இருப்பிடத்தைத் தீர்மானிக்கிறது.
- இக்னிஷன் சுவிட்சை “ஆன்” செய்து, கியர்ஷிப்ட் லீவரை “R”

உங்களது வாகனத்தை இயக்குதல்

பொசிஷனில் வைத்திருக்கும்போது பார்கிங் சென்சாரைப் பயன்படுத்தலாம். சாலை ஓரமாக காரை நிறுத்த முயலும் போது, பக்கவாட்டில் பார்க் செய்யும் போது, காரேஜில் வாகனத்தை நிறுத்தும்போது, குறுகிய சந்தில் செல்லும்போது, தடைகள் உள்ள பகுதியில் மெதுவாகச் செல்லும்போது, இந்த அம்சம் பயனுள்ளதாக இருக்கும்

▲ எச்சரிக்கை

- பார்கிங் சென்சார் பஸ்ஸர் மூலம் தடைகளை உணர்த்தினாலும் நீங்களும் கவனமாக ஓட்ட வேண்டும்.
- குறிப்பிட்ட பகுதிக்குள் உள்ள தடைகளை மற்றும் குறிப்பிட்ட வேகத்தில் இயக்கப்படும் போது மட்டுமே சென்சாரால் தடைகளை உணர முடியும். எனவே சிக்கலான இடங்களில், நேராக மற்றும் பக்கவாட்டுக் கண்ணாடியில் பார்த்தபடி நீங்கள் மெதுவாக இயக்க வேண்டும். பார்கிங் சென்சார் மட்டுமே கொண்டு வாகனத்தைக் கட்டுப்படுத்தினால் விபத்து ஏற்படும் அபாயம் அதிகம்.

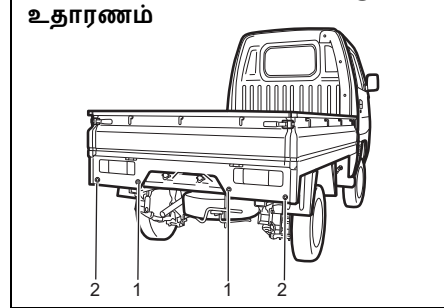
குறிப்பு :
கியர்ஷிப்ட் லீவர் "R" பொசிஷனுக்கு மாற்றப்படும் போது, பஸ்ஸர் ஒரு முறை ஒலிக்கும்.

அறிவிப்பு :

பார்கிங் சென்சார்கள் டிரைவருக்கு உதவுவதற்கு மட்டுமே.

சென்சார் இருப்பிடங்கள் ரியர் (பின்புற) பம்பர் மீது

உதாரணம்



77PM03003

- (1) பின்புற மைய உணரிகள் (2) இடங்கள்
(2) ரியர் கார்னர் சென்சார் (2) இடங்கள்

அறிவிப்பு

- சென்சார் பகுதியில் இடிப்பது அல்லது அதிக அழுத்தம் கொண்ட கார் வாஷர் முனையைச் செலுத்துவதைத் தவிர்க்கவும். இல்லை எனில் சென்சார் சேதமாகும்.
- பம்பர் கடினமான பொருள் மீது மோதினால், அதில் உள்ள சென்சார் சரியாக வேலை செய்யாமல் போகலாம். இவ்வாறு நிகழ்ந்தால், மாருதி சூகி அங்கிகரிக்கப்பட்ட ஓர்ஷாப்பில் சென்சாரை சோதனை செய்யவும்.

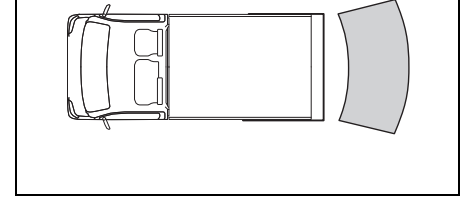
ஓர்க்கிங் சென்சார்ஸ் (செயல்படு)

கியர்ஷிப்ட் லீவரின் கீழ்க்கண்ட நிலைகளுக்கு ஏற்ப சென்சார்கள் இயங்கும்:

கியர்ஷிப்ட் லீவர் பொசிஷன்	R	N, 1வது - 5வது
ரியர் (பின்புற) சென்சார்கள்	ஆன்	ஆப்

தடைகள் உணரப்படக்கூடிய உத்தேசமான பகுதிகள்

உதாரணம்



78MM05003

- சென்சாரிடமிருந்து 20 செ.மீ. (8 அங்குலம்) அல்லது சென்சார்க்கு அடியில் உள்ள தடையை உணர முடியாது.

வாகனத்தின் பின் பக்கத்தில் இருந்து 1.8 மீ (6 அடி) சுவர் போன்ற தடைகளை சென்சார்கள் உணரும்.

▲ எச்சரிக்கை

கீழ்க்கண்ட நிலைகளில், சென்சார்கள்ளால் தடைகளைச் சரியாக உணர முடியாததால், பார்கிங் சென்சார் அமைப்பு வழக்கமான முறையில் செயல்படாமல் போகலாம்.

- சென்சார்கள், மண், பனிக்கட்டி அல்லது பிற பொருட்களால் சூழப்பட்டிருந்தால். (வழக்கமான செயல்பாட்டிற்கு, இந்தப் பொருட்களை அகற்ற வேண்டும்)
- நீர் பட்டதால் அல்லது மழையால் சென்சார்கள் ஈரமாக இருந்தால்
- சென்சார் கைகளால், ஸ்டிக்கர், துணை பொருட்களால் நிறைக்கப்பட்டிருந்தால்
- சென்சார் உண்டும் பகுதியில் துணை பொருள், வேறு பொருள் இருந்தால்.
- டோ ஹூக், கார்னர் போல்கள், ரேடியோ ஆண்டனா போன்றவை சென்சாரில் பொருத்தப்பட்டிருந்தால்

(தொடர்ச்சி)

▲ எச்சரிக்கை

(தொடர்ச்சி)

- சஸ்பன்ஷன் மாற்றம் அல்லது இதர காரணங்களால் பம்பர் உயரம் மாறியிருந்தால்
- நேரடி சூரிய வெளிச்சம் அல்லது குளிர் நிலையால் சென்சார் பகுதி உஷ்ணமாக அல்லது குளிர்ச்சியாக இருந்தால்
- வாகனம் கடினமாக, தரை, கற்கள் நிறைந்த சாலை, வயலில் இருந்தால்.
- வாகனம் செங்குத்தான முறையில் இருந்தால்
- மற்ற வாகன ஹார்னில் இருந்து, என்ஜினில் இருந்து, ஏர்ப்ரேக்கிங் அமைப்பில் இருந்து (பெரிய வாகனங்கள்) அல்லது பார்கிங் சென்சாரில் இருந்து அல்ட்ராசானிக் இறைச்சல் சென்சாரில் குறுக்கிட்டால்.
- தடைகள் சென்சாருக்கு மிகவும் அருகில் இருந்தால்.

(தொடர்ச்சி)

▲ எச்சரிக்கை

(தொடர்ச்சி)

- கொள்ளும் பொருட்கள்கண்ணாடி போன்ற பிரதிபலிக்கும் பொருள்களின் கோணத்தில் சென்சார்கள் இருந்தால், குடையில் இருந்து அல்ட்ராசானிக் அலைகள் திரும்பி வராது).
- கீழ்க்கண்ட பொருட்களை சென்சாரால் சரியாகக் கண்டறிய முடியாது:
 - கம்பி வலை, கயிறு போன்ற மெலிதான பொருட்களால் ஆனவை.
 - கம்பி வலை, கயிறு போன்ற மெலிதான பொருட்களால் ஆனவை.சதுர கற்கள் அல்லது கூறான முனை கொண்ட பொருட்கள்
 - சாலை குறியீடு போன்ற மேல்பகுதியில் பெரிதாக இருக்கும் உயரமான பொருட்கள்
 - மைல்கல் போன்ற கவனத்தில் வராத பொருட்கள்
 - பருத்தி போன்ற ஒலியை உள்வாங்கிக்கொள்ளும் பொருட்கள்

குறிப்பு :

மெல்லிய கம்பங்கள் அல்லது சென்சாரை விடத் தாழ்வாக இருக்கும் பொருட்கள், தொலைவில் இருக்கையில் உணரப்பட்டாலும் கூட வாகனம் அருகில் வரும்போது உணரப்படாமல் போகலாம்.

- சாலை அறிவிப்பு அல்லது அதே போன்ற பொருளை உண்மையான தொலைவைவிடக் குறைந்த தொலைவில் இருப்பதாக அமைப்பு கணக்கிடலாம்

பார்கிங் சென்சாரின் தடை கண்டறிதல்
தடையைக் கண்டறிந்ததும் பார்கிங் சென்சார் உள் பஸ்ஸரை ஒலிக்கச்செய்யும்.

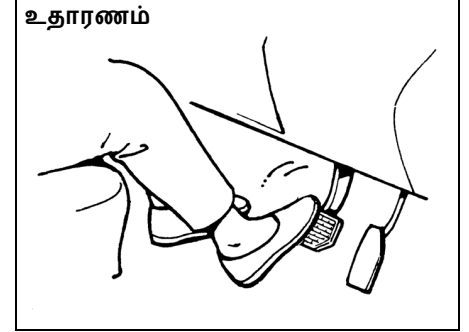
- பின்பக்கம் உள்ள சென்சார் தடையைக் கண்டறியும்போது, பின் சீட்டிற்கு முன்னே உள்ள பஸ்ஸர் ஒலிக்கும்.
- சுவர் போன்ற தடைகள் சென்சாரால் உணரப்பட்டதும் எச்சரிக்கை ஒளிக்கும்

தூரம் (தோராயமா க)	பஸ்ஸர்
100 - 180 செ.மீ	நீண்ட இடைவெளியில் சிறிய பீப் ஒலிகள்

80 - 100 செ.மீ	குறுகிய இடைவெளியில் சிறிய பீப் ஒலிகள்
70 - 80 செ.மீ	மிகக் குறுகிய இடைவெளியில் சிறிய பீப் ஒலிகள்
70 செ.மீ குறைவாக	தொடர்ச்சியான பீப் குறைவாக

வார்னிங் மற்றும் இண்டிகேட்டர் மெசேஜ் (செய்திகள்)
பார்கிங் அமைப்பு தொடர்பாக பிரச்சனை அல்லது எச்சரிக்கை இருந்தால், பஸ்ஸர் அதை தெரிவிக்கும். அதன் வழிமுறைகளை பின்பற்றவும்.
பஸ்ஸர் இடைவிடாமல் ஒலிக்கும். இது சென்சார் பாதிப்பை உணர்த்தும். மென்மையான துணியால் துடைக்கவும். துடைத்த பிறகும் பஸ்ஸர் நிற்காவிட்டால், பார்கிங் சென்சார் அமைப்பில் பிரச்சனை இருக்கலாம். அங்கீகரிக்கப்பட்ட மாநுதி சுகுகி ஒர்சுஷாப்பில் வாகனத்தைச் சோதனை செய்யவும்.

ப்ரேக்கிங்



60G165S

வாகனம் வேகமாகச் சென்று கொண்டிருந்தால் வாகனத்தை நிறுத்தும்போது தேவைப்படும் தூரமும் அதிகரிப்பது இயல்பானது. மணிக்கு 60 கி.மீ. வேகத்தில் (37 மைல்) செல்லும்போது வாகனத்தை நிறுத்தத் தேவையான தூரமானது ப்ரேக்கிங் தூரமான மணிக்கு 30 கி.மீ. (19 மைல்) என்பதை விட 4 மடங்கு அதிகமாக இருக்கும். உங்களுக்கும் வாகனம் நிறுத்தப்பட வேண்டிய இடத்துக்கும் அதிக தூரம் இருக்கும்போது ப்ரேக்கை அழுத்தி, படிப்படியாக வேகத்தைக் குறைக்கவும்.

▲ எச்சரிக்கை

ப்ரேக் டிரம்முக்குள் தண்ணீர் புகுந்துவிட்டால் ப்ரேக்கின் செயல்பாடு மோசமாகவும் கணிக்க இயலாததாகவும் ஆகலாம். நீரில் பயணம் செய்தபின் அல்லது வாகனத்தின் அடிப்பகுதியைச் சுத்தம் செய்தபின் வாகனத்தைக் குறைந்த வேகத்தில் செலுத்தி ப்ரேக்குகளைச் சோதனை செய்து அவை இயல்பாக இயங்குகிறதா என்று பார்க்கவும். ப்ரேக்குகள் வழக்கமான இயங்கும் நிலையைக் காட்டாதபோது, மெதுவாகச் செலுத்தும்போது அவற்றை அடிக்கடி இயக்கி, அவை பழையபடி ஆகும்வரை இதை மீண்டும் மீண்டும் செய்யவும்.

குறிப்பு :

ப்ரேக் டிஸ்க்/டிரம் மற்றும் ப்ரேக் லைனிங் இரண்டுக்குமிடையே உராய்வு ஏற்படுவதால் ப்ரேக்கைப் போடும்போது இயக்கும்போது சத்தம் கேட்கும். இது சாதாரண விஷயம் அல்ல; இதில் அசாதாரணமானது ஒன்றல்ல. இதனால் வாகனத்தின் இயல்பான செயல்பாடு பாதிக்கப்படாது.

பவர்-அசிஸ்டட் ப்ரேக்குகள்

பவர்-அசிஸ்டட் ப்ரேக்குகள் உங்களது வாகனத்தில் உள்ளன. என்ஜின் நின்று விட்டால், வேறு காரணங்களால் மின்சக்தி உதவி இல்லாமால் போனால் ரிசர்வ் பவர் உதவியில் ப்ரேக்குகள் உள்ளது. ப்ரேக் பெடலை ஒரு முறை அழுத்தி கீழ்நோக்கிப் அழுத்தினால் வாகனத்தை முழுவதும் நிறுத்திவிட முடியும். ப்ரேக் பெடலை அழுத்தும்போது ரிசர்வ் பவர் கொஞ்சம் பயன்படுத்தப்படுகிறது; ஒவ்வொரு முறை பெடல் அழுத்தப்படும்போதும் அதன் அளவு குறைகிறது. பெடலை மிருதுவாக, சீராக அழுத்தவும். பெடலை பம்ப் செய்யாதீர்கள்.

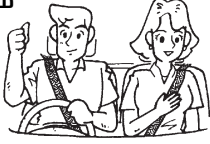
▲ எச்சரிக்கை

ப்ரேக் அமைப்பில் ரிசர்வ் பவர் இல்லா விட்டாலும், ப்ரேக் பெடலை வழக்கத்தை விடக் கடினமாக அழுத்துவதன் மூலம் வாகனத்தை உங்களால் நிறுத்த முடியும். ஆயினும் நிறுத்தும் தூரம் அதிகமாகி விடலாம்.

ஓட்டுவதற்கான குறிப்புகள்

ரன்னிங்-இன்.....	4-1
கேட்டலிடிக் கன்வெர்ட்டர்.....	4-2
ஃப்ப்யூயல் எகானமியை (மைலேஜ்)	
மேம்படுத்துதல்	4-3
ஹைவே டிரைவிங்	4-4
மலைப் பகுதிகளில்	
வாகனத்தை ஓட்டுதல்.....	4-4
வழக்கும் சாலைகளில்	
வாகனத்தை ஓட்டுதல்.....	4-5
ஈரமான சாலைகளில்	
வாகனத்தைச் ஓட்டுதல்	4-6
ஆஃப்-ரோடு டிரைவ்.....	4-8
வெள்ளம் சூழ்ந்த	
பகுதிகளில் பயணிக்கும்போது.....	4-8
பாதுகாப்பாக வாகனம் ஓட்டுவதற்குச்	
'செய்ய வேண்டியவை' மற்றும்	
'செய்யக் கூடாதவை'	4-9
பாதுகாப்பு எல்லைக்கோடு.....	4-11

உதாரணம்



52D078S

▲ எச்சரிக்கை

- சீட் பெல்ட்டை எப்போதும் தவறாமல் அணியவும். சீட் பெல்ட்டுக்களைப் பயன்படுத்தி ஓட்டுநரும் பயணிகளும் எப்போதும் பத்திரமாக இருக்க வேண்டும். சீட் பெல்ட்டுகளை முறையாகப் பயன்படுத்துவது பற்றித் தெரிந்து கொள்ள 'சீட் பெல்ட்' பிரிவில் தரப்பட்டுள்ள குறிப்புக்களைப் படிக்கவும்.
- மது அருந்தி விட்டோ அல்லது வேறு மாத்திரை உட்கொண்ட பின்னரோ வாகனம் ஓட்டாதீர்கள். மது, மாத்திரைகள் பாதுகாப்பாக ஓட்டும் உங்கள் திறமையை மோசமாகப் பாதித்து, உங்களுக்கும் பிறருக்கும் காயம் உண்டாகும் அபாயத்தையும் அதிகரிக்கும்.

▲ எச்சரிக்கை

களைப்பாக இருக்கும்போதும், உடல்நலம் சரியாக இல்லாதபோதும், எரிச்சல்/மன அழுத்தத்தில் இருக்கும்போதும் வாகனத்தை ஓட்டுவதைத் தவிர்க்கவும்.

ரன்னிங்-இன் (Running-in)

அறிவிப்பு

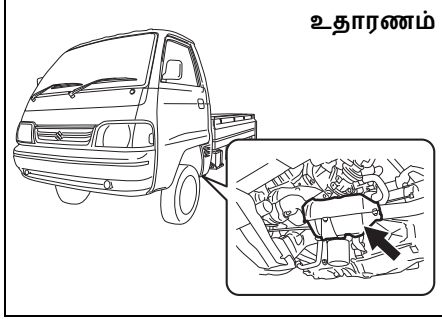
ஆரம்பகாலத்தில் காட்டும் பராமரிப்பைப் பொறுத்தே என்ஜினின் வரங்கால செயல்திறன் மற்றும் நம்பகத்தன்மை இருக்கும். வாகனம் ஓட்ட ஆரம்பித்த முதல் 960 கி.மீ. வரை கீழுள்ள முன்னெச்சரிக்கைகளைப் பின்பற்றுவது மிகவும் முக்கியம்.

- வாகனத்தைச் செலுத்த ஆரம்பித்ததும் உடனே என்ஜினின் வேகத்தை அதிகரிக்க வேண்டாம். அதன் வேகத்தைப் படிப்படியாக அதிகரிக்கவும்.

அறிவிப்பு

- ஒரே வேகத்தில் நீண்ட காலம் வரை வாகனத்தை இயக்குவதைத் தவிர்க்கவும். வேகத்தை அடிக்கடி மாற்றினால் நகரும் பாகங்கள் உடையக் கூடும்.
- நிறுத்தப்பட்ட வண்டியைக் கிளப்பும்போது மெதுவாக வாகனத்தைச் செலுத்தவும். அதிவேகத்தில் வாகனத்தைக் கிளப்ப வேண்டாம்.
- முதல் 320 கி.மீ. வரை வாகனத்தை ஓட்டும்போது ப்ரேக்கை மிக அதிக அழுத்தத்துடன் அழுத்தாமல் இருக்கவும்.
- டிரான்ஸ்மிஷன் ஹை கியரில் இருக்கும்போது வாகனத்தை மெதுவாகச் செலுத்தாதீர்கள்.
- மிதமான என்ஜின் வேகத்திலேயே வாகனத்தைச் செலுத்தவும்.
- எதையும் வாகனத்துடன் கட்டி இழுக்காதீர்கள்.

கேட்டலிடிக் கன்வெர்ட்டர் (Catalytic Converter)



உதாரணம்

77PH201

வாகனம் உமிழும் புகையில் இருக்கும் தீங்கு தரும் மாசுக்களைக் குறைப்பதே கேட்டலிடிக் கன்வெர்ட்டரின் பணியாகும். கேட்டலிடிக் கன்வெர்ட்டர்கள் உள்ள வாகனங்களில் லீட் எரிபொருளைப் பயன்படுத்துவது தடை செய்யப்பட்டுள்ளது. ஏனெனில், கேட்டலிஸ்ட் அமைப்பின் மாசுக்களைக் குறைக்கும் அம்சங்களை லீட் பெட்ரோல் செயலிழக்க வைத்து விடுகிறது.

அன்லீட் ஃப்யூயலை பயன்படுத்தினால் இயல்பான பயன்பாட்டில் வாகனத்தின் ஆயுள் முழுவதும் வரும்படிதான் கன்வெர்ட்டர் வடிவமைக்கப்பட்டுள்ளது. கன்வெர்ட்டருக்கென்று

சிறப்பான பராமரிப்பு எதுவும் தேவைப்படாது. என்ஜினைச் சரியாக சர்வீஸ் செய்து வைப்பது மிக முக்கியமானது. சரியாக டியூன் செய்யப்படாத என்ஜின் சரியாக வேலை செய்யாததால் கேடலிஸ்ட் அதிகம் தூடாகும் நிலை ஏற்படலாம். இதனால் கேடலிஸ்டும் வாகனத்தின் பிற பாகங்களும் வெப்பமடையும் சேதாரம் நிகழலாம்.

அறிவிப்பு

கேட்டலிஸ்ட் மற்றும் வாகனத்தின் பிற பாகங்கள் சேதமடைவதைத் தவிர்க்க:

- என்ஜினை எப்போதும் முறையான செயல்பாட்டு நிலையில் பராமரியுங்கள்.
- என்ஜினில் மால்ஃபங்ஷன் அதாவது என்ஜின் பழுது அல்லது செயல்பாட்டுக் கோளாறு ஏற்பட்டால் வாகனத்தை உடனடியாக சர்வீஸ் செய்து கொள்ளுங்கள்.
- டிரான்ஸ்மிஷன் கியரில் உள்ளபோது வாகனம் இயக்கத்தில் இருக்கும்போது என்ஜினை ஆஃப் செய்யாதீர்கள்.

அறிவிப்பு

- வாகனத்தை தள்ளியோ, கட்டி இழுத்தோ அல்லது சரிவில் பயணித்தோ என்ஜினை ஸ்டார்ட் செய்ய முயற்சிக்காதீர்கள்.
- டயாக்னாஷ்டிங் டெஸ்டிங் போன்ற வற்றின்போது ஏதேனும் ஸ்பார்க் பிளக் வாயர்கள் துண்டிக்கப்பட்ட அல்லது அகற்றப்பட்ட நிலையில் வாகனத்தை ஐடில் பொசிஷனில் வைக்காதீர்கள்
- 'ஐட்லிங்' சரியாக இல்லையென்று தோன்றினால் அல்லது வேறு கோளாறுகள் இருந்தால் வாகனத்தை 'ஐடில்' பொசிஷனில் நீண்ட நேரம் வரை வைக்காதீர்கள்.
- ஃப்யூயல் டேங்க் கிட்டத்தட்ட காலியாகும் வரை எரிபொருளை நிரப்பாமல் இருக்காதீர்கள்.
- அதிக வேகத்தில் வாகனத்தைச் செலுத்துவதைத் தவிர்த்திடுங்கள்.

▲ எச்சரிக்கை

வாகனத்தை எங்கு பार्க்கிங் செய்கிறீர்கள் / செலுத்துகிறீர்கள் என்பது பற்றி கவனமாக இருக்கவும்; கேட்டலிடிக் கன்வெர்ட்டர் மற்றும் இதர பாகங்கள் மிகவும் சூடாகி விடாமல் பார்த்துக்கொள்ளவும். மற்ற வாகனங்களைப் போலவே, தீப்பற்றக்கூடிய பொருள்களாகிய காய்ந்த புல் அல்லது இலைகளை வாகனத்தின் சூடான எக்ஸாஸ்ட் சிஸ்டத்துடன் தொடர்பு கொள்ளும் வகையில் வாகனத்தை பார்க் செய்யாதீர்கள் அல்லது ஓட்டாதீர்கள்.

உதாரணம்



82DY05

குறிப்பு:
நீண்ட காலம் வரை வாகனத்தைப் பயன்படுத்தாமல் வைத்திருந்தால் காஸ்ட் ஐயன் (cast iron) ஆன ப்ரேக் டிஸ்க் பரப்பு துருப்பிடித்துப் போய்விடும். இதனால் சத்தம்/அதிர்வு ஏற்படும். இதனால் வாகன செயல்பாட்டின் மீது எவ்வித பாதிப்பும் இருக்காது. தொடர்ந்து வாகனத்தை இயக்கிக் கொண்டிருந்தால் துருப்பிடித்தல் தடுக்கப்படும்/ நீக்கப்படும். இதனால் சத்தமும் அதிர்வும் குறைந்து விடும்.

ஃப்யூயல் எகானமியை (மைலேஜ்) மேம்படுத்துதல்

குறிப்பு :
கியர் மாற்றும் முறை போன்ற வாகனம் ஓட்டும் பழக்கங்கள், ஏசி பயன்பாடு, டயர்களில் உள்ள காற்று அழுத்தம், விண்ட் வேகம், டிராஃபிக் நிலைமைகள், ஃப்யூயல் தரம்-கலப்படம் செய்யப்படாத தரநிலையான எரிபொருள், வாகனத்தின் பராமரிப்பு, சாலை நிலைமைகள், ப்ரேக்கிங் போன்ற பல காரணங்களால் வாகனத்தின் ஃப்யூயல் எகானமி (மைலேஜ்) மாறும்.

எரிபொருள் சிக்கனத்தை அதிகரிக்கப் பின்வரும் வழிமுறைகளைப் பின்பற்றலாம்.

அதிகப்படியான 'ஐடிலிங்' கை தவிர்க்கவும்.

பார்கிங் செய்யும்போது ஒரு நிமிடத்துக்கு மேல் காத்திருக்க வேண்டுமானால் என்ஜினை ஆஃப் செய்து விட்டு பின்னர் ஸ்டார்ட் செய்யவும். சில்லென்றிருக்கும் என்ஜினைச் சூடாக்கும்போது, அதை ஐடிலிங்-ல் விடாமல் முழு த்ராட்டிலைக் கொடுத்து என்ஜின் அதிகப்பசு வெப்பநிலையை அடையும் வரை காத்திருக்கவும். வாகனம் ஓட்டும்போது என்ஜின் தானாகவே சூடாவதற்கு அனுமதிக்கவும்.

திடீரேன வேகத்தைக் கூட்டுவதைத் தவிர்க்கவும்

எடுத்தவுடன் அதிவேகத்தில் ஓட்டினால் அல்லது ஓட்டும்போது துரிதமாக வேகத்தைக் கூட்டினால் தேவையில்லாமல் எரிபொருள் வீணாவதுடன் என்ஜினின் ஆயுளும் குறைந்து விடும். வாகனத்தை மெதுவாகக் ஸ்டார்ட் செய்யவும்.

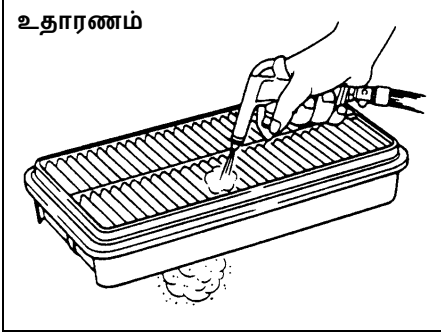
தேவையற்ற வாகனத்தை தவிர்க்கவும்

இடங்களில் நிறுத்துவதை தேவையில்லாமல் வேகத்தைக் குறைத்து வாகனத்தை நிறுத்தாதீர்கள். முடிந்தவரை மெதுவான, சீரான வேகத்திலேயே வாகனத்தைச் செலுத்தவும். மெதுவாக ஓட்டி விட்டுப் பின் வேகமெடுத்தால் எரிபொருள் அதிக அளவில் செலவாகும்.

சீரான வேகத்தைக் கடைப்பிடிக்கவும் சாலை, போக்குவரத்து நிலவரம் அனுமதிக்கும் சீரான வேகத்தில் வாகனத்தைச் செலுத்தவும்.

ஏர்-க்ளீனர் சுத்தமாக வைத்திருக்கவும்

உதாரணம்



60A183S

ஏர்-க்ளீனரில் தூசி இருந்தால் இன்டேக் ரெசிஸ்டன்ஸ் மிக அதிகமாக இருக்கும், அதனால் வாகனத்திறன் குறையும் மற்றும் எரிபொருள் அதிகம் செலவாகும்.

எடையை முடிந்தவரை குறைவாக வைக்கவும்

எந்த அளவுக்கு எடை அதிகமாகிறதோ, அந்த அளவுக்கு எரிபொருளும் செலவாகும். தேவைப்படாத லக்கேஜ்/சரக்குகளை வாகனத்தில் வைக்காமல் எடுத்து விடுங்கள்.

டயரில் காற்றழுத்தம் சரியான அளவில் இருக்க வேண்டும்

காற்றழுத்தம் குறைந்த டயர்கள் எரிபொருளை வணாக்குவதுடன் டயர்களின் ரெசிஸ்டன்சைக் குறைத்து விடுகின்றன. ஓட்டுநரின் கதவு லாக் செய்யும் பில்லரில் உள்ள லேபிளில் சொல்லியுள்ளதைப் போன்று சரியான காற்றழுத்தத்தில் டயர்களை வைத்திருக்கவும்.

ஹைவே டிரைவிங்

நெடுஞ்சாலைகளில் வாகனத்தில் பயணிக்கையில் பின்வருவனவற்றைக் கவனிக்கவும்:

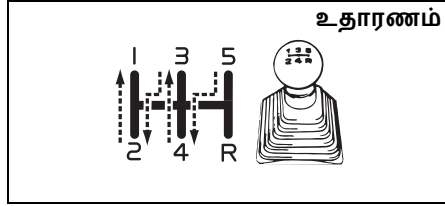
- வாகனத்தின் வேகத்தைப் பொறுத்து அதை நிறுத்தும் தூரமும் அதிகரிக்கும். நிறுத்தும் இடத்திற்குச் சற்று முன்னதாகவே ப்ரேக்குகளை அழுத்தினால் நிறுத்தும் தூரம் சற்று அதிகமாக உங்களுக்குக் கிடைக்கும்.
- மழை நாட்களில் ஹைட்ரோ-ப்ளேனிங் நிகழலாம். சாலையின் பரப்புக்கும் வாகனத்தின் டயர்களுக்கும் இடையே நேரடித் தொடர்பு இல்லாத நிலையே (மழைநீர் தேங்கி விடுவதால்) ஹைட்ரோ-ப்ளேனிங் எனப்படும் ஹைட்ரோ-ப்ளேனிங் சமயத்தில் ஸ்டீயரிங்கைச் செலுத்துவது கடினமாக இருக்கலாம்; வாகனம் கட்டுப்பாடை இழக்கும் நிலையும் உருவாகலாம். சாலைப் பரப்பு ஈரமாக இருக்கும்போது குறைந்த

வேகத்தில் வாகனத்தைச் செலுத்தவும்.

- அதிக வேகத்தில் செலுத்தினால், வாகனம் காற்றால் பாதிக்கப்படும் வாய்ப்புள்ளது. எனவே, வேகத்தைக் குறைத்து, எங்கிருந்தாவது அடிபடுமா எனக் கவனத்துடன் பார்த்து (கால்வாய்ப் பக்கம், மலைப்பகுதி அல்லது வேறு பெரிய வாகனங்கள் ஓவர்டேக் செய்யும்போது இது நேரலாம்) வாகனத்தை ஓட்ட வேண்டும்.

மலைப் பகுதிகளில் வாகனத்தை ஓட்டுதல்

- சரிவான மலைப்பகுதிகளில் ஏறும்போது, வாகனத்தின் வேகம் குறைந்து மின்சக்தியும் குறையக்கூடும். அவ்வாறு நிகழ்ந்தால், குறைவான கியருக்கு மாறினால்தான் என்ஜின் மீண்டும் வழக்கமான செயல்பாட்டு நிலைக்குத் திரும்பும். வாகனம் தன் வேகத்தை இழக்கும் முன்னரே கியரைச் சீக்கரமாக மாற்றவும்.
- மலைப்பகுதியில் கீழ்நோக்கிப் பயணிக்கும்போது வேறு குறைவான கியருக்கு மாறுவதற்கு மட்டுமே என்ஜின் பயன்படுத்தப்பட வேண்டும்.



77PH003

▲ எச்சரிக்கை

மலைப்பகுதியில் கீழிறங்கும்போது ப்ரேக் பெடலை அடிக்கடி / நீண்ட நேரம் வரை அழுத்திப் பிடிக்காமல் இருக்க வேண்டும்.

அப்படிச் செய்யாவிட்டால் ப்ரேக்குகள் அதிகச் சூடாகி ப்ரேக்குகளின் செயல்திறன் குறையலாம்.

இந்த முன்னெச்சரிக்கை நடவடிக்கையைச் செய்யா விட்டால் ஓட்டுபவர் வாகனத்தின் கட்டுப்பாட்டை இழக்கக்கூடும்.

சமதளத்திலிருந்து மலைப்பகுதிக்கு மேல்நோக்கி / கீழ்நோக்கிப் பயணிக்கும்போது

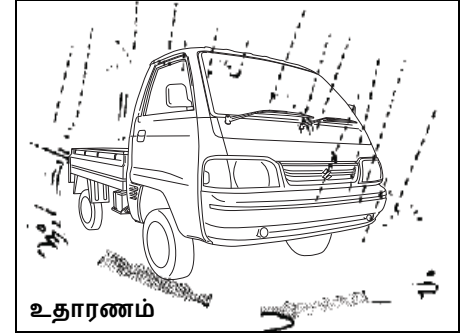
- பார்சிங் ப்ரேக்கை உறுதியாக அழுத்தி, வாகனம் பின்புறம் சென்று விடாதபடி பார்த்துக் கொள்ளவும்.

- க்ளட்ச் பெடலை அழுத்தி கியர்ஷிஃட்லீவரை 1-வது செலக்ட் பொஸிஷனுக்கு மாற்றவும்
- க்ளட்சை எப்போதும் விட்டு விடாதீர்கள்.
- கிளம்பத் தயாரானவுடன் ஆக்ஸிலரேட்டர் பெடலை அழுத்தி அதேநேரம் க்ளட்ச் பெடலையும் மெதுவாக ரிலீஸ் செய்யவும். வாகனம் நகரத் தொடங்கியவுடன், பார்சிங் ப்ரேக்கைப் படிப்படியாக விடுவிக்கவும்.

அறிவிப்பு

மலைப்பகுதியிலிருந்து கீழே இறங்கும் சமயத்தில், இக்னிஷன் சாவியை ஒருபோதும் “லாக்” நிலைக்குத் திருப்பாதீர்கள். அப்படிச் செய்தால் மாசுக் கட்டுப்பாடு அமைப்பு பாதிக்கப்படலாம்.

வழுக்கும் சாலைகளில் வாகனத்தை ஓட்டுதல்



82DY06

காய்ந்திருக்கும் சாலைகளில் ஓட்டுவதை விடக் குறைவான வேகத்தில் ஈரமான சாலைகளில் வாகனத்தை ஓட்டினால் பிரெக் பிடிக்கும்போது டயர்கள் வழுக்குவது தவிர்க்கப்படும். ஐஸ் கட்டிகள் நிறைந்த, பனிமூடிய அல்லது சேறு அதிகமுள்ள சாலைகளில் ஓட்டும்போது வாகனத்தின் வேகத்தைக் குறைத்து திடீரென வேகமெடுப்பதையும், சட்டென்று ப்ரேக் போடுவதையும், ஸ்டீயரிங்கை உடனுக்குடன் திருப்புவதையும் தவிர்க்க வேண்டும்.

வாகனம் சாலையில் மாட்டிக் கொண்டால்

உங்களது வாகனம் பனி, சேறு அல்லது மணலில் சிக்கிக் கொண்டால், பின்வருவனவற்றைச் செய்து பார்க்கவும்:

- 1) டிரான்ஸ்மிஷன் கியரை முன்னும் பின்னும்; அதாவது 1-வது கியருக்கும் ரிவர்ஸ் கியருக்கும் இடையே இயக்கவும். இதனால் ஏற்படும் குலுக்கிய இயக்கத்தால் வாகனத்தை விடுவிக்கத் தேவையான வேகம் உங்களுக்குக் கிடைக்கலாம். என்ஜினின் வேகத்தை அதிகரிக்காதீர்கள். சக்கரங்கள் அதிக அளவில் சுழன்றால் டயர்கள் மண்ணுக்குள் மேலும் ஆழமாக மாட்டிக் கொண்டு அதனால் வாகனத்தை நகர்த்துவது இன்னும் கடினமாகலாம்.
- 2) சில நிமிடங்கள் வரை முயன்ற பின்னும் வாகனம் நகரவில்லை என்றால், வேறொரு வாகனத்தில் கட்டி அதை வெளியே இழுக்கவும்.

⚠ எச்சரிக்கை

வாகனத்தை வெளியே எடுக்க முயலும்போது யாரையும் அருகில் நிற்க விடாதீர்கள்; சுழலும் சக்கரங்களின் வேகம் மணிக்கு 40 கி.மீ.-க்கு மேல் போகாமல் பார்த்துக் கொள்ளுங்கள். சக்கரங்கள் வேகமாகச் சுழன்றால் ஓட்டுநருக்குக் காயம் மற்றும் வாகனத்துக்கும் சேதம் ஏற்படலாம்.

அறிவிப்பு

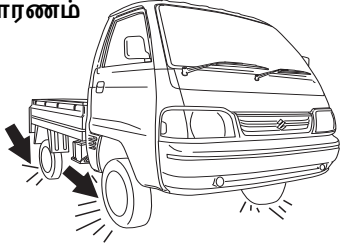
சக்கரங்களைச் சுழலவிட்டு வாகனத்தை வெளியே எடுக்கும் முயற்சியைச் சில நிமிடங்களுக்கு மேல் மேற்கொள்ள வேண்டாம். இம்முயற்சியைத் தொடர்ந்து மேற்கொண்டால் என்ஜின் அதிகச் சூடாகலாம் அல்லது டிரான்ஸ்மிஷன் சேதமடையலாம்.

ஈரமான சாலைகளில் வாகனத்தைச் ஓட்டுதல்

அறிவிப்பு

- ஈரமான சாலைகளில் வாகனத்தை ஓட்டும்போது சாலையில் இருக்கும் அதிக ஆழமாகத் தேங்கியுள்ள தண்ணீருக்குள் வாகனத்தை ஓட்டுவதைத் தவிர்க்கவும். என்ஜினில் அதிக அளவு தண்ணீர் நுழைந்தால் அதனால் என்ஜின் சேதமடையலாம். மேலும் அதன் மின்னணு பாகங்களும் பாதிக்கப்படலாம்.
- ஆழமாகத் தேங்கியுள்ள நீரில் வாகனம் மாட்டிக் கொண்டால், தண்ணீர் மட்டம் குறையும் வரை வாகனத்தைக் கிளப்ப முயற்சிக்க வேண்டாம்.
- தண்ணீர் அமுக்க இயலாத பொருள். எனவே என்ஜினுக்குள் இருக்கும் தண்ணீர் அதைச் சேதப்படுத்தி விடும்.

உதாரணம்



82DY07

▲ எச்சரிக்கை

ஓட்டுவது பற்றி இப்பிரிவில் மேற்சொன்ன குறிப்புகளுடன் சேர்த்து பின்வரும் முன்னெச்சரிக்கைகளைக் கடைப்பிடிப்பதும் மிக அவசியமாகும்.

- டயர்கள் எப்போதும் நல்ல நிலையில் இருப்பதை உறுதி செய்து, அவற்றின் காற்றழுத்தத்தையும் அவ்வப்போது சோதித்து வரவும். 'ஆய்வு மற்றும் பராமரிப்பு' பிரிவில் டயர்கள் என்ற தலைப்பிலுள்ள விவரங்களைப் படிக்கவும்.

▲ எச்சரிக்கை

- மாருதி சுகுகி நிறுவனம் பரிந்துரைக்காத எந்த பிராண்டு டயர்களையும் பயன்படுத்த வேண்டாம். வெவ்வேறு அளவு/வகையான டயர்களைப் பின்புற/முன்புற சக்கரங்களுக்குப் பயன்படுத்த வேண்டாம். ஓட்டுநரின் அருகில் உள்ள டோர் லாக் பில்லரிலுள்ள 'டயர் தகவல் லேபிளை' பார்த்து நாங்கள் குறிப்பிடும் டயர் பற்றிய விவரங்களை அறிந்து கொள்ளவும்.

- அதிக அளவுள்ள டயர்கள் அல்லது விசேஷ 'ஷாக் அப்சார்பர்களை'ப் பயன்படுத்தி வாகனத்தின் உயரத்தை அதிகரிக்க முயற்சி செய்ய வேண்டாம். இதைச் செய்தால், வாகனத்தைக் கையாளும் பல செய்முறைகளை இது பாதிக்கும். பள்ளத்தில் செல்கையில் அதிக அளவுள்ள டயர்கள் வாகனத்தின் பிற பாகங்களுடன் உராய்ந்து சேதாரத்தை விளைவிக்கலாம் அல்லது டயர்களும் பாதிக்கப்படலாம்.

▲ எச்சரிக்கை

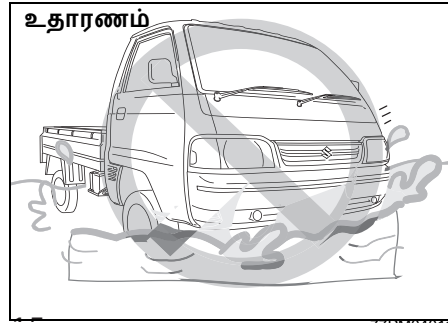
- தண்ணீரைத் தாண்டி வாகனத்தை ஓட்டியவுடன் மிதமான வேகத்தில் ப்ரேக்குகளைச் சோதித்து அவற்றின் இயல்பான பலன் தரும் நிலை கெட்டு விட்டதா என்பதைச் சோதிக்கவும். வழக்கம்போல் பலன் தரும் நிலையில் அவை இல்லையென்றால், மெதுவாக ஓட்டிக் கொண்டே ப்ரேக்குகளை மீண்டும் மீண்டும் அழுத்தி அவற்றின் இயல்புநிலை திரும்பும் வரை அவற்றைக் காய வைக்கவும்.

ஆஃப்-ரோடு டிரைவ் (Off-road Driving)

வளர்ந்த புற்கள் நிறைந்த நிலத்தில் வாகனத்தை ஓட்ட வேண்டாம்

புற்கள் நிறைந்த நிலத்தில் வாகனத்தை நீங்கள் ஓட்டினால், அது வளர்ந்த புற்களால் பிடிக்கப்பட்டு விபத்து அல்லது நெருப்பு அல்லது வாகன பாதிப்பு ஏற்படலாம்.

வெள்ளம் சூழ்ந்த பகுதிகளில் பயணிக்கும்போது



வெள்ளம் சூழ்ந்த அல்லது ஆழமாக நீர் தேங்கியுள்ள பகுதிகளில் வாகனத்தை ஓட்ட வேண்டாம். வெள்ளம் சூழ்ந்த பகுதிகளில் வாகனத்தில் பயணிப்பது தவிர்க்க முடியாதது என்றால், மிக

குறைந்த கியரில் மிகவும் மெதுவாக ஓட்டவும், வெள்ளம் சூழ்ந்த பகுதிகளில் நீங்கள் பயணித்துக்கொண்டிருந்தால், நீர் இல்லாத இடத்தில் வாகனத்தை பாதுகாப்பாக நிறுத்தி பிரக்கின் செயல்திறனை சோதிக்கவும், பிறகு பின்வரும் பரிசோதனைப் பற்றி அங்கீகரிக்கப்பட்ட மாருதி சுக்சி டீலரிடம் சோதிக்குமாறு கூறவும்.

- ப்ரேக்கின் செயல்பாடு
- மின்சார கூறுகளின் செயல்பாடு
- ஆயில் லெவல் மாற்றம் மற்றும் என்ஜின் மற்றும் டிரான்ஸ்மிஷனுக்கான தரம்
- ஆயில் பார்ப்பதற்கு வெள்ளையாக இருந்தால், தண்ணீர் ஆயிலுடன் கலந்துள்ளது என்று அர்த்தம் மேலும் கண்டிப்பாக ஆயிலை மாற்ற வேண்டும்
- பியரிங்குகள், சஸ்பென்சன் ஜாயிண்டுகளின் லூப்ரிகேசன் நிலைமைகள் போன்றவை

அறிவிப்பு

- வெள்ளம் சூழ்ந்த பகுதி அல்லது நீர் ஆழமாகத் தேங்கியுள்ள பகுதிகளில் வாகனத்தை ஓட்ட வேண்டாம். இது என்ஜின் பிடிப்பு, மின்சாரக் கூறுகளில் ஷார்ட், என்ஜின் மற்றும் டிரான்ஸ்மிஷன் பாதிப்புகள் போன்றவற்றை ஏற்படுத்தலாம், ஆழமாகத் தேங்கியுள்ள தண்ணீரில் வாகனம் மாட்டிக்கொண்டால் என்ஜினை ஸ்டார்ட் செய்ய வேண்டாம்.

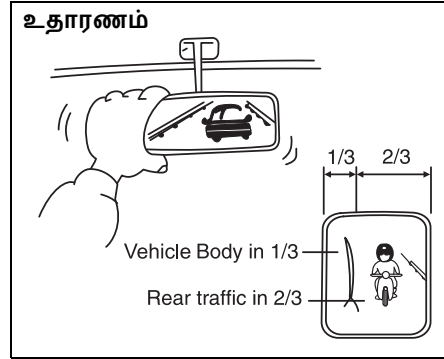
பாதுகாப்பாக வாகனம் ஓட்டுவதற்குச் 'செய்ய வேண்டியவை' மற்றும் 'செய்யக் கூடாதவை'

வாகனத்தைக் ஓட்டும்போது அத்தமான அக்கறை தேவை. உங்களது பாதுகாப்புடன் சேர்த்து தெருவில் இருக்கும் பிறரின் பாதுகாப்பைப் பற்றியும் அக்கறையுடன் இருந்து, மிகச் சிறந்த, மிகவும் வசதியான ஓட்டும் அனுபவத்தைப் பெறவும்.

பாதுகாப்பான ஓட்டும் அனுபவத்தைப் பெற பின்வரும் அடிப்படை விதிகளைப் பின்பற்றவும். அவற்றைக் கவனமாகப் படித்து, புரிந்து கொண்டு பாதுகாப்பான, மகிழ்ச்சி தரும் வாகன ஓட்டும் அனுபவத்தை உணருங்கள்.

ஸ்டார்ட்டிங்

- முறையான டிரைவிங் பொஸிஷனில் ஓட்டுநரின் சீட்டை அட்ஜஸ்ட் செய்யவும்.
- ரிவரவியு கண்ணாடியை அட்ஜஸ்ட் செய்து முடிந்தவரை ரிவரவியுவை செட் செய்யவும்.



- நகர்வதற்கு முன், வாகனத்தை சுற்றிலும் பார்த்து பாதுகாப்பை உறுதி செய்ய வேண்டும்.
- உடனடியாக வேகமாகச் செல்ல முயலாதீர்கள், இது ஆபத்தானது மட்டுமின்றி எரிபொருளையும் வீணாக்கும்.

பொதுவான வாகனம் ஓட்டும் முறை

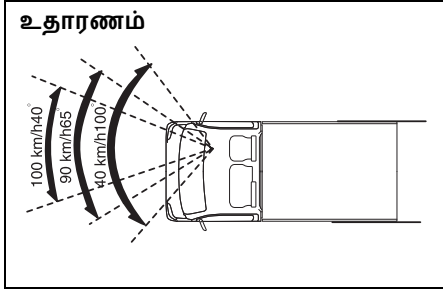
- 'நில்' என்ற வாசகம் அல்லது குறியீடு தென்பட்டால் வாகனத்தை நிச்சயம் நிறுத்தவும். டிராபிக் லைட்கள் அல்லது குறியீடுகள் இல்லாத போக்குவரத்து ஜங்ஷன் வழியே செல்லும்போது மெதுவாகச் சென்றால்தான் பாதுகாப்பை உறுதி செய்ய முடியும்.
- மற்ற வாகனங்களுகிடையே செல்லும்போது போதுமான, போதுமான,

பாதுகாப்பான இடைவெளி இருந்தால் மட்டுமே முன்செல்லும் வாகனம் திடீரென்று நிறுத்தப்பட்டால் நாம் அதன் மீது மோதாமல் தடுக்க முடியும்.

- ஒரு வளைவில் திரும்புவதற்கு அல்லது வேறு பாதையில் செல்வதற்குக் குறைந்தபட்சம் 30 மீட்டருக்கு முன்பே 'டர்ன்' சிக்னலைப் போட்டு விட்டால் வாகனங்கள் இடித்துக் கொள்வதைப் பெருமளவில் தடுக்கலாம்.
- ஒரு மூலையை நோக்கிச் செல்லும் முன்பு, வேகத்தைப் பாதுகாப்பான அளவு குறைக்கவும். வாகனம் வளைவில் செலுத்தும்போது ப்ரேக்கை அழுத்தினால் சறுக்கும் நிலை ஏற்படலாம்.
- மற்ற வாகனங்களை ஓவர்டேக் செய்யும்போது எதிரில் வரும் வாகனங்கள் பற்றியும் கவனமாக இருந்தால் பாதுகாப்பை உறுதி செய்ய முடியும்.
- இங்குமங்கும் இடைவெளிக்குள் நுழைந்து வாகனத்தை ஓட்ட முயற்சித்தால் வாகனத்தின் மீது உங்களுக்கு இருக்கும் கட்டுப்பாடு குலைந்து விபத்தில் கொண்டு போய் விடும்.
- கண்முடித்தனமான வேகத்தில் வாகனத்தைச் செலுத்துவதைத் தவிர்க்கவும்; சாலைக்கேற்ற பாதுகாப்பான வேகத்தில் மிதமான

வேகத்தில் செலுத்துவது எப்போதுமே நல்லது.

- 8) வேகம் எந்த அளவுக்கு அதிகரிக்கிறதோ அந்த அளவுக்கு ஓட்டுநரின் பார்வை வீச்சும் குறையும். அவ்வாறான நிலையில், ஓட்டுநர் களைப்படைந்து விடுவதால் எந்தத் தீங்கையும் எதிர்பார்த்து கவனமாக வாகனத்தைச் செலுத்த முடியாது.



77PM04001

- 9) அதிவேகத்தில் வாகனத்தைச் செலுத்தும்போது 'ஹார்ப் ஹேண்ட்லிங்' செய்ய முயற்சிக்காதீர்கள். அப்படிச் செய்தால் வாகனத்தின் மீதான உங்களது கட்டுப்பாட்டை முழுவதும் இழக்க நேரிடும்.
- 10) அதிவேகத்தில் பிற வாகனங்களை ஓவர்டேக் செய்யும்போது அல்லது பாதை மாற்றும்போதும் வாகனங்களுக்கிடையே

போதுமான தூரம் இருப்பதை உறுதி செய்யுங்கள்.

ப்ரேக்கிங்

- 1) வாகனத்தைப் பார்ப்பது செய்யும்போது பாதுகாப்புக் காரணங்களை முன்னிட்டு, பார்ப்பது ப்ரேக்குகளை பயன்படுத்தி கியர்ஷிப்ட் லீவரை முதல் கியர் அல்லது ரிவர்ஸ் கியருக்கு மாற்றவும்.
- 2) தவிர்க்க முடியாத சூழல் ஏற்பட்டாலொழிய வேண்டி ப்ரேக்குகளைப் பயன்படுத்தாதீர்கள். இதனால் வாகனம் சறுக்கி, வேறு வாகனத்துடன் மோதி விடலாம். தேய்ந்து போன டயர்கள் இருக்கும்போது இது இன்னும் ஆபத்தான விஷயம்; ஏனெனில் அவை அதிகம் சறுக்கக் கூடியவை.

பாதங்களுக்கருகே உள்ள ப்ரேக்குகளை மூன்று நிலைகளில் பயன்படுத்தவும்

1. பின்னால் வரும் வாகனங்களுக்கு எச்சரிக்கைச் செய்தியை அனுப்பவும்
 2. ப்ரேக்கைப் பயன்பாடியாக அழுத்தவும்
 3. வாகனத்தை நிறுத்தி விடுங்கள்
- 3) சரிவுப் பாதையில் கீழ்நோக்கிச் செலுத்தும் போது ப்ரேக்கை அழுத்தாமல் என்ஜின் ப்ரேக்கைப் பயனுள்ள முறையில் பயன்படுத்தவும். பாதத்திற்கருகிலுள்ள ப்ரேக்கை

அதிகமாகப் பயன்படுத்தினால் ப்ரேக்கின் பயன்பாடு மிகவும் பாதிக்கப்படும்.

நீண்ட தூரம் வாகனத்தை ஓட்டுதல்

- 1) நெடும்பயணத்துக்குக்கிடையிலும் முன்பாதுகாப்பு தொடர்பான அனைத்துச் சோதனைகளையும் செய்து விடுங்கள்.
- 2) சீரான இடைவெளியில் அவ்வப்போது ஓய்வு எடுத்துக் கொண்டால் தூக்கக் கலக்கத்தால் அல்லது களைப்பால் விபத்து நேரிடுவதைத் தவிர்க்கலாம்.

இரவு நேரத்தில் வாகனம் ஓட்டுதல்

- 1) பார்வைத் தூரம் இரவில் குறைந்து விடுவதால் வாகனத்தில் பகலில் செல்வதை விட இரவில் குறைந்த வேகத்தில் செலுத்தவும்.
- 2) இரவு நேரத்தில் மற்ற வாகனங்களை முந்திச் செல்வதைத் தவிர்க்கவும். வேகமாகச் செல்ல வேண்டும் என்ற எண்ணமும், வாகனங்களுக்கிடையில் இருக்கும் தூரத்தைக் கணிக்கும் உங்களது அனுமானமும் இரவு நேரங்களில் பாதிக்கப்படலாம்.
- 3) தேவைப்பட்டாலொழிய ஹெட்லைட்டுகளை 'ஹை பீம்' முறையில் பயன்படுத்த வேண்டாம். ஹைபீம் லைட்டுகள் எதிரில் வரும் அல்லது முன்புள்ள வாகன ஓட்டுநரின் கண்களுக்குப் பாதிப்பை

ஓட்டுவதற்கான குறிப்புகள்

ஏற்படுத்தலாம்; இதனால்
விபத்துக்கள் நேரிடலாம்.
4) விண்டோ (ஜன்னல்)
கண்ணாடிகளைத் துடைத்து
சுத்தமாக வைத்திருக்கவும்.
விண்ட்ஷீல்ட் கண்ணாடி
காய்ந்திருக்கும்போது விண்ட்ஷீல்ட்
வைப்பரைப் பயன்படுத்தாதீர்கள்;
இதனால் கண்ணாடிகள்
சேதமடையக்கூடும்.

பாதுகாப்பு எல்லைக்கோடு

வாகனத்தை ஓட்டும்போது
உங்களுக்கென்று ஒரு பாதுகாப்பு
எல்லைக்கோட்டை கடைபிடிப்பது
முக்கியம்; அப்போதுதான்
மற்றவர்களது எதிர்பார்க்காத
தவறுகளை உங்களால் சமாளிக்க
முடியும். இதற்கு,
பின்வருவனவற்றைப் பின்பற்றுங்கள்:
• பாதுகாப்பான வேகத்தில்
வாகனத்தை ஓட்டவும்
• உங்களது வாகனத்துக்கும் முன்னால்
செல்லும் வாகனத்துக்கும்
போதுமான இடைவெளி
இருக்குமாறு பார்த்துக்
கொள்ளுங்கள்.
• மற்ற வாகனங்களை முந்தியே
தீர்வேண்டும் என்று நினைக்காதீர்கள்.
• வேகத்தைத் திடீரென
அதிகரிக்காமல், உடனடியாகத்
திரும்பாமல், திடீரென நிறுத்தாமல்
வாகனத்தைச் செலுத்தவும்.

• உங்களது பயணத்திட்டத்தில்
பயணங்களுக்கு இடையே
போதுமான இடைவெளி விடவும்.
• போக்குவரத்து விதிகள்,
நெறிமுறைகளை எப்போதும் மதித்து
நடக்கவும்.

முடிவுரை

மிகவும் சரியான ஓட்டுநர் இவர்தான்
என்று யாரையும் கூற முடியாது;
அவ்வாறு யாருமே இல்லை. வாகனம்
ஓட்டும் ஒவ்வொருவரும் முடிந்தவரை
சிறப்பாகவும் சரியாகவும் ஓட்ட
வேண்டுமென்று முயற்சி செய்து
வருகின்றனர். பாதுகாப்பு குறித்த
விழிப்புணர்வு உங்களது
பாதுகாப்பையும் வாகனம் ஓட்டும்
பிறருடைய பாதுகாப்பையும் உறுதி
செய்வதுடன் உங்களது வாகனத்தின்
தேய்மானத்தைக் குறைத்து, அதன்
ஆயுளை அதிகரித்து, எரிபொருள்
சிக்கனத்தைக் கற்பித்து, வசதியான
ஒரு ஓட்டும் அனுபவத்தை தருகிறது.
'செய்யக்கூடியவை',
'செய்யக்கூடாதவை' இவற்றை
ஒழுங்காகப் பின்பற்றினால்,
வாகனம் செலுத்துவதை மிகவும்
அனுபவிப்பீர்கள்.

பிற கண்ட்ரோல்கள் மற்றும் உபகரணங்கள்

ப்யூயல் பில்லர் கேப்	5-1
என்ஜின் கம்பார்ட்மெண்ட்	5-3
சன் வைஸர்	5-5
இன்டீரியர் லைட்	5-6
அக்ஸ்சரி சாக்கெட்	5-6
க்ளவ் பாக்ஸ்	5-7
ஸ்டோரேஜ் ஏரியா	5-7
ஏர் வென்ட்	5-8
பிரேம் ஹூக்	5-8
அசிஸ்ட் கிரிப்	5-9

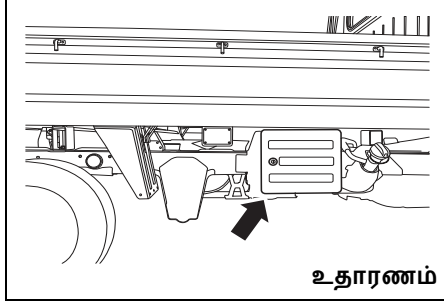
பிற கண்ட்ரோல்கள் மற்றும் உபகரணங்கள்

ஃப்யூயல் ஃபில்லர் கேப்

(பெட்ரோல் மற்றும் சி.என்.ஜி. என்ஜின் மாடலுக்காக)

சி.என்.ஜி. ஃபில்லர் வால்வ்

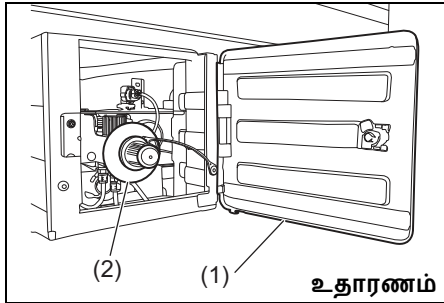
(சி.என்.ஜி. என்ஜின் மாடலுக்காக)



உதாரணம்

77PM05003

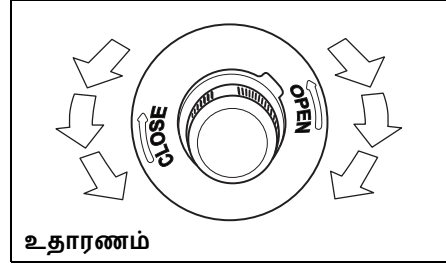
வண்டிக்கு வலதுபுறத்தில் சி.என்.ஜி. ஃபில்லர் வால்வ் அமைந்துள்ளது.



உதாரணம்

77PM05001

சி.என்.ஜி. ஃபில்லர் கதவை (1) திறக்க, சாவியை போட்டு சாவியின் மேற்பகுதியை வண்டியின் முன்புறத்தை நோக்கித் திருப்பவும்.

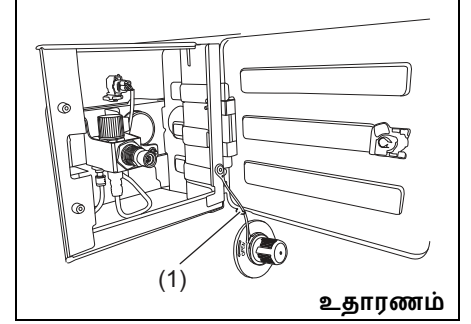


உதாரணம்

77PM05005

சி.என்.ஜி. ஃபில்லர் வால்வ் கவரை அகற்ற:

- 1) சி.என்.ஜி. ஃபில்லர் கதவை (1) திறக்கவும்.
- 2) இடது வலமாகத் திருப்பி சி.என்.ஜி. ஃபில்லர் வால்வ் கவரை (2) அகற்றவும்



உதாரணம்

77PM05006

குறிப்பு :

ஃப்யூயல் ஃபில்லர் கதவில் கேப் ஹோல்டர் (3) இருந்தால், எரிபொருள் நிரப்புகையில் அதைப் பயன்படுத்திக் கொள்ளவும்.

சிலின்டரின் அழுத்தம் டிஸ்பென்சரின் அழுத்தத்திற்கு சமமாக இருந்தால் தனாகவே ஃபில்லிங் செய்முறை கட ஆகிவிடும்.

சி.என்.ஜி. ஃபில்லர் வால்வ் கவரைப் மீண்டும் பொறுத்த:

- 1) அது முழுதும் மூடும் வரைக்கும் சி.என்.ஜி. ஃபில்லர் வால்வ் கவரை (2) வலது இடமாகத் திருப்பவும்.
- 2) சி.என்.ஜி. ஃபில்லர் கதவை (1) மூடவும்.

பிற கண்ட்ரோல்கள் மற்றும் உபகரணங்கள்

குறிப்பு :

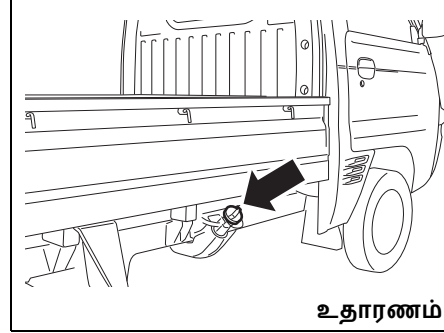
- சி.என்.ஜி. ஃபில்லர் கவர் (2) சரியாக மூடப்பட்டா விட்டால், உங்களால் வாகனத்தை ஸ்டார்ட் செய்ய முடியாது.
- வாகனம் இயங்காமல் நிற்கும்போது சி.என்.ஜி. ஃபில்லர் கவர் (2) திறக்கப்பட்டால், என்ஜின் வேலை செய்யாமல் நின்றுவிடும்.

குறிப்பு :

வண்டி இயங்கும்போது சி.என்.ஜி. ஃபில்லர் பெட்டிக்குள் சிறுகற்கள் நுழையலாம்; கவனித்தவுடன் அவற்றை நீக்கிவிடவும்.

பெட்ரோல் ஃபில்லிங் கேப் (Petrol filling cap)

(பெட்ரோல் என்ஜின் மாடலுக்காக (For Petrol engine model))

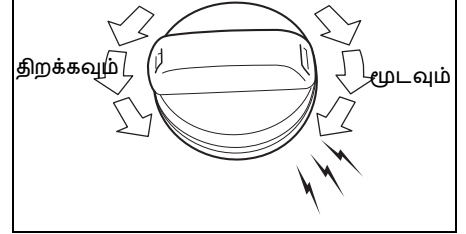


உதாரணம்

77PH031

ஃப்யூயல் ஃபில்லர் கேப், வாகனத்தில் வலதுபுறம் அமைந்துள்ளது.

உதாரணம்



68KN048

ஃப்யூயல் ஃபில்லர் கேப்பை அகற்றுவதற்கு அதை இடது வலமாகத் திருப்பவும். அதை மீண்டும் நிறுவ, பல 'க்ளிக்குகள்' கேட்கும் வரை அதை வலது இடமாகத் திருப்பவும்.

▲ கவனம்

ஃபில்லர் கேப்பை மெதுவாக அகற்றவும். அழுத்தத்தில் உள்ள எரிபொருள் வெளியில் கசிந்து ஆபத்தை ஏற்படுத்தலாம்.

▲ எச்சரிக்கை

எரிபொருள் எளிதில் தீப்பற்றக்கூடியதாகும். எரிபொருள் நிரப்புகையில் புகை வராமல் அருகாமையில் நெருப்பு இல்லாமலிருப்பதை உறுதிசெய்யவும்.

▲ எச்சரிக்கை

ஃப்யூயல் கேப்பை மாற்றியமைக்க நீங்கள் விரும்பினால், மாருதி ஜென்யூன் கேப்-பையே பயன்படுத்தவும். பொருந்தாத கேப்-பை ஏதாவது பயன்படுத்தினால் எரிபொருள்சிஸ்டம் வேலை செய்யாமல் போகலாம்; இதனால் விபத்து நிகழும்போது எரிபொருள் கசிவதும் ஏற்படும்.

▲ கவனம்

ஃப்யூயல் ஃபில்லர் கேப்பை மெதுவாக அகற்றவும். அழுத்தத்தில் இருக்கும் எரிபொருளானது வெளியில் சிதறி காயத்தை உண்டாக்கக் கூடும்.

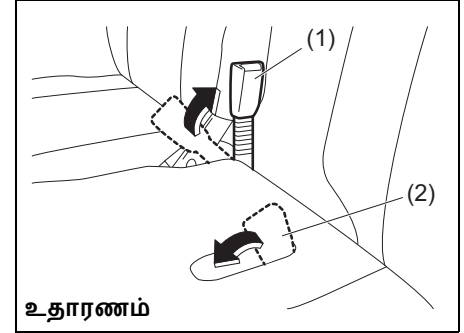
▲ எச்சரிக்கை

எரிபொருள் மிக எளிதில் தீப்பற்றக்கூடியது. எரிபொருள் நிரப்பும்போது புகை பிடிக்காதீர்கள், அருகில் நெருப்போ அல்லது தீப்பொறியோ இல்லாமல் இருப்பதை உறுதி செய்யவும்.

▲ எச்சரிக்கை

ஃப்யூயல் கேப்-ஐ மாற்ற வேண்டுமானால், மாருதி நிறுவனத்தின் ஒரிஜினல் தயாரிப்பையே பயன்படுத்தவும். தரமற்ற கேப்-ஐப் பயன்படுத்தினால் எரிபொருள் அமைப்பு அல்லது எமிஷன் கண்ட்ரோல் சிஸ்டம் பழுதடையலாம். விபத்து நேரிடும்போது எரிபொருள் கசிவும் நிகழலாம்.

என்ஜின் கம்பார்ட்மெண்ட் (Engine Compartment)



உதாரணம்

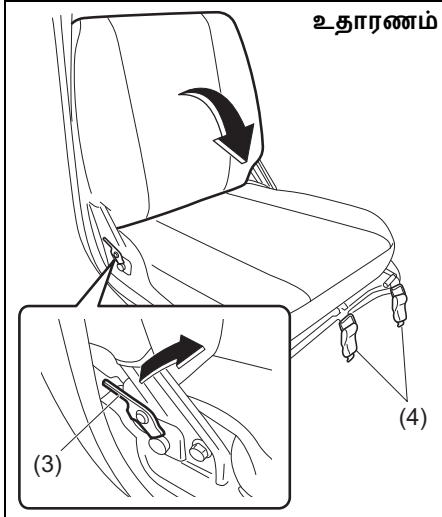
77PH094

என்ஜின் கம்பார்ட்மெண்டைத் திறப்பதற்கு:

- 1) ஓட்டுநரின் சீட் பெல்ட் பக்கிளை (1) சீட்பேக் பொஸிஷன் வரை உயர்த்தவும். பயணிகளின் சீட் பெல்ட் பக்கிளைச் (2) சரியாகப் பூட்டவும்.
- 2) ஓட்டுநரின் சீட்டைச் சரித்து முடிந்தவரை பின்னால் இருக்கும் பொஸிஷனில் வைக்கவும்.

▲ கவனம்

ஓட்டுநரின் சீட்டை பின்புறம் சரிக்கையில் சீட்டைச் சற்றுப் பின்னால் தள்ளவும். நீங்கள் சீட்டின் மேற்புறத்தைப் பிடித்தால், பின்புற சீட்டுக்கும் கேபினின் பின்புற பேனலுக்கும் இடையே உங்கள் கைகள் மாட்டிக் கொண்டு, காயம் ஏற்படலாம்.



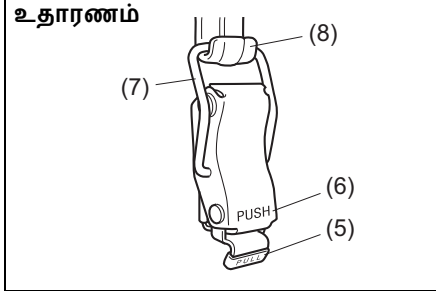
77PH093

3) ஓட்டுநரின் சீட்டில் உள்ள லாக் லீவரை (3) இழுத்து சீட்டை முன்புறம் நீட்டவும்.

குறிப்பு :

ஸ்டீயரிங் வலுவின் தொடர்பு கொள்ளும் நிலையில் சீட்டை எப்படி வேண்டுமானாலும் மடக்கிக் கொள்ளலாம்.

4) ஒவ்வொரு சீட்டின் முன்புறமும் உள்ள லாக் ஹேண்டிள்களைத் (4) திறக்கவும்.

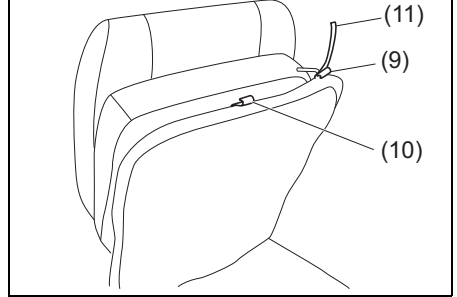


77PH081

- லாக் ஹேண்டிலைத் திறக்க, "PULL" என எழுதப்பட்ட பகுதியை (5) இழுத்து, ஹூக்கிலிருந்து (8) ரிங்கை (7) விடுவிக்கவும்.
- லாக் ஹேண்டிலைப் பூட்டுவதற்கு, ஹூக்கில் (8) ரிங்கை (7) வைத்து, (6) "PUSH" (அழுத்தவும்) என எழுதப்பட்ட பகுதியை அழுத்தவும்.

ஓட்டுநர் பக்கம் (Driver side)

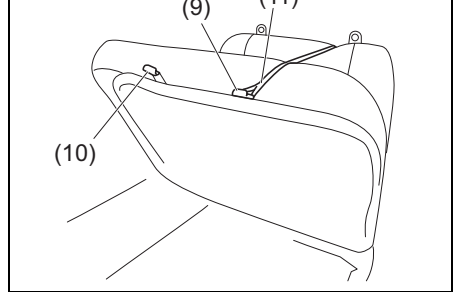
உதாரணம்



77PH102

பயணிகள் பக்கம் (Passenger side)

உதாரணம்



77PH103

பிற கண்ட்ரோல்கள் மற்றும் உபகரணங்கள்

குறிப்பு :

பயணிகள் சீட்டின் பின்புறம் ஸ்டிராப்புகள் (11) உள்ளன.

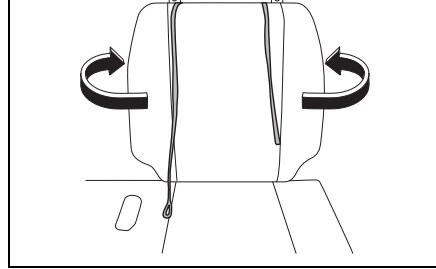
- 5) சீட்டைத் தூக்கி, ஸ்டிராப்பை (11) ஹூக்குடன் (9) இணைக்கவும். சீட் ஸ்டிராப்பை இணைப்பதற்கு ஹூக் (10) பயன்படுத்தப்படுவதில்லை.

அறிவிப்பு

ஸ்டிராப்பை ஓட்டுநரின் சீட் பொஸிஷன் அட்ஜஸ்ட்மெண்ட் லீவருடன் இணைக்க வேண்டாம். ஸ்டிராப்பை ஹூக்குடன் இணைக்கும் போது தேவைக்கு அதிகமான விசையைத் தரவேண்டாம். அவ்வாறு செய்தால் ஸ்டிராப்புகள் அறுந்து விடும், ஹூக்குகள் மற்றும் ஓட்டுநரின் சீட் பொஸிஷன் அட்ஜஸ்ட்மெண்ட் லீவரும் அறுந்து விடும்.

- என்ஜின் கம்பார்ட்மெண்ட்டை மூடுவதற்கு அதைத் திறக்கும்போது செய்தவைகளைத் தலைகீழ் வரிசையில் செய்யவும்.
- மூடிய பின்னர், சீட்டுகளை நகர்த்த முயற்சி செய்து அவை பாதுகாப்பாக இணைக்கப்பட்டுள்ளதை உறுதி செய்யவும்.
- படத்தில் காட்டியுள்ளபடி ஸ்டிராப்புகளைப் பயணிகள் சீட்டின் பின்புறமுள்ள இடத்தில் வைக்கவும்.

உதாரணம்



77PH097

எச்சரிக்கை

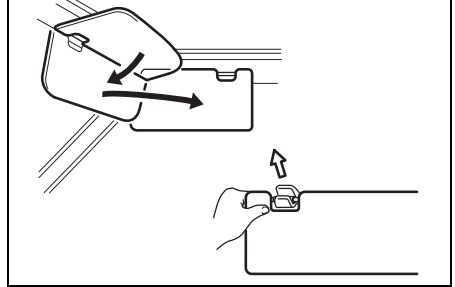
ஸ்டிராப்புகளைப் பயணிகள் சீட்டின் பின்புறமுள்ள இடத்தில் வைக்கவும். பயணிகளின் உடல் ஸ்டிராப்புகளில் மாட்டிக் கொண்டால், மூச்சுத் திணறல் உள்ளிட்ட காயங்கள் அவருக்கு நேரிடலாம். இப்படி நேரிட்டால், ஸ்டிராப்புகளைக் கத்தரிக்கோலால் அறுக்கவும்.

கவனம்

என்ஜின் கம்பார்ட்மெண்ட்டை மூடும்போது சீட்டுகளின் இடுக்கிலும் ஓட்டுநரின் சீட் பெல்ட் பக்கிகளிலும் கைகள் மாட்டிக் கொள்ளாதபடியும் உங்களது உடலில் படாதபடியும் கவனமாக இருக்கவும்.

சன் வைஸர் (Sun Visor)

உதாரணம்



77PH004

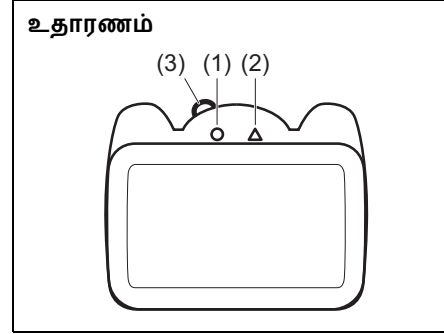
வாகன ஓட்டுநரின் சீட்டுக்கு அருகில் சன் வைஸர் அமைக்கப்பட்டு விண்ட்ஷீல்ட் வழியே வரும் சூரிய ஒளியைத் தடுக்க சன் வைஸரைக் கீழே இழுக்கலாம் அல்லது அவற்றைக் கழற்றி பக்கவாட்டில் திருப்பி

விண்டோ (ஜன்னல்) வழியே வரும் சூரிய ஒளியைத் தவிர்க்கலாம்..

அறிவிப்பு

சன் வைஸரைக் கழற்றும்போதும் மாட்டும்போதும் படத்தில் காட்டியுள்ளபடி பக்கவாட்டில் கையாளவும், இல்லை என்றால் சன் வைஸர் சேதமடையலாம்.

இன்டீரியர் லைட் (Interior Light)

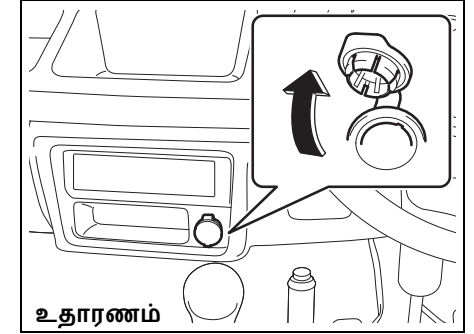


விளக்கின் சுவிட்சுக்கு இரு பொஸிஷன்கள் இருக்கின்றன. பட்டனை (3) அழுத்தி இப்பொஸிஷன்களை செலக்ட் செய்யலாம். இரண்டு பொஸிஷன்களின் செயல்பாடுகளும் பின்வருமாறு:

ஆன் (1)
லைட் எரிய ஆரம்பித்து அப்படியே நிலைத்து நின்று விடும்.

ஆஃப் (2)
லைட் (விளக்கு) அணைந்தே காணப்படும்.

அக்சசரி சாக்கெட் (Accessory Socket)



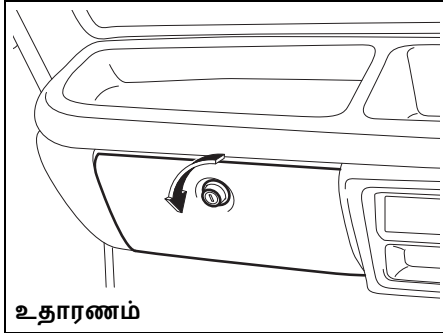
இக்னிஷன் சுவிட்சு “ACC” (ஏ.சி.சி) அல்லது “ON” பொஸிஷனில் இருக்கும்போதுதான் அக்சசரி சாக்கெட் செயல்படும். மின்சாதனங்களுக்கு 12 வோல்ட்/120 வாட் வரை மின்சாரம் தர இந்த சாக்கெட்டைப் பயன்படுத்திக் கொள்ளலாம்.

பிற கண்ட்ரோல்கள் மற்றும் உபகரணங்கள்

அறிவிப்பு

பொருத்தமற்ற மின்சாதனங்களை நீங்கள் பயன்படுத்தினால் அவை வாகனத்தின் மின்சார அமைப்பை அழித்து விடலாம். பயன்படுத்தும் மின்னணு உபகரணம் இந்த சாக்கெட்டில் சேரக்கூடியதா என்பதை உறுதி செய்து கொள்ளவும்.

க்ளவ் பாக்ஸ் (Glove Box)



உதாரணம்

77PH045

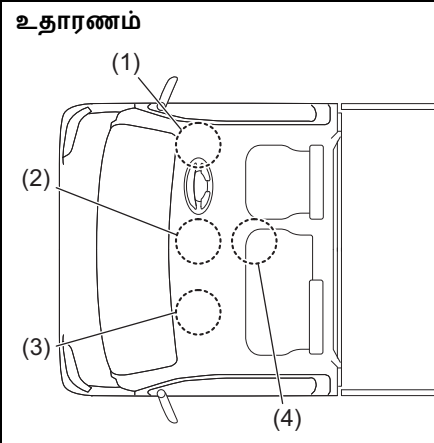
க்ளவ் பாக்ஸைத் திறக்க, பட்டனை இடது வலமாகத் திருப்பவும். பாக்ஸை மூட வேண்டுமானால், அது ஒழுங்காக மாட்டிக் கொள்ளும் வரை மூடியை அழுத்தவும். க்ளவ் பாக்ஸைப் பூட்டுவதற்கு, சாவியை பட்டனில் செலுத்தி வலது இடமாகத் திருப்பவும்.

க்ளவ் பாக்ஸைத் திறப்பதற்கு, சாவியை பட்டனில் செலுத்தி இடது வலமாகத் திருப்பவும்.

⚠ எச்சரிக்கை

க்ளவ் பாக்ஸின் மூடி திறந்திருக்கும் நிலையில் வாகனத்தைச் செலுத்தாதீர்கள். விபத்து நேரிடும் பட்சத்தில் இதனால் காயங்கள் கூட ஏற்படலாம்.

ஸ்டோரேஜ் ஏரியா (Storage Area)



77PH104

(1) இன்ஸ்ட்ருமெண்ட் பேனல் பாக்ஸைத் (ஓட்டுநரின் பக்கம்)

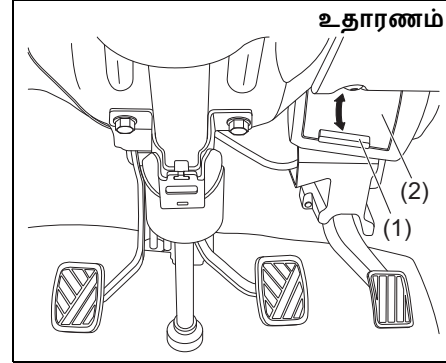
- (2) இன்ஸ்ட்ருமெண்ட் பேனல் டிரே (நடுவில்) / இன்ஸ்ட்ருமெண்ட் பேனல் பாக்ஸைத் (நடுவில்)
- (3) இன்ஸ்ட்ருமெண்ட் பேனல் டிரே (பயணிகளின் பக்கத்தில்) / சீட்டுக்குப்
- (4) சென்டர் பாக்ஸைத்

இன்ஸ்ட்ருமெண்ட் பேனல்
பாக்கெட் (1) / (2) /
இன்ஸ்ட்ருமெண்ட் பேனல் டிரே
(2) / (3) / சென்டர் பாக்கெட் (4)

▲ எச்சரிக்கை

வாகனம் ஓட்டுகையில் பாக்கெட் / டிரேயிலிருந்து கீழே விழக்கூடிய பொருட்களை அவற்றில் வைக்காதீர்கள். முன்னெச்சரிக்கை நடவடிக்கைகளை மேற்கொள்ளாவிட்டால் பொருட்கள் பெடலின் அருகில் விழுந்து வாகனம் கட்டுப்பாட்டை இழக்கவோ விபத்து நேரிடவோ காரணமாக ஆகிவிடலாம்.

ஏர் வென்ட் (Air Vent)

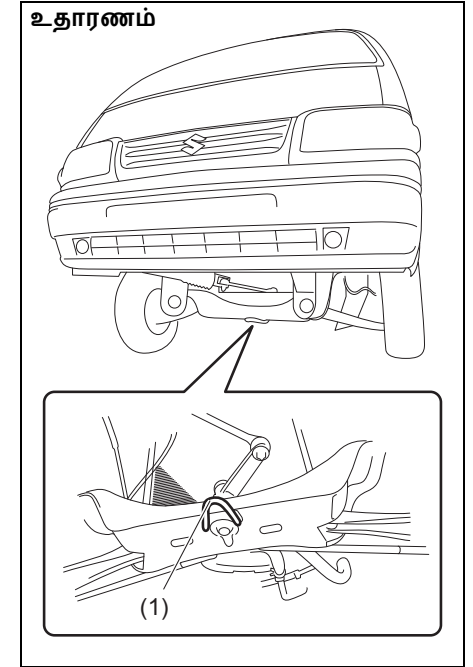


77PM502

ஓட்டுநரின் பக்கத்தில் வாகனத்தில் பயணிகள் அமரும் இடத்தினருகே ஏர் வென்ட் அமைக்கப்பட்டுள்ளது. பட்டனை (1) செங்குத்தாக நகர்த்தி மூடியைத் திறந்து /மூடினால் (2) ஏர் வென்டை மூடலாம் /திறக்கலாம். “ஓபன்” செய்தால், தூய்மையான காற்று வாகனத்திற்குள் வருமென அர்த்தம்.

ஃபிரேம் ஹூக் (Frame Hook)

முன்புறம் (Front)



77PH035

வாகனத்தின் முன்புறம் உள்ள ஃபிரேம் ஹூக் (1) எம்ர்ஜென்சி காலங்களிலும் சரக்கு ஏற்றும்போதும் பயன்படும்.

பிற கண்ட்ரோல்கள் மற்றும் உபகரணங்கள்

சாலை / நெடுஞ்சாலையில் உங்களது வாகனத்தைக் கட்டி இழுக்க நேரிட்டால், 'எமர்ஜென்சி சர்வீஸ்' பிரிவில் 'இழுத்தல்' என்ற தலைப்பின் கீழுள்ள குறிப்புக்களைப் பின்பற்றவும்.

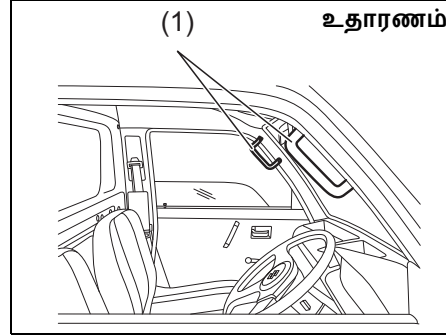
▲ எச்சரிக்கை

வேறொரு வாகனத்தை அல்லது உங்களது வாகனத்தைச் சாலையில் அல்லது நெடுஞ்சாலையில் கட்டி இழுக்க பி.ரேம் ஹூக்கைப் பயன்படுத்தாதீர்கள். உங்களது வாகனம் அல்லது வேறொரு வாகனம் மண்ணுக்குள் அல்லது பனியில் மாட்டி சிக்கிக் கொள்வது போன்ற எமர்ஜென்சிக் காலங்களில் பயன்படுத்துவதற்கு மட்டுமே ஹூக் (கொக்கி) (1) வடிவமைக்கப்பட்டுள்ளது.

அறிவிப்பு

பி.ரேம் ஹூக்கை (1) பயன்படுத்தும்போது ஹூக் எவ்விதத்திலும் அதிர்வடையாமல் வாகனத்தைச் செலுத்த வேண்டும். அவ்வாறு ஏதாவது நிகழ்ந்தால் ஹூக் அல்லது வாகனம் முழுதும் பாதிப்புக்கு உள்ளாகலாம். திடீரென்று வாகனத்தின் வேகத்தை அதிகரிக்காதீர்கள்.

அசிஸ்ட் கிரிப் (Assist Grip)



டிரைவர் சைடு பயணிகள் சீட்டுக்கு அருகாமையில் அசிஸ்ட் கிரிப்புகள் (1) தரப்பட்டுள்ளன. ஓட்டுநர்/பயணிகள் வாகனத்திற்குள் சுலபமாக ஏறவும் இறங்கவும் அசிஸ்ட் க்ரிப்புகள் தரப்பட்டுள்ளன.

வாகனத்தில் லோடிங் மற்றும் டோயிங்

வாகனத்தில் லோடு செய்தல்	6-1
டிரெயிலர் டோயிங் (வேறு வாகனத்தில் கட்டி இழுத்தல்)	6-1

வாகனத்தில் லோடு செய்தல்

குறிப்பிட்ட வரையிலான எடைகளைச் சுமக்கும்படிதான் உங்கள் வாகனம் வடிவமைக்கப்பட்டுள்ளது. வாகனம் தாங்கக்கூடிய எடையைப் பற்றிய விவரங்கள் (GVWR - கிராஸ் வெஹிகிள் வெயிட் ரேட்டிங்) எனும் மொத்த வாகன எடைத்தரம் மற்றும் (PAW - பெர்மிசிபில் மாக்ஸிமம் அக்ஸல் வெயிட்) எனும் அனுமதிக்கப்பட்ட அதிகபட்ச ஆக்ஸில் எடைகளில் குறிப்பிடப்பட்டுள்ளன. முன்புற, பின்புற எடை பற்றிய விவரம் (GVWR & PAW) 'அளவு பற்றிய குறிப்புக்கள்' பிரிவில் தரப்பட்டுள்ளது.

GVWR - முழுவதும் எடை நிரப்பப்பட்ட வாகனத்தின் (பயணிகள், உபகரணங்கள் சரக்கு மற்றும் கட்டி இழுக்கப்படும் வண்டி அனைத்தும் உள்ளிட்ட எடை) அதிகபட்சமாக அனுமதிக்கப்பட்ட ஒட்டுமொத்த எடை இதுவாகும்.

PAW - (முன்னும் பின்னும்) தனி ஆக்ஸில் ஒன்றில் அதிகபட்சமாக அனுமதிக்கப்பட்ட எடையின் அளவு இது.

சரக்கு ஏற்றப்பட்ட வாகனத்தின் எடை மற்றும் முன்னும், பின்னும் உள்ள ஆக்ஸில்களின் மீதான எடைகளை வாகனத்துடன் சேர்த்துத்தான்

கணக்கிட முடியும். இந்த எடையை **GVWR** மற்றும் **PAW** (முன்னும் பின்னும்) எடையுடன் ஒப்பிடவும். வாகனத்தின் ஒட்டுமொத்த எடை அல்லது இரு ஆக்ஸில்களின் மீதான எடை இதை விட அதிகமாக இருந்தால், மதிப்பிடப்பட்ட திறனுக்கு லோடைக் குறைக்க போதுமான எடையை நீங்கள் அகற்ற வேண்டும்.

▲ எச்சரிக்கை

வண்டியில் அளவுக்கதிகமான எடையை எப்போதும் ஏற்றாதீர்கள். மொத்த வாகன எடையானது (வாகனம், பயணிகள், உபகரணங்கள், சரக்கு மற்றும் எதையாவது கட்டி இழுத்தால் அதன் எடை) **GVWR** எனப்படும் மொத்த வாகன எடைத் தரத்தை மீறக்கூடாது. மேலும், பின்புற ஆக்ஸிலின் இருபுறமும் வைக்கப்படும் எடைகள் **PAW** எனப்படும் அனுமதிக்கப்பட்ட அதிகபட்ச ஆக்ஸில் எடையை விட அதிகமாக இருக்கும்படி சரக்குகளைப் பரப்பி வைக்காதீர்கள்.

▲ எச்சரிக்கை

சரக்குகளை சமமாகப் பரப்பி வைக்கவும். ஒருவேளை வாகனம் தானாக நகர்ந்தால் உங்களுக்கு காயம் படாமலும் வாகனம் சேதமடையாமலும் இருக்க சரக்கு வைக்கும் இடத்தை எப்போதும் பூட்டியே வைக்கவும். சரக்கு வைக்குமிடத்தில் அதிக எடையுள்ள பொருட்களை நன்கு உள்ளே தள்ளி, முன்பகுதியில் வைக்கவும். சீட்டுகளின் உயரத்தைத் தாண்டி சரக்குகள் அடுக்கப்படக்கூடாது.

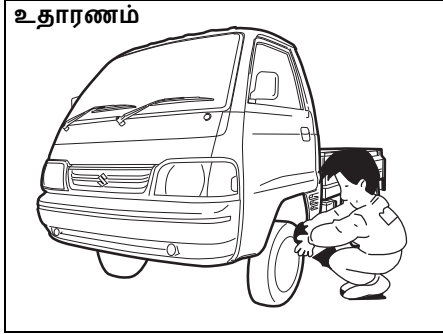
டி ரெயிலர் டோயிங் (வேறு வாகனத்தில் கட்டி இழுத்தல்)

ஒட்டுநர், ஒரு பயணி, குறிப்பிட்டுள்ள எடையுள்ள சரக்கு ஆகியவற்றைத் தாங்கும்படி உங்கள் வாகனம் தயாரிக்கப் பட்டுள்ளதே தவிர வேறு வாகனத்தைக் கட்டி இழுக்கும்படி அல்ல. வேறொரு வாகனத்தைக் கட்டி இழுக்க உங்களது வாகனத்தைப் பயன்படுத்த மாருதி சுகுகி நிறுவனம் உங்களுக்குப் பரிந்துரைப்பதில்லை. வேறொரு வாகனத்தைக் கட்டி இழுத்தால் அது வாகனக் கையாளும் திறன், நீடித்த செயல்பாடு மற்றும் எரிபொருள் சிக்கனத்தைப் பாதிக்கலாம்.

பரிசோதனை மற்றும் பராமரிப்பு

பராமரிப்பு அட்டவணை	7-2
குறிப்பிட்ட கால இடைவெளியில்	
பராமரிப்பதற்கான அட்டவணை	7-3
என்ஜின் ஆயில் மற்றும் ஃபில்டர்	7-11
என்ஜின் கூலண்ட்	7-15
ஏர்-க்ளீனர்	7-18
ஸ்பார்க் ப்ளக்குகள்.....	7-19
கியர் ஆயில்	7-19
க்ளட்ச் பெடல்.....	7-20
ப்ரேக்குகள்	7-21
ஸ்டீயரிங்	7-24
புரொபெல்லர் ஷாஃப்ட்	
யுனிவர்சல் ஜாயிண்ட்	7-24
டயர்கள்	7-25
பேட்டரி	7-27
ஃபியூஸ்கள்	7-28
பல்பை மாற்றுதல்.....	7-31
வைப்பர் பிளேடுகள்	7-34
விண்ட்ஷீல்ட் வாஷர் ப்ளூயிட் (கருவி பொருத்தப்பட்டிருந்தால்).....	7-36

உதாரணம்



77PM07008

⚠ எச்சரிக்கை

வாகனத்தில் ஏதாவது வேலை இருந்தால் விபத்து எதுவும் நிகழாமலிருக்க நங்கள் அத்தீத கவனம் செலுத்த வேண்டும். கவனமாகப் பின்வரும்

முன்னெச்சரிக்கை நடவடிக்கைகளை எடுக்க வேண்டும்:

- கேரேஜ் அல்லது மற்ற மூடியுள்ள இடங்களில் என்ஜினை இயங்கும் நிலையில் வாகனத்தை விட்டுச் செல்லாதீர்கள்.
- என்ஜின் இயங்கும்போது, உங்களது கைகள், கருவிகள், ஆடைகள் மற்றும் பிற பொருட்களை ஃபேன் மற்றும் டிரைவ் பெல்ட்டிலிருந்து தூரமாக வைக்கவும். ஃபேன் நகராது என்றாலும், தானாகவே முன்னெச்சரிக்கையின்றி அது நகரலாம்.

(தொடர்ச்சி)

⚠ எச்சரிக்கை

(தொடர்ச்சி)

- என்ஜின் இயங்கும் நிலையில் சர்வீஸ் செய்ய வேண்டியிருந்தால் பார்திங் ப்ரேக் சரியாகப் போடப்பட்டு, டிரான்ஸ்மிஷன் நியூட்ரலில் இருப்பதை உறுதி செய்து கொள்ளவும்.
- என்ஜினை ஸ்டார்ட் செய்கையில் அல்லது அது இயங்கும்போது இக்னிஷன் வயர்கள் அல்லது இக்னிஷன் அமைப்பை தொடாதீர்கள்; அவ்வாறு தொட்டால் ஷாக் அடிக்கும் வாய்ப்பு உள்ளது.
- தூடான என்ஜின், எக்ஸாஸ்ட் மற்றும் பிற பைப்புகள், மஃப்ளர், ரேடியேட்டர் மற்றும் வாட்டர் ஹோஸ்களைத் தொடாமல் கவனத்துடன் இருங்கள்.
- தூடான என்ஜின், எக்ஸாஸ்ட் மற்றும் பிற பைப்புகள், மஃப்ளர், ரேடியேட்டர் மற்றும் வாட்டர் ஹோஸ்களைத் தொடாமல் கவனத்துடன் இருங்கள்.
- புகை பிடிப்பது, தீப்பொறி (அ) நெருப்புப் பொறிகளை எரிபொருள், பேட்டரியின் அருகில் வைக்காதீர்கள். தீப்பற்றக்கூடிய பொருட்கள் அருகில் இருக்கக்கூடாது.

▲ எச்சரிக்கை

- வாகனத்தில் உள்ள போர்ட்டபிள் ஜெக்கால் மட்டும் வாகனம் தூக்கிப் பிடிக்கப்பட்டிருந்தால் வாகனத்திற்கடியில் செல்லாதீர்கள்.
- வாகனத்திற்கடியில் செல்லாதீர்கள்.
- பயன்படுத்திய ஆயில், கூலண்ட் மற்றும் பிற திரவங்களைக் குழந்தைகள் மற்றும் செல்லப் பிராணிகள் மீது படாமல் தூரமாக வைக்கவும். பயன்படுத்தப்பட்ட திரவங்களை முறையாகக் கழிவாக மாற்றவும்; தரையில் அல்லது கழிவுநீர்த் தொட்டியில் அவற்றை ஊற்றக் கூடாது. (தொடர்ச்சி)

பராமரிப்பு அட்டவணை

வாகனத்திற்கான சீரான பராமரிப்புப் பணிகளை அவ்வப்போது மேற்கொள்ளப் பின்வரும் அட்டவணை உங்களுக்கு உதவும். ஆய்வுகள், அட்ஜஸ்ட்மெண்ட்டுகள், லூப்ரிகேஷன் மற்றும் பிற சேவைகளை எப்போது செய்ய வேண்டும் என்பது பற்றிய கால நேரம், கிலோமீட்டர் அளவுகள் இதில் தரப்பட்டுள்ளன.

▲ எச்சரிக்கை

உங்களது வாகனத்தின் பராமரிப்புப் பணி அங்கீகரிக்கப்பட்ட மாருதி சுசுகி கமர்ஷியல் ஓர்கூலப்பில்தான் செய்யப்பட்டாக வேண்டுமென்று மாருதி சுசுகி நிறுவனம் உங்களுக்குப் பரிந்துரைக்கிறது.

அறிவிப்பு

தேவைப்படும் போதெல்லாம் வாகனப் பாகங்களை மாற்றவும்; பழைய பாகங்களுக்கு பதிலாக மாருதி நிறுவனத் தயாரிப்புக்களையே பயன்படுத்த வேண்டுமென்று அறிவுறுத்தப்படுகிறது.

குறிப்பிட்ட கால இடைவெளியில் பராமரிப்பதற்கான அட்டவணை

“C”: சுத்தப்படுத்துதல்

“R”: மாற்றுவது அல்லது புதிதாகப் போடுவது

“I”: தேவைக்கேற்ப சோதித்தல், சுத்தப்படுத்துதல், அட்ஜஸ்ட், லூப்ரிகேட் அல்லது மாற்றுதல்

“L”: லூப்ரிகேட்

“T”: குறிப்பிட்ட டார்க்கு இறுக்கமாக்குதல்

“O”: சுழற்றுதல்

குறிப்பு:

90,000 கி.மீ. மைலேஜ் வரை வாகனத்தை சர்வீஸ் விடுவது பற்றிய பராமரிப்புத் திட்டம் இந்த அட்டவணையில் உள்ளது.

90,000 கி.மீ.-க்குப் பின் அதே போன்ற சர்வீஸ்களைப் போதுமான அளவு கால இடைவெளியில் செய்து கொள்ளவும்.

பரிசோதனை மற்றும் பராமரிப்பு

கால இடைவெளி: ஓடோமீட்டர் அளவிடு அல்லது மாதங்களின் கணக்கு (இரண்டில் எது முதலில் வருகிறதோ) மூலம் இந்த கால இடைவெளி நிர்ணயிக்கப் படுகிறது.		இலவச பரிசோதனை				குறிப்பிட்ட கால இடைவெளியில் ஆகும் பராமரிப்புச் செலவு						
		கி.மீ. (x1000)	5	10	20	30	40	50	60	70	80	90
		மாதங்கள்	2	4	8	12	16	20	24	28	32	36
என்ஜின்												
1-1.	வாட்டர் பம்ப் டிரைவ் பெல்ட் (அழுத்தம், தேய்மானம்)	-	I	I	I	I	I	I	I	R	I	
1-2.	என்ஜின் கூலண்ட் SUZUKI LLC: Super (Blue) (#1,2)	முதல் முறை மட்டும்: 1,00,000 கி.மீ. ஆனவுடன் அல்லது 60 மாதங்கள் கழித்து, எது முதலில் வருகிறதோ, அப்போது புதிதாக மாற்றவும்.										
	என்ஜின் கூலண்ட் SUZUKI LLC: Standard (Yellow) (#1,3)	இரண்டாவது முறையும் அதற்குப் பின்னரும்: 40,000 கி.மீ. ஆனவுடன் அல்லது 24 மாதங்கள் கழித்து, எது முதலில் வருகிறதோ, அப்போது புதிதாக மாற்றவும்.										
1-3.	என்ஜின் ஆயில், என்ஜின் ஆயில் ஃபில்டர் மற்றும் டிரெயின் பிளக் கேஸ்கட் (லெவல், லீக்கேஜ்)	I	R	R	R	R	R	R	R	R	R	
1-4.	கூலிங் சிஸ்டம் ஹோஸஸ் மற்றும் கனெக்டிவ்ஸ் (கசிவு மற்றும் பாதிப்பு)	I	I	I	I	I	I	I	I	I	I	
1-5.	என்ஜின் மெளண்டிங் மற்றும் மேனிப்போல்டு ஃபிக்சிங் (தளர்வு, பாதிப்பு)	I	I	I	I	I	I	I	I	I	I	
1-6.	எக்ஸாஸ்ட் சிஸ்டம் (சத்தம், லீக்கேஜ் போன்றவை)	I	-	I	-	I	-	I	-	I	-	
1-7.	பாசிட்டிவ் கிராங்க் கேஸ் வென்டிலேசன் சிஸ்டம் (ஹோசஸ், கனெக்டிவ்ஸ் மற்றும் வால்வ்)	I	-	I	-	I	-	I	-	I	-	
1-8.	எக்ஸாஸ்ட் கேஸ் ரீசர்குலேஷன் வால்வ் (Exhaust Gas Recirculation Valve)	-	-	-	C	-	-	C	-	-	C	

- #1: "உங்களது வாகனத்தை இயக்குதல்" (OPERATING YOUR VEHICLE) என்ற பிரிவில் 'தினசரி சோதனை'-யின் கீழ் என்ஜின் கூலண்ட் லெவல் சோதனையை செய்யவும்.
புத்தம்புதிய காரில் எந்த வகை கூலண்ட் இருந்ததோ கூலண்டை சேர்க்கும்போதும் (அ) புதிதாக மாற்றும்போதும் அதே வகை கூலண்டைத்தான் பயன்படுத்த வேண்டும். இப்பிரிவில் "என்ஜின் கூலண்ட்"-ஐ (Engine coolant) பார்க்கவும்.
- #2: SUZUKI LLC: Standard (Yellow) கூலண்ட் (அ) டிஸ்டில்ட் வாட்டர் (distilled water) (அ) மற்றவையை சேர்க்க வேண்டாம், உங்கள் வாகனத்தில் முதலில் SUZUKI LLC: Super (Blue) கூலண்ட் நிரப்பப்பட்டு இருக்கையில்.
- #3: உங்கள் வாகனம் முதலில் SUZUKI LLC: Standard (Yellow) கூலண்ட் நிரப்பப்பட்டிருந்தால், SUZUKI LLC: Standard (Yellow) கூலண்ட் இன் பராமரிப்பு அட்டவணையைப் பின்பற்றவும்.

பரிசோதனை மற்றும் பராமரிப்பு

கால இடைவெளி: ஓடோமீட்டர் அளவிடு அல்லது மாதங்களின் கணக்கு இரண்டில் எது முதலில் வருகிறதோ மூலம் இந்த கால இடைவெளி நிர்ணயிக்கப் படுகிறது.		இலவச பரிசோதனை				குறிப்பிட்ட கால இடைவெளியில் ஆகும் பராமரிப்புச் செலவு						
		கி.மீ. (x1000)	5	10	20	30	40	50	60	70	80	90
		மாதங்கள்	2	4	8	12	16	20	24	28	32	36
இக்னிஷன்												
2-1.	இக்னிஷன் வயர் (சேதாரம், சிதைவு)	-	-		-		-		-		-	
2-2.	ஸ்பார்க் ப்ளக் (Spark Plug)	பெட்ரோல் (Petrol)	ஒவ்வொரு 1,00,000 கிமீ அல்லது 84 மாதங்கள் இரண்டில் எது முதலில் வருகிறதோ அப்போழுது அவற்றை மாற்றவும்.									
		சி.என்.ஜி. (CNG)	ஒவ்வொரு 50,000 கிமீ அல்லது 48 மாதங்கள் இரண்டில் எது முதலில் வருகிறதோ அப்போழுது அவற்றை மாற்றவும்.									
எரிபொருள் (ப்யூயல்)												
3-1.	ஏர் கிளீனர் ஃபில்டர் எலிமென்ட் (Air cleaner filter element)	சமதள-சாலை	ஒவ்வொரு 5,000 கிமீ-க்கும் சுத்தப்படுத்தவும் ஒவ்வொரு 40,000 கிமீ-க்கும் மாற்றவும்.									
		தூசுகள் நிறைந்த நிலை	ஒவ்வொரு 2,500 கிமீ-க்கும் சுத்தப்படுத்தவும் ஒவ்வொரு 40,000 கிமீ-க்கும் மாற்றவும் கூடுதலாக அடிக்கடி மாற்றுதல் நிலைமைகள் தீவிரமாக இருந்தால்.									
3-2.	ப்யூயல் டேங்க் கேப் (Fuel tank cap), ப்யூயல் லைன்கள் (fuel lines) மற்றும் கனெக்ஷன்ஸ் (connections) லீக்கேஜ் மற்றும் சேதம்)		-	-	-		-	-	-		-	
3-3.	ப்யூயல் ஃபில்டர் (Fuel Filter) (லீக்கேஜ்)					R				R		
3-4.	சி.என்.ஜி. ப்யூயல் லைன் ஜாயிண்டுகள் (CNG fuel line joints) (கேஸ் லீக்கேஜ்)											
3-5.	சி.என்.ஜி. லோ பிரசர் ஃபில்டர் கேட்ரிட்ஸ் ஓ-ரிங்குடன் (O-Ring)	-	-	R	-	R	-	R	-	R	-	
3-6.	சி.என்.ஜி. சிலிண்டர் லீக்கேஜ் டெஸ்டிங் (CNG cylinder leak testing) மற்றும் சர்ட்டிபிகேஷன் (certification)	அரசு அங்கீகாரம் பெற்ற டெஸ்டிங் ஏஜென்சி மூலம் முதல் சோதனைத் தேதியிலிருந்து ஒவ்வொரு 3 வருடத்துக்கு ஒருமுறை சான்றளிக்கப்பட வேண்டும்.										
3-7.	சி.என்.ஜி. ஃபில்டர் ரிசப்டபிள் ஓ-ரிங் (CNG filler receptacle O-Ring)	4 ஆண்டுகளுக்கு ஒரு முறை அல்லது 300,000 கிமீ வரும்வரை எது முதலில் நிகழ்கிறதோ அதில்.										
க்ளட்ச் (CLUTCH) மற்றும் டிரான்ஸ்மிஷன் (TRANSMISSION)												
4-1.	க்ளட்ச் பெடல் (பிளே)											
4-2.	க்ளட்ச் ஸ்லிப்பிங் (டிராகிங் அல்லது கூடுதல் பாதிப்பு)											

7-5

பரிசோதனை மற்றும் பராமரிப்பு

கால இடைவெளி: ஓடோமீட்டர் அளவிடு அல்லது மாதங்களின் கணக்கு (இரண்டில் எது முதலில் வருகிறதோ) மூலம் இந்த கால இடைவெளி நிர்ணயிக்கப் படுகிறது.	கி.மீ. (x1000) மாதங்கள்	இலவச பரிசோதனை				குறிப்பிட்ட கால இடைவெளியில் ஆகும் பராமரிப்புச் செலவு					
		5	10	20	30	40	50	60	70	80	90
		2	4	8	12	16	20	24	28	32	36
4-3.	கியர் ஓய்வு (செயல்பாடு)										
4-4.	மானுவல் டிரான்ஸ்மிஷன் ஆயில் (லெவல், லீக்கேஜ்)										
4-5.	ரியர் டிஃப்ரன்ஷியல் ஆயில் (லெவல், லீக்கேஜ்)	80,000 கிமீ பயணமான பின்பு அல்லது 4 ஆண்டுகள் கழித்து, எது முதலில் நிகழ்கிறதோ, அதன்படி மாற்றவும்.									
4-6.	புரொபல்லர் ஓய்வு/யுனிவர்சல் ஜாயிண்ட் (தளர்வு, சேதாரம்)		I&L	I&L	I&L	I&L	I&L	I&L	I&L	I&L	I&L
ப்ரேக் (BRAKE)											
5-1.	ப்ரேக் ப்ளூயிட் (லெவல், லீக்கேஜ்)	ஒவ்வொரு 40,000 கிமீ அல்லது 24 மாதங்கள் இரண்டில் எது முதலில் வருகிறதோ அப்போழுது அவற்றை மாற்றவும்.									
5-2.	ப்ரேக் பெடல் (பெடல் - முன்புற பேனல் கிளியரன்ஸ்)										
5-3.	பார்கிங் ப்ரேக் லீவர் மற்றும் கேபிள் (பிளே, சேதாரம்)										
5-4.	ப்ரேக் டிஸ்க் மற்றும் பேடு (தேய்மானம்)										
5-5.	ப்ரேக் டிரம் மற்றும் ஷாக்கள் (தேய்மானம்)	-									
5-6.	மாஸ்டர் சிலிண்டர், வில் சிலிண்டர் மற்றும் காலிபர் பிஸ்டன் (ப்ளூயிட் லீக்கேஜ், பூட்/சீல் சேதாரம்)										
5-7.	ப்ரேக் ஹோஸ்கள் மற்றும் பைப்புகள் (லீக்கேஜ், சேதாரம்)										
வில் (WHEEL)											
6-1.	டயர்கள் (காற்றழுத்தம், அசாதாரணமான தேய்மானம், விரிசல் மற்றும் சுழற்சி)	I&O	I&O	I&O	I&O	I&O	I&O	I&O	I&O	I&O	I&O
6-2.	சக்கரங்கள் (சேதாரம்)										
6-3.	முன்புற/பின்புறச் சக்கரங்களின் பேரிங் லூஸ், சேதாரம்)										

பரிசோதனை மற்றும் பராமரிப்பு

கால இடைவெளி: ஒடோமீட்டர் அளவிடு அல்லது மாதங்களின் கணக்கு (இரண்டில் எது முதலில் வருகிறதோ) மூலம் இந்த கால இடைவெளி நிர்ணயிக்கப் படுகிறது.		இலவச பரிசோதனை				குறிப்பிட்ட கால இடைவெளியில் ஆகும் பராமரிப்புச் செலவு						
		கி.மீ. (x1000)	5	10	20	30	40	50	60	70	80	90
		மாதங்கள்	2	4	8	12	16	20	24	28	32	36
முன்புற/பின்புற சஸ்பென்ஷன்												
7-1.	முன்புற சஸ்பென்ஷன் ஸ்ட்ரட் மற்றும் ஷாக் அப்சார்பர் (ஆயில் லீக்கேஜ், சேதாரம்)	I	I	I	I	I	I	I	I	I	I	
7-2.	முன்புற சஸ்பென்ஷன் குறியீடு, நக்கிள் சப்போர்ட் மற்றும் டென்சன் ராட்கள் (தளர்வு, சேதாரம்)	I	I	I	I	I	I	I	I	I	I	
7-3.	ரியர் லீட் ஸ்பிரிங் (சேதாரம்)	I	I	I	I	I	I	I	I	I	I	
7-4.	ரியர் ஷாக் அப்சார்பர் (ஆயில் லீக்கேஜ், சேதாரம்)	I	I	I	I	I	I	I	I	I	I	
7-5.	அனைத்து போல்டுகள் மற்றும் நட்டுகள் (தளர்வாக இருத்தல்)	T	T	T	T	T	T	T	T	T	T	
ஸ்டீயரிங் (STEERING)												
8-1.	ஸ்டீயரிங் வீல் (லேசாக ஆடுதல், தளர்வாக இருத்தல்)	I	I	I	I	I	I	I	I	I	I	
8-2.	ஸ்டீயரிங் காலம் ராட்கள் மற்றும் ஆர்ம்கள் (தளர்வாக இருத்தல், சேதாரம், தேய்மானம்)	I	I	I	I	I	I	I	I	I	I	
எலக்ட்ரிக்ஸ்												
9-1.	பேட்டரி - எலக்ட்ரோலைட் (லெவல், லீக்கேஜ்) மற்றும் வோல்டேஜ்	I	I	I	I	I	I	I	I	I	I	
9-2.	வயரிங் ஹார்னஸ் கனெக்சன் (தளர்வாக இருத்தல், சேதாரம்)	I	I	I	I	I	I	I	I	I	I	
9-3.	லைட்டிங் சிஸ்டம் (செயல்பாடு)	I	I	I	I	I	I	I	I	I	I	
9-4.	வைப்பர் (செயல்பாடு, ஸ்டெயின்ஸ், சேதம்)	I	I	I	I	I	I	I	I	I	I	
9-5.	ஹாரன் (செயல்பாடு)	I	I	I	I	I	I	I	I	I	I	
9-6.	அக்சசரி சாக்கெட் (செயல்பாடு)	I	I	I	I	I	I	I	I	I	I	
வாகனத்தின் பாடி												
10-1.	அனைத்து சேசிஸ் போல்டுகள் மற்றும் நட்டுகள் (இறுக்கமானவை)	I	T	T	T	T	T	T	T	T	T	
10-2.	அனைத்து லேட்சஸ் (latches), ஹிங்க்ஸ் (hinges) மற்றும் லாக்குகள் (செயல்பாடு)	I&L	I&L	I&L	I&L	I&L	I&L	I&L	I&L	I&L	I&L	

7-7

பரிசோதனை மற்றும் பராமரிப்பு

கால இடைவெளி: ஓடோமீட்டர் அளவிடு அல்லது மாதங்களின் கணக்கு (இரண்டில் எது முதலில் வருகிறதோ) மூலம் இந்த கால இடைவெளி நிர்ணயிக்கப் படுகிறது.	இலவச பரிசோதனை	குறிப்பிட்ட கால இடைவெளியில் ஆகும் பராமரிப்புச் செலவு										
		கி.மீ. (x1000)	5	10	20	30	40	50	60	70	80	90
		மாதங்கள்	2	4	8	12	16	20	24	28	32	36
10-3. கார்கோ பெட் (Cargo bed) (பரிசோதித்தல்)												
ரோடு டெஸ்ட்												
11-1. ப்ரேக்குகள், க்ளட்ச், கியர் ஓய்வுப்டிங் மற்றும் ஸ்பீடோமீட்டரின் செயல்பாடுகள்												
11-2. பாடி மற்றும் சேஸிஸின் சத்தம்												

பரிசோதனை மற்றும் பராமரிப்பு

வாடிக்கையாளர் செய்ய வேண்டிய பரிசோதனை மற்றும் பராமரிப்புச் செயல்பாடு

பின்வரும் அட்டவணையில் நீங்கள் செய்ய வேண்டிய பரிசோதனை & பராமரிப்புச் செயல்பாடுகள் பற்றித் தரப்பட்டுள்ளன. பரிசோதனை, கிரீஸிங், லூப்ரிகேஷன் மற்றும் பிற சர்வீஸ்களை நீங்கள் செய்ய வேண்டிய கால அளவு இடைவெளி பற்றி பின்வரும் அட்டவணை கூறுகிறது.

பராமரிப்பு எண்ணிக்கை	வரிசை எண்	செயல்பாடு	மேற்கோள்
தினசரி	1	காற்றழுத்தம், அசாதாரணத் தேய்மானம், விரிசல்கள் மற்றும் சேதம் இருக்கிறதா என்று அனைத்து டயர்களையும் (உபரி டயர்கள் உட்பட) சோதித்துப் பார்க்கவும்.	பக்கம் எண். 7-25
வாரந்தோறும்	2	என்ஜின் ஆயில் மட்டத்தை ஆய்வு செய்து தேவைப்பட்டால் மாருதியின் நம்பகமான என்ஜின் ஆயிலைப் பயன்படுத்தி அதை நிரப்புகள்.	பக்கம் எண். 7-11
	3	கூலண்ட் ரிசர்வாயரில் கூலண்டின் லெவலை ஆராய்ந்து, தேவைப்பட்டால் பரிந்துரைக்கப்பட்ட மாருதியின் நம்பகமான கூலண்ட மற்றும் சுத்திகரிக்கப்பட்ட நீரை விகிதத்தில் பயன்படுத்தவும்.	பக்கம் எண். 7-15
	4	டிரான்ஸ்மிஷன் ஆயில் லெவல் மற்றும் டி.பிரன்ஷியல் ஆயில் லெவலையும் பரிசோதனை பார்க்கவும்.	பக்கம் எண். 7-19
	5	ப்ரேக் ப்ளூயிட் ரிசர்வாயரில் ப்ரேக் ப்ளூயிட் லெவலை ஆராய்ந்து, தேவைப்பட்டால் மாருதியின் நம்பகத்தன்மை வாய்ந்த ப்ரேக் ப்ளூயைட் பயன்படுத்தவும்.	பக்கம் எண். 7-21
	6	பின்வருவனவற்றிற்காக வாகனத்தைச் சோதனை செய்து பார்க்கவும்: <ul style="list-style-type: none"> • என்ஜின் ஆயில் கசிவு • கூலண்டி கசிவு • ப்ரேக் ப்ளூயிட் கசிவு • முன்புற சஸ்பென்ஷன் ஸ்ட்ரட் கசிவு • ரியர் ஷாக் அப்சார்பர் கசிவு • எரிபொருள் கசிவு • டிரான்ஸ்மிஷன் ஆயில் மற்றும் டி.பிரன்ஷியல் ஆயில் கசிவு 	பரிசோதனை & பராமரிப்பு பிரிவு
	7	பேட்டரி எலக்டிரோலைட் லெவல், டெர்மினல்கள் மற்றும் பிராக்கெட்டுகளைச் சோதிக்கவும்.	பக்கம் எண். 7-27

பரிசோதனை மற்றும் பராமரிப்பு

	8	வீல் மெளன்டிங் நட்டுகளை ஆய்வு செய்து, தேவைப்பட்டால் அவற்றை இறுக்கவும்.	பக்கம் எண். 8-6
மாதந்தோறு ம்	9	டிரைவ் பெல்ட் பாதிப்படைந்துள்ளதா அல்லது தேய்ந்து விட்டதா என்று சோதிக்கவும்.	பக்கம் எண். 7-11
	10	ஏர் பில்டரை சுத்தம் செய்தல்.	பக்கம் எண். 7-18
	11	அனைத்து லேட்சுகள், ஹிங்குகள் மற்றும் லாக்குகளில் மல்டி-பர்ப்பஸ் கிரீஸைப் பயன்படுத்தவும்.	பக்கம் எண். 7-7
	12	கிரீஸ் கன்னுடன் சேர்ந்த கிரீஸ் புரொபெல்லர் ஷாஃப்ட் யுனிவர்சல் ஜாயிண்ட்.	பக்கம் எண். 7-24
தேவைப்பட டும்போதெ ல்லாம்	13	க்ளட்ச் பெடல் ப்ளேவை ஆய்வு செய்யவும்.	பக்கம் எண். 7-20
	14	என்ஜின் இயங்கும்போது, ப்ரேக் பிடித்து, ஃப்ளோர் பேனல் தூரம் வரை அதை ஆய்வு செய்யவும்.	பக்கம் எண். 7-22
	15	பார்கிங் ப்ரேக் கை சரியான அட்ஜஸ்ட்மென்டிற்கு சோதிக்கவும்.	பக்கம் எண். 7-23

* வீல் அலைன்மென்டை சோதித்து, வாகனம் ஒருபக்கம் சாய்வது போல அல்லது அதிவேகத்தில் செல்லும்போது அதிர்வது போலிருந்தால் அட்ஜஸ்ட் செய்யவும்.

பரிசோதனை மற்றும் பராமரிப்பு

டிரைவ் பெல்ட் (Drive Belt)

⚠ எச்சரிக்கை

என்ஜின் இயங்கும்போது கைகள், முடி, ஆடைகள், கருவிகள் முதலியவற்றை சுழலும் ஃபேன் மற்றும் டிரைவ் பெல்டுகளிலிருந்து தூரமாக வைக்கவும்.

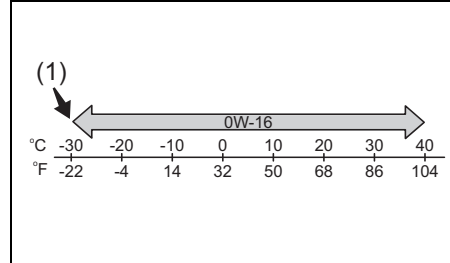
டிரைவ் பெல்ட் டென்ஷன் மிகச்சரியான அளவில் உள்ளதை உறுதி செய்யவும். பெல்ட் மிகவும் லாசாக இருந்தால், பேட்டரி சரியாக சார்ஜ் ஆகாது; என்ஜின் அதிகம் சூடாகி விடலாம் அல்லது அதீத பெல்ட் தேய்மானமும் நிகழலாம்.

பெல்டுகள் சேதாரமடையவில்லை என உறுதிசெய்ய அவற்றையும் சோதித்தாக வேண்டும்.

பெல்டை மாற்ற வேண்டும் (அ) அட்ஜஸ்ட் செய்ய வேண்டும் என்றால் அதை உங்களது அதிகாரபூர்வ மாருதி சூஸுகி அங்கீகரிக்கப்பட்ட ஓர்சூடாப்பில் செய்து கொள்ளவும்.

என்ஜின் ஆயில் மற்றும் ஃபில்லர் குறிப்பிட்ட ஆயில் வகை

இந்தியாவிற்காக



56RM07013

(1) பரிந்துரைக்கப்பட்டது ஏபிஐ எஸ்என்-இன் தர வகைப்படுத்தலின் கீழ் நீங்கள் பயன்படுத்தும் என்ஜின் ஆயில் வந்துள்ளதா என சோதிக்கவும். மேற்காணும் வரைபடத்தின்படி சரியான ஆயில் விஸ்காசிட்டியை தேர்ந்தெடுக்கவும்.

குளிர் காலத்தில் நல்ல எரிபொருள் சிக்கனம் மற்றும் நல்ல ஸ்டார்ட்டிபிளிட்டிக்கு SAE 0W-16 (1) மட்டுமே சரியான தேர்வு.

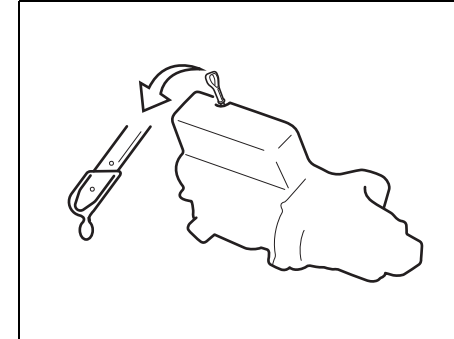
குறிப்பு :

- நீங்கள் தேர்ந்தெடுக்கும் என்ஜின் ஆயிலைப் பொருத்து அதனை

மாற்றும் நேரங்களும் மாறுபடும். சரியான பராமரிப்பு அட்டவணைக்கு 'பராமரிப்பு அட்டவணை பிரிவைப் பார்க்கவும்.

- மாருதி சூசுகி ஜென்யூன் ஆயிலை பயன்படுத்துமாறு நாங்கள் பரிந்துரைக்கிறோம். மாருதி சூசுகி அங்கீகரிக்கப்பட்ட ஓர்சூடாப்பில் அந்த ஆயிலை வாங்கவும்.

ஆயில் அளவு சரிபார்க்கவும்



55RH07002

முறையான வாகன லூப்ரிகேஷனுக்கு என்ஜின் ஆயிலைச் சரியான மட்டத்தில் வைத்திருப்பது மிக முக்கியமானதாகும். வாகனத்தின் ஆயில் மட்டத்தைச் சமதளப் பரப்பில் சோதித்துப் பார்க்கவும். வாகனம் சரிவான பாதையில் இருந்தால் ஆயில் அளவுசரியாகத் தெரியாது. என்ஜினை

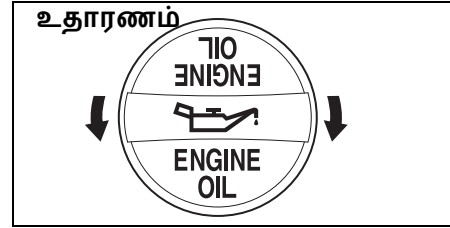
ஸ்டார்ட் செய்வதற்கு முன்பு அல்லது என்ஜினை அணைத்ததற்கு 5 நிமிடங்களுக்குப் பின் ஆயில் மட்டத்தைச் சோதித்து பார்க்க வேண்டும்.

ஆயில் டிப்ஸ்டிக்கை வெளியில் எடுத்து, ஆயிலை சுத்தமான துணியால் துடைத்து டிப்ஸ்டிக்கை என்ஜினுக்குள் நுழைத்து அதை மீண்டும் நகர்த்தவும். ஸ்டிக்கிலுள்ள ஆயில் அளவு அதிகபட்ச மற்றும் குறைந்தபட்ச வரம்பிற்குள் இருக்க வேண்டும். ஆயில் அளவு குறைந்தபட்ச வரம்பிற்கு அருகே இருந்தால், போதுமான ஆயிலை ஊற்றி ஆயில் லெவலை அதிகபட்ச வரம்பு வரை கொண்டு செல்லவும்.

அறிவிப்பு

ஆயில் லெவலை அவ்வப்போது சோதிக்காமல் விட்டு விட்டால் ஆயில் குறைந்து என்ஜின் பிரச்சினையும் சேரலாம்.

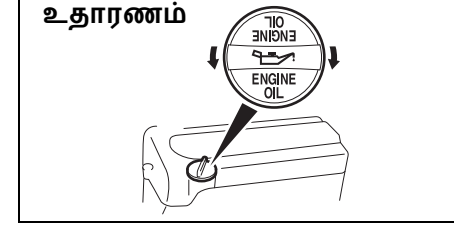
மீண்டும் நிரப்பதல்



68PH00762

ஆயில் ஃபில்லரின் கேப்பை அகற்றி, மெதுவாக ஆயிலை ஃபில்லர் துவாரம் மூலம் ஆயில் மட்டத்தை டிப்ஸ்டிக்கின் அதிகபட்ச அளவு வரை இருக்குமாறு ஆயிலை நிரப்பவும். அதிக அளவு ஆயிலை எப்போதும் நிரப்பாதீர்கள். அதிக ஆயில் கிட்டத்தட்ட மிகக் குறைந்த ஆயிலைப் போலத்தான்; அதனால் பயனேதுமில்லை. ஆயிலை நிரப்பியவுடன் என்ஜினை ஸ்டார்ட் செய்து அது 'ஐடில்' நிலைக்கு வர ஒரு நிமிடம் வரை காத்திருக்கவும். என்ஜினை அணைத்து விட்டு, 5 நிமிடம் வரை காத்திருந்து பின்னர் மீண்டும் ஆயில் மட்டத்தை சோதித்துப் பார்க்கவும்.

உதாரணம்



68PM00703

என்ஜின் ஆயில் மற்றும் ஃபில்லர் மாற்றுதல்

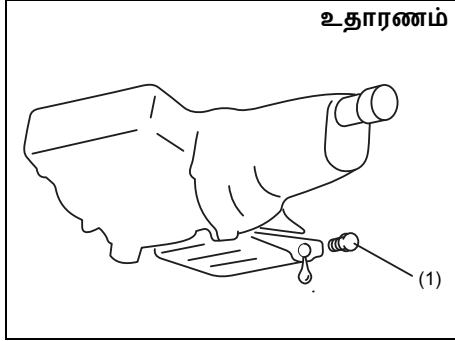
என்ஜின் மிதமான சூட்டில் இருக்கும் போதே என்ஜின் ஆயிலை வடிக்கலாம்.

- 1) ஆயில் ஃபில்லர் கேப்பை அகற்றவும்
- 2) ட்ரெய்ன் பிளக்குக்கு அடியில் ஒரு ட்ரெய்ன் பேனை வைக்கவும்.
- 3) ரெஞ்சைப் பயன்படுத்தி, ட்ரெய்ன் பிளக்கை அகற்றி என்ஜின் ஆயிலை வடிக்கவும்.

கவனம்

ட்ரெய்ன் பிளக்கை தளர்வாக இருக்கும்போது என்ஜின் ஆயிலின் வெப்பம் உங்களது கைகளைச் சுடுமளவுக்கும் இருக்கலாம். ட்ரெய்ன் பிளக் குளிராகும் வரை காத்திருந்து அதன் பின் அதைக் கைகளால் தொடவும்.

பரிசோதனை மற்றும் பராமரிப்பு



உதாரணம்

77PM07007

டிரெய்ன் பிளக்குக்கு (1) டார்க்கை இறுக்கமாக்குதல்:
50 Nm (5.1 kg-m, 36.9 lb-ft)

⚠ எச்சரிக்கை

புதிய மற்றும் பயன்படுத்தப்பட்ட ஆயில் ஆபத்து விளைவிக்கக்கூடியது. குழந்தைகளும் செல்லப் பிராணிகளும் இதை விழுங்கினால் பாதிக்கப்படுவர். புதிய மற்றும் பயன்படுத்தப்பட்ட ஆயிலையும், பயன்படுத்தப்பட்ட ஆயில் ஃபில்டரையும் குழந்தைகள், செல்லப் பிராணிகள் நெருங்காமல் பார்த்துக் கொள்ளவும். பயன்படுத்தப்பட்ட என்ஜின் ஆயிலை வெகுநேரம் தொட்டுக் கொண்டிருந்தால் தோல் புற்றுநோய் உண்டாகலாம்.

ஆயிலை சிறிது நேரம் தொட்டாலே தோல் எரிச்சல் உண்டாகலாம்.

பயன்படுத்தப்பட்ட ஆயிலை சிறிது நேரம் தொடுவதற்கு, ஆயிலை மாற்றும்போது முழுக்கை சட்டையையும் ஈரப்பதத்தைத் தாங்கும் கிளவுஸ்களையும் (பாத்திரம் தேய்க்கும்போது போடுவது போன்ற) பயன்படுத்தலாம். தோலில் ஆயில் பட்டால் அதை சோப், தண்ணீரைக் கொண்டு நன்கு கழுவவும்.
(தொடர்ச்சி)

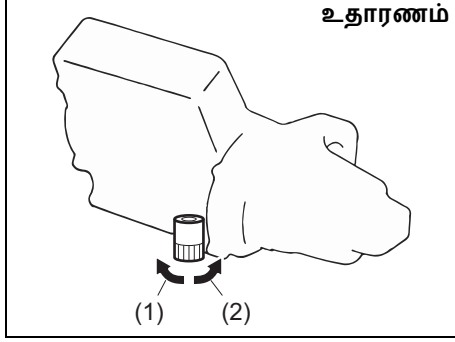
⚠ எச்சரிக்கை

(தொடர்ச்சி)
ஆயில் பட்ட துணிகளை அல்லது ஆடைகளை துவைப்பதற்கு போடவும்.
பயன்படுத்தப்பட்ட ஆயில், ஃபில்டர்களை ரீசைக்கிள் செய்யவும் அல்லது முறையாக அப்புறப்படுத்தவும்.

4) டிரெய்ன் பிளக் மற்றும் கேஸ்கட்டை மீண்டும் பொருத்தவும். பிளக்கை ரெஞ்சு ஒன்றைப் பயன்படுத்தி குறிப்பிட்ட டார்க்குடன் இறுக்கமாக்கவும்.

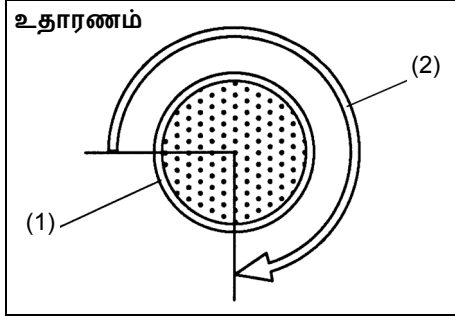
ஆயில் ஃபில்டரை மாற்றவும்

- 1) ஆயில் ஃபில்டர் ரெஞ்சின்மூலம், ஆயில் ஃபில்டரை இடது வலமாகச் சுழற்றி, பின்னர் அதை அகற்றவும்.
- 2) சுத்தமான துணியால் என்ஜினின் மேடான, புதிய ஃபில்டர் பொருத்தப்படும் பகுதியைத் துடைக்கவும்.
- 3) சிறிதளவு என்ஜின் ஆயிலைப் புதிய ஆயில் ஃபில்டரின் ரப்பர் கேஸ்கட் மீது தெளிக்கவும்.
- 4) புதிய ஃபில்டரின் மீதுள்ள ஸ்கூரூவைக் கையால் ஃபில்டர் கேஸ்கட்டின் மீது பதியும் வரை திருகவும்.



- (1) தளர்த்தவும்
(2) இறுக்கமாக்கவும்

இறுக்கமாக்குதல்
டாப்பிலிருந்து
பார்க்கும்போது



- (1) ஆயில் ஃபில்டர்

(1) 3/4 திருப்பவும்

அறிவிப்பு

ஆயில் ஃபில்டரைச் சரியான விதத்தில் இறுக்கமாக்க ஃபில்டர் கேஸ்கட் மெளன்டிங் சர்ஃபேசை எந்த பொஸிஷனில் தொடும் என்பதைச் சரியாக அடையாளம் காண வேண்டியது அவசியம்.

- 5) ஆயில் ஃபில்டர் ரெஞ்சால் ஃபில்டரை குறிப்பிட்ட சுற்றுக்கு மெளன்டிங் பரப்புடன் (குறிப்பிட்ட டார்க்கிற்கு) தொடர்பு ஏற்படுமாறு இறுக்கமாக்கவும்.

ஆயில் ஃபில்டருக்காக டார்க்கை இறுக்கமாக்குதல்
3/4 சுற்று அல்லது 14 Nm (1.4 kgf-m, 10.3 lbf-ft)

அறிவிப்பு

ஆயில் கசிவைத் தவிர்க்க ஆயில் ஃபில்டர் இறுக்கமாக இருக்க வேண்டும் ஆனால் அதீதமான இறுக்கத்துடன் இல்லாதிருக்க வேண்டும்.

ஆயிலை மீண்டும் நிரப்பவும் மற்றும் கசிவு இருக்கிறதா சரி பார்க்கவும்

ஃபில்லர் துவாரம் வழியாக ஆயிலை ஊற்றி, ஃபில்லர் கேப்பால் மூடவும்.

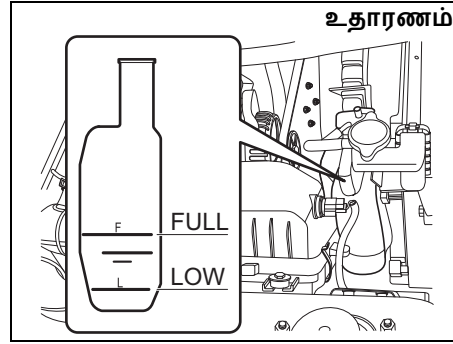
- 1) ஆயிலின் துல்லியமான அளவைத் தெரிந்து கொள்ள 'அளவு பற்றிய குறிப்புகள்' பிரிவில் 'கொள்ளளவுகள்' என்கிற தலைப்பின் கீழுள்ளதைப் படிக்கவும்.
- 2) என்ஜினை ஸ்டார்ட் செய்து, ஆயில் ஃபில்டர் மற்றும் டிரெய்ன் பிளக் ஆகியவை கசிகிறதா எனச் சோதிக்கவும். குறைந்தபட்சம் 5 நிமிடங்கள் வரை என்ஜினைப் பல்வேறு வேகத்தில் ஓட வைக்கவும்.
- 3) என்ஜினை நிறுத்தி, 5 நிமிடங்கள் வரை காத்திருக்கவும். ஆயில் மட்டத்தை மீண்டும் பரிசோதித்து தேவைப்பட்டால் மேலும் ஆயிலைச் சேர்க்கவும். கசிவு இருக்கிறதா என்று பார்க்கவும்.

அறிவிப்பு

- ஆயில் பில்லரை மாற்றும்போது, நம்பகத்தன்மை பில்லரையே பயன்படுத்துமாறு பரிந்துரைக்கப்படுகிறது. மாருதியின் வாய்ந்த பிற மார்க்கெட் பில்லரை பயன்படுத்தினால் அது தரமானதா எனப் பார்த்து, தயாரித்தவரின் குறிப்புக்களைப் பின்பற்றவும்.
- ஆயில் பில்லரிலும் டிரெய்ன் பிளக்கிலும் எண்ணெய்க் கசிவு இருந்தால் சரியாகப் பொருத்தப்படவில்லை அல்லது கேஸ்கட் சேதமாகி விட்டது என்று அர்த்தம். கசிவு இருந்தால் அல்லது பில்லர் சரியாகப் பொருத்தப்பட்டிருக்கிறதா என்று தெரியாதபோது, அங்கீகரிக்கப்பட்ட மாருதி சுசுகி கமர்ஷியல் டீலரிடம் வந்து சோதித்துக் கொள்ளவும்.

என்ஜின் கூலண்ட்

கூலண்ட் லெவல் (Coolant Level) சரிபார்க்கவும்



ரேடியேட்டரை (radiator) விட்டு ரிசர்வாயர் டேங்க்கில் (reservoir tank) கூலண்ட் மட்டத்தைச் சோதிக்கவும். என்ஜின் கூலாக இருக்கும்போது கூலண்டின் மட்டம் 'புல்' (அதிகமாக) மற்றும் 'லோ' (குறைவாக) இடையில் இருக்க வேண்டும். கூலண்ட் லெவல் (Coolant Level) 'லோ'-வுக்கு கீழே இருந்தால், கூலண்ட் சேர்க்கப்பட வேண்டும்.

கூலண்ட் (Coolant) சேர்த்தல் மற்றும் புதிதாக மாற்றுதல்

கூலண்ட்டை சேர்க்கும்போது, என்ஜின் கூலாக இருக்கையில் ரிசர்வாயர் டேங்க்கின் கேப்பை அகற்றி டேங்க் லெவல் 'புல்' (FULL) குறியீட்டுக்கு வரும் வரை கூலண்ட்டை சேர்க்கவும். 'புல்' (FULL) குறியீட்டுக்கு மேல் ரிசர்வாயர் டேங்க்கில் ஒருபோதும் கூலண்ட்டை நிரப்பாதீர்கள்.

கூலண்ட்டை புதிதாக மாற்ற சிறப்பான செய்முறைகளுக்கு அவசியம் உள்ளது என்பதால், இவ்வேலையைச் செய்ய மாருதி சுசுகி அதிகாரபூர்வ ஒர்ஷாப்பை அணுகவும்.

ஒர்கூலாப் உங்களுக்கு உதவும்.

⚠ எச்சரிக்கை
<p>என்ஜின் கூலண்ட்டை விழுங்கினால் மோசமான காயமோ அல்லது மரணமோ கூட நேரிடலாம். கூலண்ட்டின் புகை (அ) வாயுக்களை சுவாசித்தால் (ஆ) கூலண்ட்ட் கண்ணில் பட்டால் மோசமான காயம் ஏற்படலாம்.</p> <ul style="list-style-type: none"> ஆண்டி-பீரீஜ் அல்லது கூலண்ட்ட் திரவத்தை எப்போதும் பருகாதீர்கள். தெரியாமல் முழுங்கி விட்டால், வாந்தி எடுக்கச் சிரமப்படாதீர்கள். உடனடியாக விழ முறிவு மையத்தையோ (அ) டாக்டரையோ தொடர்பு கொள்ளவும். கூலண்ட்ட் இருந்து புகை (அ) சூடான வாயுக்களை சுவாசிப்பதைத் தவிர்க்கவும். அப்படி சுவாசித்து விட்டால், உடனே தூய காற்று உள் வருவதற்கு திறந்து விட வேண்டும். கண்களில் கூலண்ட்ட் பட்டு விட்டால், முதலில் கண்களை நீரால் கழுவி பின்னர் மருத்துவ சிகிச்சையைப் பெறவும். கூலண்ட்டை கையாண்டபின் கைகளை நன்றாக கழுவவும். குழந்தைகள், செல்லப்பிராணிகள் தொட முடியாத இடத்தில் என்ஜின் கூலண்ட்டை வைக்கவும்.

அறிவிப்பு
<p>தொட்டி மீது மூடியை மூடும்போது மட்டத்தை மூடியிலும் தொட்டியிலும் குறித்துக் கொள்ளவும். இதைச் சரியாகப் பின்பற்றா விட்டால் கூலண்ட்ட் கசிவு ஏற்படலாம்.</p>

கூலண்ட்டைத் தேர்வு செய்தல்

என்ஜினின் அதிகபட்ச செயல்திறனையும் நீடித்த ஆயுளையும் பராமரிக்க, உண்மையான மாருதி சுசுகி ஜெனுயின் கூலண்ட்டை (Maruti Suzuki genuine coolant) (அ) அதற்குச் சமமான ஒன்றைப் பயன்படுத்தவும். பின்வரும் காரணங்களுக்காக குளிர்நீரும் முறைக்கு இந்த வகை கூலண்ட்ட் சிறந்தது:

- முறையான என்ஜின் வெப்பநிலையைப் பராமரிக்க இந்த கூலண்ட்ட் உதவுகிறது.
- இது உறைபனி மற்றும் கொதிநிலைக்கு எதிராக சரியான பாதுகாப்பை வழங்குகிறது.
- இது அரிப்பு மற்றும் துருப்பிடித்தலுக்கு எதிராக முறையான பாதுகாப்பை இது தருகிறது.

முறையான கூலண்ட்டைப் பயன்படுத்தாத போது கூலிங் சிஸ்டம் சேதமடையலாம். சரியான கூலண்ட்டை தேர்ந்தெடுக்க மாருதி சுசுகியின் (Maruti Suzuki) அதிகார-பூர்வ

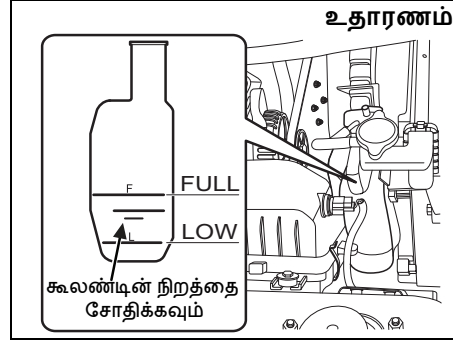
அறிவிப்பு
<p>கூலிங் சிஸ்டம் சேதம் ஏற்படுவதைத் தவிர்க்க:</p> <ul style="list-style-type: none"> உயர்தர, எத்திலீன் கிளைகோல் (ethylene glycol) கலந்த, சிலிகேட்-அல்லாத, சரியான கலவை அடர்த்தியில் டிஸ்டில்லட் வாட்டரால் (distilled water) நீர்க்கச் செய்யப்பட்ட சரியான வகை கூலண்ட்டையே எப்போதும் பயன்படுத்தவும். கூடுதலாக வேறெந்தப் பொருளையும் சேர்க்காதீர்கள். அது உங்கலது கூலிங் சிஸ்டத்துடன் ஒத்துப் போகாத ஒன்றாக இருக்கலாம். வேறு வகை கூலண்ட்டுகளை (coolant) ஒன்றாகக் கலக்காதீர்கள். இவ்வாறு செய்தால் சீல் துரிதமாக தேயும்; மற்றும்/அல்லது அத்தீத வெப்பம் மற்றும் எஞ்ஜின் (engine) / டிரான்ஸ்மிஷன் (transmission) பெரிதாக சேதமடைவதும் நிகழலாம். (தெரியாமல்) வேறு கூலண்ட்ட் கலந்து விட்டால், மாருதி சுசுகியின் அதிகாரபூர்வ ஒர்கூலாப்பில் வாகனங்களை சோதனை செய்யவும்.

பரிசோதனை மற்றும் பராமரிப்பு

குறிப்பு :

மாருதி சுசுகி ஜெனுவின் கூலண்டை (Maruti Suzuki genuine coolant) பயன்படுத்துமாறு மாருதி சுசுகி நிறுவனம் உங்களுக்குப் பரிந்துரைக்கிறது. உங்களுக்குப் மாருதி சுசுகி வாகனங்களுக்காகவே மாருதி சுசுகி ஜெனுவின் கூலண்ட் உருவாக்கப்பட்டுள்ளது; வாகனங்களின் உச்சபட்ச செயல்திறனுக்கும் மிகச் சரியான ட்ரைவிங் அனுபவத்தைத் தரவும் இது பெரும் பங்களிக்கிறது.

நீங்கள் புதிதாக வாங்கும் காரில் நிரப்பப்படும் கூலண்டின் வகை உங்களது வாகனங்களின் உற்பத்திக் காலத்தைப் பொறுத்து மாறுபடும். இருவிதமான கூலண்ட் வகைகள், SUZUKI LLC: Super (Blue) கூலண்ட் மற்றும் SUZUKI LLC: Standard (Yellow) கூலண்ட்டுகள். ரிசர்வாயர் டேங்க்கில் (reservoir tank) இருக்கும் கூலண்ட்டின் (கீழுள்ள படத்தைப் பார்க்கவும்) நிறத்தை வைத்து உங்கள் வெயிக்கிளின் ஓரிஜினல் கூலண்ட் வகையை உங்களால் சோதிக்க முடியும்.



கூலண்ட்டின் நிறம்	கூலண்ட்டின் வகை
Blue	Suzuki LLC : Super
Yellow	Suzuki LLC : Standard

குறிப்பு :

புத்தம்புதிய காரில் எந்த வகை கூலண்ட் இருந்ததோ கூலண்டை சேர்க்கும்போதும் (அ) புதிதாக மாற்றும்போதும் அதே வகை கூலண்டைத்தான் பயன்படுத்த வேண்டும்.

SUZUKI LLC: Super (Blue) கூலண்ட்:

அறிவிப்பு

- இந்த கூலண்ட் ஏற்கனவே பொருத்தமான சதவீதத்துக்கு அடர்த்தியாக ஆக்கப்பட்டுள்ளது. கூடுதலாக டிஸ்டில்லட் வாட்டரால் நீர்க்க வைக்காதீர்கள். இப்படி செய்தால் கூலண்ட் உறைபனி மற்றும்/அல்லது அதிக வெப்பமாக்கும் சாத்தியக்கூறு உண்டாகலாம்.
- SUZUKI LLC: Standard (Yellow) கூலண்ட் (அ) டிஸ்டில்லட் வாட்டர் (distilled water) (அ) மற்றவையை சேர்க்க வேண்டாம், உங்கள் வாகனத்தில் முதலில் SUZUKI LLC: Super (Blue) கூலண்ட் நிரப்பப்பட்டு இருக்கையில் அவ்வாறு நிகழ்ந்தால் Maruti Suzuki-யின் அதிகாரபூர்வ ஓர்கூடாப்பில் வெயிக்கிளை சோதனை செய்யவும்.

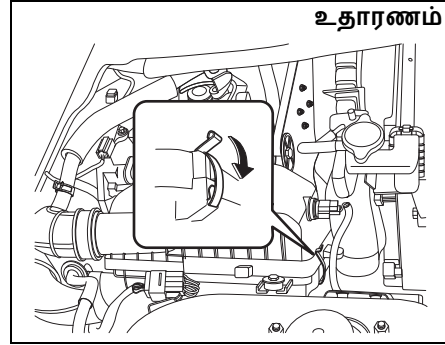
SUZUKI LLC: Standard (Yellow)
கூலண்ட்:

அறிவிப்பு

- பயன்படுத்தப்படும் கலவையின் அடர்த்தி 30% ஆண்டி-பீர்ஸ் ஆகவும் 70% டிஸ்டில்டு வாட்டராகவும் (distilled water) இருக்கலாம். நேரான கூலண்ட் அல்லது சாதாரண நீரைப் பயன்படுத்தாதீர்கள்.
- உங்களது பகுதியின் குறைவான உகந்த வெப்பநிலை -15°C (5°F) அல்லது அதற்குக் குறைவாக இருந்தால், ஆண்டி-பீர்ஸ் கண்டெயினரில் இருக்கும் குறிப்புகளைப் பின்பற்றி 60% வரை அடர்த்தியாக வைத்துக் கொள்ளவும். 60%-ஐ விட அதிக அடர்த்தியாக இருந்தால் ஓவர்-ஹீட்டிங் பிரச்சினைகள் உருவாகலாம்.
- உங்கள் வாகனம் முதலில் SUZUKI LLC: Standard (Yellow) கூலண்ட் நிரப்பப்பட்டிருந்தால், இந்த பிரிவில் உள்ள SUZUKI LLC: Standard (Yellow) கூலண்ட் இன் பராமரிப்பு அட்டவணையைப் பின்பற்றவும். நீங்கள் SUZUKI LLC: Super (Blue) கூலண்ட்-ஐ மாற்றினால், மாருதி சுசுகி (Maruti Suzuki) அங்கீகரிக்கப்பட்ட பணிமனை மூலம் வாகனத்தை பரிசோதிக்கவும்.

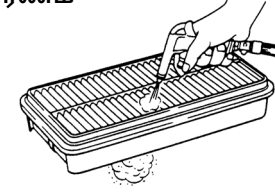
ஏர்-க்ளீனர்

ஏர்-க்ளீனர் தூசியால் அடைபட்டிருந்தால், இன்டேக் ரெசிஸ்டன்ஸ் அதிகமாக இருக்கும், அதனால் மின்சக்தி குறைவாக வெளிவருவதால் எரிபொருள் அதிகம் செலவாகும் வாய்ப்புள்ளது.



சைடு கிளாம்புகளை அகற்றி, ஏர்-க்ளீனர் கேசிலிருந்து எலிமண்ட்டை அகற்றவும்.

உதாரணம்



60A183

அது அசுத்தமாகத் தெரிந்தால், சுத்தப்படுத்தவும் அல்லது குறிப்பிட்ட கால இடைவெளி பராமரிப்பு அட்டவணையின்படி புதிய ஏர் கிளீனரால் அதனை மாற்றவும்.

பரிசோதனை மற்றும் பராமரிப்பு

ஸ்பார்க் பிளக்குகள்

ஸ்பார்க் பிளக்குகளை மாற்றுதல் மற்றும் பரிசோதித்தல்

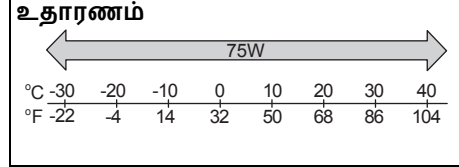
சிறப்பு செயல்முறைகள், உட்பொருட்கள் மற்றும் கருவிகள் தேவைப்படுவதால், உங்கள் மாருதி சுகுகியின் அங்கீகரிக்கப்பட்ட ஓர்சூழாப்பிடம் இந்த பணியை ஒப்படைக்குமாறு பரிந்துரைக்கப்படுகிறது

கியர் ஆயில்

மானுவல் டிரான்ஸ்மிஷன் ஆயில்/ டிஃபரன்ஷியல் ஆயில்

கியர் ஆயிலைச் சேர்க்கும்போது, கீழுள்ள அட்டவணையில் குறிப்பிட்டுள்ளபடி சரியான பாகுநிலை/ கிரேடு உள்ள கியர் ஆயிலை மட்டுமே பயன்படுத்தவும்.

மானுவல் டிரான்ஸ்மிஷன் ஆயில்



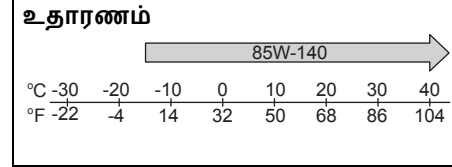
68LM728

கீழுள்ளவற்றை மட்டும் பயன்படுத்த நாங்கள் பரிந்துரைக்கின்றோம்:

7-19

மானுவல் டிரான்ஸ்மிஷனுக்கு “ மாருதி ஜென்யூன் கியர் ஆயில் 75W”- ஐப் பயன்படுத்துங்கள்.

ரியர் டிஃபரன்ஷியல் ஆயில்

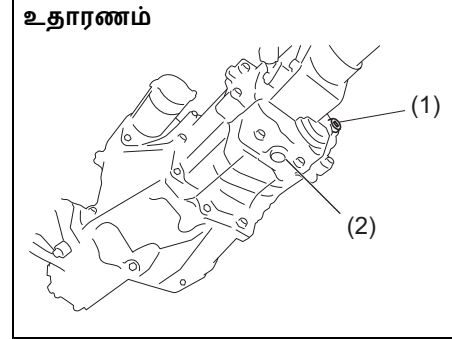


77PH075

கீழுள்ளவற்றை மட்டும் பயன்படுத்த நாங்கள் பரிந்துரைக்கின்றோம்: “டோட்டல் பினலஃப் டிரான்ஸ்லஃப் எல்.எல் 85W-140”-ஐப் பயன்படுத்தவும்.

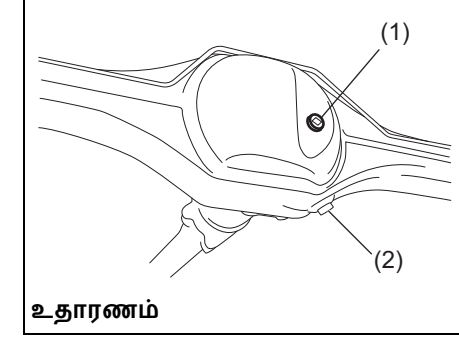
கியர் ஆயில் லெவல் பரிசோதனை

கியர் ஆயில் லெவல் பரிசோதனை



77PH078

ரியர் டிஃபரன்ஷியல்



77PH047

உதாரணம்

1. ஆயில் ஃபில்லர் & லெவல் பிளக் (மறுமுறை பயன்படுத்தாதீர்கள்).
2. ஆயில் டிரெயன் பிளக் கியர் ஆயில் லெவலைச் சோதிக்க, பின்வரும் செய்முறையைச் செய்யவும்.

- 1) பார்கிங் ப்ரேக் கைப் பயன்படுத்தி சமதளத்தில் வாகனத்தை நிறுத்துங்கள். பின்னர், என்ஜினை ஆஃப் செய்யவும்.
- 2) ஆயில் ஃபில்லர் மற்றும் லெவல் பிளக்கை (1) அகற்றவும்.
- 3) விரலை உள்ளே விட்டு துவாரத்தின் உட்புறம் சோதிக்கவும். ஆயில் அளவு பிளக்கின் அடிப்பகுதிக்குச் சென்றிருந்தால், ஆயில் அளவு சரியானது என்று அர்த்தம். அவ்வாறு இருந்தால், பிளக்கை மீண்டும் பொருத்தி வைக்கவும்.

4) ஆயில் அளவு குறைவாக இருந்தால், ஆயில் ஃபில்லர் பிளக் துவாரம் (1) வழியே கியர் ஆயிலைச் சேர்க்கவும்; ஆயில் ஃபில்லர் துவாரத்தின் அடிப் பகுதிக்குச் சென்றவுடன், பிளக்கை மீண்டும் பொருத்தவும்.

ஆயில் ஃபில்லர் மற்றும் லெவல் பிளக்கிற்கான டார்க்கை இறுக்கமாக்குதல்
 மானுவல் டிரான்ஸ்மிஷன் (1):
 23 Nm (2.3 kgf-m, 17.0 lbf-ft)
 ரியர் டிஃபரன்ஷியல்(1):
 25 Nm (2.5 kgf-m, 18.5 lbf-ft)

குறிப்பு :

ரியர் டிஃபரன்ஷியலுக்கு எப்போதும் புதிய ஆயில் ஃபில்லரையும் லெவல் பிளக்கையும் பயன்படுத்தவும் (1).

▲ கவனம்
வாகனத்தை இயக்கியவுடன், கியர் ஆயில் வெப்பநிலை உங்கள் கைகளைச் சுடுமளவுக்கு அதிகமாகி விடலாம். ஆயில் ஃபில்லர் பிளக் குளிராகும் வரை காத்திருந்து பின்னர் அதைக் கையால் தொட்டு கியர் ஆயில் லெவலைச் சோதிக்கவும்.

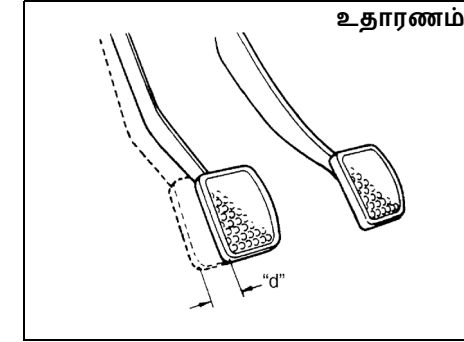
அறிவிப்பு	
பிளக்கை இறுக்கமாக்கும்போது பின்வரும் சீலிங் காம்பவுண்ட் அல்லது அதற்குச் சமமானதை பிளக்கில் தடவினால் ஆயில் கசிவு தடுக்கப்படும்.	
மாருதி சுசுகி பாண்ட் எண். "1216E" அல்லது "1217G"	

கியர் ஆயில் மாற்றுதல்

சிறப்பு செயல்முறைகள், உட்பொருட்கள் மற்றும் கருவிகள் தேவைப்படுவதால், உங்கள் மாருதி சுசுகியின் அங்கீகரிக்கப்பட்ட ஒர்க்ஷாப்பிடம் இந்த பணியை ஒப்படைக்குமாறு பரிந்துரைக்கப்படுகிறது.

க்ளட்ச் பெடல்

கேபிள் கண்ட்ரோல் க்ளட்ச்



54G274

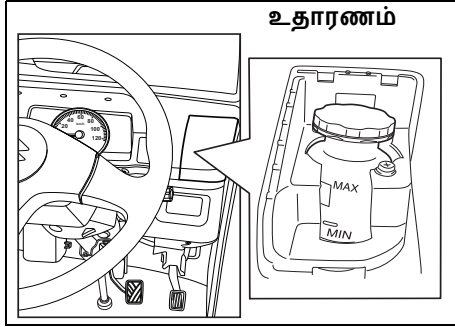
க்ளட்ச் பெடல் ப்ளே "d":

10 - 15 mm (0.4 - 0.6 in.)

க்ளட்ச் பெடலைக் கையால் நகர்த்தி கைகளில் 'எதிர்ப்பை' உணரும் வரை அது நகரும் தூரத்தை அளக்கவும். க்ளட்ச் பெடலில் உள்ள 'பிளே' எப்போதும் குறிப்பிட்ட மதிப்புக்குள் இருக்க வேண்டும். பிளேயின் அளவு வித்தியாசமாக இருந்தால் அல்லது க்ளட்ச் முழுவதும் கீழே இறங்கி விட்டால், அங்கீகரிக்கப்பட்ட மாருதி சுசுகி கமர்ஷியல் டீலரிடம் சென்று க்ளட்சைப் பரிசோதனை செய்யவும்.

ப்ரேக்குகள்

ப்ரேக் ப்ளூயிட்



77PM706

இன்ஸ்ட்ருமெண்ட் பேனலில் உள்ள ரிசர்வாயரில் உள்ள ப்ரேக் ப்ளூயிடின் லெவலைச் சோதிக்கவும். ஸ்டீயரிங் வீலின் வலது புறம் உள்ள கவரை அகற்றி ப்ரேக் ப்ளூயிட் லெவலைச் சோதிக்கவும். திரவத்தின் அளவு “MAX” மற்றும் “MIN” ஆகியவற்றுக்கிடையே இருக்கிறதா என்பதைச் சோதிக்கவும். ப்ரேக் ப்ளூயிட் லெவல் “MIN”லைனுக்கு அருகில் இருந்தால், அது “MAX” லைன் வரும் வரைக்கும் மாருதி ஜென்யூன் ப்ரேக் ப்ளூயிட்(MGBF) அல்லது DOT 3 ஆல் நிரப்புங்கள்.நாங்கள் மாருதி ஜென்யூன் ப்ரேக் ப்ளூயிட் (MGBF)ஐ பரிந்துரைக்கிறோம்.

7-21

⚠ எச்சரிக்கை

நெறிமுறைகளைப் பின்பற்றா விட்டால் காயம் ஏற்படலாம் அல்லது ப்ரேக் சிஸ்டம் தீவிரமாகப் பாதிக்கப்படலாம்.

- ப்ரேக் ரிசர்வாயரில் உள்ள திரவம் குறிப்பிட்ட அளவு குறைந்தால், இன்ஸ்ட்ருமெண்ட் பேனலில் உள்ள ப்ரேக் வார்னிங் லைட் ‘ஆன்’ ஆகி விடும் (என்ஜின் ஓடும்போது, பார்கிங் ப்ரேக் இணைப்பற்று இருக்கும்போது). லைட் ஒளிர்ந்தால் உடனே அங்கீகரிக்கப்பட்ட மாருதி சுசுகி கமர்ஷியல் டீலரிடம் சென்று ப்ரேக் சிஸ்டத்தைச் சோதிக்கச் சொல்லுங்கள்.
- திரவம் சீக்கிரமாகக் குறைந்தால் ப்ரேக் சிஸ்டத்தில் கசிவு ஏற்படலாம்; இதை உடனே அங்கீகரிக்கப்பட்ட மாருதி சுசுகி கமர்ஷியல் டீலரிடம் சென்று சோதிக்கச் சொல்லவும்.

(தொடர்ச்சி)

⚠ எச்சரிக்கை

(தொடர்ச்சி)

- மாருதி ஜென்யூன் ப்ரேக் ப்ளூயிட்(MGBF) அல்லது DOT 3 ஐத் தவிர வேறு எந்த ப்ளூயிடையும் பயன்படுத்த வேண்டாம். மாருதி ஜென்யூன் ப்ரேக் ப்ளூயிட்(MGBF) ஐ பயன்படுத்துவதை நாங்கள் பரிந்துரைக்கிறோம். பழைய அல்லது பயன்படுத்திய கன்டெய்னர்களில் உள்ள திரவத்தைப் பயன்படுத்த வேண்டாம். அந்நியப் பொருட்களும் மற்ற திரவங்களும் ப்ரேக் ப்ளூயிட் ரிசர்வாயரில் படாமல் பார்த்துக் கொள்வது மிக அவசியம்

⚠ கவனம்

ப்ரேக் ப்ளூயிட் கண்களையும் பெயிண்ட் அடிக்கப்பட்ட பரப்புக்களையும் பாதிக்கும். ரிசர்வாயரை நிரப்பும்போது கவனம் தேவை.

⚠ எச்சரிக்கை

- ஓவர்-லோடு செய்யப்பட்ட நிலையில் வாகனம் ஓட்டப்பட்டால், ப்ரேக்கிங் தூரம் அதிகமாக இருக்கும், அதிக பெடல் விசையும் தேவைப்படலாம்.

⚠ எச்சரிக்கை

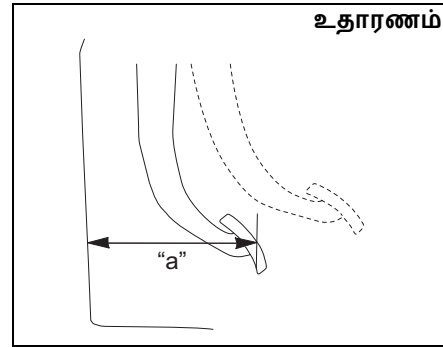
ப்ரேக் :ப்ரூயடை முழுங்கினால் அதனால் பாதிப்பு ஏற்படும்; கண்ணில் அல்லது தோலில் பட்டால் அதிக அளவு ஆபத்தை விளைவிக்கலாம். தெரியாமல் முழுங்கி விட்டால், வாந்தி எடுக்க வேண்டாம். உடனடியாக விஷ முறிவு மையத்தையோ (அ) டாக்டரையோ தொடர்பு கொள்ளவும். ப்ரேக் ப்ரூயிட் கண்ணில் பட்டால் நீரால் சுத்தமாகக் கண்களைக் கழுவி, அதன் பின்னர் மருத்துவ உதவியைப் பெறவும். கூலண்டைக் கையாண்ட பின் கைகளைச் சுத்தமாகக் கழுவவும். இக்கலவை மிருகங்களுக்கும் தீங்கு விளைவிக்கக் கூடியதாகும். குழந்தைகள், விலங்குகளின் மீது அது படாமல் தூரமாகத் தள்ளி வைக்கவும்.

குறிப்பு :

டிஸ்க் ப்ரேக் குகள் இருப்பதால் ப்ரேக் பேடுகள் தேயத் தேய திரவத்தின் லெவல் படிப்படியாகக் குறையலாம்.

ப்ரேக் பெடல்

ப்ரேக் பெடலை அழுத்தும்போது கால்கள் சிரமப்படாமல் சரியான உயரத்தில் ப்ரேக் பெடல் நிற்கிறதா என்று சோதிக்கவும். இல்லையெனில் அங்கீகரிக்கப்பட்ட மாருதி சுசுகி கமர்ஷியல் டிரைடம் சென்று ப்ரேக் சிஸ்டத்தைப் பரிசோதித்துக் கொள்ளவும். ப்ரேக் பெடல் சரியான உயரத்தில் நிற்கவில்லை என்ற சந்தேகம் இருந்தால், பின்வருவனவற்றைச் சோதிக்கவும்:



54G108S

பெடல் முதல் முன்புற பேனல் குறைந்தபட்ச தூரம் "a":

பெட்ரோல் மற்றும் சி.என்.ஜி. என்ஜின் மாடல்: 157 மிமீ

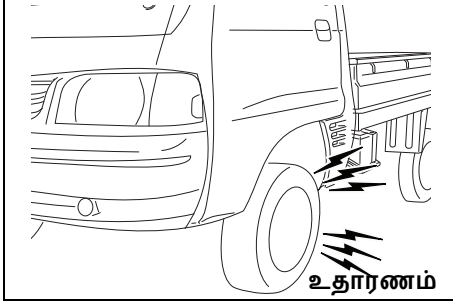
என்ஜின் ஓடிக் கொண்டிருக்கும்போது, பெடல் 30 கிலோ (66 பவுண்டுகள்) விசையில் அழுத்தப்படும்போது ப்ரேக் பெடல் மற்றும் முன்புற பேனலுக்கிடையே உள்ள தூரத்தை அளக்கவும். குறைந்தபட்ச தூரம், குறிப்பிடப்பட்டுள்ளபடி இருக்க வேண்டும். வாகனத்தின் ப்ரேக் சிஸ்டம் தானாகவே அட்ஜஸ்ட் செய்து கொள்ளக் கூடியது என்பதால், பெடலை அட்ஜஸ்ட் செய்யத் தேவையில்லை.

பெடல் முதல் முன்புற பேனல் வரை அளக்கப்பட்ட தூரம் குறைந்தபட்ச குறிப்பிடப்பட்ட தூரத்தை விடக் குறைவாக இருந்தால், வாகனத்தை மாருதி அங்கீகரிக்கப்பட்ட சுசுகி கமர்ஷியல் ஓர்சூடாப்பில் சென்று சோதிக்கவும்.

குறிப்பு :

ப்ரேக் பெடல் மற்றும் முன்புற பேனல் இடையிலான தூரத்தை அளக்கும்போது, தரை விரிப்பு அல்லது முன்புற பேனலில் இருக்கும் ரப்பரை உங்களது அளவில் சேர்த்துக் கொள்ளக் கூடாது.

பரிசோதனை மற்றும் பராமரிப்பு



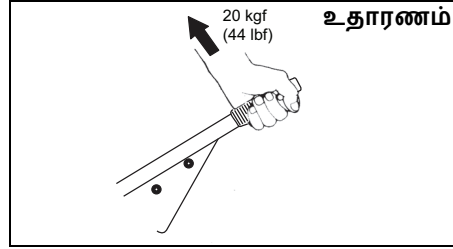
77PM07013

⚠ எச்சரிக்கை

உங்கள் வாகனத்தின் ப்ரேக் அமைப்பில் பின்வரும் ஏதாவது பிரச்சினை இருந்தால், உடனே அங்கீகரிக்கப்பட்ட மாருதி சுகுகி கமர்ஷியல் ஓர்கூடாப்பில் சென்று வாகனப் பரிசோதனை செய்து கொள்ளவும்.

- மோசமான ப்ரேக்கிங் செயல்பாடு
- சீரற்ற ப்ரேக்கின் (டயர்கள் அனைத்திலும் ப்ரேக் ஒரே மாதிரி வேலை செய்யாதது).
- அதிகப்படியான பெடல் கீழிறங்குதல்
- ப்ரேக் டிராகிங்
- அதிகப்படியான சப்தம்
- பெடல் அதிர்வு (அழுத்தப்படும்போது பெடல் அதிருதல்)

பார்கிங் ப்ரேக்



77PM702

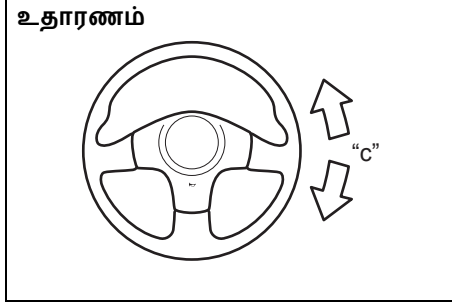
ராட்செட் ஓத் அளவீடு 6-வது முதல் 9-வது பல் வரை லீவர் இழுவிசை (1): 200 N (20 kgf, 44 lbf)

பார்கிங் ப்ரேக்கை முறையாக அட்ஜஸ்ட் செய்ய, பார்கிங் ப்ரேக் லீவரை மெதுவாக முழுமையான இயக்கத்திற்கு இழுத்து ராட்செட்டால் ஏற்படும் க்ளிக்வுகளை எண்ண வேண்டும். பார்கிங் ப்ரேக் லீவர் குறிப்பிடப்பட்டுள்ள ராட்செட் டீத் நடுவே நிற்க வேண்டும்; பின்புற டயர்கள் பாதுகாப்பாக லாக் ஆக வேண்டும். பார்கிங் ப்ரேக் சரியாக அட்ஜஸ்ட் செய்யப் படவில்லை (அ) லீவர் முழுவதுமாக விடுவிக்கப்படவில்லை என்றால் அங்கீகரிக்கப்பட்ட மாருதி சுகுகி கமர்ஷியல் டீலரிடம் சென்று பார்கிங் ப்ரேக்கை அட்ஜஸ்ட்டை சோதிக்கவும்.

⚠ எச்சரிக்கை

- வாகனம் ஓவர் லோடு செய்யப்பட்டிருந்தால் பார்கிங் ப்ரேக் பலன் தராது. வாகனத்தைத் தாங்கிப் பிடிக்கக் கூடுதல் கட்டைகளைப் பயன்படுத்தவும்.

ஸ்டீயரிங்



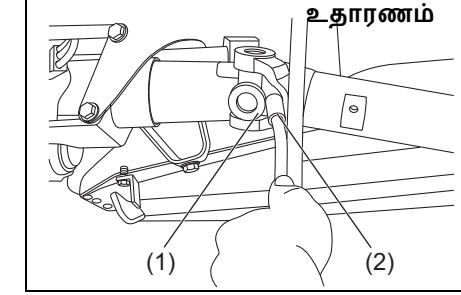
ஸ்டீயரிங் வீல் ப்ளே "C" :
0 – 30 mm (0.0 – 1.2 in.)

சக்கரங்கள் நேரான நிலையில் மற்றும் என்ஜின் ஆஃப் நிலையில் இருக்கும்போது வீலின் ஸ்டீயரிங் பிளேயை சோதிக்க அதனை மெதுவாக இடமிருந்து வலமாக மற்றும் வலமிருந்து இடமாகத் திருப்பவும். ஸ்டீயரிங் சிறிதளவு எதிர்ப்பை உணர்வதற்கு முன்னர் தூரத்தை அளவிடவும். குறிப்பிட்ட மதிப்புகளுக்குள் பிளே இருக்க வேண்டும். திறந்த வெளியில் மிக மெதுவாக இடதுபுறமாகவும் வலதுபுறமாகவும் அனைத்து திசைகளிலும் ஸ்டீயரிங் வீலைத் திருப்பி அது எளிதாக மற்றும் எந்த தடையுமின்றி சுலபமாகத் திரும்புகிறதா என சோதிக்கவும்.

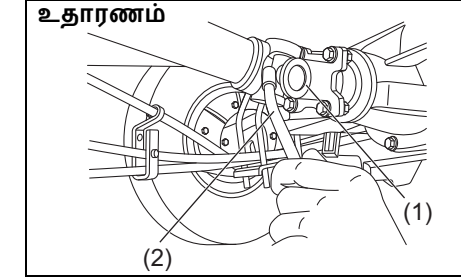
குறிப்பிடப்பட்ட அளவுகளுக்கு மேல் ஃப்ரீ பிளேயின் மதிப்பு இருந்தால் அல்லது வேறு ஏதேனும் தவறு இருப்பதாக நீங்கள் உணர்ந்தால், அங்கீகரிக்கப்பட்ட மாருதி சூசகி கமர்ஷியல் ஒர்க்ஷாப்பில் சென்று சோதித்துக்கொள்ளவும்.

புரொபெல்லர் ஷாஃப்ட் யுனிவர்சல் ஜாயிண்ட்

முன்புறம்



பின்புறம்



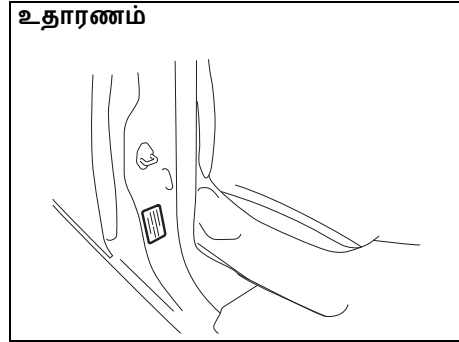
சர்வீஸ் அட்டவணைப்படி புரொபெல்லர் ஷாஃப்ட் ஜாயிண்டை (1) லூப்ரிகேட் செய்யவும்.

புரொபெல்லர் ஷாஃப்ட் யுனிவர்சல் ஜாயிண்டை லூப்ரிகேட் செய்ய கிரீஸ்

பரிசோதனை மற்றும் பராமரிப்பு

கன்னை (2) மற்றும் குறிப்பிடப்பட்டுள்ள “NLGI க்ரேடு 2” கிரீசை பயன்படுத்தவும்.

டயர்கள்



77PM705

முன்புற, பின்புற டயர்களின் அழுத்தம் பற்றிய குறிப்புகள் டயர் தகவல் லேபிள் தலைப்பின் கீழ் தரப்பட்டுள்ளன. முன்புற/பின்புற டயர்கள் அவற்றுக்கென குறிப்பிடப்பட்டுள்ள அழுத்தத்துடன் மட்டுமே இருக்க வேண்டும். காம்பாக்ட் ஸ்பேர் டயர் பொருந்தப்பட்டிருந்தால் வழங்கப்பட்டுள்ள மதிப்புகள் அதற்கு பொருந்தாது என்பதைத் தெரிந்து கொள்ளவும்.

டயர் பரிசோதனை

மாதமொரு முறை டயர்களில் பின்வரும் சோதனைகளைச் செய்து உங்கள் வாகனத்தின் டயர்களை பரிசோதிக்கவும்:

- 1) பிரஷர் காஜின் உதவியுடன் காற்றழுத்தம் அளக்கப்பட வேண்டும். தேவைப்பட்டால் காற்றழுத்தத்தை அட்ஜஸ்ட் செய்யவும். உபரி டயரின் காற்றழுத்தத்தையும் சோதிக்க மறக்காதீர்கள்.

எச்சரிக்கை

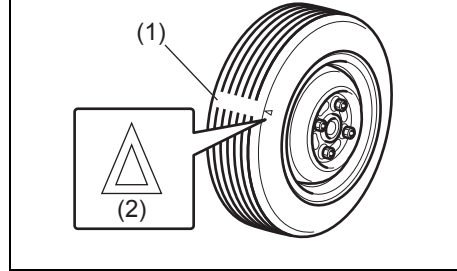
- டயர்கள் குளிர் ஆன நிலையில் காற்றழுத்தத்தை சோதிக்கவும் இல்லையெனில் அளவிடுகள் தவறாகலாம்.
- காற்றடிக்கும்போது தேவையான அழுத்தம் பெறப்படும் வரை டயர் அழுத்தத்தை அவ்வப்போது சோதிக்க வேண்டும்.
- காற்றழுத்தம் குறைவாகவோ அல்லது அதிகமாகவோ எப்போதும் இருக்கக்கூடாது.
- அழுத்தம் குறைவாக இருந்தால் வாகனத்தைக் கையாள்வதில் பல சிரமங்கள் ஏற்படும்; டயரை விட்டு ரிம் கழன்று ஓடலாம்; இதனால் விபத்து நேரிடும். (தொடர்ச்சி)

எச்சரிக்கை

(தொடர்ச்சி)

- அதிக அழுத்தம் இருந்தால் டயர் வெடித்து விடக்கூடும்; இதனால் ஓட்டுநருக்கும் பிறருக்கும் காயம் ஏற்படக்கூடும். அதிக அழுத்தத்தால் வாகனக் கட்டுப்பாடு கடினமாவதுடன் விபத்தும் நேரிடலாம்.

உதாரணம்



52KM110

- (1) ட்ரெட் வியர் இண்டிகேட்டர்
 - (2) இண்டிகேட்டர் லொகேஷன் மார்க்
- 2) ட்ரெட் குரூவ்வின் ஆழம் 1.6 மிமீ-க்கு மேல் (0.06 அங்குலம்) இருக்கிறதா என சோதிக்கவும். இதைச் சோதிக்க உங்களுக்கு உதவுவதற்கு டயர்களில் மோல்டு செய்யப்பட்ட ட்ரெட் வியர் இண்டிகேட்டர்கள் குரூவ்களில்

தரப்பட்டுள்ளன ட்ரெட் பரப்பில் இண்டிகேட்டர்கள் தோன்றினால், மீதமுள்ள ட்ரெட் ஆழம் 1.6 மிமீ (0.06 அங்குலம்) அல்லது அதற்குக் குறைவாக இருக்கும்; எனவே, டயரை மாற்ற வேண்டியது அவசியமாகும்.

- 3) அசாதாரண தேய்மானம், விரிசல்கள், சேதங்கள் உள்ளதா என்று சோதிக்கவும். விரிசல் அல்லது பிற பாதிப்படைந்த டயர்கள் மாற்றப்பட்டாக வேண்டும். அசாதாரணமான தேய்மானம் இருந்தால், அவற்றை அங்கீகரிக்கப்பட்ட மாருதி சுசுகி கமர்ஷியல் ஓர்ஷாப்பில் சென்று சோதித்துக் கொள்ளவும்.

▲ கவனம்

சாலைத் தடுப்பில் இடிப்பதும், கடினமான பாறைகளில் செல்வதும் டயர்களைச் சேதப்படுத்தி, சக்கரங்களை ஆட்டம் காணச் செய்து விடும். அங்கீகரிக்கப்பட்ட மாருதி சுசுகி கமர்ஷியல் ஓர்ஷாப்பில் டயர்கள்/ சக்கரங்கள் ஆடாமல் இருக்கிறதா என்பதை அவ்வப்போது உறுதி செய்து கொள்ளவும்.

- 4) வில் நட்டுகள் தளர்வாக இருக்கிறதா எனச் சோதிக்கவும்.

- 5) ஆணிகள், கற்கள் அல்லது பொருட்கள் டயர்களில் மாட்டிக் கொண்டுள்ளனவா எனச் சோதிக்கவும்.

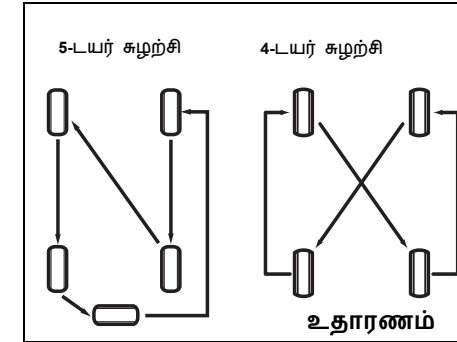
▲ எச்சரிக்கை

- வாகனத்திலுள்ள அனைத்து டயர்களும் ஒரே மாதிரியான அளவுள்ளவை மற்றும் வகையானவை. முறையான ஸ்டீயரிங், கையாளுதலுக்கு இது மிக முக்கியமான அம்சமாகும். வெவ்வேறு அளவு அல்லது வகையிலான டயர்களை 4 சக்கரங்களில் எப்போதுமே பயன்படுத்தக்கூடாது. மாருதி சுசுகி நிறுவனம் அங்கீகரித்த அளவுமற்றும் வகையான டயர்களையே உங்கள் வாகனத்துக்கு எப்போதும் பயன்படுத்தவும்.
- டயர்/சக்கரத்தை மாற்றும்போது மற்ற பிராண்டுகளைப் பயன்படுத்தினால் அது ஸ்டீயரிங் மற்றும் வாகனத்தின் பிற அம்சங்களைப் பெருமளவு பாதிக்கும்.
- எனவே, மாருதி சுசுகி உங்கள் வாகனத்திற்கு ஏற்ற அல்லது பொருத்தமானதாக அங்கீகரித்த சக்கரங்கள் மற்றும் டயர் இணைப்புகளையே பயன்படுத்தவும்.

அறிவிப்பு

ஒரிஜினல் டயர்களை வேறு அளவுள்ள டயர்களால் மாற்றினால் ஸ்டீடோமீட்டர் (அ) ஓடோமீட்டர் காட்டும் அளவீடுகள் தவறாக இருக்கும். ஒரிஜினல் டயரை விட வித்தியாசமான டயரைப் பொருத்த வேண்டுமென்றால் அங்கீகரிக்கப்பட்ட மாருதி சுசுகி கமர்ஷியல் ஓர்ஷாப்பில் அது பற்றி ஆலோசனை பெறவும்.

டயர் சுழற்சி



80JK7001

டயர்கள் சீரற்ற முறையில் தேய்மானம் ஆவதைத் தடுக்கவும் அவற்றின் ஆயுளை அதிகரிக்கவும், டயர்களை படத்தில் குறிப்பிட்டுள்ளபடி

பரிசோதனை மற்றும் பராமரிப்பு

சுழற்சி முறையில் மாற்றவும்.
ஒவ்வொரு 10000 கி.மீ.-க்கும்
ஒருமுறை டயர்களை சுழற்சி
முறையில் மாற்றவும். சுழற்சி
முறையில் மாற்றிய பிறகு முன்புறம்
மற்றும் பின்புற டயர் காற்றழுத்தத்தை
வாகனத்தின் 'டயர் தகவல் லேபிளில்'
குறிப்பிட்டுள்ளபடி வைத்துக்
கொள்ளவும்.

வீல் பேலன்சிங்
சீரான சாலையில் அசாதாரண அதிர்வு
தெரிந்தால், சக்கரங்களை
அங்கீகரிக்கப்பட்ட மாருதி சுகுகி
கமர்ஷியல் ஒர்க் ஷாப்பில் சென்று
பேலன்ஸ் செய்து கொள்ளவும்.

வீல் அலைன்மென்ட்
அசாதாரணமான டயர் தேய்மானம்
அல்லது ஒருபுறமாகத் தேய்வது போல்
தெரிந்தால், சக்கரங்களை
அங்கீகரிக்கப்பட்ட மாருதி சுகுகி
கமர்ஷியல் ஒர்க் ஷாப்பில்
அலைன்மென்ட் செய்து கொள்ளவும்.

பேட்டரி

⚠ எச்சரிக்கை

- தீப்பற்றக்கூடிய ஹைட்ரஜன் வாயுவை பேட்டரிகள் உற்பத்தி செய்கின்றன. புகை பிடிப்பது, தீப்பொறி (அ) நெருப்பை எரிபொருள், பேட்டரியின் அருகில் வைத்தால் அது வெடித்து விடும். தீப்பிழம்பு, தீப்பொறி ஆகியவற்றை பேட்டரியிலிருந்து தூரமாக வைக்கவும்; இல்லையெல் பேட்டரி வெடித்து விடும். பேட்டரிக்கு அருகாமையில் வேலை செய்யும்போது புகை பிடிக்காதீர்கள்.
- பேட்டரியைச் சோதிக்கும்போதும் சர்வீஸ் செய்யும்போதும் நெகட்டிவ் கேபிளைத் துண்டிக்கவும். பேட்டரிக் போஸ்டுகள் மற்றும் வாகனத்தின் மீது ஒரே நேரத்தில் உலோகப் பொருட்கள் படாமலிருந்தால் ஷார்ட் சர்க்யூட் பாதிப்பு ஏற்படாது; அவ்வாறு பார்த்துக் கொள்ளவும்.

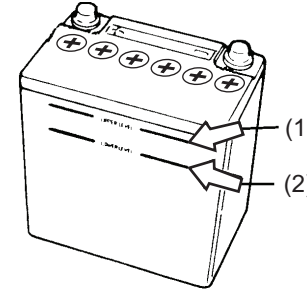
(தொடர்ச்சி)

⚠ எச்சரிக்கை

(தொடர்ச்சி)

- வாகனம் அல்லது பேட்டரி சேதமுறாமல் தவிர்க்கவும் உங்களுக்கு காயம் ஏற்படாமல் இருக்கவும் 'எமர்ஜென்ஸி சர்வீஸ்' பிரிவின் கீழ் இக்கையேட்டில் ஜம்ப் ஸ்டார்ட்டிங் பற்றி தரப்பட்டுள்ள குறிப்புகளைப் பின்பற்றவும்.

உதாரணம்



54GM701
பராமரிப்புச் செலவற்ற பேட்டரிக்கு (மூடி இல்லாதது) நீர் சேர்க்கத் தேவையே இல்லை. வாட்டர் ஃபில்லர் மூடியுள்ள வழக்கமான பேட்டரியில் பேட்டரி சொல்யூசனின் லெவலானது மேற்புற அளவு (1) மற்றும் கீழ்ப்புற அளவு (2) இரண்டுக்கும் நடுவில் தான் எப்போதும் வைக்கப்பட வேண்டும்.

அவ்வப்போது பேட்டரி, கேஸ் பேட்டரியின் டெர்மினல்கள், பேட்டரி ஹோல்டு-டவுன் பிராக்டெட் ஆகியவற்றில் சேதம் அல்லது அரிப்பு ஏற்பட்டுள்ளதா என்று சோதிக்கவும். அம்மோனியா கலந்த நீரை (அ) பேக்கிங் சோடா கலந்த நீரை பிரஷின் மூலம் தடவி அரிமானத்தை அகற்றவும். அரிமானத்தை அகற்றியவுடன், சுத்தமான நீரில் கைகளைக் கழுவவும்.

ஒரு மாதம் வரை அல்லது அதற்கு மேல் வாகனத்தை ஓட்டப்போவதில்லை என்றால் கேபிளை நெகட்டிவ் டெர்மினலிலிருந்து துண்டித்தால் சார்ஜ் வீணாவதைத் தடுக்கலாம்.

⚠ எச்சரிக்கை

பேட்டரி சொல்யூனின் கீழ்ப்புற அளவு (2)ஐ விட பேட்டரி லெவல் குறைவாக இருக்கும்நிலையில் பேட்டரி பயன்படுத்தப்பட்டால், பேட்டரியின் ஆயுள் குறையலாம், அதிக வெப்பமாகலாம் அல்லது பேட்டரியிலிருந்து வெளியேறும் ஹைட்ரஜன் வாயுவால் வெடிக்கவும் செய்யலாம். கீழ்ப்புற அளவு (2) க்கு கீழ் பேட்டரி லெவல் இருக்கும் நிலையில் பேட்டரியை பயன்படுத்த வேண்டாம்.

அறிவிப்பு

மேல்புற அளவு (1) க்கு மேல் கூடுதலாக பேட்டரி திரவம் சேர்க்கப்படால், வாகனம் ஓட்டுகையில் ஏற்படும் அதிர்வுகளின்போது திரவம் கசியலாம் அல்லது பேட்டரி சார்ஜிங்கின் நிலையைப் பொருத்து திரவம் வெளியே தெறித்து விழலாம். பேட்டரிக்கு அருகில் உள்ள பாகங்களுக்கு அவை பாதிப்பை ஏற்படுத்தலாம். பேட்டரி திரவம் நிரம்பி வழிந்தால், உடனடியாக அதனை நீர் வைத்து கழுவி விடவும். மேல்புற அளவு (1)க்கு மேல் பேட்டரிதிரவத்தை சேர்க்க வேண்டாம்.

குறிப்பு :

பேட்டரி பயன்படுத்தப்படும்போது பேட்டரி திரவம் நுகரப்படுகிறது. மேல்புற அளவு (1) மற்றும் கீழ்ப்புற அளவு (2)மையத்தை விட லெவல் குறைவாக இருந்தால் டிஸ்டிண்டு வாட்டரை மேற்புற அளவு (1)வரும்வரை அதில் சேர்க்கவும்

ஃபியூஸ்கள்

வாகனத்தில் கீழே குறிப்பிட்டுள்ளபடி மூன்று வகை ஃபியூஸ்கள் உள்ளன:

ஃபியூஸ்பிள் லிங்க் வயர் மற்றும் மெயின் ஃபியூஸ்

மெயின் ஃபியூஸானது மின்சாரத்தை நேரடியாக பேட்டரியிலிருந்து எடுத்துக் கொள்கிறது.

பிரைமரி ஃபியூஸ்கள்

மெயின் ஃபியூஸ் மற்றும் தனித்தனி ஃபியூஸ்கள் இரண்டுக்கும் இடையிலுள்ள பிரைமரி பியூஸ்கள் எலக்ட்ரிக்கல் லோடு குட்புகளின் பயன்பாட்டுக்கானவை.

தனித்தனி ஃபியூஸ்கள்

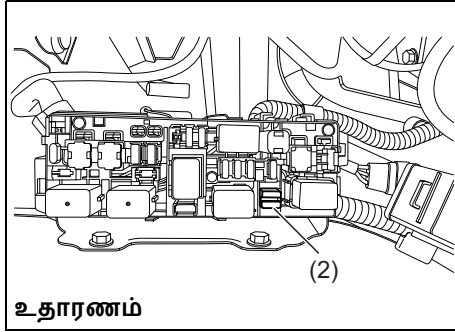
இவ்வகை ஃபியூஸ்கள் தனித்தனியான எலக்ட்ரிக்கல் சர்க்யூட்டுகளுக்கானவை.

குறிப்பு :

- உங்கள் வாகனத்தின் ஃபியூஸ் பாக் கவரின் மீது ஃபியூசின் பெயர் இருந்தாலும் கூட "Blank" (காலியான)என்பது இருந்தால் வேரியன்டில் ஃபியூஸ் பொருந்தாது என்பதைக் குறிக்கிறது.
- blank (காலியான) எனக் குறிப்பிடப் பட்டாவிட்டாலும் கூட வாகனத்தின் வேரியன்ட்டின்படி சில ஃபியூஸ்கள் உங்கள் வாகனத்திற்கு பொருந்தாது.

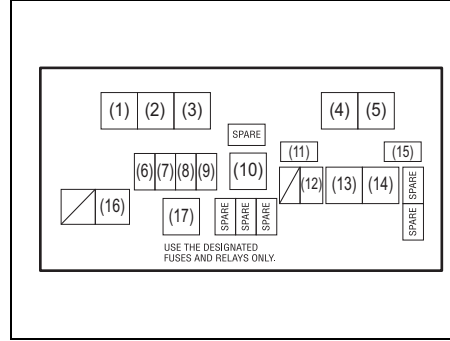
பரிசோதனை மற்றும் பராமரிப்பு

ஃபியூஸை அகற்ற, ரிலே பெட்டியிலுள்ள ஃபியூஸ் ஃபில்லரை (2) பயன்படுத்தவும்.



77PM07012

என்ஜின் கம்பார்ட்மெண்டிலுள்ள ஃப்யூஸ்கள்



77PM07030

குறிப்பு :

blank (காலியான) எனக் குறிப்பிடப் பட்டவாவிட்டாலும் கூட வாகனத்தின் வேரியன்ட்டின்படி சில ஃப்யூஸ்கள் உங்கள் வாகனத்திற்கு பொருந்தாது

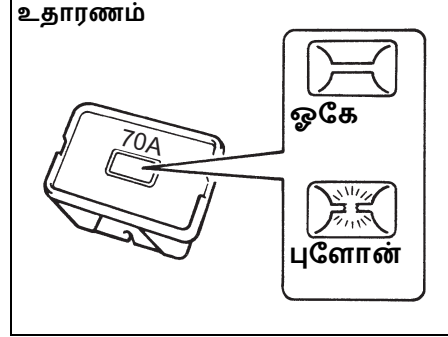
வ. எ	ரேட்டிங்	ஃபியூஸ் / ரிலே
(1)	-	சி.என்.ஜி. வால்வ் ரிலே*
(2)	-	ஃப்யூஸ் புல்லர்
(3)	-	ரேடியேட்டர் ஃபேன் ரிலே
(4)	-	ஃப்யூயல் பம்ப் ரிலே
(5)	-	ஸ்டார்ட்டிங் மோட்டார் ரிலே
(6)	7.5A	சி.என்.ஜி. வால்வ்*
(7)	20A	ஃப்யூயல் இன்ஜெக்ஷன்
(8)	30A	ஸ்டார்ட்டிங் மோட்டார்
(9)	15A	ஹார்ன்
(10)	70A	அல்ட்டர்னேட்டர்
(11)	7.5A	சி.என்.ஜி. *
(12)	10A	ஹஸார்ட் வார்னிங் லைட்
(13)	40A	பேட்டரி
(14)	40A	இக்னிஷன் சுவிட் சு
(15)	7.5A	ST SIG 2 (ஸ்டார்ட்டிங் சிக்னல்)

(16)	30A	ரேடியோட்டர் ஃபேன்
(17)	-	எஃப்ஐ மெயின் ரிலே

* : சி.என்.ஜி. மாடலுக்காக

என்ஜின் கம்பார்ட்மெண்டில் மெயின் ஃபியூஸ், பிரைமரி ஃபியூஸ்கள் மற்றும் சில தனியான ஃபியூஸ்கள் அமைக்கப்பட்டுள்ளன. மெயின் ஃபியூஸ் வெடித்தால், எந்த மின்சாதனமும் வேலை செய்யாது. பிரைமரி ஃபியூஸ் வெடித்தால், அந்த லோடு குரூப்பில் உள்ள எந்த ஒரு மின்சாதனமும் வேலை செய்யாது. மெயின் ஃபியூஸ், பிரைமரி ஃபியூஸ் அல்லது தனி ஃபியூஸை மாற்றும்போது, மாருதி ஜென்யூன் உதிரி பாகங்களை பயன்படுத்தவும். ஃபியூஸை அகற்ற, ரிலே பெட்டியிலுள்ள ஃபியூஸ் ஃபில்லரை (2) பயன்படுத்தவும். ஒவ்வொரு ஃபியூஸின் ஆம்பியரேஜும் ஃபியூஸ் பெட்டியின் கவரில் காட்டப்பட்டுள்ளது.

உதாரணம்



60G111

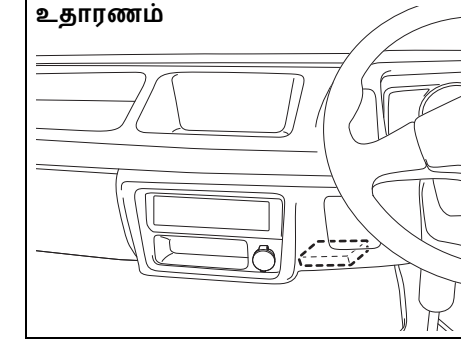
⚠ எச்சரிக்கை

மெயின் ஃபியூஸ் அல்லது பிரைமரி ஃபியூஸ் வெடித்தால், வாகனத்தை அங்கீகரிக்கப்பட்ட மாருதி சூசு கி கமர்ஷியல் ஓர்ஷாப்பில் சோதிக்கத் தவற வேண்டாம். எப்போதும் மாருதி ஜென்யூன் உதிரி பாகங்களையே பயன்படுத்தவும். தற்காலிகமான பழுதுக்குக்கூட வயர்கள் உள்ளிட்ட மாற்றுப் பொருட்களைப் பயன்படுத்தாதீர்கள்; இல்லையெல், விரிவான எலக்ட்ரிக்கல் சேதம் மற்றும் தீ ஆகியன ஏற்படலாம்..

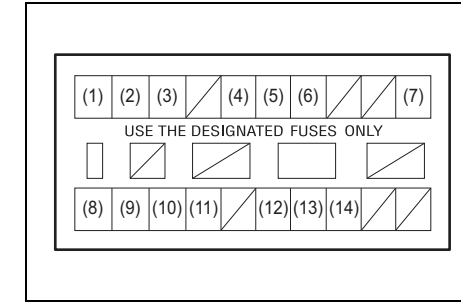
குறிப்பு :

ஃபியூஸ் பாக்கில் எப்போதும் கூடுதல் ஃபியூஸ்களும், ஃபியூஸ் புல்லரும் இருப்பதை உறுதி செய்து கொள்ளவும்.

டேஷ்-போர்டின் கீழே உள்ள ஃபியூஸ்கள்



77PH048



77PH049

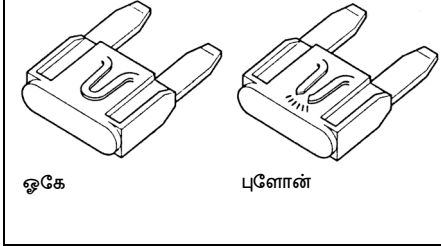
பரிசோதனை மற்றும் பராமரிப்பு

மெயின் ஃபியூஸ் / பிரைமரி ஃபியூஸ்		
(1)	10A	ஹெட்லைட் (வலது)
(2)	10A	ஹெட்லைட் (இடது)
(3)	10A	டூம் லைட்
(4)	10A	டெயில் லைட்
(5)	10A	ஸ்டாப் லைட்
(6)	15A	ரேடியோ
(7)	10A	ஈஸ்டார்ட்டிங் சிக்னல்
(8)	10A	மீட்டர்
(9)	15A	இக்னிஷன்
(10)	10A	பேக்-அப் லைட்
(11)	15A	முன்புற வைப்பர்
(12)	15A	அக்ச்சரி 2
(13)	10A	அக்ச்சரி
(14)	7.5A	சி.என்.ஐ. இக்னிஷன்*

*: சி.என்.ஐ. மாடலுக்கானது

ஃபியூஸ் பெட்டியானது டாஷ்போர்டுக்குக் கீழே அமைந்துள்ளது.

உதாரணம்



65D046

எச்சரிக்கை

வெடித்த ஃபியூசுக்குப் பதிலாக சரியான ஆம்பியர் உள்ள வேறு ஃபியூசைப் பயன்படுத்தவும். வெடித்த ஃபியூசுக்குப் பதிலாக வயர் அல்லது அலுமினியம் ஃபாயிலை மாற்றாக எப்போதும் பயன்படுத்தாதீர்கள். ஃபியூசை மாற்றிய பின் புதிய ஃபியூஸ் சில நாட்களில் பழுதடைந்தால், பெரிய அளவில் மின் பிரச்சனை உள்ளதென்று அர்த்தம். உடனடியாக வாகனத்தை அங்கீகரிக்கப்பட்ட மாருதி சுகுகி கமர்ஷியல் ஓர்க் ஷாப்பில் சோதனை செய்யவும்..

பல்பை மாற்றுதல்

கவனம்

- ஆஃப் செய்யப்பட்ட பிறகு பல்புகளில் உள்ள துடு உங்களது கைகளையும் சுட்டு விடக்கூடும். ஹாலொஜென் ஹெட்லைட் பல்புகளைப் பொறுத்தவரை இது முற்றிலும் நிஜம். பல்புகள் குளிர்ந்தவுடன் அவற்றிற்குப் பதிலாகப் புதியனவற்றை வாங்கிப் பொருத்தவும்.
- ஹெட்லைட் பல்புகளில் அழுத்தமுள்ள ஹாலொஜென் வாயுக்கள் உள்ளன. அவற்றில் ஏதாவது பட்டாலோ அல்லது அவை கீழே விழுந்தாலோ உடனே வெடித்து காயத்தை ஏற்படுத்தும். இவற்றைக் கவனமாகக் கையாளவும்.

அறிவிப்பு

ஹாலஜென் லைட்டுகள் ஆன் செய்த நிலையில் இருக்கும்போது, அவற்றைத் தொட்டால், உங்கள் தோலில் உள்ள எண்ணெயால் பல்பு அதிக வெப்பமடைந்து வெடிக்கக்கூடும். ஆகவே புதிய பல்பை சுத்தமான துணியைக் கொண்டு பிடிக்கவும்.

அறிவிப்பு

- பல்பை அடிக்கடி மாற்றுவதிலிருந்து எலக்ட்ரிக்கல் சிஸ்டத்தை சோதிக்க வேண்டிய தேவை பற்றித் தெரிய வருகிறது. அங்கீகரிக்கப்பட்ட மாருதி சுசுகி கமர்ஷியல் ஒர்ஷாப்பில்தான் இப்பணியைச் செய்து முடிக்க வேண்டும்.
- அளவுக் குறிப்புகளில் குறிப்பிட்டுள்ளபடி பல்பு / யூனிட் வகைகளையே வாகனத்தில் பயன்படுத்திய அதே வகைகளையே பல்புகளை மாற்றும்போது எப்போதும் பயன்படுத்தவும்.

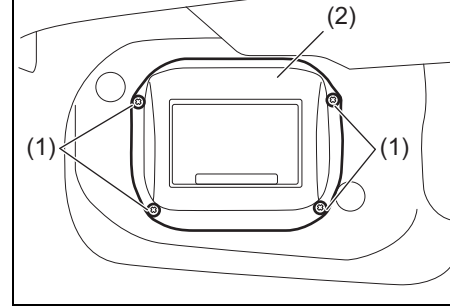
குறிப்பு :

மழையின் போது அல்லது வாகனத்தைக் கழுவிய பிறகு, வெளிப்புற லைட்களின் (ஹெட்லைட், பின்புற கலப்பு லைட் முதலியன) லென்ஸில் மூடுபனி படரலாம். இது விளக்கின் உள்ளே மற்றும் வெளியே வெப்பநிலை வேறுபாடு காரணமாக நடக்கும் இயற்கை நிகழ்வு ஆகும். லென்ஸில் தற்காலிக மூடுபனி ஒரு தவறான செய்கை அல்ல, இதனால் வாகனம் ஓட்டும்போது எந்த அசௌகரியமும் ஏற்படாது. சுற்றுச்சூழல் நிலைமை சூரிய ஒளிக்கு மாறும்போது அல்லது ஹெட்லைட்டை ஆன் செய்யும் போது மூடுபனி

மறையும். விளக்கின் உள்ளே தண்ணீர் கசிவு இருந்தால், உங்கள் அங்கீகரிக்கப்பட்ட மாருதி சுசுகி ஒர்க் ஷாப்பைத் தொடர்பு கொள்ளவும்.

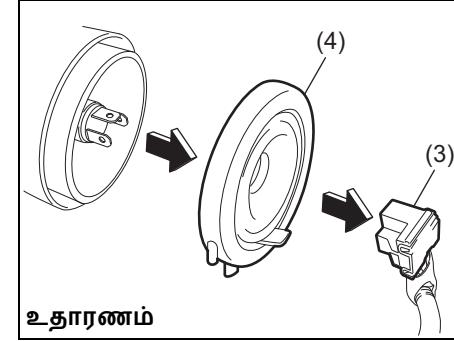
ஹெட்லைட்டுகள்

உதாரணம்



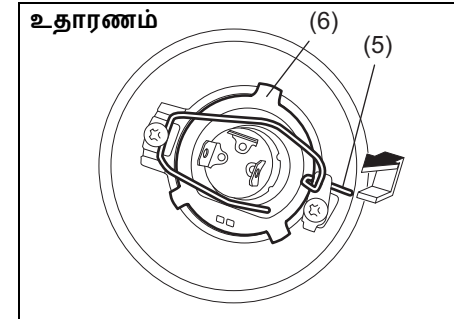
77PH050

- 1) ஸ்கூருக்களை (1) அகற்றி, ஏர் இன்லெட் பாக்சை (air inlet box) (2) அகற்றவும்.



77PH051

- 2) கப்ளரை (coupler) (2) இணைப்பிலிருந்து நீக்கவும். சீலிங் ரப்பரை (sealing rubber) (3) அகற்றவும்.



77PH052

- 3) ரீடெய்னிங் ஸ்பிரிங்கை (retaining spring) (5) முன்புறம் தள்ளி அதை

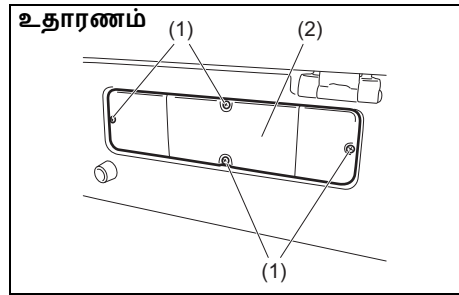
பரிசோதனை மற்றும் பராமரிப்பு

ஹூக்கிலிருந்து எடுக்கவும். பின்னர் பல்பை (6) அகற்றவும். அகற்றியபின் செய்முறையைத் தலைகீழ் முறையில் பின்பற்றி புதிதாக ஒரு பல்பைப் பொருத்தவும்.

முன்புற டர்ன் சிக்னல் லைட் முன்புற பொஸிஷன் லைட்

சிறப்பு செய்முறைகள் தேவைப் படுவதால் வாகனத்தை அங்கீகரிக்கப்பட்ட மாருதி சுகுகி கமர்ஷியல் ஒர்க் ஷாப்புக்கு எடுத்துச் சென்று பல்பை மாற்றவும்.

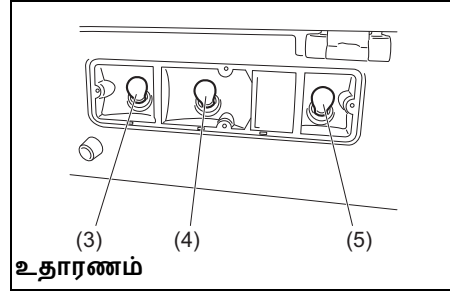
பின்பக்கம் காம்பிளேஷன் லைட்



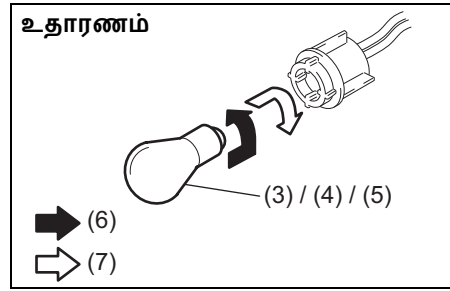
77PH055

- 1) ஸ்கூருக்களை (1) அகற்றி, பின் கவரை (2) அகற்றவும்.

7-33



77PH056

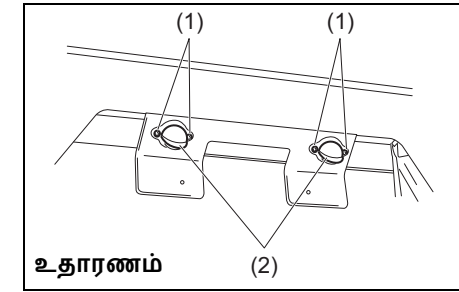


76MH0A123

- (1) அகற்றுதல்
- (2) நிறுவுதல்
- 2) டெயில்/ ப்ரேக் லைட் (4) அல்லது ரிவர்சிங் லைட் (5), பல்பு ஹோல்டர், மற்றும் டர்ன் சிக்னல் லைட்டின் (3) பல்பை அகற்ற, பல்பை உட்புறம் தள்ளி அதை இடது வலமாகத் திருப்பவும். புதிய பல்பை பொருத்துவதற்கு அதை

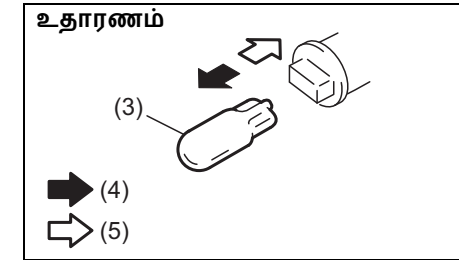
உட்புறம் தள்ளி அதை வலது இடமாகத் திருப்பவும்.

லைசென்ஸ் ப்ளேட் லைட்



77PH066

- 1) ஸ்கூருக்களை (1) அகற்றி, பின் கவரை அகற்றவும் (2).



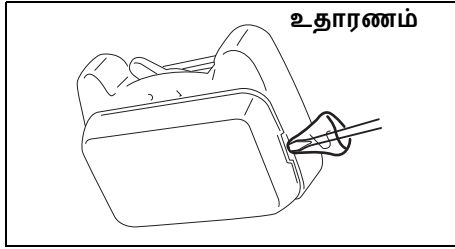
77PH063

- (1) அகற்றுதல்
- (2) நிறுவுதல்
- 2) லைசென்ஸ் ப்ளேட் லைட்டின் (3) பல்பை அகற்றி மீண்டும் பொருத்த,

பல்பைத் தள்ளி அல்லது அழுத்தி விட்டால் போதுமானது.

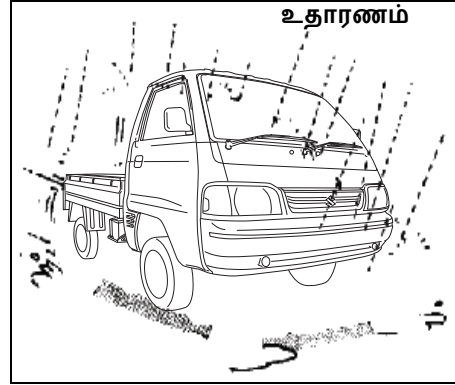
இன்டிரியர் (உட்புற) லைட்

படத்தில் காட்டிய மென்மையான துணியால் போர்த்தப்பட்ட ப்ளாட் பிளேடு ஸ்கூருடிவைவைப் பயன்படுத்தி லென்ஸ்களை அகற்றவும். பொருத்துவதற்கு, அதை மீண்டும் உள்ளே தள்ளவும்.



77PH057

வைப்பர் பிளேடுகள்



77PM07028

வைப்பர் பிளேடுகள் உடைந்தோ அல்லது சேதமடைந்திருந்தாலோ அல்லது துடைக்கும் போது சத்தம் வந்தாலோ அதற்குப் பதிலாக வேறு பிளேடுகள் மாற்றவும்.

வைப்பர் பிளேடுகளைப் பொருத்த, பின்வரும் செய்முறையைப் பின்பற்றவும்.

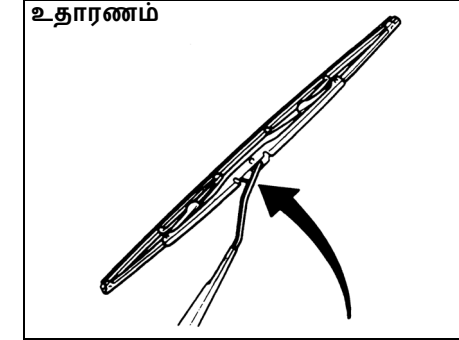
அறிவிப்பு

விண்டோவில் கீறல் விழுவதையோ அது உடைவதையோ தவிர்க்க, வைப்பர் பிளேடை மாற்றும்போது வைப்பர் ஆர்ம் விண்டோவை மோதாமல் பார்த்துக்கொள்ள வேண்டும்.

குறிப்பு :

வாகன விவரக்குறிப்புகளின்படி கூறப்பட்டுள்ளதிலிருந்து வேறுபட்ட சில வைப்பர் பிளேடுகள் பயன்படுத்தப்படலாம். அவ்வாறு இருந்தால் உங்களது அங்கீகரிக்கப்பட்ட மாருதி சுகுகி கமர்ஷியல் ஒர்க்ஷாப்புக்கு சென்று முறையாக அதனை மாற்றவும்.

விண்ட்ஷீல்ட் வைப்பர்களுக்கு:



70G119

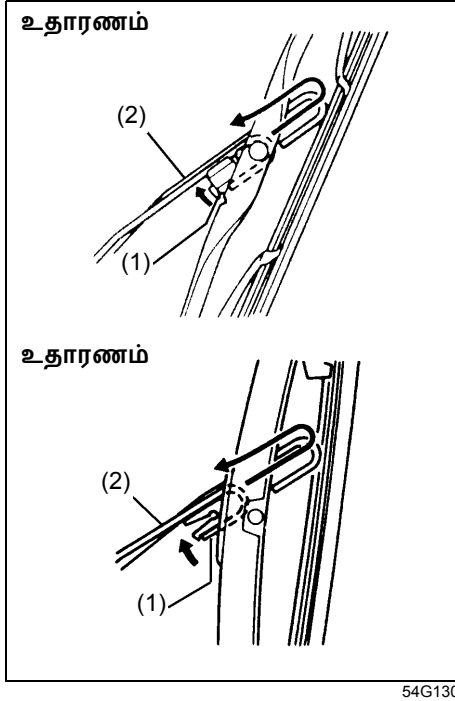
- 1) வைப்பர் ஆர்மை விண்ட்ஷீல்டிலிருந்து சற்றுத் தொலைவில் வைக்கவும்.

குறிப்பு :

உங்களது இரு முன்புற வைப்பர்களின் ஆர்ம்களைத் தூக்கும்போது, முதலில் டிரைவர் சைடு இருக்கும் வைப்பரின் ஆர்மைத் தூக்கவும். வைப்பரின்

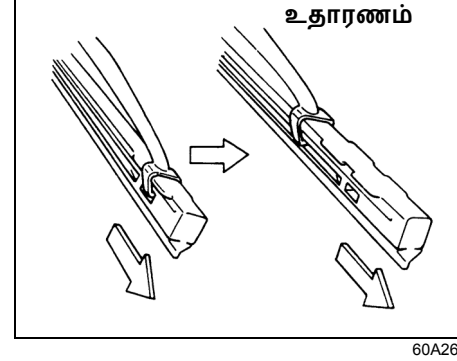
பரிசோதனை மற்றும் பராமரிப்பு

ஆர்ம்களைத் திருப்பும்போது, பயணிகள் சைடு உள்ள வைப்பர் ஆர்மை முதலில் கீழே இறக்கவும். இல்லையெனில், வைப்பரின் இரு ஆர்ம்களும் ஒன்றின் மீது மற்றொன்று மோதிக்கொள்ளும் நிலை ஏற்படலாம்.

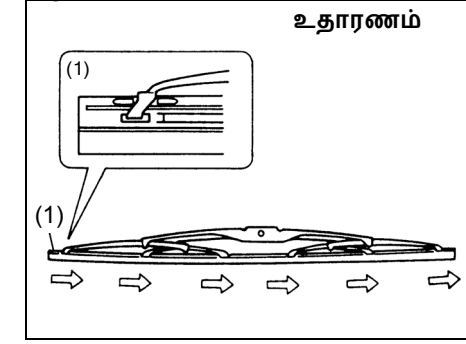


- 2) ஸ்கியூஸி லாக் (Squeeze lock) (1)ஐ வைப்பர் ஆர்ம் (wiper arm) (2) நோக்கி அழுத்தி, படத்தில் உள்ளபடி வைப்பர் ஆர்மிலிருந்து வைப்பர் பிளேடை அகற்றவும்.
- 3) வைப்பர் பிளேட்டின் பூட்டு முனையைத் திறந்து படத்தில் உள்ளபடி பிளேடைச் சரியாக வைக்கவும்.

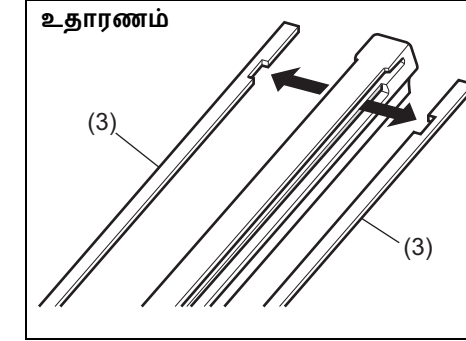
அகற்றுதல்



நிறுவுதல்

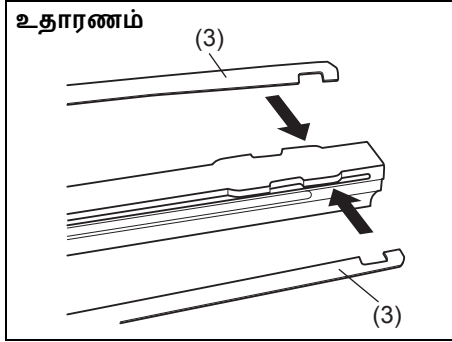


(1) பூட்டப்பட்ட முனை

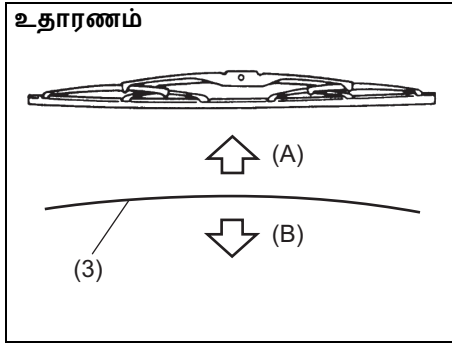


(1) ரீடெயினர் (Retainer)

- 4) புதிய பிளேடில் உலோகத்தாலான 2 மெட்டல் ரீடெயினர்கள் இல்லையென்றால், அவற்றைப் பழைய பிளேடிலிருந்து புதிய பிளேட்டுக்கு மாற்றவும்.



60MH071



60MH072

(A) மேலே

(B) கீழே

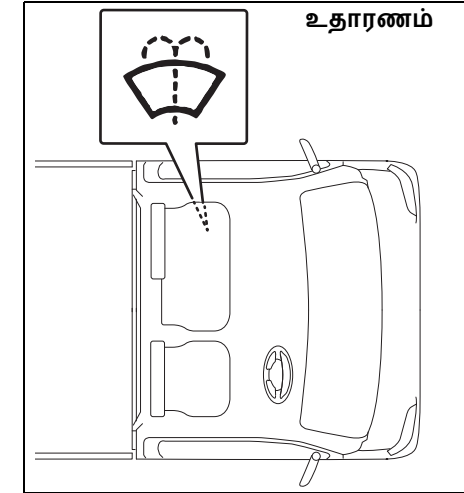
குறிப்பு :

மெட்டல் ரீடெயினர்களை (metal retainers) (3) நிறுவும் சமயத்தில் மெட்டல் ரீடெயினர்களின் திசை மேற்சொன்ன படங்களில் காட்டப்பட்டுள்ளபடி இருப்பதை உறுதி செய்து கொள்ளவும்.

- 5) புதிய பிளேடை அதை அகற்றும்போது செய்வதைப் போன்ற, தலைகீழ் வரிசை செய்முறையால் லாக் செய்து வைப்பர் ஆர்மின் பக்கம் இருப்பது போல் நிறுவ வேண்டும். பிளேடை அனைத்து ஹூக்குகளும் முறையாகப் பிடித்துக் கொண்டுள்ளதை உறுதி செய்யவும். பிளேடின் முனையை அதன் இடத்தில் வைத்துப் பூட்டவும்.

- 6) வைப்பர் ஃபிரேமைக் ஆர்முடன் மீண்டும் பொருத்தி, லாக் லீவர் ஆர்முடன் பாதுகாப்பாகக் கட்டப்பட்டுள்ளதை உறுதி செய்யவும்.

விண்ட்ஷீல்ட் வாஷர் ப்ளூயிட் (கருவி பொருத்தப்பட்டிருந்தால்)



டேங்கில் வாஷர் ப்ளூயிட் இருக்கிறதா என்பதைக் கண்ணால் பார்த்து அறியுங்கள். தேவைப்பட்டால் திரவத்தை நிரப்புங்கள். நல்ல தரமான விண்ட்ஷீல்ட் வாஷர் ப்ளூயைட் பயன்படுத்தவும். தேவையான அளவு தண்ணீரைக் கலந்துகொள்ளவும்.

பரிசோதனை மற்றும் பராமரிப்பு

அறிவிப்பு

வாகனத்தில் லைம் ஸ்கேல் அதிகம் ஆவதைத் தடுக்க ஹார்ட் வாட்டரை பயன்படுத்துவதைத் தவிர்க்கவும்.

⚠ எச்சரிக்கை

வின்ஷீல்ட் வாஷர் ரிசர்வாயரில் ரேடியேட்டர் ஆன்ட்டி-ஃப்ரீஸ் பயன்படுத்தாதீர்கள். அது வின்ஷீல்டில் தெளிக்கும்போது அது இயந்திரத்தைச் சேதப்படுத்தும் மேலும் வாகனத்தின் பெயின்டையும் அது பாதிக்கும்.

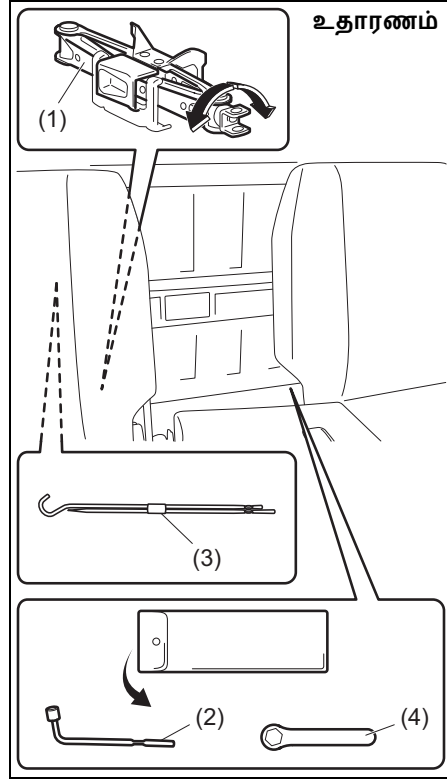
அறிவிப்பு

வாஷர் டேங்கில் ப்ளாஸ்டிக் இல்லாமல் வாஷர் மோட்டாரை இயக்கினால் பாதிப்பு ஏற்படலாம்.

எமர்ஜென்சி சர்வீஸ் (அவசரநிலைக் கால சர்வீஸ்)

டயர் மாற்றத் தேவையான	
உபகரணங்கள்	8-1
ஜேக்கிங் குறிப்புக்கள்	8-2
டயர்களை மாற்றுதல்.....	8-6
ஜம்ப் ஸ்டார்ட்டிங் பற்றிய குறிப்புக்கள்	8-7
டோயிங்	8-9
ஸ்டார்ட்டர் வேலை	
செய்யவில்லை என்றால்	8-10
என்ஜினுக்குள் அதிக	
ஃபியூயல் நிரம்பிவிட்டால்	8-10
என்ஜின் அதிகம் சூடானால்	8-11
மோதுவதால் அடிப்பகுதியில்	
ஏற்படும் பிரச்சினை	8-12
எச்சரிக்கை முக்கோணம்	
(வார்னிங் டிரைஆங்கிள்)	8-12
தீயை அணைக்கும் கருவி	
(கருவி பொருத்தப்பட்டிருந்தால்)	8-13

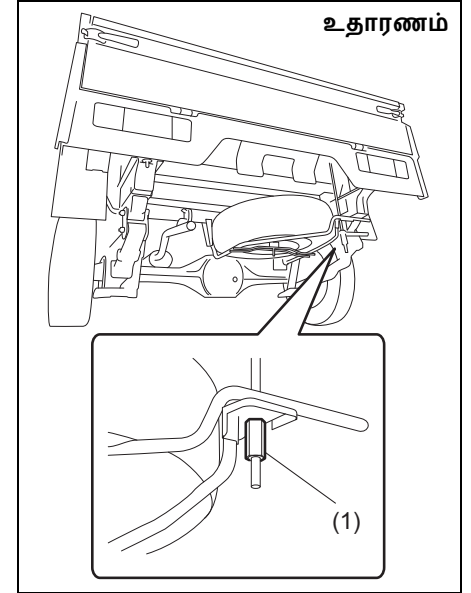
டயர் மாற்றத் தேவையான உபகரணங்கள்



- (1) ஜேக் (Jack)
- (2) வில் பிரேஸ் (Wheel brace)
- (3) ஜேக் ஹேண்டிள் (Jack handle)
- (4) ஸ்பானர் (Spanner)

டயர் மாற்றத் தேவையான அனைத்து உபகரணங்களும் டிரைவர் சீட்டின் பின்புறம் வைக்கப்பட்டுள்ளன. ஜேக்கை அகற்ற, அதன் ஷாஃப்டை இடது வலமாகத் திருப்பி, ஜேக்கை அதனுள்ளிருந்து இழுக்கவும். ஜேக்கை நிற்க வைக்க, அதை ஸ்டோரேஜ் பிராக்கெட்டில் வைத்து ஷாஃப்டை வலது இடமாக ஜேக் பாதுகாப்பாக நிற்கும் வரை திருப்பவும்.

ஸ்பேர் டயர், பெடின் கீழுள்ளது. ஸ்பேர் டயரை அகற்றுவதற்கு:



- 1) ஸ்பேர் டயர் ஹோல்டர் ஹூக்கின் நட்டுகளை (hook nut) (1) லூசாக்கவும்.
- 2) ஸ்பேர் டயர் ஹோல்டரைப் பூட்டை விட்டு எடுத்து, பாதுகாப்பாகக் கீழிறக்கவும்.
- 3) ஸ்பேர் டயரின் நடுவிலுள்ள ஸ்கூருவை அகற்றி, டயரையும் தனியே எடுக்கவும்.

▲ எச்சரிக்கை

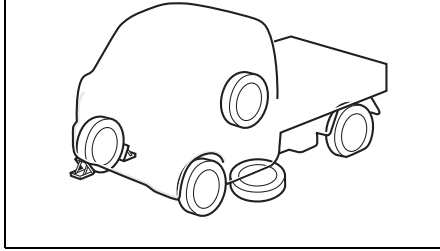
டயர் மாற்றும் கருவிகளைப் பயன்படுத்தியப் பின்னர் எடுத்த இடத்தில் அவற்றைப் பத்திரமாக வைக்கவும்; விபத்து நேரும் பட்சத்தில் இவைகளால் யாருக்காவது காயம் ஏற்படலாம்.

▲ கவனம்

ஜேக்கைச் சக்கரத்தை மாற்றுவதற்கு மட்டுமே பயன்படுத்த வேண்டும். ஜேக்கைப் பயன்படுத்த ஆரம்பிப்பதற்கு முன் இப்பிரிவில் தரப்பட்டுள்ள ஜேக்கிங் குறிப்புக்களைப் படிப்பது முக்கியம்.

ஜேக்கிங் குறிப்புகள்

உதாரணம்



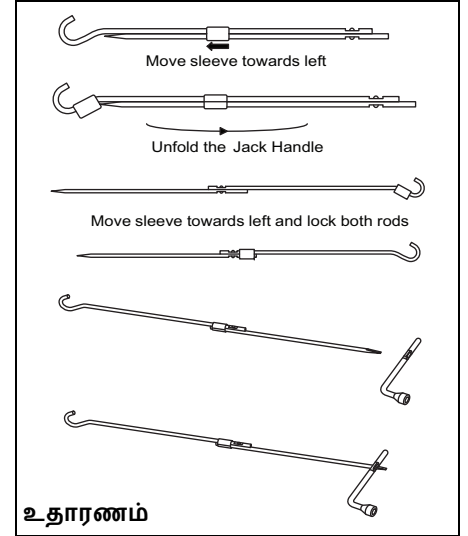
77PH054

- 1) வாகனத்தைச் சமமான, உறுதியான தரை மீது பார்க் செய்யவும்.
- 2) பார்கிங் ப்ரேக்கை உறுதியாக செட் செய்து அதை "R" பொசிஷனுக்கு (ரிவர்ஸ்) திருப்பி விடவும்.

▲ எச்சரிக்கை

- ஜேக் போட்டு வாகனத்தைத் தூக்கும்போது "R" பொசிஷனுக்குத் (பின்நொக்கிச் செல்ல) திருப்பி விடவும்.
- டிரான்ஸ்மிஷன் "N" பொஸிஷனில் இருக்கும்போது வாகனத்தை ஜேக்கால் தூக்கக் கூடாது. அவ்வாறு செய்தால், நிலையற்ற ஜேக் காரணமாக பெரும் விபத்து ஏற்படக்கூடும்.

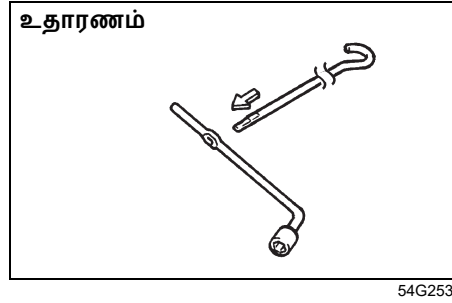
- 3) போக்குவரத்துக்கு நடுவே வாகனம் மாட்டிக் கொண்டால் ஹஸார்ட் வார்னிங் ஃப்ளாஷரை 'ஆன்' செய்யவும்.
- 4) தூக்கப்படும் வீலின் நேரெதிராக முன்புறம் மற்றும் பின்புறம் உள்ள வீலை தடுத்து வைக்கவும்.
- 5) ஒருவேளை ஜேக் தவறி விழுந்தால், படத்தில் சொல்லியபடி தூக்கப்படும் டயருக்கு அருகில் ஸ்பேர் டயரை



உதாரணம்

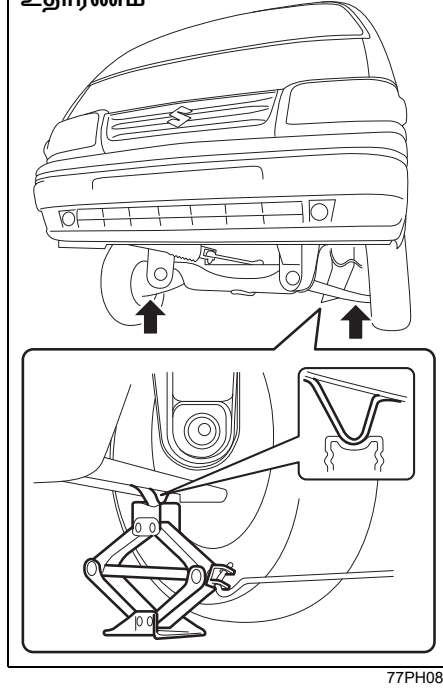
77PH802

எமர்ஜென்சி சர்வீஸ் (அவசரநிலைக் கால சர்வீஸ்)



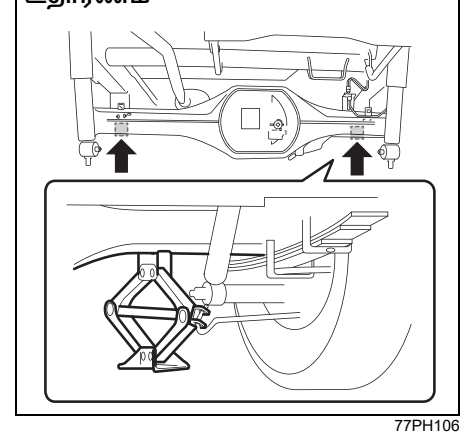
முன்புற ஜேக்கிங் பாயிண்ட்

உதாரணம்

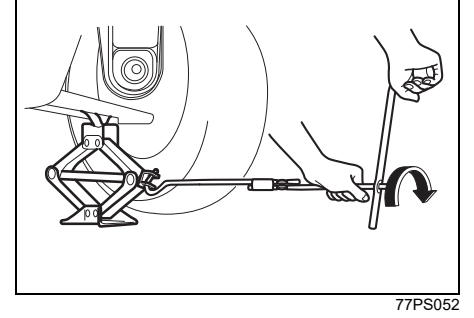


பின்புற ஜேக்கிங் பாயிண்ட்

உதாரணம்



உதாரணம்



- 6) ஜேக்கைச் செங்குத்தாக வைத்து, ஜேக் ஹெட் குருவ் ஜேக்கிங் பார் வாகனத்தின் அடிப்பக்கத்தில் பொருத்தப்படும் வரை ஜேக் ஹேண்டிலைக் வலது இடமாகச் திருப்பவும். விளக்கப் படத்தைப் பார்க்கவும்.
- 7) வாகனம் தரையை விட்டு எழும்பும் வரை ஜேக்கைப் படிப்படியாக மெதுவாகத் தூக்கவும். தேவைப்படும் உயரத்துக்கு மேல் உங்கள் வாகனத்தைத் தூக்க வேண்டாம்.

▲ எச்சரிக்கை

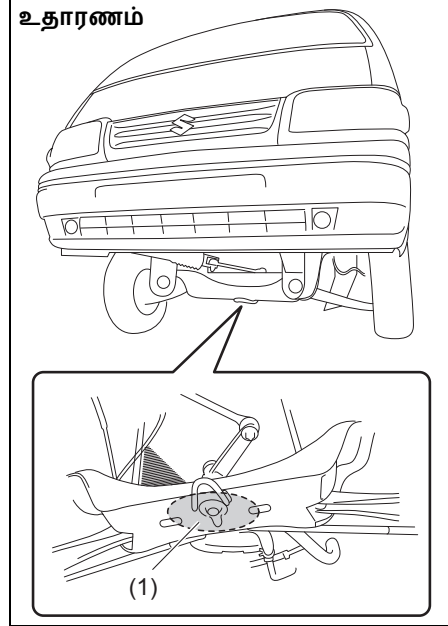
- சமமான, கடினமான பரப்பில் டயர்களை மாற்றுவதற்கு மட்டும் ஜேக்கைப் பயன்படுத்தவும்.
- சரிவான பரப்பில் வாகனத்தை ஜேக்கைப் பயன்படுத்தித் தூக்காதீர்கள்.
- ஜேக்கை ஜேக்கிங் பாயிண்ட்டுடன் (வரைபடத்தில் உள்ளது) குறிப்பிடப் பட்டுள்ள இடத்தைத் தவிர (டயருக்கு அருகில்) வேறு இடத்தில் உயர்த்தாதீர்கள்.
- ஜேக்கின் துணையால் வாகனம் தூக்கப் பட்டுள்ளபோது அதற்கு அடியில் செல்லாதீர்கள்.
- ஜேக்கின் துணையால் வாகனம் தூக்கப் பட்டுள்ளபோது என்ஜினை இயக்காதீர்கள்; வாகனத்திற்குள் அச்சமயம் யாருமே இருக்கவும் கூடாது.
- ஜேக்கால் வாகனம் தூக்கப்பட்டிருக்கும்போது என்ஜினை எப்போதும் இயக்க வேண்டாம் மேலும் அந்நேரத்தில் பயணிகள் உள்ளே இருப்பதையும் அனுமதிக்க வேண்டாம்.

கேரேஜ் ஜேக்கைப் பயன்படுத்தி வாகனத்தைத் தூக்குதல்

- கேரேஜ் ஜேக்கைக் கீழே குறிப்பிடப்பட்டுள்ள ஏதாவதொரு புள்ளியின்படி வைக்கவும்.
- தூக்கப்பட்ட வாகனத்தை கீழே குறிப்பிடப்பட்டுள்ள பாயிண்டுகளில் ஜேக் ஸ்டாண்டுகளால் (கடையில் கிடைக்கும்) வைத்து எப்போதும் முட்டுக் கொடுக்கவும்

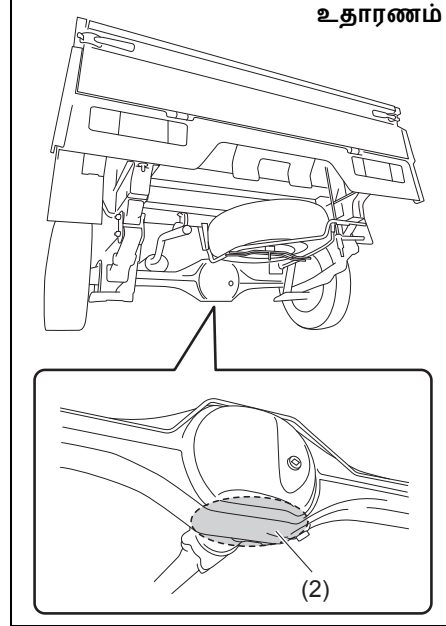
எமர்ஜென்சி சர்வீஸ் (அவசரநிலைக் கால சர்வீஸ்)

கேரேஜ் ஜேக்குக்கான முன்புற ஜேக்கிங் பாயிண்ட் (1)



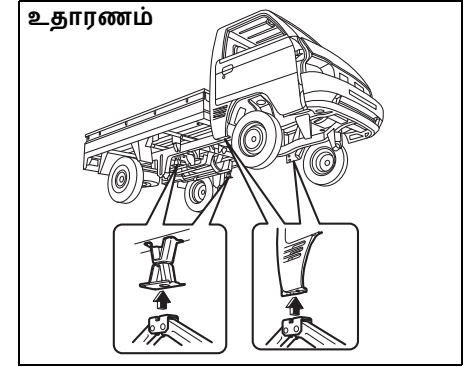
77PH060

கேரேஜ் ஜேக்குக்கான பின்புற ஜேக்கிங் பாயிண்ட் (2)



77PH101

ஜேக் ஸ்டாண்டு (3) அல்லது இரு காலம் லிஃப்டுக்கான அப்ளிகேசன் பாயிண்ட்



77PS055 (2)

அறிவிப்பு

- கேரேஜ் ஜேக்கை எக்ஸாஸ்ட் பைப்புடன் ஒருபோதும் இணைக்காதீர்கள்
- ஜேக் ஸ்டேண்டை அல்லது இரு காலம் லிஃப்டை பயன்படுத்தி பின்புறம் இருக்கும் பாயிண்ட்டில் வைத்துத் தூக்கும்போது பார்கிங் கேபிள் அல்லது ஃப்யூயல் டேங்கின் முனை உள்ளிட்ட சுற்றியுள்ள பாகங்களைத் தொடாமல் இருக்கவும்.

குறிப்பு :

மேலும் விவரங்களுக்கு
அங்கீகரிக்கப்பட மாருதி சூசகி
கமர்ஷியல் ஓர்சூடாப்பைத் தொடர்பு
கொள்ளவும்.

டயர்களை மாற்றுதல்

▲ எச்சரிக்கை

போக்குவரத்து அதிகம் உள்ள பகுதிகளில் வீலை மாற்றாதீர்கள், வில் மாற்றுவதற்கு போக்குவரத்து இல்லாத சமதரையில் சாலையைவிட்டு கீழிறக்கி வாகனத்தை நிறுத்தி அதனை மாற்றவும். கூடுதல் உதவிக்கு உங்களுக்கு அருகிலுள்ள அங்கீகரிக்கப்பட்ட மாருதி சூசகி ஓர்சூடாப்பிற்கு தொடர்பு கொள்ளவும்.

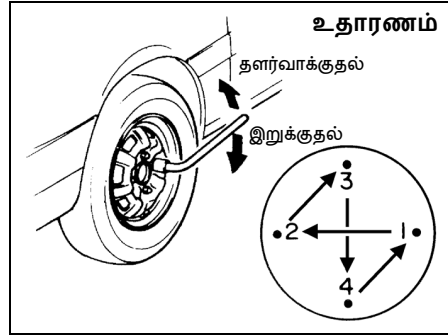
டயரை மாற்ற, பின்வரும் செய்முறையைப் பின்பற்றவும்:

- 1) பயணிகள் வெளியே இறங்கி, லோடை வாகனத்திலிருந்து இறக்க வேண்டும்.
- 2) வாகனத்திலிருந்து ஜேக், கருவிகள் மற்றும் ஸ்பேர் டயரை எடுக்கவும்.
- 3) டயரின் நட்/போல்ட்டுகளை எடுக்காமல் தளர்வாக்கி வைக்கவும்.
- 4) ஜேக்கால் வாகனத்தைத் தூக்கவும்.

▲ கவனம்

வாகனத்தை ஓட்டிய உடனேயே, வில்கள், வில் நட்டுகள் மற்றும் ப்ரேக்கைச் சுற்றியுள்ள பகுதிகள் அனைத்தும் மிக அதிக சூடாகும். இந்த இடங்களைத் தொடர்பால் காயம் ஏற்படும். வாகனத்தை ஓட்டிய நிலையில் இந்த பகுதிகளை தொடக்கூடாது.

- 5) டயரின் நட்டு மற்றும் போல்ட்டுகளை அகற்றவும்.
- 6) புதிய டயரைப் பொருத்தும் முன்பு, சக்கரத்திற்குள் மண் மற்றும் கல் உள்ளிட்டவற்றை சுத்தம் செய்து, ஹப்பையும் தூய்மையாகத் துடைக்க வேண்டும். வாகனம் ஓடியதால் சூடாக இருக்கும் ஹப்பை கவனமாகத் துடைக்க வேண்டும்.
- 7) புதிய சக்கரத்தைப் பொருத்தவும் மற்றும் வீலை நோக்கியுள்ள கூழுப் வடிவத்தில் உள்ள வில் நட்டுகளை மாற்றவும். ஹப்பின் மீது வில் பாதுகாப்பாக பொருத்தும் வரை நட்டை கையால் இறுக்கவும்.



54G116

வில் நட்டுகளுக்கான டைட்டனிங் டார்ட்
100 Nm (10.2 kgf-m, 73.8 lbf-ft)

- 8) ஜேக்கை தாழ்த்தி நட்டுகளைப் படத்தில் காட்டியுள்ளது போல் முழுவதும் குறுக்குவாட்டில் இறுக்கமாக்கவும்.

▲ எச்சரிக்கை

டயர்களை மாற்றியவுடன் ஜென்யூன் நட்டுகளைப் பயன்படுத்தி அவற்றை இறுக்கமாக்கவும். சரியில்லாத தளர்வாகப் பொருத்தப்பட்ட நட்டுகள் லூசாகிக் கீழே விழுந்தால் விபத்து ஏற்படும். நட்டுகள் இறுக்கமானதைச் சரிபார்க்கும் வசதி உங்களிடம் இல்லையன்றால், அங்கீகரிக்கப்பட்ட மாருதி சுகுகி கமர்ஷியல் ஒர்க்ஷாப்பில் சென்று சரிபார்க்கவும்.

ஜம்ப் ஸ்டார்ட்டிங் பற்றிய குறிப்புகள்

▲ எச்சரிக்கை

- பேட்டரி வேலை செய்யாதது போல் தெரிந்தால், வாகனத்தை எப்போதும் ஜம்ப் ஸ்டார்ட் செய்யாதீர்கள். அவ்வாறு ஜம்ப் ஸ்டார்ட்டிங் செய்தால் இந்நிலையில் இருக்கும் பேட்டரிகள் வெடிக்கலாம் அல்லது பழுதடையலாம்.
- ஜம்ப் லீட் கனெக்டிவ்களைச் செய்கையில் ஜம்பு லீட்டுகளும் உங்களது கைகளும் :பேன், புல்லி, பெல்ட் ஆகியவற்றிலிருந்து தூரமாக இருப்பதை உறுதி செய்யவும்.
- தீப்பற்றக்கூடிய ஹைட்ரஜன் வாயுவை பேட்டரிகள் உற்பத்தி செய்கின்றன. தீப்பிழம்பு, நெருப்பு ஆகியவற்றை பேட்டரியிலிருந்து தூரமாக வைக்கவும்; இல்லையேல் பேட்டரி வெடித்து விடும். பேட்டரிக்கு அருகாமையில் வேலை செய்யும்போது புகை பிடிக்காதீர்கள்.

(தொடர்ச்சி)

▲ எச்சரிக்கை

(தொடர்ச்சி)

- நீங்கள் ஜம்ப் ஸ்டார்ட் செய்யும் பூஸ்டர் பேட்டரி வேறு வாகனத்தில் இருந்தால், இரு வாகனங்களும் ஒன்றையொன்று தொடாமல் இருக்கும்படி பார்த்துக் கொள்ளவும்.
- எக்காரணமும் இன்றி பேட்டரி அடிக்கடி வலுவிழந்தால் அதை அங்கீகரிக்கப்பட்ட மாருதி சுகுகி கமர்ஷியல் ஓர்ஷூப்பில் சென்று சோதித்துக் கொள்ளவும். உங்களுக்கு அடிபடுவதை அல்லது வாகனம் மற்றும் பேட்டரி சேதமாவதைத் தவிர்க்க ஜம்ப் ஸ்டார்டிங் குறிப்புக்களைப் படித்து கவனமாகப் பின்பற்றவும்.
- உங்களுக்கு ஏதாவது சந்தேகம் இருந்தால் தகுதி பெற்ற ரோடு சர்வீஸைத் தொடர்பு கொள்ளவும்.

அறிவிப்பு

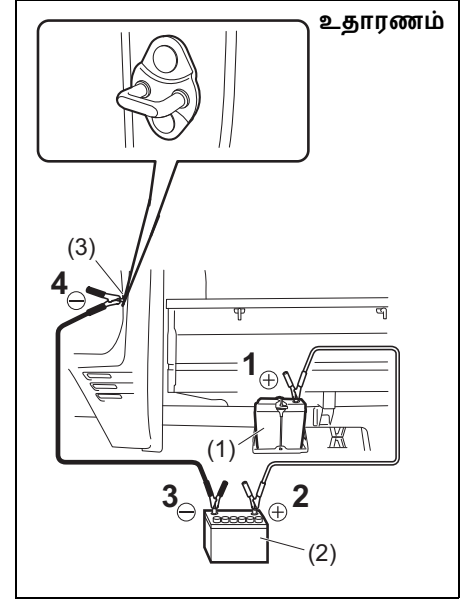
தள்ளி விட்டோ, கட்டி இழுத்தோ உங்கள் வாகனத்தை ஸ்டார்ட் செய்யக்கூடாது. இவ்வாறு ஸ்டார்ட் செய்தால் கேட்டலிடிக் கன்வெர்ட்டர் நிரந்தர சேதத்துக்குள்ளாகும். பலவீனமான பேட்டரி உள்ள வாகனங்களை ஜம்ப் லீடுகளைப் பயன்படுத்தி ஸ்டார்ட் செய்யவும்.

உங்களது வாகனத்தை ஜம்ப் ஸ்டார்டிங் செய்யும்போது பின்வரும் செயல்முறைகளைப் பின்பற்றவும்:

- 1) வாகனத்தை ஜம்ப் ஸ்டார்ட் செய்வதற்கு 12-வோல்ட் பேட்டரியை மட்டுமே பயன்படுத்தவேண்டும். ஜம்ப் லீடுகள் இரண்டு பேட்டரிகளையும் தொடும் விதத்தில் நல்ல 12-வோல்ட் பேட்டரியை வாகனத்திற்கு மிக அருகில் வைக்கவேண்டும். வேறொரு வாகனத்தின் பேட்டரியைப் பயன்படுத்தும்போது, இரு வாகனங்களும் ஒன்றையொன்று தொடாமல் பார்த்துக் கொள்ளவும். இரு வாகனங்களிலும் பார்கிங் ப்ரேக்குகளை செட் செய்யவும்.
- 2) பாதுகாப்பு கருதி தேவையானவைத் தவிர மற்ற அனைத்து வாகன

அக்சரிகளையும் விடவும்
ஹெட்லைட்டுகள் ஹஸார்ட் லைட்டுகள்.

அணைத்து (உதாரணம்: மற்றும்)



77PS056

- 3) ஜம்ப் லீட் கனெக்டைன்களை பின்வருமாறு உருவாக்கவும்:

1. முதல் ஜம்ப் லீடின் ஒரு முனையை ஃளாட் பேட்டரியின்

- பாஸிட்டிவ் (+) டெர்மினலுடன் பொருத்தவும். (1)
2. இன்னொரு முனையை பூஸ்டர் பேட்டரியின்(2) பாஸிட்டிவ் (+) டெர்மினலுடன் பொருத்தவும்.
3. இரண்டாவது ஜம்ப் லீடின் ஒரு முனையை பூஸ்டர் பேட்டரியின்(2) நெகட்டிவ் (-) டெர்மினலுடன் பொருத்தவும்.
4. ஃப்ளாட் பாட்டரி(1) உடன் வாகனத்தின் வண்ணம் பூசப்படாத கனமான உலோகப் பகுதிக்கு (அதாவது, வாகனத்தின் டோர் லாட்ச் ஸ்டிரைக்கர் (3)) கடைசித் தொடர்பைக் கொடுக்கவும்.

▲ எச்சரிக்கை

ஜம்ப் லீடை நேரடியாக பேட்டரியின் டிஸ்சார்ஜ் செய்யப்பட்ட பேட்டரியின் நெகடிவ் (negative) (-) டெர்மினலுடன் (terminal) இணைத்தால் அது வெடித்து விடும்.

- 4) நீங்கள் பயன்படுத்தும் பூஸ்டர் பேட்டரி வேறொரு வாகனத்துடன் இணைக்கப்பட்டால் பூஸ்டர் பேட்டரி இருக்கும் வாகனத்தின் என்ஜினை இயக்கவும். என்ஜினை மிதமான வேகத்தில் இயக்கவும்.
- 5) ஃப்ளாட் பேட்டரி இருக்கும் வாகன என்ஜினை இயக்கவும்.

- 6) நீங்கள் எப்படி இணைத்தீர்களோ, அதைத் தலைகீழாகச் செய்து ஜம்ப் லீடுகளை அகற்றவும்.

டோயிங்

உங்களது வாகனத்தைக் கட்டி இழுக்கும் நிலை ஏற்பட்டால், தொழில்முறை உதவியைக் கேட்டுப் பெறவும். டோயிங் பற்றிய அனைத்துக் குறிப்புக்களையும் டீலர் உங்களுக்குத் தருவார்.

அறிவிப்பு

கட்டி இழுக்கப்படும்போது வாகனம் சேதமடைவதைத் தவிர்க்க, முறையான கருவிகளும் இதற்கான செய்முறைகளும் பயன்படுத்தப்பட வேண்டும்.

2-வீலர் டிரைவ் (2WD) மானுவல் டிரான்ஸ்மிஷன்

மானுவல் டிரான்ஸ்மிஷன் வாகனங்கள் பின்வரும் ஏதாவது வழியில் கட்டி இழுத்துச் செல்லப்படலாம்.

- 1) முன்புறத்தில் இரு சக்கரங்களையும் தூக்கி, இரு பின் சக்கரங்களும் தரையில் இருக்கும் நிலையில் கொண்டு செல்வது. செல்வதற்கு முன், டிரான்ஸ்மிஷன் நியூட்ரலில் வைக்கப்பட்டு பார்கிங் ப்ரேக் விடுவிக்கப்பட்டதை உறுதி செய்யவும்.
- 2) பின்புறமிருந்து, பின்புற சக்கரங்கள் தூக்கப்பட்டு, முன்புறச் சக்கரங்கள் தரையில் இருந்து, ஸ்டீயரிங்கும் டிரைவ் டிரெயினும் இயங்கும்

நிலையில் கொண்டு செல்லப்படுகிற நிலை. இழுப்பதற்கு முன், ஸ்டீயரிங் வில் ஃப்ரீயாக இருப்பதையும் (இக்னிஷன் சாவி "ACC" பொஸிஷனில் இருக்க வேண்டும்) ஸ்டீயரிங் வில் நகராமல் ஒரு கிளாம்பிங் டிவைசால் கட்டப்பட்டிருப்பதையும் உறுதி செய்ய வேண்டும்.

அறிவிப்பு

கட்டி இழுக்கப்படும்போது முன்புற சக்கரங்களிலிருந்து ஏற்படும் அதிர்வுகளைத் தாங்க ஸ்டீயரிங் காலத்திற்கு போதிய பலம் இல்லை. கட்டி இழுத்துச் செல்லப்படும் முன் ஸ்டீயரிங் வீலை கழட்டவும்.

ஸ்டார்ட்டர் வேலை செய்யவில்லை என்றால்

- 1) இக்னிஷன் சுவிட்சை "START" பொஸிஷனுக்கு திருப்பி, ஹெட்லைட்டை 'ஆன்' செய்து பேட்டரி நிலைமையைத் தீர்மானிக்கவும். ஹெட்லைட்டுகள் மிகவும் பலவீனமாக எரிந்தால் அல்லது அணைந்து விட்டால், பேட்டரி தீர்ந்து போய் விட்டது அல்லது பேட்டரியுடனான டெர்மினல் சரியாக தொடர்பில் இல்லை என்று அர்த்தம். பேட்டரியை ரீ-சார்ஜ் செய்யவும் அல்லது பேட்டரி டெர்மினலைச் சரிபார்க்கவும்
- 2) ஹெட்லைட்டுகள் மிக வெளிச்சமாக இருந்தால், ஃப்ரீஸ்களைச் சோதிக்கவும். ஸ்டார்ட்டர் ஏன் வேலை செய்யவில்லை என்று தெரியவில்லை; அது மின்சாரம் தொடர்பான பிரச்சினையாக இருக்கலாம். வாகனத்தை அங்கீகரிக்கப்பட்ட மாருதி சுகுகி கமர்ஷியல் ஓர்ஷூப்பில் பரிசோதனைக்கு விடுங்கள்.

என்ஜினுக்குள் அதிக ஃபியூயல் நிரம்பிவிட்டால்

என்ஜினில் ஃபியூயல் நிரம்பிவிட்டால், ஸ்டார்ட் செய்வது மிகவும் கடினமாகிவிடலாம். அப்படி நடந்தால், என்ஜினை கிரான்க் செய்யும்போது ஆக்சிலிரேட்டர் பெடலை தரை வரை முழுதுமாக அழுத்தி, அப்படியே வைத்திருக்க வேண்டும்.

- 30 வினாடிகளுக்கு மேல் ஸ்டார்ட்டர் மோட்டாரை இயக்க வேண்டாம்.

என்ஜின் அதிகம் சூடானால்

மிக வேகமாக வாகனம் ஓட்டும் நிலைகளில் என்ஜின் தற்காலிகமாகச் சூடாகலாம். ஹை என்ஜின் கூலண்ட் டெம்பரேச்சர் வார்னிங் லைட் வாகனம் ஓட்டும்போதே எரிந்தால்:

- 1) பாதுகாப்பான இடத்துக்கு வாகனத்தைக் கொண்டு சென்று பார்க் செய்யவும்.
- 2) ஹை என்ஜின் கூலண்ட் டெம்பரேச்சர் வார்னிங் லைட் அணையும்வரை என்ஜினை சாதாரண 'ஐடில்' வேகத்தில் சில நிமிடங்கள் வரை இயக்கவும்

⚠ எச்சரிக்கை

நீராவி வெளியெறுவதைப் பார்த்தால் அல்லது கேட்டால் உடனடியாக வாகனத்தைப் பாதுகாப்பான இடத்தில் நிறுத்தி, என்ஜினை அணைத்து அது குளிரும் வரை காத்திருக்கவும். நீராவி இருக்கும்போது என்ஜின் கம்பார்ட்மெண்டைத் திறக்காதீர்கள். நீராவி தெரியாவிட்டால் அல்லது கேட்கா விட்டால் என்ஜின் கம்பார்ட்மெண்டைத் திறந்து கூலண்ட் இன்னும் கொதிக்கிறதா என்று பார்க்கவும். கொதித்துக் கொண்டிருந்தால், அது அடங்கும் வரை காத்திருக்கவும்.

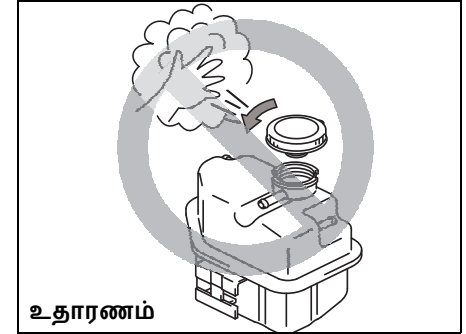
ஹை என்ஜின் கூலண்ட் டெம்பரேச்சர் வார்னிங் லைட்டு அணையவில்லை என்றால்:

- 1) என்ஜினை அணைத்து விட்டு வாட்டர் பம்ப் பெல்ட், புல்லிகள் ஆகியவை சேதமடையாமல் விழாமல் இருக்கின்றனவா எனச் சோதிக்கவும். ஏதாவது அசாதாரணமாகத் தென்பட்டால், அதைச் சரி செய்யவும்.
- 2) தொடடியில் கூலண்ட் லெவலைச் சோதிக்கவும். அது "LOW"ஐ விடக் குறைவாக இருந்தால், ரேடியேட்டர், வாட்டர் பம்ப், ஹீட்டர் ஹோஸ் ஆகியவை கசியாமல் இருக்கின்றனவா என்று சோதிக்கவும். அதிக அளவு ஹீட்டானதற்கு கசிவே காரணம் என நீங்கள் கண்டறிந்தால், இப்பிரசினைகள் சரிசெய்யப்படும் வரை என்ஜினை இயக்காமல் இருக்கவும்.
- 3) கசிவு ஏதேனும் இருந்தால், ரிசர்வாயரில் கூலண்டைச் சேர்த்து, தேவைப்பட்டால் அதை ரேடியேட்டருடனும் சேர்க்கவும். ("பரிசோதனை மற்றும் பராமரிப்பு" என்ற பிரிவில், "என்ஜின் கூலண்ட்" என்ற தலைப்பின் கீழுள்ளவற்றைப் படிக்கவும்.)

குறிப்பு :

என்ஜின் அதிக சூடாகி உங்களால் என்ன செய்வது என்று தெரியாமல்

போனால், அங்கீகரிக்கப்பட்ட மாருதி சுகுகி கமர்ஷியல் ஓர்கூடாப்பை உடனே அணுகவும்.



65D350d

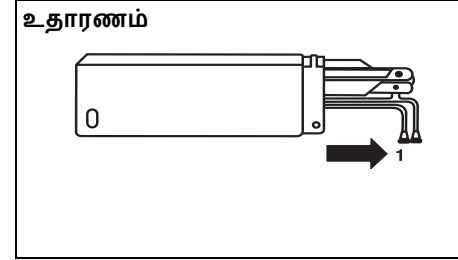
▲ எச்சரிக்கை

- தண்ணீரின் வெப்பநிலை அதிகமாக இருக்கையில் ரேடியேட்டர் கேப்பை (டிசல் என்ஜினாக இருந்தால் டிகேஸிங் டேங்கின் கேப்) அகற்றுவது தீங்கு விளைவிக்கலாம்; ஏனெனில், அழுத்தத்தின் காரணமாக ஸ்கேல்டிங் திரவம் மற்றும் நீராவி ஆகியவை வெளியே வரலாம். கூலண்ட் வெப்பநிலை குறைந்த பின்பே கேப் அகற்றப்பட வேண்டும்.
- கைகள், கருவிகள் மற்றும் துணிகளை என்ஜின் கூலின் ஃபேனிலிருந்து தூரமாக வைத்தால் காயம் படாமல் இருக்கும். முன்னெச்சரிக்கை ஏதுமின்றி இந்த எலக்ட்ரிக் ஃபேன்கள் தானாகவே இயங்கத் தொடங்கி விடும்.

மோதுவதால் அடிப்பகுதியில் ஏற்படும் பிரச்சினை

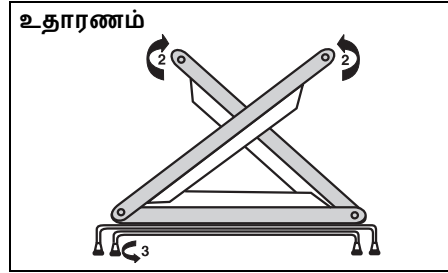
வாகனத்தின் அடிப்பக்கம் எத்துடனாவது மோதினால் அங்கீகரிக்கப்பட்ட மாருதி சுகுகி கமர்ஷியல் ஒர்க்கூடாப்பில் வாகனத்தைச் சோதித்துக் கொள்ளவும். ஸ்டீயரிங், சஸ்பென்ஷன், டிரைவ்-லைன் மற்றும் ப்ரேக் உள்ளிட்டவற்றுக்கு ஆகும் சேதத்தால் உங்களால் பாதுகாப்பாக வாகனம் செலுத்த முடியாமல் போகலாம்.

எச்சரிக்கை முக்கோணம் (வார்னிங் டிரைஆங்கிள்)



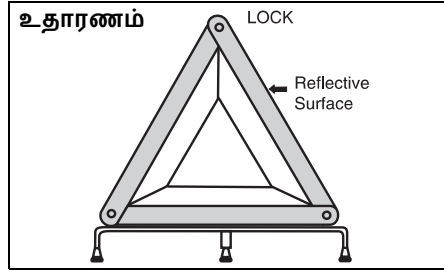
MHO-07-001

எமர்ஜென்சி ஸ்டாப் பிங்கின்போது அல்லது வாகனம் ப்ரேக் டவுன் ஆகியிருக்கும்போது போக்குவரத்துக்கு இடைஞ்சலாக இருந்தால் வாகனத்தில் இருக்கும் வரும் வாகனங்கள் பார்க்குமாறு, எச்சரிக்கை முக்கோணத்தைப் பின்புறம் அனைவருக்கும் 50 -100 மீட்டர் வரை முக்கோணத்தின் பிரதிபலிக்கும் பக்கம் தெரியும்படி வைக்கவும். வாகனத்திலிருந்து இறங்கும் முன்னர் ஹஸார்ட் வார்னிங் லைட்களை 'ஆன்' செய்து, எச்சரிக்கை முக்கோணத்தைத் தெரியும்படி வைக்கவும்.



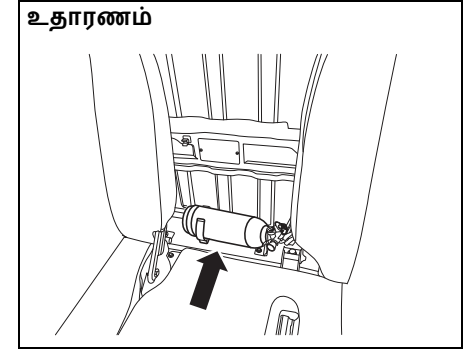
MHO-07-014-1

- எச்சரிக்கை முக்கோணத்தைக் கவனமாக, அம்பு 1இல் குறிப்பிட்டுள்ளபடி, அதன் கவரிலிருந்து எடுக்கவும்.
- 2 ரிப்பெலக்டர் குறியீடுகளையும் எடுத்து (அம்பில் குறிப்பிட்டுள்ளபடி) அவற்றை வலதுபுறக் குறியீட்டில் உள்ள களிப்பின் மூலம் ஒன்றோடொன்று இணைக்கவும். கீழிருக்கும் ஸ்டாண்டை இடது வலமாகத் திருப்பவும் (3-வது அம்பில் குறிப்பிட்டுள்ளபடி). வாகனத்தின் பின்புறத்துக்கும் ஏதாவது சமதரைக்கும் நடுவில் எச்சரிக்கை முக்கோணத்தை வைக்கவும்.
- இதே செய்முறையைத் தலைகீழாகச் செய்து அதைக் கவரின் உள்ளே வைக்கவும்.



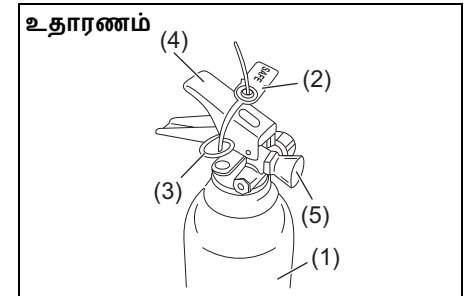
MHO-07-014

தீயை அணைக்கும் கருவி (கருவி பொருத்தப்பட்டிருந்தால்)



77PM08009

தீயை அணைக்கும் கருவி சீட்டுகளின் பின்னால் (டிரைவர் சீட், பயணிகள் சீட்டுக்கு நடுவில்) அமைக்கப்பட்டுள்ளது.

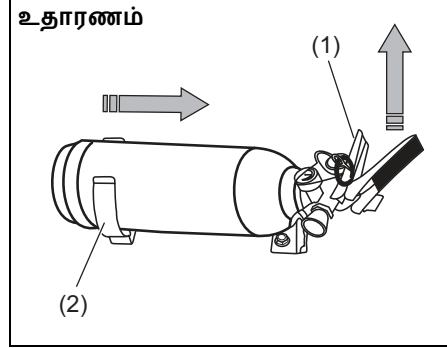


77PM08003

- 1) தீயணைப்புக் கருவி சிலிண்டர்
- 2) சீல்
- 3) சே.்ப்டி பின்
- 4) லீவர
- 5) நாசில் (Nozzle)

தீயணைப்புக்கருவியை அகற்றி அதை மீண்டும் பொருத்துதல்

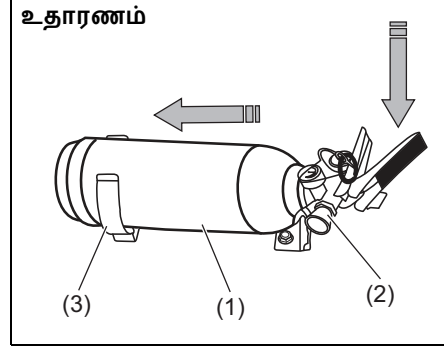
தீயணைப்புக்கருவியை அகற்றுவதற்காக



77PM08004

தீயணைப்புக்கருவியின் லீவரை (1) சற்றே மேற்புறம் தூக்கி படத்தில் காட்டியுள்ள திசையில் கருவியை இழுத்தால் அது க்ளாம்ப்பிலிருந்து (2) கழன்று விடும்.

தீயணைப்புக்கருவியை பொருத்துவதற்கு



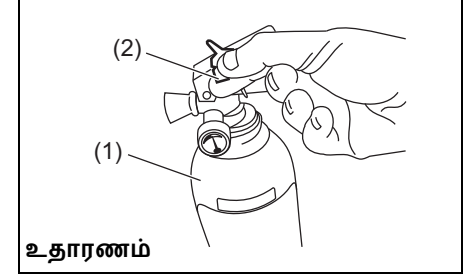
77PM08005

தீயணைப்புக்கருவியின் பாடியை(1) க்ளாம்ப்புக்குள் (3) செருகி நாசிலை (nozzle) (2) கவனத்துடன் க்ளாம்ப்ப் கீழ்நோக்கி வைக்கவும்.

குறிப்பு :

தீயணைப்புக்கருவியின் நாசில் (nozzle) க்ளாம்ப்பின் மேல் சரியாக பொருந்தியிருக்கிறதா என்பதை உறுதிசெய்து கொள்ளவும்.

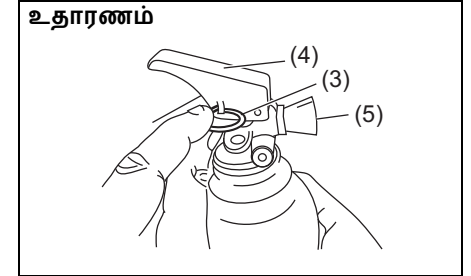
ஆபரேஷனின் செய்முறை



உதாரணம்

77PM08006

- 1) தீயை அணைக்கும் கருவியை (1) நேராகத் தூக்கிப் பிடிக்கவும்.
- 2) சே.்ப்டிபின்னை (3) திருகி, சீலை (2) உடைக்கவும்.

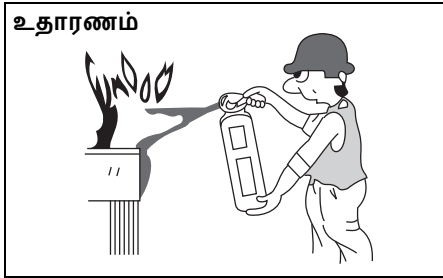


77PM08007

- 3) சே.்ப்டி பின்னை (Safety pin) (3) இழுக்கவும்.
- 4) ஸ்கியூஸி லீவரை (Squeeze lever) (4) அழுத்தி நாசிலில் (nozzle) (5) உள்ள

எமர்ஜென்சி சர்வீஸ் (அவசரநிலைக் கால சர்வீஸ்)

ஜெட்டை (jet) ஒரு வேகமான இயக்கத்தினால் தீயின் முனைக்கு அருகே கொண்டு செல்லவும்



77PM08008

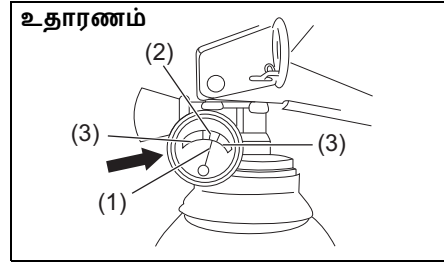
5) தீப்பிழம்புகள் அணைக்கப்படும்வரை தீயை முனைவரை தள்ளிச் செல்லவும்.

குறிப்பு :

வெளிப்புறத்தினால் வாகனத்தில் உருவாகும் சிறிய அளவு தீயை அணைக்க மட்டுமே தீயணைப்புக் கருவி பயன்படும்.

செய்யக்கூடியவைகளும் செய்யக்கூடாதவைகளும்

உதாரணம்



77PM08001

செய்யக்கூடியவை

- 1) ப்ரஷர் காஜை அவ்வப்போது சோதிக்கவும். அதிகபட்ச சார்ஜிங் அழுத்தம் 15 Kg/cm² ஆக இருக்கவேண்டும் (பசுமை மண்டலம் 2இல்)
- 2) அழுத்தம் குறையும்போது, இனடிகேட்டர் ஊசி முனை (1) சிவப்பு ஜோனுக்கு (3) மாறிவிடும். தீயணைக்கும்கருவியில் வழங்கப்பட்டுள்ள தகவலின்படி உடனடியாக தீயை அணைக்கும் கருவி உற்பத்தியாளரைத் தொடர்புகொள்ளவும்.
- 3) உற்பத்தியாளரின் சர்வீஸ் சென்டரின் மூலமாக மட்டுமே தீயணக்கும் கருவியை சர்வீஸ் செய்ய வேண்டும். அருகிலுள்ள சர்வீஸ் சென்டரை பற்றி

தெரிந்துகொள்ள அதிலுள்ள தகவலைக் காணவும்.

- 4) வாகனத்தில் பரிந்துரைக்கப்பட்ட இடத்தில் தீயணுக்கும் கருவி பொருத்தப்பட்டிருக்க வேண்டும்.
- 5) பயன்படுத்திய பிறகு உடனடியாக தீயணைக்கும்கருவியை மறுபடியும் நிரப்பவும்.

செய்யக்கூடாதவை

தீயணைப்புக்கருவியைச் சுத்தம் செய்ய நிரை பயன்படுத்தாதீர்கள்.

- 6) குாசியை அகற்ற தூய்மையான துணியைப் பயன்படுத்தவும்)
- 7) ஏற்கனவே பயன்படுத்தப்பட்ட அல்லது பயன்பாட்டில் இல்லாத தீயணைப்புக்கருவி எதையும் நம்பி இருக்காதீர்கள்..

குறிப்பு :

- ஒவ்வொரு முறை பயன்படுத்திய பின்பும் ரீ:பில்லிங் செய்வது மிகவும் அவசியம்.
- பயன்பாட்டுக்குப் பின்னர் கருவியை ரீ:பில்லிங் செய்தாக வேண்டும்.

வெளிப்புறம் குறித்த பராமரிப்பு

அரிப்பைத் தடுத்தல்	9-1
வாகனத்தை சுத்தப்படுத்துதல்	9-3

அரிப்பைத் தடுத்தல்

அரிப்பு ஏற்படாமல் தடுக்க வாகனத்தை நன்றாகப் பார்த்துக்கொள்வது அவசியம். அரிப்பைத் தடுக்க வாகனத்தை எப்படி எல்லாம் பராமரிக்க வேண்டும் என்பதற்கான குறிப்புகள் கீழே பட்டியலிடப்பட்டுள்ளன. இந்தப் குறிப்புகளை கவனமாகப் பின்பற்றவும்.

அரிப்பு பற்றிய முக்கியமான தகவல்கள்

அரிப்பின் பொதுவான காரணங்கள்

- 1) வாகனத்தின் கீழ்ப் பகுதி அல்லது பாடியில் கைக்கு எட்டக் கடினமான பகுதிகளில் சாலை தூசி, அழுக்கு, ஈரம் அல்லது இரசாயனங்களின் திரட்சி
- 2) சிறிய விபத்துகள் அல்லது கற்கள் மற்றும் சரளைக் கற்களால் ஏற்படும் சிராய்ப்புகளால் வர்ணம் பூசப்பட்ட உலோகப் பகுதிகளுக்கு ஏற்படும் கொத்துதல், கீறல்கள் மற்றும் வேறு வகையான சேதங்கள்.
- 3) கீழே குறிப்பிடப்பட்டுள்ள புள்ளிகள் ஏதேனும் ஒன்று அல்லது அனைத்தும் :
 - தூரிய ஒளியில் தொடர்ந்து இருத்தல்
 - கடின நீர் மற்றும் கடல் நீர் வாகனத்துடன் தொடர்பு கொள்ளும் நிலை.
 - பாதங்களால் தேய்த்தல் (ஸ்கர்ட்டிங்)

அரிப்பை அதிகரிக்கும் சுற்றுச் சூழல்

- 1) உப்பேறிய சாலை, தூசைக் கட்டுபடுத்தும் இரசாயனங்கள், கடல் காற்று அல்லது தொழிற்சாலை மாசு ஆகியவை உலோகத்தின் அரிப்பை அதிகரிக்கக் கூடியவை
- 2) குறிப்பாக வெப்பநிலை, உறைநிலை புள்ளிக்கு அருகில் இருக்கும்போது அதிக ஈரப்பதம் அரிப்புவிதத்தை அதிகரிக்கும்.
- 3) வாகனத்தின் இதர பகுதிகள் முற்றிலும் உலர்ந்து இருந்தாலும் கூட வாகனத்தின் சில பகுதிகளில் ஈரம் நீண்ட காலம் தங்கிவிடுவதால் அரிப்பு அதிகரிக்கும்.
- 4) வாகனத்தில் காற்றுபுக வாய்ப்பில்லாத பகுதிகளில் அதிக வெப்பத்தால் அரிமானத்தின் வீதம் அதிகரிக்கும்.

இந்தத் தகவல் உங்கள் வாகனத்தை குறிப்பாக அதன் கீழ்ப் பகுதியை முடிந்த வரை சுத்தமாகவும் உலர்வாகவும் வைத்துக்கொள்ள வேண்டியதன் அவசியத்தை உணர்த்துகிறது. பெயின்ட் அல்லது பாதுகாப்புக்கான கோட்டிங்குகளுக்கு ஏற்படும் சேதங்களை உடனடியாகக் களைவதும் மிக முக்கியமானது.

அரிப்பைத் தடுப்பது எப்படி

உங்கள் வாகனத்தை அடிக்கடி கழுவ வேண்டும்

வாகனத்தின் இறுதி வடிவமைப்பைப் பேணவும் அரிப்பைத் தடுக்கவும் சிறந்த வழி அதை அடிக்கடி கழுவி சுத்தமாக வைத்திருப்பதுதான்.

வாகனத்தை குளிர்காலத்திலும் குளிர்காலம் முடிந்த உடனேயும் ஒரு முறையாவது கழுவ வேண்டும். வாகனத்தின் கீழ்ப் பகுதியை முடிந்தவரை சுத்தமாகவும்

உலர்வாகவும் வைத்திருக்க வேண்டும். உப்பேறிய சாலைகளில் அடிக்கடி ஓட்டிச் செல்கிறீர்கள் என்றால், உங்கள் வாகனம் குளிர்காலங்களில் மாதம் ஒரு முறையாவது கழுவப்பட வேண்டும். கடலுக்கு அருகில் வாழ்கிறீர்கள் என்றால் உங்கள் வாகனம் ஆண்டு முழுவதும் மாதம் ஒரு முறையாவது கழுவப்பட வேண்டும்.

வாகனத்தை எப்படிச் கழுவுவது என்று “வாகன சுத்தப்படுத்துதல்” என்ற பகுதியைப் பார்த்து தெரிந்துகொள்ளவும்.

படிநதிருக்கும் மாசுகளை அகற்றவும் உப்புகள், இரசாயனங்கள், சாலை எண்ணை அல்லது தார், மரத்துகள், பறவை எச்சங்கள் மற்றும் தொழிற்சாலைக் கழிவுகள் ஆகிய மாசுகள் பெயின்ட் பூசப்பட்ட பகுதிகளில் தேங்கினால் அவை வாகனத்தின் பிளினிடை சேதப்படுத்தும். இது போன்ற சேதங்களை உடனடியாக நீக்கிவிடவும். இந்த சேதங்களை கழுவி நீக்குவது கடினமாக இருந்தால் கூடுதல் கிளிளர் தேவைப்படலாம். நீங்கள் பயன்படுத்தும் எந்த கிளிளரும் பெயின்ட் பூசப்பட்ட பகுதிகளுக்கு பாதிப்பு ஏற்படுத்தாமல் இருப்பதையும் அது சுத்தமாக்குவதற்கு மட்டுமே பயன்படுவதாகவும் இருக்க வேண்டும். இது போன்ற சிறப்பு கிளிளர்களை பயன்படுத்தும்போது உற்பத்தியாளரின் வழிகாட்டுதல்களைப் பின்பற்றவும்.

சேதங்களை முழுவதுமாக பழுதுபார்க்கவும்
பெயின்ட் பூசப்பட்ட பகுதிகளுக்கு ஏந்த சேதாரமும் ஏற்படாமல் உள்ளதா என்பதை கவனமாக சோதிக்கவும். பெயின்டில் சில்லுகளும் கீறல்களும் இருந்தால் அவற்றை உடனடியாக நீக்கி அரிப்பு ஏற்படுவதைத் தவிர்க்கவும் சில்லுகளும் கீறல்களும் உலோகப் பகுதிவரை ஆழமாகச் சென்றிருந்தால் தகுதிபெற்ற பாடிஷாப்பிற்கு செல்லவும்.

பயணிகள் மற்றும் லக்கேஜ் காம்பார்ட்மெண்டுகளை சுத்தமாக வைத்திருக்கவும்.
ஈரம், அழுக்கு அல்லது மணல், தரை விரிப்புகளுக்கு அடியில் சேர்ந்து அரிப்புக்கு வழிவகுக்கக் கூடும். அவ்வப்போது இந்த விரிப்புகளின் அடியில் உள்ள பகுதி சுத்தமாகவும் உலர்வாகவும் இருப்பதை உறுதி செய்துகொள்ளவும். சாலைகள் இல்லாத பகுதிகளிலும் மழைகாலத்திலும் வாகனத்தை அடிக்கடிப் பயன்படுத்தினால், அடிக்கடி இதுபோன்ற சோதனைகளை ஏற்றுக்கொள்ள வேண்டும்.
இரசாயனங்கள், பூச்சிக்கொல்லிகள், பூச்சிக்கொல்லிகள் கிளிளர்கள், உப்புகள் உள்ளிட்ட சில பொருட்கள் மிக அதிக அரிப்புத்தன்மை கொண்டவை. இதுபோன்ற பொருட்கள் நன்கு மூடப்பட்ட கன்டெய்னர்களில் வைத்து வாகனத்தில் எடுத்துச் செல்லப்படவேண்டும். சிந்தினாலோ ஒழுகினாலோ அந்தப் பகுதியை உடனடியாக சுத்தம் செய்யவும்.

வாகனத்தை உலர்ந்த, நல்ல காற்றோட்டமான பகுதியில் நிறுத்தி வைக்கவும்.
நேரடி சூரிய ஒளி தொடர்ந்து படாதவாறு வாகனத்தை பார்க் செய்யவும்.
ஈரமான, காற்று குறைவான பகுதிகளில் வண்டியை நிறுத்திவைக்க வேண்டாம். அடிக்கடி கேரேஜில் கொடுத்து வாகனத்தை கழுவும் பழக்கம் இருந்தால் நல்லது. கேரேஜில் அதிக ஈரப்பத்தினால் அரிப்பு அதிகரிக்கக் கூடும் காற்றோட்டம் குறைவாக இருந்தால், வெப்பம் அதிகமான கேரேஜிலும் வாகனம் அரிப்பு அடையலாம்.

▲ எச்சரிக்கை

கேட்டலிடிக் கன்வர்டர், எக்ஸாஸ்ட் பைப் உள்ளிட்ட அமைப்புப் பகுதிகளில் கூடுதல் அன்டர்கோட்டிங் அல்லது துருப்பிடிப்பதைத் தடுப்பதற்கான கோட்டிங்குகளைப் பூசவேண்டாம். அன்டர்கோட்டிங் பொருள் அதிக வெப்பமடைந்தால் தீப்பற்றிக்கொள்ளக்கூடும்

வாகனத்தை சுத்தப்படுத்துதல்

உதாரணம்



77PM09001

⚠ எச்சரிக்கை

வாகனத்தின் உள்புறப் பகுதியையோ வெளிப்புறப் பகுதியையோ சுத்தப்படுத்தும்போது, லேக்சுயர் தின்னர்ஸ், பெட்ரோல், பென்சீன் (benzene) அல்லது தீப்பற்றக்கூடிய திரவங்களையோ ப்ளீச்சிங் உள்ளிட்ட கடுமையான வீட்டு சுத்திகரிப்பு சோப்புகளையோ எப்போதும் பயன்படுத்த வேண்டாம். இதுபோன்ற பொருட்கள் வாகனத்துக்கு பாதிப்பையோ சேதங்களையோ ஏற்படுத்தலாம்.

உள்பக்கத்தை சுத்தம் செய்தல் வினைல் அப்ஹோல்ஸ்டரி சோப் கரைசல் அல்லது இதமான தண்ணீரில் மிதமான டிடெர்ஜண்டைச் சேர்க்கவும். ஸ்பாஞ்சு அல்லது மென்மையான துணியின் மூலம் வினைலில் இந்தக் கலவையைத் தடவவும். சில நிமிடங்கள் இருந்தால் அழுக்கு வெளியேறும். அழுக்கை அகற்ற தூய்மையான துணியால் மேல் பகுதியை சோப் தண்ணீரால் துடைக்கவும். அழுக்குப் போக மீண்டும் இவ்வாறு செய்யவும்.

ஃபேப்ரிக் அப்ஹோல்ஸ்டரி (பயணிகள் சீட் துவிர)

வாக்குவம் கீளனரால் (vacuum cleaner) அழுக்கை அகற்றவும். மைல்டு சோப் கரைசலால், கறைகளை துடைக்கவும். சோப்பை அகற்ற ஈரத்துணியால் துடைக்கவும். கறை அகலும் வரை இவ்வாறு செய்யவும். கமர்சியல் ஃபேப்ரிக் கிளினரும் பயன்படுத்தலாம். ஃபேப்ரிக் கிளினரை நாடினால், வழிமுறைகள், முன்னெச்சரிக்கைக் குறிப்புகளை பின்பற்றவும்.

⚠ கவனம்

- பயணிகள் சீட்டில் திரவம் அல்லது நெகிழ்வான திடப்பொருளைச் சிந்த வேண்டாம். அப்படி சிந்தினால், உடனே மென் துணியால் துடைக்கவும். சென்சாரில் திரவம் படுவது, சீட் பெல்ட் ரிமைண்டர் சென்சாரை பாதிக்கும்.
- சீட்டைக் கிழித்து சென்சாரை பாதிக்கக்கூடிய கூரான அல்லது கனமான பொருளைப் பயணிகள் சீட் மீது வைக்க வேண்டாம்.

ஃபேப்ரிக் அப்ஹோல்ஸ்டரி (முன்பக்கப் பயணிகள் சீட்) துடைக்க திரவத்தைப் பயன்படுத்த வேண்டாம். இது துணியில் ஊடுருவி சீட் சென்சாரை பாதிக்கும்.

லெதர் அப்ஹோல்ஸ்டரி (Leather upholstery)

வாக்குவம் கிளினரால் ஒட்டிக்கொண்டிருக்கும் தூசை அகற்றவும். மைல்டு சோப் கலவையால், கறைகள் மீது துடைக்கவும். சோப்பை அகற்ற ஈரத்துணியால் துடைக்கவும். கறை அகலும்வரை இவ்வாறு செய்யவும். அல்லது கமர்ஷியல் லெதர் கிளினரைப் பயன்படுத்தவும். லெதர் கிளினரைப் பயன்படுத்துவதாக இருந்தால் உற்பத்தியாளர் வழிமுறைகள், முன்னெச்சரிக்கைக் குறிப்புகளைப் பின்பற்றவும்.

சால்வண்ட் ரக அல்லது அப்ரேசிவ் கிளினர்களைப் பயன்படுத்த வேண்டாம்.

குறிப்பு :

- லெதர் அப்ஹோல்ஸ்டரி பார்க்க அழகாக இருக்க, ஆண்டுக்கு இருமுறையேனும் சுத்தம் செய்யப்பட வேண்டும்.
- லெதர் அப்ஹோல்ஸ்டரி ஈரமானால், அதை உடனடியாக மென்மையான துணி அல்லது டிஷ்யூ காகிதத்தால் துடைக்கவும். தண்ணீரைத் துடைக்காவிட்டால், அது கடினப்பட்டு சுருங்கிவிடலாம்
- வெய்யில் அதிகம் உள்ள நாட்களில் பார்க் செய்யும்போது, நிழலான பகுதியை நாடவும். நீண்ட நேரம் சூரிய வெளிச்சத்திற்கு இலக்கானால் லெதர் அப்ஹோல்ஸ்டரி நிறம் மங்கிச் சுருங்கிவிடும்.
- மற்ற இயற்கையான பொருட்கள் போலவே லெதரிலும் புள்ளிகள் இருக்கும். இவை லெதரின் செயல்பாட்டை எந்த விதத்திலும் பாதிப்பதில்லை.

சீட் பெல்டுகள்

மைல்டு சோப் மற்றும் நீர் கொண்டு சீட்டு பெல்டுகளைக் சுத்தப்படுத்தவும். பெல்டுகளில் ப்ளீச்சையோ டையையோ பயன்படுத்த வேண்டாம். பெல்ட்டில் உள்ள ஃபேப்ரிக்கை அவை வலுவழிக்கச் செய்யக்கூடும்.

வினைல் ஃப்ளோர் மேட்டுகள்
சாதாரண அழுக்குகளை நீர் அல்லது மென்மையான சோப்பை வைத்து வினைலில் இருந்து நீக்கலாம். தூசியைத் பிரஷின் மூலம் அகற்றவும். அழுக்கு நீங்கியவுடன் விரிப்பை நன்கு நீரில் அலசவும். பிறகு அதை காயவைக்கவும்.

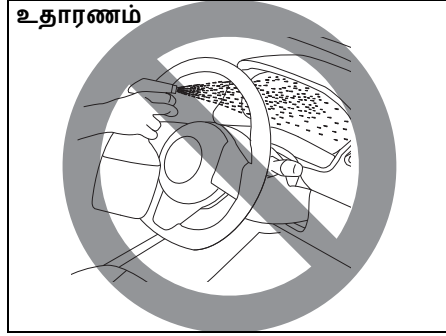
கார்பெட்டுகள்

அழுக்கையும் மண் துகள்களையும் வாக்குவம் க்ளீனரை வைத்து நீக்கவும். ஒரு மென்மையான சோப் திரவத்தை சுத்தமான ஈரத் துணியில் நனைத்து அழுக்குப் படிந்த பகுதிகளில் தடவவும். சோப்புக் கறையை நீக்க மீண்டும் சுத்தமான ஈரத் துணியை வைத்துத் துடைக்கவும். அழுக்குக் கறை நீங்கும் வரை இந்த செய்முறையைத் தொடரவும். அல்லது எளிதில் நீங்காத கறைகளுக்கு கடைகளில் விற்கப்படும் கார்பெட் கிளினர்களைப் பயன்படுத்தவும், கார்பெட் கிளினர்களைப் பயன்படுத்துகையில் உற்பத்தியாளரின் வழிகாட்டுதல்களையும் எச்சரிக்கைகளையும் கவனமாகப் பின்பற்றவும்.

இன்ஸ்ட்ருமெண்ட் பேனல் (Instrument panel) மற்றும் கன்சோல் (console)
வாக்குவம் க்ளீனரை வைத்து அழுத்தமாகப் படியாத அழுக்குகளை நீக்கவும். நன்கு பிழியப்பட்ட ஈரத்துணியைக்கொண்டு அழுக்கை

மெதுவாக துடைக்கவும். அழுக்கு நீங்கும் வரை இதை மீண்டும் மீண்டும் செய்யவும்.

அறிவிப்பு	
சுவிட்சுகள் உள்ளிட்ட மின்சாரக் கருவிகளை சுத்தப்படுத்த சிலிகான் அடங்கிய இரசாயனப் பொருட்களைப் பயன்படுத்தாதீர்கள். அந்தப் பொருட்கள் அவற்றால் சேதமடையலாம்.	
இன்ஸ்ட்ருமெண்ட் அல்லது பிற அல்லது கூறுகளின்மீது தண்ணீர் தெளிக்க கூடாது. இது அந்த பாகம் செயல்படாமல் உண்டாகலாம்.	கிளஸ்டர் எலக்ட்ரிக் கல் எலக்ட்ரானிக் நேரடியாக திரவத்தை பாதிப்பு



81RM08005

வெளிப்புறத்தை சுத்தப்படுத்துதல்

அறிவிப்பு	
உங்கள் அழுக்கில்லாமல் வைத்திருப்பது வாகனத்தை சுத்தமாக வைக்காததை அவசியமானது. வாகனத்தை சுத்தமாக வைத்திருக்கத் தவறியதன் விளைவாக வாகனத்தின் பெயின்ட் வெளிறும் அல்லது அதன் உடலின் பல்வேறு பகுதிகளில் அரிப்புக்கு வழிவகுக்கும்.	

கழுவுதல்



82DY0

எச்சரிக்கை

- என்ஜின் இயங்கும்நிலையில் வாகனத்தை கழுவுவோ தேய்க்கவோ முயலாதீர்கள்
- கூர்மையான முனைகொண்ட பகுதிகளைக் கொண்டிருக்கக் கூடிய வாகனத்தின் பாடி மற்றும் ஃபெண்டர் ஆகியவற்றின் அடிப்பகுதிகளை சுத்தப்படுத்தும் போது கிளவுஸ்கள் அல்லது முழுக்கை சட்டை அணிந்துகொண்டு கை தூடாகுவதைத் தவிர்க்கவும்.
- வாகனத்தைக் கழுவி முடித்தவுடன் அதை ஓட்டத் தொடங்கும்முன் ப்ரேக்குகளை கவனமாக சோதிக்கவும். அவை அவற்றின் இயல்பான செயல்திறனுடனே இருப்பதை உறுதி செய்யவும்.

வாகனத்தைக் கழுவும்போது அதன் மீது நேரடியாக சூரிய வெளிச்சம் படாத இடத்தில் வைத்திருக்கவும். அதோடு பின்வரும் குறிப்புகளைப் பின்பற்றவும்.

- 1) உடலின் அடிப்பகுதியிலும் சக்கரங்கள் பொருத்தப்பட்டிருக்கும் பகுதிகளிலும் அழுத்தப்பட்ட நீரைப் பீய்ச்சி மணல் மற்றும் குப்பைகளை நீக்கவும். ஏராளமான நீரைப் பயன்படுத்தவும்.

அறிவிப்பு
<p>வாகனத்தைக் கழுவுகையில்:</p> <ul style="list-style-type: none"> • பிளாஸ்டிக் பாகங்களில் 80°C (176°F)-க்கு மேற்பட்ட தூடான நீரை ஊற்றுவதைத் தவிர்க்கவும். • என்ஜின் உட்பொருட்கள் சேதமடையாமல் காக்க என்ஜின் பகுதியில் அழுத்தப்பட்ட நீரைப் பயன்படுத்த வேண்டாம்.

- 2) அழுக்கை நீக்க வெளிப்பகுதியை அலசவும். ஓடும் நீரைக் கொண்டு பாடி பகுதியின் வெளிப்புறத்தில் உள்ள அழுக்கு மற்றும் மணல் துகள்களை நீக்கவும். ஸ்பாஞ்சையோ பிரஷையோ பயன்படுத்தலாம். பெயின்ட் அல்லது பிளாஸ்டிக்கில் கீறல் ஏற்படுத்தக்கூடிய கனமான பொருட்களைப் பயன்படுத்த வேண்டாம். பல வாகனங்களில் ஹெட்லைட் கவர்கள் மற்றும் லென்ஸ்கள் பிளாஸ்டிக்கில் ஆனவை என்பதை நினைவில் கொள்ளவும்.

அறிவிப்பு
<p>வண்ணம் அல்லது பிளாஸ்டிக் மேற்பரப்பு சேதமாவதைத் தவிர்க்க போதுமான நீர் இல்லாமல் அழுக்கைத் துடைத்தெடுக்காதீர்கள். மேற்கூரிய செய்முறையை உறுதியாகப் பின்பற்றவும்.</p>

- 3) மைல்டு டிடெர்ஜெண்ட் அல்லது கார் கழுவும் சோப்பை பஞ்சு அல்லது மெல்லிய துணியில் முக்கி அதைக் கொண்டு ஓட்டுமொத்த வெளிப்புறத்தையும் கழுவவும். ஸ்பாஞ்சு அல்லது துணியை அடிக்கடி சோப் திரவத்தில் நனைத்தெடுக்க வேண்டும்.

அறிவிப்பு
<p>கடையில் விற்கப்படும் கார் கழுவும் பொருளைப் பயன்படுத்துகையில் உற்பத்தியாளர் குறிப்பிட்டுள்ள எச்சரிக்கைகளைப் பின்பற்றவும். கடுமையான டிடெர்ஜெண்டுகள் அல்லது சோப்புகளை எப்போதும் பயன்படுத்தாதீர்.</p>

- 4) அழுக்கு முற்றிலும் நீங்கிய பிறகு ஓடும் நீரை விட்டு டிடெர்ஜெண்டை அலசவும்.

- 5) அலசியபின் வாகனத்தின் வெளிப் பகுதியை ஒரு ஈரமான துணிகொண்டு துடைத்துவிட்டு அதைக் காயவிடவும்.

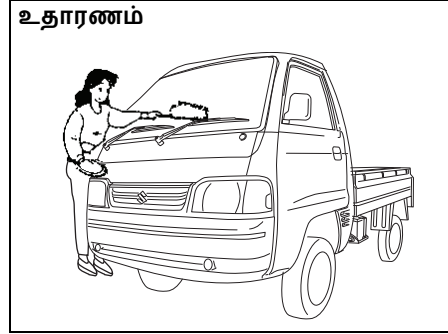
- 6) பெயின்ட் செய்யப்பட்ட பகுதிகளுக்கு எந்த சேதமுமில்லை என்பதை உறுதிசெய்துகொள்ளவும். ஏதாவது சேதம் இருந்தால் பின்வரும் செய்முறையைப் பின்பற்றி அதை நீக்கவும்:

1. பாதிப்படைந்த பாகங்களை சுத்தப்படுத்தி அவற்றைக் காயவிடவும்.
2. சேதமடைந்த பாகங்களில் மெல்லிய பிரஷைக் கொண்டு பெயின்ட் அடிக்கவும்.
3. பெயின்டை முற்றிலும் காயவிடவும்.

அறிவிப்பு
<p>ஆட்டோமேட்டிக் கார் வாஷை பயன்படுத்தினால் ஸ்பாய்லர் உள்ளிட்ட வாகனத்தின் பாடி பகுதிகள் சேதமடையாமல் இருப்பதை உறுதி செய்யவும். சந்தேகங்கள் இருந்தால் கார் வாஷ நிறுவனரின் அறிவுரையை நாடவும்.</p>

வெளிப்புறம் குறித்த பராமரிப்பு

வேக்சிங் (மெழுகு பூசுதல்)



77PM09002

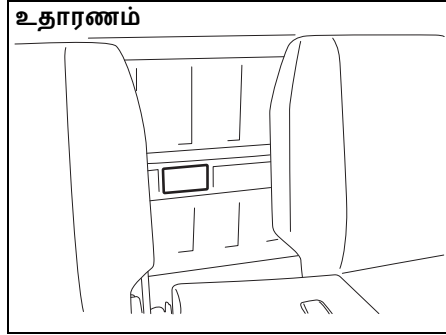
வாகனத்தைக் கழுவியபின் பெயின்டை-
பாதுகாக்கவும் அழகுபடுத்தவும்
வேக்சிங், மெருகூட்டுதல்
ஆகியவற்றை மேற்கொள்ளலாம்.

- நல்ல தரமான வேக்ஸ்கள் மற்றும் மெருகூட்டு பொருட்களை மட்டுமே பயன்படுத்தவும்.
- வேக்ஸ்கள் மற்றும் மெருகூட்டுப் பொருட்களைப் பயன்படுத்துகையில் உற்பத்தியாளர் குறிப்பிட்டுள்ள எச்சரிக்கைகளைப் பின்பற்றவும்.D

பொதுவான தகவல்கள்

வாகனத்தின் அடையாளம்	10-1
பாஸ்ட்டேக் (கருவி பொருத்தப்பட்டிருந்தால்).....	10-1
சி.என்.ஐ. கிட் எண் அடையாளம் காணுதல் (கருவி பொருத்தப்பட்டிருந்தால்)	10-2
உயர்பாதுகாப்பு ரெஜிஸ்ட்ரேசன் பிளேட் (கருவி பொருத்தப்பட்டிருந்தால்).....	10-3

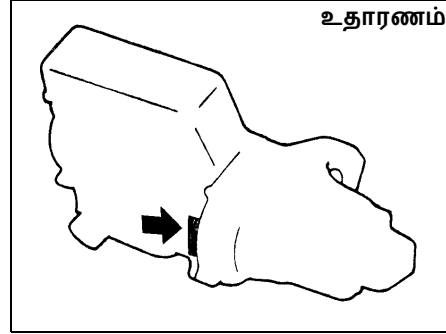
**வாகனத்தின் அடையாளம்
சேஸிஸ் வரிசை எண்**



77PH059

சேஸிஸ் மற்றும் என்ஜின் வரிசை எண் வாகனங்களைப் பதிவு செய்யப் பயன்படுத்தப்படுகின்றன. உங்கள் டீலருக்கு உதவ ஆர்டர் செய்யும்போது சிறப்பு சேவைத் தகவலைக் குறிக்கவும் இவை பயன்படுகின்றன. அங்கீகரிக்கப்பட்ட மாருதி சுகுகி கமர்ஷியல் ஒர்கூலாப்பில் ஆலோசிக்க வாய்ப்பு கிடைத்தால், வாகனத்தின் இந்த எண்ணைத் தெரிந்துகொள்ள மறந்துவிடாதீர்கள். அந்த எண்ணைப் படிக்க கடினமாக இருந்தால் அதை நீங்கள் ஐடென்டிஃபிகேசன் பிளேட்டில் (identification plate) காணலாம்.

என்ஜின் வரிசை எண்



54G082

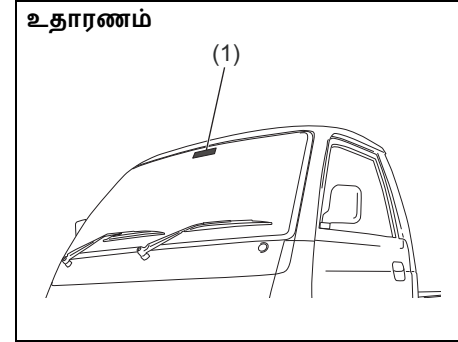
விளக்கப்படத்தில் உள்ளது போல் என்ஜின் எண் சிலிண்டர் பிளாக்கில் ஓட்டப்பட்டுள்ளது.

FASTag (பாஸ்ட்டேக்)

(கருவி பொருத்தப்பட்டிருந்தால்)

இந்திய அரசு வரையறுத்துள்ள மின்மயமாக்கப்பட்ட சுங்கக் கட்டணம் வசூலித்தல் அல்லது வேறெதாவது நோக்கத்துக்கு இது அவசியம் என்பதால், சாலைப் போக்குவரத்து மற்றும் நெடுஞ்சாலைத் துறை அமைச்சரவை, பாஸ்ட்டேகை (1) கட்டாயமாக்கியுள்ளது.

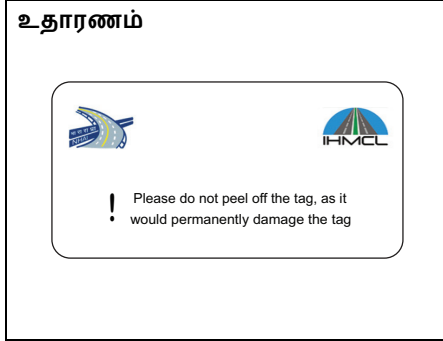
பாஸ்ட்டேகுக்கு சேதம் ஏற்பட்டாலோ அல்லது முன்புற விண்ட்ஸ்கிரீன் மாற்றுதலின்போதோ, அருகிலுள்ள அங்கீகாரம்பெற்ற மாருதி சுகுகி கமர்ஷியல் ஒர்கூலாப்பை அணுகவும்.



66MM01001

வாகனத்தின் உள்புறத்தில்
இருந்து பார்ப்பதுபோல

உதாரணம்



64MM01002

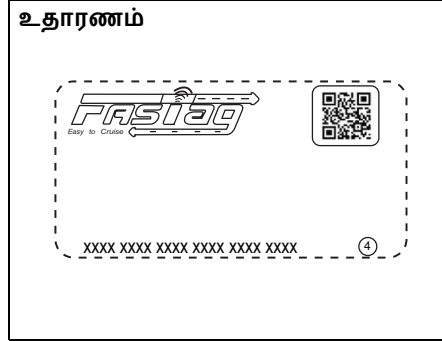
குறிப்பு :

இந்த படம்,
விளக்குவதற்காக
வாகனத்தில்
கருவியின் உட்புற
மாதிரி இருக்கலாம்.

காண்பித்து
மட்டுமே
பொருத்தப்பட்ட
அமைப்பு வேறு

வாகனத்தில் வெளிப்புறத்தில்
இருந்து பார்ப்பதுபோல

உதாரணம்



64MM01003

குறிப்பு :

இந்த படம்,
விளக்குவதற்காக
வாகனத்தில்
கருவியின் உட்புற
மாதிரி இருக்கலாம்.

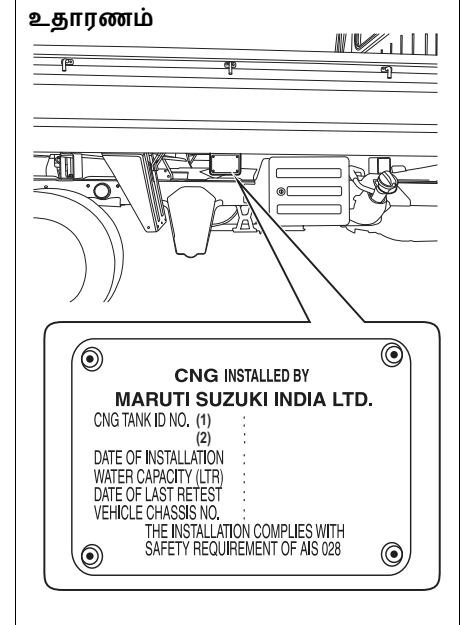
காண்பித்து
மட்டுமே
பொருத்தப்பட்ட
அமைப்பு வேறு

குறிப்பு :

- டேகை வின்ட்ஸ்கிரீனிலிருந்து நீக்க முயற்சித்தால், டேக் நிரந்தரமாக சேதமடைந்துவிடும்.
- வின்ட் ஸ்கிரீனை சுத்தப்படுத்தப் பயன்படுத்தப்படும் கெமிக்கல் கிளீனர்கள்: டேக்கில் பட்டால் அது சேதமடைந்துவிடும்.
- எந்த கூர்மையான பொருளும் டேக் மீது பட்டால் அது சேதமடைந்துவிடும்.

சி.என்.ஜி. கிட் எண்
அடையாளம் காணுதல்
(கருவி
பொருத்தப்பட்டிருந்தால்)

உதாரணம்



77PM10002

பொதுவான தகவல்கள்

சி.என்.ஜி. சிலிண்டர் (CNG cylinder) அடையாள எண் மற்றும் சி.என்.ஜி. கிட் நிறுவும் தேதி, படத்தில் காட்டப்பட்டுள்ளது போல் கார்கோ பாடியில் வலதுபுறம் உள்ளது.

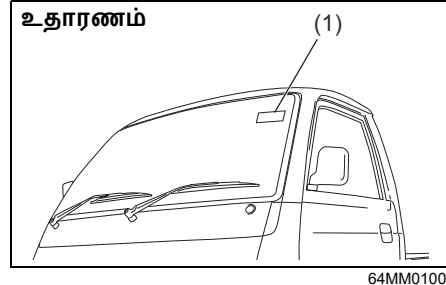
உயர்பாதுகாப்பு ரெஜிஸ்ட்ரேசன் பிளேட் (HSRP) (கருவி பொருத்தப்பட்டிருந்தால்)

சாலைப் போக்குவரத்து மற்றும் நெடுஞ்சாலைத்துறையின் அறிவுறுத்தலின்படி, ஒவ்வொரு புதிய வாகனத்திற்கும் HSRP இருக்க வேண்டும்.

HSRPயில் உள்ளவை;

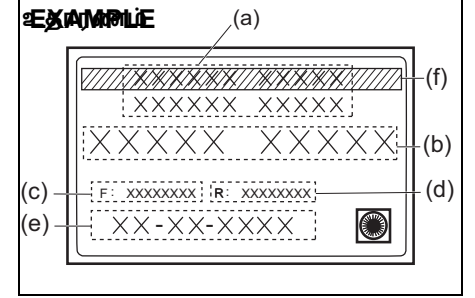
- முன்புற மற்றும் பின்புற HSRP, நம்பர் பிளேட் பகுதியில் 2-ஸ்நாப் லாக்குகள் மீது பொருத்தப்படும்.
- முன்புற விண்ட்ஷீல்டு மீது மூன்றாவது லைசன்ஸ் பிளேட் இருக்கும்.

மூன்றாவது லைசன்ஸ் பிளேட்



(1)மூன்றாவது லைசன்ஸ் பிளேட்

மூன்றாவது லைசன்ஸ் பிளேட்-வாகனத்தின் வெளிப்புறத்திலிருந்து பார்ப்பதுபோல்



- (a) HSRP வழங்கு அத்தாரிட்டி பெயர்
- (b) வாகன ரெஜிஸ்ட்ரேசன் எண்
- (c) தனிப்பட்ட லேசர் எண்-முன்புற பிளேட்
- (d) தனிப்பட்ட லேசர் எண்- பின்புற பிளேட்
- (e) முதல் ரெஜிஸ்ட்ரேசனின் தேதி (DD-MM-YYYY) (நாள்-மாதம்-ஆண்டு) வடிவத்தில்)
- (f) கிரீன் டிப்ஸ் (BS6 வாகனம்)

குறிப்பு :

படம் காண்பித்து விளக்குவதற்காக மட்டுமே. வாகனத்தின் மீதுள்ள அசல் லேபிளின் உட்புற வடிவம் வேறுமாதிரியாகவும் இருக்கலாம்.

குறிப்பு :

- வின்ட்ஸ்கிரீனிலிருந்து மூன்றாவது லைசன்ஸ் பிளேட்டை அகற்ற முயல்வதால் லேபிளில் நிரந்தர பாதிப்பு ஏற்படலாம்
- லேபிள் உள்ள வின்ட்ஸ்கிரீன் பகுதியை சுத்தப்படுத்த கெமிக்கல் கிளீனர்களை பயன்படுத்தினால் அவை பாதிப்படையலாம்.
- லேபிளின் மீதுகூர்மையான பொருட்களால் பட்டால் லேபிள் பாதிப்படையும்
- மூன்றாவது லைசன்ஸ் பிளேட்டை மாற்றும்போது அங்கீகரிக்கப்பட்ட அத்தாரிட்டியை தொடர்பு கொள்ளவும்.

குறிப்பு :
சாலைப் பாதுகாப்பு மற்றும் நெடுஞ்சாலைத்துறை நெறிமுறைகளின்படி HSRPயின்படி மூன்றாவது லைசன்ஸ் பிளேட்டின் நிறம் (கருப்பு)

மூன்றாவது லைசன்ஸ் பிளேட் - வாகனத்தின் உள்ளே இருந்து பார்ப்பது போல்.

உதாரணம்

Notice

It is unlawful for any person to duplicate, alter, change, deface, destroy, mutilate, remove, tear down this Third Registration Plate Sticker, except if done by authority of law. Do not wipe with harsh abrasive materials, detergents, etc. as it may deface or damage this Sticker.

64MM01009

குறிப்பு :
படம் காண்பித்து விளக்குவதற்காக மட்டுமே.

குறிப்புகள்

குறிப்புகள்

குறிப்பு :

குறிப்புகள் முன் அறிவிப்பின்றி மாற்றப் படக்கூடியவை.

“சேஸிஸ்” வகைகள் தொடர்புடைய விவரக்குறிப்புகளுக்கு “பாடி .:பேப்ரிகேசனுக்கான குறிப்புகள்”ஐ காணவும்.

பொருள்: அளவுகள்		அலகு: மில்லிமீட்டர்
ஒட்டுமொத்த நீளம்		3800
ஒட்டுமொத்த அகலம்		1562
ஒட்டுமொத்த உயரம்		1883
வீல்பேஸ்		2110
டிராக்	முன்புறம்	1345
	பின்புறம்	1330

பொருள்: நிறை (எடை)		அலகு: கிலோ
மொத்த நிறை (எடை)	பெட்ரோல்	860
	சி.என்.ஜி.	975
வாகனத்தின் மொத்த நிறை (எடை) தரமதிப்பீடு		1600
அனுமதிக்கப்பட்ட ஆக்ஸிஜன் எடை	அதிகபட்ச முன்புறம்	900
	பின்புறம்	1020

பொருள்: என்ஜின்	பெட்ரோல் மற்றும் சி.என்.ஜி
வகை	K12N (DOHC)
சிலிண்டர்களின் எண்ணிக்கை	4
போர்	73.0 mm
ஸ்ட்ரோக்	71.5 mm
பிஸ்டன் டிஸ்பிளேஸ்மென்ட்	1197 cm3 (1197 cc)
கம்ப்ரஷன் விகிதம்:	12.0: 1

பொருள்: எலக்ட்ரிக்கல்	
ஸ்பார்க் ப்ளக்	NGK ILZKR6F11
பேட்டரி	12V 38B20R
பியூஸ்கள்	“பரிசோதனை மற்றும் பராமரிப்பு” பிரிவைப் பார்க்கவும்.

பொருள்: லைட்டுகள்	வாட்டேஜ்	பல்ப் எண்.
ஹெட் லைட்டுகள்	12V 60/55W	H4
பொஸிஷன் லைட்டுகள்	12V 5W	W5W
டர்ன் சிக்னல் லைட்	முன்புறம்	PY21W
	பின்புறம்	P21W
ப்ரேக் /டெயில் லைட்	12V 21/5W	P21/5W
ரிவர்ஸிங் லைட்	12V 21W	P21W
லைஸன்ஸ் பிளேட் லைட்	12V 5W	W5W
இன்டீரியர் லைட்	12V 5W	C5W

குறிப்புகள்

பொருள்: சக்கரங்கள் மற்றும் டயர்கள்	
டயர் அளவு, முன்புறம், பின்புறம் மற்றும் ஸ்பேர்	155R13 LT 8PR 89/88S* / 155R13 LT 8PR 90/89Q*
ரிம் அளவு	13X4J
டயரின் காற்றழுத்தம்	டயரில் எவ்வளவு காற்று அடிக்க வேண்டும் என்பதை ஓட்டுநரின் அருகில் உள்ள டயர் தகவல் லேபிளில் காணவும்.

* குறிப்பிட்ட லோடு இன்டெக்ஸ் ரெட் மற்றும் ஸ்பீடு குறியீடு உடன் கூடிய டயரை நீங்கள் பயன்படுத்தாவிட்டால், கூடுதல் லோடு இன்டெக்ஸ் ரேட் மற்றும் ஸ்பீடு குறியீடுடன் கூடிய டயரை பயன்படுத்தவும்

பொருள்: பரிந்துரைக்கப்படும் ஃப்யூயல்/ லூப்ரிகேண்டுகள் மற்றும் அளவுகள் (தோராயமாக)			
ஃப்யூயல்	பெட்ரோல் (Petrol)		30 L#
	சி.என்.ஜி (CNG)	பெட்ரோல் (Petrol)	5 L#
		சி.என்.ஜி. (CNG)	35 L × 2 டேங்குகல்#
என்ஜின் ஆயில்	பெட்ரோல் (Petrol)		3.8 L (ஆயில் ஃபில்டர் இல்லாமல் மாற்றுதல்)
	சி.என்.ஜி (CNG)		4.2 L (ஆயில் ஃபில்டர்யுடன் மாற்றுதல்)
என்ஜின் கூலண்ட்		“SUZUKI LLC: Super (Blue) கூலண்ட்” *1 “SUZUKI LLC: Standard (Yellow) கூலண்ட்” *1	3.5 L (ரிசர்வாயர் டேங்குடன் சேர்த்து)
மானுவல் டிரான்ஸ்மிஷன் ஆயில்		மாருதி ஜெனுயின் கியர் ஆயில் 75W	1.4 L
ரியர் டிஃபரன்சியல் ஆயில்		“டோடல்ஃபினலஃப் டிரான்சென்ஸ்ப் LL 85W-140”	1.6 லிட்டர்
ப்ரேக் ப்ளூயிட்		மாருதி ஜென்யூன் ப்ரேக் ப்ளூயிட் (MGBF) அல்லது DOT 3	“பரிசோதனை மற்றும் பராமரிப்பு” பிரிவில் உள்ள குறிப்புகளின்படி முறையான ஆயில் லெவலுக்கு அதனை மீண்டும் நிரப்பவும்.

*1: உங்களது வெயிக்கிளைப் பொறுத்து பரிந்துரைக்கப்படும் கூலண்ட்டின் வகை மாறுபடும். “சோதனை & பராமரிப்பு” பிரிவைப் பார்க்கவும்.

#: பரிந்துரைக்கும் நிரப்பக்கூடிய திரவத்தின் அளவைவிட ஃப்யூயல் டேங்கின் கொள்ளளவு சிறிதளவு அதிகமாக இருக்கும். பாதுகாப்பு மற்றும் அறிவியல் காரணங்களுக்காக கூடுதல் இடம் வழங்கப்பட்டுள்ளது.

பாடி ஃபேப்ரிகேசனுக்கான குறிப்புகள் (சேஸிஸ் வேறுபாடுக்காக)

பின்வரும் பரிந்துரைகள், வரம்பு நிபந்தனைகள் உறுதிசெய்யப்பட்ட பின்னரே கேப்-சேஸிஸ் வண்டியின் பாடி ஃபேப்ரிகேசன் செய்யப்படவேண்டும்:

(a) **பாடி வெளிப்புறங்க:** மோதலின்போது பாடியில் சேதம் அல்லது பாதிப்பு ஏற்படும் வகையில் கூர்மையான முனைகள் அல்லது கூர்மையாக நீட்டிக்கொண்டிருக்கும் பாகங்கள் இல்லாதவாறு, வாகனத்தின் வெளிப்புறப்பரப்பு இருக்குமாறு லோடு பாடி உற்பத்தி செய்யப்பட வேண்டும். ஒட்டுமொத்த வாகனம் நின்றுகொண்டிருக்கும் போதும் இயங்கும்போது இரண்டு நிலையிலும் இது பொருந்தும். வெளிப்புற முனைகள் மற்றும் நீட்டிக்கொண்டிருக்கும் பாகங்களில் குறைந்தபட்சம் 2.5மிமீ ஆரம் இருப்பது பரிந்துரைக்கப்படுகிறது. CMVR விதி 124(1)-11 இன் கீழ் குறிப்பிட்ட தேவைகளை பாடி பெற்றிருக்க வேண்டும்.

பாடி லேஅவுட்டுகளுக்கு (டிப்பர் அப்ளிகேசன்கள் போல) CMVR விதி 124(1)-11 இன் கீழ் விளக்கியுள்ளபடி வெளிப்புற நீட்டல்களுக்கான தேவையின்படி பேட்டரி மெளன்டிங்குகளுக்கு ஒரு கவர் வழங்கப்பட்டிருக்க வேண்டும்.

(b) **ரிஃப்ளக்டிவ் டேப் :** வாகனத்தின் பின்புறம் அதன் பாடியில் இருக்கும் டேப்பில் பாடி பில்டர் சிவப்பு ரிஃப்ளக்டிவ் டேபை (20மிமீ அகலத்துக்கு குறையாமல்) பேஸ்ட் செய்யலாம் மற்றும் CMVR விதி எண். 104 இன் கீழ் தேவையுடன் அது இணங்கலாம்.

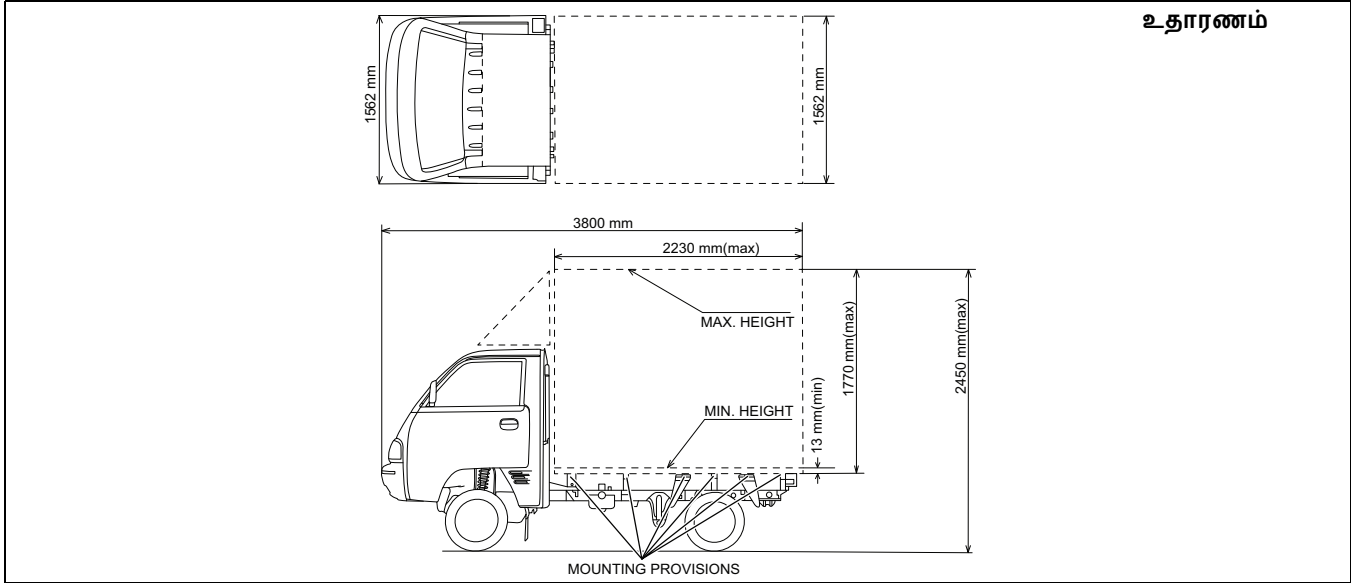
(c) **ஹெட் லேம்ப் :** பாடி ஃபேப்ரிகேசனுக்கு பிறகு, ஹெட்லேம்பின் குறிப்பிடப்பட்டபடி ஹெட் லேம்பின் ஆரம்ப சாய்வுநிலை சரிசெய்யப்படும் (CMVR 124(1)-20) இன் படி. பாடி ஃபேப்ரிகேட்டரால் GVW நிலைக்கான பரிந்துரைக்கப்பட்ட ஹெட்லேம்ப் சுவிட்சயை வாடிக்கையாளருக்கு குறிப்பிடப்படும்.

(d) **பாடி பில்டர் ப்ளேட் :** பாடி பில்டர் வாகனத்தின் அன்லேடன் (சுமக்கப்படாத) எடை, பேலோடைக் காட்டும் ப்ளேட்டை CMVR விதி 122-ல் குறிப்பிட்டுள்ளபடி அமைத்து விடுவார்.

(e) **Form 22A Part II (படிவம் 22A பகுதி II):** பாடி-பில்டர் CMVR விதி 47-ன்படி படிவம் 22A பகுதி II தர வேண்டும்.

(f) பாடி ஃபேப்ரிகேஷன் செய்யும்போது மின்சார ஓயரிங், மின்கருவிகள், ப்ரேக் கனெக்டர், ப்ரேக் பைப்பிங், ஃப்யூயல் கனெக்டர், எக்ஸாஸ்ட் சிஸ்டம், சேசிஸ் கருவிகள் ஆகியவற்றை பாடி-பில்டர் மாற்றி அமைக்க கூடாது.

(g) அளவுகள்: உற்பத்தியாளர் தரும் கேப்-சேஸிஸ் வாகனம் மீது அமையவிருக்கும் லோடு பாடி / செயல்பாடு கீழ்க்குறிப்பிட்டுள்ள அளவுகளில் குறைந்தபட்ச / அதிகபட்ச அளவுடன் அமைய வேண்டும்.



77PM12003

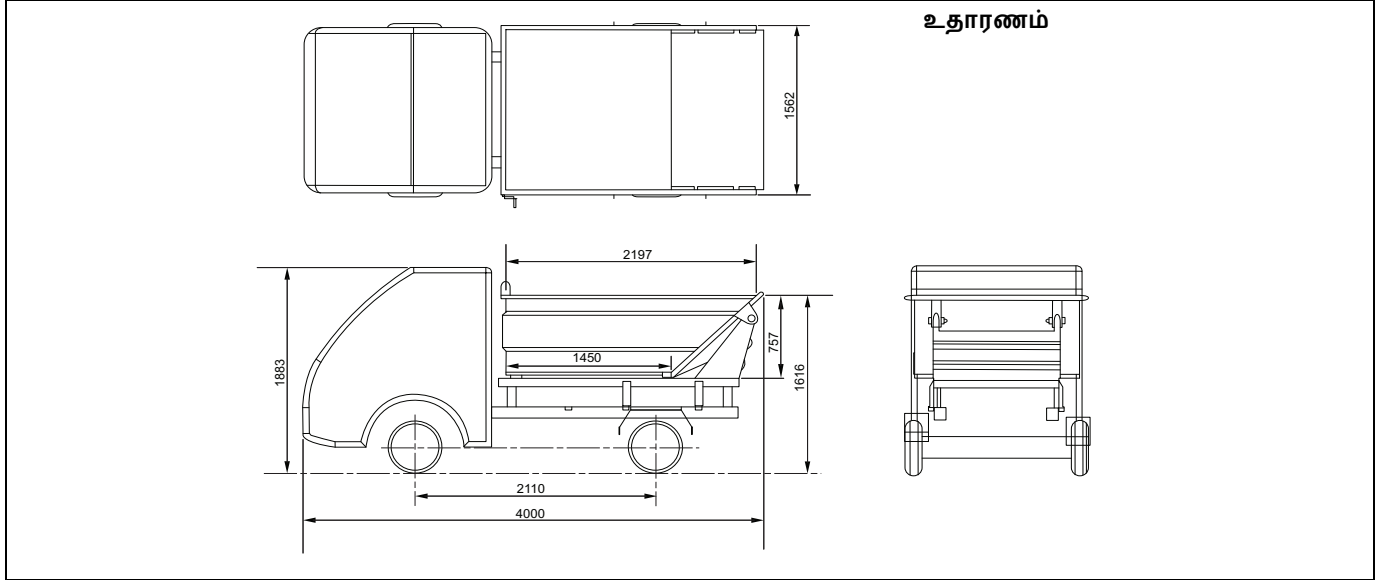
பாடி :பேப்ரிகேசனுக்கான குறிப்புகள்

பாடி :பேப்ரிகேசனுக்கான குறிப்புகள்

பெட்ரோல் மாடல் டிப்பர்-க்கு (ஓபன் டிப்பர் & குளோஸ்டு டிப்பர்)

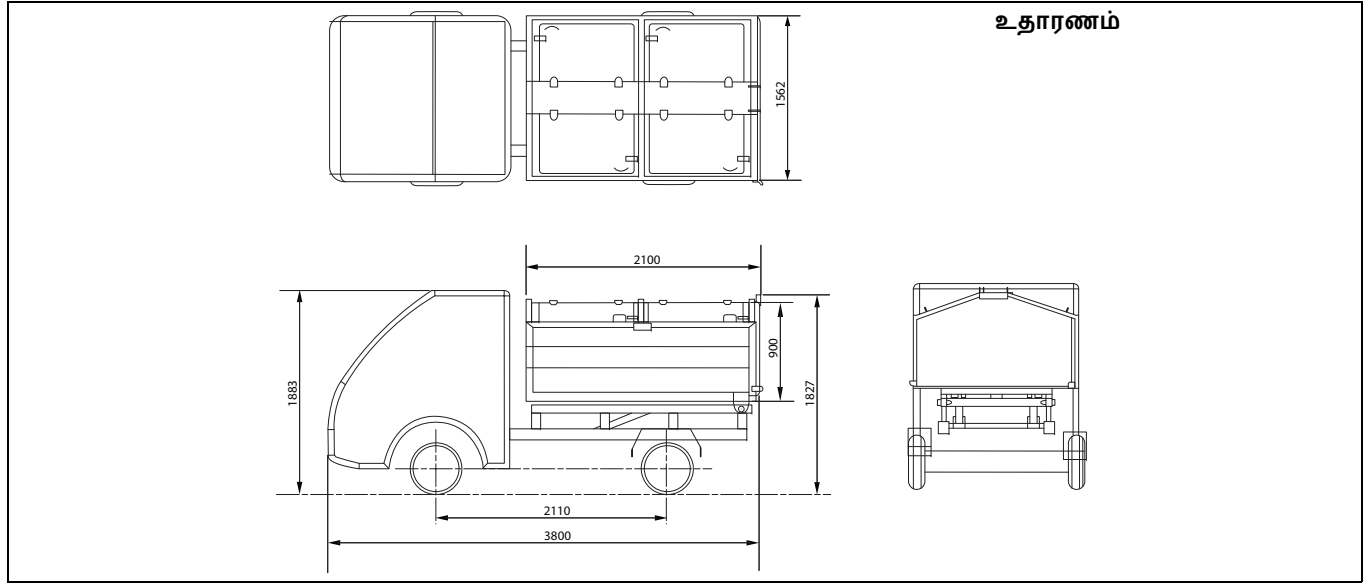
உற்பத்தியாளர் தரும் கேப்-சேஸிஸ் வாகனம் மீது அமையவிருக்கும் லோடு பாடி / செயல்பாடு கீழ்க்குறிப்பிட்டுள்ள அளவுகளில் பரிந்துரைக்கப்பட்ட குறைந்தபட்ச / அதிகபட்ச அளவுடன் அமைய வேண்டு.

- ஓபன் டிப்பர்:



77PM12006

• குளோஸ்டு டிப்பர்:



77PM12007

(h) எடை மற்றும் அதன் பரவல் : முழு வாகனத்தின் குறைந்தபட்ச கெர்ப் எடை 860கிகி (பெட்ரோல்), 975கிகி (சிஎன்ஜி) மற்றும் முழு வாகனத்தின் அதிகபட்ச கெர்ப் எடையான 1140 கிகி (பெட்ரோல்), 1255கிகி (CNG)ஐக் கருத்தில் கொண்டு லோடு பாடி/ அப்ளிகேசன் வடிவமைக்கப்பட வேண்டும். முன்புற அச்ச மற்றும் பின்புற அச்சின் இரண்டின் கெர்ப் (நிகர) எடை விகிதம் 1.46 (பெட்ரோல்), 1.24 (GNG) ஐத் தாண்டக் கூடாது.

பெட்ரோல் மாடல் டிப்பர் அப்ளிகேசனுக்கு, பின்வரும் கெர்ப் எடையைக் கருத்தில் கொண்டு லோடு பாடி /அப்ளிகேசன் வடிவமைக்கப்படலாம்.

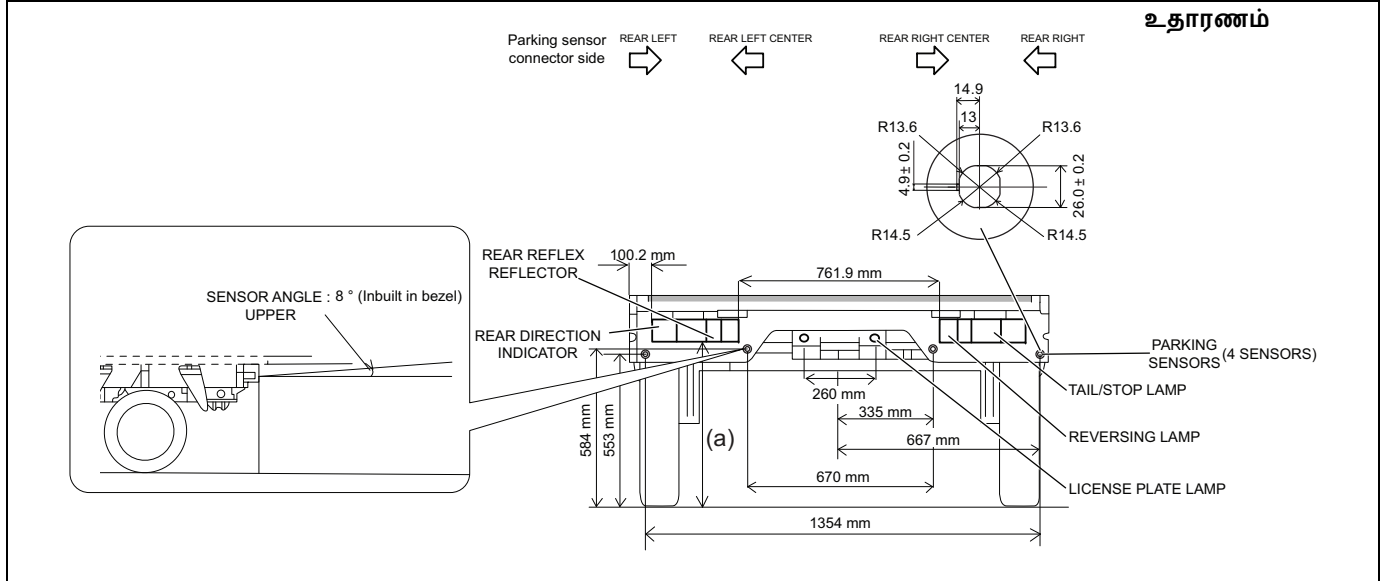
ஓபன் டிப்பரின் கெர்ப் (நிகர) வெயிட்: 1070kg

குளோஸ்டு டிப்பரின் கெர்ப் (நிகர) வெயிட்: 1140kg

முன்புற அச்சுக்கும் பின்புற அச்சுக்கும் உள்ள கெர்ப் எடை 1:46 என்ற அளவுக்கு மிகாமல் இருக்க வேண்டும்.

பாடி .:பேப்ரிகேசனுக்கான குறிப்புகள்

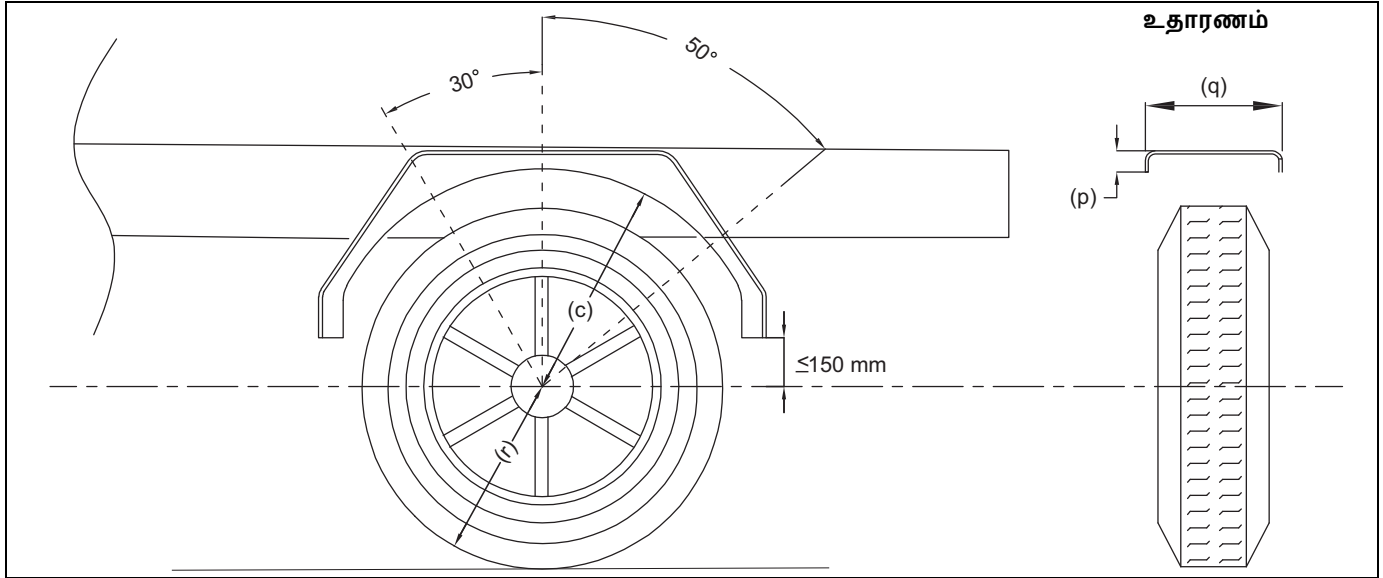
- (i) லைட்டிங் மற்றும் சிக்னலிங் கருவிகள்: கேப்-சேஸிஸ் உடன் ஹெட் லேம்ப் அசெம்பிளி கேப் மற்றும் பின்புற இணை விளக்குகளுடன் கூடிய தற்காலிக பேனல், ரெஜிஸ்ட்ரேசன் ப்ளேட் விளக்குகளோடு வரும். ஹெட் லேம்ப் அசெம்பிளி அப்படியே இருக்க வேண்டும். பின்புற இணை விளக்குகள், பதிவு ப்ளேட் விளக்குகள் லோகல் பாடி/செயல்பாட்டுடன் கீழே பரிந்துரைக்கப்பட்ட பொசிஷனில் (உயரம், அகலத்துடன்) அமையவேண்டும்.



77PM12008

“a” அளவு	
சேசிஸ் அப்ளிகேசன்ஸ் (பெட்ரோல் & சி.என்.ஜி.)	612 mm
பெட்ரோல் மாடல் ஓபன் டிப்பர் அப்ளிகேசன்	620 mm
அப்ளிகேசன்	660 mm

(j) வில் கார்டு : CMVR விதி எண் 124(1)-13இன் தேவைக்கிணங்க வில் கார்டுகள் இருக்க வேண்டும். கீழே காட்டப்பட்டுள்ள வடிமைப்பு அளவுகளின்படி வில் கார்டு (பின்புறம்) வடிவமைக்கப்பட வேண்டும்.



77PM12106

c	$\leq 2r$
p	$> 30 \text{ mm}$
q	$>$ மொத்த டயரின் அகலம்
r	டயரின் ஸ்டேட்டிக் ரேடியஸ்

பாடி .:பேப்ரிகேசனுக்கான குறிப்புகள்

(k) சி.என்.ஜி. வகைக்கான அபளிகேசன:

சி.என்.ஜி. லேபிள்:

கீழே குறிப்பிடப்பட்ட வழிகாட்டுதலின்படி லோடு பாடியின் பின்புறத்தில் பாடி பில்லர் "சிஎன்ஜி லேபிள்"ஐ (வாகன டீல் கிட பேக்கெட்டுடன் வழங்கப்பட்டிருக்கும்) ஒட்டலாம்.

உதாரணம்

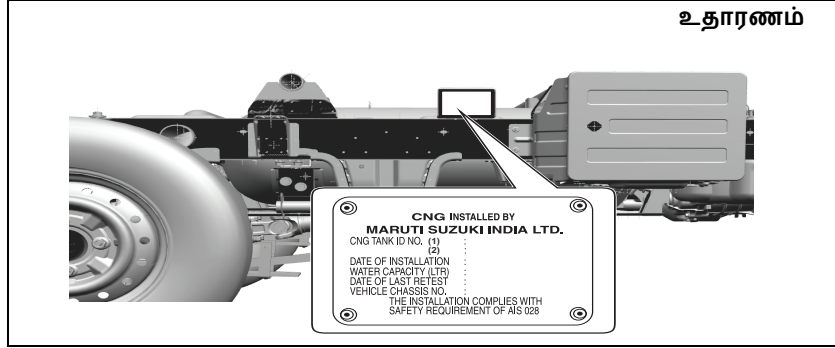


77PM12011

- (a) நடைமுறைப்படி வாகன எண்ணிற்கு நெருக்கமாக தடையான நேற்பரப்பில் செங்குத்தாக (மேலே காட்டப்பட (ள்ளபடி) லேபிள் ஒட்டப்பட வேண்டும்.
- (b) பின்புறத்திலிருந்து பார்த்தால் லேபிள் தெரியுமாறு ஒட்டப்பட வேண்டும்.
- (c) அனைத்து நேரங்களிலும் லேபிள் சரியான நிலையில், நல்ல நிலையில் மற்றும் அதன் வடிவம்,

வண்ணம் மற்றும் எழுத்துக்கள் எளிதாக அடையாளம் காண முடியும்படி இருக்க வேண்டும்.

சி.என்.ஜி. கிட் எண் அடையாளம் காணுதல்:



77PM07032

சி.என்.ஜி. கம்பளையன்ஸ் பிளேட்டை மறைக்காமல், லோடு பாடி /அபளிகேசன் வடிவமைக்கப்பட வேண்டும்.

பொறுப்பு துறப்பு:

வாகனத்தின் சொந்தக்காரர் / பாடி-பில்லர் விதிமுறைகள் & மாநில மோட்டார் வாகன விதிகளின்படி துபர் கேரி சேஸிஸ் வேரியண்டின் பாடி பே:ப்ரிகேஷனை செய்ய வேண்டும். உற்பத்தியாளர் பரிந்துரைப்படி இல்லாமலும் விதிகளின்படி இல்லாமலும் அமைந்துள்ள பே:ப்ரிகேஷன் / செயல்பாடு தொடர்பாக எழும் சட்டப் பிரச்சினைகளுக்கு வாகன உற்பத்தியாளர் எவ்விதத்திலும் பொறுப்பேற்க மாட்டார்.

▲ கவனம்

உங்களது துபர்-கேரி வாகனத்தின் டெக் / பாடி .:பேப்ரிகேஷன் வேலை முடியாமல் வைத்திருக்காதீர்கள்.

Prepared by
MARUTI SUZUKI INDIA LIMITED

Service Division
July, 2024

Part No. 99011M77P12-744
Printed in India

**For round-the-clock on-road assistance, call Maruti On-road Service at 1800 102 1800* / 1800 1800 180*
#No STD code to be prefixed.**

అన్ని వేళలయందూ 24 గంటలకు వచ్చి సహాయం చేసేందుకు, మారుతి ఆన్ రోడ్ సర్వీస్ కి 1800 102 1800* / 1800 1800 180* కిఫోను చేయండి.
ముందు ఎస్.టి.డి. కోడ్ చెప్పనవసరం లేదు.

Service Division
MARUTI SUZUKI INDIA LIMITED
Palam Gurgaon Road, Gurgaon - 122 015 (Haryana)
www.marutisuzuki.com



99011M77P12-744

