

# SUPER CARRY

## OWNER'S MANUAL

Refer for vehicle usage at all time. Contains warranty policy and important information on safety, operation & maintenance

## ਉਪਭੋਗਤਾ ਮੈਨੂਅਲ

ਹਰ ਸਮੇਂ ਵਾਹਨ ਦੀ ਵਰਤੋਂ ਲਈ ਰੈਫਰ ਕਰੋ। ਇਸ ਵਿਚ ਵਾਰੰਟੀ ਪਾਲਸੀ ਅਤੇ ਸੁਰੱਖਿਆ, ਕਾਰਜਵਧੀ ਅਤੇ ਰੱਖ-ਰਖਾਅ ਬਾਰੇ ਮਹੱਤਵਪੂਰਨ ਜਾਣਕਾਰੀ ਸ਼ਾਮਲ ਹੈ।

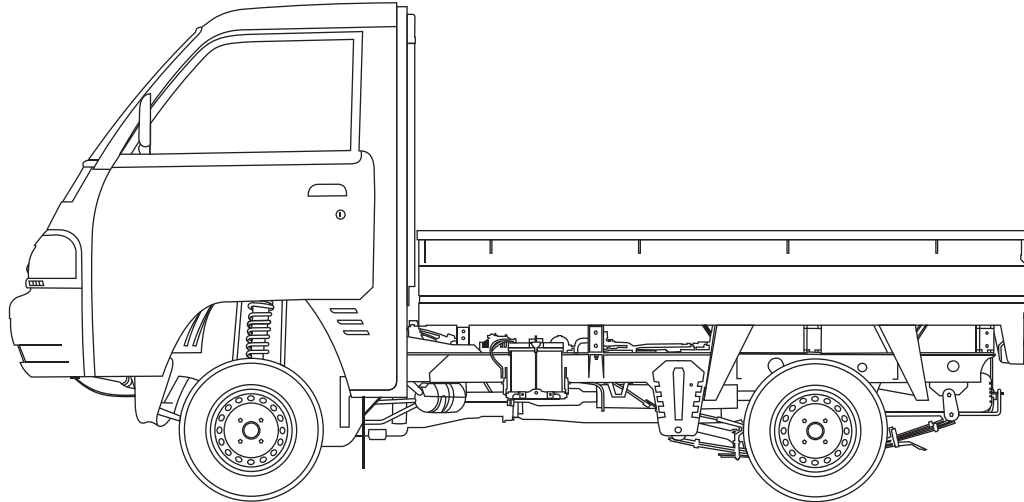
Part No. 99011M77P13-746

February, 2025

(ENG.) (PUN.)

This owners manual applies to the Super Carry series  
produced by MARUTI SUZUKI INDIA LIMITED.

ਮਾਰੂਤੀ ਸੁਜੁਕੀ ਇੰਡੀਆ ਲਿਮਿਟਿਡ ਦੁਆਰਾ ਉਤਪਾਦਤ। ਇਹ ਉਪਭੋਗਤਾ  
ਮੈਨੂਅਲ ਮਾਡਲ SUPER CARRY ਉੱਤੇ ਲਾਗੂ ਹੈ



© COPYRIGHT MARUTI SUZUKI INDIA LIMITED 2025  
© ਪ੍ਰਤੀਲਿਪੀ ਹੱਕ ਮਾਰੂਤੀ ਸੁਜੁਕੀ ਇੰਡੀਆ ਲਿਮਿਟਿਡ 2025

NOTE: The illustrated models are one of the Super Carry series.  
ਨੋਟ : ਵਿਆਖਿਆ ਕੀਤਾ ਗਿਆ ਮਾਡਲ, SUPER CARRY ਮਾਡਲਾਂ ਵਿੱਚੋਂ  
ਇੱਕ ਹੈ।

---

## FOREWORD

The digital Owner's Manual is an essential part of your vehicle a rich document which familiarizes you with the vehicle by providing information such as features, warnings, operations and equipment description etc. Please read this manual carefully before operating your new MARUTI SUZUKI vehicle and review the manual from time to time. It is recommended to download this manual (from "Maruti Suzuki Rewards" mobile application with your registered mobile number) and save a soft copy of the same for easy access all times. Please visit MARUTI SUZUKI authorised workshop for availing any service.

To prolong the life of your vehicle and reduce maintenance cost, the periodic maintenance must be carried out according to "PERIODIC MAINTENANCE SCHEDULE" described in "INSPECTION AND MAINTENANCE" section of this manual. It is essential for preventing trouble and accidents to ensure your satisfaction and safety.

Daily inspection and care as per "DAILY INSPECTION CHECKLIST" described in the "OPERATING YOUR VEHICLE" section of this manual is essential for prolonging the life of the vehicle and for safe driving.

Vehicle and the available features/accessories therein should be used and plied by the owner/user in accordance with the applicable legal requirements.

MARUTI SUZUKI INDIA LIMITED believes in conservation and protection of Earth's natural resources.

To that end, we encourage every vehicle owner to recycle, trade-in or properly dispose of, as appropriate, used Engine Oil, coolant and other fluids, batteries and tyres etc.

### MARUTI SUZUKI INDIA LIMITED

---

**All information in this manual is based on the latest product information available at the time of publication. Due to improvements or other changes, there may be discrepancies between information in this manual and your vehicle. MARUTI SUZUKI INDIA LIMITED reserves the right to make production changes at any time, without notice and without incurring any obligation to make the same or similar changes to vehicles previously built or sold.**

**This vehicle may not comply with standards or regulations of other countries. Before attempting to register this vehicle in any other country, check all applicable regulations and make any necessary modifications.**

---

## IMPORTANT

### ▲ WARNING/ ▲ CAUTION/NOTICE/ NOTE

Please read this manual and follow its instructions carefully. To emphasize special information, the symbol ▲ and the words **WARNING**, **CAUTION**, **NOTICE** and **NOTE** have special meanings. Pay particular attention to messages highlighted by these signal words:

#### ▲ WARNING

Indicates a potential hazard that could result in death or serious injury.

#### ▲ CAUTION

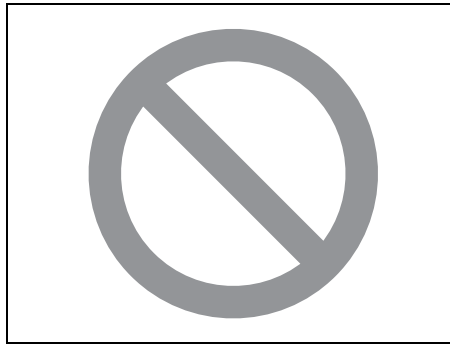
Indicates a potential hazard that could result in minor or moderate injury.

#### NOTICE

Indicates a potential hazard that could result in vehicle damage.

#### NOTE:

Indicates special information to make maintenance easier or instructions clearer.



75F135

The circle with a slash in this manual means “Don’t do this” or “Don’t let this happen”.

#### NOTE:

- Words like *car*, *model/variant* are invariably used in this manual to denote the “Vehicle”.
- Pictorial representations used in this manual are for reference purposes only.

## MODIFICATION WARNING

### ▲ WARNING

Do not modify your vehicle. Modification could adversely affect safety, handling, performance, or durability and may violate governmental regulations. In addition, damage or performance problems resulting from modification shall not be covered under warranty.

#### NOTICE

Improper installation of mobile communication equipment such as cellular telephones or CB (Citizen’s Band) radios may cause electronic interference with your vehicle’s ignition system, resulting in vehicle performance problems. Consult your authorized **MARUTI SUZUKI COMMERCIAL** dealer for advice on installing such mobile communication equipment.

#### NOTICE

Severe damage may be caused by the use of either poor quality fuel and/or lubricants not recommended by **MARUTI SUZUKI**.

# “WARNING”



Vehicle may **break-down**, meet with an **accident** or **catch fire** due to

1. Installation of
  - High wattage bulbs
  - Non genuine lamps / horns
  - Modified suspension / wheels
  - Non genuine parts / accessories etc.
2. Retrofitment of LPG / CNG fuel systems/kits.
3. Usage of domestic LPG.
4. Short circuiting due to tampering of wiring harness.

CAUTION: DO NOT STORE OR CARRY INFLAMMABLE MATERIALS IN THE VEHICLE.



Avoid driving into or starting the vehicle in a heavily water logged area. Vehicle may break-down or engine may fail due to

1. Water entry into the engine (which may lead to hydrostatic lock).
2. Short circuiting of the electrical systems.

**If the vehicle is stuck in deep water, do not start / crank the vehicle until the level of water drops below the level of exhaust pipe.**

NOTE:

IF THE VEHICLE IS SUBMERGED IN WATER, REPORT TO THE NEAREST AUTHORIZED WORKSHOP.

## “CAUTION”

1. Retro-fitting of LPG / CNG kit may deteriorate vehicle performance, reduce engine & engine related component's life and also warranty will be null and void for such vehicles.
2. Do not use domestic LPG/LPG cylinder for your factory fitted LPG vehicles.
3. Usage of domestic LPG for running vehicles is prohibited as per law.
4. Do not remove company fitted LPG/CNG kit to install some other kit. It may affect vehicle performance and may cause fire.
5. Drive slowly on wet roads. Tires may slip while braking at higher speeds due to aquaplaning. (reduced contact area between tire and road due to presence of water)
6. Do not leave engine running in garages or confined areas, with passengers inside. This may result in accumulation of carbon-monoxide in cabin and may lead to suffocation or breathing problems.
7. Do not park vehicle on dry leaves or grass. This may lead to fire due to hot catalytic converter, igniting the dry leaves/grass.
8. If the vehicle is equipped with CNG/LPG, ensure availability of fire extinguisher in the vehicle all the time.
9. Always wear seat belt at all the times.
10. Do not use mobile phone while driving.
11. Avoid Smoking in the car, live bud thrown in car may cause fire.
12. Do not put any body part under the vehicle when it is supported on a Jack.
13. Do not use non-genuine accessories in your vehicle.
14. Do not fit accessories from unauthorized workshops/sources.
15. Usage of non-approved electrical accessories in your vehicle may result in spark, fire or personal injury.

---

## To experience and use the Digital Owner's Manual, download Maruti Suzuki app



**Maruti Suzuki Rewards** app ensures a hassle free car ownership experience. Get easy access to all the services and information you need by downloading the app



### How to download Owners manual from Maruti Suzuki application

Step 1: Download "Maruti Suzuki Rewards" application from apple app store / google play store on your mobile phone

Step 2: Input registered mobile number and the OTP received from SMS

Step 3: Select "S-Assist BOT" icon and click "View Owner's Manual" to access digital Owner's Manual

Step 4: Click "Down Arrow" download and save Owner's Manual on your mobile phone

Now, the Owner's Manual is available on your mobile phone for reference at all times.

(For assistance, contact Maruti Suzuki authorised workshop)

---

## WARRANTY POLICY

Maruti Suzuki India Limited (hereinafter called “Maruti Suzuki”), warrants that each new Maruti Suzuki vehicle distributed in India by Maruti Suzuki and sold by a Maruti Suzuki authorised dealer will be free, under normal use and service, from any defects in material and workmanship at the time of manufacture SUBJECT TO THE FOLLOWING TERMS AND CONDITIONS:

### (1) Qualification:

To qualify for this warranty the vehicle must be delivered by a Maruti Suzuki authorised dealer and set-up, and serviced by a Maruti Suzuki authorised workshop.

### (2) Term:

**The term of the warranty shall be thirty-six (36) months or 1,00,000 kilometers (whichever occurs first) from the date of invoice to the first owner.**

### (3) Maruti Suzuki Warranty Obligation:

If any defect(s) should be found in a Maruti Suzuki vehicle within the term stipulated above, Maruti Suzuki’s only obligation is to repair or replace at its sole discretion any part shown to be defective, with a new part or the equivalent at no cost to the owner for parts or labour, when Maruti Suzuki acknowledges that such a defect is attributable to faulty material or workmanship at the time of manufacture. Such defective parts, which have been replaced, will become the property of Maruti Suzuki. The owner is responsible for any repair or replacements which are not covered by this warranty. The decision of Maruti Suzuki shall be final & binding.

### (4) Limitation:

This warranty shall not apply to:

- (a) Normal maintenance service required other than the four free services, including without limitation, oil and fluid changes, Consumables, headlight aiming, fastener retightening, wheel balancing, wheel alignment and tyre rotation, cleaning of injectors, adjustments of clutch and valve clearance.
- (b) The normal wear of parts including without limitation, bulbs, tyres and tubes, spark plugs, belts, hoses, filters, wiper blades, brushes, contact points, fuses, clutch disc, brake shoes, brake pads, cable and all rubber parts (except oil seal and glass run).
- (c) Any vehicle which has been used for competition, rallies or racing.
- (d) Any repairs or replacement arising from accidents or collision.
- (e) Any defect/ damage caused by misuse, negligence, abnormal use, insufficient care, vandalism, theft, riot, fire, flooding - not limited to entry of water in the components resulting in engine seizure, hydrostatic lock, etc. or external damages to the body/ components.
- (f) Any damage resulting due to usage of adulterated fuel/ lubricants/ oil/ coolant/ fluids/ polishing products and fuel/ lubricants/ oil/ coolant/ fluids used other than those specified in the Owner’s Manual.
- (g) Any vehicle which has been modified or altered, including without limitation, the installation of performance accessories, enlargements of lights, other changes and external/ consequential reasons.
- (h) Any vehicle on which parts or accessories not approved by Maruti Suzuki (Non-MSGA, Non-MSGP) have been used.
- (i) Any vehicle which has not been operated in accordance with the operating instructions in this Owner’s Manual and Service Booklet.



- 
- (j) Any vehicle which has not received the service inspections prescribed in this Owner's Manual and Service Booklet.
  - (k) Any vehicle which has been assembled, disassembled, adjusted or repaired by other than a Maruti Suzuki authorised workshop.
  - (l) Any vehicle which has been used for purposes other than what it was designed for.
  - (m) Any damage or deterioration caused by airborne fallout, industrial fallout, acid rain, hail or hail storm, wind storm, lightning, bird droppings, rodents bite / rat bite and such other thing that result in damage to the vehicle.
  - (n) Insignificant defects/noise which do not affect the function of the vehicle including without limitation, sound, vibration and fluid seep.
  - (o) Any natural wear and tear including without limitation, ageing, wear & tear or deterioration such as discoloration, fading, deformation or blurring and fabric discoloration.
  - (p) Installation and usage of domestic LPG gas/LPG Cylinder.
  - (q) V-belts, hoses and gas leaks.
  - (r) Any vehicle retrofitted with LPG/CNG kits.
  - (s) Repainting including patchwork, bodywork and mouldings and interior trims.
  - (t) Corrosion, rusting of body parts and/ or components.
  - (u) Any vehicle on which odometer has been changed unauthorisedly or odometer reading has been modified/ tampered with/ or not matching the service records.
  - (v) The damage(s) caused to the vehicle being unattended despite knowledge that the defect exists and ignorance by the owner/ user of the vehicle.
  - (w) Any damage(s) caused to vehicle including battery/ tyre due to parking of the vehicle in idle condition for long duration of time periods.
  - (x) Any vehicle on which the retro-fitment is not authorized and/ or type approved as per the standards prescribed by the relevant authority including but not limited to Automotive Standards of India.

- (y) Any vehicle on which the retro-fitment is such which directly or indirectly causes any damage to the vehicle or affects the functions of the vehicle in any manner whatsoever.

#### **(5)Extent of Warranty:**

This warranty is the entire written warranty given by Maruti Suzuki for Maruti Suzuki vehicles and no dealer or its or his agent or employee is authorised to extend or enlarge this warranty and no dealer or its or his agent or employee is authorised to make any oral warranty or representation or assurance on behalf of Maruti Suzuki.

Maruti Suzuki reserves the right to add any improvements or change the design of any model at any time with no obligation to make the same changes on units previously sold.

#### **(6) Warranty Service:**

To obtain warranty service, the complete vehicle must be presented at the owner's expenses to Maruti Suzuki authorised workshop.

The customer shall be responsible for his belongings or accessories fitted in the vehicle at the time of presenting the vehicle for service and no claim shall be entertained in any manner under any circumstances.

#### **(7) Owner's Warranty Obligations:**

<b><i>NOTICE</i></b>
<b>The owner shall not use the vehicle in a damaged condition and report the same immediately to the nearest Maruti Suzuki authorized workshop. This would result in early inspection and repair of the vehicle and any possible harm to the person or aggravation of damage to the vehicle can be prevented.</b>

---

It is responsibility of each owner to:

- Have performed, at his own expenses, by a Maruti Suzuki authorised workshop all the service inspections specified in the Owner's Manual described in "INSPECTION AND MAINTENANCE" section".
- Should you resell the vehicle, please guide the new users/ owners to download this manual (from "Maruti Suzuki Rewards" mobile application with your registered mobile number). Also the soft copy of the manual must be passed on to new users/ owners when resold or otherwise transferred.

If the Owner's Manual is lost due to any reason, the owner or user may download a soft copy of the same (from "Maruti Suzuki Rewards" mobile application with the mobile number) and save it for easy access at any point of time.

#### **(8) Disclaimer of Consequential Damage:**

Maruti Suzuki assumes no responsibility for loss of vehicle, loss of time, inconvenience or any other indirect incidental or consequential damage resulting from the vehicle not being available to the owner because of any defect covered by this warranty.

#### **(9) Change of Owner**

Even if ownership of the vehicle changes, the remaining warranty period is effective for the new owner.

This Warranty is applicable only in India and not transferable to any other country.

# FUEL RECOMMENDATION

Fuel Recommendation ..... 1-1

## FUEL RECOMMENDATION

---

### Fuel Recommendation

#### (For Petrol and CNG Engine Model)

##### For Petrol Engine Model

To avoid damaging catalytic converter, you must use unleaded petrol with an octane number (RON) of 91 or higher.

##### Gasoline/Ethanol blends

Blends of unleaded gasoline and ethanol, also known as gasohol, are commercially available in the country and can vary with location. Gasoline Ethanol blend up to E20 can be used as fuel for this vehicle.

##### Gasoline containing MTBE

Unleaded gasoline containing MTBE (methyl tertiary butyl ether) may be used in your vehicle if the MTBE content is not greater than 15%. This oxygenated fuel does not contain alcohol.

#### CAUTION

**Use of spurious, low quality, adulterated fuel can cause damage to the engine and engine auxiliaries, affect functioning of engine and degrade engine performance including but not limited to engine seizure.**

#### NOTICE

- The fuel tank has an air space to allow for fuel expansion in hot weather. If you continue to add fuel after the filler nozzle has automatically shut off or an initial blowback occurs, the air chamber will become full. Exposure to heat when fully fuelled in this manner will result in leakage due to fuel expansion. To prevent such fuel leakage, stop filling after the filler nozzle has automatically shut off, or when initial vent blowback occurs, if using an alternative non-automatic system.
- Be careful not to spill fuel containing alcohol while refueling. If fuel is spilled on the vehicle body, wipe it up immediately. Fuels containing alcohol can cause paint damage, which is not covered under the New Vehicle Limited Warranty.

#### For CNG Engine Model

##### CNG

CNG (Compressed Natural Gas) is principally constituted by methane. CNG is considered as clean burning fuel. Due to low density of CNG, it is compressed at a pressure of around 200 bars to enhance the vehicle on-board storage capacity.

#### CAUTION

- In case of any symptom of CNG leakage or releasing noise or any external damage to CNG piping or during accident, do not panic.**
- Stop the vehicle and switch off the engine, roll down the windows and open all the doors.
  - Ensure to close manual shut off valve.
  - Contact authorised **MARUTI SUZUKI COMMERCIAL** workshop immediately for further assistance.

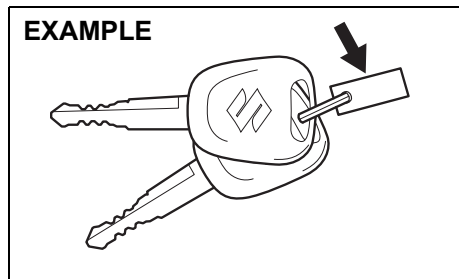
---

**BEFORE DRIVING**

Keys .....	2-1
Door Locks .....	2-2
Tailgate .....	2-2
Windows .....	2-3
Mirrors .....	2-4
Seats .....	2-5
Seat Belts .....	2-5
Instrument Cluster .....	2-11
Speedometer .....	2-12
Fuel Gauge .....	2-12
Information Display .....	2-12
Warning and Indicator Lights .....	2-16
Lighting Control Lever .....	2-20
Headlight Leveling Switch .....	2-21
Turn Signal Control Lever .....	2-21
Hazard Warning Switch .....	2-22
Windshield Wiper and Washer Lever .....	2-22
Horn .....	2-24
CNG Cylinder Warning Label (if equipped) .....	2-24
CNG Warning Label (if equipped) .....	2-24
CNG Manual Shut-OFF Valve (if equipped) .....	2-25

## BEFORE DRIVING

### Keys



51KM024

Your vehicle comes with a pair of keys. The key(s) may or may not be equipped with a transmitter depending on model variant. Keep the spare key in a safe place. One key can open all of the locks on the vehicle.

The key identification number is stamped on a metal tag provided with the keys or on the keys. Keep the tag (if equipped) in a safe place. If you lose your keys, you will need this number to have new keys made. Write the number below for your future reference.

KEY NUMBER:

### Immobilizer system

This system is designed to help prevent vehicle theft by electronically disabling the engine starting system.

The engine can be started only with your vehicle's original immobilizer ignition key, which has an electronic identification code programmed into it. The key communicates the identification code to the vehicle when the ignition switch is turned to "ON" position. If you need to make spare keys, see a Maruti Suzuki authorised workshop. The vehicle must be programmed with the correct identification code for the spare. A key made by an ordinary locksmith will not work.



65D239

If the immobilizer system warning light blinks when the ignition switch is in "ON" position, the engine will not start.

If this light blinks, turn the ignition switch to "LOCK" position, and then turn it back to "ON" position.

If the light still blinks after the ignition switch is turned back to "ON" position, there may be something wrong with your

key or with the immobilizer system. Ask a Maruti Suzuki authorised workshop to have the system inspected.

#### NOTE:

- If you lose your immobilizer ignition key, ask a Maruti Suzuki authorised workshop as soon as possible to deactivate the lost one, and to make a new key.
- If you own other vehicles with immobilizer keys, keep those keys away from the ignition switch when using your MARUTI SUZUKI vehicle. Otherwise, the engine may not be started because they may interfere with your MARUTI SUZUKI vehicle's immobilizer system.
- If you attach any metal objects to the immobilizer key, it may not start the engine.
- This immobilizer system is maintenance-free.

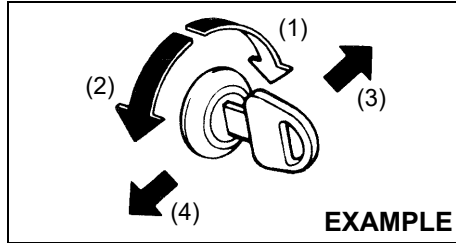
#### NOTICE

**The immobilizer key is sensitive electronic instrument. To avoid damaging it:**

- Do not expose it to impacts, moisture or high temperature such as on the dashboard under direct sunlight.
- Keep it away from magnetic objects.

**Door Locks**

**Side Door Locks  
Driver's door**



76MH0A001

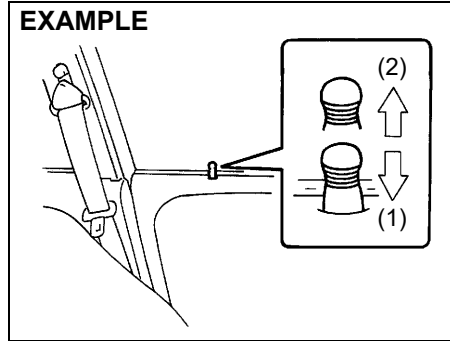
- (1) LOCK
- (2) UNLOCK
- (3) Front
- (4) Rear

To lock a driver's door from outside the vehicle:

- Insert the key and turn the top of the key toward the front of the vehicle, or
- Push the lock knob down, then pull and hold the door handle as you close the door.

To unlock a driver's door from outside the vehicle, insert the key and turn the top of the key toward the rear of the vehicle.

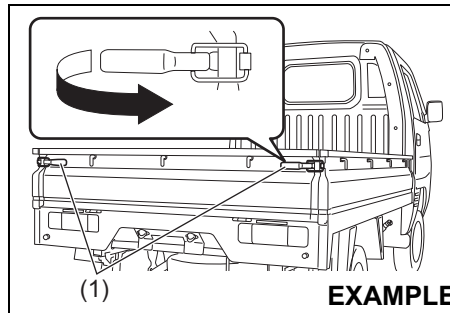
To lock a passenger's door from outside the vehicle, push the lock knob down, then pull and hold the door handle as you close the door.



54G005

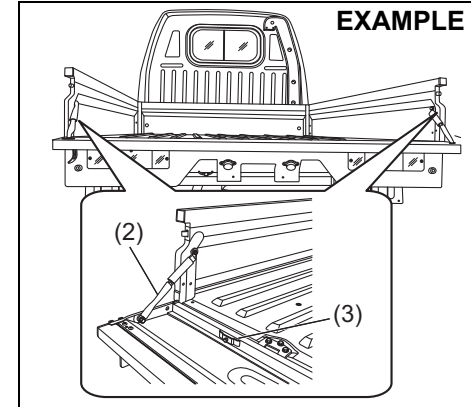
- (1) LOCK
- (2) UNLOCK

**Tailgate**



77PH025

The tailgate can be opened by pulling the lock handles (1). When closing, lock them firmly.



77PM201

The tailgate can also be locked in an intermediate position with the help of tailgate chain (2).

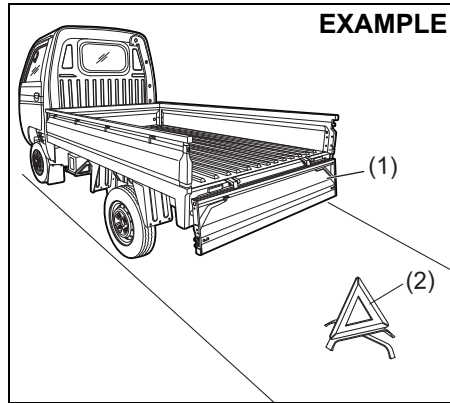
**NOTICE**

**Lock the tailgate chain (2) with pin (3) when not in use.**

## BEFORE DRIVING

### **⚠ WARNING**

- Driving with the tailgate in open / intermediate position will allow the tailgate to swing and hit others, causing injury or even death.
- The tailgate in open / intermediate position will hinder other drivers from seeing the taillights, causing accidents. Make sure the tailgate is closed and locked firmly before driving.
- Make sure that the tailgate is always closed and locked firmly to prevent cargo from being thrown out of the vehicle in the event of an accident.
- Do not stand, put load or put cargo on the tailgate when locked at an intermediate position.
- If the tailgate is in fully open condition, vehicle rear lighting devices such as position lamp, turn signal indicator and stop lamp get hidden, and are not visible.



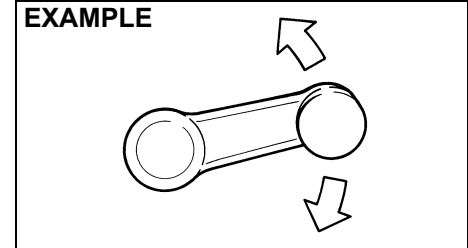
### **⚠ WARNING**

- If the loading and unloading is done while tailgate (1) is in fully open position, a warning triangle (2) must be placed on the road in visible manner to alert other users about the presence of the vehicle.

## Windows

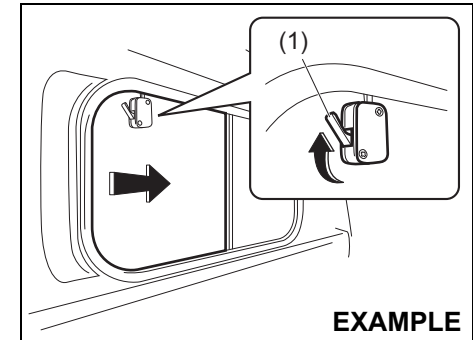
### Manual Window Control

#### EXAMPLE



Raise or lower the door windows by turning the handle located on the door panel.

### Rear Window



To open the window, push the lock (1) and slide the window.



**Mirrors**

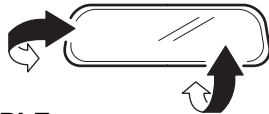
**⚠ WARNING**

Failure to observe following point may result in loss of vehicle control and cause an accident, leading to death or serious injury. Always follow below points while driving.

- Do not adjust the mirrors while driving.
- Always unfold all the outside rearview mirrors and adjust properly before driving.
- Do not place objects in the rear of the vehicle which may hinder visibility or interfere with your vision from the rear window glass.

**Inside Rearview Mirror**

You can adjust the inside rearview mirror by hand so as to see the rear of your vehicle in the mirror.



**EXAMPLE**

74LHT0235

**⚠ CAUTION**

Do not modify the inside rearview mirror or install a non-genuine wide mirror. It could result in injury during accident.

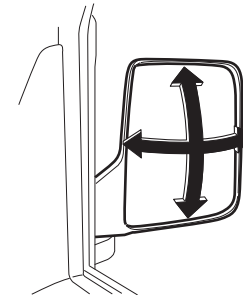
**Outside Rearview Mirror(s)**

Adjust the outside rearview mirror(s) so you can just see the side of your vehicle in the mirror(s).

**⚠ WARNING**

Be careful when judging the size or distance of a vehicle or other object seen in the side convex mirror. Be aware that objects look smaller and appear farther away than when seen in a flat mirror.

**EXAMPLE**



64P0190

## BEFORE DRIVING

### Seats

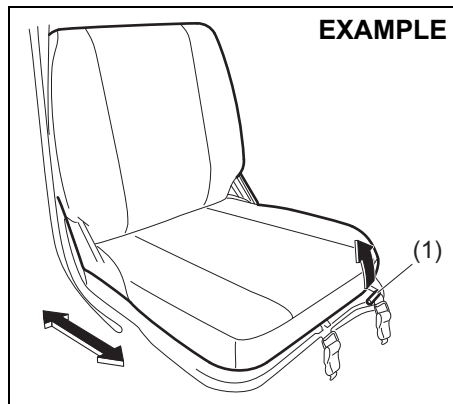
#### Seat Adjustment (driver's seat)

##### ⚠ WARNING

Never attempt to adjust the driver's seat while driving. The seat could move unexpectedly, causing loss of control. Make sure that the driver's seat is properly adjusted before you start driving.

##### ⚠ WARNING

To avoid excessive seat belt slack, which reduces effectiveness of the seat belts as a safety device, make sure that the seats are adjusted before the seat belts are fastened.



77PH087

#### Seat position adjustment lever (1)

Pull the lever up and slide the seat.

After adjustment, try to move the seat forward and rearward to ensure that it is securely latched.

##### ⚠ CAUTION

While adjusting the seat, be careful that the seat does not pinch your hands, or hit your body.

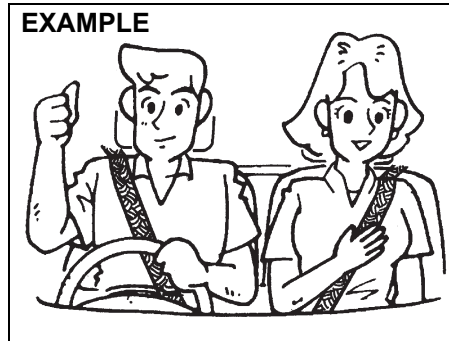
#### NOTE:

To operate the seat back smoothly, pull the seat back adjustment lever (2) in upward direction. Ensure to move seat back only after lever is moved to fully up position. After adjustment of seat back, release the

lever gently. Check that seat back is locked by moving it forward and backward.

### Seat Belts

#### EXAMPLE



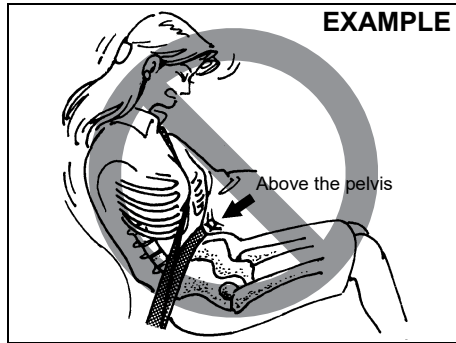
65D231S

##### ⚠ WARNING

Wear Your Seat Belts at All Times.

##### ⚠ WARNING

The driver and the passenger must be properly restrained by wearing seat belts at all times even if driving for a very short distance, whether or not an air bag is mounted at their seating position, to minimize the risk of severe injury or death in the event of a crash.

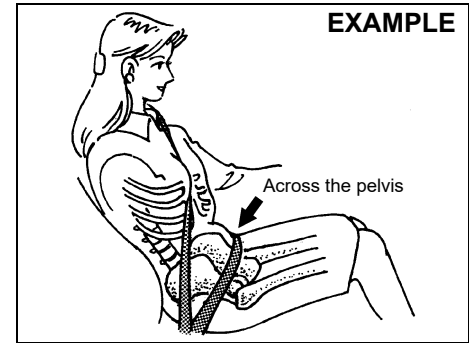


65D606

**⚠ WARNING**

- Never allow persons to ride in the cargo area of a vehicle. In the event of an accident, there is a much greater risk of injury for persons who are not riding in a seat with their seat belt securely fastened.
- Ensure that all seat belts are worn correctly. An improperly worn seat belt increases the risk of injury or death if a collision occurs.
- Seat belts should always be adjusted as follows:
  - the lap portion of the belt should be worn low across the pelvis, not across the waist.
  - the shoulder straps should be worn on the outside shoulder only, and never under the arm.
  - the shoulder straps should be away from your face and neck, but not falling off your shoulder.

(Continued)



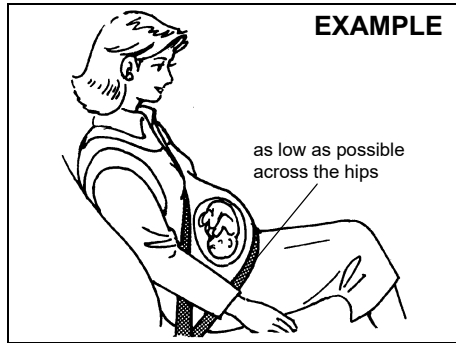
65D201

**⚠ WARNING**

(Continued)

- Seat belts should never be worn with the straps twisted and should be adjusted as tightly as is comfortable to provide the protection for which they have been designed. A slack belt will provide less protection than one which is snug.
- Make sure that each seat belt buckle is inserted into the proper buckle catch.

(Continued)



65D199

### ⚠ WARNING

(Continued)

- **Pregnant women should use seat belts, although specific recommendations about driving should be made by the woman's medical advisor. Remember that the lap portion of the belt should be worn as low as possible across the hips, as shown in the diagram.**
- **Do not wear seat belts over hard, fragile, or sharp items such as pens, keys, eyeglasses, etc. in pockets or on clothing. The pressure from seat belt on such items can cause injury in case of an accident.**
- **Do not wear your seat belt over hard or breakable objects in your pockets or on your clothing. If an accident occurs, objects such as glasses, pens, etc. under the seat belt can cause injury.**

(Continued)

### ⚠ WARNING

(Continued)

- **Never use the same seat belt on more than one occupant and never attach a seat belt over an infant or child being held on an occupant's lap. Such seat belt use could cause serious injury in the event of an accident.**
- **Periodically inspect seat belt assemblies for excessive wear and damage. Seat belts should be replaced if webbing becomes frayed, contaminated, or damaged in any way. It is essential to replace the entire seat belt assembly after it has been worn in a severe impact, even if damage to the assembly is not obvious.**
- **Infants and small children should never be transported unless they are properly restrained.**
- **For children, if the shoulder belt irritates the neck or face, move the child closer to the center of the vehicle.**
- **Avoid contamination of seat belt webbing by polishes, oils, chemicals, and particularly battery acid. Cleaning may safely be carried out using mild soap and water.**

(Continued)

**⚠ WARNING**

(Continued)

- Do not insert any items such as coins, clips, etc. into the seat belt buckles, and be careful not to spill liquids into these parts. If foreign materials get into a seat belt buckle, the seat belt may not work properly.

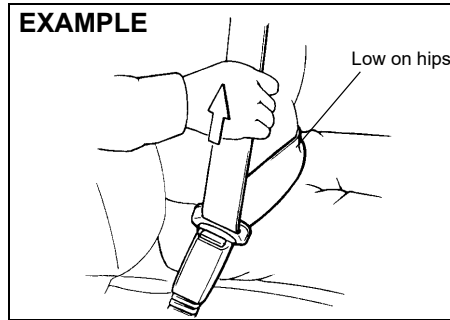
**Lap-Shoulder Belt**

**Emergency Locking Retractor (ELR)**

The seat belt has an emergency locking retractor (ELR), which is designed to lock the seat belt only during a sudden stop or impact. It also may lock if you pull the belt across your body very quickly. If this happens, let the belt go back to unlock it, then pull the belt across your body more slowly.

**Safety reminder**

**EXAMPLE**



60A040

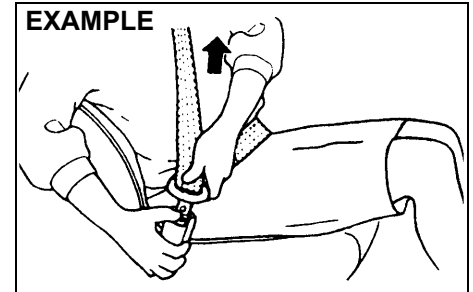
To reduce the risk of sliding under the belt during a collision, position the lap portion of the belt across your lap as low on your hips as possible and adjust it to a snug fit by pulling the shoulder portion of the belt upward through the latch plate. The length of the diagonal shoulder strap adjusts itself to allow freedom of movement.

To fasten the seat belt, sit up straight and well back in the seat, pull the latch plate attached to the seat belt across your body and press it straight into the buckle until you hear a click.

**NOTE:**

*If the seat belt cannot be pulled from its fully retracted position, firmly pull the belt and release it. Then smoothly pull the belt out of the retractor.*

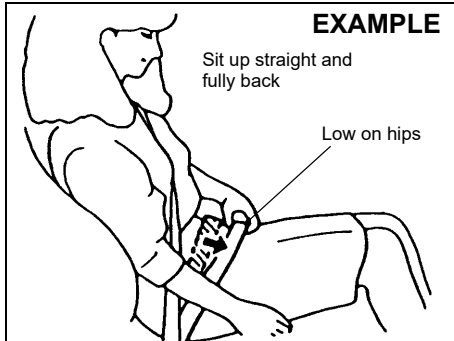
**EXAMPLE**



60A039

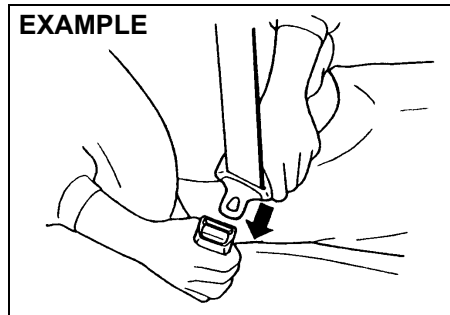
To unfasten the seat belt, push the button on the buckle and retract the belt slowly while attaching a hand to the belt or/and the latch plate.

**EXAMPLE**



60A038

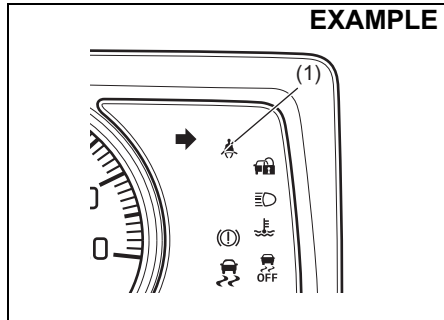
**EXAMPLE**



60A036

## BEFORE DRIVING

### Seat Belt Reminder



77PM02020

- (1) Driver's seat belt reminder light / front passenger's seat belt reminder light

When the driver and / or front passenger do / does not fasten their seat belts, the seat belt reminder light will come on or blink and a buzzer will sound to remind the driver and/or passenger to fasten their seat belts. For more details, refer to the explanation below.

#### **▲ WARNING**

**It is absolutely essential that the driver and passengers fasten their seat belts at all times. Persons who are not fastening seat belts have a much greater risk of injury if an accident occurs. Make a regular habit of buckling your seat belt before putting the key in the ignition switch.**

#### **NOTE:**

*The driver's seat belt reminder light / front passenger's seat belt reminder light is for both the driver and front passenger.*

#### **Driver's or front passenger's seat belt reminder**

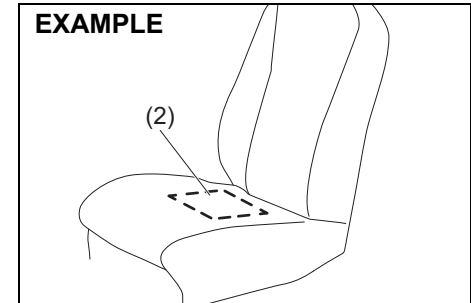
If the driver's or front passenger's seat belt remains unbuckled when the ignition switch is turned "ON", the reminder works as follows:

- 1) The driver's or front passenger's seat belt reminder light will come on.
- 2) After the vehicle's speed has reached about 15 km/h, the driver's or front passenger's seat belt reminder light will blink and a buzzer will sound for about 95 seconds.
- 3) After step 2) has finished, the reminder light will remain on until the driver's or front passenger's seat belt is buckled.

If the driver or front passenger has buckled his or her seat belt and later unbuckles the seat belt, the reminder system will be activated from Step 1) or 2) according to the vehicle's speed. When the vehicle's speed is less than 15 km/h, the reminder will start from Step 1). When the vehicle's speed is more than 15 km/h, the reminder will start from Step 2). The reminder will be automatically canceled when the driver's or front passenger's seat belt is buckled or the ignition switch is turned off.

#### **Front passenger's seat belt reminder**

If there is a person sitting on the front passenger seat and the front passenger seat belt is unbuckled when the ignition switch is turned to "ON" position, the front passenger's seat belt reminder will activate.



69RH203

- (2) The sensor of the front passenger's seat belt reminder

The seat belt reminder sensor (2) detects whether a person is sitting in the front seat. The sensor of the front passenger's seat belt reminder is located in the seat cushion. The front passenger's seat belt reminder works in the same manner as the driver's seat belt reminder.

**NOTICE**

- The sensor of the front passenger's seat belt reminder is located in the seat cushion. If heavy or sharp objects are put on the seat cushion, or a removal, disassembly and modification of the passenger's seat are performed, the sensor may not work properly or can be damaged. Do not put heavy or sharp objects on the seat cushion. Do not remove, disassemble and modify the passenger's seat.
- Depending on the variety of seat cover, operation of the sensor may be adversely affected. MARUTI SUZUKI highly recommends that you use MARUTI SUZUKI genuine seat cover exclusively for this vehicle.
- If you spill liquid such as liquid aromatics, soft drinks or juice on the front passenger's seat cushion, the sensor of the front passenger's seat belt reminder located in the seat cushion can be damaged. Immediately wipe it dry with a soft cloth when spilled.

(Continued)

**NOTICE**

(Continued)

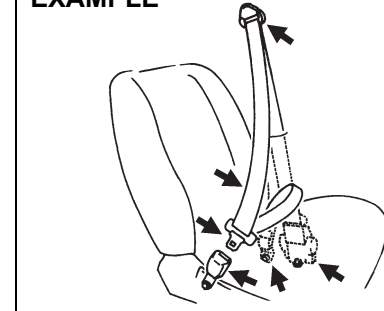
- When sitting on the front passenger's seat, it is very important that the passenger sits upright, leaning against the seat backrest and centered on the seat cushion in order for the seatbelt reminder system to function effectively. An occupant sitting improperly (slouches, turns sideways, sits forward or sideways) may hamper the functioning of this system as it may not detect the occupant.

**NOTE:**

- If you put an object on the passenger's seat, the weight of the object will be sensed by the sensor and the front passenger's seat belt reminder light will come on and then the interior buzzer may beep.
- If a child or a small sized person sits on the front passenger's seat or the cushion is put on the front passenger's seat, the weight may not be sensed by the sensor and the interior buzzer may not beep.

**NOTE:**

Maruti Suzuki recommends use of Maruti Suzuki Genuine accessory of "Seat cover".

**Seat Belt Inspection****EXAMPLE**

65D209S

Periodically inspect the seat belts to make sure they work properly and are not damaged. Check the webbing, buckles, latch plates, retractors, anchorages, and guide loops. Replace any seat belts which do not work properly or are damaged.

**⚠ WARNING**

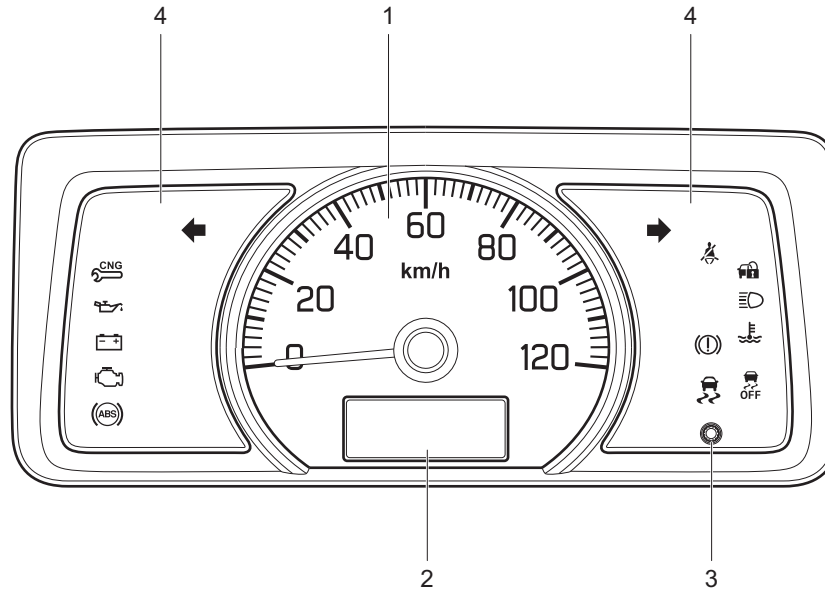
Be sure to inspect all seat belt assemblies after any collision. Any seat belt assembly which was in use during a collision (other than a very minor one) should be replaced, even if damage to the assembly is not obvious. Any seat belt assembly which was not in use during a collision should be replaced if it does not function properly or if it is damaged in any way.

## BEFORE DRIVING

### Instrument Cluster

1. Speedometer
2. Information display
3. Trip meter selector knob
4. Warning and indicator lights

#### EXAMPLE



77PM02021



## Speedometer

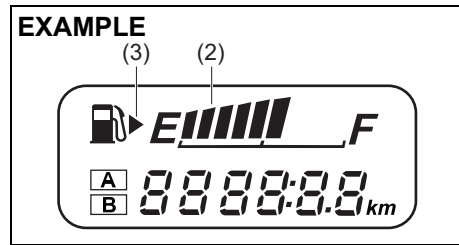
The speedometer indicates vehicle speed.

**NOTE:**

Maximum speed of the vehicle is 80 km/hr as per government regulation.

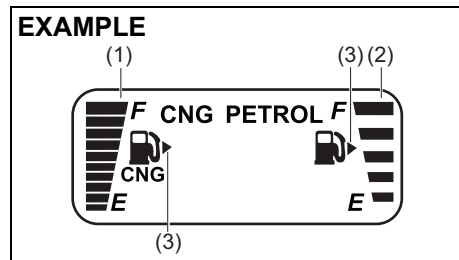
## Fuel Gauge

### Petrol Model



77PM02018

### CNG Model



77PM07019

- (1) Indicates CNG fuel gauge.
- (2) Indicates Petrol fuel gauge.

When the ignition switch is in the “ON” position, this gauge gives an approximate indication of the amount of fuel in the fuel tank. “F” stands for full and “E” stands for empty.

If the fuel meter indicator shows only one segment to “E”, refill the tank as soon as possible.

The mark (3) indicates that the fuel filler door is located on the right side of the vehicle.

**NOTICE**

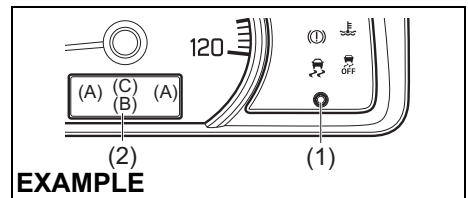
To minimize the possibility of damage to catalytic converter or other components of the vehicle, avoid driving the vehicle near empty fuel tank level.

**NOTE:**

If the last segment blinks, it means that the fuel is almost empty.

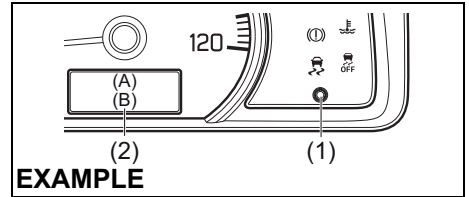
## Information Display

### For CNG Model



77PM07026

### For Petrol Model



77PM07035

- (1) Trip meter selector knob
- (2) Information display

When the ignition switch is in the “ON” position, the information display shows the following information.

### Display (A)

Fuel gauge

### Display (B)

Odometer / Trip meter / Clock / Brightness control

### Display (C)

Fuel modes (if equipped)

## Fuel Gauge

When the ignition switch is in the “ON” position, the display (A) shows the fuel gauge.

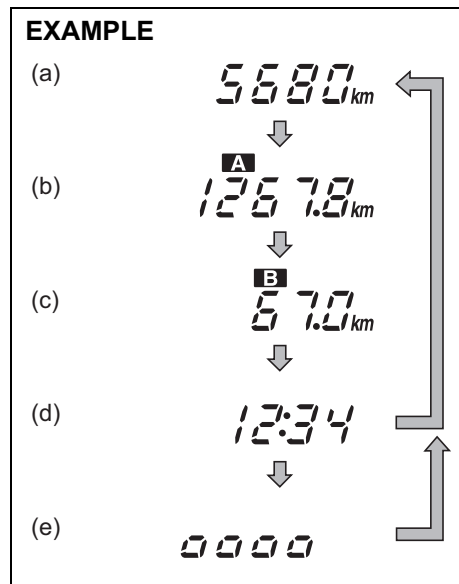
Refer to “Fuel Gauge” in this section.

## BEFORE DRIVING

### Odometer / Trip meter / Clock / Brightness Control

When the ignition switch is in the "ON" position, the display (B) shows one of the following indications, odometer, trip meter A, trip meter B or clock.

To switch the display indication (B), push the trip meter selector knob (1) quickly.



- (a) Odometer  
(b) Trip meter A

- (c) Trip meter B  
(d) Clock  
(e) Brightness control\*

\* The brightness control will appear when the position lights and/or headlights are on.

#### ⚠ WARNING

**If you attempt to adjust the display while driving, you could lose control of the vehicle.**

**Do not attempt to adjust the display while driving.**

#### NOTE:

*Indications will change when you push and release the knob.*

#### Odometer

The odometer records the total distance for which the vehicle has been driven.

#### NOTICE

**Keep track of your odometer reading and check the maintenance schedule regularly for required services. Increased wear or damage to certain parts can result from failure to perform required services at the proper mileage intervals.**

#### Trip meter

The trip meter can be used to measure the distance traveled on short trips or between fuel stops.

You can use the trip meter A or trip meter B independently.

To reset the trip meter to zero, push and hold the trip meter selector knob (1) for a while when the display shows the trip meter.

#### NOTE:

*The indicated maximum value of the trip meter is 9999.9. When you run past the maximum value, the indicated value will return to 0.0.*

#### Clock

The display shows the time.

To change the time indication:

- 1) Push and hold the trip meter selector knob (1) until the minute indication blinks.
- 2) To change the minute indication, push the trip meter selector knob (1) repeatedly when the minute indication blinks. To change the minute indication quickly, push and hold the trip meter selector knob (1). To set the minute indication, wait for about 5 seconds till the hour indication starts to blink.
- 3) To change the hour indication, push the trip meter selector knob (1) repeatedly till the minute indication begins to blink. Wait for about 5 seconds and hour indication will begin to blink. To change the

hour indication, quickly push and hold the trip meter selector knob (1). To set the hour indication, wait for about 5 seconds.

**⚠ WARNING**

**If you attempt to adjust the display while driving, you could lose control of the vehicle.**

**Do not attempt to adjust the display while driving.**

**NOTE:**

*When you reconnect the negative (-) terminal to the battery, the clock indication will be reinitialized. Change the indication again to your preference.*

**Brightness control**

When the position lights and/or headlights are ON, you can control the meter illumination intensity.

To change the brightness of the instrument panel lights, push and hold the trip meter selector knob (1).

**⚠ WARNING**

**If you attempt to adjust the display while driving, you could lose control of the vehicle.**

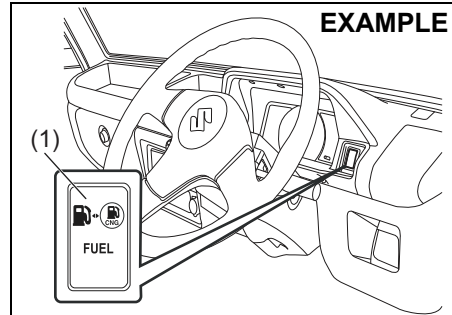
**Do not attempt to adjust the display while driving.**

**NOTE:**

- *If you do not push the trip meter selector knob within about 10 seconds of activating the brightness control display, the brightness control display will be canceled automatically.*
- *When you reconnect the battery, the brightness of the instrument panel lights will be reinitialized. Readjust the brightness according to your preference.*

**Fuel Modes for CNG model (if equipped)**

There are three fuel modes in the vehicle Petrol, Auto and Forced CNG modes which are selectable by pressing the selector switch(1) located on the right side of the steering wheel on the dashboard.



77PM02005

**Petrol Mode**

**EXAMPLE**



77PM02002

In this mode vehicle starts in petrol and continue running in petrol mode. In this mode, petrol indicator is continuously displayed and CNG indicator will remain "OFF".

**Auto Mode**

**EXAMPLE**



77PM02003

In this mode engine starts in petrol mode and then automatically changes to CNG after reaching programmed warming up condition. With ignition switch ON and vehicle started in "AUTO MODE", CNG indicator blinks on the display and PETROL indicator is displayed. After change-over to CNG, CNG indicator will be

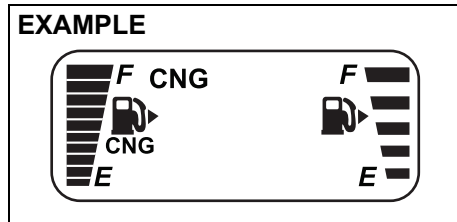
## BEFORE DRIVING

displayed and Petrol indicator will switch OFF automatically.

### NOTE:

- It is always recommended to start the vehicle in AUTO MODE or PETROL MODE to enhance the engine life.
- The fuel changeover to CNG may not happen if the vehicle is started when the ambient / engine temperature is below Zero Degree Celsius. In such a case, run the engine in PETROL MODE till it warms up and then try restarting the engine to changeover to CNG.

### Forced CNG Mode



77PM02004

This is emergency mode and may be used in cases where there is no petrol in petrol tank. In this mode vehicle starts in CNG mode and continues running in CNG mode. With ignition "ON" and engine not running, press and hold the changeover switch till only CNG indicator is displayed. In this mode, CNG indicator is displayed and Petrol indicator remains "OFF".

### NOTE:

- It is recommended to keep sufficient amount of petrol in the petrol tank.
- The vehicle may not start in Forced CNG mode if the ambient / engine temperature is below Zero Degree Celsius. It is recommended to start the vehicle in Auto mode.

### Automatic Changeover From CNG Mode To Petrol Mode

If CNG is finished while the engine is running, vehicle will automatically changeover from CNG mode to Petrol mode & CNG malfunction warning lamp will start blinking. Petrol indicator will be displayed continuously and CNG indicator will switch OFF automatically.

To acknowledge this information, press the changeover switch once. The CNG malfunction warning lamp will stop blinking after the changeover switch is pressed and Petrol indicator will glow continuously. However the CNG malfunction indicator lamp will continue to blink after every subsequent Ignition ON - Ignition OFF condition until the vehicle is refilled with CNG. In case CNG is refilled, please press the fuel changeover switch once to changeover to CNG. Then, vehicle can run on CNG.

### NOTE:

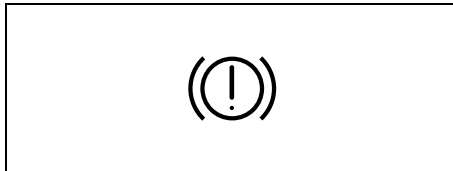
- It is recommended to keep sufficient amount of petrol in the petrol tank to prevent engine stalling while automatic changeover from CNG mode to Petrol mode.
- In case the CNG malfunction warning lamp does not stop blinking after pressing the changeover switch, have the vehicle inspected at the nearest authorised MARUTI SUZUKI COMMERCIAL workshop.

## Warning and Indicator Lights

### NOTE:

If warning and indicator lights blink or come on, the corresponding messages may be shown on the information display.

### Brake System Warning Light



82K170

Four different types of operations exist depending on the vehicle's specification.

- 1) The light comes on briefly when the ignition switch is turned to the "ON" position.
- 2) The light comes on when the parking brake is engaged with the ignition switch in the "ON" position.
- 3) The light comes on when under either or both of above two conditions.
- 4) The light also comes on when the fluid in the brake fluid reservoir falls below the specified level.

The light should go out after starting the engine and fully releasing the parking brake, if the fluid level in the brake fluid reservoir is adequate.

The light also comes on together with the ABS warning light when the rear brake force control function (proportioning valve function) of the ABS system fails.

If the brake system warning light comes on while you are driving the vehicle, it may mean that there is something wrong with the vehicle's brake system. If this happens, you should:

- 1) Pull off the road and stop carefully.

### ⚠ WARNING

**Remember that stopping distance may be longer, you may have to push harder on the pedal, and the pedal may go down farther than normal.**

- 2) Test the brakes by carefully starting and stopping at the side of the road.
  - If you determine that it is safe, drive carefully at low speed to the nearest dealer for repairs, or
  - Have the vehicle towed to the nearest authorised MARUTI SUZUKI COMMERCIAL workshop for repairs.

### ⚠ WARNING

**If any of the following conditions occur, you should immediately ask your authorised MARUTI SUZUKI COMMERCIAL workshop to inspect the brake system.**

- If the brake system warning light does not go out after the engine has been started and the parking brake has been fully released.
- If the brake system warning light does not come on when the ignition switch is turned to the "ON" position.
- If the brake system warning light comes on at any time during vehicle operation.

### NOTE:

*Because the brake system is self-adjusting, the fluid level will drop as the brake pads become worn. Replenishing the brake fluid reservoir is considered normal periodic maintenance.*

## BEFORE DRIVING

### Anti-lock Brake System (ABS) warning light (if equipped)



65D529

When the ignition switch is turned to "ON" position, the light comes on briefly so you can check that the light is working.

If the light stays on, or comes on when driving, there may be something wrong with the ABS.

If this happens:

- 1) Pull off the road and stop carefully.
- 2) Turn the ignition switch to "LOCK" position and then start the engine again.

If the warning light comes on briefly and then turns off, the system is normal. If the warning light still stays on, something is wrong with the system.

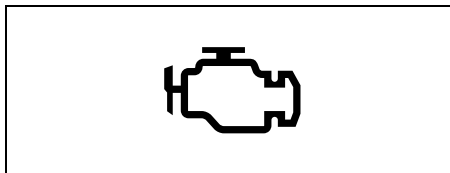
If the light and the brake system warning light stay on, or come on simultaneously when driving, your ABS system is equipped with the rear brake force control function (proportioning valve function) and there may be something wrong with both the rear brake force control function and the anti-lock function of the ABS system.

If one of the above occur, have the system inspected by a MARUTI SUZUKI authorized workshop.

If the ABS becomes inoperative, the brake system will function as an ordinary brake system that does not have this ABS system.

For details of ABS system, refer to "Anti-lock Brake System (ABS)" in "OPERATING YOUR VEHICLE" section.

### Malfunction Indicator Light



63J031

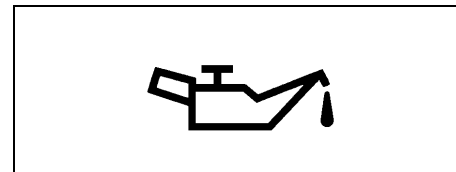
Your vehicle has a computer-controlled emission control system. A malfunction indicator light is provided on the instrument panel to indicate when it is necessary to have the emission control system serviced. The malfunction indicator light comes on when the ignition switch is turned to "ON" position to let you know the light is working and goes out when the engine is started.

If the malfunction indicator light comes on when the engine is running, there is a problem with the emission control system. Take the vehicle to your nearest authorised MARUTI SUZUKI COMMERCIAL workshop to have the damage fixed.

### NOTICE

**Continuing to drive the vehicle when the malfunction indicator light is on can cause permanent damage to the vehicle's emission control system, and can affect fuel economy and driveability.**

### Oil Pressure Light



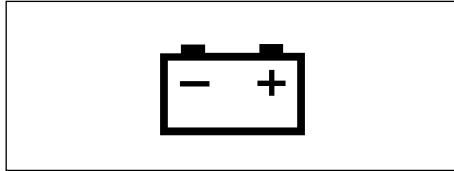
50G051

This light comes on when the ignition switch is turned to the "ON" position, and goes out when the engine is started. The light will come on and remain on if there is insufficient oil pressure. If the light comes on when driving, pull off the road as soon as you can and stop the engine. Check the oil level and add recommended engine oil if necessary. If there is enough oil, the lubrication system should be inspected by your authorised MARUTI SUZUKI COMMERCIAL workshop before you drive the vehicle again.

**NOTICE**

- If you operate the engine with this light on, severe engine damage can result.
- Do not rely on the Oil Pressure Light to indicate the need to add oil. Be sure to periodically check the engine oil level.

**Charging Light**



50G052

This light comes on when the ignition switch is turned to the “ON” position, and goes out when the engine is started. The light will come on and remain on if there is something wrong with the battery charging system. If the light comes on when the engine is running, the charging system should be inspected immediately by your authorised MARUTI SUZUKI COMMERCIAL workshop.

**Driver’s Seat Belt Warning Light / Front Passenger’s Seat Belt Warning Light**

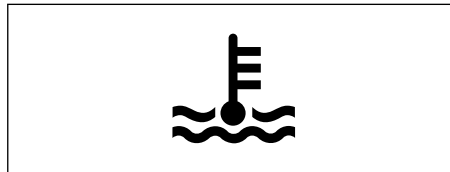


60G049

When the driver or front passenger does not buckle his or her seat belt, this light will come on and/or blink.

For details about the seat belt reminder, refer to “Seat Belts and Child Restraint Systems” in this section.

**High Engine Coolant Temperature Warning Light (red color)**



54G344

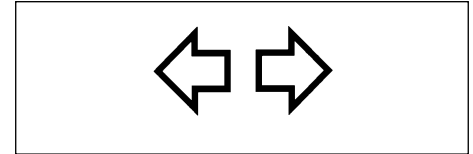
When the ignition switch is turned to the “ON” position, this light comes on briefly so you can check that the light is working. If this light blinks while driving, it means the engine is running hot. Avoid driving conditions that may lead to actual overheating. If the light stays on without blinking, then the

engine is overheating. Follow the instructions in the “If the Engine Overheats” of “EMERGENCY SERVICE” section.

**NOTICE**

**Continuing to drive the vehicle when engine overheating is indicated can result in severe engine damage.**

**Turn Signal Indicators**



50G055

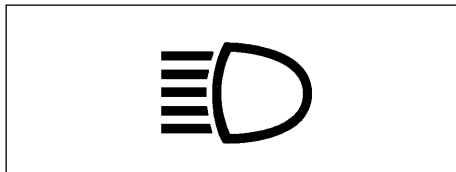
When you turn on the left or right turn signals, the corresponding green arrow on the instrument panel will flash along with the respective turn signal lights. When you turn on the hazard warning switch, both arrows will flash along with all of the turn signal lights.

**NOTE:**

*If any abnormality of the turn signals is observed, such as fast blinking, there may be malfunction in the turn signal system. Ask your Maruti Suzuki authorized workshop to inspect the system.*

## BEFORE DRIVING

### Main Beam (high beam) Indicator Light



50G056

This indicator comes on when headlight main beams (high beams) are turned on.

### Immobilizer system warning light



65D239

When the ignition switch is turned to the "ON" position, this light comes on to let you know the light is working. If this light blinks with the ignition switch turned to "ON", there may be something wrong with the immobilizer system. Ask a Maruti Suzuki authorised workshop to have the system inspected.

### ESP® Warning light (if equipped)



56RM02033

ESP® is a registered trademark of Daimler AG.

This light blinks 5 times per second when one of the following systems is activated.

- Stability control system
- Traction control system

If this light blinks, drive carefully.

When the ignition switch is turned to "ON" position, the light comes on briefly so you can check that the light is working. If the light stays ON, or comes on when driving and remains ON, there may be something wrong with the ESP® systems (other than ABS). You should have the system inspected by a Maruti Suzuki authorized workshop.

For details of the ESP® systems, refer to "Electronic Stability Program (ESP®) (if equipped)" in "OPERATING YOUR VEHICLE" section.

#### **WARNING**

**The ESP® systems cannot prevent accidents. Always drive carefully.**

### ESP® OFF indicator light (if equipped)



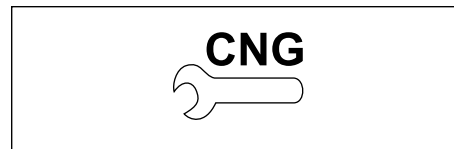
56RM02034

When the ignition switch is turned to the "ON" position, this light comes on briefly so you can check that the light is working.

When the ESP® OFF switch is pushed to turn off the ESP® systems (other than ABS), the ESP® OFF indicator light comes on and stays on.

For details of the ESP® systems, refer to "Electronic Stability Program (ESP®) (if equipped)" in "OPERATING YOUR VEHICLE" section.

### CNG Malfunction Warning Light (if equipped)



77PMC015

When the ignition switch is turned "ON", this CNG malfunction warning lamp comes



on briefly, to check that the CNG malfunction lamp is trouble free.

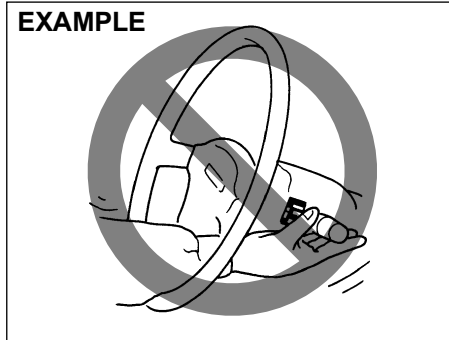
- If CNG malfunction warning lamp glows continuously, with ignition "ON" there is some problem with the CNG system. Immediately get your vehicle checked by authorised MARUTI SUZUKI COMMERCIAL workshop.
- If CNG malfunction warning lamp blinks during engine running, it means there is some problem in CNG system in which vehicle cannot continue running in CNG-MODE and automatically switchover to petrol mode. Have your vehicle checked at authorised MARUTI SUZUKI COMMERCIAL workshop.

**NOTE:**

*With ignition switch "ON" and engine not running, blinking of CNG lamp indicates that fuel lid is open. Vehicle will not start in this condition. Close the lid in order to start the vehicle.*

### Lighting Control Lever

**EXAMPLE**

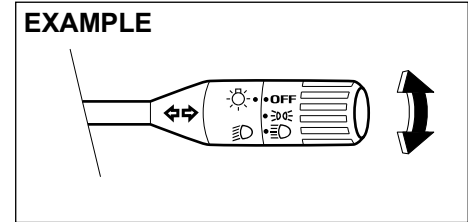


65D611

**⚠ WARNING**  
**To avoid possible injury, do not operate controls by reaching through the steering wheel.**

### Lighting Operation

**EXAMPLE**



77PH110

To turn the lights on or off, twist the knob at the end of the lever. There are three positions:

**OFF**

All lights are off.



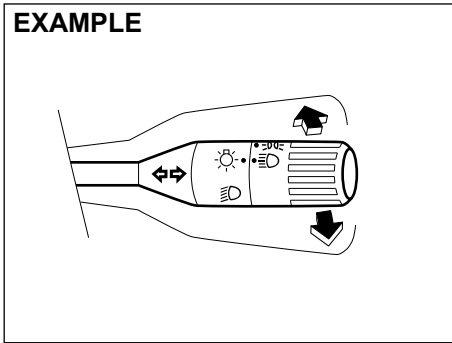
Front position lights, tail lights, license plate lights and instrument lights are on, but headlights are off.



Front position lights, tail lights, license plate lights, instrument lights and headlights are on.

## BEFORE DRIVING

### EXAMPLE

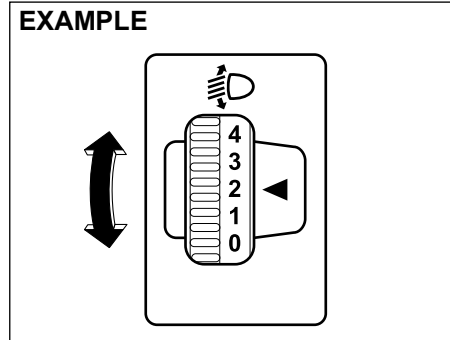


77PH111

With the headlights on, push the lever forward to switch to the high beams (main beams) or pull the lever toward you to switch to the low beams. When the high beams (main beams) are on, main beam (high beam) indicator light on the instrument panel will come on. To momentarily activate the high beams (main beams) as a passing signal, pull the lever slightly toward you and release it when you have completed the signal.

## Headlight Leveling Switch

### EXAMPLE



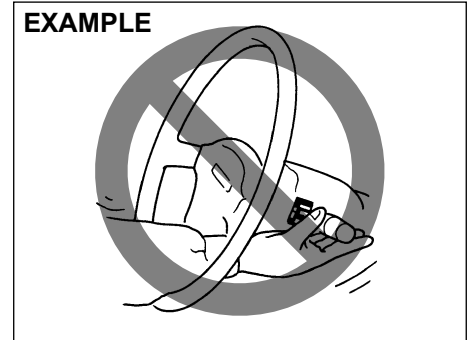
77PH010

Level the headlight beam according to the load condition of your vehicle by turning this switch. The chart below shows the appropriate switch position for different vehicle-load conditions.

Vehicle Load Condition	Switch Position
Driver only	0
Driver + full cargo	3

## Turn Signal Control Lever

### EXAMPLE



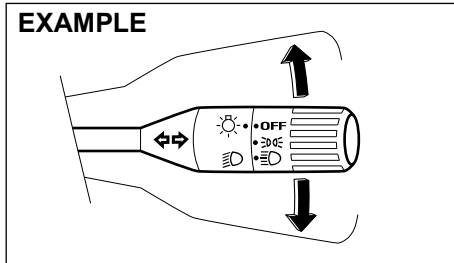
65D611

### **⚠ WARNING**

**To avoid possible injury, do not operate controls by reaching through the steering wheel.**

### Turn Signal Operation

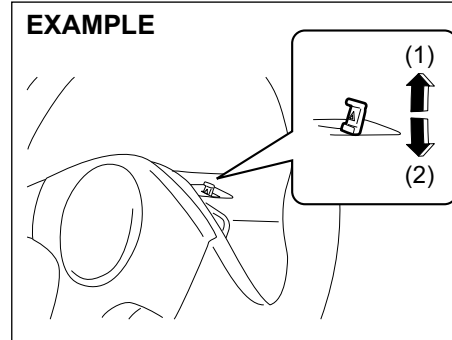
With the ignition switch in the "ON" position, move the lever up or down to activate the right or left turn signals.



77PH112

Move the lever upward or downward to signal. When the turn is completed, the signal will cancel and the lever will return to its normal position.

### Hazard Warning Switch



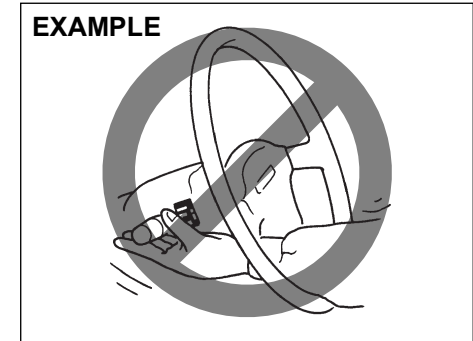
77PH028

- (1) ON
- (2) OFF

Pull up the hazard warning switch to activate the hazard warning lights. All turn signal lights and both turn signal indicators will flash simultaneously. To turn off the lights, push down the switch.

Use the hazard warning lights to warn other traffic during emergency parking or when your vehicle could otherwise become a traffic hazard.

### Windshield Wiper and Washer Lever



65D611

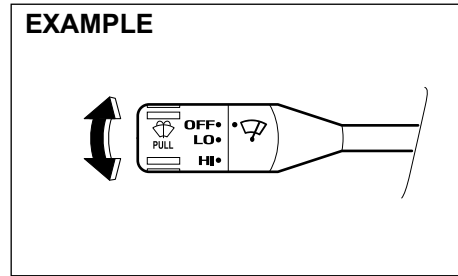
**⚠ WARNING**  
**To avoid possible injury, do not operate controls by reaching through the steering wheel.**

### Wiper Operation

When the ignition switch is in the "ON" position, you can use the wiper lever.

## BEFORE DRIVING

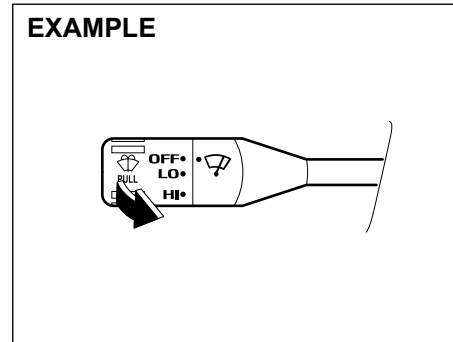
### Windshield Wipers



77PM02015

To turn the windshield wipers on, twist the knob at the end of the lever to one of the operating positions. In the “LO” position, the wipers operate at a steady low speed. In the “HI” position, the wipers operate at a steady high speed. To turn off the wipers, twist the lever back to the “OFF” position.

### Windshield Washer



77PM02016

To spray windshield washer fluid, pull the lever towards you.

#### **▲ WARNING**

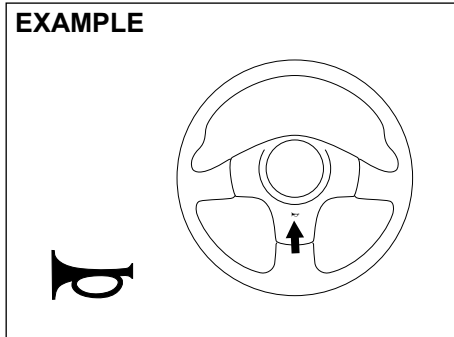
**Do not use radiator antifreeze in the windshield washer reservoir. It can severely impair visibility when sprayed on the windshield, and can also damage your vehicle's paint.**

#### **NOTICE**

To help prevent damage to the windshield wiper and washer system components, you should take the following precautions:

- Do not continue to hold in the lever when there is no windshield washer fluid being sprayed or the washer motor can be damaged.
- Do not attempt to remove dirt from a dry windshield with the wipers or you can damage the windshield and the wiper blades. Always wet the windshield with washer fluid before operating the wipers.
- Clear ice or packed snow from the wiper blades before using the wipers.
- Check the washer fluid level regularly. Check it often when the weather is bad.
- Only fill the washer fluid reservoir 3/4 full during cold weather to allow room for expansion if the temperature falls low enough to freeze the solution.

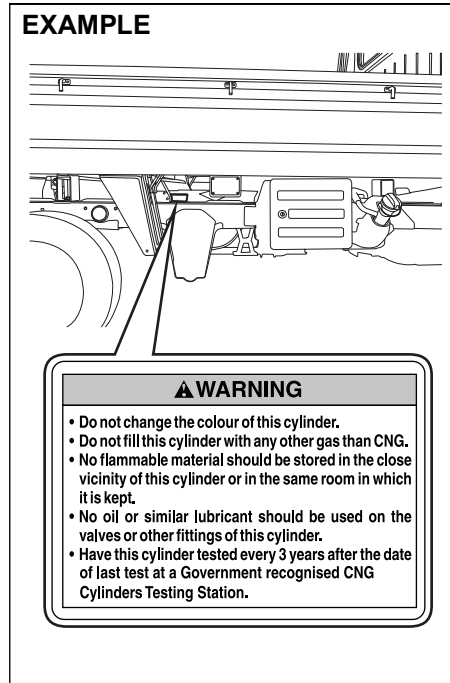
**Horn**



77PH029

Press the horn button of the steering wheel to sound the horn. The horn will sound with the ignition switch in any position.

**CNG Cylinder Warning Label (if equipped)**

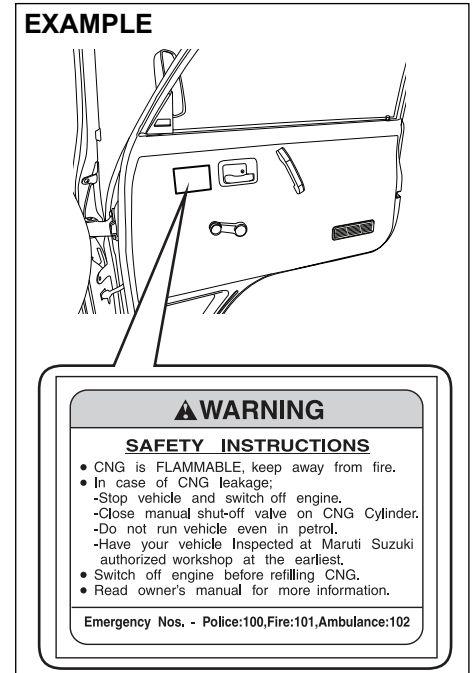


77PM02006

You may find this label on the CNG cylinder.

**CNG Warning Label (if equipped)**

**Front Driver Door**

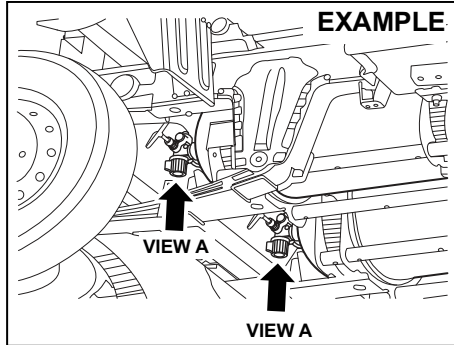


77PM02007

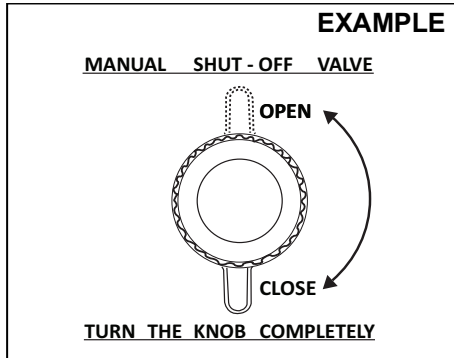
CNG warning label is located on front right door.

## BEFORE DRIVING

### CNG Manual Shut-OFF Valve (if equipped)



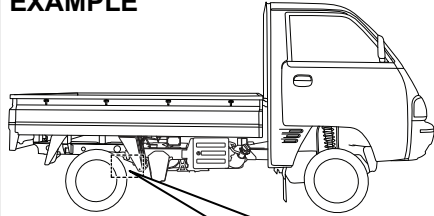
77PM02011



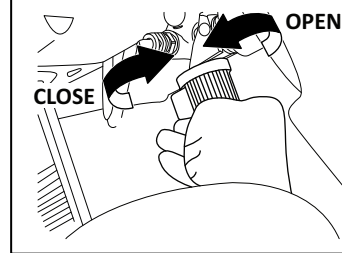
77PM02014

### Right Hand Side (RHS)

#### EXAMPLE



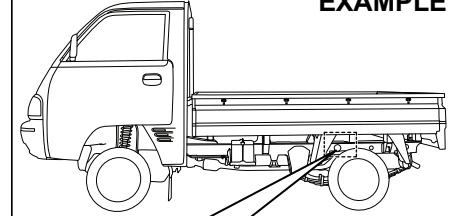
#### Valve 1



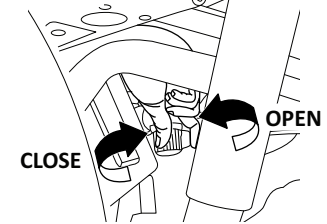
77PM02012

### Left Hand Side (LHS)

#### EXAMPLE



#### Valve 2



77PM02013

Manual shut off valve is located on CNG cylinders which are provided in vehicle under body.

There are two CNG cylinders in the vehicle under body, each containing one manual shut off valve.

The manual shutoff valve 1 and valve 2 are accessed from right hand side (RHS) and left hand side (LHS) of the vehicle respectively.

CNG supply can be switched off by closing the manual shut-off valve on both the CNG cylinders.

**Valve closing:** Turn the knob completely in clockwise direction (from view A) to close the CNG supply to Engine.

**Valve opening:** Turn the knob completely in anti-clockwise direction (from view A) to open the CNG supply to Engine.

**▲ CAUTION**

**Be careful that your hand does not touch exhaust pipe while accessing the manual shut off valve 2 (LHS). After driving, exhaust pipe can be hot enough to burn your hand.**

**NOTE:**

- If the manual shut-off valve is not opened fully, then the engine may not run properly.
- If the manual shut-off valve is in closed condition, it is not possible to fill CNG into the cylinder.

**NOTE:**

- As per Government regulation, CNG cylinder needs to be checked and certified every three (3) years from the date of initial testing as mentioned on the CNG cylinder identification plate.
- Customer has to present the vehicle to a government approved testing agency.
- Failure to test the cylinder may result in denying of CNG filling by the CNG dispensing stations or may result in confiscating the vehicle by enforcement authorities.
- All the expenses for CNG cylinder testing has to be borne by the customer.
- As per Government regulation, CNG cylinder has to be discarded at 20 years from the date of initial testing as mentioned in the CNG cylinder identification plate.
- Customer has to discard the cylinder at his / her expense through government approved scrap agencies.
- No person shall refill any cylinder, which has been repaired under sub-rule (2) with any gas unless a full report on the repairs and test carried out on the cylinder, accompanied by the repairer's certificate of testing are furnished to the Chief Controller and his permission is obtained for its refilling.

**▲ WARNING**

- Never remove the cylinder valve from the cylinder assembly. For any assistance consult authorised MARUTI SUZUKI COMMERCIAL workshop.
- Never try to clean the cylinder. In case of any problem, contact authorised MARUTI SUZUKI COMMERCIAL workshop.
- Do not reuse the cylinder valve, once it is replaced / removed from cylinder assembly.
- Even if the CNG from the cylinder is consumed till engine stops, some amount of CNG will be left out in the tank under pressure.

## OPERATING YOUR VEHICLE

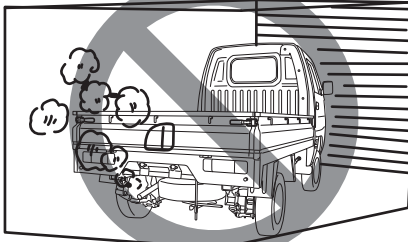
Exhaust Gas Warning .....	3-1
Daily Inspection Checklist .....	3-1
Engine Oil Consumption .....	3-2
Ignition Switch .....	3-2
Parking Brake Lever .....	3-4
Pedal .....	3-5
Starting the Engine .....	3-5
Using the Transmission .....	3-6
Parking Sensors .....	3-8
Braking .....	3-11
Anti-Lock Brake System (ABS) .....	3-12
Electronic Stability Program (ESP®) .....	3-15



## OPERATING YOUR VEHICLE

### Exhaust Gas Warning

#### EXAMPLE



82DY03

#### ⚠ WARNING

Avoid breathing exhaust gases. Exhaust gases contain carbon monoxide, a potentially lethal gas that is colorless and odorless. Since carbon monoxide is difficult to detect by itself, be sure to take the following precautions to help prevent carbon monoxide from entering your vehicle.

- Do not leave engine running in garages or confined areas, with passengers inside. This may result in accumulation of carbon-monoxide in cabin and may lead to suffocation or breathing problems and lead to death.

(Continued)

#### ⚠ WARNING

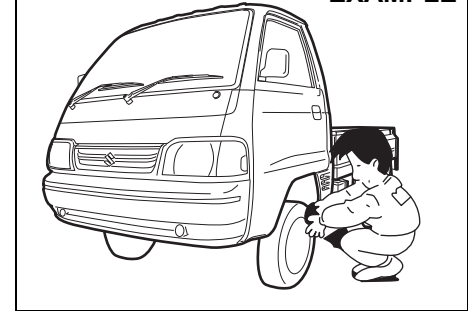
(Continued)

- Do not park with the engine running for a long period of time, even in an open area. In case of long periods, danger of choking and death on being inside the vehicle is a possibility when the engine is running. If it is necessary to sit for a short time in a parked vehicle with the engine running, make sure the air intake selector is set to "FRESH AIR" and the blower is at high speed.
- To allow proper operation of your vehicle's ventilation system, keep the air inlet grille in front of the vehicle clear of snow, leaves, or other obstructions at all times.
- Keep the exhaust pipe area clear of snow and other material to help reduce the buildup of exhaust gases under the vehicle. This is particularly important when parked in blizzard conditions.
- Have the exhaust system inspected periodically for damage and leaks. Any damage or leaks should be repaired immediately.

### Daily Inspection Checklist

#### Before Driving

#### EXAMPLE



77PM03001

- 1) Make sure that windows, mirrors, lights, and reflectors are clean and unobstructed.
- 2) Visually check the tyres for the following points:
  - the depth of the tread groove
  - abnormal wear, cracks and damage
  - loose wheel nuts
  - existence of foreign material such as nails, stones, etc.

Refer to "Tyres" in "INSPECTION AND MAINTENANCE" section for details.

- 3) Look for fluid and oil leaks.
- 4) Make sure the engine compartment is fully closed and latched.
- 5) Check the headlights, turn signal lights, brake lights and horn for proper operation.

- 6) Adjust the driver's seat.
- 7) Check the brake pedal and the parking brake lever.
- 8) Adjust the mirrors.
- 9) Make sure that you and passenger have properly fastened seat belts.
- 10) Make sure that all warning lights come on as the key is turned to the "ON" position.
- 11) Check all gauges.
- 12) Make sure that the BRAKE SYSTEM WARNING light turns off when the parking brake is released.

Once a week, or each time you fill your fuel tank or before a long distance driving (like highway driving), perform the following under-hood checks:

- 1) Engine oil level
- 2) Coolant level
- 3) Brake fluid level
- 4) Windshield washer fluid (if equipped) level
- 5) Battery electrolyte level
- 6) Latch operation  
See "All latches, hinges & locks" of "CHASSIS AND BODY" in the "Periodic Maintenance Schedule" in the "INSPECTION AND MAINTENANCE" section for lubrication schedule.

Once a month, or each time you fill your fuel tank or before a long distance driving (like highway driving), check the tyre pressure using a tyre pressure gauge. Also check the tyre pressure of the spare tyre.

### Engine Oil Consumption

It is normal for the engine to consume some engine oil during normal vehicle operation.

The amount of engine oil consumed depends on the viscosity of the oil, the quality of the oil and the conditions the vehicle is driven under.

More oil is consumed during high-speed driving and when there is frequent acceleration and deceleration. Under high loads, your engine also will consume more oil. A new engine also consumes more oil, since its pistons, piston rings and cylinder walls have not yet become conditioned. New engines reach the normal level of oil consumption only after approximately 5000 km (3000 miles) driving.

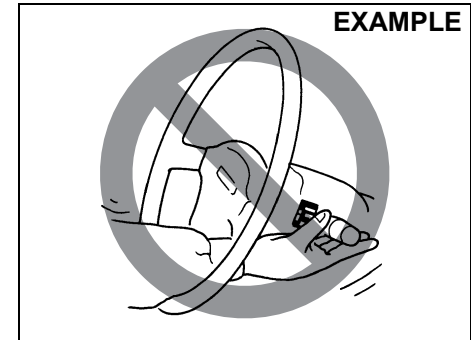
**Oil consumption:**  
**Max. 1.0 L per 1000 km**  
**(1 Qt. per 600 miles)**

When judging the amount of oil consumption, note that the oil may become diluted and make it difficult to accurately judge the true oil level.

As an example, if a vehicle is used for repeated short trips, and consumes a normal amount of oil, the dipstick may not show any drop in the oil level at all, even after 1000 km (600 miles) or more of driving. This is because the oil is gradually becoming diluted with fuel or moisture, making it appear that the oil level has not changed.

You should also be aware that the diluting ingredients evaporate out when the vehicle is subsequently driven at high speeds, such as on an expressway, making it appear that oil is excessively consumed after high-speed driving.

### Ignition Switch



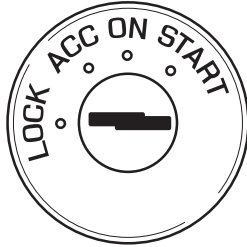
65D611

#### **⚠ WARNING**

**To avoid possible injury, do not operate controls by reaching through the steering wheel.**

## OPERATING YOUR VEHICLE

### EXAMPLE



77PH002

The ignition switch has the following four positions:

### LOCK

This is the normal parking position. It is the only position in which the key can be removed.

To release the steering lock, insert the key and turn it clockwise to one of the other positions. If you have trouble turning the key to unlock the steering, try turning the steering wheel slightly to the right or left while turning the key.

### ACC

Accessories such as the accessory socket can operate, but the engine is off.

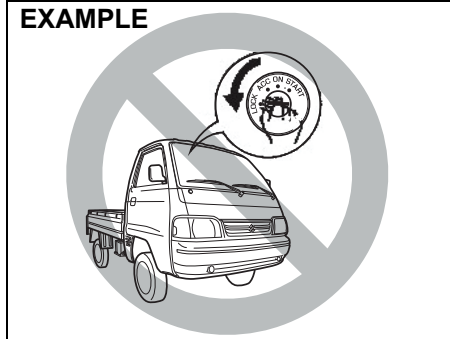
### ON

This is the normal operating position. All electrical systems are on.

### START

This is the position for starting the engine using the starter motor. The key should be released from this position as soon as the engine starts.

### EXAMPLE



82DY04

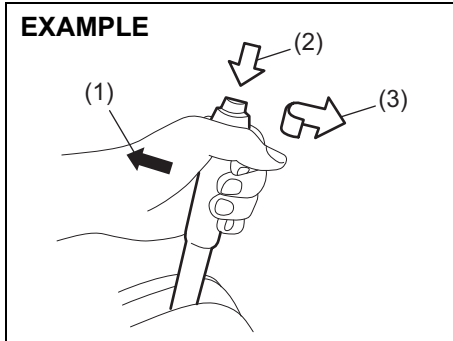
### NOTICE

- Do not use the starter motor for more than 30 seconds at a time. If the engine does not start, wait 15 seconds before trying again. If the engine does not start after several attempts, check the fuel and ignition systems or consult your authorised MARUTI SUZUKI COMMERCIAL workshop.
- Do not leave the ignition switch in the "ON" position if the engine is not running as the battery will discharge.

### ⚠ WARNING

- Never remove the ignition key while the vehicle is moving. The steering wheel will lock and you will not be able to steer the vehicle.
- Always remove the ignition key when leaving the vehicle even if only for a short time. Also do not leave children alone in a parked vehicle. They also could suffer from heat stroke in warm or hot weather. These could result in severe injury or even death.

## Parking Brake Lever



77PH030

- (1) To set
- (2) To release
- (3) To release

The parking brake lever is located between the front seats. To set the parking brake, depress the brake pedal down and pull the parking brake lever all the way up. To release the parking brake, depress the brake pedal down, pull up slightly on the parking brake lever, push the button on the end of the lever with your thumb, and lower the lever to its original position.

### ⚠ WARNING

- Never drive your vehicle with the parking brake on: rear brake effectiveness can be reduced from overheating, brake life may be shortened, or permanent brake damage may result.
- If the parking brake does not hold the vehicle securely or does not fully release, have your vehicle inspected immediately by an authorised MARUTI SUZUKI COMMERCIAL workshop.

### ⚠ WARNING

Always set the parking brake fully before leaving your vehicle or it may move, causing injury or damage. When parking, make sure the gear-shift lever is in reverse or first gear. Remember, even though the transmission is in gear, you must set the parking brake fully.

### ⚠ WARNING

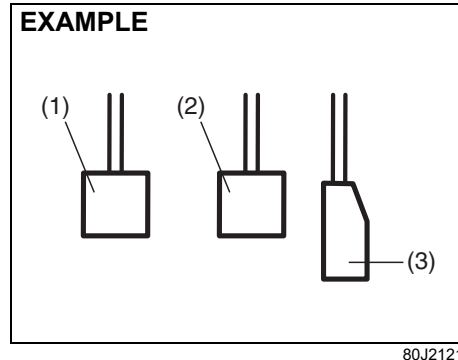
When parking the vehicle in extremely cold weather, the following procedure should be used:

- 1) Set the parking brake.
  - 2) Turn off the engine, then shift into reverse or first gear.
  - 3) Get out of the vehicle and put chocks under the wheels.
  - 4) Release the parking brake.
- When you return to your vehicle, you must remember to first set the parking brake, then remove the wheel chocks.

- Do not leave cigarette lighters, spray cans, soft drink cans or plastic articles (such as glasses, CD cases, etc.) in sun-heated vehicle. The temperature inside the vehicle may cause as follows:
  - Gas may leak from a cigarette lighter or spray can and may lead to a fire.
  - The glasses, plastic cards or CD cases, etc. may deform or crack.
  - Soft drink cans may fracture.

## OPERATING YOUR VEHICLE

### Pedal



#### Clutch Pedal (1)

The clutch pedal is used to disengage the drive to the wheels when starting the engine, stopping, or shifting the gearshift lever. Depressing the pedal disengages the clutch.

#### **⚠ WARNING**

Do not drive with your foot resting on the clutch pedal. It could result in excessive clutch wear, clutch damage, or unexpected loss of engine braking.

#### Brake Pedal (2)

Your vehicle is equipped with front disc brakes and rear drum brakes. Depressing the brake pedal applies both sets of brakes.

You may hear occasional brake squeal when you apply the brakes. This is a normal condition caused by environmental factors such as temperature, humidity, snow or dust, etc.

#### **⚠ WARNING**

If brake squeal is excessive and occurs each time the brakes are applied, you should have the brakes checked by your authorised MARUTI SUZUKI COMMERCIAL workshop.

#### **⚠ WARNING**

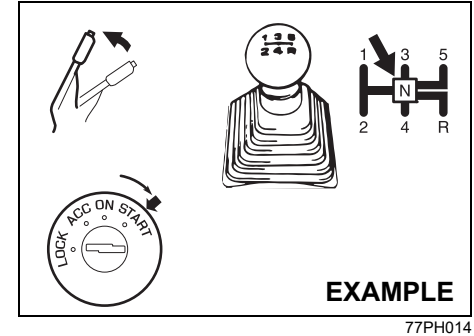
Do not ride the brakes by applying them continuously or resting your foot on the pedal. This will result in overheating of the brakes which could cause unpredictable braking action, longer stopping distances, or permanent brake damage.

#### Accelerator Pedal (3)

This pedal controls the speed of the engine. Depressing the accelerator pedal increases power output and speed.

### Starting the Engine

#### Before Starting the Engine



- 1) Make sure the parking brake is set fully.
- 2) Shift into "N" (Neutral) and depress the clutch pedal all the way to the floor. Hold the clutch pedal while starting the engine.

#### **⚠ WARNING**

Make sure that the parking brake is set fully and the transmission is in neutral before attempting to start the engine.

### Starting a Cold and Warm Engine

With your foot off the accelerator pedal, crank the engine by turning the ignition key to "START". Release the key when the engine starts.

#### ▲ CAUTION

- Stop turning the starter immediately after the engine has started or the starter system can be damaged.
- Do not crank the engine for more than 12 seconds at a time. If the engine doesn't start on the first try, wait about 30 seconds before trying again.

If the engine does not start after 12 seconds of cranking, wait about 30 seconds, then press down the accelerator pedal to 1/3 of its travel and try cranking the engine again. Release the key and accelerator pedal when the engine starts. If the engine still does not start, try holding the accelerator pedal all the way to the floor while cranking. This should clear the engine if it is flooded.

#### NOTE:

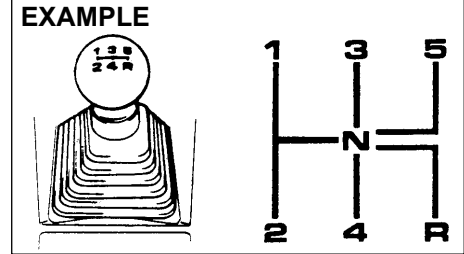
(For CNG Engine Model)

- Do not press the accelerator pedal to changeover from petrol to CNG mode.
- With ignition switch "ON" and engine not running, blinking of CNG malfunction warning lamp indicates that fuel lid is open. Vehicle will not start in this condition.

- It is always recommended to start the vehicle in AUTO MODE or PETROL MODE to enhance the engine life.
- The fuel changeover to CNG may not happen if the vehicle is started when the ambient / engine temperature is below Zero Degree Celsius. In such a case, run the engine in PETROL MODE till it warms up and then try restarting the engine to changeover to CNG.
- It is recommended to keep sufficient amount of petrol in the petrol tank.
- The vehicle may not start in Forced CNG mode if the ambient / engine temperature is below Zero Degree Celsius. It is recommended to start the vehicle in Auto mode.
- It is recommended to keep sufficient amount of petrol in the petrol tank to prevent engine stalling while automatic changeover from CNG mode to Petrol mode.
- In case the CNG malfunction warning lamp does not stop blinking after pressing the changeover switch, take the vehicle to the nearest authorised MARUTI SUZUKI COMMERCIAL workshop.

## Using the Transmission

### Manual Transmission



65D038

#### Starting off

To start off, depress the clutch pedal all the way to the floor and shift into 1st or 2nd gear. After releasing the parking brake, gradually release the clutch. When you hear a change in the engine's sound, slowly press the accelerator while continuing to gradually release the clutch.

#### NOTE:

- The recommended gear position for start off during normal driving is 2nd gear.
- In case of the cross country driving, crawling or loading driving that needs big driving force, shift position recommended is 1st gear.

#### Shifting

All forward gears are synchronized, which provides for quiet and easy shifting. Always push in the clutch pedal fully before shifting gears.

## OPERATING YOUR VEHICLE

### Downshifting maximum allowable speeds (For Petrol Model)

Downshifting	km/h
2nd to 1st	10
3rd to 2nd	65
4th to 3rd	100
5th to 4th	140*

### Downshifting maximum allowable speeds (For CNG Model)

Downshifting	km/h
2nd to 1st	10
3rd to 2nd	55
4th to 3rd	90
5th to 4th	125*

**\*NOTE:**

You may not accelerate to the maximum allowable speed because of the driving situation and/or the vehicle condition.

#### **NOTICE**

When downshifting to a lower gear, make sure not to downshift at the speed faster than the maximum allowable speeds, or severe engine damage can result.

#### **⚠ WARNING**

- Reduce your speed and downshift to a lower gear before going down a long or steep hill. A lower gear will allow the engine to provide braking. Avoid riding the brakes or they may overheat, resulting in brake failure.
- When driving on slippery roads, be sure to slow down before downshifting. Excessive and or sudden changes in engine speed may cause loss of traction, which could cause you to lose control.

#### **NOTICE**

- To help avoid clutch damage, do not use the clutch pedal as a footrest while driving or use the clutch to keep the vehicle stationary on a slope. Depress the clutch fully when shifting.
- When shifting or starting off, do not race the engine. Racing the engine can shorten engine life and affect smooth shifting.

#### **NOTICE**

Before engaging reverse gear "R", check that the vehicle is completely stationary and gear lever is in neutral [N] position. After depressing clutch pedal fully, shift to [R].

**NOTE:**

If it is difficult to engage reverse gear "R", follow below procedure:-

1. Put gear lever in neutral "N".
2. Release the clutch pedal once.
3. Again depress the clutch pedal, and shift from "N" to "R".

## Parking Sensors

- The parking sensor system uses ultrasonic sensors to detect obstacles near the rear bumper. If obstacles are sensed while you are parking or moving the vehicle slowly, the system warns you by sounding a buzzer.
- The system emits an ultrasonic wave and the relevant sensor detects the return of the wave reflected by an obstacle. The system measures the time taken by the ultrasonic wave to reach the obstacle and return from it, from which it determines the obstacle's position.
- The parking sensor function can be used when you turn the ignition switch to "ON" position and the gearshift lever is in the "R" position. This function is helpful in the following cases: pulling over to the curb; parallel parking the vehicle; steering the vehicle into a garage; driving along an alley; and moving slowly in a place with obstacles.

**⚠ WARNING**

- The parking sensor warns you of obstacles with buzzers. However, you still have to drive with particular care.
- The sensors can detect obstacles only within a limited area and only when the vehicle is moving within a limited speed range. So, in tricky areas, you must move the vehicle slowly while checking around it using your direct vision or rearview mirrors. There is increased risk of an accident if you control the vehicle relying only on the parking sensor.

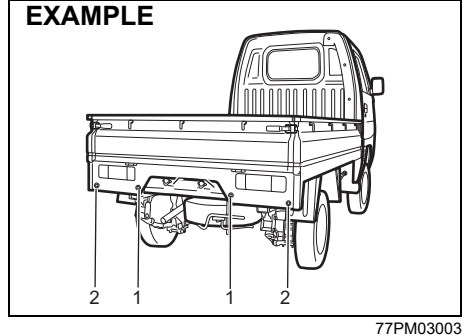
*NOTE:*  
When the gearshift lever is shifted to the "R" position, a buzzer will sound once.

**NOTICE**

Parking sensors are only for driver's assistance.

## Sensor locations

### On rear bumper



- (1) Rear center sensors (2 places)
- (2) Rear corner sensors (2 places)

**NOTICE**

- Avoid hitting the sensor areas or directing the nozzle of a high-pressure car washer onto the sensor areas. Otherwise, the sensors may be damaged.
- If the bumper hits a hard object, the sensors on it may not work properly. If this occurs, have the sensors inspected by a Maruti Suzuki authorised workshop.



## OPERATING YOUR VEHICLE

---

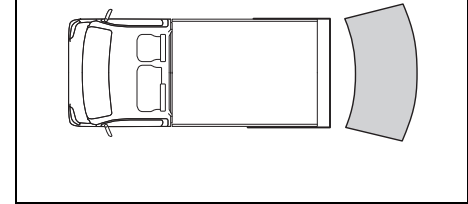
### Working sensors

The sensors work depending on the gearshift lever position as follows:

Gearshift lever position	R	N, 1st – 5th
Rear sensors	On	Off

### Approximate areas where obstacles can be detected

#### EXAMPLE



78MM05003

- An obstacle within about 20 cm (8 in) from a sensor or just below a sensor is not detectable.

The sensors can detect an obstacles such as wall up to about 1.8 m (6 ft) from the rear of vehicle.

**⚠ WARNING**

Under the following conditions, the parking sensor system may not work normally because the sensors cannot detect obstacles correctly.

- Sensors are covered with mud, ice or other materials. (Such materials must be removed for normal operation.)
- Sensors are wet from water splashes or heavy rain.
- Sensors are covered by a hand, sticker, accessory, etc.
- There is an accessory or other object attached within the sensor's sensing area.
- Items such as tow hooks, commercially available corner poles, radio antenna, etc. are installed on the bumper.
- The height of the bumper is changed due to alteration to the suspension or other causes.
- The sensor areas are extremely hot from direct sunlight or cold due to freezing weather.
- The vehicle is on a rough surface, slope, gravel road or grass field.
- The vehicle is at a steep angle.

(Continued)

**⚠ WARNING**

(Continued)

- Sensors have intercepted ultrasonic noise from another vehicle's horn, engine, air braking system (large vehicles), or parking sensor.
- Obstacles are too close to the sensors.
- Sensors are at an angle to a highly reflective object such as glass. (Ultrasonic waves are not reflected back from the obstacle.)
- Sensors may not be able to correctly detect the following types of obstacles:
  - Objects made of a thin material such as wire netting and ropes
  - Square-shaped curbstones or other objects with sharp edges
  - Tall objects with a large upper part such as a road sign
  - Low-profile objects such as curbstones
  - Sound-absorbing objects such as cotton and snow

**NOTE:**

*Thin poles or obstacles lower than the sensors may become undetectable as the vehicle moves closer to them even if they have been detected from longer distances.*

- *The system may calculate the distance to a road sign or similar obstacle to be shorter than the actual distance.*

**Obstacle indication by parking sensor**

Upon detecting an obstacle, the parking sensor causes an interior buzzer to sound.

- A buzzer located behind the rear seat sounds when a sensor at the rear detects an obstacle.
- Warnings when obstacles such as wall are detected by sensors

Distance (approx.)	Buzzer
100-180 cm	Short beeps at long intervals
80-100 cm	Short beeps at short intervals
70-80 cm	Short beeps at very short intervals
Less than 70 cm	Continuous beep

**Warning and indicator messages**

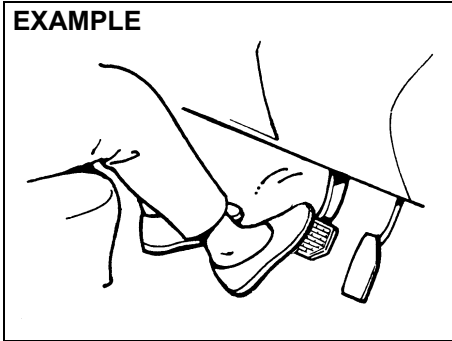
If there is a problem or warning regarding the parking sensor system, a buzzer informs it. Follow below instruction.

The buzzer sounds for some time and then stops. The sensor may be contaminated. Wipe it clean with a soft cloth. If the same issue ( Buzzer sounds and stops ) persists after ignition mode turned OFF to ON, there may be problem with the parking sensor system. Have your vehicle inspected by a Maruti Suzuki authorized workshop.

## OPERATING YOUR VEHICLE

### Braking

#### EXAMPLE



60G165S

The distance needed to bring any vehicle to a halt increases with the speed of the vehicle. The braking distance needed, for example, at 60 km/h will be approximately 4 times greater than the braking distance needed at 30 km/h. Start to brake the vehicle when there is plenty of distance between your vehicle and the stopping point, and slow down gradually.

#### ⚠ WARNING

If water gets into the brake devices, brake performance may become poor and unpredictable. After driving through water or washing the underside of the vehicle, test the brakes while driving at a slow speed to see if they have maintained their normal effectiveness. If the brakes are less effective than normal, dry them by repeatedly applying the brakes while driving slowly until the brakes have regained their normal effectiveness.

#### NOTE:

*While braking you may hear operational noise due to friction between brake disc/drum and brake lining. This is a normal phenomenon and does not indicate any abnormality or affect normal functioning of the vehicle.*

#### Power-Assisted Brakes

Your vehicle has power-assisted brakes. If power assistance is lost due to a stalled engine or other failures, the system is still fully operational on reserve power and you can bring the vehicle to a complete stop by pressing the brake pedal once and holding it down. The reserve power is partly used up when you depress the brake pedal and reduces each time the pedal is pressed. Apply smooth and even pressure to the pedal. Do not pump the pedal.

#### ⚠ WARNING

Even without reserve power in the brake system, you can still stop the vehicle by pressing the brake pedal harder than normally required. However, the stopping distance may be longer.

#### Brake Assist System

When you slam the brakes on, the brake assist system determines it to be an emergency stop and provides more powerful braking for a driver who cannot hold down the brake pedal firmly.

#### NOTE:

*During brake pedal application & release, you may hear some operational noise owing to activation and functioning of components in the brake system. This is a normal phenomenon and does not indicate any abnormality or malfunction. Also, it does not affect the brake function.*

## **Anti-Lock Brake System (ABS) (if equipped)**

ABS will help you avoid skidding by electronically controlling braking pressure. It will also help you maintain steering control when braking on slippery surfaces or when braking hard.

The ABS works automatically, so you do not need any special braking technique. Just push the brake pedal down without pumping. The ABS will operate whenever it senses that the wheels are locking up. You may feel the brake pedal move a little while the ABS is operating.

### **⚠ WARNING**

- **Always check the surrounding conditions and drive the vehicle in a safe manner, as controlling the vehicle by ABS has limits and the system may not function properly depending on the surrounding conditions.**
- **If tyre grip performance is over the limit or hydroplaning occurs, ABS cannot work properly.**

#### **NOTE:**

- *If the ABS system is activated, you may hear a clunking noise and/or feel pulsating in the brake pedal. This is normal and indicates that the brake fluid pressure is being controlled properly.*

- *You may hear an operation sound when you start the engine or after the vehicle begins to move. This means that the above systems are in the self-check mode. This sound does not indicate a malfunction.*

### **Braking Distance**

ABS is not designed to shorten the stopping distance.

### **⚠ WARNING**

- **In the following situations, the braking distance required for a vehicle with ABS may be slightly greater than the one required for a vehicle without ABS, resulting in an accident. Drive the vehicle slowly and maintain ample distance between your vehicle and the vehicle in front of you.**
  - **When driving on rough roads such as unpaved or stone-paved roads**
  - **When driving on gravel roads or fresh snow roads**
  - **When driving over bumps on the roads such as joint seams**
  - **When passing over metal plates such as manholes**
  - **When snow chains are installed**

#### **NOTE:**

- *When applying sudden brake or applying brake on slippery roads, the braking distance required for a vehicle with ABS is almost the same as the one required for a vehicle without ABS.*
- *If you would like to suddenly apply brake, just push the brake pedal down firmly without pumping. Otherwise, the longer braking distance will be required.*
- *The ABS will not work if vehicle speed is under about 9 km/h. This depends on the road conditions.*

### **Vibration and Sound during ABS Operation**

When strongly depressing the brake pedal, you might feel vibration of the brake pedal, the steering wheel, and the vehicle body. This is due to ABS operation, and does not indicate a malfunction; continue strongly depressing the brake pedal at this time.

#### **NOTE:**

*Immediately after starting the engine and beginning to drive, you might temporarily hear a motor sound. This means that the systems are in self-check mode. This sound does not indicate a malfunction.*

## OPERATING YOUR VEHICLE

### Tyres

#### **⚠ WARNING**

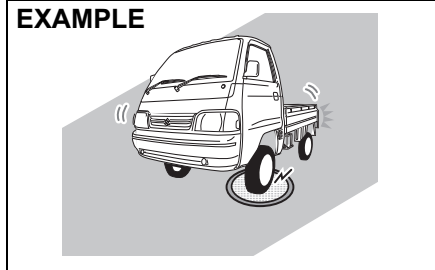
ABS detects each wheel rotation speed via a sensor. If tyres or wheels other than those specified in the owner's manual are used for size, type, tread pattern, or if worn conditions of tyres are different, the correct wheel rotation speed cannot be detected and ABS will not work properly. This may result in an accident. When replacing tyres, use the tyres with the size, type, and tread patterns which are specified in this owner's manual.

Also, do not use the tyres which are excessively worn.

### Situations where ABS may Activate by Chance when Applying Brake

- When driving on slippery roads

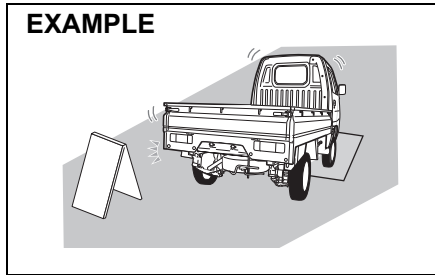
#### EXAMPLE



78MM05002

- Manholes

#### EXAMPLE



78MM05006

- Metal plates in construction zones

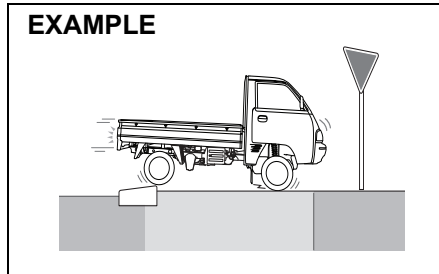
#### EXAMPLE



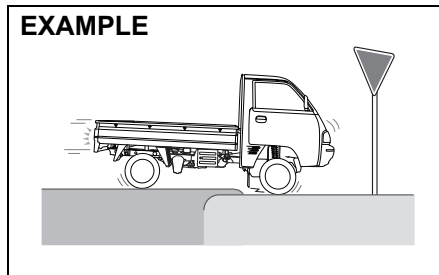
78MM05004

- Gravel roads

- When driving over joints in roads and other height differences

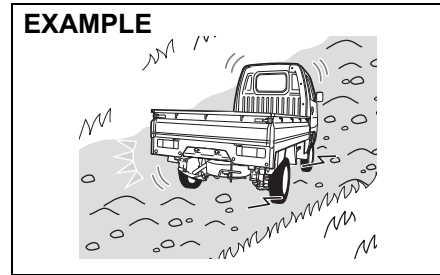


– Joints in roads

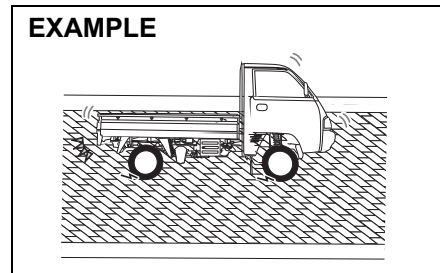


– Height differences in roads

- When driving on rough roads

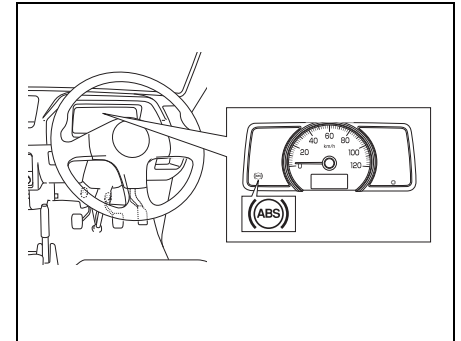


– Bumpy roads



– Cobblestone

## ABS Warning Light



If there is a problem in the ABS system with the ignition switch in “ON” position, this light will come on.

## Braking Assist

This function assists you in applying more force when operating the brake. When sudden braking is applied, the time until the ABS comes into full effect is shortened.

- If you do not depress the brake pedal firmly, braking assist will not operate.
- Brake assist is not a device that provides control beyond the original braking performance.

## OPERATING YOUR VEHICLE

### Electronic stability program (ESP®) (if equipped)

ESP® is a registered trademark of Daimler AG.

The Electronic Stability Program (ESP®) helps to control the vehicle during cornering if front wheels or rear wheels skid. It also assists you in maintaining traction while accelerating on loose or slippery road surfaces. It does this by regulating the engine's output, and by selectively applying the brakes. In addition, ESP® helps to avoid skidding by controlling braking pressure.

#### WARNING

The ESP® cannot enhance the vehicle's driving stability in all situations and does not control your vehicle's entire braking system. The ESP® cannot prevent accidents, including those resulting from excessive speed in turns, or hydroplaning. Only safe and attentive drive can prevent accidents.

The capabilities of an ESP®-equipped vehicle must never be used as a substitute for careful driving.

The ESP® has the following systems:

#### Anti-lock Brake System (ABS)

Refer to "Anti-lock Brake System (ABS)" in this section.

#### Brake Assist System

Refer to "Brake Assist System" in this section.

#### Traction Control System

The traction control system automatically helps prevent the spinning of wheels when the vehicle is started or accelerated on slippery road surfaces. The system operates only if it senses that some of the wheels are spinning or beginning to lose traction. When this happens, the system operates the front or rear brakes and reduces engine power to limit wheel spin.

#### NOTE:

*You may hear an operation sound when you start the engine or after the vehicle begins to move. This means that the above systems are in the self-check mode. This sound does not indicate a malfunction.*

#### Stability control system

The vehicle stability control system helps provide integrated control of systems such as anti-lock brakes, traction control, engine control, etc. This system automatically controls the brakes and engine to help prevent the vehicle from skidding when cornering on a slippery road surface or when turning the steering wheel abruptly.

#### WARNING

Always check the surrounding conditions and drive the vehicle in a safe manner, as controlling the vehicle by ESP® has limits and ESP® may not function properly depending on the surrounding conditions.

#### CAUTION

- Observe the following points. Otherwise, ESP® may not operate properly or it may result in a malfunction.
  - Adjust the tyre pressure as specified.
  - When replacing tyres, use the same tyres with the size, type, and tread patterns.
  - Do not use the tyres which have excessively worn conditions.
  - Do not modify the suspension or the brake and do not change vehicle height or suspension hardness.
  - Do not drive the vehicle with suspension or brake excessively deteriorated.
  - Do not modify the engine or the muffler.

(Continued)

### CAUTION

(Continued)

- Do not install LSD (limited slip differential).
- When you install the snow chains, ESP® may not operate properly.

#### NOTE:

- If you perform the following operations, you may hear an operation sound or a clicking sound. This means that the ESP® system is in the self-check mode and this does not indicate a malfunction.
  - When ignition switch is turned to the "ON" position.
  - When releasing your foot from the brake pedal, after the ignition switch is in "ON" position.
  - When starting the engine
  - When starting the vehicle after starting the engine
  - When engine revolutions is high and ESP® operates, you may feel the change of engine revolutions or vibration of vehicle body. However, this is normal.

### ESP® warning light (if equipped)

#### EXAMPLE



56RM03011

- If there is a problem in the ESP® system with the ignition switch in "ON" position, this light will come on. While this light comes on, the following situations will occur. In this case, ask a Maruti Suzuki authorised workshop for inspection.
  - The following functions will not work:
    - Traction control system
    - Stability control system
  - ABS will work.
  - Depending on the malfunction condition, brake assist system may not work.
- If any of the following situations occurs, this light will blink at very short intervals of 0.2 seconds.
  - Traction control system is activated when starting or accelerating the vehicle
  - Stability control system is activated when making a sharp turn or whirling round.

- If the system is in normal condition, when you turn the ignition switch to "ON" position, this light will come on for about 2 seconds and then come off.

### CAUTION

**If this light blinks at very short intervals, there is high possibility that the vehicle will be stuck or skid on a slippery road surface. In this case, drive the vehicle very carefully.**

#### NOTE:

*While this light comes on, traction control system and stability control system will not be activated. However, you can use ABS.*



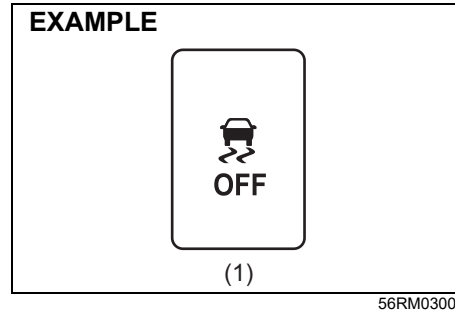
## OPERATING YOUR VEHICLE

### ESP® OFF indicator light (if equipped)



- If you press and hold the ESP® OFF switch with the ignition switch is in "ON" position or the ignition mode is "ON", this light will come on.
  - While this light comes on, traction control system and stability control system will not work.
- If the system is in normal condition, when you turn the ignition switch to "ON" position, this light will come on for about 2 seconds and then come off.

### ESP® OFF switch (if equipped)



(1) ESP® OFF switch

- In the following situation, keep pressing the ESP® OFF switch until the ESP® OFF indicator light in the instrument cluster comes on. Traction control system and stability control system will not work.
  - When placing the vehicle on the tester for automobile inspection, traction control system and stability control system needs to be deactivated.
  - If your vehicle is stuck and you try to get out of the stuck condition, traction control system may not be suitable.
- If you perform the following operations, the ESP® OFF indicator light will come off. Also, traction control system and stability control system will return to be in the activated condition.
  - Pressing the ESP® OFF switch again

- Stopping the engine and then restarting the engine
- When the vehicle speed exceeds approximately 20 km/h.

- If you would like to perform normal driving after escaping from the stuck condition, press the ESP® OFF switch again. This will allow the ESP® OFF indicator light to come off and the vehicle will return to the original condition. Traction control system and stability control system will not be activated automatically. (except when stopping the engine and then restarting the engine) or When the vehicle speed exceeds approximately 20 km/h.

#### NOTE:

*For safety reasons, even if you press the ESP® OFF switch, ABS and brake assist system will not be deactivated.*

### ABS warning light / brake system warning light

Refer to "Braking" in this section.

## DRIVING TIPS

Running-in .....	4-1
Catalytic Converter .....	4-1
Improving Fuel Economy .....	4-2
Highway Driving .....	4-3
Driving on Hills .....	4-3
Driving on Slippery Roads .....	4-4
Driving on Wet Roads .....	4-5
Do's and Dont's for Safe Driving .....	4-6
Margin for Safety .....	4-7

## DRIVING TIPS

### EXAMPLE



52D078S

### ▲ WARNING

- **WEAR YOUR SEAT BELTS AT ALL TIMES.** The driver and passenger should be properly restrained at all times, using the seat belts provided. Refer to the “Seat Belts” section for instructions on proper use of the seat belts.
- **Never drive while under the influence of alcohol or other drugs.** Alcohol and drugs can seriously impair your ability to drive safely, greatly increasing the risk of injury to yourself and others. You should also avoid driving when you are tired, sick, irritated, or under stress.

## Running-in

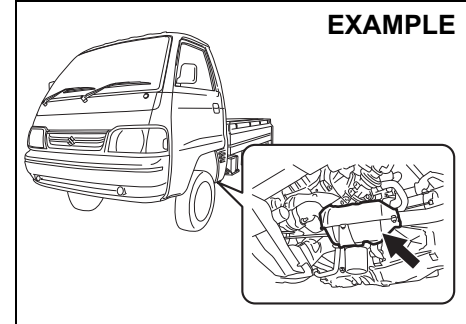
### NOTICE

The future performance and reliability of the engine depends on the care and restraint exercised during its early life. It is especially important to observe the following precautions during the initial 960 km of vehicle operation.

- After starting, do not race the engine. Warm it up gradually.
- Avoid prolonged vehicle operation at a constant speed. Moving parts will break in better if you vary your speed.
- Start off from a stop slowly. Avoid full throttle starts.
- Avoid hard braking, especially during the first 320 km of driving.
- Do not drive slowly with the transmission in a high gear.
- Drive the vehicle at moderate engine speeds.
- Do not tow a trailer.

## Catalytic Converter

### EXAMPLE



77PH201

The purpose of the catalytic converter is to minimize the amount of harmful pollutants in your vehicle's exhaust. Use of leaded fuel in vehicles equipped with catalytic converters is prohibited, because lead deactivates the pollutant-reducing components of the catalyst system.

The converter is designed to last the life of the vehicle under normal usage and when unleaded fuel is used. No special maintenance is required on the converter. However, it is very important to keep the engine properly tuned. Engine misfiring, which can result from an improperly tuned engine, may cause overheating of the catalyst. This may result in permanent heat damage to the catalyst and other vehicle components.

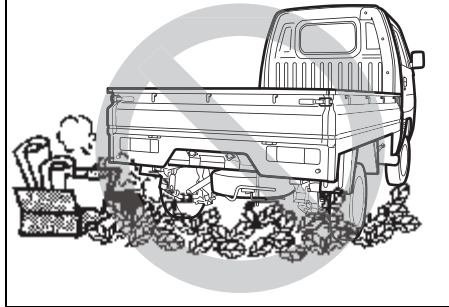
**NOTICE**

To avoid damaging catalyst or other vehicle damage:

- Maintain the engine in the proper operating condition.
- In the event of an engine malfunction, particularly one involving engine misfiring or other apparent loss of performance, have the vehicle serviced promptly.
- Do not turn off the engine or interrupt the ignition when the transmission is in gear and the vehicle is in motion.
- Do not try to start the engine by pushing or towing the vehicle, or coasting down a hill.
- Do not idle the engine with any spark plug wires disconnected or removed, such as during diagnostic testing.
- Do not idle the vehicle for prolonged periods if idling seems rough or there are other malfunctions.
- Do not allow the fuel tank to get near the empty level.
- Avoid driving your vehicle at excessively high engine speed.

**WARNING**

Be careful in areas where you park and drive; the catalytic converter and other exhaust components can get very hot. As with any vehicle, do not park or operate this vehicle in areas where combustible materials such as dry grass or leaves can come in contact with a hot exhaust system.

**EXAMPLE**

82DY05

**NOTE:**

*Non-usage of vehicle for long duration may cause gradual rusting of brake disc surface as it is made of cast iron. This may result in noise/vibration. The same has no bearing on functioning of the vehicle. Regular driving of vehicle may prevent/remove rust, thus reducing the noise and vibration.*

**Improving Fuel Economy****NOTE:**

*Fuel economy (mileage) of the vehicle may vary due to several factors i.e., driving habits - gear change pattern, usage of A.C, Air pressure in the tyres, wind speed, traffic conditions, fuel quality- non adulterated standard fuel, maintenance of vehicle, road conditions, braking etc.*

The following instructions will help you improve fuel economy.

**Avoid excessive idling**

If you are to wait for more than a minute while you are parked, stop the engine and start it again later. When warming up a cold engine, do not allow the engine to idle or apply full throttle until the engine has reached operating temperature. Allow the engine to warm up while driving.

**Avoid sudden acceleration**

Sudden acceleration starting from rest or while driving will consume fuel unnecessarily and shorten engine life. Start off slowly.

**Avoid unnecessary stops**

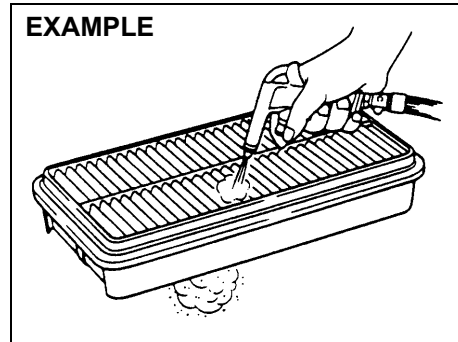
Avoid unnecessary deceleration and stopping. Try to maintain a slow, steady speed whenever possible. Slowing down and then accelerating again uses more fuel.

**Keep a steady cruising speed**

Keep as constant a speed as road and traffic conditions will permit.

## DRIVING TIPS

### Keep the air cleaner clean



60A183S

If the air cleaner is clogged with dust, there will be greater intake resistance, resulting in decreased power output and increased fuel consumption.

### Keep weight to a minimum

Heavier the load, more fuel the vehicle consumes. Take out any luggage or cargo when it is not necessary.

### Keep tyre pressures correct

Underinflation of the tyres can waste fuel due to increased running resistance of the tyres. Keep your tyres inflated to the correct pressure shown on the label on the driver's door lock pillar.

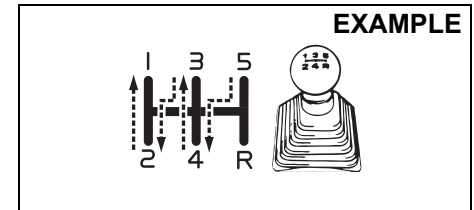
## Highway Driving

When driving at highway speeds, pay attention to the following:

- Stopping distance progressively increases with vehicle speed. Apply the brakes far enough ahead of the stopping point to allow for the extra stopping distance.
- On rainy days, hydroplaning can occur. Hydroplaning is the loss of direct contact between the road surface and the vehicle's tyres due to a water film forming between them. Steering or braking the vehicle while hydroplaning can be very difficult, and loss of control can occur. Keep speed down when the road surface is wet.
- At high speeds, the vehicle may be affected by side winds. Therefore, reduce speed and be prepared for unexpected buffeting, which can occur at the exits of tunnels, when passing by a cut of a hill, or when being overtaken by large vehicles, etc.

## Driving on Hills

- When climbing steep hills, the vehicle may begin to slow down and show a lack of power. If this happens, you should shift to a lower gear so that the engine will again be operating in its normal power range. Shift rapidly to prevent the vehicle from losing momentum.
- When driving down a hill, the engine should be used for braking by shifting into a lower gear.



77PH003

### **⚠ WARNING**

**Try not to hold the brake pedal down too long or too often while going down a steep or long hill. This could cause the brakes to overheat, resulting in reduced braking efficiency. Failure to take this precaution could result in loss of vehicle control.**

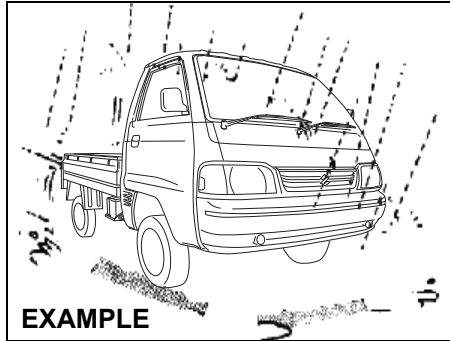
**While moving uphill/gradient from a stand still condition**

- Apply the parking brake firmly so that the vehicle does not roll backwards.
- Depress the Clutch pedal and Shift the gearshift lever to 1<sup>st</sup> Select position.
- Do not slip the clutch.
- When ready to start, press accelerator pedal and slowly release the clutch pedal simultaneously. When the vehicle starts to move, gradually release the parking brake.

**NOTICE**

**When descending down a hill, NEVER turn the ignition key to the "LOCK" position. Emission control system damage may result.**

**Driving on Slippery Roads**



82DY06

Under wet road conditions you should drive at a lower speed than on dry roads due to possible slippage of tyres during braking. When driving on icy, snow-covered, or muddy roads, reduce your speed and avoid sudden acceleration, abrupt braking, or sharp steering movements.

**If Your Vehicle Gets Stuck**

If your vehicle gets stuck in snow, mud, or sand, follow the directions below:

- 1) Shift the transmission back and forth between first gear and reverse. This will create a rocking motion which may give you enough momentum to free the vehicle. Press gently on the accelerator to keep wheel spinning to a minimum wheel rpm. Remove your foot from the accelerator while shifting.

Do not race the engine. Excessive wheel spin will cause the tyres to dig deeper, making it more difficult to free the vehicle.

- 2) If your vehicle remains stuck after a few minutes of rocking, get another vehicle to pull your vehicle out.

**⚠ WARNING**

**Do not allow anyone to stand near the vehicle when you are rocking it, and do not spin the wheels faster than an indicated 40 km/h on the speedometer. Personal injury and/or vehicle damage may result from spinning the wheels too fast.**

**NOTICE**

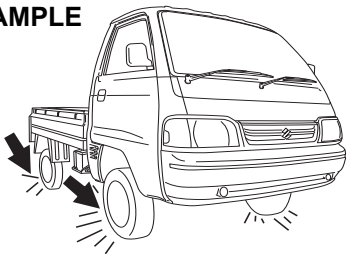
**Do not continue rocking the vehicle for more than a few minutes. Prolonged rocking can cause engine overheating or transmission damage.**

### Driving on Wet Roads

#### NOTICE

- When driving on wet roads, avoid driving through large amount of standing water on the road. Large amount of water entering the engine compartment may cause damage to the engine and or electrical components.
- If stuck in deep water, do not start till water level drops.
- Water is incompressible substance, water inside engine is harmful to the engine.

#### EXAMPLE



82DY07

#### ⚠ WARNING

In addition to following the driving tips in this section, it is important to observe the following precautions.

- Make sure your tyres are in good condition and always maintain the specified tyre pressure. Refer to “Tyres” in the “INSPECTION AND MAINTENANCE” section for details.
- Do not use tyres other than those specified by MARUTI SUZUKI. Never use different sizes or types of tyres on the front and rear wheels. For information regarding the specified tyres, refer to the Tyre Information Label located on the driver's door lock pillar.
- Never use oversized tyres or special shock absorbers and springs to raise (jack up) your vehicle. This will change the handling characteristics. Oversized tyres may also rub against the vehicle body over bumps, causing vehicle damage or tyre failure.
- After driving through water, test the brakes while driving at a slow speed to see if they have maintained their normal effectiveness. If they are less effective than normal, dry them by repeatedly applying the brakes while driving slowly until the brakes have regained their normal effectiveness.

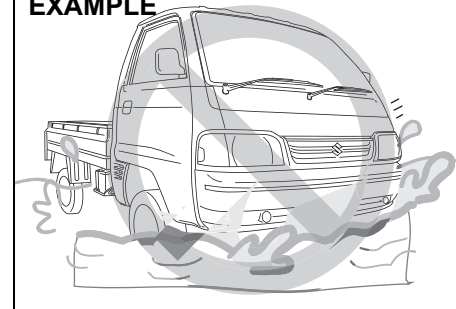
### Off-road Driving

**Do not drive in the field covered with grown grass.**

If you drive in the field covered with grass, it may cause accident or fire or vehicle damage by getting caught in grown grass.

### When Encountering a Flooded Area

#### EXAMPLE



77PM04011

Avoid driving in a flooded area or a deep puddle. If driving in a flooded area is unavoidable, go slowly in the lowest gear. In case that you have driven in a flooded area, stop the vehicle in a safe and non flooded place while checking the brake effectiveness. Then, ask a Maruti Suzuki authorised workshop to check the following inspection items.

- Function of brake
- Function of electrical components

- Changes in oil level and quality for engine and transmission. In case that the oil is turbid whitish, water has been mixed in the oil and an oil change is required.
- Lubricant condition of the bearings, suspension joints, etc.

**NOTICE**

- **Avoid driving in a flooded area or a deep puddle. It may cause an engine stall, short in electrical components, engine and transmission damages, etc.**
- **If the vehicle gets stuck in deep water do not start the engine.**

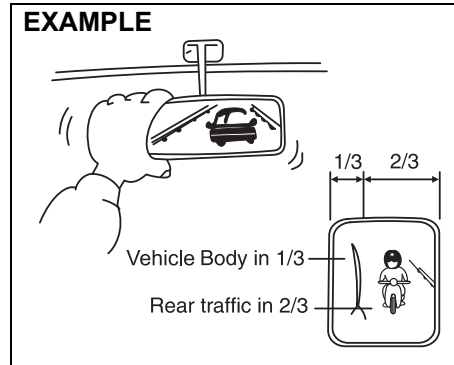
**Do's and Dont's for Safe Driving**

Exercise care in handling your vehicle. Be conscious of not only your own safety but also the safety of others on the road, and thus enjoy the best and most comfortable driving experience.

Following are basic rules for safe driving. Read them carefully for good understanding of the content so that you can enjoy safe and pleasant driving in your vehicle.

**Starting**

- 1) Adjust the driver's seat for the proper driving posture.
- 2) Adjust the rear view mirror so as to obtain the best possible rear view.



77PM04002

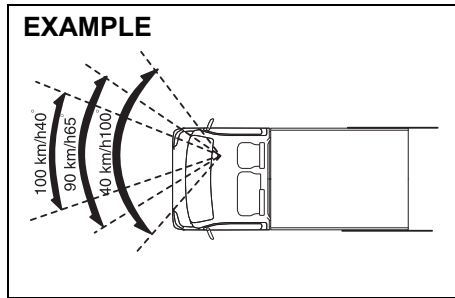
- 3) Before moving, look around your vehicle to confirm safety.
- 4) Don't accelerate suddenly, since it is dangerous and wastes fuel.

**General driving**

- 1) Be sure to stop before a stop light or stop sign. When moving into an intersection without any traffic lights or signs, drive slowly to confirm safety.
- 2) Always follow other vehicles at a safe distance in order to prevent a rear-end collision, in case the vehicle ahead makes a sudden stop.
- 3) Turn ON the turn signal at least 30 meters before making a turn or changing the lane so as to not be hit.
- 4) Before entering a corner, decelerate to a safe speed. Don't apply brakes during cornering, or skidding may occur.
- 5) When overtaking other vehicles, watch out for oncoming vehicles and carefully ensure safety.
- 6) Don't attempt zigzag driving as it will hinder your control over the vehicle and may cause an accident.
- 7) Avoid reckless high speed driving and try to drive at a safe speed suitable for the road conditions while maintaining a constant speed.
- 8) The higher the speed, the narrower the driver's visual range becomes. In such a state, it is difficult to anticipate any hazard and the driver feels fatigued.



## DRIVING TIPS



77PM04001

- 9) Do not attempt sharp handling during high speed driving. You may lose your control over your vehicle.
- 10) When overtaking or changing lanes while driving at a high speed, keep ample vehicle-to-vehicle distance.

### Braking

- 1) Use the parking brake when parking your vehicle and shift the gear shift lever into the first gear or reverse gear position for the sake of safety.
- 2) Don't use hand-braking unless unavoidable. It causes the vehicle to skid and a collision may occur. It is especially dangerous when the tyres are worn out as they skid more.

Use foot brake in three stages

1. Warn the vehicle behind you
2. Gradually apply the brake.
3. Bring the vehicle to a halt.

- 3) When driving downhill, try not to apply the brake but use the engine brake effectively. Overuse of the foot-brake may result in reduction of brake effectiveness.

### Long distance driving

- 1) Be sure to perform safety checks before starting a trip.
- 2) Take rest at regular intervals to prevent accidents which may occur due to feeling sleepy or tired.

### Night time driving

- 1) Drive at lower speeds during the night than in the daytime, as the visual range is restricted at night.
- 2) Avoid overtaking other vehicles at night. Darkness bothers your sense of speed and hinders your judgment of vehicle-to-vehicle distance.
- 3) Don't use headlights on high beam unless its use is inevitable. It may cause visual impairment to the driver of the oncoming vehicle or the vehicle ahead of you, which may cause an accident.
- 4) Always keep the window glasses clean. Don't operate the windshield wiper when the windshield glass is dry else the wiper blade and glass may get damaged.

## Margin for Safety

It is important to allow yourself a margin for safety during driving so that you can cope with erroneous or unexpected driving of other drivers. For that, observe the following.

- Drive at a safe speed.
- Maintain a sufficient distance between your vehicle and the vehicle ahead.
- Don't force yourself to overtake other vehicles.
- Don't accelerate suddenly, steer sharply or stop suddenly.
- Keep ample gaps between driving schedules.
- Observe traffic rules and regulations.

### Conclusion

A perfect driver does not exist. The endeavour of every motorist should be to strive for perfection. Safety consciousness not only ensures your safety and the safety of other road users, it also helps reduce the wear and tear on your vehicle, lengthens its life, gives better fuel efficiency and ensures a comfortable driving experience.

**Follow the do's and don'ts listed, and driving will never be the same again.**

**OTHER CONTROLS AND EQUIPMENT**

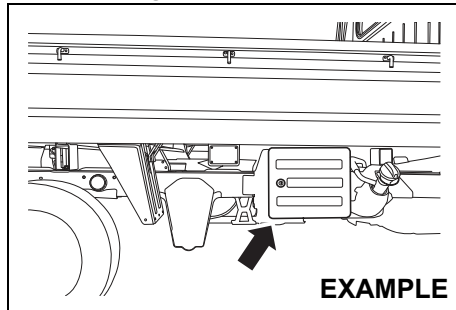
Fuel Filler Cap ..... 5-1  
Engine Compartment ..... 5-3  
Sun Visor ..... 5-4  
Interior Light ..... 5-5  
Accessory Socket ..... 5-5  
Glove Box ..... 5-5  
Storage Area ..... 5-6  
Air Vent ..... 5-6  
Frame Hook ..... 5-7  
Assist Grip ..... 5-7

## OTHER CONTROLS AND EQUIPMENT

### Fuel Filler Cap

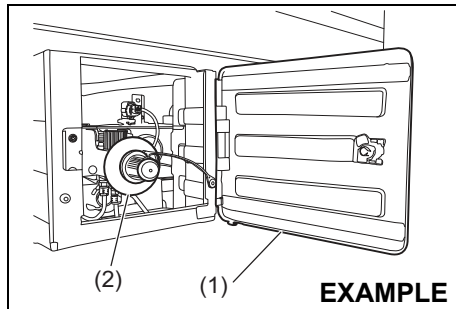
(For Petrol and CNG Engine Model)

**CNG filler valve**  
(For CNG engine model)



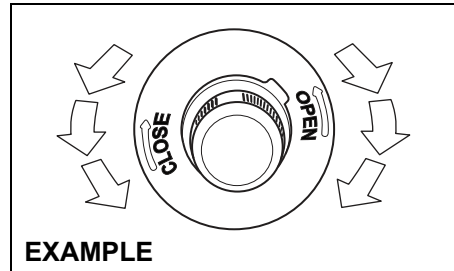
77PM05003

The CNG filler valve is located on the right side of the vehicle.



77PM05001

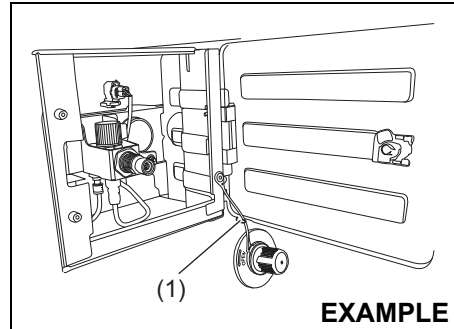
To unlock CNG filler door (1), insert the key and turn top of the key towards front of the vehicle.



77PM05005

To remove the CNG filler valve cover:

- 1) Open the CNG filler door (1).
- 2) Remove the CNG filler valve cover (2) by turning it anticlockwise direction.



77PM05006

**NOTE:**

*If the fuel filler door is equipped with the cap holder (3), then use the cap holder to hold fuel filler cap while refueling.*

Filling automatically gets cut off when the cylinder pressure becomes equal to dispenser pressure.

To reinstall the CNG filler valve cover:

- 1) Turn the CNG filler valve cover (2) clockwise direction until its completely closed.
- 2) Close the CNG filler door (1).

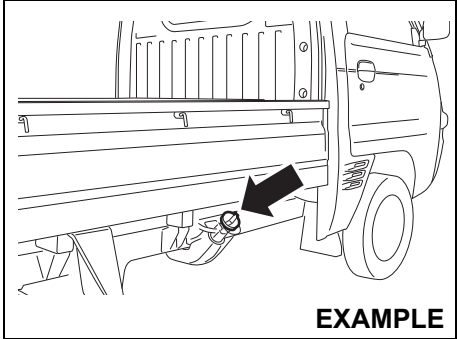
**NOTE:**

- *If the CNG filler cover (2) is not closed properly, you will not be able to start the vehicle.*
- *Engine will stop if the CNG filler cover (2) is opened in vehicle stationary condition.*

**NOTE:**

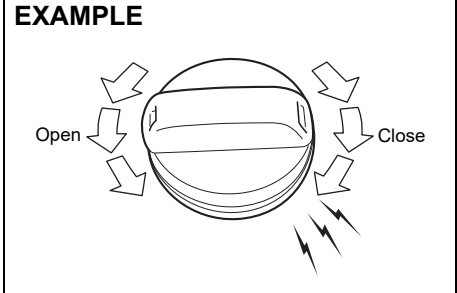
*During vehicle operation gravels may enter the CNG filler box. Remove whenever observed.*

**Petrol filling cap  
(For Petrol engine model)**



77PH031

The fuel filler cap is located on the right side of the vehicle.



68KN048

To remove the fuel filler cap, turn it counterclockwise. To reinstall the fuel filler cap, turn it in clockwise direction until you hear several clicks.

**⚠ CAUTION**

Remove the fuel filler cap slowly. The fuel may be under pressure and may spray out, causing injury.

**⚠ WARNING**

Fuel is extremely flammable. Do not smoke when refueling, and make sure there are no open flames or sparks in the area.

**⚠ WARNING**

If you need to replace the fuel cap, use a MARUTI genuine cap. Use of an improper cap can result in a malfunction of the fuel system or emission control system. It may also result in fuel leakage in the event of an accident.

**⚠ CAUTION**

Remove the fuel filler cap slowly. The fuel may be under pressure and may spray out, causing injury.

**⚠ WARNING**

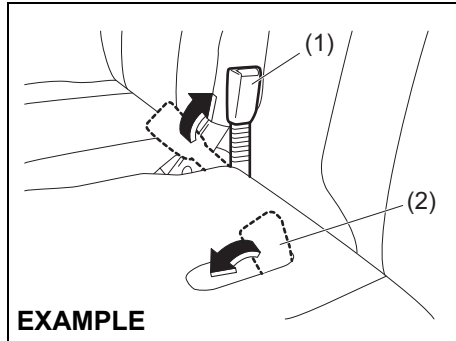
Fuel is extremely flammable. Do not smoke when refueling, and make sure there are no open flames or sparks in the area.

**⚠ WARNING**

If you need to replace the fuel cap, use a MARUTI genuine cap. Use of an improper cap can result in a malfunction of the fuel system or emission control system. It may also result in fuel leakage in the event of an accident.

## OTHER CONTROLS AND EQUIPMENT

### Engine Compartment



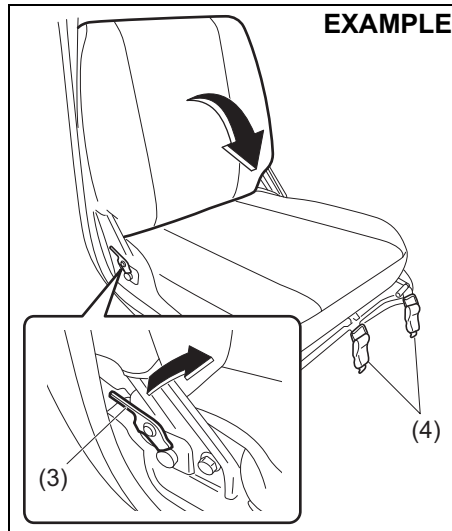
77PH094

To open the engine compartment:

- 1) Raise the driver's seat belt buckle (1) to the seatback position. Store the passenger's seat belt buckle (2).
- 2) For the driver's seat, slide the seat to the most rearward position.

#### **CAUTION**

**When you slide the driver's seat rearward, push the seatback. If you hold the seatback top, your hand could be pinched between the seatback and cabin back panel, may result in personal injury.**



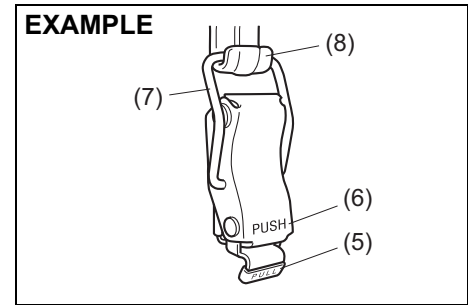
77PH093

- 3) For the driver's seat, pull the lock lever (3) to fold the seatback forward.

#### **NOTE:**

*The seatback can be folded only upto the position where it comes in contact with the steering wheel.*

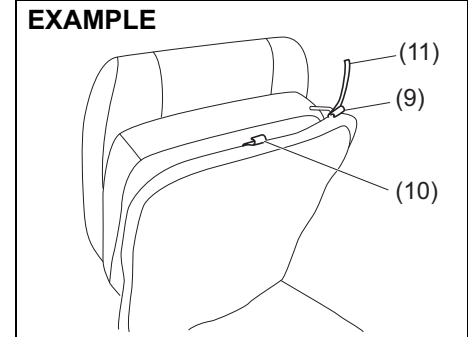
- 4) Unhook the lock handles (4) on the front end of each seat.



77PH081

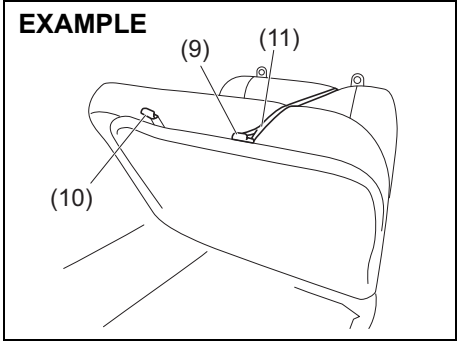
- To unhook the lock handle, pull the "PULL" part (5) and unhook the ring (7) from the hook (8).
- To lock the lock handle, put the ring (7) on the hook (8) and then push the "PUSH" part (6).

#### **Driver side**



77PH102

Passenger side



77PH103

**NOTE:**  
The straps (11) are available behind the seatback of passenger seat.

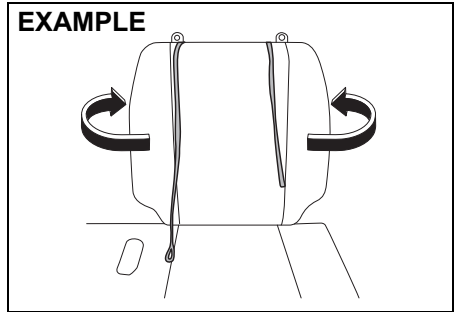
- 5) Raise the seat and hook the strap (11) to the hook (9). The hook (10) is not used for attaching the seat strap.

**NOTICE**

Do not hook the strap to the driver's seat position adjustment lever or do not apply undue force to the seats when being hooked by the straps. Doing so could break the straps, hooks and/or the driver's seat position adjustment lever.

- To close the engine compartment, reverse the steps in which you have opened it.

- After closing, try to move the seats to ensure that they are securely latched.
- Store the straps in space behind the passenger's seat as shown in the illustration.



77PH097

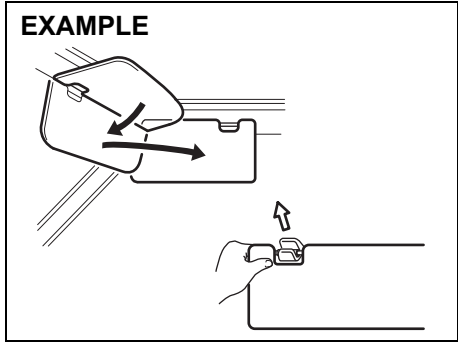
**⚠ WARNING**

Store the straps in space behind the passenger's seat. If an occupant's body gets caught by the straps, there is a risk of serious injury such as suffocation. If this happens, cut the straps with scissors.

**⚠ CAUTION**

When closing the engine compartment, be careful that the seats do not pinch your hands or the driver's seat belt buckle, or hit your body.

Sun Visor



77PH004

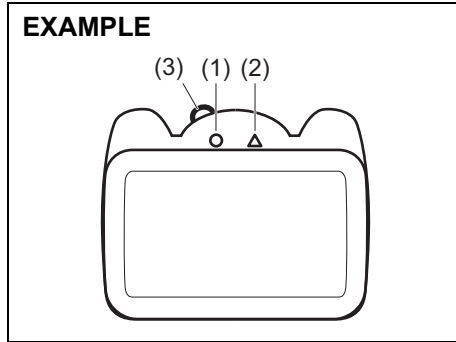
Sun visor is available on the driver side of the vehicle. The sun visor can be pulled down to block the glare coming through the windshield, or they can be unhooked and turned to the side to block the glare coming through the side window.

**NOTICE**

When unhooking and hooking a sun visor, be sure to handle it by side of the sun visor as shown in the figure else sun visor may get damaged.

## OTHER CONTROLS AND EQUIPMENT

### Interior Light



This light switch has two positions. These positions can be selected using knob (3). The functions of the two positions are:

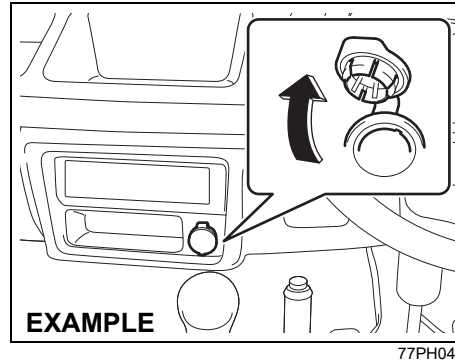
**ON (1)**

The light comes on and stays on.

**OFF (2)**

The light remains off.

### Accessory Socket

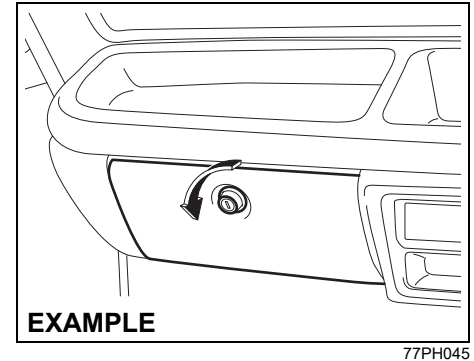


The accessory socket will work when the ignition switch is in the "ACC" or "ON" position. This socket can be used to provide 12 volt/120 watt power for electrical accessories.

**NOTICE**

**Use of inappropriate electrical accessories can cause damage to your vehicle's electrical system. Make sure that any electrical accessories you use are designed to plug into this type of socket.**

### Glove Box

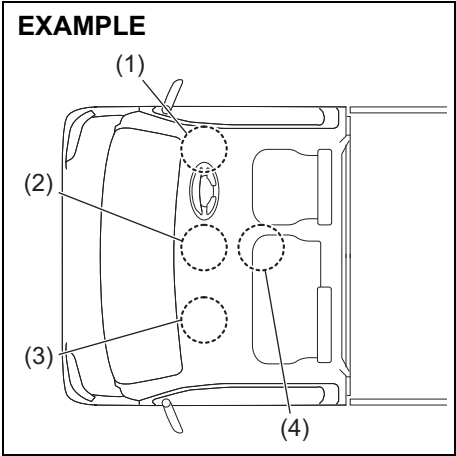


To open the glove box, twist the knob counterclockwise. To close it, push the lid until it latches securely. To lock the glove box, insert the key into the knob and turn it clockwise. To unlock the glove box, insert the key into the knob and turn it counterclockwise.

**⚠ WARNING**

**Never drive with the glove box lid open. It could cause injury if an accident occurs.**

Storage Area



77PH104

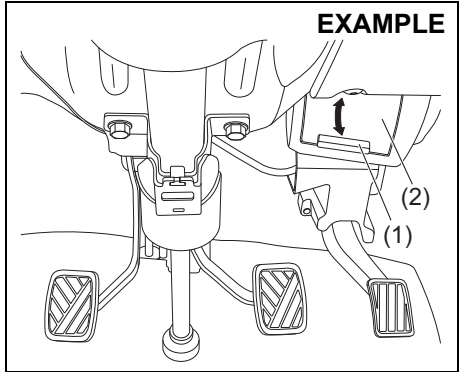
- (1) Instrument panel pocket (driver's side)
- (2) Instrument panel tray (center) / Instrument panel pocket (center)
- (3) Instrument panel tray (passenger's side)
- (4) Center pocket

Instrument Panel Pocket (1)/(2) / Instrument Panel Tray (2)/(3) / Center Pocket (4)

**⚠ WARNING**

Do not place any objects which may fall out from the pocket/tray when the vehicle is moving. Failure to take the precaution may result in an object interfering with the pedals and causing a loss of vehicle control or an accident.

Air Vent



77PM502

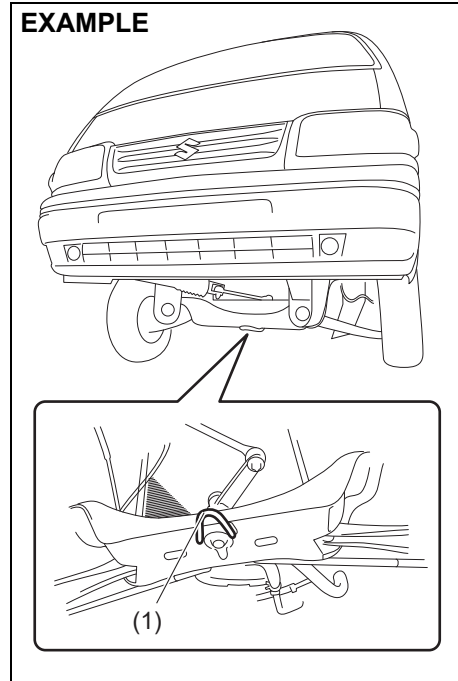
Air vents are located on driver side and passenger side of the vehicle. For opening or closing the air vent, move the knob (1) vertically to open or close the flap (2). When "OPEN", fresh air will come inside the cabin.



## OTHER CONTROLS AND EQUIPMENT

### Frame Hook

#### Front



77PH035

The frame hook (1) is provided on the front of the vehicle for use in emergency situations and shipping purposes only.

To tow your vehicle on the road or highway, follow the instruction of "Towing" in "EMERGENCY SERVICE" section.

#### **⚠ WARNING**

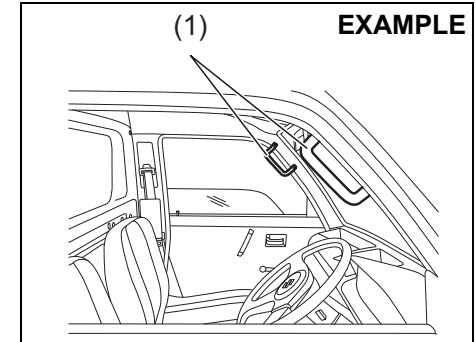
**Do not use the frame hook to tow another vehicle or to have your vehicle towed on the road or highway. The hook (1) is designed for use in emergency situations only, such as if your vehicle or another vehicle gets stuck in deep mud or snow.**

#### **NOTICE**

**When you use the frame hook (1), avoid driving in the manner that may give significant shock to the hook. Such operation can damage the hook, or the vehicle body.**

**Do not accelerate suddenly.**

### Assist Grip



77PM501

Assist grips (1) are available on driver side and passenger side of the vehicle. The assist grips are meant for driver / passenger to get in and get out of the vehicle easily.

## VEHICLE LOADING AND TOWING

Vehicle Loading .....	6-1
Trailer Towing .....	6-1

## VEHICLE LOADING AND TOWING

---

### Vehicle Loading

Your vehicle was designed for specific weight capacities. The weight capacities of your vehicle are indicated by the Gross Vehicle Weight Rating (GVWR) and the Permissible maximum Axle Weight (PAW, front and rear). The GVWR and PAW (front and rear) are listed in the "SPECIFICATIONS" section.

GVWR – Maximum permissible overall weight of the fully loaded vehicle (including all the occupants, accessories and cargo plus the trailer nose weight if towing a trailer).

PAW – (Front and Rear) Maximum permissible weight on an individual axle.

Actual weight of the loaded vehicle and actual loads at the front and rear axles can only be determined by weighing the vehicle. Compare these weights to the GVWR and PAW (front and rear). If the gross vehicle weight or the load on either axle exceeds these ratings, you must remove enough weight to bring the load down to the rated capacity.

#### WARNING

**Never overload your vehicle. The gross vehicle weight (sum of the weights of the vehicle, all the occupants, accessories, cargo plus trailer nose weight if towing a trailer) must never exceed the Gross Vehicle Weight Rating (GVWR). In addition, never distribute a load so that the weight on either the front or rear axle exceeds the Permissible maximum Axle Weight (PAW).**

#### WARNING

**Always distribute cargo evenly. To avoid personal injury or damage to your vehicle, always secure cargo to prevent it from shifting if the vehicle moves suddenly. Place heavier objects on the floor and as far forward in the cargo area as possible. Never pile cargo higher than the top of the seat backs.**

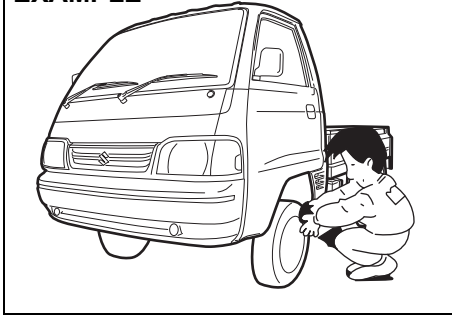
### Trailer Towing

Your vehicle was originally designed to carry one driver, one passenger and a certain amount of cargo, not to tow a trailer. MARUTI does not recommend you to use your vehicle to tow a trailer. Towing a trailer can adversely affect handling, durability, and fuel economy.

# INSPECTION AND MAINTENANCE

- Maintenance Schedule ..... 7-1
- Periodic Maintenance Schedule ..... 7-2
- Inspection and Maintenance operations to be performed by customer ..... 7-6
- Drive Belt ..... 7-8
- Engine Oil and Filter ..... 7-8
- Engine Coolant ..... 7-12
- Air Cleaner ..... 7-14
- Spark Plugs ..... 7-14
- Gear Oil ..... 7-14
- Clutch Pedal ..... 7-16
- Brakes ..... 7-16
- Steering ..... 7-19
- Propeller Shaft Universal Joint ..... 7-19
- Tyres ..... 7-19
- Battery ..... 7-21
- Fuses ..... 7-22
- Bulb Replacement ..... 7-25
- Wiper Blades ..... 7-28
- Windshield Washer Fluid (If equipped)..... 7-30

### EXAMPLE



77PM07008

### ⚠ WARNING

You should take extreme care when working on your vehicle to prevent accidental injury. Here are a few precautions that you should be especially careful to observe:

- Do not leave the engine running in garages or other confined areas.
- When the engine is running, keep hands, clothing, tools, and other objects away from the fan and drive belt. Even though the fan may not be moving, it can automatically turn on without warning.

(Continued)

### ⚠ WARNING

(Continued)

- When it is necessary to do service work with the engine running, make sure that the parking brake is set fully and the transmission is in Neutral.
- Do not touch ignition wires or other ignition system parts when starting the engine or when the engine is running, or you could receive an electric shock.
- Be careful not to touch a hot engine, exhaust manifold and pipes, muffler, radiator and water hoses.
- Do not allow smoking, sparks, or flames around fuel or the battery. Flammable fumes are present.
- Do not get under your vehicle if it is supported only with the portable jack provided in your vehicle.
- Be careful not to cause accidental short circuits between the positive and negative battery terminals.
- Keep used oil, coolant, and other fluids away from children and pets. Dispose of used fluids properly; never pour them on the ground, into sewers, etc.

## Maintenance Schedule

The following table shows the times when you should perform regular maintenance on your vehicle. This table shows in kilometers and months when you should perform inspections, adjustments, lubrication and other services.

### ⚠ WARNING

MARUTI SUZUKI recommends that maintenance on your vehicle should be performed by your authorised MARUTI SUZUKI COMMERCIAL workshop.

### NOTICE

Whenever it becomes necessary to replace parts on your vehicle, it is recommended that you use MARUTI genuine replacement parts or their equivalent.

## Periodic Maintenance Schedule

**“C”**: Clean

**“R”**: Replace or Change

**“I”**: Inspect, clean, adjust, lubricate or replace as necessary

**“L”**: Lubricate

**“T”**: Tighten to Specified Torque

**“O”**: Rotate

**NOTE:**

*This table includes services as scheduled up to 90,000 km mileage. Beyond 90,000km, carry out the same services at the same intervals respectively.*

*For free inspection the cost of materials and consumables to be borne by customer.*

## INSPECTION AND MAINTENANCE

Interval: This interval should be judged by odometer reading or months, whichever comes first.		FREE INSPECTION				PERIODIC MAINTENANCE AT COST						
		km (x1000)	5	10	20	30	40	50	60	70	80	90
		months	2	4	8	12	16	20	24	28	32	36
<b>ENGINE</b>												
1-1.	Water pump drive belt (Tension, Wear)		-	I	I	I	I	I	I	I	R	I
1-2.	Engine Coolant SUZUKI LLC: Super (Blue) (#1,2)		First time only:		Replace at 100000 km or 60 months whichever comes first.							
			Second time and after:		Replace every 40000 km or 24 months whichever comes first.							
	Engine Coolant SUZUKI LLC: Standard (Yellow) (#1,3)		I	I	R	I	R	I	R	I	R	I
1-3.	Engine oil, engine oil filter and drain plug gasket (Level, Leakage)		I	R	R	R	R	R	R	R	R	R
1-4.	Cooling system hoses and connections (Leakage and Damage)		I	I	I	I	I	I	I	I	I	I
1-5.	Engine Mounting and Manifold fixing (Loose, Damage)		I	I	I	I	I	I	I	I	I	I
1-6.	Exhaust System (Noise, Leakage etc.)		I	-	I	-	I	-	I	-	I	-
1-7.	Positive Crank Case Ventilation System (Hoses, Connections and Valve)		I	-	I	-	I	-	I	-	I	-
1-8.	Exhaust Gas Recirculation Valve		-	-	-	C	-	-	C	-	-	C
<b>IGNITION</b>												
2-1.	Ignition wire (Damage, Deterioration)		-	-	I	-	I	-	I	-	I	-
2-2.	Spark Plug		Petrol		Replace every 100000 km or 84 months whichever comes first							
			CNG		Replace every 50000 km or 48 months whichever comes first							
<b>FUEL</b>												
3-1.	Air cleaner filter element		Paved-road		Clean every 5000 km. Replace every 40000 km							
			Dusty Condition		Clean every 2500 km. Replace every 40000 km. More frequent replacement if the conditions are severe.							
3-2.	Fuel tank cap, fuel lines and connections (Leakage and Damage)		I	-	-	-	I	-	-	-	I	-
3-3.	Fuel Filter (Leakage)		I	I	I	I	R	I	I	I	R	I

#1: Perform the engine coolant level check under the daily inspection in the "OPERATING YOUR VEHICLE" section.

The same type of coolant that is filled at the time of a brand new car should be used when you add or replace the coolant. Refer to "Engine coolant" in this section.

#2: Do not add SUZUKI LLC: Standard (Yellow) Coolant or distilled water or others when your vehicle is originally filled with SUZUKI LLC: Super (Blue) Coolant.

#3: When your vehicle is originally filled with SUZUKI LLC: Standard (Yellow) Coolant, follow the maintenance schedule of SUZUKI LLC: Standard (Yellow) Coolant.

## INSPECTION AND MAINTENANCE

Interval: This interval should be judged by odometer reading or months, whichever comes first.		FREE INSPECTION				PERIODIC MAINTENANCE AT COST						
		km (x1000)	5	10	20	30	40	50	60	70	80	90
		months	2	4	8	12	16	20	24	28	32	36
3-4.	CNG fuel line joints (Gas leakage)											
3-5.	CNG low pressure filter cartridge with O-Ring	-	-	R	-	R	-	R	-	R	-	
3-6.	CNG cylinder leak testing and certification	Every 3 years from the date of initial testing by govt. approved testing agency										
3-7.	CNG filler receptacle O-Ring	Replace every 4 years or 300000 km whichever comes earlier										
<b>CLUTCH AND TRANSMISSION</b>												
4-1.	Clutch Pedal (Play)											
4-2.	Clutch slipping (Dragging or Excess Damage)											
4-3.	Gear shifter (Operation)											
4-4.	Manual Transmission Oil (Level, Leakage)											
4-5.	Rear Differential Oil (Level, Leakage)	Replace at 80000 km or 4 years whichever comes first										
4-6.	Propeller shaft / Universal joint (Loose, Damage)		I&L	I&L	I&L	I&L	I&L	I&L	I&L	I&L	I&L	
<b>BRAKE</b>												
5-1.	Brake Fluid (Level, Leakage)											
		Replace every 40000 km or 24 months whichever comes first										
5-2.	Brake pedal (Pedal - Front Panel Clearance)											
5-3.	Parking brake lever and cable (Play, Damage)											
5-4.	Brake disc and pad (Wear)											
5-5.	Brake drum and shoes (Wear)	-	-									
5-6.	Master cylinder, wheel cylinder and caliper piston (Fluid Leakage, Boot/Seal Damage)											
5-7.	Brake hoses and pipes (Leakage, Damage)											
<b>WHEEL</b>												
6-1.	Tyres (Air pressure, Abnormal wear, Crack and Rotation)	I&O	I&O	I&O	I&O	I&O	I&O	I&O	I&O	I&O	I&O	
6-2.	Wheels (Damage)											
6-3.	Front/Rear wheel bearing (Loose, Damage)											



## INSPECTION AND MAINTENANCE

Interval: This interval should be judged by odometer reading or months, whichever comes first.		FREE INSPECTION				PERIODIC MAINTENANCE AT COST						
		km (x1000)	5	10	20	30	40	50	60	70	80	90
		months	2	4	8	12	16	20	24	28	32	36
<b>FRONT / REAR SUSPENSION</b>												
7-1.	Front suspension strut and shock absorber (Oil leakage, Damage)											
7-2.	Front suspension arms, Knuckle support and Tension rods (Loose, Damage)											
7-3.	Rear leaf spring (Damage)											
7-4.	Rear shock absorber (Oil leakage, Damage)											
7-5.	All bolts and nuts (Loose)	T	T	T	T	T	T	T	T	T	T	
<b>STEERING</b>												
8-1.	Steering wheel (Play, Loose)											
8-2.	Steering column rods and arms (Loose, Damage, Wear)											
<b>ELECTRICAL</b>												
9-1.	Battery - Electrolyte (Level, Leakage) and voltage											
9-2.	Wiring harness connection (Loose, Damage)											
9-3.	Lighting system (Operation)											
9-4.	Wiper (Operation, Stains, Damage)											
9-5.	Horn (Operation)											
9-6.	Accessory socket (Operation)											
<b>BODY</b>												
10-1.	All chassis bolts and nuts (Tighten)		T	T	T	T	T	T	T	T	T	
10-2.	All latches, hinges and locks (Function)	I&L	I&L	I&L	I&L	I&L	I&L	I&L	I&L	I&L	I&L	
10-3.	Cargo bed (Inspect)											
<b>ROAD TEST</b>												
11-1.	Operation of brakes, clutch, gear shifting and speedometer											
11-2.	Body and chassis noise											

**Inspection & Maintenance operations to be performed by customer**

The following table shows the inspection & maintenance operations that you can perform.  
This table shows the frequency when you should perform inspection, greasing, lubrication & other services.

<b>FREQUENCY</b>	<b>SR.NO.</b>	<b>OPERATION</b>	<b>REFERENCE</b>
Daily	1	Inspect all tyres (including spare wheel) for air pressure, abnormal wear, cracks and damage.	Page No. 7-19
Weekly	2	Inspect engine oil level, if necessary, top up with Maruti Genuine Engine oil.	Page No. 7-9
	3	Inspect coolant level in coolant reservoir and if necessary, top up with a mixture of recommended Maruti Genuine Coolant and distilled water in specified ratio.	Page No. 7-12
	4	Inspect transmission oil level and differential oil level.	Page No. 7-15
	5	Inspect brake fluid level in brake fluid reservoir and if necessary, top up with Maruti Genuine Brake Fluid.	Page No. 7-16
	6	Inspect vehicle for <ul style="list-style-type: none"> <li>• Engine oil leakage</li> <li>• Coolant leakage</li> <li>• Brake fluid leakage</li> </ul> <ul style="list-style-type: none"> <li>• Front suspension strut leakage</li> <li>• Rear shock absorber leakage</li> <li>• Fuel leakage</li> <li>• Transmission oil and differential oil leakage</li> </ul>	Inspection & maintenance Section
	7	Inspect battery electrolyte level, terminals and bracket.	Page No. 7-20
	8	Inspect wheel mounting nuts and tighten if necessary.	Page No. 8-5

## INSPECTION AND MAINTENANCE

Monthly	9	Inspect drive belt for damage or deterioration.	Page No. 7-8
	10	Clean air filter element.	Page No. 7-13
	11	Grease all latches, hinges and locks using multi purpose grease.	Page No. 7-5
	12	Grease propeller shaft universal joint with grease gun.	Page No. 7-18
As and when required	13	Inspect clutch pedal play.	Page No. 7-16
	14	Inspect the brake pedal to floor panel distance by applying the brakes, when engine is running.	Page No. 7-17
	15	Inspect parking brake for proper adjustment.	Page No. 7-18

**\* Inspect and/or adjust wheel alignment and balancing if the vehicle pulls to one side or vibrates at high speed.**

Drive Belt

**⚠ WARNING**  
When the engine is running, keep hands, hair, clothing, tools, etc. away from the moving fan and drive belts.

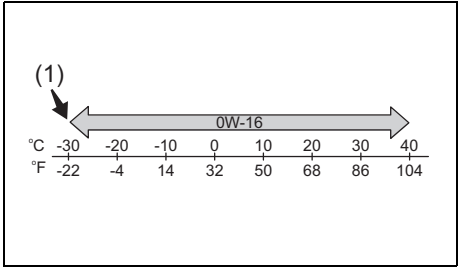
Make sure the drive belt tension is correct. If the belt is too loose, insufficient battery charging, engine overheating, or excessive belt wear can result.

The belts should also be examined to ensure that they are not damaged.

If you need to replace or adjust the belt have it done by your Maruti Suzuki authorised workshop.

Engine Oil and Filter Specified Oil

For India



56RM07013

(1) Recommended

Check that the engine oil you use comes under the quality classification of API SN. Select the appropriate oil viscosity according to the above chart

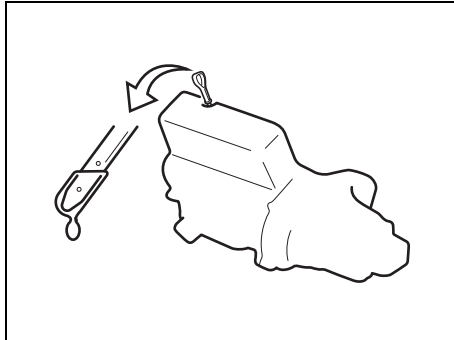
SAE 0W-16 (1) is the best choice for good fuel economy and good startability in cold weather.

NOTE:

- The replacement timing varies with the type of engine oil that you choose. Refer to "Maintenance schedule" in this section for corresponding maintenance schedule.
- We recommend that you use MARUTI SUZUKI genuine oil. To purchase it, see a Maruti Suzuki authorised workshop.

## INSPECTION AND MAINTENANCE

### Oil Level Check



55RH07002

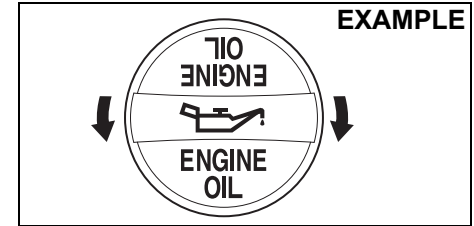
It is important to keep the engine oil at the correct level for proper lubrication of your vehicle's engine. Check the oil level with the vehicle on a level surface. The oil level indication may be inaccurate if the vehicle is on a slope. The oil level should be checked either before starting the engine or at least 5 minutes after stopping the engine.

Pull out the oil dipstick, wipe the oil off with a clean cloth, insert the dipstick all the way into the engine, and then remove it again. The oil on the stick should be between the upper and lower limits shown on the stick. If the oil level indication is near the lower limit, add enough oil to raise the level to the upper limit.

### NOTICE

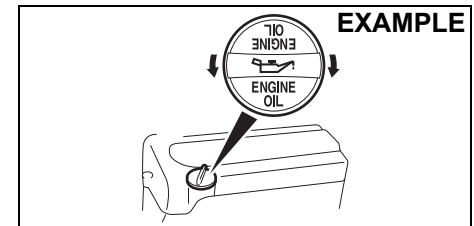
Failure to check the oil level regularly could lead to serious engine trouble due to insufficient oil.

### Refilling



68PH00762

Remove the oil filler cap and pour oil slowly through the filler hole to bring the oil level to the upper limit on the dipstick. Be careful not to overfill. Too much oil is almost as bad as too little oil. After refilling, start the engine and allow it to idle for about a minute. Stop the engine, wait about 5 minutes and check the oil level again.



68PM00703

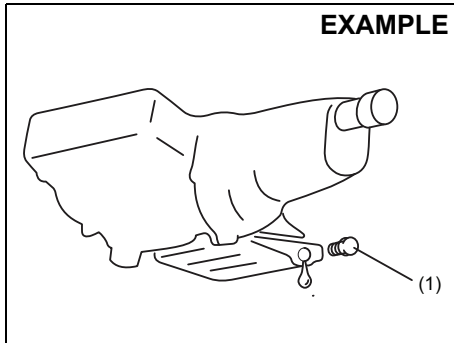
**Changing Engine Oil and Filter**

Drain the engine oil while the engine is still warm.

- 1) Remove the oil filler cap.
- 2) Place a drain pan under the drain plug.
- 3) Using a wrench, remove the drain plug and drain out the engine oil.

**CAUTION**

The engine oil temperature may be high enough to burn your fingers when the drain plug is loosened. Wait until the drain plug is cool enough to touch with your bare hands.



77PM07007

**Tightening torque for drain plug (1):  
50 Nm (5.1 kg-m, 36.9 lb-ft)**

**WARNING**

**New and used oil can be hazardous. Children and pets may be harmed by swallowing new or used oil. Keep new and used oil and used oil filters away from children and pets.**

**Repeated, prolonged contact with used engine oil may cause skin cancer.**

**Brief contact with used oil may irritate skin.**

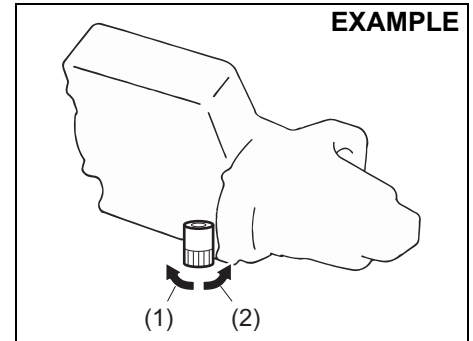
**To minimize your exposure to used oil, wear a long-sleeve shirt and moisture-proof gloves (such as dish-washing gloves) when changing oil. If oil contacts your skin, wash thoroughly with soap and water. Launder any clothing or rags if wet with oil.**

**Recycle or properly dispose of used oil and filters.**

- 4) Reinstall the drain plug and gasket. Tighten the plug with a wrench to the specified torque.

**Replace the Oil Filter**

- 1) Using an oil filter wrench, turn the oil filter counterclockwise and remove it.
- 2) Using a clean rag, wipe off the mounting surface on the engine where the new filter will be seated.
- 3) Smear a little engine oil around the rubber gasket of the new oil filter.
- 4) Screw on the new filter by hand until the filter gasket contacts the mounting surface.

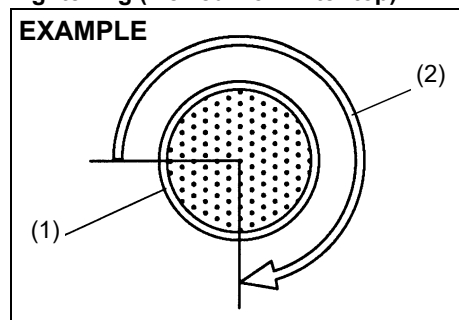


77PH017

- (1) Loosen
- (2) Tighten

## INSPECTION AND MAINTENANCE

### Tightening (viewed from filter top)



54G093

- (1) Oil filter  
(2) 3/4 turn

### **NOTICE**

**To tighten the oil filter properly, it is important to accurately identify the position at which the filter gasket first contacts the mounting surface.**

- 5) Tighten the filter specified turn from the point of contact with the mounting surface (or to the specified torque) using an oil filter wrench.

**Tightening torque for oil filter**  
**3/4 turn or**  
**14 Nm (1.4 kgf-m, 10.3 lbf-ft)**

### **NOTICE**

**To prevent oil leakage, make sure that the oil filter is tight, but do not over-tighten it.**

### **Refill with Oil and Check for Leaks**

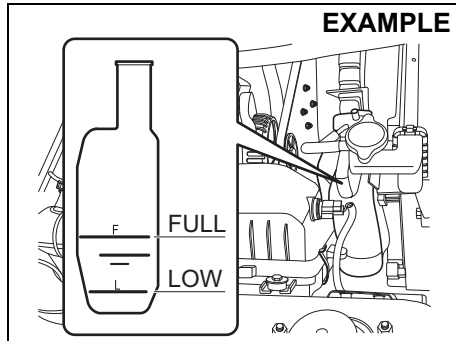
- 1) Pour oil through the filler hole and install the filler cap.  
For the approximate capacity of the oil, refer to the "CAPACITIES" item in the "SPECIFICATIONS" section.
- 2) Start the engine and look carefully for leaks at the oil filter and drain plug. Run the engine at various speeds for at least 5 minutes.
- 3) Stop the engine and wait about 5 minutes. Check the oil level again and add oil if necessary. Check for leaks again.

### **NOTICE**

- When replacing the oil filter, it is recommended that you use a **MARUTI** genuine filter. If you use an after market filter, make sure it is of equivalent quality and follow the manufacturer's instructions.
- Oil leaks from around the oil filter or drain plug indicate incorrect installation or gasket damage. If you find any leaks or are not sure that the filter has been properly tightened, have the vehicle inspected by your authorised **MARUTI SUZUKI COMMERCIAL** workshop.

## Engine Coolant

### Coolant Level Check



77PM07010

Check the coolant level at the reservoir tank, not at the radiator. With the engine cool, the coolant level should be between "FULL" and "LOW" marks.

If the coolant level is below "LOW" mark, coolant should be added.

### Coolant addition and replacement

When you add the coolant, remove the reservoir tank cap and add coolant until the reservoir tank level reaches "FULL" mark while the engine is cool. Never fill the reservoir tank above "FULL" mark.

Since special procedures are required for coolant replacement, ask a Maruti Suzuki authorised workshop for this job.

### **⚠ WARNING**

**Swallowing engine coolant can cause severe injury or death. Inhaling coolant mist or vapors or getting coolant in your eyes could result in severe injury.**

- **Do not drink antifreeze or coolant solution. If swallowed, do not induce vomiting. Immediately contact a poison control center or a physician.**
- **Avoid inhaling coolant mist or hot vapors. If inhaled, remove to a fresh air area.**
- **If coolant gets in the eyes, flush with water and seek medical attention.**
- **Wash thoroughly after handling coolant.**
- **Keep engine coolant out of the reach of children and pets.**

### **NOTICE**

**When putting the cap on the reservoir tank, line up the mark on the cap and the mark on the tank. Failure to follow this can result in coolant leakage.**

### Selection of coolant

To maintain optimum performance and durability of your engine, use MARUTI SUZUKI genuine coolant or equivalent.

This type of coolant is the best for cooling system for the following reasons:

- The coolant helps maintain proper engine temperature.
- It gives proper protection against freezing and boiling.
- It gives proper protection against corrosion and rust.

Failure to use the proper coolant can damage your cooling system. A Maruti Suzuki authorised workshop can help you select the proper coolant.

### **NOTICE**

**To avoid damaging your cooling system:**

- **Always use a high quality ethylene glycol base non-silicate type coolant diluted with distilled water at the correct mixture concentration.**
- **Do not add extra inhibitors or additives. They may not be compatible with your cooling system.**
- **Do not mix different types of base coolants. Doing so may result in accelerated seal wear and/or the possibility of severe overheating and extensive engine/transmission damage. In case of coolant mix-up**

(Continued)



## INSPECTION AND MAINTENANCE

### NOTICE

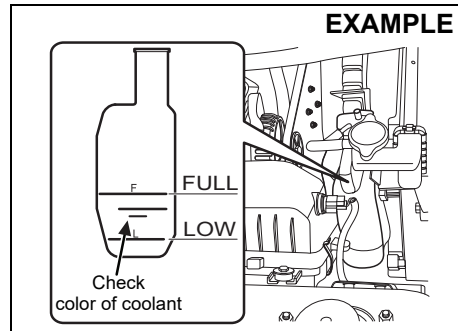
(Continued)

**have your vehicle inspected by a Maruti Suzuki authorised workshop.**

#### NOTE:

Maruti Suzuki highly recommends the use of Maruti Suzuki genuine coolant. Maruti Suzuki genuine coolant has been specially formulated for your Maruti Suzuki product and contributes to the desired vehicle performance and ideal driving experience.

Depending on the production period of your vehicle, the coolant type filled at the time of a brand new car differs. There are two coolant types, SUZUKI LLC: Super (Blue) Coolant and SUZUKI LLC: Standard (Yellow) Coolant. You can check the original coolant type in your vehicle by the color of the coolant in the reservoir tank (Refer below figure).



77PM07033

Coolant Color	Coolant Type
Blue	Suzuki LLC : Super
Yellow	Suzuki LLC : Standard

#### NOTE:

The same type of coolant that is filled at the time of a brand new car should be used when you add or replace the coolant.

#### SUZUKI LLC: Super (Blue) Coolant:

### NOTICE

- This coolant is already diluted to the proper percentage. Do not dilute with distilled water additionally. Doing so may result in the possibility of freezing and/or overheating coolant.
- Do not add SUZUKI LLC: Standard (Yellow) Coolant or distilled water or others when your vehicle is originally filled with SUZUKI LLC: Super (Blue) Coolant. If such a case occurs, then get the vehicle inspected by a Maruti Suzuki authorised workshop.

#### SUZUKI LLC: Standard (Yellow) Coolant:

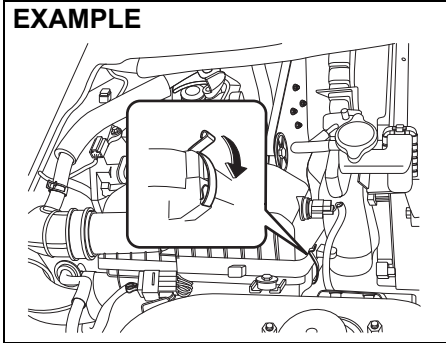
### NOTICE

- The concentration of the mixture to be used shall be 30% antifreeze and 70% distilled water. Do not use straight coolant nor plain water.
- If the lowest ambient temperature in your area is expected to be  $-15^{\circ}\text{C}$  ( $5^{\circ}\text{F}$ ) or below, use higher concentrations up to 60% following the instructions on the antifreeze container. Concentrations greater than 60% will cause overheating conditions.
- When your vehicle is originally filled with SUZUKI LLC: Standard (Yellow) Coolant, follow the maintenance schedule of SUZUKI LLC: Standard (Yellow) Coolant in this section. In case you replace with Suzuki LLC: Super (Blue) Coolant, then get the vehicle inspected by a Maruti Suzuki authorised workshop.

**Air Cleaner**

If the air cleaner is clogged with dust, there will be greater intake resistance, resulting in decreased power output and increased fuel consumption.

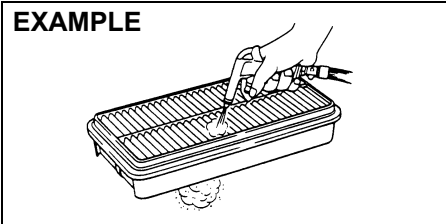
**EXAMPLE**



77PM07011

Unclamp the side clamps, and remove the element from the air cleaner case.

**EXAMPLE**



60A183

If it appears to be dirty, clean or replace the air cleaner with a new one as per periodic maintenance schedule.

**Spark Plugs**

**Replacing and inspection of spark plugs**

Since special procedures, materials and tools are required, it is recommended that you trust this job to your Maruti Suzuki authorised workshop.

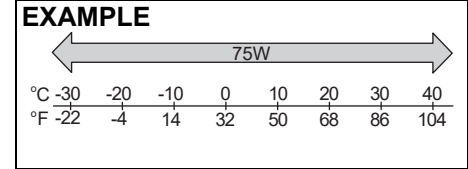
**Gear Oil**

**Manual Transmission Oil/Differential Oil**

When adding gear oil, use gear oil with the appropriate viscosity and grade as shown in the chart below.

**Manual transmission oil**

**EXAMPLE**

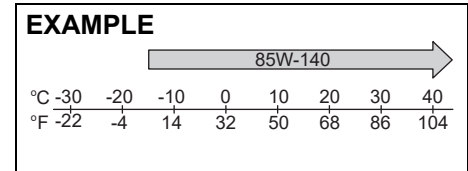


68LM728

We highly recommend you use: "MARUTI GENUINE GEAR OIL 75W" for manual transmission gear oil.

**Rear differential oil**

**EXAMPLE**



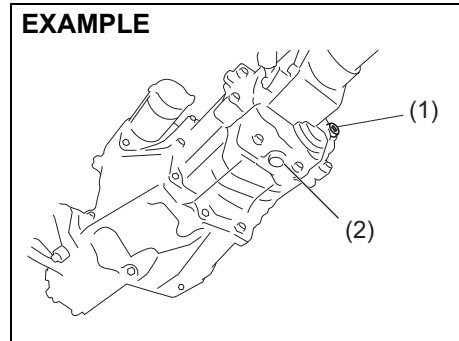
77PH075

We highly recommend you use: "TOTALFINAELF TRANSELF LL 85W-140" for rear differential oil.

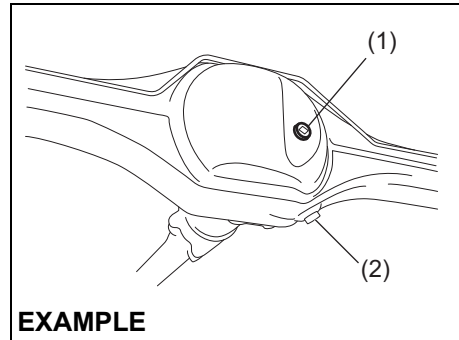
## INSPECTION AND MAINTENANCE

### Gear Oil Level Check

#### Manual transmission



#### Rear differential



1. Oil filler and level plug (Do not reuse).
2. Oil drain plug.

To check the gear oil level, use the following procedure:

- 1) Park the vehicle on a level surface with the parking brake applied. Then, stop the engine.
- 2) Remove the oil filler and level plug (1).
- 3) Check the inside of the hole with your finger. If the oil level comes up to the bottom of the plug hole, the oil level is correct. If so, reinstall the plug.
- 4) If the oil level is low, add gear oil through the oil filler plug hole (1) until the oil level reaches the bottom of the filler hole, then reinstall the plug.

#### Tightening torque for oil filler and level plug

##### Manual transmission (1):

23 Nm (2.3 kgf-m, 17.0 lbf-ft)

##### Rear differential (1):

25 Nm (2.5 kgf-m, 18.5 lbf-ft)

#### NOTE:

For Rear differential always use a new oil filler and level plug (1).

#### **▲ CAUTION**

After driving the vehicle, the gear oil temperature may be high enough to burn your skin. Wait until the oil filler plug is cool enough to touch with your bare hands before inspecting gear oil level.

#### **NOTICE**

When tightening the plug, apply the following sealing compound or equivalent to the plug threads to prevent oil leakage.

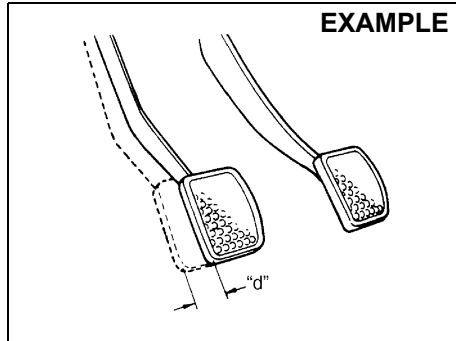
**MARUTI SUZUKI Bond No. "1216E" or "1217G"**

#### **Gear Oil Change**

Since special procedures, materials and tools are required, it is recommended that you trust this job to your authorised MARUTI SUZUKI COMMERCIAL workshop.

## Clutch Pedal

### Cable control clutch



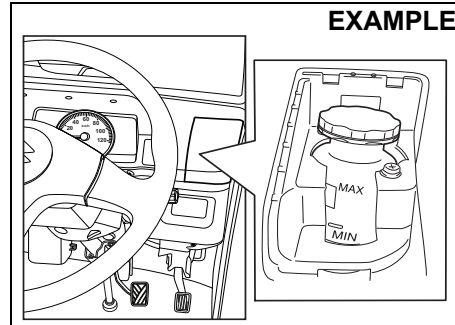
54G274

#### Clutch pedal play "d": 10 - 15 mm (0.4 - 0.6 in.)

Measure the clutch pedal play by moving the clutch pedal with your hand and measuring the distance it moves until you feel slight resistance. The play in the clutch pedal should be between the specified values. If the play is more or less than the above, or clutch dragging is felt with the pedal fully depressed, have the clutch inspected by your authorised MARUTI SUZUKI COMMERCIAL workshop.

## Brakes

### Brake Fluid



77PM706

Check the brake fluid level by looking at the reservoir in the instrument panel. Remove the cover on right hand side of steering wheel to check the brake fluid reservoir level. Check that the fluid level is between the "MAX" and "MIN" lines. If the brake fluid level is near the "MIN" line, fill it up to the "MAX" line with Maruti Genuine Brake Fluid (MGBF) or DOT 3. We highly recommend to use "Maruti Genuine Brake Fluid" (MGBF).

### ⚠ WARNING

Failure to follow the guidelines below can result in personal injury or serious damage to the brake system.

- If the brake fluid in the reservoir drops below a certain level, the brake warning light on the instrument panel will come 'ON' (the engine must be running with the parking brake fully disengaged). Should the light come on, immediately ask your authorised MARUTI SUZUKI COMMERCIAL workshop to inspect the brake system.
- A rapid fluid loss indicates a leak in the brake system which should be inspected by your authorised MARUTI SUZUKI COMMERCIAL workshop immediately.
- Do not use any fluid other than Maruti Genuine Brake Fluid (MGBF) or DOT 3. We highly recommend to use Maruti Genuine Brake Fluid (MGBF). Do not use reclaimed fluid or fluid that has been stored in old or open containers. It is essential that foreign particles and other liquids are kept out of the brake fluid reservoir.

### ⚠ CAUTION

Brake fluid can harm your eyes and damage painted surfaces. Use caution when refilling the reservoir.

## INSPECTION AND MAINTENANCE

### ⚠ WARNING

- In case vehicle is driven in over-loaded condition, the braking distance may be longer and higher pedal force may be required.

### ⚠ WARNING

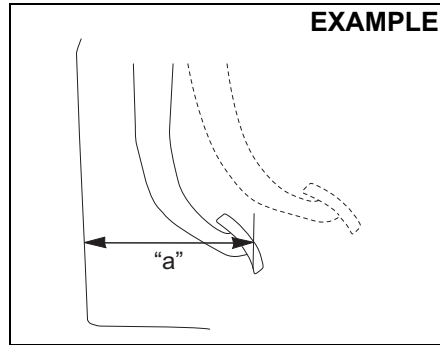
Brake fluid is harmful or fatal if swallowed, and harmful if it comes in contact with skin or eyes. If swallowed, do not induce vomiting. Immediately contact a poison control center or a physician. If brake fluid gets in eyes, flush eyes with water and seek medical attention. Wash thoroughly after handling. Solution can be poisonous to animals. Keep out of the reach of children and animals.

#### NOTE:

With disc brakes, the fluid level can be expected to gradually fall as the brake pads wear.

#### Brake Pedal

Check if the brake pedal stops at the regular height without spongy feeling when you depress it. If not, have the brake system inspected by your authorised MARUTI SUZUKI COMMERCIAL workshop. If you doubt the brake pedal for the regular height, check it as follows:



54G108S

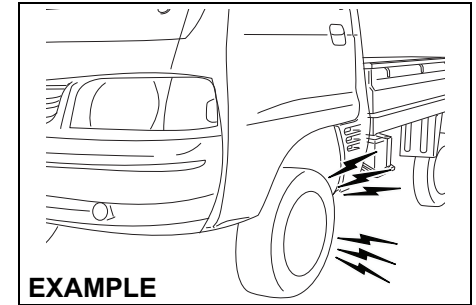
**Pedal to Front Panel minimum distance "a":**  
**Petrol and CNG Engine Model:**  
**150 mm**

With the engine running, measure the distance between the brake pedal and front panel when the pedal is depressed with approximately 30 kg (66 lbs) of force. The minimum distance required is as specified. Since your vehicle's brake system is self-adjusting, there is no need for pedal adjustment.

If the pedal to front panel distance as measured above is less than the minimum distance required, have your vehicle inspected by your authorised MARUTI SUZUKI COMMERCIAL workshop.

#### NOTE:

When measuring the distance between the brake pedal and front panel, be sure not to include the floor mat or rubber on the front panel in your measurement.



77PM07013

### ⚠ WARNING

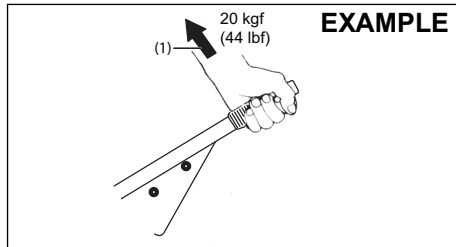
If you experience any of the following problems with your vehicle's brake system, have the vehicle inspected immediately by your authorised MARUTI SUZUKI COMMERCIAL workshop.

- Poor braking performance
- Uneven braking (brakes not working uniformly on all wheels)
- Excessive pedal travel
- Brake dragging
- Excessive noise
- Pedal pulsation (pedal pulsates when depressed)

**⚠ WARNING**

If the brake pad lining becomes worn and it has reached its minimum thickness, squealing noise sounds during braking. If you hear this noise, have the vehicle inspected immediately by a MARUTI SUZUKI authorized workshop. Continued driving with this condition can cause an accident.

**Parking Brake**



77PM702

**Ratchet tooth specification**  
**6th – 9th teeth**  
**Lever pull force (1):**  
**200 N (20 kgf, 44 lbf)**

Check the parking brake for proper adjustment by counting the number of clicks made by the ratchet teeth as you slowly pull up on the parking brake lever to the point of full engagement. The parking brake lever should stop between the specified ratchet

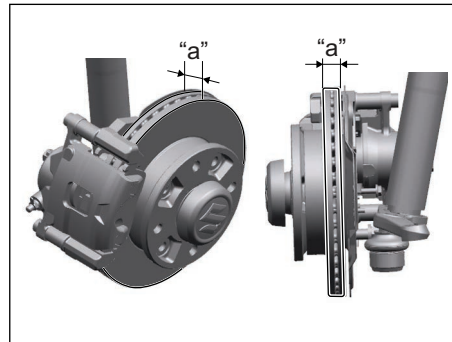
teeth and the rear wheels should be securely locked. If the parking brake is not properly adjusted or the brakes drag after the lever has been fully released, have the parking brake inspected and/or adjusted by your authorised MARUTI SUZUKI COMMERCIAL workshop.

**⚠ WARNING**

- **Parking Brake may not be effective in case vehicle is over-loaded. Use additional chocks to hold the vehicle.**

**Brake discs and brake drums**

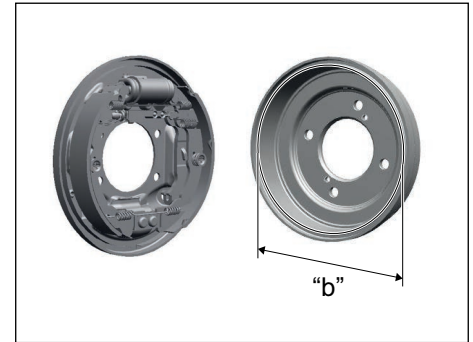
**Brake disc**



77PM709

Brake location	Minimum thickness "a"
Front wheels	18.0 mm

**Brake drum**



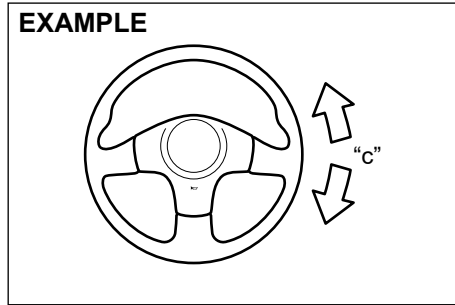
77PM708

Brake location	Maximum inner diameter "b"
Rear wheels	202 mm

If the measured thickness or inner diameter of the most worn part falls below or exceeds the value indicated above, the parts should be replaced with a new one. The measurement involves disassembling each brake and requires the use of a micrometer or caliper, which must be done according to the instructions described in the relevant service manual or available from the relevant repair information site.

## INSPECTION AND MAINTENANCE

### Steering



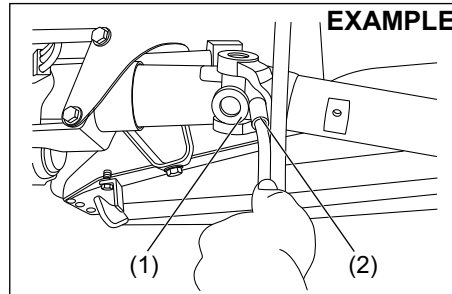
77PH042

**Steering wheel play "c":  
0 – 30 mm (0.0 – 1.2 in.)**

Check the play of the steering wheel by gently turning it from left to right and right to left, with wheels in straight ahead position and engine in OFF condition. Measure the distance that the steering moves before you feel slight resistance. The play should be between the specified values. Check that the steering wheel turns easily and smoothly without rattling by turning it all the way to the right and to the left while driving very slowly in an open area. If the amount of free play is outside the specification or you find anything else to be wrong, an inspection must be performed by your authorised MARUTI SUZUKI COMMERCIAL workshop.

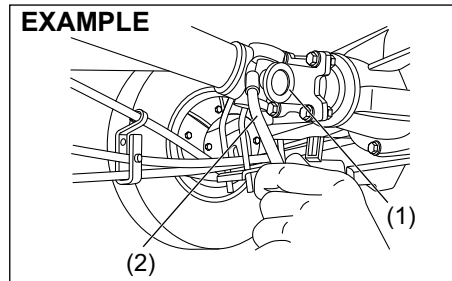
### Propeller Shaft Universal Joint

Front



77PM703

Rear

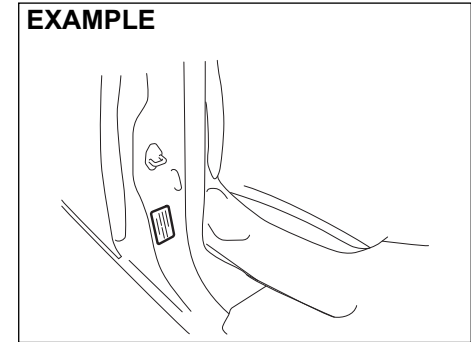


77PM704

Lubricate propeller shaft universal joint (1) (front & rear) as per the service schedule.

To lubricate the propeller shaft universal joint you should use grease gun (2) and specified grease NLGI GRADE 2.

### Tyres



77PM705

The front and rear tyre pressure specifications for your vehicle are listed on the Tyre Information Label. Both the front and rear tyres should have the specified tyre pressure.

Note that the value does not apply to the compact spare tyre, if equipped.

#### Tyre Inspection

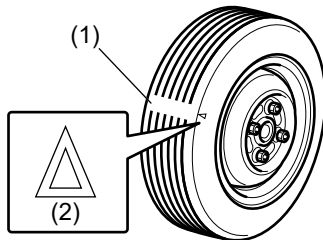
Inspect your vehicle's tyres at least once a month by performing the following checks:

- 1) Measure the air pressure with a tyre pressure gauge. Adjust the pressure if necessary. Remember to check the spare tyre, too.

**▲ WARNING**

- Air pressures should be checked when the tyres are cold or you may get inaccurate readings.
- Check the inflation pressure from time to time while inflating the tyre gradually, until the specified pressure is obtained.
- Never under-inflate or over inflate the tyres.
- Under inflation can cause unusual handling characteristics or can cause the rim to slip on the tyre bead, resulting in an accident or damage to the tyre or rim.
- Overinflation can cause the tyre to burst, resulting in personal injury. Overinflation can also cause unusual handling characteristics which may result in an accident.

**EXAMPLE**



52KM110

- (1) Tread wear indicator
  - (2) Indicator location mark
- 2) Check that the depth of the tread groove is more than 1.6 mm (0.06 in.). To help you check this, the tyres have molded-in tread wear indicators in the grooves. When the indicators appear on the tread surface, the remaining depth of the tread is 1.6 mm (0.06 in.) or less and the tyre should be replaced.
  - 3) Check for abnormal wear, cracks and damage. Any tyres with cracks or other damage should be replaced. If any tyres show abnormal wear, have them inspected by your authorised MARUTI SUZUKI COMMERCIAL workshop.

**▲ CAUTION**

Hitting curbs and running over rocks can damage tyres and affect wheel alignment. Be sure to have tyres and wheel alignment checked periodically by your authorised MARUTI SUZUKI COMMERCIAL workshop.

- 4) Check for loose wheel nuts.
- 5) Check that there are no nails, stones or other objects sticking into the tyres.

**▲ WARNING**

- Your Vehicle is equipped with tyres which are all the same type and size. This is important to ensure proper steering and handling of the vehicle. Never mix tyres of different size or type on the four wheels of your vehicle. The size and type of tyres used should be only those approved by MARUTI SUZUKI as standard or optional equipment for your vehicle.
- Replacing the wheels and tyres equipped on your vehicle with certain combinations of aftermarket wheels and tyres can significantly change the steering and handling characteristics of your vehicle.
- Therefore, use only those wheel and tyre combinations approved by MARUTI SUZUKI as standard or optional equipment for your vehicle.

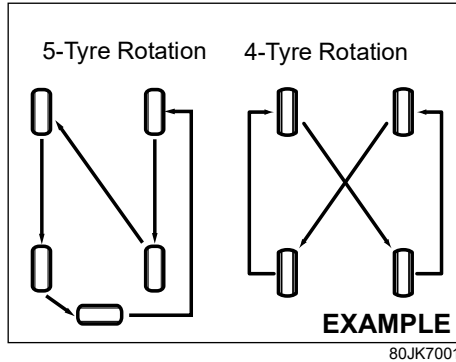
**NOTICE**

Replacing the original tyres with tyres of a different size may result in incorrect speedometer or odometer readings. Check with your authorised MARUTI SUZUKI COMMERCIAL workshop before purchasing replacement tyres that differ in size from the original tyres.



## INSPECTION AND MAINTENANCE

### Tyre Rotation



To avoid uneven wear of your tyres and to prolong their life, rotate the tyres as illustrated. Tyres should be rotated every 10000 km. After rotation, adjust front and rear tyre pressures to the specification listed on your vehicle's Tyre Information Label.

### Wheel Balancing

If the vehicle vibrates abnormally on smooth road, have the wheel balanced at authorised MARUTI SUZUKI COMMERCIAL workshop.

### Wheel Alignment

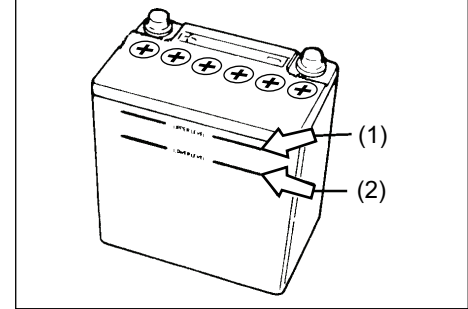
In case of abnormal tyre wear or pulling towards one side, have the wheel aligned at authorised MARUTI SUZUKI COMMERCIAL workshop.

### Battery

#### WARNING

- Batteries produce flammable hydrogen gas. Keep flames and sparks away from the battery or an explosion may occur. Never smoke when working in the vicinity of the battery.
- When checking or servicing the battery, disconnect the negative cable. Be careful not to cause a short circuit by allowing metal objects to contact the battery posts and the vehicle at the same time.
- To avoid harm to yourself or damage to your vehicle or battery, follow the jump starting instructions in the "EMERGENCY SERVICE" section of this manual if it is necessary to jump start your vehicle.

#### EXAMPLE



For maintenance-free battery (cap-less type), you need not add water. For traditional type battery, which has water filler caps, the level of the battery solution must be kept between the upper level line (1) and lower level line (2) at all times. You should periodically check the battery, case battery terminals, and battery hold-down bracket for damage or corrosion. Remove corrosion using a stiff brush and ammonia mixed with water, or baking soda mixed with water. After removing corrosion, rinse with clean water.

If your vehicle is not going to be driven for a month or longer, disconnect the cable from the negative terminal of the battery to help prevent discharge.

### **⚠ WARNING**

If the battery is used with battery level being less than the lower level line (2), it may cause reduced battery life, an exothermic heat, or an explosion by hydrogen gas occurring from the battery. Do not use the battery with battery level being less than the lower level line (2).

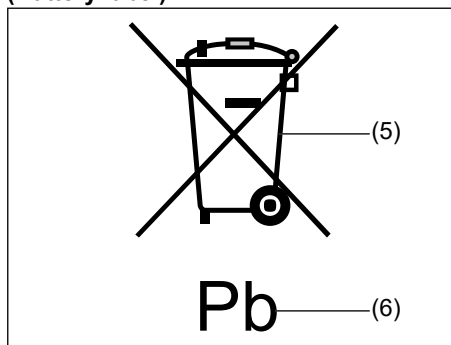
### **NOTICE**

If the battery liquid is added more than the upper level line (1), liquid may leak by vibrations during driving or liquid may spray out in some case depending on the condition of battery charging. These may cause damage to the parts near the battery. If the battery liquid overflows, immediately wash away with water. Do not add the battery liquid more than the upper level line (1).

#### **NOTE:**

The battery liquid is consumed when the battery is used. If the level is found to be less than the center of upper level (1) and lower level (2), add distilled water till it reaches the upper level line (1).

(Battery label)



- (5) Crossed-out wheeled bin symbol
- (6) Chemical symbol of "Pb"

The crossed-out wheeled bin symbol (5) located on the battery label indicates that the used battery should be collected separately from ordinary household trash. The chemical symbol of "Pb" (6) indicates the battery contains more than 0.004% lead.

By ensuring the used battery is disposed of or recycled correctly, you will help prevent potential negative consequences for the environment and human health, which could otherwise be caused by inappropriate trash handling of the battery. The recycling of materials will help to conserve natural resources. For more detailed information about disposing of or recycling the used battery, consult a MARUTI SUZUKI authorized workshop.

## Fuses

Your vehicle has three types of fuses, as described below:

### **Fusible Link Wire and Main fuse**

The main fuse takes current directly from the battery.

### **Primary fuses**

These fuses are between the main fuse and individual fuses, and are for electrical load groups.

### **Individual fuses**

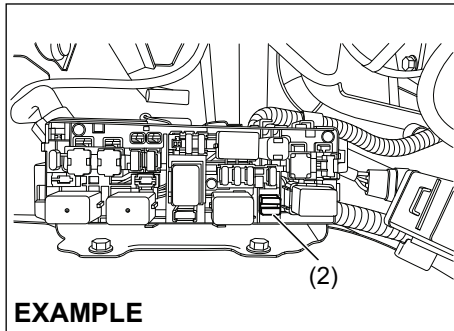
These fuses are for individual electrical circuits.

#### **NOTE:**

- "Blank" indicates that fuse is not applicable in the variant, even though name of fuse might be available on cover of fuse box of your vehicle.
- Some fuse may not be applicable to your vehicle according to the variant of vehicle, even though it is not mentioned as blank.

To remove a fuse, use the fuse puller (2) provided in the relay box.

## INSPECTION AND MAINTENANCE

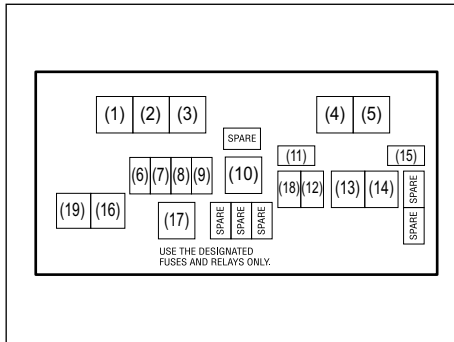


77PM07012

### NOTE:

Some fuse may not be applicable to your vehicle according to the variant of vehicle, even though it is not mentioned as blank.

### Fuses in the Engine Compartment



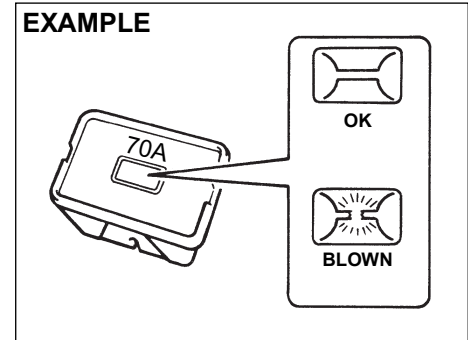
77PM07034

### MAIN FUSE/PRIMARY FUSE / RELAY

S. No.	Rating	Fuse / Relay
(1)	–	CNG valve relay*
(2)	–	Fuse puller
(3)	–	Radiator fan relay
(4)	–	Fuel pump relay
(5)		Starting motor relay
(6)	7.5A	CNG valve*
(7)	20A	Fuel Injection
(8)	30A	Starting motor
(9)	15A	Horn
(10)	70A	Alternator
(11)	7.5A	CNG*
(12)	10A	Hazard warning light
(13)	40A	Battery
(14)	40A	Ignition switch
(15)	7.5A	ST SIG 2 (starting signal)
(16)	30A	Radiator fan
(17)	–	FI main relay
(18)	25A	ABS SOL
(19)	40A	ABS MOT

\*: For CNG model

The main fuse, primary fuses and some of the individual fuses are located in the engine compartment. If the main fuse blows, no electrical component will function. If a primary fuse blows, no electrical component in the corresponding load group will function. When replacing the main fuse, a primary fuse or an individual fuse, use a MARUTI genuine replacement. To remove a fuse, use the fuse puller (2) provided in the relay box. The amperage of each fuse is shown inside of the fuse box cover.



60G111

## ⚠ WARNING

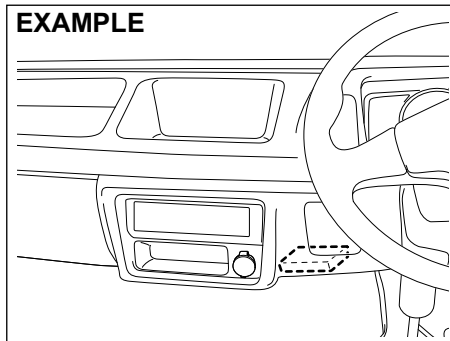
If the main fuse or a primary fuse blows, be sure to have your vehicle inspected by an authorised MARUTI SUZUKI COMMERCIAL workshop. Always use a MARUTI genuine replacement part. Never use a substitute such as a wire even for temporary repair, or extensive electrical damage / fire can result.

### NOTE:

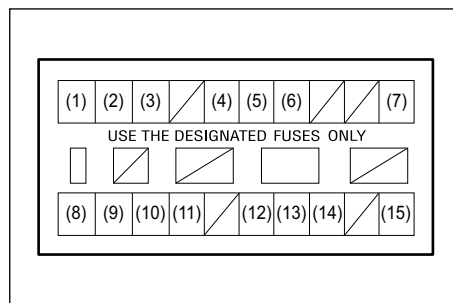
Make sure that the fuse box always carries spare fuses and fuse puller.

## Fuses under the Dash Board

### EXAMPLE



77PH048



77PH043

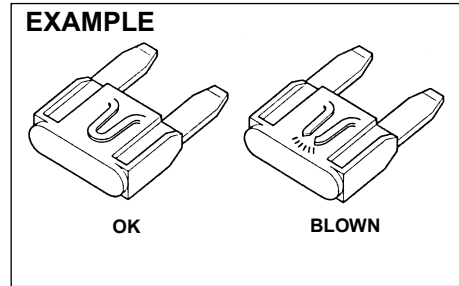
### MAIN FUSE/PRIMARY FUSE

(1)	10A	Headlight (Right)
(2)	10A	Headlight (Left)
(3)	10A	Dome light
(4)	10A	Tail light
(5)	10A	Stop light
(6)	15A	Radio
(7)	10A	Starting signal
(8)	10A	Meter
(9)	15A	Ignition
(10)	10A	Back-up light
(11)	15A	Front wiper
(12)	15A	Accessory 2
(13)	10A	Accessory
(14)	7.5A	CNG Ignition*
(15)	10A	ABS

\*: For CNG model

## INSPECTION AND MAINTENANCE

The fuse box is located under the dashboard.



### ▲ WARNING

Always be sure to replace a blown fuse with a fuse of the correct amperage. Never use a substitute such as aluminum foil or wire to replace a blown fuse. If you replace a fuse and the new one blows in a short period of time, you may have a major electrical problem. Have your vehicle inspected immediately by your authorised MARUTI SUZUKI COMMERCIAL workshop.

## Bulb Replacement

### ▲ CAUTION

- Light bulbs can be hot enough to burn your finger right after being turned off. This is true especially for halogen headlight bulbs. Replace the bulbs after they become cool enough.
- The headlight bulbs are filled with pressurized halogen gas. They can burst and injure you if they are hit or dropped. Handle them carefully.

### NOTICE

The oils from your skin may cause a halogen bulb to overheat and burst when the lights are on. Grasp a new bulb with a clean cloth.

### NOTICE

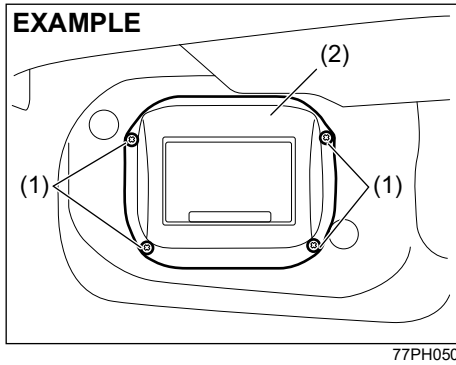
- Frequent replacement of a bulb indicates the need for an inspection of the electrical system. This should be carried out by your Maruti Suzuki authorised workshop.
- During bulb replacement always use same bulb number as used in vehicle which is imprinted on the said bulb/unit and/or mentioned in SPECIFICATIONS.

### NOTE:

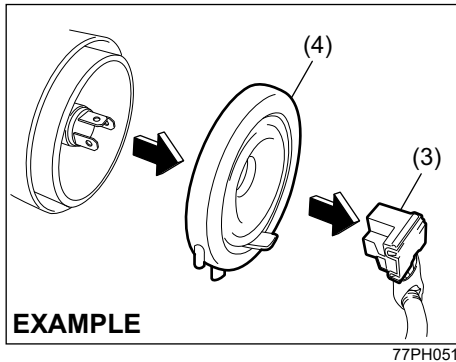
Mist may form on the lenses of exterior lights (Headlight, Rear combination light etc.) during or after driving in the rain or after car washing. This is a natural phenomenon which occurs due to temperature difference between lamp inside and outside. Temporary mist on the lens is not a malfunction and will not cause any discomfort during vehicle driving.

The mist would get cleared when the environmental condition change to sunny or when headlamp is kept on. However if there is water leakage inside the lamp, contact your authorised Maruti Suzuki workshop.

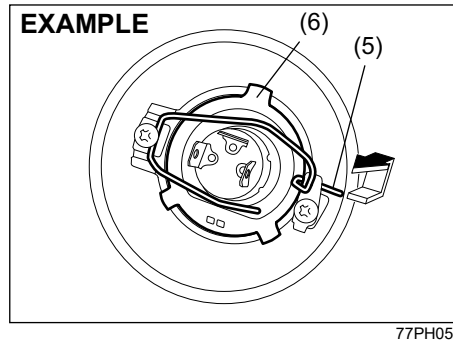
**Headlights**



1) Remove the screws (1) and remove the air inlet box (2).



2) Disconnect the coupler (3). Remove the sealing rubber (4).



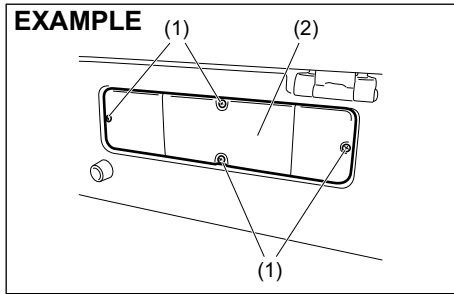
3) Push the retaining spring (5) forward and unhook it. Then remove the bulb (6). Install a new bulb in the reverse order of removal.

**Front Turn Signal Light  
Front Position Light**

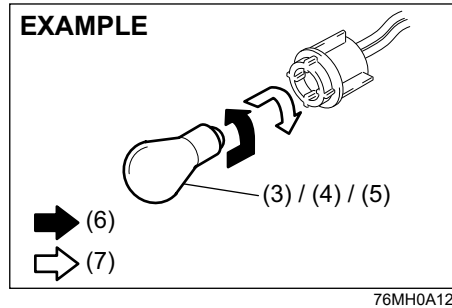
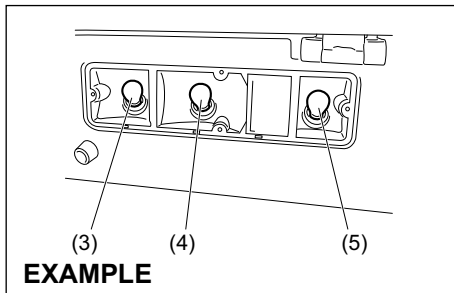
Since special procedures are required, we recommend you take your vehicle to your authorised MARUTI SUZUKI COMMERCIAL workshop for bulb replacement.

## INSPECTION AND MAINTENANCE

### Rear Combination Light



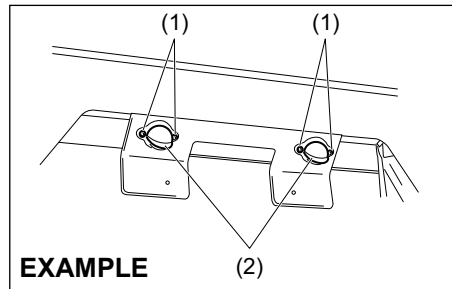
- 1) Remove the screws (1) and remove the cover (2).



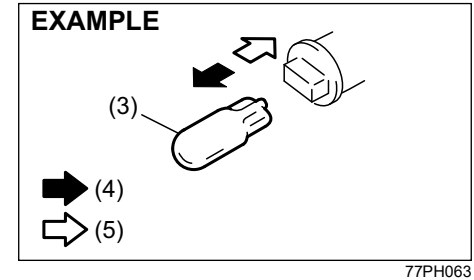
- (6) Removal
- (7) Install

- 2) To remove the bulb of the turn signal light (3), the tail/brake light (4) or the reversing light (5) bulb holder, push in the bulb and turn it counterclockwise. To install a new bulb, push it in and turn it clockwise.

### License Plate Light



- 1) Remove the screws (1) and remove the cover (2).

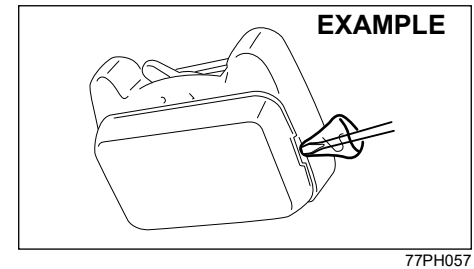


- (4) Removal
- (5) Install

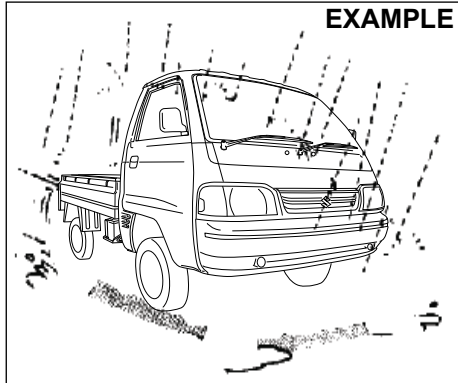
- 2) To remove and install the bulb of the license plate light (3), simply pull out or push in the bulb.

### Interior Light

Remove the lens by using a flat blade screwdriver covered with a soft cloth as shown. To install it, simply push it back in.



## Wiper Blades



77PM07028

If the wiper blades become brittle or damaged, or make streaks when wiping, replace the wiper blades.

To install new wiper blades, follow the procedures below.

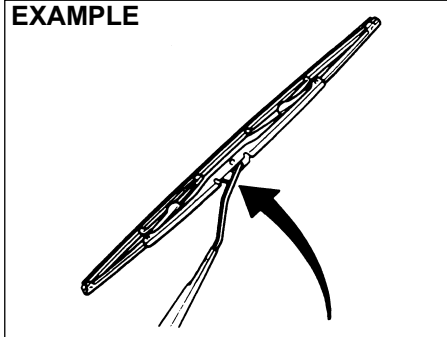
### NOTICE

**To avoid scratching or breaking the window, do not let the wiper arm strike the window while replacing the wiper blade.**

### NOTE:

Some wiper blades may be different from the ones described here depending on vehicle specifications. If so, consult your authorised MARUTI SUZUKI COMMERCIAL workshop for proper replacement method.

### For windshield wipers:



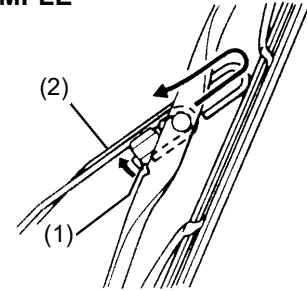
70G119

- 1) Hold the wiper arm away from the windshield.

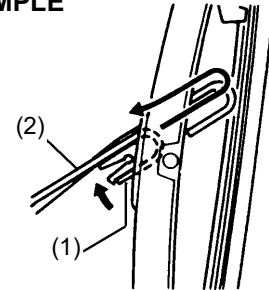
### NOTE:

When raising both of the front wiper arms, pull the driver's side wiper arm up first. When returning the wiper arms, lower the passenger's side wiper arm first. Otherwise, the wiper arms may interfere with each other.

### EXAMPLE



### EXAMPLE



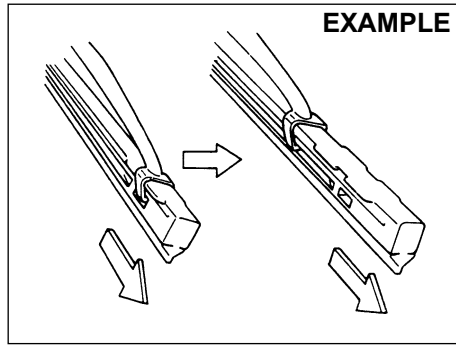
54G130

- 2) Squeeze lock (1) towards wiper arm (2) and remove the wiper frame from the arm as shown.
- 3) Unlock the lock end of the wiper blade and slide the blade out as shown.

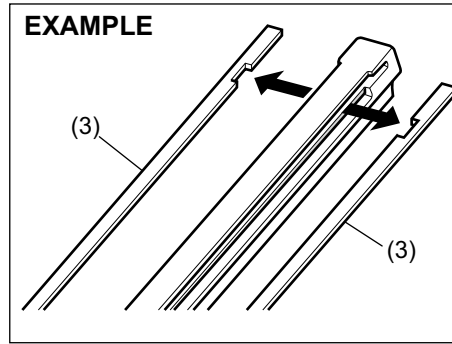


## INSPECTION AND MAINTENANCE

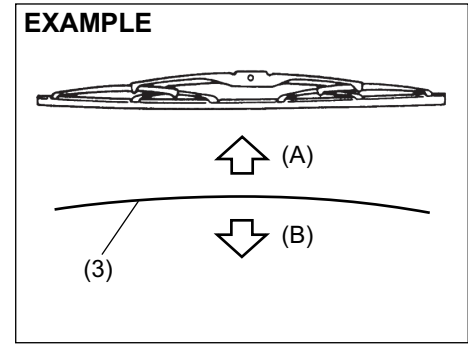
### Removal



60A260

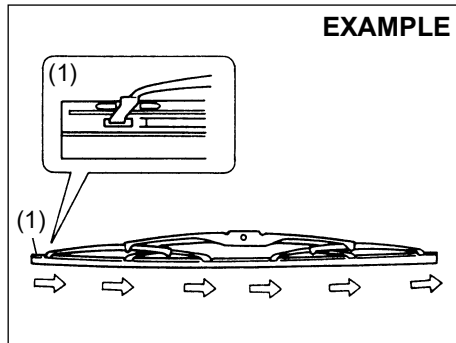


68PH00754



60MH072

### Installation

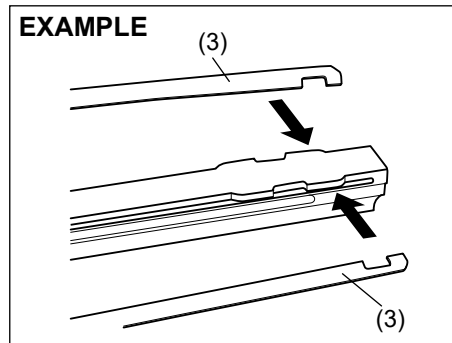


54G132

(1) Locked end

(3) Retainer

- 4) If the new blade is provided without the two metal retainers, move them from the old blade to the new one.



60MH071

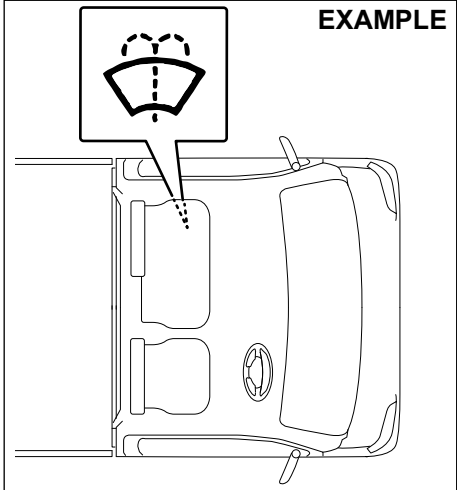
(A) Up  
(B) Down

#### NOTE:

*When you install the metal retainers (3), make sure the direction of metal retainers is as shown in the above illustrations.*

- 5) Install the new blade in the reverse order of removal, with the locked end positioned toward the wiper arm. Make sure the blade is properly retained by all the hooks. Lock the blade end into place.
- 6) Reinstall wiper frame to arm, making sure that the lock lever is snapped securely into the arm.

**Windshield Washer Fluid (If equipped)**



77PM07027

Visually inspect that there is washer fluid in the tank. Refill it if necessary. Use a good quality windshield washer fluid, diluted with water as necessary.

**NOTICE**  
Avoid use of hard water to prevent building of lime scale on the vehicle.

**WARNING**  
Do not use radiator antifreeze in the windshield washer reservoir. This can severely impair visibility when sprayed on the windshield, and can also damage your vehicle's paint.

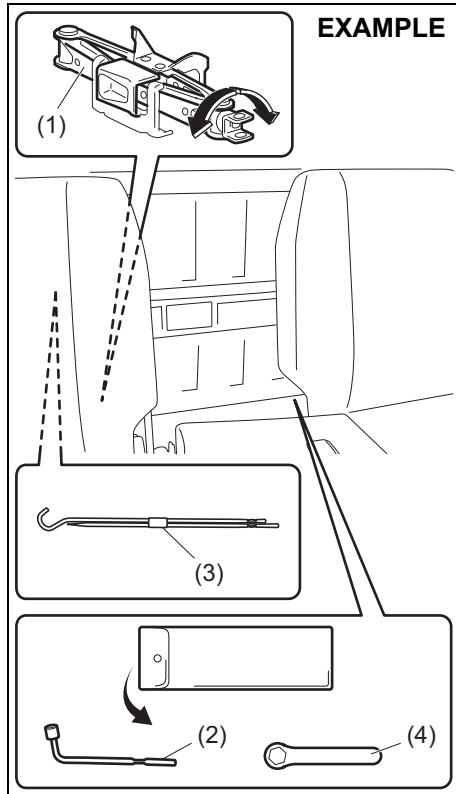
**NOTICE**  
Damage may result if the washer motor is operated with no fluid in the washer tank.

## EMERGENCY SERVICE

Tyre Changing Tool .....	8-1
Jacking Instructions .....	8-2
Changing Wheels .....	8-5
Jump Starting Instructions .....	8-6
Towing .....	8-7
If the Starter Does Not Operate .....	8-8
If the Engine is Flooded .....	8-8
If the Engine Overheats .....	8-8
Underbody Trouble by Hitting .....	8-9
Warning Triangle .....	8-9
Fire Extinguisher (if equipped) .....	8-10

## EMERGENCY SERVICE

### Tyre Changing Tool



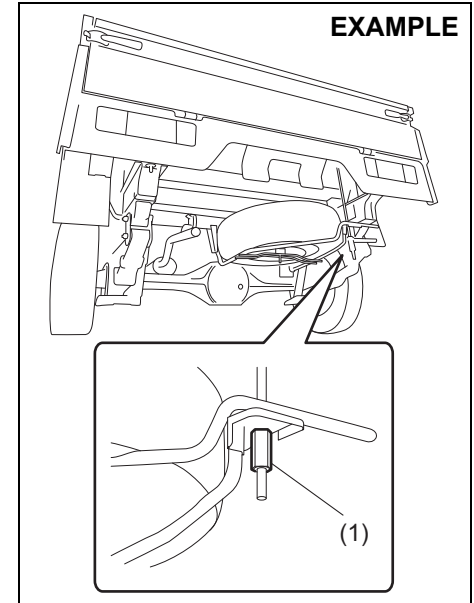
77PH202

- (1) Jack
- (2) Wheel brace
- (3) Jack handle
- (4) Spanner

The tyre changing tools are stowed behind the driver seat.

To remove the jack, turn its shaft counter-clockwise and pull the jack out of the storage bracket. To stow the jack, place it in the storage bracket and turn the shaft clockwise until the jack is securely held in place.

The spare tyre is stowed under the bed.  
To remove the spare tyre:



77PH099

- 1) Loosen the spare tyre holder hook nut (1).
- 2) Unhook the spare tyre holder and lower it slowly.
- 3) Remove the screw in the center of the spare tyre, and remove the tyre.

**⚠ WARNING**

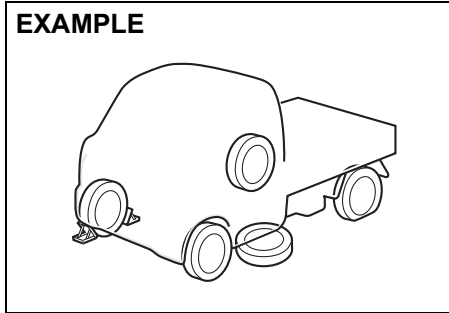
After using the tyre changing tools, be sure to stow them securely or they can cause injury if an accident occurs.

**⚠ CAUTION**

The jack should be used only to change wheels. It is important to read the jacking instructions in this section before attempting to use the jack.

**Jacking Instructions**

**EXAMPLE**



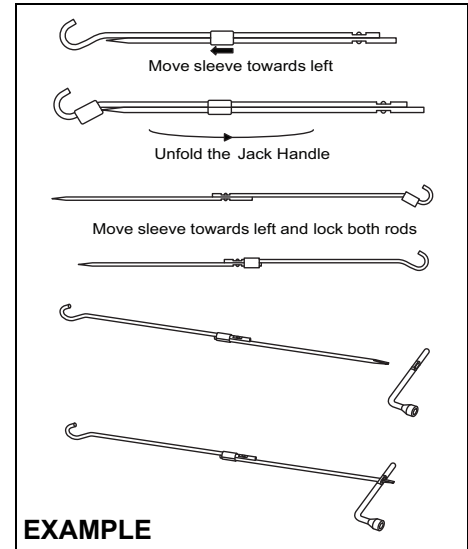
77PH054

- 1) Place the vehicle on level, hard ground.
- 2) Set the parking brake firmly and shift into "R" (Reverse).

**⚠ WARNING**

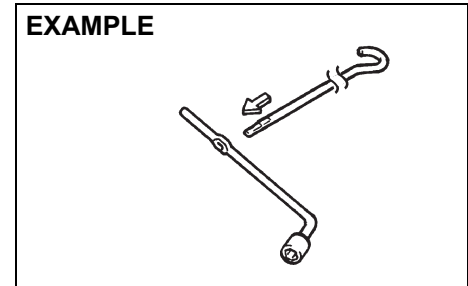
- Be sure to shift into "R" (Reverse) when you jack up the vehicle.
- Never jack up the vehicle with the transmission in "N" (Neutral). Otherwise, unstable jack may cause an accident.

- 3) Turn on the hazard warning flasher if your vehicle is near traffic.
- 4) Block the front and rear of the wheel diagonally opposite of the wheel being lifted.
- 5) Place the spare wheel near the wheel being lifted as shown in the illustration in case the jack slips.



**EXAMPLE**

77PH802



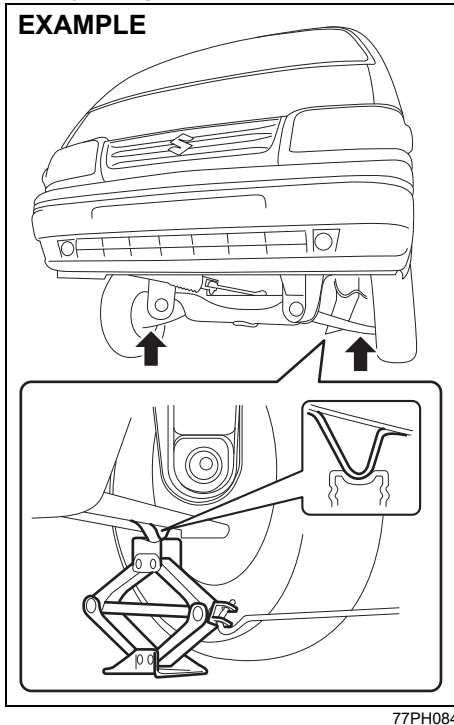
**EXAMPLE**

54G253

## EMERGENCY SERVICE

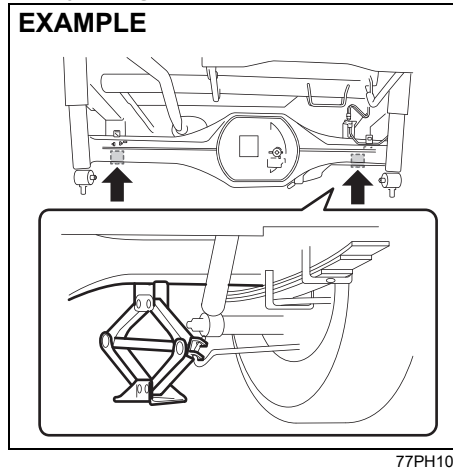
### Front jacking point

#### EXAMPLE

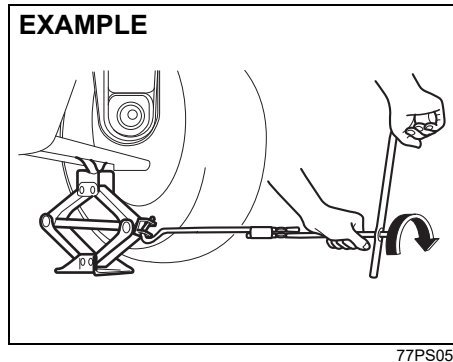


### Rear jacking point

#### EXAMPLE



#### EXAMPLE



- 6) Position the jack vertically and raise the jack by turning the jack handle clockwise until the jack head groove fits around the jacking bar beneath the vehicle body. See illustrations.
- 7) Continue to raise the jack slowly and smoothly until the tyre clears the ground. Do not raise the vehicle more than necessary.

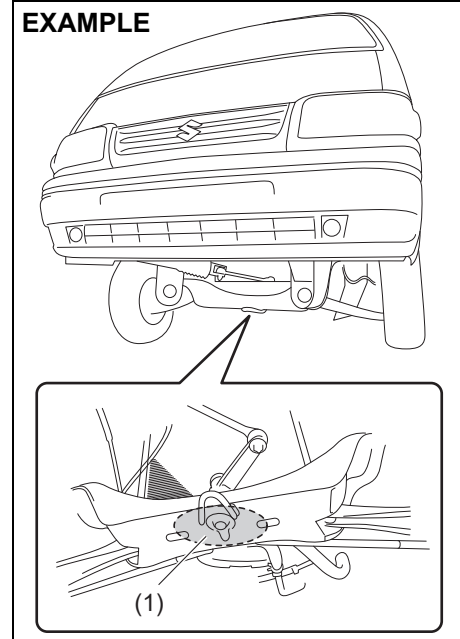
#### **⚠ WARNING**

- Use the jack only to change wheels on level, hard ground.
- Never jack up the vehicle on an inclined surface.
- Never raise the vehicle with the jack in a location other than the specified jacking point (shown in the illustration) near the wheel to be changed.
- Do not use wooden blocks or similar objects as a jack underlay.
- Never get under the vehicle when it is supported by the jack. Never place your hands and feet under the raised vehicle when it is supported by a jack.
- Never run the engine when the vehicle is supported by the jack and never allow passengers to remain in the vehicle.

**To Raise the Vehicle with a Garage Jack**

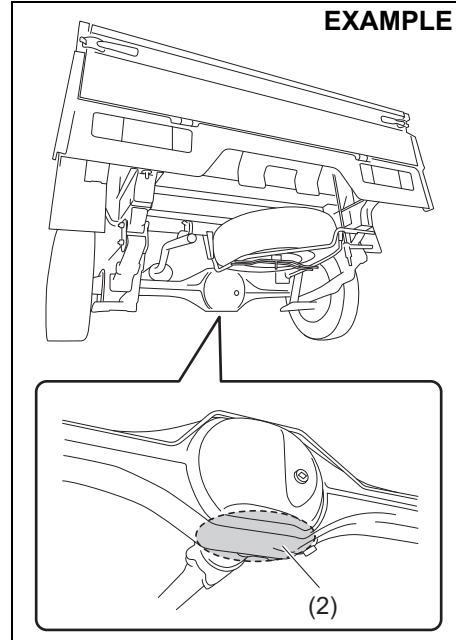
- Apply the garage jack to one of the points indicated below.
- Always support the raised vehicle with jack stands (commercially available) at the points indicated below.

**Front jacking point for garage jack (1)**



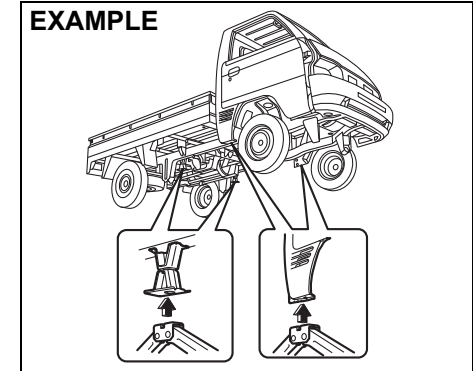
77PH060

**Rear jacking point for garage jack (2)**



77PH101

**Application point for jack stand (3) or two-column lift**



77PS055 (2)

**NOTICE**

- Never apply a garage jack to the exhaust pipe.
- When applying the jack stand or the two-column lift to the application point of the rear side, be careful not to interfere with the surrounding parts such as the parking cable or the flange of the fuel tank.

**NOTE:**

For more details, please contact an authorised MARUTI SUZUKI COMMERCIAL workshop.

## EMERGENCY SERVICE

### Changing Wheels

#### **⚠ WARNING**

**Never change a wheel in traffic lane. Always move the vehicle off the road on level, hard ground away from traffic for changing a wheel. For any further assistance contact your nearest Maruti Suzuki authorised workshop.**

To change a wheel, use the following procedure:

- 1) Clear all passengers and cargo from the vehicle.
- 2) Remove the jack, tools and spare wheel from the vehicle.
- 3) Loosen, but do not remove the wheel nuts.
- 4) Jack up the vehicle.

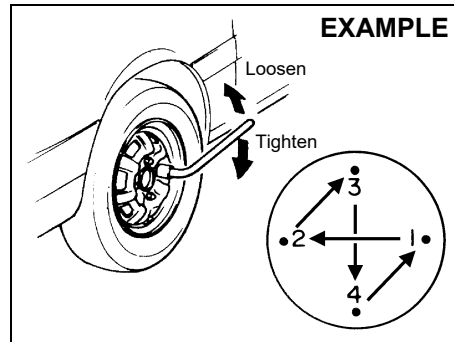
#### **⚠ CAUTION**

**Immediately after the vehicle has been driven, the wheels, the wheel nuts and the area around the brakes might be extremely hot. Touching these areas may cause burn injury. Do not touch these areas immediately after the vehicle has been driven.**

- 5) Remove the wheel nuts and wheel.
- 6) Before installing the new wheel, clean any mud or dirt off from the surface of

the wheel and hub with a clean cloth. Clean the hub carefully; it may be hot from driving.

- 7) Install the new wheel and replace the wheel nuts with their cone shaped end facing the wheel. Tighten each nut snugly by hand until the wheel is securely seated on the hub.



**Tightening torque for wheel nut  
100 Nm (10.2 kgf-m, 73.8 lbf-ft)**

- 8) Lower the jack and fully tighten the nuts in a crisscross fashion with a wrench as shown in the illustration.

#### **⚠ WARNING**

**Use genuine wheel nuts and tighten them to the specified torque as soon as possible after changing wheels. Incorrect wheel nuts or improperly tightened wheel nuts may come loose or fall off, which can result in an accident. If you do not have a torque wrench, have the wheel nut torque checked by an authorised MARUTI SUZUKI COMMERCIAL workshop.**



## Jump Starting Instructions

### ⚠ WARNING

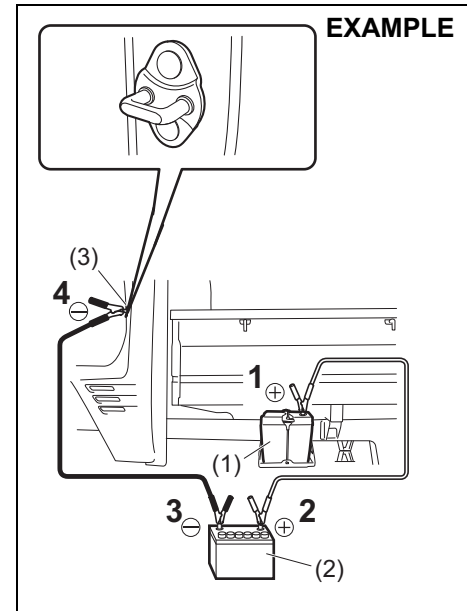
- Never attempt to jump start your vehicle if the battery appears to be frozen. Batteries in this condition may explode or rupture if jump starting is attempted.
- When making jump lead connections, be certain that your hands and the jump leads remain clear from pulleys, belts, or fans.
- Batteries produce flammable hydrogen gas. Keep flames and sparks away from the battery or an explosion may occur. Never smoke when working in the vicinity of the battery.
- If the booster battery you use for jump starting is installed in another vehicle, make sure the two vehicles are not touching each other.
- If your battery discharges repeatedly, for no apparent reason, have your vehicle inspected by an authorised MARUTI SUZUKI COMMERCIAL workshop.
- To avoid harm to yourself or damage to your vehicle or battery, follow the jump starting instructions below precisely and in order. If you are in doubt, call for qualified road service.

### NOTICE

Your vehicle should not be started by pushing or towing. This starting method could result in permanent damage to the catalytic converter. Use jump leads to start a vehicle with a weak or flat battery.

### When Jump Starting Your Vehicle, Use the Following Procedure:

- 1) Use only a 12-volt battery to jump start your vehicle. Position the good 12-volt battery close to your vehicle so that the jump leads will reach both batteries. When using a battery installed on another vehicle, DO NOT LET THE VEHICLES TOUCH. Set the parking brakes fully on both vehicles.
- 2) Turn off all vehicle accessories, except those necessary for safety reasons (for example, headlights or hazard lights).



77PS056

- 3) Make jump lead connections as follows:
  1. Connect one end of the first jump lead to the positive (+) terminal of the flat battery (1).
  2. Connect the other end to the positive (+) terminal of the booster battery (2).

## EMERGENCY SERVICE

3. Connect one end of the second jump lead to the negative (-) terminal of the booster battery (2).
4. Make the final connection to an unpainted, heavy metal part (i.e. door latch striker (3)) of the vehicle with the flat battery (1).

### **WARNING**

**Never connect the jump lead directly to the negative (-) terminal of the discharged battery, or an explosion may occur.**

- 4) If the booster battery you are using is fitted to another vehicle, start the engine of the vehicle with the booster battery. Run the engine at moderate speed.
- 5) Start the engine of the vehicle with the flat battery.
- 6) Remove the jump leads in the exact reverse order in which you connected them.

## Towing

If you need to have your vehicle towed, contact a professional service. Your dealer can provide you with detailed towing instructions.

### **NOTICE**

**To help avoid damage to your vehicle during towing, proper equipment and towing procedures must be used.**

## 2-Wheel Drive (2WD) Manual Transmission

Manual transmission vehicles may be towed using either of the following methods.

- 1) From the front, with the front wheels lifted and the rear wheels on the ground. Before towing, make sure that the transmission is in neutral and the parking brake is released.
- 2) From the rear, with the rear wheels lifted and the front wheels on the ground, provided the steering and drivetrain are in operational condition. Before towing, make sure that the steering wheel is unlocked (the ignition key should be in the "ACC" position), and the steering wheel is secured with a clamping device designed for towing service.

### **NOTICE**

**The steering column is not strong enough to withstand shocks transmitted from the front wheels during towing. Always unlock the steering wheel before towing.**

## If the Starter Does Not Operate

- 1) Try turning the ignition switch to the "START" position with the headlights turned on to determine the battery condition. If the headlights go excessively dim or go off, it usually means that either the battery is flat or the battery terminal contact is poor. Recharge the battery or correct battery terminal contact as necessary.
- 2) If the headlights remain bright, check the fuses. If the reason for failure of the starter is not obvious, there may be a major electrical problem. Have the vehicle inspected by your authorised MARUTI SUZUKI COMMERCIAL workshop.

## If the Engine is Flooded

If the engine is flooded with fuel, it may be hard to start. If this happens, press the accelerator pedal all the way to the floor and hold it there while cranking the engine.

- Do not operate the starter motor for more than 30 seconds.

## If the Engine Overheats

The engine could overheat temporarily under severe driving conditions. If the high engine coolant temperature warning light comes on during driving:

- 1) Take the vehicle to a safe place and park.
- 2) Let the engine run at the normal idle speed for a few minutes until the high engine coolant temperature warning light goes off.

### **▲ WARNING**

**If you see or hear escaping steam, stop the vehicle in a safe place and immediately turn off the engine to let it cool. Do not open the engine compartment when steam is present. When the steam can no longer be seen or heard, open the engine compartment to see if the coolant is still boiling. If it is, you must wait until it stops boiling before you proceed.**

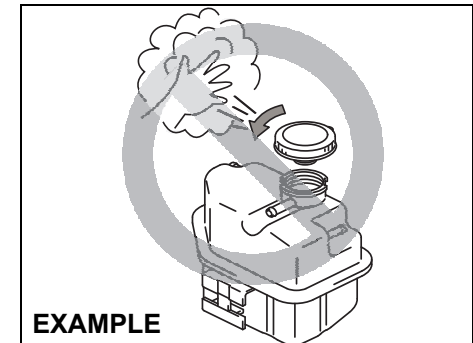
If the high engine coolant temperature warning light does not go off:

- 1) Turn off the engine and check that the water pump belt and pulleys are not damaged or slipping. If any abnormality is found, correct it.

- 2) Check the coolant level in the reservoir. If it is found to be lower than the "LOW" line, look for leaks at the radiator, water pump, and radiator and heater hoses. If you locate any leaks that may have caused the overheating, do not run the engine until these problems have been corrected.
- 3) If you do not find a leak, carefully add coolant to the reservoir and then the radiator, if necessary. (Refer to "Engine Coolant" in the "INSPECTION AND MAINTENANCE" section.)

### NOTE:

*If your engine overheats and you are unsure what to do, contact your authorised MARUTI SUZUKI COMMERCIAL workshop.*



65D350d

### WARNING

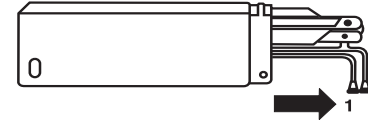
- It is hazardous to remove the radiator cap (or degassing tank cap for a diesel engine) when the water temperature is high, because scalding fluid and steam may be blown out under pressure. The cap should only be taken off when the coolant temperature has lowered.
- To help prevent personal injury, keep hands, tools and clothing away from the engine cooling fan. These electric fans can automatically turn on without warning.

## Underbody Trouble by Hitting

If you hit underbody of your vehicle, ask an authorised MARUTI SUZUKI COMMERCIAL workshop for inspection. Otherwise damage to steering, Suspension, Drive-line, and Brake etc. could prevent your safe driving.

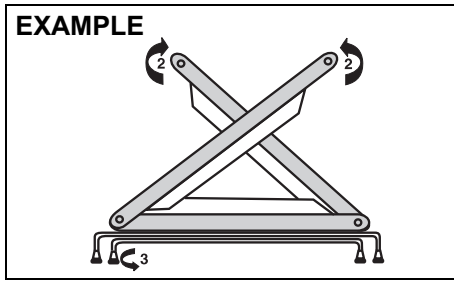
## Warning Triangle

### EXAMPLE



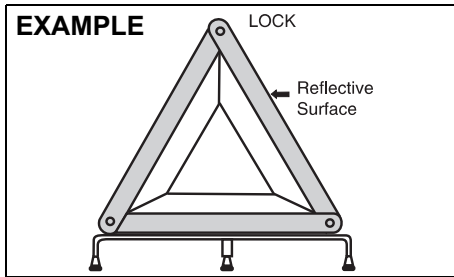
MHO-07-001

In case of vehicle break-down or during emergency stopping, where, your vehicle could become a potential traffic hazard, keep the warning triangle, provided with your vehicle, on the road free from any obstacles behind your vehicle so as to warn the approaching traffic, at an approximate distance of 50-100 m. The reflecting side of the triangle should face the on coming traffic. Please activate the hazard warning lamps before alighting the vehicle to keep the warning triangle.



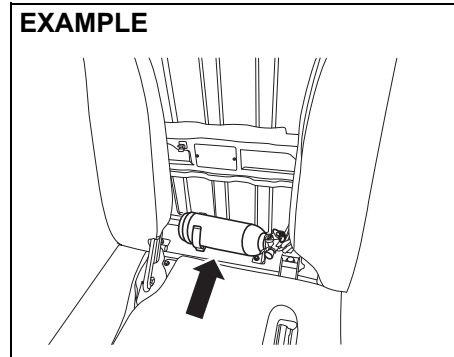
MHO-07-014-1

- Remove the warning triangle carefully from the cover as shown by arrow 1.
- Open both the reflector arms as shown by arrow and lock the arms with each other with the clip provided in the right arm. Open the bottom stand in counter clock-wise direction as shown by arrow 3. Position the warning triangle behind the vehicle on a plain surface.
- Reverse the removal procedure for keeping inside the cover.



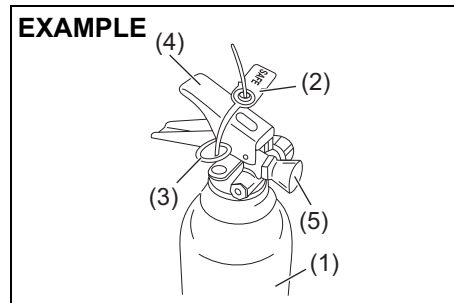
MHO-07-014

### Fire Extinguisher (if equipped)



77PM08009

Fire extinguisher is stowed behind the seats (between driver seat and passenger seat).

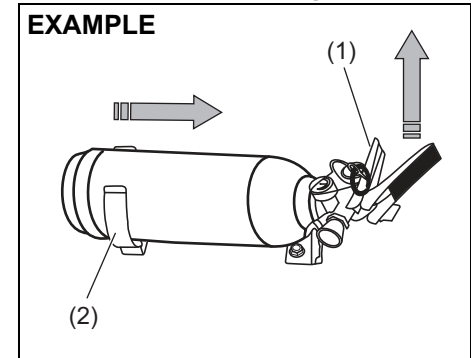


77PM08003

- (1) Fire extinguisher cylinder
- (2) Seal
- (3) Safety Pin
- (4) Lever
- (5) Nozzle

### Removal and Refitment of Fire Extinguisher

#### For Removal of Fire Extinguisher

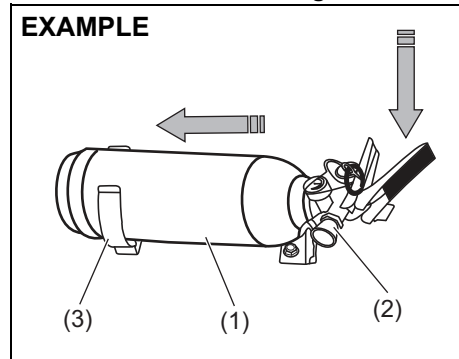


77PM08004

Lift Lever (1) of fire extinguisher slightly upwards and pull the fire extinguisher in the direction as shown in the figure, in order to disengage it from clamp (2).

## EMERGENCY SERVICE

### For Refitment of Fire Extinguisher

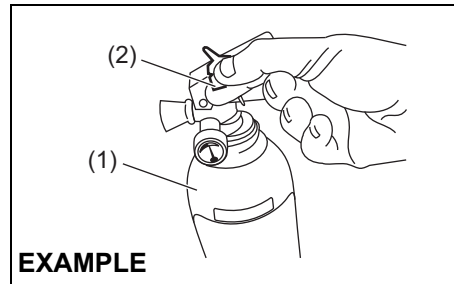


Insert the body of fire extinguisher (1) in to the clamp (3) and place the nozzle (2) carefully downwards, on the clamp.

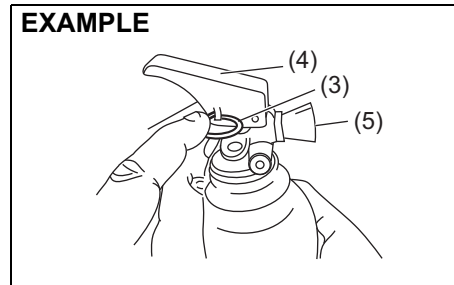
**NOTE:**

Ensure that the nozzle of fire extinguisher is properly seated on the clamp.

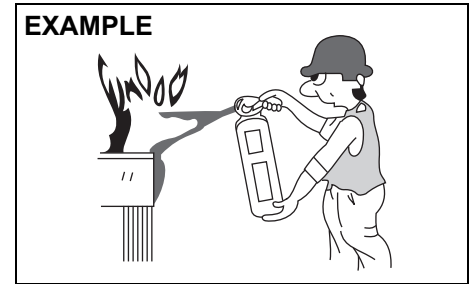
### Procedure of Operation



- 1) Hold the fire extinguisher (1) upright.
- 2) Break seal (2) by rotating the safety pin(3).



- 3) Pull Safety pin (3)
- 4) Squeeze lever (4) and direct the jet from nozzle (5) towards the near edge of the fire with a rapid (fast) sweeping motion.

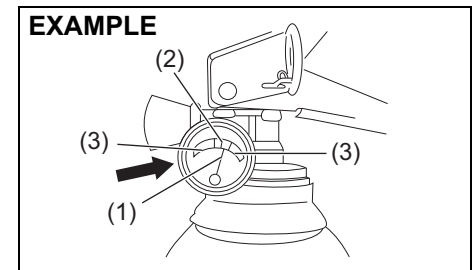


- 5) Drive the fire towards the far edge until flames are extinguished.

**NOTE:**

Fire extinguisher is only meant for small fire caused in vehicle by external source only.

### Do's and Dont's



### **Do's**

- 1) Check pressure gauge periodically. Max charging pressure is 15Kgf/cm<sup>2</sup> (in green zone (2)).
- 2) When pressure drops, indicator needle(1) will shift to the red zone (3).Immediately contact the fire extinguisher manufacturer as per the information provided on the fire extinguisher.
- 3) Get the fire extinguisher serviced only through the manufacturer service centre.Refer the information provided on the fire extinguisher to locate the nearest service centre.
- 4) Ensure that the Fire extinguisher is always kept at its prescribed position in the vehicle.
- 5) Refill the fire extinguisher immediately after use.

### **Don't**

- 1) Do not use water for cleaning fire extinguisher. (Use clean cloth for removing dust)
- 2) Do not rely on used or discharged fire extinguisher.

### **NOTE:**

- *Refilling is necessary after every use.*
- *Fire extinguisher needs refilling after every 3 years even if it is not used.*

## APPEARANCE CARE

Corrosion Prevention .....	9-1
Vehicle Cleaning .....	9-2



## APPEARANCE CARE

---

### Corrosion Prevention

It is important to take good care of your vehicle to protect it from corrosion. Listed below are instructions for how to maintain your vehicle to prevent corrosion. Please read and follow these instructions carefully.

#### Important Information About Corrosion

##### Common causes of corrosion

- 1) Accumulation of road salt, dirt, moisture, or chemicals in hard-to-reach areas of the vehicle underbody or frame.
- 2) Chipping, scratches and any damage to treated or painted metal surfaces resulting from minor accidents or abrasion by stones and gravel.
- 3) Any or all of the below mentioned points:
  - Continuous exposure to sunlight
  - Hard water and sea water coming in contact with vehicle.
  - Foot rubbing (skirting).

##### Environmental conditions which accelerate corrosion

- 1) Road salt, dust control chemicals, sea air or industrial pollution will all accelerate the corrosion of metal.
- 2) High humidity will increase the rate of corrosion particularly when the temperature range is just above the freezing point.

- 3) Moisture in certain areas of a vehicle for an extended period of time may promote corrosion even though other body sections may be completely dry.
- 4) High temperatures will cause an accelerated rate of corrosion to parts of the vehicle which are not well ventilated to permit quick drying.

This information illustrates the necessity of keeping your vehicle (particularly the underbody) as clean and dry as possible. It is equally important to repair any damage to the paint or protective coatings as soon as possible.

#### How to Help Prevent Corrosion

##### Wash your vehicle frequently

The best way to preserve the finish on your vehicle and to help avoid corrosion is to keep it clean with frequent washing.

Wash your vehicle at least once during the winter and once immediately after the winter. Keep your vehicle, particularly the underside, as clean and dry as possible. If you frequently drive on salted roads, your vehicle should be washed at least once a month during the winter. If you live near the ocean, your vehicle should be washed at least once a month throughout the year.

For washing instructions, refer to the "Vehicle Cleaning" section.

##### Remove foreign material deposits

Foreign material such as salts, chemicals, road oil or tar, tree sap, bird droppings and industrial fall-out may damage the finish of your vehicle if it is left on painted surfaces. Remove these types of deposits as quickly as possible. If these deposits are difficult to wash off, an additional cleaner may be required. Be sure that any cleaner you use is not harmful to painted surfaces and is specifically intended for your purposes. Follow the manufacturer's directions when using these special cleaners.

##### Repair finish damage

Carefully examine your vehicle for damage to the painted surfaces. If you find any chips or scratches in the paint, touch them up immediately to prevent corrosion from starting. If the chips or scratches have gone through to the bare metal, have a qualified body shop make the repair.

##### Keep passenger and luggage compartments clean

Moisture, dirt or mud can accumulate under the floor mats and may cause corrosion. Occasionally, check under these mats to ensure that this area is clean and dry. More frequent checks are necessary if the vehicle is used off road or in wet weather.

Certain cargos such as chemicals, fertilizers, cleaners, salts, etc. are extremely corrosive by nature. These products should be transported in sealed containers. If a spill or leak does occur, clean and dry the area immediately.

**Store your vehicle in a dry, well-ventilated area**

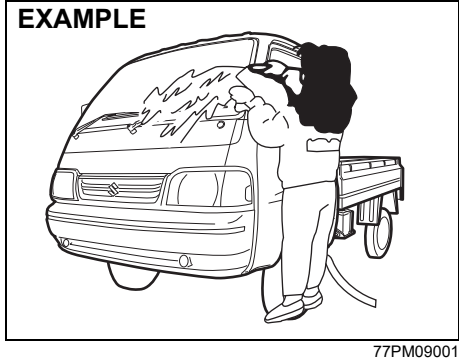
Park your vehicle to save it from continuous exposure to direct sunlight. Do not park your vehicle in a damp, poorly ventilated area. If you often wash your vehicle in the garage or if you frequently drive it in when wet, your garage may be damp. The high humidity in the garage may cause or accelerate corrosion. A wet vehicle may corrode even in a heated garage if the ventilation is poor.

**⚠ WARNING**

Do not apply additional undercoating or rust preventive coating on or around exhaust system components such as the catalytic converter, exhaust pipes, etc. A fire could be started if the undercoating substance becomes overheated.

**Vehicle Cleaning**

**EXAMPLE**



77PM09001

**⚠ WARNING**

When cleaning the interior or exterior of the vehicle, **NEVER USE** flammable solvents such as lacquer thinners, Petrol, benzene or cleaning materials such as bleaches or strong household detergents. The materials could cause personal injury or damage to the vehicle.

**Cleaning the Interior**

**Vinyl upholstery**

Prepare a solution of soap or mild detergent mixed with warm water. Apply the solution to the vinyl with a sponge or soft cloth and let it soak for a few minutes to loosen dirt. Rub the surface with a clean, damp cloth to remove dirt and the soap solution. If some dirt still remains on the surface, repeat this procedure.

**Fabric upholstery (Except front passenger seat)**

Remove loose dirt with a vacuum cleaner. Using a mild soap solution, rub stained areas with a clean damp cloth. To remove soap, rub the areas again with a cloth dampened with water. Repeat this until the stain is removed, or use a commercial fabric cleaner for tougher stains. If you use a fabric cleaner, carefully follow the manufacturer's instructions and precautions.

**⚠ CAUTION**

- Do not spill liquid or semi-solid on the front passenger's seat. If you spill it on the front passenger's seat, immediately wipe it dry with a soft cloth. Contact of liquid with sensor may impact the function of seat belt reminder sensor.
- Do not place any sharp or heavy object on passenger seat which can penetrate through seat upholstery and can cause damage to sensor.

## APPEARANCE CARE

### Fabric upholstery (For front passenger seat)

Do not use liquid for cleaning as it may penetrate the fabric and damage the seat sensor.

### Leather upholstery

Remove loose dirt with a vacuum cleaner. Using a mild soap or saddle soap solution, wipe dirt off with a clean damp soft cloth. To remove soap, wipe the areas again with a soft cloth dampened with water. Wipe the areas dry with a soft dry cloth. Repeat this until the dirt or stain is removed, or use a commercial leather cleaner for tougher dirt or stains. If you use a leather cleaner, carefully follow the manufacturer's instructions and precautions. Do not use solvent type cleaners or abrasive cleaners.

#### NOTE:

- In order to keep leather upholstery looking good, it should be cleaned at least twice a year.
- If leather upholstery becomes wet, immediately wipe it dry with tissue paper or a soft cloth. Water may cause leather to harden and shrink if it is not wiped off.
- When parking on sunny days, select a shady place or use a sunshade. If leather upholstery is exposed to direct sunlight for a long time, it may discolor and shrink.
- As is common with natural materials, leather is inherently irregular in grain and cowhide has spots in its natural state. These do not affect the performance of the leather in any way.

### Seat belts

Clean seat belts with a mild soap and water. Do not use bleach or dye on the belts. They may weaken the fabric in the belts.

### Vinyl floor mats

Ordinary dirt can be removed from vinyl with water or mild soap. Use a brush to help loosen dirt. After the dirt is loosened, rinse the mat thoroughly with water and dry it in the shade.

### Carpets

Remove dirt and soil as much as possible with a vacuum cleaner. Using a mild soap solution, rub stained areas with a clean damp cloth. To remove soap, rub the areas again with a cloth dampened with water. Repeat this until the stain is removed, or use a commercial carpet cleaner for tougher stains. If you use a carpet cleaner, carefully follow the manufacturer's instructions and precautions.

### Instrument panel and console

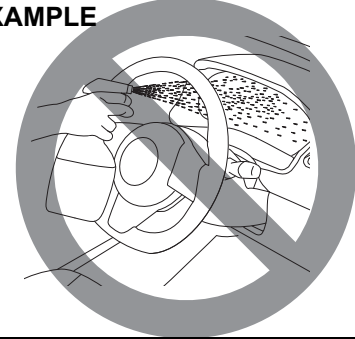
Remove loose dirt with a vacuum cleaner. Gently wipe dirt off with a tightly squeezed damp clean cloth. Repeat this until the dirt is removed.

### NOTICE

**Do not use chemical products that contain silicon to wipe electrical components such as the switches. These will cause damage to the components.**

**Do not spray water or any liquid directly on instrument cluster or any other electrical or electronic components. This may cause damage and/or lead to non-functioning of the part.**

### EXAMPLE



81RM08005

**Cleaning the Exterior**

**NOTICE**

It is important that your vehicle to be kept clean and free from dirt. Failure to keep your vehicle clean may result in fading of the paint or corrosion to various parts of the vehicle body.

**Washing**

**EXAMPLE**



82DY0

**⚠ WARNING**

- Never attempt to wash and wax your vehicle with the engine running.
- When cleaning the underside of the body and fender, where there may be sharp-edged parts, you should wear gloves and a long-sleeved shirt to protect your hands and arms from being cut.
- After washing your vehicle, carefully test the brakes before driving to make sure they have maintained their normal effectiveness.

When washing the vehicle, park it where direct sunlight does not fall on it and follow the instructions below:

- 1) Flush the underside of body and wheel housings with pressurized water to remove mud and debris. Use plenty of water.

**NOTICE**

**When washing the vehicle:**

- Avoid directing steam or hot water of more than 80°C (176°F) on plastic parts.
- To avoid damaging engine components, do not use pressurized water in the engine compartment.

- 2) Rinse the body to loosen the dirt. Remove dirt and mud from the body exterior with running water. You may use a soft sponge or brush. Do not use hard materials which can scratch the paint or plastic. Remember that the headlight covers or lenses are made of plastic in many cases.

**NOTICE**

To avoid damage to the paint or plastic surface, do not wipe the dirt off without ample water. Be sure to follow above procedure.

- 3) Wash the entire exterior with a mild detergent or car wash soap using a sponge or soft cloth. The sponge or cloth should be frequently soaked in the soap solution.

**NOTICE**

When using a commercial car wash product, observe the cautions specified by the manufacturer. Never use strong household detergents or soaps.

- 4) Once the dirt has been completely removed, rinse off the detergent with running water.
- 5) After rinsing, wipe off the vehicle body with a wet chamois or cloth and allow it to dry in the shade.

## APPEARANCE CARE

---

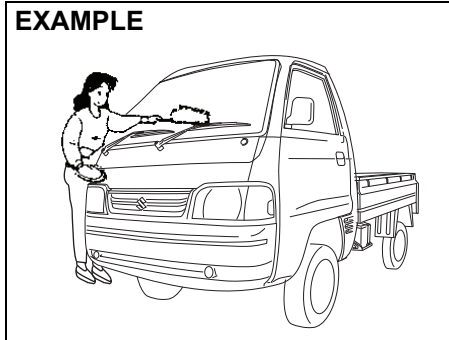
- 6) Check carefully for damage to painted surfaces. If there is any damage, touch up the damage following the procedure below:
1. Clean all damaged spots and allow them to dry.
  2. Stir the paint and touch up the damaged spots lightly using a small brush.
  3. Allow the paint to dry completely.

### NOTICE

**If you use an automatic car wash, make sure that your vehicle's body parts, such as spoilers, cannot be damaged. If you are in doubt, consult the car wash operator for advice.**

## Waxing

### EXAMPLE



77PM09002

After washing the vehicle, waxing and polishing are recommended to further protect and beautify the paint.

- Only use waxes and polishes of good quality.
- When using waxes and polishes, observe the precautions specified by the manufacturers.

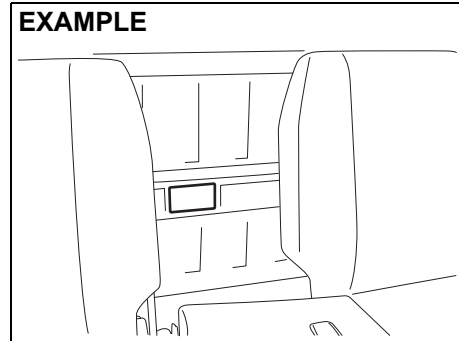
**GENERAL INFORMATION**

Vehicle Identification ..... 10-1  
FASTag (if equipped)..... 10-1  
CNG Kit Number Identification (if equipped) ..... 10-2  
High Security Registration Plate (HSRP)  
(if applicable) ..... 10-3

## GENERAL INFORMATION

### Vehicle Identification

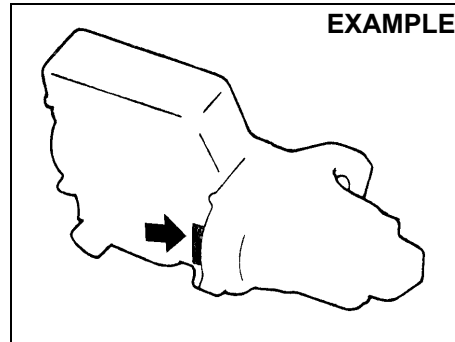
#### Chassis Serial Number



77PH059

The chassis and/or engine serial numbers are used to register the vehicle. They are also used to assist your dealer when ordering or referring to special service information. Whenever you have occasion to consult your authorised MARUTI SUZUKI COMMERCIAL workshop, remember to identify your vehicle with this number. If you find the number difficult to read, you can also find it on the identification plate.

#### Engine Serial Number



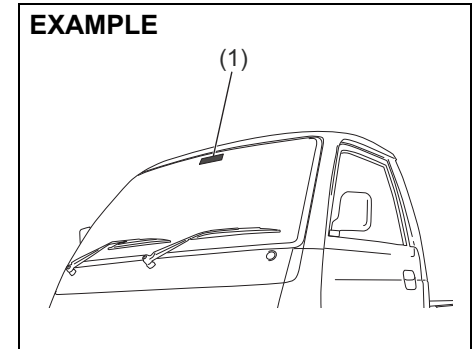
54G082

The engine serial number is stamped on the cylinder block as shown in the illustration.

#### FASTag (if equipped)

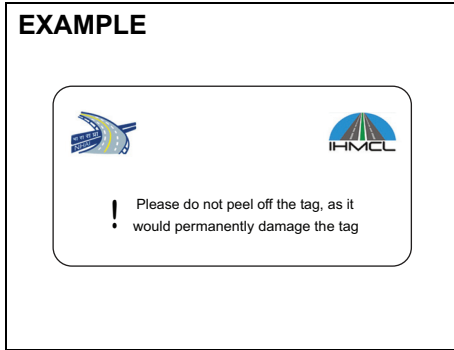
As per Ministry of Road Transport and Highways, the FASTag (1) is mandatory for each vehicle for the purpose of electronic toll collection or any other purpose as may be defined by the Government of India.

In case of any damage to FASTag or replacement of front windscreen, please contact your nearest authorised Maruti Suzuki workshop.



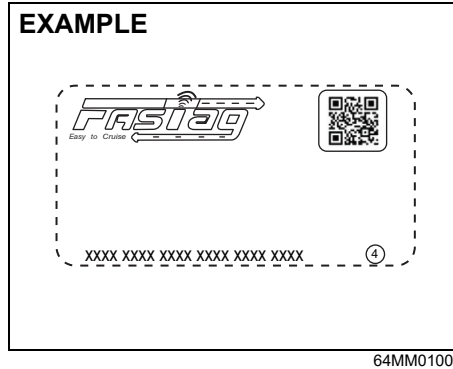
66MM01001

As seen from inside of the vehicle



**NOTE:**  
The picture shown is for indicative purpose only. Internal structure of actual device mounted on vehicle may be different.

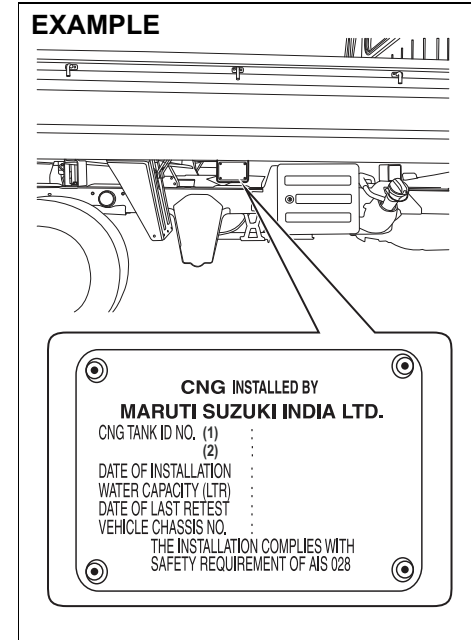
As seen from outside of the vehicle



**NOTE:**  
The picture shown is for indicative purpose only. Internal structure of actual device mounted on vehicle may be different.

- NOTE:**
- Any attempt to remove the tag from the windscreen will result in permanent damage to the tag.
  - Use of chemical cleaners to clean the windscreen area where the tag is mounted can damage the tag.
  - Use of any sharp objects on the tag can damage the tag.

CNG Kit Number Identification (if equipped)



CNG cylinder identification number and CNG kit installation date is located on right side of cargo body as shown.



## GENERAL INFORMATION

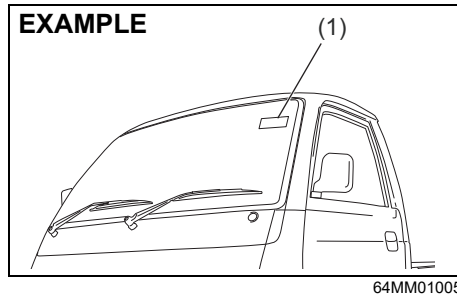
### High Security Registration Plate (HSRP) (if applicable)

As per Ministry of Road Transport and Highways, every new vehicle must have HSRP.

HSRP contains;

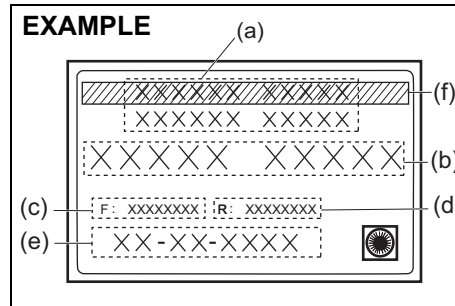
- Front and rear HSRP, which will be fitted with 2 snap-locks each on number plate area.
- Third license plate on front windshield.

### Third License Plate



(1) Third license plate

**Third license plate - As seen from outside of the vehicle**



- (a) HSRP issuing authority name
- (b) Vehicle registration number
- (c) Unique laser number - Front plate
- (d) Unique laser number - Rear plate
- (e) Date of 1st registration  
(in DD-MM-YYYY format)
- (f) Green strips (BS6 vehicle)

**NOTE:**

*The picture shown is for indicative purpose only. Internal structure of actual label mounted on vehicle may be different.*

**NOTE:**

- Any attempt to remove the third license plate from the windscreen will result in permanent damage to the label.
- Use of chemical cleaners to clean the windscreen area where the label is mounted can damage the same.

- Use of any sharp objects on the label can damage the label.
- In the event of any replacement of the third license plate, may please contact the approved authority.

**Third license plate - As seen from inside of the vehicle**



**NOTE:**

*The picture shown is for indicative purpose only.*

**NOTE:**

*Color of third license plate (back) is as per HSRP regulation as defined by Ministry of Road Transport and highways.*

## SPECIFICATIONS

---

# SPECIFICATIONS

**NOTE:**

*Specifications are subject to change without notice.*

*Specification related to “chassis” variants refer “Instructions For Body Fabrication”*

ITEM: Dimensions		UNIT: mm
Overall length		3800
Overall width		1562
Overall height		1883
Wheelbase		2110
Track	Front	1345
	Rear	1330

ITEM: Mass (weight)		UNIT: kg
Curb mass (weight)	Petrol	870
	CNG	990
Gross Vehicle Mass (weight) Rating		1620
Permissible maximum Axle Weight	Front	900
	Rear	1020

## SPECIFICATIONS

<b>ITEM: Engine</b>	<b>Petrol and CNG</b>
Type	K12N (DOHC)
Number of cylinders	4
Bore	73.0 mm
Stroke	71.5 mm
Piston displacement	1197 cm <sup>3</sup> (1197 cc)
Compression ratio	12.0: 1

<b>ITEM: Electrical</b>	
Spark plug	NGK ILZKR6F11
Battery	12V 38B20R
Fuses	See "INSPECTION AND MAINTENANCE" section.

<b>ITEM: Lights</b>	<b>WATTAGE</b>	<b>BULB No.</b>
Headlight	12V 60/55W	H4
Position light	12V 5W	W5W
Turn signal light	Front	PY21W
	Rear	P21W
Brake/tail light	12V 21/5W	P21/5W
Reversing light	12V 21W	P21W
License plate light	12V 5W	W5W
Interior light	12V 5W	C5W

## SPECIFICATIONS

---

<b>ITEM: Wheels and Tyres</b>	
Tyre size, front, rear and spare	155R13 LT 8PR 89/88S* / 155R13 LT 8PR 90/89Q*
Rim size	13X4J
Tyre pressures	For the specified Tyre pressure, see the Tyre Information Label located on the driver's door lock pillar.

\* If you cannot prepare a tyre with the specified load index rate and speed symbol, prepare a tyre with higher load index rate and speed symbol.

<b>ITEM: Recommended Fuel / Lubricants and Capacities (approx.)</b>			
Fuel	Petrol		30 L <sup>#</sup>
	CNG	Petrol	5 L <sup>#</sup>
		CNG	35 L × 2 tanks <sup>#</sup>
Engine oil	Petrol		Classification: API SN
	CNG		Viscosity: SAE 0W-16
Engine coolant	Petrol		3.6 L (including reservoir tank)
	CNG		3.65 L (including reservoir tank)
Manual transmission oil			MARUTI GENUINE GEAR OIL 75W
Rear differential oil			“TOTALFINAELF TRANSELF LL 85W-140”
Brake fluid			Maruti Genuine Brake Fluid (MGBF) or DOT 3
			Refill to the proper oil level according to the instructions in the “INSPECTION AND MAINTENANCE” section.

\*1: The recommended coolant varies depending on your vehicle. Refer to “INSPECTION AND MAINTENANCE” section.

#: The fuel tank capacity is slightly more than the recommended quantity of fuel that you can fill. The additional voluminous space is provided for safety and scientific reasons.

## INSTRUCTIONS FOR BODY FABRICATION

---

### INSTRUCTIONS FOR BODY FABRICATION (Chassis Variant)

The body fabrication on the cab-chassis vehicle shall be carried out ensuring the following instructions and boundary conditions:

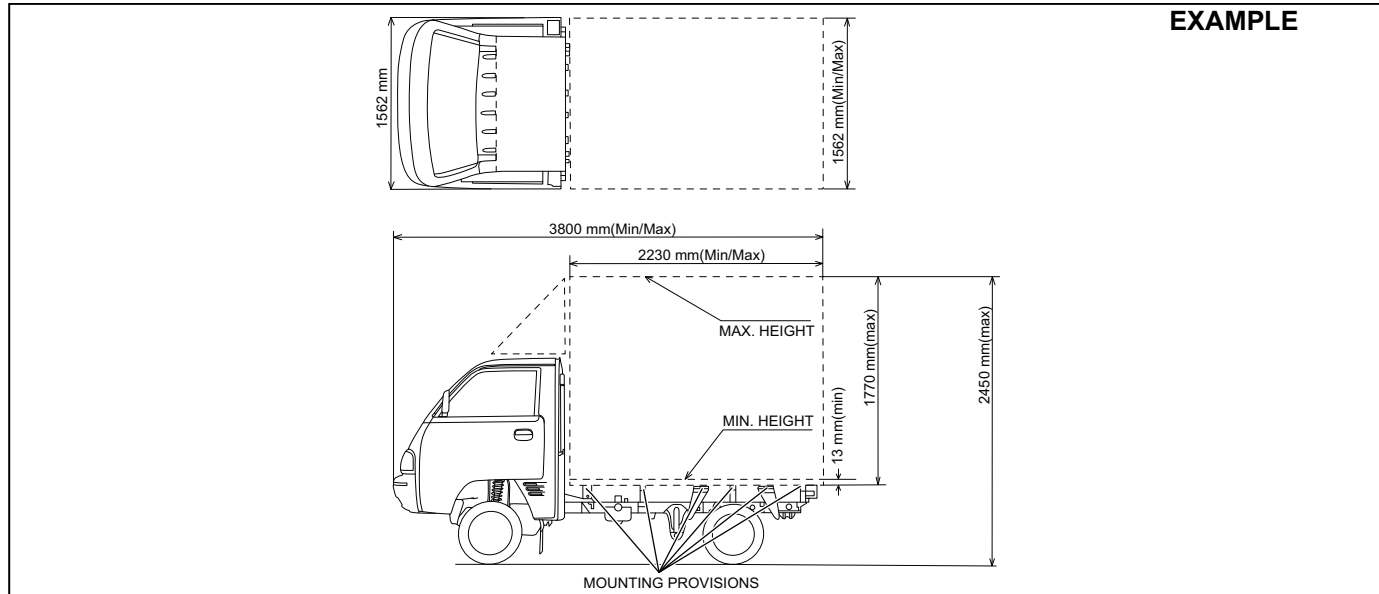
- (a) **Body exteriors:** The load body/ application shall be fabricated such that the external surface of the vehicle shall not have sharp edges or sharp projecting parts which are likely to increase the risk or seriousness of bodily injury to a person hit by the bodywork or brushing against it in the event of a collision. This is valid both when the complete vehicle is stationary and in motion. It is to be ensured a minimum 2.5mm or more radius of curvature on external edges and projecting parts. Body shall meet the stipulated requirement as defined under CMVR Rule 124(1)-11.

For body layouts (like Tipper Application), where battery mountings are exposed, a cover shall be provided in order to meet the necessary requirements of exterior projections as defined under CMVR Rule 124(1)-11.

- (b) **Reflective Tape:** The body builder shall paste a red reflective tape (of not less than 20mm width) running across the width of the body on the rear of the vehicle and shall comply with requirements under CMVR Rule No. 104.
- (c) **Head Lamp:** After the body fabrication, Initial inclination of Head lamp shall be adjusted as marked on the headlamp (as per CMVR 124 (1)-20). The head lamp leveling switch position for GVW condition shall be specified by Body Fabricator to the Customer.
- (d) **Body Builder's Plate:** The body builder shall place the body-builder's plate specifying the unladen weight, payload and other details as per requirement under CMVR Rule 122.
- (e) **Form 22A Part II:** The body builder shall provide Form 22A Part II as per requirement under CMVR Rule 47.
- (f) The body builder shall not alter with the electrical wiring, electrical equipment, brake connections, brake piping, fuel connection, exhaust system and chassis components during the body fabrication.

## INSTRUCTIONS FOR BODY FABRICATION

- (g) **Dimensions:** The load body/application to be built upon the manufacturer supplied cab chassis vehicle shall be designed to fit within a minimum and maximum envelop as specified in below illustration.



77PM12003

## INSTRUCTIONS FOR BODY FABRICATION

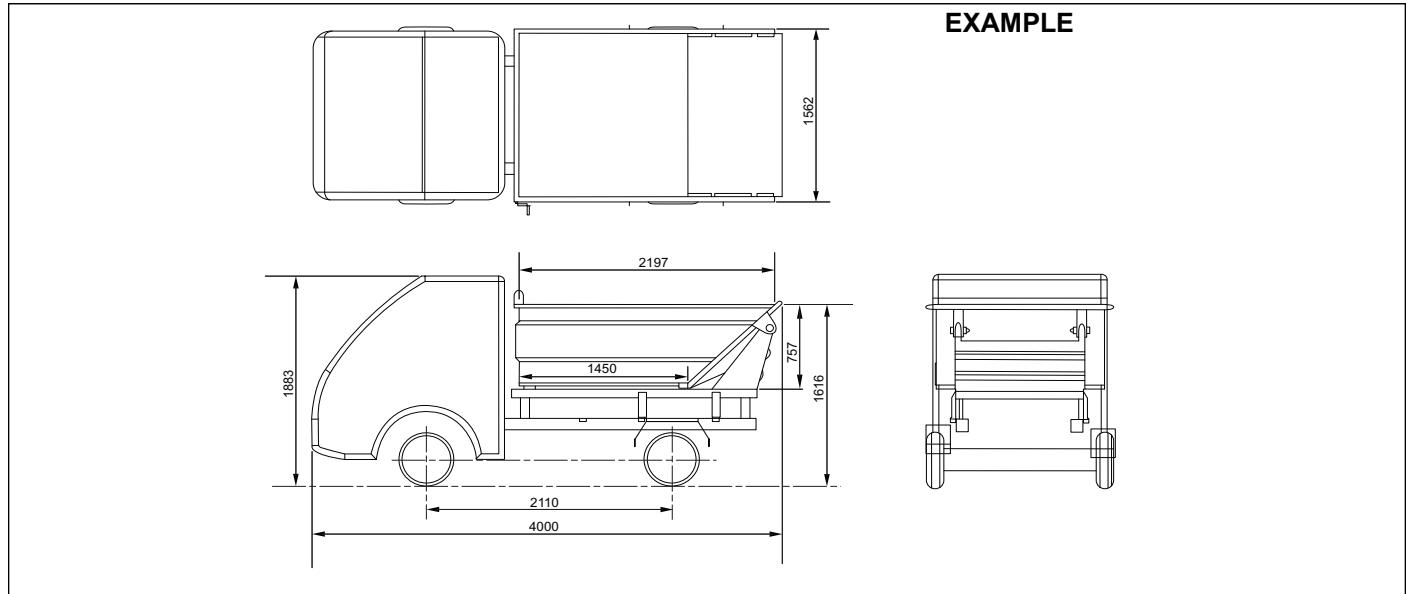
---

### INSTRUCTIONS FOR BODY FABRICATION

For Petrol Model Tipper (Open Tipper & Closed Tipper)

The load body/application to be built upon the manufacturer supplied cab chassis vehicle shall be designed to fit within specified dimension as in the below illustration.

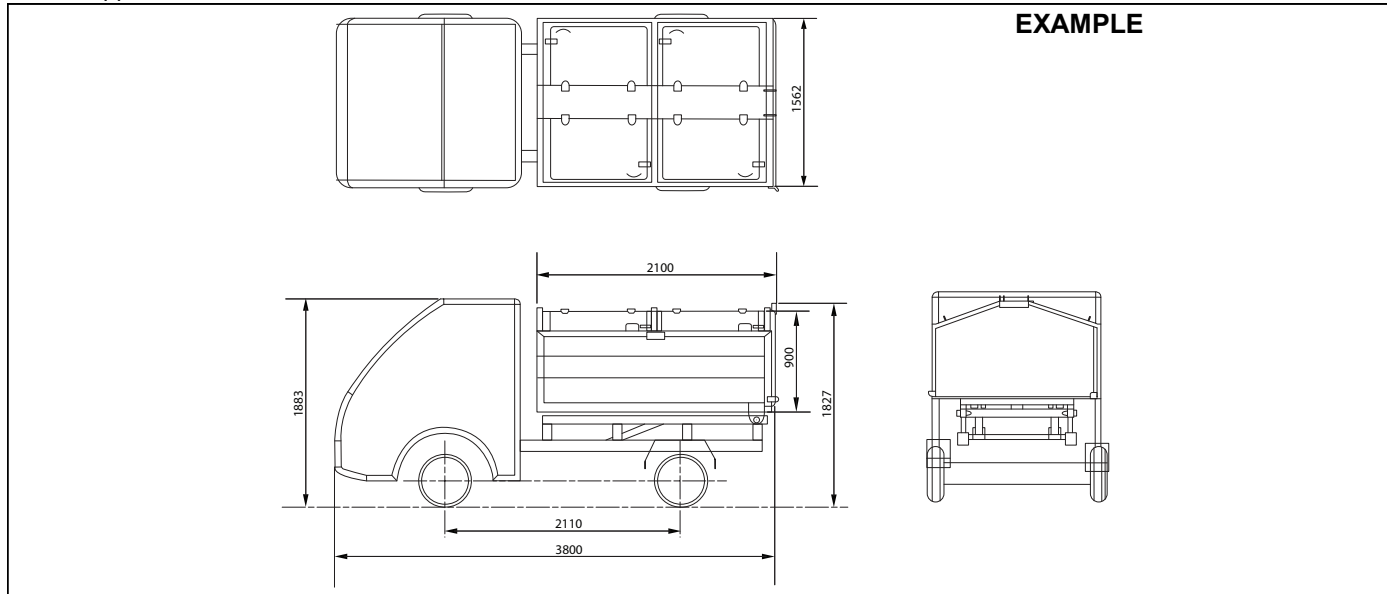
- Open Tipper:



77PM12006



- Closed Tipper:



77PM12007

(h) **Weight and its distribution:** The load body/application shall be fabricated considering the minimum kerb weight of complete vehicle as 870kg (Petrol), 990kg (CNG) and maximum kerb weight of complete vehicle as 1140kg (Petrol), 1255kg (CNG). The ratio of front axle and rear axle kerb weight shall not exceed 1.45 (Petrol), 1.25 (CNG).

For Petrol Model Tipper Application, the load body/application shall be fabricated considering the following Kerb weight.

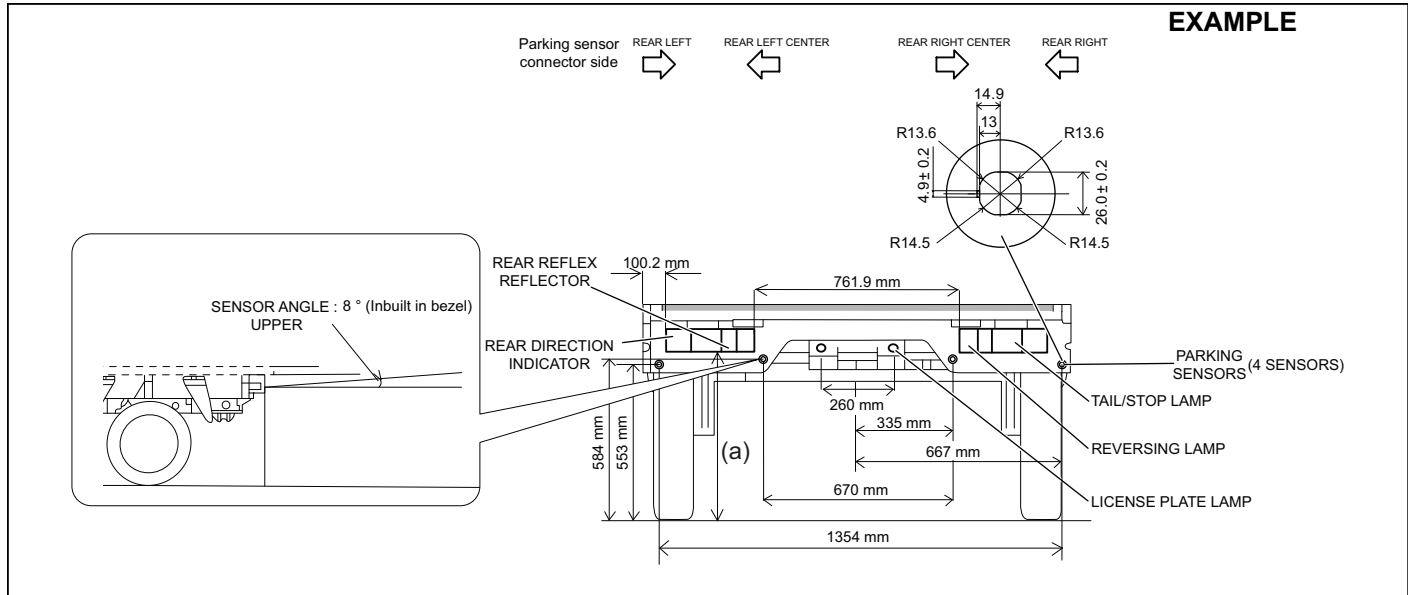
Kerb weight of open tipper: 1070kg

Kerb weight of closed tipper: 1140kg

The ratio of front axle and rear axle kerb weight shall not exceed 1.45.

## INSTRUCTIONS FOR BODY FABRICATION

- (i) **Lighting and signaling devices:** The cab chassis is being supplied with head lamp assembly inbuilt with the cab and a temporary panel with rear combination lamps and registration plate lamps. There shall not be any modifications done with the position of Head lamp assembly. The rear combination lamps, registration plate lamps and parking sensors (provided along with vehicle in glove box) shall be fitted on the load body/ application as per the specified position as in below illustration.



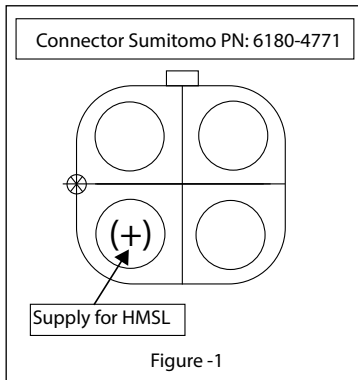
77PM12008

"a" Value	
Chassis Applications (Petrol & CNG)	612 mm
Petrol Model Open Tipper Application	620 mm
Petrol Model Closed Tipper Application	660 mm

## INSTRUCTIONS FOR BODY FABRICATION

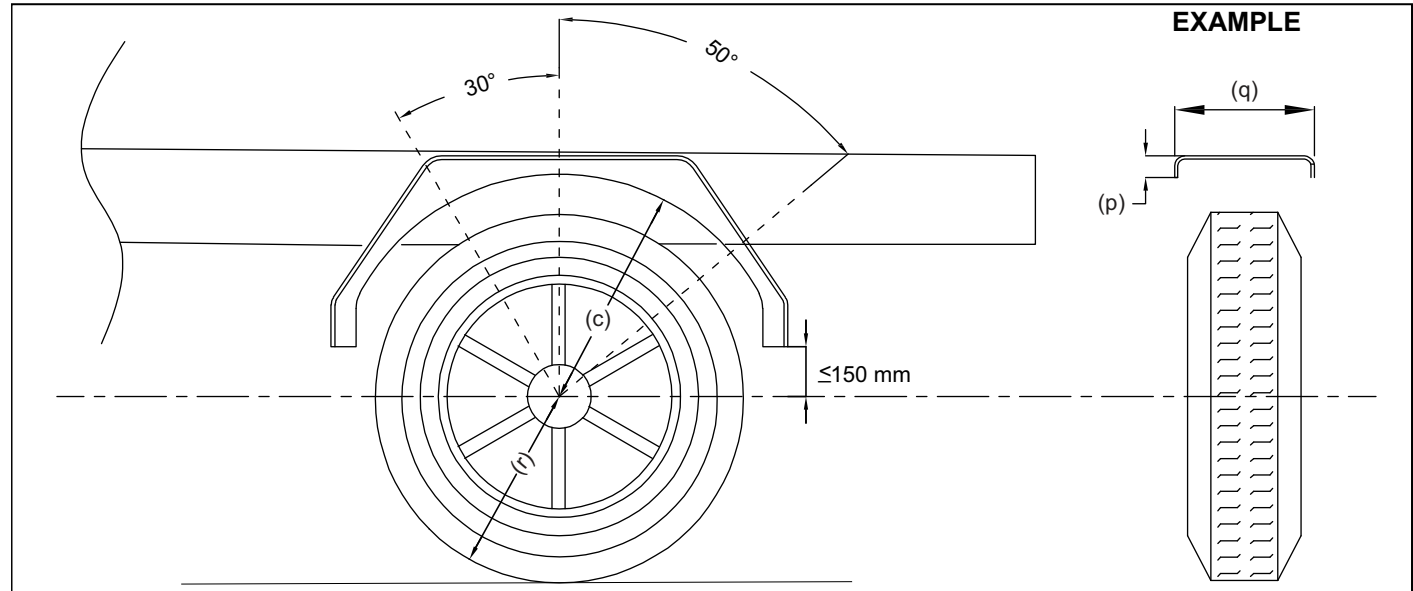
(j) **HMSL installation:** (Applicable for full metal body application)

- Body fabricator shall ensure to install High Mount Stop Lamp (HMSL) with a maximum power limit of 25 watts and in compliance to CMVR Rule 124(1)-20.
- For HMSL wiring provision and it's functioning, Rear combination lamp (RCL) connectors already have required positive supply as shown in below figure-1. Body fabricator must use this without tampering the electrical wiring harness. Grounding fix terminal shall be connected properly with RCL ground point.



## INSTRUCTIONS FOR BODY FABRICATION

(k) **Wheel Guard:** Wheel guards shall comply with requirements under CMVR Rule No. 124(1)-13. The wheel guard (rear) must be fabricated as per design parameters specified in below illustration.



7PM12106

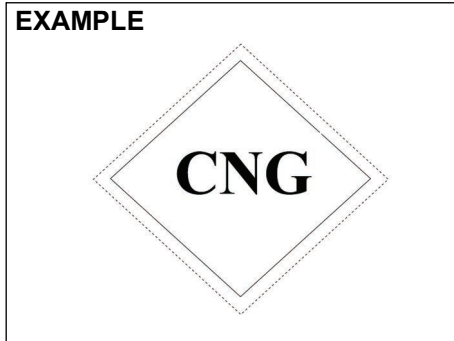
c	$\leq 2r$
p	> 30 mm
q	> Total Tyre Width
r	Tyre Static Radius

**(I) Application for CNG Variant:**

**CNG Label:**

The body builder shall paste “CNG Label” (provided along with vehicle Tool kit packet) on the load body on rear side as per below guidelines.

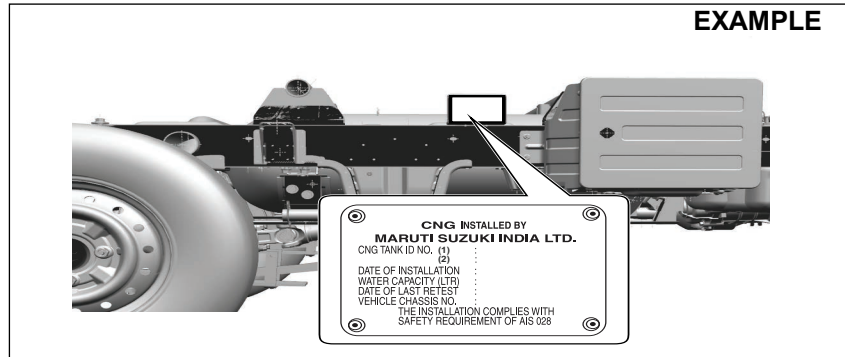
**EXAMPLE**



77PM12011

- (a) Label shall be affixed in a vertical position (as shown above) on flat surface as close to the vehicle number plate as practical.
- (b) Affixed label shall ensure visibility from rear sides.
- (c) The label shall be in position at all times, shall be in good condition, and the shape, colouring and lettering shall be easily identifiable.

**CNG Kit Number Identification:**



77PM07032

The load body/application shall be fabricated such that it does not impact the visibility of CNG compliance plate.

**Disclaimer:**

The owner/body-builder shall comply to applicable CMVR requirements and also State Motor vehicle Rules as applicable from time to time in respect of body fabrication of super carry chassis variant.

The vehicle manufacturer shall not be liable for any non-conformity of applicable laws arising due to fabrication of body/ application, in contradiction to manufacturer's instructions and prevailing regulations.

<p><b>⚠ CAUTION</b></p> <p><b>Do not keep your super carry vehicle without deck/body fabrication</b></p>
--

## ਭੂਮਿਕਾ

ਡਿਜਿਟਲ ਮਾਲਕ ਦਾ ਮੈਨੂਅਲ ਤੁਹਾਡੇ ਵਾਹਨ ਦਾ ਇੱਕ ਲਾਜ਼ਮੀ ਹਿੱਸਾ ਹੈ ਇੱਕ ਅਜਿਹਾ ਕੀਮਤੀ ਦਸਤਾਵੇਜ਼ ਜੋ ਵਿਸ਼ੇਸ਼ਤਾਵਾਂ, ਚੇਤਾਵਨੀਆਂ, ਅਪਰੇਸ਼ਨਾਂ ਅਤੇ ਉਪਕਰਣ ਦੇ ਵਿਵਰਣ ਆਦਿ ਵਰਗੀ ਜਾਣਕਾਰੀ ਪ੍ਰਦਾਨ ਕਰਕੇ ਤੁਹਾਨੂੰ ਵਾਹਨ ਬਾਰੇ ਜਾਣੂ ਕਰਵਾਉਂਦਾ ਹੈ। ਆਪਣੇ ਨਵੇਂ ਮਾਰੂਤੀ ਸੁਜ਼ੂਕੀ ਵਾਹਨ ਨੂੰ ਅਪਰੇਟ ਕਰਨ ਤੋਂ ਪਹਿਲਾਂ ਕਿਰਪਾ ਕਰਕੇ ਇਸ ਮੈਨੂਅਲ ਨੂੰ ਧਿਆਨ ਨਾਲ ਪੜ੍ਹੋ ਅਤੇ ਸਮੇਂ ਸਮੇਂ ਸਿਰ ਮੈਨੂਅਲ ਦੀ ਸਮੀਖਿਆ ਕਰੋ। ਇਸ ਮੈਨੂਅਲ ਨੂੰ "ਮਾਰੂਤੀ ਸੁਜ਼ੂਕੀ ਰਿਵਾਰਡਜ਼" ਮੋਬਾਇਲ ਐਪਲੀਕੇਸ਼ਨ ਤੋਂ ਡਾਊਨਲੋਡ (ਆਪਣੇ ਰਜਿਸਟਰਡ ਮੋਬਾਇਲ ਨੰਬਰ ਨਾਲ) ਕਰਨ ਅਤੇ ਹਰ ਵੇਲੇ ਆਸਾਨ ਪਹੁੰਚ ਲਈ ਇਸ ਦੀ ਇੱਕ ਸਾਫ਼ਟ ਕਾਪੀ ਨੂੰ ਸੁਰੱਖਿਅਤ ਰੱਖਣ ਦਾ ਸੁਝਾਅ ਦਿੱਤਾ ਜਾਂਦਾ ਹੈ। ਕਿਸੇ ਵੀ ਸਰਵਿਸ ਲਈ ਕਿਰਪਾ ਕਰਕੇ ਮਾਰੂਤੀ ਸੁਜ਼ੂਕੀ ਦੀ ਅਧਿਕਾਰਤ ਵਰਕਸ਼ਾਪ 'ਤੇ ਜਾਓ।

ਆਪਣੇ ਵਾਹਨ ਦੇ ਚਿਰਸਥਾਈ ਜੀਵਨ ਲਈ ਅਤੇ ਸੰਭਾਲ ਲਾਗਤ ਨੂੰ ਘੱਟ ਕਰਨ ਲਈ, ਇਸ ਮੈਨੂਅਲ ਦੇ "ਜਾਚ ਅਤੇ ਸੰਭਾਲ" ਭਾਗ ਵਿੱਚ "ਸਮੇਂ-ਸਮੇਂ 'ਤੇ ਸੰਭਾਲ ਅਨੁਸੂਚੀ" ਅਨੁਸਾਰ ਸਮੇਂ-ਸਮੇਂ 'ਤੇ ਸੰਭਾਲ ਕਰਨੀ ਲਾਜ਼ਮੀ ਹੁੰਦੀ ਹੈ। ਆਪਣੀ ਸੰਤੁਸ਼ਟੀ ਅਤੇ ਸੁਰੱਖਿਆ ਨੂੰ ਯਕੀਨੀ ਬਣਾਉਣ ਲਈ ਸਮੱਸਿਆ ਅਤੇ ਹਾਦਸਿਆਂ ਤੋਂ ਬਚਣ ਲਈ ਇਹ ਲਾਜ਼ਮੀ ਹੈ।

ਇਸ ਮੈਨੂਅਲ ਦੇ "ਜਾਚ ਅਤੇ ਸੰਭਾਲ" ਭਾਗ ਵਿੱਚ ਵਰਣਨ ਕੀਤੇ "ਰੋਜ਼ਾਨਾ ਜਾਚ ਜਾਚਸੂਚੀ" ਅਨੁਸਾਰ ਰੋਜ਼ਾਨਾ ਜਾਚ ਅਤੇ ਦੇਖਭਾਲ ਵਾਹਨ ਦੇ ਚਿਰਸਥਾਈ ਜੀਵਨ ਅਤੇ ਸੁਰੱਖਿਅਤ ਡਰਾਇਵਿੰਗ ਲਈ ਲਾਜ਼ਮੀ ਹੈ।

ਵਾਹਨ ਅਤੇ ਉਪਲਬਧ ਵਿਸ਼ੇਸ਼ਤਾਵਾਂ/ ਐਕਸੈਸਰੀਜ਼ ਦੀ ਵਰਤੋਂ ਕਰਨੀ ਚਾਹੀਦੀ ਹੈ ਅਤੇ ਲਾਗੂ ਹੋਣ ਵਾਲੀਆਂ ਕਾਨੂੰਨੀ ਲੋੜਾਂ ਅਨੁਸਾਰ ਮਾਲਕ/ ਵਰਤੋਂਕਾਰ ਦੁਆਰਾ ਚਲਾਇਆ ਜਾਣਾ ਚਾਹੀਦਾ ਹੈ

ਮਾਰੂਤੀ ਸੁਜ਼ੂਕੀ ਇੰਡੀਆ ਲਿਮਿਟਿਡ ਧਰਤੀ ਦੇ ਕੁਦਰਤੀ ਸਰੋਤਾਂ ਦੀ ਸੰਭਾਲ ਅਤੇ ਸੁਰੱਖਿਆ ਵਿੱਚ ਯਕੀਨ ਰੱਖਦਾ ਹੈ ਅੰਤ ਵਿੱਚ, ਅਸੀਂ ਹਰ ਵਾਹਨ ਦੇ ਮਾਲਕ ਨੂੰ ਮੁੜ-ਵਰਤੋਂ, ਪੁਰਾਣੇ ਸਮਾਨ ਦੀ ਅੰਸ਼ਕ ਅਦਾਇਗੀ ਕਰਨ ਜਾਂ ਜਿਵੇਂ ਉਚਿਤ ਹੋਵੇ ਵਰਤੋਂ ਗਏ ਇੰਜਨ ਤੇਲ, ਕੂਲੈਂਟ ਅਤੇ ਹੋਰ ਤਰਲਾਂ, ਬੈਟਰੀਆਂ ਅਤੇ ਟਾਇਰਾਂ, ਆਦਿ ਦੀ ਸਹੀ ਢੰਗ ਨਾਲ ਨਸ਼ਟ ਕਰਨ ਲਈ ਉਤਸ਼ਾਹਿਤ ਕਰਦੇ ਹਾਂ।

### ਮਾਰੂਤੀ ਸੁਜ਼ੂਕੀ ਇੰਡੀਆ ਲਿਮਿਟਿਡ

ਇਸ ਮੈਨੂਅਲ ਵਿੱਚ ਸਾਰੀ ਜਾਣਕਾਰੀ ਪ੍ਰਕਾਸ਼ਿਤ ਹੋਣ ਦੇ ਸਮੇਂ 'ਤੇ ਉਪਲਬਧ ਆਧੁਨਿਕ ਉਤਪਾਦ ਜਾਣਕਾਰੀ 'ਤੇ ਅਧਾਰਿਤ ਹੈ। ਸੁਧਾਰ ਜਾਂ ਹੋਰ ਬਦਲਾਓ ਦੇ ਕਾਰਨ, ਇਸ ਮੈਨੂਅਲ ਵਿੱਚ ਜਾਣਕਾਰੀ ਅਤੇ ਤੁਹਾਡੇ ਵਾਹਨ ਵਿੱਚ ਅੰਤਰ ਹੋ ਸਕਦਾ ਹੈ। ਬਿਨਾਂ ਨੋਟਿਸ ਅਤੇ ਪਿਛਲੇ ਨਿਰਮਾਣ ਜਾਂ ਵਿੱਕਰੀ ਵਾਹਨ ਵਿੱਚ ਸਮਾਨ ਤਬਦੀਲੀਆਂ ਕਰਨ ਲਈ ਕਿਸੇ ਵੀ ਫਰਜ਼ ਦੇ ਬਿਨਾਂ ਭਾਰੀ ਖਰਚੇ ਦੇ ਉਤਪਾਦਨ ਕਰਨ ਦੇ ਮਾਰੂਤੀ ਸੁਜ਼ੂਕੀ ਇੰਡੀਆ ਲਿਮਿਟਿਡ ਕੋਲ ਰਾਖਵੇਂ ਹਨ।

ਸ਼ਾਇਦ ਇਹ ਵਾਹਨ ਹੋਰ ਦੇਸ਼ਾਂ ਦੇ ਮਿਆਰਾਂ ਜਾਂ ਸ਼ਰਤਾਂ ਦੀ ਪਾਲਣਾ ਨਾ ਕਰਦਾ ਹੋਵੇ। ਹੋਰ ਦੇਸ਼ ਵਿੱਚ ਇਸ ਵਾਹਨ ਦੀ ਰਜਿਸਟ੍ਰੇਸ਼ਨ ਕਰਨ ਦੀ ਕੋਸ਼ਿਸ਼ ਤੋਂ ਪਹਿਲਾਂ, ਸਾਰੀਆਂ ਲਾਗੂ ਸ਼ਰਤਾਂ ਨੂੰ ਜਾਂਚ ਲਓ ਅਤੇ ਕੋਈ ਵੀ ਲਾਜ਼ਮੀ ਸੁਧਾਰ ਕਰੋ।

## ਮਹੱਤਵਪੂਰਨ

⚠ ਚੇਤਾਵਨੀ/ ⚠ ਸਾਵਧਾਨੀ/ਨੋਟਿਸ/ ਨੋਟ

ਕਿਰਪਾ ਕਰਕੇ ਇਸ ਮੈਨੂਅਲ ਨੂੰ ਪੜ੍ਹੋ ਅਤੇ ਧਿਆਨ ਨਾਲ ਹਿਦ-ਇਤਾ ਦੀ ਪਾਲਣਾ ਕਰੋ। ਖਾਸ ਜਾਣਕਾਰੀ 'ਤੇ ਜ਼ੋਰ ਦੇਣ ਲਈ, ਚਿੰਨ੍ਹ ⚠ ਅਤੇ ਸ਼ਬਦ ਚੇਤਾਵਨੀ, ਚੇਤਾਵਨੀ, ਸਾਵਧਾਨੀ, ਨੋਟਿਸ ਅਤੇ ਨੋਟ ਦਾ ਖਾਸ ਮਤਲਬ ਹੈ। ਇਨ੍ਹਾਂ ਸ਼ਬਦਾਂ ਰਾਹੀਂ ਦਰਸਾਏ ਗਏ ਕੀਤੇ ਸੰਦੇਸ਼ਾਂ ਵੱਲ ਖਾਸ ਧਿਆਨ ਦਿਓ।

### ⚠ ਚੇਤਾਵਨੀ

ਸੰਭਾਵੀ ਜ਼ੋਖਮ ਦਾ ਸੰਕੇਤ ਜਿਸ ਦੇ ਕਾਰਨ ਮੌਤ ਹੋ ਸਕਦੀ ਹੈ ਜਾਂ ਗੰਭੀਰ ਸੱਟ ਲੱਗ ਸਕਦੀ ਹੈ।

### ⚠ ਸਾਵਧਾਨੀ

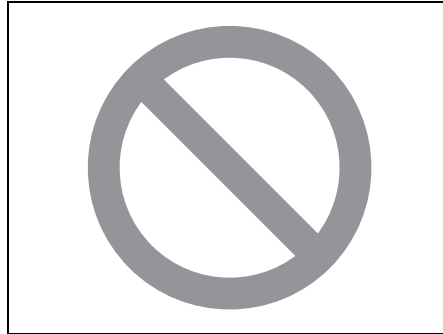
ਸੰਭਾਵੀ ਜ਼ੋਖਮ ਦਾ ਸੰਕੇਤ ਜਿਸ ਦੇ ਕਾਰਨ ਥੋੜੀ ਬਹੁਤੀ ਜਾਂ ਮੱਠੀ ਜਿਹੀ ਸੱਟ ਲੱਗ ਸਕਦੀ ਹੈ।

### ਨੋਟਿਸ

ਸੰਭਾਵੀ ਜ਼ੋਖਮ ਦਾ ਸੰਕੇਤ ਜਿਸ ਦੇ ਵਾਹਨ ਨੂੰ ਨੁਕਸਾਨ ਹੋ ਸਕਦਾ ਹੈ।

ਨੋਟ:

ਸੰਭਾਲ ਨੂੰ ਆਸਾਨ ਬਣਾਉਣ ਜਾਂ ਹਿਦਾਇਤਾਂ ਨੂੰ ਸਪਸ਼ਟ ਕਰਨ ਲਈ ਖਾਸ ਜਾਣਕਾਰੀ ਦਾ ਸੰਕੇਤ ਦਿੰਦਾ ਹੈ।



75F135

ਇਸ ਮੈਨੂਅਲ ਵਿੱਚ ਸਲੈਸ਼ ਨਾਲ ਗੋਲ ਚੱਕਰ ਦਾ ਅਰਥ ਹੈ "ਇਹ ਨਾ ਕਰੋ" ਜਾਂ "ਅਜਿਹਾ ਨਾ ਹੋਣ ਦਿਓ"।

ਨੋਟ:

- ਕਾਰ, ਮਾਡਲ/ਵੇਰੀਏਂਟ ਵਰਗੇ ਸ਼ਬਦ "ਫ਼ੀਕਲ" ਨੂੰ ਸੰਬੋਧਿਤ ਕਰਨ ਦੇ ਲਈ ਇਸ ਮੈਨੂਅਲ ਵਿੱਚ ਹਮੇਸ਼ਾ ਇਸਤੇਮਾਲ ਕੀਤੇ ਜਾਂਦੇ ਹਨ।
- ਇਸ ਮੈਨੂਅਲ ਦੇ ਵਿੱਚ ਇਸਤੇਮਾਲ ਹੋਈ ਚਿੱਤਰ ਪ੍ਰਸਤੁਤੀਆਂ ਕੇਵਲ ਰੈਫਰੈਂਸ ਉਦੇਸ਼ਾਂ ਦੇ ਲਈ ਹਨ।

## ਸੋਧ ਚੇਤਾਵਨੀ

### ⚠ ਚੇਤਾਵਨੀ

ਆਪਣੇ ਫ਼ੀਕਲ ਨੂੰ ਸੰਬੋਧਿਤ ਨਾ ਕਰੋ। ਸੰਸ਼ੋਧਨ ਸੁਰੱਖਿਆ, ਹੈਂਡਲਿੰਗ, ਪ੍ਰਦਰਸ਼ਨ ਜਾਂ ਟਿਕਾਊਪਨ ਤੇ ਗਲਤ ਪ੍ਰਭਾਵ ਪਾ ਸਕਦਾ ਹੈ ਅਤੇ ਸਰਕਾਰੀ ਨਿਯਮਾਂ ਦਾ ਉਲੰਘਣ ਕਰ ਸਕਦਾ ਹੈ। ਇਸਦੇ ਅਲਾਵਾ, ਖਰਾਬੀ ਜਾਂ ਪ੍ਰਦਰਸ਼ਨ ਦੀਆਂ ਸਮੱਸਿਆਵਾਂ ਨੂੰ ਸੰਬੋਧਿਤ ਵਾਰੰਟੀ ਦੇ ਤਹਿਤ ਕਵਰ ਨਹੀਂ ਕੀਤਾ ਜਾਵੇਗਾ।

### ਨੋਟਿਸ

ਮੋਬਾਇਲ ਸੰਚਾਰ ਸਮਾਨ ਜਿਵੇਂ ਕਿ ਸੈਲੂਲਰ ਟੈਲੀਫੋਨ ਜਾਂ **CB** (ਨਾਗਰਿਕ ਦਾ ਬੈਂਡ) ਰੇਡੀਓ ਦੀ ਗਲਤ ਇਸਟਾਲੇਸ਼ਨ ਦੇ ਕਾਰਨ ਤੁਹਾਡੇ ਵਾਹਨ ਦੇ ਇੰਜਨ ਨੂੰ ਚਾਲੂ ਕਰਨ ਵਾਲੇ ਸਿਸਟਮ ਵਿੱਚ ਬਿਜਲੀ ਦੀ ਦਖਲਅੰਦਾਜ਼ੀ ਹੋ ਸਕਦੀ ਹੈ। ਅਜਿਹੇ ਮੋਬਾਇਲ ਸੰਚਾਰ ਸਮਾਨ ਦੇ ਸੰਸਥਾਪਨ ਬਾਰੇ ਸਲਾਹ ਲਈ ਆਪਣੇ ਮਾਰੂਤੀ ਸਜੂਕੀ ਡੀਲਰ ਨਾਲ ਸੰਪਰਕ ਕਰੋ।

### ਨੋਟਿਸ

ਮਾਰੂਤੀ ਸਜੂਕੀ ਦੁਆਰਾ ਨਾ ਸਿਫਾਰਿਸ਼ ਕੀਤੇ ਮਾੜੀ ਗੁਣਵੱਤਾ ਵਾਲੇ ਬਾਲਣ ਅਤੇ/ਜਾਂ ਚਿਕਨਾਹਟ ਦੀ ਵਰਤੋਂ ਕਰਨ ਦੇ ਕਾਰਨ ਗੰਭੀਰ ਨੁਕਸਾਨ ਹੋ ਸਕਦਾ ਹੈ।

## ਅਨੁਭਵ ਲੈਣ ਅਤੇ ਡਿਜਿਟਲ ਮਾਲਕ ਦੇ ਮੈਨੂਅਲ ਦੀ ਵਰਤੋਂ ਕਰਨ ਲਈ, ਮਾਰੂਤੀ ਸੁਜੂਕੀ ਐਪ ਨੂੰ ਡਾਊਨਲੋਡ ਕਰੋ



**ਮਾਰੂਤੀ ਸੁਜੂਕੀ ਰਿਵਾਰਡਜ਼ (Maruti Suzuki Rewards)** ਐਪ ਕਾਰ ਮਾਲਕੀ ਦੇ ਵਿਘਨ ਰਹਿਤ ਅਨੁਭਵ ਨੂੰ ਯਕੀਨੀ ਬਣਾਉਂਦੀ ਹੈ। ਇਸ ਐਪ ਨੂੰ ਡਾਊਨਲੋਡ ਕਰਕੇ ਉਨ੍ਹਾਂ ਸਾਰੀਆਂ ਸੇਵਾਵਾਂ ਅਤੇ ਜਾਣਕਾਰੀ ਤੱਕ ਆਸਾਨ ਪਹੁੰਚ ਪ੍ਰਾਪਤ ਕਰੋ ਜੋ ਤੁਹਾਨੂੰ ਲੋੜੀਂਦੀਆਂ ਹਨ



### ਮਾਰੂਤੀ ਸੁਜੂਕੀ ਐਪਲੀਕੇਸ਼ਨ ਤੋਂ ਮਾਲਕ ਦੇ ਮੈਨੂਅਲ ਨੂੰ ਕਿਵੇਂ ਡਾਊਨਲੋਡ ਕਰੀਏ

ਸਟੈਪ 1: ਆਪਣੇ ਮੋਬਾਇਲ ਫੋਨ 'ਤੇ ਐਪਲ ਐਪ ਸਟੋਰ/ ਗੂਗਲ ਪਲੇਅ ਸਟੋਰ ਤੋਂ "ਮਾਰੂਤੀ ਸੁਜੂਕੀ ਰਿਵਾਰਡਜ਼" ਐਪਲੀਕੇਸ਼ਨ ਡਾਊਨਲੋਡ ਕਰੋ

ਸਟੈਪ 2: ਰਜਿਸਟਰਡ ਮੋਬਾਇਲ ਨੰਬਰ ਅਤੇ ਐਸਐਮਐਸ ਤੋਂ ਪ੍ਰਾਪਤ ਹੋਣ ਵਾਲਾ ਓਟੀਪੀ ਦਰਜ ਕਰੋ

ਸਟੈਪ 3: ਡਿਜਿਟਲ ਮਾਲਕ ਦੇ ਮੈਨੂਅਲ ਤੱਕ ਪਹੁੰਚ ਕਰਨ ਲਈ "S-ਅਸਿਸਟ BOT" ਆਇਕਨ ਚੁਣੋ ਅਤੇ "ਮਾਲਕ ਦੇ ਮੈਨੂਅਲ ਨੂੰ ਦੇਖੋ" 'ਤੇ ਕਲਿੱਕ ਕਰੋ

ਸਟੈਪ 4: "ਡਾਊਨ ਐਰੋ" ਡਾਊਨਲੋਡ 'ਤੇ ਕਲਿੱਕ ਕਰੋ ਅਤੇ ਆਪਣੇ ਮੋਬਾਇਲ ਫੋਨ 'ਤੇ ਮਾਲਕ ਦੇ ਮੈਨੂਅਲ ਨੂੰ ਸੁਰੱਖਿਅਤ ਕਰੋ

ਹੁਣ, ਤੁਹਾਡੇ ਮੋਬਾਇਲ ਫੋਨ 'ਤੇ ਹਵਾਲੇ ਲਈ ਮਾਲਕ ਦਾ ਮੈਨੂਅਲ ਹਰ ਸਮੇਂ ਉਪਲਬਧ ਹੈ।

(ਸਹਾਇਤਾ ਲਈ, ਮਾਰੂਤੀ ਸੁਜੂਕੀ ਦੀ ਅਧਿਕਾਰਤ ਵਰਕਸ਼ਾਪ ਨਾਲ ਸੰਪਰਕ ਕਰੋ)



## ਵਾਰੰਟੀ ਪਾਲਿਸੀ

ਮਾਰੂਤੀ ਸੂਜੂਕੀ ਇੰਡੀਆ ਲਿਮਿਟਿਡ (ਅੱਗੇ ਚੱਲ ਕੇ ਜਿਸਨੂੰ "ਮਾਰੂਤੀ ਸੂਜੂਕੀ" ਕਿਹਾ ਜਾਵੇਗਾ), ਭਾਰਤ ਵਿੱਚ ਮਾਰੂਤੀ ਸੂਜੂਕੀ ਦੁਆਰਾ ਵੰਡੇ ਜਾਂਦੇ ਹਰ ਨਵੇਂ ਮਾਰੂਤੀ ਸੂਜੂਕੀ ਵਾਹਨ ਦੀ ਵਾਰੰਟੀ ਲੈਂਦਾ ਹੈ ਅਤੇ ਸਾਧਾਰਨ ਵਰਤੋਂ ਅਤੇ ਸਰਵਿਸ ਦੇ ਤਹਿਤ ਇੱਕ ਇਖਤਿਆਰੀ ਮਾਰੂਤੀ ਸੂਜੂਕੀ ਡੀਲਰ ਦੁਆਰਾ ਵਿੱਕਰੀ ਕੀਤੀ ਸਮੱਗਰੀ ਵਿੱਚ ਕੋਈ ਵੀ ਨੁਕਸ ਤੋਂ ਮੁਫਤ ਹੋਵੇਗੀ ਅਤੇ ਤਿਆਰ ਕਰਨ ਦੇ ਸਮੇਂ 'ਤੇ ਕਾਰੀਗਰੀ ਹੇਠ ਦਿੱਤੇ ਨਿਯਮਾਂ ਅਤੇ ਸ਼ਰਤਾਂ ਦੇ ਅਧੀਨ ਹੋਵੇਗਾ:

### (1) ਯੋਗਤਾ:

ਇਸ ਵਾਰੰਟੀ ਲਈ ਯੋਗਤਾ:

ਮਾਰੂਤੀ ਸੂਜੂਕੀ ਵਾਹਨ ਮਾਰੂਤੀ ਸੂਜੂਕੀ ਅਧਿਕਾਰਿਤ ਡੀਲਰ ਦੁਆਰਾ ਪਹੁੰਚਾਇਆ ਗਿਆ ਹੋਣਾ ਚਾਹੀਦਾ ਹੈ ਅਤੇ ਸੈਂਟ-ਅੱਪ, ਸਰਵਿਸ ਮਾਰੂਤੀ ਸੂਜੂਕੀ ਅਧਿਕਾਰਿਤ ਡੀਲਰ / ਸਰਵਿਸ ਸਟੇਸ਼ਨ ਦੁਆਰਾ ਕੀਤੀ ਜਾਣੀ ਚਾਹੀਦੀ ਹੈ।

### (2) ਨਿਯਮ:

ਵਾਰੰਟੀ ਦਾ ਨਿਯਮ ਪਹਿਲੇ ਮਾਲਕ ਨੂੰ ਪਹੁੰਚਾਉਣ ਦੀ ਮਿਤੀ (36) ਤੋਂ ਛੱਤੀ ਮਹੀਨੇ ਜਾਂ 1,00,000 ਕਿਲੋਮੀਟਰ (ਜੇ ਵੀ ਪਹਿਲਾਂ ਆਇਆ) ਹੋਵੇਗੀ।

### (3) ਮਾਰੂਤੀ ਸੂਜੂਕੀ ਵਾਰੰਟੀ ਫਰਜ਼:

ਜੇਕਰ ਮਾਰੂਤੀ ਸੂਜੂਕੀ ਵਾਹਨ ਵਿੱਚ ਉਪਰੋਕਤ ਨਿਰਧਾਰਿਤ ਨਿਯਮ ਦੇ ਅੰਦਰ ਕੋਈ ਨੁਕਸ ਪਾਇਆ ਜਾਂਦਾ ਹੈ, ਤਾਂ ਮਾਰੂਤੀ ਸੂਜੂਕੀ ਮੰਨਦਾ ਹੈ ਕਿ ਅਜਿਹਾ ਨੁਕਸ ਨੁਕਸਦਾਰ ਸਮੱਗਰੀ ਜਾਂ ਤਿਆਰ ਕਰਨ ਸਮੇਂ ਕਾਰੀਗਰੀ ਲਈ ਮੰਨਣ ਵਾਲਾ ਹੋ ਸਕਦਾ ਹੈ, ਤਾਂ ਮਾਰੂਤੀ ਸੂਜੂਕੀ ਦਾ ਫਰਜ਼ ਕੇਵਲ ਹਿੱਸੇ ਜਾਂ ਲੇਬਰ ਲਈ ਮਾਲਕ ਨੂੰ ਬਿਨਾਂ ਕਿਸੇ ਲਾਗਤ ਦੇ ਨਵੇਂ ਹਿੱਸੇ ਜਾਂ ਸਮਾਨ ਹਿੱਸੇ ਨਾਲ ਨੁਕਸਾਨ ਹੋਣ ਵਾਲੇ ਦਿਖੇ ਗਏ ਅਨੁਸਾਰ ਮੁਰੰਮਤ ਕਰਨਾ ਜਾਂ ਬਦਲਣਾ ਹੋਵੇਗਾ। ਇਸ ਵਾਰੰਟੀ ਵਿੱਚ ਨਾ ਆਉਣ ਵਾਲੀ ਕਿਸੇ ਵੀ ਮੁਰੰਮਤ ਜਾਂ ਬਦਲਾਓ ਲਈ ਜਿੰਮੇਵਾਰ ਮਾਲਕ ਹੁੰਦਾ ਹੈ।

### (4) ਸੀਮਾਵਾਂ:

ਇਹ ਵਾਰੰਟੀ ਇਨ੍ਹਾਂ ਤੇ ਲਾਗੂ ਨਹੀਂ ਹੋ ਸਕੇਗੀ:

- ਆਇਲ ਅਤੇ ਫਲੂਇਡ ਬਦਲਣ, ਖਪਤਯੋਗ ਵਸਤੂਆਂ, ਹੈਂਡਲਾਈਟ ਦੀ ਫੇਕਸਿੰਗ, ਨੱਟ ਕੱਸਣ, ਵਹੀਲ ਬੈਲੇਸਿੰਗ, ਵਹੀਲ ਅਲਾਇਨਮੈਂਟ ਅਤੇ ਟਾਇਰ ਰੋਟੇਸ਼ਨ, ਇੰਜੈਕਟਰਾਂ ਦੀ ਸਫਾਈ, ਕਲੱਚ ਦੀਆਂ ਐਡਜਸਟਮੈਂਟਾਂ ਅਤੇ ਵਾਲਵ ਕਲੀਰੈਂਸ ਸਮੇਤ ਚਾਰ ਮੁਫਤ ਸਰਵਿਸਾਂ ਤੋਂ ਇਲਾਵਾ ਨਾਰਮਲ ਮੇਨਟੀਨੈਂਸ ਸਰਵਿਸ ਲੋੜੀਂਦੀ ਹੁੰਦੀ ਹੈ।
- ਬਿਨਾਂ ਸੀਮਾ, ਬਲਬ, ਤਿਆਰ ਅਤੇ ਟਿਊਬਾਂ, ਸਪਾਰਕ ਪਲੱਗ, ਬੈਲਟਾਂ, ਹੋਜ਼, ਫਿਲਟਰ, ਵਾਈਪਰ ਬਲੇਡ, ਬੁਰਸ, ਸੰਪਰਕ ਬਿੰਦੂ, ਫਿਊਜ਼, ਕਲੱਚ ਡਿਸਕ, ਬ੍ਰੇਕ ਸ਼ੂ, ਬ੍ਰੇਕ ਪੈਡ, ਕੇਬਲ ਅਤੇ ਸਾਰੇ ਰਬੜ ਦੇ ਹਿੱਸੇ (ਤੇਲ ਸੀਲ ਅਤੇ ਸੀਸ਼ਾ ਰਨ ਦੇ ਇਲਾਵਾ) ਸਾਧਾਰਨ ਘਸੇ ਹਿੱਸਿਆਂ ਨੂੰ ਬਦਲਣਾ।
- ਕੋਈ ਵੀ ਵਾਹਨ ਜੋ ਮੁਕਾਬਲੇ ਜਾਂ ਦੌੜ ਲਈ ਵਰਤਿਆ ਜਾਂਦਾ ਹੈ।
- ਕੋਈ ਵੀ ਮੁਰੰਮਤ ਜਾਂ ਬਦਲਾਓ ਜੋ ਹਾਦਸੇ ਜਾਂ ਖੇਰ ਦੇ ਕਾਰਨ ਲੋੜੀਂਦੇ ਹੋਣ।
- ਦੁਰਵਰਤੋਂ ਕਾਰਣ ਕੋਈ ਵੀ ਨੁਕਸ/ ਖਰਾਬੀ, ਲਾਪਰਵਾਹੀ, ਅਸਧਾਰਨ ਵਰਤੋਂ, ਘੱਟ ਕੇਅਰ, ਭੰਨਤੋੜ, ਚੋਰੀ, ਦੰਗਾ, ਅੱਗ, ਹੜ੍ਹ – ਇੰਜਣ ਦੇ ਪੁਰਜਿਆਂ ਵਿੱਚ ਪਾਣੀ ਪੈਣ ਸਮੇਤ ਜਿਸ ਕਾਰਣ ਇੰਜਣ ਬੰਦ ਹੋ ਜਾਂਦਾ ਹੈ, ਹਾਈਡ੍ਰੋਸਟੈਟਿਕ ਲਾਕ, ਆਦਿ ਜਾਂ ਬਾਡੀ/ ਕੰਪੋਨੈਂਟਾਂ ਨੂੰ ਬਾਹਰੀ ਨੁਕਸਾਨ।
- ਮਾਲਕ ਦੇ ਮੈਨੂਅਲ ਵਿੱਚ ਨਿਰਧਾਰਤ ਕੀਤੇ ਗਏ ਤੋਂ ਇਲਾਵਾ ਮਿਲਾਵਟੀ ਫਿਊਲ/ ਲੁਬਰੀਕੈਂਟ/ ਆਇਲ/ ਕੂਲੈਂਟ/ ਫਲੂਇਡ/ ਪਾਲਿਸ਼ ਵਾਲੇ ਉਤਪਾਦ ਅਤੇ ਫਿਊਲ/ ਲੁਬਰੀਕੈਂਟ/ ਆਇਲ/ ਕੂਲੈਂਟ/ ਫਲੂਇਡ ਦੀ ਵਰਤੋਂ ਕਾਰਣ ਹੋਣ ਵਾਲਾ ਕੋਈ ਵੀ ਨੁਕਸਾਨ।
- ਕੋਈ ਵੀ ਵਾਹਨ ਜਿਸ ਵਿੱਚ ਸੇਧ ਕੀਤੀ ਗਈ ਹੋਵੇ ਜਾਂ ਬਦਲਾਅ ਕੀਤੇ ਗਏ ਹੋਣ ਜਿਸ ਵਿੱਚ ਕਾਰਗੁਜ਼ਾਰੀ ਵਾਲੀ ਐਕਸੈਸਰੀਜ਼, ਲਾਈਟਾਂ ਦਾ ਵਿਸਤਾਰ ਕਰਨਾ, ਹੋਰ ਬਦਲਾਵ ਅਤੇ ਬਾਹਰੀ/ਨਤੀਜਾਕੁੰਨ ਕਾਰਣ ਸ਼ਾਮਲ ਹਨ।
- ਕੋਈ ਵੀ ਵਾਹਨ ਜਿਸ ਉੱਪਰ ਮਾਰੂਤੀ ਸੂਜੂਕੀ ਦੁਆਰਾ ਮਨਜ਼ੂਰ ਨਾ ਕੀਤੇ ਹਿੱਸਿਆਂ ਜਾਂ ਉਪਕਰਣਾਂ (ਗੈਰ-MSGA, ਗੈਰ-MSGP) ਵਰਤੋਂ ਕੀਤੀ ਗਈ ਹੋਵੇ।
- ਕੋਈ ਵੀ ਵਾਹਨ ਜੋ ਮਾਰੂਤੀ ਸੂਜੂਕੀ ਦੇ ਮਾਲਕ ਦੀ ਮੈਨੂਅਲ ਵਿੱਚ ਕਾਰਜੀ ਰਿਦਾਇਤਾਂ ਅਨੁਸਾਰ ਨਾ ਚਲਾਇਆ ਗਿਆ ਹੋਵੇ।

- (j) ਕੋਈ ਵੀ ਵਾਹਨ ਜਿਸਨੇ ਵਾਰੰਟੀ ਨਿਯਮ ਦੇ ਦੌਰਾਨ ਮਾਲਕ ਦੇ ਮੈਨੁਅਲ ਵਿੱਚ ਦੱਸੀਆਂ ਸਰਵਿਸ ਜਾਂਚਾਂ ਨਾ ਕਰਵਾਈਆਂ ਹੋਣ।
- (k) ਕੋਈ ਵੀ ਵਾਹਨ ਜਿਸ ਨੂੰ ਮਾਰੂਤੀ ਸੂਜੂਕੀ ਦੀ ਅਧਿਕਾਰਤ ਵਰਕਸ਼ਾਪ ਤੋਂ ਇਲਾਵਾ ਕਿਸੇ ਹੋਰ ਦੁਆਰਾ ਅਸੈਂਬਲ, ਡਿਸਅਸੈਂਬਲ, ਐਡਜਸਟ ਜਾਂ ਰਿਪੇਅਰ ਕੀਤਾ ਗਿਆ ਹੈ।
- (l) ਕੋਈ ਵੀ ਵਾਹਨ ਜੋ ਉਸਦੇ ਤਿਆਰ ਕੀਤੇ ਜਾਣ ਦੇ ਉਦੇਸ਼ ਤੋਂ ਇਲਾਵਾ ਹੋਰ ਕੰਮ ਲਈ ਵਰਤਿਆ ਗਿਆ ਹੋਵੇ।
- (m) ਕੋਈ ਵੀ ਵਾਹਨ ਜਿਸ ਵਿੱਚ ਸੋਧ ਕੀਤੀ ਗਈ ਹੋਵੇ ਜਾਂ ਬਦਲਾਅ ਕੀਤੇ ਗਏ ਹੋਣ ਜਿਸ ਵਿੱਚ ਕਾਰਗੁਜ਼ਾਰੀ ਵਾਲੀ ਐਕਸੈਸਰੀਜ਼, ਲਾਈਟਾਂ ਦਾ ਵਿਸਤਾਰ ਕਰਨਾ, ਹੋਰ ਬਦਲਾਵ ਅਤੇ ਬਾਹਰੀ/ਨਤੀਜਾਕੁੰਨ ਕਾਰਣ ਸ਼ਾਮਲ ਹਨ।
- (n) ਮਾਮੂਲੀ ਨੁਕਸ/ ਸ਼ੇਰ ਜੋ ਵਾਹਨ ਦੇ ਕੰਮ ਨੂੰ ਪ੍ਰਭਾਵਿਤ ਨਹੀਂ ਕਰਦੇ, ਜਿਨ੍ਹਾਂ ਬਿਨਾਂ ਕਿਸੇ ਸੀਮਾ ਦੇ ਆਵਾਜ਼, ਕੰਪਨ ਅਤੇ ਫਲੂਇਡ ਦਾ ਰਿਸਾਵ ਸ਼ਾਮਲ ਹੁੰਦਾ ਹੈ।
- (o) ਕਿਸੇ ਵੀ ਤਰ੍ਹਾਂ ਦੀ ਕੁਦਰਤੀ ਟੁੱਟ-ਭੱਜ ਜਿਸ ਵਿੱਚ ਬਿਨਾਂ ਕਿਸੇ ਸੀਮਾ ਦੇ, ਉਮਰ, ਟੁੱਟ-ਭੱਜ ਜਾਂ ਗਿਰਾਵਟ ਜਿਵੇਂ ਕਿ ਰੰਗ ਖਰਾਬ ਹੋਣਾ, ਮੱਧਮ ਹੋਣਾ, ਵਿਰੂਪਣ ਜਾਂ ਧੁੰਦਲਾਪਣ ਅਤੇ ਕੱਪੜੇ ਦਾ ਰੰਗ ਉਡਣਾ ਸ਼ਾਮਲ ਹੈ।
- (p) ਐਲਪੀਜੀ ਗੈਸ/ਐਲਪੀਜੀ ਸਲੰਡਰ ਦੀ ਇੰਸਟਾਲੇਸ਼ਨ ਅਤੇ ਵਰਤੋਂ।
- (q) ਵੀ-ਬੈਲਟਾਂ, ਹੇਜ਼, ਗਿਦ ਰਿਸਾਵ (ਮਾਰੂਤੀ ਸੂਜੂਕੀ ਏਸੀ ਵਾਹਨ ਲਈ)
- (r) ਬਾਅਦ ਵਿੱਚ ਐਲਪੀਜੀ/ਸੀਐਨਜੀ ਕਿਟਾਂ ਰਖਾਏ ਵਾਲਾ ਕੋਈ ਵੀ ਵਾਹਨ
- (s) ਪੈਚਵਰਕ, ਬਾਡੀਵਰਕ ਅਤੇ ਮੇਲਡਿੰਗਾਂ ਅਤੇ ਅੰਦਰੂਨੀ ਟਰਿੱਮਾਂ ਸਮੇਂ ਮੁੜ ਪੇਂਟ ਹੋਣਾ।
- (t) ਬਾਡੀ ਦੇ ਹਿੱਸਿਆਂ ਅਤੇ/ਜਾਂ ਕੰਪੋਨੈਂਟਾਂ ਨੂੰ ਖੋਰਾ ਲੱਗਣਾ, ਜੰਗਾਲ ਲੱਗਣਾ।
- (u) ਕੋਈ ਵੀ ਵਾਹਨ ਜਿਸ 'ਤੇ ਓਡੋਮੀਟਰ ਨੂੰ ਅਣਅਧਿਕਾਰਤ ਤਰੀਕੇ ਨਾਲ ਬਦਲਿਆ ਗਿਆ ਹੋਵੇ ਜਾਂ ਓਡੋਮੀਟਰ ਦੀ ਰੀਡਿੰਗ ਸਰਵਿਸ ਰਿਕਾਰਡਾਂ ਨਾਲ ਮੈਚ ਕਰਕੇ/ ਜਾਂ ਬਿਨਾਂ ਮੈਚ ਕੀਤਿਆਂ ਬਦਲੀ/ ਛੇੜਛਾੜ ਕੀਤੀ ਗਈ ਹੋਵੇ।
- (v) ਵਾਹਨ ਦੇ ਮਾਲਕ/ਉਪਭੋਗਤਾ ਨੂੰ ਨੁਕਸ ਹੋਣ ਦੀ ਜਾਣਕਾਰੀ ਹੋਣ ਅਤੇ ਇਸ ਨੂੰ ਅਣਗੌਲਿਆ ਕੀਤੇ ਜਾਣ ਕਾਰਣ ਵਾਹਨ ਨੂੰ ਹੋਇਆ (ਹੋਏ) ਨੁਕਸਾਨ।
- (w) ਲੰਮੇ ਸਮੇਂ ਲਈ ਵਾਹਨ ਨੂੰ ਖੜ੍ਹੇ ਰੱਖਣ ਕਾਰਣ ਬੈਟਰੀ/ ਟਾਇਰ ਸਮੇਤ ਵਾਹਨ ਨੂੰ ਹੋਣ ਵਾਲਾ (ਵਾਲੇ) ਕੋਈ ਨੁਕਸਾਨ।

- (x) ਕੋਈ ਵੀ ਵਾਹਨ ਜਿਸ 'ਤੇ ਰੈਟਰੋ-ਫਿੱਟਮੈਂਟ ਅਧਿਕਾਰਤ ਨਹੀਂ ਹੈ ਅਤੇ/ਜਾਂ ਸੰਬੰਧਿਤ ਅਧਿਕਾਰੀ ਦੁਆਰਾ ਨਿਰਧਾਰਤ ਮਿਆਰਾਂ ਦੇ ਅਨੁਸਾਰ ਪ੍ਰਵਾਨਿਤ ਨਹੀਂ ਹੈ, ਜਿਸ ਵਿੱਚ ਭਾਰਤ ਦੇ ਆਟੋਮੋਟਿਵ ਮਿਆਰ ਵੀ ਸ਼ਾਮਲ ਹਨ, ਪਰੰਤੂ ਇਹ ਇੱਥੋਂ ਤੱਕ ਸੀਮਿਤ ਨਹੀਂ ਹਨ।
- (y) ਕੋਈ ਵੀ ਵਾਹਨ ਜਿਸ 'ਤੇ ਅਜਿਹੀ ਰੈਟਰੋ-ਫਿੱਟਮੈਂਟ ਲਗਾਈ ਗਈ ਹੈ ਜੋ ਵਾਹਨ ਨੂੰ ਸਿੱਧਿਆਂ ਜਾਂ ਅਸਿੱਧਿਆਂ ਨੁਕਸਾਨ ਪੁਜਾਉਂਦੀ ਹੈ ਜਾਂ ਕਿਸੇ ਵੀ ਤਰੀਕੇ ਨਾਲ ਵਾਹਨ ਦੇ ਫੰਕਸ਼ਨਾਂ ਨੂੰ ਪ੍ਰਭਾਵਿਤ ਕਰਦੀ ਹੈ।

### (5) ਵਾਰੰਟੀ ਵਧਾਉਣਾ:

ਇਹ ਵਾਰੰਟੀ ਮਾਰੂਤੀ ਸੂਜੂਕੀ ਵਾਹਨਾਂ ਲਈ ਮਾਰੂਤੀ ਸੂਜੂਕੀ ਦੁਆਰਾ ਪੂਰਨ ਤੌਰ 'ਤੇ ਲਿਖਤੀ ਵਾਰੰਟੀ ਹੈ ਅਤੇ ਕੋਈ ਡੀਲਰ ਜਾਂ ਉਸਦੇ ਏਜੰਟ ਜਾਂ ਕਰਮਚਾਰੀ ਨੂੰ ਇਹ ਵਾਰੰਟੀ ਵਧਾਉਣ ਜਾਂ ਜ਼ਿਆਦਾ ਕਰਨ ਦਾ ਇਖਤਿਆਰੀ ਨਹੀਂ ਹੁੰਦਾ ਅਤੇ ਕੋਈ ਡੀਲਰ ਜਾਂ ਉਸ ਦਾ ਏਜੰਟ ਜਾਂ ਕਰਮਚਾਰੀ ਮਾਰੂਤੀ ਸੂਜੂਕੀ ਵਲੋਂ ਕੋਈ ਜੁਬਾਨੀ ਵਾਰੰਟੀ ਦੇਣ ਦਾ ਇਖਤਿਆਰੀ ਨਹੀਂ ਹੁੰਦਾ। ਮਾਰੂਤੀ ਸੂਜੂਕੀ ਕੋਲ ਬਿਨਾਂ ਕਿਸੇ ਫਰਜ਼ ਦੇ ਕਿਸੇ ਵੀ ਸਮੇਂ 'ਤੇ ਪਿਛਲੀਆਂ ਵੇਚੀਆਂ ਇਕਾਈਆਂ 'ਤੇ ਸਮਾਨ ਤਬਦੀਲੀਆਂ ਕਰਨ ਲਈ ਕਸੀ ਮਾਡਲ ਦੇ ਡਿਜ਼ਾਇਨ ਵਿੱਚ ਸੁਧਾਰ ਜਾਂ ਬਦਲਾਓ ਕਰਨ ਦੇ ਅਧਿਕਾਰ ਰਾਖਵੇਂ ਹਨ।

### (6) ਵਾਰੰਟੀ ਸਰਵਿਸ:

ਵਾਰੰਟੀ ਸਰਵਿਸ ਲੈਣ ਲਈ, ਕਿਸੇ ਵੀ ਇਖਤਿਆਰੀ ਮਾਰੂਤੀ ਸੂਜੂਕੀ ਡੀਲਰ ਕੋਲ ਮਾਲਕ ਦੇ ਖਰਚੇ 'ਤੇ ਪੂਰੇ ਵਾਹਨ ਨੂੰ ਪੇਸ਼ ਕਰਨਾ ਲਾਜ਼ਮੀ ਹੁੰਦਾ ਹੈ।

### (7) ਮਾਲਕ ਦੀਆਂ ਵਾਰੰਟੀ ਜਿੰਮੇਵਾਰੀਆਂ

#### ਨੋਟਿਸ

ਮਾਲਕ ਇੱਕ ਨੁਕਸਾਨੀ ਗਈ ਹਾਲਤ ਵਿੱਚ ਵਾਹਨ ਦੀ ਵਰਤੋਂ ਨਹੀਂ ਕਰੇਗਾ ਅਤੇ ਇਸ ਦੀ ਰਿਪੇਰਟ ਤੁਰੰਤ ਨਜ਼ਦੀਕੀ ਮਾਰੂਤੀ ਸੂਜੂਕੀ ਦੀ ਅਧਿਕਾਰਤ ਵਰਕਸ਼ਾਪ ਨੂੰ ਕਰੇਗਾ। ਇਸ ਦੇ ਨਾਲ ਵਾਹਨ ਦੀ ਜਲਦੀ ਜਾਂਚ ਅਤੇ ਮੁਰੰਮਤ ਕੀਤੀ ਜਾਏਗੀ ਅਤੇ ਇਸ ਨਾਲ ਵਿਅਕਤੀ ਨੂੰ ਹੋਣ ਵਾਲੇ ਸੰਭਾਵਿਤ ਨੁਕਸਾਨ ਜਾਂ ਵਾਹਨ ਦੇ ਨੁਕਸਾਨ ਵਿੱਚ ਵਾਧੇ ਤੋਂ ਰੋਕਥਾਮ ਕੀਤੀ ਜਾ ਸਕਦੀ ਹੈ।

---

ਇਹ ਹਰ ਮਾਲਕ ਦੀ ਜਿੰਮੇਵਾਰੀ ਹੁੰਦੀ ਹੈ:

- "ਇੰਸਪੈਕਸ਼ਨ ਅਤੇ ਮੋਨੀਟਰਿੰਗ" ਸੈਕਸ਼ਨ ਵਿੱਚ ਦਰਸਾਏ ਗਏ ਮਾਲਕ ਦੇ ਮੈਨੂਅਲ ਵਿੱਚ ਨਿਰਧਾਰਤ ਸਰਵਿਸ ਦੀਆਂ ਸਾਰੀਆਂ ਇੰਸਪੈਕਸ਼ਨਾਂ ਮਾਰੂਤੀ ਸੂਜ਼ੂਕੀ ਦੀ ਅਧਿਕਾਰਤ ਵਰਕਸ਼ਾਪ ਤੋਂ ਆਪਣੇ ਖਰਚ 'ਤੇ ਕਰਵਾਉਣਾ।
- ਜੇਕਰ ਤੁਸੀਂ ਵਾਹਨ ਨੂੰ ਅੱਗੇ ਵੇਚਣਾ ਹੋਵੇ, ਤਾਂ ਕਿਰਪਾ ਕਰਕੇ ਨਵੇਂ ਵਰਤੋਂਕਾਰ/ਮਾਲਕਾਂ ਨੂੰ ਇਸ ਮੈਨੂਅਲ ਨੂੰ ਡਾਊਨਲੋਡ ਕਰਨ (ਆਪਣੇ ਰਜਿਸਟਰਡ ਮੋਬਾਇਲ ਨੰਬਰ ਨਾਲ "ਮਾਰੂਤੀ ਸੂਜ਼ੂਕੀ ਰਿਵਾਰਡਜ਼" ਮੋਬਾਇਲ ਐਪਲੀਕੇਸ਼ਨ ਤੋਂ) ਲਈ ਗਾਈਡ ਕਰੋ। ਇਸ ਦੇ ਨਾਲ ਨਾਲ ਮੈਨੂਅਲ ਦੀ ਸਾਫਟ ਕਾਪੀ ਵੀ ਨਵੇਂ ਵਰਤੋਂਕਾਰਾਂ/ਮਾਲਕਾਂ ਨੂੰ ਦੇਣੀ ਚਾਹੀਦੀ ਚਾਹੀਦੀ ਹੈ ਜਦੋਂ ਅੱਗੇ ਵੇਚੀ ਜਾਂਦੀ ਹੈ ਜਾਂ ਟ੍ਰਾਂਸਫਰ ਕੀਤੀ ਜਾਂਦੀ ਹੈ।

ਜੇਕਰ ਕਿਸੇ ਕਾਰਣ ਮਾਲਕ ਦਾ ਮੈਨੂਅਲ ਗੁੰਮ ਹੋ ਜਾਂਦਾ ਹੈ, ਤਾਂ ਮਾਲਕ ਜਾਂ ਵਰਤੋਂਕਾਰ ਇਸ ਦੀ ਇੱਕ ਸਾਫਟ ਕਾਪੀ ਡਾਊਨਲੋਡ ਕਰ ਸਕਦੇ ਹਨ (ਮੋਬਾਇਲ ਨੰਬਰ ਨਾਲ "ਮਾਰੂਤੀ ਸੂਜ਼ੂਕੀ ਰਿਵਾਰਡਜ਼" ਮੋਬਾਇਲ ਐਪਲੀਕੇਸ਼ਨ ਤੋਂ) ਅਤੇ ਕਿਸੇ ਵੀ ਸਮੇਂ ਆਸਾਨ ਪਹੁੰਚ ਲਈ ਇਸ ਨੂੰ ਸੁਰੱਖਿਅਤ ਕਰ ਸਕਦੇ ਹਨ।

#### **(8) ਪਰਿਣਾਮੀ ਨੁਕਸਾਨ ਦਾ ਅਸਵੀਕਾਰ**

ਮਾਰੂਤੀ ਸੂਜ਼ੂਕੀ ਵਾਹਨ ਖੋ ਜਾਣ, ਵਾਹਨ ਦੇ ਨਾ ਉਪਲਬਧ ਹੋਣ ਕਾਂ ਮਾਲਕ ਲਈ ਸਮੇਂ ਦੀ ਕਮੀ, ਅਸੁਵਿਧਾ ਜਾਂ ਹੋਰ ਅਸਿੱਧੇ ਘਟਨਾ ਜਾਂ ਪਰਿਣਾਮੀ ਨੁਕਸਾਨ ਲਈ ਜਿੰਮੇਵਾਰ ਨਹੀਂ ਹੁੰਦਾ, ਕਿਉਂਕਿ ਇਸ ਵਾਰੰਟੀ ਵਿੱਚ ਅਜਿਹਾ ਕੋਈ ਨੁਕਸ ਕਵਰ ਨਹੀਂ ਕੀਤਾ ਜਾਂਦਾ।

#### **(9) ਮਾਲਕ ਬਦਲਣਾ**

ਭਾਵੇਂ ਕਿ ਵਾਹਨ ਦੀ ਮਲਕੀਅਤ ਬਦਲਦੀ ਹੈ, ਵਾਰੰਟੀ ਮਿਆਦ ਨਵੇਂ ਮਾਲਕ ਲਈ ਵੀ ਪ੍ਰਭਾਵੀ ਰਹਿੰਦੀ ਹੈ।  
ਇਹ ਵਾਰੰਟੀ ਕੇਵਲ ਭਾਰਤ ਵਿੱਚ ਹੀ ਲਾਗੂ ਹੈ ਅਤੇ ਕਿਸੇ ਵੀ ਹੋਰ ਦੇਸ਼ ਵਿੱਚ ਬਦਲਣਯੋਗ ਨਹੀਂ ਹੈ।

## ਵਿਸ਼ਾ - ਸੂਚੀ

ਫਿਊਲ ਦੀ ਸਿਫਾਰਸ਼	1
ਡਰਾਈਵਿੰਗ ਕਰਨ ਤੋਂ ਪਹਿਲਾਂ	2
ਆਪਣੇ ਵਾਹਨ ਨੂੰ ਚਲਾਉਣਾ	3
ਡਰਾਈਵਿੰਗ ਲਈ ਸੁਝਾਅ	4
ਹੋਰ ਕੰਟਰੋਲ ਅਤੇ ਉਪਕਰਣ	5
ਵਾਹਨ ਨੂੰ ਲੇਡ ਕਰਨਾ ਅਤੇ ਟੋਚਨ ਪਾਉਣਾ	6
ਇੰਸਪੈਕਸ਼ਨ ਅਤੇ ਰੱਖ ਰਖਾਵ	7
ਐਮਰਜੈਂਸੀ ਸਰਵਿਸ	8
ਦਿੱਖ ਦੀ ਦੇਖਭਾਲ	9
ਸਧਾਰਨ ਜਾਣਕਾਰੀ	10
ਸਪੈਸੀਫਿਕੇਸ਼ਨਾਂ	11
ਬਾਡੀ ਫੈਬਰੀਕੇਸ਼ਨ ਲਈ ਹਿਦਾਇਤਾਂ (ਚੈਸੀ ਦਾ ਵੇਰੀਐਂਟ)	12

# ਫਿਊਲ ਦੀ ਸਿਫਾਰਸ਼

ਫਿਊਲ ਦੀ ਸਿਫਾਰਸ਼ ..... 1-1

## ਫਿਊਲ ਦੀ ਸਿਫਾਰਸ਼

### ਫਿਊਲ ਦੀ ਸਿਫਾਰਸ਼ (Fuel Recommendation)

(ਪੈਟਰੋਲ ਅਤੇ ਸੀ.ਐਨ.ਜੀ. ਵਾਲੇ ਇੰਜਣ ਦੇ ਮਾਡਲ ਲਈ)

ਪੈਟਰੋਲ ਵਾਲੇ ਇੰਜਣ ਦੇ ਮਾਡਲ ਲਈ (Petrol Engine Model)

ਕੈਟਾਲਾਈਟਿਕ ਕਨਵਰਟਰ (Catalytic Converter) ਨੂੰ ਖਰਾਬ ਹੋਣ ਤੋਂ ਬਚਾਉਣ ਲਈ, ਤੁਹਾਨੂੰ 91 ਜਾਂ ਇਸ ਤੋਂ ਉਪਰਲੇ ਓਕਟੇਨ ਨੰਬਰ (RON) ਵਾਲੇ ਲੈਂਡਰਹਿਤ ਪੈਟਰੋਲ ਦੀ ਵਰਤੋਂ ਕਰਨੀ ਲਾਜ਼ਮੀ ਹੁੰਦੀ ਹੈ।

ਗੈਸੋਲੀਨ (Gasoline) / ਈਥਾਨੋਲ (Ethanol) ਦਾ ਮਿਸ਼ਰਣ ਬਾਲਣ

ਲੈਂਡਰਹਿਤ ਗੈਸੋਲੀਨ (ਪੈਟਰੋਲ) ਅਤੇ ਈਥਾਨੋਲ ਦਾ ਮਿਸ਼ਰਣ, ਜਿਸਨੂੰ ਗੈਸੋਲੋਲ ਵੀ ਕਿਹਾ ਜਾਂਦਾ ਹੈ, ਦੇਸ਼ ਵਿੱਚ ਕਮਰਸ਼ੀਅਲ ਤੌਰ 'ਤੇ ਉਪਲਬਧ ਹੈ ਅਤੇ ਸਥਾਨ ਦੇ ਨਾਲ ਬਦਲ ਸਕਦੇ ਹਨ। E20 ਤੱਕ ਗੈਸੋਲੀਨ ਈਥਾਨੋਲ ਦੇ ਇਸ ਮਿਸ਼ਰਣ ਨੂੰ ਵਾਹਨ ਲਈ ਫਿਊਲ ਵਜੋਂ ਵਰਤਿਆ ਜਾ ਸਕਦਾ ਹੈ।

### MTBE ਵਾਲੀ ਗੈਸੋਲੀਨ (Gasoline containing MTBE)

ਲੈਂਡਰਹਿਤ ਗੈਸੋਲੀਨ ਜਿਸ ਵਿੱਚ MTBE (ਮਿਥਾਇਲ ਟਰਸਿਰੀ ਬੁਟਾਇਲ ਈਥਰ) ਹੁੰਦਾ ਹੈ ਉਸ ਦੀ ਵਰਤੋਂ ਤੁਹਾਡੇ ਵਾਹਨ ਵਿੱਚ ਕੀਤੀ ਜਾ ਸਕਦੀ ਹੈ ਜੇ MTBE ਦੀ ਮਾਤਰਾ 15% ਤੋਂ ਵੱਧ ਨਹੀਂ ਹੁੰਦਾ ਹੈ। ਇਸ ਆਕਸੀਕ੍ਰਿਤ ਈਥਨ ਵਿੱਚ ਅਲਕੋਹਲ ਨਹੀਂ ਹੁੰਦੀ।

#### ▲ ਸਾਵਧਾਨੀ

ਨਕਲੀ, ਘਟੀਆ ਗੁਣਵੱਤਾ, ਮਿਲਾਵਟੀ ਈਥਨ ਦੀ ਵਰਤੋਂ ਇੰਜਣ ਅਤੇ ਇੰਜਣ ਦੇ ਸਹਾਇਕ ਪੁਰਜਿਆਂ ਨੂੰ ਨੁਕਸਾਨ ਪੁਜਾ ਸਕਦੀ ਹੈ, ਇੰਜਣ ਦੀ ਕਾਰਗੁਜ਼ਾਰੀ ਨੂੰ ਪ੍ਰਭਾਵਿਤ ਕਰ ਸਕਦੀ ਹੈ ਅਤੇ ਇੰਜਣ ਦੇ ਬੰਦ ਹੋਣ ਤੋਂ ਇਲਾਵਾ ਇੰਜਣ ਦੀ ਕਾਰਗੁਜ਼ਾਰੀ ਵਿੱਚ ਗਿਰਾਵਟ ਲਿਆ ਸਕਦੀ ਹੈ।

#### ਨੋਟਿਸ

- ਈਥਨ ਦੇ ਟੈਂਕ ਵਿੱਚ ਗਰਮੀ ਦੇ ਮੌਸਮ ਵਿੱਚ ਈਥਨ ਦੇ ਫੈਲਣ ਲਈ ਏਅਰ ਸਪੇਸ ਹੁੰਦਾ ਹੈ। ਫਿੱਲਰ ਨੇਜ਼ਲ ਦੇ ਸਵੈਚਲਿਤ ਤੌਰ 'ਤੇ ਬੰਦ ਹੋਣ ਤੋਂ ਬਾਅਦ ਜਾਂ ਆਰੰਭਿਕ ਬਲੇਅਬੈਕ ਹੋਣ 'ਤੇ ਵੀ ਜੇ ਤੁਸੀਂ ਈਥਨ ਭਰਨਾ ਜਾਰੀ ਰੱਖਦੇ ਹੋ, ਤਾਂ ਏਅਰ ਚੈਂਬਰ ਭਰ ਜਾਏਗਾ। ਇਸ ਤਰ੍ਹਾਂ ਪੂਰੀ ਤਰ੍ਹਾਂ ਨਾਲ ਈਥਨ ਭਰਨ 'ਤੇ ਗਰਮੀ ਦੇ ਸੰਪਰਕ ਵਿੱਚ ਆਉਣ ਨਾਲ ਈਥਨ ਦੇ ਫੈਲਣ ਨਾਲ ਲੀਕੇਜ਼ ਹੋਵੇਗੀ। ਈਥਨ ਦੀ ਲੀਕੇਜ਼ ਦੀ ਰੋਕਥਾਮ ਕਰਨ ਲਈ, ਫਿੱਲਰ ਨੇਜ਼ਲ ਦੇ ਸਵੈਚਲਿਤ ਰੂਪ ਵਿੱਚ ਬੰਦ ਹੋਣ 'ਤੇ ਜਾਂ ਜੇ ਇੱਕ ਵਿਕਲਪਿਕ ਗੈਰ-ਸਵੈਚਲਿਤ ਸਿਸਟਮ ਵਰਤ ਰਹੇ ਹੋ, ਤਾਂ ਜਦੋਂ ਆਰੰਭਿਕ ਵੈਟ ਬਲੇਅਬੈਕ ਪੈਦਾ ਹੁੰਦਾ ਹੈ ਈਥਨ ਦੀ ਭਰਾਈ ਕਰਨਾ ਬੰਦ ਕਰੋ।
- ਦੁਬਾਰਾ ਈਥਨ ਭਰਨ ਵੇਲੇ ਅਲਕੋਹਲ ਵਾਲੀ ਈਥਨ ਦਾ ਤੁਪਕਾ ਨਾ ਗਿਰਨ ਦਿਓ। ਜੇ ਈਥਨ ਵਾਹਨ ਦੀ ਬਾਡੀ 'ਤੇ ਗਿਰਦਾ ਹੈ, ਤਾਂ ਇਸ ਨੂੰ ਤੁਰੰਤ ਸਾਫ਼ ਕਰ ਦਿਓ। ਅਲਕੋਹਲ ਵਾਲੇ ਈਥਨ ਨਾਲ ਪੇਂਟ ਖਰਾਬ ਹੋ ਸਕਦਾ ਹੈ, ਜਿਸ ਨੂੰ ਨਵੇਂ ਵਾਹਨ ਦੀ ਲਿਮਟਿਡ ਵਾਰੰਟੀ ਅੰਦਰ ਕਵਰ ਨਹੀਂ ਕੀਤਾ ਜਾਂਦਾ ਹੈ।

**ਸੀ.ਐਨ.ਜੀ. ਇੰਜਣ ਮਾਡਲ ਲਈ (CNG Engine Model)**

**ਸੀ.ਐਨ.ਜੀ. (CNG)**

ਸੀ.ਐਨ.ਜੀ. (ਕੰਪ੍ਰੈਸਡ ਨੈਚੁਰਲ ਗੈਸ) ਸਿਧਾਂਤਕ ਤੌਰ 'ਤੇ ਮਿਥੇਨ ਰਾਹੀਂ ਬਣਾਈ ਜਾਂਦੀ ਹੈ। ਸੀ.ਐਨ.ਜੀ. ਨੂੰ ਕਲੀਨ ਬਰਨਿੰਗ ਈਥਨ ਮੰਨਿਆ ਜਾਂਦਾ ਹੈ। ਸੀ.ਐਨ.ਜੀ. (CNG) ਦੀ ਘੱਟ ਘਣਤਾ ਦੇ ਕਾਰਣ, ਵਾਹਨ ਦੀ ਐਨ-ਬੋਰਡ ਸਟੋਰੇਜ ਸਮਰਥਾ ਨੂੰ ਵਧਾਉਣ ਲਈ ਇਸ ਨੂੰ ਲਗਭਗ 200 ਬਾਰ ਦੇ ਪ੍ਰੈਸ਼ਰ 'ਤੇ ਕੰਪ੍ਰੈਸ ਕੀਤਾ ਜਾਂਦਾ ਹੈ।

**▲ ਸਾਵਧਾਨੀ**

ਸੀ.ਐਨ.ਜੀ. ਦੀ ਲੀਕੇਜ (CNG leakage) ਜਾਂ ਸ਼ੋਰ ਆਉਣ ਜਾਂ ਸੀ.ਐਨ.ਜੀ. ਦੀ ਪਾਈਪਿੰਗ (CNG piping) ਨੂੰ ਕਿਸੇ ਵੀ ਬਾਹਰੀ ਨੁਕਸਾਨ ਹੋਣ ਦੀ ਸੂਰਤ ਵਿੱਚ ਜਾਂ ਦੁਰਘਟਨਾ ਹੋਣ 'ਤੇ ਨਾ ਡਰੋ।

- ਵਾਹਨ ਨੂੰ ਰੋਕੋ ਅਤੇ ਇੰਜਣ ਨੂੰ ਬੰਦ ਕਰੋ, ਖਿੜਕੀਆਂ ਦੇ ਸੀਸ਼ਿਆਂ ਨੂੰ ਹੇਠਾਂ ਕਰੋ ਅਤੇ ਸਾਰੇ ਦਰਵਾਜ਼ੇ ਖੋਲ੍ਹੋ।
- ਮੈਨੂਅਲ ਸ਼ੱਟ ਆਫ ਵਾਲਵ (manual shut off valve) ਨੂੰ ਬੰਦ ਕਰਨਾ ਯਕੀਨੀ ਬਣਾਓ।
- ਹੋਰ ਸਹਾਇਤਾ ਲਈ ਅਧੀਕ੍ਰਿਤ ਮਾਰੂਤੀ ਸ਼ੁਜੂਕੀ ਕਮਰਸ਼ੀਅਲ ਵਰਕਸ਼ਾਪ ਨਾਲ ਤੁਰੰਤ ਸੰਪਰਕ ਕਰੋ।

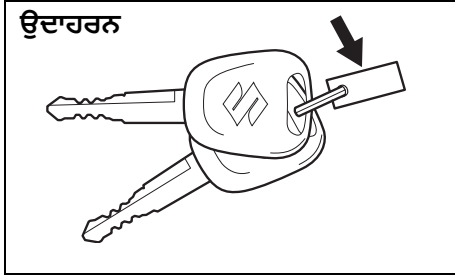
## ਡਰਾਈਵਿੰਗ ਕਰਨ ਤੋਂ ਪਹਿਲਾਂ

ਚਾਬੀਆਂ.....	2-1
ਦਰਵਾਜ਼ੇ ਦੇ ਲਾਕ.....	2-2
ਟੇਲਗੇਟ.....	2-2
ਵਿੰਡੋਜ਼.....	2-4
ਸ਼ੀਸ਼ੇ.....	2-4
ਸੀਟਾਂ.....	2-5
ਸੀਟ ਬੈਲਟਾਂ.....	2-6
ਇੰਸਟਰੂਮੈਂਟ ਕਲੱਸਟਰ.....	2-12
ਸਪੀਡੋਮੀਟਰ.....	2-13
ਫਿਊਲ ਗੇਜ਼.....	2-13
ਜਾਣਕਾਰੀ ਡਿਸਪਲੇ.....	2-13
ਵਾਰਨਿੰਗ ਅਤੇ ਇੰਡੀਕੇਟਰ ਲਾਈਟਾਂ.....	2-17
ਲਾਈਟਿੰਗ ਕੰਟਰੋਲ ਲੀਵਰ.....	2-22
ਹੈਂਡਲਾਈਟ ਲੈਵਲਿੰਗ ਸਵਿੱਚ.....	2-23
ਟਰਨ ਸਿਗਨਲ ਕੰਟਰੋਲ ਲੀਵਰ.....	2-23
ਖਤਰੇ ਦੀ ਵਾਰਨਿੰਗ ਵਾਲਾ ਸਵਿੱਚ.....	2-24
ਵਿੰਡਸ਼ੀਲਡ ਵਾਈਪਰ ਅਤੇ ਵਾਸ਼ਰ ਲੀਵਰ.....	2-24
ਹਾਰਨ.....	2-26
ਸੀ.ਐਨ.ਜੀ. ਸਿਲੰਡਰ ਵਾਰਨਿੰਗ ਲੇਬਲ (ਜੇਕਰ ਲੱਗਿਆ ਹੋਵੇ).....	2-26
ਸੀ.ਐਨ.ਜੀ. ਵਾਰਨਿੰਗ ਲੇਬਲ (ਜੇਕਰ ਲੱਗਿਆ ਹੋਵੇ).....	2-26
ਸੀ.ਐਨ.ਜੀ. ਮੈਨੁਅਲ ਸ਼ੱਟ-ਆਫ ਵਾਲਵ (ਜੇਕਰ ਲੱਗਿਆ ਹੋਵੇ).....	2-27



## ਡਰਾਈਵਿੰਗ ਕਰਨ ਤੋਂ ਪਹਿਲਾਂ

### ਚਾਬੀਆਂ



51KM024

ਤੁਹਾਡੇ ਵਾਹਨ ਦੀਆਂ ਬਹੁਤ ਸਾਰੀਆਂ ਚਾਬੀਆਂ ਹੁੰਦੀਆਂ ਹਨ। ਮਾਡਲ ਦੇ ਵੇਰੀਐਂਟ ਅਨੁਸਾਰ ਚਾਬੀ (ਚਾਬੀਆਂ) ਵਿੱਚ ਟ੍ਰਾਂਸਮੀਟਰ (transmitter) ਲੱਗਿਆ ਜਾਂ ਨਹੀਂ ਲੱਗਿਆ ਹੋ ਸਕਦਾ ਹੈ। ਸਪੇਅਰ ਚਾਬੀ ਨੂੰ ਇੱਕ ਸੁਰੱਖਿਅਤ ਸਥਾਨ 'ਤੇ ਰੱਖੋ। ਇੱਕ ਚਾਬੀ ਵਾਹਨ 'ਤੇ ਸਾਰੇ ਤਾਲਿਆਂ ਨੂੰ ਖੋਲ੍ਹ ਸਕਦੀ ਹੈ।

ਮੁੱਖ ਪਛਾਣ ਸੰਖਿਆ ਨੂੰ ਚਾਬੀਆਂ ਨਾਲ ਦਿੱਤੇ ਗਏ ਧਾਤ ਦੇ ਟੈਗ 'ਤੇ ਜਾਂ ਚਾਬੀਆਂ 'ਤੇ ਛਾਪਿਆ ਹੁੰਦਾ ਹੈ। ਟੈਗ (tag) (ਜੇਕਰ ਲੱਗਿਆ ਹੋਵੇ) ਨੂੰ ਸੁਰੱਖਿਅਤ ਸਥਾਨ 'ਤੇ ਰੱਖੋ। ਜੇ ਤੁਹਾਡੀਆਂ ਚਾਬੀਆਂ ਗੁੰਮ ਹੋ ਜਾਂਦੀਆਂ ਹਨ, ਤਾਂ ਤੁਹਾਨੂੰ ਨਵੀਆਂ ਚਾਬੀਆਂ ਬਣਾਉਣ ਲਈ ਇਸ ਨੰਬਰ ਦੀ ਲੋੜ ਹੁੰਦੀ ਹੈ। ਭਵਿੱਖ ਵਿੱਚ ਆਪਣੇ ਹਵਾਲੇ ਲਈ ਹੇਠਾਂ ਨੰਬਰ ਲਿਖੋ।

ਚਾਬੀ ਦਾ ਨੰਬਰ:

### ਇਮੋਬਿਲਾਇਜ਼ਰ ਸਿਸਟਮ (Immobilizer system)

ਇਹ ਸਿਸਟਮ ਇਲੈਕਟ੍ਰਾਨਿਕ ਤਰੀਕੇ ਨਾਲ ਇੰਜਣ ਦੇ ਚਾਲੂ ਹੋਣ ਨੂੰ ਬੰਦ ਕਰਨ ਰਾਹੀਂ ਵਾਹਨ ਦੀ ਚੋਰੀ ਹੋਣ ਤੋਂ ਰੋਕਥਾਮ ਵਿੱਚ ਮਦਦ ਕਰਨ ਲਈ ਡਿਜ਼ਾਇਨ ਕੀਤਾ ਗਿਆ ਹੈ।

ਇੰਜਣ ਨੂੰ ਕੇਵਲ ਤੁਹਾਡੇ ਵਾਹਨ ਦੀ ਅਸਲ ਇਮੋਬਿਲਾਇਜ਼ਰ ਚਾਬੀ ਨਾਲ ਹੀ ਚਾਲੂ ਕੀਤਾ ਜਾ ਸਕਦਾ ਹੈ, ਜਿਸ ਵਿੱਚ ਇਸ 'ਤੇ ਇਲੈਕਟ੍ਰਾਨਿਕ ਪਛਾਣ ਕੋਡ ਦੀ ਪ੍ਰੋਗਰਾਮਿੰਗ ਕੀਤੀ ਹੁੰਦੀ ਹੈ। ਚਾਬੀ ਵਾਹਨ ਨਾਲ ਪਛਾਣ ਕੋਡ ਦਾ ਸੰਚਾਰ ਕਰਦੀ ਹੈ ਜਦੋਂ ਇਗਨੀਸ਼ਨ ਸਵਿੱਚ ਨੂੰ 'ਔਨ' ਪੇਜੀਸ਼ਨ 'ਤੇ ਕੀਤਾ ਜਾਂਦਾ ਹੈ। ਜੇ ਤੁਹਾਨੂੰ ਸਪੇਅਰ ਚਾਬੀਆਂ ਤਿਆਰ ਕਰਨ ਦੀ ਲੋੜ ਹੁੰਦੀ ਹੈ, ਤਾਂ ਮਾਰੂਤੀ ਸੁਜੂਕੀ ਦੀ ਅਧੀਕ੍ਰਿਤ ਵਰਕਸ਼ਾਪ 'ਤੇ ਜਾਓ। ਸਪੇਅਰ ਚਾਬੀ ਲੈਣ ਲਈ ਵਾਹਨ ਦੀ ਪ੍ਰੋਗਰਾਮਿੰਗ ਸਹੀ ਪਛਾਣ ਕੋਡ ਨਾਲ ਕੀਤੀ ਹੋਣੀ ਲਾਜ਼ਮੀ ਹੈ। ਸਧਾਰਨ ਤਾਲਾ ਬਣਾਉਣ ਵਾਲੇ ਰਾਹੀਂ ਬਣਾਈ ਗਈ ਚਾਬੀ ਕੰਮ ਨਹੀਂ ਕਰੇਗੀ।



65D239

ਜਦੋਂ ਇਗਨੀਸ਼ਨ ਸਵਿੱਚ 'ਔਨ' ਪੇਜੀਸ਼ਨ 'ਤੇ ਹੋਣ ਵੇਲੇ ਇਮੋਬਿਲਾਇਜ਼ਰ ਸਿਸਟਮ (immobilizer system) ਦੀ ਵਾਰਨਿੰਗ ਲਾਈਟ ਝਮਕਦੀ ਹੋਵੇ, ਤਾਂ ਇੰਜਣ ਸਟਾਰਟ ਨਹੀਂ ਹੋਵੇਗਾ।

ਜੇ ਇਹ ਲਾਈਟ ਝਮਕਦੀ ਹੈ, ਤਾਂ ਇਗਨੀਸ਼ਨ ਸਵਿੱਚ ਨੂੰ 'ਲਾਕ' ਪੇਜੀਸ਼ਨ 'ਤੇ ਕਰੋ, ਅਤੇ ਫਿਰ ਇਸ ਨੂੰ 'ਔਨ' ਪੇਜੀਸ਼ਨ 'ਤੇ ਵਾਪਸ ਘੁੰਮਾਓ।

ਜੇ ਇਗਨੀਸ਼ਨ ਸਵਿੱਚ ਨੂੰ ਵਾਪਸ 'ਔਨ' ਪੇਜੀਸ਼ਨ 'ਤੇ ਕਰਨ ਤੋਂ ਬਾਅਦ ਵੀ ਲਾਈਟ ਝਮਕਦੀ ਹੈ, ਤਾਂ ਤੁਹਾਡੀ ਚਾਬੀ ਇਮੋਬਿਲਾਇਜ਼ਰ ਸਿਸਟਮ (immobilizer system) ਵਿੱਚ ਕੁੱਝ ਖਰਾਬੀ ਹੋ ਸਕਦੀ ਹੈ। ਸਿਸਟਮ ਦੀ ਜਾਂਚ ਕਰਾਉਣ ਲਈ ਮਾਰੂਤੀ ਸੁਜੂਕੀ ਦੀ ਅਧੀਕ੍ਰਿਤ ਵਰਕਸ਼ਾਪ ਨਾਲ ਸੰਪਰਕ ਕਰੋ।

ਨੋਟ:

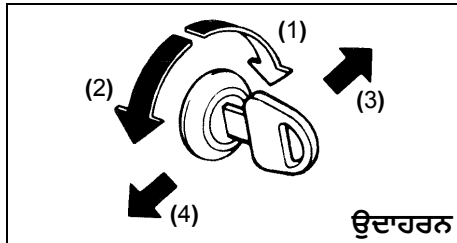
- ਜੇ ਤੁਹਾਡੀ ਇਮੋਬਿਲਾਇਜ਼ਰ ਇਗਨੀਸ਼ਨ ਕੀਅ (immobilizer ignition key) ਗੁੰਮ ਹੋ ਜਾਂਦੀ ਹੈ, ਤਾਂ ਗੁੰਮ ਹੋਈ ਕੀਅ ਨੂੰ ਜਿੰਨੀ ਜਲਦੀ ਸੰਭਵ ਹੋਵੇ ਡੀਐਕਟੀਵੇਟ ਕਰਾਉਣ, ਅਤੇ ਨਵੀਂ ਕੀਅ ਬਣਾਉਣ ਲਈ ਮਾਰੂਤੀ ਸੁਜੂਕੀ ਦੀ ਅਧੀਕ੍ਰਿਤ ਵਰਕਸ਼ਾਪ ਨਾਲ ਸੰਪਰਕ ਕਰੋ।
- ਜੇ ਤੁਹਾਡੇ ਕੋਲ ਇਮੋਬਿਲਾਇਜ਼ਰ ਚਾਬੀਆਂ ਵਾਲੇ ਹੋਰ ਵਾਹਨ ਹਨ, ਤਾਂ ਆਪਣੇ ਮਾਰੂਤੀ ਸੁਜੂਕੀ ਵਾਹਨ ਦੀ ਵਰਤੋਂ ਕਰਨ ਵੇਲੇ ਉਨ੍ਹਾਂ ਚਾਬੀਆਂ ਨੂੰ ਇਗਨੀਸ਼ਨ ਸਵਿੱਚ ਤੋਂ ਦੂਰ ਰੱਖੋ। ਨਹੀਂ ਤਾਂ, ਉਨ੍ਹਾਂ ਦੇ ਤੁਹਾਡੇ ਮਾਰੂਤੀ ਸੁਜੂਕੀ ਵਾਹਨ ਦੇ ਇਮੋਬਿਲਾਇਜ਼ਰ ਸਿਸਟਮ (immobilizer system) ਨਾਲ ਵਿਘਨ ਪਾਉਣ ਕਰਕੇ ਇੰਜਣ ਚਾਲੂ ਨਹੀਂ ਹੋ ਸਕਦਾ ਹੈ।
- ਜੇਰ ਤੁਸੀਂ ਇਮੋਬਿਲਾਇਜ਼ਰ ਕੀਅ ਨਾਲ ਕਿਸੇ ਵੀ ਧਾਤੂ ਦੀਆਂ ਚੀਜ਼ਾਂ ਨੂੰ ਸਪਰਸ਼ ਕਰਦੇ ਹੋ, ਇਹ ਇੰਜਣ ਨੂੰ ਚਾਲੂ ਨਹੀਂ ਕਰ ਸਕਦਾ ਹੈ।
- ਇਹ ਇਮੋਬਿਲਾਇਜ਼ਰ ਸਿਸਟਮ (immobilizer system) ਮੋਨੀਟਰਿੰਗ-ਰਹਿਤ ਹੁੰਦਾ ਹੈ।

<b>ਨੋਟਿਸ</b>
<p>ਇਮੋਬਿਲਾਇਜ਼ਰ ਕੀਮ ਸੰਵੇਦਨਸ਼ੀਲ ਇਲੈਕਟ੍ਰਾਨਿਕ ਯੰਤਰ ਹੈ। ਇਸ ਨੂੰ ਖਰਾਬ ਹੋਣ ਤੋਂ ਬਚਾਉਣ ਲਈ:</p> <ul style="list-style-type: none"> <li>• ਇਸ 'ਤੇ ਸੱਟ ਨਾ ਵੱਜਣ ਦਿਓ, ਇਸ ਨੂੰ ਨਮੀ ਜਾਂ ਵੱਧ ਤਾਪਮਾਨ ਵਿੱਚ ਨਾ ਰੱਖੋ ਜਿਵੇਂ ਸਿੱਧੀ ਧੁੱਪ ਵਿੱਚ ਡੈਸ਼ਬੋਰਡ 'ਤੇ।</li> <li>• ਇਸ ਨੂੰ ਚੁੰਬਕੀ ਵਸਤੂਆਂ ਤੋਂ ਦੂਰ ਰੱਖੋ।</li> </ul>

**ਦਰਵਾਜ਼ੇ ਦੇ ਲਾਕ**

**ਸਾਈਡ ਡੋਰ ਲਾਕ (Side Door Locks)**

**ਡਰਾਈਵਰ ਦਾ ਦਰਵਾਜ਼ਾ (Driver's door)**



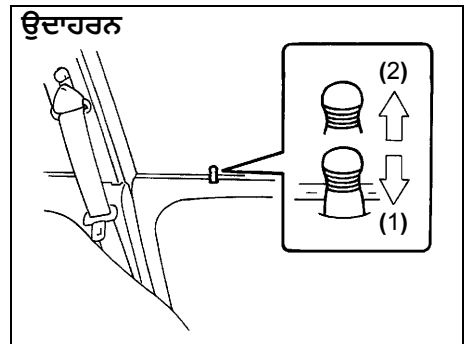
- (1) ਲਾਕ
- (2) ਅਨਲਾਕ
- (3) ਫਰੰਟ (ਮੁਹਰਲਾ)
- (4) ਰਿਅਰ (ਪਿਛਲਾ)

ਵਾਹਨ ਦੇ ਬਾਹਰੋਂ ਡਰਾਈਵਰ ਦਾ ਦਰਵਾਜ਼ਾ ਲੈਕ ਕਰਨ ਲਈ:

- ਚਾਬੀ ਇੰਸਰਟ ਕਰੋ ਅਤੇ ਚਾਬੀ ਦੇ ਉੱਪਰਲੇ ਹਿੱਸੇ ਨੂੰ ਵਾਹਨ ਦੇ ਫਰੰਟ (ਮੁਹਰਲਾ) ਵੱਲ ਘੁੰਮਾਓ, ਜਾਂ
- ਲਾਕ ਦੀ ਨੋਬ ਨੂੰ ਹੇਠਾਂ ਵੱਲ ਧੱਕੋ, ਜਦੋਂ ਤੁਸੀਂ ਦਰਵਾਜ਼ੇ ਨੂੰ ਬੰਦ ਕਰੋ ਦਰਵਾਜ਼ੇ ਦੇ ਹੈਂਡਲ ਨੂੰ ਖਿੱਚੋ ਅਤੇ ਹੋਲਡ ਕਰੋ।

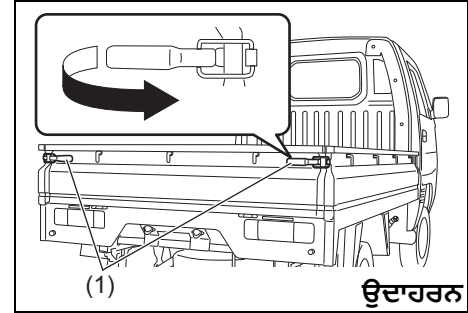
ਵਾਹਨ ਦੇ ਬਾਹਰੋਂ ਡਰਾਈਵਰ ਦੇ ਦਰਵਾਜ਼ੇ ਨੂੰ ਅਨਲਾਕ ਕਰਨ ਲਈ, ਚਾਬੀ ਇੰਸਰਟ ਕਰੋ ਅਤੇ ਚਾਬੀ ਦੇ ਉੱਪਰਲੇ ਹਿੱਸੇ ਨੂੰ ਵਾਹਨ ਦੇ ਪਿਛਲੇ ਪਾਸੇ ਵੱਲ ਘੁੰਮਾਓ।

ਵਾਹਨ ਦੇ ਬਾਹਰੋਂ ਸਵਾਰੀ ਦੇ ਦਰਵਾਜ਼ੇ ਨੂੰ ਲਾਕ ਕਰਨ ਲਈ, ਲਾਕ ਦੀ ਨੋਬ ਨੂੰ ਹੇਠਾਂ ਵੱਲ ਧੱਕੋ, ਫਿਰ ਜਦੋਂ ਤੁਸੀਂ ਦਰਵਾਜ਼ਾ ਬੰਦ ਕਰੋ ਤਾਂ ਦਰਵਾਜ਼ੇ ਦੇ ਹੈਂਡਲ ਨੂੰ ਖਿੱਚੋ ਅਤੇ ਹੋਲਡ ਕਰੋ।



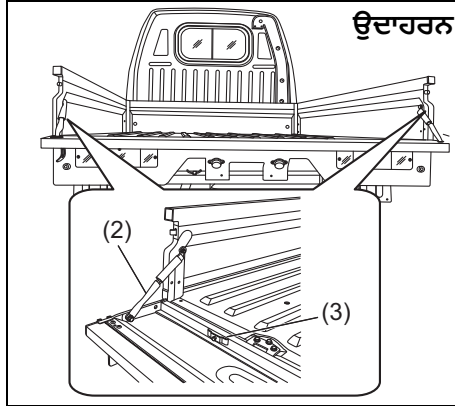
- (1) ਲਾਕ
- (2) ਅਨਲਾਕ

**ਟੇਲਗੇਟ (Tailgate)**



ਟੇਲਗੇਟ ਨੂੰ ਲਾਕ ਹੈਂਡਲਾਂ (lock handles) (1) ਨੂੰ ਖਿੱਚ ਕੇ ਖੋਲ੍ਹਿਆ ਜਾ ਸਕਦਾ ਹੈ। ਬੰਦ ਕਰਨ ਵੇਲੇ, ਉਨ੍ਹਾਂ ਨੂੰ ਚੰਗੀ ਤਰ੍ਹਾਂ ਲਾਕ ਕਰੋ।

## ਡਰਾਈਵਿੰਗ ਕਰਨ ਤੋਂ ਪਹਿਲਾਂ



77PM201

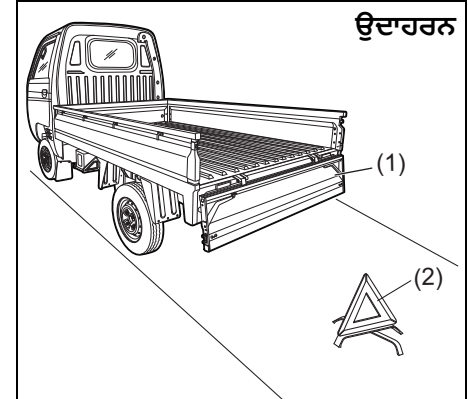
ਟੇਲਗੇਟ ਨੂੰ ਟੇਲਗੇਟ ਚੇਨ (tailgate chain) (2) ਦੀ ਮਦਦ ਨਾਲ ਇੱਕ ਇੰਟਰਮੀਡੀਏਟ ਪੇਜੀਸ਼ਨ 'ਤੇ ਵੀ ਲਾਕ ਕੀਤਾ ਜਾ ਸਕਦਾ ਹੈ।

### ਨੋਟਿਸ

ਜਦੋਂ ਵਰਤੋਂ ਵਿੱਚ ਨਾ ਹੋਵੇ ਤਾਂ ਪਿੰਨ (Pin) (3) ਨਾਲ ਟੇਲਗੇਟ ਚੇਨ (tailgate chain) (2) ਨੂੰ ਲਾਕ ਕਰੋ।

### ⚠ ਚੇਤਾਵਨੀ

- ਟੇਲਗੇਟ ਨੂੰ ਖੁੱਲ੍ਹਾ/ ਇੰਟਰਮੀਡੀਏਟ ਪੇਜੀਸ਼ਨ 'ਤੇ ਰੱਖ ਕੇ ਡਰਾਈਵਿੰਗ ਕਰਨ ਨਾਲ ਇਹ ਝੁਲੇਗਾ ਅਤੇ ਦੂਜਿਆਂ ਨੂੰ ਸੱਟ ਮਾਰੇਗਾ, ਜਿਸ ਕਾਰਣ ਸੱਟ ਲੱਗ ਸਕਦੀ ਹੈ ਜਾਂ ਮੌਤ ਵੀ ਹੋ ਸਕਦੀ ਹੈ।
- ਟੇਲਗੇਟ ਨੂੰ ਖੁੱਲ੍ਹਾ/ ਇੰਟਰਮੀਡੀਏਟ ਪੇਜੀਸ਼ਨ 'ਤੇ ਰੱਖਣ ਨਾਲ ਹੋਰ ਡਰਾਈਵਰਾਂ ਨੂੰ ਟੇਲਗੇਟਾਂ ਨਹੀਂ ਦਿਸਣਗੀਆਂ, ਜਿਸ ਕਾਰਣ ਦੁਰਘਟਨਾਵਾਂ ਹੋ ਸਕਦੀਆਂ ਹਨ। ਡਰਾਈਵਿੰਗ ਕਰਨ ਤੋਂ ਪਹਿਲਾਂ ਟੇਲਗੇਟ ਦੇ ਚੰਗੀ ਤਰ੍ਹਾਂ ਬੰਦ ਅਤੇ ਲਾਕ ਹੋਣ ਨੂੰ ਯਕੀਨੀ ਬਣਾਓ।
- ਦੁਰਘਟਨਾ ਦੀ ਸੂਰਤ ਵਿੱਚ ਵਾਹਨ ਵਿੱਚੋਂ ਸਮਾਨ ਬਾਹਰ ਨਾ ਗਿਰਨ ਲਈ ਰੋਕਥਾਮ ਕਰਨ ਵਾਸਤੇ ਯਕੀਨੀ ਬਣਾਓ ਕਿ ਟੇਲਗੇਟ ਹਮੇਸ਼ਾ ਬੰਦ ਹੋਵੇ ਅਤੇ ਚੰਗੀ ਤਰ੍ਹਾਂ ਲਾਕ ਹੋਵੇ।
- ਜਦੋਂ ਟੇਲਗੇਟ ਇੰਟਰਮੀਡੀਏਟ ਪੇਜੀਸ਼ਨ 'ਤੇ ਲਾਕ ਹੋਵੇ ਤਾਂ ਇਸ 'ਤੇ ਖੜ੍ਹੇ ਨਾ ਹੋਵੋ, ਲੋਡ ਨਾ ਰੱਖੋ ਜਾਂ ਸਮਾਨ ਨਾ ਰੱਖੋ।
- ਜੇ ਟੇਲਗੇਟ ਪੂਰੀ ਤਰ੍ਹਾਂ ਖੁੱਲ੍ਹੀ ਹਾਲਤ ਵਿੱਚ ਨਾ ਹੋਵੇ, ਤਾਂ ਵਾਹਨ ਦੇ ਪਿਛਲੇ ਪਾਸੇ ਦੇ ਲਾਈਟਿੰਗ ਡਿਵਾਈਸ ਜਿਵੇਂ ਕਿ ਪੇਜੀਸ਼ਨ ਲੈਂਪ, ਟਰਨ ਸਿਗਨਲ ਇੰਡੀਕੇਟਰ ਅਤੇ ਸਟਾਪ ਲੈਂਪ ਲੁਕ ਜਾਂਦੇ, ਅਤੇ ਨਜ਼ਰ ਨਹੀਂ ਆਉਂਦੇ।



77PM202

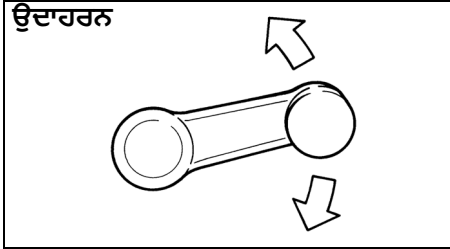
### ⚠ ਚੇਤਾਵਨੀ

- ਜੇ ਟੇਲਗੇਟ (1) ਦੇ ਪੂਰੀ ਤਰ੍ਹਾਂ ਓਪਨ ਪੇਜੀਸ਼ਨ ਵਿੱਚ ਹੋਣ 'ਤੇ ਲੇਡਿੰਗ ਅਤੇ ਅਨਲੋਡਿੰਗ ਕੀਤੀ ਜਾਂਦੀ ਹੈ, ਤਾਂ ਵਾਹਨ ਦੀ ਮੌਜੂਦਗੀ ਬਾਰੇ ਦੂਜੇ ਵਰਤੋਂਕਾਰਾਂ ਨੂੰ ਚੇਤਾਵਨੀ ਦੇਣ ਲਈ ਵਾਰਨਿੰਗ ਟ੍ਰਾਇਐਂਗਲ (2) ਨਜ਼ਰ ਆਉਣ ਵਾਲੇ ਤਰੀਕੇ ਨਾਲ ਸੜਕ ਵਿੱਚ ਰੱਖਿਆ ਜਾਣਾ ਚਾਹੀਦਾ ਹੈ।

## ਵਿੰਡੋਜ਼ (Windows)

### ਮੈਨੂਅਲ ਵਿੰਡੋ ਕੰਟਰੋਲ (Manual Window Control)

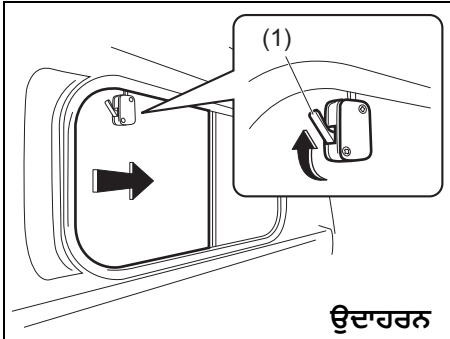
ਉਦਾਹਰਨ



60G010

ਡੋਰ ਪੈਨਲ 'ਤੇ ਲੱਗੇ ਹੈਂਡਲ ਨੂੰ ਘੁੰਮਾ ਕੇ ਡੋਰ ਵਿੰਡੋਜ਼ ਨੂੰ ਉੱਪਰ ਜਾਂ ਹੇਠਾਂ ਕਰੋ।

### ਰੀਅਰ ਵਿੰਡੋ (Rear Window)



ਉਦਾਹਰਨ

77PH073

ਵਿੰਡੋ ਨੂੰ ਖੋਲ੍ਹਣ ਲਈ, ਲਾਕ (lock) (1) ਨੂੰ ਧੱਕੋ ਅਤੇ ਵਿੰਡੋ ਨੂੰ ਸਲਾਈਡ ਕਰੋ।

## ਸ਼ੀਸ਼ੇ (Mirrors)

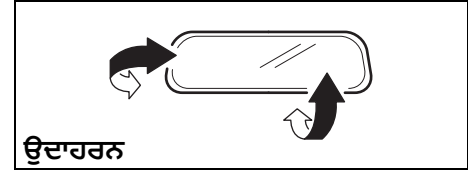
### ⚠ ਚੇਤਾਵਨੀ

ਅਗਲੇ ਪੁਆਇੰਟ ਨੂੰ ਦੇਖਣ ਵਿੱਚ ਅਸਫਲ ਰਹਿਣ ਦਾ ਵਾਹਨ ਦਾ ਕੰਟਰੋਲ ਗੁਆਉਣਾ ਹੋ ਸਕਦਾ ਹੈ ਅਤੇ ਜਿਸ ਕਾਰਣ ਦੁਰਘਟਨਾ ਹੋ ਸਕਦੀ ਹੈ, ਜੋ ਮੌਤ ਜਾਂ ਗੰਭੀਰ ਚੋਟ ਦਾ ਕਾਰਣ ਬਣ ਸਕਦਾ ਹੈ। ਡਰਾਈਵਿੰਗ ਕਰਨ ਵੇਲੇ ਹਮੇਸ਼ਾ ਹੇਠਾਂ ਦਿੱਤੀਆਂ ਗੱਲਾਂ ਦਾ ਧਿਆਨ ਕਰੋ।

- ਡਰਾਈਵਿੰਗ ਕਰਨ ਵੇਲੇ ਸ਼ੀਸ਼ਿਆਂ ਨੂੰ ਐਡਜਸਟ ਨਾ ਕਰੋ।
- ਡਰਾਈਵਿੰਗ ਕਰਨ ਤੋਂ ਪਹਿਲਾਂ ਬਾਹਰਲੇ ਰਿਅਰਵਿਊ ਵਾਲੇ ਸਾਰੇ ਸ਼ੀਸ਼ਿਆਂ ਨੂੰ ਹਮੇਸ਼ਾ ਖੋਲ੍ਹੋ ਅਤੇ ਚੰਗੀ ਤਰ੍ਹਾਂ ਐਡਜਸਟ ਕਰੋ।
- ਵਾਹਨ ਦੇ ਪਿਛਲੇ ਪਾਸੇ ਚੀਜ਼ਾਂ ਨਾ ਰੱਖੋ ਜਿਹੜੀਆਂ ਪਿਛਲੀ ਵਿੰਡੋ ਦੇ ਸ਼ੀਸ਼ੇ ਵਿੱਚੋਂ ਤੁਹਾਡੇ ਦੇਖਣ ਵਿੱਚ ਰੁਕਾਵਟ ਜਾਂ ਵਿਘਨ ਪਾਉਂਦੀਆਂ ਹੋਣ।

### ਅੰਦਰਲਾ ਰਿਅਰਵਿਊ ਸ਼ੀਸ਼ਾ (Inside Rear-view Mirror)

ਤੁਸੀਂ ਹੱਥ ਨਾਲ ਅੰਦਰਲੇ ਰਿਅਰਵਿਊ ਸ਼ੀਸ਼ੇ ਨੂੰ ਐਡਜਸਟ ਕਰ ਸਕਦੇ ਹੋ ਤਾਂ ਕਿ ਸ਼ੀਸ਼ੇ ਵਿੱਚ ਆਪਣੇ ਵਾਹਨ ਦੇ ਪਿਛਲੇ ਹਿੱਸੇ ਨੂੰ ਦੇਖ ਸਕੋ।



ਉਦਾਹਰਨ

74LHT0235

### ⚠ ਸਾਵਧਾਨੀ

ਅੰਦਰਲੇ ਰਿਅਰਵਿਊ ਸ਼ੀਸ਼ੇ ਵਿੱਚ ਸੋਧ ਨਾ ਕਰੋ ਜਾਂ ਇੱਕ ਗੈਰ-ਪ੍ਰਮਾਣਿਤ ਵੱਡਾ ਸ਼ੀਸ਼ਾ ਇੰਸਟਾਲ ਨਾ ਕਰੋ। ਇਹ ਦੁਰਘਟਨਾ ਦੌਰਾਨ ਚੋਟ ਲੱਗਣ ਦਾ ਕਾਰਣ ਬਣ ਸਕਦਾ ਹੈ।

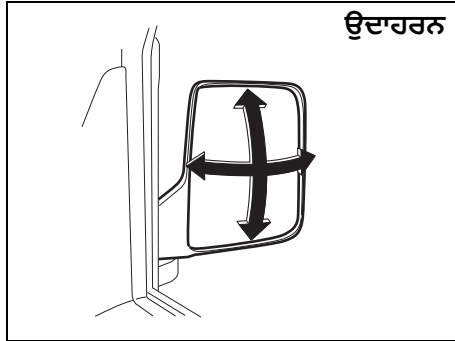
### ਬਾਹਰੀ ਰਿਅਰਵਿਊ ਸ਼ੀਸ਼ਾ(ਸ਼ੀਸ਼ੇ) (Outside Rearview Mirror(s))

ਬਾਹਰੀ ਰਿਅਰਵਿਊ ਸ਼ੀਸ਼ੇ(ਸ਼ੀਸ਼ਿਆਂ) ਨੂੰ ਐਡਜਸਟ ਕਰੋ ਤਾਂ ਕਿ ਤੁਸੀਂ ਸ਼ੀਸ਼ੇ(ਸ਼ੀਸ਼ਿਆਂ) ਵਿੱਚ ਆਪਣੇ ਵਾਹਨ ਦੀ ਸਾਈਡ ਦੇਖ ਸਕੋ।

### ⚠ ਚੇਤਾਵਨੀ

ਸਾਈਡ ਕਨਵੈਕਸ ਸ਼ੀਸ਼ੇ ਵਿੱਚ ਦੇਖੇ ਗਏ ਕਿਸੇ ਵਾਹਨ ਜਾਂ ਦੂਜੀ ਚੀਜ਼ ਦੇ ਆਕਾਰ ਅਤੇ ਦੂਰੀ ਦਾ ਫੈਸਲਾ ਕਰਨ ਸਮੇਂ ਸਾਵਧਾਨ ਰਹੋ। ਧਿਆਨ ਰੱਖੋ ਕਿ ਵਸਤੂਆਂ ਸਮਤਲ ਸ਼ੀਸ਼ੇ ਵਿੱਚ ਦੇਖਣ ਦੇ ਮੁਕਾਬਲੇ ਕਨਵੈਕਸ ਸ਼ੀਸ਼ੇ ਛੋਟੀਆਂ ਅਤੇ ਬਹੁਤ ਦੂਰ ਦਿਖਾਈ ਦਿੰਦੀਆਂ ਹਨ।

## ਡਰਾਈਵਿੰਗ ਕਰਨ ਤੋਂ ਪਹਿਲਾਂ



ਉਦਾਹਰਨ

64P0190

### ਸੀਟਾਂ (Seats)

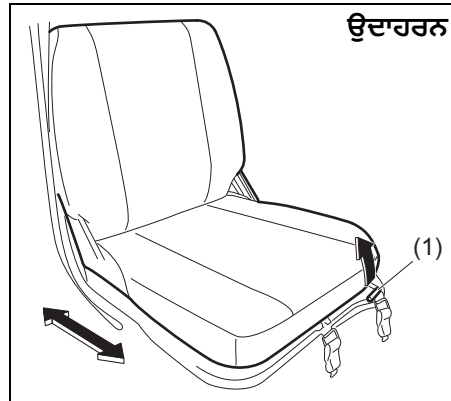
ਸੀਟ ਦੀ ਐਡਜਸਟਮੈਂਟ (ਡਰਾਈਵਰ ਦੀ ਸੀਟ)

#### ⚠ ਚੇਤਾਵਨੀ

ਡਰਾਈਵਿੰਗ ਕਰਨ ਵੇਲੇ ਕਦੇ ਵੀ ਡਰਾਈਵਰ ਦੀ ਸੀਟ ਐਡਜਸਟ ਕਰਨ ਦੀ ਕੋਸ਼ਿਸ਼ ਨਾ ਕਰੋ। ਸੀਟ ਅਚਾਨਕ ਹਿੱਲ ਸਕਦੀ ਹੈ, ਜਿਸ ਨਾਲ ਕੰਟਰੋਲ ਵਿਗੜ ਸਕਦਾ ਹੈ। ਯਕੀਨੀ ਬਣਾਓ ਕਿ ਡਰਾਈਵਿੰਗ ਸ਼ੁਰੂ ਕਰਨ ਤੋਂ ਪਹਿਲਾਂ ਡਰਾਈਵਰ ਦੀ ਸੀਟ ਨੂੰ ਚੰਗੀ ਤਰ੍ਹਾਂ ਐਡਜਸਟ ਕੀਤਾ ਜਾਏ।

#### ⚠ ਚੇਤਾਵਨੀ

ਸੀਟ ਬੈਲਟ ਦੇ ਬਹੁਤ ਜ਼ਿਆਦਾ ਢਿੱਲਾ ਹੋਣ ਤੋਂ ਬਚਣ ਲਈ, ਜਿਹੜਾ ਸੁਰੱਖਿਆ ਡੀਵਾਈਸ ਵਜੋਂ ਸੀਟ ਬੈਲਟਾਂ ਦੀ ਪ੍ਰਭਾਵਿਕਤਾ ਨੂੰ ਘਟਾਉਂਦਾ ਹੈ, ਯਕੀਨੀ ਬਣਾਓ ਕਿ ਸੀਟ ਬੈਲਟਾਂ ਲਗਾਉਣ ਤੋਂ ਪਹਿਲਾਂ ਸੀਟਾਂ ਨੂੰ ਐਡਜਸਟ ਕੀਤਾ ਜਾਏ।



ਉਦਾਹਰਨ

77PH087

ਸੀਟ ਦੀ ਪੋਜੀਸ਼ਨ ਦਾ ਐਡਜਸਟਮੈਂਟ ਲੀਵਰ (1)  
(Seat position adjustment lever)

ਲੀਵਰ ਨੂੰ ਉੱਪਰ ਵੱਲ ਖਿੱਚੋ ਅਤੇ ਸੀਟ ਨੂੰ ਖਿਸਕਾਓ।

ਐਡਜਸਟਮੈਂਟ ਤੋਂ ਬਾਅਦ, ਸੀਟ ਨੂੰ ਅੱਗੇ ਵੱਲ ਅਤੇ ਪਿੱਛੇ ਵੱਲ ਕਰਨ ਦੀ ਕੋਸ਼ਿਸ਼ ਕਰੋ ਯਕੀਨੀ ਬਣਾਉਣ ਲਈ ਕਿ ਚੰਗੀ ਤਰ੍ਹਾਂ ਲੱਗ ਗਈ ਹੈ।

#### ⚠ ਸਾਵਧਾਨੀ

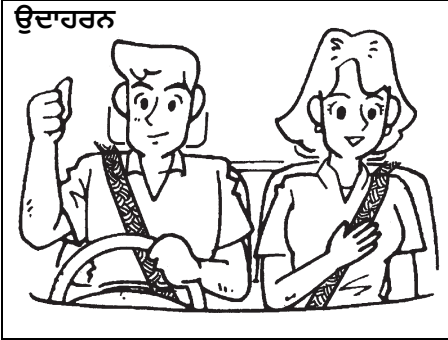
ਸੀਟ ਨੂੰ ਐਡਜਸਟ ਕਰਨ ਵੇਲੇ, ਧਿਆਨ ਰੱਖੋ ਕਿ ਸੀਟ ਤੁਹਾਡੇ ਹੱਥਾਂ ਨੂੰ ਨਾ ਦਬਾਏ, ਜਾਂ ਤੁਹਾਡੇ ਸਰੀਰ ਨਾਲ ਨਾ ਟਕਰਾਏ।

ਨੋਟ :

ਸੀਟ ਦੀ ਬੈਕ ਨੂੰ ਚੰਗੀ ਤਰ੍ਹਾਂ ਅਪਰੇਟ ਕਰਨ ਲਈ, ਸੀਟ ਬੈਕ ਐਡਜਸਟਮੈਂਟ ਲੀਵਰ (seat back adjustment lever) (2) ਨੂੰ ਉੱਪਰ ਵੱਲ ਦੀ ਦਿਸ਼ਾ ਵਿੱਚ ਖਿੱਚੋ। ਲੀਵਰ ਦੇ ਪੂਰੀ ਤਰ੍ਹਾਂ ਉੱਪਰ ਵੱਲ ਨੂੰ ਹੋਣ ਤੋਂ ਬਾਅਦ ਹੀ ਸੀਟ ਬੈਕ ਨੂੰ ਚਲਾਉਣਾ ਯਕੀਨੀ ਬਣਾਓ। ਸੀਟ ਬੈਕ ਦੀ ਐਡਜਸਟਮੈਂਟ ਤੋਂ ਬਾਅਦ, ਲੀਵਰ ਨੂੰ ਹੌਲੀ ਜਿਹੇ ਛੱਡੋ। ਜਾਂਚ ਕਰੋ ਕਿ ਸੀਟ ਬੈਕ ਨੂੰ ਅੱਗੇ ਅਤੇ ਪਿੱਛੇ ਚਲਾ ਕੇ ਲੱਕ ਹੋ ਗਈ ਹੈ।

## ਸੀਟ ਬੈਲਟਾਂ (Seat Belts)

ਉਦਾਹਰਨ



65D231S

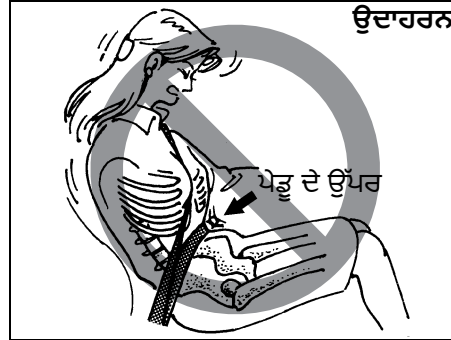
### ⚠ ਚੇਤਾਵਨੀ

ਹਰ ਸਮੇਂ ਆਪਣੀਆਂ ਸੀਟ ਬੈਲਟਾਂ ਲਗਾਓ।

### ⚠ ਚੇਤਾਵਨੀ

ਕਿਸੇ ਟੱਕਰ ਦੀ ਘਟਨਾ ਵਿੱਚ ਗੰਭੀਰ ਸੱਟ ਜਾਂ ਮੌਤ ਦੇ ਜੋਖਮ ਨੂੰ ਘੱਟ ਤੋਂ ਘੱਟ ਕਰਨ ਲਈ ਡਰਾਈਵਰ ਅਤੇ ਯਾਤਰੀ ਨੂੰ ਹਰ ਸਮੇਂ ਸੀਟ ਬੈਲਟ ਲਾ ਕੇ ਸਹੀ ਢੰਗ ਨਾਲ ਰੋਕਣਾ ਚਾਹੀਦਾ ਹੈ ਤਾਕੇ ਕਿ ਬਹੁਤ ਘੱਟ ਦੂਰੀ ਲਈ ਗੱਡੀ ਚਲਾਈ ਜਾ ਰਹੀ ਹੋਵੇ, ਤਾਕੇ ਉਨ੍ਹਾਂ ਦੇ ਬੈਠਣ ਦੀ ਸਥਿਤੀ 'ਤੇ ਏਅਰ ਬੈਗ ਲਗਾਇਆ ਗਿਆ ਹੋਵੇ ਜਾਂ ਨਾ ਲਗਾਇਆ ਗਿਆ ਹੋਵੇ।

ਉਦਾਹਰਨ



65D606

### ⚠ ਚੇਤਾਵਨੀ

- ਵਿਅਕਤੀਆਂ ਨੂੰ ਕਦੇ ਵੀ ਵਾਹਨ ਦੇ ਕਾਰਗੋ ਖੇਤਰ ਵਿੱਚ ਸਫ਼ਰ ਕਰਨ ਦੀ ਇਜਾਜ਼ਤ ਨਾ ਦਿਓ। ਦੁਰਘਟਨਾ ਦੀ ਸਥਿਤੀ ਵਿੱਚ, ਉਹਨਾਂ ਵਿਅਕਤੀਆਂ ਨੂੰ ਸੱਟ ਲੱਗਣ ਦਾ ਬਹੁਤ ਜ਼ਿਆਦਾ ਜੋਖਮ ਹੁੰਦਾ ਹੈ ਜੇ ਆਪਣੀ ਸੀਟ ਬੈਲਟ ਨੂੰ ਸੁਰੱਖਿਅਤ ਢੰਗ ਨਾਲ ਬੰਨ੍ਹ ਕੇ ਸੀਟ 'ਤੇ ਨਹੀਂ ਬੈਠਦੇ ਹਨ।
- ਯਕੀਨੀ ਬਣਾਓ ਕਿ ਸਾਰੀਆਂ ਸੀਟ ਬੈਲਟਾਂ ਸਹੀ ਢੰਗ ਨਾਲ ਲਗਾਈਆਂ ਗਈਆਂ ਹਨ। ਗਲਤ ਤਰੀਕੇ ਨਾਲ ਲਗਾਈ ਗਈ ਸੀਟ ਬੈਲਟ ਸੱਟ ਲੱਗਣ ਜਾਂ ਮੌਤ ਦੇ ਜੋਖਮ ਨੂੰ ਵਧਾਉਂਦੀ ਹੈ ਜੇਕਰ ਟੱਕਰ ਹੁੰਦੀ ਹੈ।

(ਚੱਲਦਾ ਹੈ)

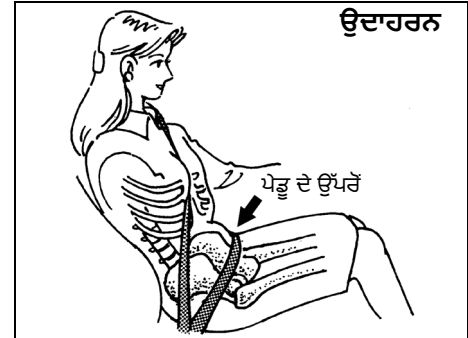
### ⚠ ਚੇਤਾਵਨੀ

(ਚੱਲਦਾ ਹੈ)

- ਸੀਟ ਬੈਲਟਾਂ ਨੂੰ ਹਮੇਸ਼ਾ ਹੇਠ ਲਿਖੇ ਅਨੁਸਾਰ ਐਡਜਸਟ ਕੀਤਾ ਜਾਣਾ ਚਾਹੀਦਾ ਹੈ:
  - ਬੈਲਟ ਦੇ ਗੋਦੀ ਵਾਲੇ ਹਿੱਸੇ ਨੂੰ ਕਮਰ ਦੇ ਉੱਪਰੋਂ ਨਹੀਂ, ਸਗੋਂ ਪੇਡੂ ਦੇ ਉੱਪਰੋਂ ਨੀਵਾਂ ਪਹਿਨਣਾ ਚਾਹੀਦਾ ਹੈ।
  - ਮੋਢੇ ਦੀਆਂ ਪੱਟੀਆਂ ਸਿਰਫ਼ ਬਾਹਰੀ ਮੋਢੇ 'ਤੇ ਪਹਿਨੀਆਂ ਜਾਣੀਆਂ ਚਾਹੀਦੀਆਂ ਹਨ, ਅਤੇ ਕਦੇ ਵੀ ਬਾਂਹ ਦੇ ਹੇਠਾਂ ਨਹੀਂ।
  - ਮੋਢੇ ਦੀਆਂ ਪੱਟੀਆਂ ਤੁਹਾਡੇ ਚਿਹਰੇ ਅਤੇ ਗਰਦਨ ਤੋਂ ਦੂਰ ਹੋਣੀਆਂ ਚਾਹੀਦੀਆਂ ਹਨ, ਪਰ ਤੁਹਾਡੇ ਮੋਢੇ ਤੋਂ ਨਹੀਂ ਡਿੱਗਣੀਆਂ ਚਾਹੀਦੀਆਂ।

(ਚੱਲਦਾ ਹੈ)

ਉਦਾਹਰਨ



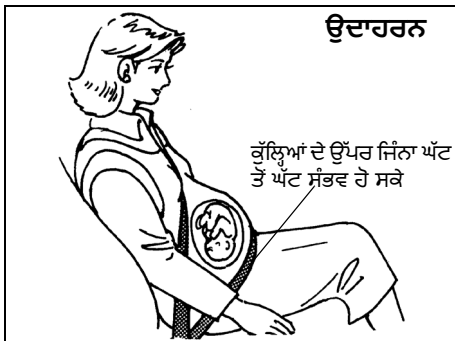
65D201

⚠ ਚੇਤਾਵਨੀ

(ਚੱਲਦਾ ਹੈ)

- ਸੀਟ ਬੈਲਟਾਂ ਨੂੰ ਕਦੇ ਵੀ ਪੱਟੀਆਂ ਨੂੰ ਮਰੋੜ ਕੇ ਨਹੀਂ ਪਹਿਨਣਾ ਚਾਹੀਦਾ ਅਤੇ ਉਹਨਾਂ ਨੂੰ ਸੁਰੱਖਿਆ ਪ੍ਰਦਾਨ ਕਰਨ ਲਈ ਅਰਾਮਦਾਇਕ ਢੰਗ ਨਾਲ ਐਡਜਸਟ ਕੀਤਾ ਜਾਣਾ ਚਾਹੀਦਾ ਹੈ ਜਿਸ ਲਈ ਉਹਨਾਂ ਨੂੰ ਡਿਜ਼ਾਈਨ ਕੀਤਾ ਗਿਆ ਹੈ। ਇੱਕ ਢਿੱਲੀ ਬੈਲਟ ਇੱਕ ਚਿਪਕੀ ਹੋਈ ਬੈਲਟ ਨਾਲੋਂ ਘੱਟ ਸੁਰੱਖਿਆ ਪ੍ਰਦਾਨ ਕਰੇਗੀ।
- ਯਕੀਨੀ ਬਣਾਓ ਕਿ ਹਰੇਕ ਸੀਟ ਬੈਲਟ ਦੇ ਬੱਕਲ ਨੂੰ ਸਹੀ ਬੱਕਲ ਕੈਚ ਵਿੱਚ ਪਾਇਆ ਗਿਆ ਹੈ।

(ਚੱਲਦਾ ਹੈ)



ਉਦਾਹਰਨ

ਕੁੱਲ੍ਹਿਆਂ ਦੇ ਉੱਪਰ ਜਿੰਨਾ ਘੱਟ ਤੋਂ ਘੱਟ ਸੰਭਵ ਹੋ ਸਕੇ

65D199

⚠ ਚੇਤਾਵਨੀ

(ਚੱਲਦਾ ਹੈ)

- ਗਰਭਵਤੀ ਔਰਤਾਂ ਨੂੰ ਸੀਟ ਬੈਲਟ ਦੀ ਵਰਤੋਂ ਕਰਨੀ ਚਾਹੀਦੀ ਹੈ, ਹਾਲਾਂਕਿ ਗੱਡੀ ਚਲਾਉਣ ਬਾਰੇ ਖਾਸ ਸਿਫ਼ਾਰਸ਼ਾਂ ਔਰਤ ਦੇ ਡਾਕਟਰੀ ਸਲਾਹਕਾਰ ਦੁਆਰਾ ਦਿੱਤੀਆਂ ਜਾਣੀਆਂ ਚਾਹੀਦੀਆਂ ਹਨ। ਯਾਦ ਰੱਖੋ ਕਿ ਬੈਲਟ ਦੇ ਗੇਦ ਵਾਲੇ ਹਿੱਸੇ ਨੂੰ ਕੁੱਲ੍ਹੇ ਉੱਪਰ ਜਿੰਨਾ ਸੰਭਵ ਹੋ ਸਕੇ ਘੱਟ ਪਹਿਨਣਾ ਚਾਹੀਦਾ ਹੈ, ਜਿਵੇਂ ਕਿ ਚਿੱਤਰ ਵਿੱਚ ਦਿਖਾਇਆ ਗਿਆ ਹੈ।
- ਸਖ਼ਤ, ਨਾਜ਼ੁਕ ਜਾਂ ਤਿੱਖੀਆਂ ਵਸਤੂਆਂ ਜਿਵੇਂ ਕਿ ਪੈਨ, ਚਾਬੀਆਂ, ਐਨਕਾਂ ਆਦਿ ਜੇਬਾਂ ਵਿੱਚ ਜਾਂ ਕੱਪੜਿਆਂ ਵਿੱਚ ਸੀਟ ਬੈਲਟ ਹੇਠ ਨਾ ਪਾਓ। ਅਜਿਹੀਆਂ ਵਸਤੂਆਂ 'ਤੇ ਸੀਟ ਬੈਲਟ ਦੇ ਦਬਾਅ ਕਾਰਨ ਦੁਰਘਟਨਾ ਦੀ ਸਥਿਤੀ ਵਿੱਚ ਸੱਟ ਲੱਗ ਸਕਦੀ ਹੈ।
- ਆਪਣੀ ਸੀਟ ਬੈਲਟ ਨੂੰ ਆਪਣੀਆਂ ਜੇਬਾਂ ਜਾਂ ਆਪਣੇ ਕੱਪੜਿਆਂ 'ਤੇ ਸਖ਼ਤ ਜਾਂ ਟੁੱਟਣ ਵਾਲੀਆਂ ਚੀਜ਼ਾਂ 'ਤੇ ਨਾ ਲਗਾਓ। ਜੇਕਰ ਕੋਈ ਦੁਰਘਟਨਾ ਵਾਪਰਦੀ ਹੈ, ਤਾਂ ਸੀਟ ਬੈਲਟ ਦੇ ਹੇਠਾਂ ਐਨਕਾਂ, ਪੈਨ ਆਦਿ ਵਰਗੀਆਂ ਚੀਜ਼ਾਂ ਸੱਟ ਦਾ ਕਾਰਨ ਬਣ ਸਕਦੀਆਂ ਹਨ।

(ਚੱਲਦਾ ਹੈ)

⚠ ਚੇਤਾਵਨੀ

(ਚੱਲਦਾ ਹੈ)

- ਕਦੇ ਵੀ ਇੱਕੋ ਸੀਟ ਬੈਲਟ ਨੂੰ ਇੱਕ ਤੋਂ ਵੱਧ ਵਿਅਕਤੀਆਂ 'ਤੇ ਨਾ ਵਰਤੋ ਅਤੇ ਕਦੇ ਵੀ ਗੇਦ ਵਿੱਚ ਰੱਖੋ ਕਿਸੇ ਨਿਆਣੇ ਜਾਂ ਬੱਚੇ ਨੂੰ ਸੀਟ ਬੈਲਟ ਨਾ ਲਗਾਓ। ਅਜਿਹੀ ਸੀਟ ਬੈਲਟ ਦੀ ਵਰਤੋਂ ਦੁਰਘਟਨਾ ਦੀ ਸਥਿਤੀ ਵਿੱਚ ਗੰਭੀਰ ਸੱਟ ਦਾ ਕਾਰਨ ਬਣ ਸਕਦੀ ਹੈ।
- ਬਹੁਤ ਜ਼ਿਆਦਾ ਪਹਿਨਣ ਅਤੇ ਖਰਾਬ ਹੋਣ ਲਈ ਸੀਟ ਬੈਲਟ ਅਸੈਂਬਲੀਆਂ ਦੀ ਸਮੇਂ-ਸਮੇਂ 'ਤੇ ਜਾਂਚ ਕਰੋ। ਸੀਟ ਬੈਲਟਾਂ ਨੂੰ ਬਦਲਿਆ ਜਾਣਾ ਚਾਹੀਦਾ ਹੈ ਜੇਕਰ ਵੈਬਿੰਗ ਕਿਸੇ ਵੀ ਤਰੀਕੇ ਨਾਲ ਉੱਪੜ, ਦੁਸ਼ਿਤ ਜਾਂ ਖਰਾਬ ਹੋ ਜਾਂਦੀ ਹੈ। ਪੂਰੀ ਸੀਟ ਬੈਲਟ ਅਸੈਂਬਲੀ ਨੂੰ ਗੰਭੀਰ ਟੱਕਰ ਵਿੱਚ ਪਹਿਨਣ ਤੋਂ ਬਾਅਦ ਬਦਲਣਾ ਜ਼ਰੂਰੀ ਹੈ, ਭਾਵੇਂ ਅਸੈਂਬਲੀ ਨੂੰ ਨੁਕਸਾਨ ਸਪੱਸ਼ਟ ਨਾ ਹੋਇਆ ਹੋਵੇ।

(ਚੱਲਦਾ ਹੈ)

**⚠ ਚੇਤਾਵਨੀ**

(ਚੱਲਦਾ ਹੈ)

- ਨਿਆਇਆਂ ਅਤੇ ਛੋਟੇ ਬੱਚਿਆਂ ਨੂੰ ਕਦੇ ਵੀ ਲਿਜਾਣਾ ਨਹੀਂ ਚਾਹੀਦਾ ਜਦੋਂ ਤੱਕ ਕਿ ਉਹਨਾਂ ਨੂੰ ਸਹੀ ਢੰਗ ਨਾਲ ਸੁਰੱਖਿਅਤ ਨਾ ਕੀਤਾ ਜਾਵੇ।
- ਬੱਚਿਆਂ ਲਈ, ਜੇਕਰ ਮੋਢੇ ਦੀ ਪੱਟੀ ਗਰਦਨ ਜਾਂ ਚਿਹਰੇ ਨੂੰ ਪਰੇਸ਼ਾਨ ਕਰਦੀ ਹੈ, ਤਾਂ ਬੱਚੇ ਨੂੰ ਵਾਹਨ ਦੇ ਕੇਂਦਰ ਦੇ ਨੇੜੇ ਲੈ ਜਾਓ।
- ਪਾਲਿਸ਼, ਤੇਲ, ਰਸਾਇਣਾਂ, ਅਤੇ ਖਾਸ ਤੌਰ 'ਤੇ ਬੈਟਰੀ ਐਸਿਡ ਦੁਆਰਾ ਸੀਟ ਬੈਲਟ ਦੇ ਵੈਬਿੰਗ ਨੂੰ ਦੂਸ਼ਿਤ ਹੋਣ ਤੋਂ ਬਚਾਓ। ਸਫ਼ਾਈ ਹਲਕੇ ਸਾਬਣ ਅਤੇ ਪਾਣੀ ਦੀ ਵਰਤੋਂ ਕਰਕੇ ਸੁਰੱਖਿਅਤ ਢੰਗ ਨਾਲ ਕੀਤੀ ਜਾ ਸਕਦੀ ਹੈ।
- ਸੀਟ ਬੈਲਟ ਦੇ ਬੱਕਲਾਂ ਵਿੱਚ ਸਿੱਕੇ, ਕਲਿੱਪ ਆਦਿ ਵਰਗੀਆਂ ਕੋਈ ਵੀ ਵਸਤੂਆਂ ਨਾ ਪਾਓ, ਅਤੇ ਧਿਆਨ ਰੱਖੋ ਕਿ ਇਹਨਾਂ ਹਿੱਸਿਆਂ ਵਿੱਚ ਤਰਲ ਪਦਾਰਥ ਨਾ ਗਿਰੇ। ਜੇ ਬਾਹਰੀ ਸਮੱਗਰੀ ਸੀਟ ਬੈਲਟ ਦੇ ਬੱਕਲ ਵਿੱਚ ਆ ਜਾਂਦੀ ਹੈ, ਤਾਂ ਸੀਟ ਬੈਲਟ ਠੀਕ ਤਰ੍ਹਾਂ ਕੰਮ ਨਹੀਂ ਕਰ ਸਕਦੀ।

**ਲੈਪ-ਸ਼ੋਲਡਰ ਬੈਲਟ (Lap-Shoulder Belt)**

**ਐਮਰਜੈਂਸ ਲਾਕਿੰਗ ਰੀਟ੍ਰੈਕਟਰ (Emergency Locking Retractor) (ELR)**

ਸੀਟ ਬੈਲਟ ਵਿੱਚ ਇੱਕ ਐਮਰਜੈਂਸੀ ਲਾਕਿੰਗ ਰੀਟ੍ਰੈਕਟਰ (ELR) ਹੈ, ਜੋ ਕਿ ਸੀਟ ਬੈਲਟ ਨੂੰ ਸਿਰਫ਼ ਅਚਾਨਕ ਰੁਕਣ ਜਾਂ ਟੱਕਰ ਦੌਰਾਨ ਲਾਕ ਕਰਨ ਲਈ ਤਿਆਰ ਕੀਤਾ ਗਿਆ ਹੈ। ਇਹ ਲਾਕ ਵੀ ਹੋ ਸਕਦਾ ਹੈ ਜੇਕਰ ਤੁਸੀਂ ਬੈਲਟ ਨੂੰ ਆਪਣੇ ਸਰੀਰ ਵਿੱਚ ਬਹੁਤ ਤੇਜ਼ੀ ਨਾਲ ਖਿੱਚਦੇ ਹੋ। ਜੇਕਰ ਅਜਿਹਾ ਹੁੰਦਾ ਹੈ, ਤਾਂ ਇਸ ਨੂੰ ਅਨਲਾਕ ਕਰਨ

ਲਈ ਬੈਲਟ ਨੂੰ ਵਾਪਸ ਜਾਣ ਦਿਓ, ਫਿਰ ਬੈਲਟ ਨੂੰ ਆਪਣੇ ਸਰੀਰ ਵਿੱਚ ਹੋਰ ਹੌਲੀ-ਹੌਲੀ ਖਿੱਚੋ।

**ਸੁਰੱਖਿਆ ਰਿਮਾਈਂਡਰ (Safety reminder)**



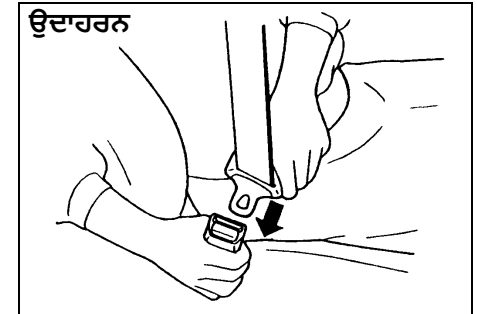
60A038



60A040

ਟੱਕਰ ਦੇ ਦੌਰਾਨ ਬੈਲਟ ਦੇ ਹੇਠਾਂ ਖਿਸਕਣ ਦੇ ਜੋਖਮ ਨੂੰ ਘਟਾਉਣ ਲਈ, ਬੈਲਟ ਦੇ ਗੇਦ ਵਾਲੇ ਹਿੱਸੇ ਨੂੰ ਆਪਣੀ

ਗੋਦੀ ਵਿੱਚ ਜਿੰਨਾ ਸੰਭਵ ਹੋ ਸਕੇ ਆਪਣੇ ਕੁੱਲੇ 'ਤੇ ਰੱਖੋ ਅਤੇ ਬੈਲਟ ਦੇ ਮੋਢੇ ਵਾਲੇ ਹਿੱਸੇ ਨੂੰ ਲੈਚ ਪਲੇਟ ਰਾਹੀਂ ਉੱਪਰ ਵੱਲ ਖਿੱਚ ਕੇ ਇਸ ਨੂੰ ਇੱਕ ਚੁਸਤ ਫਿਟ ਵਿੱਚ ਅਨੁਕੂਲ ਕਰੋ। ਵਿਕਰਣ ਮੋਢੇ ਦੀ ਪੱਟੀ ਦੀ ਲੰਬਾਈ ਚਲਾਉਣ ਦੀ ਆਜ਼ਾਦੀ ਦੀ ਆਗਿਆ ਦੇਣ ਲਈ ਆਪਣੇ ਆਪ ਨੂੰ ਐਡਜਸਟ ਕਰਦੀ ਹੈ।



60A036

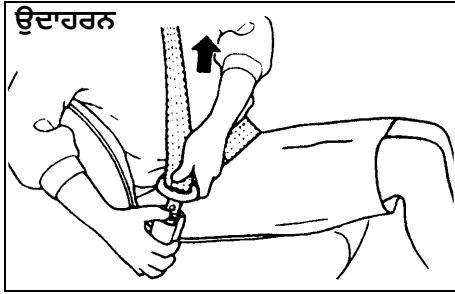
ਸੀਟ ਬੈਲਟ ਨੂੰ ਬੰਨ੍ਹਣ ਲਈ, ਸੀਟ 'ਤੇ ਸਿੱਧੇ ਅਤੇ ਚੰਗੀ ਤਰ੍ਹਾਂ ਪਿੱਛੇ ਹੋ ਕੇ ਬੈਠੋ, ਸੀਟ ਬੈਲਟ ਨਾਲ ਜੁੜੀ ਲੈਚ ਪਲੇਟ ਨੂੰ ਆਪਣੇ ਸਰੀਰ ਦੇ ਉੱਪਰ ਖਿੱਚੋ ਅਤੇ ਇਸ ਨੂੰ ਸਿੱਧਾ ਬੱਕਲ ਵਿੱਚ ਦਬਾਓ ਜਦੋਂ ਤੱਕ ਤੁਸੀਂ ਇੱਕ ਕਲਿੱਕ ਨਹੀਂ ਸੁਣਦੇ।

ਨੋਟ :

ਜੇਕਰ ਸੀਟ ਬੈਲਟ ਨੂੰ ਪੂਰੀ ਤਰ੍ਹਾਂ ਪਿੱਛੇ ਖਿੱਚੀ ਗਈ ਸਥਿਤੀ ਤੋਂ ਨਹੀਂ ਖਿੱਚਿਆ ਜਾ ਸਕਦਾ ਹੈ, ਤਾਂ ਬੈਲਟ ਨੂੰ ਮਜ਼ਬੂਤੀ ਨਾਲ ਖਿੱਚੋ ਅਤੇ ਇਸਨੂੰ ਛੱਡ ਦਿਓ। ਫਿਰ ਆਰਾਮ ਨਾਲ ਬੈਲਟ ਨੂੰ ਰੀਟ੍ਰੈਕਟਰ ਤੋਂ ਬਾਹਰ ਕੱਢੋ।



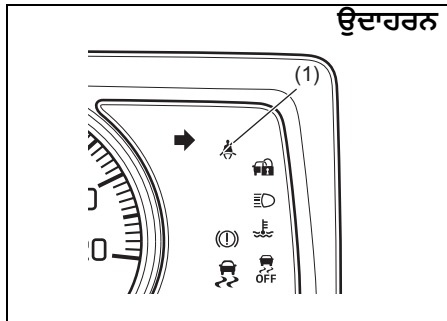
## ਡਰਾਈਵਿੰਗ ਕਰਨ ਤੋਂ ਪਹਿਲਾਂ



60A039

ਸੀਟ ਬੈਲਟ ਨੂੰ ਖੋਲ੍ਹਣ ਲਈ, ਬੈਲਟ ਜਾਂ/ਅਤੇ ਲੈਚ ਪਲੇਟ ਨਾਲ ਹੱਥ ਨੂੰ ਅਟੈਚ ਕਰਨ ਵੇਲੇ, ਬਟਨ ਨੂੰ ਬੱਕਲ 'ਤੇ ਧੱਕੋ ਅਤੇ ਬੈਲਟ ਨੂੰ ਹੌਲੀ ਹੌਲੀ ਨਿਕਾਲੇ।

### ਸੀਟ ਬੈਲਟ ਲਈ ਰਿਮਾਈਂਡਰ (Seat Belt Reminder)



77PM02020

(1) ਡਰਾਈਵਰ ਦੀ ਸੀਟ ਬੈਲਟ ਰੀਮਾਈਂਡਰ ਲਾਈਟ / ਮੂਹਰਲੇ ਯਾਤਰੀ ਦੀ ਸੀਟ ਬੈਲਟ ਰੀਮਾਈਂਡਰ ਲਾਈਟ

ਜਦੋਂ ਡਰਾਈਵਰ ਅਤੇ/ਜਾਂ ਮੂਹਰਲਾ ਯਾਤਰੀ ਆਪਣੀਆਂ ਸੀਟ ਬੈਲਟਾਂ ਨੂੰ ਬੰਨ੍ਹਦਾ/ਨਹੀਂ ਲਗਾਉਂਦਾ ਹੈ, ਤਾਂ ਸੀਟ ਬੈਲਟ ਰੀਮਾਈਂਡਰ ਲਾਈਟ ਆਉਂਦੀ ਜਾਂ ਝਪਕਦੀ ਹੈ ਅਤੇ ਡਰਾਈਵਰ ਅਤੇ/ਜਾਂ ਯਾਤਰੀ ਨੂੰ ਆਪਣੀ ਸੀਟ ਬੈਲਟ ਲਗਾਉਣ ਦੀ ਯਾਦ ਦਿਵਾਉਣ ਲਈ ਇੱਕ ਘੰਟੀ ਵੱਜੇਗੀ। ਹੋਰ ਵੇਰਵਿਆਂ ਲਈ, ਹੇਠਾਂ ਦਿੱਤੀ ਵਿਆਖਿਆ ਵੇਖੋ।

### ⚠ ਚੇਤਾਵਨੀ

ਇਹ ਬਿਲਕੁਲ ਜ਼ਰੂਰੀ ਹੈ ਕਿ ਡਰਾਈਵਰ ਅਤੇ ਯਾਤਰੀ ਆਪਣੀ ਸੀਟ ਬੈਲਟ ਹਰ ਸਮੇਂ ਲਗਾਉਣ। ਜਿਹੜੇ ਵਿਅਕਤੀ ਸੀਟ ਬੈਲਟ ਨਹੀਂ ਲਾਉਂਦੇ ਹਨ, ਜੇਕਰ ਕੋਈ ਦੁਰਘਟਨਾ ਵਾਪਰਦੀ ਹੈ ਤਾਂ ਸੱਟ ਲੱਗਣ ਦਾ ਬਹੁਤ ਜ਼ਿਆਦਾ ਖਤਰਾ ਹੁੰਦਾ ਹੈ। ਇਗਨੀਸ਼ਨ ਸਵਿੱਚ ਵਿੱਚ ਚਾਬੀ ਲਗਾਉਣ ਤੋਂ ਪਹਿਲਾਂ ਆਪਣੀ ਸੀਟ ਬੈਲਟ ਲਗਾਉਣ ਦੀ ਨਿਯਮਤ ਆਦਤ ਬਣਾਓ।

ਨੋਟ :

ਡਰਾਈਵਰ ਦੀ ਸੀਟ ਬੈਲਟ ਰੀਮਾਈਂਡਰ ਲਾਈਟ / ਮੂਹਰਲੇ ਯਾਤਰੀ ਦੀ ਸੀਟ ਬੈਲਟ ਰੀਮਾਈਂਡਰ ਲਾਈਟ ਡਰਾਈਵਰ ਅਤੇ ਮੂਹਰਲੇ ਯਾਤਰੀ ਦੋਵਾਂ ਲਈ ਹੈ।

ਡਰਾਈਵਰ ਜਾਂ ਮੂਹਰਲੇ ਯਾਤਰੀ ਦਾ ਸੀਟ ਬੈਲਟ ਰਿਮਾਈਂਡਰ

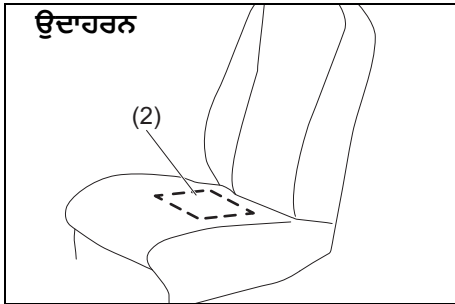
ਇਗਨੀਸ਼ਨ ਸਵਿੱਚ 'ਆਨ' ਕਰਨ 'ਤੇ ਜੇਕਰ ਡਰਾਈਵਰ ਦੀ ਜਾਂ ਮੂਹਰਲੇ ਯਾਤਰੀ ਦੀ ਸੀਟ ਬੈਲਟ ਦਾ ਬੱਕਲ ਖੁੱਲ੍ਹਾ ਰਹਿੰਦਾ ਹੈ, ਤਾਂ ਰਿਮਾਈਂਡਰ ਹੇਠਾਂ ਦਿੱਤੇ ਅਨੁਸਾਰ ਕੰਮ ਕਰੇਗਾ:

- 1) ਡਰਾਈਵਰ ਦੀ ਜਾਂ ਮੂਹਰਲੇ ਯਾਤਰੀ ਦੀ ਸੀਟ ਬੈਲਟ ਰਿਮਾਈਂਡਰ ਲਾਈਟ ਜਗ ਜਾਏਗੀ।
- 2) ਵਾਹਨ ਦੀ ਸਪੀਡ ਲਗਭੱਗ 15 ਕਿਲੋਮੀਟਰ/ਘੰਟਾ ਪਹੁੰਚ ਜਾਣ 'ਤੇ, ਡਰਾਈਵਰ ਦੀ ਜਾਂ ਮੂਹਰਲੇ ਯਾਤਰੀ ਦੀ ਸੀਟ ਬੈਲਟ ਰਿਮਾਈਂਡਰ ਲਾਈਟ ਝਪਕਣਾ ਸ਼ੁਰੂ ਕਰ ਦੇਵੇਗੀ ਅਤੇ ਲਗਭੱਗ 95 ਸਕਿੰਟਾਂ ਲਈ ਬੱਜਰ ਵੱਜਣਾ ਸ਼ੁਰੂ ਹੋ ਜਾਏਗਾ।
- 3) ਸਟੈੱਪ 2) ਦੇ ਪੂਰਾ ਹੋ ਜਾਣ ਤੋਂ ਬਾਅਦ, ਜਦੋਂ ਤੱਕ ਡਰਾਈਵਰ ਦੀ ਜਾਂ ਮੂਹਰਲੇ ਯਾਤਰੀ ਦੀ ਸੀਟ ਬੈਲਟ ਦਾ ਬੱਕਲ ਨਹੀਂ ਲੱਗ ਜਾਂਦਾ ਉਦੋਂ ਤੱਕ ਰਿਮਾਈਂਡਰ ਲਾਈਟ ਜੱਗਦੀ ਰਹੇਗੀ।

ਜੇਕਰ ਡਰਾਈਵਰ ਜਾਂ ਮੂਹਰਲੇ ਯਾਤਰੀ ਨੇ ਆਪਣੀ ਸੀਟ ਬੈਲਟ ਦੇ ਬੱਕਲ ਨੂੰ ਲੱਗਾ ਲਿਆ ਹੋਵੇ ਅਤੇ ਬਾਅਦ ਵਿੱਚ ਸੀਟ ਬੈਲਟ ਦਾ ਬੱਕਲ ਖੋਲ੍ਹ ਦਿੱਤਾ ਹੋਵੇ, ਤਾਂ ਰਿਮਾਈਂਡਰ ਸਿਸਟਮ ਵਾਹਨ ਦੀ ਗਤੀ ਦੇ ਅਨੁਸਾਰ ਕਦਮ 1) ਜਾਂ 2) ਤੋਂ ਕਿਰਿਆਸ਼ੀਲ ਹੋ ਜਾਵੇਗਾ। ਜਦੋਂ ਵਾਹਨ ਦੀ ਗਤੀ 15 km/h ਤੋਂ ਘੱਟ ਹੁੰਦੀ ਹੈ, ਤਾਂ ਰਿਮਾਈਂਡਰ ਸਟੈੱਪ 1 ਤੋਂ ਸ਼ੁਰੂ ਹੋਵੇਗਾ। ਜਦੋਂ ਵਾਹਨ ਦੀ ਗਤੀ 15 km/h ਤੋਂ ਵੱਧ ਹੁੰਦੀ ਹੈ, ਤਾਂ ਰਿਮਾਈਂਡਰ ਸਟੈੱਪ 2 ਤੋਂ ਸ਼ੁਰੂ ਹੋਵੇਗਾ। ਜਦੋਂ ਡਰਾਈਵਰ ਦੀ ਸੀਟ ਬੈਲਟ ਬੰਨ੍ਹੀ ਜਾਂਦੀ ਹੈ ਜਾਂ ਇਗਨੀਸ਼ਨ ਸਵਿੱਚ ਬੰਦ ਹੁੰਦਾ ਹੈ ਤਾਂ ਰਿਮਾਈਂਡਰ ਆਪਣੇ ਆਪ ਰੱਦ ਹੋ ਜਾਵੇਗਾ।

**ਮੁਹਰਲੇ ਯਾਤਰੀ ਦੀ ਸੀਟ ਬੈਲਟ ਦਾ ਰੀਮਾਈਂਡਰ**

ਜੇਕਰ ਮੁਹਰਲੇ ਯਾਤਰੀ ਸੀਟ 'ਤੇ ਕੋਈ ਵਿਅਕਤੀ ਬੈਠਾ ਹੈ ਅਤੇ ਇੰਗਨੀਸ਼ਨ ਸਵਿੱਚ ਦੇ "ਚਾਲੂ" ਸਥਿਤੀ ਵਿੱਚ ਹੋਣ 'ਤੇ ਮੁਹਰਲੀ ਯਾਤਰੀ ਸੀਟ ਬੈਲਟ ਨੂੰ ਖੋਲ੍ਹਿਆ ਗਿਆ ਹੈ, ਤਾਂ ਮੁਹਰਲੇ ਯਾਤਰੀ ਦੀ ਸੀਟ ਬੈਲਟ ਦਾ ਰੀਮਾਈਂਡਰ ਕਿਰਿਆਸ਼ੀਲ ਹੋ ਜਾਵੇਗਾ।



69RH203

(2) ਮੁਹਰਲੇ ਯਾਤਰੀ ਦੀ ਸੀਟ ਬੈਲਟ ਦਾ ਰੀਮਾਈਂਡਰ ਸੈਂਸਰ

ਸੀਟ ਬੈਲਟ ਰੀਮਾਈਂਡਰ ਸੈਂਸਰ (2) ਪਤਾ ਲਗਾਉਂਦਾ ਹੈ ਕਿ ਕੀ ਕੋਈ ਵਿਅਕਤੀ ਅਗਲੀ ਸੀਟ 'ਤੇ ਬੈਠਾ ਹੈ। ਮੁਹਰਲੇ ਯਾਤਰੀ ਦੀ ਸੀਟ ਬੈਲਟ ਦਾ ਰੀਮਾਈਂਡਰ ਸੈਂਸਰ ਸੀਟ ਕੁਸ਼ਨ ਵਿੱਚ ਸਥਿਤ ਹੁੰਦਾ ਹੈ। ਮੁਹਰਲੇ ਯਾਤਰੀ ਦੀ ਸੀਟ ਬੈਲਟ ਦਾ ਰੀਮਾਈਂਡਰ ਉਸੇ ਤਰੀਕੇ ਨਾਲ ਕੰਮ ਕਰਦਾ ਹੈ ਜਿਵੇਂ ਡਰਾਈਵਰ ਦੀ ਸੀਟ ਬੈਲਟ ਦਾ ਰੀਮਾਈਂਡਰ।

**ਨੋਟਿਸ**

- ਮੁਹਰਲੇ ਯਾਤਰੀ ਦੀ ਸੀਟ ਬੈਲਟ ਦਾ ਰੀਮਾਈਂਡਰ ਸੈਂਸਰ ਸੀਟ ਕੁਸ਼ਨ ਵਿੱਚ ਸਥਿਤ ਹੁੰਦਾ ਹੈ। ਜੇ ਸੀਟ ਦੀ ਗੱਦੀ 'ਤੇ ਭਾਰੀਆਂ ਜਾਂ ਤਿੱਖੀਆਂ ਵਸਤੂਆਂ ਰੱਖੀਆਂ ਜਾਂਦੀਆਂ ਹਨ, ਜਾਂ ਯਾਤਰੀ ਦੀ ਸੀਟ ਨੂੰ ਹਟਾਉਣਾ, ਵੱਖ ਕਰਨਾ ਅਤੇ ਸੋਧਿਆ ਜਾਂਦਾ ਹੈ, ਤਾਂ ਸੈਂਸਰ ਸਹੀ ਢੰਗ ਨਾਲ ਕੰਮ ਨਹੀਂ ਕਰ ਸਕਦਾ ਜਾਂ ਖਰਾਬ ਹੋ ਸਕਦਾ ਹੈ। ਸੀਟ ਦੇ ਗੱਦੀ 'ਤੇ ਭਾਰੀਆਂ ਜਾਂ ਤਿੱਖੀਆਂ ਵਸਤੂਆਂ ਨਾ ਰੱਖੋ। ਯਾਤਰੀ ਦੀ ਸੀਟ ਨੂੰ ਨਾ ਹਟਾਓ, ਵੱਖ ਨਾ ਕਰੋ ਅਤੇ ਨਾ ਸੋਧੋ।
- ਸੀਟ ਕਵਰ ਦੀ ਕਿਸਮ 'ਤੇ ਨਿਰਭਰ ਕਰਦੇ ਹੋਏ, ਸੈਂਸਰ ਦੇ ਸੰਚਾਲਨ 'ਤੇ ਬੁਰਾ ਅਸਰ ਪੈ ਸਕਦਾ ਹੈ। ਮਾਰੂਤੀ ਸੁਜੂਕੀ ਜ਼ੋਰਦਾਰ ਸਿਫਾਰਸ਼ ਕਰਦੀ ਹੈ ਕਿ ਤੁਸੀਂ ਇਸ ਵਾਹਨ ਲਈ ਵਿਸ਼ੇਸ਼ ਤੌਰ 'ਤੇ ਮਾਰੂਤੀ ਸੁਜੂਕੀ ਅਸਲੀ ਸੀਟ ਕਵਰ ਦੀ ਵਰਤੋਂ ਕਰੋ।

(ਚੱਲਦਾ ਹੈ)

**ਨੋਟਿਸ**

(ਚੱਲਦਾ ਹੈ)

- ਜੇਕਰ ਤੁਸੀਂ ਮੁਹਰਲੇ ਯਾਤਰੀ ਦੇ ਸੀਟ ਕੁਸ਼ਨ 'ਤੇ ਤਰਲ ਸੁਗੰਧੀਆਂ, ਸਾਫਟ ਡਰਿੰਕਸ ਜਾਂ ਜੂਸ ਵਰਗਾ ਤਰਲ ਸੁੱਟਦੇ ਹੋ, ਤਾਂ ਸੀਟ ਕੁਸ਼ਨ 'ਤੇ ਮੌਜੂਦ ਯਾਤਰੀ ਦੀ ਸੀਟ ਬੈਲਟ ਰੀਮਾਈਂਡਰ ਦਾ ਸੈਂਸਰ ਖਰਾਬ ਹੋ ਸਕਦਾ ਹੈ। ਗਿਰਨ 'ਤੇ ਤੁਰੰਤ ਇਸ ਨੂੰ ਨਰਮ ਕੱਪੜੇ ਨਾਲ ਸੁੱਕਾ ਪੂੰਝੋ।
- ਜਦੋਂ ਯਾਤਰੀ ਅਗਲੀ ਸੀਟ 'ਤੇ ਬੈਠਦਾ ਹੈ, ਤਾਂ ਇਹ ਬਹੁਤ ਮਹੱਤਵਪੂਰਨ ਹੁੰਦਾ ਹੈ ਕਿ ਯਾਤਰੀ ਸੀਟ ਦੇ ਬੈਕਰੈਸਟ ਨਾਲ ਝੁਕ ਕੇ, ਸਿੱਧਾ ਬੈਠੇ ਅਤੇ ਸੀਟ ਬੈਲਟ ਰੀਮਾਈਂਡਰ ਸਿਸਟਮ ਨੂੰ ਪ੍ਰਭਾਵਸ਼ਾਲੀ ਢੰਗ ਨਾਲ ਕੰਮ ਕਰਨ ਲਈ ਸੀਟ ਕੁਸ਼ਨ ਦੇ ਕੇਂਦਰ ਵਿੱਚ ਰਹੇ। ਗਲਤ ਢੰਗ ਨਾਲ ਬੈਠਣ ਵਾਲਾ ਵਿਅਕਤੀ (ਝੁਕਣਾ, ਪਾਸੇ ਵੱਲ ਮੁੜਨਾ, ਅੱਗੇ ਜਾਂ ਸਾਈਡਾਂ ਵੱਲ ਝੁਕਣਾ) ਇਸ ਸਿਸਟਮ ਦੇ ਕੰਮਕਾਜ ਵਿੱਚ ਰੁਕਾਵਟ ਪਾ ਸਕਦਾ ਹੈ ਕਿਉਂਕਿ ਹੋ ਸਕਦਾ ਹੈ ਕਿ ਇਹ ਬੈਠਣ ਵਾਲੇ ਦਾ ਪਤਾ ਨਾ ਲਗਾ ਸਕੇ।

**ਨੋਟ :**

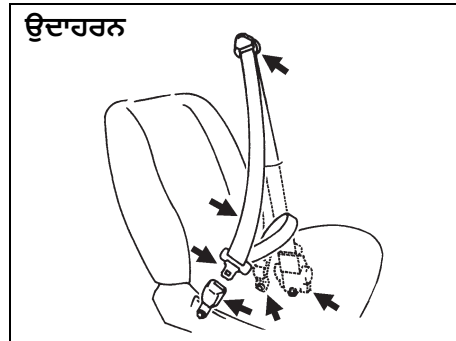
- ਜੇ ਤੁਸੀਂ ਯਾਤਰੀ ਦੀ ਸੀਟ 'ਤੇ ਕੋਈ ਵਸਤੂ ਰੱਖਦੇ ਹੋ, ਤਾਂ ਵਸਤੂ ਦਾ ਭਾਰ ਸੈਂਸਰ ਦੁਆਰਾ ਮਹਿਸੂਸ ਕੀਤਾ ਜਾਵੇਗਾ ਅਤੇ ਮੁਹਰਲੇ ਯਾਤਰੀ ਦੀ ਸੀਟ ਬੈਲਟ ਰੀਮਾਈਂਡਰ ਲਾਈਟ ਆ ਜਾਵੇਗੀ ਅਤੇ ਫਿਰ ਅੰਦਰੂਨੀ ਬਜ਼ਰ ਬੀਪ ਕਰ ਸਕਦਾ ਹੈ।
- ਜੇ ਕੋਈ ਬੱਚਾ ਜਾਂ ਛੋਟੇ ਆਕਾਰ ਦਾ ਵਿਅਕਤੀ ਮੁਹਰਲੇ ਯਾਤਰੀ ਦੀ ਸੀਟ 'ਤੇ ਬੈਠਦਾ ਹੈ ਜਾਂ ਗੱਦੀ ਨੂੰ ਮੁਹਰਲੇ ਯਾਤਰੀ ਦੀ ਸੀਟ 'ਤੇ ਰੱਖਿਆ ਜਾਂਦਾ ਹੈ, ਤਾਂ ਸੈਂਸਰ ਦੁਆਰਾ ਭਾਰ ਨੂੰ ਮਹਿਸੂਸ ਨਹੀਂ ਕੀਤਾ ਜਾ ਸਕਦਾ ਹੈ ਅਤੇ ਅੰਦਰੂਨੀ ਬਜ਼ਰ ਬੀਪ ਨਹੀਂ ਕਰ ਸਕਦਾ ਹੈ।

## ਡਰਾਈਵਿੰਗ ਕਰਨ ਤੋਂ ਪਹਿਲਾਂ

ਨੋਟ :

ਮਾਰੂਤੀ ਸੂਜ਼ੁਕੀ "ਸੀਟ ਕਵਰ" ਦੀ ਮਾਰੂਤੀ ਸੂਜ਼ੁਕੀ ਦੀ ਅਸਲੀ ਐਕਸੈਸਰੀ ਦੀ ਵਰਤੋਂ ਕਰਨ ਦੀ ਸਿਫਾਰਿਸ਼ ਕਰਦੀ ਹੈ।

### ਸੀਟ ਬੈਲਟ ਦੀ ਇੰਸਪੈਕਸ਼ਨ (Seat Belt Inspection)



65D209S

ਇਹ ਯਕੀਨੀ ਬਣਾਉਣ ਲਈ ਸੀਟ ਬੈਲਟਾਂ ਦੀ ਸਮੇਂ-ਸਮੇਂ 'ਤੇ ਜਾਂਚ ਕਰੋ ਕਿ ਉਹ ਸਹੀ ਢੰਗ ਨਾਲ ਕੰਮ ਕਰ ਰਹੀਆਂ ਹਨ ਅਤੇ ਖਰਾਬ ਨਹੀਂ ਹੋਈਆਂ ਹਨ। ਵੈਬਿੰਗ, ਬੱਕਲ, ਲੈਚ ਪਲੇਟਾਂ, ਰੀਟ੍ਰੈਕਟਰ, ਐਂਕਰੇਜ ਅਤੇ ਗਾਈਡ ਲੂਪਸ ਦੀ ਜਾਂਚ ਕਰੋ। ਕਿਸੇ ਵੀ ਸੀਟ ਬੈਲਟ ਨੂੰ ਬਦਲੋ ਜੇ ਸਹੀ ਢੰਗ ਨਾਲ ਕੰਮ ਨਹੀਂ ਕਰਦੀਆਂ ਜਾਂ ਖਰਾਬ ਹੋਈਆਂ ਹਨ।

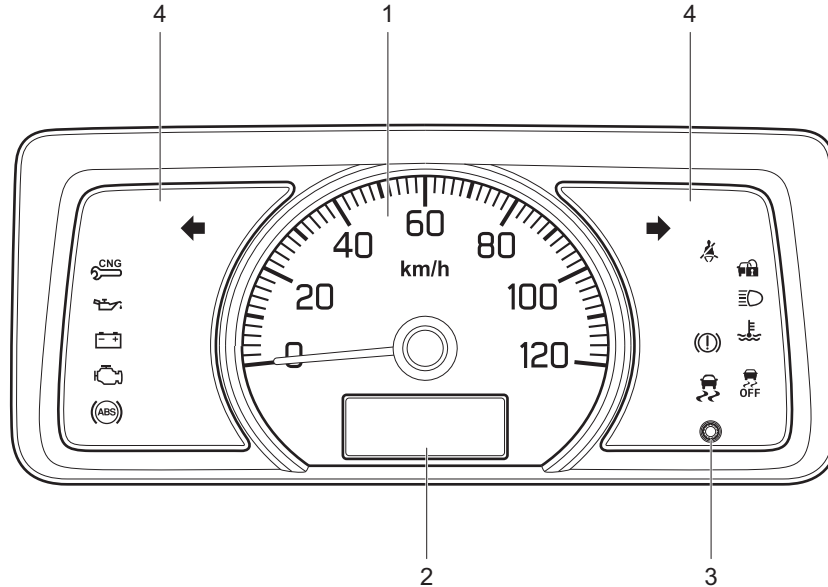
### ⚠ ਚੇਤਾਵਨੀ

ਕਿਸੇ ਵੀ ਟੱਕਰ ਤੋਂ ਬਾਅਦ ਸਾਰੀਆਂ ਸੀਟ ਬੈਲਟ ਅਸੈਂਬਲੀਆਂ ਦੀ ਜਾਂਚ ਕਰਨਾ ਯਕੀਨੀ ਬਣਾਓ। ਕੋਈ ਵੀ ਸੀਟ ਬੈਲਟ ਅਸੈਂਬਲੀ ਜੋ ਕਿ ਟੱਕਰ (ਬਹੁਤ ਮਾਮੂਲੀ ਤੋਂ ਇਲਾਵਾ) ਦੌਰਾਨ ਵਰਤੋਂ ਵਿੱਚ ਸੀ ਨੂੰ ਬਦਲਿਆ ਜਾਣਾ ਚਾਹੀਦਾ ਹੈ, ਭਾਵੇਂ ਅਸੈਂਬਲੀ ਨੂੰ ਨੁਕਸਾਨ ਸਪੱਸ਼ਟ ਨਾ ਹੋਵੇ। ਕੋਈ ਵੀ ਸੀਟ ਬੈਲਟ ਅਸੈਂਬਲੀ ਜੋ ਕਿ ਟੱਕਰ ਦੌਰਾਨ ਵਰਤੋਂ ਵਿੱਚ ਨਹੀਂ ਸੀ, ਜੇਕਰ ਇਹ ਸਹੀ ਢੰਗ ਨਾਲ ਕੰਮ ਨਹੀਂ ਕਰਦੀ ਹੈ ਜਾਂ ਜੇਕਰ ਇਹ ਕਿਸੇ ਵੀ ਤਰੀਕੇ ਨਾਲ ਨੁਕਸਾਨੀ ਜਾਂਦੀ ਹੈ ਤਾਂ ਬਦਲ ਦਿੱਤੀ ਜਾਣੀ ਚਾਹੀਦੀ ਹੈ।

## ਇੰਸਟਰੂਮੈਂਟ ਕਲੱਸਟਰ

1. ਸਪੀਡੋਮੀਟਰ (Speedometer)
2. ਜਾਣਕਾਰੀ ਡਿਸਪਲੇ (Information display)
3. ਟਰਿੱਪ ਮੀਟਰ ਸਿਲੈਕਟਰ ਨੋਬ (Trip meter selector knob)
4. ਵਾਰਨਿੰਗ ਅਤੇ ਇੰਡੀਕੇਟਰ ਦੀਆਂ ਲਾਈਟਾਂ

### ਉਦਾਹਰਨ



77PM02021

## ਡਰਾਈਵਿੰਗ ਕਰਨ ਤੋਂ ਪਹਿਲਾਂ

### ਸਪੀਡੋਮੀਟਰ (Speedometer)

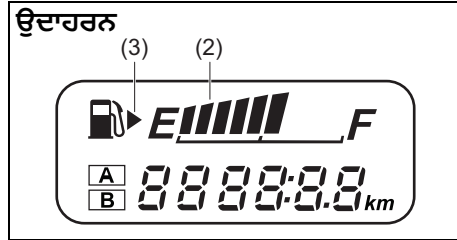
ਸਪੀਡੋਮੀਟਰ ਵਾਹਨ ਦੀ ਗਤੀ ਨੂੰ ਦਰਸਾਉਂਦਾ ਹੈ।

ਨੋਟ :

ਸਰਕਾਰੀ ਨਿਯਮਾਂ ਅਨੁਸਾਰ ਵਾਹਨ ਦੀ ਅਧਿਕਤਮ ਗਤੀ 80 km/h ਹੁੰਦੀ ਹੈ।

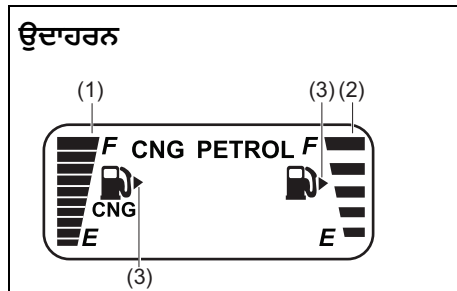
### ਫਿਊਲ ਗੇਜ (Fuel Gauge)

ਪੈਟਰੋਲ ਮਾਡਲ (Petrol Model)



77PM02018

ਸੀ.ਐਨ.ਜੀ. ਮਾਡਲ (CNG Model)



77PM07019

(1) ਸੀ.ਐਨ.ਜੀ. ਫਿਊਲ ਗੇਜ ਨੂੰ ਦਰਸਾਉਂਦਾ ਹੈ।

(2) ਪੈਟਰੋਲ ਫਿਊਲ ਗੇਜ ਨੂੰ ਦਰਸਾਉਂਦਾ ਹੈ।

ਜਦੋਂ ਇੰਜਨ ਸਟਿੱਚ "ਚਾਲੂ" ਸਥਿਤੀ ਵਿੱਚ ਹੁੰਦਾ ਹੈ, ਤਾਂ ਇਹ ਗੇਜ ਫਿਊਲ ਟੈਂਕ (fuel tank) ਵਿੱਚ ਬੀਯਨ ਦੀ ਮਾਤਰਾ ਦਾ ਅਨੁਮਾਨਿਤ ਸੰਕੇਤ ਦਿੰਦਾ ਹੈ। "F" ਦਾ ਅਰਥ ਹੈ ਭਰਿਆ (full) ਹੋਇਆ ਅਤੇ "E" ਦਾ ਅਰਥ ਹੈ ਖਾਲੀ (empty)।

ਜੇਕਰ ਫਿਊਲ ਮੀਟਰ ਇੰਡੀਕੇਟਰ "E" ਲਈ ਸਿਰਫ਼ ਇੱਕ ਖੰਡ ਦਿਖਾਉਂਦਾ ਹੈ, ਤਾਂ ਜਿੰਨੀ ਜਲਦੀ ਹੋ ਸਕੇ ਟੈਂਕ ਨੂੰ ਦੁਬਾਰਾ ਭਰੋ।

ਨਿਸ਼ਾਨ (3) ਦਰਸਾਉਂਦਾ ਹੈ ਕਿ ਫਿਊਲ ਭਰਨ ਵਾਲੀ ਖਿੜਕੀ ਵਾਹਨ ਦੇ ਸੱਜੇ ਪਾਸੇ ਸਥਿਤ ਹੈ।

### ਨੋਟਿਸ

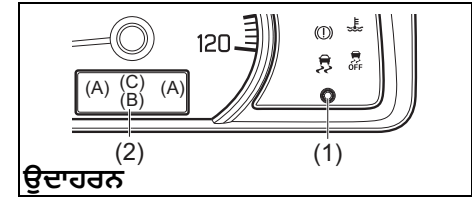
ਕੈਟਾਲਾਈਟਿਕ ਕਨਵਰਟਰ (catalytic converter) ਜਾਂ ਵਾਹਨ ਦੇ ਹੋਰ ਹਿੱਸਿਆਂ ਨੂੰ ਨੁਕਸਾਨ ਹੋਣ ਦੀ ਸੰਭਾਵਨਾ ਨੂੰ ਘੱਟ ਕਰਨ ਲਈ, ਖਾਲੀ ਫਿਊਲ ਟੈਂਕ (fuel tank) ਦੇ ਪੱਧਰ ਦੇ ਨੇੜੇ ਵਾਹਨ ਨੂੰ ਚਲਾਉਣ ਤੋਂ ਬਚੋ।

ਨੋਟ :

ਜੇਕਰ ਆਖਰੀ ਖੰਡ ਡੁਪਕਦਾ ਹੈ, ਤਾਂ ਇਸਦਾ ਮਤਲਬ ਹੈ ਕਿ ਬੀਯਨ ਲਗਭਗ ਖਾਲੀ ਹੈ।

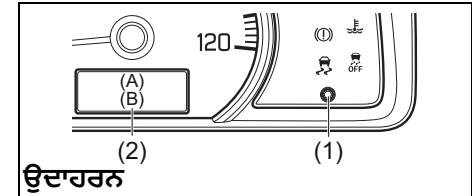
### ਜਾਣਕਾਰੀ ਡਿਸਪਲੇ (Information Display)

ਸੀ.ਐਨ.ਜੀ. ਮਾਡਲ ਲਈ



77PM07026

ਪੈਟਰੋਲ ਮਾਡਲ ਲਈ



77PM07035

(1) ਟਰਿੱਪ ਮੀਟਰ ਸਿਲੈਕਟਰ ਨੋਬ

(2) ਜਾਣਕਾਰੀ ਡਿਸਪਲੇ

ਜਦੋਂ ਇੰਜਨ ਸਟਿੱਚ "ਚਾਲੂ" ਸਥਿਤੀ ਵਿੱਚ ਹੁੰਦਾ ਹੈ, ਤਾਂ ਜਾਣਕਾਰੀ ਡਿਸਪਲੇ ਹੇਠ ਦਿੱਤੀ ਜਾਣਕਾਰੀ ਦਿਖਾਉਂਦੀ ਹੈ।

**ਡਿਸਪਲੇ (A)**

ਫਿਊਲ ਗੇਜ

**ਡਿਸਪਲੇ (B)**

ਓਡੋਮੀਟਰ/ ਟਰਿੱਪ ਮੀਟਰ/ ਕਲਾਕ/ਬ੍ਰਾਈਟਨੈੱਸ ਕੰਟਰੋਲ

**ਡਿਸਪਲੇ (C)**

ਫਿਊਲ ਦੇ ਮੋਡ (ਜੇਕਰ ਲੱਗਿਆ ਹੋਵੇ)

**ਫਿਊਲ ਗੇਜ (Fuel Gauge)**

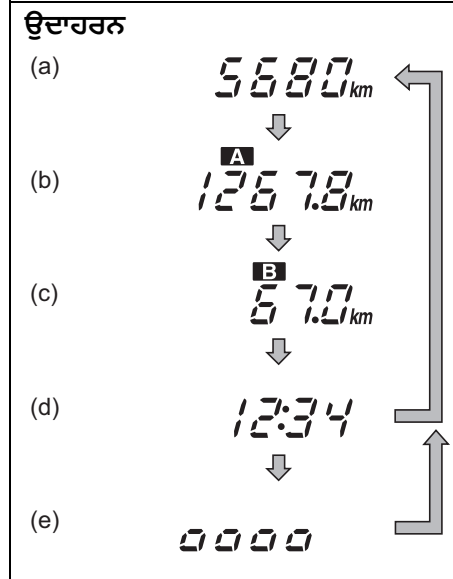
ਜਦੋਂ ਇਗਨੀਸ਼ਨ ਸਵਿੱਚ "ਆਨ" ਸਥਿਤੀ ਵਿੱਚ ਹੁੰਦਾ ਹੈ, ਤਾਂ ਡਿਸਪਲੇ (A) ਫਿਊਲ ਗੇਜ ਨੂੰ ਦਿਖਾਉਂਦੀ ਹੈ।

ਇਸ ਭਾਗ ਵਿੱਚ "ਫਿਊਲ ਗੇਜ" (Fuel Gauge) ਵੇਖੋ।

**ਓਡੋਮੀਟਰ / ਟਰਿੱਪ ਮੀਟਰ / ਕਲਾਕ / ਬ੍ਰਾਈਟਨੈੱਸ ਕੰਟਰੋਲ / ਬ੍ਰਾਈਟਨੈੱਸ ਕੰਟਰੋਲ**

ਜਦੋਂ ਇਗਨੀਸ਼ਨ ਸਵਿੱਚ "ਆਨ" ਸਥਿਤੀ ਵਿੱਚ ਹੁੰਦਾ ਹੈ, ਤਾਂ ਡਿਸਪਲੇ (B) ਹੇਠਾਂ ਦਿੱਤੇ ਸੰਕੇਤਾਂ ਵਿੱਚੋਂ ਇੱਕ ਸੰਕੇਤ ਦਿਖਾਉਂਦਾ ਹੈ, ਓਡੋਮੀਟਰ, ਟ੍ਰਿੱਪ ਮੀਟਰ A, ਟ੍ਰਿੱਪ ਮੀਟਰ B ਜਾਂ ਕਲਾਕ

ਡਿਸਪਲੇ ਸੰਕੇਤ (B) ਨੂੰ ਬਦਲਣ ਲਈ, ਟ੍ਰਿੱਪ ਮੀਟਰ ਸਿਲੈਕਟਰ ਨੋਬ (trip meter selector knob) (1) ਨੂੰ ਤੇਜ਼ੀ ਨਾਲ ਧੱਕੋ।



77PH007

- (a) ਓਡੋਮੀਟਰ (Odometer)
- (b) ਟ੍ਰਿੱਪ ਮੀਟਰ (Trip meter) A
- (c) ਟ੍ਰਿੱਪ ਮੀਟਰ (Trip meter) B
- (d) ਕਲਾਕ
- (e) ਬ੍ਰਾਈਟਨੈੱਸ ਕੰਟਰੋਲ (Brightness control)\*

\* ਬ੍ਰਾਈਟਨੈੱਸ ਕੰਟਰੋਲ ਦਿਖਾਈ ਦੇਵੇਗਾ ਜਦੋਂ ਪੇਜੀਸ਼ਨ ਲਾਈਟਾਂ (position lights) ਅਤੇ/ਜਾਂ ਰੈਂਡਲਾਈਟਾਂ ਚਾਲੂ ਹੁੰਦੀਆਂ ਹਨ।

**⚠ ਚੇਤਾਵਨੀ**

ਜੇ ਤੁਸੀਂ ਗੱਡੀ ਚਲਾਉਂਦੇ ਸਮੇਂ ਡਿਸਪਲੇ ਨੂੰ ਅਨੁਕੂਲ ਕਰਨ ਦੀ ਕੋਸ਼ਿਸ਼ ਕਰਦੇ ਹੋ, ਤਾਂ ਤੁਸੀਂ ਵਾਹਨ ਤੋਂ ਕੰਟਰੋਲ ਗੁਆ ਸਕਦੇ ਹੋ।

ਗੱਡੀ ਚਲਾਉਂਦੇ ਸਮੇਂ ਡਿਸਪਲੇ ਨੂੰ ਅਨੁਕੂਲ ਕਰਨ ਦੀ ਕੋਸ਼ਿਸ਼ ਨਾ ਕਰੋ।

ਨੋਟ :

ਜਦੋਂ ਤੁਸੀਂ ਨੋਬ ਨੂੰ ਧੱਕਦੇ ਅਤੇ ਛੱਡਦੇ ਹੋ ਤਾਂ ਸੰਕੇਤ ਬਦਲ ਜਾਣਗੇ।

**ਓਡੋਮੀਟਰ (Odometer)**

ਓਡੋਮੀਟਰ ਕੁੱਲ ਦੂਰੀ ਨੂੰ ਰਿਕਾਰਡ ਕਰਦਾ ਹੈ ਜਿਸ ਲਈ ਵਾਹਨ ਚਲਾਇਆ ਜਾਂਦਾ ਹੈ।

**ਨੋਟਿਸ**

ਆਪਣੀ ਓਡੋਮੀਟਰ ਰੀਡਿੰਗ ਦਾ ਧਿਆਨ ਰੱਖੋ ਅਤੇ ਲੋੜੀਂਦੀਆਂ ਸੇਵਾਵਾਂ ਲਈ ਨਿਯਮਤ ਤੌਰ 'ਤੇ ਰੱਖ-ਰਖਾਅ ਦੇ ਕਾਰਜਕ੍ਰਮ ਦੀ ਜਾਂਚ ਕਰੋ। ਮਾਈਲੇਜ ਦੇ ਉੱਚਿਤ ਅੰਤਰਾਲਾਂ 'ਤੇ ਲੋੜੀਂਦੀਆਂ ਸੇਵਾਵਾਂ ਨੂੰ ਪੂਰਾ ਕਰਨ ਵਿੱਚ ਅਸਫਲਤਾ ਦੇ ਨਤੀਜੇ ਵਜੋਂ ਕੁਝ ਹਿੱਸਿਆਂ ਦੀ ਵੱਧ ਖਿਸਾਈ ਜਾਂ ਨੁਕਸਾਨ ਹੋ ਸਕਦਾ ਹੈ।

## ਡਰਾਈਵਿੰਗ ਕਰਨ ਤੋਂ ਪਹਿਲਾਂ

### ਟਰਿੱਪ ਮੀਟਰ (Trip meter)

ਟ੍ਰਿੱਪ ਮੀਟਰ ਦੀ ਵਰਤੋਂ ਛੋਟੀਆਂ ਯਾਤਰਾਵਾਂ 'ਤੇ ਜਾਂ ਈਂਧਨ ਦੇ ਸਟਾਪਾਂ ਦੇ ਵਿਚਕਾਰ ਤੈਅ ਕੀਤੀ ਦੂਰੀ ਨੂੰ ਮਾਪਣ ਲਈ ਕੀਤੀ ਜਾ ਸਕਦੀ ਹੈ।

ਤੁਸੀਂ ਟ੍ਰਿੱਪ ਮੀਟਰ (trip meter) A ਜਾਂ ਟ੍ਰਿੱਪ ਮੀਟਰ (trip meter) B ਦੀ ਸੁਤੰਤਰ ਵਰਤੋਂ ਕਰ ਸਕਦੇ ਹੋ।

ਟ੍ਰਿੱਪ ਮੀਟਰ ਨੂੰ ਜ਼ੀਰੋ 'ਤੇ ਰੀਸੈਟ ਕਰਨ ਲਈ, ਟ੍ਰਿੱਪ ਮੀਟਰ ਸਿਲੈਕਟਰ ਨੋਬ (trip meter selector knob) (1) ਨੂੰ ਕੁਝ ਸਮੇਂ ਲਈ ਦਬਾਓ ਅਤੇ ਹੇਲਡ ਕਰੋ ਜਦੋਂ ਡਿਸਪਲੇ ਟ੍ਰਿੱਪ ਮੀਟਰ ਨੂੰ ਦਿਖਾਉਂਦੀ ਹੈ।

ਨੋਟ :

ਟ੍ਰਿੱਪ ਮੀਟਰ ਦਾ ਦਰਸਾਇਆ ਗਿਆ ਅਧਿਕਤਮ ਮੁੱਲ 9999.9 ਹੈ। ਜਦੋਂ ਤੁਸੀਂ ਅਧਿਕਤਮ ਮੁੱਲ ਨੂੰ ਪਾਰ ਕਰਦੇ ਹੋ, ਤਾਂ ਦਰਸਾਏ ਗਏ ਮੁੱਲ 0.0 'ਤੇ ਵਾਪਸ ਆ ਜਾਣਗੇ।

### ਕਲਾਕ (Clock)

ਡਿਸਪਲੇ ਸਮਾਂ ਦਿਖਾਉਂਦੀ ਹੈ।

ਸਮੇਂ ਦੇ ਸੰਕੇਤ ਨੂੰ ਬਦਲਣ ਲਈ:

- 1) ਟ੍ਰਿੱਪ ਮੀਟਰ ਸਿਲੈਕਟਰ ਨੋਬ (trip meter selector knob) (1) ਨੂੰ ਉਦੋਂ ਤੱਕ ਦਬਾਓ ਅਤੇ ਹੇਲਡ ਕਰੋ ਜਦੋਂ ਤੱਕ ਮਿੰਟ ਸੰਕੇਤ ਝਪਕਦਾ ਨਹੀਂ ਹੈ।
- 2) ਮਿੰਟ ਦੇ ਸੰਕੇਤ ਨੂੰ ਬਦਲਣ ਲਈ, ਜਦੋਂ ਮਿੰਟ ਦਾ ਸੰਕੇਤ ਝਪਕਦਾ ਹੈ ਤਾਂ ਟ੍ਰਿੱਪ ਮੀਟਰ ਸਿਲੈਕਟਰ ਨੋਬ (trip meter selector knob) (1) ਨੂੰ ਵਾਰ-ਵਾਰ ਦਬਾਓ। ਮਿੰਟ ਦੇ ਸੰਕੇਤ ਨੂੰ ਤੇਜ਼ੀ ਨਾਲ ਬਦਲਣ ਲਈ, ਟ੍ਰਿੱਪ ਮੀਟਰ ਸਿਲੈਕਟਰ ਨੋਬ (trip meter selector knob) (1) ਨੂੰ ਦਬਾਓ ਅਤੇ ਹੇਲਡ ਕਰੋ। ਮਿੰਟ ਦਾ ਸੰਕੇਤ ਸੈੱਟ ਕਰਨ ਲਈ, ਘੰਟੇ ਦਾ

ਸੰਕੇਤ ਝਪਕਣਾ ਸ਼ੁਰੂ ਹੋਣ ਤੱਕ ਲਗਭਗ 5 ਸਕਿੰਟ ਉਡੀਕ ਕਰੋ।

- 3) ਘੰਟੇ ਦੇ ਸੰਕੇਤ ਨੂੰ ਬਦਲਣ ਲਈ, ਟ੍ਰਿੱਪ ਮੀਟਰ ਸਿਲੈਕਟਰ ਨੋਬ (trip meter selector knob) (1) ਨੂੰ ਵਾਰ-ਵਾਰ ਦਬਾਓ ਜਦੋਂ ਤੱਕ ਮਿੰਟ ਦਾ ਸੰਕੇਤ ਝਪਕਣਾ ਸ਼ੁਰੂ ਨਹੀਂ ਹੋ ਜਾਂਦਾ। ਲਗਭਗ 5 ਸਕਿੰਟ ਲਈ ਉਡੀਕ ਕਰੋ ਅਤੇ ਘੰਟੇ ਦਾ ਸੰਕੇਤ ਝਪਕਣਾ ਸ਼ੁਰੂ ਹੋ ਜਾਵੇਗਾ। ਘੰਟੇ ਦੇ ਸੰਕੇਤ ਨੂੰ ਬਦਲਣ ਲਈ, ਟ੍ਰਿੱਪ ਮੀਟਰ ਸਿਲੈਕਟਰ ਨੋਬ (trip meter selector knob) (1) ਨੂੰ ਤੇਜ਼ੀ ਨਾਲ ਦਬਾਓ ਅਤੇ ਹੇਲਡ ਕਰੋ। ਘੰਟੇ ਦਾ ਸੰਕੇਤ ਸੈੱਟ ਕਰਨ ਲਈ, ਲਗਭਗ 5 ਸਕਿੰਟ ਲਈ ਉਡੀਕ ਕਰੋ।

### ⚠ ਚੇਤਾਵਨੀ

ਜੇ ਤੁਸੀਂ ਗੱਡੀ ਚਲਾਉਂਦੇ ਸਮੇਂ ਡਿਸਪਲੇ ਨੂੰ ਐਡਜਸਟ ਕਰਨ ਦੀ ਕੋਸ਼ਿਸ਼ ਕਰਦੇ ਹੋ, ਤਾਂ ਤੁਸੀਂ ਵਾਹਨ ਤੋਂ ਕੰਟਰੋਲ ਗੁਆ ਸਕਦੇ ਹੋ।

ਡ੍ਰਾਈਵਿੰਗ ਕਰਦੇ ਸਮੇਂ ਡਿਸਪਲੇ ਨੂੰ ਐਡਜਸਟ ਕਰਨ ਦੀ ਕੋਸ਼ਿਸ਼ ਨਾ ਕਰੋ।

ਨੋਟ :

ਜਦੋਂ ਤੁਸੀਂ ਨੈਗੇਟਿਵ (negative) (-) ਟਰਮੀਨਲ (terminal) ਨੂੰ ਬੈਟਰੀ ਨਾਲ ਦੁਬਾਰਾ ਕਨੈਕਟ ਕਰਦੇ ਹੋ, ਤਾਂ ਕਲਾਕ ਸੰਕੇਤ ਦੁਬਾਰਾ ਸ਼ੁਰੂ ਕੀਤਾ ਜਾਵੇਗਾ। ਆਪਣੀ ਤਰਜੀਹ ਅਨੁਸਾਰ ਸੰਕੇਤ ਨੂੰ ਦੁਬਾਰਾ ਬਦਲੋ।

### ਬ੍ਰਾਈਟਨੈੱਸ ਕੰਟਰੋਲ (Brightness control)

ਜਦੋਂ ਪੇਜੀਸ਼ਨ ਲਾਈਟਾਂ (position lights) ਅਤੇ/ਜਾਂ ਰੈਂਡਲਾਈਟਾਂ ਚਾਲੂ ਹੁੰਦੀਆਂ ਹਨ, ਤਾਂ ਤੁਸੀਂ ਮੀਟਰ ਦੀ ਰੋਸ਼ਨੀ ਦੀ ਤੀਬਰਤਾ ਨੂੰ ਨਿਯੰਤਰਿਤ ਕਰ ਸਕਦੇ ਹੋ।

ਇੰਸਟਰੂਮੈਂਟ ਪੈਨਲ ਲਾਈਟਾਂ ਦੀ ਚਮਕ ਬਦਲਣ ਲਈ, ਟ੍ਰਿੱਪ ਮੀਟਰ ਸਿਲੈਕਟਰ ਨੋਬ (trip meter selector knob) (1) ਨੂੰ ਦਬਾਓ ਅਤੇ ਹੇਲਡ ਕਰੋ।

### ⚠ ਚੇਤਾਵਨੀ

ਜੇ ਤੁਸੀਂ ਗੱਡੀ ਚਲਾਉਂਦੇ ਸਮੇਂ ਡਿਸਪਲੇ ਨੂੰ ਐਡਜਸਟ ਕਰਨ ਦੀ ਕੋਸ਼ਿਸ਼ ਕਰਦੇ ਹੋ, ਤਾਂ ਤੁਸੀਂ ਵਾਹਨ ਤੋਂ ਕੰਟਰੋਲ ਗੁਆ ਸਕਦੇ ਹੋ।

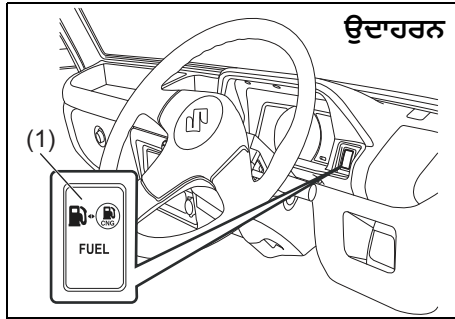
ਡ੍ਰਾਈਵਿੰਗ ਕਰਦੇ ਸਮੇਂ ਡਿਸਪਲੇ ਨੂੰ ਐਡਜਸਟ ਕਰਨ ਦੀ ਕੋਸ਼ਿਸ਼ ਨਾ ਕਰੋ।

ਨੋਟ :

- ਜੇਕਰ ਤੁਸੀਂ ਬ੍ਰਾਈਟਨੈੱਸ ਕੰਟਰੋਲ ਡਿਸਪਲੇ ਨੂੰ ਐਕਟੀਵੇਟ ਕਰਨ ਦੇ ਲਗਭਗ 10 ਸਕਿੰਟਾਂ ਦੇ ਅੰਦਰ ਟ੍ਰਿੱਪ ਮੀਟਰ ਸਿਲੈਕਟਰ ਨੋਬ (trip meter selector knob) ਨੂੰ ਨਹੀਂ ਧੱਕਦੇ ਹੋ, ਤਾਂ ਬ੍ਰਾਈਟਨੈੱਸ ਕੰਟਰੋਲ ਡਿਸਪਲੇ ਆਪਣੇ ਆਪ ਰੰਦ ਹੋ ਜਾਵੇਗੀ।
- ਜਦੋਂ ਤੁਸੀਂ ਬੈਟਰੀ ਨੂੰ ਦੁਬਾਰਾ ਕਨੈਕਟ ਕਰਦੇ ਹੋ, ਤਾਂ ਇੰਸਟਰੂਮੈਂਟ ਪੈਨਲ ਲਾਈਟਾਂ ਦੀ ਚਮਕ ਦੁਬਾਰਾ ਸ਼ੁਰੂ ਹੋ ਜਾਵੇਗੀ। ਆਪਣੀ ਪਸੰਦ ਦੇ ਅਨੁਸਾਰ ਚਮਕ ਨੂੰ ਦੁਬਾਰਾ ਐਡਜਸਟ ਕਰੋ।

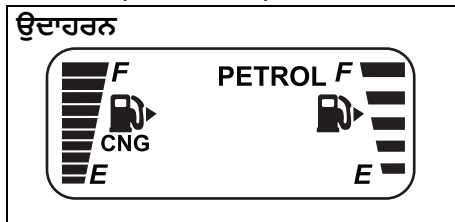
**ਸੀ.ਐਨ.ਜੀ. ਮਾਡਲ ਲਈ ਫਿਊਲ ਦੇ ਮੋਡ (ਜੇਕਰ ਲੱਗਿਆ ਹੋਵੇ)**

ਵਾਹਨ ਪੈਟਰੋਲ (Petrol), ਆਟੋ (Auto) ਅਤੇ ਫੋਰਸਡ ਸੀ.ਐਨ.ਜੀ. ਮੋਡਾਂ (Forced CNG modes) ਵਿੱਚ ਤਿੰਨ ਫਿਊਲ ਮੋਡ ਹਨ ਜੋ ਡੈਸਬੋਰਡ 'ਤੇ ਸਟੇਰਿੰਗ ਢੁੱਲ ਦੇ ਸੱਜੇ ਪਾਸੇ ਸਥਿਤ ਸਿਲੈਕਟਰ ਸਵਿੱਚ (selector switch) (1) ਨੂੰ ਦਬਾ ਕੇ ਚੁਣੇ ਜਾ ਸਕਦੇ ਹਨ।



77PM02005

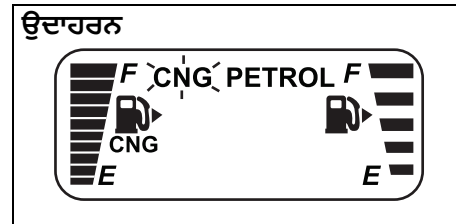
**ਪੈਟਰੋਲ ਮੋਡ (Petrol Mode)**



77PM02002

ਇਸ ਮੋਡ ਵਿੱਚ ਵਾਹਨ ਪੈਟਰੋਲ 'ਤੇ ਸਟਾਰਟ ਹੁੰਦਾ ਹੈ ਅਤੇ ਪੈਟਰੋਲ ਮੋਡ ਵਿੱਚ ਚੱਲਦਾ ਰਹਿੰਦਾ ਹੈ। ਇਸ ਮੋਡ ਵਿੱਚ, ਪੈਟਰੋਲ ਇੰਡੀਕੇਟਰ (Petrol indicator) ਲਗਾਤਾਰ ਡਿਸਪਲੇ ਹੁੰਦਾ ਹੈ ਅਤੇ ਸੀ.ਐਨ.ਜੀ. ਇੰਡੀਕੇਟਰ (CNG indicator) "ਬੰਦ" ਰਹੇਗਾ।

**ਆਟੋ ਮੋਡ (Auto Mode)**



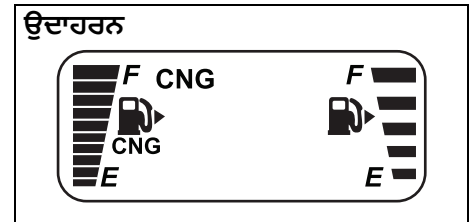
77PM02003

ਇਸ ਮੋਡ ਵਿੱਚ ਇੰਜਣ ਪੈਟਰੋਲ ਮੋਡ (petrol mode) 'ਤੇ ਸ਼ੁਰੂ ਹੁੰਦਾ ਹੈ ਅਤੇ ਫਿਰ ਪ੍ਰੋਗਰਾਮਡ ਵਾਰਮਿੰਗ ਅਪ ਕੰਡੀਸ਼ਨ ਵਿੱਚ ਪਹੁੰਚਣ ਤੋਂ ਬਾਅਦ ਆਪਣੇ ਆਪ ਸੀ.ਐਨ.ਜੀ. ਵਿੱਚ ਬਦਲ ਜਾਂਦਾ ਹੈ। ਇਗਨੀਸ਼ਨ ਸਵਿੱਚ ਆਨ ਹੋਣ ਅਤੇ ਵਾਹਨ "ਆਟੋ ਮੋਡ" (AUTO MODE) ਵਿੱਚ ਚਾਲੂ ਹੋਣ ਦੇ ਨਾਲ, ਡਿਸਪਲੇ 'ਤੇ ਸੀ.ਐਨ.ਜੀ. ਇੰਡੀਕੇਟਰ (CNG indicator) ਝਪਕਦਾ ਹੈ ਅਤੇ ਪੈਟਰੋਲ ਇੰਡੀਕੇਟਰ (PETROL indicator) ਪ੍ਰਦਰਸ਼ਿਤ ਹੁੰਦਾ ਹੈ। ਸੀ.ਐਨ.ਜੀ. ਵਿੱਚ ਤਬਦੀਲੀ ਤੋਂ ਬਾਅਦ, ਸੀ.ਐਨ.ਜੀ. ਇੰਡੀਕੇਟਰ (CNG indicator) ਪ੍ਰਦਰਸ਼ਿਤ ਹੋਵੇਗਾ ਅਤੇ ਪੈਟਰੋਲ ਇੰਡੀਕੇਟਰ (Petrol indicator) ਆਪਣੇ ਆਪ ਬੰਦ ਹੋ ਜਾਵੇਗਾ।

ਨੋਟ :

- ਇੰਜਣ ਦੀ ਉਮਰ ਵਧਾਉਣ ਲਈ ਵਾਹਨ ਨੂੰ ਆਟੋ ਮੋਡ (AUTO MODE) ਜਾਂ ਪੈਟਰੋਲ ਮੋਡ (PETROL MODE) ਵਿੱਚ ਚਾਲੂ ਕਰਨ ਦੀ ਸਿਫਾਰਸ਼ ਕੀਤੀ ਜਾਂਦੀ ਹੈ।
- ਸੀ.ਐਨ.ਜੀ. ਵਿੱਚ ਈਧਨ ਦੀ ਤਬਦੀਲੀ ਨਹੀਂ ਹੋ ਸਕਦੀ ਜੇ ਵਾਹਨ ਚਾਲੂ ਹੁੰਦਾ ਹੈ ਜਦੋਂ ਪ੍ਰੋਵੇਸ / ਇੰਜਣ ਦਾ ਤਾਪਮਾਨ ਜ਼ੀਰੋ ਡਿਗਰੀ ਸੈਲਸੀਅਸ ਤੋਂ ਘੱਟ ਹੁੰਦਾ ਹੈ। ਅਜਿਹੀ ਸਥਿਤੀ ਵਿੱਚ, ਇੰਜਣ ਨੂੰ ਪੈਟਰੋਲ ਮੋਡ (petrol mode) ਵਿੱਚ ਉਦੋਂ ਤੱਕ ਚਲਾਓ ਜਦੋਂ ਤੱਕ ਇਹ ਗਰਮ ਨਾ ਹੋ ਜਾਵੇ ਅਤੇ ਫਿਰ ਇੰਜਣ ਨੂੰ ਸੀ.ਐਨ.ਜੀ. ਵਿੱਚ ਬਦਲਣ ਲਈ ਮੁੜ ਚਾਲੂ ਕਰਨ ਦੀ ਕੋਸ਼ਿਸ਼ ਕਰੋ।

**ਫੋਰਸਡ ਸੀ.ਐਨ.ਜੀ. ਮੋਡ (Forced CNG Mode)**



77PM02004

ਇਹ ਐਮਰਜੈਂਸੀ ਮੋਡ ਹੈ ਅਤੇ ਉਹਨਾਂ ਮਾਮਲਿਆਂ ਵਿੱਚ ਵਰਤਿਆ ਜਾ ਸਕਦਾ ਹੈ ਜਿੱਥੇ ਪੈਟਰੋਲ ਟੈਂਕ ਵਿੱਚ ਪੈਟਰੋਲ ਨਾ ਹੋਵੇ। ਇਸ ਮੋਡ ਵਿੱਚ ਵਾਹਨ ਸੀ.ਐਨ.ਜੀ. ਮੋਡ (CNG mode) ਵਿੱਚ ਚਾਲੂ ਹੁੰਦਾ ਹੈ ਅਤੇ ਸੀ.ਐਨ.ਜੀ. ਮੋਡ ਵਿੱਚ ਚੱਲਦਾ ਰਹਿੰਦਾ ਹੈ। ਇਗਨੀਸ਼ਨ "ਚਾਲੂ" ਹੋਣ ਅਤੇ ਇੰਜਣ ਨਾ ਚੱਲਣ ਦੇ ਨਾਲ, ਚੌਜਓਵਰ



## ਡਰਾਈਵਿੰਗ ਕਰਨ ਤੋਂ ਪਹਿਲਾਂ

ਸਵਿੱਚ ਨੂੰ ਉਦੋਂ ਤੱਕ ਦਬਾਓ ਅਤੇ ਹੋਲਡ ਕਰੋ ਜਦੋਂ ਤੱਕ ਸਿਰਫ਼ ਸੀ.ਐਨ.ਜੀ. ਇੰਡੀਕੇਟਰ ਦਿਖਾਈ ਨਹੀਂ ਦਿੰਦਾ। ਇਸ ਮੋਡ ਵਿੱਚ, ਸੀ.ਐਨ.ਜੀ. ਇੰਡੀਕੇਟਰ (CNG indicator) ਡਿਸਪਲੇ ਹੁੰਦਾ ਹੈ ਅਤੇ ਪੈਟਰੋਲ ਇੰਡੀਕੇਟਰ (Petrol indicator) "ਬੰਦ" ਰਹਿੰਦਾ ਹੈ।

ਨੋਟ :

- ਪੈਟਰੋਲ ਟੈਂਕ ਵਿੱਚ ਪੈਟਰੋਲ ਦੀ ਲੋੜੀਂਦੀ ਮਾਤਰਾ ਰੱਖਣ ਦੀ ਸਿਫਾਰਸ਼ ਕੀਤੀ ਜਾਂਦੀ ਹੈ।
- ਜੇ ਪ੍ਰਵੇਸ਼/ਇੰਜਣ ਦਾ ਤਾਪਮਾਨ ਜ਼ੀਰੋ ਡਿਗਰੀ ਸੈਲਸੀਅਸ ਤੋਂ ਘੱਟ ਹੁੰਦਾ ਹੈ ਤਾਂ ਵਾਹਨ ਫੋਰਸਡ ਸੀ.ਐਨ.ਜੀ. ਮੋਡ (CNG mode) ਵਿੱਚ ਚਾਲੂ ਨਹੀਂ ਹੋ ਸਕਦਾ ਹੈ। ਵਾਹਨ ਨੂੰ ਆਟੋ ਮੋਡ ਵਿੱਚ ਚਾਲੂ ਕਰਨ ਦੀ ਸਿਫਾਰਸ਼ ਕੀਤੀ ਜਾਂਦੀ ਹੈ।

**ਸੀ.ਐਨ.ਜੀ. ਮੋਡ ਤੋਂ ਪੈਟਰੋਲ ਮੋਡ ਵਿੱਚ ਆਟੋਮੈਟਿਕ ਚੌਜਓਵਰ**

ਜੇ ਇੰਜਣ ਦੇ ਚੱਲਦੇ ਸਮੇਂ ਸੀ.ਐਨ.ਜੀ. ਖਤਮ ਹੋ ਜਾਂਦੀ ਹੈ, ਤਾਂ ਵਾਹਨ ਆਪਣੇ ਆਪ ਸੀ.ਐਨ.ਜੀ. ਮੋਡ (CNG mode) ਤੋਂ ਪੈਟਰੋਲ ਮੋਡ (petrol mode) ਵਿੱਚ ਬਦਲ ਜਾਵੇਗਾ ਅਤੇ ਸੀ.ਐਨ.ਜੀ. ਖਰਾਬ ਹੋਣ ਦੀ ਵਾਰਨਿੰਗ ਦੇਣ ਵਾਲਾ ਲੈਂਪ ਝਪਕਣਾ ਸ਼ੁਰੂ ਹੋ ਜਾਵੇਗਾ। ਪੈਟਰੋਲ ਇੰਡੀਕੇਟਰ (Petrol indicator) ਲਗਾਤਾਰ ਪ੍ਰਦਰਸ਼ਿਤ ਹੋਵੇਗਾ ਅਤੇ ਸੀ.ਐਨ.ਜੀ. ਇੰਡੀਕੇਟਰ (CNG indicator) ਸਵੈਚਲਿਤ ਹੀ ਬੰਦ ਹੋ ਜਾਵੇਗਾ।

ਇਸ ਜਾਣਕਾਰੀ ਨੂੰ ਸਵੀਕਾਰ ਕਰਨ ਲਈ, ਇੱਕ ਵਾਰ ਚੌਜਓਵਰ ਸਵਿੱਚ ਨੂੰ ਦਬਾਓ। ਚੌਜਓਵਰ ਸਵਿੱਚ ਦਬਾਉਣ ਤੋਂ ਬਾਅਦ ਸੀ.ਐਨ.ਜੀ. ਖਰਾਬ ਹੋਣ ਦੀ ਚਿਤਾਵਨੀ ਦੇਣ ਵਾਲਾ ਲੈਂਪ ਝਪਕਣਾ ਬੰਦ ਕਰ ਦੇਵੇਗਾ ਅਤੇ ਪੈਟਰੋਲ ਇੰਡੀਕੇਟਰ (Petrol indicator) ਲਗਾਤਾਰ ਚਮਕਦਾ ਰਹੇਗਾ। ਹਾਲਾਂਕਿ ਸੀ.ਐਨ.ਜੀ.

ਖਰਾਬ ਹੋਣ ਦਾ ਇੰਡੀਕੇਟਰ ਲੈਂਪ ਹਰ ਅਗਲੀ ਇਗਨੀਸ਼ਨ ਆਨ - ਇਗਨੀਸ਼ਨ ਆਫ਼ ਸਥਿਤੀ ਤੋਂ ਬਾਅਦ ਝਪਕਣਾ ਜਾਰੀ ਰੱਖੇਗਾ ਜਦੋਂ ਤੱਕ ਵਾਹਨ ਨੂੰ ਸੀ.ਐਨ.ਜੀ. ਨਾਲ ਦੁਬਾਰਾ ਨਹੀਂ ਭਰਿਆ ਜਾਂਦਾ। ਜੇਕਰ ਸੀ.ਐਨ.ਜੀ. ਰੀਫਿਲ ਕੀਤੀ ਜਾਂਦੀ ਹੈ, ਤਾਂ ਕਿਰਪਾ ਕਰਕੇ ਸੀ.ਐਨ.ਜੀ. ਵਿੱਚ ਬਦਲਣ ਲਈ ਇੱਕ ਵਾਰ ਈਧਨ ਚੌਜਓਵਰ ਸਵਿੱਚ ਨੂੰ ਦਬਾਓ। ਫਿਰ, ਵਾਹਨ ਸੀ.ਐਨ.ਜੀ. 'ਤੇ ਚੱਲ ਸਕਦਾ ਹੈ।

ਨੋਟ :

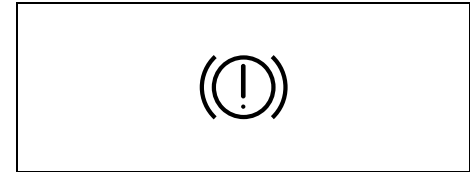
- ਸੀ.ਐਨ.ਜੀ. ਮੋਡ (CNG mode) ਤੋਂ ਪੈਟਰੋਲ ਮੋਡ (petrol mode) ਵਿੱਚ ਆਟੋਮੈਟਿਕ ਬਦਲਦੇ ਸਮੇਂ ਇੰਜਣ ਨੂੰ ਬੰਦ ਹੋਣ ਤੋਂ ਰੋਕਣ ਲਈ ਪੈਟਰੋਲ ਟੈਂਕ ਵਿੱਚ ਕਾਫ਼ੀ ਮਾਤਰਾ ਵਿੱਚ ਪੈਟਰੋਲ ਰੱਖਣ ਦੀ ਸਿਫਾਰਸ਼ ਕੀਤੀ ਜਾਂਦੀ ਹੈ।
- ਜੇਕਰ ਸੀ.ਐਨ.ਜੀ. ਖਰਾਬ ਹੋਣ ਦੀ ਚਿਤਾਵਨੀ ਦੇਣ ਵਾਲਾ ਲੈਂਪ ਚੌਜਓਵਰ ਸਵਿੱਚ ਨੂੰ ਦਬਾਉਣ ਤੋਂ ਬਾਅਦ ਝਪਕਣਾ ਬੰਦ ਨਹੀਂ ਕਰਦਾ ਹੈ, ਤਾਂ ਨਜ਼ਦੀਕੀ ਅਧਿਕਾਰਤ ਮਾਰੂਤੀ ਸੁਜੂਕੀ ਕਮਰਸੀਅਲ ਵਰਕਸ਼ਾਪ 'ਤੇ ਵਾਹਨ ਦੀ ਜਾਂਚ ਕਰਵਾਓ।

## ਵਾਰਨਿੰਗ ਅਤੇ ਇੰਡੀਕੇਟਰ ਲਾਈਟਾਂ

ਨੋਟ :

ਜੇਕਰ ਵਾਰਨਿੰਗ (warning) ਅਤੇ ਇੰਡੀਕੇਟਰ ਲਾਈਟਾਂ (indicator lights) ਝਮਕਦੀਆਂ ਹਨ ਜਾਂ ਜਗ ਜਾਂਦੀਆਂ ਹਨ, ਤਾਂ ਇਸ ਅਨੁਸਾਰ ਸੁਨੇਹੋ ਜਾਣਕਾਰੀ ਦੀ ਡਿਸਪਲੇਅ 'ਤੇ ਦਿੱਖ ਸਕਦੇ ਹਨ।

### ਬਰੇਕ ਸਿਸਟਮ ਵਾਰਨਿੰਗ ਲਾਈਟ (Brake System Warning Light)



82K170

ਵਾਹਨ ਦੀਆਂ ਸਪੈਸੀਫਿਕੇਸ਼ਨਾਂ ਦੇ ਆਧਾਰ 'ਤੇ ਚਾਰ ਵੱਖ-ਵੱਖ ਕਿਸਮਾਂ ਦੇ ਅਪਰੇਸ਼ਨ ਮੌਜੂਦ ਹਨ।

- 1) ਜਦੋਂ ਇਗਨੀਸ਼ਨ ਸਵਿੱਚ ਨੂੰ "ਆਨ" ਸਥਿਤੀ ਵੱਲ ਮੋੜਿਆ ਜਾਂਦਾ ਹੈ ਤਾਂ ਰੋਸ਼ਨੀ ਥੋੜ੍ਹੇ ਸਮੇਂ ਲਈ ਆਉਂਦੀ ਹੈ।
- 2) ਲਾਈਟ ਉਦੋਂ ਆਉਂਦੀ ਹੈ ਜਦੋਂ ਪਾਰਕਿੰਗ ਬ੍ਰੇਕ "ਆਨ" ਸਥਿਤੀ ਵਿੱਚ ਇਗਨੀਸ਼ਨ ਸਵਿੱਚ ਨਾਲ ਲੱਗੀ ਹੁੰਦੀ ਹੈ।
- 3) ਲਾਈਟ ਉਦੋਂ ਆਉਂਦੀ ਹੈ ਜਦੋਂ ਉਪਰੋਕਤ ਦੋ ਸਥਿਤੀਆਂ ਵਿੱਚੋਂ ਕਿਸੇ ਇੱਕ ਜਾਂ ਦੋਵਾਂ ਵਿੱਚ ਹੁੰਦੀ ਹੈ।

4) ਰੋਸ਼ਨੀ ਉਦੋਂ ਵੀ ਆਉਂਦੀ ਹੈ ਜਦੋਂ ਬ੍ਰੇਕ ਫਲੂਇਡ ਰੇਜ਼ਰਵੋਇਰ (**brake fluid reservoir**) ਵਿੱਚ ਫਲੂਇਡ ਨਿਰਧਾਰਤ ਪੱਧਰ ਤੋਂ ਹੇਠਾਂ ਡਿੱਗਦਾ ਹੈ।

ਇੰਜਣ ਨੂੰ ਚਾਲੂ ਕਰਨ ਅਤੇ ਪਾਰਕਿੰਗ ਬ੍ਰੇਕ ਨੂੰ ਪੂਰੀ ਤਰ੍ਹਾਂ ਛੱਡਣ ਤੋਂ ਬਾਅਦ ਰੋਸ਼ਨੀ ਚਲੀ ਜਾਣੀ ਚਾਹੀਦੀ ਹੈ, ਜੇਕਰ ਬ੍ਰੇਕ ਫਲੂਇਡ ਰੇਜ਼ਰਵੋਇਰ ਵਿੱਚ ਤਰਲ ਦਾ ਪੱਧਰ ਕਾਫ਼ੀ ਹੈ।

ਜਦੋਂ **ABS** ਸਿਸਟਮ (**system**) ਦਾ ਰੀਅਰ ਬਰੇਕ ਫੋਰਸ ਕੰਟਰੋਲ ਫੰਕਸ਼ਨ (ਅਨੁਪਾਤਿਕ ਵਾਲਵ ਫੰਕਸ਼ਨ) ਫੇਲ੍ਹ ਹੋ ਜਾਂਦਾ ਹੈ ਤਾਂ ਵੀ **ABS** ਚੇਤਾਵਨੀ ਲਾਈਟ ਨਾਲ ਵੀ ਇਕੱਠਿਆਂ ਲਾਈਟ ਐਨ ਹੋ ਜਾਂਦੀ ਹੈ।

ਜੇ ਵਾਹਨ ਚਲਾਉਂਦੇ ਸਮੇਂ ਬ੍ਰੇਕ ਸਿਸਟਮ ਵਾਰਨਿੰਗ ਲਾਈਟ ਆਉਂਦੀ ਹੈ, ਤਾਂ ਇਸਦਾ ਮਤਲਬ ਇਹ ਹੋ ਸਕਦਾ ਹੈ ਕਿ ਵਾਹਨ ਦੇ ਬ੍ਰੇਕ ਸਿਸਟਮ ਵਿੱਚ ਕੁਝ ਗੜਬੜ ਹੈ। ਜੇ ਅਜਿਹਾ ਹੁੰਦਾ ਹੈ, ਤਾਂ ਤੁਹਾਨੂੰ ਇਹ ਕਰਨਾ ਚਾਹੀਦਾ ਹੈ:

1) ਵਾਹਨ ਨੂੰ ਸੜਕ ਤੋਂ ਹੇਠਾਂ ਉਤਾਰੋ ਅਤੇ ਧਿਆਨ ਨਾਲ ਰੋਕੋ।

**⚠ ਚੇਤਾਵਨੀ**

ਯਾਦ ਰੱਖੋ ਕਿ ਰੁਕਣ ਦੀ ਦੂਰੀ ਲੰਮੀ ਹੋ ਸਕਦੀ ਹੈ, ਤੁਹਾਨੂੰ ਪੈਡਲ 'ਤੇ ਜ਼ੋਰ ਨਾਲ ਧੱਕਾ ਮਾਰਨਾ ਪੈ ਸਕਦਾ ਹੈ, ਅਤੇ ਪੈਡਲ ਆਮ ਨਾਲੋਂ ਜ਼ਿਆਦਾ ਹੇਠਾਂ ਜਾ ਸਕਦਾ ਹੈ।

2) ਸੜਕ ਦੇ ਕਿਨਾਰੇ 'ਤੇ ਧਿਆਨ ਨਾਲ ਸ਼ੁਰੂ ਅਤੇ ਰੁਕ ਕੇ ਬ੍ਰੇਕਾਂ ਦੀ ਜਾਂਚ ਕਰੋ।

– ਜੇ ਤੁਸੀਂ ਇਹ ਨਿਰਧਾਰਤ ਕਰਦੇ ਹੋ ਕਿ ਇਹ ਸੁਰੱਖਿਅਤ ਹੈ, ਤਾਂ ਮੁਰੰਮਤ ਲਈ ਨਜ਼ਦੀਕੀ ਡੀਲਰ ਕੋਲ ਘੱਟ ਗਤੀ 'ਤੇ ਧਿਆਨ ਨਾਲ ਗੱਡੀ ਚਲਾ ਕੇ ਲਿਆਓ, ਜਾਂ

– ਮੁਰੰਮਤ ਲਈ ਵਾਹਨ ਨੂੰ ਨਜ਼ਦੀਕੀ ਅਧਿਕਾਰਤ ਮਾਰੂਤੀ ਸ਼ੁਜ਼ੁਕੀ ਕਮਰਸ਼ੀਅਲ ਵਰਕਸ਼ਾਪ ਵਿੱਚ ਲਿਆਓ।

**⚠ ਚੇਤਾਵਨੀ**

ਜੇ ਹੇਠ ਲਿਖੀਆਂ ਸਥਿਤੀਆਂ ਵਿੱਚੋਂ ਕੋਈ ਵੀ ਵਾਪਰਦੀ ਹੈ, ਤਾਂ ਤੁਹਾਨੂੰ ਤੁਰੰਤ ਆਪਣੀ ਅਧਿਕਾਰਤ ਮਾਰੂਤੀ ਸ਼ੁਜ਼ੁਕੀ ਕਮਰਸ਼ੀਅਲ ਵਰਕਸ਼ਾਪ ਨੂੰ ਬ੍ਰੇਕ ਸਿਸਟਮ ਦੀ ਜਾਂਚ ਕਰਨ ਲਈ ਕਹਿਣਾ ਚਾਹੀਦਾ ਹੈ।

- ਜੇ ਇੰਜਣ ਚਾਲੂ ਹੋਣ ਅਤੇ ਪਾਰਕਿੰਗ ਬ੍ਰੇਕ ਨੂੰ ਪੂਰੀ ਤਰ੍ਹਾਂ ਛੱਡਣ ਤੋਂ ਬਾਅਦ ਬ੍ਰੇਕ ਸਿਸਟਮ ਵਾਰਨਿੰਗ ਲਾਈਟ ਬੰਦ ਨਹੀਂ ਹੁੰਦੀ ਹੈ।
- ਜੇਕਰ ਇਗਨੀਸ਼ਨ ਸਵਿੱਚ ਨੂੰ "ਚਾਲੂ" ਸਥਿਤੀ ਵੱਲ ਮੋੜਨ 'ਤੇ ਬ੍ਰੇਕ ਸਿਸਟਮ ਵਾਰਨਿੰਗ ਲਾਈਟ ਚਾਲੂ ਨਹੀਂ ਹੁੰਦੀ ਹੈ।
- ਜੇਕਰ ਵਾਹਨ ਦੇ ਸੰਚਾਲਨ ਦੌਰਾਨ ਕਿਸੇ ਵੀ ਸਮੇਂ ਬ੍ਰੇਕ ਸਿਸਟਮ ਵਾਰਨਿੰਗ ਲਾਈਟ ਆਉਂਦੀ ਹੈ।

ਨੋਟ :

ਕਿਉਂਕਿ ਬ੍ਰੇਕ ਸਿਸਟਮ ਸਵੈ-ਐਡਜਸਟਿੰਗ ਹੈ, ਬ੍ਰੇਕ ਪੈਡ ਦੇ ਖਰਾਬ ਹੋਣ 'ਤੇ ਤਰਲ ਪੱਧਰ ਘਟ ਜਾਵੇਗਾ। ਬ੍ਰੇਕ ਫਲੂਇਡ ਰੇਜ਼ਰਵੋਇਰ (**brake fluid reservoir**) ਨੂੰ ਮੁੜ ਭਰਨਾ ਸਮੇਂ-ਸਮੇਂ 'ਤੇ ਰੱਖ-ਰਖਾਅ ਮੰਨਿਆ ਜਾਂਦਾ ਹੈ।

**ਐਂਟੀ-ਲੋਕ ਬਰੇਕ ਸਿਸਟਮ (ABS) ਵਾਰਨਿੰਗ ਲਾਈਟ (ਜੇਕਰ ਲੈਸ ਹੋਵੇ)**



65D529

ਜਦੋਂ ਇਗਨੀਸ਼ਨ ਸਵਿੱਚ (**ignition switch**) ਨੂੰ "ਆਨ" (**ON**) ਪੋਜੀਸ਼ਨ 'ਤੇ ਕੀਤਾ ਜਾਂਦਾ ਹੈ, ਤਾਂ ਲਾਈਟ ਥੋੜ੍ਹੇ ਸਮੇਂ ਲਈ ਆਉਂਦੀ ਹੈ ਤਾਂ ਕਿ ਤੁਸੀਂ ਜਾਂਚ ਕਰ ਸਕੋ ਕਿ ਲਾਈਟ ਕੰਮ ਕਰ ਰਹੀ ਹੈ।

ਜੇਕਰ ਲਾਈਟ ਚੱਲਦੀ ਰਹਿੰਦੀ ਹੈ, ਜਾਂ ਡਰਾਈਵ ਕਰਨ ਵੇਲੇ ਚੱਲਦੀ ਹੈ, ਤਾਂ **ABS** ਵਿੱਚ ਕੁੱਝ ਗੜਬੜ ਹੋ ਸਕਦੀ ਹੈ।

ਜੇਕਰ ਅਜਿਹਾ ਹੁੰਦਾ ਹੈ:

- 1) ਸੜਕ ਤੋਂ ਹੱਟ ਕੇ ਧਿਆਨ ਨਾਲ ਰੁਕੋ।
- 2) ਇਗਨੀਸ਼ਨ ਸਵਿੱਚ (**ignition switch**) ਨੂੰ "ਲੋਕ" (**LOCK**) ਪੋਜੀਸ਼ਨ 'ਤੇ ਕਰੋ ਅਤੇ ਫਿਰ ਇੰਜਣ ਨੂੰ ਚਾਲੂ ਕਰੋ।

ਜੇਕਰ ਵਾਰਨਿੰਗ ਲਾਈਟ (**warning light**) ਕੁੱਝ ਸਮੇਂ ਲਈ ਆਉਂਦੀ ਹੈ ਅਤੇ ਫਿਰ ਬੰਦ ਹੋ ਜਾਂਦੀ ਹੈ, ਤਾਂ ਸਿਸਟਮ ਨਾਰਮਲ ਹੈ। ਜੇਕਰ ਵਾਰਨਿੰਗ ਲਾਈਟ ਅਜੇ ਵੀ ਜਗਦੀ ਰਹਿੰਦੀ ਹੈ, ਤਾਂ ਸਿਸਟਮ ਵਿੱਚ ਕੋਈ ਗੜਬੜ ਹੈ।

ਜੇਕਰ ਲਾਈਟ ਅਤੇ ਬਰੇਕ ਸਿਸਟਮ ਵਾਰਨਿੰਗ ਲਾਈਟ (**warning light**) ਜਗਦੀ ਰਹਿੰਦੀ ਹੈ, ਜਾਂ ਡਰਾਈਵ ਕਰਨ ਵੇਲੇ ਇੱਕੋ ਸਮੇਂ ਆਉਂਦੀ ਹੈ, ਤੁਹਾਡਾ **ABS** ਸਿਸਟਮ ਰੀਅਰ ਬਰੇਕ ਫੋਰਸ ਕੰਟਰੋਲ ਫੰਕਸ਼ਨ (ਅਨੁਪਾਤਿਕ ਵਾਲਵ ਫੰਕਸ਼ਨ) ਨਾਲ ਲੈਸ ਹੈ ਅਤੇ ਰੀਅਰ

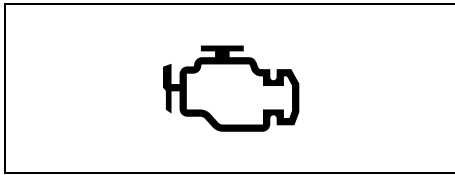
## ਡਰਾਈਵਿੰਗ ਕਰਨ ਤੋਂ ਪਹਿਲਾਂ

ਬਰੇਕ ਫੋਰਸ ਕੰਟਰੋਲ ਫੰਕਸ਼ਨ ਅਤੇ **ABS** ਸਿਸਟਮ ਦੇ ਐਂਟੀ-ਲੌਕ ਫੰਕਸ਼ਨ ਵਿੱਚ ਕੁੱਝ ਗੜਬੜ ਹੋ ਸਕਦੀ ਹੈ। ਜੇਕਰ ਉਪਰੋਕਤ ਵਿੱਚੋਂ ਕੋਈ ਵਾਪਰਦਾ ਹੈ, ਤਾਂ ਮਾਰੂਤੀ ਸੂਜੂਕੀ ਅਧਿਕਾਰਤ ਵਰਕਸ਼ਾਪ ਦੁਆਰਾ ਸਿਸਟਮ ਦੀ ਜਾਂਚ ਕਰਵਾਓ।

ਜੇਕਰ **ABS** ਕੰਮ ਨਹੀਂ ਕਰਦਾ ਹੈ, ਬਰੇਕ ਸਿਸਟਮ (**brake system**) ਇੱਕ ਸਧਾਰਨ ਬਰੇਕ ਸਿਸਟਮ ਵਜੋਂ ਕੰਮ ਕਰੇਗਾ ਜਿਸ ਵਿੱਚ ਇਹ **ABS** ਸਿਸਟਮ (**system**) ਨਹੀਂ ਹੁੰਦਾ ਹੈ।

**ABS** ਦੇ ਸਿਸਟਮ (**system**) ਦੇ ਵੇਰਵਿਆਂ ਲਈ, "ਆਪਣੇ ਵਾਹਨ ਨੂੰ ਅਪਰੇਟ ਕਰਨਾ" ਸੈਕਸ਼ਨ ਵਿੱਚ "ਐਂਟੀਲੋਕ ਬਰੇਕ ਸਿਸਟਮ (**ABS**)" ਨੂੰ ਚੈਕ ਕਰੋ।

### ਖਰਾਬੀ ਦੀ ਇੰਡੀਕੇਟਰ ਲਾਈਟ (Malfunction Indicator Light)



63J031

ਤੁਹਾਡੇ ਵਾਹਨ ਵਿੱਚ ਕੰਪਿਊਟਰ ਦੁਆਰਾ ਨਿਯੰਤਰਿਤ ਐਮਿਸ਼ਨਜ਼ ਕੰਟਰੋਲ ਸਿਸਟਮ ਹੈ। ਇੰਸਟ੍ਰੂਮੈਂਟ ਪੈਨਲ 'ਤੇ ਇੱਕ ਖਰਾਬੀ ਇੰਡੀਕੇਟਰ ਰੋਸ਼ਨੀ ਪ੍ਰਦਾਨ ਕੀਤੀ ਜਾਂਦੀ ਹੈ ਤਾਂ ਜੋ ਇਹ ਦਰਸਾਇਆ ਜਾ ਸਕੇ ਕਿ ਕਦੋਂ ਐਮਿਸ਼ਨ ਕੰਟਰੋਲ ਸਿਸਟਮ ਨੂੰ ਸਰਵਿਸ ਕਰਵਾਉਣਾ ਜ਼ਰੂਰੀ ਹੈ। ਖਰਾਬੀ ਇੰਡੀਕੇਟਰ ਲਾਈਟ ਉਦੋਂ ਆਉਂਦੀ ਹੈ ਜਦੋਂ ਇਗਨੀਸ਼ਨ ਸਵਿੱਚ ਨੂੰ "ਚਾਲੂ" ਸਥਿਤੀ ਵਿੱਚ ਬਦਲਿਆ

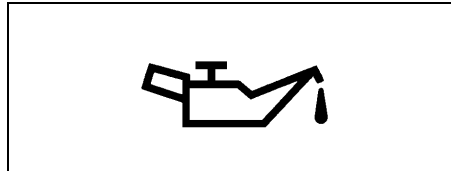
ਜਾਂਦਾ ਹੈ ਤਾਂ ਜੋ ਤੁਹਾਨੂੰ ਇਹ ਦੱਸਣ ਲਈ ਕਿ ਲਾਈਟ ਕੰਮ ਕਰ ਰਹੀ ਹੈ ਅਤੇ ਇੰਜਣ ਚਾਲੂ ਹੋਣ 'ਤੇ ਬੰਦ ਹੋ ਜਾਂਦੀ ਹੈ।

ਜੇਕਰ ਇੰਜਣ ਦੇ ਚੱਲਦੇ ਸਮੇਂ ਖਰਾਬੀ ਇੰਡੀਕੇਟਰ ਲਾਈਟ ਆ ਜਾਂਦੀ ਹੈ, ਤਾਂ ਐਮਿਸ਼ਨ ਕੰਟਰੋਲ ਸਿਸਟਮ ਵਿੱਚ ਕੋਈ ਸਮੱਸਿਆ ਹੈ। ਨੁਕਸਾਨ ਨੂੰ ਠੀਕ ਕਰਨ ਲਈ ਵਾਹਨ ਨੂੰ ਆਪਣੀ ਨਜ਼ਦੀਕੀ ਅਧਿਕਾਰਤ ਮਾਰੂਤੀ ਸੂਜੂਕੀ ਕਮਰਸ਼ੀਅਲ ਵਰਕਸ਼ਾਪ 'ਤੇ ਲੈ ਜਾਓ।

### ਨੋਟਿਸ

ਖਰਾਬੀ ਇੰਡੀਕੇਟਰ ਲਾਈਟ ਚਾਲੂ ਹੋਣ 'ਤੇ ਵਾਹਨ ਨੂੰ ਚਲਾਉਣਾ ਜਾਰੀ ਰੱਖਣ ਨਾਲ ਵਾਹਨ ਦੇ ਨਿਕਾਸੀ ਨਿਯੰਤਰਣ ਪ੍ਰਣਾਲੀ ਨੂੰ ਸਥਾਈ ਨੁਕਸਾਨ ਹੋ ਸਕਦਾ ਹੈ, ਅਤੇ ਇਹ ਈਧਨ ਦੀ ਆਰਥਿਕਤਾ ਅਤੇ ਚਲਾਉਣਯੋਗਤਾ ਨੂੰ ਪ੍ਰਭਾਵਤ ਕਰ ਸਕਦਾ ਹੈ।

### ਆਇਲ ਪ੍ਰੈਸ਼ਰ ਲਾਈਟ (Oil Pressure Light)



50G051

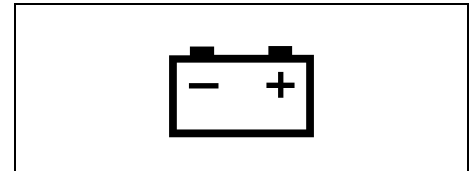
ਇਹ ਰੋਸ਼ਨੀ ਉਦੋਂ ਆਉਂਦੀ ਹੈ ਜਦੋਂ ਇਗਨੀਸ਼ਨ ਸਵਿੱਚ ਨੂੰ "ਚਾਲੂ" ਸਥਿਤੀ ਵੱਲ ਕੀਤਾ ਜਾਂਦਾ ਹੈ, ਅਤੇ ਇੰਜਣ ਚਾਲੂ ਹੋਣ 'ਤੇ ਚਲੀ ਜਾਂਦੀ ਹੈ। ਜੇ ਤੇਲ ਦਾ ਦਬਾਅ ਘੱਟ ਹੈ ਤਾਂ ਲਾਈਟ ਆ ਜਾਵੇਗੀ ਅਤੇ ਚਾਲੂ ਰਹੇਗੀ। ਜੇ ਗੱਡੀ

ਚਲਾਉਂਦੇ ਸਮੇਂ ਲਾਈਟ ਆਉਂਦੀ ਹੈ, ਤਾਂ ਜਿੰਨੀ ਜਲਦੀ ਹੋ ਸਕੇ ਸੜਕ ਤੋਂ ਹੇਠਾਂ ਉਤਾਰੋ ਅਤੇ ਇੰਜਣ ਨੂੰ ਬੰਦ ਕਰੋ। ਤੇਲ ਦੇ ਪੱਧਰ ਦੀ ਜਾਂਚ ਕਰੋ ਅਤੇ ਜੇ ਲੋੜ ਹੋਵੇ ਤਾਂ ਸਿਫ਼ਾਰਸ਼ ਕੀਤਾ ਇੰਜਣ ਆਇਲ ਪਾਓ। ਜੇਕਰ ਤੇਲ ਫਾੜੀ ਹੈ, ਤਾਂ ਵਾਹਨ ਨੂੰ ਦੁਬਾਰਾ ਚਲਾਉਣ ਤੋਂ ਪਹਿਲਾਂ ਤੁਹਾਡੀ ਅਧਿਕਾਰਤ ਮਾਰੂਤੀ ਸੂਜੂਕੀ ਕਮਰਸ਼ੀਅਲ ਵਰਕਸ਼ਾਪ ਤੋਂ ਲੁਬਰੀਕੇਸ਼ਨ ਸਿਸਟਮ ਦੀ ਜਾਂਚ ਕਰਵਾਉਣੀ ਚਾਹੀਦੀ ਹੈ।

### ਨੋਟਿਸ

- ਜੇਕਰ ਤੁਸੀਂ ਇਸ ਲਾਈਟ ਨੂੰ ਆਨ ਕਰਕੇ ਇੰਜਣ ਚਲਾਉਂਦੇ ਹੋ, ਤਾਂ ਇੰਜਣ ਨੂੰ ਗੰਭੀਰ ਨੁਕਸਾਨ ਹੋ ਸਕਦਾ ਹੈ।
- ਤੇਲ ਪਾਉਣ ਦੀ ਲੋੜ ਨੂੰ ਦਰਸਾਉਣ ਲਈ ਆਇਲ ਪ੍ਰੈਸ਼ਰ ਲਾਈਟ 'ਤੇ ਭਰੋਸਾ ਨਾ ਕਰੋ। ਸਮੇਂ-ਸਮੇਂ 'ਤੇ ਇੰਜਣ ਦੇ ਤੇਲ ਦੇ ਪੱਧਰ ਦੀ ਜਾਂਚ ਕਰਨਾ ਯਕੀਨੀ ਬਣਾਓ।

### ਚਾਰਜਿੰਗ ਲਾਈਟ (Charging Light)



50G052

ਇਹ ਰੋਸ਼ਨੀ ਉਦੋਂ ਆਉਂਦੀ ਹੈ ਜਦੋਂ ਇਗਨੀਸ਼ਨ ਸਵਿੱਚ ਨੂੰ "ਚਾਲੂ" ਸਥਿਤੀ ਵੱਲ ਕੀਤਾ ਜਾਂਦਾ ਹੈ, ਅਤੇ ਇੰਜਣ ਚਾਲੂ ਹੋਣ 'ਤੇ ਬੰਦ ਹੋ ਜਾਂਦੀ ਹੈ। ਜੇਕਰ ਬੈਟਰੀ ਚਾਰਜਿੰਗ ਸਿਸਟਮ ਵਿੱਚ ਕੋਈ ਖਰਾਬੀ ਹੁੰਦੀ ਹੈ ਤਾਂ ਲਾਈਟ ਆਵੇਗੀ ਅਤੇ ਚਾਲੂ ਰਹੇਗੀ। ਜੇਕਰ ਇੰਜਣ ਦੇ ਚੱਲਦੇ ਸਮੇਂ ਲਾਈਟ

ਆਉਂਦੀ ਹੈ, ਤਾਂ ਚਾਰਜਿੰਗ ਸਿਸਟਮ ਦੀ ਤੁਰੰਤ ਆਪਣੀ ਅਧਿਕਾਰਤ ਮਾਰੂਤੀ ਸੂਜੂਕੀ ਕਮਰਸ਼ੀਅਲ ਵਰਕਸ਼ਾਪ ਤੋਂ ਜਾਂਚ ਕਰਵਾਉਣੀ ਚਾਹੀਦੀ ਹੈ।

**ਡਰਾਈਵਰ ਦੀ ਸੀਟ ਬੈਲਟ ਵਾਰਨਿੰਗ ਲਾਈਟ/ ਫਰੰਟ ਪੈਸੇਂਜਰ ਦੀ ਸੀਟ ਬੈਲਟ ਵਾਰਨਿੰਗ ਲਾਈਟ**

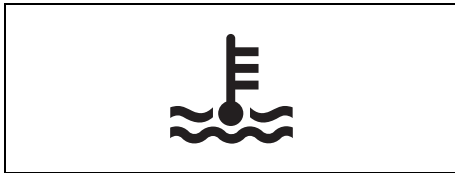


60G049

ਜਦੋਂ ਡਰਾਈਵਰ ਜਾਂ ਮੁਹਰਲਾ ਯਾਤਰੀ ਆਪਣੀ ਸੀਟ ਬੈਲਟ ਨਹੀਂ ਲਾਉਂਦਾ, ਤਾਂ ਇਹ ਰੋਸ਼ਨੀ ਆਵੇਗੀ ਅਤੇ/ਜਾਂ ਝਪਕਦੀ ਰਹੇਗੀ।

ਸੀਟ ਬੈਲਟ ਰੀਮਾਈਂਡਰ ਬਾਰੇ ਵੇਰਵਿਆਂ ਲਈ, ਇਸ ਸੈਕਸ਼ਨ ਵਿੱਚ "ਸੀਟ ਬੈਲਟ ਅਤੇ ਚਾਈਲਡ ਰਿਸਟ੍ਰੈਂਟ ਸਿਸਟਮ" ਨੂੰ ਦੇਖੋ।

**ਉੱਚ ਇੰਜਣ ਕੂਲਿੰਗ ਤਾਪਮਾਨ ਵਾਰਨਿੰਗ ਲਾਈਟ (ਲਾਲ ਰੰਗ)**



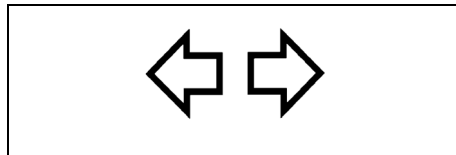
54G344

ਜਦੋਂ ਇਗਨੀਸ਼ਨ ਸਵਿੱਚ ਨੂੰ "ਆਨ" ਸਥਿਤੀ ਵੱਲ ਕੀਤਾ ਜਾਂਦਾ ਹੈ, ਤਾਂ ਇਹ ਰੋਸ਼ਨੀ ਥੋੜ੍ਹੇ ਸਮੇਂ ਲਈ ਆਉਂਦੀ ਹੈ ਤਾਂ ਜੋ ਤੁਸੀਂ ਜਾਂਚ ਕਰ ਸਕੋ ਕਿ ਰੋਸ਼ਨੀ ਕੰਮ ਕਰ ਰਹੀ ਹੈ। ਜੇਕਰ ਗੱਡੀ ਚਲਾਉਂਦੇ ਸਮੇਂ ਇਹ ਰੋਸ਼ਨੀ ਝਪਕਦੀ ਹੈ, ਤਾਂ ਇਸਦਾ ਮਤਲਬ ਹੈ ਕਿ ਇੰਜਣ ਗਰਮ ਹੋ ਰਿਹਾ ਹੈ। ਡਰਾਈਵਿੰਗ ਦੀਆਂ ਅਜਿਹੀਆਂ ਸਥਿਤੀਆਂ ਤੋਂ ਬਚੋ ਜੋ ਅਸਲ ਵਿੱਚ ਓਵਰਹੀਟਿੰਗ ਦਾ ਕਾਰਨ ਬਣ ਸਕਦੀਆਂ ਹਨ। ਜੇਕਰ ਰੋਸ਼ਨੀ ਬਿਨਾਂ ਝਪਕਦੇ ਹੀ ਰਹਿੰਦੀ ਹੈ, ਤਾਂ ਇੰਜਣ ਓਵਰਹੀਟ ਹੋ ਰਿਹਾ ਹੈ। "ਐਮਰਜੈਂਸੀ ਸੇਵਾ" ਸੈਕਸ਼ਨ ਦੇ "ਜੇ ਇੰਜਣ ਜਿਆਦਾ ਗਰਮ ਹੁੰਦਾ ਹੈ" ਵਿੱਚ ਦਿੱਤੀਆਂ ਹਿਦਾਇਤਾਂ ਦੀ ਪਾਲਣਾ ਕਰੋ।

**ਨੋਟਿਸ**

ਜਦੋਂ ਇੰਜਣ ਜਿਆਦਾ ਗਰਮ ਹੋਣ ਦਾ ਸੰਕੇਤ ਦਿੰਦਾ ਹੈ ਤਾਂ ਵਾਹਨ ਨੂੰ ਚਲਾਉਣਾ ਜਾਰੀ ਰੱਖਣ ਨਾਲ ਇੰਜਣ ਨੂੰ ਗੰਭੀਰ ਨੁਕਸਾਨ ਹੋ ਸਕਦਾ ਹੈ।

**ਟਰਨ ਸਿਗਨਲ ਇੰਡੀਕੇਟਰ (Turn Signal Indicators)**



50G055

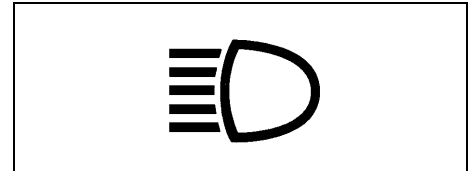
ਜਦੋਂ ਤੁਸੀਂ ਖੱਬੇ ਜਾਂ ਸੱਜੇ ਮੋੜ ਦੇ ਸਿਗਨਲਾਂ ਨੂੰ ਚਾਲੂ ਕਰਦੇ ਹੋ, ਤਾਂ ਇੰਸਟ੍ਰੂਮੈਂਟ ਪੈਨਲ 'ਤੇ ਸੰਬੰਧਿਤ ਹਰਾ ਤੀਰ ਸੰਬੰਧਿਤ ਟਰਨ ਸਿਗਨਲ ਲਾਈਟਾਂ ਦੇ ਨਾਲ ਫਲੈਸ਼ ਕਰੇਗਾ। ਜਦੋਂ ਤੁਸੀਂ ਖਤਰੇ ਦੀ ਵਾਰਨਿੰਗ ਵਾਲੇ ਸਵਿੱਚ ਨੂੰ

ਚਾਲੂ ਕਰਦੇ ਹੋ, ਤਾਂ ਦੋਵੇਂ ਤੀਰ ਸਾਰੀਆਂ ਟਰਨ ਸਿਗਨਲ ਲਾਈਟਾਂ ਨਾਲ ਫਲੈਸ਼ ਹੋਣਗੇ।

ਨੋਟ :

ਜੇਕਰ ਟਰਨ ਸਿਗਨਲ ਦੀ ਕੋਈ ਅਸਧਾਰਨਤਾ ਦੇਖੀ ਜਾਂਦੀ ਹੈ, ਜਿਵੇਂ ਕਿ ਤੇਜ਼ ਝਪਕਣਾ, ਤਾਂ ਟਰਨ ਸਿਗਨਲ ਸਿਸਟਮ ਵਿੱਚ ਖਰਾਬੀ ਹੋ ਸਕਦੀ ਹੈ। ਆਪਣੀ ਮਾਰੂਤੀ ਸੂਜੂਕੀ ਦੀ ਅਧਿਕਾਰਤ ਵਰਕਸ਼ਾਪ ਨੂੰ ਸਿਸਟਮ ਦੀ ਜਾਂਚ ਕਰਨ ਲਈ ਕਰੋ।

**ਮੈਨ ਬੀਮ (ਹਾਈ ਬੀਮ) ਇੰਡੀਕੇਟਰ ਲਾਈਟ**



50G056

ਇਹ ਇੰਡੀਕੇਟਰ ਉਦੋਂ ਆਉਂਦਾ ਹੈ ਜਦੋਂ ਹੈੱਡਲਾਈਟ ਮੈਨ ਬੀਮ (ਹਾਈ ਬੀਮ) ਚਾਲੂ ਕੀਤੇ ਜਾਂਦੇ ਹਨ।

**ਇਮੋਬਿਲਾਈਜ਼ਰ ਸਿਸਟਮ ਵਾਰਨਿੰਗ ਲਾਈਟ**



65D239

## ਡਰਾਈਵਿੰਗ ਕਰਨ ਤੋਂ ਪਹਿਲਾਂ

ਜਦੋਂ ਇਗਨੀਸ਼ਨ ਸਵਿੱਚ ਨੂੰ "ਆਨ" ਸਥਿਤੀ ਵੱਲ ਕੀਤਾ ਜਾਂਦਾ ਹੈ, ਤਾਂ ਇਹ ਰੋਸ਼ਨੀ ਤੁਹਾਨੂੰ ਇਹ ਦੱਸਣ ਲਈ ਆਉਂਦੀ ਹੈ ਕਿ ਲਾਈਟ ਕੰਮ ਕਰ ਰਹੀ ਹੈ। ਜੇਕਰ ਇਹ ਰੋਸ਼ਨੀ ਇਗਨੀਸ਼ਨ ਸਵਿੱਚ ਦੇ "ਆਨ" ਹੋਣ ਨਾਲ ਝੁਕਦੀ ਹੈ, ਤਾਂ ਇਮੋਬਿਲਾਈਜ਼ਰ ਸਿਸਟਮ ਵਿੱਚ ਕੁਝ ਖਰਾਬੀ ਹੋ ਸਕਦੀ ਹੈ। ਕਿਸੇ ਮਾਰੂਤੀ ਸੁਜੂਕੀ ਦੀ ਅਧਿਕਾਰਤ ਵਰਕਸ਼ਾਪ ਨੂੰ ਸਿਸਟਮ ਦੀ ਜਾਂਚ ਕਰਵਾਉਣ ਲਈ ਕਰੋ।

### ESP® ਵਾਰਨਿੰਗ ਲਾਈਟ (ਜੇਕਰ ਲੈਸ ਹੋਵੇ)



56RM02033

ESP® ਡੈਮਲਰ (Daimler) AG ਦਾ ਇੱਕ ਰਜਿਸਟਰਡ ਟਰੇਡਮਾਰਕ (trademark) ਹੈ।

ਇਹ ਲਾਈਟ ਪ੍ਰਤੀ ਸਕਿੰਟ 5 ਵਾਰੀ ਝਮਕਦੀ ਹੈ ਜਦੋਂ ਹੇਠਾਂ ਦਿੱਤਿਆਂ ਵਿੱਚੋਂ ਕਿਸੇ ਸਿਸਟਮ ਨੂੰ ਐਕਟੀਵੇਟ ਕੀਤਾ ਜਾਂਦਾ ਹੈ।

- ਸਟੇਬਲਿਟੀ ਕੰਟਰੋਲ ਸਿਸਟਮ (Stability control system)
- ਟ੍ਰੈਕਸ਼ਨ ਕੰਟਰੋਲ ਸਿਸਟਮ (Traction Control System)

ਜੇਕਰ ਇਹ ਲਾਈਟ ਝਮਕਦੀ ਹੈ, ਤਾਂ ਧਿਆਨਪੂਰਵਕ ਡਰਾਈਵ ਕਰੋ।

ਜਦੋਂ ਇਗਨੀਸ਼ਨ ਸਵਿੱਚ (ignition switch) ਨੂੰ "ਆਨ" (ON) ਪੋਜੀਸ਼ਨ 'ਤੇ ਕੀਤਾ ਜਾਂਦਾ ਹੈ, ਲਾਈਟ

ਥੋੜ੍ਹੇ ਸਮੇਂ ਲਈ ਆਉਂਦੀ ਹੈ ਤਾਂ ਕਿ ਤੁਸੀਂ ਜਾਂਚ ਕਰੋ ਕਿ ਲਾਈਟ ਕੰਮ ਕਰਦੀ ਹੈ। ਜੇਕਰ ਲਾਈਟ ਚਾਲੂ ਰਹਿੰਦੀ ਹੈ, ਜਾਂ ਡਰਾਈਵ ਕਰਨ ਵੇਲੇ ਆਉਂਦੀ ਹੈ ਅਤੇ ਚਾਲੂ ਰਹਿੰਦੀ ਹੈ, ਤਾਂ ESP® ਸਿਸਟਮਾਂ (ABS ਤੋਂ ਇਲਾਵਾ) ਵਿੱਚੋਂ ਕੋਈ ਗਤਬਤ ਹੋ ਸਕਦੀ ਹੈ। ਤੁਹਾਨੂੰ ਅਧਿਕਾਰਤ ਮਾਰੂਤੀ ਸੁਜੂਕੀ (Maruti Suzuki) ਵਰਕਸ਼ਾਪ ਤੋਂ ਸਿਸਟਮ ਦੀ ਜਾਂਚ ਕਰਵਾਉਣੀ ਚਾਹੀਦੀ ਹੈ।

ESP® ਸਿਸਟਮਾਂ (systems) ਦੇ ਵੇਰਵਿਆਂ ਲਈ, "ਆਪਣੇ ਵਾਹਨ ਨੂੰ ਅਪਰੇਟ ਕਰੋ" ਸੈਕਸ਼ਨ ਵਿੱਚ "ਇਲੈਕਟ੍ਰਾਨਿਕ ਸਟੇਬਲਿਟੀ ਪ੍ਰੋਗਰਾਮ (Electronic Stability Program) (ESP®) (ਜੇਕਰ ਲੈਸ ਹੋਵੇ)" ਨੂੰ ਰੈਫਰ ਕਰੋ।

**⚠ ਚੇਤਾਵਨੀ**

ESP® ਸਿਸਟਮ ਦੁਰਘਟਨਾਵਾਂ ਤੋਂ ਰੋਕਥਾਮ ਨਹੀਂ ਕਰ ਸਕਦੇ ਹਨ। ਇਸ ਲਈ ਹਮੇਸ਼ਾ ਧਿਆਨ ਨਾਲ ਡਰਾਈਵ ਕਰੋ।

### ESP® ਐਫ਼ ਇੰਡੀਕੇਟਰ ਲਾਈਟ (ਜੇਕਰ ਲੈਸ ਹੋਵੇ)



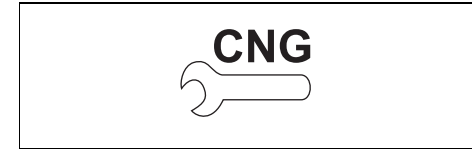
56RM02034

ਜਦੋਂ ਇਗਨੀਸ਼ਨ ਸਵਿੱਚ (ignition switch) ਨੂੰ "ਆਨ" (ON) ਦੀ ਪੋਜੀਸ਼ਨ 'ਤੇ ਰੱਖਿਆ ਜਾਂਦਾ ਹੈ, ਤਾਂ ਇਹ ਲਾਈਟ ਥੋੜ੍ਹੇ ਸਮੇਂ ਲਈ ਆਉਂਦੀ ਹੈ ਤਾਂ ਕਿ ਤੁਸੀਂ ਚੈਕ ਕਰ ਸਕਦੇ ਕਿ ਉਹ ਲਾਈਟ ਕੰਮ ਕਰ ਰਹੀ ਹੈ।

ਜਦੋਂ ESP® ਐਫ਼ ਸਵਿੱਚ (OFF switch) ਨੂੰ ESP® ਸਿਸਟਮਾਂ (ABS ਤੋਂ ਇਲਾਵਾ) ਨੂੰ ਆਫ਼ ਕਰਨ ਲਈ ਦਬਾਇਆ ਜਾਂਦਾ ਹੈ, ਤਾਂ ESP® ਐਫ਼ ਇੰਡੀਕੇਟਰ ਲਾਈਟ (OFF indicator light) ਚਾਲੂ ਹੁੰਦੀ ਹੈ ਅਤੇ ਚਾਲੂ ਰਹਿੰਦੀ ਹੈ।

ESP® ਸਿਸਟਮਾਂ (systems) ਦੇ ਵੇਰਵਿਆਂ ਲਈ, "ਆਪਣੇ ਵਾਹਨ ਨੂੰ ਅਪਰੇਟ ਕਰਨਾ" ਸੈਕਸ਼ਨ ਵਿੱਚ "ਇਲੈਕਟ੍ਰਾਨਿਕ ਸਟੇਬਲਿਟੀ ਪ੍ਰੋਗਰਾਮ (ESP® - Electronic Stability Program) (ਜੇਕਰ ਲੈਸ ਹੋਵੇ)" ਨੂੰ ਰੈਫਰ ਕਰੋ।

### ਸੀ.ਐਨ.ਜੀ. ਖਰਾਬ ਹੋਣ ਦੀ ਵਾਰਨਿੰਗ ਲਾਈਟ (ਜੇਕਰ ਲੱਗਿਆ ਹੋਵੇ)



77PMC015

ਜਦੋਂ ਇਗਨੀਸ਼ਨ ਸਵਿੱਚ ਨੂੰ "ਆਨ" ਕੀਤਾ ਜਾਂਦਾ ਹੈ, ਤਾਂ ਇਹ ਸੀ.ਐਨ.ਜੀ. ਖਰਾਬੀ ਦਾ ਵਾਰਨਿੰਗ ਲੈਂਪ ਥੋੜ੍ਹੇ ਸਮੇਂ ਲਈ ਚਾਲੂ ਹੁੰਦਾ ਹੈ, ਇਹ ਜਾਂਚ ਕਰਨ ਲਈ ਕਿ ਸੀ.ਐਨ.ਜੀ. ਖਰਾਬੀ ਵਾਲੇ ਲੈਂਪ ਵਿੱਚ ਕੋਈ ਨੁਕਸ ਨਹੀਂ ਹੈ।

- ਜੇਕਰ ਸੀ.ਐਨ.ਜੀ. ਖਰਾਬ ਹੋਣ ਦੀ ਚਿਤਾਵਨੀ ਵਾਲਾ ਲੈਂਪ ਲਗਾਤਾਰ ਚਮਕਦਾ ਹੈ, ਤਾਂ ਇਗਨੀਸ਼ਨ "ਚਾਲੂ" ਨਾਲ ਸੀ.ਐਨ.ਜੀ. ਸਿਸਟਮ ਵਿੱਚ ਕੁਝ ਸਮੱਸਿਆ ਹੈ। ਅਧਿਕਾਰਤ ਮਾਰੂਤੀ ਸੁਜੂਕੀ ਕਮਰਸੀਅਲ ਵਰਕਸ਼ਾਪ ਤੋਂ ਤੁਰੰਤ ਆਪਣੇ ਵਾਹਨ ਦੀ ਜਾਂਚ ਕਰਵਾਓ।

- ਜੇਕਰ ਇੰਜਣ ਚੱਲਣ ਦੌਰਾਨ ਸੀ.ਐਨ.ਜੀ.ਖਰਾਬ ਹੋਣ ਦੀ ਵਾਰਨਿੰਗ ਵਾਲਾ ਲੈਂਪ ਝਪਕਦਾ ਹੈ, ਤਾਂ ਇਸਦਾ ਮਤਲਬ ਹੈ ਕਿ ਸੀ.ਐਨ.ਜੀ. ਸਿਸਟਮ (CNG system) ਵਿੱਚ ਕੁਝ ਸਮੱਸਿਆ ਹੈ ਜਿਸ ਵਿੱਚ ਵਾਹਨ ਸੀ.ਐਨ.ਜੀ. ਮੋਡ (CNG mode) ਵਿੱਚ ਚੱਲਣਾ ਜਾਰੀ ਨਹੀਂ ਰੱਖ ਸਕਦਾ ਅਤੇ ਆਪਣੇ ਆਪ ਪੈਟਰੋਲ ਮੋਡ (petrol mode) ਵਿੱਚ ਬਦਲਦਾ ਹੈ। ਆਪਣੇ ਵਾਹਨ ਦੀ ਅਧਿਕਾਰਤ ਮਾਰੂਤੀ ਸੁਜ਼ੁਕੀ ਕਮਰਸ਼ੀਅਲ ਵਰਕਸ਼ਾਪ 'ਤੇ ਜਾਂਚ ਕਰਵਾਓ।

ਨੋਟ :

ਇੰਗਨੀਸ਼ਨ ਸਵਿੱਚ "ਆਨ" ਕਰਨ ਅਤੇ ਇੰਜਣ ਨਾ ਚੱਲਣ ਨਾਲ, ਸੀ.ਐਨ.ਜੀ. ਲੈਂਪ ਦਾ ਝਪਕਣਾ ਇਹ ਦਰਸਾਉਂਦਾ ਹੈ ਕਿ ਈਥੇਨ ਦਾ ਢੱਕਣ ਖੁੱਲ੍ਹਾ ਹੈ। ਇਸ ਹਾਲਤ ਵਿੱਚ ਵਾਹਨ ਚਾਲੂ ਨਹੀਂ ਹੋਵੇਗਾ। ਵਾਹਨ ਨੂੰ ਚਾਲੂ ਕਰਨ ਲਈ ਢੱਕਣ ਨੂੰ ਬੰਦ ਕਰੋ।

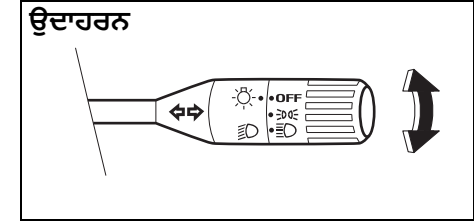
## ਲਾਈਟਿੰਗ ਕੰਟਰੋਲ ਲੀਵਰ (Lighting Control Lever)



### ⚠ ਚੇਤਾਵਨੀ

ਸੰਭਾਵੀ ਸੱਟ ਤੋਂ ਬਚਣ ਲਈ, ਸਟੇਰਿੰਗ ਵ੍ਹੀਲ ਰਾਹੀਂ ਪਹੁੰਚ ਕੇ ਕੰਟਰੋਲ ਨੂੰ ਨਾ ਚਲਾਓ।

## ਲਾਈਟਿੰਗ ਅਪਰੇਸ਼ਨ (Lighting Operation)



ਲਾਈਟਾਂ ਨੂੰ ਚਾਲੂ ਜਾਂ ਬੰਦ ਕਰਨ ਲਈ, ਲੀਵਰ ਦੇ ਕਿਨਾਰੇ 'ਤੇ ਨੋਬ ਨੂੰ ਘੁੰਮਾਓ। ਇਸ ਦੀ ਤਿੰਨ ਪੋਜ਼ੀਸ਼ਨਾਂ ਹੁੰਦੀਆਂ ਹਨ:

### ਆਫ਼ (OFF)

ਸਾਰੀਆਂ ਲਾਈਟਾਂ ਬੰਦ ਹੁੰਦੀਆਂ ਹਨ।

☞

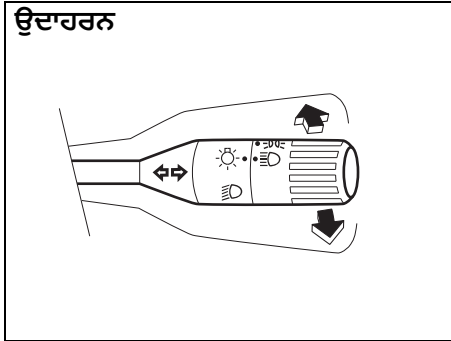
ਫਰੰਟ ਪੇਜ਼ੀਸ਼ਨ ਲਾਈਟਾਂ, ਟੇਲ ਲਾਈਟਾਂ, ਲਾਇਸੈਸ ਪਲੇਟ ਲਾਈਟਾਂ ਅਤੇ ਇੰਸਟਰੂਮੈਂਟ ਲਾਈਟਾਂ ਚਾਲੂ ਹਨ, ਪਰ ਰੈੱਡਲਾਈਟਾਂ ਬੰਦ ਹੁੰਦੀਆਂ ਹਨ।

☞

ਫਰੰਟ ਪੇਜ਼ੀਸ਼ਨ ਲਾਈਟਾਂ, ਟੇਲ ਲਾਈਟਾਂ, ਲਾਇਸੈਸ ਪਲੇਟ ਲਾਈਟਾਂ, ਇੰਸਟਰੂਮੈਂਟ ਲਾਈਟਾਂ ਅਤੇ ਰੈੱਡਲਾਈਟਾਂ ਚਾਲੂ ਹੁੰਦੀਆਂ ਹਨ।

## ਡਰਾਈਵਿੰਗ ਕਰਨ ਤੋਂ ਪਹਿਲਾਂ

### ਉਦਾਹਰਨ

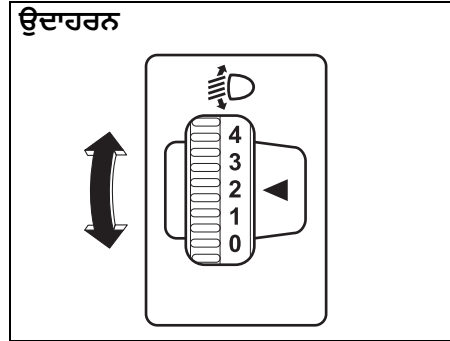


77PH111

ਹੈੱਡਲਾਈਟਾਂ ਚਾਲੂ ਕਰਨ ਦੇ ਨਾਲ, ਹਾਈ ਬੀਮ (ਮੁੱਖ ਬੀਮ) 'ਤੇ ਜਾਣ ਲਈ ਲੀਵਰ ਨੂੰ ਅੱਗੇ ਵਧਾਓ ਜਾਂ ਲੋਅ ਬੀਮ 'ਤੇ ਜਾਣ ਲਈ ਲੀਵਰ ਨੂੰ ਆਪਣੇ ਵੱਲ ਖਿੱਚੋ। ਜਦੋਂ ਹਾਈ ਬੀਮ (ਮੁੱਖ ਬੀਮ) ਚਾਲੂ ਹੁੰਦੇ ਹਨ, ਤਾਂ ਇਸਟਰੂਮੈਂਟ ਪੈਨਲ 'ਤੇ ਮੇਨ ਬੀਮ (ਹਾਈ ਬੀਮ) ਇੰਡੀਕੇਟਰ ਰੌਸ਼ਨੀ ਆਵੇਗੀ। ਹਾਈ ਬੀਮ (ਮੇਨ ਬੀਮ) ਨੂੰ ਲੰਘਣ ਵਾਲੇ ਸਿਗਨਲ ਦੇ ਤੌਰ 'ਤੇ ਰੁਝ ਸਮੇਂ ਲਈ ਕਿਰਿਆਸ਼ੀਲ ਕਰਨ ਲਈ, ਲੀਵਰ ਨੂੰ ਥੋੜ੍ਹਾ ਜਿਹਾ ਆਪਣੇ ਵੱਲ ਖਿੱਚੋ ਅਤੇ ਜਦੋਂ ਤੁਸੀਂ ਸਿਗਨਲ ਪੂਰਾ ਕਰ ਲੈਂਦੇ ਹੋ ਤਾਂ ਇਸਨੂੰ ਛੱਡ ਦਿਓ।

## ਹੈੱਡਲਾਈਟ ਲੈਵਲਿੰਗ ਸਵਿੱਚ (Headlight Leveling Switch)

### ਉਦਾਹਰਨ



77PH010

ਇਸ ਸਵਿੱਚ ਨੂੰ ਮੋੜ ਕੇ ਆਪਣੇ ਵਾਹਨ ਦੀ ਲੋਡ ਸਥਿਤੀ ਦੇ ਅਨੁਸਾਰ ਹੈੱਡਲਾਈਟ ਬੀਮ ਦਾ ਲੈਵਲ ਕਰੋ। ਹੇਠਾਂ ਦਿੱਤਾ ਚਾਰਟ ਵੱਖ-ਵੱਖ ਵਾਹਨ-ਲੋਡ ਹਾਲਤਾਂ ਲਈ ਢੁਕਵੀਂ ਸਵਿੱਚ ਸਥਿਤੀ ਨੂੰ ਦਰਸਾਉਂਦਾ ਹੈ।

ਵਾਹਨ ਲੋਡ ਸਥਿਤੀ	ਸਵਿੱਚ ਦੀ ਸਥਿਤੀ
ਸਿਰਫ਼ ਡਰਾਈਵਰ	0
ਡਰਾਈਵਰ + ਪੂਰਾ ਕਾਰਗੋ	3

## ਟਰਨ ਸਿਗਨਲ ਕੰਟਰੋਲ ਲੀਵਰ (Turn Signal Control Lever)

### ਉਦਾਹਰਨ



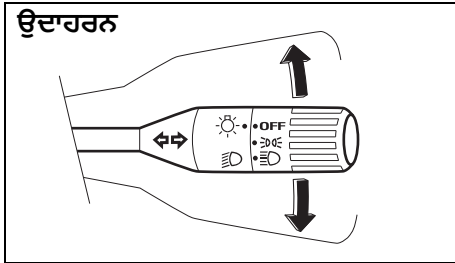
65D611

### ⚠ ਚੇਤਾਵਨੀ

ਸੰਭਾਵੀ ਸੌਟ ਤੋਂ ਬਚਣ ਲਈ, ਸਟੀਰਿੰਗ ਢੁੱਲ ਰਾਹੀਂ ਪਹੁੰਚ ਕੇ ਕੰਟਰੋਲ ਨਾ ਚਲਾਓ।

### ਟਰਨ ਸਿਗਨਲ ਅਪਰੇਸ਼ਨ (Turn Signal Operation)

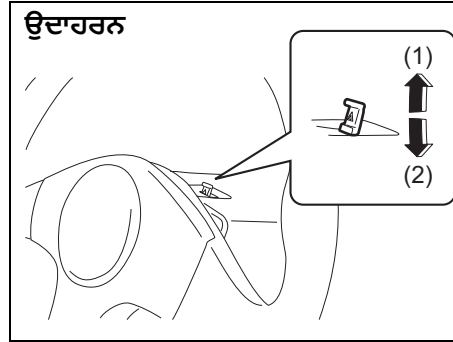
ਇਗਨੀਸ਼ਨ ਸਵਿੱਚ ਦੇ "ਚਾਲੂ" ਸਥਿਤੀ ਵਿੱਚ ਨਾਲ, ਸੱਜੇ ਜਾਂ ਖੱਬੇ ਮੋੜ ਦੇ ਸਿਗਨਲ ਨੂੰ ਐਕਟਿਵ ਕਰਨ ਲਈ ਲੀਵਰ ਨੂੰ ਉੱਪਰ ਜਾਂ ਹੇਠਾਂ ਲੈ ਜਾਓ।



77PH112

ਸਿਗਨਲ ਦੇਣ ਲਈ ਲੀਵਰ ਨੂੰ ਉੱਪਰ ਜਾਂ ਹੇਠਾਂ ਵੱਲ ਲੈ ਜਾਓ। ਜਦੋਂ ਟਰਨ ਪੂਰਾ ਹੋ ਜਾਂਦਾ ਹੈ, ਤਾਂ ਸਿਗਨਲ ਰੱਦ ਹੋ ਜਾਵੇਗਾ ਅਤੇ ਲੀਵਰ ਆਪਣੀ ਆਮ ਸਥਿਤੀ 'ਤੇ ਵਾਪਸ ਆ ਜਾਵੇਗਾ।

### ਖਤਰੇ ਦੀ ਵਾਰਨਿੰਗ ਵਾਲਾ ਸਵਿੱਚ

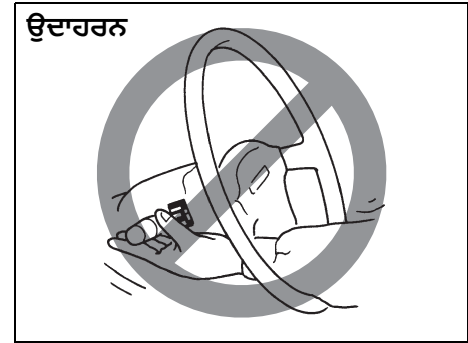


77PH028

- (1) ਚਾਲੂ
- (2) ਬੰਦ

ਖਤਰੇ ਦੀਆਂ ਵਾਰਨਿੰਗ ਲਾਈਟਾਂ ਨੂੰ ਐਕਟਿਵ ਕਰਨ ਲਈ ਖਤਰੇ ਦੀ ਵਾਰਨਿੰਗ ਵਾਲੇ ਸਵਿੱਚ ਨੂੰ ਉੱਪਰ ਵੱਲ ਖਿੱਚੋ। ਸਾਰੀਆਂ ਟਰਨ ਸਿਗਨਲ ਲਾਈਟਾਂ ਅਤੇ ਦੋਵੇਂ ਟਰਨ ਸਿਗਨਲ ਇੰਡੀਕੇਟਰ ਇੱਕੋ ਸਮੇਂ ਫਲੈਸ਼ ਹੋਣਗੇ। ਲਾਈਟਾਂ ਬੰਦ ਕਰਨ ਲਈ, ਸਵਿੱਚ ਨੂੰ ਹੇਠਾਂ ਵੱਲ ਧੱਕੋ। ਐਮਰਜੈਂਸੀ ਪਾਰਕਿੰਗ ਦੌਰਾਨ ਜਾਂ ਜਦੋਂ ਤੁਹਾਡਾ ਵਾਹਨ ਟ੍ਰੈਫਿਕ ਲਈ ਖਤਰਾ ਬਣ ਸਕਦਾ ਹੈ ਤਾਂ ਹੋਰ ਆਵਾਜਾਈ ਨੂੰ ਚੇਤਾਵਨੀ ਦੇਣ ਲਈ ਖਤਰੇ ਦੀਆਂ ਵਾਰਨਿੰਗ ਲਾਈਟਾਂ ਦੀ ਵਰਤੋਂ ਕਰੋ।

### ਵਿੰਡਸ਼ੀਲਡ ਵਾਈਪਰ ਅਤੇ ਵਾਸ਼ਰ ਲੀਵਰ



65D611

**⚠ ਚੇਤਾਵਨੀ**  
ਸੰਭਾਵੀ ਸੱਟ ਤੋਂ ਬਚਣ ਲਈ, ਸਟੀਰਿੰਗ ਫ੍ਰੀਲ ਰਾਹੀਂ ਪਹੁੰਚ ਕੇ ਕੰਟਰੋਲ ਨਾ ਚਲਾਓ।

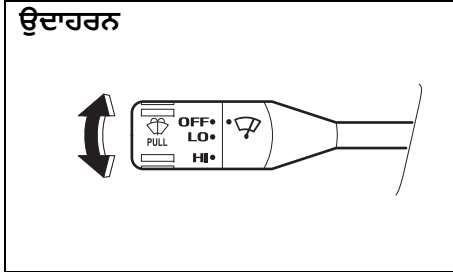
### ਵਾਈਪਰ ਅਪਰੇਸ਼ਨ (Wiper Operation)

ਜਦੋਂ ਇਗਨੀਸ਼ਨ ਸਵਿੱਚ "ਚਾਲੂ" ਸਥਿਤੀ ਵਿੱਚ ਹੁੰਦਾ ਹੈ, ਤਾਂ ਤੁਸੀਂ ਵਾਈਪਰ ਲੀਵਰ ਦੀ ਵਰਤੋਂ ਕਰ ਸਕਦੇ ਹੋ।



## ਡਰਾਈਵਿੰਗ ਕਰਨ ਤੋਂ ਪਹਿਲਾਂ

### ਵਿੰਡਸ਼ੀਲਡ ਵਾਈਪਰ (Windshield Wipers)

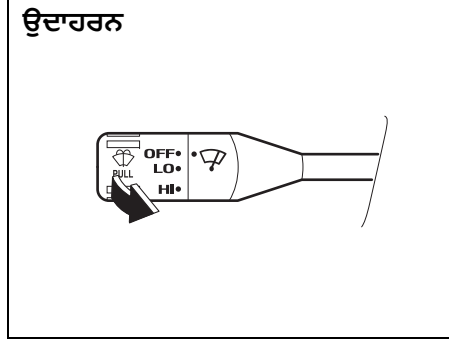


77PM02015

ਵਿੰਡਸ਼ੀਲਡ ਵਾਈਪਰਾਂ ਨੂੰ ਚਾਲੂ ਕਰਨ ਲਈ, ਲੀਵਰ ਦੇ ਸਿਰੇ 'ਤੇ ਨੋਬ ਨੂੰ ਅਪਰੇਟਿੰਗ ਸਥਿਤੀਆਂ ਵਿੱਚੋਂ ਇੱਕ 'ਤੇ ਘੁੰਮਾਓ। "LO" ਸਥਿਤੀ ਵਿੱਚ, ਵਾਈਪਰ ਇੱਕ ਸਥਾਈ ਘੱਟ ਗਤੀ ਤੇ ਕੰਮ ਕਰਦੇ ਹਨ। "HI" ਸਥਿਤੀ ਵਿੱਚ, ਵਾਈਪਰ ਇੱਕ ਸਥਾਈ ਉੱਚ ਗਤੀ ਨਾਲ ਕੰਮ ਕਰਦੇ ਹਨ। ਵਾਈਪਰਾਂ ਨੂੰ ਬੰਦ ਕਰਨ ਲਈ, ਲੀਵਰ ਨੂੰ "ਬੰਦ" ਸਥਿਤੀ 'ਤੇ ਵਾਪਸ ਘੁੰਮਾਓ।

### ਵਿੰਡਸ਼ੀਲਡ ਵਾਸ਼ਰ (Windshield Washer)

#### ਉਦਾਹਰਨ



77PM02016

ਵਿੰਡਸ਼ੀਲਡ ਵਾਸ਼ਰ ਫਲੂਇਡ ਦਾ ਛਿੜਕਾਅ ਕਰਨ ਲਈ, ਲੀਵਰ ਨੂੰ ਆਪਣੇ ਵੱਲ ਖਿੱਚੋ।

#### ⚠ ਚੇਤਾਵਨੀ

ਵਿੰਡਸ਼ੀਲਡ ਵਾਸ਼ਰ ਰੇਜਰਵੋਇਰ ਵਿੱਚ ਰੇਡੀਏਟਰ ਐਂਟੀਫਰੀਜ਼ ਦੀ ਵਰਤੋਂ ਨਾ ਕਰੋ। ਵਿੰਡਸ਼ੀਲਡ 'ਤੇ ਛਿੜਕਾਅ ਕਰਨ 'ਤੇ ਇਹ ਦਿੱਖ ਨੂੰ ਬੁਰੀ ਤਰ੍ਹਾਂ ਵਿਗਾੜ ਸਕਦਾ ਹੈ, ਅਤੇ ਤੁਹਾਡੇ ਵਾਹਨ ਦੇ ਪੇਂਟ ਨੂੰ ਵੀ ਨੁਕਸਾਨ ਪਹੁੰਚਾ ਸਕਦਾ ਹੈ।

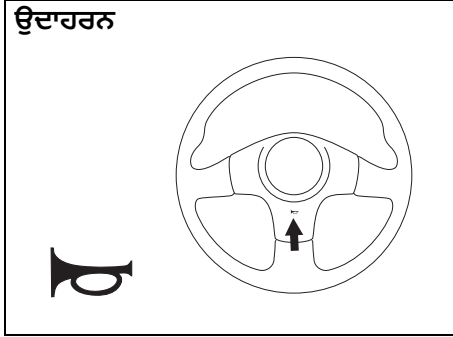
#### ਨੋਟਿਸ

ਵਿੰਡਸ਼ੀਲਡ ਵਾਈਪਰ ਅਤੇ ਵਾਸ਼ਰ ਸਿਸਟਮ ਦੇ ਹਿੱਸਿਆਂ ਨੂੰ ਨੁਕਸਾਨ ਤੋਂ ਬਚਾਉਣ ਲਈ, ਤੁਹਾਨੂੰ ਹੇਠ ਲਿਖੀਆਂ ਸਾਵਧਾਨੀਆਂ ਵਰਤਣੀਆਂ ਚਾਹੀਦੀਆਂ ਹਨ:

- ਜਦੋਂ ਕਿਸੇ ਵਿੰਡਸ਼ੀਲਡ ਵਾਸ਼ਰ ਤਰਲ ਦਾ ਛਿੜਕਾਅ ਨਾ ਕੀਤਾ ਜਾ ਰਿਹਾ ਹੋਵੇ ਜਾਂ ਵਾਸ਼ਰ ਦੀ ਮੋਟਰ ਖਰਾਬ ਹੋ ਸਕਦੀ ਹੋਵੇ ਤਾਂ ਲੀਵਰ ਨੂੰ ਹੇਲਡ ਕਰਨਾ ਜਾਰੀ ਨਾ ਰੱਖੋ।
- ਵਾਈਪਰਾਂ ਨਾਲ ਸੁੱਕੀ ਵਿੰਡਸ਼ੀਲਡ ਤੋਂ ਗੰਦਗੀ ਨੂੰ ਹਟਾਉਣ ਦੀ ਕੋਸ਼ਿਸ਼ ਨਾ ਕਰੋ ਜਾਂ ਤੁਸੀਂ ਵਿੰਡਸ਼ੀਲਡ ਅਤੇ ਵਾਈਪਰ ਬਲੇਡਾਂ ਨੂੰ ਨੁਕਸਾਨ ਪਹੁੰਚਾ ਸਕਦੇ ਹੋ। ਵਾਈਪਰਾਂ ਨੂੰ ਚਲਾਉਣ ਤੋਂ ਪਹਿਲਾਂ ਹਮੇਸ਼ਾ ਵਾਸ਼ਰ ਦੇ ਤਰਲ ਨਾਲ ਵਿੰਡਸ਼ੀਲਡ ਨੂੰ ਗਿੱਲਾ ਕਰੋ।
- ਵਾਈਪਰਾਂ ਦੀ ਵਰਤੋਂ ਕਰਨ ਤੋਂ ਪਹਿਲਾਂ ਵਾਈਪਰ ਬਲੇਡਾਂ ਤੋਂ ਬਰਫ ਜਾਂ ਪੈਕ ਕੀਤੀ ਬਰਫ ਨੂੰ ਸਾਫ਼ ਕਰੋ।
- ਵਾਸ਼ਰ ਤਰਲ ਲੈਵਲ ਦੀ ਨਿਯਮਤ ਤੌਰ 'ਤੇ ਜਾਂਚ ਕਰੋ। ਮੌਸਮ ਖਰਾਬ ਹੋਣ 'ਤੇ ਇਸ ਦੀ ਅਕਸਰ ਜਾਂਚ ਕਰੋ।
- ਠੰਡੇ ਮੌਸਮ ਦੌਰਾਨ ਵਾਸ਼ਰ ਤਰਲ ਰੇਜਰਵੋਇਰ ਨੂੰ ਸਿਰਫ 3/4 ਭਰੋ ਤਾਂ ਕਿ ਵਿਸਤਾਰ ਲਈ ਸਥਾਨ ਦੀ ਇਜਾਜ਼ਤ ਦਿੱਤੀ ਜਾ ਸਕੇ ਜੇਕਰ ਤਾਪਮਾਨ ਇੰਨਾ ਘੱਟ ਜਾਂਦਾ ਹੈ ਕਿ ਘੋਲ ਜੰਮ ਸਕੇ।

## ਹਾਰਨ (Horn)

ਉਦਾਹਰਨ

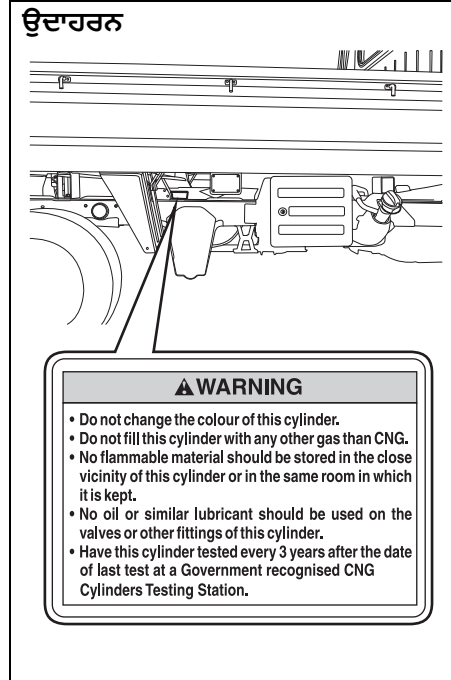


77PH029

ਹਾਰਨ ਵਜਾਉਣ ਲਈ ਸਟੀਰਿੰਗ ਵੀਲ ਦੇ ਹਾਰਨ ਬਟਨ ਨੂੰ ਦਬਾਓ। ਹਾਰਨ ਕਿਸੇ ਵੀ ਸਥਿਤੀ ਵਿੱਚ ਇਗਨੀਸ਼ਨ ਸਵਿੱਚ ਨਾਲ ਵੱਜੇਗਾ।

## ਸੀ.ਐਨ.ਜੀ. ਸਿਲੰਡਰ ਵਾਰਨਿੰਗ ਲੇਬਲ(ਜੇਕਰ ਲੱਗਿਆ ਹੋਵੇ)

ਉਦਾਹਰਨ



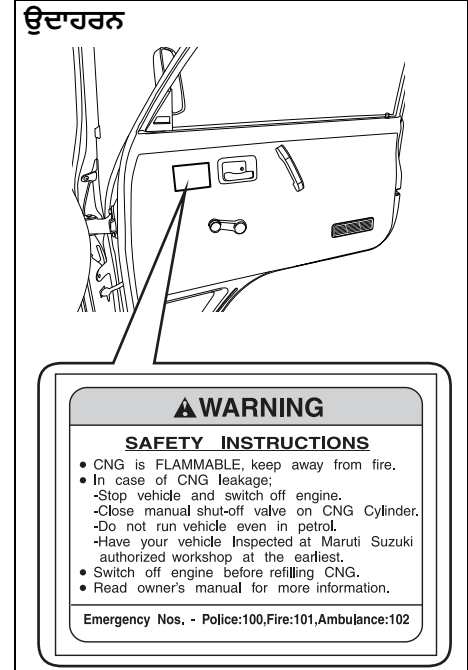
77PM02006

ਤੁਹਾਨੂੰ ਇਹ ਲੇਬਲ ਸੀ.ਐਨ.ਜੀ. ਸਿਲੰਡਰ (CNG cylinder) 'ਤੇ ਮਿਲ ਸਕਦਾ ਹੈ।

## ਸੀ.ਐਨ.ਜੀ. ਵਾਰਨਿੰਗ ਲੇਬਲ (ਜੇਕਰ ਲੱਗਿਆ ਹੋਵੇ)

ਫਰੰਟ ਡਰਾਈਵਰ ਦਰਵਾਜ਼ਾ (Front Driver Door)

ਉਦਾਹਰਨ

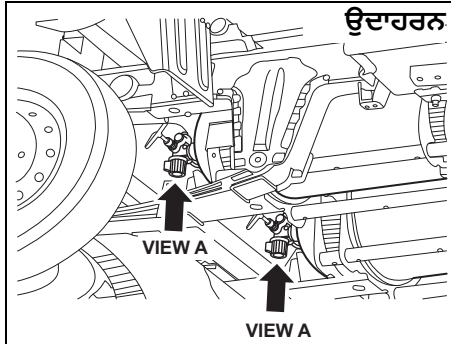


77PM02007

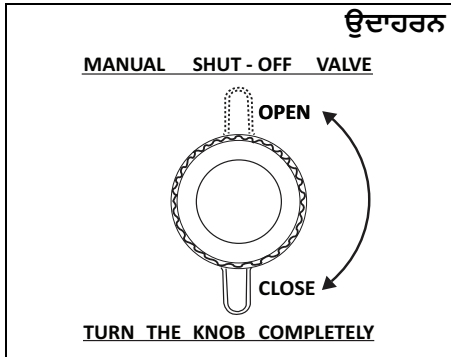
ਸੀ.ਐਨ.ਜੀ. ਵਾਰਨਿੰਗ ਲੇਬਲ (CNG warning label) ਫਰੰਟ ਸੱਜੇ ਦਰਵਾਜ਼ੇ 'ਤੇ ਲੱਗਿਆ ਹੁੰਦਾ ਹੈ।

## ਡਰਾਈਵਿੰਗ ਕਰਨ ਤੋਂ ਪਹਿਲਾਂ

ਸੀ.ਐਨ.ਜੀ. ਮੈਨੂਅਲ ਸ਼ੱਟ-ਆਫ ਵਾਲਵ  
(ਜੇਕਰ ਲੱਗਿਆ ਹੋਵੇ)

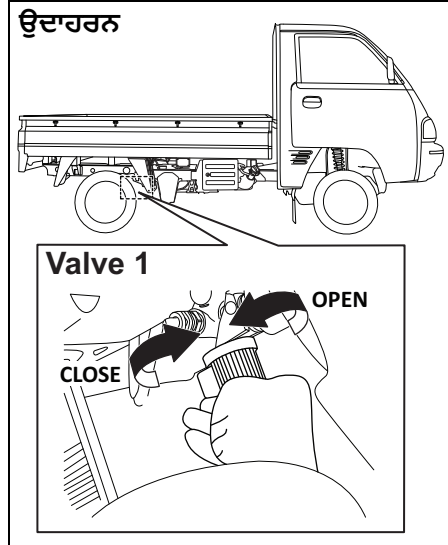


77PM02011



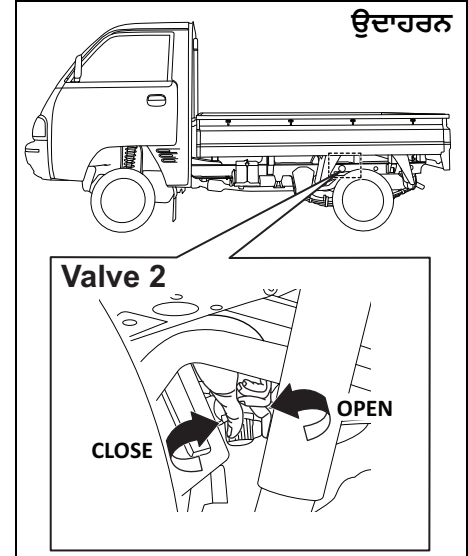
77PM02014

ਸੱਜੇ ਪਾਸੇ ਵਾਲੀ ਸਾਈਡ (Right Hand Side)  
(RHS)



77PM02012

ਖੱਬੇ ਪਾਸੇ ਵਾਲੀ ਸਾਈਡ (Left Hand Side)  
(LHS)



77PM02013

ਮੈਨੂਅਲ ਸ਼ੱਟ ਆਫ ਵਾਲਵ ਸੀ.ਐਨ.ਜੀ. ਸਿਲੰਡਰਾਂ 'ਤੇ ਸਥਿਤ ਹੁੰਦਾ ਹੈ ਜੋ ਵਾਹਨ ਦੇ ਹੇਠਾਂ ਬਾਡੀ ਵਿੱਚ ਪ੍ਰਦਾਨ ਲੱਗੇ ਹੁੰਦੇ ਹਨ।

ਵਾਹਨ ਵਿੱਚ ਬਾਡੀ ਦੇ ਹੇਠਾਂ ਦੇ ਸੀ.ਐਨ.ਜੀ. ਸਿਲੰਡਰ (CNG cylinder) ਹੁੰਦੇ ਹਨ, ਹਰੇਕ ਵਿੱਚ ਇੱਕ ਮੈਨੂਅਲ ਸ਼ੱਟ-ਆਫ ਵਾਲਵ ਹੁੰਦਾ ਹੈ।

ਮੈਨੂਅਲ ਸ਼ੱਟਆਫ ਵਾਲਵ 1 ਅਤੇ ਵਾਲਵ 2 ਤੱਕ ਕ੍ਰਮਵਾਰ ਵਾਹਨ ਦੇ ਸੱਜੇ ਪਾਸੇ (RHS) ਅਤੇ ਖੱਬੇ ਪਾਸੇ (LHS) ਤੋਂ ਪਹੁੰਚ ਕੀਤੀ ਜਾਂਦੀ ਹੈ।  
ਦੇਵੇਂ ਸੀ.ਐਨ.ਜੀ. ਸਿਲੰਡਰਾਂ 'ਤੇ ਮੈਨੂਅਲ ਸ਼ੱਟ-ਆਫ ਵਾਲਵ ਨੂੰ ਬੰਦ ਕਰਕੇ ਸੀ.ਐਨ.ਜੀ. ਸਪਲਾਈ ਨੂੰ ਬੰਦ ਕੀਤਾ ਜਾ ਸਕਦਾ ਹੈ।

**ਵਾਲਵ ਬੰਦ ਕਰਨਾ (Valve closing):** ਇੰਜਣ ਨੂੰ ਸੀ.ਐਨ.ਜੀ. ਸਪਲਾਈ ਬੰਦ ਕਰਨ ਲਈ ਨੋਬ ਨੂੰ ਪੂਰੀ ਤਰ੍ਹਾਂ ਘੜੀ ਦੀ ਦਿਸ਼ਾ ਵਿੱਚ (ਦ੍ਰਿਸ਼ A ਤੋਂ) ਘੁੰਮਾਓ।

**ਵਾਲਵ ਖੋਲ੍ਹਣਾ (Valve opening):** ਇੰਜਣ ਨੂੰ ਸੀ.ਐਨ.ਜੀ. ਸਪਲਾਈ ਖੋਲ੍ਹਣ ਲਈ ਨੋਬ ਨੂੰ ਪੂਰੀ ਤਰ੍ਹਾਂ ਐਂਟੀ-ਕਲਾਕਵਾਈਜ਼ ਦਿਸ਼ਾ (ਦ੍ਰਿਸ਼ A ਤੋਂ) ਵਿੱਚ ਘੁੰਮਾਓ।

**▲ ਸਾਵਧਾਨੀ**

ਧਿਆਨ ਰੱਖੋ ਕਿ ਮੈਨੂਅਲ ਸ਼ੱਟ ਆਫ ਵਾਲਵ 2 (LHS) ਤੱਕ ਪਹੁੰਚ ਕਰਦੇ ਸਮੇਂ ਤੁਹਾਡਾ ਹੱਥ ਐਗਜ਼ਾਸਟ ਪਾਈਪ ਨੂੰ ਨਾ ਛੂਹੇ। ਗੱਡੀ ਚਲਾਉਣ ਤੋਂ ਬਾਅਦ, ਐਗਜ਼ਾਸਟ ਪਾਈਪ ਤੁਹਾਡੇ ਹੱਥ ਨੂੰ ਸਾੜਣ ਲਈ ਕਾਫ਼ੀ ਗਰਮ ਹੋ ਸਕਦੀ ਹੈ।

ਨੋਟ :

- ਜੇਕਰ ਮੈਨੂਅਲ ਸ਼ੱਟ-ਆਫ ਵਾਲਵ ਪੂਰੀ ਤਰ੍ਹਾਂ ਨਹੀਂ ਖੁੱਲ੍ਹਦਾ ਹੈ, ਤਾਂ ਇੰਜਣ ਠੀਕ ਤਰ੍ਹਾਂ ਨਹੀਂ ਚੱਲ ਸਕਦਾ ਹੈ।
- ਜੇਕਰ ਮੈਨੂਅਲ ਸ਼ੱਟ-ਆਫ ਵਾਲਵ ਬੰਦ ਹਾਲਤ ਵਿੱਚ ਹੈ, ਤਾਂ ਸਿਲੰਡਰ ਵਿੱਚ ਸੀ.ਐਨ.ਜੀ. ਭਰਨਾ ਸੰਭਵ ਨਹੀਂ ਹੈ।

ਨੋਟ :

- ਸਰਕਾਰੀ ਨਿਯਮਾਂ ਦੇ ਅਨੁਸਾਰ, ਸੀ.ਐਨ.ਜੀ. ਸਿਲੰਡਰ (CNG cylinder) ਦੀ ਪਛਾਣ ਪਲੇਟ 'ਤੇ ਦੱਸੇ ਅਨੁਸਾਰ ਸ਼ੁਰੂਆਤੀ ਜਾਂਚ ਦੀ ਮਿਤੀ ਤੋਂ ਹਰ ਤਿੰਨ (3) ਸਾਲਾਂ ਬਾਅਦ ਸੀ.ਐਨ.ਜੀ. ਸਿਲੰਡਰ (CNG cylinder) ਦੀ ਜਾਂਚ ਕਰਨ ਅਤੇ ਪ੍ਰਮਾਣਿਤ ਕਰਨ ਦੀ ਲੋੜ ਹੁੰਦੀ ਹੈ।
- ਗਾਹਕ ਨੂੰ ਵਾਹਨ ਨੂੰ ਸਰਕਾਰ ਦੁਆਰਾ ਮਾਨਤਾ ਪ੍ਰਾਪਤ ਟੈਸਟਿੰਗ ਏਜੰਸੀ ਕੋਲ ਪੇਸ਼ ਕਰਨਾ ਹੋਵੇਗਾ।
- ਸਿਲੰਡਰ ਦੀ ਜਾਂਚ ਕਰਨ ਵਿੱਚ ਅਸਫਲ ਰਹਿਣ ਦੇ ਨਤੀਜੇ ਵਜੋਂ ਸੀ.ਐਨ.ਜੀ. ਡਿਸਪੈਂਸਿੰਗ ਸਟੇਸ਼ਨਾਂ ਦੁਆਰਾ ਸੀ.ਐਨ.ਜੀ. ਭਰਨ ਤੋਂ ਇਨਕਾਰ ਕੀਤਾ ਜਾ ਸਕਦਾ ਹੈ ਜਾਂ ਲਾਗੂ ਕਰਨ ਵਾਲੇ ਅਧਿਕਾਰੀਆਂ ਦੁਆਰਾ ਵਾਹਨ ਨੂੰ ਜ਼ਬਤ ਕੀਤਾ ਜਾ ਸਕਦਾ ਹੈ।
- ਸੀ.ਐਨ.ਜੀ. ਸਿਲੰਡਰ (CNG cylinder) ਦੀ ਜਾਂਚ ਦਾ ਸਾਰਾ ਖਰਚਾ ਗਾਹਕ ਨੂੰ ਹੀ ਚੁੱਕਣਾ ਪੈਂਦਾ ਹੈ।
- ਸਰਕਾਰੀ ਨਿਯਮਾਂ ਦੇ ਅਨੁਸਾਰ, ਸੀ.ਐਨ.ਜੀ. ਸਿਲੰਡਰ (CNG cylinder) ਨੂੰ ਸੀ.ਐਨ.ਜੀ. ਸਿਲੰਡਰ ਪਛਾਣ ਪਲੇਟ ਵਿੱਚ ਦਰਸਾਏ ਗਏ ਸ਼ੁਰੂਆਤੀ ਟੈਸਟਿੰਗ ਦੀ ਮਿਤੀ ਤੋਂ 20 ਸਾਲ ਬਾਅਦ ਰੱਦ ਕੀਤਾ ਜਾਣਾ ਚਾਹੀਦਾ ਹੈ।
- ਗਾਹਕ ਨੂੰ ਸਰਕਾਰ ਦੁਆਰਾ ਮਾਨਤਾ ਪ੍ਰਾਪਤ ਸਰ੍ਵੈਪ ਏਜੰਸੀਆਂ ਦੁਆਰਾ ਆਪਣੇ ਖਰਚੇ 'ਤੇ ਸਿਲੰਡਰ ਨੂੰ ਰੱਦ ਕਰਨਾ ਪੈਂਦਾ ਹੈ।
- ਕੋਈ ਵੀ ਵਿਅਕਤੀ ਕਿਸੇ ਵੀ ਸਿਲੰਡਰ ਨੂੰ ਕਿਸੇ ਵੀ ਗੈਸ ਨਾਲ ਰੀਫਿਲ ਨਹੀਂ ਕਰੇਗਾ, ਜਿਸਦੀ ਮੁਰੰਮਤ ਉਪ-ਨਿਯਮ (2) ਅਧੀਨ ਮੁਰੰਮਤ ਕੀਤੀ ਗਈ ਹੋਵੇ, ਜਦੋਂ ਤੱਕ ਕਿ ਸਿਲੰਡਰ ਦੀ ਮੁਰੰਮਤ ਅਤੇ ਜਾਂਚ ਦੀ ਪੂਰੀ ਰਿਪੋਰਟ, ਮੁਰੰਮਤ ਕਰਨ ਵਾਲੇ ਦੇ ਟੈਸਟਿੰਗ ਸਰਟੀਫਿਕੇਟ ਦੇ ਨਾਲ ਮੁੱਖ ਕੰਟਰੋਲਰ ਨੂੰ ਪੇਸ਼ ਨਹੀਂ

ਕੀਤੇ ਜਾਂਦੇ ਅਤੇ ਇਸਦੀ ਰੀਫਿਲਿੰਗ ਲਈ ਉਸਦੀ ਆਗਿਆ ਪ੍ਰਾਪਤ ਨਹੀਂ ਕੀਤੀ ਜਾਂਦੀ।

**▲ ਚੇਤਾਵਨੀ**

- ਸਿਲੰਡਰ ਅਸੈਂਬਲੀ ਤੋਂ ਸਿਲੰਡਰ ਵਾਲਵ ਨੂੰ ਕਦੇ ਨਾ ਹਟਾਓ। ਕਿਸੇ ਵੀ ਸਹਾਇਤਾ ਲਈ ਅਧਿਕਾਰਤ ਮਾਰੂਤੀ ਸ਼ੁਰੂਕੀ ਕਮਰਸ਼ੀਅਲ ਵਰਕਸ਼ਾਪ ਨਾਲ ਸਲਾਹ ਕਰੋ।
- ਕਦੇ ਵੀ ਸਿਲੰਡਰ ਨੂੰ ਸਾਫ਼ ਕਰਨ ਦੀ ਕੋਸ਼ਿਸ਼ ਨਾ ਕਰੋ। ਕਿਸੇ ਵੀ ਸਮੱਸਿਆ ਦੀ ਸਥਿਤੀ ਵਿੱਚ, ਅਧਿਕਾਰਤ ਮਾਰੂਤੀ ਸ਼ੁਰੂਕੀ ਕਮਰਸ਼ੀਅਲ ਵਰਕਸ਼ਾਪ ਨਾਲ ਸੰਪਰਕ ਕਰੋ।
- ਸਿਲੰਡਰ ਅਸੈਂਬਲੀ ਤੋਂ ਬਦਲੇ/ਹਟਾਉਣ ਤੋਂ ਬਾਅਦ, ਸਿਲੰਡਰ ਵਾਲਵ ਦੀ ਮੁੜ ਵਰਤੋਂ ਨਾ ਕਰੋ।
- ਜੇਕਰ ਇੰਜਣ ਬੰਦ ਹੋਣ ਤੱਕ ਸਿਲੰਡਰ ਤੋਂ ਸੀ.ਐਨ.ਜੀ. ਦੀ ਖਪਤ ਹੁੰਦੀ ਹੈ, ਤਾਂ ਸੀ.ਐਨ.ਜੀ. ਦੀ ਕੁਝ ਮਾਤਰਾ ਟੈਂਕ ਵਿੱਚ ਘੱਟ ਦਬਾਅ ਕਾਰਣ ਰਹਿ ਜਾਂਦੀ ਹੈ।

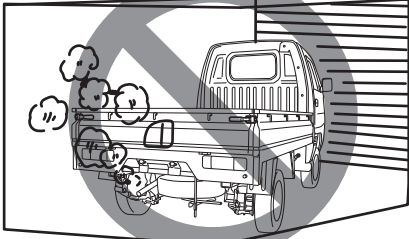
## ਆਪਣੇ ਵਾਹਨ ਨੂੰ ਚਲਾਉਣਾ

ਨਿਕਾਸ ਗੈਸ ਵਾਰਨਿੰਗ .....	3-1
ਰੇਜ਼ਾਨਾ ਨਿਰੀਖਣ ਚੈਕਲਿਸਟ.....	3-2
ਇੰਜਣ ਆਇਲ ਦੀ ਖਪਤ .....	3-3
ਇਗਨੀਸ਼ਨ ਸਵਿੱਚ .....	3-3
ਪਾਰਕਿੰਗ ਬ੍ਰੇਕ ਲੀਵਰ.....	3-5
ਪੈਡਲ .....	3-6
ਇੰਜਣ ਚਾਲੂ ਕਰਨਾ.....	3-6
ਟ੍ਰਾਂਸਮਿਸ਼ਨ ਦੀ ਵਰਤੋਂ ਕਰਨਾ.....	3-7
ਪਾਰਕਿੰਗ ਸੈਂਸਰ.....	3-9
ਬ੍ਰੇਕਿੰਗ.....	3-12
ਐਂਟੀ-ਲਾਕ ਬਰੇਕ ਸਿਸਟਮ (ABS).....	3-14
ਇਲੈਕਟ੍ਰਾਨਿਕ ਸਟੇਬਲਿਟੀ ਪ੍ਰੋਗਰਾਮ (ESP®).....	3-17

## ਆਪਣੇ ਵਾਹਨ ਨੂੰ ਚਲਾਉਣਾ

### ਨਿਕਾਸ ਗੈਸ ਵਾਰਨਿੰਗ (Exhaust Gas Warning)

#### ਉਦਾਹਰਨ



82DY03

#### ⚠ ਚੇਤਾਵਨੀ

ਨਿਕਲਣ ਵਾਲੀਆਂ ਗੈਸਾਂ ਵਿੱਚ ਸਾਹ ਲੈਣ ਤੋਂ ਬਚੋ। ਐਗਜ਼ਾਸਟ ਗੈਸਾਂ ਵਿੱਚ ਕਾਰਬਨ ਮੋਨੋਆਕਸਾਈਡ ਹੁੰਦੀ ਹੈ, ਇੱਕ ਸੰਭਾਵੀ ਤੌਰ 'ਤੇ ਘਾਤਕ ਗੈਸ ਹੈ ਜੋ ਰੰਗਹੀਨ ਅਤੇ ਗੰਧਹੀਣ ਹੈ। ਕਿਉਂਕਿ ਕਾਰਬਨ ਮੋਨੋਆਕਸਾਈਡ ਦਾ ਆਪਣੇ ਆਪ ਪਤਾ ਲਗਾਉਣਾ ਔਖਾ ਹੈ, ਕਾਰਬਨ ਮੋਨੋਆਕਸਾਈਡ ਨੂੰ ਆਪਣੇ ਵਾਹਨ ਵਿੱਚ ਦਾਖਲ ਹੋਣ ਤੋਂ ਰੋਕਣ ਵਿੱਚ ਮਦਦ ਲਈ ਹੇਠ ਲਿਖੀਆਂ ਸਾਵਧਾਨੀਆਂ ਵਰਤਣਾ ਯਕੀਨੀ ਬਣਾਓ।

(ਚੱਲਦਾ ਹੈ)

#### ⚠ ਚੇਤਾਵਨੀ

(ਚੱਲਦਾ ਹੈ)

- ਕਿਉਂਕਿ ਕਾਰਬਨ ਮੋਨੋਆਕਸਾਈਡ ਦਾ ਆਪਣੇ ਆਪ ਪਤਾ ਲਗਾਉਣਾ ਔਖਾ ਹੈ, ਕਾਰਬਨ ਮੋਨੋਆਕਸਾਈਡ ਨੂੰ ਆਪਣੇ ਵਾਹਨ ਵਿੱਚ ਦਾਖਲ ਹੋਣ ਤੋਂ ਰੋਕਣ ਵਿੱਚ ਮਦਦ ਲਈ ਹੇਠ ਲਿਖੀਆਂ ਸਾਵਧਾਨੀਆਂ ਵਰਤਣਾ ਯਕੀਨੀ ਬਣਾਓ। ਇਸ ਦੇ ਨਤੀਜੇ ਵਜੋਂ ਕੈਬਿਨ ਵਿੱਚ ਕਾਰਬਨ-ਮੋਨੋਆਕਸਾਈਡ ਇਕੱਠਾ ਹੋ ਸਕਦੀ ਹੈ ਅਤੇ ਸਾਹ ਘੁੱਟਣ ਜਾਂ ਸਾਹ ਲੈਣ ਵਿੱਚ ਸਮੱਸਿਆ ਹੋ ਸਕਦੀ ਹੈ ਅਤੇ ਮੌਤ ਹੋ ਸਕਦੀ ਹੈ।
- ਲੰਬੇ ਸਮੇਂ ਤੱਕ ਇੰਜਣ ਚਲਾ ਕੇ ਪਾਰਕ ਨਾ ਕਰੋ, ਇੱਥੋਂ ਤੱਕ ਕਿ ਖੁੱਲ੍ਹੇ ਖੇਤਰ ਵਿੱਚ ਵੀ। ਲੰਬੇ ਸਮੇਂ ਦੀ ਸਥਿਤੀ ਵਿੱਚ, ਇੰਜਣ ਦੇ ਚੱਲਦੇ ਸਮੇਂ ਵਾਹਨ ਦੇ ਅੰਦਰ ਹੋਣ 'ਤੇ ਦਮ ਘੁੱਟਣ ਦਾ ਅਤੇ ਮੌਤ ਦਾ ਖਤਰਾ ਹੁੰਦਾ ਹੈ। ਜੇਕਰ ਇੰਜਣ ਚੱਲਣ ਸਮੇਂ ਪਾਰਕ ਕੀਤੇ ਵਾਹਨ ਵਿੱਚ ਥੋੜ੍ਹੇ ਸਮੇਂ ਲਈ ਬੈਠਣਾ ਜ਼ਰੂਰੀ ਹੈ, ਤਾਂ ਯਕੀਨੀ ਬਣਾਓ ਕਿ ਏਅਰ ਇਨਟੇਕ ਸਿਲੈਕਟਰ "ਤਾਜ਼ੀ ਹਵਾ" 'ਤੇ ਸੈੱਟ ਹੈ ਅਤੇ ਬਲੇਅਰ ਤੇਜ਼ ਰਫ਼ਤਾਰ 'ਤੇ ਹੈ।

(ਚੱਲਦਾ ਹੈ)

#### ⚠ ਚੇਤਾਵਨੀ

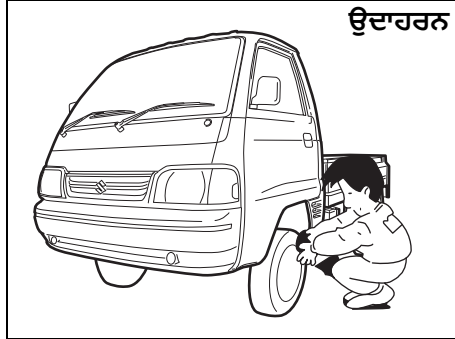
(ਚੱਲਦਾ ਹੈ)

- ਆਪਣੇ ਵਾਹਨ ਦੇ ਹਵਾਦਾਰੀ ਪ੍ਰਣਾਲੀ ਦੇ ਸਹੀ ਸੰਚਾਲਨ ਦੀ ਆਗਿਆ ਦੇਣ ਲਈ, ਵਾਹਨ ਦੀ ਫਰੰਟ ਏਅਰ ਇਨਲੇਟ ਗਰਿੱਲ ਨੂੰ ਹਰ ਸਮੇਂ ਬਰਫ਼, ਪੱਤਿਆਂ ਜਾਂ ਹੋਰ ਰੁਕਾਵਟਾਂ ਤੋਂ ਸਾਫ਼ ਰੱਖੋ।
- ਵਾਹਨ ਦੇ ਹੇਠਾਂ ਐਗਜ਼ਾਸਟ ਪਾਈਪ ਦੇ ਖੇਤਰ ਨੂੰ ਬਰਫ਼ ਅਤੇ ਹੋਰ ਸਮੱਗਰੀ ਤੋਂ ਸਾਫ਼ ਰੱਖੋ ਤਾਂ ਜੋ ਵਾਹਨ ਦੇ ਹੇਠਾਂ ਨਿਕਲਣ ਵਾਲੀਆਂ ਗੈਸਾਂ ਦੇ ਨਿਰਮਾਣ ਨੂੰ ਘੱਟ ਕੀਤਾ ਜਾ ਸਕੇ। ਇਹ ਖਾਸ ਤੌਰ 'ਤੇ ਮਹੱਤਵਪੂਰਨ ਹੁੰਦਾ ਹੈ ਜਦੋਂ ਬਰਫੀਲੇ ਤੂਫਾਨ ਦੀਆਂ ਸਥਿਤੀਆਂ ਵਿੱਚ ਪਾਰਕ ਕੀਤਾ ਜਾਂਦਾ ਹੈ।
- ਨੁਕਸਾਨ ਅਤੇ ਲੀਕ ਲਈ ਨਿਕਾਸੀ ਪ੍ਰਣਾਲੀ ਦਾ ਸਮੇਂ-ਸਮੇਂ 'ਤੇ ਨਿਰੀਖਣ ਕਰੋ। ਕਿਸੇ ਵੀ ਨੁਕਸਾਨ ਜਾਂ ਲੀਕ ਦੀ ਤੁਰੰਤ ਮੁਰੰਮਤ ਕੀਤੀ ਜਾਣੀ ਚਾਹੀਦੀ ਹੈ।

(ਚੱਲਦਾ ਹੈ)

## ਰੋਜ਼ਾਨਾ ਨਿਰੀਖਣ ਚੈਕਲਿਸਟ (Daily Inspection Checklist)

### ਡਰਾਈਵਿੰਗ ਕਰਨ ਤੋਂ ਪਹਿਲਾਂ (Before Driving)



77PM03001

- 1) ਇਹ ਪੱਕਾ ਕਰੋ ਕਿ ਖਿੜਕੀਆਂ, ਸੀਸੇ, ਲਾਈਟਾਂ ਅਤੇ ਰਿਫਲੈਕਟਰ ਸਾਫ਼ ਅਤੇ ਰੁਕਾਵਟ ਰਹਿਤ ਹਨ।
  - 2) ਹੇਠਾਂ ਦਿੱਤੇ ਬਿੰਦੂਆਂ ਲਈ ਟਾਇਰਾਂ ਦੀ ਦੇਖ ਕੇ ਜਾਂਚ ਕਰੋ:
    - ਟ੍ਰੈਡ ਗਰੂਵ ਦੀ ਡੂੰਘਾਈ
    - ਅਸਧਾਰਨ ਘਿਸਾਵ, ਤਰੇੜਾਂ ਅਤੇ ਨੁਕਸਾਨ
    - ਢਿੱਲੇ ਵੀਲ ਨੌਟ
    - ਬਾਹਰੀ ਸਮੱਗਰੀ ਜਿਵੇਂ ਕਿ ਕਿੱਲਾਂ, ਪੱਥਰ ਆਦਿ ਦੀ ਮੌਜੂਦਗੀ।
- ਵੇਰਵਿਆਂ ਲਈ "ਇੰਸਪੈਕਸ਼ਨ ਅਤੇ ਮੇਨਟੇਨੈਂਸ" ਭਾਗ ਵਿੱਚ "ਟਾਇਰ" ਵੇਖੋ।
- 3) ਤਰਲ ਅਤੇ ਤੇਲ ਦੇ ਲੀਕ ਹੋਣ ਦੀ ਭਾਲ ਕਰੋ।

- 4) ਯਕੀਨੀ ਬਣਾਓ ਕਿ ਇੰਜਣ ਦਾ ਡੱਬਾ ਪੂਰੀ ਤਰ੍ਹਾਂ ਬੰਦ ਹੈ ਅਤੇ ਲੋਚ ਕੀਤਾ ਹੋਇਆ ਹੈ।
- 5) ਸਹੀ ਸੰਚਾਲਨ ਲਈ ਹੈਂਡਲਾਈਟਾਂ, ਟਰਨ ਸਿਗਨਲ ਲਾਈਟਾਂ, ਬ੍ਰੇਕ ਲਾਈਟਾਂ ਅਤੇ ਹਾਰਨ ਦੀ ਜਾਂਚ ਕਰੋ।
- 6) ਡਰਾਈਵਰ ਦੀ ਸੀਟ ਨੂੰ ਵਿਵਸਥਿਤ ਕਰੋ।
- 7) ਬ੍ਰੇਕ ਪੈਡਲ ਅਤੇ ਪਾਰਕਿੰਗ ਬ੍ਰੇਕ ਲੀਵਰ ਦੀ ਜਾਂਚ ਕਰੋ।
- 8) ਸੀਸੇ ਅਡਜੱਸਟ ਕਰੋ।
- 9) ਯਕੀਨੀ ਬਣਾਓ ਕਿ ਤੁਸੀਂ ਅਤੇ ਯਾਤਰੀ ਨੇ ਸੀਟ ਬੈਲਟਾਂ ਨੂੰ ਠੀਕ ਤਰ੍ਹਾਂ ਨਾਲ ਲਗਾਇਆ ਹੋਇਆ ਹੈ।
- 10) ਇਹ ਪੱਕਾ ਕਰੋ ਕਿ ਸਾਰੀਆਂ ਵਾਰਨਿੰਗ ਲਾਈਟਾਂ ਚਾਲੂ ਹੋਣਗੀਆਂ ਜਿਵੇਂ ਚਾਬੀ ਨੂੰ "ਚਾਲੂ" ਸਥਿਤੀ ਵੱਲ ਘੁੰਮਾਇਆ ਜਾਂਦਾ ਹੈ।
- 11) ਸਾਰੇ ਗੇਜਾਂ ਦੀ ਜਾਂਚ ਕਰੋ।
- 12) ਯਕੀਨੀ ਬਣਾਓ ਕਿ ਜਦੋਂ ਪਾਰਕਿੰਗ ਬ੍ਰੇਕ ਛੱਡੀ ਜਾਂਦੀ ਹੈ ਤਾਂ ਬ੍ਰੇਕ ਸਿਸਟਮ ਵਾਰਨਿੰਗ ਲਾਈਟ ਬੰਦ ਹੋ ਜਾਂਦੀ ਹੈ।

ਹਫ਼ਤੇ ਵਿੱਚ ਇੱਕ ਵਾਰ, ਜਾਂ ਹਰ ਵਾਰ ਜਦੋਂ ਤੁਸੀਂ ਆਪਣਾ ਫਿਊਲ ਟੈਂਕ (fuel tank) ਭਰਦੇ ਹੋ ਜਾਂ ਲੰਬੀ ਦੂਰੀ ਦੀ ਡਰਾਈਵਿੰਗ (ਜਿਵੇਂ ਕਿ ਹਾਈਵੇਅ ਡਰਾਈਵਿੰਗ) ਤੋਂ ਪਹਿਲਾਂ, ਹੇਠਾਂ ਦਿੱਤੀਆਂ ਅੰਡਰ-ਹੁੱਡ ਦੀਆਂ ਜਾਂਚਾਂ ਕਰੋ:

- 1) ਇੰਜਣ ਆਇਲ ਦਾ ਲੈਵਲ
- 2) ਕੂਲੈਂਟ ਦਾ ਲੈਵਲ
- 3) ਬ੍ਰੇਕ ਫਲੂਇਡ ਦਾ ਲੈਵਲ (Brake fluid level)
- 4) ਵਿੰਡਸੀਲਡ ਵਾਸ਼ਰ ਫਲੂਇਡ (ਜੇਕਰ ਲੱਗਿਆ ਹੋਵੇ) ਲੈਵਲ
- 5) ਬੈਟਰੀ ਦੇ ਇਲੈਕਟ੍ਰੋਲਾਈਟ ਦਾ ਲੈਵਲ
- 6) ਲੈਚ ਅਪਰੇਸ਼ਨ ਲੁਬਰੀਕੇਸ਼ਨ ਦੀ ਅਨੁਸੂਚੀ ਲਈ "ਇੰਸਪੈਕਸ਼ਨ ਅਤੇ ਮੇਨਟੇਨੈਂਸ" ਭਾਗ ਵਿੱਚ

"ਆਵਧਿਕ ਰੱਖ-ਰਖਾਅ ਦੀ ਅਨੁਸੂਚੀ" ਵਿੱਚ "ਚੈਸਿਸ ਅਤੇ ਬਾਡੀ" ਦੇ "ਸਾਰੇ ਲੈਚਾਂ, ਹਿੰਗਜ਼ ਅਤੇ ਲਾਕ" ਵੇਖੋ।

ਮਹੀਨੇ ਵਿੱਚ ਇੱਕ ਵਾਰ, ਜਾਂ ਹਰ ਵਾਰ ਜਦੋਂ ਤੁਸੀਂ ਆਪਣੀ ਈਧਨ ਦੀ ਟੈਂਕੀ ਭਰਦੇ ਹੋ ਜਾਂ ਲੰਬੀ ਦੂਰੀ ਦੀ ਡਰਾਈਵਿੰਗ (ਜਿਵੇਂ ਕਿ ਹਾਈਵੇਅ ਡਰਾਈਵਿੰਗ) ਤੋਂ ਪਹਿਲਾਂ, ਟਾਇਰ ਪ੍ਰੈਸ਼ਰ ਗੇਜ ਦੀ ਵਰਤੋਂ ਕਰਕੇ ਟਾਇਰ ਪ੍ਰੈਸ਼ਰ ਦੀ ਜਾਂਚ ਕਰੋ। ਸਪੇਅਰ ਟਾਇਰ ਦਾ ਟਾਇਰ ਪ੍ਰੈਸ਼ਰ ਵੀ ਚੈੱਕ ਕਰੋ।

## ਆਪਣੇ ਵਾਹਨ ਨੂੰ ਚਲਾਉਣਾ

### ਇੰਜਣ ਆਇਲ ਦੀ ਖਪਤ (Engine Oil Consumption)

ਆਮ ਵਾਹਨ ਦੇ ਸੰਚਾਲਨ ਦੌਰਾਨ ਇੰਜਣ ਲਈ ਕੁਝ ਇੰਜਣ ਆਇਲ ਦੀ ਖਪਤ ਕਰਨਾ ਆਮ ਗੱਲ ਹੈ।

ਖਪਤ ਕੀਤੇ ਗਏ ਇੰਜਣ ਆਇਲ ਦੀ ਮਾਤਰਾ ਤੇਲ ਦੀ ਵਿਸਕੋਸਿਟੀ, ਤੇਲ ਦੀ ਗੁਣਵੱਤਾ ਅਤੇ ਵਾਹਨ ਨੂੰ ਚਲਾਉਣ ਵਾਲੀਆਂ ਸਥਿਤੀਆਂ 'ਤੇ ਨਿਰਭਰ ਕਰਦੀ ਹੈ।  
ਰਾਈ-ਸਪੀਡ ਡਰਾਈਵਿੰਗ ਦੌਰਾਨ ਤੇਲ ਦੀ ਜ਼ਿਆਦਾ ਖਪਤ ਹੁੰਦੀ ਹੈ ਅਤੇ ਜਦੋਂ ਵਾਰ-ਵਾਰ ਗਤੀ ਵਧਾਈ ਅਤੇ ਘਟਾਈ ਜਾਂਦੀ ਹੈ। ਜ਼ਿਆਦਾ ਲੋਡਾਂ ਹੇਠ, ਤੁਹਾਡਾ ਇੰਜਣ ਵੀ ਜ਼ਿਆਦਾ ਤੇਲ ਦੀ ਖਪਤ ਕਰੇਗਾ। ਇੱਕ ਨਵਾਂ ਇੰਜਣ ਵੀ ਜ਼ਿਆਦਾ ਤੇਲ ਦੀ ਖਪਤ ਕਰਦਾ ਹੈ, ਕਿਉਂਕਿ ਇਸਦੇ ਪਿਸਟਨ, ਪਿਸਟਨ ਰਿੰਗ ਅਤੇ ਸਿਲੰਡਰ ਦੀਆਂ ਦੀਵਾਰਾਂ ਅਜੇ ਕੰਡੀਸ਼ਨਡ ਨਹੀਂ ਹੋਈਆਂ ਹਨ। ਨਵੇਂ ਇੰਜਣ ਲਗਭਗ **5000** ਕਿਲੋਮੀਟਰ (**3000** ਮੀਲ) ਗੱਡੀ ਚਲਾਉਣ ਤੋਂ ਬਾਅਦ ਹੀ ਤੇਲ ਦੀ ਖਪਤ ਦੇ ਆਮ ਪੱਧਰ 'ਤੇ ਪਹੁੰਚਦੇ ਹਨ।

**ਤੇਲ ਦੀ ਖਪਤ (Oil Consumption):**  
ਅਧਿਕਤਮ **1.0** ਲੀਟਰ ਪ੍ਰਤੀ **1000** ਕਿਲੋਮੀਟਰ (**1** ਕਿਊਟੀ ਪ੍ਰਤੀ **600** ਮੀਲ)

ਤੇਲ ਦੀ ਖਪਤ ਦੀ ਮਾਤਰਾ ਦਾ ਨਿਰਣਾ ਕਰਦੇ ਸਮੇਂ, ਧਿਆਨ ਦਿਓ ਕਿ ਤੇਲ ਪਤਲਾ ਹੋ ਸਕਦਾ ਹੈ ਅਤੇ ਤੇਲ ਦੇ ਸਹੀ ਪੱਧਰ ਦਾ ਸਹੀ ਨਿਰਣਾ ਕਰਨਾ ਮੁਸ਼ਕਲ ਹੋ ਸਕਦਾ ਹੈ।

ਉਦਾਹਰਨ ਦੇ ਤੌਰ 'ਤੇ, ਜੇਕਰ ਕੋਈ ਵਾਹਨ ਬਾਰ-ਬਾਰ ਛੋਟੀਆਂ ਯਾਤਰਾਵਾਂ ਲਈ ਵਰਤਿਆ ਜਾਂਦਾ ਹੈ, ਅਤੇ ਤੇਲ ਦੀ ਆਮ ਮਾਤਰਾ ਦੀ ਖਪਤ ਕਰਦਾ ਹੈ, ਤਾਂ ਡਿਪਸਟਿਕ

ਤੇਲ ਦੇ ਪੱਧਰ ਵਿੱਚ ਬਿਲਕੁਲ ਵੀ ਕਮੀ ਨਹੀਂ ਦਿਖਾ ਸਕਦੀ, ਭਾਵੇਂ **1000** ਕਿਲੋਮੀਟਰ (**600** ਮੀਲ) ਜਾਂ ਇਸ ਤੋਂ ਵੱਧ ਗੱਡੀ ਚਲਾਉਣ ਤੋਂ ਬਾਅਦ ਵੀ। ਇਹ ਇਸ ਲਈ ਹੈ ਕਿਉਂਕਿ ਤੇਲ ਹੌਲੀ-ਹੌਲੀ ਬਾਲਣ ਜਾਂ ਨਮੀ ਨਾਲ ਪਤਲਾ ਹੁੰਦਾ ਹੈ, ਜਿਸ ਨਾਲ ਇਹ ਪ੍ਰਤੀਤ ਹੁੰਦਾ ਹੈ ਕਿ ਤੇਲ ਦਾ ਪੱਧਰ ਬਦਲਿਆ ਨਹੀਂ ਹੈ।

ਤੁਹਾਨੂੰ ਇਹ ਵੀ ਧਿਆਨ ਰੱਖਣਾ ਚਾਹੀਦਾ ਹੈ ਕਿ ਜਦੋਂ ਵਾਹਨ ਨੂੰ ਬਾਅਦ ਵਿੱਚ ਤੇਜ਼ ਰਫ਼ਤਾਰ 'ਤੇ ਚਲਾਇਆ ਜਾਂਦਾ ਹੈ, ਜਿਵੇਂ ਕਿ ਐਕਸਪ੍ਰੈਸਵੇਅ 'ਤੇ, ਤਾਂ ਇਹ ਪ੍ਰਤੀਤ ਹੁੰਦਾ ਹੈ ਕਿ ਤੇਜ਼ ਰਫ਼ਤਾਰ ਨਾਲ ਗੱਡੀ ਚਲਾਉਣ ਤੋਂ ਬਾਅਦ ਤੇਲ ਦੀ ਬਹੁਤ ਜ਼ਿਆਦਾ ਖਪਤ ਹੁੰਦੀ ਹੈ, ਤਾਂ ਪਤਲਾ ਕਰਨ ਵਾਲੀਆਂ ਸਮੱਗਰੀਆਂ ਬਾਹਰ ਨਿਕਲ ਜਾਂਦੀਆਂ ਹਨ।

### ਇਗਨੀਸ਼ਨ ਸਵਿੱਚ (Ignition Switch)

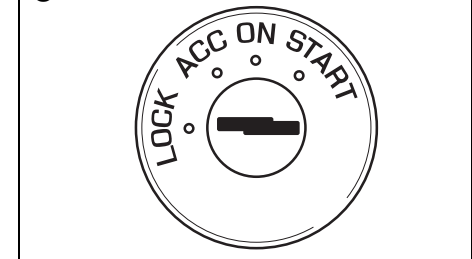


65D611

#### ⚠ ਚੇਤਾਵਨੀ

ਸੰਭਾਵੀ ਸੱਟ ਤੋਂ ਬਚਣ ਲਈ, ਸਟੀਰਿੰਗ ਵ੍ਹੀਲ ਰਾਹੀਂ ਪਹੁੰਚ ਕੇ ਕੰਟਰੋਲ ਅਪਰੇਟ ਨਾ ਕਰੋ।

#### ਉਦਾਹਰਨ



77PH002



ਇਗਨੀਸ਼ਨ ਸਵਿੱਚ ਦੀਆਂ ਹੇਠ ਲਿਖੀਆਂ ਚਾਰ ਸਥਿਤੀਆਂ ਹੁੰਦੀਆਂ ਹਨ:

**ਲਾਕ (LOCK)**

ਇਹ ਆਮ ਪਾਰਕਿੰਗ ਸਥਿਤੀ ਹੈ। ਇਹ ਇੱਕੋ ਇੱਕ ਸਥਿਤੀ ਹੈ ਜਿਸ ਵਿੱਚ ਕੁੰਜੀ ਨੂੰ ਹਟਾਇਆ ਜਾ ਸਕਦਾ ਹੈ।

ਸਟੀਰਿੰਗ ਲਾਕ ਨੂੰ ਛੱਡਣ ਲਈ, ਕੁੰਜੀ ਪਾਓ ਅਤੇ ਇਸਨੂੰ ਘੜੀ ਦੀ ਦਿਸ਼ਾ ਵਿੱਚ ਕਿਸੇ ਹੋਰ ਸਥਿਤੀ ਵਿੱਚ ਘੁੰਮਾਓ। ਜੇ ਤੁਹਾਨੂੰ ਸਟੀਰਿੰਗ ਨੂੰ ਅਨਲੋਕ ਕਰਨ ਲਈ ਚਾਬੀ ਨੂੰ ਘੁੰਮਾਉਣ ਵਿੱਚ ਮੁਸ਼ਕਲ ਆਉਂਦੀ ਹੈ, ਤਾਂ ਚਾਬੀ ਨੂੰ ਮੋੜਦੇ ਸਮੇਂ ਸਟੀਰਿੰਗ ਵ੍ਹੀਲ ਨੂੰ ਥੋੜ੍ਹਾ ਸੱਜੇ ਜਾਂ ਖੱਬੇ ਮੋੜਨ ਦੀ ਕੋਸ਼ਿਸ਼ ਕਰੋ।

**ਏ ਸੀ ਸੀ (ACC)**

ਸਹਾਇਕ ਸਾਕਟ ਜਿਵੇਂ ਕਿ ਸਹਾਇਕ ਉਪਕਰਣ ਕੰਮ ਕਰ ਸਕਦੇ ਹਨ, ਪਰ ਇੰਜਣ ਬੰਦ ਹੁੰਦਾ ਹੈ।

**ਚਾਲੂ (ON)**

ਇਹ ਆਮ ਅਪਰੇਟਿੰਗ ਸਥਿਤੀ ਹੈ। ਸਾਰੇ ਬਿਜਲੀ ਸਿਸਟਮ ਚਾਲੂ ਹਨ।

**ਸਟਾਰਟ (START)**

ਇਹ ਸਟਾਰਟਰ ਮੋਟਰ ਦੀ ਵਰਤੋਂ ਕਰਕੇ ਇੰਜਣ ਨੂੰ ਚਾਲੂ ਕਰਨ ਦੀ ਸਥਿਤੀ ਹੈ। ਇੰਜਣ ਚਾਲੂ ਹੁੰਦੇ ਹੀ ਕੁੰਜੀ ਨੂੰ ਇਸ ਸਥਿਤੀ ਤੋਂ ਛੱਡ ਦੇਣਾ ਚਾਹੀਦਾ ਹੈ।

**ਉਦਾਹਰਨ**



82DY04

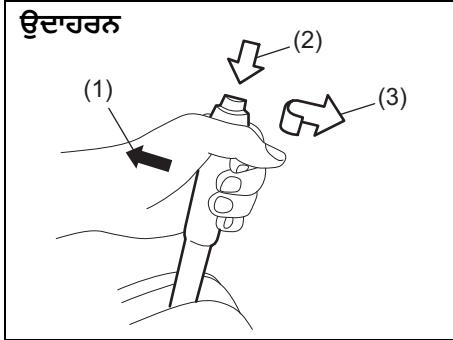
**ਨੋਟਿਸ**

- ਸਟਾਰਟਰ ਮੋਟਰ ਨੂੰ ਇੱਕ ਵਾਰ ਵਿੱਚ 30 ਸਕਿੰਟਾਂ ਤੋਂ ਵੱਧ ਨਾ ਵਰਤੋ। ਜੇਕਰ ਇੰਜਣ ਚਾਲੂ ਨਹੀਂ ਹੁੰਦਾ ਹੈ, ਤਾਂ ਦੁਬਾਰਾ ਕੋਸ਼ਿਸ਼ ਕਰਨ ਤੋਂ ਪਹਿਲਾਂ 15 ਸਕਿੰਟ ਉਡੀਕ ਕਰੋ। ਜੇਕਰ ਕਈ ਕੋਸ਼ਿਸ਼ਾਂ ਤੋਂ ਬਾਅਦ ਵੀ ਇੰਜਣ ਚਾਲੂ ਨਹੀਂ ਹੁੰਦਾ ਹੈ, ਤਾਂ ਬਾਲਣ ਅਤੇ ਇਗਨੀਸ਼ਨ ਪ੍ਰਣਾਲੀਆਂ ਦੀ ਜਾਂਚ ਕਰੋ ਜਾਂ ਆਪਣੀ ਅਧਿਕਾਰਤ ਮਾਰੂਤੀ ਸੁਜ਼ੁਕੀ ਕਮਰਸ਼ੀਅਲ ਵਰਕਸ਼ਾਪ ਤੋਂ ਸਲਾਹ ਲਓ।
- ਇਗਨੀਸ਼ਨ ਸਵਿੱਚ ਨੂੰ "ਚਾਲੂ" ਸਥਿਤੀ ਵਿੱਚ ਨਾ ਛੱਡੋ ਜੇਕਰ ਇੰਜਣ ਨਹੀਂ ਚੱਲ ਰਿਹਾ ਹੈ ਕਿਉਂਕਿ ਬੈਟਰੀ ਡਿਸਚਾਰਜ ਹੋ ਜਾਵੇਗੀ।

**⚠ ਚੇਤਾਵਨੀ**

- ਵਾਹਨ ਚਲਦੇ ਸਮੇਂ ਇਗਨੀਸ਼ਨ ਕੁੰਜੀ ਨੂੰ ਕਦੇ ਨਾ ਹਟਾਓ। ਸਟੀਰਿੰਗ ਵ੍ਹੀਲ ਲਾਕ ਹੋ ਜਾਵੇਗਾ ਅਤੇ ਤੁਸੀਂ ਵਾਹਨ ਨੂੰ ਸਟੀਅਰ ਨਹੀਂ ਕਰ ਸਕੋਗੇ।
- ਵਾਹਨ ਨੂੰ ਛੱਡਣ ਵੇਲੇ ਹਮੇਸ਼ਾ ਇਗਨੀਸ਼ਨ ਕੁੰਜੀ ਨੂੰ ਹਟਾਓ ਭਾਵੇਂ ਥੋੜ੍ਹੇ ਸਮੇਂ ਲਈ ਹੀ ਹੋਵੇ। ਨਾਲ ਹੀ ਬੱਚਿਆਂ ਨੂੰ ਪਾਰਕ ਕੀਤੇ ਵਾਹਨ ਵਿੱਚ ਇਕੱਲੇ ਨਾ ਛੱਡੋ। ਉਹ ਗਰਮ ਜਾਂ ਗਰਮੀ ਦੇ ਮੌਸਮ ਵਿੱਚ ਗਰਮੀ ਦੇ ਸਟ੍ਰੋਕ ਤੋਂ ਵੀ ਪੀੜਤ ਹੋ ਸਕਦੇ ਹਨ। ਇਹਨਾਂ ਦੇ ਨਤੀਜੇ ਵਜੋਂ ਗੰਭੀਰ ਸੱਟ ਲੱਗ ਸਕਦੀ ਹੈ ਜਾਂ ਮੌਤ ਵੀ ਹੋ ਸਕਦੀ ਹੈ।

## ਪਾਰਕਿੰਗ ਬ੍ਰੇਕ ਲੀਵਰ (Parking Brake Lever)



77PH030

- (1) ਸੈੱਟ ਕਰਨ ਲਈ
- (2) ਰਿਲੀਜ਼ ਕਰਨ ਲਈ
- (3) ਰਿਲੀਜ਼ ਕਰਨ ਲਈ

ਪਾਰਕਿੰਗ ਬਰੇਕ ਲੀਵਰ ਫਰੰਟਾਂ ਸੀਟਾਂ ਦੇ ਵਿਚਕਾਰ ਸਥਿਤ ਹੁੰਦਾ ਹੈ। ਪਾਰਕਿੰਗ ਬਰੇਕ ਨੂੰ ਸੈਟ ਕਰਨ ਲਈ, ਬਰੇਕ ਪੈਡਲ ਨੂੰ ਹੇਠਾਂ ਵੱਲ ਦਬਾਓ ਅਤੇ ਪਾਰਕਿੰਗ ਬਰੇਕ ਲੀਵਰ ਨੂੰ ਪੂਰੀ ਤਰ੍ਹਾਂ ਉੱਪਰ ਵੱਲ ਖਿੱਚੋ। ਪਾਰਕਿੰਗ ਬਰੇਕ ਨੂੰ ਛੱਡਣ ਲਈ, ਬਰੇਕ ਪੈਡਲ ਨੂੰ ਹੇਠਾਂ ਵੱਲ ਦਬਾਓ, ਪਾਰਕਿੰਗ ਬਰੇਕ ਲੀਵਰ ਨੂੰ ਹਲਕਾ ਜਿਹਾ ਉੱਪਰ ਵੱਲ ਖਿੱਚੋ, ਆਪਣੇ ਅੰਗੂਠੇ ਨਾਲ ਲੀਵਰ ਦੇ ਕਿਨਾਰੇ 'ਤੇ ਬਟਨ ਨੂੰ ਦਬਾਓ, ਅਤੇ ਲੀਵਰ ਨੂੰ ਆਪਣੀ ਅਸਲੀ ਪੋਜੀਸ਼ਨ 'ਤੇ ਲੈ ਕੇ ਜਾਓ।

### ⚠ ਚੇਤਾਵਨੀ

- ਪਾਰਕਿੰਗ ਬ੍ਰੇਕ ਦੇ ਨਾਲ ਕਦੇ ਵੀ ਆਪਣੇ ਵਾਹਨ ਨੂੰ ਨਾ ਚਲਾਓ: ਪਿਛਲੀ ਬ੍ਰੇਕ ਦੀ ਪ੍ਰਭਾਵਸ਼ੀਲਤਾ ਓਵਰਹੀਟਿੰਗ ਕਾਰਣ ਘੱਟ ਹੋ ਸਕਦੀ ਹੈ, ਬ੍ਰੇਕ ਦੀ ਉਮਰ ਘੱਟ ਸਕਦੀ ਹੈ, ਜਾਂ ਸਥਾਈ ਬ੍ਰੇਕ ਨੂੰ ਨੁਕਸਾਨ ਹੋ ਸਕਦਾ ਹੈ।
- ਜੇਕਰ ਪਾਰਕਿੰਗ ਬ੍ਰੇਕ ਵਾਹਨ ਨੂੰ ਸੁਰੱਖਿਅਤ ਢੰਗ ਨਾਲ ਖੜ੍ਹੀ ਨਹੀਂ ਰੱਖ ਸਕਦੀ ਜਾਂ ਪੂਰੀ ਤਰ੍ਹਾਂ ਰਿਲੀਜ਼ ਨਹੀਂ ਹੁੰਦੀ, ਤਾਂ ਆਪਣੇ ਵਾਹਨ ਦੀ ਤੁਰੰਤ ਕਿਸੇ ਅਧਿਕਾਰਤ ਮਾਰੂਤੀ ਸ਼ੁਜ਼ੁਕੀ ਕਮਰਸ਼ੀਅਲ ਵਰਕਸ਼ਾਪ ਤੋਂ ਜਾਂਚ ਕਰਵਾਓ।

### ⚠ ਚੇਤਾਵਨੀ

ਆਪਣੇ ਵਾਹਨ ਨੂੰ ਛੱਡਣ ਤੋਂ ਪਹਿਲਾਂ ਹਮੇਸ਼ਾ ਪਾਰਕਿੰਗ ਬ੍ਰੇਕ ਨੂੰ ਪੂਰੀ ਤਰ੍ਹਾਂ ਸੈੱਟ ਕਰੋ ਜਾਂ ਇਹ ਰਿੱਲ ਸਕਦੀ ਹੈ, ਜਿਸ ਨਾਲ ਸੱਟ ਲੱਗ ਸਕਦੀ ਹੈ ਜਾਂ ਨੁਕਸਾਨ ਹੋ ਸਕਦਾ ਹੈ। ਪਾਰਕਿੰਗ ਕਰਦੇ ਸਮੇਂ, ਯਕੀਨੀ ਬਣਾਓ ਕਿ ਗਿਅਰਸ਼ਿਫਟ ਲੀਵਰ ਰਿਵਰਸ ਜਾਂ ਪਹਿਲੇ ਗਿਅਰ ਵਿੱਚ ਹੈ। ਯਾਦ ਰੱਖੋ, ਭਾਵੇਂ ਟ੍ਰਾਂਸਮਿਸ਼ਨ ਗਿਅਰ ਵਿੱਚ ਹੈ, ਤੁਹਾਨੂੰ ਪਾਰਕਿੰਗ ਬ੍ਰੇਕ ਨੂੰ ਪੂਰੀ ਤਰ੍ਹਾਂ ਸੈੱਟ ਕਰਨਾ ਚਾਹੀਦਾ ਹੈ।

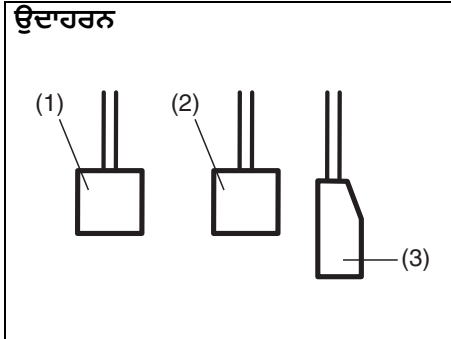
### ⚠ ਚੇਤਾਵਨੀ

ਜਦੋਂ ਬਹੁਤ ਠੰਡੇ ਮੌਸਮ ਵਿੱਚ ਵਾਹਨ ਪਾਰਕ ਕਰਦੇ ਹੋ, ਤਾਂ ਹੇਠ ਲਿਖੀ ਵਿਧੀ ਵਰਤੀ ਜਾਣੀ ਚਾਹੀਦੀ ਹੈ:

- 1) ਪਾਰਕਿੰਗ ਬ੍ਰੇਕ ਸੈੱਟ ਕਰੋ।
  - 2) ਇੰਜਣ ਨੂੰ ਬੰਦ ਕਰੋ, ਫਿਰ ਰਿਵਰਸ ਜਾਂ ਪਹਿਲੇ ਗਿਅਰ ਵਿੱਚ ਸ਼ਿਫਟ ਕਰੋ।
  - 3) ਵਾਹਨ ਤੋਂ ਬਾਹਰ ਨਿਕਲੋ ਅਤੇ ਪਹੀਆਂ ਦੇ ਹੇਠਾਂ ਚੋਕਾਂ ਲਗਾਓ।
  - 4) ਪਾਰਕਿੰਗ ਬ੍ਰੇਕ ਨੂੰ ਰਿਲੀਜ਼ ਕਰੋ। ਜਦੋਂ ਤੁਸੀਂ ਆਪਣੇ ਵਾਹਨ 'ਤੇ ਵਾਪਸ ਆਉਂਦੇ ਹੋ, ਤਾਂ ਤੁਹਾਨੂੰ ਪਹਿਲਾਂ ਪਾਰਕਿੰਗ ਬ੍ਰੇਕ ਲਗਾਉਣਾ ਯਾਦ ਰੱਖਣਾ ਚਾਹੀਦਾ ਹੈ, ਫਿਰ ਪਹੀਏ ਦੀਆਂ ਚੋਕਾਂ ਨੂੰ ਹਟਾਉਣਾ ਚਾਹੀਦਾ ਹੈ।
- ਧੁੱਪ ਨਾਲ ਗਰਮ ਹੋਏ ਵਾਹਨ ਵਿੱਚ ਸਿਗਰਟ ਲਾਈਟਰਾਂ (cigarette lighters), ਸਪਰੇਅ ਕੈਨਾਂ (spray cans), ਸਾਫਟ ਡਰਿੰਕ ਕੈਨਾਂ ਜਾਂ ਪਲਾਸਟਿਕ ਦੀਆਂ ਵਸਤੂਆਂ (ਜਿਵੇਂ ਐਨਕਾਂ, ਸੀਡੀ ਕੇਸਾਂ (CD cases), ਆਦਿ) ਨੂੰ ਨਾ ਛੱਡੋ। ਵਾਹਨ ਦੇ ਅੰਦਰਲਾ ਤਾਪਮਾਨ ਹੇਠਾਂ ਦਿੱਤਿਆਂ ਦਾ ਕਾਰਣ ਬਣ ਸਕਦਾ ਹੈ:
    - ਸਿਗਰਟ ਲਾਈਟਰ ਜਾਂ ਸਪਰੇਅ ਕੈਨ ਤੋਂ ਗੈਸ ਲੀਕ ਹੋ ਸਕਦੀ ਹੈ ਅਤੇ ਇਸ ਕਾਰਣ ਅੱਗ ਲੱਗ ਸਕਦੀ ਹੈ।
    - ਐਨਕਾਂ, ਪਲਾਸਟਿਕ ਦੇ ਕਾਰਡ ਜਾਂ ਸੀਡੀ ਕੇਸ (CD Case) ਆਦਿ ਦਾ ਅਕਾਰ ਵਿਗੜ ਸਕਦਾ ਹੈ ਜਾਂ ਤਰੇੜ ਆ ਸਕਦੀ ਹੈ।
    - ਸੌਫਟ ਡਰਿੰਗ ਕੈਨ ਟੁੱਟ ਸਕਦੇ ਹਨ।

## ਪੈਡਲ (Pedal)

### ਉਦਾਹਰਨ



80J2121

### ਕਲੱਚ ਪੈਡਲ (Clutch Pedal) (1)

ਕਲੱਚ ਪੈਡਲ ਦੀ ਵਰਤੋਂ ਇੰਜਣ ਨੂੰ ਚਾਲੂ ਕਰਨ, ਰੋਕਣ ਜਾਂ ਗੀਅਰਸਿਫਟ ਲੀਵਰ ਨੂੰ ਸਿਫਟ ਕਰਨ ਵੇਲੇ ਪਹਿਲੇ ਤੱਕ ਡ੍ਰਾਈਵ ਨੂੰ ਬੰਦ ਕਰਨ ਲਈ ਕੀਤੀ ਜਾਂਦੀ ਹੈ। ਪੈਡਲ ਨੂੰ ਦਬਾਉਣ ਨਾਲ ਕਲੱਚ ਬੰਦ ਹੋ ਜਾਂਦਾ ਹੈ।

#### ⚠ ਚੇਤਾਵਨੀ

ਆਪਣੇ ਪੈਰਾਂ ਨੂੰ ਕਲੱਚ ਪੈਡਲ (Clutch pedal) 'ਤੇ ਰੱਖ ਕੇ ਵਾਹਨ ਨਾ ਚਲਾਓ। ਇਸ ਦੇ ਨਤੀਜੇ ਵਜੋਂ ਕਲੱਚ ਦਾ ਬਹੁਤ ਜ਼ਿਆਦਾ ਘਿਸ਼ਣਾ, ਕਲੱਚ ਦਾ ਖਰਾਬ ਹੋਣਾ, ਜਾਂ ਇੰਜਣ ਦੀ ਬ੍ਰੇਕਿੰਗ ਦਾ ਅਚਾਨਕ ਨੁਕਸਾਨ ਹੋ ਸਕਦਾ ਹੈ।

### ਬ੍ਰੇਕ ਪੈਡਲ (Brake Pedal) (2)

ਤੁਹਾਡੀ ਗੱਡੀ ਨੂੰ ਫਰੰਟ ਡਿਸਕ ਬ੍ਰੇਕਾਂ ਅਤੇ ਰਿਅਰ ਡਰੱਮ ਬ੍ਰੇਕਾਂ ਨਾਲ ਲੱਗੀਆਂ ਹੁੰਦੀਆਂ ਹਨ। ਬ੍ਰੇਕ ਪੈਡਲ ਨੂੰ ਦਬਾਉਣ ਨਾਲ ਬ੍ਰੇਕਾਂ ਦੇ ਦੋਵੇਂ ਸੈੱਟ ਕੰਮ ਕਰਦੇ ਹਨ।

ਜਦੋਂ ਤੁਸੀਂ ਬ੍ਰੇਕ ਲਗਾਉਂਦੇ ਹੋ ਤਾਂ ਤੁਸੀਂ ਕਦੇ-ਕਦਾਈਂ ਬ੍ਰੇਕ ਦੀ ਚੀਕ ਸੁਣ ਸਕਦੇ ਹੋ। ਇਹ ਤਾਪਮਾਨ, ਨਮੀ, ਬਰਫ ਜਾਂ ਧੂੜ ਆਦਿ ਵਰਗੇ ਵਾਤਾਵਰਣਕ ਕਾਰਕਾਂ ਕਾਰਨ ਪੈਦਾ ਹੋਣ ਵਾਲੀ ਇੱਕ ਆਮ ਸਥਿਤੀ ਹੈ।

#### ⚠ ਚੇਤਾਵਨੀ

ਜੇਕਰ ਬ੍ਰੇਕ ਦੀ ਆਵਾਜ਼ ਬਹੁਤ ਜ਼ਿਆਦਾ ਹੈ ਅਤੇ ਹਰ ਵਾਰ ਬ੍ਰੇਕ ਲਗਾਉਣ 'ਤੇ ਆਉਂਦੀ ਹੈ, ਤਾਂ ਤੁਹਾਨੂੰ ਆਪਣੀ ਅਧਿਕਾਰਤ ਮਾਰੂਤੀ ਸਜ਼ੂਕੀ ਕਮਰਸ਼ੀਅਲ ਵਰਕਸ਼ਾਪ ਦੁਆਰਾ ਬ੍ਰੇਕਾਂ ਦੀ ਜਾਂਚ ਕਰਵਾਉਣੀ ਚਾਹੀਦੀ ਹੈ।

#### ⚠ ਚੇਤਾਵਨੀ

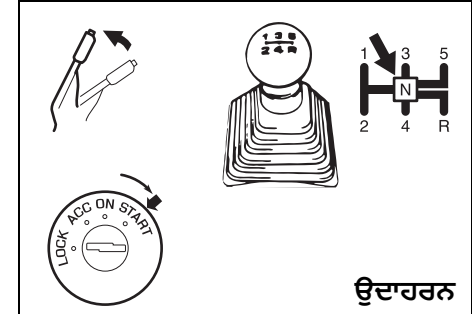
ਬਰੇਕਾਂ ਲਗਾਤਾਰ ਲਗਾ ਕੇ ਜਾਂ ਪੈਡਲ 'ਤੇ ਆਪਣੇ ਪੈਰਾਂ ਨੂੰ ਰੱਖ ਕੇ ਨਾ ਚਲਾਓ। ਇਸ ਦੇ ਨਤੀਜੇ ਵਜੋਂ ਬ੍ਰੇਕਾਂ ਦੀ ਓਵਰਹੀਟਿੰਗ ਹੋ ਸਕਦੀ ਹੈ ਜਿਸ ਨਾਲ ਅਣਪਛਾਤੀ ਬ੍ਰੇਕਿੰਗ ਐਕਸ਼ਨ, ਲੰਮੀ ਦੂਰੀ 'ਤੇ ਜਾ ਕੇ ਰੁਕਣਾ, ਜਾਂ ਸਥਾਈ ਬਰੇਕ ਨੂੰ ਨੁਕਸਾਨ ਹੋ ਸਕਦਾ ਹੈ।

### ਐਕਸਲੇਟਰ ਪੈਡਲ (Accelerator Pedal) (3)

ਇਹ ਪੈਡਲ ਇੰਜਣ ਦੀ ਸਪੀਡ ਨੂੰ ਕੰਟਰੋਲ ਕਰਦਾ ਹੈ। ਐਕਸਲੇਟਰ ਪੈਡਲ ਨੂੰ ਦਬਾਉਣ ਨਾਲ ਪਾਵਰ ਆਉਟਪੁੱਟ ਅਤੇ ਗਤੀ ਵਧ ਜਾਂਦੀ ਹੈ।

## ਇੰਜਣ ਚਾਲੂ ਕਰਨਾ (Starting the Engine)

### ਇੰਜਣ ਚਾਲੂ ਕਰਨ ਤੋਂ ਪਹਿਲਾਂ



### ਉਦਾਹਰਨ

77PH014

- 1) ਯਕੀਨੀ ਬਣਾਓ ਕਿ ਪਾਰਕਿੰਗ ਬ੍ਰੇਕ ਪੂਰੀ ਤਰ੍ਹਾਂ ਸੈੱਟ ਹੈ।
- 2) "N" (ਨਿਊਟਰਲ) ਵਿੱਚ ਸਿਫਟ ਕਰੋ ਅਤੇ ਕਲੱਚ ਪੈਡਲ (Clutch pedal) ਨੂੰ ਫਰਸ ਤੱਕ ਹਰ ਤਰ੍ਹਾਂ ਦਬਾਓ। ਇੰਜਣ ਚਾਲੂ ਕਰਦੇ ਸਮੇਂ ਕਲੱਚ ਪੈਡਲ (Clutch pedal) ਨੂੰ ਹੇਲਡ ਕਰਕੇ ਰੱਖੋ।

#### ⚠ ਚੇਤਾਵਨੀ

ਇੰਜਣ ਨੂੰ ਚਾਲੂ ਕਰਨ ਦੀ ਕੋਸ਼ਿਸ਼ ਕਰਨ ਤੋਂ ਪਹਿਲਾਂ ਯਕੀਨੀ ਬਣਾਓ ਕਿ ਪਾਰਕਿੰਗ ਬ੍ਰੇਕ ਪੂਰੀ ਤਰ੍ਹਾਂ ਸੈੱਟ ਹੈ ਅਤੇ ਟ੍ਰਾਂਸਮਿਸ਼ਨ ਨਿਊਟਰਲ ਵਿੱਚ ਹੈ।

## ਆਪਣੇ ਵਾਹਨ ਨੂੰ ਚਲਾਉਣਾ

ਇੱਕ ਠੰਡਾ ਅਤੇ ਗਰਮ ਇੰਜਣ ਚਾਲੂ ਕਰਨਾ (Starting a Cold and Warm Engine)

ਐਕਸਲੇਟਰ ਪੈਡਲ ਤੋਂ ਆਪਣੇ ਪੈਰਾਂ ਨੂੰ ਹਟਾ ਕੇ, ਇਗਨੀਸ਼ਨ ਕੁੰਜੀ ਨੂੰ "ਸਟਾਰਟ" ਵੱਲ ਘੁੰਮਾ ਕੇ ਇੰਜਣ ਨੂੰ ਕ੍ਰੈਕ ਕਰੋ। ਇੰਜਣ ਚਾਲੂ ਹੋਣ 'ਤੇ ਕੁੰਜੀ ਨੂੰ ਛੱਡ ਦਿਓ।

### ▲ ਸਾਵਧਾਨੀ

- ਇੰਜਣ ਚਾਲੂ ਹੋਣ ਤੋਂ ਤੁਰੰਤ ਬਾਅਦ ਸਟਾਰਟਰ ਨੂੰ ਘੁੰਮਾਉਣਾ ਬੰਦ ਕਰ ਦਿਓ ਨਹੀਂ ਤਾਂ ਸਟਾਰਟਰ ਸਿਸਟਮ ਨੂੰ ਨੁਕਸਾਨ ਹੋ ਸਕਦਾ ਹੈ।
- ਇੰਜਣ ਨੂੰ ਇੱਕ ਵਾਰ ਵਿੱਚ 12 ਸਕਿੰਟਾਂ ਤੋਂ ਵੱਧ ਸਮੇਂ ਲਈ ਕ੍ਰੈਕ ਨਾ ਕਰੋ। ਜੇ ਇੰਜਣ ਪਹਿਲੀ ਕੋਸ਼ਿਸ ਵਿੱਚ ਚਾਲੂ ਨਹੀਂ ਹੁੰਦਾ ਹੈ, ਤਾਂ ਦੁਬਾਰਾ ਕੋਸ਼ਿਸ਼ ਕਰਨ ਤੋਂ ਪਹਿਲਾਂ ਲਗਭਗ 30 ਸਕਿੰਟ ਉਡੀਕ ਕਰੋ।

ਜੇਕਰ ਇੰਜਣ 12 ਸਕਿੰਟ ਕ੍ਰੈਕਿੰਗ ਤੋਂ ਬਾਅਦ ਚਾਲੂ ਨਹੀਂ ਹੁੰਦਾ ਹੈ, ਤਾਂ ਲਗਭਗ 30 ਸਕਿੰਟ ਉਡੀਕ ਕਰੋ, ਫਿਰ ਐਕਸਲੇਟਰ ਪੈਡਲ ਨੂੰ ਇਸਦੀ ਟ੍ਰੈਵਲ ਦੇ 1/3 ਤੱਕ ਹੇਠਾਂ ਦਬਾਓ ਅਤੇ ਇੰਜਣ ਨੂੰ ਦੁਬਾਰਾ ਕ੍ਰੈਕ ਕਰਨ ਦੀ ਕੋਸ਼ਿਸ਼ ਕਰੋ। ਇੰਜਣ ਚਾਲੂ ਹੋਣ 'ਤੇ ਕੁੰਜੀ ਅਤੇ ਐਕਸਲੇਟਰ ਪੈਡਲ ਨੂੰ ਰਿਲੀਜ਼ ਕਰੋ।

ਜੇਕਰ ਇੰਜਣ ਅਜੇ ਵੀ ਚਾਲੂ ਨਹੀਂ ਹੁੰਦਾ ਹੈ, ਤਾਂ ਕ੍ਰੈਕਿੰਗ ਕਰਦੇ ਸਮੇਂ ਐਕਸਲੇਟਰ ਪੈਡਲ ਨੂੰ ਫਰਸ਼ ਤੱਕ ਹੇਲਡ ਕਰਨ ਦੀ ਕੋਸ਼ਿਸ਼ ਕਰੋ। ਇਸ ਨਾਲ ਇੰਜਣ ਸਾਫ਼ ਹੋਣਾ ਚਾਹੀਦਾ ਹੈ ਜੇਕਰ ਇਸ ਵਿੱਚ ਪਾਣੀ ਭਰਿਆ ਹੋਵੇ।

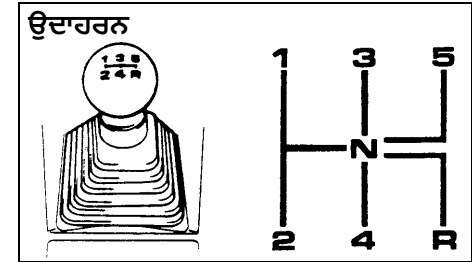
ਨੋਟ:  
(ਸੀ.ਐਨ.ਜੀ. ਇੰਜਣ ਦੇ ਮਾਡਲ ਲਈ)

- ਪੈਟਰੋਲ ਤੋਂ ਸੀ.ਐਨ.ਜੀ. ਮੋਡ (CNG mode) ਵਿੱਚ ਬਦਲਣ ਲਈ ਐਕਸਲੇਟਰ ਪੈਡਲ ਨੂੰ ਨਾ ਦਬਾਓ।

- ਇਗਨੀਸ਼ਨ ਸਵਿੱਚ "ਚਾਲੂ" ਹੋਣ ਅਤੇ ਇੰਜਣ ਨਾ ਚੱਲਣ ਦੇ ਨਾਲ, ਸੀ.ਐਨ.ਜੀ. ਖਰਾਬੀ ਵਾਰਨਿੰਗ ਲੈਂਪ ਦਾ ਝਪਕਣਾ ਇਹ ਦਰਸਾਉਂਦਾ ਹੈ ਕਿ ਬੰਧਨ ਦਾ ਫੱਕਣ ਖੁੱਲ੍ਹਾ ਹੈ। ਇਸ ਹਾਲਤ ਵਿੱਚ ਵਾਹਨ ਸਟਾਰਟ ਨਹੀਂ ਹੋਵੇਗਾ।
- ਇੰਜਣ ਦੀ ਉਮਰ ਵਧਾਉਣ ਲਈ ਵਾਹਨ ਨੂੰ ਆਟੋ ਮੋਡ ਜਾਂ ਪੈਟਰੋਲ ਮੋਡ ਵਿੱਚ ਚਾਲੂ ਕਰਨ ਦੀ ਸਿਫਾਰਸ਼ ਕੀਤੀ ਜਾਂਦੀ ਹੈ।
- ਸੀ.ਐਨ.ਜੀ. ਵਿੱਚ ਬੰਧਨ ਦੀ ਤਬਦੀਲੀ ਨਹੀਂ ਹੋ ਸਕਦੀ ਜੇ ਵਾਹਨ ਚਾਲੂ ਹੁੰਦਾ ਹੈ ਜਦੋਂ ਪ੍ਰਵੇਸ਼ / ਇੰਜਣ ਦਾ ਤਾਪਮਾਨ ਜ਼ੀਰੋ ਡਿਗਰੀ ਸੈਲਸੀਅਸ ਤੋਂ ਘੱਟ ਹੁੰਦਾ ਹੈ। ਅਜਿਹੀ ਸਥਿਤੀ ਵਿੱਚ, ਇੰਜਣ ਨੂੰ ਪੈਟਰੋਲ ਮੋਡ ਵਿੱਚ ਉਦੋਂ ਤੱਕ ਚਲਾਓ ਜਦੋਂ ਤੱਕ ਇਹ ਗਰਮ ਨਾ ਹੋ ਜਾਵੇ ਅਤੇ ਫਿਰ ਇੰਜਣ ਨੂੰ ਸੀ.ਐਨ.ਜੀ. ਵਿੱਚ ਬਦਲਣ ਲਈ ਮੁੜ ਚਾਲੂ ਕਰਨ ਦੀ ਕੋਸ਼ਿਸ਼ ਕਰੋ।
- ਪੈਟਰੋਲ ਟੈਂਕ ਵਿੱਚ ਪੈਟਰੋਲ ਦੀ ਲੋੜੀਂਦੀ ਮਾਤਰਾ ਰੱਖਣ ਦੀ ਸਿਫਾਰਸ਼ ਕੀਤੀ ਜਾਂਦੀ ਹੈ।
- ਜੇ ਪ੍ਰਵੇਸ਼/ਇੰਜਣ ਦਾ ਤਾਪਮਾਨ ਜ਼ੀਰੋ ਡਿਗਰੀ ਸੈਲਸੀਅਸ ਤੋਂ ਘੱਟ ਹੁੰਦਾ ਹੈ ਤਾਂ ਵਾਹਨ ਜ਼ਬਰਦਸਤੀ ਸੀ.ਐਨ.ਜੀ. ਮੋਡ (CNG mode) ਵਿੱਚ ਚਾਲੂ ਨਹੀਂ ਹੋ ਸਕਦਾ। ਵਾਹਨ ਨੂੰ ਆਟੋ ਮੋਡ ਵਿੱਚ ਚਾਲੂ ਕਰਨ ਦੀ ਸਿਫਾਰਸ਼ ਕੀਤੀ ਜਾਂਦੀ ਹੈ।
- ਸੀ.ਐਨ.ਜੀ. ਮੋਡ (CNG mode) ਤੋਂ ਪੈਟਰੋਲ ਮੋਡ ਵਿੱਚ ਆਟੋਮੈਟਿਕ ਬਦਲਦੇ ਸਮੇਂ ਇੰਜਣ ਨੂੰ ਰੁਕਣ ਤੋਂ ਰੋਕਣ ਲਈ ਪੈਟਰੋਲ ਟੈਂਕ ਵਿੱਚ ਕਾਫੀ ਮਾਤਰਾ ਵਿੱਚ ਪੈਟਰੋਲ ਰੱਖਣ ਦੀ ਸਿਫਾਰਸ਼ ਕੀਤੀ ਜਾਂਦੀ ਹੈ।
- ਜੇਕਰ ਸੀ.ਐਨ.ਜੀ. ਖਰਾਬ ਹੋਣ ਦੀ ਵਾਰਨਿੰਗ ਵਾਲਾ ਲੈਂਪ ਚੌਜਓਵਰ ਸਵਿੱਚ ਨੂੰ ਦਬਾਉਣ ਤੋਂ ਬਾਅਦ ਝਪਕਣਾ ਬੰਦ ਨਹੀਂ ਕਰਦਾ ਹੈ, ਤਾਂ ਵਾਹਨ ਨੂੰ ਨਜ਼ਦੀਕੀ ਅਧਿਕਾਰਤ ਮਾਰੂਤੀ ਸੂਜੂਕੀ ਕਮਰਸੀਅਲ ਵਰਕਸ਼ਾਪ ਵਿੱਚ ਲੈ ਜਾਓ।

## ਟ੍ਰਾਂਸਮਿਸ਼ਨ ਦੀ ਵਰਤੋਂ ਕਰਨਾ

ਮੈਨੂਅਲ ਟ੍ਰਾਂਸਮਿਸ਼ਨ (Manual Transmission)



### ਚਾਲੂ ਕਰਨਾ (Starting off)

ਚਾਲੂ ਕਰਨ ਲਈ, ਕਲੱਚ ਪੈਡਲ (Clutch pedal) ਨੂੰ ਪੂਰੀ ਤਰ੍ਹਾਂ ਫਰਸ਼ ਤੱਕ ਦਬਾਓ ਅਤੇ ਪਹਿਲੇ ਜਾਂ ਦੂਜੇ ਗੇਅਰ ਵਿੱਚ ਸ਼ਿਫਟ ਕਰੋ। ਪਾਰਕਿੰਗ ਬ੍ਰੇਕ ਨੂੰ ਛੱਡਣ ਤੋਂ ਬਾਅਦ, ਹੌਲੀ-ਹੌਲੀ ਕਲੱਚ ਨੂੰ ਛੱਡ ਦਿਓ। ਜਦੋਂ ਤੁਸੀਂ ਇੰਜਣ ਦੀ ਆਵਾਜ਼ ਵਿੱਚ ਤਬਦੀਲੀ ਸੁਣਦੇ ਹੋ, ਤਾਂ ਹੌਲੀ-ਹੌਲੀ ਕਲੱਚ ਨੂੰ ਰਿਲੀਜ਼ ਕਰਦੇ ਹੋਏ ਐਕਸਲੇਟਰ ਨੂੰ ਦਬਾਓ।

ਨੋਟ:

- ਸਧਾਰਣ ਡਰਾਈਵਿੰਗ ਦੌਰਾਨ ਚਾਲੂ ਰੱਖਣ ਲਈ ਸਿਫਾਰਿਸ਼ ਕੀਤੀ ਗਿਅਰ ਸਥਿਤੀ ਦੂਜਾ ਗਿਅਰ ਹੈ।
- ਕ੍ਰਾਸ ਕੰਟਰੀ ਡਰਾਈਵਿੰਗ, ਕ੍ਰੈਲਿੰਗ ਜਾਂ ਲੇਡਿੰਗ ਡ੍ਰਾਈਵਿੰਗ ਦੇ ਮਾਮਲੇ ਵਿੱਚ ਜਿਸਨੂੰ ਵੱਡੇ ਡ੍ਰਾਈਵਿੰਗ ਫੋਰਸ ਦੀ ਲੋੜ ਹੁੰਦੀ ਹੈ, ਪਹਿਲੇ ਗਿਅਰ ਵਿੱਚ ਰੱਖਣ ਦੀ ਸਿਫਾਰਸ਼ ਕੀਤੀ ਜਾਂਦੀ ਹੈ।

**ਸ਼ਿਫਟਿੰਗ (Shifting)**

ਸਾਰੇ ਫਾਰਵਰਡ ਗੀਅਰ ਸਿੰਕ੍ਰੋਨਾਈਜ਼ ਕੀਤੇ ਗਏ ਹਨ, ਜੋ ਸ਼ਾਂਤ ਅਤੇ ਆਸਾਨ ਸ਼ਿਫਟ ਕਰਨਾ ਪ੍ਰਦਾਨ ਕਰਦੇ ਹਨ। ਗਿਅਰਾਂ ਨੂੰ ਬਦਲਣ ਤੋਂ ਪਹਿਲਾਂ ਹਮੇਸ਼ਾ ਕਲੱਚ ਪੈਡਲ (Clutch pedal) ਨੂੰ ਪੂਰੀ ਤਰ੍ਹਾਂ ਨਾਲ ਧੱਕੋ।

**ਅਧਿਕਤਮ ਮਨਜ਼ੂਰਸ਼ੁਦਾ ਸਪੀਡਾਂ ਨੂੰ ਘੱਟ ਕਰਨਾ (ਪੈਟਰੋਲ ਮਾਡਲ ਲਈ)**

ਡਾਊਨ (ਘੱਟ) ਸ਼ਿਫਟਿੰਗ	ਕਿਲੋਮੀਟਰ/ਘੰਟਾ
ਦੂਜੇ ਤੋਂ ਪਹਿਲੇ ਤੱਕ	10
ਤੀਜੇ ਤੋਂ ਦੂਜੇ ਤੱਕ	65
ਚੌਥੇ ਤੋਂ ਤੀਜੇ ਤੱਕ	100
ਪੰਜਵੇਂ ਤੋਂ ਚੌਥੇ ਤੱਕ	140

**ਅਧਿਕਤਮ ਮਨਜ਼ੂਰਸ਼ੁਦਾ ਸਪੀਡਾਂ ਨੂੰ ਘੱਟ ਕਰਨਾ (ਸੀ.ਐਨ.ਜੀ. ਮਾਡਲ ਲਈ)**

ਡਾਊਨ (ਘੱਟ) ਸ਼ਿਫਟਿੰਗ	ਕਿਲੋਮੀਟਰ/ਘੰਟਾ
ਦੂਜੇ ਤੋਂ ਪਹਿਲੇ ਤੱਕ	10
ਤੀਜੇ ਤੋਂ ਦੂਜੇ ਤੱਕ	55
ਚੌਥੇ ਤੋਂ ਤੀਜੇ ਤੱਕ	90
ਪੰਜਵੇਂ ਤੋਂ ਚੌਥੇ ਤੱਕ	125

ਨੋਟ:

ਤੁਸੀਂ ਕ੍ਰਾਈਵਿੰਗ ਦੀ ਸਥਿਤੀ ਅਤੇ/ਜਾਂ ਵਾਹਨ ਦੀ ਸਥਿਤੀ ਦੇ ਕਾਰਨ ਵੱਧ ਤੋਂ ਵੱਧ ਮਨਜ਼ੂਰਸ਼ੁਦਾ ਗਤੀ ਨੂੰ ਤੇਜ਼ ਨਹੀਂ ਕਰ ਸਕਦੇ ਹੋ।

**ਨੋਟਿਸ**

ਹੇਠਲੇ ਗਿਅਰ 'ਤੇ ਸ਼ਿਫਟ ਕਰਦੇ ਸਮੇਂ, ਇਹ ਯਕੀਨੀ ਬਣਾਓ ਕਿ ਵੱਧ ਤੋਂ ਵੱਧ ਮਨਜ਼ੂਰਸ਼ੁਦਾ ਗਤੀ ਤੋਂ ਤੇਜ਼ ਗਤੀ 'ਤੇ ਡਾਊਨਸ਼ਿਫਟ ਨਾ ਕਰੋ, ਨਹੀਂ ਤਾਂ ਇੰਜਣ ਨੂੰ ਗੰਭੀਰ ਨੁਕਸਾਨ ਹੋ ਸਕਦਾ ਹੈ।

**⚠ ਚੇਤਾਵਨੀ**

- ਲੰਬੀ ਜਾਂ ਖੜ੍ਹੀ ਪਹਾੜੀ ਤੋਂ ਹੇਠਾਂ ਜਾਣ ਤੋਂ ਪਹਿਲਾਂ ਆਪਣੀ ਸਪੀਡ ਨੂੰ ਘਟਾਓ ਅਤੇ ਹੇਠਲੇ ਗਿਅਰ ਵਿੱਚ ਹੇਠਾਂ ਵੱਲ ਜਾਓ। ਇੱਕ ਛੋਟਾ ਗਿਅਰ ਇੰਜਣ ਨੂੰ ਬ੍ਰੇਕਿੰਗ ਪ੍ਰਦਾਨ ਕਰਨ ਦੀ ਆਗਿਆ ਦੇਵੇਗਾ। ਬ੍ਰੇਕਾਂ ਲਗਾਉਣ ਤੋਂ ਬਚੋ ਜਾਂ ਉਹ ਜ਼ਿਆਦਾ ਗਰਮ ਹੋ ਸਕਦੇ ਹਨ, ਨਤੀਜੇ ਵਜੋਂ ਬ੍ਰੇਕ ਫੇਲ੍ਹ ਹੋ ਸਕਦੀ ਹੈ।
- ਤਿਲਕਣ ਵਾਲੀਆਂ ਸੜਕਾਂ 'ਤੇ ਗੱਡੀ ਚਲਾਉਂਦੇ ਸਮੇਂ, ਥੱਲੇ ਜਾਣ ਤੋਂ ਪਹਿਲਾਂ ਵਾਹਨ ਹੌਲੀ ਕਰਨਾ ਯਕੀਨੀ ਬਣਾਓ। ਇੰਜਣ ਦੀ ਗਤੀ ਵਿੱਚ ਬਹੁਤ ਜ਼ਿਆਦਾ ਅਤੇ ਜਾਂ/ਅਚਾਨਕ ਤਬਦੀਲੀਆਂ ਕਾਰਨ ਟ੍ਰੈਕਸ਼ਨ ਦਾ ਨੁਕਸਾਨ ਹੋ ਸਕਦਾ ਹੈ, ਜਿਸ ਨਾਲ ਤੁਸੀਂ ਕੰਟਰੋਲ ਗੁਆ ਸਕਦੇ ਹੋ।

**ਨੋਟਿਸ**

- ਕਲੱਚ ਦੇ ਖਰਾਬ ਹੋਣ ਤੋਂ ਬਚਣ ਲਈ, ਡਰਾਈਵਿੰਗ ਕਰਦੇ ਸਮੇਂ ਕਲੱਚ ਪੈਡਲ (Clutch pedal) ਦੀ ਵਰਤੋਂ ਫੁੱਟਰੈਸਟ ਵਜੋਂ ਨਾ ਕਰੋ ਜਾਂ ਵਾਹਨ ਨੂੰ ਫਲਾਨ 'ਤੇ ਸਥਾਈ ਰੱਖਣ ਲਈ ਕਲੱਚ ਦੀ ਵਰਤੋਂ ਨਾ ਕਰੋ। ਸ਼ਿਫਟ ਕਰਦੇ ਸਮੇਂ ਕਲੱਚ ਨੂੰ ਪੂਰੀ ਤਰ੍ਹਾਂ ਦਬਾਓ।
- ਸ਼ਿਫਟ ਕਰਨ ਜਾਂ ਚਾਲੂ ਕਰਨ ਵੇਲੇ, ਇੰਜਣ ਨੂੰ ਤੇਜ਼ ਨਾ ਚਲਾਓ। ਇੰਜਣ ਦੀ ਰੇਸਿੰਗ ਇੰਜਣ ਦੀ ਉਮਰ ਨੂੰ ਘਟਾ ਸਕਦੀ ਹੈ ਅਤੇ ਨਿਰਵਿਘਨ ਸ਼ਿਫਟ ਨੂੰ ਪ੍ਰਭਾਵਿਤ ਕਰ ਸਕਦੀ ਹੈ।

**ਨੋਟਿਸ**

ਰਿਵਰਸ ਗੀਅਰ "R" ਨੂੰ ਸ਼ਾਮਲ ਕਰਨ ਤੋਂ ਪਹਿਲਾਂ, ਜਾਂਚ ਕਰੋ ਕਿ ਵਾਹਨ ਪੂਰੀ ਤਰ੍ਹਾਂ ਸਥਾਈ ਹੈ ਅਤੇ ਗੀਅਰ ਲੀਵਰ ਨਿਊਟਰਲ [N] ਸਥਿਤੀ ਵਿੱਚ ਹੈ। ਕਲੱਚ ਪੈਡਲ (Clutch pedal) ਨੂੰ ਪੂਰੀ ਤਰ੍ਹਾਂ ਦਬਾਉਣ ਤੋਂ ਬਾਅਦ, [R] ਵੱਲ ਸ਼ਿਫਟ ਕਰੋ।

ਨੋਟ:

ਜੇਕਰ ਰਿਵਰਸ ਗੀਅਰ "R" ਨੂੰ ਸ਼ਾਮਲ ਕਰਨਾ ਮੁਸ਼ਕਲ ਹੈ, ਤਾਂ ਹੇਠਾਂ ਦਿੱਤੀ ਪ੍ਰਕਿਰਿਆ ਦੀ ਪਾਲਣਾ ਕਰੋ:-

1. ਗੀਅਰ ਲੀਵਰ ਨੂੰ ਨਿਊਟਰਲ "N" ਵਿੱਚ ਕਰੋ।
2. ਕਲੱਚ ਪੈਡਲ (Clutch pedal) ਨੂੰ ਇੱਕ ਵਾਰ ਛੱਡ ਦਿਓ।
3. ਦੁਬਾਰਾ ਕਲੱਚ ਪੈਡਲ (Clutch pedal) ਨੂੰ ਦਬਾਓ, ਅਤੇ "N" ਤੋਂ "R" ਵਿੱਚ ਸ਼ਿਫਟ ਕਰੋ।

## ਆਪਣੇ ਵਾਹਨ ਨੂੰ ਚਲਾਉਣਾ

### ਪਾਰਕਿੰਗ ਸੈਂਸਰ (Parking Sensors)

- ਪਾਰਕਿੰਗ ਸੈਂਸਰ ਸਿਸਟਮ ਪਿਛਲੇ ਬੰਪਰ ਦੇ ਨੇੜੇ ਰੁਕਾਵਟਾਂ ਦਾ ਪਤਾ ਲਗਾਉਣ ਲਈ ਅਲਟਰਾਸੋਨਿਕ ਸੈਂਸਰਾਂ (ultrasonic sensors) ਦੀ ਵਰਤੋਂ ਕਰਦਾ ਹੈ। ਜੇਕਰ ਤੁਸੀਂ ਵਾਹਨ ਨੂੰ ਹੌਲੀ-ਹੌਲੀ ਪਾਰਕ ਕਰ ਰਹੇ ਹੋ ਜਾਂ ਵਾਹਨ ਚਲਾਉਂਦੇ ਸਮੇਂ ਰੁਕਾਵਟਾਂ ਮਹਿਸੂਸ ਕੀਤੀਆਂ ਜਾਂਦੀਆਂ ਹਨ, ਤਾਂ ਸਿਸਟਮ ਤੁਹਾਨੂੰ ਬਜ਼ਰ ਵਜਾ ਕੇ ਚੇਤਾਵਨੀ ਦਿੰਦਾ ਹੈ।
- ਸਿਸਟਮ ਇੱਕ ਅਲਟਰਾਸੋਨਿਕ ਵੇਵ (ultrasonic wave) ਛੱਡਦਾ ਹੈ ਅਤੇ ਸੰਬੰਧਿਤ ਸੈਂਸਰ ਇੱਕ ਰੁਕਾਵਟ ਦੁਆਰਾ ਪ੍ਰਤੀਬਿੰਬਿਤ ਤਰੰਗ ਦੀ ਵਾਪਸੀ ਦਾ ਪਤਾ ਲਗਾਉਂਦਾ ਹੈ। ਸਿਸਟਮ ਅਲਟਰਾਸੋਨਿਕ ਵੇਵ (ultrasonic wave) ਦੁਆਰਾ ਰੁਕਾਵਟ ਤੱਕ ਪਹੁੰਚਣ ਅਤੇ ਇਸ ਤੋਂ ਵਾਪਸ ਆਉਣ ਲਈ ਲਏ ਗਏ ਸਮੇਂ ਨੂੰ ਮਾਪਦਾ ਹੈ, ਜਿਸ ਤੋਂ ਇਹ ਰੁਕਾਵਟ ਦੀ ਸਥਿਤੀ ਨਿਰਧਾਰਤ ਕਰਦਾ ਹੈ।
- ਪਾਰਕਿੰਗ ਸੈਂਸਰ ਫੰਕਸ਼ਨ ਦੀ ਵਰਤੋਂ ਉਦੋਂ ਕੀਤੀ ਜਾ ਸਕਦੀ ਹੈ ਜਦੋਂ ਤੁਸੀਂ ਇਗਨੀਸ਼ਨ ਸਵਿੱਚ ਨੂੰ "ਚਾਲੂ" ਸਥਿਤੀ ਵਿੱਚ ਬਦਲਦੇ ਹੋ ਅਤੇ ਗੀਅਰਸ਼ਿਫਟ ਲੀਵਰ "R" ਸਥਿਤੀ ਵਿੱਚ ਹੁੰਦਾ ਹੈ। ਇਹ ਫੰਕਸ਼ਨ ਹੇਠ ਲਿਖੇ ਮਾਮਲਿਆਂ ਵਿੱਚ ਮਦਦਗਾਰ ਹੁੰਦਾ ਹੈ: ਕਰਬ ਵੱਲ ਖਿੱਚਣਾ; ਵਾਹਨ ਦੀ ਸਮਾਨਾਂਤਰ ਪਾਰਕਿੰਗ; ਵਾਹਨ ਨੂੰ ਗੈਰੇਜ ਵਿੱਚ ਸਟੀਅਰ ਕਰਨਾ; ਇੱਕ ਗਲੀ ਵਿੱਚ ਗੱਡੀ ਚਲਾਉਣਾ; ਅਤੇ ਰੁਕਾਵਟਾਂ ਵਾਲੀ ਜਗ੍ਹਾ 'ਤੇ ਹੌਲੀ ਹੌਲੀ ਜਾਣਾ।

#### ⚠ ਚੇਤਾਵਨੀ

- ਪਾਰਕਿੰਗ ਸੈਂਸਰ ਤੁਹਾਨੂੰ ਬਜ਼ਰ ਨਾਲ ਰੁਕਾਵਟਾਂ ਬਾਰੇ ਚੇਤਾਵਨੀ ਦਿੰਦਾ ਹੈ। ਹਾਲਾਂਕਿ, ਤੁਹਾਨੂੰ ਅਜੇ ਵੀ ਖਾਸ ਧਿਆਨ ਨਾਲ ਗੱਡੀ ਚਲਾਉਣੀ ਪਵੇਗੀ।
- ਸੈਂਸਰ ਸਿਰਫ ਸੀਮਤ ਖੇਤਰ ਦੇ ਅੰਦਰ ਰੁਕਾਵਟਾਂ ਦਾ ਪਤਾ ਲਗਾ ਸਕਦੇ ਹਨ ਅਤੇ ਸਿਰਫ ਉਦੋਂ ਜਦੋਂ ਵਾਹਨ ਸੀਮਤ ਗਤੀ ਸੀਮਾ ਦੇ ਅੰਦਰ ਜਾ ਰਿਹਾ ਹੋਵੇ। ਇਸ ਲਈ, ਅੱਖੇ ਖੇਤਰਾਂ ਵਿੱਚ, ਤੁਹਾਨੂੰ ਆਪਣੀ ਸਿੱਧੀ ਦ੍ਰਿਸ਼ਟੀ ਜਾਂ ਰੀਅਰਵਿਊ ਸੀਸ਼ਿਆਂ ਦੀ ਵਰਤੋਂ ਕਰਦੇ ਹੋਏ ਇਸਦੇ ਆਲੇ-ਦੁਆਲੇ ਜਾਂਚ ਕਰਦੇ ਹੋਏ ਵਾਹਨ ਨੂੰ ਹੌਲੀ-ਹੌਲੀ ਚਲਾਉਣਾ ਚਾਹੀਦਾ ਹੈ। ਜੇ ਤੁਸੀਂ ਸਿਰਫ ਪਾਰਕਿੰਗ ਸੈਂਸਰ 'ਤੇ ਨਿਰਭਰ ਕਰਦੇ ਹੋਏ ਵਾਹਨ ਨੂੰ ਕੰਟਰੋਲ ਕਰਦੇ ਹੋ ਤਾਂ ਦੁਰਘਟਨਾ ਦਾ ਖਤਰਾ ਵੱਧ ਜਾਂਦਾ ਹੈ।

ਨੋਟ:

ਜਦੋਂ ਗੀਅਰਸ਼ਿਫਟ ਲੀਵਰ ਨੂੰ "R" ਸਥਿਤੀ ਵਿੱਚ ਤਬਦੀਲ ਕੀਤਾ ਜਾਂਦਾ ਹੈ, ਤਾਂ ਇੱਕ ਬਜ਼ਰ ਇੱਕ ਵਾਰ ਵੱਜੇਗਾ।

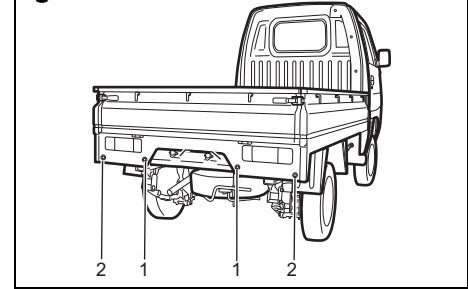
#### ਨੋਟਿਸ

ਪਾਰਕਿੰਗ ਸੈਂਸਰ ਸਿਰਫ ਡਰਾਈਵਰ ਦੀ ਸਹਾਇਤਾ ਲਈ ਹਨ।

### ਸੈਂਸਰ ਦੇ ਟਿਕਾਣੇ (Sensor locations)

ਪਿਛਲੇ ਬੰਪਰ 'ਤੇ (bumper)

ਉਦਾਹਰਨ



77PM03003

- (1) ਪਿਛਲੇ ਕੋਨੇ ਦੇ ਸੈਂਸਰ (2 ਸਥਾਨ)
- (2) ਪਿਛਲੇ ਕੋਨੇ ਦੇ ਸੈਂਸਰ (2 ਸਥਾਨ)

#### ਨੋਟਿਸ

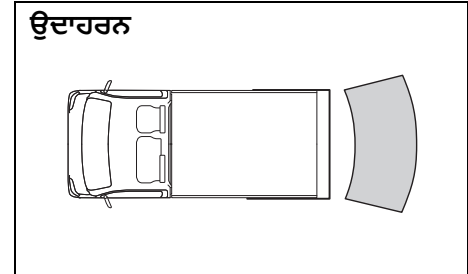
- ਸੈਂਸਰ ਵਾਲੇ ਖੇਤਰਾਂ ਨੂੰ ਸੱਟ ਮਾਰਨ ਜਾਂ ਉੱਚ-ਪ੍ਰੈਸ਼ਰ ਕਾਰ ਵਾਸ਼ਰ ਦੀ ਨੇਜ਼ਲ ਨੂੰ ਸੈਂਸਰ ਖੇਤਰਾਂ 'ਤੇ ਲਗਾਉਣ ਤੋਂ ਬਚੋ। ਨਹੀਂ ਤਾਂ, ਸੈਂਸਰ ਖਰਾਬ ਹੋ ਸਕਦੇ ਹਨ।
- ਜੇਕਰ ਬੰਪਰ ਕਿਸੇ ਸਖ਼ਤ ਵਸਤੂ ਨਾਲ ਟਕਰਾਉਂਦਾ ਹੈ, ਤਾਂ ਹੋ ਸਕਦਾ ਹੈ ਕਿ ਇਸ 'ਤੇ ਲੱਗੇ ਸੈਂਸਰ ਠੀਕ ਤਰ੍ਹਾਂ ਕੰਮ ਨਾ ਕਰਨ। ਜੇ ਅਜਿਹਾ ਹੁੰਦਾ ਹੈ, ਤਾਂ ਮਾਰੂਤੀ ਸੁਜ਼ੁਕੀ ਦੀ ਅਧਿਕਾਰਤ ਵਰਕਸ਼ਾਪ ਤੋਂ ਸੈਂਸਰਾਂ ਦੀ ਜਾਂਚ ਕਰਵਾਓ।

ਕੰਮ ਕਰਨ ਵਾਲੇ ਸੈਂਸਰ (sensors)

ਸੈਂਸਰ ਗਿਅਰਸ਼ਿਫਟ ਲੀਵਰ ਦੀ ਸਥਿਤੀ ਦੇ ਆਧਾਰ 'ਤੇ ਹੇਠ ਲਿਖੇ ਅਨੁਸਾਰ ਕੰਮ ਕਰਦੇ ਹਨ:

ਗਿਅਰਸ਼ਿਫਟ ਲੀਵਰ ਦੀ ਸਥਿਤੀ (Gearshift lever position)	R	N, ਪਹਿਲੀ - ਪੰਜਵੀਂ
ਰੀਅਰ ਸੈਂਸਰ (Rear sensors)	ਚਾਲੂ	ਬੰਦ

ਲਗਭਗ ਉਹ ਖੇਤਰ ਜਿੱਥੇ ਰੁਕਾਵਟਾਂ ਦਾ ਪਤਾ ਲਗਾਇਆ ਜਾ ਸਕਦਾ ਹੈ



78MM05003

- ਸੈਂਸਰ ਤੋਂ ਲਗਭਗ **20 ਸੈਂਟੀਮੀਟਰ (8 ਇੰਚ)** ਦੇ ਅੰਦਰ ਜਾਂ ਕਿਸੇ ਸੈਂਸਰ ਦੇ ਬਿਲਕੁਲ ਹੇਠਾਂ ਕੋਈ ਰੁਕਾਵਟ ਖੋਜਣਯੋਗ ਨਹੀਂ ਹੈ।

ਸੈਂਸਰ ਵਾਹਨ ਦੇ ਪਿਛਲੇ ਹਿੱਸੇ ਤੋਂ ਲਗਭਗ **1.8 ਮੀਟਰ (6 ਫੁੱਟ)** ਤੱਕ ਦੀਵਾਰ ਵਰਗੀਆਂ ਰੁਕਾਵਟਾਂ ਦਾ ਪਤਾ ਲਗਾ ਸਕਦੇ ਹਨ।

▲ ਚੇਤਾਵਨੀ

ਹੇਠ ਲਿਖੀਆਂ ਸਥਿਤੀਆਂ ਦੇ ਤਹਿਤ, ਪਾਰਕਿੰਗ ਸੈਂਸਰ ਸਿਸਟਮ ਆਮ ਤੌਰ 'ਤੇ ਕੰਮ ਨਹੀਂ ਕਰ ਸਕਦਾ ਹੈ ਕਿਉਂਕਿ ਸੈਂਸਰ ਰੁਕਾਵਟਾਂ ਦਾ ਸਹੀ ਢੰਗ ਨਾਲ ਪਤਾ ਨਹੀਂ ਲਗਾ ਸਕਦੇ ਹਨ।

- ਸੈਂਸਰ ਚਿੱਕੜ, ਬਰਫ਼ ਜਾਂ ਹੋਰ ਸਮੱਗਰੀ ਨਾਲ ਢਕੇ ਹੁੰਦੇ ਹਨ। (ਅਜਿਹੀ ਸਮੱਗਰੀ ਨੂੰ ਆਮ ਕਾਰਵਾਈ ਲਈ ਹਟਾ ਦਿੱਤਾ ਜਾਣਾ ਚਾਹੀਦਾ ਹੈ।)
- ਸੈਂਸਰ ਪਾਣੀ ਦੇ ਛਿੱਟੇ ਜਾਂ ਭਾਰੀ ਮੀਂਹ ਨਾਲ ਗਿੱਲੇ ਹੁੰਦੇ ਹਨ।
- ਸੈਂਸਰ ਇੱਕ ਹੱਥ, ਸਟਿੱਕਰ, ਐਕਸੈਸਰੀ, ਆਦਿ ਦੁਆਰਾ ਕਵਰ ਕੀਤੇ ਜਾਂਦੇ ਹਨ।
- ਸੈਂਸਰ ਦੇ ਸੈਂਸਿੰਗ ਖੇਤਰ ਦੇ ਅੰਦਰ ਕੋਈ ਐਕਸੈਸਰੀ ਜਾਂ ਹੋਰ ਵਸਤੂ ਜੁੜੀ ਹੁੰਦੀ ਹੈ।
- ਬੰਪਰ 'ਤੇ ਟੋਅ ਹੁੱਕਾਂ, ਵਪਾਰਕ ਤੌਰ 'ਤੇ ਉਪਲਬਧ ਕੋਨੇ ਦੇ ਖੰਭਿਆਂ, ਰੇਡੀਓ ਐਂਟੀਨਾ ਆਦਿ ਵਰਗੀਆਂ ਚੀਜ਼ਾਂ ਸਥਾਪਤ ਕੀਤੀਆਂ ਗਈਆਂ ਹਨ।

(ਚੱਲਦਾ ਹੈ)

▲ ਚੇਤਾਵਨੀ

(ਚੱਲਦਾ ਹੈ)

- ਬੰਪਰ ਦੀ ਉਚਾਈ ਮੁਅੱਤਲ ਜਾਂ ਹੋਰ ਕਾਰਨਾਂ ਕਰਕੇ ਬਦਲੀ ਜਾਂਦੀ ਹੈ।
- ਸੈਂਸਰ ਦੇ ਖੇਤਰ ਸਿੱਧੀ ਧੁੱਪ ਨਾਲ ਬਹੁਤ ਗਰਮ ਹੁੰਦੇ ਹਨ ਜਾਂ ਠੰਢ ਵਾਲੇ ਮੌਸਮ ਕਾਰਨ ਠੰਡੇ ਹੁੰਦੇ ਹਨ।
- ਵਾਹਨ ਖੁਰਦੂਰੀ ਸਤ੍ਹਾਵਾਂ, ਢਲਾਨ, ਬੱਜਰੀ ਵਾਲੀ ਸੜਕ ਜਾਂ ਘਾਹ ਦੇ ਮੈਦਾਨ 'ਤੇ ਹੈ।
- ਗੱਡੀ ਤਿੱਖੇ ਕੋਣ 'ਤੇ ਖੜ੍ਹੀ ਹੈ।
- ਸੈਂਸਰਾਂ ਨੇ ਕਿਸੇ ਹੋਰ ਵਾਹਨ ਦੇ ਹਾਰਨ, ਇੰਜਣ, ਏਅਰ ਬੁੱਕਿੰਗ ਸਿਸਟਮ (ਵੱਡੇ ਵਾਹਨਾਂ), ਜਾਂ ਪਾਰਕਿੰਗ ਸੈਂਸਰ ਤੋਂ ਅਲਟਰਾਸੋਨਿਕ (ultrasonic) ਸ਼ੋਰ ਨੂੰ ਰੋਕਿਆ ਹੈ।
- ਰੁਕਾਵਟਾਂ ਸੈਂਸਰਾਂ ਦੇ ਬਹੁਤ ਨੇੜੇ ਹਨ।

(ਚੱਲਦਾ ਹੈ)

▲ ਚੇਤਾਵਨੀ

(ਚੱਲਦਾ ਹੈ)

- ਸੈਂਸਰ ਇੱਕ ਉੱਚ ਪ੍ਰਤੀਬਿੰਬਤ ਵਸਤੂ ਜਿਵੇਂ ਕਿ ਕੱਚ ਦੇ ਕੋਣ 'ਤੇ ਹੁੰਦੇ ਹਨ। (ਅਲਟਰਾਸੋਨਿਕ (Ultrasonic) ਤਰੰਗਾਂ ਰੁਕਾਵਟ ਤੋਂ ਵਾਪਸ ਪ੍ਰਤੀਬਿੰਬਤ ਨਹੀਂ ਹੁੰਦੀਆਂ ਹਨ।)
- ਸੈਂਸਰ ਹੇਠ ਲਿਖੀਆਂ ਕਿਸਮਾਂ ਦੀਆਂ ਰੁਕਾਵਟਾਂ ਨੂੰ ਸਹੀ ਢੰਗ ਨਾਲ ਖੋਜਣ ਦੇ ਯੋਗ ਨਹੀਂ ਹੋ ਸਕਦੇ ਹਨ:
  - ਇੱਕ ਪਤਲੀ ਸਮੱਗਰੀ ਤੋਂ ਬਣੀਆਂ ਵਸਤੂਆਂ ਜਿਵੇਂ ਕਿ ਤਾਰ ਦਾ ਜਾਲ ਅਤੇ ਰੱਸੀਆਂ
  - ਵਰਗ-ਆਕਾਰ ਦੇ ਕਰਬਸਟੋਨ ਜਾਂ ਤਿੱਖੇ ਕਿਨਾਰਿਆਂ ਵਾਲੀਆਂ ਹੋਰ ਵਸਤੂਆਂ
  - ਵੱਡੇ ਉਪਰਲੇ ਹਿੱਸੇ ਵਾਲੀਆਂ ਉੱਚੀਆਂ ਵਸਤੂਆਂ ਜਿਵੇਂ ਕਿ ਸੜਕ ਦਾ ਸੰਕੇਤ
  - ਘੱਟ-ਪ੍ਰਫਾਈਲ ਵਾਲੀਆਂ ਵਸਤੂਆਂ ਜਿਵੇਂ ਕਿ ਕਰਬਸਟੋਨ
  - ਧੁਨੀ ਸੋਖਣ ਵਾਲੀਆਂ ਵਸਤੂਆਂ ਜਿਵੇਂ ਕਿ ਕਪਾਹ ਅਤੇ ਬਰਫ਼

ਨੋਟ:

ਸੈਂਸਰਾਂ ਤੋਂ ਘੱਟ ਪਤਲੇ ਖੰਭੇ ਜਾਂ ਰੁਕਾਵਟਾਂ ਪਛਾਣ ਰਹਿਤ ਹੋ ਸਕਦੀਆਂ ਹਨ ਕਿਉਂਕਿ ਵਾਹਨ ਉਹਨਾਂ ਦੇ ਨੇੜੇ ਜਾਂਦਾ ਹੈ ਭਾਵੇਂ ਉਹਨਾਂ ਨੂੰ ਲੰਬੀ ਦੂਰੀ ਤੋਂ ਖੋਜਿਆ ਗਿਆ ਹੋਵੇ।

- ਸਿਸਟਮ ਸੜਕ ਦੇ ਸੰਕੇਤ ਦੀ ਦੂਰੀ ਦੀ ਗਣਨਾ ਕਰ ਸਕਦਾ ਹੈ ਜਾਂ ਅਸਲ ਦੂਰੀ ਨਾਲੋਂ ਘੱਟ ਹੋਣ ਲਈ ਸਮਾਨ ਰੁਕਾਵਟ ਦੀ ਗਣਨਾ ਕਰ ਸਕਦਾ ਹੈ।



**ਪਾਰਕਿੰਗ ਸੈਂਸਰ ਦੁਆਰਾ ਰੁਕਾਵਟ ਦਾ ਸੰਕੇਤ**

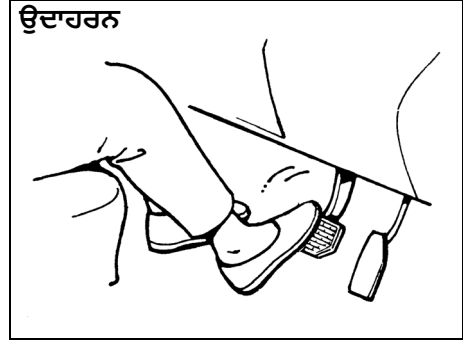
- ਕਿਸੇ ਰੁਕਾਵਟ ਦਾ ਪਤਾ ਲਗਾਉਣ 'ਤੇ, ਪਾਰਕਿੰਗ ਸੈਂਸਰ ਕਾਰਣ ਅੰਦਰੂਨੀ ਬਜ਼ਰ ਆਵਾਜ਼ ਦਿੰਦਾ ਹੈ।
- ਪਿਛਲੀ ਸੀਟ ਦੇ ਪਿੱਛੇ ਸਥਿਤ ਇੱਕ ਬਜ਼ਰ ਵੱਜਦਾ ਹੈ ਜਦੋਂ ਪਿਛਲੇ ਪਾਸੇ ਸੈਂਸਰ ਇੱਕ ਰੁਕਾਵਟ ਦਾ ਪਤਾ ਲਗਾਉਂਦਾ ਹੈ।
- ਚੇਤਾਵਨੀਆਂ ਜਦੋਂ ਸੈਂਸਰਾਂ ਦੁਆਰਾ ਕੰਧ ਵਰਗੀਆਂ ਰੁਕਾਵਟਾਂ ਦਾ ਪਤਾ ਲਗਾਇਆ ਜਾਂਦਾ ਹੈ

ਦੂਰੀ (ਲਗਭਗ)	ਬਜ਼ਰ
100-180 ਸੈਂਟੀਮੀਟਰ	ਲੰਬੇ ਅੰਤਰਾਲਾਂ 'ਤੇ ਛੋਟੀਆਂ ਬੀਪਾਂ
80-100 ਸੈਂਟੀਮੀਟਰ	ਛੋਟੇ ਅੰਤਰਾਲਾਂ 'ਤੇ ਛੋਟੀਆਂ ਬੀਪਾਂ
70 - 80 ਸੈਂਟੀਮੀਟਰ	ਬਹੁਤ ਘੱਟ ਅੰਤਰਾਲਾਂ 'ਤੇ ਛੋਟੀਆਂ ਬੀਪਾਂ
70 ਸੈਂਟੀਮੀਟਰ ਤੋਂ ਘੱਟ	ਲਗਾਤਾਰ ਬੀਪ

**ਵਾਰਨਿੰਗ (Warning) ਅਤੇ ਇੰਡੀਕੇਟਰ ਸੁਨੇਹੇ (indicator messages)**

ਜੇ ਪਾਰਕਿੰਗ ਸੈਂਸਰ ਸਿਸਟਮ ਬਾਰੇ ਕੋਈ ਸਮੱਸਿਆ ਜਾਂ ਚੇਤਾਵਨੀ ਹੈ, ਤਾਂ ਇੱਕ ਬਜ਼ਰ ਇਸਦੀ ਜਾਣਕਾਰੀ ਦਿੰਦਾ ਹੈ। ਹੇਠਾਂ ਦਿੱਤੀ ਹਿਦਾਇਤ ਦੀ ਪਾਲਣਾ ਕਰੋ।  
ਬੱਜ਼ਰ (buzzer) ਕੁੱਝ ਸਮੇਂ ਲਈ ਵੱਜਦੀ ਹੈ ਅਤੇ ਫਿਰ ਬੰਦ ਹੋ ਜਾਂਦੀ ਹੈ। ਸੈਂਸਰ ਗੰਦਾ ਹੋ ਸਕਦਾ ਹੈ। ਇਸ ਨੂੰ ਇੱਕ ਨਰਮ ਕੱਪੜੇ ਨਾਲ ਸਾਫ਼ ਕਰੋ। ਜੇਕਰ ਇਗਨੀਸ਼ਨ ਨੂੰ ਔਫ (OFF) ਤੋਂ "ਆਨ" (ON) ਮੋਡ 'ਤੇ ਕਰਨ ਤੋਂ ਬਾਅਦ ਵੀ ਸਮਾਨ ਮੁੱਦਾ (ਬੱਜ਼ਰ (buzzer) ਵੱਜਦੀ ਅਤੇ ਬੰਦ ਹੁੰਦੀ ਹੈ) ਬਣਿਆ ਰਹਿੰਦਾ ਹੈ, ਤਾਂ ਪਾਰਕਿੰਗ ਸੈਂਸਰ ਸਿਸਟਮ ਵਿੱਚ ਸਮੱਸਿਆ ਹੋ ਸਕਦੀ ਹੈ। ਆਪਣੇ ਵਾਹਨ ਨੂੰ ਮਾਰੂਤੀ ਸੁਜੂਕੀ (Maruti Suzuki) ਦੀ ਅਧਿਕਾਰਤ ਵਰਕਸ਼ਾਪ ਤੋਂ ਚੈਕ ਕਰਵਾਓ।

**ਬ੍ਰੇਕਿੰਗ**



ਉਦਾਹਰਨ

60G165S

ਕਿਸੇ ਵੀ ਵਾਹਨ ਨੂੰ ਰੋਕਣ ਲਈ ਲੋੜੀਂਦੀ ਦੂਰੀ ਵਾਹਨ ਦੀ ਵੱਧ ਰਫਤਾਰ ਨਾਲ ਵੱਧ ਜਾਂਦੀ ਹੈ। ਲੋੜੀਂਦੀ ਬ੍ਰੇਕਿੰਗ ਦੂਰੀ, ਉਦਾਹਰਨ ਲਈ, 60 ਕਿਲੋਮੀਟਰ/ ਘੰਟਾ 30 ਕਿਲੋਮੀਟਰ/ ਘੰਟਾ 'ਤੇ ਲੋੜੀਂਦੀ ਬ੍ਰੇਕਿੰਗ ਦੂਰੀ ਨਾਲੋਂ ਲਗਭਗ 4 ਗੁਣਾ ਜ਼ਿਆਦਾ ਹੋਵੇਗੀ। ਜਦੋਂ ਤੁਹਾਡੇ ਵਾਹਨ ਅਤੇ ਰੁਕਣ ਵਾਲੇ ਸਥਾਨ ਦੇ ਵਿਚਕਾਰ ਕਾਫ਼ੀ ਦੂਰੀ ਹੋਵੇ ਤਾਂ ਵਾਹਨ ਦੀ ਬ੍ਰੇਕ ਲਗਾਉਣਾ ਸ਼ੁਰੂ ਕਰੋ, ਅਤੇ ਹੌਲੀ ਹੌਲੀ ਧੀਮੀ ਕਰੋ।

## ⚠ ਚੇਤਾਵਨੀ

ਜੇਕਰ ਬਰੇਕ ਡਿਵਾਈਸਾਂ ਵਿੱਚ ਪਾਣੀ ਚਲੇ ਜਾਂਦਾ ਹੈ, ਬਰੇਕ ਦੀ ਕਾਰਗੁਜ਼ਾਰੀ ਘਟੀਆ ਹੋ ਜਾਂਦੀ ਹੈ ਜਾਂ ਅਨੁਮਾਨਹਿਤ ਹੁੰਦੀ ਹੈ। ਪਾਣੀ ਵਿੱਚੋਂ ਲੰਘਣ ਤੋਂ ਬਾਅਦ ਜਾਂ ਵਾਹਨ ਦੇ ਹੇਠਲੇ ਹਿੱਸੇ ਨੂੰ ਧੋਣ ਤੋਂ ਬਾਅਦ, ਇਹ ਦੇਖਣ ਲਈ ਕਿ ਕੀ ਉਹਨਾਂ ਨੇ ਆਪਣੀ ਸਾਧਾਰਨ ਪ੍ਰਭਾਵਸ਼ੀਲਤਾ ਬਣਾਈ ਰੱਖੀ ਹੈ, ਧੀਮੀ ਗਤੀ ਨਾਲ ਗੱਡੀ ਚਲਾਉਂਦੇ ਸਮੇਂ ਬ੍ਰੇਕਾਂ ਦੀ ਜਾਂਚ ਕਰੋ। ਜੇਕਰ ਬ੍ਰੇਕਾਂ ਆਮ ਨਾਲੋਂ ਘੱਟ ਪ੍ਰਭਾਵਸ਼ਾਲੀ ਹੁੰਦੀਆਂ ਹਨ, ਤਾਂ ਹੌਲੀ-ਹੌਲੀ ਗੱਡੀ ਚਲਾਉਂਦੇ ਸਮੇਂ ਬਰੇਕਾਂ ਨੂੰ ਵਾਰ-ਵਾਰ ਲਗਾ ਕੇ ਉਹਨਾਂ ਨੂੰ ਸੁਕਾਓ ਜਦੋਂ ਤੱਕ ਬ੍ਰੇਕਾਂ ਆਪਣੀ ਆਮ ਪ੍ਰਭਾਵਸ਼ੀਲਤਾ ਨੂੰ ਮੁੜ ਪ੍ਰਾਪਤ ਨਾ ਕਰ ਲੈਣ।

ਨੋਟ:

ਬਰੇਕ ਲਗਾਉਣ ਵੇਲੇ ਤੁਸੀਂ ਬਰੇਕ ਡਿਸਕ/ ਡਰੱਮ ਅਤੇ ਬਰੇਕ ਲਾਈਨਿੰਗ ਵਿਚਕਾਰ ਰਗੜ ਦੇ ਕਾਰਣ ਅਪਰੇਸ਼ਨਲ ਆਵਾਜ਼ ਨੂੰ ਸੁਣ ਸਕਦੇ ਹੋ। ਇਹ ਇੱਕ ਆਮ ਕਿਰਿਆ ਹੈ ਅਤੇ ਇਹ ਕਿਸੇ ਵੀ ਅਸਧਾਰਣਤਾ ਨੂੰ ਨਹੀਂ ਦਰਸਾਉਂਦੀ ਜਾਂ ਵਾਹਨ ਦੇ ਸਧਾਰਨ ਕੰਮਕਾਜ ਨੂੰ ਪ੍ਰਭਾਵਿਤ ਨਹੀਂ ਕਰਦੀ।

## ਪਾਵਰ-ਸਹਾਇਤਾ ਬ੍ਰੇਕ (Power-Assisted Brakes)

ਤੁਹਾਡੇ ਵਾਹਨ ਵਿੱਚ ਪਾਵਰ-ਸਹਾਇਤਾ ਬ੍ਰੇਕਾਂ ਹਨ। ਜੇਕਰ ਰੁਕੇ ਹੋਏ ਇੰਜਣ ਜਾਂ ਹੋਰ ਅਸਫਲਤਾਵਾਂ ਕਾਰਨ ਪਾਵਰ ਸਹਾਇਤਾ ਖਤਮ ਹੋ ਜਾਂਦੀ ਹੈ, ਤਾਂ ਸਿਸਟਮ ਅਜੇ ਵੀ ਰਿਜ਼ਰਵ ਪਾਵਰ 'ਤੇ ਪੂਰੀ ਤਰ੍ਹਾਂ ਕੰਮ ਕਰ ਰਿਹਾ ਹੈ ਅਤੇ ਤੁਸੀਂ ਬ੍ਰੇਕ ਪੈਡਲ ਨੂੰ ਇੱਕ ਵਾਰ ਦਬਾ ਕੇ ਅਤੇ ਇਸਨੂੰ ਹੋਲਡ ਰੱਖ ਕੇ ਵਾਹਨ ਨੂੰ ਪੂਰੀ ਤਰ੍ਹਾਂ ਬੰਦ ਕਰ ਸਕਦੇ ਹੋ। ਜਦੋਂ ਤੁਸੀਂ ਬ੍ਰੇਕ ਪੈਡਲ ਨੂੰ ਦਬਾਉਂਦੇ ਹੋ ਤਾਂ ਰਿਜ਼ਰਵ ਪਾਵਰ ਅਸ਼ਕ ਤੌਰ 'ਤੇ ਵਰਤੀ ਜਾਂਦੀ ਹੈ ਅਤੇ ਹਰ ਵਾਰ ਪੈਡਲ ਦਬਾਉਣ 'ਤੇ ਘੱਟ ਜਾਂਦੀ ਹੈ। ਪੈਡਲ 'ਤੇ ਨਿਰਵਿਘਨ ਅਤੇ ਸਮਤਲ ਦਬਾਅ ਲਾਗੂ ਕਰੋ। ਪੈਡਲ ਨੂੰ ਪੱਪ ਨਾ ਕਰੋ।

## ⚠ ਚੇਤਾਵਨੀ

ਬ੍ਰੇਕ ਸਿਸਟਮ ਵਿੱਚ ਰਿਜ਼ਰਵ ਪਾਵਰ ਦੇ ਬਿਨਾਂ ਵੀ, ਤੁਸੀਂ ਅਜੇ ਵੀ ਬ੍ਰੇਕ ਪੈਡਲ ਨੂੰ ਆਮ ਤੌਰ 'ਤੇ ਲੋੜ ਤੋਂ ਵੱਧ ਜ਼ੋਰ ਨਾਲ ਦਬਾ ਕੇ ਵਾਹਨ ਨੂੰ ਰੋਕ ਸਕਦੇ ਹੋ। ਹਾਲਾਂਕਿ, ਰੁਕਣ ਦੀ ਦੂਰੀ ਲੰਬੀ ਹੋ ਸਕਦੀ ਹੈ।

## ਬਰੇਕ ਅਸਿਸਟ ਸਿਸਟਮ (Brake Assist System)

ਜਦੋਂ ਤੁਸੀਂ ਬਰੇਕਾਂ ਲਗਾਉਂਦੇ ਹੋ, ਤਾਂ ਬਰੇਕ ਅਸਿਸਟ ਸਿਸਟਮ (Brake Assist System) ਇਸ ਨੂੰ ਐਮਰਜੈਂਸੀ ਸਟਾਪ ਮੰਨ ਲੈਂਦੀ ਹੈ ਅਤੇ ਡਰਾਈਵਰ ਲਈ ਇੱਕ ਵਧੇਰੇ ਸ਼ਕਤੀਸ਼ਾਲੀ ਬਰੇਕਿੰਗ ਪ੍ਰਦਾਨ ਕਰਦੀ ਹੈ ਜੋ ਬਰੇਕ ਪੈਡਲ ਨੂੰ ਚੰਗੀ ਤਰ੍ਹਾਂ ਮਜਬੂਤੀ ਨਾਲ ਦਬਾ ਨਹੀਂ ਰੱਖ ਸਕਦਾ।

ਨੋਟ:

ਬਰੇਕ ਪੈਡਲ ਦਬਾਉਣ ਅਤੇ ਛੱਡਣ ਦੌਰਾਨ, ਤੁਸੀਂ ਬਰੇਕ ਸਿਸਟਮ ਵਿੱਚ ਕੰਪੈਨੈਂਟਾਂ ਦੀ ਐਕਟੀਵੇਸ਼ਨ ਅਤੇ ਫੰਕਸ਼ਨ ਕਾਰਣ ਕੁੱਝ ਅਪਰੇਸ਼ਨਲ ਨੁਆਇਸ ਸੁਣ ਸਕਦੇ ਹੋ। ਇਹ ਇੱਕ ਆਮ ਪ੍ਰਤੀਕਿਰਿਆ ਹੈ ਅਤੇ ਇਹ ਕਿਸੇ ਵੀ ਅਸਧਾਰਣਤਾ ਜਾਂ ਖਰਾਬੀ ਨੂੰ ਨਹੀਂ ਦਰਸਾਉਂਦੀ ਹੈ। ਇਸ ਦੇ ਨਾਲ ਨਾਲ, ਇਹ ਬਰੇਕ ਸਿਸਟਮ ਨੂੰ ਪ੍ਰਭਾਵਿਤ ਨਹੀਂ ਕਰਦੀ ਹੈ।

## ਐਂਟੀ-ਲਾਕ ਬਰੇਕ ਸਿਸਟਮ (ABS) (ਜੇਕਰ ਲੈਸ ਹੋਵੇ)

ABS ਸਿਸਟਮ ਬਰੇਕਿੰਗ ਪ੍ਰੈਸ਼ਰ ਨੂੰ ਇਲੈਕਟ੍ਰਾਨਿਕ ਤਰੀਕੇ ਨਾਲ ਕੰਟਰੋਲ ਕਰਕੇ ਤੁਹਾਡੀ ਖਿਸਕਣ ਤੋਂ ਬਚਣ ਵਿੱਚ ਮਦਦ ਕਰੇਗਾ। ਇਹ ਜਦੋਂ ਤੁਸੀਂ ਤਿਲੁਕਣ ਵਾਲੀਆਂ ਸੜ੍ਹਾਵਾਂ 'ਤੇ ਬਰੇਕ ਲਗਾਉਂਦੇ ਹੋ ਜਾਂ ਤੁਸੀਂ ਹਾਰਡ ਬਰੇਕ ਲਗਾਉਂਦੇ ਹੋ ਤਾਂ ਵੀ ਇਹ ਤੁਹਾਡੀ ਸਟੀਅਰਿੰਗ ਨੂੰ ਕੰਟਰੋਲ ਕਰਨ ਵਿੱਚ ਮਦਦ ਕਰੇਗਾ।

ABS ਸਵੈਚਲਿਤ ਤਰੀਕੇ ਨਾਲ ਕੰਮ ਕਰਦਾ ਹੈ, ਇਸ ਲਈ ਤੁਹਾਨੂੰ ਕਿਸੇ ਵੀ ਸਪੈਸ਼ਲ ਬਰੇਕਿੰਗ ਤਕਨੀਕ ਵਰਤਣ ਦੀ ਲੋੜ ਨਹੀਂ ਹੁੰਦੀ। ਬਸ ਬਿਨਾਂ ਪੰਪਿੰਗ ਤੋਂ ਬਰੇਕ ਪੈਡਲ ਨੂੰ ਹੇਠਾਂ ਵੱਲ ਦਬਾਓ। ABS ਕੰਮ ਕਰੇਗਾ ਜਦੋਂ ਵੀ ਇਹ ਪਤਾ ਲਗਾਉਂਦਾ ਹੈ ਕਿ ਵਹੀਲ ਲਾਕ ਹੋ ਰਹੇ ਹਨ। ਜਦੋਂ ABS ਅਪਰੇਟ ਕੀਤਾ ਜਾਂਦਾ ਹੈ ਤਾਂ ਤੁਸੀਂ ਬਰੇਕ ਪੈਡਲ ਨੂੰ ਥੋੜ੍ਹਾ ਜਿਹਾ ਹਿੱਲਦਾ ਮਹਿਸੂਸ ਕਰ ਸਕਦੇ ਹੋ।

### ⚠ ਚੇਤਾਵਨੀ

- ਹਮੇਸ਼ਾ ਆਲੇ-ਦੁਆਲੇ ਦੀਆਂ ਪ੍ਰਸਥਿਤੀਆਂ ਦੀ ਜਾਂਚ ਕਰੋ ਅਤੇ ਵਾਹਨ ਨੂੰ ਸੁਰੱਖਿਅਤ ਤਰੀਕੇ ਨਾਲ ਚਲਾਓ, ਕਿਉਂਕਿ ABS ਦੁਆਰਾ ਵਾਹਨ ਨੂੰ ਕੰਟਰੋਲ ਕਰਨ ਦੀਆਂ ਸੀਮਾਵਾਂ ਹੁੰਦੀਆਂ ਹਨ ਅਤੇ ਆਲੇ-ਦੁਆਲੇ ਦੀਆਂ ਪ੍ਰਸਥਿਤੀਆਂ ਅਨੁਸਾਰ ਹੋ ਸਕਦਾ ਸਿਸਟਮ ਚੰਗੀ ਤਰ੍ਹਾਂ ਕੰਮ ਨਾ ਕਰੇ।
- ਜੇਕਰ ਟਾਇਰ ਦੇ ਗਰਿੱਪ ਦੀ ਕਾਰਗੁਜ਼ਾਰੀ ਸੀਮਾ ਤੋਂ ਵੱਧ ਹੋਵੇ ਜਾਂ ਹਾਈਡ੍ਰੋਪਲੇਨਿੰਗ ਹੁੰਦੀ ਹੋਵੇ, ਤਾਂ ABS ਚੰਗੀ ਤਰ੍ਹਾਂ ਕੰਮ ਨਹੀਂ ਕਰ ਸਕਦਾ।

ਨੋਟ:

- ਜੇਕਰ ABS ਸਿਸਟਮ ਐਕਟੀਵੇਟ ਹੁੰਦਾ ਹੈ, ਤਾਂ ਤੁਹਾਨੂੰ ਖੜ-ਖੜ ਦੀ ਅਵਾਜ਼ ਸੁਣਾਈ ਦੇ ਸਕਦੀ ਹੈ ਅਤੇ/ਜਾਂ ਬਰੇਕ ਪੈਡਲ ਵਿੱਚ ਧੜਕਣ ਮਹਿਸੂਸ ਹੋ ਸਕਦੀ ਹੈ। ਇਹ ਆਮ ਹੁੰਦਾ ਹੈ ਅਤੇ ਦਰਸਾਉਂਦਾ ਹੈ ਕਿ ਬਰੇਕ ਫਲੂਇਡ ਪ੍ਰੈਸ਼ਰ ਨੂੰ ਚੰਗੀ ਤਰ੍ਹਾਂ ਕੰਟਰੋਲ ਕੀਤਾ ਜਾ ਰਿਹਾ ਹੈ।
- ਜਦੋਂ ਤੁਸੀਂ ਇੰਜਣ ਚਾਲੂ ਕਰਦੇ ਹੋ ਜਾਂ ਵਾਹਨ ਦੇ ਚੱਲਣਾ ਸ਼ੁਰੂ ਕਰਨ ਤੋਂ ਬਾਅਦ ਤੁਹਾਨੂੰ ਚੱਲਣ ਦੀ ਅਵਾਜ਼ ਸੁਣਾਈ ਦੇ ਸਕਦੀ ਹੈ। ਇਸ ਤੋਂ ਭਾਵ ਹੈ ਕਿ ਉਪਰੋਕਤ ਸਿਸਟਮ ਸਵੈ-ਚੈਕ ਮੋਡ ਵਿੱਚ ਹਨ। ਇਹ ਅਵਾਜ਼ ਕਿਸੇ ਖਰਾਬੀ ਨੂੰ ਨਹੀਂ ਦਰਸਾਉਂਦੀ ਹੈ।

## ਬਰੇਕਿੰਗ (Braking) ਦੀ ਦੂਰੀ

ABS ਨੂੰ ਰੁੱਕਣ ਦੀ ਦੂਰੀ ਨੂੰ ਘਟਾਉਣ ਲਈ ਡਿਜ਼ਾਇਨ ਨਹੀਂ ਕੀਤਾ ਗਿਆ ਹੈ।

### ⚠ ਚੇਤਾਵਨੀ

- ਹੇਠਾਂ ਦਿੱਤੀਆਂ ਪ੍ਰਸਥਿਤੀਆਂ ਵਿੱਚ, ABS ਨਾਲ ਕਿਸੇ ਵਾਹਨ ਲਈ ਲੋੜੀਂਦੀ ਬਰੇਕਿੰਗ ਦੂਰੀ ਥੋੜ੍ਹੀ ਜਿਹੀ ਜਿਆਦਾ ਹੋ ਸਕਦੀ ਹੈ ਉਸ ਤੋਂ ਜਿੰਨੀ ਤੋਂ ABS ਰਹਿਤ ਵਾਹਨ ਲਈ ਲੋੜੀਂਦੀ ਹੁੰਦੀ ਹੈ, ਜਿਸ ਕਾਰਣ ਦੁਰਘਟਨਾ ਹੁੰਦੀ ਹੈ। ਵਾਹਨ ਨੂੰ ਹੌਲੀ-ਹੌਲੀ ਚਲਾਓ ਅਤੇ ਆਪਣੇ ਵਾਹਨ ਅਤੇ ਅੱਗੇ ਜਾ ਰਹੇ ਵਾਹਨ ਵਿਚਕਾਰ ਉੱਚਿਤ ਦੂਰੀ ਬਣਾ ਕੇ ਰੱਖੋ।
  - ਕੱਚੀਆਂ ਜਾਂ ਪੱਥਰ ਵਾਲੀਆਂ ਸੜ੍ਹਾਵਾਂ ਵਰਗੀਆਂ ਖੁਰਦਰੀਆਂ ਸੜ੍ਹਾਵਾਂ 'ਤੇ ਡਰਾਈਵ ਕਰਨ ਵੇਲੇ
  - ਗਟਕੇ ਵਾਲੀਆਂ ਸੜ੍ਹਾਵਾਂ ਜਾਂ ਤਾਜੀ ਬਰਫਬਾਰੀ ਵਾਲੀਆਂ ਸੜ੍ਹਾਵਾਂ 'ਤੇ ਡਰਾਈਵ ਕਰਨ ਵੇਲੇ
  - ਸੜ੍ਹਾਵਾਂ ਦੇ ਬੱਧਾਂ 'ਤੇ ਡਰਾਈਵ ਕਰਨ ਵੇਲੇ ਜਿਵੇਂ ਜੇੜਾਂ ਦੀਆਂ ਤਰੇੜਾਂ
  - ਧਾਤੂ ਦੀਆਂ ਪਲੇਟਾਂ 'ਤੇ ਪਾਸ ਕਰਦੇ ਸਮੇਂ ਜਿਵੇਂ ਮੈਨਹੋਲ
  - ਜਦੋਂ ਸਨੇਅ ਚੇਨਾਂ ਇੰਸਟਾਲ ਕੀਤੀਆਂ ਹੁੰਦੀਆਂ ਹਨ

## ਆਪਣੇ ਵਾਹਨ ਨੂੰ ਚਲਾਉਣਾ

ਨੋਟ:

- ਅਚਾਨਕ ਬਰੇਕ ਲਗਾਉਂਦੇ ਸਮੇਂ ਜਾਂ ਸਲਿੱਪ ਹੋਣ ਵਾਲੀਆਂ ਸੜਕਾਂ 'ਤੇ ਬਰੇਕ ਲਗਾਉਂਦੇ ਸਮੇਂ, ਇੱਕ **ABS** ਵਾਲੇ ਵਾਹਨ ਲਈ ਲਗਾਭੱਗ ਉੱਨੀ ਹੀ ਬਰੇਕਿੰਗ ਦੂਰੀ ਦੀ ਲੋੜ ਹੁੰਦੀ ਹੈ ਜਿੰਨੀ ਕਿ ਬਿਨਾਂ **ABS** ਵਾਲੇ ਵਾਹਨ ਨੂੰ ਲੋੜ ਹੁੰਦੀ ਹੈ।
- ਜੇਕਰ ਤੁਸੀਂ ਅਚਾਨਕ ਬਰੇਕ ਲਗਾਉਣਾ ਪਸੰਦ ਕਰਦੇ ਹੋ, ਤਾਂ ਬਿਨਾਂ ਪੰਪਿੰਗ ਤੋਂ ਬਰੇਕ ਪੈਡਲ ਨੂੰ ਹੇਠਾਂ ਵੱਲ ਕੱਸ ਦੇ ਦਬਾਓ। ਨਹੀਂ ਤਾਂ, ਵੱਧ ਲੰਮੀ ਬਰੇਕਿੰਗ ਦੂਰੀ ਦੀ ਲੋੜ ਹੋਵੇਗੀ।
- **ABS** ਕੰਮ ਨਹੀਂ ਕਰੇਗਾ ਜੇਕਰ ਵਾਹਨ ਦੀ ਸਪੀਡ **9 km/h** ਤੋਂ ਘੱਟ ਹੁੰਦੀ ਹੈ। ਇਹ ਸੜਕੀ ਹਾਲਤਾਂ 'ਤੇ ਨਿਰਭਰ ਕਰਦਾ ਹੈ।

### ABS ਅਪਰੇਸ਼ਨ (Operation) ਦੌਰਾਨ ਵਾਈਬ੍ਰੇਸ਼ਨ ਅਤੇ ਆਵਾਜ਼

ਜਦੋਂ ਬਰੇਕ ਪੈਡਲ ਨੂੰ ਜ਼ੋਰ ਨਾਲ ਦਬਾਉਂਦੇ ਹੋ, ਤੁਸੀਂ ਬਰੇਕ ਪੈਡਲ, ਸਟੀਅਰਿੰਗ ਵਹੀਲ, ਅਤੇ ਵਾਹਨ ਦੀ ਬਾਡੀ ਵਿੱਚ ਵਾਈਬ੍ਰੇਸ਼ਨ ਮਹਿਸੂਸ ਕਰ ਸਕਦੇ ਹੋ। ਇਹ **ABS** ਅਪਰੇਸ਼ਨ ਦੇ ਕਾਰਣ ਹੁੰਦਾ ਹੈ, ਅਤੇ ਇਹ ਖਰਾਬੀ ਨੂੰ ਨਹੀਂ ਦਰਸਾਉਂਦਾ ਹੈ; ਇਸ ਸਮੇਂ 'ਤੇ ਬਰੇਕ ਪੈਡਲ ਨੂੰ ਤਾਕਤ ਨਾਲ ਦਬਾਉਣਾ ਜਾਰੀ ਰੱਖੋ।

ਨੋਟ:

ਇੰਜਣ ਨੂੰ ਚਾਲੂ ਕਰਨ ਤੋਂ ਤੁਰੰਤ ਬਾਅਦ ਅਤੇ ਡਰਾਈਵ ਸ਼ੁਰੂ ਕਰਨ 'ਤੇ, ਤੁਹਾਨੂੰ ਮੋਟਰ ਦੀ ਅਸਥਾਈ ਆਵਾਜ਼ ਸੁਣਾਈ ਦੇ ਸਕਦੀ ਹੈ। ਇਸ ਤੋਂ ਭਾਵ ਹੈ ਕਿ ਸਿਸਟਮ ਸਵੈ-ਚੈਕ ਮੋਡ ਵਿੱਚ ਹਨ। ਇਹ ਆਵਾਜ਼ ਖਰਾਬੀ ਨੂੰ ਨਹੀਂ ਦਰਸਾਉਂਦੀ ਹੈ।

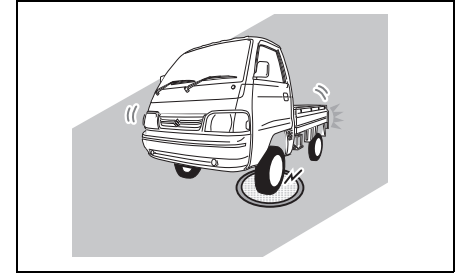
### ਟਾਇਰ (Tyres)

#### ⚠ ਚੇਤਾਵਨੀ

**ABS** ਇੱਕ ਸੈਂਸਰ ਰਾਹੀਂ ਹਰ ਪਹੀਏ ਦੇ ਘੁੰਮਣ ਦੀ ਸਪੀਡ ਬਾਰੇ ਪਤਾ ਲਗਾਉਂਦਾ ਹੈ। ਜੇਕਰ ਮਾਲਕ ਦੇ ਮੈਨੂਅਲ ਵਿੱਚ ਨਿਰਧਾਰਤ ਕੀਤੇ ਤੋਂ ਇਲਾਵਾ ਟਾਇਰ ਜਾਂ ਵਹੀਲ ਕਿਸੇ ਹੋਰ ਸਾਈਜ਼, ਟਾਈਪ, ਟਰੈਡ ਪੈਟਰਨ ਦੇ ਵਰਤੋਂ ਜਾਂਦੇ ਹਨ, ਜਾਂ ਜੇਕਰ ਟਾਇਰਾਂ ਦੇ ਪਿਸਟ ਦੀਆਂ ਹਾਲਤਾਂ ਵੱਖਰੀਆਂ ਹੁੰਦੀਆਂ ਹਨ, ਤਾਂ ਵਹੀਲ ਦੇ ਘੁੰਮਣ ਦੀ ਸਹੀ ਸਪੀਡ ਦਾ ਪਤਾ ਨਹੀਂ ਲਗਾਇਆ ਜਾ ਸਕਦਾ ਅਤੇ **ABS** ਚੰਗੀ ਤਰ੍ਹਾਂ ਕੰਮ ਨਹੀਂ ਕਰੇਗਾ। ਇਸ ਦੇ ਕਾਰਣ ਦੁਰਘਟਨਾ ਹੋ ਸਕਦੀ ਹੈ। ਟਾਇਰਾਂ ਨੂੰ ਬਦਲਣ ਵੇਲੇ, ਟਾਇਰਾਂ ਦੇ ਉਹ ਸਾਈਜ਼, ਟਾਈਪ ਅਤੇ ਟਰੈਡ ਪੈਟਰਨ ਵਰਤੋਂ ਜੋ ਮਾਲਕ ਦੇ ਇਸ ਮੈਨੂਅਲ ਵਿੱਚ ਨਿਰਧਾਰਤ ਕੀਤੇ ਗਏ ਹਨ। ਟਾਇਰਾਂ ਨੂੰ ਬਦਲਣ ਵੇਲੇ, ਟਾਇਰਾਂ ਦੇ ਉਹ ਸਾਈਜ਼, ਟਾਈਪ ਅਤੇ ਟਰੈਡ ਪੈਟਰਨ ਵਰਤੋਂ ਜੋ ਮਾਲਕ ਦੇ ਇਸ ਮੈਨੂਅਲ ਵਿੱਚ ਨਿਰਧਾਰਤ ਕੀਤੇ ਗਏ ਹਨ।

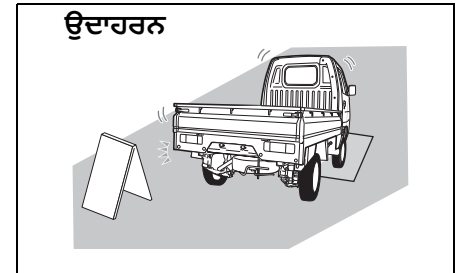
### ਉਹ ਪ੍ਰਸਥਿਤੀਆਂ ਜਿੱਥੇ ਬਰੇਕ ਲਗਾਉਂਦੇ ਸਮੇਂ **ABS** ਅਚਾਨਕ ਐਕਟੀਵੇਟ ਹੁੰਦਾ ਹੈ

- ਸਲਿੱਪ ਹੋਣ ਵਾਲੀਆਂ ਸੜਕਾਂ 'ਤੇ ਡਰਾਈਵ ਕਰਦੇ ਸਮੇਂ



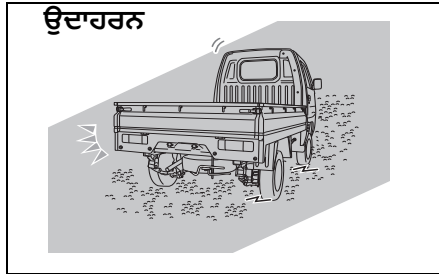
78MM05002

– ਮੈਨਹੋਲ (Manholes)



78MM05006

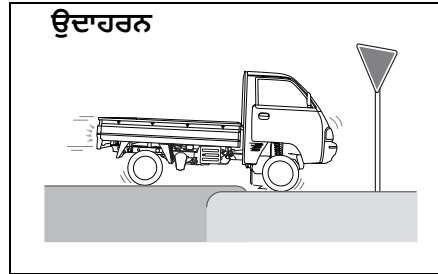
– ਉਸਾਰੀ ਦੇ ਜੋਨਾਂ ਵਿੱਚ ਮੈਟਲ ਪਲੇਟਾਂ (Metal plates)



78MM05004

– ਰੇੜੀ ਵਾਲੀਆਂ ਸੜਕਾਂ

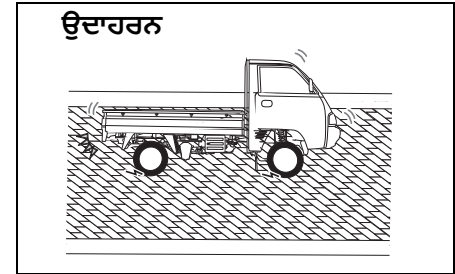
- ਸੜਕਾਂ ਵਿੱਚ ਜੁਆਇੰਟਾਂ ਅਤੇ ਹੋਰ ਉਚਾਈ ਵਾਲੇ ਫਰਕਾਂ 'ਤੇ ਡਰਾਈਵ ਕਰਨ ਵੇਲੇ



78MM05005

– ਸੜਕਾਂ ਵਿੱਚ ਉਚਾਈ ਦੇ ਫਰਕ

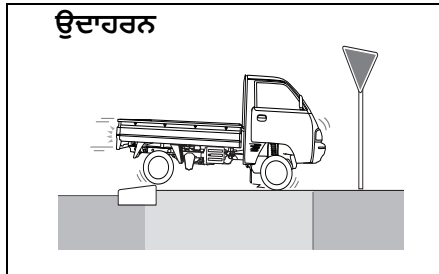
- ਖਰਾਬ ਸੜਕਾਂ 'ਤੇ ਡਰਾਈਵ ਕਰਦੇ ਸਮੇਂ



78MM05009

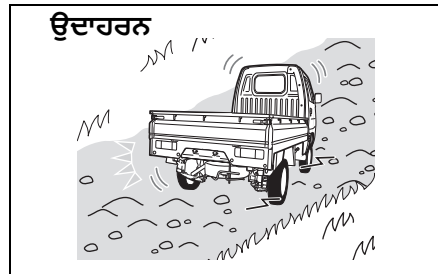
– ਪੱਥਰ

### ABS ਵਾਰਨਿੰਗ ਲਾਈਟ (Warning Light)



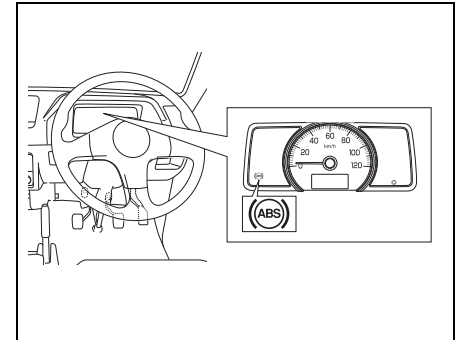
78MM05007

– ਸੜਕਾਂ ਵਿੱਚ ਜੁਆਇੰਟ



78MM05008

– ਉਬੜ-ਖਾਬੜ ਵਾਲੀਆਂ ਸੜਕਾਂ



78MM05010

ਜੇਕਰ ਇਗਨੀਸ਼ਨ ਸਵਿੱਚ (ignition switch) ਨੂੰ "ਆਨ" (ON) ਪੋਜੀਸ਼ਨ ਵਿੱਚ ਰੱਖਣ ਨਾਲ ABS ਸਿਸਟਮ ਵਿੱਚ ਕੋਈ ਸਮੱਸਿਆ ਆਉਂਦੀ ਹੈ, ਤਾਂ ਇਹ ਲਾਈਟ ਚਾਲੂ ਹੋ ਜਾਂਦੀ ਹੈ।

## ਆਪਣੇ ਵਾਹਨ ਨੂੰ ਚਲਾਉਣਾ

### ਬਰੇਕਿੰਗ ਅਸਿਸਟ (Braking Assist)

ਇਹ ਫੰਕਸ਼ਨ ਤੁਹਾਡੀ ਬਰੇਕ ਲਗਾਉਂਦੇ ਸਮੇਂ ਵਧੇਰੇ ਬਲ ਲਗਾਉਣ ਵਿੱਚ ਤੁਹਾਡੀ ਮਦਦ ਕਰਦਾ ਹੈ। ਜਦੋਂ ਅਚਾਨਕ ਬਰੇਕ ਲਗਾਈ ਜਾਂਦੀ ਹੈ, ਤਾਂ ABS ਦੇ ਪੂਰੇ ਪ੍ਰਭਾਵ ਵਿੱਚ ਆਉਣ ਤੱਕ ਦਾ ਸਮਾਂ ਘੱਟ ਜਾਂਦਾ ਹੈ।

- ਜੇਕਰ ਤੁਸੀਂ ਬਰੇਕ ਪੈਡਲ ਨੂੰ ਚੰਗੀ ਤਰ੍ਹਾਂ ਨਹੀਂ ਦਬਾਉਂਦੇ ਹੋ, ਬਰੇਕਿੰਗ ਅਸਿਸਟ (Braking Assist) ਕੰਮ ਨਹੀਂ ਕਰੇਗਾ।
- ਬਰੇਕ ਅਸਿਸਟ ਇੱਕ ਅਜਿਹਾ ਡਿਵਾਈਸ ਨਹੀਂ ਹੁੰਦਾ ਹੈ ਜੋ ਅਸਲ ਬਰੇਕਿੰਗ ਕਾਰਗੁਜ਼ਾਰੀ ਤੋਂ ਇਲਾਵਾ ਕੰਟਰੋਲ ਪ੍ਰਦਾਨ ਕਰਦਾ ਹੈ।

### ਇਲੈਕਟ੍ਰਾਨਿਕ ਸਟੇਬਿਲਿਟੀ ਪ੍ਰੋਗਰਾਮ (ESP®) (ਜੇਕਰ ਲੈਸ ਹੋਵੇ)

ESP® ਡੈਮਲਰ (Daimler) AG ਦਾ ਇੱਕ ਰਜਿਸਟਰਡ ਟਰੇਡਮਾਰਕ (trademark) ਹੈ।

ਇਲੈਕਟ੍ਰਾਨਿਕ ਸਟੇਬਿਲਿਟੀ ਪ੍ਰੋਗਰਾਮ (Electronic Stability Program) (ESP®) ਉਸ ਮੁਸ਼ਕਲ ਦੌਰਾਨ ਵਾਹਨ ਨੂੰ ਕੰਟਰੋਲ ਕਰਨ ਵਿੱਚ ਮਦਦ ਕਰਦਾ ਹੈ ਜੇਕਰ ਫਰੰਟ ਵਹੀਲ ਜਾਂ ਰੀਅਰ ਵਹੀਲ ਸਲਿੱਪ ਕਰਦੇ ਹਨ। ਇਹ ਤੁਹਾਡੀ ਟ੍ਰੈਕਸ਼ਨ ਨੂੰ ਬਣਾਈ ਰੱਖਣ ਵਿੱਚ ਵੀ ਮਦਦ ਕਰਦਾ ਹੈ ਜਦੋਂ ਢਿੱਲੀ ਜਾਂ ਸਲਿੱਪ ਹੋਣ ਵਾਲੀਆਂ ਸੜਾਵਾਂ 'ਤੇ ਸਪੀਡ ਵਧਾਈ ਜਾਂਦੀ ਹੈ। ਇਹ ਇਸ ਕੰਮ ਨੂੰ ਇੰਜਣ ਦੀ ਆਊਟਪੁੱਟ ਨੂੰ ਰੈਗੂਲੇਟ ਕਰਦਾ ਹੈ, ਅਤੇ ਚੁਣੌਤੀ ਤਰੀਕੇ ਨਾਲ ਬਰੇਕਾਂ ਲਗਾਉਣ ਦੁਆਰਾ। ਇਸ ਤੋਂ ਇਲਾਵਾ, ESP® ਬਰੇਕਿੰਗ ਪ੍ਰੈਸ਼ਰ ਨੂੰ ਕੰਟਰੋਲ ਕਰਕੇ ਸਲਿੱਪ ਹੋਣ ਤੋਂ ਬਚਣ ਵਿੱਚ ਮਦਦ ਕਰਦਾ ਹੈ।

#### ⚠ ਚੇਤਾਵਨੀ

ESP® ਸਾਰੀਆਂ ਪ੍ਰਸਥਿਤੀਆਂ ਵਿੱਚ ਵਾਹਨ ਦੀ ਡਰਾਈਵਿੰਗ ਸਟੇਬਿਲਿਟੀ ਨੂੰ ਨਹੀਂ ਵਧਾ ਸਕਦਾ ਅਤੇ ਤੁਹਾਡੇ ਵਾਹਨ ਦੀ ਪੂਰੇ ਬਰੇਕਿੰਗ ਸਿਸਟਮ ਨੂੰ ਕੰਟਰੋਲ ਨਹੀਂ ਕਰਦਾ ਹੈ। ESP® ਦੁਰਘਟਨਾਵਾਂ ਦੀ ਰੋਕਥਾਮ ਨਹੀਂ ਕਰ ਸਕਦਾ, ਉਨ੍ਹਾਂ ਸਮੇਤ ਜੇ ਮੋੜਾਂ 'ਤੇ ਵਾਧੂ ਸਪੀਡ, ਜਾਂ ਹਾਈਡ੍ਰੋਪਲੈਨਿੰਗ (hydroplaning) ਕਾਰਣ ਹੁੰਦੇ ਹਨ। ਕੇਵਲ ਸੁਰੱਖਿਅਤ ਅਤੇ ਧਿਆਨਪੂਰਵਕ ਡਰਾਈਵ ਦੁਰਘਟਨਾਵਾਂ ਦੀ ਰੋਕਥਾਮ ਕਰ ਸਕਦੀ ਹੈ। ESP®-ਲੈਸ ਵਾਹਨ ਦੀਆਂ ਯੋਗਤਾਵਾਂ ਦੀ ਵਰਤੋਂ ਕਦੇ ਵੀ ਧਿਆਨਪੂਰਵਕ ਡਰਾਈਵਿੰਗ ਲਈ ਵਿਕਲਪ ਵਜੋਂ ਨਹੀਂ ਕੀਤੀ ਜਾਣੀ ਚਾਹੀਦੀ।

ESP® ਵਿੱਚ ਹੇਠਾਂ ਦਿੱਤੇ ਸਿਸਟਮ ਹੁੰਦੇ ਹਨ:

### ਐਂਟੀ-ਲਾਕ ਬਰੇਕ ਸਿਸਟਮ (Anti-Lock Brake System) (ABS)

ਇਸ ਸੈਕਸ਼ਨ ਵਿੱਚ "ਐਂਟੀ-ਲਾਕ ਬਰੇਕ ਸਿਸਟਮ (Anti-Lock Brake System) (ABS)" ਨੂੰ ਫੈਡਰ ਕਰੋ।

### ਬਰੇਕ ਅਸਿਸਟ ਸਿਸਟਮ (Brake Assist System)

ਇਸ ਸੈਕਸ਼ਨ ਵਿੱਚ "ਬਰੇਕ ਅਸਿਸਟ ਸਿਸਟਮ (Brake Assist System)" ਨੂੰ ਫੈਡਰ ਕਰੋ।

### ਟ੍ਰੈਕਸ਼ਨ ਕੰਟਰੋਲ ਸਿਸਟਮ (Traction Control System)

ਜਦੋਂ ਵਾਹਨ ਸਲਿੱਪ ਹੋਣ ਵਾਲੀ ਸੜਾਵਾਂ 'ਤੇ ਚਲਾਇਆ ਜਾਂਦਾ ਹੈ ਜਾਂ ਸਪੀਡ ਵਧਾਈ ਜਾਂਦੀ ਹੈ ਤਾਂ ਟ੍ਰੈਕਸ਼ਨ ਕੰਟਰੋਲ ਸਿਸਟਮ (Traction Control System) ਸਵੈਚਲਿਤ ਹੀ ਵਹੀਲਾਂ ਦੇ ਸਪਿੰਨ ਹੋਣ ਵਿੱਚ ਰੋਕਥਾਮ ਕਰਨ ਵਿੱਚ ਮਦਦ ਕਰਦਾ ਹੈ। ਇਹ ਸਿਸਟਮ ਕੇਵਲ ਉਦੋਂ ਕੰਮ ਕਰਦਾ ਹੈ ਜੇਕਰ ਇਹ ਵਹੀਲ ਕੁੱਝ ਸਪਿੰਨ ਕਰ ਰਹੇ ਹਨ ਜਾਂ ਟ੍ਰੈਕਸ਼ਨ ਢਿੱਲਾ ਹੋਣਾ ਸ਼ੁਰੂ ਹੋ ਰਹੀ ਹੈ। ਜਦੋਂ ਅਜਿਹਾ ਹੁੰਦਾ ਹੈ, ਤਾਂ ਸਿਸਟਮ ਫਰੰਟ ਜਾਂ ਰੀਅਰ ਬਰੇਕਾਂ ਨੂੰ ਅਪਰੇਟ ਕਰਦਾ ਹੈ ਅਤੇ ਵਹੀਲ ਸਪਿੰਨ ਨੂੰ ਸੀਮਿਤ ਕਰਨ ਲਈ ਇੰਜਣ ਦੀ ਪਾਵਰ ਨੂੰ ਘਟਾਉਂਦਾ ਹੈ।

ਨੋਟ:

ਤੁਸੀਂ ਇੰਜਣ ਨੂੰ ਚਾਲੂ ਕਰਨ ਜਾਂ ਵਾਹਨ ਦੇ ਚੱਲਣਾ ਸ਼ੁਰੂ ਕਰਨ ਤੋਂ ਬਾਅਦ ਅਪਰੇਸ਼ਨ ਦੀ ਆਵਾਜ਼ ਨੂੰ ਸੁਣ ਸਕਦੇ ਹੋ। ਇਸ ਤੋਂ ਭਾਵ ਹੈ ਕਿ ਉਪਰੋਕਤ ਸਿਸਟਮ ਸਵੈ-ਚੈਕ ਮੋਡ ਵਿੱਚ ਹਨ। ਇਹ ਆਵਾਜ਼ ਕਿਸੇ ਖਰਾਬੀ ਨੂੰ ਨਹੀਂ ਦਰਸਾਉਂਦੀ ਹੈ।

### ਸਟੇਬਲਿਟੀ ਕੰਟਰੋਲ ਸਿਸਟਮ (Stability control system)

ਵਾਹਨ ਦਾ ਸਟੇਬਲਿਟੀ ਕੰਟਰੋਲ ਸਿਸਟਮ (Stability control system) ਐਂਟੀ-ਲਾਕ ਬਰੇਕਾਂ (anti-lock brakes), ਟ੍ਰੈਕਸ਼ਨ ਕੰਟਰੋਲ (traction control), ਇੰਜਣ ਕੰਟਰੋਲ (engine control), ਆਦਿ ਸਿਸਟਮਾਂ ਦਾ ਇੰਟੀਗ੍ਰੇਟਿਡ ਕੰਟਰੋਲ ਪ੍ਰਦਾਨ ਕਰਨ ਵਿੱਚ ਮਦਦ ਕਰਦਾ ਹੈ। ਇਹ ਸਿਸਟਮ ਵਾਹਨ ਦੇ ਸਲਿੱਪ ਹੋਣ ਤੋਂ ਰੋਕਥਾਮ ਵਿੱਚ ਮਦਦ ਲਈ ਬਰੇਕਾਂ ਅਤੇ ਇੰਜਣ ਨੂੰ ਕੰਟਰੋਲ ਕਰਨ ਵਿੱਚ ਸਵੈਚਲਿਤ ਹੀ ਮਦਦ ਕਰਦਾ ਹੈ ਜਦੋਂ ਵਾਹਨ ਸਲਿੱਪ ਵਾਲੀ ਸੜਕ ਦੀ ਸਤ੍ਹਾ ਦੇ ਕਿਨਾਰੇ 'ਤੇ ਹੁੰਦਾ ਹੈ ਜਾਂ ਸਟੀਅਰਿੰਗ ਵਹੀਲ ਨੂੰ ਅਚਾਨਕ ਮੋੜਦੇ ਸਮੇਂ।

### ⚠ ਚੇਤਾਵਨੀ

ਹਮੇਸ਼ਾ ਆਲੇ-ਦੁਆਲੇ ਦੀਆਂ ਸਥਿਤੀਆਂ ਦੀ ਜਾਂਚ ਕਰੋ ਅਤੇ ਵਾਹਨ ਨੂੰ ਸੁਰੱਖਿਅਤ ਤਰੀਕੇ ਨਾਲ ਚਲਾਓ, ਕਿਉਂਕਿ ESP<sup>®</sup> ਦੁਆਰਾ ਵਾਹਨ ਨੂੰ ਕੰਟਰੋਲ ਕਰਨ ਦੀਆਂ ਸੀਮਾਵਾਂ ਹਨ ਅਤੇ ਆਲੇ-ਦੁਆਲੇ ਦੀਆਂ ਸਥਿਤੀਆਂ ਦੇ ਆਧਾਰ 'ਤੇ ESP<sup>®</sup> ਚੰਗੀ ਤਰ੍ਹਾਂ ਕੰਮ ਨਹੀਂ ਕਰ ਸਕਦਾ ਹੈ।

### ⚠ ਸਾਵਧਾਨੀ

- ਹਮੇਸ਼ਾ ਆਲੇ-ਦੁਆਲੇ ਦੀਆਂ ਸਥਿਤੀਆਂ ਦੀ ਜਾਂਚ ਕਰੋ ਅਤੇ ਵਾਹਨ ਨੂੰ ਸੁਰੱਖਿਅਤ ਤਰੀਕੇ ਨਾਲ ਚਲਾਓ, ਕਿਉਂਕਿ ESP<sup>®</sup> ਦੁਆਰਾ ਵਾਹਨ ਨੂੰ ਕੰਟਰੋਲ ਕਰਨ ਦੀਆਂ ਸੀਮਾਵਾਂ ਹਨ ਅਤੇ ਆਲੇ-ਦੁਆਲੇ ਦੀਆਂ ਸਥਿਤੀਆਂ ਦੇ ਆਧਾਰ 'ਤੇ ESP<sup>®</sup> ਚੰਗੀ ਤਰ੍ਹਾਂ ਕੰਮ ਨਹੀਂ ਕਰ ਸਕਦਾ ਹੈ।
  - ਨਿਰਧਾਰਤ ਕੀਤੇ ਅਨੁਸਾਰ ਟਾਇਰ ਦੇ ਪ੍ਰੈਸ਼ਰ ਨੂੰ ਐਡਜਸਟ ਕਰੋ।
  - ਟਾਇਰਾਂ ਨੂੰ ਬਦਲਦੇ ਸਮੇਂ, ਸਮਾਨ ਸਾਈਜ਼, ਕਿਸਮ ਅਤੇ ਟਰੈੱਡ ਦੇ ਪੈਟਰਨਾਂ ਵਾਲੇ ਟਾਇਰਾਂ ਦੀ ਵਰਤੋਂ ਕਰੋ।
  - ਉਨ੍ਹਾਂ ਟਾਇਰਾਂ ਦੀ ਵਰਤੋਂ ਨਾ ਕਰੋ ਜਿਹੜੇ ਬੇਹੱਦ ਘਿਸੇ ਹੋਏ।
  - ਸਸਪੈਂਸ਼ਨ ਜਾਂ ਬਰੇਕ ਵਿੱਚ ਸੋਧ ਨਾ ਕਰੋ ਅਤੇ ਵਾਹਨ ਦੀ ਉਚਾਈ ਜਾਂ ਸਸਪੈਂਸ਼ਨ ਹਾਰਡਨੈੱਸ ਨੂੰ ਨਾ ਬਦਲੋ।
  - ਬਹੁਤ ਜਿਆਦਾ ਖਰਾਬ ਸਸਪੈਂਸ਼ਨ ਜਾਂ ਖਰਾਬ ਬਰੇਕ ਨਾਲ ਵਾਹਨ ਨੂੰ ਨਾ ਚਲਾਓ।
  - ਇੰਜਣ (engine) ਜਾਂ ਮਫਲਰ (muffler) ਵਿੱਚ ਸੋਧ ਨਾ ਕਰੋ।
  - LSD (ਲਿਮਟਿਡ ਸਲਿੱਪ ਡਿਫਰੈਂਸ਼ੀਅਲ) ਇੰਸਟਾਲ ਨਾ ਕਰੋ।
- ਜਦੋਂ ਤੁਸੀਂ ਸਨੇਅ ਚੇਨਾਂ ਨੂੰ ਇੰਸਟਾਲ ਕਰਦੇ ਹੋ, ਤਾਂ ESP<sup>®</sup> ਚੰਗੀ ਤਰ੍ਹਾਂ ਕੰਮ ਨਹੀਂ ਕਰ ਸਕਦੀ ਹੈ।

ਨੋਟ:

- ਜੇਕਰ ਤੁਸੀਂ ਹੇਠਾਂ ਦਿੱਤੇ ਗਏ ਅਪਰੇਸ਼ਨ ਕਰਦੇ ਹੋ, ਤਾਂ ਤੁਹਾਨੂੰ ਅਪਰੇਸ਼ਨ ਦੀ ਆਵਾਜ਼ ਜਾਂ ਕਲਿੱਕਿੰਗ ਦੀ ਆਵਾਜ਼ ਸੁਣਾਈ ਦੇ ਸਕਦੀ ਹੈ। ਇਸ ਤੋਂ ਭਾਵ ਹੈ ਕਿ ESP<sup>®</sup> ਸਿਸਟਮ (system) ਸਵੈ-ਚੈਕ ਮੋਡ ਵਿੱਚ ਹੈ ਅਤੇ ਇਹ ਕਿਸੇ ਖਰਾਬੀ ਨੂੰ ਨਹੀਂ ਦਰਸਾਉਂਦਾ ਹੈ।
  - ਜਦੋਂ ਇਗਨੀਸ਼ਨ ਸਵਿੱਚ (ignition switch) ਨੂੰ "ਆਨ" (ON) ਪੋਜੀਸ਼ਨ 'ਤੇ ਰੱਖਿਆ ਜਾਂਦਾ ਹੈ।
  - ਜਦੋਂ ਤੁਸੀਂ ਬਰੇਕ ਪੈਡਲ ਤੋਂ ਆਪਣਾ ਪੈਰ ਹਟਾਉਂਦੇ ਹੋ, ਇਗਨੀਸ਼ਨ ਸਵਿੱਚ (ignition switch) ਨੂੰ "ਆਨ" (ON) ਪੋਜੀਸ਼ਨ 'ਤੇ ਰੱਖਣ ਤੋਂ ਬਾਅਦ।
  - ਇੰਜਣ ਨੂੰ ਚਾਲੂ ਕਰਨ ਸਮੇਂ
  - ਇੰਜਣ ਚਾਲੂ ਕਰਨ ਤੋਂ ਬਾਅਦ ਵਾਹਨ ਨੂੰ ਸਟਾਰਟ ਕਰਨ ਵੇਲੇ
  - ਜਦੋਂ ਇੰਜਣ ਦੀਆਂ ਰੈਵੋਲੂਸ਼ਨਾਂ ਜਿਆਦਾ ਹੁੰਦੀਆਂ ਹਨ ਅਤੇ ESP<sup>®</sup> ਅਪਰੈਟ ਕੀਤਾ ਜਾਂਦਾ ਹੈ, ਤੁਸੀਂ ਇੰਜਣ ਦੀਆਂ ਰੈਵੋਲੂਸ਼ਨਾਂ ਜਾਂ ਵਾਹਨ ਦੀ ਬਾਡੀ ਦੀ ਵਾਈਬ੍ਰੇਸ਼ਨ ਨੂੰ ਮਹਿਸੂਸ ਕਰ ਸਕਦੇ ਹੋ। ਹਾਲਾਂਕਿ, ਇਹ ਆਮ ਗੱਲ ਹੈ।

## ਆਪਣੇ ਵਾਹਨ ਨੂੰ ਚਲਾਉਣਾ

### ESP® ਵਾਰਨਿੰਗ ਲਾਈਟ (Warning Light) (ਜੇਕਰ ਲੈਸ ਹੋਵੇ)



56RM03011

- ਜੇਕਰ ਇਗਨੀਸ਼ਨ ਸਵਿੱਚ (ignition switch) ਨੂੰ "ਆਨ" (ON) ਪੇਜੀਸ਼ਨ 'ਤੇ ਕਰਨ ਨਾਲ ESP® ਸਿਸਟਮ ਵਿੱਚ ਕੋਈ ਸਮੱਸਿਆ ਹੁੰਦੀ ਹੈ, ਤਾਂ ਇਹ ਲਾਈਟ ਜਗ ਜਾਵੇਗੀ। ਜਦੋਂ ਇਹ ਲਾਈਟ ਜਗਦੀ ਹੈ, ਤਾਂ ਹੇਠਾਂ ਦਿੱਤੀਆਂ ਪ੍ਰਸਥਿਤੀਆਂ ਵਾਪਰ ਸਕਦੀਆਂ ਹਨ। ਇਸ ਸਥਿਤੀ ਵਿੱਚ, ਮਾਰੂਤੀ ਸੁਜੂਕੀ (Maruti Suzuki) ਦੀ ਅਧਿਕਾਰਤ ਵਰਕਸ਼ਾਪ ਨੂੰ ਇੰਸਪੈਕਸ਼ਨ ਕਰਨ ਲਈ ਕਹੋ।
  - ਹੇਠਾਂ ਦਿੱਤੇ ਗਏ ਫੰਕਸ਼ਨ ਕੰਮ ਨਹੀਂ ਕਰਨਗੇ:
    - ਟ੍ਰੈਕਸ਼ਨ ਕੰਟਰੋਲ ਸਿਸਟਮ (Traction Control System)
    - ਸਟੇਬਲਿਟੀ ਕੰਟਰੋਲ ਸਿਸਟਮ (Stability control system)
    - ABS ਕੰਮ ਕਰੇਗਾ।
    - ਖਰਾਬੀ ਦੀ ਸਥਿਤੀ ਦੇ ਆਧਾਰ 'ਤੇ, ਬਰੇਕ ਸਿਸਟਮ ਕੰਮ ਨਹੀਂ ਕਰ ਸਕਦਾ ਹੈ।
- ਜੇਕਰ ਹੇਠਾਂ ਦਿੱਤੀਆਂ ਵਿੱਚੋਂ ਕੋਈ ਸਥਿਤੀ ਹੁੰਦੀ ਹੈ, ਤਾਂ ਇਹ ਲਾਈਟ 0.2 ਸਕਿੰਟ ਦੇ ਬਹੁਤ ਛੋਟੇ ਅੰਤਰਾਲਾਂ 'ਤੇ ਝਮਕੇਗੀ।

- ਵਾਹਨ ਨੂੰ ਸਟਾਰਟ ਕਰਨ ਜਾਂ ਚਲਾਉਣ ਵੇਲੇ ਟ੍ਰੈਕਸ਼ਨ ਕੰਟਰੋਲ ਸਿਸਟਮ (Traction Control System) ਐਕਟੀਵੇਟ ਹੁੰਦਾ ਹੈ
- ਸਟੇਬਲਿਟੀ ਕੰਟਰੋਲ ਸਿਸਟਮ (Stability control system) ਉਦੋਂ ਐਕਟੀਵੇਟ ਹੁੰਦਾ ਹੈ ਜਦੋਂ ਤਿੱਖਾ ਮੋੜ ਮੋੜਦੇ ਹੋ ਜਾਂ ਚੱਕਰ ਲਗਾਉਂਦੇ ਹੋ।
- ਜੇਕਰ ਸਿਸਟਮ ਨਾਰਮਲ ਹਾਲਤ ਵਿੱਚ ਹੁੰਦਾ ਹੈ, ਜਦੋਂ ਤੁਸੀਂ ਇਗਨੀਸ਼ਨ ਸਵਿੱਚ (ignition switch) ਨੂੰ "ਆਨ" (ON) ਪੇਜੀਸ਼ਨ 'ਤੇ ਕਰਦੇ ਹੋ, ਇਹ ਲਾਈਟ ਲਗਭਗ 2 ਸਕਿੰਟ ਲਈ ਆਏਗੀ ਅਤੇ ਫਿਰ ਚਲੀ ਜਾਏਗੀ।

#### ▲ ਸਾਵਧਾਨੀ

ਜੇਕਰ ਇਹ ਲਾਈਟ ਬਹੁਤ ਛੋਟੇ ਅੰਤਰਾਲਾਂ 'ਤੇ ਝਮਕਦੀ ਹੈ, ਤਾਂ ਇਸ ਦੀ ਵਧੇਰੇ ਸੰਭਾਵਨਾ ਹੁੰਦੀ ਹੈ ਕਿ ਵਾਹਨ ਸਲਿੱਪ ਹੋਣ ਵਾਲੀ ਸੜਕ 'ਤੇ ਫੁਸ ਜਾਏਗੀ ਜਾਂ ਸਲਿੱਪ ਹੋ ਜਾਏਗੀ। ਇਸ ਸੂਰਤ ਵਿੱਚ, ਵਾਹਨ ਨੂੰ ਧਿਆਨਪੂਰਵਕ ਚਲਾਓ।

ਨੋਟ:  
ਜਦੋਂ ਇਹ ਲਾਈਟ ਚਾਲੂ ਹੁੰਦੀ ਹੈ, ਟ੍ਰੈਕਸ਼ਨ ਕੰਟਰੋਲ ਸਿਸਟਮ (Traction Control System) ਅਤੇ ਸਟੇਬਲਿਟੀ ਕੰਟਰੋਲ ਸਿਸਟਮ (Stability control system) ਐਕਟੀਵੇਟ ਨਹੀਂ ਹੋਣਗੇ। ਹਾਲਾਂਕਿ, ਤੁਸੀਂ ABS ਦੀ ਵਰਤੋਂ ਕਰ ਸਕਦੇ ਹੋ।

### ESP® ਐਓਫ਼ ਇੰਡੀਕੇਟਰ ਲਾਈਟ (OFF indicator light) (ਜੇਕਰ ਲੈਸ ਹੋਵੇ)

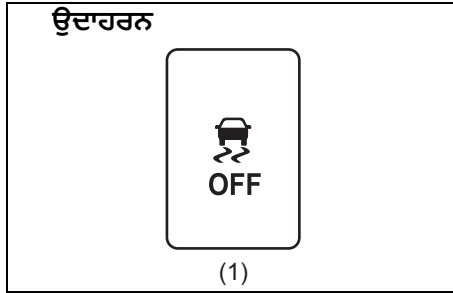


56RM03010

- ਜੇਕਰ ਤੁਸੀਂ ਇਗਨੀਸ਼ਨ ਸਵਿੱਚ (ignition switch) ਨੂੰ "ਆਨ" (ON) ਪੇਜੀਸ਼ਨ 'ਤੇ ਰੱਖ ਕੇ ਜਾਂ ਇਗਨੀਸ਼ਨ ਮੋਡ ਨੂੰ "ਆਨ" (ON) 'ਤੇ ਕਰਕੇ ESP® ਐਓਫ਼ ਸਵਿੱਚ (OFF switch) ਨੂੰ ਦਬਾਉਂਦੇ ਹੋ ਜਾਂ ਅਤੇ ਹੋਲਡ ਕਰਦੇ ਹੋ, ਤਾਂ ਇਹ ਲਾਈਟ ਜਗ ਜਾਏਗੀ।
  - ਜਦੋਂ ਇਹ ਲਾਈਟ ਜਗਦੀ ਹੈ, ਤਾਂ ਟ੍ਰੈਕਸ਼ਨ ਕੰਟਰੋਲ ਸਿਸਟਮ (Traction Control System) ਅਤੇ ਸਟੇਬਲਿਟੀ ਕੰਟਰੋਲ ਸਿਸਟਮ (Stability control system) ਕੰਮ ਨਹੀਂ ਕਰੇਗਾ।
- ਜੇਕਰ ਸਿਸਟਮ ਨਾਰਮਲ ਹਾਲਤ ਵਿੱਚ ਹੁੰਦਾ ਹੈ, ਜਦੋਂ ਤੁਸੀਂ ਇਗਨੀਸ਼ਨ ਸਵਿੱਚ (ignition switch) ਨੂੰ "ਆਨ" (ON) ਪੇਜੀਸ਼ਨ 'ਤੇ ਕਰਦੇ ਹੋ, ਤਾਂ ਇਹ ਲਾਈਟ ਲਗਭਗ 2 ਸਕਿੰਟ ਲਈ ਚਾਲੂ ਹੋਵੇਗੀ ਅਤੇ ਫਿਰ ਬੰਦ ਹੋ ਜਾਏਗੀ।



**ESP® ਔਫ਼ ਸਵਿੱਚ (OFF switch) (ਜੇਕਰ ਲੈਸ ਹੋਵੇ)**



56RM03009

**(1) ESP® ਔਫ਼ ਸਵਿੱਚ (OFF switch)**

- ਹੇਠਾਂ ਦਿੱਤੀ ਗਈ ਸਥਿਤੀ ਵਿੱਚ, **ESP® ਔਫ਼** ਨੂੰ ਉਦੋਂ ਤੱਕ ਦਬਾਉਂਦੇ ਰਹੋ ਜਦੋਂ ਤੱਕ **ESP® OFF** ਇੰਡੀਕੇਟਰ ਲਾਈਟ ਇੰਸਟ੍ਰੂਮੈਂਟ ਕਲਸਟਰ ਵਿੱਚ ਚਾਲੂ ਨਾ ਹੋਵੇ। ਟ੍ਰੈਕਸ਼ਨ ਕੰਟਰੋਲ ਸਿਸਟਮ (**Traction Control System**) ਅਤੇ ਸਟੇਬਲਿਟੀ ਕੰਟਰੋਲ ਸਿਸਟਮ (**Stability control system**) ਕੰਮ ਨਹੀਂ ਕਰੇਗਾ।
  - ਆਟੋਮੋਬਾਇਲ ਇੰਸਪੈਕਸ਼ਨ ਲਈ ਵਾਹਨ ਨੂੰ ਟੈਸਟਰ 'ਤੇ ਰੱਖਣ ਸਮੇਂ, ਟ੍ਰੈਕਸ਼ਨ ਕੰਟਰੋਲ ਸਿਸਟਮ (**Traction Control System**) ਅਤੇ ਸਟੇਬਲਿਟੀ ਕੰਟਰੋਲ ਸਿਸਟਮ (**Stability control system**) ਨੂੰ ਡੀਐਕਟੀਵੇਟ ਕਰਨ ਦੀ ਲੋੜ ਹੁੰਦੀ ਹੈ।
  - ਜੇਕਰ ਤੁਹਾਡਾ ਵਾਹਨ ਫਸ ਜਾਂਦਾ ਹੈ ਅਤੇ ਤੁਸੀਂ ਇਸ ਨੂੰ ਫਸੀ ਹੋਈ ਹਾਲਤ ਵਿੱਚੋਂ ਬਾਹਰ ਨਿਕਾਲਣ

ਦੀ ਕੋਸ਼ਿਸ਼ ਕਰਦੇ ਹੋ, ਤਾਂ ਟ੍ਰੈਕਸ਼ਨ ਕੰਟਰੋਲ ਸਿਸਟਮ (**Traction Control System**) ਫੁਕਵਾਂ ਨਹੀਂ ਹੋ ਸਕਦਾ ਹੈ।

- ਜੇਕਰ ਹੇਠਾਂ ਦਿੱਤੇ ਗਏ ਅਪਰੇਸ਼ਨ ਕਰਦੇ ਹੋ, ਤਾਂ **ESP® ਔਫ਼ ਇੰਡੀਕੇਟਰ ਲਾਈਟ (OFF indicator light)** ਬੰਦ ਹੋ ਜਾਵੇਗੀ। ਇਸ ਦੇ ਨਾਲ ਨਾਲ, ਟ੍ਰੈਕਸ਼ਨ ਕੰਟਰੋਲ ਸਿਸਟਮ (**Traction Control System**) ਅਤੇ ਸਟੇਬਲਿਟੀ ਕੰਟਰੋਲ ਸਿਸਟਮ (**Stability control system**) ਐਕਟੀਵੇਟਿਡ ਕੰਡੀਸ਼ਨ ਵਿੱਚ ਵਾਪਸ ਆ ਜਾਣਗੇ।
  - ਦੁਬਾਰਾ **ESP® ਔਫ਼ ਸਵਿੱਚ (OFF switch)** ਨੂੰ ਦਬਾਉਣਾ
  - ਇੰਜਣ ਨੂੰ ਬੰਦ ਕਰਨਾ ਅਤੇ ਇੰਜਣ ਨੂੰ ਫਿਰ ਤੋਂ ਚਾਲੂ ਕਰਨਾ
  - ਜਦੋਂ ਵਾਹਨ ਦੀ ਸਪੀਡ ਲਗਭਗ **20 km/h** ਤੋਂ ਵੱਧ ਜਾਂਦੀ ਹੈ।
- ਫਸੀ ਹੋਈ ਹਾਲਤ ਵਿੱਚੋਂ ਨਿਕਲਣ ਤੋਂ ਬਾਅਦ ਜੇਕਰ ਤੁਸੀਂ ਸਧਾਰਨ ਡਰਾਈਵਿੰਗ ਕਰਨਾ ਪਸੰਦ ਕਰਦੇ ਹੋਵੋ, ਤਾਂ ਮੁੜ ਤੋਂ **ESP® ਔਫ਼ ਸਵਿੱਚ (OFF switch)** ਦਬਾਓ। ਇਸ ਨਾਲ **ESP® ਔਫ਼ ਇੰਡੀਕੇਟਰ ਲਾਈਟ (OFF indicator light)** ਬੰਦ ਹੋ ਜਾਏਗੀ ਅਤੇ ਵਾਹਨ ਅਸਲ ਕੰਡੀਸ਼ਨ ਵਿੱਚ ਵਾਪਸ ਆ ਜਾਏਗਾ। ਟ੍ਰੈਕਸ਼ਨ ਕੰਟਰੋਲ ਸਿਸਟਮ (**Traction Control System**) ਅਤੇ ਸਟੇਬਲਿਟੀ ਕੰਟਰੋਲ ਸਿਸਟਮ (**Stability control system**) ਸਵਚਲਿਤ ਤੌਰ 'ਤੇ ਐਕਟੀਵੇਟ ਨਹੀਂ ਹੋਵੇਗਾ। (ਇੰਜਣ ਬੰਦ ਕਰਨ ਅਤੇ ਫਿਰ ਇੰਜਣ ਚਾਲੂ ਕਰਨ ਤੋਂ ਇਲਾਵਾ) ਜਾਂ ਜਦੋਂ ਵਾਹਨ ਦੀ ਸਪੀਡ ਲਗਭਗ **20 km/h** ਤੋਂ ਵੱਧ ਜਾਂਦੀ ਹੈ।

ਨੋਟ:

ਬਚਾਅ ਦੇ ਕਾਰਣ ਲਈ, ਤਾਂ ਵੀ ਜੇਕਰ ਤੁਸੀਂ **ESP® ਔਫ਼** ਨੂੰ ਦਬਾਉਂਦੇ ਹੋ, **ABS** ਅਤੇ ਬਰੇਕ ਅਸਿਸਟ ਸਿਸਟਮ (**Brake Assist System**) ਡੀਐਕਟੀਵੇਟ ਨਹੀਂ ਹੋਵੇਗਾ।

**ABS ਵਾਰਨਿੰਗ ਲਾਈਟ (Warning Light) / ਬਰੇਕ ਸਿਸਟਮ ਵਾਰਨਿੰਗ ਲਾਈਟ (brake system warning light)**

ਇਸ ਸੈਕਸ਼ਨ ਵਿੱਚ "ਬਰੇਕਿੰਗ" (**Braking**) ਨੂੰ ਰੈਫਰ ਕਰੋ।

## ਡਰਾਈਵਿੰਗ ਲਈ ਸੁਝਾਅ

ਰਨਿੰਗ-ਇਨ .....	4-1
ਕੈਟਾਲਾਈਟਿਕ ਕਨਵਰਟਰ.....	4-1
ਈਂਧਨ (ਫਿਊਲ) ਦੀ ਇਕਾਨਮੀ	
ਵਿੱਚ ਸੁਧਾਰ ਕਰਨਾ .....	4-3
ਸੜਕ 'ਤੇ ਡਰਾਈਵਿੰਗ ਕਰਨਾ .....	4-4
ਪਹਾੜੀਆਂ 'ਤੇ ਡਰਾਈਵਿੰਗ ਕਰਨਾ .....	4-4
ਤਿਲੁਕਣ ਵਾਲੀਆਂ ਸੜਕਾਂ 'ਤੇ	
ਡਰਾਈਵ ਕਰਨਾ.....	4-5
ਗਿੱਲੀਆਂ ਸੜਕਾਂ 'ਤੇ ਡਰਾਈਵ ਕਰਨਾ.....	4-6
ਸੜਕ ਤੋਂ ਹੇਠਾਂ ਡਰਾਈਵ ਕਰਨਾ.....	4-7
ਪਾਣੀ ਨਾਲ ਭਰੇ ਇਲਾਕੇ ਵਿੱਚ ਜਾਣ ਵੇਲੇ .....	4-7
ਸੁਰੱਖਿਅਤ ਡਰਾਈਵਿੰਗ ਲਈ ਕੀ	
ਕਰੀਏ ਅਤੇ ਕੀ ਨਾ ਕਰੀਏ.....	4-7
ਸੁਰੱਖਿਆ ਲਈ ਜਗ੍ਹਾ ਛੱਡਣਾ .....	4-9

## ਉਦਾਹਰਨ



52D078S

### ⚠ ਚੇਤਾਵਨੀ

- ਹਰ ਸਮੇਂ ਆਪਣੀਆਂ ਸੀਟ ਬੈਲਟਾਂ ਲਗਾ ਕੇ ਰੱਖੋ। ਡਰਾਈਵਰ ਅਤੇ ਯਾਤਰੀ ਨੂੰ ਦਿੱਤੀਆਂ ਹੋਈਆਂ ਸੀਟ ਬੈਲਟਾਂ ਦੀ ਵਰਤੋਂ ਕਰਕੇ, ਹਰ ਸਮੇਂ ਚੰਗੀ ਤਰ੍ਹਾਂ ਕੰਟਰੋਲ ਕੀਤਾ ਜਾਣਾ ਚਾਹੀਦਾ। ਸੀਟ ਬੈਲਟਾਂ ਦੀ ਉਚਿੱਤ ਵਰਤੋਂ ਬਾਰੇ ਹਿਦਾਇਤਾਂ ਲਈ “ਸੀਟ ਬੈਲਟਾਂ” ਸੈਕਸ਼ਨ ਨੂੰ ਰੈਡਰ ਕਰੋ।
- ਸ਼ਰਾਬ ਜਾਂ ਦੂਜੀਆਂ ਨਸ਼ੀਲੀਆਂ ਦਵਾਈਆਂ ਦੇ ਪ੍ਰਭਾਵ ਹੇਠ ਕਦੇ ਵੀ ਵਾਹਨ ਨਾ ਚਲਾਓ। ਸ਼ਰਾਬ ਅਤੇ ਨਸ਼ੀਲੀਆਂ ਦਵਾਈਆਂ ਤੁਹਾਨੂੰ ਅਤੇ ਦੂਜਿਆਂ ਨੂੰ ਸੱਟ ਲੱਗਣ ਦੇ ਖਤਰੇ ਨੂੰ ਕਾਫੀ ਜਿਆਦਾ ਵਧਾ ਕੇ, ਸੁਰੱਖਿਅਤ ਰੂਪ ਵਿੱਚ ਵਾਹਨ ਚਲਾਉਣ ਦੀ ਤੁਹਾਡੀ ਯੋਗਤਾ ਨੂੰ ਗੰਭੀਰ ਰੂਪ ਵਿੱਚ ਪ੍ਰਭਾਵਿਤ ਕਰ ਸਕਦੀਆਂ ਹਨ। ਜਦੋਂ ਤੁਸੀਂ ਥੱਕੇ ਹੋਵੋ, ਬਿਮਾਰ ਹੋਵੋ, ਚਿੜਚਿੜੇ, ਜਾਂ ਮਾਨਸਿਕ ਤਣਾਅ ਵਿੱਚ ਹੋਵੋ, ਉਦੋਂ ਵੀ ਤੁਹਾਨੂੰ ਡਰਾਈਵਿੰਗ ਕਰਨ ਤੋਂ ਬਚਣਾ ਚਾਹੀਦਾ ਹੈ।

## ਰਨਿੰਗ-ਇਨ (Running-in)

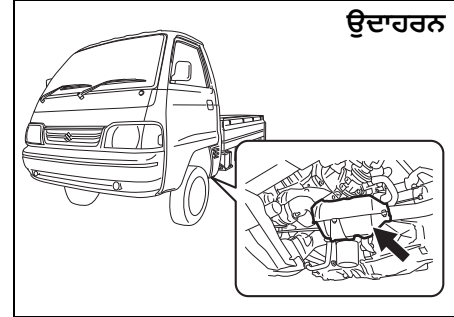
### ਨੋਟਿਸ

ਇੰਜਣ ਦੀ ਭਵਿੱਖ ਦੀ ਕਾਰਗੁਜ਼ਾਰੀ ਅਤੇ ਉਚਿੱਤਤਾ ਇਸ ਦੇ ਆਰੰਭਿਕ ਜੀਵਨ ਦੌਰਾਨ ਕੀਤੀ ਗਈ ਦੇਖਭਾਲ ਅਤੇ ਕੰਟਰੋਲ 'ਤੇ ਨਿਰਭਰ ਕਰਦੀ ਹੈ। ਵਾਹਨ ਦੇ ਆਰੰਭਿਕ 960 ਕਿਲੋਮੀਟਰ ਅਪਰੇਸ਼ਨ ਦੌਰਾਨ ਹੇਠਾਂ ਦਿੱਤੀਆਂ ਸਾਵਧਾਨੀਆਂ ਰੱਖਣਾ ਖਾਸ ਤੌਰ 'ਤੇ ਮਹੱਤਵਪੂਰਣ ਹੁੰਦਾ ਹੈ।

- ਸਟਾਰਟ ਕਰਨ ਤੋਂ ਬਾਅਦ, ਇੰਜਣ ਨੂੰ ਰੇਸ ਨਾ ਦਿਓ। ਇਸ ਨੂੰ ਹੌਲੀ ਹੌਲੀ ਗਰਮ ਕਰੋ।
- ਇੱਕ ਸਥਾਈ ਸਪੀਡ 'ਤੇ ਵਾਹਨ ਦੇ ਲੰਮੇ ਅਪਰੇਸ਼ਨ ਤੋਂ ਬਚੋ। ਜੇ ਤੁਸੀਂ ਆਪਣੀ ਸਪੀਡ ਬਦਲਦੇ ਹੋ ਤਾਂ ਚੱਲਣ ਵਾਲੇ ਪੁਰਜੇ ਬਿਹਤਰ ਤਰੀਕੇ ਨਾਲ ਟੁੱਟਣਗੇ।
- ਇੱਕ ਸਟਾਪ ਤੋਂ ਹੌਲੀ ਹੌਲੀ ਸਟਾਰਟ ਕਰੋ। ਪੂਰੀ ਤਾਕਤ ਨਾਲ ਸਟਾਰਟ ਕਰਨ ਤੋਂ ਬਚੋ।
- ਜੇਰ ਨਾਲ ਬਰੇਕ ਨਾ ਲਗਾਓ, ਖਾਸ ਕਰਕੇ ਡਰਾਈਵਿੰਗ ਦੇ ਪਹਿਲੇ 320 ਕਿਲੋਮੀਟਰ ਵਿੱਚ।
- ਇੱਕ ਵੱਡੇ ਗਿਅਰ ਵਾਲੀ ਟ੍ਰਾਂਸਮਿਸ਼ਨ ਨਾਲ ਵਾਹਨ ਨੂੰ ਹੌਲੀ ਨਾ ਚਲਾਓ।
- ਵਾਹਨ ਨੂੰ ਇੰਜਣ ਦੀਆਂ ਦਰਮਿਆਨੀਆਂ ਸਪੀਡਾਂ 'ਤੇ ਚਲਾਓ।
- ਟਰਾਲੀ ਨੂੰ ਨਾ ਖਿੱਚੋ।

## ਕੈਟਾਲਾਈਟਿਕ ਕਨਵਰਟਰ (Catalytic Converter)

### ਉਦਾਹਰਨ



77PH201

ਕੈਟਾਲਾਈਟਿਕ ਕਨਵਰਟਰ ਦਾ ਉਦੇਸ਼ ਤੁਹਾਡੇ ਵਾਹਨ ਦੇ ਐਂਗਜ਼ਾਸਟ ਵਿੱਚ ਹਾਨੀਕਾਰਕ ਉਤੋਜਕਾਂ ਦੀ ਮਾਤਰਾ ਨੂੰ ਘੱਟ ਕਰਨਾ ਹੁੰਦਾ ਹੈ। ਕੈਟਾਲਾਈਟਿਕ ਕਨਵਰਟਰ ਨਾਲ ਲੈੱਸ ਵਾਹਨਾਂ ਵਿੱਚ ਲੈੱਡ ਵਾਲੇ ਬੰਧਨ ਦੀ ਵਰਤੋਂ ਕਰਨਾ ਮਨ੍ਹਾ ਹੈ, ਕਿਉਂਕਿ ਲੈੱਡ ਕੈਟਾਲਿਸਟ ਸਿਸਟਮ ਵਿੱਚ ਉਤੋਜਕ ਨੂੰ ਘਟਾਉਣ ਵਾਲੇ ਕੰਪੋਨੈਂਟਾਂ ਨੂੰ ਘਟਾਉਂਦਾ ਹੈ।

ਕਨਵਰਟਰ ਵਾਹਨ ਦੀ ਸਧਾਰਨ ਵਰਤੋਂ ਦੌਰਾਨ ਅਤੇ ਜਦੋਂ ਲੈੱਡਰਹਿਤ ਬੰਧਨ ਦੀ ਵਰਤੋਂ ਕੀਤੀ ਜਾਂਦੀ ਹੈ ਇਸ ਦੇ ਜੀਵਨ ਨੂੰ ਲੰਮਾ ਕਰਨ ਲਈ ਡਿਜ਼ਾਈਨ ਕੀਤਾ ਗਿਆ ਹੈ। ਕਨਵਰਟਰ 'ਤੇ ਖਾਸ ਮੇਨਟੀਨੈਂਸ ਦੀ ਲੋੜ ਨਹੀਂ ਹੁੰਦੀ। ਹਾਲਾਂਕਿ, ਇੰਜਣ ਨੂੰ ਉੱਚਿਤ ਤਰੀਕੇ ਨਾਲ ਟਿਊਨ ਰੱਖਣਾ ਬਹੁਤ ਮਹੱਤਵਪੂਰਣ ਹੁੰਦਾ ਹੈ। ਇੰਜਣ ਦੀ ਮਿੱਸਫਾਇਰਿੰਗ, ਜੇ ਗਲਤ ਤਰੀਕੇ ਨਾਲ ਟਿਊਨ ਕੀਤੇ ਗਏ ਇੰਜਣ ਕਾਰਣ ਹੋ ਸਕਦੀ ਹੈ, ਉਹ ਕੈਟਾਲਿਸਟ ਦੇ ਵੱਧ ਗਰਮ ਹੋਣ ਦਾ

ਕਾਰਣ ਬਣ ਸਕਦੀ ਹੈ। ਇਸ ਕਾਰਣ ਕੈਟਾਲਿਸਟ ਅਤੇ ਵਾਹਨ ਦੇ ਦੂਜੇ ਪੁਰਜਿਆਂ ਨੂੰ ਸਥਾਈ ਤਾਪ ਨੁਕਸਾਨ ਹੋ ਸਕਦਾ ਹੈ।

### ਨੋਟਿਸ

ਕੈਟਾਲਿਸਟ (Catalytic) ਅਤੇ ਵਾਹਨ ਦੇ ਦੂਜੇ ਨੁਕਸਾਨ ਤੋਂ ਬਚਣ ਲਈ:

- ਉਚਿੱਤ ਅਪਰੇਟਿੰਗ ਹਾਲਤ ਵਿੱਚ ਇੰਜਣ ਦਾ ਰੱਖ-ਰਖਾਅ ਕਰੋ।
- ਇੰਜਣ ਦੇ ਖ਼ਰਾਬ ਹੋ ਜਾਣ ਦੀ ਸੂਰਤ ਵਿੱਚ, ਖਾਸ ਤੌਰ 'ਤੇ ਇੰਜਣ ਦੀ ਮਿਸਫਾਇਰਿੰਗ ਜਾਂ ਕਾਰਗੁਜ਼ਾਰੀ ਦੀ ਹੋਰ ਸਪਸ਼ਟ ਹਾਨੀ ਹੋਣ 'ਤੇ, ਵਾਹਨ ਦੀ ਤੁਰੰਤ ਸਰਵਿਸ ਕਰਾਓ।
- ਜਦੋਂ ਟ੍ਰਾਂਸਮਿਸ਼ਨ ਗਿਅਰ ਵਿੱਚ ਹੋਵੇ ਅਤੇ ਵਾਹਨ ਚੱਲ ਰਿਹਾ ਹੋਵੇ ਤਾਂ ਇੰਜਣ ਨੂੰ ਬੰਦ ਨਾ ਕਰੋ ਜਾਂ ਇਗਨੀਸ਼ਨ ਵਿੱਚ ਵਿਘਨ ਨਾ ਪਾਓ।
- ਵਾਹਨ ਨੂੰ ਧੱਕਣ ਜਾਂ ਖਿੱਚਣ ਰਾਹੀਂ, ਜਾਂ ਪਹਾੜੀ ਤੋਂ ਹੇਠਾਂ ਜਾਣ ਵੇਲੇ ਇੰਜਣ ਨੂੰ ਸਟਾਰਟ ਕਰਨ ਦੀ ਕੋਸ਼ਿਸ਼ ਨਾ ਕਰੋ।
- ਡਿਸਕਨੈਕਟ ਕੀਤੀਆਂ ਜਾਂ ਖੋਲ੍ਹੀਆਂ ਗਈਆਂ ਕਿਸੇ ਸਪਾਰਕ ਪਲੱਗ ਤਾਰਾਂ ਨੂੰ ਇੰਜਣ ਨੂੰ ਆਈਡਲ ਨਾ ਕਰੋ, ਜਿਵੇਂ ਡਾਇਗਨੋਸਟਿਕ ਟੈਸਟਿੰਗ ਦੌਰਾਨ।

(ਚੱਲਦਾ ਹੈ)

### ਨੋਟਿਸ

(ਚੱਲਦਾ ਹੈ)

- ਜੇਕਰ ਖਾਲੀ ਚਲਾਉਣਾ ਰਫ਼ ਲੱਗਦਾ ਹੋਵੇ ਜਾਂ ਕੋਈ ਹੋਰ ਖਰਾਬੀਆਂ ਹੋਣ ਤਾਂ ਲੰਮੇ ਸਮੇਂ ਤੱਕ ਵਾਹਨ ਨੂੰ ਖਾਲੀ ਨਾ ਚਲਾਓ।
- ਈਧਨ ਦੇ ਟੈਂਕ ਨੂੰ ਖਾਲੀ ਲੈਵਲ ਦੇ ਨੇੜੇ ਤੱਕ ਨਾ ਜਾਣ ਦਿਓ।
- ਆਪਣੇ ਵਾਹਨ ਬਹੁਤ ਜਿਆਦਾ ਹਾਈ ਇੰਜਣ ਦੀ ਸਪੀਡ 'ਤੇ ਚਲਾਉਣ ਤੋਂ ਗੁਰੇਜ ਕਰੋ।

### ⚠ ਚੇਤਾਵਨੀ

ਉਨ੍ਹਾਂ ਖੇਤਰਾਂ ਵਿੱਚ ਸਾਵਧਾਨ ਰਹੋ ਜਿੱਥੇ ਤੁਸੀਂ ਪਾਰਕ ਕਰਦੇ ਹੋ ਅਤੇ ਡਰਾਈਵ ਕਰਦੇ ਹੋ; ਕੈਟਾਲਾਈਟਿਕ ਕਨਵਰਟਰ (Catalytic Converter) ਅਤੇ ਦੂਜੇ ਐਗਜ਼ਾਸਟ ਕੰਪੋਨੈਂਟ ਵਧੇਰੇ ਗਰਮ ਹੋ ਸਕਦੇ ਹਨ। ਜਿਵੇਂ ਹੋਰ ਵਾਹਨ ਨਾਲ ਹੁੰਦਾ ਹੈ, ਇਸ ਵਾਹਨ ਨੂੰ ਉਨ੍ਹਾਂ ਖੇਤਰਾਂ ਵਿੱਚ ਪਾਰਕ ਨਾ ਕਰੋ ਜਾਂ ਨਾ ਚਲਾਓ ਜਿੱਥੇ ਜਲਣ ਸਮੱਗਰੀ ਹੋਵੇ ਜਿਵੇਂ ਕਿ ਖੁਸ਼ਕ ਘਾਹ ਜਾਂ ਪੱਤੇ ਇੱਕ ਗਰਮ ਐਗਜ਼ਾਸਟ ਸਿਸਟਮ ਦੇ ਸੰਪਰਕ ਵਿੱਚ ਆ ਸਕਦੇ ਹਨ।

### ਉਦਾਹਰਨ



82DY05

ਨੋਟ :

ਲੰਮੇ ਸਮੇਂ ਤੱਕ ਵਾਹਨ ਦੀ ਵਰਤੋਂ ਨਾ ਕਰਨ ਕਰਕੇ ਬਰੇਕ ਡਿਸਕ ਦੀ ਸਤ੍ਹਾ 'ਤੇ ਹੌਲੀ ਹੌਲੀ ਜੰਗਾਲ ਲੱਗ ਸਕਦਾ ਹੈ ਕਿਉਂਕਿ ਇਹ ਕੱਚੇ ਲੋਹੇ ਤੋਂ ਬਣੀ ਹੁੰਦੀ ਹੈ। ਇਸ ਕਾਰਣ ਆਵਾਜ਼/ਕੰਪਨ ਹੋ ਸਕਦੀ ਹੈ। ਇਸ ਦਾ ਵਾਹਨ ਦੇ ਕੰਮਕਾਜ 'ਤੇ ਕੋਈ ਅਸਰ ਨਹੀਂ ਪੈਂਦਾ। ਨਿਯਮਿਤ ਤੌਰ 'ਤੇ ਵਾਹਨ ਨੂੰ ਚਲਾਉਣ ਨਾਲ ਜੰਗਾਲ ਤੋਂ ਰੋਕਥਾਮ ਕੀਤੀ ਜਾ ਸਕਦੀ ਹੈ/ ਹੱਟ ਸਕਦਾ ਹੈ, ਇਸ ਪ੍ਰਕਾਰ ਆਵਾਜ਼ ਅਤੇ ਕੰਪਨ ਘੱਟ ਜਾਂਦੀ ਹੈ।

### ਈਧਨ (ਫਿਊਲ) ਦੀ ਇਕਾਨਮੀ (Fuel Economy) ਵਿੱਚ ਸੁਧਾਰ ਕਰਨਾ

ਨੋਟ :

ਵਾਹਨ ਦੀ ਈਧਨ ਇਕਾਨਮੀ (ਮਾਈਲੇਜ) ਕਈ ਕਾਰਕਾਂ ਕਰਕੇ ਬਦਲ ਸਕਦੀ ਹੈ ਜਿਵੇਂ, ਡਰਾਈਵਿੰਗ ਦੀਆਂ ਆਦਤਾਂ - ਗਿਆਰ ਬਦਲਣ ਦਾ ਪੈਟਰਨ, ਏ.ਸੀ ਦੀ ਵਰਤੋਂ, ਟਾਇਰਾਂ ਵਿੱਚ ਹਵਾ ਦਾ ਦਬਾਅ, ਹਵਾ ਦੀ ਸਪੀਡ, ਟ੍ਰੈਫਿਕ ਦੀਆਂ ਹਾਲਤਾਂ, ਈਧਨ ਦੀ ਗੁਣਵੱਤਾ-ਮਿਲਾਵਟ ਰਹਿਤ ਸਟੈਂਡਰਡ ਈਧਨ, ਵਾਹਨ ਦਾ ਰੱਖ-ਰਖਾਅ, ਸੜਕ ਦੀਆਂ ਹਾਲਤਾਂ, ਬਰੇਕਿੰਗ ਆਦਿ।

ਹੇਠਾਂ ਦਿੱਤੀਆਂ ਹਿਦਾਇਤਾਂ ਤੁਹਾਡੀ ਈਧਨ ਦੀ ਆਰਥਿਕਤਾ ਵਿੱਚ ਸੁਧਾਰ ਕਰਨ ਵਿੱਚ ਮਦਦ ਕਰਨਗੀਆਂ।

#### ਵਾਧੂ ਖਾਲੀ ਚਲਾਉਣ ਤੋਂ ਬਚੋ

ਜਦੋਂ ਤੁਸੀਂ ਗੱਡੀ ਪਾਰਕ ਕਰਦੇ ਹੋ ਤਾਂ ਜੇਕਰ ਤੁਹਾਨੂੰ ਇੱਕ ਮਿੰਟ ਤੋਂ ਵੱਧ ਸਮੇਂ ਲਈ ਇੰਤਜਾਰ ਕਰਨਾ ਪੈਂਦਾ ਹੈ, ਤਾਂ ਇੰਜਣ ਬੰਦ ਕਰੋ ਅਤੇ ਇਸ ਨੂੰ ਦੁਬਾਰਾ ਚਲਾਓ। ਜਦੋਂ ਤੁਸੀਂ ਠੰਢੇ ਇੰਜਣ ਨੂੰ ਗਰਮ ਕਰਦੇ ਹੋ, ਤਾਂ ਇੰਜਣ ਨੂੰ ਖਾਲੀ ਨਾ ਚੱਲਣ ਦਿਓ ਜਾਂ ਜਦੋਂ ਤੱਕ ਇੰਜਣ ਅਪਰੇਟਿੰਗ ਤਾਪਮਾਨ 'ਤੇ ਨਾ ਪਹੁੰਚੇ ਉਦੋਂ ਤੱਕ ਇੰਜਣ ਨੂੰ ਖਾਲੀ ਨਾ ਚੱਲਣ ਦਿਓ ਜਾਂ ਪੂਰੀ ਸਪੀਡ ਨਾਲ ਨਾ ਚਲਾਓ। ਡਰਾਈਵਿੰਗ ਕਰਨ ਵੇਲੇ ਇੰਜਣ ਨੂੰ ਗਰਮ ਹੋਣ ਦਿਓ।

#### ਅਚਾਨਕ ਸਪੀਡ ਨਾ ਵਧਾਓ

ਰੁਕੀ ਹੋਈ ਜਾਂ ਡਰਾਈਵਿੰਗ ਕਰਨ ਵੇਲੇ ਸਪੀਡ ਵਿੱਚ ਅਚਾਨਕ ਵਾਧੇ ਨਾਲ ਈਧਨ ਦੀ ਬੇਲੋੜੀ ਖਪਤ ਹੋਵੇਗੀ ਅਤੇ ਇੰਜਣ ਦੀ ਜੀਵਨ ਨੂੰ ਘਟਾਏਗੀ। ਹੌਲੀ ਹੌਲੀ ਚਾਲੂ ਕਰੋ।

#### ਬੇਲੋੜੇ ਸਟਾਪ ਲਗਾਉਣ ਤੋਂ ਗੁਰੇਜ ਕਰੋ

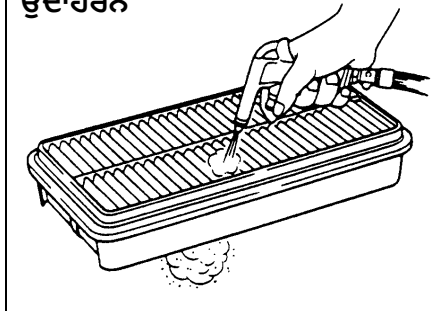
ਬੇਲੋੜੀ ਸਪੀਡ ਵਧਾਉਣ ਅਤੇ ਰੋਕਣ ਤੋਂ ਬਚੋ। ਇੱਕ ਹੌਲੀ, ਸਥਾਈ ਸਪੀਡ ਬਣਾਉਣ ਦੀ ਕੋਸ਼ਿਸ਼ ਕਰੋ ਜਦੋਂ ਵੀ ਸੰਭਵ ਹੋਵੇ। ਹੌਲੀ ਕਰਨਾ ਅਤੇ ਫਿਰ ਸਪੀਡ ਵਧਾਉਣ ਨਾਲ ਵਧੇਰੇ ਈਧਨ ਦੀ ਵਰਤੋਂ ਹੁੰਦੀ ਹੈ।

#### ਸਥਾਈ ਸਧਾਰਨ ਸਪੀਡ ਰੱਖੋ

ਜਿਵੇਂ ਸੜਕ ਅਤੇ ਆਵਾਜਾਈ ਦੀਆਂ ਹਾਲਤਾਂ ਇਜਾਜ਼ਤ ਦਿੰਦੀਆਂ ਹੋਣ ਸਪੀਡ ਨੂੰ ਸਥਾਈ ਰੱਖੋ।

#### ਏਅਰ ਕਲੀਨਰ (air cleaner) ਨੂੰ ਸਾਫ਼ ਰੱਖੋ

##### ਉਦਾਹਰਨ



60A183S

ਜੇਕਰ ਏਅਰ ਕਲੀਨਰ ਧੂੜ ਨਾਲ ਬੰਦ ਹੋ ਜਾਏ, ਤਾਂ ਇਨਟੇਕ ਰਜਿਸਟਰ ਵੱਧ ਹੋਵੇਗੀ, ਜਿਸ ਕਾਰਣ ਪਾਵਰ ਆਊਟਪੁੱਟ ਵਿੱਚ ਕਮੀ ਹੋਵੇਗੀ ਅਤੇ ਈਧਨ ਦੀ ਖਪਤ ਵਿੱਚ ਵਾਧਾ ਹੋਵੇਗਾ।

#### ਭਾਰ ਨੂੰ ਘੱਟ ਤੋਂ ਘੱਟ ਰੱਖੋ

ਭਾਰ ਜਿੰਨਾ ਵੱਧ ਹੋਵੇ, ਵਾਹਨ ਈਧਨ ਦੀ ਉੱਨੀ ਹੀ ਵੱਧ ਖਪਤ ਕਰਦਾ ਹੈ। ਜਦੋਂ ਲੋੜ ਨਾ ਹੋਵੇ ਕਿਸੇ ਵੀ ਸਮਾਨ ਜਾਂ ਕਾਰਗੋ ਨੂੰ ਨਿਕਾਲੇ।

#### ਟਾਇਰ ਦੇ ਦਬਾਅ ਸਹੀ ਰੱਖੋ

ਟਾਇਰ ਵਿੱਚ ਘੱਟ ਹਵਾ ਹੋਣ ਕਾਰਣ ਟਾਇਰਾਂ ਦੀ ਵੱਧ ਰਨਿੰਗ ਰਜਿਸਟਰ ਕਾਰਣ ਈਧਨ ਵੱਧ ਬਰਬਾਦ ਹੋ ਸਕਦਾ ਹੈ। ਡਰਾਈਵਰ ਦੇ ਡੋਰ ਲਾਕ ਪਿੱਲਰ 'ਤੇ ਲੱਗੇ ਲੇਬਲ 'ਤੇ ਦਰਸਾਏ ਅਨੁਸਾਰ ਸਹੀ ਪ੍ਰੈਸ਼ਰ ਤੱਕ ਆਪਣੇ ਟਾਇਰਾਂ ਵਿੱਚ ਹਵਾ ਰੱਖੋ।

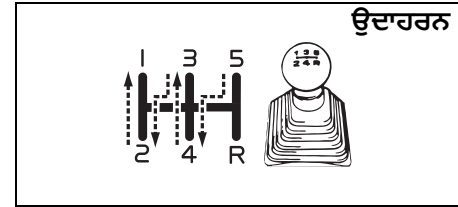
## ਸੜਕ 'ਤੇ ਡਰਾਈਵਿੰਗ ਕਰਨਾ

ਹਾਈਵੇਅ ਦੀ ਗਤੀ ਨਾਲ ਵਾਹਨ ਚਲਾਉਂਦੇ ਸਮੇਂ, ਹੇਠਾਂ ਲਿਖੀਆਂ ਗੱਲਾਂ ਦਾ ਧਿਆਨ ਰੱਖੋ:

- ਵਾਹਨ ਦੀ ਸਪੀਡ ਨਾਲ ਹੌਲੀ-ਹੌਲੀ ਰੁੱਕਣ ਦੀ ਦੂਰੀ ਵੱਧਦੀ ਹੈ। ਰੁੱਕਣ ਦੀ ਵਧੇਰੇ ਦੂਰੀ ਲਈ ਰੁੱਕਣ ਦੇ ਪੁਆਇੰਟ ਤੋਂ ਕਾਫੀ ਦੂਰੋਂ ਬਰੇਕਾਂ ਲਗਾਓ।
- ਬਾਰਿਸ਼ ਦੇ ਦਿਨਾਂ 'ਤੇ, ਹਾਈਡ੍ਰੋਪਲਾਨਿੰਗ ਪੈਦਾ ਹੋ ਸਕਦਾ ਹੈ। ਹਾਈਡ੍ਰੋਪਲਾਨਿੰਗ ਸੜਕ ਦੀ ਸਤ੍ਹਾ ਅਤੇ ਵਾਹਨ ਦੇ ਟਾਇਰਾਂ ਵਿਚਕਾਰ ਪਾਣੀ ਫਿਲਮ ਕਾਰਣ ਸਿੱਧੇ ਸੰਪਰਕ ਦੀ ਹਾਨੀ ਹੋਣਾ ਹੁੰਦਾ ਹੈ। ਹਾਈਡ੍ਰੋਪਲਾਨਿੰਗ ਕਰਨ ਵੇਲੇ ਵਾਹਨ ਦੇ ਸਟੀਰਿੰਗ ਦੀ ਵਰਤੋਂ ਕਰਨਾ ਜਾਂ ਬਰੇਕ ਲਗਾਉਣਾ ਬਹੁਤ ਮੁਸ਼ਕਲ ਹੋ ਸਕਦਾ ਹੈ, ਅਤੇ ਕੰਟਰੋਲ ਦੀ ਹਾਨੀ ਹੋ ਸਕਦੀ ਹੈ। ਜਦੋਂ ਸੜਕ ਦੀ ਸਤ੍ਹਾ ਗਿੱਲੀ ਹੋਵੇ ਤਾਂ ਸਪੀਡ ਘੱਟ ਰੱਖੋ।
- ਵੱਧ ਸਪੀਡਾਂ 'ਤੇ, ਵਾਹਨ ਸਾਈਡ ਤੋਂ ਆਉਣ ਵਾਲੀਆਂ ਹਵਾਵਾਂ ਨਾਲ ਪ੍ਰਭਾਵਿਤ ਹੋ ਸਕਦਾ ਹੈ। ਇਸ ਲਈ, ਸਪੀਡ ਘੱਟ ਰੱਖੋ ਅਤੇ ਲਹਿਰਾਂ ਦੀ ਅਚਨਚੇਤ ਮਾਰ ਲਈ ਤਿਆਰ ਰਹੋ, ਜੋ ਸੁਰੰਗਾਂ ਦੀ ਮੌਜੂਦਗੀ ਵਿੱਚ ਪੈਦਾ ਹੋ ਸਕਦੇ ਹੋ, ਕਿਸੇ ਪਹਾੜੀ ਦੇ ਕੱਟ ਰਾਹੀਂ ਗੁਜਰਨ ਸਮੇਂ, ਜਾਂ ਵੱਡੇ ਵਾਹਨਾਂ, ਆਦਿ ਰਾਹੀਂ ਓਵਰਟੇਕ ਕਰਨ ਵੇਲੇ ਪੈਦਾ ਹੁੰਦੇ ਹਨ।

## ਪਹਾੜੀਆਂ 'ਤੇ ਡਰਾਈਵਿੰਗ ਕਰਨਾ

- ਤਿੱਖੀਆਂ ਪਹਾੜੀਆਂ 'ਤੇ ਚੜ੍ਹਨ ਵੇਲੇ, ਵਾਹਨ ਹੌਲੀ ਹੋਣਾ ਸ਼ੁਰੂ ਹੋ ਸਕਦਾ ਹੈ ਅਤੇ ਪਾਵਰ ਦੀ ਕਮੀ ਨੂੰ ਦਰਸਾ ਸਕਦਾ ਹੈ। ਜੇ ਅਜਿਹਾ ਹੁੰਦਾ ਹੈ, ਤਾਂ ਤੁਹਾਨੂੰ ਛੋਟੇ ਗਿਅਰ 'ਤੇ ਸ਼ਿਫਟ ਕਰਨਾ ਚਾਹੀਦਾ ਹੈ ਤਾਂ ਕਿ ਇੰਜਣ ਵਾਪਸ ਆਪਣੀ ਸਧਾਰਨ ਪਾਵਰ ਰੇਂਜ ਵਿੱਚ ਕੰਮ ਕਰੇ। ਵਾਹਨ ਨੂੰ ਵੇਗ ਗੁਆਉਣ ਤੋਂ ਰੋਕਣ ਲਈ ਗਿਅਰ ਤੇਜ਼ੀ ਨਾਲ ਬਦਲੋ।
- ਕਿਸੇ ਪਹਾੜੀ ਹੇਠਾਂ ਡਰਾਈਵ ਕਰਨ ਵੇਲੇ, ਛੋਟੇ ਗਿਅਰ ਵਿੱਚ ਬਦਲ ਕੇ ਇੰਜਣ ਦੀ ਵਰਤੋਂ ਬਰੇਕ ਲਗਾਉਣ ਲਈ ਕੀਤੀ ਜਾਣੀ ਚਾਹੀਦੀ ਹੈ।



77PH003

### ⚠ ਚੇਤਾਵਨੀ

ਤਿੱਖੀ ਜਾਂ ਲੰਮੀ ਪਹਾੜੀ 'ਤੇ ਹੇਠਾਂ ਜਾਣ ਵੇਲੇ ਬਰੇਕ ਪੈਡਲ ਨੂੰ ਬਹੁਤ ਲੰਮੇ ਸਮੇਂ ਤੱਕ ਜਾਂ ਅਕਸਰ ਦਬਾਉਣ ਦੀ ਕੋਸ਼ਿਸ਼ ਨਾ ਕਰੋ। ਇਸ ਨਾਲ ਬਰੇਕਾਂ ਗਰਮ ਹੋ ਸਕਦੀਆਂ ਹਨ, ਜਿਸ ਕਾਰਣ ਬਰੇਕ ਲਗਾਉਣ ਦੀ ਯੋਗਤਾ ਘੱਟ ਸਕਦੀ ਹੈ। ਇਸ ਸਾਵਧਾਨੀ ਵਿੱਚ ਅਸਫਲ ਰਹਿਣ ਦਾ ਨਤੀਜਾ ਵਾਹਨ 'ਤੇ ਕੰਟਰੋਲ ਨੂੰ ਗੁਆਉਣਾ ਹੋ ਸਕਦਾ ਹੈ।

### ਕਿਸੇ ਖੜ੍ਹੀ ਸਥਿਤੀ ਤੋਂ ਪਹਾੜੀ 'ਤੇ ਚੜ੍ਹਨਾ/ਉਤਰਨਾ

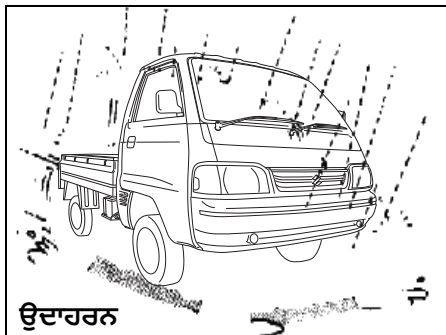
- ਪਾਰਕਿੰਗ ਬਰੇਕ ਚੰਗੀ ਤਰ੍ਹਾਂ ਲਗਾਓ ਤਾਂ ਕਿ ਵਾਹਨ ਪਿੱਛੇ ਵੱਲ ਨੂੰ ਨਾ ਚੱਲੇ।
- ਕਲੱਚ ਪੈਡਲ (Clutch pedal) ਨੂੰ ਦਬਾਓ ਅਤੇ ਗਿਅਰਸ਼ਿਫਟ ਲੀਵਰ ਨੂੰ ਪਹਿਲੀ ਪੇਜੀਸ਼ਨ ਵਿੱਚ ਬਦਲੋ।
- ਕਲੱਚ ਨੂੰ ਸਲਿੱਪ ਨਾ ਕਰੋ।
- ਸਟਾਰਟ ਕਰਨ ਲਈ ਤਿਆਰ ਹੋਣ ਵੇਲੇ, ਐਕਸੀਲੇਟਰ ਪੈਡਲ ਨੂੰ ਦਬਾਓ ਅਤੇ ਇੱਕੋ ਵੇਲੇ ਕਲੱਚ ਪੈਡਲ (Clutch pedal) ਨੂੰ ਹੌਲੀ ਹੌਲੀ ਛੱਡੋ। ਜਦੋਂ ਵਾਹਨ ਚੱਲਣਾ ਸ਼ੁਰੂ ਕਰਦਾ ਹੈ, ਬਰੇਕ ਨੂੰ ਹੌਲੀ ਹੌਲੀ ਛੱਡੋ।

## ਡਰਾਈਵਿੰਗ ਲਈ ਸੁਝਾਅ

### ਨੋਟਿਸ

ਕਿਸੇ ਪਹਾੜੀ ਤੋਂ ਹੇਠਾਂ ਜਾਣ ਵੇਲੇ, ਇਗਨੀਸ਼ਨ ਕੀਅ (ignition key) ਨੂੰ ਕਦੇ ਵੀ "ਲਾਕ" ਪੋਜੀਸ਼ਨ 'ਤੇ ਨਾ ਘੁੰਮਾਓ। ਇਮਿਸ਼ਨ ਕੰਟਰੋਲ ਸਿਸਟਮ (Emission control system) ਖਰਾਬ ਹੋਣਾ ਵਾਪਰ ਸਕਦਾ ਹੈ।

## ਤਿਲੁਕਣ ਵਾਲੀਆਂ ਸੜਕਾਂ 'ਤੇ ਡਰਾਈਵ ਕਰਨਾ



82DY06

ਸੜਕ ਦੇ ਗਿੱਲੀ ਹੋਣ ਦੀ ਸਥਿਤੀ ਵਿੱਚ ਤੁਹਾਨੂੰ ਬਰੇਕ ਲਾਉਣ ਵੇਲੇ ਟਾਇਰਾਂ ਦੀ ਸੰਭਾਵਿਤ ਤਿਲੁਕਣ ਤੋਂ ਬਚਣ ਲਈ ਖੁਸ਼ਕ ਸੜਕਾਂ ਦੇ ਮੁਕਾਬਲੇ ਘੱਟ ਸਪੀਡ ਨਾਲ ਡਰਾਈਵ ਕਰਨੀ ਚਾਹੀਦੀ ਹੈ। ਬਰਫੀਲੀ, ਬਰਫ ਨਾਲ ਢਕੀ, ਜਾਂ ਚਿੱਕੜ ਵਾਲੀਆਂ ਸੜਕਾਂ 'ਤੇ ਡਰਾਈਵ ਕਰਨ ਵੇਲੇ, ਆਪਣੀ ਸਪੀਡ ਨੂੰ ਘਟਾਓ ਅਤੇ ਅਚਾਨਕ ਸਪੀਡ

ਵਧਾਉਣ, ਬਰੇਕ ਲਾਉਣ, ਜਾਂ ਤੇਜੀ ਨਾਲ ਸਟੀਰਿੰਗ ਘੁੰਮਾਉਣ ਤੋਂ ਗੁਰੇਜ਼ ਕਰੋ।

### ਜੇ ਤੁਹਾਡਾ ਵਾਹਨ ਫੁਸ ਜਾਂਦਾ ਹੈ

ਜੇ ਤੁਹਾਡਾ ਵਾਹਨ ਬਰਫ, ਚਿੱਕੜ, ਜਾਂ ਰੇਤ ਵਿੱਚ ਫੁਸ ਜਾਂਦਾ ਹੈ, ਤਾਂ ਹੇਠਾਂ ਦਿੱਤੀਆਂ ਹਿਦਾਇਤਾਂ ਦੀ ਪਾਲਣਾ ਕਰੋ:

- 1) ਪਹਿਲੇ ਅਤੇ ਰਿਵਰਸ ਗਿਅਰ ਵਿਚਕਾਰ ਟ੍ਰਾਂਸਮਿਸ਼ਨ ਨੂੰ ਪਿੱਛੇ ਅਤੇ ਅੱਗੇ ਕਰੋ। ਇਸ ਨਾਲ ਇੱਕ ਰੌਕਿੰਗ ਮੋਸ਼ਨ ਬਣੇਗਾ ਜੋ ਤੁਹਾਨੂੰ ਵਾਹਨ ਨੂੰ ਫਰੀ ਕਰਨ ਲਈ ਵਧੇਰੇ ਬੱਲ ਦੇ ਸਕਦਾ ਹੈ। ਘੱਟੋ ਘੱਟ ਵਹੀਲ ਆਰਪੀਐਮ 'ਤੇ ਪਹੀਏ ਨੂੰ ਘੁੰਮਦਾ ਰੱਖਣ ਲਈ ਐਕਸੀਲੇਟਰ ਨੂੰ ਹੌਲੀ ਹੌਲੀ ਦਬਾਓ। ਸ਼ਿਫਟ ਕਰਨ ਵੇਲੇ ਆਪਣੇ ਪੈਰ ਨੂੰ ਐਕਸੀਲੇਟਰ ਤੋਂ ਹਟਾਓ। ਇੰਜਣ ਨੂੰ ਰੇਸ ਨਾ ਦਿਓ। ਪਹੀਏ ਦੇ ਬਹੁਤ ਜਿਆਦਾ ਘੁੰਮਣ ਨਾਲ ਟਾਇਰ ਹੇਠਾਂ ਬਹੁਤ ਜਿਆਦਾ ਧਸ ਸਕਦੇ ਹਨ, ਜੋ ਵਾਹਨ ਨੂੰ ਫਰੀ ਕਰਨਾ ਵਧੇਰੇ ਮੁਸ਼ਕਲ ਬਣਾਉਂਦੇ ਹਨ।
- 2) ਜੇਕਰ ਰੌਕਿੰਗ ਕਰਨ ਦੇ ਕੁੱਝ ਮਿੰਟ ਬਾਅਦ ਵੀ ਤੁਹਾਡਾ ਵਾਹਨ ਫੁਸਿਆ ਰਹਿੰਦਾ ਹੈ, ਤਾਂ ਆਪਣੇ ਵਾਹਨ ਨੂੰ ਬਾਹਰ ਨਿਕਾਲਣ ਲਈ ਕੋਈ ਹੋਰ ਵਾਹਨ ਲਓ।

### ⚠ ਚੇਤਾਵਨੀ

ਕਿਸੇ ਨੂੰ ਵੀ ਵਾਹਨ ਦੇ ਨੇੜੇ ਖੜ੍ਹਨ ਦੀ ਇਜਾਜ਼ਤ ਨਾ ਦਿਓ ਜਦੋਂ ਤੁਸੀਂ ਇਸ ਨੂੰ ਹਿਲਾ ਰਹੇ ਹੋਵੋ, ਅਤੇ ਸਪੀਡੋਮੀਟਰ 'ਤੇ ਦਰਸਾਏ 40ਕਿਮੀ/ਘੰਟਾ ਨਾਲੋਂ ਵੱਧ 'ਤੇ ਪਹੀਆਂ ਨੂੰ ਨਾ ਘੁੰਮਾਓ। ਪਹੀਆਂ ਨੂੰ ਬਹੁਤ ਤੇਜੀ ਨਾਲ ਘੁੰਮਾਉਣ ਕਰਕੇ ਵਿਅਕਤੀਗਤ ਚੋਟ ਲੱਗ ਸਕਦੀ ਹੈ ਅਤੇ/ਜਾਂ ਵਾਹਨ ਨੂੰ ਨੁਕਸਾਨ ਪਹੁੰਚ ਸਕਦਾ ਹੈ।

### ਨੋਟਿਸ

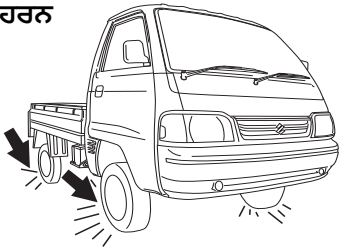
ਕੁੱਝ ਮਿੰਟ ਤੋਂ ਵੱਧ ਸਮੇਂ ਲਈ ਵਾਹਨ ਨੂੰ ਹਿਲਾਉਣਾ ਜਾਰੀ ਨਾ ਰੱਖੋ। ਲੰਮੇ ਸਮੇਂ ਤੱਕ ਹਿਲਾਉਣ ਨਾਲ ਇੰਜਣ ਓਵਰਹੀਟ ਹੋ ਸਕਦਾ ਹੈ ਜਾਂ ਟ੍ਰਾਂਸਮਿਸ਼ਨ ਖਰਾਬ ਹੋ ਸਕਦੀ ਹੈ।

ਗਿੱਲੀਆਂ ਸੜਕਾਂ 'ਤੇ ਡਰਾਈਵ ਕਰਨਾ

ਨੋਟਿਸ

- ਗਿੱਲੀਆਂ ਸੜਕਾਂ 'ਤੇ ਡਰਾਈਵਿੰਗ ਕਰਨ ਵੇਲੇ, ਸੜਕ 'ਤੇ ਖੜ੍ਹੇ ਬਹੁਤ ਸਾਰੇ ਪਾਣੀ ਵਿੱਚੋਂ ਡਰਾਈਵ ਨਾ ਕਰੋ। ਇੰਜਣ ਕੰਪਾਰਟਮੈਂਟ ਵਿੱਚ ਬਹੁਤ ਜਿਆਦਾ ਪਾਣੀ ਜਾਣ ਨਾਲ ਇੰਜਣ ਜਾਂ ਬਿਜਲਈ ਕੰਪੋਨੈਂਟ ਖਰਾਬ ਹੋ ਸਕਦੇ ਹਨ।
- ਜੇ ਤੁਸੀਂ ਗਹਿਰੇ ਪਾਣੀ ਵਿੱਚ ਫ਼ਸ ਜਾਂਦੇ ਹੋ, ਤਾਂ ਉਦੋਂ ਤੱਕ ਸਟਾਰਟ ਨਾ ਕਰੋ ਜਦੋਂ ਤੱਕ ਪਾਣੀ ਦਾ ਲੈਵਲ ਹੇਠਾਂ ਨਾ ਆ ਜਾਏ।
- ਪਾਣੀ ਨਾ ਕੰਪ੍ਰੈਸ ਕਰਨਯੋਗ ਵਸਤੂ ਹੈ, ਇੰਜਣ ਅੰਦਰ ਪਾਣੀ ਇੰਜਣ ਲਈ ਹਾਨੀਕਾਰਕ ਹੁੰਦਾ ਹੈ।

ਉਦਾਹਰਨ



82DY07

⚠ ਚੇਤਾਵਨੀ

ਇਸ ਭਾਗ ਵਿੱਚ ਡਰਾਈਵਿੰਗ ਦੇ ਸੁਝਾਵਾਂ ਦੀ ਪਾਲਣਾ ਕਰਨ ਤੋਂ ਇਲਾਵਾ, ਹੇਠਾਂ ਦਿੱਤੀਆਂ ਸਾਵਧਾਨੀਆਂ ਵਰਤਣਾ ਮਹੱਤਵਪੂਰਣ ਹੁੰਦਾ ਹੈ।

- ਯਕੀਨੀ ਬਣਾਓ ਕਿ ਤੁਹਾਡੇ ਟਾਇਰ ਚੰਗੀ ਹਾਲਤ ਵਿੱਚ ਹੋਣ ਅਤੇ ਹਮੇਸ਼ਾ ਟਾਇਰ ਦਾ ਨਿਰਧਾਰਤ ਪ੍ਰੈਸ਼ਰ ਬਣਾ ਕੇ ਰੱਖੋ। ਵੇਰਵੇ ਪ੍ਰਾਪਤ ਕਰਨ ਲਈ "ਇੰਸਪੈਕਸ਼ਨ ਅਤੇ ਮੇਨਟੀਨੈਂਸ" ਸੈਕਸ਼ਨ ਵਿੱਚ "ਟਾਇਰ" ਨੂੰ ਰੈਫ਼ਰ ਕਰੋ।
- ਮਾਰੂਤੀ ਸੂਜ਼ਕੀ ਰਾਹੀਂ ਨਿਰਧਾਰਤ ਕੀਤੇ ਗਏ ਟਾਇਰਾਂ ਤੋਂ ਇਲਾਵਾ ਹੋਰ ਕਿਸੇ ਟਾਇਰਾਂ ਦੀ ਵਰਤੋਂ ਨਾ ਕਰੋ। ਮੂਹਰਲੇ ਅਤੇ ਪਿਛਲੇ ਪਹੀਆਂ 'ਤੇ ਟਾਇਰਾਂ ਦੇ ਵੱਖਰੇ ਆਕਾਰਾਂ ਜਾਂ ਕਿਸਮਾਂ ਦੀ ਕਦੇ ਵਰਤੋਂ ਨਾ ਕਰੋ। ਨਿਰਧਾਰਤ ਟਾਇਰਾਂ ਨਾਲ ਸੰਬੰਧਿਤ ਜਾਣਕਾਰੀ ਲਈ, ਡਰਾਈਵਰ ਦੇ ਡੋਰ ਲਾਕ ਪਿੱਲਰ 'ਤੇ ਲੱਗੇ ਟਾਇਰ ਇਨਫਾਰਮੇਸ਼ਨ ਲੇਬਲ ਨੂੰ ਰੈਫ਼ਰ ਕਰੋ।

(ਚੱਲਦਾ ਹੈ)

⚠ ਚੇਤਾਵਨੀ

(ਚੱਲਦਾ ਹੈ)

- ਆਪਣੇ ਵਾਹਨ ਨੂੰ ਉੱਪਰ ਚੁੱਕਣ (ਜੈਕ ਅੱਪ) ਲਈ ਕਦੇ ਵੀ ਵੱਡੇ ਸਾਈਜ਼ ਵਾਲੇ ਟਾਇਰਾਂ ਜਾਂ ਖਾਸ ਸ਼ਾਕ ਐਬਜ਼ੋਰਬਰਾਂ ਅਤੇ ਸਪਰਿੰਗਾਂ ਦੀ ਵਰਤੋਂ ਨਾ ਕਰੋ। ਇਸ ਨਾਲ ਹੈਂਡਲ ਕਰਨ ਦੀਆਂ ਵਿਸ਼ੇਸ਼ਤਾਵਾਂ ਬਦਲ ਜਾਣਗੀਆਂ। ਵੱਡੇ ਆਕਾਰ ਦੇ ਟਾਇਰ ਬੰਪਰਾਂ 'ਤੇ ਵਾਹਨ ਦੀ ਬਾਣੀ 'ਤੇ ਰਗੜ ਵੀ ਸਕਦੇ ਹਨ, ਜਿਸ ਨਾਲ ਵਾਹਨ ਜਾਂ ਟਾਇਰਾਂ ਨੂੰ ਨੁਕਸਾਨ ਹੋ ਸਕਦਾ ਹੈ।
- ਪਾਣੀ ਵਿੱਚੋਂ ਡਰਾਈਵਿੰਗ ਕਰਨ ਤੋਂ ਬਾਅਦ, ਘੱਟ ਸਪੀਡ 'ਤੇ ਚਲਾਉਣ ਵੇਲੇ ਬਰੇਕਾਂ ਨੂੰ ਇਹ ਦੇਖਣ ਲਈ ਟੈਸਟ ਕਰੋ ਕਿ ਕੀ ਆਮ ਵਾਂਗ ਉਹ ਠੀਕ ਕੰਮ ਕਰ ਰਹੀਆਂ ਹਨ। ਜੇ ਉਹ ਸਧਾਰਨ ਨਾਲੋਂ ਘੱਟ ਪ੍ਰਭਾਵੀ ਹੁੰਦੀਆਂ ਹਨ, ਤਾਂ ਹੌਲੀ ਡਰਾਈਵਿੰਗ ਕਰਨ ਵੇਲੇ ਵਾਰ ਵਾਰ ਬਰੇਕਾਂ ਲਗਾ ਕੇ ਉਨ੍ਹਾਂ ਨੂੰ ਉਦੋਂ ਤੱਕ ਸੁਕਾਓ ਜਦੋਂ ਤੱਕ ਬਰੇਕਾਂ ਆਪਣੀ ਸਧਾਰਨ ਪ੍ਰਭਾਵਿਕਤਾ ਹਾਸਲ ਨਾ ਕਰ ਲੈਣ।



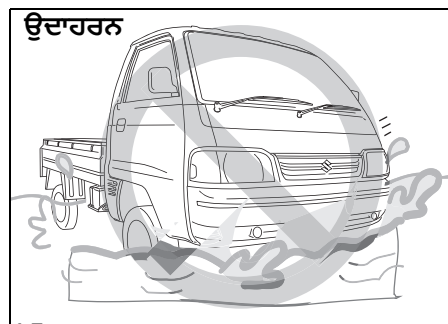
## ਡਰਾਈਵਿੰਗ ਲਈ ਸੁਝਾਅ

### ਸੜਕ ਤੋਂ ਹੇਠਾਂ ਡਰਾਈਵ ਕਰਨਾ (Off-road Driving)

ਵੱਡੇ ਘਾਹ ਨਾਲ ਢਕੇ ਖੇਤ ਵਿੱਚ ਡਰਾਈਵ ਨਾ ਕਰੋ।

ਜੇ ਤੁਸੀਂ ਘਾਹ ਨਾ ਢਕੇ ਖੇਤ ਵਿੱਚ ਡਰਾਈਵ ਕਰਦੇ ਹੋ, ਤਾਂ ਘਾਹ ਵਿੱਚ ਫਸਣ ਨਾਲ ਦੁਰਘਟਨਾ ਹੋ ਸਕਦੀ ਹੈ ਜਾਂ ਅੱਗ ਲੱਗ ਸਕਦੀ ਹੈ ਜਾਂ ਵਾਹਨ ਨੂੰ ਨੁਕਸਾਨ ਹੋ ਸਕਦਾ ਹੈ।

ਪਾਣੀ ਨਾਲ ਭਰੇ ਇਲਾਕੇ ਵਿੱਚ ਜਾਣ ਵੇਲੇ



77PM04011

ਪਾਣੀ ਨਾਲ ਭਰੇ ਇਲਾਕੇ ਜਾਂ ਗਹਿਰੇ ਚਿੱਕੜ ਵਿੱਚ ਡਰਾਈਵ ਕਰਨ ਤੋਂ ਗੁਰੇਜ਼ ਕਰੋ। ਜੇ ਪਾਣੀ ਨਾਲ ਭਰੇ ਇਲਾਕੇ ਵਿੱਚ ਗੱਡੀ ਚਲਾਉਣੀ ਜ਼ਰੂਰੀ ਹੋਵੇ ਤਾਂ ਸਭ ਤੋਂ ਹੇਠਲੇ ਗਿਅਰ ਵਿੱਚ ਹੌਲੀ-ਹੌਲੀ ਜਾਓ। ਜੇ ਤੁਸੀਂ ਗੱਡੀ ਪਾਣੀ ਨਾਲ ਭਰੇ ਖੇਤਰ ਵਿੱਚ ਚਲਾਈ ਹੈ, ਤਾਂ ਬਰੇਕਾਂ ਦੀ ਪ੍ਰਭਾਵਿਕਤਾ ਦੀ ਜਾਂਚ ਕਰਨ ਲਈ ਵਾਹਨ ਸੁਰੱਖਿਅਤ ਅਤੇ ਸੁੱਕੇ ਸਥਾਨ 'ਤੇ ਖੜ੍ਹਾ ਕਰੋ। ਫਿਰ, ਮਾਰੂਤੀ ਸੂਜ਼ਕੀ ਦੀ ਅਧਿਕਾਰਤ ਵਰਕਸ਼ਾਪ ਨੂੰ ਇੰਸਪੈਕਸ਼ਨ ਦੀਆਂ ਹੇਠਾਂ ਦਿੱਤੀਆਂ ਆਈਟਮਾਂ ਦੀ ਜਾਂਚ ਕਰਨ ਲਈ ਕਰੋ।

4-7

- ਬਰੇਕਾਂ ਦਾ ਫੰਕਸ਼ਨ
- ਇਲੈਕਟ੍ਰੀਕਲ ਕੰਪੋਨੈਂਟਾਂ (electrical components) ਦਾ ਕੰਮ
- ਇੰਜਣ ਅਤੇ ਟ੍ਰਾਂਸਮਿਸ਼ਨ ਲਈ ਆਇਲ ਲੈਵਲ ਅਤੇ ਗੁਣਵੱਤਾ ਵਿੱਚ ਬਦਲਾਅ। ਤੇਲ ਦੇ ਗੰਧਲਾ ਚਿੱਟਾ ਹੋਣ ਦੀ ਸੂਰਤ ਵਿੱਚ, ਤੇਲ ਵਿੱਚ ਪਾਣੀ ਮਿਲ ਗਿਆ ਹੈ ਅਤੇ ਤੇਲ ਨੂੰ ਬਦਲਣ ਦੀ ਲੋੜ ਹੈ।
- ਬਿਅਰਿੰਗਾਂ, ਸਸਪੈਂਸ਼ਨ ਦੇ ਜੋੜਾਂ, ਆਦਿ ਦੇ ਲੁਬਰੀਕੈਂਟ ਦੀ ਹਾਲਤ।

### ਨੋਟਿਸ

- ਪਾਣੀ ਨਾਲ ਭਰੇ ਜਾਂ ਗਹਿਰੇ ਚਿੱਕੜ ਵਾਲੇ ਖੇਤਰ ਵਿੱਚ ਡਰਾਈਵ ਕਰਨ ਤੋਂ ਗੁਰੇਜ਼ ਕਰੋ। ਇਸ ਨਾਲ ਇੰਜਣ ਖਰਾਬ ਹੋ ਸਕਦਾ ਹੈ, ਇਲੈਕਟ੍ਰੀਕਲ ਕੰਪੋਨੈਂਟ ਸ਼ਾਰਟ ਹੋ ਸਕਦੇ ਹਨ, ਇੰਜਣ ਅਤੇ ਟ੍ਰਾਂਸਮਿਸ਼ਨ, ਆਦਿ ਖਰਾਬ ਹੋ ਸਕਦੇ ਹਨ।
- ਜੇ ਵਾਹਨ ਗਹਿਰੇ ਪਾਣੀ ਵਿੱਚ ਫਸ ਜਾਂਦਾ ਹੈ ਤਾਂ ਇੰਜਣ ਨੂੰ ਚਾਲੂ ਨਾ ਕਰੋ।

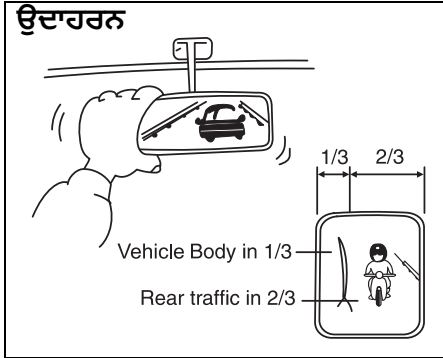
### ਸੁਰੱਖਿਅਤ ਡਰਾਈਵਿੰਗ ਲਈ ਕੀ ਕਰੀਏ ਅਤੇ ਕੀ ਨਾ ਕਰੀਏ

ਆਪਣੇ ਵਾਹਨ ਨੂੰ ਸੰਭਾਲਣ ਲਈ ਸਾਵਧਾਨੀ ਵਰਤੋ। ਕੇਵਲ ਆਪਣੀ ਹੀ ਸੁਰੱਖਿਆ ਲਈ ਸਾਵਧਾਨ ਨਾ ਰਹੋ ਸਗੋਂ ਸੜਕ 'ਤੇ ਦੂਜਿਆਂ ਦੀ ਸੁਰੱਖਿਆ ਲਈ ਵੀ ਸਾਵਧਾਨ ਰਹੋ, ਅਤੇ ਇਸ ਤਰ੍ਹਾਂ ਸਭ ਤੋਂ ਬੇਹਤਰ ਅਤੇ ਆਨੰਦਦਾਇਕ ਡਰਾਈਵਿੰਗ ਅਨੁਭਵ ਦਾ ਆਨੰਦ ਮਾਣੋ।

ਸੁਰੱਖਿਅਤ ਡਰਾਈਵਿੰਗ ਲਈ ਹੇਠਾਂ ਦਿੱਤੇ ਗਏ ਮੁਢਲੇ ਨਿਯਮ ਹਨ। ਸਮੱਗਰੀ ਦੀ ਚੰਗੀ ਸਮਝ ਲਈ ਉਨ੍ਹਾਂ ਨੂੰ ਧਿਆਨਪੂਰਵਕ ਪੜ੍ਹੋ ਤਾਂ ਕਿ ਤੁਸੀਂ ਆਪਣੇ ਵਾਹਨ 'ਤੇ ਸੁਰੱਖਿਅਤ ਅਤੇ ਸੇਹਣੀ ਡਰਾਈਵਿੰਗ ਦਾ ਆਨੰਦ ਲੈ ਸਕੋ।

### ਚਾਲੂ ਕਰਨਾ

- 1) ਡਰਾਈਵਿੰਗ ਦੇ ਉਚਿੱਤ ਆਸਣ ਲਈ ਡਰਾਈਵਰ ਦੀ ਸੀਟ ਨੂੰ ਐਡਜਸਟ ਕਰੋ।
- 2) ਪਿਛਲੇ ਸੀਸੇ ਦੇ ਵਿਉ ਨੂੰ ਐਡਜਸਟ ਕਰੋ ਤਾਂ ਕਿ ਸਭ ਤੋਂ ਵਧੀਆ ਰਿਅਰ ਵਿਊ ਪ੍ਰਾਪਤ ਹੋ ਸਕੇ।



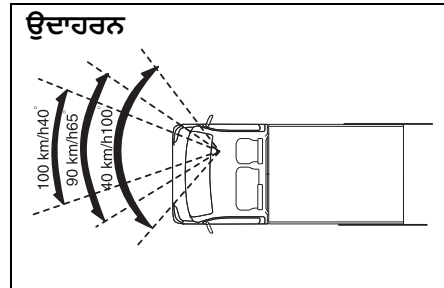
77PM04002

- 3) ਚੱਲਣ ਤੋਂ ਪਹਿਲਾਂ, ਸੁਰੱਖਿਆ ਦੀ ਪੁਸ਼ਟੀ ਕਰਨ ਲਈ ਆਪਣੇ ਵਾਹਨ ਦੇ ਆਲੇ ਦੁਆਲੇ ਦੇਖੋ।
- 4) ਅਚਾਨਕ ਸਪੀਡ ਨਾ ਵਧਾਓ, ਕਿਉਂਕਿ ਇਹ ਖਤਰਨਾਕ ਹੁੰਦਾ ਹੈ ਅਤੇ ਈਧਨ ਬਰਬਾਦ ਹੁੰਦਾ ਹੈ।

#### ਸਧਾਰਨ ਡਰਾਈਵਿੰਗ

- 1) ਸਟਾਪ ਲਾਈਟ ਜਾਂ ਸਟਾਪ ਸਾਈਨ ਤੋਂ ਪਹਿਲਾਂ ਰੋਕਣਾ ਸੁਨਿਸ਼ਚਿਤ ਕਰੋ। ਜਦੋਂ ਬਿਨਾਂ ਕਿਸੇ ਟ੍ਰੈਫਿਕ ਲਾਈਟਾਂ ਜਾਂ ਸੰਕੇਤਾਂ ਤੋਂ ਕਿਸੇ ਚੈਕ ਵਿੱਚੋਂ ਲੰਘ ਰਹੇ ਹੋਵੇ, ਸੁਰੱਖਿਆ ਨੂੰ ਯਕੀਨੀ ਬਣਾਉਣ ਲਈ ਹੌਲੀ ਡਰਾਈਵ ਕਰੋ।
- 2) ਅੱਗੇ ਜਾਂਦੀ ਗੱਡੀ ਦੇ ਅਚਾਨਕ ਰੁੱਕਣ 'ਤੇ, ਪਿਛਲੇ ਪਾਸਿਓਂ ਟੱਕਰ ਹੋਣ ਤੋਂ ਰੋਕਥਾਮ ਕਰਨ ਲਈ ਹਮੇਸ਼ਾਂ ਹੋਰ ਵਾਹਨਾਂ ਤੋਂ ਸੁਰੱਖਿਅਤ ਦੂਰੀ ਬਣਾ ਕੇ ਰੱਖੋ।
- 3) ਟੱਕਰ ਤੋਂ ਬਚਣ ਲਈ ਮੁੜਨ ਵੇਲੇ ਜਾਂ ਲੇਨ ਬਦਲਣ ਤੋਂ ਘੱਟੋ ਘੱਟ 30 ਮੀਟਰ ਪਹਿਲਾਂ ਟਰਨ ਸਿਗਨਲ ਨੂੰ ਚਾਲੂ ਕਰੋ।

- 4) ਕੋਨੇ ਵਿੱਚ ਜਾਣ ਤੋਂ ਪਹਿਲਾਂ, ਇੱਕ ਸੁਰੱਖਿਅਤ ਸਪੀਡ 'ਤੇ ਸਪੀਡ ਨੂੰ ਘੱਟ ਕਰੋ। ਕਾਰਨਰਿੰਗ ਦੇ ਦੌਰਾਨ ਬਰੇਕਾਂ ਨਾ ਲਗਾਓ, ਜਾਂ ਸਕਿਡਿੰਗ ਹੋ ਸਕਦੀ ਹੈ।
- 5) ਦੂਜੇ ਵਾਹਨਾਂ ਨੂੰ ਓਵਰਟੇਕ ਕਰਨ ਵੇਲੇ, ਆਉਣ ਵਾਲੇ ਵਾਹਨਾਂ ਨੂੰ ਦੇਖੋ ਅਤੇ ਸੁਰੱਖਿਆ ਨੂੰ ਧਿਆਨਪੂਰਵਕ ਸੁਨਿਸ਼ਚਿਤ ਕਰੋ।
- 6) ਜਿੰਗਜੈਗ ਵਾਲੀ ਡਰਾਈਵਿੰਗ ਨਾ ਕਰੋ ਕਿਉਂਕਿ ਇਸ ਨਾਲ ਤੁਹਾਡਾ ਵਾਹਨ ਉੱਪਰੋਂ ਕੰਟਰੋਲ ਖਤਮ ਹੋਵੇਗਾ ਅਤੇ ਦੁਰਘਟਨਾ ਹੋ ਸਕਦੀ ਹੈ।
- 7) ਲਾਪਰਵਾਹੀ ਵਾਲੀ ਉੱਚ ਗਤੀ ਵਾਲੀ ਡਰਾਈਵਿੰਗ ਤੋਂ ਬਚੋ ਅਤੇ ਸਥਾਈ ਸਪੀਡ ਨੂੰ ਬਰਕਰਾਰ ਰੱਖਦੇ ਹੋਏ ਸੜਕ ਦੀਆਂ ਹਾਲਤਾਂ ਲਈ ਢੁਕਵੀਂ ਸੁਰੱਖਿਅਤ ਸਪੀਡ 'ਤੇ ਡਰਾਈਵ ਕਰਨ ਦੀ ਕੋਸ਼ਿਸ਼ ਕਰੋ।
- 8) ਸਪੀਡ ਜਿੰਨੀ ਵੱਧ ਹੁੰਦੀ ਹੈ, ਡਰਾਈਵਰ ਦੀ ਦੇਖਣ ਦੀ ਰੇਂਜ ਉੱਨੀ ਹੀ ਘੱਟ ਹੁੰਦੀ ਹੈ। ਅਜਿਹੀ ਸੂਰਤ ਵਿੱਚ, ਕਿਸੇ ਵੀ ਖਤਰੇ ਦਾ ਅਨੁਮਾਨ ਲਗਾਉਣਾ ਮੁਸ਼ਕਲ ਹੁੰਦਾ ਹੈ ਅਤੇ ਡਰਾਈਵਰ ਨੂੰ ਥਕਾਨ ਮਹਿਸੂਸ ਹੁੰਦੀ ਹੈ।



77PM04001

#### ਉਦਾਹਰਨ

- 9) ਵੱਧ ਸਪੀਡ ਵਾਲੀ ਡਰਾਈਵਿੰਗ ਦੌਰਾਨ ਤੇਜ਼ੀ ਨਾਲ ਹੈਂਡਲ ਕਰਨ ਦੀ ਕੋਸ਼ਿਸ਼ ਨਾ ਕਰੋ। ਤੁਸੀਂ ਆਪਣੇ ਵਾਹਨ ਤੋਂ ਕੰਟਰੋਲ ਗੁਆ ਸਕਦੇ ਹੋ।
- 10) ਹਾਈ ਸਪੀਡ 'ਤੇ ਡਰਾਈਵਿੰਗ ਕਰਨ ਵੇਲੇ ਓਵਰਟੇਕ ਕਰਨ ਜਾਂ ਲੇਨਾਂ ਬਦਲਦੇ ਸਮੇਂ, ਵਾਹਨ ਤੋਂ ਵਾਹਨ ਵਿਚਕਾਰ ਉਚਿਤ ਦੂਰੀ ਰੱਖੋ।

#### ਬਰੇਕ ਲਗਾਉਣਾ

- 1) ਜਦੋਂ ਤੁਸੀਂ ਆਪਣੇ ਵਾਹਨ ਨੂੰ ਪਾਰਕ ਕਰਦੇ ਹੋ ਤਾਂ ਪਾਰਕਿੰਗ ਬਰੇਕ ਦੀ ਵਰਤੋਂ ਕਰੋ ਅਤੇ ਸੁਰੱਖਿਆ ਲਈ ਗਿਅਰ ਨੂੰ ਪਹਿਲੇ ਗਿਅਰ ਜਾਂ ਰਿਵਰਸ ਗਿਅਰ ਦੀ ਪੇਜੀਸ਼ਨ ਵਿੱਚ ਰੱਖੋ।
- 2) ਜਦੋਂ ਤੱਕ ਜ਼ਰੂਰੀ ਨਾ ਹੋਵੇ ਹੈਂਡ-ਬਰੇਕਿੰਗ ਦੀ ਵਰਤੋਂ ਨਾ ਕਰੋ। ਇਸ ਕਾਰਣ ਵਾਹਨ ਤਿਲੁਕ ਸਕਦਾ ਹੈ ਅਤੇ ਟੱਕਰ ਹੋ ਸਕਦੀ ਹੈ। ਇਹ ਖਾਸ ਕਰਕੇ ਉਦੋਂ ਖਤਰਨਾਕ ਹੁੰਦਾ ਹੈ ਜਦੋਂ ਟਾਇਰ ਫਟੇ ਹੋਣ ਕਿਉਂਕਿ ਉਹ ਵਧੇਰੇ ਤਿਲੁਕਦੇ ਹਨ।

ਤਿੰਨ ਸਟੇਜਾਂ ਵਿੱਚ ਪੈਰਾਂ ਵਾਲੀ ਬਰੇਕ ਵਰਤੋ

1. ਆਪਣੇ ਪਿਛਲੇ ਵਾਹਨ ਨੂੰ ਚੇਤਾਵਨੀ ਦੇਣਾ
2. ਹੌਲੀ ਹੌਲੀ ਬਰੇਕ ਲਗਾਉਣਾ।
3. ਵਾਹਨ ਨੂੰ ਰੋਕਣਾ।
- 3) ਜਦੋਂ ਹੇਠਾਂ ਵੱਲ ਜਾਣ ਸਮੇਂ ਬਰੇਕ ਲਗਾਉਂਦੇ ਹੋ, ਬਰੇਕ ਲਗਾਉਣ ਦੀ ਕੋਸ਼ਿਸ਼ ਨਾ ਕਰੋ ਸਗੋਂ ਇੰਜਣ ਬਰੇਕ ਦੀ ਪ੍ਰਭਾਵਸ਼ਾਲੀ ਤਰੀਕੇ ਨਾਲ ਵਰਤੋਂ ਕਰੋ। ਪੈਰਾਂ ਵਾਲੀ ਬਰੇਕ ਦੀ ਵਾਧੂ ਵਰਤੋਂ ਕਾਰਣ ਬਰੇਕ ਦੀ ਪ੍ਰਭਾਵਿਕਤਾ ਘੱਟ ਸਕਦੀ ਹੈ।

#### ਲੰਮੀ ਦੂਰੀ ਵਾਲੀ ਡਰਾਈਵਿੰਗ

- 1) ਯਾਤਰਾ ਸ਼ੁਰੂ ਕਰਨ ਤੋਂ ਪਹਿਲਾਂ ਸੁਰੱਖਿਆ ਦੀਆਂ ਜਾਂਚਾਂ ਕਰਨੀਆਂ ਯਕੀਨੀ ਬਣਾਓ।

## ਡਰਾਈਵਿੰਗ ਲਈ ਸੁਝਾਅ

2) ਉਨ੍ਹਾਂ ਦੁਰਘਟਨਾਵਾਂ ਦੀ ਰੋਕਥਾਮ ਕਰਨ ਲਈ ਨਿਯਮਿਤ ਅੰਤਰਾਲਾਂ 'ਤੇ ਆਰਾਮ ਕਰੋ ਜੋ ਉਨੀਂਦਰੇ ਰਹਿਣ ਜਾਂ ਥਕਾਵਟ ਕਾਰਣ ਹੋ ਸਕਦੀਆਂ ਹੋਣ।

### ਰਾਤ ਦੇ ਸਮੇਂ ਦੀ ਡਰਾਈਵਿੰਗ

- 1) ਦਿਨ ਦੇ ਸਮੇਂ ਨਾਲੋਂ ਰਾਤ ਵੇਲੇ ਘੱਟ ਸਪੀਡ 'ਤੇ ਡਰਾਈਵ ਕਰੋ, ਕਿਉਂਕਿ ਰਾਤ ਵੇਲੇ ਦੇਖਣ ਦੀ ਰੇਂਜ ਘੱਟ ਜਾਂਦੀ ਹੈ।
- 2) ਰਾਤ ਵੇਲੇ ਦੂਜੇ ਵਾਹਨਾਂ ਨੂੰ ਓਵਰਟੇਕ ਨਾ ਕਰੋ। ਹਨੇਰਾ ਤੁਹਾਡੀ ਗਤੀ ਨੂੰ ਸਮਝਣ ਦੀ ਭਾਵਨਾ ਨੂੰ ਪਰੇਸ਼ਾਨ ਕਰਦਾ ਹੈ ਅਤੇ ਵਾਹਨ ਤੋਂ ਵਾਹਨ ਦੀ ਦੂਰੀ ਦੇ ਤੁਹਾਡੇ ਫੈਸਲੇ ਨੂੰ ਪ੍ਰਭਾਵਿਤ ਕਰਦਾ ਹੈ।
- 3) ਜਦੋਂ ਤੱਕ ਹਾਈ ਬੀਮ 'ਤੇ ਹੈਡਲਾਈਟਾਂ ਦੀ ਵਰਤੋਂ ਕਰਨਾ ਜ਼ਰੂਰੀ ਨਾ ਹੋਵੇ ਉਦੋਂ ਤੱਕ ਅਜਿਹਾ ਨਾ ਕਰੋ। ਇਸ ਨਾਲ ਆਉਣ ਵਾਲੇ ਵਾਹਨ ਜਾਂ ਤੁਹਾਡੇ ਮੁਹਰਲੇ ਵਾਹਨ ਦੇ ਡਰਾਈਵਰ ਨੂੰ ਉਸ ਵੇਲੇ ਦਿਸਣਾ ਬੰਦ ਹੋ ਸਕਦਾ ਹੈ, ਜਿਸ ਨਾਲ ਦੁਰਘਟਨਾ ਹੋ ਸਕਦੀ ਹੈ।
- 4) ਖਿੜਕੀ ਦੇ ਸ਼ੀਸ਼ਿਆਂ ਨੂੰ ਹਮੇਸ਼ਾਂ ਸਾਫ਼ ਰੱਖੋ। ਜਦੋਂ ਵਿੰਡਸ਼ੀਲਡ ਗਲਾਸ ਸੁੱਕਾ ਹੋਵੇ ਉਦੋਂ ਵਿੰਡਸ਼ੀਲਡ ਵਾਈਪਰ ਨਾ ਚਲਾਓ ਨਹੀਂ ਤਾਂ ਵਾਈਪਰ ਦਾ ਬਲੇਡ ਅਤੇ ਗਲਾਸ ਖਰਾਬ ਹੋ ਸਕਦੇ ਹਨ।

### ਸੁਰੱਖਿਆ ਲਈ ਜਗ੍ਹਾ ਛੱਡਣਾ

ਡਰਾਈਵਿੰਗ ਦੌਰਾਨ ਸੁਰੱਖਿਆ ਲਈ ਤੁਹਾਡਾ ਜਗ੍ਹਾ ਛੱਡਣਾ ਮਹੱਤਵਪੂਰਣ ਹੁੰਦਾ ਹੈ ਤਾਂ ਕਿ ਤੁਸੀਂ ਦੂਜਿਆਂ ਦੀ ਗਲਤ ਜਾਂ ਅਚਾਨਚੇਤ ਡਰਾਈਵਿੰਗ ਨਾਲ ਨਿਪਟ ਸਕੋ। ਉਸ ਲਈ, ਹੇਠਾਂ ਦਿੱਤਿਆਂ ਦੀ ਪਾਲਣਾ ਕਰੋ।

- ਸੁਰੱਖਿਅਤ ਸਪੀਡ 'ਤੇ ਵਾਹਨ ਚਲਾਓ।
- ਆਪਣੇ ਵਾਹਨ ਅਤੇ ਅਗਲੇ ਵਾਹਨ ਵਿਚਕਾਰ ਉਚਿੱਤ ਸੁਰੱਖਿਅਤ ਦੂਰੀ ਬਣਾ ਕੇ ਰੱਖੋ।

- ਦੂਜੇ ਵਾਹਨਾਂ ਨੂੰ ਓਵਰਟੇਕ ਕਰਨ ਲਈ ਆਪਣੇ ਆਪ ਨੂੰ ਮਜ਼ਬੂਰ ਨਾ ਕਰੋ।
- ਅਚਾਨਕ ਸਪੀਡ ਨਾ ਵਧਾਓ, ਤੇਜ਼ੀ ਨਾਲ ਸਟੀਰਿੰਗ ਨਾ ਘੁੰਮਾਓ ਜਾਂ ਅਚਾਨਕ ਨਾ ਰੋਕੋ।
- ਡਰਾਈਵਿੰਗ ਦੀਆਂ ਅਨੁਸੂਚੀਆਂ ਵਿਚਕਾਰ ਉਚਿੱਤ ਫਾਸਲੇ ਰੱਖੋ।
- ਆਵਾਜਾਈ ਦੇ ਨਿਯਮਾਂ ਦੀ ਪਾਲਣਾ ਕਰੋ।

### ਸਿੱਟਾ

ਇੱਕ ਸੰਪੂਰਨ ਡਰਾਈਵਰ ਮੌਜੂਦ ਨਹੀਂ ਹੁੰਦਾ। ਹਰ ਵਾਹਨ ਚਾਲਕ ਦੀ ਕੋਸ਼ਿਸ਼ ਸੰਪੂਰਨਤਾ ਲਈ ਯਤਨਸ਼ੀਲ ਹੋਣਾ ਚਾਹੀਦਾ ਹੈ। ਸੁਰੱਖਿਆ ਲਈ ਜਾਗਰੂਕਤਾ ਕੇਵਲ ਤੁਹਾਡੀ ਸੁਰੱਖਿਆ ਅਤੇ ਸੜਕ 'ਤੇ ਦੂਜੇ ਵਰਤੋਂਕਾਰਾਂ ਦੀ ਸੁਰੱਖਿਆ ਨੂੰ ਹੀ ਸੁਨਿਸ਼ਚਿਤ ਨਹੀਂ ਕਰਦੀ, ਇਹ ਤੁਹਾਡੇ ਵਾਹਨ ਦੀ ਘਿੱਸਾਈ ਨੂੰ ਘੱਟ ਕਰਨ, ਇਸ ਦਾ ਜੀਵਨ ਵਧਾਉਣ, ਈਧਨ ਦੀ ਬਿਹਤਰ ਯੋਗਤਾ ਪ੍ਰਦਾਨ ਕਰਨ ਵਿੱਚ ਵੀ ਮਦਦ ਕਰਦੀ ਹੈ ਅਤੇ ਆਰਾਮਦਾਇਕ ਡਰਾਈਵਿੰਗ ਅਨੁਭਵ ਨੂੰ ਵੀ ਸੁਨਿਸ਼ਚਿਤ ਕਰਦੀ ਹੈ।  
**ਕੀ ਕਰੀਏ ਅਤੇ ਕੀ ਨਾ ਕਰੀਏ ਸੁਚੀ ਦੀ ਪਾਲਣਾ ਕਰੋ, ਅਤੇ ਦੁਬਾਰਾ ਡਰਾਈਵਿੰਗ ਸਮਾਨ ਨਹੀਂ ਹੋਵੇਗੀ।**

## ਹੋਰ ਕੰਟਰੋਲ ਅਤੇ ਉਪਕਰਣ

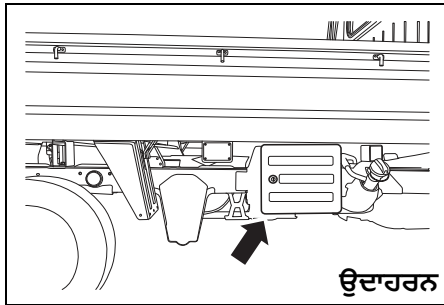
ਫਿਉਲ ਫਿੱਲਰ ਕੈਪ .....	5-1
ਇੰਜਣ ਕੰਪਾਰਟਮੈਂਟ .....	5-3
ਸੱਨ ਵਿਸਰ .....	5-5
ਅੰਦਰੂਨੀ ਰੋਸ਼ਨੀ.....	5-5
ਐਕਸੈਸਰੀ ਸਾਕੇਟ .....	5-6
ਗਲੋਵ ਬਾਕਸ .....	5-6
ਸਟੇਰੇਜ਼ ਖੇਤਰ .....	5-6
ਏਅਰ ਵੈਂਟ.....	5-7
ਫਰੇਮ ਹੁੱਕ.....	5-7
ਅਸਿਸਟ ਗਰਿੱਪ .....	5-8

## ਹੋਰ ਕੰਟਰੋਲ ਅਤੇ ਉਪਕਰਣ

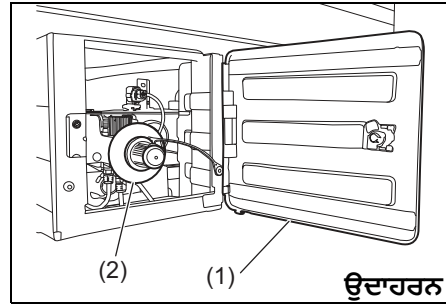
### ਫਿਊਲ ਫਿੱਲਰ ਕੈਪ (Fuel Filler Cap)

(ਪੈਟਰੋਲ ਅਤੇ ਸੀ.ਐਨ.ਜੀ. ਇੰਜਣ ਦੇ ਮਾਡਲ ਲਈ)

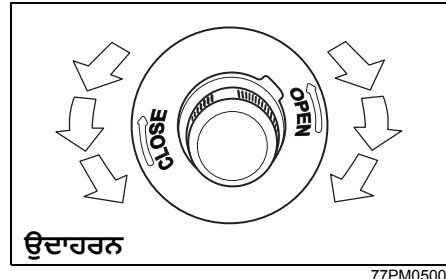
ਸੀ.ਐਨ.ਜੀ. ਫਿੱਲਰ ਵਾਲਵ (CNG filler valve)  
(ਸੀ.ਐਨ.ਜੀ. ਇੰਜਣ ਮਾਡਲ ਲਈ)



ਸੀ.ਐਨ.ਜੀ. ਫਿੱਲਰ ਵਾਲਵ ਵਾਹਨ ਦੇ ਸੱਜੇ ਪਾਸੇ ਸਥਿਤ ਹੁੰਦਾ ਹੈ।

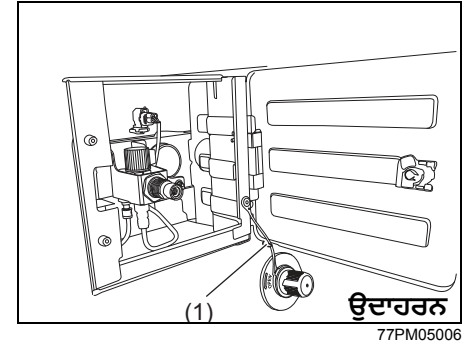


ਸੀ.ਐਨ.ਜੀ. ਫਿੱਲਰ ਡੋਰ (CNG filler door) (1) ਅਨਲੋਕ ਕਰਨ ਲਈ, ਚਾਬੀ ਇੰਸਰਟ ਕਰੋ ਅਤੇ ਚਾਬੀ ਦੇ ਉੱਪਰਲੇ ਪਾਸੇ ਨੂੰ ਵਾਹਨ ਦੇ ਸਾਹਮਣੇ ਵੱਲ ਘੁੰਮਾਓ।



ਸੀ.ਐਨ.ਜੀ. ਫਿੱਲਰ ਵਾਲਵ ਕਵਰ (CNG filler valve cover) ਨੂੰ ਖੋਲ੍ਹਣ ਲਈ:  
1) ਸੀ.ਐਨ.ਜੀ. ਫਿੱਲਰ ਡੋਰ (CNG filler door) (1) ਨੂੰ ਖੋਲ੍ਹੋ।

2) ਸੀ.ਐਨ.ਜੀ. ਫਿੱਲਰ ਵਾਲਵ ਕਵਰ (CNG filler valve cover) (2) ਨੂੰ ਐਂਟੀਕਲਾਕਵਾਈਜ਼ ਦਿਸ਼ਾ ਵਿੱਚ ਘੁੰਮਾ ਕੇ ਖੋਲ੍ਹੋ।



ਨੋਟ :

ਜੇਕਰ ਫਿਊਲ ਫਿੱਲਰ ਡੋਰ ਕੈਪ ਹੋਲਡਰ (cap holder) (3) ਨਾਲ ਲੈਸ ਹੈ, ਮੁੜ ਫਿਊਲ ਭਰਨ ਵੇਲੇ ਫਿਊਲ ਫਿੱਲਰ ਕੈਪ (fuel filler cap) ਨੂੰ ਪਕੜਨ ਲਈ ਕੈਪ ਹੋਲਡਰ ਦੀ ਵਰਤੋਂ ਕਰੋ।

ਸਵੈਚਲਿਤ ਰੂਪ ਵਿੱਚ ਫਿਲਿੰਗ ਕਰਨਾ ਬੰਦ ਹੁੰਦਾ ਹੈ ਜਦੋਂ ਸਿਲੰਡਰ ਦਾ ਪ੍ਰੈਸ਼ਰ ਡਿਸਪੈਂਸਰ ਦੇ ਪ੍ਰੈਸ਼ਰ ਦੇ ਬਰਾਬਰ ਹੁੰਦਾ ਹੈ।

ਸੀ.ਐਨ.ਜੀ. ਫਿੱਲਰ ਵਾਲਵ ਕਵਰ ਨੂੰ ਮੁੜ ਇੰਸਟਾਲ ਕਰਨ ਲਈ:

1) ਸੀ.ਐਨ.ਜੀ. ਫਿੱਲਰ ਵਾਲਵ ਕਵਰ (CNG filler valve cover) (2) ਨੂੰ ਉਦੋਂ ਤੱਕ

ਕਲਾਕਵਾਈਜ਼ ਦਿਸ਼ਾ ਵਿੱਚ ਘੁੰਮਾਓ ਜਦੋਂ ਤੱਕ ਇਹ ਪੂਰੀ ਤਰ੍ਹਾਂ ਬੰਦ ਨਾ ਹੋ ਜਾਏ।

- 2) ਸੀ.ਐਨ.ਜੀ. ਫਿੱਲਰ ਡੋਰ (CNG filler door) (1) ਨੂੰ ਬੰਦ ਕਰੋ।

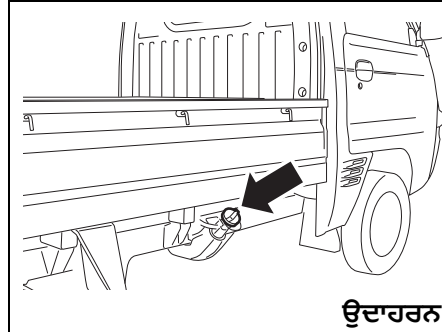
ਨੋਟ :

- ਜੇਕਰ ਸੀ.ਐਨ.ਜੀ. ਫਿੱਲਰ ਕਵਰ (CNG filler cover) (2) ਉੱਚਿਤ ਤਰੀਕੇ ਨਾਲ ਬੰਦ ਨਾ ਹੋਇਆ ਹੋਵੇ, ਤਾਂ ਤੁਸੀਂ ਵਾਹਨ ਨੂੰ ਸਟਾਰਟ ਕਰਨ ਦੇ ਯੋਗ ਨਹੀਂ ਹੋਵੋਗੇ।
- ਇੰਜਣ ਬੰਦ ਹੋ ਜਾਏਗਾ ਜੇਕਰ ਸੀ.ਐਨ.ਜੀ. ਫਿੱਲਰ ਕਵਰ (CNG filler cover) (2) ਨੂੰ ਵਾਹਨ ਦੇ ਖੜ੍ਹੇ ਹੋਣ ਦੀ ਹਾਲਤ ਵਿੱਚ ਖੋਲ੍ਹਿਆ ਜਾਂਦਾ ਹੈ।

ਨੋਟ :

ਵਾਹਨ ਦੇ ਅਪਰੇਸ਼ਨ ਦੌਰਾਨ ਸੀ.ਐਨ.ਜੀ. ਫਿੱਲਰ ਬਕਸੇ ਵਿੱਚ ਕੰਕਰ ਜਾ ਸਕਦੇ ਹਨ। ਜਦੋਂ ਦੇਖੋ ਤਾਂ ਕੱਢ ਦਿਓ।

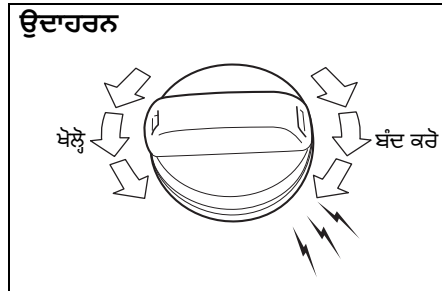
## ਪੈਟਰੋਲ ਫਿਲਿੰਗ ਕੈਪ (Petrol filling cap) (ਪੈਟਰੋਲ ਇੰਜਣ ਦੇ ਮਾਡਲ (Petrol engine model) ਲਈ)



ਉਦਾਹਰਨ

77PH031

ਫਿਊਲ ਫਿੱਲਰ ਕੈਪ ਵਾਹਨ ਦੇ ਸੱਜੇ ਪਾਸੇ ਸਥਿਤ ਹੁੰਦਾ ਹੈ।



ਫਿਊਲ ਫਿੱਲਰ ਕੈਪ (fuel filler cap) ਨੂੰ ਖੋਲ੍ਹਣ ਲਈ, ਇਸ ਨੂੰ ਕਾਊਂਟਰਕਲਾਕਵਾਈਜ਼ ਘੁੰਮਾਓ। ਫਿਊਲ ਫਿੱਲਰ

### ⚠ ਸਾਵਧਾਨੀ

ਫਿਊਲ ਫਿੱਲਰ ਕੈਪ (fuel filler cap) ਨੂੰ ਹੌਲੀ ਹੌਲੀ ਖੋਲ੍ਹੋ। ਈਧਨ ਪ੍ਰੈਸ਼ਰ ਵਿੱਚ ਹੋ ਸਕਦੀ ਹੈ ਅਤੇ ਬਾਹਰ ਸਪਰੇਅ ਹੋ ਸਕਦਾ ਹੈ, ਜਿਸ ਕਾਰਣ ਚੇਟ ਲੱਗ ਸਕਦੀ ਹੈ।

### ⚠ ਚੇਤਾਵਨੀ

ਈਧਨ ਪੂਰੀ ਤਰ੍ਹਾਂ ਬਲਣਯੋਗ ਹੁੰਦਾ ਹੈ। ਈਧਨ ਭਰਨ ਵੱਲੋਂ ਧੂਮਰਪਾਨ ਨਾ ਕਰੋ, ਅਤੇ ਯਕੀਨੀ ਬਣਾਓ ਕਿ ਉੱਸ ਖੇਤਰ ਵਿੱਚ ਅੱਗ ਨਾ ਹੋਵੇ ਜਾਂ ਚਿੰਗਿਆੜੀਆਂ ਨਾ ਹੋਣ।

### ⚠ ਚੇਤਾਵਨੀ

ਜੇ ਤੁਹਾਨੂੰ ਫਿਊਲ ਕੈਪ ਬਦਲਣ ਦੀ ਲੋੜ ਹੁੰਦੀ ਹੈ, ਤਾਂ ਮਾਰੂਤੀ ਦੇ ਅਸਲੀ ਕੈਪ ਦੀ ਵਰਤੋਂ ਕਰੋ। ਕਿਸੇ ਗਲਤ ਕੈਪ ਦੀ ਵਰਤੋਂ ਕਰਨ ਦਾ ਨਤੀਜਾ ਫਿਊਲ ਸਿਸਟਮ ਜਾਂ ਇਮਿਸ਼ਨ ਕੰਟਰੋਲ ਸਿਸਟਮ ਦਾ ਖਰਾਬ ਹੋਣਾ ਹੋ ਸਕਦਾ ਹੈ। ਇਹ ਦੁਰਘਟਨਾ ਹੋਣ ਦੀ ਸੂਰਤ ਵਿੱਚ ਈਧਨ ਦੇ ਲੀਕ ਹੋਣ ਦਾ ਕਾਰਣ ਵੀ ਬਣ ਸਕਦਾ ਹੈ।

## ਹੋਰ ਕੰਟਰੋਲ ਅਤੇ ਉਪਕਰਣ

### ▲ ਸਾਵਧਾਨੀ

ਹੌਲੀ ਹੌਲੀ ਫਿਊਲ ਫਿੱਲਰ ਕੈਪ (fuel filler cap) ਨੂੰ ਖੋਲ੍ਹੋ। ਈਧਨ ਦਾ ਪ੍ਰੈਸ਼ਰ ਘੱਟ ਹੋ ਸਕਦਾ ਹੈ ਅਤੇ ਬਾਹਰ ਸਪਰੇਅ ਹੋ ਸਕਦਾ ਹੈ, ਜਿਸ ਕਾਰਣ ਸੱਟ ਲੱਗ ਸਕਦੀ ਹੈ।

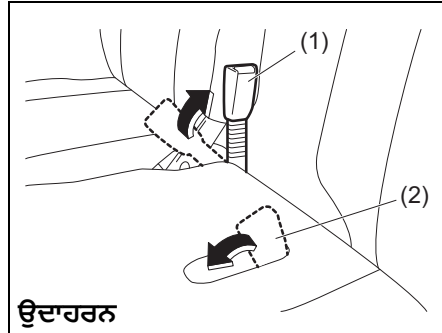
### ▲ ਚੇਤਾਵਨੀ

ਈਧਨ ਪੂਰੀ ਤਰ੍ਹਾਂ ਜਲਣਸ਼ੀਲ ਹੁੰਦਾ ਹੈ। ਈਧਨ ਭਰਾਉਣ ਸਮੇਂ ਧੂਮਰਪਾਨ ਨਾ ਕਰੋ, ਅਤੇ ਯਕੀਨੀ ਬਣਾਓ ਇਸ ਸਥਾਨ 'ਤੇ ਅੱਗ ਦੀਆਂ ਲਾਟਾਂ ਜਾਂ ਚਿੰਗਿਆੜੀਆਂ ਨਾ ਹੋਣ।

### ▲ ਚੇਤਾਵਨੀ

ਜੇ ਤੁਹਾਨੂੰ ਫਿਊਲ ਕੈਪ ਬਦਲਣ ਦੀ ਲੋੜ ਹੁੰਦੀ ਹੈ, ਤਾਂ ਮਾਰੂਤੀ ਦਾ ਅਸਲੀ ਕੈਪ ਵਰਤੋ। ਕਿਸੇ ਗਲਤ ਕੈਪ ਦੀ ਵਰਤੋਂ ਨਾਲ ਫਿਊਲ ਸਿਸਟਮ ਜਾਂ ਇਮਿਸ਼ਨ ਕੰਟਰੋਲ ਸਿਸਟਮ ਵਿੱਚ ਖਰਾਬੀ ਹੋ ਸਕਦੀ ਹੈ। ਦੁਰਘਟਨਾ ਹੋਣ ਦੀ ਸੂਰਤ ਵਿੱਚ ਵੀ ਈਧਨ ਦੀ ਲੀਕੇਜ਼ ਹੋ ਸਕਦੀ ਹੈ।

## ਇੰਜਣ ਕੰਪਾਰਟਮੈਂਟ (Engine Compartment)



ਉਦਾਹਰਨ

77PH094

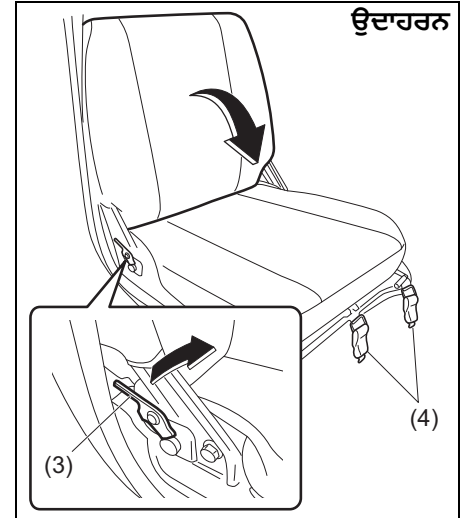
ਇੰਜਣ ਕੰਪਾਰਟਮੈਂਟ ਨੂੰ ਖੋਲ੍ਹਣ ਲਈ:

- 1) ਡਰਾਈਵਰ ਦੀ ਸੀਟ ਬੈਲਟ ਦੇ ਬੱਕਲ (1) ਨੂੰ ਸੀਟ ਬੈਲਟ ਦੀ ਪੇਜੀਸ਼ਨ ਤੱਕ ਉਠਾਓ। ਯਾਤਰੀ ਦੀ ਸੀਟ ਬੈਲਟ ਦੇ ਬੱਕਲ (2) ਨੂੰ ਸਟੋਰ ਕਰੋ।
- 2) ਡਰਾਈਵਰ ਦੀ ਸੀਟ ਲਈ, ਸੀਟ ਨੂੰ ਵੱਧ ਤੋਂ ਵੱਧ ਪਿੱਛੇ ਵੱਲ ਦੀ ਪੇਜੀਸ਼ਨ ਵਿੱਚ ਖਿਸਕਾਓ।

### ▲ ਸਾਵਧਾਨੀ

ਜਦੋਂ ਤੁਸੀਂ ਡਰਾਈਵਰ ਦੀ ਸੀਟ ਨੂੰ ਪਿੱਛੇ ਵੱਲ ਨੂੰ ਖਿਸਕਾਉਂਦੇ ਹੋ, ਤਾਂ ਸੀਟ ਨੂੰ ਪਿੱਛੇ ਵੱਲ ਧੱਕੋ। ਜੇ ਤੁਸੀਂ ਸੀਟਬੈਕ ਨੂੰ ਉੱਪਰ ਤੋਂ ਪਕੜਦੇ ਹੋ, ਤਾਂ ਤੁਹਾਡਾ ਹੱਥ ਸੀਟਬੈਕ ਅਤੇ ਕੈਬਿਨ ਦੇ ਬੈਕ ਪੈਨ ਵਿਚਕਾਰ ਦੱਬ ਸਕਦਾ ਹੈ, ਜਿਸ ਕਾਰਣ ਸਰੀਰਕ ਚੋਟ ਲੱਗ ਸਕਦੀ ਹੈ।

### ਉਦਾਹਰਨ



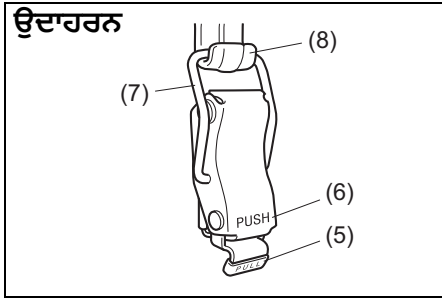
77PH093

- 3) ਡਰਾਈਵਰ ਦੀ ਸੀਟ ਲਈ, ਸੀਟਬੈਕ ਨੂੰ ਅੱਗੇ ਵੱਲ ਫੇਲਡ ਕਰਨ ਲਈ ਲਾਕ ਲੀਵਰ (3) ਨੂੰ ਖਿੱਚੋ।

ਨੋਟ :

ਸੀਟਬੈਕ ਨੂੰ ਕੇਵਲ ਉਸ ਪੇਜੀਸ਼ਨ ਤੱਕ ਹੀ ਫੇਲਡ ਕੀਤਾ ਜਾ ਸਕਦਾ ਹੈ ਜਿੱਥੇ ਇਹ ਸਟੀਰਿੰਗ ਵਹੀਲ ਦੇ ਸੰਪਰਕ ਵਿੱਚ ਆਉਂਦਾ ਹੈ।

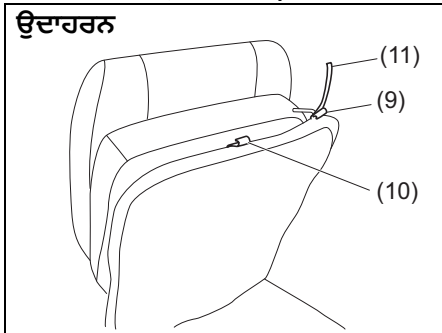
- 4) ਹਰ ਸੀਟ ਦੇ ਮੁਹਰਲੇ ਕਿਨਾਰੇ 'ਤੇ ਲਾਕ ਹੈਂਡਲਾਂ (4) ਨੂੰ ਅਨਲੋਕ ਕਰੋ।



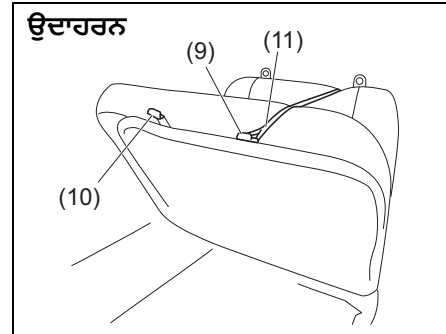
77PH081

- ਲਾਕ ਹੈਂਡਲ ਨੂੰ ਅਨਲੋਕ ਕਰਨ ਲਈ, “PULL” ਭਾਗ (5) ਨੂੰ ਖਿੱਚੋ ਅਤੇ ਹੁੱਕ (hook) (8) ਤੋਂ ਰਿੰਗ (ring) (7) ਦੀ ਹੁੱਕ ਨੂੰ ਖੋਲ੍ਹੋ।
- ਲਾਕ ਹੈਂਡਲ ਨੂੰ ਲਾਕ ਕਰਨ ਲਈ, ਹੁੱਕ (hook) (8) ‘ਤੇ ਰਿੰਗ (ring) (7) ਨੂੰ ਰੱਖੋ ਅਤੇ ਫਿਰ “PUSH” ਭਾਗ (6) ਨੂੰ ਧੱਕੋ।

## ਡਰਾਈਵਰ ਸਾਈਡ (Driver side)



## ਯਾਤਰੀ ਸਾਈਡ



77PH103

77PH102

ਨੋਟ :

ਸਟ੍ਰੈਪ (straps) (11) ਯਾਤਰੀ ਸੀਟ ਦੀ ਸੀਟਬੈਂਚ ਦੇ ਪਿਛਲੇ ਪਾਸੇ ਉਪਲਬਧ ਹੁੰਦੀਆਂ ਹਨ।

- 5) ਸੀਟ ਨੂੰ ਉੱਪਰ ਚੁੱਕੋ ਅਤੇ ਸਟ੍ਰੈਪ (straps) (11) ਨੂੰ ਹੁੱਕ (hook) (6) ਵਿੱਚ ਹੁੱਕ ਕਰੋ। ਹੁੱਕ (hook) (10) ਦੀ ਵਰਤੋਂ ਸੀਟ ਸਟ੍ਰੈਪ ਨੂੰ ਜੋੜਨ ਲਈ ਨਹੀਂ ਕੀਤੀ ਜਾਂਦੀ।

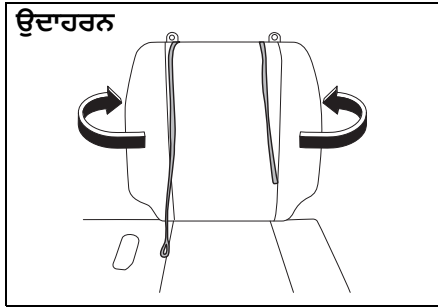
## ਨੋਟਿਸ

ਸਟ੍ਰੈਪ ਨੂੰ ਡਰਾਈਵਰ ਦੀ ਸੀਟ ਪੇਜੀਸ਼ਨ ਐਡਜਸਟਮੈਂਟ ਲੀਵਰ ਨਾਲ ਹੁੱਕ ਨਾ ਕਰੋ ਜਾਂ ਜਦੋਂ ਸਟ੍ਰੈਪਾਂ ਰਾਹੀਂ ਹੁੱਕ ਕਰਨਾ ਹੋਵੇ ਤਾਂ ਸੀਟਾਂ ‘ਤੇ ਬੋਲੋੜਾ ਜੋਰ ਨਾ ਲਗਾਓ। ਅਜਿਹਾ ਕਰਨ ਨਾਲ ਸਟ੍ਰੈਪ, ਹੁੱਕਾਂ ਅਤੇ/ਜਾਂ ਡਰਾਈਵਰ ਦੀ ਸੀਟ ਦੀ ਪੇਜੀਸ਼ਨ ਦਾ ਐਡਜਸਟਮੈਂਟ ਲੀਵਰ ਟੁੱਟ ਸਕਦੇ ਹਨ।

- ਇੰਜਣ ਕੰਪਾਰਟਮੈਂਟ ਨੂੰ ਬੰਦ ਕਰਨ ਲਈ, ਇਸ ਨੂੰ ਖੋਲ੍ਹਣ ਵਾਲੇ ਸਟੈਪਾਂ ਨੂੰ ਉਲਟੇ ਕ੍ਰਮ ਵਿੱਚ ਦੁਹਰਾਓ।
- ਬੰਦ ਕਰਨ ਤੋਂ ਬਾਅਦ, ਸੀਟਾਂ ਨੂੰ ਚਲਾਉਣ ਦੀ ਕੋਸ਼ਿਸ਼ ਕਰੋ ਇਹ ਪੱਕਾ ਕਰਨ ਲਈ ਕਿ ਉਹ ਚੰਗੀ ਤਰ੍ਹਾਂ ਲੈਚ ਹੋ ਗਈਆਂ ਹਨ।
- ਵਿਆਖਿਆ ਵਿੱਚ ਦਰਸਾਏ ਅਨੁਸਾਰ ਯਾਤਰੀ ਦੀ ਸੀਟ ਦੇ ਪਿੱਛੇ ਖਾਲੀ ਥਾਂ ‘ਤੇ ਸਟੈਪਾਂ ਨੂੰ ਸਟੇਰ ਕਰੋ।



## ਉਦਾਹਰਨ



77PH097

### ⚠ ਰੇਤਾਵਨੀ

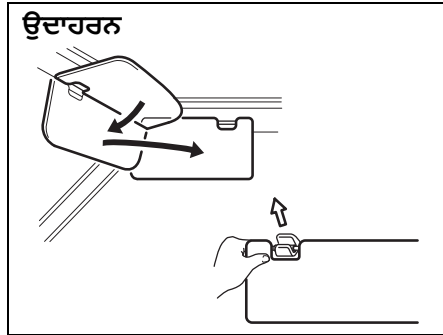
ਯਾਤਰੀ ਦੀ ਸੀਟ ਦੇ ਪਿੱਛੇ ਖਾਲੀ ਥਾਂ 'ਤੇ ਸਟ੍ਰੈਪਾਂ ਨੂੰ ਸਟੇਰ ਕਰੋ। ਜੇਕਰ ਸਵਾਰੀ ਦਾ ਸਰੀਰ ਸਟ੍ਰੈਪਾਂ ਵਿੱਚ ਫਸ ਜਾਂਦਾ ਹੈ, ਤਾਂ ਸਾਹ ਘੁੱਟਣ ਵਰਗੀ ਗੰਭੀਰ ਚੋਟ ਲੱਗਣ ਦਾ ਜੋਖਮ ਹੁੰਦਾ ਹੈ। ਜੇ ਅਜਿਹਾ ਹੁੰਦਾ ਹੈ, ਤਾਂ ਸਟ੍ਰੈਪਾਂ ਨੂੰ ਕੈਚੀ ਨਾਲ ਕੱਟ ਦਿਓ।

### ⚠ ਸਾਵਧਾਨੀ

ਇੰਜਣ ਕੰਪਾਰਟਮੈਂਟ ਨੂੰ ਬੰਦ ਕਰਦੇ ਸਮੇਂ, ਸਾਵਧਾਨ ਰਹੋ ਕਿ ਸੀਟਾਂ ਤੁਹਾਡੇ ਹੱਥਾਂ ਨੂੰ ਨਾ ਦਬਾਉਣ ਜਾਂ ਡਰਾਈਵਰ ਦੀ ਸੀਟ ਬੈਲਟ ਦਾ ਬੱਕਲ ਤੁਹਾਡੇ ਸਰੀਰ ਨਾਲ ਨਾ ਵੱਜੇ।

## ਸੱਨ ਵਿਸਰ (Sun Visor)

### ਉਦਾਹਰਨ



77PH004

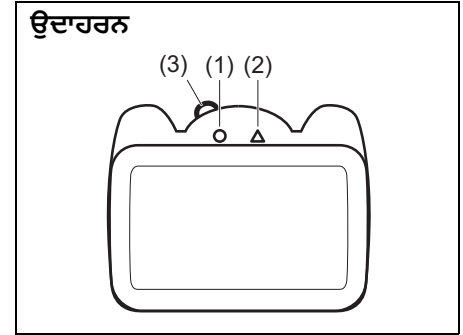
ਸੱਨ ਵਿਸਰ ਵਾਹਨ ਦੀ ਡਰਾਈਵਰ ਦੀ ਸੀਟ 'ਤੇ ਲੱਗਿਆ ਹੁੰਦਾ ਹੈ। ਵਿੰਡਸ਼ੀਲ ਰਾਹੀਂ ਆਉਣ ਵਾਲੀ ਚਮਕ ਨੂੰ ਬਲਾਕ ਕਰਨ ਲਈ ਸੱਨ ਵਿਸਰ ਨੂੰ ਹੇਠਾਂ ਵੱਲ ਖਿੱਚਿਆ ਜਾ ਸਕਦਾ ਹੈ, ਜਾਂ ਉਨ੍ਹਾਂ ਨੂੰ ਅਨਹੁੱਕ ਕੀਤਾ ਜਾ ਸਕਦਾ ਹੈ ਅਤੇ ਸਾਈਡ ਵਿੰਡੋ ਰਾਹੀਂ ਆਉਣ ਵਾਲੀ ਚਮਕ ਨੂੰ ਰੋਕਣ ਲਈ ਸਾਈਡ ਵੱਲ ਘੁੰਮਾਇਆ ਜਾ ਸਕਦਾ ਹੈ।

### ਨੋਟਿਸ

ਸੱਨ ਵਿਸਰ ਦੀ ਹੁੱਕ ਖੋਲ੍ਹਣ ਅਤੇ ਹੁੱਕ ਲਗਾਉਣ ਵੇਲੇ, ਚਿੱਤਰ ਵਿੱਚ ਦਿਖਾਏ ਅਨੁਸਾਰ ਸੱਨ ਵਿਸਰ ਦੀ ਸਾਈਡ ਤੋਂ ਇਸ ਨੂੰ ਹੈਂਡਲ ਕਰਨਾ ਸੁਨਿਸ਼ਚਿਤ ਕਰੋ ਨਹੀਂ ਸੱਨ ਵਿਸਰ ਖਰਾਬ ਹੋ ਸਕਦਾ ਹੈ।

## ਅੰਦਰੂਨੀ ਰੋਸ਼ਨੀ (Light)

### ਉਦਾਹਰਨ



77PH074

ਇਸ ਲਾਈਟ ਸਵਿੱਚ ਦੀਆਂ ਦੋ ਪੋਜੀਸ਼ਨਾਂ ਹੁੰਦੀਆਂ ਹਨ। ਇਨ੍ਹਾਂ ਪੋਜੀਸ਼ਨਾਂ ਨੂੰ ਨੋਬ (knob) (3) ਦੀ ਵਰਤੋਂ ਕਰਕੇ ਚੁਣਿਆ ਜਾ ਸਕਦਾ ਹੈ। ਦੋ ਪੋਜੀਸ਼ਨਾਂ ਦੇ ਕੰਮ ਇਹ ਹਨ:

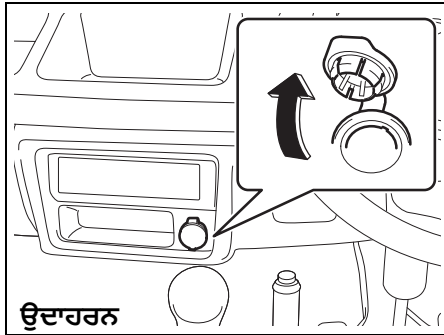
### ਅੱਠ (1)

ਰੋਸ਼ਨੀ ਆਉਂਦੀ ਹੈ ਅਤੇ ਰਹਿੰਦੀ ਹੈ।

### ਐੱਫ (2)

ਰੋਸ਼ਨੀ ਬੰਦ ਰਹਿੰਦੀ ਹੈ।

### ਐਕਸੈਸਰੀ ਸਾਕੇਟ (Accessory Socket)

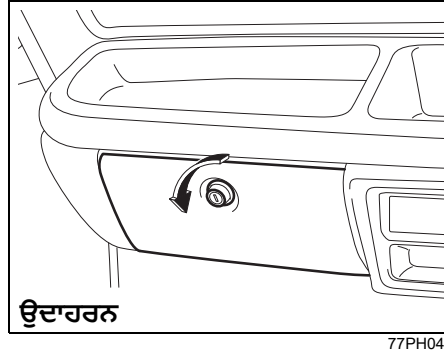


ਐਕਸੈਸਰੀ ਸਾਕੇਟ ਉਦੋਂ ਕੰਮ ਕਰੇਗੀ ਜਦੋਂ ਇਗਨੀਸ਼ਨ ਸਵਿੱਚ “ACC” ਜਾਂ “ON” ਪੈਜੀਸ਼ਨ ‘ਤੇ ਹੁੰਦਾ ਹੈ। ਇਸ ਸਾਕੇਟ ਦੀ ਵਰਤੋਂ ਇਲੈਕਟ੍ਰੀਕਲ ਐਕਸੈਸਰੀਜ਼ ਲਈ 12 ਵੋਲਟ/ 120 ਵਾਟ ਪਾਵਰ ਪ੍ਰਦਾਨ ਕਰਨ ਲਈ ਕੀਤੀ ਜਾ ਸਕਦੀ ਹੈ।

#### ਨੋਟਿਸ

ਗਲਤ ਇਲੈਕਟ੍ਰੀਕਲ ਐਕਸੈਸਰੀ ਦੀ ਵਰਤੋਂ ਨਾਲ ਤੁਹਾਡੇ ਵਾਹਨ ਦੇ ਇਲੈਕਟ੍ਰੀਕਲ ਸਿਸਟਮ ਨੂੰ ਨੁਕਸਾਨ ਪਹੁੰਚ ਸਕਦਾ ਹੈ। ਪੱਕਾ ਕਰੋ ਕਿ ਉਹ ਕੋਈ ਵੀ ਇਲੈਕਟ੍ਰੀਕਲ ਐਕਸੈਸਰੀ ਜਿਸ ਦੀ ਤੁਸੀਂ ਵਰਤੋਂ ਕਰਦੇ ਹੋ ਉਸ ਨੂੰ ਇਸ ਕਿਸਮ ਦੀ ਸਾਕੇਟ ਵਿੱਚ ਪਲੱਗ ਕਰਨ ਲਈ ਬਣਾਇਆ ਗਿਆ ਹੈ।

### ਗਲੋਵ ਬਾਕਸ (Glove Box)

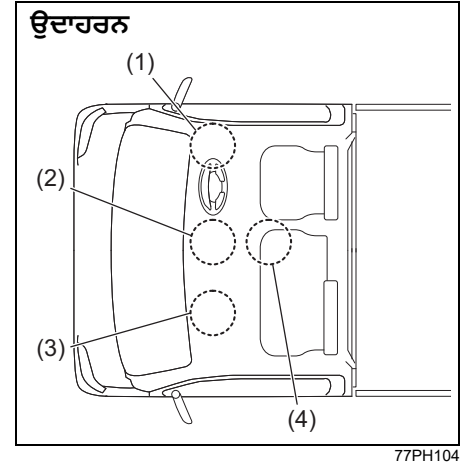


ਗਲੋਵ ਬਾਕਸ ਨੂੰ ਖੋਲ੍ਹਣ ਲਈ, ਨੋਬ ਨੂੰ ਕਾਊਂਟਰਕਲਾਕਵਾਈਜ਼ ਘੁੰਮਾਓ। ਇਸ ਨੂੰ ਬੰਦ ਕਰਨ ਲਈ, ਢੱਕਣ ਨੂੰ ਉਦੋਂ ਤੱਕ ਧੱਕੋ ਜਦੋਂ ਤੱਕ ਇਹ ਚੰਗੀ ਤਰ੍ਹਾਂ ਨਾ ਫਸ ਜਾਏ। ਗਲੋਵ ਬਾਕ ਨੂੰ ਲਾਕ ਕਰਨ ਲਈ, ਨੋਬ ਵਿੱਚ ਚਾਬੀ ਇੰਸਰਟ ਕਰੋ ਅਤੇ ਇਸ ਨੂੰ ਕਲਾਕਵਾਈਜ਼ ਘੁੰਮਾਓ। ਗਲੋਵ ਬਾਕਸ ਨੂੰ ਅਨਲੋਕ ਕਰਨ ਲਈ, ਚਾਬੀ ਨੂੰ ਨੋਬ ਵਿੱਚ ਇੰਸਰਟ ਕਰੋ ਅਤੇ ਇਸ ਨੂੰ ਕਾਊਂਟਰਕਲਾਕਵਾਈਜ਼ ਘੁੰਮਾਓ।

#### ⚠ ਚੇਤਾਵਨੀ

ਗਲੋਵ ਬਾਕਸ ਦੇ ਢੱਕਣ ਨੂੰ ਖੁੱਲ੍ਹਾ ਰੱਖ ਕੇ ਕਦੇ ਵੀ ਡਰਾਈਵ ਨਾ ਕਰੋ। ਜੇ ਦੁਰਘਟਨਾ ਹੁੰਦੀ ਹੈ ਤਾਂ ਇਸ ਕਾਰਣ ਚੋਟ ਲੱਗ ਸਕਦੀ ਹੈ।

### ਸਟੋਰੇਜ਼ ਖੇਤਰ (Storage Area)



- (1) ਇੰਸਟਰੂਮੈਂਟ ਪੈਨਲ ਪਾਕੈਟ (ਡਰਾਈਵਰ ਸਾਈਡ)
- (2) ਇੰਸਟਰੂਮੈਂਟ ਪੈਨਲ ਟਰੇਅ (ਸੈਂਟਰ)  
ਇੰਸਟਰੂਮੈਂਟ ਪੈਨਲ ਪਾਕੈਟ (ਸੈਂਟਰ)
- (3) ਇੰਸਟਰੂਮੈਂਟ ਪੈਨਲ ਟਰੇਅ (ਯਾਤਰੀ ਸਾਈਡ)
- (4) ਸੈਂਟਰ ਪਾਕੈਟ (Center pocket)

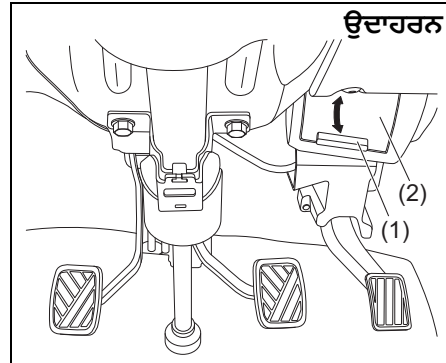
## ਹੋਰ ਕੰਟਰੋਲ ਅਤੇ ਉਪਕਰਣ

ਇੰਸਟਰੂਮੈਂਟ ਪੈਨਲ ਪਾਕੈਟ (Instrument Panel Pocket) (1)/(2) / ਇੰਸਟਰੂਮੈਂਟ ਪੈਨਲ ਟਰੇਅ (Instrument Panel Tray) (2)(3) / ਸੈਂਟਰ ਪਾਕੈਟ (Center Pocket) (4)

### ⚠ ਚੇਤਾਵਨੀ

ਅਜਿਹੀ ਕੋਈ ਵੀ ਵਸਤੂ ਨਾ ਰੱਖੋ ਜੋ ਵਾਹਨ ਦੇ ਚੱਲਣ ਵੇਲੇ ਪਾਕੈਟ/ ਟਰੇਅ ਤੋਂ ਗਿਰ ਸਕਦੀ ਹੋਵੇ। ਸਾਵਧਾਨੀ ਨਾ ਵਰਤਣ ਦੇ ਕਾਰਣ ਪੈਡਲਾਂ ਵਿੱਚ ਕਿਸੇ ਚੀਜ਼ ਦਾ ਵਿਘਨ ਪਾਉਣਾ ਹੋ ਸਕਦਾ ਹੈ ਅਤੇ ਇਸ ਨਾਲ ਵਾਹਨ ਦਾ ਕੰਟਰੋਲ ਗੁਆਉਣਾ ਜਾਂ ਦੁਰਘਟਨਾ ਹੋਣਾ ਹੋ ਸਕਦਾ ਹੈ।

## ਏਅਰ ਵੈਂਟ (Air Vent)

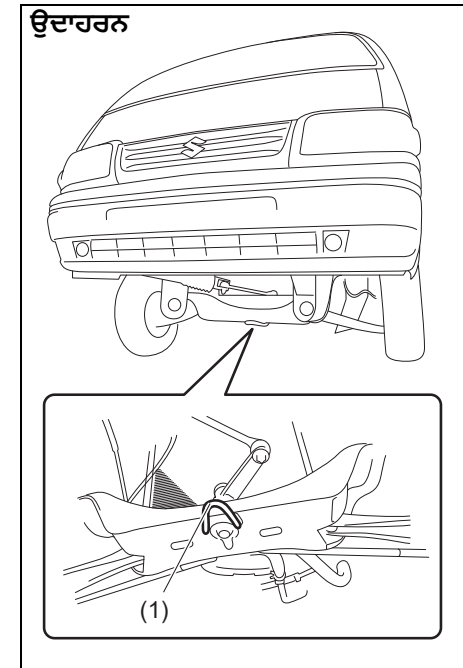


77PM502

ਏਅਰ ਵੈਂਟ ਵਾਹਨ ਦੀ ਡਰਾਈਵਰ ਸਾਈਡ ਅਤੇ ਯਾਤਰੀ ਸਾਈਡ 'ਤੇ ਲੱਗੇ ਹੁੰਦੇ ਹਨ। ਏਅਰ ਵੈਂਟ ਨੂੰ ਖੋਲ੍ਹਣ ਜਾਂ ਬੰਦ ਕਰਨ ਲਈ, ਫਲੈਪ (2) ਨੂੰ ਖੋਲ੍ਹਣ ਜਾਂ ਬੰਦ ਕਰਨ ਲਈ ਨੋਬ (1) ਨੂੰ ਖੜ੍ਹੇ ਦਾਅ ਚਲਾਓ। "OPEN" ਹੋਣ 'ਤੇ, ਤਾਜੀ ਹਵਾ ਕੈਬਿਨ ਦੇ ਅੰਦਰ ਆਏਗੀ।

## ਫਰੇਮ ਹੁੱਕ (Frame Hook)

ਫਰੰਟ (ਮੁਹਰਲਾ)



77PH035

ਫਰੇਮ ਹੁੱਕ (frame hook) (1) ਐਮਰਜੈਂਸੀ ਦੀ ਹਾਲਤਾਂ ਵਿੱਚ ਵਰਤਣ ਅਤੇ ਕੇਵਲ ਸ਼ਿਪਿੰਗ ਦੇ ਉਦੇਸ਼ਾਂ ਲਈ ਵਾਹਨ ਦੇ ਫਰੰਟ 'ਤੇ ਦਿੱਤੀ ਹੁੰਦੀ ਹੈ।

ਸੜਕ ਜਾਂ ਹਾਈਵੇਅ 'ਤੇ ਆਪਣੇ ਵਾਹਨ ਨੂੰ ਟੋਚਨ ਕਰਨ ਲਈ, "ਐਮਰਜੈਂਸੀ ਸਰਵਿਸ" ਸੈਕਸ਼ਨ ਵਿੱਚ "ਟੋਇੰਗ" ਦੀਆਂ ਹਿਦਾਇਤਾਂ ਦੀ ਪਾਲਣਾ ਕਰੋ।

### ⚠ ਚੇਤਾਵਨੀ

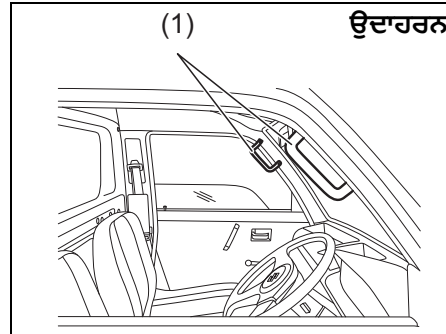
ਕਿਸੇ ਹੋਰ ਵਾਹਨ ਨੂੰ ਟੋਚਨ ਪਾਉਣ ਲਈ ਜਾਂ ਸੜਕ ਜਾਂ ਹਾਈਵੇਅ 'ਤੇ ਆਪਣੇ ਵਾਹਨ ਦਾ ਟੋਚਨ ਪੁਆਇੰਟ ਲਈ ਫਰੇਮ ਹੁੱਕ ਦੀ ਵਰਤੋਂ ਨਾ ਕਰੋ। ਹੁੱਕ (hook) (1) ਨੂੰ ਕੇਵਲ ਐਮਰਜੈਂਸੀ ਦੀਆਂ ਹਾਲਤਾਂ ਵਿੱਚ ਵਰਤਣ ਲਈ ਡਿਜ਼ਾਇਨ ਕੀਤਾ ਗਿਆ ਹੈ, ਜਿਵੇਂ ਤੁਹਾਡਾ ਵਾਹਨ ਜਾਂ ਕੋਈ ਹੋਰ ਵਾਹਨ ਗਹਿਰੇ ਚਿੱਕੜ ਜਾਂ ਬਰਫ਼ ਵਿੱਚ ਫ਼ਸ ਜਾਂਦਾ ਹੈ।

### ਨੋਟਿਸ

ਜਦੋਂ ਤੁਸੀਂ ਫਰੇਮ ਹੁੱਕ (frame hook) (1) ਦੀ ਵਰਤੋਂ ਕਰਦੇ ਹੋ, ਇਸ ਤਰੀਕੇ ਨਾਲ ਡਰਾਈਵਿੰਗ ਨਾ ਕਰੋ ਜੋ ਹੁੱਕ ਨੂੰ ਕਾਫੀ ਝਟਕਾ ਦਿੰਦੀ ਹੋਵੇ। ਅਜਿਹੇ ਅਪਰੇਸ਼ਨ ਨਾਲ ਹੁੱਕ ਜਾਂ ਵਾਹਨ ਦੀ ਬਾਡੀ ਖ਼ਰਾਬ ਹੋ ਸਕਦੀ ਹੈ।

ਅਚਾਨਕ ਸਪੀਡ ਨਾ ਵਧਾਓ।

## ਅਸਿਸਟ ਗਰਿੱਪ (Assist Grip)



77PM501

ਅਸਿਸਟ ਗਰਿੱਪ (Assist grips) (1) ਵਾਹਨ ਦੀ ਡਰਾਈਵਰ ਸਾਈਡ ਅਤੇ ਯਾਤਰੀ ਸਾਈਡ 'ਤੇ ਲੱਗੇ ਹੁੰਦੇ ਹਨ। ਅਸਿਸਟ ਗਰਿੱਪ ਡਰਾਈਵਰ / ਯਾਤਰੀ ਦੇ ਵਾਹਨ ਅੰਦਰ ਆਸਾਨੀ ਨਾਲ ਜਾਣ ਅਤੇ ਬਾਹਰ ਨਿਕਲਣ ਵਿੱਚ ਮਦਦ ਲਈ ਲੱਗੇ ਹੁੰਦੇ ਹਨ।

## ਵਾਹਨ ਲੋਡ ਕਰਨਾ ਅਤੇ ਟੇਚਨ ਪਾਉਣਾ

ਵਾਹਨ ਲੋਡ ਕਰਨਾ .....	6-1
ਟ੍ਰੇਲਰ ਨੂੰ ਟੇਚਨ ਪਾਉਣਾ .....	6-1

### ਵਾਹਨ ਲੋਡ ਕਰਨਾ (Vehicle Loading)

ਤੁਹਾਡੇ ਵਾਹਨ ਨੂੰ ਭਾਰ ਦੀਆਂ ਵਿਸ਼ੇਸ਼ ਸਮਰਥਾਵਾਂ ਲਈ ਡਿਜ਼ਾਈਨ ਕੀਤਾ ਗਿਆ ਸੀ। ਤੁਹਾਡੇ ਵਾਹਨ ਦੀਆਂ ਭਾਰ ਸਮਰਥਾਵਾਂ ਨੂੰ ਗਰੈਂਸ ਵਹੀਕਲ ਵੇਟ ਰੇਟਿੰਗ (GVWR) ਅਤੇ ਪ੍ਰਮਿਸਿਬਲ ਮੈਕਸੀਮਮ ਐਕਸਲ ਵੇਟ (PAW, ਫਰੰਟ (ਮੂਹਰਲਾ) ਅਤੇ ਰਿਅਰ (ਪਿਛਲਾ)) ਨਾਲ ਦਰਸਾਇਆ ਜਾਂਦਾ ਹੈ। GVWR ਅਤੇ PAW (ਫਰੰਟ (ਮੂਹਰਲਾ) ਅਤੇ ਰਿਅਰ (ਪਿਛਲਾ)) ਨੂੰ “ਸਪੈਸੀਫਿਕੇਸ਼ਨ” ਸੈਕਸ਼ਨ ਵਿੱਚ ਸੂਚੀਬੱਧ ਕੀਤਾ ਗਿਆ ਹੈ।

**GVWR** – ਪੂਰੀ ਤਰ੍ਹਾਂ ਲੱਦੇ ਵਾਹਨ ਦਾ ਅਧਿਕਤਮ ਸਵੀਕ੍ਰਿਤ ਕੁੱਲ ਭਾਰ (ਸਾਰੀਆਂ ਸਵਾਰੀਆਂ, ਐਕਸੈਸਰੀ ਅਤੇ ਕਾਰਗੋ ਸਮੇਤ ਇਸ ਦੇ ਨਾਲ ਨਾਲ ਟ੍ਰੇਲਰ ਨੇਜ਼ ਵੇਟ ਜੇ ਟ੍ਰੇਲਰ ਨੂੰ ਟੋਚਨ ਕਰਨਾ ਹੋਵੇ)।

**PAW** – (ਫਰੰਟ (ਮੂਹਰਲਾ) ਅਤੇ ਰਿਅਰ (ਪਿਛਲਾ)) ਹਰ ਐਕਸਲ ‘ਤੇ ਅਧਿਕਤਮ ਸਵੀਕ੍ਰਿਤ ਭਾਰ।

ਲੱਦੇ ਹੋਏ ਵਾਹਨ ਦੇ ਅਸਲ ਭਾਰ ਅਤੇ ਫਰੰਟ (ਮੂਹਰਲਾ) ਅਤੇ ਰਿਅਰ ਐਕਸਲਾਂ ‘ਤੇ ਅਸਲ ਭਾਰਾਂ ਦਾ ਪਤਾ ਕੇਵਲ ਵਾਹਨ ਦਾ ਭਾਰ ਕਰਕੇ ਹੀ ਲਗਾਇਆ ਜਾ ਸਕਦਾ ਹੈ। ਇਨ੍ਹਾਂ ਭਾਰਾਂ ਦੀ ਤੁਲਨਾ **GVWR** ਅਤੇ **PAW** (ਫਰੰਟ (ਮੂਹਰਲਾ) ਅਤੇ ਰਿਅਰ (ਪਿਛਲਾ)) ਨਾਲ ਕਰੋ। ਜੇ ਵਾਹਨ ਦਾ ਕੁੱਲ ਭਾਰ ਜਾਂ ਕਿਸੇ ਐਕਸਲ ‘ਤੇ ਭਾਰ ਇਨ੍ਹਾਂ ਰੇਟਿੰਗਾਂ ਤੋਂ ਵੱਧ ਜਾਂਦਾ ਹੈ, ਤਾਂ ਰੇਟਿਡ ਸਮਰਥਾ ਤੱਕ

ਭਾਰ ਨੂੰ ਘਟਾਉਣ ਲਈ ਤੁਹਾਨੂੰ ਕੁੱਝ ਭਾਰ ਨੂੰ ਉਤਾਰਨਾ ਚਾਹੀਦਾ ਹੈ।

#### ⚠ ਰੋਤਾਵਨੀ

ਕਦੇ ਵੀ ਆਪਣੇ ਵਾਹਨ ਨੂੰ ਓਵਰਲੋਡ ਨਾ ਕਰੋ। ਵਾਹਨ ਦਾ ਕੁੱਲ ਭਾਰ (ਵਾਹਨ, ਸਾਰੀਆਂ ਸਵਾਰੀਆਂ, ਐਕਸੈਸਰੀ, ਕਾਰਗੋ ਪਲੱਸ ਟਰੇਲਰ ਨੇਜ਼ ਦਾ ਭਾਰ ਜੇ ਟਰੇਲਰ ਜੋੜਿਆ ਹੋਵੇ) ਕਦੇ ਵੀ ਗਰੈਂਸ ਵਹੀਕਲ ਵੇਟ ਰੇਟਿੰਗ (GVWR) ਤੋਂ ਵੱਧ ਨਹੀਂ ਹੋਣਾ ਚਾਹੀਦਾ। ਇਸ ਤੋਂ ਇਲਾਵਾ, ਲੋਡ ਨੂੰ ਇੰਝ ਕਦੇ ਨਾ ਵੰਡੋ ਤਾਂ ਕਿ ਫਰੰਟ ਜਾਂ ਰਿਅਰ ਐਕਸਲ ‘ਤੇ ਲੋਡ ਪ੍ਰਮਿਸਿਬਲ ਮੈਕਸੀਮਮ ਐਕਸਲ ਵੇਟ (PAW) ਨਾਲੋਂ ਵੱਧ ਹੋ ਜਾਏ।

#### ⚠ ਰੋਤਾਵਨੀ

ਕਾਰਗੋ ਨੂੰ ਹਮੇਸ਼ਾ ਇਕਸਾਰ ਰੱਖੋ। ਸਰੀਰਕ ਚੋਟ ਜਾਂ ਆਪਣੇ ਵਾਹਨ ਨੂੰ ਨੁਕਸਾਨ ਤੋਂ ਬਚਾਉਣ ਲਈ, ਹਮੇਸ਼ਾ ਕਾਰਗੋ ਨੂੰ ਇਸ ਪ੍ਰਕਾਰ ਬੰਨੋ ਕਿ ਵਾਹਨ ਦੇ ਅਚਾਨਕ ਚੱਲਣ ‘ਤੇ ਇਹ ਸਿਫਟ ਨਾ ਹੋਵੇ। ਭਾਰੀਆਂ ਚੀਜ਼ਾਂ ਫਰਸ ‘ਤੇ ਰੱਖੋ ਅਤੇ ਜਿੱਥੋਂ ਤੱਕ ਸੰਭਵ ਹੋਵੇ ਕਾਰਗੋ ਖੇਤਰ ਵਿੱਚ ਅੱਗੇ ਰੱਖੋ। ਕਦੇ ਵੀ ਸੀਟ ਬੈਂਚਾਂ ਦੇ ਟੈਪ ਤੋਂ ਉੱਪਰ ਕਾਰਗੋ ਦਾ ਢੇਰ ਨਾ ਲਗਾਓ।

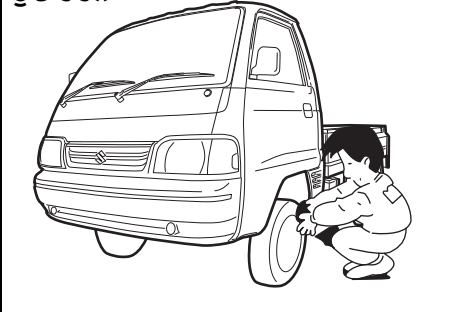
### ਟ੍ਰੇਲਰ ਨੂੰ ਟੋਚਨ ਪਾਉਣਾ (Trailer Towing)

ਤੁਹਾਡੇ ਵਾਹਨ ਨੂੰ ਅਸਲ ਵਿੱਚ ਇੱਕ ਡਰਾਈਵਰ, ਇੱਕ ਯਾਤਰੀ ਅਤੇ ਕੁੱਝ ਕੁ ਕਾਰਗੋ ਲਿਜ਼ਾਉਣ ਲਈ ਡਿਜ਼ਾਈਨ ਕੀਤਾ ਗਿਆ ਸੀ, ਨਾ ਕਿ ਟਰਾਲੀ ਨੂੰ ਟੋਚਨ ਪਾਉਣ ਲਈ। ਮਾਰੂਤੀ ਤੁਹਾਨੂੰ ਆਪਣੇ ਵਾਹਨ ਨਾਲ ਟਰਾਲੀ ਦਾ ਟੋਚਨ ਪਾਉਣ ਦਾ ਸੁਝਾਅ ਨਹੀਂ ਦਿੰਦੀ ਹੈ। ਟਰਾਲੀ ਨੂੰ ਟੋਚਨ ਪਾਉਣਾ ਹੈਂਡਲਿੰਗ, ਟਿਕਾਉਪਣ, ਅਤੇ ਫਿਊਲ ਇਕਾਨਮੀ ਨੂੰ ਪ੍ਰਭਾਵਿਤ ਕਰ ਸਕਦਾ ਹੈ।

## ਇੰਸਪੈਕਸ਼ਨ ਅਤੇ ਰੱਖ ਰਖਾਵ

ਇੰਸਪੈਕਸ਼ਨ ਅਤੇ ਰੱਖ ਰਖਾਵ .....	7-1
ਸਮੇਂ-ਸਮੇਂ 'ਤੇ ਮੇਨਟੀਨੈਂਸ ਦੀ ਸਮਾਂ-ਸਾਰਣੀ.....	7-2
ਗਾਹਕ ਰਾਹੀਂ ਕੀਤੇ ਜਾਣ ਵਾਲੀ ਜਾਂਚ ਅਤੇ ਮੇਨਟੀਨੈਂਸ ਅਪਰੇਸ਼ਨ .....	7-6
ਡਰਾਈਵ ਬੋਲਟ .....	7-8
ਇੰਜਣ ਆਇਲ ਅਤੇ ਫਿਲਟਰ .....	7-8
ਇੰਜਣ ਕੂਲੈਂਟ .....	7-11
ਏਅਰ ਕਲੀਨਰ .....	7-14
ਸਪਾਰਕ ਪਲਿੱਗ .....	7-14
ਗਿਅਰ ਆਇਲ .....	7-14
ਕਲੱਚ ਪੈਡਲ .....	7-16
ਬ੍ਰੇਕਾਂ .....	7-16
ਸਟੀਰਿੰਗ .....	7-20
ਪ੍ਰੋਪੈਲਰ ਸ਼ਾਫਟ ਯੂਨੀਵਰਸਲ ਜੁਆਇੰਟ .....	7-20
ਟਾਇਰ .....	7-20
ਬੈਟਰੀ .....	7-22
ਫਿਊਜ਼ .....	7-24
ਬਲਬ ਬਦਲਣਾ .....	7-26
ਵਾਈਪਰ ਬਲੇਡ .....	7-29
ਵਿੰਡਸ਼ੀਲਡ ਵਾਸਰ ਫਲੂਇਡ (ਜੇਕਰ ਲੱਗਿਆ ਹੋਵੇ) .....	7-31

ਉਦਾਹਰਨ



77PM07008

⚠ ਚੇਤਾਵਨੀ

ਸਰੀਰਕ ਚੇਟ ਤੋਂ ਰੋਕਥਾਮ ਕਰਨ ਲਈ ਤੁਹਾਨੂੰ ਆਪਣੇ ਵਾਹਨ 'ਤੇ ਕੰਮ ਕਰਦੇ ਵੇਲੇ ਪੂਰੀ ਸਾਵਧਾਨੀ ਵਰਤਣੀ ਚਾਹੀਦੀ ਹੈ। ਇੱਥੇ ਕੁੱਝ ਕੁ ਸਾਵਧਾਨੀਆਂ ਦਿੱਤੀਆਂ ਗਈਆਂ ਹਨ ਜਿਨ੍ਹਾਂ ਦੀ ਪਾਲਣਾ ਕਰਨ ਲਈ ਤੁਹਾਨੂੰ ਖਾਸ ਧਿਆਨ ਰੱਖਣਾ ਚਾਹੀਦਾ ਹੈ:

- ਗੈਰਜਾਂ ਜਾਂ ਦੂਜੇ ਸੀਮਿਤ ਖੇਤਰਾਂ ਵਿੱਚ ਇੰਜਣ ਨੂੰ ਚੱਲਦਾ ਨਾ ਛੱਡੋ।
- ਜਦੋਂ ਇੰਜਣ ਚੱਲ ਰਿਹਾ ਹੋਵੇ, ਹੱਥਾਂ, ਕੱਪੜਿਆਂ, ਟੂਲਾਂ, ਅਤੇ ਹੋਰ ਵਸਤੂਆਂ ਨੂੰ ਪੱਖੇ ਅਤੇ ਡਰਾਈਵ ਬ੍ਰੇਕ ਤੋਂ ਦੂਰ ਰੱਖੋ। ਭਾਵੇਂ ਕਿ ਪੱਖਾ ਨਾ ਚੱਲ ਰਿਹਾ ਹੋਵੇ, ਪਰ ਇਹ ਬਿਨਾਂ ਚੇਤਾਵਨੀ ਦੇ ਸਵੈਚਲਿਤ ਹੀ ਚੱਲ ਸਕਦਾ ਹੈ।

(ਚੱਲਦਾ ਹੈ)

⚠ ਚੇਤਾਵਨੀ

(ਚੱਲਦਾ ਹੈ)

- ਜਦੋਂ ਚੱਲਦੇ ਇੰਜਣ ਦਾ ਸਰਵਿਸ ਕਰਨਾ ਲਾਜ਼ਮੀ ਹੋਵੇ, ਯਕੀਨੀ ਬਣਾਓ ਕਿ ਪਾਰਕਿੰਗ ਬਰੇਕ ਨੂੰ ਪੂਰੀ ਤਰ੍ਹਾਂ ਲਗਾਇਆ ਹੋਵੇ ਅਤੇ ਟ੍ਰਾਂਸਮਿਸ਼ਨ ਨਿਊਟਰਲ ਵਿੱਚ ਹੋਵੇ।
- ਇੰਜਣ ਸਟਾਰਟ ਕਰਨ ਵੇਲੇ ਜਾਂ ਜਦੋਂ ਇੰਜਣ ਚੱਲ ਰਿਹਾ ਹੋਵੇ ਇੰਜਣ ਦੀਆਂ ਤਾਰਾਂ ਜਾਂ ਇੰਜਣ ਸਿਸਟਮ ਦੇ ਦੂਜੇ ਭਾਗਾਂ ਨੂੰ ਨਾ ਛੂਹੋ, ਨਹੀਂ ਤਾਂ ਤੁਹਾਨੂੰ ਬਿਜਲੀ ਦਾ ਝਟਕਾ ਲੱਗ ਸਕਦਾ ਹੈ।
- ਗਰਮ ਇੰਜਣ, ਐਗਜ਼ਾਸਟ ਮੈਨੀਫੋਲਡ ਅਤੇ ਪਾਈਪਾਂ, ਮਫਲਰ, ਰੇਡੀਏਟਰ ਅਤੇ ਪਾਣੀ ਦੀਆਂ ਹੋਜਾਂ ਨੂੰ ਨਾ ਛੂਹੋ ਜਾਣ ਲਈ ਸਾਵਧਾਨ ਰਹੋ।
- ਈਧਨ ਜਾਂ ਬੈਟਰੀ ਦੇ ਆਲੇ ਦੁਆਲੇ ਧੂਮਰਪਾਨ, ਸਪਾਰਕ, ਜਾਂ ਅੱਗ ਨਾ ਜਾਣ ਦਿਓ। ਜਲਣਸ਼ੀਲ ਖੂੰਹੇ ਮੌਜੂਦ ਹੁੰਦੇ ਹਨ।
- ਜੇ ਤੁਹਾਡੇ ਵਾਹਨ ਨੂੰ ਦਿੱਤੇ ਹੋਏ ਪੇਰਟੇਬਲ ਜੈਕ 'ਤੇ ਖੜ੍ਹਾ ਕੀਤਾ ਗਿਆ ਹੋਵੇ ਤਾਂ ਆਪਣੇ ਵਾਹਨ ਦੇ ਹੇਠਾਂ ਨਾ ਜਾਓ।
- ਬੈਟਰੀ ਦੇ ਪਾਜੇਟਿਵ ਅਤੇ ਨੈਗਟਿਵ ਟਰਮੀਨਲਾਂ ਵਿਚਕਾਰ ਅਚਾਨਕ ਸ਼ਾਰਟ ਸਰਕਟ ਨਾ ਹੋਵੇ ਇਸ ਪ੍ਰਤੀ ਸਾਵਧਾਨ ਰਹੋ।
- ਵਰਤੋਂ ਹੋਏ ਤੇਲ, ਕੂਲੈਂਟ, ਅਤੇ ਹੋਰ ਤਰਲ ਪਦਾਰਥਾਂ ਨੂੰ ਬੱਚਿਆਂ ਅਤੇ ਪਾਲਤੂ ਜਾਨਵਰਾਂ ਤੋਂ ਦੂਰ ਰੱਖੋ। ਵਰਤੋਂ ਗਏ ਤਰਲਾਂ ਨੂੰ ਧਿਆਨਪੂਰਵਕ ਨਸਟ ਕਰੋ; ਉਨ੍ਹਾਂ ਨੂੰ ਕਦੇ ਵੀ ਜ਼ਮੀਨ, ਸੀਵਰੇਜ, ਆਦਿ ਵਿੱਚ ਨਾ ਸੁੱਟੋ।

ਇੰਸਪੈਕਸ਼ਨ ਅਤੇ ਰੱਖ ਰਖਾਵ

ਹੇਠਾਂ ਦਿੱਤੀ ਸਾਰਣੀ ਉਨ੍ਹਾਂ ਸਮਿਆਂ ਨੂੰ ਦਰਸਾਉਂਦੀ ਹੈ ਜਦੋਂ ਤੁਹਾਨੂੰ ਆਪਣੇ ਵਾਹਨ 'ਤੇ ਨਿਯਮਿਤ ਮੇਨਟੀਨੈਂਸ ਕਰਨਾ ਚਾਹੀਦਾ ਹੈ। ਇਹ ਸਾਰਣੀ ਕਿਲੋਮੀਟਰਾਂ ਅਤੇ ਮਹੀਨਿਆਂ ਵਿੱਚ ਦਰਸਾਉਂਦਾ ਹੈ ਜਦੋਂ ਤੁਹਾਨੂੰ ਇੰਸਪੈਕਸ਼ਨ, ਐਡਜਸਟਮੈਂਟਾਂ, ਲੁਬਰੀਕੇਸ਼ਨ ਅਤੇ ਹੋਰ ਸਰਵਿਸ ਕਰਨੀਆਂ ਚਾਹੀਦੀਆਂ ਹਨ।

⚠ ਚੇਤਾਵਨੀ

ਮਾਰੂਤੀ ਸੂਜੁਕੀ ਸੁਝਾਅ ਦਿੰਦੀ ਹੈ ਕਿ ਤੁਹਾਡੇ ਵਾਹਨ ਦਾ ਮੇਨਟੀਨੈਂਸ ਤੁਹਾਡੀ ਅਧੀਕ੍ਰਿਤ ਮਾਰੂਤੀ ਸੂਜੁਕੀ ਕਮਰਸ਼ੀਅਲ ਵਰਕਸ਼ਾਪ ਰਾਹੀਂ ਕੀਤਾ ਜਾਣਾ ਚਾਹੀਦਾ ਹੈ।

ਨੋਟਿਸ

ਜਦੋਂ ਵੀ ਤੁਹਾਡੇ ਵਾਹਨ 'ਤੇ ਪੁਰਜਿਆਂ ਨੂੰ ਬਦਲਣਾ ਲਾਜ਼ਮੀ ਹੁੰਦਾ ਹੈ, ਇਹ ਸੁਝਾਅ ਦਿੱਤਾ ਜਾਂਦਾ ਹੈ ਕਿ ਤੁਸੀਂ ਮਾਰੂਤੀ ਦੇ ਅਸਲੀ ਰਿਪਲੇਸਮੈਂਟ ਪੁਰਜਿਆਂ ਜਾਂ ਉਨ੍ਹਾਂ ਵਰਗੇ ਪੁਰਜਿਆਂ ਦੀ ਵਰਤੋਂ ਕਰੋ।



## ਸਮੇਂ-ਸਮੇਂ 'ਤੇ ਮੋਨੀਟਰਿੰਗ ਦੀ ਸਮਾਂ-ਸਾਰਣੀ

“C”: ਕਲੀਨ ਕਰੋ

“R”: ਰੀਪਲੇਸ ਕਰੋ ਜਾਂ ਬਦਲੋ

“I”: ਜਾਂਚ ਕਰੋ, ਸਾਫ਼ ਕਰੋ, ਐਡਜਸਟ ਕਰੋ, ਲੁਬਰੀਕੇਟ ਕਰੋ ਜਾਂ ਲੋੜ ਅਨੁਸਾਰ ਬਦਲੋ

“L”: ਲੁਬਰੀਕੇਟ ਕਰੋ

“T”: ਨਿਰਧਾਰਤ ਟੈਰਕ ਤੱਕ ਕੋ

“O”: ਘੁੰਮਾਓ

ਨੋਟ:

- ਇਸ ਸਾਰਣੀ ਵਿੱਚ 90,000 km ਦੀ ਮਾਈਲੇਜ਼ ਤੱਕ ਅਨੁਸੂਚਿਤ ਕੀਤੇ ਅਨੁਸਾਰ ਸੇਵਾਵਾਂ ਸ਼ਾਮਲ ਹੁੰਦੀਆਂ ਹਨ। 90,000 km ਤੋਂ ਉੱਪਰ, ਸਮਾਨ ਸੇਵਾਵਾਂ ਨੂੰ ਕ੍ਰਮਵਾਰ ਸਮਾਨ ਅੰਤਰਾਲਾਂ 'ਤੇ ਕਰਾਉਣਾ ਜਾਰੀ ਰੱਖੋ।
- ਮੁਫਤ ਇੰਸਪੈਕਸ਼ਨ ਲਈ ਮਟੀਰੀਅਲ ਅਤੇ ਪਿਸਣ ਵਾਲੇ ਪੁਰਜਿਆਂ ਦੀ ਲਾਗਤ ਦਾ ਭੁਗਤਾਨ ਗਾਹਕ ਦੁਆਰਾ ਕੀਤਾ ਜਾਂਦਾ ਹੈ।

## ਇੰਸਪੈਕਸ਼ਨ ਅਤੇ ਰੱਖ ਰਖਾਵ

ਅੰਤਰਾਲ: ਇਸ ਅੰਤਰਾਲ ਨੂੰ ਓਡੋਮੀਟਰ ਦੀ ਰੀਡਿੰਗ ਜਾਂ ਮਹੀਨਿਆਂ, ਜੋ ਵੀ ਪਹਿਲਾਂ ਆਵੇ ਰਾਹੀਂ ਫੈਸਲਾ ਕੀਤਾ ਜਾਣਾ ਚਾਹੀਦਾ ਹੈ।		ਮੁਫਤ ਇੰਸਪੈਕਸ਼ਨ				ਖਰਚੇ 'ਤੇ ਸਮੇਂ-ਸਮੇਂ ਦਾ ਮੇਨਟੀਨੈਂਸ					
		km (x1000)	5	10	20	30	40	50	60	70	80
ਮਹੀਨੇ		2	4	8	12	16	20	24	28	32	36
<b>ਇੰਜਣ</b>											
1-1.	ਵਾਟਰ ਪੰਪ ਡਰਾਈਵ ਬੈਲਟ (ਟੈਨਸ਼ਨ, ਪਿਸਾਵ)	-								R	
1-2.	ਇੰਜਣ ਕੂਲੈਂਟ <b>SUZUKI LLC: Super (Blue) (#1,2)</b>	ਕੇਵਲ ਪਹਿਲੀ ਵਾਰ: <b>1,00,000 KM</b> ਜਾਂ <b>60</b> ਮਹੀਨੇ 'ਤੇ ਬਦਲੇ ਜੋ ਵੀ ਪਹਿਲਾਂ ਆਉਂਦਾ ਹੈ।									
	ਇੰਜਣ ਕੂਲੈਂਟ <b>SUZUKI LLC: Standard (Yellow) (#1,3)</b>	ਦੂਜੀ ਵਾਰ ਅਤੇ ਬਾਅਦ ਵਿੱਚ: <b>40,000 KM</b> ਜਾਂ <b>24</b> ਮਹੀਨੇ 'ਤੇ ਬਦਲੇ ਜੋ ਵੀ ਪਹਿਲਾਂ ਆਉਂਦਾ ਹੈ।									
1-3.	ਇੰਜਣ ਆਇਲ, ਇੰਜਣ ਆਇਲ ਫਿਲਟਰ ਅਤੇ ਡਰੇਨ ਪਲੱਗ ਗੈਸਕਿੱਟ (ਲੈਵਲ, ਲੀਕੇਜ਼)		R	R	R	R	R	R	R	R	R
1-4.	ਕੂਲਿੰਗ ਸਿਸਟਮ ਹੋਜਾਂ ਅਤੇ ਕਨੈਕਸ਼ਨ (ਲੀਕੇਜ਼ ਅਤੇ ਖਰਾਬ ਹੋਣਾ)										
1-5.	ਇੰਜਣ ਮਾਊਂਟਿੰਗ ਅਤੇ ਮੈਨੀਫੋਲਡ ਫਿਕਸਿੰਗ (ਢਿੱਲਾ, ਖਰਾਬ ਹੋਣਾ)										
1-6.	ਐਗਜ਼ਾਸਟ ਸਿਸਟਮ (ਸ਼ੋਰ, ਲੀਕੇਜ਼ ਆਦਿ)		-		-		-		-		-
1-7.	ਪਾਜੇਟਿਵ ਕਰੈਂਕ ਕੇਸ ਵੈਂਟੀਲੇਸ਼ਨ ਸਿਸਟਮ (ਹੋਜਾਂ, ਕਨੈਕਸ਼ਨ ਅਤੇ ਵਾਲਵ)		-		-		-		-		-
1-8.	ਐਗਜ਼ਾਸਟ ਗੈਸ ਰੀਸਰਕੂਲੇਸ਼ਨ ਵਾਲਵ (Exhaust Gas Recirculation Valve)	-	-	-	C	-	-	C	-	-	C
<b>ਇਗਨੀਸ਼ਨ</b>											
2-1.	ਇਗਨੀਸ਼ਨ ਵਾਇਰ (ਨੁਕਸਾਨੀ ਹੋਣਾ, ਖਰਾਬ ਹੋਣਾ)	-	-		-		-		-		-
2-2.	ਸਪਾਰਕ ਪਲੱਗ (Spark Plug)	ਪੈਟਰੋਲ (Petrol)	ਹਰ <b>1,00,000 KM</b> ਜਾਂ <b>84</b> ਮਹੀਨਿਆਂ 'ਤੇ ਬਦਲੇ ਜੋ ਵੀ ਪਹਿਲਾਂ ਆਏ								
		ਸੀ.ਐਨ.ਜੀ. (CNG)	ਹਰ <b>50,000 KM</b> ਜਾਂ <b>48</b> ਮਹੀਨਿਆਂ 'ਤੇ ਬਦਲੇ ਜੋ ਵੀ ਪਹਿਲਾਂ ਆਏ								
<b>ਈਧਨ</b>											
3-1.	ਏਅਰ ਕਲੀਨਰ ਫਿਲਟਰ ਐਲੀਮੈਂਟ (Air cleaner filter element)	ਲੁੱਕ ਵਾਲੀ ਸਤ੍ਹਾ	ਹਰ <b>5,000 KM</b> 'ਤੇ ਸਾਫ਼ ਕਰੋ/ਹਰ <b>40,000 KM</b> 'ਤੇ ਬਦਲੋ								
		ਧੂੜ ਵਾਲੀ ਹਾਲਤ	ਹਰ <b>2,500 KM</b> 'ਤੇ ਸਾਫ਼ ਕਰੋ। ਹਰ <b>40,000 KM</b> 'ਤੇ ਬਦਲੋ/ਵੱਧ ਵਾਰ ਬਦਲਣਾ ਜੇ ਹਾਲਤਾਂ ਗੰਭੀਰ ਹੋਣ।								
3-2.	ਫਿਊਲ ਟੈਂਕ ਕੈਪ, ਫਿਊਲ ਲਾਈਨਾਂ ਅਤੇ ਕਨੈਕਸ਼ਨ (ਲੀਕੇਜ਼ ਅਤੇ ਖਰਾਬੀ)		-	-	-		-	-	-		-
3-3.	ਫਿਊਲ ਫਿਲਟਰ (Fuel Filter) (ਲੀਕੇਜ਼)					R				R	

#1: "ਆਪਣੇ ਵਾਹਨ ਨੂੰ ਚਲਾਉਣਾ" (OPERATING YOUR VEHICLE) ਸੈਕਸ਼ਨ ਵਿੱਚ ਰੋਜ਼ਾਨਾ ਦੀ ਇੰਸਪੈਕਸ਼ਨ ਤਹਿਤ ਇੰਜਣ ਦੇ ਕੂਲੈਂਟ ਦੇ ਲੈਵਲ ਦੀ ਜਾਂਚ ਕਰੋ।

ਜਦੋਂ ਤੁਸੀਂ ਕੂਲੈਂਟ ਪਾਉਂਦੇ ਹੋ ਜਾਂ ਬਦਲਦੇ ਹੋ ਤਾਂ ਉਸ ਹੀ ਕਿਸਮ ਦੇ ਕੂਲੈਂਟ ਦੀ ਵਰਤੋਂ ਕਰੋ ਜੋ ਨਵੀਂ ਕਾਰ ਹੋਣ ਸਮੇਂ ਭਰਿਆ ਗਿਆ ਸੀ। ਇਸ ਸੈਕਸ਼ਨ ਵਿੱਚ "ਇੰਜਣ ਕੂਲੈਂਟ" (Engine Coolant) ਨੂੰ ਰੈਫ਼ਰ ਕਰੋ।

#2: ਜਦੋਂ ਤੁਹਾਡਾ ਵਾਹਨ ਅਸਲ ਵਿੱਚ **SUZUKI LLC: Super (Blue)** ਕੂਲੈਂਟ ਨਾਲ ਭਰਿਆ ਹੋਵੇ ਤਾਂ **SUZUKI LLC: Standard (Yellow)** ਕੂਲੈਂਟ ਜਾਂ ਡਿਸਟਿਲਡ ਵਾਟਰ ਜਾਂ ਕੁਝ ਹੋਰ ਨਾ ਸ਼ਾਮਲ ਕਰੋ।

#3: ਜਦੋਂ ਤੁਹਾਡੇ ਵਾਹਨ ਨੂੰ ਅਸਲ ਵਿੱਚ **SUZUKI LLC: Standard (Yellow)** ਕੂਲੈਂਟ ਨਾਲ ਭਰਿਆ ਜਾਂਦਾ ਹੈ, **SUZUKI LLC: Standard (Yellow)** ਕੂਲੈਂਟ ਦੇ ਮੇਨਟੀਨੈਂਸ ਸ਼ਡਿਊਲ ਦੀ ਪਾਲਣਾ ਕਰੋ।

ਅੰਤਰਾਲ: ਇਸ ਅੰਤਰਾਲ ਨੂੰ ਉਡੇਮੀਟਰ ਦੀ ਰੀਡਿੰਗ ਜਾਂ ਮਹੀਨਿਆਂ, ਜੋ ਵੀ ਪਹਿਲਾਂ ਆਵੇ ਰਾਹੀਂ ਫੈਸਲਾ ਕੀਤਾ ਜਾਣਾ ਚਾਹੀਦਾ ਹੈ।		ਮੁਫਤ ਇੰਸਪੈਕਸ਼ਨ				ਖਰਚੇ 'ਤੇ ਸਮੇਂ-ਸਮੇਂ ਦਾ ਮੇਨਟੀਨੈਂਸ					
		km (x1000)	5	10	20	30	40	50	60	70	80
3-4.	ਸੀ.ਐਨ.ਜੀ. ਫਿਊਲ ਲਾਈਨ ਜੁਆਇੰਟ (ਗੈਸ ਲੀਕੇਜ਼)	2	4	8	12	16	20	24	28	32	36
3-5.	ਓ-ਰਿੰਗ ਵਾਲੀ ਸੀ.ਐਨ.ਜੀ. ਲੇਅ ਪ੍ਰੈਸ਼ਰ ਫਿਲਟਰ ਕਾਰਟਰਿਜ਼	-	-	R	-	R	-	R	-	R	-
3-6.	ਸੀ.ਐਨ.ਜੀ. ਸਿਲੰਡਰ ਲੀਕ ਟੈਸਟਿੰਗ ਅਤੇ ਪ੍ਰਮਾਣਿਕਤਾ	ਸਰਕਾਰ ਰਾਹੀਂ ਮਾਨਤਾ ਪ੍ਰਾਪਤ ਟੈਸਟਿੰਗ ਏਜੰਸੀ ਰਾਹੀਂ ਆਰਥਿਕ ਟੈਸਟਿੰਗ ਦੀ ਮਿਤੀ ਹਰ 3 ਸਾਲ ਬਾਅਦ									
3-7.	ਸੀ.ਐਨ.ਜੀ. ਫਿਲਰ ਰੀਸੈਪਟੇਕਲ ਓ-ਰਿੰਗ (CNG filler receptacle O-Ring)	ਹਰ 4 ਸਾਲ ਬਾਅਦ ਜਾਂ 3,00,000 KM 'ਤੇ ਬਦਲੋ, ਜੋ ਵੀ ਪਹਿਲਾਂ ਆਏ									
<b>ਕਲੱਚ ਅਤੇ ਟ੍ਰਾਂਸਮਿਸ਼ਨ</b>											
4-1.	ਕਲੱਚ ਪੈਡਲ (Clutch pedal) (ਪਲੇਅ)										
4-2.	ਕਲੱਚ ਦਾ ਸਲਿੱਪ ਹੋਣਾ (Clutch slipping) (ਡਰੈਗ ਕਰਨਾ ਜਾਂ ਵਾਧੂ ਖਰਾਬੀ)										
4-3.	ਗਿਅਰ ਸ਼ਿਫਟਰ (Gear shifter) (ਅਪਰੇਸ਼ਨ)										
4-4.	ਮੈਨੂਅਲ ਟ੍ਰਾਂਸਮਿਸ਼ਨ ਆਇਲ (ਲੈਵਲ, ਲੀਕੇਜ਼)										
4-5.	ਰਿਅਰ ਡਿਫਰੈਂਸ਼ੀਅਲ ਆਇਲ (Rear Differential Oil) (ਲੈਵਲ, ਲੀਕੇਜ਼)	80,000 km ਜਾਂ 4 ਸਾਲ 'ਤੇ ਬਦਲੋ ਜੋ ਵੀ ਪਹਿਲਾਂ ਆਏ									
4-6.	ਪ੍ਰੋਪੈਲਰ ਸਾਫਟ / ਯੂਨੀਵਰਸਲ ਜੁਆਇੰਟ (ਚਿੱਲਾ, ਖਰਾਬ)		I&L	I&L	I&L	I&L	I&L	I&L	I&L	I&L	I&L
<b>ਬਰੇਕ</b>											
5-1.	ਬਰੇਕ ਫਲੂਇਡ (Brake Fluid) (ਲੈਵਲ, ਲੀਕੇਜ਼)										
5-2.	ਬਰੇਕ ਪੈਡਲ (Brake pedal) (ਪੈਡਲ - ਫਰੰਟ ਪੈਨਲ ਕਲੀਰੈਂਸ)	ਹਰ 40,000 KM ਜਾਂ 24 ਮਹੀਨਿਆਂ 'ਤੇ ਬਦਲੋ ਜੋ ਵੀ ਪਹਿਲਾਂ ਆਏ									
5-3.	ਪਾਰਕਿੰਗ ਬਰੇਕ ਲੀਵਰ ਅਤੇ ਕੇਬਲ (ਪਲੇਅ, ਖਰਾਬ ਹੋਣਾ)										
5-4.	ਬਰੇਕ ਡਿਸਕ ਅਤੇ ਪੈਡ (ਘਿਸਾਵ)										
5-5.	ਬਰੇਕ ਡਰੱਮ ਅਤੇ ਸੂਜ਼ (ਘਿਸਾਵ)	-	-								
5-6.	ਮਾਸਟਰ ਸਿਲੰਡਰ, ਵਹੀਲ ਸਿਲੰਡਰ ਅਤੇ ਕੈਲੀਪਰ ਪਿਸਟਨ (ਫਲੂਇਡ ਲੀਕੇਜ਼, ਬੂਟ/ਸੀਲ ਖਰਾਬ ਹੋਣਾ)										
5-7.	ਬਰੇਕ ਹੋਜ਼ਾਂ ਅਤੇ ਪਾਈਪਾਂ (ਲੀਕੇਜ਼, ਖਰਾਬ ਹੋਣਾ)										
<b>ਪਹੀਆਂ</b>											
6-1.	ਟਾਇਰ (ਏਅਰ ਪ੍ਰੈਸ਼ਰ, ਅਸਧਾਰਨ ਘਿਸਾਈ, ਤਰੇੜ ਅਤੇ ਰੋਟੇਸ਼ਨ)	I&O	I&O	I&O	I&O	I&O	I&O	I&O	I&O	I&O	I&O
6-2.	ਪਹੀਏ (ਖਰਾਬ ਹੋਣਾ)										
6-3.	ਫਰੰਟ (ਮੂਹਰਲਾ) / ਰਿਅਰ (ਪਿਛਲਾ) ਵਹੀਲ ਬਿਅਰਿੰਗ (ਚਿੱਲਾ, ਖਰਾਬ ਹੋਣਾ)										
<b>ਫਰੰਟ (ਮੂਹਰਲਾ) / ਰਿਅਰ (ਪਿਛਲਾ) ਸਸਪੈਂਸ਼ਨ</b>											
7-1.	ਫਰੰਟ ਸਸਪੈਂਸ਼ਨ ਸਟ੍ਰਟ ਅਤੇ ਸ਼ਾਕ ਐਬਜੋਰਬਰ (ਆਇਲ ਲੀਕੇਜ਼, ਖਰਾਬ ਹੋਣਾ)										

## ਇੰਸਪੈਕਸ਼ਨ ਅਤੇ ਰੱਖ ਰਖਾਵ

ਅੰਤਰਾਲ: ਇਸ ਅੰਤਰਾਲ ਨੂੰ ਓਡੋਮੀਟਰ ਦੀ ਰੀਡਿੰਗ ਜਾਂ ਮਹੀਨਿਆਂ, ਜੋ ਵੀ ਪਹਿਲਾਂ ਆਵੇ ਰਾਹੀਂ ਫੈਸਲਾ ਕੀਤਾ ਜਾਣਾ ਚਾਹੀਦਾ ਹੈ।		ਮੁਫਤ ਇੰਸਪੈਕਸ਼ਨ				ਖਰਚੇ 'ਤੇ ਸਮੇਂ-ਸਮੇਂ ਦਾ ਮੇਨਟੇਨੈਂਸ						
		km (x1000)	5	10	20	30	40	50	60	70	80	90
		ਮਹੀਨੇ	2	4	8	12	16	20	24	28	32	36
7-2.	ਫਰੰਟ ਸਸਪੈਂਸ਼ਨ ਆਰਮਜ਼, ਨੱਕਲ (Knuckle) ਸਪੋਰਟ ਅਤੇ ਟੈਂਸ਼ਨ ਰਾਡ (ਚਿੱਲੀਆਂ, ਖਰਾਬ)											
7-3.	ਰਿਅਰ ਲੀਫ ਸਪਰਿੰਗ (Rear leaf spring) (ਖਰਾਬ)											
7-4.	ਰਿਅਰ ਸ਼ਾਕ ਐਬਜ਼ਰਬਰ (ਆਇਲ ਲੀਕੇਜ਼, ਖਰਾਬ)											
7-5.	ਸਾਰੇ ਬੋਲਟ ਅਤੇ ਨੱਟ (ਚਿੱਲੇ)	T	T	T	T	T	T	T	T	T	T	
<b>ਸਟੀਰਿੰਗ</b>												
8-1.	ਸਟੀਰਿੰਗ ਵਹੀਲ (ਪਲੇ, ਚਿੱਲਾ)											
8-2.	ਸਟੀਰਿੰਗ ਕਾਲਮ ਰਾਡ ਅਤੇ ਆਰਮਜ਼ (ਚਿੱਲੇ, ਖਰਾਬ, ਘਿਸੇ ਹੋਏ)											
<b>ਇਲੈਕਟ੍ਰੀਕਲ</b>												
9-1.	ਬੈਟਰੀ - ਇਲੈਕਟ੍ਰੋਲਾਈਟ (ਲੈਵਲ, ਲੀਕੇਜ਼) ਅਤੇ ਵੋਲਟੇਜ											
9-2.	ਵਾਇਰਿੰਗ ਹਾਰਨੈੱਸ ਕਨੈਕਸ਼ਨ (Wiring harness connection) (ਚਿੱਲਾ, ਖਰਾਬ)											
9-3.	ਲਾਈਟਿੰਗ ਸਿਸਟਮ (Lighting system) (ਅਪਰੇਸ਼ਨ)											
9-4.	ਵਾਈਪਰ (Wiper) (ਅਪਰੇਸ਼ਨ, ਧੱਬੇ, ਖਰਾਬ)											
9-5.	ਹਾਰਨ (ਅਪਰੇਸ਼ਨ)											
9-6.	ਐਕਸੈਸਰੀ ਸਾਕੈਟ (ਅਪਰੇਸ਼ਨ)											
<b>ਬਾਡੀ</b>												
10-1.	ਚੈਸੀ ਦੇ ਸਾਰੇ ਬੋਲਟ ਅਤੇ ਨੱਟ (ਕੱਸੇ ਹੋਏ)		T	T	T	T	T	T	T	T	T	
10-2.	ਸਾਰੀਆਂ ਕੁੰਡੀਆਂ, ਕਬਜ਼ੇ ਅਤੇ ਲਾਕ (ਫੰਕਸ਼ਨ)	I&L	I&L	I&L	I&L	I&L	I&L	I&L	I&L	I&L	I&L	
10-3.	ਕਾਰਗੋ ਬੈੱਡ (Cargo bed) (ਜਾਂਚ ਕਰੋ)											
<b>ਰੋਡ ਟੈਸਟ</b>												
11-1.	ਬਰੇਕਾਂ, ਕਲੱਚ, ਗਿਅਰ ਸਿਫਟਿੰਗ ਅਤੇ ਸਪੀਡੋਮੀਟਰ ਦਾ ਅਪਰੇਸ਼ਨ											
11-2.	ਬਾਡੀ ਅਤੇ ਚੈਸੀ ਦਾ ਸ਼ੋਰ											

### ਗਾਹਕ ਰਾਹੀਂ ਕੀਤੇ ਜਾਣ ਵਾਲੀ ਜਾਂਚ ਅਤੇ ਮੇਨਟੀਨੈਂਸ ਅਪਰੇਸ਼ਨ

ਹੇਠਾਂ ਦਿੱਤੀ ਸਾਰਣੀ ਇੰਸਪੈਕਸ਼ਨ ਅਤੇ ਮੇਨਟੀਨੈਂਸ ਅਪਰੇਸ਼ਨਾਂ ਨੂੰ ਦਰਸਾਉਂਦੀ ਹੈ ਜੋ ਤੁਸੀਂ ਕਰ ਸਕਦੇ ਹੋ।  
ਇਹ ਸਾਰਣੀ ਉਸ ਫਰੀਕਵੈਂਸੀ ਨੂੰ ਦਰਸਾਉਂਦੀ ਹੈ ਜਦੋਂ ਤੁਹਾਨੂੰ ਇੰਸਪੈਕਸ਼ਨ, ਗਰੀਸਿੰਗ, ਲੁਬਰੀਕੇਸ਼ਨ ਅਤੇ ਹੋਰ ਸਰਵਿਸਾਂ ਕਰਨੀਆਂ ਚਾਹੀਦੀਆਂ ਹਨ।

ਫਰੀਕਵੈਂਸੀ	ਕ੍ਰਮ ਅੰਕ.	ਅਪਰੇਸ਼ਨ	ਰਿਫਰੈਂਸ
ਰੋਜਾਨਾ	1	ਏਅਰ ਪ੍ਰੈਸ਼ਰ, ਅਸਧਾਰਨ ਘਿਸਾਈ, ਤਰੇੜਾਂ ਅਤੇ ਖਰਾਬੀ ਲਈ ਸਾਰੇ ਟਾਇਰਾਂ ਦੀ ਜਾਂਚ ਕਰੋ (ਸਪੇਅਰ ਵਹੀਲ ਸਮੇਤ)	ਸਫਾ ਨੰਬਰ 7-20
ਸਪਤਾਹਿਕ	2	ਇੰਜਣ ਆਇਲ ਦੇ ਲੈਵਲ ਦੀ ਜਾਂਚ ਕਰੋ, ਜੇ ਲਾਜ਼ਮੀ ਹੋਵੇ, ਮਾਰੂਤੀ ਦੇ ਅਸਲੀ ਇੰਜਣ ਆਇਲ ਨਾਲ ਟੈਪ ਅੱਪ ਕਰੋ।	ਸਫਾ ਨੰਬਰ 7-9
	3	ਕੂਲੈਂਟ ਰੇਜ਼ਰਵੋਇਰ ਵਿੱਚ ਕੂਲੈਂਟ ਦੇ ਲੈਵਲ ਦੀ ਜਾਂਚ ਕਰੋ ਅਤੇ ਜੇ ਲਾਜ਼ਮੀ ਹੋਵੇ, ਦੋ ਨਿਰਧਾਰਿਤ ਅਨੁਪਾਤ ਵਿੱਚ ਮਾਰੂਤੀ ਦੇ ਪ੍ਰਸਤਾਵਿਤ ਅਸਲੀ ਕੂਲੈਂਟ ਅਤੇ ਡਿਸਟਿਲਡ ਵਾਟਰ ਨਾਲ ਭਰੋ।	ਸਫਾ ਨੰਬਰ 7-11
	4	ਟ੍ਰਾਂਸਮਿਸ਼ਨ ਆਇਲ ਲੈਵਲ ਅਤੇ ਡਿਫ੍ਰੈਂਸ਼ਿਅਲ ਆਇਲ ਲੈਵਲ ਦੀ ਜਾਂਚ ਕਰੋ।	ਸਫਾ ਨੰਬਰ 7-15
	5	ਬਰੇਕ ਫਲੂਇਡ ਰੇਜ਼ਰਵੋਇਰ ਵਿੱਚ ਬਰੇਕ ਫਲੂਇਡ ਲੈਵਲ ਦੀ ਜਾਂਚ ਕਰੋ ਅਤੇ ਜੇਕਰ ਜ਼ਰੂਰੀ ਹੋਵੇ, ਤਾਂ ਮਾਰੂਤੂ ਦੇ ਅਸਲ ਬਰੇਕ ਫਲੂਇਡ ਨਾਲ ਭਰੋ।	ਸਫਾ ਨੰਬਰ 7-16
	6	ਇਨ੍ਹਾਂ ਲਈ ਵਾਚਨ ਦੀ ਜਾਂਚ ਕਰੋ <ul style="list-style-type: none"> <li>• ਇੰਜਣ ਆਇਲ ਦੀ ਲੀਕੇਜ਼</li> <li>• ਕੂਲੈਂਟ ਦੀ ਲੀਕੇਜ਼</li> <li>• ਬਰੇਕ ਫਲੂਇਡ ਦੀ ਲੀਕੇਜ਼</li> </ul> <ul style="list-style-type: none"> <li>• ਫਰੰਟ ਸਸਪੈਂਸ਼ਨ ਸਟ੍ਰਟ ਲੀਕੇਜ਼</li> <li>• ਰੀਅਰ ਸ਼ੈਕ ਐਬਜੈਂਰਬਰ ਲੀਕੇਜ਼</li> <li>• ਫਿਊਲ ਲੀਕੇਜ਼</li> <li>• ਟ੍ਰਾਂਸਮਿਸ਼ਨ ਆਇਲ ਅਤੇ ਡਿਫ੍ਰੈਂਸ਼ਿਅਲ ਆਇਲ ਲੀਕੇਜ਼</li> </ul>	ਇੰਸਪੈਕਸ਼ਨ ਅਤੇ ਮੇਨਟੀਨੈਂਸਸੈਕਸ਼ਨ
	7	ਬੈਟਰੀ ਦੇ ਇਲੈਕਟ੍ਰੋਲਾਈਟ ਦੇ ਲੈਵਲ, ਟਰਮੀਨਲਾਂ ਅਤੇ ਬੈਕਟ ਦੀ ਜਾਂਚ ਕਰੋ।	ਸਫਾ ਨੰਬਰ 7-23
	8	ਵਹੀਲ ਮਾਊਂਟਿੰਗ ਨਟਾਂ ਦੀ ਜਾਂਚ ਕਰੋ ਅਤੇ ਕੱਸੇ ਜੇ ਲਾਜ਼ਮੀ ਹੋਵੇ।	ਸਫਾ ਨੰਬਰ 8-5

## ਇੰਸਪੈਕਸ਼ਨ ਅਤੇ ਰੱਖ ਰਖਾਵ

ਮਹੀਨਾਵਾਰ	9	ਨੁਕਸਾਨ ਹੋਣ ਜਾਂ ਖਰਾਬ ਹੋਣ ਲਈ ਡਰਾਈਵ ਬੈਲਟ ਦੀ ਜਾਂਚ ਕਰੋ।	ਸਫਾ ਨੰਬਰ 7-8
	10	ਏਅਰ ਫਿਲਟਰ ਦੇ ਐਲੀਮੈਂਟ ਨੂੰ ਸਾਫ਼ ਕਰੋ।	ਸਫਾ ਨੰਬਰ 7-14
	11	ਬਹੁਤ ਮੰਤਵ ਵਾਲੀ ਗਰੀਸ ਨਾਲ ਸਾਰੀਆਂ ਕੁੰਡੀਆਂ, ਕਬਜ਼ਿਆਂ ਅਤੇ ਤਾਲਿਆਂ ਨੂੰ ਗਰੀਸ ਦਿਓ।	ਸਫਾ ਨੰਬਰ 7-5
	12	ਗਰੀਸ ਗੰਨ ਨਾਲ ਪ੍ਰੋਪੈਲਰ ਸ਼ਾਫਟ ਦੇ ਯੂਨੀਵਰਸਲ ਜੁਆਇੰਟ ਨੂੰ ਗਰੀਸ ਦਿਓ।	ਸਫਾ ਨੰਬਰ 7-20
ਜਿਵੇਂ ਅਤੇ ਜਦੋਂ ਲੋੜ ਹੋਵੇ	13	ਕਲੱਚ ਪੈਡਲ ਦੀ ਪਲੇ ਦੀ ਜਾਂਚ ਕਰੋ।	ਸਫਾ ਨੰਬਰ 7-16
	14	ਜਦੋਂ ਇੰਜਣ ਚੱਲਦਾ ਹੋਵੇ, ਬਰੇਕਾਂ ਲਗਾ ਕੇ ਬਰੇਕ ਪੈਡਲ ਦੀ ਫਲੋਰ ਪੈਨਲ ਦੀ ਦੂਰੀ ਤੱਕ ਦੀ ਜਾਂਚ ਕਰੋ।	ਸਫਾ ਨੰਬਰ 7-17
	15	ਉਚਿੱਤ ਐਡਜਸਟਮੈਂਟ ਲਈ ਪਾਰਕਿੰਗ ਬਰੇਕ ਦੀ ਜਾਂਚ ਕਰੋ।	ਸਫਾ ਨੰਬਰ 7-18

\*ਜੇ ਵਾਹਨ ਇੱਕ ਸਾਈਡ ਨੂੰ ਖਿੱਚਦਾ ਹੋਵੇ ਜਾਂ ਵੱਧ ਸਪੀਡ 'ਤੇ ਵਾਈਬ੍ਰੇਟ ਕਰਦਾ ਹੋਵੇ ਤਾਂ ਵਹੀਲ ਅਲਾਇਨਮੈਂਟ ਅਤੇ ਬੈਲੇਸਿੰਗ ਦੀ ਜਾਂਚ ਕਰੋ ਅਤੇ/ਜਾਂ ਐਡਜਸਟ ਕਰੋ।

## ਡਰਾਈਵ ਬੈਲਟ

### ⚠ ਚੇਤਾਵਨੀ

ਜਦੋਂ ਇੰਜਣ ਚੱਲ ਰਿਹਾ ਹੋਵੇ, ਹੱਥਾਂ, ਵਾਲਾਂ, ਕੱਪੜਿਆਂ, ਐਜਰਾਂ, ਆਦਿ ਨੂੰ ਚੱਲ ਰਹੇ ਫੈਨ ਅਤੇ ਡਰਾਈਵ ਬੈਲਟਾਂ ਤੋਂ ਦੂਰ ਰੱਖੋ।

ਪੱਕਾ ਕਰੋ ਕਿ ਡਰਾਈਵ ਬੈਲਟ ਟੈਨਸ਼ਨ ਸਹੀ ਹੈ। ਜੇ ਬੈਲਟ ਬਹੁਤ ਢਿੱਲੀ ਹੋਵੇ, ਬੈਟਰੀ ਦੀ ਘੱਟ ਚਾਰਜਿੰਗ, ਇੰਜਣ ਦੀ ਓਵਰਹੀਟਿੰਗ ਜਾਂ ਬੈਲਟ ਦਾ ਵਧੇਰੇ ਘਿਸਣਾ ਹੋ ਸਕਦਾ ਹੈ।

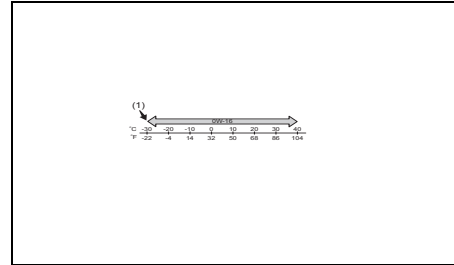
ਬੈਲਟਾਂ ਦੀ ਜਾਂਚ ਵੀ ਕੀਤੀ ਜਾਣੀ ਚਾਹੀਦੀ ਇਹ ਪੱਕਾ ਕਰਨ ਲਈ ਕਿ ਉਹ ਖਰਾਬ ਨਾ ਹੋਣ।

ਜੇਕਰ ਤੁਹਾਨੂੰ ਬੈਟਲ ਬਦਲਣ ਜਾਂ ਐਡਜਸਟ ਕਰਨ ਦੀ ਲੋੜ ਹੋਵੇ ਤਾਂ ਇਹ ਕੰਮ ਆਪਣੇ ਮਾਰੂਤੀ ਸ਼ੁਜੂਕੀ ਦੀ ਅਧੀਕ੍ਰਿਤ ਵਰਕਸ਼ਾਪ ਤੋਂ ਕਰਵਾਓ।

## ਇੰਜਣ ਆਇਲ ਅਤੇ ਫਿਲਟਰ

ਨਿਰਧਾਰਤ ਆਇਲ

ਭਾਰਤ ਲਈ



56RM07013

### (1) ਪ੍ਰਸਤਾਵਿਤ

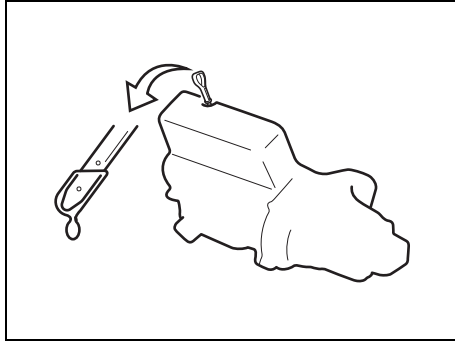
ਜਾਂਚ ਕਰੋ ਕਿ ਜਿਸ ਇੰਜਣ ਆਇਲ ਦੀ ਤੁਸੀਂ ਵਰਤੋਂ ਕਰਦੇ ਹੋ ਉਹ ਏ ਪੀ ਆਈ ਐਸ ਐਨ ਦੇ ਕੁਆਲਿਟੀ ਵਰਗੀਕਰਨ ਵਿੱਚ ਆਉਂਦਾ ਹੋਵੇ। ਉੱਪਰ ਦਿੱਤੇ ਗਏ ਚਾਰਟ ਅਨੁਸਾਰ ਢੁਕਵੀਂ ਆਇਲ ਵਿਸਕੋਸਿਟੀ ਦੀ ਚੋਣ ਕਰੋ

**SAE 0W-16 (1)** ਚੰਗੀ ਫਿਊਲ ਇਕਾਨਮੀ ਅਤੇ ਠੰਢੇ ਮੌਸਮ ਵਿੱਚ ਚੰਗੇ ਸਟਾਰਟ-ਅੱਪ ਲਈ ਬਿਹਤਰ ਵਿਕਲਪ ਹੈ।

ਨੋਟ:

- ਰੀਪਲੇਸਮੈਂਟ ਟਾਈਮਿੰਗ ਇੰਜਣ ਆਇਲ ਦੀ ਉਸ ਕਿਸਮ ਨਾਲ ਬਦਲਦਾ ਹੈ ਜੋ ਤੁਸੀਂ ਚੁਣਦੇ ਹੋ। ਇਸ ਅਨੁਸਾਰ ਮੇਨਟੀਨੈਂਸ ਸਾਰਣੀ ਲਈ ਇਸ ਸੈਕਸ਼ਨ ਵਿੱਚ "ਮੇਨਟੀਨੈਂਸ ਅਨੁਸੂਚੀ" ਨੂੰ ਰੈਫਰ ਕਰੋ।
- ਅਸੀਂ ਸੁਝਾਅ ਦਿੰਦੇ ਹਾਂ ਕਿ ਤੁਸੀਂ ਮਾਰੂਤੀ ਸ਼ੁਜੂਕੀ ਦੇ ਅਸਲ ਤੇਲ ਦੀ ਵਰਤੋਂ ਕਰੋ। ਇਹ ਖਰੀਦਣ ਲਈ, ਮਾਰੂਤੀ ਸ਼ੁਜੂਕੀ ਦੀ ਅਧੀਕ੍ਰਿਤ ਵਰਕਸ਼ਾਪ ਨਾਲ ਸੰਪਰਕ ਕਰੋ।

ਆਇਲ ਲੈਵਲ ਦੀ ਜਾਂਚ



55RH07002

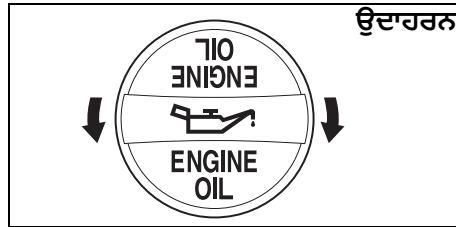
ਆਪਣੇ ਵਾਹਨ ਦੇ ਇੰਜਣ ਦੀ ਉਚਿਤ ਲੁਬਰੀਕੇਸ਼ਨ ਲਈ ਇੰਜਣ ਆਇਲ ਨੂੰ ਸਹੀ ਲੈਵਲ 'ਤੇ ਰੱਖਣਾ ਮਹੱਤਵਪੂਰਣ ਹੁੰਦਾ ਹੈ। ਲੈਵਲ ਸੈਰਵੇਸ 'ਤੇ ਵਾਹਨ ਵਿੱਚ ਆਇਲ ਲੈਵਲ ਦੀ ਜਾਂਚ ਕਰੋ। ਆਇਲ ਲੈਵਲ ਦਾ ਸੰਕੇਤ ਗਲਤ ਹੋ ਸਕਦਾ ਹੈ ਜੇ ਵਾਹਨ ਢਲਾਨ 'ਤੇ ਖੜ੍ਹਾ ਹੋਵੇ। ਆਇਲ ਲੈਵਲ ਦੀ ਜਾਂਚ ਇੰਜਣ ਚਾਲੂ ਕਰਨ ਤੋਂ ਪਹਿਲਾਂ ਜਾਂ ਇੰਜਣ ਬੰਦ ਕਰਨ ਤੋਂ ਘੱਟੋ ਘੱਟ 5 ਮਿੰਟ ਬਾਅਦ ਕੀਤੀ ਜਾਣੀ ਚਾਹੀਦੀ ਹੈ।

ਆਇਲ ਡਿਪਸਟਿੱਕ ਨੂੰ ਬਾਹਰ ਖਿੱਚੋ, ਸਾਫ਼ ਕੱਪੜੇ ਨਾਲ ਡੇਲ ਨੂੰ ਸਾਫ਼ ਕਰੋ, ਡਿਪਸਟਿੱਕ ਨੂੰ ਪੂਰੀ ਤਰ੍ਹਾਂ ਇੰਜਣ ਵਿੱਚ ਇਸਰਟ ਕਰੋ, ਅਤੇ ਫਿਰ ਇਸ ਨੂੰ ਨਿਕਾਲੇ। ਸਟਿੱਕ 'ਤੇ ਆਇਲ ਲੈਵਲ ਸਟਿੱਕ 'ਤੇ ਦਰਸਾਈਆਂ ਉੱਪਰਲੀਆਂ ਅਤੇ ਹੇਠਲੀਆਂ ਸੀਮਾਵਾਂ ਵਿਚਕਾਰ ਹੋਣਾ ਚਾਹੀਦਾ ਹੈ। ਜੇ ਆਇਲ ਲੈਵਲ ਦਾ ਸੰਕੇਤ ਹੇਠਲੀ ਸੀਮਾ ਦੇ ਨੇੜੇ ਹੋਵੇ, ਤਾਂ ਉੱਪਰਲੀ ਸੀਮਾ ਤੱਕ ਲੈਵਲ ਨੂੰ ਚੁੱਕਣ ਲਈ ਹੋਰ ਆਇਲ ਪਾਓ।

ਨੋਟਿਸ

ਨਿਯਮਿਤ ਰੂਪ ਵਿੱਚ ਆਇਲ ਦੇ ਲੈਵਲ ਦੀ ਜਾਂਚ ਨਾ ਕਰਨਾ ਘੱਟ ਆਇਲ ਹੋਣ ਕਾਰਣ ਇੰਜਣ ਦੀ ਗੰਭੀਰ ਸਮੱਸਿਆ ਦਾ ਕਾਰਣ ਬਣ ਸਕਦਾ ਹੈ।

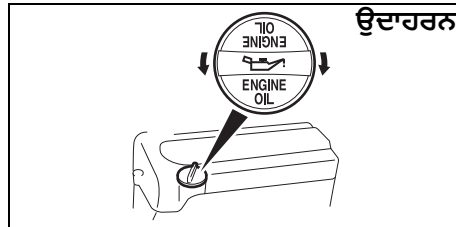
ਰੀਫਿਲਿੰਗ (Refilling)



ਉਦਾਹਰਨ

68PH00762

ਆਇਲ ਫਿੱਲਰ ਕੈਪ (oil filler cap) ਨੂੰ ਖੋਲ੍ਹੋ ਅਤੇ ਡਿੱਪਸਟਿੱਕ 'ਤੇ ਉੱਪਰਲੀ ਸੀਮਾ ਤੱਕ ਆਇਲ ਲੈਵਲ ਨੂੰ ਲਿਆਉਣ ਲਈ ਫਿੱਲਰ ਦੇ ਛੇਦ ਰਾਹੀਂ ਹੌਲੀ ਹੌਲੀ ਆਇਲ ਪਾਓ। ਵਾਧੂ ਨਾ ਭਰੋ ਜਾਣ ਲਈ ਸਾਵਧਾਨ ਰਹੋ। ਬਹੁਤ ਜ਼ਿਆਦਾ ਆਇਲ ਉੱਨਾ ਹੀ ਮਾੜਾ ਹੁੰਦਾ ਹੈ ਜਿੰਨਾ ਕਿ ਬਹੁਤ ਘੱਟ ਆਇਲ। ਰੀਫਿਲਿੰਗ ਤੋਂ ਬਾਅਦ, ਇੰਜਣ ਚਾਲੂ ਕਰੋ ਅਤੇ ਇਸ ਨੂੰ ਲਗਭੱਗ ਇੱਕ ਮਿੰਟ ਲਈ ਖਾਲੀ ਚੱਲਣ ਦਿਓ। ਇੰਜਣ ਬੰਦ ਕਰੋ, 5 ਮਿੰਟ ਲਈ ਇੰਜਣ ਕਰੋ ਅਤੇ ਆਇਲ ਲੈਵਲ ਦੀ ਦੁਬਾਰਾ ਜਾਂਚ ਕਰੋ।



ਉਦਾਹਰਨ

68PM00703

ਇੰਜਣ ਆਇਲ ਅਤੇ ਫਿਲਟਰ ਨੂੰ ਬਦਲਣਾ

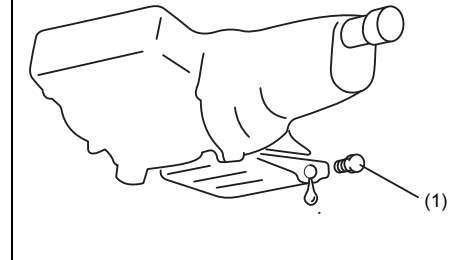
ਜਦੋਂ ਇੰਜਣ ਗਰਮ ਹੋਵੇ ਤਾਂ ਇੰਜਣ ਆਇਲ ਨੂੰ ਨਿਕਾਲੇ।

- 1) ਆਇਲ ਫਿੱਲਰ ਕੈਪ (oil filler cap) ਨੂੰ ਖੋਲ੍ਹੋ।
- 2) ਡਰੇਨ ਪਲੱਗ ਦੇ ਹੇਠਾਂ ਇੱਕ ਡਰੇਨ ਪੈਨ ਰੱਖੋ।
- 3) ਇੱਕ ਰੈੱਚ ਦੀ ਵਰਤੋਂ ਕਰਕੇ, ਡਰੇਨ ਪਲੱਗ ਨੂੰ ਹਟਾਓ ਅਤੇ ਇੰਜਣ ਆਇਲ ਨੂੰ ਬਾਹਰ ਕੱਢੋ।

▲ ਸਾਵਧਾਨ

ਇੰਜਣ ਆਇਲ ਦਾ ਤਾਪਮਾਨ ਇੰਨਾ ਜ਼ਿਆਦਾ ਹੋ ਸਕਦਾ ਹੈ ਕਿ ਡਰੇਨ ਪਲੱਗ ਢਿੱਲਾ ਹੋਣ 'ਤੇ ਤੁਹਾਡੀਆਂ ਉਂਗਲਾਂ ਨੂੰ ਸਾੜ ਦਿੱਤਾ ਜਾ ਸਕਦਾ ਹੈ। ਇੰਜਣ ਕਰੋ ਜਦੋਂ ਤੱਕ ਡਰੇਨ ਪਲੱਗ ਤੁਹਾਡੇ ਨੰਗੇ ਹੱਥਾਂ ਨਾਲ ਛੂਹਣ ਲਈ ਚੰਗੀ ਤਰ੍ਹਾਂ ਠੰਡਾ ਨਹੀਂ ਹੁੰਦਾ।

ਉਦਾਹਰਨ



77PM00707

ਡਰੇਨ ਪਲੱਗ (1) ਲਈ ਕੱਸਣ ਦਾ ਟਾਰਕ:  
50 Nm (5.1 kg-m, 36.9 lb-ft)



**⚠ ਚੇਤਾਵਨੀ**

ਨਵਾਂ ਅਤੇ ਵਰਤਿਆ ਗਿਆ ਆਇਲ ਖ਼ਤਰਨਾਕ ਹੋ ਸਕਦਾ ਹੈ। ਨਵੇਂ ਜਾਂ ਵਰਤੇ ਗਏ ਆਇਲ ਨੂੰ ਨਿਗਲਣ ਨਾਲ ਬੱਚਿਆਂ ਅਤੇ ਪਾਲਤੂ ਜਾਨਵਰਾਂ ਨੂੰ ਨੁਕਸਾਨ ਹੋ ਸਕਦਾ ਹੈ। ਨਵੇਂ ਅਤੇ ਵਰਤੇ ਗਏ ਆਇਲ ਅਤੇ ਵਰਤੇ ਗਏ ਆਇਲ ਫਿਲਟਰਾਂ ਨੂੰ ਬੱਚਿਆਂ ਅਤੇ ਪਾਲਤੂ ਜਾਨਵਰਾਂ ਤੋਂ ਦੂਰ ਰੱਖੋ।

ਵਰਤੇ ਹੋਏ ਇੰਜਣ ਆਇਲ ਨਾਲ ਵਾਰ-ਵਾਰ, ਲੰਬੇ ਸਮੇਂ ਤੱਕ ਸੰਪਰਕ ਕਰਨ ਨਾਲ ਚਮੜੀ ਦਾ ਕੈਂਸਰ ਹੋ ਸਕਦਾ ਹੈ।

ਵਰਤੇ ਗਏ ਆਇਲ ਨਾਲ ਕੁੱਝ ਸਮੇਂ ਲਈ ਸੰਪਰਕ ਚਮੜੀ ਨੂੰ ਪਰੇਸ਼ਾਨ ਕਰ ਸਕਦਾ ਹੈ।

ਵਰਤੇ ਗਏ ਆਇਲ ਨਾਲ ਤੁਹਾਡੇ ਛੂਹਣ ਨੂੰ ਘੱਟ ਤੋਂ ਘੱਟ ਕਰਨ ਲਈ, ਆਇਲ ਬਦਲਦੇ ਸਮੇਂ ਪੂਰੀਆਂ ਬਾਹਵਾਂ ਵਾਲੀ ਕਮੀਜ਼ ਅਤੇ ਨਮੀ-ਪੂਛ ਦਸਤਾਨੇ (ਜਿਵੇਂ ਕਿ ਬਰਤਨ ਧੋਣ ਵਾਲੇ ਦਸਤਾਨੇ) ਪਹਿਨੋ। ਜੇਕਰ ਆਇਲ ਤੁਹਾਡੀ ਚਮੜੀ ਨਾਲ ਛੂੰਹਦਾ ਹੈ, ਤਾਂ ਸਾਬਣ ਅਤੇ ਪਾਣੀ ਨਾਲ ਚੰਗੀ ਤਰ੍ਹਾਂ ਧੋਵੋ।

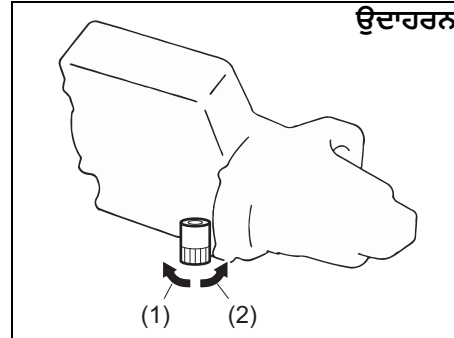
ਆਇਲ ਨਾਲ ਗਿੱਲੇ ਹੋਣ 'ਤੇ ਕਿਸੇ ਵੀ ਕੱਪੜੇ ਜਾਂ ਚੀਥੜੇ ਨੂੰ ਧੋਵੋ।

ਵਰਤੇ ਗਏ ਆਇਲ ਅਤੇ ਫਿਲਟਰਾਂ ਨੂੰ ਰੀਸਾਈਕਲ ਕਰੋ ਜਾਂ ਸਹੀ ਢੰਗ ਨਾਲ ਨਸ਼ਟ ਕਰੋ।

- ਡਰੇਨ ਪਲੱਗ ਅਤੇ ਗੈਸਕੇਟ ਨੂੰ ਮੁੜ ਸਥਾਪਿਤ ਕਰੋ। ਇੱਕ ਰੈਂਚ ਨਾਲ ਪਲੱਗ ਨੂੰ ਨਿਰਧਾਰਤ ਟੌਰਕ 'ਤੇ ਕੱਸੋ।

**ਆਇਲ ਫਿਲਟਰ ਨੂੰ ਬਦਲੋ**

- ਆਇਲ ਫਿਲਟਰ ਰੈਂਚ (oil filter wrench) ਦੀ ਵਰਤੋਂ ਕਰਦੇ ਹੋਏ, ਆਇਲ ਫਿਲਟਰ ਨੂੰ ਕਾਊਂਟਰਕਲਾਕਵਾਈਜ਼ ਦਿਸ਼ਾ ਵਿੱਚ ਘੁੰਮਾਓ ਅਤੇ ਇਸਨੂੰ ਖੋਲ੍ਹੋ।
- ਇੱਕ ਸਾਫ਼ ਕੱਪੜੇ ਦੀ ਵਰਤੋਂ ਕਰਦੇ ਹੋਏ, ਇੰਜਣ 'ਤੇ ਮਾਊਂਟਿੰਗ ਸਤ੍ਹਾ ਨੂੰ ਪੂੰਝੋ ਜਿੱਥੇ ਨਵਾਂ ਫਿਲਟਰ ਲਗਾਉਣਾ ਹੋਵੇ।
- ਨਵੇਂ ਆਇਲ ਫਿਲਟਰ ਦੇ ਰਬੜ ਗੈਸਕੇਟ ਦੇ ਦੁਆਲੇ ਥੋੜਾ ਜਿਹਾ ਇੰਜਣ ਆਇਲ ਲਗਾਓ।
- ਨਵੇਂ ਫਿਲਟਰ ਦਾ ਹੱਥ ਨਾਲ ਉਦੋਂ ਤੱਕ ਪੇਚ ਕੱਸੋ ਜਦੋਂ ਤੱਕ ਫਿਲਟਰ ਗੈਸਕੇਟ ਮਾਊਂਟਿੰਗ ਸਤ੍ਹਾ ਨਾਲ ਸੰਪਰਕ ਨਹੀਂ ਕਰਦਾ।

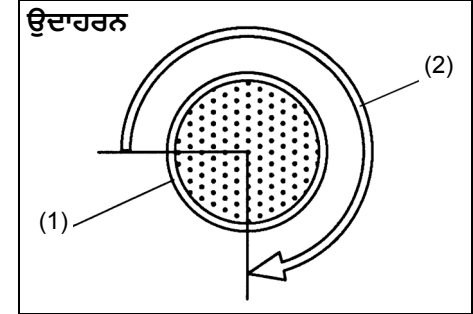


ਉਦਾਹਰਨ

77PH017

- ਢਿੱਲਾ
- ਕੱਸਿਆ ਹੋਇਆ

**ਕੱਸਣਾ (ਫਿਲਟਰ ਦੇ ਸਿਖਰ ਤੋਂ ਦੇਖਿਆ ਗਿਆ)**



54G093

- ਆਇਲ ਫਿਲਟਰ (Oil filter)
- 3/4 ਟਰਨ

**ਨੋਟਿਸ**

ਆਇਲ ਫਿਲਟਰ ਨੂੰ ਸਹੀ ਢੰਗ ਨਾਲ ਕੱਸਣ ਲਈ, ਉਸ ਸਥਿਤੀ ਦੀ ਸਹੀ ਪਛਾਣ ਕਰਨਾ ਮਹੱਤਵਪੂਰਨ ਹੈ ਜਿਸ 'ਤੇ ਫਿਲਟਰ ਗੈਸਕੇਟ ਪਹਿਲਾਂ ਮਾਊਂਟਿੰਗ ਸਤ੍ਹਾ ਨਾਲ ਸੰਪਰਕ ਕਰਦਾ ਹੈ।

- ਆਇਲ ਫਿਲਟਰ ਰੈਂਚ (oil filter wrench) ਦੀ ਵਰਤੋਂ ਕਰਦੇ ਹੋਏ ਫਿਲਟਰ ਨੂੰ ਨਿਰਧਾਰਤ ਟਰਨ ਤੱਕ ਮਾਊਂਟਿੰਗ ਸਤ੍ਹਾ (ਜਾਂ ਨਿਰਧਾਰਤ ਟਾਰਕ ਤੱਕ) ਦੇ ਸੰਪਰਕ ਦੇ ਬਿੰਦੂ ਤੱਕ ਕੱਸੋ।

ਆਇਲ ਫਿਲਟਰ ਲਈ 3/4 ਟਰਨ ਜਾਂ 14 Nm (1.4 kgf-m, 10.3 lbf-ft) ਲਈ ਕੱਸਣ ਦਾ ਟਾਰਕ

ਨੋਟਿਸ
ਆਇਲ ਦੇ ਲੀਕੇਜ਼ ਨੂੰ ਰੋਕਣ ਲਈ, ਯਕੀਨੀ ਬਣਾਓ ਕਿ ਆਇਲ ਫਿਲਟਰ ਕੱਸਿਆ ਹੋਇਆ ਹੈ, ਪਰ ਇਸਨੂੰ ਜ਼ਿਆਦਾ ਨਾ ਕੱਸੋ।

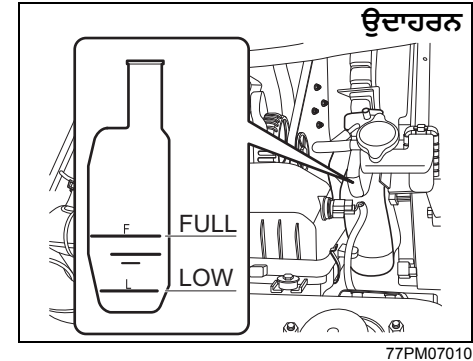
### ਆਇਲ ਨਾਲ ਦੁਬਾਰਾ ਭਰੇ ਅਤੇ ਲੀਕ ਦੀ ਜਾਂਚ ਕਰੋ

- 1) ਫਿਲਰ ਕੈਪ ਰਾਹੀਂ ਆਇਲ ਪਾਓ ਅਤੇ ਫਿਲਰ ਕੈਪ ਲਗਾਓ।  
ਆਇਲ ਦੀ ਅਨੁਮਾਨਿਤ ਸਮਰੱਥਾ ਲਈ, "ਸਪੈਸੀਫਿਕੇਸ਼ਨਾਂ" (SPECIFICATIONS) ਭਾਗ ਵਿੱਚ "ਸਮਰੱਥਾਵਾਂ" (CAPACITIES) ਆਈਟਮ ਵੇਖੋ।
- 2) ਇੰਜਣ ਨੂੰ ਚਾਲੂ ਕਰੋ ਅਤੇ ਆਇਲ ਫਿਲਟਰ ਅਤੇ ਡਰੇਨ ਪਲੱਗ 'ਤੇ ਲੀਕ ਹੋਣ ਨੂੰ ਧਿਆਨ ਨਾਲ ਦੇਖੋ। ਇੰਜਣ ਨੂੰ ਘੱਟੋ-ਘੱਟ 5 ਮਿੰਟਾਂ ਲਈ ਵੱਖ-ਵੱਖ ਸਪੀਡਾਂ 'ਤੇ ਚਲਾਓ।
- 3) ਇੰਜਣ ਨੂੰ ਬੰਦ ਕਰੋ ਅਤੇ ਲਗਭਗ 5 ਮਿੰਟ ਉਡੀਕ ਕਰੋ। ਆਇਲ ਦੇ ਪੱਧਰ ਦੀ ਦੁਬਾਰਾ ਜਾਂਚ ਕਰੋ ਅਤੇ ਜੇ ਲੋੜ ਹੋਵੇ ਤਾਂ ਆਇਲ ਪਾਓ। ਲੀਕ ਦੀ ਦੁਬਾਰਾ ਜਾਂਚ ਕਰੋ।

ਨੋਟਿਸ
<ul style="list-style-type: none"> <li>• ਆਇਲ ਫਿਲਟਰ ਨੂੰ ਬਦਲਦੇ ਸਮੇਂ, ਇਹ ਸਿਫਾਰਸ਼ ਕੀਤੀ ਜਾਂਦੀ ਹੈ ਕਿ ਤੁਸੀਂ ਮਾਰੂਤੀ ਦੇ ਅਸਲੀ ਫਿਲਟਰ ਦੀ ਵਰਤੋਂ ਕਰੋ। ਜੇਕਰ ਤੁਸੀਂ ਮਾਰਕੀਟ ਤੋਂ ਬਾਅਦ ਦੇ ਫਿਲਟਰ ਦੀ ਵਰਤੋਂ ਕਰਦੇ ਹੋ, ਤਾਂ ਯਕੀਨੀ ਬਣਾਓ ਕਿ ਇਹ ਬਰਾਬਰ ਦੀ ਗੁਣਵੱਤਾ ਦਾ ਹੈ ਅਤੇ ਨਿਰਮਾਤਾ ਦੀਆਂ ਹਿਦਾਇਤਾਂ ਦੀ ਪਾਲਣਾ ਕਰੋ।</li> <li>• ਆਇਲ ਫਿਲਟਰ ਜਾਂ ਡਰੇਨ ਪਲੱਗ ਦੇ ਆਲੇ-ਦੁਆਲੇ ਤੋਂ ਆਇਲ ਦਾ ਲੀਕ ਹੋਣਾ ਗਲਤ ਇੰਸਟਾਲੇਸ਼ਨ ਜਾਂ ਗੈਸਕੇਟ ਦੇ ਨੁਕਸਾਨ ਨੂੰ ਦਰਸਾਉਂਦਾ ਹੈ। ਜੇਕਰ ਤੁਹਾਨੂੰ ਕੋਈ ਲੀਕ ਮਿਲਦੀ ਹੈ ਜਾਂ ਤੁਹਾਨੂੰ ਪੱਕਾ ਪਤਾ ਨਹੀਂ ਹੈ ਕਿ ਫਿਲਟਰ ਨੂੰ ਠੀਕ ਤਰ੍ਹਾਂ ਨਾਲ ਕੱਸਿਆ ਗਿਆ ਹੈ, ਤਾਂ ਆਪਣੀ ਅਧਿਕਾਰਤ ਮਾਰੂਤੀ ਸ਼ੁੱਧੀ ਕਮਰਸ਼ੀਅਲ ਵਰਕਸ਼ਾਪ ਤੋਂ ਵਾਹਨ ਦੀ ਜਾਂਚ ਕਰਵਾਓ।</li> </ul>

### ਇੰਜਣ ਕੂਲੈਂਟ

#### ਕੂਲੈਂਟ ਲੇਵਲ ਦੀ ਜਾਂਚ



ਰੈਡੀਏਟਰ 'ਤੇ ਨਹੀਂ, ਰੇਜ਼ਰਵੋਇਰ ਟੈਂਕ 'ਤੇ ਕੂਲੈਂਟ ਦੇ ਲੈਵਲ ਦੀ ਜਾਂਚ ਕਰੋ। ਇੰਜਣ ਦੇ ਠੰਢੇ ਹੋਣ ਨਾਲ, ਕੂਲੈਂਟ ਦਾ ਲੈਵਲ "FULL" (ਪੂਰਾ) ਅਤੇ "LOW" (ਘੱਟ) ਦੇ ਵਿਚਕਾਰ ਹੋਣਾ ਚਾਹੀਦਾ ਹੈ। ਜੇਕਰ ਕੂਲੈਂਟ ਦਾ ਲੈਵਲ "LOW" (ਘੱਟ) ਤੋਂ ਘੱਟ ਹੈ, ਤਾਂ ਕੂਲੈਂਟ ਪਾਇਆ ਜਾਣਾ ਚਾਹੀਦਾ ਹੈ।

#### ਕੂਲੈਂਟ ਪਾਉਣਾ ਅਤੇ ਬਦਲਣਾ

ਜਦੋਂ ਤੁਸੀਂ ਕੂਲੈਂਟ ਪਾਉਂਦੇ ਹੋ, ਤਾਂ ਰੇਜ਼ਰਵੋਇਰ ਟੈਂਕ ਦੇ ਢੱਕਣ ਨੂੰ ਖੋਲ੍ਹੋ ਅਤੇ ਕੂਲੈਂਟ ਉਦੋਂ ਤੱਕ ਪਾਓ ਜਦੋਂ ਤੱਕ ਇੰਜਣ ਦੇ ਠੰਢਾ ਹੋਣ 'ਤੇ ਰੇਜ਼ਰਵੋਇਰ ਟੈਂਕ ਦਾ ਲੈਵਲ "FULL" ਨਿਸ਼ਾਨ ਤੱਕ ਨਹੀਂ ਪਹੁੰਚਦਾ ਹੈ। ਰੇਜ਼ਰਵੋਇਰ ਟੈਂਕ ਨੂੰ ਕਦੇ ਵੀ "FULL" (ਪੂਰਾ) ਦੇ ਨਿਸ਼ਾਨ ਤੋਂ ਉੱਪਰ ਤੱਕ ਨਾ ਭਰੋ।

ਕੂਲੈਂਟ ਬਦਲਣ ਲਈ ਵਿਸ਼ੇਸ਼ ਵਿਧੀਆਂ ਦੀ ਲੋੜ ਹੁੰਦੀ ਹੈ, ਇਸ ਲਈ ਇਸ ਕੰਮ ਲਈ ਮਾਰੂਤੀ ਸੂਜੂਕੀ (Maruti Suzuki) ਦੇ ਅਧੀਕ੍ਰਿਤ ਵਰਕਸ਼ਾਪ ਨਾਲ ਗੱਲ ਕਰੋ।

**⚠ ਚੇਤਾਵਨੀ**

ਇੰਜਣ ਕੂਲੈਂਟ ਨੂੰ ਪੀਣ ਨਾਲ ਗੰਭੀਰ ਚੇਟ ਲੱਗ ਸਕਦੀ ਹੈ ਜਾਂ ਮੌਤ ਹੋ ਸਕਦੀ ਹੈ। ਕੂਲੈਂਟ ਦੀ ਧੁੰਦ ਜਾਂ ਭਾਫ਼ ਦਾ ਸਾਹ ਨਾਲ ਅੰਦਰ ਜਾਣ ਜਾਣਾ ਤੁਹਾਡੀਆਂ ਅੱਖਾਂ ਵਿੱਚ ਕੂਲੈਂਟ ਦੇ ਪੈਣ ਨਾਲ ਗੰਭੀਰ ਜਾਂ ਚੇਟ ਲੱਗ ਸਕਦੀ ਹੈ।

- ਐਂਟੀਫ੍ਰੀਜ਼ (antifreeze) ਜਾਂ ਕੂਲੈਂਟ (coolant) ਘੋਲ ਨਾ ਪੀਓ। ਜੇ ਨਿਗਲ ਲਿਆ ਜਾਵੇ, ਤਾਂ ਉਲਟੀਆਂ ਨਾ ਕਰੋ। ਤੁਰੰਤ ਕਿਸੇ ਜ਼ਹਿਰ ਕੰਟਰੋਲ ਕੇਂਦਰ ਜਾਂ ਡਾਕਟਰ ਨਾਲ ਸੰਪਰਕ ਕਰੋ।
- ਕੂਲੈਂਟ ਦੀ ਧੁੰਦ ਜਾਂ ਗਰਮ ਭਾਫ਼ ਨੂੰ ਸਾਹ ਨਾਲ ਅੰਦਰ ਨਾ ਜਾਣ ਦਿਓ। ਜੇਕਰ ਸਾਹ ਨਾਲ ਅੰਦਰ ਜਾਣ, ਤਾਂ ਤਾਜੀ ਹਵਾ ਵਾਲੇ ਖੇਤਰ ਜਾਣ ਲਿਆਓ।
- ਜੇਕਰ ਕੂਲੈਂਟ ਅੱਖਾਂ ਵਿੱਚ ਪੈ ਜਾਂਦਾ ਹੈ, ਤਾਂ ਇਨ੍ਹਾਂ ਨੂੰ ਪਾਣੀ ਨਾਲ ਧੋਵੋ ਅਤੇ ਡਾਕਟਰੀ ਸਹਾਇਤਾ ਲਓ।
- ਕੂਲੈਂਟ 'ਤੇ ਕੰਮ ਕਰਨ ਤੋਂ ਬਾਅਦ ਚੰਗੀ ਤਰ੍ਹਾਂ ਧੋਵੋ।
- ਇੰਜਣ ਦੇ ਕੂਲੈਂਟ ਨੂੰ ਬੱਚਿਆਂ ਅਤੇ ਪਾਲਤੂ ਜਾਨਵਰਾਂ ਤੋਂ ਦੂਰ ਰੱਖੋ।

**ਨੋਟਿਸ**

ਰੇਜ਼ਰਵੋਇਰ ਟੈਂਕ 'ਤੇ ਕੈਪ ਲਗਾਉਣ ਵੇਲੇ, ਕੈਪ 'ਤੇ ਨਿਸ਼ਾਨ ਅਤੇ ਟੈਂਕ 'ਤੇ ਨਿਸ਼ਾਨ ਨੂੰ ਇੱਕ ਲਾਈਨ ਵਿੱਚ ਰੱਖੋ। ਇਸਦਾ ਪਾਲਣ ਕਰਨ ਵਿੱਚ ਅਸਫਲ ਰਹਿਣ ਦੇ ਨਤੀਜੇ ਵਜੋਂ ਕੂਲੈਂਟ ਲੀਕੇਜ ਹੋ ਸਕਦੀ ਹੈ।

**ਕੂਲੈਂਟ ਦੀ ਚੋਣ**

ਆਪਣੇ ਇੰਜਣ ਦੀ ਅਧਿਕਤਮ ਕਾਰਗੁਜ਼ਾਰੀ ਅਤੇ ਟਿਕਾਉਪਣ ਨੂੰ ਕਾਇਮ ਰੱਖਣ ਲਈ, ਮਾਰੂਤੀ ਸੂਜੂਕੀ (Maruti Suzuki) ਦੇ ਵਾਸਤਵਿਕ ਕੂਲੈਂਟ ਜਾਂ ਇਸ ਦੇ ਬਰਾਬਰ ਦੇ ਕੂਲੈਂਟ ਦੀ ਵਰਤੋਂ ਕਰੋ।

ਹੇਠਾਂ ਦਿੱਤੇ ਗਏ ਕਾਰਣਾਂ ਕਰਕੇ ਇਸ ਕਿਸਮ ਦਾ ਕੂਲੈਂਟ ਕੂਲਿੰਗ ਸਿਸਟਮ ਲਈ ਬੇਹਤਰ ਹੁੰਦਾ ਹੈ:

- ਕੂਲੈਂਟ ਇੰਜਣ ਦੇ ਉਚਿਤ ਤਾਪਮਾਨ ਨੂੰ ਕਾਇਮ ਰੱਖਣ ਵਿੱਚ ਮਦਦ ਕਰਦਾ ਹੈ।
- ਇਹ ਜੰਮਣ ਅਤੇ ਉਬਲਣ ਤੋਂ ਬਚਣ ਲਈ ਸਹੀ ਸੁਰੱਖਿਆ ਪ੍ਰਦਾਨ ਕਰਦਾ ਹੈ।
- ਇਹ ਜੰਗਾਲ ਅਤੇ ਖੇਰ ਤੋਂ ਬਚਣ ਲਈ ਸਹੀ ਸੁਰੱਖਿਆ ਪ੍ਰਦਾਨ ਕਰਦਾ ਹੈ।

ਸਹੀ ਕੂਲੈਂਟ ਦੀ ਵਰਤੋਂ ਕਰਨ ਵਿੱਚ ਅਸਫਲਤਾ ਤੁਹਾਡੇ ਕੂਲਿੰਗ ਸਿਸਟਮ ਨੂੰ ਨੁਕਸਾਨ ਪਹੁੰਚਾ ਸਕਦੀ ਹੈ। ਮਾਰੂਤੀ ਸੂਜੂਕੀ (Maruti Suzuki) ਦੀ ਅਧੀਕ੍ਰਿਤ ਵਰਕਸ਼ਾਪ ਤੁਹਾਡੀ ਸਹੀ ਕੂਲੈਂਟ ਚੁਣਨ ਵਿੱਚ ਮਦਦ ਕਰ ਸਕਦੀ ਹੈ।

**ਨੋਟਿਸ**

ਤੁਹਾਡੇ ਕੂਲਿੰਗ ਸਿਸਟਮ ਨੂੰ ਨੁਕਸਾਨ ਪਹੁੰਚਾਉਣ ਤੋਂ ਬਚਾਉਣ ਲਈ:

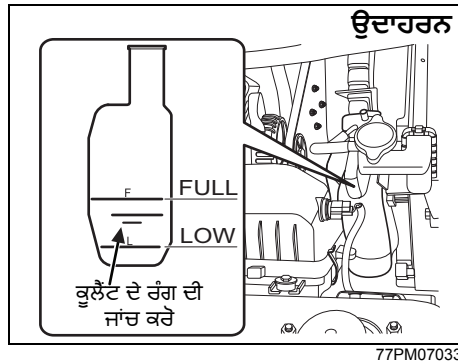
- ਹਮੇਸ਼ਾ ਉੱਚ ਗੁਣਵੱਤਾ ਵਾਲੇ ਈਥੀਲੀਨ ਗਲਾਈਕੋਲ ਬੇਸ ਨਾਨ-ਸਿਲੀਕੇਟ ਕਿਸਮ (ethylene glycol base non-silicate) ਦੇ ਕੂਲੈਂਟ ਦੀ ਵਰਤੋਂ ਕਰੋ ਜਿਸ ਨੂੰ ਮਿਸ਼ਰਣ ਦੀ ਸਹੀ ਗਾਰੰਟੀ 'ਤੇ ਡਿਸਟਿਲਡ ਪਾਣੀ ਨਾਲ ਪਤਲਾ ਕੀਤਾ ਗਿਆ ਹੋਵੇ।
- ਵਾਧੂ ਇਨਿਹਿਬਿਟਰ ਜਾਂ ਐਡਿਟਿਵ ਨਾ ਪਾਓ। ਇਹ ਤੁਹਾਡੇ ਕੂਲਿੰਗ ਸਿਸਟਮ ਲਈ ਅਨੁਕੂਲ ਨਹੀਂ ਹੋ ਸਕਦੇ ਹਨ।
- ਵੱਖ-ਵੱਖ ਕਿਸਮ ਦੇ ਬੇਸ ਕੂਲੈਂਟਾਂ ਨੂੰ ਨਾ ਮਿਲਾਓ। ਅਜਿਹਾ ਕਰਨ ਨਾਲ ਸੈੱਲ ਤੇਜ਼ੀ ਨਾਲ ਘਿਸ ਸਕਦੀ ਹੈ ਅਤੇ/ਜਾਂ ਗੰਭੀਰ ਓਵਰਹੀਟਿੰਗ ਅਤੇ ਇੰਜਣ (engine)/ ਟ੍ਰਾਂਸਮਿਸ਼ਨ (transmission) ਦਾ ਬਹੁਤ ਜ਼ਿਆਦਾ ਖਰਾਬ ਹੋਣ ਦੀ ਸੰਭਾਵਨਾ ਹੋ ਸਕਦੀ ਹੈ। ਜੇਕਰ ਤੁਹਾਡੇ ਵਾਹਨ ਦੇ ਕੂਲੈਂਟ ਦੇ ਮਿਕਸ-ਅੱਪ ਦੀ ਮਾਰੂਤੀ ਸੂਜੂਕੀ (Maruti Suzuki) ਦੀ ਅਧੀਕ੍ਰਿਤ ਵਰਕਸ਼ਾਪ ਦੁਆਰਾ ਜਾਂਚ ਕੀਤੀ ਜਾਂਦੀ ਹੈ।

**ਨੋਟ:**

ਮਾਰੂਤੀ ਸੂਜੂਕੀ (Maruti Suzuki) ਆਪਣੇ ਮਾਰੂਤੀ ਸੂਜੂਕੀ ਦੇ ਅਸਲੀ ਕੂਲੈਂਟ ਦੀ ਵਰਤੋਂ ਕਰਨ ਦੀ ਪੁਰਜੋਰ ਰਿਕਮੈਂਡੇਡ ਕਰਦੀ ਹੈ। ਮਾਰੂਤੀ ਸੂਜੂਕੀ (Maruti Suzuki) ਦਾ ਅਸਲੀ ਕੂਲੈਂਟ ਵਿਸ਼ੇਸ਼ ਤੌਰ 'ਤੇ ਤੁਹਾਡੇ ਮਾਰੂਤੀ ਸੂਜੂਕੀ ਉਤਪਾਦ ਲਈ ਬਣਾਇਆ ਗਿਆ ਹੈ ਅਤੇ ਇਹ ਵਾਹਨ ਦੀ ਇਕੱਠੇ ਕਾਰਗੁਜ਼ਾਰੀ ਅਤੇ ਡਰਾਈਵਿੰਗ ਦੇ ਵਧੀਆ ਅਨੁਭਵ ਵਿੱਚ ਯੋਗਦਾਨ ਪਾਉਂਦਾ ਹੈ।

## ਇੰਸਪੈਕਸ਼ਨ ਅਤੇ ਰੱਖ ਰਖਾਵ

ਤੁਹਾਡੇ ਵਾਹਨ ਦੇ ਉਤਪਾਦਨ ਦੀ ਅਵਧੀ ਦੇ ਆਧਾਰ 'ਤੇ, ਬਰਾਂਡ ਨਿਊ ਕਾਰ ਦੇ ਸਮੇਂ 'ਤੇ ਭਰੇ ਗਏ ਕੂਲੈਂਟ ਦੀ ਕਿਸਮ ਵੱਖਰੀ ਹੁੰਦੀ ਹੈ। ਕੂਲੈਂਟ ਦੀਆਂ ਦੋ ਕਿਸਮਾਂ ਹੁੰਦੀਆਂ ਹਨ, **SUZUKI LLC: Super (Blue)** ਕੂਲੈਂਟ ਅਤੇ **SUZUKI LLC: Standard (Yellow)** ਕੂਲੈਂਟ। ਤੁਸੀਂ ਰੇਜ਼ਰਵੋਇਰ ਟੈਂਕ ਵਿੱਚ ਕੂਲੈਂਟ ਦੇ ਰੰਗ ਰਾਹੀਂ ਆਪਣੇ ਵਾਹਨ ਵਿੱਚ ਅਸਲ ਕੂਲੈਂਟ ਦੀ ਕਿਸਮ ਦੀ ਜਾਂਚ ਕਰ ਸਕਦੇ ਹੋ (ਹੇਠਾਂ ਚਿੱਤਰ ਨੂੰ ਵੇਖੋ)।



ਕੂਲੈਂਟ (Coolant) ਦਾ ਰੰਗ	ਕੂਲੈਂਟ (Coolant) ਦੀ ਕਿਸਮ
Blue	Suzuki LLC : Super
Yellow	Suzuki LLC : Standard

ਨੋਟ:

ਜਦੋਂ ਤੁਸੀਂ ਕੂਲੈਂਟ ਪਾਉਂਦੇ ਹੋ ਜਾਂ ਬਦਲਦੇ ਹੋ ਤਾਂ ਉਸ ਹੀ ਕਿਸਮ ਦੇ ਕੂਲੈਂਟ ਦੀ ਵਰਤੋਂ ਕਰਨੀ ਚਾਹੀਦੀ ਹੈ ਜੋ ਬਰਾਂਡ ਨਿਊ ਕਾਰ ਦੇ ਸਮੇਂ ਭਰਿਆ ਜਾਂਦਾ ਹੈ।

**SUZUKI LLC : Super (Blue) ਕੂਲੈਂਟ:**

ਨੋਟਿਸ
<ul style="list-style-type: none"> <li>• ਇਸ ਕੂਲੈਂਟ ਨੂੰ ਪਹਿਲਾਂ ਹੀ ਸਹੀ ਪ੍ਰਤੀਸ਼ੱਤਤਾ ਵਿੱਚ ਘੋਲਿਆ ਗਿਆ ਹੈ। ਵਧੂ ਡਿਸਟਿਲਡ ਵਾਟਰ ਵਿੱਚ ਨਾ ਘੋਲੋ। ਅਜਿਹਾ ਕਰਨ ਨਾਲ ਕੂਲੈਂਟ ਦੇ ਜੰਮਣ ਅਤੇ/ਜਾਂ ਓਵਰਹੀਟਿੰਗ ਦੀ ਸੰਭਾਵਨਾ ਹੋ ਸਕਦੀ ਹੈ।</li> <li>• <b>SUZUKI LLC : Standard (Yellow) ਕੂਲੈਂਟ</b> ਸ਼ਾਮਲ ਨਾ ਕਰੋ ਜਾਂ ਡਿਸਟਿਲਡ ਵਾਟਰ ਜਾਂ ਹੋਰ ਜਦੋਂ ਤੁਹਾਡਾ ਵਾਹਨ ਅਸਲ ਵਿੱਚ <b>SUZUKI LLC : Super (Blue) ਕੂਲੈਂਟ</b> ਨਾਲ ਭਰਿਆ ਹੁੰਦਾ ਹੈ। ਜੇਕਰ ਅਜਿਹੀ ਸਥਿਤੀ ਪੈਦਾ ਹੁੰਦੀ ਹੈ, ਤਾਂ ਵਾਹਨ ਦੀ ਮਾਰੂਤੀ ਸਜ਼ੂਕੀ (Maruti Suzuki) ਦੀ ਅਧੀਕ੍ਰਿਤ ਵਰਕਸ਼ਾਪ ਤੋਂ ਜਾਂਚ ਕਰਵਾਓ।</li> </ul>

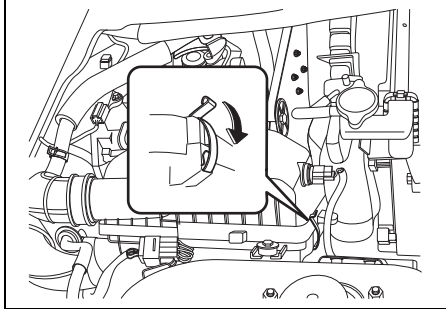
**Suzuki LLC : Standard (Yellow) ਕੂਲੈਂਟ :**

ਨੋਟਿਸ
<ul style="list-style-type: none"> <li>• ਵਰਤੋਂ ਜਾਣ ਵਾਲੇ ਮਿਸ਼ਰਣ ਦਾ ਗਾੜ੍ਹਾਪਣ 30% ਐਂਟੀਫਰੀਜ਼ (antifreeze) ਅਤੇ 70% ਡਿਸਟਿਲਡ ਵਾਟਰ ਹੋਵੇਗਾ। ਕੇਵਲ ਕੇਵਲ ਕੂਲੈਂਟ ਜਾਂ ਸਾਦੇ ਪਾਣੀ ਦੀ ਵਰਤੋਂ ਨਾ ਕਰੋ।</li> <li>• ਜੇਕਰ ਤੁਹਾਡੇ ਇਲਾਕੇ ਵਿੱਚ ਘੱਟੋ-ਘੱਟ ਵਾਤਾਵਰਣਕ ਤਾਪਮਾਨ ਦੇ <math>-15^{\circ} \text{C}</math> (<math>5^{\circ} \text{F}</math>) ਜਾਂ ਇਸ ਤੋਂ ਘੱਟ ਹੋਣ ਦੀ ਸੰਭਾਵਨਾ ਹੁੰਦੀ ਹੈ, ਤਾਂ ਐਂਟੀਫਰੀਜ਼ ਕੰਟੇਨਟਰ (antifreeze container) 'ਤੇ ਦਿੱਤੀਆਂ ਹਿਦਾਇਤਾਂ ਦੀ ਪਾਲਣਾ ਕਰਦੇ ਹੋਏ 60% ਤੱਕ ਦੇ ਵੱਧ ਗਾੜ੍ਹਾਪਣ ਦੀ ਵਰਤੋਂ ਕਰੋ। 60% ਤੋਂ ਵੱਧ ਗਾੜ੍ਹਾਪਣ ਕਾਰਣ ਓਵਰਹੀਟਿੰਗ ਵਾਲੀਆਂ ਸਥਿਤੀਆਂ ਪੈਦਾ ਹੋਣਗੀਆਂ।</li> <li>• ਜਦੋਂ ਤੁਹਾਡੇ ਵਾਹਨ ਵਿੱਚ ਅਸਲ ਵਿੱਚ <b>SUZUKI LLC : Standard (Yellow) ਕੂਲੈਂਟ</b> ਭਰਿਆ ਹੁੰਦਾ ਹੈ, <b>SUZUKI LLC : Standard (Yellow) ਕੂਲੈਂਟ</b> ਦੇ ਮੇਨਟੀਨੈਂਸ ਸਡਿਊਲ ਦੀ ਪਾਲਣਾ ਕਰੋ ਇਸ ਸੈਕਸ਼ਨ ਵਿੱਚ। ਜੇਕਰ ਤੁਸੀਂ <b>SUZUKI LLC: Super (Blue) ਕੂਲੈਂਟ</b> ਨਾਲ ਬਦਲਦੇ ਹੋ, ਤਾਂ ਵਾਹਨ ਦੀ ਮਾਰੂਤੀ ਸਜ਼ੂਕੀ (Maruti Suzuki) ਦੀ ਅਧੀਕ੍ਰਿਤ ਵਰਕਸ਼ਾਪ ਦੁਆਰਾ ਜਾਂਚ ਕਰਾਓ।</li> </ul>

## ਏਅਰ ਕਲੀਨਰ (Air Cleaner)

ਜੇਕਰ ਏਅਰ ਕਲੀਨਰ ਧੂੜ ਨਾਲ ਭਰਿਆ ਹੋਇਆ ਹੈ, ਤਾਂ ਇਨਟੇਕ ਰਜਿਸਟਰਸ ਜ਼ਿਆਦਾ ਹੋਵੇਗੀ, ਨਤੀਜੇ ਵਜੋਂ ਪਾਵਰ ਆਉਟਪੁੱਟ ਘਟੇਗੀ ਅਤੇ ਈਥਨ ਦੀ ਖਪਤ ਵਧੇਗੀ।

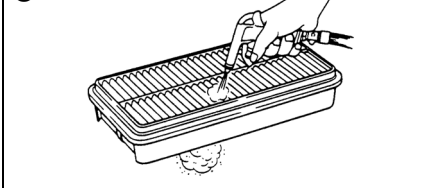
### ਉਦਾਹਰਨ



77PM07011

ਸਾਈਡ ਕਲੈੱਪਾਂ ਨੂੰ ਅਨਕਲੈੱਪ ਕਰੋ, ਅਤੇ ਏਅਰ ਕਲੀਨਰ ਕੇਸ ਤੋਂ ਐਲੀਮੈਂਟ ਨੂੰ ਹਟਾਓ।

### ਉਦਾਹਰਨ



60A183

ਜੇਕਰ ਇਹ ਗੰਦਾ ਲੱਗਦਾ ਹੈ, ਤਾਂ ਸਮੇਂ-ਸਮੇਂ 'ਤੇ ਰੱਖ-ਰਖਾਅ ਦੇ ਕਾਰਜਕ੍ਰਮ ਅਨੁਸਾਰ ਏਅਰ ਕਲੀਨਰ ਨੂੰ ਸਾਫ਼ ਕਰੋ ਜਾਂ ਨਵੇਂ ਏਅਰ ਕਲੀਨਰ ਨਾਲ ਬਦਲੋ।

## ਸਪਾਰਕ ਪਲੱਗ (Spark Plugs)

ਸਪਾਰਕ ਪਲੱਗਾਂ ਨੂੰ ਬਦਲਣਾ ਅਤੇ ਨਿਰੀਖਣ ਕਰਨਾ

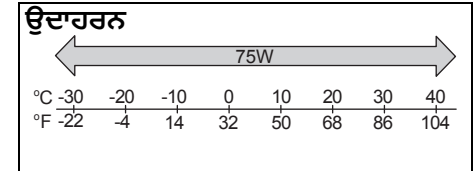
ਕਿਉਂਕਿ ਵਿਸ਼ੇਸ਼ ਪ੍ਰਕਿਰਿਆਵਾਂ, ਸਮੱਗਰੀਆਂ ਅਤੇ ਐਂਜ਼ਾਰਾਂ ਦੀ ਲੋੜ ਹੁੰਦੀ ਹੈ, ਇਸ ਲਈ ਇਹ ਸਿਫਾਰਸ਼ ਕੀਤੀ ਜਾਂਦੀ ਹੈ ਕਿ ਤੁਸੀਂ ਇਹ ਕੰਮ ਆਪਣੀ ਮਾਰੂਤੀ ਸ਼ੁਜ਼ੂਕੀ ਦੀ ਅਧਿਕਾਰਤ ਵਰਕਸ਼ਾਪ ਨੂੰ ਸਪੁਰਦ ਕਰੋ।

## ਗਿਅਰ ਆਇਲ (Gear Oil)

ਮੈਨੂਅਲ ਟ੍ਰਾਂਸਮਿਸ਼ਨ ਆਇਲ / ਡਿਫਰੈਂਸ਼ੀਅਲ ਆਇਲ (Manual Transmission Oil / Differential Oil)

ਗਿਅਰ ਆਇਲ ਪਾਉਂਦੇ ਸਮੇਂ, ਹੇਠਾਂ ਦਿੱਤੇ ਚਾਰਟ ਵਿੱਚ ਦਰਸਾਏ ਅਨੁਸਾਰ ਢੁਕਵੀਂ ਵਿਸਕੋਸਿਟੀ ਅਤੇ ਗ੍ਰੇਡ ਵਾਲੇ ਗਿਅਰ ਆਇਲ ਦੀ ਵਰਤੋਂ ਕਰੋ।

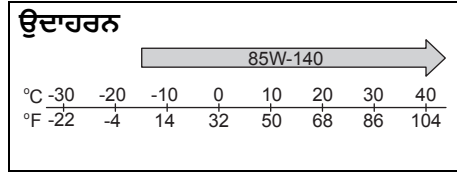
ਮੈਨੂਅਲ ਟ੍ਰਾਂਸਮਿਸ਼ਨ ਆਇਲ (Manual transmission oil)



68LM728

ਅਸੀਂ ਤੁਹਾਨੂੰ ਵਰਤਣ ਦੀ ਜ਼ੋਰਦਾਰ ਸਿਫਾਰਸ਼ ਕਰਦੇ ਹਾਂ: ਮੈਨੂਅਲ ਟ੍ਰਾਂਸਮਿਸ਼ਨ ਗਿਅਰ ਆਇਲ ਲਈ "ਮਾਰੂਤੀ ਦਾ ਅਸਲੀ ਗਿਅਰ ਆਇਲ 75W"।

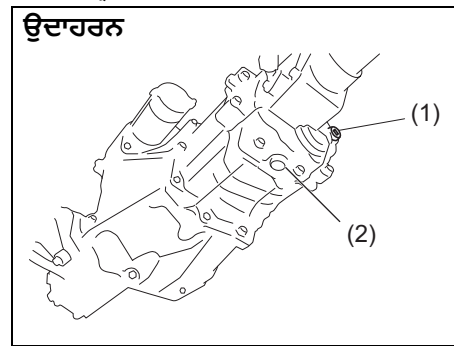
**ਰਿਅਰ ਡਿਫਰੈਂਸ਼ੀਅਲ ਆਇਲ (Rear differential oil)**



77PH075

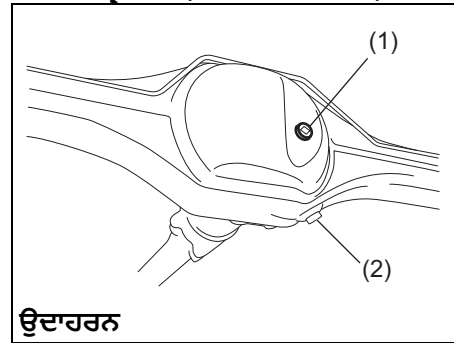
ਅਸੀਂ ਤੁਹਾਨੂੰ ਵਰਤਣ ਦੀ ਜ਼ੋਰਦਾਰ ਸਿਫਾਰਸ਼ ਕਰਦੇ ਹਾਂ: ਰਿਅਰ ਡਿਫਰੈਂਸ਼ੀਅਲ ਆਇਲ ਲਈ "TOTALFINAELF TRANSELF LL 85W-140"।

**ਗਿਅਰ ਆਇਲ ਦੇ ਲੈਵਲ ਦੀ ਜਾਂਚ ਮੈਨੂਅਲ ਟ੍ਰਾਂਸਮਿਸ਼ਨ (Manual transmission)**



77PH078

**ਰਿਅਰ ਡਿਫਰੈਂਸ਼ੀਅਲ (Rear differential)**



77PH047

1. ਆਇਲ ਫਿੱਲਰ ਅਤੇ ਲੈਵਲ ਪਲੱਗ (ਮੁੜ ਵਰਤੋਂ ਨਾ ਕਰੋ)।

2. ਆਇਲ ਡਰੇਨ ਪਲੱਗ (Oil drain plug)। ਗਿਅਰ ਆਇਲ ਦੇ ਲੈਵਲ ਦੀ ਜਾਂਚ ਕਰਨ ਲਈ, ਹੇਠ ਦਿੱਤੀ ਵਿਧੀ ਦੀ ਵਰਤੋਂ ਕਰੋ:

- 1) ਪਾਰਕਿੰਗ ਬ੍ਰੇਕ ਲਗਾ ਕੇ ਵਾਹਨ ਨੂੰ ਪੱਧਰੀ ਸਤ੍ਹਾ 'ਤੇ ਪਾਰਕ ਕਰੋ। ਫਿਰ, ਇੰਜਣ ਬੰਦ ਕਰੋ।
- 2) ਆਇਲ ਫਿੱਲਰ (oil filler) ਅਤੇ ਲੈਵਲ ਪਲੱਗ (level plug) (1) ਨੂੰ ਖੋਲ੍ਹੋ।
- 3) ਆਪਣੀ ਉੱਗਲ ਨਾਲ ਛੇਕ ਦੇ ਅੰਦਰਲੇ ਹਿੱਸੇ ਦੀ ਜਾਂਚ ਕਰੋ। ਜੇਕਰ ਆਇਲ ਲੈਵਲ ਪਲੱਗ ਦੇ ਛੇਕ ਦੇ ਥੱਲੇ ਤੱਕ ਆਉਂਦਾ ਹੈ, ਤਾਂ ਆਇਲ ਦਾ ਲੈਵਲ ਸਹੀ ਹੈ। ਜੇਕਰ ਅਜਿਹਾ ਹੈ, ਤਾਂ ਪਲੱਗ ਨੂੰ ਮੁੜ ਸਥਾਪਿਤ ਕਰੋ।
- 4) ਜੇਕਰ ਆਇਲ ਲੈਵਲ ਘੱਟ ਹੈ, ਤਾਂ ਆਇਲ ਫਿੱਲਰ ਪਲੱਗ ਛੇਕ (oil filler plug hole) (1) ਰਾਹੀਂ ਗਿਅਰ ਆਇਲ ਪਾਓ ਜਦੋਂ ਤੱਕ ਆਇਲ ਦਾ ਲੈਵਲ ਫਿਲਰ ਦੇ ਛੇਕ ਦੇ ਹੇਠਾਂ ਨਹੀਂ ਪਹੁੰਚ ਜਾਂਦਾ, ਫਿਰ ਪਲੱਗ ਨੂੰ ਮੁੜ ਸਥਾਪਿਤ ਕਰੋ।

ਆਇਲ ਫਿੱਲਰ ਅਤੇ ਲੈਵਲ ਪਲੱਗ ਨੂੰ ਕੱਸਣ ਦਾ ਟਾਰਕ

ਮੈਨੂਅਲ ਟ੍ਰਾਂਸਮਿਸ਼ਨ (Manual transmission) (1):

23 Nm (2.3 kgf-m, 17.0 lbf-ft)

ਰਿਅਰ ਡਿਫਰੈਂਸ਼ੀਅਲ (Rear differential) (1):

25 Nm (2.5 kgf-m, 18.5 lbf-ft)

ਨੋਟ:

ਰਿਅਰ ਡਿਫਰੈਂਸ਼ੀਅਲ ਲਈ ਹਮੇਸ਼ਾ ਨਵੇਂ ਆਇਲ ਫਿੱਲਰ (oil filler) ਅਤੇ ਲੈਵਲ ਪਲੱਗ (level plug) (1) ਦੀ ਵਰਤੋਂ ਕਰੋ।

**▲ ਸਾਵਧਾਨ**

ਵਾਹਨ ਚਲਾਉਣ ਤੋਂ ਬਾਅਦ, ਗਿਅਰ ਆਇਲ ਦਾ ਤਾਪਮਾਨ ਤੁਹਾਡੀ ਚਮੜੀ ਨੂੰ ਸਾੜਣ ਲਈ ਕਾਫ਼ੀ ਜਿਯਾਦਾ ਹੋ ਸਕਦਾ ਹੈ। ਇੰਤਜ਼ਾਰ ਕਰੋ ਜਦੋਂ ਤੱਕ ਆਇਲ ਭਰਨ ਵਾਲਾ ਪਲੰਗ ਗਿਅਰ ਆਇਲ ਦੇ ਲੈਵਲ ਦੀ ਜਾਂਚ ਕਰਨ ਤੋਂ ਪਹਿਲਾਂ ਤੁਹਾਡੇ ਨੰਗੇ ਹੱਥਾਂ ਨਾਲ ਛੂਹਣ ਲਈ ਕਾਫ਼ੀ ਠੰਡਾ ਨਹੀਂ ਹੁੰਦਾ।

**ਨੋਟਿਸ**

ਪਲੰਗ ਨੂੰ ਕੱਸਣ ਵੇਲੇ, ਆਇਲ ਲੀਕੇਜ਼ ਨੂੰ ਰੋਕਣ ਲਈ ਹੇਠਾਂ ਦਿੱਤੇ ਸੀਲਿੰਗ ਕੰਪਾਊਂਡ ਜਾਂ ਪਲੰਗ ਥਰੈਡਾਂ ਦੇ ਬਰਾਬਰ ਲਗਾਓ।

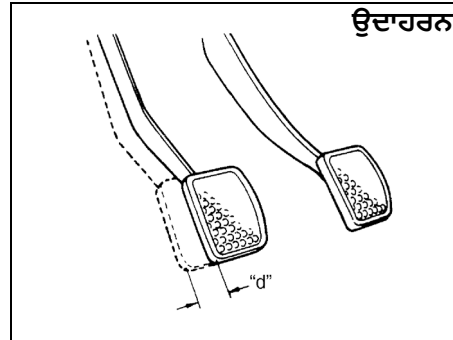
ਮਾਰੂਤੀ ਸੂਜੂਕੀ ਬਾਂਡ ਨੰਬਰ "1216E" ਜਾਂ "1217G"

**ਗਿਅਰ ਆਇਲ ਬਦਲਣਾ**

ਕਿਉਂਕਿ ਵਿਸ਼ੇਸ਼ ਪ੍ਰਕਿਰਿਆਵਾਂ, ਸਮੱਗਰੀਆਂ ਅਤੇ ਐਜਾਰਾਂ ਦੀ ਲੋੜ ਹੁੰਦੀ ਹੈ, ਇਸ ਲਈ ਇਹ ਸਿਫਾਰਸ਼ ਕੀਤੀ ਜਾਂਦੀ ਹੈ ਕਿ ਤੁਸੀਂ ਇਹ ਕੰਮ ਆਪਣੀ ਅਧਿਕਾਰਤ ਮਾਰੂਤੀ ਸੂਜੂਕੀ ਕਮਰਸ਼ੀਅਲ ਵਰਕਸ਼ਾਪ ਨੂੰ ਸਪੁਰਦ ਕਰੋ।

**ਕਲੱਚ ਪੈਡਲ (Clutch pedal)**

ਕੇਬਲ ਕੰਟਰੋਲ ਕਲੱਚ (Cable control clutch)



54G274

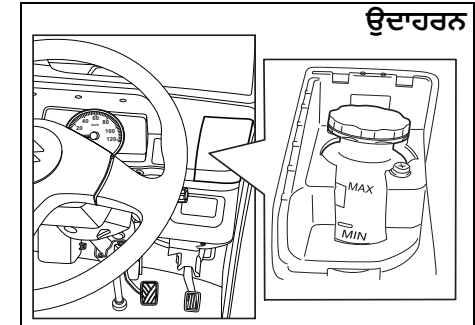
ਕਲੱਚ ਪੈਡਲ ਪਲੇਅ "d":

10 - 15 ਮਿਲੀਮੀਟਰ (0.4 - 0.6 ਇੰਚ)

ਕਲੱਚ ਪੈਡਲ ਨੂੰ ਆਪਣੇ ਹੱਥ ਨਾਲ ਚਿਲਾ ਕੇ ਇਸ ਦੀ ਦੂਰੀ ਨੂੰ ਮਾਪੋ ਜਦੋਂ ਤੱਕ ਤੁਸੀਂ ਥੋੜ੍ਹਾ ਜਿਹੀ ਰਜਿਸਟੈਂਸ ਮਹਿਸੂਸ ਨਹੀਂ ਕਰਦੇ ਹੋ। ਕਲੱਚ ਪੈਡਲ (Clutch pedal) ਵਿੱਚ ਪਲੇਅ ਨਿਰਧਾਰਤ ਮੁੱਲਾਂ ਦੇ ਵਿਚਕਾਰ ਹੋਣੀ ਚਾਹੀਦੀ ਹੈ। ਜੇਕਰ ਪਲੇਅ ਉਪਰੋਕਤ ਤੋਂ ਵੱਧ ਜਾਂ ਘੱਟ ਹੈ, ਜਾਂ ਪੈਡਲ ਪੂਰੀ ਤਰ੍ਹਾਂ ਦੱਬੇ ਹੋਏ ਨਾਲ ਕਲੱਚ ਡਰੈਗਿੰਗ ਮਹਿਸੂਸ ਕੀਤੀ ਜਾਂਦੀ ਹੈ, ਤਾਂ ਆਪਣੀ ਅਧਿਕਾਰਤ ਮਾਰੂਤੀ ਸੂਜੂਕੀ ਕਮਰਸ਼ੀਅਲ ਵਰਕਸ਼ਾਪ ਕੋਲੋਂ ਕਲੱਚ ਦੀ ਜਾਂਚ ਕਰਵਾਓ।

**ਬ੍ਰੇਕਾਂ (Brakes)**

ਬ੍ਰੇਕ ਫਲੂਇਡ (Brake Fluid)



77PM706

ਇੰਸਟਰੂਮੈਂਟ ਪੈਨਲ ਵਿੱਚ ਰੇਜ਼ਰਵੋਇਰ ਨੂੰ ਦੇਖ ਕੇ ਬ੍ਰੇਕ ਫਲੂਇਡ ਦੇ ਲੈਵਲ ਦੀ ਜਾਂਚ ਕਰੋ। ਬ੍ਰੇਕ ਫਲੂਇਡ ਰੇਜ਼ਰਵੋਇਰ ਦੇ ਲੈਵਲ (brake fluid reservoir level) ਦੀ ਜਾਂਚ ਕਰਨ ਲਈ ਸਟੀਅਰਿੰਗ ਡੀਲ ਦੇ ਸੱਜੇ ਪਾਸੇ ਵਾਲੇ ਕਵਰ ਨੂੰ ਹਟਾਓ। ਜਾਂਚ ਕਰੋ ਕਿ ਫਲੂਇਡ ਦਾ ਲੈਵਲ "MAX" ਅਤੇ "MIN" ਲਾਈਨਾਂ ਦੇ ਵਿਚਕਾਰ ਹੈ। ਜੇਕਰ ਬ੍ਰੇਕ ਫਲੂਇਡ ਦਾ ਲੈਵਲ (brake fluid level) "MIN" ਲਾਈਨ ਦੇ ਨੇੜੇ ਹੈ, ਤਾਂ ਇਸਨੂੰ ਮਾਰੂਤੀ ਦੇ ਅਸਲੀ ਬ੍ਰੇਕ ਫਲੂਇਡ (MGBF) ਜਾਂ DOT 3 ਨਾਲ "MAX" ਲਾਈਨ ਤੱਕ ਭਰੋ। ਅਸੀਂ "ਮਾਰੂਤੀ ਦੇ ਅਸਲੀ ਬ੍ਰੇਕ ਫਲੂਇਡ" (MGBF) ਦੀ ਵਰਤੋਂ ਕਰਨ ਦੀ ਜ਼ੋਰਦਾਰ ਸਿਫਾਰਸ਼ ਕਰਦੇ ਹਾਂ।

**⚠ ਚੇਤਾਵਨੀ**

(ਚੱਲਦਾ ਹੈ)

ਹੇਠਾਂ ਦਿੱਤੇ ਦਿਸ਼ਾ-ਨਿਰਦੇਸ਼ਾਂ ਦੀ ਪਾਲਣਾ ਕਰਨ ਵਿੱਚ ਅਸਫਲਤਾ ਦੇ ਨਤੀਜੇ ਵਜੋਂ ਸਰੀਰਕ ਚੇਟ ਲੱਗ ਸਕਦੀ ਹੈ ਜਾਂ ਬ੍ਰੇਕ ਸਿਸਟਮ ਨੂੰ ਗੰਭੀਰ ਨੁਕਸਾਨ ਹੋ ਸਕਦਾ ਹੈ।

- ਜੇਕਰ ਰੇਜ਼ਰਵੇਇਰ ਵਿੱਚ ਬ੍ਰੇਕ ਫਲੂਇਡ ਇੱਕ ਨਿਸ਼ਚਿਤ ਪੱਧਰ ਤੋਂ ਹੇਠਾਂ ਡਿੱਗਦਾ ਹੈ, ਤਾਂ ਇੰਸਟਰੂਮੈਂਟ ਪੈਨਲ 'ਤੇ ਬ੍ਰੇਕ ਵਾਰਨਿੰਗ ਲਾਈਟ 'ਚਾਲੂ' ਹੋ ਜਾਵੇਗੀ (ਇੰਜਣ ਪਾਰਕਿੰਗ ਬ੍ਰੇਕ ਪੂਰੀ ਤਰ੍ਹਾਂ ਬੰਦ ਹੋਣ ਨਾਲ ਚੱਲਣਾ ਚਾਹੀਦਾ ਹੈ)। ਜੇਕਰ ਲਾਈਟ ਆਉਂਦੀ ਹੈ, ਤਾਂ ਤੁਰੰਤ ਆਪਣੀ ਅਧਿਕਾਰਤ ਮਾਰੂਤੀ ਸੁਜੂਕੀ ਕਮਰਸ਼ੀਅਲ ਵਰਕਸ਼ਾਪ ਨੂੰ ਬ੍ਰੇਕ ਸਿਸਟਮ ਦੀ ਜਾਂਚ ਕਰਨ ਲਈ ਕਹੋ।

(ਚੱਲਦਾ ਹੈ)

**⚠ ਚੇਤਾਵਨੀ**

(ਚੱਲਦਾ ਹੈ)

- ਤੇਜ਼ ਫਲੂਇਡ ਦਾ ਨੁਕਸਾਨ ਬ੍ਰੇਕ ਸਿਸਟਮ ਵਿੱਚ ਇੱਕ ਲੀਕ ਨੂੰ ਦਰਸਾਉਂਦਾ ਹੈ ਜਿਸਦਾ ਤੁਰੰਤ ਤੁਹਾਡੀ ਅਧਿਕਾਰਤ ਮਾਰੂਤੀ ਸੁਜੂਕੀ ਕਮਰਸ਼ੀਅਲ ਵਰਕਸ਼ਾਪ ਦੁਆਰਾ ਨਿਰੀਖਣ ਕੀਤਾ ਜਾਣਾ ਚਾਹੀਦਾ ਹੈ।

- ਮਾਰੂਤੀ ਦਾ ਅਸਲੀ ਬ੍ਰੇਕ ਫਲੂਇਡ (MGBF) ਜਾਂ DOT 3 ਤੋਂ ਇਲਾਵਾ ਕਿਸੇ ਹੋਰ ਫਲੂਇਡ ਦੀ ਵਰਤੋਂ ਨਾ ਕਰੋ। ਅਸੀਂ ਮਾਰੂਤੀ ਦੇ ਅਸਲੀ ਬ੍ਰੇਕ ਫਲੂਇਡ (MGBF) ਦੀ ਵਰਤੋਂ ਕਰਨ ਦੀ ਜ਼ੋਰਦਾਰ ਸਿਫਾਰਸ਼ ਕਰਦੇ ਹਾਂ। ਪੁਰਾਣੇ ਜਾਂ ਖੁੱਲ੍ਹੇ ਕੰਟੇਨਰਾਂ ਵਿੱਚ ਸਟੋਰ ਕੀਤੇ ਗਏ ਮੁੜ-ਪ੍ਰਾਪਤ ਫਲੂਇਡ ਜਾਂ ਨਿਕਾਲੇ ਹੋਏ ਫਲੂਇਡ ਦੀ ਵਰਤੋਂ ਨਾ ਕਰੋ। ਇਹ ਜ਼ਰੂਰੀ ਹੈ ਕਿ ਬਾਹਰੀ ਕਣਾਂ ਅਤੇ ਹੋਰ ਫਲੂਇਡ ਪਦਾਰਥਾਂ ਨੂੰ ਬ੍ਰੇਕ ਫਲੂਇਡ ਰੇਜ਼ਰਵੇਇਰ ਤੋਂ ਬਾਹਰ ਰੱਖਿਆ ਜਾਵੇ

**⚠ ਸਾਵਧਾਨ**

ਬ੍ਰੇਕ ਫਲੂਇਡ ਤੁਹਾਡੀਆਂ ਅੱਖਾਂ ਨੂੰ ਨੁਕਸਾਨ ਪਹੁੰਚਾ ਸਕਦਾ ਹੈ ਅਤੇ ਪੇਂਟ ਕੀਤੀਆਂ ਸਤ੍ਹਾਵਾਂ ਨੂੰ ਨੁਕਸਾਨ ਪਹੁੰਚਾ ਸਕਦਾ ਹੈ। ਸਰੋਵਰ ਨੂੰ ਦੁਬਾਰਾ ਭਰਨ ਵੇਲੇ ਸਾਵਧਾਨੀ ਵਰਤੋ।

**⚠ ਚੇਤਾਵਨੀ**

- ਜੇਕਰ ਵਾਹਨ ਓਵਰ-ਲੋਡ ਵਾਲੀ ਹਾਲਤ ਵਿੱਚ ਚਲਾਇਆ ਜਾਂਦਾ ਹੈ, ਤਾਂ ਬ੍ਰੇਕਿੰਗ ਦੀ ਦੂਰੀ ਲੰਬੀ ਹੋ ਸਕਦੀ ਹੈ ਅਤੇ ਵੱਧ ਪੈਡਲ ਫੋਰਸ ਲਗਾਉਣ ਦੀ ਲੋੜ ਹੋ ਸਕਦੀ ਹੈ।

**⚠ ਚੇਤਾਵਨੀ**

ਬ੍ਰੇਕ ਫਲੂਇਡ ਨੁਕਸਾਨਦੇਹ ਜਾਂ ਘਾਤਕ ਹੁੰਦਾ ਹੈ ਜੇ ਨਿਗਲ ਲਿਆ ਜਾਂਦਾ ਹੈ, ਅਤੇ ਜੇਕਰ ਇਹ ਚਮੜੀ ਜਾਂ ਅੱਖਾਂ ਨਾਲ ਛੁੱਹਦਾ ਹੈ ਤਾਂ ਨੁਕਸਾਨਦੇਹ ਹੁੰਦਾ ਹੈ। ਜੇ ਨਿਗਲ ਲਿਆ ਜਾਵੇ, ਤਾਂ ਉਲਟੀਆਂ ਨਾ ਕਰੋ। ਤੁਰੰਤ ਕਿਸੇ ਜ਼ਹਿਰ ਕੰਟਰੋਲ ਕੇਂਦਰ ਜਾਂ ਡਾਕਟਰ ਨਾਲ ਸੰਪਰਕ ਕਰੋ। ਜੇਕਰ ਬ੍ਰੇਕ ਫਲੂਇਡ ਅੱਖਾਂ ਵਿੱਚ ਪੈ ਜਾਂਦਾ ਹੈ, ਤਾਂ ਅੱਖਾਂ 'ਤੇ ਪਾਣੀ ਦੇ ਛਿੱਟੇ ਮਾਰੋ ਅਤੇ ਡਾਕਟਰੀ ਸਹਾਇਤਾ ਲਓ। ਹੈਂਡਲ ਕਰਨ ਤੋਂ ਬਾਅਦ ਚੰਗੀ ਤਰ੍ਹਾਂ ਧੋ ਲਓ। ਘੋਲ ਜਾਨਵਰਾਂ ਲਈ ਜ਼ਹਿਰੀਲਾ ਹੋ ਸਕਦਾ ਹੈ। ਬੱਚਿਆਂ ਅਤੇ ਜਾਨਵਰਾਂ ਦੀ ਪਹੁੰਚ ਤੋਂ ਦੂਰ ਰੱਖੋ।

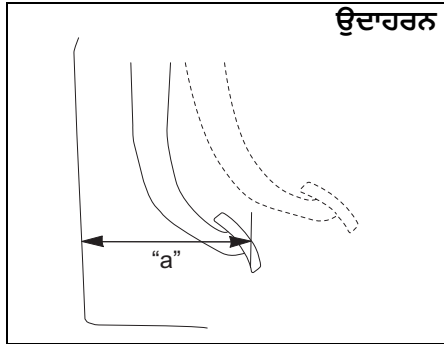
ਨੋਟ:

ਡਿਸਕ ਬ੍ਰੇਕਾਂ ਦੇ ਨਾਲ, ਬ੍ਰੇਕ ਪੈਡ ਦੇ ਘਿਸਣ ਨਾਲ ਫਲੂਇਡ ਲੈਵਲ ਦੇ ਹੌਲੀ ਹੌਲੀ ਘੱਟਣ ਦੀ ਉਮੀਦ ਕੀਤੀ ਜਾ ਸਕਦੀ ਹੈ।

**ਬ੍ਰੇਕ ਪੈਡਲ (Brake Pedal)**

ਜਾਂਚ ਕਰੋ ਕਿ ਕੀ ਬ੍ਰੇਕ ਪੈਡਲ ਸਪੰਜ ਮਹਿਸੂਸ ਕੀਤੇ ਬਿਨਾਂ ਨਿਯਮਤ ਉਚਾਈ 'ਤੇ ਰੁਕਦਾ ਹੈ ਜਦੋਂ ਤੁਸੀਂ ਇਸ ਨੂੰ ਦਬਾਉਂਦੇ ਹੋ। ਜੇਕਰ ਨਹੀਂ, ਤਾਂ ਆਪਣੀ ਅਧਿਕਾਰਤ ਮਾਰੂਤੀ ਸੁਜੂਕੀ ਕਮਰਸ਼ੀਅਲ ਵਰਕਸ਼ਾਪ ਤੋਂ ਬ੍ਰੇਕ ਸਿਸਟਮ ਦੀ ਜਾਂਚ ਕਰਵਾਓ। ਜੇ ਤੁਸੀਂ ਨਿਯਮਤ ਉਚਾਈ ਲਈ ਬ੍ਰੇਕ ਪੈਡਲ 'ਤੇ ਸ਼ੱਕ ਕਰਦੇ ਹੋ, ਤਾਂ ਇਸ ਦੀ ਜਾਂਚ ਕਰੋ:





ਉਦਾਹਰਨ

54G108S

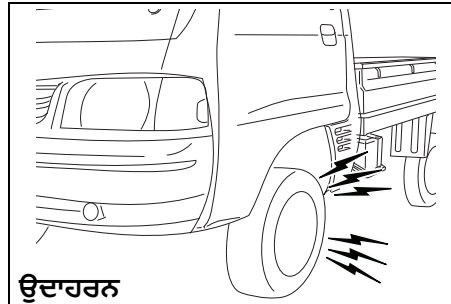
ਪੈਡਲ ਤੋਂ ਫਰੰਟ ਪੈਨਲ ਦੀ ਘੱਟੋ-ਘੱਟ ਦੂਰੀ "a":  
ਪੈਟਰੋਲ ਅਤੇ ਸੀ.ਐਨ.ਜੀ. ਇੰਜਣ ਮਾਡਲ:  
150 mm

ਇੰਜਣ ਦੇ ਚੱਲਦੇ ਹੋਏ, ਬ੍ਰੇਕ ਪੈਡਲ ਅਤੇ ਫਰੰਟ ਪੈਨਲ ਦੇ ਵਿਚਕਾਰ ਦੀ ਦੂਰੀ ਨੂੰ ਮਾਪੋ ਜਦੋਂ ਪੈਡਲ ਲਗਭਗ 30 ਕਿਲੋਗ੍ਰਾਮ (66 ਪੌਂਡ) ਤਾਕਤ ਨਾਲ ਦਬਾਇਆ ਜਾਂਦਾ ਹੈ। ਲੋੜੀਂਦੀ ਘੱਟੋ-ਘੱਟ ਦੂਰੀ ਨਿਰਧਾਰਤ ਕੀਤੇ ਅਨੁਸਾਰ ਹੁੰਦੀ ਹੈ। ਕਿਉਂਕਿ ਤੁਹਾਡੇ ਵਾਹਨ ਦਾ ਬ੍ਰੇਕ ਸਿਸਟਮ ਸਵੈ-ਐਡਜਸਟਿੰਗ ਹੈ, ਇਸ ਲਈ ਪੈਡਲ ਐਡਜਸਟਮੈਂਟ ਦੀ ਕੋਈ ਲੋੜ ਨਹੀਂ ਹੈ।

ਜੇਕਰ ਉੱਪਰ ਦੱਸੇ ਅਨੁਸਾਰ ਪੈਡਲ ਤੋਂ ਫਰੰਟ ਪੈਨਲ ਦੀ ਦੂਰੀ ਲੋੜੀਂਦੀ ਘੱਟੋ-ਘੱਟ ਦੂਰੀ ਤੋਂ ਘੱਟ ਹੈ, ਤਾਂ ਆਪਣੀ ਅਧਿਕਾਰਤ ਮਾਰੂਤੀ ਸੁਜੂਕੀ ਕਮਰਸ਼ੀਅਲ ਵਰਕਸ਼ਾਪ ਤੋਂ ਆਪਣੇ ਵਾਹਨ ਦੀ ਜਾਂਚ ਕਰਵਾਓ।

ਨੋਟ:

ਬ੍ਰੇਕ ਪੈਡਲ ਅਤੇ ਫਰੰਟ ਪੈਨਲ ਵਿਚਕਾਰ ਦੂਰੀ ਨੂੰ ਮਾਪਣ ਵੇਲੇ, ਆਪਣੇ ਮਾਪ ਵਿੱਚ ਫਰੰਟ ਪੈਨਲ 'ਤੇ ਫਲੋਰ ਮੈਟ ਜਾਂ ਰਬੜ ਨੂੰ ਸ਼ਾਮਲ ਨਾ ਕਰਨਾ ਯਕੀਨੀ ਬਣਾਓ।



ਉਦਾਹਰਨ

77PM07013

### ⚠ ਚੇਤਾਵਨੀ

ਜੇਕਰ ਤੁਸੀਂ ਆਪਣੇ ਵਾਹਨ ਦੇ ਬ੍ਰੇਕ ਸਿਸਟਮ ਵਿੱਚ ਹੇਠ ਲਿਖੀਆਂ ਸਮੱਸਿਆਵਾਂ ਵਿੱਚੋਂ ਕਿਸੇ ਦਾ ਅਨੁਭਵ ਕਰਦੇ ਹੋ, ਤਾਂ ਆਪਣੀ ਅਧਿਕਾਰਤ ਮਾਰੂਤੀ ਸੁਜੂਕੀ ਕਮਰਸ਼ੀਅਲ ਵਰਕਸ਼ਾਪ ਤੋਂ ਤੁਰੰਤ ਵਾਹਨ ਦੀ ਜਾਂਚ ਕਰਵਾਓ।

- ਬ੍ਰੇਕਿੰਗ ਦਾ ਖਰਾਬ ਪ੍ਰਦਰਸ਼ਨ
- ਅਸਮਾਨ ਬ੍ਰੇਕਿੰਗ (ਬ੍ਰੇਕਾਂ ਸਾਰੇ ਪਹੀਆਂ 'ਤੇ ਇਕਸਾਰ ਕੰਮ ਨਹੀਂ ਕਰਦੀਆਂ)
- ਬਹੁਤ ਜ਼ਿਆਦਾ ਪੈਡਲ ਟ੍ਰੈਵਲ
- ਬ੍ਰੇਕ ਡਰੈਗ ਹੋਣਾ
- ਬਹੁਤ ਜ਼ਿਆਦਾ ਰੌਲਾ
- ਪੈਡਲ ਪਲਸੇਸ਼ਨ (ਦਬਾਉਣ 'ਤੇ ਪੈਡਲ ਕੰਬਦਾ ਹੈ)

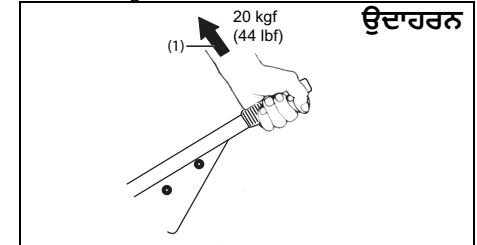
### ⚠ ਚੇਤਾਵਨੀ

ਜੇਕਰ ਬਰੇਕ ਪੈਡ ਲਾਈਨਿੰਗ ਘਿਸ ਜਾਂਦੇ ਹਨ ਅਤੇ ਇਹ ਸਭ ਤੋਂ ਘੱਟ ਮੋਟਾਈ 'ਤੇ ਪਹੁੰਚ ਜਾਂਦੇ ਹਨ, ਤਾਂ ਬਰੇਕ ਲਗਾਉਣ ਸਮੇਂ ਚੀਕਣ ਵਰਗੀ ਆਵਾਜ਼ ਆਉਂਦੀ ਹੈ।

ਜੇਕਰ ਤੁਹਾਨੂੰ ਇਹ ਆਵਾਜ਼ ਸੁਣਾਈ ਦਿੰਦੀ ਹੈ, ਤਾਂ ਮਾਰੂਤੀ ਸੁਜੂਕੀ (Maruti Suzuki) ਦੀ ਅਧਿਕਾਰਤ ਵਰਕਸ਼ਾਪ ਤੋਂ ਵਾਹਨ ਦੀ ਤੁਰੰਤ ਜਾਂਚ ਕਰਵਾਓ।

ਇਸ ਸਥਿਤਿ ਨਾਲ ਨਿਰੰਤਰ ਡਰਾਈਵਿੰਗ ਕਰਨ ਨਾਲ ਦੁਰਘਟਨਾ ਹੋ ਸਕਦੀ ਹੈ।

### ਪਾਰਕਿੰਗ ਬ੍ਰੇਕ (Parking Brake)



ਉਦਾਹਰਨ

77PM702

ਰੈਚਟ ਟੁੱਟ ਦੀ ਸਪੈਸੀਫਿਕੇਸ਼ਨ (Ratchet tooth specification)  
6ਵੇਂ - 9ਵੇਂ ਟੁੱਬ  
ਲੀਵਰ ਪੁੱਲ ਫੋਰਸ (Lever pull force) (1):  
200 N (20 kgf, 44 lbf)

## ਇੰਸਪੈਕਸ਼ਨ ਅਤੇ ਰੱਖ ਰਖਾਵ

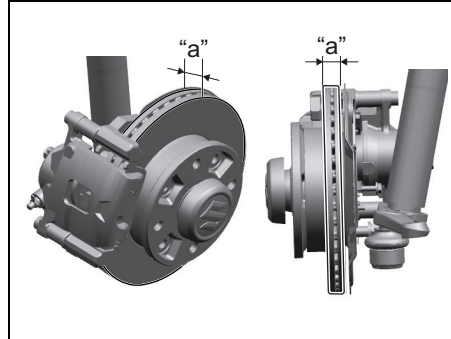
ਜਦੋਂ ਤੁਸੀਂ ਪਾਰਕਿੰਗ ਬ੍ਰੇਕ ਲੀਵਰ ਨੂੰ ਪੂਰੀ ਤਰ੍ਹਾਂ ਲਗਾਉਣ ਦੇ ਬਿੰਦੂ ਤੱਕ ਹੌਲੀ-ਹੌਲੀ ਖਿੱਚਦੇ ਹੋ ਤਾਂ ਰੈਚੇਟ ਟੁੱਬ ਦੁਆਰਾ ਕੀਤੇ ਗਏ ਕਲਿੱਕਾਂ ਦੀ ਗਿਣਤੀ ਕਰਕੇ ਸਹੀ ਵਿਵਸਥਾ ਲਈ ਪਾਰਕਿੰਗ ਬ੍ਰੇਕ ਦੀ ਜਾਂਚ ਕਰੋ। ਪਾਰਕਿੰਗ ਬ੍ਰੇਕ ਲੀਵਰ ਨੂੰ ਨਿਸ਼ਚਿਤ ਰੈਚੇਟ ਟੁੱਬ ਦੇ ਵਿਚਕਾਰ ਰੁਕਣਾ ਚਾਹੀਦਾ ਹੈ ਅਤੇ ਪਿਛਲੇ ਪਹੀਏ ਨੂੰ ਸੁਰੱਖਿਅਤ ਢੰਗ ਨਾਲ ਲਾਕ ਕੀਤਾ ਜਾਣਾ ਚਾਹੀਦਾ ਹੈ। ਜੇਕਰ ਪਾਰਕਿੰਗ ਬ੍ਰੇਕ ਨੂੰ ਠੀਕ ਤਰ੍ਹਾਂ ਐਡਜਸਟ ਨਹੀਂ ਕੀਤਾ ਗਿਆ ਹੈ ਜਾਂ ਲੀਵਰ ਪੂਰੀ ਤਰ੍ਹਾਂ ਛੱਡਣ ਤੋਂ ਬਾਅਦ ਬ੍ਰੇਕ ਨੂੰ ਖਿੱਚਿਆ ਜਾਂਦਾ ਹੈ, ਤਾਂ ਆਪਣੀ ਅਧਿਕਾਰਤ ਮਾਰੂਤੀ ਸੂਚੂਕੀ ਕਮਰਸ਼ੀਅਲ ਵਰਕਸ਼ਾਪ ਦੁਆਰਾ ਪਾਰਕਿੰਗ ਬ੍ਰੇਕ ਦੀ ਜਾਂਚ ਕਰਵਾਓ ਅਤੇ/ਜਾਂ ਐਡਜਸਟ ਕਰਵਾਓ।

### ⚠ ਚੇਤਾਵਨੀ

- ਵਾਹਨ ਓਵਰਲੋਡ ਹੋਣ ਦੀ ਸਥਿਤੀ ਵਿੱਚ ਪਾਰਕਿੰਗ ਬ੍ਰੇਕ ਪ੍ਰਭਾਵੀ ਨਹੀਂ ਹੋ ਸਕਦੀ। ਵਾਹਨ ਨੂੰ ਫੜਨ ਲਈ ਵਾਧੂ ਚੋਕਾਂ ਦੀ ਵਰਤੋਂ ਕਰੋ।

## ਬਰੇਕ ਡਿਸਕਾਂ (Brake discs) ਅਤੇ ਬਰੇਕ ਡਰਮ (brake drums)

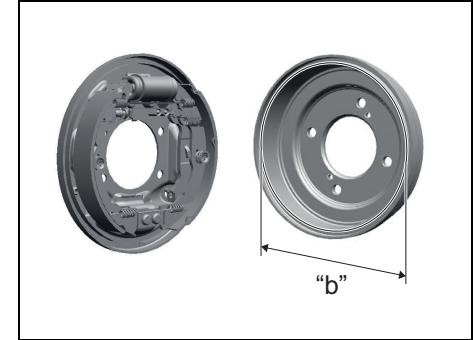
### ਬਰੇਕ ਡਿਸਕ (Brake disc)



77PM709

ਬਰੇਕ ਦੀ ਲੋਕੇਸ਼ਨ	ਨਿਊਨਤਮ ਮੋਟਾਈ "a"
ਫਰੰਟ ਵਹੀਲ	18.0 mm

## ਬਰੇਕ ਡਰਮ (Brake drum)

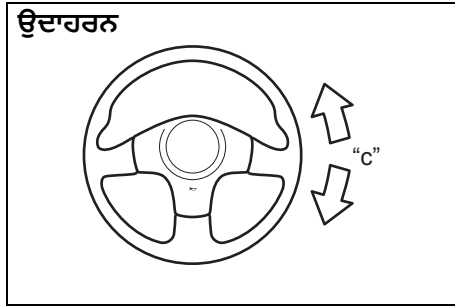


77PM708

ਬਰੇਕ ਦੀ ਲੋਕੇਸ਼ਨ	ਅਧਿਕਤਮ ਅੰਦਰੂਨੀ ਡਾਇਆਮੀਟਰ "b"
ਰੀਅਰ ਵਹੀਲ	202 mm

ਜੇਕਰ ਸਭ ਤੋਂ ਵੱਧ ਘਿਸੇ ਪਾਰਟ ਦੀ ਨਾਪੀ ਗਈ ਮੋਟਾਈ ਜਾਂ ਅੰਦਰੂਨੀ ਡਾਇਆਮੀਟਰ ਉੱਪਰ ਦਰਸਾਈ ਕੀਮਤ ਤੋਂ ਘੱਟ ਹੈ ਜਾਂ ਵੱਧ ਹੈ, ਤਾਂ ਨਵੇਂ ਪਾਰਟਸ ਲਗਾਉਣੇ ਚਾਹੀਦੇ ਹਨ। ਨਾਪ ਵਿੱਚ ਹਰੇਕ ਬਰੇਕ ਦੀ ਡਿਸਕ/ਸੈਬਲੀ ਕਰਨਾ ਸ਼ਾਮਲ ਹੁੰਦਾ ਹੈ ਅਤੇ ਇਸ ਵਿੱਚ ਇੱਕ ਮਾਈਕ੍ਰੋਮੀਟਰ ਜਾਂ ਕੈਲੀਪਰ ਵਰਤਣ ਦੀ ਲੋੜ ਹੁੰਦੀ ਹੈ, ਜਿਨ੍ਹਾਂ ਨੂੰ ਸੰਬੰਧਿਤ ਸਰਵਿਸ ਮੈਨੂਅਲ ਵਿੱਚ ਦਿੱਤੀਆਂ ਹਿਦਾਇਤਾਂ ਅਨੁਸਾਰ ਜਾਂ ਸੰਬੰਧਿਤ ਰਿਪੇਅਰ ਦੀ ਜਾਣਕਾਰੀ ਵਾਲੀ ਸਾਈਟ ਤੋਂ ਉਪਲਬਧ ਹਿਦਾਇਤਾਂ ਅਨੁਸਾਰ ਕੀਤਾ ਜਾਣਾ ਚਾਹੀਦਾ ਹੈ।

## ਸਟੀਰਿੰਗ (Steering)



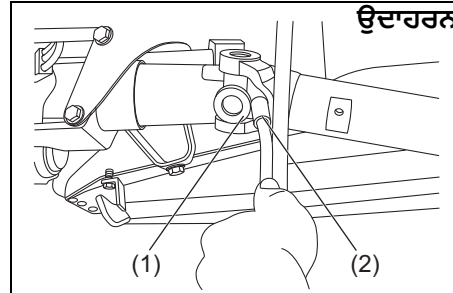
77PH042

ਸਟੀਰਿੰਗ ਢੀਲ ਪਲੇ "c":  
0 - 30 ਮਿਲੀਮੀਟਰ (0.0 - 1.2 ਇੰਚ)

ਸਟੀਰਿੰਗ ਢੀਲ ਨੂੰ ਹੌਲੀ-ਹੌਲੀ ਖੱਬੇ ਤੋਂ ਸੱਜੇ ਅਤੇ ਸੱਜੇ ਤੋਂ ਖੱਬੇ ਮੋੜ ਕੇ, ਪਹਿਲੇ ਸਿੱਧੇ ਅੱਗੇ ਵੱਲ ਦੀ ਸਥਿਤੀ ਵਿੱਚ ਅਤੇ ਇੰਜਣ ਨੂੰ ਬੰਦ ਸਥਿਤੀ ਵਿੱਚ ਚਲਾ ਕੇ ਦੇਖੋ। ਉਸ ਦੂਰੀ ਨੂੰ ਮਾਪੋ ਜੋ ਤੁਹਾਨੂੰ ਥੋੜ੍ਹਾ ਜਿਹਾ ਰਜਿਸਟਰ ਮਹਿਸੂਸ ਕਰਨ ਤੋਂ ਪਹਿਲਾਂ ਸਟੀਰਿੰਗ ਚੱਲਦਾ ਹੈ। ਪਲੇਅ ਨਿਰਧਾਰਤ ਮੁੱਲਾਂ ਦੇ ਵਿਚਕਾਰ ਹੋਣੀ ਚਾਹੀਦੀ ਹੈ। ਜਾਂਚ ਕਰੋ ਕਿ ਸਟੀਰਿੰਗ ਢੀਲ ਕਿਸੇ ਖੁੱਲ੍ਹੇ ਖੇਤਰ ਵਿੱਚ ਬਹੁਤ ਹੌਲੀ-ਹੌਲੀ ਗੱਡੀ ਚਲਾਉਂਦੇ ਹੋਏ ਇਸਨੂੰ ਸੱਜੇ ਅਤੇ ਖੱਬੇ ਪਾਸੇ ਮੋੜ ਕੇ ਬਿਨਾਂ ਕਿਸੇ ਸ਼ੋਰ ਦੇ ਆਸਾਨੀ ਨਾਲ ਅਤੇ ਸੁਚਾਰੂ ਢੰਗ ਨਾਲ ਮੁੜਦਾ ਹੈ। ਜੇਕਰ ਫਰੀ ਪਲੇ ਦੀ ਮਾਤਰਾ ਸਪੈਸੀਫਿਕੇਸ਼ਨ ਤੋਂ ਬਾਹਰ ਹੈ ਜਾਂ ਤੁਹਾਨੂੰ ਕੁਝ ਹੋਰ ਗਲਤ ਲੱਗਦਾ ਹੈ, ਤਾਂ ਤੁਹਾਡੀ ਅਧਿਕਾਰਤ ਮਾਰੂਤੀ ਸੁਜ਼ੁਕੀ ਕਮਰਸ਼ੀਅਲ ਵਰਕਸ਼ਾਪ ਦੁਆਰਾ ਇੱਕ ਨਿਰੀਖਣ ਕੀਤਾ ਜਾਣਾ ਚਾਹੀਦਾ ਹੈ।

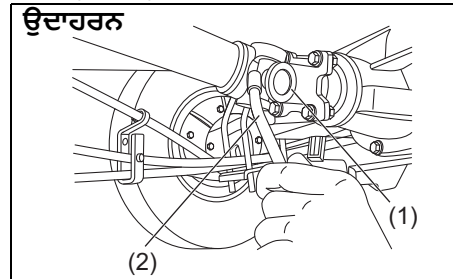
## ਪ੍ਰੋਪੈਲਰ ਸ਼ਾਫਟ ਯੂਨੀਵਰਸਲ ਜੁਆਇੰਟ (Propeller Shaft Universal Joint)

ਰਿਅਰ (ਪਿਛਲਾ)



77PM703

ਰਿਅਰ (ਪਿਛਲਾ)



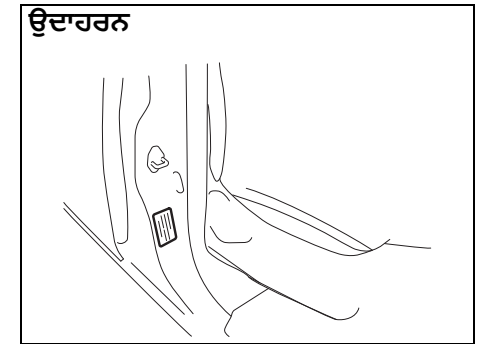
77PM704

ਸੇਵਾ ਅਨੁਸੂਚੀ ਦੇ ਅਨੁਸਾਰ ਪ੍ਰੋਪੈਲਰ ਸ਼ਾਫਟ ਯੂਨੀਵਰਸਲ ਜੁਆਇੰਟ (propeller shaft universal joint)

(1) (ਰਿਅਰ (ਪਿਛਲਾ) ਅਤੇ ਰਿਅਰ (ਪਿਛਲਾ)) ਨੂੰ ਲੁਬਰੀਕੇਟ ਕਰੋ।

ਪ੍ਰੋਪੈਲਰ ਸ਼ਾਫਟ ਯੂਨੀਵਰਸਲ ਜੁਆਇੰਟ ਨੂੰ ਲੁਬਰੀਕੇਟ ਕਰਨ ਲਈ ਤੁਹਾਨੂੰ ਗਰੀਸ ਗੰਨ (grease gun) (2) ਅਤੇ ਨਿਰਧਾਰਤ ਗਰੀਸ NLGI GRADE 2 ਦੀ ਵਰਤੋਂ ਕਰਨੀ ਚਾਹੀਦੀ ਹੈ।

## ਟਾਇਰ



77PM705

ਤੁਹਾਡੇ ਵਾਹਨ ਲਈ ਅਗਲੇ ਅਤੇ ਪਿਛਲੇ ਟਾਇਰ ਦੇ ਪ੍ਰੈਸ਼ਰ ਦੀਆਂ ਸਪੈਸੀਫਿਕੇਸ਼ਨਾਂ ਟਾਇਰ ਦੀ ਜਾਣਕਾਰੀ ਲੈਬਲ 'ਤੇ ਸੂਚੀਬੱਧ ਹਨ। ਫਰੰਟ ਅਤੇ ਰਿਅਰ ਦੋਵੇਂ ਟਾਇਰਾਂ ਵਿੱਚ ਨਿਰਧਾਰਤ ਟਾਇਰ ਪ੍ਰੈਸ਼ਰ ਹੋਣਾ ਚਾਹੀਦਾ ਹੈ।

ਨੋਟ ਕਰੋ ਕਿ ਮੁੱਲ ਕੰਪੈਕਟ ਸਪੇਅਰ ਟਾਇਰ 'ਤੇ ਲਾਗੂ ਨਹੀਂ ਹੁੰਦਾ, ਜੇਕਰ ਲੈੱਸ ਹੈ।

### ਟਾਇਰ ਦੀ ਇੰਸਪੈਕਸ਼ਨ

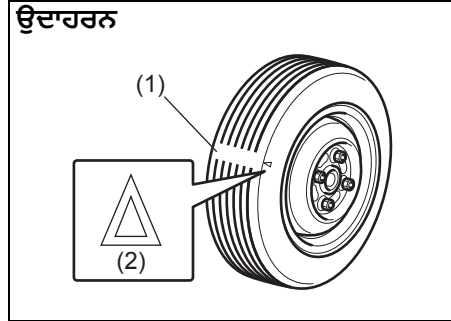
ਹੇਠ ਲਿਖੀਆਂ ਜਾਂਚਾਂ ਕਰਕੇ ਮਹੀਨੇ ਵਿੱਚ ਘੱਟੋ-ਘੱਟ ਇੱਕ ਵਾਰ ਆਪਣੇ ਵਾਹਨ ਦੇ ਟਾਇਰਾਂ ਦੀ ਜਾਂਚ ਕਰੋ:

- 1) ਟਾਇਰ ਪ੍ਰੈਸ਼ਰ ਗੇਜ ਨਾਲ ਹਵਾ ਦੇ ਪ੍ਰੈਸ਼ਰ ਨੂੰ ਮਾਪੋ। ਜੇ ਲੋੜ ਹੋਵੇ ਤਾਂ ਪ੍ਰੈਸ਼ਰ ਨੂੰ ਐਡਜਸਟ ਕਰੋ। ਸਪੇਅਰ ਟਾਇਰ ਨੂੰ ਵੀ ਚੈਕ ਕਰਨਾ ਯਾਦ ਰੱਖੋ।

### ⚠ ਚੇਤਾਵਨੀ

- ਜਦੋਂ ਟਾਇਰ ਠੰਡੇ ਹੋਣ ਤਾਂ ਤੁਹਾਨੂੰ ਹਵਾ ਦੇ ਪ੍ਰੈਸ਼ਰ ਦੀ ਜਾਂਚ ਕਰਨੀ ਚਾਹੀਦੀ ਹੈ ਨਹੀਂ ਤਾਂ ਤੁਹਾਨੂੰ ਗਲਤ ਰੀਡਿੰਗ ਮਿਲ ਸਕਦੀ ਹੈ।
- ਟਾਇਰ ਨੂੰ ਹੌਲੀ-ਹੌਲੀ ਹਵਾ ਭਰਦੇ ਹੋਏ ਸਮੇਂ-ਸਮੇਂ 'ਤੇ ਹਵਾ ਦੇ ਦਬਾਅ ਦੀ ਜਾਂਚ ਕਰੋ, ਜਦੋਂ ਤੱਕ ਨਿਰਧਾਰਤ ਦਬਾਅ ਪ੍ਰਾਪਤ ਨਹੀਂ ਹੋ ਜਾਂਦਾ।
- ਟਾਇਰਾਂ ਨੂੰ ਕਦੇ ਵੀ ਘੱਟ ਜਾਂ ਜ਼ਿਆਦਾ ਨਾ ਫੁਲਾਓ।
- ਘੱਟ ਹਵਾ ਅਸਾਧਾਰਨ ਹੈਂਡਲਿੰਗ ਵਿਸ਼ੇਸ਼ਤਾਵਾਂ ਦਾ ਕਾਰਨ ਬਣ ਸਕਦੀ ਹੈ ਜਾਂ ਟਾਇਰ ਦੀ ਗੁੱਡੀ 'ਤੇ ਰਿਮ ਦੇ ਤਿਲੁਕਣ ਦਾ ਕਾਰਨ ਬਣ ਸਕਦਾ ਹੈ, ਨਤੀਜੇ ਵਜੋਂ ਇੱਕ ਦੁਰਘਟਨਾ ਹੋ ਸਕਦੀ ਹੈ ਜਾਂ ਟਾਇਰ ਜਾਂ ਰਿਮ ਨੂੰ ਨੁਕਸਾਨ ਹੋ ਸਕਦਾ ਹੈ।
- ਜ਼ਿਆਦਾ ਹਵਾ ਕਾਰਨ ਟਾਇਰ ਫਟ ਸਕਦਾ ਹੈ, ਨਤੀਜੇ ਵਜੋਂ ਸਰੀਰਕ ਚੋਟ ਲੱਗ ਸਕਦੀ ਹੈ। ਜ਼ਿਆਦਾ ਹਵਾ ਵੀ ਅਸਾਧਾਰਨ ਹੈਂਡਲਿੰਗ ਵਿਸ਼ੇਸ਼ਤਾਵਾਂ ਦਾ ਕਾਰਨ ਬਣ ਸਕਦੀ ਹੈ ਜਿਸ ਦੇ ਨਤੀਜੇ ਵਜੋਂ ਦੁਰਘਟਨਾ ਹੋ ਸਕਦੀ ਹੈ।

### ਉਦਾਹਰਨ



52KM110

- (1) ਗੁੱਡੀ ਦੇ ਘਿਸਣ ਦਾ ਇੰਡੀਕੇਟਰ (indicator)
- (2) ਇੰਡੀਕੇਟਰ ਟਿਕਾਣਾ ਚਿੰਨ੍ਹ

- 2) ਜਾਂਚ ਕਰੋ ਕਿ ਗੁੱਡੀ ਦੇ ਗੁਰੂਵ ਦੀ ਡੂੰਘਾਈ 1.6 ਮਿਲੀਮੀਟਰ (0.06 ਇੰਚ) ਤੋਂ ਵੱਧ ਹੈ। ਇਸਦੀ ਜਾਂਚ ਕਰਨ ਵਿੱਚ ਤੁਹਾਡੀ ਮਦਦ ਕਰਨ ਲਈ, ਟਾਇਰਾਂ ਵਿੱਚ ਮੇਲਡ-ਇਨ ਟ੍ਰੇਡ ਘਿਸਾਵ ਵਾਲੇ ਇੰਡੀਕੇਟਰ ਹੁੰਦੇ ਹਨ। ਜਦੋਂ ਇੰਡੀਕੇਟਰ ਗੁੱਡੀ ਦੀ ਸਤ੍ਹਾ 'ਤੇ ਦਿਖਾਈ ਦਿੰਦੇ ਹਨ, ਤਾਂ ਗੁੱਡੀ ਦੀ ਬਾਕੀ ਦੀ ਡੂੰਘਾਈ 1.6 ਮਿਲੀਮੀਟਰ (0.06 ਇੰਚ) ਜਾਂ ਘੱਟ ਹੁੰਦੀ ਹੈ ਅਤੇ ਟਾਇਰ ਨੂੰ ਬਦਲਿਆ ਜਾਣਾ ਚਾਹੀਦਾ ਹੈ।
- 3) ਅਸਾਧਾਰਨ ਘਿਸਾਵ, ਤਰੇੜਾਂ ਅਤੇ ਨੁਕਸਾਨ ਦੀ ਜਾਂਚ ਕਰੋ। ਤਰੇੜਾਂ ਜਾਂ ਹੋਰ ਨੁਕਸਾਨ ਵਾਲੇ ਟਾਇਰਾਂ ਨੂੰ ਬਦਲਿਆ ਜਾਣਾ ਚਾਹੀਦਾ ਹੈ। ਜੇਕਰ ਕੋਈ ਟਾਇਰ ਅਸਾਧਾਰਨ ਘਿਸਾਵ ਦਿਖਾਉਂਦੇ ਹਨ, ਤਾਂ ਆਪਣੀ ਅਧਿਕਾਰਤ ਮਾਰੂਤੀ ਸੁਜੂਕੀ ਕਮਰਸ਼ੀਅਲ ਵਰਕਸ਼ਾਪ ਤੋਂ ਉਹਨਾਂ ਦੀ ਜਾਂਚ ਕਰਵਾਓ।

### ⚠ ਸਾਵਧਾਨ

ਰੋਕਾਂ ਨੂੰ ਟੱਕਰ ਮਾਰਨਾ ਅਤੇ ਚੌਟਾਨਾਂ ਉੱਤੇ ਦੌੜਨਾ ਟਾਇਰਾਂ ਨੂੰ ਨੁਕਸਾਨ ਪਹੁੰਚਾ ਸਕਦਾ ਹੈ ਅਤੇ ਪਹੀਏ ਦੀ ਅਲਾਈਨਮੈਂਟ ਨੂੰ ਪ੍ਰਭਾਵਿਤ ਕਰ ਸਕਦਾ ਹੈ। ਆਪਣੀ ਅਧਿਕਾਰਤ ਮਾਰੂਤੀ ਸੁਜੂਕੀ ਕਮਰਸ਼ੀਅਲ ਵਰਕਸ਼ਾਪ ਦੁਆਰਾ ਸਮੇਂ-ਸਮੇਂ 'ਤੇ ਟਾਇਰਾਂ ਅਤੇ ਵ੍ਹੀਲ ਅਲਾਈਨਮੈਂਟ ਦੀ ਜਾਂਚ ਕਰਨਾ ਯਕੀਨੀ ਬਣਾਓ।

- 4) ਵ੍ਹੀਲ ਦੇ ਢਿੱਲੇ ਨਟਾਂ ਦੀ ਜਾਂਚ ਕਰੋ।
- 5) ਜਾਂਚ ਕਰੋ ਕਿ ਟਾਇਰਾਂ ਵਿੱਚ ਕੋਈ ਮੇਖ, ਪੱਥਰ ਜਾਂ ਕੋਈ ਹੋਰ ਵਸਤੂ ਨਾ ਚਿਪਕੀ ਹੋਵੇ।

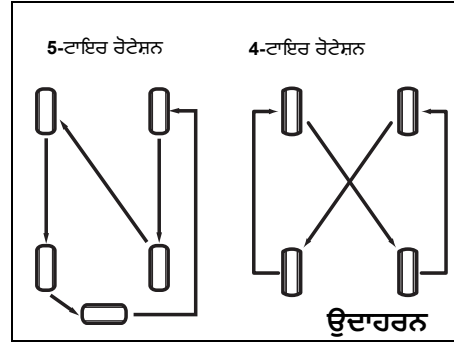
**⚠ ਚੇਤਾਵਨੀ**

- ਤੁਹਾਡਾ ਵਾਹਨ ਉਨ੍ਹਾਂ ਟਾਇਰਾਂ ਨਾਲ ਲੈਸ ਹੈ ਜੋ ਸਾਰੇ ਇੱਕੋ ਕਿਸਮ ਅਤੇ ਆਕਾਰ ਦੇ ਹਨ। ਵਾਹਨ ਦੇ ਸਹੀ ਸਟੀਰਿੰਗ ਅਤੇ ਹੈਂਡਲਿੰਗ ਨੂੰ ਯਕੀਨੀ ਬਣਾਉਣ ਲਈ ਇਹ ਮਹੱਤਵਪੂਰਨ ਹੈ। ਆਪਣੇ ਵਾਹਨ ਦੇ ਚਾਰ ਪਹੀਆਂ 'ਤੇ ਕਦੇ ਵੀ ਵੱਖ-ਵੱਖ ਆਕਾਰ ਜਾਂ ਟਾਈਪ ਦੇ ਟਾਇਰਾਂ ਨੂੰ ਨਾ ਮਿਲਾਓ। ਵਰਤੇ ਜਾਣ ਵਾਲੇ ਟਾਇਰਾਂ ਦਾ ਆਕਾਰ ਅਤੇ ਕਿਸਮ ਸਿਰਫ਼ ਉਹੀ ਹੋਣੇ ਚਾਹੀਦੇ ਹਨ ਜੋ ਤੁਹਾਡੇ ਵਾਹਨ ਲਈ ਮਾਰੂਤੀ ਸੁਜੂਕੀ ਦੁਆਰਾ ਮਿਆਰੀ ਜਾਂ ਵਿਕਲਪਿਕ ਉਪਕਰਨ ਵਜੋਂ ਮਨਜ਼ੂਰ ਕੀਤੇ ਗਏ ਹੋਣ।
- ਤੁਹਾਡੇ ਵਾਹਨ 'ਤੇ ਲੱਗੇ ਪਹੀਆਂ ਅਤੇ ਟਾਇਰਾਂ ਨੂੰ ਬਾਅਦ ਵਿੱਚ ਕੁੱਝ ਹੋਰ ਪਹੀਆਂ ਅਤੇ ਟਾਇਰਾਂ ਦੇ ਨਾਲ ਬਦਲਣ ਨਾਲ ਤੁਹਾਡੇ ਵਾਹਨ ਦੇ ਸਟੀਰਿੰਗ ਅਤੇ ਹੈਂਡਲਿੰਗ ਵਿਸ਼ੇਸ਼ਤਾਵਾਂ ਨੂੰ ਖਾਸ ਤੌਰ 'ਤੇ ਬਦਲ ਸਕਦਾ ਹੈ।
- ਇਸ ਲਈ, ਆਪਣੇ ਵਾਹਨ ਲਈ ਮਿਆਰੀ ਜਾਂ ਵਿਕਲਪਿਕ ਸਾਜ਼ੋ-ਸਾਮਾਨ ਦੇ ਤੌਰ 'ਤੇ ਸਿਰਫ਼ ਮਾਰੂਤ ਸੁਜੂਕੀ ਦੁਆਰਾ ਪ੍ਰਵਾਨਿਤ ਪਹੀਏ ਅਤੇ ਟਾਇਰ ਦੇ ਮਿਲਾਨਾਂ ਦੀ ਵਰਤੋਂ ਕਰੋ।

**ਨੋਟਿਸ**

ਅਸਲੀ ਟਾਇਰਾਂ ਨੂੰ ਵੱਖਰੇ ਆਕਾਰ ਦੇ ਟਾਇਰਾਂ ਨਾਲ ਬਦਲਣ ਨਾਲ ਸਪੀਡੋਮੀਟਰ ਜਾਂ ਓਡੋਮੀਟਰ ਰੀਡਿੰਗ ਗਲਤ ਹੋ ਸਕਦੀ ਹੈ। ਅਸਲੀ ਟਾਇਰਾਂ ਨੂੰ ਆਕਾਰ ਵਿੱਚ ਵੱਖਰੇ ਟਾਇਰਾਂ ਨਾਲ ਬਦਲਣ ਤੋਂ ਪਹਿਲਾਂ ਆਪਣੀ ਅਧਿਕਾਰਤ ਮਾਰੂਤੀ ਸੁਜੂਕੀ ਕਮਰਸ਼ੀਅਲ ਵਰਕਸ਼ਾਪ ਤੋਂ ਜਾਂਚ ਕਰੋ।

**ਟਾਇਰ ਰੋਟੇਸ਼ਨ**



80JK7001

ਆਪਣੇ ਟਾਇਰਾਂ ਦੇ ਅਸਮਾਨ ਰੂਪ ਵਿੱਚ ਘਿਸਣ ਤੋਂ ਬਚਣ ਲਈ ਅਤੇ ਉਹਨਾਂ ਦੇ ਜੀਵਨ ਨੂੰ ਲੰਮਾ ਕਰਨ ਲਈ, ਟਾਇਰਾਂ ਨੂੰ ਦਰਸਾਏ ਅਨੁਸਾਰ ਘੁਮਾਓ। ਟਾਇਰਾਂ ਨੂੰ ਹਰ 10000 km 'ਤੇ ਘੁਮਾਉਣਾ ਚਾਹੀਦਾ ਹੈ। ਰੋਟੇਸ਼ਨ ਤੋਂ ਬਾਅਦ, ਆਪਣੇ ਵਾਹਨ ਦੇ ਟਾਇਰ ਇਨਫਰਮੇਸ਼ਨ ਲੇਬਲ 'ਤੇ ਸੂਚੀਬੱਧ ਵਿਸ਼ੇਸ਼ਤਾਵਾਂ ਦੇ ਅਨੁਸਾਰ ਅਗਲੇ ਅਤੇ ਪਿਛਲੇ ਟਾਇਰ ਦੇ ਦਬਾਅ ਨੂੰ ਐਡਜਸਟ ਕਰੋ।

**ਵ੍ਹੀਲ ਬੈਲੇਂਸਿੰਗ (Wheel Balancing)**

ਜੇਕਰ ਵਾਹਨ ਪੱਧਰੀ ਸੜਕ 'ਤੇ ਅਸਥਾਈ ਤੌਰ 'ਤੇ ਵਾਈਬ੍ਰੇਟ ਕਰਦਾ ਹੈ, ਤਾਂ ਅਧਿਕਾਰਤ ਮਾਰੂਤੀ ਸੁਜੂਕੀ ਕਮਰਸ਼ੀਅਲ ਵਰਕਸ਼ਾਪ 'ਤੇ ਪਹੀਏ ਨੂੰ ਬੈਲੇਂਸ ਕਰਵਾਓ।

**ਵ੍ਹੀਲ ਅਲਾਈਨਮੈਂਟ (Wheel Alignment)**

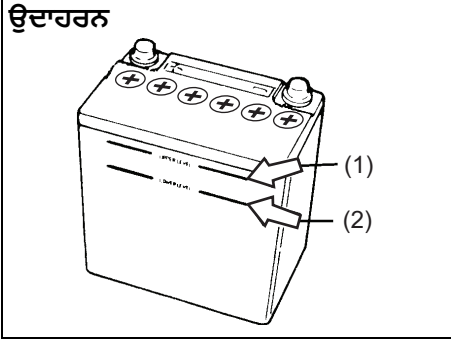
ਟਾਇਰ ਦੇ ਅਸਥਾਈ ਘਿਸਾਵ ਜਾਂ ਇੱਕ ਪਾਸੇ ਵੱਲ ਖਿੱਚਣ ਦੀ ਸਥਿਤੀ ਵਿੱਚ, ਅਧਿਕਾਰਤ ਮਾਰੂਤੀ ਸੁਜੂਕੀ ਕਮਰਸ਼ੀਅਲ ਵਰਕਸ਼ਾਪ ਵਿੱਚ ਪਹੀਏ ਨੂੰ ਅਲਾਈਨ ਕਰਾਓ।

**ਬੈਟਰੀ (Battery)**

**⚠ ਚੇਤਾਵਨੀ**

- ਬੈਟਰੀਆਂ ਜਲਣਸ਼ੀਲ ਹਾਈਡ੍ਰੋਜਨ ਗੈਸ ਪੈਦਾ ਕਰਦੀਆਂ ਹਨ। ਅੱਗ ਦੀਆਂ ਲਪਟਾਂ ਅਤੇ ਚਿੱਗਿਆੜੀਆਂ ਨੂੰ ਬੈਟਰੀ ਤੋਂ ਦੂਰ ਰੱਖੋ ਨਹੀਂ ਤਾਂ ਧਮਾਕਾ ਹੋ ਸਕਦਾ ਹੈ। ਬੈਟਰੀ ਦੇ ਆਸ-ਪਾਸ ਕੰਮ ਕਰਦੇ ਸਮੇਂ ਕਦੇ ਵੀ ਸਿਗਰਟ ਨਾ ਪੀਓ।
- ਬੈਟਰੀ ਦੀ ਜਾਂਚ ਜਾਂ ਸਰਵਿਸ ਕਰਦੇ ਸਮੇਂ, ਨੈਗੇਟਿਵ ਕੇਬਲ ਨੂੰ ਡਿਸਕਨੈਕਟ ਕਰੋ। ਸਾਵਧਾਨ ਰਹੋ ਕਿ ਧਾਤ ਦੀਆਂ ਵਸਤੂਆਂ ਨੂੰ ਇੱਕੋ ਸਮੇਂ ਬੈਟਰੀ ਪੋਸਟਾਂ ਅਤੇ ਵਾਹਨ ਨਾਲ ਸੰਪਰਕ ਕਰਨ ਨਾਲ ਸ਼ਾਰਟ ਸਰਕਟ ਨਾ ਹੋਵੇ।
- ਆਪਣੇ ਆਪ ਨੂੰ ਨੁਕਸਾਨ ਪਹੁੰਚਾਉਣ ਜਾਂ ਆਪਣੇ ਵਾਹਨ ਜਾਂ ਬੈਟਰੀ ਨੂੰ ਹੋਣ ਵਾਲੇ ਨੁਕਸਾਨ ਤੋਂ ਬਚਾਉਣ ਲਈ, ਇਸ ਮੈਨੂਅਲ ਦੇ "ਐਮਰਜੈਂਸੀ ਸਰਵਿਸ" ਸੈਕਸ਼ਨ ਵਿੱਚ ਜੰਪ ਮਾਰ ਕੇ ਸਟਾਰਟ ਕਰਨ ਵਾਲੀਆਂ ਹਿਦਾਇਤਾਂ ਦੀ ਪਾਲਣਾ ਕਰੋ ਜੇਕਰ ਤੁਹਾਡੇ ਵਾਹਨ ਨੂੰ ਸਟਾਰਟ ਕਰਨਾ ਜ਼ਰੂਰੀ ਹੈ।

ਉਦਾਹਰਨ



54GM701

ਮੇਨਟੀਨੈਂਸ ਫਰੀ ਬੈਟਰੀ (maintenance-free battery) (ਕੈਪ-ਲੈੱਸ ਕਿਸਮ) ਲਈ, ਤੁਹਾਨੂੰ ਪਾਣੀ ਪਾਉਣ ਦੀ ਲੋੜ ਨਹੀਂ ਹੈ। ਪਰੰਪਰਾਗਤ ਕਿਸਮ ਦੀ ਬੈਟਰੀ ਲਈ, ਜਿਸ ਵਿੱਚ ਵਾਟਰ ਫਿੱਲਰ ਕੈਪਸ ਹੁੰਦੇ ਹਨ, ਬੈਟਰੀ ਦੇ ਘੋਲ ਦਾ ਲੈਵਲ ਹਰ ਸਮੇਂ ਉਪਰਲੇ ਲੈਵਲ ਦੀ ਲਾਈਨ (upper level line) (1) ਅਤੇ ਹੇਠਲੇ ਲੈਵਲ ਦੀ ਲਾਈਨ (lower level line) (2) ਦੇ ਵਿਚਕਾਰ ਰੱਖਿਆ ਜਾਣਾ ਚਾਹੀਦਾ ਹੈ। ਤੁਹਾਨੂੰ ਸਮੇਂ-ਸਮੇਂ 'ਤੇ ਬੈਟਰੀ, ਕੇਸ ਬੈਟਰੀ ਟਰਮੀਨਲਾਂ, ਅਤੇ ਬੈਟਰੀ ਹੋਲਡ-ਡਾਊਨ ਬਰੈਕਟ ਨੂੰ ਨੁਕਸਾਨ ਜਾਂ ਖੋਰ ਲਈ ਚੈੱਕ ਕਰਨਾ ਚਾਹੀਦਾ ਹੈ। ਇੱਕ ਸਖ਼ਤ ਬੁਰਸ਼ ਅਤੇ ਪਾਣੀ ਵਿੱਚ ਮਿਕਸ ਕੀਤੇ ਅਮੋਨੀਆ, ਜਾਂ ਪਾਣੀ ਵਿੱਚ ਮਿਕਸ ਕੀਤੇ ਬੇਕਿੰਗ ਸੋਡਾ ਦੀ ਵਰਤੋਂ ਕਰਕੇ ਖੋਰ ਨੂੰ ਹਟਾਓ। ਖੋਰ ਨੂੰ ਹਟਾਉਣ ਤੋਂ ਬਾਅਦ, ਸਾਫ਼ ਪਾਣੀ ਨਾਲ ਧੋਵੋ।

ਜੇਕਰ ਤੁਹਾਡਾ ਵਾਹਨ ਇੱਕ ਮਹੀਨੇ ਜਾਂ ਵੱਧ ਸਮੇਂ ਲਈ ਨਹੀਂ ਚੱਲ ਰਿਹਾ ਹੈ, ਤਾਂ ਡਿਸਚਾਰਜ ਨੂੰ ਰੋਕਣ ਵਿੱਚ ਮਦਦ ਲਈ ਬੈਟਰੀ ਦੇ ਨੈਗੇਟਿਵ ਟਰਮੀਨਲ ਤੋਂ ਕੇਬਲ ਨੂੰ ਡਿਸਕਨੈਕਟ ਕਰੋ।

⚠ ਚੇਤਾਵਨੀ

ਜੇ ਬੈਟਰੀ ਦੀ ਵਰਤੋਂ ਬੈਟਰੀ ਲੈਵਲ ਦੇ ਹੇਠਲੇ ਲੈਵਲ ਦੀ ਲਾਈਨ (lower level line) (2) ਤੋਂ ਘੱਟ ਹੋਣ ਨਾਲ ਕੀਤੀ ਜਾਂਦੀ ਹੈ, ਤਾਂ ਇਹ ਬੈਟਰੀ ਦੀ ਉਮਰ ਘਟਾ ਸਕਦੀ ਹੈ, ਇੱਕ ਐਕਸੈਸਰੀਜ਼ ਗਰਮੀ, ਜਾਂ ਬੈਟਰੀ ਤੋਂ ਹੋਣ ਵਾਲੀ ਹਾਈਡ੍ਰੋਜਨ ਗੈਸ ਦੁਆਰਾ ਵਿਸਫੋਟ ਹੋ ਸਕਦਾ ਹੈ। ਬੈਟਰੀ ਦਾ ਲੈਵਲ ਹੇਠਲੇ ਲੈਵਲ ਦੀ ਲਾਈਨ (lower level line) (2) ਤੋਂ ਘੱਟ ਹੋਣ ਵਾਲੀ ਬੈਟਰੀ ਦੀ ਵਰਤੋਂ ਨਾ ਕਰੋ।

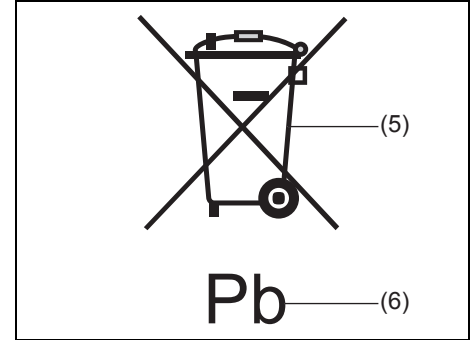
ਨੋਟਿਸ

ਜੇਕਰ ਬੈਟਰੀ ਫਲੁਇਡ ਨੂੰ ਉੱਪਰਲੇ ਲੈਵਲ ਦੀ ਲਾਈਨ (1) ਤੋਂ ਵੱਧ ਪਾਇਆ ਜਾਂਦਾ ਹੈ, ਤਾਂ ਫਲੁਇਡ ਡ੍ਰਾਈਵਿੰਗ ਦੌਰਾਨ ਵਾਈਬ੍ਰੇਸ਼ਨਾਂ ਦੁਆਰਾ ਲੀਕ ਹੋ ਸਕਦਾ ਹੈ ਜਾਂ ਬੈਟਰੀ ਚਾਰਜਿੰਗ ਦੀ ਸਥਿਤੀ ਦੇ ਆਧਾਰ 'ਤੇ ਕੁਝ ਮਾਮਲਿਆਂ ਵਿੱਚ ਫਲੁਇਡ ਬਾਹਰ ਨਿਕਲ ਸਕਦਾ ਹੈ। ਇਹ ਬੈਟਰੀ ਦੇ ਨੇੜੇ ਦੇ ਹਿੱਸਿਆਂ ਨੂੰ ਨੁਕਸਾਨ ਪਹੁੰਚਾ ਸਕਦੇ ਹਨ। ਜੇਕਰ ਬੈਟਰੀ ਦਾ ਫਲੁਇਡ ਵੱਧ ਜਾਂਦਾ ਹੈ, ਤਾਂ ਤੁਰੰਤ ਪਾਣੀ ਨਾਲ ਧੋ ਲਓ। ਬੈਟਰੀ ਦੇ ਫਲੁਇਡ ਨੂੰ ਉੱਪਰਲੇ ਲੈਵਲ ਦੀ ਲਾਈਨ (upper level line) (1) ਤੋਂ ਵੱਧ ਨਾ ਪਾਓ।

ਨੋਟ:

ਜਦੋਂ ਬੈਟਰੀ ਵਰਤੀ ਜਾਂਦੀ ਹੈ ਤਾਂ ਬੈਟਰੀ ਦੇ ਫਲੁਇਡ ਦੀ ਖਪਤ ਹੁੰਦੀ ਹੈ। ਜੇਕਰ ਲੈਵਲ ਉੱਪਰਲੇ ਲੈਵਲ (1) ਅਤੇ ਹੇਠਲੇ ਲੈਵਲ (2) ਦੇ ਕੇਂਦਰ ਤੋਂ ਘੱਟ ਪਾਇਆ ਜਾਂਦਾ ਹੈ, ਤਾਂ ਡਿਸਟਿਲਡ ਪਾਣੀ ਪਾਓ ਜਦੋਂ ਤੱਕ ਇਹ ਉੱਪਰਲੇ ਲੈਵਲ ਦੀ ਲਾਈਨ (upper level line) (1) ਤੱਕ ਨਹੀਂ ਪਹੁੰਚ ਜਾਂਦਾ।

(ਬੈਟਰੀ ਲੇਬਲ (Battery label))



51KM042

(5) ਕਰਾਸ ਕੀਤੇ ਵਹੀਲ ਬਿੰਨ (bin) ਵਾਲਾ ਸੰਕੇਤ  
(6) "Pb" ਦਾ ਕੈਮੀਕਲ ਸੰਕੇਤ

ਬੈਟਰੀ ਲੇਬਲ 'ਤੇ ਸਥਿਤ ਕਰਾਸ ਕੀਤਾ ਵਹੀਲਡ ਬਿੰਨ ਸੰਕੇਤ (wheeled bin symbol) (5) ਇਹ ਦਰਸਾਉਂਦਾ ਹੈ ਕਿ ਵਰਤੀ ਹੋਈ ਬੈਟਰੀ ਨੂੰ ਸਧਾਰਨ ਹਾਊਸਹੋਲਡ ਟਰੈਸ਼ ਤੋਂ ਵੱਖਰੇ ਤੌਰ 'ਤੇ ਲੈਣਾ ਚਾਹੀਦਾ ਹੈ। "Pb" (6) ਦਾ ਕੈਮੀਕਲ ਸੰਕੇਤ ਦਰਸਾਉਂਦਾ ਹੈ ਕਿ ਬੈਟਰੀ ਵਿੱਚ 0.004% ਤੋਂ ਵੱਧ ਲੈਡ ਹੈ।

ਇਹ ਯਕੀਨੀ ਬਣਾਉਣ ਨਾਲ ਕਿ ਵਰਤੀ ਹੋਈ ਬੈਟਰੀ ਨੂੰ ਚੰਗੀ ਤਰ੍ਹਾਂ ਨਸ਼ਟ ਜਾਂ ਰੀਸਾਈਕਲ ਕੀਤਾ ਗਿਆ ਹੈ, ਇਸ ਨਾਲ ਤੁਸੀਂ ਵਾਤਾਵਰਣ ਲਈ ਸੰਭਾਵੀ ਨੈਗੇਟਿਵ ਨਤੀਜਿਆਂ ਦੀ ਰੋਕਥਾਮ ਕਰਨ ਵਿੱਚ ਮਦਦ ਕਰੋਗੇ, ਜੋ ਕਿ ਬੈਟਰੀ ਦੇ ਅਣਉਚਿਤ ਕਚਰਾ ਪ੍ਰਬੰਧਨ ਦੇ ਕਾਰਣ ਹੋ ਸਕਦੇ ਹਨ। ਮਟੀਰੀਅਲ ਦੀ ਰੀਸਾਈਕਲਿੰਗ ਕੁਦਰਤੀ ਸਰੋਤਾਂ ਨੂੰ ਸੰਭਾਲਣ ਵਿੱਚ ਮਦਦ ਕਰੇਗੀ। ਵਰਤੀ ਬੈਟਰੀ ਨੂੰ ਨਸ਼ਟ ਕਰਨ ਜਾਂ ਰੀਸਾਈਕਲ ਕਰਨ ਬਾਰੇ ਹੋਰ ਵਿਸਤ੍ਰਿਤ ਜਾਣਕਾਰੀ ਲਈ, ਮਾਰੂਤੀ ਸੁਜੂਕੀ (Maruti Suzuki) ਦੀ ਅਧਿਕਾਰਤ ਵਰਕਸ਼ਾਪ ਨਾਲ ਸਲਾਹ ਮਸ਼ਵਰਾ ਕਰੋ।

## ਫਿਊਜ਼ (Fuses)

ਤੁਹਾਡੇ ਵਾਹਨ ਵਿੱਚ ਤਿੰਨ ਕਿਸਮ ਦੇ ਫਿਊਜ਼ ਹੁੰਦੇ ਹਨ, ਜਿਵੇਂ ਕਿ ਹੇਠਾਂ ਦੱਸਿਆ ਗਿਆ ਹੈ:

### ਫਿਊਜ਼ਬਲ ਲਿੰਕ ਤਾਰ ਅਤੇ ਮੁੱਖ ਫਿਊਜ਼

ਮੁੱਖ ਫਿਊਜ਼ ਬੈਟਰੀ ਤੋਂ ਸਿੱਧਾ ਕਰੰਟ ਲੈਂਦਾ ਹੈ।

### ਪ੍ਰਾਇਮਰੀ ਫਿਊਜ਼ (Primary fuses)

ਇਹ ਫਿਊਜ਼ ਮੁੱਖ ਫਿਊਜ਼ ਅਤੇ ਵਿਅਕਤੀਗਤ ਫਿਊਜ਼ਾਂ ਦੇ ਵਿਚਕਾਰ ਹੁੰਦੇ ਹਨ, ਅਤੇ ਇਲੈਕਟ੍ਰੀਕਲ ਲੋਡ ਗਰੁੱਪਾਂ (electrical load groups) ਲਈ ਹੁੰਦੇ ਹਨ।

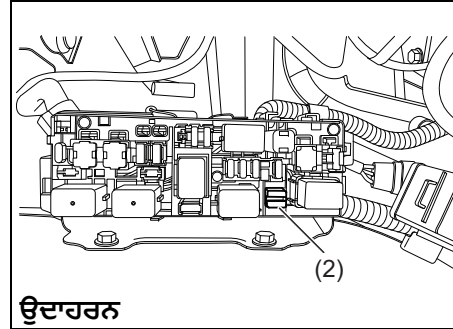
### ਵਿਅਕਤੀਗਤ ਫਿਊਜ਼

ਇਹ ਫਿਊਜ਼ ਵਿਅਕਤੀਗਤ ਇਲੈਕਟ੍ਰੀਕਲ ਸਰਕਟਾਂ ਲਈ ਹੁੰਦੇ ਹਨ।

ਨੋਟ:

- "ਬਲੈਕ" ਦਰਸਾਉਂਦਾ ਹੈ ਕਿ ਫਿਊਜ਼ ਵੇਰੀਐਂਟ ਵਿੱਚ ਲਾਗੂ ਨਹੀਂ ਹੈ, ਭਾਵੇਂ ਕਿ ਤੁਹਾਡੇ ਵਾਹਨ ਦੇ ਫਿਊਜ਼ ਬਾਕਸ ਦੇ ਕਵਰ 'ਤੇ ਫਿਊਜ਼ ਦਾ ਨਾਮ ਉਪਲਬਧ ਹੋ ਸਕਦਾ ਹੈ।
- ਹੇ ਸਕਦਾ ਹੈ ਕਿ ਕੁਝ ਫਿਊਜ਼ ਤੁਹਾਡੇ ਵਾਹਨ 'ਤੇ ਵਾਹਨ ਦੇ ਵੇਰੀਐਂਟ ਦੇ ਅਨੁਸਾਰ ਲਾਗੂ ਨਾ ਹੋਣ, ਭਾਵੇਂ ਕਿ ਇਹ ਬਲੈਕ ਨਹੀਂ ਦੱਸਿਆ ਗਿਆ ਹੈ।

ਫਿਊਜ਼ ਨੂੰ ਹਟਾਉਣ ਲਈ, ਰੀਲੇਅ ਬਾਕਸ ਵਿੱਚ ਦਿੱਤੇ ਗਏ ਫਿਊਜ਼ ਪੁਲਰ (fuse puller) (2) ਦੀ ਵਰਤੋਂ ਕਰੋ।



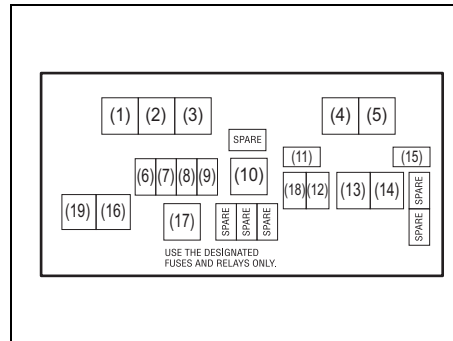
ਉਦਾਹਰਨ

77PM07012

ਨੋਟ:

ਹੇ ਸਕਦਾ ਹੈ ਕਿ ਕੁਝ ਫਿਊਜ਼ ਤੁਹਾਡੇ ਵਾਹਨ 'ਤੇ ਵਾਹਨ ਦੇ ਵੇਰੀਐਂਟ ਦੇ ਅਨੁਸਾਰ ਲਾਗੂ ਨਾ ਹੋਣ, ਭਾਵੇਂ ਕਿ ਇਹ ਬਲੈਕ ਨਹੀਂ ਦੱਸਿਆ ਗਿਆ ਹੈ।

### ਇੰਜਣ ਕੰਪਾਰਟਮੈਂਟ ਵਿੱਚ ਫਿਊਜ਼



USE THE DESIGNATED FUSES AND RELAYS ONLY.

77PM07034

### ਮੁੱਖ ਫਿਊਜ਼/ਪ੍ਰਾਇਮਰੀ ਫਿਊਜ਼/ਰੀਲੇਅ

ਸੀਰੀਅਲ ਨੰਬਰ	ਰੇਟਿੰਗ	ਫਿਊਜ਼/ਰੀਲੇਅ
(1)	-	ਸੀ.ਐਨ.ਜੀ. ਵਾਲਵ ਰੀਲੇਅ (CNG valve relay) *
(2)	-	ਫਿਊਜ਼ ਪੁੱਲਰ (Fuse puller)
(3)	-	ਰੇਡੀਏਟਰ ਫੈਨ ਰੀਲੇਅ (Radiator fan relay)
(4)	-	ਫਿਊਲ ਪੰਪ ਰੀਲੇਅ (Fuel pump relay)
(5)	-	ਸਟਾਰਟਿੰਗ ਮੋਟਰ ਰੀਲੇਅ (Starting motor relay)
(6)	7.5A	ਸੀ.ਐਨ.ਜੀ. ਵਾਲਵ (CNG valve) *
(7)	20A	ਫਿਊਲ ਇੰਜੈਕਸ਼ਨ (Fuel Injection)
(8)	30A	ਸਟਾਰਟਿੰਗ ਮੋਟਰ (Starting motor)
(9)	15A	ਹਾਰਨ (Horn)
(10)	70A	ਅਲਟਰਨੇਟਰ (Alternator)
(11)	7.5A	ਸੀ.ਐਨ.ਜੀ. (CNG)*
(12)	10A	ਖਤਰੇ ਦੀ ਵਾਰਨਿੰਗ ਲੈਂਪ (Hazard warning light)

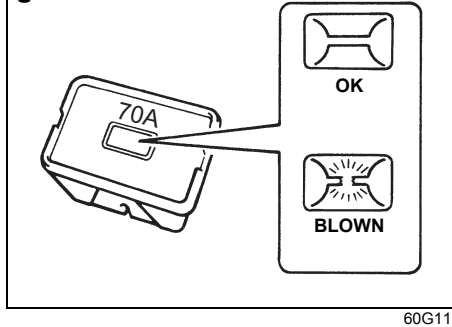
## ਇੰਸਪੈਕਸ਼ਨ ਅਤੇ ਰੱਖ ਰਖਾਵ

(13)	40A	ਬੈਟਰੀ (Battery)
(14)	40A	ਇਗਨੀਸ਼ਨ ਸਵਿੱਚ (Ignition switch)
(15)	7.5A	ST SIG 2 (ਸਟਾਰਟਿੰਗ ਸਿਗਨਲ)
(16)	30A	ਰੇਡੀਏਟਰ ਫੈਨ (Radiator fan)
(17)	-	FI ਮੇਨ ਰੀਲੇਅ (main relay)
(18)	25A	ABS SOL
(19)	40A	ABS MOT

\*: ਸੀ.ਐਨ.ਜੀ. ਮਾਡਲ (CNG model) ਲਈ

ਮੇਨ ਫਿਊਜ਼, ਪ੍ਰਾਇਮਰੀ ਫਿਊਜ਼ ਅਤੇ ਕੁਝ ਵਿਅਕਤੀਗਤ ਫਿਊਜ਼ ਇੰਜਣ ਦੇ ਡੱਬੇ ਵਿੱਚ ਸਥਿਤ ਹੁੰਦੇ ਹਨ। ਜੇਕਰ ਮੇਨ ਫਿਊਜ਼ ਉੱਡਦਾ ਹੈ, ਤਾਂ ਕੋਈ ਵੀ ਇਲੈਕਟ੍ਰੀਕਲ ਕੰਪੋਨੈਂਟ ਕੰਮ ਨਹੀਂ ਕਰੇਗਾ। ਜੇਕਰ ਇੱਕ ਪ੍ਰਾਇਮਰੀ ਫਿਊਜ਼ ਉੱਡਦਾ ਹੈ, ਤਾਂ ਸੰਬੰਧਿਤ ਲੋਡ ਗਰੁੱਪ ਵਿੱਚ ਕੋਈ ਵੀ ਇਲੈਕਟ੍ਰੀਕਲ ਕੰਪੋਨੈਂਟ ਕੰਮ ਨਹੀਂ ਕਰੇਗਾ। ਜਦੋਂ ਮੇਨ ਫਿਊਜ਼, ਪ੍ਰਾਇਮਰੀ ਫਿਊਜ਼ ਜਾਂ ਵਿਅਕਤੀਗਤ ਫਿਊਜ਼ ਨੂੰ ਬਦਲਦੇ ਹੋ, ਤਾਂ ਮਾਰੂਤੀ ਦੇ ਅਸਲੀ ਰਿਪਲੇਸਮੈਂਟ ਦੀ ਵਰਤੋਂ ਕਰੋ। ਫਿਊਜ਼ ਨੂੰ ਹਟਾਉਣ ਲਈ, ਰੀਲੇਅ ਬਾਕਸ ਵਿੱਚ ਦਿੱਤੇ ਗਏ ਫਿਊਜ਼ ਪੁਲਰ (fuse puller) (2) ਦੀ ਵਰਤੋਂ ਕਰੋ। ਹਰੇਕ ਫਿਊਜ਼ ਦਾ ਐਂਪੀਅਰ ਫਿਊਜ਼ ਬਾਕਸ ਕਵਰ ਦੇ ਅੰਦਰ ਦਿਖਾਇਆ ਗਿਆ ਹੈ।

### ਉਦਾਹਰਨ



60G111

### ⚠ ਚੇਤਾਵਨੀ

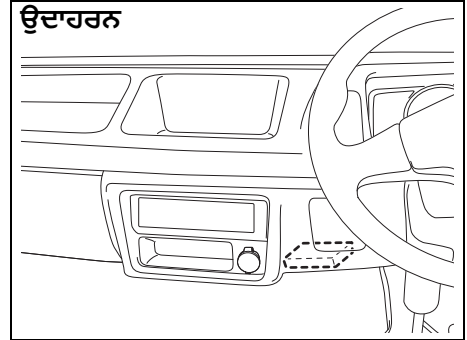
ਜੇਕਰ ਮੇਨ ਫਿਊਜ਼ ਜਾਂ ਪ੍ਰਾਇਮਰੀ ਫਿਊਜ਼ ਜਲ ਜਾਂਦਾ ਹੈ, ਤਾਂ ਯਕੀਨੀ ਬਣਾਓ ਕਿ ਤੁਸੀਂ ਕਿਸੇ ਅਧਿਕਾਰਤ ਮਾਰੂਤੀ ਸੂਜ਼ੂਕੀ ਦੀ ਕਮਰਸ਼ੀਅਲ ਵਰਕਸ਼ਾਪ ਤੋਂ ਆਪਣੇ ਵਾਹਨ ਦੀ ਜਾਂਚ ਕਰਵਾਓ। ਹਮੇਸ਼ਾ ਇੱਕ ਮਾਰੂਤੀ ਦੇ ਅਸਲੀ ਰਿਪਲੇਸਮੈਂਟ ਪੁਰਜੇ ਦੀ ਵਰਤੋਂ ਕਰੋ। ਅਸਥਾਈ ਮੁਰੰਮਤ ਲਈ ਕਦੇ ਵੀ ਕਿਸੇ ਬਦਲ ਦੀ ਵਰਤੋਂ ਨਾ ਕਰੋ ਜਿਵੇਂ ਕਿ ਤਾਰ, ਜਾਂ ਵਿਆਪਕ ਬਿਜਲੀ ਨੁਕਸਾਨ / ਅੱਗ ਦੇ ਨਤੀਜੇ ਹੋ ਸਕਦੇ ਹਨ।

ਨੋਟ:

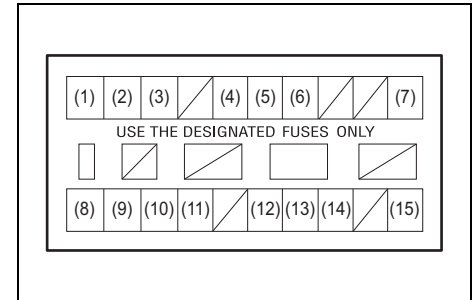
ਯਕੀਨੀ ਬਣਾਓ ਕਿ ਫਿਊਜ਼ ਬਾਕਸ ਵਿੱਚ ਹਮੇਸ਼ਾ ਵਾਧੂ ਫਿਊਜ਼ ਅਤੇ ਫਿਊਜ਼ ਪੁਲਰ ਹੋਣ।

## ਡੈਸ਼ ਬੋਰਡ ਵਿੱਚ ਫਿਊਜ਼

### ਉਦਾਹਰਨ



77PH048



77PH043

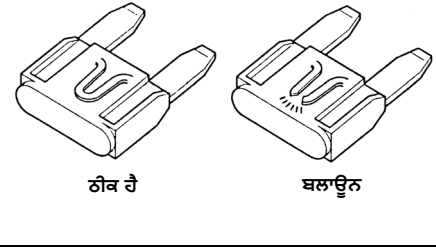


ਮੇਨ ਫਿਊਜ਼/ਪ੍ਰਾਇਮਰੀ ਫਿਊਜ਼		
(1)	10A	ਹੈੱਡਲਾਈਟ (ਸੱਜੇ)
(2)	10A	ਹੈੱਡਲਾਈਟ (ਖੱਬੇ)
(3)	10A	ਡੋਮ ਲਾਈਟ (Dome light)
(4)	10A	ਟੇਲ ਲਾਈਟ (Tail light)
(5)	10A	ਸਟਾਪ ਲਾਈਟ (Stop light)
(6)	15A	ਰੇਡੀਓ
(7)	10A	ਈਸਟਾਰਟਿੰਗ ਸਿਗਨਲ
(8)	10A	ਮੀਟਰ
(9)	15A	ਇਗਨੀਸ਼ਨ (Ignition)
(10)	10A	ਬੈਕ-ਅੱਪ ਲਾਈਟ
(11)	15A	ਫਰੰਟ ਵਾਈਪਰ
(12)	15A	ਐਕਸੈਸਰੀ 2
(13)	10A	ਐਕਸੈਸਰੀ
(14)	7.5A	ਸੀ.ਐਨ.ਜੀ. ਇਗਨੀਸ਼ਨ (CNG Ignition) *
(15)	10A	ABS

\*: ਸੀ.ਐਨ.ਜੀ. ਮਾਡਲ (CNG model) ਲਈ

ਫਿਊਜ਼ ਬਾਕਸ ਡੈਸਬੋਰਡ ਦੇ ਹੇਠਾਂ ਸਥਿਤ ਹੈ।

### ਉਦਾਹਰਨ



### ⚠ ਚੇਤਾਵਨੀ

ਹਮੇਸ਼ਾ ਸਹੀ ਐਂਪੀਅਰ ਵਾਲੇ ਫਿਊਜ਼ ਨਾਲ ਉਡਣ ਵਾਲੇ ਫਿਊਜ਼ ਨੂੰ ਬਦਲਣਾ ਯਕੀਨੀ ਬਣਾਓ। ਉੱਡ ਗਏ ਫਿਊਜ਼ ਨੂੰ ਬਦਲਣ ਲਈ ਕਦੇ ਵੀ ਕਿਸੇ ਬਦਲ ਦੀ ਵਰਤੋਂ ਨਾ ਕਰੋ ਜਿਵੇਂ ਕਿ ਐਲੂਮਿਨੀਅਮ ਫੋਇਲ ਜਾਂ ਤਾਰ। ਜੇਕਰ ਤੁਸੀਂ ਫਿਊਜ਼ ਨੂੰ ਬਦਲਦੇ ਹੋ ਅਤੇ ਥੋੜ੍ਹੇ ਸਮੇਂ ਵਿੱਚ ਨਵਾਂ ਫਿਊਜ਼ ਉੱਡਦਾ ਹੈ, ਤਾਂ ਤੁਹਾਨੂੰ ਇੱਕ ਵੱਡੀ ਬਿਜਲੀ ਦੀ ਸਮੱਸਿਆ ਹੋ ਸਕਦੀ ਹੈ। ਆਪਣੀ ਅਧਿਕਾਰਤ ਮਾਰੂਤੀ ਸੁਜ਼ੁਕੀ ਕਮਰਸ਼ੀਅਲ ਵਰਕਸ਼ਾਪ ਤੋਂ ਤੁਰੰਤ ਆਪਣੇ ਵਾਹਨ ਦੀ ਜਾਂਚ ਕਰਵਾਓ।

### ਬਲਬ ਬਦਲਣਾ

#### ⚠ ਸਾਵਧਾਨ

- ਲਾਈਟ ਬਲਬ ਬੰਦ ਹੋਣ ਤੋਂ ਬਾਅਦ ਤੁਹਾਡੀ ਉਂਗਲੀ ਨੂੰ ਸਾੜਣ ਲਈ ਕਾਫ਼ੀ ਗਰਮ ਹੋ ਸਕਦੇ ਹਨ। ਇਹ ਖਾਸ ਤੌਰ 'ਤੇ ਹੈਲੋਜਨ ਹੈੱਡਲਾਈਟ ਬਲਬਾਂ ਲਈ ਸੱਚ ਹੈ। ਬਲਬਾਂ ਨੂੰ ਕਾਫ਼ੀ ਠੰਡਾ ਹੋਣ ਤੋਂ ਬਾਅਦ ਬਦਲ ਦਿਓ।
- ਹੈੱਡਲਾਈਟ ਬਲਬ ਪ੍ਰੈਸ਼ਰਾਈਜ਼ਡ ਹੈਲੋਜਨ ਗੈਸ ਨਾਲ ਭਰੇ ਹੋਏ ਹੁੰਦੇ ਹਨ। ਉਹ ਫਟ ਸਕਦੇ ਹਨ ਅਤੇ ਤੁਹਾਨੂੰ ਜ਼ਖਮੀ ਕਰ ਸਕਦੇ ਹਨ ਜੇਕਰ ਉਨ੍ਹਾਂ ਨੂੰ ਠੇਕਰ ਲੱਗਦੀ ਹੈ ਜਾਂ ਗਿਰ ਜਾਂਦੇ ਹਨ। ਉਹਨਾਂ ਨੂੰ ਧਿਆਨ ਨਾਲ ਸੰਭਾਲੋ।

#### ਨੋਟਿਸ

ਤੁਹਾਡੀ ਚਮੜੀ ਤੋਂ ਆਇਲ ਲਾਈਟਾਂ ਦੇ ਚਾਲੂ ਹੋਣ 'ਤੇ ਹੈਲੋਜਨ ਬਲਬ ਨੂੰ ਜ਼ਿਆਦਾ ਗਰਮ ਕਰਨ ਅਤੇ ਫਟਣ ਦਾ ਕਾਰਨ ਬਣ ਸਕਦਾ ਹੈ। ਇੱਕ ਸਾਫ਼ ਕੱਪੜੇ ਨਾਲ ਇੱਕ ਨਵਾਂ ਬਲਬ ਫੜੋ।

**ਨੋਟਿਸ**

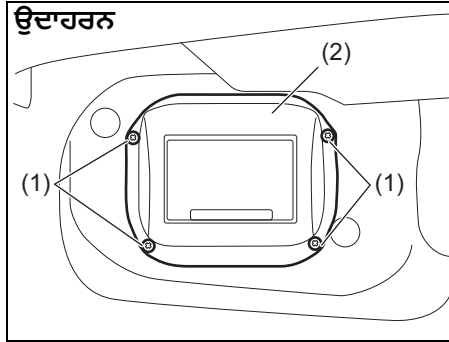
- ਬਲਬ ਦੀ ਵਾਰ-ਵਾਰ ਬਦਲੀ ਬਿਜਲੀ ਪ੍ਰਣਾਲੀ ਦੀ ਜਾਂਚ ਦੀ ਲੋੜ ਨੂੰ ਦਰਸਾਉਂਦੀ ਹੈ। ਇਹ ਤੁਹਾਡੀ ਮਾਰੂਤੀ ਸੂਚੂਕੀ ਦੀ ਅਧਿਕਾਰਤ ਵਰਕਸ਼ਾਪ ਦੁਆਰਾ ਕੀਤਾ ਜਾਣਾ ਚਾਹੀਦਾ ਹੈ।
- ਬੱਲਬ ਬਦਲਣ ਦੇ ਦੌਰਾਨ ਹਮੇਸ਼ਾਂ ਉਹੀ ਬਲਬ ਨੰਬਰ ਵਰਤੋ ਜੋ ਵਾਹਨ ਵਿੱਚ ਵਰਤਿਆ ਜਾਂਦਾ ਹੈ ਜੋ ਉਕਤ ਬਲਬ/ਯੂਨਿਟ ਉੱਤੇ ਛਾਪਿਆ ਗਿਆ ਹੋਵੇ ਅਤੇ/ਜਾਂ ਸਪੈਸੀਫਿਕੇਸ਼ਨਾਂ ਵਿੱਚ ਜ਼ਿਕਰ ਕੀਤਾ ਗਿਆ ਹੋਵੇ।

ਨੋਟ:

ਬਾਰਿਸ਼ ਵਿੱਚ ਡਰਾਈਵਿੰਗ ਦੌਰਾਨ ਜਾਂ ਕਾਰ ਧੋਣ ਤੋਂ ਬਾਅਦ ਬਾਹਰੀ ਲਾਈਟਾਂ (ਹੈੱਡਲਾਈਟ, ਰੀਅਰ ਕੰਬੀਨੇਸ਼ਨ ਲਾਈਟ ਆਦਿ) ਦੇ ਲੈਂਜ਼ਾਂ 'ਤੇ ਯੁੰਦ ਬਣ ਸਕਦੀ ਹੈ। ਇਹ ਇੱਕ ਕੁਦਰਤੀ ਵਰਤਾਰਾ ਹੈ ਜੋ ਲੈਂਜ਼ ਦੇ ਅੰਦਰ ਅਤੇ ਬਾਹਰ ਤਾਪਮਾਨ ਦੇ ਅੰਤਰ ਕਾਰਨ ਵਾਪਰਦਾ ਹੈ। ਲੈਂਜ਼ 'ਤੇ ਅਸਥਾਈ ਯੁੰਦ ਕੋਈ ਖਰਾਬੀ ਨਹੀਂ ਹੈ ਅਤੇ ਵਾਹਨ ਚਲਾਉਣ ਦੌਰਾਨ ਕੋਈ ਅਸੁਵਿਧਾ ਪੈਦਾ ਨਹੀਂ ਕਰੇਗੀ।

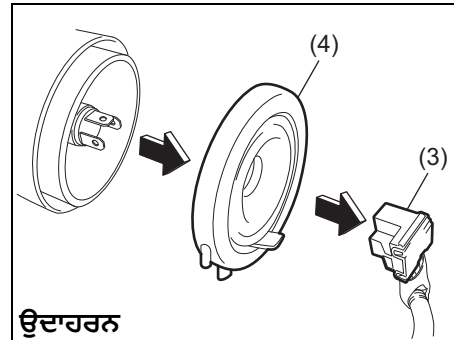
ਜਦੋਂ ਵਾਤਾਵਰਣ ਦੀ ਸਥਿਤੀ ਯੁੱਪ ਵਿੱਚ ਬਦਲ ਜਾਂਦੀ ਹੈ ਜਾਂ ਜਦੋਂ ਹੈੱਡਲੈਂਪ ਚਾਲੂ ਰੱਖਿਆ ਜਾਂਦਾ ਹੈ ਤਾਂ ਯੁੰਦ ਸਾਫ਼ ਹੋ ਜਾਵੇਗੀ। ਹਾਲਾਂਕਿ ਜੇਕਰ ਲੈਂਪ ਦੇ ਅੰਦਰ ਪਾਣੀ ਦੀ ਲੀਕੇਜ਼ ਹੁੰਦੀ ਹੈ, ਤਾਂ ਆਪਣੀ ਅਧਿਕਾਰਤ ਮਾਰੂਤੀ ਸੂਚੂਕੀ ਵਰਕਸ਼ਾਪ ਨਾਲ ਸੰਪਰਕ ਕਰੋ।

**ਹੈੱਡਲਾਈਟਾਂ**



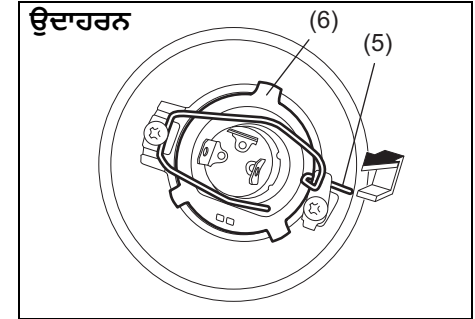
77PH050

- 1) ਪੇਚਾਂ ਨੂੰ ਹਟਾਓ (screws) (1) ਅਤੇ ਏਅਰ ਇਨਲੇਟ ਬਾਕਸ (air inlet box) (2) ਨੂੰ ਹਟਾਓ।



77PH051

- 2) ਕਪਲਰ (coupler) (3) ਨੂੰ ਡਿਸਕਨੈਕਟ ਕਰੋ। ਸੀਲਿੰਗ ਰਬਡਰ (sealing rubber) (4) ਨੂੰ ਹਟਾਓ।



77PH052

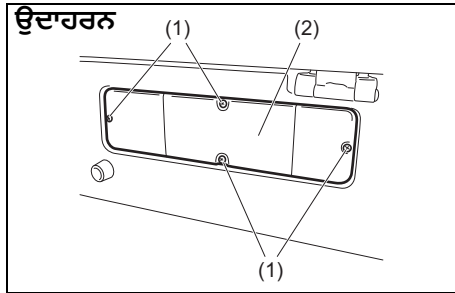
- 3) ਰਿਟੋਨਿੰਗ ਸਪਰਿੰਗ (spring) (5) ਨੂੰ ਅੱਗੇ ਧੱਕੋ ਅਤੇ ਇਸਨੂੰ ਹਟਾਓ। ਫਿਰ ਬਲਬ (bulb) (6) ਨੂੰ ਹਟਾਓ। ਹਟਾਉਣ ਦੇ ਉਲਟ ਕ੍ਰਮ ਵਿੱਚ ਇੱਕ ਨਵਾਂ ਬਲਬ ਲਗਾਓ।

**ਫਰੰਟ ਟਰਨ ਸਿਗਨਲ ਲਾਈਟ (Front Turn Signal Light)**

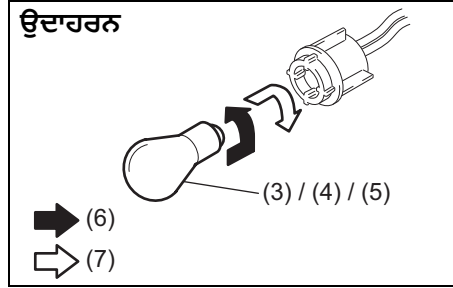
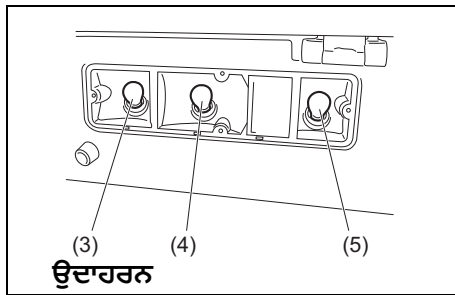
**ਫਰੰਟ ਪੋਜੀਸ਼ਨ ਲਾਈਟ (Front Position Light)**

ਕਿਉਂਕਿ ਵਿਸ਼ੇਸ਼ ਪ੍ਰਕਿਰਿਆਵਾਂ ਦੀ ਲੋੜ ਹੁੰਦੀ ਹੈ, ਅਸੀਂ ਤੁਹਾਨੂੰ ਬਲਬ ਬਦਲਣ ਲਈ ਆਪਣੇ ਵਾਹਨ ਨੂੰ ਆਪਣੀ ਅਧਿਕਾਰਤ ਮਾਰੂਤੀ ਸੂਚੂਕੀ ਕਮਰਸ਼ੀਅਲ ਵਰਕਸ਼ਾਪ ਵਿੱਚ ਲੈ ਜਾਣ ਦੀ ਸਿਫਾਰਿਸ਼ ਕਰਦੇ ਹਾਂ।

ਰੀਅਰ ਕੰਬੀਨੇਸ਼ਨ ਲਾਈਟ (Rear Combination Light)

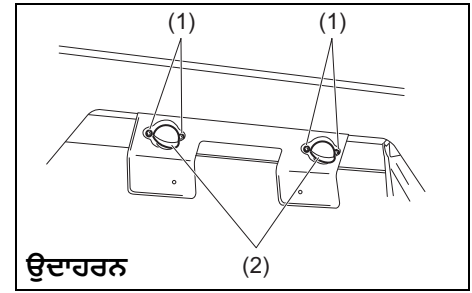


- 1) ਸਕਰਿਊ (screws) (1) ਖੋਲ੍ਹੋ ਅਤੇ ਕਵਰ (cover) (2) ਨੂੰ ਹਟਾਓ।

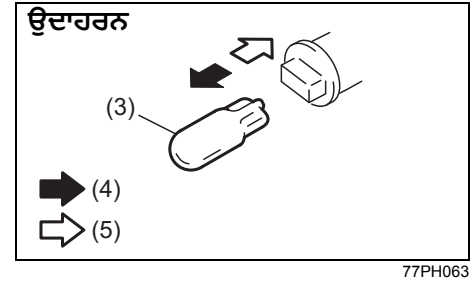


- (6) ਖੋਲ੍ਹਣਾ  
 (7) ਇੰਸਟਾਲ ਕਰੋ
- 2) ਟਰਨ ਸਿਗਨਲ ਲਾਈਟ (turn signal light) (3), ਟੇਲ/ਬ੍ਰੇਕ ਲਾਈਟ (tail/brake light) (4) ਜਾਂ ਰਿਵਰਸਿੰਗ ਲਾਈਟ (reversing light) (5) ਬਲਬ ਹੋਲਡਰ ਦੇ ਬਲਬ ਨੂੰ ਖੋਲ੍ਹਣ ਲਈ, ਬਲਬ ਵਿੱਚ ਧੱਕੋ ਅਤੇ ਇਸਨੂੰ ਕਾਊਂਟਰਕਲਾਕਵਾਈਜ਼ ਦਿਸ਼ਾ ਵਿੱਚ ਘੁੰਮਾਓ। ਇੱਕ ਨਵਾਂ ਬਲਬ ਇੰਸਟਾਲ ਕਰਨ ਲਈ, ਇਸਨੂੰ ਅੰਦਰ ਧੱਕੋ ਅਤੇ ਇਸਨੂੰ ਕਲਾਕਵਾਈਜ਼ ਘੁੰਮਾਓ।

ਲਾਇਸੰਸ ਪਲੇਟ ਲਾਈਟ (License Plate Light)



- 1) ਸਕਰਿਊ (screws) (1) ਖੋਲ੍ਹੋ ਅਤੇ ਕਵਰ (cover) (2) ਨੂੰ ਹਟਾਓ।

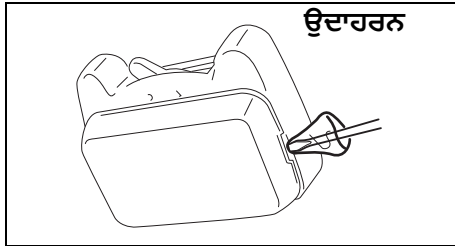


- (4) ਹਟਾਉਣਾ  
 (5) ਇੰਸਟਾਲ ਕਰੋ

- 2) ਲਾਇਸੈਂਸ ਪਲੇਟ ਲਾਈਟ (license plate light)  
 (3) ਦੇ ਬਲਬ ਨੂੰ ਹਟਾਉਣ ਅਤੇ ਇੰਸਟਾਲ ਕਰਨ ਲਈ, ਬਲਬ ਨੂੰ ਬਾਹਰ ਕੱਢੇ ਜਾਂ ਧੱਕੋ।

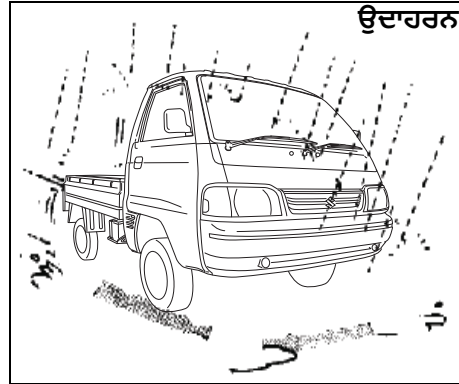
**ਅੰਦਰੂਨੀ ਰੋਸ਼ਨੀ (Interior Light)**

ਦਿਖਾਏ ਅਨੁਸਾਰ ਇੱਕ ਨਰਮ ਕੱਪੜੇ ਨਾਲ ਢੱਕੇ ਇੱਕ ਫਲੈਟ ਬਲੇਡ ਸਕਿਊਡ੍ਰਾਈਵਰ ਦੀ ਵਰਤੋਂ ਕਰਕੇ ਲੈਂਜ਼ ਨੂੰ ਖੋਲ੍ਹੋ। ਇਸਨੂੰ ਇੰਸਟਾਲ ਕਰਨ ਲਈ, ਇਸਨੂੰ ਵਾਪਸ ਅੰਦਰ ਧੱਕੋ।



77PH057

**ਵਾਈਪਰ ਬਲੇਡ (Wiper Blades)**



ਉਦਾਹਰਨ

77PM07028

ਜੇਕਰ ਵਾਈਪਰ ਬਲੇਡ ਭੁਰਭੁਰੇ ਜਾਂ ਖਰਾਬ ਹੋ ਜਾਂਦੇ ਹਨ, ਜਾਂ ਪੂੰਝਣ ਵੇਲੇ ਧਾਰੀਆਂ ਬਣ ਜਾਂਦੀਆਂ ਹਨ, ਤਾਂ ਵਾਈਪਰ ਬਲੇਡਾਂ ਨੂੰ ਬਦਲ ਦਿਓ।

ਨਵੇਂ ਵਾਈਪਰ ਬਲੇਡਾਂ ਨੂੰ ਸਥਾਪਤ ਕਰਨ ਲਈ, ਹੇਠਾਂ ਦਿੱਤੀਆਂ ਪ੍ਰਕਿਰਿਆਵਾਂ ਦੀ ਪਾਲਣਾ ਕਰੋ।

**ਨੋਟਿਸ**

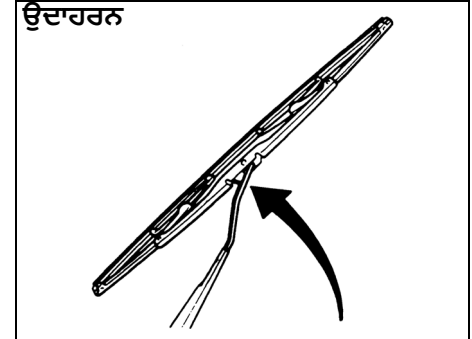
ਖਿੜਕੀ ਨੂੰ ਸਕ੍ਰੈਚ ਜਾਂ ਟੁੱਟਣ ਤੋਂ ਬਚਾਉਣ ਲਈ, ਵਾਈਪਰ ਬਲੇਡ ਨੂੰ ਬਦਲਦੇ ਸਮੇਂ ਵਾਈਪਰ ਦੀ ਆਰਮ ਨੂੰ ਖਿੜਕੀ 'ਤੇ ਨਾ ਲੱਗਣ ਦਿਓ।

ਨੋਟ:

ਵਾਹਨ ਦੀਆਂ ਵਿਸ਼ੇਸ਼ਤਾਵਾਂ ਦੇ ਆਧਾਰ 'ਤੇ ਕੁਝ ਵਾਈਪਰ ਬਲੇਡ ਇੱਥੇ ਦੱਸੇ ਗਏ ਬਲੇਡਾਂ ਨਾਲੋਂ ਵੱਖਰੇ ਹੋ ਸਕਦੇ

ਹਨ। ਜੇਕਰ ਅਜਿਹਾ ਹੈ, ਤਾਂ ਬਦਲਣ ਦੀ ਸਹੀ ਵਿਧੀ ਲਈ ਆਪਣੀ ਅਧਿਕਾਰਤ ਮਾਰੂਤੀ ਸੁਜ਼ੁਕੀ ਕਮਰਸ਼ੀਅਲ ਵਰਕਸ਼ਾਪ ਦੀ ਸਲਾਹ ਲਓ।

**ਵਿੰਡਸ਼ੀਲਡ ਵਾਈਪਰਾਂ (windshield wipers) ਲਈ:**



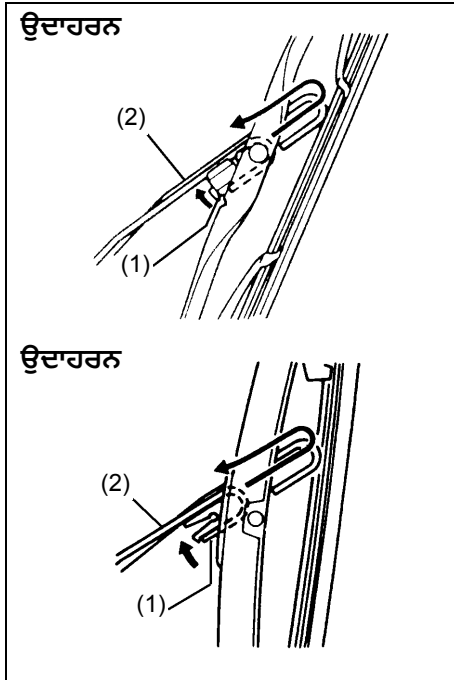
ਉਦਾਹਰਨ

70G119

- 1) ਵਾਈਪਰ ਦੀ ਆਰਮ ਨੂੰ ਵਿੰਡਸ਼ੀਲਡ ਤੋਂ ਦੂਰ ਰੱਖੋ।

ਨੋਟ:

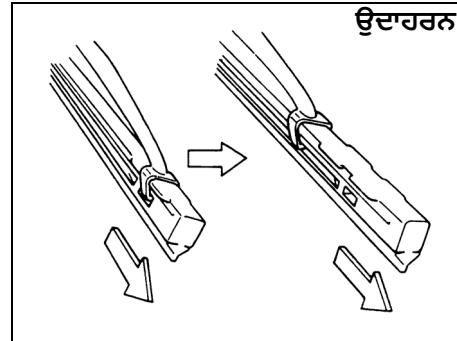
ਅੱਗੋਂ ਦੀਆਂ ਦੋਵੇਂ ਵਾਈਪਰ ਆਰਮਜ਼ ਨੂੰ ਉਠਾਉਂਦੇ ਸਮੇਂ, ਡਰਾਈਵਰ ਦੀ ਸਾਈਡ ਵਾਈਪਰ ਆਰਮ ਨੂੰ ਪਹਿਲਾਂ ਉੱਪਰ ਵੱਲ ਖਿੱਚੋ। ਵਾਈਪਰ ਆਰਮਜ਼ ਨੂੰ ਵਾਪਸ ਕਰਦੇ ਸਮੇਂ, ਪਹਿਲਾਂ ਯਾਤਰੀ ਦੀ ਸਾਈਡ ਵਾਲੀ ਵਾਈਪਰ ਆਰਮ ਨੂੰ ਹੇਠਾਂ ਕਰੋ। ਨਹੀਂ ਤਾਂ, ਵਾਈਪਰ ਆਰਮ ਇੱਕ ਦੂਜੇ ਵਿੱਚ ਦਖਲ ਦੇ ਸਕਦੇ ਹਨ।



54G130

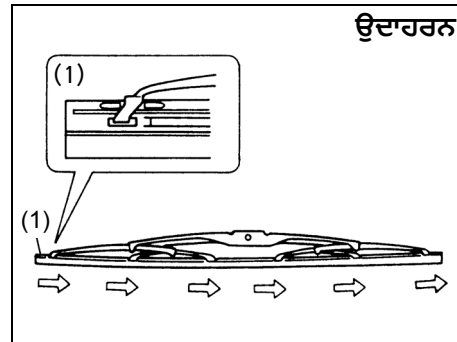
- 2) ਵਾਈਪਰ ਆਰਮ (2) ਵੱਲ ਲਾਕ (1) ਨੂੰ ਦਬਾਓ ਅਤੇ ਬਾਹਰ ਤੋਂ ਵਾਈਪਰ ਫਰੇਮ ਨੂੰ ਹਟਾਓ ਜਿਵੇਂ ਦਿਖਾਇਆ ਗਿਆ ਹੈ।
- 3) ਵਾਈਪਰ ਬਲੇਡ ਦੇ ਲਾਕ ਸਿਰੇ ਨੂੰ ਅਨਲੋਕ ਕਰੋ ਅਤੇ ਦਿਖਾਏ ਅਨੁਸਾਰ ਬਲੇਡ ਨੂੰ ਬਾਹਰ ਸਲਾਈਡ ਕਰੋ।

ਹਟਾਉਣਾ



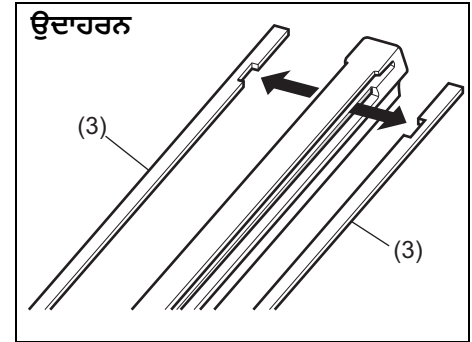
60A260

ਇੰਸਟਾਲੇਸ਼ਨ



54G132

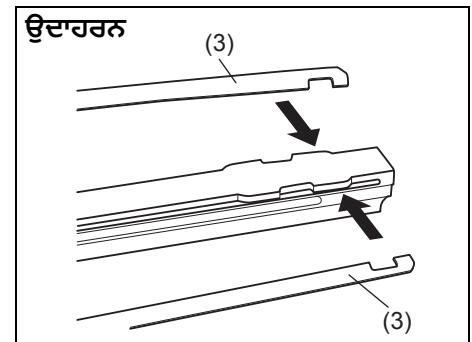
- (1) ਲਾਕ ਕੀਤਾ ਕਿਨਾਰਾ



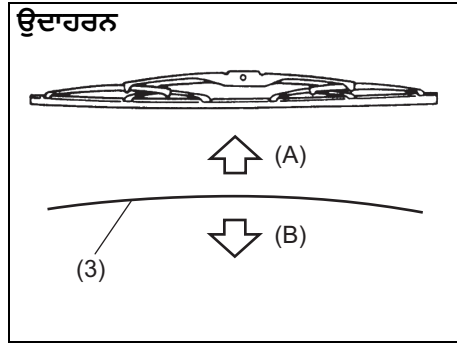
68PH00754

(3) ਰਿਟੇਨਰ (Retainer)

- 4) ਜੇਕਰ ਨਵਾਂ ਬਲੇਡ ਦੇ ਮੈਟਲ ਰਿਟੇਨਰਾਂ ਤੋਂ ਬਿਨਾਂ ਦਿੱਤਾ ਗਿਆ ਹੈ, ਤਾਂ ਉਹਨਾਂ ਨੂੰ ਪੁਰਾਣੇ ਬਲੇਡ ਤੋਂ ਨਵੇਂ ਵਿੱਚ ਲੈ ਜਾਓ।



60MH071



60MH072

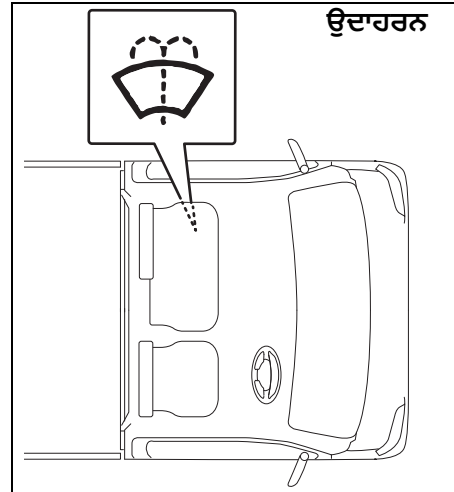
- (A) ਉੱਪਰ  
(B) ਹੇਠਾਂ

ਨੋਟ:

ਜਦੋਂ ਤੁਸੀਂ ਮੈਟਲ ਰਿਟੇਨਰ (3) ਨੂੰ ਸਥਾਪਿਤ ਕਰਦੇ ਹੋ, ਤਾਂ ਯਕੀਨੀ ਬਣਾਓ ਕਿ ਮੈਟਲ ਰਿਟੇਨਰਾਂ ਦੀ ਦਿਸ਼ਾ ਉਪਰੋਕਤ ਦਿਸ਼ਾਵਾਂ ਵਿੱਚ ਦਰਸਾਏ ਅਨੁਸਾਰ ਹੈ।

- ਲੋਕ ਕੀਤੇ ਸਿਰੇ ਨੂੰ ਵਾਈਪਰ ਬਾਂਹ ਵੱਲ ਰੱਖ ਕੇ, ਨਵੇਂ ਬਲੇਡ ਨੂੰ ਹਟਾਉਣ ਦੇ ਉਲਟ ਕ੍ਰਮ ਵਿੱਚ ਸਥਾਪਿਤ ਕਰੋ।  
ਯਕੀਨੀ ਬਣਾਓ ਕਿ ਬਲੇਡ ਨੂੰ ਸਾਰੀਆਂ ਹੁੱਕਾਂ ਦੁਆਰਾ ਸਹੀ ਢੰਗ ਨਾਲ ਬਰਕਰਾਰ ਰੱਖਿਆ ਗਿਆ ਹੈ। ਬਲੇਡ ਦੇ ਸਿਰੇ ਨੂੰ ਥਾਂ 'ਤੇ ਲੋਕ ਕਰੋ।
- ਵਾਈਪਰ ਫ੍ਰੇਮ ਨੂੰ ਆਰਮ 'ਤੇ ਮੁੜ ਸਥਾਪਿਤ ਕਰੋ, ਇਹ ਯਕੀਨੀ ਬਣਾਉਂਦੇ ਹੋਏ ਕਿ ਲੋਕ ਲੀਵਰ ਬਾਂਹ ਵਿੱਚ ਸੁਰੱਖਿਅਤ ਢੰਗ ਨਾਲ ਸਨੈਪ ਕੀਤਾ ਗਿਆ ਹੈ।

## ਵਿੰਡਸ਼ੀਲਡ ਵਾਸ਼ਰ ਫਲੁਇਡ (ਜੇਕਰ ਲੱਗਿਆ ਹੋਵੇ)



77PM07027

ਪ੍ਰਤੱਖ ਤੌਰ 'ਤੇ ਜਾਂਚ ਕਰੋ ਕਿ ਟੈਂਕ ਵਿੱਚ ਵਾਸ਼ਰ ਫਲੁਇਡ ਹੈ। ਜੇ ਲੋੜ ਹੋਵੇ ਤਾਂ ਇਸਨੂੰ ਭਰ ਦਿਓ। ਲੋੜ ਅਨੁਸਾਰ ਪਾਣੀ ਨਾਲ ਪਤਲਾ ਕੀਤੀ ਗਈ ਇੱਕ ਚੰਗੀ ਕੁਆਲਿਟੀ ਵਾਲੇ ਵਿੰਡਸ਼ੀਲਡ ਵਾਸ਼ਰ ਫਲੁਇਡ ਦੀ ਵਰਤੋਂ ਕਰੋ।

### ਨੋਟਿਸ

ਵਾਹਨ 'ਤੇ ਚੂਨੇ ਦੀ ਪਰਤ ਬਣਨ ਤੋਂ ਰੋਕਥਾਮ ਕਰਨ ਲਈ ਭਾਰੇ ਪਾਣੀ ਦੀ ਵਰਤੋਂ ਕਰਨ ਤੋਂ ਗੁਰੇਜ਼ ਕਰੋ।

### ⚠ ਚੇਤਾਵਨੀ

ਵਿੰਡਸ਼ੀਲਡ ਵਾਸ਼ਰ ਰੇਜ਼ਰਵੋਇਰ ਵਿੱਚ ਰੇਡੀਏਟਰ ਐਂਟੀਫਰੀਜ਼ ਦੀ ਵਰਤੋਂ ਨਾ ਕਰੋ। ਇਹ ਵਿੰਡਸ਼ੀਲਡ 'ਤੇ ਛਿੜਕਾਅ ਕਰਨ ਵੇਲੇ ਦਿੱਖ ਨੂੰ ਬੁਰੀ ਤਰ੍ਹਾਂ ਵਿਗਾੜ ਸਕਦਾ ਹੈ, ਅਤੇ ਤੁਹਾਡੇ ਵਾਹਨ ਦੇ ਪੇਂਟ ਨੂੰ ਵੀ ਨੁਕਸਾਨ ਪਹੁੰਚਾ ਸਕਦਾ ਹੈ।

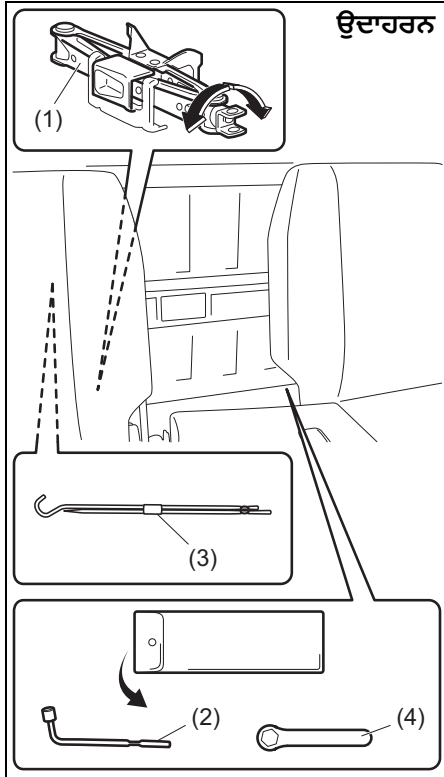
### ਨੋਟਿਸ

ਨੁਕਸਾਨ ਹੋ ਸਕਦਾ ਹੈ ਜੇਕਰ ਵਾਸ਼ਰ ਮੋਟਰ ਵਾਸ਼ਰ ਟੈਂਕ ਵਿੱਚ ਬਿਨਾਂ ਫਲੁਇਡ ਦੇ ਚਲਾਈ ਜਾਂਦੀ ਹੈ।

## ਐਮਰਜੈਂਸੀ ਸਰਵਿਸ

ਟਾਇਰ ਬਦਲਣ ਵਾਲਾ ਟੂਲ.....	8-1
ਜੈਕਿੰਗ ਨਿਰਦੇਸ਼ .....	8-2
ਪਹੀਏ ਬਦਲਣਾ .....	8-5
ਜੰਪ ਸਟਾਰਟਿੰਗ ਦੇ ਨਿਰਦੇਸ਼.....	8-6
ਟੋਇੰਗ .....	8-8
ਜੇਕਰ ਸਟਾਰਟਰ ਕੰਮ ਨਹੀਂ ਕਰਦਾ.....	8-8
ਜੇਕਰ ਇੰਜਣ ਭਰ ਗਿਆ ਹੈ.....	8-8
ਜੇਕਰ ਇੰਜਣ ਜ਼ਿਆਦਾ ਗਰਮ ਹੋ ਜਾਂਦਾ ਹੈ.....	8-9
ਟੱਕਰ ਲੱਗਣ ਨਾਲ ਬਾਡੀ ਵਿੱਚ ਖਰਾਬੀ .....	8-10
ਚੇਤਾਵਨੀ ਤ੍ਰਿਕੋਣ.....	8-10
ਅੱਗ ਬੁਝਾਉਣ ਵਾਲਾ ਯੰਤਰ (ਜੇਕਰ ਲੱਗਿਆ ਹੋਵੇ) .....	8-11

ਟਾਇਰ ਬਦਲਣ ਵਾਲਾ ਟੂਲ



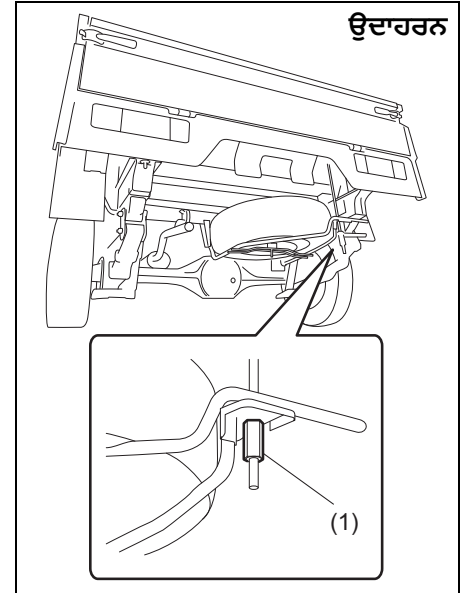
77PH202

- (1) ਜੈਕ (Jack)
- (2) ਫੀਲ ਬਰੇਸ (Wheel brace)
- (3) ਜੈਕ ਹੈਂਡਲ (Jack handle)
- (4) ਸਪੈਨਰ (Spanner)

ਟਾਇਰ ਬਦਲਣ ਵਾਲੇ ਟੂਲ ਡਰਾਈਵਰ ਸੀਟ ਦੇ ਪਿੱਛੇ ਰੱਖੇ ਹੁੰਦੇ ਹਨ।

ਜੈਕ ਨੂੰ ਹਟਾਉਣ ਲਈ, ਇਸਦੀ ਸਾਫਟ ਨੂੰ ਐਂਟੀਕਲਾਕਵਾਈਜ਼ ਦਿਸ਼ਾ ਵਿੱਚ ਘੁੰਮਾਓ ਅਤੇ ਜੈਕ ਨੂੰ ਸਟੇਰੇਜ ਬਰੈਕਟ ਵਿੱਚੋਂ ਬਾਹਰ ਕੱਢੋ। ਜੈਕ ਨੂੰ ਸਟੋਰ ਕਰਨ ਲਈ, ਇਸਨੂੰ ਸਟੇਰੇਜ ਬਰੈਕਟ ਵਿੱਚ ਰੱਖੋ ਅਤੇ ਸਾਫਟ ਨੂੰ ਕਲਾਕਵਾਈਜ਼ ਦਿਸ਼ਾ ਵਿੱਚ ਘੁੰਮਾਓ ਜਦੋਂ ਤੱਕ ਜੈਕ ਸੁਰੱਖਿਅਤ ਢੰਗ ਨਾਲ ਟਿਕ ਨਾ ਹੋ ਜਾਵੇ।

ਸਪੇਅਰ ਟਾਇਰ ਬੈੱਡ ਦੇ ਹੇਠਾਂ ਰੱਖਿਆ ਹੁੰਦਾ ਹੈ। ਸਪੇਅਰ ਟਾਇਰ ਨੂੰ ਖੋਲ੍ਹਣ ਲਈ:



77PH099

- 1) ਸਪੇਅਰ ਟਾਇਰ ਦੇ ਹੇਲਡਰ ਹੁੱਕ ਨਟ (hook nut) (1) ਨੂੰ ਢਿੱਲਾ ਕਰੋ।
- 2) ਸਪੇਅਰ ਟਾਇਰ ਹੇਲਡਰ ਨੂੰ ਹਟਾਓ ਅਤੇ ਇਸਨੂੰ ਹੌਲੀ ਹੌਲੀ ਹੇਠਾਂ ਕਰੋ।
- 3) ਸਪੇਅਰ ਟਾਇਰ ਦੇ ਵਿਚਕਾਰਲੇ ਪੇਚ ਨੂੰ ਖੋਲ੍ਹੋ, ਅਤੇ ਟਾਇਰ ਨੂੰ ਹਟਾਓ।



**⚠ ਚੇਤਾਵਨੀ**

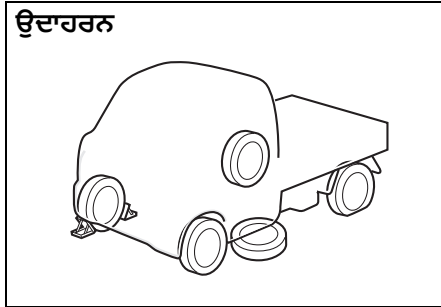
ਟਾਇਰ ਬਦਲਣ ਵਾਲੇ ਟੂਲ ਦੀ ਵਰਤੋਂ ਕਰਨ ਤੋਂ ਬਾਅਦ, ਉਹਨਾਂ ਨੂੰ ਸੁਰੱਖਿਅਤ ਢੰਗ ਨਾਲ ਸਟੋਰ ਕਰਨਾ ਯਕੀਨੀ ਬਣਾਓ ਜਾਂ ਜੇਕਰ ਕੋਈ ਦੁਰਘਟਨਾ ਵਾਪਰਦੀ ਹੈ ਤਾਂ ਉਹ ਸੱਟ ਦਾ ਕਾਰਨ ਬਣ ਸਕਦੇ ਹਨ।

**⚠ ਸਾਵਧਾਨੀ**

ਜੈਕ ਦੀ ਵਰਤੋਂ ਸਿਰਫ ਪਹੀਏ ਬਦਲਣ ਲਈ ਕੀਤੀ ਜਾਣੀ ਚਾਹੀਦੀ ਹੈ। ਜੈਕ ਦੀ ਵਰਤੋਂ ਕਰਨ ਦੀ ਕੋਸ਼ਿਸ਼ ਕਰਨ ਤੋਂ ਪਹਿਲਾਂ ਇਸ ਭਾਗ ਵਿੱਚ ਜੈਕਿੰਗ ਨਿਰਦੇਸ਼ਾਂ ਨੂੰ ਪੜ੍ਹਨਾ ਮਹੱਤਵਪੂਰਨ ਹੈ।

**ਜੈਕਿੰਗ (Jack) ਨਿਰਦੇਸ਼**

**ਉਦਾਹਰਨ**



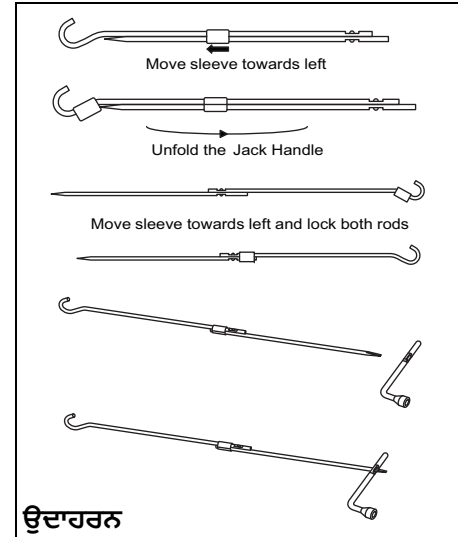
77PH054

- 1) ਵਾਹਨ ਨੂੰ ਪੱਧਰੀ, ਪੱਕੀ ਜ਼ਮੀਨ 'ਤੇ ਖੜ੍ਹਾ ਕਰੋ।
- 2) ਪਾਰਕਿੰਗ ਬ੍ਰੇਕ ਨੂੰ ਮਜ਼ਬੂਤੀ ਨਾਲ ਸੈੱਟ ਕਰੋ ਅਤੇ "R" (ਰਿਵਰਸ) ਵਿੱਚ ਸ਼ਿਫਟ ਕਰੋ।

**⚠ ਚੇਤਾਵਨੀ**

- ਜਦੋਂ ਤੁਸੀਂ ਵਾਹਨ ਨੂੰ ਜੈਕ ਲਗਾਉਂਦੇ ਹੋ ਤਾਂ "R" (ਰਿਵਰਸ) ਵਿੱਚ ਸ਼ਿਫਟ ਕਰਨਾ ਯਕੀਨੀ ਬਣਾਓ।
- ਵਾਹਨ ਨੂੰ ਕਦੇ ਵੀ "N" (ਨਿਊਟਰਲ) ਵਿੱਚ ਟਰਾਂਸਮਿਸ਼ਨ ਨਾਲ ਜੈਕ ਨਾ ਕਰੋ। ਨਹੀਂ ਤਾਂ, ਅਸਥਿਰ ਜੈਕ ਦੁਰਘਟਨਾ ਦਾ ਕਾਰਨ ਬਣ ਸਕਦਾ ਹੈ।

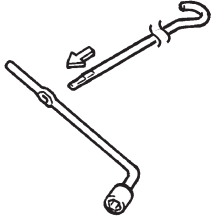
- 3) ਜੇਕਰ ਤੁਹਾਡਾ ਵਾਹਨ ਟ੍ਰੈਫਿਕ ਦੇ ਨੇੜੇ ਹੈ ਤਾਂ ਖਤਰੇ ਦੀ ਵਾਰਨਿੰਗ ਫਲੈਸ਼ਰ ਨੂੰ ਚਾਲੂ ਕਰੋ।
- 4) ਵ੍ਹੀਲ ਦੇ ਅਗਲੇ ਅਤੇ ਪਿਛਲੇ ਹਿੱਸੇ ਨੂੰ ਤਿਰਛੇ ਤੌਰ 'ਤੇ ਚੁੱਕਦੇ ਹੋਏ ਪਹੀਏ ਦੇ ਉਲਟੇ ਪਾਸਿਓਂ ਬਲਾਕ ਕਰੋ।
- 5) ਫਿਸਲ ਜਾਣ ਦੀ ਸੂਰਤ ਵਿੱਚ ਚਿੱਤਰ ਵਿੱਚ ਦਰਸਾਏ ਅਨੁਸਾਰ ਚੁੱਕੇ ਜਾਣ ਵਾਲੇ ਪਹੀਏ ਦੇ ਕੋਲ ਸਪੇਅਰ ਪਹੀਏ ਨੂੰ ਰੱਖੋ।



**ਉਦਾਹਰਨ**

77PH802

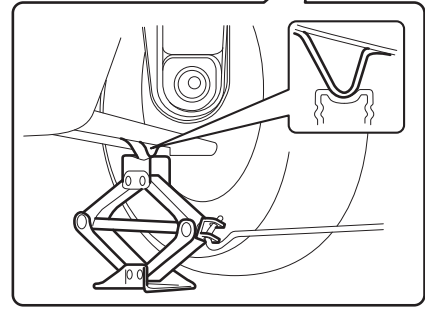
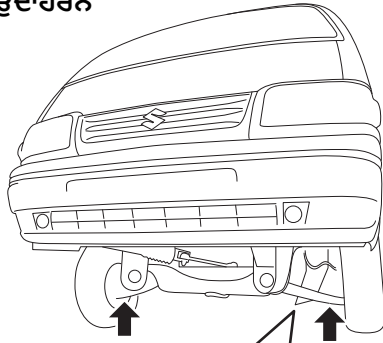
ਉਦਾਹਰਨ



54G253

ਫਰੰਟ ਜੈਕਿੰਗ ਪੁਆਇੰਟ (Front jacking point)

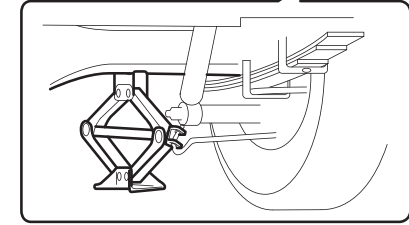
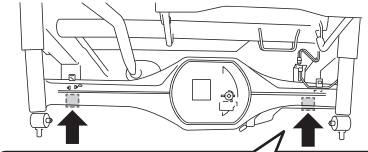
ਉਦਾਹਰਨ



77PH084

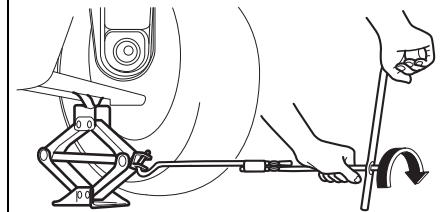
ਰੀਅਰ ਜੈਕਿੰਗ ਪੁਆਇੰਟ (Rear jacking point)

ਉਦਾਹਰਨ



77PH106

ਉਦਾਹਰਨ



77PS052

- 6) ਜੈਕ ਨੂੰ ਲੰਬਕਾਰੀ ਸਥਿਤੀ ਵਿੱਚ ਰੱਖੋ ਅਤੇ ਜੈਕ ਹੈਂਡਲ ਨੂੰ ਕਲਾਕਵਾਈਜ਼ ਘੁੰਮਾ ਕੇ ਜੈਕ ਨੂੰ ਉੱਚਾ ਕਰੋ ਜਦੋਂ ਤੱਕ ਜੈਕ ਹੈਂਡ ਗਰੂਵ ਵਾਹਨ ਦੀ ਬਾਡੀ ਦੇ ਹੇਠਾਂ ਜੈਕਿੰਗ ਬਾਰ ਦੇ ਦੁਆਲੇ ਫਿੱਟ ਨਹੀਂ ਹੋ ਜਾਂਦਾ। ਵਿਆਖਿਆਵਾਂ ਦੇਖੋ।
- 7) ਜੈਕ ਨੂੰ ਹੌਲੀ-ਹੌਲੀ ਅਤੇ ਸੁਚਾਰੂ ਢੰਗ ਨਾਲ ਚੁੱਕਣਾ ਜਾਰੀ ਰੱਖੋ ਜਦੋਂ ਤੱਕ ਟਾਇਰ ਜ਼ਮੀਨ ਨੂੰ ਛੱਡ ਨਹੀਂ ਦਿੰਦਾ। ਵਾਹਨ ਨੂੰ ਲੋੜ ਤੋਂ ਵੱਧ ਨਾ ਚੁੱਕੋ।

**⚠ ਚੇਤਾਵਨੀ**

- ਜੈਕ ਦੀ ਵਰਤੋਂ ਸਿਰਫ ਪੱਧਰੀ, ਸਖ਼ਤ ਜ਼ਮੀਨ 'ਤੇ ਪਹੀਏ ਬਦਲਣ ਲਈ ਕਰੋ।
- ਵਾਹਨ ਨੂੰ ਕਦੇ ਵੀ ਝੁਕੀ ਹੋਈ ਸਤ੍ਹਾ 'ਤੇ ਜੈਕ ਨਾ ਲਗਾਓ।
- ਬਦਲੇ ਜਾਣ ਵਾਲੇ ਪਹੀਏ ਦੇ ਨੇੜੇ ਨਿਰਧਾਰਤ ਜੈਕਿੰਗ ਪੁਆਇੰਟ (ਚਿੱਤਰ ਵਿੱਚ ਦਿਖਾਇਆ ਗਿਆ) ਤੋਂ ਇਲਾਵਾ ਕਿਸੇ ਹੋਰ ਸਥਾਨ 'ਤੇ ਜੈਕ ਦੇ ਨਾਲ ਵਾਹਨ ਨੂੰ ਕਦੇ ਨਾ ਚੁੱਕੋ।
- ਜੈਕ ਲਾਉਣ ਦੇ ਤੌਰ 'ਤੇ ਲੱਕੜ ਦੇ ਬਲਾਕ ਜਾਂ ਅਜਿਹੀਆਂ ਚੀਜ਼ਾਂ ਦੀ ਵਰਤੋਂ ਨਾ ਕਰੋ।  
(ਚੱਲਦਾ ਹੈ)

**⚠ ਚੇਤਾਵਨੀ**

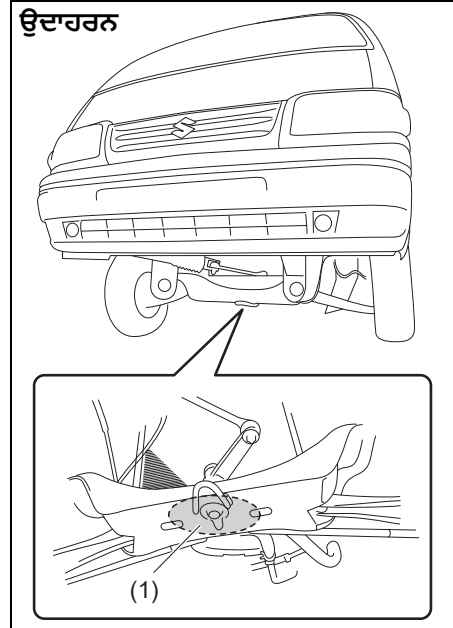
(ਚੱਲਦਾ ਹੈ)

- ਜੈਕ ਦੁਆਰਾ ਸਪੋਰਟ ਕੀਤੇ ਜਾਣ 'ਤੇ ਕਦੇ ਵੀ ਵਾਹਨ ਦੇ ਹੇਠਾਂ ਨਾ ਜਾਓ। ਆਪਣੇ ਹੱਥਾਂ ਅਤੇ ਪੈਰਾਂ ਨੂੰ ਕਦੇ ਵੀ ਚੁੱਕੀ ਹੋਈ ਗੱਡੀ ਦੇ ਹੇਠਾਂ ਨਾ ਰੱਖੋ ਜਦੋਂ ਇਹ ਜੈਕ ਦੁਆਰਾ ਸਪੋਰਟ ਕੀਤਾ ਜਾਂਦਾ ਹੈ।
- ਜਦੋਂ ਵਾਹਨ ਜੈਕ ਦੁਆਰਾ ਸਮਰਥਤ ਹੋਵੇ ਤਾਂ ਇੰਜਣ ਨੂੰ ਕਦੇ ਨਾ ਚਲਾਓ ਅਤੇ ਕਦੇ ਵੀ ਯਾਤਰੀਆਂ ਨੂੰ ਵਾਹਨ ਵਿੱਚ ਨਾ ਰਹਿਣ ਦਿਓ।

ਇੱਕ ਗੈਰੇਜ ਜੈਕ ਨਾਲ ਵਾਹਨ ਨੂੰ ਚੁੱਕਣਾ

- ਹੇਠਾਂ ਦਰਸਾਏ ਗਏ ਬਿੰਦੂਆਂ ਵਿੱਚੋਂ ਇੱਕ 'ਤੇ ਗੈਰੇਜ ਜੈਕ ਨੂੰ ਲਾਗੂ ਕਰੋ।
- ਹੇਠਾਂ ਦਰਸਾਏ ਗਏ ਬਿੰਦੂਆਂ 'ਤੇ ਜੈਕ ਸਟੈਂਡਾਂ (ਵਪਾਰਕ ਤੌਰ 'ਤੇ ਉਪਲਬਧ) ਦੇ ਨਾਲ ਉੱਠੇ ਵਾਹਨ ਦਾ ਹਮੇਸ਼ਾ ਸਮਰਥਨ ਕਰੋ।

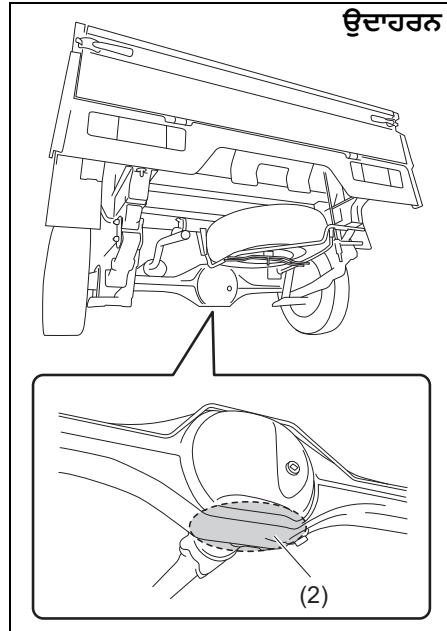
ਗੈਰੇਜ ਜੈਕ (garage jack) (1) ਲਈ ਫਰੰਟ ਜੈਕਿੰਗ ਪੁਆਇੰਟ



77PH060

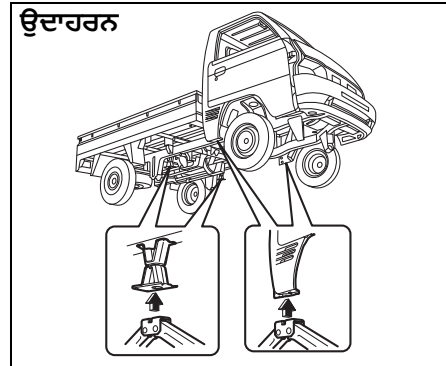
## ਐਮਰਜੈਂਸੀ ਸਰਵਿਸ

ਗੈਰੇਜ ਜੈਕ (garage jack) (2) ਲਈ ਰੀਅਰ ਜੈਕਿੰਗ ਪੁਆਇੰਟ



77PH101

ਜੈਕ ਸਟੈਂਡ (jack stand) (3) ਜਾਂ ਏ-ਕਾਲਮ ਲਿਫਟ ਲਈ ਐਪਲੀਕੇਸ਼ਨ ਪੁਆਇੰਟ



77PS055 (2)

### ਨੋਟਿਸ

- ਐਗਜ਼ਾਸਟ ਪਾਈਪ 'ਤੇ ਕਦੇ ਵੀ ਗੈਰੇਜ ਜੈਕ ਨਾ ਲਗਾਓ।
- ਜੈਕ ਸਟੈਂਡ ਜਾਂ ਏ-ਕਾਲਮ ਲਿਫਟ ਨੂੰ ਪਿਛਲੇ ਪਾਸੇ ਦੇ ਐਪਲੀਕੇਸ਼ਨ ਪੁਆਇੰਟ 'ਤੇ ਲਗਾਉਂਦੇ ਸਮੇਂ, ਧਿਆਨ ਰੱਖੋ ਕਿ ਆਲੇ ਦੁਆਲੇ ਦੇ ਹਿੱਸਿਆਂ ਜਿਵੇਂ ਕਿ ਪਾਰਕਿੰਗ ਕੇਬਲ ਜਾਂ ਬਾਲਣ ਟੈਂਕ ਦੇ ਫਲੈਂਜ ਵਿੱਚ ਦਖਲ ਨਾ ਦੇਣ।

ਨੋਟ :

ਹੋਰ ਵੇਰਵਿਆਂ ਲਈ, ਕਿਰਪਾ ਕਰਕੇ ਇੱਕ ਅਧਿਕਾਰਤ ਮਾਰੂਤੀ ਸੁਜ਼ੁਕੀ ਕਮਰਸ਼ੀਅਲ ਵਰਕਸ਼ਾਪ ਨਾਲ ਸੰਪਰਕ ਕਰੋ।

## ਪਹੀਏ ਬਦਲਣਾ

### ⚠ ਚੇਤਾਵਨੀ

ਟ੍ਰੈਫਿਕ ਲੇਨ ਵਿੱਚ ਕਦੇ ਵੀ ਪਹੀਆ ਨਾ ਬਦਲੋ। ਪਹੀਆ ਬਦਲਣ ਲਈ ਵਾਹਨ ਨੂੰ ਹਮੇਸ਼ਾ ਸੜਕ ਤੋਂ ਹੇਠ ਪੱਧਰੀ ਸਖ਼ਤ ਜ਼ਮੀਨ ਤੇ ਆਵਾਜਾਈ ਤੋਂ ਦੂਰ ਖੜ੍ਹਾ ਕਰੋ। ਕਿਸੇ ਵੀ ਹੋਰ ਸਹਾਇਤਾ ਲਈ ਆਪਣੀ ਨਜ਼ਦੀਕੀ ਮਾਰੂਤੀ ਸੁਜ਼ੁਕੀ ਦੀ ਅਧਿਕਾਰਤ ਵਰਕਸ਼ਾਪ ਨਾਲ ਸੰਪਰਕ ਕਰੋ।

ਇੱਕ ਪਹੀਏ ਨੂੰ ਬਦਲਣ ਲਈ, ਹੇਠ ਦਿੱਤੀ ਵਿਧੀ ਦੀ ਵਰਤੋਂ ਕਰੋ:

- 1) ਵਾਹਨ ਤੋਂ ਸਾਰੇ ਯਾਤਰੀਆਂ ਅਤੇ ਮਾਲ ਨੂੰ ਉਤਾਰ ਕਰੋ।
- 2) ਵਾਹਨ ਤੋਂ ਜੈਕ, ਟੂਲ ਅਤੇ ਸਪੇਅਰ ਪਹੀਏ ਨੂੰ ਹਟਾਓ।
- 3) ਢਿੱਲਾ ਕਰੋ, ਪਰ ਵ੍ਹੀਲ ਨਟਸ ਨੂੰ ਨਾ ਹਟਾਓ।
- 4) ਗੱਡੀ ਨੂੰ ਜੈਕ 'ਤੇ ਲਗਾਓ।

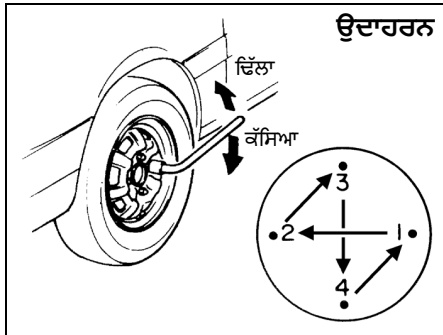
### ⚠ ਸਾਵਧਾਨੀ

ਵਾਹਨ ਚਲਾਉਣ ਤੋਂ ਤੁਰੰਤ ਬਾਅਦ, ਪਹੀਏ, ਵ੍ਹੀਲ ਨਟਸ ਅਤੇ ਬ੍ਰੇਕਾਂ ਦੇ ਆਲੇ ਦੁਆਲੇ ਦਾ ਖੇਤਰ ਬਹੁਤ ਗਰਮ ਹੋ ਸਕਦਾ ਹੈ।

ਇਹਨਾਂ ਖੇਤਰਾਂ ਨੂੰ ਛੂਹਣ ਨਾਲ ਜਲਣ ਵਾਲੀ ਸੱਟ ਲੱਗ ਸਕਦੀ ਹੈ। ਵਾਹਨ ਚਲਾਉਣ ਤੋਂ ਤੁਰੰਤ ਬਾਅਦ ਇਹਨਾਂ ਖੇਤਰਾਂ ਨੂੰ ਨਾ ਛੂਹੋ।

- 5) ਵ੍ਹੀਲ ਦੇ ਨਟਾਂ ਅਤੇ ਪਹੀਏ ਨੂੰ ਹਟਾਓ।

- 6) ਨਵਾਂ ਪਹੀਆ ਲਗਾਉਣ ਤੋਂ ਪਹਿਲਾਂ, ਪਹੀਏ ਅਤੇ ਹੱਥ ਦੀ ਸਤ੍ਹਾ ਤੋਂ ਕਿਸੇ ਵੀ ਚਿੱਕੜ ਜਾਂ ਗੰਦਗੀ ਨੂੰ ਸਾਫ਼ ਕੱਪੜੇ ਨਾਲ ਸਾਫ਼ ਕਰੋ। ਹੱਥ ਨੂੰ ਧਿਆਨ ਨਾਲ ਸਾਫ਼ ਕਰੋ; ਇਹ ਗੱਡੀ ਚਲਾਉਣ 'ਤੇ ਗਰਮ ਹੋ ਸਕਦੀ ਹੈ।
- 7) ਨਵੇਂ ਪਹੀਏ ਨੂੰ ਸਥਾਪਿਤ ਕਰੋ ਅਤੇ ਵ੍ਹੀਲ ਨਟਾਂ ਨੂੰ ਉਹਨਾਂ ਦੇ ਕੇਂਦਰ ਆਕਾਰ ਦੇ ਸਿਰੇ ਵਾਲੇ ਪਹੀਏ ਦੇ ਸਾਹਮਣੇ ਰੱਖੋ। ਹਰ ਇੱਕ ਨੱਟ ਨੂੰ ਹੱਥ ਨਾਲ ਘੁੰਟ ਕੇ ਕੱਸੋ ਜਦੋਂ ਤੱਕ ਪਹੀਆ ਹੱਥ 'ਤੇ ਸੁਰੱਖਿਅਤ ਢੰਗ ਨਾਲ ਨਹੀਂ ਬੈਠ ਜਾਂਦਾ।



ਉਦਾਹਰਨ

54G116

ਵ੍ਹੀਲ ਨਟ ਲਈ ਕੱਸਣ ਦਾ ਟੌਰਕ

**100 Nm (10.2 kgf-m, 73.8 lbf-ft)**

- 8) ਜੈਕ ਨੂੰ ਹੇਠਾਂ ਕਰੋ ਅਤੇ ਨਟਾਂ ਨੂੰ ਤਿਰਛੇ ਢੰਗ ਨਾਲ ਇੱਕ ਰੈਚ ਨਾਲ ਪੂਰੀ ਤਰ੍ਹਾਂ ਕੱਸੋ ਜਿਵੇਂ ਕਿ ਉਦਾਹਰਣ ਵਿੱਚ ਦਿਖਾਇਆ ਗਿਆ ਹੈ।

### ⚠ ਚੇਤਾਵਨੀ

ਅਸਲੀ ਵ੍ਹੀਲ ਨਟਾਂ ਦੀ ਵਰਤੋਂ ਕਰੋ ਅਤੇ ਪਹੀਏ ਬਦਲਣ ਤੋਂ ਬਾਅਦ ਜਿੰਨੀ ਜਲਦੀ ਹੋ ਸਕੇ ਉਹਨਾਂ ਨੂੰ ਨਿਰਧਾਰਤ ਟੌਰਕ 'ਤੇ ਕੱਸੋ। ਗਲਤ ਵ੍ਹੀਲ ਨਟ ਜਾਂ ਗਲਤ ਤਰੀਕੇ ਨਾਲ ਕੱਸੇ ਹੋਏ ਵ੍ਹੀਲ ਨਟ ਢਿੱਲੇ ਹੋ ਸਕਦੇ ਹਨ ਜਾਂ ਡਿੱਗ ਸਕਦੇ ਹਨ, ਜਿਸਦੇ ਨਤੀਜੇ ਵਜੋਂ ਦੁਰਘਟਨਾ ਹੋ ਸਕਦੀ ਹੈ। ਜੇਕਰ ਤੁਹਾਡੇ ਕੋਲ ਟੌਰਕ ਰੈਚ ਨਹੀਂ ਹੈ, ਤਾਂ ਕਿਸੇ ਅਧਿਕਾਰਤ ਮਾਰੂਤੀ ਸੁਜ਼ੁਕੀ ਕਮਰਸ਼ੀਅਲ ਵਰਕਸ਼ਾਪ ਤੋਂ ਵ੍ਹੀਲ ਨਟ ਟੌਰਕ ਦੀ ਜਾਂਚ ਕਰਵਾਓ।

## ਜੰਪ ਸਟਾਰਟਿੰਗ (Jump Starting) ਦੇ ਨਿਰਦੇਸ਼

### ⚠ ਚੇਤਾਵਨੀ

- ਜੇਕਰ ਬੈਟਰੀ ਜੰਮ ਗਈ ਜਾਪਦੀ ਹੈ ਤਾਂ ਕਦੇ ਵੀ ਆਪਣੇ ਵਾਹਨ ਨੂੰ ਸਟਾਰਟ ਕਰਨ ਦੀ ਕੋਸ਼ਿਸ਼ ਨਾ ਕਰੋ। ਜੇ ਜੰਪ ਸਟਾਰਟ (jump start) ਕਰਨ ਦੀ ਕੋਸ਼ਿਸ਼ ਕੀਤੀ ਜਾਂਦੀ ਹੈ ਤਾਂ ਇਸ ਸਥਿਤੀ ਵਿੱਚ ਬੈਟਰੀਆਂ ਦਾ ਧਮਾਕਾ ਹੋ ਸਕਦਾ ਹੈ ਜਾਂ ਫਟ ਸਕਦੀਆਂ ਹਨ।
- ਜੰਪ ਲੀਡ (jump lead) ਕਨੈਕਸ਼ਨ ਬਣਾਉਂਦੇ ਸਮੇਂ, ਇਹ ਯਕੀਨੀ ਬਣਾਓ ਕਿ ਤੁਹਾਡੇ ਹੱਥ ਅਤੇ ਜੰਪ ਲੀਡ ਪੁਲੀ, ਬੈਲਟ ਜਾਂ ਪੱਖੇ ਤੋਂ ਦੂਰ ਰਹਿਣ।
- ਬੈਟਰੀਆਂ ਜਲਣਸ਼ੀਲ ਹਾਈਡ੍ਰੋਜਨ ਗੈਸ ਪੈਦਾ ਕਰਦੀਆਂ ਹਨ। ਅੱਗ ਦੀਆਂ ਲਪਟਾਂ ਅਤੇ ਚਿੰਗਿਆੜੀਆਂ ਨੂੰ ਬੈਟਰੀ ਤੋਂ ਦੂਰ ਰੱਖੋ ਨਹੀਂ ਤਾਂ ਧਮਾਕਾ ਹੋ ਸਕਦਾ ਹੈ। ਬੈਟਰੀ ਦੇ ਆਸ-ਪਾਸ ਕੰਮ ਕਰਦੇ ਸਮੇਂ ਕਦੇ ਵੀ ਸਿਗਰਟ ਨਾ ਪੀਓ।
- ਜੇਕਰ ਤੁਸੀਂ ਜੰਪ ਸਟਾਰਟ ਕਰਨ ਲਈ ਵਰਤੀ ਬੁਸਟਰ ਬੈਟਰੀ ਕਿਸੇ ਹੋਰ ਵਾਹਨ ਵਿੱਚ ਇੰਸਟਾਲ ਕਰਦੇ ਹੋ, ਤਾਂ ਯਕੀਨੀ ਬਣਾਓ ਕਿ ਦੋਵੇਂ ਵਾਹਨ ਇੱਕ ਦੂਜੇ ਨੂੰ ਛੂਹ ਨਹੀਂ ਰਹੇ ਹਨ।

(ਚੱਲਦਾ ਹੈ)

⚠ ਚੇਤਾਵਨੀ

(ਚੱਲਦਾ ਹੈ)

- ਜੇਕਰ ਤੁਹਾਡੀ ਬੈਟਰੀ ਵਾਰ-ਵਾਰ ਡਿਸਚਾਰਜ ਹੁੰਦੀ ਹੈ, ਬਿਨਾਂ ਕਿਸੇ ਸਪੱਸ਼ਟ ਕਾਰਨ ਦੇ, ਕਿਸੇ ਅਧਿਕਾਰਤ ਮਾਰੂਤੀ ਸੂਚੂਕੀ ਕਮਰਸ਼ੀਅਲ ਵਰਕਸ਼ਾਪ ਤੋਂ ਆਪਣੇ ਵਾਹਨ ਦੀ ਜਾਂਚ ਕਰਵਾਓ।
- ਆਪਣੇ ਆਪ ਨੂੰ ਨੁਕਸਾਨ ਪਹੁੰਚਾਉਣ ਜਾਂ ਤੁਹਾਡੇ ਵਾਹਨ ਜਾਂ ਬੈਟਰੀ ਨੂੰ ਹੋਣ ਵਾਲੇ ਨੁਕਸਾਨ ਤੋਂ ਬਚਾਉਣ ਲਈ, ਹੇਠਾਂ ਦਿੱਤੀਆਂ ਜੰਪ ਸਟਾਰਟ ਹਿਦਾਇਤਾਂ ਦੀ ਸਹੀ ਅਤੇ ਕ੍ਰਮ ਵਿੱਚ ਪਾਲਣਾ ਕਰੋ।  
ਜੇਕਰ ਤੁਹਾਨੂੰ ਸ਼ੱਕ ਹੈ, ਤਾਂ ਯੋਗ ਸੜਕ ਸੇਵਾ ਲਈ ਕਾਲ ਕਰੋ।

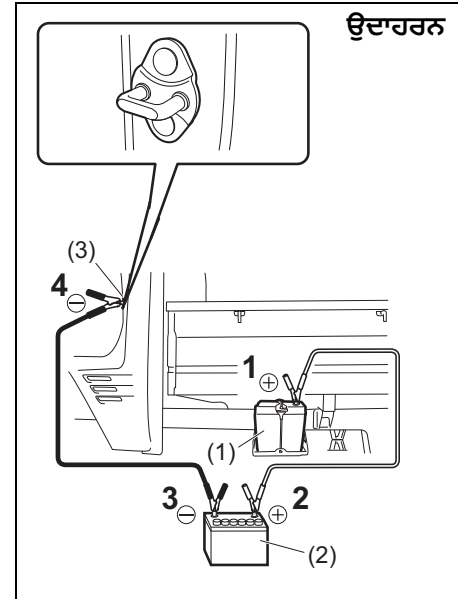
ਨੋਟਿਸ

ਤੁਹਾਡੇ ਵਾਹਨ ਨੂੰ ਧੱਕਾ ਲਾ ਕੇ ਜਾਂ ਟੋਇੰਗ ਕਰਕੇ ਚਾਲੂ ਨਹੀਂ ਕਰਨਾ ਚਾਹੀਦਾ। ਇਸ ਸਟਾਰਟਿੰਗ ਵਿਧੀ ਦੇ ਨਤੀਜੇ ਵਜੋਂ ਕੈਟਾਲਾਈਟਿਕ ਕਨਵਰਟਰ (Catalytic Converter) ਨੂੰ ਸਥਾਈ ਨੁਕਸਾਨ ਹੋ ਸਕਦਾ ਹੈ। ਕਮਜ਼ੋਰ ਜਾਂ ਫਲੈਟ ਬੈਟਰੀ ਵਾਲੇ ਵਾਹਨ ਨੂੰ ਸਟਾਰਟ ਕਰਨ ਲਈ ਜੰਪ ਲੀਡ (jump lead) ਦੀ ਵਰਤੋਂ ਕਰੋ।

ਜਦੋਂ ਤੁਸੀਂ ਆਪਣਾ ਵਾਹਨ ਜੰਪ ਸਟਾਰਟ (jump start) ਕਰਦੇ ਹੋ, ਤਾਂ ਹੇਠਾਂ ਦਿੱਤੀ ਪ੍ਰਕਿਰਿਆ ਦੀ ਵਰਤੋਂ ਕਰੋ:

- 1) ਆਪਣੇ ਵਾਹਨ ਨੂੰ ਸਟਾਰਟ ਕਰਨ ਲਈ ਸਿਰਫ਼ 12-ਵੋਲਟ (volt) ਦੀ ਬੈਟਰੀ ਦੀ ਵਰਤੋਂ ਕਰੋ। ਚੰਗੀ 12-ਵੋਲਟ ਦੀ ਬੈਟਰੀ ਨੂੰ ਆਪਣੇ ਵਾਹਨ ਦੇ ਨੇੜੇ ਰੱਖੋ ਤਾਂ ਜੋ ਜੰਪ ਲੀਡ (jump lead) ਦੋਵਾਂ ਬੈਟਰੀਆਂ ਤੱਕ ਪਹੁੰਚ ਸਕਣ। ਕਿਸੇ ਹੋਰ ਵਾਹਨ 'ਤੇ ਲਗਾਈ ਗਈ ਬੈਟਰੀ ਦੀ ਵਰਤੋਂ ਕਰਦੇ ਸਮੇਂ, ਵਾਹਨਾਂ ਨੂੰ ਛੂਹਣ ਨਾ ਦਿਓ। ਦੋਵੇਂ ਵਾਹਨਾਂ 'ਤੇ ਪਾਰਕਿੰਗ ਬ੍ਰੇਕਾਂ (parking brakes) ਨੂੰ ਪੂਰੀ ਤਰ੍ਹਾਂ ਸੈੱਟ ਕਰੋ।
- 2) ਸੁਰੱਖਿਆ ਕਾਰਨਾਂ ਕਰਕੇ (ਉਦਾਹਰਨ ਲਈ, ਹੈਂਡਲਾਈਟਾਂ ਜਾਂ ਖਤਰੇ ਵਾਲੀਆਂ ਲਾਈਟਾਂ) ਨੂੰ ਛੱਡ ਕੇ, ਵਾਹਨ ਦੇ ਸਾਰੇ ਉਪਕਰਣਾਂ ਨੂੰ ਬੰਦ ਕਰੋ।

ਉਦਾਹਰਨ



77PS056

- 3) ਜੰਪ ਲੀਡ ਕੁਨੈਕਸ਼ਨ (jump lead connections) ਹੇਠ ਲਿਖੇ ਅਨੁਸਾਰ ਬਣਾਓ:

1. ਪਹਿਲੀ ਜੰਪ ਲੀਡ ਦੇ ਇੱਕ ਸਿਰੇ ਨੂੰ ਫਲੈਟ ਬੈਟਰੀ (flat battery) (1) ਦੇ ਪਾਜ਼ਿਟਿਵ (positive) (+) ਟਰਮੀਨਲ ਨਾਲ ਕਨੈਕਟ ਕਰੋ।

- ਦੂਜੇ ਸਿਰੇ ਨੂੰ ਬੁਸਟਰ ਬੈਟਰੀ (booster battery) (2) ਦੇ ਪਾਜ਼ੇਟਿਵ (positive) (+) ਟਰਮੀਨਲ ਨਾਲ ਕਨੈਕਟ ਕਰੋ।
- ਦੂਜੀ ਜੰਪ ਲੀਡ (jump lead) ਦੇ ਇੱਕ ਸਿਰੇ ਨੂੰ ਬੁਸਟਰ ਬੈਟਰੀ (booster battery) (2) ਦੇ ਨੈਗੇਟਿਵ (negative) (-) ਟਰਮੀਨਲ ਨਾਲ ਕਨੈਕਟ ਕਰੋ।
- ਫਲੈਟ ਬੈਟਰੀ (flat battery) (1) ਦੇ ਨਾਲ ਵਾਹਨ ਦੇ ਬਿਨਾਂ ਪੇਂਟ ਕੀਤੇ, ਭਾਰੀ ਧਾਤ ਵਾਲੇ ਹਿੱਸੇ (ਜਿਵੇਂ ਕਿ ਡੋਰ ਲੈਚ ਸਟ੍ਰਾਈਕਰ (latch striker) (3)) ਨਾਲ ਅੰਤਮ ਕਨੈਕਸ਼ਨ ਬਣਾਓ।

### ⚠ ਚੇਤਾਵਨੀ

ਜੰਪ ਲੀਡ (jump lead) ਨੂੰ ਕਦੇ ਵੀ ਡਿਸਚਾਰਜ ਹੋਈ ਬੈਟਰੀ ਦੇ ਨੈਗੇਟਿਵ (negative) (-) ਟਰਮੀਨਲ ਨਾਲ ਸਿੱਧਾ ਕਨੈਕਟ ਨਾ ਕਰੋ, ਨਹੀਂ ਤਾਂ ਧਮਾਕਾ ਹੋ ਸਕਦਾ ਹੈ।

- ਜੇਕਰ ਤੁਹਾਡੇ ਦੁਆਰਾ ਵਰਤੀ ਜਾ ਰਹੀ ਬੁਸਟਰ ਬੈਟਰੀ (booster battery) ਕਿਸੇ ਹੋਰ ਵਾਹਨ ਵਿੱਚ ਫਿੱਟ ਕੀਤੀ ਗਈ ਹੈ, ਤਾਂ ਵਾਹਨ ਦੇ ਇੰਜਣ ਨੂੰ ਬੁਸਟਰ ਬੈਟਰੀ ਨਾਲ ਚਾਲੂ ਕਰੋ। ਇੰਜਣ ਨੂੰ ਮੱਧਮ ਗਤੀ 'ਤੇ ਚਲਾਓ।
- ਫਲੈਟ ਬੈਟਰੀ ਨਾਲ ਵਾਹਨ ਦੇ ਇੰਜਣ ਨੂੰ ਚਾਲੂ ਕਰੋ।
- ਜੰਪ ਲੀਡ ਨੂੰ ਬਿਲਕੁਲ ਉਲਟ ਕ੍ਰਮ ਵਿੱਚ ਹਟਾਓ ਜਿਸ ਵਿੱਚ ਤੁਸੀਂ ਉਹਨਾਂ ਨੂੰ ਜੋੜਿਆ ਸੀ।

## ਟੋਇੰਗ (Towing)

ਜੇਕਰ ਤੁਹਾਨੂੰ ਆਪਣੇ ਵਾਹਨ ਨੂੰ ਟੋਚਨ ਪੁਆਉਣ ਦੀ ਲੋੜ ਹੈ, ਤਾਂ ਕਿਸੇ ਪੇਸ਼ੇਵਰ ਸੇਵਾ ਨਾਲ ਸੰਪਰਕ ਕਰੋ। ਤੁਹਾਡਾ ਡੀਲਰ ਤੁਹਾਨੂੰ ਵਿਸਤ੍ਰਿਤ ਟੋਇੰਗ ਨਿਰਦੇਸ਼ ਪ੍ਰਦਾਨ ਕਰ ਸਕਦਾ ਹੈ।

### ਨੋਟਿਸ

ਟੋਇੰਗ ਦੌਰਾਨ ਤੁਹਾਡੇ ਵਾਹਨ ਨੂੰ ਹੋਣ ਵਾਲੇ ਨੁਕਸਾਨ ਤੋਂ ਬਚਾਉਣ ਲਈ, ਢੁਕਵੇਂ ਉਪਕਰਨ ਅਤੇ ਟੋਇੰਗ ਪ੍ਰਕਿਰਿਆਵਾਂ ਦੀ ਵਰਤੋਂ ਕੀਤੀ ਜਾਣੀ ਚਾਹੀਦੀ ਹੈ।

## 2-ਵੀਲ ਡਰਾਈਵ (2WD) ਮੈਨੂਅਲ ਟ੍ਰਾਂਸਮਿਸ਼ਨ (Manual Transmission)

ਮੈਨੂਅਲ ਟ੍ਰਾਂਸਮਿਸ਼ਨ ਵਾਹਨਾਂ ਨੂੰ ਹੇਠਾਂ ਦਿੱਤੇ ਤਰੀਕਿਆਂ ਵਿੱਚੋਂ ਕਿਸੇ ਇੱਕ ਦੀ ਵਰਤੋਂ ਕਰਕੇ ਖਿੱਚਿਆ ਜਾ ਸਕਦਾ ਹੈ।

- ਫਰੰਟ ਤੋਂ, ਅਗਲੇ ਪਹੀਏ ਚੁੱਕ ਕੇ ਅਤੇ ਪਿਛਲੇ ਪਹੀਏ ਜ਼ਮੀਨ 'ਤੇ ਲੱਗੇ ਰਹਿਣ ਨਾਲ। ਟੋਇੰਗ ਕਰਨ ਤੋਂ ਪਹਿਲਾਂ, ਯਕੀਨੀ ਬਣਾਓ ਕਿ ਟ੍ਰਾਂਸਮਿਸ਼ਨ ਨਿਊਟਰਲ ਹੈ ਅਤੇ ਪਾਰਕਿੰਗ ਬ੍ਰੇਕ ਲੱਗੀ ਹੋਈ ਹੈ।
- ਪਿਛਲੇ ਪਾਸੇ ਤੋਂ, ਪਿਛਲੇ ਪਹੀਏ ਚੁੱਕ ਕੇ ਅਤੇ ਅਗਲੇ ਪਹੀਏ ਜ਼ਮੀਨ 'ਤੇ ਲੱਗੇ ਰਹਿਣ ਨਾਲ, ਬਸ਼ਰਤੋਂ ਸਟੀਰਿੰਗ ਅਤੇ ਡਰਾਈਵਟਰੇਨ ਚਾਲੂ ਹਾਲਤ ਵਿੱਚ ਹੋਣ। ਟੋਇੰਗ ਕਰਨ ਤੋਂ ਪਹਿਲਾਂ, ਯਕੀਨੀ ਬਣਾਓ ਕਿ ਸਟੀਅਰਿੰਗ ਵ੍ਹੀਲ ਅਨਲੋਕ ਹੈ (ਇਗਨੀਸ਼ਨ ਕੁੰਜੀ "ACC" ਸਥਿਤੀ ਵਿੱਚ ਹੋਣੀ ਚਾਹੀਦੀ ਹੈ), ਅਤੇ ਸਟੀਰਿੰਗ ਵ੍ਹੀਲ ਟੋਇੰਗ ਸੇਵਾ ਲਈ ਤਿਆਰ ਕੀਤੇ ਗਏ ਇੱਕ ਕਲੈਂਪਿੰਗ ਡਿਵਾਈਸ ਨਾਲ ਸੁਰੱਖਿਅਤ ਹੈ।

### ਨੋਟਿਸ

ਸਟੀਰਿੰਗ ਕਾਲਮ ਇੰਨਾ ਮਜ਼ਬੂਤ ਨਹੀਂ ਹੈ ਕਿ ਟੋਇੰਗ ਦੌਰਾਨ ਅਗਲੇ ਪਹੀਏ ਤੋਂ ਲੱਗਣ ਵਾਲੇ ਝਟਕਿਆਂ ਦਾ ਸਾਮ੍ਹਣਾ ਕੀਤਾ ਜਾ ਸਕੇ। ਟੋਇੰਗ ਤੋਂ ਪਹਿਲਾਂ ਹਮੇਸ਼ਾ ਸਟੀਰਿੰਗ ਵ੍ਹੀਲ ਨੂੰ ਅਨਲੋਕ ਕਰੋ।

## ਜੇਕਰ ਸਟਾਰਟਰ ਕੰਮ ਨਹੀਂ ਕਰਦਾ

- ਬੈਟਰੀ ਦੀ ਸਥਿਤੀ ਦਾ ਪਤਾ ਲਗਾਉਣ ਲਈ ਹੈਂਡਲਾਈਟਾਂ ਨੂੰ ਚਾਲੂ ਕਰਨ ਦੇ ਨਾਲ ਇਗਨੀਸ਼ਨ ਸਵਿੱਚ ਨੂੰ "ਸਟਾਰਟ" (START) ਸਥਿਤੀ ਵਿੱਚ ਬਦਲਣ ਦੀ ਕੋਸ਼ਿਸ਼ ਕਰੋ। ਜੇਕਰ ਹੈਂਡਲਾਈਟਾਂ ਬਹੁਤ ਜ਼ਿਆਦਾ ਮੱਧਮ ਹੋ ਜਾਂਦੀਆਂ ਹਨ ਜਾਂ ਬੰਦ ਹੋ ਜਾਂਦੀਆਂ ਹਨ, ਤਾਂ ਇਸਦਾ ਆਮ ਤੌਰ 'ਤੇ ਮਤਲਬ ਹੁੰਦਾ ਹੈ ਕਿ ਜਾਂ ਤਾਂ ਬੈਟਰੀ ਫਲੈਟ ਹੈ ਜਾਂ ਬੈਟਰੀ ਟਰਮੀਨਲ ਦਾ ਸੰਪਰਕ ਖਰਾਬ ਹੈ। ਬੈਟਰੀ ਰੀਚਾਰਜ ਕਰੋ ਜਾਂ ਲੋੜ ਅਨੁਸਾਰ ਬੈਟਰੀ ਦੇ ਟਰਮੀਨਲ ਸੰਪਰਕ ਨੂੰ ਠੀਕ ਕਰੋ।
- ਜੇਕਰ ਹੈਂਡਲਾਈਟਾਂ ਚਮਕਦੀਆਂ ਰਹਿੰਦੀਆਂ ਹਨ, ਤਾਂ ਫਿਊਜ਼ ਦੀ ਜਾਂਚ ਕਰੋ। ਜੇਕਰ ਸਟਾਰਟਰ ਦੇ ਫੇਲੂ ਹੋਣ ਦਾ ਕਾਰਨ ਸਪੱਸ਼ਟ ਨਹੀਂ ਹੈ, ਤਾਂ ਇੱਕ ਵੱਡੀ ਬਿਜਲੀ ਸਮੱਸਿਆ ਹੋ ਸਕਦੀ ਹੈ। ਆਪਣੀ ਅਧਿਕਾਰਤ ਮਾਰੂਤੀ ਸੂਚਕੀ ਕਮਰਸ਼ੀਅਲ ਵਰਕਸ਼ਾਪ ਤੋਂ ਵਾਹਨ ਦੀ ਜਾਂਚ ਕਰਵਾਓ।

## ਜੇਕਰ ਇੰਜਣ ਭਰ ਗਿਆ ਹੈ

ਜੇ ਇੰਜਣ ਫਿਊਲ ਨਾਲ ਭਰ ਗਿਆ ਹੈ, ਤਾਂ ਇਸਨੂੰ ਚਾਲੂ ਕਰਨਾ ਔਖਾ ਹੋ ਸਕਦਾ ਹੈ। ਜੇਕਰ ਅਜਿਹਾ ਹੁੰਦਾ ਹੈ, ਤਾਂ

## ਐਮਰਜੈਂਸੀ ਸਰਵਿਸ

ਐਕਸਲੇਟਰ ਪੈਡਲ ਨੂੰ ਫਰਸ਼ 'ਤੇ ਪੂਰੇ ਤਰੀਕੇ ਨਾਲ ਦਬਾਓ ਅਤੇ ਇੰਜਣ ਨੂੰ ਕੈਚ ਕਰਦੇ ਸਮੇਂ ਇਸਨੂੰ ਉੱਥੇ ਹੀ ਫੜੀ ਰੱਖੋ।

• ਸਟਾਰਟਰ ਮੋਟਰ ਨੂੰ 30 ਸਕਿੰਟਾਂ ਤੋਂ ਵੱਧ ਨਾ ਚਲਾਓ।

### ਜੇਕਰ ਇੰਜਣ ਜ਼ਿਆਦਾ ਗਰਮ ਹੋ ਜਾਂਦਾ ਹੈ

ਗੰਭੀਰ ਡਰਾਈਵਿੰਗ ਹਾਲਤਾਂ ਵਿੱਚ ਇੰਜਣ ਅਸਥਾਈ ਤੌਰ 'ਤੇ ਜ਼ਿਆਦਾ ਗਰਮ ਹੋ ਸਕਦਾ ਹੈ। ਜੇਕਰ ਡਰਾਈਵਿੰਗ ਦੌਰਾਨ ਹਾਈ ਇੰਜਣ ਕੂਲੈਂਟ ਤਾਪਮਾਨ ਵਾਰਨਿੰਗ ਲਾਈਟ ਆਉਂਦੀ ਹੈ:

- 1) ਵਾਹਨ ਨੂੰ ਕਿਸੇ ਸੁਰੱਖਿਅਤ ਥਾਂ 'ਤੇ ਲੈ ਜਾਓ ਅਤੇ ਪਾਰਕ ਕਰੋ।
- 2) ਇੰਜਣ ਨੂੰ ਕੁਝ ਮਿੰਟਾਂ ਲਈ ਆਮ ਆਈਡਲ ਗਤੀ 'ਤੇ ਚੱਲਣ ਦਿਓ ਜਦੋਂ ਤੱਕ ਉੱਚ ਇੰਜਣ ਕੂਲਰ ਤਾਪਮਾਨ ਵਾਰਨਿੰਗ ਲਾਈਟ ਬੰਦ ਨਹੀਂ ਹੋ ਜਾਂਦੀ।

### ⚠ ਚੇਤਾਵਨੀ

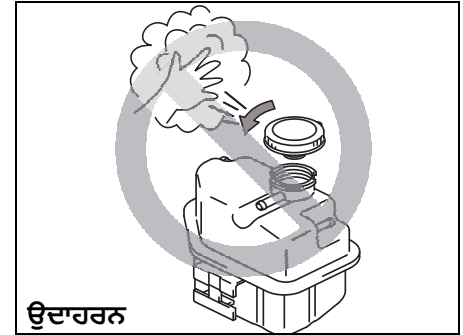
ਜੇਕਰ ਤੁਸੀਂ ਭਾਫ਼ ਨਿਕਲਦੀ ਦੇਖਦੇ ਜਾਂ ਸੁਣਦੇ ਹੋ, ਤਾਂ ਵਾਹਨ ਨੂੰ ਸੁਰੱਖਿਅਤ ਥਾਂ 'ਤੇ ਰੋਕੋ ਅਤੇ ਇਸਨੂੰ ਠੰਡਾ ਹੋਣ ਦੇਣ ਲਈ ਤੁਰੰਤ ਇੰਜਣ ਨੂੰ ਬੰਦ ਕਰ ਦਿਓ। ਜਦੋਂ ਭਾਫ਼ ਮੌਜੂਦ ਹੋਵੇ ਤਾਂ ਇੰਜਣ ਕੰਪਾਰਟਮੈਂਟ ਨੂੰ ਨਾ ਖੋਲ੍ਹੋ। ਜਦੋਂ ਭਾਫ਼ ਨੂੰ ਹੁਣ ਦੇਖਿਆ ਜਾਂ ਸੁਣਿਆ ਨਹੀਂ ਜਾ ਸਕਦਾ ਹੈ, ਤਾਂ ਇਹ ਦੇਖਣ ਲਈ ਇੰਜਣ ਦੇ ਡੱਬੇ ਨੂੰ ਖੋਲ੍ਹੋ ਕਿ ਕੀ ਕੂਲੈਂਟ ਅਜੇ ਵੀ ਉਬਲ ਰਿਹਾ ਹੈ। ਜੇਕਰ ਇਹ ਹੈ, ਤਾਂ ਤੁਹਾਨੂੰ ਅੱਗੇ ਵਧਣ ਤੋਂ ਪਹਿਲਾਂ ਉਦੋਂ ਤੱਕ ਇੰਤਜ਼ਾਰ ਕਰਨਾ ਚਾਹੀਦਾ ਹੈ ਜਦੋਂ ਤੱਕ ਇਹ ਉਬਲਣਾ ਬੰਦ ਨਹੀਂ ਕਰ ਦਿੰਦਾ।

ਜੇਕਰ ਉੱਚ ਇੰਜਣ ਕੂਲੈਂਟ ਤਾਪਮਾਨ ਵਾਰਨਿੰਗ ਲਾਈਟ ਬੰਦ ਨਹੀਂ ਹੁੰਦੀ ਹੈ:

- 1) ਇੰਜਣ ਨੂੰ ਬੰਦ ਕਰੋ ਅਤੇ ਜਾਂਚ ਕਰੋ ਕਿ ਪਾਣੀ ਦੇ ਪੰਪ ਦੀ ਬੈਲਟ ਅਤੇ ਪੁਲੀਆਂ ਖਰਾਬ ਜਾਂ ਫਿਸਲ ਨਹੀਂ ਰਹੀਆਂ ਹਨ। ਜੇਕਰ ਕੋਈ ਅਸਧਾਰਨਤਾ ਪਾਈ ਜਾਂਦੀ ਹੈ, ਤਾਂ ਇਸ ਨੂੰ ਠੀਕ ਕਰੋ।
- 2) ਰੇਜ਼ਰਵੋਇਰ ਵਿੱਚ ਕੂਲੈਂਟ ਦੇ ਲੈਵਲ ਦੀ ਜਾਂਚ ਕਰੋ। ਜੇਕਰ ਇਹ "ਲੋਅ" ਲਾਈਨ ਤੋਂ ਘੱਟ ਪਾਈ ਜਾਂਦੀ ਹੈ, ਤਾਂ ਰੇਡੀਏਟਰ, ਵਾਟਰ ਪੰਪ, ਅਤੇ ਰੇਡੀਏਟਰ ਅਤੇ ਹੀਟਰ ਹੋਜ਼ 'ਤੇ ਲੀਕ ਦੀ ਜਾਂਚ ਕਰੋ। ਜੇਕਰ ਤੁਸੀਂ ਕਿਸੇ ਵੀ ਲੀਕ ਦਾ ਪਤਾ ਲਗਾਉਂਦੇ ਹੋ ਜਿਸ ਨਾਲ ਓਵਰਹੀਟਿੰਗ ਹੋ ਸਕਦੀ ਹੈ, ਤਾਂ ਇੰਜਣ ਨੂੰ ਉਦੋਂ ਤੱਕ ਨਾ ਚਲਾਓ ਜਦੋਂ ਤੱਕ ਇਹ ਸਮੱਸਿਆਵਾਂ ਠੀਕ ਨਹੀਂ ਹੋ ਜਾਂਦੀਆਂ।
- 3) ਜੇ ਤੁਹਾਨੂੰ ਲੀਕ ਨਹੀਂ ਮਿਲਦੀ, ਤਾਂ ਧਿਆਨ ਨਾਲ ਰੇਜ਼ਰਵੋਇਰ ਅਤੇ ਫਿਰ ਰੇਡੀਏਟਰ ਵਿੱਚ ਕੂਲੈਂਟ ਪਾਓ, ਜੇ ਲੋੜ ਹੋਵੇ। ("ਇੰਸਪੈਕਸ਼ਨ ਅਤੇ ਮੇਨਟੀਨੈਂਸ" (INSPECTION AND MAINTENANCE) ਭਾਗ ਵਿੱਚ "ਇੰਜਣ ਕੂਲੈਂਟ" (Engine Coolant) ਵੇਖੋ।)

ਨੋਟ :

ਜੇਕਰ ਤੁਹਾਡਾ ਇੰਜਣ ਜ਼ਿਆਦਾ ਗਰਮ ਹੋ ਜਾਂਦਾ ਹੈ ਅਤੇ ਤੁਹਾਨੂੰ ਨਾ ਪਤਾ ਹੋਵੇ ਕਿ ਕੀ ਕਰਨਾ ਹੈ, ਤਾਂ ਆਪਣੀ ਅਧਿਕਾਰਤ ਮਾਰੂਤੀ ਸਜੂਕੀ ਕਮਰਸ਼ੀਅਲ ਵਰਕਸ਼ਾਪ ਨਾਲ ਸੰਪਰਕ ਕਰੋ।



ਉਦਾਹਰਨ

65D350d

### ⚠ ਚੇਤਾਵਨੀ

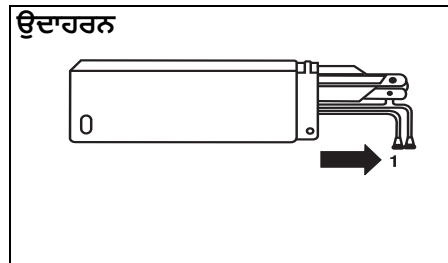
- ਜਦੋਂ ਪਾਣੀ ਦਾ ਤਾਪਮਾਨ ਵੱਧ ਹੁੰਦਾ ਹੈ ਤਾਂ ਰੇਡੀਏਟਰ ਕੈਪ (ਜਾਂ ਡੀਜ਼ਲ ਇੰਜਣ ਲਈ ਡੀਜ਼ੀਲਿੰਗ ਟੈਂਕ ਕੈਪ) ਨੂੰ ਹਟਾਉਣਾ ਖਤਰਨਾਕ ਹੁੰਦਾ ਹੈ, ਕਿਉਂਕਿ ਦਬਾਅ ਹੇਠ ਗਰਮ ਫਲੂਇਡ ਅਤੇ ਭਾਫ਼ ਉੱਡ ਸਕਦੀ ਹੈ। ਕੈਪ ਨੂੰ ਸਿਰਫ਼ ਉਦੋਂ ਹੀ ਉਤਾਰਿਆ ਜਾਣਾ ਚਾਹੀਦਾ ਹੈ ਜਦੋਂ ਕੂਲੈਂਟ ਦਾ ਤਾਪਮਾਨ ਘੱਟ ਜਾਂਦਾ ਹੈ।
- ਸਰੀਰਕ ਸੱਟ ਤੋਂ ਬਚਣ ਲਈ, ਹੱਥਾਂ, ਅੱਜਰਾਂ ਅਤੇ ਕੱਪੜਿਆਂ ਨੂੰ ਇੰਜਣ ਦੇ ਕੂਲਿੰਗ ਪੱਖੇ ਤੋਂ ਦੂਰ ਰੱਖੋ। ਇਹ ਇਲੈਕਟ੍ਰਿਕ ਪੱਖੇ ਬਿਨਾਂ ਚੇਤਾਵਨੀ ਦੇ ਆਪਣੇ ਆਪ ਚਾਲੂ ਹੋ ਸਕਦੇ ਹਨ।



## ਟੱਕਰ ਲੱਗਣ ਨਾਲ ਬਾਡੀ ਵਿੱਚ ਖਰਾਬੀ

ਜੇਕਰ ਤੁਸੀਂ ਆਪਣੇ ਵਾਹਨ ਦੇ ਹੇਠਾਂ ਟਕਰਾਉਂਦੇ ਹੋ, ਤਾਂ ਜਾਂਚ ਲਈ ਕਿਸੇ ਅਧਿਕਾਰਤ ਮਾਰੂਤੀ ਸੂਚਕੀ ਕਮਰਸ਼ੀਅਲ ਵਰਕਸ਼ਾਪ ਨੂੰ ਪੁੱਛੋ। ਨਹੀਂ ਤਾਂ ਸਟੀਰਿੰਗ, ਸਸਪੈਂਸ਼ਨ, ਡਰਾਈਵਲਾਈਨ ਅਤੇ ਬ੍ਰੇਕ ਆਦਿ ਨੂੰ ਨੁਕਸਾਨ ਤੁਹਾਡੀ ਸੁਰੱਖਿਅਤ ਡਰਾਈਵਿੰਗ ਨੂੰ ਰੋਕ ਸਕਦਾ ਹੈ।

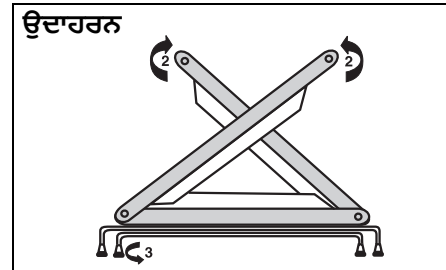
## ਚੇਤਾਵਨੀ ਤ੍ਰਿਕੋਣ (Warning Triangle)



MHO-07-001

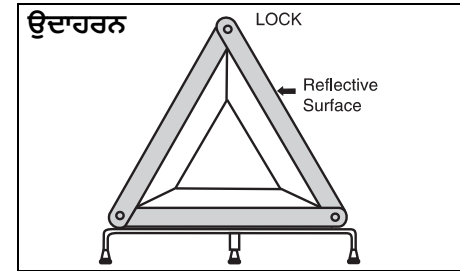
ਵਾਹਨ ਦੇ ਟੁੱਟਣ ਦੀ ਸਥਿਤੀ ਵਿੱਚ ਜਾਂ ਐਮਰਜੈਂਸੀ ਵਿੱਚ ਰੋਕਣ ਦੀ ਸਥਿਤੀ ਵਿੱਚ, ਜਿੱਥੇ, ਤੁਹਾਡਾ ਵਾਹਨ ਇੱਕ ਸੰਭਾਵੀ ਟੈਫਿਕ ਖਤਰਾ ਬਣ ਸਕਦਾ ਹੈ, ਤੁਹਾਡੇ ਵਾਹਨ ਦੇ ਨਾਲ ਪ੍ਰਦਾਨ ਕੀਤੀ ਚੇਤਾਵਨੀ ਤ੍ਰਿਕੋਣ ਨੂੰ ਸੜਕ 'ਤੇ ਆਪਣੇ ਵਾਹਨ ਦੇ ਪਿੱਛੇ ਕਿਸੇ ਵੀ ਰੁਕਾਵਟ ਤੋਂ ਮੁਕਤ ਰੱਖੋ ਤਾਂ ਜੋ ਨੇੜੇ ਆਉਣ ਵਾਲੀ ਟੈਫਿਕ ਨੂੰ ਲਗਭਗ **50-100** ਮੀਟਰ ਦੀ ਦੂਰੀ 'ਤੇ ਚੇਤਾਵਨੀ ਦਿੱਤੀ ਜਾ ਸਕੇ। ਤ੍ਰਿਕੋਣ ਦਾ ਪ੍ਰਤੀਬਿੰਬਤ ਪਾਸਾ ਆਉਣ ਵਾਲੀ ਟੈਫਿਕ ਦੇ ਸਾਹਮਣੇ ਹੋਣਾ ਚਾਹੀਦਾ ਹੈ। ਚੇਤਾਵਨੀ ਤ੍ਰਿਕੋਣ ਨੂੰ ਬਣਾਈ ਰੱਖਣ ਲਈ

ਕਿਰਪਾ ਕਰਕੇ ਵਾਹਨ ਨੂੰ ਉਤਾਰਨ ਤੋਂ ਪਹਿਲਾਂ ਖਤਰੇ ਦੇ ਵਾਰਨਿੰਗ ਲੈਂਪਾਂ ਨੂੰ ਐਕਟੀਵੇਟ ਕਰੋ।



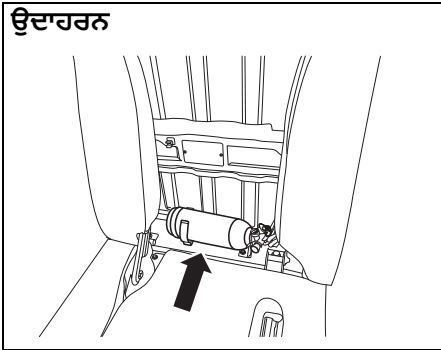
MHO-07-014-1

- ਤੀਰ ਦੇ ਨਿਸ਼ਾਨ **1** ਦੁਆਰਾ ਦਰਸਾਏ ਅਨੁਸਾਰ ਕਵਰ ਤੋਂ ਚੇਤਾਵਨੀ ਤ੍ਰਿਕੋਣ ਨੂੰ ਧਿਆਨ ਨਾਲ ਹਟਾਓ।
- ਤੀਰ ਦੇ ਨਿਸ਼ਾਨ ਦੁਆਰਾ ਦਰਸਾਏ ਅਨੁਸਾਰ ਦੋਵੇਂ ਰਿਫਲੈਕਟਰ ਆਰਮਾਂ ਨੂੰ ਖੋਲ੍ਹੋ ਅਤੇ ਸੱਜੀ ਆਰਮ ਵਿੱਚ ਦਿੱਤੀ ਗਈ ਕਲਿੱਪ ਨਾਲ ਬਾਹਾਂ ਨੂੰ ਇੱਕ ਦੂਜੇ ਨਾਲ ਲਾਕ ਕਰੋ। ਤੀਰ ਦੇ ਨਿਸ਼ਾਨ **3** ਦੁਆਰਾ ਦਰਸਾਏ ਅਨੁਸਾਰ ਐਂਟੀਕਲਾਕਵਾਈਜ਼ ਦਿਸ਼ਾ ਵਿੱਚ ਹੇਠਲੇ ਸਟੈਂਡ ਨੂੰ ਖੋਲ੍ਹੋ। ਚੇਤਾਵਨੀ ਤ੍ਰਿਕੋਣ ਨੂੰ ਵਾਹਨ ਦੇ ਪਿੱਛੇ ਇੱਕ ਸਮਤਲ ਸਤ੍ਹਾ 'ਤੇ ਰੱਖੋ।
- ਕਵਰ ਦੇ ਅੰਦਰ ਰੱਖਣ ਲਈ ਹਟਾਉਣ ਦੀ ਪ੍ਰਕਿਰਿਆ ਨੂੰ ਉਲਟਾਓ।



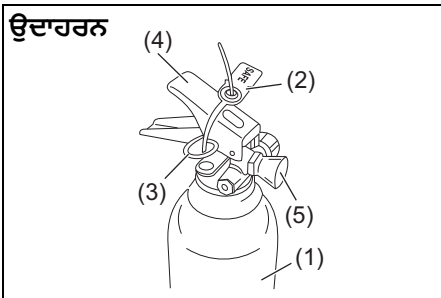
MHO-07-014

**ਅੱਗ ਬੁਝਾਉਣ ਵਾਲਾ ਯੰਤਰ (Fire Extinguisher)**  
**(ਜੇਕਰ ਲੱਗਿਆ ਹੋਵੇ)**



77PM08009

ਅੱਗ ਬੁਝਾਉਣ ਵਾਲਾ ਯੰਤਰ ਸੀਟਾਂ ਦੇ ਪਿੱਛੇ (ਡਰਾਈਵਰ ਸੀਟ ਅਤੇ ਯਾਤਰੀ ਸੀਟ ਦੇ ਵਿਚਕਾਰ) ਰੱਖਿਆ ਹੁੰਦਾ ਹੈ।

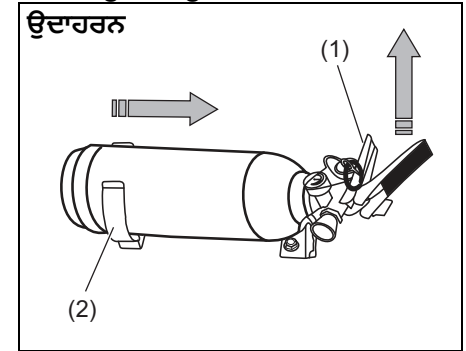


77PM08003

- 1) ਅੱਗ ਬੁਝਾਉਣ ਵਾਲਾ ਸਿਲੰਡਰ (Fire extinguisher cylinder)
- 2) ਸੀਲ (Seal)
- 3) ਸੇਫਟੀ ਪਿੰਨ (Safety Pin)
- 4) ਲੀਵਰ (Lever)
- 5) ਨੋਜ਼ਲ (Nozzle)

ਅੱਗ ਬੁਝਾਉ ਯੰਤਰ ਨੂੰ ਹਟਾਉਣਾ ਅਤੇ ਦੁਬਾਰਾ ਫਿਟ ਕਰਨਾ

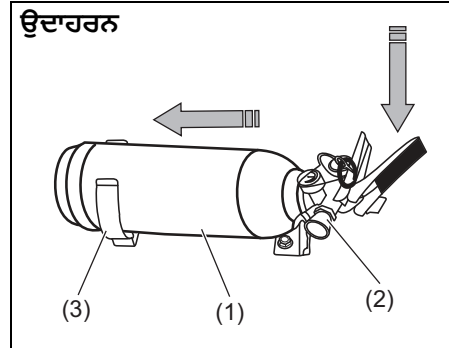
ਅੱਗ ਬੁਝਾਉ ਯੰਤਰ ਨੂੰ ਹਟਾਉਣ ਲਈ



77PM08004

ਅੱਗ ਬੁਝਾਉਣ ਵਾਲੇ ਯੰਤਰ ਦਾ ਲੀਵਰ (Lever) (1) ਥੋੜ੍ਹਾ ਉੱਪਰ ਵੱਲ ਚੁੱਕੋ ਅਤੇ ਅੱਗ ਬੁਝਾਉਣ ਵਾਲੇ ਯੰਤਰ ਨੂੰ ਚਿੱਤਰ ਵਿੱਚ ਦਰਸਾਈ ਦਿਸ਼ਾ ਵਿੱਚ ਖਿੱਚੋ, ਤਾਂ ਜੋ ਇਸਨੂੰ ਕਲੈੱਪ (clamp) (2) ਤੋਂ ਵੱਖ ਕੀਤਾ ਜਾ ਸਕੇ।

ਅੱਗ ਬੁਝਾਉ ਯੰਤਰ ਨੂੰ ਦੁਬਾਰਾ ਫਿੱਟ ਕਰਨ ਲਈ



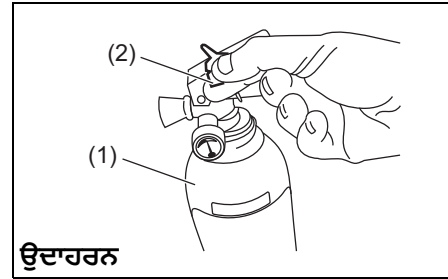
77PM08005

ਅੱਗ ਬੁਝਾਉਣ ਵਾਲੇ ਯੰਤਰ (1) ਨੂੰ ਕਲੈੱਪ (clamp) (3) ਵਿੱਚ ਪਾਓ ਅਤੇ ਨੋਜ਼ਲ (nozzle) (2) ਨੂੰ ਧਿਆਨ ਨਾਲ ਹੇਠਾਂ ਵੱਲ, ਕਲੈੱਪ ਉੱਤੇ ਰੱਖੋ।

ਨੋਟ :

ਇਹ ਸੁਨਿਸ਼ਚਿਤ ਕਰੋ ਕਿ ਅੱਗ ਬੁਝਾਉ ਯੰਤਰ ਦੀ ਨੋਜ਼ਲ ਕਲੈੱਪ 'ਤੇ ਸਹੀ ਤਰ੍ਹਾਂ ਬੈਠੀ ਹੈ।

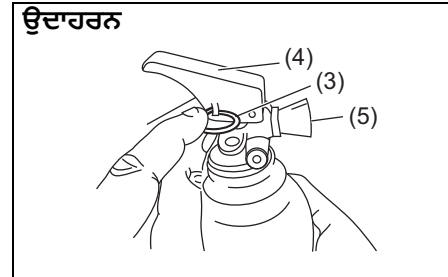
ਕਾਰਵਾਈ ਦੀ ਵਿਧੀ



77PM08006

- 1) ਅੱਗ ਬੁਝਾਉਣ ਵਾਲੇ ਯੰਤਰ (1) ਨੂੰ ਸਿੱਧਾ ਰੱਖੋ।
- 2) ਸੇਫਟੀ ਪਿੰਨ (safety pin) (3) ਨੂੰ ਘੁੰਮਾ ਕੇ ਸੀਲ (Break seal) (2) ਤੋੜੋ।

ਉਦਾਹਰਨ



77PM08007

- 3) ਸੇਫਟੀ ਪਿੰਨ (Safety pin) (3) ਨੂੰ ਖਿੱਚੋ

- 4) ਲੀਵਰ (lever) (4) ਨੂੰ ਦਬਾਓ ਅਤੇ ਤੇਜ਼ (ਫਾਸਟ) ਸਵੀਪਿੰਗ ਮੋਸ਼ਨ ਨਾਲ ਜੈੱਟ ਨੂੰ ਨੋਜ਼ਲ (nozzle) (5) ਤੋਂ ਅੱਗ ਦੇ ਨੇੜੇ ਦੇ ਕਿਨਾਰੇ ਵੱਲ ਭੇਜੋ।



77PM08008

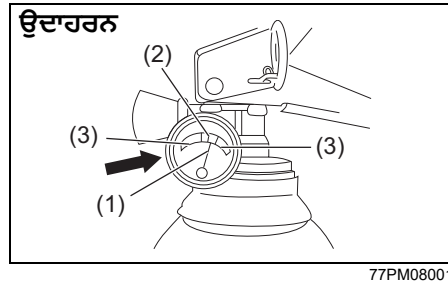
- 5) ਅੱਗ ਨੂੰ ਦੂਰ ਦੇ ਕਿਨਾਰੇ ਵੱਲ ਚਲਾਓ ਜਦੋਂ ਤੱਕ ਅੱਗ ਬੁਝ ਨਹੀਂ ਜਾਂਦੀ।

ਨੋਟ :

ਅੱਗ ਬੁਝਾਉਣ ਵਾਲਾ ਯੰਤਰ ਸਿਰਫ ਬਾਹਰੀ ਸਰੋਤ ਦੁਆਰਾ ਵਾਹਨ ਵਿੱਚ ਲੱਗੀ ਛੋਟੀ ਅੱਗ ਨੂੰ ਬੁਝਾਉਣ ਲਈ ਹੈ।

## ਐਮਰਜੈਂਸੀ ਸਰਵਿਸ

ਕੀ ਕਰਨਾ ਹੈ ਅਤੇ ਕੀ ਨਹੀਂ ਕਰਨਾ ਹੈ



ਕੀ ਕਰਨਾ ਹੈ

- 1) ਸਮੇਂ-ਸਮੇਂ 'ਤੇ ਪ੍ਰੈਸ਼ਰ ਗੇਜ ਦੀ ਜਾਂਚ ਕਰੋ। ਅਧਿਕਤਮ ਚਾਰਜਿੰਗ ਪ੍ਰੈਸ਼ਰ **15Kgf/cm<sup>2</sup>** (ਹਰੇ ਜ਼ੋਨ ਵਿੱਚ (2)) ਹੈ।
- 2) ਜਦੋਂ ਦਬਾਅ ਘਟਦਾ ਹੈ, ਇੰਡੀਕੇਟਰ ਦੀ ਸੂਈ (1) ਲਾਲ ਜ਼ੋਨ (red zone) (3) ਵਿੱਚ ਸਿਫਟ ਹੋ ਜਾਵੇਗੀ। ਅੱਗ ਬੁਝਾਉਣ ਵਾਲੇ ਯੰਤਰ 'ਤੇ ਦਿੱਤੀ ਗਈ ਜਾਣਕਾਰੀ ਦੇ ਅਨੁਸਾਰ ਤੁਰੰਤ ਅੱਗ ਬੁਝਾਉਣ ਵਾਲੇ ਨਿਰਮਾਤਾ ਨਾਲ ਸੰਪਰਕ ਕਰੋ।
- 3) ਅੱਗ ਬੁਝਾਉਣ ਵਾਲੇ ਯੰਤਰ ਦੀ ਸਰਵਿਸ ਸਿਰਫ ਨਿਰਮਾਤਾ ਸੇਵਾ ਕੇਂਦਰ ਤੋਂ ਕਰਵਾਓ। ਨਜ਼ਦੀਕੀ ਸਰਵਿਸ ਕੇਂਦਰ ਦਾ ਪਤਾ ਲਗਾਉਣ ਲਈ ਅੱਗ ਬੁਝਾਉਣ ਵਾਲੇ ਯੰਤਰ 'ਤੇ ਦਿੱਤੀ ਗਈ ਜਾਣਕਾਰੀ ਨੂੰ ਵੇਖੋ।

- 4) ਇਹ ਸੁਨਿਸ਼ਚਿਤ ਕਰੋ ਕਿ ਅੱਗ ਬੁਝਾਉਣ ਵਾਲਾ ਯੰਤਰ ਹਮੇਸ਼ਾ ਵਾਹਨ ਵਿੱਚ ਉਸਦੀ ਨਿਰਧਾਰਿਤ ਸਥਿਤੀ 'ਤੇ ਰੱਖਿਆ ਜਾਂਦਾ ਹੈ।
- 5) ਵਰਤੋਂ ਤੋਂ ਤੁਰੰਤ ਬਾਅਦ ਅੱਗ ਬੁਝਾਉਣ ਵਾਲੇ ਯੰਤਰ ਨੂੰ ਦੁਬਾਰਾ ਭਰੋ।

ਕੀ ਨਾ ਕਰੀਏ

- 1) ਅੱਗ ਬੁਝਾਉਣ ਵਾਲੇ ਯੰਤਰ ਦੀ ਸਫਾਈ ਲਈ ਪਾਣੀ ਦੀ ਵਰਤੋਂ ਨਾ ਕਰੋ। (ਧੂੜ ਹਟਾਉਣ ਲਈ ਸਾਫ਼ ਕੱਪੜੇ ਦੀ ਵਰਤੋਂ ਕਰੋ)
- 2) ਵਰਤੋਂ ਜਾਂ ਡਿਸਚਾਰਜ ਕੀਤੇ ਅੱਗ ਬੁਝਾਉਣ ਵਾਲੇ ਯੰਤਰ 'ਤੇ ਭਰੋਸਾ ਨਾ ਕਰੋ।

ਨੋਟ :

- ਹਰ ਵਰਤੋਂ ਤੋਂ ਬਾਅਦ ਰੀਫਿਲਿੰਗ ਕਰਨਾ ਜ਼ਰੂਰੀ ਹੈ।
- ਅੱਗ ਬੁਝਾਉਣ ਵਾਲੇ ਯੰਤਰ ਨੂੰ ਹਰ 3 ਸਾਲਾਂ ਬਾਅਦ ਦੁਬਾਰਾ ਭਰਨ ਦੀ ਲੋੜ ਹੁੰਦੀ ਹੈ ਭਾਵੇਂ ਇਹ ਵਰਤਿਆ ਨਾ ਗਿਆ ਹੋਵੇ।

## ਦਿੱਖ ਦੀ ਦੇਖਭਾਲ

ਖੇਰ ਦੀ ਰੋਕਥਾਮ .....	9-1
ਵਾਹਨ ਦੀ ਸਫਾਈ .....	9-2

### ਖੇਰ ਰੋਕਥਾਮ

ਆਪਣੇ ਵਾਹਨ ਨੂੰ ਖੇਰ ਤੋਂ ਬਚਾਉਣ ਲਈ ਇਸ ਦੀ ਚੰਗੀ ਤਰ੍ਹਾਂ ਦੇਖਭਾਲ ਕਰਨਾ ਮਹੱਤਵਪੂਰਨ ਹੈ। ਖੇਰ ਨੂੰ ਰੋਕਣ ਲਈ ਆਪਣੇ ਵਾਹਨ ਦੀ ਸਾਂਭ-ਸੰਭਾਲ ਕਰਨ ਲਈ ਨਿਰਦੇਸ਼ ਹੇਠਾਂ ਦਿੱਤੇ ਗਏ ਹਨ। ਕਿਰਪਾ ਕਰਕੇ ਇਹਨਾਂ ਹਿਦਾਇਤਾਂ ਨੂੰ ਧਿਆਨ ਨਾਲ ਪੜ੍ਹੋ ਅਤੇ ਪਾਲਣਾ ਕਰੋ।

### ਖੇਰ ਬਾਰੇ ਮਹੱਤਵਪੂਰਨ ਜਾਣਕਾਰੀ

#### ਖੇਰ ਦੇ ਆਮ ਕਾਰਨ

- 1) ਵਾਹਨ ਦੇ ਅੰਡਰਬਾਡੀ ਜਾਂ ਫਰੇਮ ਦੇ ਮੁਸ਼ਕਲ ਨਾਲ ਪਹੁੰਚ ਕਰਨ ਵਾਲੇ ਖੇਤਰਾਂ ਵਿੱਚ ਸੜਕੀ ਨਮਕ, ਗੰਦਗੀ, ਨਮੀ, ਜਾਂ ਰਸਾਇਣਾਂ ਦਾ ਇਕੱਠਾ ਹੋਣਾ।
- 2) ਪੱਥਰਾਂ ਅਤੇ ਬੱਜਰੀ ਦੁਆਰਾ ਮਾਮੂਲੀ ਦੁਰਘਟਨਾਵਾਂ ਜਾਂ ਰਗੜ ਦੇ ਨਤੀਜੇ ਵਜੋਂ ਚਿਪਿੰਗ, ਸਕ੍ਰੈਚ ਅਤੇ ਠੀਕ ਕੀਤੀਆਂ ਜਾਂ ਪੇਂਟ ਕੀਤੀਆਂ ਧਾਤ ਦੀਆਂ ਸਤ੍ਹਾਵਾਂ ਨੂੰ ਕੋਈ ਵੀ ਨੁਕਸਾਨ।
- 3) ਹੇਠਾਂ ਦਰਸਾਏ ਗਏ ਬਿੰਦੂਆਂ ਵਿੱਚੋਂ ਕੋਈ ਜਾਂ ਸਾਰੇ:
  - ਲਗਾਤਾਰ ਧੁੱਪ ਵਿੱਚ ਰਹਿਣਾ
  - ਸਖ਼ਤ ਪਾਣੀ ਅਤੇ ਸਮੁੰਦਰੀ ਪਾਣੀ ਵਾਹਨ ਦੇ ਸੰਪਰਕ ਵਿੱਚ ਆ ਰਿਹਾ ਹੈ।
  - ਪੈਰ ਰਗੜਨਾ (ਸਕਰਟਿੰਗ)।

#### ਵਾਤਾਵਰਣ ਦੀਆਂ ਸਥਿਤੀਆਂ ਜੋ ਖੇਰ ਨੂੰ ਤੇਜ਼ ਕਰਦੀਆਂ ਹਨ

- 1) ਸੜਕੀ ਨਮਕ, ਧੂੜ ਨਿਯੰਤਰਣ ਰਸਾਇਣ, ਸਮੁੰਦਰੀ ਹਵਾ ਜਾਂ ਉਦਯੋਗਿਕ ਪ੍ਰਦੂਸ਼ਣ ਇਹ ਸਭ ਧਾਤ ਦੇ ਖੇਰ ਨੂੰ ਤੇਜ਼ ਕਰਨਗੇ।
- 2) ਉੱਚ ਨਮੀ ਖੇਰ ਦੀ ਦਰ ਨੂੰ ਵਧਾਏਗੀ, ਖਾਸ ਤੌਰ 'ਤੇ ਜਦੋਂ ਤਾਪਮਾਨ ਦੀ ਰੋਜ਼ ਫ੍ਰੀਜ਼ਿੰਗ ਬਿੰਦੂ ਤੋਂ ਬਿਲਕੁਲ ਉੱਪਰ ਹੋਵੇ।

3) ਲੰਬੇ ਸਮੇਂ ਲਈ ਵਾਹਨ ਦੇ ਕੁਝ ਖੇਤਰਾਂ ਵਿੱਚ ਨਮੀ ਖੇਰ ਨੂੰ ਵਧਾ ਸਕਦੀ ਹੈ ਭਾਵੇਂ ਸਰੀਰ ਦੇ ਦੂਜੇ ਭਾਗ ਪੂਰੀ ਤਰ੍ਹਾਂ ਸੁੱਕੇ ਹੋਣ।

4) ਉੱਚ ਤਾਪਮਾਨ ਵਾਹਨ ਦੇ ਉਹਨਾਂ ਹਿੱਸਿਆਂ ਵਿੱਚ ਤੇਜ਼ੀ ਨਾਲ ਖੇਰ ਦੀ ਦਰ ਵੱਧਣ ਦਾ ਕਾਰਨ ਬਣਦਾ ਹੈ ਜੋ ਜਲਦੀ ਸੁੱਕਣ ਲਈ ਚੰਗੀ ਤਰ੍ਹਾਂ ਹਵਾਦਾਰ ਨਹੀਂ ਹੁੰਦੇ ਹਨ।

ਇਹ ਜਾਣਕਾਰੀ ਤੁਹਾਡੇ ਵਾਹਨ (ਖਾਸ ਕਰਕੇ ਅੰਡਰਬਾਡੀ) ਨੂੰ ਜਿੰਨਾ ਸੰਭਵ ਹੋ ਸਕੇ ਸਾਫ਼ ਅਤੇ ਸੁੱਕਾ ਰੱਖਣ ਦੀ ਲੋੜ ਨੂੰ ਦਰਸਾਉਂਦੀ ਹੈ। ਪੇਂਟ ਜਾਂ ਸੁਰੱਖਿਆਤਮਕ ਕੋਟਿੰਗਾਂ ਨੂੰ ਜਿੰਨੀ ਜਲਦੀ ਹੋ ਸਕੇ ਕਿਸੇ ਵੀ ਨੁਕਸਾਨ ਦੀ ਮੁਰੰਮਤ ਕਰਨਾ ਵੀ ਬਰਾਬਰ ਮਹੱਤਵਪੂਰਨ ਹੈ।

### ਖੇਰ ਨੂੰ ਰੋਕਣ ਵਿੱਚ ਮਦਦ ਕਿਵੇਂ ਕਰੀਏ

#### ਆਪਣੇ ਵਾਹਨ ਨੂੰ ਵਾਰ-ਵਾਰ ਧੋਵੋ

ਆਪਣੇ ਵਾਹਨ 'ਤੇ ਫਿਨਿਸ਼ ਨੂੰ ਸੁਰੱਖਿਅਤ ਰੱਖਣ ਅਤੇ ਖੇਰ ਤੋਂ ਬਚਣ ਵਿੱਚ ਮਦਦ ਕਰਨ ਦਾ ਸਭ ਤੋਂ ਵਧੀਆ ਤਰੀਕਾ ਹੈ ਇਸਨੂੰ ਵਾਰ-ਵਾਰ ਧੋਣ ਕੇ ਸਾਫ਼ ਰੱਖਣਾ।

ਸਰਦੀਆਂ ਦੌਰਾਨ ਘੱਟੋ-ਘੱਟ ਇੱਕ ਵਾਰ ਅਤੇ ਸਰਦੀਆਂ ਦੇ ਤੁਰੰਤ ਬਾਅਦ ਇੱਕ ਵਾਰ ਆਪਣੇ ਵਾਹਨ ਨੂੰ ਧੋਵੋ। ਆਪਣੇ ਵਾਹਨ ਨੂੰ, ਖਾਸ ਕਰਕੇ ਹੇਠਾਂ ਤੋਂ, ਜਿੰਨਾ ਸੰਭਵ ਹੋ ਸਕੇ ਸਾਫ਼ ਅਤੇ ਸੁੱਕਾ ਰੱਖੋ।

ਜੇਕਰ ਤੁਸੀਂ ਅਕਸਰ ਨਮਕੀਨ ਸੜਕਾਂ 'ਤੇ ਗੱਡੀ ਚਲਾਉਂਦੇ ਹੋ, ਤਾਂ ਸਰਦੀਆਂ ਦੌਰਾਨ ਮਹੀਨੇ ਵਿੱਚ ਘੱਟੋ-ਘੱਟ ਇੱਕ ਵਾਰ ਆਪਣੇ ਵਾਹਨ ਨੂੰ ਧੋਣਾ ਚਾਹੀਦਾ ਹੈ। ਜੇਕਰ ਤੁਸੀਂ ਸਮੁੰਦਰ ਦੇ ਨੇੜੇ ਰਹਿੰਦੇ ਹੋ, ਤਾਂ ਆਪਣੇ ਵਾਹਨ ਨੂੰ ਸਾਲ ਭਰ ਵਿੱਚ ਮਹੀਨੇ ਵਿੱਚ ਘੱਟੋ-ਘੱਟ ਇੱਕ ਵਾਰ ਧੋਣਾ ਚਾਹੀਦਾ ਹੈ।

ਧੋਣ ਦੀਆਂ ਹਿਦਾਇਤਾਂ ਲਈ, "ਵਾਹਨ ਦੀ ਸਫਾਈ" ਭਾਗ ਨੂੰ ਵੇਖੋ।

### ਬਾਹਰੀ ਸਮੱਗਰੀ ਦੇ ਜਮਾਵਾਂ ਨੂੰ ਹਟਾਓ

ਬਾਹਰੀ ਸਮੱਗਰੀ ਜਿਵੇਂ ਕਿ ਲੂਣ, ਰਸਾਇਣ, ਸੜਕ ਦਾ ਆਇਲ ਜਾਂ ਲੁੱਕ, ਰੁੱਖਾਂ ਦਾ ਰਸ, ਪੰਛੀਆਂ ਦੀਆਂ ਬੁੱਦਾਂ ਅਤੇ ਉਦਯੋਗਿਕ ਕਚਰੇ ਨਾਲ ਤੁਹਾਡੇ ਵਾਹਨ ਦੀ ਫਿਨਿਸ਼ ਨੂੰ ਨੁਕਸਾਨ ਹੋ ਸਕਦਾ ਹੈ ਜੇਕਰ ਇਸਨੂੰ ਪੱਟ ਕੀਤੀਆਂ ਸਤ੍ਹਾਵਾਂ 'ਤੇ ਛੱਡ ਦਿੱਤਾ ਜਾਂਦਾ ਹੈ। ਜਿੰਨੀ ਜਲਦੀ ਹੋ ਸਕੇ ਇਸ ਕਿਸਮ ਦੇ ਜਮਾਵਾਂ ਨੂੰ ਹਟਾਓ। ਜੇਕਰ ਇਹਨਾਂ ਜਮਾਵਾਂ ਨੂੰ ਧੋਣਾ ਮੁਸ਼ਕਲ ਹੈ, ਤਾਂ ਇੱਕ ਵਾਧੂ ਕਲੀਨਰ ਦੀ ਲੋੜ ਹੋ ਸਕਦੀ ਹੈ। ਯਕੀਨੀ ਬਣਾਓ ਕਿ ਤੁਸੀਂ ਜੋ ਵੀ ਕਲੀਨਰ ਵਰਤਦੇ ਹੋ, ਉਹ ਪੱਟ ਕੀਤੀਆਂ ਸਤ੍ਹਾਵਾਂ ਲਈ ਨੁਕਸਾਨਦੇਹ ਨਹੀਂ ਹੈ ਅਤੇ ਖਾਸ ਤੌਰ 'ਤੇ ਤੁਹਾਡੇ ਉਦੇਸ਼ਾਂ ਲਈ ਹੈ। ਇਹਨਾਂ ਵਿਸ਼ੇਸ਼ ਕਲੀਨਰ ਦੀ ਵਰਤੋਂ ਕਰਦੇ ਸਮੇਂ ਨਿਰਮਾਤਾ ਦੇ ਨਿਰਦੇਸ਼ਾਂ ਦੀ ਪਾਲਣਾ ਕਰੋ।

### ਫਿਨਿਸ਼ ਦੇ ਖਰਾਬ ਹੋਣ ਦੀ ਮੁਰੰਮਤ

ਪੱਟ ਕੀਤੀਆਂ ਸਤ੍ਹਾਵਾਂ ਦੇ ਨੁਕਸਾਨ ਲਈ ਆਪਣੇ ਵਾਹਨ ਦੀ ਧਿਆਨ ਨਾਲ ਜਾਂਚ ਕਰੋ। ਜੇਕਰ ਤੁਹਾਨੂੰ ਪੱਟ ਵਿੱਚ ਕੋਈ ਚਿਪਸ ਜਾਂ ਸਕ੍ਰੈਚ ਮਿਲਦੀਆਂ ਹਨ, ਤਾਂ ਖੋਰ ਨੂੰ ਸ਼ੁਰੂ ਹੋਣ ਤੋਂ ਰੋਕਣ ਲਈ ਉਹਨਾਂ ਨੂੰ ਤੁਰੰਤ ਟੱਚ ਦੇਵੋ। ਜੇਕਰ ਚਿਪਸ ਜਾਂ ਸਕ੍ਰੈਚ ਨੰਗੀ ਧਾਤ ਤੱਕ ਚਲੇ ਗਏ ਹਨ, ਤਾਂ ਮੁਰੰਮਤ ਕਰਨ ਲਈ ਇੱਕ ਯੋਗ ਬਾਡੀ ਸ਼ਾਪ ਲੱਭੋ।

### ਯਾਤਰੀ ਅਤੇ ਸਮਾਨ ਦੇ ਡੱਬਿਆਂ ਨੂੰ ਸਾਫ਼ ਰੱਖੋ

ਨਮੀ, ਗੰਦਗੀ ਜਾਂ ਚਿੱਕੜ ਫਲੋਰ ਮੈਟ ਦੇ ਹੇਠਾਂ ਇਕੱਠਾ ਹੋ ਸਕਦਾ ਹੈ ਅਤੇ ਖੋਰ ਦਾ ਕਾਰਨ ਬਣ ਸਕਦਾ ਹੈ। ਕਦੇ-ਕਦਾਈਂ, ਇਹ ਸੁਨਿਸ਼ਚਿਤ ਕਰਨ ਲਈ ਕਿ ਇਹ ਖੇਤਰ ਸਾਫ਼ ਅਤੇ ਸੁੱਕਾ ਹੈ, ਇਹਨਾਂ ਮੈਟ ਦੇ ਹੇਠਾਂ ਜਾਂਚ ਕਰੋ। ਜੇਕਰ ਵਾਹਨ ਸੜਕ ਤੋਂ ਬਾਹਰ ਜਾਂ ਗਿੱਲੇ ਮੌਸਮ ਵਿੱਚ ਵਰਤਿਆ ਜਾਂਦਾ ਹੈ ਤਾਂ ਵਾਰ-ਵਾਰ ਜਾਂਚਾਂ ਕਰਨ ਦੀ ਲੋੜ ਹੁੰਦੀ ਹੈ।

ਕੁਝ ਕਾਰਗੋ ਜਿਵੇਂ ਕਿ ਰਸਾਇਣ, ਖਾਦ, ਕਲੀਨਰ, ਲੂਣ, ਆਦਿ ਕੁਦਰਤੀ ਤੌਰ 'ਤੇ ਬਹੁਤ ਖਾਰੇ ਹੁੰਦੇ ਹਨ। ਇਹਨਾਂ ਉਤਪਾਦਾਂ ਨੂੰ ਸੀਲਬੰਦ ਕੰਟੇਨਰਾਂ ਵਿੱਚ ਲਿਜਾਇਆ ਜਾਣਾ ਚਾਹੀਦਾ ਹੈ। ਜੇਕਰ ਕੋਈ ਬੁੱਦ ਗਿਰਦੀ ਹੈ ਜਾਂ ਲੀਕ ਹੁੰਦੀ ਹੈ, ਤਾਂ ਤੁਰੰਤ ਖੇਤਰ ਨੂੰ ਸਾਫ਼ ਕਰੋ ਅਤੇ ਸੁਕਾਓ।

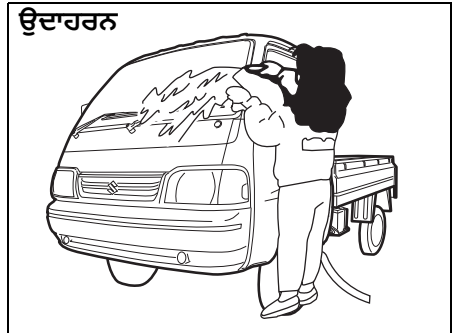
### ਆਪਣੇ ਵਾਹਨ ਨੂੰ ਸੁੱਕੇ, ਚੰਗੀ ਤਰ੍ਹਾਂ ਹਵਾਦਾਰ ਖੇਤਰ ਵਿੱਚ ਸਟੋਰ ਕਰੋ

ਆਪਣੇ ਵਾਹਨ ਨੂੰ ਸਿੱਧੀ ਧੁੱਪ ਦੇ ਲਗਾਤਾਰ ਸੰਪਰਕ ਤੋਂ ਬਚਾਉਣ ਲਈ ਪਾਰਕ ਕਰੋ। ਆਪਣੇ ਵਾਹਨ ਨੂੰ ਗਿੱਲੇ, ਖਰਾਬ ਹਵਾਦਾਰ ਖੇਤਰ ਵਿੱਚ ਪਾਰਕ ਨਾ ਕਰੋ। ਜੇਕਰ ਤੁਸੀਂ ਅਕਸਰ ਗੈਰਾਜ ਵਿੱਚ ਆਪਣੇ ਵਾਹਨ ਨੂੰ ਧੋਂਦੇ ਹੋ ਜਾਂ ਜੇਕਰ ਤੁਸੀਂ ਇਸਨੂੰ ਗਿੱਲਾ ਹੋਣ 'ਤੇ ਅਕਸਰ ਚਲਾਉਂਦੇ ਹੋ, ਤਾਂ ਤੁਹਾਡਾ ਗੈਰਾਜ ਗਿੱਲਾ ਹੋ ਸਕਦਾ ਹੈ। ਗੈਰੇਜ ਵਿੱਚ ਉੱਚ ਨਮੀ ਖੋਰ ਦਾ ਕਾਰਨ ਬਣ ਸਕਦੀ ਹੈ ਜਾਂ ਤੇਜ਼ ਕਰ ਸਕਦੀ ਹੈ। ਇੱਕ ਗਿੱਲਾ ਵਾਹਨ ਗਰਮ ਗੈਰੇਜ ਵਿੱਚ ਵੀ ਖਰਾਬ ਹੋ ਸਕਦਾ ਹੈ ਜੇਕਰ ਹਵਾਦਾਰ ਨਾ ਹੋਵੇ।

### ⚠ ਚੇਤਾਵਨੀ

ਐਗਜ਼ਾਸਟ ਸਿਸਟਮ ਕੰਪੋਨੈਂਟ ਜਿਵੇਂ ਕਿ ਕੈਟਾਲਾਈਟਿਕ ਕਨਵਰਟਰ, ਐਗਜ਼ਾਸਟ ਪਾਈਪਾਂ, ਆਦਿ 'ਤੇ ਜਾਂ ਇਸਦੇ ਆਲੇ-ਦੁਆਲੇ ਵਾਧੂ ਅੰਡਰਕੋਟਿੰਗ ਜਾਂ ਜੰਗਾਲ ਰੋਕਥਾਮ ਕੋਟਿੰਗ ਨਾ ਲਗਾਓ। ਜੇਕਰ ਅੰਡਰਕੋਟਿੰਗ ਪਦਾਰਥ ਜ਼ਿਆਦਾ ਗਰਮ ਹੋ ਜਾਂਦਾ ਹੈ ਤਾਂ ਅੱਗ ਲੱਗ ਸਕਦੀ ਹੈ।

### ਵਾਹਨ ਦੀ ਸਫ਼ਾਈ



ਉਦਾਹਰਨ

77PM09001

**▲ ਚੇਤਾਵਨੀ**

ਵਾਹਨ ਦੇ ਅੰਦਰਲੇ ਜਾਂ ਬਾਹਰਲੇ ਹਿੱਸੇ ਦੀ ਸਫ਼ਾਈ ਕਰਦੇ ਸਮੇਂ, ਕਦੇ ਵੀ ਜਲਣਸ਼ੀਲ ਘੋਲਾਂ ਵਾਲੇ ਪਦਾਰਥ ਜਿਵੇਂ ਕਿ ਲੈਕਰ ਬਿਨਰ, ਪੈਟਰੋਲ, ਬੈਂਜੀਨ ਜਾਂ ਸਫ਼ਾਈ ਸਮੱਗਰੀ ਜਿਵੇਂ ਕਿ ਬਲੀਚ ਜਾਂ ਸ਼ਕਤੀਸ਼ਾਲੀ ਘਰੇਲੂ ਡਿਟਰਜੈਂਟ ਦੀ ਵਰਤੋਂ ਨਾ ਕਰੋ। ਸਮੱਗਰੀ ਨਾਲ ਸਰੀਰਕ ਚੋਟ ਲੱਗ ਸਕਦੀ ਹੈ ਜਾਂ ਵਾਹਨ ਨੂੰ ਨੁਕਸਾਨ ਪਹੁੰਚਾ ਸਕਦੀ ਹੈ।

**ਅੰਦਰੂਨੀ ਸਫ਼ਾਈ ਕਰਨਾ**

**ਵਿਨਾਇਲ ਅਸਬਾਬ (Vinyl upholstery)**

ਕੋਸੇ ਪਾਣੀ ਨਾਲ ਸਾਬਣ ਜਾਂ ਹਲਕੇ ਡਿਟਰਜੈਂਟ ਦਾ ਘੋਲ ਤਿਆਰ ਕਰੋ। ਵਿਨਾਇਲ ਦੇ ਘੋਲ ਨੂੰ ਸਪੰਜ ਜਾਂ ਨਰਮ ਕੱਪੜੇ ਨਾਲ ਲਗਾਓ ਅਤੇ ਗੰਦਗੀ ਨੂੰ ਢਿੱਲੀ ਕਰਨ ਲਈ ਇਸ ਨੂੰ ਕੁਝ ਮਿੰਟਾਂ ਲਈ ਭਿੱਜਣ ਦਿਓ। ਗੰਦਗੀ ਅਤੇ ਸਾਬਣ ਦੇ ਘੋਲ ਨੂੰ ਹਟਾਉਣ ਲਈ ਇੱਕ ਸਾਫ਼, ਸਿੱਲ੍ਹੇ ਕੱਪੜੇ ਨਾਲ ਸਤ੍ਹਾ ਨੂੰ ਰਗੜੋ। ਜੇਕਰ ਕੁਝ ਗੰਦਗੀ ਅਜੇ ਵੀ ਸਤ੍ਹਾ 'ਤੇ ਰਹਿੰਦੀ ਹੈ, ਤਾਂ ਇਸ ਪ੍ਰਕਿਰਿਆ ਨੂੰ ਦੁਹਰਾਓ।

**ਫੈਬਰਿਕ ਅਸਬਾਬ (Fabric upholstery) (ਫਰੰਟ ਯਾਤਰੀ ਸੀਟ ਨੂੰ ਛੱਡ ਕੇ)**

ਵੈਕਿਊਮ ਕਲੀਨਰ ਨਾਲ ਢਿੱਲੀ ਗੰਦਗੀ ਨੂੰ ਹਟਾਓ। ਹਲਕੇ ਸਾਬਣ ਦੇ ਘੋਲ ਦੀ ਵਰਤੋਂ ਕਰਦੇ ਹੋਏ, ਦਾਗ ਵਾਲੇ ਖੇਤਰਾਂ ਨੂੰ ਇੱਕ ਸਾਫ਼ ਸਿੱਲ੍ਹੇ ਕੱਪੜੇ ਨਾਲ ਰਗੜੋ। ਸਾਬਣ ਨੂੰ ਹਟਾਉਣ ਲਈ, ਪਾਣੀ ਨਾਲ ਗਿੱਲੇ ਕੱਪੜੇ ਨਾਲ ਖੇਤਰਾਂ ਨੂੰ ਦੁਬਾਰਾ ਰਗੜੋ। ਇਸ ਨੂੰ ਉਦੋਂ ਤੱਕ ਦੁਹਰਾਓ ਜਦੋਂ ਤੱਕ ਦਾਗ ਹੱਟ ਨਹੀਂ ਜਾਂਦਾ, ਜਾਂ ਸਖ਼ਤ ਧੱਬਿਆਂ ਲਈ ਵਪਾਰਕ ਫੈਬਰਿਕ ਕਲੀਨਰ ਦੀ ਵਰਤੋਂ ਕਰੋ। ਜੇਕਰ ਤੁਸੀਂ ਫੈਬਰਿਕ ਕਲੀਨਰ ਦੀ ਵਰਤੋਂ ਕਰਦੇ ਹੋ, ਤਾਂ ਨਿਰਮਾਤਾ ਦੀਆਂ ਹਦਾਇਤਾਂ ਅਤੇ ਸਾਵਧਾਨੀਆਂ ਦੀ ਧਿਆਨ ਨਾਲ ਪਾਲਣਾ ਕਰੋ।

**▲ ਸਾਵਧਾਨੀ**

- ਸਾਹਮਣੇ ਵਾਲੇ ਯਾਤਰੀ ਦੀ ਸੀਟ 'ਤੇ ਫਲੂਇਡ ਜਾਂ ਅਰਧ-ਠੋਸ ਪਦਾਰਥ ਨਾ ਗਿਰਾਓ। ਜੇਕਰ ਤੁਸੀਂ ਇਸ ਨੂੰ ਫਰੰਟ ਯਾਤਰੀ ਸੀਟ 'ਤੇ ਸੁੱਟਦੇ ਹੋ, ਤਾਂ ਤੁਰੰਤ ਇਸ ਨੂੰ ਨਰਮ ਕੱਪੜੇ ਨਾਲ ਸੁੱਕਾ ਪੂੰਝੋ। ਸੈਸਰ ਨਾਲ ਫਲੂਇਡ ਦਾ ਸੰਪਰਕ ਸੀਟ ਬੈਲਟ ਰੀਮਾਈਡਰ ਸੈਸਰ ਦੇ ਕੰਮ ਨੂੰ ਪ੍ਰਭਾਵਿਤ ਕਰ ਸਕਦਾ ਹੈ।
- ਯਾਤਰੀ ਸੀਟ 'ਤੇ ਕੋਈ ਵੀ ਤਿੱਖੀ ਜਾਂ ਭਾਰੀ ਵਸਤੂ ਨਾ ਰੱਖੋ ਜੋ ਸੀਟ ਦੇ ਅਸਬਾਬ ਰਾਹੀਂ ਅੰਦਰ ਜਾ ਸਕਦੀ ਹੈ ਅਤੇ ਸੈਸਰ ਨੂੰ ਨੁਕਸਾਨ ਪਹੁੰਚਾ ਸਕਦੀ ਹੈ।

**ਫੈਬਰਿਕ ਅਸਬਾਬ (Fabric upholstery) (ਫਰੰਟ ਯਾਤਰੀ ਸੀਟ ਲਈ)**

ਸਫ਼ਾਈ ਲਈ ਫਲੂਇਡ ਦੀ ਵਰਤੋਂ ਨਾ ਕਰੋ ਕਿਉਂਕਿ ਇਹ ਫੈਬਰਿਕ ਵਿੱਚ ਦਾਖਲ ਹੋ ਸਕਦਾ ਹੈ ਅਤੇ ਸੀਟ ਸੈਸਰ ਨੂੰ ਨੁਕਸਾਨ ਪਹੁੰਚਾ ਸਕਦਾ ਹੈ।

**ਚਮੜੇ ਦਾ ਅਸਬਾਬ (Leather upholstery)**

ਵੈਕਿਊਮ ਕਲੀਨਰ (vacuum cleaner) ਨਾਲ ਖੁੱਲ੍ਹੀ ਗੰਦਗੀ ਨੂੰ ਹਟਾਓ। ਹਲਕੇ ਸਾਬਣ ਜਾਂ ਕਾਠੀ ਵਾਲੇ ਸਾਬਣ ਦੇ ਘੋਲ ਦੀ ਵਰਤੋਂ ਕਰਕੇ, ਇੱਕ ਸਾਫ਼ ਗਿੱਲੇ ਨਰਮ ਕੱਪੜੇ ਨਾਲ ਗੰਦਗੀ ਨੂੰ ਪੂੰਝੋ। ਸਾਬਣ ਨੂੰ ਹਟਾਉਣ ਲਈ, ਪਾਣੀ ਨਾਲ ਗਿੱਲੇ ਨਰਮ ਕੱਪੜੇ ਨਾਲ ਖੇਤਰਾਂ ਨੂੰ ਦੁਬਾਰਾ ਪੂੰਝੋ। ਸੁੱਕੇ ਖੇਤਰਾਂ ਨੂੰ ਨਰਮ ਸੁੱਕੇ ਕੱਪੜੇ ਨਾਲ ਪੂੰਝੋ। ਇਸ ਨੂੰ ਉਦੋਂ ਤੱਕ ਦੁਹਰਾਓ ਜਦੋਂ ਤੱਕ ਗੰਦਗੀ ਜਾਂ ਧੱਬੇ ਨਹੀਂ ਹਟਾਏ ਜਾਂਦੇ, ਜਾਂ ਸਖ਼ਤ ਗੰਦਗੀ ਜਾਂ ਧੱਬੇ ਲਈ ਕਮਰਸ਼ੀਅਲ ਚਮੜੇ ਦੇ ਕਲੀਨਰ ਦੀ ਵਰਤੋਂ ਕਰੋ। ਜੇਕਰ ਤੁਸੀਂ ਚਮੜੇ ਦੇ ਕਲੀਨਰ ਦੀ ਵਰਤੋਂ ਕਰਦੇ ਹੋ, ਤਾਂ ਨਿਰਮਾਤਾ ਦੀਆਂ ਹਦਾਇਤਾਂ ਅਤੇ ਸਾਵਧਾਨੀਆਂ ਦੀ ਧਿਆਨ ਨਾਲ ਪਾਲਣਾ ਕਰੋ। ਘੋਲ ਵਾਲੇ ਕਿਸਮ ਦੇ ਕਲੀਨਰ ਜਾਂ ਧਿਸਾਊ ਕਲੀਨਰ ਦੀ ਵਰਤੋਂ ਨਾ ਕਰੋ।

**ਨੋਟ:**

- ਚਮੜੇ ਦੇ ਅਸਬਾਬ ਨੂੰ ਵਧੀਆ ਦਿੱਖ ਵਿੱਚ ਰੱਖਣ ਲਈ, ਇਸ ਨੂੰ ਸਾਲ ਵਿੱਚ ਘੱਟੋ-ਘੱਟ ਦੋ ਵਾਰ ਸਾਫ਼ ਕਰਨਾ ਚਾਹੀਦਾ ਹੈ।
- ਜੇਕਰ ਚਮੜੇ ਦਾ ਸਮਾਨ ਗਿੱਲਾ ਹੋ ਜਾਵੇ, ਤਾਂ ਤੁਰੰਤ ਇਸਨੂੰ ਟਿਸ਼ੂ ਪੇਪਰ ਜਾਂ ਨਰਮ ਕੱਪੜੇ ਨਾਲ ਸੁੱਕਾ ਪੂੰਝੋ। ਪਾਣੀ ਕਾਰਨ ਚਮੜਾ ਸਖ਼ਤ ਹੋ ਸਕਦਾ ਹੈ ਅਤੇ ਸੁੰਗੜ ਸਕਦਾ ਹੈ ਜੇਕਰ ਇਸਨੂੰ ਪੂੰਝਿਆ ਨਹੀਂ ਜਾਂਦਾ।
- ਯੁੱਪ ਵਾਲੇ ਦਿਨਾਂ 'ਤੇ ਪਾਰਕਿੰਗ ਕਰਦੇ ਸਮੇਂ, ਛਾਂ ਵਾਲੀ ਜਗ੍ਹਾ ਦੀ ਚੋਣ ਕਰੋ ਜਾਂ ਸੱਨਸ਼ੇਡ ਦੀ ਵਰਤੋਂ ਕਰੋ।



ਕਰੋ।ਜੇਕਰ ਚਮੜੇ ਦਾ ਸਮਾਨ ਲੰਬੇ ਸਮੇਂ ਤੱਕ ਸਿੱਧੀ ਧੁੱਪ ਦੇ ਸੰਪਰਕ ਵਿੱਚ ਰਹਿੰਦਾ ਹੈ, ਤਾਂ ਇਹ ਫਿੱਕਾ ਪੈ ਸਕਦਾ ਹੈ ਅਤੇ ਸੁੰਗੜ ਸਕਦਾ ਹੈ।

- ਜਿਵੇਂ ਕਿ ਕੁਦਰਤੀ ਪਦਾਰਥਾਂ ਵਿੱਚ ਆਮ ਹੁੰਦਾ ਹੈ, ਚਮੜਾ ਕੁਦਰਤੀ ਤੌਰ 'ਤੇ ਅਨਿਯਮਿਤ ਦਾਣੇਦਾਰ ਹੁੰਦਾ ਹੈ ਅਤੇ ਕਾਉਗਾਈਡ ਦੀ ਕੁਦਰਤੀ ਸਥਿਤੀ ਵਿੱਚ ਚਟਾਕ ਹੁੰਦੇ ਹਨ। ਇਹ ਚਮੜੇ ਦੀ ਕਾਰਗੁਜ਼ਾਰੀ ਨੂੰ ਕਿਸੇ ਵੀ ਤਰ੍ਹਾਂ ਪ੍ਰਭਾਵਿਤ ਨਹੀਂ ਕਰਦੇ ਹਨ।

**ਸੀਟ ਬੈਲਟਾਂ (Seat belts)**

ਹਲਕੇ ਸਾਬੁਣ ਅਤੇ ਪਾਣੀ ਨਾਲ ਸੀਟ ਬੈਲਟਾਂ ਨੂੰ ਸਾਫ਼ ਕਰੋ। ਬੈਲਟਾਂ 'ਤੇ ਬਲੀਚ ਜਾਂ ਡਾਈ ਦੀ ਵਰਤੋਂ ਨਾ ਕਰੋ। ਉਹ ਬੈਲਟਾਂ ਵਿੱਚ ਫੈਬਰਿਕ ਨੂੰ ਕਮਜ਼ੋਰ ਕਰ ਸਕਦੇ ਹਨ।

**ਵਿਨਾਇਲ ਫਲੋਰ ਮੈਟ (Vinyl floor mats)**

ਆਮ ਗੰਦਗੀ ਨੂੰ ਪਾਣੀ ਜਾਂ ਹਲਕੇ ਸਾਬਣ ਨਾਲ ਵਿਨਾਇਲ ਤੋਂ ਹਟਾਇਆ ਜਾ ਸਕਦਾ ਹੈ। ਗੰਦਗੀ ਨੂੰ ਢਿੱਲੀ ਕਰਨ ਲਈ ਬੁਰਸ ਦੀ ਵਰਤੋਂ ਕਰੋ। ਮੈਲ ਢਿੱਲੀ ਹੋਣ ਤੋਂ ਬਾਅਦ, ਮੈਟ ਨੂੰ ਪਾਣੀ ਨਾਲ ਚੰਗੀ ਤਰ੍ਹਾਂ ਧੋਵੋ ਅਤੇ ਛਾਂ ਵਿਚ ਸੁਕਾਓ।

**ਕਾਰਪੈਟ (Carpets)**

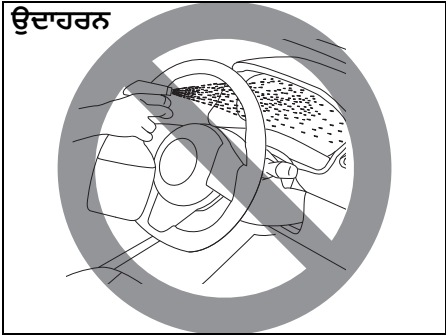
ਵੈਕਿਊਮ ਕਲੀਨਰ ਨਾਲ ਜਿੰਨਾ ਸੰਭਵ ਹੋ ਸਕੇ ਗੰਦਗੀ ਅਤੇ ਮਿੱਟੀ ਨੂੰ ਹਟਾਓ। ਹਲਕੇ ਸਾਬਣ ਦੇ ਘੋਲ ਦੀ ਵਰਤੋਂ ਕਰਦੇ ਹੋਏ, ਦਾਗ ਵਾਲੇ ਖੇਤਰਾਂ ਨੂੰ ਇੱਕ ਸਾਫ਼ ਸਿੱਲ੍ਹੇ ਕੱਪੜੇ ਨਾਲ ਰਗੜੋ। ਸਾਬਣ ਨੂੰ ਹਟਾਉਣ ਲਈ, ਪਾਣੀ ਨਾਲ ਗਿੱਲਾ ਕੱਪੜਾ ਕਰਕੇ ਖੇਤਰਾਂ ਨੂੰ ਦੁਬਾਰਾ ਰਗੜੋ। ਇਸ ਨੂੰ ਉਦੋਂ ਤੱਕ ਦੁਹਰਾਓ ਜਦੋਂ ਤੱਕ ਦਾਗ ਨਹੀਂ ਹਟਾਇਆ ਜਾਂਦਾ, ਜਾਂ ਸਖ਼ਤ ਧੱਬਿਆਂ ਲਈ ਕਮਰਸ਼ੀਅਲ ਕਾਰਪੈਟ ਕਲੀਨਰ ਦੀ ਵਰਤੋਂ ਕਰੋ। ਜੇਕਰ ਤੁਸੀਂ ਕਾਰਪੈਟ ਕਲੀਨਰ ਦੀ ਵਰਤੋਂ

ਕਰਦੇ ਹੋ, ਤਾਂ ਨਿਰਮਾਤਾ ਦੀਆਂ ਹਿਦਾਇਤਾਂ ਅਤੇ ਸਾਵਧਾਨੀਆਂ ਦੀ ਧਿਆਨ ਨਾਲ ਪਾਲਣਾ ਕਰੋ।

**ਇੰਸਟਰੂਮੈਂਟ ਪੈਨਲ ਅਤੇ ਕੰਸੋਲ (Instrument panel and console)**

ਵੈਕਿਊਮ ਕਲੀਨਰ ਨਾਲ ਧੂੜ ਨੂੰ ਹਟਾਓ। ਇੱਕ ਕੱਸ ਕੇ ਨਿਚੋੜੋ ਹੋਏ ਸਿੱਲ੍ਹੇ ਸਾਫ਼ ਕੱਪੜੇ ਨਾਲ ਗੰਦਗੀ ਨੂੰ ਹੌਲੀ-ਹੌਲੀ ਪੂੰਝੋ। ਇਸ ਨੂੰ ਉਦੋਂ ਤੱਕ ਦੁਹਰਾਓ ਜਦੋਂ ਤੱਕ ਧੂੜ ਨਹੀਂ ਹਟ ਜਾਂਦੀ।

<b>ਨੋਟਿਸ</b>
<p>ਬਿਜਲਈ ਕੰਪੋਨੈਂਟ ਜਿਵੇਂ ਕਿ ਸਵਿੱਚਾਂ ਨੂੰ ਪੂੰਝਣ ਲਈ ਸਿਲੀਕਾਨ ਵਾਲੇ ਰਸਾਇਣਕ ਉਤਪਾਦਾਂ ਦੀ ਵਰਤੋਂ ਨਾ ਕਰੋ। ਇਹ ਭਾਗਾਂ ਨੂੰ ਨੁਕਸਾਨ ਪਹੁੰਚਾਉਣਗੇ। ਇੰਸਟਰੂਮੈਂਟ ਕਲੱਸਟਰ ਜਾਂ ਕਿਸੇ ਹੋਰ ਇਲੈਕਟ੍ਰੀਕਲ ਜਾਂ ਇਲੈਕਟ੍ਰਾਨਿਕ ਕੰਪੋਨੈਂਟ 'ਤੇ ਸਿੱਧੇ ਪਾਣੀ ਜਾਂ ਕਿਸੇ ਫਲੂਇਡ ਦਾ ਛਿੜਕਾਅ ਨਾ ਕਰੋ। ਇਹ ਨੁਕਸਾਨ ਦਾ ਕਾਰਨ ਬਣ ਸਕਦਾ ਹੈ ਅਤੇ/ਜਾਂ ਹਿੱਸੇ ਦੇ ਕੰਮ ਨਾ ਕਰਨ ਦਾ ਕਾਰਨ ਬਣ ਸਕਦਾ ਹੈ।</p>



81RM08005

**ਬਾ ਹਰੋਂ ਸਫ਼ਾਈ ਕਰਨਾ**

<b>ਨੋਟਿਸ</b>
<p>ਇਹ ਜ਼ਰੂਰੀ ਹੈ ਕਿ ਤੁਹਾਡੇ ਵਾਹਨ ਨੂੰ ਸਾਫ਼ ਅਤੇ ਗੰਦਗੀ ਤੋਂ ਮੁਕਤ ਰੱਖਿਆ ਜਾਵੇ। ਤੁਹਾਡੇ ਵਾਹਨ ਨੂੰ ਸਾਫ਼ ਰੱਖਣ ਵਿੱਚ ਅਸਫਲਤਾ ਦੇ ਨਤੀਜੇ ਵਜੋਂ ਪੈਂਟ ਫਿੱਕਾ ਪੈ ਸਕਦਾ ਹੈ ਜਾਂ ਵਾਹਨ ਦੀ ਬਾਡੀ ਦੇ ਵੱਖ-ਵੱਖ ਹਿੱਸਿਆਂ ਵਿੱਚ ਖੋਰ ਪੈ ਸਕਦੀ ਹੈ।</p>

## ਦਿੱਖ ਦੀ ਦੇਖਭਾਲ

### ਪ੍ਰਮਾਣੀ ਕਰਨਾ



82DY0

### ⚠ ਰੇਤਾਵਨੀ

- ਇੰਜਣ ਦੇ ਚੱਲਦੇ ਹੋਏ ਕਦੇ ਵੀ ਆਪਣੇ ਵਾਹਨ ਨੂੰ ਧੋਣ ਅਤੇ ਵੈਕਸ ਕਰਨ ਦੀ ਕੋਸ਼ਿਸ਼ ਨਾ ਕਰੋ।
- ਸਰੀਰ ਅਤੇ ਫੈਂਡਰ ਦੇ ਹੇਠਲੇ ਹਿੱਸੇ ਨੂੰ ਸਾਫ਼ ਕਰਦੇ ਸਮੇਂ, ਜਿੱਥੇ ਤਿੱਖੇ ਧਾਰ ਵਾਲੇ ਹਿੱਸੇ ਹੋ ਸਕਦੇ ਹਨ, ਤੁਹਾਨੂੰ ਆਪਣੇ ਹੱਥਾਂ ਅਤੇ ਬਾਹਾਂ ਨੂੰ ਕੱਟਣ ਤੋਂ ਬਚਾਉਣ ਲਈ ਦਸਤਾਨੇ ਅਤੇ ਇੱਕ ਪ੍ਰੀਆਂ ਬਾਹਾਂ ਵਾਲੀ ਕਮੀਜ਼ ਪਹਿਨਣੀ ਚਾਹੀਦੀ ਹੈ।
- ਆਪਣੇ ਵਾਹਨ ਨੂੰ ਧੋਣ ਤੋਂ ਬਾਅਦ, ਇਹ ਯਕੀਨੀ ਬਣਾਉਣ ਲਈ ਕਿ ਉਹਨਾਂ ਨੂੰ ਆਪਣੀ ਆਮ ਪ੍ਰਭਾਵਸ਼ੀਲਤਾ ਬਣਾਈ ਰੱਖੀ ਹੈ, ਗੰਭੀਰ ਚਲਾਉਣ ਤੋਂ ਪਹਿਲਾਂ ਧਿਆਨ ਨਾਲ ਬ੍ਰੇਕਾਂ ਦੀ ਜਾਂਚ ਕਰੋ।

ਵਾਹਨ ਧੋਣ ਵੇਲੇ, ਇਸ ਨੂੰ ਉੱਥੇ ਪਾਰਕ ਕਰੋ ਜਿੱਥੇ ਸਿੱਧੀ ਧੁੱਪ ਇਸ 'ਤੇ ਨਾ ਪਵੇ ਅਤੇ ਹੇਠਾਂ ਦਿੱਤੀਆਂ ਹਿਦਾਇਤਾਂ ਦੀ ਪਾਲਣਾ ਕਰੋ:

- 1) ਚਿੱਕੜ ਅਤੇ ਮਲਬੇ ਨੂੰ ਹਟਾਉਣ ਲਈ ਬਾਡੀ ਅਤੇ ਪਹੀਆਂ ਦੀ ਹਾਉਸਿੰਗ ਨੂੰ ਦਬਾਅ ਵਾਲੇ ਪਾਣੀ ਨਾਲ ਫਲੱਸ਼ ਕਰੋ। ਪਾਣੀ ਦੀ ਭਰਪੂਰ ਵਰਤੋਂ ਕਰੋ।

### ਨੋਟਿਸ

ਵਾਹਨ ਧੋਣ ਵੇਲੇ:

- ਪਲਾਸਟਿਕ ਦੇ ਹਿੱਸਿਆਂ 'ਤੇ 80°C (176°F) ਤੋਂ ਵੱਧ ਭਾਫ਼ ਜਾਂ ਗਰਮ ਪਾਣੀ ਨਾ ਮਾਰੋ।
- ਇੰਜਣ ਦੇ ਭਾਗਾਂ ਨੂੰ ਨੁਕਸਾਨ ਪਹੁੰਚਾਉਣ ਤੋਂ ਬਚਣ ਲਈ, ਇੰਜਣ ਦੇ ਡੱਬੇ ਵਿੱਚ ਪ੍ਰੈਸ਼ਰ ਵਾਲੇ ਪਾਣੀ ਦੀ ਵਰਤੋਂ ਨਾ ਕਰੋ।

- 2) ਗੰਦਗੀ ਨੂੰ ਢਿੱਲਾ ਕਰਨ ਲਈ ਬਾਡੀ ਨੂੰ ਪਾਣੀ ਮਾਰੋ। ਚੱਲਦੇ ਪਾਣੀ ਨਾਲ ਬਾਡੀ ਦੇ ਬਾਹਰਲੇ ਹਿੱਸੇ ਤੋਂ ਗੰਦਗੀ ਅਤੇ ਚਿੱਕੜ ਨੂੰ ਹਟਾਉਣ ਲਈ ਇੱਕ ਨਰਮ ਸਪੰਜ ਜਾਂ ਬੁਰਸ਼ ਦੀ ਵਰਤੋਂ ਕਰ ਸਕਦੇ ਹੋ। ਸਖ਼ਤ ਸਮੱਗਰੀ ਦੀ ਵਰਤੋਂ ਨਾ ਕਰੋ ਜੋ ਪੇਂਟ ਜਾਂ ਪਲਾਸਟਿਕ ਨੂੰ ਖੁਰਚ ਸਕਦੀ ਹੋਵੇ। ਯਾਦ ਰੱਖੋ ਕਿ ਹੈਂਡਲਾਈਟ ਕਵਰ ਜਾਂ ਲੈਂਜ਼ ਕਈ ਵਾਰ ਪਲਾਸਟਿਕ ਦੇ ਹੁੰਦੇ ਹਨ।

### ਨੋਟਿਸ

ਪੇਂਟ ਜਾਂ ਪਲਾਸਟਿਕ ਦੀ ਸਤ੍ਹਾ ਨੂੰ ਨੁਕਸਾਨ ਤੋਂ ਬਚਾਉਣ ਲਈ, ਪਾਣੀ ਤੋਂ ਬਿਨਾਂ ਗੰਦਗੀ ਨੂੰ ਨਾ ਪੂੰਝੋ। ਉਪਰੋਕਤ ਵਿਧੀ ਦੀ ਪਾਲਣਾ ਕਰਨਾ ਯਕੀਨੀ ਬਣਾਓ।

- 3) ਸਪੰਜ ਜਾਂ ਨਰਮ ਕੱਪੜੇ ਦੀ ਵਰਤੋਂ ਕਰਦੇ ਹੋਏ ਹਲਕੇ ਡਿਟਰਜੈਂਟ ਜਾਂ ਕਾਰ ਧੋਣ ਵਾਲੇ ਸਾਬਣ ਨਾਲ ਪੂਰੇ ਬਾਹਰੀ ਹਿੱਸੇ ਨੂੰ ਧੋਵੋ। ਸਪੰਜ ਜਾਂ ਕੱਪੜੇ ਨੂੰ ਅਕਸਰ ਸਾਬਣ ਦੇ ਘੋਲ ਵਿੱਚ ਭਿਉਣਾ ਚਾਹੀਦਾ ਹੈ।

### ਨੋਟਿਸ

ਕਮਰਸ਼ੀਅਲ ਕਾਰ ਧੋਣ ਵਾਲੇ ਉਤਪਾਦ ਦੀ ਵਰਤੋਂ ਕਰਦੇ ਸਮੇਂ, ਨਿਰਮਾਤਾ ਦੁਆਰਾ ਨਿਰਧਾਰਤ ਸਾਵਧਾਨੀਆਂ ਦੀ ਪਾਲਣਾ ਕਰੋ। ਕਦੇ ਵੀ ਸਕਤੀਸ਼ਾਲੀ ਘਰੇਲੂ ਡਿਟਰਜੈਂਟ ਜਾਂ ਸਾਬਣ ਦੀ ਵਰਤੋਂ ਨਾ ਕਰੋ।

- 4) ਇੱਕ ਵਾਰ ਜਦੋਂ ਗੰਦਗੀ ਪੂਰੀ ਤਰ੍ਹਾਂ ਹਟਾ ਦਿੱਤੀ ਜਾਂਦੀ ਹੈ, ਤਾਂ ਚੱਲਦੇ ਪਾਣੀ ਨਾਲ ਡਿਟਰਜੈਂਟ ਨੂੰ ਧੋਵੋ।
- 5) ਧੋਣ ਤੋਂ ਬਾਅਦ, ਵਾਹਨ ਦੀ ਬਾਡੀ ਨੂੰ ਗਿੱਲੇ ਚਮੋਇਸ ਜਾਂ ਕੱਪੜੇ ਨਾਲ ਪੂੰਝੋ ਅਤੇ ਇਸ ਨੂੰ ਛਾਂ ਵਿੱਚ ਸੁੱਕਣ ਦਿਓ।
- 6) ਪੇਂਟ ਕੀਤੀਆਂ ਸਤ੍ਹਾਵਾਂ ਦੇ ਨੁਕਸਾਨ ਦੀ ਧਿਆਨ ਨਾਲ ਜਾਂਚ ਕਰੋ। ਜੇਕਰ ਕੋਈ ਨੁਕਸਾਨ ਹੁੰਦਾ ਹੈ, ਤਾਂ ਹੇਠਾਂ ਦਿੱਤੀ ਪ੍ਰਕਿਰਿਆ ਦੀ ਪਾਲਣਾ ਕਰਦੇ ਹੋਏ ਨੁਕਸਾਨ ਨੂੰ ਠੀਕ ਕਰੋ:
  1. ਸਾਰੇ ਖਰਾਬ ਸਥਾਨਾਂ ਨੂੰ ਸਾਫ਼ ਕਰੋ ਅਤੇ ਉਹਨਾਂ ਨੂੰ ਸੁੱਕਣ ਦਿਓ।
  2. ਪੇਂਟ ਨੂੰ ਹਿਲਾਓ ਅਤੇ ਇੱਕ ਛੋਟੇ ਬੁਰਸ਼ ਦੀ ਵਰਤੋਂ ਕਰਕੇ ਖਰਾਬ ਥਾਵਾਂ ਨੂੰ ਹਲਕਾ ਜਿਹਾ ਟੱਚ ਦਿਓ।
  3. ਪੇਂਟ ਨੂੰ ਪੂਰੀ ਤਰ੍ਹਾਂ ਸੁੱਕਣ ਦਿਓ।

### ਨੋਟਿਸ

ਜੇਕਰ ਤੁਸੀਂ ਆਟੋਮੈਟਿਕ ਕਾਰ ਵਾਸ਼ ਦੀ ਵਰਤੋਂ ਕਰਦੇ ਹੋ, ਤਾਂ ਯਕੀਨੀ ਬਣਾਓ ਕਿ ਤੁਹਾਡੇ ਵਾਹਨ ਦੀ ਬਾਡੀ ਦੇ ਹਿੱਸੇ, ਜਿਵੇਂ ਕਿ ਸਪੇਇਲਰ, ਖਰਾਬ ਨਾ ਹੋਣ। ਜੇਕਰ ਤੁਹਾਨੂੰ ਸ਼ੱਕ ਹੈ, ਤਾਂ ਸਲਾਹ ਲਈ ਕਾਰ ਵਾਸ਼ ਅਪਰੇਟਰ ਨਾਲ ਸੰਪਰਕ ਕਰੋ।

## ਵੈਕਸਿੰਗ (Waxing)



77PM09002

ਵਾਹਨ ਨੂੰ ਧੋਣ ਤੋਂ ਬਾਅਦ, ਪੇਂਟ ਨੂੰ ਹੋਰ ਸੁਰੱਖਿਅਤ ਅਤੇ ਸੁੰਦਰ ਬਣਾਉਣ ਲਈ ਵੈਕਸਿੰਗ ਅਤੇ ਪਾਲਿਸ਼ਿੰਗ ਦੀ ਸਿਫਾਰਸ਼ ਕੀਤੀ ਜਾਂਦੀ ਹੈ।

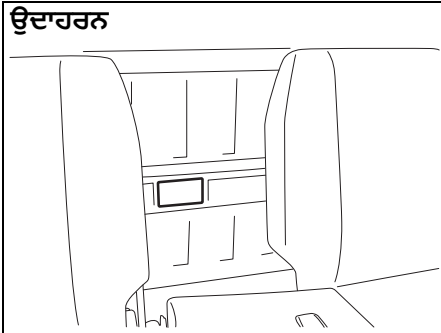
- ਸਿਰਫ਼ ਚੰਗੀ ਕੁਆਲਿਟੀ ਦੇ ਵੈਕਸ ਅਤੇ ਪਾਲਿਸ਼ ਦੀ ਵਰਤੋਂ ਕਰੋ।
- ਵੈਕਸ ਅਤੇ ਪਾਲਿਸ਼ਾਂ ਦੀ ਵਰਤੋਂ ਕਰਦੇ ਸਮੇਂ, ਨਿਰਮਾਤਾਵਾਂ ਦੁਆਰਾ ਨਿਰਧਾਰਤ ਸਾਵਧਾਨੀਆਂ ਦੀ ਪਾਲਣਾ ਕਰੋ।

## ਸਧਾਰਨ ਜਾਣਕਾਰੀ

ਵਾਹਨ ਦੀ ਪਛਾਣ .....	10-1
(ਫਾਸਟੈਗ) (ਜੇਕਰ ਲੱਗਿਆ ਹੋਵੇ).....	10-1
ਸੀ.ਐਨ.ਜੀ. ਕਿੱਟ ਨੰਬਰ ਪਛਾਣ (ਜੇਕਰ ਲੱਗਿਆ ਹੈ) .....	10-2
ਉੱਚ ਸੁਰੱਖਿਆ ਰਜਿਸਟ੍ਰੇਸ਼ਨ ਪਲੇਟ (ਜੇ ਲਾਗੂ ਹੋਵੇ) .....	10-3

## ਵਾਹਨ ਦੀ ਪਛਾਣ

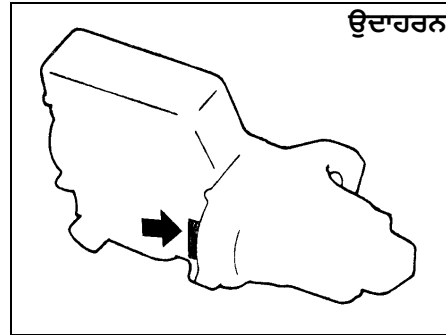
### ਚੈਸੀ ਸੀਰੀਅਲ ਨੰਬਰ



77PH059

ਵਾਹਨ ਨੂੰ ਰਜਿਸਟਰ ਕਰਨ ਲਈ ਚੈਸੀ ਅਤੇ/ਜਾਂ ਇੰਜਣ ਦੇ ਸੀਰੀਅਲ ਨੰਬਰ ਵਰਤੇ ਜਾਂਦੇ ਹਨ। ਉਹਨਾਂ ਦੀ ਵਰਤੋਂ ਤੁਹਾਡੇ ਡੀਲਰ ਦੀ ਸਹਾਇਤਾ ਕਰਨ ਲਈ ਵੀ ਕੀਤੀ ਜਾਂਦੀ ਹੈ ਜਦੋਂ ਆਰਡਰ ਜਾਂ ਸਪੈਸ਼ਲ ਸਰਵਿਸ ਜਾਣਕਾਰੀ ਦਾ ਹਵਾਲਾ ਦਿੱਤਾ ਜਾਂਦਾ ਹੈ। ਜਦੋਂ ਵੀ ਤੁਹਾਨੂੰ ਆਪਣੀ ਅਧਿਕਾਰਤ ਮਾਰੂਤੀ ਸੂਚੂਕੀ ਕਮਰਸ਼ੀਅਲ ਵਰਕਸ਼ਾਪ ਨਾਲ ਸਲਾਹ ਕਰਨ ਦਾ ਮੌਕਾ ਮਿਲੇ, ਤਾਂ ਇਸ ਨੰਬਰ ਨਾਲ ਆਪਣੇ ਵਾਹਨ ਦੀ ਪਛਾਣ ਕਰਾਉਣਾ ਯਾਦ ਰੱਖੋ। ਜੇਕਰ ਤੁਹਾਨੂੰ ਨੰਬਰ ਪੜ੍ਹਨ ਵਿੱਚ ਮੁਸ਼ਕਲ ਆਉਂਦੀ ਹੈ, ਤਾਂ ਤੁਸੀਂ ਇਸਨੂੰ ਪਛਾਣ ਪੱਤਰ 'ਤੇ ਵੀ ਦੇਖ ਸਕਦੇ ਹੋ।

### ਇੰਜਣ ਸੀਰੀਅਲ ਨੰਬਰ



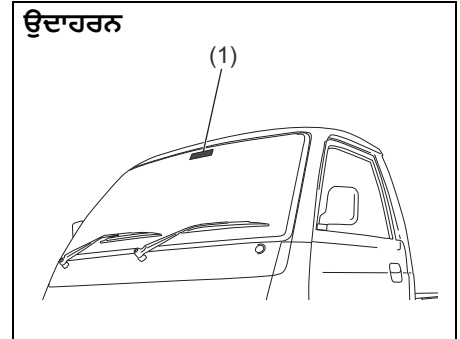
54G082

ਇੰਜਣ ਸੀਰੀਅਲ ਨੰਬਰ ਨੂੰ ਸਿਲੰਡਰ ਬਲਾਕ 'ਤੇ ਸਟੈਂਪ ਕੀਤਾ ਗਿਆ ਹੈ ਜਿਵੇਂ ਕਿ ਉਦਾਹਰਣ ਵਿੱਚ ਦਿਖਾਇਆ ਗਿਆ ਹੈ।

## FASTag (ਫਾਸਟੈਗ) (ਜੇਕਰ ਲੱਗਿਆ ਹੋਵੇ)

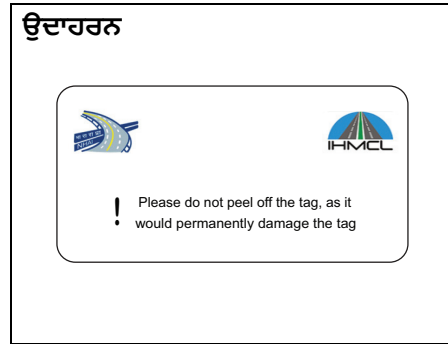
ਸੜਕੀ ਆਵਾਜਾਈ ਅਤੇ ਰਾਜਮਾਰਗ ਮੰਤਰਾਲੇ ਦੇ ਅਨੁਸਾਰ, **FASTag (1)** ਇਲੈਕਟ੍ਰਾਨਿਕ ਟੋਲ ਵਸੂਲੀ ਜਾਂ ਭਾਰਤ ਸਰਕਾਰ ਦੁਆਰਾ ਪਰਿਭਾਸ਼ਿਤ ਕੀਤੇ ਗਏ ਕਿਸੇ ਹੋਰ ਉਦੇਸ਼ ਲਈ ਹਰੇਕ ਵਾਹਨ ਲਈ ਲਾਜ਼ਮੀ ਹੈ।

ਫਾਸਟੈਗ ਨੂੰ ਕਿਸੇ ਵੀ ਨੁਕਸਾਨ ਜਾਂ ਫਰੰਟ ਵਿੰਡਸਕ੍ਰੀਨ ਨੂੰ ਬਦਲਣ ਦੀ ਸਥਿਤੀ ਵਿੱਚ, ਕਿਰਪਾ ਕਰਕੇ ਆਪਣੀ ਨਜ਼ਦੀਕੀ ਅਧਿਕਾਰਤ ਮਾਰੂਤੀ ਸੂਚੂਕੀ ਵਰਕਸ਼ਾਪ ਨਾਲ ਸੰਪਰਕ ਕਰੋ।



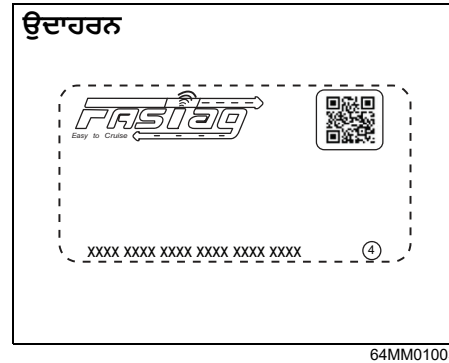
66MM01001

ਜਿਵੇਂ ਕਿ ਗੱਡੀ ਦੇ ਅੰਦਰੋਂ ਦਿਖਾਈ ਦਿੰਦਾ ਹੈ



ਨੋਟ:  
ਦਿਖਾਈ ਗਈ ਤਸਵੀਰ ਸਿਰਫ ਸੰਕੇਤਕ ਉਦੇਸ਼ ਲਈ ਹੈ। ਵਾਹਨ 'ਤੇ ਮਾਊਂਟ ਕੀਤੇ ਅਸਲ ਉਪਕਰਣ ਦੀ ਅੰਦਰੂਨੀ ਬਣਤਰ ਵੱਖਰੀ ਹੋ ਸਕਦੀ ਹੈ।

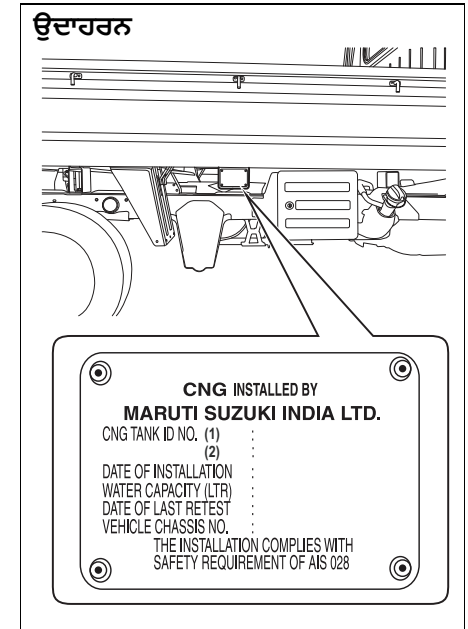
ਜਿਵੇਂ ਗੱਡੀ ਦੇ ਬਾਹਰੋਂ ਦੇਖਿਆ ਜਾਂਦਾ ਹੈ



ਨੋਟ:  
ਦਿਖਾਈ ਗਈ ਤਸਵੀਰ ਸਿਰਫ ਸੰਕੇਤਕ ਉਦੇਸ਼ ਲਈ ਹੈ। ਵਾਹਨ 'ਤੇ ਮਾਊਂਟ ਕੀਤੇ ਅਸਲ ਉਪਕਰਣ ਦੀ ਅੰਦਰੂਨੀ ਬਣਤਰ ਵੱਖਰੀ ਹੋ ਸਕਦੀ ਹੈ।

- ਨੋਟ:
- ਵਿੰਡਸਕ੍ਰੀਨ ਤੋਂ ਟੈਗ ਨੂੰ ਹਟਾਉਣ ਦੀ ਕਿਸੇ ਵੀ ਕੋਸ਼ਿਸ਼ ਦੇ ਨਤੀਜੇ ਵਜੋਂ ਟੈਗ ਨੂੰ ਸਥਾਈ ਨੁਕਸਾਨ ਹੋਵੇਗਾ।
  - ਵਿੰਡਸਕ੍ਰੀਨ ਖੇਤਰ ਨੂੰ ਸਾਫ਼ ਕਰਨ ਲਈ ਰਸਾਇਣਕ ਕਲੀਨਰ ਦੀ ਵਰਤੋਂ ਜਿੱਥੇ ਟੈਗ ਮਾਊਂਟ ਕੀਤਾ ਗਿਆ ਹੈ, ਟੈਗ ਨੂੰ ਨੁਕਸਾਨ ਪਹੁੰਚਾ ਸਕਦੀ ਹੈ।
  - ਟੈਗ 'ਤੇ ਕਿਸੇ ਵੀ ਤਿੱਖੀ ਵਸਤੂ ਦੀ ਵਰਤੋਂ ਟੈਗ ਨੂੰ ਨੁਕਸਾਨ ਪਹੁੰਚਾ ਸਕਦੀ ਹੈ।

ਸੀ.ਐਨ.ਜੀ. ਕਿੱਟ ਨੰਬਰ ਪਛਾਣ (ਜੇਕਰ ਲੱਗਿਆ ਹੈ)



ਸੀ.ਐਨ.ਜੀ. ਸਿਲੰਡਰ (CNG cylinder) ਪਛਾਣ ਨੰਬਰ ਅਤੇ ਸੀ.ਐਨ.ਜੀ. ਕਿੱਟ ਦੇ ਇੰਸਟਾਲ ਕਰਨ ਦੀ ਮਿਤੀ ਕਾਰਗੋ ਬਾਡੀ ਦੇ ਸੱਜੇ ਪਾਸੇ ਸਥਿਤ ਹੈ ਜਿਵੇਂ ਕਿ ਦਿਖਾਇਆ ਗਿਆ ਹੈ।

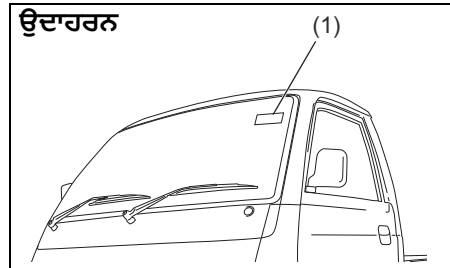
## ਉੱਚ ਸੁਰੱਖਿਆ ਰਜਿਸਟ੍ਰੇਸ਼ਨ ਪਲੇਟ (HSRP) (ਜੋ ਲਾਗੂ ਹੋਵੇ)

ਸੜਕੀ ਆਵਾਜਾਈ ਅਤੇ ਰਾਜਮਾਰਗ ਮੰਤਰਾਲੇ ਦੇ ਅਨੁਸਾਰ, ਹਰ ਨਵੇਂ ਵਾਹਨ ਵਿੱਚ HSRP ਹੋਣਾ ਲਾਜ਼ਮੀ ਹੈ।

HSRP ਵਿੱਚ ਸ਼ਾਮਲ ਹੁੰਦੇ ਹਨ;

- ਫਰੰਟ ਅਤੇ ਰੀਅਰ HSRP, ਜੋ ਨੰਬਰ ਪਲੇਟ ਖੇਤਰ 'ਤੇ 2 ਸਨੈਪ-ਲਾਕ ਨਾਲ ਫਿੱਟ ਕੀਤੇ ਜਾਣਗੇ।
- ਸਾਹਮਣੇ ਵਾਲੀ ਵਿੰਡਸ਼ੀਲਡ 'ਤੇ ਤੀਜੀ ਲਾਇਸੈਂਸ ਪਲੇਟ।

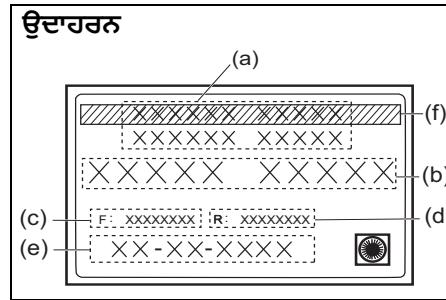
### ਤੀਜੀ ਲਾਇਸੈਂਸ ਪਲੇਟ



64MM01005

(1) ਤੀਜੀ ਲਾਇਸੈਂਸ ਪਲੇਟ

ਤੀਜੀ ਲਾਇਸੈਂਸ ਪਲੇਟ - ਜਿਵੇਂ ਕਿ ਵਾਹਨ ਦੇ ਬਾਹਰੋਂ ਦੇਖੀ ਜਾਂਦੀ ਹੈ



72RM09002

- (a) HSRP ਜਾਰੀ ਕਰਨ ਵਾਲੀ ਅਥਾਰਟੀ ਦਾ ਨਾਮ
- (b) ਵਾਹਨ ਰਜਿਸਟ੍ਰੇਸ਼ਨ ਨੰਬਰ
- (c) ਵਿਲੱਖਣ ਲੇਜ਼ਰ ਨੰਬਰ - ਫਰੰਟ ਪਲੇਟ
- (d) ਵਿਲੱਖਣ ਲੇਜ਼ਰ ਨੰਬਰ - ਰੀਅਰ ਪਲੇਟ
- (e) ਪਹਿਲੀ ਰਜਿਸਟ੍ਰੇਸ਼ਨ ਦੀ ਮਿਤੀ (ਦਦ-ਮਮ-ਸਸਸਸ ਫਾਰਮੈਟ ਵਿੱਚ)
- (f) ਹਰੀਆਂ ਪੱਟੀਆਂ (BS6 ਵਾਹਨ)

ਨੋਟ:

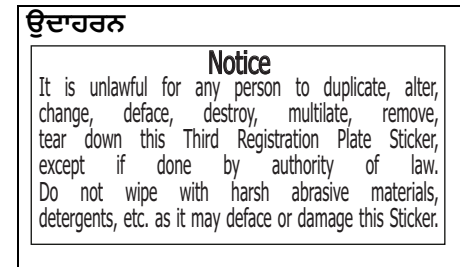
ਦਿਖਾਈ ਗਈ ਤਸਵੀਰ ਸਿਰਫ ਸੰਕੇਤਕ ਉਦੇਸ਼ ਲਈ ਹੈ। ਵਾਹਨ 'ਤੇ ਮਾਊਂਟ ਕੀਤੇ ਅਸਲ ਲੇਬਲ ਦੀ ਅੰਦਰੂਨੀ ਬਣਤਰ ਵੱਖਰੀ ਹੋ ਸਕਦੀ ਹੈ।

ਨੋਟ:

- ਵਿੰਡਸਕ੍ਰੀਨ ਤੋਂ ਤੀਜੀ ਲਾਇਸੈਂਸ ਪਲੇਟ ਨੂੰ ਹਟਾਉਣ ਦੀ ਕਿਸੇ ਵੀ ਕੋਸ਼ਿਸ਼ ਦੇ ਨਤੀਜੇ ਵਜੋਂ ਲੇਬਲ ਨੂੰ ਸਥਾਈ ਨੁਕਸਾਨ ਹੋਵੇਗਾ।

- ਵਿੰਡਸਕ੍ਰੀਨ ਖੇਤਰ ਨੂੰ ਸਾਫ਼ ਕਰਨ ਲਈ ਰਸਾਇਣਕ ਕਲੀਨਰ ਦੀ ਵਰਤੋਂ ਜਿੱਥੇ ਲੇਬਲ ਮਾਊਂਟ ਕੀਤਾ ਗਿਆ ਹੈ, ਉਸ ਨੂੰ ਨੁਕਸਾਨ ਪਹੁੰਚਾ ਸਕਦੀ ਹੈ।
- ਲੇਬਲ 'ਤੇ ਕਿਸੇ ਵੀ ਤਿੱਖੀ ਵਸਤੂ ਦੀ ਵਰਤੋਂ ਲੇਬਲ ਨੂੰ ਨੁਕਸਾਨ ਪਹੁੰਚਾ ਸਕਦੀ ਹੈ।
- ਤੀਜੀ ਲਾਇਸੈਂਸ ਪਲੇਟ ਨੂੰ ਬਦਲਣ ਦੀ ਸਥਿਤੀ ਵਿੱਚ, ਕਿਰਪਾ ਕਰਕੇ ਪ੍ਰਵਾਨਿਤ ਅਥਾਰਟੀ ਨਾਲ ਸੰਪਰਕ ਕਰ ਸਕਦੇ ਹੋ।

ਤੀਜੀ ਲਾਇਸੈਂਸ ਪਲੇਟ - ਜਿਵੇਂ ਕਿ ਵਾਹਨ ਦੇ ਅੰਦਰੋਂ ਦੇਖੀ ਜਾਂਦੀ ਹੈ



64MM01009

ਨੋਟ:

ਦਿਖਾਈ ਗਈ ਤਸਵੀਰ ਸਿਰਫ ਸੰਕੇਤਕ ਉਦੇਸ਼ ਲਈ ਹੈ।

ਨੋਟ:

ਤੀਜੀ ਲਾਇਸੈਂਸ ਪਲੇਟ (ਬੈਕ) ਦਾ ਰੰਗ HSRP ਨਿਯਮਾਂ ਦੇ ਅਨੁਸਾਰ ਹੈ ਜਿਵੇਂ ਕਿ ਸੜਕ ਆਵਾਜਾਈ ਅਤੇ ਰਾਜਮਾਰਗ ਮੰਤਰਾਲੇ ਦੁਆਰਾ ਪਰਿਭਾਸ਼ਿਤ ਕੀਤਾ ਗਿਆ ਹੈ।

## ਸਪੈਸੀਫਿਕੇਸ਼ਨਾਂ

## ਸਪੈਸੀਫਿਕੇਸ਼ਨਾਂ

ਨੋਟ :

ਸਪੈਸੀਫਿਕੇਸ਼ਨਾਂ ਬਿਨਾਂ ਨੋਟਿਸ ਦੇ ਬਦਲਣ ਦੇ ਅਧੀਨ ਹਨ।

“ਚੈਸਿਸ” ਵੇਰੀਐਂਟਾਂ ਨਾਲ ਸੰਬੰਧਿਤ ਸਪੈਸੀਫਿਕੇਸ਼ਨ “ਬਾਡੀ ਫੈਬਰੀਕੇਸ਼ਨ ਲਈ ਹਿਦਾਇਤਾਂ” ਦਾ ਹਵਾਲਾ ਦਿੰਦਾ ਹੈ।

ਆਈਟਮ: ਮਾਪ		ਯੂਨਿਟ: ਮਿਲੀਮੀਟਰ (mm)
ਕੁੱਲ ਲੰਬਾਈ		3800
ਕੁੱਲ ਚੌੜਾਈ		1562
ਕੁੱਲ ਉਚਾਈ		1883
ਵ੍ਹੀਲਬੇਸ		2110
ਟਰੈਕ	ਫਰੰਟ	1345
	ਰੀਅਰ	1330

ਆਈਟਮ: ਪੁੰਜ (ਭਾਰ)		ਯੂਨਿਟ: ਕਿਲੋਗ੍ਰਾਮ (kg)
ਕਰਬ ਪੁੰਜ (ਭਾਰ)	ਪੈਟਰੋਲ (Petrol)	870
	ਸੀ.ਐਨ.ਜੀ. (CNG)	990
ਵਾਹਨ ਦਾ ਕੁੱਲ ਪੁੰਜ (ਭਾਰ) ਰੇਟਿੰਗ		1620
ਐਕਸਲ ਦਾ ਮਨਜ਼ੂਰਸ਼ੁਦਾ ਅਧਿਕਤਮ ਭਾਰ	ਫਰੰਟ	900
	ਰੀਅਰ	1020



ਆਈਟਮ: ਇੰਜਣ	ਪੈਟਰੋਲ ਅਤੇ ਸੀ.ਐਨ.ਜੀ
ਟਾਈਪ	K12N (DOHC)
ਸਿਲੰਡਰਾਂ ਦੀ ਗਿਣਤੀ	4
ਬੋਰ	73.0 mm
ਸਟ੍ਰੋਕ	71.5 mm
ਪਿਸਟਨ ਡਿਸਪਲੇਸਮੈਂਟ	1197 cm <sup>3</sup> (1197 cc)
ਕੰਪਰੈਸ਼ਨ ਅਨੁਪਾਤ	12.0: 1

ਆਈਟਮ: ਇਲੈਕਟ੍ਰੀਕਲ	
ਸਪਾਰਕ ਪਲੱਗ	NGK ILZKR6F11
ਬੈਟਰੀ	12V 38B20R
ਫਿਊਜ਼	"ਇੰਸਪੈਕਸ਼ਨ ਅਤੇ ਮੇਨਟੀਨੈਂਸ" ਭਾਗ ਵੇਖੋ।

ਆਈਟਮ: ਲਾਈਟਾਂ	ਵਾਟੇਜ	ਬਲਬ ਨੰ.	
ਹੈੱਡਲਾਈਟ	12V 60/55W	H4	
ਪੇਜੀਸ਼ਨ ਲਾਈਟ	12V 5W	W5W	
ਟਰਨ ਸਿਗਨਲ ਲਾਈਟ	ਫਰੰਟ	12V 21W	PY21W
	ਰੀਅਰ	12V 21W	P21W
ਬ੍ਰੇਕ/ਟੇਲ ਲਾਈਟ	12V 21/5W	P21/5W	
ਰਿਵਰਸਿੰਗ ਲਾਈਟ	12V 21W	P21W	
ਲਾਇਸਿੰਗ ਪਲੇਟ ਲਾਈਟ	12V 5W	W5W	
ਅੰਦਰੂਨੀ ਰੋਸ਼ਨੀ	12V 5W	C5W	

## ਸਪੈਸੀਫਿਕੇਸ਼ਨਾਂ

---

<b>ਆਈਟਮ: ਪਹੀਏ ਅਤੇ ਟਾਇਰ</b>	
ਟਾਇਰ ਦਾ ਆਕਾਰ, ਫਰੰਟ, ਰੀਅਰ ਅਤੇ ਸਪੇਅਰ	155R13 LT 8PR 89/88S* / 155R13 LT 8PR 90/89Q*
ਰਿੱਮ ਦਾ ਆਕਾਰ	13X4J
ਟਾਇਰ ਪ੍ਰੈਸ਼ਰ	ਨਿਰਧਾਰਤ ਟਾਇਰ ਪ੍ਰੈਸ਼ਰ ਲਈ, ਡਰਾਈਵਰ ਦੇ ਦਰਵਾਜ਼ੇ ਦੇ ਲਾਕ ਪਿੱਲਰ 'ਤੇ ਸਥਿਤ ਟਾਇਰ ਜਾਣਕਾਰੀ ਲੇਬਲ ਦੇਖੋ।

\* ਜੇਕਰ ਤੁਸੀਂ ਨਿਰਧਾਰਤ ਲੋਡ ਸੂਚਕਾਂਕ ਦਰ ਅਤੇ ਸਪੀਡ ਚਿੰਨ੍ਹ ਨਾਲ ਟਾਇਰ ਤਿਆਰ ਨਹੀਂ ਕਰ ਸਕਦੇ ਹੋ, ਤਾਂ ਉੱਚ ਲੋਡ ਸੂਚਕਾਂਕ ਦਰ ਅਤੇ ਸਪੀਡ ਚਿੰਨ੍ਹ ਵਾਲਾ ਟਾਇਰ ਤਿਆਰ ਕਰੋ।

ਆਈਟਮ ਰਿਕਮੈਂਡੇਡ ਫਿਊਲ / ਲੁਬਰੀਕੈਂਟ ਅਤੇ ਕਪੈਸਿਟੀਜ਼ (ਲਗਭਗ)			
ਫਿਊਲ	ਪੈਟਰੋਲ (Petrol)		30 L <sup>#</sup>
	ਸੀ.ਐਨ.ਜੀ. (CNG)	ਪੈਟਰੋਲ	5 L <sup>#</sup>
		ਸੀ.ਐਨ.ਜੀ. (CNG)	35 L × 2 ਟੈਂਕ <sup>#</sup>
ਇੰਜਣ ਦਾ ਆਇਲ	ਪੈਟਰੋਲ (Petrol)		ਵਰਗੀਕਰਨ: API SN ਵਿਸਕੋਸਿਟੀ: SAE 0W-16
	ਸੀ.ਐਨ.ਜੀ. (CNG)		3.8 L (ਆਇਲ ਫਿਲਟਰ ਤੋਂ ਬਿਨਾਂ ਬਦਲਣਾ) 4.2 L (ਆਇਲ ਫਿਲਟਰ ਨਾਲ ਬਦਲਣਾ)
ਇੰਜਣ ਦਾ ਕੂਲੈਂਟ	ਪੈਟਰੋਲ (Petrol)		"SUZUKI LLC: Super (Blue) Coolant" *1 3.6 L (ਰੇਜ਼ਰਵੋਇਰ ਟੈਂਕ ਸਮੇਤ)
	ਸੀ.ਐਨ.ਜੀ. (CNG)		"SUZUKI LLC: Standard (Yellow) Coolant" *1 3.65 L (ਰੇਜ਼ਰਵੋਇਰ ਟੈਂਕ ਸਮੇਤ)
ਮੈਨੁਅਲ ਟ੍ਰਾਂਸਮਿਸ਼ਨ ਆਇਲ			ਮਾਰੂਤੀ ਦਾ ਅਸਲੀ ਗਿਅਰ ਆਇਲ 75W 1.4 L
ਰੀਅਰ ਡਿਫ੍ਰੈਂਸ਼ਿਅਲ ਆਇਲ			"TOTALFINAELF TRANSELF LL 85W-140" 1.6 L
ਬ੍ਰੇਕ ਫਲੂਇਡ			ਮਾਰੂਤੀ ਜੈਨੁਇਨ ਬ੍ਰੇਕ ਫਲੂਇਡ ਜਾਂ DOT 3 "ਇੰਸਪੈਕਸ਼ਨ ਅਤੇ ਮੇਨਟੀਨੈਂਸ" ਭਾਗ ਵਿੱਚ ਦਿੱਤੀਆਂ ਹਿਦਾਇਤਾਂ ਅਨੁਸਾਰ ਆਇਲ ਨੂੰ ਸਹੀ ਲੈਵਲ 'ਤੇ ਮੁੜ ਭਰੋ।

\*1: ਰਿਕਮੈਂਡੇਡ ਕੂਲੈਂਟ ਤੁਹਾਡੇ ਵਾਹਨ ਦੇ ਆਧਾਰ 'ਤੇ ਅਲੱਗ ਹੋ ਸਕਦਾ ਹੈ। "ਇੰਸਪੈਕਸ਼ਨ ਅਤੇ ਰੱਖ ਰਖਾਵ" (Inspection and maintenance) ਸੈਕਸ਼ਨ ਨੂੰ ਚੈਕ ਕਰੋ।

#: ਫਿਊਲ ਟੈਂਕ (fuel tank) ਦੀ ਕਪੈਸਿਟੀ ਈਯਨ ਦੀ ਰਿਕਮੈਂਡੇਡ ਮਾਤਰਾ ਤੋਂ ਥੋੜ੍ਹੀ ਜਿਹਾ ਵੱਧ ਹੋ ਸਕਦੀ ਹੈ ਜੋ ਤੁਸੀਂ ਭਰ ਸਕਦੇ ਹੋ। ਸੁਰੱਖਿਅਤ ਅਤੇ ਵਿਗਿਆਨਕ ਕਾਰਨਾਂ ਕਰਕੇ ਵਾਧੂ ਵਿਸ਼ਾਲ ਥਾਂ ਪ੍ਰਦਾਨ ਕੀਤੀ ਗਈ ਹੈ।

## ਬਾਡੀ ਫੈਬਰੀਕੇਸ਼ਨ ਲਈ ਹਿਦਾਇਤਾਂ

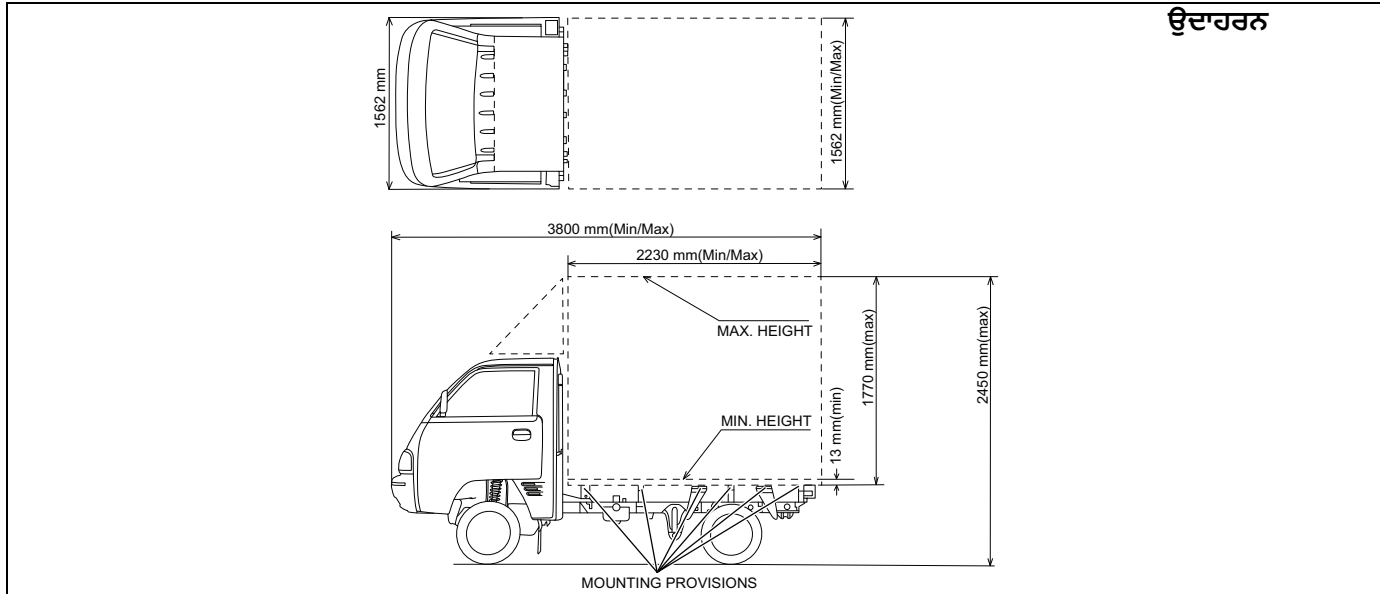
### ਬਾਡੀ ਫੈਬਰੀਕੇਸ਼ਨ ਲਈ ਨਿਰਦੇਸ਼ (ਚੈਸੀ ਦਾ ਵੇਰੀਐਂਟ)

ਕੈਬ-ਚੈਸਿਸ ਵਾਹਨ 'ਤੇ ਬਾਡੀ ਫੈਬਰੀਕੇਸ਼ਨ ਹੇਠ ਲਿਖੀਆਂ ਸਿਫਾਰਸ਼ਾਂ ਅਤੇ ਸੀਮਾ ਦੀਆਂ ਸਥਿਤੀਆਂ ਨੂੰ ਯਕੀਨੀ ਬਣਾਉਂਦੇ ਹੋਏ ਕੀਤਾ ਜਾਣਾ ਚਾਹੀਦਾ ਹੈ:

- (a) **ਬਾਡੀ ਦੇ ਬਾਹਰਲੇ ਹਿੱਸੇ:** ਲੋਡ ਬਾਡੀ/ਐਪਲੀਕੇਸ਼ਨ ਨੂੰ ਇਸ ਤਰ੍ਹਾਂ ਬਣਾਇਆ ਜਾਣਾ ਚਾਹੀਦਾ ਹੈ ਕਿ ਵਾਹਨ ਦੀ ਬਾਹਰੀ ਸਤ੍ਹਾ 'ਤੇ ਤਿੱਖੇ ਕਿਨਾਰੇ ਜਾਂ ਤਿੱਖੇ ਪ੍ਰੋਜੈਕਟਿੰਗ ਹਿੱਸੇ ਨਹੀਂ ਹੋਣੇ ਚਾਹੀਦੇ ਹਨ ਜੋ ਟੱਕਰ ਹੋਣ 'ਤੇ ਬਾਡੀ ਦੇ ਕੰਮ ਜਾਂ ਇਸ 'ਤੇ ਬੁਰਸ਼ ਮਾਰਨ ਵਾਲੇ ਵਿਅਕਤੀ ਨੂੰ ਸਰੀਰਕ ਸੱਟ ਦੇ ਜੋਖਮ ਜਾਂ ਗੰਭੀਰਤਾ ਨੂੰ ਵਧਾ ਸਕਦੇ ਹਨ। ਇਹ ਉਦੋਂ ਵੀ ਵੈਧ ਹੁੰਦਾ ਹੈ ਜਦੋਂ ਪੂਰਾ ਵਾਹਨ ਖੜ੍ਹਾ ਅਤੇ ਗਤੀ ਵਿੱਚ ਹੁੰਦਾ ਹੈ। ਬਾਹਰੀ ਕਿਨਾਰਿਆਂ ਅਤੇ ਪ੍ਰੋਜੈਕਟਿੰਗ ਹਿੱਸਿਆਂ 'ਤੇ ਘੱਟੋ-ਘੱਟ **2.5 mm** ਦੇ ਘੇਰੇ ਨੂੰ ਵਕਰ ਕਰਨ ਨੂੰ ਯਕੀਨੀ ਬਣਾਉਣ ਦੀ ਸਿਫਾਰਸ਼ ਕੀਤੀ ਜਾਂਦੀ ਹੈ। ਬਾਡੀ **CMVR Rule 124(1)-11** ਦੇ ਤਹਿਤ ਪਰਿਭਾਸ਼ਿਤ ਕੀਤੇ ਅਨੁਸਾਰ ਨਿਰਧਾਰਤ ਲੋੜਾਂ ਨੂੰ ਪੂਰਾ ਕਰੇਗੀ।  
  
ਬਾਡੀ ਲੇਆਉਟ (ਜਿਵੇਂ ਕਿ ਟਿੱਪਰ ਐਪਲੀਕੇਸ਼ਨ) ਲਈ, ਜਿੱਥੇ ਬੈਟਰੀ ਮਾਉਂਟਿੰਗਾਂ ਨੰਗੀਆਂ ਹੁੰਦੀਆਂ ਹਨ, **CMVR Rule 124(1)-11** ਦੇ ਤਹਿਤ ਪਰਿਭਾਸ਼ਿਤ ਕੀਤੇ ਗਏ ਬਾਹਰੀ ਅਨੁਮਾਨਾਂ ਦੀਆਂ ਲੋੜੀਂਦੀਆਂ ਜ਼ਰੂਰਤਾਂ ਨੂੰ ਪੂਰਾ ਕਰਨ ਲਈ ਇੱਕ ਕਵਰ ਪ੍ਰਦਾਨ ਕੀਤਾ ਜਾਵੇਗਾ।
- (b) **ਰਿਫਲੈਕਟਿਵ ਟੇਪ :** ਬਾਡੀ ਬਿਲਡਰ ਨੂੰ ਵਾਹਨ ਦੇ ਪਿਛਲੇ ਪਾਸੇ ਬਾਡੀ ਦੀ ਚੌੜਾਈ ਵਿੱਚ ਚੱਲਣ ਵਾਲੀ ਇੱਕ ਲਾਲ ਰਿਫਲੈਕਟਿਵ ਟੇਪ (**20** ਮਿ.ਮੀ ਚੌੜਾਈ ਤੋਂ ਘੱਟ ਨਹੀਂ) ਚਿਪਕਾਉਣੀ ਚਾਹੀਦੀ ਹੈ ਅਤੇ **CMVR Rule** ਨੰ. **104** ਦੇ ਅਧੀਨ ਲੋੜਾਂ ਦੀ ਪਾਲਣਾ ਕਰਨੀ ਚਾਹੀਦੀ ਹੈ।
- (c) **ਹੈੱਡ ਲੈਂਪ :** ਬਾਡੀ ਦੀ ਫੈਬਰੀਕੇਸ਼ਨ ਤੋਂ ਬਾਅਦ, ਹੈੱਡ ਲੈਂਪ ਦੇ ਸੂਰੂਆਤੀ ਡੁਕਾਅ ਨੂੰ ਹੈੱਡਲੈਂਪ (**CMVR 124 (1)-20** ਦੇ ਅਨੁਸਾਰ) 'ਤੇ ਮਾਰਕ ਕੀਤੇ ਅਨੁਸਾਰ ਐਡਜਸਟ ਕੀਤਾ ਜਾਵੇਗਾ। **GVW** ਸਥਿਤੀ ਲਈ ਸਿਫਾਰਿਸ਼ ਕੀਤੀ ਹੈੱਡ ਲੈਂਪ ਸਵਿੱਚ ਪੇਜੀਸ਼ਨ ਬਾਡੀ ਫੈਬਰੀਕੇਟਰ ਦੁਆਰਾ ਗਾਹਕ ਨੂੰ ਨਿਰਧਾਰਤ ਕੀਤੀ ਜਾਵੇਗੀ।
- (d) **ਬਾਡੀ ਬਿਲਡਰ ਪਲੇਟ :** ਬਾਡੀ ਬਿਲਡਰ ਨੂੰ **CMVR Rule 122** ਦੇ ਤਹਿਤ ਲੋੜ ਅਨੁਸਾਰ ਬਿਨਾਂ ਭਾਰ ਅਤੇ ਪੇਲੇਡ ਨੂੰ ਦਰਸਾਉਂਦੀ ਬਾਡੀ-ਬਿਲਡਰ ਦੀ ਪਲੇਟ ਲਗਾਉਣੀ ਚਾਹੀਦੀ ਹੈ।
- (e) **Form 22A Part II (ਫਾਰਮ 22A ਭਾਗ II):** ਬਾਡੀ ਬਿਲਡਰ **CMVR Rule 47** ਦੇ ਤਹਿਤ ਲੋੜ ਅਨੁਸਾਰ ਫਾਰਮ **22A** ਭਾਗ II ਪ੍ਰਦਾਨ ਕਰੇਗਾ।
- (f) ਬਾਡੀ ਬਿਲਡਰ ਬਾਡੀ ਫੈਬਰੀਕੇਸ਼ਨ ਦੌਰਾਨ ਇਲੈਕਟ੍ਰੀਕਲ ਵਾਇਰਿੰਗ, ਇਲੈਕਟ੍ਰੀਕਲ ਉਪਕਰਣ, ਬ੍ਰੇਕ ਕਨੈਕਸ਼ਨ, ਬ੍ਰੇਕ ਪਾਈਪਿੰਗ, ਫਿਊਲ ਕਨੈਕਸ਼ਨ, ਐਗਜ਼ਾਸਟ ਸਿਸਟਮ ਅਤੇ ਚੈਸੀ ਕੰਪੋਨੈਂਟਸ ਵਿੱਚ ਕੋਈ ਬਦਲਾਅ ਨਹੀਂ ਕਰੇਗਾ।..

## ਬਾਡੀ ਫੈਬਰੀਕੇਸ਼ਨ ਲਈ ਹਿਦਾਇਤਾਂ

- (g) ਮਾਪ : ਨਿਰਮਾਤਾ ਦੁਆਰਾ ਸਪਲਾਈ ਕੀਤੇ ਗਏ ਕੈਬ ਚੈਸੀ ਵਾਹਨ 'ਤੇ ਬਣਾਏ ਜਾਣ ਵਾਲੇ ਲੋਡ ਬਾਡੀ/ਐਪਲੀਕੇਸ਼ਨ ਨੂੰ ਹੇਠਾਂ ਦਿੱਤੇ ਵਿਆਖਿਆ ਵਿੱਚ ਦਰਸਾਏ ਅਨੁਸਾਰ ਘੱਟੋ-ਘੱਟ ਅਤੇ ਵੱਧ ਤੋਂ ਵੱਧ ਲਿਫਟਾਂ ਵਿੱਚ ਫਿੱਟ ਕਰਨ ਲਈ ਤਿਆਰ ਕੀਤਾ ਜਾਵੇਗਾ।



77PM12003

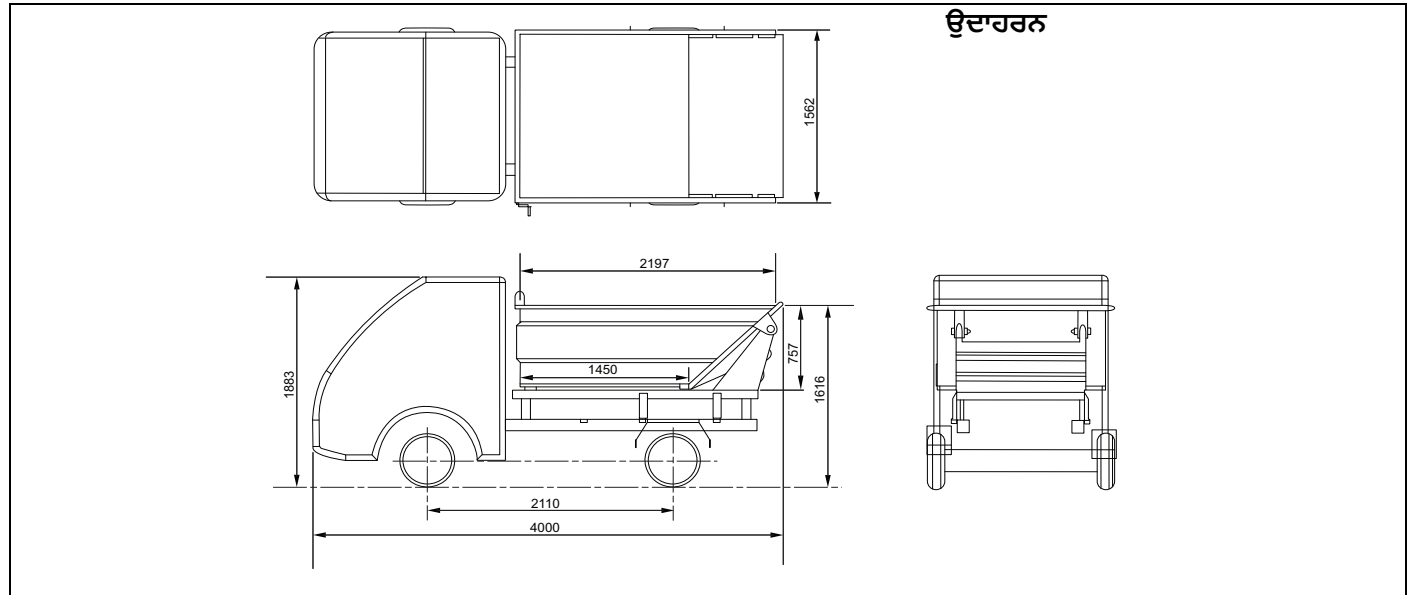
## ਬਾਡੀ ਫੈਬਰੀਕੇਸ਼ਨ ਲਈ ਹਿਦਾਇਤਾਂ

### ਬਾਡੀ ਦੇ ਨਿਰਮਾਣ ਲਈ ਹਦਾਇਤਾਂ

ਪੇਟਰੋਲ ਮਾਡਲ ਟਿੱਪਰ ਲਈ (ਓਪਨ ਟਿੱਪਰ ਅਤੇ ਕਲੋਜ਼ਡ ਟਿੱਪਰ)

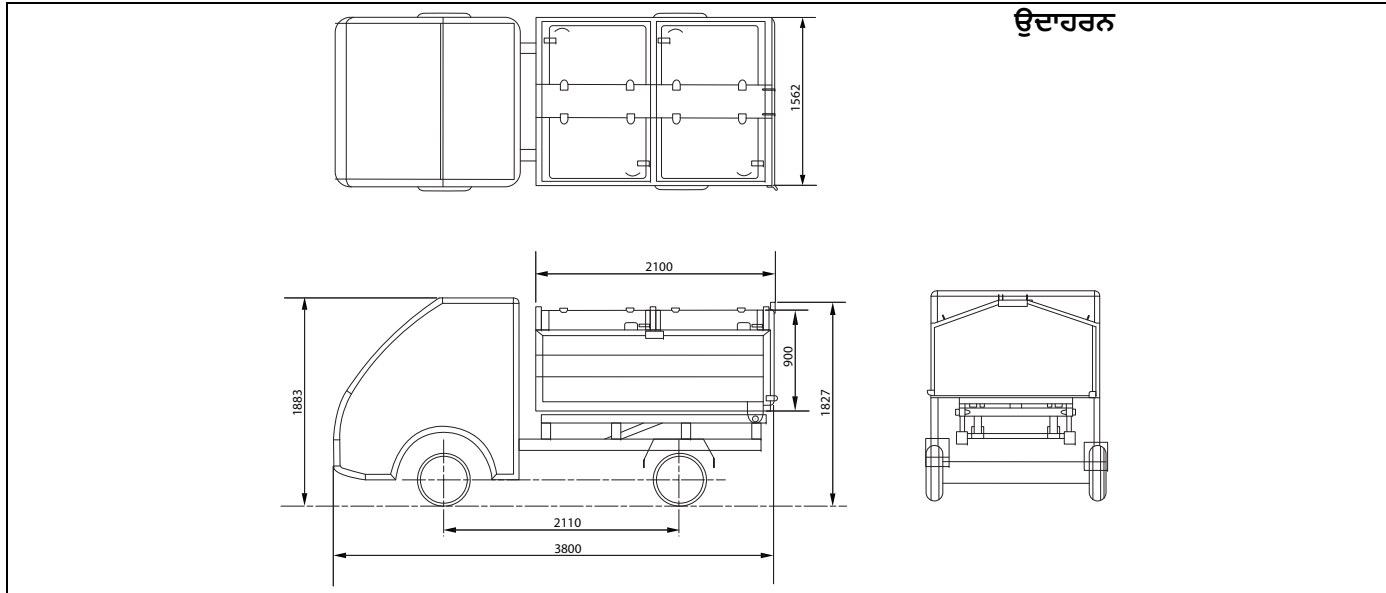
ਨਿਰਮਾਤਾ ਦੁਆਰਾ ਸਪਲਾਈ ਕੀਤੇ ਕੈਬ ਚੈਸੀ ਵਾਹਨ 'ਤੇ ਬਣਾਏ ਜਾਣ ਵਾਲੇ ਲੋਡ ਬਾਡੀ / ਐਪਲੀਕੇਸ਼ਨ ਨੂੰ ਨਿਸ਼ਚਿਤ ਮਾਪ ਦੇ ਅੰਦਰ ਫਿੱਟ ਕਰਨ ਲਈ ਡਿਜ਼ਾਇਨ ਕੀਤਾ ਜਾਣਾ ਚਾਹੀਦਾ ਹੈ ਜਿਵੇਂ ਕਿ ਹੇਠਾਂ ਦਿੱਤੀ ਤਸਵੀਰ ਵਿੱਚ ਦਰਸਾਇਆ ਗਿਆ ਹੈ।

- ਓਪਨ ਟਿੱਪਰ:



77PM12006

• ਕਲੋਜ਼ਡ ਟਿੱਪਰ :



ਉਦਾਹਰਨ

77PM12007

(h) **ਭਾਰ ਅਤੇ ਇਸ ਦੀ ਵੰਡ:** ਲੋਡ ਬਾਡੀ ਐਪਲੀਕੇਸ਼ਨ ਨੂੰ **870kg** (ਪੈਟਰੋਲ), **990kg** (ਸੀ.ਐਨ.ਜੀ.) ਅਤੇ ਪੂਰੇ ਵਾਹਨ ਦੇ ਵੱਧ ਤੋਂ ਵੱਧ ਕਰਬ ਵਜ਼ਨ **1140** ਕਿਲੋਗ੍ਰਾਮ (ਪੈਟਰੋਲ), **1255** ਕਿਲੋਗ੍ਰਾਮ (ਸੀ.ਐਨ.ਜੀ.) ਦੇ ਰੂਪ ਵਿੱਚ ਪੂਰੇ ਵਾਹਨ ਦੇ ਘੱਟੋ ਘੱਟ ਕਰਬ ਭਾਰ ਨੂੰ ਧਿਆਨ ਵਿੱਚ ਰੱਖਦੇ ਹੋਏ ਬਣਾਇਆ ਜਾਵੇਗਾ। ਫਰੰਟ ਐਕਸਲ ਅਤੇ ਰੀਅਰ ਐਕਸਲ ਕਰਬ ਦੇ ਭਾਰ ਦਾ ਅਨੁਪਾਤ **1.45** (ਪੈਟਰੋਲ), **1.25** (ਸੀ.ਐਨ.ਜੀ.) ਤੋਂ ਵੱਧ ਨਹੀਂ ਹੋਵੇਗਾ।

ਪੈਟਰੋਲ ਮਾਡਲ ਟਿੱਪਰ ਐਪਲੀਕੇਸ਼ਨ ਲਈ, ਲੋਡ ਬਾਡੀ / ਐਪਲੀਕੇਸ਼ਨ ਨੂੰ ਹੇਠਾਂ ਦਿੱਤੇ ਗਏ ਕਰਬ ਭਾਰ ਨੂੰ ਧਿਆਨ ਵਿੱਚ ਰੱਖਦੇ ਹੋਏ ਬਣਾਇਆ ਜਾਵੇਗਾ।

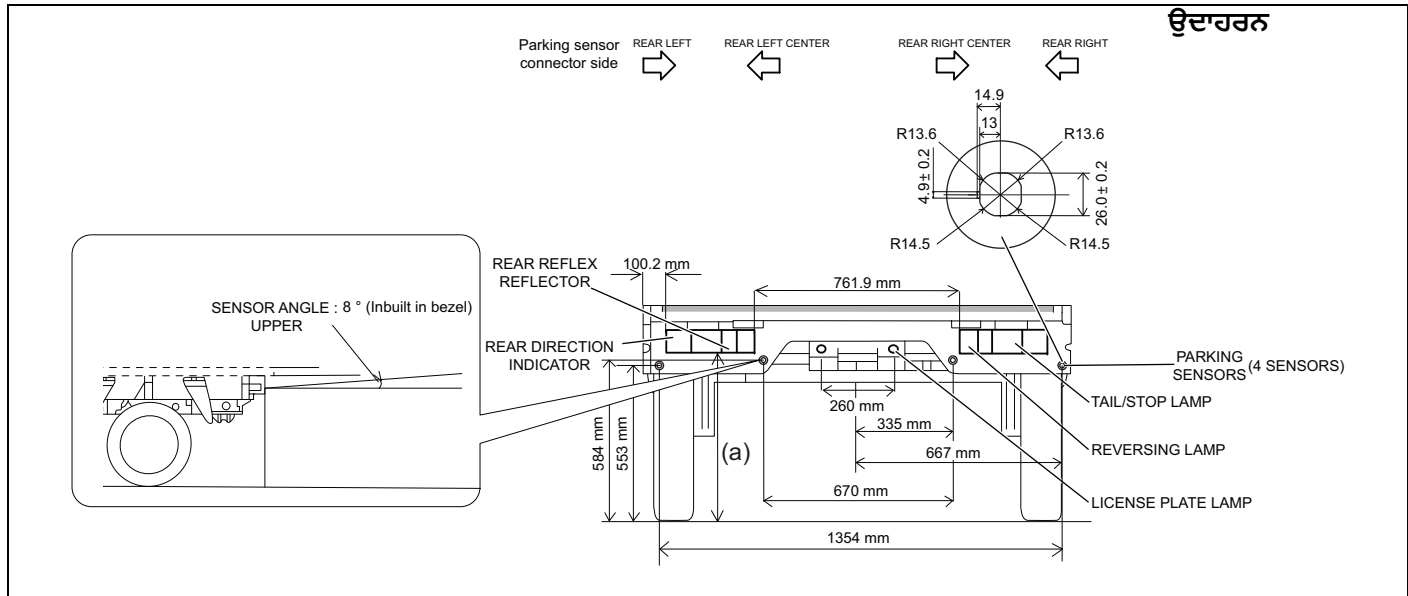
ਖੋਲ੍ਹੇ ਟਿੱਪਰ ਦਾ ਕਰਬ ਵਜ਼ਨ: **1070kg**

ਬੰਦ ਟਿੱਪਰ ਦਾ ਕਰਬ ਵਜ਼ਨ: **1140kg**

ਫਰੰਟ ਐਕਸਲ ਅਤੇ ਰੀਅਰ ਐਕਸਲ ਕਰਬ ਵਜ਼ਨ ਦਾ ਅਨੁਪਾਤ **1.45** ਤੋਂ ਵੱਧ ਨਹੀਂ ਹੋਵੇਗਾ।

## ਬਾਡੀ ਫੈਬਰੀਕੇਸ਼ਨ ਲਈ ਹਿਦਾਇਤਾਂ

- (i) ਰੇਸ਼ਨੀ ਅਤੇ ਸਿਗਨਲ ਦੇ ਯੰਤਰ : ਕੈਬ ਚੈਸਿਸ ਨੂੰ ਕੈਬ ਦੇ ਨਾਲ ਹੌਂਡ ਲੈੱਪ ਅਸੈਂਬਲੀ ਅਤੇ ਗੀਅਰ ਕੰਬੀਨੇਸ਼ਨ ਲੈੱਪ ਅਤੇ ਰਜਿਸਟ੍ਰੇਸ਼ਨ ਪਲੇਟ ਲੈੱਪ ਦੇ ਨਾਲ ਇੱਕ ਅਸਥਾਈ ਪੈਨਲ ਨਾਲ ਸਪਲਾਈ ਕੀਤਾ ਜਾ ਰਿਹਾ ਹੈ। ਹੌਂਡ ਲੈੱਪ ਅਸੈਂਬਲੀ ਦੀ ਸਥਿਤੀ ਦੇ ਨਾਲ ਕੋਈ ਬਦਲਾਅ ਨਹੀਂ ਕੀਤਾ ਜਾਵੇਗਾ। ਪਿਛਲੇ ਕੰਬੀਨੇਸ਼ਨ ਲੈੱਪ, ਰਜਿਸਟ੍ਰੇਸ਼ਨ ਪਲੇਟ ਲੈੱਪ ਅਤੇ ਪਾਰਕਿੰਗ ਸੈਂਸਰ (ਗਲੋਵ ਬਾਕਸ ਵਿਚ ਵਾਹਨ ਦੇ ਨਾਲ ਪ੍ਰਦਾਨ ਕੀਤੇ ਗਏ) ਨੂੰ ਲੋਡ ਬਾਡੀ/ਐਪਲੀਕੇਸ਼ਨ 'ਤੇ ਹੇਠਾਂ ਦਿੱਤੇ ਚਿੱਤਰ ਵਿਚ ਦਰਸਾਈ ਗਈ ਸਿਫਾਰਿਸ਼ ਕੀਤੀ ਸਥਿਤੀ ਅਨੁਸਾਰ ਫਿੱਟ ਕੀਤਾ ਜਾਣਾ ਚਾਹੀਦਾ ਹੈ।



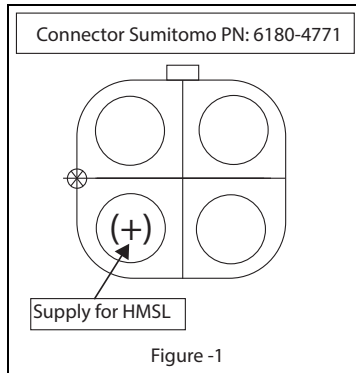
77PM12008

<b>“a” ਮੁੱਲ</b>	
ਚੈਸੀ ਐਪਲੀਕੇਸ਼ਨਾਂ (ਪੈਟਰੋਲ ਅਤੇ ਸੀ.ਐਨ.ਜੀ.)	612 mm
ਪੈਟਰੋਲ ਮਾਡਲ ਓਪਨ ਟਿੱਪਰ ਐਪਲੀਕੇਸ਼ਨ	620 mm
ਪੈਟਰੋਲ ਮਾਡਲ ਕਲੋਜ਼ਡ ਟਿੱਪਰ ਐਪਲੀਕੇਸ਼ਨ	660 mm



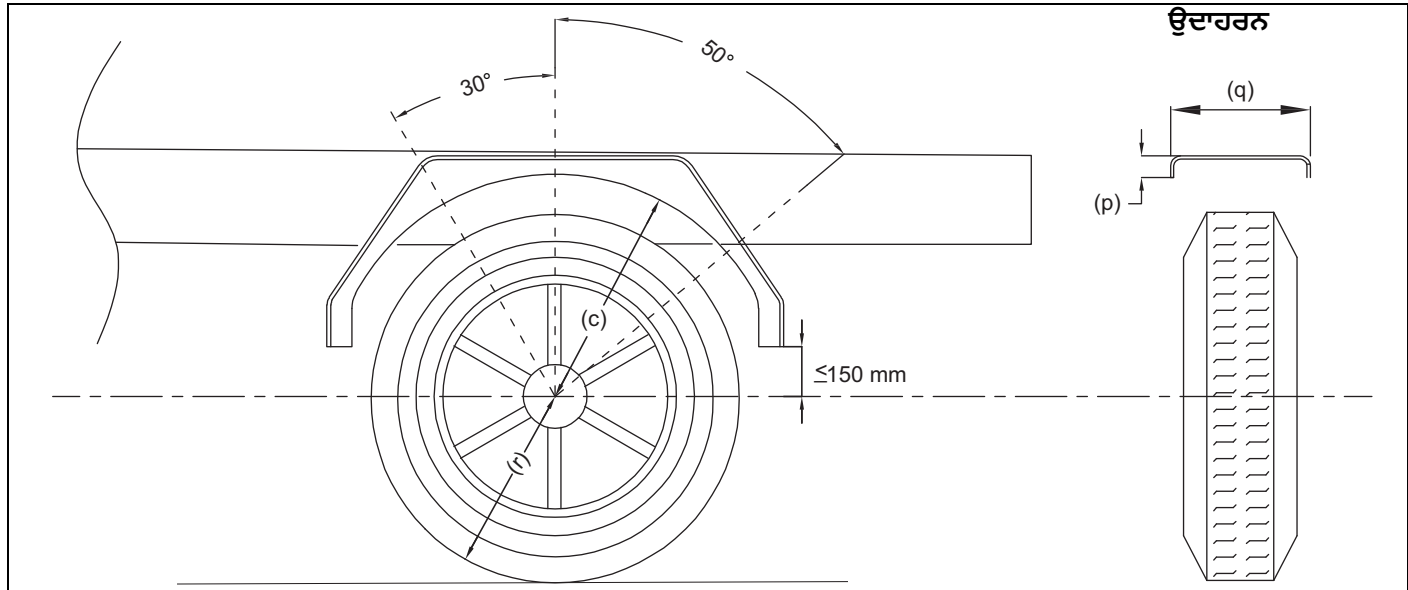
(j) **HMSL ਇੰਸਟਾਲੇਸ਼ਨ** : (ਪੂਰੀ ਧਾਤੂ ਦੀ ਬਾਡੀ ਦੀ ਐਪਲੀਕੇਸ਼ਨ ਲਈ ਲਾਗੂ ਹੈ)

- ਬਾਡੀ ਫੈਬਰੀਕੇਟਰ ਨੂੰ **25** ਵਾਟ ਦੀ ਅਧਿਕਤਮ ਪਾਵਰ ਸੀਮਾ ਦੇ ਨਾਲ ਅਤੇ **CMVR** ਨਿਯਮ **124 (1)-20** ਦੇ ਅਨੁਪਾਲਣ ਵਿੱਚ ਹਾਈ ਮਾਊਂਟ ਸਟਾਪ ਲੈਂਪ (**High Mount Stop Lamp - HMSL**) ਸਥਾਪਿਤ ਕਰਨ ਨੂੰ ਸੁਨਿਸ਼ਚਿਤ ਕਰਨਾ ਪਏਗਾ।
- **HMSL** ਵਾਇਰਿੰਗ ਦੀ ਸਹੂਲਤ ਅਤੇ ਇਸ ਦੇ ਫੰਕਸ਼ਨ ਲਈ, ਰਿਅਰ ਕੰਬੀਨੇਸ਼ਨ ਲੈਂਪ (**RCL**) ਕਨੈਕਟਰ ਵਿੱਚ ਪਹਿਲਾਂ ਤੋਂ ਹੀ ਜਰੂਰੀ ਪਾਜੇਟਿਵ ਸਪਲਾਈ ਹੁੰਦੀ ਹੈ ਜਿਵੇਂ ਕਿ ਹੇਠਾਂ ਚਿੱਤਰ-1 ਵਿੱਚ ਦਿਖਾਇਆ ਗਿਆ ਹੈ। ਬਾਡੀ ਫੈਬਰੀਕੇਟਰ ਨੂੰ ਇਲੈਕਟ੍ਰੀਕਲ ਵਾਇਰਿੰਗ ਹਾਰਨੈੱਸ ਵਿੱਚ ਛੇੜਛਾੜ ਕੀਤੇ ਬਿਨਾਂ ਇਸ ਦੀ ਵਰਤੋਂ ਕਰਨੀ ਚਾਹੀਦੀ ਹੈ। ਗ੍ਰਾਊਂਡਿੰਗ ਫਿਕਸ ਟਰਮੀਨਲ ਨੂੰ **RCL** ਗ੍ਰਾਊਂਡ ਪੁਆਇੰਟ ਦੇ ਨਾਲ ਚੰਗੀ ਤਰ੍ਹਾਂ ਜੋੜਨਾ ਚਾਹੀਦਾ ਹੈ।



## ਬਾਡੀ ਫੈਬਰੀਕੇਸ਼ਨ ਲਈ ਹਿਦਾਇਤਾਂ

- (k) **ਵਹੀਲ ਗਾਰਡ:** ਵਹੀਲ ਗਾਰਡ ਸੀਐਮਵੀਆਰ ਨਿਯਮ ਨੰਬਰ 124(1)-13 ਤਹਿਤ ਲੋੜਾਂ ਦੀ ਪਾਲਣਾ ਕਰਨਗੇ। ਵਹੀਲ ਗਾਰਡ (ਰੀਅਰ) ਨੂੰ ਹੇਠਾਂ ਦਿੱਤੀ ਗਈ ਵਿਆਖਿਆ ਵਿੱਚ ਦਰਸਾਏ ਡਿਜ਼ਾਇਨ ਮਾਪਦੰਡਾਂ ਅਨੁਸਾਰ ਤਿਆਰ ਕੀਤਾ ਜਾਣਾ ਚਾਹੀਦਾ।



7PM12106

c	$\leq 2r$
p	> 30 mm
q	> ਟਾਇਰ ਦੀ ਕੁੱਲ ਚੌੜਾਈ
r	ਟਾਇਰ ਦਾ ਸਟੈਟਿਕ ਅਰਧ ਵਿਆਸ

(I) ਸੀ.ਐਨ.ਜੀ. (CNG) ਵੇਰੀਐਂਟ ਲਈ  
ਐਪਲੀਕੇਸ਼ਨ :

ਸੀ.ਐਨ.ਜੀ. ਲੇਬਲ :

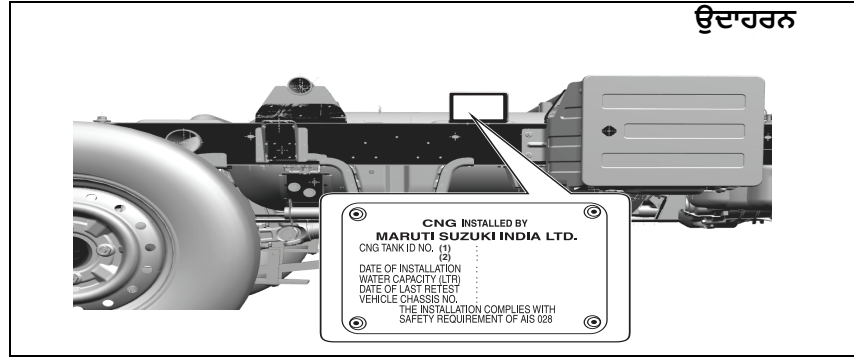
ਬਾਡੀ ਬਿਲਡਰ ਹੇਠਾਂ ਦਿੱਤੇ ਗਏ ਦਿਸ਼ਾ-ਨਿਰਦੇਸ਼ਾਂ ਅਨੁਸਾਰ ਪਿਛਲੀ ਸਾਈਡ 'ਤੇ ਲੋਡ ਬਾਡੀ 'ਤੇ "ਸੀ.ਐਨ.ਜੀ. ਲੇਬਲ" (CNG Label) (ਵਾਹਨ ਦੀ ਟੂਲ ਕਿੱਟ ਪੈਕੇਟ ਨਾਲ ਦਿੱਤਾ ਗਿਆ) ਚਿਪਕਾਏਗਾ।



77PM12011

- ਵਿਵਹਾਰਕ ਰੂਪ ਵਿੱਚ ਵਾਹਨ ਦੀ ਪਲੇਟ ਨੰਬਰ ਦੇ ਨੇੜੇ ਸਮਤਲ ਸਤ੍ਹਾ 'ਤੇ ਲੇਬਲ ਨੂੰ ਲੰਬਰੂਪ ਵਿੱਚ ਚਿਪਕਾਇਆ ਜਾਏਗਾ (ਉੱਪਰ ਦਰਸਾਏ ਅਨੁਸਾਰ)।
- ਚਿਪਕਾਇਆ ਗਿਆ ਲੇਬਲ ਪਿਛਲੀਆਂ ਸਾਈਡਾਂ ਤੋਂ ਦਿਸ਼ਾਯੋਗਤਾ ਨੂੰ ਸੁਨਿਸ਼ਚਿਤ ਕਰੇਗਾ।
- ਇਹ ਲੇਬਲ ਹਮੇਸ਼ਾ ਇਸ ਪੇਜੀਸ਼ਨ ਵਿੱਚ ਰੱਖਿਆ ਜਾਏਗਾ, ਚੰਗੀ ਹਾਲਤ ਵਿੱਚ ਰੱਖਿਆ ਜਾਏਗਾ, ਅਤੇ ਆਕਾਰ, ਰੰਗ ਅਤੇ ਅੱਖਰ ਆਸਾਨੀ ਨਾਲ ਪਛਾਣਯੋਗ ਹੋਣੇ ਚਾਹੀਦੇ ਹਨ।

ਸੀ.ਐਨ.ਜੀ. (CNG) ਕਿੱਟ ਨੰਬਰ ਪਛਾਣ:



77PM07032







ਲੋਡ ਬਾਡੀ / ਐਪਲੀਕੇਸ਼ਨ ਅਜਿਹੇ ਢੰਗ ਨਾਲ ਬਣਾਈ ਜਾਏਗੀ ਕਿ ਇਹ ਸੀ.ਐਨ.ਜੀ. ਅਨੁਪਾਲਣ ਪਲੇਟ ਦੀ ਦਿਸ਼ਾਯੋਗਤਾ ਨੂੰ ਪ੍ਰਭਾਵਿਤ ਨਾ ਕਰੇ।

**ਡਿਸਕਲੇਮਰ:**

ਮਾਲਕ/ਬਾਡੀ-ਬਿਲਡਰ ਸੁਪਰ ਕੈਰੀ ਚੈਸੀ ਵੇਰੀਐਂਟ ਦੇ ਬਾਡੀ ਫੈਬਰੀਕੇਸ਼ਨ ਦੇ ਸਬੰਧ ਵਿੱਚ ਸਮੇਂ-ਸਮੇਂ 'ਤੇ ਲਾਗੂ ਹੋਣ ਵਾਲੀਆਂ **CMVR** ਲੋੜਾਂ ਅਤੇ ਰਾਜ ਮੋਟਰ ਵਾਹਨ ਨਿਯਮਾਂ ਦੀ ਵੀ ਪਾਲਣਾ ਕਰੇਗਾ। ਵਾਹਨ ਨਿਰਮਾਤਾ, ਨਿਰਮਾਤਾ ਦੀਆਂ ਸਿਫਾਰਸ਼ਾਂ ਅਤੇ ਪ੍ਰਚਲਿਤ ਨਿਯਮਾਂ ਦੇ ਉਲਟ, ਬਾਡੀ/ਐਪਲੀਕੇਸ਼ਨ ਦੇ ਕਾਰਨ ਪੈਦਾ ਹੋਣ ਵਾਲੇ ਲਾਗੂ ਕਾਨੂੰਨਾਂ ਦੀ ਕਿਸੇ ਵੀ ਗੈਰ-ਅਨੁਕੂਲਤਾ ਲਈ ਜ਼ਿੰਮੇਵਾਰ ਨਹੀਂ ਹੋਵੇਗਾ।

**⚠ ਸਾਵਧਾਨੀ**  
ਆਪਣੇ ਸੁਪਰ ਕੈਰੀ ਵਾਹਨ ਨੂੰ ਡੈੱਕ/ਬਾਡੀ ਫੈਬਰੀਕੇਸ਼ਨ ਤੋਂ ਬਿਨਾਂ ਨਾ ਰੱਖੋ

## ਬੈਟਰੀ ਲੇਬਲ ਦੇ ਚਿੰਨ੍ਹ ਦੇ ਅਰਥ

	ਧੂਮਰਪਾਨ ਨਹੀਂ, ਨੰਗੀਆਂ ਲਾਟਾਂ ਨਹੀਂ, ਚਿੰਗਿਆੜੀਆਂ ਨਹੀਂ		ਬੈਟਰੀ ਐਸਿਡ
	ਸ਼ੀਲਡ ਅੱਖਾਂ		ਅਪਰੇਟਿੰਗ ਹਿਦਾਇਤਾਂ ਨੂੰ ਨੋਟ ਕਰੋ
	ਬੱਚਿਆਂ ਤੋਂ ਦੂਰ ਰੱਖੋ		ਧਮਾਕੇਖੇਜ਼ ਗੈਸ

Prepared by  
**MARUTI SUZUKI INDIA LIMITED**

Service Division  
February, 2025

Part No. 99011M77P13-746  
Printed in India

**For round-the-clock on-road assistance, call Maruti On-road Service at 1800 102 1800# / 1800 1800 180#**  
#No STD code to be prefixed.

**ਚੇਵੀ ਘੰਟੇ ਸੜਕ ਉੱਤੇ ਸਹਾਇਤਾ ਲਈ, ਮਾਰੂਤੀ ਆਨ-ਰੋਡ ਸਰਵਿਸ ਨੂੰ ਇੱਥੇ ਕਾਲ ਕਰੋ 1800 102 1800# / 1800 1800 180#**  
# STD ਕੋਡ ਲਗਾਉਣ ਦੀ ਲੋੜ ਨਹੀਂ।

Service Division

## MARUTI SUZUKI INDIA LIMITED

Palam Gurgaon Road, Gurgaon - 122 015 (Haryana)

[www.marutisuzuki.com](http://www.marutisuzuki.com)

