

# SUPER CARRY

## OWNER'S MANUAL

Refer for vehicle usage at all time. Contains warranty policy and important information on safety, operation & maintenance

## मालकाची माहितीपुस्तिका (ओनर्स मॅन्युअल)

वाहन वापरताना सर्ववेळी याचा संदर्भ घ्या. सुरक्षितता, यामध्ये वॉरंटी पॉलिसी आणि सुरक्षितता, कार्य आणि देखभाल याविषयी महत्वाची माहिती आहे.

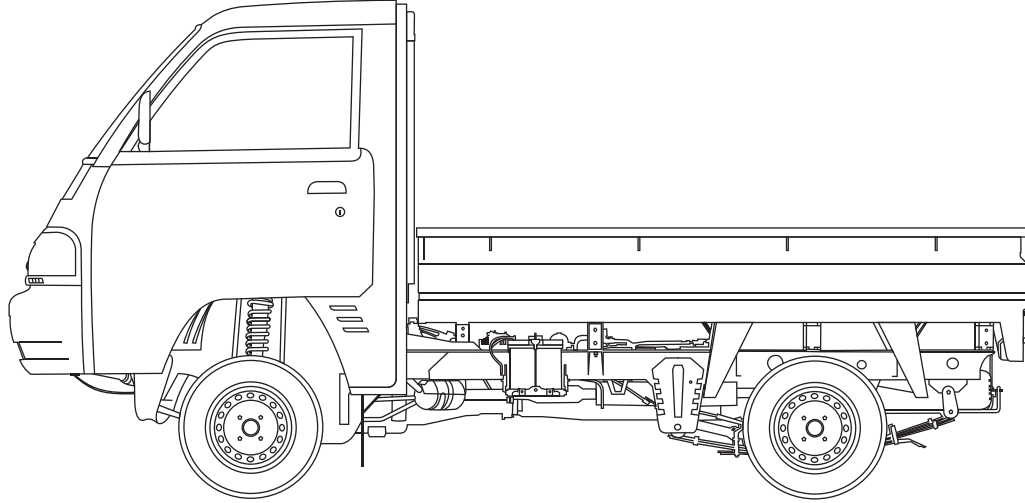
Part No. 99011M77P13-741

February, 2025

(ENG.) (MAR.)

This owners manual applies to the Super Carry series produced by MARUTI SUZUKI INDIA LIMITED.

मालकाची माहितीपुस्तिका मारुती सुझुकी इंडिया लिमिटेडने उत्पादित केलेल्या सुपर कॅरी मालिकेला लागू आहे.



© COPYRIGHT MARUTI SUZUKI INDIA LIMITED 2025

© मालकी हक्क मारुती सुझुकी इंडिया लिमिटेड 2025

NOTE: The illustrated models are one of the Super Carry series.

टीप: चित्रामध्ये दाखवलेली मॉडेल्स ही सुपर कॅरी मालिकेमधील आहेत

---

## FOREWORD

The digital Owner's Manual is an essential part of your vehicle a rich document which familiarizes you with the vehicle by providing information such as features, warnings, operations and equipment description etc. Please read this manual carefully before operating your new MARUTI SUZUKI vehicle and review the manual from time to time. It is recommended to download this manual (from "Maruti Suzuki Rewards" mobile application with your registered mobile number) and save a soft copy of the same for easy access all times. Please visit MARUTI SUZUKI authorised workshop for availing any service.

To prolong the life of your vehicle and reduce maintenance cost, the periodic maintenance must be carried out according to "PERIODIC MAINTENANCE SCHEDULE" described in "INSPECTION AND MAINTENANCE" section of this manual. It is essential for preventing trouble and accidents to ensure your satisfaction and safety.

Daily inspection and care as per "DAILY INSPECTION CHECKLIST" described in the "OPERATING YOUR VEHICLE" section of this manual is essential for prolonging the life of the vehicle and for safe driving.

Vehicle and the available features/accessories therein should be used and plied by the owner/user in accordance with the applicable legal requirements.

MARUTI SUZUKI INDIA LIMITED believes in conservation and protection of Earth's natural resources.

To that end, we encourage every vehicle owner to recycle, trade-in or properly dispose of, as appropriate, used Engine Oil, coolant and other fluids, batteries and tyres etc.

### MARUTI SUZUKI INDIA LIMITED

---

**All information in this manual is based on the latest product information available at the time of publication. Due to improvements or other changes, there may be discrepancies between information in this manual and your vehicle. MARUTI SUZUKI INDIA LIMITED reserves the right to make production changes at any time, without notice and without incurring any obligation to make the same or similar changes to vehicles previously built or sold.**

**This vehicle may not comply with standards or regulations of other countries. Before attempting to register this vehicle in any other country, check all applicable regulations and make any necessary modifications.**

---

## IMPORTANT

### ▲ WARNING/ ▲ CAUTION/NOTICE/ NOTE

Please read this manual and follow its instructions carefully. To emphasize special information, the symbol ▲ and the words **WARNING**, **CAUTION**, **NOTICE** and **NOTE** have special meanings. Pay particular attention to messages highlighted by these signal words:

#### ▲ WARNING

Indicates a potential hazard that could result in death or serious injury.

#### ▲ CAUTION

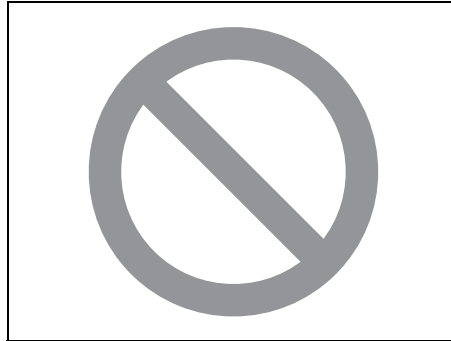
Indicates a potential hazard that could result in minor or moderate injury.

#### NOTICE

Indicates a potential hazard that could result in vehicle damage.

#### NOTE:

Indicates special information to make maintenance easier or instructions clearer.



75F135

The circle with a slash in this manual means “Don’t do this” or “Don’t let this happen”.

#### NOTE:

- Words like *car*, *model/variant* are invariably used in this manual to denote the “Vehicle”.
- Pictorial representations used in this manual are for reference purposes only.

## MODIFICATION WARNING

### ▲ WARNING

Do not modify your vehicle. Modification could adversely affect safety, handling, performance, or durability and may violate governmental regulations. In addition, damage or performance problems resulting from modification shall not be covered under warranty.

#### NOTICE

Improper installation of mobile communication equipment such as cellular telephones or CB (Citizen’s Band) radios may cause electronic interference with your vehicle’s ignition system, resulting in vehicle performance problems. Consult your authorized **MARUTI SUZUKI COMMERCIAL** dealer for advice on installing such mobile communication equipment.

#### NOTICE

Severe damage may be caused by the use of either poor quality fuel and/or lubricants not recommended by **MARUTI SUZUKI**.

# “WARNING”



Vehicle may **break-down**, meet with an **accident** or **catch fire** due to

1. Installation of
  - High wattage bulbs
  - Non genuine lamps / horns
  - Modified suspension / wheels
  - Non genuine parts / accessories etc.
2. Retrofitment of LPG / CNG fuel systems/kits.
3. Usage of domestic LPG.
4. Short circuiting due to tampering of wiring harness.

CAUTION: DO NOT STORE OR CARRY INFLAMMABLE MATERIALS IN THE VEHICLE.



Avoid driving into or starting the vehicle in a heavily water logged area. Vehicle may **break-down** or engine may fail due to

1. Water entry into the engine (which may lead to hydrostatic lock).
2. Short circuiting of the electrical systems.

**If the vehicle is stuck in deep water, do not start / crank the vehicle until the level of water drops below the level of exhaust pipe.**

NOTE:

IF THE VEHICLE IS SUBMERGED IN WATER, REPORT TO THE NEAREST AUTHORIZED WORKSHOP.

## “CAUTION”

1. Retro-fitting of LPG / CNG kit may deteriorate vehicle performance, reduce engine & engine related component's life and also warranty will be null and void for such vehicles.
2. Do not use domestic LPG/LPG cylinder for your factory fitted LPG vehicles.
3. Usage of domestic LPG for running vehicles is prohibited as per law.
4. Do not remove company fitted LPG/CNG kit to install some other kit. It may affect vehicle performance and may cause fire.
5. Drive slowly on wet roads. Tires may slip while braking at higher speeds due to aquaplaning. (reduced contact area between tire and road due to presence of water)
6. Do not leave engine running in garages or confined areas, with passengers inside. This may result in accumulation of carbon-monoxide in cabin and may lead to suffocation or breathing problems.
7. Do not park vehicle on dry leaves or grass. This may lead to fire due to hot catalytic converter, igniting the dry leaves/grass.
8. If the vehicle is equipped with CNG/LPG, ensure availability of fire extinguisher in the vehicle all the time.
9. Always wear seat belt at all the times.
10. Do not use mobile phone while driving.
11. Avoid Smoking in the car, live bud thrown in car may cause fire.
12. Do not put any body part under the vehicle when it is supported on a Jack.
13. Do not use non-genuine accessories in your vehicle.
14. Do not fit accessories from unauthorized workshops/sources.
15. Usage of non-approved electrical accessories in your vehicle may result in spark, fire or personal injury.

---

## To experience and use the Digital Owner's Manual, download Maruti Suzuki app



**Maruti Suzuki Rewards** app ensures a hassle free car ownership experience. Get easy access to all the services and information you need by downloading the app



### How to download Owners manual from Maruti Suzuki application

Step 1: Download "Maruti Suzuki Rewards" application from apple app store / google play store on your mobile phone

Step 2: Input registered mobile number and the OTP received from SMS

Step 3: Select "S-Assist BOT" icon and click "View Owner's Manual" to access digital Owner's Manual

Step 4: Click "Down Arrow" download and save Owner's Manual on your mobile phone

Now, the Owner's Manual is available on your mobile phone for reference at all times.

(For assistance, contact Maruti Suzuki authorised workshop)

---

## WARRANTY POLICY

Maruti Suzuki India Limited (hereinafter called “Maruti Suzuki”), warrants that each new Maruti Suzuki vehicle distributed in India by Maruti Suzuki and sold by a Maruti Suzuki authorised dealer will be free, under normal use and service, from any defects in material and workmanship at the time of manufacture SUBJECT TO THE FOLLOWING TERMS AND CONDITIONS:

### (1) Qualification:

To qualify for this warranty the vehicle must be delivered by a Maruti Suzuki authorised dealer and set-up, and serviced by a Maruti Suzuki authorised workshop.

### (2) Term:

**The term of the warranty shall be thirty-six (36) months or 1,00,000 kilometers (whichever occurs first) from the date of invoice to the first owner.**

### (3) Maruti Suzuki Warranty Obligation:

If any defect(s) should be found in a Maruti Suzuki vehicle within the term stipulated above, Maruti Suzuki's only obligation is to repair or replace at its sole discretion any part shown to be defective, with a new part or the equivalent at no cost to the owner for parts or labour, when Maruti Suzuki acknowledges that such a defect is attributable to faulty material or workmanship at the time of manufacture. Such defective parts, which have been replaced, will become the property of Maruti Suzuki. The owner is responsible for any repair or replacements which are not covered by this warranty. The decision of Maruti Suzuki shall be final & binding.

### (4) Limitation:

This warranty shall not apply to:

- (a) Normal maintenance service required other than the four free services, including without limitation, oil and fluid changes, Consumables, headlight aiming, fastener retightening, wheel balancing, wheel alignment and tyre rotation, cleaning of injectors, adjustments of clutch and valve clearance.
- (b) The normal wear of parts including without limitation, bulbs, tyres and tubes, spark plugs, belts, hoses, filters, wiper blades, brushes, contact points, fuses, clutch disc, brake shoes, brake pads, cable and all rubber parts (except oil seal and glass run).
- (c) Any vehicle which has been used for competition, rallies or racing.
- (d) Any repairs or replacement arising from accidents or collision.
- (e) Any defect/ damage caused by misuse, negligence, abnormal use, insufficient care, vandalism, theft, riot, fire, flooding - not limited to entry of water in the components resulting in engine seizure, hydrostatic lock, etc. or external damages to the body/ components.
- (f) Any damage resulting due to usage of adulterated fuel/ lubricants/ oil/ coolant/ fluids/ polishing products and fuel/ lubricants/ oil/ coolant/ fluids used other than those specified in the Owner's Manual.
- (g) Any vehicle which has been modified or altered, including without limitation, the installation of performance accessories, enlargements of lights, other changes and external/ consequential reasons.
- (h) Any vehicle on which parts or accessories not approved by Maruti Suzuki (Non-MSGA, Non-MSGP) have been used.
- (i) Any vehicle which has not been operated in accordance with the operating instructions in this Owner's Manual and Service Booklet.



- 
- (j) Any vehicle which has not received the service inspections prescribed in this Owner's Manual and Service Booklet.
  - (k) Any vehicle which has been assembled, disassembled, adjusted or repaired by other than a Maruti Suzuki authorised workshop.
  - (l) Any vehicle which has been used for purposes other than what it was designed for.
  - (m) Any damage or deterioration caused by airborne fallout, industrial fallout, acid rain, hail or hail storm, wind storm, lightning, bird droppings, rodents bite / rat bite and such other thing that result in damage to the vehicle.
  - (n) Insignificant defects/noise which do not affect the function of the vehicle including without limitation, sound, vibration and fluid seep.
  - (o) Any natural wear and tear including without limitation, ageing, wear & tear or deterioration such as discoloration, fading, deformation or blurring and fabric discoloration.
  - (p) Installation and usage of domestic LPG gas/LPG Cylinder.
  - (q) V-belts, hoses and gas leaks.
  - (r) Any vehicle retrofitted with LPG/CNG kits.
  - (s) Repainting including patchwork, bodywork and mouldings and interior trims.
  - (t) Corrosion, rusting of body parts and/ or components.
  - (u) Any vehicle on which odometer has been changed unauthorisedly or odometer reading has been modified/ tampered with/ or not matching the service records.
  - (v) The damage(s) caused to the vehicle being unattended despite knowledge that the defect exists and ignorance by the owner/ user of the vehicle.
  - (w) Any damage(s) caused to vehicle including battery/ tyre due to parking of the vehicle in idle condition for long duration of time periods.
  - (x) Any vehicle on which the retro-fitment is not authorized and/ or type approved as per the standards prescribed by the relevant authority including but not limited to Automotive Standards of India.

- (y) Any vehicle on which the retro-fitment is such which directly or indirectly causes any damage to the vehicle or affects the functions of the vehicle in any manner whatsoever.

#### **(5)Extent of Warranty:**

This warranty is the entire written warranty given by Maruti Suzuki for Maruti Suzuki vehicles and no dealer or its or his agent or employee is authorised to extend or enlarge this warranty and no dealer or its or his agent or employee is authorised to make any oral warranty or representation or assurance on behalf of Maruti Suzuki.

Maruti Suzuki reserves the right to add any improvements or change the design of any model at any time with no obligation to make the same changes on units previously sold.

#### **(6) Warranty Service:**

To obtain warranty service, the complete vehicle must be presented at the owner's expenses to Maruti Suzuki authorised workshop.

The customer shall be responsible for his belongings or accessories fitted in the vehicle at the time of presenting the vehicle for service and no claim shall be entertained in any manner under any circumstances.

#### **(7) Owner's Warranty Obligations:**

<b>NOTICE</b>
<b>The owner shall not use the vehicle in a damaged condition and report the same immediately to the nearest Maruti Suzuki authorized workshop. This would result in early inspection and repair of the vehicle and any possible harm to the person or aggravation of damage to the vehicle can be prevented.</b>

---

It is responsibility of each owner to:

- Have performed, at his own expenses, by a Maruti Suzuki authorised workshop all the service inspections specified in the Owner's Manual described in "INSPECTION AND MAINTENANCE" section".
- Should you resell the vehicle, please guide the new users/ owners to download this manual (from "Maruti Suzuki Rewards" mobile application with your registered mobile number). Also the soft copy of the manual must be passed on to new users/ owners when resold or otherwise transferred.

If the Owner's Manual is lost due to any reason, the owner or user may download a soft copy of the same (from "Maruti Suzuki Rewards" mobile application with the mobile number) and save it for easy access at any point of time.

#### **(8) Disclaimer of Consequential Damage:**

Maruti Suzuki assumes no responsibility for loss of vehicle, loss of time, inconvenience or any other indirect incidental or consequential damage resulting from the vehicle not being available to the owner because of any defect covered by this warranty.

#### **(9) Change of Owner**

Even if ownership of the vehicle changes, the remaining warranty period is effective for the new owner.

This Warranty is applicable only in India and not transferable to any other country.

# FUEL RECOMMENDATION

Fuel Recommendation ..... 1-1

## FUEL RECOMMENDATION

---

### Fuel Recommendation

#### (For Petrol and CNG Engine Model)

##### For Petrol Engine Model

To avoid damaging catalytic converter, you must use unleaded petrol with an octane number (RON) of 91 or higher.

##### Gasoline/Ethanol blends

Blends of unleaded gasoline and ethanol, also known as gasohol, are commercially available in the country and can vary with location. Gasoline Ethanol blend up to E20 can be used as fuel for this vehicle.

##### Gasoline containing MTBE

Unleaded gasoline containing MTBE (methyl tertiary butyl ether) may be used in your vehicle if the MTBE content is not greater than 15%. This oxygenated fuel does not contain alcohol.

#### CAUTION

**Use of spurious, low quality, adulterated fuel can cause damage to the engine and engine auxiliaries, affect functioning of engine and degrade engine performance including but not limited to engine seizure.**

#### NOTICE

- The fuel tank has an air space to allow for fuel expansion in hot weather. If you continue to add fuel after the filler nozzle has automatically shut off or an initial blowback occurs, the air chamber will become full. Exposure to heat when fully fuelled in this manner will result in leakage due to fuel expansion. To prevent such fuel leakage, stop filling after the filler nozzle has automatically shut off, or when initial vent blowback occurs, if using an alternative non-automatic system.
- Be careful not to spill fuel containing alcohol while refueling. If fuel is spilled on the vehicle body, wipe it up immediately. Fuels containing alcohol can cause paint damage, which is not covered under the New Vehicle Limited Warranty.

### For CNG Engine Model

#### CNG

CNG (Compressed Natural Gas) is principally constituted by methane. CNG is considered as clean burning fuel. Due to low density of CNG, it is compressed at a pressure of around 200 bars to enhance the vehicle on-board storage capacity.

#### CAUTION

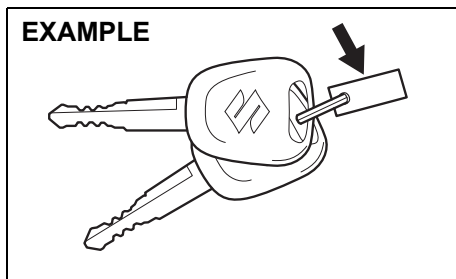
- In case of any symptom of CNG leakage or releasing noise or any external damage to CNG piping or during accident, do not panic.**
- Stop the vehicle and switch off the engine, roll down the windows and open all the doors.
  - Ensure to close manual shut off valve.
  - Contact authorised **MARUTI SUZUKI COMMERCIAL** workshop immediately for further assistance.

# BEFORE DRIVING

Keys .....	2-1
Door Locks .....	2-2
Tailgate .....	2-2
Windows .....	2-3
Mirrors .....	2-4
Seats .....	2-5
Seat Belts .....	2-5
Instrument Cluster .....	2-11
Speedometer .....	2-12
Fuel Gauge .....	2-12
Information Display .....	2-12
Warning and Indicator Lights .....	2-16
Lighting Control Lever .....	2-20
Headlight Leveling Switch .....	2-21
Turn Signal Control Lever .....	2-21
Hazard Warning Switch .....	2-22
Windshield Wiper and Washer Lever .....	2-22
Horn .....	2-24
CNG Cylinder Warning Label (if equipped) .....	2-24
CNG Warning Label (if equipped) .....	2-24
CNG Manual Shut-OFF Valve (if equipped) .....	2-25

## BEFORE DRIVING

### Keys



51KM024

Your vehicle comes with a pair of keys. The key(s) may or may not be equipped with a transmitter depending on model variant. Keep the spare key in a safe place. One key can open all of the locks on the vehicle.

The key identification number is stamped on a metal tag provided with the keys or on the keys. Keep the tag (if equipped) in a safe place. If you lose your keys, you will need this number to have new keys made. Write the number below for your future reference.

KEY NUMBER:

### Immobilizer system

This system is designed to help prevent vehicle theft by electronically disabling the engine starting system.

The engine can be started only with your vehicle's original immobilizer ignition key, which has an electronic identification code programmed into it. The key communicates the identification code to the vehicle when the ignition switch is turned to "ON" position. If you need to make spare keys, see a Maruti Suzuki authorised workshop. The vehicle must be programmed with the correct identification code for the spare. A key made by an ordinary locksmith will not work.



65D239

If the immobilizer system warning light blinks when the ignition switch is in "ON" position, the engine will not start.

If this light blinks, turn the ignition switch to "LOCK" position, and then turn it back to "ON" position.

If the light still blinks after the ignition switch is turned back to "ON" position, there may be something wrong with your

key or with the immobilizer system. Ask a Maruti Suzuki authorised workshop to have the system inspected.

#### NOTE:

- If you lose your immobilizer ignition key, ask a Maruti Suzuki authorised workshop as soon as possible to deactivate the lost one, and to make a new key.
- If you own other vehicles with immobilizer keys, keep those keys away from the ignition switch when using your MARUTI SUZUKI vehicle. Otherwise, the engine may not be started because they may interfere with your MARUTI SUZUKI vehicle's immobilizer system.
- If you attach any metal objects to the immobilizer key, it may not start the engine.
- This immobilizer system is maintenance-free.

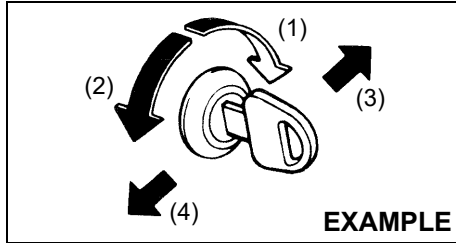
#### NOTICE

**The immobilizer key is sensitive electronic instrument. To avoid damaging it:**

- Do not expose it to impacts, moisture or high temperature such as on the dashboard under direct sunlight.
- Keep it away from magnetic objects.

**Door Locks**

**Side Door Locks  
Driver's door**



**EXAMPLE**

76MH0A001

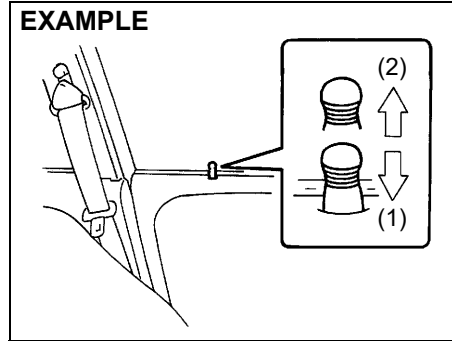
- (1) LOCK
- (2) UNLOCK
- (3) Front
- (4) Rear

To lock a driver's door from outside the vehicle:

- Insert the key and turn the top of the key toward the front of the vehicle, or
- Push the lock knob down, then pull and hold the door handle as you close the door.

To unlock a driver's door from outside the vehicle, insert the key and turn the top of the key toward the rear of the vehicle.

To lock a passenger's door from outside the vehicle, push the lock knob down, then pull and hold the door handle as you close the door.

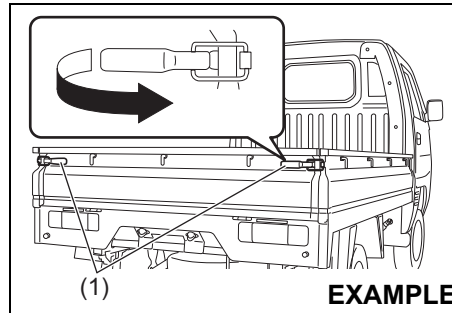


**EXAMPLE**

54G005

- (1) LOCK
- (2) UNLOCK

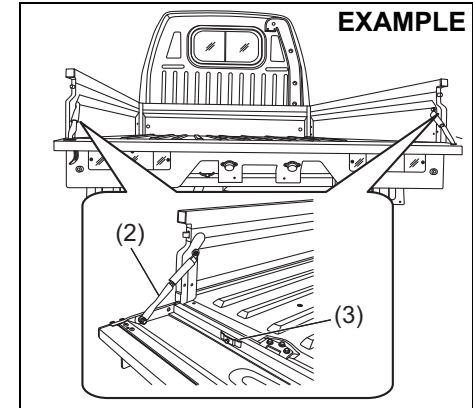
**Tailgate**



**EXAMPLE**

77PH025

The tailgate can be opened by pulling the lock handles (1). When closing, lock them firmly.



**EXAMPLE**

77PM201

The tailgate can also be locked in an intermediate position with the help of tailgate chain (2).

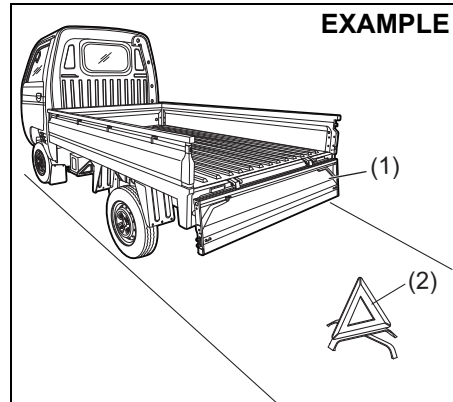
**NOTICE**

**Lock the tailgate chain (2) with pin (3) when not in use.**

## BEFORE DRIVING

### ⚠ WARNING

- Driving with the tailgate in open / intermediate position will allow the tailgate to swing and hit others, causing injury or even death.
- The tailgate in open / intermediate position will hinder other drivers from seeing the taillights, causing accidents. Make sure the tailgate is closed and locked firmly before driving.
- Make sure that the tailgate is always closed and locked firmly to prevent cargo from being thrown out of the vehicle in the event of an accident.
- Do not stand, put load or put cargo on the tailgate when locked at an intermediate position.
- If the tailgate is in fully open condition, vehicle rear lighting devices such as position lamp, turn signal indicator and stop lamp get hidden, and are not visible.

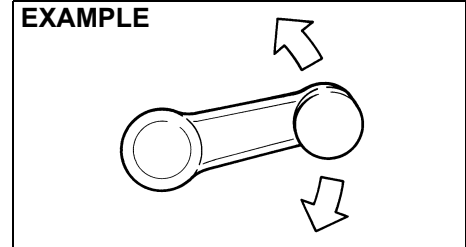


### ⚠ WARNING

- If the loading and unloading is done while tailgate (1) is in fully open position, a warning triangle (2) must be placed on the road in visible manner to alert other users about the presence of the vehicle.

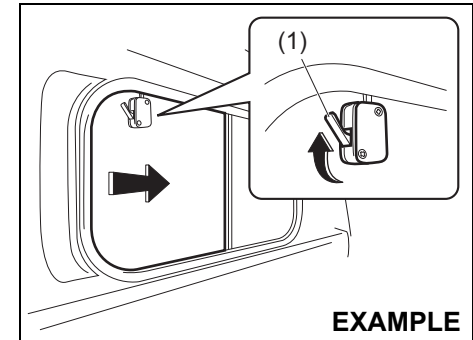
## Windows

### Manual Window Control



Raise or lower the door windows by turning the handle located on the door panel.

### Rear Window



To open the window, push the lock (1) and slide the window.



**Mirrors**

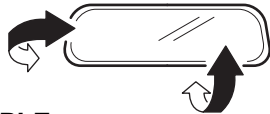
**▲ WARNING**

Failure to observe following point may result in loss of vehicle control and cause an accident, leading to death or serious injury. Always follow below points while driving.

- Do not adjust the mirrors while driving.
- Always unfold all the outside rearview mirrors and adjust properly before driving.
- Do not place objects in the rear of the vehicle which may hinder visibility or interfere with your vision from the rear window glass.

**Inside Rearview Mirror**

You can adjust the inside rearview mirror by hand so as to see the rear of your vehicle in the mirror.



**EXAMPLE**

74LHT0235

**▲ CAUTION**

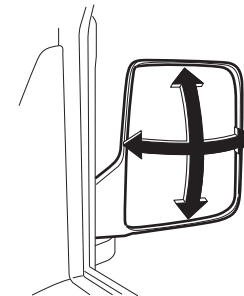
Do not modify the inside rearview mirror or install a non-genuine wide mirror. It could result in injury during accident.

**Outside Rearview Mirror(s)**

Adjust the outside rearview mirror(s) so you can just see the side of your vehicle in the mirror(s).

**▲ WARNING**

Be careful when judging the size or distance of a vehicle or other object seen in the side convex mirror. Be aware that objects look smaller and appear farther away than when seen in a flat mirror.



**EXAMPLE**

64P0190

## BEFORE DRIVING

### Seats

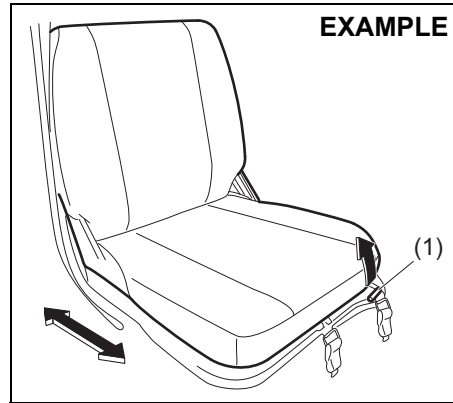
#### Seat Adjustment (driver's seat)

##### ⚠ WARNING

Never attempt to adjust the driver's seat while driving. The seat could move unexpectedly, causing loss of control. Make sure that the driver's seat is properly adjusted before you start driving.

##### ⚠ WARNING

To avoid excessive seat belt slack, which reduces effectiveness of the seat belts as a safety device, make sure that the seats are adjusted before the seat belts are fastened.



77PH087

#### Seat position adjustment lever (1)

Pull the lever up and slide the seat.

After adjustment, try to move the seat forward and rearward to ensure that it is securely latched.

##### ⚠ CAUTION

While adjusting the seat, be careful that the seat does not pinch your hands, or hit your body.

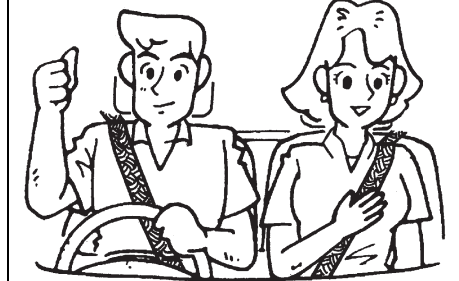
#### NOTE:

To operate the seat back smoothly, pull the seat back adjustment lever (2) in upward direction. Ensure to move seat back only after lever is moved to fully up position. After adjustment of seat back, release the

lever gently. Check that seat back is locked by moving it forward and backward.

### Seat Belts

#### EXAMPLE



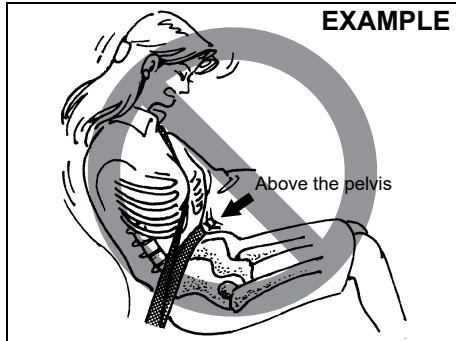
65D231S

##### ⚠ WARNING

**Wear Your Seat Belts at All Times.**

##### ⚠ WARNING

The driver and the passenger must be properly restrained by wearing seat belts at all times even if driving for a very short distance, whether or not an air bag is mounted at their seating position, to minimize the risk of severe injury or death in the event of a crash.

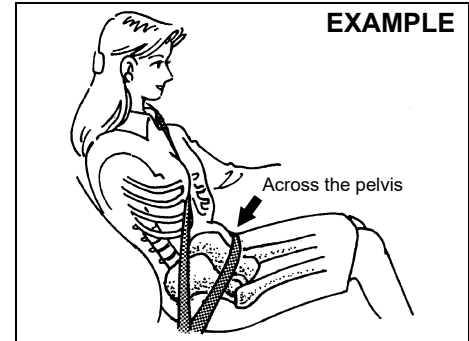


65D606

**⚠ WARNING**

- Never allow persons to ride in the cargo area of a vehicle. In the event of an accident, there is a much greater risk of injury for persons who are not riding in a seat with their seat belt securely fastened.
- Ensure that all seat belts are worn correctly. An improperly worn seat belt increases the risk of injury or death if a collision occurs.
- Seat belts should always be adjusted as follows:
  - the lap portion of the belt should be worn low across the pelvis, not across the waist.
  - the shoulder straps should be worn on the outside shoulder only, and never under the arm.
  - the shoulder straps should be away from your face and neck, but not falling off your shoulder.

(Continued)



65D201

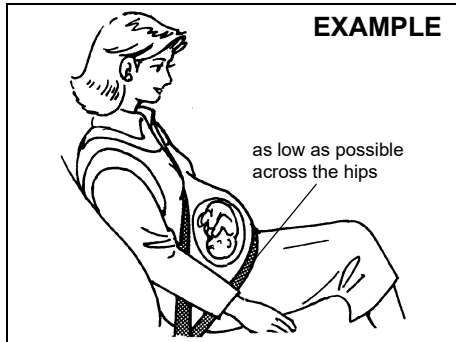
**⚠ WARNING**

(Continued)

- Seat belts should never be worn with the straps twisted and should be adjusted as tightly as is comfortable to provide the protection for which they have been designed. A slack belt will provide less protection than one which is snug.
- Make sure that each seat belt buckle is inserted into the proper buckle catch.

(Continued)

## BEFORE DRIVING



65D199

### ⚠ WARNING

(Continued)

- **Pregnant women should use seat belts, although specific recommendations about driving should be made by the woman's medical advisor. Remember that the lap portion of the belt should be worn as low as possible across the hips, as shown in the diagram.**
- **Do not wear seat belts over hard, fragile, or sharp items such as pens, keys, eyeglasses, etc. in pockets or on clothing. The pressure from seat belt on such items can cause injury in case of an accident.**
- **Do not wear your seat belt over hard or breakable objects in your pockets or on your clothing. If an accident occurs, objects such as glasses, pens, etc. under the seat belt can cause injury.**

(Continued)

### ⚠ WARNING

(Continued)

- **Never use the same seat belt on more than one occupant and never attach a seat belt over an infant or child being held on an occupant's lap. Such seat belt use could cause serious injury in the event of an accident.**
- **Periodically inspect seat belt assemblies for excessive wear and damage. Seat belts should be replaced if webbing becomes frayed, contaminated, or damaged in any way. It is essential to replace the entire seat belt assembly after it has been worn in a severe impact, even if damage to the assembly is not obvious.**
- **Infants and small children should never be transported unless they are properly restrained.**
- **For children, if the shoulder belt irritates the neck or face, move the child closer to the center of the vehicle.**
- **Avoid contamination of seat belt webbing by polishes, oils, chemicals, and particularly battery acid. Cleaning may safely be carried out using mild soap and water.**

(Continued)

**⚠ WARNING**

(Continued)

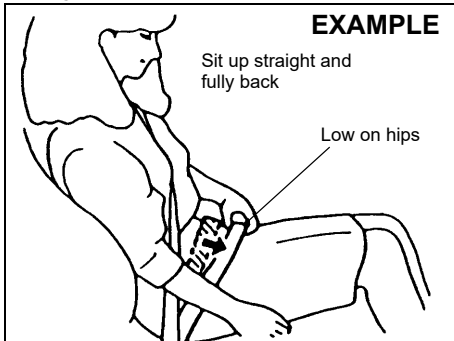
- Do not insert any items such as coins, clips, etc. into the seat belt buckles, and be careful not to spill liquids into these parts. If foreign materials get into a seat belt buckle, the seat belt may not work properly.

**Lap-Shoulder Belt**

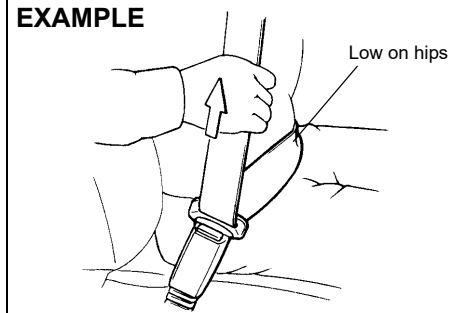
**Emergency Locking Retractor (ELR)**

The seat belt has an emergency locking retractor (ELR), which is designed to lock the seat belt only during a sudden stop or impact. It also may lock if you pull the belt across your body very quickly. If this happens, let the belt go back to unlock it, then pull the belt across your body more slowly.

**Safety reminder**

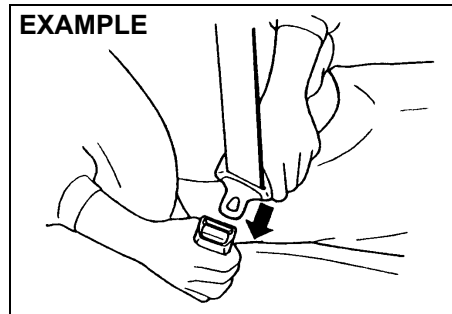


60A038



60A040

To reduce the risk of sliding under the belt during a collision, position the lap portion of the belt across your lap as low on your hips as possible and adjust it to a snug fit by pulling the shoulder portion of the belt upward through the latch plate. The length of the diagonal shoulder strap adjusts itself to allow freedom of movement.

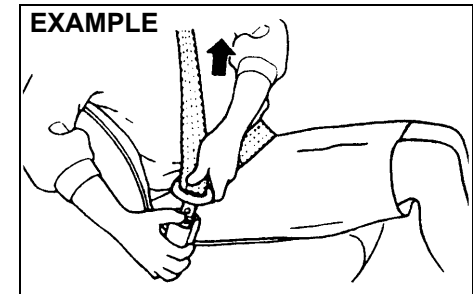


60A036

To fasten the seat belt, sit up straight and well back in the seat, pull the latch plate attached to the seat belt across your body and press it straight into the buckle until you hear a click.

**NOTE:**

*If the seat belt cannot be pulled from its fully retracted position, firmly pull the belt and release it. Then smoothly pull the belt out of the retractor.*

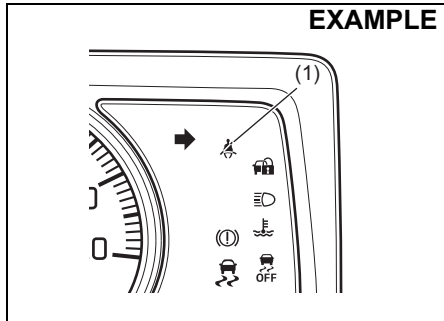


60A039

To unfasten the seat belt, push the button on the buckle and retract the belt slowly while attaching a hand to the belt or/and the latch plate.

## BEFORE DRIVING

### Seat Belt Reminder



77PM02020

- (1) Driver's seat belt reminder light / front passenger's seat belt reminder light

When the driver and / or front passenger do / does not fasten their seat belts, the seat belt reminder light will come on or blink and a buzzer will sound to remind the driver and/or passenger to fasten their seat belts. For more details, refer to the explanation below.

#### **⚠ WARNING**

**It is absolutely essential that the driver and passengers fasten their seat belts at all times. Persons who are not fastening seat belts have a much greater risk of injury if an accident occurs. Make a regular habit of buckling your seat belt before putting the key in the ignition switch.**

#### NOTE:

*The driver's seat belt reminder light / front passenger's seat belt reminder light is for both the driver and front passenger.*

#### Driver's or front passenger's seat belt reminder

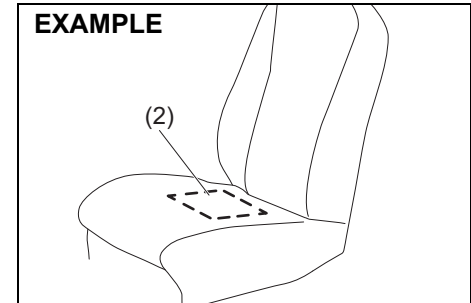
If the driver's or front passenger's seat belt remains unbuckled when the ignition switch is turned "ON", the reminder works as follows:

- 1) The driver's or front passenger's seat belt reminder light will come on.
- 2) After the vehicle's speed has reached about 15 km/h, the driver's or front passenger's seat belt reminder light will blink and a buzzer will sound for about 95 seconds.
- 3) After step 2) has finished, the reminder light will remain on until the driver's or front passenger's seat belt is buckled.

If the driver or front passenger has buckled his or her seat belt and later unbuckles the seat belt, the reminder system will be activated from Step 1) or 2) according to the vehicle's speed. When the vehicle's speed is less than 15 km/h, the reminder will start from Step 1). When the vehicle's speed is more than 15 km/h, the reminder will start from Step 2). The reminder will be automatically canceled when the driver's or front passenger's seat belt is buckled or the ignition switch is turned off.

#### Front passenger's seat belt reminder

If there is a person sitting on the front passenger seat and the front passenger seat belt is unbuckled when the ignition switch is turned to "ON" position, the front passenger's seat belt reminder will activate.



69RH203

- (2) The sensor of the front passenger's seat belt reminder

The seat belt reminder sensor (2) detects whether a person is sitting in the front seat. The sensor of the front passenger's seat belt reminder is located in the seat cushion. The front passenger's seat belt reminder works in the same manner as the driver's seat belt reminder.

**NOTICE**

- The sensor of the front passenger's seat belt reminder is located in the seat cushion. If heavy or sharp objects are put on the seat cushion, or a removal, disassembly and modification of the passenger's seat are performed, the sensor may not work properly or can be damaged. Do not put heavy or sharp objects on the seat cushion. Do not remove, disassemble and modify the passenger's seat.
- Depending on the variety of seat cover, operation of the sensor may be adversely affected. MARUTI SUZUKI highly recommends that you use MARUTI SUZUKI genuine seat cover exclusively for this vehicle.
- If you spill liquid such as liquid aromatics, soft drinks or juice on the front passenger's seat cushion, the sensor of the front passenger's seat belt reminder located in the seat cushion can be damaged. Immediately wipe it dry with a soft cloth when spilled.

(Continued)

**NOTICE**

(Continued)

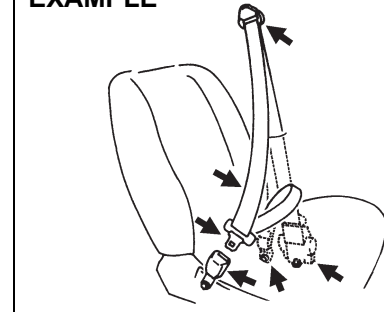
- When sitting on the front passenger's seat, it is very important that the passenger sits upright, leaning against the seat backrest and centered on the seat cushion in order for the seatbelt reminder system to function effectively. An occupant sitting improperly (slouches, turns sideways, sits forward or sideways) may hamper the functioning of this system as it may not detect the occupant.

**NOTE:**

- If you put an object on the passenger's seat, the weight of the object will be sensed by the sensor and the front passenger's seat belt reminder light will come on and then the interior buzzer may beep.
- If a child or a small sized person sits on the front passenger's seat or the cushion is put on the front passenger's seat, the weight may not be sensed by the sensor and the interior buzzer may not beep.

**NOTE:**

Maruti Suzuki recommends use of Maruti Suzuki Genuine accessory of "Seat cover".

**Seat Belt Inspection****EXAMPLE**

65D209S

Periodically inspect the seat belts to make sure they work properly and are not damaged. Check the webbing, buckles, latch plates, retractors, anchorages, and guide loops. Replace any seat belts which do not work properly or are damaged.

**⚠ WARNING**

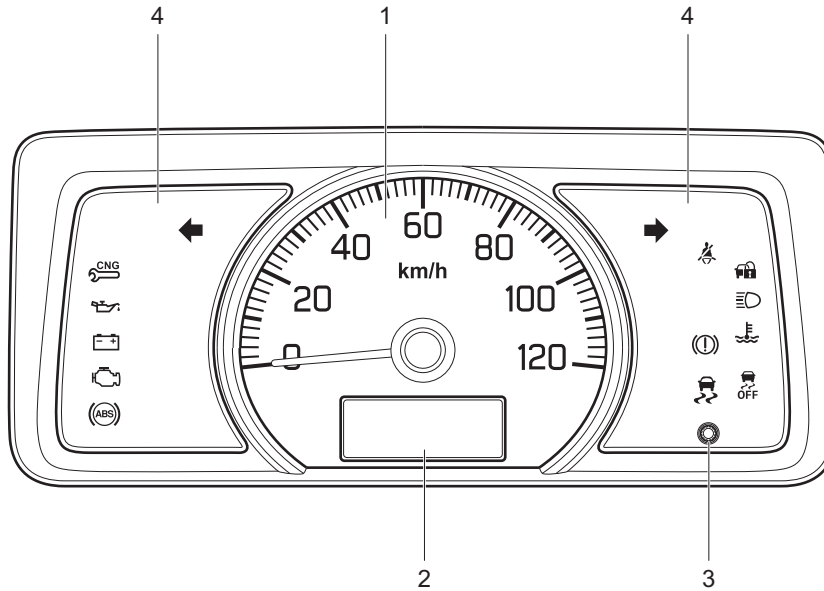
Be sure to inspect all seat belt assemblies after any collision. Any seat belt assembly which was in use during a collision (other than a very minor one) should be replaced, even if damage to the assembly is not obvious. Any seat belt assembly which was not in use during a collision should be replaced if it does not function properly or if it is damaged in any way.

## BEFORE DRIVING

### Instrument Cluster

1. Speedometer
2. Information display
3. Trip meter selector knob
4. Warning and indicator lights

#### EXAMPLE



77PM02021



## Speedometer

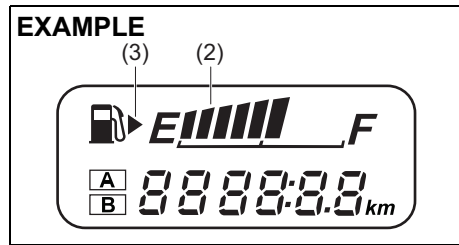
The speedometer indicates vehicle speed.

**NOTE:**

Maximum speed of the vehicle is 80 km/hr as per government regulation.

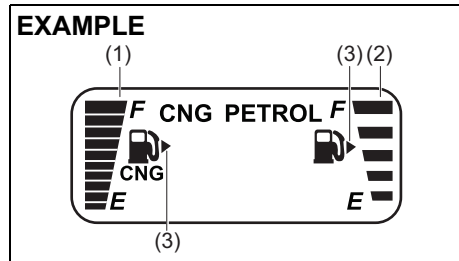
## Fuel Gauge

### Petrol Model



77PM02018

### CNG Model



77PM07019

- (1) Indicates CNG fuel gauge.
- (2) Indicates Petrol fuel gauge.

When the ignition switch is in the “ON” position, this gauge gives an approximate indication of the amount of fuel in the fuel tank. “F” stands for full and “E” stands for empty.

If the fuel meter indicator shows only one segment to “E”, refill the tank as soon as possible.

The mark (3) indicates that the fuel filler door is located on the right side of the vehicle.

**NOTICE**

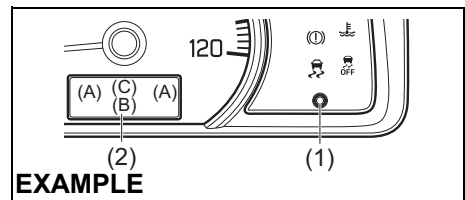
To minimize the possibility of damage to catalytic converter or other components of the vehicle, avoid driving the vehicle near empty fuel tank level.

**NOTE:**

If the last segment blinks, it means that the fuel is almost empty.

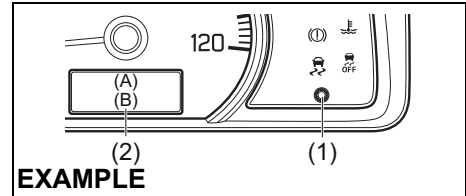
## Information Display

### For CNG Model



77PM07026

### For Petrol Model



77PM07035

- (1) Trip meter selector knob
- (2) Information display

When the ignition switch is in the “ON” position, the information display shows the following information.

### Display (A)

Fuel gauge

### Display (B)

Odometer / Trip meter / Clock / Brightness control

### Display (C)

Fuel modes (if equipped)

### Fuel Gauge

When the ignition switch is in the “ON” position, the display (A) shows the fuel gauge.

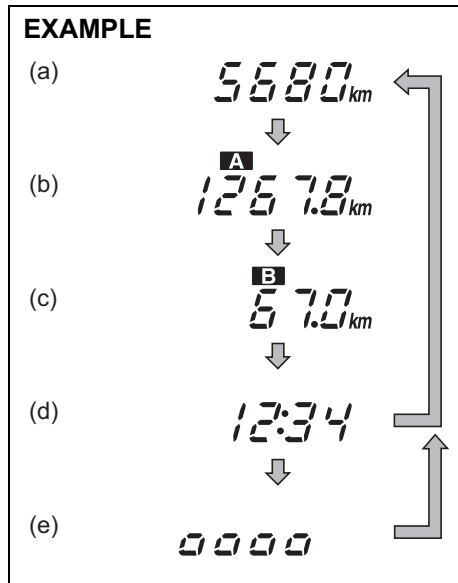
Refer to “Fuel Gauge” in this section.

## BEFORE DRIVING

### Odometer / Trip meter / Clock / Brightness Control

When the ignition switch is in the "ON" position, the display (B) shows one of the following indications, odometer, trip meter A, trip meter B or clock.

To switch the display indication (B), push the trip meter selector knob (1) quickly.



- (a) Odometer  
(b) Trip meter A

- (c) Trip meter B  
(d) Clock  
(e) Brightness control\*

\* The brightness control will appear when the position lights and/or headlights are on.

### ⚠ WARNING

**If you attempt to adjust the display while driving, you could lose control of the vehicle.**

**Do not attempt to adjust the display while driving.**

#### NOTE:

*Indications will change when you push and release the knob.*

#### Odometer

The odometer records the total distance for which the vehicle has been driven.

### NOTICE

**Keep track of your odometer reading and check the maintenance schedule regularly for required services. Increased wear or damage to certain parts can result from failure to perform required services at the proper mileage intervals.**

#### Trip meter

The trip meter can be used to measure the distance traveled on short trips or between fuel stops.

You can use the trip meter A or trip meter B independently.

To reset the trip meter to zero, push and hold the trip meter selector knob (1) for a while when the display shows the trip meter.

#### NOTE:

*The indicated maximum value of the trip meter is 9999.9. When you run past the maximum value, the indicated value will return to 0.0.*

#### Clock

The display shows the time.

To change the time indication:

- 1) Push and hold the trip meter selector knob (1) until the minute indication blinks.
- 2) To change the minute indication, push the trip meter selector knob (1) repeatedly when the minute indication blinks. To change the minute indication quickly, push and hold the trip meter selector knob (1). To set the minute indication, wait for about 5 seconds till the hour indication starts to blink.
- 3) To change the hour indication, push the trip meter selector knob (1) repeatedly till the minute indication begins to blink. Wait for about 5 seconds and hour indication will begin to blink. To change the

hour indication, quickly push and hold the trip meter selector knob (1). To set the hour indication, wait for about 5 seconds.

**▲ WARNING**

**If you attempt to adjust the display while driving, you could lose control of the vehicle.**

**Do not attempt to adjust the display while driving.**

**NOTE:**

*When you reconnect the negative (-) terminal to the battery, the clock indication will be reinitialized. Change the indication again to your preference.*

**Brightness control**

When the position lights and/or headlights are ON, you can control the meter illumination intensity.

To change the brightness of the instrument panel lights, push and hold the trip meter selector knob (1).

**▲ WARNING**

**If you attempt to adjust the display while driving, you could lose control of the vehicle.**

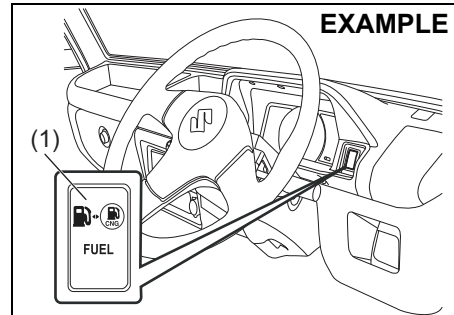
**Do not attempt to adjust the display while driving.**

**NOTE:**

- *If you do not push the trip meter selector knob within about 10 seconds of activating the brightness control display, the brightness control display will be canceled automatically.*
- *When you reconnect the battery, the brightness of the instrument panel lights will be reinitialized. Readjust the brightness according to your preference.*

**Fuel Modes for CNG model (if equipped)**

There are three fuel modes in the vehicle Petrol, Auto and Forced CNG modes which are selectable by pressing the selector switch(1) located on the right side of the steering wheel on the dashboard.



77PM02005

**Petrol Mode**

**EXAMPLE**



77PM02002

In this mode vehicle starts in petrol and continue running in petrol mode. In this mode, petrol indicator is continuously displayed and CNG indicator will remain "OFF".

**Auto Mode**

**EXAMPLE**



77PM02003

In this mode engine starts in petrol mode and then automatically changes to CNG after reaching programmed warming up condition. With ignition switch ON and vehicle started in "AUTO MODE", CNG indicator blinks on the display and PETROL indicator is displayed. After change-over to CNG, CNG indicator will be

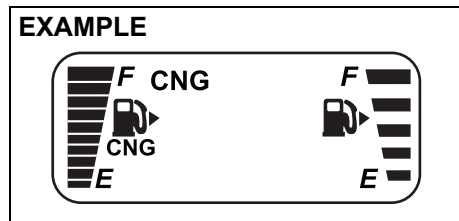
## BEFORE DRIVING

displayed and Petrol indicator will switch OFF automatically.

### NOTE:

- It is always recommended to start the vehicle in AUTO MODE or PETROL MODE to enhance the engine life.
- The fuel changeover to CNG may not happen if the vehicle is started when the ambient / engine temperature is below Zero Degree Celsius. In such a case, run the engine in PETROL MODE till it warms up and then try restarting the engine to changeover to CNG.

### Forced CNG Mode



77PM02004

This is emergency mode and may be used in cases where there is no petrol in petrol tank. In this mode vehicle starts in CNG mode and continues running in CNG mode. With ignition "ON" and engine not running, press and hold the changeover switch till only CNG indicator is displayed. In this mode, CNG indicator is displayed and Petrol indicator remains "OFF".

### NOTE:

- It is recommended to keep sufficient amount of petrol in the petrol tank.
- The vehicle may not start in Forced CNG mode if the ambient / engine temperature is below Zero Degree Celsius. It is recommended to start the vehicle in Auto mode.

### Automatic Changeover From CNG Mode To Petrol Mode

If CNG is finished while the engine is running, vehicle will automatically changeover from CNG mode to Petrol mode & CNG malfunction warning lamp will start blinking. Petrol indicator will be displayed continuously and CNG indicator will switch OFF automatically.

To acknowledge this information, press the changeover switch once. The CNG malfunction warning lamp will stop blinking after the changeover switch is pressed and Petrol indicator will glow continuously. However the CNG malfunction indicator lamp will continue to blink after every subsequent Ignition ON - Ignition OFF condition until the vehicle is refilled with CNG. In case CNG is refilled, please press the fuel changeover switch once to changeover to CNG. Then, vehicle can run on CNG.

### NOTE:

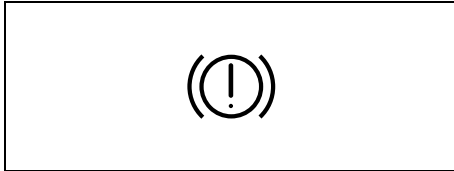
- It is recommended to keep sufficient amount of petrol in the petrol tank to prevent engine stalling while automatic changeover from CNG mode to Petrol mode.
- In case the CNG malfunction warning lamp does not stop blinking after pressing the changeover switch, have the vehicle inspected at the nearest authorised MARUTI SUZUKI COMMERCIAL workshop.

## Warning and Indicator Lights

### NOTE:

If warning and indicator lights blink or come on, the corresponding messages may be shown on the information display.

### Brake System Warning Light



82K170

Four different types of operations exist depending on the vehicle's specification.

- 1) The light comes on briefly when the ignition switch is turned to the "ON" position.
- 2) The light comes on when the parking brake is engaged with the ignition switch in the "ON" position.
- 3) The light comes on when under either or both of above two conditions.
- 4) The light also comes on when the fluid in the brake fluid reservoir falls below the specified level.

The light should go out after starting the engine and fully releasing the parking brake, if the fluid level in the brake fluid reservoir is adequate.

The light also comes on together with the ABS warning light when the rear brake force control function (proportioning valve function) of the ABS system fails.

If the brake system warning light comes on while you are driving the vehicle, it may mean that there is something wrong with the vehicle's brake system. If this happens, you should:

- 1) Pull off the road and stop carefully.

### ⚠ WARNING

**Remember that stopping distance may be longer, you may have to push harder on the pedal, and the pedal may go down farther than normal.**

- 2) Test the brakes by carefully starting and stopping at the side of the road.
  - If you determine that it is safe, drive carefully at low speed to the nearest dealer for repairs, or
  - Have the vehicle towed to the nearest authorised MARUTI SUZUKI COMMERCIAL workshop for repairs.

### ⚠ WARNING

**If any of the following conditions occur, you should immediately ask your authorised MARUTI SUZUKI COMMERCIAL workshop to inspect the brake system.**

- If the brake system warning light does not go out after the engine has been started and the parking brake has been fully released.
- If the brake system warning light does not come on when the ignition switch is turned to the "ON" position.
- If the brake system warning light comes on at any time during vehicle operation.

### NOTE:

Because the brake system is self-adjusting, the fluid level will drop as the brake pads become worn. Replenishing the brake fluid reservoir is considered normal periodic maintenance.

## BEFORE DRIVING

### Anti-lock Brake System (ABS) warning light (if equipped)



65D529

When the ignition switch is turned to "ON" position, the light comes on briefly so you can check that the light is working.

If the light stays on, or comes on when driving, there may be something wrong with the ABS.

If this happens:

- 1) Pull off the road and stop carefully.
- 2) Turn the ignition switch to "LOCK" position and then start the engine again.

If the warning light comes on briefly and then turns off, the system is normal. If the warning light still stays on, something is wrong with the system.

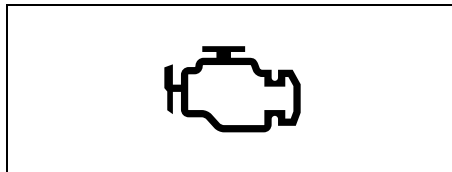
If the light and the brake system warning light stay on, or come on simultaneously when driving, your ABS system is equipped with the rear brake force control function (proportioning valve function) and there may be something wrong with both the rear brake force control function and the anti-lock function of the ABS system.

If one of the above occur, have the system inspected by a MARUTI SUZUKI authorized workshop.

If the ABS becomes inoperative, the brake system will function as an ordinary brake system that does not have this ABS system.

For details of ABS system, refer to "Anti-lock Brake System (ABS)" in "OPERATING YOUR VEHICLE" section.

### Malfunction Indicator Light



63J031

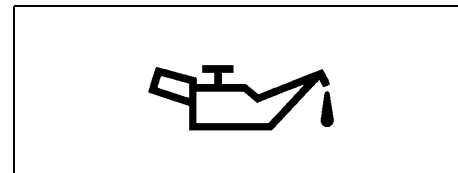
Your vehicle has a computer-controlled emission control system. A malfunction indicator light is provided on the instrument panel to indicate when it is necessary to have the emission control system serviced. The malfunction indicator light comes on when the ignition switch is turned to "ON" position to let you know the light is working and goes out when the engine is started.

If the malfunction indicator light comes on when the engine is running, there is a problem with the emission control system. Take the vehicle to your nearest authorised MARUTI SUZUKI COMMERCIAL workshop to have the damage fixed.

### NOTICE

**Continuing to drive the vehicle when the malfunction indicator light is on can cause permanent damage to the vehicle's emission control system, and can affect fuel economy and driveability.**

### Oil Pressure Light



50G051

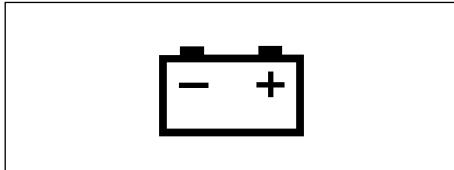
This light comes on when the ignition switch is turned to the "ON" position, and goes out when the engine is started. The light will come on and remain on if there is insufficient oil pressure. If the light comes on when driving, pull off the road as soon as you can and stop the engine.

Check the oil level and add recommended engine oil if necessary. If there is enough oil, the lubrication system should be inspected by your authorised MARUTI SUZUKI COMMERCIAL workshop before you drive the vehicle again.

**NOTICE**

- If you operate the engine with this light on, severe engine damage can result.
- Do not rely on the Oil Pressure Light to indicate the need to add oil. Be sure to periodically check the engine oil level.

**Charging Light**



50G052

This light comes on when the ignition switch is turned to the “ON” position, and goes out when the engine is started. The light will come on and remain on if there is something wrong with the battery charging system. If the light comes on when the engine is running, the charging system should be inspected immediately by your authorised MARUTI SUZUKI COMMERCIAL workshop.

**Driver’s Seat Belt Warning Light / Front Passenger’s Seat Belt Warning Light**

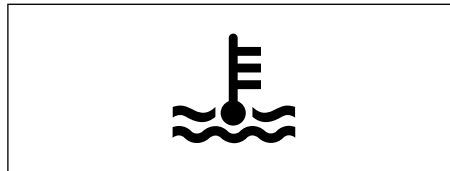


60G049

When the driver or front passenger does not buckle his or her seat belt, this light will come on and/or blink.

For details about the seat belt reminder, refer to “Seat Belts and Child Restraint Systems” in this section.

**High Engine Coolant Temperature Warning Light (red color)**



54G344

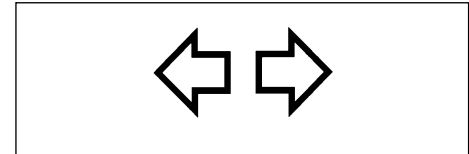
When the ignition switch is turned to the “ON” position, this light comes on briefly so you can check that the light is working. If this light blinks while driving, it means the engine is running hot. Avoid driving conditions that may lead to actual overheating. If the light stays on without blinking, then the

engine is overheating. Follow the instructions in the “If the Engine Overheats” of “EMERGENCY SERVICE” section.

**NOTICE**

**Continuing to drive the vehicle when engine overheating is indicated can result in severe engine damage.**

**Turn Signal Indicators**



50G055

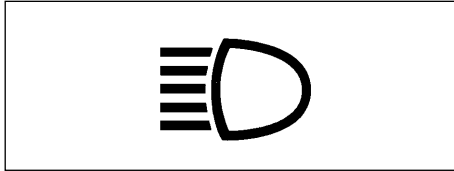
When you turn on the left or right turn signals, the corresponding green arrow on the instrument panel will flash along with the respective turn signal lights. When you turn on the hazard warning switch, both arrows will flash along with all of the turn signal lights.

**NOTE:**

*If any abnormality of the turn signals is observed, such as fast blinking, there may be malfunction in the turn signal system. Ask your Maruti Suzuki authorized workshop to inspect the system.*

## BEFORE DRIVING

### Main Beam (high beam) Indicator Light



50G056

This indicator comes on when headlight main beams (high beams) are turned on.

### Immobilizer system warning light



65D239

When the ignition switch is turned to the "ON" position, this light comes on to let you know the light is working. If this light blinks with the ignition switch turned to "ON", there may be something wrong with the immobilizer system. Ask a Maruti Suzuki authorised workshop to have the system inspected.

### ESP® Warning light (if equipped)



56RM02033

ESP® is a registered trademark of Daimler AG.

This light blinks 5 times per second when one of the following systems is activated.

- Stability control system
- Traction control system

If this light blinks, drive carefully.

When the ignition switch is turned to "ON" position, the light comes on briefly so you can check that the light is working. If the light stays ON, or comes on when driving and remains ON, there may be something wrong with the ESP® systems (other than ABS). You should have the system inspected by a Maruti Suzuki authorized workshop.

For details of the ESP® systems, refer to "Electronic Stability Program (ESP®) (if equipped)" in "OPERATING YOUR VEHICLE" section.

### WARNING

**The ESP® systems cannot prevent accidents. Always drive carefully.**

### ESP® OFF indicator light (if equipped)



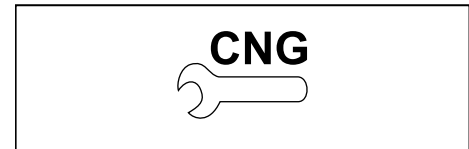
56RM02034

When the ignition switch is turned to the "ON" position, this light comes on briefly so you can check that the light is working.

When the ESP® OFF switch is pushed to turn off the ESP® systems (other than ABS), the ESP® OFF indicator light comes on and stays on.

For details of the ESP® systems, refer to "Electronic Stability Program (ESP®) (if equipped)" in "OPERATING YOUR VEHICLE" section.

### CNG Malfunction Warning Light (if equipped)



77PMC015

When the ignition switch is turned "ON", this CNG malfunction warning lamp comes



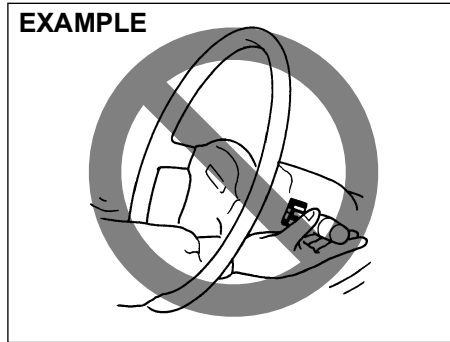
on briefly, to check that the CNG malfunction lamp is trouble free.

- If CNG malfunction warning lamp glows continuously, with ignition "ON" there is some problem with the CNG system. Immediately get your vehicle checked by authorised MARUTI SUZUKI COMMERCIAL workshop.
- If CNG malfunction warning lamp blinks during engine running, it means there is some problem in CNG system in which vehicle cannot continue running in CNG-MODE and automatically switchover to petrol mode. Have your vehicle checked at authorised MARUTI SUZUKI COMMERCIAL workshop.

**NOTE:**

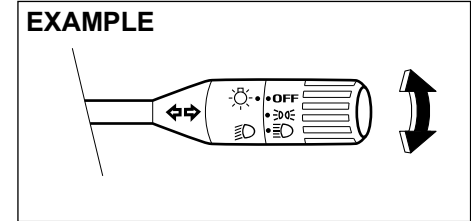
*With ignition switch "ON" and engine not running, blinking of CNG lamp indicates that fuel lid is open. Vehicle will not start in this condition. Close the lid in order to start the vehicle.*

**Lighting Control Lever**



**⚠ WARNING**  
**To avoid possible injury, do not operate controls by reaching through the steering wheel.**

**Lighting Operation**



To turn the lights on or off, twist the knob at the end of the lever. There are three positions:

**OFF**

All lights are off.



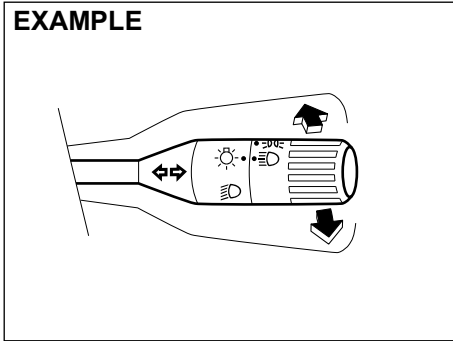
Front position lights, tail lights, license plate lights and instrument lights are on, but headlights are off.



Front position lights, tail lights, license plate lights, instrument lights and headlights are on.

## BEFORE DRIVING

### EXAMPLE

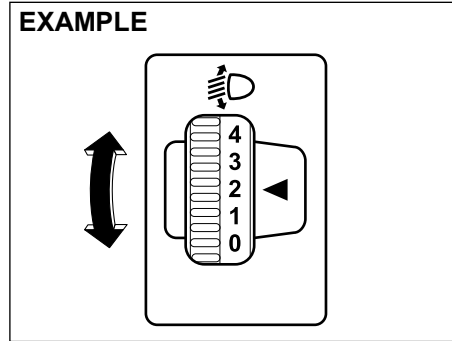


77PH111

With the headlights on, push the lever forward to switch to the high beams (main beams) or pull the lever toward you to switch to the low beams. When the high beams (main beams) are on, main beam (high beam) indicator light on the instrument panel will come on. To momentarily activate the high beams (main beams) as a passing signal, pull the lever slightly toward you and release it when you have completed the signal.

### Headlight Leveling Switch

#### EXAMPLE



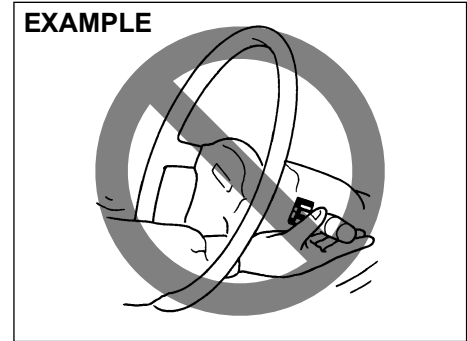
77PH010

Level the headlight beam according to the load condition of your vehicle by turning this switch. The chart below shows the appropriate switch position for different vehicle-load conditions.

Vehicle Load Condition	Switch Position
Driver only	0
Driver + full cargo	3

### Turn Signal Control Lever

#### EXAMPLE



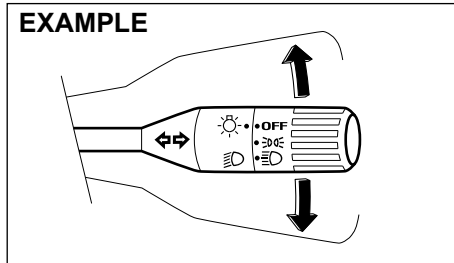
65D611

#### **⚠ WARNING**

**To avoid possible injury, do not operate controls by reaching through the steering wheel.**

### Turn Signal Operation

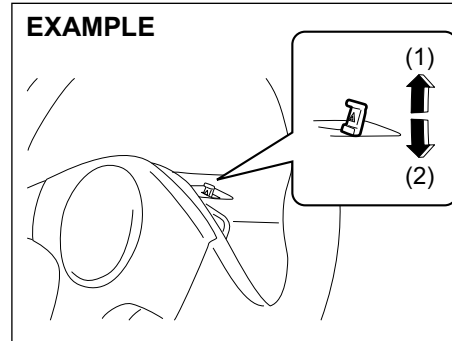
With the ignition switch in the "ON" position, move the lever up or down to activate the right or left turn signals.



77PH112

Move the lever upward or downward to signal. When the turn is completed, the signal will cancel and the lever will return to its normal position.

### Hazard Warning Switch



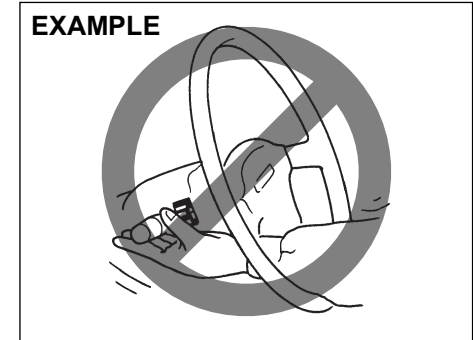
77PH028

- (1) ON
- (2) OFF

Pull up the hazard warning switch to activate the hazard warning lights. All turn signal lights and both turn signal indicators will flash simultaneously. To turn off the lights, push down the switch.

Use the hazard warning lights to warn other traffic during emergency parking or when your vehicle could otherwise become a traffic hazard.

### Windshield Wiper and Washer Lever



65D611

#### **⚠ WARNING**

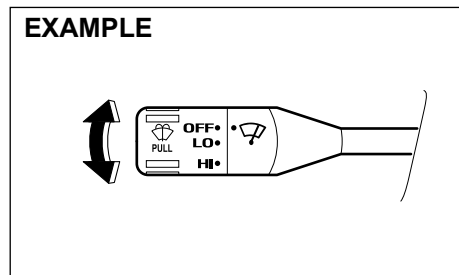
**To avoid possible injury, do not operate controls by reaching through the steering wheel.**

#### **Wiper Operation**

When the ignition switch is in the "ON" position, you can use the wiper lever.

## BEFORE DRIVING

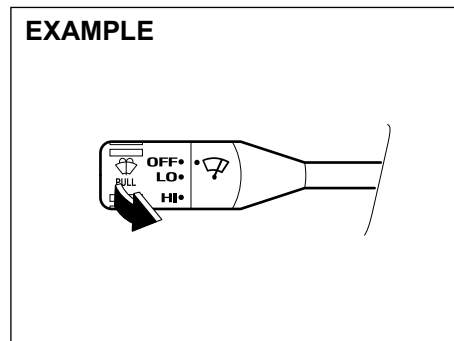
### Windshield Wipers



77PM02015

To turn the windshield wipers on, twist the knob at the end of the lever to one of the operating positions. In the “LO” position, the wipers operate at a steady low speed. In the “HI” position, the wipers operate at a steady high speed. To turn off the wipers, twist the lever back to the “OFF” position.

### Windshield Washer



77PM02016

To spray windshield washer fluid, pull the lever towards you.

#### **▲ WARNING**

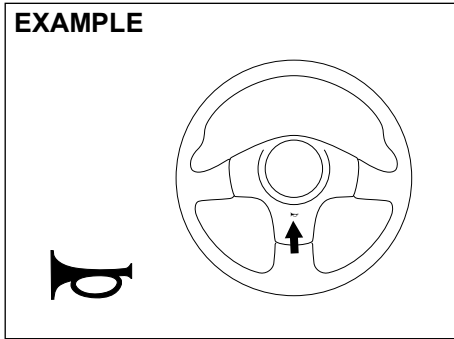
**Do not use radiator antifreeze in the windshield washer reservoir. It can severely impair visibility when sprayed on the windshield, and can also damage your vehicle's paint.**

#### **NOTICE**

To help prevent damage to the windshield wiper and washer system components, you should take the following precautions:

- Do not continue to hold in the lever when there is no windshield washer fluid being sprayed or the washer motor can be damaged.
- Do not attempt to remove dirt from a dry windshield with the wipers or you can damage the windshield and the wiper blades. Always wet the windshield with washer fluid before operating the wipers.
- Clear ice or packed snow from the wiper blades before using the wipers.
- Check the washer fluid level regularly. Check it often when the weather is bad.
- Only fill the washer fluid reservoir 3/4 full during cold weather to allow room for expansion if the temperature falls low enough to freeze the solution.

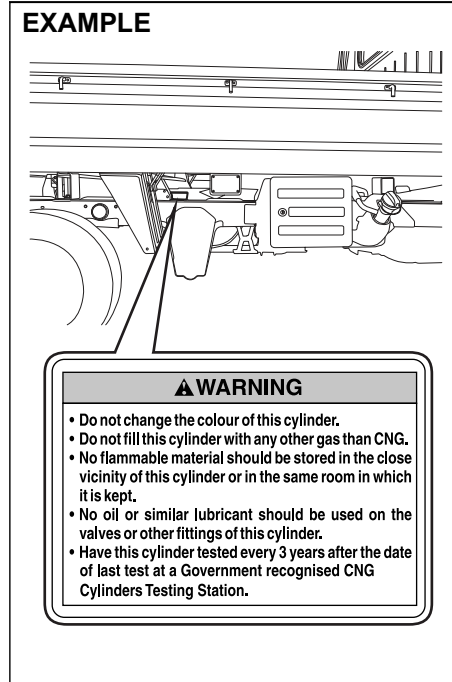
Horn



77PH029

Press the horn button of the steering wheel to sound the horn. The horn will sound with the ignition switch in any position.

CNG Cylinder Warning Label (if equipped)

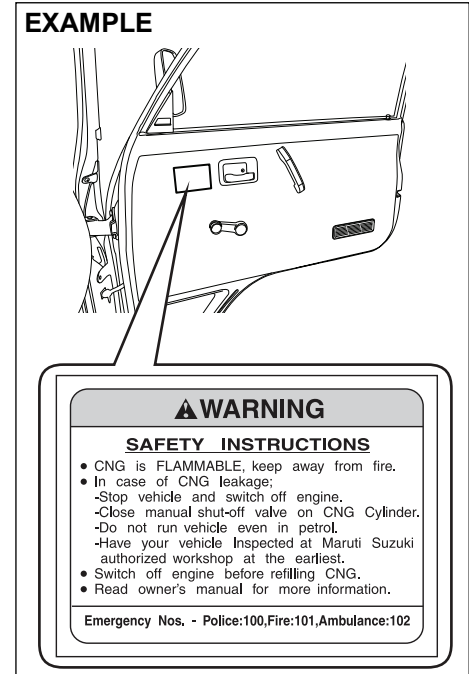


77PM02006

You may find this label on the CNG cylinder.

CNG Warning Label (if equipped)

Front Driver Door

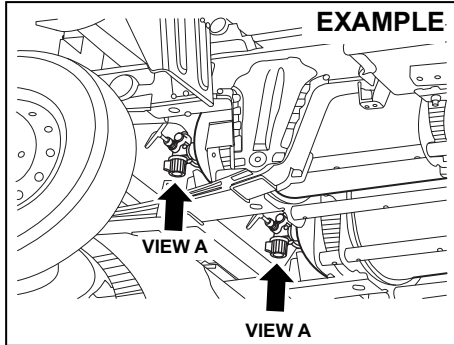


77PM02007

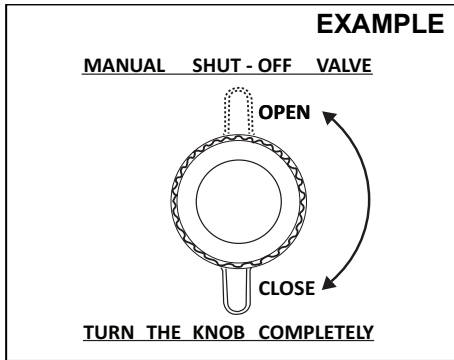
CNG warning label is located on front right door.

## BEFORE DRIVING

### CNG Manual Shut-OFF Valve (if equipped)

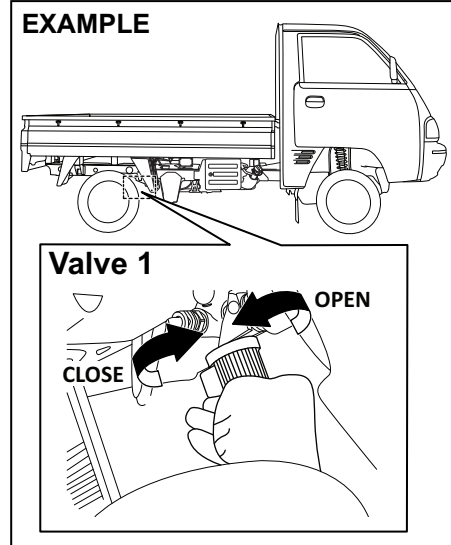


77PM02011



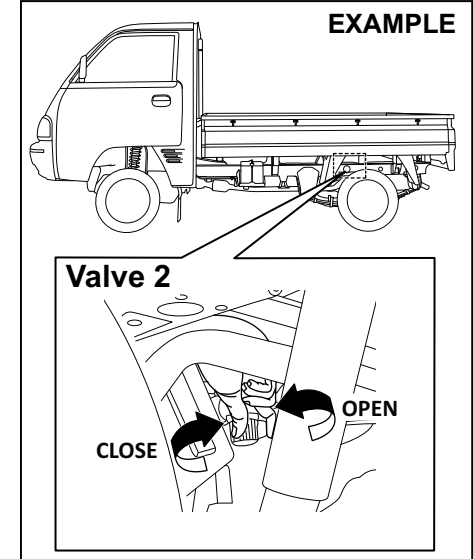
77PM02014

#### Right Hand Side (RHS)



77PM02012

#### Left Hand Side (LHS)



77PM02013

Manual shut off valve is located on CNG cylinders which are provided in vehicle under body.

There are two CNG cylinders in the vehicle under body, each containing one manual shut off valve.

The manual shutoff valve 1 and valve 2 are accessed from right hand side (RHS) and left hand side (LHS) of the vehicle respectively.

CNG supply can be switched off by closing the manual shut-off valve on both the CNG cylinders.

**Valve closing:** Turn the knob completely in clockwise direction (from view A) to close the CNG supply to Engine.

**Valve opening:** Turn the knob completely in anti-clockwise direction (from view A) to open the CNG supply to Engine.

**▲ CAUTION**

**Be careful that your hand does not touch exhaust pipe while accessing the manual shut off valve 2 (LHS). After driving, exhaust pipe can be hot enough to burn your hand.**

**NOTE:**

- If the manual shut-off valve is not opened fully, then the engine may not run properly.
- If the manual shut-off valve is in closed condition, it is not possible to fill CNG into the cylinder.

**NOTE:**

- As per Government regulation, CNG cylinder needs to be checked and certified every three (3) years from the date of initial testing as mentioned on the CNG cylinder identification plate.
- Customer has to present the vehicle to a government approved testing agency.
- Failure to test the cylinder may result in denying of CNG filling by the CNG dispensing stations or may result in confiscating the vehicle by enforcement authorities.
- All the expenses for CNG cylinder testing has to be borne by the customer.
- As per Government regulation, CNG cylinder has to be discarded at 20 years from the date of initial testing as mentioned in the CNG cylinder identification plate.
- Customer has to discard the cylinder at his / her expense through government approved scrap agencies.
- No person shall refill any cylinder, which has been repaired under sub-rule (2) with any gas unless a full report on the repairs and test carried out on the cylinder, accompanied by the repairer's certificate of testing are furnished to the Chief Controller and his permission is obtained for its refilling.

**▲ WARNING**

- Never remove the cylinder valve from the cylinder assembly. For any assistance consult authorised MARUTI SUZUKI COMMERCIAL workshop.
- Never try to clean the cylinder. In case of any problem, contact authorised MARUTI SUZUKI COMMERCIAL workshop.
- Do not reuse the cylinder valve, once it is replaced / removed from cylinder assembly.
- Even if the CNG from the cylinder is consumed till engine stops, some amount of CNG will be left out in the tank under pressure.

# OPERATING YOUR VEHICLE

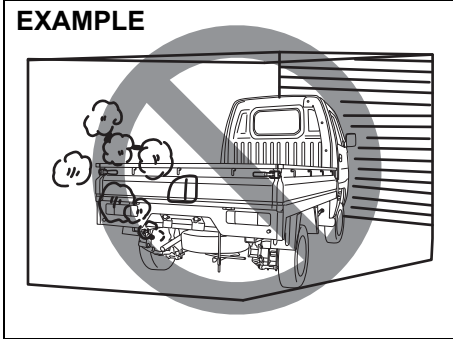
- Exhaust Gas Warning ..... 3-1
- Daily Inspection Checklist ..... 3-1
- Engine Oil Consumption ..... 3-2
- Ignition Switch ..... 3-2
- Parking Brake Lever ..... 3-4
- Pedal ..... 3-5
- Starting the Engine ..... 3-5
- Using the Transmission ..... 3-6
- Parking Sensors ..... 3-8
- Braking ..... 3-11
- Anti-Lock Brake System (ABS) ..... 3-12
- Electronic Stability Program (ESP®) ..... 3-15



## OPERATING YOUR VEHICLE

### Exhaust Gas Warning

#### EXAMPLE



82DY03

#### ⚠ WARNING

Avoid breathing exhaust gases. Exhaust gases contain carbon monoxide, a potentially lethal gas that is colorless and odorless. Since carbon monoxide is difficult to detect by itself, be sure to take the following precautions to help prevent carbon monoxide from entering your vehicle.

- Do not leave engine running in garages or confined areas, with passengers inside. This may result in accumulation of carbon-monoxide in cabin and may lead to suffocation or breathing problems and lead to death.

(Continued)

#### ⚠ WARNING

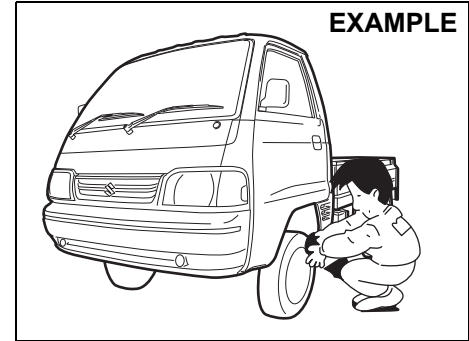
(Continued)

- Do not park with the engine running for a long period of time, even in an open area. In case of long periods, danger of choking and death on being inside the vehicle is a possibility when the engine is running. If it is necessary to sit for a short time in a parked vehicle with the engine running, make sure the air intake selector is set to "FRESH AIR" and the blower is at high speed.
- To allow proper operation of your vehicle's ventilation system, keep the air inlet grille in front of the vehicle clear of snow, leaves, or other obstructions at all times.
- Keep the exhaust pipe area clear of snow and other material to help reduce the buildup of exhaust gases under the vehicle. This is particularly important when parked in blizzard conditions.
- Have the exhaust system inspected periodically for damage and leaks. Any damage or leaks should be repaired immediately.

### Daily Inspection Checklist

#### Before Driving

#### EXAMPLE



77PM03001

- 1) Make sure that windows, mirrors, lights, and reflectors are clean and unobstructed.
  - 2) Visually check the tyres for the following points:
    - the depth of the tread groove
    - abnormal wear, cracks and damage
    - loose wheel nuts
    - existence of foreign material such as nails, stones, etc.
- Refer to "Tyres" in "INSPECTION AND MAINTENANCE" section for details.
- 3) Look for fluid and oil leaks.
  - 4) Make sure the engine compartment is fully closed and latched.
  - 5) Check the headlights, turn signal lights, brake lights and horn for proper operation.

- 6) Adjust the driver's seat.
- 7) Check the brake pedal and the parking brake lever.
- 8) Adjust the mirrors.
- 9) Make sure that you and passenger have properly fastened seat belts.
- 10) Make sure that all warning lights come on as the key is turned to the "ON" position.
- 11) Check all gauges.
- 12) Make sure that the BRAKE SYSTEM WARNING light turns off when the parking brake is released.

Once a week, or each time you fill your fuel tank or before a long distance driving (like highway driving), perform the following under-hood checks:

- 1) Engine oil level
- 2) Coolant level
- 3) Brake fluid level
- 4) Windshield washer fluid (if equipped) level
- 5) Battery electrolyte level
- 6) Latch operation  
See "All latches, hinges & locks" of "CHASSIS AND BODY" in the "Periodic Maintenance Schedule" in the "INSPECTION AND MAINTENANCE" section for lubrication schedule.

Once a month, or each time you fill your fuel tank or before a long distance driving (like highway driving), check the tyre pressure using a tyre pressure gauge. Also check the tyre pressure of the spare tyre.

### Engine Oil Consumption

It is normal for the engine to consume some engine oil during normal vehicle operation.

The amount of engine oil consumed depends on the viscosity of the oil, the quality of the oil and the conditions the vehicle is driven under.

More oil is consumed during high-speed driving and when there is frequent acceleration and deceleration. Under high loads, your engine also will consume more oil. A new engine also consumes more oil, since its pistons, piston rings and cylinder walls have not yet become conditioned. New engines reach the normal level of oil consumption only after approximately 5000 km (3000 miles) driving.

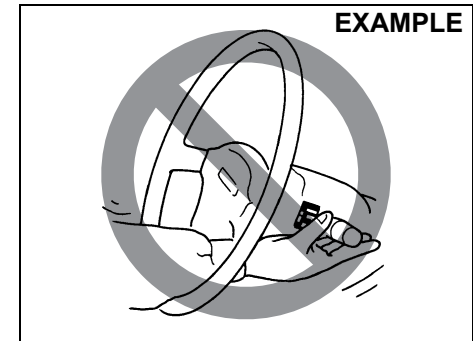
**Oil consumption:**  
**Max. 1.0 L per 1000 km**  
**(1 Qt. per 600 miles)**

When judging the amount of oil consumption, note that the oil may become diluted and make it difficult to accurately judge the true oil level.

As an example, if a vehicle is used for repeated short trips, and consumes a normal amount of oil, the dipstick may not show any drop in the oil level at all, even after 1000 km (600 miles) or more of driving. This is because the oil is gradually becoming diluted with fuel or moisture, making it appear that the oil level has not changed.

You should also be aware that the diluting ingredients evaporate out when the vehicle is subsequently driven at high speeds, such as on an expressway, making it appear that oil is excessively consumed after high-speed driving.

### Ignition Switch



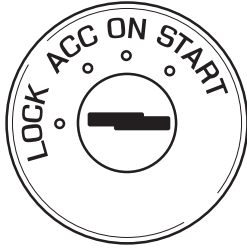
65D611

#### **⚠ WARNING**

**To avoid possible injury, do not operate controls by reaching through the steering wheel.**

## OPERATING YOUR VEHICLE

### EXAMPLE



77PH002

The ignition switch has the following four positions:

### LOCK

This is the normal parking position. It is the only position in which the key can be removed.

To release the steering lock, insert the key and turn it clockwise to one of the other positions. If you have trouble turning the key to unlock the steering, try turning the steering wheel slightly to the right or left while turning the key.

### ACC

Accessories such as the accessory socket can operate, but the engine is off.

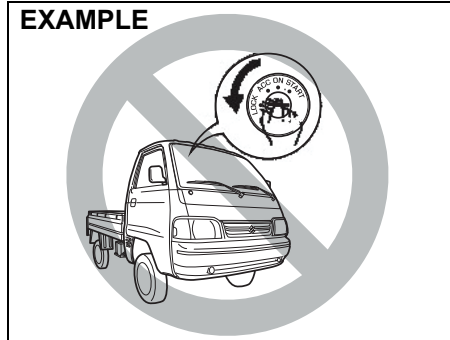
### ON

This is the normal operating position. All electrical systems are on.

### START

This is the position for starting the engine using the starter motor. The key should be released from this position as soon as the engine starts.

### EXAMPLE



82DY04

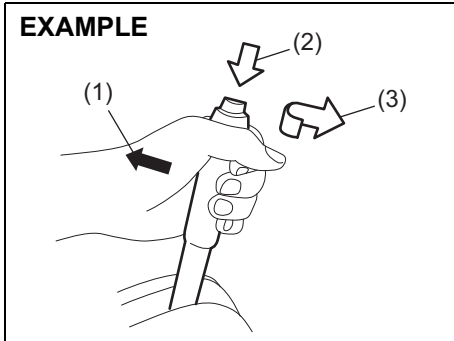
### ⚠ WARNING

- Never remove the ignition key while the vehicle is moving. The steering wheel will lock and you will not be able to steer the vehicle.
- Always remove the ignition key when leaving the vehicle even if only for a short time. Also do not leave children alone in a parked vehicle. They also could suffer from heat stroke in warm or hot weather. These could result in severe injury or even death.

### NOTICE

- Do not use the starter motor for more than 30 seconds at a time. If the engine does not start, wait 15 seconds before trying again. If the engine does not start after several attempts, check the fuel and ignition systems or consult your authorised MARUTI SUZUKI COMMERCIAL workshop.
- Do not leave the ignition switch in the "ON" position if the engine is not running as the battery will discharge.

## Parking Brake Lever



77PH030

- (1) To set
- (2) To release
- (3) To release

The parking brake lever is located between the front seats. To set the parking brake, depress the brake pedal down and pull the parking brake lever all the way up. To release the parking brake, depress the brake pedal down, pull up slightly on the parking brake lever, push the button on the end of the lever with your thumb, and lower the lever to its original position.

### ⚠ WARNING

- Never drive your vehicle with the parking brake on: rear brake effectiveness can be reduced from overheating, brake life may be shortened, or permanent brake damage may result.
- If the parking brake does not hold the vehicle securely or does not fully release, have your vehicle inspected immediately by an authorised MARUTI SUZUKI COMMERCIAL workshop.

### ⚠ WARNING

Always set the parking brake fully before leaving your vehicle or it may move, causing injury or damage. When parking, make sure the gear-shift lever is in reverse or first gear. Remember, even though the transmission is in gear, you must set the parking brake fully.

### ⚠ WARNING

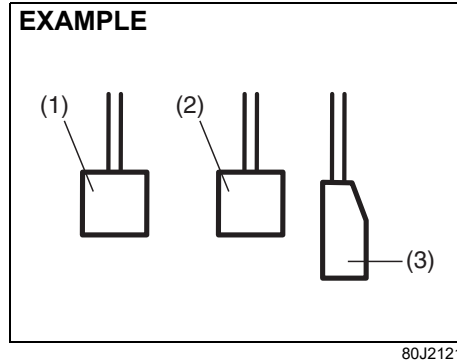
When parking the vehicle in extremely cold weather, the following procedure should be used:

- 1) Set the parking brake.
  - 2) Turn off the engine, then shift into reverse or first gear.
  - 3) Get out of the vehicle and put chocks under the wheels.
  - 4) Release the parking brake.
- When you return to your vehicle, you must remember to first set the parking brake, then remove the wheel chocks.

- Do not leave cigarette lighters, spray cans, soft drink cans or plastic articles (such as glasses, CD cases, etc.) in sun-heated vehicle. The temperature inside the vehicle may cause as follows:
  - Gas may leak from a cigarette lighter or spray can and may lead to a fire.
  - The glasses, plastic cards or CD cases, etc. may deform or crack.
  - Soft drink cans may fracture.

## OPERATING YOUR VEHICLE

### Pedal



#### Clutch Pedal (1)

The clutch pedal is used to disengage the drive to the wheels when starting the engine, stopping, or shifting the gearshift lever. Depressing the pedal disengages the clutch.

#### **⚠ WARNING**

Do not drive with your foot resting on the clutch pedal. It could result in excessive clutch wear, clutch damage, or unexpected loss of engine braking.

#### Brake Pedal (2)

Your vehicle is equipped with front disc brakes and rear drum brakes. Depressing the brake pedal applies both sets of brakes.

You may hear occasional brake squeal when you apply the brakes. This is a normal condition caused by environmental factors such as temperature, humidity, snow or dust, etc.

#### **⚠ WARNING**

If brake squeal is excessive and occurs each time the brakes are applied, you should have the brakes checked by your authorised MARUTI SUZUKI COMMERCIAL workshop.

#### **⚠ WARNING**

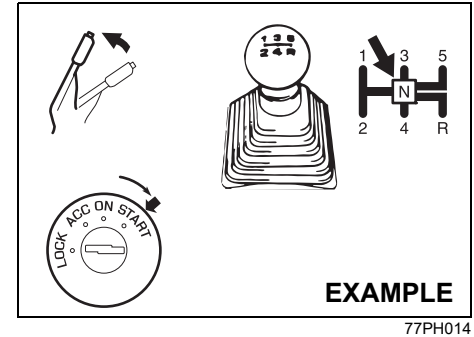
Do not ride the brakes by applying them continuously or resting your foot on the pedal. This will result in overheating of the brakes which could cause unpredictable braking action, longer stopping distances, or permanent brake damage.

#### Accelerator Pedal (3)

This pedal controls the speed of the engine. Depressing the accelerator pedal increases power output and speed.

### Starting the Engine

#### Before Starting the Engine



- 1) Make sure the parking brake is set fully.
- 2) Shift into "N" (Neutral) and depress the clutch pedal all the way to the floor. Hold the clutch pedal while starting the engine.

#### **⚠ WARNING**

Make sure that the parking brake is set fully and the transmission is in neutral before attempting to start the engine.

**Starting a Cold and Warm Engine**

With your foot off the accelerator pedal, crank the engine by turning the ignition key to "START". Release the key when the engine starts.

**CAUTION**

- Stop turning the starter immediately after the engine has started or the starter system can be damaged.
- Do not crank the engine for more than 12 seconds at a time. If the engine doesn't start on the first try, wait about 30 seconds before trying again.

If the engine does not start after 12 seconds of cranking, wait about 30 seconds, then press down the accelerator pedal to 1/3 of its travel and try cranking the engine again. Release the key and accelerator pedal when the engine starts. If the engine still does not start, try holding the accelerator pedal all the way to the floor while cranking. This should clear the engine if it is flooded.

**NOTE:**

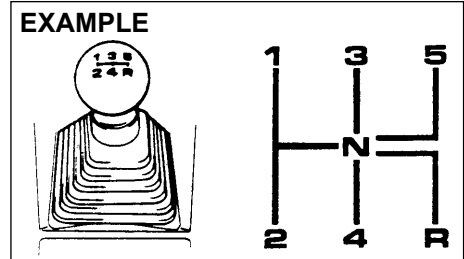
(For CNG Engine Model)

- Do not press the accelerator pedal to changeover from petrol to CNG mode.
- With ignition switch "ON" and engine not running, blinking of CNG malfunction warning lamp indicates that fuel lid is open. Vehicle will not start in this condition.

- It is always recommended to start the vehicle in AUTO MODE or PETROL MODE to enhance the engine life.
- The fuel changeover to CNG may not happen if the vehicle is started when the ambient / engine temperature is below Zero Degree Celsius. In such a case, run the engine in PETROL MODE till it warms up and then try restarting the engine to changeover to CNG.
- It is recommended to keep sufficient amount of petrol in the petrol tank.
- The vehicle may not start in Forced CNG mode if the ambient / engine temperature is below Zero Degree Celsius. It is recommended to start the vehicle in Auto mode.
- It is recommended to keep sufficient amount of petrol in the petrol tank to prevent engine stalling while automatic changeover from CNG mode to Petrol mode.
- In case the CNG malfunction warning lamp does not stop blinking after pressing the changeover switch, take the vehicle to the nearest authorised MARUTI SUZUKI COMMERCIAL workshop.

**Using the Transmission**

**Manual Transmission**



65D038

**Starting off**

To start off, depress the clutch pedal all the way to the floor and shift into 1st or 2nd gear. After releasing the parking brake, gradually release the clutch. When you hear a change in the engine's sound, slowly press the accelerator while continuing to gradually release the clutch.

**NOTE:**

- The recommended gear position for start off during normal driving is 2nd gear.
- In case of the cross country driving, crawling or loading driving that needs big driving force, shift position recommended is 1st gear.

**Shifting**

All forward gears are synchronized, which provides for quiet and easy shifting. Always push in the clutch pedal fully before shifting gears.

## OPERATING YOUR VEHICLE

### Downshifting maximum allowable speeds (For Petrol Model)

Downshifting	km/h
2nd to 1st	10
3rd to 2nd	65
4th to 3rd	100
5th to 4th	140*

### Downshifting maximum allowable speeds (For CNG Model)

Downshifting	km/h
2nd to 1st	10
3rd to 2nd	55
4th to 3rd	90
5th to 4th	125*

**\*NOTE:**

You may not accelerate to the maximum allowable speed because of the driving situation and/or the vehicle condition.

#### **NOTICE**

When downshifting to a lower gear, make sure not to downshift at the speed faster than the maximum allowable speeds, or severe engine damage can result.

#### **⚠ WARNING**

- Reduce your speed and downshift to a lower gear before going down a long or steep hill. A lower gear will allow the engine to provide braking. Avoid riding the brakes or they may overheat, resulting in brake failure.
- When driving on slippery roads, be sure to slow down before downshifting. Excessive and or sudden changes in engine speed may cause loss of traction, which could cause you to lose control.

#### **NOTICE**

- To help avoid clutch damage, do not use the clutch pedal as a footrest while driving or use the clutch to keep the vehicle stationary on a slope. Depress the clutch fully when shifting.
- When shifting or starting off, do not race the engine. Racing the engine can shorten engine life and affect smooth shifting.

#### **NOTICE**

Before engaging reverse gear "R", check that the vehicle is completely stationary and gear lever is in neutral [N] position. After depressing clutch pedal fully, shift to [R].

**NOTE:**

If it is difficult to engage reverse gear "R", follow below procedure:-

1. Put gear lever in neutral "N".
2. Release the clutch pedal once.
3. Again depress the clutch pedal, and shift from "N" to "R".

## Parking Sensors

- The parking sensor system uses ultrasonic sensors to detect obstacles near the rear bumper. If obstacles are sensed while you are parking or moving the vehicle slowly, the system warns you by sounding a buzzer.
- The system emits an ultrasonic wave and the relevant sensor detects the return of the wave reflected by an obstacle. The system measures the time taken by the ultrasonic wave to reach the obstacle and return from it, from which it determines the obstacle's position.
- The parking sensor function can be used when you turn the ignition switch to "ON" position and the gearshift lever is in the "R" position. This function is helpful in the following cases: pulling over to the curb; parallel parking the vehicle; steering the vehicle into a garage; driving along an alley; and moving slowly in a place with obstacles.

**⚠ WARNING**

- **The parking sensor warns you of obstacles with buzzers. However, you still have to drive with particular care.**
- **The sensors can detect obstacles only within a limited area and only when the vehicle is moving within a limited speed range. So, in tricky areas, you must move the vehicle slowly while checking around it using your direct vision or rearview mirrors. There is increased risk of an accident if you control the vehicle relying only on the parking sensor.**

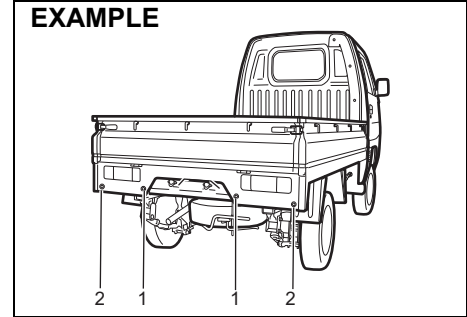
*NOTE:*  
When the gearshift lever is shifted to the "R" position, a buzzer will sound once.

**NOTICE**

**Parking sensors are only for driver's assistance.**

## Sensor locations

On rear bumper



- (1) Rear center sensors (2 places)
- (2) Rear corner sensors (2 places)

**NOTICE**

- **Avoid hitting the sensor areas or directing the nozzle of a high-pressure car washer onto the sensor areas. Otherwise, the sensors may be damaged.**
- **If the bumper hits a hard object, the sensors on it may not work properly. If this occurs, have the sensors inspected by a Maruti Suzuki authorised workshop.**



## OPERATING YOUR VEHICLE

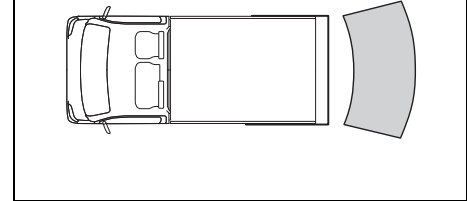
### Working sensors

The sensors work depending on the gearshift lever position as follows:

Gearshift lever position	R	N, 1st – 5th
Rear sensors	On	Off

### Approximate areas where obstacles can be detected

#### EXAMPLE



78MM05003

- An obstacle within about 20 cm (8 in) from a sensor or just below a sensor is not detectable.

The sensors can detect an obstacles such as wall up to about 1.8 m (6 ft) from the rear of vehicle.

**⚠ WARNING**

Under the following conditions, the parking sensor system may not work normally because the sensors cannot detect obstacles correctly.

- Sensors are covered with mud, ice or other materials. (Such materials must be removed for normal operation.)
- Sensors are wet from water splashes or heavy rain.
- Sensors are covered by a hand, sticker, accessory, etc.
- There is an accessory or other object attached within the sensor's sensing area.
- Items such as tow hooks, commercially available corner poles, radio antenna, etc. are installed on the bumper.
- The height of the bumper is changed due to alteration to the suspension or other causes.
- The sensor areas are extremely hot from direct sunlight or cold due to freezing weather.
- The vehicle is on a rough surface, slope, gravel road or grass field.
- The vehicle is at a steep angle.

(Continued)

**⚠ WARNING**

(Continued)

- Sensors have intercepted ultrasonic noise from another vehicle's horn, engine, air braking system (large vehicles), or parking sensor.
- Obstacles are too close to the sensors.
- Sensors are at an angle to a highly reflective object such as glass. (Ultrasonic waves are not reflected back from the obstacle.)
- Sensors may not be able to correctly detect the following types of obstacles:
  - Objects made of a thin material such as wire netting and ropes
  - Square-shaped curbstones or other objects with sharp edges
  - Tall objects with a large upper part such as a road sign
  - Low-profile objects such as curbstones
  - Sound-absorbing objects such as cotton and snow

**NOTE:**

*Thin poles or obstacles lower than the sensors may become undetectable as the vehicle moves closer to them even if they have been detected from longer distances.*

- *The system may calculate the distance to a road sign or similar obstacle to be shorter than the actual distance.*

**Obstacle indication by parking sensor**

Upon detecting an obstacle, the parking sensor causes an interior buzzer to sound.

- A buzzer located behind the rear seat sounds when a sensor at the rear detects an obstacle.
- Warnings when obstacles such as wall are detected by sensors

Distance (approx.)	Buzzer
100-180 cm	Short beeps at long intervals
80-100 cm	Short beeps at short intervals
70-80 cm	Short beeps at very short intervals
Less than 70 cm	Continuous beep

**Warning and indicator messages**

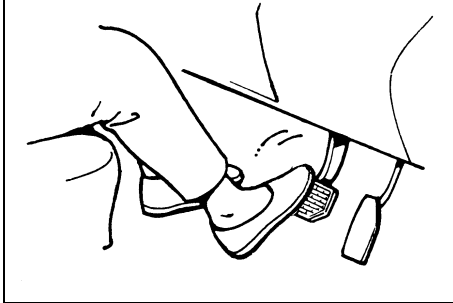
If there is a problem or warning regarding the parking sensor system, a buzzer informs it. Follow below instruction.

The buzzer sounds for some time and then stops. The sensor may be contaminated. Wipe it clean with a soft cloth. If the same issue ( Buzzer sounds and stops ) persists after ignition mode turned OFF to ON, there may be problem with the parking sensor system. Have your vehicle inspected by a Maruti Suzuki authorized workshop.

## OPERATING YOUR VEHICLE

### Braking

#### EXAMPLE



60G165S

The distance needed to bring any vehicle to a halt increases with the speed of the vehicle. The braking distance needed, for example, at 60 km/h will be approximately 4 times greater than the braking distance needed at 30 km/h. Start to brake the vehicle when there is plenty of distance between your vehicle and the stopping point, and slow down gradually.

#### ⚠ WARNING

If water gets into the brake devices, brake performance may become poor and unpredictable. After driving through water or washing the underside of the vehicle, test the brakes while driving at a slow speed to see if they have maintained their normal effectiveness. If the brakes are less effective than normal, dry them by repeatedly applying the brakes while driving slowly until the brakes have regained their normal effectiveness.

#### NOTE:

*While braking you may hear operational noise due to friction between brake disc/drum and brake lining. This is a normal phenomenon and does not indicate any abnormality or affect normal functioning of the vehicle.*

#### Power-Assisted Brakes

Your vehicle has power-assisted brakes. If power assistance is lost due to a stalled engine or other failures, the system is still fully operational on reserve power and you can bring the vehicle to a complete stop by pressing the brake pedal once and holding it down. The reserve power is partly used up when you depress the brake pedal and reduces each time the pedal is pressed. Apply smooth and even pressure to the pedal. Do not pump the pedal.

#### ⚠ WARNING

Even without reserve power in the brake system, you can still stop the vehicle by pressing the brake pedal harder than normally required. However, the stopping distance may be longer.

#### Brake Assist System

When you slam the brakes on, the brake assist system determines it to be an emergency stop and provides more powerful braking for a driver who cannot hold down the brake pedal firmly.

#### NOTE:

*During brake pedal application & release, you may hear some operational noise owing to activation and functioning of components in the brake system. This is a normal phenomenon and does not indicate any abnormality or malfunction. Also, it does not affect the brake function.*

### Anti-Lock Brake System (ABS) (if equipped)

ABS will help you avoid skidding by electronically controlling braking pressure. It will also help you maintain steering control when braking on slippery surfaces or when braking hard.

The ABS works automatically, so you do not need any special braking technique. Just push the brake pedal down without pumping. The ABS will operate whenever it senses that the wheels are locking up. You may feel the brake pedal move a little while the ABS is operating.

#### WARNING

- Always check the surrounding conditions and drive the vehicle in a safe manner, as controlling the vehicle by ABS has limits and the system may not function properly depending on the surrounding conditions.
- If tyre grip performance is over the limit or hydroplaning occurs, ABS cannot work properly.

#### NOTE:

- If the ABS system is activated, you may hear a clunking noise and/or feel pulsating in the brake pedal. This is normal and indicates that the brake fluid pressure is being controlled properly.

- You may hear an operation sound when you start the engine or after the vehicle begins to move. This means that the above systems are in the self-check mode. This sound does not indicate a malfunction.

### Braking Distance

ABS is not designed to shorten the stopping distance.

#### WARNING

- In the following situations, the braking distance required for a vehicle with ABS may be slightly greater than the one required for a vehicle without ABS, resulting in an accident. Drive the vehicle slowly and maintain ample distance between your vehicle and the vehicle in front of you.
  - When driving on rough roads such as unpaved or stone-paved roads
  - When driving on gravel roads or fresh snow roads
  - When driving over bumps on the roads such as joint seams
  - When passing over metal plates such as manholes
  - When snow chains are installed

#### NOTE:

- When applying sudden brake or applying brake on slippery roads, the braking distance required for a vehicle with ABS is almost the same as the one required for a vehicle without ABS.
- If you would like to suddenly apply brake, just push the brake pedal down firmly without pumping. Otherwise, the longer braking distance will be required.
- The ABS will not work if vehicle speed is under about 9 km/h. This depends on the road conditions.

### Vibration and Sound during ABS Operation

When strongly depressing the brake pedal, you might feel vibration of the brake pedal, the steering wheel, and the vehicle body. This is due to ABS operation, and does not indicate a malfunction; continue strongly depressing the brake pedal at this time.

#### NOTE:

Immediately after starting the engine and beginning to drive, you might temporarily hear a motor sound. This means that the systems are in self-check mode. This sound does not indicate a malfunction.

## OPERATING YOUR VEHICLE

### Tyres

#### **⚠ WARNING**

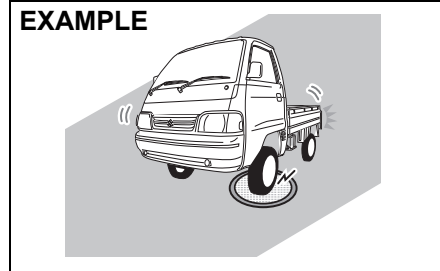
ABS detects each wheel rotation speed via a sensor. If tyres or wheels other than those specified in the owner's manual are used for size, type, tread pattern, or if worn conditions of tyres are different, the correct wheel rotation speed cannot be detected and ABS will not work properly. This may result in an accident. When replacing tyres, use the tyres with the size, type, and tread patterns which are specified in this owner's manual.

Also, do not use the tyres which are excessively worn.

### Situations where ABS may Activate by Chance when Applying Brake

- When driving on slippery roads

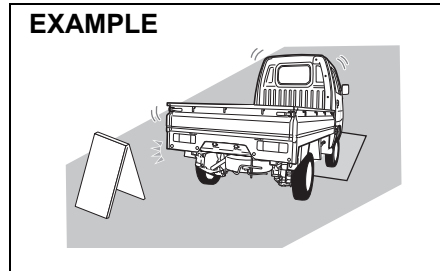
#### EXAMPLE



78MM05002

- Manholes

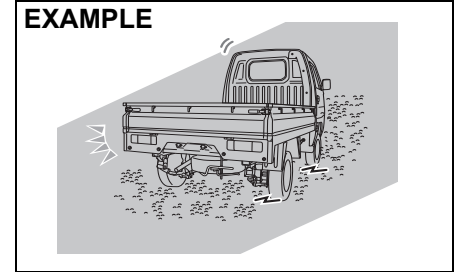
#### EXAMPLE



78MM05006

- Metal plates in construction zones

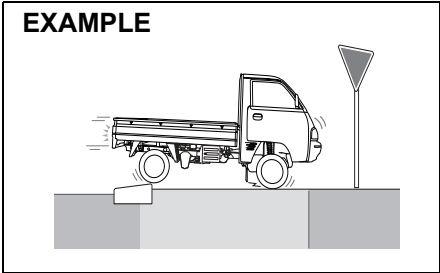
#### EXAMPLE



78MM05004

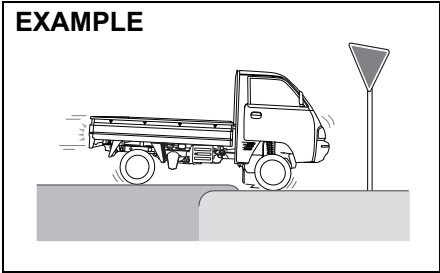
- Gravel roads

- When driving over joints in roads and other height differences



78MM05007

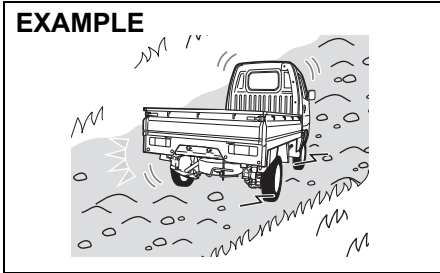
– Joints in roads



78MM05005

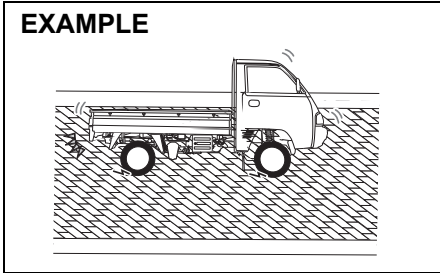
– Height differences in roads

- When driving on rough roads



78MM05008

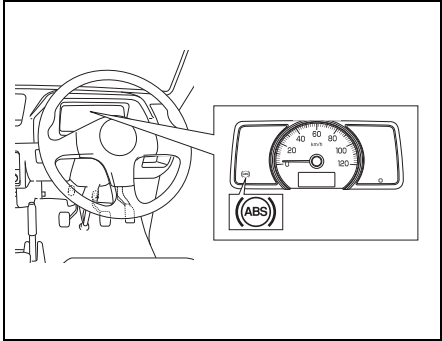
– Bumpy roads



78MM05009

– Cobblestone

### ABS Warning Light



78MM05010

If there is a problem in the ABS system with the ignition switch in “ON” position, this light will come on.

### Braking Assist

This function assists you in applying more force when operating the brake. When sudden braking is applied, the time until the ABS comes into full effect is shortened.

- If you do not depress the brake pedal firmly, braking assist will not operate.
- Brake assist is not a device that provides control beyond the original braking performance.

## OPERATING YOUR VEHICLE

### Electronic stability program (ESP®) (if equipped)

ESP® is a registered trademark of Daimler AG.

The Electronic Stability Program (ESP®) helps to control the vehicle during cornering if front wheels or rear wheels skid. It also assists you in maintaining traction while accelerating on loose or slippery road surfaces. It does this by regulating the engine's output, and by selectively applying the brakes. In addition, ESP® helps to avoid skidding by controlling braking pressure.

#### WARNING

**The ESP® cannot enhance the vehicle's driving stability in all situations and does not control your vehicle's entire braking system. The ESP® cannot prevent accidents, including those resulting from excessive speed in turns, or hydroplaning. Only safe and attentive drive can prevent accidents.**

**The capabilities of an ESP®-equipped vehicle must never be used as a substitute for careful driving.**

The ESP® has the following systems:

#### Anti-lock Brake System (ABS)

Refer to "Anti-lock Brake System (ABS)" in this section.

#### Brake Assist System

Refer to "Brake Assist System" in this section.

#### Traction Control System

The traction control system automatically helps prevent the spinning of wheels when the vehicle is started or accelerated on slippery road surfaces. The system operates only if it senses that some of the wheels are spinning or beginning to lose traction. When this happens, the system operates the front or rear brakes and reduces engine power to limit wheel spin.

#### NOTE:

*You may hear an operation sound when you start the engine or after the vehicle begins to move. This means that the above systems are in the self-check mode. This sound does not indicate a malfunction.*

#### Stability control system

The vehicle stability control system helps provide integrated control of systems such as anti-lock brakes, traction control, engine control, etc. This system automatically controls the brakes and engine to help prevent the vehicle from skidding when cornering on a slippery road surface or when turning the steering wheel abruptly.

#### WARNING

**Always check the surrounding conditions and drive the vehicle in a safe manner, as controlling the vehicle by ESP® has limits and ESP® may not function properly depending on the surrounding conditions.**

#### CAUTION

- **Observe the following points. Otherwise, ESP® may not operate properly or it may result in a malfunction.**
  - **Adjust the tyre pressure as specified.**
  - **When replacing tyres, use the same tyres with the size, type, and tread patterns.**
  - **Do not use the tyres which have excessively worn conditions.**
  - **Do not modify the suspension or the brake and do not change vehicle height or suspension hardness.**
  - **Do not drive the vehicle with suspension or brake excessively deteriorated.**
  - **Do not modify the engine or the muffler.**

(Continued)

**▲ CAUTION**

(Continued)

- Do not install LSD (limited slip differential).
- When you install the snow chains, ESP® may not operate properly.

**NOTE:**

- If you perform the following operations, you may hear an operation sound or a clicking sound. This means that the ESP® system is in the self-check mode and this does not indicate a malfunction.
  - When ignition switch is turned to the "ON" position.
  - When releasing your foot from the brake pedal, after the ignition switch is in "ON" position.
  - When starting the engine
  - When starting the vehicle after starting the engine
  - When engine revolutions is high and ESP® operates, you may feel the change of engine revolutions or vibration of vehicle body. However, this is normal.

**ESP® warning light (if equipped)**

**EXAMPLE**



56RM03011

- If there is a problem in the ESP® system with the ignition switch in "ON" position, this light will come on. While this light comes on, the following situations will occur. In this case, ask a Maruti Suzuki authorised workshop for inspection.
  - The following functions will not work:
    - Traction control system
    - Stability control system
  - ABS will work.
  - Depending on the malfunction condition, brake assist system may not work.
- If any of the following situations occurs, this light will blink at very short intervals of 0.2 seconds.
  - Traction control system is activated when starting or accelerating the vehicle
  - Stability control system is activated when making a sharp turn or whirling round.

- If the system is in normal condition, when you turn the ignition switch to "ON" position, this light will come on for about 2 seconds and then come off.

**▲ CAUTION**

**If this light blinks at very short intervals, there is high possibility that the vehicle will be stuck or skid on a slippery road surface. In this case, drive the vehicle very carefully.**

**NOTE:**

*While this light comes on, traction control system and stability control system will not be activated. However, you can use ABS.*



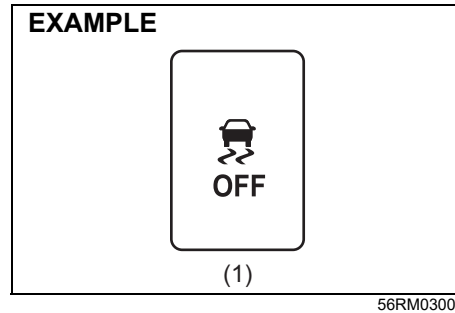
## OPERATING YOUR VEHICLE

### ESP® OFF indicator light (if equipped)



- If you press and hold the ESP® OFF switch with the ignition switch is in “ON” position or the ignition mode is “ON”, this light will come on.
  - While this light comes on, traction control system and stability control system will not work.
- If the system is in normal condition, when you turn the ignition switch to “ON” position, this light will come on for about 2 seconds and then come off.

### ESP® OFF switch (if equipped)



(1) ESP® OFF switch

- In the following situation, keep pressing the ESP® OFF switch until the ESP® OFF indicator light in the instrument cluster comes on. Traction control system and stability control system will not work.
  - When placing the vehicle on the tester for automobile inspection, traction control system and stability control system needs to be deactivated.
  - If your vehicle is stuck and you try to get out of the stuck condition, traction control system may not be suitable.
- If you perform the following operations, the ESP® OFF indicator light will come off. Also, traction control system and stability control system will return to be in the activated condition.
  - Pressing the ESP® OFF switch again

- Stopping the engine and then restarting the engine
- When the vehicle speed exceeds approximately 20 km/h.

- If you would like to perform normal driving after escaping from the stuck condition, press the ESP® OFF switch again. This will allow the ESP® OFF indicator light to come off and the vehicle will return to the original condition. Traction control system and stability control system will not be activated automatically. (except when stopping the engine and then restarting the engine) or When the vehicle speed exceeds approximately 20 km/h.

#### NOTE:

*For safety reasons, even if you press the ESP® OFF switch, ABS and brake assist system will not be deactivated.*

### ABS warning light / brake system warning light

Refer to “Braking” in this section.

## DRIVING TIPS

Running-in .....	4-1
Catalytic Converter .....	4-1
Improving Fuel Economy .....	4-2
Highway Driving .....	4-3
Driving on Hills .....	4-3
Driving on Slippery Roads .....	4-4
Driving on Wet Roads .....	4-5
Do's and Dont's for Safe Driving .....	4-6
Margin for Safety .....	4-7

## DRIVING TIPS

### EXAMPLE



52D078S

### ⚠ WARNING

- **WEAR YOUR SEAT BELTS AT ALL TIMES.** The driver and passenger should be properly restrained at all times, using the seat belts provided. Refer to the “Seat Belts” section for instructions on proper use of the seat belts.
- **Never drive while under the influence of alcohol or other drugs.** Alcohol and drugs can seriously impair your ability to drive safely, greatly increasing the risk of injury to yourself and others. You should also avoid driving when you are tired, sick, irritated, or under stress.

## Running-in

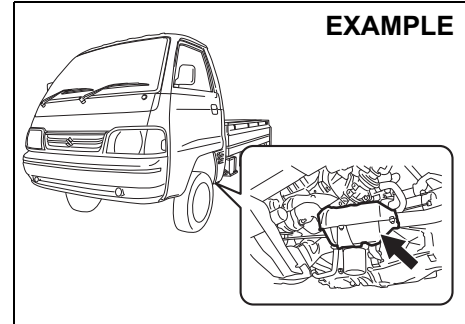
### NOTICE

The future performance and reliability of the engine depends on the care and restraint exercised during its early life. It is especially important to observe the following precautions during the initial 960 km of vehicle operation.

- After starting, do not race the engine. Warm it up gradually.
- Avoid prolonged vehicle operation at a constant speed. Moving parts will break in better if you vary your speed.
- Start off from a stop slowly. Avoid full throttle starts.
- Avoid hard braking, especially during the first 320 km of driving.
- Do not drive slowly with the transmission in a high gear.
- Drive the vehicle at moderate engine speeds.
- Do not tow a trailer.

## Catalytic Converter

### EXAMPLE



77PH201

The purpose of the catalytic converter is to minimize the amount of harmful pollutants in your vehicle's exhaust. Use of leaded fuel in vehicles equipped with catalytic converters is prohibited, because lead deactivates the pollutant-reducing components of the catalyst system.

The converter is designed to last the life of the vehicle under normal usage and when unleaded fuel is used. No special maintenance is required on the converter. However, it is very important to keep the engine properly tuned. Engine misfiring, which can result from an improperly tuned engine, may cause overheating of the catalyst. This may result in permanent heat damage to the catalyst and other vehicle components.

**NOTICE**

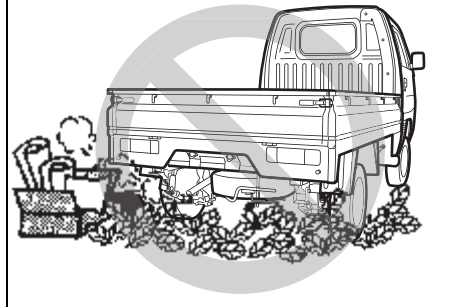
To avoid damaging catalyst or other vehicle damage:

- Maintain the engine in the proper operating condition.
- In the event of an engine malfunction, particularly one involving engine misfiring or other apparent loss of performance, have the vehicle serviced promptly.
- Do not turn off the engine or interrupt the ignition when the transmission is in gear and the vehicle is in motion.
- Do not try to start the engine by pushing or towing the vehicle, or coasting down a hill.
- Do not idle the engine with any spark plug wires disconnected or removed, such as during diagnostic testing.
- Do not idle the vehicle for prolonged periods if idling seems rough or there are other malfunctions.
- Do not allow the fuel tank to get near the empty level.
- Avoid driving your vehicle at excessively high engine speed.

**⚠ WARNING**

Be careful in areas where you park and drive; the catalytic converter and other exhaust components can get very hot. As with any vehicle, do not park or operate this vehicle in areas where combustible materials such as dry grass or leaves can come in contact with a hot exhaust system.

**EXAMPLE**



82DY05

**NOTE:**

*Non-usage of vehicle for long duration may cause gradual rusting of brake disc surface as it is made of cast iron. This may result in noise/vibration. This same has no bearing on functioning of the vehicle. Regular driving of vehicle may prevent/remove rust, thus reducing the noise and vibration.*

**Improving Fuel Economy**

**NOTE:**

*Fuel economy (mileage) of the vehicle may vary due to several factors i.e., driving habits - gear change pattern, usage of A.C, Air pressure in the tyres, wind speed, traffic conditions, fuel quality- non adulterated standard fuel, maintenance of vehicle, road conditions, braking etc.*

The following instructions will help you improve fuel economy.

**Avoid excessive idling**

If you are to wait for more than a minute while you are parked, stop the engine and start it again later. When warming up a cold engine, do not allow the engine to idle or apply full throttle until the engine has reached operating temperature. Allow the engine to warm up while driving.

**Avoid sudden acceleration**

Sudden acceleration starting from rest or while driving will consume fuel unnecessarily and shorten engine life. Start off slowly.

**Avoid unnecessary stops**

Avoid unnecessary deceleration and stopping. Try to maintain a slow, steady speed whenever possible. Slowing down and then accelerating again uses more fuel.

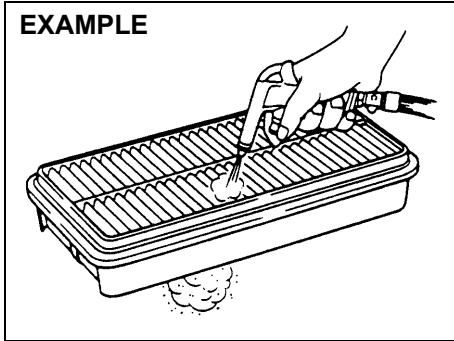
**Keep a steady cruising speed**

Keep as constant a speed as road and traffic conditions will permit.

## DRIVING TIPS

### Keep the air cleaner clean

#### EXAMPLE



60A183S

If the air cleaner is clogged with dust, there will be greater intake resistance, resulting in decreased power output and increased fuel consumption.

#### Keep weight to a minimum

Heavier the load, more fuel the vehicle consumes. Take out any luggage or cargo when it is not necessary.

#### Keep tyre pressures correct

Underinflation of the tyres can waste fuel due to increased running resistance of the tyres. Keep your tyres inflated to the correct pressure shown on the label on the driver's door lock pillar.

## Highway Driving

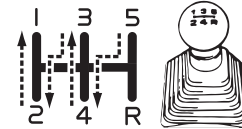
When driving at highway speeds, pay attention to the following:

- Stopping distance progressively increases with vehicle speed. Apply the brakes far enough ahead of the stopping point to allow for the extra stopping distance.
- On rainy days, hydroplaning can occur. Hydroplaning is the loss of direct contact between the road surface and the vehicle's tyres due to a water film forming between them. Steering or braking the vehicle while hydroplaning can be very difficult, and loss of control can occur. Keep speed down when the road surface is wet.
- At high speeds, the vehicle may be affected by side winds. Therefore, reduce speed and be prepared for unexpected buffeting, which can occur at the exits of tunnels, when passing by a cut of a hill, or when being overtaken by large vehicles, etc.

## Driving on Hills

- When climbing steep hills, the vehicle may begin to slow down and show a lack of power. If this happens, you should shift to a lower gear so that the engine will again be operating in its normal power range. Shift rapidly to prevent the vehicle from losing momentum.
- When driving down a hill, the engine should be used for braking by shifting into a lower gear.

#### EXAMPLE



77PH003

#### ⚠ WARNING

Try not to hold the brake pedal down too long or too often while going down a steep or long hill. This could cause the brakes to overheat, resulting in reduced braking efficiency. Failure to take this precaution could result in loss of vehicle control.

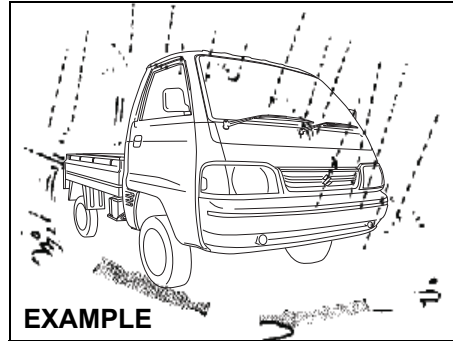
**While moving uphill/gradient from a stand still condition**

- Apply the parking brake firmly so that the vehicle does not roll backwards.
- Depress the Clutch pedal and Shift the gearshift lever to 1<sup>st</sup> Select position.
- Do not slip the clutch.
- When ready to start, press accelerator pedal and slowly release the clutch pedal simultaneously. When the vehicle starts to move, gradually release the parking brake.

**NOTICE**

When descending down a hill, **NEVER** turn the ignition key to the "LOCK" position. Emission control system damage may result.

**Driving on Slippery Roads**



82DY06

Under wet road conditions you should drive at a lower speed than on dry roads due to possible slippage of tyres during braking. When driving on icy, snow-covered, or muddy roads, reduce your speed and avoid sudden acceleration, abrupt braking, or sharp steering movements.

**If Your Vehicle Gets Stuck**

If your vehicle gets stuck in snow, mud, or sand, follow the directions below:

- 1) Shift the transmission back and forth between first gear and reverse. This will create a rocking motion which may give you enough momentum to free the vehicle. Press gently on the accelerator to keep wheel spinning to a minimum wheel rpm. Remove your foot from the accelerator while shifting.

Do not race the engine. Excessive wheel spin will cause the tyres to dig deeper, making it more difficult to free the vehicle.

- 2) If your vehicle remains stuck after a few minutes of rocking, get another vehicle to pull your vehicle out.

**⚠ WARNING**

**Do not allow anyone to stand near the vehicle when you are rocking it, and do not spin the wheels faster than an indicated 40 km/h on the speedometer. Personal injury and/or vehicle damage may result from spinning the wheels too fast.**

**NOTICE**

**Do not continue rocking the vehicle for more than a few minutes. Prolonged rocking can cause engine overheating or transmission damage.**

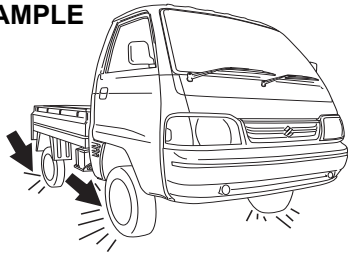
## DRIVING TIPS

### Driving on Wet Roads

#### NOTICE

- When driving on wet roads, avoid driving through large amount of standing water on the road. Large amount of water entering the engine compartment may cause damage to the engine and or electrical components.
- If stuck in deep water, do not start till water level drops.
- Water is incompressible substance, water inside engine is harmful to the engine.

#### EXAMPLE



82DY07

#### ⚠ WARNING

In addition to following the driving tips in this section, it is important to observe the following precautions.

- Make sure your tyres are in good condition and always maintain the specified tyre pressure. Refer to “Tyres” in the “INSPECTION AND MAINTENANCE” section for details.
- Do not use tyres other than those specified by MARUTI SUZUKI. Never use different sizes or types of tyres on the front and rear wheels. For information regarding the specified tyres, refer to the Tyre Information Label located on the driver's door lock pillar.
- Never use oversized tyres or special shock absorbers and springs to raise (jack up) your vehicle. This will change the handling characteristics. Oversized tyres may also rub against the vehicle body over bumps, causing vehicle damage or tyre failure.
- After driving through water, test the brakes while driving at a slow speed to see if they have maintained their normal effectiveness. If they are less effective than normal, dry them by repeatedly applying the brakes while driving slowly until the brakes have regained their normal effectiveness.

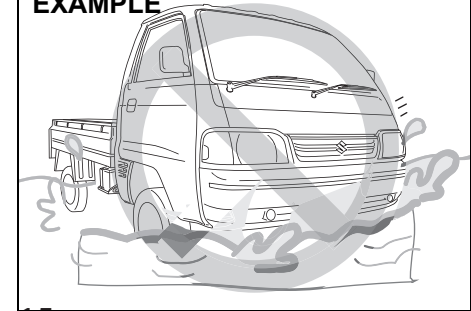
### Off-road Driving

**Do not drive in the field covered with grown grass.**

If you drive in the field covered with grass, it may cause accident or fire or vehicle damage by getting caught in grown grass.

### When Encountering a Flooded Area

#### EXAMPLE



77PM04011

Avoid driving in a flooded area or a deep puddle. If driving in a flooded area is unavoidable, go slowly in the lowest gear. In case that you have driven in a flooded area, stop the vehicle in a safe and non flooded place while checking the brake effectiveness. Then, ask a Maruti Suzuki authorised workshop to check the following inspection items.

- Function of brake
- Function of electrical components

- Changes in oil level and quality for engine and transmission. In case that the oil is turbid whitish, water has been mixed in the oil and an oil change is required.
- Lubricant condition of the bearings, suspension joints, etc.

**NOTICE**

- **Avoid driving in a flooded area or a deep puddle. It may cause an engine stall, short in electrical components, engine and transmission damages, etc.**
- **If the vehicle gets stuck in deep water do not start the engine.**

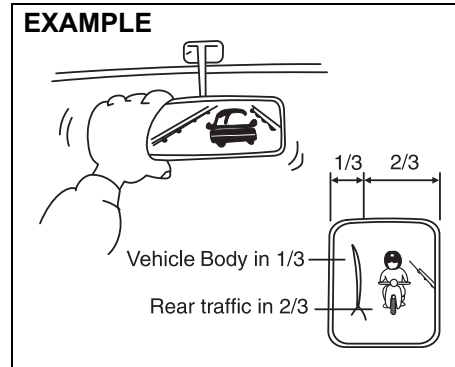
**Do's and Dont's for Safe Driving**

Exercise care in handling your vehicle. Be conscious of not only your own safety but also the safety of others on the road, and thus enjoy the best and most comfortable driving experience.

Following are basic rules for safe driving. Read them carefully for good understanding of the content so that you can enjoy safe and pleasant driving in your vehicle.

**Starting**

- 1) Adjust the driver's seat for the proper driving posture.
- 2) Adjust the rear view mirror so as to obtain the best possible rear view.



77PM04002

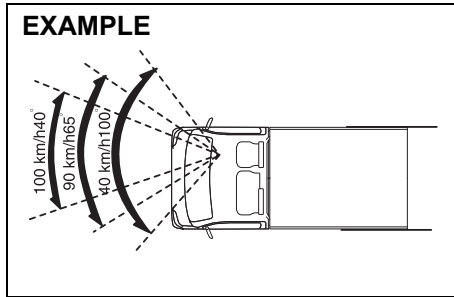
- 3) Before moving, look around your vehicle to confirm safety.
- 4) Don't accelerate suddenly, since it is dangerous and wastes fuel.

**General driving**

- 1) Be sure to stop before a stop light or stop sign. When moving into an intersection without any traffic lights or signs, drive slowly to confirm safety.
- 2) Always follow other vehicles at a safe distance in order to prevent a rear-end collision, in case the vehicle ahead makes a sudden stop.
- 3) Turn ON the turn signal at least 30 meters before making a turn or changing the lane so as to not be hit.
- 4) Before entering a corner, decelerate to a safe speed. Don't apply brakes during cornering, or skidding may occur.
- 5) When overtaking other vehicles, watch out for oncoming vehicles and carefully ensure safety.
- 6) Don't attempt zigzag driving as it will hinder your control over the vehicle and may cause an accident.
- 7) Avoid reckless high speed driving and try to drive at a safe speed suitable for the road conditions while maintaining a constant speed.
- 8) The higher the speed, the narrower the driver's visual range becomes. In such a state, it is difficult to anticipate any hazard and the driver feels fatigued.



## DRIVING TIPS



77PM04001

- 9) Do not attempt sharp handling during high speed driving. You may lose your control over your vehicle.
- 10) When overtaking or changing lanes while driving at a high speed, keep ample vehicle-to-vehicle distance.

### Braking

- 1) Use the parking brake when parking your vehicle and shift the gear shift lever into the first gear or reverse gear position for the sake of safety.
- 2) Don't use hand-braking unless unavoidable. It causes the vehicle to skid and a collision may occur. It is especially dangerous when the tyres are worn out as they skid more.

Use foot brake in three stages

1. Warn the vehicle behind you
2. Gradually apply the brake.
3. Bring the vehicle to a halt.

- 3) When driving downhill, try not to apply the brake but use the engine brake effectively. Overuse of the foot-brake may result in reduction of brake effectiveness.

### Long distance driving

- 1) Be sure to perform safety checks before starting a trip.
- 2) Take rest at regular intervals to prevent accidents which may occur due to feeling sleepy or tired.

### Night time driving

- 1) Drive at lower speeds during the night than in the daytime, as the visual range is restricted at night.
- 2) Avoid overtaking other vehicles at night. Darkness bothers your sense of speed and hinders your judgment of vehicle-to-vehicle distance.
- 3) Don't use headlights on high beam unless its use is inevitable. It may cause visual impairment to the driver of the oncoming vehicle or the vehicle ahead of you, which may cause an accident.
- 4) Always keep the window glasses clean. Don't operate the windshield wiper when the windshield glass is dry else the wiper blade and glass may get damaged.

## Margin for Safety

It is important to allow yourself a margin for safety during driving so that you can cope with erroneous or unexpected driving of other drivers. For that, observe the following.

- Drive at a safe speed.
- Maintain a sufficient distance between your vehicle and the vehicle ahead.
- Don't force yourself to overtake other vehicles.
- Don't accelerate suddenly, steer sharply or stop suddenly.
- Keep ample gaps between driving schedules.
- Observe traffic rules and regulations.

### Conclusion

A perfect driver does not exist. The endeavour of every motorist should be to strive for perfection. Safety consciousness not only ensures your safety and the safety of other road users, it also helps reduce the wear and tear on your vehicle, lengthens its life, gives better fuel efficiency and ensures a comfortable driving experience.

**Follow the do's and don'ts listed, and driving will never be the same again.**

**OTHER CONTROLS AND EQUIPMENT**

Fuel Filler Cap ..... 5-1  
Engine Compartment ..... 5-3  
Sun Visor ..... 5-4  
Interior Light ..... 5-5  
Accessory Socket ..... 5-5  
Glove Box ..... 5-5  
Storage Area ..... 5-6  
Air Vent ..... 5-6  
Frame Hook ..... 5-7  
Assist Grip ..... 5-7

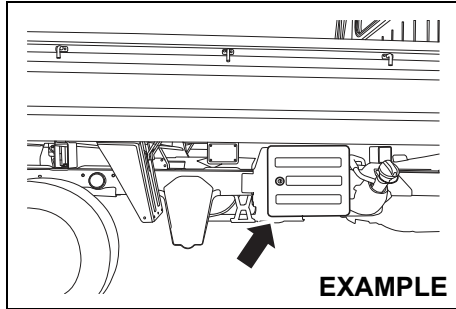
## OTHER CONTROLS AND EQUIPMENT

### Fuel Filler Cap

(For Petrol and CNG Engine Model)

#### CNG filler valve

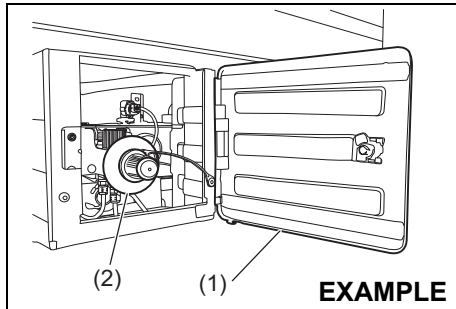
(For CNG engine model)



**EXAMPLE**

77PM05003

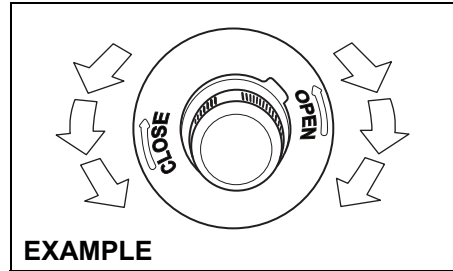
The CNG filler valve is located on the right side of the vehicle.



**EXAMPLE**

77PM05001

To unlock CNG filler door (1), insert the key and turn top of the key towards front of the vehicle.

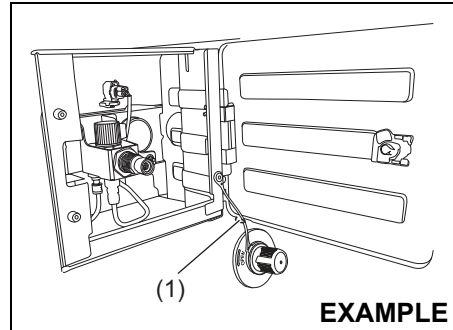


**EXAMPLE**

77PM05005

To remove the CNG filler valve cover:

- 1) Open the CNG filler door (1).
- 2) Remove the CNG filler valve cover (2) by turning it anticlockwise direction.



**EXAMPLE**

77PM05006

**NOTE:**

*If the fuel filler door is equipped with the cap holder (3), then use the cap holder to hold fuel filler cap while refueling.*

Filling automatically gets cut off when the cylinder pressure becomes equal to dispenser pressure.

To reinstall the CNG filler valve cover:

- 1) Turn the CNG filler valve cover (2) clockwise direction until its completely closed.
- 2) Close the CNG filler door (1).

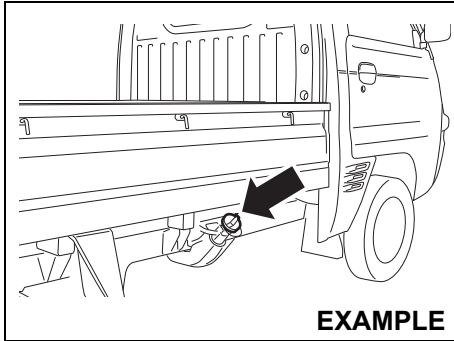
**NOTE:**

- *If the CNG filler cover (2) is not closed properly, you will not be able to start the vehicle.*
- *Engine will stop if the CNG filler cover (2) is opened in vehicle stationary condition.*

**NOTE:**

*During vehicle operation gravels may enter the CNG filler box. Remove whenever observed.*

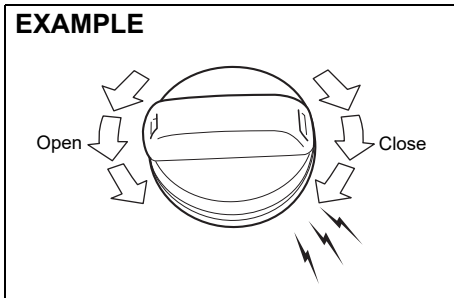
**Petrol filling cap  
(For Petrol engine model)**



**EXAMPLE**

77PH031

The fuel filler cap is located on the right side of the vehicle.



68KN048

To remove the fuel filler cap, turn it counterclockwise. To reinstall the fuel filler cap, turn it in clockwise direction until you hear several clicks.

**⚠ CAUTION**

Remove the fuel filler cap slowly. The fuel may be under pressure and may spray out, causing injury.

**⚠ WARNING**

Fuel is extremely flammable. Do not smoke when refueling, and make sure there are no open flames or sparks in the area.

**⚠ WARNING**

If you need to replace the fuel cap, use a MARUTI genuine cap. Use of an improper cap can result in a malfunction of the fuel system or emission control system. It may also result in fuel leakage in the event of an accident.

**⚠ CAUTION**

Remove the fuel filler cap slowly. The fuel may be under pressure and may spray out, causing injury.

**⚠ WARNING**

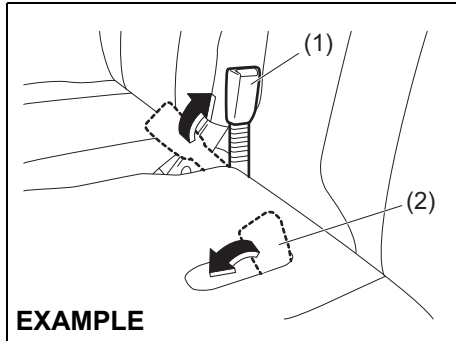
Fuel is extremely flammable. Do not smoke when refueling, and make sure there are no open flames or sparks in the area.

**⚠ WARNING**

If you need to replace the fuel cap, use a MARUTI genuine cap. Use of an improper cap can result in a malfunction of the fuel system or emission control system. It may also result in fuel leakage in the event of an accident.

## OTHER CONTROLS AND EQUIPMENT

### Engine Compartment



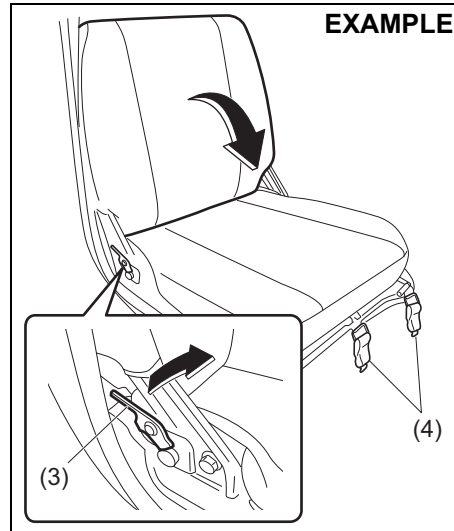
77PH094

To open the engine compartment:

- 1) Raise the driver's seat belt buckle (1) to the seatback position. Store the passenger's seat belt buckle (2).
- 2) For the driver's seat, slide the seat to the most rearward position.

#### CAUTION

**When you slide the driver's seat rearward, push the seatback. If you hold the seatback top, your hand could be pinched between the seatback and cabin back panel, may result in personal injury.**



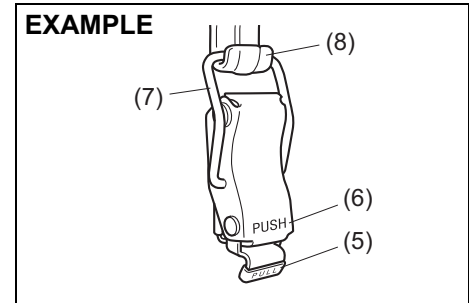
77PH093

- 3) For the driver's seat, pull the lock lever (3) to fold the seatback forward.

#### NOTE:

*The seatback can be folded only up to the position where it comes in contact with the steering wheel.*

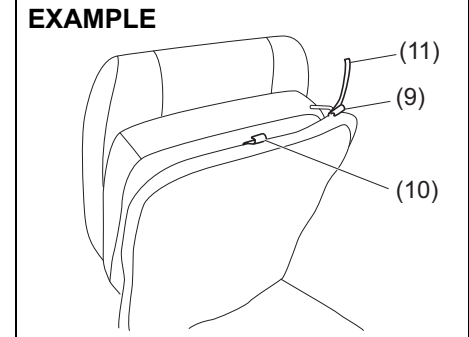
- 4) Unhook the lock handles (4) on the front end of each seat.



77PH081

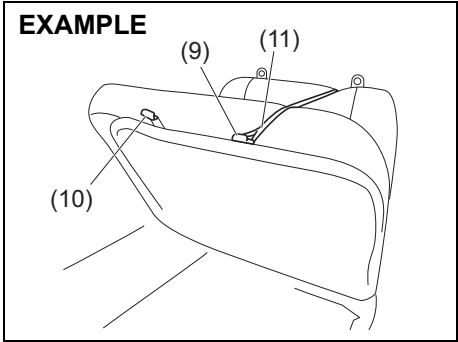
- To unhook the lock handle, pull the "PULL" part (5) and unhook the ring (7) from the hook (8).
- To lock the lock handle, put the ring (7) on the hook (8) and then push the "PUSH" part (6).

#### Driver side



77PH102

Passenger side



77PH103

**NOTE:**  
The straps (11) are available behind the seatback of passenger seat.

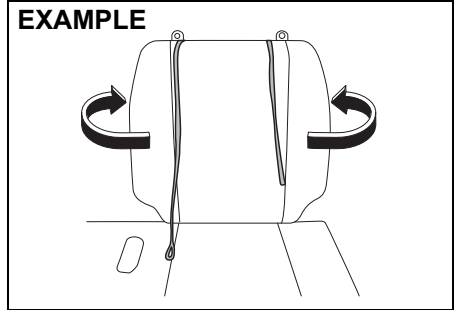
- 5) Raise the seat and hook the strap (11) to the hook (9). The hook (10) is not used for attaching the seat strap.

**NOTICE**

Do not hook the strap to the driver's seat position adjustment lever or do not apply undue force to the seats when being hooked by the straps. Doing so could break the straps, hooks and/or the driver's seat position adjustment lever.

- To close the engine compartment, reverse the steps in which you have opened it.

- After closing, try to move the seats to ensure that they are securely latched.
- Store the straps in space behind the passenger's seat as shown in the illustration.



77PH097

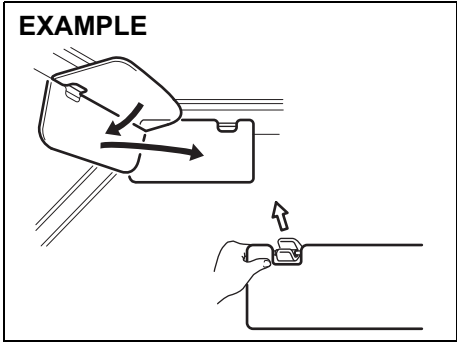
**⚠ WARNING**

Store the straps in space behind the passenger's seat. If an occupant's body gets caught by the straps, there is a risk of serious injury such as suffocation. If this happens, cut the straps with scissors.

**⚠ CAUTION**

When closing the engine compartment, be careful that the seats do not pinch your hands or the driver's seat belt buckle, or hit your body.

Sun Visor



77PH004

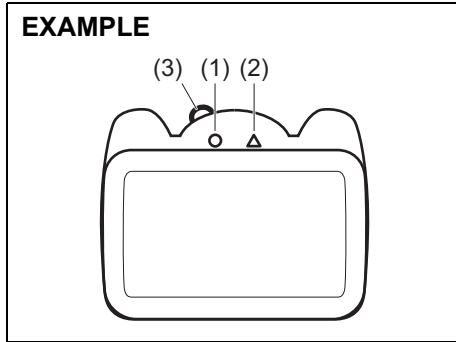
Sun visor is available on the driver side of the vehicle. The sun visor can be pulled down to block the glare coming through the windshield, or they can be unhooked and turned to the side to block the glare coming through the side window.

**NOTICE**

When unhooking and hooking a sun visor, be sure to handle it by side of the sun visor as shown in the figure else sun visor may get damaged.

## OTHER CONTROLS AND EQUIPMENT

### Interior Light



This light switch has two positions. These positions can be selected using knob (3). The functions of the two positions are:

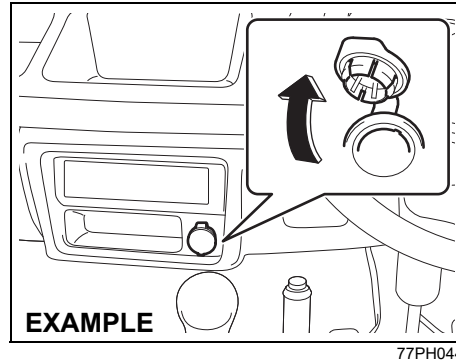
**ON (1)**

The light comes on and stays on.

**OFF (2)**

The light remains off.

### Accessory Socket

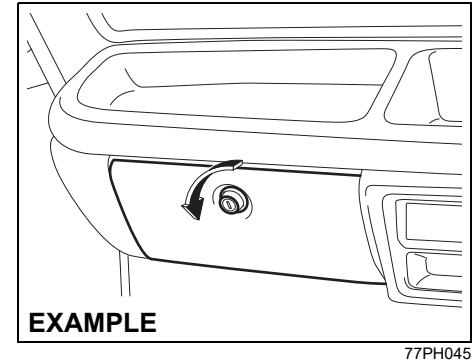


The accessory socket will work when the ignition switch is in the “ACC” or “ON” position. This socket can be used to provide 12 volt/120 watt power for electrical accessories.

**NOTICE**

**Use of inappropriate electrical accessories can cause damage to your vehicle’s electrical system. Make sure that any electrical accessories you use are designed to plug into this type of socket.**

### Glove Box

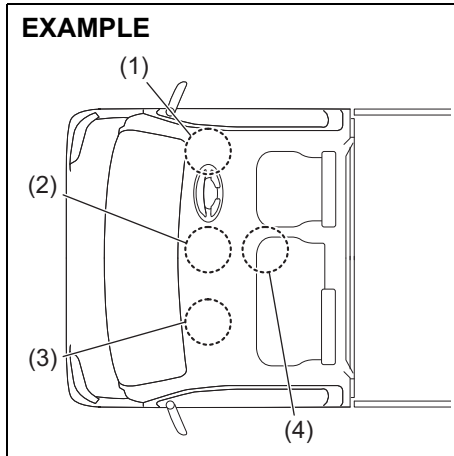


To open the glove box, twist the knob counterclockwise. To close it, push the lid until it latches securely. To lock the glove box, insert the key into the knob and turn it clockwise. To unlock the glove box, insert the key into the knob and turn it counterclockwise.

**⚠ WARNING**

**Never drive with the glove box lid open. It could cause injury if an accident occurs.**

## Storage Area



77PH104

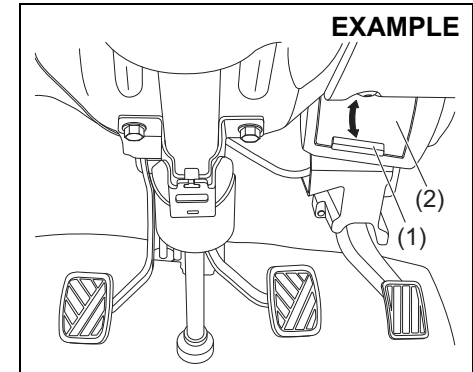
- (1) Instrument panel pocket (driver's side)
- (2) Instrument panel tray (center) / Instrument panel pocket (center)
- (3) Instrument panel tray (passenger's side)
- (4) Center pocket

## Instrument Panel Pocket (1)/(2) / Instrument Panel Tray (2)/(3) / Center Pocket (4)

**⚠ WARNING**

Do not place any objects which may fall out from the pocket/tray when the vehicle is moving. Failure to take the precaution may result in an object interfering with the pedals and causing a loss of vehicle control or an accident.

## Air Vent



77PM502

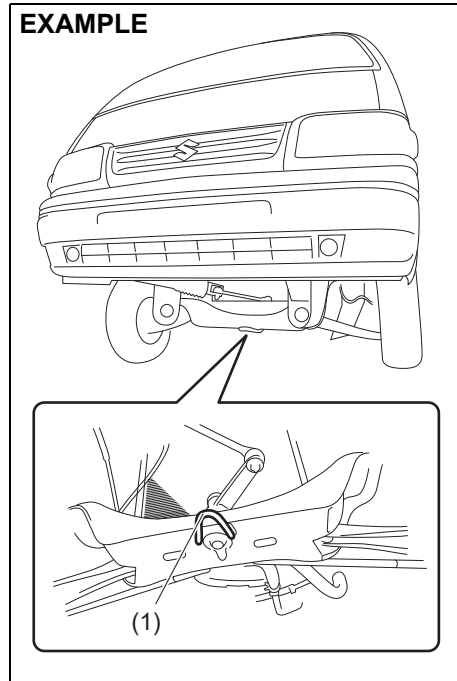
Air vents are located on driver side and passenger side of the vehicle. For opening or closing the air vent, move the knob (1) vertically to open or close the flap (2). When "OPEN", fresh air will come inside the cabin.



## OTHER CONTROLS AND EQUIPMENT

### Frame Hook

#### Front



The frame hook (1) is provided on the front of the vehicle for use in emergency situations and shipping purposes only.

To tow your vehicle on the road or highway, follow the instruction of "Towing" in "EMERGENCY SERVICE" section.

#### **⚠ WARNING**

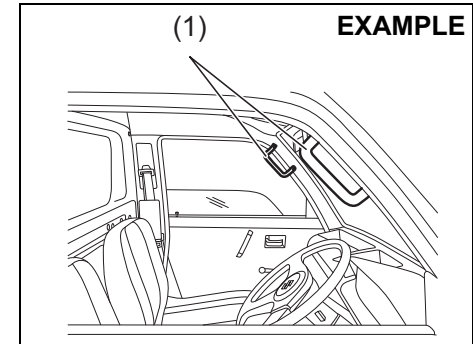
**Do not use the frame hook to tow another vehicle or to have your vehicle towed on the road or highway. The hook (1) is designed for use in emergency situations only, such as if your vehicle or another vehicle gets stuck in deep mud or snow.**

#### **NOTICE**

**When you use the frame hook (1), avoid driving in the manner that may give significant shock to the hook. Such operation can damage the hook, or the vehicle body.**

**Do not accelerate suddenly.**

### Assist Grip



77PM501

Assist grips (1) are available on driver side and passenger side of the vehicle. The assist grips are meant for driver / passenger to get in and get out of the vehicle easily.

## VEHICLE LOADING AND TOWING

Vehicle Loading .....	6-1
Trailer Towing .....	6-1

## VEHICLE LOADING AND TOWING

---

### Vehicle Loading

Your vehicle was designed for specific weight capacities. The weight capacities of your vehicle are indicated by the Gross Vehicle Weight Rating (GVWR) and the Permissible maximum Axle Weight (PAW, front and rear). The GVWR and PAW (front and rear) are listed in the "SPECIFICATIONS" section.

GVWR – Maximum permissible overall weight of the fully loaded vehicle (including all the occupants, accessories and cargo plus the trailer nose weight if towing a trailer).

PAW – (Front and Rear) Maximum permissible weight on an individual axle.

Actual weight of the loaded vehicle and actual loads at the front and rear axles can only be determined by weighing the vehicle. Compare these weights to the GVWR and PAW (front and rear). If the gross vehicle weight or the load on either axle exceeds these ratings, you must remove enough weight to bring the load down to the rated capacity.

#### WARNING

**Never overload your vehicle. The gross vehicle weight (sum of the weights of the vehicle, all the occupants, accessories, cargo plus trailer nose weight if towing a trailer) must never exceed the Gross Vehicle Weight Rating (GVWR). In addition, never distribute a load so that the weight on either the front or rear axle exceeds the Permissible maximum Axle Weight (PAW).**

#### WARNING

**Always distribute cargo evenly. To avoid personal injury or damage to your vehicle, always secure cargo to prevent it from shifting if the vehicle moves suddenly. Place heavier objects on the floor and as far forward in the cargo area as possible. Never pile cargo higher than the top of the seat backs.**

### Trailer Towing

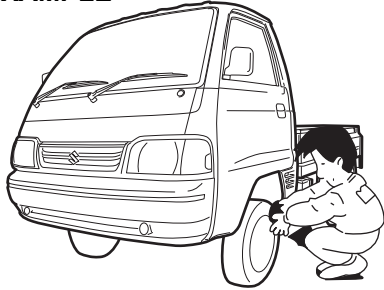
Your vehicle was originally designed to carry one driver, one passenger and a certain amount of cargo, not to tow a trailer. MARUTI does not recommend you to use your vehicle to tow a trailer. Towing a trailer can adversely affect handling, durability, and fuel economy.

# INSPECTION AND MAINTENANCE

- Maintenance Schedule ..... 7-1
- Periodic Maintenance Schedule ..... 7-2
- Inspection and Maintenance operations to be performed by customer ..... 7-6
- Drive Belt ..... 7-8
- Engine Oil and Filter ..... 7-8
- Engine Coolant ..... 7-12
- Air Cleaner ..... 7-14
- Spark Plugs ..... 7-14
- Gear Oil ..... 7-14
- Clutch Pedal ..... 7-16
- Brakes ..... 7-16
- Steering ..... 7-19
- Propeller Shaft Universal Joint ..... 7-19
- Tyres ..... 7-19
- Battery ..... 7-21
- Fuses ..... 7-22
- Bulb Replacement ..... 7-25
- Wiper Blades ..... 7-28
- Windshield Washer Fluid (If equipped) ..... 7-30

## INSPECTION AND MAINTENANCE

### EXAMPLE



77PM07008

### ⚠ WARNING

You should take extreme care when working on your vehicle to prevent accidental injury. Here are a few precautions that you should be especially careful to observe:

- Do not leave the engine running in garages or other confined areas.
- When the engine is running, keep hands, clothing, tools, and other objects away from the fan and drive belt. Even though the fan may not be moving, it can automatically turn on without warning.

(Continued)

### ⚠ WARNING

(Continued)

- When it is necessary to do service work with the engine running, make sure that the parking brake is set fully and the transmission is in Neutral.
- Do not touch ignition wires or other ignition system parts when starting the engine or when the engine is running, or you could receive an electric shock.
- Be careful not to touch a hot engine, exhaust manifold and pipes, muffler, radiator and water hoses.
- Do not allow smoking, sparks, or flames around fuel or the battery. Flammable fumes are present.
- Do not get under your vehicle if it is supported only with the portable jack provided in your vehicle.
- Be careful not to cause accidental short circuits between the positive and negative battery terminals.
- Keep used oil, coolant, and other fluids away from children and pets. Dispose of used fluids properly; never pour them on the ground, into sewers, etc.

## Maintenance Schedule

The following table shows the times when you should perform regular maintenance on your vehicle. This table shows in kilometers and months when you should perform inspections, adjustments, lubrication and other services.

### ⚠ WARNING

**MARUTI SUZUKI** recommends that maintenance on your vehicle should be performed by your authorised **MARUTI SUZUKI COMMERCIAL** workshop.

### NOTICE

Whenever it becomes necessary to replace parts on your vehicle, it is recommended that you use **MARUTI** genuine replacement parts or their equivalent.

## Periodic Maintenance Schedule

**“C”**: Clean

**“R”**: Replace or Change

**“I”**: Inspect, clean, adjust, lubricate or replace as necessary

**“L”**: Lubricate

**“T”**: Tighten to Specified Torque

**“O”**: Rotate

**NOTE:**

*This table includes services as scheduled up to 90,000 km mileage. Beyond 90,000km, carry out the same services at the same intervals respectively.*

*For free inspection the cost of materials and consumables to be borne by customer.*

## INSPECTION AND MAINTENANCE

Interval: This interval should be judged by odometer reading or months, whichever comes first.		FREE INSPECTION				PERIODIC MAINTENANCE AT COST						
		km (x1000)	5	10	20	30	40	50	60	70	80	90
		months	2	4	8	12	16	20	24	28	32	36
<b>ENGINE</b>												
1-1.	Water pump drive belt (Tension, Wear)		-	I	I	I	I	I	I	I	R	I
1-2.	Engine Coolant SUZUKI LLC: Super (Blue) (#1,2)	First time only:	Replace at 100000 km or 60 months whichever comes first.									
		Second time and after:	Replace every 40000 km or 24 months whichever comes first.									
	Engine Coolant SUZUKI LLC: Standard (Yellow) (#1,3)		I	I	R	I	R	I	R	I	R	I
1-3.	Engine oil, engine oil filter and drain plug gasket (Level, Leakage)		I	R	R	R	R	R	R	R	R	R
1-4.	Cooling system hoses and connections (Leakage and Damage)		I	I	I	I	I	I	I	I	I	I
1-5.	Engine Mounting and Manifold fixing (Loose, Damage)		I	I	I	I	I	I	I	I	I	I
1-6.	Exhaust System (Noise, Leakage etc.)		I	-	I	-	I	-	I	-	I	-
1-7.	Positive Crank Case Ventilation System (Hoses, Connections and Valve)		I	-	I	-	I	-	I	-	I	-
1-8.	Exhaust Gas Recirculation Valve		-	-	-	C	-	-	C	-	-	C
<b>IGNITION</b>												
2-1.	Ignition wire (Damage, Deterioration)		-	-	I	-	I	-	I	-	I	-
2-2.	Spark Plug	Petrol	Replace every 100000 km or 84 months whichever comes first									
		CNG	Replace every 50000 km or 48 months whichever comes first									
<b>FUEL</b>												
3-1.	Air cleaner filter element	Paved-road	Clean every 5000 km. Replace every 40000 km									
		Dusty Condition	Clean every 2500 km. Replace every 40000 km. More frequent replacement if the conditions are severe.									
3-2.	Fuel tank cap, fuel lines and connections (Leakage and Damage)		I	-	-	-	I	-	-	-	I	-
3-3.	Fuel Filter (Leakage)		I	I	I	I	R	I	I	I	R	I

#1: Perform the engine coolant level check under the daily inspection in the "OPERATING YOUR VEHICLE" section.

The same type of coolant that is filled at the time of a brand new car should be used when you add or replace the coolant. Refer to "Engine coolant" in this section.

#2: Do not add SUZUKI LLC: Standard (Yellow) Coolant or distilled water or others when your vehicle is originally filled with SUZUKI LLC: Super (Blue) Coolant.

#3: When your vehicle is originally filled with SUZUKI LLC: Standard (Yellow) Coolant, follow the maintenance schedule of SUZUKI LLC: Standard (Yellow) Coolant.

## INSPECTION AND MAINTENANCE

Interval: This interval should be judged by odometer reading or months, whichever comes first.		FREE INSPECTION				PERIODIC MAINTENANCE AT COST						
		km (x1000)	5	10	20	30	40	50	60	70	80	90
		months	2	4	8	12	16	20	24	28	32	36
3-4.	CNG fuel line joints (Gas leakage)											
3-5.	CNG low pressure filter cartridge with O-Ring	-	-	R	-	R	-	R	-	R	-	
3-6.	CNG cylinder leak testing and certification	Every 3 years from the date of initial testing by govt. approved testing agency										
3-7.	CNG filler receptacle O-Ring	Replace every 4 years or 300000 km whichever comes earlier										
<b>CLUTCH AND TRANSMISSION</b>												
4-1.	Clutch Pedal (Play)											
4-2.	Clutch slipping (Dragging or Excess Damage)											
4-3.	Gear shifter (Operation)											
4-4.	Manual Transmission Oil (Level, Leakage)											
4-5.	Rear Differential Oil (Level, Leakage)	Replace at 80000 km or 4 years whichever comes first										
4-6.	Propeller shaft / Universal joint (Loose, Damage)		I&L	I&L	I&L	I&L	I&L	I&L	I&L	I&L	I&L	
<b>BRAKE</b>												
5-1.	Brake Fluid (Level, Leakage)											
		Replace every 40000 km or 24 months whichever comes first										
5-2.	Brake pedal (Pedal - Front Panel Clearance)											
5-3.	Parking brake lever and cable (Play, Damage)											
5-4.	Brake disc and pad (Wear)											
5-5.	Brake drum and shoes (Wear)	-	-									
5-6.	Master cylinder, wheel cylinder and caliper piston (Fluid Leakage, Boot/Seal Damage)											
5-7.	Brake hoses and pipes (Leakage, Damage)											
<b>WHEEL</b>												
6-1.	Tyres (Air pressure, Abnormal wear, Crack and Rotation)	I&O	I&O	I&O	I&O	I&O	I&O	I&O	I&O	I&O	I&O	
6-2.	Wheels (Damage)											
6-3.	Front/Rear wheel bearing (Loose, Damage)											



## INSPECTION AND MAINTENANCE

Interval: This interval should be judged by odometer reading or months, whichever comes first.		FREE INSPECTION				PERIODIC MAINTENANCE AT COST						
		km (x1000)	5	10	20	30	40	50	60	70	80	90
		months	2	4	8	12	16	20	24	28	32	36
<b>FRONT / REAR SUSPENSION</b>												
7-1.	Front suspension strut and shock absorber (Oil leakage, Damage)											
7-2.	Front suspension arms, Knuckle support and Tension rods (Loose, Damage)											
7-3.	Rear leaf spring (Damage)											
7-4.	Rear shock absorber (Oil leakage, Damage)											
7-5.	All bolts and nuts (Loose)	T	T	T	T	T	T	T	T	T	T	
<b>STEERING</b>												
8-1.	Steering wheel (Play, Loose)											
8-2.	Steering column rods and arms (Loose, Damage, Wear)											
<b>ELECTRICAL</b>												
9-1.	Battery - Electrolyte (Level, Leakage) and voltage											
9-2.	Wiring harness connection (Loose, Damage)											
9-3.	Lighting system (Operation)											
9-4.	Wiper (Operation, Stains, Damage)											
9-5.	Horn (Operation)											
9-6.	Accessory socket (Operation)											
<b>BODY</b>												
10-1.	All chassis bolts and nuts (Tighten)		T	T	T	T	T	T	T	T	T	
10-2.	All latches, hinges and locks (Function)	I&L	I&L	I&L	I&L	I&L	I&L	I&L	I&L	I&L	I&L	
10-3.	Cargo bed (Inspect)											
<b>ROAD TEST</b>												
11-1.	Operation of brakes, clutch, gear shifting and speedometer											
11-2.	Body and chassis noise											

**Inspection & Maintenance operations to be performed by customer**

The following table shows the inspection & maintenance operations that you can perform.  
This table shows the frequency when you should perform inspection, greasing, lubrication & other services.

<b>FREQUENCY</b>	<b>SR.NO.</b>	<b>OPERATION</b>	<b>REFERENCE</b>
Daily	1	Inspect all tyres (including spare wheel) for air pressure, abnormal wear, cracks and damage.	Page No. 7-19
Weekly	2	Inspect engine oil level, if necessary, top up with Maruti Genuine Engine oil.	Page No. 7-9
	3	Inspect coolant level in coolant reservoir and if necessary, top up with a mixture of recommended Maruti Genuine Coolant and distilled water in specified ratio.	Page No. 7-12
	4	Inspect transmission oil level and differential oil level.	Page No. 7-15
	5	Inspect brake fluid level in brake fluid reservoir and if necessary, top up with Maruti Genuine Brake Fluid.	Page No. 7-16
	6	Inspect vehicle for <ul style="list-style-type: none"> <li>• Engine oil leakage</li> <li>• Coolant leakage</li> <li>• Brake fluid leakage</li> </ul> <ul style="list-style-type: none"> <li>• Front suspension strut leakage</li> <li>• Rear shock absorber leakage</li> <li>• Fuel leakage</li> <li>• Transmission oil and differential oil leakage</li> </ul>	Inspection & maintenance Section
	7	Inspect battery electrolyte level, terminals and bracket.	Page No. 7-20
	8	Inspect wheel mounting nuts and tighten if necessary.	Page No. 8-5

## INSPECTION AND MAINTENANCE

Monthly	9	Inspect drive belt for damage or deterioration.	Page No. 7-8
	10	Clean air filter element.	Page No. 7-13
	11	Grease all latches, hinges and locks using multi purpose grease.	Page No. 7-5
	12	Grease propeller shaft universal joint with grease gun.	Page No. 7-18
As and when required	13	Inspect clutch pedal play.	Page No. 7-16
	14	Inspect the brake pedal to floor panel distance by applying the brakes, when engine is running.	Page No. 7-17
	15	Inspect parking brake for proper adjustment.	Page No. 7-18

**\* Inspect and/or adjust wheel alignment and balancing if the vehicle pulls to one side or vibrates at high speed.**

**Drive Belt**

**⚠ WARNING**  
**When the engine is running, keep hands, hair, clothing, tools, etc. away from the moving fan and drive belts.**

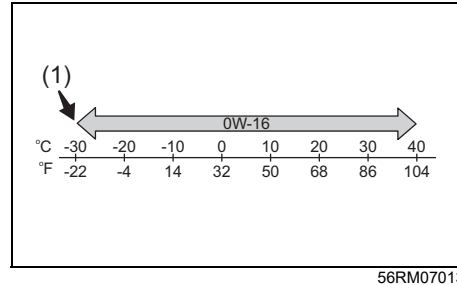
Make sure the drive belt tension is correct. If the belt is too loose, insufficient battery charging, engine overheating, or excessive belt wear can result.

The belts should also be examined to ensure that they are not damaged.

If you need to replace or adjust the belt have it done by your Maruti Suzuki authorised workshop.

**Engine Oil and Filter Specified Oil**

**For India**



(1) Recommended

Check that the engine oil you use comes under the quality classification of API SN. Select the appropriate oil viscosity according to the above chart

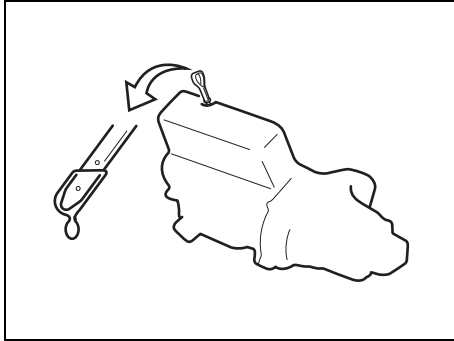
SAE 0W-16 (1) is the best choice for good fuel economy and good startability in cold weather.

**NOTE:**

- *The replacement timing varies with the type of engine oil that you choose. Refer to "Maintenance schedule" in this section for corresponding maintenance schedule.*
- *We recommend that you use MARUTI SUZUKI genuine oil. To purchase it, see a Maruti Suzuki authorised workshop.*

## INSPECTION AND MAINTENANCE

### Oil Level Check



55RH07002

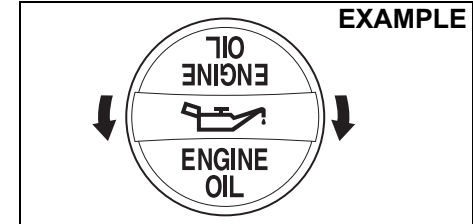
It is important to keep the engine oil at the correct level for proper lubrication of your vehicle's engine. Check the oil level with the vehicle on a level surface. The oil level indication may be inaccurate if the vehicle is on a slope. The oil level should be checked either before starting the engine or at least 5 minutes after stopping the engine.

Pull out the oil dipstick, wipe the oil off with a clean cloth, insert the dipstick all the way into the engine, and then remove it again. The oil on the stick should be between the upper and lower limits shown on the stick. If the oil level indication is near the lower limit, add enough oil to raise the level to the upper limit.

### NOTICE

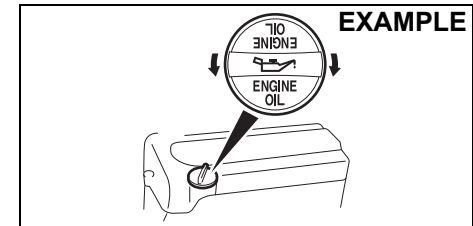
Failure to check the oil level regularly could lead to serious engine trouble due to insufficient oil.

### Refilling



68PH00762

Remove the oil filler cap and pour oil slowly through the filler hole to bring the oil level to the upper limit on the dipstick. Be careful not to overfill. Too much oil is almost as bad as too little oil. After refilling, start the engine and allow it to idle for about a minute. Stop the engine, wait about 5 minutes and check the oil level again.



68PM00703

**Changing Engine Oil and Filter**

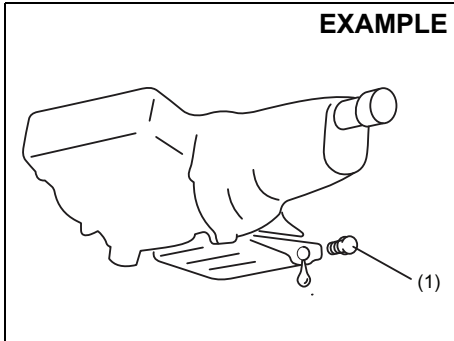
Drain the engine oil while the engine is still warm.

- 1) Remove the oil filler cap.
- 2) Place a drain pan under the drain plug.
- 3) Using a wrench, remove the drain plug and drain out the engine oil.

**CAUTION**

The engine oil temperature may be high enough to burn your fingers when the drain plug is loosened. Wait until the drain plug is cool enough to touch with your bare hands.

**EXAMPLE**



77PM07007

**Tightening torque for drain plug (1):  
50 Nm (5.1 kg-m, 36.9 lb-ft)**

**WARNING**

**New and used oil can be hazardous. Children and pets may be harmed by swallowing new or used oil. Keep new and used oil and used oil filters away from children and pets.**

**Repeated, prolonged contact with used engine oil may cause skin cancer.**

**Brief contact with used oil may irritate skin.**

**To minimize your exposure to used oil, wear a long-sleeve shirt and moisture-proof gloves (such as dish-washing gloves) when changing oil. If oil contacts your skin, wash thoroughly with soap and water. Launder any clothing or rags if wet with oil.**

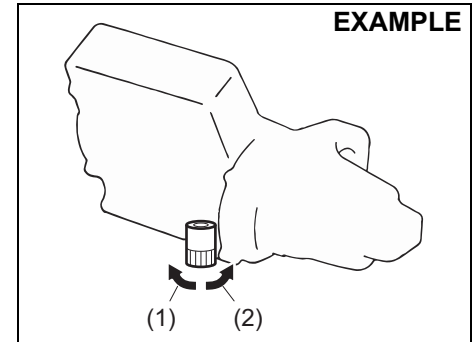
**Recycle or properly dispose of used oil and filters.**

- 4) Reinstall the drain plug and gasket. Tighten the plug with a wrench to the specified torque.

**Replace the Oil Filter**

- 1) Using an oil filter wrench, turn the oil filter counterclockwise and remove it.
- 2) Using a clean rag, wipe off the mounting surface on the engine where the new filter will be seated.
- 3) Smear a little engine oil around the rubber gasket of the new oil filter.
- 4) Screw on the new filter by hand until the filter gasket contacts the mounting surface.

**EXAMPLE**

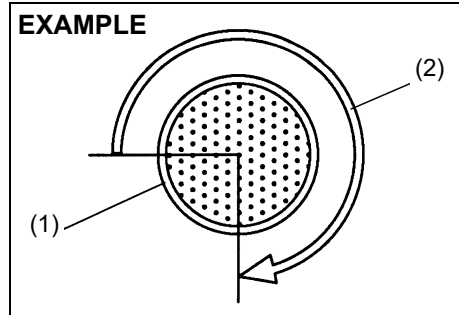


77PH017

- (1) Loosen
- (2) Tighten

## INSPECTION AND MAINTENANCE

### Tightening (viewed from filter top)



- (1) Oil filter  
(2) 3/4 turn

#### **NOTICE**

**To tighten the oil filter properly, it is important to accurately identify the position at which the filter gasket first contacts the mounting surface.**

- 5) Tighten the filter specified turn from the point of contact with the mounting surface (or to the specified torque) using an oil filter wrench.

**Tightening torque for oil filter**  
**3/4 turn or**  
**14 Nm (1.4 kgf-m, 10.3 lbf-ft)**

#### **NOTICE**

**To prevent oil leakage, make sure that the oil filter is tight, but do not over-tighten it.**

#### **Refill with Oil and Check for Leaks**

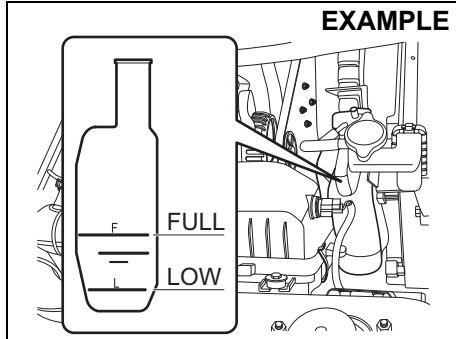
- 1) Pour oil through the filler hole and install the filler cap.  
For the approximate capacity of the oil, refer to the "CAPACITIES" item in the "SPECIFICATIONS" section.
- 2) Start the engine and look carefully for leaks at the oil filter and drain plug. Run the engine at various speeds for at least 5 minutes.
- 3) Stop the engine and wait about 5 minutes. Check the oil level again and add oil if necessary. Check for leaks again.

#### **NOTICE**

- When replacing the oil filter, it is recommended that you use a **MARUTI** genuine filter. If you use an after market filter, make sure it is of equivalent quality and follow the manufacturer's instructions.
- Oil leaks from around the oil filter or drain plug indicate incorrect installation or gasket damage. If you find any leaks or are not sure that the filter has been properly tightened, have the vehicle inspected by your authorised **MARUTI SUZUKI COMMERCIAL** workshop.

## Engine Coolant

### Coolant Level Check



77PM07010

Check the coolant level at the reservoir tank, not at the radiator. With the engine cool, the coolant level should be between “FULL” and “LOW” marks.

If the coolant level is below “LOW” mark, coolant should be added.

### Coolant addition and replacement

When you add the coolant, remove the reservoir tank cap and add coolant until the reservoir tank level reaches “FULL” mark while the engine is cool. Never fill the reservoir tank above “FULL” mark.

Since special procedures are required for coolant replacement, ask a Maruti Suzuki authorised workshop for this job.

### **⚠ WARNING**

**Swallowing engine coolant can cause severe injury or death. Inhaling coolant mist or vapors or getting coolant in your eyes could result in severe injury.**

- **Do not drink antifreeze or coolant solution. If swallowed, do not induce vomiting. Immediately contact a poison control center or a physician.**
- **Avoid inhaling coolant mist or hot vapors. If inhaled, remove to a fresh air area.**
- **If coolant gets in the eyes, flush with water and seek medical attention.**
- **Wash thoroughly after handling coolant.**
- **Keep engine coolant out of the reach of children and pets.**

### **NOTICE**

**When putting the cap on the reservoir tank, line up the mark on the cap and the mark on the tank. Failure to follow this can result in coolant leakage.**

### Selection of coolant

To maintain optimum performance and durability of your engine, use MARUTI SUZUKI genuine coolant or equivalent.

This type of coolant is the best for cooling system for the following reasons:

- The coolant helps maintain proper engine temperature.
- It gives proper protection against freezing and boiling.
- It gives proper protection against corrosion and rust.

Failure to use the proper coolant can damage your cooling system. A Maruti Suzuki authorised workshop can help you select the proper coolant.

### **NOTICE**

**To avoid damaging your cooling system:**

- **Always use a high quality ethylene glycol base non-silicate type coolant diluted with distilled water at the correct mixture concentration.**
- **Do not add extra inhibitors or additives. They may not be compatible with your cooling system.**
- **Do not mix different types of base coolants. Doing so may result in accelerated seal wear and/or the possibility of severe overheating and extensive engine/transmission damage. In case of coolant mix-up**

(Continued)



## INSPECTION AND MAINTENANCE

### NOTICE

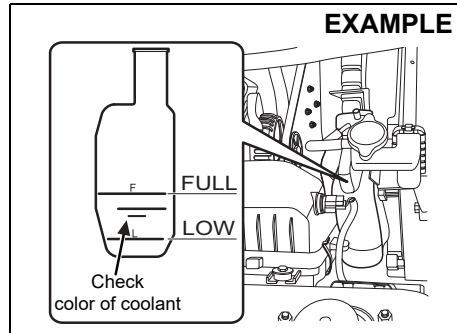
(Continued)

**have your vehicle inspected by a Maruti Suzuki authorised workshop.**

#### NOTE:

Maruti Suzuki highly recommends the use of Maruti Suzuki genuine coolant. Maruti Suzuki genuine coolant has been specially formulated for your Maruti Suzuki product and contributes to the desired vehicle performance and ideal driving experience.

Depending on the production period of your vehicle, the coolant type filled at the time of a brand new car differs. There are two coolant types, SUZUKI LLC: Super (Blue) Coolant and SUZUKI LLC: Standard (Yellow) Coolant. You can check the original coolant type in your vehicle by the color of the coolant in the reservoir tank (Refer below figure).



77PM07033

Coolant Color	Coolant Type
Blue	Suzuki LLC : Super
Yellow	Suzuki LLC : Standard

#### NOTE:

The same type of coolant that is filled at the time of a brand new car should be used when you add or replace the coolant.

#### SUZUKI LLC: Super (Blue) Coolant:

### NOTICE

- This coolant is already diluted to the proper percentage. Do not dilute with distilled water additionally. Doing so may result in the possibility of freezing and/or overheating coolant.
- Do not add SUZUKI LLC: Standard (Yellow) Coolant or distilled water or others when your vehicle is originally filled with SUZUKI LLC: Super (Blue) Coolant. If such a case occurs, then get the vehicle inspected by a Maruti Suzuki authorised workshop.

#### SUZUKI LLC: Standard (Yellow) Coolant:

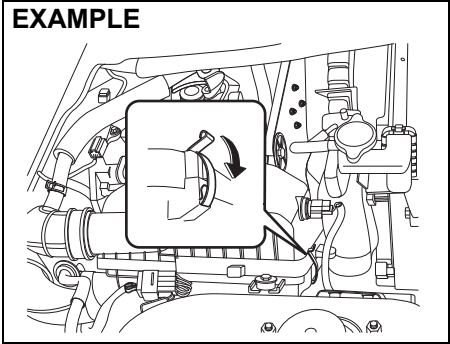
### NOTICE

- The concentration of the mixture to be used shall be 30% antifreeze and 70% distilled water. Do not use straight coolant nor plain water.
- If the lowest ambient temperature in your area is expected to be  $-15^{\circ}\text{C}$  ( $5^{\circ}\text{F}$ ) or below, use higher concentrations up to 60% following the instructions on the antifreeze container. Concentrations greater than 60% will cause overheating conditions.
- When your vehicle is originally filled with SUZUKI LLC: Standard (Yellow) Coolant, follow the maintenance schedule of SUZUKI LLC: Standard (Yellow) Coolant in this section. In case you replace with Suzuki LLC: Super (Blue) Coolant, then get the vehicle inspected by a Maruti Suzuki authorised workshop.

**Air Cleaner**

If the air cleaner is clogged with dust, there will be greater intake resistance, resulting in decreased power output and increased fuel consumption.

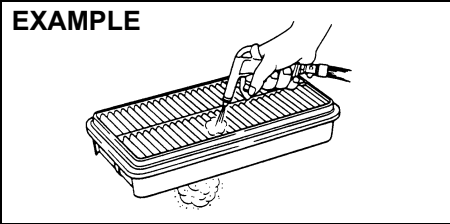
**EXAMPLE**



77PM07011

Unclamp the side clamps, and remove the element from the air cleaner case.

**EXAMPLE**



60A183

If it appears to be dirty, clean or replace the air cleaner with a new one as per periodic maintenance schedule.

**Spark Plugs**

**Replacing and inspection of spark plugs**

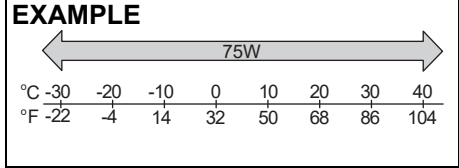
Since special procedures, materials and tools are required, it is recommended that you trust this job to your Maruti Suzuki authorised workshop.

**Gear Oil**

**Manual Transmission Oil/  
Differential Oil**

When adding gear oil, use gear oil with the appropriate viscosity and grade as shown in the chart below.

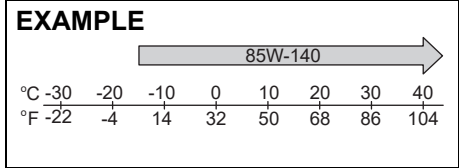
**Manual transmission oil**



68LM728

We highly recommend you use: "MARUTI GENUINE GEAR OIL 75W" for manual transmission gear oil.

**Rear differential oil**



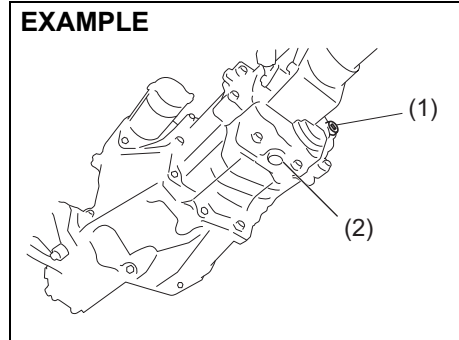
77PH075

We highly recommend you use: "TOTALFINAELF TRANSELF LL 85W-140" for rear differential oil.

## INSPECTION AND MAINTENANCE

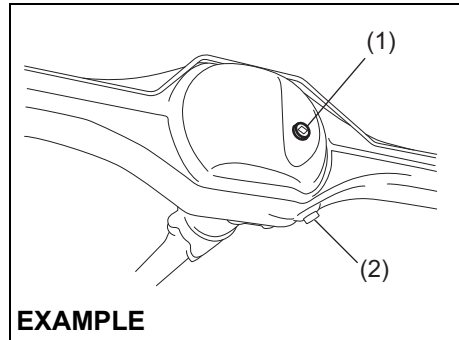
### Gear Oil Level Check

#### Manual transmission



77PH078

#### Rear differential



77PH047

1. Oil filler and level plug (Do not reuse).
2. Oil drain plug.

To check the gear oil level, use the following procedure:

- 1) Park the vehicle on a level surface with the parking brake applied. Then, stop the engine.
- 2) Remove the oil filler and level plug (1).
- 3) Check the inside of the hole with your finger. If the oil level comes up to the bottom of the plug hole, the oil level is correct. If so, reinstall the plug.
- 4) If the oil level is low, add gear oil through the oil filler plug hole (1) until the oil level reaches the bottom of the filler hole, then reinstall the plug.

#### Tightening torque for oil filler and level plug

##### Manual transmission (1):

23 Nm (2.3 kgf-m, 17.0 lbf-ft)

##### Rear differential (1):

25 Nm (2.5 kgf-m, 18.5 lbf-ft)

#### NOTE:

For Rear differential always use a new oil filler and level plug (1).

#### ▲ CAUTION

After driving the vehicle, the gear oil temperature may be high enough to burn your skin. Wait until the oil filler plug is cool enough to touch with your bare hands before inspecting gear oil level.

#### NOTICE

When tightening the plug, apply the following sealing compound or equivalent to the plug threads to prevent oil leakage.

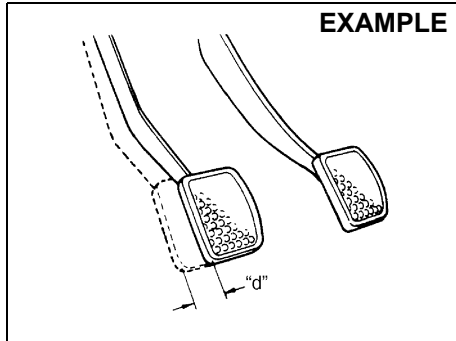
MARUTI SUZUKI Bond No. "1216E" or "1217G"

#### Gear Oil Change

Since special procedures, materials and tools are required, it is recommended that you trust this job to your authorised MARUTI SUZUKI COMMERCIAL workshop.

## Clutch Pedal

### Cable control clutch



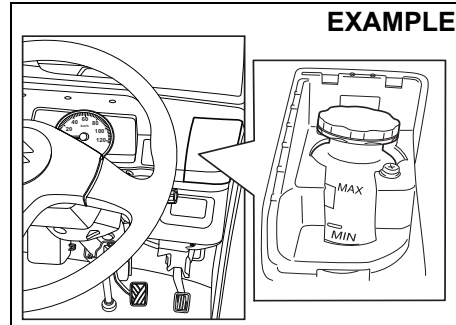
54G274

#### Clutch pedal play "d": 10 - 15 mm (0.4 - 0.6 in.)

Measure the clutch pedal play by moving the clutch pedal with your hand and measuring the distance it moves until you feel slight resistance. The play in the clutch pedal should be between the specified values. If the play is more or less than the above, or clutch dragging is felt with the pedal fully depressed, have the clutch inspected by your authorised MARUTI SUZUKI COMMERCIAL workshop.

## Brakes

### Brake Fluid



77PM706

Check the brake fluid level by looking at the reservoir in the instrument panel. Remove the cover on right hand side of steering wheel to check the brake fluid reservoir level. Check that the fluid level is between the "MAX" and "MIN" lines. If the brake fluid level is near the "MIN" line, fill it up to the "MAX" line with Maruti Genuine Brake Fluid (MGBF) or DOT 3. We highly recommend to use "Maruti Genuine Brake Fluid" (MGBF).

### ⚠ WARNING

Failure to follow the guidelines below can result in personal injury or serious damage to the brake system.

- If the brake fluid in the reservoir drops below a certain level, the brake warning light on the instrument panel will come 'ON' (the engine must be running with the parking brake fully disengaged). Should the light come on, immediately ask your authorised MARUTI SUZUKI COMMERCIAL workshop to inspect the brake system.
- A rapid fluid loss indicates a leak in the brake system which should be inspected by your authorised MARUTI SUZUKI COMMERCIAL workshop immediately.
- Do not use any fluid other than Maruti Genuine Brake Fluid (MGBF) or DOT 3. We highly recommend to use Maruti Genuine Brake Fluid (MGBF). Do not use reclaimed fluid or fluid that has been stored in old or open containers. It is essential that foreign particles and other liquids are kept out of the brake fluid reservoir.

### ⚠ CAUTION

Brake fluid can harm your eyes and damage painted surfaces. Use caution when refilling the reservoir.

## INSPECTION AND MAINTENANCE

### ⚠ WARNING

- In case vehicle is driven in overloaded condition, the braking distance may be longer and higher pedal force may be required.

### ⚠ WARNING

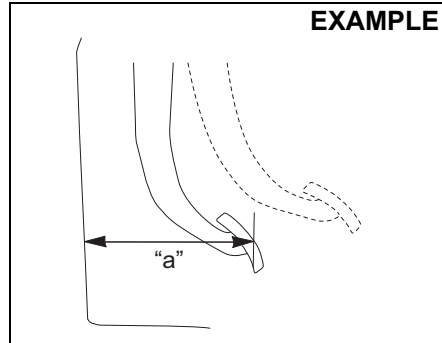
Brake fluid is harmful or fatal if swallowed, and harmful if it comes in contact with skin or eyes. If swallowed, do not induce vomiting. Immediately contact a poison control center or a physician. If brake fluid gets in eyes, flush eyes with water and seek medical attention. Wash thoroughly after handling. Solution can be poisonous to animals. Keep out of the reach of children and animals.

#### NOTE:

With disc brakes, the fluid level can be expected to gradually fall as the brake pads wear.

#### Brake Pedal

Check if the brake pedal stops at the regular height without spongy feeling when you depress it. If not, have the brake system inspected by your authorised MARUTI SUZUKI COMMERCIAL workshop. If you doubt the brake pedal for the regular height, check it as follows:



54G108S

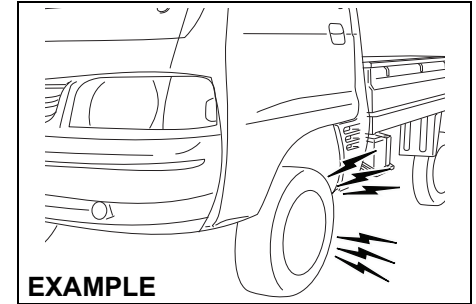
**Pedal to Front Panel minimum distance "a":**  
**Petrol and CNG Engine Model:**  
**150 mm**

With the engine running, measure the distance between the brake pedal and front panel when the pedal is depressed with approximately 30 kg (66 lbs) of force. The minimum distance required is as specified. Since your vehicle's brake system is self-adjusting, there is no need for pedal adjustment.

If the pedal to front panel distance as measured above is less than the minimum distance required, have your vehicle inspected by your authorised MARUTI SUZUKI COMMERCIAL workshop.

#### NOTE:

When measuring the distance between the brake pedal and front panel, be sure not to include the floor mat or rubber on the front panel in your measurement.



77PM07013

### ⚠ WARNING

If you experience any of the following problems with your vehicle's brake system, have the vehicle inspected immediately by your authorised MARUTI SUZUKI COMMERCIAL workshop.

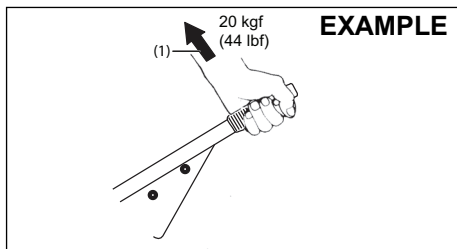
- Poor braking performance
- Uneven braking (brakes not working uniformly on all wheels)
- Excessive pedal travel
- Brake dragging
- Excessive noise
- Pedal pulsation (pedal pulsates when depressed)

## ⚠ WARNING

If the brake pad lining becomes worn and it has reached its minimum thickness, squealing noise sounds during braking.

If you hear this noise, have the vehicle inspected immediately by a MARUTI SUZUKI authorized workshop. Continued driving with this condition can cause an accident.

## Parking Brake



77PM702

**Ratchet tooth specification**  
**6th – 9th teeth**  
**Lever pull force (1):**  
**200 N (20 kgf, 44 lbf)**

Check the parking brake for proper adjustment by counting the number of clicks made by the ratchet teeth as you slowly pull up on the parking brake lever to the point of full engagement. The parking brake lever should stop between the specified ratchet

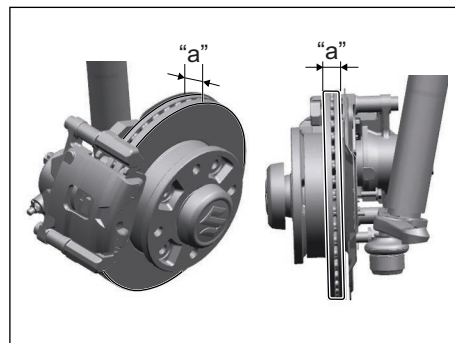
teeth and the rear wheels should be securely locked. If the parking brake is not properly adjusted or the brakes drag after the lever has been fully released, have the parking brake inspected and/or adjusted by your authorised MARUTI SUZUKI COMMERCIAL workshop.

## ⚠ WARNING

- **Parking Brake may not be effective in case vehicle is over-loaded. Use additional chocks to hold the vehicle.**

## Brake discs and brake drums

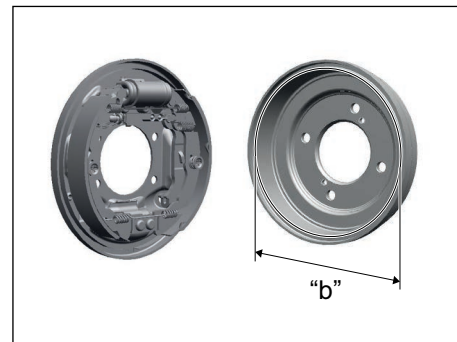
### Brake disc



77PM709

Brake location	Minimum thickness "a"
Front wheels	18.0 mm

### Brake drum



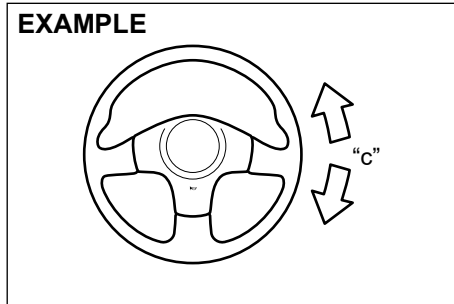
77PM708

Brake location	Maximum inner diameter "b"
Rear wheels	202 mm

If the measured thickness or inner diameter of the most worn part falls below or exceeds the value indicated above, the parts should be replaced with a new one. The measurement involves disassembling each brake and requires the use of a micrometer or caliper, which must be done according to the instructions described in the relevant service manual or available from the relevant repair information site.

## INSPECTION AND MAINTENANCE

### Steering



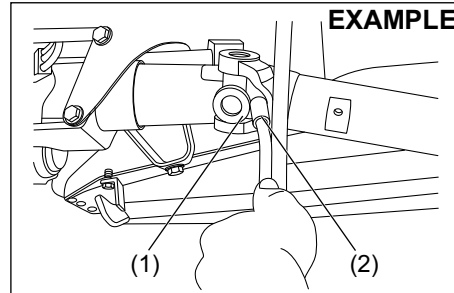
77PH042

**Steering wheel play "c":**  
0 – 30 mm (0.0 – 1.2 in.)

Check the play of the steering wheel by gently turning it from left to right and right to left, with wheels in straight ahead position and engine in OFF condition. Measure the distance that the steering moves before you feel slight resistance. The play should be between the specified values. Check that the steering wheel turns easily and smoothly without rattling by turning it all the way to the right and to the left while driving very slowly in an open area. If the amount of free play is outside the specification or you find anything else to be wrong, an inspection must be performed by your authorised MARUTI SUZUKI COMMERCIAL workshop.

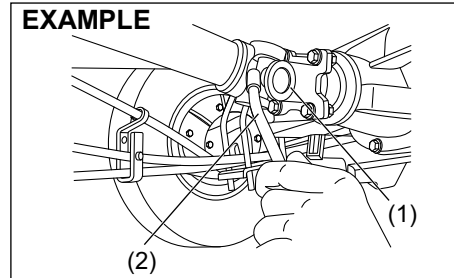
### Propeller Shaft Universal Joint

Front



77PM703

Rear

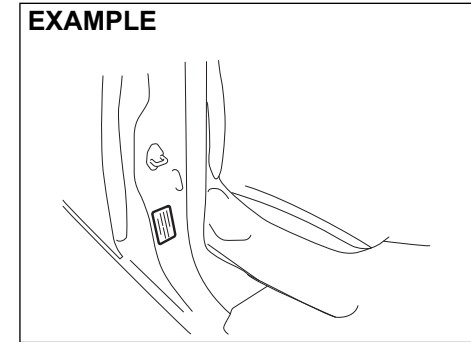


77PM704

Lubricate propeller shaft universal joint (1) (front & rear) as per the service schedule.

To lubricate the propeller shaft universal joint you should use grease gun (2) and specified grease NLGI GRADE 2.

### Tyres



77PM705

The front and rear tyre pressure specifications for your vehicle are listed on the Tyre Information Label. Both the front and rear tyres should have the specified tyre pressure.

Note that the value does not apply to the compact spare tyre, if equipped.

#### Tyre Inspection

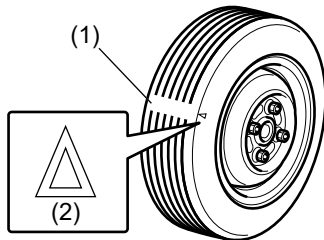
Inspect your vehicle's tyres at least once a month by performing the following checks:

- 1) Measure the air pressure with a tyre pressure gauge. Adjust the pressure if necessary. Remember to check the spare tyre, too.

**▲ WARNING**

- Air pressures should be checked when the tyres are cold or you may get inaccurate readings.
- Check the inflation pressure from time to time while inflating the tyre gradually, until the specified pressure is obtained.
- Never under-inflate or over inflate the tyres.
- Under inflation can cause unusual handling characteristics or can cause the rim to slip on the tyre bead, resulting in an accident or damage to the tyre or rim.
- Overinflation can cause the tyre to burst, resulting in personal injury. Overinflation can also cause unusual handling characteristics which may result in an accident.

**EXAMPLE**



52KM110

- (1) Tread wear indicator
- (2) Indicator location mark

- 2) Check that the depth of the tread groove is more than 1.6 mm (0.06 in.). To help you check this, the tyres have molded-in tread wear indicators in the grooves. When the indicators appear on the tread surface, the remaining depth of the tread is 1.6 mm (0.06 in.) or less and the tyre should be replaced.
- 3) Check for abnormal wear, cracks and damage. Any tyres with cracks or other damage should be replaced. If any tyres show abnormal wear, have them inspected by your authorised MARUTI SUZUKI COMMERCIAL workshop.

**▲ CAUTION**

Hitting curbs and running over rocks can damage tyres and affect wheel alignment. Be sure to have tyres and wheel alignment checked periodically by your authorised MARUTI SUZUKI COMMERCIAL workshop.

- 4) Check for loose wheel nuts.
- 5) Check that there are no nails, stones or other objects sticking into the tyres.

**▲ WARNING**

- Your Vehicle is equipped with tyres which are all the same type and size. This is important to ensure proper steering and handling of the vehicle. Never mix tyres of different size or type on the four wheels of your vehicle. The size and type of tyres used should be only those approved by MARUTI SUZUKI as standard or optional equipment for your vehicle.
- Replacing the wheels and tyres equipped on your vehicle with certain combinations of aftermarket wheels and tyres can significantly change the steering and handling characteristics of your vehicle.
- Therefore, use only those wheel and tyre combinations approved by MARUTI SUZUKI as standard or optional equipment for your vehicle.

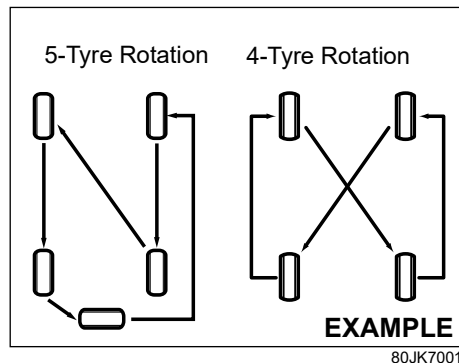
**NOTICE**

Replacing the original tyres with tyres of a different size may result in incorrect speedometer or odometer readings. Check with your authorised MARUTI SUZUKI COMMERCIAL workshop before purchasing replacement tyres that differ in size from the original tyres.



## INSPECTION AND MAINTENANCE

### Tyre Rotation



To avoid uneven wear of your tyres and to prolong their life, rotate the tyres as illustrated. Tyres should be rotated every 10000 km. After rotation, adjust front and rear tyre pressures to the specification listed on your vehicle's Tyre Information Label.

### Wheel Balancing

If the vehicle vibrates abnormally on smooth road, have the wheel balanced at authorised MARUTI SUZUKI COMMERCIAL workshop.

### Wheel Alignment

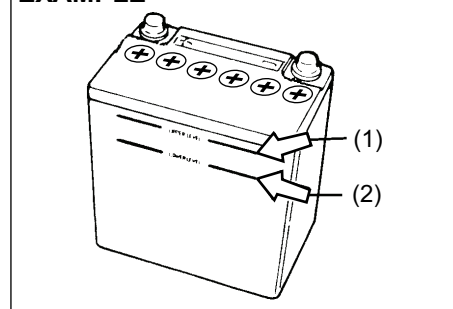
In case of abnormal tyre wear or pulling towards one side, have the wheel aligned at authorised MARUTI SUZUKI COMMERCIAL workshop.

### Battery

#### ⚠ WARNING

- Batteries produce flammable hydrogen gas. Keep flames and sparks away from the battery or an explosion may occur. Never smoke when working in the vicinity of the battery.
- When checking or servicing the battery, disconnect the negative cable. Be careful not to cause a short circuit by allowing metal objects to contact the battery posts and the vehicle at the same time.
- To avoid harm to yourself or damage to your vehicle or battery, follow the jump starting instructions in the "EMERGENCY SERVICE" section of this manual if it is necessary to jump start your vehicle.

#### EXAMPLE



54GM701

For maintenance-free battery (cap-less type), you need not add water. For traditional type battery, which has water filler caps, the level of the battery solution must be kept between the upper level line (1) and lower level line (2) at all times. You should periodically check the battery, case battery terminals, and battery hold-down bracket for damage or corrosion. Remove corrosion using a stiff brush and ammonia mixed with water, or baking soda mixed with water. After removing corrosion, rinse with clean water.

If your vehicle is not going to be driven for a month or longer, disconnect the cable from the negative terminal of the battery to help prevent discharge.

### WARNING

If the battery is used with battery level being less than the lower level line (2), it may cause reduced battery life, an exothermic heat, or an explosion by hydrogen gas occurring from the battery. Do not use the battery with battery level being less than the lower level line (2).

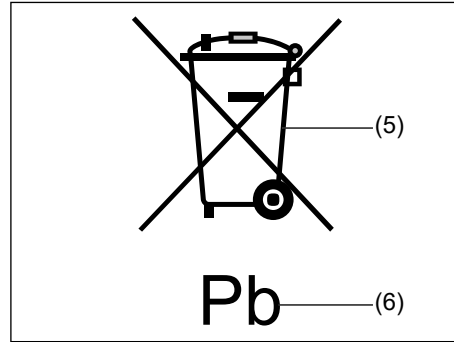
### NOTICE

If the battery liquid is added more than the upper level line (1), liquid may leak by vibrations during driving or liquid may spray out in some case depending on the condition of battery charging. These may cause damage to the parts near the battery. If the battery liquid overflows, immediately wash away with water. Do not add the battery liquid more than the upper level line (1).

#### NOTE:

The battery liquid is consumed when the battery is used. If the level is found to be less than the center of upper level (1) and lower level (2), add distilled water till it reaches the upper level line (1).

(Battery label)



- (5) Crossed-out wheeled bin symbol
- (6) Chemical symbol of "Pb"

The crossed-out wheeled bin symbol (5) located on the battery label indicates that the used battery should be collected separately from ordinary household trash. The chemical symbol of "Pb" (6) indicates the battery contains more than 0.004% lead.

By ensuring the used battery is disposed of or recycled correctly, you will help prevent potential negative consequences for the environment and human health, which could otherwise be caused by inappropriate trash handling of the battery. The recycling of materials will help to conserve natural resources. For more detailed information about disposing of or recycling the used battery, consult a MARUTI SUZUKI authorized workshop.

## Fuses

Your vehicle has three types of fuses, as described below:

### Fusible Link Wire and Main fuse

The main fuse takes current directly from the battery.

### Primary fuses

These fuses are between the main fuse and individual fuses, and are for electrical load groups.

### Individual fuses

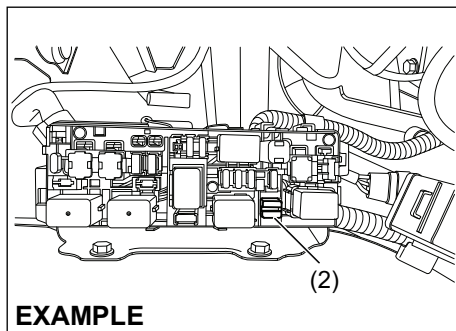
These fuses are for individual electrical circuits.

#### NOTE:

- "Blank" indicates that fuse is not applicable in the variant, even though name of fuse might be available on cover of fuse box of your vehicle.
- Some fuse may not be applicable to your vehicle according to the variant of vehicle, even though it is not mentioned as blank.

To remove a fuse, use the fuse puller (2) provided in the relay box.

## INSPECTION AND MAINTENANCE

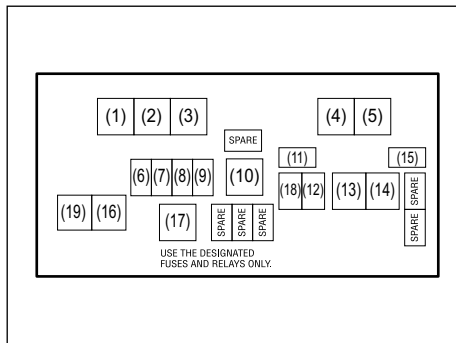


77PM07012

### NOTE:

Some fuse may not be applicable to your vehicle according to the variant of vehicle, even though it is not mentioned as blank.

### Fuses in the Engine Compartment

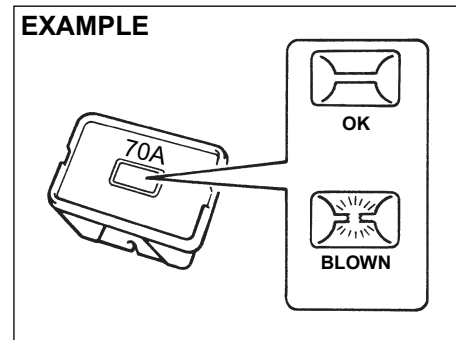


77PM07034

MAIN FUSE/PRIMARY FUSE / RELAY		
S. No.	Rating	Fuse / Relay
(1)	–	CNG valve relay*
(2)	–	Fuse puller
(3)	–	Radiator fan relay
(4)	–	Fuel pump relay
(5)		Starting motor relay
(6)	7.5A	CNG valve*
(7)	20A	Fuel Injection
(8)	30A	Starting motor
(9)	15A	Horn
(10)	70A	Alternator
(11)	7.5A	CNG*
(12)	10A	Hazard warning light
(13)	40A	Battery
(14)	40A	Ignition switch
(15)	7.5A	ST SIG 2 (starting signal)
(16)	30A	Radiator fan
(17)	–	FI main relay
(18)	25A	ABS SOL
(19)	40A	ABS MOT

\*: For CNG model

The main fuse, primary fuses and some of the individual fuses are located in the engine compartment. If the main fuse blows, no electrical component will function. If a primary fuse blows, no electrical component in the corresponding load group will function. When replacing the main fuse, a primary fuse or an individual fuse, use a MARUTI genuine replacement. To remove a fuse, use the fuse puller (2) provided in the relay box. The amperage of each fuse is shown inside of the fuse box cover.



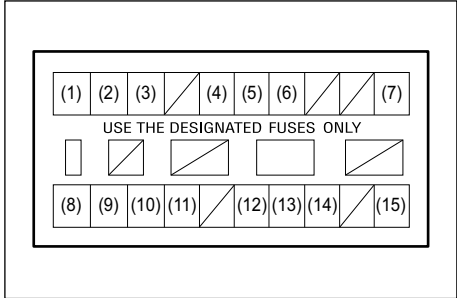
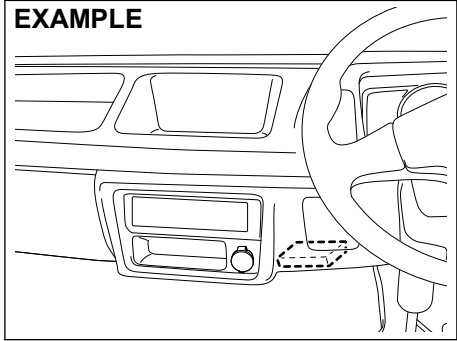
60G111

**⚠ WARNING**

If the main fuse or a primary fuse blows, be sure to have your vehicle inspected by an authorised MARUTI SUZUKI COMMERCIAL workshop. Always use a MARUTI genuine replacement part. Never use a substitute such as a wire even for temporary repair, or extensive electrical damage / fire can result.

*NOTE:*  
Make sure that the fuse box always carries spare fuses and fuse puller.

**Fuses under the Dash Board**

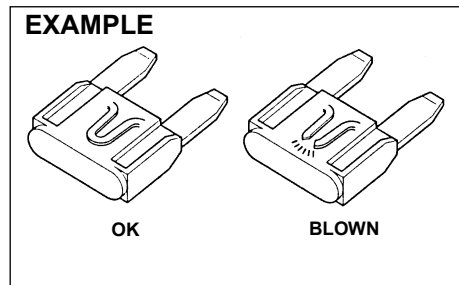


MAIN FUSE/PRIMARY FUSE		
(1)	10A	Headlight (Right)
(2)	10A	Headlight (Left)
(3)	10A	Dome light
(4)	10A	Tail light
(5)	10A	Stop light
(6)	15A	Radio
(7)	10A	Starting signal
(8)	10A	Meter
(9)	15A	Ignition
(10)	10A	Back-up light
(11)	15A	Front wiper
(12)	15A	Accessory 2
(13)	10A	Accessory
(14)	7.5A	CNG Ignition*
(15)	10A	ABS

\*: For CNG model

## INSPECTION AND MAINTENANCE

The fuse box is located under the dashboard.



### **▲ WARNING**

Always be sure to replace a blown fuse with a fuse of the correct amperage. Never use a substitute such as aluminum foil or wire to replace a blown fuse. If you replace a fuse and the new one blows in a short period of time, you may have a major electrical problem. Have your vehicle inspected immediately by your authorised MARUTI SUZUKI COMMERCIAL workshop.

## Bulb Replacement

### **▲ CAUTION**

- Light bulbs can be hot enough to burn your finger right after being turned off. This is true especially for halogen headlight bulbs. Replace the bulbs after they become cool enough.
- The headlight bulbs are filled with pressurized halogen gas. They can burst and injure you if they are hit or dropped. Handle them carefully.

### **NOTICE**

The oils from your skin may cause a halogen bulb to overheat and burst when the lights are on. Grasp a new bulb with a clean cloth.

### **NOTICE**

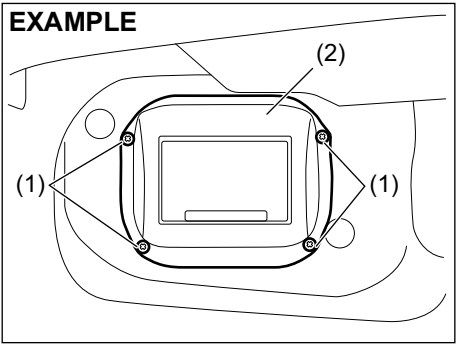
- Frequent replacement of a bulb indicates the need for an inspection of the electrical system. This should be carried out by your Maruti Suzuki authorised workshop.
- During bulb replacement always use same bulb number as used in vehicle which is imprinted on the said bulb/unit and/or mentioned in SPECIFICATIONS.

### **NOTE:**

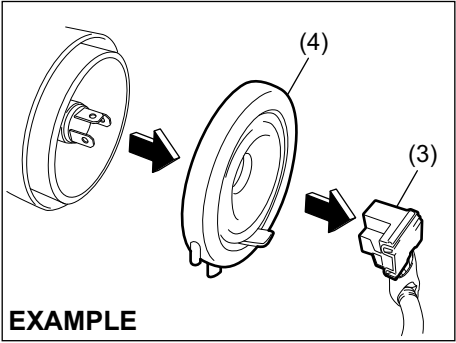
Mist may form on the lenses of exterior lights (Headlight, Rear combination light etc.) during or after driving in the rain or after car washing. This is a natural phenomenon which occurs due to temperature difference between lamp inside and outside. Temporary mist on the lens is not a malfunction and will not cause any discomfort during vehicle driving.

The mist would get cleared when the environmental condition change to sunny or when headlamp is kept on. However if there is water leakage inside the lamp, contact your authorised Maruti Suzuki workshop.

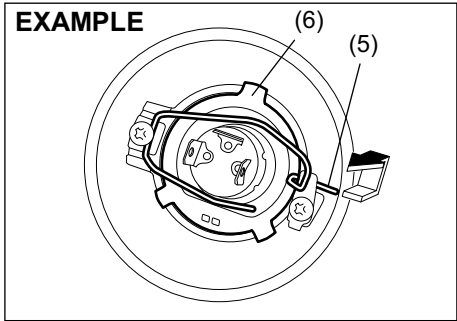
**Headlights**



1) Remove the screws (1) and remove the air inlet box (2).



2) Disconnect the coupler (3). Remove the sealing rubber (4).



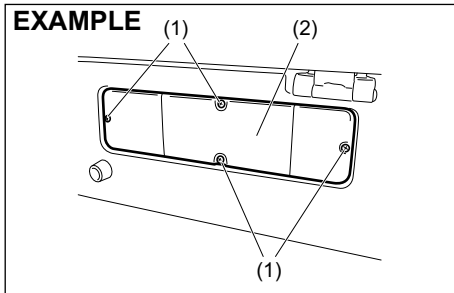
3) Push the retaining spring (5) forward and unhook it. Then remove the bulb (6). Install a new bulb in the reverse order of removal.

**Front Turn Signal Light  
Front Position Light**

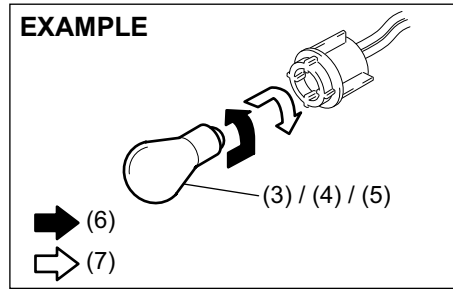
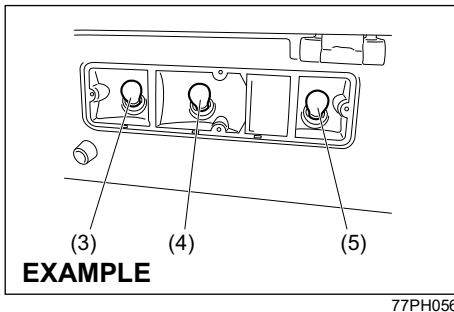
Since special procedures are required, we recommend you take your vehicle to your authorised MARUTI SUZUKI COMMERCIAL workshop for bulb replacement.

## INSPECTION AND MAINTENANCE

### Rear Combination Light



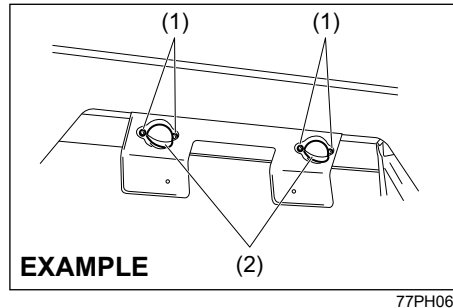
- 1) Remove the screws (1) and remove the cover (2).



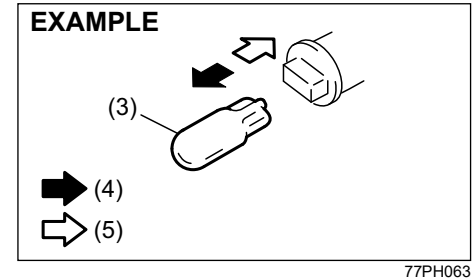
- (6) Removal
- (7) Install

- 2) To remove the bulb of the turn signal light (3), the tail/brake light (4) or the reversing light (5) bulb holder, push in the bulb and turn it counterclockwise. To install a new bulb, push it in and turn it clockwise.

### License Plate Light



- 1) Remove the screws (1) and remove the cover (2).

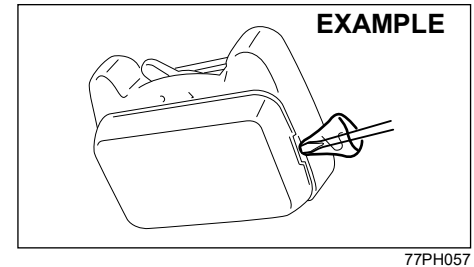


- (4) Removal
- (5) Install

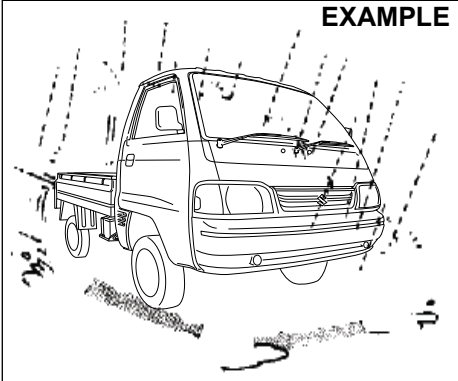
- 2) To remove and install the bulb of the license plate light (3), simply pull out or push in the bulb.

### Interior Light

Remove the lens by using a flat blade screwdriver covered with a soft cloth as shown. To install it, simply push it back in.



Wiper Blades



77PM07028

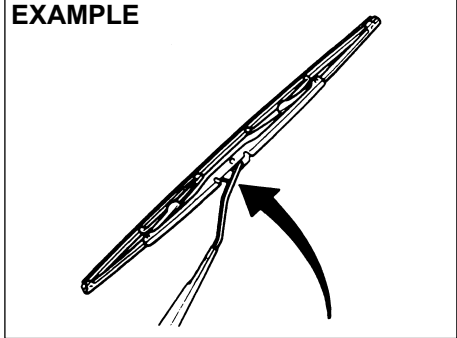
If the wiper blades become brittle or damaged, or make streaks when wiping, replace the wiper blades.

To install new wiper blades, follow the procedures below.

**NOTICE**  
To avoid scratching or breaking the window, do not let the wiper arm strike the window while replacing the wiper blade.

**NOTE:**  
Some wiper blades may be different from the ones described here depending on vehicle specifications. If so, consult your authorised MARUTI SUZUKI COMMERCIAL workshop for proper replacement method.

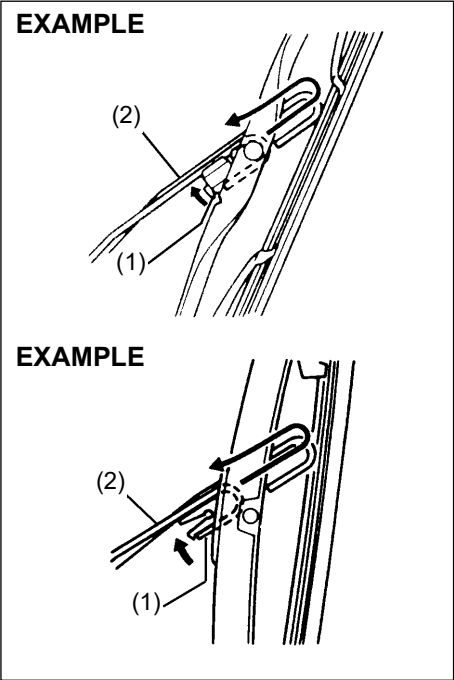
For windshield wipers:



70G119

- 1) Hold the wiper arm away from the windshield.

**NOTE:**  
When raising both of the front wiper arms, pull the driver's side wiper arm up first. When returning the wiper arms, lower the passenger's side wiper arm first. Otherwise, the wiper arms may interfere with each other.



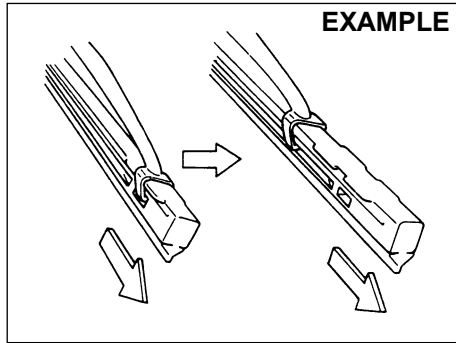
54G130

- 2) Squeeze lock (1) towards wiper arm (2) and remove the wiper frame from the arm as shown.
- 3) Unlock the lock end of the wiper blade and slide the blade out as shown.

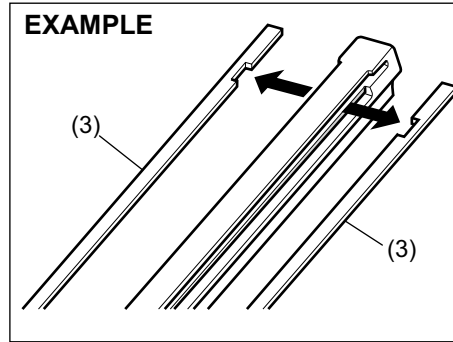


## INSPECTION AND MAINTENANCE

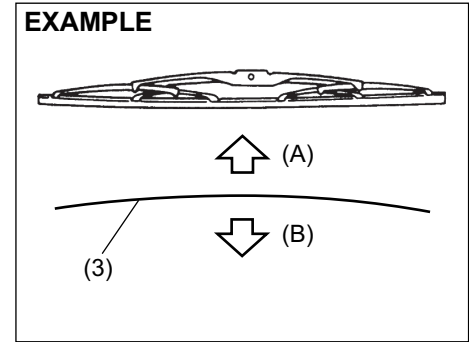
### Removal



60A260

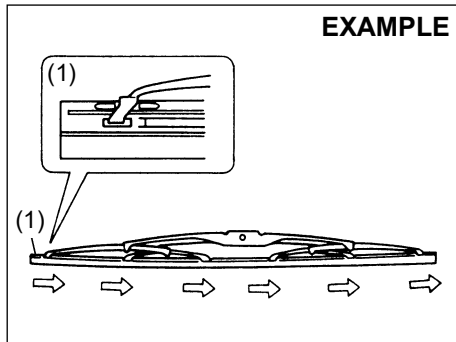


68PH00754



60MH072

### Installation

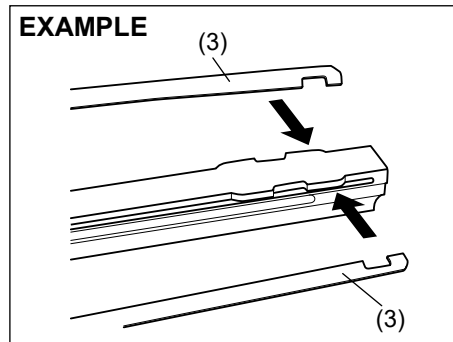


54G132

(1) Locked end

(3) Retainer

- 4) If the new blade is provided without the two metal retainers, move them from the old blade to the new one.



60MH071

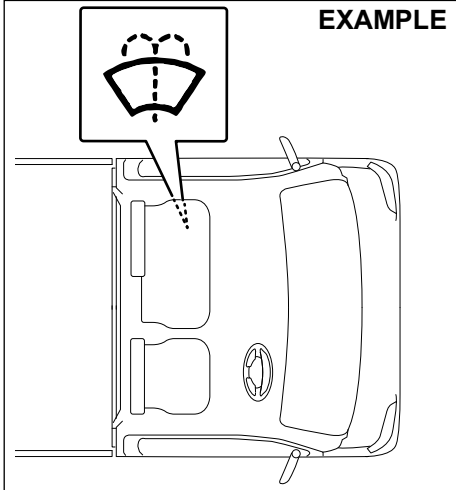
(A) Up  
(B) Down

#### NOTE:

*When you install the metal retainers (3), make sure the direction of metal retainers is as shown in the above illustrations.*

- 5) Install the new blade in the reverse order of removal, with the locked end positioned toward the wiper arm. Make sure the blade is properly retained by all the hooks. Lock the blade end into place.
- 6) Reinstall wiper frame to arm, making sure that the lock lever is snapped securely into the arm.

**Windshield Washer Fluid (If equipped)**



77PM07027

Visually inspect that there is washer fluid in the tank. Refill it if necessary. Use a good quality windshield washer fluid, diluted with water as necessary.

**NOTICE**  
Avoid use of hard water to prevent building of lime scale on the vehicle.

**WARNING**  
Do not use radiator antifreeze in the windshield washer reservoir. This can severely impair visibility when sprayed on the windshield, and can also damage your vehicle's paint.

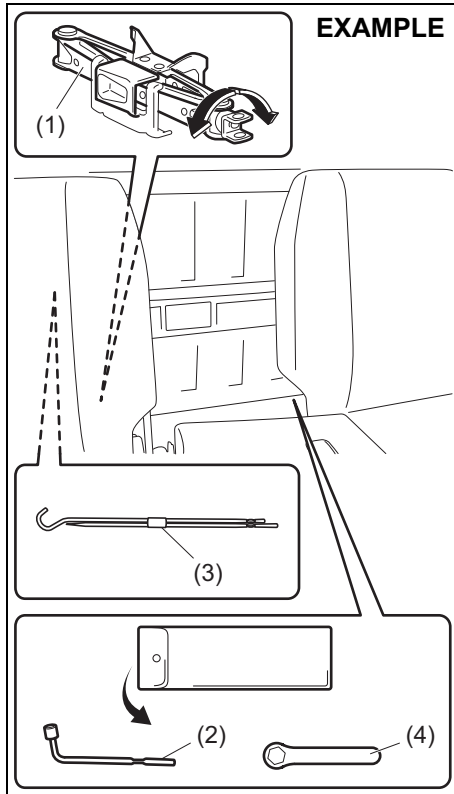
**NOTICE**  
Damage may result if the washer motor is operated with no fluid in the washer tank.

## EMERGENCY SERVICE

Tyre Changing Tool .....	8-1
Jacking Instructions .....	8-2
Changing Wheels .....	8-5
Jump Starting Instructions .....	8-6
Towing .....	8-7
If the Starter Does Not Operate .....	8-8
If the Engine is Flooded .....	8-8
If the Engine Overheats .....	8-8
Underbody Trouble by Hitting .....	8-9
Warning Triangle .....	8-9
Fire Extinguisher (if equipped) .....	8-10

## EMERGENCY SERVICE

### Tyre Changing Tool



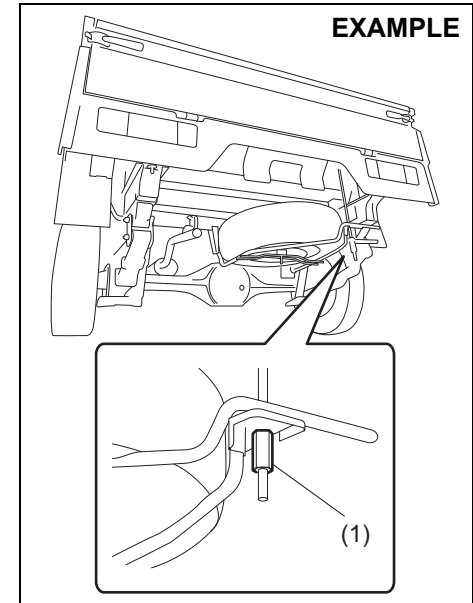
77PH202

- (1) Jack
- (2) Wheel brace
- (3) Jack handle
- (4) Spanner

The tyre changing tools are stowed behind the driver seat.

To remove the jack, turn its shaft counter-clockwise and pull the jack out of the storage bracket. To stow the jack, place it in the storage bracket and turn the shaft clockwise until the jack is securely held in place.

The spare tyre is stowed under the bed.  
To remove the spare tyre:



77PH099

- 1) Loosen the spare tyre holder hook nut (1).
- 2) Unhook the spare tyre holder and lower it slowly.
- 3) Remove the screw in the center of the spare tyre, and remove the tyre.

**⚠ WARNING**

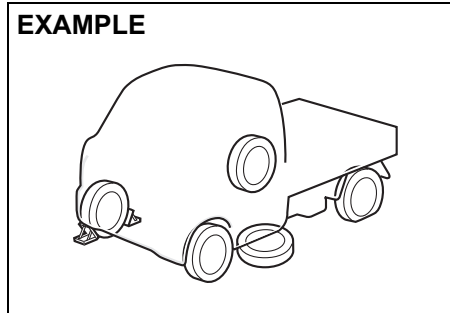
After using the tyre changing tools, be sure to stow them securely or they can cause injury if an accident occurs.

**⚠ CAUTION**

The jack should be used only to change wheels. It is important to read the jacking instructions in this section before attempting to use the jack.

**Jacking Instructions**

**EXAMPLE**



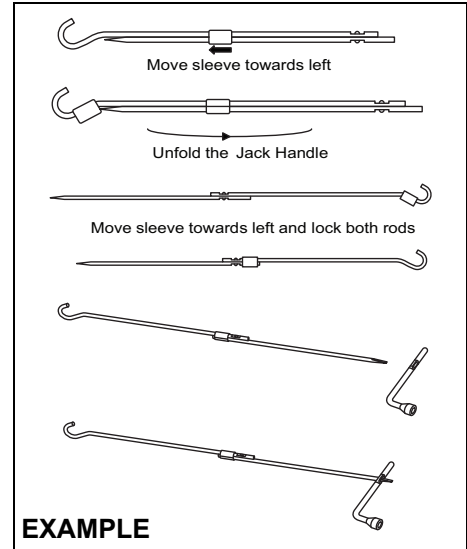
77PH054

- 1) Place the vehicle on level, hard ground.
- 2) Set the parking brake firmly and shift into "R" (Reverse).

**⚠ WARNING**

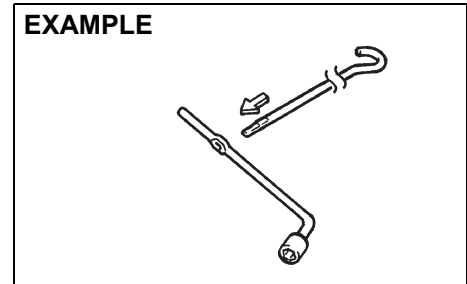
- Be sure to shift into "R" (Reverse) when you jack up the vehicle.
- Never jack up the vehicle with the transmission in "N" (Neutral). Otherwise, unstable jack may cause an accident.

- 3) Turn on the hazard warning flasher if your vehicle is near traffic.
- 4) Block the front and rear of the wheel diagonally opposite of the wheel being lifted.
- 5) Place the spare wheel near the wheel being lifted as shown in the illustration in case the jack slips.



**EXAMPLE**

77PH802



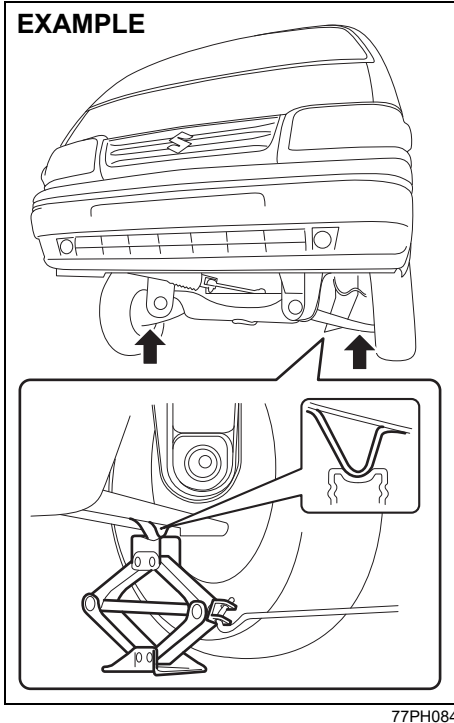
**EXAMPLE**

54G253

## EMERGENCY SERVICE

### Front jacking point

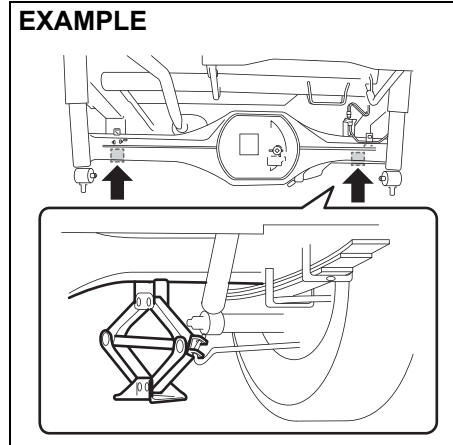
#### EXAMPLE



77PH084

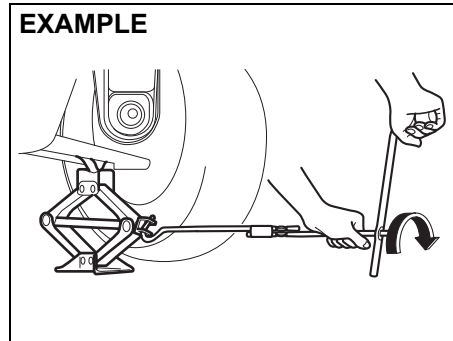
### Rear jacking point

#### EXAMPLE



77PH106

#### EXAMPLE



77PS052

- 6) Position the jack vertically and raise the jack by turning the jack handle clockwise until the jack head groove fits around the jacking bar beneath the vehicle body. See illustrations.
- 7) Continue to raise the jack slowly and smoothly until the tyre clears the ground. Do not raise the vehicle more than necessary.

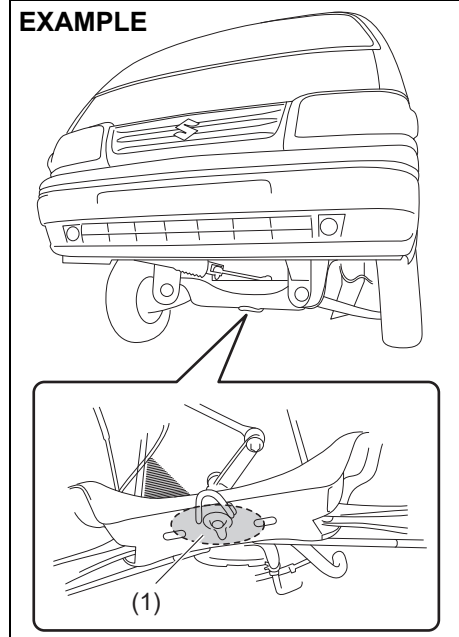
#### **⚠ WARNING**

- Use the jack only to change wheels on level, hard ground.
- Never jack up the vehicle on an inclined surface.
- Never raise the vehicle with the jack in a location other than the specified jacking point (shown in the illustration) near the wheel to be changed.
- Do not use wooden blocks or similar objects as a jack underlay.
- Never get under the vehicle when it is supported by the jack. Never place your hands and feet under the raised vehicle when it is supported by a jack.
- Never run the engine when the vehicle is supported by the jack and never allow passengers to remain in the vehicle.

**To Raise the Vehicle with a Garage Jack**

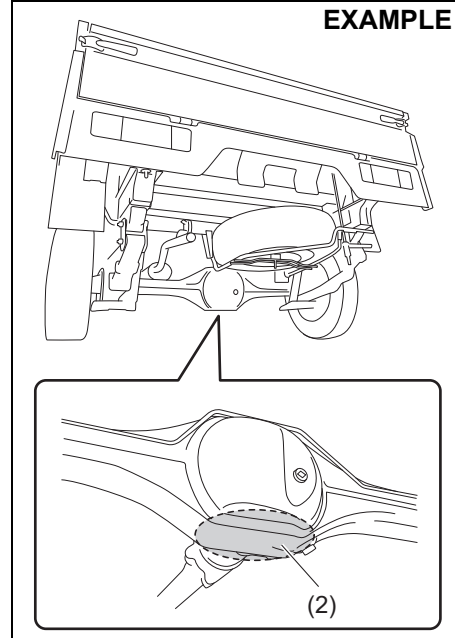
- Apply the garage jack to one of the points indicated below.
- Always support the raised vehicle with jack stands (commercially available) at the points indicated below.

**Front jacking point for garage jack (1)**



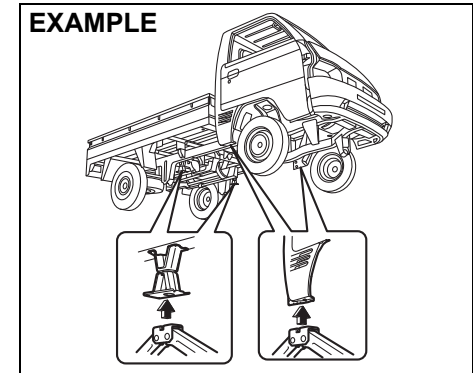
77PH060

**Rear jacking point for garage jack (2)**



77PH101

**Application point for jack stand (3) or two-column lift**



77PS055 (2)

**NOTICE**

- Never apply a garage jack to the exhaust pipe.
- When applying the jack stand or the two-column lift to the application point of the rear side, be careful not to interfere with the surrounding parts such as the parking cable or the flange of the fuel tank.

**NOTE:**

For more details, please contact an authorised MARUTI SUZUKI COMMERCIAL workshop.

## EMERGENCY SERVICE

### Changing Wheels

#### **⚠ WARNING**

**Never change a wheel in traffic lane. Always move the vehicle off the road on level, hard ground away from traffic for changing a wheel. For any further assistance contact your nearest Maruti Suzuki authorised workshop.**

To change a wheel, use the following procedure:

- 1) Clear all passengers and cargo from the vehicle.
- 2) Remove the jack, tools and spare wheel from the vehicle.
- 3) Loosen, but do not remove the wheel nuts.
- 4) Jack up the vehicle.

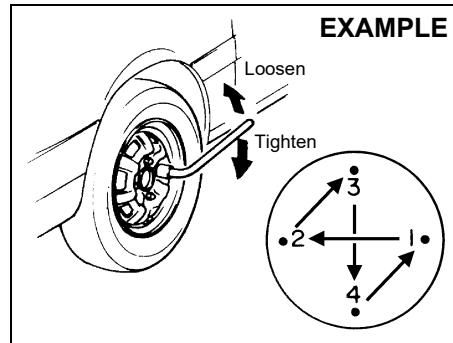
#### **⚠ CAUTION**

**Immediately after the vehicle has been driven, the wheels, the wheel nuts and the area around the brakes might be extremely hot. Touching these areas may cause burn injury. Do not touch these areas immediately after the vehicle has been driven.**

- 5) Remove the wheel nuts and wheel.
- 6) Before installing the new wheel, clean any mud or dirt off from the surface of

the wheel and hub with a clean cloth. Clean the hub carefully; it may be hot from driving.

- 7) Install the new wheel and replace the wheel nuts with their cone shaped end facing the wheel. Tighten each nut snugly by hand until the wheel is securely seated on the hub.



54G116

**Tightening torque for wheel nut  
100 Nm (10.2 kgf-m, 73.8 lbf-ft)**

- 8) Lower the jack and fully tighten the nuts in a crisscross fashion with a wrench as shown in the illustration.

#### **⚠ WARNING**

**Use genuine wheel nuts and tighten them to the specified torque as soon as possible after changing wheels. Incorrect wheel nuts or improperly tightened wheel nuts may come loose or fall off, which can result in an accident. If you do not have a torque wrench, have the wheel nut torque checked by an authorised MARUTI SUZUKI COMMERCIAL workshop.**



## Jump Starting Instructions

### ⚠ WARNING

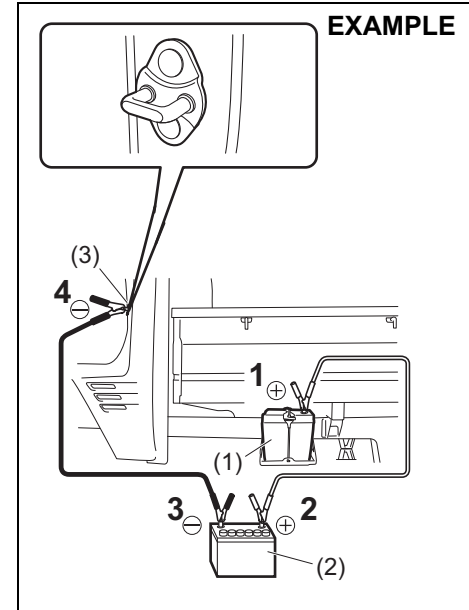
- Never attempt to jump start your vehicle if the battery appears to be frozen. Batteries in this condition may explode or rupture if jump starting is attempted.
- When making jump lead connections, be certain that your hands and the jump leads remain clear from pulleys, belts, or fans.
- Batteries produce flammable hydrogen gas. Keep flames and sparks away from the battery or an explosion may occur. Never smoke when working in the vicinity of the battery.
- If the booster battery you use for jump starting is installed in another vehicle, make sure the two vehicles are not touching each other.
- If your battery discharges repeatedly, for no apparent reason, have your vehicle inspected by an authorised MARUTI SUZUKI COMMERCIAL workshop.
- To avoid harm to yourself or damage to your vehicle or battery, follow the jump starting instructions below precisely and in order. If you are in doubt, call for qualified road service.

### NOTICE

Your vehicle should not be started by pushing or towing. This starting method could result in permanent damage to the catalytic converter. Use jump leads to start a vehicle with a weak or flat battery.

### When Jump Starting Your Vehicle, Use the Following Procedure:

- 1) Use only a 12-volt battery to jump start your vehicle. Position the good 12-volt battery close to your vehicle so that the jump leads will reach both batteries. When using a battery installed on another vehicle, DO NOT LET THE VEHICLES TOUCH. Set the parking brakes fully on both vehicles.
- 2) Turn off all vehicle accessories, except those necessary for safety reasons (for example, headlights or hazard lights).



77PS056

- 3) Make jump lead connections as follows:
  1. Connect one end of the first jump lead to the positive (+) terminal of the flat battery (1).
  2. Connect the other end to the positive (+) terminal of the booster battery (2).

## EMERGENCY SERVICE

---

3. Connect one end of the second jump lead to the negative (-) terminal of the booster battery (2).
4. Make the final connection to an unpainted, heavy metal part (i.e. door latch striker (3)) of the vehicle with the flat battery (1).

### **WARNING**

**Never connect the jump lead directly to the negative (-) terminal of the discharged battery, or an explosion may occur.**

- 4) If the booster battery you are using is fitted to another vehicle, start the engine of the vehicle with the booster battery. Run the engine at moderate speed.
- 5) Start the engine of the vehicle with the flat battery.
- 6) Remove the jump leads in the exact reverse order in which you connected them.

## Towing

If you need to have your vehicle towed, contact a professional service. Your dealer can provide you with detailed towing instructions.

### **NOTICE**

**To help avoid damage to your vehicle during towing, proper equipment and towing procedures must be used.**

## 2-Wheel Drive (2WD) Manual Transmission

Manual transmission vehicles may be towed using either of the following methods.

- 1) From the front, with the front wheels lifted and the rear wheels on the ground. Before towing, make sure that the transmission is in neutral and the parking brake is released.
- 2) From the rear, with the rear wheels lifted and the front wheels on the ground, provided the steering and drivetrain are in operational condition. Before towing, make sure that the steering wheel is unlocked (the ignition key should be in the "ACC" position), and the steering wheel is secured with a clamping device designed for towing service.

### **NOTICE**

**The steering column is not strong enough to withstand shocks transmitted from the front wheels during towing. Always unlock the steering wheel before towing.**

## If the Starter Does Not Operate

- 1) Try turning the ignition switch to the "START" position with the headlights turned on to determine the battery condition. If the headlights go excessively dim or go off, it usually means that either the battery is flat or the battery terminal contact is poor. Recharge the battery or correct battery terminal contact as necessary.
- 2) If the headlights remain bright, check the fuses. If the reason for failure of the starter is not obvious, there may be a major electrical problem. Have the vehicle inspected by your authorised MARUTI SUZUKI COMMERCIAL workshop.

## If the Engine is Flooded

If the engine is flooded with fuel, it may be hard to start. If this happens, press the accelerator pedal all the way to the floor and hold it there while cranking the engine.

- Do not operate the starter motor for more than 30 seconds.

## If the Engine Overheats

The engine could overheat temporarily under severe driving conditions. If the high engine coolant temperature warning light comes on during driving:

- 1) Take the vehicle to a safe place and park.
- 2) Let the engine run at the normal idle speed for a few minutes until the high engine coolant temperature warning light goes off.

### ⚠ WARNING

**If you see or hear escaping steam, stop the vehicle in a safe place and immediately turn off the engine to let it cool. Do not open the engine compartment when steam is present. When the steam can no longer be seen or heard, open the engine compartment to see if the coolant is still boiling. If it is, you must wait until it stops boiling before you proceed.**

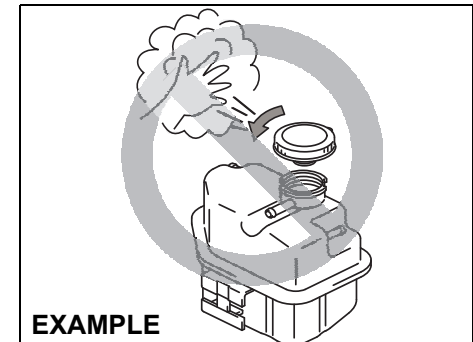
If the high engine coolant temperature warning light does not go off:

- 1) Turn off the engine and check that the water pump belt and pulleys are not damaged or slipping. If any abnormality is found, correct it.

- 2) Check the coolant level in the reservoir. If it is found to be lower than the "LOW" line, look for leaks at the radiator, water pump, and radiator and heater hoses. If you locate any leaks that may have caused the overheating, do not run the engine until these problems have been corrected.
- 3) If you do not find a leak, carefully add coolant to the reservoir and then the radiator, if necessary. (Refer to "Engine Coolant" in the "INSPECTION AND MAINTENANCE" section.)

### NOTE:

*If your engine overheats and you are unsure what to do, contact your authorised MARUTI SUZUKI COMMERCIAL workshop.*



65D350d

### WARNING

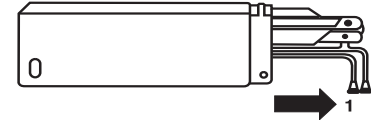
- It is hazardous to remove the radiator cap (or degassing tank cap for a diesel engine) when the water temperature is high, because scalding fluid and steam may be blown out under pressure. The cap should only be taken off when the coolant temperature has lowered.
- To help prevent personal injury, keep hands, tools and clothing away from the engine cooling fan. These electric fans can automatically turn on without warning.

### Underbody Trouble by Hitting

If you hit underbody of your vehicle, ask an authorised MARUTI SUZUKI COMMERCIAL workshop for inspection. Otherwise damage to steering, Suspension, Drive-line, and Brake etc. could prevent your safe driving.

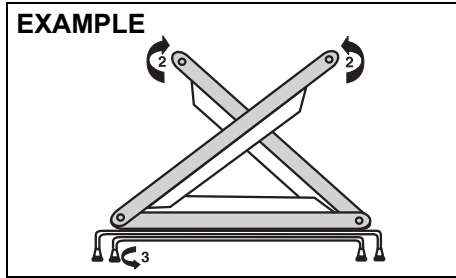
### Warning Triangle

#### EXAMPLE



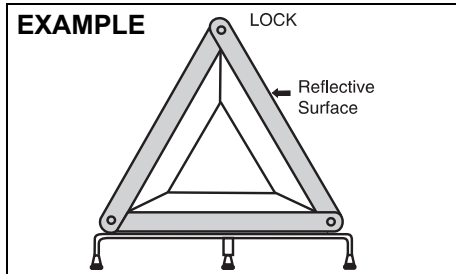
MHO-07-001

In case of vehicle break-down or during emergency stopping, where, your vehicle could become a potential traffic hazard, keep the warning triangle, provided with your vehicle, on the road free from any obstacles behind your vehicle so as to warn the approaching traffic, at an approximate distance of 50-100 m. The reflecting side of the triangle should face the on coming traffic. Please activate the hazard warning lamps before alighting the vehicle to keep the warning triangle.



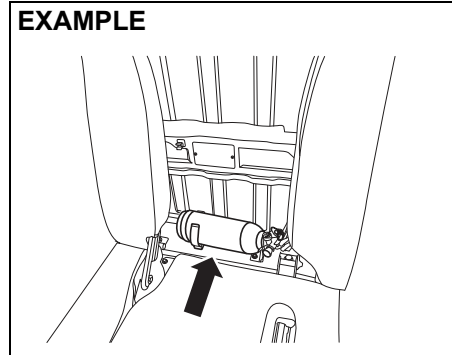
MHO-07-014-1

- Remove the warning triangle carefully from the cover as shown by arrow 1.
- Open both the reflector arms as shown by arrow 2 and lock the arms with each other with the clip provided in the right arm. Open the bottom stand in counter clock-wise direction as shown by arrow 3. Position the warning triangle behind the vehicle on a plain surface.
- Reverse the removal procedure for keeping inside the cover.



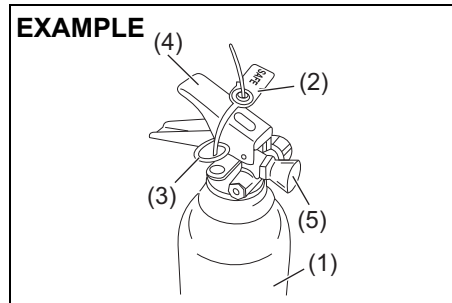
MHO-07-014

## Fire Extinguisher (if equipped)



77PM08009

Fire extinguisher is stowed behind the seats (between driver seat and passenger seat).

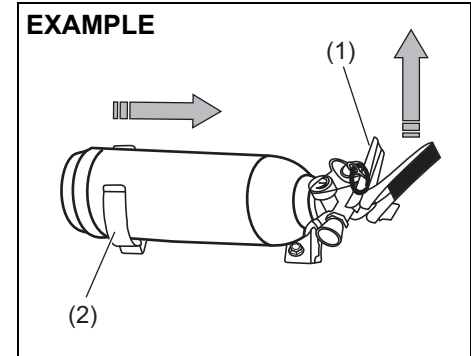


77PM08003

- (1) Fire extinguisher cylinder
- (2) Seal
- (3) Safety Pin
- (4) Lever
- (5) Nozzle

## Removal and Refitment of Fire Extinguisher

### For Removal of Fire Extinguisher

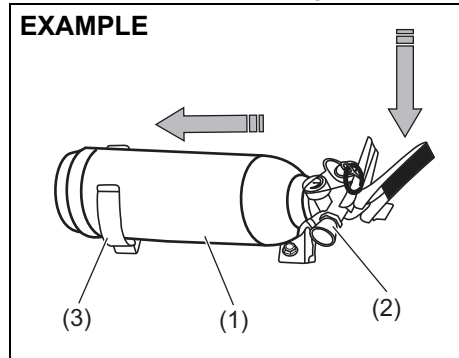


77PM08004

Lift Lever (1) of fire extinguisher slightly upwards and pull the fire extinguisher in the direction as shown in the figure, in order to disengage it from clamp (2).

## EMERGENCY SERVICE

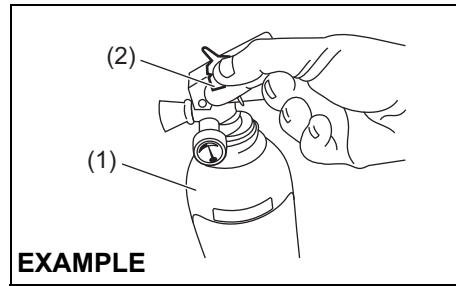
### For Refitment of Fire Extinguisher



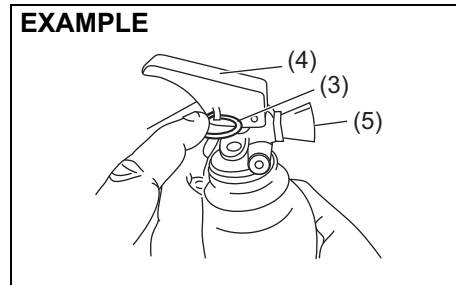
Insert the body of fire extinguisher (1) in to the clamp (3) and place the nozzle (2) carefully downwards, on the clamp.

**NOTE:**  
Ensure that the nozzle of fire extinguisher is properly seated on the clamp.

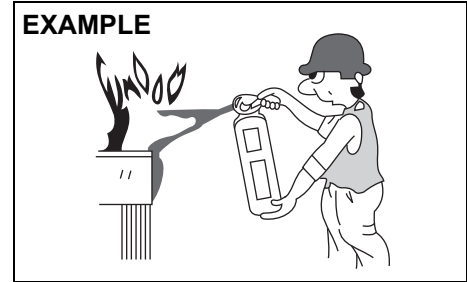
### Procedure of Operation



- 1) Hold the fire extinguisher (1) upright.
- 2) Break seal (2) by rotating the safety pin(3).



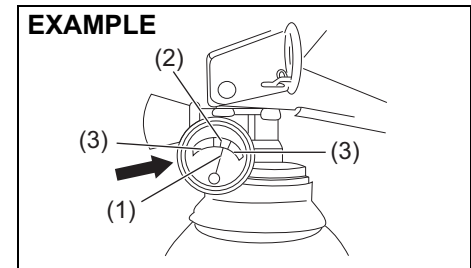
- 3) Pull Safety pin (3)
- 4) Squeeze lever (4) and direct the jet from nozzle (5) towards the near edge of the fire with a rapid (fast) sweeping motion.



- 5) Drive the fire towards the far edge until flames are extinguished.

**NOTE:**  
Fire extinguisher is only meant for small fire caused in vehicle by external source only.

### Do's and Dont's



### **Do's**

- 1) Check pressure gauge periodically. Max charging pressure is 15Kgf/cm<sup>2</sup> (in green zone (2)).
- 2) When pressure drops, indicator needle(1) will shift to the red zone (3).Immediately contact the fire extinguisher manufacturer as per the information provided on the fire extinguisher.
- 3) Get the fire extinguisher serviced only through the manufacturer service centre.Refer the information provided on the fire extinguisher to locate the nearest service centre.
- 4) Ensure that the Fire extinguisher is always kept at its prescribed position in the vehicle.
- 5) Refill the fire extinguisher immediately after use.

### **Don't**

- 1) Do not use water for cleaning fire extinguisher. (Use clean cloth for removing dust)
- 2) Do not rely on used or discharged fire extinguisher.

### **NOTE:**

- *Refilling is necessary after every use.*
- *Fire extinguisher needs refilling after every 3 years even if it is not used.*

## APPEARANCE CARE

Corrosion Prevention .....	9-1
Vehicle Cleaning .....	9-2



## APPEARANCE CARE

---

### Corrosion Prevention

It is important to take good care of your vehicle to protect it from corrosion. Listed below are instructions for how to maintain your vehicle to prevent corrosion. Please read and follow these instructions carefully.

#### Important Information About Corrosion

##### Common causes of corrosion

- 1) Accumulation of road salt, dirt, moisture, or chemicals in hard-to-reach areas of the vehicle underbody or frame.
- 2) Chipping, scratches and any damage to treated or painted metal surfaces resulting from minor accidents or abrasion by stones and gravel.
- 3) Any or all of the below mentioned points:
  - Continuous exposure to sunlight
  - Hard water and sea water coming in contact with vehicle.
  - Foot rubbing (skirting).

##### Environmental conditions which accelerate corrosion

- 1) Road salt, dust control chemicals, sea air or industrial pollution will all accelerate the corrosion of metal.
- 2) High humidity will increase the rate of corrosion particularly when the temperature range is just above the freezing point.

- 3) Moisture in certain areas of a vehicle for an extended period of time may promote corrosion even though other body sections may be completely dry.
- 4) High temperatures will cause an accelerated rate of corrosion to parts of the vehicle which are not well ventilated to permit quick drying.

This information illustrates the necessity of keeping your vehicle (particularly the underbody) as clean and dry as possible. It is equally important to repair any damage to the paint or protective coatings as soon as possible.

#### How to Help Prevent Corrosion

##### Wash your vehicle frequently

The best way to preserve the finish on your vehicle and to help avoid corrosion is to keep it clean with frequent washing. Wash your vehicle at least once during the winter and once immediately after the winter. Keep your vehicle, particularly the underside, as clean and dry as possible. If you frequently drive on salted roads, your vehicle should be washed at least once a month during the winter. If you live near the ocean, your vehicle should be washed at least once a month throughout the year.

For washing instructions, refer to the "Vehicle Cleaning" section.

##### Remove foreign material deposits

Foreign material such as salts, chemicals, road oil or tar, tree sap, bird droppings and industrial fall-out may damage the finish of your vehicle if it is left on painted surfaces. Remove these types of deposits as quickly as possible. If these deposits are difficult to wash off, an additional cleaner may be required. Be sure that any cleaner you use is not harmful to painted surfaces and is specifically intended for your purposes. Follow the manufacturer's directions when using these special cleaners.

##### Repair finish damage

Carefully examine your vehicle for damage to the painted surfaces. If you find any chips or scratches in the paint, touch them up immediately to prevent corrosion from starting. If the chips or scratches have gone through to the bare metal, have a qualified body shop make the repair.

##### Keep passenger and luggage compartments clean

Moisture, dirt or mud can accumulate under the floor mats and may cause corrosion. Occasionally, check under these mats to ensure that this area is clean and dry. More frequent checks are necessary if the vehicle is used off road or in wet weather.

Certain cargos such as chemicals, fertilizers, cleaners, salts, etc. are extremely corrosive by nature. These products should be transported in sealed containers. If a spill or leak does occur, clean and dry the area immediately.

**Store your vehicle in a dry, well-ventilated area**

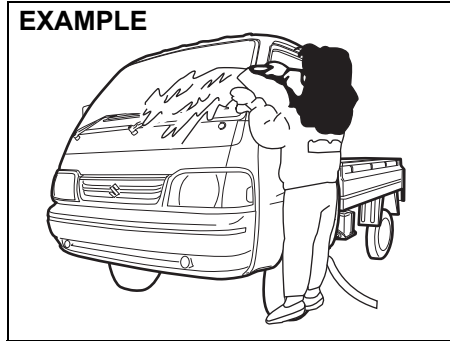
Park your vehicle to save it from continuous exposure to direct sunlight. Do not park your vehicle in a damp, poorly ventilated area. If you often wash your vehicle in the garage or if you frequently drive it in when wet, your garage may be damp. The high humidity in the garage may cause or accelerate corrosion. A wet vehicle may corrode even in a heated garage if the ventilation is poor.

**⚠ WARNING**

Do not apply additional undercoating or rust preventive coating on or around exhaust system components such as the catalytic converter, exhaust pipes, etc. A fire could be started if the undercoating substance becomes overheated.

**Vehicle Cleaning**

**EXAMPLE**



77PM09001

**⚠ WARNING**

When cleaning the interior or exterior of the vehicle, **NEVER USE** flammable solvents such as lacquer thinners, Petrol, benzene or cleaning materials such as bleaches or strong household detergents. The materials could cause personal injury or damage to the vehicle.

**Cleaning the Interior**

**Vinyl upholstery**

Prepare a solution of soap or mild detergent mixed with warm water. Apply the solution to the vinyl with a sponge or soft cloth and let it soak for a few minutes to loosen dirt. Rub the surface with a clean, damp cloth to remove dirt and the soap solution. If some dirt still remains on the surface, repeat this procedure.

**Fabric upholstery (Except front passenger seat)**

Remove loose dirt with a vacuum cleaner. Using a mild soap solution, rub stained areas with a clean damp cloth. To remove soap, rub the areas again with a cloth dampened with water. Repeat this until the stain is removed, or use a commercial fabric cleaner for tougher stains. If you use a fabric cleaner, carefully follow the manufacturer's instructions and precautions.

**⚠ CAUTION**

- Do not spill liquid or semi-solid on the front passenger's seat. If you spill it on the front passenger's seat, immediately wipe it dry with a soft cloth. Contact of liquid with sensor may impact the function of seat belt reminder sensor.
- Do not place any sharp or heavy object on passenger seat which can penetrate through seat upholstery and can cause damage to sensor.

## APPEARANCE CARE

### Fabric upholstery (For front passenger seat)

Do not use liquid for cleaning as it may penetrate the fabric and damage the seat sensor.

### Leather upholstery

Remove loose dirt with a vacuum cleaner. Using a mild soap or saddle soap solution, wipe dirt off with a clean damp soft cloth. To remove soap, wipe the areas again with a soft cloth dampened with water. Wipe the areas dry with a soft dry cloth. Repeat this until the dirt or stain is removed, or use a commercial leather cleaner for tougher dirt or stains. If you use a leather cleaner, carefully follow the manufacturer's instructions and precautions. Do not use solvent type cleaners or abrasive cleaners.

#### NOTE:

- In order to keep leather upholstery looking good, it should be cleaned at least twice a year.
- If leather upholstery becomes wet, immediately wipe it dry with tissue paper or a soft cloth. Water may cause leather to harden and shrink if it is not wiped off.
- When parking on sunny days, select a shady place or use a sunshade. If leather upholstery is exposed to direct sunlight for a long time, it may discolor and shrink.
- As is common with natural materials, leather is inherently irregular in grain and cowhide has spots in its natural state. These do not affect the performance of the leather in any way.

### Seat belts

Clean seat belts with a mild soap and water. Do not use bleach or dye on the belts. They may weaken the fabric in the belts.

### Vinyl floor mats

Ordinary dirt can be removed from vinyl with water or mild soap. Use a brush to help loosen dirt. After the dirt is loosened, rinse the mat thoroughly with water and dry it in the shade.

### Carpets

Remove dirt and soil as much as possible with a vacuum cleaner. Using a mild soap solution, rub stained areas with a clean damp cloth. To remove soap, rub the areas again with a cloth dampened with water. Repeat this until the stain is removed, or use a commercial carpet cleaner for tougher stains. If you use a carpet cleaner, carefully follow the manufacturer's instructions and precautions.

### Instrument panel and console

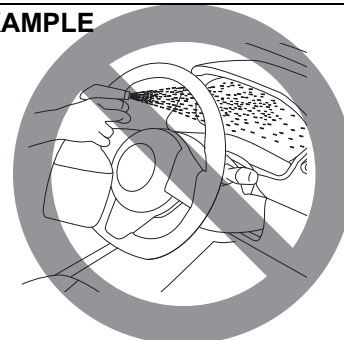
Remove loose dirt with a vacuum cleaner. Gently wipe dirt off with a tightly squeezed damp clean cloth. Repeat this until the dirt is removed.

### NOTICE

**Do not use chemical products that contain silicon to wipe electrical components such as the switches. These will cause damage to the components.**

**Do not spray water or any liquid directly on instrument cluster or any other electrical or electronic components. This may cause damage and/or lead to non-functioning of the part.**

### EXAMPLE



81RM08005

**Cleaning the Exterior**

**NOTICE**

It is important that your vehicle to be kept clean and free from dirt. Failure to keep your vehicle clean may result in fading of the paint or corrosion to various parts of the vehicle body.

**Washing**

**EXAMPLE**



82DY0

**⚠ WARNING**

- Never attempt to wash and wax your vehicle with the engine running.
- When cleaning the underside of the body and fender, where there may be sharp-edged parts, you should wear gloves and a long-sleeved shirt to protect your hands and arms from being cut.
- After washing your vehicle, carefully test the brakes before driving to make sure they have maintained their normal effectiveness.

When washing the vehicle, park it where direct sunlight does not fall on it and follow the instructions below:

- 1) Flush the underside of body and wheel housings with pressurized water to remove mud and debris. Use plenty of water.

**NOTICE**

- When washing the vehicle:**
- Avoid directing steam or hot water of more than 80°C (176°F) on plastic parts.
  - To avoid damaging engine components, do not use pressurized water in the engine compartment.

- 2) Rinse the body to loosen the dirt. Remove dirt and mud from the body exterior with running water. You may use a soft sponge or brush. Do not use hard materials which can scratch the paint or plastic. Remember that the headlight covers or lenses are made of plastic in many cases.

**NOTICE**

To avoid damage to the paint or plastic surface, do not wipe the dirt off without ample water. Be sure to follow above procedure.

- 3) Wash the entire exterior with a mild detergent or car wash soap using a sponge or soft cloth. The sponge or cloth should be frequently soaked in the soap solution.

**NOTICE**

When using a commercial car wash product, observe the cautions specified by the manufacturer. Never use strong household detergents or soaps.

- 4) Once the dirt has been completely removed, rinse off the detergent with running water.
- 5) After rinsing, wipe off the vehicle body with a wet chamois or cloth and allow it to dry in the shade.

## APPEARANCE CARE

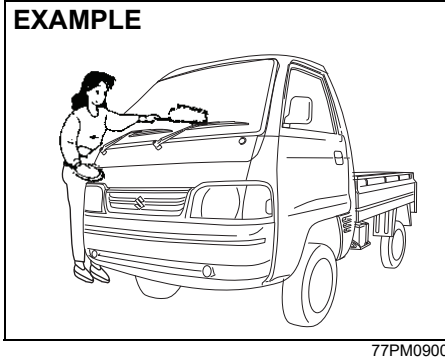
---

- 6) Check carefully for damage to painted surfaces. If there is any damage, touch up the damage following the procedure below:
1. Clean all damaged spots and allow them to dry.
  2. Stir the paint and touch up the damaged spots lightly using a small brush.
  3. Allow the paint to dry completely.

### NOTICE

**If you use an automatic car wash, make sure that your vehicle's body parts, such as spoilers, cannot be damaged. If you are in doubt, consult the car wash operator for advice.**

### Waxing



After washing the vehicle, waxing and polishing are recommended to further protect and beautify the paint.

- Only use waxes and polishes of good quality.
- When using waxes and polishes, observe the precautions specified by the manufacturers.

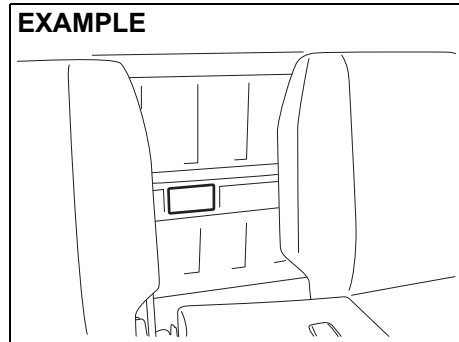
**GENERAL INFORMATION**

Vehicle Identification ..... 10-1  
FASTag (if equipped)..... 10-1  
CNG Kit Number Identification (if equipped) ..... 10-2  
High Security Registration Plate (HSRP)  
(if applicable) ..... 10-3

## GENERAL INFORMATION

### Vehicle Identification

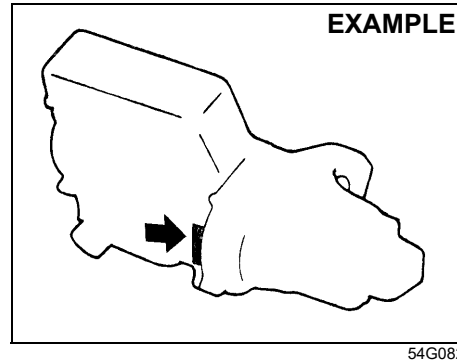
#### Chassis Serial Number



77PH059

The chassis and/or engine serial numbers are used to register the vehicle. They are also used to assist your dealer when ordering or referring to special service information. Whenever you have occasion to consult your authorised MARUTI SUZUKI COMMERCIAL workshop, remember to identify your vehicle with this number. If you find the number difficult to read, you can also find it on the identification plate.

#### Engine Serial Number



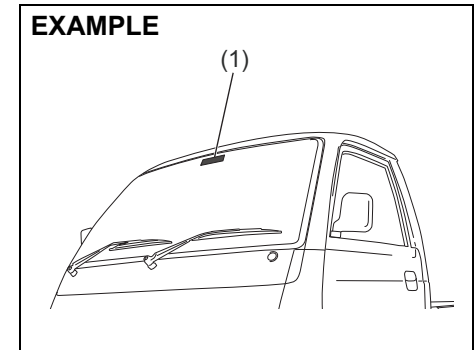
54G082

The engine serial number is stamped on the cylinder block as shown in the illustration.

#### FASTag (if equipped)

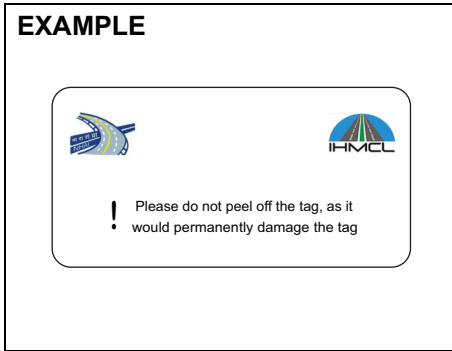
As per Ministry of Road Transport and Highways, the FASTag (1) is mandatory for each vehicle for the purpose of electronic toll collection or any other purpose as may be defined by the Government of India.

In case of any damage to FASTag or replacement of front windscreen, please contact your nearest authorised Maruti Suzuki workshop.



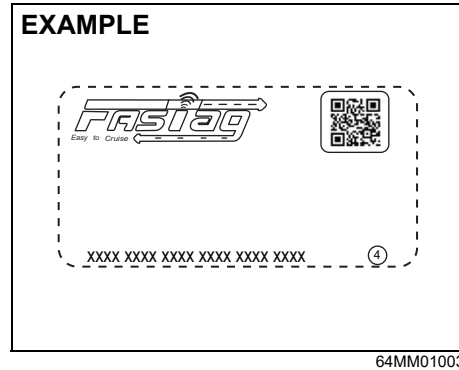
66MM01001

As seen from inside of the vehicle



**NOTE:**  
The picture shown is for indicative purpose only. Internal structure of actual device mounted on vehicle may be different.

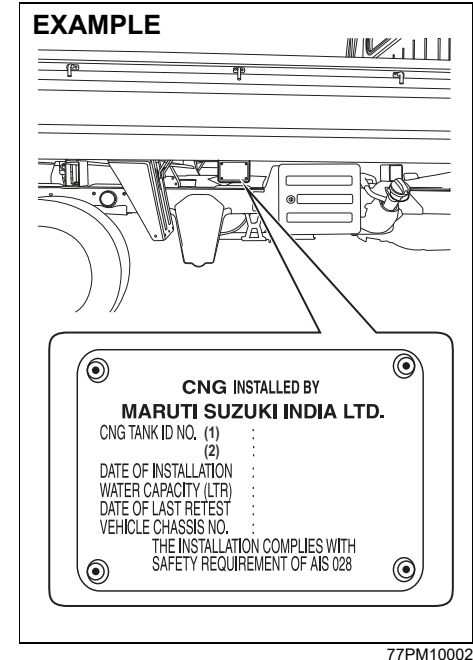
As seen from outside of the vehicle



**NOTE:**  
The picture shown is for indicative purpose only. Internal structure of actual device mounted on vehicle may be different.

- NOTE:**
- Any attempt to remove the tag from the windscreen will result in permanent damage to the tag.
  - Use of chemical cleaners to clean the windscreen area where the tag is mounted can damage the tag.
  - Use of any sharp objects on the tag can damage the tag.

CNG Kit Number Identification (if equipped)



CNG cylinder identification number and CNG kit installation date is located on right side of cargo body as shown.



## GENERAL INFORMATION

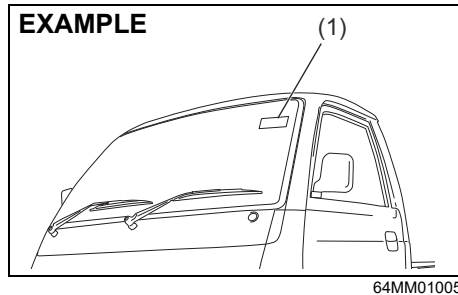
### High Security Registration Plate (HSRP) (if applicable)

As per Ministry of Road Transport and Highways, every new vehicle must have HSRP.

HSRP contains;

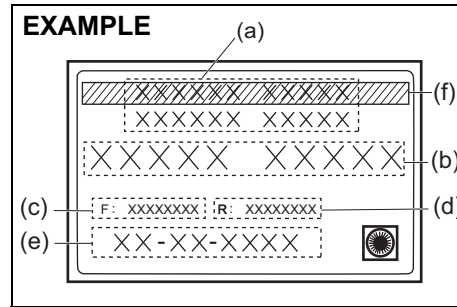
- Front and rear HSRP, which will be fitted with 2 snap-locks each on number plate area.
- Third license plate on front windshield.

### Third License Plate



(1) Third license plate

**Third license plate - As seen from outside of the vehicle**



- (a) HSRP issuing authority name
- (b) Vehicle registration number
- (c) Unique laser number - Front plate
- (d) Unique laser number - Rear plate
- (e) Date of 1st registration  
(in DD-MM-YYYY format)
- (f) Green strips (BS6 vehicle)

**NOTE:**

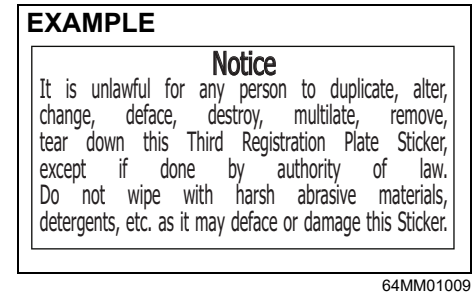
*The picture shown is for indicative purpose only. Internal structure of actual label mounted on vehicle may be different.*

**NOTE:**

- Any attempt to remove the third license plate from the windscreen will result in permanent damage to the label.
- Use of chemical cleaners to clean the windscreen area where the label is mounted can damage the same.

- Use of any sharp objects on the label can damage the label.
- In the event of any replacement of the third license plate, may please contact the approved authority.

**Third license plate - As seen from inside of the vehicle**



**NOTE:**

*The picture shown is for indicative purpose only.*

**NOTE:**

*Color of third license plate (back) is as per HSRP regulation as defined by Ministry of Road Transport and highways.*

## SPECIFICATIONS

---

# SPECIFICATIONS

**NOTE:**

*Specifications are subject to change without notice.*

*Specification related to “chassis” variants refer “Instructions For Body Fabrication”*

ITEM: Dimensions		UNIT: mm
Overall length		3800
Overall width		1562
Overall height		1883
Wheelbase		2110
Track	Front	1345
	Rear	1330

ITEM: Mass (weight)		UNIT: kg
Curb mass (weight)	Petrol	870
	CNG	990
Gross Vehicle Mass (weight) Rating		1620
Permissible maximum Axle Weight	Front	900
	Rear	1020

## SPECIFICATIONS

<b>ITEM: Engine</b>	<b>Petrol and CNG</b>
Type	K12N (DOHC)
Number of cylinders	4
Bore	73.0 mm
Stroke	71.5 mm
Piston displacement	1197 cm <sup>3</sup> (1197 cc)
Compression ratio	12.0: 1

<b>ITEM: Electrical</b>	
Spark plug	NGK ILZKR6F11
Battery	12V 38B20R
Fuses	See "INSPECTION AND MAINTENANCE" section.

<b>ITEM: Lights</b>	<b>WATTAGE</b>	<b>BULB No.</b>
Headlight	12V 60/55W	H4
Position light	12V 5W	W5W
Turn signal light	Front	PY21W
	Rear	P21W
Brake/tail light	12V 21/5W	P21/5W
Reversing light	12V 21W	P21W
License plate light	12V 5W	W5W
Interior light	12V 5W	C5W

## SPECIFICATIONS

---

<b>ITEM: Wheels and Tyres</b>	
Tyre size, front, rear and spare	155R13 LT 8PR 89/88S* / 155R13 LT 8PR 90/89Q*
Rim size	13X4J
Tyre pressures	For the specified Tyre pressure, see the Tyre Information Label located on the driver's door lock pillar.

\* If you cannot prepare a tyre with the specified load index rate and speed symbol, prepare a tyre with higher load index rate and speed symbol.

<b>ITEM: Recommended Fuel / Lubricants and Capacities (approx.)</b>			
Fuel	Petrol		30 L <sup>#</sup>
	CNG	Petrol	5 L <sup>#</sup>
		CNG	35 L × 2 tanks <sup>#</sup>
Engine oil	Petrol		Classification: API SN Viscosity: SAE 0W-16 3.8 L (replacement without oil filter) 4.2 L (replacement with oil filter)
	CNG		
Engine coolant	Petrol		3.6 L (including reservoir tank)
	CNG		3.65 L (including reservoir tank)
Manual transmission oil			MARUTI GENUINE GEAR OIL 75W 1.4 L
Rear differential oil			“TOTALFINAELF TRANSELF LL 85W-140” 1.6 L
Brake fluid			Maruti Genuine Brake Fluid (MGBF) or DOT 3 Refill to the proper oil level according to the instructions in the “INSPECTION AND MAINTENANCE” section.

\*1: The recommended coolant varies depending on your vehicle. Refer to “INSPECTION AND MAINTENANCE” section.

#: The fuel tank capacity is slightly more than the recommended quantity of fuel that you can fill. The additional voluminous space is provided for safety and scientific reasons.

## INSTRUCTIONS FOR BODY FABRICATION

---

### INSTRUCTIONS FOR BODY FABRICATION (Chassis Variant)

The body fabrication on the cab-chassis vehicle shall be carried out ensuring the following instructions and boundary conditions:

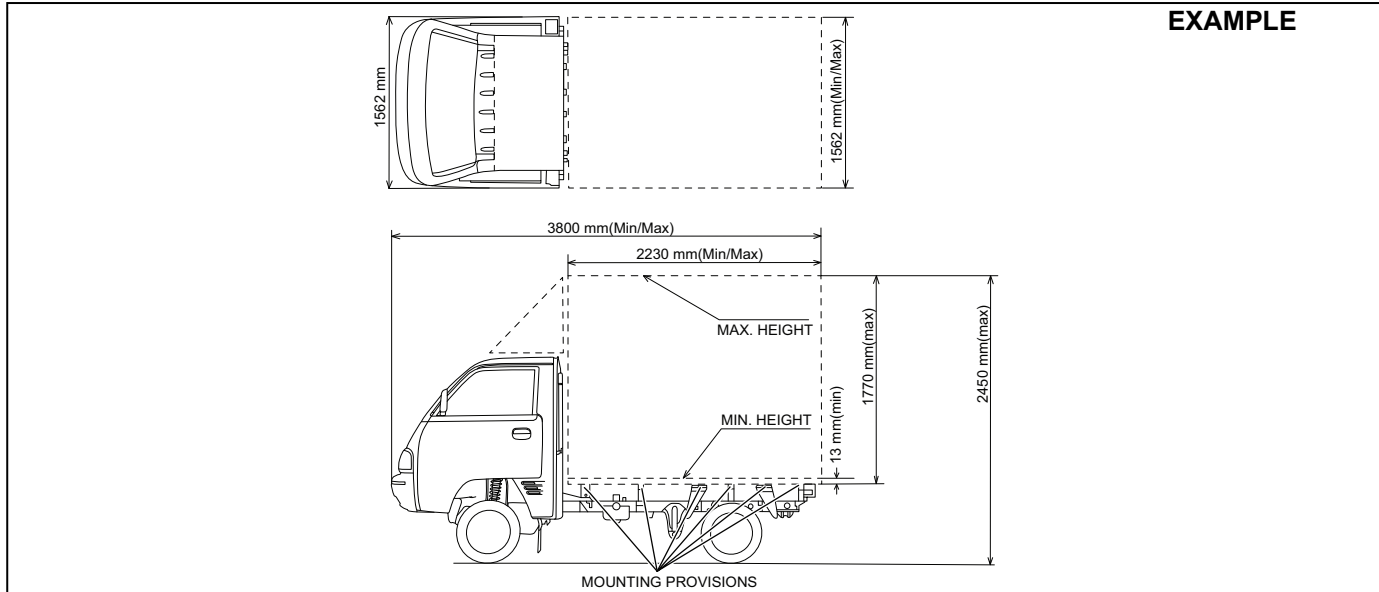
- (a) **Body exteriors:** The load body/ application shall be fabricated such that the external surface of the vehicle shall not have sharp edges or sharp projecting parts which are likely to increase the risk or seriousness of bodily injury to a person hit by the bodywork or brushing against it in the event of a collision. This is valid both when the complete vehicle is stationary and in motion. It is to be ensured a minimum 2.5mm or more radius of curvature on external edges and projecting parts. Body shall meet the stipulated requirement as defined under CMVR Rule 124(1)-11.

For body layouts (like Tipper Application), where battery mountings are exposed, a cover shall be provided in order to meet the necessary requirements of exterior projections as defined under CMVR Rule 124(1)-11.

- (b) **Reflective Tape:** The body builder shall paste a red reflective tape (of not less than 20mm width) running across the width of the body on the rear of the vehicle and shall comply with requirements under CMVR Rule No. 104.
- (c) **Head Lamp:** After the body fabrication, Initial inclination of Head lamp shall be adjusted as marked on the headlamp (as per CMVR 124 (1)-20). The head lamp leveling switch position for GVW condition shall be specified by Body Fabricator to the Customer.
- (d) **Body Builder's Plate:** The body builder shall place the body-builder's plate specifying the unladen weight, payload and other details as per requirement under CMVR Rule 122.
- (e) **Form 22A Part II:** The body builder shall provide Form 22A Part II as per requirement under CMVR Rule 47.
- (f) The body builder shall not alter with the electrical wiring, electrical equipment, brake connections, brake piping, fuel connection, exhaust system and chassis components during the body fabrication.

## INSTRUCTIONS FOR BODY FABRICATION

- (g) **Dimensions:** The load body/application to be built upon the manufacturer supplied cab chassis vehicle shall be designed to fit within a minimum and maximum envelop as specified in below illustration.



77PM12003

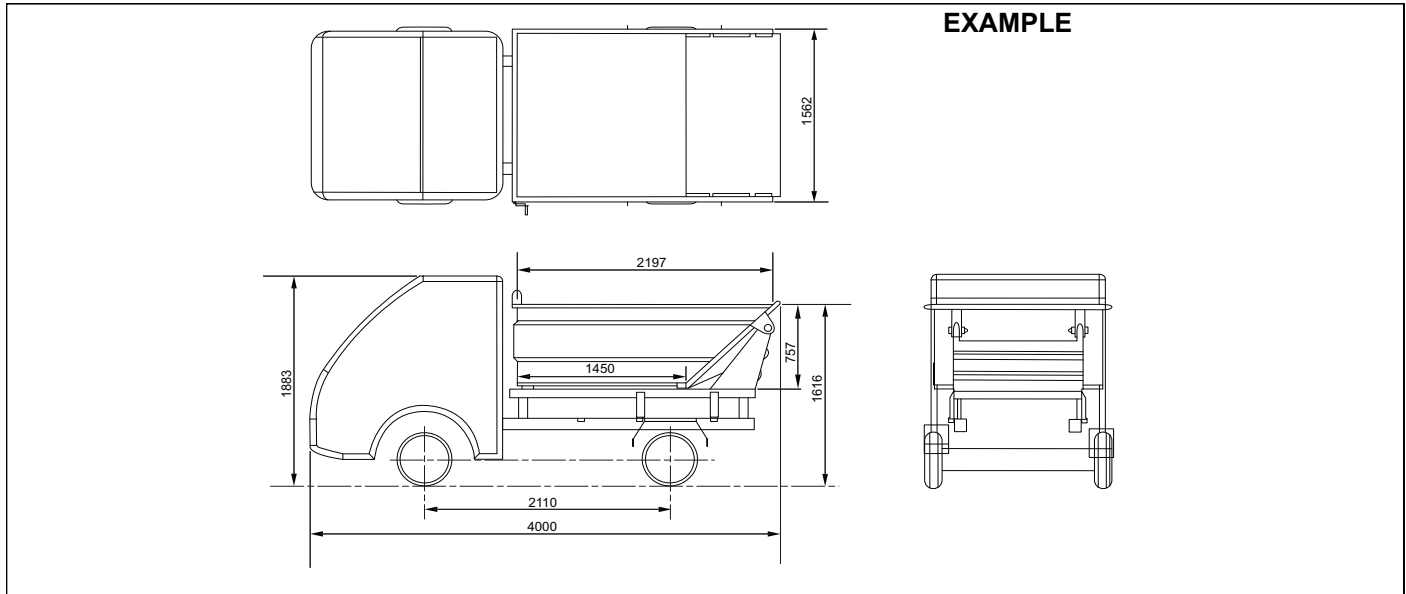
## INSTRUCTIONS FOR BODY FABRICATION

### INSTRUCTIONS FOR BODY FABRICATION

For Petrol Model Tipper (Open Tipper & Closed Tipper)

The load body/application to be built upon the manufacturer supplied cab chassis vehicle shall be designed to fit within specified dimension as in the below illustration.

- Open Tipper:

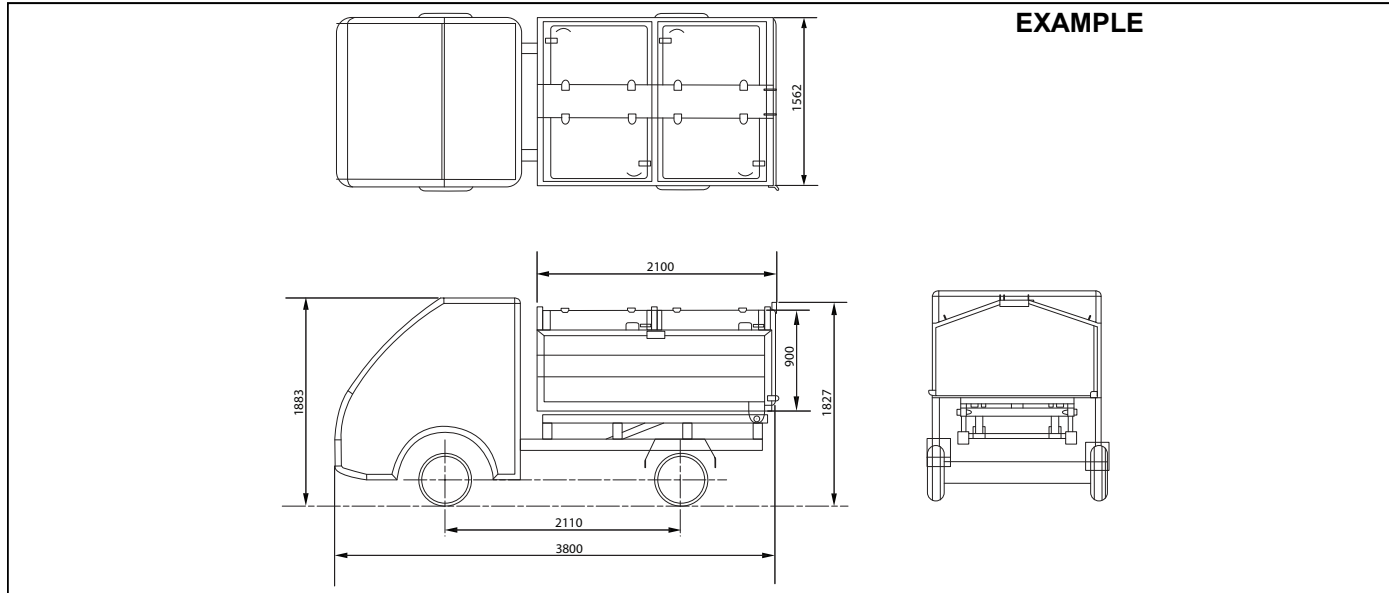


77PM12006



## INSTRUCTIONS FOR BODY FABRICATION

- Closed Tipper:



EXAMPLE

77PM12007

- (h) **Weight and its distribution:** The load body/application shall be fabricated considering the minimum kerb weight of complete vehicle as 870kg (Petrol), 990kg (CNG) and maximum kerb weight of complete vehicle as 1140kg (Petrol), 1255kg (CNG). The ratio of front axle and rear axle kerb weight shall not exceed 1.45 (Petrol), 1.25 (CNG).

For Petrol Model Tipper Application, the load body/application shall be fabricated considering the following Kerb weight.

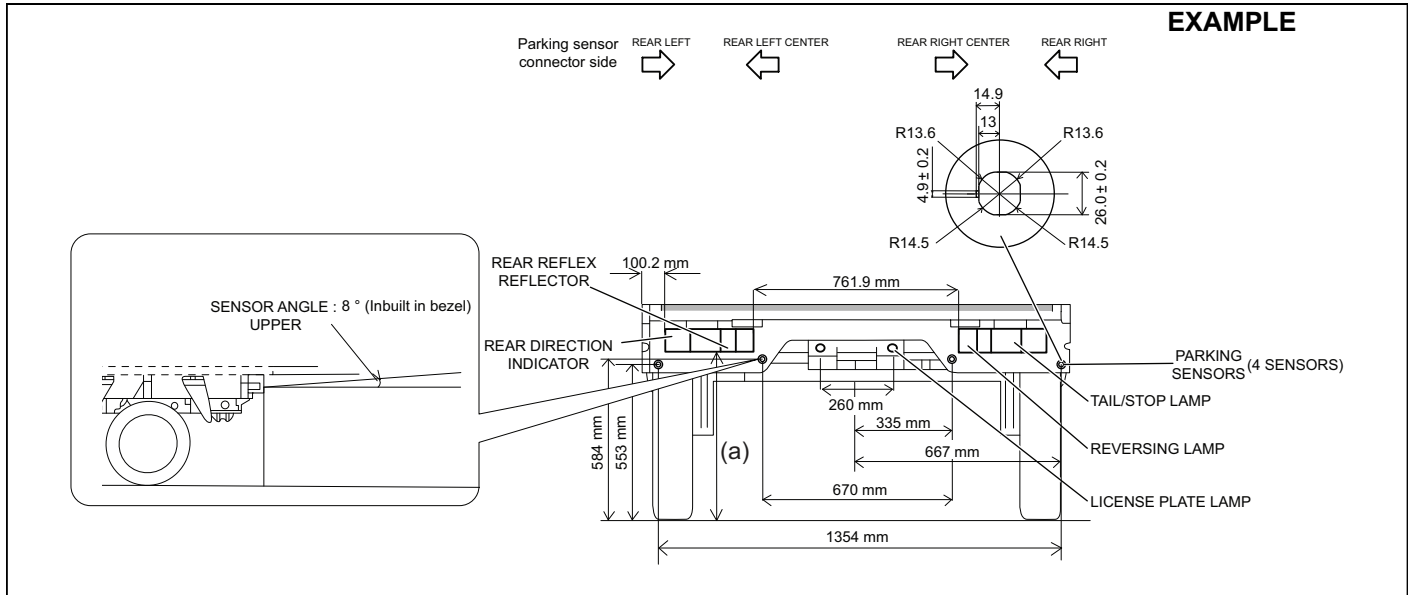
Kerb weight of open tipper: 1070kg

Kerb weight of closed tipper: 1140kg

The ratio of front axle and rear axle kerb weight shall not exceed 1.45.

## INSTRUCTIONS FOR BODY FABRICATION

- (i) **Lighting and signaling devices:** The cab chassis is being supplied with head lamp assembly inbuilt with the cab and a temporary panel with rear combination lamps and registration plate lamps. There shall not be any modifications done with the position of Head lamp assembly. The rear combination lamps, registration plate lamps and parking sensors (provided along with vehicle in glove box) shall be fitted on the load body/ application as per the specified position as in below illustration.



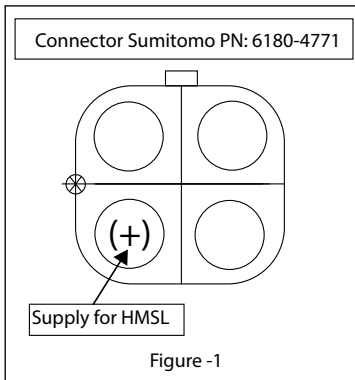
77PM12008

<b>“a” Value</b>	
Chassis Applications (Petrol & CNG)	612 mm
Petrol Model Open Tipper Application	620 mm
Petrol Model Closed Tipper Application	660 mm

## INSTRUCTIONS FOR BODY FABRICATION

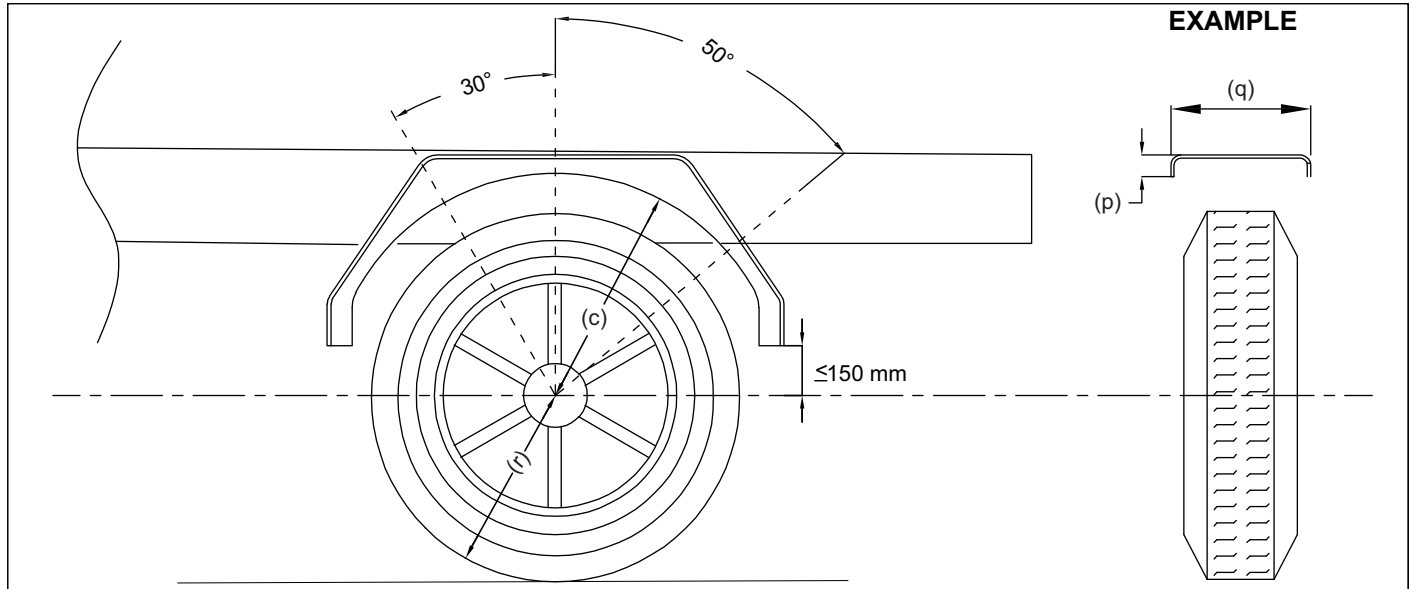
(j) **HMSL installation:** (Applicable for full metal body application)

- Body fabricator shall ensure to install High Mount Stop Lamp (HMSL) with a maximum power limit of 25 watts and in compliance to CMVR Rule 124(1)-20.
- For HMSL wiring provision and its functioning, Rear combination lamp (RCL) connectors already have required positive supply as shown in below figure-1. Body fabricator must use this without tampering the electrical wiring harness. Grounding fix terminal shall be connected properly with RCL ground point.



## INSTRUCTIONS FOR BODY FABRICATION

(k) **Wheel Guard:** Wheel guards shall comply with requirements under CMVR Rule No. 124(1)-13. The wheel guard (rear) must be fabricated as per design parameters specified in below illustration.



7PM12106

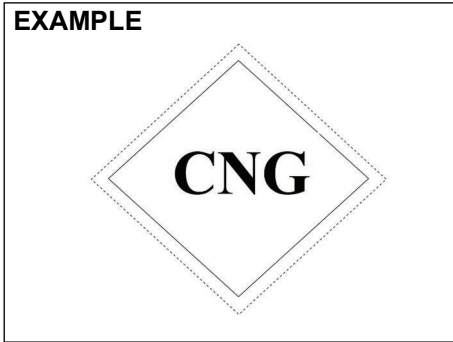
c	$\leq 2r$
p	> 30 mm
q	> Total Tyre Width
r	Tyre Static Radius

**(l) Application for CNG Variant:**

**CNG Label:**

The body builder shall paste “CNG Label” (provided along with vehicle Tool kit packet) on the load body on rear side as per below guidelines.

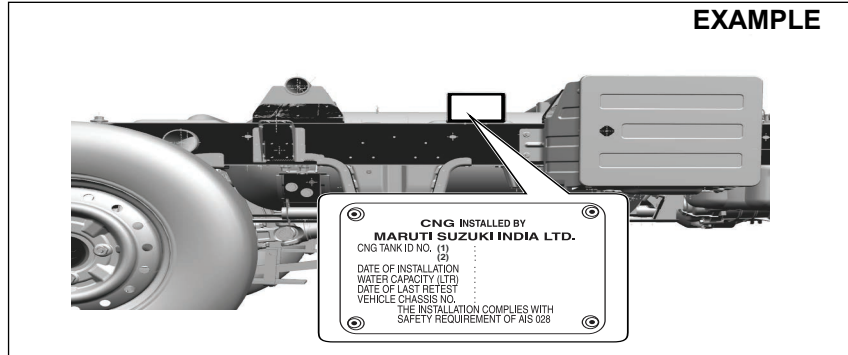
**EXAMPLE**



77PM12011

- (a) Label shall be affixed in a vertical position (as shown above) on flat surface as close to the vehicle number plate as practical.
- (b) Affixed label shall ensure visibility from rear sides.
- (c) The label shall be in position at all times, shall be in good condition, and the shape, colouring and lettering shall be easily identifiable.

**CNG Kit Number Identification:**



77PM07032

The load body/application shall be fabricated such that it does not impact the visibility of CNG compliance plate.

**Disclaimer:**

The owner/body-builder shall comply to applicable CMVR requirements and also State Motor vehicle Rules as applicable from time to time in respect of body fabrication of super carry chassis variant.

The vehicle manufacturer shall not be liable for any non-conformity of applicable laws arising due to fabrication of body/ application, in contradiction to manufacturer's instructions and prevailing regulations.

<b>CAUTION</b>
<b>Do not keep your super carry vehicle without deck/body fabrication</b>

## प्रस्तावना

डिजिटल ओनर्स मॅन्युअल हा तुमच्या वाहनाचा एक आवश्यक भाग आहे, एक असा समृद्ध दस्तऐवज जो तुम्हाला वैशिष्ट्ये, चेतावणी, कार्ये आणि उपकरणांचे वर्णन इत्यादी माहिती देऊन वाहनाची ओळख करून देतो. तुमचे नवीन मारुती सुझुकी वाहन चालवण्यापूर्वी कृपया हे मॅन्युअल काळजीपूर्वक वाचा आणि वेळोवेळी मॅन्युअलची मदत घ्या. हे मॅन्युअल (तुमच्या नोंदणीकृत मोबाइल नंबरद्वारे "मारुती सुझुकी रिवाईस" मोबाइल ॲप्लिकेशनवरून) डाउनलोड करण्याची आणि नेहमीच सहज वापरासाठी त्याची सॉफ्ट कॉपी जतन करण्याची शिफारस केली जाते. कोणतीही सेवा मिळविण्यासाठी कृपया मारुती सुझुकी च्या अधिकृत कार्यशाळेला भेट द्या.

तुमच्या वाहनाचे आयुष्य वाढावे आणि देखभाल खर्च कमी व्हावा, यासाठी या माहितीपुस्तिकेच्या "तपासणी आणि देखभाल" विभागात दिलेल्या "ठराविक कालावधीनंतर करण्याच्या देखभालीचे वेळापत्रक" मध्ये वर्णन केल्यानुसार तुमच्या वाहनाची ठराविक काळानंतर देखभाल करणे आवश्यक आहे. तुमचे समाधान आणि सुरक्षितता यांच्या खात्रीसाठी त्रास आणि अपघात टाळण्यासाठी ती करणे आवश्यक आहे.

तुमच्या वाहनाचे आयुष्य वाढावे यासाठी आणि तुम्हाला सुरक्षितपणे वाहन चालवता यावे यासाठी "तपासणी आणि देखभाल" विभागात दिलेल्या "रोज करण्याच्या तपासणीची यादी" नुसार वाहनाची दररोज तपासणी आणि देखभाल करणे आवश्यक आहे.

वाहन आणि त्यातील उपलब्ध वैशिष्ट्ये/अॅक्सेसरीजना मालक/वापरकर्त्याने लागू कायदेशीर आवश्यकतांनुसार वापरले पाहिजे आणि कायम ठेवले पाहिजे.

मारुती सुझुकी इंडिया लिमिटेड पृथ्वीवरील नैसर्गिक साधनसंपत्तीचे संवर्धन आणि रक्षण करण्यावर विश्वास ठेवते.

या दृष्टीने आम्ही प्रत्येक वाहन मालकाला वापरलेले इंजिन ऑईल, कूलंट आणि इतर फ्लुइड्स, बॅटरीज आणि टायर्स इ. चा योग्य प्रकारे पुनर्वापर करणे, बदलून घेणे किंवा योग्य रीतीने त्याची विल्हेवाट लावणे यासाठी उत्तेजन देतो.

## मारुती सुझुकी इंडिया लिमिटेड

या माहितीपुस्तिकेतील सर्व माहिती ही माहितीपुस्तिका प्रसिद्ध होण्याच्या वेळी उपलब्ध असलेल्या त्या उत्पादनाबाबतच्या सर्वात ताज्या माहितीवर आधारित आहे. सुधारणा आणि इतर बदलांमुळे ही माहिती आणि तुमचे वाहन यांमध्ये तफावती असू शकतील. मारुती सुझुकी इंडिया लिमिटेड उत्पादनामध्ये कोणतेही बदल कोणत्याही वेळी, कोणत्याही पूर्वसूचनेशिवाय करण्याचा आणि असे किंवा तत्सम बदल पूर्वी निर्माण केलेल्या किंवा विकलेल्या वाहनांमध्ये करण्याबाबत कोणतीही जबाबदारी निर्माण न करता हे किंवा तत्सम बदल करण्याचा अधिकार राखून ठेवते.

हे वाहन इतर देशांमधील मानके किंवा नियमनांची पूर्तता करेलच असे नाही. इतर कोणत्याही देशांमध्ये या वाहनाची नोंदणी करण्याचा प्रयत्न करण्यापूर्वी लागू असलेली सर्व नियमने तपासा आणि योग्य त्या सुधारणा करा.

## महत्वाचे

▲ इशारा/ ▲ सावधानीचा इशारा / सूचना/टीप  
टीप

कृपया ही माहितीपुस्तिका काळजीपूर्वक वाचा आणि त्यातील सूचनांचे काळजीपूर्वक पालन करा. काही विशेष माहितीवर जोर देण्यासाठी ▲ इशारा, सावधानीचा इशारा, सूचना आणि टीप या शब्दांना खास अर्थ आहेत. या सूचक शब्दांनी लक्ष वेधून घेणार्या संदेशांकडे विशेष लक्ष द्या:

### ▲ इशारा

एखादा संभाव्य धोका सुचवतो ज्यामुळे दुखापत किंवा मृत्यू होऊ शकतो.

### ▲ सावधानीचा इशारा

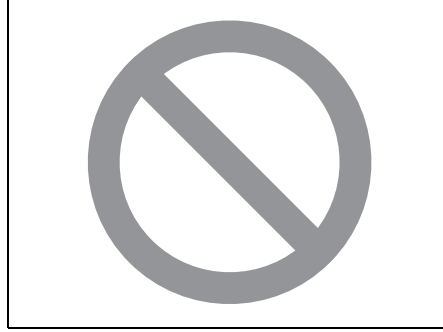
एखादा संभाव्य धोका सुचवतो ज्यामुळे किरकोळ किंवा मध्यम दुखापत होऊ शकते.

### सूचना

एखादा संभाव्य धोका सुचवतो ज्यामुळे वाहनाचे नुकसान होऊ शकते.

टीप:

देखभाल सोपी करणारी किंवा सूचना स्पष्ट करणारी विशेष माहिती सुचवतो.



75F135

या माहितीपुस्तिकेत असलेली एका गोलात तिरक्या रेषेची खूण असे सुचवते की "हे करू नका" किंवा "हे घडू देऊ नका".

टीप :

- कार, मॉडेल/व्हेरिपंट या सारखे या मॅन्युअलमध्ये वापरण्यात आलेले अनिवार्य शब्द "व्हेईकल" म्हणून नमूद केले जातात.
- या मॅन्युअलमध्ये चित्रवत सादरीकरणांचा उपयोग केवळ संदर्भासाठी आहे.

## बदल/सुधारणा करण्याबाबत इशारा

### ▲ इशारा

तुमचे व्हेईकल बदलू नका. बदल सुरक्षा, हाताळणी, प्रदर्शन किंवा टिकाऊपणावर परिणाम करू शकतात आणि शासनाच्या नियमनांचा भंग करू शकतात. या व्यतिरिक्त, क्षती किंवा प्रदर्शन समस्या ज्या बदलांमुळे निर्माण होतात, त्यांना वॉरंटीच्या अंतर्गत आंतर्भूत करता येणार नाही.

### सूचना

सेल्युलर टेलिफोन किंवा सीबी (सिटिझन्स बँड) रेडिओसारखे मोबाईल संपर्क साहित्य तुमच्या वाहनात सदोष पद्धतीने बसवले असले तर त्यामुळे तुमच्या वाहनाच्या इग्निशन सिस्टिममध्ये इलेक्ट्रॉनिक व्यत्यय येऊन वाहनाचे कार्य बिघडू शकते. असे मोबाईल संपर्क साहित्य बसवण्याबाबत तुमच्या अधिकृत "मारुती सुझुकी कमर्शियल" डीलरचा सल्ला घ्या.

### सूचना

मारुती सुझुकीने ज्यांची शिफारस केलेली नाही असे हीन दर्जाचे इंधन आणि/किंवा लुब्रिकंट्स वापरल्याने प्रचंड नुकसान होऊ शकते.

## डिजिटल ओनर्स मॅन्युअलचा अनुभव घेण्यासाठी आणि वापरण्यासाठी, मारुती सुझुकी अॅप डाउनलोड करा



**मारुती सुझुकी रिवॉईस (Maruti Suzuki Rewards)** अॅप कार मालकीचा त्रासमुक्त अनुभव मिळणे सुनिश्चित करते. अॅप डाउनलोड करून तुम्हाला आवश्यक असलेल्या सर्व सेवा आणि माहिती सहज मिळवा



### मारुती सुझुकी अॅप्लिकेशनमधून ओनर्स मॅन्युअल कसे डाउनलोड करावे

पायरी 1: तुमच्या मोबाइल फोनवर अॅपल अॅप स्टोर / गुगल प्ले स्टोरवरून "मारुती सुझुकी रिवॉईस" अॅप्लिकेशन डाउनलोड करा

पायरी 2: SMS वरून मिळालेला नोंदणीकृत मोबाइल नंबर आणि ओटीपी (OTP) प्रविष्ट करा

पायरी 3: डिजिटल ओनर्स मॅन्युअल अॅक्सेस करण्यासाठी "एस-असिस्ट BOT" (S-Assist BOT) आयकॉन निवडा आणि "व्ह्यू ओनर्स मॅन्युअल" वर क्लिक करा

पायरी 4: "डाउन अॅरो" वर क्लिक करा आणि तुमच्या मोबाइल फोनवर ओनर्स मॅन्युअल डाउनलोड करा आणि सेव्ह करा

आता, तुमच्या मोबाइल फोनवर नेहमीच पाहण्यासाठी ओनर्स मॅन्युअल उपलब्ध आहे.

(मदतीसाठी, मारुती सुझुकी अधिकृत कार्यशाळेशी संपर्क साधा)



## वॉरंटी पॉलिसी

मारुती सुझुकी इंडिया लिमिटेड (यापुढे "मारुती सुझुकी" या नावाने उल्लिखित) खालील अटी व शर्तीच्या आधीन राहून, आशवासित करते की मारुती सुझुकीने भारतात वितरित केलेले आणि मारुती सुझुकीच्या अधिकृत विक्रेत्याने विकलेले प्रत्येक नवीन वाहन हे सामान्य वापरामध्ये आणि सेवेत असताना कोणत्याही मालविषयक किंवा बनावटविषयक दोषांपासून निर्मितीच्या वेळेस मुक्त असेल:

### (1) पात्रता:

या वॉरंटीसाठी पात्र होण्यासाठी वाहन मारुती सुझुकीच्या अधिकृत विक्रेत्याने आणि व्यवस्थेने पोहोचवलेले असले पाहिजे आणि त्याचे सर्व्हिसिंग मारुती सुझुकीच्या अधिकृत वर्कशॉपने केले असले पाहिजे.

### (2) मुदत:

वॉरंटीची मुदत वाहन पहिल्या मालकाच्या बिलाच्या तारखेपासून छत्तीस (36) महिने किंवा 1,00,000 किलोमीटर (यापैकी जे आधी होईल तोपर्यंत) असेल.

### (3) मारुती सुझुकी वॉरंटीविषयक जबाबदारी:

जर वर दिलेल्या मुदतीमध्ये एखाद्या मारुती सुझुकीच्या वाहनात कोणतेही दोष असले तर मारुती सुझुकीची जबाबदारी फक्त इतकीच आहे, की, जर मारुती सुझुकीने मान्य केले की असा दोष हा निर्मित करण्याच्या वेळी वापरलेला माल किंवा बनावट यांच्यामुळे आहे, तर फक्त तिच्या निर्णयानुसार कोणताही भाग सदोष असेल तर तो दुरुस्त करून देणे किंवा तसाच भाग वापरून बदलून देणे, ज्यासाठी मालकाला भाग किंवा मजुरीसाठी कोणताही खर्च येणार नाही. असे बदललेले सदोष भाग ही मारुती सुझुकीची मालमत्ता बनेल. या वॉरंटीमध्ये समाविष्ट नसलेल्या कोणत्याही दुरुस्ती किंवा भाग बदलून घेण्यासाठी मालक जबाबदार राहील. मारुती सुझुकीचा निर्णय अंतिम आणि बंधनकारक असेल.

### (4) मर्यादा:

ही वॉरंटी खालील बाबतीत लागू नसेल:

- चार मोफत सर्व्हिसेस वगळून नित्याची देखभाल सेवा, यात कोणत्याही मर्यादांशिवाय सामील आहेत ऑईल आणि फ्लुइड बदलणे, कंड्युमेबल्स, हेडलाइटचा रोख सुधारणे, फासनर्स घट्ट करणे, व्हील बॅलन्सिंग, व्हील अलाइनमेंट आणि टायर रोटेशन, इंजेक्टरची साफसफाई, क्लच आणि व्हाल्व क्लिअरन्समधील मधील ऍडजस्टमेंट्स.
- भागांची नेहमीची झीज, यात कोणत्याही मर्यादांशिवाय सामील आहेत बल्ब्स, टायर्स आणि ट्युब्स, स्पार्क प्लग्स, बेल्ट्स, होजेस, फिल्टर्स, वायपर ब्लेड्स, ब्रशेस, कॉटकट पॉइंट्स, फ्युजेस, क्लच डिस्क, ब्रेक शूज, केबल आणि सर्व रबराचे भाग (ऑईल सील आणि ग्लास रन सोडून).
- स्पर्धा, मिरवणुका किंवा शर्यतीसाठी वापरलेले कोणतेही वाहन.
- अपघात किंवा धडका यांच्यामुळे निर्माण झालेल्या कोणत्याही दुरुस्त्या किंवा भाग बदलून देणे.
- कोणताही दोष / नुकसान जे गैरवापर, दुर्लक्ष, असामान्य वापर, अपुरी निगा, गुंडांनी केलेली तोडफोड, चोरी, दंगे, आग, पूर - कम्पोनंट्समध्ये पाणी शिरल्यामुळे झालेले इंजिनचे सीझर, हायड्रोस्टॅटिक लॉक इ. किंवा बॉडी/कम्पोनंट्स यांना बाहेरून झालेले नुकसान - यांपर्यंत मर्यादित नाही.
- मालकाच्या माहिती पुस्तिकेत दिलेले फ्युएल/ लुब्रिकंट्स/ ऑइल/ फ्लुइड्स/ पॉलिशिंग उत्पादने सोडून इतर कोणत्याही, आणि भेसळयुक्त फ्युएल/ लुब्रिकंट्स/ ऑइल/ फ्लुइड्स/ पॉलिशिंग उत्पादने यांच्या वापरामुळे झालेले कोणतेही नुकसान.
- ज्यात बदल किंवा सुधारणा केल्या आहेत असे कोणतेही वाहन, यात कोणत्याही मर्यादांशिवाय सामील आहे परफॉर्मन्स ऍक्सेसरीज बसवणे, लाइट्सची एन्लार्जमेंट, इतर बदल आणि बाह्य/महत्वपूर्ण कारणे.
- ज्यात मारुती सुझुकीने मान्यता न दिलेले भाग किंवा ऍक्सेसरीज (नॉन-एमएसजीए, नॉन-एमएसजीपी) वापरले आहेत असे कोणतेही वाहन.
- असे कोणतेही वाहन जे या मारुती सुझुकीच्या मालकासाठीच्या माहिती आणि सेवा पुस्तिकेतील वापराविषयक सूचनांनुसार वापरण्यात आलेले नाही.

- (j) असे कोणतेही वाहन ज्याला वॉरंटीच्या मुदतीअंतर्गत मारुती सुझुकीच्या मालकासाठीच्या माहिती आणि सेवा पुस्तिकेत सांगितलेल्या सर्व्हिसिंग तपासण्या करण्यात आलेल्या नाहीत.
- (k) असे कोणतेही वाहन जे मारुती सुझुकीच्या अधिकृत वर्कशॉप सोडून इतरत्र असेंबल, डिसअसेंबल, ऍडजस्ट किंवा दुरुस्त केले गेले आहे.
- (l) असे कोणतेही वाहन जे, ते ज्या उद्देशासाठी निर्माण केले गेले होते, त्यापेक्षा वेगळ्या उद्देशासाठी वापरले गेले आहे.
- (m) असे कोणतेही नुकसान किंवा हानी जी हवेतून आलेले पदार्थ, औद्योगिक पदार्थ, अॅसिड रेन, गारा किंवा गारांचे वादळ, वार्याचे वादळ, विजा पडणे, पक्ष्यांची विष्ट, उंदीर/घुशींनी कुरतडणे, आणि अशा इतर गोष्टी ज्यांमुळे वाहनाचे नुकसान होते.
- (n) अत्यंत किरकोळ दोष/आवाज ज्यांचा कोणताही परिणाम वाहनाच्या कार्यावर होत नाही, यात कोणत्याही मर्यादांशिवाय येतात आवाज, थरथर आणि फ्लुइड झिरपणे.
- (o) कोणतीही नैसर्गिक झीज, यात कोणत्याही येतात वाहन जुने होणे, झीज आणि हानी जसे रंग जाणे, रंग उडणे, पुसट होणे आणि फॅब्रिकचा रंग जाणे.
- (p) घरगुती वापरासाठीचा एलपीजी गॅस/एलपीजी सिलिंडर बसवणे.
- (q) व्ही-बेल्ट्स, होजेस आणि गॅस गळती.
- (r) ज्यामध्ये एलपीजी/सीएनजी किट नंतर बसवण्यात आले आहे असे कोणतेही वाहन.
- (s) पुन्हा रंग देणे, पॅचवर्क, बॉडीवर्क आणि मोल्डिंग आणि इंटीरिअर ट्रिम्स यासहित.
- (t) करोजन, बॉडी पार्ट्स आणि/किंवा कम्पोनंट्स गंजणे.
- (u) असे कोणतेही वाहन ज्याचा ओडोमीटर अनधिकृतपणे बदलण्यात आला आहे किंवा ओडोमीटरच्या रीडिंगमध्ये बदल हस्तक्षेप करण्यात आला आहे किंवा जे सर्व्हिस रेकॉर्डशी जुळत नाही.
- (v) एखादा दोष वाहनात आहे हे माहित असूनही वाहन तसेच ठेवल्यामुळे आणि मालक/वापरकर्त्याच्या दुर्लक्षामुळे झालेले नुकसान.
- (w) वाहन दीर्घ काळ न वापरता एकाच स्थितीत उभे ठेवल्यामुळे बॅटरी/टायर्स यासहित झालेली वाहनाची कोणतीही हानी.

- (x) ज्या वाहनावर रेट्रो-फिटमेंट अधिकृत नाही आणि/किंवा प्रकार संबंधित प्राधिकरणाने निर्धारित केलेल्या मानकांनुसार मंजूर केलेला आहे ज्यामध्ये ऑटोमोटिव्ह स्टॅंडर्ड्स ऑफ इंडियाचा समावेश आहे परंतु त्यापुरते मर्यादित नाही.
- (y) ज्या वाहनावर रेट्रो-फिटमेंट आहे ते वाहनाचे प्रत्यक्ष किंवा अप्रत्यक्षपणे कोणतेही नुकसान करते किंवा वाहनाच्या कार्यावर कोणत्याही प्रकारे परिणाम करते.

### (5) वॉरंटीची व्याप्ती:

ही वॉरंटी म्हणजे मारुती सुझुकीने मारुती सुझुकीच्या वाहनांसाठी लिहून दिलेली संपूर्ण वॉरंटी आहे, आणि कोणत्याही डीलर किंवा त्याच्या प्रतिनिधी किंवा कर्मचार्याला या वॉरंटीची व्याप्ती वाढवण्याचा अधिकार नाही आणि कोणत्याही डीलर किंवा त्याच्या प्रतिनिधी किंवा कर्मचार्याला मारुती सुझुकीच्या वतीने कोणतीही तोंडी वॉरंटी किंवा प्रतिनिधित्व करण्याचा अधिकार नाही. मारुती सुझुकी कोणत्याही मॉडेलमध्ये कोणत्याही वेळी कोणत्याही सुधारणा किंवा कोणत्याही मॉडेलच्या रचनेमध्ये बदल करण्याचे अधिकार राखून ठेवते, आणि तेच बदल किंवा सुधारणा पूर्वी विकल्या गेलेल्या वाहनांमध्ये करण्याची कोणतीही जबाबदारी तिच्यावर नाही.

### (6) वॉरंटी सेवा:

वॉरंटी सेवा मिळवण्यासाठी मालकाने संपूर्ण वाहन स्वतःच्या खर्चाने कोणत्याही अधिकृत मारुती सुझुकी अधिकृत वर्कशॉपमध्ये आणले पाहिजे. सर्व्हिसिंग करण्यासाठी वाहन आणून देतेवेळी त्यात ठेवलेल्या वस्तू किंवा लावलेल्या अॅक्सेसरीज यांसाठी ग्राहक जबाबदार असेल आणि याबाबत कोणत्याही पद्धतीने कोणत्याही परिस्थितीमध्ये कोणत्याही दाव्याची दखल घेतली जाणार नाही.

### (7) मालकाच्या वॉरंटीविषयीच्या जबाबदारी:

#### सूचना

मालकाने क्षतिग्रस्त स्थितीतील वाहन वापरू नये आणि त्याविषयी लगेच जवळच्या मारुती सुझुकीच्या अधिकृत कार्यशाळेत कळवावे. यामुळे वाहनाची लवकर तपासणी आणि दुरुस्ती होईल आणि व्यक्तीला होणारे कोणतेही संभाव्य नुकसान किंवा वाहनाचे नुकसान वाढणे टाळता येईल.

---

प्रत्येक मालक खालील गोष्टींसाठी जबाबदार आहे:

- "तपासणी आणि देखभाल" विभागात वर्णन केलेल्या ओनर्स मॅन्युअलमध्ये निर्दिष्ट केलेल्या सर्व सर्व्हिस तपासणी मारुती सुझुकीच्या अधिकृत कार्यशाळेत स्वतःच्या खर्चाने केल्या पाहिजेत.
- जर तुम्ही वाहनाची विक्री केली तर कृपया नवीन वापरकर्त्यांना/मालकांना हे मॅन्युअल ("मारुती सुझुकी रिवॉईस" मोबाइल ॲप्लिकेशनवरून तुमच्या नोंदणीकृत मोबाइल नंबरसह) डाउनलोड करण्यासाठी मार्गदर्शन करा. तसेच मॅन्युअलची सॉफ्ट कॉपी पुनर्विक्री करताना किंवा अन्यथा हस्तांतरित करताना नवीन वापरकर्त्यांना/मालकांना देणे आवश्यक आहे.

जर कोणत्याही कारणास्तव ओनर्स मॅन्युअल हरवले असेल, तर मालक किंवा वापरकर्ता त्याची सॉफ्ट कॉपी ("मारुती सुझुकी रिवॉईस" मोबाइल ॲप्लिकेशनवरून मोबाइल नंबरसह) डाउनलोड करू शकतात आणि कधीही सहज वापरण्यासाठी जतन करू शकतात.

### **(8) परिणामस्वरूप नुकसानाची अस्वीकृती:**

या वॉरंटीमध्ये समाविष्ट असलेल्या कोणत्याही दोषामुळे वाहन मालकासाठी उपलब्ध न झाल्याच्या परिणामस्वरूप झालेल्या कोणत्याही, वाहनाची हानी, मालकाच्या वेळेचा अपव्यय, गैरसोय किंवा इतर कोणत्याही अप्रत्यक्ष सह-हानीची कोणतीही जबाबदारी मारुती सुझुकी स्वीकारत नाही.

### **(9) मालक बदलणे**

जरी वाहनाची मालकी बदलली, तरी वॉरंटीचा उर्वरित कालावधी नवीन मालकासाठी वैध राहिल.

ही वॉरंटी फक्त भारतात लागू आहे आणि इतर कोणत्याही देशात हस्तांतरित करता येणार नाही.

## विषय सूची

इंधनाची शिफारस	1
गाडी चालवण्यापूर्वी	2
वाहनाचे संचालन	3
ड्रायव्हिंग टिप्स	4
इतर नियंत्रणे आणि उपकरणे	5
वाहन लोडिंग आणि टोइंग	6
तपासणी आणि देखभाल	7
आपत्कालीन सेवा	8
दिसण्याबाबत काळजी	9
सामान्य माहिती	10
तपशील	11
बॉडी फॅब्रिकेशनसाठी सूचना (चेसिस प्रकार)	12

---

# इंधनाची शिफारस

इंधनाची शिफारस ..... 1-1

## इंधनाची शिफारस

(पेट्रोल आणि सीएनजी इंजिन मॉडेलसाठी)

पेट्रोल इंजिन मॉडेलसाठी

कॅटलिटिक कन्व्हर्टरचे (catalytic converter) नुकसान टाळण्यासाठी, तुम्ही 91 किंवा त्याहून अधिक ऑक्टेन नंबर (RON) असलेले लीड नसलेले पेट्रोल वापरावे.

गॅसोलीन / इथेनॉल मिश्रण

अनलेडेड गॅसोलीन आणि इथेनॉलचे मिश्रण, ज्याला गॅसहोल असेही म्हणतात, देशात व्यावसायिकरित्या उपलब्ध आहेत आणि स्थानानुसार बदलू शकतात. E20 पर्यंतचे गॅसोलीन इथेनॉल मिश्रण या वाहनासाठी इंधन म्हणून वापरले जाऊ शकते.

एमटीबीई (MTBE) असलेले गॅसोलीन

एमटीबीई (MTBE) सामग्री 15% पेक्षा जास्त नसल्यास एमटीबीई (MTBE) (मिथाइल टर्शरी ब्यूटाइल इथर) असलेले लीड नसलेले गॅसोलीन तुमच्या वाहनात वापरले जाऊ शकते. या ऑक्सिजनयुक्त इंधनामध्ये अल्कोहोल नसते.

### सावधगिरी

बनावट, कमी गुणवत्तेचे, भेसळयुक्त इंधन वापरल्याने इंजिन आणि इंजिनच्या उपकरणांचे नुकसान होऊ शकते, इंजिनच्या कार्यप्रणालीवर परिणाम होऊ शकतो आणि इंजिनच्या कार्यक्षमतेत बिघाड होऊ शकतो, ज्यामध्ये इंजिन मध्ये बिघाड समाविष्ट आहे परंतु इतकेच मर्यादित नाही.

### सूचना

- उष्ण हवामानात इंधनाचा विस्तार करण्यासाठी इंधन टाकीमध्ये हवेची जागा असते. फिलर नोझल आपोआप बंद झाल्यानंतर किंवा प्रारंभिक ब्लोबॅक झाल्यानंतर तुम्ही इंधन भरणे सुरु ठेवल्यास, एअर चेंबर पूर्ण भरेल. अशा प्रकारे पूर्णपणे इंधन भरल्या नंतर उष्णतेच्या संपर्कात आल्यावर इंधनाचा विस्तार झाल्यामुळे गळती सुरु होईल. अशा इंधनाची गळती रोखण्यासाठी, फिलर नोझल आपोआप बंद झाल्यानंतर किंवा पर्यायी नॉन-ऑटोमॅटिक सिस्टम वापरून प्रारंभिक व्हेट ब्लोबॅक झाल्यानंतर भरणे थांबवा.
- इंधन भरताना अल्कोहोलयुक्त इंधन सांडणार नाही याची काळजी घ्या. वाहनावर इंधन सांडल्यास ते ताबडतोब पुसून टाका. अल्कोहोल असलेल्या इंधनामुळे पेटचे नुकसान होऊ शकते, जे नवीन वाहनाच्या मर्यादित वारंटी अंतर्गत समाविष्ट नाही.

सीएनजी (CNG) इंजिन मॉडेलसाठी

सीएनजी (CNG)

सीएनजी (CNG) (कंप्रेस्ड नॅचरल गॅस) मुख्यतः मिथेनद्वारे तयार होतो. सीएनजी (CNG) हे स्वच्छ जळणारे इंधन मानले जाते. सीएनजी (CNG) च्या कमी घनतेमुळे, वाहनाची ऑन-बोर्ड स्टोरेज क्षमता वाढवण्यासाठी ते सुमारे 200 बारच्या दाबाखाली संकुचित (कंप्रेस्ड) केले जाते.

### सावधगिरी

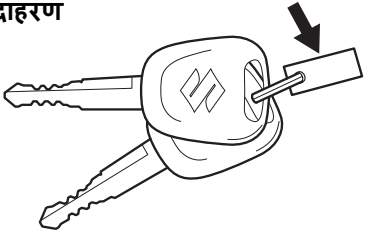
- सीएनजी गळती किंवा आवाज करणे किंवा सीएनजी पाइपिंगचे कोणतेही बाह्य नुकसान किंवा अपघातादरम्यान कोणतीही लक्षणे आढळल्यास घाबरू नका.
- वाहन थांबवा आणि इंजिन बंद करा, खिडक्या खाली करा आणि सर्व दरवाजे उघडा.
  - मॅन्युअल शट ऑफ व्हाल्व्ह बंद केल्याची खात्री करून घ्या.
  - पुढील सहाय्यासाठी ताबडतोब अधिकृत मारुती सुझुकी प्रोफेशनल वर्कशॉपशी संपर्क साधा.

## ड्रायव्हिंग करण्यापूर्वी

चावी .....	2-1
दाराचे लॉक्स .....	2-2
टेलगेट .....	2-2
खिडक्या .....	2-3
मिरर .....	2-4
सीट्स .....	2-5
सीट बेल्ट्स .....	2-5
इन्स्ट्रुमेंट क्लस्टर .....	2-11
स्पीडोमीटर .....	2-12
फ्युल गेज .....	2-12
इन्फोर्मेशन डिस्प्ले .....	2-12
वॉर्निंग आणि इंडिकेटर लाईट्स .....	2-16
लाईटिंग कंट्रोल लीव्हर .....	2-20
हेडलाईट लेव्हलिंग स्विच .....	2-21
सिग्नल कंट्रोल लीव्हर टर्न करा .....	2-21
हार्जर्ड वॉर्निंग स्विच .....	2-22
विंडशील्ड वाइपर आणि वॉशर लिव्हर .....	2-22
हॉर्न .....	2-23
सीएनजी (CNG) सिलेंडर वॉर्निंग लेबल (सुसज्ज असल्यास) .....	2-24
सीएनजी (CNG) वॉर्निंग लेबल (सुसज्ज असल्यास) .....	2-24
सीएनजी (CNG) मॅन्युअल शूट-ऑफ व्हॉल्व्ह (सुसज्ज असल्यास) .....	2-24

## चावी

### उदाहरण



51KM024

तुमचे वाहन चावीच्या जोडीसह येते. मॉडेल वैरिएंटच्या आधारावर चावी (चाव्या) ट्रान्समीटरने सुसज्ज असू शकतात किंवा नसू शकतात. अतिरिक्त चावी सुरक्षित ठिकाणी ठेवा. एका चावीने वाहनाचे सर्व लॉक उघडता येतात.

चावी चा ओळख क्रमांक चाव्यांवर किंवा चाव्यासह प्रदान केलेल्या मेटल टॅगवर स्टॅम्प केला जातो. टॅग (सोबत असेल तर) सुरक्षित ठिकाणी ठेवा. तुम्ही तुमच्या चाव्या हरवल्यास, नवीन चावी मिळवण्यासाठी तुम्हाला या क्रमांकाची आवश्यकता असेल. तुमच्या भविष्यातील संदर्भासाठी खालील क्रमांक लिहा.

चावी (की) नंबर:

## इमोबिलायझर सिस्टम

ही सिस्टम इंजन स्टार्टिंग सिस्टम इलेक्ट्रॉनिक पद्धतीने डिसेबल करून वाहन चोरीला आळा घालण्यास मदत करण्यासाठी डिझाइन केला आहे.

इंजिन फक्त तुमच्या वाहनाच्या मूळ इमोबिलायझर इग्निशन चावीने सुरू केले जाऊ शकते ज्यामध्ये इलेक्ट्रॉनिक आयडेंटिफिकेशन कोड प्रोग्राम केलेला आहे. इग्निशन स्विच "चालू/ऑन" स्थितीकडे वळल्यावर चावी वाहनाला आयडेंटिफिकेशन कोड संप्रेषित करते. तुम्हाला अतिरिक्त चावी बनवायची असल्यास, मारुती सुझुकीच्या अधिकृत वर्कशॉप मध्ये पहा. अतिरिक्त चावीसाठी वाहन योग्य आयडेंटिफिकेशन कोडसह प्रोग्राम केलेले असणे आवश्यक आहे. सामान्य कल्पकिल्ली बनविणारा यांनी बनवलेली चावी काम करणार नाही.

### उदाहरण



65D239

इग्निशन स्विच "चालू/ऑन" स्थितीत असताना इमोबिलायझर सिस्टम चेतावणी देणारा लाईट ब्लिंक करित असेल तर इंजिन सुरू होणार नाही.

जर हा लाईट ब्लिंक करित असेल तर, इग्निशन स्विचला "लॉक" स्थितीकडे वळवा आणि नंतर ते "चालू/ऑन" स्थितीत परत करा.

इग्निशन स्विच परत "चालू/ऑन" स्थितीत वळवल्यानंतरही लाईट ब्लिंक करित असल्यास, तुमची चावी किंवा इमोबिलायझर सिस्टममध्ये काहीतरी गडबड असू शकते. मारुती सुझुकीच्या अधिकृत कार्यशाळेला सिस्टीमची तपासणी करण्यास सांगा.

### सुचना:

- तुमची इमोबिलायझर इग्निशन चावी हरवल्यास, शक्य तितक्या लवकर मारुती सुझुकीच्या अधिकृत वर्कशॉपला हरवलेली इग्निशन डिऑक्टिव्हेंट करण्यासाठी आणि नवीन चावी तयार करण्यास सांगा.
- तुमच्याकडे इमोबिलायझर चावी असलेली इंटर वाहने असल्यास, तुमचे मारुती सुझुकी वाहन वापरताना त्या चाव्या इग्निशन स्विचपासून दूर ठेवा. अन्यथा, इंजिन सुरू होणार नाही कारण ते तुमच्या मारुती सुझुकी वाहनाच्या इमोबिलायझर सिस्टममध्ये व्यत्यय आणू शकतात.
- तुम्ही इमोबिलायझर चावी ला धातूची वस्तू जोडल्यास, ते इंजिन सुरू करू शकणार नाही.
- ही इमोबिलायझर सिस्टीम मॅटेनन्स फ्री आहे.

### सुचना

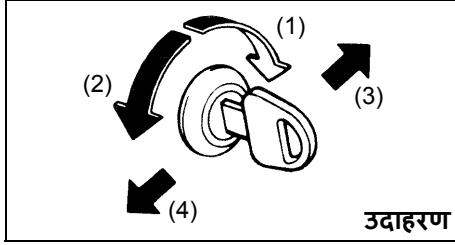
इमोबिलायझर चावी हे एक संवेदनशील इलेक्ट्रॉनिक उपकरण आहे. नुकसान टाळण्यासाठी:

- थेट सूर्यप्रकाशासारख्या डॅशबोर्डवरील प्रभाव, ओलावा किंवा उच्च तापमानात ते उघड करू नका.
- चुंबकीय वस्तूपासून ते दूर ठेवा.



## दाराचे लॉक्स

बाजूचा दाराचे लॉक  
ड्रायव्हरचा दरवाजा



उदाहरण

76MHOA001

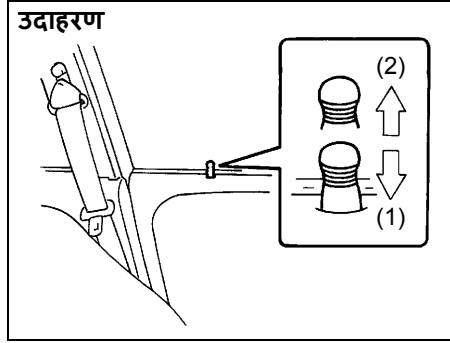
- (1) लॉक
- (2) अनलॉक
- (3) समोर (फ्रंट)
- (4) मागील (रिअर)

ड्रायव्हरचा दरवाजा वाहनाच्या बाहेरून लॉक करण्यासाठी:

- चावी घाला आणि चावीचा वरचा भाग वाहनाच्या पुढील बाजूस वळवा किंवा
- लॉक नॉबवर खाली ढकलून घ्या, नंतर दरवाजा बंद करताच दरवाज्याचे हँडल ओढून धरा.

वाहनाच्या बाहेरून ड्रायव्हरचा दरवाजा उघडण्यासाठी, चावी घाला आणि चावीचा वरचा भाग वाहनाच्या मागील बाजूस वळवा.

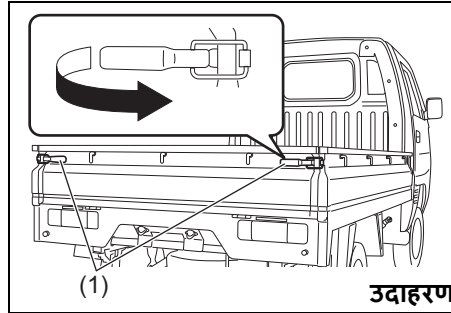
वाहनाच्या बाहेरून प्रवाशाचा दरवाजा लॉक करण्यासाठी, लॉक नॉब खाली ढकलून घ्या, नंतर दरवाजा बंद करताच दरवाजाचे हँडल ओढून धरा.



- (1) लॉक
- (2) अनलॉक

54G005

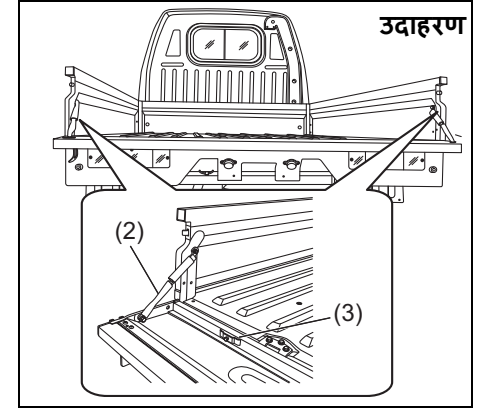
## टेलगेट



उदाहरण

77PH025

लॉक हँडल (1) ओढून टेलगेट उघडता येते. बंद करताना, त्यांना घट्टपणे लॉक करा.



77PM201

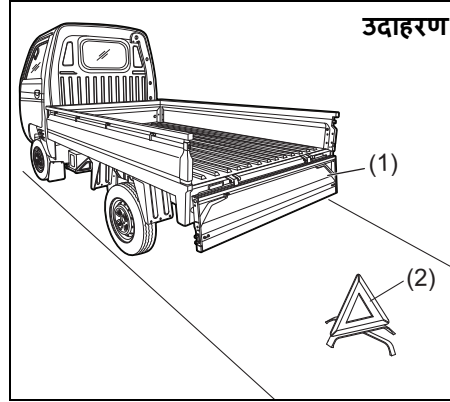
टेलगेट चेन (2) च्या साहाय्याने टेलगेटला मध्यवर्ती स्थितीत देखील लॉक करता येते.

## सूचना

टेलगेट चेन (2) पिन (3) वापरात नसताना लॉक करा.

⚠ चेतावणी

- खुल्या/मध्यम स्थितीत टेलगेटसह वाहन चालविण्यामुळे टेलगेट स्विंग होऊ शकते आणि इतरांना धडक् शकते, ज्यामुळे दुखापत होऊ शकते किंवा मृत्यू देखील होऊ शकतो.
- खुल्या/मध्यम स्थितीत टेलगेट इतर ड्रायव्हर्सना टेललाईट्स पाहण्यापासून अडथळा निर्माण करेल, ज्यामुळे अपघात होऊ शकतात. वाहन चालविण्यापूर्वी, टेलगेट बंद आणि सुरक्षितपणे लॉक केलेले असल्याची खात्री करा.
- अपघात झाल्यास मालवाहू वाहनातून बाहेर फेकले जाऊ नये म्हणून टेलगेट नेहमी बंद आणि सुरक्षितपणे लॉक केलेले असल्याची खात्री करा.
- मध्यवर्ती स्थितीत लॉक केलेले असताना उभे राहू नका, भार टाकू नका किंवा टेलगेटवर माल टाकू नका.
- जर टेलगेट पूर्णपणे मोकळ्या स्थितीत असेल, तर वाहनाची मागील लाईटिंग उपकरणे जसे की पोजिशनिंग दिवे, टर्न सिग्नल इंडिकेटर आणि स्टॉप दिवे झाकले जातात आणि ते दिसत नाही.

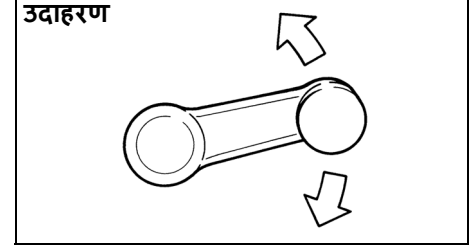


⚠ चेतावणी

- जर टेलगेट (1) पूर्णपणे उघडे ठेवून लोडिंग आणि अनलोडिंग केले जात असेल तर, वाहनाच्या उपस्थितीबद्दल इतर वापरकर्त्यांना सावध करण्यासाठी रस्त्यावर चेतावणी त्रिकोण (2) दिसेल अशा रीतीने ठेवला जाणे आवश्यक आहे.

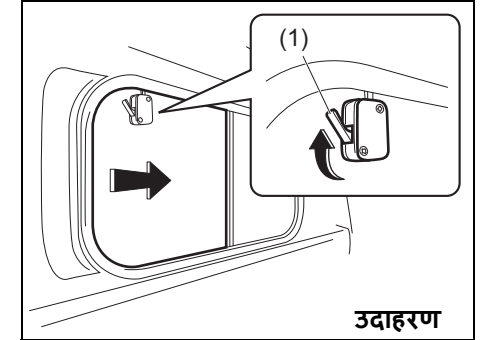
खिडक्या

मॅन्युअल विंडो कंट्रोल (खिडकीचे नियंत्रण)



दरवाजाच्या पटलावर असलेले हँडल फिरवून दरवाजाच्या खिडक्या उंच करा किंवा कमी करा.

मागील खिडकी



खिडकी उघडण्यासाठी, लॉक दाबा (1) आणि खिडकी सरकावा.

## मिरर

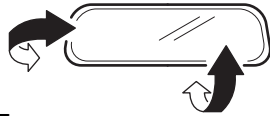
### ⚠ चेतावणी

खालील मुद्द्याचे पालन करण्यात अयशस्वी झाल्यास वाहनावरील नियंत्रण सुटू शकते आणि अपघात होऊ शकतो, ज्यामुळे मृत्यू किंवा गंभीर दुखापत होऊ शकते. गाडी चालवताना नेहमी खालील मुद्द्यांचे पालन करा.

- ड्रायव्हिंग करताना मिरर अँडजेस्ट करू नका.
- नेहमी बाहेरील सर्व रिअर व्ह्यू मिरर उघडा आणि गाडी चालवण्यापूर्वी व्यवस्थित अँडजेस्ट करा.
- वाहनाच्या मागील बाजूस अशी कोणतीही वस्तू ठेवू नका जी मागील खिडकीच्या काचेतून पाहण्या मध्ये अडथळा आणते किंवा तुमच्या दृष्टीस अडथळा आणते.

### रियरव्यू मिररच्या आतील

रिअरव्ह्यू मिररच्या आत तुम्ही तुमच्या वाहनाचा मागील भाग मिरर मध्ये पाहण्यासाठी हाताने आतील रिअरव्ह्यू मिरर अँडजेस्ट करू शकता.



उदाहरण

74LHT0235

### ⚠ सावधगिरी

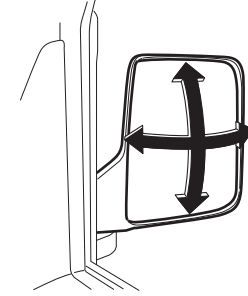
आतल्या रिअरव्ह्यू मिररमध्ये बदल करू नका किंवा गैर-असेसल रुंद मिरर स्थापित करू नका. त्यामुळे अपघातादरम्यान दुखापत होण्याची शक्यता असते.

### बाहेरील रिअरव्ह्यू मिरर

बाहेरील रिअरव्ह्यू मिरर अँडजेस्ट करा जेणेकरून तुम्हाला तुमच्या वाहनाची बाजू आरशात दिसेल.

### ⚠ चेतावणी

बाजूच्या बहिर्वक्र मिररमध्ये दिसणाऱ्या वाहनाचा किंवा इतर वस्तूचा आकार किंवा घटना पाहताना काळजी घ्या. प्लेन मिररमध्ये पाहिल्यावर वस्तू लहान दिसतात आणि दूरवर दिसतात याची जाणीव ठेवा.



उदाहरण

64P0190

## ड्रायव्हिंग करण्यापूर्वी

### सीट्स

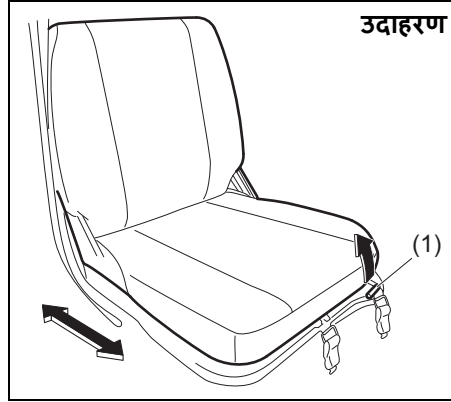
#### सीट अँडजेस्टमेंट (ड्रायव्हरची सीट)

##### ⚠ चेतावणी

ड्रायव्हिंग करताना कधीही ड्रायव्हरची सीट अँडजेस्ट करण्याचा प्रयत्न करू नका. सीट अनपेक्षितपणे हलू शकते, ज्यामुळे नियंत्रण सुटू शकते. तुम्ही ड्रायव्हिंग सुरू करण्यापूर्वी ड्रायव्हरची सीट योग्यरित्या अँडजेस्ट केली असल्याची खात्री करा.

##### ⚠ चेतावणी

सुरक्षा साधन म्हणून सीट बेल्टची परिणामकारकता कमी करणाऱ्या सीट बेल्टची अतीशय ढिलेपणा टाळण्यासाठी, सीट बेल्ट लावण्यापूर्वी सीटला अँडजेस्ट केल्याचे सुनिश्चित करा.



उदाहरण

77PH087

सीट पोजिशन अँडजेस्टमेंट लीव्हर (1) लीव्हर वर खेचा आणि सीट सरकवा.

अँडजेस्टमेंट केल्यानंतर, सीट सुरक्षितपणे जागेवर असल्याची खात्री करण्यासाठी ती पुढे आणि मागे हलवण्याचा प्रयत्न करा.

##### ⚠ सावधगिरी

सीट अँडजेस्ट करताना, सीट मुळे तुमच्या हाताला चिमटे बसणार नाही किंवा तुमच्या शरीरावर आदळणार नाही याची काळजी घ्या.

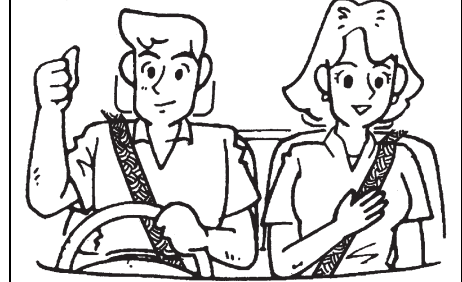
सूचना:

सीट सुरळीतपणे परत हलविण्यासाठी, सीट बँक अँडजेस्टमेंट लीव्हर (2) वरच्या दिशेने खेचा. लीव्हर पूर्णपणे वरच्या स्थितीत हलवल्यानंतरच सीट मागे हलवण्याची खात्री करा. सीट परत अँडजेस्ट केल्यानंतर, हल्वारपणे लीव्हर सोडा.

मागची सीट लॉक झाली आहे की नाही हे पाहण्यासाठी सीट मागे-पुढे हलवा.

### सीट बेल्ट्स

#### उदाहरण



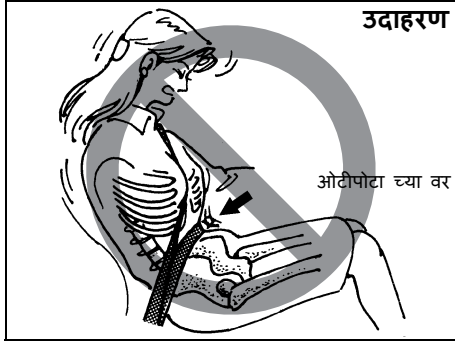
65D231S

##### ⚠ चेतावणी

तुमचा सीट बेल्ट नेहमी वापरा.

##### ⚠ चेतावणी

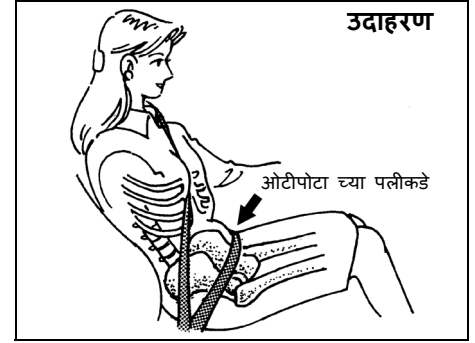
ड्रायव्हर आणि प्रवाशाने नेहमी सीट बेल्ट बांधून योग्य प्रकारे संयम ठेवला पाहिजे, अर्गदी कमी अंतरासाठी गाडी चालवतानाही, त्यांच्या सीट एरियामध्ये एअर बॅग लावलेली असो वा नसो, त्यामुळे अपघात झाल्यास गंभीर दुखापत किंवा मृत्यूचा धोका कमी होतो.



65D606

### ⚠ चेतावणी

- वाहनाच्या मालवाह क्षेत्रामध्ये व्यक्तींना कधीही जाऊ देऊ नका. अपघात झाल्यास, अशा व्यक्तींना दुखापत होण्याचा धोका जास्त असतो जे सीट बेल्ट सुरक्षितपणे बांधून सीटवर बसलेले नाहीत.
- खात्री करा की सर्व सीट बेल्ट योग्यरित्या घातले आहेत. अयोग्यरित्या घातलेला सीट बेल्ट अपघातात दुखापत किंवा मृत्यूचा धोका वाढवतो.
- सीट बेल्ट नेहमी खालीलप्रमाणे अँडजस्ट केले पाहिजेत:
  - बेल्टचा लॅप भाग कमरेच्या पलीकडे नव्हे तर ओटीपोटाच्या खाली घातला पाहिजे.
  - खांद्याचे पट्टे फक्त बाहेरच्या खांद्यावर घातले पाहिजेत आणि हाताखाली कधीही घालू नयेत.
  - खांद्याच्या पट्ट्या तुमच्या चेहऱ्यापासून आणि मानेपासून दूर असाव्यात, पण तुमच्या खांद्यावरून पडू नये. (पुढे चालू आहे)



65D201

### ⚠ चेतावणी

- (पुढे चालू आहे)
- सीट बेल्ट कधीही दुमडलेल्या बेल्टसह घालू नयेत आणि ज्यासाठी ते डिझाइन केले आहेत ते संरक्षण प्रदान करण्यासाठी त्यांना शक्य तितक्या घडपणे अँडजस्ट केले जावे. आरामदायी बेल्टपेक्षा ढिला बेल्ट कमी संरक्षण देईल.
  - सुनिश्चित करा की प्रत्येक सीट बेल्टचे बॅकल योग्य बकल कॅचमध्ये घातले आहे. (पुढे चालू आहे)



65D199

### ⚠ चेतावणी

(पुढे चालू आहे)

- गर्भवती महिलांनी सीट बेल्टचा वापर करावा, तरीही ड्रायव्हिंगबाबत विशिष्ट शिफारसी महिलांच्या वैद्यकीय सल्लागाराने केल्या पाहिजेत. लक्षात ठेवा की आकृतीमध्ये दर्शविल्याप्रमाणे, बेल्टचा लॅपचा भाग नितंबावर शक्य तितक्या खाली परिधान केला पाहिजे.
- खिशात किंवा कपड्यांवरील पेन, चाव्या, चष्मा इत्यादी कठोरे, नाजूक किंवा तीक्ष्ण वस्तूंचे सीट बेल्ट घालू नका. अशा वस्तूंवरील सीट बेल्टचा दाब अपघाताच्या वेळी दुखापत होऊ शकतो.
- तुमचा सीट बेल्ट तुमच्या खिशातील कठीण किंवा तुटणाऱ्या वस्तूंचे किंवा तुमच्या कपड्यांवर लावू नका. अपघात झाला तर चष्मा, पेन इ. मुळे सीट बेल्टच्या खाली जखम होऊ शकते.

(पुढे चालू आहे)

### ⚠ चेतावणी

(पुढे चालू आहे)

- एकच सीट बेल्ट एकापेक्षा जास्त व्यक्तींसाठी कधीही वापरू नका आणि एखाद्याच्या मांडीवर बसलेल्या तान्ह्या बाळाला किंवा लहान मुलाला कधीही सीट बेल्ट लावू नका. अशा सीट बेल्टच्या वापरामुळे अपघात झाल्यास गंभीर दुखापत होऊ शकते.
- अत्याधिक पोशाख आणि नुकसानासाठी सीट बेल्ट असेंबलीची वेळोवेळी तपासणी करा. जर जाळी तुटली असेल, दूषित झाली असेल किंवा कोणत्याही प्रकारे खेराब झाली असेल तर सीट बेल्ट बदलला पाहिजे. गंभीर प्रभावाच्या परिणाम स्वरूप असेंबलीला नुकसान झाले नसले तरी संपूर्ण सीट बेल्ट असेंबली बदलणे अत्यावश्यक आहे.
- बाळाला आणि लहान मुलांना योग्य प्रकारे सुरक्षित केल्याशिवाय त्यांना इकडून तिकडे घेऊन जाऊ नये.
- लहान मुलांच्या बाबतीत, खांद्याच्या पड्ड्याने मॉनेला किंवा चेहऱ्याला त्रास होत असेल तर, मुलाला वाहनाच्या मध्यभागी हलवा.
- पोलिश, तेल, रसायने आणि विशेषतः बॅटरी ऍसिडद्वारे सीट बेल्ट दूषित होण्यापासून टाळावे. सौम्य साबण आणि पाणी वापरून साफसफाई सुरक्षितपणे केली जाऊ शकते.

(पुढे चालू आहे)

⚠ चेतावणी

(पुढे चालू आहे)

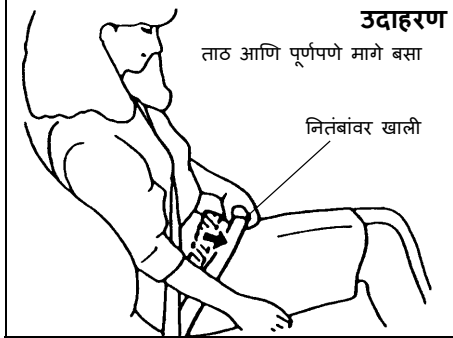
• नाणी, क्लिप इत्यादी कोणत्याही वस्तू सीट बेल्टच्या बकलमध्ये घालू नका आणि या भागांमध्ये पातळ द्रव पदार्थ सांडणार नाही याची काळजी घ्या. सीट बेल्टच्या बकलमध्ये बाहेरून काही वस्तू गेल्यास, सीट बेल्ट नीट काम करू शकत नाही.

लॅप-शोल्डर बेल्ट

इमर्जन्सी लॉकिंग रिट्रॅक्टर (ईएलआर)

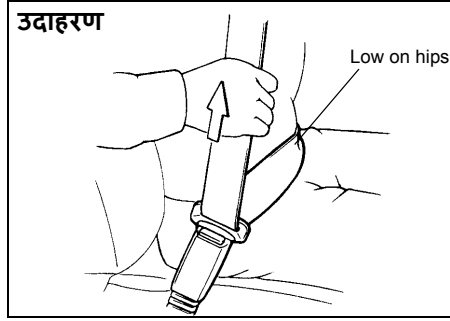
सीट बेल्टमध्ये इमर्जन्सी लॉकिंग रिट्रॅक्टर (ELR) असतो, ज्याची रचना केवळ अचानक थांबल्यास किंवा आघात झाल्यास सीट बेल्ट लॉक करण्यासाठी केली जाते. तुम्ही बेल्ट तुमच्या शरीरावर खूप वेगाने ओढल्यास ते लॉक होऊ शकते. असे घडेल्यास, ते होऊ द्या, नंतर हळूहळू आपल्या शरीरावर बेल्ट ओढा.

सेफ्टी रिमाइंडर



60A038

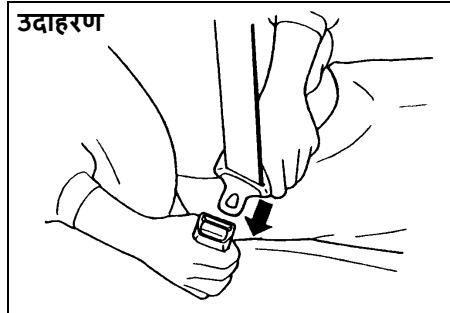
उदाहरण



60A040

टक्कर दरम्यान बेल्टच्या खाली सरकण्याचा धोका कमी करण्यासाठी, बेल्टचा लॅप भाग शक्य तितक्या खाली आपल्या नितंबावर ठेवा आणि बेल्टच्या खांद्याचा भाग लॅच प्लेटमधून वर खेचून स्नग फिटमध्ये अंजस्ट करा. कर्णरेषेच्या खांद्याच्या पट्ट्याची लांबी हालचालीचे स्वातंत्र्य देण्यासाठी स्वतःला अंजस्ट करते.

उदाहरण



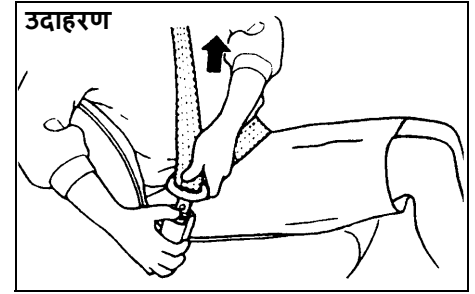
60A036

सीट बेल्ट बांधण्यासाठी, सीटवर सरळ आणि व्यवस्थित बसा, सीट बेल्टला जोडलेली लॅच प्लेट तुमच्या शरीरावर ओढा आणि तुम्हाला क्लिक ऐकू येईपर्यंत ती सरळ बकलमध्ये दाबा.

सुचना:

जर सीट बेल्ट पूर्णपणे मागे घेतलेल्या स्थितीतून ओढता येत नसेल, तर बेल्ट घट्टपणे ओढून सोडा. नंतर हळूहळू बेल्ट रिट्रॅक्टरमधून बाहेर काढा.

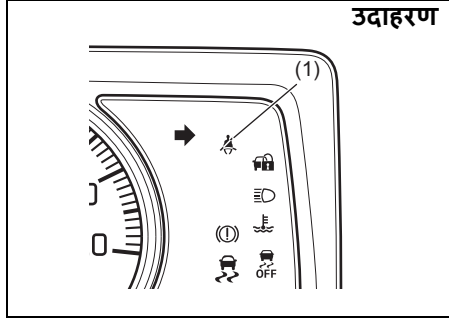
उदाहरण



60A039

सीट बेल्ट काढण्यासाठी, बकलवरील बटण दाबा आणि आपल्या हातांनी बेल्ट आणि/किंवा लॅच प्लेटला कप करून बेल्ट हळूहळू मागे घ्या.

सीट बेल्ट रिमाइंडर



77PM02020

(1) ड्रायव्हरचा सीट बेल्ट रिमाइंडर लाईट / समोरच्या प्रवाशाच्या सीट बेल्ट रिमाइंडर लाईट

जेव्हा ड्रायव्हर आणि/किंवा समोरच्या सीट वरील प्रवाश्याने त्यांचा सीट बेल्ट बांधला नसेल /लावला नसेल, तेव्हा सीट बेल्ट रिमाइंडर लाईट लागेल किंवा ब्लिंक होईल आणि ड्रायव्हर आणि/किंवा प्रवाशाला सीट बेल्ट बांधण्याची आठवण करून देण्यासाठी बझर वाजवेल. अधिक तपशिलासाठी, खाली दिलेल्या स्पष्टीकरणाचा संदर्भ घ्या.

⚠ चेतावणी

ड्रायव्हर आणि प्रवाशांनी प्रत्येक वेळी सीट बेल्ट बांधणे अत्यंत आवश्यक आहे. ज्या व्यक्ती सीट बेल्ट बांधत नाहीत त्यांना अपघात झाल्यास दुखापत होण्याचा धोका जास्त असतो. इग्निशन स्विचमध्ये चावी ठेवण्यापूर्वी तुमचा सीट बेल्ट बांधण्याची नियमित सवय करा.

सूचना:

ड्रायव्हरचा सीट बेल्ट रिमाइंडर लाईट / समोरच्या प्रवाशाचा सीट बेल्ट रिमाइंडर लाईट ड्रायव्हर आणि समोरचा प्रवासी दोघासाठी आहे.

ड्रायव्हरचे किंवा समोरच्या प्रवाशाच्या सीट बेल्टचे रिमाइंडर

इग्निशन स्विच "चालू" असताना ड्रायव्हरचा किंवा समोरच्या प्रवाशाचा सीट बेल्ट अनबकल केलेला राहिल्यास, रिमाइंडर खालीलप्रमाणे कार्य करते:

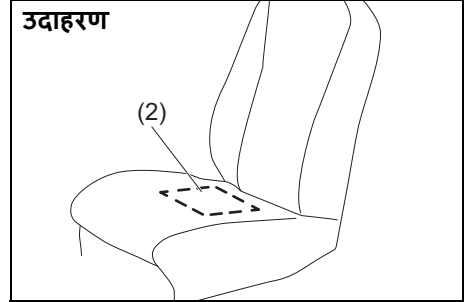
- 1) ड्रायव्हरच्या किंवा समोरच्या प्रवाशांच्या सीट बेल्टचा रिमाइंडर लाईट सुरु होईल.
- 2) वाहनाचा वेग सुमारे 15 किमी/ताशी पोहोचल्यानंतर, ड्रायव्हरचा किंवा समोरच्या प्रवाशाचा सीट बेल्ट रिमाइंडर लाईट ब्लिंक होईल आणि सुमारे 95 सेकंदासाठी बजर वाजेल.
- 3) स्टेप 2) पूर्ण झाल्यानंतर, ड्रायव्हरचा किंवा समोरच्या प्रवाशाचा सीट बेल्ट बांधला जाईपर्यंत रिमाइंडर लाईट चालू राहील.

जर ड्रायव्हर किंवा समोरील प्रवाशाने त्याचा सीट बेल्ट बांधला असेल आणि नंतर सीट बेल्ट काढला असेल, तर वाहनाच्या वेगानुसार स्टेप 1) किंवा 2) पासून रिमाइंडर सिस्टम सक्रिय होईल. जेव्हा वाहनोचा वेग 15 किमी/तास पेक्षा

कमी असेल, तेव्हा रिमाइंडर स्टेप 1 पासून सुरु होईल). जेव्हा वाहनाचा वेग 15 किमी/तासे पेक्षा जास्त असेल, तेव्हा रिमाइंडर स्टेप 2 पासून सुरु होईल). जेव्हा ड्रायव्हरचा किंवा पुढच्या प्रवाशाचा सीट बेल्ट बांधलेला असेल किंवा इग्निशन स्विच बंद असेल तेव्हा रिमाइंडर आपोआप रद्द होईल.

समोरच्या प्रवासी सीट बेल्टचा रिमाइंडर

समोरच्या प्रवासी सीटवर एखादी व्यक्ती बसलेली असल्यास आणि इग्निशन स्विच "चालू/ऑन" स्थितीत असताना समोरचा प्रवासी सीट बेल्ट अनबकल केलेला असल्यास, समोरच्या प्रवाशाचा सीट बेल्ट रिमाइंडर सक्रिय होईल.



69RH203

(2) समोरच्या प्रवाशाच्या सीट बेल्ट रिमाइंडरचा सेन्सर

सीट बेल्ट रिमाइंडर सेन्सर (2) समोरच्या सीटवर एखादी व्यक्ती बसली आहे की नाही हे ओळखते. समोरच्या प्रवाशाच्या सीट बेल्ट रिमाइंडरचा सेन्सर सीट कशनमध्ये स्थित आहे. समोरच्या प्रवाशाचा सीट बेल्ट रिमाइंडर



ड्रायव्हरच्या सीट बेल्ट रिमाइंडरप्रमाणेच काम करतो.

सूचना
<ul style="list-style-type: none"> <li>समोरच्या प्रवाशाच्या सीट बेल्ट रिमाइंडरचा सेन्सर सीट कुशनमध्ये स्थित आहे. सीटच्या कुशनवर जड किंवा तीक्ष्ण वस्तू ठेवल्यास किंवा प्रवाशाची सीट काढून टाकल्यास, वेगळे केले असल्यास आणि त्यात बदल केल्यास, सेन्सर योग्यरित्या कार्य करू शकत नाही किंवा खराब होऊ शकतो. सीटच्या कुशनवर जड किंवा तीक्ष्ण वस्तू ठेवू नका. प्रवासी सीट काढू नका, वेगळे करू नका किंवा त्यात बदल करू नका.</li> <li>सीट कव्हरच्या विविधतेनुसार, सेन्सरच्या ऑपरेशनवर विपरित परिणाम होऊ शकतो. मारुती सुझुकी विशेष रूपाने शिफारस करते की तुम्ही केवळ या वाहनासाठी मारुती सुझुकीचे अस्सल सीट कव्हरस वापरा.</li> <li>जर तुम्ही फ्लेवर्ड लिक्विड, सॉफ्ट ड्रिंक किंवा ज्यूस यासारखे द्रव पुढच्या प्रवासी सीट कुशनवर साडल्यास सीट कुशनमध्ये असलेला सीट बेल्ट रिमाइंडरचा सेन्सर खराब होऊ शकतो. साडल्यास, ताबडतोब मऊ कापडाने कोरडे पुसून टाका. (पुढे चालू आहे)</li> </ul>

सूचना
<p>(पुढे चालू आहे)</p> <ul style="list-style-type: none"> <li>समोरच्या प्रवासी सीटवर बसताना, सीटबेल्ट रिमाइंडर सिस्टीम प्रभावीपणे काम करण्यासाठी प्रवाशाने सरळ बसणे, सीटच्या मागे झुकणे आणि सीट कुशनवर केंद्रित असणे खूप महत्वाचे आहे. अयोग्यरित्या सीटवर बसलेला प्रवाशी (वाकलेला, वळलेला, पुढे किंवा बाजूला बसलेला) सिस्टमच्या कार्यामध्ये व्यत्यय आणू शकतो कारण ते प्रवाशी आहे हे ओळखू शकत नाही.</li> </ul>

**सूचना:**

- तुम्ही प्रवाशाच्या सीटवर एखादी वस्तू ठेवल्यास, सेन्सरला त्या वस्तूचे वजन कळेल आणि समोरच्या प्रवाशाच्या सीट बेल्टचा रिमाइंडर लाईट चालू होईल आणि नंतर आतील बझर बीप करू शकेल.
- जर एखादे लहान मूल किंवा लहान आकाराची व्यक्ती समोरच्या प्रवाशाच्या सीटवर बसली असेल किंवा कुशन पुढच्या प्रवाशाच्या सीटवर ठेवली असेल, तर सेन्सरला वजन जाणवू शकत नाही आणि आतील बझर बीप करू शकत नाही.

**सूचना:**  
मारुती सुझुकी "सीट कव्हर" साठी मारुती सुझुकीच्या अस्सल एंक्सेसरीचा वापर करण्याची शिफारस करते.

## सीट बेल्टची तपासणी



65D209S

सीट बेल्ट व्यवस्थित काम करत आहेत आणि खराब झालेले नाहीत याची वेळोवेळी तपासणी करा. वेबिंग, बकल, लॅच प्लेट, रिट्रॅक्टर, अंकरेज आणि गाड्ड लूप तपासा. नीट काम करत नसलेले किंवा खराब झालेले कोणतेही सीट बेल्ट बदलून टाका.

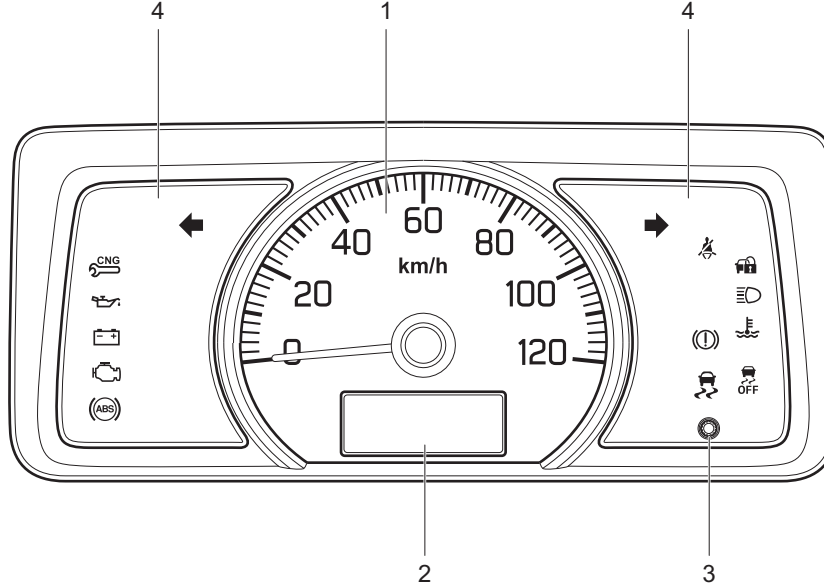
⚠️ चेतावणी
<p>कोणत्याही टक्कर नंतर सर्व सीट बेल्ट असंब्लीची तपासणी करण्याचे सुनिश्चित करा. टक्कर दरम्यान वापरात असलेले कोणतेही सीट बेल्ट असंब्ली (अगदी किरकोळ बेल्ट व्यतिरिक्त) बदलणे आवश्यक आहे, जरी असंब्लीचे नुकसान उघड होत नसले तरीही. टक्कर दरम्यान वापरात नसलेली कोणतीही सीट बेल्ट असंब्ली योग्य रीतीने कार्य करत नसल्यास किंवा ती कोणत्याही प्रकारे खराब झाल्यास बदलली पाहिजे.</p>

## ड्रायव्हिंग करण्यापूर्वी

### इन्स्ट्रुमेंट क्लस्टर

1. स्पीडोमीटर
2. इन्फोर्मेशन डिस्प्ले
3. ट्रिप मीटर सिलेक्टर नॉब
4. वार्निंग आणि इंडिकेटर लाइट्स

#### उदाहरण



77PM02021

## स्पीडोमीटर

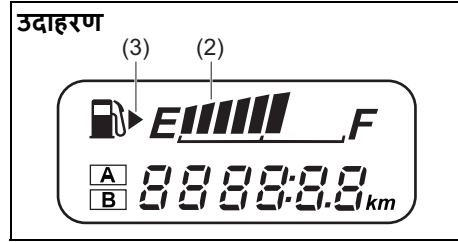
स्पीडोमीटर वाहनाचा वेग दर्शवतो.

सूचना:

सरकारी नियमानुसार वाहनाचा कमाल वेग 80 किमी/तास आहे.

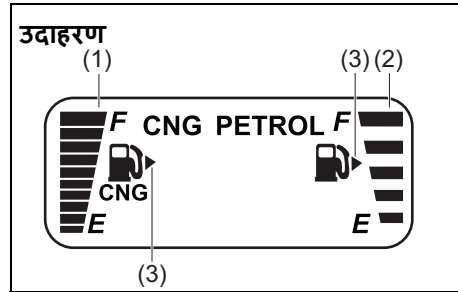
## फ्युल गेज

### पेट्रोल मॉडेल



77PM02018

### सीएनजी (CNG) मॉडेल



77PM07019

- (1) सीएनजी (CNG) फ्युल गेज दर्शवते.
- (2) पेट्रोल फ्युल गेज दर्शवते.

जेव्हा इग्निशन स्विच "चाल/ऑन" स्थितीत असतो, तेव्हा हे गेज फ्युल टाकीमधील फ्युलच्या प्रमाणाचे अंदाजे संकेत देते. "F" म्हणजे पूर्ण आणि "E" म्हणजे रिकामे.

जर फ्युल मीटर इंडिकेटर "E" ला फक्त एक सेगमेंट दर्शवित असेल तर, टाकी शक्य तितक्या लवकर पुन्हा भरा.

खूप (3) दर्शवते की फ्युल भरणारा दरवाजा वाहनाच्या उजव्या बाजूला आहे.

### सूचना

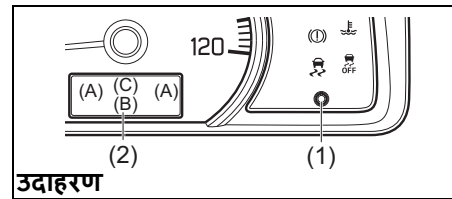
उत्प्रेरक (कॅटलीटीक) कनवर्टर किंवा वाहनाच्या इतर घटकाना नुकसान होण्याची शक्यता कमी करण्यासाठी, रिकाम्या फ्युल टाकीच्या पातळीजवळ वाहन चालविणे टाळा.

सूचना:

जर शेवटचा सेगमेंट ब्लिंक झाला तर याचा अर्थ इंधन जवळजवळ रिकामे आहे.

## इन्फोर्मेशन डिस्प्ले

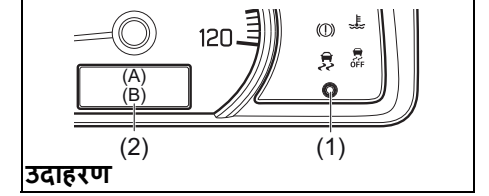
### सीएनजी मॉडेलसाठी



उदाहरण

77PM07026

## पेट्रोल मॉडेलसाठी



उदाहरण

77PM07035

- (1) ट्रिप मीटर सिलेक्टर नॉब
- (2) इन्फोर्मेशन डिस्प्ले

इग्निशन स्विच "चाल/ऑन" स्थितीत असताना, इन्फोर्मेशन डिस्प्ले खोलील माहिती दर्शविते.

डिस्प्ले (A)

फ्युल गेज

डिस्प्ले (B)

ओडोमीटर / ट्रिप मीटर / क्लॉक / ब्राइटनेस कंट्रोल

डिस्प्ले (C)

फ्युल मोड (जर सुसज्ज असेल)

फ्युल गेज

जेव्हा इग्निशन स्विच "चाल/ऑन" स्थितीत असतो, तेव्हा डिस्प्ले (A) फ्युल गेज दर्शवितो.

या सेक्शन मधील "फ्युल गेज" चा संदर्भ घ्या.

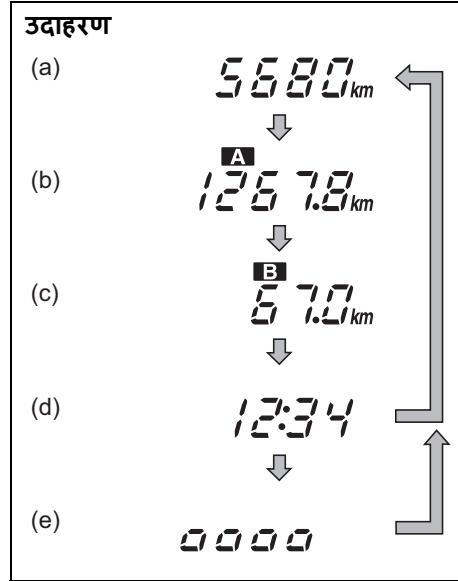
## ड्रायव्हिंग करण्यापूर्वी

### ओडोमीटर / ट्रिप मीटर / क्लॉक /

#### ब्राइटनेस कंट्रोल

इग्निशन स्विच "चालू/ऑन" स्थितीत असताना, डिस्प्ले (B) खालीलपैकी एक संकेत, ओडोमीटर, ट्रिप मीटर A, ट्रिप मीटर B किंवा क्लॉक दर्शवते.

डिस्प्ले इंडिकेशन (B) स्विच करण्यासाठी, ट्रिप मीटर सिलेक्टर नॉब (1) त्वरीत दाबा.



- (a) ओडोमीटर  
(b) ट्रिप मीटर A  
(c) ट्रिप मीटर B

- (d) क्लॉक  
(e) ब्राइटनेस कंट्रोल\*

\* जेव्हा पोजिशन लाईट आणि/किंवा हेडलाईट्स चालू असतील तेव्हा ब्राइटनेस कंट्रोल दिसून येईल.

### ⚠ चेतावणी

तुम्ही गाडी चालवताना डिस्प्ले अँडजस्ट करण्याचा प्रयत्न केल्यास, तुम्ही वाहनावरील नियंत्रण गमावू शकता.

गाडी चालवताना डिस्प्ले अँडजस्ट करण्याचा प्रयत्न करू नका.

#### सूचना:

जेव्हा तुम्ही नॉब दाबाल आणि सोडाल तेव्हा संकेत बदलतील.

#### ओडोमीटर

वाहनाने चालवलेले एकूण अंतर ओडोमीटर रेकॉर्ड करते.

#### सूचना

तुमच्या ओडोमीटर रीडिंगचा मागोवा ठेवा आणि आवश्यक सेवांसाठी मॅटेनेंस शेड्युल नियमितपणे तपासा.

योग्य मायलेज अंतराने आवश्यक सेवा पूर्ण करण्यात अयशस्वी झाल्यास काही भागांची झीज होऊ शकते किंवा त्याचे नुकसान होऊ शकते.

### ट्रिप मीटर

ट्रिप मीटरचा वापर लहान ट्रिप किंवा फ्यूल स्टॉप मधील अंतर मोजण्यासाठी केला जाऊ शकतो

तुम्ही ट्रिप मीटर A किंवा ट्रिप मीटर B स्वतंत्रपणे वापरू शकता.

ट्रिप मीटर शून्यावर रीसेट करण्यासाठी, जेव्हा डिस्प्ले ट्रिप मीटर दाखवेल तेव्हा ट्रिप मीटर सिलेक्टर नॉब (1) थोडावेळ दाबा आणि धरून ठेवा.

#### सूचना:

ट्रिप मीटरचे दर्शिलेले कमाल मूल्य 9999.9 आहे. तुम्ही कमाल मूल्य ओलांडल्यावर, सूचित मूल्य 0.0 वर परत येईल.

#### क्लॉक

डिस्प्ले टाईम दाखवतो.

टाईम सूचक बदलण्यासाठी:

- 1) ट्रिप मीटर सिलेक्टर नॉब (1) ला दाबून ठेवा आणि मिनिट इंडिकेशन ब्लिंक होईपर्यंत धरा.
- 2) मिनिट इंडिकेशन बदलण्यासाठी, मिनिट इंडिकेशन ब्लिंक झाल्यावर ट्रिप मीटर सिलेक्टर नॉब (1) ला वारंवार दाबा. मिनिट इंडिकेशन पटकन बदलण्यासाठी, ट्रिप मीटर सिलेक्टर नॉब (1) दाबा आणि धरून ठेवा. मिनिट इंडिकेशन सेट करण्यासाठी, तास इंडिकेशन ब्लिंक सुरू होईपर्यंत सुमारे 5 सेकंद प्रतीक्षा करा.
- 3) तासाचे इंडिकेशन बदलण्यासाठी, ट्रिप मीटर सिलेक्टर नॉब (1) ला वारंवार दाबा. सुमारे 5 सेकंद प्रतीक्षा करा आणि तासाचे इंडिकेशन ब्लिंक सुरू होईल. तासाचे इंडिकेशन बदलण्यासाठी, ट्रिप मीटर सिलेक्टर नॉब (1) त्वरीत दाबा आणि धरून

ठेवा. तास इंडिकेशन सेट करण्यासाठी, सुमारे 5 सेकंद प्रतीक्षा करा.

### ⚠ चेतावणी

तुम्ही गाडी चालवताना डिस्प्ले अॅडजस्ट करण्याचा प्रयत्न केल्यास, तुम्ही वाहनावरील नियंत्रण गमावू शकता.

गाडी चालवताना डिस्प्ले अॅडजस्ट करण्याचा प्रयत्न करू नका.

सूचना:

जेव्हा तुम्ही नकारात्मक (-) टर्मिनल बॅटरीशी पुन्हा कनेक्ट कराल, तेव्हा क्लॉक इंडिकेशन पुन्हा सुरू होईल. तुमच्या आवडीनुसार पुन्हा इंडिकेशन बदला.

### ब्राइटनेस कंट्रोल

पोझिशन लाईट्स आणि/किंवा हेडलाईट्स चालू / ऑन असताना, तुम्ही मीटरच्या प्रकाशाच्या तीव्रतेवर नियंत्रण ठेवू शकता.

इन्स्ट्रुमेंट पॅनलच्या लाईट्स चा ब्राइटनेस बदलण्यासाठी, ट्रिप मीटर सिलेक्टर नाब (1) दाबा आणि धरून ठेवा.

### ⚠ चेतावणी

तुम्ही गाडी चालवताना डिस्प्ले अॅडजस्ट करण्याचा प्रयत्न केल्यास, तुमचे वाहनावरील नियंत्रण सुटू शकते.

गाडी चालवताना डिस्प्ले अॅडजस्ट करण्याचा प्रयत्न करू नका.

सूचना:

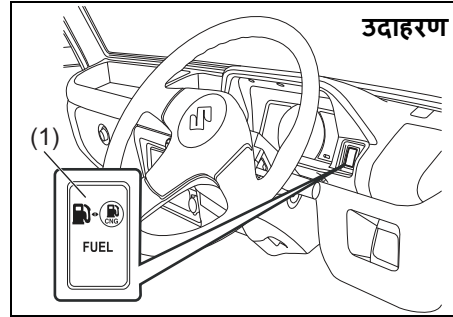
जर तुम्ही ब्राइटनेस कंट्रोल डिस्प्ले सक्रिय केल्यापासून सुमारे 10 सेकंदात ट्रिप मीटर

सिलेक्टर नाबला दाबले नाही, तर ब्राइटनेस कंट्रोल डिस्प्ले आपोआप रद्द होईल.

- जेव्हा तुम्ही बॅटरी पुन्हा कनेक्ट कराल, तेव्हा इन्स्ट्रुमेंट पॅनल लाईट्सची ब्राइटनेस पुन्हा सुरू केली जाईल. तुमच्या आवडीनुसार ब्राइटनेस पुन्हा अॅडजस्ट करा.

### सीएनजी (CNG) मॉडेलसाठी फ्युल मोड्स (सुसज्ज असल्यास)

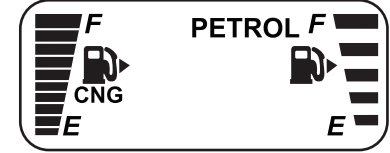
वाहन पेट्रोल, ऑटो आणि फोर्स सीएनजी मोडमध्ये तीन फ्युल मोड आहेत जे डॅशबोर्डवरील स्टीयरिंग व्हीलच्या उजव्या बाजूला असलेले सिलेक्टर स्विच (1) दाबून निवडता येऊ शकतात.



77PM02005

### पेट्रोल मोड

#### उदाहरण



77PM02002

या मोडमध्ये वाहन पेट्रोलमध्ये सुरू होते आणि पेट्रोल मोडवर चालत राहते. या मोडमध्ये पेट्रोल इंडिकेटर सतत डिस्प्ले होतो आणि सीएनजी इंडिकेटर "बंद" राहील.

### ऑटो मोड

#### उदाहरण



77PM02003

या मोडमध्ये इंजिन पेट्रोल मोडमध्ये सुरू होते आणि नंतर प्रोग्राम केलेल्या वॉर्मिंग अप स्थितीत पोहोचल्यानंतर आपोआप सीएनजी (CNG) मध्ये बदलते. इग्निशन स्वीच ऑन झाल्यावर आणि वाहन "ऑटो मोड" मध्ये सुरू झाल्यावर, सीएनजी (CNG) इंडिकेटर डिस्प्लेवर ब्लिंक करतो आणि पेट्रोल इंडिकेटर डिस्प्ले होतो. सीएनजी (CNG) मध्ये बदल केल्यानंतर,

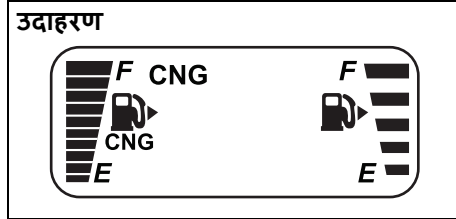
## ड्रायव्हिंग करण्यापूर्वी

सीएनजी इंडिकेटर डिस्प्ले होईल आणि पेट्रोल इंडिकेटर आपोआप बंद होईल.

सुचना:

- इंजिनचे आयुष्य वाढवण्यासाठी वाहन नेहमी ऑटो मोड किंवा पेट्रोल मोडमध्ये सुरु करण्याची शिफारस करण्यात येते.
- जेव्हा सभोवतालचे/इंजिनचे तापमान शून्य अंश सेल्सिअसपेक्षा कमी असेल तेव्हा वाहन सुरु केले असल्यास सीएनजी (CNG) मध्ये ईंधन बदलणे शक्य होणार नाही. अशा परिस्थितीत, इंजिन गरम होईपर्यंत पेट्रोल मोडमध्ये चालवा आणि नंतर सीएनजी (CNG) मध्ये बदलण्यासाठी इंजिन पुन्हा सुरु करण्याचा प्रयत्न करा.

### फोर्स सीएनजी (CNG) मोड



हा इमर्जन्सी मोड आहे आणि पेट्रोल टाकीमध्ये पेट्रोल नसलेल्या प्रकरणांमध्ये वापरता येऊ शकते. या मोडमध्ये वाहन सीएनजी (CNG) मोडमध्ये सुरु होते आणि सीएनजी (CNG) मोडवर चालते. इग्निशन "चालू/ऑन" आणि इंजिन चालू नसताना, फक्त सीएनजी (CNG) इंडिकेटर दिसेपर्यंत चेंजओव्हर स्विच दाबा आणि धरून ठेवा. या मोडमध्ये, सीएनजी

(CNG) इंडिकेटर प्रदर्शित होतो आणि पेट्रोल इंडिकेटर "ऑफ" राहतो.

सुचना:

- पेट्रोलच्या टाकीत पुरेसे पेट्रोल ठेवण्याची शिफारस केली जाते.
- जर सभोवतालचे/इंजिनचे तापमान शून्य डिग्री सेल्सिअसपेक्षा कमी असेल तर वाहन फोर्स ने सीएनजी (CNG) मोडमध्ये सुरु होणार नाही. वाहन ऑटो मोडमध्ये सुरु करण्याची शिफारस करण्यात आली आहे.

### सीएनजी (CNG) मोडवरून पेट्रोल मोडमध्ये स्वयंचलित बदल

इंजिन चालू असताना सीएनजी (CNG) संपल्यास, वाहन आपोआप सीएनजी (CNG) मोडवरून पेट्रोल मोडवर स्विच होईल आणि सीएनजी (CNG) कमी झाल्याचा चेतावणी लॅप ब्लिंक करण्यास सुरुवात करेल. पेट्रोल इंडिकेटर सतत डिस्प्ले होईल आणि सीएनजी इंडिकेटर आपोआप बंद होईल.

ही माहिती प्राप्त करण्यासाठी, एकदा चेंजओव्हर स्विच दाबा. चेंजओव्हर स्विच दाबल्यानंतर सीएनजी (CNG) संपल्याची चेतावणी देणारा लॅप ब्लिंक करणे थांबेल आणि पेट्रोल इंडिकेटर सतत चमकत राहील. तथापि, त्यानंतरच्या प्रत्येक इग्निशन ऑन - इग्निशन बंद स्थितीनंतर वाहन सीएनजी (CNG) ने रिफिल होईपर्यंत सीएनजी (CNG) कमी झाल्याचा इंडिकेटर लॅप ब्लिंक होत राहील. सीएनजी (CNG) रिफिल झाल्यास, सीएनजी (CNG) मध्ये बदलण्यासाठी कृपया एकदा फ्यूल चेंजओवर स्विच दाबा. त्यानंतर, सीएनजी (CNG) वर वाहन चालवता येईल.

सुचना:

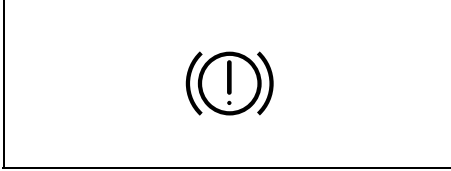
- सीएनजी (CNG) मोडमधून पेट्रोल मोडमध्ये स्वयंचलित बदल करताना इंजिन थांबू नये म्हणून पेट्रोल टाकीमध्ये पुरेसे पेट्रोल ठेवण्याची शिफारस केली जाते.
- चेंजओव्हर स्विच दाबल्यानंतरही सीएनजी (CNG) कमी झाल्याचा इंडिकेटर लॅप ब्लिंक करणे थांबत नसले तर, जवळच्या अधिकृत मारुति सुजुकी कमर्शियल वर्कशॉप मध्ये वाहनाची तपासणी करा.

## वार्निंग आणि इंडिकेटर लाईट्स

सूचना:

वार्निंग आणि इंडिकेटर लाईट ब्लिंक किंवा चालू असल्यास, संबंधित संदेश माहिती डिस्प्लेवर दर्शविले जाऊ शकतात.

### ब्रेक सिस्टम वार्निंग लाईट्स



82K170

वाहनाच्या वैशिष्ट्यानुसार चार भिन्न प्रकारची ऑपरेशन्स अस्तित्वात आहेत.

- जेव्हा इग्निशन स्विच "चालू/ऑन" स्थितीकडे वळवले जाते तेव्हा लाईट थोड्या वेळाने येतो.
- जेव्हा पार्किंग ब्रेक "चालू/ऑन" स्थितीत इग्निशन स्विचसह कार्यरत असतो तेव्हा लाईट येतो.
- वरील दोनपैकी एक किंवा दोन्ही स्थितीमध्ये लाईट येतो.
- जेव्हा ब्रेक फ्लूइड जलाशयातील द्रव निर्दिष्ट पातळीपेक्षा खाली जातो तेव्हा देखील लाईट येतो.

ब्रेक फ्लूइड जलाशयातील द्रव पातळी पुरेशी असल्यास, इंजिन सुरू केल्यानंतर आणि पार्किंग ब्रेक पूर्णपणे सोडल्यानंतर प्रकाश निघून गेला पाहिजे.

जेव्हा एबीएस प्रणालीचे मागील ब्रेक फोर्स कंट्रोल फंक्शन (प्रपोर्शनिंग व्हाल्व्ह फंक्शन) अयशस्वी होते तेव्हा हा लाईट एबीएस वार्निंग लाईटसह देखील प्रकाशित होतो.

जर तुम्ही वाहन चालवत असताना ब्रेक सिस्टीम चेतावणी देणारा लाईट लागला तर याचा अर्थ वाहनाच्या ब्रेक सिस्टीममध्ये काहीतरी गडबड आहे. असे घडल्यास, आपण हे केले पाहिजे:

- 1) रस्त्या पासून बाजूला व्हा आणि काळजीपूर्वक थांबवा.

### ⚠ चेतावणी

लक्षात ठेवा की थांबण्याचे अंतर जास्त असू शकते, तुम्हाला पॅडलवर अधिक जोराने दाबावे लागेल आणि पडल सामान्यपेक्षा खाली जाऊ शकते.

- 2) रस्त्याच्या कडेला काळजीपूर्वक सुरू करून आणि थांबून ब्रेकची चाचणी करा.
  - ते सुरक्षित असल्याचे तुम्ही निश्चित केल्यास, दुरुस्तीसाठी जवळच्या डीलरकडे मंद गतीने वाहन चालवा,
  - किंवा दुरुस्तीसाठी वाहन जवळच्या अधिकृत मारुती सुझुकी च्या कमर्शियल वर्कशॉप मध्ये घेऊन जा.

### ⚠ चेतावणी

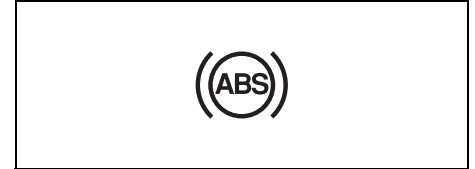
खालीलपैकी कोणतीही परिस्थिती उद्भवल्यास, तुम्ही ताबडतोब तुमच्या अधिकृत मारुती सुझुकीच्या कमर्शियल वर्कशॉपला ब्रेक सिस्टीमची तपासणी करण्यास सांगा.

- जर इंजिन सुरू झाल्यानंतर आणि पार्किंग ब्रेक पूर्णपणे सोडल्यानंतर ब्रेक सिस्टीमचा चेतावणी लाईट निघत नसेल तर.
- इग्निशन स्विच "चालू/ऑन" स्थितीकडे वळवल्यावर ब्रेक सिस्टीम चेतावणी लाईट येत नसेल तर.
- वाहन चालवताना ब्रेक सिस्टीम चेतावणी लाईट केव्हाही चालू असेल तर.

सूचना:

कारण ब्रेक सिस्टीम स्वयं-समायोजित आहे, ब्रेक पॅडची झीज झाल्यामुळे द्रव पातळी कमी होईल. ब्रेक फ्लूइड रिफिल करणे सामान्य नियतकालिक देखभाल मानली जाते.

### अ‍ॅटी-लॉक ब्रेक सिस्टीम (एबीएस) वार्निंग लाईट (सुसज्ज असल्यास)



65D529

जेव्हा इग्निशन स्विच "चालू" स्थितीकडे वळवले जाते, तेव्हा लाईट थोड्या वेळासाठी चालू होतो जेणेकरून तुम्ही लाईट कार्य करत असल्याचे तपासू शकता.

## ड्रायव्हिंग करण्यापूर्वी

लाईट चालू राहिल्यास, किंवा गाडी चालवताना चालू झाल्यास, एबीएसमध्ये काहीतरी चूक असू शकते.

जर असे झाल्यास:

- 1) रस्त्यावरून बाजूला या आणि काळजीपूर्वक थांबा.
- 2) इग्निशन स्विचला "लॉक" स्थितीकडे वळवा आणि नंतर इंजिन पुन्हा सुरू करा.

जर वार्निंग लाईट थोड्या वेळाने चालू झाला आणि नंतर बंद झाला, तर सिस्टीम सामान्य आहे. वार्निंग लाईट अदयाप चालू राहिल्यास, सिस्टीममध्ये काहीतरी चूक आहे.

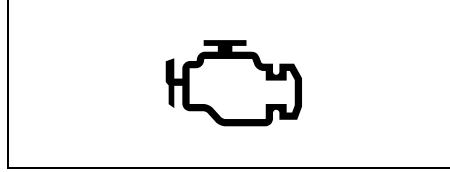
जर लाईट आणि ब्रेक सिस्टीम वार्निंग लाईट चालू राहत असल्यास किंवा ड्रायव्हिंग करताना एकाच वेळी चालू होत असल्यास, तुमची एबीएस सिस्टीम मागील ब्रेक फोर्स कंट्रोल फंक्शनने सुसज्ज आहे (प्रपोर्शनिंग व्हाल्व्ह फंक्शन) आणि दोन्ही मागील ब्रेक फोर्स कंट्रोल फंक्शन आणि एबीएस सिस्टीमचे अंटी-लॉक फंक्शनमध्ये काहीतरी चुकीचे असू शकते.

वरीलपैकी एक आढळल्यास, मारुति सुझुकी अधिकृत वर्कशॉपद्वारे सिस्टीमची तपासणी करा.

एबीएस निष्क्रिय झाल्यास, ब्रेक सिस्टीम ही एबीएस सिस्टीम नसलेल्या सामान्य ब्रेक सिस्टीमप्रमाणे कार्य करेल.

एबीएस सिस्टीमच्या तपशीलांसाठी, "तुमचे वाहन चालवणे" विभागात "अंटीलॉक ब्रेक सिस्टीम (एबीएस)" पहा.

## मालफंक्शन इंडिकेटर लाईट



63J031

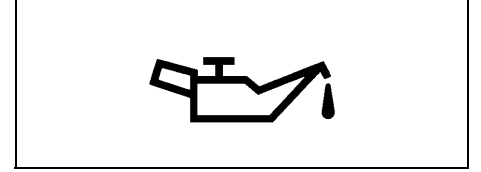
मालफंक्शन इंडिकेटर लाईट ही तुमच्या वाहनातील संगणक नियंत्रित उत्सर्जन नियंत्रण प्रणाली (कॉम्प्युटर कंट्रोलड एमिशन कंट्रोल सिस्टम) आहे. एमिशन कंट्रोल सिस्टम चे सर्व्हिसिंग केव्हा आवश्यक आहे हे सूचित करण्यासाठी इन्स्ट्रुमेंट पॅनेलवर मालफंक्शन लाईट प्रदान केला जातो. इग्निशन स्वीच "चालू/ऑन" स्थितीकडे वळला की मालफंक्शन लाईट चालू होतो ज्यामुळे तुम्हाला कळते की लाईट काम करत आहे आणि इंजिन सुरू झाल्यावर बाहेर जातो.

इंजिन चालू असताना मालफंक्शन लाईट आल्यास, एमिशन कंट्रोल सिस्टम मध्ये समस्या आहे. नुकसान भरून काढण्यासाठी वाहन तुमच्या जवळच्या अधिकृत मारुती सुझुकी कमर्शियल वर्कशॉपमध्ये घेऊन जा.

### सूचना

मालफंक्शन लाईट चालू असताना वाहन चालविणे सुरू ठेवल्याने वाहनाच्या एमिशन कंट्रोल सिस्टम ला कायमचे नुकसान होऊ शकते आणि इंधनाची बचत आणि वाहन चालविण्यावर परिणाम होऊ शकतो.

## ऑइल प्रेशर लाईट



50G051

जेव्हा इग्निशन स्विच "चालू/ऑन" स्थितीकडे वळवला जातो तेव्हा हा प्रकाश येतो आणि इंजिन सुरू झाल्यावर निघून जातो. जर ऑइल प्रेशर पुरेसे नसेल तर प्रकाश येईल आणि चालूच (ऑन) राहील. गाडी चालवताना लाईट आला तर लवकरात लवकर उतरा आणि इंजिन थांबवा.

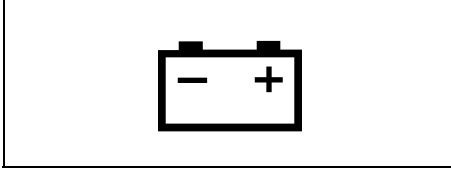
ऑइल पातळी तपासा आणि आवश्यक असल्यास शिफारस केलेले इंजिन ऑइल घाला. पुरेसे ऑइल असल्यास, वाहन पुन्हा सुरू करण्यापूर्वी आपल्या अधिकृत मारुती सुझुकीच्या कमर्शियल वर्कशॉप मध्ये लुब्रीकेशन सिस्टमची तपासणी केली पाहिजे.

### सूचना

- जर तुम्ही हा लाईट चालू ठेवून इंजिन चालवत असाल तर, इंजिनला गंभीर नुकसान होऊ शकते.
- ऑइल टाकण्याची गरज दर्शविण्यासाठी ऑइल प्रेशर लाईटवर विसंबून राहू नका. वेळावेळा इंजिन ऑइलची पातळी तपासल्याची खात्री करा.



## चार्लिंग लाईट



50G052

जेव्हा इग्निशन स्विच "चालू/ऑन" स्थितीकडे वळवला जातो तेव्हा हा लोईट येतो आणि इंजिन सुरू झाल्यावर निघून जातो. बटरी चार्लिंग सिस्टममध्ये काही गडबड असल्यास लाईट येईल आणि चालू राहिल. इंजिन चालू असताना लाईट लागल्यास, चार्लिंग सिस्टीमची तूमच्या अधिकृत मारुती सुझुकी कर्मशेअल वॅकशापद्वारे तोंबडतोब तपासणी करा.

## ड्रायव्हरचा सीट बेल्ट चेतावणी लाईट / समोरच्या प्रवाशाचा सीट बेल्ट चेतावणी लाईट



60G049

जेव्हा ड्रायव्हर किंवा समोरचा प्रवासी यांनी सीट बेल्ट घातला नसेल तेव्हा हा लाईट येईल आणि/किंवा ब्लिंक करेल.

सीट बेल्ट रिमांडरच्या तपशीलांसाठी, या सेक्शन मध्ये "सीट बेल्ट आणि चाइल्ड रिस्ट्रट सिस्टम" पहा.

## हाई इंजन कूलंट टेम्परेचर वार्निंग लाईट (रेड कलर)



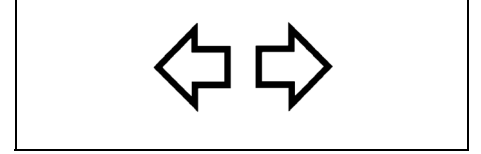
54G344

जेव्हा इग्निशन स्विच "चालू/ऑन" स्थितीकडे वळवले जाते तेव्हा हा प्रकाश थोड्या वेळाने येतो जेणेकरून तूमही लाईट काम करत आहे हे तपासू शकता. गौडी चालवताना जर हा लाईट ब्लिंक करत असेल, तर इंजिन गरम होत आहे. ड्रायव्हिंगची परिस्थिती टाळा नाहीतर वास्तविक ओव्हरहाटिंग होऊ शकते. जर लाईट ब्लिंक न करता चालू राहिल्यास, इंजिन जास्त गरम होते. "इमर्जन्सी सर्व्हिस" सेक्शन मधील "इंजिन जास्त गरम झाल्यास" त्यामधील सूचनांचे अनुसरण करा.

### सूचना

इंजिनने जास्त गरम झाल्याचे संकेत दिल्यानंतर गाडी चालवणे सुरू ठेवल्याने इंजिनचे गंभीर नुकसान होऊ शकते.

## टर्न सिग्नल इंडिकेटर



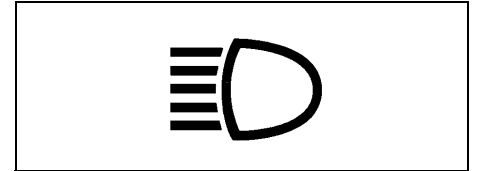
50G055

जेव्हा तूमही डावीकडे किंवा उजवीकडे वळणाचे सिग्नल चालू करता, तेव्हा इन्स्ट्रुमेंट पॅनेलवरील संबंधित ग्रीने अंरो संबंधित टर्न लाईटससह फ्लॅश होईल. तूमही धोक्याचा इशारा देणारा स्विच चालू करता तेव्हा, दोन्ही अंरो सर्व टर्न सिग्नल लाईटससह फ्लॅश होतील.

### सूचना:

टर्न सिग्नलमध्ये कोणतीही असामान्यता आढळल्यास, जसे की जलद ब्लिंकिंग, टर्न सिग्नल सिस्टममध्ये दोष असू शकतो. तूमच्या मारुती सुझुकीच्या अधिकृत वॅकशापला सिस्टमची तपासणी करण्यास सांगा.

## मेन बीम (हाई बीम) इंडिकेटर लाईट



50G056

हेडलाईट मेन बीम (हाई बीम) चालू असताना हे इंडिकेटर चालू होतो.

## ड्रायव्हिंग करण्यापूर्वी

### इमोबिलायझर सिस्टम इंडिकेटर लाईट



65D239

जेव्हा इग्निशन स्विच "चालू/ऑन" स्थितीकडे वळवले जाते, तेव्हा लाईट कार्य करत आहे हे सांगण्यासाठी हा लाईट येतो. जर हा लाईट इग्निशन स्विचसह "चालू/ऑन" झाला, तर इमोबिलायझर सिस्टीममध्ये काहीतरी चूक होऊ शकते. मारुती सुझुकीच्या अधिकृत वर्कशॉपला सिस्टीमची तपासणी करण्यास सांगा.

### ESP® वार्निंग लाईट (सुसज्ज असल्यास)



56RM02033

ESP® हा Daimler AG यांचा रजिस्टर्ड ट्रेडमार्क आहे.

खालीलपैकी एक सिस्टीम सक्रिय केल्यावर हा लाईट प्रति सेकंद 5 वेळा ब्लिंक करतो.

- स्थिरता नियंत्रण प्रणाली
- ट्रॅक्शन कंट्रोल यंत्रणा

जर हा लाईट ब्लिंक करत असेल तर काळजीपूर्वक वाहन चालवा.

जेव्हा इग्निशन स्विच "चालू" स्थितीकडे वळवले जाते, तेव्हा लाईट थोड्या वेळासाठी चालू होतो जेणेकरून तुम्ही लाईट कार्य करत असल्याचे तपासू शकता. लाईट चालू राहिल्यास, किंवा गाडी चालवताना चालू झाल्यास, ESP® सिस्टीममध्ये (एबीएस व्यतिरिक्त) काहीतरी चूक असू शकते. तुम्ही मारुती सुझुकीच्या अधिकृत वर्कशॉपद्वारे सिस्टीमची तपासणी करून घेतली पाहिजे.

ESP® सिस्टीमच्या तपशीलांसाठी, "तुमचे वाहन चालवणे" विभागातील "इलेक्ट्रॉनिक स्थिरता कार्यक्रम (ESP®) (सुसज्ज असल्यास)" पहा.

### चेतावणी

ESP® सिस्टीम अपघात टाळू शकत नाहीत. नेहमी काळजीपूर्वक वाहन चालवा.

### ESP® ऑफ इंडिकेटर लाईट (सुसज्ज असल्यास)



56RM02034

जेव्हा इग्निशन स्विच "ऑन" स्थितीकडे वळवले जाते, तेव्हा लाईट थोड्या वेळासाठी चालू होतो जेणेकरून तुम्ही लाईट कार्य करत असल्याचे तपासू शकता.

जेव्हा ESP® ऑफ स्विचला ESP® सिस्टीम (एबीएस व्यतिरिक्त) बंद करण्यासाठी दाबले जाते, तेव्हा ESP® बंद इंडिकेटर लाईट चालू होतो आणि चालू राहतो.

ESP® सिस्टीमच्या तपशीलांसाठी, "तुमचे वाहन चालवणे" विभागातील "इलेक्ट्रॉनिक स्थिरता कार्यक्रम (ESP®) (सुसज्ज असल्यास)" पहा.

### सीएनजी (CNG) मध्ये असल्याची चेतावणी देणारा लाईट (सुसज्ज असल्यास)



77PMC015

जेव्हा इग्निशन स्विच "चालू/ऑन" केला जातो, तेव्हा हा सीएनजी खराबी चेतावणी देणारा लाईट थोड्या वेळाने चालू होतो, सीएनजी खराब झालेला लाईट त्रासमुक्ते आहे की नाही हे तपासण्यासाठी.

- जर सीएनजी (CNG) मालफंक्शन वार्निंग लाईट सतत चमकत असेल तर, प्रज्वलन "चालू/ऑन" सह सीएनजी (CNG) प्रणालीमध्ये काही समस्या आहे, अधिकृत मारुती सुझुकी कमर्शियल वर्कशॉपद्वारे ताबडतोब आपले वाहन तपासा.
- इंजिन चालू असताना सीएनजी (CNG) खराब होण्याचा इशारा दिवा चालू असल्यास, याचा अर्थ सीएनजी (CNG) सिस्टीममध्ये काही समस्या आहे ज्यामध्ये वाहन सीएनजी (CNG) मोड मध्ये चालू राहू शकत नाही

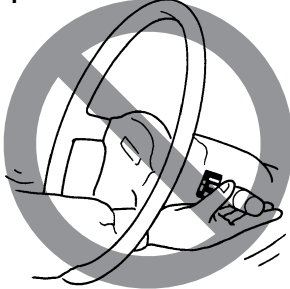
आणि स्वयंचलितपणे पेट्रोल मोडमध्ये बदल शकत नाही. अधिकृत मारुती सुझुकी कमशियल वर्कशॉपमध्ये तुमचे वाहन तपासा.

सूचना:

इंजिनिशन स्वीच "चालू/ऑन" असताना आणि इंजिन चालू नसताना, सीएनजी दिव्याचे ब्लिंकिंग इंधनाचे झाकण उघडे असल्याचे सूचित करते. या स्थितीत वाहने सुरु होणार नाहीत. वाहन सुरु करण्यासाठी झाकण बंद करा.

## लाईटिंग कंट्रोल लीव्हर

### उदाहरण



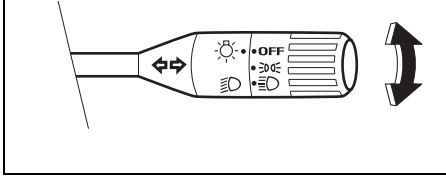
65D611

### ⚠ चेतावणी

संभाव्य दुखापत टाळण्यासाठी, स्टीयरिंग व्हीलच्या माध्यमातून कंट्रॉल्स संचालित करू नका.

## लाईटिंग ऑपरेशन

### उदाहरण



77PH110

लाईट चालू किंवा बंद करण्यासाठी, लीव्हरच्या शेवटी नांब फिरवा. तीन पोजिशन्स आहेत:

### ऑफ / बंद

सर्व लाईट ऑफ / बंद आहेत.

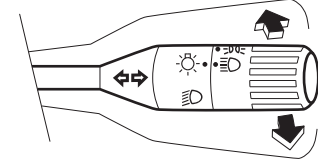
☹

फ्रंट पोजिशन लाईट, टेल लाईट, लायसन्स प्लेट लाईट आणि इन्स्ट्रुमेंट लाईट चालू आहेत, पण हेडलाईट्स ऑफ / बंद आहेत.

☹

फ्रंट पोजिशन लाईट्स, टेल लाईट्स, लायसन्स प्लेट लाईट्स, इन्स्ट्रुमेंट लाईट्स आणि हेडलाईट्स सुरु आहेत.

### उदाहरण

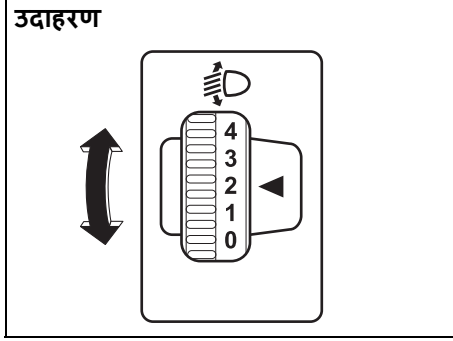


77PH111

हेडलाईट्स चालू असताना, हाय बीम (मुख्य बीम) वर स्विच करण्यासाठी लीव्हर पुढे ढकलून घ्या किंवा लो बीमवर स्विच करण्यासाठी लीव्हरला तुमच्याकडे खेचा. हाय बीम (मुख्य बीम) चालू असताना, इन्स्ट्रुमेंट पॅनेलवरील मुख्य बीम (हाय बीम) इंडिकेटर लाईट येईल. पॉसिंग सिग्नल म्हणून हाय बीम (मुख्य बीम) क्षणार्धात सक्रिय करण्यासाठी, लीव्हर थोडासा तुमच्या दिशेने खेचा आणि तुम्ही सिग्नल पूर्ण केल्यावर तो सोडा.

## हेडलाईट लेव्हलिंग स्विच

उदाहरण



77PH010

हे स्वीच फिरवून तुमच्या वाहनाच्या लोड स्थितीनुसार हेडलॉईट बीमची लेवल करा. खाली दिलेला चार्ट विविध वाहन-लोड स्थितींसाठी योग्य स्विच पोजिशनस दर्शवितो.

वाहन लोडची स्थिती	स्थान बदला
फक्त ड्रायव्हर	0
ड्रायव्हर + फुल कार्गो	3

## सिग्नल कंट्रोल लीव्हर टर्न करा

उदाहरण



65D611

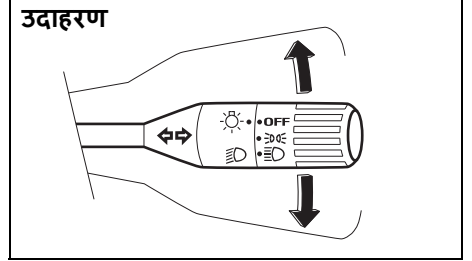
### ⚠ चेतावणी

संभाव्य दुखापत टाळण्यासाठी, स्टीयरिंग व्हीलच्या माध्यमातून कंट्रॉल्स संचालित करू नका.

## टर्न सिग्नल ऑपरेशन

चालू स्थितीत इग्निशन स्विचसह, उजवीकडे किंवा डावीकडे टर्न सिग्नल सक्रिय करण्यासाठी लीव्हर वर किंवा खाली हलवा.

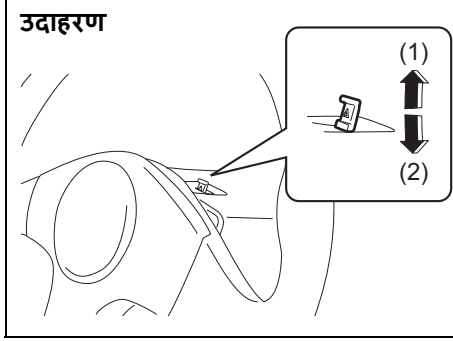
उदाहरण



77PH112

सिग्नलसाठी लीव्हर वर किंवा खाली हलवा. जेव्हा टर्न पूर्ण होते, तेव्हा सिग्नल रद्द होईल आणि लीव्हर त्याच्या सामान्य स्थितीत परत येईल.

## धोका चेतावणी स्विच

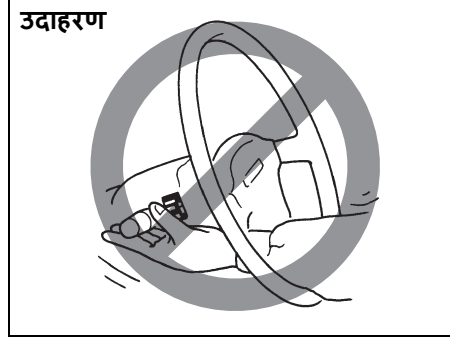


77PH028

- (1) चालू /ऑन
- (2) बंद / ऑफ

धोक्याची चेतावणी देणारा लाईट सक्रिय करण्यासाठी धोक्याची चेतावणी वाला स्विच वर खेचा. सर्व टर्न सिग्नल लाईट्स आणि दोन्ही टर्न सिग्नल इंडिकेटर एकाच वेळी फ्लॅश होतील. लाईट्स बंद करण्यासाठी, स्विच खाली दाबा. इमर्जन्सी पार्किंग दरम्यान किंवा अन्यथा तुमचे वाहन रहदारीला धोका निर्माण करू शकते तेव्हा इतर रहदारीला सावध करण्यासाठी धोक्याची चेतावणी देणारे लाईट्स वापरा.

## विंडशील्ड वाइपर आणि वॉशर लिव्हर



65D611

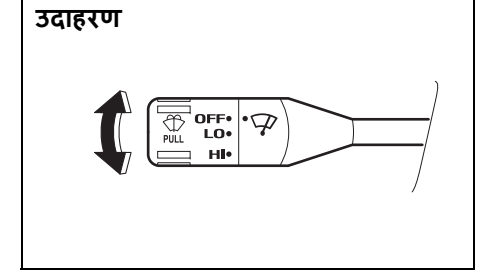
### ⚠ चेतावणी

संभाव्य दुखापत टाळण्यासाठी, स्टीयरिंग व्हीलच्या माध्यमातून कंट्रॉल्स संचालित करू नका.

### वाइपर ऑपरेशन

जेव्हा इग्निशन स्विच "चालू/ऑन" स्थितीत असतो, तेव्हा तुम्ही वाइपर लीव्हर वापरू शकता.

## विंडशील्ड वाइपर

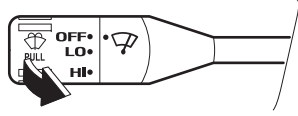


77PM02015

विंडशील्ड वायपर्स चालू करण्यासाठी, लीव्हरच्या शेवटी असलेल्या नॉबला ऑपरेटिंग पोजिशनपैकी एकावर फिरवा. "लो" स्थितीत, वाइपर सतत कमी वेगाने कार्य करतात. "हाई" स्थितीत, वाइपर सतत उच्च वेगाने कार्य करतात. वाइपर बंद करण्यासाठी, लीव्हर परत "ऑफ" स्थितीत फिरवा.

विंडशील्ड वॉशर

उदाहरण



77PM02016

विंडशील्ड वॉशर फ्लुइड फवारण्यासाठी, लीव्हर आपल्या दिशेने खेचा.

⚠ चेतावणी

विंडशील्ड वॉशर रिजर्वायर मध्ये रेडिएटर अँटीफ्रीझ वापरू नका. विंडशील्डवर फवारणी केल्यास ते दृश्यमानतेवर गंभीरपणे परिणाम करू शकते आणि तुमच्या वाहनाच्या पेंटला देखील नुकसान पोहचू शकते.

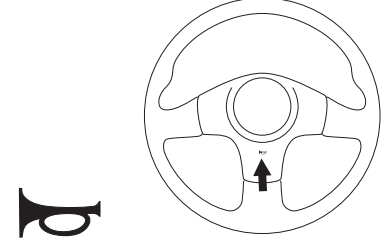
सूचना

विंडशील्ड वायपर आणि वॉशर सिस्टमच्या घटकाना होणारे नुकसान टाळण्यासाठी, तुम्ही खालील सावधगिरी बाळगली पाहिजे:

- जेव्हा विंडशील्ड वॉशर फ्लुइड फवारत नसेल किंवा वॉशर मोटर खराब होऊ शकते तेव्हा लीव्हर धरून ठेवू नका.
- कोरड्या विंडशील्डमध्ये वाइपरने घाण काढण्याचा प्रयत्न करू नका, अन्यथा तुम्ही विंडशील्ड आणि वायपर ब्लेडला नुकसान पोहोचवू शकता. वाइपर वापरण्यापूर्वी नेहमी वॉशर फ्लुइडने विंडशील्ड ओले करा.
- वाइपर वापरण्यापूर्वी वाइपर ब्लेडमध्ये बर्फ किंवा अडकलेला बर्फ साफ करा.
- नियमितपणे वॉशर फ्लुइड लेव्हल तपासा. जेव्हा हवामान खराब असते तेव्हा ते वारवार तपासा.
- थंड हवामानात वॉशर फ्लुइड रिजर्वायर फक्त 3/4 भरा जर तापमान द्रावण फ्रिज होण्याइतपत कमी झाले तर विस्तारासाठी जागा द्या.

हॉर्न

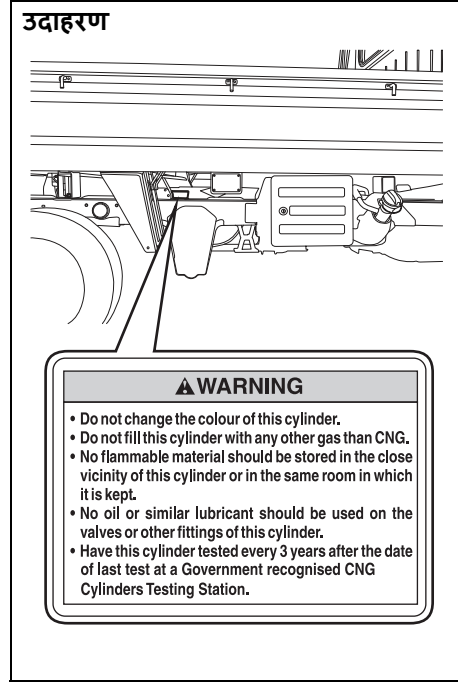
उदाहरण



77PH029

हॉर्न वाजवण्यासाठी स्टिअरिंग व्हीलचे हॉर्न बटण दाबा. दोन्ही बाबतीत इग्निशन स्विच ऑन केल्यावर हॉर्न वाजेल.

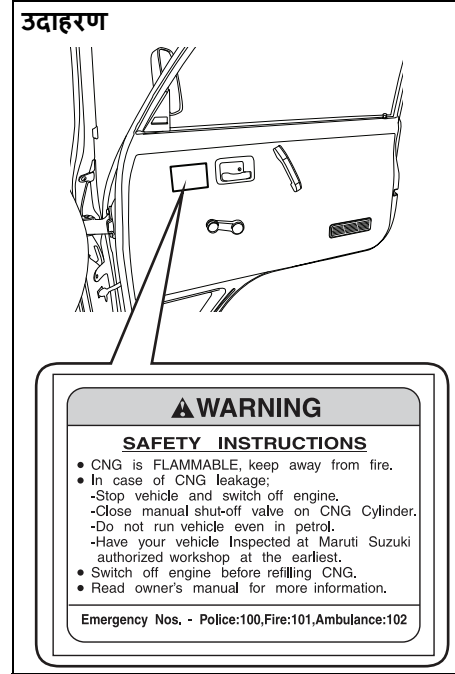
सीएनजी सिलेंडर वार्निंग लेबल  
(सुसज्ज असल्यास)



तुम्हाला हे लेबल सीएनजी सिलेंडरवर सापडेल.

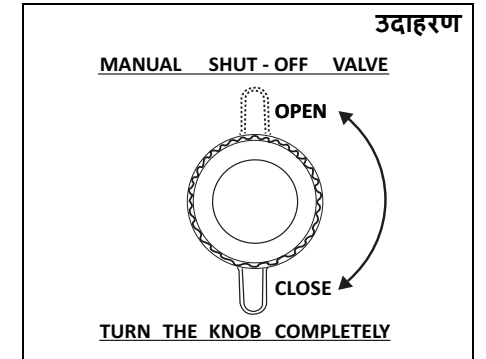
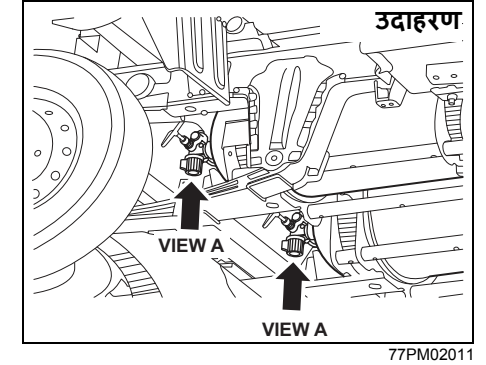
सीएनजी चेतावणी लेबल (सुसज्ज  
असल्यास)

समोरचा ड्रायव्हरजवळचा दरवाजा



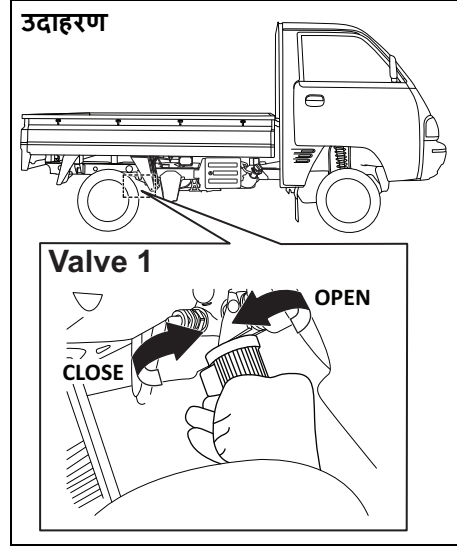
सीएनजी चेतावणी लेबल समोर उजव्या दरवाजावर आहे.

सीएनजी मॅन्युअल शट-ऑफ व्हॉल्व्ह  
(सुसज्ज असल्यास)



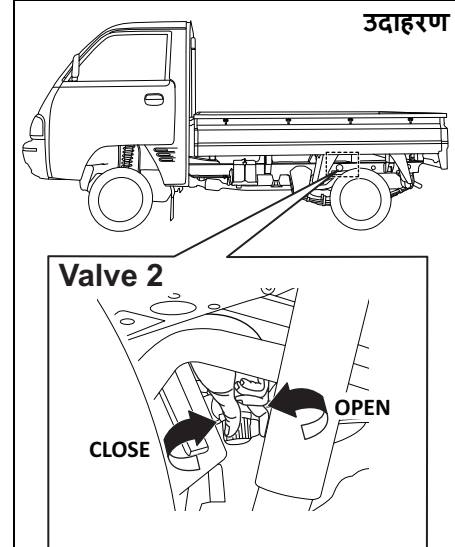
## ड्रायव्हिंग करण्यापूर्वी

### उजवीकडे (RHS)



77PM02012

### डावीकडे (LHS)



77PM02013

मॅन्युअल शट ऑफ व्हॉल्व्ह सीएनजी सिलेंडरवर असतो जो वाहनाच्या आतील बोडीच्या खाली दिला जातो.

वाहनात दोन सीएनजी सिलेंडर शरीराखाली असतात, प्रत्येकामध्ये एक मॅन्युअल शट ऑफ व्हॉल्व्ह असतो.

मॅन्युअल शटऑफ व्हॉल्व्ह 1 आणि व्हॉल्व्ह 2 अनुक्रमे वाहनाच्या उजव्या बाजूने (RHS) आणि डाव्या हाताच्या बाजूने (LHS) प्रवेश करतात.

दोन्ही सीएनजी सिलेंडरवरील मॅन्युअल शट-ऑफ व्हॉल्व्ह बंद करून सीएनजी पुरवठा बंद केला जाऊ शकतो.

**व्हॉल्व्ह बंद करणे:** इंजिनला सीएनजी पुरवठा बंद करण्यासाठी नाॅब पूर्णपणे घड्याळाच्या दिशेने (दृश्य A पासून) वळावा.

**व्हॉल्व्ह उघडणे:** इंजिनला सीएनजी पुरवठा उघडण्यासाठी नाॅब पूर्णपणे घड्याळाच्या विरुद्ध दिशेने (दृश्य A पासून) वळावा.

### ⚠ सावधगिरी

मॅन्युअल शट ऑफ व्हॉल्व्ह 2 (LHS) वापरताना एकझॉस्ट पाईपला हाताने स्पर्श न करण्याची काळजी घ्या. वाहन चालविल्यानंतर, एकझॉस्ट पाईप आपला हात जाळण्यासाठी पुरेसा गरम असू शकतो.

### सुचना:

- जर मॅन्युअल शट-ऑफ व्हॉल्व्ह पूर्णपणे उघडले नाही, तर इंजिन योग्यरित्या चालू शकत नाही.
- मॅन्युअल शट-ऑफ व्हॉल्व्ह बंद स्थितीत असल्यास, सिलेंडरमध्ये सीएनजी भरणे शक्य होणार नाही.



सुचना:

- सरकारी नियमानुसार, सीएनजी (CNG) सिलेंडर च्या आयडेंटिफिकेशन प्लेट वर नमूद केलेल्या प्रारंभिक टेस्टिंगच्या तारखेपासून दर तीन (3) वर्षांनी सीएनजी सिलेंडरची टेस्टिंग आणि प्रमाणित करणे आवश्यक आहे.
- ग्राहकाने वाहन सरकारी मान्यताप्राप्त टेस्टिंग एजन्सीकडे सादर केले पाहिजे.
- सिलेंडरची चाचणी करण्यात अयशस्वी झाल्यास सीएनजी (CNG) वितरण केंद्रांद्वारे सीएनजी (CNG) भरण्यास नकार दिला जाऊ शकतो किंवा अंमलबजावणी अधिकाऱ्यांकडून वाहन जप्त केले जाऊ शकते.
- सीएनजी सिलेंडर टेस्टिंगचा सर्व खर्च ग्राहकाला करावा लागतो.
- सरकारी नियमानुसार, सीएनजी (CNG) सिलेंडर आयडेंटिफिकेशन प्लेटवर नमूद केलेल्या प्रारंभिक टेस्टिंग च्या तारखेपासून 20 वर्षांत सीएनजी (CNG) सिलेंडर टाकून द्यावे लागतात.
- सरकार मान्यताप्राप्त स्कॅप एजन्सीमार्फत ग्राहकाला त्याच्या/तिच्या खर्चावर सिलेंडर टाकून द्यावे लागते.
- सिलेंडरच्या दुरुस्तीचा संपूर्ण अहवाल आणि टेस्टिंग केल्याशिवाय कोणत्याही व्यक्तीने उप-नियम (2) अंतर्गत दुरुस्त केलेला कोणताही सिलेंडर गॅसने भरता येणार नाही. दुरुस्ती करणाऱ्याच्या टेस्टिंगचे प्रमाणपत्र सोबत मुख्य नियंत्रकाला दिले जाते आणि ते भरण्यासाठी त्यांची परवानगी घेतली जाते.

### ⚠ चेतावणी

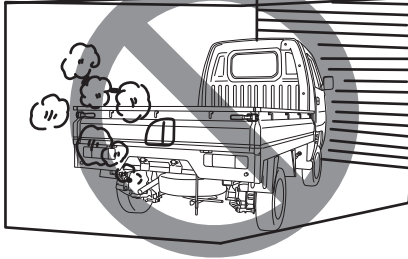
- सिलेंडर असेंब्लीमधून कधीही सिलेंडर व्हॉल्व्ह काढू नका. कोणत्याही मदतीसाठी अधिकृत मारुती सुझुकी कमर्शियल वर्कशाप शी संपर्क साधा.
- कधीही सिलेंडर साफ करण्याचा प्रयत्न करू नका. कोणतीही अडचण आल्यास अधिकृत मारुती सुझुकी कमर्शियल वर्कशापशी संपर्क साधा.
- सिलेंडर असेंब्लीमधून व्हॉल्व्ह बदलल्यानंतर / काढल्यानंतर सिलेंडर व्हॉल्व्हचा पुन्हा वापर करू नका.
- इंजिन बंद होईपर्यंत सिलेंडरमधून सीएनजी वापरला गेला तरी प्रेशर खाली टाकीमध्ये काही प्रमाणात सीएनजी शिल्लक राहिल.

## वाहनाचे संचालन

एक्झॉस्ट गॅस वार्निंग .....	3-1
दैनिक इन्स्पेक्शन चेकलिस्ट .....	3-1
इंजिन ऑईलचा वापर .....	3-2
इग्निशन स्विच .....	3-2
पार्किंग ब्रेक लीव्हर .....	3-4
पेडल .....	3-5
इंजिन सुरु करणे .....	3-5
ट्रान्समिशन वापरणे .....	3-6
पार्किंग सेन्सर्स .....	3-8
ब्रेकिंग .....	3-11
अँटी-लॉक ब्रेक सिस्टीम (ABS) .....	3-12
इलेक्ट्रॉनिक स्थिरता कार्यक्रम (ESP®) .....	3-15

## एक्झॉस्ट गॅस वार्निंग

### उदाहरण



82DY03

### ⚠ चेतावणी

एक्झॉस्ट गॅस श्वासोच्छ्वासातून घेणे टाळा. एक्झॉस्ट वायूमध्ये कार्बन मोनोक्साईड असतो, हा संभाव्य प्राणघातक वायू रंगहीन आणि गंधहीन असतो. कार्बन मोनोऑक्साईड स्वतःहून शोधणे कठीण असल्याने, कार्बन मोनोऑक्साईड तुमच्या वाहनात प्रवेश करण्यापासून रोखण्यासाठी खालील खबरदारी घ्या.

- प्रवाशांसोबत इंजिनला गॅरेजमध्ये किंवा बदिस्त जागेत चालू ठेवू नका. यामुळे केबिनमध्ये कार्बन-मोनोक्साईड जमा होऊ शकतो आणि त्यामुळे गुदमरणे किंवा श्वासोच्छ्वासाचा त्रास होऊ शकतो आणि मृत्यू होऊ शकतो.

(पुढे चालू आहे)

### ⚠ चेतावणी

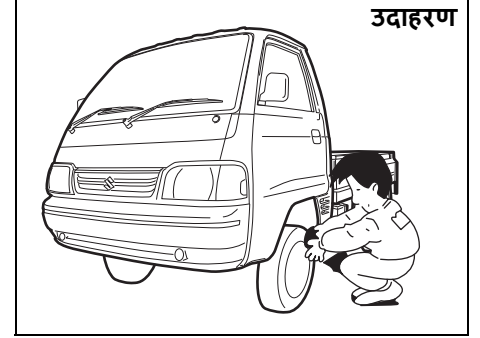
(पुढे चालू आहे)

- मोकळ्या जागेतही जास्त वेळ इंजिन चालू ठेवून पार्क करू नका. दीर्घकाळात, इंजिन चालू असताना वाहनाच्या आत राहिल्याने गुदमरण मृत्यू होण्याचा धोका निर्माण होऊ शकतो. इंजिन चालू असताना पार्क केलेल्या वाहनात थोडी वेळ बसणे आवश्यक असल्यास, एअर इनटेक सिलेक्टर "फ्रेश एअर" वर सेट केले आहे आणि ब्लोअर वेगाने चालत आहे याची खात्री करा.
- तुमच्या वाहनाच्या वेंटिलेशन सिस्टीमचे योग्य ऑपरेशन होण्यासाठी, वाहनाच्या समोरील एअर इनलेट लोखंडी जाळी नेहमी बर्फ, पाने किंवा इतर अडथळ्यांपासून दूर ठेवा.
- वाहनाच्या खाली एक्झॉस्ट वायू तयार होण्यास मदत करण्यासाठी एक्झॉस्ट पाईप क्षेत्र बर्फ आणि इतर सामग्रीपासून स्वच्छ ठेवा. हिमवादळ परिस्थितीत पार्क करताना हे विशेषतः महत्वाचे आहे.
- नुकसान आणि गळतीसाठी वेळोवेळी एक्झॉस्ट सिस्टीमची तपासणी करा. कोणतेही नुकसान किंवा गळती ताबडतोब दुरुस्त केली पाहिजे.

## दैनिक इन्स्पेक्शन चेकलिस्ट

### गाडी चालवण्यापूर्वी

### उदाहरण



77PM03001

- 1) खिडक्या, आरसे, दिवे आणि रिफ्लेक्टर स्वच्छ आणि अडथळे नसलेले असल्याची खात्री करा.
- 2) खालील गोष्टींसाठी टायर्स प्रत्यक्ष तपासा:
  - ट्रेड ग्रूथची खोली
  - असामान्य क्षती, क्रॅक आणि नुकसान
  - सैल व्हील नट
  - खिळे, दगड इ. सारख्या बाह्य वस्तूचे अस्तित्व.

तपशिलांसाठी "इन्स्पेक्शन आणि मॅटेनन्स" सेक्शनमध्ये "टायर्स" चा संदर्भ घ्या.

- 3) फ्लूइड आणि ऑइल लिकेज शोधा.
- 4) इंजिनचे कम्पार्टमेंट पूर्णपणे बंद आणि लॅच केलेले आहे याची खात्री करा.
- 5) हॅडलाईट्स, टर्न सिग्नल लाईट्स, ब्रेक लाईट आणि हॉर्न योग्य ऑपरेशनसाठी तपासा.
- 6) ड्रायव्हरची सीट अॅडजस्ट करा.
- 7) ब्रेक पॅडल आणि पार्किंग ब्रेक लीव्हर तपासा.

- 8) मिरर अँडजस्ट करा.
- 9) तुम्ही आणि प्रवाशाने सीट बेल्ट व्यवस्थित बाँधले आहेत याची खात्री करा.
- 10) 'की' "चालू/ऑन" पोजिशनकडे वळली असता सर्व वॉर्निंग लाइट्स सुरु असल्याची खात्री करा.
- 11) सर्व गेज तपासा.
- 12) पार्किंग ब्रेक सोडल्यावर 'ब्रेक सिस्टीम वॉर्निंग' लाइट्स 'ऑफ/बंद' होत असल्याची खात्री करा.

आठवडयातून एकदा, किंवा प्रत्येक वेळी जेव्हा तुम्ही तुमची इंधन टाकी भरता तेव्हा किंवा लॉब पॅल्ल्याच्या ड्रायव्हिंगसाठी (जसे की महामार्गावर ड्रायव्हिंग करण्याआधी), खालील अंडर-हुड तपासा:

- 1) इंजिन ऑइल लेव्हल
- 2) क्लंट लेव्हल
- 3) ब्रेक फ्लुइड लेव्हल
- 4) विंडशील्ड वॉशर फ्लुइड (सुसज्ज असल्यास) लेव्हल
- 5) बॅटरी इलेक्ट्रोलाईट लेव्हल
- 6) लंच ऑपरेशन ल्युब्रिकेशन शेड्युलसाठी "इन्स्पेक्शन आणि मॅटेनन्स" सेक्शनमध्ये "नियतकालिक मॅटेनन्स शेड्यूल" मधील "चेसिस आणि बॉडी" चे "सर्व लंचेस, हिजेस आणि लॉक" पहा.

महिण्यातून एकदा, किंवा प्रत्येक वेळी जेव्हा तुम्ही तुमची इंधन टाकी भरता किंवा लॉब पॅल्ल्याच्या ड्रायव्हिंगसाठी (जसे की महामार्गावर ड्रायव्हिंग करण्याआधी), टायर प्रेशर गेज वापरून टायरचे प्रेशर तपासा. तसेच स्पेअर टायरचे देखील टायर प्रेशर तपासा.

## इंजिन ऑइलचा वापर

सामान्य वाहन संचालित करताना इंजिनसाठी काही इंजिन ऑइल वापरणे सामान्य आहे.

इंजिन ऑइलचे किती प्रमाणात सेवन केले जाते ते ऑइलचा चिकटपणा, ऑइलची क्वालिटी आणि वाहन कोणत्या परिस्थितीत चालवले जाते यावर अवलंबून असते.

हाय-स्पीड ड्रायव्हिंग दरम्यान आणि जेव्हा वारंवार प्रवेग आणि वेग कमी होतो तेव्हा जास्त ऑइल वापरले जाते. जास्त लोड अंतर्गत, तुमचे इंजिन देखील अधिक ऑइल वापरले.

नवीन इंजिन अधिक ऑइल वापरते, कारण त्याचे पिस्टन, पिस्टन रिंग आणि सिलेंडरच्या भिंती अदयाप कंडिशन केलेल्या नाहीत. अंदाजे 5000 किमी (3000 माइल्स) ड्रायव्हिंग केल्यानंतरच नवीन इंजिन्स ऑइलच्या वापराच्या सामान्य लेव्हलपर्यंत पोहोचतात.

### ऑइलचा

कमाल / जास्तीत जास्त 1.0 L प्रति 1000km (1 Qt. प्रति 600 माइल्स)

### वापर:

ऑइलच्या वापराचे प्रमाण ठरवताना, लक्षात घ्या की ते पातळ होऊ शकते आणि ऑइलची खरी लेव्हल अचूकपणे तपासणे कठीण होऊ शकते.

उदाहरण म्हणून, जर एखादे वाहन वारंवार छोट्या सहलेंसाठी वापरले जात असेल आणि सामान्य प्रमाणात ऑइल वापरत असेल, तर डिपस्टिक 1000 किमी (600 माइल्स) किंवा त्याहून अधिक अंतर चालवल्यानंतरही ऑइलच्या लेव्हलमध्ये अजिबात घट दशवू शकत नाही. याचे कारण असे की ऑइल हळूहळू इंधन किंवा आर्द्रतेने पातळ होत आहे, ज्यामुळे ऑइलची लेव्हल बदललेली नाही असे दिसते.

तुम्ही हे देखील लक्षात घेतले पाहिजे की जेव्हा वाहन हाय-स्पीडने चालवले जाते, जसे की एक्स्प्रेसवे वर, तेव्हा ते विरघळणारे घटकाचे बाष्पीभवन होते, ज्यामुळे असे दिसते की हाय-स्पीड ड्रायव्हिंगनंतर ऑइल जास्त प्रमाणात वापरले जाते.

## इग्निशन स्विच

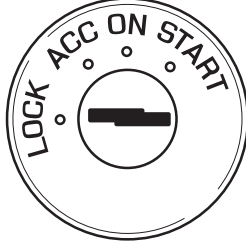


65D611

### ⚠ चैतावणी

संभाव्य दुखापत टाळण्यासाठी, स्टीयरिंग व्हीलच्या द्वारे कंट्रोल संचालित करू नका.

उदाहरण



77PH002

इग्निशन स्विचमध्ये खालील चार पोजिशनस आहेत:

**लॉक**

ही पार्किंगची सामान्य पोजिशन आहे. ही एकच पोजिशन आहे ज्यामध्ये 'की' काढली जाऊ शकते.

स्टीयरिंग लॉक सोडण्यासाठी, 'की / किल्ली' आत घाला आणि इतर स्थानांपैकी एकाकडे घड्याळाच्या दिशेने फिरवा. स्टीयरिंग अनलॉक करण्यासाठी 'की' फिरवताना जर तुम्हाला समस्या आली, तर 'की' फिरवताना स्टीयरिंग व्हील उजवीकडे किंवा डावीकडे वळवण्याचा प्रयत्न करा.

**एसीसी**

अॅक्सेसरी सॉकेट सारख्या अॅक्सेसरीज ऑपरेट करू शकतात, परंतु इंजिन ऑफ/बंद आहे.

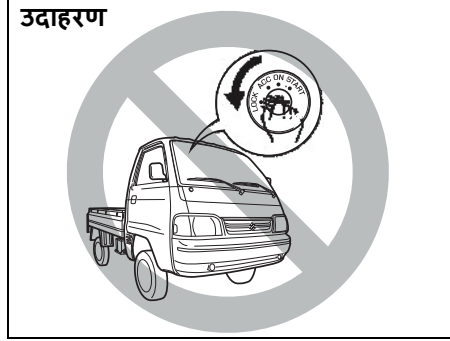
**ऑन/सुरू**

हे सामान्य ऑपरेटिंग पोजिशन आहे. सर्व इलेक्ट्रिकल सिस्टीम ऑन आहेत.

**सुरू करा**

स्टार्टर मोटरचा वापर करून इंजिन सुरू करण्यासाठी ही पोजिशन आहे. इंजिन सुरू होताच 'की' या पोजिशनमधून सोडलो/रिलीज केली पाहिजे.

उदाहरण



82DY04

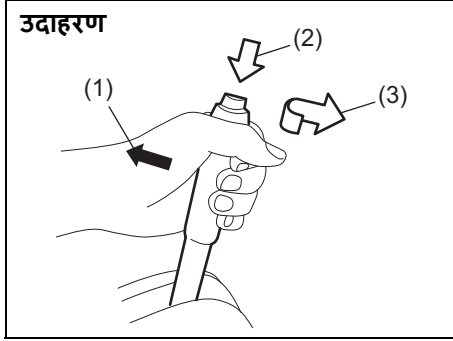
**⚠ चेतावणी**

- वाहन चालत असताना इग्निशन 'की' कधीही काढू नका. स्टीयरिंग व्हील लॉक होईल आणि तुम्ही वाहन चालवू शकणार नाही.
- वाहन सोडताना नेहमी इग्निशन 'की' काढून टाका, अगदी थोड्या काळासाठीच असले तरीही. तसेच मुलाना पार्क केलेल्या वाहनात कधीही एकाट सोडू नका. कारण उबदार किंवा उष्ण हवामानात त्यांना उष्माघाताचा त्रास होऊ शकतो. यामुळे गंभीर दुखापत होऊ शकते किंवा मृत्यूही होऊ शकतो.

**सूचना**

- एकावेळी 30 सेकंदांपेक्षा जास्त काळ स्टार्टर मोटर वापरू नका. जर इंजिन सुरू झाले नाही तर, पुन्हा प्रयत्न करण्यापूर्वी 15 सेकंद प्रतीक्षा करा. अनेक प्रयत्नानंतरही इंजिन सुरू होत नसल्यास, इंधन आणि इग्निशन सिस्टीम तपासा किंवा तुमच्या अधिकृत 'मारुती सुझुकी' कमर्शियल वर्कशॉपशी संपर्क करा.
- जर इंजिन चालू नसेल तर बॅटरी डिस्चार्ज होईल म्हणून इग्निशन स्विच "ऑन" स्थितीत ठेवू नका.

## पार्किंग ब्रेक लीव्हर



77PH030

- (1) सेट करणे
- (2) सोडणे/रिलीज करणे
- (3) सोडणे/रिलीज करणे

पार्किंग ब्रेक लीव्हर समोरच्या सीटच्या दरम्यान स्थित असते. पार्किंग ब्रेक लावण्यासाठी, ब्रेक पेडल खाली दाबा आणि पार्किंग ब्रेक लीव्हर पूर्णपणे वर खेचा. पार्किंग ब्रेक सोडण्यासाठी, ब्रेक पेडल खाली दाबा, पार्किंग ब्रेक लीव्हर किंचित वर खेचा, आपल्या अंगठ्याने लीव्हरच्या शेवटी असलेले बटण दाबा आणि लीव्हर त्याच्या मूळ स्थितीत खाली आणा.

### ⚠ चेतावणी

- पार्किंग ब्रेक लावून कधीही तुमचे वाहन चालवू नका: ओव्हरहिटिंगमुळे रियर ब्रेकचा प्रभाव कमी केला जाऊ शकतो, ब्रेकचे आयुष्य कमी होऊ शकते किंवा ब्रेकचे कायमस्वरूपी नुकसान होऊ शकते.
- जर पार्किंग ब्रेकने वाहन सुरक्षितपणे होल्ड केले नसेल किंवा पूर्णपणे रिलीज केले नसेल, तर अधिकृत मारुती सुझुकी कमर्शियल वर्कशॉपद्वारे ताबडतोब तुमच्या वाहनाची तपासणी करून घ्या.

### ⚠ चेतावणी

तुमचे वाहन रिलीज करण्यापूर्वी नेहमी पार्किंग ब्रेक पूर्णपणे सेट करा, अन्यथा ते हलू शकते, ज्यामुळे इजा किंवा नुकसान होऊ शकते. पार्किंग करताना, गियरशिफ्ट लीव्हर रिव्हर्स किंवा फर्स्ट गिअरमध्ये असल्याची खात्री करा. लक्षात ठेवा, ट्रान्समिशन गिअरमध्ये असले तरीही, तुम्ही पार्किंग ब्रेक पूर्णपणे सेट करणे आवश्यक आहे.

### ⚠ चेतावणी

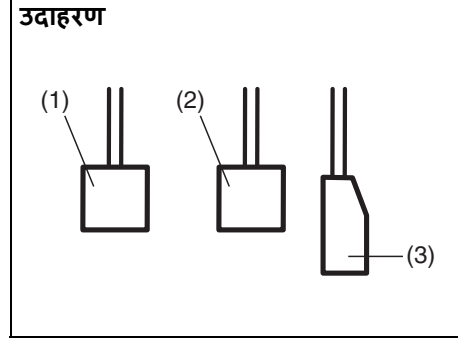
अत्यंत थंड वातावरणात वाहनाची पार्किंग करताना, खालील प्रक्रिया वापरली पाहिजे:

- 1) पार्किंग ब्रेक सेट करा.
- 2) इंजिन बंद/ऑफ करा, नंतर रिव्हर्स किंवा फर्स्ट गिअरमध्ये शिफ्ट करा.
- 3) वाहनातून बाहेर पडा आणि चाकांच्या खाली चौक लावा.
- 4) पार्किंग ब्रेक सोडून द्या / रिलीज करा. तुम्ही तुमच्या वाहनोकडे परत जाता तेव्हा, तुम्ही प्रथम पार्किंग ब्रेक सेट करण्याचे लक्षात ठेवले पाहिजे, त्यानंतर चाकांचे चौक काढून टाका.

- सिगारेट लाइटर, स्प्रे कॅन, शीतपेयाचे कॅन किंवा प्लास्टिकच्या वस्तू (जसे की ग्लासेस, सीडी केस इ.) उन्हात तापलेल्या वाहनात सोडू नका. वाहनाच्या आतील तपमानामुळे खालीलप्रमाणे घडू शकते:

- सिगारेट लायटर किंवा स्प्रे कॅनमधून गॅस लीक होऊ शकतो आणि त्यामुळे आग लागू शकते.
- ग्लासेस, प्लास्टिक कार्ड किंवा सीडी केस इ. विकृत किंवा तडा जाऊ शकतो.
- शीतपेयाच्या कॅन तडक्कू शकतात.

## पेडल



80J2121

### क्लच पेडल (1)

जेव्हा इंजिन सुरू होते, थांबते किंवा गियर शिफ्ट लीव्हर शिफ्ट केले जाते तेव्हा क्लच पेडलचा वापर ड्राईव्हची चाके बंद करण्यासाठी केला जातो. पेडल दाबल्याने क्लच बंद होतो.

#### ⚠ चेतावणी

क्लच पेडलवर पाय ठेवून गाडी चालवू नका. याच्या परिणामस्वरूप क्लच जास्त प्रमाणात घासल्या जाणे, क्लच खराब होणे किंवा इंजिन ब्रेकिंगचे अनपेक्षित नुकसान होऊ शकते.

### ब्रेक पेडल (2)

तुमचे वाहन फ्रंट डिस्क ब्रेक्स आणि रिअर ड्रम ब्रेक्सने सुसज्ज आहे. ब्रेक पेडल डिप्रेसिंग ब्रेकच्या दोन्ही सेटला लागू होते.

जेव्हा तुम्ही ब्रेक लावता तेव्हा तुम्हाला अधूनमधून ब्रेकचा आवाज ऐकू येतो. तपमान, आर्द्रता, बर्फ किंवा धूळ इत्यादीसारख्या पर्यावरणीय घटकांमुळे उद्भवणारी ही एक सामान्य स्थिती आहे.

#### ⚠ चेतावणी

जर ब्रेक चा आवाज जास्त असेल आणि प्रत्येक वेळी ब्रेक लावताना येत असेल, तर तुम्ही तुमच्या अधिकृत 'मारुती सुझुकी केमशिअल वर्कशॉप' द्वारे ब्रेक तपासून घेतले पाहिजे.

#### ⚠ चेतावणी

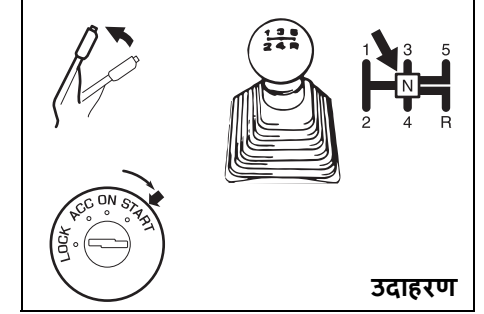
ब्रेक्स सतत लावून किंवा पेडलवर पाय ठेवून चालवू नका. यामुळे ब्रेक जास्त गरम होतील, ज्यामुळे ब्रेकिंगची अप्रत्याशित क्रिया होऊ शकते, थांबताना हळुहळू थांबणे किंवा कायमचे ब्रेकचे नुकसान होऊ शकते.

### एस्कीलेरेटर पेडल (3)

हे पेडल इंजिनच्या गतीवर नियंत्रण ठेवते. एस्कीलेरेटर पेडल दाबल्याने पांवर आऊटपुट आणि वेग वाढतो.

## इंजिन सुरू करणे

### इंजिन सुरू करण्याआधी



उदाहरण

77PH014

- 1) पार्किंग ब्रेक पूर्णपणे सेट असल्याची खात्री करा.
- 2) "N" (न्यूट्रल) मध्ये शिफ्ट करा आणि क्लच पेडलला फ्लोअरपर्यंत दाबून ठेवा. इंजिन सुरू करताना क्लच पेडल होल्ड करून ठेवा.

#### ⚠ चेतावणी

इंजिन सुरू करण्याचा प्रयत्न करण्यापूर्वी पार्किंग ब्रेक पूर्णपणे सेट केला आहे आणि ट्रान्समिशन न्यूट्रल आहे याची खात्री करा.

कोल्ड आणि वॉर्म इंजिन सुरू करत आहे एस्कीलरेटर पेडलवरून तुमच्या पायाने, इग्निशन 'की' "स्टार्ट" वर वळवून/फिरवून इंजिन क्रॅक करा. जेव्हा इंजिन सुरू होईल तेव्हा 'की' रिलीज करा.

### ⚠ सावधगिरी

- इंजिन सुरू झाल्यानंतर ताबडतोब स्टार्टर फिरवणे थांबवा अन्यथा, स्टार्टर सिस्टम खराब होऊ शकते.
- एकावेळी 12 सेकंदांपेक्षा जास्त काळ इंजिन क्रॅक करू नका. पहिल्या प्रयत्नात इंजिन सुरू होत नसल्यास, पुन्हा प्रयत्न करण्यापूर्वी सुमारे 30 सेकंद प्रतीक्षा करा.

12 सेकंद क्रॅक केल्यानंतर इंजिन सुरू होत नसल्यास, सुमारे 30 सेकंद प्रतीक्षा करा, त्यानंतर एस्कीलरेटर पेडल त्याच्या 1/3 पर्यंत खाली प्रेस करा आणि इंजिन पुन्हा क्रॅक करण्याचा प्रयत्न करा. इंजिन सुरू झाल्यावर 'की' आणि एस्कीलरेटर पेडल रिलीज करा. तरीही इंजिन सुरू होत नसल्यास, क्रॅकिंग करताना एस्कीलरेटर पेडल जमिनीवर होल्ड करून ठेवा. जर इंजिनमध्ये काही अडकले असले तर ते साफ होते.

सूचना:

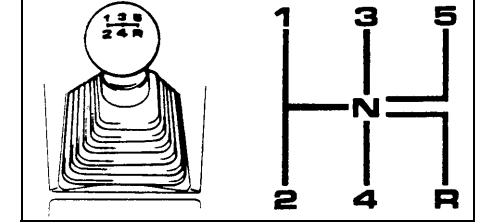
सीएनजी (CNG) इंजिन मोडेलसाठी

- पेट्रोलवरून सीएनजी (CNG) मोडमध्ये बदलण्यासाठी एस्कीलरेटर पेडल प्रेस करू नका.
- इग्निशन स्वीच "ऑन" आणि इंजिन चालू नसताना, सीएनजी (CNG) खराब झाल्याचे वॉर्निंग लॅम्पचे ब्लिंकिंग इंधनाचे झाकण उघडे असल्याचे दर्शवते. या कडीशनमध्ये वाहन सुरू होणार नाही.

- इंजिनचे आयुष्य वाढवण्यासाठी वाहन ऑटो मोड किंवा पेट्रोल मोडमध्ये स्टार्ट करण्याची शिफारस केली जाते.
- जेव्हा सभोवतालचे / इंजिनचे तापमान शून्य अंश सेल्सिअसपेक्षा कमी असेल तेव्हा वाहन सुरू केले असल्यास इंधन सीएनजी (CNG) मध्ये बदलणे कदाचित शक्य होणार नाही. अशा परिस्थितीत, इंजिन गरम होईपर्यंत पेट्रोल मोडमध्ये चालवा आणि नंतर सीएनजीमध्ये बदलण्यासाठी इंजिन रीस्टार्ट करण्याचा प्रयत्न करा.
- पेट्रोलच्या टाकीत पुरेसे पेट्रोल ठेवण्याची शिफारस केली जाते.
- जर सभोवतालचे/इंजिनचे तापमान शून्य डिग्री सेल्सिअसपेक्षा कमी असेल तर वाहन फोर्स सीएनजी (CNG) मोडमध्ये स्टार्ट होणार नाही. वाहन ऑटो मोडमध्ये सुरू करण्याची शिफारस करण्यात आली आहे.
- सीएनजी (CNG) मोडमधून पेट्रोल मोडमध्ये ऑटोमॅटीक बदल करताना इंजिन बंद पडू नये यासाठी पेट्रोल टाकीमध्ये पुरेसे पेट्रोल ठेवण्याची शिफारस केली जाते.
- चॅजओव्हर स्विच दाबल्यानंतर सीएनजी (CNG) खराब होण्याचा इशारा देणाऱ्या लॅम्पचे ब्लिंकिंग थांबत नसल्यास, वाहन जवळच्या अधिकृत मारुती सुझुकीच्या कमर्शियल वॅकशॉपमध्ये घेऊन जा.

## ट्रान्समिशन वापरणे मन्युअल ट्रान्समिशन

### उदाहरण



### सुरू होणे

सुरुवात करण्यासाठी, क्लच पेडलला फ्लोर पर्यंत दाबा आणि पहिल्या किंवा दुसऱ्या गिअरमध्ये शिफ्ट करा. पाकिंग ब्रेक रिलीज केल्यानंतर, हळूहळू क्लच रिलीज करा. जेव्हा तुम्हाला इंजिनच्या आवाजात बदल ऐकू येतो, तेव्हा हळूहळू क्लच रिलीज करत असताना एस्कीलरेटर हळू हळू प्रेस करा.

### सूचना:

- सामान्य ड्रायव्हिंग करताना स्टार्ट ऑफ करण्यासाठी शिफारस केलेली गिअरची पोजिशन दुसरा गिअर आहे.
- क्रॉस कट्टी ड्रायव्हिंग, क्रॉलिंग किंवा लोडिंग ड्रायव्हिंगच्या बाबतीत, ज्याला मोठ्या ड्रायव्हिंग फोर्सची आवश्यकता आहे, शिफ्ट पोजिशनसाठी पहिल्या गिअरची शिफारस केली जाते.

### शिफ्टिंग

सर्व फॉरवर्ड गिअर्ससाठी शिफ्टिंग सिंक्रोनाइझ केले जाते, त्यामुळे शिफ्टिंग स्थिर आणि सोपे होते. गिअर्सची शिफ्टिंग करण्याआधी नेहमी क्लच पेडल पूर्णपणे पुश करा.



## वाहनाचे संचालन

जास्तीत जास्त स्वीकार्य वेग कमी करणे  
(पेट्रोल माडेलसाठी)

डाउनशिफ्टिंग	किमी/तास
दुसरा ते पहिला	10
तिसरा ते दुसरा	65
चवथा ते तिसरा	100
पाचवा ते चवथा	140

जास्तीत जास्त स्वीकार्य वेग कमी करणे  
(सीएनजी माडेलसाठी)

डाउनशिफ्टिंग	किमी/तास
दुसरा ते पहिला	10
तिसरा ते दुसरा	55
चवथा ते तिसरा	90
पाचवा ते चवथा	125

सूचना:  
झायव्हिंगच्या ठिकाणामुळे आणि/किंवा वाहनाच्या कंडीशनमुळे तुम्ही जास्तीत जास्त स्वीकार्य वेगाने वेग वाढवू शकत नाही.

सूचना
कमी गिअरवर डाउनशिफ्ट करताना, जास्तीत जास्त स्वीकार्य वेगापेक्षा वेगाने खाली जाणार नाही हे सुनिश्चित करा, अन्यथा इंजिनचे गंभीर नुकसान होऊ शकते.

### ⚠ चैतावणी

- एखादया लांब किंवा उंच टेकडीवरून खाली जाण्यापूर्वी तुमचा वेग कमी करा आणि खालच्या गिअरवर डाउन शिफ्ट करा. खालील गिअरमुळे इंजिनला ब्रेकिंग मिळू शकेल. ब्रेक रीडिंग टाळा अन्यथा ते जास्त गरम होऊ शकतात, परिणामी ब्रेक फेल होऊ शकतात.
- निसरड्या रस्त्यांवर झायव्हिंग करताना, डाउनशिफ्टिंग करण्यापूर्वी वेग कमी करा. इंजिनचा स्पीड अत्याधिक वाढल्याने किंवा त्यात अचानक बदल केल्याने कर्षण कमी होऊ शकते, ज्यामुळे तुम्ही नियंत्रण गमावू शकता.

### सूचना

- क्लचचे नुकसान टाळण्यासाठी, झायव्हिंग करताना क्लच पेडलचा फूटरेस्ट म्हणून वापर करू नका किंवा वाहन उतारावर स्थिर ठेवण्यासाठी क्लचचा वापर करा. शिफ्टिंग करताना क्लच पूर्णपणे डिप्रेस करा.
- शिफ्ट करताना किंवा स्टार्ट ऑफ करताना, इंजिनला रेंस करू नका. इंजिनला रेंस केल्याने इंजिनचे आयुष्य कमी होऊ शकते आणि सुरळीत शिफ्टिंगवर त्याचा परिणाम होतो.

### सूचना

रिव्हर्स गिअर "R" लावण्यापूर्वी, वाहन पूर्णपणे स्थिर आहे की नाही आणि गिअर लोव्हर न्युट्रल [N] पोजिशनला आहे का ते तपासा. क्लच पेडल पूर्णपणे डिप्रेस केल्यानंतर, [R] वर शिफ्ट करा.

सूचना:

रिव्हर्स गिअर "R" गुंतवणे अवघड असल्यास, खालील पद्धतीचे अनुसरण करा:-

1. तटस्थ "N" मध्ये गिअर लोव्हर ठेवा.
2. एकदा क्लच पेडल सोडा.
3. पुन्हा क्लच पेडल दाबा आणि "N" वरून "R" वर शिफ्ट करा.

## पार्किंग सेन्सर्स

- पार्किंग सेन्सर सिस्टम मागील बंपरजवळील अडथळे शोधण्यासाठी अल्ट्रासोनिक सेन्सरचा वापर करते. तुम्ही पार्किंग करत असताना किंवा वाहन सावकाश हलवत असताना अडथळा आल्यास, सिस्टीम तुम्हाला बझर वाजवून वॉनिंग देईल.
- सिस्टीम अल्ट्रासोनिक लहर/तरंग उत्सर्जित करते आणि संबंधित सेन्सर अडथळ्याद्वारे परावर्तित होणाऱ्या तरंग/लहरी यांना परत शोधतो. अडथळ्यापर्यंत पोहोचण्यासाठी आणि परत येण्यासाठी अल्ट्रासोनिक लहरीला लागणारा वेळ ही प्रणाली मोजते, ज्यामुळे अडथळ्याची स्थिती निश्चित होते.
- जेव्हा तुम्ही इग्निशन स्विच "ऑन" पोजिशनवर ठेवता आणि गिअरशिफ्ट लीव्हर "R" पोजिशनवर असेल तेव्हा पार्किंग सेन्सर फंक्शनचा वापर होऊ शकते. हे फंक्शन पुढील केसेसमध्ये उपयुक्त आहे: शेवटापर्यंत वर खुचणे; वाहन समांतर पार्किंग करणे; गॅरेजमध्ये वाहन नेणे; गल्लीत वाहन चालवणे; आणि अडथळे असलेल्या ठिकाणी हळू हळू फिरणे.

### ⚠ चेतावणी

- पार्किंग सेन्सर तुम्हाला बझर वाजवून अडथळ्यांबद्दल चेतावणी देतो. तरीही, तुम्हाला विशेष काळजी घेऊन वाहन चालवावे लागेल.
- सेन्सर केवळ मर्यादित क्षेत्रामध्ये अडथळे शोधू शकतात आणि जेव्हा वाहन मर्यादित स्पीडमध्ये असते तेव्हाच. त्यामुळे, अवघड भागात, तुमची डायरेक्ट व्हिजन किंवा रिअरव्ह्यू मिरर वापरून तपासताना तुम्ही वाहन हळू हळू चालवावे. केवळ पार्किंग सेन्सरवर अवलंबून वाहन नियंत्रित केल्यास अपघाताचा धोका वाढतो.

*सूचना:*  
जेव्हा गिअरशिफ्ट लीव्हर "R" पोजिशनवर हलवले जाते, तेव्हा बझर एकदाच वाजतो.

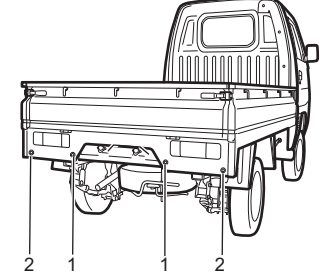
### सूचना

पार्किंग सेन्सर फक्त ड्रायव्हरच्या मदतीसाठी असतात.

## सेन्सर लोकेशन

रिअर बंपर वर

उदाहरण



77PM03003

- (1) रिअर सेंटर सेन्सर्स (2 ठिकाणी)
- (2) रिअर कॉर्नर सेन्सर (2 ठिकाणी)

### सूचना

- सेन्सरच्या भागांना धडकने टाळा किंवा हाय-प्रेसर असलेल्या कार वॉशरचे नोजल सेन्सर भागावर निर्देशित करणे टाळा. अन्यथा, सेन्सर्सचे नुकसान होऊ शकते.
- जर बंपर एखाद्या कठीण वस्तूवर आदळला, तर त्यावर बसवलेले सेन्सर योग्यरितीने काम करणार नाहीत. असे आढळल्यास, मारुती सुझुकीच्या अधिकृत वर्कशॉपद्वारे सेन्सर्सची तपासणी करून घ्या.

## वाहनाचे संचालन

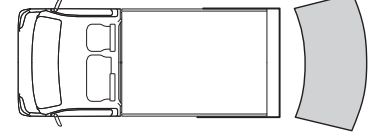
### वर्किंग सेन्सर्स

सेन्सर्स गिअरशिफ्ट लीव्हरच्या पोजिशनवर खालीलप्रमाणे काम करतात:

गियरशिफ्ट लीव्हर पोजिशन	R	N, 1 ला - 5 वा
रिअर सेन्सर्स	ऑन	ऑफ

### अंदाजे क्षेत्र जेथे अडथळे शोधले जाऊ शकतात

#### उदाहरण



78MM05003

- सेन्सरपासून सुमारे 20 सेमी (8 इंच) आत किंवा सेन्सरच्या अगदी खाली असलेला अडथळा शोधता येत नाही.

सेन्सर वाहनाच्या मागील बाजूस सुमारे 1.8 मीटर (6 फूट) पर्यंतच्या भिंतीसारखे अडथळे शोधू शकतात.

⚠ चेतावणी

खालील कंडीशनमध्ये, सेन्सर अडथळे योग्यरित्या शोधू शकत नसल्यामुळे, पार्किंग सेन्सर सिस्टीम सामान्यपणे कार्य करू शकत नाही.

- सेन्सरस माती, बर्फ किंवा इतर वस्तूमुळे झाकल्या गेले असतील. (सामान्य ऑपरेशनसाठी अशा गोष्टी काढून टाकणे आवश्यक आहे.)
- पाण्याचा शिडकावा किंवा मुसळधार पाऊस यामुळे सेन्सर ओले असतील.
- सेन्सर हात, स्टिकर, अॅक्सेसरी इत्यादींनी झाकल्या गेले असतील.
- सेन्सरच्या सेन्सिंग एरियामध्ये अॅक्सेसरी किंवा इतर ऑब्जेक्ट जोडलेले असतील.
- टो हक, व्यावसायिकरित्या उपलब्ध असलेले कॉर्नर पोल, रेडिओ अँटेना इत्यादी वस्तू बंपरवर बसवल्या जातात.
- सर्पेशन बदल किंवा इतर कारणांमुळे बंपरची उंची बदलते.
- सेन्सर एरिया थेट सूर्यप्रकाशामुळे जास्त गरम होतात किंवा थंड हवामानामुळे थंड होतात.
- वाहन खडबडीत पृष्ठभागावर, उतारावर, खडी रस्त्यावर किंवा गवताच्या मैदानावर असेल.
- वाहन एका स्टीप अँगलवर आहे. (पुढे चालू आहे)

⚠ चेतावणी

(पुढे चालू आहे)

- सेन्सर दुसऱ्या वाहनाच्या हॉर्न, इंजिन, एअर ब्रॅकिंग सिस्टम (मोठी वाहने) किंवा पार्किंग सेन्सरमधून येणारा अल्ट्रासोनिक आवाज अवरोधित करतो.
- अडथळे सेन्सरच्या खूप जवळ आहेत.
- सेन्सरस काचेसारख्या अत्यंत परावर्तित वस्तूच्या कोनात असतात. (अल्ट्रासोनिक लहरी अडथळ्यातून परत परावर्तित होत नाहीत.)
- सेन्सर खालील प्रकारचे अडथळे योग्यरितीने शोधण्यात सक्षम नसते:
  - वायरची जाळी आणि दोरी यासारख्या पातळ पदार्थापासून बनवलेल्या गोष्टी
  - चौकोनी आकाराचे कर्बस्टोन किंवा तीक्ष्ण धार असलेल्या इतर वस्तू
  - रोड साईन सारख्या मोठ्या भागाच्या उंच वस्तू
  - कर्बस्टोन्स सारख्या लो-प्रोफाइल वस्तू
  - कापूस आणि बर्फासारख्या ध्वनी शोषून घेणाऱ्या वस्तू

सूचना:

सेन्सरपेक्षा कमी उंची असलेले पोल किंवा अडथळे लांब अंतरावरून आढळून आले असले तरीही वाहन त्यांच्या जवळ गेल्यावर ते शोधू शकत नाही.

- सिस्टीम रस्त्याच्या चिन्हापर्यंतचे अंतर किंवा तत्सम अडथळ्याचे अंतर मोजू शकते जे वास्तविक अंतरापेक्षा कमी असेल.

पार्किंग सेन्सरद्वारे अडथळ्याचे संकेत पार्किंग सेन्सरद्वारे अडथळ्याचे संकेत अडथळ्याचा शोध घेतल्यानंतर, पार्किंग सेन्सर आतमधील बझर वाजवतो.

- मागच्या सीटच्या मागे असलेला बझर वाजतो जेव्हा मागच्या सेन्सरला अडथळा येतो.
- चेतावणी - जेव्हा सेन्सरला भिंतीसारखे अडथळे आढळतात तेव्हा

अंतर (अंदाजे)	बझर
100- 180 cm	दीर्घ अंतराने लहान बीप
80- 100 cm	लहान अंतराने लहान बीप
70 - 80 cm	खूप कमी अंतराने लहान बीप
च्या पेक्षा कमी 70 cm	सतत बीप

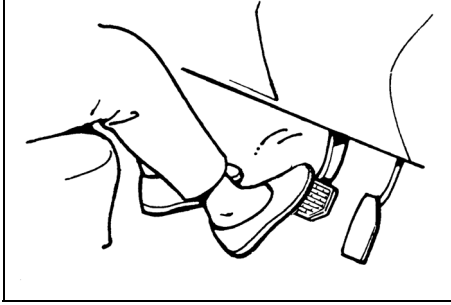
वॉर्निंग आणि इंडिकेटर मेसेजेस

पार्किंग सेन्सर सिस्टीमबाबत काही समस्या किंवा वॉर्निंग असल्यास, बझर आपल्याला त्याबाबत इन्फॉर्म करतो. खालील सूचनांचे पालन करा.

बझर थोडा वेळ वाजतो आणि नंतर थांबतो. सेन्सर दूषित झालेला असू शकतो. मऊ कापडाने स्वच्छ पसून घ्या. इग्निशन मोड बंद केल्यानंतर तीच समस्या (बझर वाजणे आणि थांबणे) कायम राहिल्यास, पार्किंग सेन्सर सिस्टीममध्ये समस्या असू शकते. मारुती सुझुकीच्या अधिकृत वॅकशॉपद्वारे तुमच्या वाहनाची तपासणी करवून घ्या.

## ब्रेकिंग

### उदाहरण



60G165S

कोणतेही वाहन थांबवण्यासाठी लागणारे अंतर वाहनाच्या वेगाप्रमाणे वाढते. ब्रेकिंग अंतर आवश्यक आहे, उदाहरणार्थ, **60 km/h** **30 km/h** या वेगाने आवश्यक असलेल्या ब्रेकिंग अंतरापेक्षा अंदाजे **4** पटीने जास्त असेल. तुमचे वाहन आणि स्टॉपिंग पॉइंटमध्ये भरपूर अंतर असताना वाहनाला ब्रेक लावा आणि हळूहळू वेग कमी करा.

### ⚠ चेतावणी

ब्रेक उपकरणांमध्ये पाणी गेल्यास, ब्रेकची कार्यक्षमता खराब आणि अप्रत्याशित होऊ शकते.

जर त्यांनी त्यांची सामान्य परिणामकारकता राखली असेल तर पाण्यातून गाडी चालवल्यानंतर किंवा वाहनाच्या खालच्या बाजूने धुतल्यानंतर, कमी वेगाने गाडी चालवताना ब्रेक तपासा. ब्रेक सामान्यपेक्षा कमी प्रभावी असल्यास, ब्रेक सामान्य परिणामकारकतेकडे परत येईपर्यंत हळूहळू गाडी चालवताना वारंवार ब्रेक लावून ते कोरडे करा.

### सूचना:

ब्रेक लावताना तुम्हाला ब्रेक डिस्क / ड्रम आणि ब्रेक लायनिंग यांच्यातील घर्षणामुळे ऑपरेशनल आवाज ऐकू येतो. ही एक सामान्य घटना आहे आणि कोणतीही असामान्यता दर्शवत नाही किंवा वाहनाच्या सामान्य कार्यावर परिणाम करत नाही.

### पॉवर सहाय्यक ब्रेक

तुमच्या वाहनामध्ये पॉवर सहाय्यक ब्रेक आहेत. थोबलेल्या इंजिनमुळे किंवा इतर बिघाडामुळे पॉवर सहाय्य गमीवल्यास, सिस्टम अजूनही राखीव पॉवरवर पूर्णपणे कार्यरत आहे आणि तुम्ही ब्रेक पेडल एकदा दाबून आणि धरून वाहन पूर्ण थांबवू शकता. जेव्हा तुम्ही ब्रेक पेडल डिप्रेस करता तेव्हा रिझर्व्ह पॉवर अंशतः वापरली जाते आणि प्रत्येक वेळी पेडल प्रेस केल्यावर कमी होते. पेडलवर हळूवार आणि समान प्रेशर लागू करा. पेडल पप करू नका.

### ⚠ चेतावणी

ब्रेक सिस्टममध्ये रिझर्व्ह पॉवर नसतानाही, तुम्ही ब्रेक पेडल सामान्यपणे आवश्यकतेपेक्षा जास्त प्रेस करून वाहन थांबवू शकता. तथापि, थांबण्याचे अंतर जास्त असू शकते.

### ब्रेक असिस्ट सिस्टीम

जेव्हा तुम्ही ब्रेक्स जोरात दाबता, तेव्हा ब्रेक असिस्ट सिस्टीम ते आपत्कालीन स्टॉप असल्याचे ठरवते आणि ब्रेक पेडल घट्ट धरू न शकणाऱ्या ड्रायव्हरसाठी अधिक शक्तिशाली ब्रेकिंग प्रदान करते.

### सूचना:

ब्रेक पेडल दाबणे आणि सोडणे या दरम्यान, ब्रेक सिस्टीममधील घटक सक्रिय करणे आणि कार्य करणे यामुळे तुम्हाला काही ऑपरेशनल आवाज ऐकू येईल. ही एक सामान्य घटना आहे आणि कोणतीही असामान्यता किंवा बिघाड दर्शवत नाही. तसेच, त्याचा ब्रेक फंक्शनवर परिणाम होत नाही.

## अँटी-लॉक ब्रेक सिस्टीम (एबीएस (ABS)) (सुसज्ज असल्यास)

एबीएस तुम्हाला इलेक्ट्रॉनिक पद्धतीने ब्रेकिंग प्रेशर नियंत्रित करून स्किडिंग टाळण्यास मदत करेल. निसरड्या पृष्ठभागावर ब्रेक लावताना किंवा जोरात ब्रेक लावताना स्टीयरिंग नियंत्रण राखण्यात देखील हे तुम्हाला मदत करेल. एबीएस स्वयंचलितपणे कार्य करते, त्यामुळे तुम्हाला कोणत्याही विशेष ब्रेकिंग तंत्रांची आवश्यकता नाही. पंप न करता फक्त ब्रेक पेडल खाली दाबा. चाके लॉक होत असल्याचे जाणवेल तेव्हा एबीएस कार्य करेल. एबीएस कार्यरत असताना तुम्हाला ब्रेक पेडल थोडे हलताना वाटू शकते.

### ⚠ चेतावणी

- नेहमी आजबाजूची परिस्थिती तपासा आणि सुरक्षित रीतीने वाहन चालवा, कारण एबीएसद्वारे वाहन नियंत्रित करण्याला मर्यादा आहेत आणि आजबाजूच्या परिस्थितीनुसार सिस्टीम योग्यरित्या कार्य करू शकत नाही.
- टायर ग्रिप कामगिरी मर्यादेपेक्षा जास्त असल्यास किंवा हायड्रोप्लेनिंग झाल्यास, एबीएस योग्यरित्या कार्य करू शकत नाही.

सुचना:

- जर एबीएस सिस्टीम सक्रिय झाली असेल, तर तुम्हाला ब्रेक पेडलमध्ये खट-खट असा आवाज ऐकू येईल आणि/किंवा स्पंदन जाणवू शकेल. हे सामान्य आहे आणि हे इंगित करते की ब्रेक फ्लूइड प्रेशर योग्यरित्या नियंत्रित केले जात आहे.

- तुम्ही इंजिन सुरू केल्यावर किंवा वाहन चालवायला लागल्यावर तुम्हाला ऑपरेशनचा आवाज ऐकू येईल. याचा अर्थ वरील सिस्टीम स्वयं-तपासणी मोडमध्ये आहेत. हा आवाज बिघाड दर्शवत नाही.

### ब्रेकिंग अंतर

एबीएस हे थांबण्याचे अंतर कमी करण्यासाठी डिझाइन केलेले नाही.

### ⚠ चेतावणी

- पुढील परिस्थितींमध्ये, एबीएस असलेल्या वाहनासाठी आवश्यक असलेले ब्रेकिंग अंतर हे एबीएस नसलेल्या वाहनासाठी आवश्यक असलेल्या ब्रेकिंग अंतरापेक्षा किचित जास्त असू शकते, परिणामी अपघात घडू शकतो. वाहन सावकाश चालवा आणि तुमचे वाहन आणि तुमच्या समोरील वाहन यांच्यात पुरेसे अंतर ठेवा.
  - खडबडीत रस्त्यावर जसे की कच्चा किंवा दगड बसवलेल्या रस्त्यांवर वाहन चालवताना
  - खड्डांच्या रस्त्यांवर किंवा ताज्या बर्फाच्या रस्त्यांवर वाहन चालवताना
  - जोडणाऱ्या भेगां सारख्या रस्त्यांवरील अडथळ्यांवर वाहन चालवताना
  - मॅनहोलसारख्या मेटल प्लेट्सवरून जात असताना
  - जेव्हा बर्फाच्या साखळ्या लावलेल्या असताना

सुचना:

- अचानक ब्रेक लावताना किंवा निसरड्या रस्त्यांवर ब्रेक लावताना, एबीएस असलेल्या वाहनासाठी लागणारे ब्रेकिंग अंतर जवळपास एबीएस नसलेल्या वाहनासाठी आवश्यक असते.
- जर तुम्हाला अचानक ब्रेक लावायचा असेल, तर पंप न करता फक्त ब्रेक पेडल घट्टपणे खाली दाबा. अन्यथा, लांब ब्रेकिंग अंतर आवश्यक असेल.
- जर वाहनाचा वेग 9 km/h पेक्षा कमी असेल तर एबीएस काम करणार नाही. हे रस्त्याच्या परिस्थितीवर अवलंबून असते.

### एबीएस (ABS) ऑपरेशन दरम्यान कंपन आणि आवाज

ब्रेक पेडल जोरदारपणे दाबताना, तुम्हाला ब्रेक पेडल, स्टीयरिंग व्हील आणि वाहनाच्या बांडीचे कंपन जाणवू शकते. हे एबीएस ऑपरेशनमुळे आहे, आणि बिघाड दर्शवत नाही; यावेळी जोरदारपणे ब्रेक पेडल दाबणे सुरू ठेवा.

सुचना:

इंजिन सुरू केल्यानंतर आणि गाडी चालवण्यास सुरुवात केल्यानंतर, तुम्हाला तात्पुरता मोटारचा आवाज ऐकू येईल. याचा अर्थ सिस्टीम स्वयं-तपासणी मोडमध्ये आहेत. हा आवाज बिघाड दर्शवत नाही.

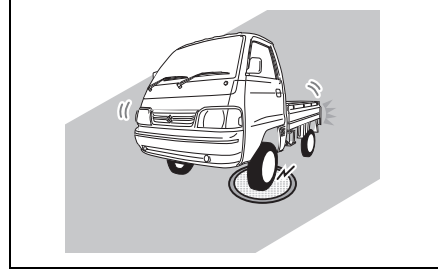
टायर्स (Tyres)

⚠ चेतावणी

एबीएस प्रत्येक चाकाच्या फिरण्याचा वेग सेन्सरद्वारे ओळखतो. ओनर्स मॅन्युअलमध्ये नमूद केल्यानुसार टायर्स किंवा चाकांचा आकार, प्रकार, ट्रेड पटर्नसाठी वापरल्यास किंवा टायर्सची जीर्ण स्थिती भिन्न असल्यास, चाक फिरण्याचा योग्य वेग शोधला जाऊ शकत नाही आणि एबीएस योग्यरित्या कार्य करणार नाही. यामुळे अपघात घडू शकतो. टायर्स बदलताना, या ओनर्स मॅन्युअलमध्ये नमूद केल्यानुसार आकार, प्रकार आणि ट्रेड पटर्नसह टायर्स वापरा. तसेच, जे टायर्स जास्त झिजलेले आहेत ते वापरू नका.

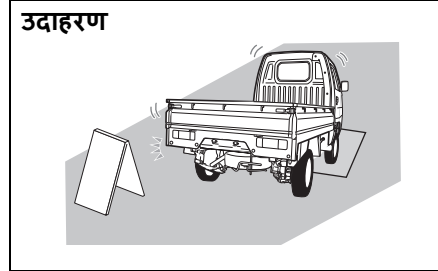
ब्रेक लावताना योग्यायोगाने एबीएस सिस्टीम सक्रिय होऊ शकते अशा परिस्थिती

- निसरड्या रस्त्यांवर गाडी चालवताना



78MM05002

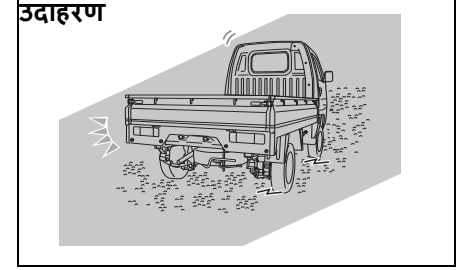
– मॅनहोल्स



78MM05006

– बांधकाम क्षेत्रातील मेटल प्लेट्स

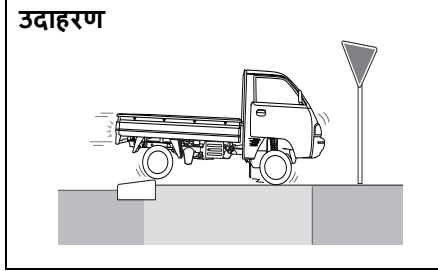
उदाहरण



78MM05004

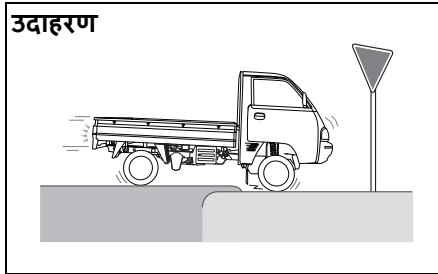
– खडीचे रस्ते

- रस्त्याच्या सांध्यांवर आणि रस्त्याच्या इतर उंचीतील फरकामध्ये वाहन चालवताना.



78MM05007

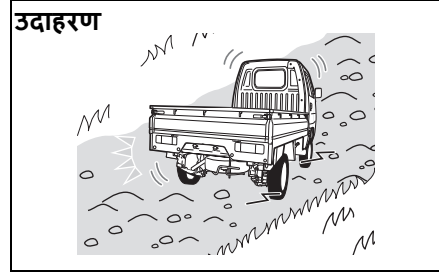
– रस्त्यांतील सांधे



78MM05005

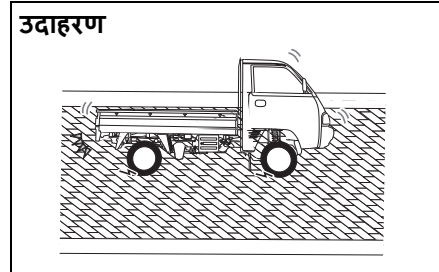
– रस्त्यांच्या उंचीतील फरक

- खडबडीत रस्त्यावर गाडी चालवताना



78MM05008

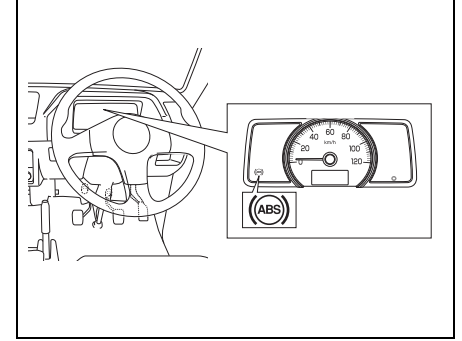
– अडथळे असणारे रस्ते



78MM05009

– दगडी रस्ते

## एबीएस (ABS) वार्निंग लाईट



78MM05010

चालू स्थितीत इग्निशन स्विचसह एबीएस सिस्टीममध्ये समस्या असल्यास, हा लाईट चालू होईल.

## ब्रेकिंग असिस्ट

हे फंक्शन तुम्हाला ब्रेक लावताना अधिक शक्ती प्रदान करण्यात मदत करते. जेव्हा अचानक ब्रेक लावला जातो, तेव्हा एबीएस पूर्ण प्रभावात येईपर्यंतची वेळ कमी केली जाते.

- जर तुम्ही ब्रेक पेडल दाबले नाही, तर ब्रेकिंग असिस्ट काम करणार नाही.
- ब्रेक असिस्ट हे असे उपकरण नाही जे मूळ ब्रेकिंग कार्यक्षमतेच्या पलीकडे नियंत्रण प्रदान करते.



## इलेक्ट्रॉनिक स्थिरता कार्यक्रम (ESP®) (सुसज्ज असल्यास)

ESP® हा Daimler AG यांचा रजिस्टर्ड ट्रेडमार्क आहे.

इलेक्ट्रॉनिक स्थिरता कार्यक्रम (ESP®) समोरची चाके किंवा मागील चाके घसरल्यास कॉर्नरिंग दरम्यान वाहन नियंत्रित करण्यास मदत करते. सैल किंवा निसरड्या रस्त्यांच्या पृष्ठभागावर वेग वाढवताना ते कर्षण राखण्यात देखील मदत करते. हे इंजिनच्या आउटपुटचे नियमन करून आणि निवडकपणे ब्रेक लागू करून हे करते. याव्यतिरिक्त, ESP® ब्रेकिंग प्रेशर नियंत्रित करून स्किडिंग टाळण्यास मदत करते.

### ⚠ चेतावणी

ESP® सर्व परिस्थितींमध्ये वाहनाची ड्रायव्हिंग स्थिरता वाढवू शकत नाही आणि तुमच्या वाहनाची संपूर्ण ब्रेकिंग सिस्टीम नियंत्रित करत नाही. ESP® अपघातांना प्रतिबंध करू शकत नाही, ज्यामध्ये वळणांमध्ये अतिवेग किंवा हायड्रोप्लॅनिंगमुळे होणारे अपघात समाविष्ट आहेत. सुरक्षित आणि सावध वाहन चालवल्यासच अपघात टाळता येतात. ESP®-सुसज्ज वाहनाची क्षमता सावधपणे वाहन चालवण्याचा पर्याय म्हणून कधीही वापरली जाऊ नये.

ESP® मध्ये खालील सिस्टीम आहेत:

**अँटी-लॉक ब्रेक सिस्टीम (एबीएस (ABS))**  
या विभागात "अँटी-लॉक ब्रेक सिस्टीम (एबीएस (ABS))" चा संदर्भ घ्या.

**ब्रेक असिस्ट सिस्टीम**  
या विभागात "ब्रेक असिस्ट सिस्टीम" चा संदर्भ घ्या.

### ट्रॅक्शन कंट्रोल यंत्रणा

ट्रॅक्शन कंट्रोल सिस्टीम वाहन सुरू झाल्यावर किंवा निसरड्या रस्त्यांच्या पृष्ठभागावर वेग वाढवताना चाके फिरण्यापासून रोखण्यास आपोआप मदत करते. काही चाके फिरत आहेत किंवा कर्षण गमावू लागल्याचे जाणवले तरच ही सिस्टीम चालते. जेव्हा हे घडते, तेव्हा ही सिस्टीम पुढील किंवा मागील ब्रेक लावते आणि चाक फिरणे मर्यादित करण्यासाठी इंजिनची शक्ती कमी करते.

सूचना:

तुम्ही इंजिन सुरू केल्यावर किंवा वाहन चालवायला लागल्यावर तुम्हाला ऑपरेशनचा आवाज ऐकू येईल. याचा अर्थ वरील सिस्टीम स्वयं-तपासणी मोडमध्ये आहेत. हा आवाज बिघाड दर्शवत नाही.

### स्थिरता नियंत्रण प्रणाली

वाहन स्थिरता नियंत्रण सिस्टीम ही अँटी-लॉक ब्रेक्स, ट्रॅक्शन कंट्रोल, इंजिन नियंत्रण इत्यादी सिस्टीमचे एकात्मिक नियंत्रण प्रदान करण्यात मदत करते. ही सिस्टीम आपोआप ब्रेक्स आणि इंजिन नियंत्रित करते ज्यामुळे वाहन निसरड्या रस्त्यांच्या पृष्ठभागावर कोरप्यात जाताना किंवा अचानक स्टीयरिंग व्हील फिरविल्यास वाहनास घसरण्यापासून रोखते.

### ⚠ चेतावणी

नेहमी आजबाजूची परिस्थिती तपासा आणि सुरक्षित रीतीने वाहन चालवा, कारण ESP® देवारे वाहन नियंत्रित करण्यास मर्यादा आहेत आणि आसपासच्या परिस्थितीनुसार ESP® योग्यरित्या कार्य करू शकत नाही.

### ⚠ सावधगिरी

- खालील मुद्द्यांचे निरीक्षण करा. अन्यथा, ESP® योग्यरित्या कार्य करू शकत नाही किंवा त्यात बिघाड होऊ शकतो.
  - निर्दिष्ट केल्याप्रमाणे टायरचा दाब समायोजित करा.
  - टायर बदलताना, आकार, प्रकार आणि ट्रेड पटर्नसह समान टायर वापरा.
  - अत्याधिक जीर्ण झालेले टायर वापरू नका.
  - सस्पेंशन किंवा ब्रेक बदलू नका आणि वाहनाची उंची किंवा सस्पेंशनचा हार्डनेस बदलू नका.
  - सस्पेंशन किंवा ब्रेक जास्त खराब झालेले वाहन चालवू नका.
  - इंजिन किंवा मफलरमध्ये बदल करू नका.

(पुढे चालू आहे)

▲ सावधगिरी

(पुढे चालू आहे)

- एलएसडी (मर्यादित स्लिप डिफरेंशियल) स्थापित करू नका.

• जेव्हा तुम्ही स्नो चेन बसवता, तेव्हा ESP® योग्यरित्या कार्य करू शकत नाही.

सूचना:

- तुम्ही खालील ऑपरेशन्स केल्यास, तुम्हाला ऑपरेशनचा आवाज किंवा क्लिकचा आवाज ऐकू येईल. याचा अर्थ असा की ESP® सिस्टीम स्वयं-तपासणी मोडमध्ये आहे आणि हे बिघाड दर्शवत नाही.
  - जेव्हा इग्निशन स्विच "ऑन" स्थितीकडे वळवले जाते.
  - ब्रेक पेडलवरून तुमचा पाय उचलतांना, इग्निशन स्विच "ऑन" स्थितीत आल्यानंतर.
  - इंजिन सुरू करताना
  - इंजिन सुरू केल्यानंतर वाहन चालविणे सुरू करताना
- जेव्हा इंजिनची गती जास्त असते आणि ESP® सुरू होते, तेव्हा तुम्हाला इंजिनाच्या गतीतील बदल किंवा वाहनाच्या बांडीतील कंपन जाणवू शकते. तथापि, हे सामान्य आहे.

ESP® वार्निंग लाईट (सुसज्ज असल्यास)

उदाहरण



56RM03011

- "ऑन" स्थितीत इग्निशन स्विचसह ESP® सिस्टीममध्ये समस्या असल्यास, हा लाईट चालू होईल. हा लाईट चालू असताना, खालील परिस्थिती उद्भवतील. अशा प्रकरणात, तपासणीसाठी मारुती सुझुकीच्या अधिकृत वर्कशॉपला विचारा.
  - खालील कार्ये कार्य करणार नाहीत:
    - ट्रॅक्शन कंट्रोल यंत्रणा
    - स्थिरता नियंत्रण प्रणाली
  - एबीएस काम करेल.
  - बिघडलेल्या स्थितीवर अवलंबून, ब्रेक असिस्ट सिस्टीम कार्य करू शकणार नाही.
- खालीलपैकी कोणतीही परिस्थिती उद्भवल्यास, हा लाईट 0.2 सेकंदांच्या अगदी कमी अंतराने लुकलुकेल.
  - वाहन सुरू करताना किंवा वेग वाढवताना ट्रॅक्शन कंट्रोल सिस्टीम कार्यान्वित होते
  - तीव्र वळण किंवा गोल चक्कर मारताना स्थिरता नियंत्रण सिस्टीम सक्रिय केली जाते.

- जर सिस्टीम सामान्य स्थितीत असेल, जेव्हा तुम्ही इग्निशन स्विच "ऑन" स्थितीत कराल, तेव्हा हा लाईट सुमारे 2 सेकंदांसाठी चालू होईल आणि नंतर बंद होईल.

▲ सावधगिरी

जर हा लाईट अगदी कमी अंतराळाने लुकलुकत असेल तर, रस्त्यावरील निसरड्या पृष्ठभागावर वाहन अडकण्याची किंवा घसरण्याची दाट शक्यता असते. अशावेळी वाहन अतिशय काळजीपूर्वक चालवा.

सूचना:

हा लाईट चालू असताना, ट्रॅक्शन कंट्रोल सिस्टीम आणि स्टॅबिलिटी कंट्रोल सिस्टीम सक्रिय होणार नाही. तथापि, तुम्ही एबीएस वापरू शकता.

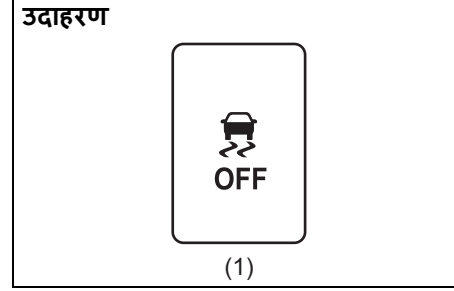
**ESP® ऑफ इंडिकेटर लाईट (सुसज्ज असल्यास)**



56RM03010

- तुम्ही इग्निशन स्विचसह **ESP®** ऑफ स्विच दाबून धरल्यास "ऑन" स्थितीत असेल किंवा इग्निशन मोड "ऑन" असेल, तर हा लाईट चालू होईल.  
- हा लाईट चालू असताना, ट्रॅक्शन कंट्रोल सिस्टीम आणि स्थिरता नियंत्रण सिस्टीम काम करणार नाही.
- जर सिस्टीम सामान्य स्थितीत असेल, जेव्हा तुम्ही इग्निशन स्विच "ऑन" स्थितीत कराल, तेव्हा हा लाईट सुमारे 2 सेकंदांसाठी चालू होईल आणि नंतर बंद होईल.

**ESP® ऑफ स्विच (सुसज्ज असल्यास)**



56RM03009

(1) **ESP®** ऑफ स्विच

- खालील परिस्थितीत, इन्स्ट्रुमेंट क्लस्टरमधील **ESP®** ऑफ इंडिकेटर लाईट चालू होईपर्यंत **ESP®** ऑफ स्विच दाबत रहा. ट्रॅक्शन कंट्रोल सिस्टीम आणि स्थिरता नियंत्रण सिस्टीम काम करणार नाही.  
- ऑटोमोबाईल तपासणीसाठी वाहन टेस्टरवर ठेवताना, ट्रॅक्शन कंट्रोल सिस्टीम आणि स्थिरता नियंत्रण सिस्टीम निष्क्रिय करणे आवश्यक आहे.
- जर तुमचे वाहन अडकले असेल आणि तुम्ही अडकलेल्या स्थितीतून बाहेर पडण्याचा प्रयत्न करत असाल तर ट्रॅक्शन कंट्रोल सिस्टीम योग्य नसेल.
- तुम्ही खालील क्रिया केल्यास, **ESP®** ऑफ इंडिकेटर लाईट बंद होईल. तसेच, ट्रॅक्शन कंट्रोल सिस्टीम आणि स्थिरता नियंत्रण सिस्टीम सक्रिय स्थितीत परत येईल.  
- **ESP®** ऑफ स्विच पुन्हा दाबा  
- इंजिन थांबवणे आणि नंतर इंजिन रीस्टार्ट करणे

- जेव्हा वाहनाचा वेग अंदाजे **20 km/h** पेक्षा जास्त असेल.

- अडकलेल्या स्थितीतून बाहेर पडल्यानंतर तुम्हाला सामान्य ड्रायव्हिंग करायचे असल्यास, **ESP®** ऑफ स्विच पुन्हा दाबा. हे **ESP®** ऑफ इंडिकेटर लाईट बंद करण्यास अनुमती देईल आणि वाहन मूळ स्थितीत परत येईल. ट्रॅक्शन कंट्रोल सिस्टीम आणि स्थिरता नियंत्रण सिस्टीम आपोआप सक्रिय होणार नाही. (इंजिन थांबवणे आणि नंतर इंजिन रीस्टार्ट करणे वगळता) किंवा जेव्हा वाहनाचा वेग अंदाजे **20 km/h** पेक्षा जास्त असेल तेव्हा.

सूचना:

सुरक्षेच्या कारणास्तव, तुम्ही **ESP®** ऑफ स्विच दाबले तरीही, एबीएस आणि ब्रेक असिस्ट सिस्टीम निष्क्रिय होणार नाहीत.

**एबीएस (ABS) वार्निंग लाईट / ब्रेक सिस्टीम वार्निंग लाईट**

या विभागात "ब्रेकिंग" चा संदर्भ घ्या.

## ड्रायव्हिंग टिप्स

रनिंग-इन .....	4-1
कॅटालिटीक कन्व्हर्टर .....	4-1
इंधन मायलेज सुधारणे .....	4-2
हायवे ड्रायव्हिंग .....	4-3
टेकडीवर वाहन चालवणे .....	4-3
निसरड्या रस्त्यांवर वाहन चालवणे .....	4-4
ओल्या रस्त्यांवर वाहन चालवणे .....	4-5
सुरक्षित ड्रायव्हिंगसाठी करा आणि करू नका .....	4-6
सुरक्षिततेसाठी मार्जिन .....	4-7

उदाहरण



52D078S

चेतावणी

- नेहमी तुमचे सीट बेल्ट घाला. ड्रायव्हर आणि प्रवाश्यांनी प्रत्येक वेळी योग्यरित्या नियंत्रित केले पाहिजे, दिलेला सीट बेल्ट वापरला पाहिजे. सीट बेल्टच्या योग्य वापराच्या सूचनांसाठी "सीट बेल्ट" विभाग पहा.
- अल्कोहोल किंवा इतर ड्रग्सच्या प्रभावाखाली असताना कधीही गाडी चालवू नका. अल्कोहोल आणि ड्रग्स सुरक्षितपणे गाडी चालवण्याच्या तुमची क्षमता गंभीरपणे बिघडू शकतात, ज्यामुळे स्वतःला आणि इतरांना इजा होण्याचा धोका मोठ्या प्रमाणात वाढतो. तुम्ही थकलेले, आजारी, चिडचिडे किंवा तणावाखाली असताना वाहन चालवणे देखील टाळावे.

रनिंग-इन

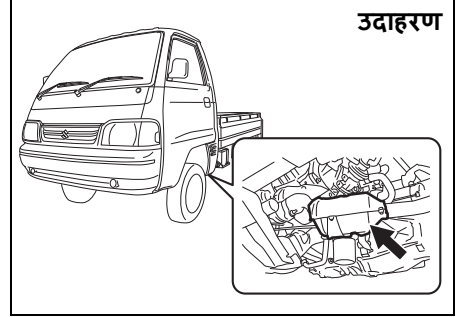
सूचना

इंजिनची भविष्यातील कार्यक्षमता आणि विश्वासार्हता त्याच्या सुरुवातीच्या काळात घेतलेल्या काळजी आणि नियंत्रणावर अवलंबून असते. वाहन चालविण्याच्या सुरुवातीच्या 960 किमी दरम्यान खालील सावधगिरीचे पालन करणे विशेषतः महत्वाचे आहे.

- सुरु केल्यानंतर, इंजिनला रेज देऊ नका. ते हळूहळू गरम करा.
- सतत वेगाने वाहन चालवणे टाळा. तुम्ही तुमचा वेग बदलल्यास हलणारे भाग तूटतील.
- थांब्यापासून हळू हळू सुरुवात करा. फूल थ्रॉटल स्टार्ट टाळा.
- विशेषतः पहिल्या 320 किमी ड्रायव्हिंग दरम्यान हार्ड ब्रेकिंग टाळा.
- हाय गिअरमध्ये ट्रान्समिशनसह हळूहळू वाहन चालवू नका.
- वाहन मध्यम इंजिनाच्या वेगाने चालवा.
- ट्रेलर टो करू नका.

कॅटालिटीक कन्व्हर्टर

उदाहरण



77PH201

कॅटालिटीक कन्व्हर्टरचा उद्देश तुमच्या वाहनाच्या एक्झॉस्टमधील हानिकारक प्रदूषकांचे प्रमाण कमी करणे हा आहे. कॅटालिटीक कन्व्हर्टरने सुसज्ज असलेल्या वाहनांमध्ये शिसेयुक्त (लीडयुक्त) इंधन वापरण्यास मनाई आहे, कारण शिसे (लीड) कॅटालिटीक सिस्टीममधील प्रदूषक-कमी करणारे घटक निष्क्रिय करते.

कन्व्हर्टर हे सामान्य वापराच्या अंतर्गत आणि अनलेड इंधन वापरताना वाहनाचे आयुष्य टिकण्यासाठी डिझाइन केलेले आहे. कन्व्हर्टरवर कोणत्याही स्पेशल मटेनन्सची आवश्यकता नाही. तथापि, इंजिन योग्यरित्या टयून करणे खूप महत्वाचे आहे. इंजिनचे चुकीचे फायरिंग, जे अयोग्यरित्या टयून केलेल्या इंजिनमुळे होऊ शकते, उत्प्रेरक (कॅटॅलिस्ट) जास्त तापू शकते. यामुळे उत्प्रेरक आणि वाहनातील इतर घटकाना उष्णतेमुळे कायमचे नुकसान होऊ शकते.

**सूचना**

उत्प्रेरक (कैटेलिस्ट) किंवा इतर वाहनांचे नुकसान टाळण्यासाठी:

- इंजिनला योग्य ऑपरेटिंग स्थितीमध्ये ठेवा.
- इंजिनमध्ये बिघाड झाल्यास, विशेषतः इंजिन चुकीचे झाल्यास किंवा कार्यक्षमतेचे इतर स्पष्ट नुकसान झाल्यास, वाहनाची तात्काळ सर्व्हिसिंग करा.
- ट्रान्समिशन गियरमध्ये असताना आणि वाहन गतीमान असताना इंजिन बंद करू नका किंवा इग्निशनमध्ये व्यत्यय आणू नका.
- वाहन ढकलून किंवा टोडंग करून किंवा टेकडीवरून खाली उतरून इंजिन सुरू करण्याचा प्रयत्न करू नका.
- डायग्नोस्टिक चाचणी दरम्यान डिस्कनेक्ट केलेल्या किंवा काढलेल्या कोणत्याही स्पाॅर्क प्लग वायरसह इंजिन निष्क्रिय करू नका.
- निष्क्रियता क्षुब्ध वाटत असल्यास किंवा इतर काही मॉलफक्शन असल्यास वाहन दीर्घकाळापर्यंत निष्क्रिय ठेवू नका.
- इंधन टाकीला रिकाम्या पातळीच्या जवळ जाऊ देऊ नका.
- तुमचे वाहन खूप जास्त इंजिनाच्या वेगाने चालवणे टाळा.

**चेतावणी**

तुम्ही ज्या ठिकाणी पार्क करता आणि गाडी चालवता त्या ठिकाणी सावधगिरी बाळगा; उत्प्रेरक (कैटेलिस्ट) कन्व्हर्टर आणि इतर एक्झॉस्ट घटक खूप गरम होऊ शकतात. कोणत्याही वाहनाप्रमाणे, हे वाहन अशा ठिकाणी पार्क करू नका किंवा चालवू नका जेथे कोरडे गवत किंवा पाने योसाखे ज्वलनशील पदार्थ गरम एक्झॉस्ट सिस्टमच्या संपर्कात येऊ शकतात.

**उदाहरण**



82DY05

**नोंद:**  
दीर्घ कालावधीसाठी वाहनाचा वापर न केल्याने ब्रेक डिस्कच्या पृष्ठभागावर हळूहळू गंज लागू शकतो कारण ती कास्ट आयर्नपासून बनलेली असते. यामुळे आवाज / कंपन होऊ शकते. त्याचा वाहनाच्या कामकाजावर कोणताही परिणाम होत नाही. वाहन नियमित चालवल्याने गंज टाळता / काढता येऊ शकतो, त्यामुळे आवाज आणि कंपन कमी होते.

**इंधन मायलेज सुधारणे**

सूचना:

अनेक कारणांमुळे वाहनाची इंधन मायलेज बदलू शकते म्हणजे, वाहन चालवण्याच्या सवयी - गियर बदलण्याची पद्धत, A.C चा वापर, टायरमधील हवेचा दाब, वाऱ्याचा वेग, रहदारीची परिस्थिती, इंधनाची गुणवत्ता- भेसळ नसलेले मानक इंधन, वाहनाची देखभाल, रस्त्याची स्थिती, ब्रेकिंग इ.

पढील सूचना तुम्हाला इंधनाचे मायलेज सुधारण्यास मदत करतील.

**अति निष्क्रियपणा टाळा**

तुम्ही पार्क करत असताना तुम्हाला एक मिनिटापेक्षा जास्त वेळ थांबावे लागत असल्यास, इंजिन थांबवा आणि नंतर ते पुन्हा सुरू करा. कोल्ड इंजिनला गरम करताना, इंजिन ऑपरेटिंग तापमानापर्यंत पोहोचपर्यंत इंजिनला निष्क्रिय होऊ देऊ नका किंवा पूर्ण थॉटल लावू नका. ड्रायव्हिंग करताना इंजिनला उबदार होऊ देवा.

**अचानक प्रवेग (एक्सलेरेशन) टाळा**

विश्रांतीनंतर किंवा गाडी चालवताना अचानक होणारा प्रवेग अनावश्यकपणे इंधन वापरतो आणि इंजिनचे आयुष्य कमी करते. हळू हळू सुरुवात करा.

**अनावश्यक थांबे टाळा**

अनावश्यक घसरणी आणि थांबणे टाळा. जेव्हा शक्य असेल तेव्हा मंद, स्थिर गती राखण्याचा प्रयत्न करा. गती कमी करणे आणि नंतर वेग वाढवणे अधिक इंधन वापरते.

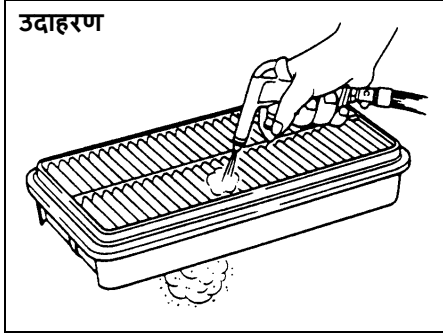
## ड्रायव्हिंग टिप्स

### एक स्थिर समुद्रपर्यटन वेग ठेवा

एक स्थिर समुद्रपर्यटन वेग ठेवा रस्ता आणि रहदारीची परिस्थिती अनुमती देईल तितका वेग कायम ठेवा.

### एअर क्लीनर स्वच्छ ठेवा

#### उदाहरण



60A183S

जर एअर क्लीनर धळीने भरलेला असेल तर, जास्त प्रमाणात सेवने प्रतिरोधक क्षमता असेल, परिणामी पांवर आउटपुट कमी होईल आणि इंधनाचा वापर वाढेल.

### वजन कमीत कमी ठेवा भार

वजन कमीत कमी ठेवा भार जितका जास्त तितके वाहन जास्त इंधन वापरते. गरज नसताना कोणतेही सामान किंवा माल बाहेर काढून ठेवा.

### टायरचा दाब बरोबर ठेवा

टायरचा दाब बरोबर ठेवा टायर्सची कमी इन्फ्लेशन टायर्सच्या वाढत्या रनिंग रेझिस्टन्समुळे इंधनाचा अपव्यय करू शकते. Kड्रायव्हरच्या दरवाजाच्या लांक पिलरवरील

लेबलवर दर्शविलेल्या योग्य दाबानुसार तुमचे टायर फुगवलेले ठेवा.

## हायवे ड्रायव्हिंग

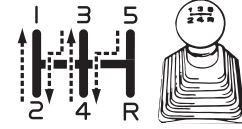
हायवेच्या वेगाने गाडी चालवताना खालील गोष्टींकडे लक्ष द्या:

- थांबण्याचे अंतर वाहनाच्या वेगासोबत हळूहळू वाढते. अतिरिक्त थांबण्याच्या अंतरासाठी परवानगी देण्यासाठी स्टॉपिंग पॉइंटच्या खूप पुढे ब्रेक लावा.
- पावसाळ्याच्या दिवसांमध्ये, हायड्रोप्लॅनिंग होऊ शकते. हायड्रोप्लॅनिंग म्हणजे रस्त्याच्या पृष्ठभागाचा आणि वाहनाच्या टायरमधील पाण्याच्या फिल्ममुळे थेट संपर्क तुटणे. हायड्रोप्लॅनिंग करताना वाहनाचे स्टीयरिंग किंवा ब्रेक लावणे खूप कठीण असते आणि नियंत्रण गमावणे देखील होऊ शकते. रस्ता ओला असताना वेग कमी ठेवा.
- जास्त वेगात, बाजूच्या हवेचा वाहनावर परिणाम होऊ शकतो. त्यामुळे, वेग कमी करा, जे बोगद्यातून बाहेर पडताना, टेकडीवरून जात असताना किंवा मोठ्या वाहनांनी ओव्हरटेक करताना इ ठिकाणी होणाऱ्या अनपेक्षित बफेटिंगसाठी तयार राहा.

## टेकड्यांवर वाहन चालवणे

- उंच टेकड्यांवर चढत असताना, वाहनाचा वेग कमी होऊ शकतो आणि पांवर कमी झाल्याचे दिसून येते. असे झाल्यास, तुम्ही खालच्या गिअरवर जावे जेणेकरून इंजिन पुन्हा त्याच्या सामान्य पांवर रेंजमध्ये कार्यरत होईल. वाहनाचा वेग कमी होण्यापासून रोखण्यासाठी वेगाने शिफ्ट करा.
- टेकडीवरून गाडी चालवताना, इंजिनचा वापर कमी गियरमध्ये करून ब्रेक लावण्यासाठी केला पाहिजे.

#### उदाहरण



77PH003

### चेतावणी

उंच किंवा लांब टेकडीवरून जाताना ब्रेक पेडल खूप लांब किंवा खूप वेळा खाली न ठेवण्याचा प्रयत्न करा. यामुळे ब्रेक जास्त तापू शकतात, परिणामी ब्रेकिंग कार्यक्षमता कमी होते. ही खबरदारी न घेतल्यास वाहनावरील नियंत्रण सुटण्याची शक्यता असते.

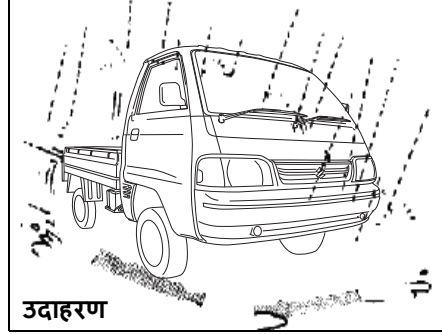
स्टँड स्थिर स्थितीतून चढ/घेडियंट हलवत असताना

- पार्किंग ब्रेक घट्टपणे लावा जेणेकरून वाहन मागे सरकणार नाही.
- क्लच पॅडल दाबा आणि गिअरशिफ्ट लीव्हर पहिल्या सिलेक्ट पोजिशनवर शिफ्ट करा.
- क्लच सरकवू नका.
- सुरु करण्यासाठी तयार असताना, प्रवेगक पॅडल दाबा आणि एकाच वेळी क्लच पॅडल हळूहळू सोडा. जेव्हा वाहन हलू लागते, तेव्हा हळूहळू पार्किंग ब्रेक सोडा.

### सूचना

डॉंगरावरून खाली उतरताना, इग्निशन की कधीही "लाक" स्थितीकडे वळवू नका. उत्सर्जन नियंत्रण प्रणालीचे नुकसान होऊ शकते.

निसरड्या रस्त्यांवर वाहन चालवणे



उदाहरण

82DY06

ओल्या रस्त्याच्या परिस्थितीत ब्रेकिंग करताना टायर घसरण्याची शक्यता असल्यामुळे कोरड्या रस्त्यांपेक्षा कमी वेगाने गाडी चालवावी. हिमाच्छादित, बर्फाळ किंवा चिखल असलेल्या रस्त्यांवर वाहन चालवताना, तुमचा वेग कमी करा आणि अचानक प्रवेग, अचानक ब्रेक लावणे किंवा एकदम स्टीयरिंग फिरविणे या सारख्या हालचाली टाळा.

जर तुमचे वाहन अडकले

तुमचे वाहन बर्फ, चिखल किंवा वाळूमध्ये फेसल्यास, खालील दिशानिर्देशांचे पालन करा:

- 1) तुमचे वाहन बर्फ, चिखल किंवा वाळूमध्ये फेसल्यास, खालील दिशानिर्देशांचे पालन करा: प्रथम गियर आणि रिव्हर्स दरम्यान ट्रान्समिशन पुढे आणि मागे हलवा. हे एक रॉकिंग मोशन तयार करेल ज्यामुळे तुम्हाला वाहन मुक्त करण्यासाठी पुरेशी गती मिळू शकेल. चाक कमीत कमी आरपीएम वर

फिरत राहण्यासाठी एकसीलेटर वर हळूवारपणे दाबा. शिफ्ट करताना तुमचा पाय एकसीलेटरमधून काढा.

इंजनला रेज देऊ नका। जास्त चाक फिरवल्यामुळे टायर खोलवर जाईल, ज्यामुळे वाहन मोकळे करणे अधिक कठीण होईल.

- 2) काही मिनिटांपर्यंत तुमचे वाहन तसेच अडकून राहिल्यास, तुमचे वाहन टोइंग करण्यासाठी दुसरे वाहन मागवा.

### चेतावणी

वाहन काढत असताना (रॉकिंग) कोणालाही वाहनाजवळ उभे राहू देऊ नका आणि स्पीडोमीटरवर दर्शविलेल्या 40 किमी/तासा पेक्षा वेगाने चाके फिरवू नका. चाके खूप वेगाने फिरल्यामुळे वैयक्तिक दुखापत आणि/किंवा वाहनाचे नुकसान होऊ शकते.

### सूचना

काही मिनिटांपेक्षा जास्त काळ वाहनावर रॉकिंग चालू ठेवू नका. प्रदीर्घ रॉकिंगमुळे इंजिन ओव्हरहाटिंग किंवा ट्रान्समिशनचे नुकसान होऊ शकते.

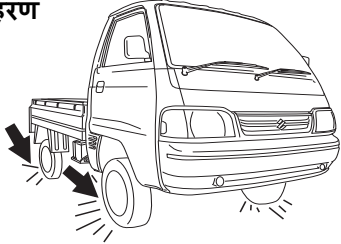


## ओल्या रस्त्यावर गाडी चालवणे

### सूचना

- ओल्या रस्त्यावर वाहन चालवताना, रस्त्यावर मोठ्या प्रमाणात उभ्या असलेल्या पाण्यातून वाहन चालवणे टाळा. इंजिनच्या डब्यात मोठ्या प्रमाणात पाणी शिरल्याने इंजिन आणि/किवा इलेक्ट्रिकल घटक खराब होऊ शकतात.
- खोल पाण्यात अडकले असल्यास, पाण्याची पातळी खाली येईपर्यंत सुरू करू नका.
- पाणी हा न दाबण्यायोग्य पदार्थ आहे, इंजिनच्या आत असलेले पाणी इंजिनला हानिकारक आहे.

### उदाहरण



82DY07

### चेतावणी

या विभागातील ड्रायव्हिंग टिप्सचे पालन करण्याबरोबरच, खालील खबरदारी पाळणे देखील महत्त्वाचे आहे.

- तुमचे टायर चांगल्या स्थितीत असल्याची खात्री करा आणि नेहमी निर्दिष्ट टायर प्रेशर राखा. तपशिलासाठी "तपासणी आणि देखभाल" विभागात "टायर्स" चा संदर्भ घ्या.
- मारुती सुझुकीने निर्दिष्ट केलेल्या टायर्सशिवाय इतर टायर वापरू नका. समोरच्या आणि मागील चाकांवर कधीही वेगवेगळ्या आकाराचे किवा टायरचे प्रकार वापरू नका. टायरच्या वैशिष्ट्यांबद्दल माहितीसाठी, ड्रायव्हरच्या दरवाजाच्या लांक पिलरवर स्थित टायर माहिती लेबल पहा.
- तुमचे वाहन उंच करण्यासाठी (जॅक) मोठे टायर्स किवा विशेष शाक एब्जोर्वर्स आणि स्प्रिंग्स कधीही वापरू नका. हे हँडलिंगचे वैशिष्ट्ये बदलेल. मोठ्या आकाराचे टायर वाहनाच्या बांडीला अडथळ्यावर घासतात, ज्यामुळे वाहनाचे नुकसान होते किवा टायर खराब होतात.
- पाण्यात गाडी चालवल्यानंतर, कमी वेगाने गाडी चालवताना ब्रेक त्याची सामान्य परिणामकारकता टिकवून ठेवतात की नाही हे पाहण्यासाठी त्याची चाचणी घ्या. जर ते सामान्यपेक्षा कमी प्रभावी असतील तर ब्रेक्सची सामान्य परिणामकारकता परत येईपर्यंत हळू हळू गाडी चालवताना वारंवार ब्रेक लावून त्यांनी कोरडे करा.

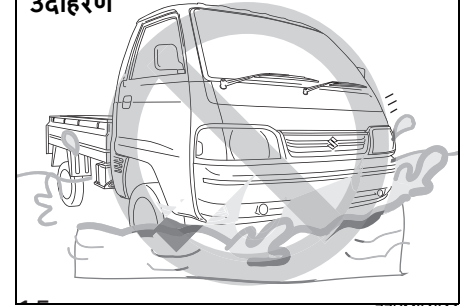
## ऑफ-रोड ड्रायव्हिंग

वाढलेल्या गवताने झाकलेल्या शेतात गाडी चालवू नका.

तुम्ही गवताने झाकलेल्या शेतात गाडी चालवल्यास, वाढलेल्या गवतामध्ये अडकून अपघात किवा आग किवा वाहनाचे नुकसान होऊ शकते.

## जेव्हा पूरग्रस्त क्षेत्राचा सामना करावा लागतो

### उदाहरण



77PM04011

पूरग्रस्त भागात किंवा खोल खड्डा असलेल्या ठिकाणी वाहन चालवणे टाळा. पूरग्रस्त भागात वाहन चालवणे अपरिहार्य असल्यास, सर्वात कमी गीअरमध्ये सावकाश जा. तुम्ही पूरग्रस्त भागात गाडी चालवली असल्यास, ब्रेकची परिणामकारकता तपासताना सुरक्षित आणि पूर नसलेल्या ठिकाणी वाहन थांबवा. त्यानंतर, खालील बाबी तपासण्यासाठी मारुती सुझुकीच्या अधिकृत वकिलांपला सांगा.

- ब्रेकचे कार्य

- इलेक्ट्रिकल घटकांचे कार्य
- इंजिन आणि ट्रान्समिशनसाठी ऑईल लेव्हल आणि गुणवत्तेंमध्ये बदल. जर ऑईल गढूळ पांढरे झाले असेल तर ऑईल मध्ये पाणी मिसळले गेले आहे आणि ऑईल बदलणे आवश्यक आहे.
- बियरिंग्ज, सस्पेन्शन जॉइंट्स इ.ची लुब्रीकंट स्थिती.

### सूचना

- पुरग्रस्त भागात किंवा खोल खड्डा असलेल्या ठिकाणी वाहन चालवणे टाळा. यामुळे इंजिन बंद पडणे, इलेक्ट्रिकल घटक कमी होणे, इंजिन आणि ट्रान्समिशनचे नुकसान इ. होऊ शकते.
- वाहन खोल पाण्यात अडकल्यास इंजिन सुरु करू नका.

## सुरक्षित ड्रायव्हिंगसाठी काय करावे आणि काय करू नये

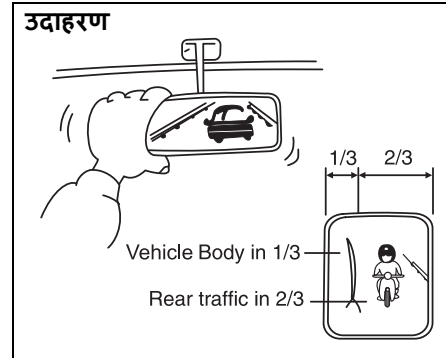
आपले वाहन हाताळताना सावधगिरी बाळगा. केवळ तुमच्या सुरक्षिततेबद्दलच नव्हे तर रस्त्यावरील इतरांच्या सुरक्षेची देखील काळजी घ्या आणि अशा प्रकारे सर्वोत्तम आणि सर्वात आरामदायक ड्रायव्हिंग अनुभवाचा आनंद घ्या.

सुरक्षित वाहन चालविण्याचे मूलभूत नियम खालीलप्रमाणे आहेत. सामग्री बदले अधिक चांगल्या प्रकारे समजून घेण्यासाठी कृपया ते काळजीपूर्वक वाचा जेणेकरून तुम्ही तुमच्या वाहनात सुरक्षित आणि आनंददायक ड्रायव्हिंगचा आनंद घेऊ शकता.

### सुरुवात

- 1) ड्रायव्हिंगच्या योग्य स्थितीसाठी ड्रायव्हरची सीट समायोजित करा.
- 2) रिअर व्ह्यू मिरर अडजस्ट करा जेणेकरून शक्य तितके चांगले रिअर व्ह्यू मिळू शकेल.

### उदाहरण



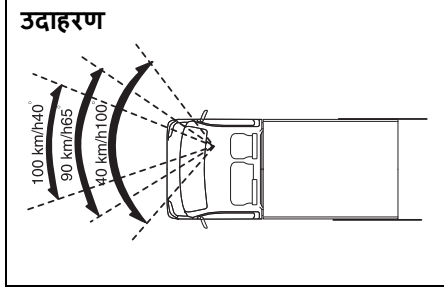
77PM04002

- 3) निघण्यापूर्वी सुरक्षिततेची खात्री करण्यासाठी तुमच्या वाहनाभोवती पहा.
- 4) अचानक वेग वाढवू नका, कारण ते धोकादायक आहे आणि त्यामुळे इंधनाचा अपव्यय होतो.

### सामान्य ड्रायव्हिंग

- 1) स्टॉप लाईट किंवा स्टॉप चिन्हापूर्वी थांबण्याचे सुनिश्चित करा. कोणत्याही ट्रॅफिक लाईट किंवा चिन्हांशिवाय चौकात जाताना, सुरक्षिततेची पुष्टी करण्यासाठी सावकाश वाहन चालवा.
- 2) समोरचे वाहन अचानक थांबल्यास मागील बाजूची टक्कर टाळण्यासाठी सुरक्षित अंतरावर इतर वाहनांचे नेहमी अनुसरण करा.
- 3) वळण घेण्याआधी किंवा लेन बदलण्यापूर्वी किमान 30 मीटर अंतरावर वळण सिग्नल चालू करा जेणेकरून धक्का लागू नये.
- 4) एका कोपऱ्यात प्रवेश करण्यापूर्वी, सुरक्षित रितीने वेग कमी करा. कॉर्नरिंगच्या वेळी ब्रेक लावू नका अन्यथा स्किडिंग होऊ शकते.
- 5) इतर वाहनांना ओव्हरटेक करताना, समोरून येणाऱ्या वाहनांवर लक्ष ठेवा आणि सुरक्षिततेची काळजी घ्या.
- 6) झिगझॅग ड्रायव्हिंगचा प्रयत्न करू नका कारण यामुळे तुमचे वाहनावरील नियंत्रण कमी होईल आणि त्यामुळे अपघात होऊ शकतो.
- 7) बेपर्वाईने जास्त वेग टाळा आणि स्थिर वेग राखून रस्त्याच्या परिस्थितीला अनुकूल अशा सुरक्षित वेगाने वाहन चालवण्याचा प्रयत्न करा.
- 8) वेग जितका जास्त तितकी ड्रायव्हरची व्हिज्युअल रेंज कमी होते. अशा अवस्थेत

कोणत्याही धोक्याचा अंदाज बांधणे कठीण होऊन चालकाला थकवा जाणवू लागतो.



- अतिवेगाने वाहन चालवताना जास्त वेगाने गाडी चालवण्याचा प्रयत्न करू नका. तुम्ही तुमच्या वाहनावरील नियंत्रण गमावू शकता.
- अतिवेगाने वाहन चालवताना ओव्हरटेक करताना किंवा लेन बदलताना वाहन ते वाहन पुरेसे अंतर ठेवा.

### ब्रेकिंग

- तुमचे वाहन पार्किंग करताना पार्किंग ब्रेक वापरा आणि सुरक्षेच्या दृष्टीने गिअर शिफ्ट लीव्हर पहिल्या गिअरमध्ये किंवा रिव्हर्स गिअर पोजिशनमध्ये शिफ्ट करा.
- अपरिहार्य असल्याशिवाय हॅड ब्रेकिंग वापरू नका. त्यामुळे वाहन घसरते आणि अपघात होण्याची शक्यता असते. हे विशेषतः धोकादायक असते जेव्हा टायर घासले जातात कारण ते अधिक घसरतात.

तीन टप्प्यांत फूट ब्रेक वापरा

- तुमच्या मागून येणाऱ्या वाहनाला संकेत द्या

- हळूहळू ब्रेक लावा.
- वाहन थांबवा.
- उतारावर गाडी चालवताना, ब्रेक न लावण्याचा प्रयत्न करा पण इंजिन ब्रेकचा प्रभावीपणे वापर करा. फूट-ब्रेकचा अतिवापर केल्याने ब्रेकची परिणामकारकता कमी होऊ शकते.

### लांब अंतरापर्यंत वाहन चालवणे

- प्रवास सुरू करण्यापूर्वी सुरक्षा तपासणीची खात्री करा.
- झोपेमुळे किंवा थकव्यामुळे होणारे अपघात टाळण्यासाठी ठराविक अंतराने विश्रांती घ्या.

### रात्री गाडी चालवणे

- दिवसाच्या तुलनेत रात्री कमी वेगाने वाहन चालवा, कारण रात्री व्हिज्युअल रेंज मर्यादित असते.
- रात्रीच्या वेळी इतर वाहनांना ओव्हरटेक करणे टाळा. अधारामुळे तुमची हालचाल विस्कळीत होते आणि वाहन ते वाहन अंतराचा तुमचा निर्णय बिघडतो.
- हाय बीमवर हेडलाईट्स वापरणे अनिवार्य असल्याशिवाय वापरू नका. यामुळे समोरून येणाऱ्या वाहनाच्या चालकाला दृष्टीदोष निर्माण होऊ शकतो, ज्यामुळे अपघात होऊ शकतो.
- खिडकीच्या काचा नेहमी स्वच्छ ठेवा. विंडशील्ड ग्लास कोरडे असताना विंडशील्ड वायपर चालवू नका, अन्यथा वायपर ब्लेड आणि काच खराब होऊ शकतात.

## सुरक्षिततेसाठी मार्जिन

ड्रायव्हिंग करताना सुरक्षिततेसाठी स्वतःला मार्जिन देणे महत्त्वाचे आहे जेणेकरून तुम्ही इतर ड्रायव्हर्सच्या चुकीच्या किंवा अनपेक्षित ड्रायव्हिंगचा सामना करू शकाल. त्यासाठी खालील बाबींचे निरीक्षण करा.

- सुरक्षित वेगाने वाहन चालवा.
- तुमचे वाहन आणि पुढचे वाहन यामध्ये पुरेसे अंतर ठेवा.
- स्वतःच जबरदस्तीने इतर वाहनांना ओव्हरटेक करू नका.
- अचानक वेग वाढवू नका, वेगाने गाडी चालवू नका किंवा अचानक थांबू नका.
- ड्रायव्हिंग शेड्यूलमध्ये पुरेसे अंतर ठेवा.
- वाहतूक नियम आणि नियमांचे पालन करा.

### निष्कर्ष

कोणीही परिपूर्ण चालक नसतो. प्रत्येक वाहनचालकाचा प्रयत्न हा परिपूर्णतेसाठी प्रयत्नशील असला पाहिजे. सुरक्षितता जागरूकता केवळ तुमची आणि इतर रस्ता वापरकर्त्यांची सुरक्षितता सुनिश्चित करत नाही, तर ते तुमच्या वाहनावरील झीज कमी करण्यास, त्याचे आयुष्य वाढवण्यास, इंधन कार्यक्षमता वाढवण्यास आणि आरामदायी ड्रायव्हिंग अनुभव सुनिश्चित करण्यास मदत करते.

**सूचीबद्ध केलेल्या प्रमाणे "हे करा" आणि "हे करू नका" याचे अनुसरण करा आणि तुमची ड्रायव्हिंग परत कधीही पहिल्या सारखी राहणार नाही.**

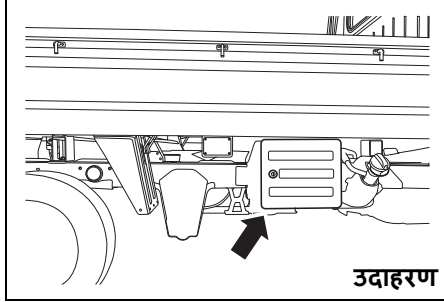
## अन्य नियंत्रणे आणि उपकरणे

फ्यूल फिलर कॅप .....	5-1
इंजिन कंपार्टमेंट .....	5-3
सन व्हिझर .....	5-4
इंटीरियर लाईट .....	5-5
अॅक्सेसरी सॉकेट .....	5-5
ग्लव्ह बॉक्स .....	5-5
स्टोरेज एरिया .....	5-6
एअर व्हेंट .....	5-6
फ्रेम हुक .....	5-7
सहाय्यक पकड .....	5-7

## फ्यूल फिलर कॅप

(पेट्रोल आणि सीएनजी (CNG) इंजिन मॉडेलसाठी)

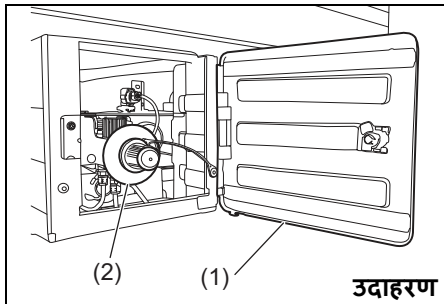
सीएनजी (CNG) फिलर व्हॉल्व्ह (सीएनजी (CNG) इंजिन मॉडेलसाठी)



उदाहरण

77PM05003

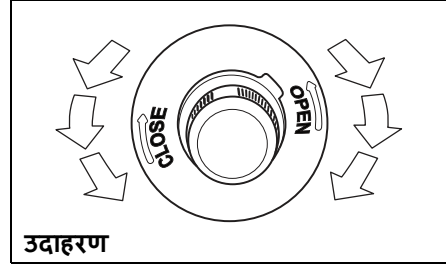
सीएनजी (CNG) फिलर व्हॉल्व्ह उजवीकडे आहे वाहनाच्या बाजूला.



उदाहरण

77PM05001

सीएनजी (CNG) फिलर दरवाजा अनलॉक करण्यासाठी चावी घाला आणि चावीचा वरचा भाग वाहनाच्या पुढील बाजूस वळवा (1).

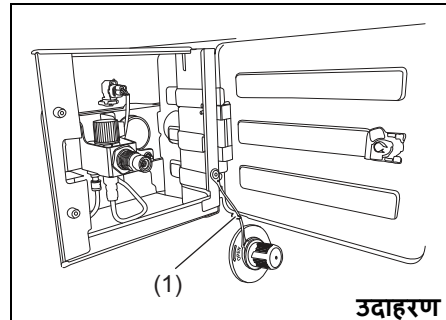


उदाहरण

77PM05005

सीएनजी (CNG) फिलर व्हॉल्व्ह कव्हर काढण्यासाठी:

- 1) सीएनजी (CNG) फिलर दरवाजा उघडा (1).
- 2) सीएनजी (CNG) फिलर व्हॉल्व्ह कव्हर (2) घड्याळाच्या उलट दिशेने वळवून काढा.



उदाहरण

77PM05006

सूचना:

फ्यूल फिलर डोअर कॅप होल्डर (3) ने सुसज्ज असल्यास, इंधन भरताना फ्यूल फिलर कॅपला पडण्यासाठी कॅप होल्डर वापरा.

जेव्हा सिलेंडरचा दाब डिस्पेंसरच्या दाबाच्या बरोबरीचा असतो तेव्हा भरणे आपोआप थांबते.

सीएनजी (CNG) फिलर व्हॉल्व्ह कव्हर पुनःस्थापित करण्यासाठी:

- 1) सीएनजी (CNG) फिलर व्हॉल्व्ह कव्हर (2) घड्याळाच्या काट्याच्या दिशेने वळवा जोपर्यंत ते पूर्णपणे बंद होत नाही.
- 2) सीएनजी (CNG) फिलर दरवाजा बंद करा (1).

सूचना:

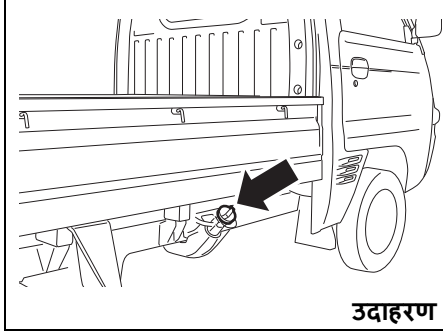
जर सीएनजी (CNG) फिलर कव्हर (2) नीट बंद केले नाही, तर तुम्ही वाहन सुरू करू शकणार नाही.

वाहन स्थिर असताना सीएनजी (CNG) फिलर कव्हर (2) उघडल्यास, इंजिन थांबेल.

सूचना:

वाहन चालवताना सीएनजी (CNG) फिलर बॉक्समध्ये रेंती येऊ शकते. जेव्हाही निरीक्षण केले जाते तेव्हा काढा.

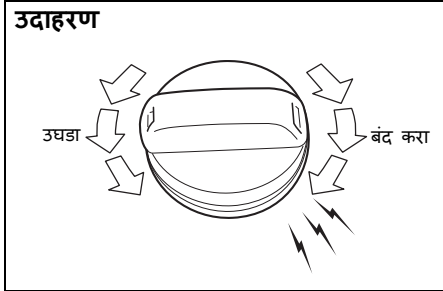
पेट्रोल फिलिंग कॅप  
(पेट्रोल इंजिन मॉडेलसाठी)



उदाहरण

77PH031

फ्युल फिलर कॅप वाहनाच्या उजव्या बाजूला असेल.



68KN048

फ्युल फिलर कॅप काढून टाकण्यासाठी, ते घड्याळाच्या उलट दिशेने फिरवा. फ्युल फिलर कॅप पुन्हा स्थापित करण्यासाठी, तुम्हाला अनेक

क्लिक ऐकू येईपर्यंत ते घड्याळाच्या दिशेने फिरवा.

⚠ सावधगिरी

फ्युल फिलर कॅप हळूहळू काढून टाका. फ्युल प्रेशर मध्ये असू शकते आणि स्प्रे बाहेर पडू शकते, ज्यामुळे इजा होऊ शकते.

⚠ चेतावणी

फ्युल अत्यंत ज्वलनशील आहे. इंधन भरत असताना धूमपान करू नका आणि त्या भागात कोणत्याही उघड्या ज्वाला किंवा ठिणग्या नाहीत याची खात्री करा.

⚠ चेतावणी

जर तुम्हाला फ्युल कॅप बदलायची असेल तर मारुतीची अस्सल कॅप वापरा. चुकीच्या कॅपचा वापर केल्याने फ्युल सिस्टम किंवा उत्सर्जन नियंत्रण प्रणाली मध्ये बिघाड होऊ शकतो. अपघात झाल्यास, यामुळे फ्युल लिकेज देखील होऊ शकते.

⚠ सावधगिरी

फ्युल फिलर कॅप हळूहळू काढून टाका. फ्युल प्रेशर मध्ये असू शकते आणि स्प्रे बाहेर पडू शकते, ज्यामुळे इजा होऊ शकते.

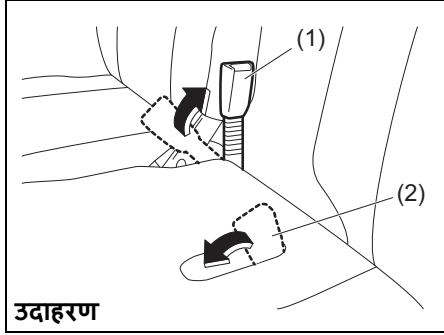
⚠ चेतावणी

फ्युल अत्यंत ज्वलनशील आहे. फ्युल भरताना धूमपान करू नका आणि त्या भागात उघड्या ज्वाला किंवा ठिणग्या नसल्याची खात्री करा.

⚠ चेतावणी

जर तुम्हाला फ्युल कॅप बदलायची असेल तर मारुतीची अस्सल कॅप वापरा. चुकीच्या कॅपचा वापर केल्याने फ्युल सिस्टम किंवा उत्सर्जन नियंत्रण प्रणाली मध्ये बिघाड होऊ शकतो. अपघात झाल्यास, यामुळे फ्युल लिकेज देखील होऊ शकते.

## इंजिन कंपार्टमेंट



उदाहरण

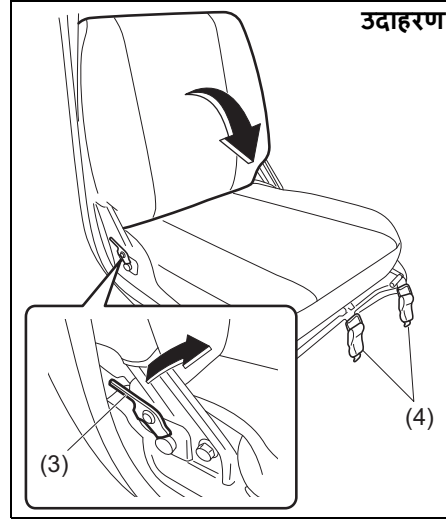
77PH094

इंजिन कंपार्टमेंट उघडण्यासाठी:

- 1) ड्रायव्हरच्या सीट बेल्टचे बकल (1) सीटबॅक स्थितीपर्यंत वाढवा. प्रवाशांच्या सीट बेल्टचे बकल (2) सांभाळून ठेवा.
- 2) ड्रायव्हरच्या सीटसाठी, सीट सर्वात मागच्या स्थितीत सरकवा.

### सावधगिरी

जेव्हा तुम्ही ड्रायव्हरची सीट मागील बाजूस सरकवता, तेव्हा सीटबॅकला धक्का द्या. तुम्ही सीटबॅक टॉप पकडल्यास, तुमच्या हाताला सीटबॅक आणि केबिन बॅक पॅनेलमध्ये चिमटा बसू शकतो, परिणामी वैयक्तिक दुखापत होऊ शकते.



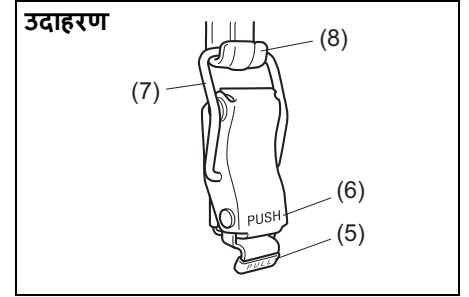
उदाहरण

77PH093

- 3) ड्रायव्हरच्या सीटसाठी, सीटबॅक पुढे फोल्ड करण्यासाठी लॉक लीव्हर (3) खेचा.

सूचना:  
स्टीयरिंग व्हीलच्या संपर्कात येतो त्या स्थितीतच हा सेटबॅक दुमडला जाऊ शकतो.

- 4) प्रत्येक सीटच्या पुढच्या टोकाला लॉक हँडल्स (4) अनहूक करा.

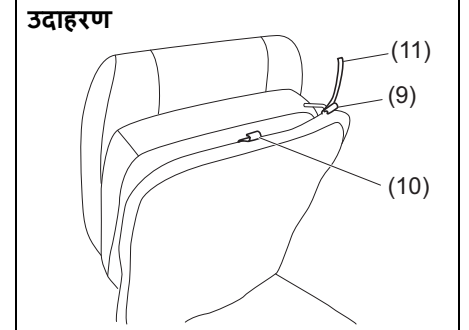


उदाहरण

77PH081

- लॉक हँडल अनहूक करण्यासाठी, "पुल" पार्ट (5) खेचा आणि रिंग (7) हुकमधून अनहूक करा (8).
- लॉक हँडल लॉक करण्यासाठी, रिंग (7) हुक (8) वर लावा आणि नंतर "पुश" (6) दाबा.

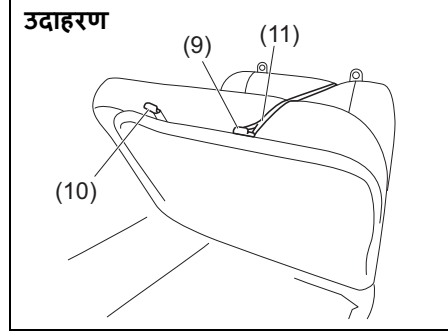
## ड्रायव्हरची बाजू



उदाहरण

77PH102

प्रवाशांची बाजू



सूचना:

पॅसेंजर सीटच्या सीटबॅक मागे पट्ट्या (11) उपलब्ध आहेत.

- 5) आसन वर करा आणि पट्टा (11) हुकला जोडा (9). सीटचा पट्टा जोडण्यासाठी हुक (10) वापरला जात नाही.

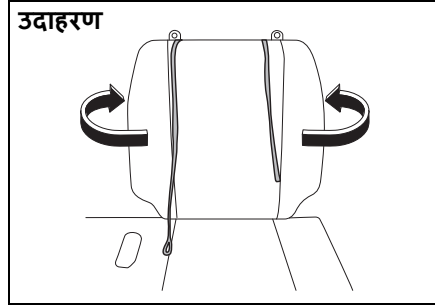
सूचना

झायव्हरच्या सीट पोजिशन ऍडजस्टमेंट लोव्हरला पट्टा लावू नका किंवा पट्ट्याने हुक करताना सीटवर अवाजवी ताकद लावू नका. असे केल्याने पट्ट्या, हुक आणि/किंवा झायव्हरचे सीट पोजिशन अॅडजस्टमेंट लोव्हर तूटू शकते.

- इंजन कम्पार्टमेंट ला बंद करण्यासाठी ज्या स्टेप्स तुम्ही उघडतांना केल्या त्याच्या उलट करा.

- बंद केल्यानंतर, सीट्स सुरक्षितपणे जागी आहेत याची खात्री करण्यासाठी त्यांना हलवण्याचा प्रयत्न करा.
- चित्रात दाखवल्याप्रमाणे, प्रवासी सीटच्या मागे असलेल्या जागेत पट्ट्या ठेवा.

उदाहरण



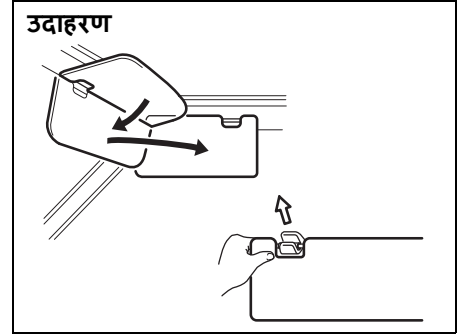
⚠ चेतावणी

पॅसेंजर सीटच्या मागिल जागेत पट्ट्या ठेवा. जर एखाद्या व्यक्तीचे शरीर पट्ट्यात अडकले तर गुदमरल्यासारखी गंभीर दुखापत होण्याचा धोका असतो. असे झाल्यास, कात्रीने पट्ट्या कापून टाका.

⚠ सावधगिरी

इंजिनचे कंpartमेंट बंद करताना, सीट तुमचे हात किंवा झायव्हरच्या सीट बेल्टच्या बकलला किंवा तुमच्या शरीरावर आदळणार नाहीत याची काळजी घ्या.

सन व्हिझर



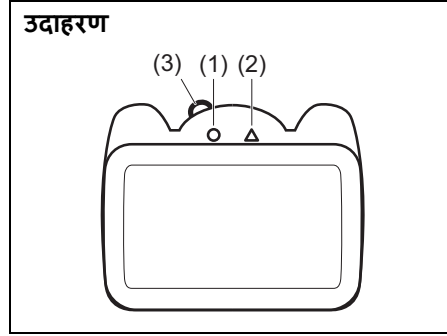
वाहनाच्या चालकाच्या बाजूला सन व्हिझर उपलब्ध आहे. विंडशील्डमधून येणारा झगझगीत प्रकाश रोखण्यासाठी सन व्हिझर खाली खेचले जाऊ शकते किंवा बाजूच्या खिडकीतून येणारी झगझगीत प्रकाश रोखण्यासाठी ते अनेक केले जाऊ शकतात आणि बाजूला वळवले जाऊ शकतात.

सूचना

सन व्हिझर अनहक करताना आणि हुक करताना, आकृतीमध्ये दर्शविल्याप्रमाणे ते सन व्हिझरच्या बाजूला हाताळण्याची खात्री करा अन्यथा सन व्हिझर खराब होऊ शकतो.



## अंतर्गत प्रकाश



या लाईट स्विचला दोन पोजिशनस आहेत. नॉब (3) वापरून ही पोजिशनस निवडली जाऊ शकतात. दोन पोजिशनसची कार्ये आहेत:

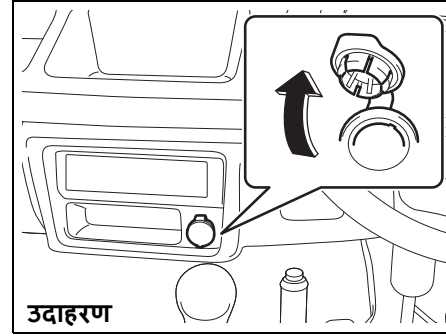
### चालू (1)

प्रकाश येतो आणि चालू राहतो.

### बंद (2)

प्रकाश बंद राहतो.

## एॅक्सेसरी सॉकेट

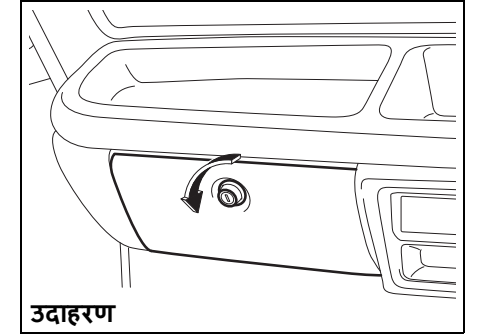


जेव्हा इग्निशन स्विच “एसीसी” किंवा “चालू” स्थितीत असेल तेव्हा एॅक्सेसरी सॉकेट कार्ये करेल. या सॉकेटचा वापर इलेक्ट्रिकल अॅक्सेसरीजसाठी 12 व्होल्ट / 120 वॉट पावर देण्यासाठी केला जाऊ शकतो.

### सूचना

अयोग्य विद्युत उपकरणे वापरल्याने तुमच्या वाहनाच्या विद्युत प्रणालीचे नुकसान होऊ शकते. तुम्ही वापरत असलेली कोणतीही विद्युत उपकरणे या प्रकारच्या सॉकेटमध्ये प्लग करण्यासाठी डिझाइन केलेली असल्याची खात्री करा.

## ग्लोव्ह बॉक्स

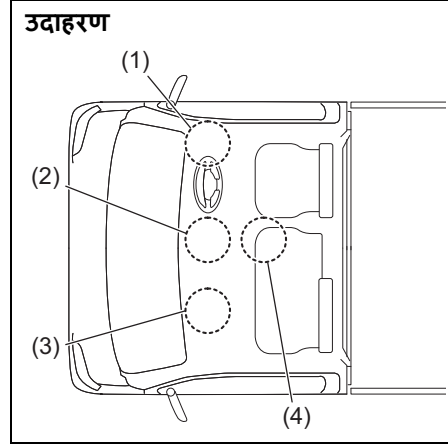


ग्लोव्ह बॉक्स उघडण्यासाठी, नॉबला घड्याळाच्या उलट दिशेने फिरवा. ते बंद करण्यासाठी, झाकण सुरक्षितपणे लॅच होईपर्यंत दाबा. ग्लोव्ह बॉक्स लॉक करण्यासाठी, नॉबमध्ये किल्ली घाला आणि घड्याळाच्या सरळ दिशेने फिरवा. ग्लोव्ह बॉक्स उघडण्यासाठी, नॉबमध्ये किल्ली घाला आणि घड्याळाच्या उलट दिशेने फिरवा.

### ⚠ चेतावणी

ग्लोव्ह बॉक्सचे झाकण उघडे ठेवून कधीही गाडी चालवू नका. अपघात घडल्यास इजा होऊ शकते.

## साठवणुकीची जागा



77PH104

- (1) इन्स्ट्रुमेंट पॅनेल पॉकेट (ड्रायव्हरची बाजू)
- (2) इन्स्ट्रुमेंट पॅनेल ट्रे (मध्यभागी) / इन्स्ट्रुमेंट पॅनेल पॉकेट (मध्यभागी)
- (3) इन्स्ट्रुमेंट पॅनेल ट्रे (प्रवाशाची बाजू)
- (4) मध्यभागातील पॉकेट

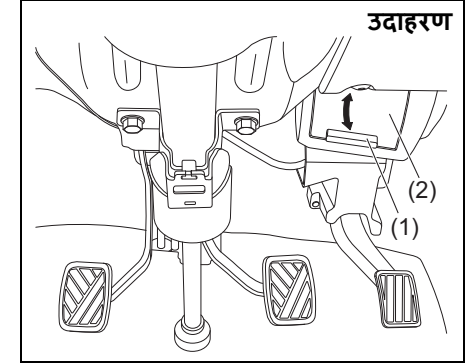
इन्स्ट्रुमेंट पॅनेल पॉकेट (1) / (2) /  
इन्स्ट्रुमेंट पॅनेल ट्रे (2) / (3) /  
मध्यभागातील पॉकेट (4)

### ⚠ चेतावणी

वाहन चालत असताना पॉकेटमधून /ट्रेमधून बाहेर पडू शकेल अशा कोणत्याही वस्तू ठेवू नका.

खबरदारी घेण्यात अयशस्वी झाल्यास पेडलमध्ये एखादी वस्तू व्यत्यय आणू शकते आणि वाहनाचे नियंत्रण गमावले जाऊ शकते किंवा अपघात घडू शकतो.

## एअर व्हेंट

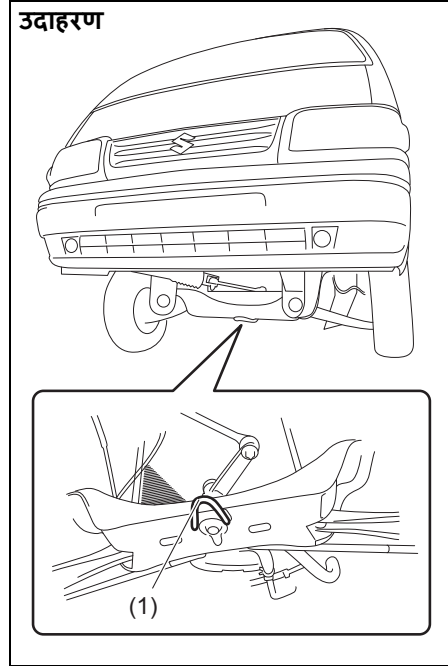


77PM502

एअर व्हेंटस वाहनाच्या चालकाच्या बाजूला आणि प्रवाशांच्या बाजूला असतात. एअर व्हेंट उघडण्यासाठी किंवा बंद करण्यासाठी, फ्लॅप उघडण्यासाठी किंवा बंद करण्यासाठी नॉब (1) लंबवत फिरवा (2). "ओपन" केल्यावर केबिनमध्ये ताजी हवा येईल.

## फ्रेम हुक

### समोर



फ्रेम हुक (1) वाहनाच्या पुढील बाजूस आणिबाणीच्या परिस्थितीत आणि फक्त शिपिंगच्या उद्देशाने वापरण्यासाठी प्रदान केला जातो.

तुमचे वाहन रस्त्यावर किंवा महामार्गावर टो करण्यासाठी, "आपत्कालीन सेवा" विभागातील "टोइंग" च्या सूचनांचे अनुसरण करा.

### ⚠ चेतावणी

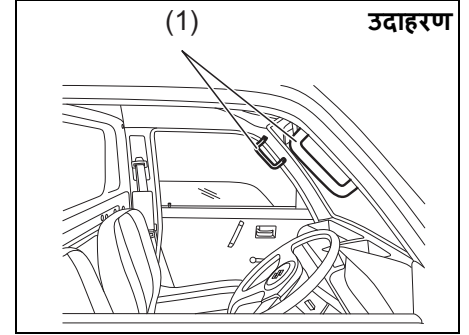
फ्रेम हुक दुसऱ्या वाहनाला टो करण्यासाठी किंवा तुमचे वाहन रस्त्यावर किंवा महामार्गावर टो करण्यासाठी वापरू नका. हुक (1) फक्त आणीबाणीच्या परिस्थितीत वापरण्यासाठी डिझाइन केलेले आहे, जसे की तुमचे वाहन किंवा दुसरे वाहन खोल चिखलात किंवा बर्फात अडकल्यास.

### सूचना

जेव्हा तुम्ही फ्रेम हुक (1) वापरता, तेव्हा हुकला महत्त्वपूर्ण धक्का बसेल अशा पद्धतीने वाहन चालवणे टाळा. अशा कृतीमुळे, हुक किंवा वाहनाची बांडी खराब होऊ शकते.

अचानक वेग वाढवू नका.

## असिस्ट ग्रिप



77PM501

असिस्ट ग्रिप (1) वाहनाच्या चालकाच्या बाजूला आणि प्रवासी बाजूला उपलब्ध आहेत. असिस्ट ग्रिप ड्रायव्हर/प्रवाशांना वाहनात सहजगत्या येण्यासाठी आणि बाहेर पडण्यासाठी असतात.

## वाहन लोडिंग आणि टोइंग

वाहन लोडिंग .....	6-1
ट्रेलर टोइंग .....	6-1

### वाहन लोडिंग

तुमचे वाहन विशिष्ट वजन क्षमतेसाठी डिझाइन केले होते. तुमच्या वाहनाची वजन क्षमता ग्रास व्हेईकल वेट रेटिंग (जीव्हीडब्ल्यूआर) आणि परवानगीयोग्य कमाल एक्सल वेट (पीएडब्लू, समोर आणि मागील) द्वारे दर्शविली जाते. जीव्हीडब्ल्यूआर आणि पीएडब्लू (समोर आणि मागील) "विशिष्टता" विभागात सूचीबद्ध आहेत.

जीव्हीडब्ल्यूआर - पूर्णपणे लोड केलेल्या वाहनाचे कमाल अनुज्ञेय एकूण वजन (सर्व प्रवासी, अॅक्सेसरीज आणि मील तसेच ट्रेलर टोइंग केल्यास ट्रेलरच्या नाकाचे वजन), पीएडब्लू - (समोर आणि मागील) वैयक्तिक एक्सलवर जास्तीत जास्त परवानगीयोग्य वजन.

लोड केलेल्या वाहनाचे वास्तविक वजन आणि पुढील आणि मागील एक्सलवरील वास्तविक भार केवळ वाहनाचे वजन करून निर्धारित केले जाऊ शकते. या वजनाची जीव्हीडब्ल्यूआर आणि पीएडब्लू (पुढे आणि मागील) सोबत तुलना करा. वाहनाचे एकूण वजन किंवा दोन्ही एक्सलवरील भार या रेटिंगपेक्षा जास्त असल्यास, भार रेटिंग केलेल्या क्षमतेपर्यंत खाली आणण्यासाठी तुम्ही पुरेसे वजन काढून टाकले पाहिजे.

### ⚠ चेतावणी

तुमचे वाहन कधीही ओव्हरलोड करू नका. वाहनाचे एकूण वजन (वाहनाच्या वजनाची बेरीज, सर्व प्रवासी, अॅक्सेसरीज, माल आणि ट्रेलर टोइंग करत असल्यास ट्रेलरच्या नाकाचे वजन) हे कधीही ग्रास व्हेईकल वेट रेटिंग (जीव्हीडब्ल्यूआर) पेक्षा जास्त नसावे. या व्यतिरिक्त, कधीही लोड वितरित करू नका जेणेकरून पुढील किंवा मागील एक्सलवरील वजन परवानगीयोग्य कमाल एक्सल वेट (पीएपीएडब्लू) पेक्षा जास्त असेल.

### ⚠ चेतावणी

माल नेहमी समान रीतीने वितरित करा. वैयक्तिक इजा किंवा तुमच्या वाहनाचे नुकसान टाळण्यासाठी, वाहनाने अचानक हालचाल केल्यास मालवाह माल हलण्यापासून रोखण्यासाठी नेहमी सुरक्षित ठेवा. जड वस्तू खाली ठेवा आणि शक्य तितक्या पुढे मालवाह क्षेत्रामध्ये ठेवा. सीटच्या पाठीमागे तिच्या उंचीपेक्षा जास्त कधीही मालाचा ढीग रचू नका.

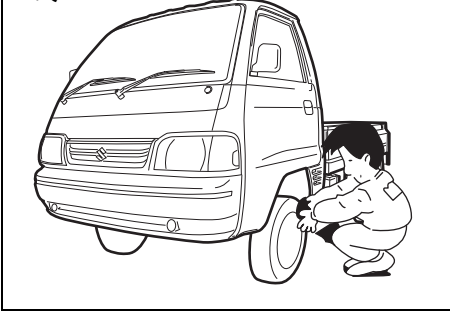
### ट्रेलर टोइंग

तुमचे वाहन मूळतः एक ड्रायव्हर, एक प्रवासी आणि ठराविक प्रमाणात माल वाहन नेण्यासाठी डिझाइन केले होते, ट्रेलर ओढण्यासाठी नाही. मारुती तुम्हाला ट्रेलर ओढण्यासाठी तुमचे वाहन वापरण्याची शिफारस करत नाही. ट्रेलर टोइंग केल्याने हाताळणी, टिकाऊपणा आणि इंधनाच्या अर्थव्यवस्थेवर विपरित परिणाम होतो.

## तपासणी आणि देखभाल

देखभाल वेळापत्रक .....	7-1
नियतकालिक देखभाल वेळापत्रक .....	7-2
तपासणी आणि देखभाल ऑपरेशन्स	
असणे आवश्यक आहे ग्राहकाद्वारे केलेले .....	7-6
ड्राइव्ह बेल्ट .....	7-8
इंजिन ऑईल आणि फिल्टर .....	7-8
इंजिन कूलंट .....	7-11
एयर क्लिनर .....	7-14
स्पार्क प्लग .....	7-14
गियर ऑईल .....	7-14
कलच पेडल .....	7-16
ब्रेक्स .....	7-16
स्टीयरिंग .....	7-19
प्रोपेलर शाफ्ट युनिव्हर्सल जॉइंट .....	7-19
टायर्स .....	7-19
बॅटरी .....	7-21
फ्यूज .....	7-22
बल्ब बदलणे .....	7-25
वाइपर ब्लेड्स .....	7-28
विंडशील्ड वाशर फ्लुइड (सुसज्ज असल्यास).....	7-30

उदाहरण



77PM07008

⚠ चेतावणी

अपघाती इजा टाळण्यासाठी तुम्ही तुमच्या वाहनावर काम करताना अत्यंत सावधगिरी बाळगली पाहिजे. येथे काही सावधगिरी आहेत ज्यांचे पालन करण्यासाठी आपण विशेष सावधगिरी बाळगली पाहिजे:

- इंजिनला गॅरेज किंवा इतर बंदिस्त मर्यादित भागात चालू ठेवू नका.
- इंजिन चालू असताना, होत, कपडे, टूल्स आणि इतर वस्तू फेकू आणि ड्राईव्ह बेल्टपासून दूर ठेवा. पंखा फिरत नसला तरीही तो चेतावणीशिवाय आपोआप चालू होऊ शकतो.

(पुढे चालू आहे)

⚠ चेतावणी

(पुढे चालू आहे)

- जेव्हा इंजिन चालू असताना सेवा कार्य करणे आवश्यक असते, तेव्हा पार्किंग ब्रेक पूर्णपणे लावल्याचे आणि ट्रान्समिशन न्युट्रलमध्ये असल्याची खात्री करा.
- इंजिन सुरू करताना किंवा इंजिन चालू असताना इग्निशन वायर्स किंवा इग्निशन सिस्टमच्या इतर भागांना स्पर्श करू नका, तुम्हाला विजेचा धक्का लागू शकतो.
- गरम इंजिन, एक्झॉस्ट मॅनिफोल्ड आणि पाईप्स, मफलर, रेडिएटर आणि वॉटर होजेस यांना स्पर्श न करण्याची काळजी घ्या.
- इंधन किंवा बॅटरीभोवती धूमपान, ठिणग्या किंवा ज्वाळां होऊ देऊ नका. ज्वलनशील वायू उपस्थित असतात.
- तुमचे वाहुन फक्त तुम्हाला दिलेल्या पॉर्टबल जकच्या आधारावर असेल तर तुमच्या वाहनाखाली येऊ नका.
- पॉझिटीव्ह आणि निगेटीव्ह बॅटरी टर्मिनल्समध्ये अपघाती शॉट सर्किट होणार नाही याची काळजी घ्या.
- वापरलेले ऑईल, कुलंट आणि इतर द्रव मूले आणि पाळीव प्राण्यांपासून दूर ठेवा. वापरलेल्या द्रवांची योग्यरित्या विल्हेवाट लावा; ते कधीही जमिनीवर, गटारामध्ये ओतू नका.

देखभाल वेळापत्रक

तुम्ही तुमच्या वाहनाची नियमित देखभाल कधी करावी हे खालील तुक्त्यामध्ये दाखवले आहे. तुम्ही तपासण्या, अँडजस्टमेंट्स, ल्युब्रिकेशन आणि इतर सेवा कधी कराव्यात हे ही सारणी किलोमीटर आणि महिन्यांमध्ये दाखवते.

⚠ चेतावणी

मारुती सुझुकी शिफारस करते की तुमच्या वाहनाची देखभाल तुमच्या अधिकृत मारुती सुझुकी कमर्शियल वकॅशॉपद्वारे केली जावी.

सूचना

जेव्हा जेव्हा तुमच्या वाहनावरील पार्ट बदलणे आवश्यक असते तेव्हा तुम्ही मारुतीचे खरे बदललेले पार्ट किंवा त्याच्या समतुल्य वापरण्याची शिफारस केली जाते.

## नियतकालिक देखभाल वेळापत्रक

"C": स्वच्छ

"R": नवीन लावा किंवा बदला

"I": तपासणी करणे, स्वच्छ करणे, अँडजेस्ट करणे, ल्युब्रिकेट करणे किंवा आवश्यकतेनुसार बदलणे

"L": ल्युब्रिकेट करणे

"T": निर्दिष्ट टॉर्कवर घडू करा

"O": Rotate

सूचना:

- या तक्त्यामध्ये 90,000 किमी मायलेजपर्यंत नियोजित केलेल्या सेवांचा समावेश आहे. 90,000 किमीच्या पलीकडे, अनुक्रमे समान अंतराने समान सेवा करा.
- मोफत तपासणीसाठी साहित्य आणि उपभोग्य वस्तूंचा खर्च ग्राहकाने उचलायचा आहे.



## तपासणी आणि देखभाल

मध्यांतर: हे मध्यांतर ओडोमीटर रीडिंग किंवा महिने, जे आधी येईल त्यावरून ठरवले पाहिजे.		मोफत तपासणी				सशुल्क नियतकालिक देखभाल						
		km (x1000)	5	10	20	30	40	50	60	70	80	90
महिने		2	4	8	12	16	20	24	28	32	36	
<b>इंजिन</b>												
1-1.	वॉटर पंप ड्राइव्ह बेल्ट (टॅशन, झीज)	-									R	
1-2.	इंजिन कूलंट <b>SUZUKI LLC: Super (Blue) (#1,2)</b>	फक्त पहिल्यांदा:	1,00,000 किमी किंवा 60 महिने यापैकी जे प्रथम असेल तेव्हा बदला.									
	इंजिन कूलंट <b>SUZUKI LLC: Standard (Yellow) (#1,3)</b>	दुसऱ्या वेळी आणि नंतर:	प्रत्येक 40,000 किमी किंवा 24 महिन्यांनी जे आधी येईल तेव्हा बदला.									
1-3.	इंजिन ऑईल, इंजिन ऑईल फिल्टर आणि ड्रेन प्लग गॅस्केट (लेव्हल, गळती)		R	R	R	R	R	R	R	R	R	R
1-4.	कूलिंग सिस्टम होजेस आणि कनेक्शन (गळती आणि नुकसान)											
1-5.	इंजिन माउंटिंग आणि मॅनिफोल्ड फिक्सिंग (सेल, नुकसान)											
1-6.	एक्झॉस्ट सिस्टम (आवाज, गळती इ.)		-		-		-		-		-	
1-7.	पॉझिटिव्ह ब्रॅक केस वेंटिलेशन सिस्टम (होजेस, कनेक्शन आणि वाल्व्ह)		-		-		-		-		-	
1-8.	एक्झॉस्ट गॅस रीसक्युलेशन वाल्व्ह	-	-	-	C	-	-	C	-	-	C	-
<b>इग्निशन</b>												
2-1.	इग्निशन वायर (नुकसान, बिघाड)	-	-		-		-		-		-	
2-2.	स्पाक प्लग	पेट्रोल (Petrol)	प्रत्येक 1,00,000 किमी किंवा 84 महिन्यांनी जे आधी येईल ते बदला									
		सीएनजी (CNG)	प्रत्येक 50,000 किमी किंवा 48 महिन्यांनी जे आधी येईल ते बदला									
<b>इंधन</b>												
3-1.	एअर क्लीनर फिल्टर एलिमेंट	पक्का-रोड	प्रत्येक 5,000 किमी स्वच्छ करा. प्रत्येक 40,000 किमी बदला									
		धुळीची स्थिती	दर 2,500 किमी स्वच्छ करा. प्रत्येक 40,000 किमी वर बदला. अधिक वारंवार बदलण्याची जर परिस्थिती गंभीर असेल तर.									
3-2.	इंधन टाकी कॅप, इंधन रेषा आणि कनेक्शन (गळती आणि नुकसान)		-	-	-		-	-	-	-		-

#1: "ऑपरटिंग युवर व्हेईकल" विभागातील दैनंदिन तपासणी अंतर्गत इंजिन कूलंट लेव्हल तपासा.

नवीन कारमध्ये ज्या प्रकारचे कूलंट भरले जाते केवळ त्याचप्रकारचे कूलंट बदलतांना किंवा वाढवितांना वापरावे. या विभागात "इंजिन कूलंट" चा संदर्भ घ्या.

#2: तुमच्या गाडीमध्ये **SUZUKI LLC: Super (Blue)** कूलंट वापरलेले असल्यास **SUZUKI LLC: Standard (Yellow)** कूलंट किंवा डिस्टिल्ड वॉटर किंवा इतर पदार्थ वापरू नका.

#3: तुमच्या गाडीमध्ये **SUZUKI LLC: Standard (Yellow)** कूलंट भरलेला असल्यास, **SUZUKI LLC: Standard (Yellow)** कूलंट शेड्यूलचे पालन करा.

तपासणी आणि देखभाल

मध्यांतर: हे मध्यांतर ओडोमीटर रीडिंग किंवा महिने, जे आधी येईल त्यावरून ठरवले पाहिजे.		मोफत तपासणी				सशुल्क नियतकालिक देखभाल						
		km (x1000)	5	10	20	30	40	50	60	70	80	90
		महिने	2	4	8	12	16	20	24	28	32	36
3-3.	इंधन फिल्टर (गळती)					R				R		
3-4.	सीएनजी इंधन लाइन जोड (गॅस गळती)											
3-5.	ओ-रिंगसह सीएनजी लो प्रेशर फिल्टर कार्टरिज	-	-	R	-	R	-	R	-	R	-	
3-6.	सीएनजी सिलेंडर लीक चाचणी आणि प्रमाणपत्र	प्रारंभिक चाचणीच्या तारखेपासून दर 3 वर्षांनी सरकारच्या मंजूर चाचणी एजन्सीद्वारे										
3-7.	सीएनजी फिल्टर रिसेप्टकल ओ-रिंग	दर 4 वर्षे किंवा 3,00,000 किमी, जे आधी येईल त्यावेळी बदला										
<b>क्लच आणि ट्रान्समिशन</b>												
4-1.	क्लच पेडल (प्ले)											
4-2.	क्लच स्लिपिंग (ड्रॉगिंग किंवा जास्त नुकसान)											
4-3.	गियर शिफ्टर (ऑपरेशन)											
4-4.	मॅन्युअल ट्रान्समिशन ऑइल (पातळी, गळती)											
4-5.	मागील डिफरेंशियल ऑईल (पातळी, गळती)	80,000 किमी किंवा 4 वर्षांनी जे आधी येईल तेव्हा बदला										
4-6.	प्रोपेलर शाफ्ट / युनिव्हर्सल जॉइंट (लूज, नुकसान) ब्रेक फ्लुइड (पातळी, गळती)		I&L	I&L	I&L	I&L	I&L	I&L	I&L	I&L	I&L	
<b>ब्रेक</b>												
5-1.	ब्रेक फ्लुइड (पातळी, गळती)											
5-2.	ब्रेक पेडल (पेडल - फ्रंट पॅनल क्लिअरन्स)	प्रत्येक 40,000 किमी किंवा 24 महिन्यांनी जे आधी येईल ते बदला										
5-3.	पाकिंग ब्रेक लीव्हर आणि केबल (प्ले, नुकसान)											
5-4.	ब्रेक डिस्क आणि पॅड (झीज)											
5-5.	ब्रेक ड्रम आणि शूज (झीज)	-	-									
5-6.	मास्टर सिलेंडर, व्हील सिलेंडर आणि कॅलिपर पिस्टन (फ्लुइड गळती, बूट/नुकसान)											
5-7.	ब्रेक होजेस आणि पाईप्स (गळती, नुकसान)											
<b>चाक</b>												
6-1.	टायर (हवेचा दाब, असामान्य झीज, क्रॅक आणि रोटेशन)	I&O	I&O	I&O	I&O	I&O	I&O	I&O	I&O	I&O	I&O	
6-2.	चाके (नुकसान)											
6-3.	पुढील/मागील चाक बेअरिंग (सैल, नुकसान)											

## तपासणी आणि देखभाल

मध्यांतर: हे मध्यांतर ओडोमीटर रीडिंग किंवा महिने, जे आधी येईल त्यावरून ठरवले पाहिजे.		मोफत तपासणी				सशुल्क नियतकालिक देखभाल						
		km (x1000)	5	10	20	30	40	50	60	70	80	90
		महिने	2	4	8	12	16	20	24	28	32	36
<b>समोर / मागील सस्पेंशन</b>												
7-1.	फ्रंट सस्पेंशन स्ट्रट आणि शॉक अॅब्सॉर्बर (ऑईल गळती, नुकसान)											
7-2.	फ्रंट सस्पेंशन आर्म्स, नकल सपोर्ट आणि टेन्शन रॉड्स (सैल, नुकसान)											
7-3.	मागील लोफ स्प्रिंग (नुकसान)											
7-4.	मागील शॉक अॅब्सॉर्बर (ऑईल गळती, नुकसान)											
7-5.	सर्व बोल्ट आणि नट (सैल)	T	T	T	T	T	T	T	T	T	T	
<b>स्टीयरिंग</b>												
8-1.	स्टीयरिंग व्हील (प्ले, सैल)											
8-2.	स्टीयरिंग कॉलम रॉड्स आणि आर्म्स (सैल, नुकसान, झीज)											
<b>इलेक्ट्रिकल</b>												
9-1.	बॅटरी - इलेक्ट्रोलाइट (स्तर, गळती) आणि व्होल्टेज											
9-2.	वायरिंग हार्नेस कनेक्शन (सैल, नुकसान)											
9-3.	प्रकाश व्यवस्था (ऑपरेशन)											
9-4.	वाइपर (ऑपरेशन, डाग, नुकसान)											
9-5.	हॉर्न (ऑपरेशन)											
9-6.	एॅक्सेसरी सॉकेट (ऑपरेशन)											
<b>बाँडी</b>												
10-1.	सर्व चेसिस बोल्ट आणि नट (घडू करा)		T	T	T	T	T	T	T	T	T	
10-2.	सर्व लॅचेस, बिजागन्या आणि कुलूपे (कार्य)	I&L	I&L	I&L	I&L	I&L	I&L	I&L	I&L	I&L	I&L	
10-3.	कार्गो बँड (तपासणी)											
<b>रस्ता चाचणी</b>												
11-1.	ब्रेक, क्लच, गियर शिफ्टिंग आणि स्पीडोमीटरचे ऑपरेशन											
11-2.	बाँडी आणि चेसिस आवाज											

## तपासणी आणि देखभाल ऑपरेशन्स ग्राहकांद्वारे केल्या जातील

खालील तक्ता तुम्ही करू शकता त्या तपासणी आणि देखभाल ऑपरेशन्स दाखवते. तुम्ही तपासणी, ग्रीसिंग, ल्युब्रिकेशन आणि इतर सेवा केव्हा कराव्यात याची वारंवारता हा तक्ता दाखवतो.

फ्रिक्वेन्सी	अनु. क्र.	ऑपरेशन	संदर्भ
रोज	1	हवेचा दाब, असामान्य झीज, क्रॅक आणि नुकसान यासाठी सर्व टायर (स्पेअर व्हीलसह) तपासा.	पृष्ठ क्रमांक. 7-19
साप्ताहिक	2	इंजिन ऑइल लेव्हल तपासा, आवश्यक असल्यास, मारुती अस्सल इंजिन ऑईलने टॉप अप करा.	पृष्ठ क्रमांक. 7-8
	3	कूलंट रीझर्व्हायरातील कूलंट पातळीचे निरीक्षण करा आणि आवश्यक असल्यास, शिफारस केलेले मारुती अस्सल कूलंट आणि निर्दिष्ट प्रमाणात डिस्टिल्ड वॉटर यांचे मिश्रण करा.	पृष्ठ क्रमांक. 7-11
	4	ट्रान्समिशन ऑइल लेव्हल आणि डिफरेंशियल ऑइल लेव्हल तपासा.	पृष्ठ क्रमांक. 7-15
	5	ब्रेक फ्लुइड रीझर्व्हायरातील ब्रेक फ्लुइड पातळी तपासा आणि आवश्यक असल्यास, मारुती जेन्युइन् ब्रेक फ्लुइडसह टॉप अप करा.	पृष्ठ क्रमांक. 7-16
	6	साठी वाहनाची तपासणी करा <ul style="list-style-type: none"> <li>• इंजिन ऑईल गळती</li> <li>• कूलंट गळती</li> <li>• ब्रेक फ्लुइड गळती</li> </ul> <ul style="list-style-type: none"> <li>• फ्रंट सस्पेंशन स्ट्रट गळती</li> <li>• मागील शॉक शोषक गळती</li> <li>• इंधन गळती</li> <li>• ट्रान्समिशन ऑइल आणि डिफरेंशियल ऑइल लीकेज</li> </ul>	तपासणी आणि देखभाल विभाग
	7	बॅटरी इलेक्ट्रोलाइट पातळी, टर्मिनल आणि ब्रॅकेट तपासा.	पृष्ठ क्रमांक. 7-21
	8	व्हील माउंटिंग नट्सची तपासणी करा आणि आवश्यक असल्यास घट्ट करा.	पृष्ठ क्रमांक. 8-5

## तपासणी आणि देखभाल

मासिक	9	नुकसान किंवा बिघाडासाठी ड्राइव्ह बेल्ट तपासा.	पृष्ठ क्रमांक. 7-8
	10	एयर फिल्टर एलिमेंट स्वच्छ करा.	पृष्ठ क्रमांक. 7-14
	11	बहुउद्देशीय ग्रीस वापरून सर्व लॅचेस, बिजागऱ्या आणि लॉक ग्रीस करा.	पृष्ठ क्रमांक. 7-5
	12	ग्रीस गनसह ग्रीस प्रोपेलर शाफ्ट युनिव्हर्सल जॉइंट.	पृष्ठ क्रमांक. 7-19
जेव्हा आणि आवश्यक असेल तेव्हा	13	क्लच पेडल प्लेचे निरीक्षण करा.	पृष्ठ क्रमांक. 7-16
	14	इंजिन चालू असताना ब्रेक्स लावून ब्रेक पेडल ते फ्लोअर पॅनल अंतराची तपासणी करा.	पृष्ठ क्रमांक. 7-17
	15	योग्य अँडजेस्टमेंटसाठी पार्किंग ब्रेकची तपासणी करा.	पृष्ठ क्रमांक. 7-18

\* वाहन एका बाजूला खेचत असल्यास किंवा जास्त वेगाने कंपन होत असल्यास चाकांचे अलाईनमेंट आणि संतुलन तपासा आणि / किंवा अँडजेस्ट करा.

## झाडव्ह बेल्ट

### ⚠ चेतावणी

इंजिन चालू असताना, हात, केस, कपडे, टल्स इ. फिरत्या पख्यापासून आणि ड्रायव्हिंग बेल्टपासून दूर ठेवा.

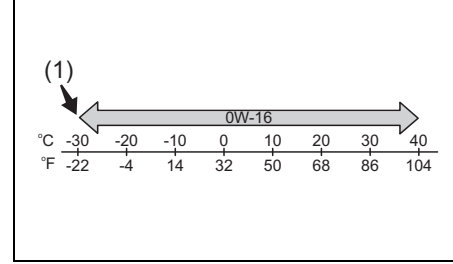
झाडव्ह बेल्टचा ताण योग्य असल्याची खात्री करा. जर बेल्ट खूप सैल असेल, तर अपुरी बॅटरी चार्जिंग इंजिन ओव्हरहिटिंग किंवा बेल्टची जास्त झीज होऊ शकते.

बेल्टचे नुकसान झालेले नाही याची खात्री करण्यासाठी त्याची तपासणी देखील केली पाहिजे.

जर तुम्हाला बेल्ट बदलायचा असेल किंवा अँडजस्ट करायचा असेल तर तो तुमच्या मारुती सुझुकीच्या अधिकृत वकशापद्वारे करून घ्या.

## इंजिन ऑईल आणि फिल्टर निर्दिष्ट ऑईल

### भारतासाठी



56RM07013

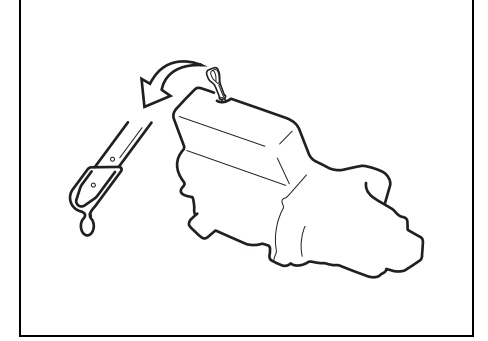
(1) शिफारस केलेले तुम्ही वापरत असलेले इंजिन ऑईल एपीआय एसएन च्या गुणवत्तेच्या वर्गीकरणात येत असल्याचे तपासा. वरील चार्टनुसार योग्य स्निग्धतेच्या ऑईलची निवडा.

एसएड **0W-16** (1) इंधनाच्या उत्तम अर्थव्यवस्थेसाठी आणि थंड हवामानात चांगले सुरु होण्यासाठी सर्वोत्तम पर्याय आहे.

### सुचना:

- तुम्ही निवडलेल्या इंजिन ऑईलच्या प्रकारानुसार बदलण्याची वेळ बदलते. या विभागात "देखभाल वेळापत्रक" पहा संबंधित देखभाल वेळापत्रकासाठी.
- आम्ही शिफारस करतो की तुम्ही मारुती सुझुकी अस्सल ऑईल वापरो. ते खरेदी करण्यासाठी, मारुती सुझुकीच्या अधिकृत वकशापला भेट द्या.

## ऑईल पातळी तपासा



55RH07002

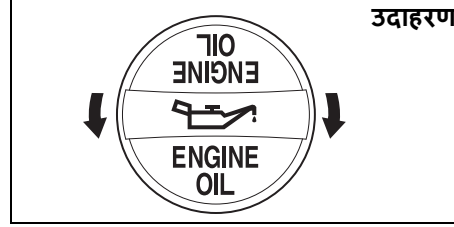
तुमच्या वाहनाच्या इंजिनच्या योग्य ल्युब्रिकेशनसाठी इंजिन ऑईल योग्य पातळीवर ठेवणे महत्त्वाचे आहे. सपाट पृष्ठभागावर वाहनाच्या ऑईलची पातळी तपासा. वाहन उतारावर असल्यास ऑईल पातळीचे संकेत चुकीचे असू शकतात. इंजिन सुरु करण्यापूर्वी किंवा इंजिन थांबवल्यानंतर किमान 5 मिनिटांनी ऑईलची पातळी तपासली पाहिजे.

ऑईल डिपस्टिक बाहेर काढा, स्वच्छ कापडाने ऑईल पुसून टाका, डिपस्टिक इंजिनमध्ये संपूर्णपणे घाला आणि नंतर पुन्हा काढा. स्टिकवरील ऑईल स्टिकवर दर्शविलेल्या वरच्या आणि खालच्या मर्यादेच्या दरम्यान असावे. ऑईल पातळीचे संकेत खालच्या मर्यादेजवळ असल्यास, पातळी वरच्या मर्यादेपर्यंत वाढवण्यासाठी पुरेसे ऑईल घाला.

**सूचना**

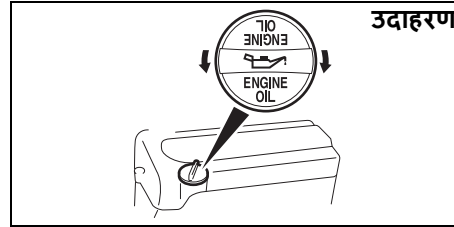
ऑईलची पातळी नियमितपणे तपासण्यात अयशस्वी झाल्यास अपुऱ्या ऑईलमुळे इंजिनमध्ये गंभीर समस्या निर्माण होऊ शकतात.

**रीफिलिंग**



68PH00762

ऑइल फिलर कॅप काढा आणि डिपस्टिकवरील ऑइलची पातळी वरच्या मर्यादेपर्यंत आणण्यासाठी फिलर होलमधून हळूहळू ऑइल घाला. जास्त न भरण्याची कोळजी घ्या. बरेच जास्त ऑइल कमी ऑइल असण्याप्रमाणेच खराब असते. रीफिलिंग केल्यानंतर, इंजिन सुरु करा आणि सुमारे एक मिनिट ते निष्क्रिय चालू द्या. इंजिन बंद करा, 5 मिनिटे प्रतीक्षा करा आणि पुन्हा ऑइलची पातळी तपासा.



68PM00703

**इंजिन ऑइल आणि फिल्टर बदलणे**

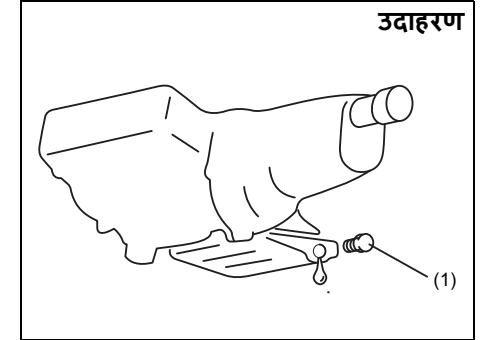
इंजिन उबदार असताना इंजिन ऑइल काढून टाका.

- 1) ऑइल फिलर कॅप काढा.
- 2) ड्रेन प्लगच्या खाली ड्रेन पॅन ठेवा.
- 3) पांना वापरून, ड्रेन प्लग काढा आणि इंजिन ऑइल काढून टाका.

**सावधगिरी**

ड्रेन प्लग सैल केल्यावर तुमची बोटे भाजण्याइतपत इंजिन ऑइलचे तापमान जास्त असू शकते. ड्रेन प्लग आपल्या उघड्या हातांनी स्पर्श करण्यासाठी पुरेसे थंड होईपर्यंत प्रतीक्षा करा.

**उदाहरण**



77PM07007

ड्रेन प्लगसाठी टॉर्क घट्ट करणे (1):  
50 Nm (5.1 kg-m, 36.9 lb-ft)

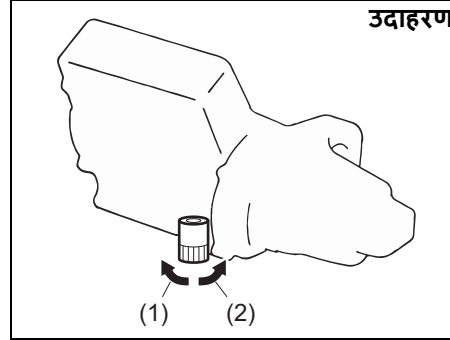
⚠ चेतावणी

नवीन आणि वापरलेले ऑईल घातक असू शकते. नवीन किंवा वापरलेले ऑईल गिळल्याने मुले आणि पाळीव प्राण्यांना इजा होऊ शकते. नवीन आणि वापरलेले ऑईल आणि वापरलेले ऑईल फिल्टर लहान मुले आणि पाळीव प्राण्यांपासून दूर ठेवा. वारंवार, वापरलेल्या इंजिन ऑईलशी दीर्घकाळ संपर्क आल्याने त्वचेचा कर्करोग होऊ शकतो. वारंवार, वापरलेल्या इंजिन ऑईलशी दीर्घकाळ संपर्क आल्याने त्वचेचा कर्करोग होऊ शकतो. वापरलेल्या ऑईलचा किंचितसाही संपर्क त्वचेला त्रास देऊ शकतो. वापरलेल्या ऑईलसोबत तुमचे एकसपोजर कमी करण्यासाठी, ऑईल बदलताना लांब-स्लीव्ह शर्ट आणि ओलावा-प्रुफ हातमोजे (जुसे की डिशवाशिंग ग्लोव्हज) घाला. जर ऑईलचा आपल्या त्वचेशी संपर्क आला असेल तर साबण आणि पाण्याने स्वच्छ धवा. कौणतेही कपडे किंवा चिंध्या ऑईलने भिजलेल्या असल्यास त्या धुवा. वापरलेले ऑईल आणि फिल्टर योग्यरित्या रीसायकल करा किंवा विल्हेवाट लावा.

- 4) ड्रेन प्लग आणि गॅस्केट पुन्हा स्थापित करा. निर्दिष्ट टॉकवर रेंचने प्लग घट्ट करा.

ऑईल फिल्टर बदला

- 1) ऑईल फिल्टर रेंच वापरून, ऑईल फिल्टर घड्याळाच्या उलट दिशेने फिरवा आणि ते काढून टाका.
- 2) स्वच्छ चिंधी वापरून, नवीन फिल्टर बसलेल्या इंजिनवरील माउंटिंग पृष्ठभाग पसून टाका.
- 3) नवीन ऑईल फिल्टरच्या रबर गॅस्केटभोवती थोडेसे इंजिन ऑईल लावा.
- 4) फिल्टर गॅस्केट माउंटिंग पृष्ठभागाशी संपर्क करेपर्यंत नवीन फिल्टरला हाताने पिळा.



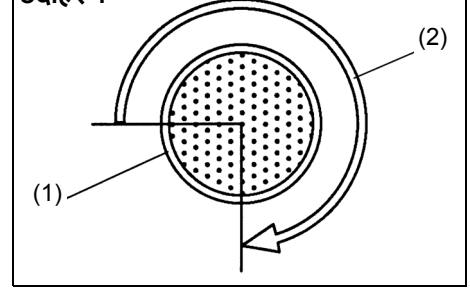
उदाहरण

- (1) सैल करणे
- (2) घट्ट करणे

77PH017

घट्ट करणे (फिल्टरच्या टॉपवरून पाहिले जाते)

उदाहरण



54G093

- (1) ऑईल फिल्टर
- (2) 3/4 फिरवणे

सूचना

ऑईल फिल्टर योग्यरित्या घट्ट करण्यासाठी, फिल्टर गॅस्केट ज्या स्थानावर माउंटिंग पृष्ठभागाशी प्रथम संपर्क साधते ते अचूकपणे ओळखणे महत्वाचे आहे.

- 5) ऑईल फिल्टर रेंचचा वापर करून माउंटिंग पृष्ठभाग (किंवा निर्दिष्ट टॉककडे) संपर्काच्या बिंदूपासून निर्दिष्ट केलेले फिल्टर घट्ट करा.

ऑईल फिल्टर 3/4 टर्न किंवा 14 Nm (1.4 kgf-m, 10.3 lbf-ft) साठी टॉक घट्ट करणे



सूचना
ऑईल गळती रोखण्यासाठी, ऑईल फिल्टर घट्ट असल्याची खात्री करा, परंतु ते फार जास्त घट्ट करू नका.

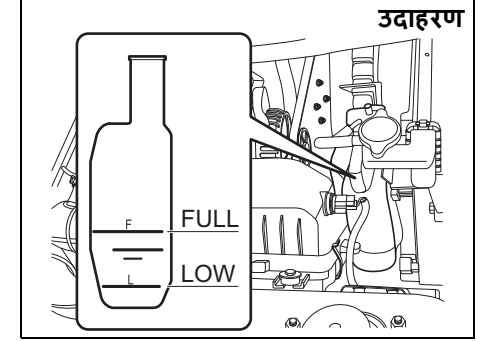
### ऑईल पुन्हा भरा आणि गळती तपासा

- 1) फिल्टर होलमधून ऑईल ओता आणि फिल्टर कॅप बसवा. ऑईलच्या अंदाजे क्षमतेसाठी, "स्पेसिफिकेशन्स" विभागातील "क्षमता" आयटम पहा.
- 2) इंजिन सुरू करा आणि ऑईल फिल्टर आणि ड्रेन प्लेगमधील गळतीसाठी काळजीपूर्वक पहा. कमीतकमी 5 मिनिटे वेगवेगळ्या वेगाने इंजिन चालवा.
- 3) इंजिन थांबवा आणि सुमारे 5 मिनिटे प्रतीक्षा करा. ऑईलची पातळी पुन्हा तपासा आणि आवश्यक असल्यास ऑईल घाला. लीकसाठी पुन्हा तपासा

सूचना
<ul style="list-style-type: none"> <li>• ऑईल फिल्टर बदलताना, तुम्ही मारुती अस्सल फिल्टर वापरण्याची शिफारस केली जाते. तुम्ही आफ्टर मार्केट फिल्टर वापरत असल्यास, ते समतुल्य गुणवत्तेचे असल्याची खात्री करा आणि निर्मात्याच्या सूचनांचे अनुसरण करा.</li> <li>• ऑईल फिल्टर, किंवा ड्रेन प्लगच्या आजूबाजूला ऑईलची गळती चुकीचे इन्स्टालेशन किंवा गस्केट खराब झाल्याचे सूचित करते. तुम्हाला कोणतीही गळती ओढळल्यास किंवा फिल्टर योग्य प्रकारे घट्ट केल्याची खात्री नसल्यास, तुमच्या अधिकृत मारुती सुझुकी कर्माशेयल वर्कशॉपद्वारे वाहनाची तपासणी करा.</li> </ul>

## इंजिन कूलंट

### कूलंट लेवल तपासणी



77PM07010

कूलंट लेव्हल रेडिएटरवर नाही तर रिझर्वायर टँक वर तपासा. जेव्हा इंजिन थंड असते, तेव्हा कूलंट लेव्हल "पूर्ण" आणि "निम्न" चिन्हांच्या दरम्यान असावे.

कूलंट लेव्हल "निम्न" चिन्हापेक्षा कमी असल्यास, कूलंट जोडले पाहिजे.

### कूलंट जोडणे आणि बदलणे

जेव्हा तुम्ही कूलंट जोडता, तेव्हा रिझर्वायर टँकचे झाकण काढून टाका आणि इंजिन थंड झाल्यावर रिझर्वायर टँकची पातळी "पूर्ण" चिन्हापर्यंत पोहोचपर्यंत कूलंट घाला. रिझर्वायर टँक "पूर्ण" चिन्हाच्या वर कधीही भरू नका.

कूलंट बदलण्यासाठी विशेष प्रक्रिया आवश्यक असल्याने, या कामासाठी Maruti Suzuki च्या अधिकृत वर्कशॉप ला विचारा.

### ⚠ चेतावणी

इंजिनचे कूलंट गिळल्यामुळे गंभीर दुखापत किंवा मृत्यू होऊ शकतो. कूलंट धुके किंवा वाफ इनहेल केल्याने किंवा तुमच्या डोळ्यांमध्ये कूलंट गेल्याने गंभीर दुखापत होऊ शकते.

- अँटीफ्रीझ किंवा कूलंट सोल्युशन पिऊ नका. जर गिळले असेल तर उलट्या करू नका. विष नियंत्रण केंद्र किंवा डॉक्टरांशी त्वरित संपर्क साधा.
- कूलंट धुके किंवा गरम वाफ इनहेल करणे टाळा. श्वासा द्वारे आत घेतल्यास, ताज्या हवेत जा.
- जर कूलंट डोळ्यांत गेले तर पाण्याने धुवा आणि वैद्यकीय मदत घ्या.
- कूलंट होताळल्यानंतर पूर्णपणे स्वच्छ धुवा.
- इंजिन कूलंट मुलांच्या आणि पाळीव प्राण्यांपासून दूर ठेवा.

### सूचना

रिजव्हॉयर टाकीवर झाकण लावताना, झाकणावरील चिन्ह आणि टाकीवरील चिन्ह एकमेकांशी जुळवा. असे न केल्यास कूलंट गळती होऊ शकते.

### कूलंटची निवड

तुमच्या इंजिनची इष्टतम कार्यक्षमता आणि टिकाऊपणा राखण्यासाठी, **MARUTI SUZUKI** चे अस्सल कूलंट किंवा समतुल्य कूलंट चा वापर करा.

खालील कारणांसाठी कूलिंग सिस्टमसाठी या प्रकारचे कूलंट सर्वोत्तम आहे:

- कूलंट योग्य इंजिन तापमान राखण्यास मदत करते.
- हे अतिशीत आणि उकळण्यापासून योग्य संरक्षण देते.
- हे गंज आणि गंजांपासून योग्य संरक्षण देते.

योग्य कूलंट वापरण्यात अयशस्वी झाल्यामुळे तुमच्या कूलिंग सिस्टमला हानी पोहोचू शकते. मारुती सुझुकीची अधिकृत वर्कशॉप तुम्हाला योग्य कूलंट निवडण्यात मदत करू शकते.

### सूचना

आपल्या कूलिंग सिस्टमला नुकसान टाळण्यासाठी:

- नेहमी उच्च दर्जाचे इथिलीन ग्लायकोल बेस नॉन-सिलिकेट प्रकारचे कूलंट वापरा जे डिस्टिल्ड वाटरने योग्य मिक्सिंग कॉन्सेंट्रेशन ने पातळ केले जाते.
- अतिरिक्त इनहिबिटर किंवा अँटीटीव्ह जोडू नका. ते कदाचित तुमच्या कूलिंग सिस्टमशी सुसंगत नसू शकतात.
- वेगवेगळ्या प्रकारचे बेस कूलंट मिक्स करू नका. असे केल्याने एक्सिलेरेटेड सील वेअर आणि/किंवा गंभीर ओव्हरहाटिंग आणि इंजिन/ट्रान्समिशनचे व्यापक नुकसान होण्याची शक्यता निर्माण होऊ शकते. कूलंट मिसळण्याच्या बाबतीत Maruti Suzuki च्या अधिकृत वर्कशॉपमधून तुमच्या वाहनाची तपासणी करा.

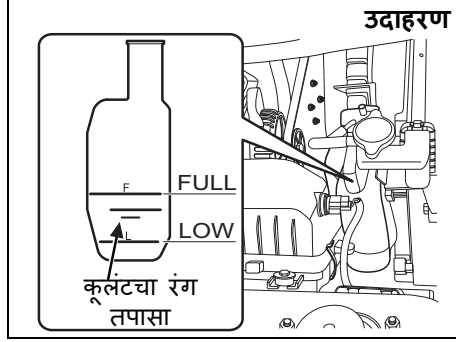
### सूचना:

**Maruti Suzuki** चे अस्सल कूलंट वापरण्याची शिफारस **Maruti Suzuki** करते. **Maruti Suzuki** अस्सल कूलंट खास तुमच्या **Maruti Suzuki** उत्पादनासाठी तयार केले आहे आणि इच्छित वाहन कार्यप्रदर्शन आणि आदर्श ड्रायव्हिंग अनुभवासाठी योगदान देते.

तुमच्या वाहनाच्या उत्पादन कालावधीनुसार, नवीन कारमध्ये कूलंटचा प्रकार बदलतो. कूलंट दोन प्रकार आहेत: **SUZUKI LLC: Super (Blue)** कूलंट आणि **SUZUKI LLC: Standard (Yellow)** कूलंट. तुम्ही तुमच्या वाहनातील मूळ कूलंट प्रकार रिझर्वायर टॅक

## तपासणी आणि देखभाल

मधील कूलंटच्या रंगावरून तपासू शकता (खालील चित्र पहा).



77PM07033

कूलंटचा रंग (Coolant Color)	कूलंटचा प्रकार (Coolant Type)
Blue	Suzuki LLC : Super
Yellow	Suzuki LLC : Standard

सूचना:

नवी कार घेतल्यावर ज्या प्रकारचे कूलंट भरले जाते तेच प्रकारचे कूलंट कूलंट टॉप अप करताना किंवा बदलताना वापरीवे.

**SUZUKI LLC: Super (Blue) कूलंट:**

### सूचना

- हे कूलंट आधीच योग्य टक्केवारीत पातळ केले आहे. याव्यतिरिक्त, डिस्टिल्ड वाटरने पातळ करू नका. असे केल्याने कूलंट अतिथंड आणि/किंवा जास्त गरम होण्याची शक्यता निर्माण होऊ शकते.
- जेव्हा तुमचे वाहन असेल Suzuki LLC: Super (Blue) कूलंट ने भरलेले होते तेव्हा SUZUKI LLC: Standard (Yellow) कूलंट किंवा डिस्टिल्ड वाटर किंवा इतर जोडू नका. असा प्रकार आढळल्यास, Maruti Suzuki च्या अधिकृत वकशाप मध्ये वाहनाची तपासणी करून घ्या.

**SUZUKI LLC: Standard (Yellow) कूलंट:**

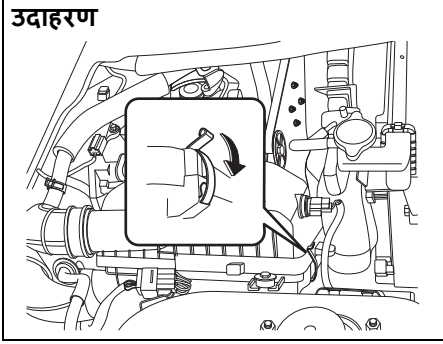
### सूचना

- वापरल्या जाणाऱ्या मिश्रणाचे प्रमाण 30% अँटीफ्रीझ आणि 70% डिस्टिल्ड वाटर असावे. सरळ कूलंट किंवा साधे पाणी वापरू नका.
- तुमच्या क्षेत्रातील सभोवतालचे सर्वात कमी तापमान  $-15^{\circ}\text{C}$  ( $5^{\circ}\text{F}$ ) किंवा त्याहून कमी असणे अपेक्षित असल्यास, अँटीफ्रीझ कंटेनरवरील सूचनांचे पालन करून 60% पर्यंत उच्च सांद्रता (कॉन्सेंट्रेशन) वापरा. 60% पेक्षा जास्त सांद्रता (कॉन्सेंट्रेशन) जास्त गरम होण्याची परिस्थिती निर्माण करेल.
- जेव्हा तुमचे वाहन SUZUKI LLC: Standard (Yellow) कूलंट ने भरलेले असते: SUZUKI LLC: Standard (Yellow) कूलंट, मॅटेनन्स शेड्यूलचे पालन करा: या विभागातील Suzuki LLC: Standard (Yellow) कूलंट. तुम्ही Suzuki LLC: Super (Blue) ने बदलल्यास: कूलंट, त्यानंतर मारुती सुझुकीच्या अधिकृत वकशापद्वारे वाहनाची तपासणी करा.

## एयर क्लिनर

जर एअर क्लीनर धुळीने भरलेला असेल, तर जास्त प्रमाणात सेवने प्रतिरोधक क्षमता असेल, परिणामी पावर आउटपुट कमी होईल आणि इंधनाचा वापर वाढेल.

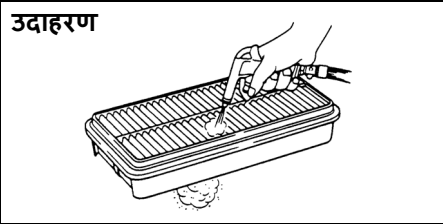
### उदाहरण



77PM07011

साइड क्लॅम्प्स अनक्लॅम्प करा आणि एअर क्लीनर केसमधून एलिमेंट काढा.

### उदाहरण



60A183

जर ते गलिच्छ दिसत असेल तर, नियमित देखभाल वेळापत्रकानुसार एअर क्लीनर स्वच्छ करा किंवा नवीन वापरा.

## स्पाक प्लग

### स्पाक प्लग बदलणे आणि तपासणी करणे

विशेष प्रक्रिया, साहित्य आणि साधने आवश्यक असल्याने, तुम्ही तुमच्या मारुती सुझुकीच्या अधिकृत वक्रीपवर या कामासाठी विश्वास ठेवावा अशी शिफारस केली जाते.

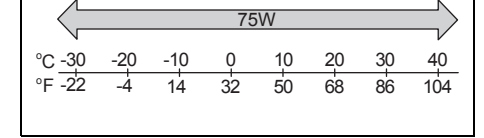
## गियर ऑइल

### मॅन्युअल ट्रान्समिशन ऑइल / डिफरेंशियल ऑइल

गियर ऑइल टाकताना, खालील तक्त्यामध्ये दर्शविल्याप्रमाणे योग्य स्निग्धता आणि ग्रेडसह गियर ऑइल वापरा.

### मॅन्युअल ट्रान्समिशन ऑइल

#### उदाहरण

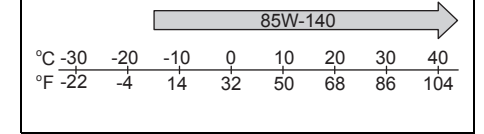


68LM728

मॅन्युअल ट्रान्समिशन गियर ऑइलसाठी "मारुती जेनईन गियर ऑइल 75डब्ल्यू" वापरण्याची आम्ही जोरदार शिफारस करतो.

### मागील डिफरन्शियल ऑइल

#### उदाहरण



77PH075

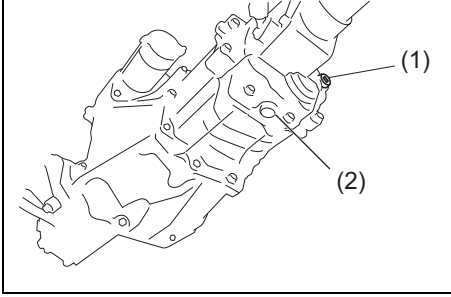
आम्ही तुम्हाला रीअर डिफरन्शियल ऑइलसाठी: "टोटलफिनाल्फ ट्रान्ससेल्फ एलएल 85डब्ल्यू-140" वापरण्याची जोरदार शिफारस करतो

## तपासणी आणि देखभाल

### गियर ऑइल पातळी तपासा

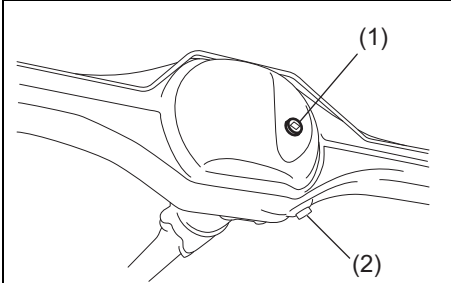
#### मॅन्युअल ट्रान्समिशन

##### उदाहरण



77PH078

#### मागील डिफरेंशियल



##### उदाहरण

77PH047

1. ऑइल फिलर आणि लेव्हल प्लग (पुन्हा वापरू नका).
2. ऑइल ड्रेन प्लग.

गियर ऑइलची पातळी तपासण्यासाठी, खालील प्रक्रिया करा:

- 1) पार्किंग ब्रेक लावून वाहन समतल पृष्ठभागावर पार्क करा.
- 2) ऑइल फिलर आणि लेव्हल प्लग (1) काढा.
- 3) आपल्या बोटाने छिद्राच्या आतील बाजू तपासा. जर ऑइलची पातळी प्लग होलच्या तळाशी आली तर ऑइलची पातळी योग्य आहे. तसे असल्यास, प्लग पुन्हा स्थापित करा. ऑइल फिलर आणि लेव्हल प्लगसाठी टॉर्क घट्ट करणे
- 4) जर ऑइलची लेव्हल कमी असेल तर ऑइलची लेव्हल फिलर होलच्या तळाशी येईपर्यंत ऑइल फिलर प्लग होल (1) मध्ये गीअर ऑइल घाला, नंतर प्लग पुन्हा लावा.

ऑइल फिलर आणि लेव्हल प्लगसाठी टॉर्क घट्ट करणे

मॅन्युअल ट्रान्समिशन (1):

23 Nm (2.3 kgf-m, 17.0 lbf-ft)

मागील डिफरेंशियल (1):

25 Nm (2.5 kgf-m, 18.5 lbf-ft)

सुचना:

मागील डिफरेंशियलसाठी नेहमी नवीन ऑइल फिलर आणि लेव्हल प्लग (1) वापरा.

### सावधगिरी

वाहन चालविल्यानंतर, गीअर ऑइलचे तापमान तुमची त्वचा भाजण्यासाठी पुरेसे जास्त असू शकते. गीअर ऑइल लेव्हलची तपासणी करण्यापूर्वी ऑइल फिलर प्लग तुमच्या उघड्या हातांनी स्पर्श करण्याइतपत थंड होईपर्यंत प्रतीक्षा करा.

### सुचना

प्लग घट्ट करताना, ऑइल गळती रोखण्यासाठी खालील सीलिंग कपाऊंड किंवा प्लग थ्रेड्सच्या समतुल्य लागू करा.

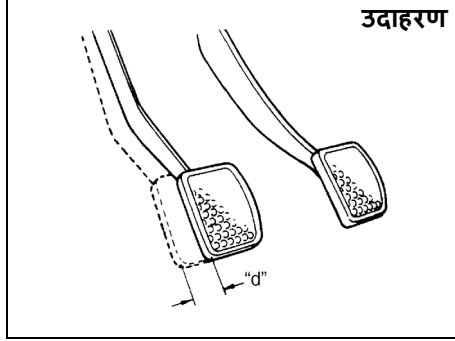
मारुती सुझुकी बॉड क्रमांक "1216E" किंवा "1217G"

### गियर ऑइल वेंज

विशेष प्रक्रिया, साहित्य आणि साधने आवश्यक असल्याने, तुम्ही या कामासाठी तुमच्या अधिकृत मारुती सुझुकी व्यावसायिक कार्यशीलतेवर विश्वास ठेवावा अशी शिफारस केली जाते.

## क्लच पेडल

### केबल कंट्रोल क्लच



54G274

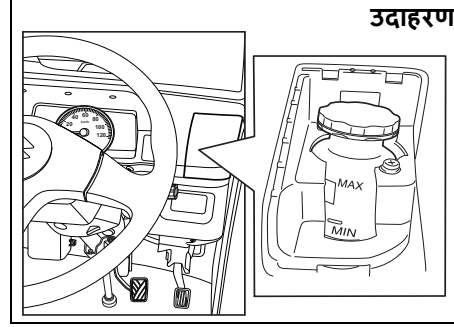
### क्लच पेडल प्ले "d":

10 - 15 mm (0.4 - 0.6 in.)

तुमच्या हाताने क्लच पेडल हलवून क्लच पेडल प्लेचे मोजमाप करा आणि जोपर्यंत तुम्हाला थोडासा प्रतिकार जाणवत नाही तोपर्यंत ते हलते अंतर मोजा. क्लच पेडलमधील प्ले निदिष्ट मल्यांच्या दरम्यान असावे. जर प्ले वरील पेशा जोस्त किंवा कमी असेल किंवा क्लच झिंगिंग पेडल पूर्णपणे डिप्रेस वाटत असेल, तर तुमच्या अधिकृत मारुती सुझुकी कर्मशियल वर्कशापद्वारे क्लचची तपासणी करा.

## ब्रेक्स

### ब्रेक फ्लुइड



77PM706

इन्स्ट्रुमेंट पॅनेलमधील रीझर्व्हायर पाहून ब्रेक फ्लुइडची पातळी तपासा. ब्रेक फ्लुइड सौठ्याची पातळी तपासण्यासाठी स्टीयरिंग व्हीलच्या उजव्या बाजूचे कव्हर काढा. द्रव पातळी "एमएएक्स" आणि "एमआयएन" रेषांच्या दरम्यान असल्याचे तपासा. जर ब्रेक फ्लुइड लेव्हल "एमआयएन" लाईन जवळ असेल, तर मारुती जेन्युइन ब्रेक फ्लुइड (एमजीबीएफ) किंवा डीओटी 3 ने "एमएएक्स" लाईन पर्यंत भरा.

आम्ही "मारुती जेन्युइन ब्रेक फ्लुइड" (एमजीबीएफ) वापरण्याची जोरदार शिफारस करतो.

## ⚠ चेतावणी

खालील मार्गदर्शक तत्वांचे अनुसरण करण्यात अयशस्वी झाल्यास वैयक्तिक इजा किंवा ब्रेक सिस्टमला गंभीर नुकसान होऊ शकते.

- जर रीझर्व्हायरमधील ब्रेक फ्लुइड एखादया विशिष्ट स्तराच्या खाली आला तर इन्स्ट्रुमेंट पॅनेलवरील ब्रेक चेतावणी दिवा 'चालू' होईल (पार्किंग ब्रेक पूर्णपणे मोकळे करून इंजिन सुरु असले पाहिजे). हा दिवा सुरु झाल्यास, ब्रेक सिस्टमची तपासणी करण्यासाठी आपल्या अधिकृत मारुती सुझुकी कर्मशियल वर्कशापला त्वरित विचारा.
- जलद गतीने फ्लुइड कमी होणे ब्रेक सिस्टममध्ये गळतीचे संकेत देते ज्याची तपासणी आपल्या अधिकृत मारुती सुझुकी व्यावसायिक वर्कशापद्वारे त्वरित केली पाहिजे.
- मारुती जेन्युइन ब्रेक फ्लुइड (एमजीबीएफ) किंवा डीओटी 3 व्यतिरिक्त कोणतेही फ्लुइड वापरू नका. आम्ही मारुती जेन्युइन ब्रेक फ्लुइड (एमजीबीएफ) वापरण्याची जोरदार शिफारस करतो. ज्या किंवा उघड्या डब्यामध्ये साठवून ठेवलेला द्रव किंवा रिक्लेम केलेला द्रव वापरू नका. विदेशी कण आणि इतर द्रवपदार्थ ब्रेक फ्लुइड रीझर्व्हायरच्या बाहेर ठेवणे आवश्यक आहे.

⚠ सावधगिरी

ब्रेक फ्लुइड तुमच्या डोळ्यांना हानी पोहोचवू शकते आणि पेंट केलेल्या पृष्ठभागांना नुकसान पोहोचवू शकते. रीझर्व्हॉयर पुन्हा भरताना सावधगिरी बाळगा.

⚠ चेतावणी

• जर वाहन ओव्हर-लोड स्थितीत चालविले गेले असेल तर ब्रेकिंग अंतर जास्त असू शकते आणि जास्त पेडल फोर्स आवश्यक असू शकतो.

⚠ चेतावणी

ब्रेक फ्लुइड गिळल्यास हानिकारक किंवा घातक आणि त्वचेच्या किंवा डोळ्यांच्या संपर्कात आल्यास हानिकारक आहे. गिळल्यास, उलट्या होऊ देऊ नका. विष नियंत्रण केंद्र किंवा डॉक्टरांशी त्वरित संपर्क साधा. जर ब्रेक फ्लुइड डोळ्यात आला तर डोळे पाण्याने धुवा आणि वैद्यकीय मदत घ्या. हाताळल्यानंतर चांगले धुवा. द्रावण प्राण्यांसाठी विषारी असू शकते. मुले आणि प्राणी यांच्या आवाक्याबाहेर ठेवा.

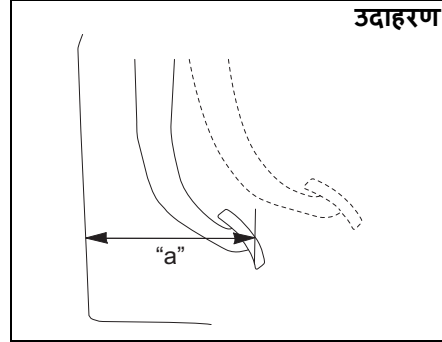
सूचना:

डिस्क ब्रेक दिलेले असल्यास, ब्रेक पॅड्स झीजल्यामुळे द्रव पातळी हळूहळू कमी होण्याची अपेक्षा केली जाऊ शकते.

ब्रेक पेडल

ब्रेक पेडल जेव्हा आपण दाबता तेव्हा स्पंजच्या फिलिंग शिवाय नियमित उंचीवर थांबते की नाही ते तपासा. तसे नसल्यास, आपल्या

अधिकृत मारुती सुझुकी कमर्शियल वर्कशॉपद्वारे ब्रेक सिस्टमची तपासणी करून घ्या. आपल्याला नियमित उंचीसाठी ब्रेक पेडलवर शंका असल्यास, खालीलप्रमाणे ते तपासा:

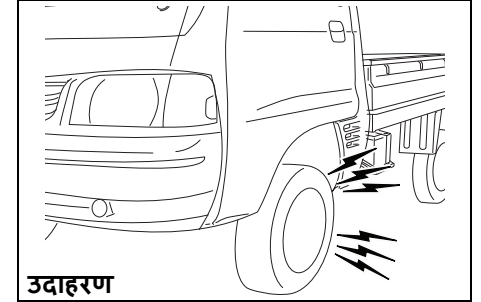


पेडल ते फ्रंट पॅनेल किमान अंतर "a":  
पेट्रोल आणि सीएनजी इंजिन मॉडेल:  
150 mm

इंजिन चालू असताना, पेडल अंदाजे 30 kg (66 lbs) शक्तीने दाबलेले असताना ब्रेक पेडल आणि फ्रंट पॅनेलमधील अंतर मोजा. आवश्यक किमान अंतर निर्दिष्ट केल्याप्रमाणे आहे. तुमच्या वाहनाची ब्रेक सिस्टम स्वतः अँडजस्ट होणारी असल्याने, पेडल अँडजस्ट करण्याची आवश्यकता नाही. वर मोजल्याप्रमाणे पेडल ते फ्रंट पॅनेल अंतर आवश्यक असलेल्या किमान अंतरापेक्षा कमी असल्यास, आपल्या अधिकृत मारुती सुझुकी व्यावसायिक कार्यशाळेद्वारे आपल्या वाहनाची तपासणी करा.

सूचना:

ब्रेक पेडल आणि फ्रंट पॅनेल दरम्यानचे अंतर मोजताना, आपल्या मोजमापात पेट्रोल पॅनेलवर प्लोअर मॅट किंवा रबर समाविष्ट नाही याची खात्री करा.



⚠ चेतावणी

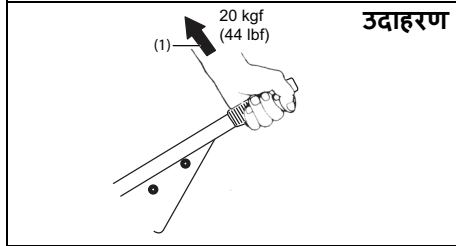
आपल्या वाहनाच्या ब्रेक सिस्टममध्ये आपल्याला खालीलपैकी कोणतीही समस्या येत असल्यास, आपल्या अधिकृत मारुती सुझुकी कमर्शियल वर्कशॉपद्वारे वाहनाची त्वरित तपासणी करा.

- खराब ब्रेकिंग कामगिरी
- असमान ब्रेकिंग (ब्रेक सर्व चाकांवर एकसारखे काम करत नाहीत)
- अत्याधिक पेडल प्रवास
- ब्रेक ड्रॅगिंग
- जास्त आवाज
- पेडल पल्सेशन (दाबले असताना पेडल धडधडते)

**⚠ चेतावणी**

जर ब्रेक पॅडचे अस्तर खराब झाले असेल आणि त्याने किमान जाडी गाठली असेल, तर ब्रेकिंग दरम्यान किचाळणारा आवाज येतो. तुम्हाला हा आवाज ऐकू आल्यास, मारुती सुझुकीच्या अधिकृत वर्कशॉपमधून ताबडतोब वॉर्हेनाची तपासणी करा. या स्थितीत सतत वाहन चालवल्याने अपघात घडू शकतो.

**पार्किंग ब्रेक**



77PM702

**रॅचेट टूथ स्पेसिफिकेशन 6 वा - 9 वा दात लीव्हर पुल फोर्स (1): 200 N (20 kgf, 44 lbf)**

तुम्ही पार्किंग ब्रेक लीव्हरला पूर्ण व्यस्ततेपर्यंत हळूहळू खेचता तेव्हा रॅचेट दातांनी केलेल्या क्लिकची संख्या मोजून योग्य समायोजनासाठी पार्किंग ब्रेक तपासा. पार्किंग ब्रेक लीव्हर निदर्शित रॅचेट दातांच्या दरम्यान थांबले पाहिजे आणि मागील चाके सुरक्षितपणे लांक केलेली असावीत. पार्किंग ब्रेक योग्यरित्या समायोजित केले नसल्यास किंवा लीव्हर पूर्णपणे सोडल्यानंतर ब्रेक ड्रॅग होत असल्यास, आपल्या अधिकृत

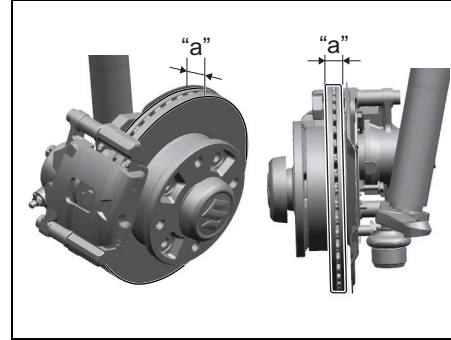
मारुती सुझुकी कमर्शियल वर्कशॉपद्वारे द्वारे पार्किंग ब्रेकची तपासणी आणि / किंवा समायोजित करा.

**⚠ चेतावणी**

- वाहन जास्त भारित असल्यास पार्किंग ब्रेक प्रभावी ठरू शकत नाही. वाहन ठेवण्यासाठी अतिरिक्त चांक वापर.

**ब्रेक डिस्क आणि ब्रेक ड्रम**

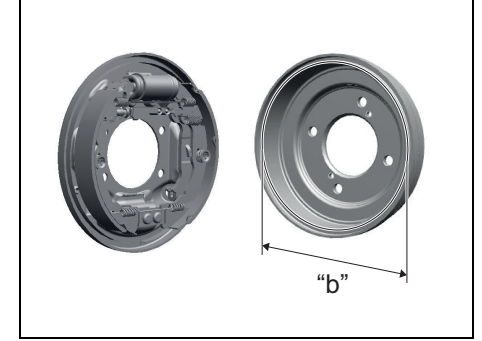
**ब्रेक डिस्क**



77PM709

ब्रेक लोकेशन	किमान जाडी "a"
पुढील चाके	18.0 mm

**ब्रेक ड्रम**



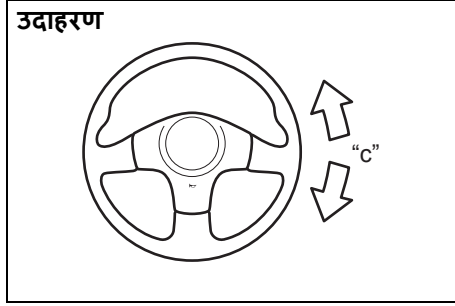
77PM708

ब्रेक लोकेशन	आतील कमाल व्यास "b"
मागील चाके	202 mm

जर मापन केलेली जाडी किंवा सर्वात जास्त जीर्ण झालेल्या भागाचा आतील व्यास वर दर्शविलेल्या मूल्यापेक्षा खाली आला किंवा त्यापेक्षा जास्त असेल तर, भाग नवीनसह बदलले पाहिजेत. मापनामध्ये प्रत्येक ब्रेकचे पथक्करण करणे समाविष्ट आहे आणि मायक्रोमीटर किंवा कॅलिपर वापरणे आवश्यक आहे, जे संबंधित सेवा मॅन्युअलमध्ये वर्णन केलेल्या किंवा संबंधित दुरुस्ती माहिती साइटवरून उपलब्ध असलेल्या सूचनांनुसार केले जाणे आवश्यक आहे.



## स्टीयरिंग



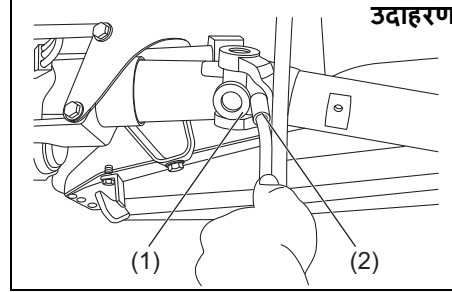
77PH042

स्टीयरिंग व्हील प्ले "C":  
0 – 30 mm (0.0 – 1.2 in.)

स्टीयरिंग व्हील हलक्या हाताने डावीकडून उजवीकडे आणि उजवीकडून डावीकडे वळवणे, चाके सरळ पद्धत्या स्थितीत आणि इंजिन बंद स्थितीत असताना तपासा. तुम्हाला थोडासा प्रतिकार जाणवण्याआधी स्टीयरिंगचे अंतर मोजा. प्ले निर्दिष्ट मूल्यांच्या दरम्यान असावा. मोकळ्या जागेत अतिशय संथ गतीने गाडी चालवताना स्टीयरिंग व्हील उजवीकडे आणि डावीकडे वळवून ते खडखडाट न करता सहज आणि सहजतेने वळते हे तपासा. जर मुक्त प्लेचे प्रमाण विनिर्देशांच्या बाहेर असेल किंवा तुम्हाला आणखी काही चुकीचे वाटल्यास, तुमच्या अधिकृत मारुती सेझकी कमशियल वर्कशापद्वारे तपासणी करणे आवश्यक आहे.

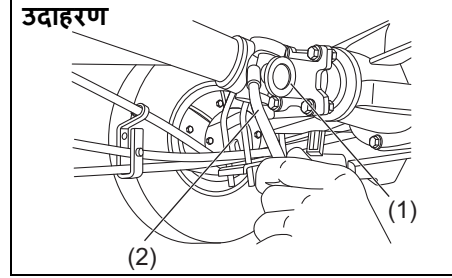
## प्रोपेलर शाफ्ट युनिव्हर्सल जॉइंट

समोर



77PM703

मागील

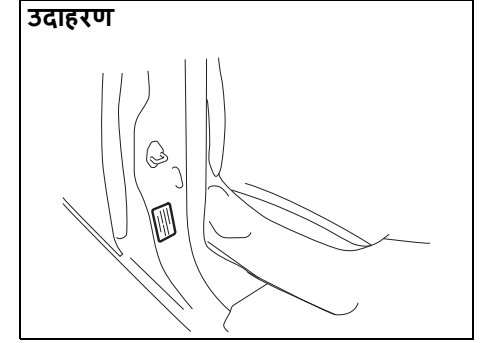


77PM704

सेवा वेळापत्रकानुसार प्रोपेलर शाफ्ट युनिव्हर्सल जॉइंट (1) (समोर आणि मागील) वंगण घालणे.

प्रोपेलर शाफ्ट युनिव्हर्सल जॉइंटला वंगण घालण्यासाठी तुम्ही ग्रीस गन (2) आणि निर्दिष्ट ग्रीस एनेएलजीआय ग्रेड 2 वापरावे.

## टायर



77PM705

तुमच्या वाहनासाठी पुढील आणि मागील टायर प्रेशर स्पेसिफिकेशन्स टायर माहिती लेबलवर सूचीबद्ध आहेत. पुढील आणि मागील दोन्ही टायरमध्ये निर्दिष्ट टायरचा दाब असावा. लक्षात ठेवा की सुसज्ज असल्यास, कॉम्पॅक्ट स्पेअर टायरवर मूल्य लागू होत नाही.

### टायर तपासणी

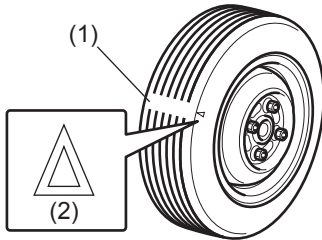
खालील तपासण्या करून महिन्यातून किमान एकदा तुमच्या वाहनाच्या टायरची तपासणी करा:

- 1) टायर प्रेशर गेजने हवेचा दाब मोजा. आवश्यक असल्यास दबाव समायोजित करा. स्पेअर टायर देखील तपासण्याचे लक्षात ठेवा.

### ⚠ चेतावणी

- टायर थंड असताना हवेचा दाब तपासला पाहिजे किंवा तुम्हाला चुकीचे रीडिंग मिळू शकते.
- निर्दिष्ट दाब प्राप्त होईपर्यंत, टायर हळूहळू फुगवताना वेळोवेळी इन्फ्लेशन प्रेशर तपासा.
- टायर कधीही कमी किंवा जास्त फुगवू नका.
- कमी इन्फ्लेशनमुळे हाताळणीची असामान्य वैशिष्ट्ये उद्भवू शकतात किंवा टायरच्या बीडवर रिम घसरण्यास कारणीभूत ठरू शकते, परिणामी अपघात किंवा टायर किंवा रिमला नुकसान होऊ शकते.
- जास्त इन्फ्लेशनमुळे टायर फूटू शकतो, परिणामी वैयक्तिक इजा होऊ शकते. अति इन्फ्लेशनमुळे हाताळणीची असामान्य वैशिष्ट्ये देखील उद्भवू शकतात ज्यामुळे अपघात होऊ शकतो.

### उदाहरण



52KM110

- (1) ट्रेड वेअर इंडिकेटर
- (2) सूचक स्थान चिन्ह

- 2) ट्रेड गृहची खोली 1.6 मिमी (0.06 इंच) पेक्षा जास्त आहे हे तपासा. हे तपासण्यात तुम्हाला मदत करण्यासाठी, टायर्समध्ये मॉल्ड-इन ट्रेड वेअर इंडिकेटर आहेत. जेव्हा ट्रेड पृष्ठभागावर निर्देशक दिसतात तेव्हा ट्रेडची उर्वरित खोली 1.6 मिमी (0.06 इंच) किंवा कमी असते आणि टायर बदलणे आवश्यक आहे.
- 3) असामान्य झीज, क्रॅक आणि नुकसान तपासा. क्रॅक किंवा इतर नुकसानी झालेले कोणतेही टायर बदलले पाहिजे. जर कोणत्याही टायर्सला असामान्य झीज दिसत असेल तर आपल्या अधिकृत मारुती सुझुकी व्यावसायिक वर्कशॉपद्वारे त्यांची तपासणी करा.

### ⚠ सावधगिरी

कर्बवर धडकणे आणि दगडांवर धावणे टायर खराब करू शकते आणि चाकाच्या अलाइनमेंटवर परिणाम करू शकते. तुमच्या अधिकृत मारुती सुझुकी कमर्शियल वर्कशॉपद्वारे टायर आणि व्हील अलाइनमेंट वेळोवेळी तपासण्याची खात्री करा.

- 4) सैल व्हील नट्स तपासा.
- 5) टायरमध्ये कोणतीही खिळे, दगड किंवा इतर वस्तू चिकटलेल्या नाहीत हे तपासा.

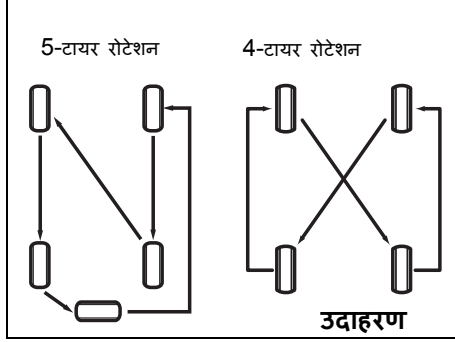
### ⚠ चेतावणी

- तुमचे वाहन टायरने सुसज्ज आहे जे सर्व सीमाने प्रकार आणि आकाराचे आहेत. वाहनाचे योग्य स्टीयरिंग आणि हाताळणी सुनिश्चित करण्यासाठी हे महत्वाचे आहे. तुमच्या वाहनाच्या चार चाकावर वेगवेगळ्या आकाराचे किंवा टाइपचे टायर कधीही मिसळू नका. वापरलेल्या टायर्सचा आकार आणि प्रकार हे फक्त मारुती सुझुकीने तुमच्या वाहनासाठी मानक किंवा पर्यायी उपकरणे म्हणून मंजूर केलेले असावेत.
- आफ्टरमार्केट व्हील्स आणि टायर्सच्या काही विशिष्ट संयोजनासह आपल्या वाहनावर सुसज्ज चाके आणि टायर्स बदलणे आपल्या वाहनाची स्टीयरिंग आणि हाताळणीची वैशिष्ट्ये लक्षणीयरीत्या बदलू शकते.
- म्हणूनच, मारुती सुझुकीने आपल्या वाहनासाठी मानक किंवा वैकल्पिक उपकरणे म्हणून मंजूर केलेल्या त्या चाक आणि टायर संयोजनाचा वापर करा.

### सूचना

मूळ टायर्सच्या जागी वेगळ्या आकाराचे टायर केल्याने चुकीचे स्पीडोमीटर किंवा ओडोमीटर रीडिंग येऊ शकते. मूळ टायर्सपेक्षा आकारात भिन्न असलेले बदली टायर्स खरेदी करण्यापूर्वी तुमच्या अधिकृत मारुती सुझुकी कमर्शियल वर्कशॉपमध्ये तपासा.

टायर रोटेशन



तुमच्या टायर्सची असमान झीज टाळण्यासाठी आणि त्यांचे आयुष्य वाढवण्यासाठी, चित्रात दाखविल्याप्रमाणे टायर फिरवा. दर 10000 किमी अंतरावर टायर फिरवले पाहिजेत. फिरवल्यानंतर, तुमच्या वाहनाच्या टायर माहिती लेबलवर सूचीबद्ध केलेल्या स्पेसिफिकेशनप्रमाणे पुढील आणि मागील टायरचे दाब समायोजित करा.

व्हील बॅलन्सिंग

गूळगळीत रस्त्यावर वाहन असामान्यपणे कंपन करत असल्यास, अधिकृत मारुती सुझुकी व्यावसायिक कार्यशाळेत चाक संतुलित करून घ्या.

चाक अलाईनमेंट

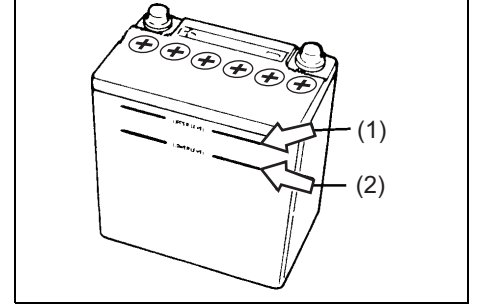
टायर खराब झाल्यास किंवा एका बाजूला खेचल्यास, अधिकृत मारुती सुझुकी व्यावसायिक कार्यशाळेत चाक अलाईन करा.

बॅटरी

**⚠ चेतावणी**

- बॅटरी ज्वलनशील हायड्रोजन वायू तयार करतात. ज्वाला आणि ठिणग्या बॅटरीपासून दूर ठेवा नाहीतर स्फोट होऊ शकतो. बॅटरीच्या आसपास काम करताना कुधीही धूम्रपान करू नका.
- बॅटरी तपासताना किंवा सर्व्हिस करताना, निगेटिव्ह केबल डिस्कनेक्ट करा. बॅटरी पोस्ट आणि वाहन एकाच वेळी संपर्कात येउन शॉर्ट सर्किट होणार नाही याची काळजी घ्या.
- स्वतःची हानी टाळण्यासाठी किंवा तुमच्या वाहनाची किंवा बॅटरीची हानी टाळण्यासाठी, तुमचे वाहनास जंप स्टार्ट करणे आवश्यक असल्यास या मॅन्युअलच्या "इमर्जन्सी सर्व्हिस" विभागातील जंप स्टार्ट करण्याच्या सूचनांचे अनुसरण करा.

उदाहरण



54GM701

देखभाल-मुक्त बॅटरीसाठी (कॅप-लेस प्रकार), तुम्हाला पाणी घालण्याची गरज नाही. पारंपारिक प्रकारच्या बॅटरीसाठी, ज्यामध्ये वॉटर फिलर कॅप्स असतात, बॅटरी सोल्युशनची पातळी नेहमी वरच्या लेव्हल लाइन (1) आणि लोअर लेव्हल लाइन (2) दरम्यान ठेवली पाहिजे. तुम्ही वेळोवेळी बॅटरी, कॅस बॅटरी टर्मिनल्स आणि बॅटरी होल्ड-डाउन ब्रॅकेट खराब किंवा गंजण्यासाठी तपासले पाहिजे. ताठ ब्रश आणि पाण्यात मिसळलेला अमोनिया किंवा पाण्यात मिसळलेला बेकिंग सोडा वापरून गंज काढून टाका. गंज काढून टाकल्यानंतर, स्वच्छ पाण्याने स्वच्छ धवा. जर बॅटरी लिक्विड वरच्या लेव्हल लाइन (1) पेक्षा जास्त जोडला असेल, तर ड्रायव्हिंग दरम्यान कंपनाने द्रव गळू शकतो किंवा बॅटरी चार्जिंगच्या स्थितीनुसार काही बाबतीत द्रवाचा फवारा बाहेर येऊ शकतो. यामुळे बॅटरी जवळील भागांचे नुकसान होऊ शकते. जर बॅटरीचे द्रव जास्त प्रमाणात गळत असेल तर लगेच पाण्याने धुवा.

जर आपले वाहन एक महिना किंवा त्याहून अधिक काळ चालत नसेल तर, डिसचार्ज रोखण्यासाठी बॅटरीच्या निगेटिव्ह टर्मिनलमधून केबल डिस्कनेक्ट करा.

### ⚠ चेतावणी

जर बॅटरीचा वापर बॅटरीची लेव्हल खालच्या स्तरीय रेषा (2) पेक्षा कमी असतांना केला तर यामुळे बॅटरीचे आयुष्य कमी होऊ शकते, एकझोथामिक उष्णता किंवा बॅटरीमधून उद्भवणाऱ्या हायड्रोजन वायूचा स्फोट होऊ शकतो. बॅटरी लेव्हल निम्न स्तरीय रेषा (2) पेक्षा कमी असतांना बॅटरी वापरू नका.

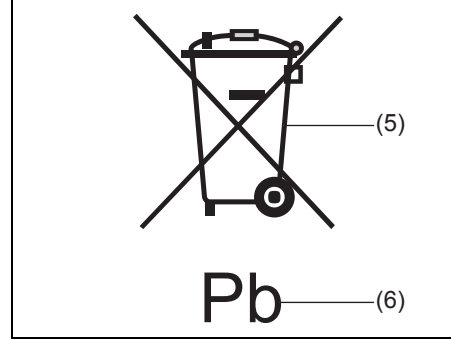
### सूचना

जर बॅटरी लिक्विड वरच्या लेव्हल लाइन (1) पेक्षा जास्त जोडला असेल, तर डायव्हिंग दुरम्यान कंपनाने द्रव गळू शकतो किंवा बॅटरी चार्जिंगच्या स्थितीनुसार काही बाबतीत द्रवाचा फवारा बाहेर येऊ शकतो. यामुळे बॅटरी जवळील भागाचे नुकसान होऊ शकते. जर बॅटरीचे द्रव जास्त प्रमाणात गळत असेल तर लगेच पाण्याने धवा. बॅटरी लिक्विड वरच्या लेव्हल लाइन (1) पेक्षा जास्त टाकू नका.

### सूचना:

बॅटरी वापरली जाते तेव्हा बॅटरी द्रव वापरला जातो. जर लेव्हल उच्च लेव्हल (1) आणि खालच्या लेव्हलच्या (2) केंद्रापेक्षा कमी आढळली तर, वरच्या लेव्हलच्या रेषा (1) पर्यंत पोहचपर्यंत डिस्टिन्ड वॉटर घाला.

### (बॅटरी लेबल)



51KM042

- (5) क्रॉस-आउट व्हील बिन चिन्ह  
(6) "Pb" चे रासायनिक चिन्ह

बॅटरी लेबलवर स्थित क्रॉस-आउट व्हील बिन चिन्ह (5) सूचित करते की वापरलेली बॅटरी सामान्य घरातील कचऱ्यापासून वेगळी गोळा केली जावी. "Pb" (6) चे रासायनिक चिन्ह बॅटरीमध्ये 0.004% पेक्षा जास्त शिसे असल्याचे दर्शवते.

वापरलेल्या बॅटरीची योग्य प्रकारे विल्हेवाट लावली जाते किंवा पुनर्वापर केला जातो याची खात्री करून, आपण पर्यावरण आणि मानवी आरोग्यासाठी संभाव्य नकारात्मक परिणाम टाळण्यास मदत करावी जे अन्यथा बॅटरीच्या अयोग्य कचरा हाताळणीमुळे होऊ शकतात. सामग्रीच्या पुनर्वापरामुळे नैसर्गिक संसाधनाचे जतन होण्यास मदत होईल. वापरलेल्या बॅटरीची विल्हेवाट लावणे किंवा पुनर्वापर करण्याबद्दल अधिक तपशीलवार माहितीसाठी, MARUTI SUZUKI अधिकृत वर्कशॉपचा सल्ला घ्या.

### फ्यूज

खाली वर्णन केल्याप्रमाणे तुमच्या वाहनात तीन प्रकारचे फ्यूज आहेत:

**फ्यूजिएबल लिंक वायर आणि मुख्य फ्यूज**  
मुख्य फ्यूज थेट बॅटरीमधून विद्युतप्रवाह घेतो.

### प्राथमिक फ्यूज

हे फ्यूज मुख्य फ्यूज आणि वैयक्तिक फ्यूज दरम्यान असतात आणि ते इलेक्ट्रिकल लौड गटासाठी असतात.

### वैयक्तिक फ्यूज

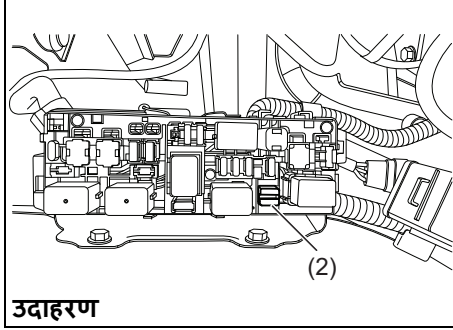
हे फ्यूज वैयक्तिक इलेक्ट्रिकल सर्किटसाठी आहेत.

### सूचना:

- "रिक्त" हे सूचित करते की तुमच्या वाहनाच्या फ्यूजे बॉक्सच्या कव्हरवर फ्यूजचे नाव उपलब्धी असले तरीही व्हेरियटमध्ये फ्यूज लागू नाही.
- काही फ्यूजे वाहनाच्या प्रकारानुसार तुमच्या वाहनाला लागू होऊ शकत नाहीत, जरी ते रिक्त म्हणून नमूद केलेले नसले तरीही.

फ्यूज काढण्यासाठी, रिक्त बॉक्समध्ये प्रदान केलेला फ्यूज पुलर (2) वापरा.

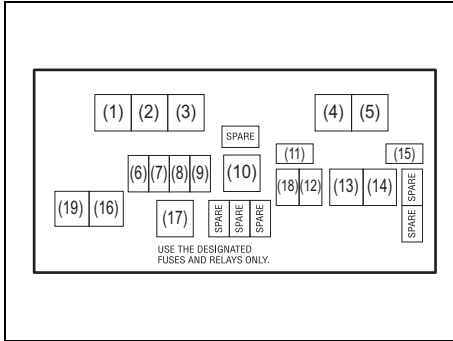
## तपासणी आणि देखभाल



77PM07012

सूचना:  
काही फ्यूज वाहनाच्या प्रकारानुसार तमच्या वाहनाला लागू होऊ शकत नाहीत, जरी ते रिक्त म्हणून नमूद केलेले नसले तरीही.

### इंजिन कंपार्टमेंटमध्ये फ्यूज

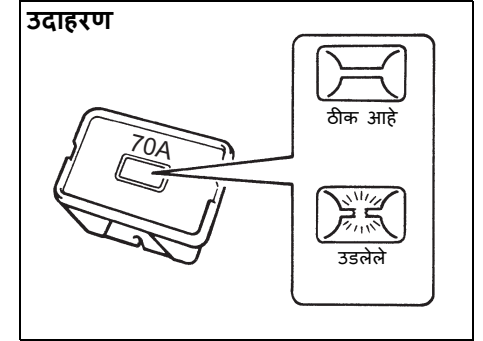


77PM07034

मुख्य फ्यूज / प्राथमिक फ्यूज /रिले		
S. No.	रेटिंग	फ्यूज / रिले
(1)	-	सीएनजी वाल्व रिले*
(2)	-	फ्यूज पुलर
(3)	-	रेडिएटर फॅन रिले
(4)	-	इंधन पंप रिले
(5)	-	स्टार्टिंग मोटर रिले
(6)	7.5A	सीएनजी व्हाल्व*
(7)	20A	इंधन इंजेक्शन
(8)	30A	स्टार्टिंग मोटर
(9)	15A	हॉर्न
(10)	70A	अल्टरनेटर
(11)	7.5A	सीएनजी*
(12)	10A	धोका चेतावणी लाईट
(13)	40A	बॅटरी
(14)	40A	इग्निशन स्विच
(15)	7.5A	ST SIG 2 (स्टार्टिंग सिग्नल)
(16)	30A	रेडिएटर फॅन
(17)	-	FI मुख्य रिले
(18)	25A	ABS SOL
(19)	40A	ABS MOT

\*: सीएनजी मॉडेलसाठी

मुख्य फ्यूज, प्राथमिक फ्यूज आणि काही वैयक्तिक फ्यूज इंजिन कंपार्टमेंट मध्ये असतात. जर मुख्य फ्यूज उडाला, तर कोणताही विद्युत घटक कार्य करणार नाही. जर प्राथमिक फ्यूज उडाला, तर संबंधित लोड गटातील कोणताही विद्युत घटक कार्य करणार नाही. मुख्य फ्यूज, प्राथमिक फ्यूज किंवा वैयक्तिक फ्यूज बदलताना, मारुती अस्सल रिप्लेसमेंट वापरा. फ्यूज काढण्यासाठी, रिले बाक्समध्ये प्रदान केलेला फ्यूज पुलर (2) वापरा. प्रत्येक फ्यूजचे एम्पेरेज फ्यूज बाक्स कव्हरच्या आत दर्शविले जाते.



60G111

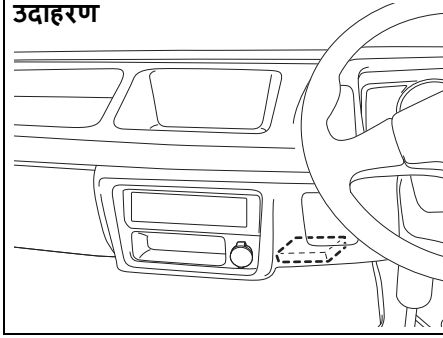
⚠ चेतावणी

जर मुख्य फ्यूज किंवा प्राथमिक फ्यूज उडाल्यास, अधिकृत मारुती सुझुकी व्यावसायिक वर्कशॉपद्वारे आपल्या वाहनाची तपासणी केल्याची खात्री करा. नेहमी मारुती अस्सल पार्ट वापरा. तात्पुरत्या दुरुस्तीसाठी वायर सारख्या पर्यायाचा वापर करू नका, किंवा व्यापक विद्युत नुकसान / आग लागण्याचा परिणाम होऊ शकतो.

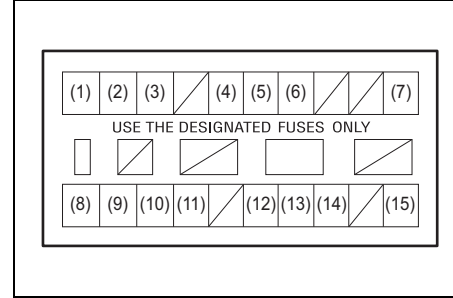
सूचना:

फ्यूज बॉक्समध्ये नेहमीच स्पेअर फ्यूज आणि फ्यूज पुलर आहे याची खात्री करा.

डॅश बोर्ड अंतर्गत फ्यूज



77PH048



77PH043

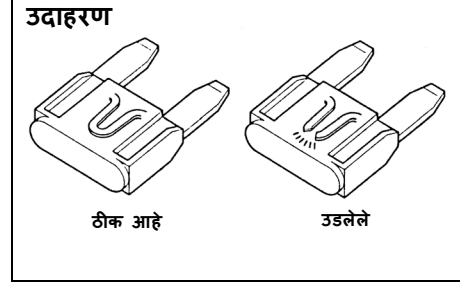
मुख्य फ्यूज/प्राथमिक फ्यूज

(1)	10A	हेडलाइट (उजवा)
(2)	10A	हेडलाइट (डावा)
(3)	10A	डोम लाईट
(4)	10A	टेल लाईट
(5)	10A	स्टॉप लाईट
(6)	15A	रेडिओ
(7)	10A	स्टार्टिंग सिग्नल
(8)	10A	मीटर
(9)	15A	इग्निशन
(10)	10A	बॅक-अप लाइट
(11)	15A	फ्रंट वाइपर
(12)	15A	एॅक्सेसरी 2
(13)	10A	एॅक्सेसरी
(14)	7.5A	सीएनजी इग्निशन*
(15)	10A	ABS

\*: सीएनजी मॉडेलसाठी

## तपासणी आणि देखभाल

फ्यूज बॉक्स डॅशबोर्डच्या खाली स्थित आहे



### ⚠ चेतावणी

नेहमी योग्य एम्पीरेजच्या फ्यूजसह उडलेला फ्यूज बदलण्याची खात्री करा. उडलेला फ्यूज लावण्यासाठी कधीही अल्युमिनियम फाइल किंवा वायर सारख्या पर्यायाचा वापर करू नका. जर आपण फ्यूज बदलला आणि नवीन फ्यूज थोड्या कोलावधीत उडाला तर आपणासाठी एक मोठी विद्युत समस्या उद्भवू शकते. आपल्या अधिकृत मारुती सुझुकी कमर्शियल वर्कशॉपद्वारे आपल्या वाहनाची त्वरित तपासणी करा.

## बल्ब बदलणे

### ⚠ सावधगिरी

- बंद झाल्यानंतर आपले बोट भाजण्यासाठी लाईट बल्ब पुरेसे गरम असू शकतात. हे विशेषतः हलोजन हेडलाइट बल्बसाठी खरे आहे. बल्ब पुरेसे थंड झाल्यानंतर बदला.
- हेडलाइट बल्ब दाबलेल्या हलोजन गॅसने भरलेले असतात. जर त्यांना फटका बसला किंवा खाली पडले तर ते फुटू शकतात आणि इजा करू शकतात. त्यांना काळजीपूर्वक हाताळा.

### सूचना

लाईट चालू असताना आपल्या त्वचेच्या तेलामुळे हलोजन बल्ब जास्त प्रमाणात तापू शकता आणि फुटू शकतो. नवीन बल्ब स्वच्छ कपड्याने पॅकेडा.

### सूचना

- बल्ब वारंवार बदलणे विद्युत प्रणालीच्या तपासणीची आवश्यकता दर्शवते. हे तुमच्या मारुती सुझुकीच्या अधिकृत वर्कशॉपद्वारे केले पाहिजे.
- बल्ब बदलताना नेहमी वाहनात वापरल्या जाणाऱ्या त्याच बल्ब क्रमांकाचा वापर करा जो उक्त बल्ब / युनिटवर छापलेला आहे आणि / किंवा तपशीलामध्ये नमूद केलेला आहे.

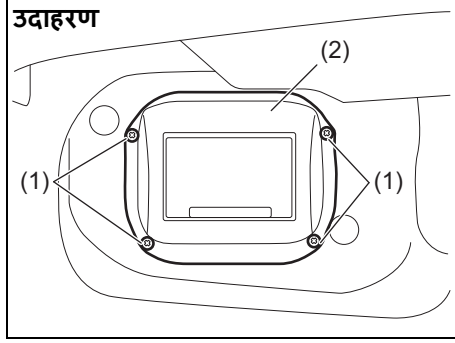
सूचना:

पावसात गाडी चालवताना किंवा गाडी धुतल्यानंतर बाहेरील लाइट्सच्या (हेडलाइट, मागील कॉम्बिनेशन लाइट इ.) लेन्सवर धुके तयार होऊ शकते. ही एक नैसर्गिक घटना आहे जी आत आणि बाहेरील लाइटसमधील तापमानाच्या फरकामुळे उद्भवते. लेन्सवरील तात्पुरते धुके ही खराबी नाही आणि वाहन चालवताना कोणतीही अस्वस्थता निर्माण करणार नाही.

जेव्हा पर्यावरणाची स्थिती सूर्यप्रकाशात बदलते किंवा हेडलॅम्प चालू ठेवले तर तेव्हा धुके साफ होईल. तथापि दिव्याच्या आत पाण्याची गळती होत असल्यास, आपल्या अधिकृत मारुती सुझुकी वर्कशॉपशी संपर्क साधा

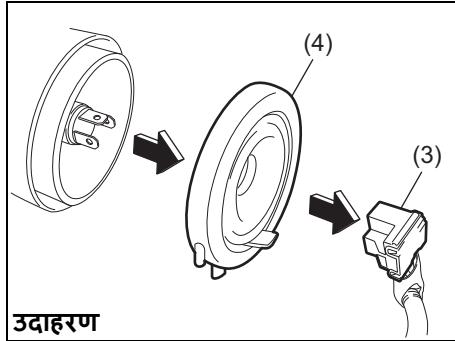
हेडलाइट्स

उदाहरण



77PH050

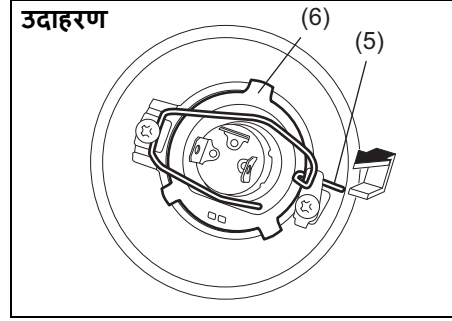
- 1) स्कू काढा (1) आणि एअर इनलेट बॉक्स काढा (2)



77PH051

- 2) कपलर डिस्कनेक्ट करा (3). सीलिंग रबर काढा (4).

उदाहरण



77PH052

- 3) रिटेंनिंग स्प्रिंग (5) पुढे ढकलून ते अनहक करा. नंतर बल्ब कोढा (6) काढण्याच्या उलट क्रमाने नवीन बल्ब लावा.

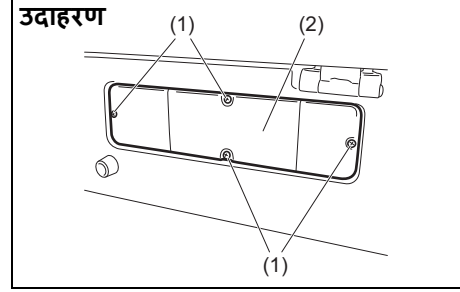
फ्रंट टर्न सिग्नल लाइट  
फ्रंट पोजिशन लाइट

विशेष प्रक्रिया आवश्यक असल्याने, आम्ही तुम्हाला बल्ब बदलण्यासाठी तुमचे वाहन तुमच्या अधिकृत मारुती सुझुकीच्या ट्रेयावसायिक वर्कशॉपमध्ये घेऊन जाण्याची शिफारस करतो.

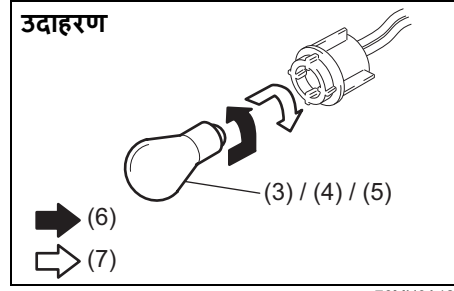
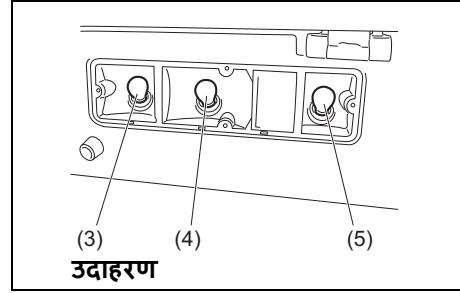


## तपासणी आणि देखभाल

### मागील कॉम्बिनेशन लाईट



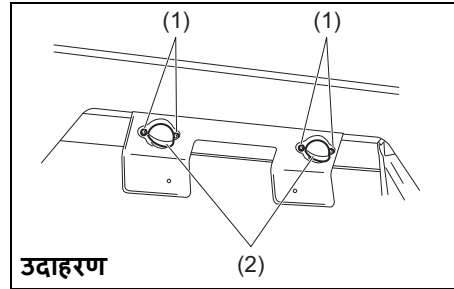
- 1) स्कू काढा (1) आणि कव्हर काढा (2).



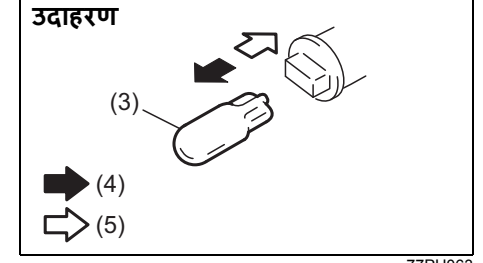
- (6) काढणे  
(7) स्थापित करा

- 2) टर्न सिग्नल लाईट (3), टेल / ब्रेक लाईट (4) किंवा रिव्हर्सिंग लाईट (5) बल्ब होल्डरचा बल्ब काढण्यासाठी, बल्ब ढकलून तो घड्याळाच्या उलट दिशेने फिरवा. नवीन बल्ब स्थापित करण्यासाठी, तो आत ढकलून तो घड्याळाच्या दिशेने फिरवा.

### लायसन्स प्लेट लाईट



- 1) स्कू काढा (1) आणि कव्हर काढा (2).

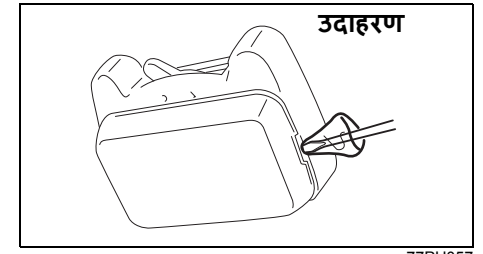


- (4) काढणे  
(5) स्थापित करा

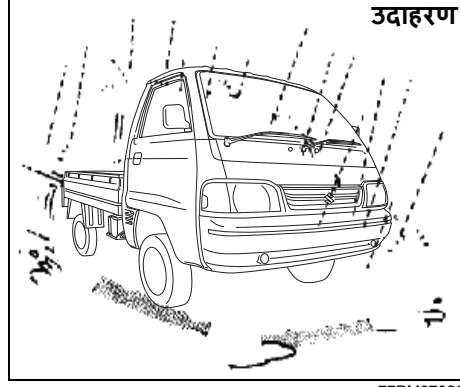
- 2) लायसन्स प्लेट लाईटचा बल्ब काढण्यासाठी आणि स्थापित करण्यासाठी (3), फक्त बल्ब बाहेर काढा किंवा आत ढकलून द्या.

### अंतर्गत प्रकाश

दाखवल्याप्रमाणे मऊ कापडाने झाकलेले फ्लॅट ब्लेड स्कू ड्रायव्हर वापरून लेन्स काढा. ते स्थापित करण्यासाठी, त्यास परत आत ढकलून द्या.



## वाइपर ब्लेड्स



77PM07028

वायपर ब्लेड ठिसूळ किंवा खराब झाल्यास किंवा पुसताना रेषा तयार झाल्यास, वायपर ब्लेड बदला.

नवीन वाइपर ब्लेड बसविण्यासाठी, खालील प्रक्रियांचे अनुसरण करा.

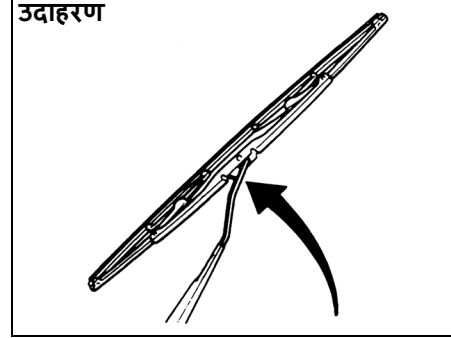
### सूचना

खिडकीला स्क्रॅचिंग किंवा तुटणे टाळण्यासाठी, वायपर ब्लेड बदलताना वायपर आर्म खिडकीवर आदळू देऊ नका.

### सूचना:

कोही वाइपर ब्लेड वाहनाच्या वैशिष्ट्यांवर अवलंबून येथे वर्णन केलेल्यापेक्षा भिन्न असू शकतात. तसे असल्यास, योग्य रिप्लेसमेंट पद्धतीसाठी तुमच्या अधिकृत मारुती सुझुकी कमशियल वॅकशॉपचा सल्ला घ्या.

### विंडशील्ड वाइपरसाठी:



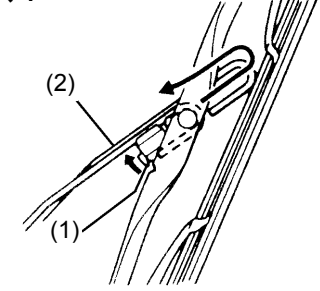
70G119

1) वायपरचा आर्म विंडशील्डपासून दूर ठेवा.

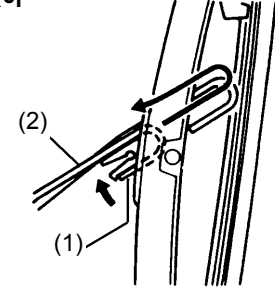
### सूचना:

सॅमोरचे दोन्ही वायपर आर्म वर करताना, झयव्हरच्या बाजूचा वायपर आर्म आधी वर खेचा. वायपर आर्मस परत करताना, आधी प्रवाशाच्या बाजूचा वायपर आर्म खाली आणा. अन्यथा, वाइपर आर्म एकमेकांमध्ये व्यत्यय आणू शकतात.

### उदाहरण



### उदाहरण

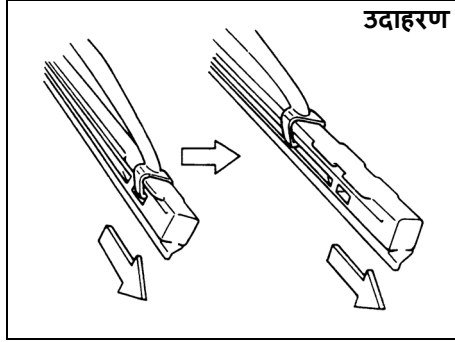


54G130

- 2) वाइपर आर्म (2) च्या दिशेने लॉक (1) पिळून काढा आणि दर्शविल्याप्रमाणे वाइपर फ्रेम आर्ममधून काढा.
- 3) वायपर ब्लेडचे बंदिस्त टोक अनलॉक करा आणि दाखवल्याप्रमाणे ब्लेड बाहेर सरकावा.

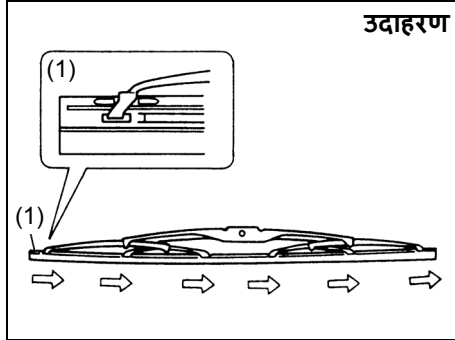
## तपासणी आणि देखभाल

### काढणे



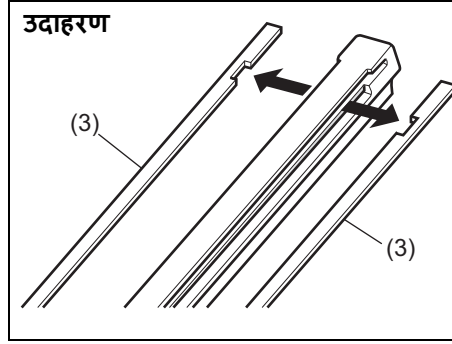
60A260

### लावणे



54G132

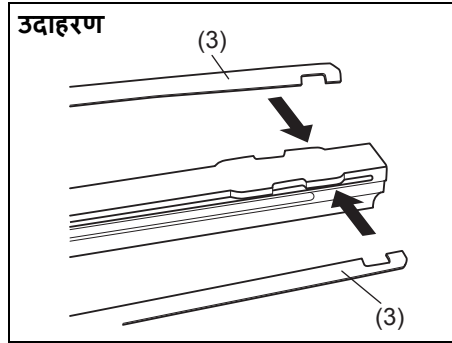
(1) बंदिस्त टोक



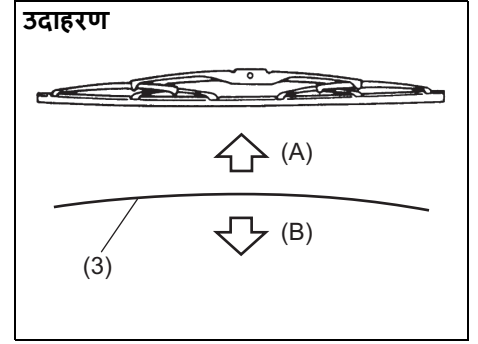
68PH00754

(3) रिटेनर

4) जर नवीन ब्लेड दोन मेटल रिटेनर्सशिवाय प्रदान केले असेल तर ते जुन्या ब्लेडवरून नवीनमध्ये हलवा.



60MH071



60MH072

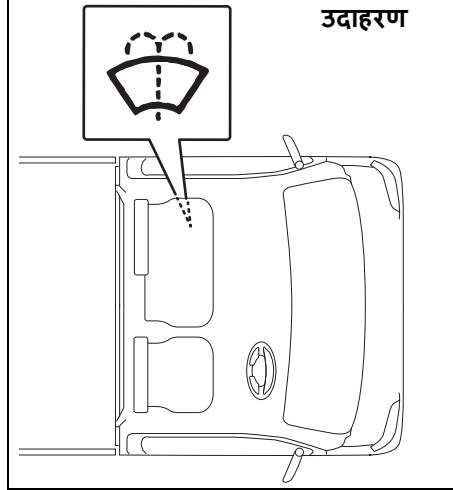
(A) वर  
(B) खाली

सूचना:

जेव्हा तुम्ही मेटल रिटेनर्स (3) स्थापित करता, तेव्हा खात्री करा की मेटल रिटेनर्सची दिशा वरील चित्रात दाखवल्याप्रमाणे आहे.

- नवीन ब्लेड काढून टाकण्याच्या उलट क्रमाने लावा, लॉक केलेले बंदिस्त टोक वायपर आर्मच्या दिशेने ठेवा. सर्व हुकांनी ब्लेड व्यवस्थित ठेवल्याची खात्री करा. ब्लेडच्या टोकाला जागी लॉक करा.
- वायपर फ्रेम आर्मवर पुन्हा बसवा, लॉक लोव्हर आर्ममध्ये सुरक्षितपणे स्नॅप केले आहे याची खात्री करा.

## विंडशील्ड वॉशर फ्लुइड (सुसज्ज असल्यास)



77PM07027

टाकीमध्ये वॉशर फ्लुइड आहे याची दृष्यदृष्ट्या तपासणी करा. आवश्यक असल्यास ते पुन्हा भरा. आवश्यकतेनुसार पाण्याने पातळ केलेले चांगल्या दर्जाचे विंडशील्ड वॉशर द्रव वापरा.

### सूचना

वाहनावर लाइम स्केल तयार होऊ नये म्हणून कठोर पाण्याचा वापर टाळा.

### ⚠ चेतावणी

विंडशील्ड वॉशर रिजर्वायर मध्ये रेडिएटर अँटीफ्रीझ वापरू नका. जेव्हा विंडशील्डवर स्प्रे मारला जातो तेव्हा हे दृश्यमानता गंभीरपणे खराब होऊ शकते आणि आपल्या वाहनाच्या पेंटला देखील नुकसान होऊ शकते.

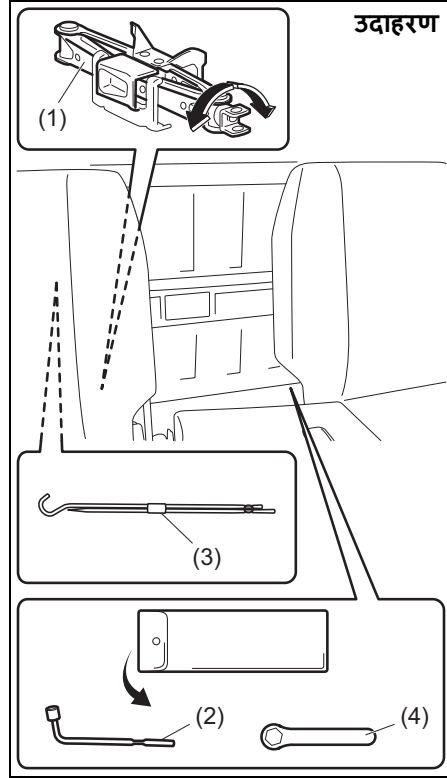
### सूचना

वॉशर टाकीमध्ये द्रव नसताना वॉशर मोटर चालवल्यास नुकसान होऊ शकते.

## आपत्कालीन सेवा

टायर बदलण्याचे साधन .....	8-1
जॅकिंग सूचना .....	8-2
चाके बदलणे .....	8-5
जंप स्टार्टिंगच्या सूचना .....	8-6
टोइंग .....	8-7
जर स्टार्टर काम करत नसेल .....	8-8
जर इंजिन फ्लड झाले असेल .....	8-8
जर इंजिन जास्त गरम होत असेल .....	8-8
अंडरबॉडी आदळल्याने होणारा त्रास .....	8-9
चेतावणी त्रिकोण .....	8-9
अग्निशामक यंत्र (सुसज्ज असल्यास) .....	8-10

## टायर बदलण्याचे साधन

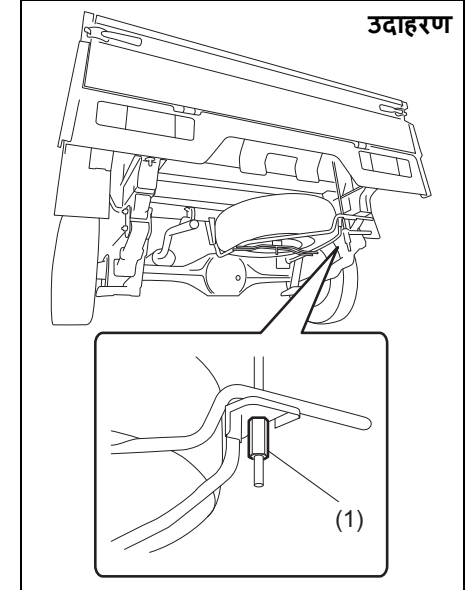


77PH202

- (1) जॅक
- (2) चुकाचुा ब्रेस
- (3) जॅक हँडल
- (4) स्पॅनर

टायर बदलण्याची साधने ड्रायव्हर सीटच्या मागे ठेवली जातात. जॅक काढण्यासाठी, त्याचा शाफ्ट घड्याळाच्या उलट दिशेने फिरवा आणि जॅकला स्टोरेज ब्रॅकेटमधून बाहेर काढा. जॅक ठेवण्यासाठी, तो स्टोरेज ब्रॅकेटमध्ये ठेवा आणि जोपर्यंत जॅक सुरक्षितपणे ठिकाणी धरला जात नाही तोपर्यंत शॉफ्ट घड्याळाच्या दिशेने फिरवा.

स्पेअर टायर बेडखाली ठेवलेले आहे. स्पेअर टायर काढण्यासाठी:



77PH099

- 1) स्पेअर टायर होल्डर हुक नट सैल करा (1).
- 2) स्पेअर टायर होल्डर काढा आणि हळू हळू खाली करा.
- 3) स्पेअर टायरच्या मध्यभागी असलेला स्क्रू काढा आणि टायर काढा.

**⚠ चेतावणी**

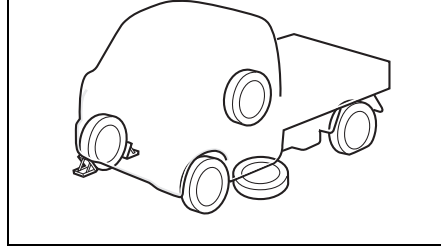
टायर बदलणारी साधने वापरल्यानंतर, त्यांना सुरक्षितपणे ठेवण्याची खात्री करा किंवा अपघात झाल्यास त्यामुळे इजा होऊ शकते.

**⚠ सावधगिरी**

जॅकचा वापर फक्त चाके बदलण्यासाठी केला पाहिजे. जॅक वापरण्याचा प्रयत्न करण्यापूर्वी या विभागातील जॅकिंग सूचना वाचणे महत्त्वाचे आहे.

**जॅकिंग सूचना**

**उदाहरण**



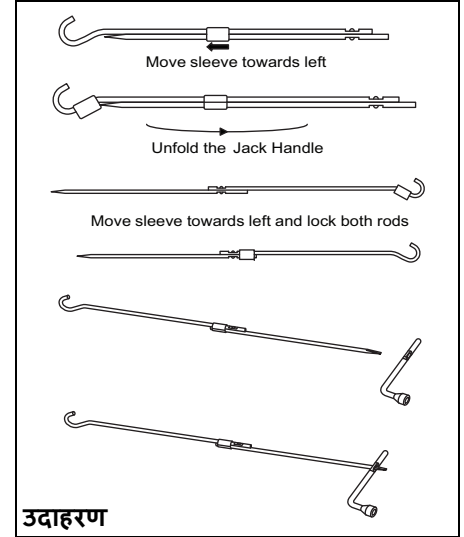
77PH054

- 1) वाहन सपाट, कठीण जमिनीवर ठेवा.
- 2) पार्किंग ब्रेक घट्टपणे सेट करा आणि "आर" (रिव्हर्स) मध्ये शिफ्ट करा.

**⚠ चेतावणी**

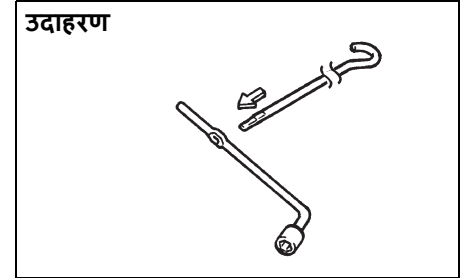
- तुम्ही वाहन जॅकअप करता तेव्हा "आर" (रिव्हर्स) मध्ये शिफ्ट झाल्याचे सुनिश्चित करा.
- "एन" (न्यूट्रल) मध्ये ट्रान्समिशनसह वाहन कधीही जॅक करू नका. अन्यथा, अस्थिर जॅकमुळे अपघात होऊ शकतो.

- 3) तुमचे वाहन रहदारीच्या जवळ असल्यास धोक्याचा इशारा देणारा फ्लॅशर चालू करा.
- 4) चाकाचा पुढचा आणि मागचा भाग तिरपे उचलल्या जात असलेल्या चाकाच्या विरुद्ध दिशेने ब्लॉक करा.
- 5) जॅक घसरल्यास चित्रात दाखविल्याप्रमाणे उचलल्या जात असलेल्या चाकाजवळ स्पेअर चाक ठेवा.



**उदाहरण**

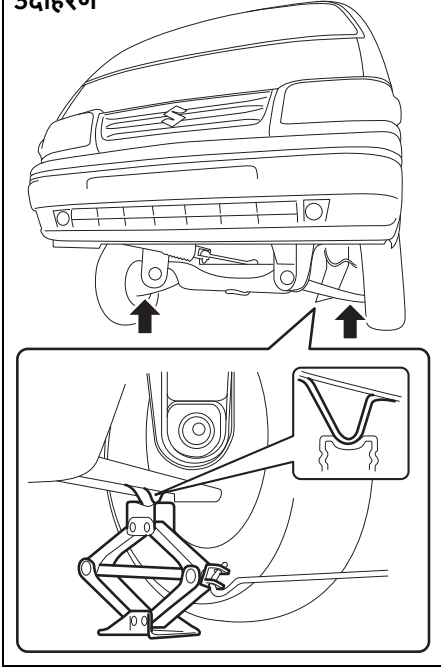
77PH802



54G253

समोरचा जॅकिंग पॉइंट

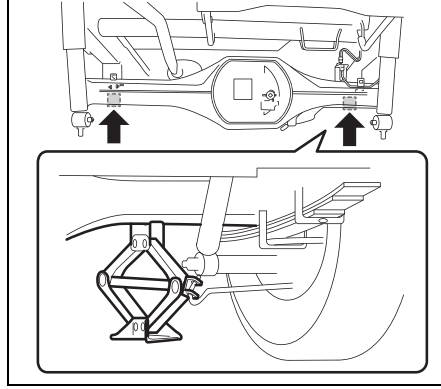
उदाहरण



77PH084

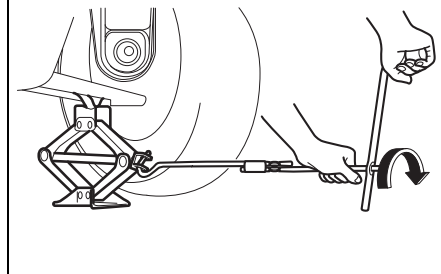
मागील जॅकिंग पॉइंट

उदाहरण



77PH106

उदाहरण



77PS052

- 6) जॅकला उभ्या स्थितीत ठेवा आणि जॅकच्या हंडलला घड्याळाच्या दिशेने वळवून जोपर्यंत जॅक हेड गूव्ह वाहनाच्या शरीराच्या खाली असलेल्या जॅकिंग बारभोवती बसत नाही तोपर्यंत जॅक वर चढवा. चित्रे पहा.
- 7) टायर जमीनीपासून वर येईपर्यंत हळूहळू आणि सहजतेने जॅक वर चढवणे सुरू ठेवा. वाहन आवश्यकतेपेक्षा जास्त वर चढवू नका.

⚠ चेतावणी

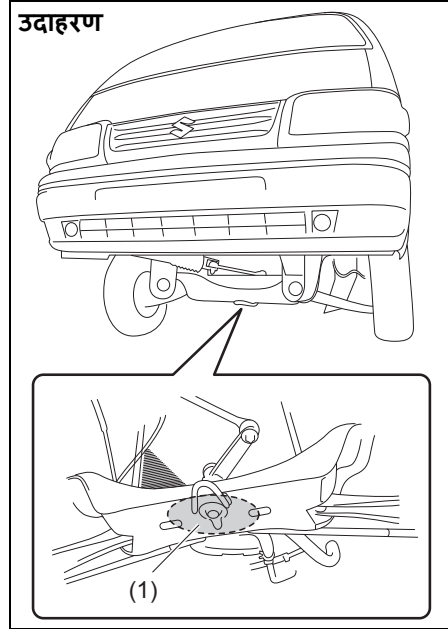
- जॅकचा वापर फक्त लेव्हल, कठीण जमिनीवर चाके बदलण्यासाठी करा.
- तिरकस पृष्ठभागावर वाहन कधीही जॅक करू नका.
- बदलण्यासाठी चाकाजवळ निर्दिष्ट जॅकिंग पॉइंट (चित्रात दर्शविलेले) सोडून इतर ठिकाणी जॅकसह वाहन कधीही चुढवू नका.
- जॅक अंडरले म्हणून लाकडी ब्लॉक्स किंवा तुत्सम वस्तू वापरू नका.
- जॅकच्या आधारावर वाहन असतांना कधीही त्याच्या खाली जाऊ नका. जेव्हा वाहनाला जॅकने आधार दिला असेल तेव्हा तुमचे हात आणि पाय उंचावलेल्या वाहनाखाली कधीही आणू नका.
- जेव्हा वाहनाला जॅकचा आधार असेल तेव्हा इजिन कधीही चालवू नका आणि प्रवाशाना कधीही वाहनात राहू देऊ नका.



**गॅरेज जॅकसह वाहन वर उचलणे**

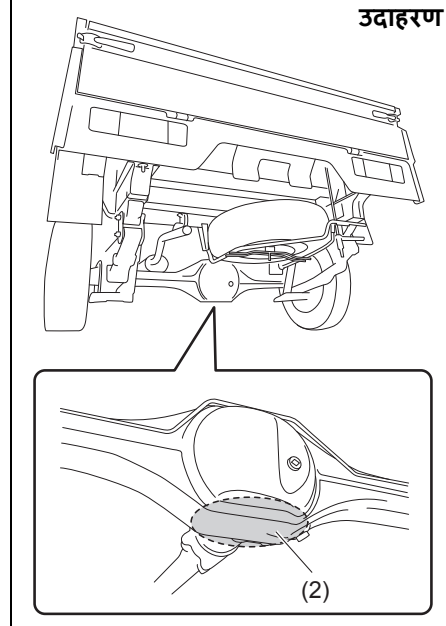
- खाली दर्शविलेल्या बिंदूंपैकी एकावर गॅरेज जॅक लावा.
- खाली दर्शविलेल्या बिंदूवर नेहमी उंच वाहनाला जॅक स्टॅंडसह (व्यावसायिकरित्या उपलब्ध) आधार द्या.

**गॅरेज जॅकसाठी फ्रंट जॅकिंग पॉइंट (1)**



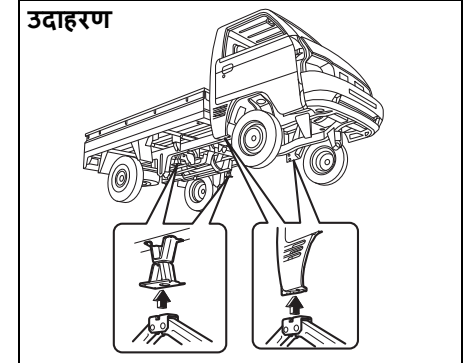
77PH060

**गॅरेज जॅकसाठी मागील जॅकिंग पॉइंट (2)**



77PH101

**जॅक स्टॅंड (3) किंवा दोन-स्तंभ लिफ्टसाठी ऍप्लिकेशन पॉइंट**



77PS055 (2)

**सूचना**

- एकझॉस्ट पाईपला गॅरेज जॅक कधीही लावू नका.
- जॅक स्टॅंड किंवा दोन-स्तंभ लिफ्ट मागील बाजूच्या ऍप्लिकेशन पॉइंटवर लावताना, पार्किंग केबल किंवा इंधन टाकीच्या फ्लॅजसारख्या आसपासच्या भागांमध्ये व्यत्यय येणार नाही याची काळजी घ्या.

**सूचना:**

अधिक तपशीलांसाठी, कृपया अधिकृत मारुती सुझुकी व्यावसायिक वर्कशॉपशी संपर्क साधा.

## आपत्कालीन सेवा

### चाके बदलणे

#### ⚠ चेतावणी

टॅफिक लेनमध्ये कधीही चाक बदलू नका. चाक बदलण्यासाठी वाहन नेहमी रस्त्यावरून सपाट, कठीण जमिनीवर रहदारीपासून दूर हलवा. पुढील कोणत्याही मदतीसाठी तेमच्यो जवळच्या मारुती सुझुकीच्या अधिकृत वकशापशी संपर्क साधा.

चाक बदलण्यासाठी, खालील प्रक्रिया वापरा:

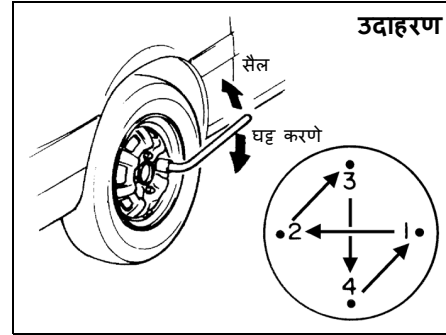
- 1) वाहनातील सर्व प्रवासी आणि माल सामान बाहेर काढा.
- 2) वाहनातून जॅक, टूल्स आणि स्पेअर व्हील काढा.
- 3) सैल करू, परंतु चाकाचे नट काढू नका.
- 4) वाहन जॅक अर्पे करा.

#### ⚠ सावधगिरी

वाहन चालविल्यानंतर लगेचच, चाके, चाकांचे नट आणि ब्रेकच्या आसपासचा भाग खूप गरम असू शकतो. या भागांना स्पर्श केल्याने भाजल्याची इजा होऊ शकते. वाहन चालवल्यानंतर लगेच या भागांना स्पर्श करू नका.

- 5) व्हील नट्स आणि चाक काढा.
- 6) नवीन चाक बसवण्यापूर्वी, चाक आणि हबच्या पृष्ठभागावरील कोणताही चिखल किंवा धारण स्वच्छ कापडाने स्वच्छ करा. हब काळजीपूर्वक स्वच्छ करा; गाडी चालविल्यामुळे तो गरम असू शकतो.

- 7) नवीन चाक बसवा आणि व्हील नट्स बदलून त्यांच्या शंक्या आकाराचे टॉक चाकांच्या दिशेने ठेवा. चाक हबवर सुरक्षितपणे बसेपर्यंत प्रत्येक नट हाताने घट्ट करा.



54G116

व्हील नट 100 Nm (10.2 kgf-m, 73.8 lbf-ft) साठी टॉक घट्ट करणे

- 8) चित्रात दाखवल्याप्रमाणे जॅक खाली करा आणि नट्स क्रिस्कॉस पद्धतीने पूर्ण घट्ट करा.

#### ⚠ चेतावणी

अस्सल व्हील नट वापरा आणि चाके बदलल्यानंतर त्यांना शक्य तितक्या लवकर निदिष्ट टॉकवर कसा. चुकीचे व्हील नट किंवा अयोग्यरित्या कसलेले व्हील नट सैल होऊ शकतात किंवा पडू शकतात, ज्यामुळे अपघात होऊ शकतो. आपल्याकडे टॉक रँच नसल्यास, अधिकृत मारुती सुझुकी कमशियल वकशापद्वारे व्हील नट टॉक तपासा.

## जंप स्टार्टिंगच्या सूचना

### चेतावणी

- बॅटरी गोठलेली दिसत असल्यास आपल्या वाहनाला कधीही जंप स्टार्ट करण्याचा प्रयत्न करू नका. जंप स्टार्ट करण्याचा प्रयत्न केल्यास या स्थितीतील बॅटरीचा स्फोट होऊ शकतो किंवा ती फूटू शकते.
- जंप लीड कनेक्शन बनवताना, पॅली, बेल्ट किंवा पख्यांपासून तुमचे हात आणि जंप लीड्स दूर राहतील याची खात्री करा.
- बॅटरी ज्वलनशील हायड्रोजन वायू तयार करतात. ज्वाला आणि ठिणग्या बॅटरीपासून दूर ठेवा नाहीतर स्फोट होऊ शकतो. बॅटरीच्या आसपास काम करताना कधीही धूम्रपान करू नका.
- जंप स्टार्टिंगसाठी आपण वापरत असलेली बूस्टर बॅटरी दुसऱ्या वाहनात इन्स्टाल केलेली असल्यास, दोन वाहने एकमेकांना स्पर्श करत नाहीत याची खात्री करा.
- कोणत्याही स्पष्ट कारणाशिवाय तुमची बॅटरी वारंवार डिस्चार्ज होत असल्यास, अधिकृत मारुती सुझुकी व्यावसायिक वर्कशॉपद्वारे तुमच्या वाहनाची तपासणी करा.
- स्वतःची हानी टाळण्यासाठी किंवा तुमच्या वाहनाची किंवा बॅटरीची हानी टाळण्यासाठी, जंप स्टार्ट करण्याच्या खालील सूचनांचे काटेकोरपणे आणि क्रमाने अनुसरण करा.  
तुम्हाला शुका असल्यास, पात्र रस्ता सैवेसाठी काल करा.

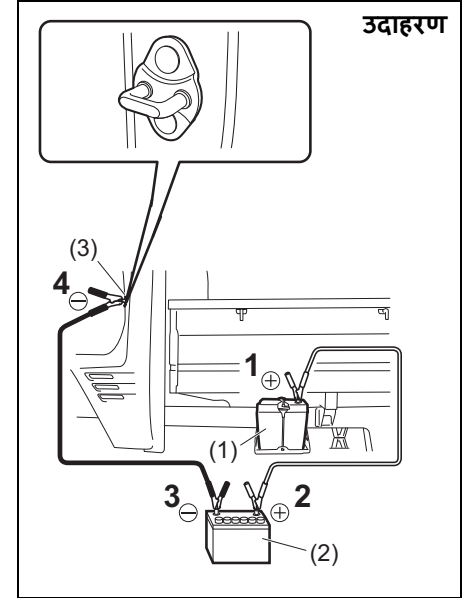
### सूचना

तुमचे वाहन ढकलून किंवा टोडंग करून सुरू करू नये. या सुरू करण्याच्या पद्धतीमुळे कॅप्टिव्हिटी कनेक्टिंगचे कायमचे नुकसान होऊ शकते. कमकुवत किंवा फ्लॅट बॅटरी असलेले वाहन सुरू करण्यासाठी जंप लीड वापरा.

### तुमचे वाहन जंप स्टार्ट करताना, खालील प्रक्रिया वापरा:

- 1) तुमचे वाहन जंप स्टार्ट करण्यासाठी फक्त 12-व्होल्ट बॅटरी वापरा. चांगली 12-व्होल्ट बॅटरी तुमच्या वाहनाजवळ ठेवा जेणेकरून जंप लीड्स दोन्ही बॅटरीपर्यंत पोहोचतील. दुसऱ्या वाहनावर स्थापित केलेली बॅटरी वापरताना, वाहनांना स्पर्श होऊ देऊ नका. दोन्ही वाहनांवर पार्किंग ब्रेक पूर्णपणे सेट करा.
- 2) सुरक्षिततेच्या कारणास्तव आवश्यक, त्याशिवाय असलेल्या वाहनांच्या सर्व अॅक्सेसरीज बंद करा (उदाहरणार्थ, हेडलाइट्स किंवा धोकादशक दिवे).

### उदाहरण



### 3) जंप लीड कनेक्शन खालीलप्रमाणे करा:

1. फ्लॅट बॅटरी (1) च्या पॉझिटिव्ह (+) टर्मिनलशी पहिल्या जंप लीडचे एक टोक जोडा.
2. बूस्टर बॅटरी (2) च्या पॉझिटिव्ह (+) टर्मिनलशी दुसरे टोक जोडा.
3. बूस्टर बॅटरी (2) च्या निगेटिव्ह (-) टर्मिनलशी दुसऱ्या जंप लीडचे एक टोक जोडा.

4. फ्लॅट बॅटरी (1) असलेल्या वाहनाच्या पॅट न केलेल्या, हेवी मेटलच्या भागाशी (म्हणजेच डोर लॅच स्ट्रायकर (3 टक्के)) अंतिम कनेक्शन करा.

**⚠ चेतावणी**

डिस्चार्ज झालेल्या बॅटरीच्या निगेटिव्ह (-) टर्मिनलशी जप लीड कधीही जोडू नका, अन्यथा स्फोट होऊ शकतो.

- 4) तुम्ही वापरत असलेली बूस्टर बॅटरी दुसऱ्या वाहनात बसवली असल्यास, बूस्टर बॅटरीने वाहनाचे इंजिन सुरू करा. इंजिन मध्यम वेगाने चालवा.
- 5) वाहनाचे इंजिन फ्लॅट बॅटरीने सुरू करा.
- 6) जप लीड्स तुम्ही ज्या क्रमाने जोडल्या आहेत त्याच उलट क्रमाने काढा.

**टोइंग**

तुम्हाला तुमचे वाहन टो करून न्यावयाचे असल्यास, व्यावसायिक सेवेशी संपर्क साधा. तुमचा डीलर तुम्हाला टोइंगच्या तपशीलवार सूचना देऊ शकतो.

**सूचना**

टोइंग करताना तुमच्या वाहनाचे नुकसान टाळण्यासाठी, योग्य उपकरणे आणि टोइंग प्रक्रिया वापरणे आवश्यक आहे.

**2-व्हील ड्राइव्ह (2WD) मॅन्युअल ट्रान्समिशन**

खालीलपैकी कोणत्याही पद्धतीचा वापर करून मॅन्युअल ट्रान्समिशन वाहने टो केली जाऊ शकतात.

- 1) समोरून, पद्धती चाके उचलून आणि मागची चाके जॅमिनीवर. टोइंग करण्यापूर्वी, ट्रान्समिशन न्युट्रल आहे आणि पार्किंग ब्रेक सोडला आहे याची खात्री करा.
- 2) मागच्या बाजूने, मागची चाके उचलून आणि पद्धती चाके जॅमिनीवर असली तर स्टीयरिंग आणि ड्राइव्हट्रेन चालू स्थितीत आहेत. टोइंग करण्यापूर्वी, स्टीयरिंग व्हील अनलाक असल्याची खात्री करा (इग्निशन की "एसीसी" स्थितीत असावी), आणि स्टीयरिंग व्हील टोइंग सेवेसाठी डिझाइन केलेल्या क्लॅम्पिंग डिव्हाइससह सुरक्षित आहे.

**सूचना**

स्टीयरिंग कॉलम टोइंग दरम्यान समोरच्या चाकामधून प्रसारित होणारे धक्के सहन करण्यासाठी पुरेसे मजबूत नाही. टोइंग करण्यापूर्वी नेहमी स्टीयरिंग व्हील अनलाक करा.

## जर स्टार्टर काम करत नसेल

- 1) बॅटरीची स्थिती निर्धारित करण्यासाठी हेडलाइट्स चालू करून इग्निशन स्विचला "स्टार्ट" स्थितीकडे वळवण्याचा प्रयत्न करा. जर हेडलाइट्स जास्त मंद झाले किंवा बंद झाले, तर याचा अर्थ सामान्यतः एकतर बॅटरी फ्लॅट आहे किंवा बॅटरी टर्मिनल संपर्क खराब आहे. बॅटरी रिचार्ज करा किंवा आवश्यकतेनुसार बॅटरी टर्मिनल संपर्क दुरुस्त करा.
- 2) हेडलाइट्स चमकदार राहिल्यास, फ्युज तपासा स्टार्टरच्या अपयशाचे कारण स्पष्ट नसल्यास, एक मोठी विद्युत समस्या असू शकते. तुमच्या अधिकृत मारुती सुझुकी कमशियल वॅकशॉपद्वारे वाहनाची तपासणी करून घ्या.

## जर इंजिन फ्लड झाले असेल

जर इंजिनला इंधनाने खूप जास्त भरलेले असेल तर ते सुरु करणे कठीण होईल. जर असे झाले तर, अॅक्सरेलेटर पेडल पूर्णपणे तळापर्यंत दाबा आणि इंजिन क्रॅक करताना तेथे दाबून ठेवा.

- स्टार्टर मोटर 30 सेकंदांपेक्षा जास्त चालवू नका.

## जर इंजिन जास्त गरम होत असेल

गंभीर ड्रायव्हिंग परिस्थितीत इंजिन तात्पुरते गरम होऊ शकते. वाहन चालवताना उच्च इंजिन कूलंट तापमान चेतावणी दिवा चालू झाल्यास:

- 1) वाहन सुरक्षित ठिकाणी नेऊन पार्क करावे.
- 2) उच्च इंजिन कूलंट तापमान चेतावणी दिवा बंद होईपर्यंत इंजिनला काही मिनिटे सामान्य निष्क्रिय गतीने चालू द्या.

### ⚠ चेतावणी

तुम्ही वाफ बाहेर पडताना पाहिल्यास किंवा ऐकू आल्यास, वाहन सुरक्षित जागी थांबवा आणि ते थंड होण्यासाठी इंजिन ताबडतोब बंद करा. वाफ येत असताना इंजिन कंपार्टमेंट उघडू नका. जेव्हा यापुढे वाफ येताना दिसत नाही किंवा ऐकू येत नाही, तेव्हा कूलंट अदयाप उकळत आहे की नाही हे पाहण्यासाठी इंजिन कंपार्टमेंट उघडा. तसे असल्यास, आपण पुढे जाण्यापूर्वी ते उकळणे थांबेपर्यंत प्रतीक्षा करणे आवश्यक आहे.

जर उच्च इंजिन कूलंट तापमान चेतावणी दिवा बंद होत नसल्यास:

- 1) इंजिन बंद करा आणि पाण्याच्या पंपाचा पट्टा आणि पुली खराब झालेल्या नाहीत किंवा घसरत नाहीत हे तपासा. जर काही असामान्यता आढळली तर ती दुरुस्त करा.

- 2) रीझर्व्हायरमधील कूलंट पातळी तपासा. जर ते "लो" रेषेपेक्षा कमी असल्याचे आढळले तर, रेडिएटर, वॉटर पंप आणि रेडिएटर आणि हीटर होजेसमधील गळती पहा. अतिउष्णतेमुळे होणारी कोणतीही गळती तुम्हाला आढळल्यास, या समस्या दुरुस्त होईपर्यंत इंजिन चालवू नका.
- 3) आपल्याला एखादी गळती आढळली नाही तर काळजीपूर्वक रीझर्व्हायरमध्ये आणि आवश्यक असल्यास, नंतर रेडिएटरमध्ये कूलंट टाका. ("तपासणी व देखभाल" विभागातील "इंजिन कूलंट" पहा.)

### सूचना:

जर तुमचे इंजिन जास्त गरम होत असेल आणि तुम्हाला काय करावे याची खात्री नसेल, तर तुमच्या अधिकृत मारुती सुझुकी कमशियल वॅकशॉपशी संपर्क साधा.



65D350d

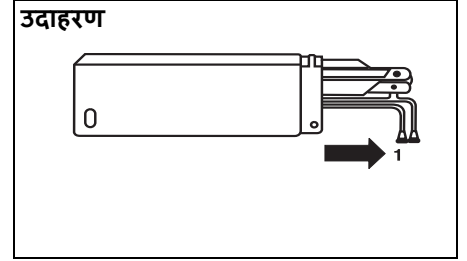
**⚠ चेतावणी**

- जेव्हा पाण्याचे तापमान जास्त असते तेव्हा रेडिएटर कॅप (किंवा डिझेल इंजिनसाठी डिगसिंग टँक कॅप) काढून टाकणे धोकादायक असते, कारण दाबाखाली उकळता द्रव आणि वाफ बाहेर पडू शकतात. कलटचे तापमान कमी झाल्यावरच कॅप कोढली पाहिजे.
- वैयक्तिक इजा टाळण्यासाठी, हात, टल्स आणि कपडे इंजिनच्या क्लिग फॅनपासून दूर ठेवा. हे इलेक्ट्रिक पॅंखे कोणत्याही पूर्वसूचनेशिवाय आपोआप चालू होऊ शकतात.

**अंडरबॉडी आदळल्याने होणारा त्रास**

तुमच्या वाहनाची अंडरबॉडी आदळल्यास, तेंपासणीसाठी अधिकृत मारुती सुझुकी कमशियल वर्कशॉपला विचारा. अल्पेथा स्टीयरिंग, सस्पेंशन, ड्राइव्हलाइन आणि ब्रेक इ.चे नुकसान तुम्हास सुरक्षित ड्रायव्हिंग पासून थांबवू शकते.

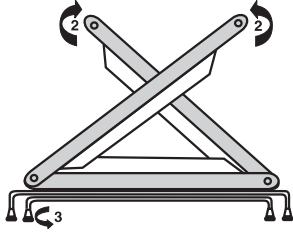
**चेतावणी त्रिकोण**



MHO-07-001

वाहन बिघडल्यास किंवा आपत्कालीन थांबण्याच्या वेळी, जेथे, तुमचे वाहन संभाव्य रहदारीचा धोका बनू शकते, तुमच्या वाहनाला दिलेला चेतावणी त्रिकोण, तुमच्या वाहनाच्या मागे कोणत्याही अडथळ्यापासून मुक्त अंदाजे **50-100** मीटर अंतरावर रस्त्यावर ठेवा जेणेकरून जवळ येणा-या रहदारीला सावध करता येईल. त्रिकोणाची परावर्तित बाजू येणाऱ्या रहदारीच्या समोर असावी. चेतावणी त्रिकोण ठेवण्यासाठी कृपया वाहन उतरण्यापूर्वी धोक्याचे चेतावणी दिवे सक्रिय करा.

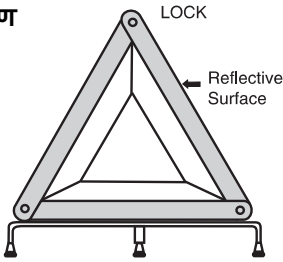
उदाहरण



MHO-07-014-1

- बाण 1 द्वारे दर्शविल्याप्रमाणे कव्हरमधून चेतावणी त्रिकोण काळजीपूर्वक काढा.
- बाणाने दाखविल्याप्रमाणे दोन्ही परावर्तक आर्म्स उघडा आणि उजव्या आर्म्मध्ये प्रदान केलेल्या क्लिपसह आर्म एकमेकांत लॉक करा. बाण 3 द्वारे दर्शविल्याप्रमाणे घड्याळाच्या काउंटरच्या दिशेने तळाचा स्टॅंड उघडा. वाहनाच्या मागे चेतावणी त्रिकोण एका साध्या पृष्ठभागावर ठेवा.
- कव्हरच्या आत ठेवण्यासाठी काढण्याच्या प्रक्रियेस उलट करा.

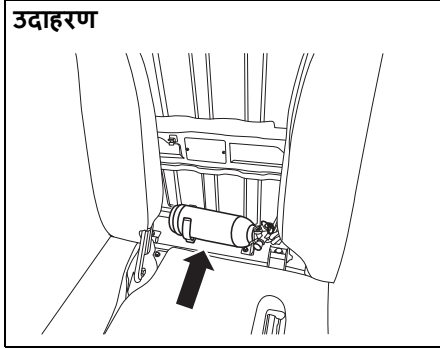
उदाहरण



MHO-07-014

अग्निशामक यंत्र (सुसज्ज असल्यास)

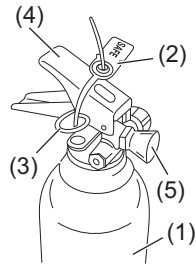
उदाहरण



77PM08009

अग्निशामक यंत्र सीटच्या मागे (ड्रायव्हर सीट आणि पॅसेंजर सीट दरम्यान) ठेवलेले आहे.

उदाहरण



77PM08003

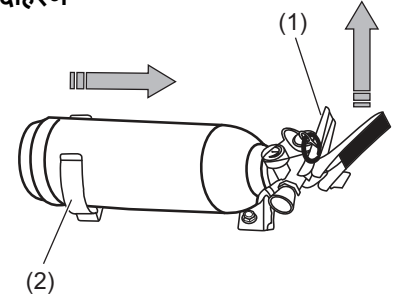
(1) अग्निशामक सिलिंडर

- (2) शिक्का
- (3) सेफ्टी पिन
- (4) लीव्हर
- (5) नोजल

अग्निशामक यंत्र काढणे आणि परत बसविणे

अग्निशामक काढण्यासाठी

उदाहरण

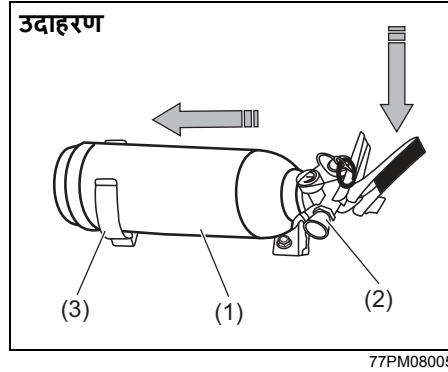


77PM08004

अग्निशामक यंत्राचा लीव्हर (1) किंचित वर उचला आणि अग्निशामक यंत्राला आकृतीत दर्शविलेल्या दिशेने खेचा, जेणेकरून ते क्लॅम्प (2) पासून वेगळे करा.

## आपत्कालीन सेवा

### अग्निशामक यंत्र परत बसविण्यासाठी

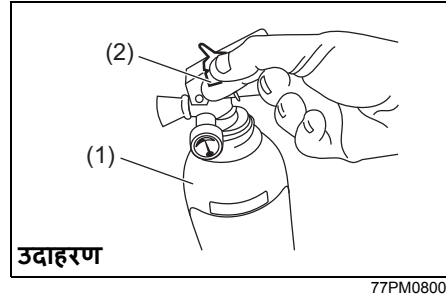


अग्निशामक यंत्राची बाँडी (1) क्लॅम्पमध्ये घाला (3) आणि नोजल (2) क्लॅम्पवर काळजीपूर्वक खाली ठेवा.

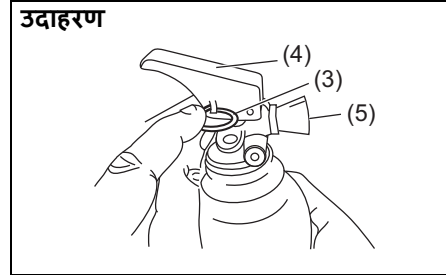
सूचना:

अग्निशामक यंत्राचे नोझल क्लॅम्पवर व्यवस्थित बसलेले असल्याची खात्री करा.

### ऑपरेशनची प्रक्रिया

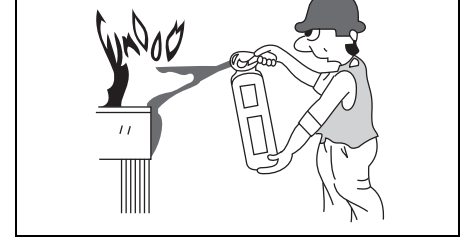


- 1) अग्निशामक यंत्र (1) वरील दिशेने धरा.
- 2) सेफ्टी पिन (3) फिरवून सील तोडा (2)



- 3) सेफ्टी पिन ओढा (3)
- 4) लीव्हर (4) पिळून घ्या आणि जलद (स्विफ्ट) स्वीपिंग हालचालीनी जेटला नोजल (5) पासून आगीच्या सर्वात जवळच्या दिशेला करा.

### उदाहरण



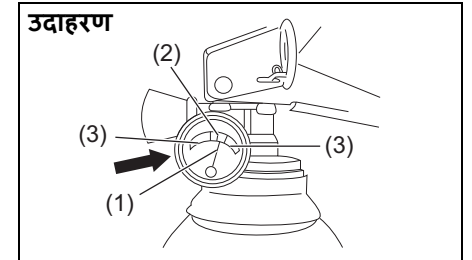
77PM08008

- 5) ज्वाला विझत नाही तोपर्यंत आग दूरच्या काठावर न्या.

सूचना:

अग्निशामक यंत्र हे केवळ बाह्य स्रोताद्वारे वाहनात लागलेल्या लहान आगीसाठी आहे.

करा आणि करू नका



77PM08001



**करा**

- 1) वेळोवेळी दाब मापक तपासा. कमाल चार्जिंग प्रेशर 15 केजीएफ / सीएम 2 (ग्रीन झोनमध्ये (2)) आहे.
- 2) जेव्हा दाब कमी होतो, तेव्हा सूचक सुई (1) रेड झोन (3) कडे सरकते. अग्निशामक यंत्रावर दिलेल्या माहितीनुसार त्वरित अग्निशामक यंत्र निर्मात्याशी संपर्क साधा.
- 3) अग्निशामक यंत्राची सेवा फक्त निर्माता सेवा केंद्रातून मिळवा. जवळच्या सेवा केंद्राचा शोध घेण्यासाठी अग्निशामक यंत्रावर दिलेल्या माहितीचा सदभ्र घ्या.
- 4) वाहनात अग्निशामक यंत्र नेहमी त्याच्या विहित स्थितीत ठेवल्याची खात्री करा.
- 5) अग्निशामक यंत्र वापरल्यानंतर ताबडतोब पुन्हा भरा.

**करू नका**

- 1) अग्निशामक यंत्र स्वच्छ करण्यासाठी पाण्याचा वापर करू नका. (धूळ काढण्यासाठी स्वच्छ कापड वापरा)
- 2) वापरलेल्या किंवा डिस्चार्ज झालेल्या अग्निशामक यंत्रावर अवलंबून राहू नका.

**सुचना:**

- प्रत्येक वापरानंतर रिफिलिंग आवश्यक आहे.
- अग्निशामक यंत्राचा वापर केला नसला तरीही दर 3 वर्षांनी रिफिलिंग आवश्यक आहे.

## दिसण्याची काळजी

गंज प्रतिबंध .....	9-1
वाहन स्वच्छता .....	9-2

### गंज प्रतिबंध

आपल्या वाहनाला गंजण्यापासून वाचवण्यासाठी त्याची चांगली काळजी घेणे महत्त्वाचे आहे. गंज टाळण्यासाठी तुमच्या वाहनाची देखभाल कशी करावी यासाठी खाली दिलेल्या सूचना आहेत. कृपया या सूचना काळजीपूर्वक वाचा आणि त्यांचे पालन करा.

### महत्वाची माहिती याबद्दल गंज

#### गंजण्याची सामान्य कारणे

- 1) रस्त्यावरील मीठ, घाण, ओलावा किंवा रसायने वाहनाखाली किंवा फ्रेमच्या दुर्गम भागात साचणे.
- 2) किरकोळ अपघात किंवा दगड आणि रेव यांच्या घर्षणामुळे चीप, ओरखडे आणि उपचारित किंवा पेंट केलेल्या धातूच्या पृष्ठभागांना कोणतेही नुकसान.
- 3) खालीलपैकी कोणतेही किंवा सर्व मुद्दे:
  - सूर्यप्रकाशाचा सतत संपर्क
  - कठीण पाणी आणि समुद्राचे पाणी वाहनाच्या संपर्कात येते.
  - फूट रबिग (स्कर्टिंग).

#### पर्यावरणीय परिस्थिती ज्यामुळे गंज वाढते

- 1) रस्त्यावरील मीठ, धूळ नियंत्रण रसायने, समुद्रातील हवा किंवा औद्योगिक प्रदूषण हे सर्व धातूच्या गंजला गती देतील.
- 2) उच्च औद्रेतेमुळे गंजण्याचे प्रमाण वाढेल, विशेषतः जेव्हा तापमान श्रेणी गोठणबिंदूच्या अगदी वर असते.
- 3) वाहनाच्या काही भागांमध्ये दीर्घ कालावधीसाठी ओलावा गंज वाढवू शकतो, जरी बांडीचे इतर भाग पूर्णपणे कोरडे असले तरीही.

4) उच्च तापमानामुळे वाहनाच्या काही भागांना गंज लागण्याचा वेग वाढेल जे लवकर कोरडे होण्यासाठी हवेशीर नसतात.

ही माहिती तुमचे वाहन (विशेषतः अंडरबॉडी) शक्य तितके स्वच्छ आणि कोरडे ठेवण्याची आवश्यकता स्पष्ट करते. पेंट किंवा संरक्षणात्मक कोटिंग्जचे कोणतेही नुकसान शक्य तितक्या लवकर दुरुस्त करणे तितकेच महत्त्वाचे आहे.

### गंज टाळण्यासाठी कशी मदत करावी

#### आपले वाहन वारंवार धुवा

तुमच्या वाहनावरील फिनिश टिकवून ठेवण्याचा आणि गंज टाळण्यासाठी मदत करण्याचा सर्वोत्तम मार्ग म्हणजे ते वारंवार धुण्याने स्वच्छ ठेवणे.

हिवाळ्यात किमान एकदा आणि हिवाळ्याच्या नंतर लगेचच एकदा आपले वाहन धुवा. तुमचे वाहन, विशेषतः खालची बाजू, शक्य तितकी स्वच्छ आणि कोरडी ठेवा.

जर तुम्ही वारंवार खारट रस्त्यांवर गाडी चालवत असाल तर हिवाळ्यात तुमचे वाहन महिन्यातून एकदा तरी धुवावे. जर तुम्ही समुद्राजवळ राहत असाल तर तुमचे वाहन वर्षभर महिन्यातून एकदा तरी धुतले पाहिजे.

वॉशिंग सूचनांसाठी, “वाहन साफसफाई” विभागाचा संदर्भ घ्या.

### जमा झालेली बाहेरील सामग्री काढा

क्षार, रसायने, रोड ऑइल किंवा डंबर, झाडाचा रस, पक्षी विष्ठा आणि औद्योगिक फाल आउट यासारख्या बाहेरील सामग्रीमुळे पेंट केलेल्या पृष्ठभागावर आल्यास आपले वाहनाच्या फिनिशिंगचे नुकसान होऊ शकते. शक्य तितक्या लवकर या प्रकारची जमा झालेली सामग्री काढा. जर ही जमा झालेली सामग्री धुणे कठीण असेल तर अतिरिक्त क्लिनर आवश्यक असू शकते. आपण वापरत असलेले कोणतेही क्लिनर पेंट केलेल्या पृष्ठभागासाठी हानिकारक नाही आणि आपल्या हेतूसाठी विशेषतः उपयोगी आहे याची खात्री करा. हे विशेष क्लीनर वापरताना निर्मात्याच्या दिशानिर्देशांचे अनुसरण करा.

### फिनिशची नुकसान दुरुस्ती

पेंट केलेल्या पृष्ठभागाच्या नुकसानासाठी आपल्या वाहनाचे काळजीपूर्वक परीक्षण करा. तुम्हाला पेंटमध्ये काही चिप्स किंवा ओरखडे आढळल्यास, गंज सुरु होण्यापासून रोखण्यासाठी त्यांना त्वरित टच अप करा. जर चीप किंवा ओरखडे बेअर मेटलमध्ये गेले असतील तर, योग्य बांडी शापमध्ये दुरुस्ती करा.

### प्रवासी आणि सामानाचे कंपार्टमेंट्स स्वच्छ ठेवा

ओलावा, घाण किंवा चिखल फ्लोर मॅटखाली जमा होऊ शकतो आणि गंज लागू शकतो. अधूनमधून, हे क्षेत्र स्वच्छ आणि कोरडे असल्याची खात्री करण्यासाठी या मॅटखाली तपासा. वाहन रस्त्याच्या बाहेर किंवा ओल्या हवामानात वापरले जात असल्यास तपासणी अधिक वारंवार करणे आवश्यक आहे.

रसायने, खते, क्लीनर, क्षार इत्यादी विशिष्ट कार्गो स्वभावाने अत्यंत गंजप्रवण असतात. ही उत्पादने सीलबंद कंटेनरमध्ये आणली पाहिजेत. जर सांडले किंवा गळती झाली तर ते क्षेत्र त्वरित स्वच्छ आणि कोरडे करा.

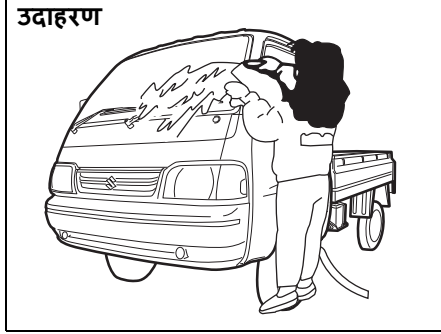
**तुमचे वाहन कोरड्या, हवेशीर जागेत ठेवा**  
तुमचे वाहन सतत थेट सूर्यप्रकाशापासून वाचवण्यासाठी पार्क करा.  
तुमचे वाहन ओलसर, हवेशीर नसलेल्या ठिकाणी पार्क करू नका. तुम्ही तुमचे वाहन अनेकदा गॅरेजमध्ये धुत असल्यास किंवा ओले असताना तुम्ही ते वारंवार चालवत असल्यास, तुमचे गॅरेज ओलसर असू शकते. गॅरेजमधील उंच आर्द्रतेमुळे गंज लागू शकतो किंवा वाढू शकतो. वेंटिलेशन खराब असल्यास गरम गॅरेजमध्येही ओले वाहन खराब होऊ शकते.

### ⚠ चेतावणी

कॅटलिटिक कन्व्हर्टर, एक्झॉस्ट पाईप्स इ. सारख्या एक्झॉस्ट सिस्टम घटकांवर किंवा त्याच्या आसपास अतिरिक्त अंडरकोटिंग किंवा रस्ट प्रतिबंधात्मक कोटिंग लागू करू नका. जर अंडरकोटिंग पदार्थ जास्त गरम झाले तर आग सुरू होऊ शकते.

## वाहन स्वच्छता

### उदाहरण



77PM09001

### ⚠ चेतावणी

वाहनाचे आतील किंवा बाहेरील भाग साफ करताना, ज्वलनशील सोल्व्हेंट्स जसे की लाख पातळ पदार्थ, पेट्रोल, बेझिन किंवा ब्लीच किंवा तीव्र घरगुती डिटर्जंट्स यासारखी स्वच्छता सामग्री वापरू नका. सामग्रीमुळे वैयक्तिक इजा किंवा वाहनाला नुकसान होऊ शकते.

## आतील स्वच्छता

### विनाइल अपहोल्स्टरी

कोमट पाण्यात मिसळून साबण किंवा सौम्य डिटर्जंटचे द्रावण तयार करा. स्पंज किंवा मऊ कापडाने विनाइलला द्रावण लावा आणि घाण सोडवण्यासाठी काही मिनिटे भिजवू द्या. घाण आणि साबण द्रावण काढून टाकण्यासाठी पृष्ठभाग स्वच्छ, ओलसर कापडाने घासून घ्या. काही घाण अजूनही पृष्ठभागावर राहिल्यास, ही प्रक्रिया पुन्हा करा.

### फॅब्रिक अपहोल्स्ट्री (फ्रंट पॅसेंजर सीट वगळता)

व्हॅक्यूम क्लिनरसह सैल घाण काढा. सौम्य साबण द्रावण वापरून, स्वच्छ ओलसर कापडाने डाग असलेल्या भागांना घासून घ्या. साबण काढण्यासाठी, पाण्याने भिजलेल्या कापडाने भाग पुन्हा घासून घ्या. डाग काढून टाकेपर्यंत याची पुनरावृत्ती करा किंवा कडके डागांसाठी व्यावसायिक फॅब्रिक क्लिनर वापरा. तुम्ही फॅब्रिक क्लिनर वापरत असल्यास, निर्मात्याच्या सूचना आणि खबरदारीचे काळजीपूर्वक पालन करा.

### ⚠ सावधगिरी

- समोरच्या प्रवाशाच्या सीटवर द्रव किंवा सेमी-सॉलिड पदार्थ सांडू नका. जर आपण ते समोरच्या प्रवाशाच्या सीटवर सांडले तर त्वरित मऊ कपड्याने ते कोरडे पुसून टाका. सेन्सरसह लिक्विडचा संपर्क सीट बेल्ट रिमाइंडर सेन्सरच्या कार्यावर परिणाम करू शकतो.
- प्रवाशांच्या आसनावर कोणतीही तीक्ष्ण किंवा भारी वस्तू ठेवू नका जी सीट अपहोल्स्ट्रीमधून घसू शकते आणि सेन्सरचे नुकसान होऊ शकते.

## दिसण्याची काळजी

### फॅब्रिक अपहोल्स्टरी (समोरच्या प्रवासी सीटसाठी)

साफसफाईसाठी द्रव वापरू नका कारण ते फॅब्रिकमध्ये प्रवेश करू शकते आणि सीट सेन्सर खराब करू शकते.

### लेदर अपहोल्स्टरी

व्हॅक्यूम क्लिनरने सैल घाण काढा. सौम्य साबण किंवा सॅडल सोप सोल्यूशन वापरून, स्वच्छ ओलसर मऊ कापडाने घाण पुसून टाका. साबण काढून टाकण्यासाठी, पाण्याने भिजलेल्या मऊ कापडाने भाग पुन्हा पुसून टाका. ते भाग मऊ कापडाने पुसून कोरडे करा घाण किंवा डाग काढून टाकेपर्यंत याची पुनरावृत्ती करा किंवा अधिक घाण किंवा डागांसाठी व्यावसायिक लेदर क्लिनर वापरा. तुम्ही लेदर क्लीनर वापरत असल्यास, निर्मात्याच्या सूचना आणि खबरदारीचे काळजीपूर्वक पालन करा. सॉल्व्हेंट प्रकारचे क्लीनर किंवा अपघर्षक क्लीनर वापरू नका.

### सूचना:

- लेदर अपहोल्स्ट्री चांगली दिसण्यासाठी, ती वर्षातून कमीतकमी दोनदा स्वच्छ केली पाहिजे.
- जर लेदर अपहोल्स्ट्री ओली झाली तर लगेचच ते टिशू पेपरने किंवा मऊ कपड्याने कोरडी पुसून टाका. पाणी पुसले गेले नाही तर पाण्यामुळे लेदर कडक होऊन आक्रसू शकते.
- सूर्यप्रकाश असलेल्या दिवसाते पार्किंग करताना, एक सावली असलेले ठिकाण निवडा किंवा सनशेड वापरा. जर लेदर अपहोल्स्ट्री बऱ्याच काळासाठी थेट सूर्यप्रकाशाच्या संपर्कात असेल तर तिचा रंग बदलू शकतो आणि ती आक्रसू शकते.
- ज्याप्रमाणे नैसर्गिक सामग्रीत सामान्य आहे, लेदर मधील ग्रेन मूळतः अनियमित असतात आणि काउन्टाइल त्याच्या नैसर्गिक अवस्थेत

## 9-3

स्पॉट्स असतात. हे कोणत्याही प्रकारे लेदरच्या कार्मिगिरीवर परिणाम करित नाही.

### सीट बेल्ट्स

सीट बेल्ट सौम्य साबण आणि पाण्याने स्वच्छ करा. बेल्टवर ब्लीच किंवा डाई वापरू नका. ते बेल्टमधील फॅब्रिक कमकुवत करू शकतात.

### विनाइल फ्लोर मॅट्स

सामान्य घाण पाणी किंवा सौम्य साबणाने विनाइलमधून काढली जाऊ शकते. घाण सुटण्यास मदत करण्यासाठी ब्रश वापरा. घाण सैल झाल्यानंतर, मॅट पाण्याने पूर्णपणे स्वच्छ धुवा आणि सावलीत वाळा.

### कार्पेट्स

व्हॅक्यूम क्लिनरने शक्य तितकी घाण आणि माती काढून टाका. सौम्य साबण द्रावण वापरून, स्वच्छ ओलसर कापडाने डाग असलेल्या भागांना घासून घ्या. साबण काढण्यासाठी, पाण्याने भिजलेल्या कापडाने भाग पुन्हा घासून घ्या. डाग काढून टाकेपर्यंत याची पुनरावृत्ती करा किंवा कडके डागांसाठी व्यावसायिक कार्पेट क्लिनर वापरा. तुम्ही कार्पेट क्लिनर वापरत असल्यास, निर्मात्याच्या सूचना आणि खबरदारीचे काळजीपूर्वक पालन करा.

### इन्स्ट्रुमेंट पॅनेल आणि कन्सोल

व्हॅक्यूम क्लिनरसह सैल घाण काढा. घट्ट पिळलेल्या ओलसर स्वच्छ कपड्याने हळवारपणे घाण पुसून टाका. घाण निघेपर्यंत हे पुन्हा करा.

## सूचना

स्विचेसु सारखे विद्युत घटक पुसण्यासाठी सिलिकॉन असलेली रासायनिक उत्पादने वापरू नका. यामुळे घटकाचे नुकसान होईल.

इन्स्ट्रुमेंट क्लस्टर किंवा इतर कोणत्याही इलेक्ट्रिकल किंवा इलेक्ट्रॉनिक घटकावर थेट पाणी किंवा कोणतेही द्रव फवारू नका. यामुळे नुकसान होऊ शकते आणि / किंवा भाग कार्य न करू शकण्याचे कारण घडू शकते.

## उदाहरण



81RM08005

बाह्यभाग साफ करणे

सूचना
आपले वाहन स्वच्छ आणि घाणीपासून मुक्त असणे महत्त्वाचे आहे. तुमचे वाहन स्वच्छ ठेवण्यात अयशस्वी झाल्यामुळे रंग क्षीण होऊ शकतो किंवा वाहनाच्या बाँडीच्या विविध भागांना गंज लागू शकतो.

धुणे



82DY0

चेतावणी
<ul style="list-style-type: none"> <li>इंजिन चालू असताना कधीही आपले वाहन धुण्याचा आणि वॅक्स करण्याचा प्रयत्न करू नका.</li> <li>बाँडीच्या खालच्या बाजूची आणि फेंडर्सची साफसफाई करताना, जेथे तीक्ष्ण धार असलेले भाग असू शकतात, तुमचे पंजे आणि हात कापले जाण्यापासून वाचवण्यासाठी तुम्ही हातमोजे आणि लॉब बाहींचा शर्ट घालावा.</li> <li>तुमचे वाहन धुतल्यानंतर, ब्रेक्सने त्यांची सामान्य परिणामकारकता कायम ठेवली आहे याची खात्री करण्यासाठी गाडी चालवण्यापूर्वी त्यांची काळजीपूर्वक चाचणी करा.</li> </ul>

वाहन धुताना, त्यावर थेट सूर्यप्रकाश पडणार नाही अशा ठिकाणी पार्क करा आणि खालील सूचनांचे पालन करा:

- 1) चिखल आणि घाण काढण्यासाठी बाँडीच्या आणि चाकांच्या हाउसिंगच्या खाली दाबयुक्त पाण्याने फ्लश करा. भरपूर पाणी वापरा.

सूचना
<p>वाहन धुताना:</p> <ul style="list-style-type: none"> <li>प्लास्टिकच्या भागांवर 80°सी (176°एफ) पेक्षा जास्त थेट वाफ किंवा गरम पाणी टाळा.</li> <li>Tइंजिनच्या घटकांचे नुकसान टाळण्यासाठी, इंजिन कंपार्टमेंटमध्ये दाबयुक्त पाणी वापरू नका.</li> </ul>

- 2) घाण सैल करण्यासाठी बाँडी स्वच्छ धुवा. वाहत्या पाण्याने बाँडीच्या बाहेरील घाण आणि चिखल काढा. तुम्ही मऊ स्पंज किंवा ब्रश वापरू शकता. पेंट किंवा प्लास्टिक स्क्रॅच करू शकतील अशा कठीण सामग्रीचा वापर करू नका. लक्षात ठेवा की हेडलाइट कव्हर्स किंवा लेन्स बऱ्याच बाबतीत प्लास्टिकचे बनलेले असतात.

सूचना
पेंट किंवा प्लास्टिकच्या पृष्ठभागाचे नुकसान टाळण्यासाठी, पुरेश्या पाण्याशिवाय घाण पुसू नका. वरील प्रक्रियेचे अनुसरण करण्याचे सुनिश्चित करा.

- 3) स्पंज किंवा मऊ कपड्याचा वापर करून संपूर्ण बाह्य भाग सौम्य डिटर्जेंट किंवा कार वाश साबणाने धुवा. स्पंज किंवा कापड वारवार साबण सोल्यूशनमध्ये भिजवावे.

सूचना
व्यावसायिक कार वाश उत्पादन वापरताना, निर्मात्याने निर्दिष्ट केलेल्या सावधगिरीचे पालन करा. तीव्र घरगुती डिटर्जेंट किंवा साबण कधीही वापरू नका.

- 4) घाण पूर्णपणे काढून टाकल्यानंतर, डिटर्जेंट वाहत्या पाण्याने स्वच्छ धुवा.
- 5) स्वच्छ धुवल्यानंतर, वाहनाचा भाग ओल्या चामोईस किंवा कापडाने पुसून टाका आणि सावलीत सुकवू द्या.

## दिसण्याची काळजी

- 6) पेंट केलेल्या पृष्ठभागाचे नुकसान काळजीपूर्वक तपासा. जर काही नुकसान झाले असेल तर, खालील प्रक्रियेचे अनुसरण करून नुकसानास टच अप करा:
1. सर्व खराब झालेले स्पॉट्स स्वच्छ करा आणि त्यांना कोरडे होऊ द्या.
  2. पेंट नीट ढवळून घ्या आणि लहान ब्रश वापरून खराब झालेल्या डागांना हलके टच अप करा.
  3. पेंट पूर्णपणे कोरडा होऊ द्या.

वाहन धुल्यानंतर, पेंटचे संरक्षण आणि सुशोभित करण्यासाठी वॅक्सिंग आणि पॉलिशिंगची शिफारस केली जाते.

- फक्त चांगल्या दर्जाचे वॅक्स आणि पॉलिश वापरा.
- वॅक्स आणि पॉलिश वापरताना, उत्पादकांनी निर्दिष्ट केलेल्या खबरदारीचे निरीक्षण करा.

### सूचना

तुम्ही ऑटोमॅटिक कार वाॅश वापरत असल्यास, तुमच्या वाहनाच्या बॉडीचे पार्ट्स जसे की स्पायलर, खराब होणार नाहीत याची खात्री करा. तुम्हाला शंका असल्यास, सल्ल्यासाठी कार वाॅश ऑपरेटरचा सल्ला घ्या.

## वॅक्सिंग

### उदाहरण



77PM09002

## सामान्य माहिती

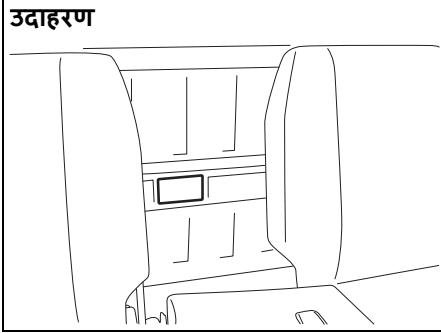
वाहन ओळख .....	10-1
फास्ट टॅग (सुसज्ज असल्यास) .....	10-1
सीएनजी किट क्रमांक ओळख (सुसज्ज असल्यास) .....	10-2
उच्च सुरक्षा नोंदणी प्लेट (एचएसआरपी) (लागू पडत असल्यास) .....	10-3



## वाहन ओळख

### चेसिस अनुक्रमांक

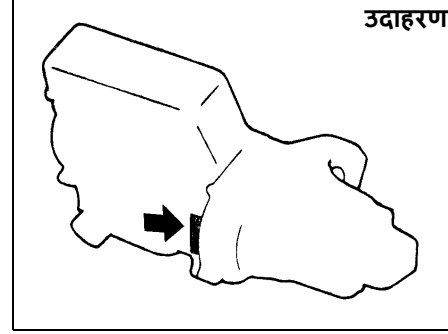
#### उदाहरण



77PH059

वाहनाची नोंदणी करण्यासाठी चेसिस आणि / किंवा इंजिन अनुक्रमांक वापरले जातात. ऑर्डर देताना किंवा विशेष सेवा माहितीचा संदर्भ देताना ते तुमच्या डीलरला मदत करण्यासाठी देखील वापरले जातात. जेव्हा तुम्हाला तुमच्या अधिकृत मारुती सुझुकी कमर्शियल वर्कशॉपचा सल्ला घ्यायचा असतो तेव्हा या क्रमांकासह तुमचे वाहन ओळखण्याचे लक्षात ठेवा. तुम्हाला नंबर वाचण्यास अवघड वाटत असल्यास, तुम्हाला तो ओळख प्लेटवर देखील सापडेल.

### इंजिन अनुक्रमांक



54G082

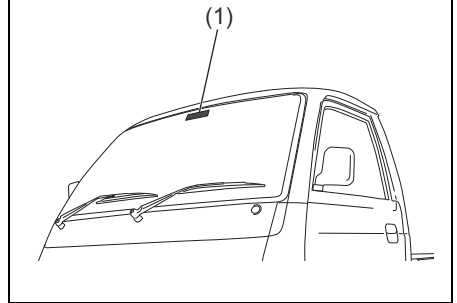
स्पष्टीकरणात दर्शविल्यानुसार इंजिन सिरियल नंबरचा शिक्का सिलेंडर ब्लॉकवर असतो.

### फास्ट टॅग (सुसज्ज असल्यास)

रस्ते वाहतूक आणि महामार्ग मंत्रालयाच्या म्हणण्यानुसार, फास्ट टॅग (1) इलेक्ट्रॉनिक टोल संकलनाच्या उद्देशाने किंवा भारत सरकारने परिभाषित केल्यानुसार इतर कोणत्याही उद्देशासाठी प्रत्येक वाहनासाठी अनिवार्य आहे.

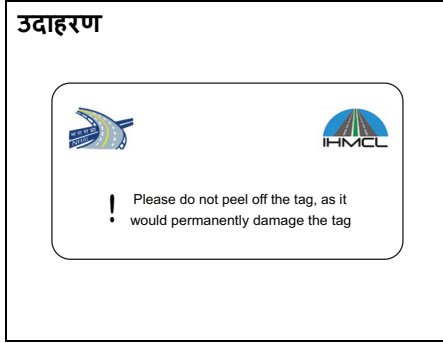
फास्ट टॅगचे कोणतेही नुकसान झाल्यास किंवा फ्रंट विंडस्क्रीन बदलल्यास, कृपया तुमच्या जवळच्या अधिकृत मारुती सुझुकी वर्कशॉपशी संपर्क साधा.

#### उदाहरण



66MM01001

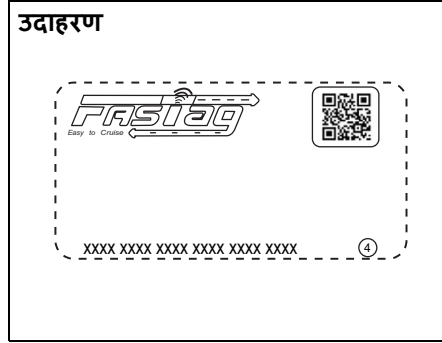
जसे वाहनाच्या आतून दिसते



64MM01002

सुचना:  
दाखवलेले चित्र केवळ सूचक हेतूसाठी आहे. वाहनावर बसवलेल्या वास्तविक उपकरणाची अंतर्गत रचना वेगळी असू शकते.

वाहनाच्या बाहेरून पाहिल्याप्रमाणे

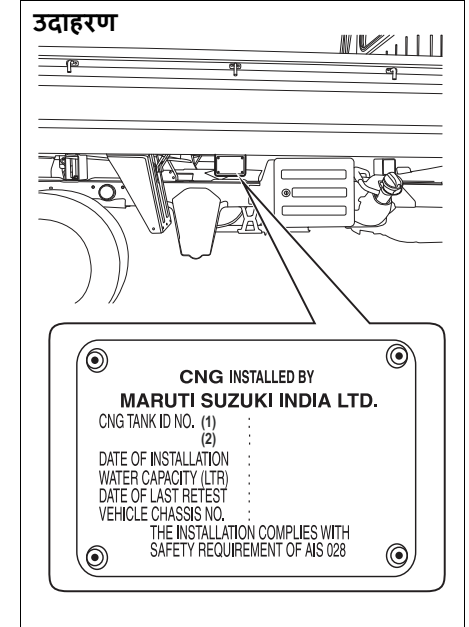


64MM01003

सुचना:  
दाखवलेले चित्र केवळ सूचक हेतूसाठी आहे. वाहनावर बसवलेल्या वास्तविक उपकरणाची अंतर्गत रचना वेगळी असू शकते.

- सुचना:
- विडस्क्रीनवरून टॅग काढण्याचा कोणताही प्रयत्न केल्यास टॅगचे कायमचे नुकसान होईल.
  - विडस्क्रीन क्षेत्र स्वच्छ करण्यासाठी रासायनिक क्लीनरचा वापर केल्याने टॅग खुराब होऊ शकतो.
  - टॅगवर कोणत्याही तीक्ष्ण वस्तूचा वापर टॅगचे नुकसान करू शकतो.

सीएनजी किट क्रमांक ओळख (सुसज्ज असल्यास)



77PM10002

दाखवल्याप्रमाणे सीएसीएनजी सिलेंडर ओळख क्रमांक आणि सीएसीएनजी किट स्थापनेची तारीख कार्गो बाँडीच्या उजव्या बाजूला आहे.

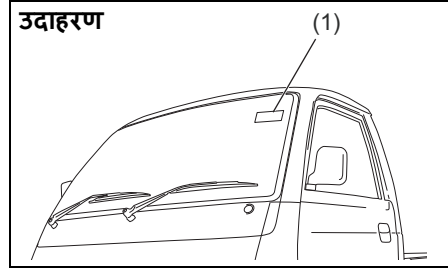
## उच्च सुरक्षा नोंदणी प्लेट (एचएसआरपी) (लागू असल्यास)

रस्ते वाहतूक आणि महामार्ग मंत्रालयानुसार, प्रत्येक नवीन वाहनात एचएसआरपी असणे आवश्यक आहे.

एचएसआरपीत समाविष्ट आहे;

- समोर आणि मागील एचएसआरपी, ज्याला नंबर प्लेट क्षेत्रावर प्रत्येकी 2 स्नॅप-लॉक बसवले जातील.
- समोरच्या विंडशील्डवर तिसरी परवाना प्लेट.

### तिसरी परवाना प्लेट

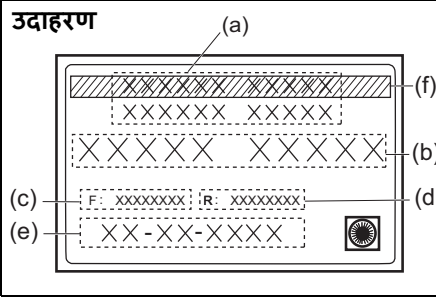


64MM01005

(1) तिसरी परवाना प्लेट

### तिसरी परवाना प्लेट - वाहनाच्या बाहेरून पाहिल्याप्रमाणे

#### उदाहरण



72RM09002

- (a) एचएसआरपी जारी करणाऱ्या प्राधिकरणाचे नाव
- (b) वाहन नोंदणी क्रमांक
- (c) अद्वितीय लेसर क्रमांक - समोरची प्लेट
- (d) अद्वितीय लेसर क्रमांक - मागील प्लेट
- (e) पहिल्या नोंदणीची तारीख  
(DD-MM-YYYY फॉर्मेटमध्ये)
- (f) हिरव्या पट्ट्या (BS6 वाहन)

#### सूचना:

दोखवलेले चित्र केवळ सूचक हेतूसाठी आहे. वाहनावर बसवलेल्या वास्तविक लेबलची अतर्गत रचना वेगळी असू शकते.

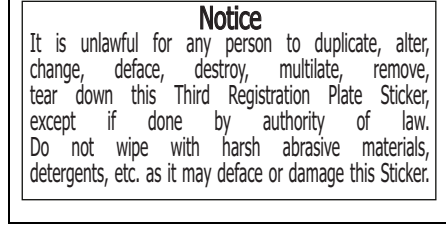
#### सूचना:

- विंडस्क्रीनवरून तिसरी परवाना प्लेट काढण्याचा कोणताही प्रयत्न केल्यास लेबलचे कायमचे नुकसान होईल.

- विंडस्क्रीन क्षेत्र स्वच्छ करण्यासाठी रासायनिक क्लीनरचा वापर जेथे लेबल लावले आहे तिथे केल्यास ते खराब होऊ शकते.
- लेबलवर कोणत्याही तीक्ष्ण वस्तूचा वापर लेबल खराब होऊ शकते.
- तिसरी परवाना प्लेट बदलल्यास, कृपया मंजूर प्राधिकरणाशी संपर्क साधा.

### तिसरी लायसन्स प्लेट - वाहनाच्या आतून दिसते

#### उदाहरण



64MM01009

#### सूचना:

दोखवलेले चित्र केवळ सूचक हेतूसाठी आहे.

#### सूचना:

रस्ते वाहतूक आणि महामार्ग मंत्रालयाने परिभाषित केल्यानुसार तिसऱ्या परवाना प्लेटचा (मागे) रंग एचएसआरपी नियमानुसार आहे.

## तपशील

# तपशील

सूचना:

तपशील सूचना न देता बदलू शकतात.

"चेसिस" प्रकारांशी संबंधित तपशील "बाँडी फॅब्रिकेशनसाठी सूचना" संदर्भित करतात

आयटम: परिमाणे	युनिट: मिमी	
एकूण लांबी		3800
एकूण रुंदी		1562
एकूण उंची		1883
व्हीलबेस		2110
ट्रॅक	समोर	1345
	मागील	1330

आयटम: वस्तुमान (वजन)	युनिट: किलो	
कर्ब मास (वजन)	Petrol	870
	CNG	990
एकूण वाहन वस्तुमान (वजन) रेटिंग		1620
अनुज्ञेय कमाल एक्सल वजन	समोर	900
	मागील	1020

आयटम: इंजिन	Petrol आणि CNG
प्रकार	K12N (DOHC)
सिलिंडरची संख्या	4
बोर	73.0 mm
स्ट्रोक	71.5 mm
पिस्टन डीसप्लेसमेंट	1197 cm <sup>3</sup> (1197 cc)
कॉम्प्रेसन रेशो	12.0: 1

आयटम: इलेक्ट्रिकल	
स्पर्क प्लग	NGK ILZKR6F11
बॅटरी	12V 38B20R
फ्यूज	तपासणी आणि देखभाल विभाग पहा.

आयटम: लाइट्स	वॉटेज	बल्ब क्र.
हेडलाइट	12V 60/55W	H4
स्थिती लाइट्स	12V 5W	W5W
टर्न सिग्नल लाइट	समोर	12V 21W
	मागील	12V 21W
ब्रेक / टेल लाइट	12V 21/5W	P21/5W
रिव्हर्सिंग लाइट	12V 21W	P21W
परवाना प्लेट लाइट	12V 5W	W5W
आतील लाइट	12V 5W	C5W

## तपशील

---

आयटम: चाके आणि टायर	
टायरचा आकार, समोर, मागील आणि स्पेअर	155R13 LT 8PR 89/88S* / 155R13 LT 8PR 90/89Q*
रिम आकार	13X4J
टायरचे दाब	निर्दिष्ट टायर प्रेशरसाठी, ड्रायव्हरच्या दरवाजाच्या खांबावर असलेले टायर माहिती लेबल पहा.

\* जर तुम्हाला निर्दिष्ट लोड इंडेक्स रेट आणि स्पीड चिन्हासह टायर मिळू शकत नसेल तर जास्त लोड इंडेक्स रेट आणि स्पीड चिन्हासह टायर घ्या.

टीइएम: शिफारस केलेले इंधन / वंगण आणि क्षमता (अंदाजे)			
इंधन	Petrol		30 L <sup>#</sup>
	CNG	Petrol	5 L <sup>#</sup>
		CNG	35 L × 2 टाक्या <sup>#</sup>
इंजिन ऑइल	Petrol		वर्गीकरण: API SN स्निग्धता: SAE 0W-16
	CNG		
इंजिन कूलंट	Petrol		3.6 L (रीझर्व्हायर टाकीसह)
	CNG		3.65 L (रीझर्व्हायर टाकीसह)
मॅन्युअल ट्रान्समिशन ऑइल			मारुती जेन्युइन गियर ऑइल 75W
मागील डिफरन्शियल ऑइल			"TOTALFINAELF TRANSELF LL 85W-140"
ब्रेक फ्लुइड			मारुती जेन्युइन ब्रेक फ्लुइड (एमजीबीएफ) किंवा डीओटी 3 "तपासणी आणि देखरेख" विभागातील सूचनांनुसार योग्य ऑइलच्या पातळीवर रिफिल करा.

\*1: शिफारस केलेले कूलंट तुमच्या वाहनानुसार बदलते. "तपासणी आणि देखभाल" विभाग पहा.

# : इंधन टाकीची क्षमता तुम्ही भरू शकणाऱ्या इंधनाच्या शिफारस केलेल्या प्रमाणापेक्षा किंचित जास्त आहे. सुरक्षा आणि वैज्ञानिक कारणांसाठी अतिरिक्त विपुल जागा प्रदान करण्यात आली आहे.

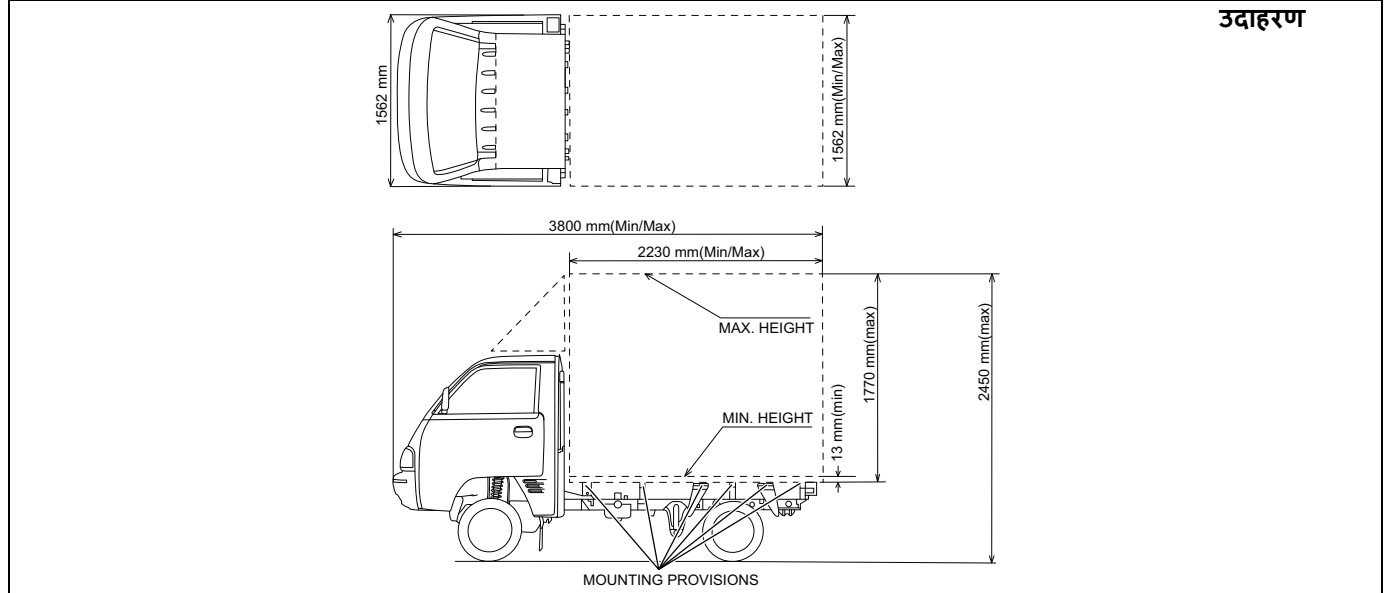
### बाँडी फॅब्रिकेशनसाठी सूचना (चेसिस प्रकार)

कॅब-चेसिस वाहनावरील बाँडी फॅब्रिकेशन खालील सूचना आणि सीमा अटींची खात्री करून केली जाईल:

- बाँडी एक्सटोरियर्स:** लोड बाँडी/अॅप्लिकेशन अशा प्रकारे तयार केले जावे की, वाहनाच्या बाह्य पृष्ठभागावर तीक्ष्ण कडा किंवा तीक्ष्ण प्रक्षेपण करणारे भाग नसावेत, ज्यामुळे टक्कर झाल्यास बाँडीवर्कमुळे किंवा बाँडी घासून गेल्यास एखाद्या व्यक्तीला शारीरिक दुखापत होण्याचा धोका किंवा गंभीरता वाढू शकेल. जेव्हा संपूर्ण वाहन स्थिर असते आणि गतिमान असते तेव्हा हे दोन्ही वैध आहे. बाह्य कडा आणि प्रक्षेपित भागांवर वक्रता किमान 2.5 मिमी किंवा त्याहून अधिक त्रिज्या असल्याची खात्री करा. सीएमव्हीआर नियम 124(1)-11 अंतर्गत परिभाषित केल्यानुसार बाँडीने निर्धारित आवश्यकता पूर्ण केली पाहिजे.  
बाँडी लेआउटसाठी (जसे की टिप्पर ऍप्लिकेशन), जेथे बॅटरी माउंटिंग उघडकीस येते, सीएमव्हीआर नियम 124(1)-11 अंतर्गत परिभाषित केल्यानुसार बाह्य अंदाजांच्या आवश्यक आवश्यकता पूर्ण करण्यासाठी एक कव्हर प्रदान केले जाईल.
- रिफ्लेक्टिव्ह टेप:** बाँडी बिल्डरने वाहनाच्या मागील बाजूस संपूर्ण बाँडीच्या रूंदीवर जाणारी लाल परावर्तित टेप (20 मिमी रूंदीपेक्षा कमी नसलेली) चिकटवावी आणि सीएमव्हीआर नियम क्रमांक 104 अंतर्गत आवश्यकतांचे पालन केले पाहिजे.
- हेड लॅम्प:** बाँडी फॅब्रिकेशन केल्यानंतर, हेडलॅम्पवर (सीएमव्हीआर 124(1)-20 नुसार) चिन्हांकित केल्याप्रमाणे हेड लॅम्पचा प्रारंभिक कल समायोजित केला जाईल. जीव्हीडब्ल्यू स्थितीसाठी हेड लॅम्प लेव्हलिंग स्विचची स्थिती बाँडी फॅब्रिकेटरद्वारे ग्राहकाला निर्दिष्ट केली जाईल.
- बाँडी बिल्डरची प्लेट:** बाँडी बिल्डरने सीएमव्हीआर नियम 122 च्या आवश्यकतेनुसार लोड नसतानाचे वजन, पेलोड आणि इतर तपशील नमूद करून बाँडी-बिल्डरची प्लेट लावणे आवश्यक आहे.
- फॉर्म 22A भाग II:** बाँडी बिल्डरने सीएमसीएमव्हीआर नियम 47 अंतर्गत आवश्यकतेनुसार फॉर्म 22A भाग II प्रदान करावा.
- बाँडी बिल्डरने बाँडी फॅब्रिकेशन दरम्यान इलेक्ट्रिकल वायरिंग, इलेक्ट्रिकल उपकरणे, ब्रेक कनेक्शन, ब्रेक पाईपिंग, इंधन कनेक्शन, एकझॉस्ट सिस्टम आणि चेसिस घटकांमध्ये बदल करू नये.**



- (g) परिमाणे: निर्मात्याने पुरवलेल्या कॅब चॅसिस वाहनावर बांधले जाणारे लोड बॉडी/ऑप्लिकेशन खालील चित्रात नमूद केल्याप्रमाणे किमान आणि कमाल एन्व्हलपमध्ये बेसण्यासाठी डिझाइन केले जावे.



77PM12003

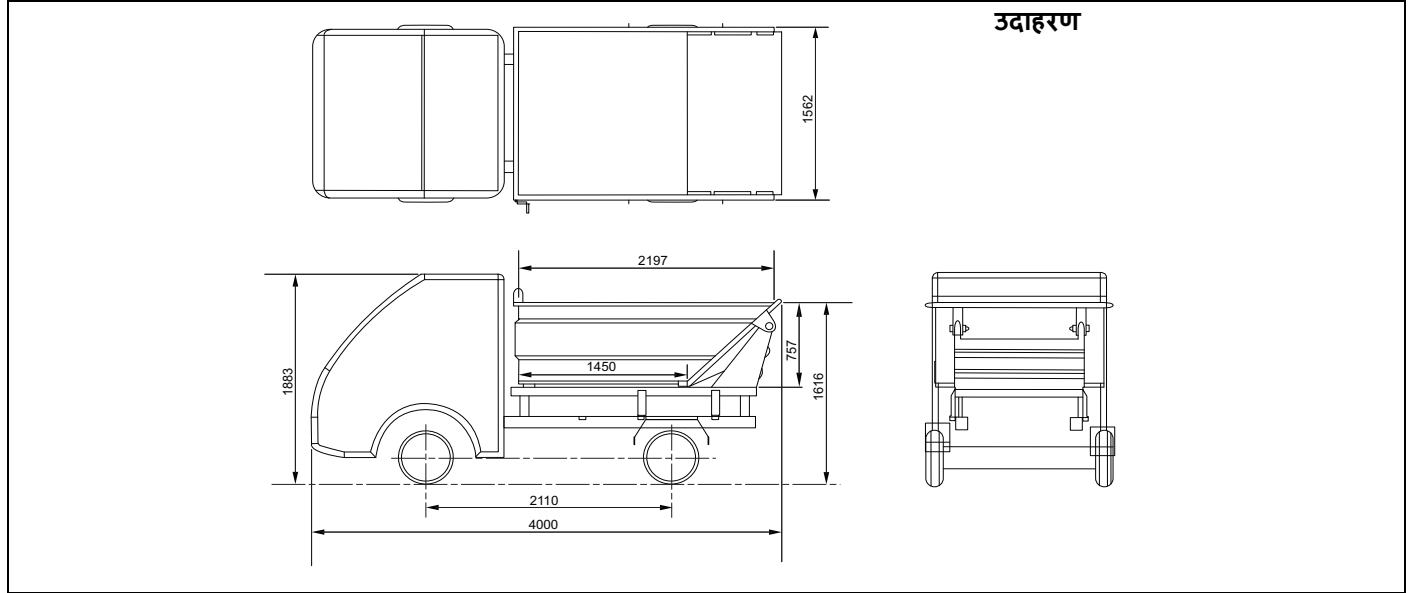
## बॉडी फॅब्रिकेशनसाठी सूचना

### बॉडी फॅब्रिकेशनसाठी सूचना

पेट्रोल मॉडेल टिपरसाठी (खुला टिप्पर आणि बंद टिप्पर)

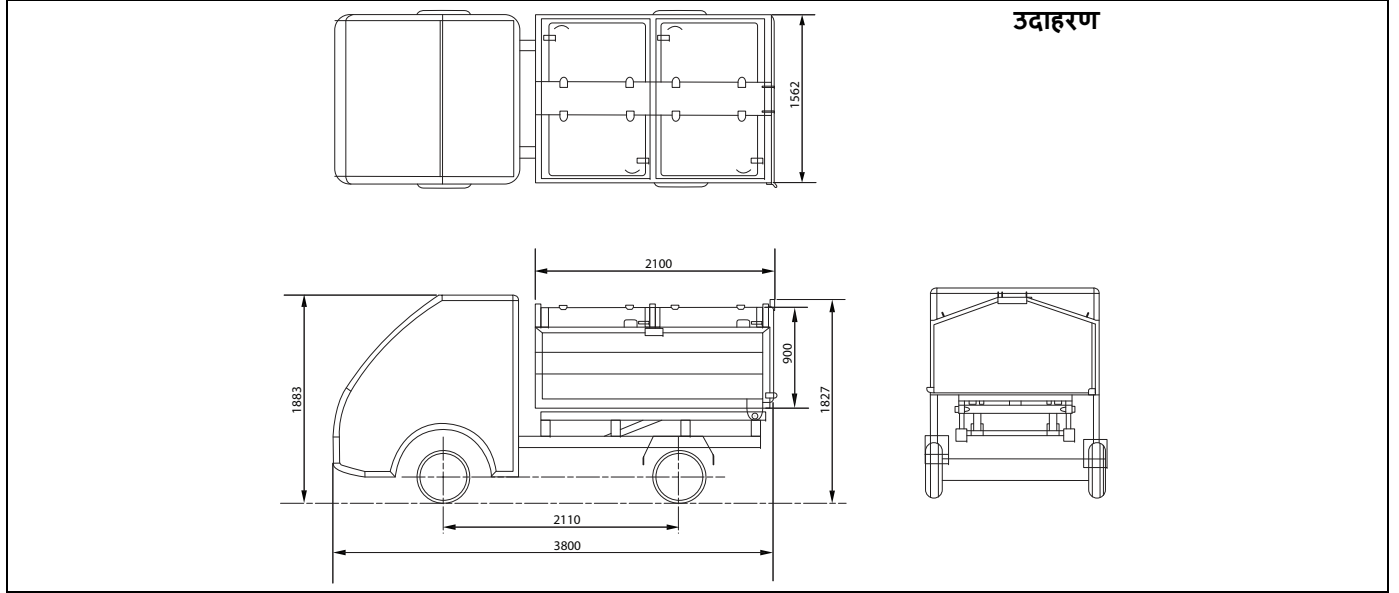
निर्मात्याने पुरवलेल्या कॅब चॅसिस वाहनावर बांधले जाणारे लोड बॉडी/अॅप्लिकेशन खाली दिलेल्या चित्राप्रमाणे विनिर्दिष्ट परिमाणात बसण्यासाठी डिझाइन केलेले असावे.

- खुला टिप्पर:



77PM12006

• बंद टिप्पर:



77PM12007

(h) वजन आणि त्याचे वितरण: संपूर्ण वाहनाचे किमान कर्ब वजन **870kg** (पेट्रोल), **990kg** (सीएनजी) आणि संपूर्ण वाहनाचे कमाल कर्ब वजन **1140kg** (पेट्रोल), **1255kg** (सीएनजी) लक्षात घेऊन लोड बाँडी/अॅप्लिकेशन तयार केले जाईल. फ्रंट एक्सल आणि मागील एक्सल कर्ब वेटचे गुणोत्तर **1.45** (पेट्रोल), **1.25** (सीएनजी) पेक्षा जास्त नसावे.

पेट्रोल मॉडेल टिप्पर अॅप्लिकेशनसाठी, लोड बाँडी/अॅप्लिकेशन खालील कर्ब वेट लक्षात घेऊन तयार केले जावे.

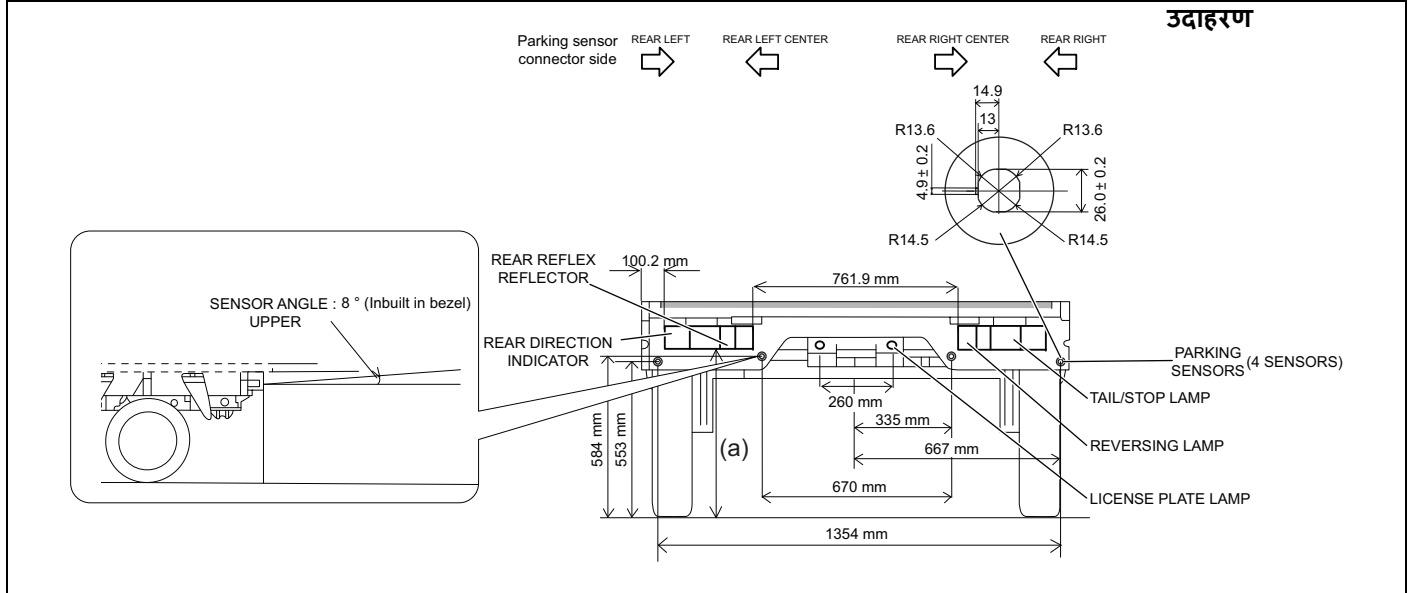
खुल्या टिप्परचे कर्ब वजन: **1070kg**

बंद टिप्परचे कर्ब वजन: **1140kg**

फ्रंट एक्सल आणि मागील एक्सल कर्ब वेटचे गुणोत्तर **1.45** पेक्षा जास्त नसावे.

## बॉडी फॅब्रिकेशनसाठी सूचना

- (i) लाइटिंग आणि सिग्नलिंग उपकरणे: कॅब चॅसिसमध्ये हेड लॅम्प असेंबली कॅबसह इनबिल्ट आणि मागील संयोजन दिवे आणि रजिस्ट्रेशन प्लेट दिवे असलेले तात्पुरते पॅनेल पुरवले जात आहे. हेड लॅम्प असेंबलीच्या स्थितीत कोणतेही बदल केले जाणार नाहीत. मागील संयोजन दिवे, रजिस्ट्रेशन प्लेट दिवे आणि पार्किंग सेन्सर (ग्लोव्ह बॉक्समध्ये वाहनासह प्रदान केलेले) लोड बॉडी/अॅप्लिकेशनवर खाली दिलेल्या चित्राप्रमाणे निदिष्ट स्थितीनुसार फिट केले जातील.

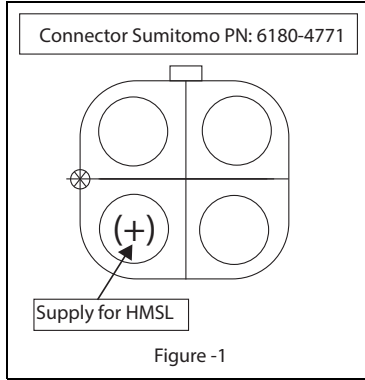


77PM12008

“a” मूल्य	
चॅसिस ऍप्लिकेशन्स (पेट्रोल आणि सीएनजी)	612 mm
पेट्रोल मॉडेल खुले टिप्पर ऍप्लिकेशन	620 mm
पेट्रोल मॉडेल बंद टिप्पर ऍप्लिकेशन	660 mm

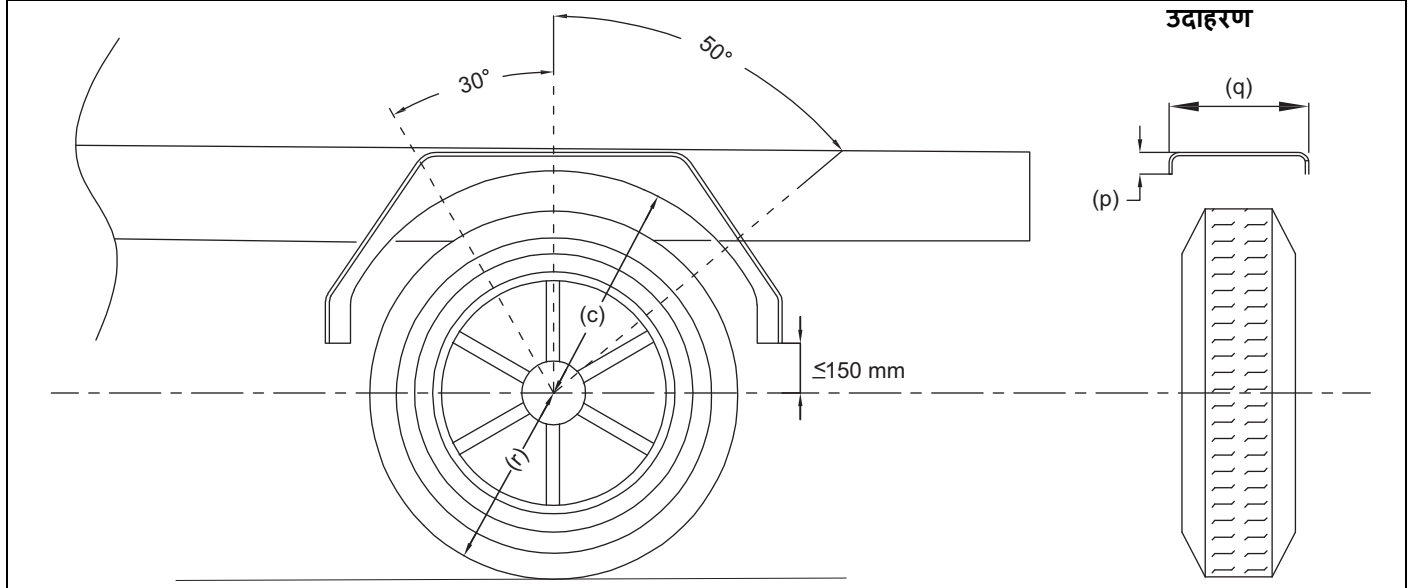
(j) एचएमएसएल स्थापना: (संपूर्ण मेटल बॉडी ऍप्लिकेशनसाठी लागू)

- बॉडी फॅब्रिकेटरने 25 वॉट्सच्या कमाल पाँवर मर्यादेसह आणि सीएमव्हीआर नियम 124(1)-20 चे पालन करून हाय माउंट स्टॉप लॅम्प (एचएमएसएल) स्थापित करणे सुनिश्चित केले पाहिजे.
- एचएमएसएल वायरिंगच्या तरतूदीसाठी आणि त्याच्या कार्यप्रणालीसाठी, मागील आकृती-1 मध्ये दर्शविल्याप्रमाणे रियर कॉम्बिनेशन लॅम्प (आरसीएल) कनेक्टरना आधीपासूनच पॉझिटिव्ह सप्लाय आवश्यक आहे. बॉडी फॅब्रिकेटरने इलेक्ट्रिकल वायरिंग हार्नेसमध्ये छेडछाड न करता हे वापरणे आवश्यक आहे. ग्राउंडिंग फिक्स टर्मिनल आरसीएल ग्राउंड पॉइंटशी योग्यरित्या जोडलेले असावे.



## बॉडी फॅब्रिकेशनसाठी सूचना

(k) व्हील गार्ड: व्हील गार्ड सीएमव्हीआर नियम क्रमांक 124(1)-13 अंतर्गत आवश्यकतेचे पालन करणारे असावेत. व्हील गार्ड (मागील) खालील चित्रात नमूद केलेल्या डिझाईन परामीटरनुसार बनवलेला असणे आवश्यक आहे.



7PM12106

c	$\leq 2r$
p	$> 30 \text{ mm}$
q	$> \text{एकूण टायर रुंदी}$
r	टायर स्थिर त्रिज्या

(I) सीएनजी प्रकारासाठी ऍप्लिकेशन:

सीएनजी लेबल:

बाँडी बिल्डरने खालील मार्गदर्शक तत्वांनुसार लोड बाँडीच्या मागील बाजूस "सीएनजी लेबल" (वाहन टूल किट पॅकेटसह प्रदान केलेले) चिकटवावे.

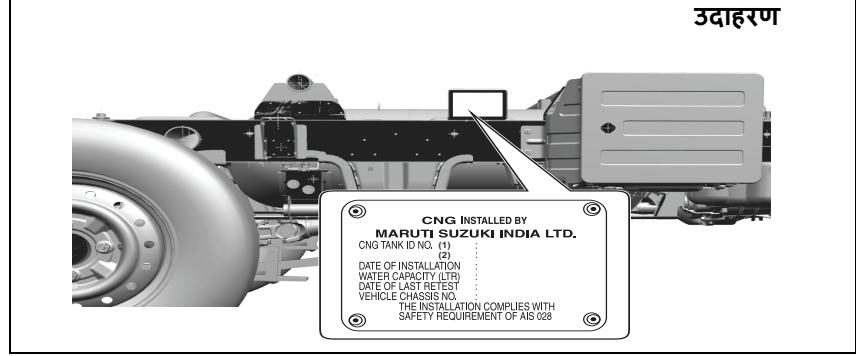
उदाहरण



77PM12011

- सपाट पृष्ठभागावर उभ्या स्थितीत (वर दर्शविल्याप्रमाणे) वाहन क्रमांक प्लेटच्या शक्य असलेल्या तितक्या जवळ लेबल चिकटवले जावे.
- चिकटलेले लेबल मागील बाजूनी दृश्यमानता सुनिश्चित करणारे असावे.
- लेबल नेहमी पोझिशनमध्ये असावे, चांगल्या स्थितीत असावे आणि आकार, रंग आणि अक्षरे सहज ओळखता यावीत.

सीएनजी किट क्रमांक ओळख:



77PM07032

लोड बाँडी/ऍप्लिकेशन अशा प्रकारे तयार केले जावे की ते सीएनजी अनुपालन प्लेटच्या दृश्यमानतेवर परिणाम करणार नाही.







**अस्वीकरण:**

मालक/बाँडी-बिल्डरने सुपर कॅरी चॅसिस व्हेरियंटच्या बाँडी फॅब्रिकेशनच्या संदर्भात वेळोवेळी लागू असलेल्या सीएमव्हीआर आवश्यकता आणि राज्य मोटर वाहन नियमांचे पालन केले पाहिजे. निर्मात्याच्या सूचना आणि प्रचलित नियमांच्या विरोधात, बाँडी/ऍप्लिकेशन तयार केल्यामुळे उद्भवलेल्या लागू कायद्यांच्या गैर-अनुरूपतेसाठी वाहन निर्माता जबाबदार राहणार नाही.

**सावधगिरी**

तुमचे सुपर कॅरी वाहन डेक / बाँडी फॅब्रिकेशनशिवाय ठेवू नका

## बॅटरी लेबल चिन्हाचा अर्थ

	धूम्रपान करू नका, जाळ नको, ठिणग्या नको		बॅटरी अॅसिड
	डोळ्यांचे संरक्षण करा		वापरण्याच्या सूचना लक्षात ठेवा
	मुलांपासून दूर ठेवा		स्फोटक वायू

Prepared by  
**MARUTI SUZUKI INDIA LIMITED**

Service Division  
February, 2025

Part No. 99011M77P13-741  
Printed in India

**For round-the-clock on-road assistance, call Maruti On-road Service at 1800 102 1800<sup>#</sup> / 1800 1800 180<sup>#</sup>**  
#No STD code to be prefixed.

रस्त्यावरील चोवीस तास मदतीसाठी मारुती ऑन-रोड सर्व्हिस ला येथे कॉल करा: 1800 102 1800<sup>#</sup> /1800 1800 180<sup>#</sup>  
# आधी एसटीडी कोड लावावा लागत नाही.



Service Division

## MARUTI SUZUKI INDIA LIMITED

Palam Gurgaon Road, Gurgaon - 122 015 (Haryana)

[www.marutisuzuki.com](http://www.marutisuzuki.com)

