

SUPER CARRY

OWNER'S MANUAL

Keep with vehicle at all times. Contains Warranty policy and important information on Safety, Operation & Maintenance

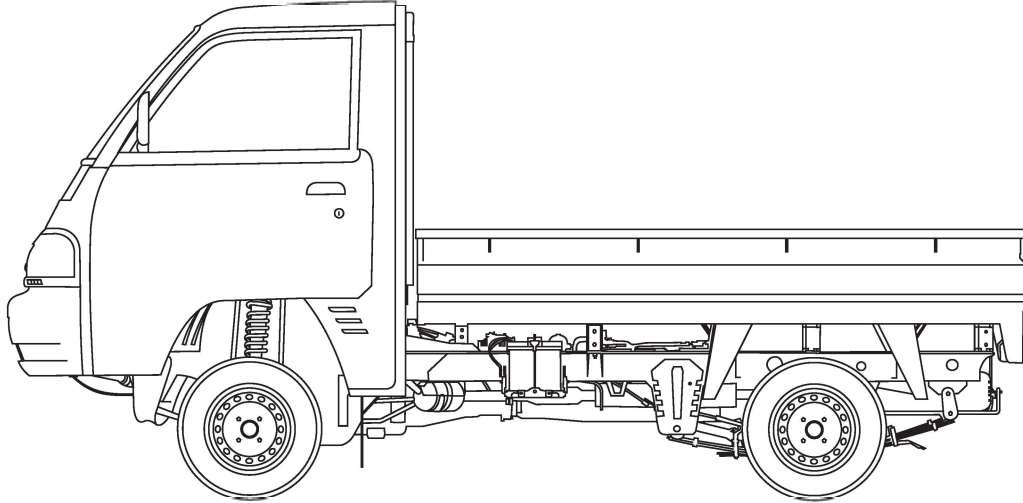
ഓണേഴ്സ് മാനുവലും സർവീസ് ബുക്ക് ലെറ്റും

എപ്പോഴും വാഹനത്തിൽ സൂക്ഷിക്കുക. വാറന്റി നയവും, സുരക്ഷ, പ്ലവർത്ഥനം, പരിപാലനം എൻ്നീവ സംബന്ധിച്ച സുപ്ധാന വിവരങ്ങും അടങ്ങിയിരിക്കുന്നു.

Part No. 99011M77P11-745
July, 2024 (ENG.) (MAL)

This owners manual applies to the Super Carry series produced by MARUTI SUZUKI INDIA LIMITED.

ഈ ഓണേഴ്സ് മാനുവലും സർവീസ് ബുക്ക് ലെറ്റും മാരുതി സുസുക്കി ഇന്ത്യാ ലിമിറ്റഡ് നിർമ്മിക്കുന്ന സൂപ്പർ കാരി ശ്രേണിക്ക് ബാധകമാണ്.



© COPYRIGHT MARUTI SUZUKI INDIA LIMITED 2024

© പരപ്പവകാശം മാരുതി സുസുക്കി ഇന്ത്യാ ലിമിറ്റഡ് 2024

NOTE: The illustrated models are one of the Super Carry series.

കുറിപ്പ്: ചിത്രീകരിച്ചിരിക്കുന്ന മോഡൽ സൂപ്പർ കാരി ശ്രേണിയിൽ പെട്ട ഒന്നാണ്.

FOREWORD

This manual is an essential part of your vehicle and should remain with the vehicle when resold or otherwise transferred to a new owner or operator. Please read this manual carefully before operating your new MARUTI SUZUKI and review the manual from time to time. It contains important information on safety, operation and maintenance. You are invited to avail the four Free Inspection Services as described in the manual. Four free inspection coupons are attached to this manual. Please show this manual to your dealer while you take your MARUTI SUZUKI for any Service.

To prolong the life of your vehicle and reduce maintenance cost, the periodic maintenance must be carried out according to "PERIODIC MAINTENANCE SCHEDULE" described in "INSPECTION AND MAINTENANCE" section of this manual. It is essential for preventing trouble and accidents to ensure your satisfaction and safety.

Daily inspection and care as per "DAILY INSPECTION CHECKLIST" described in the "OPERATING YOUR VEHICLE" section of this manual is essential for prolonging the life of the vehicle and for safe driving.

Vehicle and the available features/accessories therein should be used and plied by the owner/user in accordance with the applicable legal requirements.

MARUTI SUZUKI INDIA LIMITED believes in conservation and protection of Earth's natural resources.

To that end, we encourage every vehicle owner to recycle, trade-in or properly dispose of, as appropriate, used Engine Oil, coolant and other fluids, batteries and tyres etc.

MARUTI SUZUKI INDIA LIMITED

All information in this manual is based on the latest product information available at the time of publication. Due to improvements or other changes, there may be discrepancies between information in this manual and your vehicle. MARUTI SUZUKI INDIA LIMITED reserves the right to make production changes at any time, without notice and without incurring any obligation to make the same or similar changes to vehicles previously built or sold.

This vehicle may not comply with standards or regulations of other countries. Before attempting to register this vehicle in any other country, check all applicable regulations and make any necessary modifications.

IMPORTANT

▲ WARNING/ ▲ CAUTION/NOTICE/ NOTE

Please read this manual and follow its instructions carefully. To emphasize special information, the symbol ▲ and the words **WARNING**, **CAUTION**, **NOTICE** and **NOTE** have special meanings. Pay particular attention to messages highlighted by these signal words:

▲ WARNING

Indicates a potential hazard that could result in death or serious injury.

▲ CAUTION

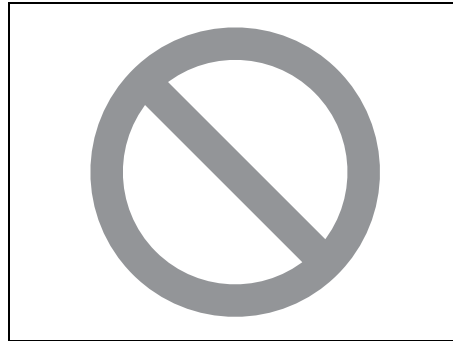
Indicates a potential hazard that could result in minor or moderate injury.

NOTICE

Indicates a potential hazard that could result in vehicle damage.

NOTE:

Indicates special information to make maintenance easier or instructions clearer.



75F135

The circle with a slash in this manual means “Don’t do this” or “Don’t let this happen”.

NOTE:

- Words like *car*, *model/variant* are invariably used in this manual to denote the “Vehicle”.
- Pictorial representations used in this manual are for reference purposes only.

MODIFICATION WARNING

▲ WARNING

Do not modify your vehicle. Modification could adversely affect safety, handling, performance, or durability and may violate governmental regulations. In addition, damage or performance problems resulting from modification shall not be covered under warranty.

NOTICE

Improper installation of mobile communication equipment such as cellular telephones or CB (Citizen’s Band) radios may cause electronic interference with your vehicle’s ignition system, resulting in vehicle performance problems. Consult your authorized **MARUTI SUZUKI COMMERCIAL** dealer for advice on installing such mobile communication equipment.

NOTICE

Severe damage may be caused by the use of either poor quality fuel and/or lubricants not recommended by **MARUTI SUZUKI**.

“WARNING”



Vehicle may **break-down**, meet with an **accident** or **catch fire** due to

1. Installation of
 - High wattage bulbs
 - Non genuine lamps / horns
 - Modified suspension / wheels
 - Non genuine parts / accessories etc.
2. Retrofitment of LPG / CNG fuel systems/kits.
3. Usage of domestic LPG.
4. Short circuiting due to tampering of wiring harness.

CAUTION: DO NOT STORE OR CARRY INFLAMMABLE MATERIALS IN THE VEHICLE.



Avoid driving into or starting the vehicle in a heavily water logged area. Vehicle may **break-down** or engine may fail due to

1. Water entry into the engine (which may lead to hydrostatic lock).
2. Short circuiting of the electrical systems.

If the vehicle is stuck in deep water, do not start / crank the vehicle until the level of water drops below the level of exhaust pipe.

NOTE:
IF THE VEHICLE IS SUBMERGED IN WATER, REPORT TO THE NEAREST AUTHORIZED WORKSHOP.

“CAUTION”

1. Retro-fitting of LPG / CNG kit may deteriorate vehicle performance, reduce engine & engine related component's life and also warranty will be null and void for such vehicles.
2. Do not use domestic LPG/LPG cylinder for your factory fitted LPG vehicles.
3. Usage of domestic LPG for running vehicles is prohibited as per law.
4. Do not remove company fitted LPG/CNG kit to install some other kit. It may affect vehicle performance and may cause fire.
5. Drive slowly on wet roads. Tires may slip while braking at higher speeds due to aquaplaning. (reduced contact area between tire and road due to presence of water)
6. Do not leave engine running in garages or confined areas, with passengers inside. This may result in accumulation of carbon-monoxide in cabin and may lead to suffocation or breathing problems.
7. Do not park vehicle on dry leaves or grass. This may lead to fire due to hot catalytic converter, igniting the dry leaves/grass.
8. If the vehicle is equipped with CNG/LPG, ensure availability of fire extinguisher in the vehicle all the time.
9. Always wear seat belt at all the times.
10. Do not use mobile phone while driving.
11. Avoid Smoking in the car, live bud thrown in car may cause fire.
12. Do not put any body part under the vehicle when it is supported on a Jack.
13. Do not use non-genuine accessories in your vehicle.
14. Do not fit accessories from unauthorized workshops/sources.
15. Usage of non-approved electrical accessories in your vehicle may result in spark, fire or personal injury.

WARRANTY POLICY

Maruti Suzuki India Limited (hereinafter called “Maruti Suzuki”), warrants that each new Maruti Suzuki vehicle distributed in India by Maruti Suzuki and sold by a Maruti Suzuki authorised dealer will be free, under normal use and service, from any defects in material and workmanship at the time of manufacture SUBJECT TO THE FOLLOWING TERMS AND CONDITIONS:

(1) Qualification:

To qualify for this warranty the vehicle must be delivered by a Maruti Suzuki authorised dealer and set-up, and serviced by a Maruti Suzuki authorised workshop.

(2) Term:

The term of the warranty shall be thirty-six (36) months or 1,00,000 kilometers (whichever occurs first) from the date of invoice to the first owner.

(3) Maruti Suzuki Warranty Obligation:

If any defect(s) should be found in a Maruti Suzuki vehicle within the term stipulated above, Maruti Suzuki’s only obligation is to repair or replace at its sole discretion any part shown to be defective, with a new part or the equivalent at no cost to the owner for parts or labour, when Maruti Suzuki acknowledges that such a defect is attributable to faulty material or workmanship at the time of manufacture. Such defective parts, which have been replaced, will become the property of Maruti Suzuki. The owner is responsible for any repair or replacements which are not covered by this warranty. The decision of Maruti Suzuki shall be final & binding.

(4) Limitation:

This warranty shall not apply to:

- (a) Normal maintenance service required other than the four free services, including without limitation, oil and fluid changes, Consumables, headlight aiming, fastener retightening, wheel balancing, wheel alignment and tyre rotation, cleaning of injectors, adjustments of clutch and valve clearance.
- (b) The normal wear of parts including without limitation, bulbs, tyres and tubes, spark plugs, belts, hoses, filters, wiper blades, brushes, contact points, fuses, clutch disc, brake shoes, brake pads, cable and all rubber parts (except oil seal and glass run).
- (c) Any vehicle which has been used for competition, rallies or racing.
- (d) Any repairs or replacement arising from accidents or collision.
- (e) Any defect/ damage caused by misuse, negligence, abnormal use, insufficient care, vandalism, theft, riot, fire, flooding - not limited to entry of water in the components resulting in engine seizure, hydrostatic lock, etc. or external damages to the body/ components.
- (f) Any damage resulting due to usage of adulterated fuel/ lubricants/ oil/ coolant/ fluids/ polishing products and fuel/ lubricants/ oil/ coolant/ fluids used other than those specified in the Owner’s Manual.
- (g) Any vehicle which has been modified or altered, including without limitation, the installation of performance accessories, enlargements of lights, other changes and external/ consequential reasons.
- (h) Any vehicle on which parts or accessories not approved by Maruti Suzuki (Non-MSGA, Non-MSGP) have been used.
- (i) Any vehicle which has not been operated in accordance with the operating instructions in this Owner’s Manual and Service Booklet.

-
- (j) Any vehicle which has not received the service inspections prescribed in this Owner's Manual and Service Booklet.
 - (k) Any vehicle which has been assembled, disassembled, adjusted or repaired by other than a Maruti Suzuki authorised workshop.
 - (l) Any vehicle which has been used for purposes other than what it was designed for.
 - (m) Any damage or deterioration caused by airborne fallout, industrial fallout, acid rain, hail or hail storm, wind storm, lightning, bird droppings, rodents bite / rat bite and such other thing that result in damage to the vehicle.
 - (n) Insignificant defects/noise which do not affect the function of the vehicle including without limitation, sound, vibration and fluid seep.
 - (o) Any natural wear and tear including without limitation, ageing, wear & tear or deterioration such as discoloration, fading, deformation or blurring and fabric discoloration.
 - (p) Installation and usage of domestic LPG gas/LPG Cylinder.
 - (q) V-belts, hoses and gas leaks.
 - (r) Any vehicle retrofitted with LPG/CNG kits.
 - (s) Repainting including patchwork, bodywork and mouldings and interior trims.
 - (t) Corrosion, rusting of body parts and/ or components.
 - (u) Any vehicle on which odometer has been changed unauthorisedly or odometer reading has been modified/ tampered with/ or not matching the service records.
 - (v) The damage(s) caused to the vehicle being unattended despite knowledge that the defect exists and ignorance by the owner/ user of the vehicle.
 - (w) Any damage(s) caused to vehicle including battery/ tyre due to parking of the vehicle in idle condition for long duration of time periods.
 - (x) Any vehicle on which the retro-fitment is not authorized and/ or type approved as per the standards prescribed by the relevant authority including but not limited to Automotive Standards of India.

- (y) Any vehicle on which the retro-fitment is such which directly or indirectly causes any damage to the vehicle or affects the functions of the vehicle in any manner whatsoever.

(5)Extent of Warranty:

This warranty is the entire written warranty given by Maruti Suzuki for Maruti Suzuki vehicles and no dealer or its or his agent or employee is authorised to extend or enlarge this warranty and no dealer or its or his agent or employee is authorised to make any oral warranty or representation or assurance on behalf of Maruti Suzuki.

Maruti Suzuki reserves the right to add any improvements or change the design of any model at any time with no obligation to make the same changes on units previously sold.

(6) Warranty Service:

To obtain warranty service, the complete vehicle must be presented at the owner's expenses to Maruti Suzuki authorised workshop.

The customer shall be responsible for his belongings or accessories fitted in the vehicle at the time of presenting the vehicle for service and no claim shall be entertained in any manner under any circumstances.

(7) Owner's Warranty Obligations:

NOTICE

The owner shall not use the vehicle in a damaged condition and report the same immediately to the nearest Maruti Suzuki authorized workshop. This would result in early inspection and repair of the vehicle and any possible harm to the person or aggravation of damage to the vehicle can be prevented.

It is responsibility of each owner to:

- Have performed, at his own expenses, by a Maruti Suzuki authorised workshop all the service inspections specified in the Maruti Suzuki “Owner’s Manual and Service Booklet” and maintain adequate proof that such service inspections have been performed.
- Update and maintain the 'Customer service maintenance records' page in the “Owner’s Manual and Service Booklet”, whenever service inspection or warranty service is carried out on the vehicle in a Maruti Suzuki authorised workshop.
- Present the Maruti Suzuki “Owner’s Manual and Service Booklet” to the Maruti Suzuki authorised workshop whenever requesting service inspections or warranty service.

If the “Owner’s Manual and Service Booklet” should be lost or destroyed the owner should consult the Maruti Suzuki authorised dealer from whom the vehicle was purchased for instructions concerning replacement of the “Owner’s Manual and Service Booklet”.

(8) Disclaimer of Consequential Damage:

Maruti Suzuki assumes no responsibility for loss of vehicle, loss of time, inconvenience or any other indirect incidental or consequential damage resulting from the vehicle not being available to the owner because of any defect covered by this warranty.

(9) Change of Owner

Even if ownership of the vehicle changes, the remaining warranty period is effective for the new owner.

This Warranty is applicable only in India and not transferable to any other country.

EMISSION WARRANTY POLICY

Maruti Suzuki offers the Emission Warranty on all Maruti Suzuki vehicles (apart from the Regular Warranty and will run parallel to the regular product warranty) only in four metropolitan cities (New Delhi, Kolkata, Mumbai and Chennai) with effect from July 1st, 2001.

Terms:

The Emission Warranty will be applicable for 80,000 kms or 3 years (Whichever comes earlier) from the date of delivery to the first owner. The remaining warranty terms will be valid in case of any change in ownership provided the production of all valid documents.

Conditions:

1. Under Emission Warranty, Warranty claims will be admitted for a prima facie examination, in case vehicle fails to meet the Emission Standard as specified in sub rule (2) of rule no. 115 of Central Motor Vehicles Rules (CMVR), 1989.
2. The warranty claims will only be accepted after examination carried out by Maruti Suzuki or its dealer which leads to firm conclusions that the
 - a) Original settings have not been tempered in any case.
 - b) Part (as given in Annexure - A) has a manufacturing defect.
 - c) Vehicle is unable to meet the Emission Standards (as given in 1.), inspite of the vehicle having been maintained and used in accordance with the instructions as specified in Owner's Manual and Service Booklet and the used fuel and different oils (Engine oil, Transmission oil, Brake oil etc.) are also as per specification.
3. The method of examination for deciding the warranty of the parts will be at the sole discretion of Maruti Suzuki and its dealer and results of the examination will be final and binding. If after examination, the warrant-able condition is not established, Maruti Suzuki and its dealer has the right to charge all, or part of the cost of such examination.
4. Under Emission Warranty, the parts (as given in Annexure - A) will be changed free of cost, but the consumables will be charged as per actual.
5. If the part covered under Emission Warranty or the associated parts, are not independently replaceable, on account of these being integral parts of a complete assembly, Maruti Suzuki and its dealer will have the sole discretion to replace either the entire assembly or by using some of the parts of the system through suitable repairs or modifications.
6. Any consequential repairs or replacement of parts which may be found necessary to establish compliance of Emission Warranty, will not be considered under warranty, unless the same is under product warranty. The consumable will be charged as per actual under such repair or replacement.
7. Maruti Suzuki will not be responsible for the cost of transportation of the vehicle to the nearest Maruti Suzuki dealer workshop or any loss due to non-availability of the vehicle during the period of lodging of a warranty claim and examination and/or repair by Maruti Suzuki dealer.
8. Maruti Suzuki will not be responsible for any penalty that may be charged by statutory authorities on account of failure to comply with the EMISSION STANDARDS.
9. Emission Warranty will not be affected on the change of owner, provided all the documents are available.

-
10. All maintenance actions (as specified in the Owner's Manual and Service Booklet) need to be followed and recorded in the manual for emission warranty.
 11. The customer needs to produce the PUC (Pollution Under Control) certificate valid for the period preceding the test during which the failure is discovered. The receipts (for the maintenance of the vehicle as per specification in Owner's Manual and Service Booklet from the date of original purchase of the vehicle) will also be required.

Conditions under which the Emission Warranty is not APPLICABLE

1. In the absence of valid PUC certificate.
2. Vehicle not serviced from Maruti Suzuki authorized workshop as per the schedule specified in the Owner's Manual.
3. Vehicle subjected to abnormal use (accident, motor race, rallies or for the purpose of establishing the records etc).
4. Use of non MGP (Maruti Genuine Part).
5. Vehicle tampered in an unauthorized manner.
6. Tampering with odometer so that the actual kilometer reading can not be read.
7. Use of adulterated fuel and/or unspecified oils (Engine oil, Transmission oil and Brake oil etc).

Annexure - A

List of parts covered under Emission Warranty

1. Fuel Injection Assembly, Pressure Regulator, Throttle Body Assembly.
2. Electronic Control Module (ECM).
3. Intake Manifold.
4. EGR valve.
5. Distributor and internal parts.
6. Ignition Coil.
7. Canister Assembly.
8. Vapour Liquid Separator.
9. Fuel Tank and Filler Cap.
10. PCV (Positive Crankcase Ventilation) Valve.
11. Oil Filler Cap.
12. Catalytic Converter.
13. Exhaust Manifold.
14. All Fuel Injection System related SENSORS.
15. High Pressure Fuel Pump.
16. Glow Plug.
17. Glow Plug Controller.
18. Maniverter

TABLE OF CONTENTS

FUEL RECOMMENDATION	1
BEFORE DRIVING	2
OPERATING YOUR VEHICLE	3
DRIVING TIPS	4
OTHER CONTROLS AND EQUIPMENT	5
VEHICLE LOADING AND TOWING	6
INSPECTION AND MAINTENANCE	7
EMERGENCY SERVICE	8
APPEARANCE CARE	9
GENERAL INFORMATION	10
SPECIFICATIONS	11
INSTRUCTIONS FOR BODY FABRICATION (chassis variant)	12

FUEL RECOMMENDATION

Fuel Recommendation 1-1

FUEL RECOMMENDATION

Fuel Recommendation

(For Petrol and CNG Engine Model)

For Petrol Engine Model

To avoid damaging catalytic converter, you must use unleaded petrol with an octane number (RON) of 91 or higher.

Gasoline/Ethanol blends

Blends of unleaded gasoline and ethanol, also known as gasohol, are commercially available in the country and can vary with location. Gasoline Ethanol blend up to E20 can be used as fuel for this vehicle.

Gasoline containing MTBE

Unleaded gasoline containing MTBE (methyl tertiary butyl ether) may be used in your vehicle if the MTBE content is not greater than 15%. This oxygenated fuel does not contain alcohol.

CAUTION

Use of spurious, low quality, adulterated fuel can cause damage to the engine and engine auxiliaries, affect functioning of engine and degrade engine performance including but not limited to engine seizure.

NOTICE

- The fuel tank has an air space to allow for fuel expansion in hot weather. If you continue to add fuel after the filler nozzle has automatically shut off or an initial blowback occurs, the air chamber will become full. Exposure to heat when fully fuelled in this manner will result in leakage due to fuel expansion. To prevent such fuel leakage, stop filling after the filler nozzle has automatically shut off, or when initial vent blowback occurs, if using an alternative non-automatic system.
- Be careful not to spill fuel containing alcohol while refueling. If fuel is spilled on the vehicle body, wipe it up immediately. Fuels containing alcohol can cause paint damage, which is not covered under the New Vehicle Limited Warranty.

For CNG Engine Model

CNG

CNG (Compressed Natural Gas) is principally constituted by methane. CNG is considered as clean burning fuel. Due to low density of CNG, it is compressed at a pressure of around 200 bars to enhance the vehicle on-board storage capacity.

CAUTION

In case of any symptom of CNG leakage or releasing noise or any external damage to CNG piping or during accident, do not panic.

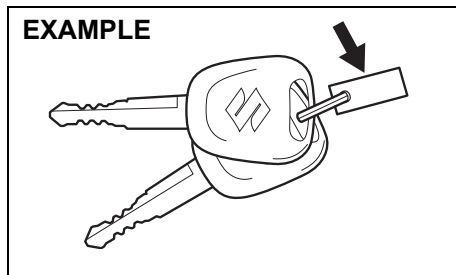
- Stop the vehicle and switch off the engine, roll down the windows and open all the doors.
- Ensure to close manual shut off valve.
- Contact authorised **MARUTI SUZUKI COMMERCIAL** workshop immediately for further assistance.

BEFORE DRIVING

Keys	2-1
Door Locks	2-2
Tailgate	2-2
Windows	2-3
Mirrors	2-4
Seats	2-5
Seat Belts	2-5
Instrument Cluster	2-11
Speedometer	2-12
Fuel Gauge	2-12
Information Display	2-12
Warning and Indicator Lights	2-16
Lighting Control Lever	2-19
Headlight Leveling Switch	2-20
Turn Signal Control Lever	2-20
Hazard Warning Switch	2-21
Windshield Wiper and Washer Lever	2-21
Horn	2-23
CNG Cylinder Warning Label (if equipped)	2-23
CNG Warning Label (if equipped)	2-23
CNG Manual Shut-OFF Valve (if equipped)	2-24

BEFORE DRIVING

Keys



51KM024

Your vehicle comes with a pair of keys. The key(s) may or may not be equipped with a transmitter depending on model variant. Keep the spare key in a safe place. One key can open all of the locks on the vehicle.

The key identification number is stamped on a metal tag provided with the keys or on the keys. Keep the tag (if equipped) in a safe place. If you lose your keys, you will need this number to have new keys made. Write the number below for your future reference.

KEY NUMBER:

Immobilizer system

This system is designed to help prevent vehicle theft by electronically disabling the engine starting system.

The engine can be started only with your vehicle's original immobilizer ignition key, which has an electronic identification code programmed into it. The key communicates the identification code to the vehicle when the ignition switch is turned to "ON" position. If you need to make spare keys, see a Maruti Suzuki authorised workshop. The vehicle must be programmed with the correct identification code for the spare. A key made by an ordinary locksmith will not work.



65D239

If the immobilizer system warning light blinks when the ignition switch is in "ON" position, the engine will not start.

If this light blinks, turn the ignition switch to "LOCK" position, and then turn it back to "ON" position.

If the light still blinks after the ignition switch is turned back to "ON" position, there may be something wrong with your

key or with the immobilizer system. Ask a Maruti Suzuki authorised workshop to have the system inspected.

NOTE:

- If you lose your immobilizer ignition key, ask a Maruti Suzuki authorised workshop as soon as possible to deactivate the lost one, and to make a new key.
- If you own other vehicles with immobilizer keys, keep those keys away from the ignition switch when using your MARUTI SUZUKI vehicle. Otherwise, the engine may not be started because they may interfere with your MARUTI SUZUKI vehicle's immobilizer system.
- If you attach any metal objects to the immobilizer key, it may not start the engine.
- This immobilizer system is maintenance-free.

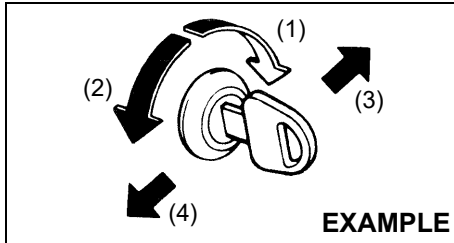
NOTICE

The immobilizer key is sensitive electronic instrument. To avoid damaging it:

- Do not expose it to impacts, moisture or high temperature such as on the dashboard under direct sunlight.
- Keep it away from magnetic objects.

Door Locks

**Side Door Locks
Driver's door**



76MH0A001

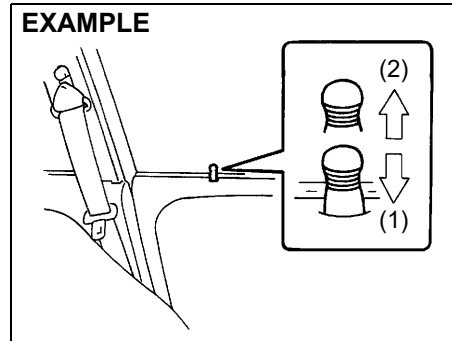
- (1) LOCK
- (2) UNLOCK
- (3) Front
- (4) Rear

To lock a driver's door from outside the vehicle:

- Insert the key and turn the top of the key toward the front of the vehicle, or
- Push the lock knob down, then pull and hold the door handle as you close the door.

To unlock a driver's door from outside the vehicle, insert the key and turn the top of the key toward the rear of the vehicle.

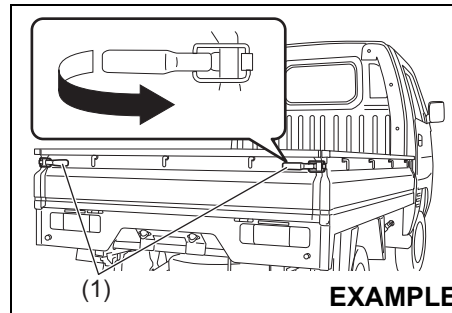
To lock a passenger's door from outside the vehicle, push the lock knob down, then pull and hold the door handle as you close the door.



54G005

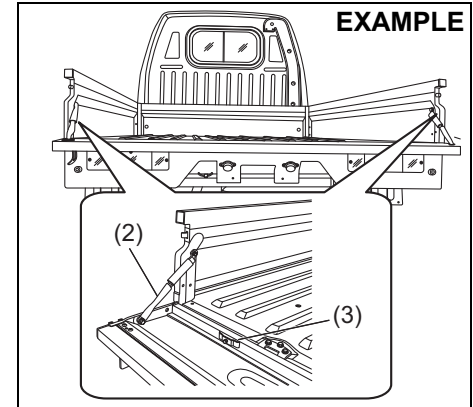
- (1) LOCK
- (2) UNLOCK

Tailgate



77PH025

The tailgate can be opened by pulling the lock handles (1). When closing, lock them firmly.



77PM201

The tailgate can also be locked in an intermediate position with the help of tailgate chain (2).

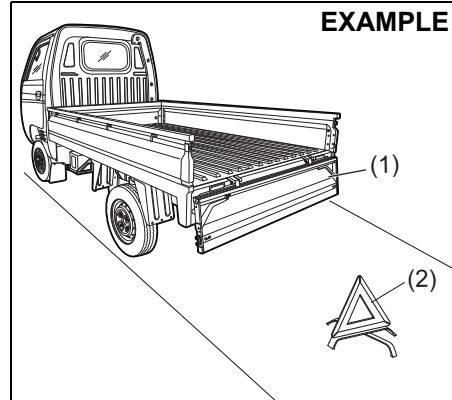
NOTICE

Lock the tailgate chain (2) with pin (3) when not in use.

BEFORE DRIVING

⚠ WARNING

- Driving with the tailgate in open / intermediate position will allow the tailgate to swing and hit others, causing injury or even death.
- The tailgate in open / intermediate position will hinder other drivers from seeing the taillights, causing accidents. Make sure the tailgate is closed and locked firmly before driving.
- Make sure that the tailgate is always closed and locked firmly to prevent cargo from being thrown out of the vehicle in the event of an accident.
- Do not stand, put load or put cargo on the tailgate when locked at an intermediate position.
- If the tailgate is in fully open condition, vehicle rear lighting devices such as position lamp, turn signal indicator and stop lamp get hidden, and are not visible.



77PM202

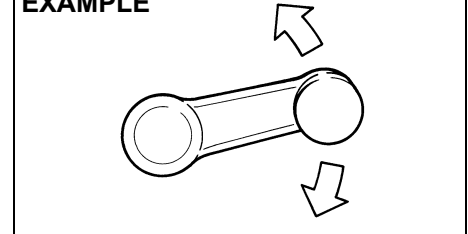
⚠ WARNING

- If the loading and unloading is done while tailgate (1) is in fully open position, a warning triangle (2) must be placed on the road in visible manner to alert other users about the presence of the vehicle.

Windows

Manual Window Control

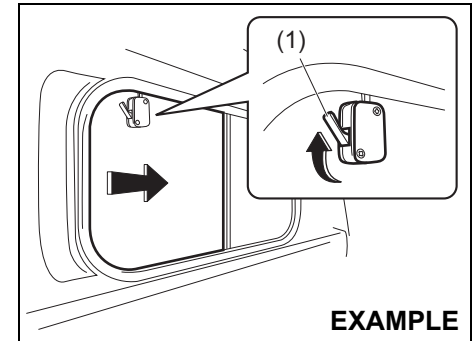
EXAMPLE



60G010

Raise or lower the door windows by turning the handle located on the door panel.

Rear Window



77PH073

To open the window, push the lock (1) and slide the window.

Mirrors

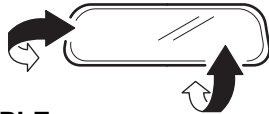
⚠ WARNING

Failure to observe following point may result in loss of vehicle control and cause an accident, leading to death or serious injury. Always follow below points while driving.

- Do not adjust the mirrors while driving.
- Always unfold all the outside rearview mirrors and adjust properly before driving.
- Do not place objects in the rear of the vehicle which may hinder visibility or interfere with your vision from the rear window glass.

Inside Rearview Mirror

You can adjust the inside rearview mirror by hand so as to see the rear of your vehicle in the mirror.



EXAMPLE

74LHT0235

⚠ CAUTION

Do not modify the inside rearview mirror or install a non-genuine wide mirror. It could result in injury during accident.

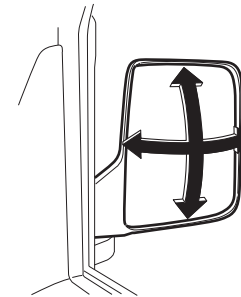
Outside Rearview Mirror(s)

Adjust the outside rearview mirror(s) so you can just see the side of your vehicle in the mirror(s).

⚠ WARNING

Be careful when judging the size or distance of a vehicle or other object seen in the side convex mirror. Be aware that objects look smaller and appear farther away than when seen in a flat mirror.

EXAMPLE



64P0190

BEFORE DRIVING

Seats

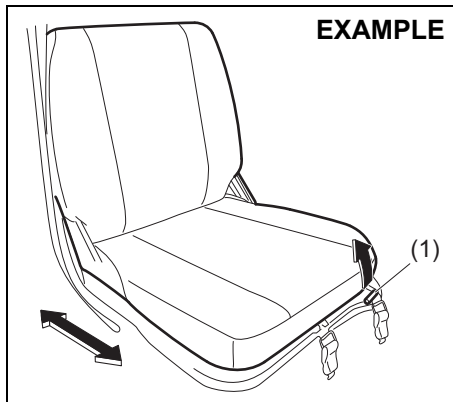
Seat Adjustment (driver's seat)

⚠ WARNING

Never attempt to adjust the driver's seat while driving. The seat could move unexpectedly, causing loss of control. Make sure that the driver's seat is properly adjusted before you start driving.

⚠ WARNING

To avoid excessive seat belt slack, which reduces effectiveness of the seat belts as a safety device, make sure that the seats are adjusted before the seat belts are fastened.



77PH087

Seat position adjustment lever (1)

Pull the lever up and slide the seat.

After adjustment, try to move the seat forward and rearward to ensure that it is securely latched.

⚠ CAUTION

While adjusting the seat, be careful that the seat does not pinch your hands, or hit your body.

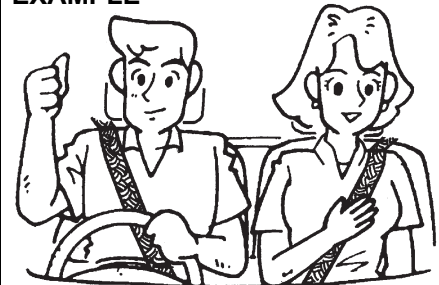
NOTE:

To operate the seat back smoothly, pull the seat back adjustment lever (2) in upward direction. Ensure to move seat back only after lever is moved to fully up position. After adjustment of seat back, release the

lever gently. Check that seat back is locked by moving it forward and backward.

Seat Belts

EXAMPLE



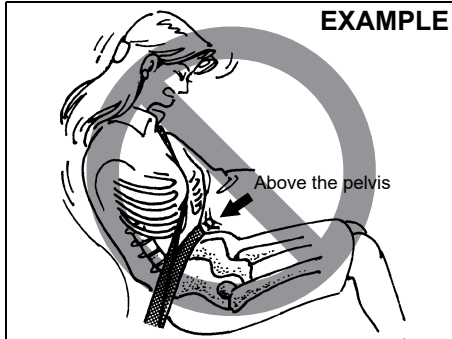
65D231S

⚠ WARNING

Wear Your Seat Belts at All Times.

⚠ WARNING

The driver and the passenger must be properly restrained by wearing seat belts at all times even if driving for a very short distance, whether or not an air bag is mounted at their seating position, to minimize the risk of severe injury or death in the event of a crash.

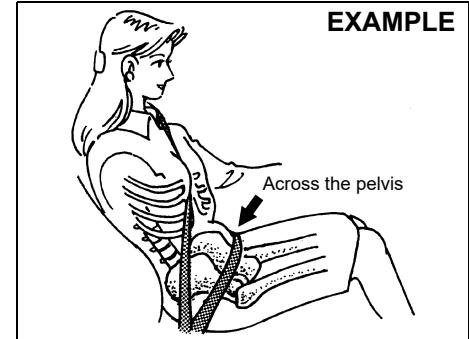


65D606

⚠ WARNING

- Never allow persons to ride in the cargo area of a vehicle. In the event of an accident, there is a much greater risk of injury for persons who are not riding in a seat with their seat belt securely fastened.
- Ensure that all seat belts are worn correctly. An improperly worn seat belt increases the risk of injury or death if a collision occurs.
- Seat belts should always be adjusted as follows:
 - the lap portion of the belt should be worn low across the pelvis, not across the waist.
 - the shoulder straps should be worn on the outside shoulder only, and never under the arm.
 - the shoulder straps should be away from your face and neck, but not falling off your shoulder.

(Continued)



65D201

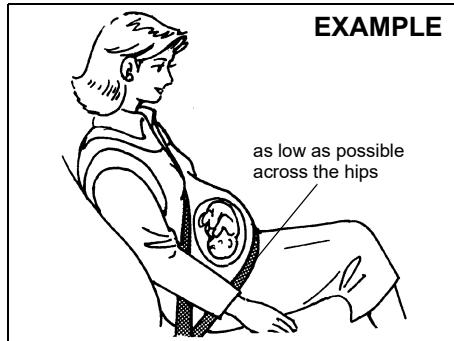
⚠ WARNING

(Continued)

- Seat belts should never be worn with the straps twisted and should be adjusted as tightly as is comfortable to provide the protection for which they have been designed. A slack belt will provide less protection than one which is snug.
- Make sure that each seat belt buckle is inserted into the proper buckle catch.

(Continued)

BEFORE DRIVING



65D199

⚠ WARNING

(Continued)

- Pregnant women should use seat belts, although specific recommendations about driving should be made by the woman's medical advisor. Remember that the lap portion of the belt should be worn as low as possible across the hips, as shown in the diagram.
- Do not wear seat belts over hard, fragile, or sharp items such as pens, keys, eyeglasses, etc. in pockets or on clothing. The pressure from seat belt on such items can cause injury in case of an accident.
- Do not wear your seat belt over hard or breakable objects in your pockets or on your clothing. If an accident occurs, objects such as glasses, pens, etc. under the seat belt can cause injury.

(Continued)

⚠ WARNING

(Continued)

- Never use the same seat belt on more than one occupant and never attach a seat belt over an infant or child being held on an occupant's lap. Such seat belt use could cause serious injury in the event of an accident.
- Periodically inspect seat belt assemblies for excessive wear and damage. Seat belts should be replaced if webbing becomes frayed, contaminated, or damaged in any way. It is essential to replace the entire seat belt assembly after it has been worn in a severe impact, even if damage to the assembly is not obvious.
- Infants and small children should never be transported unless they are properly restrained.
- For children, if the shoulder belt irritates the neck or face, move the child closer to the center of the vehicle.
- Avoid contamination of seat belt webbing by polishes, oils, chemicals, and particularly battery acid. Cleaning may safely be carried out using mild soap and water.

(Continued)

⚠ WARNING

(Continued)

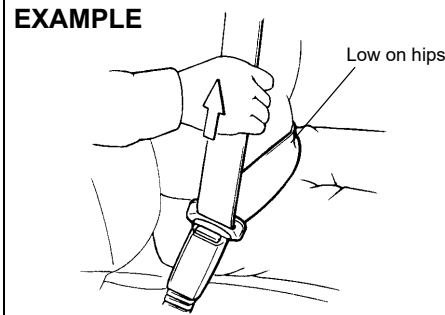
- Do not insert any items such as coins, clips, etc. into the seat belt buckles, and be careful not to spill liquids into these parts. If foreign materials get into a seat belt buckle, the seat belt may not work properly.

Lap-Shoulder Belt

Emergency Locking Retractor (ELR)

The seat belt has an emergency locking retractor (ELR), which is designed to lock the seat belt only during a sudden stop or impact. It also may lock if you pull the belt across your body very quickly. If this happens, let the belt go back to unlock it, then pull the belt across your body more slowly.

Safety reminder

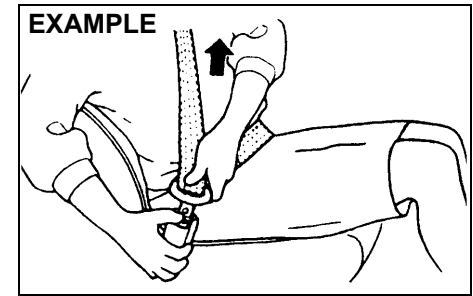


To reduce the risk of sliding under the belt during a collision, position the lap portion of the belt across your lap as low on your hips as possible and adjust it to a snug fit by pulling the shoulder portion of the belt upward through the latch plate. The length of the diagonal shoulder strap adjusts itself to allow freedom of movement.

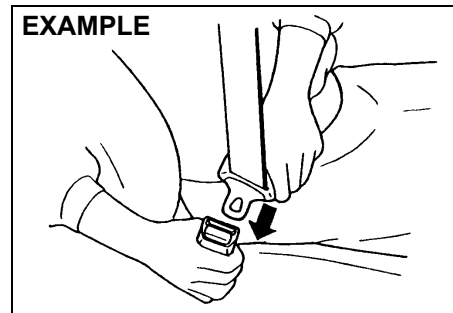
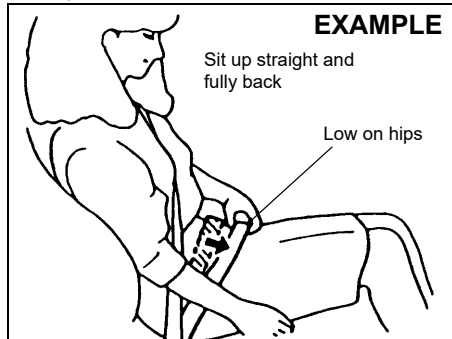
To fasten the seat belt, sit up straight and well back in the seat, pull the latch plate attached to the seat belt across your body and press it straight into the buckle until you hear a click.

NOTE:

If the seat belt cannot be pulled from its fully retracted position, firmly pull the belt and release it. Then smoothly pull the belt out of the retractor.

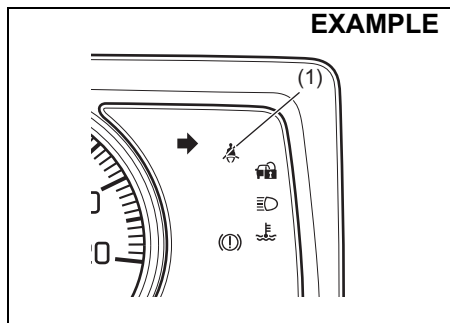


To unfasten the seat belt, push the button on the buckle and retract the belt slowly while attaching a hand to the belt or/and the latch plate.



BEFORE DRIVING

Seat Belt Reminder



77PM02017

- (1) Driver's seat belt reminder light / front passenger's seat belt reminder light

When the driver and / or front passenger do / does not fasten their seat belts, the seat belt reminder light will come on or blink and a buzzer will sound to remind the driver and/or passenger to fasten their seat belts. For more details, refer to the explanation below.

WARNING

It is absolutely essential that the driver and passengers fasten their seat belts at all times. Persons who are not fastening seat belts have a much greater risk of injury if an accident occurs. Make a regular habit of buckling your seat belt before putting the key in the ignition switch.

NOTE:

The driver's seat belt reminder light / front passenger's seat belt reminder light is for both the driver and front passenger.

Driver's or front passenger's seat belt reminder

If the driver's or front passenger's seat belt remains unbuckled when the ignition switch is turned "ON", the reminder works as follows:

1) The driver's or front passenger's seat belt reminder light will come on.

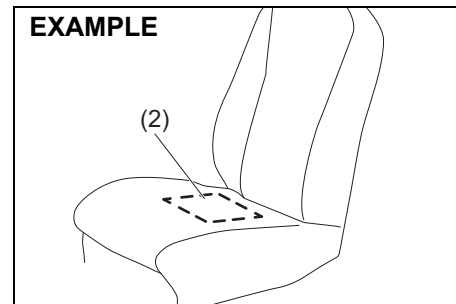
2) After the vehicle's speed has reached about 15 km/h, the driver's or front passenger's seat belt reminder light will blink and a buzzer will sound for about 95 seconds.

3) After step 2) has finished, the reminder light will remain on until the driver's or front passenger's seat belt is buckled.

If the driver or front passenger has buckled his or her seat belt and later unbuckles the seat belt, the reminder system will be activated from Step 1) or 2) according to the vehicle's speed. When the vehicle's speed is less than 15 km/h, the reminder will start from Step 1). When the vehicle's speed is more than 15 km/h, the reminder will start from Step 2). The reminder will be automatically canceled when the driver's or front passenger's seat belt is buckled or the ignition switch is turned off.

Front passenger's seat belt reminder

If there is a person sitting on the front passenger seat and the front passenger seat belt is unbuckled when the ignition switch is turned to "ON" position, the front passenger's seat belt reminder will activate.



69RH203

- (2) The sensor of the front passenger's seat belt reminder

The seat belt reminder sensor (2) detects whether a person is sitting in the front seat. The sensor of the front passenger's seat belt reminder is located in the seat cushion. The front passenger's seat belt reminder works in the same manner as the driver's seat belt reminder.

NOTICE

- The sensor of the front passenger's seat belt reminder is located in the seat cushion. If heavy or sharp objects are put on the seat cushion, or a removal, disassembly and modification of the passenger's seat are performed, the sensor may not work properly or can be damaged. Do not put heavy or sharp objects on the seat cushion. Do not remove, disassemble and modify the passenger's seat.
- Depending on the variety of seat cover, operation of the sensor may be adversely affected. MARUTI SUZUKI highly recommends that you use MARUTI SUZUKI genuine seat cover exclusively for this vehicle.
- If you spill liquid such as liquid aromatics, soft drinks or juice on the front passenger's seat cushion, the sensor of the front passenger's seat belt reminder located in the seat cushion can be damaged. Immediately wipe it dry with a soft cloth when spilled.

(Continued)

NOTICE

(Continued)

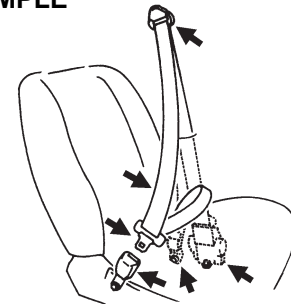
- When sitting on the front passenger's seat, it is very important that the passenger sits upright, leaning against the seat backrest and centered on the seat cushion in order for the seatbelt reminder system to function effectively. An occupant sitting improperly (slouches, turns sideways, sits forward or sideways) may hamper the functioning of this system as it may not detect the occupant.

NOTE:

- If you put an object on the passenger's seat, the weight of the object will be sensed by the sensor and the front passenger's seat belt reminder light will come on and then the interior buzzer may beep.
- If a child or a small sized person sits on the front passenger's seat or the cushion is put on the front passenger's seat, the weight may not be sensed by the sensor and the interior buzzer may not beep.

NOTE:

Maruti Suzuki recommends use of Maruti Suzuki Genuine accessory of "Seat cover".

Seat Belt Inspection**EXAMPLE**

65D209S

Periodically inspect the seat belts to make sure they work properly and are not damaged. Check the webbing, buckles, latch plates, retractors, anchorages, and guide loops. Replace any seat belts which do not work properly or are damaged.

⚠ WARNING

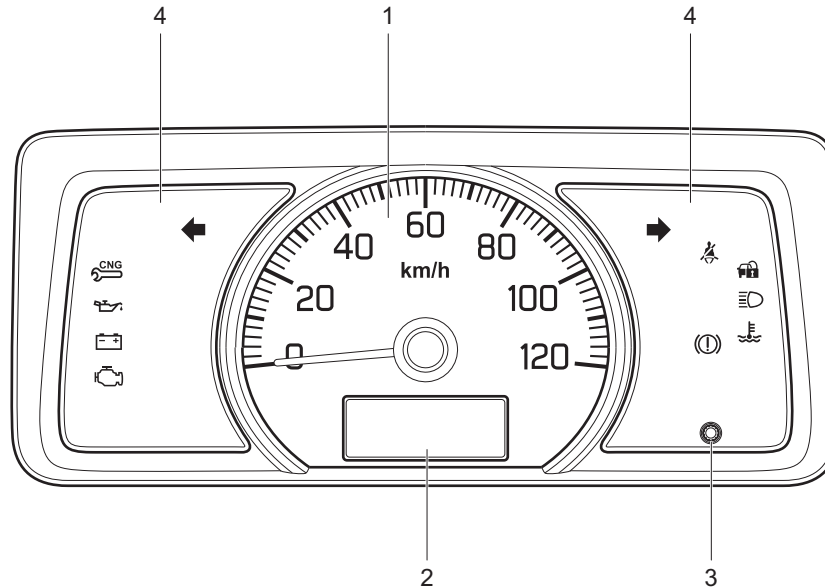
Be sure to inspect all seat belt assemblies after any collision. Any seat belt assembly which was in use during a collision (other than a very minor one) should be replaced, even if damage to the assembly is not obvious. Any seat belt assembly which was not in use during a collision should be replaced if it does not function properly or if it is damaged in any way.

BEFORE DRIVING

Instrument Cluster

1. Speedometer
2. Information display
3. Trip meter selector knob
4. Warning and indicator lights

EXAMPLE



77PM02001

Speedometer

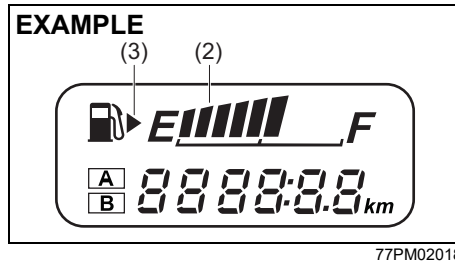
The speedometer indicates vehicle speed.

NOTE:

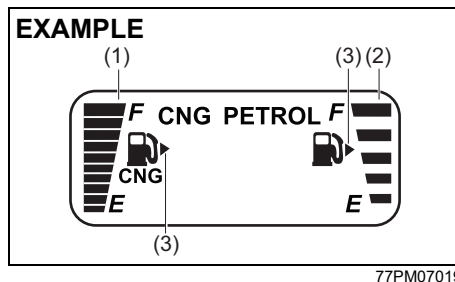
Maximum speed of the vehicle is 80 km/hr as per government regulation.

Fuel Gauge

Petrol Model



CNG Model



(1) Indicates CNG fuel gauge.

(2) Indicates Petrol fuel gauge.

When the ignition switch is in the “ON” position, this gauge gives an approximate indication of the amount of fuel in the fuel tank. “F” stands for full and “E” stands for empty.

If the fuel meter indicator shows only one segment to “E”, refill the tank as soon as possible.

The mark (3) indicates that the fuel filler door is located on the right side of the vehicle.

NOTICE

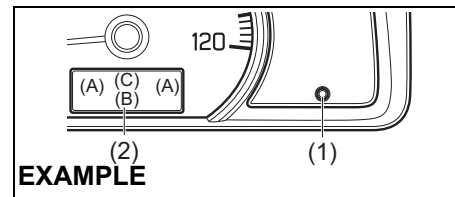
To minimize the possibility of damage to catalytic converter or other components of the vehicle, avoid driving the vehicle near empty fuel tank level.

NOTE:

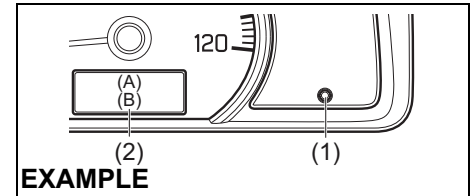
If the last segment blinks, it means that the fuel is almost empty.

Information Display

For CNG Model



For Petrol Model



- (1) Trip meter selector knob
- (2) Information display

When the ignition switch is in the “ON” position, the information display shows the following information.

Display (A)

Fuel gauge

Display (B)

Odometer / Trip meter / Clock / Brightness control

Display (C)

Fuel modes (if equipped)

Fuel Gauge

When the ignition switch is in the “ON” position, the display (A) shows the fuel gauge.

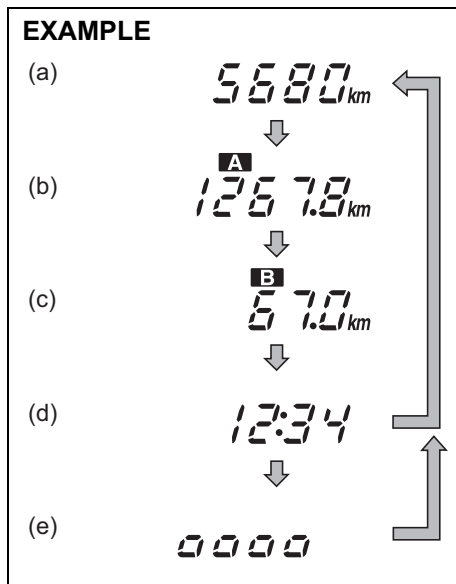
Refer to “Fuel Gauge” in this section.

BEFORE DRIVING

Odometer / Trip meter / Clock / Brightness Control

When the ignition switch is in the "ON" position, the display (B) shows one of the following indications, odometer, trip meter A, trip meter B or clock.

To switch the display indication (B), push the trip meter selector knob (1) quickly.



77PH007

- (a) Odometer
- (b) Trip meter A

- (c) Trip meter B
- (d) Clock
- (e) Brightness control*

* The brightness control will appear when the position lights and/or headlights are on.

⚠ WARNING

If you attempt to adjust the display while driving, you could lose control of the vehicle.

Do not attempt to adjust the display while driving.

NOTE:

Indications will change when you push and release the knob.

Odometer

The odometer records the total distance for which the vehicle has been driven.

NOTICE

Keep track of your odometer reading and check the maintenance schedule regularly for required services. Increased wear or damage to certain parts can result from failure to perform required services at the proper mileage intervals.

Trip meter

The trip meter can be used to measure the distance traveled on short trips or between fuel stops.

You can use the trip meter A or trip meter B independently.

To reset the trip meter to zero, push and hold the trip meter selector knob (1) for a while when the display shows the trip meter.

NOTE:

The indicated maximum value of the trip meter is 9999.9. When you run past the maximum value, the indicated value will return to 0.0.

Clock

The display shows the time.

To change the time indication:

- 1) Push and hold the trip meter selector knob (1) until the minute indication blinks.
- 2) To change the minute indication, push the trip meter selector knob (1) repeatedly when the minute indication blinks. To change the minute indication quickly, push and hold the trip meter selector knob (1). To set the minute indication, wait for about 5 seconds till the hour indication starts to blink.
- 3) To change the hour indication, push the trip meter selector knob (1) repeatedly till the minute indication begins to blink. Wait for about 5 seconds and hour indication will begin to blink. To change the

hour indication, quickly push and hold the trip meter selector knob (1). To set the hour indication, wait for about 5 seconds.

⚠ WARNING

If you attempt to adjust the display while driving, you could lose control of the vehicle.

Do not attempt to adjust the display while driving.

NOTE:

When you reconnect the negative (-) terminal to the battery, the clock indication will be reinitialized. Change the indication again to your preference.

Brightness control

When the position lights and/or headlights are ON, you can control the meter illumination intensity.

To change the brightness of the instrument panel lights, push and hold the trip meter selector knob (1).

⚠ WARNING

If you attempt to adjust the display while driving, you could lose control of the vehicle.

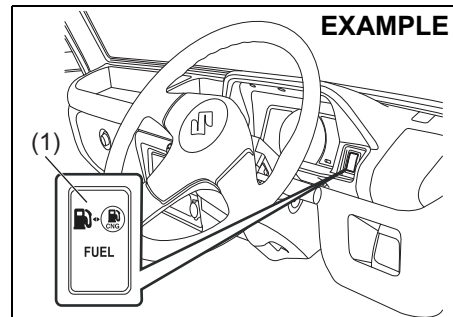
Do not attempt to adjust the display while driving.

NOTE:

- If you do not push the trip meter selector knob within about 10 seconds of activating the brightness control display, the brightness control display will be canceled automatically.
- When you reconnect the battery, the brightness of the instrument panel lights will be reinitialized. Readjust the brightness according to your preference.

Fuel Modes for CNG model (if equipped)

There are three fuel modes in the vehicle Petrol, Auto and Forced CNG modes which are selectable by pressing the selector switch (1) located on the right side of the steering wheel on the dashboard.



77PM02005

Petrol Mode

EXAMPLE



77PM02002

In this mode vehicle starts in petrol and continue running in petrol mode. In this mode, petrol indicator is continuously displayed and CNG indicator will remain "OFF".

Auto Mode

EXAMPLE



77PM02003

In this mode engine starts in petrol mode and then automatically changes to CNG after reaching programmed warming up condition. With ignition switch ON and vehicle started in "AUTO MODE", CNG indicator blinks on the display and PETROL indicator is displayed. After change-over to CNG, CNG indicator will be

BEFORE DRIVING

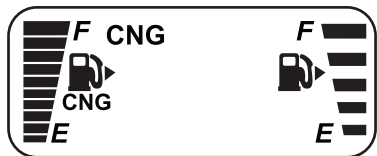
displayed and Petrol indicator will switch OFF automatically.

NOTE:

- It is always recommended to start the vehicle in AUTO MODE or PETROL MODE to enhance the engine life.
- The fuel changeover to CNG may not happen if the vehicle is started when the ambient / engine temperature is below Zero Degree Celsius. In such a case, run the engine in PETROL MODE till it warms up and then try restarting the engine to changeover to CNG.

Forced CNG Mode

EXAMPLE



77PM02004

This is emergency mode and may be used in cases where there is no petrol in petrol tank. In this mode vehicle starts in CNG mode and continues running in CNG mode. With ignition "ON" and engine not running, press and hold the changeover switch till only CNG indicator is displayed. In this mode, CNG indicator is displayed and Petrol indicator remains "OFF".

NOTE:

- It is recommended to keep sufficient amount of petrol in the petrol tank.
- The vehicle may not start in Forced CNG mode if the ambient / engine temperature is below Zero Degree Celsius. It is recommended to start the vehicle in Auto mode.

Automatic Changeover From CNG Mode To Petrol Mode

If CNG is finished while the engine is running, vehicle will automatically changeover from CNG mode to Petrol mode & CNG malfunction warning lamp will start blinking. Petrol indicator will be displayed continuously and CNG indicator will switch OFF automatically.

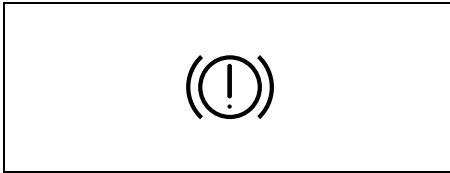
To acknowledge this information, press the changeover switch once. The CNG malfunction warning lamp will stop blinking after the changeover switch is pressed and Petrol indicator will glow continuously. However the CNG malfunction indicator lamp will continue to blink after every subsequent Ignition ON - Ignition OFF condition until the vehicle is refilled with CNG. In case CNG is refilled, please press the fuel changeover switch once to changeover to CNG. Then, vehicle can run on CNG.

NOTE:

- It is recommended to keep sufficient amount of petrol in the petrol tank to prevent engine stalling while automatic changeover from CNG mode to Petrol mode.
- In case the CNG malfunction warning lamp does not stop blinking after pressing the changeover switch, have the vehicle inspected at the nearest authorised MARUTI SUZUKI COMMERCIAL workshop.

Warning and Indicator Lights

Brake System Warning Light



82K170

Four different types of operations exist depending on the vehicle's specification.

- 1) The light comes on briefly when the ignition switch is turned to the "ON" position.
- 2) The light comes on when the parking brake is engaged with the ignition switch in the "ON" position.
- 3) The light comes on when under either or both of above two conditions.
- 4) The light also comes on when the fluid in the brake fluid reservoir falls below the specified level.

The light should go out after starting the engine and fully releasing the parking brake, if the fluid level in the brake fluid reservoir is adequate.

If the brake system warning light comes on while you are driving the vehicle, it may mean that there is something wrong with the vehicle's brake system. If this happens, you should:

- 1) Pull off the road and stop carefully.

WARNING

Remember that stopping distance may be longer, you may have to push harder on the pedal, and the pedal may go down farther than normal.

- 2) Test the brakes by carefully starting and stopping at the side of the road.
 - If you determine that it is safe, drive carefully at low speed to the nearest dealer for repairs, or
 - Have the vehicle towed to the nearest authorised MARUTI SUZUKI COMMERCIAL workshop for repairs.

WARNING

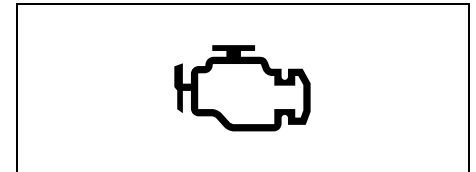
If any of the following conditions occur, you should immediately ask your authorised MARUTI SUZUKI COMMERCIAL workshop to inspect the brake system.

- **If the brake system warning light does not go out after the engine has been started and the parking brake has been fully released.**
- **If the brake system warning light does not come on when the ignition switch is turned to the "ON" position.**
- **If the brake system warning light comes on at any time during vehicle operation.**

NOTE:

Because the brake system is self-adjusting, the fluid level will drop as the brake pads become worn. Replenishing the brake fluid reservoir is considered normal periodic maintenance.

Malfunction Indicator Light



63J031

Your vehicle has a computer-controlled emission control system. A malfunction indicator light is provided on the instrument panel to indicate when it is necessary to have the emission control system serviced. The malfunction indicator light comes on when the ignition switch is turned to "ON" position to let you know the light is working and goes out when the engine is started.

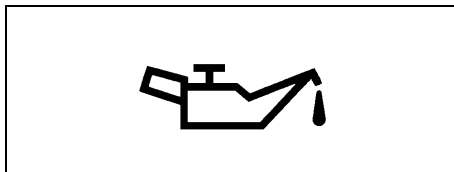
If the malfunction indicator light comes on when the engine is running, there is a problem with the emission control system. Take the vehicle to your nearest authorised MARUTI SUZUKI COMMERCIAL workshop to have the damage fixed.

BEFORE DRIVING

NOTICE

Continuing to drive the vehicle when the malfunction indicator light is on can cause permanent damage to the vehicle's emission control system, and can affect fuel economy and driveability.

Oil Pressure Light



50G051

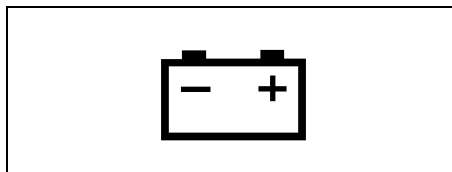
This light comes on when the ignition switch is turned to the "ON" position, and goes out when the engine is started. The light will come on and remain on if there is insufficient oil pressure. If the light comes on when driving, pull off the road as soon as you can and stop the engine.

Check the oil level and add recommended engine oil if necessary. If there is enough oil, the lubrication system should be inspected by your authorised MARUTI SUZUKI COMMERCIAL workshop before you drive the vehicle again.

NOTICE

- If you operate the engine with this light on, severe engine damage can result.
- Do not rely on the Oil Pressure Light to indicate the need to add oil. Be sure to periodically check the engine oil level.

Charging Light



50G052

This light comes on when the ignition switch is turned to the "ON" position, and goes out when the engine is started. The light will come on and remain on if there is something wrong with the battery charging system. If the light comes on when the engine is running, the charging system should be inspected immediately by your authorised MARUTI SUZUKI COMMERCIAL workshop.

Driver's Seat Belt Warning Light / Front Passenger's Seat Belt Warning Light

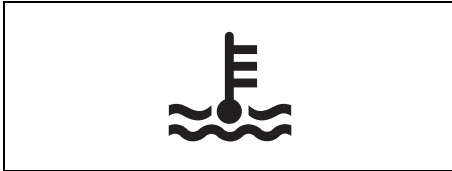


60G049

When the driver or front passenger does not buckle his or her seat belt, this light will come on and/or blink.

For details about the seat belt reminder, refer to "Seat Belts and Child Restraint Systems" in this section.

High Engine Coolant Temperature Warning Light (red color)



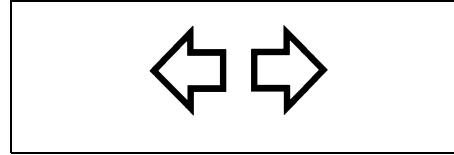
54G344

When the ignition switch is turned to the "ON" position, this light comes on briefly so you can check that the light is working. If this light blinks while driving, it means the engine is running hot. Avoid driving conditions that may lead to actual overheating. If the light stays on without blinking, then the engine is overheating. Follow the instructions in the "If the Engine Overheats" of "EMERGENCY SERVICE" section.

NOTICE

Continuing to drive the vehicle when engine overheating is indicated can result in severe engine damage.

Turn Signal Indicators



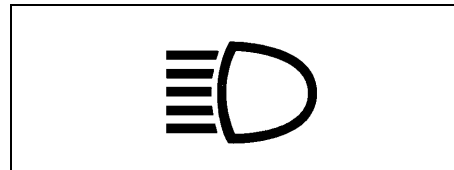
50G055

When you turn on the left or right turn signals, the corresponding green arrow on the instrument panel will flash along with the respective turn signal lights. When you turn on the hazard warning switch, both arrows will flash along with all of the turn signal lights.

NOTE:

If any abnormality of the turn signals is observed, such as fast blinking, there may be malfunction in the turn signal system. Ask your Maruti Suzuki authorized workshop to inspect the system.

Main Beam (high beam) Indicator Light



50G056

This indicator comes on when headlight main beams (high beams) are turned on.

Immobilizer system warning light

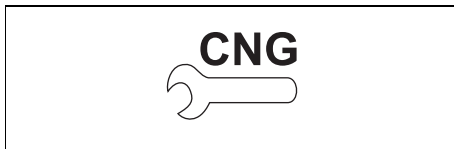


65D239

When the ignition switch is turned to the "ON" position, this light comes on to let you know the light is working. If this light blinks with the ignition switch turned to "ON", there may be something wrong with the immobilizer system. Ask a Maruti Suzuki authorised workshop to have the system inspected.

BEFORE DRIVING

CNG Malfunction Warning Light (if equipped)



77PMC015

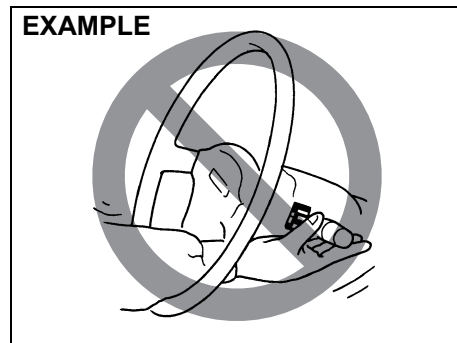
When the ignition switch is turned "ON", this CNG malfunction warning lamp comes on briefly, to check that the CNG malfunction lamp is trouble free.

- If CNG malfunction warning lamp glows continuously, with ignition "ON" there is some problem with the CNG system. Immediately get your vehicle checked by authorised MARUTI SUZUKI COMMERCIAL workshop.
- If CNG malfunction warning lamp blinks during engine running, it means there is some problem in CNG system in which vehicle cannot continue running in CNG-MODE and automatically switchover to petrol mode. Have your vehicle checked at authorised MARUTI SUZUKI COMMERCIAL workshop.

NOTE:

With ignition switch "ON" and engine not running, blinking of CNG lamp indicates that fuel lid is open. Vehicle will not start in this condition. Close the lid in order to start the vehicle.

Lighting Control Lever

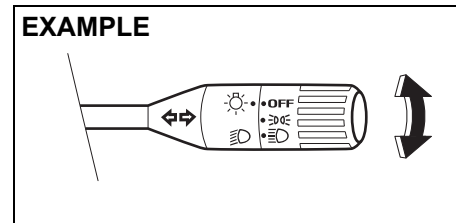


65D611

⚠ WARNING

To avoid possible injury, do not operate controls by reaching through the steering wheel.

Lighting Operation



77PH110

To turn the lights on or off, twist the knob at the end of the lever. There are three positions:

OFF

All lights are off.

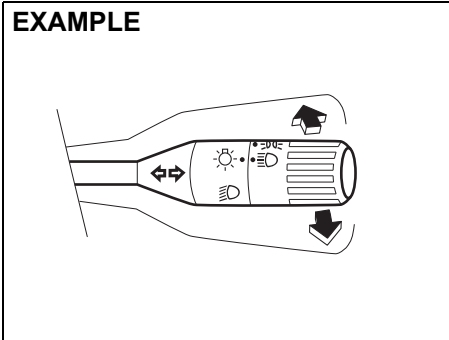


Front position lights, tail lights, license plate lights and instrument lights are on, but headlights are off.



Front position lights, tail lights, license plate lights, instrument lights and headlights are on.

EXAMPLE

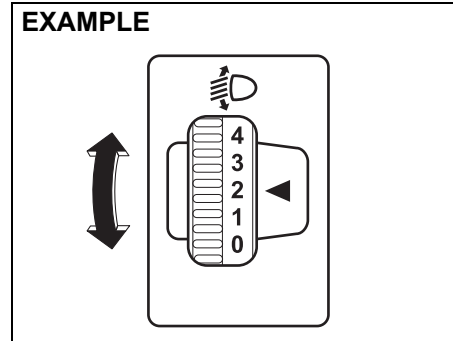


77PH111

With the headlights on, push the lever forward to switch to the high beams (main beams) or pull the lever toward you to switch to the low beams. When the high beams (main beams) are on, main beam (high beam) indicator light on the instrument panel will come on. To momentarily activate the high beams (main beams) as a passing signal, pull the lever slightly toward you and release it when you have completed the signal.

Headlight Leveling Switch

EXAMPLE



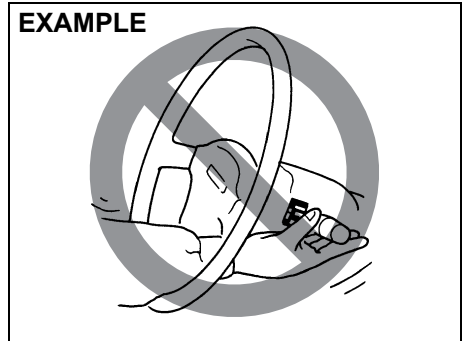
77PH010

Level the headlight beam according to the load condition of your vehicle by turning this switch. The chart below shows the appropriate switch position for different vehicle-load conditions.

Vehicle Load Condition	Switch Position
Driver only	0
Driver + full cargo	2

Turn Signal Control Lever

EXAMPLE



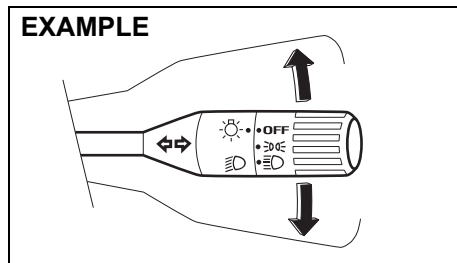
65D611

⚠ WARNING
To avoid possible injury, do not operate controls by reaching through the steering wheel.

BEFORE DRIVING

Turn Signal Operation

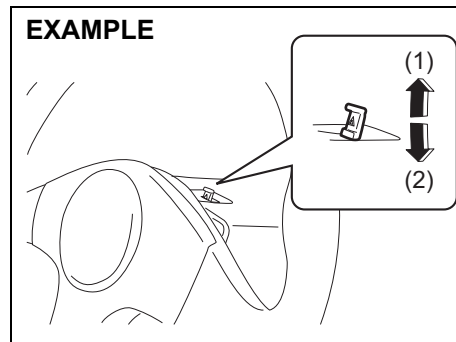
With the ignition switch in the "ON" position, move the lever up or down to activate the right or left turn signals.



77PH112

Move the lever upward or downward to signal. When the turn is completed, the signal will cancel and the lever will return to its normal position.

Hazard Warning Switch



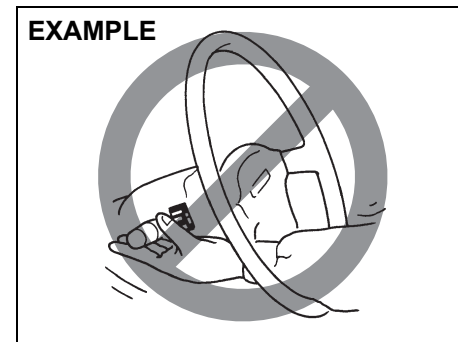
77PH028

- (1) ON
- (2) OFF

Pull up the hazard warning switch to activate the hazard warning lights. All turn signal lights and both turn signal indicators will flash simultaneously. To turn off the lights, push down the switch.

Use the hazard warning lights to warn other traffic during emergency parking or when your vehicle could otherwise become a traffic hazard.

Windshield Wiper and Washer Lever



65D611

WARNING

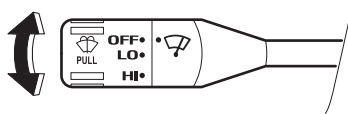
To avoid possible injury, do not operate controls by reaching through the steering wheel.

Wiper Operation

When the ignition switch is in the "ON" position, you can use the wiper lever.

Windshield Wipers

EXAMPLE

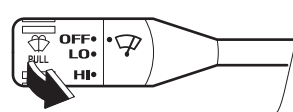


77PM02015

To turn the windshield wipers on, twist the knob at the end of the lever to one of the operating positions. In the “LO” position, the wipers operate at a steady low speed. In the “HI” position, the wipers operate at a steady high speed. To turn off the wipers, twist the lever back to the “OFF” position.

Windshield Washer

EXAMPLE



77PM02016

To spray windshield washer fluid, pull the lever towards you.

▲ WARNING

Do not use radiator antifreeze in the windshield washer reservoir. It can severely impair visibility when sprayed on the windshield, and can also damage your vehicle’s paint.

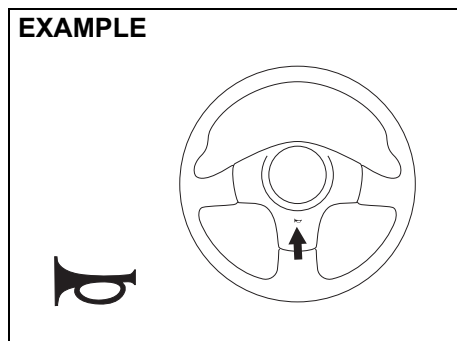
NOTICE

To help prevent damage to the windshield wiper and washer system components, you should take the following precautions:

- Do not continue to hold in the lever when there is no windshield washer fluid being sprayed or the washer motor can be damaged.
- Do not attempt to remove dirt from a dry windshield with the wipers or you can damage the windshield and the wiper blades. Always wet the windshield with washer fluid before operating the wipers.
- Clear ice or packed snow from the wiper blades before using the wipers.
- Check the washer fluid level regularly. Check it often when the weather is bad.
- Only fill the washer fluid reservoir 3/4 full during cold weather to allow room for expansion if the temperature falls low enough to freeze the solution.

BEFORE DRIVING

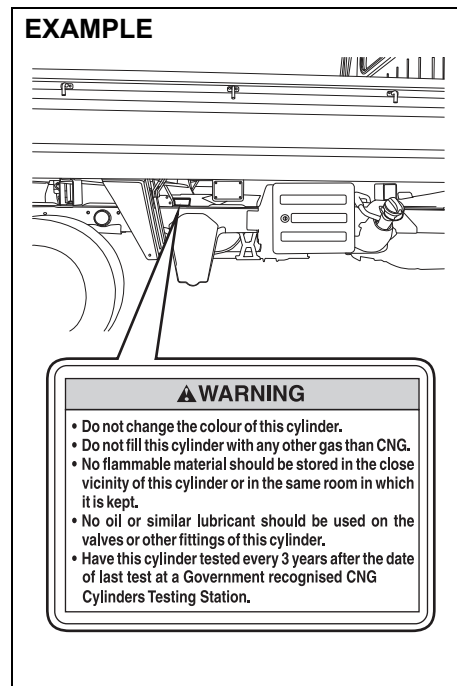
Horn



77PH029

Press the horn button of the steering wheel to sound the horn. The horn will sound with the ignition switch in any position.

CNG Cylinder Warning Label (if equipped)

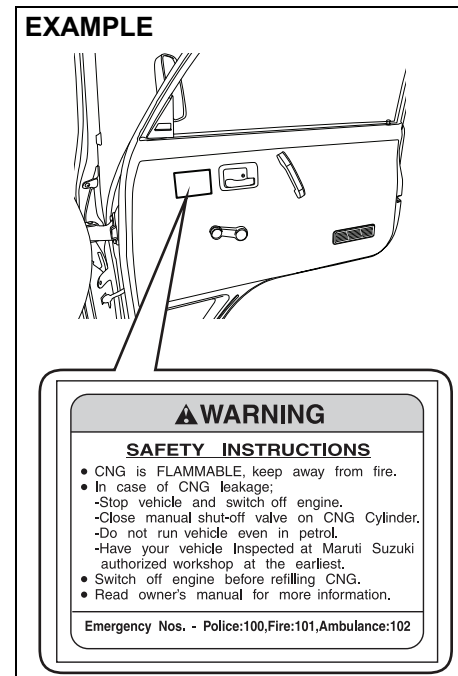


77PM02006

You may find this label on the CNG cylinder.

CNG Warning Label (if equipped)

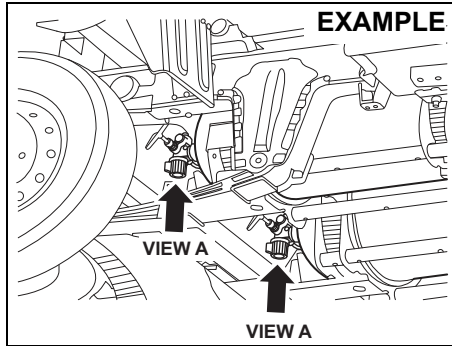
Front Driver Door



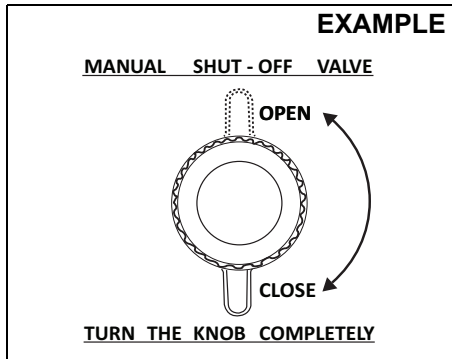
77PM02007

CNG warning label is located on front right door.

**CNG Manual Shut-OFF Valve
(if equipped)**

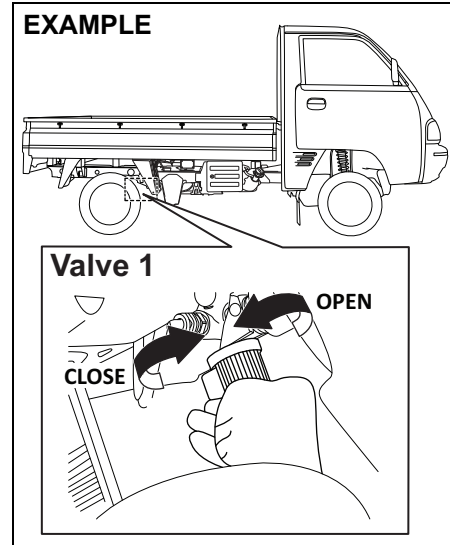


77PM02011



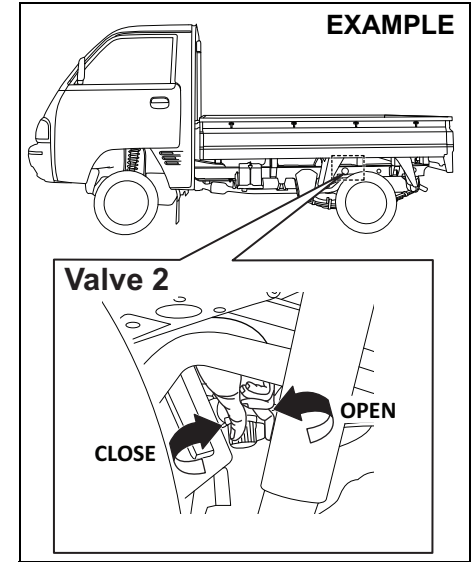
77PM02014

Right Hand Side (RHS)



77PM02012

Left Hand Side (LHS)



77PM02013

Manual shut off valve is located on CNG cylinders which are provided in vehicle under body.

There are two CNG cylinders in the vehicle under body, each containing one manual shut off valve.

The manual shutoff valve 1 and valve 2 are accessed from right hand side (RHS) and left hand side (LHS) of the vehicle respectively.

BEFORE DRIVING

CNG supply can be switched off by closing the manual shut-off valve on both the CNG cylinders.

Valve closing: Turn the knob completely in clockwise direction (from view A) to close the CNG supply to Engine.

Valve opening: Turn the knob completely in anti-clockwise direction (from view A) to open the CNG supply to Engine.

CAUTION

Be careful that your hand does not touch exhaust pipe while accessing the manual shut off valve 2 (LHS). After driving, exhaust pipe can be hot enough to burn your hand.

NOTE:

- If the manual shut-off valve is not opened fully, then the engine may not run properly.
- If the manual shut-off valve is in closed condition, it is not possible to fill CNG into the cylinder.

NOTE:

- As per Government regulation, CNG cylinder needs to be checked and certified every three (3) years from the date of initial testing as mentioned on the CNG cylinder identification plate.
- Customer has to present the vehicle to a government approved testing agency.
- Failure to test the cylinder may result in denying of CNG filling by the CNG dispensing stations or may result in confiscating the vehicle by enforcement authorities.
- All the expenses for CNG cylinder testing has to be borne by the customer.
- As per Government regulation, CNG cylinder has to be discarded at 20 years from the date of initial testing as mentioned in the CNG cylinder identification plate.
- Customer has to discard the cylinder at his / her expense through government approved scrap agencies.
- No person shall refill any cylinder, which has been repaired under sub-rule (2) with any gas unless a full report on the repairs and test carried out on the cylinder, accompanied by the repairer's certificate of testing are furnished to the Chief Controller and his permission is obtained for its refilling.

WARNING

- Never remove the cylinder valve from the cylinder assembly. For any assistance consult authorised **MARUTI SUZUKI COMMERCIAL** workshop.
- Never try to clean the cylinder. In case of any problem, contact authorised **MARUTI SUZUKI COMMERCIAL** workshop.
- Do not reuse the cylinder valve, once it is replaced / removed from cylinder assembly.
- Even if the CNG from the cylinder is consumed till engine stops, some amount of CNG will be left out in the tank under pressure.

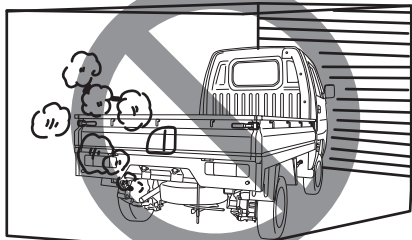
OPERATING YOUR VEHICLE

Exhaust Gas Warning	3-1
Daily Inspection Checklist	3-1
Engine Oil Consumption	3-2
Ignition Switch	3-2
Parking Brake Lever	3-4
Pedal	3-5
Starting the Engine	3-5
Using the Transmission	3-6
Parking Sensors	3-8
Braking	3-11

OPERATING YOUR VEHICLE

Exhaust Gas Warning

EXAMPLE



82DY03

⚠ WARNING

Avoid breathing exhaust gases. Exhaust gases contain carbon monoxide, a potentially lethal gas that is colorless and odorless. Since carbon monoxide is difficult to detect by itself, be sure to take the following precautions to help prevent carbon monoxide from entering your vehicle.

- Do not leave engine running in garages or confined areas, with passengers inside. This may result in accumulation of carbon-monoxide in cabin and may lead to suffocation or breathing problems and lead to death.

(Continued)

⚠ WARNING

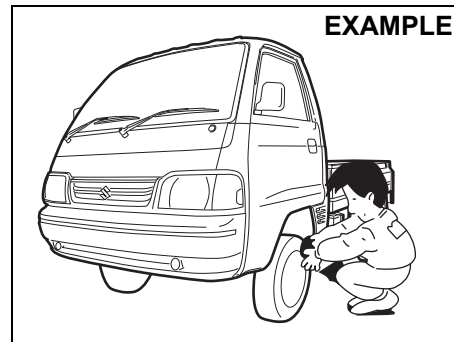
(Continued)

- Do not park with the engine running for a long period of time, even in an open area. In case of long periods, danger of choking and death on being inside the vehicle is a possibility when the engine is running. If it is necessary to sit for a short time in a parked vehicle with the engine running, make sure the air intake selector is set to "FRESH AIR" and the blower is at high speed.
- To allow proper operation of your vehicle's ventilation system, keep the air inlet grille in front of the vehicle clear of snow, leaves, or other obstructions at all times.
- Keep the exhaust pipe area clear of snow and other material to help reduce the buildup of exhaust gases under the vehicle. This is particularly important when parked in blizzard conditions.
- Have the exhaust system inspected periodically for damage and leaks. Any damage or leaks should be repaired immediately.

Daily Inspection Checklist

Before Driving

EXAMPLE



77PM03001

- 1) Make sure that windows, mirrors, lights, and reflectors are clean and unobstructed.
- 2) Visually check the tyres for the following points:
 - the depth of the tread groove
 - abnormal wear, cracks and damage
 - loose wheel nuts
 - existence of foreign material such as nails, stones, etc.

Refer to "Tyres" in "INSPECTION AND MAINTENANCE" section for details.

- 3) Look for fluid and oil leaks.
- 4) Make sure the engine compartment is fully closed and latched.
- 5) Check the headlights, turn signal lights, brake lights and horn for proper operation.

- 6) Adjust the driver's seat.
- 7) Check the brake pedal and the parking brake lever.
- 8) Adjust the mirrors.
- 9) Make sure that you and passenger have properly fastened seat belts.
- 10) Make sure that all warning lights come on as the key is turned to the "ON" position.
- 11) Check all gauges.
- 12) Make sure that the BRAKE SYSTEM WARNING light turns off when the parking brake is released.

Once a week, or each time you fill your fuel tank or before a long distance driving (like highway driving), perform the following under-hood checks:

- 1) Engine oil level
 - 2) Coolant level
 - 3) Brake fluid level
 - 4) Windshield washer fluid (if equipped) level
 - 5) Battery electrolyte level
 - 6) Latch operation
- See "All latches, hinges & locks" of "CHASSIS AND BODY" in the "Periodic Maintenance Schedule" in the "INSPECTION AND MAINTENANCE" section for lubrication schedule.

Once a month, or each time you fill your fuel tank or before a long distance driving (like highway driving), check the tyre pressure using a tyre pressure gauge. Also check the tyre pressure of the spare tyre.

Engine Oil Consumption

It is normal for the engine to consume some engine oil during normal vehicle operation.

The amount of engine oil consumed depends on the viscosity of the oil, the quality of the oil and the conditions the vehicle is driven under.

More oil is consumed during high-speed driving and when there is frequent acceleration and deceleration. Under high loads, your engine also will consume more oil.

A new engine also consumes more oil, since its pistons, piston rings and cylinder walls have not yet become conditioned. New engines reach the normal level of oil consumption only after approximately 5000 km (3000 miles) driving.

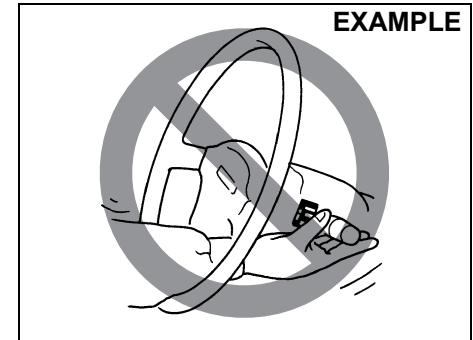
Oil consumption:
Max. 1.0 L per 1000 km
(1 Qt. per 600 miles)

When judging the amount of oil consumption, note that the oil may become diluted and make it difficult to accurately judge the true oil level.

As an example, if a vehicle is used for repeated short trips, and consumes a normal amount of oil, the dipstick may not show any drop in the oil level at all, even after 1000 km (600 miles) or more of driving. This is because the oil is gradually becoming diluted with fuel or moisture, making it appear that the oil level has not changed.

You should also be aware that the diluting ingredients evaporate out when the vehicle is subsequently driven at high speeds, such as on an expressway, making it appear that oil is excessively consumed after high-speed driving.

Ignition Switch



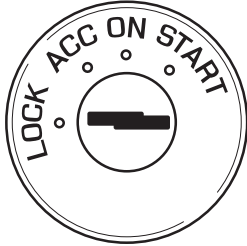
65D611

▲ WARNING

To avoid possible injury, do not operate controls by reaching through the steering wheel.

OPERATING YOUR VEHICLE

EXAMPLE



77PH002

The ignition switch has the following four positions:

LOCK

This is the normal parking position. It is the only position in which the key can be removed.

To release the steering lock, insert the key and turn it clockwise to one of the other positions. If you have trouble turning the key to unlock the steering, try turning the steering wheel slightly to the right or left while turning the key.

ACC

Accessories such as the accessory socket can operate, but the engine is off.

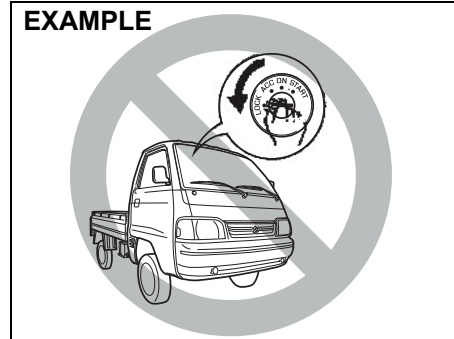
ON

This is the normal operating position. All electrical systems are on.

START

This is the position for starting the engine using the starter motor. The key should be released from this position as soon as the engine starts.

EXAMPLE



82DY04

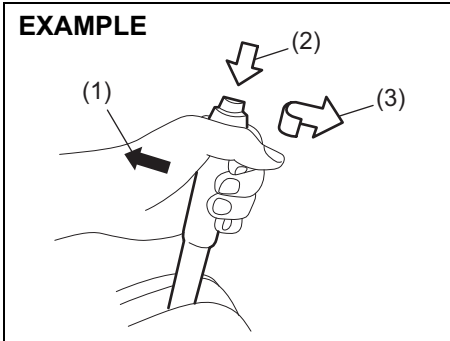
NOTICE

- Do not use the starter motor for more than 30 seconds at a time. If the engine does not start, wait 15 seconds before trying again. If the engine does not start after several attempts, check the fuel and ignition systems or consult your authorised MARUTI SUZUKI COMMERCIAL workshop.
- Do not leave the ignition switch in the "ON" position if the engine is not running as the battery will discharge.

⚠ WARNING

- Never remove the ignition key while the vehicle is moving. The steering wheel will lock and you will not be able to steer the vehicle.
- Always remove the ignition key when leaving the vehicle even if only for a short time. Also do not leave children alone in a parked vehicle. They also could suffer from heat stroke in warm or hot weather. These could result in severe injury or even death.

Parking Brake Lever



77PH030

- (1) To set
- (2) To release
- (3) To release

The parking brake lever is located between the seats. To set the parking brake, hold the brake pedal down and pull the parking brake lever all the way up. To release the parking brake, hold the brake pedal down, pull up slightly on the parking brake lever, push the button on the end of the lever with your thumb, and lower the lever to its original position.

⚠ WARNING

- Never drive your vehicle with the parking brake on: rear brake effectiveness can be reduced from overheating, brake life may be shortened, or permanent brake damage may result.
- If the parking brake does not hold the vehicle securely or does not fully release, have your vehicle inspected immediately by an authorised MARUTI SUZUKI COMMERCIAL workshop.

⚠ WARNING

Always set the parking brake fully before leaving your vehicle or it may move, causing injury or damage. When parking, make sure the gear-shift lever is in reverse or first gear. Remember, even though the transmission is in gear, you must set the parking brake fully.

⚠ WARNING

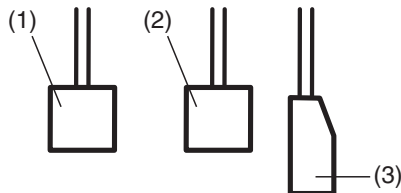
When parking the vehicle in extremely cold weather, the following procedure should be used:

- 1) Set the parking brake.
 - 2) Turn off the engine, then shift into reverse or first gear.
 - 3) Get out of the vehicle and put chocks under the wheels.
 - 4) Release the parking brake.
- When you return to your vehicle, you must remember to first set the parking brake, then remove the wheel chocks.

OPERATING YOUR VEHICLE

Pedal

EXAMPLE



80J2121

Clutch Pedal (1)

The clutch pedal is used to disengage the drive to the wheels when starting the engine, stopping, or shifting the gearshift lever. Depressing the pedal disengages the clutch.

⚠ WARNING

Do not drive with your foot resting on the clutch pedal. It could result in excessive clutch wear, clutch damage, or unexpected loss of engine braking.

Brake Pedal (2)

Your vehicle is equipped with front disc brakes and rear drum brakes. Depressing the brake pedal applies both sets of brakes.

You may hear occasional brake squeal when you apply the brakes. This is a normal condition caused by environmental factors such as temperature, humidity, snow or dust, etc.

⚠ WARNING

If brake squeal is excessive and occurs each time the brakes are applied, you should have the brakes checked by your authorised MARUTI SUZUKI COMMERCIAL workshop.

⚠ WARNING

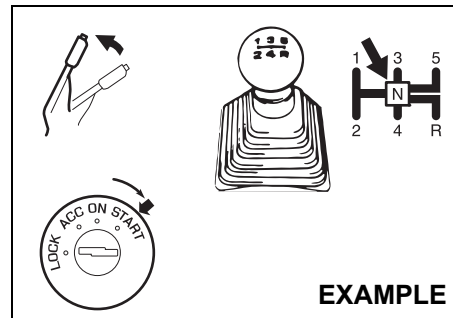
Do not ride the brakes by applying them continuously or resting your foot on the pedal. This will result in overheating of the brakes which could cause unpredictable braking action, longer stopping distances, or permanent brake damage.

Accelerator Pedal (3)

This pedal controls the speed of the engine. Depressing the accelerator pedal increases power output and speed.

Starting the Engine

Before Starting the Engine



77PH014

- 1) Make sure the parking brake is set fully.
- 2) Shift into "N" (Neutral) and depress the clutch pedal all the way to the floor. Hold the clutch pedal while starting the engine.

⚠ WARNING

Make sure that the parking brake is set fully and the transmission is in neutral before attempting to start the engine.

Starting a Cold and Warm Engine

With your foot off the accelerator pedal, crank the engine by turning the ignition key to "START". Release the key when the engine starts.

NOTICE

- **Stop turning the starter immediately after the engine has started or the starter system can be damaged.**
- **Do not crank the engine for more than 12 seconds at a time. If the engine doesn't start on the first try, wait about 15 seconds before trying again.**

If the engine does not start after 12 seconds of cranking, wait about 15 seconds, then press down the accelerator pedal to 1/3 of its travel and try cranking the engine again. Release the key and accelerator pedal when the engine starts.

if the engine still does not start, try holding the accelerator pedal all the way to the floor while cranking. This should clear the engine if it is flooded.

NOTE:

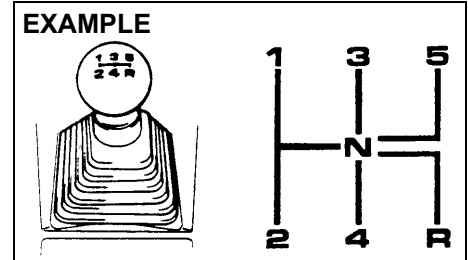
(For CNG Engine Model)

- *Do not press the accelerator pedal to changeover from petrol to CNG mode.*
- *With ignition switch "ON" and engine not running, blinking of CNG malfunction warning lamp indicates that fuel lid is open. Vehicle will not start in this condition.*

- *It is always recommended to start the vehicle in AUTO MODE or PETROL MODE to enhance the engine life.*
- *The fuel changeover to CNG may not happen if the vehicle is started when the ambient / engine temperature is below Zero Degree Celsius. In such a case, run the engine in PETROL MODE till it warms up and then try restarting the engine to changeover to CNG.*
- *It is recommended to keep sufficient amount of petrol in the petrol tank.*
- *The vehicle may not start in Forced CNG mode if the ambient / engine temperature is below Zero Degree Celsius. It is recommended to start the vehicle in Auto mode.*
- *It is recommended to keep sufficient amount of petrol in the petrol tank to prevent engine stalling while automatic changeover from CNG mode to Petrol mode.*
- *In case the CNG malfunction warning lamp does not stop blinking after pressing the changeover switch, take the vehicle to the nearest authorised MARUTI SUZUKI COMMERCIAL workshop.*

Using the Transmission

Manual Transmission



65D038

Starting off

To start off, depress the clutch pedal all the way to the floor and shift into 1st or 2nd gear. After releasing the parking brake, gradually release the clutch. When you hear a change in the engine's sound, slowly press the accelerator while continuing to gradually release the clutch.

NOTE:

- The recommended gear position for start off during normal driving is 2nd gear.
- In case of the cross country driving, crawling or loading driving that needs big driving force, shift position recommended is 1st gear.

Shifting

All forward gears are synchronized, which provides for quiet and easy shifting. Always push in the clutch pedal fully before shifting gears.

OPERATING YOUR VEHICLE

Downshifting maximum allowable speeds (For Petrol Model)

Downshifting	km/h
2nd to 1st	10
3rd to 2nd	65
4th to 3rd	100
5th to 4th	140*

Downshifting maximum allowable speeds (For CNG Model)

Downshifting	km/h
2nd to 1st	10
3rd to 2nd	55
4th to 3rd	90
5th to 4th	125*

***NOTE:**

You may not accelerate to the maximum allowable speed because of the driving situation and/or the vehicle condition.

NOTICE

When downshifting to a lower gear, make sure not to downshift at the speed faster than the maximum allowable speeds, or severe engine damage can result.

⚠ WARNING

- Reduce your speed and downshift to a lower gear before going down a long or steep hill. A lower gear will allow the engine to provide braking. Avoid riding the brakes or they may overheat, resulting in brake failure.
- When driving on slippery roads, be sure to slow down before downshifting. Excessive and or sudden changes in engine speed may cause loss of traction, which could cause you to lose control.

NOTICE

- To help avoid clutch damage, do not use the clutch pedal as a foot-rest while driving or use the clutch to keep the vehicle stationary on a slope. Depress the clutch fully when shifting.
- When shifting or starting off, do not race the engine. Racing the engine can shorten engine life and affect smooth shifting.

NOTICE

Before engaging reverse gear “R”, check that the vehicle is completely stationary and gear lever is in neutral [N] position. After depressing clutch pedal fully, shift to [R].

NOTE:

If it is difficult to engage reverse gear “R”, follow below procedure:-

1. Put gear lever in neutral “N”.
2. Release the clutch pedal once.
3. Again depress the clutch pedal, and shift from “N” to “R”.

Parking Sensors

- The parking sensor system uses ultrasonic sensors to detect obstacles near the rear bumper. If obstacles are sensed while you are parking or moving the vehicle slowly, the system warns you by sounding a buzzer.
- The system emits an ultrasonic wave and the relevant sensor detects the return of the wave reflected by an obstacle. The system measures the time taken by the ultrasonic wave to reach the obstacle and return from it, from which it determines the obstacle's position.
- The parking sensor function can be used when you turn the ignition switch to "ON" position and the gearshift lever is in the "R" position. This function is helpful in the following cases: pulling over to the curb; parallel parking the vehicle; steering the vehicle into a garage; driving along an alley; and moving slowly in a place with obstacles.

⚠ WARNING

- **The parking sensor warns you of obstacles with buzzers. However, you still have to drive with particular care.**
- **The sensors can detect obstacles only within a limited area and only when the vehicle is moving within a limited speed range. So, in tricky areas, you must move the vehicle slowly while checking around it using your direct vision or rearview mirrors. There is increased risk of an accident if you control the vehicle relying only on the parking sensor.**

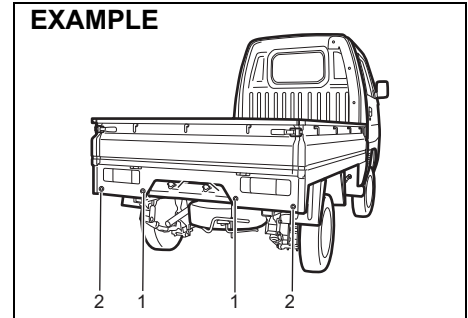
NOTE:
When the gearshift lever is shifted to the "R" position, a buzzer will sound once.

NOTICE

Parking sensors are only for driver's assistance.

Sensor locations

On rear bumper



77PM03003

- (1) Rear center sensors (2 places)
- (2) Rear corner sensors (2 places)

NOTICE

- **Avoid hitting the sensor areas or directing the nozzle of a high-pressure car washer onto the sensor areas. Otherwise, the sensors may be damaged.**
- **If the bumper hits a hard object, the sensors on it may not work properly. If this occurs, have the sensors inspected by a Maruti Suzuki authorised workshop.**

OPERATING YOUR VEHICLE

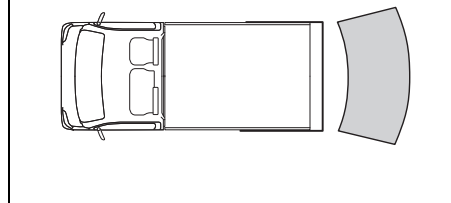
Working sensors

The sensors work depending on the gearshift lever position as follows:

Gearshift lever position	R	N, 1st – 5th
Rear sensors	On	Off

Approximate areas where obstacles can be detected

EXAMPLE



78MM05003

- An obstacle within about 20 cm (8 in) from a sensor or just below a sensor is not detectable.

The sensors can detect an obstacles such as wall up to about 1.8 m (6 ft) from the rear of vehicle.

⚠ WARNING

Under the following conditions, the parking sensor system may not work normally because the sensors cannot detect obstacles correctly.

- Sensors are covered with mud, ice or other materials. (Such materials must be removed for normal operation.)
- Sensors are wet from water splashes or heavy rain.
- Sensors are covered by a hand, sticker, accessory, etc.
- There is an accessory or other object attached within the sensor's sensing area.
- Items such as tow hooks, commercially available corner poles, radio antenna, etc. are installed on the bumper.
- The height of the bumper is changed due to alteration to the suspension or other causes.
- The sensor areas are extremely hot from direct sunlight or cold due to freezing weather.
- The vehicle is on a rough surface, slope, gravel road or grass field.
- The vehicle is at a steep angle.

(Continued)

⚠ WARNING

(Continued)

- Sensors have intercepted ultrasonic noise from another vehicle's horn, engine, air braking system (large vehicles), or parking sensor.
- Obstacles are too close to the sensors.
- Sensors are at an angle to a highly reflective object such as glass. (Ultrasonic waves are not reflected back from the obstacle.)
- Sensors may not be able to correctly detect the following types of obstacles:
 - Objects made of a thin material such as wire netting and ropes
 - Square-shaped curbstones or other objects with sharp edges
 - Tall objects with a large upper part such as a road sign
 - Low-profile objects such as curbstones
 - Sound-absorbing objects such as cotton and snow

NOTE:

Thin poles or obstacles lower than the sensors may become undetectable as the vehicle moves closer to them even if they have been detected from longer distances.

- The system may calculate the distance to a road sign or similar obstacle to be shorter than the actual distance.

Obstacle indication by parking sensor

Upon detecting an obstacle, the parking sensor causes an interior buzzer to sound.

- A buzzer located behind the rear seat sounds when a sensor at the rear detects an obstacle.
- Warnings when obstacles such as wall are detected by sensors

Distance (approx.)	Buzzer
100-180 cm	Short beeps at long intervals
80-100 cm	Short beeps at short intervals
70-80 cm	Short beeps at very short intervals
Less than 70 cm	Continuous beep

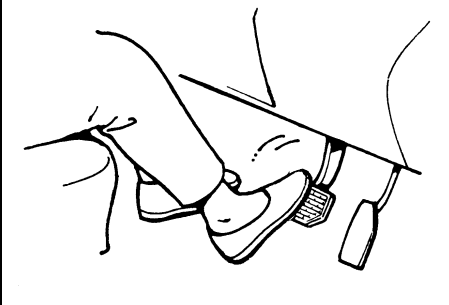
Warning and indicator messages

If there is a problem or warning regarding the parking sensor system, a buzzer informs it. Follow its instruction.

The buzzer sounds intermittently. The indicated sensor is contaminated. Wipe it clean with a soft cloth. If the buzzer does not stop after wiping, there may be problem with the parking sensor system. Have your vehicle inspected by a Maruti Suzuki authorised workshop.

Braking

EXAMPLE



60G165S

The distance needed to bring any vehicle to a halt increases with the speed of the vehicle. The braking distance needed, for example, at 60 km/h (37 mph) will be approximately 4 times greater than the braking distance needed at 30 km/h (19 mph). Start to brake the vehicle when there is plenty of distance between your vehicle and the stopping point, and slow down gradually.

⚠ WARNING

If water gets into the brake drums, brake performance may become poor and unpredictable.

After driving through water or washing the underside of the vehicle, test the brakes while driving at a slow speed to see if they have maintained their normal effectiveness. If the brakes are less effective than normal, dry them by repeatedly applying the brakes while driving slowly until the brakes have regained their normal effectiveness.

NOTE:

While braking you may hear operational noise due to friction between brake disc/drum and brake lining. This is a normal phenomenon and does not indicate any abnormality or affect normal functioning of the vehicle.

Power-Assisted Brakes

Your vehicle has power-assisted brakes. If power assistance is lost due to a stalled engine or other failures, the system is still fully operational on reserve power and you can bring the vehicle to a complete stop by pressing the brake pedal once and holding it down. The reserve power is partly used up when you depress the brake pedal and reduces each time the pedal is pressed. Apply smooth and even pressure to the pedal. Do not pump the pedal.

⚠ WARNING

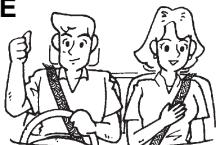
Even without reserve power in the brake system, you can still stop the vehicle by pressing the brake pedal harder than normally required. However, the stopping distance may be longer.

DRIVING TIPS

Running-in	4-1
Catalytic Converter	4-1
Improving Fuel Economy	4-2
Highway Driving	4-3
Driving on Hills	4-3
Driving on Slippery Roads	4-4
Driving on Wet Roads	4-5
Do's and Dont's for Safe Driving	4-6
Margin for Safety	4-7

DRIVING TIPS

EXAMPLE



52D078S

⚠ WARNING

- **WEAR YOUR SEAT BELTS AT ALL TIMES.** The driver and passenger should be properly restrained at all times, using the seat belts provided. Refer to the “Seat Belts” section for instructions on proper use of the seat belts.
- **Never drive while under the influence of alcohol or other drugs.** Alcohol and drugs can seriously impair your ability to drive safely, greatly increasing the risk of injury to yourself and others. You should also avoid driving when you are tired, sick, irritated, or under stress.

Running-in

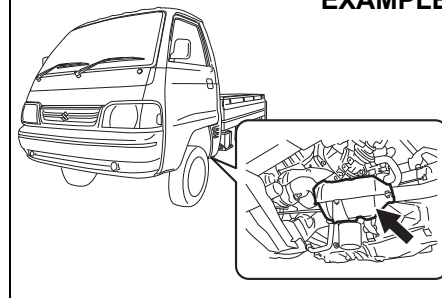
NOTICE

The future performance and reliability of the engine depends on the care and restraint exercised during its early life. It is especially important to observe the following precautions during the initial 960 km of vehicle operation.

- After starting, do not race the engine. Warm it up gradually.
- Avoid prolonged vehicle operation at a constant speed. Moving parts will break in better if you vary your speed.
- Start off from a stop slowly. Avoid full throttle starts.
- Avoid hard braking, especially during the first 320 km of driving.
- Do not drive slowly with the transmission in a high gear.
- Drive the vehicle at moderate engine speeds.
- Do not tow a trailer.

Catalytic Converter

EXAMPLE



77PH201

The purpose of the catalytic converter is to minimize the amount of harmful pollutants in your vehicle's exhaust. Use of leaded fuel in vehicles equipped with catalytic converters is prohibited, because lead deactivates the pollutant-reducing components of the catalyst system.

The converter is designed to last the life of the vehicle under normal usage and when unleaded fuel is used. No special maintenance is required on the converter. However, it is very important to keep the engine properly tuned. Engine misfiring, which can result from an improperly tuned engine, may cause overheating of the catalyst. This may result in permanent heat damage to the catalyst and other vehicle components.

NOTICE

To avoid damaging catalyst or other vehicle damage:

- Maintain the engine in the proper operating condition.
- In the event of an engine malfunction, particularly one involving engine misfiring or other apparent loss of performance, have the vehicle serviced promptly.
- Do not turn off the engine or interrupt the ignition when the transmission is in gear and the vehicle is in motion.
- Do not try to start the engine by pushing or towing the vehicle, or coasting down a hill.
- Do not idle the engine with any spark plug wires disconnected or removed, such as during diagnostic testing.
- Do not idle the vehicle for prolonged periods if idling seems rough or there are other malfunctions.
- Do not allow the fuel tank to get near the empty level.
- Avoid driving your vehicle at excessively high engine speed.

⚠ WARNING

Be careful in areas where you park and drive; the catalytic converter and other exhaust components can get very hot. As with any vehicle, do not park or operate this vehicle in areas where combustible materials such as dry grass or leaves can come in contact with a hot exhaust system.

EXAMPLE

82DY05

NOTE:

Non-usage of vehicle for long duration may cause gradual rusting of brake disc surface as it is made of cast iron. This may result in noise/vibration. This same has no bearing on functioning of the vehicle. Regular driving of vehicle may prevent/remove rust, thus reducing the noise and vibration.

Improving Fuel Economy**NOTE:**

Fuel economy (mileage) of the vehicle may vary due to several factors i.e., driving habits - gear change pattern, usage of A.C., Air pressure in the tyres, wind speed, traffic conditions, fuel quality- non adulterated standard fuel, maintenance of vehicle, road conditions, braking etc.

The following instructions will help you improve fuel economy.

Avoid excessive idling

If you are to wait for more than a minute while you are parked, stop the engine and start it again later. When warming up a cold engine, do not allow the engine to idle or apply full throttle until the engine has reached operating temperature. Allow the engine to warm up while driving.

Avoid sudden acceleration

Sudden acceleration starting from rest or while driving will consume fuel unnecessarily and shorten engine life. Start off slowly.

Avoid unnecessary stops

Avoid unnecessary deceleration and stopping. Try to maintain a slow, steady speed whenever possible. Slowing down and then accelerating again uses more fuel.

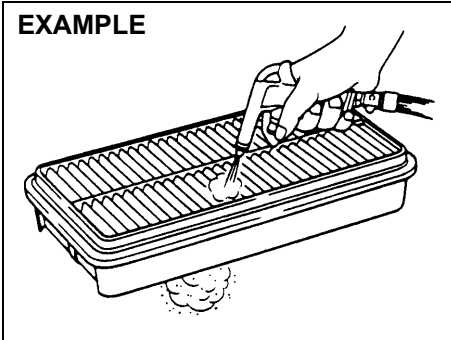
Keep a steady cruising speed

Keep as constant a speed as road and traffic conditions will permit.

DRIVING TIPS

Keep the air cleaner clean

EXAMPLE



60A183S

If the air cleaner is clogged with dust, there will be greater intake resistance, resulting in decreased power output and increased fuel consumption.

Keep weight to a minimum

Heavier the load, more fuel the vehicle consumes. Take out any luggage or cargo when it is not necessary.

Keep tyre pressures correct

Underinflation of the tyres can waste fuel due to increased running resistance of the tyres. Keep your tyres inflated to the correct pressure shown on the label on the driver's door lock pillar.

Highway Driving

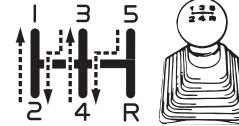
When driving at highway speeds, pay attention to the following:

- Stopping distance progressively increases with vehicle speed. Apply the brakes far enough ahead of the stopping point to allow for the extra stopping distance.
- On rainy days, hydroplaning can occur. Hydroplaning is the loss of direct contact between the road surface and the vehicle's tyres due to a water film forming between them. Steering or braking the vehicle while hydroplaning can be very difficult, and loss of control can occur. Keep speed down when the road surface is wet.
- At high speeds, the vehicle may be affected by side winds. Therefore, reduce speed and be prepared for unexpected buffeting, which can occur at the exits of tunnels, when passing by a cut of a hill, or when being overtaken by large vehicles, etc.

Driving on Hills

- When climbing steep hills, the vehicle may begin to slow down and show a lack of power. If this happens, you should shift to a lower gear so that the engine will again be operating in its normal power range. Shift rapidly to prevent the vehicle from losing momentum.
- When driving down a hill, the engine should be used for braking by shifting into a lower gear.

EXAMPLE



77PH003

⚠ WARNING

Try not to hold the brake pedal down too long or too often while going down a steep or long hill. This could cause the brakes to overheat, resulting in reduced braking efficiency. Failure to take this precaution could result in loss of vehicle control.

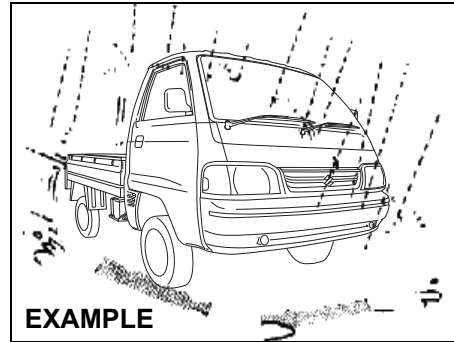
While moving uphill/gradient from a stand still condition

- Apply the parking brake firmly so that the vehicle does not roll backwards.
- Depress the Clutch pedal and Shift the gearshift lever to 1st Select position.
- Do not slip the clutch.
- When ready to start, press accelerator pedal and slowly release the clutch pedal simultaneously. When the vehicle starts to move, gradually release the parking brake.

NOTICE

When descending down a hill, NEVER turn the ignition key to the "LOCK" position. Emission control system damage may result.

Driving on Slippery Roads



82DY06

Under wet road conditions you should drive at a lower speed than on dry roads due to possible slippage of tyres during braking. When driving on icy, snow-covered, or muddy roads, reduce your speed and avoid sudden acceleration, abrupt braking, or sharp steering movements.

If Your Vehicle Gets Stuck

If your vehicle gets stuck in snow, mud, or sand, follow the directions below:

- 1) Shift the transmission back and forth between first gear and reverse. This will create a rocking motion which may give you enough momentum to free the vehicle. Press gently on the accelerator to keep wheel spinning to a minimum wheel rpm. Remove your foot from the accelerator while shifting.

Do not race the engine. Excessive wheel spin will cause the tyres to dig deeper, making it more difficult to free the vehicle.

- 2) If your vehicle remains stuck after a few minutes of rocking, get another vehicle to pull your vehicle out.

⚠ WARNING

Do not allow anyone to stand near the vehicle when you are rocking it, and do not spin the wheels faster than an indicated 40 km/h on the speedometer. Personal injury and/or vehicle damage may result from spinning the wheels too fast.

NOTICE

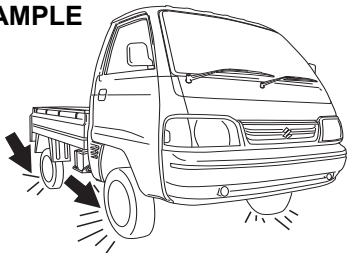
Do not continue rocking the vehicle for more than a few minutes. Prolonged rocking can cause engine overheating or transmission damage.

Driving on Wet Roads

NOTICE

- When driving on wet roads, avoid driving through large amount of standing water on the road. Large amount of water entering the engine compartment may cause damage to the engine and or electrical components.
- If stuck in deep water, do not start till water level drops.
- Water is incompressible substance, water inside engine is harmful to the engine.

EXAMPLE



82DY07

⚠ WARNING

In addition to following the driving tips in this section, it is important to observe the following precautions.

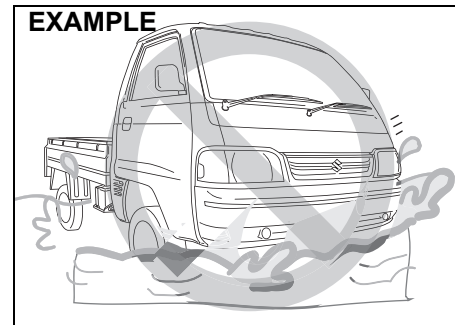
- Make sure your tyres are in good condition and always maintain the specified tyre pressure. Refer to “Tyres” in the “INSPECTION AND MAINTENANCE” section for details.
- Do not use tyres other than those specified by MARUTI SUZUKI. Never use different sizes or types of tyres on the front and rear wheels. For information regarding the specified tyres, refer to the Tyre Information Label located on the driver’s door lock pillar.
- Never use oversized tyres or special shock absorbers and springs to raise (jack up) your vehicle. This will change the handling characteristics. Oversized tyres may also rub against the vehicle body over bumps, causing vehicle damage or tyre failure.
- After driving through water, test the brakes while driving at a slow speed to see if they have maintained their normal effectiveness. If they are less effective than normal, dry them by repeatedly applying the brakes while driving slowly until the brakes have regained their normal effectiveness.

Off-road Driving

Do not drive in the field covered with grown grass.

If you drive in the field covered with grass, it may cause accident or fire or vehicle damage by getting caught in grown grass.

When Encountering a Flooded Area



77PM04011

Avoid driving in a flooded area or a deep puddle. If driving in a flooded area is unavoidable, go slowly in the lowest gear. In case that you have driven in a flooded area, stop the vehicle in a safe and non flooded place while checking the brake effectiveness. Then, ask a Maruti Suzuki authorised workshop to check the following inspection items.

- Function of brake
- Function of electrical components

- Changes in oil level and quality for engine and transmission. In case that the oil is turbid whitish, water has been mixed in the oil and an oil change is required.
- Lubricant condition of the bearings, suspension joints, etc.

NOTICE

- **Avoid driving in a flooded area or a deep puddle. It may cause an engine stall, short in electrical components, engine and transmission damages, etc.**
- **If the vehicle gets stuck in deep water do not start the engine.**

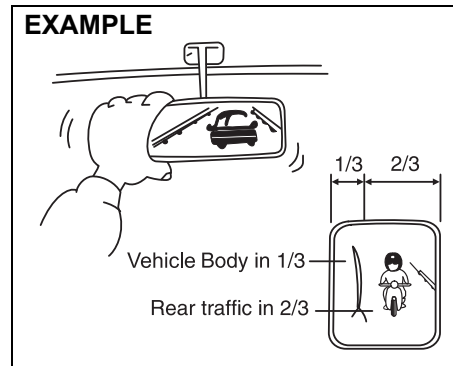
Do's and Dont's for Safe Driving

Exercise care in handling your vehicle. Be conscious of not only your own safety but also the safety of others on the road, and thus enjoy the best and most comfortable driving experience.

Following are basic rules for safe driving. Read them carefully for good understanding of the content so that you can enjoy safe and pleasant driving in your vehicle.

Starting

- 1) Adjust the driver's seat for the proper driving posture.
- 2) Adjust the rear view mirror so as to obtain the best possible rear view.



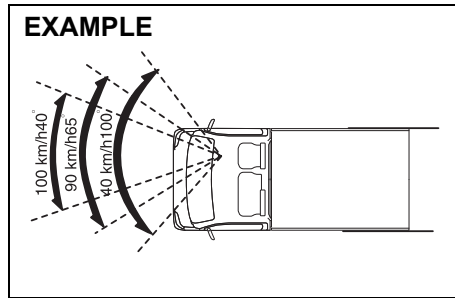
77PM04002

- 3) Before moving, look around your vehicle to confirm safety.
- 4) Don't accelerate suddenly, since it is dangerous and wastes fuel.

General driving

- 1) Be sure to stop before a stop light or stop sign. When moving into an intersection without any traffic lights or signs, drive slowly to confirm safety.
- 2) Always follow other vehicles at a safe distance in order to prevent a rear-end collision, in case the vehicle ahead makes a sudden stop.
- 3) Turn ON the turn signal at least 30 meters before making a turn or changing the lane so as to not be hit.
- 4) Before entering a corner, decelerate to a safe speed. Don't apply brakes during cornering, or skidding may occur.
- 5) When overtaking other vehicles, watch out for oncoming vehicles and carefully ensure safety.
- 6) Don't attempt zigzag driving as it will hinder your control over the vehicle and may cause an accident.
- 7) Avoid reckless high speed driving and try to drive at a safe speed suitable for the road conditions while maintaining a constant speed.
- 8) The higher the speed, the narrower the driver's visual range becomes. In such a state, it is difficult to anticipate any hazard and the driver feels fatigued.

DRIVING TIPS



- 9) Do not attempt sharp handling during high speed driving. You may lose your control over your vehicle.
- 10) When overtaking or changing lanes while driving at a high speed, keep ample vehicle-to-vehicle distance.

Braking

- 1) Use the parking brake when parking your vehicle and shift the gear shift lever into the first gear or reverse gear position for the sake of safety.
- 2) Don't use hand-braking unless unavoidable. It causes the vehicle to skid and a collision may occur. It is especially dangerous when the tyres are worn out as they skid more.

Use foot brake in three stages

1. Warn the vehicle behind you
2. Gradually apply the brake.
3. Bring the vehicle to a halt.

- 3) When driving downhill, try not to apply the brake but use the engine brake effectively. Overuse of the foot-brake may result in reduction of brake effectiveness.

Long distance driving

- 1) Be sure to perform safety checks before starting a trip.
- 2) Take rest at regular intervals to prevent accidents which may occur due to feeling sleepy or tired.

Night time driving

- 1) Drive at lower speeds during the night than in the daytime, as the visual range is restricted at night.
- 2) Avoid overtaking other vehicles at night. Darkness bothers your sense of speed and hinders your judgment of vehicle-to-vehicle distance.
- 3) Don't use headlights on high beam unless its use is inevitable. It may cause visual impairment to the driver of the oncoming vehicle or the vehicle ahead of you, which may cause an accident.
- 4) Always keep the window glasses clean. Don't operate the windshield wiper when the windshield glass is dry else the wiper blade and glass may get damaged.

Margin for Safety

It is important to allow yourself a margin for safety during driving so that you can cope with erroneous or unexpected driving of other drivers. For that, observe the following.

- Drive at a safe speed.
- Maintain a sufficient distance between your vehicle and the vehicle ahead.
- Don't force yourself to overtake other vehicles.
- Don't accelerate suddenly, steer sharply or stop suddenly.
- Keep ample gaps between driving schedules.
- Observe traffic rules and regulations.

Conclusion

A perfect driver does not exist. The endeavour of every motorist should be to strive for perfection. Safety consciousness not only ensures your safety and the safety of other road users, it also helps reduce the wear and tear on your vehicle, lengthens its life, gives better fuel efficiency and ensures a comfortable driving experience.

Follow the do's and don'ts listed, and driving will never be the same again.

OTHER CONTROLS AND EQUIPMENT

Fuel Filler Cap 5-1
Engine Compartment 5-3
Sun Visor 5-4
Interior Light 5-5
Accessory Socket 5-5
Glove Box 5-5
Storage Area 5-6
Air Vent 5-6
Frame Hook 5-7
Assist Grip 5-7

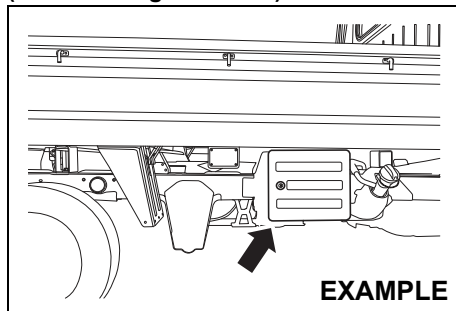
OTHER CONTROLS AND EQUIPMENT

Fuel Filler Cap

(For Petrol and CNG Engine Model)

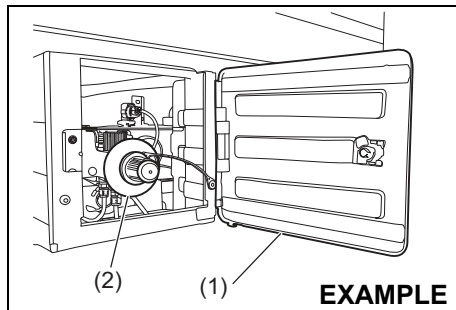
CNG filler valve

(For CNG engine model)



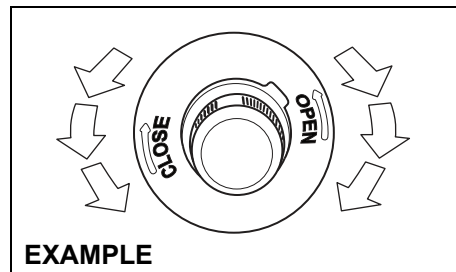
77PM05003

The CNG filler valve is located on the right side of the vehicle.



77PM05001

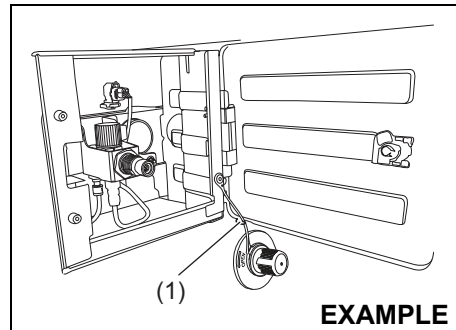
To unlock CNG filler door (1), insert the key and turn top of the key towards front of the vehicle.



77PM05005

To remove the CNG filler valve cover:

- 1) Open the CNG filler door (1).
- 2) Remove the CNG filler valve cover (2) by turning it anticlockwise direction.



77PM05006

NOTE:

If the fuel filler door is equipped with the cap holder (3), then use the cap holder to hold fuel filler cap while refueling.

Filling automatically gets cut off when the cylinder pressure becomes equal to dispenser pressure.

To reinstall the CNG filler valve cover:

- 1) Turn the CNG filler valve cover (2) clockwise direction until its completely closed.
- 2) Close the CNG filler door (1).

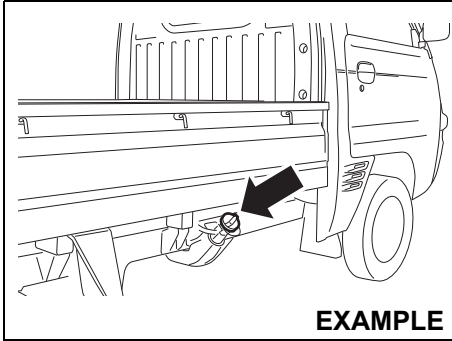
NOTE:

- If the CNG filler cover (2) is not closed properly, you will not be able to start the vehicle.
- Engine will stop if the CNG filler cover (2) is opened in vehicle stationary condition.

NOTE:

During vehicle operation gravels may enter the CNG filler box. Remove whenever observed.

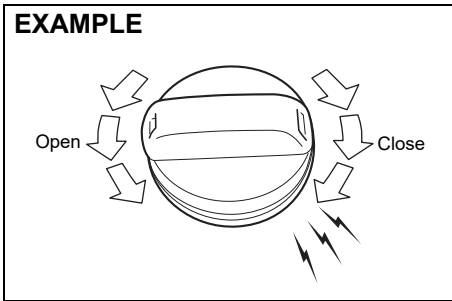
**Petrol filling cap
(For Petrol engine model)**



EXAMPLE

77PH031

The fuel filler cap is located on the right side of the vehicle.



68KN048

To remove the fuel filler cap, turn it counterclockwise. To reinstall the fuel filler cap, turn it in clockwise direction until you hear several clicks.

⚠ CAUTION

Remove the fuel filler cap slowly. The fuel may be under pressure and may spray out, causing injury.

⚠ WARNING

Fuel is extremely flammable. Do not smoke when refueling, and make sure there are no open flames or sparks in the area.

⚠ WARNING

If you need to replace the fuel cap, use a **MARUTI** genuine cap. Use of an improper cap can result in a malfunction of the fuel system or emission control system. It may also result in fuel leakage in the event of an accident.

⚠ CAUTION

Remove the fuel filler cap slowly. The fuel may be under pressure and may spray out, causing injury.

⚠ WARNING

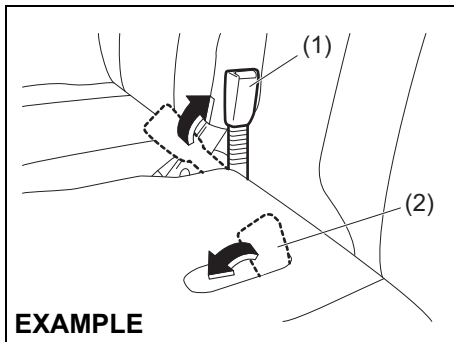
Fuel is extremely flammable. Do not smoke when refueling, and make sure there are no open flames or sparks in the area.

⚠ WARNING

If you need to replace the fuel cap, use a **MARUTI** genuine cap. Use of an improper cap can result in a malfunction of the fuel system or emission control system. It may also result in fuel leakage in the event of an accident.

OTHER CONTROLS AND EQUIPMENT

Engine Compartment

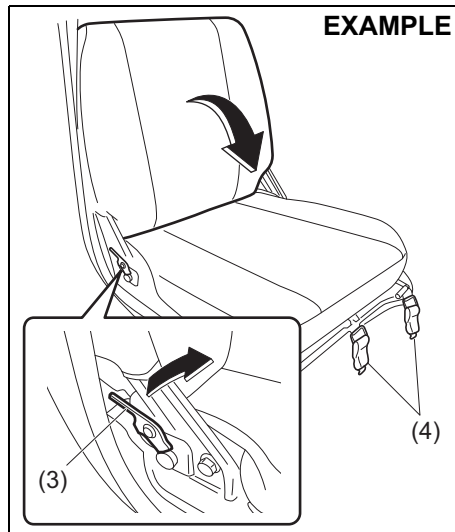


To open the engine compartment:

- 1) Raise the driver's seat belt buckle (1) to the seatback position. Store the passenger's seat belt buckle (2).
- 2) For the driver's seat, slide the seat to the most rearward position.

CAUTION

When you slide the driver's seat rearward, push the seatback. If you hold the seatback top, your hand could be pinched between the seatback and cabin back panel, may result in personal injury.

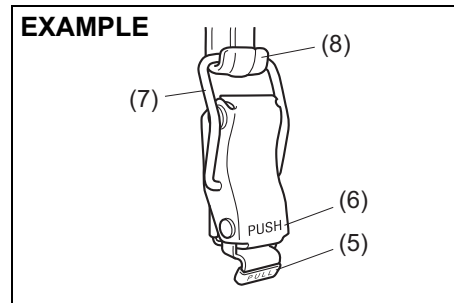


- 3) For the driver's seat, pull the lock lever (3) to fold the seatback forward.

NOTE:

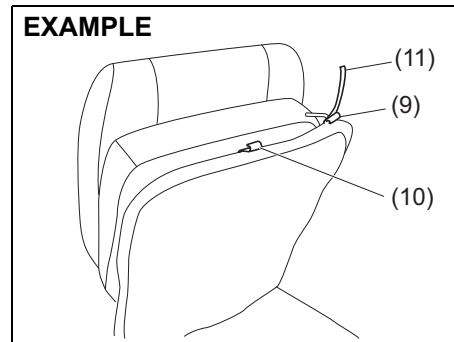
The seatback can be folded only up to the position where it comes in contact with the steering wheel.

- 4) Unhook the lock handles (4) on the front end of each seat.

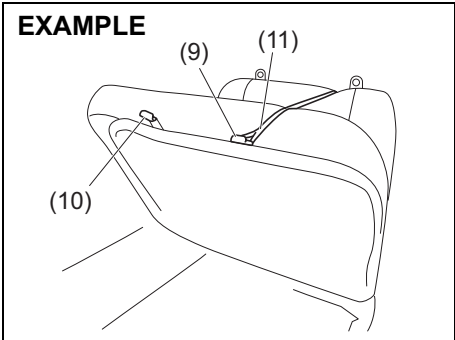


- To unhook the lock handle, pull the "PULL" part (5) and unhook the ring (7) from the hook (8).
- To lock the lock handle, put the ring (7) on the hook (8) and then push the "PUSH" part (6).

Driver side



Passenger side



77PH103

NOTE:
 The straps (11) are available behind the seatback of passenger seat.

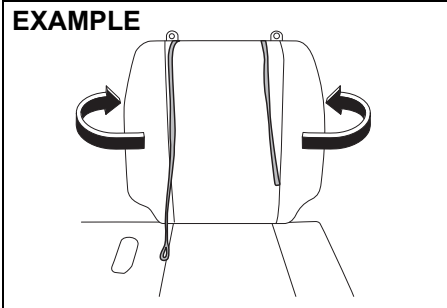
- 5) Raise the seat and hook the strap (11) to the hook (9). The hook (10) is not used for attaching the seat strap.

NOTICE

Do not hook the strap to the driver's seat position adjustment lever or do not apply undue force to the seats when being hooked by the straps. Doing so could break the straps, hooks and/or the driver's seat position adjustment lever.

- To close the engine compartment, reverse the steps in which you have opened it.

- After closing, try to move the seats to ensure that they are securely latched.
- Store the straps in space behind the passenger's seat as shown in the illustration.



77PH097

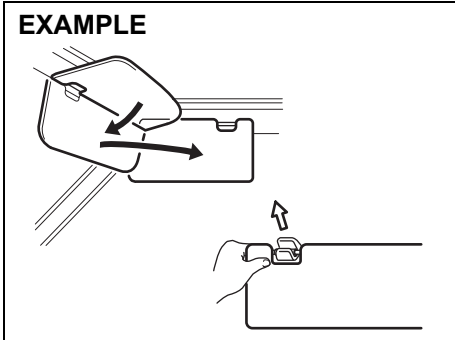
⚠ WARNING

Store the straps in space behind the passenger's seat. If an occupant's body gets caught by the straps, there is a risk of serious injury such as suffocation. If this happens, cut the straps with scissors.

⚠ CAUTION

When closing the engine compartment, be careful that the seats do not pinch your hands or the driver's seat belt buckle, or hit your body.

Sun Visor



77PH004

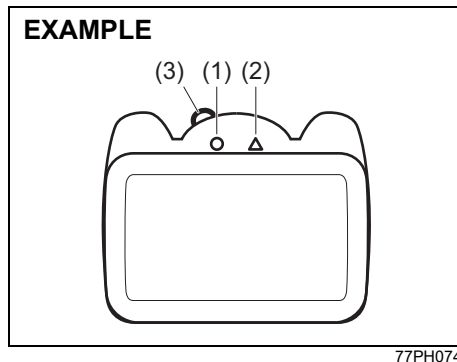
Sun visor is available on the driver side of the vehicle. The sun visor can be pulled down to block the glare coming through the windshield, or they can be unhooked and turned to the side to block the glare coming through the side window.

NOTICE

When unhooking and hooking a sun visor, be sure to handle it by side of the sun visor as shown in the figure else sun visor may get damaged.

OTHER CONTROLS AND EQUIPMENT

Interior Light



This light switch has two positions. These positions can be selected using knob (3). The functions of the two positions are:

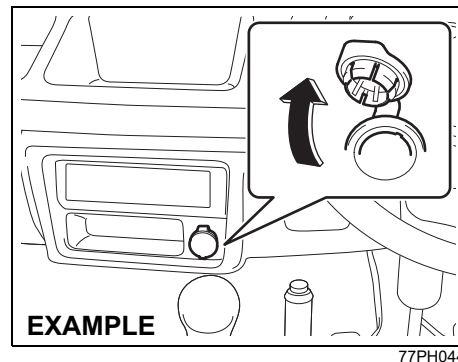
ON (1)

The light comes on and stays on.

OFF (2)

The light remains off.

Accessory Socket

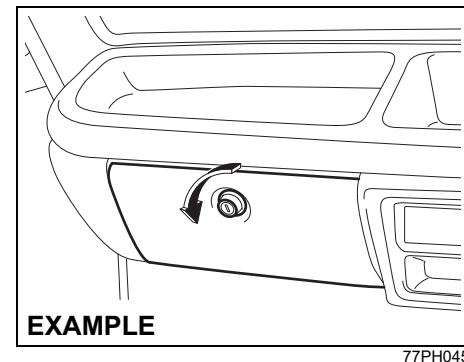


The accessory socket will work when the ignition switch is in the "ACC" or "ON" position. This socket can be used to provide 12 volt/120 watt power for electrical accessories.

NOTICE

Use of inappropriate electrical accessories can cause damage to your vehicle's electrical system. Make sure that any electrical accessories you use are designed to plug into this type of socket.

Glove Box

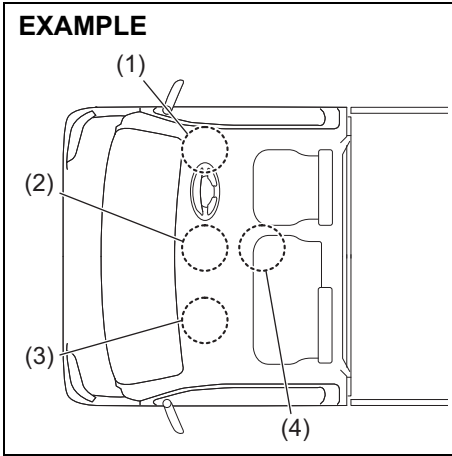


To open the glove box, twist the knob counterclockwise. To close it, push the lid until it latches securely. To lock the glove box, insert the key into the knob and turn it clockwise. To unlock the glove box, insert the key into the knob and turn it counterclockwise.

⚠ WARNING

Never drive with the glove box lid open. It could cause injury if an accident occurs.

Storage Area



77PH104

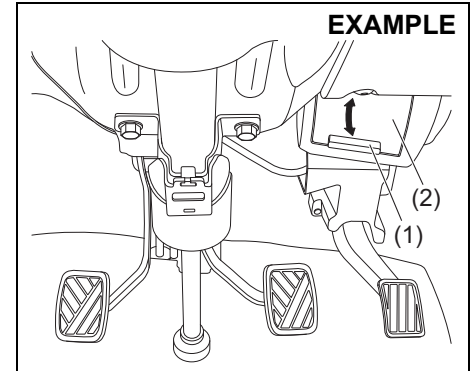
- (1) Instrument panel pocket (driver's side)
- (2) Instrument panel tray (center) / Instrument panel pocket (center)
- (3) Instrument panel tray (passenger's side)
- (4) Center pocket

Instrument Panel Pocket (1)/(2) /
Instrument Panel Tray (2)/(3) /
Center Pocket (4)

⚠ WARNING

Do not place any objects which may fall out from the pocket/tray when the vehicle is moving. Failure to take the precaution may result in an object interfering with the pedals and causing a loss of vehicle control or an accident.

Air Vent



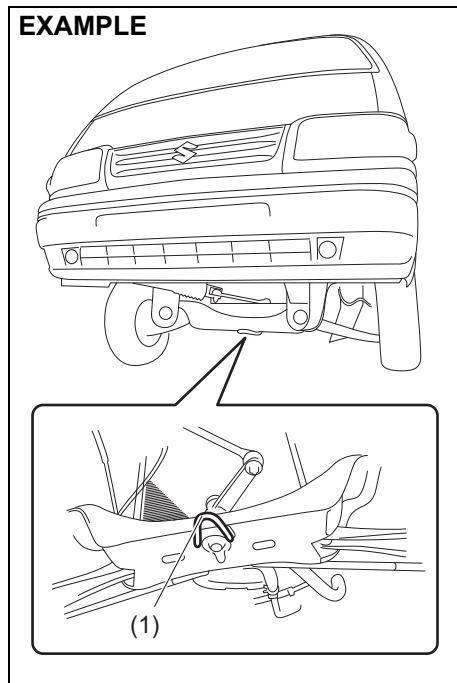
77PM502

Air vents are located on driver side and passenger side of the vehicle. For opening or closing the air vent, move the knob (1) vertically to open or close the flap (2). When "OPEN", fresh air will come inside the cabin.

OTHER CONTROLS AND EQUIPMENT

Frame Hook

Front



77PH035

The frame hook (1) is provided on the front of the vehicle for use in emergency situations and shipping purposes only.

To tow your vehicle on the road or highway, follow the instruction of "Towing" in "EMERGENCY SERVICE" section.

⚠ WARNING

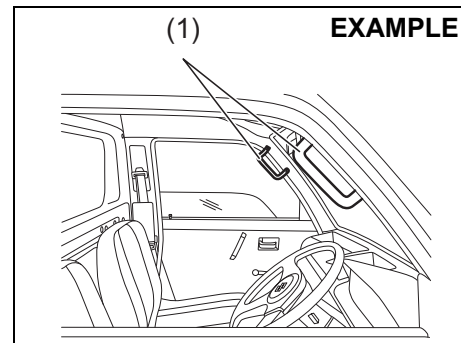
Do not use the frame hook to tow another vehicle or to have your vehicle towed on the road or highway. The hook (1) is designed for use in emergency situations only, such as if your vehicle or another vehicle gets stuck in deep mud or snow.

NOTICE

When you use the frame hook (1), avoid driving in the manner that may give significant shock to the hook. Such operation can damage the hook, or the vehicle body.

Do not accelerate suddenly.

Assist Grip



77PM501

Assist grips (1) are available on driver side and passenger side of the vehicle. The assist grips are meant for driver / passenger to get in and get out of the vehicle easily.

VEHICLE LOADING AND TOWING

Vehicle Loading	6-1
Trailer Towing	6-1

VEHICLE LOADING AND TOWING

Vehicle Loading

Your vehicle was designed for specific weight capacities. The weight capacities of your vehicle are indicated by the Gross Vehicle Weight Rating (GVWR) and the Permissible maximum Axle Weight (PAW, front and rear). The GVWR and PAW (front and rear) are listed in the "SPECIFICATIONS" section.

GVWR – Maximum permissible overall weight of the fully loaded vehicle (including all the occupants, accessories and cargo plus the trailer nose weight if towing a trailer).

PAW – (Front and Rear) Maximum permissible weight on an individual axle.

Actual weight of the loaded vehicle and actual loads at the front and rear axles can only be determined by weighing the vehicle. Compare these weights to the GVWR and PAW (front and rear). If the gross vehicle weight or the load on either axle exceeds these ratings, you must remove enough weight to bring the load down to the rated capacity.

WARNING

Never overload your vehicle. The gross vehicle weight (sum of the weights of the vehicle, all the occupants, accessories, cargo plus trailer nose weight if towing a trailer) must never exceed the Gross Vehicle Weight Rating (GVWR). In addition, never distribute a load so that the weight on either the front or rear axle exceeds the Permissible maximum Axle Weight (PAW).

WARNING

Always distribute cargo evenly. To avoid personal injury or damage to your vehicle, always secure cargo to prevent it from shifting if the vehicle moves suddenly. Place heavier objects on the floor and as far forward in the cargo area as possible. Never pile cargo higher than the top of the seat backs.

Trailer Towing

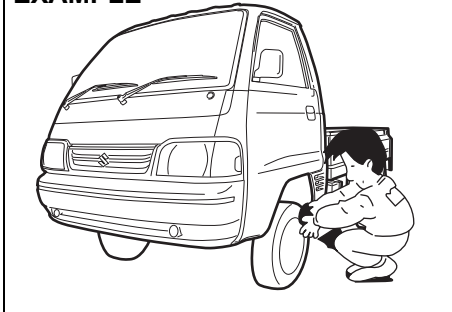
Your vehicle was originally designed to carry one driver, one passenger and a certain amount of cargo, not to tow a trailer. MARUTI does not recommend you to use your vehicle to tow a trailer. Towing a trailer can adversely affect handling, durability, and fuel economy.

INSPECTION AND MAINTENANCE

- Maintenance Schedule 7-1
- Periodic Maintenance Schedule 7-2
- Inspection and Maintenance operations to be performed by customer 7-6
- Drive Belt 7-8
- Engine Oil and Filter 7-8
- Engine Coolant 7-12
- Air Cleaner 7-14
- Spark Plugs 7-14
- Gear Oil 7-14
- Clutch Pedal 7-16
- Brakes 7-16
- Steering 7-18
- Propeller Shaft Universal Joint 7-18
- Tyres 7-19
- Battery 7-20
- Fuses 7-21
- Bulb Replacement 7-24
- Wiper Blades 7-27
- Windshield Washer Fluid (If equipped)..... 7-29

INSPECTION AND MAINTENANCE

EXAMPLE



77PM07008

⚠ WARNING

You should take extreme care when working on your vehicle to prevent accidental injury. Here are a few precautions that you should be especially careful to observe:

- Do not leave the engine running in garages or other confined areas.
- When the engine is running, keep hands, clothing, tools, and other objects away from the fan and drive belt. Even though the fan may not be moving, it can automatically turn on without warning.

(Continued)

⚠ WARNING

(Continued)

- When it is necessary to do service work with the engine running, make sure that the parking brake is set fully and the transmission is in Neutral.
- Do not touch ignition wires or other ignition system parts when starting the engine or when the engine is running, or you could receive an electric shock.
- Be careful not to touch a hot engine, exhaust manifold and pipes, muffler, radiator and water hoses.
- Do not allow smoking, sparks, or flames around fuel or the battery. Flammable fumes are present.
- Do not get under your vehicle if it is supported only with the portable jack provided in your vehicle.
- Be careful not to cause accidental short circuits between the positive and negative battery terminals.
- Keep used oil, coolant, and other fluids away from children and pets. Dispose of used fluids properly; never pour them on the ground, into sewers, etc.

Maintenance Schedule

The following table shows the times when you should perform regular maintenance on your vehicle. This table shows in kilometers and months when you should perform inspections, adjustments, lubrication and other services.

⚠ WARNING

MARUTI SUZUKI recommends that maintenance on your vehicle should be performed by your authorised MARUTI SUZUKI COMMERCIAL workshop.

NOTICE

Whenever it becomes necessary to replace parts on your vehicle, it is recommended that you use MARUTI genuine replacement parts or their equivalent.

Periodic Maintenance Schedule

“C”: Clean

“R”: Replace or Change

“I”: Inspect, clean, adjust, lubricate or replace as necessary

“L”: Lubricate

“T”: Tighten to Specified Torque

“O”: Rotate

NOTE:

This table includes services as scheduled up to 90,000 km mileage. Beyond 90,000km, carry out the same services at the same intervals respectively.

INSPECTION AND MAINTENANCE

Interval: This interval should be judged by odometer reading or months, whichever comes first.		FREE INSPECTION				PERIODIC MAINTENANCE AT COST						
		km (x1000)	5	10	20	30	40	50	60	70	80	90
		months	2	4	8	12	16	20	24	28	32	36
ENGINE												
1-1.	Water pump drive belt (Tension, Wear)		-	I	I	I	I	I	I	I	R	I
1-2.	Engine Coolant SUZUKI LLC: Super (Blue) (#1,2)		First time only:		Replace at 100000 km or 60 months whichever comes first.							
	Engine Coolant SUZUKI LLC: Standard (Yellow) (#1,3)		Second time and after:		Replace every 40000 km or 24 months whichever comes first.							
1-3.	Engine oil, engine oil filter and drain plug gasket (Level, Leakage)		I	R	R	R	R	R	R	R	R	R
1-4.	Cooling system hoses and connections (Leakage and Damage)		I	I	I	I	I	I	I	I	I	I
1-5.	Engine Mounting and Manifold fixing (Loose, Damage)		I	I	I	I	I	I	I	I	I	I
1-6.	Exhaust System (Noise, Leakage etc.)		I	-	I	-	I	-	I	-	I	-
1-7.	Positive Crank Case Ventilation System (Hoses, Connections and Valve)		I	-	I	-	I	-	I	-	I	-
1-8.	Exhaust Gas Recirculation Valve		-	-	-	C	-	-	C	-	-	C
IGNITION												
2-1.	Ignition wire (Damage, Deterioration)		-	-	I	-	I	-	I	-	I	-
2-2.	Spark Plug		Petrol		Replace every 100000 km or 84 months whichever comes first							
			CNG		Replace every 50000 km or 48 months whichever comes first							
FUEL												
3-1.	Air cleaner filter element		Paved-road		Clean every 5000 km. Replace every 40000 km							
			Dusty Condition		Clean every 2500 km. Replace every 40000 km. More frequent replacement if the conditions are severe.							
3-2.	Fuel tank cap, fuel lines and connections (Leakage and Damage)		I	-	-	-	I	-	-	-	I	-
3-3.	Fuel Filter (Leakage)		I	I	I	I	R	I	I	I	R	I

#1: Perform the engine coolant level check under the daily inspection in the "OPERATING YOUR VEHICLE" section.

The same type of coolant that is filled at the time of a brand new car should be used when you add or replace the coolant. Refer to "Engine coolant" in this section.

#2: Do not add SUZUKI LLC: Standard (Yellow) Coolant or distilled water or others when your vehicle is originally filled with SUZUKI LLC: Super (Blue) Coolant.

#3: When your vehicle is originally filled with SUZUKI LLC: Standard (Yellow) Coolant, follow the maintenance schedule of SUZUKI LLC: Standard (Yellow) Coolant.

INSPECTION AND MAINTENANCE

Interval: This interval should be judged by odometer reading or months, whichever comes first.		FREE INSPECTION				PERIODIC MAINTENANCE AT COST						
		km (x1000)	5	10	20	30	40	50	60	70	80	90
		months	2	4	8	12	16	20	24	28	32	36
3-4.	CNG fuel line joints (Gas leakage)											
3-5.	CNG low pressure filter cartridge with O-Ring	-	-	R	-	R	-	R	-	R	-	
3-6.	CNG cylinder leak testing and certification	Every 3 years from the date of initial testing by govt. approved testing agency										
3-7.	CNG filler receptacle O-Ring	Replace every 4 years or 300000 km whichever comes earlier										
CLUTCH AND TRANSMISSION												
4-1.	Clutch Pedal (Play)											
4-2.	Clutch slipping (Dragging or Excess Damage)											
4-3.	Gear shifter (Operation)											
4-4.	Manual Transmission Oil (Level, Leakage)											
4-5.	Rear Differential Oil (Level, Leakage)	Replace at 80000 km or 4 years whichever comes first										
4-6.	Propeller shaft / Universal joint (Loose, Damage)		I&L	I&L	I&L	I&L	I&L	I&L	I&L	I&L	I&L	
BRAKE												
5-1.	Brake Fluid (Level, Leakage)											
		Replace every 40000 km or 24 months whichever comes first										
5-2.	Brake pedal (Pedal - Front Panel Clearance)											
5-3.	Parking brake lever and cable (Play, Damage)											
5-4.	Brake disc and pad (Wear)											
5-5.	Brake drum and shoes (Wear)	-										
5-6.	Master cylinder, wheel cylinder and caliper piston (Fluid Leakage, Boot/Seal Damage)											
5-7.	Brake hoses and pipes (Leakage, Damage)											
WHEEL												
6-1.	Tyres (Air pressure, Abnormal wear, Crack and Rotation)	I&O	I&O	I&O	I&O	I&O	I&O	I&O	I&O	I&O	I&O	
6-2.	Wheels (Damage)											
6-3.	Front/Rear wheel bearing (Loose, Damage)											

INSPECTION AND MAINTENANCE

Interval: This interval should be judged by odometer reading or months, whichever comes first.		FREE INSPECTION				PERIODIC MAINTENANCE AT COST						
		km (x1000)	5	10	20	30	40	50	60	70	80	90
		months	2	4	8	12	16	20	24	28	32	36
FRONT / REAR SUSPENSION												
7-1.	Front suspension strut and shock absorber (Oil leakage, Damage)											
7-2.	Front suspension arms, Knuckle support and Tension rods (Loose, Damage)											
7-3.	Rear leaf spring (Damage)											
7-4.	Rear shock absorber (Oil leakage, Damage)											
7-5.	All bolts and nuts (Loose)	T	T	T	T	T	T	T	T	T	T	
STEERING												
8-1.	Steering wheel (Play, Loose)											
8-2.	Steering column rods and arms (Loose, Damage, Wear)											
ELECTRICAL												
9-1.	Battery - Electrolyte (Level, Leakage) and voltage											
9-2.	Wiring harness connection (Loose, Damage)											
9-3.	Lighting system (Operation)											
9-4.	Wiper (Operation, Stains, Damage)											
9-5.	Horn (Operation)											
9-6.	Accessory socket (Operation)											
BODY												
10-1.	All chassis bolts and nuts (Tighten)		T	T	T	T	T	T	T	T	T	
10-2.	All latches, hinges and locks (Function)	I&L	I&L	I&L	I&L	I&L	I&L	I&L	I&L	I&L	I&L	
10-3.	Cargo bed (Inspect)											
ROAD TEST												
11-1.	Operation of brakes, clutch, gear shifting and speedometer											
11-2.	Body and chassis noise											

Inspection & Maintenance operations to be performed by customer

The following table shows the inspection & maintenance operations that you can perform.
This table shows the frequency when you should perform inspection, greasing, lubrication & other services.

FREQUENCY	SR.NO.	OPERATION	REFERENCE
Daily	1	Inspect all tyres (including spare wheel) for air pressure, abnormal wear, cracks and damage.	Page No. 7-19
Weekly	2	Inspect engine oil level, if necessary, top up with Maruti Genuine Engine oil.	Page No. 7-9
	3	Inspect coolant level in coolant reservoir and if necessary, top up with a mixture of recommended Maruti Genuine Coolant and distilled water in specified ratio.	Page No. 7-12
	4	Inspect transmission oil level and differential oil level.	Page No. 7-15
	5	Inspect brake fluid level in brake fluid reservoir and if necessary, top up with Maruti Genuine Brake Fluid.	Page No. 7-16
	6	Inspect vehicle for <ul style="list-style-type: none"> • Engine oil leakage • Coolant leakage • Brake fluid leakage <ul style="list-style-type: none"> • Front suspension strut leakage • Rear shock absorber leakage • Fuel leakage • Transmission oil and differential oil leakage 	Inspection & maintenance Section
	7	Inspect battery electrolyte level, terminals and bracket.	Page No. 7-20
	8	Inspect wheel mounting nuts and tighten if necessary.	Page No. 8-5

INSPECTION AND MAINTENANCE

Monthly	9	Inspect drive belt for damage or deterioration.	Page No. 7-8
	10	Clean air filter element.	Page No. 7-13
	11	Grease all latches, hinges and locks using multi purpose grease.	Page No. 7-5
	12	Grease propeller shaft universal joint with grease gun.	Page No. 7-18
As and when required	13	Inspect clutch pedal play.	Page No. 7-16
	14	Inspect the brake pedal to floor panel distance by applying the brakes, when engine is running.	Page No. 7-17
	15	Inspect parking brake for proper adjustment.	Page No. 7-18

*** Inspect and/or adjust wheel alignment and balancing if the vehicle pulls to one side or vibrates at high speed.**

Drive Belt

⚠ WARNING
When the engine is running, keep hands, hair, clothing, tools, etc. away from the moving fan and drive belts.

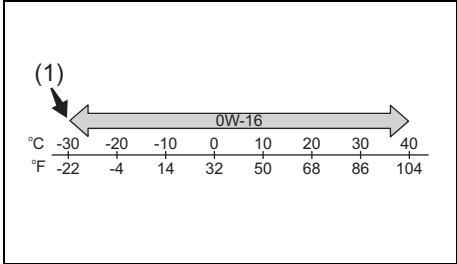
Make sure the drive belt tension is correct. If the belt is too loose, insufficient battery charging, engine overheating, or excessive belt wear can result.

The belts should also be examined to ensure that they are not damaged.

If you need to replace or adjust the belt have it done by your Maruti Suzuki authorised workshop.

Engine Oil and Filter Specified Oil

For India



56RM07013

(1) Recommended

Check that the engine oil you use comes under the quality classification of API SN. Select the appropriate oil viscosity according to the above chart

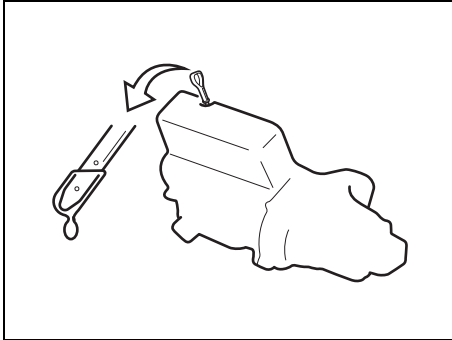
SAE 0W-16 (1) is the best choice for good fuel economy and good startability in cold weather.

NOTE:

- The replacement timing varies with the type of engine oil that you choose. Refer to "Maintenance schedule" in this section for corresponding maintenance schedule.
- We recommend that you use MARUTI SUZUKI genuine oil. To purchase it, see a Maruti Suzuki authorised workshop.

INSPECTION AND MAINTENANCE

Oil Level Check



55RH07002

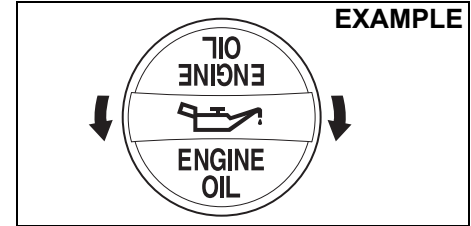
It is important to keep the engine oil at the correct level for proper lubrication of your vehicle's engine. Check the oil level with the vehicle on a level surface. The oil level indication may be inaccurate if the vehicle is on a slope. The oil level should be checked either before starting the engine or at least 5 minutes after stopping the engine.

Pull out the oil dipstick, wipe the oil off with a clean cloth, insert the dipstick all the way into the engine, and then remove it again. The oil on the stick should be between the upper and lower limits shown on the stick. If the oil level indication is near the lower limit, add enough oil to raise the level to the upper limit.

NOTICE

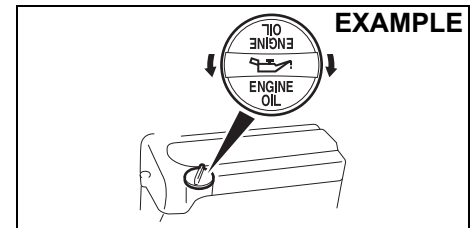
Failure to check the oil level regularly could lead to serious engine trouble due to insufficient oil.

Refilling



68PH00762

Remove the oil filler cap and pour oil slowly through the filler hole to bring the oil level to the upper limit on the dipstick. Be careful not to overfill. Too much oil is almost as bad as too little oil. After refilling, start the engine and allow it to idle for about a minute. Stop the engine, wait about 5 minutes and check the oil level again.



68PM00703

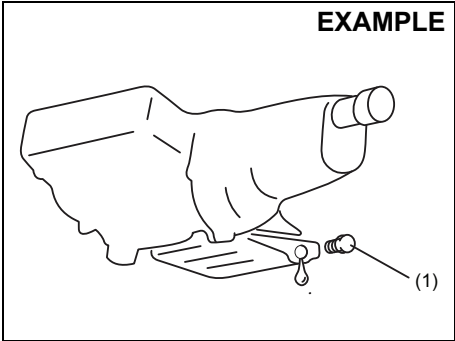
Changing Engine Oil and Filter

Drain the engine oil while the engine is still warm.

- 1) Remove the oil filler cap.
- 2) Place a drain pan under the drain plug.
- 3) Using a wrench, remove the drain plug and drain out the engine oil.

⚠ CAUTION

The engine oil temperature may be high enough to burn your fingers when the drain plug is loosened. Wait until the drain plug is cool enough to touch with your bare hands.



77PM07007

**Tightening torque for drain plug (1):
50 Nm (5.1 kg-m, 36.9 lb-ft)**

⚠ WARNING

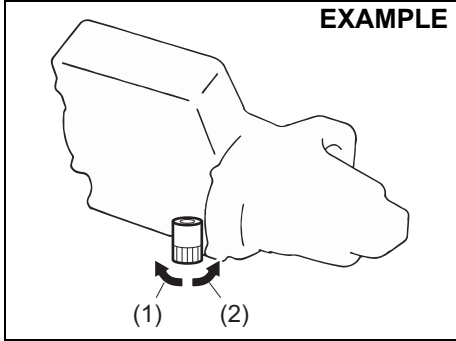
New and used oil can be hazardous. Children and pets may be harmed by swallowing new or used oil. Keep new and used oil and used oil filters away from children and pets. Repeated, prolonged contact with used engine oil may cause skin cancer. Brief contact with used oil may irritate skin.

To minimize your exposure to used oil, wear a long-sleeve shirt and moisture-proof gloves (such as dish-washing gloves) when changing oil. If oil contacts your skin, wash thoroughly with soap and water. Launder any clothing or rags if wet with oil. **Recycle or properly dispose of used oil and filters.**

- 4) Reinstall the drain plug and gasket. Tighten the plug with a wrench to the specified torque.

Replace the Oil Filter

- 1) Using an oil filter wrench, turn the oil filter counterclockwise and remove it.
- 2) Using a clean rag, wipe off the mounting surface on the engine where the new filter will be seated.
- 3) Smear a little engine oil around the rubber gasket of the new oil filter.
- 4) Screw on the new filter by hand until the filter gasket contacts the mounting surface.

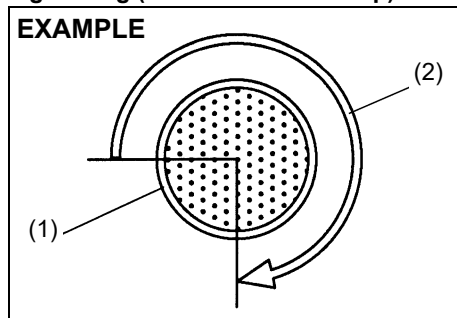


77PH017

- (1) Loosen
- (2) Tighten

INSPECTION AND MAINTENANCE

Tightening (viewed from filter top)



- (1) Oil filter
(2) 3/4 turn

NOTICE

To tighten the oil filter properly, it is important to accurately identify the position at which the filter gasket first contacts the mounting surface.

- 5) Tighten the filter specified turn from the point of contact with the mounting surface (or to the specified torque) using an oil filter wrench.

Tightening torque for oil filter
3/4 turn or
14 Nm (1.4 kgf-m, 10.3 lbf-ft)

NOTICE

To prevent oil leakage, make sure that the oil filter is tight, but do not over-tighten it.

Refill with Oil and Check for Leaks

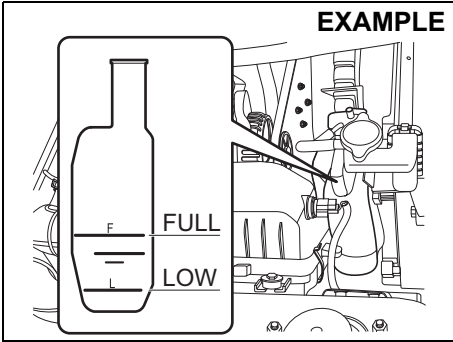
- 1) Pour oil through the filler hole and install the filler cap.
For the approximate capacity of the oil, refer to the "CAPACITIES" item in the "SPECIFICATIONS" section.
- 2) Start the engine and look carefully for leaks at the oil filter and drain plug. Run the engine at various speeds for at least 5 minutes.
- 3) Stop the engine and wait about 5 minutes. Check the oil level again and add oil if necessary. Check for leaks again.

NOTICE

- When replacing the oil filter, it is recommended that you use a MARUTI genuine filter. If you use an after market filter, make sure it is of equivalent quality and follow the manufacturer's instructions.
- Oil leaks from around the oil filter or drain plug indicate incorrect installation or gasket damage. If you find any leaks or are not sure that the filter has been properly tightened, have the vehicle inspected by your authorised MARUTI SUZUKI COMMERCIAL workshop.

Engine Coolant

Coolant Level Check



77PM07010

Check the coolant level at the reservoir tank, not at the radiator. With the engine cool, the coolant level should be between “FULL” and “LOW” marks. If the coolant level is below “LOW” mark, coolant should be added.

Coolant addition and replacement

When you add the coolant, remove the reservoir tank cap and add coolant until the reservoir tank level reaches “FULL” mark while the engine is cool. Never fill the reservoir tank above “FULL” mark.

Since special procedures are required for coolant replacement, ask a Maruti Suzuki authorised workshop for this job.

⚠ WARNING

Swallowing engine coolant can cause severe injury or death. Inhaling coolant mist or vapors or getting coolant in your eyes could result in severe injury.

- Do not drink antifreeze or coolant solution. If swallowed, do not induce vomiting. Immediately contact a poison control center or a physician.
- Avoid inhaling coolant mist or hot vapors. If inhaled, remove to a fresh air area.
- If coolant gets in the eyes, flush with water and seek medical attention.
- Wash thoroughly after handling coolant.
- Keep engine coolant out of the reach of children and pets.

NOTICE

When putting the cap on the reservoir tank, line up the mark on the cap and the mark on the tank. Failure to follow this can result in coolant leakage.

Selection of coolant

To maintain optimum performance and durability of your engine, use MARUTI SUZUKI genuine coolant or equivalent.

This type of coolant is the best for cooling system for the following reasons:

- The coolant helps maintain proper engine temperature.
- It gives proper protection against freezing and boiling.
- It gives proper protection against corrosion and rust.

Failure to use the proper coolant can damage your cooling system. A Maruti Suzuki authorised workshop can help you select the proper coolant.

NOTICE

To avoid damaging your cooling system:

- Always use a high quality ethylene glycol base non-silicate type coolant diluted with distilled water at the correct mixture concentration.
- Do not add extra inhibitors or additives. They may not be compatible with your cooling system.
- Do not mix different types of base coolants. Doing so may result in accelerated seal wear and/or the possibility of severe overheating and extensive engine/transmission damage. In case of coolant mix-up

(Continued)

INSPECTION AND MAINTENANCE

NOTICE

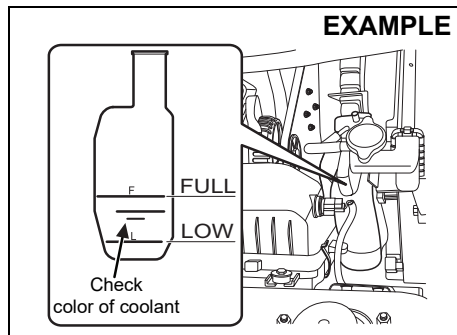
(Continued)

have your vehicle inspected by a Maruti Suzuki authorised workshop.

NOTE:

Maruti Suzuki highly recommends the use of Maruti Suzuki genuine coolant. Maruti Suzuki genuine coolant has been specially formulated for your Maruti Suzuki product and contributes to the desired vehicle performance and ideal driving experience.

Depending on the production period of your vehicle, the coolant type filled at the time of a brand new car differs. There are two coolant types, SUZUKI LLC: Super (Blue) Coolant and SUZUKI LLC: Standard (Yellow) Coolant. You can check the original coolant type in your vehicle by the color of the coolant in the reservoir tank (Refer below figure).



Coolant Color	Coolant Type
Blue	Suzuki LLC : Super
Yellow	Suzuki LLC : Standard

NOTE:

The same type of coolant that is filled at the time of a brand new car should be used when you add or replace the coolant.

SUZUKI LLC: Super (Blue) Coolant:

NOTICE

- This coolant is already diluted to the proper percentage. Do not dilute with distilled water additionally. Doing so may result in the possibility of freezing and/or overheating coolant.
- Do not add SUZUKI LLC: Standard (Yellow) Coolant or distilled water or others when your vehicle is originally filled with SUZUKI LLC: Super (Blue) Coolant. If such a case occurs, then get the vehicle inspected by a Maruti Suzuki authorised workshop.

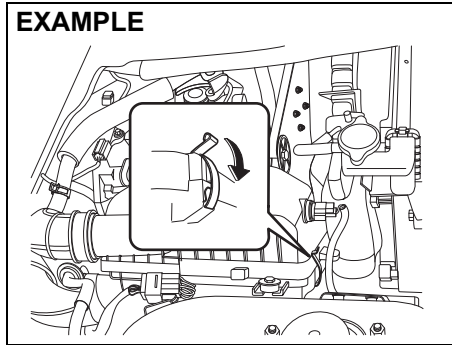
SUZUKI LLC: Standard (Yellow) Coolant:

NOTICE

- The concentration of the mixture to be used shall be 30% antifreeze and 70% distilled water. Do not use straight coolant nor plain water.
- If the lowest ambient temperature in your area is expected to be -15°C (5°F) or below, use higher concentrations up to 60% following the instructions on the antifreeze container. Concentrations greater than 60% will cause overheating conditions.
- When your vehicle is originally filled with SUZUKI LLC: Standard (Yellow) Coolant, follow the maintenance schedule of SUZUKI LLC: Standard (Yellow) Coolant in this section. In case you replace with Suzuki LLC: Super (Blue) Coolant, then get the vehicle inspected by a Maruti Suzuki authorised workshop.

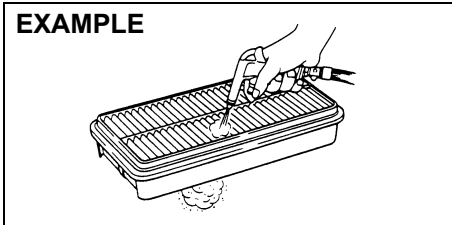
Air Cleaner

If the air cleaner is clogged with dust, there will be greater intake resistance, resulting in decreased power output and increased fuel consumption.



77PM07011

Unclamp the side clamps, and remove the element from the air cleaner case.



60A183

If it appears to be dirty, clean or replace the air cleaner with a new one as per periodic maintenance schedule.

Spark Plugs

Replacing and inspection of spark plugs

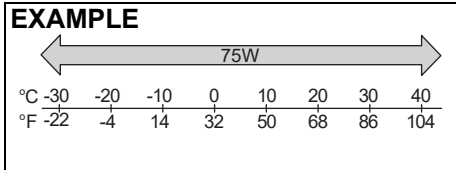
Since special procedures, materials and tools are required, it is recommended that you trust this job to your Maruti Suzuki authorised workshop.

Gear Oil

**Manual Transmission Oil/
Differential Oil**

When adding gear oil, use gear oil with the appropriate viscosity and grade as shown in the chart below.

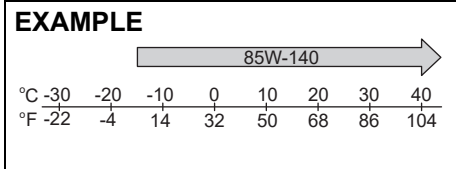
Manual transmission oil



68LM728

We highly recommend you use: "MARUTI GENUINE GEAR OIL 75W" for manual transmission gear oil.

Rear differential oil



77PH075

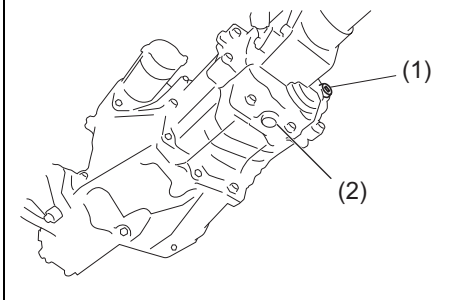
We highly recommend you use: "TOTALFINAELF TRANSELF LL 85W-140" for rear differential oil.

INSPECTION AND MAINTENANCE

Gear Oil Level Check

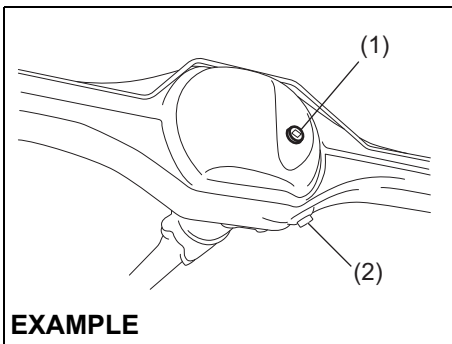
Manual transmission

EXAMPLE



77PH078

Rear differential



77PH047

1. Oil filler and level plug (Do not reuse).
2. Oil drain plug.

To check the gear oil level, use the following procedure:

- 1) Park the vehicle on a level surface with the parking brake applied. Then, stop the engine.
- 2) Remove the oil filler and level plug (1).
- 3) Check the inside of the hole with your finger. If the oil level comes up to the bottom of the plug hole, the oil level is correct. If so, reinstall the plug.
- 4) If the oil level is low, add gear oil through the oil filler plug hole (1) until the oil level reaches the bottom of the filler hole, then reinstall the plug.

Tightening torque for oil filler and level plug

Manual transmission (1):

23 Nm (2.3 kgf-m, 17.0 lbf-ft)

Rear differential (1):

25 Nm (2.5 kgf-m, 18.5 lbf-ft)

NOTE:

For Rear differential always use a new oil filler and level plug (1).

CAUTION

After driving the vehicle, the gear oil temperature may be high enough to burn your skin. Wait until the oil filler plug is cool enough to touch with your bare hands before inspecting gear oil level.

NOTICE

When tightening the plug, apply the following sealing compound or equivalent to the plug threads to prevent oil leakage.

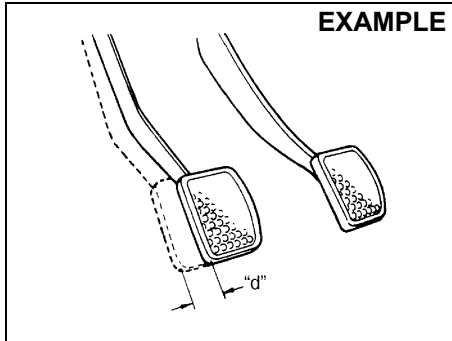
MARUTI SUZUKI Bond No. "1216E" or "1217G"

Gear Oil Change

Since special procedures, materials and tools are required, it is recommended that you trust this job to your authorised MARUTI SUZUKI COMMERCIAL workshop.

Clutch Pedal

Cable control clutch



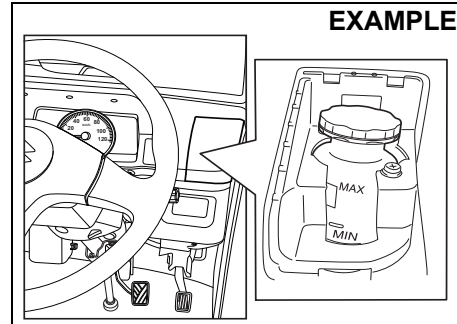
54G274

Clutch pedal play "d": 10 - 15 mm (0.4 - 0.6 in.)

Measure the clutch pedal play by moving the clutch pedal with your hand and measuring the distance it moves until you feel slight resistance. The play in the clutch pedal should be between the specified values. If the play is more or less than the above, or clutch dragging is felt with the pedal fully depressed, have the clutch inspected by your authorised MARUTI SUZUKI COMMERCIAL workshop.

Brakes

Brake Fluid



77PM706

Check the brake fluid level by looking at the reservoir in the instrument panel. Remove the cover on right hand side of steering wheel to check the brake fluid reservoir level. Check that the fluid level is between the "MAX" and "MIN" lines. If the brake fluid level is near the "MIN" line, fill it up to the "MAX" line with Maruti Genuine Brake Fluid (MGBF) or DOT 3. We highly recommend to use "Maruti Genuine Brake Fluid" (MGBF).

⚠ WARNING

Failure to follow the guidelines below can result in personal injury or serious damage to the brake system.

- If the brake fluid in the reservoir drops below a certain level, the brake warning light on the instrument panel will come 'ON' (the engine must be running with the parking brake fully disengaged). Should the light come on, immediately ask your authorised MARUTI SUZUKI COMMERCIAL workshop to inspect the brake system.
- A rapid fluid loss indicates a leak in the brake system which should be inspected by your authorised MARUTI SUZUKI COMMERCIAL workshop immediately.
- Do not use any fluid other than Maruti Genuine Brake Fluid (MGBF) or DOT 3. We highly recommend to use Maruti Genuine Brake Fluid (MGBF). Do not use reclaimed fluid or fluid that has been stored in old or open containers. It is essential that foreign particles and other liquids are kept out of the brake fluid reservoir.

⚠ CAUTION

Brake fluid can harm your eyes and damage painted surfaces. Use caution when refilling the reservoir.

INSPECTION AND MAINTENANCE

⚠ WARNING

- In case vehicle is driven in overloaded condition, the braking distance may be longer and higher pedal force may be required.

⚠ WARNING

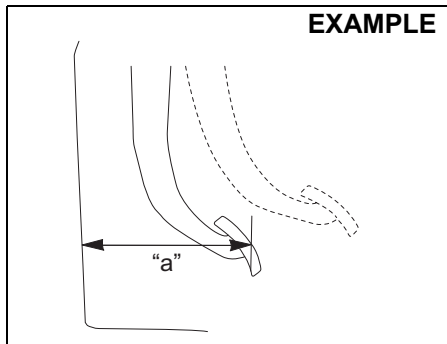
Brake fluid is harmful or fatal if swallowed, and harmful if it comes in contact with skin or eyes. If swallowed, do not induce vomiting. Immediately contact a poison control center or a physician. If brake fluid gets in eyes, flush eyes with water and seek medical attention. Wash thoroughly after handling. Solution can be poisonous to animals. Keep out of the reach of children and animals.

NOTE:

With disc brakes, the fluid level can be expected to gradually fall as the brake pads wear.

Brake Pedal

Check if the brake pedal stops at the regular height without spongy feeling when you depress it. If not, have the brake system inspected by your authorised MARUTI SUZUKI COMMERCIAL workshop. If you doubt the brake pedal for the regular height, check it as follows:



54G108S

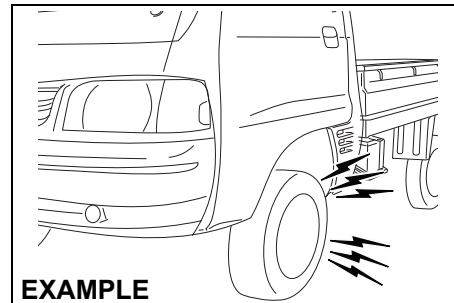
Pedal to Front Panel minimum distance "a":
Petrol and CNG Engine Model:
157 mm

With the engine running, measure the distance between the brake pedal and front panel when the pedal is depressed with approximately 30 kg (66 lbs) of force. The minimum distance required is as specified. Since your vehicle's brake system is self-adjusting, there is no need for pedal adjustment.

If the pedal to front panel distance as measured above is less than the minimum distance required, have your vehicle inspected by your authorised MARUTI SUZUKI COMMERCIAL workshop.

NOTE:

When measuring the distance between the brake pedal and front panel, be sure not to include the floor mat or rubber on the front panel in your measurement.



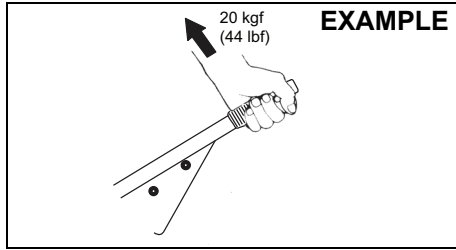
77PM07013

⚠ WARNING

If you experience any of the following problems with your vehicle's brake system, have the vehicle inspected immediately by your authorised MARUTI SUZUKI COMMERCIAL workshop.

- Poor braking performance
- Uneven braking (brakes not working uniformly on all wheels)
- Excessive pedal travel
- Brake dragging
- Excessive noise
- Pedal pulsation (pedal pulsates when depressed)

Parking Brake



77PM702

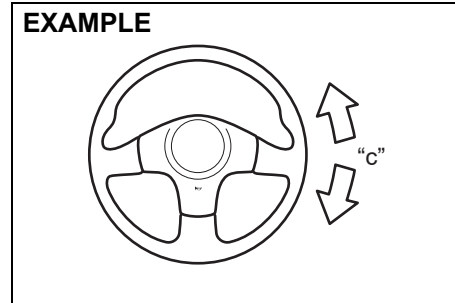
Ratchet tooth specification
6th – 9th teeth
Lever pull force (1):
200 N (20 kgf, 44 lbf)

Check the parking brake for proper adjustment by counting the number of clicks made by the ratchet teeth as you slowly pull up on the parking brake lever to the point of full engagement. The parking brake lever should stop between the specified ratchet teeth and the rear wheels should be securely locked. If the parking brake is not properly adjusted or the brakes drag after the lever has been fully released, have the parking brake inspected and/or adjusted by your authorised MARUTI SUZUKI COMMERCIAL workshop.

⚠ WARNING

- **Parking Brake may not be effective in case vehicle is over-loaded. Use additional chocks to hold the vehicle.**

Steering



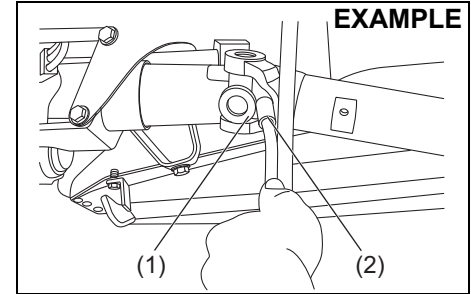
77PH042

Steering wheel play "c":
0 – 30 mm (0.0 – 1.2 in.)

Check the play of the steering wheel by gently turning it from left to right and right to left, with wheels in straight ahead position and engine in OFF condition. Measure the distance that the steering moves before you feel slight resistance. The play should be between the specified values. Check that the steering wheel turns easily and smoothly without rattling by turning it all the way to the right and to the left while driving very slowly in an open area. If the amount of free play is outside the specification or you find anything else to be wrong, an inspection must be performed by your authorised MARUTI SUZUKI COMMERCIAL workshop.

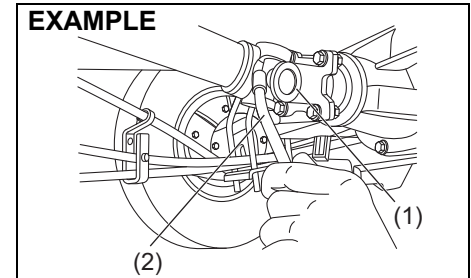
Propeller Shaft Universal Joint

Front



77PM703

Rear



77PM704

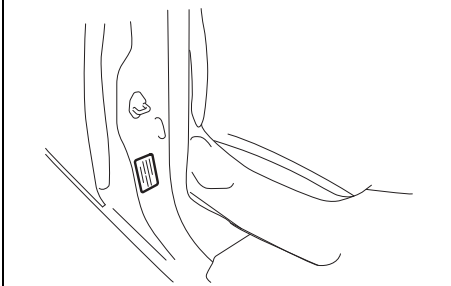
Lubricate propeller shaft universal joint (1) (front & rear) as per the service schedule.

To lubricate the propeller shaft universal joint you should use grease gun (2) and specified grease NLGI GRADE 2.

INSPECTION AND MAINTENANCE

Tyres

EXAMPLE



77PM705

The front and rear tyre pressure specifications for your vehicle are listed on the Tyre Information Label. Both the front and rear tyres should have the specified tyre pressure.

Note that the value does not apply to the compact spare tyre, if equipped.

Tyre Inspection

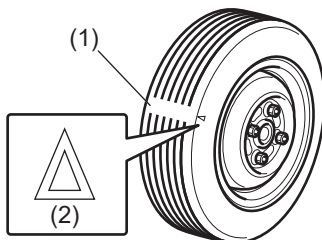
Inspect your vehicle's tyres at least once a month by performing the following checks:

- 1) Measure the air pressure with a tyre pressure gauge. Adjust the pressure if necessary. Remember to check the spare tyre, too.

⚠ WARNING

- Air pressures should be checked when the tyres are cold or you may get inaccurate readings.
- Check the inflation pressure from time to time while inflating the tyre gradually, until the specified pressure is obtained.
- Never under-inflate or over inflate the tyres.
- Under inflation can cause unusual handling characteristics or can cause the rim to slip on the tyre bead, resulting in an accident or damage to the tyre or rim.
- Overinflation can cause the tyre to burst, resulting in personal injury. Overinflation can also cause unusual handling characteristics which may result in an accident.

EXAMPLE



52KM110

- (1) Tread wear indicator
- (2) Indicator location mark

- 2) Check that the depth of the tread groove is more than 1.6 mm (0.06 in.). To help you check this, the tyres have molded-in tread wear indicators in the grooves. When the indicators appear on the tread surface, the remaining depth of the tread is 1.6 mm (0.06 in.) or less and the tyre should be replaced.
- 3) Check for abnormal wear, cracks and damage. Any tyres with cracks or other damage should be replaced. If any tyres show abnormal wear, have them inspected by your authorised MARUTI SUZUKI COMMERCIAL workshop.

⚠ CAUTION

Hitting curbs and running over rocks can damage tyres and affect wheel alignment. Be sure to have tyres and wheel alignment checked periodically by your authorised MARUTI SUZUKI COMMERCIAL workshop.

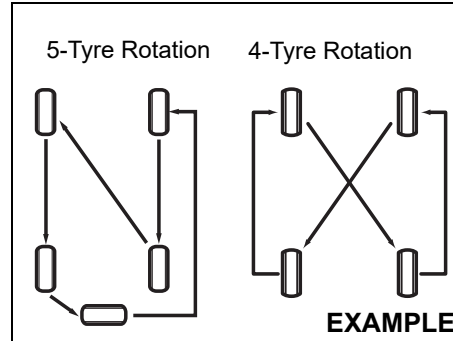
- 4) Check for loose wheel nuts.
- 5) Check that there are no nails, stones or other objects sticking into the tyres.

⚠ WARNING

- Your Vehicle is equipped with tyres which are all the same type and size. This is important to ensure proper steering and handling of the vehicle. Never mix tyres of different size or type on the four wheels of your vehicle. The size and type of tyres used should be only those approved by MARUTI SUZUKI as standard or optional equipment for your vehicle.
- Replacing the wheels and tyres equipped on your vehicle with certain combinations of aftermarket wheels and tyres can significantly change the steering and handling characteristics of your vehicle.
- Therefore, use only those wheel and tyre combinations approved by MARUTI SUZUKI as standard or optional equipment for your vehicle.

NOTICE

Replacing the original tyres with tyres of a different size may result in incorrect speedometer or odometer readings. Check with your authorised MARUTI SUZUKI COMMERCIAL workshop before purchasing replacement tyres that differ in size from the original tyres.

Tyre Rotation

80JK7001

To avoid uneven wear of your tyres and to prolong their life, rotate the tyres as illustrated. Tyres should be rotated every 10000 km. After rotation, adjust front and rear tyre pressures to the specification listed on your vehicle's Tyre Information Label.

Wheel Balancing

If the vehicle vibrates abnormally on smooth road, have the wheel balanced at authorised MARUTI SUZUKI COMMERCIAL workshop.

Wheel Alignment

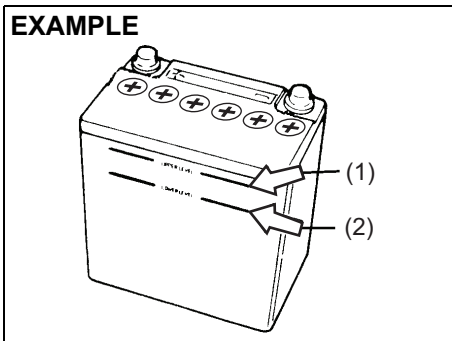
In case of abnormal tyre wear or pulling towards one side, have the wheel aligned at authorised MARUTI SUZUKI COMMERCIAL workshop.

Battery**⚠ WARNING**

- Batteries produce flammable hydrogen gas. Keep flames and sparks away from the battery or an explosion may occur. Never smoke when working in the vicinity of the battery.
- When checking or servicing the battery, disconnect the negative cable. Be careful not to cause a short circuit by allowing metal objects to contact the battery posts and the vehicle at the same time.
- To avoid harm to yourself or damage to your vehicle or battery, follow the jump starting instructions in the "EMERGENCY SERVICE" section of this manual if it is necessary to jump start your vehicle.

INSPECTION AND MAINTENANCE

EXAMPLE



54GM701

For maintenance-free battery (cap-less type), you need not add water. For traditional type battery, which has water filler caps, the level of the battery solution must be kept between the upper level line (1) and lower level line (2) at all times. You should periodically check the battery, case battery terminals, and battery hold-down bracket for damage or corrosion. Remove corrosion using a stiff brush and ammonia mixed with water, or baking soda mixed with water. After removing corrosion, rinse with clean water.

If your vehicle is not going to be driven for a month or longer, disconnect the cable from the negative terminal of the battery to help prevent discharge.

⚠ WARNING

If the battery is used with battery level being less than the lower level line (2), it may cause reduced battery life, an exothermic heat, or an explosion by hydrogen gas occurring from the battery. Do not use the battery with battery level being less than the lower level line (2).

NOTICE

If the battery liquid is added more than the upper level line (1), liquid may leak by vibrations during driving or liquid may spray out in some case depending on the condition of battery charging. These may cause damage to the parts near the battery. If the battery liquid overflows, immediately wash away with water. Do not add the battery liquid more than the upper level line (1).

NOTE:

The battery liquid is consumed when the battery is used. If the level is found to be less than the center of upper level (1) and lower level (2), add distilled water till it reaches the upper level line (1).

Fuses

Your vehicle has three types of fuses, as described below:

Fusible Link Wire and Main fuse

The main fuse takes current directly from the battery.

Primary fuses

These fuses are between the main fuse and individual fuses, and are for electrical load groups.

Individual fuses

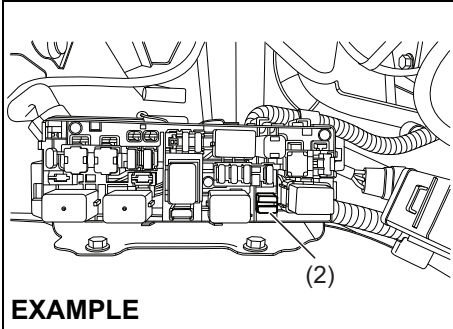
These fuses are for individual electrical circuits.

NOTE:

- "Blank" indicates that fuse is not applicable in the variant, even though name of fuse might be available on cover of fuse box of your vehicle.
- Some fuse may not be applicable to your vehicle according to the variant of vehicle, even though it is not mentioned as blank.

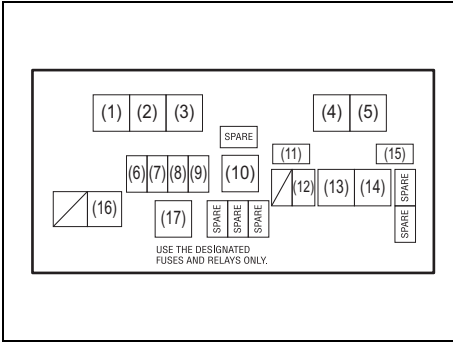
To remove a fuse, use the fuse puller (2) provided in the relay box.

INSPECTION AND MAINTENANCE



NOTE:
Some fuse may not be applicable to your vehicle according to the variant of vehicle, even though it is not mentioned as blank.

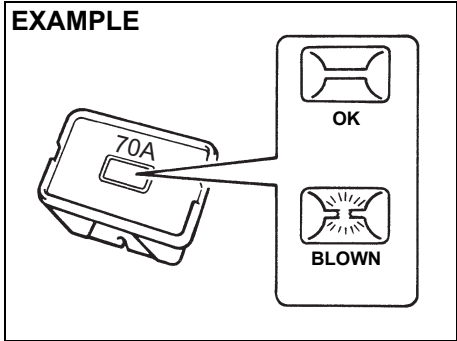
Fuses in the Engine Compartment



MAIN FUSE/PRIMARY FUSE / RELAY		
S. No.	Rating	Fuse / Relay
(1)	–	CNG valve relay*
(2)	–	Fuse puller
(3)	–	Radiator fan relay
(4)	–	Fuel pump relay
(5)		Starting motor relay
(6)	7.5A	CNG valve*
(7)	20A	Fuel Injection
(8)	30A	Starting motor
(9)	15A	Horn
(10)	70A	Alternator
(11)	7.5A	CNG*
(12)	10A	Hazard warning light
(13)	40A	Battery
(14)	40A	Ignition switch
(15)	7.5A	ST SIG 2 (starting signal)
(16)	30A	Radiator fan
(17)	–	FI main relay

*: For CNG model

The main fuse, primary fuses and some of the individual fuses are located in the engine compartment. If the main fuse blows, no electrical component will function. If a primary fuse blows, no electrical component in the corresponding load group will function. When replacing the main fuse, a primary fuse or an individual fuse, use a MARUTI genuine replacement. To remove a fuse, use the fuse puller (2) provided in the relay box. The amperage of each fuse is shown inside of the fuse box cover.



INSPECTION AND MAINTENANCE

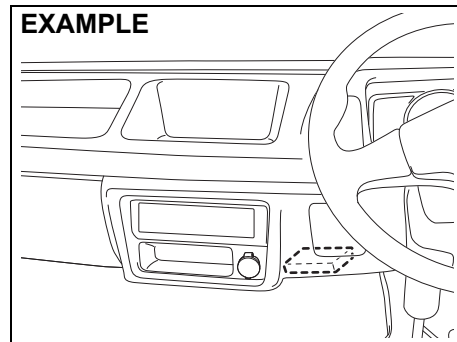
⚠ WARNING

If the main fuse or a primary fuse blows, be sure to have your vehicle inspected by an authorised MARUTI SUZUKI COMMERCIAL workshop. Always use a MARUTI genuine replacement part. Never use a substitute such as a wire even for temporary repair, or extensive electrical damage / fire can result.

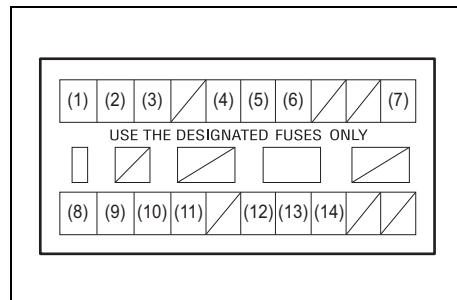
NOTE:

Make sure that the fuse box always carries spare fuses and fuse puller.

Fuses under the Dash Board



77PH048



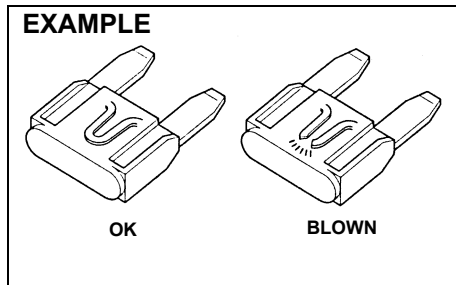
77PH049

MAIN FUSE/PRIMARY FUSE

(1)	10A	Headlight (Right)
(2)	10A	Headlight (Left)
(3)	10A	Dome light
(4)	10A	Tail light
(5)	10A	Stop light
(6)	15A	Radio
(7)	10A	Starting signal
(8)	10A	Meter
(9)	15A	Ignition
(10)	10A	Back-up light
(11)	15A	Front wiper
(12)	15A	Accessory 2
(13)	10A	Accessory
(14)	7.5A	CNG Ignition*

*: For CNG model

The fuse box is located under the dashboard.



65D046

⚠ WARNING

Always be sure to replace a blown fuse with a fuse of the correct amperage. Never use a substitute such as aluminum foil or wire to replace a blown fuse. If you replace a fuse and the new one blows in a short period of time, you may have a major electrical problem. Have your vehicle inspected immediately by your authorised MARUTI SUZUKI COMMERCIAL workshop.

Bulb Replacement

⚠ CAUTION

- Light bulbs can be hot enough to burn your finger right after being turned off. This is true especially for halogen headlight bulbs. Replace the bulbs after they become cool enough.
- The headlight bulbs are filled with pressurized halogen gas. They can burst and injure you if they are hit or dropped. Handle them carefully.

NOTICE

The oils from your skin may cause a halogen bulb to overheat and burst when the lights are on. Grasp a new bulb with a clean cloth.

NOTICE

- Frequent replacement of a bulb indicates the need for an inspection of the electrical system. This should be carried out by your Maruti Suzuki authorised workshop.
- During bulb replacement always use same bulb number as used in vehicle which is imprinted on the said bulb/unit and/or mentioned in SPECIFICATIONS.

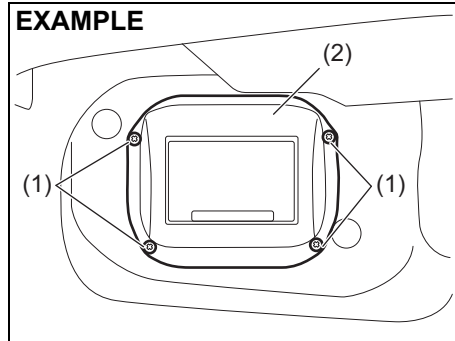
NOTE:

Mist may form on the lenses of exterior lights (Headlight, Rear combination light etc.) during or after driving in the rain or after car washing. This is a natural phenomenon which occurs due to temperature difference between lamp inside and outside. Temporary mist on the lens is not a malfunction and will not cause any discomfort during vehicle driving.

The mist would get cleared when the environmental condition change to sunny or when headlamp is kept on. However if there is water leakage inside the lamp, contact your authorised Maruti Suzuki workshop.

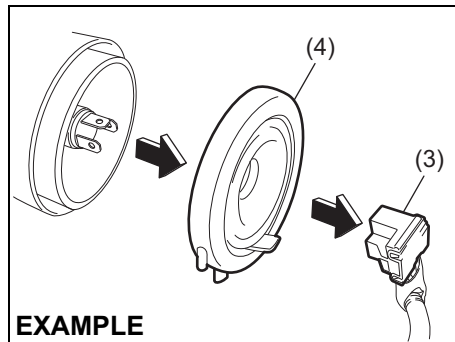
INSPECTION AND MAINTENANCE

Headlights



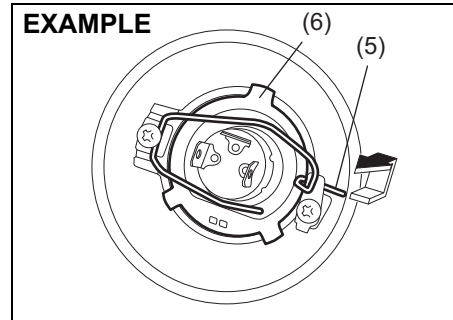
77PH050

- 1) Remove the screws (1) and remove the air inlet box (2).



77PH051

- 2) Disconnect the coupler (3). Remove the sealing rubber (4).



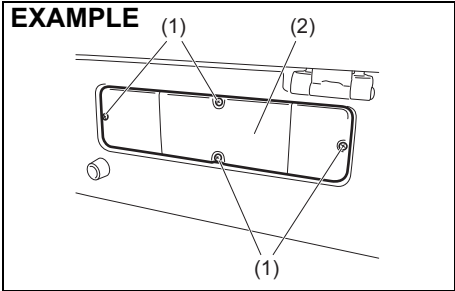
77PH052

- 3) Push the retaining spring (5) forward and unhook it. Then remove the bulb (6). Install a new bulb in the reverse order of removal.

Front Turn Signal Light Front Position Light

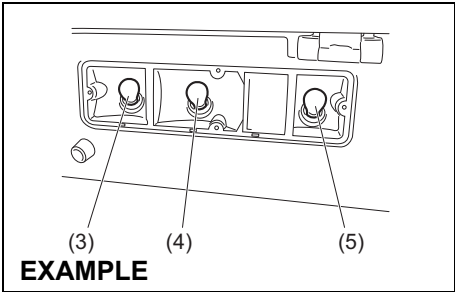
Since special procedures are required, we recommend you take your vehicle to your authorised MARUTI SUZUKI COMMERCIAL workshop for bulb replacement.

Rear Combination Light

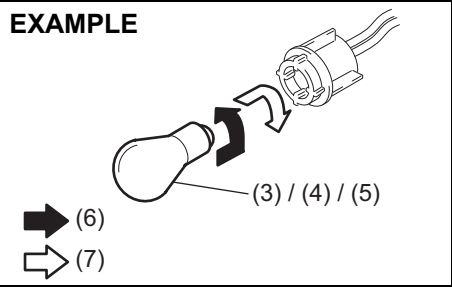


77PH055

- 1) Remove the screws (1) and remove the cover (2).



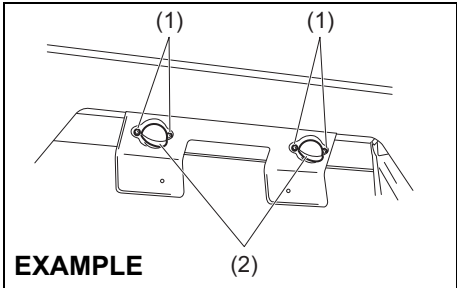
77PH056



76MH0A123

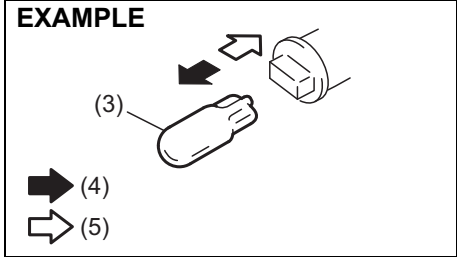
- (6) Removal
- (7) Install
- 2) To remove the bulb of the turn signal light (3), the tail/brake light (4) or the reversing light (5) bulb holder, push in the bulb and turn it counterclockwise. To install a new bulb, push it in and turn it clockwise.

License Plate Light



77PH066

- 1) Remove the screws (1) and remove the cover (2).

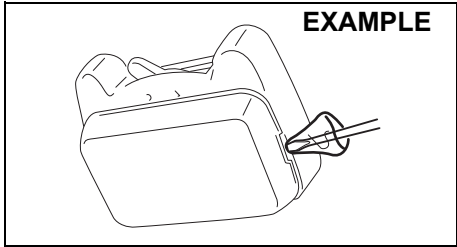


77PH063

- (4) Removal
- (5) Install
- 2) To remove and install the bulb of the license plate light (3), simply pull out or push in the bulb.

Interior Light

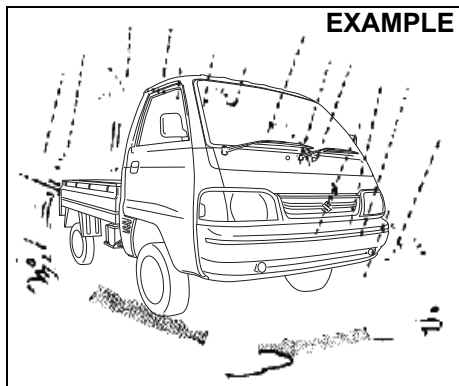
Remove the lens by using a flat blade screwdriver covered with a soft cloth as shown. To install it, simply push it back in.



77PH057

INSPECTION AND MAINTENANCE

Wiper Blades



77PM07028

If the wiper blades become brittle or damaged, or make streaks when wiping, replace the wiper blades.

To install new wiper blades, follow the procedures below.

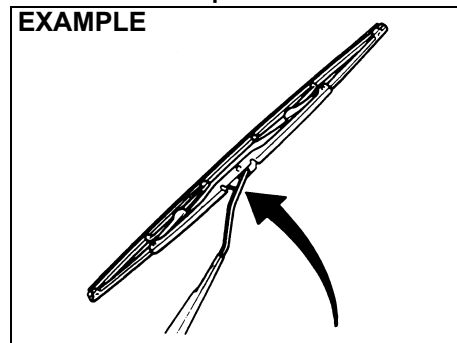
NOTICE

To avoid scratching or breaking the window, do not let the wiper arm strike the window while replacing the wiper blade.

NOTE:

Some wiper blades may be different from the ones described here depending on vehicle specifications. If so, consult your authorised MARUTI SUZUKI COMMERCIAL workshop for proper replacement method.

For windshield wipers:



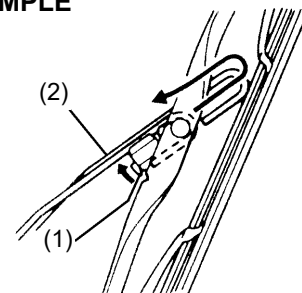
70G119

- 1) Hold the wiper arm away from the windshield.

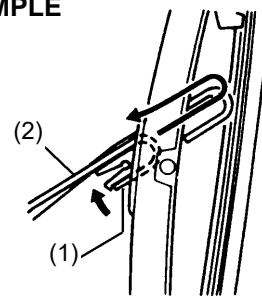
NOTE:

When raising both of the front wiper arms, pull the driver's side wiper arm up first. When returning the wiper arms, lower the passenger's side wiper arm first. Otherwise, the wiper arms may interfere with each other.

EXAMPLE



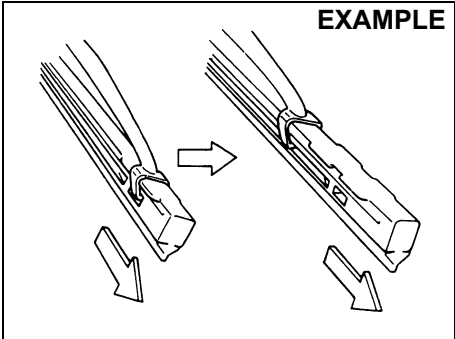
EXAMPLE



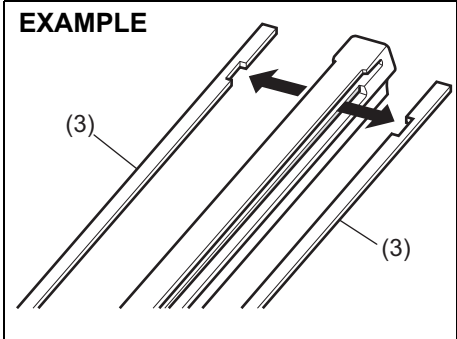
54G130

- 2) Squeeze lock (1) towards wiper arm (2) and remove the wiper frame from the arm as shown.
- 3) Unlock the lock end of the wiper blade and slide the blade out as shown.

Removal

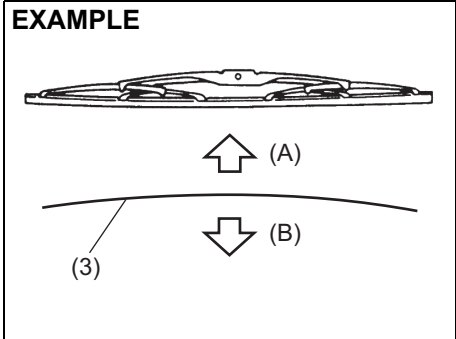


60A260



68PH00754

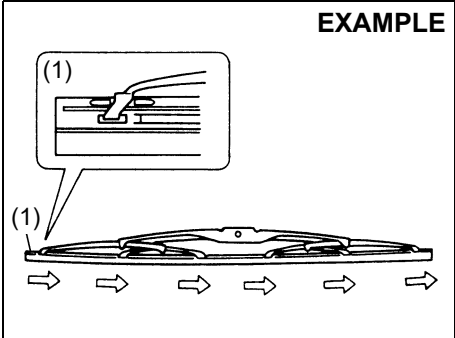
(3) Retainer



60MH072

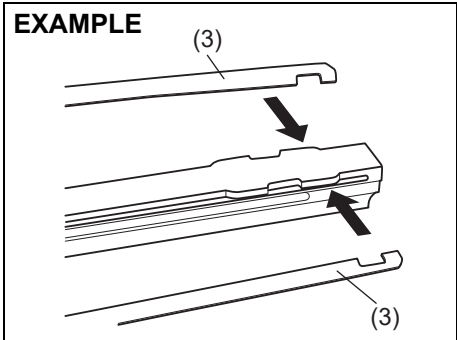
(A) Up
(B) Down

Installation



54G132

(1) Locked end



60MH071

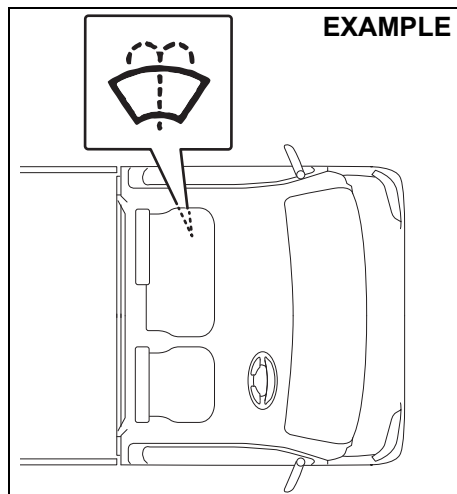
4) If the new blade is provided without the two metal retainers, move them from the old blade to the new one.

NOTE:
When you install the metal retainers (3), make sure the direction of metal retainers is as shown in the above illustrations.

- 5) Install the new blade in the reverse order of removal, with the locked end positioned toward the wiper arm. Make sure the blade is properly retained by all the hooks. Lock the blade end into place.
- 6) Reinstall wiper frame to arm, making sure that the lock lever is snapped securely into the arm.

INSPECTION AND MAINTENANCE

Windshield Washer Fluid (If equipped)



77PM07027

Visually inspect that there is washer fluid in the tank. Refill it if necessary. Use a good quality windshield washer fluid, diluted with water as necessary.

NOTICE

Avoid use of hard water to prevent building of lime scale on the vehicle.

⚠ WARNING

Do not use radiator antifreeze in the windshield washer reservoir. This can severely impair visibility when sprayed on the windshield, and can also damage your vehicle's paint.

NOTICE

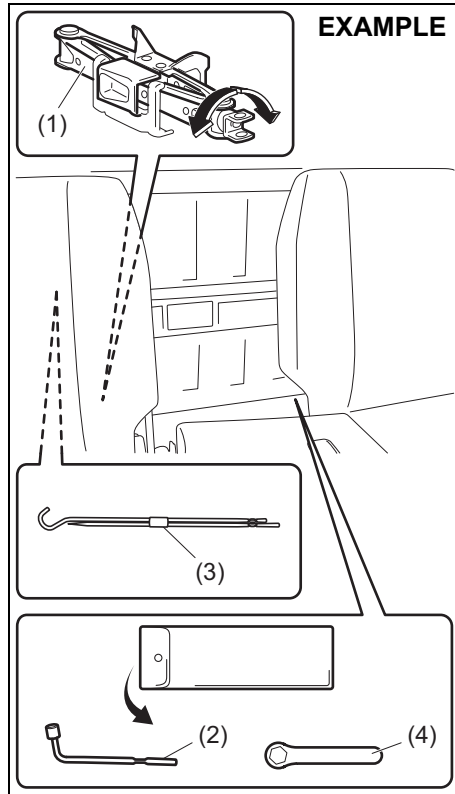
Damage may result if the washer motor is operated with no fluid in the washer tank.

EMERGENCY SERVICE

Tyre Changing Tool	8-1
Jacking Instructions	8-2
Changing Wheels	8-5
Jump Starting Instructions	8-6
Towing	8-7
If the Starter Does Not Operate	8-8
If the Engine is Flooded	8-8
If the Engine Overheats	8-8
Underbody Trouble by Hitting	8-9
Warning Triangle	8-9
Fire Extinguisher (if equipped)	8-10

EMERGENCY SERVICE

Tyre Changing Tool



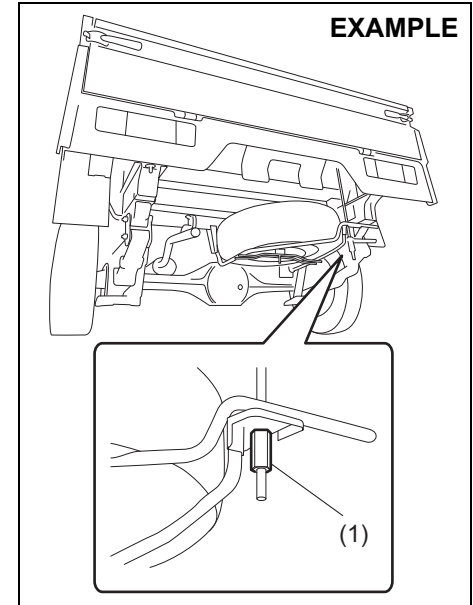
77PH202

- (1) Jack
- (2) Wheel brace
- (3) Jack handle
- (4) Spanner

The tyre changing tools are stowed behind the driver seat.

To remove the jack, turn its shaft counter-clockwise and pull the jack out of the storage bracket. To stow the jack, place it in the storage bracket and turn the shaft clockwise until the jack is securely held in place.

The spare tyre is stowed under the bed.
To remove the spare tyre:



77PH099

- 1) Loosen the spare tyre holder hook nut (1).
- 2) Unhook the spare tyre holder and lower it slowly.
- 3) Remove the screw in the center of the spare tyre, and remove the tyre.

⚠ WARNING

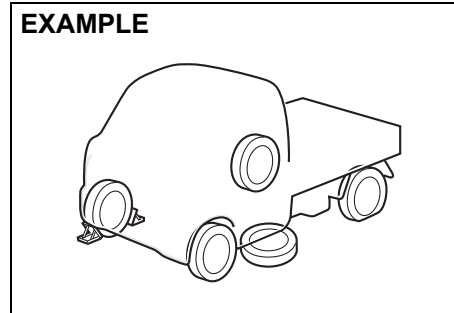
After using the tyre changing tools, be sure to stow them securely or they can cause injury if an accident occurs.

⚠ CAUTION

The jack should be used only to change wheels. It is important to read the jacking instructions in this section before attempting to use the jack.

Jacking Instructions

EXAMPLE



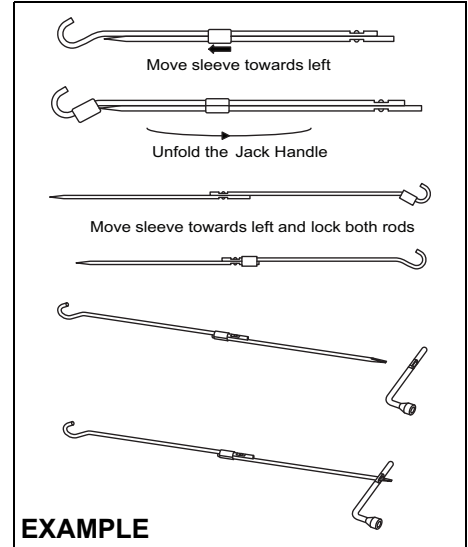
77PH054

- 1) Place the vehicle on level, hard ground.
- 2) Set the parking brake firmly and shift into "R" (Reverse).

⚠ WARNING

- Be sure to shift into "R" (Reverse) when you jack up the vehicle.
- Never jack up the vehicle with the transmission in "N" (Neutral). Otherwise, unstable jack may cause an accident.

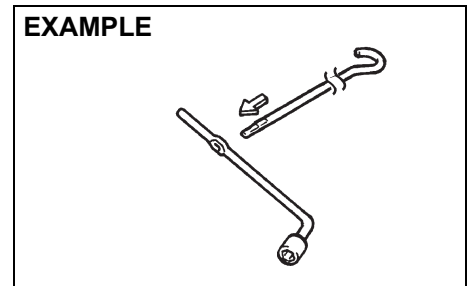
- 3) Turn on the hazard warning flasher if your vehicle is near traffic.
- 4) Block the front and rear of the wheel diagonally opposite of the wheel being lifted.
- 5) Place the spare wheel near the wheel being lifted as shown in the illustration in case the jack slips.



EXAMPLE

77PH802

EXAMPLE

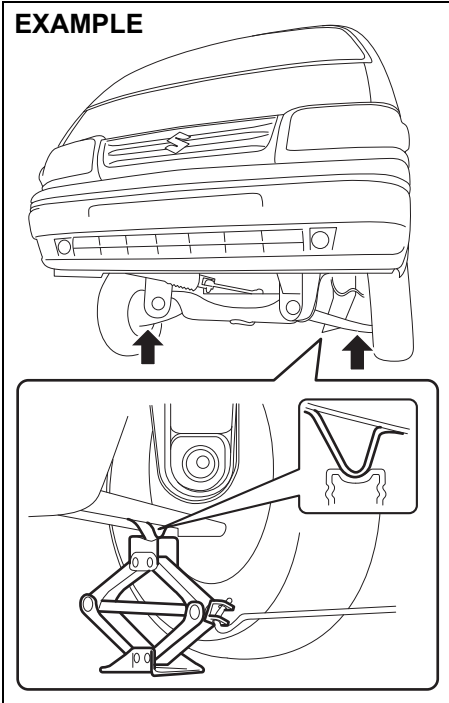


54G253

EMERGENCY SERVICE

Front jacking point

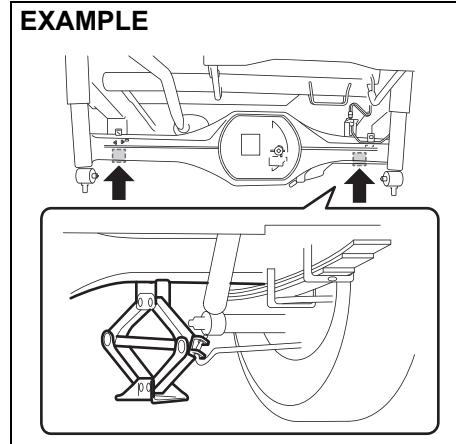
EXAMPLE



77PH084

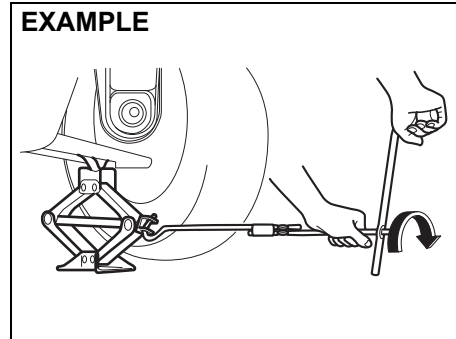
Rear jacking point

EXAMPLE



77PH106

EXAMPLE



77PS052

- 6) Position the jack vertically and raise the jack by turning the jack handle clockwise until the jack head groove fits around the jacking bar beneath the vehicle body. See illustrations.
- 7) Continue to raise the jack slowly and smoothly until the tyre clears the ground. Do not raise the vehicle more than necessary.

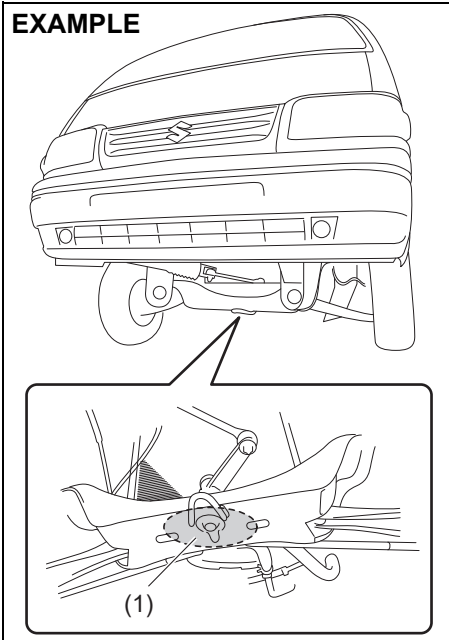
⚠ WARNING

- Use the jack only to change wheels on level, hard ground.
- Never jack up the vehicle on an inclined surface.
- Never raise the vehicle with the jack in a location other than the specified jacking point (shown in the illustration) near the wheel to be changed.
- Do not use wooden blocks or similar objects as a jack underlay.
- Never get under the vehicle when it is supported by the jack. Never place your hands and feet under the raised vehicle when it is supported by a jack.
- Never run the engine when the vehicle is supported by the jack and never allow passengers to remain in the vehicle.

To Raise the Vehicle with a Garage Jack

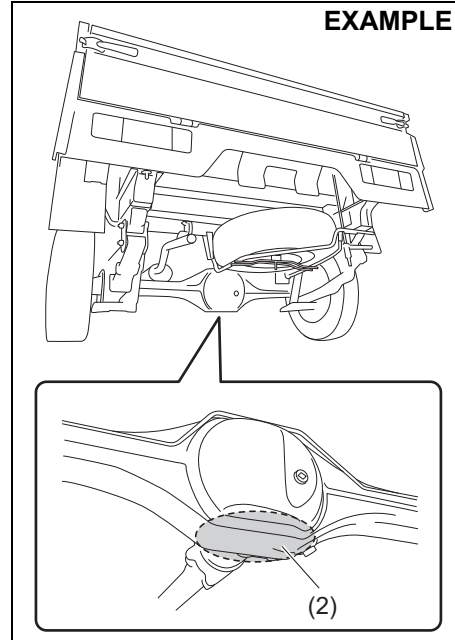
- Apply the garage jack to one of the points indicated below.
- Always support the raised vehicle with jack stands (commercially available) at the points indicated below.

Front jacking point for garage jack (1)



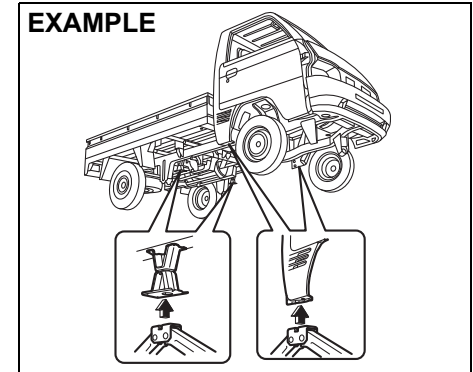
77PH060

Rear jacking point for garage jack (2)



77PH101

Application point for jack stand (3) or two-column lift



77PS055 (2)

NOTICE

- Never apply a garage jack to the exhaust pipe.
- When applying the jack stand or the two-column lift to the application point of the rear side, be careful not to interfere with the surrounding parts such as the parking cable or the flange of the fuel tank.

NOTE:

For more details, please contact an authorised MARUTI SUZUKI COMMERCIAL workshop.

EMERGENCY SERVICE

Changing Wheels

⚠ WARNING

Never change a wheel in traffic lane. Always move the vehicle off the road on level, hard ground away from traffic for changing a wheel. For any further assistance contact your nearest Maruti Suzuki authorised workshop.

To change a wheel, use the following procedure:

- 1) Clear all passengers and cargo from the vehicle.
- 2) Remove the jack, tools and spare wheel from the vehicle.
- 3) Loosen, but do not remove the wheel nuts.
- 4) Jack up the vehicle.

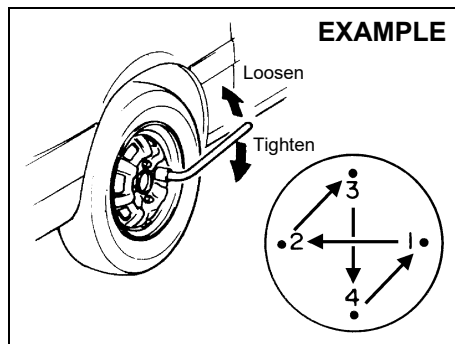
⚠ CAUTION

Immediately after the vehicle has been driven, the wheels, the wheel nuts and the area around the brakes might be extremely hot. Touching these areas may cause burn injury. Do not touch these areas immediately after the vehicle has been driven.

- 5) Remove the wheel nuts and wheel.
- 6) Before installing the new wheel, clean any mud or dirt off from the surface of

the wheel and hub with a clean cloth. Clean the hub carefully; it may be hot from driving.

- 7) Install the new wheel and replace the wheel nuts with their cone shaped end facing the wheel. Tighten each nut snugly by hand until the wheel is securely seated on the hub.



54G116

**Tightening torque for wheel nut
100 Nm (10.2 kgf-m, 73.8 lbf-ft)**

- 8) Lower the jack and fully tighten the nuts in a crisscross fashion with a wrench as shown in the illustration.

⚠ WARNING

Use genuine wheel nuts and tighten them to the specified torque as soon as possible after changing wheels. Incorrect wheel nuts or improperly tightened wheel nuts may come loose or fall off, which can result in an accident. If you do not have a torque wrench, have the wheel nut torque checked by an authorised **MARUTI SUZUKI COMMERCIAL** workshop.

Jump Starting Instructions

⚠ WARNING

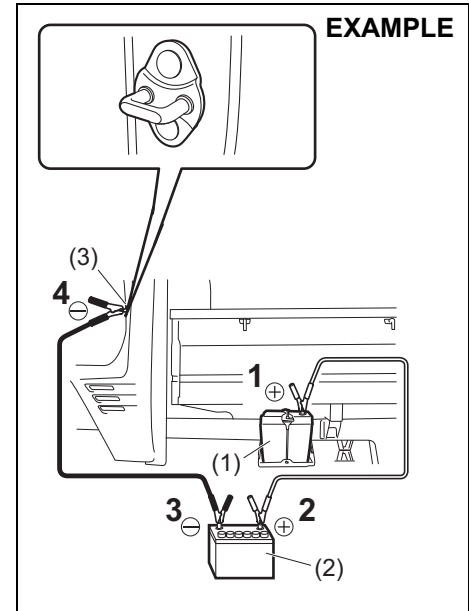
- Never attempt to jump start your vehicle if the battery appears to be frozen. Batteries in this condition may explode or rupture if jump starting is attempted.
- When making jump lead connections, be certain that your hands and the jump leads remain clear from pulleys, belts, or fans.
- Batteries produce flammable hydrogen gas. Keep flames and sparks away from the battery or an explosion may occur. Never smoke when working in the vicinity of the battery.
- If the booster battery you use for jump starting is installed in another vehicle, make sure the two vehicles are not touching each other.
- If your battery discharges repeatedly, for no apparent reason, have your vehicle inspected by an authorised MARUTI SUZUKI COMMERCIAL workshop.
- To avoid harm to yourself or damage to your vehicle or battery, follow the jump starting instructions below precisely and in order. If you are in doubt, call for qualified road service.

NOTICE

Your vehicle should not be started by pushing or towing. This starting method could result in permanent damage to the catalytic converter. Use jump leads to start a vehicle with a weak or flat battery.

When Jump Starting Your Vehicle, Use the Following Procedure:

- 1) Use only a 12-volt battery to jump start your vehicle. Position the good 12-volt battery close to your vehicle so that the jump leads will reach both batteries. When using a battery installed on another vehicle, DO NOT LET THE VEHICLES TOUCH. Set the parking brakes fully on both vehicles.
- 2) Turn off all vehicle accessories, except those necessary for safety reasons (for example, headlights or hazard lights).



77PS056

- 3) Make jump lead connections as follows:
 1. Connect one end of the first jump lead to the positive (+) terminal of the flat battery (1).
 2. Connect the other end to the positive (+) terminal of the booster battery (2).

EMERGENCY SERVICE

3. Connect one end of the second jump lead to the negative (-) terminal of the booster battery (2).
4. Make the final connection to an unpainted, heavy metal part (i.e. door latch striker (3)) of the vehicle with the flat battery (1).

WARNING

Never connect the jump lead directly to the negative (-) terminal of the discharged battery, or an explosion may occur.

- 4) If the booster battery you are using is fitted to another vehicle, start the engine of the vehicle with the booster battery. Run the engine at moderate speed.
- 5) Start the engine of the vehicle with the flat battery.
- 6) Remove the jump leads in the exact reverse order in which you connected them.

Towing

If you need to have your vehicle towed, contact a professional service. Your dealer can provide you with detailed towing instructions.

NOTICE

To help avoid damage to your vehicle during towing, proper equipment and towing procedures must be used.

2-Wheel Drive (2WD) Manual Transmission

Manual transmission vehicles may be towed using either of the following methods.

- 1) From the front, with the front wheels lifted and the rear wheels on the ground. Before towing, make sure that the transmission is in neutral and the parking brake is released.
- 2) From the rear, with the rear wheels lifted and the front wheels on the ground, provided the steering and drivetrain are in operational condition. Before towing, make sure that the steering wheel is unlocked (the ignition key should be in the "ACC" position), and the steering wheel is secured with a clamping device designed for towing service.

NOTICE

The steering column is not strong enough to withstand shocks transmitted from the front wheels during towing. Always unlock the steering wheel before towing.

If the Starter Does Not Operate

- 1) Try turning the ignition switch to the "START" position with the headlights turned on to determine the battery condition. If the headlights go excessively dim or go off, it usually means that either the battery is flat or the battery terminal contact is poor. Recharge the battery or correct battery terminal contact as necessary.
- 2) If the headlights remain bright, check the fuses. If the reason for failure of the starter is not obvious, there may be a major electrical problem. Have the vehicle inspected by your authorised MARUTI SUZUKI COMMERCIAL workshop.

If the Engine is Flooded

If the engine is flooded with fuel, it may be hard to start. If this happens, press the accelerator pedal all the way to the floor and hold it there while cranking the engine.

- Do not operate the starter motor for more than 30 seconds.

If the Engine Overheats

The engine could overheat temporarily under severe driving conditions. If the high engine coolant temperature warning light comes on during driving:

- 1) Take the vehicle to a safe place and park.
- 2) Let the engine run at the normal idle speed for a few minutes until the high engine coolant temperature warning light goes off.

⚠ WARNING

If you see or hear escaping steam, stop the vehicle in a safe place and immediately turn off the engine to let it cool. Do not open the engine compartment when steam is present. When the steam can no longer be seen or heard, open the engine compartment to see if the coolant is still boiling. If it is, you must wait until it stops boiling before you proceed.

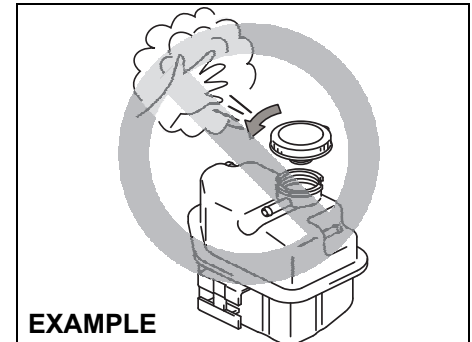
If the high engine coolant temperature warning light does not go off:

- 1) Turn off the engine and check that the water pump belt and pulleys are not damaged or slipping. If any abnormality is found, correct it.

- 2) Check the coolant level in the reservoir. If it is found to be lower than the "LOW" line, look for leaks at the radiator, water pump, and radiator and heater hoses. If you locate any leaks that may have caused the overheating, do not run the engine until these problems have been corrected.
- 3) If you do not find a leak, carefully add coolant to the reservoir and then the radiator, if necessary. (Refer to "Engine Coolant" in the "INSPECTION AND MAINTENANCE" section.)

NOTE:

If your engine overheats and you are unsure what to do, contact your authorised MARUTI SUZUKI COMMERCIAL workshop.



65D350d

WARNING

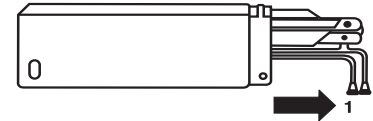
- It is hazardous to remove the radiator cap (or degassing tank cap for a diesel engine) when the water temperature is high, because scalding fluid and steam may be blown out under pressure. The cap should only be taken off when the coolant temperature has lowered.
- To help prevent personal injury, keep hands, tools and clothing away from the engine cooling fan. These electric fans can automatically turn on without warning.

Underbody Trouble by Hitting

If you hit underbody of your vehicle, ask an authorised MARUTI SUZUKI COMMERCIAL workshop for inspection. Otherwise damage to steering, Suspension, Drive-line, and Brake etc. could prevent your safe driving.

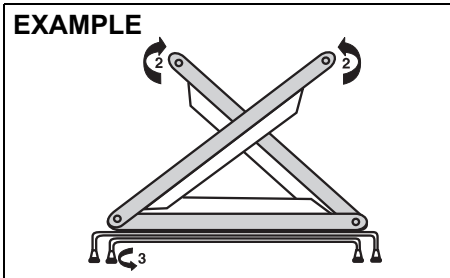
Warning Triangle

EXAMPLE



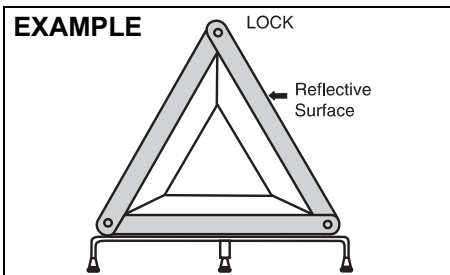
MHO-07-001

In case of vehicle break-down or during emergency stopping, where, your vehicle could become a potential traffic hazard, keep the warning triangle, provided with your vehicle, on the road free from any obstacles behind your vehicle so as to warn the approaching traffic, at an approximate distance of 50-100 m. The reflecting side of the triangle should face the on coming traffic. Please activate the hazard warning lamps before alighting the vehicle to keep the warning triangle.



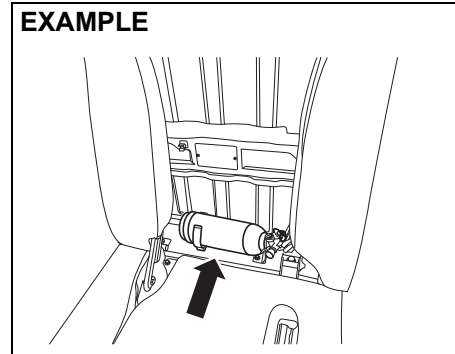
MHO-07-014-1

- Remove the warning triangle carefully from the cover as shown by arrow 1.
- Open both the reflector arms as shown by arrow 2 and lock the arms with each other with the clip provided in the right arm. Open the bottom stand in counter clock-wise direction as shown by arrow 3. Position the warning triangle behind the vehicle on a plain surface.
- Reverse the removal procedure for keeping inside the cover.



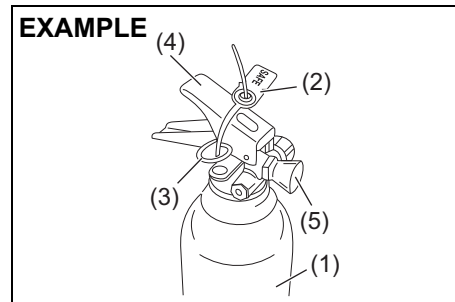
MHO-07-014

Fire Extinguisher (if equipped)



77PM08009

Fire extinguisher is stowed behind the seats (between driver seat and passenger seat).

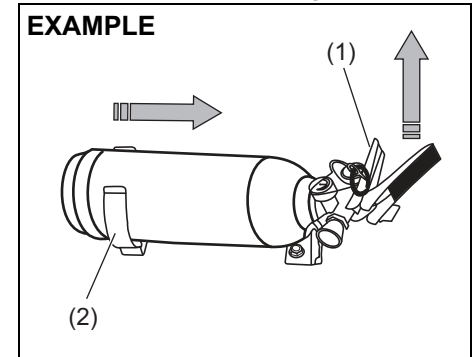


77PM08003

- (1) Fire extinguisher cylinder
- (2) Seal
- (3) Safety Pin
- (4) Lever
- (5) Nozzle

Removal and Refitment of Fire Extinguisher

For Removal of Fire Extinguisher

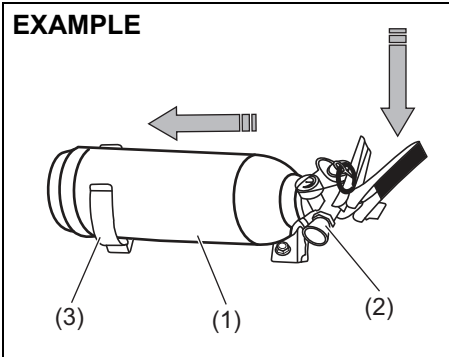


77PM08004

Lift Lever (1) of fire extinguisher slightly upwards and pull the fire extinguisher in the direction as shown in the figure, in order to disengage it from clamp (2).

EMERGENCY SERVICE

For Refitment of Fire Extinguisher

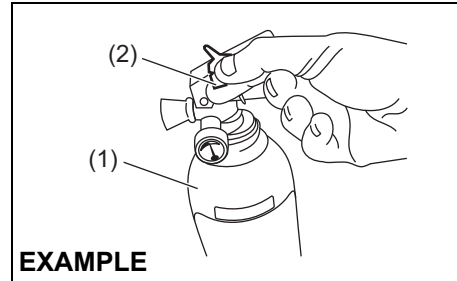


Insert the body of fire extinguisher (1) in to the clamp (3) and place the nozzle (2) carefully downwards, on the clamp.

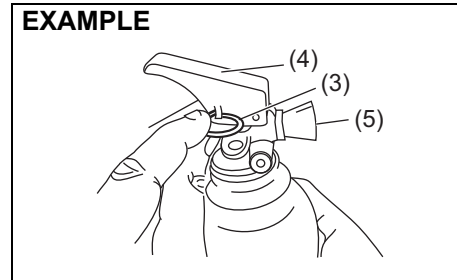
NOTE:

Ensure that the nozzle of fire extinguisher is properly seated on the clamp.

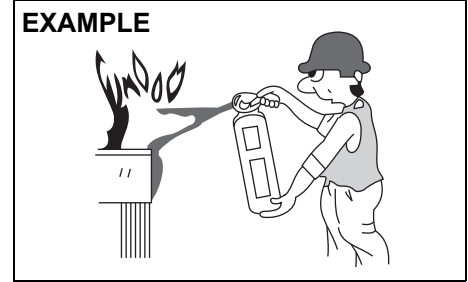
Procedure of Operation



- 1) Hold the fire extinguisher (1) upright.
- 2) Break seal (2) by rotating the safety pin(3).



- 3) Pull Safety pin (3)
- 4) Squeeze lever (4) and direct the jet from nozzle (5) towards the near edge of the fire with a rapid (fast) sweeping motion.

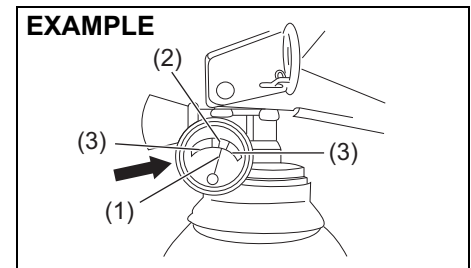


- 5) Drive the fire towards the far edge until flames are extinguished.

NOTE:

Fire extinguisher is only meant for small fire caused in vehicle by external source only.

Do's and Dont's



Do's

- 1) Check pressure gauge periodically. Max charging pressure is 15Kgf/cm² (in green zone (2)).
- 2) When pressure drops, indicator needle(1) will shift to the red zone (3).Immediately contact the fire extinguisher manufacturer as per the information provided on the fire extinguisher.
- 3) Get the fire extinguisher serviced only through the manufacturer service centre.Refer the information provided on the fire extinguisher to locate the nearest service centre.
- 4) Ensure that the Fire extinguisher is always kept at its prescribed position in the vehicle.
- 5) Refill the fire extinguisher immediately after use.

Don't

- 1) Do not use water for cleaning fire extinguisher. (Use clean cloth for removing dust)
- 2) Do not rely on used or discharged fire extinguisher.

NOTE:

- *Refilling is necessary after every use.*
- *Fire extinguisher needs refilling after every 3 years even if it is not used.*

APPEARANCE CARE

Corrosion Prevention	9-1
Vehicle Cleaning	9-2

Corrosion Prevention

It is important to take good care of your vehicle to protect it from corrosion. Listed below are instructions for how to maintain your vehicle to prevent corrosion. Please read and follow these instructions carefully.

Important Information About Corrosion

Common causes of corrosion

- 1) Accumulation of road salt, dirt, moisture, or chemicals in hard-to-reach areas of the vehicle underbody or frame.
- 2) Chipping, scratches and any damage to treated or painted metal surfaces resulting from minor accidents or abrasion by stones and gravel.
- 3) Any or all of the below mentioned points:
 - Continuous exposure to sunlight
 - Hard water and sea water coming in contact with vehicle.
 - Foot rubbing (skirting).

Environmental conditions which accelerate corrosion

- 1) Road salt, dust control chemicals, sea air or industrial pollution will all accelerate the corrosion of metal.
- 2) High humidity will increase the rate of corrosion particularly when the temperature range is just above the freezing point.

- 3) Moisture in certain areas of a vehicle for an extended period of time may promote corrosion even though other body sections may be completely dry.
- 4) High temperatures will cause an accelerated rate of corrosion to parts of the vehicle which are not well ventilated to permit quick drying.

This information illustrates the necessity of keeping your vehicle (particularly the underbody) as clean and dry as possible. It is equally important to repair any damage to the paint or protective coatings as soon as possible.

How to Help Prevent Corrosion

Wash your vehicle frequently

The best way to preserve the finish on your vehicle and to help avoid corrosion is to keep it clean with frequent washing.

Wash your vehicle at least once during the winter and once immediately after the winter. Keep your vehicle, particularly the underside, as clean and dry as possible.

If you frequently drive on salted roads, your vehicle should be washed at least once a month during the winter. If you live near the ocean, your vehicle should be washed at least once a month throughout the year.

For washing instructions, refer to the "Vehicle Cleaning" section.

Remove foreign material deposits

Foreign material such as salts, chemicals, road oil or tar, tree sap, bird droppings and industrial fall-out may damage the finish of your vehicle if it is left on painted surfaces. Remove these types of deposits as quickly as possible. If these deposits are difficult to wash off, an additional cleaner may be required. Be sure that any cleaner you use is not harmful to painted surfaces and is specifically intended for your purposes. Follow the manufacturer's directions when using these special cleaners.

Repair finish damage

Carefully examine your vehicle for damage to the painted surfaces. If you find any chips or scratches in the paint, touch them up immediately to prevent corrosion from starting. If the chips or scratches have gone through to the bare metal, have a qualified body shop make the repair.

Keep passenger and luggage compartments clean

Moisture, dirt or mud can accumulate under the floor mats and may cause corrosion. Occasionally, check under these mats to ensure that this area is clean and dry. More frequent checks are necessary if the vehicle is used off road or in wet weather.

Certain cargos such as chemicals, fertilizers, cleaners, salts, etc. are extremely corrosive by nature. These products should be transported in sealed containers. If a spill or leak does occur, clean and dry the area immediately.

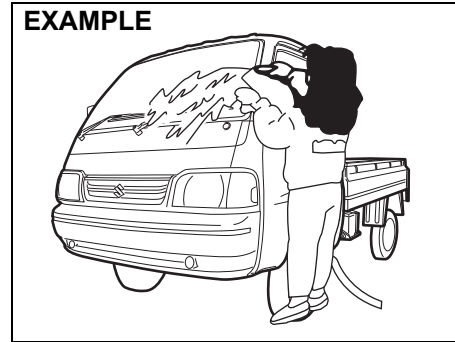
Store your vehicle in a dry, well-ventilated area

Park your vehicle to save it from continuous exposure to direct sunlight. Do not park your vehicle in a damp, poorly ventilated area. If you often wash your vehicle in the garage or if you frequently drive it in when wet, your garage may be damp. The high humidity in the garage may cause or accelerate corrosion. A wet vehicle may corrode even in a heated garage if the ventilation is poor.

⚠ WARNING

Do not apply additional undercoating or rust preventive coating on or around exhaust system components such as the catalytic converter, exhaust pipes, etc. A fire could be started if the undercoating substance becomes overheated.

Vehicle Cleaning



⚠ WARNING

When cleaning the interior or exterior of the vehicle, NEVER USE flammable solvents such as lacquer thinners, Petrol, benzene or cleaning materials such as bleaches or strong household detergents. The materials could cause personal injury or damage to the vehicle.

Cleaning the Interior

Vinyl upholstery

Prepare a solution of soap or mild detergent mixed with warm water. Apply the solution to the vinyl with a sponge or soft cloth and let it soak for a few minutes to loosen dirt. Rub the surface with a clean, damp cloth to remove dirt and the soap solution. If some dirt still remains on the surface, repeat this procedure.

Fabric upholstery (Except front passenger seat)

Remove loose dirt with a vacuum cleaner. Using a mild soap solution, rub stained areas with a clean damp cloth. To remove soap, rub the areas again with a cloth dampened with water. Repeat this until the stain is removed, or use a commercial fabric cleaner for tougher stains. If you use a fabric cleaner, carefully follow the manufacturer's instructions and precautions.

⚠ CAUTION

- Do not spill liquid or semi-solid on the front passenger's seat. If you spill it on the front passenger's seat, immediately wipe it dry with a soft cloth. Contact of liquid with sensor may impact the function of seat belt reminder sensor.
- Do not place any sharp or heavy object on passenger seat which can penetrate through seat upholstery and can cause damage to sensor.

APPEARANCE CARE

Fabric upholstery (For front passenger seat)

Do not use liquid for cleaning as it may penetrate the fabric and damage the seat sensor.

Leather upholstery

Remove loose dirt with a vacuum cleaner. Using a mild soap or saddle soap solution, wipe dirt off with a clean damp soft cloth. To remove soap, wipe the areas again with a soft cloth dampened with water. Wipe the areas dry with a soft dry cloth. Repeat this until the dirt or stain is removed, or use a commercial leather cleaner for tougher dirt or stains. If you use a leather cleaner, carefully follow the manufacturer's instructions and precautions. Do not use solvent type cleaners or abrasive cleaners.

NOTE:

- In order to keep leather upholstery looking good, it should be cleaned at least twice a year.
- If leather upholstery becomes wet, immediately wipe it dry with tissue paper or a soft cloth. Water may cause leather to harden and shrink if it is not wiped off.
- When parking on sunny days, select a shady place or use a sunshade. If leather upholstery is exposed to direct sunlight for a long time, it may discolor and shrink.
- As is common with natural materials, leather is inherently irregular in grain and cowhide has spots in its natural state. These do not affect the performance of the leather in any way.

Seat belts

Clean seat belts with a mild soap and water. Do not use bleach or dye on the belts. They may weaken the fabric in the belts.

Vinyl floor mats

Ordinary dirt can be removed from vinyl with water or mild soap. Use a brush to help loosen dirt. After the dirt is loosened, rinse the mat thoroughly with water and dry it in the shade.

Carpets

Remove dirt and soil as much as possible with a vacuum cleaner. Using a mild soap solution, rub stained areas with a clean damp cloth. To remove soap, rub the areas again with a cloth dampened with water. Repeat this until the stain is removed, or use a commercial carpet cleaner for tougher stains. If you use a carpet cleaner, carefully follow the manufacturer's instructions and precautions.

Instrument panel and console

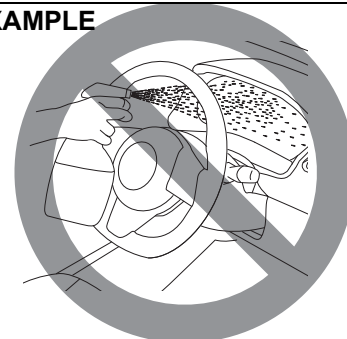
Remove loose dirt with a vacuum cleaner. Gently wipe dirt off with a tightly squeezed damp clean cloth. Repeat this until the dirt is removed.

NOTICE

Do not use chemical products that contain silicon to wipe electrical components such as the switches. These will cause damage to the components.

Do not spray water or any liquid directly on instrument cluster or any other electrical or electronic components. This may cause damage and/or lead to non-functioning of the part.

EXAMPLE



81RM08005

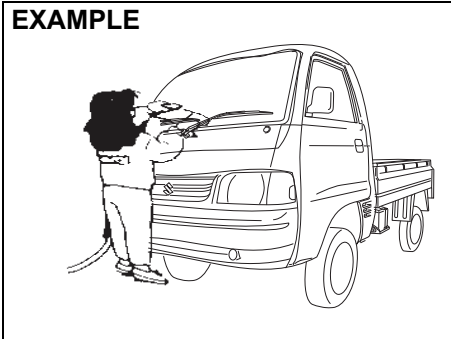
Cleaning the Exterior

NOTICE

It is important that your vehicle to be kept clean and free from dirt. Failure to keep your vehicle clean may result in fading of the paint or corrosion to various parts of the vehicle body.

Washing

EXAMPLE



82DY0

⚠ WARNING

- **Never attempt to wash and wax your vehicle with the engine running.**
- **When cleaning the underside of the body and fender, where there may be sharp-edged parts, you should wear gloves and a long-sleeved shirt to protect your hands and arms from being cut.**
- **After washing your vehicle, carefully test the brakes before driving to make sure they have maintained their normal effectiveness.**

When washing the vehicle, park it where direct sunlight does not fall on it and follow the instructions below:

- 1) Flush the underside of body and wheel housings with pressurized water to remove mud and debris. Use plenty of water.

NOTICE

- When washing the vehicle:**
- **Avoid directing steam or hot water of more than 80°C (176°F) on plastic parts.**
 - **To avoid damaging engine components, do not use pressurized water in the engine compartment.**

- 2) Rinse the body to loosen the dirt. Remove dirt and mud from the body exterior with running water. You may use a soft sponge or brush. Do not use hard materials which can scratch the paint or plastic. Remember that the headlight covers or lenses are made of plastic in many cases.

NOTICE

To avoid damage to the paint or plastic surface, do not wipe the dirt off without ample water. Be sure to follow above procedure.

- 3) Wash the entire exterior with a mild detergent or car wash soap using a sponge or soft cloth. The sponge or cloth should be frequently soaked in the soap solution.

NOTICE

When using a commercial car wash product, observe the cautions specified by the manufacturer. Never use strong household detergents or soaps.

- 4) Once the dirt has been completely removed, rinse off the detergent with running water.
- 5) After rinsing, wipe off the vehicle body with a wet chamois or cloth and allow it to dry in the shade.

APPEARANCE CARE

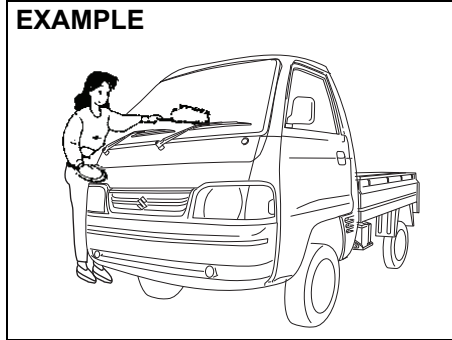
- 6) Check carefully for damage to painted surfaces. If there is any damage, touch up the damage following the procedure below:
1. Clean all damaged spots and allow them to dry.
 2. Stir the paint and touch up the damaged spots lightly using a small brush.
 3. Allow the paint to dry completely.

NOTICE

If you use an automatic car wash, make sure that your vehicle's body parts, such as spoilers, cannot be damaged. If you are in doubt, consult the car wash operator for advice.

Waxing

EXAMPLE



77PM09002

After washing the vehicle, waxing and polishing are recommended to further protect and beautify the paint.

- Only use waxes and polishes of good quality.
- When using waxes and polishes, observe the precautions specified by the manufacturers.

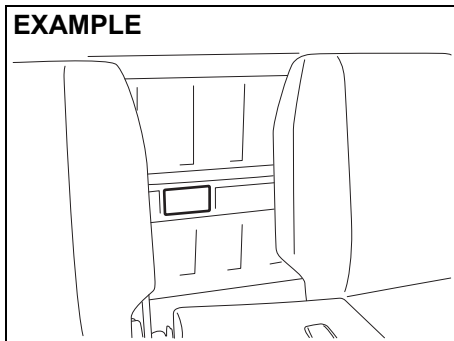
GENERAL INFORMATION

Vehicle Identification 10-1
FASTag (if equipped)..... 10-1
CNG Kit Number Identification (if equipped) 10-2
High Security Registration Plate (HSRP)
(if applicable) 10-3

GENERAL INFORMATION

Vehicle Identification

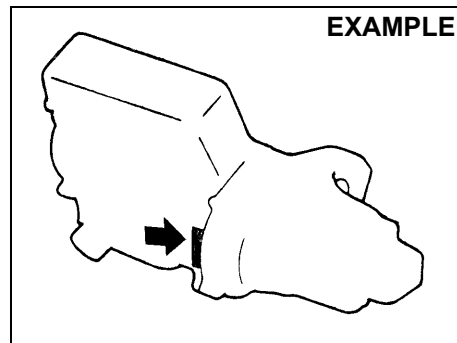
Chassis Serial Number



77PH059

The chassis and/or engine serial numbers are used to register the vehicle. They are also used to assist your dealer when ordering or referring to special service information. Whenever you have occasion to consult your authorised MARUTI SUZUKI COMMERCIAL workshop, remember to identify your vehicle with this number. If you find the number difficult to read, you can also find it on the identification plate.

Engine Serial Number



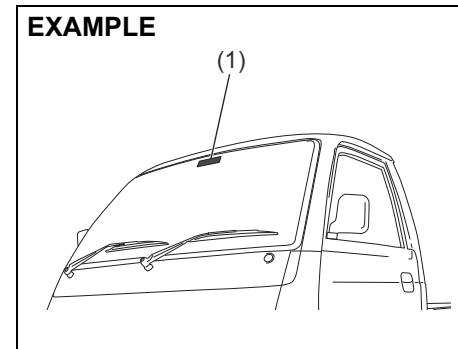
54G082

The engine serial number is stamped on the cylinder block as shown in the illustration.

FASTag (if equipped)

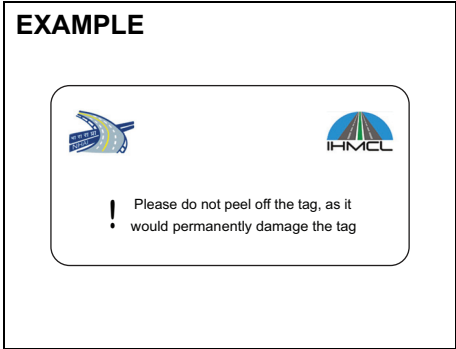
As per Ministry of Road Transport and Highways, the FASTag (1) is mandatory for each vehicle for the purpose of electronic toll collection or any other purpose as may be defined by the Government of India.

In case of any damage to FASTag or replacement of front windscreen, please contact your nearest authorised Maruti Suzuki workshop.



66MM01001

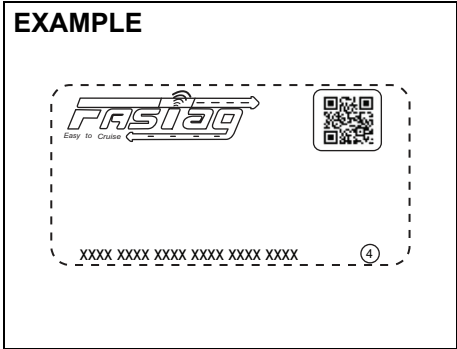
As seen from inside of the vehicle



64MM01002

NOTE:
 The picture shown is for indicative purpose only. Internal structure of actual device mounted on vehicle may be different.

As seen from outside of the vehicle

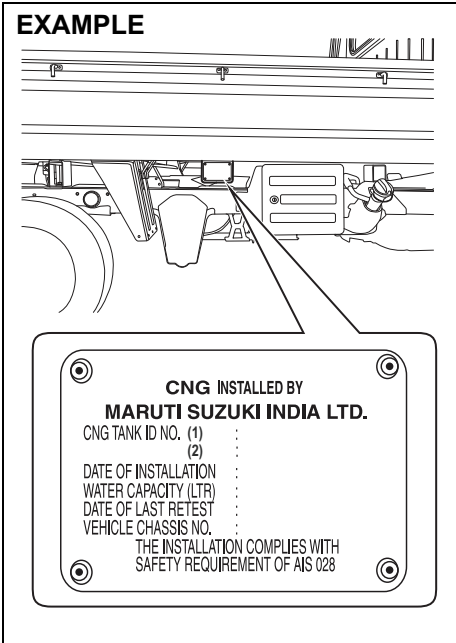


64MM01003

NOTE:
 The picture shown is for indicative purpose only. Internal structure of actual device mounted on vehicle may be different.

- NOTE:**
- Any attempt to remove the tag from the windscreen will result in permanent damage to the tag.
 - Use of chemical cleaners to clean the windscreen area where the tag is mounted can damage the tag.
 - Use of any sharp objects on the tag can damage the tag.

CNG Kit Number Identification (if equipped)



77PM10002

CNG cylinder identification number and CNG kit installation date is located on right side of cargo body as shown.

GENERAL INFORMATION

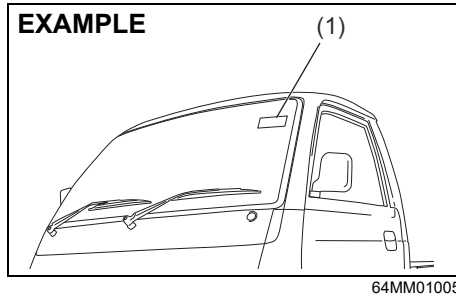
High Security Registration Plate (HSRP) (if applicable)

As per Ministry of Road Transport and Highways, every new vehicle must have HSRP.

HSRP contains;

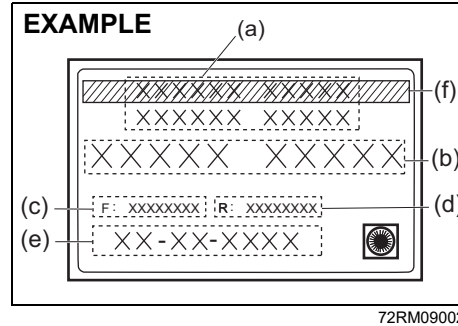
- Front and rear HSRP, which will be fitted with 2 snap-locks each on number plate area.
- Third license plate on front windshield.

Third License Plate



(1) Third license plate

Third license plate - As seen from outside of the vehicle



- (a) HSRP issuing authority name
- (b) Vehicle registration number
- (c) Unique laser number - Front plate
- (d) Unique laser number - Rear plate
- (e) Date of 1st registration
(in DD-MM-YYYY format)
- (f) Green strips (BS6 vehicle)

NOTE:

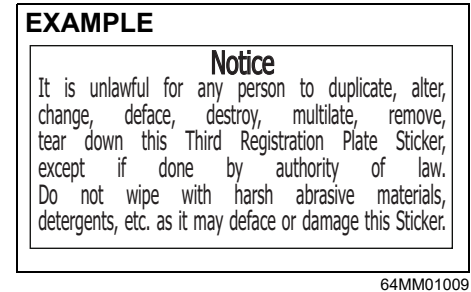
The picture shown is for indicative purpose only. Internal structure of actual label mounted on vehicle may be different.

NOTE:

- Any attempt to remove the third license plate from the windscreen will result in permanent damage to the label.
- Use of chemical cleaners to clean the windscreen area where the label is mounted can damage the same.

- Use of any sharp objects on the label can damage the label.
- In the event of any replacement of the third license plate, may please contact the approved authority.

Third license plate - As seen from inside of the vehicle



NOTE:

The picture shown is for indicative purpose only.

NOTE:

Color of third license plate (back) is as per HSRP regulation as defined by Ministry of Road Transport and highways.

SPECIFICATIONS

SPECIFICATIONS

NOTE:

Specifications are subject to change without notice.

Specification related to “**chassis**” variants refer “**Instructions For Body Fabrication**”

ITEM: Dimensions		UNIT: mm
Overall length		3800
Overall width		1562
Overall height		1883
Wheelbase		2110
Track	Front	1345
	Rear	1330

ITEM: Mass (weight)		UNIT: kg
Curb mass (weight)	Petrol	860
	CNG	975
Gross Vehicle Mass (weight) Rating		1600
Permissible maximum Axle Weight	Front	900
	Rear	1020

SPECIFICATIONS

ITEM: Engine	Petrol and CNG
Type	K12N (DOHC)
Number of cylinders	4
Bore	73.0 mm
Stroke	71.5 mm
Piston displacement	1197 cm ³ (1197 cc)
Compression ratio	12.0: 1

ITEM: Electrical	
Spark plug	NGK ILZKR6F11
Battery	12V 38B20R
Fuses	See "INSPECTION AND MAINTENANCE" section.

ITEM: Lights	WATTAGE	BULB No.
Headlight	12V 60/55W	H4
Position light	12V 5W	W5W
Turn signal light	Front	PY21W
	Rear	P21W
Brake/tail light	12V 21/5W	P21/5W
Reversing light	12V 21W	P21W
License plate light	12V 5W	W5W
Interior light	12V 5W	C5W

SPECIFICATIONS

ITEM: Wheels and Tyres	
Tyre size, front, rear and spare	155R13 LT 8PR 89/88S* / 155R13 LT 8PR 90/89Q*
Rim size	13X4J
Tyre pressures	For the specified Tyre pressure, see the Tyre Information Label located on the driver's door lock pillar.

* If you cannot prepare a tyre with the specified load index rate and speed symbol, prepare a tyre with higher load index rate and speed symbol.

ITEM: Recommended Fuel / Lubricants and Capacities (approx.)			
Fuel	Petrol		30 L [#]
	CNG	Petrol	5 L [#]
		CNG	35 L × 2 tanks [#]
Engine oil	Petrol		Classification: API SN Viscosity: SAE 0W-16 3.8 L (replacement without oil filter) 4.2 L (replacement with oil filter)
	CNG		
Engine coolant		“SUZUKI LLC: Super (Blue) Coolant” *1 “SUZUKI LLC: Standard (Yellow) Coolant” *1	3.5 L (including reservoir tank)
Manual transmission oil		MARUTI GENUINE GEAR OIL 75W	1.4 L
Rear differential oil		“TOTALFINAELF TRANSELF LL 85W-140”	1.6 L
Brake fluid		Maruti Genuine Brake Fluid (MGBF) or DOT 3	Refill to the proper oil level according to the instructions in the “INSPECTION AND MAINTENANCE” section.

*1: The recommended coolant varies depending on your vehicle. Refer to “INSPECTION AND MAINTENANCE” section.

#: The fuel tank capacity is slightly more than the recommended quantity of fuel that you can fill. The additional voluminous space is provided for safety and scientific reasons.

INSTRUCTIONS FOR BODY FABRICATION

INSTRUCTIONS FOR BODY FABRICATION (Chassis Variant)

The body fabrication on the cab-chassis vehicle shall be carried out ensuring the following instructions and boundary conditions:

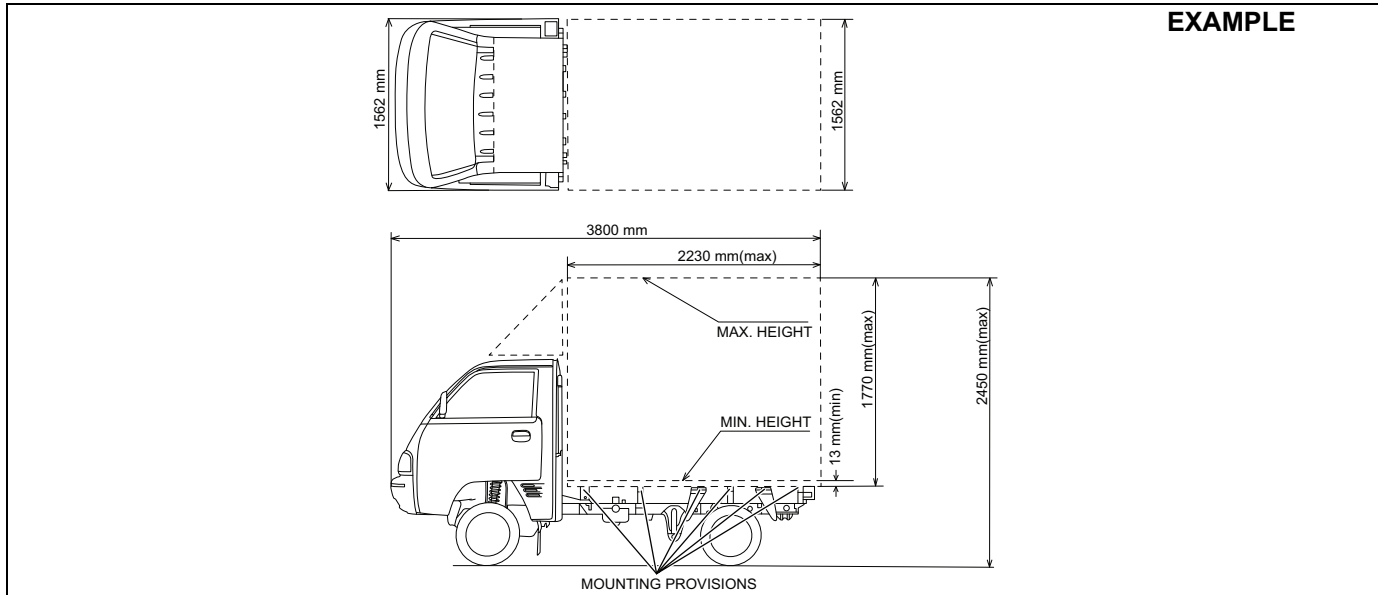
- (a) **Body exteriors:** The load body/ application shall be fabricated such that the external surface of the vehicle shall not have sharp edges or sharp projecting parts which are likely to increase the risk or seriousness of bodily injury to a person hit by the bodywork or brushing against it in the event of a collision. This is valid both when the complete vehicle is stationary and in motion. It is to be ensured a minimum 2.5mm or more radius of curvature on external edges and projecting parts. Body shall meet the stipulated requirement as defined under CMVR Rule 124(1)-11.

For body layouts (like Tipper Application), where battery mountings are exposed, a cover shall be provided in order to meet the necessary requirements of exterior projections as defined under CMVR Rule 124(1)-11.

- (b) **Reflective Tape:** The body builder shall paste a red reflective tape (of not less than 20mm width) running across the width of the body on the rear of the vehicle and shall comply with requirements under CMVR Rule No. 104.
- (c) **Head Lamp:** After the body fabrication, Initial inclination of Head lamp shall be adjusted as marked on the headlamp (as per CMVR 124 (1)-20). The head lamp leveling switch position for GVW condition shall be specified by Body Fabricator to the Customer.
- (d) **Body Builder's Plate:** The body builder shall place the body-builder's plate specifying the unladen weight, payload and other details as per requirement under CMVR Rule 122.
- (e) **Form 22A Part II:** The body builder shall provide Form 22A Part II as per requirement under CMVR Rule 47.
- (f) The body builder shall not alter with the electrical wiring, electrical equipment, brake connections, brake piping, fuel connection, exhaust system and chassis components during the body fabrication.

INSTRUCTIONS FOR BODY FABRICATION

- (g) **Dimensions:** The load body/application to be built upon the manufacturer supplied cab chassis vehicle shall be designed to fit within a minimum and maximum envelop as specified in below illustration.



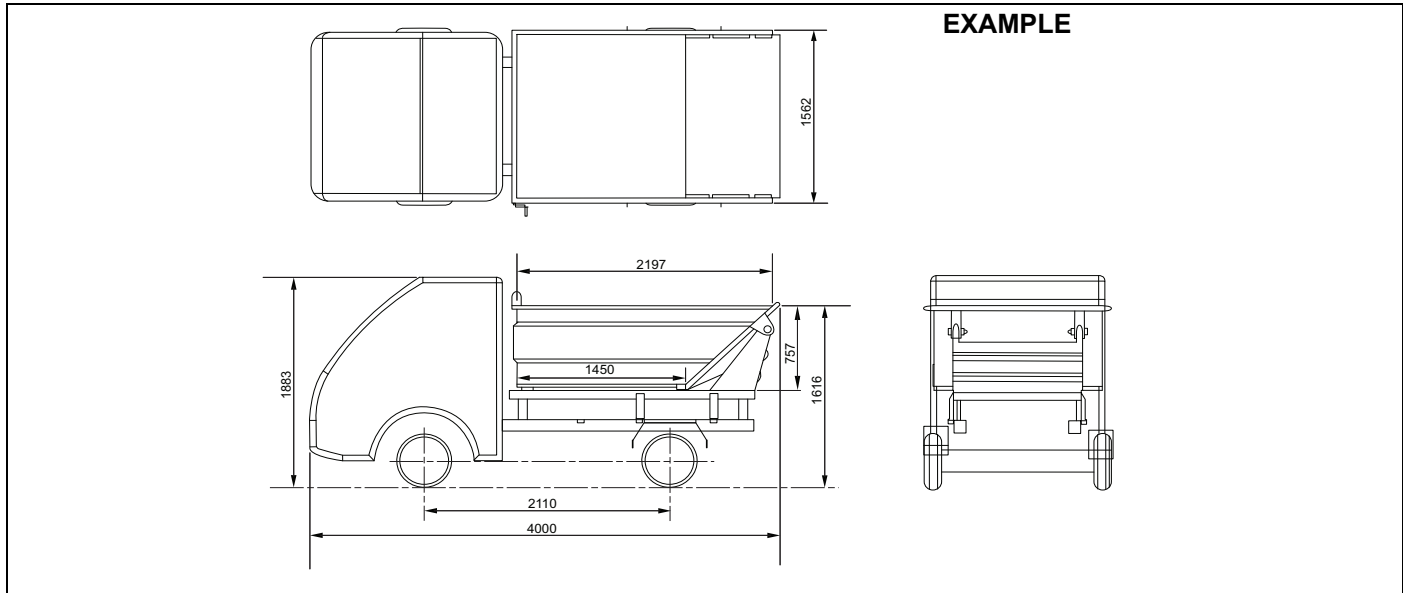
77PM12003

INSTRUCTIONS FOR BODY FABRICATION

For Petrol Model Tipper (Open Tipper & Closed Tipper)

The load body/application to be built upon the manufacturer supplied cab chassis vehicle shall be designed to fit within specified dimension as in the below illustration.

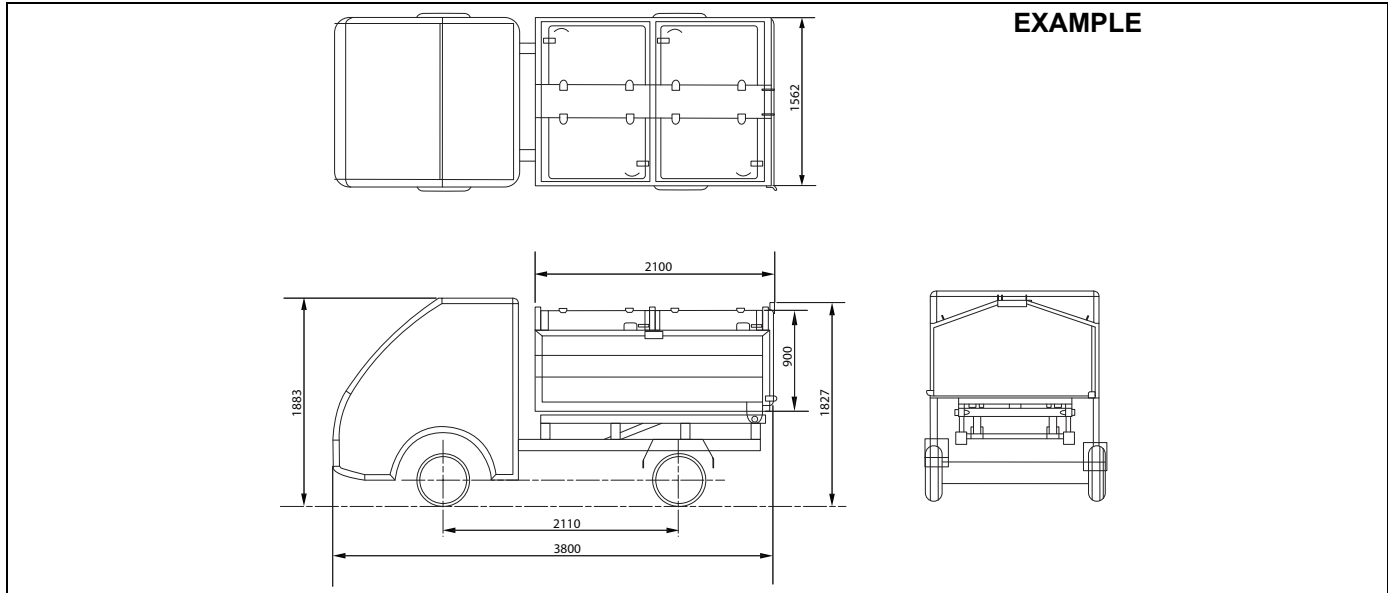
- Open Tipper:



77PM12006

INSTRUCTIONS FOR BODY FABRICATION

- Closed Tipper:



77PM12007

- (h) **Weight and its distribution:** The load body/application shall be fabricated considering the minimum kerb weight of complete vehicle as 860kg (Petrol), 975kg (CNG) and maximum kerb weight of complete vehicle as 1140kg (Petrol), 1255kg (CNG). The ratio of front axle and rear axle kerb weight shall not exceed 1.46 (Petrol), 1.24 (CNG).

For Petrol Model Tipper Application, the load body/application shall be fabricated considering the following Kerb weight.

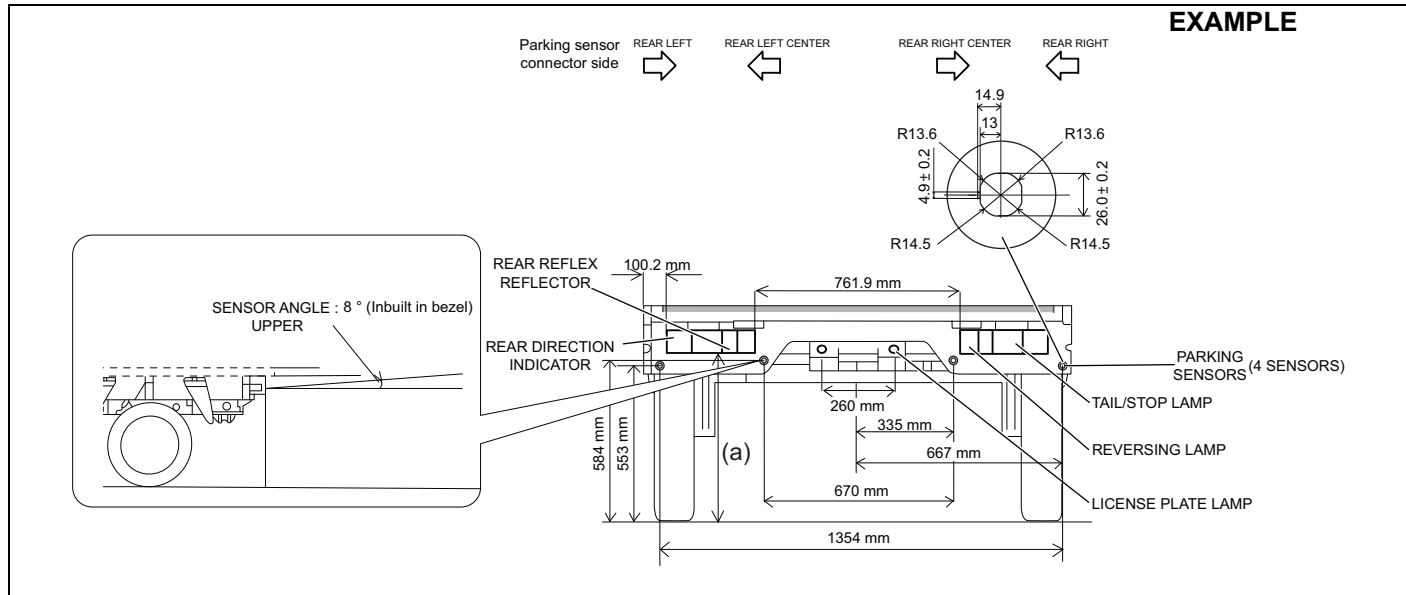
Kerb weight of open tipper: 1070kg

Kerb weight of closed tipper: 1140kg

The ratio of front axle and rear axle Kerb weight shall not exceed 1.46.

INSTRUCTIONS FOR BODY FABRICATION

- (i) **Lighting and signaling devices:** The cab chassis is being supplied with head lamp assembly inbuilt with the cab and a temporary panel with rear combination lamps and registration plate lamps. There shall not be any modifications done with the position of Head lamp assembly. The rear combination lamps, registration plate lamps and parking sensors (provided along with vehicle in glove box) shall be fitted on the load body/ application as per the specified position as in below illustration.

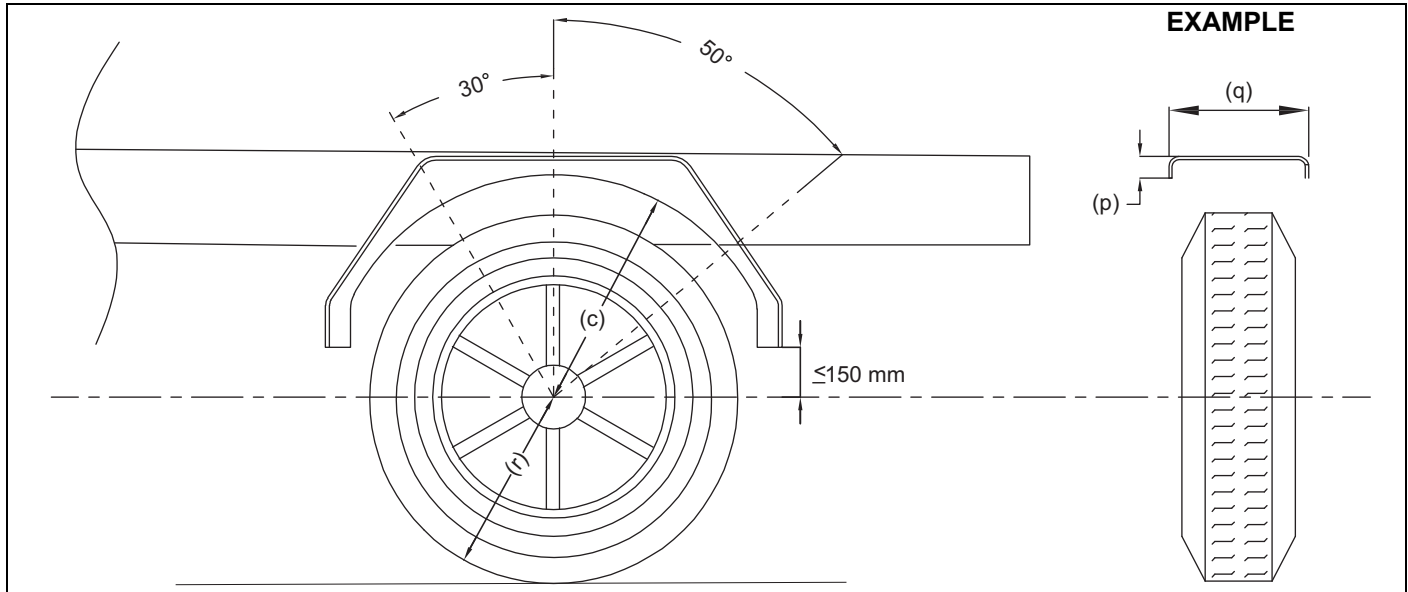


77PM12008

“a” Value	
Chassis Applications (Petrol & CNG)	612 mm
Petrol Model Open Tipper Application	620 mm
Petrol Model Closed Tipper Application	660 mm

INSTRUCTIONS FOR BODY FABRICATION

(j) **Wheel Guard:** Wheel guards shall comply with requirements under CMVR Rule No. 124(1)-13. The wheel guard (rear) must be fabricated as per design parameters specified in below illustration.



77PM12106

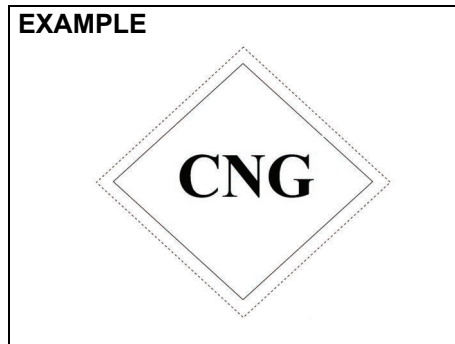
c	$\leq 2r$
p	> 30 mm
q	> Total Tyre Width
r	Tyre Static Radius

INSTRUCTIONS FOR BODY FABRICATION

(k) Application for CNG Variant :

CNG Label:

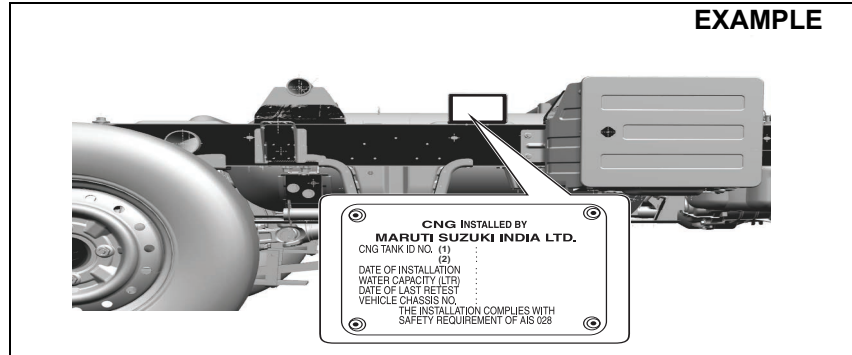
The body builder shall paste “CNG Label” (provided along with vehicle Tool kit packet) on the load body on rear side as per below guidelines.



77PM12011

- Label shall be affixed in a vertical position (as shown above) on flat surface as close to the vehicle number plate as practical.
- Affixed label shall ensure visibility from rear sides.
- The label shall be in position at all times, shall be in good condition, and the shape, colouring and lettering shall be easily identifiable.

CNG Kit Number Identification:



77PM07032

The load body/application shall be fabricated such that it does not impact the visibility of CNG compliance plate.

Disclaimer:

The owner/body-builder shall comply to applicable CMVR requirements and also State Motor vehicle Rules as applicable from time to time in respect of body fabrication of super carry chassis variant.

The vehicle manufacturer shall not be liable for any non-conformity of applicable laws arising due to fabrication of body/ application, in contradiction to manufacturer's instructions and prevailing regulations.

CAUTION

Do not keep your super carry vehicle without deck/body fabrication

ആമുഖം

ഈ മാസൽ താങ്കളുടെ വാഹനത്തിന്റെ പ്രധാനമായ ഭാഗമാണ്. വാഹനം വീൽക്കുകയോ മറ്റൊരു ഉടമസ്ഥൻ അല്ലെങ്കിൽ ഡ്രൈവർക്ക് മറ്റേതെങ്കിലും വിധത്തിൽ കൈമാറുകയോ ചെയ്യുമ്പോൾ ഇത് വാഹനത്തിൽ തന്നെ ഉണ്ടായിരിക്കണം. താങ്കളുടെ മാരുതി സുസുക്കി ഉപയോഗിച്ചു തുടങ്ങും മുൻപ് ഈ മാസുവൽ ശ്രദ്ധാപൂർവ്വം വായിക്കുക. പിന്നീട് സമയാസമയങ്ങളിൽ പുനരവലോകനം ചെയ്യുക. ഇതിൽ സുരക്ഷാ, പ്രവർത്തന രീതി, മെയിന്റനൻസ് എന്നിവയെ സംബന്ധിച്ച സുപ്രധാന വിവരങ്ങൾ അടങ്ങിയിരിക്കുന്നു. ഈ മാസലിൽ സൂചിപ്പിച്ച പ്രകാരമുള്ള നാല് സൗജന്യ പരിശോധനാ സർവീസ് പ്രയോജനപ്പെടുത്താൻ താങ്കളെ ക്ഷണിക്കുന്നു. സൗജന്യ പരിശോധനാ കൂപ്പണുകൾ ഈ മാസലിനോടൊപ്പം ചേർത്തിട്ടുണ്ട്. താങ്കളുടെ മാരുതി സുസുക്കി സർവീസിനു കൊണ്ടുപോകുമ്പോൾ ദയവായി ഈ മാസൽ ഡിലറെ കാണിക്കുക.

താങ്കളുടെ വാഹനത്തിന്റെ ആയുസ്സ് വർദ്ധിപ്പിക്കാനും മെയിന്റനൻസ് ചെലവ് കുറയ്ക്കാനും ഈ മാസലിലെ “പരിശോധനയും മെയിന്റനൻസും” എന്ന സെക്ഷനിൽ ഉള്ള “സമയാസമയം മെയിന്റനൻസ് പട്ടിക” അനുസരിച്ച് സമയാസമയം മെയിന്റനൻസ് പ്രവൃത്തികൾ നടത്തുക. പ്രശ്നങ്ങൾ, ആക്സിഡന്റ് എന്നിവ ഉണ്ടാകാതിരിക്കാൻ താങ്കളുടെ സംതൃപ്തിയും സുരക്ഷയും ഉറപ്പാക്കേണ്ടത് പ്രധാനമാണ്.

വാഹനത്തിന്റെ ആയുസ്സ് വർദ്ധിപ്പിക്കാനും ഡ്രൈവിംഗ് സുരക്ഷിതമാക്കാനും ഈ മാസലിലെ “പരിശോധനയും മെയിന്റനൻസും” എന്ന സെക്ഷനിൽ പറയുന്ന “ദൈനംദിന പരിശോധനാ ചെക്ക് ലിസ്റ്റ്” പ്രകാരം ദിവസവും പരിശോധനയും പരിപാലനവും

വെഹിക്കിളും അതിൽ ലഭ്യമായ സവിശേഷതകൾ/ആക്സസറികളും ബാധകമായ നിയമപരമായ ആവശ്യകതകൾക്ക് അനുസൃതമായി ഉടമ/ഉപയോക്താവ് ഉപയോഗിക്കുകയും പ്രയോഗിക്കുകയും വേണം.

ചെയ്യുന്നത് സർവ്വ പ്രധാനമാണ്. ഈ ഭൂമിയിലെ പ്രകൃതി വിഭവങ്ങൾ പരിപാലിക്കുകയും സംരക്ഷിക്കുകയും ചെയ്യേണ്ടതാണെന്ന് മാരുതി സുസുക്കി ഇന്ത്യാ ലിമിറ്റഡ് കരുതുന്നു.

ആ ലക്ഷ്യം നേടാനായി, ഉപയോഗിച്ച എഞ്ചിൻ പരിപാലിക്കുകയും സംരക്ഷിക്കുകയും, ബാറ്ററികൾ, ടയറുകൾ മുതലായവ റിസൈക്കിൾ ചെയ്യുക, ട്രേഡ് ഇൻ ചെയ്യുക അല്ലെങ്കിൽ ഉചിതമായ രീതിയിൽ നശിപ്പിച്ച് കളയാൻ വാഹന ഉടമകളെ ഞങ്ങൾ പ്രോത്സാഹിപ്പിക്കുന്നു.

മാരുതി സുസുക്കി ഇന്ത്യാ ലിമിറ്റഡ്



ഈ മാസലിൽ ഉള്ള വിവരങ്ങൾ ഇത് പ്രസിദ്ധീകരിക്കുന്ന സമയത്ത് ഉൽപ്പന്നത്തെ സംബന്ധിച്ച് ലഭ്യമായ ഏറ്റവും പുതിയ വിവരങ്ങളെ അടിസ്ഥാനമാക്കിയുള്ളതാണ്. പരിഷ്കരണങ്ങളോ മറ്റു മാറ്റങ്ങളോ കാരണമായി ഈ മാസലിൽ കൊടുക്കുന്ന വിവരങ്ങളും താങ്കളുടെ വാഹനവും തമ്മിൽ വ്യത്യാസം ഉണ്ടായേക്കാം. അറിയിപ്പില്ലാതെയും, സമാനമായ മാറ്റങ്ങൾ മുൻപ് നിർമ്മിക്കുകയോ വീൽപ്പന നടത്തുകയോ ചെയ്ത വാഹനങ്ങളിൽ ചെയ്തു കൊടുക്കാമെന്ന യാതൊരു ബാധ്യതയും ഇല്ലാതെയും ഉൽപ്പന്നങ്ങളിൽ ആവശ്യമായ മാറ്റം വരുത്താനുള്ള അവകാശം മാരുതി സുസുക്കി ഇന്ത്യാ ലിമിറ്റഡ് നിക്ഷിപ്തമാണ്.

ഈ വാഹനം മറ്റു രാജ്യങ്ങളിലെ ഗുണ നിലവാര മാനദണ്ഡങ്ങളോ ചട്ടങ്ങളോ പാലിക്കുന്നവ ആകണമെന്നില്ല. മറ്റേതെങ്കിലും രാജ്യത്ത് ഈ വാഹനം രജിസ്റ്റർ ചെയ്യാൻ ശ്രമിക്കും മുൻപ് ബാധകമായ എല്ലാ നിയമങ്ങളും പരിശോധിച്ച് ആവശ്യമായ നവീകരണങ്ങൾ വരുത്തുക.



സുപ്രധാനം

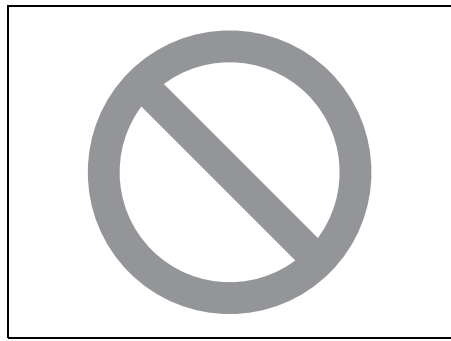
⚠ അപായ സൂചന / ⚠ മുന്നറിയിപ്പ് / അറിയിപ്പ് / കുറിപ്പ്
 ദൈവമായി ഈ മാസൽ വായിച്ച് അതിലെ നിർദ്ദേശങ്ങൾ ശ്രദ്ധാപൂർവ്വം പിന്തുടരുക. സവിശേഷമായ വിവരങ്ങൾക്ക് ഊന്നൽ നൽകാനായി **⚠** ചിഹ്നവും, പ്രത്യേക അർത്ഥം ഉള്ള അപായ സൂചന, മുന്നറിയിപ്പ്, **അറിയിപ്പ്, കുറിപ്പ് എന്നീ** വാക്കുകളും ഉപയോഗിക്കുന്നു. ഈ സൂചനാ പദങ്ങൾ സഹിതം എടുത്തു കാണിക്കുന്ന സന്ദേശങ്ങൾ പ്രത്യേകം ശ്രദ്ധിക്കുക:

⚠ അപായ സൂചന
 മരണമോ ഗുരുതരമായ പരിക്കോ ഉണ്ടാകാൻ കാരണമായേക്കാവുന്ന അപായ സാധ്യതകളെ സൂചിപ്പിക്കുന്നു.

⚠ മുന്നറിയിപ്പ്
 ലഘുവായ അല്ലെങ്കിൽ ഇടത്തരമായ പരിക്കുകൾ ഉണ്ടാകാൻ കാരണമായേക്കാവുന്ന അപായ സാധ്യതകളെ സൂചിപ്പിക്കുന്നു.

അറിയിപ്പ്
 വാഹനത്തിന് കേടുപാടുകൾ ഉണ്ടാകാൻ കാരണമായേക്കാവുന്ന അപായ സാധ്യതകളെ സൂചിപ്പിക്കുന്നു.

കുറിപ്പ്:
 മെയിന്റനൻസ് എളുപ്പമാക്കാനും നിർദ്ദേശങ്ങൾ കൃത്യതയ്ക്ക് വ്യക്തമാക്കാനും വേണ്ടിയുള്ള പ്രത്യേക വിവരങ്ങളെ സൂചിപ്പിക്കുന്നു.



75F135

നടുവിൽ ഒരു സ്ലാഷ് ഉള്ള വൃത്തം കണ്ടാൽ “ഇത് ചെയ്യരുത്” അല്ലെങ്കിൽ “ഇത് സംഭവിക്കാൻ അനുവദിക്കരുത്” എന്നാണ് അർത്ഥം.

- കുറിപ്പ് :**
- “വെഹിക്കിൾ” എന്ന് സൂചിപ്പിക്കുന്നതിന് കാർ, മോഡൽ/വേരിയന്റ് തുടങ്ങിയ വാക്കുകൾ ഈ മാന്യവലിൽ സ്ഥിരമായി ഉപയോഗിക്കുന്നു.
 - ഈ മാന്യവലിൽ ഉപയോഗിച്ചിരിക്കുന്ന ചിത്രങ്ങളുടെ പ്രാതിനിധ്യം റഹ്മൻസ് ആവശ്യങ്ങൾക്ക് മാത്രമുള്ളതാണ്.

ഭേദഗതി അപായ സൂചന

⚠ അപായ സൂചന
 നിങ്ങളുടെ വെഹിക്കിൾ പരിഷ്കരിക്കരുത്. പരിഷ്കരണം സുരക്ഷ, കൈകാര്യം ചെയ്യൽ, പ്രകടനം അല്ലെങ്കിൽ ഈടുനിൽപ്പ് എന്നിവയെ പ്രതികൂലമായി ബാധിക്കുകയും സർക്കാർ ചട്ടങ്ങൾ ലംഘിക്കുകയും ചെയ്തേക്കാം. കൂടാതെ, പരിഷ്കരണത്തിന്റെ ഫലമായുണ്ടായ കേടുപാടുകൾ അല്ലെങ്കിൽ പ്രകടനത്തിലുള്ള പ്രശ്നങ്ങൾ വാറണ്ടിയുടെ പരിധിയിൽ വരില്ല.

അറിയിപ്പ്
 സെല്ലുലാർ ഫോൺ അല്ലെങ്കിൽ സിബി (സിറ്റിസൺ ബാൻഡ്) തുടങ്ങിയ മൊബൈൽ അശുഭമായ വിനിമയ ഉപകരണങ്ങൾ തെറ്റായ രീതിയിൽ ഘടിപ്പിച്ചാൽ വാഹനത്തിന്റെ ഇൻഷുറൻസ് സിസ്റ്റത്തിൽ ഇലക്ട്രോണിക് ഇന്റർഫറൻസ് ഉണ്ടാകാനും വാഹനത്തിൽ പ്രവർത്തന പ്രശ്നങ്ങൾ വരാനും കാരണമാകാം. മൊബൈൽ കമ്മ്യൂണിക്കേഷൻ ഉപകരണങ്ങൾ ഘടിപ്പിക്കാനുള്ള നിർദ്ദേശങ്ങൾക്ക് മാരുതി സുസുക്കി ഇന്ത്യാ ലിമിറ്റഡ് അംഗീകൃത ഡീലറെ സമീപിക്കുക.

അറിയിപ്പ്
 മാരുതി സുസുക്കി നിർദ്ദേശിച്ചിട്ടില്ലാത്ത ഗുണ നിലവാരം കുറഞ്ഞ ഇന്ധനം അല്ലെങ്കിൽ/ കൂടാതെ ല്യൂബ്രിക്കന്റ് ഉപയോഗിച്ചാൽ ഗുരുതരമായ കേടുപാടുകൾ ഉണ്ടായേക്കാം.

വാറണ്ടി നയം

മാരുതി സുസൂക്കി ഇൻഡ്യയിൽ വിതരണം ചെയ്യുന്നതും ഒരു അംഗീകൃത മാരുതി സുസൂക്കി ഡീലർ വിൽപന നടത്തുന്നതും ആയ ഓരോ പുതിയ മാരുതി സുസൂക്കി വാഹനവും, സാധാരണ ഉപയോഗ, സർവീസ് സാഹചര്യങ്ങളിൽ നിർമ്മാണ വസ്തുക്കളിലോ, നിർമ്മാണ സമയത്തെ ജോലി വൈദഗ്ദ്ധ്യത്തിലോ യാതൊരു ന്യൂനതകളും ഇല്ലാത്തതായിരിക്കും എന്ന് മാരുതി സുസൂക്കി ഇന്ത്യ ലിമിറ്റഡ് (മേലിൽ "മാരുതി സുസൂക്കി" എന്ന് പറയപ്പെടും) താഴെ പറയുന്ന വ്യവസ്ഥകൾക്കും നിബന്ധനകൾക്കും വിധേയമായി വാറണ്ടി നൽകുന്നു:

(1) അർഹത:

ഈ വാറണ്ടിക്ക് അർഹത നേടാൻ മാരുതി സുസൂക്കി വാഹനം മാരുതി സുസൂക്കി അംഗീകൃത ഡീലർ ഡെലിവറി നൽകിയതും മാരുതി സുസൂക്കി അംഗീകൃത വർക്ക് ഷോപ്പിൽ സെറ്റ്-അപ്പ്, സർവീസ് ചെയ്യുന്നതും ആവണം.

(2) കാലാവധി:

ഈ വാറണ്ടിയുടെ കാലാവധി, വാഹനം ആദ്യ ഉടമസ്ഥനു ഡെലിവറി നൽകുന്ന നാൾ മുതൽ മൂപ്പത്തി ആറ് (36) മാസം അല്ലെങ്കിൽ 1,00,000 കി.മീ. (ഏത് ആദ്യം വരുന്നുവോ അത്) വരെ ആയിരിക്കും.

(3) മാരുതി സുസൂക്കി വാറണ്ടി ബാധ്യതകൾ:

മേൽ ഉടമസ്ഥി ചെയ്ത കാലാവധിക്കുള്ളിൽ മാരുതി സുസൂക്കി വാഹനത്തിൽ എന്തെങ്കിലും ന്യൂനത(കൾ) കണ്ടാൽ, നിർമ്മാണ വസ്തുക്കളിലോ, നിർമ്മാണ സമയത്തെ ജോലി വൈദഗ്ദ്ധ്യത്തിലോ ഉള്ള കുഴപ്പം മൂലമാണെന്ന് മാരുതി സുസൂക്കി എൽക്കുന്ന പക്ഷം, ആ ന്യൂനത കാണുന്ന ഏതൊരു പാർട്ടും ഉടമസ്ഥനിൽ നിന്ന് യാതൊരു ചിലവു, പാർട്ടുകളുടെ വിലയായോ, പണിക്കൂലിയോ ഈടാക്കാതെ റിപ്പയർ ചെയ്യുക അല്ലെങ്കിൽ മാറ്റി പുതിയതോ, തത്തുല്യമായതോ ആയ പാർട്ട് ഘടിപ്പിച്ച് നൽകുക എന്നത് മാത്രമാണ് മാരുതി സുസൂക്കിയുടെ ഏക ബാധ്യത. പകരം പുതിയത് ഘടിപ്പിച്ചു നൽകിയാൽ, അത്തരത്തിൽ കേടുള്ള പാർട്ടുകൾ മാരുതി സുസൂക്കിയുടെ സ്വത്തായി മാറും. ഈ വാറണ്ടിയിൽ ഉൾപ്പെട്ടിട്ടില്ലാത്ത ഏത് റിപ്പയർ അല്ലെങ്കിൽ പാർട്ട് മാറ്റൽ ചിലവുകൾക്കും ഉടമസ്ഥൻ ഉത്തരവാദി ആയിരിക്കും. മാരുതി സുസൂക്കിയുടെ തീരുമാനം അന്തിമവും ബാധ്യസ്ഥതയുള്ളതും ആയിരിക്കും.

(4) പരിമിതികൾ:

താഴെ പറയുന്നവയ്ക്ക് വാറണ്ടി ബാധകമാവുകയില്ല:

- a) നാല് സൗജന്യ സർവീസുകൾ ഒഴികെ ആവശ്യമായി വരുന്ന സാധാരണ മെയിന്റനൻസ് സർവീസുകൾ, പരിമിതി ഇല്ലാതെ ഓയിൽ, ഫ്ലൂയിഡ് മാറ്റൽ, ഉപയോഗിച്ച് തിരുന്ന വസ്തുക്കൾ ഹെഡ് ലൈറ്റ് എയിമിംഗ്, പാസനർ വിണ്ടും ടൈറ്റ് ചെയ്യൽ, വീൽ ബാലൻസിങ്ങ്, വീൽ അലൈൻമെന്റ്, ടയർ റൊട്ടേഷൻ, ഇഞ്ചക്ടർ ക്ലീനിംഗ്, കർബുറേറ്റർ ക്രമീകരണം, ഇഗ്നീഷൻ ടൈമിംഗ്, ക്ലച്ച്, വാൽവ് ക്ലിയറൻസ് എന്നിവ ഉൾപ്പെടെ.
- b) ബൾബ്, ടയർ, ട്യൂബ്, സ്പാർക്ക് പ്ലഗ്, ബെൽറ്റ്, ഹോസ്, ഫിൾട്ടർ, വൈപ്പർ ബ്ലേഡ്, ബ്രഷ്, കോണ്ടാക്റ്റ് പോയിന്റ്, ഫ്യൂസ്, ക്ലച്ച് ഡിസ്ക്, ബ്രേക്ക് ഷൂസ്, ബ്രേക്ക് പാഡ്, കേബിൾ, എല്ലാ റബ്ബർ പാർട്ടുകളും (ഓയിൽ സീൽ, ഗ്ലാസ് റബ്ബ് എന്നിവ ഒഴികെ) ഉൾപ്പെടെ പരിമിതിയില്ലാതെ സാധാരണ തേയ്മാനം വരുന്ന പാർട്ടുകൾ.
- c) മൽസരങ്ങൾ, റാലികൾ, പന്തയ ഓട്ടങ്ങൾ എന്നിവയ്ക്കു ഉപയോഗിച്ച ഏതു വാഹനവും.
- d) ആക്സിലറേറ്റർ അല്ലെങ്കിൽ കൂട്ടിയിടിയുടെ ഫലമായി വേണ്ടി വരുന്ന റിപ്പയർ അഥവാ മാറ്റൽ.
- e) ദുരുപയോഗം, ശ്രദ്ധക്കുറവ്, അസാധാരണ ഉപയോഗം, അപര്യാപ്തമായ പരിചരണം, വിധാസക പ്രവൃത്തികൾ, മോഷണം, കലാപം, അഗ്നിബാധ, വെള്ളപ്പൊക്കം - എഞ്ചിൻ സിഷർ, ഹൈഡ്രോസ്റ്റാറ്റിക് ലോക്ക് മുൻലായവ സംഭവിക്കാൻ കാരണമാകും വിധം ഘടകങ്ങളിൽ വെള്ളം കയറുന്നത്, അല്ലെങ്കിൽ ബോഡി/ഘടകങ്ങൾ എന്നിവയിൽ ഉണ്ടാകുന്ന ബാഹ്യമായ കേടുപാടുകൾ എന്നിവയിൽ പരിമിതിപ്പെടുത്താതെ, സംഭവിക്കുന്ന ഏതു ന്യൂനതയും കേടുപാടുകളും.
- f) മാധ്യം ചേർത്ത ഇന്ധനം / ല്യൂബ്രിക്കന്റ് / ഓയിൽ/കുളന്റ്/ഫ്ലൂയിഡ് / പോളിഷിങ്ങ് ഉൽപ്പന്നങ്ങൾ കൂടാതെ ഓണേഴ്സ് മാനുവലിൽ നിർദ്ദേശിച്ചതിൽ നിന്നു വ്യത്യസ്തമായ ഇന്ധനം / ല്യൂബ്രിക്കന്റ് / ഓയിൽ/കുളന്റ് / ഫ്ലൂയിഡ് എന്നിവ ഉപയോഗിക്കുന്നത് മൂലം സംഭവിക്കുന്ന കേടുപാടുകൾ.
- g) പരിഷ്കരിക്കുകയോ മാറ്റം വരുത്തുകയോ ചെയ്ത വാഹനങ്ങൾ, പ്രകടനം മെച്ചപ്പെടുത്താനുള്ള അനുബന്ധങ്ങൾ ഉൾപ്പെടെ എന്നാൽ അവയിൽ പരിമിതിപ്പെടുത്താതെ, ലൈറ്റുകൾ വലുതാക്കൽ കൂടാതെ ബാഹ്യമായ / പരിണത ഫലമായ മാറ്റം കാരണങ്ങൾ.
- h) മാരുതി സുസൂക്കി അംഗീകരിക്കാത്ത പാർട്ടുകൾ, അനുബന്ധങ്ങൾ (നോൺ - എം എസ് ജി എ, നോൺ - എം എസ് ജി പി) എന്നിവ ഉപയോഗിക്കുന്ന വാഹനങ്ങൾ.
- i) മാരുതി സുസൂക്കി ഓണേഴ്സ് മാനുവലിൽ പറയുന്ന പ്രവർത്തന നിർദ്ദേശങ്ങൾക്ക് അനുസൃതമാല്ലാതെ പ്രവർത്തിപ്പിച്ച വാഹനങ്ങൾ.

വാറണ്ടി നയം

മാരുതി സുസൂക്കി ഇൻഡ്യയിൽ വിതരണം ചെയ്യുന്നതും ഒരു അംഗീകൃത മാരുതി സുസൂക്കി ഡീലർ വിൽപന നടത്തുന്നതും ആയ ഓരോ പുതിയ മാരുതി സുസൂക്കി വാഹനവും, സാധാരണ ഉപയോഗ, സർവീസ് സാഹചര്യങ്ങളിൽ നിർമ്മാണ വസ്തുക്കളിലോ, നിർമ്മാണ സമയത്തെ ജോലി വൈദഗ്ദ്ധ്യത്തിലോ യാതൊരു ന്യൂനതകളും ഇല്ലാത്തതായിരിക്കും എന്ന് മാരുതി സുസൂക്കി ഇന്ത്യ ലിമിറ്റഡ് (മേലിൽ "മാരുതി സുസൂക്കി" എന്ന് പറയപ്പെടും) താഴെ പറയുന്ന വ്യവസ്ഥകൾക്കും നിബന്ധനകൾക്കും വിധേയമായി വാറണ്ടി നൽകുന്നു:

(1) അർഹത:

ഈ വാറണ്ടിക്ക് അർഹത നേടാൻ മാരുതി സുസൂക്കി വാഹനം മാരുതി സുസൂക്കി അംഗീകൃത ഡീലർ ഡെലിവറി നൽകിയതും മാരുതി സുസൂക്കി അംഗീകൃത വർക്ക് ഷോപ്പിൽ സെറ്റ്-അപ്പ്, സർവീസ് ചെയ്യുന്നതും ആവണം.

(2) കാലാവധി:

ഈ വാറണ്ടിയുടെ കാലാവധി, വാഹനം ആദ്യ ഉടമസ്ഥനു ഡെലിവറി നൽകുന്ന നാൾ മുതൽ മൂപ്പത്തി ആറ് (36) മാസം അല്ലെങ്കിൽ 1,00,000 കി.മീ. (ഏത് ആദ്യം വരുന്നുവോ അത്) വരെ ആയിരിക്കും.

(3) മാരുതി സുസൂക്കി വാറണ്ടി ബാധ്യതകൾ:

മേൽ ഉടമസ്ഥി ചെയ്ത കാലാവധിക്കുള്ളിൽ മാരുതി സുസൂക്കി വാഹനത്തിൽ എന്തെങ്കിലും ന്യൂനത(കൾ) കണ്ടാൽ, നിർമ്മാണ വസ്തുക്കളിലോ, നിർമ്മാണ സമയത്തെ ജോലി വൈദഗ്ദ്ധ്യത്തിലോ ഉള്ള കുഴപ്പം മൂലമാണെന്ന് മാരുതി സുസൂക്കി എൽക്കുന്ന പക്ഷം, ആ ന്യൂനത കാണുന്ന ഏതൊരു പാർട്ടും ഉടമസ്ഥനിൽ നിന്ന് യാതൊരു ചിലവു, പാർട്ടുകളുടെ വിലയായോ, പണിക്കൂലിയോ ഈടാക്കാതെ റിപ്പയർ ചെയ്യുക അല്ലെങ്കിൽ മാറ്റി പുതിയതോ, തത്തുല്യമായതോ ആയ പാർട്ട് ഘടിപ്പിച്ച് നൽകുക എന്നത് മാത്രമാണ് മാരുതി സുസൂക്കിയുടെ ഏക ബാധ്യത. പകരം പുതിയത് ഘടിപ്പിച്ചു നൽകിയാൽ, അത്തരത്തിൽ കേടുള്ള പാർട്ടുകൾ മാരുതി സുസൂക്കിയുടെ സ്വത്തായി മാറും. ഈ വാറണ്ടിയിൽ ഉൾപ്പെട്ടിട്ടില്ലാത്ത ഏത് റിപ്പയർ അല്ലെങ്കിൽ പാർട്ട് മാറ്റൽ ചിലവുകൾക്കും ഉടമസ്ഥൻ ഉത്തരവാദി ആയിരിക്കും. മാരുതി സുസൂക്കിയുടെ തീരുമാനം അന്തിമവും ബാധ്യസ്ഥതയുള്ളതും ആയിരിക്കും.

(4) പരിമിതികൾ:

താഴെ പറയുന്നവയ്ക്ക് വാറണ്ടി ബാധകമാവുകയില്ല:

- a) നാല് സൗജന്യ സർവീസുകൾ ഒഴികെ ആവശ്യമായി വരുന്ന സാധാരണ മെയിന്റനൻസ് സർവീസുകൾ, പരിമിതി ഇല്ലാതെ ഓയിൽ, ഫ്ലൂയിഡ് മാറ്റൽ, ഉപയോഗിച്ച് തിരുന്ന വസ്തുക്കൾ ഹെഡ് ലൈറ്റ് എയിമിംഗ്, പാസനർ വിണ്ടും ടൈറ്റ് ചെയ്യൽ, വീൽ ബാലൻസിങ്ങ്, വീൽ അലൈൻമെന്റ്, ടയർ റൊട്ടേഷൻ, ഇഞ്ചക്ടർ ക്ലീനിംഗ്, കർബുറേറ്റർ ക്രമീകരണം, ഇഗ്നീഷൻ ടൈമിംഗ്, ക്ലച്ച്, വാൽവ് ക്ലിയറൻസ് എന്നിവ ഉൾപ്പെടെ.
- b) ബൾബ്, ടയർ, ട്യൂബ്, സ്പാർക്ക് പ്ലഗ്, ബെൽറ്റ്, ഹോസ്, ഫിൾട്ടർ, വൈപ്പർ ബ്ലേഡ്, ബ്രഷ്, കോണ്ടാക്റ്റ് പോയിന്റ്, ഫ്യൂസ്, ക്ലച്ച് ഡിസ്ക്, ബ്രേക്ക് ഷൂസ്, ബ്രേക്ക് പാഡ്, കേബിൾ, എല്ലാ റബ്ബർ പാർട്ടുകളും (ഓയിൽ സീൽ, ഗ്ലാസ് റബ്ബർ എന്നിവ ഒഴികെ) ഉൾപ്പെടെ പരിമിതിയില്ലാതെ സാധാരണ തേയ്മാനം വരുന്ന പാർട്ടുകൾ.
- c) മൽസരങ്ങൾ, റാലികൾ, പന്ത ഓട്ടങ്ങൾ എന്നിവയ്ക്കു ഉപയോഗിച്ച ഏതു വാഹനവും.
- d) ആക്സിഡന്റ് അല്ലെങ്കിൽ കൂട്ടിയിടിയുടെ ഫലമായി വേണ്ടി വരുന്ന റിപ്പയർ അഥവാ മാറ്റൽ.
- e) ദുരുപയോഗം, ശ്രദ്ധക്കുറവ്, അസാധാരണ ഉപയോഗം, അപര്യാപ്തമായ പരിചരണം, വിധാസക പ്രവൃത്തികൾ, മോഷണം, കലാപം, അഗ്നിബാധ, വെള്ളപ്പൊക്കം - എഞ്ചിൻ സിഷർ, ഹൈഡ്രോസ്റ്റാറ്റിക് ലോക്ക് മുൻലായവ സംഭവിക്കാൻ കാരണമാകും വിധം ഘടകങ്ങളിൽ വെള്ളം കയറുന്നത്, അല്ലെങ്കിൽ ബോഡി/ഘടകങ്ങൾ എന്നിവയിൽ ഉണ്ടാകുന്ന ബാഹ്യമായ കേടുപാടുകൾ എന്നിവയിൽ പരിമിതിപ്പെടുത്താതെ, സംഭവിക്കുന്ന ഏതു ന്യൂനതയും കേടുപാടുകളും.
- f) മാധ്യം ചേർത്ത ഇന്ധനം / ല്യൂബ്രിക്കന്റ് / ഓയിൽ/കുളന്റ്/ഫ്ലൂയിഡ് / പോളിഷിങ്ങ് ഉൽപ്പന്നങ്ങൾ കൂടാതെ ഓണേഴ്സ് മാനുവലിൽ നിർദ്ദേശിച്ചതിൽ നിന്നു വ്യത്യസ്തമായ ഇന്ധനം / ല്യൂബ്രിക്കന്റ് / ഓയിൽ/കുളന്റ് / ഫ്ലൂയിഡ് എന്നിവ ഉപയോഗിക്കുന്നത് മൂലം സംഭവിക്കുന്ന കേടുപാടുകൾ.
- g) പരിഷ്കരിക്കുകയോ മാറ്റം വരുത്തുകയോ ചെയ്ത വാഹനങ്ങൾ, പ്രകടനം മെച്ചപ്പെടുത്താനുള്ള അനുബന്ധങ്ങൾ ഉൾപ്പെടെ എന്നാൽ അവയിൽ പരിമിതിപ്പെടുത്താതെ, ലൈറ്റുകൾ വലുതാക്കൽ കൂടാതെ ബാഹ്യമായ / പരിണത ഫലമായ മാറ്റം കാരണങ്ങൾ.
- h) മാരുതി സുസൂക്കി അംഗീകരിക്കാത്ത പാർട്ടുകൾ, അനുബന്ധങ്ങൾ (നോൺ - എം എസ് ജി എ, നോൺ - എം എസ് ജി പി) എന്നിവ ഉപയോഗിക്കുന്ന വാഹനങ്ങൾ.
- i) മാരുതി സുസൂക്കി ഓണേഴ്സ് മാനുവലിൽ പറയുന്ന പ്രവർത്തന നിർദ്ദേശങ്ങൾക്ക് അനുസൃതമാല്ലാതെ പ്രവർത്തിപ്പിച്ച വാഹനങ്ങൾ.

- j) മാരുതി സുസുക്കി ഓണേഴ്സ് മാമ്പൽ, സർവീസ് ബുക്ക് ലെറ്റ് എന്നിവയിൽ നിർദ്ദേശിച്ച സർവീസ് പരിശോധനകൾ ചെയ്തിട്ടില്ലാത്ത വാഹനങ്ങൾ.
- k) മാരുതി സുസുക്കി അംഗീകൃത വർക്ക് ഷോപ്പ് അല്ലാത്ത ഇടത്ത് സംയോജിപ്പിക്കൽ, വേർപിരിക്കൽ, ക്രമീകരണം, റിപ്പയർ എന്നിവ ചെയ്ത വാഹനങ്ങൾ.
- l) അത് രൂപകൽപന ചെയ്ത ആവശ്യത്തിനല്ലാതെ മറ്റു ആവശ്യങ്ങൾക്ക് ഉപയോഗിച്ച വാഹനങ്ങൾ.
- m) വായുവിലൂടെയുള്ള അണുപ്രസരണം, വ്യവസായിക അണുപ്രസരണം, ആസിഡ് മഴ, ആലിപ്പഴം, കൊടുങ്കാറ്റ്, ഇടിമിന്നൽ, പക്ഷി വിസർജ്ജ്യങ്ങൾ, കാർബന്റ് തിന്നുന്ന ജീവികൾ / എലി എന്നിവയുടെ കടി, അതുപോലെ വാഹനത്തിന് കേടുണ്ടാക്കുന്ന മറ്റു കാര്യങ്ങൾ എന്നിവ മൂലം സംഭവിക്കുന്ന കേടുപാടുകളും ദുഃഷണങ്ങളും.
- n) തകരാറുകൾ/ശബ്ദം, വിറയൽ, ഫ്ലൂയിഡ് ഉറപ്പ് എന്നിവ ഉൾപ്പെടെ വാഹനത്തിന്റെ പ്രവർത്തനത്തെ ബാധിക്കാത്ത നിസ്സാര പ്രശ്നങ്ങൾ.
- o) കാലപ്പഴക്കം, തേയ്മാനം, അല്ലെങ്കിൽ നിറം നഷ്ടപ്പെടൽ, മങ്ങൽ, രൂപം നഷ്ടപ്പെടൽ, കളങ്കം, തൂണി നിറം പോകൽ എന്നീ ദുഃഷണങ്ങൾ ഉൾപ്പെടെ എന്നിവിടെ അവിടെ പരിമിതപ്പെടുത്താതെ സാഭാവിക തേയ്മാനങ്ങൾ
- p) ഗാർഹിക എൽ.പി.ജി ഗ്യാസ് / എൽ.പി.ജി സിലിണ്ടർ ഘടിപ്പിച്ച വാഹനങ്ങൾ.
- q) V-ബെൽറ്റ്, ഹോസ്, ഗ്യാസ് ലിക്ക് (മാരുതി സുസുക്കി എ/സി വാഹനങ്ങൾക്ക്).
- r) എൽ.പി.ജി/സി.എൻ.ജി കിറ്റ് ഘടിപ്പിച്ച വാഹനങ്ങൾ.
- s) പാച്ച് വർക്ക്, ബോഡി വർക്ക്, മോൾഡിങ്, ഇന്റിരിയർ ട്രിം ഉൾപ്പെടെ പെയിന്റിങ്ങ്.
- t) ഭ്രമിക്കൽ, ബോഡി പാർട്ടുകൾ / ഘടകങ്ങൾ തുരുമ്പിക്കൽ.
- u) അനധികൃതമായി ഒഡോമീറ്റർ മാറ്റൽ, ഒഡോമീറ്റർ റീഡിങ്ങിൽ മാറ്റൽ / കൈകാര്യം ചെയ്ത നടത്തൽ അല്ലെങ്കിൽ സർവീസ് രേഖകളുമായി പൊരുത്തപ്പെടാതിരിക്കൽ എന്നിവ ചെയ്ത വാഹനങ്ങൾ.
- v) ന്യൂനത ഉണ്ടെന്ന് ഉടമസ്ഥൻ / ഉപയോഗിക്കുന്ന ആൾക്ക് അറിവുണ്ടായിട്ടും വേണ്ടത് ചെയ്യാതെ അവഗണിച്ചതു മൂലം വാഹനത്തിന് സംഭവിക്കുന്ന കേടുപാടുകൾ.
- w) വാഹനം പ്രവർത്തന രഹിതമായി ദീർഘകാലം പാർക്ക് ചെയ്തു നിർത്തുന്നതു മൂലം ബാറ്ററി / ടയർ എന്നിവയുൾപ്പെടെ വാഹനത്തിനു സംഭവിക്കുന്ന കേടുപാടുകൾ.
- x) ഓട്ടോമോട്ടീവ് സ്റ്റാൻഡേർഡ്സ് ഓഫ് ഇന്ത്യ ഉൾപ്പെടെ, എന്നാൽ അതിൽ മാത്രം പരിമിതപ്പെടുത്താതെ ബന്ധപ്പെട്ട അതോറിറ്റി നിർദ്ദേശിക്കുന്ന മാനദണ്ഡങ്ങൾക്കനുസൃതമായി റെട്രോ ഫിറ്റ്മെന്റിന്

- അംഗീകരിച്ചിട്ടില്ലാത്തതും കൂടാതെ/അല്ലെങ്കിൽ തരം അംഗീകരിക്കുന്ന ഏതൊരു വെഹിക്കിളും.
- y) റെട്രോ ഫിറ്റ്മെന്റുള്ള ഏതൊരു വെഹിക്കിളും. നേരിട്ടോ അല്ലാതെയോ വെഹിക്കിളിന്. എന്തെങ്കിലും നാശമുണ്ടാക്കുന്ന അല്ലെങ്കിൽ വെഹിക്കിളിന്റെ. പ്രവർത്തനങ്ങളെ ഏതെങ്കിലും വിധത്തിൽ ബാധിക്കുന്നു.

(5) വാറണ്ടി ദീർഘിപ്പിക്കൽ:

മാരുതി സുസുക്കി വാഹനങ്ങൾക്ക് മാരുതി സുസുക്കി നൽകുന്ന സംപൂർണ്ണമായ രേഖാമൂലമുള്ള വാറണ്ടിയാണ് ഇത്. ഏതെങ്കിലും ഡീലർ അല്ലെങ്കിൽ അതിന്റെ / അയാളുടെ ഏജന്റ് / ജീവനക്കാർ എന്നിവരെ ഈ വാറണ്ടി ദീർഘിപ്പിക്കാനോ വിപുലീകരിക്കാനോ അധികാരപ്പെടുത്തിയിട്ടില്ല. ഏതെങ്കിലും ഡീലർ അല്ലെങ്കിൽ അതിന്റെ / അയാളുടെ ഏജന്റ് / ജീവനക്കാർ എന്നിവരെ മാരുതി സുസുക്കിയുടെ പേരിൽ വാക്കാൽ വാറണ്ടി, പ്രതിനിധീകരണം, അല്ലെങ്കിൽ വാഗ്ദാനം നൽകാൻ അധികാരപ്പെടുത്തിയിട്ടില്ല. മുൻപ് വീൽപന നടത്തിയ വാഹനങ്ങളിൽ അതെ മാറ്റങ്ങൾ വരുത്തി കൊടുക്കാനോ എന്ന ബാധ്യത ഇല്ലാതെ ഏത് മോഡലിലും ഏത് സമയത്തും പരിഷ്കരണങ്ങളോ മാറ്റങ്ങളോ വരുത്താനുള്ള പൂർണ്ണ അവകാശം മാരുതി സുസുക്കിയിൽ നിക്ഷിപ്തമാണ്.

(6) വാറണ്ടി സർവീസ്:

വാറണ്ടി സേവനങ്ങൾ ലഭിക്കാൻ വാഹനം മുഴുവനായി, ഉടമസ്ഥന്റെ ചെലവിൽ അംഗീകൃത മാരുതി സുസുക്കി അംഗീകൃത വർക്ക് ഷോപ്പിൽ എൽപ്പിക്കേണ്ടതാണ്. സർവീസിനായി വാഹനം എൽപ്പിക്കുന്ന സമയത്ത് വാഹനത്തിൽ ഘടിപ്പിച്ചിട്ടുള്ള അനുബന്ധങ്ങൾക്കും സ്വന്തം സാധനങ്ങൾക്കും ഉപഭോക്താവ് ഉത്തരവാദി ആയിരിക്കണം. ഏതു സാഹചര്യത്തിലും അവ സംബന്ധിച്ച് യാതൊരു വിധ അവകാശ വാദങ്ങളും അംഗീകരിക്കുന്നതല്ല.

(7) ഉടമസ്ഥൻ ബാധ്യതകൾ: ഉള്ള ചുമതല:

<i>നോട്ടീസ്</i>
<p>ഉടമ കേടായ അവസ്ഥയിൽ വെഹിക്കിൾ ഉപയോഗിക്കരുത്, അത് ഉടൻ തന്നെ അടുത്തുള്ള അംഗീകൃത മാരുതി സുസുക്കി വർക്ക്ഷോപ്പിൽ റിപ്പോർട്ട് ചെയ്യണം. ഇത് വെഹിക്കിളിന്റെ നേരത്തെയുള്ള പരിശോധനയ്ക്കും അറ്റകുറ്റപ്പണിക്കും കാരണമാവുകയും വ്യക്തിക്ക് എന്തെങ്കിലും ദോഷം വരുത്തുകയോ വെഹിക്കിളിന് കേടുപാടുകൾ സംഭവിക്കുന്നത് തടയുകയോ ചെയ്യാം.</p>

താഴെ പറയുന്നവ ഓരോ ഉടമസ്ഥന്റെയും ചുമതലയാണ്:

- സ്വന്തം ചെലവിൽ മാരുതി സുസുക്കി അംഗീകൃത ഡീലർ / സർവീസ് സ്റ്റേഷനിൽ മാരുതി സുസുക്കി ഓണേഴ്സ് മാനുവൽ ആൻഡ് സർവീസ് ബുക്ക് ലെറ്റ് നിർദ്ദേശിക്കുന്ന എല്ലാ സർവീസ് പരിശോധനകളും നടത്തുകയും അത്തരം സർവീസ് പരിശോധനകൾ നടത്തിയതിന് പര്യാപ്തമായ രേഖകൾ സൂക്ഷിക്കുകയും ചെയ്യണം.
- മാരുതി സുസുക്കി അംഗീകൃത വർക്ക് ഷോപ്പിൽ സർവീസ് പരിശോധനകൾ, അല്ലെങ്കിൽ വാറണ്ടി സർവീസ് ചെയ്യുമ്പോഴെല്ലാം അത് ഓണേഴ്സ് മാനുവൽ ആൻഡ് സർവീസ് ബുക്ക് ലെറ്റിലെ കസ്റ്റമർ സർവീസ് മെയിന്റനൻസ് റെക്കോർഡ് പേജിൽ പുതുക്കി രേഖപ്പെടുത്തി സൂക്ഷിക്കേണ്ടതാണ്.
- സർവീസ് പരിശോധന അല്ലെങ്കിൽ വാറണ്ടി സർവീസ് ആവശ്യപ്പെടുന്ന സമയത്ത് മാരുതി സുസുക്കി അംഗീകൃത വർക്ക് ഷോപ്പിൽ ഓണേഴ്സ് മാനുവൽ ആൻഡ് സർവീസ് ബുക്ക് ലെറ്റ് നൽകുക

ഓണേഴ്സ് മാനുവൽ ആൻഡ് സർവീസ് ബുക്ക് ലെറ്റ് നഷ്ടപ്പെടുകയോ നശിച്ചു പോവുകയോ ചെയ്താൽ “ഓണേഴ്സ് മാനുവൽ ആൻഡ് സർവീസ് ബുക്ക് ലെറ്റ്” പകരം ലഭിക്കുന്നതിനെ കുറിച്ച് നിർദ്ദേശങ്ങൾക്ക് വാഹനം വാങ്ങിയ മാരുതി സുസുക്കി അംഗീകൃത ഡീലറെ സമീപിക്കണം.

(8) പരോക്ഷ ഫലമായ കേടുപാടുകൾ സംബന്ധിച്ചബാധ്യതാ നിഷേധം:

ഈ വാറണ്ടിയിൽ ഉൾപ്പെട്ട ഏതെങ്കിലും ന്യൂനത മൂലം ഉടമസ്ഥനു വാഹനം ലഭ്യമല്ലാതെ വരുമ്പോൾ മൂലം പരോക്ഷ ഫലമായി ഉണ്ടാവുന്ന

വാഹനം നഷ്ടപ്പെടൽ, സമയ നഷ്ടം, അസൗകര്യം മുതലായവയ്ക്ക് മാരുതി സുസുക്കി യാതൊരു ഉത്തരവാദിത്വവും ഏൽക്കുന്നില്ല.

(9) ഉടമസ്ഥ മാറ്റം

വാഹനത്തിന്റെ ഉടമസ്ഥത മാറിയാലും ശേഷിക്കുന്ന വാറണ്ടി കാലാവധി പുതിയ ഉടമസ്ഥനു ലഭ്യമാകും. ഈ വാറന്റി ഇന്ത്യയിൽ മാത്രം ബാധകമാണ്, കൂടാതെ മറ്റൊരു രാജ്യത്തേക്കും കൈമാറാനാവില്ല.

പ്രസാരണ വാറണ്ടി നയം

ജൂലൈ 1, 2001 മുതൽ നാല് മെട്രോ നഗരങ്ങളിൽ (ന്യൂ ദൽഹി, കൊൽക്കത്ത, മുംബൈ, ചെന്നൈ) മാരുതി സുസുക്കി എല്ലാ മാരുതി സുസുക്കി വാഹനങ്ങൾക്കും പ്രസാരണ വാറണ്ടി നൽകുന്നു. (ഇത് സാധാരണ വാറണ്ടിക്ക് പുറമെ, അതിനു സമാന്തരമായി നില നിൽക്കുന്നു).

വ്യവസ്ഥകൾ:

പ്രസാരണ വാറണ്ടി ആദ്യ ഉടമസ്ഥനു ഡെലിവറി നൽകുന്ന നാല് മുതൽ 80,000 കിമീ അല്ലെങ്കിൽ 3 വർഷം (ഏതാണോ ആദ്യം അത് വരെ) നില നിൽക്കും. വാഹനത്തിന്റെ ഉടമസ്ഥത മാറിയാലും സാധുതയുള്ള രേഖകൾ നൽകിയാൽ ശേഷിക്കുന്ന വാറണ്ടി കാലാവധി പുതിയ ഉടമസ്ഥനു ലഭ്യമാകും.

നിബന്ധനകൾ:

- പ്രസാരണ വാറണ്ടി പ്രകാരം, വാഹനം കേന്ദ്ര മോട്ടോർ വെഹിക്കിൾ റൂൾസ് (സി.എം.വി.ആർ.) 1989, റൂൾ 115, സബ് റൂൾ (2) നിർദ്ദേശിക്കുന്ന പ്രസാരണ മാനദണ്ഡം പാലിക്കുന്നില്ല എന്ന് കണ്ടാൽ പ്രഥമ ദൃഷ്ട്യാ പരിശോധനയ്ക്കായി ക്ലെയിം സ്വീകരിക്കും.
- മാരുതി സുസുക്കി അല്ലെങ്കിൽ അംഗീകൃത ഡീലർ പരിശോധന നടത്തി താഴെ പറയുന്ന കാര്യങ്ങൾ ബോധ്യമായാൽ മാത്രമേ വാറണ്ടി ക്ലെയിം സ്വീകരിക്കുകയുള്ളൂ.
 - ഒറിജിനൽ സെറ്റിംഗ്സ് ഒരു കാരണവശാലും കൈകാര്യം ചെയ്ത് കേടാക്കിയിട്ടില്ല.
 - പാർട്ട് (അനുബന്ധം - എ) യിൽ കൊടുത്ത വിധം നിർമ്മാണ പിഴവ് ഉള്ളതാണ്.
 - ഓണേഴ്സ് മാമ്പൽ ആൻഡ് സർവീസ് ബുക്ക്ലെറ്റ് നിർദ്ദേശിക്കുന്ന രീതിയിൽ വാഹനം ഉപയോഗിക്കുകയും പരിപാലിക്കുകയും ചെയ്യുകയും, ഇന്ധനം, വിവിധ ഓയിലുകൾ (എഞ്ചിൻ ഓയിൽ, ട്രാൻസ്മിഷൻ ഓയിൽ, ബ്രേക്ക് ഓയിൽ മുതലായവ) എല്ലാം നിർദ്ദിഷ്ട മാനദണ്ഡം അനുസരിച്ചുള്ള ഉപയോഗിക്കുകയും ചെയ്തിട്ടും വാഹനം പ്രസാരണ മാനദണ്ഡങ്ങൾ (1 ഇൽ കൊടുത്ത പ്രകാരം) പാലിക്കുന്നില്ല.

- വാറണ്ടിയിൽ തീരുമാനം എടുക്കാൻ വേണ്ടി നടത്തുന്ന പരിശോധനയുടെ രീതി പൂർണ്ണമായും മാരുതി സുസുക്കി, അതിന്റെ ഡീലർ എന്നിവരുടെ വിവേചനം അനുസരിച്ച് ആയിരിക്കും. ഈ പരിശോധനയുടെ ഫലം അന്തിമവും ബാധ്യതപ്പെട്ടതും ആയിരിക്കും. പരിശോധനക്ക് ശേഷം വാറണ്ടി നൽകാവുന്ന അവസ്ഥ സ്ഥാപിക്കാൻ ആയില്ലെങ്കിൽ മാരുതി സുസുക്കി, അതിന്റെ ഡീലർ എന്നിവർക്ക് ആ പരിശോധനയുടെ ചെലവ് പൂർണ്ണമായോ ഭാഗികമായോ ഈടാക്കാൻ അവകാശമുണ്ട്.
- പ്രസാരണ വാറണ്ടി പ്രകാരം പാർട്ട് (അനുബന്ധം - എ) യിൽ കൊടുത്ത വിധം) സൗജന്യമായി നൽകും, പക്ഷെ ഉപയോഗിച്ച് തീർന്ന വസ്തുക്കൾക്ക് യഥാർത്ഥ വില ഈടാക്കും.
- പ്രസാരണ വാറണ്ടി പ്രകാരം സംരക്ഷിതമായ പാർട്ട് അല്ലെങ്കിൽ അതിന്റെ ബന്ധപ്പെട്ട പാർട്ട്, ഒരു പൂർണ്ണ അസംബ്ലിയുടെ അവിഭാജ്യ ഭാഗമായതിനാൽ തനിച്ച് മാറ്റാൻ കഴിയാത്തത് ആണെങ്കിൽ, മാരുതി സുസുക്കി, അതിന്റെ ഡീലർ എന്നിവർക്ക് അസംബ്ലി പൂർണ്ണമായി മാറ്റാനോ, സിസ്റ്റത്തിലെ ചില ഭാഗങ്ങൾ അനുയോജ്യമായ റിപ്പയർ അല്ലെങ്കിൽ നവീകരണം ചെയ്ത് ഉപയോഗിക്കാനോ വിവേചന പൂർവ്വം തീരുമാനം എടുക്കാൻ അവകാശമുണ്ട്.
- പ്രസാരണ വാറണ്ടി അനുവർത്തിക്കുവാൻ പരോക്ഷ ഫലമായി എന്തെങ്കിലും റിപ്പയർ അല്ലെങ്കിൽ മാറ്റി വെക്കൽ ആവശ്യമായി വന്നാൽ അപ ഉൽപന്ന വാറണ്ടിയിൽ ഉൾപ്പെടുന്നതല്ല എങ്കിൽ ഈ വാറണ്ടിയിൽ ഉൾപ്പെട്ടതായി പരിഗണിക്കില്ല. അത്തരം റിപ്പയർ അല്ലെങ്കിൽ മാറ്റൽ ഉണ്ടായാൽ ഉപഭോക്താവിൽ നിന്ന് യഥാർത്ഥ വില ഈടാക്കും.
- വാഹനം മാരുതി സുസുക്കി വർക്ക് ഷോപ്പിൽ എത്തിക്കുവാൻ ആവശ്യമായ ഗതാഗത ചെലവ്, വാറണ്ടി ക്ലെയിം കൊടുത്തത് മുതൽ മാരുതി സുസുക്കി ഡീലർ പരിശോധനയും, റിപ്പയർ പണികളും ചെയ്യുന്നത് വരെ വാഹനം ലഭ്യമല്ലാത്തതിനാൽ ഉണ്ടാവുന്ന നഷ്ടങ്ങൾ എന്നിവയ്ക്ക് മാരുതി സുസുക്കി ഉത്തരവാദി ആകുന്നതല്ല.
- പ്രസാരണ നിലവാരം പാലിക്കാത്തത് മൂലം നിയമ പരമായ അധികാരികൾ ചാർജ്ജ് ചെയ്യുന്ന പിഴയ്ക്ക് മാരുതി സുസുക്കി ഉത്തരവാദി ആകുന്നതല്ല.
- രേഖകൾ എല്ലാം ലഭ്യമാണെങ്കിൽ വാഹനത്തിന്റെ ഉടമസ്ഥത മാറുന്നത് പ്രസാരണ വാറണ്ടിയെ ബാധിക്കില്ല.

10. എല്ലാ മെയിന്റനൻസ് പ്രവൃത്തികളും (ഓണേഴ്സ് മാമ്പൽ ആൻഡ് സർവീസ് ബുക്ക്ലെറ്റിൽ നിർദ്ദേശിച്ച പ്രകാരം) പിൻ തുടരുകയും അവ പ്രസരണ വാറണ്ടിയുടെ മാമ്പലിൽ രേഖപ്പെടുത്തുകയും ചെയ്യണം.
11. പരിശോധനയ്ക്ക് മുൻപ് തകരാർ കണ്ടു പിടിച്ച സമയത്ത് സാധുത ഉണ്ടായിരുന്ന പി.യു.സി (പൊല്യൂഷൻ അണ്ടർ കണ്ട്രോൾ) സർട്ടിഫിക്കറ്റ് കസ്റ്റമർ നൽകേണ്ടതുണ്ട്. (വാഹനം ആദ്യം വാങ്ങിയ തീയതി മുതൽ വാഹനത്തിന്റെ മെയിന്റനൻസ് ഓണേഴ്സ് മാമ്പൽ ആൻഡ് സർവീസ് ബുക്ക്ലെറ്റ് നിർദ്ദേശിക്കുന്ന പ്രകാരം നടത്തിയതിന്റെ) റസീറ്റുകളും ആവശ്യമാണ്.

എമിഷൻ വാറണ്ടി ബാധകമല്ലാത്ത വ്യവസ്ഥകൾ

- 1 സാധുവായ പി യു സി സർട്ടിഫിക്കറ്റിന്റെ അഭാവത്തിൽ.
- 2 ഓണേഴ്സ് മാമ്പലിൽ വ്യക്തമാക്കിയ ഷെഡ്യൂൾ അനുസരിച്ച് അംഗീകൃത മാരുതി സുസുക്കി വർക്ക്ഷോപ്പിൽ നിന്ന് വെഹിക്കിൾ സർവീസ് ചെയ്തിട്ടില്ല.
- 3 അസാധാരണ ഉപയോഗത്തിന് വിധേയമായ വെഹിക്കിൾ (അപകടം, മോട്ടോർ റേസ്, റാലികൾ അല്ലെങ്കിൽ റെക്കോർഡുകൾ സ്ഥാപിക്കുന്നതിനായി).
- 4 എം എസ് ജി പി ഇതര ഉപയോഗം (മാരുതി സുസുക്കി ജെനുവിൻ പാർട്ട്).
- 5 കേടുവരുത്തിയ വെഹിക്കിൾ
- 6 യഥാർത്ഥ കിലോമീറ്റർ റിഡിങ് നിർണ്ണയിക്കാൻ കഴിയാത്തവിധം ഓഡോമീറ്റർ കേടുവരുത്തുക.
- 7 മായം ചേർത്ത ഫ്യൂവലിന്റെ അല്ലെങ്കിൽ വ്യക്തപ്പെടുത്താത്ത ഓയിലുകളുടെ ഉപയോഗം (എഞ്ചിൻ ഓയിൽ , ട്രാൻസ്മിഷൻ ഓയിൽ, ബ്രേക്ക് ഓയിൽ തുടങ്ങിയവ).

അനുബന്ധം - (എ)

എമിഷൻ വാറണ്ടിയുടെ പരിധിയിൽ വരുന്ന ഭാഗങ്ങളുടെ പട്ടിക (ബാധകമെങ്കിൽ)

1. ഫ്യൂൽ ഇഞ്ചെക്ഷൻ അസംബ്ലി, പ്രഷർ റെഗുലേറ്റർ, ത്രോട്ടിൾ ബോഡി അസംബ്ലി.
2. ഇ സി എം (ഇലക്ട്രോണിക് കൺട്രോൾ മൊഡ്യൂൾ).
3. ഇന്ടേക്ക് മാനിഫോൾഡ്.
4. ഇ ജി ആർ വാൽവ്.
5. ഇഗ്നിഷൻ കോയിൽ.
6. കാമ്പിസ്റ്റർ അസംബ്ലി.
7. വേപ്പർ ലിക്വിഡ് സെപ്പറേറ്റർ.
8. ഫ്യൂവൽ ടാങ്കും ഫില്ലർ ക്യാപ്പും.
9. പി സി വി (പോസിറ്റീവ് ക്രാക്ക് കേസ് വെൻറിലേഷൻ)വാൽവ്.
10. ഓയിൽ ഫില്ലർ ക്യാപ്പ്.
11. കാറ്റാലിറ്റിക് കൺവെർട്ടർ.
12. എക്സ്ഹോസ്റ്റ് മാനിഫോൾഡ്.
13. എല്ലാ ഫ്യൂവൽ ഇഞ്ചക്ഷൻ സിസ്റ്റവുമായി ബന്ധപ്പെട്ട സെൻസറുകൾ.
14. ഹൈ പ്രഷർ ഫ്യൂൽ പമ്പ്.
15. ഗ്ലോ പ്ളഗ്.
16. ഗ്ലോ പ്ളഗ് കൺട്രോളർ.

ഉള്ളടക്ക പട്ടിക

ഫ്യൂൽ ശുപാർശ	1
ഡ്രൈവിംഗിന് മുമ്പ്	2
നിങ്ങളുടെ വാഹനം പ്രവർത്തിപ്പിക്കുന്നത്	3
ഡ്രൈവിംഗ് ടിപ്പ്സ്	4
മറ്റ് കൺട്രോളുകളും ഉപകരണങ്ങളും	5
വാഹനം കയറുന്നതും ഇറക്കുന്നതും	6
പരിശോധനയും അറ്റകുറ്റപ്പണിയും	7
എമർജൻസി സർവീസ്	8
അപ്പിയറൻസ് സംരക്ഷണം	9
പൊതുവിവരങ്ങൾ	10
സവിശേഷതകൾ	11
ബോഡി ഫാബ്രിക്കേഷനുള്ള നിർദ്ദേശങ്ങൾ (ചേസിന് വേരിയന്റ്)	12

ഫ്യൂൽ ശുപാർശ

ഫ്യൂൽ ശുപാർശ 1-1

ഫ്യൂൽ ശുപാർശ

(പെട്രോൾ, സിഎൻജി എഞ്ചിൻ മോഡലിന്)

പെട്രോൾ എഞ്ചിൻ മോഡലിന്

കാറ്റലിറ്റിക് കൺവെർട്ടറിന് കേടുപാടുകൾ സംഭവിക്കാതിരിക്കാൻ, നിങ്ങൾ **91** അല്ലെങ്കിൽ അതിൽ കൂടുതലുള്ള ഒക്ടേൻ നമ്പർ **(RON)** ഉള്ള ലെഡ് ഇല്ലാത്ത ഗ്യാസോലിൻ ഉപയോഗിക്കണം.

പെട്രോളിൻ (Gasoline) / എഥനോളിൻ (Ethanol) മിശ്രിതം

ഗ്യാസോഹോൾ എന്ന പേരിലും അറിയപ്പെടാറുള്ള, അൺലെഡഡ് ഗ്യാസോലിൻ നിയന്ത്രണവും (പെട്രോൾ) എത്തനോളിൻ നിയന്ത്രണവും മിശ്രിതം വാണിജ്യാടിസ്ഥാനത്തിൽ നാട്ടിൽ ലഭ്യമാണ്. അതില്പരമായ അനുസൃതമായി അനുസൃതമായി വ്യത്യസ്തങ്ങളുള്ളതാവാം. **E20** വരെയുള്ള ഗ്യാസോലിൻ എത്തനോൾ മിശ്രിതം ഈ വാഹനത്തിൽ ഇടയ്ക്കായി ഉപയോഗിക്കാൻ.

MTBE അടങ്ങിയ ഗ്യാസോലിൻ

ഗ്യാസോലിനിലെ **MTBE** യുടെ അംശം 15% ൽ കൂടുതലല്ലെങ്കിൽ, നിങ്ങളുടെ വാഹനത്തിൽ **MTBE** (മീഥൈൽ ടെർഷ്യറി ബ്യൂട്ടിൽ ഈഥർ) അടങ്ങിയ ലെഡ് ഇല്ലാത്ത ഗ്യാസോലിൻ ഉപയോഗിക്കാവുന്നതാണ്. ഈ ഓക്സിജനേറ്റഡ് ഫ്യൂവലിൽ ആൽക്കഹോൾ അടങ്ങിയിട്ടില്ല.

⚠ ജാഗ്രത	
വ്യാജവും കുറഞ്ഞതും ഇന്ധനത്തിന്റെ എഞ്ചിനും കേടുപാടുകൾ എഞ്ചിൻ മാത്രമല്ല പ്രവർത്തനത്തെയും ചെയ്യുന്നു.	ഗുണനിലവാരം കലർന്നതുമായ ഉപയോഗം അനുബന്ധഭാഗങ്ങൾക്കും വരുത്തുകയും കാരണമാകുകയും ചെയ്യുന്നു.

ശ്രദ്ധിക്കുക
<ul style="list-style-type: none"> • ചുടുള്ള കാലാവസ്ഥയിൽ ഫ്യൂൽ വികസിക്കുന്നത് അനുവദിക്കുന്നതിനുള്ള എയർ സ്‌പേസ് ഫ്യൂൽ ടാങ്കിലുണ്ട്. ഫില്ലർ നോസൽ ഓട്ടോമാറ്റിക് ആയി ഷട്ട് ഓഫ് ആയതിനു ശേഷവും നിങ്ങൾ ഫ്യൂൽ ഒഴിക്കുന്നത് തുടരുകയാണെങ്കിൽ അല്ലെങ്കിൽ ഇനീഷ്യൽ ബ്ലോബാക്ക് സംഭവിക്കുകയാണെങ്കിൽ, എയർ ചേമ്പർ പൂർണ്ണമായും നിറയുന്നതാണ്. ഈ രീതിയിൽ പൂർണ്ണമായി ഫ്യൂൽ നിറയ്ക്കുകയാണെങ്കിൽ ചുടുള്ള സമയത്തെ ഫ്യൂൽ പിക്കപ്പ് അടയാൻ മൂലം ചോർച്ചയ്ക്ക് കാരണമാകും. ഇത്തരത്തിലുള്ള ഫ്യൂൽ ചോർച്ച തടയാൻ, ഫില്ലർ നോസൽ ഓട്ടോമാറ്റിക് ഷട്ട് ഓഫ് ആയതിനു ശേഷം അല്ലെങ്കിൽ ഇനീഷ്യൽ വെൻ്റ് ബ്ലോബാക്ക് സംഭവിക്കുമ്പോൾ, നോൺ ഓട്ടോമാറ്റിക് സിസ്റ്റം ഉപയോഗിക്കുകയാണെങ്കിൽ ഫ്യൂൽ ഒഴിക്കുന്നത് നിർത്തുക. <p style="text-align: right;">(തുടരും)</p>

ശ്രദ്ധിക്കുക

(തുടരും)
 • ഫ്യൂൽ നിറയ്ക്കുമ്പോൾ ആൽക്കഹോൾ അടങ്ങിയ ഇന്ധനം തുളുമ്പി പോകാതിരിക്കാൻ ശ്രദ്ധിക്കുക. വാഹനത്തിന്റെ ബോഡിയിൽ ഫ്യൂൽ തുളുമ്പി വീഴുകയാണെങ്കിൽ അത് ഉടൻ തുടയ്ക്കുക. ആൽക്കഹോൾ അടങ്ങിയ ഫ്യൂൽ പെയിന്റിന് കേടുപാടുകൾ വരുത്തും, അത് ന്യൂ വെഹിക്കിൾ ലിമിറ്റഡ് വാറന്റിയുടെ പരിധിയിൽ വരുന്നതല്ല.

സി എൻ ജി എഞ്ചിൻ മോഡലിന്

സി എൻ ജി
 സി എൻ ജി (കംപ്രസ്ഡ് നാച്ചുറൽ ഗ്യാസ്) പ്രധാനമായും മിഥേൻ ഉപയോഗിച്ചാണ് നിർമ്മിച്ചിരിക്കുന്നത്. സിഎൻജി ശുദ്ധമായ കത്തുന്ന ഇന്ധനമായി കണക്കാക്കപ്പെടുന്നു. സിഎൻജി യുടെ സാന്ദ്രത കുറവായതിനാൽ, വാഹനത്തിന്റെ ഓൺ-ബോർഡ് സംഭരണശേഷി വർദ്ധിപ്പിക്കുന്നതിന് ഏകദേശം 200 ബാറുകളുടെ മർദ്ദത്തിൽ ഇത് കംപ്രസ് ചെയ്യാവുന്നതാണ്.

▲ ജാഗ്രത

സി എൻ ജി ചോർച്ചയുടെ ലക്ഷണങ്ങളോ ശബ്ദം പുറപ്പെടുവിക്കുന്നതോ അല്ലെങ്കിൽ അപകടസമയത്ത് സിഎൻജി പൈപ്പിങ്ങിന് എന്തെങ്കിലും ബാഹ്യ കേടുപാടുകൾ സംഭവിച്ചതായോ ശ്രദ്ധയിൽപ്പെട്ടാൽ പരിഭ്രാന്തരാകേണ്ടതില്ല.

- വാഹനം നിർത്തി എഞ്ചിൻ സ്വിച്ച് ഓഫ് ചെയ്യുക, വിൻഡോസ് താഴ്ത്തി എല്ലാ ഡോറുകളും തുറന്നിടുക.
- മാനുവൽ ഷട്ട് ഓഫ് വാൽവ് അടച്ചിട്ടുണ്ട് എന്ന് ഉറപ്പാക്കുക.
- കൂടുതൽ സഹായത്തിന് ഉടൻ അംഗീകൃത മാരുതി സുസുക്കി കൊമേഴ്സ്യൽ വർക്ക്ഷോപ്പുമായി ബന്ധപ്പെടുക.

ഡ്രൈവിംഗിന് മുമ്പ്

കീകൾ 2-1

ഡോർ ലോക്കുകൾ 2-2

ടെയിൽഗേറ്റ് 2-3

വിൻഡോസ് 2-4

കണ്ണാടികൾ 2-4

സീറ്റുകൾ 2-5

സീറ്റ് ബെൽറ്റുകൾ 2-6

ഇൻസ്ട്രുമെന്റ് ക്ലസ്റ്റർ 2-13

സ്പീഡോമീറ്റർ 2-14

ഫ്യൂൽ ഗേജ് 2-14

ഇൻഫോർമേഷൻ ഡിസ്പ്ലേ 2-14

വാർണിംഗ്, ഇൻഡിക്കേറ്റർ ലൈറ്റുകൾ 2-18

ലൈറ്റിംഗ് കൺട്രോൾ ലിവർ 2-22

ഹെഡ്ലൈറ്റ് ലെവലിംഗ് സ്വിച്ച് 2-23

ട്രേൺ സിഗ്നൽ കൺട്രോൾ ലിവർ 2-24

അപകട മുന്നറിയിപ്പ് സ്വിച്ച് 2-25

വിൻഡ്ഷീൽഡ് വൈപ്പറും
വാഷർ ലിവറും 2-25

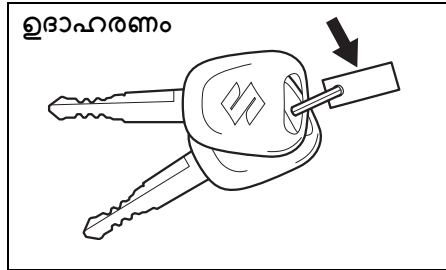
ഹോൺ 2-26

സി എൻ ജി സിലിണ്ടർ വാർണിംഗ്
ലേബൽ (ഉണ്ടെങ്കിൽ) 2-27

സി എൻ ജി വാർണിംഗ്
ലേബൽ (ഉണ്ടെങ്കിൽ) 2-27

സി എൻ ജി മാനുവൽ ഷട്ട്-ഓഫ്
വാൽവ് (ഉണ്ടെങ്കിൽ) 2-27

കീകൾ



51KM024

നിങ്ങളുടെ വാഹനത്തിനൊപ്പം ഒരു ജോടി കീ ലഭിക്കുന്നു. മോഡൽ വേരിയൻറിനെ ആശ്രയിച്ച് കീകൾക്ക് ഒപ്പം ട്രാൻസ്മിറ്ററും സജ്ജീകരിക്കുകയോ ഇല്ലാതിരിക്കുകയോ ചെയ്തേക്കാം. സ്പെയർ കീ സുരക്ഷിതമായ സ്ഥലത്ത് സൂക്ഷിക്കുക. ഒരു കീ ഉപയോഗിച്ച് വാഹനത്തിന്റെ എല്ലാ ലോക്കുകളും തുറക്കാനാകും.

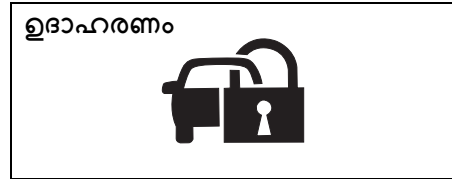
കീകൾക്കൊപ്പമോ അതിനു മുകളിലോ നൽകിയിരിക്കുന്ന ഒരു മെറ്റൽ ടാഗിൽ കീ ഐഡൻറിഫിക്കേഷൻ നമ്പർ സാമ്പ് ചെയ്തിരിക്കുന്നു. ടാഗ് (ഉണ്ടെങ്കിൽ) സുരക്ഷിതമായ സ്ഥലത്ത് സൂക്ഷിക്കുക. നിങ്ങളുടെ കീകൾ നഷ്ടപ്പെടുകയാണെങ്കിൽ, പുതിയ കീകൾ നിർമ്മിക്കുന്നതിന് ഈ നമ്പർ ആവശ്യമായി വന്നേക്കാം. നിങ്ങളുടെ ഓഫീസ് റഹൻസിനായി നമ്പർ ചുവടെ അടയാളപ്പെടുത്തുക.

കീ നമ്പർ:

ഇമ്മോബിലൈസർ സിസ്റ്റം

എഞ്ചിൻ സ്റ്റാർട്ടിംഗ് സിസ്റ്റം ഇലക്ട്രോണിക് രീതിയിൽ പ്രവർത്തനരഹിതമാക്കി വാഹനം തടയാൻ സഹായിക്കുന്നതിനാണ് ഈ സംവിധാനം രൂപകൽപ്പന ചെയ്തിരിക്കുന്നത്.

ഒരു ഇലക്ട്രോണിക് ഐഡൻറിഫിക്കേഷൻ കോഡ് പ്രോഗ്രാം ചെയ്തിട്ടുള്ളതിനാൽ നിങ്ങളുടെ വാഹനത്തിന്റെ യഥാർത്ഥ ഇമ്മോബിലൈസർ ഇനിഷൻ കീ ഉപയോഗിച്ച് മാത്രമേ എഞ്ചിൻ സ്റ്റാർട്ട് ചെയ്യാൻ കഴിയൂ. ഇനിഷൻ സിപിച്ച് "ഓൺ" സ്ഥാനത്തേക്ക് തിരിയുമ്പോൾ കീ വാഹനത്തിലേക്ക് ഐഡൻറിഫിക്കേഷൻ കോഡ് ആശയവിനിമയം നടത്തുന്നു. നിങ്ങൾക്ക് സ്പെയർ കീകൾ നിർമ്മിക്കണമെങ്കിൽ, മാരുതി സുസുക്കി അംഗീകൃത വർക്കുഷോപ്പ് സന്ദർശിക്കാവുന്നതാണ്. കിയുടെ ശരിയായ ഐഡൻറിഫിക്കേഷൻ കോഡ് ഉപയോഗിച്ച് വാഹനം പ്രോഗ്രാം ചെയ്തിരിക്കണം. ഒരു സാധാരണ ഇരുമ്പ് പണിക്കാൻ നിർമ്മിച്ച കീ ഉപയോഗിച്ച് വാഹനം പ്രവർത്തിക്കില്ല.



65D239

ഇനിഷൻ സിപിച്ച് "ഓൺ" സ്ഥാനത്ത് ആയിരിക്കുമ്പോൾ ഇമ്മോബിലൈസർ സിസ്റ്റം വാർണിംഗ് ലൈറ്റ് തെളിയുകയാണെങ്കിൽ, എഞ്ചിൻ സ്റ്റാർട്ട് ആകില്ല.

ഈ ലൈറ്റ് തെളിയുകയും പിന്നീട് അണയുകയും ചെയ്താൽ, ഇനിഷൻ സിപിച്ച് "ലോക്ക്" പൊസിഷനിൽ തിരിക്കുക, തുടർന്ന് വീണ്ടും "ഓൺ" പൊസിഷനിൽ തിരിക്കുക. ഇനിഷൻ സിപിച്ച് "ഓൺ" പൊസിഷനിൽ തിരിച്ച് വെച്ചതിന് ശേഷവും "ഓൺ" ലൈറ്റ് മിന്നിമറയുകയാണെങ്കിൽ, നിങ്ങളുടെ കീയിലോ ഇമ്മോബിലൈസർ സിസ്റ്റത്തിലോ എന്തെങ്കിലും കുഴപ്പമുണ്ടാകാം. സിപിച്ച് പരിശോധിക്കാൻ മാരുതി സുസുക്കി അംഗീകൃത വർക്കുഷോപ്പിനോട് ആവശ്യപ്പെടുക.

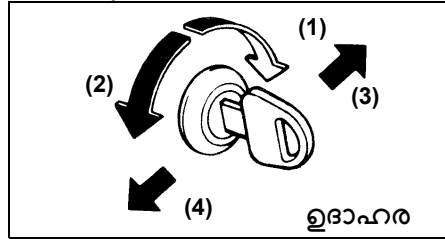
- കുറിപ്പ്:**
- നിങ്ങളുടെ ഇമ്മോബിലൈസർ ഇനിഷൻ കീ നഷ്ടപ്പെടുകയാണെങ്കിൽ, നഷ്ടപ്പെട്ടത് നിർജ്ജീവമാക്കാനും പുതിയ കീ ഉണ്ടാക്കാനും എത്രയും വേഗം മാരുതി സുസുക്കിയുടെ അംഗീകൃത വർക്കുഷോപ്പിൽ അറിയിക്കേണ്ടതാണ്.
 - ഇമ്മോബിലൈസർ കീകളുടെ മറ്റ് ഏതെങ്കിലും വാഹനങ്ങൾ നിങ്ങൾക്കുണ്ടെങ്കിൽ, മാരുതി സുസുക്കി വാഹനം ഉപയോഗിക്കുമ്പോൾ ആ കീകൾ ഇനിഷൻ സിപിച്ച് നിന്ന് അകലേ സൂക്ഷിക്കുക. അല്ലെങ്കിൽ, നിങ്ങളുടെ മാരുതി സുസുക്കി വാഹനത്തിന്റെ ഇമ്മോബിലൈസർ സിസ്റ്റത്തെ അത് തടസ്സപ്പെടുത്തലേക്കാവുന്നതാണ് അതിനാൽ എഞ്ചിൻ സ്റ്റാർട്ട് ആവുകയില്ല.

- ഇമോബിലൈസർ കീയിൽ എന്തെങ്കിലും ലോഹ വസ്തുക്കൾ ഘടിപ്പിച്ചാൽ, എഞ്ചിൻ സ്റ്റാർട്ട് ആവുകയില്ല.
- ഈ ഇമോബിലൈസർ സിസ്റ്റം അറകുറപ്പണികൾ ആവശ്യമില്ലാത്തതാണ്.

ശ്രദ്ധിക്കുക	
ഇമോബിലൈസർ കീ സെൻസിറ്റീവ് ഇലക്ട്രോണിക് ഉപകരണമാണ്. ഇതിന് കേടുപാടുകൾ വരുത്താതിരിക്കാൻ:	
<ul style="list-style-type: none"> • ഡാഷ് ബോർഡിലേക്കുള്ള നേരിട്ടുള്ള സൂര്യപ്രകാശം പോലെയുള്ള അപകൃഷ്ടങ്ങൾ, ഔർപ്പം അല്ലെങ്കിൽ ഉയർന്ന താപനില എന്നിവയിൽ ഇവ വയ്ക്കരുത്. • കാന്തിക വസ്തുക്കളിൽ നിന്ന് ദൂരെ സൂക്ഷിക്കുക. 	

ഡോർ ലോക്കുകൾ

സൈഡ് ഡോർ ലോക്കുകൾ ഡ്രൈവറുടെ ഡോർ



76MHOA001

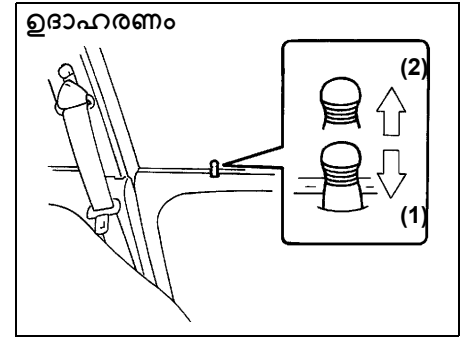
- (1) ലോക്ക് ചെയ്യുക
- (2) അൺലോക്ക് ചെയ്യുക
- (3) മുൻഭാഗം
- (4) പിൻഭാഗം

വാഹനത്തിന് പുറത്ത് നിന്ന് ഡ്രൈവറുടെ വാതിൽ പൂട്ടാൻ:

- കീ കടത്തിവെച്ചതിനു ശേഷം കീയുടെ മുൻഭാഗം വാഹനത്തിന്റെ മുൻവശത്തേക്ക് തിരിക്കുക, അല്ലെങ്കിൽ
- ലോക്ക് നോബ് താഴേക്ക് തള്ളുക, തുടർന്ന് നിങ്ങൾ വാതിൽ അടയ്ക്കുമ്പോൾ ഡോർ ഹാൻഡിൽ വലിച്ചു പിടിക്കുക.

വാഹനത്തിന് പുറത്ത് നിന്ന് ഒരു ഡ്രൈവറുടെ ഡോർ അൺലോക്ക് ചെയ്യുന്നതിന്, കീ കടത്തി വെച്ച കീയുടെ മുകൾഭാഗം വാഹനത്തിന്റെ പിൻഭാഗത്തേക്ക് തിരിക്കുകയും ചെയ്യുക.

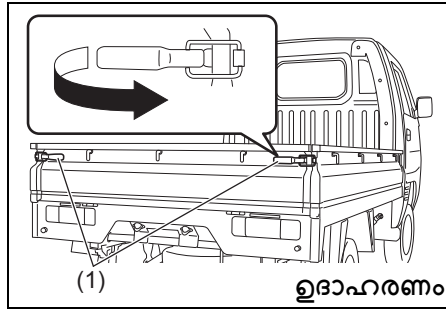
വാഹനത്തിന് പുറത്ത് നിന്ന് ഒരു യാത്രക്കാരന്റെ ഭാഗത്തെ വാതിൽ ലോക്ക് ചെയ്യുന്നതിന്, ലോക്ക് നോബ് താഴേക്ക് തള്ളുക, തുടർന്ന് നിങ്ങൾ വാതിൽ അടയ്ക്കുമ്പോൾ ഡോർ ഹാൻഡിൽ വലിച്ചു പിടിക്കുക.



54G005

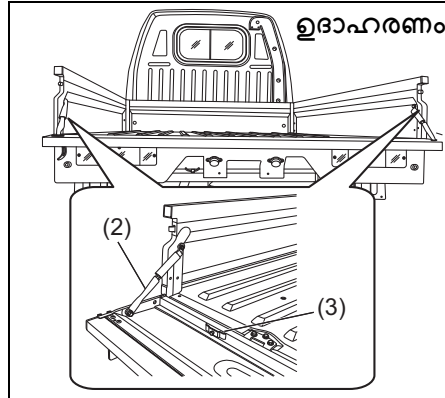
- (1) ലോക്ക് ചെയ്യുക
- (2) അൺലോക്ക് ചെയ്യുക

ട്രെയിൽഗേറ്റ്



77PH025

ലോക്ക് വലിച്ചുകൊണ്ട് തുറക്കാൻ അടയ്ക്കുമ്പോൾ അടയ്ക്കുമ്പോൾ ഹാൻഡിലുകൾ ട്രെയിൽഗേറ്റ് കഴിയും (1) അടയ്ക്കുമ്പോൾ അടയ്ക്കുമ്പോൾ ദൃഢമായി പൂട്ടുക.



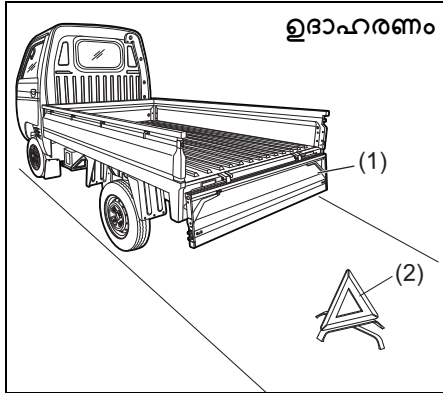
77PM201

ട്രെയിൽഗേറ്റ് ചെയിൻ (2) ഉപയോഗിച്ച് ട്രെയിൽഗേറ്റ് ഒരു ഇൻറർമീഡിയറ്റ് പോസിഷനിലും പൂട്ടാൻ കഴിയും.

ശ്രദ്ധിക്കുക
ട്രെയിൽഗേറ്റ് ചെയിൻ (2) ഉപയോഗത്തിലില്ലാത്തപ്പോൾ പിൻ (3) ഉപയോഗിച്ച് ലോക്ക് ചെയ്യുക.

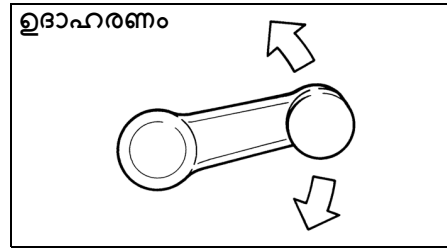
⚠ മുന്നറിയിപ്പ്

- ട്രെയിൽഗേറ്റ് ഓപ്പൺ ഇൻറർമീഡിയറ്റ് പോസിഷനിൽ വെച്ചു ഡ്രൈവ് ചെയ്യുന്നതു ട്രെയിൽഗേറ്റ് സിംഗിൾ ചെയ്ത മറ്റുള്ളവരെ ഇടിക്കാൻ കാരണമാകുന്നു. ഇത് പരിക്കിനോ മരണത്തിനോ സാധ്യത നൽകുന്നു.
- ഓപ്പൺ/ഇൻറർമീഡിയറ്റ് പോസിഷനിലുള്ള ട്രെയിൽഗേറ്റ് മറ്റ് ഡ്രൈവർമാരെ ട്രെയിൽഗേറ്റ് ക്ലാസ്സുകളിൽ കാണുന്നതിൽ നിന്ന് തടയുന്നതിനും അപകടങ്ങൾ ഉണ്ടാക്കുകയും ചെയ്യും. വാഹനമോടിക്കുന്നതിന് മുമ്പ് ട്രെയിൽഗേറ്റ് അടച്ചിട്ടുണ്ടെന്ന് ഉറപ്പുവരുത്തുക.
- അപകടമുണ്ടായാൽ വാഹനത്തിൽ നിന്ന് ചരക്കുകൾ പുറത്തേക്ക് തെറിക്കുന്നതടയാൻ ട്രെയിൽഗേറ്റ് എപ്പോഴും അടച്ചിട്ടുണ്ടെന്നും ദൃഢമായി പൂട്ടിയിട്ടുണ്ടെന്നും ഉറപ്പാക്കുക.
- ഒരു ഇൻറർമീഡിയറ്റ് പോസിഷനിൽ പൂട്ടിയിരിക്കുമ്പോൾ ട്രെയിൽഗേറ്റിന് മുകളിൽ നിൽക്കുകയോ ലോഡ് അല്ലെങ്കിൽ കാര്യം വയ്ക്കുകയോ ചെയ്യരുത്.
- ട്രെയിൽഗേറ്റ് പൂർണ്ണമായും ഓപ്പൺ നിലയിലാണെങ്കിൽ പോസിഷൻ ലാമ്പ്, ട്രേൻ സ്റ്റിഗൽ ഇൻഡിക്കേറ്റർ, സ്റ്റോപ്പ് ലാമ്പ് എന്നിവ പോലുള്ള വിവിധ റിയർ ലൈറ്റിംഗ് ഡിവൈസുകൾ ക്യാമറ സാധിക്കില്ല.



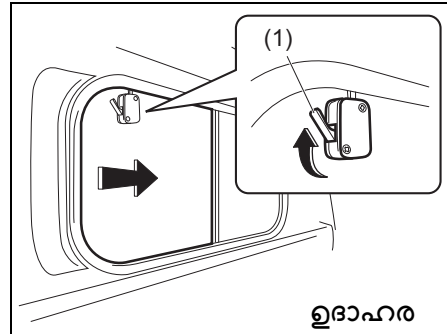
വിൻഡോസ്

മാനുവൽ വിൻഡോ കൺട്രോൾ



ഡോർ പാനലിൽ സ്ഥിതിചെയ്യുന്ന ഹോർഡിൽ തിരിക്കുന്നതിലൂടെ ഡോർ വിൻഡോകൾ ഉയർത്തുകയോ താഴ്ത്തുകയോ ചെയ്യാം

റിയർ വിൻഡോ



⚠ മുന്നറിയിപ്പ്

• ട്രെയിൽഗേറ്റ് (1) പൂർണ്ണമായും തുറന്ന പൊസിഷനിൽ ഉള്ളപ്പോഴാണ് ലോഡിംഗും അൺലോഡിംഗും ചെയ്യുന്നതെങ്കിൽ, വാഹനത്തിന്റെ സാന്നിധ്യത്തെക്കുറിച്ച് മറ്റ് ഉപയോക്താക്കൾക്ക് മുന്നറിയിപ്പ് നൽകുന്നതിന് ഒരു വാർണിംഗ് ട്രയാങ്കിൾ (2) റോഡിൽ ദൃശ്യമായ രീതിയിൽ സ്ഥാപിക്കണം.

വിൻഡോ തുറക്കാൻ, ലോക്ക് (1) അമർത്തി വിൻഡോ ഡ്രൈവ് ചെയ്യുക.

കണ്ണാടികൾ

⚠ മുന്നറിയിപ്പ്

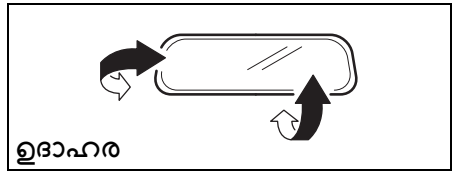
ഇനിപ്പറയുന്ന പോയിന്റ് നിരീക്ഷിക്കുന്നതിൽ പരാജയപ്പെടുന്നത് വാഹനത്തിന്റെ നിയന്ത്രണം നഷ്ടപ്പെടുകയും അപകടമുണ്ടാകുകയും മരണത്തിലേക്കോ ഗുരുതരമായ പരിക്കിലേക്കോ നയിക്കുകയും ചെയ്യുമ്പോൾ എപ്പോഴും താഴെ കൊടുത്തിരിക്കുന്ന പോയിന്റുകൾ പിന്തുടരുക.

- വാഹനമോടിക്കുമ്പോൾ മിററുകൾ ക്രമീകരിക്കരുത്.
- ഡ്രൈവ് ചെയ്യുന്നതിനുമുമ്പ് എല്ലായ്പ്പോഴും വാഹനത്തിനു പുറത്തുള്ള എല്ലാ റിയർവ്യൂ മിററുകളും തുറന്ന ശരിയായി ക്രമീകരിക്കുക.
- വാഹനത്തിന്റെ പിൻഭാഗത്തു കൂടെ പുറത്തേക്ക് കാണുന്നത തടയപ്പെടുത്തുന്നതോ റിയർ വിൻഡോ ഗ്ലാസിലൂടെയുള്ള നിങ്ങളുടെ കാഴ്ചയെ തടയപ്പെടുത്തുന്നതോ ആയ വസ്തുക്കൾ സ്ഥാപിക്കരുത്.

ഡ്രൈവിംഗിന് മുമ്പ്

ഉൾഭാഗത്തെ റിയർവ്യൂ മിറർ

നിങ്ങളുടെ വാഹനത്തിന്റെ പിൻഭാഗം കണ്ടായിരിക്കാൻ കഴിയുന്ന തരത്തിൽ പുറത്തെ റിയർവ്യൂ മിറർ കൈകൊണ്ട് ക്രമീകരിക്കാം.



74LHT0235

⚠ ജാഗ്രത

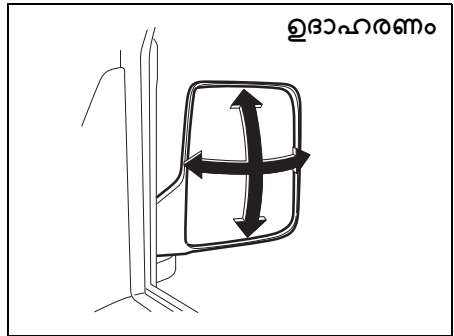
ഉൾഭാഗത്തുള്ള റിയർവ്യൂ മിറർ പരിഷ്കരിക്കരുത്. അല്ലെങ്കിൽ ജെനുവിൻ അല്ലെങ്കിൽ വൈഡ് മിറർ ഇൻസാൾ ചെയ്യരുത്. എങ്ങനെ ചെയ്യുന്നത് അപകടസമയത്തെ പരിഷ്കാർ കാരണമായേക്കാം.

പുറത്തെ റിയർവ്യൂ മിറർ(കൾ)

കണ്ടായിരിക്കാൻ കഴിയുന്ന തരത്തിൽ പുറത്തെ റിയർവ്യൂ മിറർ (കൾ) ക്രമീകരിക്കുക.

⚠ മുന്നറിയിപ്പ്

സൈഡ് കോൺവെക്സ് മിററിൽ കാണുന്ന വാഹനത്തിന്റെയോ മറ്റ് വസ്തുക്കളുടെയോ വലുപ്പമോ അവയിലേക്കുള്ള ദൂരമോ വിലയിരുത്തുമ്പോൾ ശ്രദ്ധിക്കുക. ഒരു സാധാരണ കണ്ടായിരിക്കാൻ കാണുന്നതിനേക്കാൾ വസ്തുക്കൾ ചെറുതായും ദൂരെയുള്ളതായും കാണപ്പെടേക്കാം എന്നത് ശ്രദ്ധിക്കുക.



64P0190

സീറ്റുകൾ

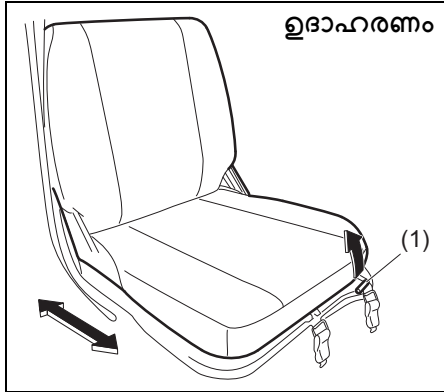
സീറ്റ് ക്രമീകരണം (ഡ്രൈവർ സീറ്റ്)

⚠ മുന്നറിയിപ്പ്

ഡ്രൈവ് ചെയ്യുമ്പോൾ ഡ്രൈവറുടെ സീറ്റ് ക്രമീകരിക്കാൻ ഒരിക്കലും ശ്രമിക്കരുത്. സീറ്റ് അപ്രതീക്ഷിതമായി നിങ്ങളുടെയോ ഇതര നിയന്ത്രണം നഷ്ടപ്പെടുമ്പോൾ ഇടയാക്കും. ഡ്രൈവിംഗ് ആരംഭിക്കുന്നതിന് മുമ്പ് ഡ്രൈവർ സീറ്റ് ശരിയായി ക്രമീകരിച്ചിട്ടുണ്ടെന്ന് ഉറപ്പാക്കുക.

⚠ മുന്നറിയിപ്പ്

സുരക്ഷാ ഉപകരണമെന്ന നിലയിൽ സീറ്റ് ബെൽറ്റുകളുടെ കാര്യക്ഷമത കുറയ്ക്കുന്ന അമിതമായ സീറ്റ് ബെൽറ്റ് സ്ട്രാക്ക് ഒഴിവാക്കാൻ, സീറ്റ് ബെൽറ്റുകൾ മുറുക്കുന്നതിനു മുമ്പ് സീറ്റുകൾ ക്രമീകരിച്ചിട്ടുണ്ടെന്ന് ഉറപ്പാക്കുക.



77PH087

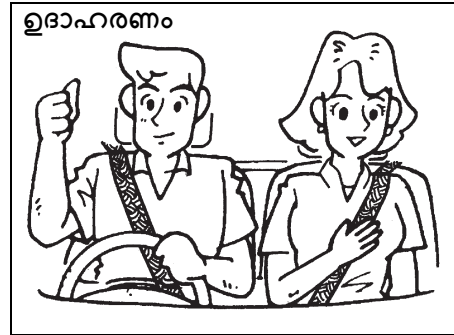
സീറ്റ് പൊസിഷൻ അഡ്ജസ്റ്റ്മെന്റ് ലിവർ (1) ലിവർ മുകളിലേക്ക് വലിച്ചതിന് ശേഷം മാത്രം സീറ്റ് ഡ്രൈവ് ചെയ്യുക. ക്രമീകരണത്തിന് ശേഷം, സീറ്റ് സുരക്ഷിതമായി ഘടിപ്പിച്ചിട്ടുണ്ടെന്ന് ഉറപ്പാക്കാൻ മുന്നിലേക്കും പിന്നിലേക്കും നീക്കാൻ ശ്രമിച്ചു നോക്കുക.

⚠ ജാഗ്രത
സീറ്റ് ക്രമീകരിക്കുമ്പോൾ, സീറ്റ് നിങ്ങളുടെ ശരീരത്തിൽ തട്ടുകയോ സീറ്റിനുള്ളിൽ കൈ പെടുകയോ ചെയ്യാതിരിക്കാൻ ശ്രദ്ധിക്കുക.

കുറിപ്പ്: സീറ്റ് സുഗമമായി പ്രവർത്തിപ്പിക്കാൻ, സീറ്റ് ബാക്ക് അഡ്ജസ്റ്റ്മെന്റ് ലിവർ (2) മുകളിലേക്ക് വലിക്കുക. ലിവർ

പുർണ്ണമായി നീക്കിയതിന് ശേഷം മാത്രം സീറ്റ് പിന്നിലേക്ക് ഉറപ്പാക്കുക. സീറ്റ് ബാക്കിലേക്ക് ക്രമീകരിച്ച ശേഷം, ലിവർ പുറംകൈ റിലീസ് ചെയ്യുക. സീറ്റ് മുന്നിലേക്കും പിന്നിലേക്കും ഘടിപ്പിച്ച ശരിയായി ലോക്ക് ചെയ്തിട്ടുണ്ടോയെന്ന് പരിശോധിക്കുക.

സീറ്റ് ബെൽറ്റുകൾ



65D231S

⚠ മുന്നറിയിപ്പ്
എപ്പോഴും സീറ്റ് ബെൽറ്റുകൾ ധരിക്കുക.

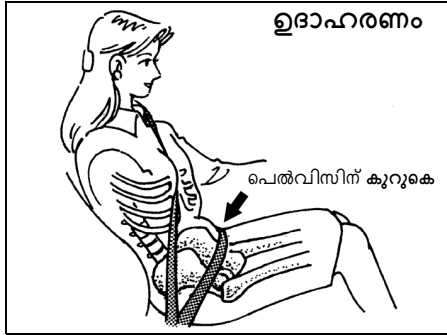
⚠ മുന്നറിയിപ്പ്
വളരെ കുറഞ്ഞ ദൂരത്തേക്ക് ഡ്രൈവ് ചെയ്യുകയാണെങ്കിലും, സീറ്റിൽ എയർ ബാഗ് ഘടിപ്പിച്ചിട്ടുണ്ടെങ്കിലും ഇല്ലെങ്കിലും, ഡ്രൈവറുടേ യാത്രക്കാർനും എല്ലായ്പ്പോഴും സീറ്റ് ബെൽറ്റ് ശരിയായി ധരിച്ചിരിക്കണം. ഇത് അപകടം ഉണ്ടാകുമ്പോൾ അല്ലെങ്കിൽ വാഹനം തകരുമ്പോൾ ഗുരുതരമായ പരിക്കുകളോ മർണമോ ഉണ്ടാകാനുള്ള സാധ്യത കുറയ്ക്കുന്നതിന് സഹായിക്കുന്നു.



65D606

▲ മുന്നറിയിപ്പ്

- വാഹനത്തിന്റെ കാർഗോ ഏരിയയിൽ സഞ്ചരിക്കാൻ അളവുകളെ ഒഴിവാക്കുക. അനുവദിക്കരുത്. അപകടമുണ്ടായാൽ, സീറ്റ് ബെൽറ്റ് ഉറപ്പിച്ച സീറ്റിൽ കയറാൻ അളവുകൾക്ക് പരിശോധിക്കാനുള്ള സാധ്യത വളരെ കുറയുമാണ്.
- എല്ലാ സീറ്റ് ബെൽറ്റുകളും ശരിയായി ധരിച്ചിട്ടുണ്ടെന്നു ഉറപ്പാക്കുക. തെറ്റായി സീറ്റ് ബെൽറ്റ് ധരിക്കുന്നത് മൂലം വാഹനം കൂട്ടിയിടിച്ചാൽ പരിക്കോ മരണമോ ഉണ്ടാകാനുള്ള സാധ്യത വർദ്ധിക്കുന്നു.
- സീറ്റ് ബെൽറ്റുകൾ ഏപ്പോഴും ഹനിക്കരുത്. റിത്തിയിൽ ക്രമീകരിക്കണം:
 - ബെൽറ്റിന്റെ ലാപ് പോർഷൻ ഇടുപ്പിന് കുറുകെ ധരിക്കണം. അരക്കെട്ടിന് കുറുകെ ധരിക്കരുത്.
 - ഷോൾഡർ സ്ട്രാപ്പുകൾ പുറം തോളിനു മുകളിലൂടെ മാത്രമേ ധരിക്കാവൂ. ഒരുകൈയുടെ അടിയിലൂടെ ധരിക്കരുത്.
 - ഷോൾഡർ സ്ട്രാപ്പുകൾ നിങ്ങളുടെ മുഖത്തേക്ക് നിന്നും കഴുത്തിൽ നിന്നും നിങ്ങളിടയിരിക്കണം. പക്ഷേ നിങ്ങളുടെ തോളിൽ നിന്ന് വീഴുന്ന രീതിയിലാകരുത്. (തുടരും)



65D201



65D199

▲ മുന്നറിയിപ്പ്

- (തുടരും)
- സീറ്റ് ബെൽറ്റുകൾ സ്ട്രാപ്പുകൾ വളച്ചൊടിച്ച് ഒഴിവാക്കുക. ധരിക്കരുത്. അവ രൂപകൽപ്പന ചെയ്തിരിക്കുന്ന സിംരക്ഷണം നൽകാൻ സൗകര്യപ്രദമായ രീതിയിൽ തന്നെ കർശനമായി ക്രമീകരിക്കേണ്ടതാണ്. ഒരു അയാഞ്ഞു കിടക്കുന്ന ബെൽറ്റ് നൽകുന്ന സിംരക്ഷണം മുറുകിയിരിക്കുന്ന ബെൽറ്റ് നൽകുന്നതിനേക്കാൾ കുറവായിരിക്കും.
 - ഓരോ സീറ്റ് ബെൽറ്റ് ബക്കിളും ശരിയായ ബക്കിൾ ക്യാച്ചിലേക്ക് ചേർത്തിട്ടുണ്ടെന്നു ഉറപ്പാക്കുക. (തുടരും)

▲ മുന്നറിയിപ്പ്

(തുടരും)

- ഗർഭിണികൾ സീറ്റ് ബെൽറ്റുകൾ ഉപയോഗിക്കണം, എന്നാൽ അവരുടെ മെഡിക്കൽ ഉപദേശാപ്തനൽകുന്ന ഡ്രൈവിംഗ് സംബന്ധിച്ച പ്രത്യേക നിർദ്ദേശങ്ങൾ പാലിക്കേണ്ടതാണ്. ഡയഗ്രാമിൽ കാണിച്ചിരിക്കുന്നതുപോലെ, ബെൽറ്റിന്റെ ലാപ് പോർഷൻ ഇടുപ്പിന് കുറുകെ കഴിയുന്നത്ര താഴ്ത്തി ധരിക്കണമെന്ന് ഓർമ്മിക്കുക.
- പേനകൾ, കീകൾ, കണ്ണടകൾ മുതലായ കടുപ്പമുള്ളതും ഭൂർബലവും മുർച്ചയുള്ളതുമായ വസ്തുക്കൾക്ക് പോക്കറ്റുകളിലോ വസ്ത്രത്തിന്റെ സൂക്ഷിച്ചുകൊണ്ട് അതിനു മുകളിലൂടെ സീറ്റ് ബെൽറ്റുകൾ ധരിക്കരുത്. ഇത്തരം വസ്തുക്കളിൽ സീറ്റ് ബെൽറ്റിൽ നിന്നുള്ള സമ്മർദ്ദം മറ്റു രീതിയിൽ പരിക്കേൽപ്പിക്കാൻ ഇടയാക്കും.
- നിങ്ങളുടെ പോക്കറ്റുകളിലോ വസ്ത്രങ്ങളിലോ കടുപ്പമുള്ളതോ പൊട്ടാവുന്നതോ ആയ വസ്തുക്കൾ സൂക്ഷിച്ചു കൊണ്ട് അതിനു മുകളിൽ നിങ്ങളുടെ സീറ്റ് ബെൽറ്റ് ധരിക്കരുത്. അപകടം സംഭവിച്ചാൽ, സീറ്റ് ബെൽറ്റിന് താഴെയുള്ള ഗ്യാസുകൾ, പേനകൾ, തുടങ്ങിയ വസ്തുക്കൾ മുലം വിണ്ടും പരിക്കേൽക്കാൻ ഇടയാക്കും.

(തുടരും)

▲ മുന്നറിയിപ്പ്

(തുടരും)

- ഒരു സീറ്റ് ബെൽറ്റ് ഒരു സമയത്ത് ഒരിക്കലും ഒന്നിൽക്കൂടുതൽ യാത്രക്കാർക്ക് ഒരേമിച്ഛ ഉപയോഗിക്കരുത്. കൂടുതൽ ഇരിക്കുന്നയാളുടെ മടിയിൽ പിടിച്ചിരിക്കുന്ന ശിശുവിന്റെയോ കുട്ടിയുടെയോ മുകളിലൂടെ ഒരിക്കലും സീറ്റ് ബെൽറ്റ് ഘടിപ്പിക്കരുത്. ഇത്തരം സീറ്റ് ബെൽറ്റ് ഉപയോഗിക്കുന്നത അപകടത്തിൽ ഗുരുതരമായ പരിക്കിന് കാരണമാകും.
- സീറ്റ് ബെൽറ്റ് അസംബികളിൽ അമിതമായ തേയ്മാനമോ കേടുപാടുകളോ ഉണ്ടായെന്ന ഇടയ്ക്കിടെ പരിശോധിക്കുക. വെബിങ്ങ തകരാറിലാവുകയോ മലിനമാകുകയോ എത്തികിലും വിധത്തിൽ കേടുപാടുകൾ സംഭവിക്കുകയോ ചെയ്താൽ സീറ്റ് ബെൽറ്റുകൾ മാറ്റണം. അസംബിക്ക് സംഭവിച്ച കേടുപാടുകൾ വ്യക്തമല്ലെങ്കിലും, ഗുരുതരമായ അപകടം സംഭവിക്കുമ്പോൾ ധരിച്ചിരുന്ന സീറ്റ് ബെൽറ്റ് മാറ്റിസ്ഥാപിക്കേണ്ടത അത്യാവശ്യമാണ്.
- ശിശുക്കൾക്കും കുട്ടികൾക്കും ശരിയായ സംരക്ഷണം നൽകാതെ അവരുമായി യാത്ര പോകരുത്.
- കുട്ടികൾക്ക്, ഷോൾഡർ ബെൽറ്റ് കഴുത്തിലോ മുഖത്തോ അസ്ഥസ്ഥതയുണ്ടാക്കുന്നുവെങ്കിൽ, കുട്ടിയെ വാഹനത്തിന്റെ മധ്യഭാഗത്തേക്ക് അടുപ്പിച്ചു ഇരുത്തുക.
- പോളിഷുകൾ, എണ്ണകൾ, രാസവസ്തുക്കൾ, പ്രത്യേകിച്ചു ബാറ്ററി ആസിഡ് എന്നിവയാൽ സീറ്റ് ബെൽറ്റ് വെബിങ്ങ മലിനമാകുന്നതിന് ഒഴിവാക്കുക.

(തുടരും)

▲ മുന്നറിയിപ്പ്

(തുടരും)

- സീറ്റ് ബെൽറ്റ് ബക്കിളുകളിൽ നാണയങ്ങൾ, കീപ്പുകൾ മുതലായ വസ്തുക്കളോടൊന്നിച്ച് ഇടയ്ക്കിടെ പരിശോധിക്കുക. ബക്കിളിൽ ദ്രാവകങ്ങൾ ഒഴുകി വിഴാതിരിക്കാൻ ശ്രദ്ധിക്കുക. അനവസ്തുക്കൾ സീറ്റ് ബെൽറ്റ് ബക്കിളിൽ കയറിയാൽ, സീറ്റ് ബെൽറ്റ് ശരിയായി പ്രവർത്തിച്ചേക്കാല്ല.

ലാപ്-ഷോൾഡർ ബെൽറ്റ്

എമർജൻസി ലോക്കിംഗ് റിട്രാക്ടർ (ELR)

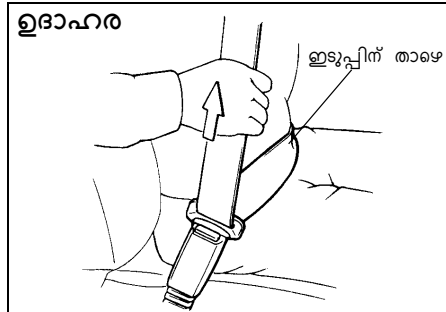
സീറ്റ് ബെൽറ്റിന് എമർജൻസി ലോക്കിംഗ് റിട്രാക്ടർ (ELR) ഉണ്ട്. പെട്ടെന്നു നിർത്തുകയോ അല്ലെങ്കിൽ ഇടിക്കുകയോ ചെയ്യുമ്പോൾ സീറ്റ് ബെൽറ്റ് ലോക്ക് ചെയ്യാൻ രൂപകൽപ്പന ചെയ്തിട്ടുള്ളതാണ്. നിങ്ങളുടെ ശരീരത്തിലുള്ള ബെൽറ്റ് പെട്ടെന്നു വലിയതയാണെങ്കിലും അത് ലോക്ക് ആയേക്കാം. ഇത്ര സംഭവിക്കുകയാണെങ്കിൽ, അത് അനുവദിക്കുക, ശേഷം ശരീരത്തിലൂടെ ബെൽറ്റ് കൂടുതൽ സാവധാനത്തിൽ വലിക്കുക.

ഡ്രൈവിംഗിന് മുമ്പ്

സുരക്ഷാ ഓർമ്മപ്പെടുത്തൽ



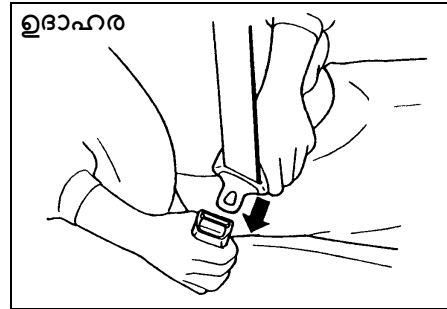
60A038



60A040

വാഹനങ്ങൾ യാത്രയ്ക്കായി കൂട്ടിയിടിക്കുന്ന സമയത്ത് ബെൽറ്റിനടിയ്ക്കലൂടെ തന്നെ വിഴാമ്പുകളുടെ സാധാരണ കുറയ്ക്കുന്നതിന്, ബെൽറ്റിന്റെ ലാപ് പോഷണനിങ്ങളുടെ മടയിൽ കഴിയുന്നതാഴ്ത്തി ഇടുക, ഒപ്പം ബെൽറ്റിന്റെ

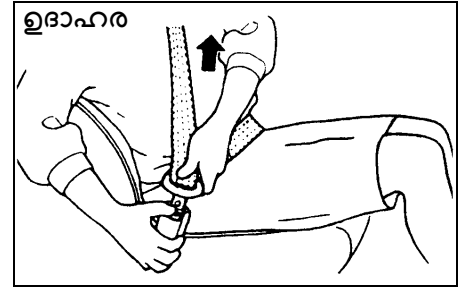
ഷോൾഡർ ഭാഗം ലാപ് പേറ്റിലൂടെ മുകളിലേക്ക് വലിച്ചുകൊണ്ട് ശരിയായി ക്രമീകരിക്കുക. ചലന സാതന്ത്ര്യം അനുവദിക്കുന്നതിന് ഡ്രൈവർ സ്ട്രാപ്പിന്റെ നീളം സ്വയം ക്രമീകരിക്കേണ്ടതാണ്.



60A036

സീറ്റ് ബെൽറ്റ് ഘടിപ്പിക്കാൻ, നേരെ ഇറങ്ങുന്ന സീറ്റിൽ നന്നായി പൂർകിലേക്ക് ചാരി ഇരിക്കുക, സീറ്റ് ബെൽറ്റിൽ ഘടിപ്പിച്ചിരിക്കുന്ന ലാപ് പേറ്റ് നിങ്ങളുടെ ശരീരത്തിലുടനീളം വലിച്ചിട്ട് ഒരു ക്ലിക്ക് കേൾക്കുന്നതുവരെ ബക്കിളിലേക്ക് നേരെ അമർത്തുക.

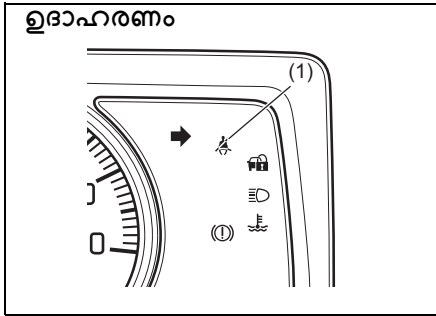
കുറിപ്പ്: ബെൽറ്റ് പൂർണ്ണമായി പിൻവലിഞ്ഞ രീതിയിൽ നിന്ന് വലിക്കാൻ കഴിയുന്നില്ലെങ്കിൽ, ബെൽറ്റ് ദൃഢമായി വലിച്ചു വീടുക. തുടർന്ന് റിട്രാക്ടിംഗിൽ നിന്ന് ബെൽറ്റ് സുഗമമായി വലിക്കാനാകുന്നു.



60A039

സീറ്റ് ബെൽറ്റ് അഴിക്കാൻ, ബക്കിളിലെ ബട്ടൺ അമർത്തി ബെൽറ്റോ/ ലാപ് പേറ്റോ കൈ കൊണ്ട് പിടിച്ചു ബെൽറ്റ് പിന്തുക്കെ വീടുവീടുക.

സീറ്റ് ബെൽറ്റ് ഓർമ്മപ്പെടുത്തൽ



77PM02017

(1) ഡ്രൈവറുടെ സീറ്റ് ബെൽറ്റ് റിമൈൻഡർ ലൈറ്റ് / ഫ്രണ്ട് പാസഞ്ചറിന്റെ സീറ്റ് ബെൽറ്റ് റിമൈൻഡർ ലൈറ്റ്

ഡ്രൈവറും കുടാതെ / അല്ലെങ്കിൽ മുൻ യാത്രക്കാരും അവരുടെ സീറ്റ് ബെൽറ്റുകൾ ഘടിപ്പിക്കാതിരിക്കുമ്പോൾ, സീറ്റ് ബെൽറ്റ് റിമൈൻഡർ ലൈറ്റ് മിന്നിക്കത്തുന്നതാണ്. ഒപ്പം ഡ്രൈവറെയും കുടാതെ/അല്ലെങ്കിൽ യാത്രക്കാരെയും സീറ്റ് ബെൽറ്റ് ഓൺ ഓർമ്മിപ്പിക്കാനുള്ള ഒരു ബസർ മുഴങ്ങും. കുടുതൽ വിശദാംശങ്ങൾക്ക്, ചുവടെയുള്ള വിശദീകരണം കാണുക.

⚠ മുന്നറിയിപ്പ്
 ഡ്രൈവറും യാത്രക്കാരും എല്ലായ്പ്പോഴും സീറ്റ് ബെൽറ്റ് ഇടുക എന്നത് വളരെ പ്രധാനമാണ്. സീറ്റ് ബെൽറ്റ് ധരിക്കാത്ത ആളുകൾക്ക് അപകടം സംഭവിച്ചാൽ പരിക്കേൽക്കാനുള്ള സാധ്യത വളരെ കൂടുതലാണ്. ഇഗ്നിഷൻ സ്വിച്ചിൽ ക്ലി ഇടുന്നതിന് മുമ്പ് നിങ്ങളുടെ സീറ്റ് ബെൽറ്റ് ഇടുന്നത പതിവായി ശീലമാക്കുക.

കുറിപ്പ്:
 ഡ്രൈവറുടെ സീറ്റ് ബെൽറ്റ് റിമൈൻഡർ ലൈറ്റ് / ഫ്രണ്ട് പാസഞ്ചറിന്റെ സീറ്റ് ബെൽറ്റ് റിമൈൻഡർ ലൈറ്റ് ഡ്രൈവർക്കും ഫ്രണ്ട് പാസഞ്ചറിനും വേണ്ടിയുള്ളതാണ്.

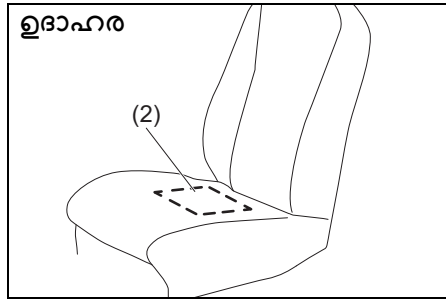
ഡ്രൈവറുടെ അല്ലെങ്കിൽ മുൻ സീറ്റിലെ യാത്രക്കാരന്റെ സീറ്റ് ബെൽറ്റ് റിമൈൻഡർ ഇഗ്നിഷൻ സ്വിച്ച് "ഓൺ" ചെയ്യുമ്പോൾ ഡ്രൈവറുടെയോ ഫ്രണ്ട് പാസഞ്ചറിന്റെയോ സീറ്റ് ബെൽറ്റ് അൺബക്കിൾ ആയി തുടരുകയാണെങ്കിൽ, റിമൈൻഡർ ഇനിപ്പറയുന്ന രീതിയിൽ പ്രവർത്തിക്കുന്നു:

- 1) ഡ്രൈവറുടെയോ മുൻ യാത്രക്കാരന്റെയോ സീറ്റ് ബെൽറ്റ് റിമൈൻഡർ ലൈറ്റ് ഓണാകും.
- 2) വാഹനത്തിന്റെ വേഗത മണിക്കൂറിൽ 15 കിലോമീറ്ററിൽ എത്തിയ ശേഷം, ഡ്രൈവറുടെയോ മുൻ യാത്രക്കാരന്റെയോ സീറ്റ് ബെൽറ്റ് റിമൈൻഡർ ലൈറ്റ് മിന്നിമറയുകയും ഏകദേശം 95

സെക്കൻഡ് നേരത്തേക്ക് ഒരു ബസർ മുഴങ്ങുകയും ചെയ്യും. സെക്കൻഡ് നേരത്തേക്ക് ഒരു ബസർ മുഴങ്ങുകയും ചെയ്യും. 3) സ്പെപ്പ് 2) പുർത്തിയാക്കിയ ശേഷം, ഡ്രൈവറുടെയോ ഫ്രണ്ട് യാത്രക്കാരന്റെയോ സീറ്റ് ബെൽറ്റ് ബക്കിൾ ചെയ്യപ്പെടുന്നതു വരെ റിമൈൻഡർ ലൈറ്റ് ഓണായിരിക്കും.

ഡ്രൈവർ അല്ലെങ്കിൽ മുൻ സീറ്റിലെ യാത്രക്കാരൻ തിന്റെ സീറ്റ് ബെൽറ്റ് ബക്കിൾ ചെയ്യുകയും പിന്നീട് അഴിക്കുകയും ചെയ്താൽ, വാഹനത്തിന്റെ വേഗത അനുസരിച്ച് റിമൈൻഡർ സിസ്റ്റം സ്പെപ്പ് 1) അല്ലെങ്കിൽ 2) മുതൽ സജീവമാകും. വാഹനത്തിന്റെ വേഗത മണിക്കൂറിൽ 15 കിലോമീറ്ററിൽ കുറവാണെങ്കിൽ, സ്പെപ്പ് 1 മുതൽ ഓർമ്മപ്പെടുത്തൽ ആരംഭിക്കും). വാഹനത്തിന്റെ വേഗത മണിക്കൂറിൽ 15 കിലോമീറ്ററിൽ കൂടുതലാണെങ്കിൽ, സ്പെപ്പ് 2-ൽ നിന്ന് ഓർമ്മപ്പെടുത്തൽ ആരംഭിക്കും). ഡ്രൈവറുടെയോ ഫ്രണ്ട് യാത്രക്കാരന്റെയോ സീറ്റ് ബെൽറ്റ് ബക്കിൾ ചെയ്യുമ്പോഴോ ഇഗ്നിഷൻ സ്വിച്ച് ഓഫ് ആകുമ്പോഴോ റിമൈൻഡർ സ്വയമേവ റദ്ദാക്കപ്പെടും.

ഫ്രണ്ടിലെ യാത്രക്കാരുടെ സീറ്റ് ബെൽറ്റ് ഓർമ്മപ്പെടുത്തൽ മുൻ പാസഞ്ചർ സീറ്റിൽ ഒരാൾ ഇരിക്കുകയും ഇഗ്നിഷൻ സ്വിച്ച് "ഓൺ"പോസിഷനിൽവായിരിക്കുകയും ചെയ്യുമ്പോൾ ഫ്രണ്ട് പാസഞ്ചർ സീറ്റ് ബെൽറ്റ് അഴിക്കുകയാണെങ്കിൽ, മുൻ യാത്രക്കാരന്റെ സീറ്റ് ബെൽറ്റ് റിമൈൻഡർ സജീവമാകും.



69RH203

(2) മുൻപിലെ യാത്രക്കാരുടെ സീറ്റ് ബെൽറ്റ് റിമൈൻഡറിന്റെ സെൻസർ

സീറ്റ് ബെൽറ്റ് റിമൈൻഡർ സെൻസർ (2) മുൻ സീറ്റിൽ ആരെങ്കിലും ഇരിക്കുന്നുണ്ടോ എന്ന് കണ്ടെത്തുന്നു. മുൻ യാത്രക്കാരുടെ സീറ്റ് ബെൽറ്റ് റിമൈൻഡറിന്റെ സെൻസർ സീറ്റ് കുപ്പിയിലാണ് സ്ഥിതി ചെയ്യുന്നത്.

മുൻ യാത്രക്കാരുടെ സീറ്റ് ബെൽറ്റ് റിമൈൻഡർ ഡ്രൈവറുടെ സീറ്റ് ബെൽറ്റ് റിമൈൻഡർ പോലെ തന്നെയാണ് പ്രവർത്തിക്കുന്നത്.

ശ്രദ്ധിക്കുക

- മുൻ യാത്രക്കാരുടെ സീറ്റ് ബെൽറ്റ് റിമൈൻഡറിന്റെ സെൻസർ സീറ്റ് കുപ്പിയിലാണ് സ്ഥിതി ചെയ്യുന്നത്. സീറ്റ് കുപ്പിയിൽ കനത്തതോ മുൻചയ്യുള്ളതോ ആയ വസ്തുക്കൾ വയ്ക്കുകയോ യാത്രക്കാരുടെ സീറ്റ് നിക്ഷേപം ചെയ്യുകയോ ഡിസ് അസംബിൾ ചെയ്യുകയോ പരിഷ്കരിക്കുകയോ ചെയ്താൽ സെൻസർ ശരിയായ പ്രവർത്തിക്കില്ല. അല്ലെങ്കിൽ സെൻസറിനു കേടുപാടുകൾ സംഭവിക്കാം. സീറ്റ് കുപ്പിയിൽ ഭാരമേറിയതോ മുൻചയ്യുള്ളതോ ആയ വസ്തുക്കൾ വയ്ക്കരുത്. യാത്രക്കാരുടെ സീറ്റ് നിക്ഷേപം ചെയ്യരുത്, വേർപെടുത്തരുത്, അല്ലെങ്കിൽ മാറ്റം വരുത്തരുത്.
- സീറ്റ് കവറിന്റെ വൈദ്യവ്യവസ്ഥ, സെൻസറിന്റെ പ്രവർത്തനത്തെ പ്രതികൂലമായി ബാധിച്ചേക്കാം. ഈ വാഹനത്തിന് മാത്രമായുള്ള ജെമ്പറിൻ മാർബിൾ സീറ്റ് കവർ തന്നെ ഉപയോഗിക്കണമെന്ന് മാർബിൾ സുസൂക്കി ശുപാർശ ചെയ്യുന്നു.
- മുൻ യാത്രക്കാരുടെ സീറ്റ് കുപ്പിയിൽ ലിക്വിഡ് അർമോറിക്സ്, ഷിതളപാനീയങ്ങൾ, ജ്യൂസ്, തുടങ്ങിയ ദ്രാവകങ്ങൾ വിഴിഞ്ഞിടാതെ, സീറ്റ് കുപ്പിയിൽ സ്ഥാപിച്ചിരിക്കുന്ന ഫ്രണ്ട് പാസഞ്ചർ സീറ്റ് ബെൽറ്റ് റിമൈൻഡർ സെൻസറിന് കേടുപാടുകൾ സംഭവിക്കാം. ഇവ പറ്റാൻിടയായാൽ മുൻവായ തുണി ഉപയോഗിച്ച ഉടൻ തുടയ്ക്കുക.

(തുടരും)

ശ്രദ്ധിക്കുക

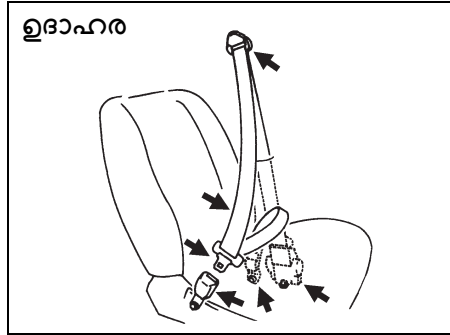
- (തുടരും)
- മുൻവശത്തുള്ള യാത്രക്കാരുടെ സീറ്റിൽ ഇരിക്കുമ്പോൾ, സീറ്റ് ബെൽറ്റ് റിമൈൻഡർ സിസ്റ്റം ഫലപ്രദമായി പ്രവർത്തിക്കുന്നതിന് യാത്രക്കാരുടെ നിലവർണ്ണം സീറ്റ് ബാക്കറ്റ്സിലേക്ക് ചാഞ്ഞും സീറ്റ് കുപ്പിയിൽ റെപ്പീച്ചും ഇരിക്കുന്നത് വളരെ പ്രധാനമാണ്. ഇവിടെ ഇരിക്കുന്ന വ്യക്തി ഉചിതജ്യാങ്കുരത്തിൽ ഇരിക്കുന്നതാണ് (ചാഞ്ഞ കിടക്കുക, വശത്തേക്ക് തിരിയുക, മുന്നോട്ട് അല്ലെങ്കിൽ വശത്തേക്ക് ഇരിക്കുക) ഈ സിസ്റ്റത്തിന്റെ പ്രവർത്തനത്തെ തടസ്സപ്പെടുത്തിയേക്കാം. കാരണം ഇങ്ങനെ ഇരിക്കുമ്പോൾ വ്യക്തിയെ തിരിച്ചറിയാൻ സെൻസറിന് കഴിയില്ല.

കുറിപ്പ്:

- നിങ്ങളുടെ ഒരു വസ്തു യാത്രക്കാരുടെ സീറ്റിൽ പെച്ചാൽ, വസ്തുവിന്റെ ഭാരം സെൻസർ തിരിച്ചറിയുകയും മുൻ യാത്രക്കാരുടെ സീറ്റ് ബെൽറ്റ് റിമൈൻഡർ ലൈറ്റ് ഓണാകുകയും തുടർന്ന് ഇൻറിഡിയർ ബസർ ബ്ലിപ്പ് ചെയ്യുകയും ചെയ്യും.
- ഒരു കുട്ടിയോ ഉയരം കുറഞ്ഞ വ്യക്തിയോ മുൻ യാത്രക്കാരുടെ സീറ്റിൽ ഇരിക്കുകയോ കുപ്പി മുൻവശത്തെ യാത്രക്കാരുടെ സീറ്റിൽ ഇടുകയോ ചെയ്താൽ, ഭാരം സെൻസറിന് മനസ്സിലാക്കില്ല. ഇൻറിഡിയർ ബസർ ബ്ലിപ്പ് ചെയ്യില്ല.

കുറിപ്പ്:
സീറ്റ് കവർ ആക്സസറി ജെനുവിൽ മാർച്ചി സുസൂക്ഷി തന്നെ ഉപയോഗിക്കാൻ മാർച്ചി സുസൂക്ഷി ശുപാർശ ചെയ്യുന്നു.

സീറ്റ് ബെൽറ്റ് പരിശോധന



65D209S

സീറ്റ് ബെൽറ്റുകൾ ശരിയായി പ്രവർത്തിക്കുന്നുണ്ടെന്നും കേടുപാടുകൾ സംഭവിച്ചിട്ടില്ലെന്നും ഉറപ്പാക്കാൻ ഇടയ്ക്കിടെ പരിശോധിക്കേണ്ടതുണ്ട്. വെബിംഗ്, ബക്കിളുകൾ, ലാച്ച് പേറ്റുകൾ, റിട്രാക്ടറുകൾ, ആക്സസറികൾ, ഗൈഡ് ലുപ്പുകൾ എന്നിവ പരിശോധിക്കുക. ശരിയായി പ്രവർത്തിക്കാത്തതോ കേടായതോ ആയ സീറ്റ് ബെൽറ്റുകൾ മാറ്റിസ്ഥാപിക്കുക.

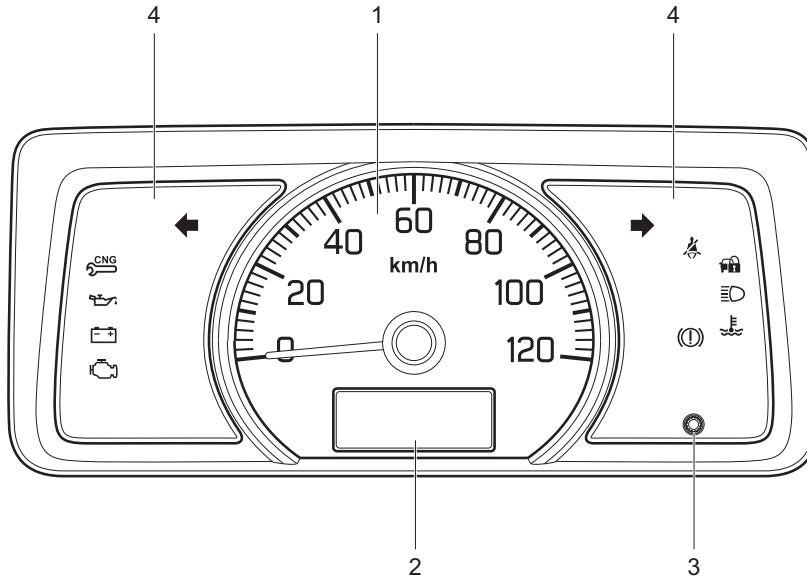
⚠ മുന്നറിയിപ്പ്

വാഹനം ഏതെങ്കിലും തരത്തിൽ കുട്ടിയിടിക്കുകയാണെങ്കിൽ ശേഷം എല്ലാ സീറ്റ് ബെൽറ്റ് അസംബിളുകളും പരിശോധിക്കുന്നതും ഉറപ്പാക്കുക. അസംബിൾ കേടുപാടുകൾ വ്യക്തമില്ലെങ്കിലും കുട്ടിയിടിയുടെ സമയത്ത് ഉപയോഗിച്ചിരുന്ന ഏതെങ്കിലും സീറ്റ് ബെൽറ്റ് അസംബിൾ (വളരെ ചെറുതല്ലാത്ത) മാറ്റിസ്ഥാപിക്കേണ്ടതാണ്, കുട്ടിയിടിയുടെ സമയത്ത് ഉപയോഗത്തിലില്ലാത്ത ഏതെങ്കിലും സീറ്റ് ബെൽറ്റ് അസംബിൾ ശരിയായി പ്രവർത്തിക്കുന്നില്ലെങ്കിലോ അല്ലെങ്കിൽ ഏതെങ്കിലും വിധത്തിൽ കേടുപാടുകൾ സംഭവിച്ചിട്ടുണ്ടെങ്കിലോ മാറ്റിസ്ഥാപിക്കേണ്ടതാണ്.

ഇൻസ്ട്രുമെന്റ് ക്ലസ്റ്റർ

1. സ്പീഡോമീറ്റർ
2. ഇൻഫർമേഷൻ ഡിസ്പ്ലേ
3. ട്രിപ്പ് മീറ്റർ സെലക്ടർ നോബ്
4. വാർണിംഗ്, ഇൻഡിക്കേറ്റർ ലൈറ്റുകൾ

ഉദാഹരണം



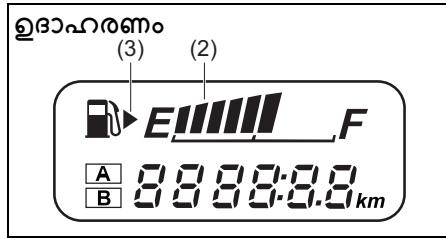
സ്പീഡോമീറ്റർ

സ്പീഡോമീറ്റർ വാഹനത്തിന്റെ വേഗതയെ സൂചിപ്പിക്കുന്നു.

കുറിപ്പ്: സർക്കാർ നിയന്ത്രണമനുസരിച്ച് വാഹനത്തിന്റെ വാഹനത്തിന്റെ വേഗത മണിക്കൂറിൽ 80 കിലോമീറ്ററാണ്.

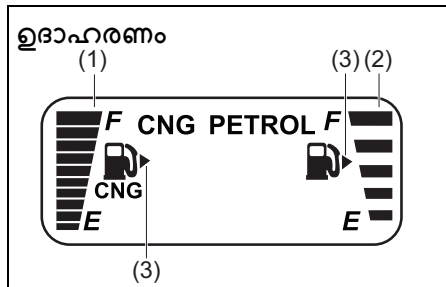
ഫ്യൂൽ ഗേജ

പെട്രോൾ മോഡൽ



77PM02018

സി എൻ ജി മോഡൽ



77PM07019

(1) സി എൻ ജി ഫ്യൂൽ ഗേജിനെ സൂചിപ്പിക്കുന്നു.

(2) പെട്രോൾ ഫ്യൂൽ ഗേജിനെ സൂചിപ്പിക്കുന്നു.

ഇഗ്നിഷൻ സ്വിച്ച് "ഓൺ" പൊസിഷനിൽ ആയിരിക്കുമ്പോൾ, ഈ ഗേജ് ഫ്യൂൽ ടാങ്കിലെ ഇന്ധനത്തിന്റെ ഏകദേശ സൂചന നൽകുന്നു. "F" എന്നത് സൂചിപ്പിക്കുന്നത് ഫുൾനൂറും "E" എന്നത് എൻ നൂറുവുമാണ്.

ഇന്ധന മീറ്റർ സൂചകം "E" ലേക്ക് ഒരു സെമെന്റ് മാർക്ക് ക്ലാസ്സിക്കുന്നുള്ളൂ. ഏകദേശ കഴിയുന്നത്ര വേഗം ടാങ്ക് നിറയ്ക്കുക.

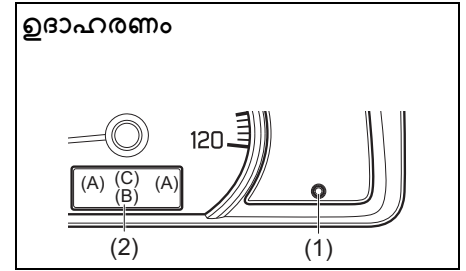
മാർക്ക് (3) സൂചിപ്പിക്കുന്നത് ഫ്യൂൽ ഫിലർ ഡോർ വാഹനത്തിന്റെ വലതുവശത്താണ് എന്നതാണ്.

ശ്രദ്ധിക്കുക

കാറ്റലിക് കൺവെർട്ടറിനോ വാഹനത്തിന്റെ മറ്റ് ഘടകങ്ങൾക്കോ കേടുപാടുകൾ സംഭവിക്കാനുള്ള സാധ്യത കുറയ്ക്കുന്നതിന്, ഫ്യൂൽ ടാങ്ക് കൂറയ്ക്കുന്നതിന്, ഫ്യൂൽ ടാങ്ക് കൂറയ്ക്കുന്നതിന് ഏകദേശം ശുന്യമായിരിക്കുമ്പോൾ വാഹനം ഓടിക്കുന്നത് ഒഴിവാക്കുക.

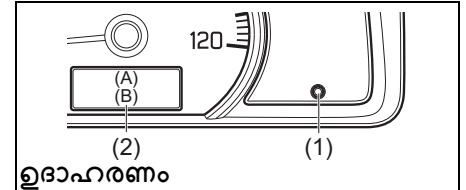
കുറിപ്പ്: അർദ്ധസമയ സെഗ്മെന്റ് മിന്നികരുതുകയാണെങ്കിൽ, ഇന്ധനം ഏതാണ്ട് കാലിയായിരുന്നെന്ന് അർത്ഥമാക്കുന്നു.

ഇൻഫോർമേഷൻ CNG മോഡലിന്



77PM07029

പെട്രോൾ മോഡലിന്



77PM07031

- (1) ട്രിപ്പ് മീറ്റർ സെലക്ടർ നോബ്
- (2) ഇൻഫോർമേഷൻ ഡിസ്പ്ലേ

ഇഗ്നിഷൻ സ്വിച്ച് "ഓൺ" പൊസിഷനിൽ ആയിരിക്കുമ്പോൾ, ഇൻഫോർമേഷൻ ഡിസ്പ്ലേയിൽ ഇനിപ്പറയുന്ന വിവരങ്ങൾ കാണിക്കുന്നു. ഡിസ്പ്ലേ (എ)

ഡ്രൈവിംഗിന് മുമ്പ്

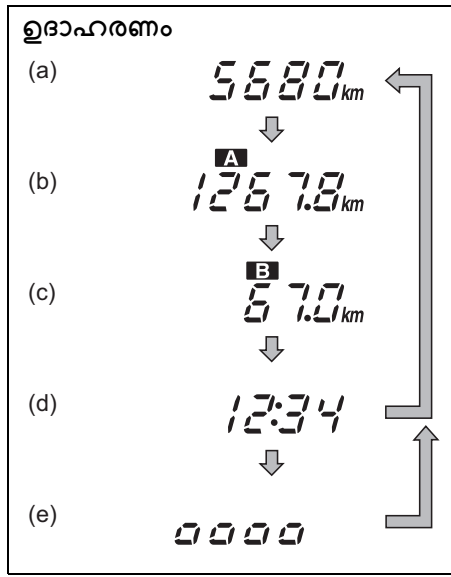
ഫ്യൂൽ ഗേജ്
 ഡിസ്‌പ്ലേ (ബി)
 ഓഡോമീറ്റർ / ട്രിപ്പ് മീറ്റർ / ക്ലോക്ക് / ബ്രെറ്റ്നെസ്സ് കൺട്രോൾ
 ഡിസ്‌പ്ലേ (സി)
 ഫ്യൂൽ മോഡ്യൂൾ (സജ്ജീകരിച്ചിട്ടുണ്ടെങ്കിൽ)

ഫ്യൂൽ ഗേജ്
 ഇൻഷൻ സ്വിച്ച് "ഓൺ"
 പൊസിഷനിൽ ആയിരിക്കുമ്പോൾ
 ഡിസ്‌പ്ലേ (എ) ഫ്യൂൽ ഗേജ് കാണിക്കുന്നു.

ഈ വിഭാഗത്തിലെ "ഫ്യൂവൽ ഗേജ്" റഫർ ചെയ്യുക.

ഓഡോമീറ്റർ / ട്രിപ്പ് മീറ്റർ / ക്ലോക്ക് / ബ്രെറ്റ്നെസ്സ് കൺട്രോൾ
 ഇൻഷൻ സ്വിച്ച് "ഓൺ"
 പൊസിഷനിൽ ആയിരിക്കുമ്പോൾ
 ഡിസ്‌പ്ലേ (ബി) ഇനിപ്പറയുന്ന സൂചനകളിൽ ഒന്ന് കാണിക്കുന്നു.
 ഓഡോമീറ്റർ, ട്രിപ്പ് മീറ്റർ (എ), ട്രിപ്പ് മീറ്റർ ബി അല്ലെങ്കിൽ ക്ലോക്ക്.

ഡിസ്‌പ്ലേ ഇൻഡിക്കേഷൻ (ബി) ലേക്ക് മാറാൻ ട്രിപ്പ് മീറ്റർ സെലക്ടർ നോബ (1) വേഗത്തിൽ അമർത്തുക.



(a) ഓഡോമീറ്റർ

- (b) ട്രിപ്പ് മീറ്റർ A
- (c) ട്രിപ്പ് മീറ്റർ B
- (d) ക്ലോക്ക്
- (e) ബ്രെറ്റ്നെസ്സ് കൺട്രോൾ*

* പൊസിഷൻ ലൈറ്റുകളും കൂടാതെ/അല്ലെങ്കിൽ ഹെഡ്‌ലൈറ്റുകളും ഓണായിരിക്കുമ്പോൾ ബ്രെറ്റ്നെസ്സ് കൺട്രോൾ ദൃശ്യമാകും.

▲ മുന്നറിയിപ്പ്

ഡ്രൈവ് ചെയ്യുമ്പോൾ ഡിസ്‌പ്ലേ ക്രമീകരിക്കാൻ ശ്രമിച്ചാൽ വാഹനത്തിന്റെ നിയന്ത്രണം നഷ്ടപ്പെടാം.
 ഡ്രൈവ് ചെയ്യുമ്പോൾ ഒരിക്കലും ഡിസ്‌പ്ലേ ക്രമീകരിക്കാൻ ശ്രമിക്കരുത്.

കുറിപ്പ്:
 നിങ്ങളുടെ നോബ് അമർത്തി വിടുമ്പോൾ ഇൻഡിക്കേഷനുകൾ മാറും.

ഓഡോമീറ്റർ വാഹനം ഓടിച്ച ആകെ ദൂരം ഓഡോമീറ്റർ രേഖപ്പെടുത്തുന്നു.

ശ്രദ്ധിക്കുക

നിങ്ങളുടെ ഓഡോമീറ്റർ റിഡിംഗിന്റെ ട്രാക്ക് സൂക്ഷിക്കുകയും ആവശ്യമായ നിർവ്വീചനമായി മെയിന്റനൻസ് ചെയ്യുകയും ചെയ്യുക. കൃത്യമായ മൈലേജ് ഇടവേളകളിൽ ആവശ്യമായ സേവനങ്ങൾ നിർവ്വഹിക്കുന്നതിൽ പരാജയപ്പെടുന്നതിനെ ഫലമായി വർദ്ധിച്ച തേയ്മാനമോ ചില ഭാഗങ്ങൾക്ക് കേടുപാടുകളോ സംഭവിക്കാം.

ട്രിപ്പ് മീറ്റർ ചെറിയ യാത്രകളിലോ ഫ്യൂൽ സ്റ്റോപ്പുകൾക്കിടയിലോ സഞ്ചരിക്കുന്ന ദൂരം അളക്കാൻ ട്രിപ്പ് മീറ്റർ ഉപയോഗിക്കാം. നിങ്ങൾക്ക് ട്രിപ്പ് മീറ്റർ എ അല്ലെങ്കിൽ ട്രിപ്പ് മീറ്റർ ബി പ്രത്യേകം പ്രത്യേകമായി ഉപയോഗിക്കാം.

ട്രിപ്പ് മീറ്റർ പുഷ്ബട്ടിലേക്ക് റീസെറ്റ് ചെയ്യാനായി ഡിസ്പേസിപ്പ് മീറ്റർ കാണിക്കുമ്പോൾ ട്രിപ്പ് മീറ്റർ സെലക്ടർ നോബ് (1) അമർത്തിപ്പിടിക്കുക.

കുറിപ്പ്:
ട്രിപ്പ് മീറ്ററിന്റെ സൂചിപ്പിച്ച പർമാവധി മൂല്യം 9999.9 ആണ്. നിങ്ങൾ പർമാവധി മൂല്യം മറികടക്കുമ്പോൾ, സൂചിപ്പിച്ച മൂല്യം 0.0-ലേക്ക് മടങ്ങും.

ക്ലോക്ക്
ഡിസ്പേയിൽ സമയം കാണിക്കുന്നു.

സമയ സൂചന മാറ്റാൻ:

- 1) മിനിറ്റ് സൂചന മിന്നുന്നത് വരെ ട്രിപ്പ് മീറ്റർ സെലക്ടർ നോബ് (1) അമർത്തിപ്പിടിക്കുക.
- 2) മിനിറ്റ് സൂചന മാറ്റാൻ, മിനിറ്റ് സൂചന മിന്നുമ്പോൾ ട്രിപ്പ് മീറ്റർ സെലക്ടർ നോബ് (1) ആവർത്തിച്ച് അമർത്തുക. മിനിറ്റ് സൂചന വേഗത്തിൽ മാറ്റാൻ, ട്രിപ്പ് മീറ്റർ സെലക്ടർ നോബ് (1) അമർത്തിപ്പിടിക്കുക. മിനിറ്റ് സൂചന ക്രമീകരണം ഉറപ്പുവരുത്താൻ, മണിക്കൂർ സൂചന മിന്നുന്നത് വരെ ഏകദേശം 5 സെക്കൻഡ് കാത്തിരിക്കുക.

- 3) മണിക്കൂർ സൂചന മാറ്റാൻ, ട്രിപ്പ് മീറ്റർ സെലക്ടർ നോബ് (1) മിനിറ്റ് സൂചന മിന്നാൻ തുടങ്ങുന്നത് വരെ ആവർത്തിച്ച് അമർത്തുക. ഏകദേശം 5 സെക്കൻഡ് കാത്തിരിക്കുക, മണിക്കൂർ സൂചന മിന്നാൻ തുടങ്ങും. മണിക്കൂർ സൂചന മാറ്റാൻ, ട്രിപ്പ് മീറ്റർ സെലക്ടർ നോബ് (1) പെട്ടെന്ന് അമർത്തിപ്പിടിക്കുക. മണിക്കൂർ സൂചന സജ്ജീകരിക്കാൻ, ഏകദേശം 5 സെക്കൻഡ് കാത്തിരിക്കുക.

▲ മുന്നറിയിപ്പ്

ഡ്രൈവ് ചെയ്യുമ്പോൾ ഡിസ്പേ ക്രമീകരിക്കാൻ ശ്രമിച്ചാൽ വാഹനത്തിന്റെ നിയന്ത്രണം നഷ്ടപ്പെടാം.

ഡ്രൈവ് ചെയ്യുമ്പോൾ ഡിസ്പേ ക്രമീകരിക്കാൻ ശ്രമിക്കരുത്.

കുറിപ്പ്:
ബ്രാറ്ററിയിലേക്ക് നെഗറ്റീവ് (-) ടെർമിനൽ വീണ്ടും കണക്ട് ചെയ്യുമ്പോൾ, ക്ലോക്ക് ഇൻഡിക്കേഷൻ പുനരാരംഭിക്കും. നിങ്ങൾക്ക് ആവശ്യമുള്ളത് പോലെ സൂചന വീണ്ടും മാറ്റാവുന്നതാണ്.

ബ്രെൻറ്നെസ്സ് കൺട്രോൾ പൊസിഷൻ ലൈറ്റുകളും കൂടാതെ/ അല്ലെങ്കിൽ ഹെഡ്ലൈറ്റുകളും ഓണായിരിക്കുമ്പോൾ, നിങ്ങൾക്ക് മീറ്ററിന്റെ പ്രകാശ തിവ്രത നിയന്ത്രിക്കാനാകും.

ഇൻസ്ട്രുമെന്റ് പാനൽ ലൈറ്റുകളുടെ ബ്രെൻറ്നെസ്സ് മാറ്റാൻ, ട്രിപ്പ് മീറ്റർ

സെലക്ടർ നോബ് (1) അമർത്തിപ്പിടിക്കുക.

▲ മുന്നറിയിപ്പ്

ഡ്രൈവ് ചെയ്യുമ്പോൾ ഡിസ്പേ ക്രമീകരിക്കാൻ ശ്രമിച്ചാൽ വാഹനത്തിന്റെ നിയന്ത്രണം നഷ്ടപ്പെടാം.

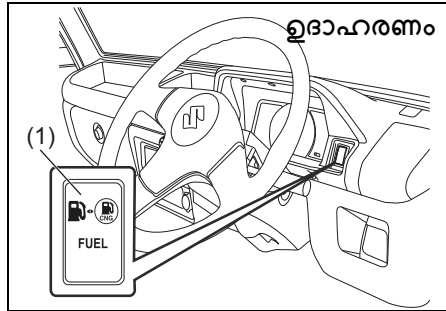
ഡ്രൈവ് ചെയ്യുമ്പോൾ ഡിസ്പേ ക്രമീകരിക്കാൻ ശ്രമിക്കരുത്.

- കുറിപ്പ്:**
- ബ്രെൻറ്നെസ്സ് കൺട്രോൾ ഡിസ്പേ സജീവമാക്കി ഏകദേശം 10 സെക്കൻഡിനുള്ളിൽ നിങ്ങൾ ട്രിപ്പ് മീറ്റർ സെലക്ടർ നോബ് പുഷ് ചെയ്തില്ലെങ്കിൽ, ബ്രെൻറ്നെസ്സ് കൺട്രോൾ ഡിസ്പേ സ്വയമേവ റദ്ദാക്കപ്പെടും.
 - നിങ്ങൾ ബ്രാറ്ററി വീണ്ടും കണക്ട് ചെയ്യുമ്പോൾ, ഇൻസ്ട്രുമെന്റ് പാനൽ ലൈറ്റുകളുടെ ബ്രെൻറ്നെസ്സ് പുനരാരംഭിക്കും. നിങ്ങളുടെ ആവശ്യം അനുസരിച്ച് ബ്രെൻറ്നെസ്സ് വീണ്ടും അഡ്ജസ്റ്റ് ചെയ്യാവുന്നതാണ്.

സി എൻ ജി മോഡലിനുള്ള ഫ്യൂൽ മോഡ്യൂൾ (ഉണ്ടെങ്കിൽ)

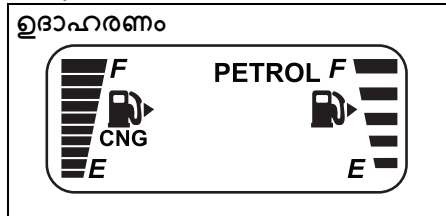
വാഹനത്തിൽ പെട്രോൾ, ഓട്ടോ, കൂടാതെ ഫോർസഡ് സിഎൻജി എന്റിങ്ങനെ മൂന്ന് ഇന്ധന മോഡ്യൂൾ ഉണ്ട്. ഡാഷ്ബോർഡിൽ സ്റ്റിയറിംഗ് വിലിന്ററെ വലതുവശത്ത് സ്ഥിതി ചെയ്യുന്ന സെലക്ടർ സ്വിച്ച് (1) അമർത്തി ഇവ തിരഞ്ഞെടുക്കാം.

ഡ്രൈവിംഗിന് മുമ്പ്



77PM02005

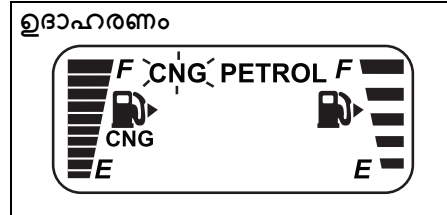
പെട്രോൾ മോഡ്



77PM02002

ഈ മോഡിൽ വാഹനം പെട്രോളിൽ സ്മാർട്ട് ചെയ്യുകയും പെട്രോൾ മോഡിൽ പ്രവർത്തിക്കുകയും ചെയ്യുന്നു. ഈ മോഡിൽ, പെട്രോൾ ഇൻഡിക്കേറ്റർ തുടർച്ചയായി പ്രദർശിപ്പിക്കുകയും സി എൻ ജി ഇൻഡിക്കേറ്റർ "ഓഫ്" ആയി തുടരുകയും ചെയ്യും.

ഓട്ടോ മോഡ്



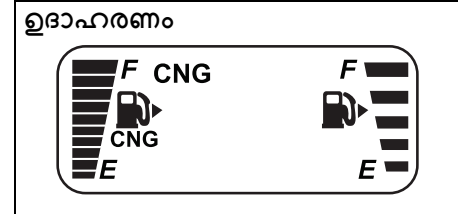
77PM02003

ഈ മോഡിൽ എഞ്ചിൻ പെട്രോൾ മോഡിൽ ആരംഭിക്കുന്നു, തുടർന്ന് പ്രോഗ്രാം ചെയ്ത വാമിന്റെ അപകണ്ടിഷനിൽ എത്തിയ ശേഷം സ്വയമേവ സി എൻ ജി-യിലേക്ക് മാറുന്നു. ഇതിനാൽ സി എൻ ജി "ഓഫ്" ആരംഭിക്കുമ്പോൾ, "ഓട്ടോ മോഡിൽ" ഇൻഡിക്കേറ്റർ ഡിസ്പ്ലെയിൽ മിന്നിമറയുകയും പെട്രോൾ ഇൻഡിക്കേറ്റർ ഡിസ്പ്ലേ ആകുകയും ചെയ്യുന്നു. സി എൻ ജി-ലേക്ക് ചെയ്തപ്പോൾ ചെയ്ത ശേഷം, "ഓട്ടോ മോഡിൽ" ഇൻഡിക്കേറ്റർ ഡിസ്പ്ലേ ചെയ്യപ്പെടും. പെട്രോൾ ഇൻഡിക്കേറ്റർ ഓട്ടോമാറ്റിക് ആയി സി എൻ ജി "ഓഫ്" ആകും.

- കുറിപ്പ്: എഞ്ചിൻ ആരംഭിക്കുന്നതിന് മുമ്പ് വാഹനം പെട്രോൾ മോഡിലേക്ക് മാറ്റേണ്ടതാണ്. ഓട്ടോ മോഡിലേക്ക് മാറ്റിയ ശേഷം മാത്രമേ സി എൻ ജി-ലേക്ക് മാറൂ.
- ആംബിയൻ ടെമ്പറേച്ചർ സി എൻ ജി-ലേക്ക് മാറുന്നതിന് താഴെയാണെങ്കിൽ വാഹനം സ്മാർട്ട് ചെയ്യുകയും സി എൻ ജി-ലേക്ക് മാറുകയും ചെയ്യും.

സാഹചര്യത്തിൽ, എഞ്ചിൻ ചുടാകുന്നതുവരെ പെട്രോൾ മോഡിൽ പ്രവർത്തിപ്പിക്കുകയും തുടർന്ന് സി എൻ ജി-ലേക്ക് മാറ്റാൻ എഞ്ചിൻ റിസ്മാർട്ട് ചെയ്യാൻ ശ്രമിക്കുക.

ഫോഴ്സ്ഡ് സി എൻ ജി മോഡ്



77PM02004

ഇത് എമർജൻസി മോഡാണ്, പെട്രോൾ ടാങ്കിൽ പെട്രോൾ ഇല്ലാത്ത സന്ദർഭങ്ങളിൽ ഇത് ഉപയോഗിക്കാം. ഈ മോഡിൽ വാഹനം സി എൻ ജി മോഡിൽ ആരംഭിക്കുകയും സി എൻ ജി മോഡിൽ പ്രവർത്തിക്കുകയും ചെയ്യുന്നു. ഇതിനാൽ "ഓഫ്" ആകുകയും എഞ്ചിൻ പ്രവർത്തിക്കാതിരിക്കുകയും ചെയ്യുമ്പോൾ, സി എൻ ജി ഇൻഡിക്കേറ്റർ മുദ്രാശ്യാകുന്നതുവരെ ചെയ്തപ്പോൾ സി എൻ ജി-ലേക്ക് മാറാൻ സി എൻ ജി-ലേക്ക് മാറുന്നതിന് സി എൻ ജി ഇൻഡിക്കേറ്റർ ഡിസ്പ്ലേ ചെയ്യപ്പെടുകയും പെട്രോൾ ഇൻഡിക്കേറ്റർ "ഓഫ്" ആയി തുടരുകയും ചെയ്യും..

- കുറിപ്പ്: പെട്രോൾ ടാങ്കിൽ ആവശ്യത്തിന് പെട്രോൾ ഉണ്ടായിരിക്കണമെന്ന് ശുപാർശ ചെയ്യുന്നു.

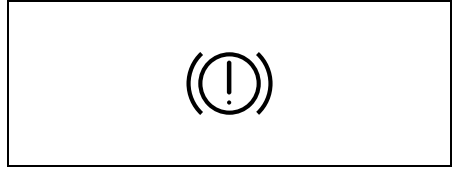
- ആംബിയന്റ് / എഞ്ചിൻ താപനില സിറോ ഡിഗ്രി സെൽഷ്യസിൽ താഴെയാണെങ്കിൽ, ഫോഴ്സഡ് CNG മോഡിൽ വാഹനം സ്റ്റാർട്ട് ആകുകയില്ല. ഓട്ടോ മോഡിൽ വാഹനം സ്റ്റാർട്ട് ചെയ്യാൻ ശുപാർശ ചെയ്യുന്നു.

CNG മോഡിൽ നിന്ന് പെട്രോൾ മോഡിലേക്ക് ഓട്ടോമാറ്റിക് ചെയഞ്ച് ഓവർ എഞ്ചിൻ പ്രവർത്തിക്കുമ്പോൾ CNG തിർന്നുപോയാൽ, വാഹനം CNG മോഡിൽ നിന്ന് പെട്രോൾ മോഡിലേക്ക് ഓട്ടോമാറ്റിക് ആയി മാറുകയും CNG തകരാർ സൂചിപ്പിക്കുന്ന വാർണിംഗ് ലാമ്പ് മിന്നാൻ തുടങ്ങുകയും ചെയ്യും. പെട്രോൾ ഇൻഡിക്കേറ്റർ തുടർച്ചയായി പ്രദർശിപ്പിക്കുകയും CNG ഇൻഡിക്കേറ്റർ സ്വയമേവ സ്വിച്ച് ഓഫ് ആകുകയും ചെയ്യും.

ഈ വിവരം അംഗീകരിക്കാൻ, ഒരു തവണ ചേഞ്ച് ഓവർ സ്വിച്ച് അമർത്തുക. ചേഞ്ച് ഓവർ സ്വിച്ച് അമർത്തിയാൽ CNG തകരാർ സൂചിപ്പിക്കുന്ന വാർണിംഗ് ലാമ്പ് മിന്നുന്നത് നിർത്തുകയും പെട്രോൾ ഇൻഡിക്കേറ്റർ തുടർച്ചയായി തെളിയുകയും ചെയ്യും. എന്നിരുന്നാലും, വാഹനത്തിൽ CNG നിറയ്ക്കുന്നത് വരെ, തുടർന്നുള്ള ഓരോ ഇഗ്നിഷൻ ഓൺ - ഇഗ്നിഷൻ ഓഫ് ക്ലണ്ടിഷൻ ശേഷവും CNG തകരാർ സൂചിപ്പിക്കുന്ന ഇൻഡിക്കേറ്റർ ലാമ്പ് മിന്നുന്നത് തുടരും. സിപ്ലിൻജി വിണ്ടും നിറച്ചാൽ, സിപ്ലിൻജിയിലേക്ക് മാറ്റാൻ ഫ്യൂവൽ ചേഞ്ച് ഓവർ സ്വിച്ച് ഒർക്കൽ അമർത്തുക. ശേഷം വാഹനം സിപ്ലിൻജിയിൽ ഓടിക്കാം.

- കുറിപ്പ്:
- സിപ്ലിൻജി മോഡിൽ നിന്ന് പെട്രോൾ മോഡിലേക്ക് ഓട്ടോമാറ്റിക് ആയി മാറുമ്പോൾ എഞ്ചിൻ നിർത്തുന്നതടയാൻ പെട്രോൾ ടാങ്കിൽ മതിയായ അളവിൽ പെട്രോൾ സൂക്ഷിക്കാൻ ശുപാർശ ചെയ്യുന്നു.
 - ചേഞ്ച് ഓവർ സ്വിച്ച് അമർത്തിയാൽ, CNG തകരാറുള്ള വാർണിംഗ് ലാമ്പ് മിന്നുന്നത് നിർത്തുന്നില്ലെങ്കിൽ, അടുത്തുള്ള അംഗീകൃത ചോർട്ടി സൂപ്പർക്കി കോമേഴ്സിൽ വർക്കിംഗ് വാഹനം പരിശോധിക്കണം.

വാർണിംഗ്, ഇൻഡിക്കേറ്റർ ലൈറ്റുകൾ ബ്രേക്ക് സിസ്റ്റം വാർണിംഗ് ലൈറ്റ്



82K170

വാഹനത്തിന്റെ സ്പെസിഫിക്കേഷൻ അനുസരിച്ച് നാല് വ്യത്യസ്ത തരത്തിലുള്ള പ്രവർത്തനങ്ങൾ നിലവിലുണ്ട്.

- 1) ഇഗ്നിഷൻ സ്വിച്ച് "ഓൺ" പൊസിഷനിലേക്ക് തിരിയുമ്പോൾ പ്രകാശം കുറച്ചു നേരത്തേക്ക് തെളിയുന്നു.
- 2) ഇഗ്നിഷൻ സ്വിച്ച് "ഓൺ" പൊസിഷനിൽ ആയിരിക്കുമ്പോൾ പാർക്കിംഗ് ബ്രേക്ക് പിടിക്കുകയാണെങ്കിൽ ലൈറ്റ് തെളിയുന്നു.
- 3) മുകളിൽ പറഞ്ഞ രണ്ട് വ്യവസ്ഥകളിൽ ഏതെങ്കിലും ഒന്നോ രണ്ടെണ്ണമോ ഉണ്ടെങ്കിൽ ലൈറ്റ് ഓണാകുന്നു.
- 4) ബ്രേക്ക് റിസർവോയിലിലെ പ്ലൂയിഡ് റ്റിംഗിംഗ് ലെവലിൽ താഴെ വീഴുമ്പോൾ ലൈറ്റ് ഒരേതരം.

ബ്രേക്ക് പ്ലൂയിഡ് റിസർവോയിലിലെ പ്ലൂയിഡ് ലെവൽ

ഡ്രൈവിംഗിന് മുമ്പ്

മതിയായതാണെങ്കിൽ എഞ്ചിൻ സ്റ്റാർട്ട് ചെയ്ത പാർക്കിംഗ് ബ്രേക്ക് പൂർണ്ണമായി റിലീസ് ചെയ്തതിന് ശേഷം ലൈറ്റ് അണയേണ്ടതാണ്.

നിങ്ങൾ വാഹനം ഓടിക്കുമ്പോൾ ബ്രേക്ക് സിസ്റ്റം വാണിംഗ് ലൈറ്റ് തെളിഞ്ഞാൽ, വാഹനത്തിന്റെ ബ്രേക്ക് സിസ്റ്റത്തിൽ എന്തോ കുഴപ്പമുണ്ടെന്നു അർത്ഥമാക്കാം. ഇത് സംഭവിക്കുകയാണെങ്കിൽ, നിങ്ങൾ ഇൻപ്പറയുന്നവ ചെയ്യണം:

- 1) റോഡിൽ നിന്ന് മാറ്റി വാഹനം ശ്രദ്ധാപൂർവ്വം നിർത്തുക.

⚠ മുന്നറിയിപ്പ്

നിർത്തുന്ന ദൂരം കൂടുതൽ ആയിരിക്കാം, നിങ്ങൾ പെഡലിൽ കൂടുതൽ ശക്തമായി കാലമർത്തേണ്ടി വന്നേക്കാം, കൂടാതെ പെഡൽ സാധാരണയേക്കാൾ താഴേക്ക് സാകന്ദ്രിയമുണ്ട്.

- 2) റോഡിന്റെ വശത്ത് ശ്രദ്ധാപൂർവ്വം സ്റ്റാർട്ട് ചെയ്യുകയും നിർത്തുകയും ചെയ്ത ബ്രേക്കുകൾ പരിശോധിക്കുക.

- ഇത് സുരക്ഷിതമാണെന്ന് നിങ്ങൾക്ക് തോന്നുന്നുവെങ്കിൽ, അറകുറപ്പണികൾക്കായി അടുത്തുള്ള ഡീലറുടെ അടുത്തേക്ക് ശ്രദ്ധാപൂർവ്വം കുറഞ്ഞ വേഗതയിൽ ഡ്രൈവ് ചെയ്യുക, അല്ലെങ്കിൽ

- മറ്റു മാർഗങ്ങളിലൂടെ വാഹനം അറകുറപ്പണികൾക്കായി അടുത്തുള്ള അംഗീകൃത മാരുതി സുസുക്ക് കോമേഴ്സ്യൽ വർക്കിംഗ്ഷോപ്പിലേക്ക് കൊണ്ടുപോകുക.

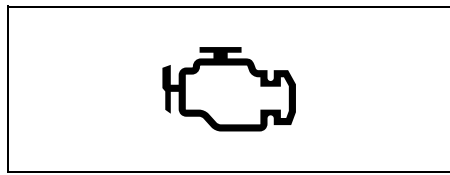
⚠ മുന്നറിയിപ്പ്

താഴെപ്പറയുന്ന ഏതെങ്കിലും സാഹചര്യങ്ങൾ ഉണ്ടെങ്കിൽ, ബ്രേക്ക് സിസ്റ്റം പരിശോധിക്കാൻ നിങ്ങളുടെ അംഗീകൃത മാരുതി സുസുക്ക് കോമേഴ്സ്യൽ വർക്കിംഗ്ഷോപ്പ് ഉടൻ സന്ദർശിക്കുക.

- എഞ്ചിൻ സ്റ്റാർട്ട് ചെയ്ത് പാർക്കിംഗ് ബ്രേക്ക് പൂർണ്ണമായി റിലീസ് ചെയ്തതിന് ശേഷവും ബ്രേക്ക് സിസ്റ്റം വാർണിംഗ് ലൈറ്റ് അണയുന്നില്ലെങ്കിൽ.
- ഇനിഷൻ സ്വിച്ച് "ഓൺ" പൊസിഷനിലേക്ക് തിരിയുമ്പോൾ ബ്രേക്ക് സിസ്റ്റം വാർണിംഗ് ലൈറ്റ് വരുന്നില്ലെങ്കിൽ.
- വാഹനത്തിന്റെ പ്രവർത്തന സമയത്ത് ബ്രേക്ക് സിസ്റ്റം വാർണിംഗ് ലൈറ്റ് എപ്പോൾ വേണമെങ്കിലും തെളിയുന്നുവെങ്കിൽ.

കുറിപ്പ്: ബ്രേക്ക് സിസ്റ്റം സന്ധി, ക്രമീകരിക്കപ്പെടുന്നതിനാൽ, ബ്രേക്ക് പാഡുകൾക്ക് തേയമാനം സംഭവിക്കുന്നതിനനുസരിച്ച് പിളയ്ക്കുന്നതിന് അളവ് കുറയ്ക്കുക. ബ്രേക്ക് ഫ്ലായിഡ് റിസർവോയർ സമയനുമായി നിറയ്ക്കുന്നതിന് സാധാരണ മൈനറൽസായി കണക്കാക്കപ്പെടുന്നു.

തകരാർ ഇൻഡിക്കേറ്റർ ലൈറ്റ്



63J031

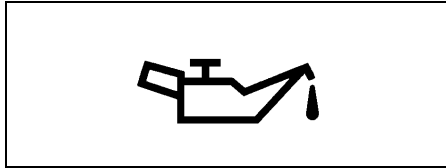
തകരാർ ഇൻഡിക്കേറ്റർ ലൈറ്റ് സൂചിപ്പിക്കുന്ന വാഹനത്തിന് കമ്പ്യൂട്ടർ നിയന്ത്രിത എമിഷൻ കൺട്രോൾ സിസ്റ്റം ഉണ്ട്. എമിഷൻ കൺട്രോൾ സിസ്റ്റം എപ്പോഴാണ് സർവീസ് ചെയ്യേണ്ടതു എന്ന് സൂചിപ്പിക്കാൻ ഇൻസ്ട്രുമെന്റ് പാനലിൽ ഒരു തകരാർ സൂചിപ്പിക്കുന്ന ഇൻഡിക്കേറ്റർ ലൈറ്റ് നൽകിയിട്ടുണ്ട്. പ്രവർത്തിക്കുന്നുണ്ടെന്ന് നിങ്ങളുടെ അറിയിക്കാൻ ഇനിഷൻ സ്വിച്ച് "ഓൺ" പൊസിഷനിലേക്ക് തിരിയുമ്പോൾ തകരാർ സൂചിപ്പിക്കുന്ന ഇൻഡിക്കേറ്റർ ലൈറ്റ് ഓണാകുന്നു. എഞ്ചിൻ സ്റ്റാർട്ട് ആകുമ്പോൾ അത് അണയുന്നു.

എഞ്ചിൻ പ്രവർത്തിക്കുമ്പോൾ തകരാർ സൂചിപ്പിക്കുന്ന ഇൻഡിക്കേറ്റർ ലൈറ്റ് വന്നാൽ, എമിഷൻ കൺട്രോൾ സിസ്റ്റത്തിൽ ഒരു പ്രശ്നമുണ്ട് എന്ന് മനസ്സിലാക്കാം. കേടുപാടുകൾ പരിഹരിക്കുന്നതിന് വാഹനം നിങ്ങളുടെ അടുത്തുള്ള അംഗീകൃത മാരുതി സുസുക്ക് കോമേഴ്സ്യൽ വർക്കിംഗ്ഷോപ്പിലേക്ക് കൊണ്ടുപോകുക.

ശ്രദ്ധിക്കുക

തെറ്റായ ഇൻഡിക്കേറ്റർ ലൈറ്റ്
ഓണായിരിക്കുമ്പോൾ വാഹനം
ഓടിക്കുന്നത് തുടരുന്നതു
വാഹനത്തിന്റെ എഞ്ചിൻ
കൺട്രോൾ സിസ്റ്റത്തിന് സ്ഥിരമായ
കേടുപാടുകൾ വരുത്തുകയും
ഇന്ധനക്ഷമതയെയും
ഡ്രൈവബിലിറ്റിയെയും
ബാധിക്കുകയും ചെയ്യും.

ഓയിൽ പ്രഷർ ലൈറ്റ്



50G051

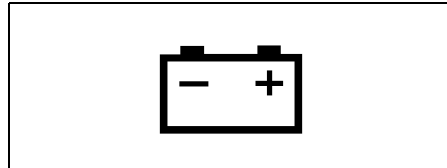
ഇന്ധനം സിംഗിൾ "ഓൺ"
പൊസിഷനിലേക്ക് തിരിയുമ്പോൾ ഈ
ലൈറ്റ് വരുന്നു. എഞ്ചിൻ സ്റ്റാർട്ട്
ചെയ്യുമ്പോൾ അത് ഓഫ് ആകുന്നു.
മതിയായ ഓയിൽ പ്രഷർ ഇല്ലെങ്കിൽ
ലൈറ്റ് ഉള്ളിത്തു തന്നെ
നിൽക്കുന്നതാണ്.
വാഹനമോടിക്കുമ്പോൾ ലൈറ്റ്
തെളിഞ്ഞാൽ എത്രയും പെട്ടെന്ന്
റോഡിൽ നിന്നും മാറ്റി എഞ്ചിൻ ഓഫ്
ചെയ്യുക.
ഓയിൽ ലെവൽ പരിശോധിച്ച്
ആവശ്യമെങ്കിൽ ശുപാർശ ചെയ്യുന്ന
ലെവലിലേക്ക് എഞ്ചിൻ ഓയിൽ
ചേർക്കുക. ആവശ്യത്തിന് ഓയിൽ
ഉണ്ടെങ്കിൽ, നിങ്ങൾ വീണ്ടും വാഹനം
ഓടിക്കുന്നതിന് മുമ്പ് നിങ്ങളുടെ
അംഗീകൃത മാർഗ്ഗം സൂക്ഷിക്കുക

കൊമേഴ്സ്യൽ വർക്ക്ഷോപ്പ്
ലൂബ്രിക്കേഷൻ സിസ്റ്റം
പരിശോധിക്കണം.

ശ്രദ്ധിക്കുക

- ഈ ലൈറ്റ് ഓണാക്കി നിങ്ങൾ
എഞ്ചിൻ പ്രവർത്തിപ്പിക്കുകയാണെങ്കിൽ,
എഞ്ചിനു ഗുരുതരമായ
കേടുപാടുകൾ സംഭവിക്കാം.
- ഓയിൽ ചേർക്കേണ്ടതിന്റെ
ആവശ്യകത ഉണ്ടോ
എന്നുള്ളതിന്റെ സൂചനയ്ക്ക്
ഓയിൽ പ്രഷർ ലൈറ്റിനെ
ആശ്രയിക്കരുത്. എഞ്ചിൻ ഓയിൽ
ലെവൽ ഇടയ്ക്കിടെ
പരിശോധിക്കുന്നു എന്ന
ഉറപ്പാക്കുക.

ചാർജിംഗ് ലൈറ്റ്



50G052

ഇന്ധനം സിംഗിൾ "ഓൺ"
പൊസിഷനിലേക്ക് തിരിയുമ്പോൾ ഈ
ലൈറ്റ് വരുന്നു. എഞ്ചിൻ സ്റ്റാർട്ട്
ചെയ്യുമ്പോൾ അത് ഓഫ് ആകുകയും
ചെയ്യുന്നു. ബാറ്ററി ചാർജിംഗ്
സിസ്റ്റത്തിൽ എന്തെങ്കിലും
തകരാറുണ്ടെങ്കിൽ ലൈറ്റ് ഓണായി
തന്നെ തുടരും. എഞ്ചിൻ
പ്രവർത്തിക്കുമ്പോൾ ലൈറ്റ്
തെളിഞ്ഞാൽ, അംഗീകൃത മാർഗ്ഗം
സൂക്ഷിക്കുക കൊമേഴ്സ്യൽ

വർക്ക്ഷോപ്പ് സന്ദർശിച്ചു നിങ്ങളുടെ
ചാർജിംഗ് സിസ്റ്റം ഉടൻ
പരിശോധിക്കണം.

ഡ്രൈവറുടെ സീറ്റ് ബെൽറ്റ്
വാർണിംഗ് ലൈറ്റ് മൂൻ
യാത്രക്കാരുടെ സീറ്റ് ബെൽറ്റ്
വാർണിംഗ് ലൈറ്റ്

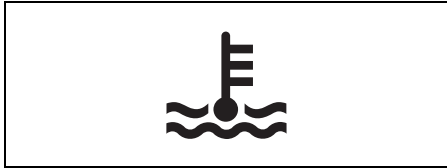


60G049

ഡ്രൈവർ അല്ലെങ്കിൽ മൂൻ
യാത്രക്കാർക്ക് തന്നെ സീറ്റ് ബെൽറ്റ്
ബuckle ചെയ്യാത്തപോൾ, ഈ ലൈറ്റ്
തെളിഞ്ഞുനിൽക്കുകയോ മിന്നുകയും
ചെയ്യും.

സീറ്റ് ബെൽറ്റ് റിമൈൻഡറിനെ
കുറിച്ചുള്ള വിശദാംശങ്ങൾക്ക്, ഈ
വിഭാഗത്തിലെ "സീറ്റ് ബെൽറ്റുകളും
ചെയ്തുകൊടുക്കുന്നതിനും സംബന്ധിച്ചുള്ള"
എന്നത് കാണുക.

ഉയർന്ന എഞ്ചിൻ കൂടുതൽ താപനില വാർണിംഗ് ലൈറ്റ് (ചുവപ്പ് നിറം)



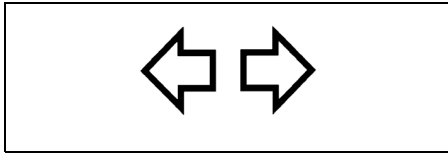
54G344

എഞ്ചിൻ സിച്ച് "ഓൺ" പൊസിഷനിലേക്ക് തിരിയുമ്പോൾ, ഈ ലൈറ്റ് കുറച്ചു നേരത്തേക്ക് മാത്രം തെളിയുന്നതാണ് അങ്ങനെ ലൈറ്റ് പ്രവർത്തിക്കുന്നുണ്ടോയെന്നു നിങ്ങൾക്ക് പരിശോധിക്കാം. വാഹനമോടിക്കുമ്പോൾ ഈ ലൈറ്റ് മിന്നിത്തെയ്യുകയാണെങ്കിൽ, എഞ്ചിൻ ചൂടാണ് എന്താണു സൂചിപ്പിക്കപ്പെടുന്നത്. യഥാർത്ഥത്തിൽ ഓവർ ഹീറ്റിംഗിലേക്കു നയിച്ചേക്കാവുന്ന ഡ്രൈവിംഗ് സാഹചര്യങ്ങൾ ഒഴിവാക്കുക. മിന്നിമറയാതെ ലൈറ്റ് തെളിഞ്ഞു തന്നെ നിൽക്കുന്നവെങ്കിൽ എഞ്ചിൻ ഓവർഹീറ്റ് ആകുന്നുണ്ടെന്നു അനുമാനിക്കാം. എമർജൻസി സർവീസ് വിഭാഗത്തിലെ "എഞ്ചിൻ അമിതമായി ചൂടായാൽ" എന്നതിലെ നിർദ്ദേശങ്ങൾ പാലിക്കുക.

ശ്രദ്ധിക്കുക

എഞ്ചിൻ ഓവർ ഹീറ്റ് ആകുന്നതായി സൂചിപ്പിക്കുമ്പോൾ വാഹനം തുടർച്ചയായി ഓടിക്കുന്നത് ഗുരുതരമായ എഞ്ചിൻ തകരാറിന് കാരണമാകും.

ട്രൺസിഗൽ ഇൻഡിക്കേറ്ററുകൾ

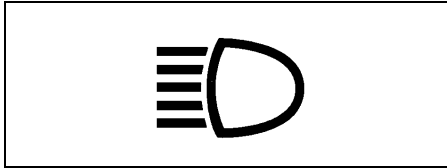


50G055

നിങ്ങൾ ഇടത്തോട്ടോ വലത്തോട്ടോ തിരിയുന്ന സിഗ്നലുകൾ ഓണാക്കുമ്പോൾ, ഇൻസ്ട്രുമെന്റ് പാനലിലെ പച്ച അമ്പടയാളം അത് ട്രൺസിഗൽ ലൈറ്റുകളോടൊപ്പം പ്ലാഷ് ചെയ്യും. നിങ്ങൾ അപകട മൂന്നറിയിപ്പ് സിച്ച് ഓണാക്കുമ്പോൾ, രണ്ട് അമ്പടയാളങ്ങളും എല്ലാ ട്രൺസിഗൽ ലൈറ്റുകളോടൊപ്പം മിന്നിത്തെയ്യുകൊണ്ടിരിക്കും.

കുറിപ്പ്:
വേഗത്തിൽ മിന്നിമറയുന്നത് പോലെ ട്രൺസിഗലുകളിൽ എന്തെങ്കിലും അസാധാവികത ശ്രദ്ധയിൽപ്പെട്ടാൽ, ട്രൺസിഗൽ സിഗ്നലിൽ തകരാറുണ്ടായേക്കാം. നിങ്ങളുടെ മാരുതി സൂസുക്കി അംഗീകൃത വർക്കുഷോപ്പ് സന്ദർശിച്ചു സിസ്റ്റം പരിശോധിക്കാൻ ആവശ്യപ്പെടുക.

മെയിൻ ബീം (ഉയർന്ന ബീം) ഇൻഡിക്കേറ്റർ ലൈറ്റ്



50G056

ഹെഡ്ലൈറ്റ് മെയിൻ ബീമുകൾ (ഹൈ ബീമുകൾ) ഓണായിരിക്കുമ്പോൾ ഈ ഇൻഡിക്കേറ്റർ ഓണാകുന്നു.

ഇമ്മൊബിലൈസർ സിസ്റ്റം വാർണിംഗ് ലൈറ്റ്



65D239

എഞ്ചിൻ സിച്ച് "ഓൺ" പൊസിഷനിലേക്ക് തിരിയുമ്പോൾ, ലൈറ്റ് പ്രവർത്തിക്കുന്നുവെന്നു നിങ്ങൾക്ക് മനസ്സിലാക്കുന്നതിന് ഈ ലൈറ്റ് തെളിയുന്നു. ഇൻഷുർ സിച്ച് "ഓൺ" ആക്കുമ്പോൾ ഈ ലൈറ്റ് മിന്നിത്തെയ്യുകയാണെങ്കിൽ, ഇമ്മൊബിലൈസർ സിസ്റ്റത്തിൽ എന്തെങ്കിലും കുഴപ്പമുണ്ടായേക്കാം. മാരുതി സൂസുക്കി അംഗീകൃത വർക്കുഷോപ്പ് സന്ദർശിച്ചു സിസ്റ്റം പരിശോധിക്കാൻ ആവശ്യപ്പെടുക.

സി എൻ ജി തകരാർ വാർണിംഗ് ലൈറ്റ് (ഉണ്ടെങ്കിൽ)



77PMC015

ഇഗ്നിഷൻ സ്വിച്ച് "ഓൺ" ചെയ്യുമ്പോൾ, സി എൻ ജി തകരാർ സൂചിപ്പിക്കുന്ന ലൈറ്റ് പ്രശ്നങ്ങളിലാതെ പ്രവർത്തിക്കുന്നു എന്ന് പരിശോധിക്കുന്നതിനായി, സി എൻ ജി തകരാർ വാർണിംഗ് ലൈറ്റ് കുറച്ച് സമയത്തേക്ക് മാത്രമായി ഓണാകുന്നു.

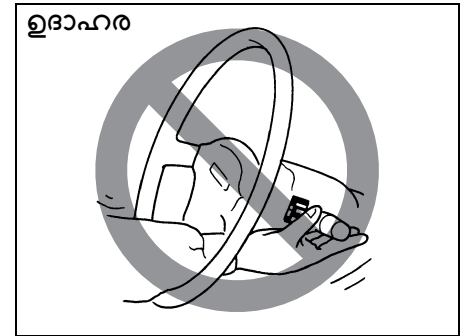
- ഇഗ്നിഷൻ "ഓൺ" ആയിരിക്കുമ്പോൾ സി എൻ ജി തകരാർ സൂചിപ്പിക്കുന്ന വാർണിംഗ് ലൈറ്റ് തുടർച്ചയായി പ്രകാശിക്കുകയാണെങ്കിൽ, സി എൻ ജി സിസ്റ്റത്തിൽ ചില പ്രശ്നങ്ങളുണ്ട് എന്ന് മനസ്സിലാക്കാം. അംഗീകൃത മാർഗ്ഗം സൂസുക്കി കോമേഴ്സ്യൽ വർക്കേഷോപ്പ് സന്ദർശിച്ച് നിങ്ങളുടെ വാഹനം ഉടൻ പരിശോധിക്കുക.
- എഞ്ചിൻ പ്രവർത്തിക്കുമ്പോൾ സി എൻ ജി തകരാർ വാർണിംഗ് ലൈറ്റ് മിന്നിത്തെയ്യുന്നുവെങ്കിൽ, വാഹനത്തിന് സി എൻ ജി മോഡിൽ പ്രവർത്തിക്കുന്നതും തുടരാൻ സാധിക്കാത്ത വിധം സി എൻ ജി സിസ്റ്റത്തിൽ കേടുപാടുകളുണ്ടാകാം കൂടാതെ വാഹനം പെട്രോൾ മോഡിലേക്ക് ഓട്ടോമാറ്റിക് ആയി സ്വിച്ച് ഓവർ ആകുകയും ചെയ്യുന്നു. അംഗീകൃത മാർഗ്ഗം സൂസുക്കി കോമേഴ്സ്യൽ വർക്കേഷോപ്പ് സന്ദർശിച്ച്

നിങ്ങളുടെ പരിശോധിക്കുക.

വാഹനം

കുറിപ്പ്: ഇഗ്നിഷൻ സ്വിച്ച് "ഓൺ" ആയിരിക്കുകയും എഞ്ചിൻ പ്രവർത്തിക്കാതിരിക്കുകയും ചെയ്യുമ്പോൾ, സി എൻ ജി ലാമ്പ് മിന്നിത്തെയ്യുന്നതും ഇടയ്ക്ക് ലിഡ് തുറന്നിരിക്കുന്നതായി സൂചിപ്പിക്കുന്നു. ഈ അവസ്ഥയിൽ വാഹനം സ്റ്റാർട്ട് ആവുകയില്ല. വാഹനം സ്റ്റാർട്ട് ചെയ്യുന്നതിന് ലിഡ് അടയ്ക്കുക.

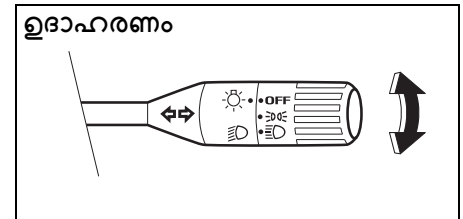
ലൈറ്റിംഗ് കൺട്രോൾ ലിവർ



65D611

⚠ മുന്നറിയിപ്പ്
 എന്തെങ്കിലും പരിക്ക് ഉണ്ടാകുന്നത് ഒഴിവാക്കാനായി, സ്റ്റിയറിംഗ് വീലിലൂടെ കൈ എത്തിച്ചു കൺട്രോളുകൾ പ്രവർത്തിപ്പിക്കരുത്.

ലൈറ്റിംഗ് ഓപ്പറേഷൻ



77PH110

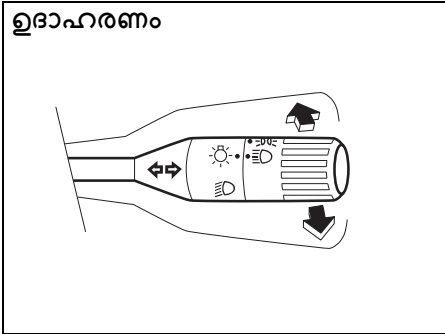
ഡ്രൈവിംഗിന് മുമ്പ്

ലൈറ്റുകൾ ഓപ്പൺ ചെയ്യാനോ ഓഫ് ചെയ്യാനോ, ലിമ്പിന്റെ അറ്റത്തുള്ള നോബ് തിരിക്കുക.

ഓഫ് എല്ലാ ലൈറ്റുകളും ഓഫാണ്.

☀️
 പ്രമേയൻ പൊസിഷൻ ലൈറ്റുകൾ, ട്രെയിൻ ലൈറ്റുകൾ, ലൈസൻസ് പേറ്റർ ലൈറ്റുകൾ, ഇൻസ്ട്രുമെന്റ് ലൈറ്റുകൾ എന്നിവ ഓണാണ്, എന്നാൽ ഹെഡ്ലൈറ്റുകൾ ഓഫാണ്.

☝️
 പ്രമേയൻ പൊസിഷൻ ലൈറ്റുകൾ, ട്രെയിൻ ലൈറ്റുകൾ, ലൈസൻസ് പേറ്റർ ലൈറ്റുകൾ, ഇൻസ്ട്രുമെന്റ് ലൈറ്റുകൾ, ഹെഡ്ലൈറ്റുകൾ എന്നിവ ഓണാണ്.

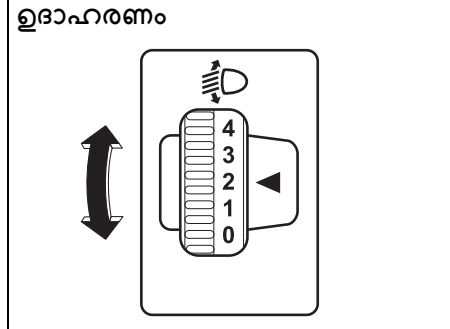


77PH111

ഹെഡ്ലൈറ്റുകൾ ഓണാക്കി, ഹൈ ബീമുകളിലേക്ക് (മെയിൻ ബീമുകളിലേക്ക്) മാറുന്നതിന് ലിമ്പർ മുന്നോട്ട് തള്ളുക അല്ലെങ്കിൽ ലോ ബീമുകളിലേക്ക് മാറുന്നതിന് ലിമ്പർ

നിങ്ങളുടെ നേരെ വലിക്കുക, ഹൈ ബീമുകൾ (മെയിൻ ബീമുകൾ) ഓണായിരിക്കുമ്പോൾ, ഇൻസ്ട്രുമെന്റ് പാനലിലെ മെയിൻ ബീം (ഹൈ ബീം) ഇൻഡിക്കേറ്റർ ലൈറ്റ് തെളിയുന്നതാണ്. ഒരു പാസിംഗ് സിഗ്നലായി ഹൈ ബീമുകൾ (പ്രധാന ബീമുകൾ) താൽക്കാലികമായി പ്രവർത്തിപ്പിക്കാൻ, ലിമ്പർ നിങ്ങളുടെ നേരെ ചെറുതായി വലിക്കുക, നിങ്ങൾ സിഗ്നൽ പൂർത്തിയാക്കുമ്പോൾ അത് റിലീസ് ചെയ്യുക.

ഹെഡ്ലൈറ്റ് ലെവലിംഗ് സ്വിച്ച്

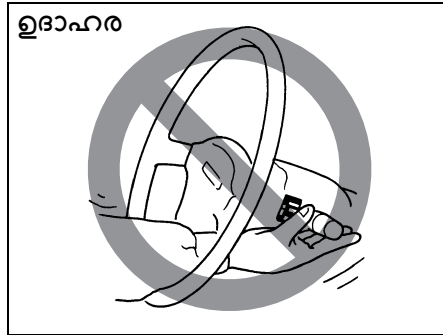


77PH010

ഈ സ്വിച്ച് ക്രമീകരിക്കുന്നതിലൂടെ നിങ്ങളുടെ വാഹനത്തിന്റെ ലോഡ് കണ്ടിഷണനുസരിച്ച് ഹെഡ്ലൈറ്റ് ബീം ലെവൽ ചെയ്യാവുന്നതാണ്. താഴെയുള്ള ചാർട്ട് വ്യത്യസ്ത വാഹന-ലോഡ് അവസ്ഥകൾക്ക് അനുയോജ്യമായ സ്വിച്ച് പൊസിഷൻ സൂചിപ്പിക്കുന്നു.

വാഹന ലോഡ് കണ്ടിഷൻ	സിച്ച് പൊസിഷൻ
ഡ്രൈവർ മാത്രം	0
ഡ്രൈവർ + പാസഞ്ചർ	2

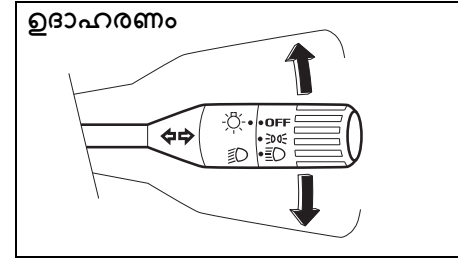
ട്രേഡിംഗ് സീറ്റിംഗ് കണ്ടിഷൻ ലിസ്റ്റ്



65D611

⚠ മുന്നറിയിപ്പ്
 ഏതെങ്കിലും പരിക്ക് സംഭവിക്കുന്നത് ഒഴിവാക്കാനായി, സിയറിംഗ് വീലിലൂടെ കൈയെത്തിച്ച് ട്രേഡിംഗ് സീറ്റിംഗ് കണ്ടിഷൻ ലിസ്റ്റ് പ്രവർത്തിപ്പിക്കാതിരിക്കുക.

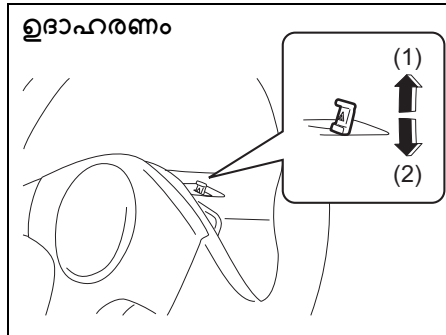
ട്രേഡിംഗ് സീറ്റിംഗ് കണ്ടിഷൻ
 ഇൻഷിപ്പൻ സിയറ്റ് "ട്രേഡിംഗ്"
 പൊസിഷനിൽ ആയിരിക്കുമ്പോൾ,
 വലത അല്ലെങ്കിൽ ഇടത് ട്രേഡിംഗ്
 സീറ്റിംഗ് കണ്ടിഷൻ
 പ്രവർത്തിപ്പിക്കുന്നതിനായി ലിസ്റ്റ്
 മുകളിലേക്കോ താഴേക്കോ നീക്കുക.



77PH112

സിയറിംഗ് സീറ്റിംഗ് കണ്ടിഷൻ ലിസ്റ്റ് മുകളിലേക്കോ താഴേക്കോ നീക്കുക. ട്രേഡിംഗ് സീറ്റിംഗ് കണ്ടിഷൻ പൂർത്തിയാക്കുമ്പോൾ, സിയറിംഗ് റ്റ്രേഡിംഗ് കണ്ടിഷൻ ലിസ്റ്റ് അതിന്റെ സാധാരണ സ്ഥാനത്തേക്ക് മടങ്ങുകയും ചെയ്യും.

അപകട മൂന്നറിയിപ്പ് സിഗ്നൽ

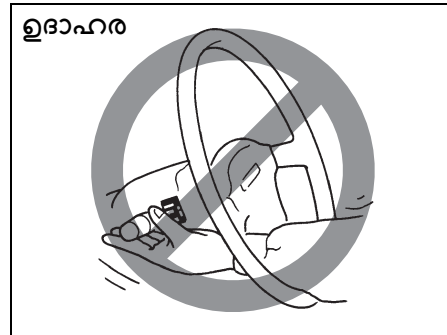


77PH028

- (1) ഓൺ
- (2) ഓഫ്

അപകട മൂന്നറിയിപ്പ് ലൈറ്റുകൾ ഓൺ ആക്കാൻ അപകട മൂന്നറിയിപ്പ് സിഗ്നൽ മുകളിലേക്ക് വലിക്കുക. എല്ലാ ടേബിൾ സിഗ്നൽ ലൈറ്റുകളും റണ്ട് ടേബിൾ സിഗ്നൽ സൂചകങ്ങളും ഒരേസമയം ഓൺ ചെയ്യുന്നതാണ്. ലൈറ്റുകൾ ഓഫ് ചെയ്യാൻ, സിഗ്നൽ താഴേക്ക് വലിക്കുക. എമർജൻസി പാർക്കിംഗ് സമയത്തോ നിങ്ങളുടെ വാഹനം ട്രാഫിക് അപകടത്തിൽപ്പെടുകയോ ചെയ്യുമ്പോൾ ട്രാഫിക്കിലെ മറ്റ് വാഹനങ്ങൾക്ക് മൂന്നറിയിപ്പ് സിഗ്നൽ കാൻ അപകട മൂന്നറിയിപ്പ് ലൈറ്റുകൾ ഉപയോഗിക്കുക.

വിൻഡ്ഷീൽഡ് വൈപ്പറും വാഷർ ലിവറും



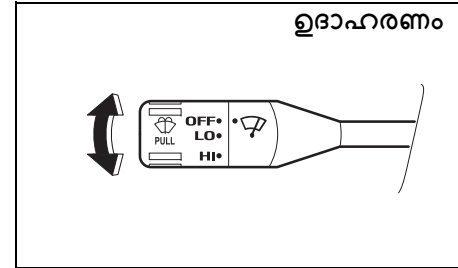
65D611

⚠ മൂന്നറിയിപ്പ്

എതെങ്കിലും പരിക്ക് സംഭവിക്കുന്നത് ഒഴിവാക്കാനായി, സിയറിംഗ്, വീലിലൂടെ കൈയ്യെത്തിച്ച കൺട്രോളുകൾ പ്രവർത്തിപ്പിക്കാതിരിക്കുക.

വൈപ്പർ ഓപ്പറേഷൻ ഇടതുവശത്ത് സിഗ്നൽ "ഓൺ" പൊസിഷനിൽ ആയിരിക്കുമ്പോൾ, നിങ്ങളുടെ ആയിരിക്കുമ്പോൾ, വൈപ്പർ ലിവർ ഉപയോഗിക്കാം.

വിൻഡ്ഷീൽഡ് വൈപ്പറുകൾ ഉദാഹരണം



77PM02015

വിൻഡ്ഷീൽഡ് വൈപ്പറുകൾ ഓണാക്കാൻ, ലിവറിന്റെ അറ്റത്തുള്ള നോബി എതെങ്കിലും ഓപ്പറേഷൻ പൊസിഷനിലേക്ക് തിരിക്കുക. **LO** പൊസിഷനിൽ, വൈപ്പറുകൾ സ്ഥിരമായ കുറഞ്ഞ വേഗതയിൽ പ്രവർത്തിക്കുന്നു. **HI** പൊസിഷനിൽ, വൈപ്പറുകൾ സ്ഥിരമായ ഉയർന്ന വേഗതയിൽ പ്രവർത്തിക്കുന്നു. വൈപ്പറുകൾ ഓഫ്യാക്കാൻ, ലിവർ "ഓഫ്" പൊസിഷനിലേക്ക് വീണ്ടും തിരിക്കുക.

വിൻഡ്ഷീൽഡ് വാഷർ



77PM02016

വിൻഡ്ഷീൽഡ് വാഷർ പ്ലൂയിഡ് സ്പ്രേ ചെയ്യാൻ, ലിഫ്റ്റ് നീട്ടേണ്ടിയിരിക്കുന്നു.

⚠ മുന്നറിയിപ്പ്

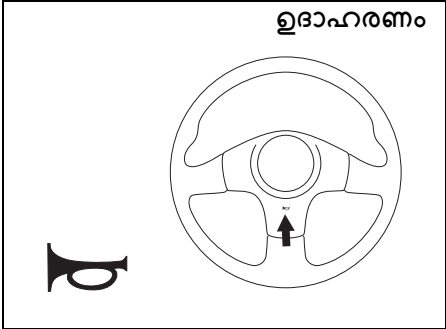
വിൻഡ്ഷീൽഡ് വാഷർ റിസർവോയറിൽ റേഡിയേറ്റർ ആന്റിഫ്രീസ് ഉപയോഗിക്കരുത്. വിൻഡ്ഷീൽഡിൽ ഇത് സ്പ്രേ ചെയ്യുമ്പോൾ അതിലൂടെ പുറത്തേയ്ക്കുള്ള കാഴ്ചയെ സാരമായി ബാധിക്കുകയും നീങ്ങളുടെ വാഹനത്തിന്റെ പെയിന്റിന് കേടുവരുത്തുകയും ചെയ്യും.

ശ്രദ്ധിക്കുക

വിൻഡ്ഷീൽഡ് വൈപ്പറും വാഷർ സിസ്റ്റം ഘടകങ്ങൾക്കും കേടുപാടുകൾ സംഭവിക്കുന്നത് തടയാൻ, നിങ്ങൾ ഇതിപുറയുന്ന മുൻകരുതലുകൾ എടുക്കണം:

- വിൻഡ്ഷീൽഡ് വാഷർ പ്ലൂയിഡ് സ്പ്രേ ചെയ്യാത്തപ്പോൾ അല്ലെങ്കിൽ വാഷർ മോട്ടോറിന് കേടുപാടുകൾ സംഭവിക്കുമ്പോൾ, ലിഫ്റ്റ് ഉപയോഗിക്കുന്നത് തുടരരുത്.
- ഉണങ്ങിയ വിൻഡ്ഷീൽഡിൽ നിന്ന് വൈപ്പറുകൾ ഉപയോഗിച്ച് അഴുക്ക് നീക്കം ചെയ്യാൻ ശ്രമിക്കരുത്. ഇത് നീങ്ങളുടെ വിൻഡ്ഷീൽഡിനും വൈപ്പർ ബ്രൂഷുകൾക്കും കേടുവരുത്താം. വൈപ്പറുകൾ പ്രവർത്തിപ്പിക്കുന്നതിന് മുമ്പ് എല്ലായ്പ്പോഴും വിൻഡ്ഷീൽഡ് വാഷർ പ്ലൂയിഡ് ഉപയോഗിച്ച് നനയ്ക്കുക.
- വൈപ്പറുകൾ ഉപയോഗിക്കുന്നതിന് മുമ്പ് വൈപ്പർ ബ്രൂഷുകളിൽ നിന്ന് ഐസ് അല്ലെങ്കിൽ ഊറിയിരിക്കുന്ന മഞ്ഞു മാറ്റുക.
- വാഷർ പ്ലൂയിഡ് ലെവൽ പതിവായി പരിശോധിക്കുക. കാലാവസ്ഥ മോശമാകുമ്പോൾ ഇത് ഇടയ്ക്കിടെ പരിശോധിക്കേണ്ടതാണ്.
- തണുത്ത കാലാവസ്ഥയിൽ പ്ലൂയിഡ് ശീതീകരിക്കുന്ന രീതിയിലേക്ക് താപനില കുറയാനിയുണ്ടെങ്കിൽ വികസിക്കാനുള്ള ഇടം അനുവദിച്ചു കൊണ്ട് പ്ലൂയിഡ് റിസർവോയർ 3/4 ഭാഗം മാത്രം നിറയ്ക്കുക.

ഹോൺ

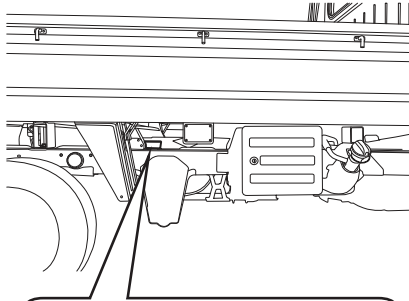


77PH029

ഹോൺ അടിയ്ക്കുന്നതിനു സ്വീഡിംഗ് വീലിലെ ഹോൺ ബട്ടൺ അമർത്തുക. ഇത് സ്പ്രേ ചെയ്യുന്നതിന് ഹോൺ അടിയ്ക്കുക എന്നത് സാധ്യമാകുന്നതാണ്.

സി എൻ ജി സിലിണ്ടർ മൂന്നറിയിപ്പ് ലേബൽ (ഉണ്ടെങ്കിൽ)

ഉദാഹരണം



⚠ WARNING

- Do not change the colour of this cylinder.
- Do not fill this cylinder with any other gas than CNG.
- No flammable material should be stored in the close vicinity of this cylinder or in the same room in which it is kept.
- No oil or similar lubricant should be used on the valves or other fittings of this cylinder.
- Have this cylinder tested every 3 years after the date of last test at a Government recognised CNG Cylinders Testing Station.

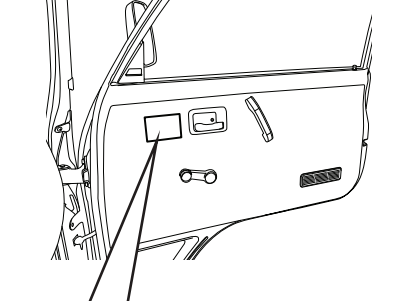
77PM02006

സി എൻ ജി സിലിണ്ടറിൽ നിങ്ങൾക്ക് ഈ ലേബൽ കണ്ടെത്താം..

സി എൻ ജി വാർണിംഗ് ലേബൽ (ഉണ്ടെങ്കിൽ)

ഫണ്ട് ഡ്രൈവർ ഡോർ

ഉദാഹരണം



⚠ WARNING

SAFETY INSTRUCTIONS

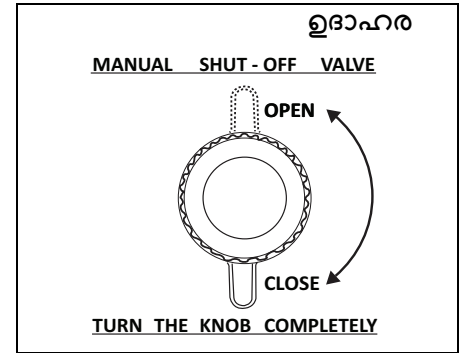
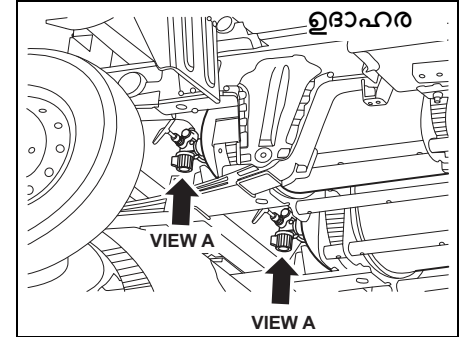
- CNG is FLAMMABLE, keep away from fire.
- In case of CNG leakage;
 - Stop vehicle and switch off engine.
 - Close manual shut-off valve on CNG Cylinder.
 - Do not run vehicle even in petrol.
 - Have your vehicle Inspected at Maruti Suzuki authorized workshop at the earliest.
- Switch off engine before refilling CNG.
- Read owner's manual for more information.

Emergency Nos. - Police:100,Fire:101,Ambulance:102

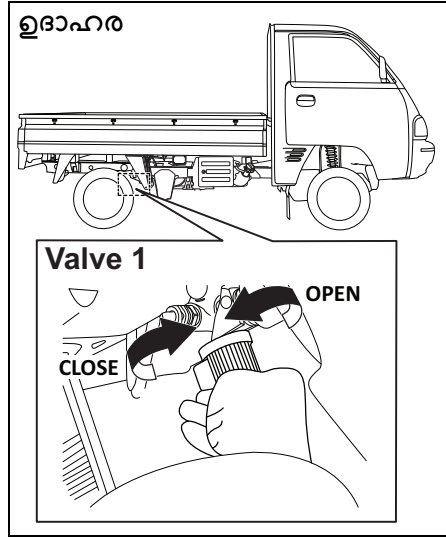
77PM02007

സി എൻ ജി വാർണിംഗ് ലേബൽ മൂന്നിൽ വലതുവശത്തായി സ്ഥിതിചെയ്യുന്നു.

സി എൻ ജി മാനുവൽ ഷട്ട്-ഓഫ് വാൽവ് (ഉണ്ടെങ്കിൽ)

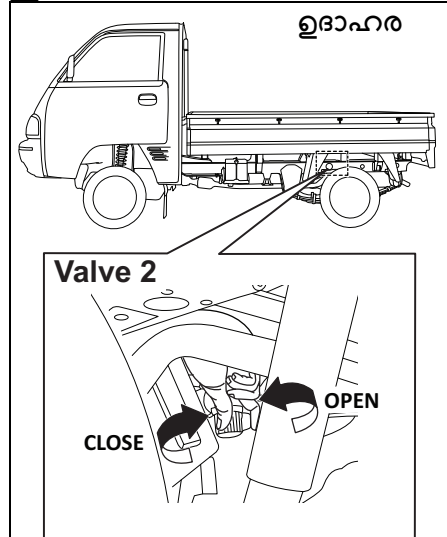


വലത് വശത്തേയ്ക്ക് (RHS)



77PM02012

ഇടത് വശത്തേയ്ക്ക് (LHS)



77PM02013

ബോഡിക്ക് താഴെ വാഹനത്തിൽ നൽകിയിരിക്കുന്ന സി.എൻ.ജി സിലിണ്ടറുകളിൽ മാനുവൽ ഷട്ട് ഓഫ് വാൽവ് സ്ഥാപിച്ചിരിക്കുന്നു. വാഹനത്തിന്റെ ബോഡിക്ക് താഴെ രണ്ട് സി.എൻ.ജി സിലിണ്ടറുകൾ ഉണ്ട്, ഓരോന്നിനും മുകളിൽ ഒരു മാനുവൽ ഷട്ട് ഓഫ് വാൽവ് ഉണ്ടായിരിക്കും. മാനുവൽ ഷട്ട് ഓഫ് വാൽവ് 1, വാൽവ് 2 എന്നിവ യഥാക്രമം വാഹനത്തിന്റെ വലതുവശത്തും (RHS) ഇടതുവശത്തും (LHS) ഉണ്ടായിരിക്കുന്നതാണ്.

രണ്ട് സി.എൻ.ജി സിലിണ്ടറുകളിലെയും മാനുവൽ ഷട്ട്-ഓഫ് വാൽവ് അടച്ച് സി.എൻ.ജി വിതരണം സ്ഥിച്ച് ഓഫ് ചെയ്യാം.

വാൽവ് അടയ്ക്കൽ: എഞ്ചിനിലേക്കുള്ള സി.എൻ.ജി വിതരണം നിർത്തുന്നതിനു നോബ് പുർണ്ണമായും ഘടികാരദിശയിൽ തിരിക്കുക (A യിൽ കാണുന്നതിൽ നിന്നും).

വാൽവ് തുറക്കൽ: എഞ്ചിനിലേക്കുള്ള സി.എൻ.ജി വിതരണം തുറക്കാൻ നോബ് പുർണ്ണമായും എതിർ ഘടികാരദിശയിലേക്ക് തിരിക്കുക (A യിൽ കാണുന്നതിൽ നിന്നും).

⚠ ജാഗ്രത
<p>മാനുവൽ ഷട്ട് ഓഫ് വാൽവ് 2 (LHS) കൈകാര്യം ചെയ്യുമ്പോൾ നിങ്ങളുടെ കൈ എക്സ്പോസ്ഡ് പെപ്പിൽ സ്പർശിക്കാതിരിക്കാൻ ശ്രദ്ധിക്കുക. ഡ്രൈവിംഗിന് ശേഷം, എക്സ്പോസ്ഡ് പെപ്പിൽ നിങ്ങളുടെ കൈ പൊള്ളുന്ന തരത്തിൽ ചൂടുണ്ടായിരിക്കും.</p>

- കുറിപ്പ്:**
- മാനുവൽ ഷട്ട്-ഓഫ് വാൽവ് പുർണ്ണമായി തുറന്നില്ലെങ്കിൽ, എഞ്ചിൻ ശരീരമായി പ്രവർത്തിച്ചേക്കില്ല.
 - മാനുവൽ ഷട്ട്-ഓഫ് വാൽവ് അടച്ച അർബന്ധമില്ലാത്തതുകൊണ്ട്, സിലിണ്ടറിലേക്ക് CNG നിറയ്ക്കാൻ കഴിയില്ല.

ഡ്രൈവിംഗിന് മുമ്പ്

കുറിപ്പ്:

- ഗവൺമെന്റ് റെഗുലേഷൻ അനുസരിച്ച്, സിഎൻജി സിലിണ്ടർ ഐഡന്റിഫിക്കേഷൻ പ്ലേറ്റിൽ സൂചിപ്പിച്ചിരിക്കുന്നതുപോലെ പ്രാഥമിക പരിശോധനയുടെ തീയതി മുതൽ ഓരോ മൂന്ന് (3) വർഷത്തിലും സി എൻ ജി സിലിണ്ടർ പരിശോധിച്ചു സാക്ഷ്യപ്പെടുത്തേണ്ടതുണ്ട്.
- ഉപഭോക്താവ് വാഹനം സർക്കാർ അംഗീകൃത ട്രെയിംഗ് ഏജൻസിക്ക് മുന്നിൽ ഹാജരാക്കണം.
- സിലിണ്ടർ പരിശോധിക്കുന്നതിൽ വിഴ്ച വരുത്തുകയാണെങ്കിൽ, സി എൻ ജി ഡിസപെൻസിങ് റ്റേഷനുകൾ സി എൻ ജി നിറയ്ക്കാൻ നിർദ്ദേശിക്കാം. അല്ലെങ്കിൽ എൻഫോഴ്സ്മെന്റ് അതോറിറ്റികൾ വഴി വാഹനം കണ്ടുകെട്ടിയേക്കാം.
- സി എൻ ജി സിലിണ്ടർ പരിശോധനയ്ക്കുള്ള എല്ലാ ചെലവുകളും ഉപഭോക്താവ് വഹിക്കേണ്ടതാണ്.
- ഗവൺമെന്റ് നിയമാവലികൾ അനുസരിച്ച്, സി എൻ ജി സിലിണ്ടർ ഐഡന്റിഫിക്കേഷൻ പ്ലേറ്റിൽ സൂചിപ്പിച്ചിരിക്കുന്ന പ്രകാരം പ്രാഥമിക പരിശോധനയുടെ തീയതി മുതൽ 20 വർഷത്തിനുള്ളിൽ സി എൻ ജി സിലിണ്ടർ ഉപേക്ഷിക്കേണ്ടതാണ്.
- സർക്കാർ അംഗീകൃത സ്കാപ്പ് ഏജൻസികൾ മുഖേന ഉപഭോക്താവ് അപ്റ്ററെ / അപ്റ്ററുടെ ചെലവിൽ സിലിണ്ടർ ഉപേക്ഷിക്കണം.

- സബ്-റൂൾ (2) പ്രകാരം അറകുറ്റപ്പണികൾ നടത്തിയ ഒരു സിലിണ്ടറിൽ ചെയ്ത റിപ്പയറിന്റെ പൂർണ്ണമായ റിപ്പോർട്ട് ഇല്ലാതെ ഒരു തർത്തിലുള്ള ഗ്യാസും ഉപയോഗിച്ച റിഫിൽ ചെയ്യാൻ പാടില്ല. കൂടാതെ ഇതിനായി റിപ്പയർ ചെയ്യുന്നയാളുടെ ട്രെയിംഗ് സർട്ടിഫിക്കറ്റ് സഹിതം ചീഫ് കൺട്രോളർക്ക് നൽകി അത് വീണ്ടും നിറയ്ക്കുന്നതിന് അനുമതി നേടുകയും ചെയ്യേണ്ടതാണ്.

▲ മുന്നറിയിപ്പ്

- സിലിണ്ടർ അസംബ്ലിയിൽ നിന്ന് സിലിണ്ടർ വാൽവ് ഒരിക്കലും നീക്കം ചെയ്യരുത്. ഏത് സഹായത്തിനും അംഗീകൃത മാരുതി സുസുക്കി കൊമേഴ്സ്യൽ വർക്ക്ഷോപ്പ് സന്ദർശിക്കുക.
- സിലിണ്ടർ വൃത്തിയാക്കാൻ ഒരിക്കലും ശ്രമിക്കരുത്. എന്തെങ്കിലും പ്രശ്നമുണ്ടെങ്കിൽ, അംഗീകൃത മാരുതി സുസുക്കി കൊമേഴ്സ്യൽ വർക്ക്ഷോപ്പുമായി ബന്ധപ്പെടുക.
- സിലിണ്ടർ അസംബ്ലിയിൽ നിന്ന് ഒരിക്കൽ സിലിണ്ടർ വാൽവ് മാറ്റിയാൽ / നീക്കം ചെയ്താൽ അത് വീണ്ടും ഉപയോഗിക്കരുത്.
- എഞ്ചിൻ നിലയ്ക്കുന്നത് വരെ സിലിണ്ടറിൽ നിന്നുള്ള സിഎൻജി ഉപയോഗിച്ചാലും, മർദ്ദം കുറച്ച സിഎൻജി ടാങ്കിൽ അവശേഷിക്കുന്നു.

നിങ്ങളുടെ വാഹനം പ്രവർത്തിപ്പിക്കുന്നത്

എക്സ്പോസ്റ്റ് ഗ്യാസ് മൂന്നറിയിപ്പ് 3-1

പ്രതിദിന പരിശോധന ചെക്ക്ലിസ്റ്റ് 3-2

എഞ്ചിൻ ഓയിൽ ഉപഭോഗം 3-3

ഇഗ്നിഷൻ സ്വിച്ച് 3-3

പാർക്കിംഗ് ബ്രേക്ക് ലിവർ 3-4

പെഡൽ 3-5

എഞ്ചിൻ സ്റ്റാർട്ട് ചെയ്യുന്നത് 3-6

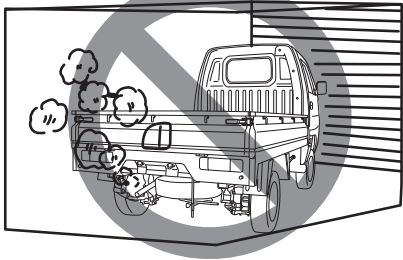
ട്രാൻസ്മിഷൻ ഉപയോഗിക്കുന്നത് 3-8

പാർക്കിംഗ് സെൻസറുകൾ 3-9

ബ്രേക്കിംഗ് 3-13

എക്സഹോസ്റ്റ് ഗ്യാസ് മൂന്നറിയിപ്പ്

ഉദാഹരണം



82DY03

⚠ മൂന്നറിയിപ്പ്

എക്സഹോസ്റ്റ് വാതകങ്ങൾ ശ്വസിക്കുന്നത് ഒഴിവാക്കുക. എക്സഹോസ്റ്റ് വാതകങ്ങളിൽ കാർബൺ മോണോക്സൈഡ് അടങ്ങിയിട്ടുണ്ട്, ഇവ മാരകമായേക്കാവുന്ന നിറവും മണവുമില്ലാത്ത വാതകമാണ്. കാർബൺ മോണോക്സൈഡ് സ്വയം കണ്ടുപിടിക്കാൻ പ്രയാസമുള്ളതിനാൽ, കാർബൺ മോണോക്സൈഡ് നിങ്ങളുടെ വാഹനത്തിൽ പ്രവേശിക്കുന്നത് തടയാൻ ഇനിപ്പറയുന്ന മുൻകരുതലുകൾ എടുക്കുന്നുവെന്നു ഉറപ്പാക്കുക.

(തുടരും)

⚠ മൂന്നറിയിപ്പ്

(തുടരും)

- ഗ്യാരേജുകളിലോ പരിമിതമായ സ്ഥലങ്ങളിലോ, യാത്രക്കാർ ഉള്ളിടത്ത് എഞ്ചിൻ പ്രവർത്തിപ്പിക്കരുത്. ഇത് ക്യാബിനിൽ കാർബൺ മോണോക്സൈഡ് അടങ്ങിയ ശ്വാസംമുട്ടൽ അല്ലെങ്കിൽ ശ്വാസന പ്രശ്നങ്ങൾ എന്നിവയ്ക്ക് കാരണമാവുകയും മരണത്തിലേക്ക് നയിക്കുകയും ചെയ്യും.
- തുറന്നായ സ്ഥലത്ത് പോലും ദീർഘനേരം എഞ്ചിൻ പ്രവർത്തിപ്പിച്ച് പാർക്ക് ചെയ്യരുത്. ദീർഘനേരം, എഞ്ചിൻ പ്രവർത്തിക്കുമ്പോൾ എഞ്ചിൻ വാഹനത്തിനുള്ളിൽ ശ്വാസംമുട്ടി മരണം വരെ സംഭവിക്കാൻ സാധ്യതയുണ്ട്. എഞ്ചിൻ പ്രവർത്തിക്കുന്ന പാർക്ക് ചെയ്ത വാഹനത്തിൽ അൽപ്പനേരം ഇരിക്കേണ്ടി വന്നാൽ, എയർ ഇൻടേക്ക് സെലക്ടർ "ഫ്രഷ് എയർ" ആയി സജ്ജീകരിച്ചിട്ടുണ്ടെന്നും ബോധവൽ ഉയർന്ന വേഗതയിലാണെന്നും ഉറപ്പാക്കുക.

(തുടരും)

⚠ മൂന്നറിയിപ്പ്

(തുടരും)

- നിങ്ങളുടെ വാഹനത്തിന്റെ വെൻറിലേഷൻ സിസ്റ്റത്തിന്റെ ശരിയായ പ്രവർത്തനം അനുവദിക്കുന്നതിന്, വാഹനത്തിന്റെ മുൻവശത്തുള്ള എയർ ഇൻലെറ്റ് ഗ്രില്ലിൽ നിന്നും എലായ്പോഴും മത്ത്, ഇലകൾ, അല്ലെങ്കിൽ മറ്റ് തടസ്സങ്ങൾ എന്നിവ ഒഴിവാക്കുക.
- വാഹനത്തിനടിയിൽ എക്സഹോസ്റ്റ് വാതകങ്ങൾ അടിഞ്ഞുകൂടുന്നത് കുറയ്ക്കാൻ സഹായിക്കുന്നതിന് എക്സഹോസ്റ്റ് പൈപ്പ് ഏറിയ മത്തും മറ്റ് വസ്തുക്കളും ഇല്ലാതെ സൂക്ഷിക്കുക. മത്തുവീഴ്ചയുള്ള സാഹചര്യങ്ങളിൽ പാർക്ക് ചെയ്യുമ്പോൾ ഇത് വളരെ പ്രധാനമാണ്.
- കേടുപാടുകൾ, ചോർച്ചയ്ക്കും എന്തിനെയും ഉണ്ടാക്കുന്ന എക്സഹോസ്റ്റ് സിസ്റ്റം ഇടയ്ക്കിടെ പരിശോധിക്കുക. എന്തെങ്കിലും കേടുപാടുകൾ അല്ലെങ്കിൽ ചോർച്ച ഉണ്ടെങ്കിൽ അവ ഉടൻ നന്നാക്കണം.

(തുടരും)

**പ്രതിദിന പരിശോധന
ചെക്ക്‌ലിസ്റ്റ്**
ഡ്രൈവിംഗ് മുമ്പ്



77PM03001

- 1) ജനറലുകൾ, കണ്ണാടികൾ, ലൈറ്റുകൾ, റിഫ്ളക്ടറുകൾ എന്നിവ വൃത്തിയുള്ളതും തടസ്സമില്ലാത്തതുമാണെന്ന് ഉറപ്പാക്കുക.
- 2) ടയറുകൾ നോക്കി ഇനിയൊന്നും ചെയ്യാനുള്ള പരിശോധിക്കുക:
 - ട്രെയ് ഗ്രോവിൻറെ ആഴം
 - അസാധാരണമായ തേയ്മാനം, വിള്ളലുകൾ, കേടുപാടുകൾ
 - അയഞ്ഞ വിൽ നട്ടിസ്
 - ആണികൾ, കല്ലുകൾ മുതലായ അന്യവസ്തുക്കളുടെ സാന്നിധ്യം
 വിശദാംശങ്ങൾക്ക് "പരിശോധനയും അറ്റകുറ്റപ്പണിയും" വിഭാഗത്തിലെ "ടയറുകൾ" കാണുക.
- 3) പ്ലൂയിഡ്, ഓയിൽ എന്നിവയുടെ ഹോർച്ച പരിശോധിക്കുക.

- 4) എഞ്ചിൻ കമ്പാർട്ട്മെന്റ് പൂർണ്ണമായും അടച്ചിട്ടുണ്ടെന്ന് ഉറപ്പാക്കുക.
- 5) ശരിയായ പ്രവർത്തനത്തിനായി ഹെഡ്‌ലൈറ്റുകൾ പരിശോധിക്കുക. ട്രെയ് സിഗ്നൽ ലൈറ്റുകൾ, ബ്രേക്ക് ലൈറ്റുകൾ, ഹോൺ എന്നിവ പരിശോധിക്കുക.
- 6) ഡ്രൈവർ സീറ്റ് ക്രമീകരിക്കുക.
- 7) ബ്രേക്ക് പെഡലും പാർക്കിംഗ് ബ്രേക്ക് ലിവറും പരിശോധിക്കുക.
- 8) മിററുകൾ ക്രമീകരിക്കുക.
- 9) നിങ്ങളും യാത്രക്കാരും സീറ്റ് ബെൽറ്റുകൾ ശരിയായി ഊർപ്പിച്ചിട്ടുണ്ടെന്ന് ഉറപ്പാക്കുക.
- 10) ഓൺ പൊസിഷനിലേക്ക് കീ തിരിയുമ്പോൾ എല്ലാ വാർണിംഗ് ലൈറ്റുകളും ഓണാണെന്ന് ഉറപ്പാക്കുക.
- 11) എല്ലാ ഗേജുകളും പരിശോധിക്കുക.
- 12) പാർക്കിംഗ് ബ്രേക്ക് റിലീസ് ചെയ്യുമ്പോൾ ബ്രേക്ക് സിസ്റ്റം വാർണിംഗ് ലൈറ്റ് ഓഫ് ആണെന്ന് ഉറപ്പാക്കുക.

ആഴ്ചയിലൊരിക്കൽ, അല്ലെങ്കിൽ ഓരോ തവണയും നിങ്ങൾ ഇന്ധന ടാങ്ക് നിറയ്ക്കുകയോ ദീർഘദൂര ഡ്രൈവിങ്ങിന് ഒരുങ്ങുകയോ (ഹൈവേ ഡ്രൈവിംഗ് പോലെ) ചെയ്യുന്നതിന് മുമ്പ് താഴെപ്പറയുന്ന അണ്ടർ-ഹൂഡ് പരിശോധനകൾ നടത്തുക:

- 1) എഞ്ചിൻ ഓയിൽ ലെവൽ
- 2) ശീതികരണ നില
- 3) ബ്രേക്ക് പ്ലൂയിഡ് ലെവൽ
- 4) വിൻഡ്ഷീൽഡ് വാഷർ പ്ലൂയിഡ് (ഉണ്ടെങ്കിൽ) ലെവൽ
- 5) ബാറ്ററി ഇലക്ട്രോലൈറ്റ് ലെവൽ
- 6) ലാച്ച് ഓപ്പറേഷൻ ലൂബ്രിക്കേഷൻ ചെയ്യപ്പെട്ടിട്ടുള്ളതായി "പരിശോധനയും അറ്റകുറ്റപ്പണിയും"

വിഭാഗത്തിലെ "ആനുകാലിക പരിപാലന ഷെഡ്യൂളിലെ" "ചാസിസും എൻജിനും" എന്നതിലെ "എല്ലാ ലാച്ചുകളും റിംഗുകളും ലോക്കുകളും" എന്നതുകാണുക.

മാസത്തിലൊരിക്കൽ, അല്ലെങ്കിൽ ഓരോ തവണയും നിങ്ങൾ ഇന്ധന ടാങ്ക് നിറയ്ക്കുമ്പോൾ അല്ലെങ്കിൽ ദീർഘദൂര ഡ്രൈവിംഗിന് മുമ്പ് (ഹൈവേ ഡ്രൈവിംഗ് പോലെ), ടയർ പ്രഷർ ഗേജ് ഉപയോഗിച്ച് ടയർ മർദ്ദം പരിശോധിക്കുക. സ്പെയർ ടയറിനെ ടയർ പ്രഷറും പരിശോധിക്കുക.

എഞ്ചിൻ ഓയിൽ ഉപഭോഗം

സാധാരണ വാഹന പ്രവർത്തന സമയത്ത് എൻജിൻ കുറച്ച എഞ്ചിൻ ഓയിൽ ഉപയോഗിക്കുന്നത് സാധാരണമാണ്. ഇത്

എഞ്ചിൻ ഓയിലിന്റെ അളവ് ഓയിലിന്റെ വിസ്കോസിറ്റി, ഓയിലിന്റെ ഗുണനിലവാരം, വാഹനം ഓടിക്കുന്ന അവസ്ഥ എന്നിവയെ ആശ്രയിച്ചിരിക്കുന്നു. തയർന്ന വേഗതയുള്ള ഡ്രൈവിംഗ് സമയത്തും, ഇടയ്ക്കിടെയുള്ള ആകസ്മിക റോഡ് ചെയ്യുമ്പോഴും വേഗത കുറയുമ്പോഴും കൂടുതൽ എണ്ണ ഉപഭോഗം ചെയ്യപ്പെടുന്നു. തയർന്ന ലോഡുകളിൽ, നിങ്ങളുടെ എഞ്ചിൻ കൂടുതൽ ഓയിൽ ഉപയോഗിക്കും. പിന്തുണകളും പിന്തുണ റിംഗ്സ് കൂടാതെ സിലിണ്ടർ വാളുകൾ എന്നിവ ഇതുവരെ കണ്ടിഷൻ ചെയ്തിട്ടില്ലാത്തതിനാൽ ഒരു പുതിയ എഞ്ചിനും കൂടുതൽ ഓയിൽ ഉപയോഗിക്കുന്നു. ഏകദേശം 5000 കി.മി (3000 മൈൽ) ഡ്രൈവിംഗിന് ശേഷമേ പുതിയ എഞ്ചിനുകൾ സാധാരണ ഓയിൽ ഉപഭോഗത്തിലേക്ക് എത്തിച്ചേരുകയുള്ളൂ.

ഓയിൽ ഉപഭോഗം: പരമാവധി. 1000 കിലോമീറ്ററിന് 1.0 ലിറ്റർ (600 മൈലുകൾക്ക് 1Qt.)

ഓയിൽ ഉപഭോഗത്തിന്റെ അളവ് വിലയിരുത്തുമ്പോൾ, ഓയിൽ നേർപ്പിക്കപ്പെടാൻ എന്നതിനാൽ യഥാർത്ഥ ഓയിലിന്റെ അളവ് കൃത്യമായി വിലയിരുത്തുന്നത് ബുദ്ധിമുട്ടാകുന്നതാണ് ചെയ്യും.

ഉദാഹരണമായി, ആവർത്തിച്ചുള്ള ചെറിയ യാത്രകൾക്കായി ഒരു വാഹനം ഉപയോഗിക്കുകയും സാധാരണ അളവിൽ ഓയിൽ ഉപയോഗിക്കുകയും ചെയ്താൽ, 1000 കിലോമീറ്റർ (600 മൈൽ) അല്ലെങ്കിൽ അതിലധികമോ ഉള്ള ഡ്രൈവിംഗിന് ശേഷവും ഡിപ്രിസിങ്ങ് ഓയിൽ ലെവലിൽ ഒരു കുറവും കാണിക്കില്ല. കാരണം, ഓയിൽ സമയാസൂത്രമായ ചുരുക്ക അല്ലെങ്കിൽ ഹാർപ്പർത്തിന്റെ അളവ് കലർന്ന നേർപ്പിക്കപ്പെടുന്നു. ഇത് ഓയിൽ ലെവൽ മാറിയിട്ടില്ലെന്ന് തോന്നുന്നതിന് കാരണമാകുന്നു. എക്സപ്രസുവേ പോലുള്ള ഇടങ്ങളിൽ തയർന്ന വേഗതയിൽ വാഹനം ഓടിക്കുമ്പോൾ നേർപ്പിക്കപ്പെടുന്ന ഘടകങ്ങൾ ബാഷ്പീകരിക്കപ്പെടുന്നു. ഇത് വഴി അതിവേഗ ഡ്രൈവിങ്ങിന് ശേഷം ഓയിൽ അമിതമായി ഉപയോഗിക്കുന്നതായി തോന്നിയേക്കാം.

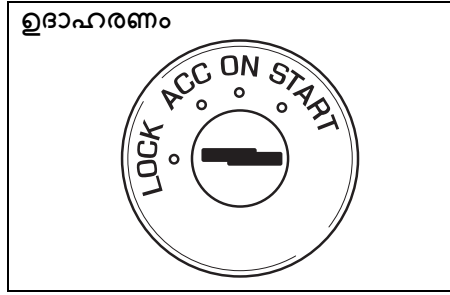
ഇൻഷൻ സ്വിച്ച്



65D611

⚠ മുന്നറിയിപ്പ്

പരിക്ക് എത്രെങ്കിലും പറ്റുന്നതിനുള്ള സാധ്യത ഒഴിവാക്കാൻ, സ്റ്റിയറിംഗ് വീലിലൂടെ കൺട്രോളുകൾ പ്രവർത്തിപ്പിക്കാതിരിക്കുക



77PH002

ഇൻഷൻ സ്വിച്ചിന് ഇനിപ്പറയുന്ന നാല് പൊസിഷനുകളാണ് ഉള്ളത്:

ലോക്ക്
ഇതാണ് സാധാരണ പാർക്കിംഗ് പൊസിഷൻ. കി നീക്കം ചെയ്യാൻ കഴിയുന്ന ഒരേയൊരു പൊസിഷനാണിത്.

സ്റ്റിയറിംഗ് ലോക്ക് റിലീസ് ചെയ്യാൻ കീ തിരുകുക, മറ്റ് പൊസിഷനുകളിൽ ഒന്നിലേക്ക് ഘടികാരദിശയിൽ തിരിക്കുക. സ്റ്റിയറിംഗ് അൺലോക്ക് ചെയ്യുന്നതിന് കീ തിരിക്കുന്നതിൽ നിങ്ങൾക്ക് പ്രശ്നമുണ്ടെങ്കിൽ, കീ തിരിക്കുമ്പോൾ സ്റ്റിയറിംഗ് വീൽ വലത്തോട്ടോ ഇടത്തോട്ടോ ചെറുതായി തിരിക്കാൻ ശ്രമിക്കുക.

ACC

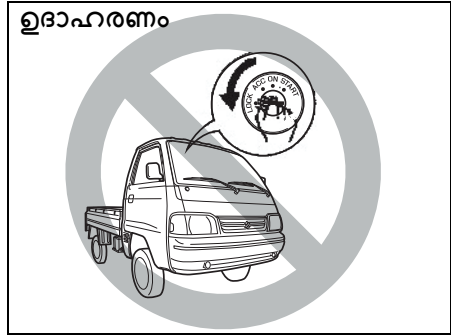
ആക്സസറി സ്റ്റോക്കറ്റ് പോലുള്ള ആക്സസറികൾക്ക് പ്രവർത്തിക്കാനാവും, എന്തിന് ഓഫാണ്.

ON

ഇത് സാധാരണ പ്രവർത്തന പൊസിഷനാണ്. എല്ലാ വൈദ്യുത സംവിധാനങ്ങളും ഓണാണ്.

സ്റ്റാർട്ട്

സ്റ്റാർട്ടർ മോട്ടോർ ഉപയോഗിച്ച് എഞ്ചിൻ ആരംഭിക്കുന്നതിനുള്ള പൊസിഷനാണ് ഇത്. എഞ്ചിൻ ആരംഭിക്കുമ്പോൾ ട്രൈബിൾ കി ഹൗ പൊസിഷനിൽ നിന്നും വിടണം.



82DY04

ഉദാഹരണം

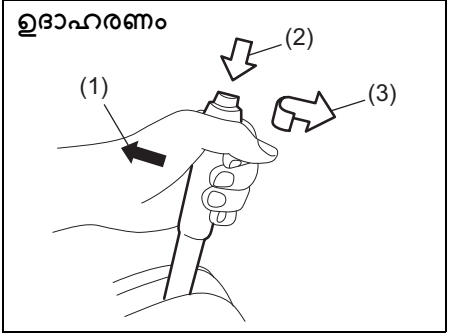
⚠ മുനറിയിപ്പ്

- വാഹനം നീങ്ങുമ്പോൾ ഒരിക്കലും ഇഗ്നിഷൻ കീ നിക്കും ഉചയ്യരുത്. സ്റ്റിയറിംഗ് വീൽ ലോക്ക് ആകും, നീങ്ങൽക്ക് വാഹനം ഓടിക്കാൻ കഴിയില്ല.
- വാഹനത്തിൽ നിന്നും ഇറങ്ങിപ്പോകുമ്പോൾ നിന്നും ഉചയ്യുന്നതല്ല. ഇഗ്നിഷൻ കീ എപ്പോഴും നിക്കും ഉചയ്യുക. കൂടാതെ പാർക്ക് ചെയ്തിരിക്കുന്ന വാഹനത്തിൽ കൂട്ടികളെ തനിച്ചാക്കി പോകരുത്. ചുറ്റുമുള്ള കാലാവസ്ഥയിൽ അവർക്ക് പിറ്റേ സമയം ബാധിക്കാം. ഇവ ഗുരുതരമായ പരിക്കുകളിലേക്കോ മരണത്തിലേക്കോ നയിച്ചേക്കാം.

അറിയിപ്പ്

- ഒരു തവണ 30 സെക്കൻഡിൽ കൂടുതൽ സമയത്തേക്ക് സ്റ്റാർട്ടർ മോട്ടോർ ഉപയോഗിക്കരുത്. എഞ്ചിൻ ആരംഭിക്കുന്നില്ലെങ്കിൽ, വിണ്ടും ശ്രമിക്കുന്നതിന് മുമ്പ് 15 സെക്കൻഡ് കാത്തിരിക്കുക. നിരവധി ശ്രമങ്ങൾക്ക് ശേഷവും എഞ്ചിൻ ആരംഭിക്കുന്നില്ലെങ്കിൽ, പ്ലൂഗ്, ഇഗ്നിഷൻ സംവിധാനങ്ങൾ പുരിശോധിക്കുക അല്ലെങ്കിൽ നിങ്ങളുടെ അംഗീകൃത മാർഗ്ഗനിർദ്ദേശങ്ങൾ അനുസരിച്ച് വാണിജ്യ വർക്ക്ഷോപ്പുമായി ബന്ധപ്പെടുക.
- ബാറ്ററി ഡിസ്ചാർജ്ജ് ആകുന്നതിനാൽ എഞ്ചിൻ പ്രവർത്തിക്കുന്നില്ലെങ്കിൽ ഇഗ്നിഷൻ സ്വിച്ച് "ഓൺ" പൊസിഷനിൽ വിടരുത്.

പാർക്കിംഗ് ബ്രേക്ക് ലിവർ



77PH030

- (1) സെറ്റ് ചെയ്യാൻ
- (2) റിലീസ് ചെയ്യാൻ
- (3) റിലീസ് ചെയ്യാൻ

സീറ്റുകൾക്കിടയിലാണ് പാർക്കിംഗ് ബ്രേക്ക് ലിവർ സ്ഥിതിചെയ്യുന്നത്. പാർക്കിംഗ് ബ്രേക്ക് സജ്ജീകരിക്കാൻ ബ്രേക്ക് ഫെഡൽ താഴേക്ക് പിടിച്ചു പാർക്കിംഗ് ബ്രേക്ക് ലിവർ മുകളിലേക്ക് വലിക്കുക. പാർക്കിംഗ് ബ്രേക്ക് റിലീസ് ചെയ്യാൻ, ബ്രേക്ക് ഫെഡൽ താഴേക്ക് പിടിക്കുക. പാർക്കിംഗ് ബ്രേക്ക് ലിവറിൽ ചെറുതായി മുകളിലേക്ക് വലിക്കുക. നിങ്ങളുടെ തള്ളവീൽ ഉപയോഗിച്ചു ലിവറിനെ അറ്റത്തുള്ള ബട്ടൺ അമർത്തുക, ലിവർ അതിനെ യഥാർത്ഥ പൊസിഷനിലേക്ക് താഴ്ത്തുക.

▲ മുന്നറിയിപ്പ്

- പാർക്കിംഗ് ബ്രേക്ക് ഓണാക്കി ഒരിക്കലും വാഹനം ഓടിക്കരുത്: അമിതമായി ചൂടാകുന്നതിനാൽ റിയർ ബ്രേക്കിന്റെ കാര്യക്ഷമത കുറഞ്ഞേക്കാം, ബ്രേക്കിന്റെ കാലാവധി കുറയാം, അല്ലെങ്കിൽ ബ്രെയ്ക്കിന് സ്ഥിരമായ കേടുപാടുകൾ സംഭവിക്കാം.
- പാർക്കിംഗ് ബ്രേക്ക് വാഹനത്തെ സ്വരക്ഷിതമായി നിർത്തിനില്ക്കുകിലോ പൂർണ്ണമായി റിലീസ് ചെയ്യുന്നില്ലെങ്കിലോ, അംഗീകൃത മാർഗ്ഗം സൂസുക്കി കൊമേഴ്സ്യൽ വർക്കപ്പോപ്പ സന്ദർശിച്ചു നിങ്ങളുടെ വാഹനം ഉടൻ പരിശോധിക്കണം.

▲ മുന്നറിയിപ്പ്

നിങ്ങൾ വാഹനത്തിൽ നിന്നും ഇറങ്ങുന്നതിനു മുമ്പ് എപ്പോഴും പാർക്കിംഗ് ബ്രേക്ക് പൂർണ്ണമായി സജ്ജമാക്കുക അല്ലെങ്കിൽ വാഹനം ചലിക്കുകയും, പരിക്കോ കേടുപാടുകളോ ഉണ്ടാകുകയും ചെയ്യും. പാർക്ക് ചെയ്യുമ്പോൾ, ഗിയർഷിഫ്റ്റ് ലിവർ റിവേഴ്സ് അല്ലെങ്കിൽ ഫസ്റ്റ് ഗിയറിലാണെന്ന് ഉറപ്പാക്കുക. ഓർക്കുക, ട്രാൻസ്മിഷൻ ഗിയറിൽ ആണെങ്കിലും, നിങ്ങൾ പാർക്കിംഗ് ബ്രേക്ക് പൂർണ്ണമായും സജ്ജമാക്കണം.

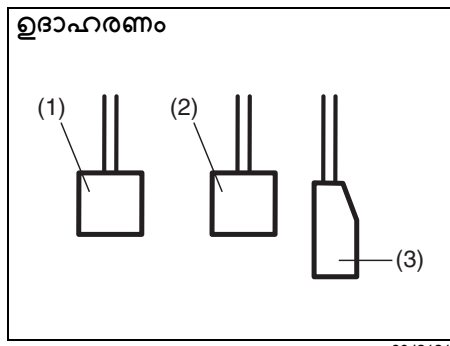
▲ മുന്നറിയിപ്പ്

വളരെ തണുത്ത കാലാവസ്ഥയിൽ വാഹനം പാർക്ക് ചെയ്യുമ്പോൾ, ഇനിപ്പറയുന്ന നടപടികൾ പാലിക്കണം:

- 1) പാർക്കിംഗ് ബ്രേക്ക് സജ്ജമാക്കുക.
- 2) എഞ്ചിൻ ഓഫ് ചെയ്യുക, തുടർന്ന് റിവേഴ്സ് അല്ലെങ്കിൽ ഫസ്റ്റ് ഗിയറിലേക്ക് മാറ്റുക.
- 3) വാഹനത്തിൽ നിന്ന് ഇറങ്ങി ചക്രങ്ങൾക്കടിയിൽ കട്ടുകൾ ഇടുക.
- 4) പാർക്കിംഗ് ബ്രേക്ക് റിലീസ് ചെയ്യുക.

നിങ്ങൾ നിങ്ങളുടെ വാഹനത്തിലേക്ക് തിരികെയെത്തുമ്പോൾ, ആദ്യം പാർക്കിംഗ് ബ്രേക്ക് സജ്ജീകരിക്കുകയും തുടർന്ന് വീൽ കട്ടുകൾ നീക്കം ചെയ്യുകയും ചെയ്യേണ്ടതാണ് എന്ന് ശ്രദ്ധിക്കുക.

പെഡൽ



80J2121

കുച്ച് പെഡൽ (1)
 എഞ്ചിൻ ആരംഭിക്കുമ്പോഴോ നിർത്തുമ്പോഴോ ഗിയർഷിഫ്റ്റ് ലിവർ മാറ്റുമ്പോഴോ വിലകളിലേക്ക് ഡ്രൈവ് നിയന്ത്രണം വിച്ചേടിക്കാൻ കുച്ച് പെഡൽ ഉപയോഗിക്കുന്നു. പെഡൽ അമർത്തുന്നത കുച്ച്നെ വിച്ചേടിക്കുന്നു

▲ മുന്നറിയിപ്പ്

കുച്ച് പെഡലിൽ കാൽ അമർത്തി വാഹനമോടിക്കരുത്. ഇത് അമിതമായ കുച്ച് തേയ്മാനം, കുച്ച് കേടുപാടുകൾ, അല്ലെങ്കിൽ അപ്രതീക്ഷിതമായി എഞ്ചിന്റെ ബ്രേക്ക് നഷ്ടമാകുക എന്നിവയ്ക്ക് കാരണമാകാം.

ബ്രേക്ക് പെഡൽ (2)

നിങ്ങളുടെ വാഹനത്തിൽ ഫ്രണ്ട് ഡിസ്ക ബ്രേക്കുകളും റിയർ ഡ്രം ബ്രേക്കുകളും സജ്ജീകരിച്ചിരിക്കുന്നു. ബ്രേക്ക് പെഡൽ അമർത്തുമ്പോൾ രണ്ട് സെറ്റു ബ്രേക്കുകളും പ്രയോഗിക്കപ്പെടുന്നു.

നിങ്ങൾ ബ്രേക്ക് ഇടുമ്പോൾ ഇടയ്ക്കിടെ ബ്രേക്കിൽ നിന്നും സ്കീൽ ശബ്ദം കേൾക്കാം. താപനില, ഊർപ്പം, മഞ്ഞ അല്ലെങ്കിൽ പൊടി തുടങ്ങിയ പാരിസ്ഥിതിക ഘടകങ്ങൾ മൂലം ഉണ്ടാകുന്ന ഒരു സാധാരണ അവസ്ഥയാണിത്.

▲ മുന്നറിയിപ്പ്

ബ്രേക്ക് അമിതമായിരിക്കുകയും തവണ പ്രയോഗിക്കുമ്പോഴും അനുഭവപ്പെടുകയും ചെയ്യുകയാണെങ്കിൽ, അംഗീകൃത മാരുതി കൊമേഴ്സ്യൽ സന്ദർശിച്ചു പരിശോധിക്കേണ്ടതാണ്.	സ്കീൽ ഓരോ ബ്രേക്കുകൾ ഇപ്രകാരം നിങ്ങളുടെ സുസ്തകി വർക്കപ്പോൾ ബ്രേക്കുകൾ
--	---

▲ മുന്നറിയിപ്പ്

ബ്രേക്കുകൾ തുടർച്ചയായി പ്രയോഗിച്ചുകൊണ്ടോ പെഡലിൽ കാൽ അമർത്തിപ്പിടിച്ചോ ഡ്രൈവ് ചെയ്യരുത്. ഇത് ബ്രേക്കുകൾ അമിതമായി ചൂടാകുന്നതിന് കാരണമാകും. ഇത് നിങ്ങൾ വിചാരിക്കുന്നത് പോലല്ലാത്ത ബ്രേക്കിംഗ് ആക്ഷൻ, അല്ലെങ്കിൽ ബ്രെയക്ക് ചെയ്യുന്ന ദൂരങ്ങൾ കൂടുതലാകുക അല്ലെങ്കിൽ സ്ഥിരമായ ബ്രേക്ക് ക്ലേപ്പാടുകൾ സംഭവിക്കുന്ന എന്നിവയ്ക്ക് കാരണമായേക്കാം.

ആക്സിലറേറ്റർ പെഡൽ (3)

ഈ പെഡൽ എഞ്ചിന്റെ വേഗത നിയന്ത്രിക്കുന്നു. ആക്സിലറേറ്റർ പെഡൽ അമർത്തുന്നതു പവർ ഓട്ടപ്പുടും വേഗതയും വർദ്ധിപ്പിക്കുന്നു.

എഞ്ചിൻ സ്റ്റാർട്ട് ചെയ്യുമ്പോൾ
എഞ്ചിൻ സ്റ്റാർട്ട് ചെയ്യുന്നതിന് മുമ്പ്

ഉദാഹരണം

77PH014

- 1) പാർക്കിംഗ് ബ്രേക്ക് പുറത്തുമാറ്റി സജ്ജീകരിച്ചിട്ടുണ്ടെന്ന് ഉറപ്പാക്കുക.
- 2) "N" (ന്യൂട്രൽ) എന്നതിലേക്ക് മാറ്റുക, ക്ലച്ച് പെഡൽ മുഴുവനായും അമർത്തുക. എഞ്ചിൻ ആരംഭിക്കുമ്പോൾ ക്ലച്ച് പെഡൽ അമർത്തിപ്പിടിക്കുക.

▲ മുന്നറിയിപ്പ്

എഞ്ചിൻ സ്റ്റാർട്ട് ചെയ്യാൻ ശ്രമിക്കുന്നതിന് മുമ്പ് പാർക്കിംഗ് ബ്രേക്ക് പുറത്തുമാറ്റി സെറ്റ് ചെയ്തിട്ടുണ്ടെന്നും ട്രാൻസ്മിഷൻ ന്യൂട്രലാണെന്നും ഉറപ്പാക്കുക.

നിങ്ങളുടെ വാഹനം പ്രവർത്തിപ്പിക്കുന്നത്

കോൾഡ്, വാം എഞ്ചിനുകൾ സ്റ്റാർട്ട് ചെയ്യുന്നതിന് നിങ്ങളുടെ കാൽ ആക്സിലറേറ്റർ പെഡലിൽ നിന്ന്, ഇഗ്നിഷൻ ക്ലിക്ക് "സ്റ്റാർട്ട്" ആക്കി എഞ്ചിൻ ക്രാക്ക് ചെയ്യുക. എഞ്ചിൻ സ്റ്റാർട്ട് ആകുമ്പോൾ കീ റിലീസ് ചെയ്യുക.

അറിയിപ്പ്
<ul style="list-style-type: none"> എഞ്ചിൻ സ്റ്റാർട്ട് ചെയ്ത ശേഷം ഉടൻ തന്നെ സ്റ്റാർട്ടർ തിരിക്കുന്നത് നിർത്തുക അല്ലെങ്കിൽ സ്റ്റാർട്ടർ സിസ്റ്റം കേടായേക്കാം. ഒരു സമയം 12 സെക്കൻഡിൽ കൂടുതൽ എഞ്ചിൻ ക്രാക്ക് ചെയ്യരുത്. ആദ്യ ശ്രമത്തിൽ എഞ്ചിൻ ആരംഭിച്ചില്ലെങ്കിൽ, വീണ്ടും ശ്രമിക്കുന്നതിന് മുമ്പ് ഏകദേശം 15 സെക്കൻഡ് കാത്തിരിക്കുക.

12 സെക്കൻഡ് ക്രാക്കിംഗിന് ശേഷവും എഞ്ചിൻ ആരംഭിക്കുന്നില്ലെങ്കിൽ, ഏകദേശം 15 സെക്കൻഡ് കാത്തിരിക്കുക. തുടർന്ന് ആക്സിലറേറ്റർ പെഡൽ 1/3 വരെ അമർത്തി വീണ്ടും എഞ്ചിൻ ക്രാക്ക് ചെയ്യാൻ ശ്രമിക്കുക. എഞ്ചിൻ സ്റ്റാർട്ട് ആകുമ്പോൾ ക്രാക്ക് ആക്സിലറേറ്റർ പെഡലും റിലീസ് ചെയ്യുക. എഞ്ചിൻ ഇപ്പോഴും സ്റ്റാർട്ട് ആകുന്നില്ലെങ്കിൽ, ക്രാക്ക് ചെയ്യുമ്പോൾ ആക്സിലറേറ്റർ പെഡൽ പൂർണ്ണമായും താഴേക്ക് അമർത്തി പീടിക്കാൻ ശ്രമിക്കുക. ഇങ്ങനെ ചെയ്യുന്നതിന് എഞ്ചിൻ ക്ലിയർ ചെയ്യണം.

കുറിപ്പ്:
(സി എൻ ജി എഞ്ചിൻ മോഡലിന്)

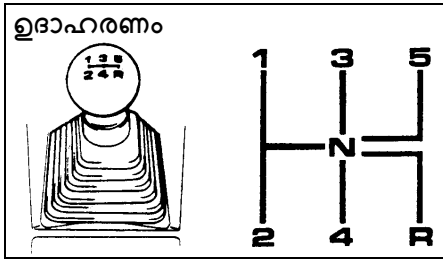
- പെട്രോളിൽ നിന്ന് സി എൻ ജി മോഡലിലേക്ക് മാറ്റാൻ ആക്സിലറേറ്റർ പെഡൽ അമർത്തരുത്.
- ഇഗ്നിഷൻ സ്വിച്ച് "ഓൺ" ആകുകയും എഞ്ചിൻ പ്രവർത്തിക്കാതിരിക്കുകയും ചെയ്യുമ്പോൾ, സി എൻ ജി തകരാർ സൂചിപ്പിക്കുന്ന വാർണിംഗ് ലൈറ്റ് മിന്നിത്തെയ്യുന്നതും ഫ്യൂൽ ലിഡ് തുറന്നിരിക്കുന്നുവെന്ന് സൂചിപ്പിക്കുന്നതും ഈ അവസ്ഥയിൽ വാഹനം സ്റ്റാർട്ട് ആവുകയില്ല.
- എഞ്ചിന്റെ കാലാവധി വർദ്ധിപ്പിക്കുന്നതിന് എപ്പോഴും വാഹനം ഓട്ടോ മോന്റിറ്റോ പെട്രോൾ മോഡിലോ സ്റ്റാർട്ട് ചെയ്യാൻ ശുപാർശ ചെയ്യപ്പെടുന്നു.
- ആംബിയന്റ് / എഞ്ചിൻ താപനില സീറോ ഡിഗ്രി സെൽഷ്യസിൽ താഴെയായിരിക്കുമ്പോൾ വാഹനം സ്റ്റാർട്ട് ചെയ്താൽ സി എൻ ജിയിലേക്കുള്ള ഫ്യൂൽ ചെയഞ്ച് ഓവർ സംഭവിക്കുകയും അത്തരമൊരു സാഹചര്യത്തിൽ, എഞ്ചിൻ ചൂടാകുന്നതുവരെ പെട്രോൾ മോഡിൽ പ്രവർത്തിപ്പിക്കുക, തുടർന്ന് സിഎൻ ജി യിലേക്ക് മാറ്റാൻ എഞ്ചിൻ റീസ്റ്റാർട്ട് ചെയ്യാൻ ശ്രമിക്കുക.
- പെട്രോൾ ടാങ്കിൽ ആവശ്യത്തിന് പെട്രോൾ സൂക്ഷിക്കാൻ ശുപാർശ ചെയ്യുന്നു.
- ആംബിയന്റ് / എഞ്ചിൻ താപനില സീറോ ഡിഗ്രി സെൽഷ്യസിൽ താഴെയെന്നെങ്കിൽ, ഫോഴ്സഡ് സി എൻ ജി മോഡിൽ വാഹനം സ്റ്റാർട്ട് ആവുകയില്ല. ഓട്ടോ മോഡിൽ

വാഹനം സ്റ്റാർട്ട് ചെയ്യാൻ ശുപാർശ ചെയ്യുന്നു.

- സിഎൻജി മോഡിൽ നിന്ന് പെട്രോൾ മോഡിലേക്ക് ഓട്ടോമാറ്റിക് ആയി മാറുമ്പോൾ എഞ്ചിൻ സ്തംഭിക്കുന്നത് തടയാൻ പെട്രോൾ ടാങ്കിൽ മതിയായ അളവിൽ പെട്രോൾ സൂക്ഷിക്കാൻ ശുപാർശ ചെയ്യുന്നു.
- ചേഞ്ച്ഓവർ സ്വിച്ച് അമർത്തിയാൽ സി എൻ ജി തകരാർ സൂചിപ്പിക്കുന്ന വാർണിംഗ് ലൈറ്റ് മിന്നിത്തെയ്യുന്നതും നിർത്തുന്നില്ലെങ്കിൽ, വാഹനം അടുത്തുള്ള അംഗീകൃത മാരുതി സൂസൂക്സി കോമേഴ്സ്യൽ വർക്കിംഗ് പാർട്ട്സ് സെന്റർ പരിശോധിപ്പിക്കുക.

ട്രാൻസ്മിഷൻ ഉപയോഗിക്കുന്നത്

മാനുവൽ ട്രാൻസ്മിഷൻ



65D038

സ്മാർട്ട് ചെയ്യുന്നത്
 ആരംഭിക്കുന്നതിനായി, കുപ്പ് പെഡൽ ഫോർ വരെ അമർത്തി 1 മത് അല്ലെങ്കിൽ 2 മുതൽ ഗിയറിലേക്ക് മാറ്റുക. പാർക്കിംഗ് ബ്രേക്ക് റിലീസ് ചെയ്ത ശേഷം, ക്രമേണ കുപ്പ് റിലീസ് ചെയ്യുക. എഞ്ചിനറെ ശബ്ദത്തിൽ ഒരു മാറ്റം നിങ്ങൾ കേൾക്കുമ്പോൾ, ക്രമേണ തുടർന്നുകൊണ്ട് കുപ്പ് വിട്ടുനൽകി തുടർന്നുകൊണ്ട് ആക്സിലറേറ്റർ പീഡൽ അമർത്തുക..

കുറിപ്പ്:

- സാധാരണ ഡ്രൈവിംഗ് സമയത്ത് സ്മാർട്ട് ഓഫ് ചെയ്യാൻ ശുപാർശ ചെയ്യുന്ന ഗിയർ പൊസിഷൻ രണ്ടാം ഗിയറാണ്.
- കോസ് കൺട്രി ഡ്രൈവിംഗ്, ക്രാൾ അല്ലെങ്കിൽ ലോഡിംഗ് ഡ്രൈവിംഗ് എന്നിങ്ങനെ വലിയ ഡ്രൈവിംഗ് ഫോഴ്സ് ആവശ്യമായി വരുന്ന സാഹചര്യത്തിൽ, ശുപാർശ ചെയ്യുന്ന

ഷിഫ്റ്റ് പൊസിഷൻ 1 മത് ഗിയർ ആണ്

ഷിഫ്റ്റ് ചെയ്യുന്നത് എല്ലാ ഫോർവേഡ് ഷിഫ്റ്റ് ചെയ്യുന്നതിനും ചെയ്തിരിക്കുന്നു, ഇത് ഷിഫ്റ്റിംഗ് സാധ്യമാക്കുന്നു. മാറ്റുന്നതിന് മുമ്പ് കുപ്പ് പെഡൽ അമർത്തുക.

ഗിയറുകളും സിംക്രൈസിലും എളുപ്പമുള്ള ഗിയർ പൂർണ്ണമായി

അനുവദനീയമായ വേഗതയിലേക്ക് ചെയ്യുന്നു (പെട്രോൾ മോഡലിന്) പരമാവധി ഡ്രൈവിംഗ്

ഡ്രൈവിംഗ്	കിലോമീറ്റർ/മണിക്കൂർ
2 മത്തേതിൽ നിന്നും 1 തേത വരെ	10
3 മത്തേതിൽ നിന്നും 2 തേത വരെ	65
4 മത്തേതിൽ നിന്നും 3 തേത വരെ	100
5 തേതയിൽ നിന്നും 4 തേത വരെ	140

അനുവദനീയമായ വേഗതയിലേക്ക് ചെയ്യുന്നു (CNG മോഡലിന്) പരമാവധി ഡ്രൈവിംഗ്

ഡ്രൈവിംഗ്	കിലോമീറ്റർ/മണിക്കൂർ
2 മത്തേതിൽ നിന്നും 1 തേത വരെ	10
3 മത്തേതിൽ നിന്നും 2 തേത വരെ	55
4 മത്തേതിൽ നിന്നും 3 തേത വരെ	90
5 തേതയിൽ നിന്നും 4 തേത വരെ	125

കുറിപ്പ്:
 ഡ്രൈവിംഗ് സാഹചര്യം കൂടുതൽ അല്ലെങ്കിൽ വെഹിക്കിൾ കണ്ടിഷൻ കാരണം നിങ്ങൾക്ക് അനുവദനീയമായ പരമാവധി വേഗതയിലേക്ക് ആക്സിലറേറ്റർ ചെയ്യാനാകില്ല.

അറിയിപ്പ്
 താഴ്ന്ന ഗിയറിലേക്ക് ഡ്രൈവിംഗ് ചെയ്യുമ്പോൾ, അനുവദനീയമായ പരമാവധി വേഗതയേക്കാൾ വേഗത്തിൽ ഡ്രൈവിംഗ് ചെയ്യുന്നില്ലെന്നു ഉറപ്പാക്കുക. അല്ലെങ്കിൽ ഗുരുതരമായ എഞ്ചിൻ കേടുപാടുകൾ സംഭവിക്കാം.

▲ മുന്നറിയിപ്പ്

- നിളമുള്ളതോ കുത്തനെയുള്ളതോ ആയ ഇറക്കം ഇറങ്ങുന്നതിന് മുമ്പ് നിങ്ങളുടെ വേഗത കുറച്ചു ഒരു താഴ്ന്ന ഗിയറിനോടുകൂടി ഡ്രൈവ് ചെയ്യുക താഴ്ന്ന ഗിയർ എഞ്ചിൻ ബ്രേക്കിംഗ് നൽകാൻ അനുവദിക്കും. ബ്രേക്കുകൾ നൽകി ഓടിക്കുന്നതിൽ ഒഴിവാക്കുക, ഇപ്രകാരം ചെയ്യുമ്പോൾ അവ ഓവർ ഹീറ്റ് ആകുകയും ബ്രേക്ക് തകരാറിലാകുകയും ചെയ്യും.
- തെന്നുന്നതിന് സാധ്യതയുള്ള റോഡുകളിൽ വാഹനമോടിക്കുമ്പോൾ, ഡ്രൈവ് ചെയ്യുന്നതിന് മുമ്പ് വേഗത കുറയ്ക്കാൻ ശ്രദ്ധിക്കുക. എഞ്ചിൻ വേഗതയിലേക്ക് അമിതമോ അല്ലെങ്കിൽ പെട്ടെന്നുള്ളതോ ആയ മാറ്റങ്ങൾ ട്രാക്ഷൻ നഷ്ടപ്പെടുന്നതിന് കാരണമായേക്കാം, ഇത് നിങ്ങളുടെ നിയന്ത്രണം നഷ്ടപ്പെടാൻ ഇടയാക്കും.

അറിയിപ്പ്

- കൂട്ട് ക്ലേപ്പാടുകൾ ഒഴിവാക്കാൻ സഹായിക്കുന്നതിന്, വാഹനമോടിക്കുമ്പോൾ ക്ലച്ച് പെഡൽ ഒരു ഫുട് റെസ്റ്റിൽ ഉപയോഗിക്കരുത്. അല്ലെങ്കിൽ വാഹനം ചരിവിൽ നിശ്ചലമായി നിർത്താൻ ക്ലച്ച് ഉപയോഗിക്കരുത്, ഷിഫ്റ്റിന് സമയത്തേക്ക് ക്ലച്ച് പൂർണ്ണമായും അമർത്തുക.
- ഷിഫ്റ്റ് ചെയ്യുമ്പോൾ അല്ലെങ്കിൽ സ്റ്റാർട്ട് ഓഫ് ചെയ്യുമ്പോൾ, എഞ്ചിൻ റേസിംഗ് ചെയ്യരുത്. എഞ്ചിൻ റേസിംഗ് ചെയ്യുന്നതിന് എഞ്ചിൻ കാലാവധി കുറയ്ക്കുകയും സുഗമമായ ഷിഫ്റ്റിംഗിന് ബാധിക്കുകയും ചെയ്യും.

അറിയിപ്പ്

റിവേഴ്സ് ഗിയർ "R" ഇടുന്നതിന് മുമ്പ്, വാഹനം പൂർണ്ണമായും നിശ്ചലമാണെന്നും ഗിയർ ലിഫ്റ്റ് ന്യൂട്രൽ [N] സ്ഥാനത്താണെന്നും പരിശോധിക്കേണ്ടതാണ്. ക്ലച്ച് പെഡൽ പൂർണ്ണമായി അമർത്തിയ ശേഷം, [R] ലേക്ക് മാറ്റുക.

കുറിപ്പ്:
റിവേഴ്സ് ഗിയർ "R" ഇടുന്നത് ബുദ്ധിമുട്ടാണെങ്കിൽ, താഴെ പറയുന്ന നടപടികളും പിന്തുടരേണ്ടതാണ്:

1. ന്യൂട്രൽ "N" ൽ ഗിയർ ലിഫ്റ്റ് ഇടുക.
2. ക്ലച്ച് പെഡൽ ഒരിക്കൽ റിലീസ് ചെയ്യുക.
3. വീണ്ടും ക്ലച്ച് പെഡൽ അമർത്തി "N" ൽ നിന്ന് "R" ലേക്ക് മാറ്റുക.

പാർക്കിംഗ് സെൻസറുകൾ

- പിൻ ബമ്പറിന് സമീപമുള്ള തടസ്സങ്ങൾ കണ്ടെത്താൻ പാർക്കിംഗ് സെൻസർ സിസ്റ്റം അൾട്രാസോണിക് സെൻസറുകൾ ഉപയോഗിക്കുന്നു. നിങ്ങൾ വാഹനം പാർക്ക് ചെയ്യുമ്പോഴോ പതുക്കെ നിങ്ങളുമോടുകൂടി തടസ്സങ്ങൾ അനുഭവപ്പെടുകയാണെങ്കിൽ, ഒരു ബമ്പർ മുഴുക്കി സിസ്റ്റം നിങ്ങൾക്ക് മുന്നറിയിപ്പ് നൽകുന്നു.
- സിസ്റ്റം ഒരു അൾട്രാസോണിക് തരംഗം പുറപ്പെടുവിക്കുന്നു, ഒരു തടസ്സമുള്ള വസ്തുവിൽ തട്ടി പ്രതിഫലിക്കുന്ന തരംഗത്തിന്റെ തിരിച്ചുവരവ് പ്രസക്തമായ സെൻസർ കണ്ടെത്തുന്നു. അൾട്രാസോണിക് തരംഗം തടസ്സത്തിലേക്ക് എത്താനും അതിൽ നിന്ന് മടങ്ങാനും എടുക്കുന്ന സമയം സിസ്റ്റം അളക്കുകയും അതിൽ നിന്ന് അത് തടസ്സത്തിന്റെ സ്ഥാനം നിർണ്ണയിക്കുകയും ചെയ്യുന്നു.
- നിങ്ങൾ ഇനിപ്പറയുന്ന സ്വിച്ച് "ഓൺ" പൊസിഷനിലേക്ക് തിരിക്കുകയും ഗിയർ ഷിഫ്റ്റ് ലിഫ്റ്റ് "R" പൊസിഷനിലായിരിക്കുകയും ചെയ്യുമ്പോൾ പാർക്കിംഗ് സെൻസർ ഫംഗ്ഷൻ ഉപയോഗിക്കാനാകും. ഇനിപ്പറയുന്ന സന്ദർഭങ്ങളിൽ ഈ പ്രവർത്തനം സഹായകരമാണ്: കർബിഡ് ലേക്ക് പൂൾ ഓവർ ചെയ്യുമ്പോൾ; വാഹനത്തിന്റെ സമാന്തര പാർക്കിംഗ്; വാഹനം ഒരു ഗാരേജിലേക്ക് നയിക്കുമ്പോൾ; ഒരു ഇടവഴിയല്ലെങ്കിൽ സെൻസർ ഉപയോഗിക്കുകയും ചെയ്യുമ്പോൾ; തടസ്സങ്ങളുള്ള സ്ഥലത്ത് പതുക്കെ നിങ്ങളുമോടുകൂടി

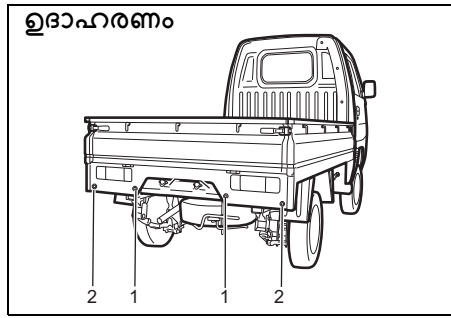
⚠ മുൻറിയിപ്പ്

- പാർക്കിംഗ് സെൻസർ നിങ്ങൾക്ക് ബുദ്ധിമുട്ടുണ്ടെങ്കിൽ ഉപയോഗിച്ച് തടസ്സങ്ങളെക്കുറിച്ച് മുൻറിയിപ്പ് നൽകുന്നു. എന്നിരുന്നാലും, നിങ്ങൾ പ്രത്യേക ശ്രദ്ധയോടെ തന്നെ ഡ്രൈവ് ചെയ്യേണ്ടതാണ്.
- സെൻസറുകൾക്ക് പരിമിതമായ പ്രദേശത്ത് മാത്രമേ തടസ്സങ്ങൾ കണ്ടെത്താനാകൂ, അത് വാഹനം പരിമിതമായ വേഗത പരിധിക്കുള്ളിൽ സഞ്ചരിക്കുമ്പോൾ മാത്രമേ സാധ്യമാകൂ. അതിനാൽ, ബുദ്ധിമുട്ടുള്ള സ്ഥലങ്ങളിൽ, നിങ്ങളുടെ ഡയറക്ടർ വിഷൻ അല്ലെങ്കിൽ റിയർവ്യൂ മിററുകൾ ഉപയോഗിച്ച് വാഹനത്തിന് ചുറ്റും പരിശോധിക്കുമ്പോൾ നിങ്ങൾ വാഹനം പതുക്കെ ചലിപ്പിക്കണം. പാർക്കിംഗ് സെൻസറിനെ മാത്രം ആശ്രയിച്ച് വാഹനം നിയന്ത്രിച്ചാൽ അപകട സാധ്യത കൂടുതലാണ്.

കുറിപ്പ്:
 റിയർഷിഫ്റ്റ് ലിവർ "R"
 സ്ഥാനത്തേക്ക് മാറ്റുമ്പോൾ, ബുദ്ധിമുട്ടുള്ളതാണ്.

അറിയിപ്പ്	
പാർക്കിംഗ് ഡ്രൈവറുടെ മാത്രമുള്ളതാണ്.	സെൻസറുകൾ സഹായത്തിന്

സെൻസർ ലൊക്കേഷനുകൾ റിയർ ബമ്പറിൽ



- ഉദാഹരണം
- 77PM03003
- (1) റിയർ സെന്റർ സെൻസറുകൾ (2 സ്ഥലങ്ങൾ)
 - (2) റിയർ കോർണർ സെൻസറുകൾ (2 സ്ഥലങ്ങൾ)

അറിയിപ്പ്

- സെൻസർ ഏരിയകളിൽ തടസ്സം ഒഴിവാക്കുക അല്ലെങ്കിൽ കാർ വാഷിംഗിനെ ഹൈ പ്രഷർ നോസൽ സെൻസർ ഏരിയകളിലേക്ക് വയക്കുന്നതോ ഒഴിവാക്കുക. അല്ലെങ്കിൽ, സെൻസറുകൾ കേടായിരിക്കാം.
- ബമ്പർ ഒരു ദൃഢമായ വസ്തുവിൽ തട്ടിയാൽ, അതിലെ സെൻസറുകൾ ശരിയായി പ്രവർത്തിച്ചേക്കാവൂ. അങ്ങനെ സംഭവിക്കുകയാണെങ്കിൽ, മാർട്ടി സൂസൂക്കി അംഗീകൃത വർക്കിംഗ് ഓപ്പറേഷൻ സന്ദർശിച്ച് സെൻസറുകൾ പരിശോധിക്കണം.

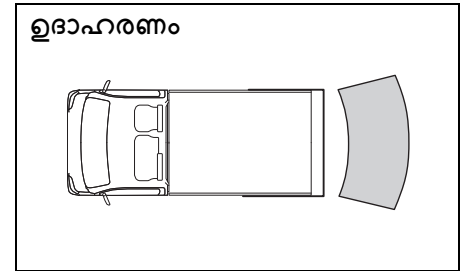
നിങ്ങളുടെ വാഹനം പ്രവർത്തിപ്പിക്കുന്നത്

പ്രവർത്തിക്കുന്ന സെൻസറുകൾ

ഗിയർഷിഫ്റ്റ് ലിവർ പൊസിഷൻ ആശ്രയിച്ച് സെൻസറുകൾ ഇനിപ്പറയുന്ന രീതിയിൽ പ്രവർത്തിക്കുന്നു:

ഗിയർഷിഫ്റ്റ് ലിവർ പൊസിഷൻ	R	N, 1st – 5th
പിൻ സെൻസറുകൾ	ഓൺ	ഓഫ്

തടസ്സങ്ങൾ കണ്ടെത്താനാകുന്ന ഏകദേശ മേഖലകൾ



78MM05003

- സെൻസറിൽ നിന്ന് ഏകദേശം 20 സെന്റിമീറ്റർ (8 ഇഞ്ച്) ഉള്ളിലോ സെൻസറിന് താഴെയോ ഉള്ള തടസ്സം കണ്ടെത്താനാകില്ല.

സെൻസറുകൾക്ക് വാഹനത്തിന്റെ പിൻഭാഗത്ത് നിന്ന് ഏകദേശം 1.8 മീറ്റർ (6 അടി) വരെയുള്ള തടസ്സങ്ങൾ കണ്ടെത്താനാകും.

▲ മുന്നറിയിപ്പ്

ഇനിപ്പറയുന്ന വ്യവസ്ഥകളിൽ സെൻസറുകൾക്ക് തടസ്സങ്ങൾ കൃത്യമായി കണ്ടെത്താനാകാത്തതിനാൽ പാർക്കിംഗ് സെൻസർ സിസ്റ്റം സാധാരണയായി പ്രവർത്തിച്ചേക്കാതിരിക്കും.

- സെൻസറുകൾക്ക് ചെളി, ഏറ്റസ് അല്ലെങ്കിൽ മറ്റ് വസ്തുക്കൾ കൊണ്ട് മൂടിയിരിക്കുമ്പോൾ. (സാധാരണ പ്രവർത്തനത്തിനായി അത്തരം വസ്തുക്കൾ നീക്കം ചെയ്യണം.)
- വെള്ളം തെറിക്കുന്നതോ കനത്ത മഴയോ മൂലം സെൻസറുകൾ നനഞ്ഞിരിക്കുകയാണെങ്കിൽ.
- സെൻസറുകൾ ഒരു കൈ, സ്നിക്കർ, ആക്സസറി മുതലായവ കൊണ്ട് മൂടിയിരിക്കുമ്പോൾ.
- സെൻസറിന്റെ സെൻസിംഗ് ഏരിയയിൽ ഒരു ആക്സസറി അല്ലെങ്കിൽ മറ്റ് വസ്തുക്കൾ ഘടിപ്പിച്ചിരിക്കുമ്പോൾ.
- ടോ ഹുക്കുകൾ, വാണിജ്യപരമായി ലഭ്യമായ കോർണർ പോൾ, റോഡിയോ ആന്റിന മുതലായവ ബമ്പറിൽ ഇൻസ്റ്റാൾ ചെയ്തിട്ടുണ്ടെങ്കിൽ.
- സസ്പെൻഷനിലെ മാറ്റം അല്ലെങ്കിൽ മറ്റ് കാരണങ്ങളാൽ ബമ്പറിന്റെ ഉയരം മാറിയിട്ടുണ്ടെങ്കിൽ.
- തണുത്ത കാലാവസ്ഥ കാരണം സെൻസർ ഏരിയകൾ വളരെ തണുത്തിരിക്കുമ്പോൾ അല്ലെങ്കിൽ നേരിട്ടുള്ള സൂര്യപ്രകാശത്തിൽ നിന്ന് വളരെ ചൂടായിരിക്കുമ്പോൾ.
- വാഹനം പരുക്കൻ പ്രതലത്തിലോ ചരിവുകളിലോ ചരൽ റോഡിലോ പുൽത്തകിടിയിലോ ആണെങ്കിൽ.
- വാഹനം കുത്തനെയുള്ള ഇറക്കത്തിലാണെങ്കിൽ.
- മറ്റൊരു വാഹനത്തിന്റെ ഹോൺ, എഞ്ചിൻ, ഏയർ ബ്രേക്കിംഗ് സിസ്റ്റം (വലിയ വാഹനങ്ങൾ), അല്ലെങ്കിൽ പാർക്കിംഗ് സെൻസർ എന്റിവയിൽ നിന്നുള്ള അൾട്രാസോണിക് ശബ്ദം സെൻസറുകൾ വിശകലനം ചെയ്യുന്നു. (തുടരും)

▲ മുന്നറിയിപ്പ്

(തുടരും)

- തടസ്സങ്ങൾ സെൻസറുകൾക്ക് വളരെ അടുത്താണ് എങ്കിൽ.
- സെൻസറുകൾ ഗ്രാസ് പോലുള്ള ഉയർന്ന പ്രതിഫലനമുള്ള വസ്തുവു് നേർക്കാണ്. (അൾട്രാസോണിക് തരംഗങ്ങൾ തടസ്സത്തിൽ നിന്ന് പ്രതിഫലിക്കുകയല്ല.)
- സെൻസറുകൾക്ക് ഇനിപ്പറയുന്ന തരത്തിലുള്ള തടസ്സങ്ങൾ കൃത്യമായി കണ്ടുപിടിക്കാൻ കഴിഞ്ഞേക്കാം:
 - വയർ നെറ്റിംഗ്, കയറുകൾ തുടങ്ങിയ നേർത്ത വസ്തുക്കളാൽ നിർമ്മിച്ച വസ്തുക്കൾ
 - ചതുരാകൃതിയിലുള്ള കർബ്ബ്നോണുകൾ
 - മുൻപുള്ള അരികുകളുള്ള മറ്റ് വസ്തുക്കൾ
 - റോഡ് അടയാളങ്ങൾ പോലെ മുക്ൾ ഭാഗത്തേക്ക് കൂടുതൽ ഉയർമുള്ള വസ്തുക്കൾ
 - കർബ്ബ്നോണുകൾ പോലുള്ള താഴ്ന്ന പ്രൊഫൈൽ വസ്തുക്കൾ
 - പരുത്തി, മഞ്ഞ തുടങ്ങിയ ശബ്ദം ആഗിരണം ചെയ്യുന്ന വസ്തുക്കൾ

കുറിപ്പ്: സെൻസറുകളുടെ നിലയ്ക്ക് താഴെയുള്ള താഴെയുള്ള തടികുറഞ്ഞ തുണുകളോ തടസ്സങ്ങളോ വാഹനം അകലെയോകുമ്പോൾ കണ്ടെത്താൻ സാധിക്കുകയാണെങ്കിലും അവയുടെ അടുത്തേക്ക് നിങ്ങളുമ്പോൾ കണ്ടെത്താനാകാതെ വന്നേക്കാം.

- റോഡിലെ എന്തെങ്കിലും അടയാളം അല്ലെങ്കിൽ സമാനമായ വസ്തുവിലേക്കുള്ള ദൂരം യഥാർത്ഥ ദൂരത്തേക്കാൾ കുറവായി സിസ്റ്റം കണക്കാക്കിയേക്കാം.

പാർക്കിംഗ് സെൻസർ മുഖേനയുള്ള ഒരു തടസ്സം

കണ്ടെത്തുമ്പോൾ, സൂചന നൽകാനായി പാർക്കിംഗ് സെൻസർ ഒരു ഇൻറിരിയർ ബസർ ശബ്ദമുണ്ടാക്കുന്നു.

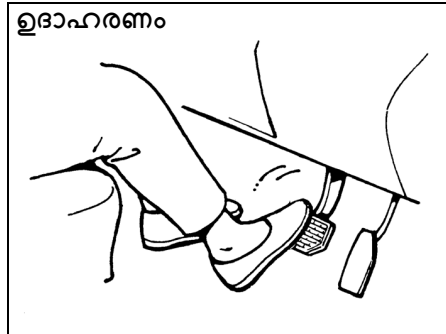
- റിയർ സെൻസർ ഒരു തടസ്സം കണ്ടെത്തുമ്പോൾ പിൻസിറ്റിൻ പിന്നിൽ സ്ഥിതി ചെയ്യുന്ന ഒരു ബസർ ശബ്ദം ഉണ്ടാക്കുന്നു.
- മതിയെ പോലുള്ള തടസ്സങ്ങൾ സെൻസറുകൾ വഴി കണ്ടെത്തുമ്പോൾ മുന്നറിയിപ്പ്

ദൂരം (എക്സേൾ)	ബസർ
100 – 180 cm	നീണ്ട ഇടവേളകളിൽ ചെറിയ ബിപ്പുകൾ
80 – 100 cm	ചെറിയ ഇടവേളകളിൽ ചെറിയ ബിപ്പുകൾ
70 – 80 cm	വളരെ ചെറിയ ഇടവേളകളിൽ ചെറിയ ബിപ്പുകൾ
കുറവ് 70 cm	തുടർച്ചയായ ബിപ്പ്

മുന്നറിയിപ്പും ഇൻഡിക്കേറ്റർ മെസേജുകളും

പാർക്കിംഗ് സെൻസർ സിസ്റ്റവുമായി ബന്ധപ്പെട്ട് എന്തെങ്കിലും പ്രശ്നമോ മുന്നറിയിപ്പോ ഉണ്ടെങ്കിൽ, ഒരു ബസർ മൂലം അത് അറിയിക്കും. അതിന്റെ അനുബന്ധ നിർദ്ദേശങ്ങൾ പാലിക്കുക. ബസർ ഇടയ്ക്കിടെ മുഴങ്ങുന്നു, സൂചിപ്പിച്ച സെൻസർ മലിനമാണ്, മുദ്രവായി തുണി ഉപയോഗിച്ച് തുടയ്ക്കുക. തുടച്ചതിന് ശേഷവും ബസർ നിർത്തിയില്ലെങ്കിൽ, പാർക്കിംഗ് സെൻസർ സിസ്റ്റത്തിൽ പ്രശ്നമുണ്ടാകാം. മാരുതി സുസുക്കി അംഗീകൃത വർക്ക്ഷോപ്പ് സന്ദർശിച്ചു നിങ്ങളുടെ വാഹനം പരിശോധിക്കുക.

ബ്രേക്കിംഗ്



60G165S

ഏത് വാഹനവും നിർത്താൻ ആവശ്യമായ ദൂരം വാഹനത്തിന്റെ വേഗത കുറയ്ക്കുന്നതിനനുസരിച്ച് വർദ്ധിക്കുന്നു. ആവശ്യമായ ബ്രേക്കിംഗ് ദൂരം, ഊഹാഹരണത്തിന്, **60 km/h (37 mph)-ൽ, 30 km/h (19 mph)-ൽ** ആവശ്യമുള്ള ബ്രേക്കിംഗ് ദൂരത്തേക്കാൾ ഏകദേശം 4 മടങ്ങ് കൂടുതലായിരിക്കും. നിങ്ങളുടെ വാഹനവും സ്റ്റോപ്പിംഗ് പോയിന്റും തമ്മിൽ കൂടുതൽ ദൂരമുള്ളപ്പോൾ വാഹനത്തിൽ ബ്രേക്ക് നൽകുക, ക്രമേണ വേഗത കുറയ്ക്കുക.

▲ മുന്നറിയിപ്പ്

ബ്രേക്ക് ഡ്രമ്മിൽ വെള്ളം കയറിയാൽ, ബ്രേക്ക് പ്രകടനം മോശമാവുകയും നിങ്ങളുടെ വീചാരിക്കുന്ന രീതിയിലല്ലാതെയായി മാറുകയും ചെയ്യും. വെള്ളത്തിൽ ഡ്രൈവ് ചെയ്യുകയോ വാഹനത്തിന്റെ അടിവശം കഴുകുകയോ ചെയ്തതിന് ശേഷം, കുറഞ്ഞ വേഗതയിൽ ഡ്രൈവ് ചെയ്ത ബ്രേക്കുകൾക്ക് അവയുടെ സ്വാഭാവിക കാര്യക്ഷമത നിലനിർത്താൻ സാധിക്കുന്നുണ്ടോ എന്ന് പരിശോധിക്കുക. ബ്രേക്കുകൾ സാധാരണ രീതിയിൽ ഫലപ്രദമല്ലെങ്കിൽ, ബ്രേക്കുകൾ അവയുടെ സ്വാഭാവിക ക്ഷമത വീണ്ടെടുക്കുന്നതുവരെ സാധാരണയിൽ ഡ്രൈവ് ചെയ്ത് ബ്രേക്കുകൾ ആവർത്തിച്ച് പ്രയോഗിച്ചു ഉണ്ടാകുക.

കുറിപ്പ്: **ബ്രേക്ക്** ചെയ്യുമ്പോൾ നിങ്ങൾക്ക് പ്രവർത്തിക്കുന്നതിന്റേതായ ഒരു ശബ്ദം കേൾക്കാം, ഇത് ബ്രേക്ക് ഡിസ്കുകൾ / ഡ്രം ബ്രേക്ക് ലൈനിംഗുമായുള്ള ഘർഷണം മൂലമുണ്ടാകുന്നതാണ്. ഇതൊരു സാധാരണമായ പ്രതിഭാസമാണ് കൂടാതെ അസ്വഭാവികതകൾ ഒന്നും തന്നെ സൂചിപ്പിക്കുന്നില്ല. അല്ലെങ്കിൽ സാധാരണ പ്രവർത്തിക്കുന്നതെ ബാധിക്കുന്നതല്ല.

പവർ-അസിസ്റ്റഡ് ബ്രേക്കുകൾ
നിങ്ങളുടെ വാഹനത്തിന് പവർ അസിസ്റ്റഡ് ബ്രേക്കുകൾ ഉണ്ട്. സതംഭിച്ച് എഞ്ചിനോ മറ്റ് തകരാറുകളോ കാരണം പവർ സഹായം നഷ്ടപ്പെടുകയാണെങ്കിലും, സിസ്റ്റം റിസർവ് പവറിൽ പൂർണ്ണമായി പ്രവർത്തിക്കുന്നതാണ്, ബ്രേക്ക് പെഡലിൽ ഒരു തവണ അമർത്തിപ്പിടിച്ച് നിങ്ങൾക്ക് വാഹനം പൂർണ്ണമായി നിർത്താം. നിങ്ങൾ ബ്രേക്ക് പെഡൽ അമർത്തുമ്പോൾ റിസർവ് പവർ ഭാഗികമായി ഉപയോഗിക്കപ്പെടുകയും ഓരോ തവണ പെഡൽ അമർത്തുമ്പോൾ കുറയുകയും ചെയ്യുന്നു. പെഡലിൽ മുദ്രവായി തുല്യമായ സമ്മർദ്ദം പ്രയോഗിക്കുക. പെഡൽ പമ്പ് ചെയ്യരുത്.

▲ മുന്നറിയിപ്പ്

ബ്രേക്ക് സിസ്റ്റത്തിൽ റിസർവ് പവർ ഇല്ലെങ്കിലും, സാധാരണ ആവശ്യമുള്ളതിനേക്കാൾ ശക്തമായി ബ്രേക്ക് പെഡൽ അമർത്തി വാഹനം നിർത്താം. എന്തിനാലും, നിർത്തുന്ന ദൂരം കൂടുതലായിരിക്കാം.

ഡ്രൈവിംഗ് നൂറുങ്ങൾ

റണ്ണിംഗ്-ഇൻ..... 4-1

കാറ്റലറ്റിക് കൺവെർട്ടർ 4-1

ഫ്യൂൽ ഇക്കോണമി മെച്ചപ്പെടുത്തുന്നു 4-3

ഹൈവേ ഡ്രൈവിംഗ് 4-4

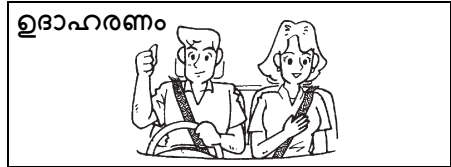
കുന്നുകളിലൂടെയുള്ള ഡ്രൈവിംഗ് 4-4

വഴുക്കലുള്ള റോഡുകളിൽ ഡ്രൈവിംഗ് 4-5

നനഞ്ഞ റോഡുകളിൽ ഡ്രൈവിംഗ് 4-6

സുരക്ഷിതമായ ഡ്രൈവിംഗിനായി
ചെയ്യേണ്ടതും ചെയ്യരുതാത്തതും..... 4-7

സുരക്ഷയ്ക്കുള്ള മാർജിൻ 4-9



52D078S

▲ മുന്നറിയിപ്പ്

- എല്ലായ്പ്പോഴും നിങ്ങളുടെ സീറ്റ് ബെൽറ്റുകൾ ധരിക്കുക. നൽകിയിരിക്കുന്ന സീറ്റ് ബെൽറ്റുകൾ ഡ്രൈവറും യാത്രക്കാരനും എല്ലായ്പ്പോഴും ശരിയായ രീതിയിൽ ധരിക്കേണ്ടതാണ്. സീറ്റ് ബെൽറ്റുകളുടെ ശരിയായ ഉപയോഗത്തെക്കുറിച്ചുള്ള നിർദ്ദേശങ്ങൾക്കായി "സീറ്റ് ബെൽറ്റുകൾ" വിഭാഗം കാണുക.
- മദ്യം, മറ്റ് മയക്കുമരുന്നുകൾ എന്നിവയുടെ ഉപയോഗം മറ്റൊരാളുടെ മദ്യവും മയക്കുമരുന്നും സുരക്ഷിതമായി വാഹനമോടിക്കാനുള്ള നിങ്ങളുടെ കഴിവിനെ ഗുരുതരമായി ബാധിക്കും, അതിനാൽ നിങ്ങൾക്കും മറ്റുള്ളവർക്കും പരിക്കേൽക്കാനുള്ള സാധ്യതയും കൂടുതലായിരിക്കും. ക്ഷീണം, അസുഖം, പ്രകോപനം അല്ലെങ്കിൽ സമ്മർദ്ദത്തിലായിരിക്കുമ്പോൾ ഡ്രൈവിംഗ് ഒഴിവാക്കണം.

റണ്ണിംഗ്-ഇൻ

അറിയിപ്പ്

എഞ്ചിന്റെ ഭാവി പ്രകടനവും വിശ്വാസ്യതയും അതേ ഉപയോഗിക്കാൻ തുടങ്ങുന്നപ്പോൾ പാലിക്കുന്ന പരിചരണത്തെയും നിയന്ത്രണങ്ങളേയും ആശ്രയിച്ചിരിക്കുന്നു. വാഹന പ്രവർത്തിക്കുന്ന ആദ്യ 960 കിലോമീറ്റർ സമയത്ത് ഇനിപ്പറയുന്ന മുൻകരുതലുകൾ എടുക്കേണ്ടതാണ് പ്രധാനമാണ്.

- സ്റ്റാർട്ട് ചെയ്തതിന് ശേഷം, എഞ്ചിൻ റേസ് ചെയ്യരുത്. (കമേണ ചൂടാക്കുക).
- സ്ഥിരമായ വേഗതയിൽ ദീർഘനേരം വാഹനം ഓടിക്കുന്നത് ഒഴിവാക്കുക. നിങ്ങളുടെ വേഗതയിൽ പെട്ടെന്ന് വ്യത്യാസം വരുത്തിയാൽ ചിലിക്കുന്ന ഭാഗങ്ങൾ പെട്ടെന്ന് പൊട്ടാനിടയുണ്ട്.
- നിർത്തിയിട്ടിരിക്കുന്നതിൽ നിന്നും സാവധാനത്തിൽ സ്റ്റാർട്ട് ചെയ്യുക. ചൂടു ത്രോട്ടിൽ സ്റ്റാർട്ടുകൾ ഒഴിവാക്കുക.
- ഹാർഡ് ബ്രേക്കിംഗ് ഒഴിവാക്കുക, പ്രത്യേകിച്ചു ആദ്യത്തെ 320 കിലോമീറ്റർ ഡ്രൈവിംഗ് സമയപരിധിയിൽ.
- ഉയർന്ന ഗിയറിൽ ട്രാൻസ്മിഷൻ ഉപയോഗിച്ച് സാവധാനം ഡ്രൈവ് ചെയ്യരുത്.
- മിതമായ എഞ്ചിൻ വേഗതയിൽ വാഹനം ഓടിക്കുക.
- ട്രെയിലർ വലിക്കരുത്.

കാറ്റലറ്റിക് കൺവെർട്ടർ



77PH201

നിങ്ങളുടെ വാഹനത്തിന്റെ എക്സോസ്റ്റിലെ ഭാഗമായ മാലിന്യങ്ങളുടെ അളവ് കുറയ്ക്കുക എന്നതാണ് കാറ്റലറ്റിക് കൺവെർട്ടറിന്റെ ഉദ്ദേശം. കാറ്റലറ്റിക് കൺവെർട്ടറുകൾ ഘടിപ്പിച്ച വാഹനങ്ങളിൽ ലെഡ് ഇന്ധനം ഉപയോഗിക്കുന്നത് നിരോധിച്ചിരിക്കുന്നു, കാരണം ലെഡ് കാറ്റലിസ്റ്റിന്റെ മലിനീകരണം കുറയ്ക്കുന്ന ഘടകങ്ങളെ പ്രവർത്തനരഹിതമാക്കുന്നു.

സാധാരണ ഉപയോഗിക്കുന്ന സമയത്തും അൺലൈഡ് ഫ്യൂൽ ഉപയോഗിക്കുമ്പോഴും വാഹനത്തിന്റെ ആയുസ്സ് നിലനിൽക്കാനാണ് കൺവെർട്ടർ രൂപകൽപ്പന ചെയ്തിരിക്കുന്നത്. കൺവെർട്ടറിൽ പ്രത്യേക അറ്റകുറ്റപ്പണികൾ ആവശ്യമില്ല. എന്നിരുന്നാലും, എഞ്ചിൻ ശരിയായി

ട്രൂൺ ചെയ്യുന്നത് വളരെ പ്രധാനമാണ്. തെറ്റായി ട്രൂൺ ചെയ്ത എഞ്ചിനീന്റെ ഫലമായുണ്ടാകുന്ന എഞ്ചിൻ മിസ്ഫയറിംഗ്, കാറ്റലിസ്റ്റ് അമിതമായി ചൂടാകുന്നതിന് കാരണമായേക്കാം. ഇത് കാറ്റലിസ്റ്റിനും മറ്റ് വാഹന ഘടകങ്ങൾക്കും ചൂടുമൂലമുള്ള സ്ഥിരമായ കേടുപാടുകൾക്ക് കാരണമായേക്കാം.

അറിയിപ്പ്

കാറ്റലിസ്റ്റ് അല്ലെങ്കിൽ മറ്റ് വാഹനഭാഗങ്ങളിലെ കേടുപാടുകൾ ഒഴിവാക്കാൻ:

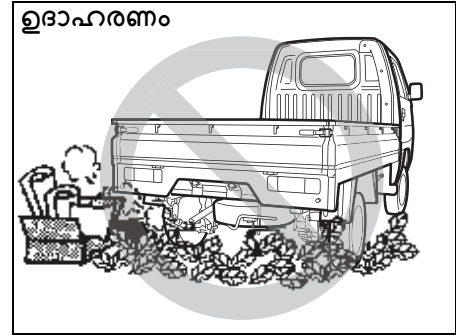
- ശരിയായ പ്രവർത്തന അാവസ്ഥയിൽ എഞ്ചിൻ പരിപാലിക്കുക.
- എഞ്ചിൻ ഒരു തകരാർ സംഭവിക്കുമ്പോൾ, പ്രത്യേകിച്ചു എഞ്ചിൻ തെറ്റായി പ്രവർത്തിക്കുകയോ അല്ലെങ്കിൽ പെർഫോമൻസിൽ ഗണ്യമായ കുറവ് ഉണ്ടെങ്കിലോ വാഹനം ഉടൻടി, സർവീസ് ചെയ്യുക.
- ട്രാൻസ്മിഷൻ സിയറിലായിരിക്കുമ്പോഴും വാഹനം ചലിക്കുമ്പോഴും എഞ്ചിൻ ഓഫ് ചെയ്യുകയോ ഇഗ്നിഷൻ തടസ്സപ്പെടുത്തുകയോ ചെയ്യരുത്.
- വാഹനം തള്ളുകയോ വലിക്കുകയോ, അല്ലെങ്കിൽ ഇറക്കിത്തീലേക്ക് കൊണ്ടു പോകുകയോ ചെയ്യരുതെന്നോടൊപ്പം എഞ്ചിൻ സ്റ്റാർട്ട് ചെയ്യാൻ ശ്രമിക്കരുത്.

(തുടരും)

അറിയിപ്പ്

(തുടരും)

- ഡയനോസ്റ്റിക് ടെസ്റ്റിംഗ് സമയത്തേക്ക് പോലെ, എന്തെങ്കിലും സ്പാർക്കിംഗ് വയറുകൾ വിചേദിക്കുകയോ നിക്കം ചെയ്തതോ ചെയ്ത എഞ്ചിൻ നിഷ്ക്രിയമാക്കരുത്.
- ഐഡിളിംഗ് സുഗമമല്ല എന്ന് തോന്നുകയോ മറ്റ് തകരാറുകൾ ഉണ്ടെങ്കിലോ ദീർഘനേരം വാഹനം നിഷ്ക്രിയമായി നിർത്തരുത്.
- പൂർണ്ണ ഓക്സീകരണമുള്ള ലെവലിന് അടുത്തെത്താൻ അനുവദിക്കരുത്.
- അമിതമായ ഊർന്നു എഞ്ചിൻ വേഗതയിൽ, നിങ്ങളുടെ വാഹനം ഓടിക്കുന്നത് ഒഴിവാക്കുക.



82DY05

മുന്നറിയിപ്പ്

നിങ്ങൾ പാർക്ക് ചെയ്യുന്ന സ്ഥലങ്ങളിലും വാഹനമോടിക്കുന്ന സ്ഥലങ്ങളിലും ശ്രദ്ധിക്കുക: കാറ്റലിസ്റ്റിന് കൺവെർട്ടറും മറ്റ് എക്സൺഷൻ ഘടകങ്ങളും വളരെ ചൂടാകാൻ സാധ്യതയുണ്ടാകുന്നു. എന്തൊരു വാഹനത്തെയും പോലെ, ഉണ്ടാക്കിയ പൂജ അല്ലെങ്കിൽ ഇലകൾ പോലുള്ള കത്തുന്ന വസ്തുക്കൾ ചൂടുള്ള എക്സൺഷൻ സീസ് വുമായി സമ്പർക്കം പുലർത്തുന്ന സ്ഥലങ്ങളിൽ ഈ വാഹനം പാർക്ക് ചെയ്യുകയോ പ്രവർത്തിപ്പിക്കുകയോ ചെയ്യരുത്.

കുറിപ്പ്:
ദീർഘകാലത്തേക്ക് വാഹനം ഉപയോഗിക്കാതിരിക്കുന്നത്, കാസ്റ്റ് ഇരുമ്പ് കൊണ്ട് നിർമ്മിച്ച ബേക്ക് ഡിസ്ക് ഉപരിതലത്തിൽ ക്രമേണ തുരുമ്പെടുക്കാൻ കാരണമാകുന്നു. ഇത് ശബ്ദം/വൈബ്രേഷൻ കാരണമാകുന്നു, എന്നാൽ അതിന് വാഹനത്തിന്റെ പ്രവർത്തനത്തെക്കുറിച്ച് യാതൊരു ബന്ധവുമില്ല. പതിവ് ഡ്രൈവിംഗ് വാഹനത്തിൽ തുരുമ്പ് വരുന്നത് തടയുവാൻ/നീക്കം ചെയ്യുന്നതാണ്, ഇതിലൂടെ ശബ്ദവും വൈബ്രേഷനും കുറയുകയും ചെയ്യുന്നു.

ഫ്യൂവൽ എക്കോണമി മെച്ചപ്പെടുത്തുന്നു

കുറിപ്പ്: ഘടകങ്ങൾ കാരണം വാഹനത്തിന്റെ ഇന്ധനക്ഷമത (മൈലേജ്) വ്യത്യസ്തപ്പെടാത്തതായത്, ഡ്രൈവിംഗ് ശീലങ്ങൾ പരിയർ മാറ്റൽ പാറ്റേൺ, എസിയുടെ ഉപയോഗം, ട്രാഫിക് സാഹചര്യം, കാറ്റിൻറെ വേഗത, ട്രാഫിക് അമ്പന്മകൾ, ഇന്ധനത്തിന്റെ ഗുണനിലവാരം-മായം കലരാത്ത നിലവാരമുള്ള ഇന്ധനം, വാഹനത്തിന്റെ അറ്റകുറ്റപ്പണി, റോഡിൻറെ അവസ്ഥ, ബ്രേക്കിംഗ് തുടങ്ങിയവ.

ഫ്യൂൽ ഇക്കോണമി മെച്ചപ്പെടുത്താൻ താഴെ പറയുന്ന നിർദ്ദേശങ്ങൾ നിങ്ങളെ സഹായിക്കും.

അമിതമായ ഐഡലിംഗ് ഒഴിവാക്കുക
നിങ്ങൾ പാർക്ക് ചെയ്തിരിക്കുമ്പോൾ ഒരു മിനിറ്റിൽ കൂടുതൽ കാത്തുനിൽക്കേണ്ടി വന്നാൽ എഞ്ചിൻ നിർത്തി പിന്നീട് വീണ്ടും സ്റ്റാർട്ട് ചെയ്യുക. ഒരു തണുത്ത എഞ്ചിൻ വാം അപ്പ് ചെയ്യുമ്പോൾ എഞ്ചിൻ പ്രവർത്തിക്കുന്ന താപനിലയിൽ എത്തുന്നതുവരെ എഞ്ചിൻ ഐഡലിംഗ് അല്ലെങ്കിൽ ഫുൾ ത്രോട്ടിൽ പ്രയോഗിക്കാനോ അനുവദിക്കരുത്. എഞ്ചിൻ ഡ്രൈവ് ചെയ്യുമ്പോൾ ചൂടാകാൻ അനുവദിക്കുക.

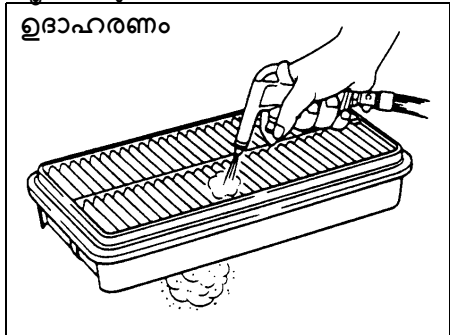
പെട്ടെന്നുള്ള ആക്സിലറേറ്റിങ് ഒഴിവാക്കുക
നിർത്തിയിരിക്കുമ്പോഴോ നിന്നോ വാഹനമോടിക്കുന്നതിനിടയിലോ ചെയ്യുന്ന പെട്ടെന്നുള്ള ആക്സിലറേഷൻ അനാവശ്യമായി

ഇന്ധനം ഉപയോഗിക്കുകയും എഞ്ചിൻ ആയുസ്സ് കുറയ്ക്കുകയും ചെയ്യും. പതുക്കെ തുടങ്ങുക.

അനാവശ്യ സ്പോപ്പുകൾ ഒഴിവാക്കുക
അനാവശ്യമായ വേഗത കുറയ്ക്കലും നിർത്തലും ഒഴിവാക്കുക. സാധ്യമാകുമ്പോഴെല്ലാം കുറഞ്ഞ സ്ഥിരമായ വേഗത നിലനിർത്താൻ ശ്രമിക്കുക. വേഗത കുറയ്ക്കുകയും വീണ്ടും ആക്സിലറേറ്റ് ചെയ്യുകയും ചെയ്യുന്നത് കൂടുതൽ ഫ്യൂൽ ഉപയോഗിക്കുന്നു.

സ്ഥിരമായ ക്രൂയിസിംഗ് വേഗത നിലനിർത്തുക
റോഡും ട്രാഫിക് സാഹചര്യങ്ങളും അനുവദിക്കുന്നതുപോലെ സ്ഥിര വേഗത നിലനിർത്തുക.

എയർ ക്ലീനർ വൃത്തിയാക്കി സൂക്ഷിക്കുക



60A183S

എയർ ക്ലീനറിൽ പൊടി അടിഞ്ഞുകൂടുകയാണെങ്കിൽ,

കൂടുതൽ ഇൻടേജ് റെസിസ്റ്റൻസ് ഉണ്ടാകും, ഇത് വൈദ്യുതി ഉൽപാദനം കുറയ്ക്കുകയും ഫ്യൂൽ ഉപഭോഗം വർദ്ധിപ്പിക്കുകയും ചെയ്യും.

ഭാരം ഏറ്റവും കുറവിൽ സൂക്ഷിക്കുക
കൂടുതൽ ഭാരമുള്ള വാഹനം കൂടുതൽ ഫ്യൂൽ ഉപയോഗിക്കുന്നു. ആവശ്യമില്ലാത്തപ്പോൾ ലഗേജുകളും ചരക്കുകളും പുറത്തെടുക്കുക.

ടയർ മർദ്ദം കൃത്യമായി സൂക്ഷിക്കുക
ഇൻഫ്ലേഷനിൽ ടയറുകളുടെ വർദ്ധിച്ച റണ്ണിംഗ് റെസിസ്റ്റൻസ് ഫ്യൂൽ പാഴാകാൻ കാരണമാകും. ഡ്രൈവറുടെ ഡോർ ലോക്ക് പില്ലറിലെ ലേബലിൽ കാണിച്ചിരിക്കുന്ന ശരിയായ മർദ്ദത്തിൽ നിങ്ങളുടെ ടയറുകൾ ഇൻഫ്ലേറ്റ് ചെയ്യുക.

ഹൈവേ ഡ്രൈവിംഗ്

ഹൈവേയിലൂടെ വേഗത്തിൽ വാഹനമോടിക്കുമ്പോൾ, ഇനിപ്പറയുന്ന കാര്യങ്ങൾ ശ്രദ്ധിക്കുക:

- വാഹനത്തിന്റെ വേഗതയ്ക്കൊപ്പം നിർത്താവുന്ന നിർമ്മാണങ്ങൾ ക്രമാനുഗതമായി വർദ്ധിക്കുന്നു. അധിക സ്റ്റോപ്പിംഗ് ദൂരം അനുവദിക്കുന്നതിന് സ്റ്റോപ്പിംഗ് തന്നെ ബ്രേക്കുകൾ പ്രയോഗിക്കുക.
- മഴയുള്ള ദിവസങ്ങളിൽ ഹൈവേയിൽ സഞ്ചരിക്കാൻ സാധ്യമാണ്. വാഹനത്തിന്റെ വേഗതയ്ക്കും തമ്മിൽ വാട്ടർ ഫിലിം രൂപപ്പെടുന്നതിനാൽ അപകടങ്ങളുടെ നേരിട്ടുള്ള ബന്ധം നഷ്ടപ്പെടുന്നതാണ് ഹൈവേയിൽ സമയത്ത് ഹൈവേയിൽ സമയത്ത് വാഹനം സ്വീയറിംഗ് അല്ലെങ്കിൽ ബ്രേക്ക് ചെയ്യുന്നത് വളരെ ബുദ്ധിമുട്ടാണ്, കൂടാതെ നിയന്ത്രണം നഷ്ടപ്പെടാനും സാധ്യതയുണ്ട്. റോഡിന്റെ ഉപരിതലം നന്നത്തിരിക്കുമ്പോൾ വേഗത കുറയ്ക്കുക.
- ഉയർന്ന വേഗതയിൽ, വാഹനത്തെ വശങ്ങളിൽ നിന്നുള്ള കാറ്റ് ബാധിച്ചേക്കാം. അതിനാൽ, തുരങ്കങ്ങളിൽ നിന്ന് പുറത്തുകടക്കുമ്പോൾ, ഒരു കുന്നിൻ മുകളിലൂടെ കടന്നുപോകുമ്പോൾ, അല്ലെങ്കിൽ വലിയ വാഹനങ്ങൾ വാഹനങ്ങൾ മറികടക്കുമ്പോൾ, വേഗത കുറയ്ക്കുകയും അപ്രതീക്ഷിത ബ്രേക്കിംഗിനായി തയ്യാറാകുകയും ചെയ്യുക.

കുന്നുകളിൽ ഡ്രൈവിംഗ്

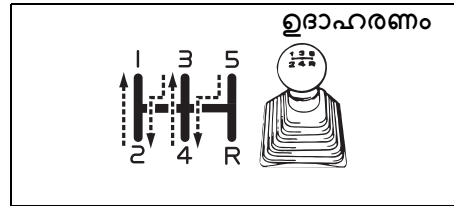
- കുത്തനെയുള്ള കുന്നുകളിൽ വാഹനം കയറുമ്പോൾ, വാഹനം പേഗർ കുറയാൻ തുടങ്ങുകയും പേഗർ കുറവായി കാണിക്കുകയും ചെയ്യുന്നു. ഇങ്ങനെയെങ്കിൽ സന്ദർശിക്കുകയാണെങ്കിൽ, നിങ്ങൾ താഴ്ന്ന ഗിയറിലേക്ക് മാറ്റണം, അതുവഴി എഞ്ചിൻ വിണ്ടും അതിന്റെ സാധാരണ പവർ റേഞ്ചിൽ പ്രവർത്തിക്കും. വാഹനത്തിന്റെ വേഗത നഷ്ടപ്പെടുന്നതും തടയാൻ വേഗത്തിൽ ഷിഫ്റ്റ് ചെയ്യുക.
- കുന്നിൽ നിന്ന് വാഹനമോടിക്കുമ്പോൾ, താഴ്ന്ന ഗിയറിലേക്ക് മാറ്റി ബ്രേക്കിംഗിനായി എഞ്ചിൻ ഉപയോഗിക്കണം.

നിശ്ചലാവസ്ഥയിൽ നിന്ന് മുകളിലേക്ക് ശ്രദ്ധിയ്ക്കുന്നതിന് നിങ്ങളുമോൾ

- വാഹനം പിന്നിലേക്ക് മറിയ്ക്കാൻ പാർക്കിംഗ് ബ്രേക്ക് ദൃഢമായി ഘടിപ്പിക്കുക.
- കൂച്ച് പെഡൽ അമർത്തി ഗിയർഷിഫ്റ്റ് ലിവർ 1 മത് സെലക്ട് പൊസിഷനിലേക്ക് മാറ്റുക.
- കൂച്ച് സ്ലിപ്പ് ചെയ്യരുത്.
- സ്റ്റാർട്ട് ചെയ്യാൻ തയ്യാറാകുമ്പോൾ, ആക്സിലറേറ്റർ പെഡൽ അമർത്തി ഒരേസമയം കൂച്ച് പെഡൽ പതുക്കെ വിടുക. വാഹനം നിങ്ങളാൻ തുടങ്ങുമ്പോൾ, ക്രമേണ പാർക്കിംഗ് ബ്രേക്ക് വിടുക.

അറിയിപ്പ്

ഒരു കുന്നിൽ താഴെ ഇറങ്ങുമ്പോൾ, ഒരിക്കലും ഇഞ്ചിൻ കീ "ലോക്ക്" പൊസിഷനിലേക്ക് തിരിക്കരുത്. എഞ്ചിൻ കൺട്രോൾ സിസ്റ്റം തകരാറിലായേക്കാം.

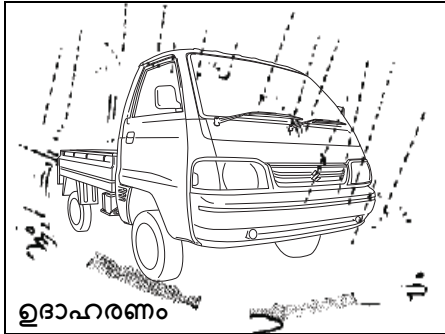


77PH003

⚠ മുന്നറിയിപ്പ്

കുത്തനെയുള്ളതോ നീളമുള്ളതോ ആയ കുന്നിൽ ഇറങ്ങുമ്പോൾ ബ്രേക്ക് പെഡൽ വളരെ നേരം പിടിക്കാതിരിക്കാൻ ശ്രമിക്കുക. ഇത് ബ്രേക്കുകൾ അമിതമായി ചൂടാകുന്നതിനും ബ്രേക്കിംഗ് കാര്യക്ഷമത കുറയുന്നതിനും കാരണമാകും. ഈ മുൻകരുതൽ എടുത്തില്ലെങ്കിൽ വാഹനത്തിന്റെ നിയന്ത്രണം നഷ്ടപ്പെടും.

വഴുക്കലുള്ള റോഡുകളിൽ ഡ്രൈവിംഗ്



82DY06

നനഞ്ഞ റോഡിൽ ബ്രേക്കിംഗ് സമയത്ത് ടയറുകൾ വഴുതിപ്പോകാൻ സാധ്യതയുള്ളതിനാൽ ഉണ്ടായ റോഡുകളിൽ ഉള്ളതിലേക്കേക്കാൾ കുറഞ്ഞ വേഗതയിൽ നിങ്ങൾ ഡ്രൈവ് ചെയ്യണം. മഞ്ഞുമൂടിയ, അല്ലെങ്കിൽ ചെളി നിറഞ്ഞ റോഡുകളിൽ വാഹനമോടിക്കുമ്പോൾ, നിങ്ങളുടെ വേഗത കുറയ്ക്കുക, പെട്ടെന്നുള്ള ആക്സിലറേഷൻ, പെട്ടെന്നുള്ള ബ്രേക്കിംഗ് അല്ലെങ്കിൽ പെട്ടെന്നുള്ള സ്റ്റിയറിംഗ് ചലനങ്ങൾ എന്നിവ ഒഴിവാക്കുക.

നിങ്ങളുടെ വാഹനം സ്റ്റക്ക് ആകുകയാണെങ്കിൽ

നിങ്ങളുടെ വാഹനം മഞ്ഞ്, ചെളി, മണൽ എന്നിവയിൽ കുടുങ്ങിയാൽ, താഴെ പറയുന്ന നിർദ്ദേശങ്ങൾ പാലിക്കുക:

- 1) ഫസ്റ്റ് ഗിയറിനും റിവേഴ്സിനുമിടയിൽ ട്രാൻസ്മിഷൻ അങ്ങോട്ടും ഇങ്ങോട്ടും ഷിഫ്റ്റ് ചെയ്യുക ഇത് വാഹനത്തെ സ്വതന്ത്രമാക്കാൻ ആവശ്യമായ കുലുക്കുന്ന തരത്തിലുള്ള ഒരു ചലനം നൽകിയേക്കാം. ഏറ്റവും കുറഞ്ഞ വീൽ rpm-ലേക്ക് വീൽ കറങ്ങുന്നതിനായി ആക്സിലറേറ്ററിൽ മൂലുവായി അമർത്തുക. ഷിഫ്റ്റ് ചെയ്യുമ്പോൾ ആക്സിലറേറ്ററിൽ നിന്ന് നിങ്ങളുടെ കാൽ നീക്കം ചെയ്യുക. എഞ്ചിൻ റേസ് ചെയ്യരുത്. അമിതമായ വീൽ സ്പിൻ ടയറുകൾ കൂടുതൽ ആഴത്തിൽ കുഴിഞ്ഞ് പോകാൻ ഇടയാക്കും, ഇത് വാഹനം സ്വതന്ത്രമാക്കുന്നത് കൂടുതൽ ബുദ്ധിമുട്ടാക്കും.
- 2) ഏതാനും മിനിറ്റുകളിൽ ശ്രമിച്ചതിന് ശേഷവും നിങ്ങളുടെ വാഹനം കുടുങ്ങിക്കിടക്കുകയാണെങ്കിൽ, നിങ്ങളുടെ വാഹനം പുറത്തെടുക്കാൻ മറ്റൊരു വാഹനത്തിന്റെ സഹായം ആവശ്യമായേക്കാം.

▲ മുന്നറിയിപ്പ്

നിങ്ങൾ വാഹനം എപ്രകാരം കുഴിയിൽ നിന്നും പുറത്തെടുക്കാൻ ശ്രമിക്കുമ്പോൾ അതിന് സമീപം നിൽക്കാൻ ആരെയും അനുവദിക്കരുത്, സ്പീഡോമീറ്ററിൽ സൂചിപ്പിച്ചിരിക്കുന്ന 40 km/h വേഗതയിൽ വിലുകൾ സ്പിൻ ചെയ്യരുത്. വിലുകൾ വേഗത്തിൽ കറങ്ങുന്നത് ആളുകൾക്ക് പരിക്കും കൂടാതെ/അല്ലെങ്കിൽ വാഹനത്തിന് കേടുപാടുകളും ഉണ്ടാകാനിടയാക്കും.

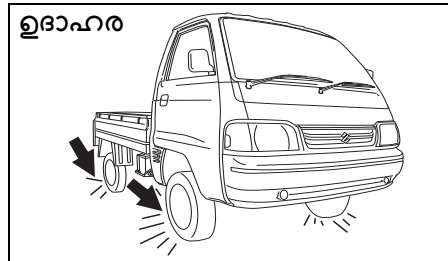
അറിയിപ്പ്

ഏതാനും മിനിറ്റുകളിൽ കൂടുതൽ വാഹനം കുലുക്കുന്നത് തുടരരുത്. നീണ്ടുനിൽക്കുന്ന റോക്കിംഗ് ചലനം മൂലം എഞ്ചിൻ അമിതമായി ചൂടാകുകയോ ട്രാൻസ്മിഷൻ തകരാറിലാകുകയോ ചെയ്യുന്നതാണ്.

നന്നത്തെ റോഡുകളിൽ ഡ്രൈവിംഗ്

അറിയിപ്പ്

- നന്നത്തെ റോഡുകളിലൂടെ വാഹനമോടിക്കുമ്പോൾ, റോഡിൽ കെട്ടിക്കിടക്കുന്ന കൂടുതൽ വെള്ളമുള്ള സ്ഥലങ്ങളിലൂടെ വാഹനമോടിക്കുന്നത് ഒഴിവാക്കുക. എഞ്ചിൻ കമ്പാർട്ടുമെന്റിലേക്ക് വെള്ളം പ്രവേശിക്കുകയാണെങ്കിൽ എഞ്ചിനും ഇലക്ട്രിക്കൽ ഘടകങ്ങൾക്കും കേടുപാടുകൾ സംഭവിക്കിച്ചേക്കാം.
- ആഴത്തിലുള്ള വെള്ളത്തിൽ കൂടുങ്ങിപ്പോകുകയാണെങ്കിൽ, ജലനിരപ്പ് കുറയുന്നത് വരെ സ്റ്റാർട്ട് ചെയ്യരുത്.
- വെള്ളം കമ്പ്രസ് ചെയ്യാനാവാത്ത പദാർത്ഥമാണ്, അതിനാൽ എഞ്ചിനുള്ളിലെ വെള്ളം എഞ്ചിൻ ഹാനികരമാണ്.



82DY07

മുന്നറിയിപ്പ്

ഈ വിഭാഗത്തിലെ ഡ്രൈവിംഗ് ടിപ്പ്സ് പാലിക്കുന്നതിന് പുറമെ, ഇനിപ്പറയുന്ന മുൻകരുതലുകൾ നിരീക്ഷിക്കേണ്ടത് പ്രധാനമാണ്.

- നിങ്ങളുടെ ടയറുകൾ ശരിയായ കണ്ടിഷനിൽ ആണെന്നും എല്ലാപ്പോഴും ടയറിൽ നിർദ്ദിഷ്ട മർദ്ദം നിലനിർത്തുന്നുണ്ടെന്നും ഉറപ്പാക്കുക. വിശദാംശങ്ങൾക്ക് പരിശോധനയും അറ്റകുറ്റപ്പണിയും എന്ന വിഭാഗത്തിൽ "ടയറുകൾ" എന്നത് കാണുക.
- മാരുതി സുസുക്കി വ്യക്തമാക്കിയിട്ടുള്ളവ ഒഴികെയുള്ള ടയറുകൾ ഉപയോഗിക്കരുത്. ഫ്രണ്ട്, റിയർ വിലുകളിൽ ഒരിക്കലും വ്യത്യസ്ത വലിപ്പത്തിലോ തർത്തിലോ ഉള്ള ടയറുകൾ ഉപയോഗിക്കരുത്. നിർദ്ദേശിച്ചിട്ടുള്ള ടയറുകളെക്കുറിച്ചുള്ള വിവരങ്ങൾക്ക്, ഡ്രൈവറുടെ ഡോർ ലോക്ക് പില്ലറിൽ കാണിച്ചിട്ടുള്ള ടയർ ഇൻഫർമേഷൻ ലേബൽ പരിശോധിക്കുക.
- നിങ്ങളുടെ വാഹനം ഉയർത്താൻ (ജാക്ക് അപ്പ്) ഒരിക്കലും വിലിപ്പമുള്ള ടയറുകളോ പ്രത്യേക ഷോക്ക് അബ്സോർബറുകളോ സ്പ്രിംഗുകളോ ഉപയോഗിക്കരുത്. ഇത് കൈകാര്യം ചെയ്യുന്ന രീതിയിൽ സവിശേഷതകളെ മാറ്റുന്നതാണ്. അമിത വലിപ്പമുള്ള ടയറുകൾ ബന്ധുക്കൾക്ക് മുക്തിലൂടെ വാഹനത്തിന്റെ ബോഡിയിൽ ഉരസുകയും വാഹനത്തിന് കേടുപാടുകൾ വരുത്തുകയും ചെയ്യും ഇത് ടയർ തകരുന്നതിനും കാരണമാകുന്നതാണ്.

(തുടരും)

മുന്നറിയിപ്പ്

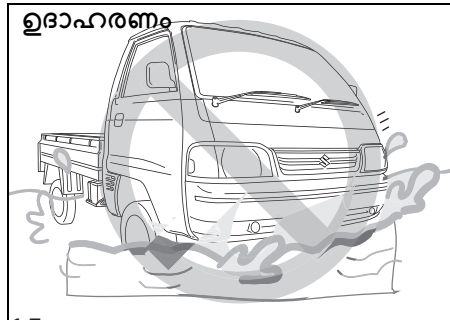
(തുടരും)

- വെള്ളത്തിലൂടെ ഡ്രൈവ് ചെയ്ത ശേഷം, കുറഞ്ഞ വേഗതയിൽ ഡ്രൈവ് ചെയ്യുമ്പോൾ ബ്രേക്കുകൾക്ക് അവയുടെ സാധാരണ കാര്യക്ഷമത ഉണ്ടോയെന്ന് പരിശോധിക്കുക. അവ സാധാരണ രീതിയിൽ കാര്യക്ഷമമല്ല എങ്കിൽ ബ്രേക്കുകൾ അവയുടെ സാധാരണ പ്രവർത്തനം വീണ്ടെടുക്കുന്നതുവരെ സാവധാനത്തിൽ ഡ്രൈവ് ചെയ്യുമ്പോൾ ബ്രേക്കുകൾ ആവർത്തിച്ച് പ്രയോഗിച്ച് ഉണക്കുക.

ഓഫ്-റോഡ് ഡ്രൈവിംഗ്

പുല്ലി നിറഞ്ഞ വയലിൽ വാഹനമോടിക്കരുത്. പുല്ലി മുടിയ വയലിൽ വാഹനമോടിച്ചാൽ, അത് വളർന്നുനിൽക്കുന്ന പുല്ലിൽ കൂടുങ്ങി അപകടമോ തീപിടുത്തമോ വാഹനത്തിന് കേടുപാടുകളോ ഉണ്ടാക്കാം

വെള്ളപ്പൊക്കമുണ്ടായ പ്രദേശങ്ങളിൽ എത്തിച്ചേരുമ്പോൾ



77PM04011
 വെള്ളപ്പൊക്ക ബാധിത സ്ഥലത്തോ
 ആഴത്തിലുള്ള കുഴിയിലോ
 വാഹനമോടിക്കുന്നത് ഒഴിവാക്കുക.
 വെള്ളപ്പൊക്കമുള്ള സ്ഥലത്ത്
 വാഹനമോടിക്കുന്നത്
 ഒഴിവാക്കാനാകാത്തതാണെങ്കിൽ,
 ഏറ്റവും താഴ്ന്ന ഗിയറിൽ പതുക്കെ
 പോകുക. നിങ്ങൾ വെള്ളപ്പൊക്കമുള്ള
 സ്ഥലത്താണ് ഓടിച്ചതെങ്കിൽ, ബ്രേക്ക്
 ഫലപ്രാപ്തി പരിശോധിക്കുമ്പോൾ,
 സുരക്ഷിതവും വെള്ളമില്ലാത്തതുമായ
 സ്ഥലത്ത് വാഹനം നിർത്തുക. തുടർന്ന്,
 ഇനിപ്പറയുന്ന പരിശോധകൾ നടത്താൻ
 മാരുതി സുസുക്കി അംഗീകൃത
 വർക്ക്ഷോപ്പിൽ ആവശ്യപ്പെടാം.
 • ബ്രേക്കിന്റെ പ്രവർത്തനം
 • ഇലക്ട്രിക്കൽ ഘടകങ്ങളുടെ
 പ്രവർത്തനം

- ഓയിൽ ലെവലിലും, എഞ്ചിൻ,
 ട്രാൻസ്മിഷൻ എന്നിവയുടെ
 ഗുണനിലവാരത്തിലും ഉള്ള
 മാറ്റങ്ങൾ. ഓയിലിന് കലങ്ങിയ
 വെള്ള നിറമുണ്ടെങ്കിൽ, ഓയിലിൽ
 വെള്ളം കലർന്നിരിക്കുന്നു, ഈ
 സാഹചര്യത്തിൽ ഓയിൽ
 മാറ്റേണ്ടതുണ്ട്.
- ബെയറിംഗുകൾ, സസ്പെൻഷൻ
 സമ്പികൾ മുതലായവയിൽ
 ലൂബ്രിക്കന്റിന്റെ അവസ്ഥ.

അറിയിപ്പ്
<ul style="list-style-type: none"> • വെള്ളപ്പൊക്കമുള്ള സ്ഥലത്തോ ആഴത്തിലുള്ള കുഴിയിലോ വാഹനമോടിക്കുന്നത് ഒഴിവാക്കുക. ഇതേ ഒരു എഞ്ചിൻ സ്റ്റാൾ, ഇലക്ട്രിക്കൽ ഘടകങ്ങളിലെ ഷോർട്ട്, എഞ്ചിൻ, ട്രാൻസ്മിഷൻ കോമ്പോൺറ്റ്സ് തുടങ്ങിയവയ്ക്ക് കാരണമായേക്കാം. • വാഹനം ആഴത്തിലുള്ള വെള്ളത്തിൽ കുഴങ്ങിയാൽ എഞ്ചിൻ സ്റ്റാർട്ട് ചെയ്യരുത്.

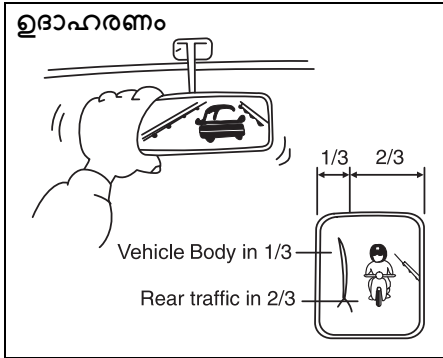
സുരക്ഷിതമായ ഡ്രൈവിംഗിനായി ചെയ്യേണ്ടവയും ചെയ്യരുതാത്തവയും

നിങ്ങളുടെ വാഹനം കൈകാര്യം
 ചെയ്യുമ്പോൾ അതിയായി ശ്രദ്ധിക്കുക.
 നിങ്ങളുടെ സ്വന്തം സുരക്ഷ മാത്രമല്ല,
 റോഡിലെ മറ്റുള്ളവരുടെ
 സുരക്ഷയെക്കുറിച്ചും
 ബോധവാനായിരിക്കുക,
 അങ്ങനെയൊരിക്കൽ മാത്രമേ മികച്ച
 സുഖപ്രദവുമായ ഡ്രൈവിംഗ്
 അനുഭവം ആസ്വദിക്കാനാകൂ.

സുരക്ഷിതമായ ഡ്രൈവിങ്ങിനായി
 പാലിക്കേണ്ട ചില അടിസ്ഥാന
 നിയമങ്ങൾ താഴെ കൊടുക്കുന്നു.
 നിങ്ങളുടെ വാഹനത്തിൽ
 സുരക്ഷിതവും ആപ്തദൈവമായ
 ഡ്രൈവിംഗ് ആസ്വദിക്കാനായി
 തെന്നിട്ടു വിവരങ്ങൾ നന്നായി
 മനസ്സിലാക്കാൻ അവ ശ്രദ്ധാപൂർവ്വം
 വായിക്കുക.

സ്റ്റാർട്ടിങ്

- 1) ശരിയായ ഡ്രൈവിംഗ്
 പോസ്ചറിനായി ഡ്രൈവറുടെ സിറ്റ്
 ക്രമീകരിക്കുക.
- 2) റിയർ വ്യൂ മിറർ ക്രമീകരിക്കുക,
 അതുവഴി പിറകിലേക്ക് മികച്ച
 രീതിയിൽ കാണാനാകും.



77PM04002

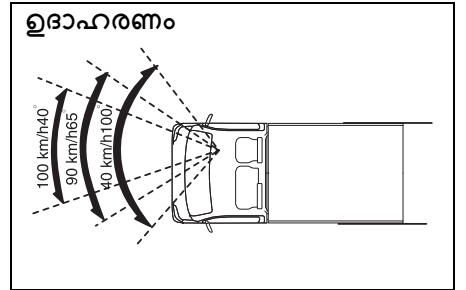
- 3) നിങ്ങളുടേ വാഹനത്തിന്റെ സുരക്ഷ ഉറപ്പാക്കാൻ വാഹനത്തിന് ചുറ്റും പരിശോധിക്കുക.
- 4) പെട്ടെന്ന് വേഗത കുട്ടരുത്, കാരണം ഇത് അപകടകരവും ഫ്യൂൽ പാഴാക്കുന്നതുമാണ്.

പൊതുവായ ഡ്രൈവിംഗ്

- 1) നിർത്തുന്നതിനു ഒരു സ്റ്റോപ്പ് ലൈറ്റ് അല്ലെങ്കിൽ സ്റ്റോപ്പ് സൈൻ വരുന്നതിനു മുൻപ് തന്നെ നിർത്തുന്നുവെന്നു ഉറപ്പാക്കുക. ട്രാഫിക് ലൈറ്റുകളോ അടയാളങ്ങളോ ഇല്ലാത്തതുള്ള ഒരു കവലയിലേക്ക് നിങ്ങളുമ്പോൾ, സുരക്ഷ ഉറപ്പാക്കാൻ സാവധാനം ഡ്രൈവ് ചെയ്യുക.
- 2) മുന്നിലുള്ള വാഹനം പെട്ടെന്ന് നിർത്തിയാൽ പിന്നിൽ

- കൂട്ടിയിടിക്കുന്നത് തടയാൻ എല്ലായ്പ്പോഴും സുരക്ഷിതമായ അകലത്തിൽ മാത്രം മറ്റ് വാഹനങ്ങളെ പിന്തുടരുക.
- 3) വാഹനം തിരിക്കുകയോ പാത മാറ്റുകയോ ചെയ്യുന്നതിനു മുമ്പ്, 30 മീറ്റർ അകലത്തിൽ വെച്ചുകിഴുപ്പാട് സിഗ്നൽ ഓണാക്കുക
- 4) ഒരു മൂലയിൽ പ്രവേശിക്കുന്നതിന് മുമ്പ്, വാഹനം സുരക്ഷിതമായ വേഗതയിലേക്ക് വേഗത കുറയ്ക്കുക. തിരിക്കുന്ന സമയത്ത് ബ്രേക്കുകൾ പ്രയോഗിക്കരുത്, അല്ലെങ്കിൽ സ്കീഡിംഗ് സംഭവിക്കാം.
- 5) മറ്റ് വാഹനങ്ങളെ മറികടക്കുമ്പോൾ, എതിരെ വരുന്ന വാഹനങ്ങൾ ശ്രദ്ധിക്കുകയും സുരക്ഷിതത്വം ഉറപ്പാക്കുകയും ചെയ്യുക.
- 6) സിഗ്നാൽ ഡ്രൈവിംഗ് ശ്രമിക്കരുത്, കാരണം അത് വാഹനത്തിന്റെ മേലുള്ള നിങ്ങളുടെ നിയന്ത്രണത്തെ ഇല്ലാതാക്കുകയും അപകടത്തിന് കാരണമാവുകയും ചെയ്യും.
- 7) അശ്രദ്ധമായ അതിവേഗ ഡ്രൈവിംഗ് ഒഴിവാക്കുക, സ്ഥിരമായ വേഗത നിലനിർത്തിക്കൊണ്ട് റോഡ് അവസ്ഥകൾക്ക് അനുയോജ്യമായ സുരക്ഷിതമായ വേഗതയിൽ ഡ്രൈവ് ചെയ്യാൻ ശ്രമിക്കുക.
- 8) വേഗത കുടുന്തോറും ഡ്രൈവറുടെ വിഷ്ണു രേഖ കുറയുന്നു. അത്തരമൊരു അവസ്ഥയിൽ, എന്തെങ്കിലും അപകടം മുൻകൂട്ടി കാണാൻ പ്രയാസമാണ് കൂടാതെ

ഡ്രൈവർക്ക് അനുഭവപ്പെടുന്നു. ക്ഷണവും



77PM04001

- 9) ഹൈ സ്പീഡ് ഡ്രൈവിംഗ് സമയത്ത് ഷാർപ്പ് ഹാൻഡ്സിംഗിന് ശ്രമിക്കരുത്. നിങ്ങളുടെ വാഹനത്തിന് മേലുള്ള നിയന്ത്രണം നിങ്ങൾക്ക് നഷ്ടപ്പെട്ടേക്കാം.
- 10) അമിത വേഗതയിൽ വാഹനമോടിക്കുമ്പോൾ ഓവർസ്പെക്ക് ചെയ്യുമ്പോഴോ ലെയൻ മാറ്റുമ്പോഴോ, ഓരോ വാഹനങ്ങൾക്കിടയിലും മതിയായ അകലം പാലിക്കുക.

ബ്രേക്കിംഗ്

- 1) നിങ്ങളുടെ വാഹനം പാർക്ക് ചെയ്യുമ്പോൾ പാർക്കിംഗ് ബ്രേക്ക് ഉപയോഗിക്കുക, സുരക്ഷയ്ക്കായി ഗിയർ ഷിഫ്റ്റ് ലിവർ ഫസ്റ്റ് ഗിയറിലേക്കോ റിവേഴ്സ് ഗിയർ പൊസിഷനിലേക്കോ മാറ്റുക.
- 2) ഒഴിവാക്കാനാവാത്ത സാഹചര്യങ്ങളിൽ മാത്രം ഹാൻഡ്

ഡ്രൈവിംഗ് ടിപ്പ്സ്

ബേക്കിംഗ് ഉപയോഗിക്കുക. ഇത് വാഹനം തെന്നിമാറുന്നതിനും കൂട്ടിയിടിക്കുന്നതിനും കാരണമാകുന്നു. ടയറുകളിൽ കൂടുതൽ തേയ്മാനമാകുമ്പോൾ, കൂടുതൽ സ്കീഡ് ചെയ്യുന്നതിനാൽ പ്രത്യേകിച്ച് അപകടകരമാണ്.

മൂന്ന് ഘട്ടങ്ങളിലായി ഫൂട്ട് ബ്രേക്ക് ഉപയോഗിക്കുക

1. പിന്നിലുള്ള വാഹനത്തിന് മുന്നറിയിപ്പ് നൽകുക
 2. ക്രമേണ ബ്രേക്ക് പ്രയോഗിക്കുക.
 3. വാഹനം നിർത്തുക.
- 3) താഴേക്ക് വാഹനമോടിക്കുമ്പോൾ, ബ്രേക്ക് പ്രയോഗിക്കാതെ എഞ്ചിൻ ബ്രേക്ക് കാര്യക്ഷമമായി ഉപയോഗിക്കുക. ഫൂട്ട് ബ്രേക്കിന്റെ അമിത ഉപയോഗം ബേക്കിന്റെ ഫലപ്രാപ്തി കുറയ്ക്കുന്നതിന് കാരണമായേക്കാം.

ദീർഘദൂര ഡ്രൈവിംഗ്

- 1) ഒരു യാത്ര ആരംഭിക്കുന്നതിന് മുമ്പ് സുരക്ഷാ പരിശോധനകൾ നടത്തുന്നത് ഉറപ്പാക്കുക.
- 2) ഉറക്കമോ ക്ഷീണമോ കാരണം സംഭവിക്കാവുന്ന അപകടങ്ങൾ തടയാൻ കൃത്യമായ ഇടവേളകളിൽ വിശ്രമിക്കുക.

രാത്രികാലങ്ങളിലെ ഡ്രൈവിംഗ്

- 1) രാത്രിയിൽ വിഷ്വൽ റേഞ്ച് നിയന്ത്രിച്ചിരിക്കുന്നതിനാൽ, പകൽ സമയത്തേക്കാൾ കുറഞ്ഞ വേഗതയിൽ രാത്രിയിൽ ഡ്രൈവ് ചെയ്യുക.
- 2) രാത്രിയിൽ മറ്റ് വാഹനങ്ങളെ മറികടക്കുന്നത് ഒഴിവാക്കുക. ഇരുട്ട് നിങ്ങളുടെ വേഗതയെ ബാധിക്കുന്നു, വാഹനവും വാഹനവും തമ്മിലുള്ള ദൂരത്തെക്കുറിച്ചുള്ള നിങ്ങളുടെ കണക്കുകൂട്ടലുകൾ ബാധിക്കുന്നു.
- 3) ഹൈ ബീമിൽ ഹെഡ്ലൈറ്റുകൾ ഉപയോഗിക്കാതിരിക്കുക. ഇത് എതിരെ വരുന്ന വാഹനത്തിന്റെ അല്ലെങ്കിൽ നിങ്ങളുടെ മുന്നിലുള്ള വാഹനത്തിലെ ഡ്രൈവർക്ക് കാഴ്ച വൈകല്യം ഉണ്ടാക്കിയേക്കാം, അപകടത്തിന് കാരണമായേക്കാം.
- 4) വിൻഡോ ഗ്ലാസുകൾ എപ്പോഴും വൃത്തിയായി സൂക്ഷിക്കുക. വിൻഡ്ഷീൽഡ് ഗ്ലാസ് ഉണങ്ങിയിരിക്കുമ്പോൾ വിൻഡ്ഷീൽഡ് വൈപ്പർ പ്രവർത്തിപ്പിക്കരുത്, അല്ലാത്തപക്ഷം വൈപ്പർ ബ്ലേഡും ഗ്ലാസും കേടായേക്കാം.

സുരക്ഷയ്ക്കുള്ള മാർജിൻ

മറ്റ് ഡ്രൈവർമാരുടെ തെറ്റായ അല്ലെങ്കിൽ അപ്രതീക്ഷിത ഡ്രൈവിംഗിനെ നേരിടാൻ ഡ്രൈവിംഗ് സമയത്ത് സുരക്ഷയ്ക്കായി സ്വയം ഒരു മാർജിൻ അനുവദിക്കേണ്ടത് പ്രധാനമാണ്. അതിനായി താഴെ പറയുന്ന കാര്യങ്ങൾ ശ്രദ്ധിക്കുക.

- സുരക്ഷിതമായ വേഗതയിൽ ഡ്രൈവ് ചെയ്യുക.
- നിങ്ങളുടെ വാഹനവും മുന്നിലുള്ള വാഹനവും തമ്മിൽ മതിയായ അകലം പാലിക്കുക.
- മറ്റ് വാഹനങ്ങളെ നിർബന്ധിതമായും മറികടക്കാൻ ശ്രമിക്കരുത്.
- പെട്ടെന്ന് ആക്സിലറേറ്റ് ചെയ്യുകയോ സ്റ്റിയറിംഗ് പ്രവർത്തിപ്പിക്കുകയോ പെട്ടെന്ന് നിർത്തുകയോ ചെയ്യരുത്.
- ഡ്രൈവിംഗ് ഷെഡ്യൂളുകൾക്കിടയിൽ ആവശ്യമായ ഇടവേളകൾ സൂക്ഷിക്കുക.
- ട്രാഫിക് നിയമങ്ങളും നിരീക്ഷിക്കുക.

ഉപസംഹാരം

ആരും തന്നെ പെർഫെക്ട് ഡ്രൈവർ അല്ല. വാഹനമോടിക്കുന്ന ഓരോരുത്തരും പൂർണ്ണതയ്ക്കായി പരിശ്രമിക്കേണ്ടതാണ്. സുരക്ഷാ ബോധം നിങ്ങളുടെ സുരക്ഷയും മറ്റ് റോഡ് ഉപയോക്താക്കളുടെ സുരക്ഷയും ഉറപ്പാക്കുക മാത്രമല്ല, നിങ്ങളുടെ വാഹനത്തിന്റെ തേയ്മാനം കുറയ്ക്കും അതിന്റെ കാലാബ്വധി വർദ്ധിപ്പിക്കുകയും മികച്ച ഫ്യൂൽഇക്കോണമി നൽകുകയും സുഖപ്രദമായ ഡ്രൈവിംഗ് അനുഭവം ഉറപ്പാക്കുകയും ചെയ്യുന്നു. ലിസ്റ്റ് ചെയ്ത ചെയ്യേണ്ടതും ചെയ്യരുതാത്തതുമായ കാര്യങ്ങൾ പാലിക്കുക, ഡ്രൈവിംഗ് ഇനി ഒരിക്കലും പഴയതുപോലെയാകില്ല.

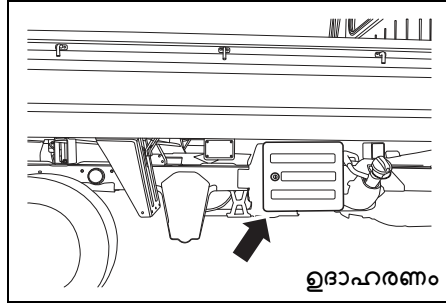
മറ്റ് കൺട്രോളുകളും ഉപകരണങ്ങളും

ഫ്യൂവൽ ഫില്ലർ ക്യാപ്	5-1
എഞ്ചിൻ കമ്പാർട്ട്മെന്റ്	5-3
സൺ റിസർ	5-5
ഇന്റീരിയർ ലൈറ്റ്	5-5
ആക്സസറി സോക്കറ്റ്	5-6
ഗ്ലോവ് ബോക്സ്	5-6
സ്റ്റോറേജ് ഏരിയ	5-6
എയർ വെന്റ്	5-7
ഫ്രെയിം ഹൂക്ക്	5-7
അസിസ്റ്റ് ഗ്രിപ്പ്	5-8

ഫ്യൂവൽ ഫില്ലർ ക്യാപ്

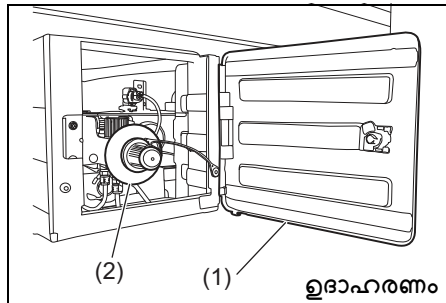
(പെട്രോൾ സി എൻ ജി എഞ്ചിൻ മോഡലിന്)

സി എൻ ജി ഫില്ലർ വാൽവ് സി എൻ ജി എഞ്ചിൻ മോഡലിന്)



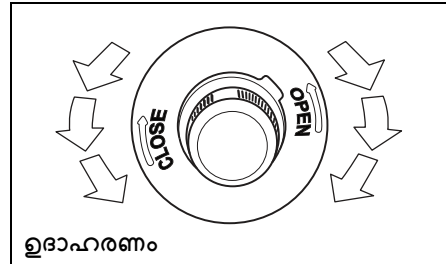
77PM05003

സി എൻ ജി ഫില്ലർ വാൽവ് വലതു വശത്താണ് സ്ഥിതി ചെയ്യുന്നത്.



77PM05001

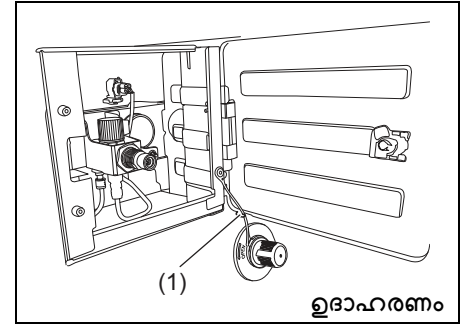
സി എൻജി ജി ഫില്ലർ ഡോർ (1) അൺലോക്ക് ചെയ്യാൻ, കി കടത്തിവയക്കുക വാഹനത്തിന്റേ മുൻഭാഗത്തേക്ക് കീയുടെ മുകൾഭാഗം തിരിക്കുക.



77PM05005

സി എൻ ജി ഫില്ലർ വാൽവ് കവർ നീക്കം ചെയ്യാൻ:

- 1) സി എൻ ജി ഫില്ലർ ഡോർ തുറക്കുക (1).
- 2) സി എൻ ജി ഫില്ലർ വാൽവ് കവർ (2) എതിർ ഘടികാരദിശയിലേക്ക് തിരിച്ചു നീക്കം ചെയ്യുക.



77PM05006

കുറിപ്പ്: ഫ്യൂവൽ ഫില്ലർ ഡോറിൽ ക്യാപ് ഹോൾഡർ (3) സജ്ജീകരിച്ചിട്ടുണ്ടെങ്കിൽ, ഫ്യൂൽ നിറയ്ക്കുമ്പോൾ ഫ്യൂവൽ ഫില്ലർ ക്യാപ് പിടിക്കാൻ ക്യാപ് ഹോൾഡർ ഉപയോഗിക്കുക.

സിലിണ്ടർ പ്രഷർ ഡിസ്‌പെൻസർ പ്രഷറിന് തുല്യമാകുമ്പോൾ നിറയ്ക്കുന്നത് ഓട്ടോമാറ്റിക് ആയി തന്നെ അവസാനിക്കുന്നു.

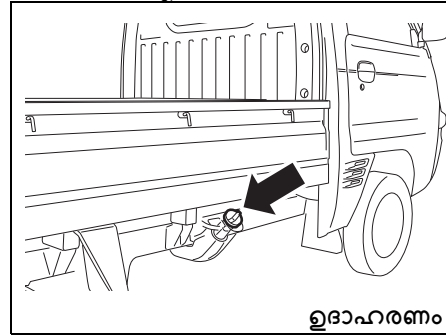
സി എൻ ജി ഫില്ലർ വാൽവ് കവർ വീണ്ടും ഇൻസ്റ്റാൾ ചെയ്യാൻ:

- 1) സി എൻ ജി ഫില്ലർ വാൽവ് കവർ
- (2) പൂർണ്ണമായും അടയ്ക്കുന്നത് വരെ ഘടികാരദിശയിൽ തിരിക്കുക.
- 2) സി എൻ ജി ഫില്ലർ ഡോർ അടയ്ക്കുക (1).

- കുറിപ്പ്:
- സി എൻ ജി ഫില്ലർ കവർ (2) ശരിയായി അടച്ചില്ലെങ്കിൽ, നിങ്ങൾക്ക് വാഹനം സ്റ്റാർട്ട് ചെയ്യാൻ കഴിയില്ല.
 - വാഹനം നിശ്ചലമായ അവസ്ഥയിൽ സി എൻ ജി ഫില്ലർ കവർ (2) തുറന്നാൽ എഞ്ചിൻ നിലയ്ക്കും.

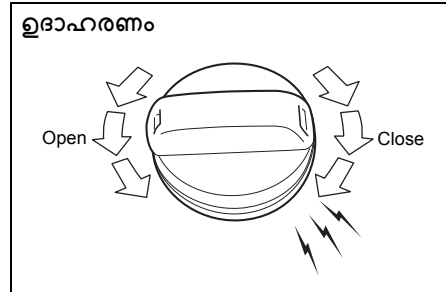
കുറിപ്പ്: വാഹനം പ്രവർത്തിക്കുന്ന സമയത്ത് സിഎൻജി ഫില്ലർ ബോക്സിൽ ചരലുകൾ കടക്കാനിടയുണ്ട്. ഇവ കാണുമ്പോഴെല്ലാം നീക്കം ചെയ്യുക.

പെട്രോൾ ഫില്ലിംഗ് ക്യാപ് (പെട്രോൾ എഞ്ചിൻ മോഡലിന്)



77PH031

വാഹനത്തിന്റെ വലതുവശത്താണ് ഫ്യൂവൽ ഫില്ലർ ക്യാപ് സ്ഥാപിച്ചിരിക്കുന്നത്.



68KN048

ഫ്യൂവൽ ഫില്ലർ ക്യാപ് നീക്കം ചെയ്യാൻ, എതിർ ഘടികാരദിശയിൽ തിരിക്കുക. ഫ്യൂവൽ ഫില്ലർ ക്യാപ്

വീണ്ടും ഇൻസ്റ്റാൾ ചെയ്യാൻ, ഒന്നിലധികം ക്ലിക്ക്കൾ കേൾക്കുന്നത് വരെ അത് ഘടികാരദിശയിൽ തിരിക്കുക.

⚠ ജാഗ്രത

ഫ്യൂവൽ ഫില്ലർ ക്യാപ് സാവധാനത്തിൽ നീക്കം ചെയ്യുക. ഫ്യൂവലിൽ പ്രഷർ ഉണ്ടായേക്കാം, അത് പുറത്തേക്ക് തെറിക്കുന്നതിനാൽ പരിക്ക് ഉണ്ടാകാം.

⚠ മുന്നറിയിപ്പ്

ഫ്യൂൽ കത്തുന്നതാണ്. ഫ്യൂൽ നിറയ്ക്കുമ്പോൾ പുകവലിക്കരുത്, കൂടാതെ തുറന്ന അത്തളങ്ങളിൽ തീജ്വാലകളോ തീപ്പൊരിയോ ഇല്ലെന്ന് ഉറപ്പാക്കുക.

⚠ മുന്നറിയിപ്പ്

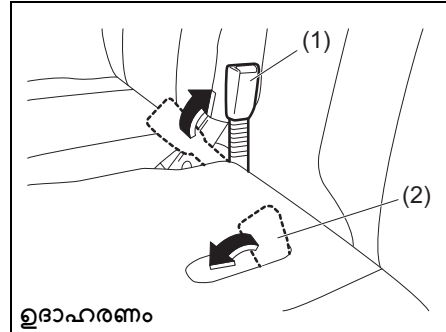
നിങ്ങൾക്ക് ഫ്യൂൽ ക്യാപ് മാറ്റണമെങ്കിൽ, മാർഗ്ഗരേഖയുടെ ഒരു ഭാഗമായി ക്യാപ് ഉപയോഗിക്കുക. ഉചിതമല്ലാത്ത ക്യാപ് ഉപയോഗിക്കുന്നത് മൂലം ഫ്യൂൽ സിസ്റ്റം അല്ലെങ്കിൽ എഞ്ചിൻ കൺട്രോൾ സിസ്റ്റത്തിന്റെ തകരാറിന് കാരണമാകും അപകടമുണ്ടായാൽ ഫ്യൂൽ ചോർച്ചയ്ക്കും ഇതുകാരണമായേക്കാം.

⚠ ജാഗ്രത
 ഫ്യൂവൽ ഫില്ലർ ക്യാപ് സാവധാനത്തിൽ നീക്കം ചെയ്യുക. ഫ്യൂവലിൽ പ്രഷർ ഉണ്ടായേക്കാം, അത് പുറത്തേക്ക് തെറിക്കുന്നതിനാൽ പരിക്ക് ഉണ്ടാകാം.

⚠ മുന്നറിയിപ്പ്
 ഫ്യൂൽ കത്തുന്നതാണ്. ഫ്യൂൽ നിറയ്ക്കുമ്പോൾ പുകവലിക്കരുത്, കൂടാതെ തുറന്ന അത്തളങ്ങളിൽ തീജ്വാലകളോ തീപ്പൊരിയോ ഇല്ലെന്ന് ഉറപ്പാക്കുക.

⚠ മുന്നറിയിപ്പ്
 നിങ്ങൾക്ക് ഫ്യൂൽ ക്യാപ് മാറ്റണമെങ്കിൽ, മാർച്ചിയുടെ ഒരു ജെനുവിൻ ക്യാപ് ഉപയോഗിക്കുക. ഉചിതമല്ലാത്ത ക്യാപ് ഉപയോഗിക്കുന്നത് മൂലം ഫ്യൂൽ സിസ്റ്റം അല്ലെങ്കിൽ എഞ്ചിൻ കൺട്രോൾ സിസ്റ്റത്തിന്റെ തകരാറിന് കാരണമാകും. അപകടമുണ്ടായാൽ ഇന്ധന ചോർച്ചയ്ക്കും ഇത് കാരണമായേക്കാം.

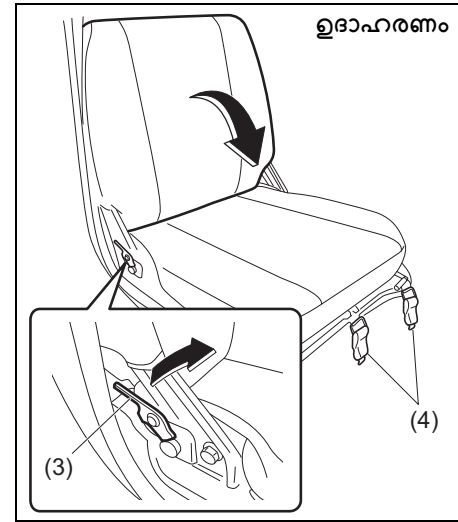
എഞ്ചിൻ കമ്പാർട്ട്മെന്റ്



77PH094

- എഞ്ചിൻ കമ്പാർട്ട്മെന്റ് തുറക്കാൻ:
- 1) ഡ്രൈവറുടെ സീറ്റ് ബെൽറ്റ് ബക്കിൽ (1) സീറ്റ് ബാക്ക് പൊസിഷനിലേക്ക് ഉയർത്തുക. യാത്രക്കാരുടെ സീറ്റ് ബെൽറ്റ് ബക്കിൽ (2) സൂക്ഷിക്കുക.
 - 2) ഡ്രൈവർ സീറ്റിനായി, സീറ്റ് ഏറ്റവും പിന്നിലെ സ്ഥാനത്തേക്ക് ഡ്രൈവ് ചെയ്യുക.

⚠ ജാഗ്രത
 നിങ്ങൾ ഡ്രൈവർ സീറ്റ് പിന്നിലേക്ക് ഡ്രൈവ് ചെയ്യുമ്പോൾ, സീറ്റ് ബാക്ക് പുഷ് ചെയ്യുക. നിങ്ങൾ സീറ്റ് ബാക്ക് ടോപ്പ് പിടിക്കുകയാണെങ്കിൽ, സീറ്റ് ബാക്കിനും ക്യാബിൻ ബാക്ക് പാനലിനുമിടയിൽ നിങ്ങളുടെ കൈ പെട്ടേക്കാം, ഇത് വ്യക്തിഗതമായ പരിക്കിന് കാരണമായേക്കാം.

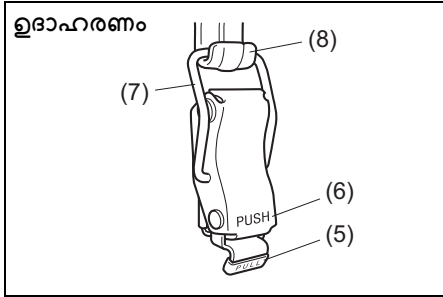


77PH093

- 3) ഡ്രൈവർ സീറ്റിനായി, സീറ്റ് ബാക്ക് മുന്നോട്ട് മടക്കാൻ ലോക്ക് ലിവർ (3) വലിക്കുക.

കുറിപ്പ്: സ്റ്റിയറിംഗ് വീലുമായി സമ്പർക്കം പുലർത്തുന്ന പൊസിഷനിലേക്ക് മാത്രമേ സീറ്റ് ബാക്ക് മടക്കാൻ കഴിയൂ.

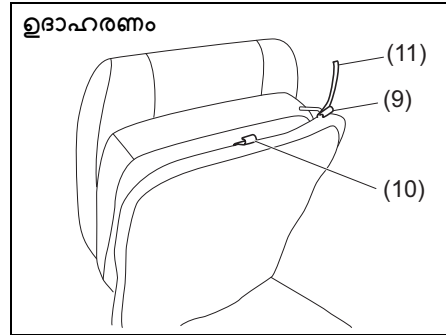
- 4) ഓരോ സീറ്റിന്റെയും മുൻവശത്തെ ലോക്ക് ഹാൻഡിലുകൾ (4) അഴിക്കുക.



77PH081

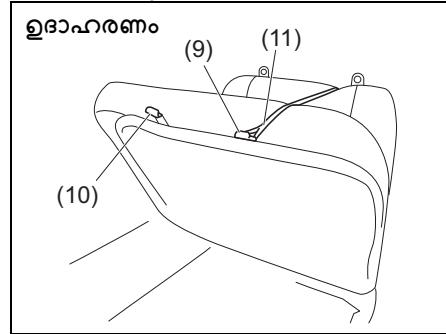
- ലോക്ക് ഹാൻഡിൽ അൺഹുക്ക് ചെയ്യാൻ, "പുൾ" ഭാഗം (5) വലിക്കുകയും ഹുക്ക് (8) ൽ നിന്ന് റിംഗ് (7) അഴിക്കുകയും ചെയ്യുക.
- ലോക്ക് ഹാൻഡിൽ ലോക്ക് ചെയ്യാൻ, റിംഗ് (7) ഹുക്കിൽ ഇടുക (8) തുടർന്ന് "പുഷ്" ഭാഗം (6) പുഷ് ചെയ്യുക.

ഡ്രൈവർ സൈഡ്



77PH102

യാത്രക്കാരുടെ വശം



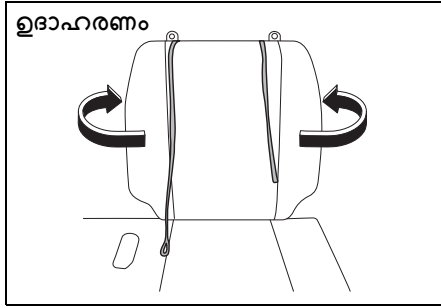
77PH103

കുറിപ്പ്: പാസഞ്ചർ സീറ്റിന്റെ സീറ്റ് ബാക്കിന് പിന്നിൽ സ്ട്രാപ്പുകൾ (11) ഉണ്ടായിരിക്കും.

- 5) സീറ്റ് ഉയർത്തി സ്ട്രാപ്പ് (11) ഹുക്ക് (9) ലേക്ക് ഹുക്ക് ചെയ്യുക. സീറ്റ് സ്ട്രാപ്പ് ഘടിപ്പിക്കാൻ ഹുക്ക് (10) ഉപയോഗിക്കുന്നില്ല.

അറിയിപ്പ്
<p>ഡ്രൈവറുടെ സീറ്റ് പൊസിഷൻ അഡ്ജസ്റ്റ്മെന്റ് ലിവിറ്റിലേക്ക് സ്ട്രാപ്പ് ഹുക്ക് ചെയ്യരുത്. അല്ലെങ്കിൽ സ്ട്രാപ്പുകളാൽ കൊളുത്തുമ്പോൾ സീറ്റുകളിൽ അനാവശ്യ ബലം പ്രയോഗിക്കരുത്. അങ്ങനെ ചെയ്യുന്നത് സ്ട്രാപ്പുകൾ, ഹുക്കുകൾ കൂടാതെ/അല്ലെങ്കിൽ ഡ്രൈവറുടെ സീറ്റ് പൊസിഷൻ അഡ്ജസ്റ്റ്മെന്റ് ലിവിർ തകർക്കും.</p>

- എഞ്ചിൻ കമ്പാർട്ട്മെന്റ് അടയ്ക്കുന്നതിന്, നിങ്ങൾ അത് തുറക്കുന്നതിനു സ്വീകരിച്ച നടപടികൾ വിപരീത ക്രമത്തിൽ ചെയ്യുക.
- അടച്ചതിനുശേഷം, സീറ്റുകൾ സുരക്ഷിതമായി ലാച്ച് ചെയ്തിട്ടുണ്ടെന്ന് ഉറപ്പാക്കാൻ അവ നീക്കാൻ ശ്രമിക്കുക.
- ചിത്രീകരണത്തിൽ കാണിച്ചിരിക്കുന്നതുപോലെ യാത്രക്കാരുടെ സീറ്റിന് പിന്നിൽ സ്ട്രാപ്പുകൾ സൂക്ഷിക്കുക.



77PH097

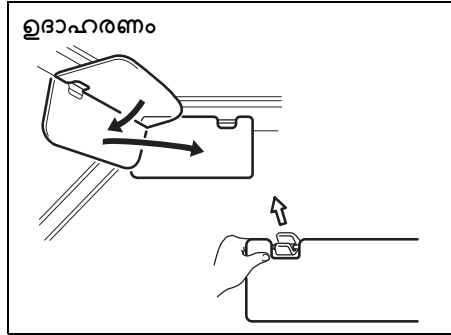
⚠ മുന്നറിയിപ്പ്

യാത്രക്കാരുടെ സീറ്റിന് പിറകിലുള്ള സ്ഥലത്ത് സ്ട്രാപ്പുകൾ സൂക്ഷിക്കുക. ഒരു യാത്രക്കാരന്റെ ശരീരത്തിൽ സ്ട്രാപ്പുകൾ കുടുങ്ങിയാൽ, ശ്വാസംമുട്ടൽ പോലുള്ള ഗുരുതരമായ പരിക്കുകൾ ഉണ്ടാകാനുള്ള സാധ്യതയുണ്ട്. ഇങ്ങനെ സംഭവിക്കുകയാണെങ്കിൽ, കത്രിക ഉപയോഗിച്ച് സ്ട്രാപ്പുകൾ മുറിക്കുക.

⚠ ജാഗ്രത

എഞ്ചിൻ കമ്പാർട്ട്മെന്റ് അടയ്ക്കുമ്പോൾ, സീറ്റുകൾക്കിടയിൽ നിങ്ങളുടെ കൈകളോ വൈററുടെ സീറ്റ് ബെൽറ്റിന്റെ ബക്കിളോ അക്സെസ്സാതിരിക്കാനും നിങ്ങളുടെ ശരീരത്തിൽ അത് തട്ടാതിരിക്കാനും ശ്രദ്ധിക്കുക.

സൺ വിസർ



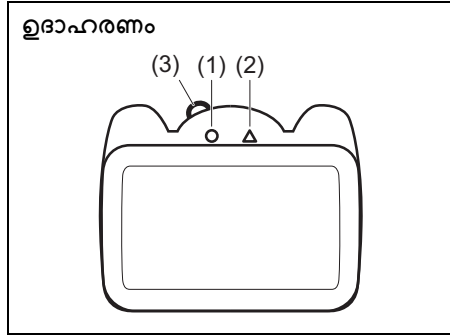
77PH004

വാഹനം ഡ്രൈവ് ചെയ്യുന്നയാളുടെ ഭാഗത്ത് സൺ വൈസർ ലഭ്യമാണ്. വിൻഡ്ഷീൽഡിലൂടെ വരുന്ന ധൂയർ തടയാൻ സൺ വിസർ താഴേക്ക് വലിക്കാം, അല്ലെങ്കിൽ അവ ഹുക്ക് അഴിച്ച് വശത്തേക്ക് തിരിച്ചു വച്ചാൽ സൈഡ് വിൻഡോയിലൂടെ വരുന്ന ധൂയർ തടയാം.

അറിയിപ്പ്

സൺ വിസറിന്റെ ഹുക്ക് അഴിക്കുകയും കൊളുത്തുകയും ചെയ്യുമ്പോൾ, ചിത്രത്തിൽ കാണിച്ചിരിക്കുന്നതുപോലെ സൺ വിസറിന്റെ അരികിൽ പിടിച്ചു അത് കൈകാര്യം ചെയ്യുന്നുവെന്ന് ഉറപ്പാക്കുക, അല്ലെങ്കിൽ സൺ വിസറിന് കേടുപാടുകൾ സംഭവിക്കാനുള്ള സാധ്യതയുണ്ട്.

ഇന്റീരിയർ ലൈറ്റ്



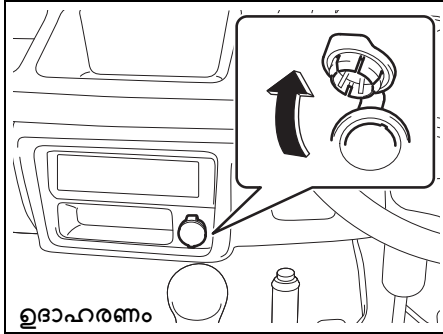
77PH074

ഈ ലൈറ്റ് സ്വിച്ചിന് രണ്ട് പൊസിഷനുകളാണ് ഉള്ളത്. ഒരു നോബ (3) ഉപയോഗിച്ച് ഈ പൊസിഷനുകൾ തിരഞ്ഞെടുക്കാം. രണ്ട് പൊസിഷനുകളിലേയും പ്രവർത്തനങ്ങൾ ഇവയാണ്:

ഓൺ (1)
ലൈറ്റ് വരുകയും ഓൺ ആയി തന്നെ നീൽക്കുകയും ചെയ്യുന്നു.

ഓഫ് (2)
ലൈറ്റ് ഓഫ് ആയി തുടരുന്നു.

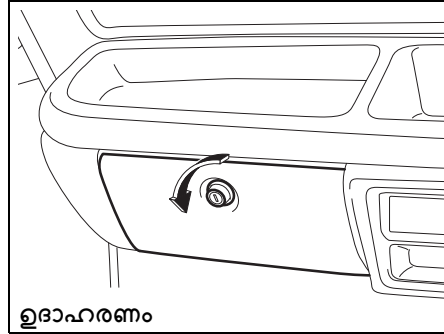
ആക്സസറി സോക്കറ്റ്



ഇനീഷൻ സ്വിച്ച് "ACC" അല്ലെങ്കിൽ "ON" സ്ഥാനത്തായിരിക്കുമ്പോൾ ആക്സസറി സോക്കറ്റ് പ്രവർത്തിക്കും. ഇലക്ട്രിക്കൽ ആക്സസറികൾക്ക് 12 വോൾട്ട്/120 വാട്ട് പവർ നൽകാൻ ഈ സോക്കറ്റ് ഉപയോഗിക്കാം.

അറിയിപ്പ്	
അനുചിതമായ ആക്സസറികളുടെ നിങ്ങളുടെ ഇലക്ട്രിക്കൽ കോടുപാടുകൾ ഉപയോഗിക്കുന്ന ഇലക്ട്രിക്കൽ ഇത്തരത്തിലുള്ള സോക്കറ്റിലേക്ക് പ്ലഗ് ചെയ്യാൻ ചെയ്തിട്ടുള്ളതാണെന്ന് ഉറപ്പാക്കേണ്ടതുണ്ട്.	ഇലക്ട്രിക്കൽ ഉപയോഗം വാഹനത്തിന്റെ സിസ്റ്റത്തിന് നഷ്ടപ്പെടുത്താൻ സിസ്റ്റത്തിന് വരുത്തും. നിങ്ങൾ ഏതെങ്കിലും ആക്സസറികൾ സോക്കറ്റിലേക്ക് പ്ലഗ് ചെയ്യാൻ രൂപകൽപ്പന ചെയ്തിട്ടുള്ളതാണെന്ന് ഉറപ്പാക്കേണ്ടതുണ്ട്.

ഗ്ലോവ് ബോക്സ്

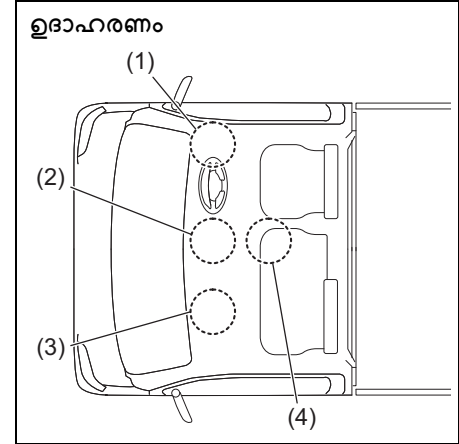


ഗ്ലോവ് ബോക്സ് തുറക്കാൻ, നോബ് എതിർ ഘടികാരദിശയിൽ തിരിക്കുക. ഇത് അടയ്ക്കുന്നതിന്, അത് സുരക്ഷിതമായി ലാച്ച് ചെയ്യുന്നതു വരെ ലിഡ് വലിക്കുക. ഗ്ലോവ് ബോക്സ് ലോക്ക് ചെയ്യാൻ, നോബിലേക്ക് കി കൂട്ടത്തിവയ്ക്കുക, അത് ഘടികാരദിശയിൽ തിരിക്കുക. ഗ്ലോവ് ബോക്സ് അൺലോക്ക് ചെയ്യാൻ, കി നോബിലേക്ക് കൂട്ടത്തിവച്ച്, എതിർ ഘടികാരദിശയിൽ തിരിക്കുക.

⚠ മുന്നറിയിപ്പ്

ഗ്ലോവ് ബോക്സ് ലിഡ് തുറന്ന് വീച്ചുകൊണ്ട് ഒരിക്കലും ഡ്രൈവ് ചെയ്യരുത്. അപകടം സംഭവിച്ചാൽ ഇത് പരിക്കിന് കാരണമാകും.

സ്റ്റോറേജ് ഏരിയ

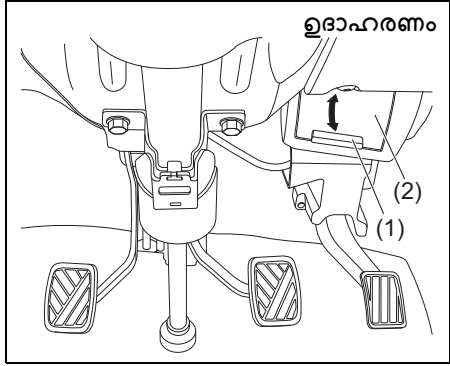


- (1) ഇൻസ്ട്രുമെന്റ് പാനൽ പോക്കറ്റ് (ഡ്രൈവറുടെ വശം)
- (2) ഇൻസ്ട്രുമെന്റ് പാനൽ ട്രേ (മധ്യത്തിൽ) / ഇൻസ്ട്രുമെന്റ് പാനൽ പോക്കറ്റ് (മധ്യത്തിൽ)
- (3) ഉപകരണ പാനൽ ട്രേ (യാത്രക്കാരുടെ വശം)
- (4) സെന്റർ പോക്കറ്റ്

ഇൻസ്ട്രുമെന്റ് പാനൽ പോക്കറ്റ് (1)/(2) / ഇൻസ്ട്രുമെന്റ് പാനൽ ട്രേ (2)/(3) / സെനറർ പോക്കറ്റ് (4)

⚠ മുന്നറിയിപ്പ്
 വാഹനം നീങ്ങുമ്പോൾ പോക്കറ്റിൽ നിന്ന / ട്രേയിൽ നിന്ന വീഴാൻ സാധ്യതയുള്ള വസ്തുക്കളൊന്നും വയക്കരുത്. ഇത്തരത്തിൽ മുൻകരുതൽ എടുക്കുന്നില്ല എങ്കിൽ ഏതെങ്കിലും സാധനങ്ങൾ താഴെ വീണു പെരുലുകളെ തടസ്സപ്പെടുത്തുന്നതിനും വാഹന നിയന്ത്രണം നഷ്ടപ്പെടുന്നതിനും അപകടത്തിനും കാരണമായേക്കാം.

എയർ വെന്റ്

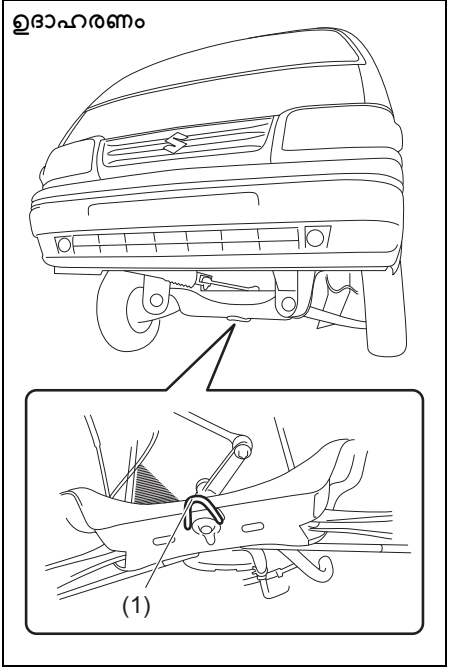


77PM502

എയർ വെന്റുകൾ വാഹനത്തിന്റെ ഡ്രൈവർ സൈഡിലും പാസഞ്ചർ സൈഡിലും സ്ഥിതി ചെയ്യുന്നു. എയർ വെന്റ് തുറക്കുന്നതിനോ അടയ്ക്കുന്നതിനോ, ഫ്ലാപ്പ് (2) തുറക്കുന്നതിനോ അടയ്ക്കുന്നതിനോ നോബ് (1) ലംബമായി നീക്കുക. തുറക്കുക യാണെങ്കിൽ, ശുദ്ധവായു ക്യാബിനുള്ളിലേക്ക് കടക്കുന്നു.

ഫ്രെയിം ഹൂക്ക്

മുൻഭാഗം



77PH035

ഫ്രെയിം ഹൂക്ക് (1) വാഹനത്തിന്റെ മുൻവശത്ത് അടിയന്തര സാഹചര്യങ്ങളിലും ഷിപ്പിംഗ്

ആവശ്യങ്ങൾക്കും മാത്രം ഉപയോഗിക്കുന്നതിന് നൽകിയിട്ടുണ്ട്.

റോഡിലോ ഹൈവേയിലോ നിങ്ങളുടെ വാഹനം വലിച്ചിടാൻ, “എമർജൻസി സർവീസ്” വിഭാഗത്തിലെ “ടോവിംഗ്” നിർദ്ദേശം പാലിക്കുക.

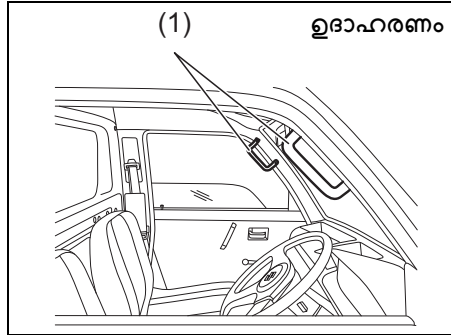
⚠ മുന്നറിയിപ്പ്

മറ്റൊരു വാഹനം വലിക്കുന്നതിനോ റോഡിലോ ഹൈവേയിലോ നിങ്ങളുടെ വാഹനം വലിച്ചിടുന്നതിനോ ഫ്രെയിം ഹുക്ക് ഉപയോഗിക്കരുത്. നിങ്ങളുടെ വാഹനമോ മറ്റൊരു വാഹനമോ ആഴത്തിലുള്ള ചെട്ടിയിലോ മഞ്ഞിലോ കുട്ടിങ്ങിപ്പോയത് പോലുള്ള അടിയന്തര സാഹചര്യങ്ങളിൽ മാത്രം ഉപയോഗിക്കാനാണ് ഹുക്ക് (1) രൂപകൽപ്പന ചെയ്തിരിക്കുന്നത്.

അറിയിപ്പ്

നിങ്ങൾ ഫ്രെയിം ഹുക്ക് (1) ഉപയോഗിക്കുമ്പോൾ, ഹുക്കിന് കാര്യമായ ആഘാതം നൽകിയേക്കാവുന്ന രീതിയിൽ ഉള്ള ഡ്രൈവിംഗ് ഒഴിവാക്കുക. അത്തരം പ്രവർത്തനം ഹുക്കിനെയോ വാഹന ബോഡിയെയോ നശിപ്പിക്കും. പെട്ടെന്ന് വേഗത കുട്ടരുത്.

അസിസ്റ്റ് ഗ്രിപ്പ്



77PM501

അസിസ്റ്റ് ഗ്രിപ്പുകൾ (1) വാഹനത്തിന്റെ ഡ്രൈവർ ഭാഗത്തും പാസഞ്ചർ ഭാഗത്തും ലഭ്യമാണ്. അസിസ്റ്റ് ഗ്രിപ്പുകൾ ഡ്രൈവർക്ക് / യാത്രക്കാരുടെ എളുപ്പത്തിൽ വാഹനത്തിൽ കയറാനും ഇറങ്ങാനും വേണ്ടിയുള്ളതാണ്.

വാഹനം കയറ്റുന്നതും
വലിക്കുന്നതും

വാഹനം ലോഡ് ചെയ്യുന്നു 6-1
ട്രെയിലർ ടോവിംഗ് 6-1

വാഹനം ലോഡ് ചെയ്യുന്നു

നിങ്ങളുടെ വാഹനം നിർദ്ദിഷ്ട ഭാരത്തിൽ വിസൈൻ ചെയ്തിരിക്കുന്നു. നിങ്ങളുടെ വാഹനത്തിന്റെ ഭാരത്തെ സൂചിപ്പിക്കുന്നത് ഗ്രോസ് വെഹിക്കിൾ വെയ്റ്റ് റേറ്റിംഗ്, (GVWR) അനുവദനീയമായ പരമാവധി ആകസിൽ ഭാരവും (PAW, ഫ്രണ്ട്, റിയർ) എന്നിവയാണ്.. GVWR ഉം PAW ഉം (മുന്നിലും പിന്നിലും) "സ്പെസിഫിക്കേഷനുകൾ" വിഭാഗത്തിൽ ലിസ്റ്റ് ചെയ്തിരിക്കുന്നു. GVWR ഉം PAW ഉം (മുന്നിലും പിന്നിലും) "സ്പെസിഫിക്കേഷനുകൾ" വിഭാഗത്തിൽ ലിസ്റ്റ് ചെയ്തിരിക്കുന്നു.

GVWR - പൂർണ്ണമായി ലോഡുചെയ്ത വാഹനത്തിന്റെ അനുവദനീയമായ മൊത്തത്തിലുള്ള പരമാവധി ഭാരം (എല്ലാ യാത്രക്കാരും അനുബന്ധ ഉപകരണങ്ങളും ചരക്കുകളും കൂടാതെ ട്രെയിലർ വലിച്ചിടുന്നോൾ ട്രെയിലർ നോസിന്റെ ഭാരവും ഉൾപ്പെടെ).

PAW - (മുന്നിലും പിന്നിലും) ഒരു വ്യക്തിഗത ആകസിലിൽ അനുവദനീയമായ പരമാവധി ഭാരം.

ലോഡുചെയ്ത വാഹനത്തിന്റെ യഥാർത്ഥ ഭാരവും ഫ്രണ്ട്, റിയർ ആകസിലുകളിലെ യഥാർത്ഥ ലോഡുകളും വാഹനത്തിന്റെ ഭാരം കണക്കാക്കി മാത്രമേ നിർണ്ണയിക്കാൻ കഴിയൂ. ഈ ഭാരം GVWR, PAW

എന്നിവയുമായി താരതമ്യം ചെയ്യുക (മുന്നിലും പിന്നിലും). വാഹനത്തിന്റെ മൊത്ത ഭാരമോ ആകസിലിലെ ഭാരമോ ഈ റേറ്റിംഗുകൾ കവിയുന്നുവെങ്കിൽ, റേറ്റുചെയ്ത ശേഷിയിലേക്ക് ലോഡ് കുറയ്ക്കാൻ ആവശ്യമായ ഭാരം നിങ്ങൾ നീക്കം ചെയ്യണം.

▲ മുന്നറിയിപ്പ്

നിങ്ങളുടെ വാഹനം ഒരിക്കലും ഓവർലോഡ് ചെയ്യരുത്. മൊത്ത വാഹന ഭാരം (വാഹനത്തിന്റെ ഭാരം, എല്ലാ യാത്രക്കാരും, ആകസനികൾ, ചരക്കുകൾ, ട്രെയിലർ വലിച്ചിടുന്ന ട്രെയിലർ നോസിന്റെ ഭാരം എന്നിവയുടെ ആകെത്തുക) ഒരിക്കലും ഗ്രോസ് വെഹിക്കിൾ വെയ്റ്റ് റേറ്റിംഗിൽ (GVWR) കവിയരുത്. കൂടാതെ, ഒരിക്കലും ഒരു ലോഡ് വിതരണം ചെയ്യരുത്, അതുവഴി മുന്നിലോ പിന്നിലോ ഉള്ള ആകസിലിലെ ഭാരം അനുവദനീയമായ പരമാവധി ആകസിൽ ഭാരത്തെക്കാൾ (PAW) കൂടുതലാകുന്നു.

▲ മുന്നറിയിപ്പ്

എപ്പോഴും ചരക്ക് തുല്യമായി ഡിസ്ട്രിബ്യൂട്ട് ചെയ്യുക. നിങ്ങൾക്ക് വ്യക്തിപരമായ പരികോ വാഹനത്തിന് കേടുപാടുകളോ ഒഴിവാക്കാൻ, വാഹനം പെട്ടെന്നു നീങ്ങുകയാണെങ്കിൽ ഇളകുന്നത് തടയാനാകുന്ന രീതിയിൽ എപ്പോഴും ചരക്ക് സുരക്ഷിതമാക്കുക. ഭാരമേറിയ വസ്തുക്കൾ തറയിലും ചരക്ക് പ്രദേശത്ത് കഴിയുന്നത്ര മുന്നിലും വയ്ക്കുക. ഒരിക്കലും സീറ്റ് പിൻഭാഗത്തിന് മുകളിൽ ചരക്ക് കൂട്ടരുത്.

ട്രെയിലർ ട്രോവിംഗ്

നിങ്ങളുടെ വാഹനം യഥാർത്ഥത്തിൽ രൂപകൽപ്പന ചെയ്തിരിക്കുന്നത് ഒരു ഡ്രൈവറേയും ഒരു യാത്രക്കാരനെയും ഒരു നിശ്ചിത അളവിലുള്ള ചരക്കുകളെയും കൊണ്ടുപോകാനാണ്, അല്ലാതെ ഒരു ട്രെയിലർ വലിച്ചിടാനല്ല. ഒരു ട്രെയിലർ വലിച്ചിടാൻ നിങ്ങളുടെ വാഹനം ഉപയോഗിക്കാൻ **MARUTI** നിങ്ങൾക്ക് ശുപാർശ ചെയ്യുന്നില്ല. ട്രെയിലർ വലിച്ചിടുന്നത് ഹാൻഡിലിംഗ് , റൂട്, ഫലകോണമി എന്നിവയെ പ്രതികൂലമായി ബാധിക്കും.

പരിശോധനയും പരിപാലനവും

മെയിന്റനൻസ് ഷെഡ്യൂൾ 7-1

ആനുകാലിക പരിപാലന ഷെഡ്യൂൾ 7-2

ഉപഭോക്താവ് നിർവഹിക്കേണ്ട പരിശോധനയും പരിപാലന

പ്രവർത്തനങ്ങളും 7-6

ഡ്രൈവ് ബെൽറ്റ് 7-8

എഞ്ചിൻ ഓയിലും ഫിൽട്രും 7-8

എഞ്ചിൻ കൂളിംഗ് 7-12

എയർ ക്ലീനർ 7-15

സ്പാർക്ക് പ്ലഗുകൾ 7-16

ഗിയർ ഓയിൽ 7-16

ക്ലച്ച് പെഡൽ 7-17

ബ്രേക്കുകൾ 7-18

സ്റ്റിയറിംഗ് 7-20

പ്രോപ്പല്ലർ ഷാഫ്റ്റ് യൂണി

വേഴ്സൽ ജോയിന്റ് 7-21

ടയറുകൾ 7-22

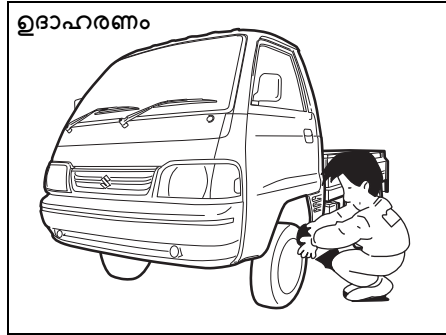
ബാറ്ററി 7-24

ഫ്യൂസുകൾ 7-25

ബൾബ് മാറ്റിസ്ഥാപിക്കൽ 7-28

വൈപ്പർ ബ്ലേഡുകൾ 7-31

വിൻഡ്ഷീൽഡ് വാഷർ ഫ്ലൂയിഡ് (ഉണ്ടെങ്കിൽ) 7-33



77PM07008

⚠ മുനറിയിപ്പ്

നിങ്ങളുടെ വാഹനത്തിൽ ഏതെങ്കിലും തരത്തിലുള്ള പ്രവർത്തനങ്ങൾ നടത്തുമ്പോൾ ആകസ്മികമായ പരിക്കുകൾ തടയാൻ അതിവ ജാഗ്രത പാലിക്കണം. നിങ്ങൾ പ്രത്യേകം ശ്രദ്ധിക്കേണ്ട ചില മുൻകരുതലുകൾ ഇനിപറയുന്നു:

- ഗാരേജുകളിലോ മറ്റ് പരിമിതമായ സ്ഥലങ്ങളിലോ എഞ്ചിൻ പ്രവർത്തിക്കാനനുവദിക്കരുത്
- എഞ്ചിൻ പ്രവർത്തിക്കുമ്പോൾ, കൈകൾ, വസ്ത്രങ്ങൾ, ഉപകരണങ്ങൾ, മറ്റ് വസ്തുക്കൾ എന്നിവ ഫാൻ, ഡ്രൈവ് ബെൽറ്റ് എന്നിവയിൽ നിന്ന് അകലെ സൂക്ഷിക്കുക ഫാൻ ചലിക്കുന്നില്ലെങ്കിലും, മുനറിയിപ്പില്ലാതെ അത് സ്വയമേവ ഓണാകാൻ സാധ്യതയുണ്ട്.

(തുടരും)

⚠ മുനറിയിപ്പ്

(തുടരും)

- എഞ്ചിൻ പ്രവർത്തിപ്പിച്ച് സർവീസ് വർക്ക് ചെയ്യേണ്ടിവരുമ്പോൾ, പാർക്കിംഗ് ബ്രേക്ക് പുറത്തുമാറ്റി സജീകരിച്ചിട്ടുണ്ടെന്നും ട്രാൻസ്മിഷൻ ന്യൂലോണെന്നും ഉറപ്പാക്കുക.
- എഞ്ചിൻ സ്റ്റാർട്ട് ചെയ്യുമ്പോഴോ എഞ്ചിൻ പ്രവർത്തിക്കുമ്പോഴോ ഇഗ്നിഷൻ വയറുകളിലോ മറ്റ് ഇഗ്നിഷൻ സിസ്റ്റം ഭാഗങ്ങളിലോ തൊടരുത്, നിങ്ങൾക്ക് വൈദ്യുതഘാതം ഉണ്ടായേക്കാം.
- ചൂടുള്ള എഞ്ചിൻ, എക്സ്ഹോസ്റ്റ് മാനിഫോൾഡ്, പൈപ്പുകൾ, മെ്ളർ, റേഡിയേറ്റർ, വാട്ടർ ഹോസുകൾ എന്നിവയിൽ തൊടാതിരിക്കാൻ ശ്രദ്ധിക്കുക.
- ചൂൾ, ബാറ്ററി എന്നിവയ്ക്ക് ചൂറ്റും തീപ്പൊരി, തീജ്വാലകൾ എന്നിവ അനുവദിക്കരുത്. പുകവലിയ്ക്കരുത്, ഇവയ്ക്ക് ചൂറ്റും തീപ്പിടിക്കുന്ന വാതകങ്ങൾ ഉണ്ടായേക്കാം.
- നിങ്ങളുടെ വാഹനത്തിൽ നൽകിയിരിക്കുന്ന പോർട്ടബിൾ ജാക്ക് മാത്രം ഉപയോഗിച്ച് വാഹനത്തിന് സപ്പോർട്ട് ചെയ്യുകയാണെങ്കിൽ അതിനടിയിൽ കയറരുത്
- പോസിറ്റീവ്, നെഗറ്റീവ് ബാറ്ററി ടെർമിനലുകൾക്കിടയിൽ ആകസ്മിക ഷോർട്ട് സർക്യൂട്ടുകൾ ഉണ്ടാകാതിരിക്കാൻ ശ്രദ്ധിക്കുക.
- ഉപയോഗിച്ച ഓയിൽ, കൂളിംഗ്, മറ്റ് ഫ്ലൂയിഡുകൾ എന്നിവ കുട്ടികളിൽ നിന്നും വളർത്തുമൃഗങ്ങളിൽ നിന്നും അകലെ സൂക്ഷിക്കുക. ഉപയോഗിച്ച ഫ്ലൂയിഡുകൾ ശരിയായി നിർമാർജ്ജനം ചെയ്യുക; അവ ഒരിക്കലും നിലത്തോ അഴുക്കുചാലുകളിലോ അശ്രദ്ധമായി ഒഴിച്ചുകളയരുത്.

മെയിന്റനൻസ് ഷെഡ്യൂൾ

നിങ്ങളുടെ വാഹനത്തിൽ പതിവ് അറ്റകുറ്റപ്പണികൾ നടത്തേണ്ട സമയങ്ങളിൽ ഇനിപറയുന്ന പട്ടികയിൽ കാണിച്ചിരിക്കുന്നു. പരിശോധനകൾ, ക്രമീകരണങ്ങൾ, ലൂബ്രിക്കേഷൻ, മറ്റ് സർവീസുകൾ എന്നിവ എപ്പോൾ നടത്തണമെന്ന് കിലോമീറ്ററുകളിലും മാസങ്ങളിലുമായി ഈ പട്ടികയിൽ കാണിച്ചിരിക്കുന്നു.

⚠ മുനറിയിപ്പ്

നിങ്ങളുടെ വാഹനത്തിന്റെ അറ്റകുറ്റപ്പണികൾ നിങ്ങളുടെ അംഗീകൃത മാരുതി സുസുക്കി കൊമേഴ്സ്യൽ വർക്ക്ഷോപ്പിൽ തന്നെ നടത്തണമെന്ന് മാരുതി സുസുക്കി ശുപാർശ ചെയ്യുന്നു.

ശ്രദ്ധിക്കുക

നിങ്ങളുടെ വാഹനത്തിന്റെ ഭാഗങ്ങൾ മാറ്റിസ്ഥാപിക്കേണ്ടതോ ആവശ്യമായി വരുമ്പോഴെല്ലാം, മാരുതിയുടെ ജെനറലിൻ റിപ്പ്രസന്റേറ്റർ ഭാഗങ്ങൾ അല്ലെങ്കിൽ അവിടേക്ക് തുല്യമായ ഉപയോഗിക്കാൻ ശുപാർശ ചെയ്യുന്നു.

ആനുകാലിക പരിപാലന ഷെഡ്യൂൾ

- C: വൃത്തിയാക്കുക
- R: മാറ്റിസ്ഥാപിക്കുക അല്ലെങ്കിൽ മാറ്റുക
- I: പരിശോധന നടത്തുക, വൃത്തിയാക്കുക, ക്രമീകരിക്കുക, ലൂബ്രിക്കേറ്റ് ചെയ്യുക അല്ലെങ്കിൽ ആവശ്യാനുസരണം മാറ്റിസ്ഥാപിക്കുക
- L: ലൂബ്രിക്കേറ്റ് ചെയ്യുക
- T: നിർദ്ദിഷ്ട ടോർക്കിലേക്ക് മുറുക്കുക
- O: തിരിക്കുക

കുറിപ്പ്:
ഈ പട്ടികയിൽ 90,000 കിലോമീറ്റർ മൈലേജ് വരെയുള്ള സേവനങ്ങൾ ഷെഡ്യൂൾ ചെയ്തിരിക്കുന്നു 90,000 കിലോമീറ്ററിന് അപ്പുറം, യഥാക്രമം സമാനമായ ഇടവേളകളിൽ സമാനമായ സർവീസുകൾ നടത്തുക

പരിശോധനയും പരിപാലനവും

ഇടവേള: ഈ ഇടവേള ഓഡോമീറ്റർ റിഡിംഗിലൂടെ വിലയിരുത്തണം അല്ലെങ്കിൽ മാസങ്ങൾ, ഏതാണോ ആദ്യം വരുന്നത്.		സൗജന്യ പരിശോധന				പണം നൽകിക്കൊണ്ടുള്ള പിരിയോഡിക് മെയിൻറൈൻസ്					
		km (x1000)	5	10	20	30	40	50	60	70	80
മാസം		2	4	8	12	16	20	24	28	32	36
എഞ്ചിൻ											
1-1.	വാട്ടർ പമ്പ് ഡ്രൈവ് ബെൽറ്റ് (ടെൻഷൻ, വെയർ)	-	I	I	I	I	I	I	I	R	I
1-2.	എഞ്ചിൻ കൂളിംഗ് SUZUKI LLC: Super (Blue) (#1,2)	ആദ്യ തവണ മാത്രം:	1,00,000 കിലോമീറ്ററിലും അല്ലെങ്കിൽ 60 മാസങ്ങൾ ഏതാണോ ആദ്യം വരുന്നത് അപ്പോൾ മാറ്റിസ്ഥാപിക്കുക.								
		രണ്ടാം തവണയും അതിനു ശേഷവും:	ഓരോ 40,000 കിലോമീറ്ററിലും അല്ലെങ്കിൽ 24 മാസങ്ങൾ ഏതാണോ ആദ്യം വരുന്നത്.								
	എഞ്ചിൻ കൂളിംഗ് SUZUKI LLC: Standard (Yellow) (#1,3)	I	I	R	I	R	I	R	I	R	I
1-3.	എഞ്ചിൻ ഓയിൽ, എഞ്ചിൻ ഓയിൽ ഫിൽട്ടർ, ഡ്രെയിൻ പ്ലഗ് ഗ്രാസ്കറ്റ് (ലേവൽ, ലീക്കേജ്)	I	R	R	R	R	R	R	R	R	R
1-4.	കൂളിംഗ് സിസ്റ്റം ഹോസുകളും കണക്ഷനുകളും (ചോർച്ചയും കേടുപാടുകളും)	I	I	I	I	I	I	I	I	I	I
1-5.	എഞ്ചിൻ മൗണ്ടിംഗും മാനിഫോൾഡ് ഫിക്സിംഗും (അയവ്, കേടുപാടുകൾ)	I	I	I	I	I	I	I	I	I	I
1-6.	എക്സ്ഹോസ്റ്റ് സിസ്റ്റം (ശബ്ദം, ചോർച്ച മുതലായവ)	I	-	I	-	I	-	I	-	I	-
1-7.	പോസിറ്റീവ് ക്രാക്ക് കേസ് വെൻറിലേഷൻ സിസ്റ്റം (ഹോസുകൾ, കണക്ഷനുകൾ, വാൽവ്)	I	-	I	-	I	-	I	-	I	-
1-8.	എക്സ്ഹോസ്റ്റ് ഗ്യാസ് റിസർക്കുലേഷൻ വാൽവ്	-	-	-	C	-	-	C	-	-	C
ഇഗ്നിഷൻ											
2-1.	ഇഗ്നിഷൻ വയർ (കേടുപാടുകൾ, സ്ഥാനഭ്രംശം)	-	-	I	-	I	-	I	-	I	-
2-2.	സ്പാർക്ക് പ്ലഗ്	പെട്രോൾ (Petrol)	ഓരോ 1,00,000 കിലോമീറ്ററിലും അല്ലെങ്കിൽ 84 മാസങ്ങളിൽ ഏതാണോ ആദ്യം വരുന്നത് അതിൽ മാറ്റി സ്ഥാപിക്കുക.								
		സി.എൻ.ജി (CNG)	ഓരോ 50,000 കിലോമീറ്ററിലും അല്ലെങ്കിൽ 48 മാസം ഏതാണോ ആദ്യം വരുന്നത് അതിൽ മാറ്റിസ്ഥാപിക്കുക.								
ഫ്യൂൽ											
3-1.	എയർ ക്ലീനർ ഫിൽട്ടർ ഘടകം	പാകിയ റോഡ്	ഓരോ 5,000 കിലോമീറ്ററിലും വൃത്തിയാക്കുക. ഓരോ 40,000 കിലോമീറ്ററിലും മാറ്റിസ്ഥാപിക്കുക.								
		പോസിറ്റീവ് അവസ്ഥ	ഓരോ 2,500 കിലോമീറ്ററിലും വൃത്തിയാക്കുക. ഓരോ 40,000 കിലോമീറ്ററിലും കൂടുതൽ കേടുപാടുകൾ ഉള്ള സാഹചര്യമുണ്ടെങ്കിൽ കുറഞ്ഞ ഇടവേളകളിൽ മാറ്റിസ്ഥാപിക്കുക.								

- #1: ഓപ്പറേറ്റിംഗ് യുവർ വെഹിക്കിൾ വിഭാഗത്തിലെ ദൈനംദിന പരിശോധനയ്ക്ക് കീഴിൽ പരാമർശിക്കുന്ന എഞ്ചിൻ കൂളിംഗ് ലേവൽ പരിശോധന നടത്തുക. ഒരു പുതിയ കാറിൽ നിറച്ച അതേ ഫിൽ ചെയ്ത തരത്തിൽപ്പെട്ട കൂളിംഗ് തന്നെ നിങ്ങൾ കൂടുതൽ കൂളിംഗ് ചേർക്കുമ്പോഴോ മാറ്റുമ്പോഴോ ഉപയോഗിക്കേണ്ടതാണ്. ഈ വിഭാഗത്തിലെ "എഞ്ചിൻ കൂളിംഗ്" റഫർ ചെയ്യുക.
- #2: SUZUKI LLC ചേർക്കരുത്: നിങ്ങളുടെ വാഹനത്തിൽ യഥാർത്ഥത്തിൽ SUZUKI LLC: Super (Blue) കൂളിംഗ് നിറച്ചിട്ടുണ്ടെങ്കിൽ Standard (Yellow) കൂളിംഗ് അല്ലെങ്കിൽ ഡിസ്റ്റിൽ ചെയ്ത വെള്ളം അല്ലെങ്കിൽ മറ്റെന്തെങ്കിലും.
- #3: നിങ്ങളുടെ വാഹനം യഥാർത്ഥത്തിൽ SUZUKI LLC നിറച്ചിരിക്കുന്നത്: Standard (Yellow) കൂളിംഗ് ഉപയോഗിച്ചാണെങ്കിൽ, SUZUKI LLC-യുടെ മെയിൻറൈൻസ് ഷെഡ്യൂൾ പിന്തുടരുക: Standard (Yellow) കൂളിംഗ്.

7-3

പരിശോധനയും പരിപാലനവും

ഇടവേള: ഈ ഇടവേള ഓഡോമീറ്റർ റിഡിംഗിലൂടെ വിലയിരുത്തണം അല്ലെങ്കിൽ മാസങ്ങൾ, ഏതാണോ ആദ്യം വരുന്നത്.	km (x1000) മാസം	സൗജന്യ പരിശോധന				പണം നൽകിക്കൊണ്ടുള്ള പിരിയോഡിക് മെയിൻറ്റനൻസ്					
		5	10	20	30	40	50	60	70	80	90
		2	4	8	12	16	20	24	28	32	36
3-2.	ഫ്യൂൽ ടാങ്ക് ക്യാപ്, ഫ്യൂൽ ലൈനുകളും കണക്ഷനുകളും (ചോർച്ചയും നാശവും)		-	-	-		-	-	-		-
3-3.	ഫ്യൂൽ ഫിൽട്ടർ (ചോർച്ച)					R				R	
3-4.	സി.എൻ.ജി ഫ്യൂൽ ലൈൻ ജോയിന്റ്സ് (ഗ്യാസ് ചോർച്ച)										
3-5.	ഓ-റിംഗ് ഉള്ള സി എൻ ജി ലോ പ്രഷർ ഫിൽട്ടർ കാർബിഡ്ജ്	-	-	R	-	R	-	R	-	R	-
3-6.	സി.എൻ.ജി സിലിണ്ടർ ചോർച്ച പരിശോധനയും സർട്ടിഫിക്കേഷനും	ഗവൺമെന്റ് അംഗീകൃത സെന്ററിൽ എഞ്ചിൻസി വഴി പ്രാഥമിക പരിശോധന നടത്തിയ തീയതി മുതൽ ഓരോ 3 വർഷത്തിലും.									
3-7.	സി എൻ ജി ഫില്ലർ റെസെപ്റ്റാക്കിൾ ഓ -റിംഗ്	ഓരോ 4 വർഷത്തിലും അല്ലെങ്കിൽ 300,000 കി.മീ., ഏതാണോ നേരത്തെ വരുന്നത് അതിൽ മാറ്റിസ്ഥാപിക്കുക									
ക്ലിയറും ട്രാൻസ്മിഷനും											
4-1.	ക്ലച്ച് പെഡൽ (പ്ലേ)										
4-2.	ക്ലച്ച് സ്റ്റിപ്പിംഗ് (ഡ്രാഗിംഗ് അല്ലെങ്കിൽ കൂടുതൽ കേടുപാടുകൾ)										
4-3.	ഗിയർ ഷിഫ്റ്റർ (ഓപ്പറേഷൻ)										
4-4.	മാനൂവൽ ട്രാൻസ്മിഷൻ ഓയിൽ (നില, ചോർച്ച)										
4-5.	റിയർ ഡിഫറൻഷ്യൽ ഓയിൽ (നില, ചോർച്ച)	80,000 കി.മീ അല്ലെങ്കിൽ 4 വർഷം ഏതാണോ ആദ്യം വരുന്നത് അതിൽ മാറ്റിസ്ഥാപിക്കുക									
4-6.	പ്രൊപ്പല്ലർ ഷാഫ്റ്റ് / യൂണിറ്റ് വെഴ്സൽ ജോയിന്റ് (അയവ്, കേടുപാടുകൾ)		I&L	I&L	I&L	I&L	I&L	I&L	I&L	I&L	I&L
ബ്രേക്ക്											
5-1.	ബ്രേക്ക് ഫ്ലൂയിഡ് (ലെവൽ, ചോർച്ച)	ഓരോ 40,000 കിലോമീറ്ററിലും അല്ലെങ്കിൽ 24 മാസം ഏതാണോ ആദ്യം വരുന്നത് അതിൽ മാറ്റിസ്ഥാപിക്കുക									
5-2.	ബ്രേക്ക് പെഡൽ (പെഡൽ - ഫ്രണ്ട് പാനൽ ക്ലിയറൻസ്)										
5-3.	പാർക്കിംഗ് ബ്രേക്ക് ലിവറും കേബിളും (പ്ലേ, കേടുപാടുകൾ)										
5-4.	ബ്രേക്ക് ഡിസ്കും പാഡും (തേയ്മാനം)										
5-5.	ബ്രേക്ക് ഡ്രമ്മും ഷൂസും (തേയ്മാനം)	-									
5-6.	മാസ്റ്റർ സിലിണ്ടർ, വിൽ സിലിണ്ടർ, കാലിപ്പർ പിസ്റ്റൺ (ഫ്ലൂയിഡ് ലീക്കേജ്, ബൂട്ട്/സിൽ കേടുപാട്)										
5-7.	ബ്രേക്ക് ഹോസുകളും പൈപ്പുകളും (ചോർച്ച, കേടുപാടുകൾ)										
വീൽ											
6-1.	ടയറുകൾ (വായു ഉർദ്ദം, അസാധാരണമായ തേയ്മാനം, വിള്ളലും റൊട്ടേഷനും)	I&O	I&O	I&O	I&O	I&O	I&O	I&O	I&O	I&O	I&O
6-2.	വീലുകൾ (കേടുപാടുകൾ)										
6-3.	ഫ്രണ്ട്/റിയർ വീൽ ബെയറിംഗ് (അയവ്, കേടുപാടുകൾ)										

പരിശോധനയും പരിപാലനവും

ഇടവേള: ഈ ഇടവേള ഓഡോമീറ്റർ റീഡിംഗിലൂടെ വിലയിരുത്തണം അല്ലെങ്കിൽ മാസങ്ങൾ, ഏതാണോ ആദ്യം വരുന്നത്..		സൗജന്യ പരിശോധന				പണം നൽകിക്കൊണ്ടുള്ള പിരിയോഡിക് മെയിൻറ്റനൻസ്						
		km (x1000)	5	10	20	30	40	50	60	70	80	90
		മാസം	2	4	8	12	16	20	24	28	32	36
ഫ്രണ്ട് / റിയർ സസ്പെൻഷൻ												
7-1.	ഫ്രണ്ട് സസ്പെൻഷൻ സ്ട്രട്ടും ഷോക്ക് അബ്സോർബറും (ഓയിൽ ചോർച്ച, കേടുപാടുകൾ)											
7-2.	ഫ്രണ്ട് സസ്പെൻഷൻ ആംഗ് നക്ടിൾ സ്പ്രോർട്ട്, ട്രെൻഷൻ റെക്കോഡുകൾ (അയവ്, കേടുപാടുകൾ)											
7-3.	റിയർ ലിഫ്റ്റ് സ്ട്രിങ് (നാശം)											
7-4.	റിയർ ഷോക്ക് അബ്സോർബർ (ഓയിൽ ചോർച്ച, കേടുപാടുകൾ)											
7-5.	എല്ലാ ബോൾട്ടുകളും നട്ടുകളും (അയവ്)	T	T	T	T	T	T	T	T	T	T	T
സ്റ്റിയറിംഗ്												
8-1.	സ്റ്റിയറിംഗ് വീൽ (പ്ലേ, ലൂസ്)											
8-2.	സ്റ്റിയറിംഗ് കോളം റോഡുകളും ആമുകയും (അയവ്, കേടുപാടുകൾ, തേയ്മാനം)											
ഇലക്ട്രിക്കൽ												
9-1.	ബാറ്ററി - ഇലക്ട്രോലൈറ്റ് (ലെവൽ, ലിക്വൈറ്റ്) വോൾട്ടേജ്											
9-2.	വയറിംഗ് ഹാർനെസ് കണക്ഷൻ (അയവ്, കേടുപാടുകൾ)											
9-3.	ലൈറ്റിംഗ് സിസ്റ്റം (ഓപ്പറേഷൻ)											
9-4.	വൈപ്പർ (ഓപ്പറേഷൻ, കറകൾ, കേടുപാടുകൾ)											
9-5.	ഹോൺ (ഓപ്പറേഷൻ)											
9-6.	ആക്സസറി സോക്റ്റ് (പ്രവർത്തനം)											
ബോഡി												
10-1.	എല്ലാ ചേസിസ് ബോൾട്ടുകളും നട്ടുകളും (മുറുക്കുക)		T	T	T	T	T	T	T	T	T	T
10-2.	എല്ലാ ലാച്ചുകളും ഹിംഗുകളും ലോക്കുകളും (പ്രവർത്തനം)	I&L	I&L	I&L	I&L	I&L	I&L	I&L	I&L	I&L	I&L	I&L
10-3.	കാർഗോ ബെഡ് (പരിശോധിക്കുക)											
റോഡ് ട്രെസ്റ്റ്												
11-1.	ബ്രേക്ക്, ക്ലച്ച്, ഗിയർ ഷിഫ്റ്റിംഗ്, സ്പീഡോമീറ്റർ എന്നിവയുടെ പ്രവർത്തനം											
11-2.	ബോഡി, ചാസിസ് ശബ്ദം											

7-5

ഉപഭോക്താവ് നിർവഹിക്കേണ്ട പരിശോധനയും പരിപാലന പ്രവർത്തനങ്ങളും

ഇനിപ്പറയുന്ന പട്ടികയിൽ നിങ്ങൾ നിർവഹിക്കേണ്ട പരിശോധനയും പരിപാലന പ്രവർത്തനങ്ങളും സൂചിപ്പിക്കുന്നു. നിങ്ങളുടെ പരിശോധന, ഗ്രീസ് നൽകൽ, ലൂബ്രിക്കേഷൻ & മറ്റ് സർവീസുകൾ നടത്തേണ്ട ആവൃത്തി ഈ പട്ടികയിൽ സൂചിപ്പിക്കുന്നു.

ക്രമ നമ്പർ.	പ്രവർത്തനം	റഫറൻസ്
ഭിവസേന	1 വായു മുർദം, അസാധാരണമായ തേയ്മാനം, വിള്ളലുകൾ, കേടുപാടുകൾ എന്നിവയ്ക്കായി എല്ലാ ടയറുകളും (സപെയർ വിൽ ഉൾപ്പെടെ) പരിശോധിക്കുക.	പേജ് നമ്പർ 7-22
ആഴ്ചയിൽ ഒരിക്കൽ	2 എഞ്ചിൻ ഓയിൽ ലെവൽ പരിശോധിക്കുക, ആവശ്യമെങ്കിൽ, മാരുതി ജെനുവിൻ എഞ്ചിൻ ഓയിൽ ഉപയോഗിച്ച് ടോപ്പ് അപ്പ് ചെയ്യുക.	പേജ് നമ്പർ 7-8
	3 കുളനറ്റ് റിസർവോയറിലെ കുളനറ്റ് ലെവൽ പരിശോധിക്കുക, ആവശ്യമെങ്കിൽ, ശുപാർശ ചെയ്യുന്ന മാരുതി ജെനുവിൻ കുളനറും ഡിസ്റ്റിൽഡ് വെള്ളവും നിർദ്ദിഷ്ട അനുപാതത്തിൽ ഒരു മിശ്രിതം ഉപയോഗിച്ച് ടോപ്പ് അപ്പ് ചെയ്യുക.	പേജ് നമ്പർ 7-12
	4 ട്രാൻസ്മിഷൻ ഓയിൽ ലെവലും ഡിഫറൻഷ്യൽ ഓയിൽ ലെവലും പരിശോധിക്കുക.	പേജ് നമ്പർ 7-16
	5 ബ്രേക്ക് ഫ്ലൂയിഡ് റിസർവോയറിലെ ബ്രേക്ക് ഫ്ലൂയിഡ് ലെവൽ പരിശോധിക്കുക, ആവശ്യമെങ്കിൽ മാരുതി ജെനുവിൻ ബ്രേക്ക് ഫ്ലൂയിഡ് ഉപയോഗിച്ച് ടോപ്പ് അപ്പ് ചെയ്യുക.	പേജ് നമ്പർ 7-18
	6 ഇതിനായി വാഹനം പരിശോധിക്കുക <ul style="list-style-type: none"> • എഞ്ചിൻ ഓയിൽ ചോർച്ച • കുളനറ്റ് ചോർച്ച • ബ്രേക്ക് ഫ്ലൂയിഡ് ചോർച്ച <ul style="list-style-type: none"> • ഫ്രണ്ട് സസ്പെൻഷൻ സ്ക്രൂ് ചോർച്ച • റിയർ ഷോക്ക് അബ്സോർബർ ചോർച്ച • ചുരുട്ട് ചോർച്ച • ട്രാൻസ്മിഷൻ ഓയിലും ഡിഫറൻഷ്യൽ ഓയിൽ ചോർച്ചയും 	ഇൻസ്പെക്ഷനും മെയിൻറ്റനൻസും
	7 ബാറ്ററി ഇലക്ട്രോലൈറ്റ് ലെവൽ, ടെർമിനലുകൾ, ബ്രാക്കറ്റ് എന്നിവ പരിശോധിക്കുക.	പേജ് നമ്പർ 7-24
	8 വീൽ മൗണ്ടിംഗ് നട്ട് പരിശോധിച്ച് ആവശ്യമെങ്കിൽ മുറുക്കുക.	പേജ് നമ്പർ 8-5

പരിശോധനയും പരിപാലനവും

പ്രതിമാസം	9	കേടുപാടുകൾ അല്ലെങ്കിൽ സ്ഥാനഭ്രംശം ഉണ്ടായെന്ന് ഡ്രൈവ് ബെൽറ്റ് പരിശോധിക്കുക.	പേജ് നമ്പർ. 7-8
	10	എയർ ഫിൽട്ടർ ഘടകം വൃത്തിയാക്കുക	പേജ് നമ്പർ. 7-15
	11	മൾട്ടി പർപ്പസ് ശ്രീസ് ഉപയോഗിച്ച് എല്ലാ ലാച്ചുകളും ഹിംഗുകളും ലോക്കുകളും ശ്രീസ് ചെയ്യുക.	പേജ് നമ്പർ. 7-5
	12	ശ്രീസ് ഗണ്ണിനൊപ്പം ശ്രീസ് പ്രൊപ്പല്ലർ ഷാഫ്റ്റ് യൂണിറ്റിനോടൊത്ത് ജോയിന്റ്.	പേജ് നമ്പർ. 7-21
ആവശ്യമുള്ളപ്പോൾ ആവശ്യമുള്ള രീതിയിൽ	13	കൂച്ച് പെഡൽ പ്ലേ പരിശോധിക്കുക	പേജ് നമ്പർ. 7-17
	14	എഞ്ചിൻ പ്രവർത്തിക്കുമ്പോൾ ബ്രേക്ക് പ്രയോഗിച്ച് ബ്രേക്ക് പെഡൽ മുതൽ പ്ലോർ പാനലിലേക്കുള്ള ദൂരം പരിശോധിക്കുക.	പേജ് നമ്പർ. 7-19
	15	ശരിയായ ക്രമീകരണത്തിനായി പാർക്കിംഗ് ബ്രേക്ക് പരിശോധിക്കുക.	പേജ് നമ്പർ. 7-20

* വാഹനം ഒരു വശത്തേക്ക് വലിക്കുകയോ ഉയർന്ന വേഗതയിൽ വൈബ്രേറ്റ് ചെയ്യുകയോ ചെയ്താൽ വീൽ അലൈൻമെന്റും ബാലൻസിംഗും പരിശോധിക്കുക കൂടാതെ/അല്ലെങ്കിൽ ക്രമീകരിക്കുക.

ഡ്രൈവ് ബെൽറ്റ്

⚠ മുന്നറിയിപ്പ്

എഞ്ചിൻ പ്രവർത്തിക്കുമ്പോൾ, ചിലിക്കുന്ന ഫാൻ, ഡ്രൈവ് ബെൽറ്റുകൾ എന്നിവയിൽ നിന്ന് കൈകൾ, മുടി, വസ്ത്രങ്ങൾ, ഉപകരണങ്ങൾ മുതലായവ അകലെ സൂക്ഷിക്കുക.

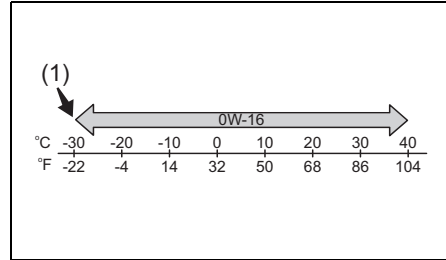
ഡ്രൈവ് ബെൽറ്റ് ടെൻഷൻ ശരിയാണെന്ന് ഉറപ്പാക്കുക. ബെൽറ്റ് വളരെ അയഞ്ഞതാണെങ്കിൽ, വേണ്ടത്ര ബാറ്ററി ചാർജിംഗ്, എഞ്ചിൻ ഓവർ ഹീറ്റിംഗ് അല്ലെങ്കിൽ അമിതമായ ബെൽറ്റ് തേയ്മാനം എന്നിവ ഉണ്ടാകാം.

ബെൽറ്റുകൾക്ക് കേടുപാടുകൾ സംഭവിച്ചിട്ടില്ലെന്ന് ഉറപ്പാക്കാനും പരിശോധിക്കണം.

നിങ്ങൾക്ക് ബെൽറ്റ് മാറ്റുകയോ അഡ്ജസ്റ്റ് ചെയ്യുകയോ ആവശ്യമാണെങ്കിൽ നിങ്ങളുടെ മാരുതി സൂസുക്കി അംഗീകൃത വർക്കിംഗ്ഷോപ്പിൽ ചെയ്യേണ്ടതാണ്.

എഞ്ചിൻ ഓയിലും ഫിൽട്ടറും സ്പെസിഫൈഡ് ഓയിൽ

ഇന്ത്യക്ക് വേണ്ടി



56RM07013

(1) ശുപാർശ ചെയ്തത്

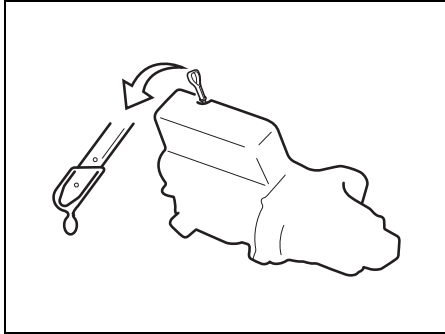
നിങ്ങൾ ഉപയോഗിക്കുന്ന എഞ്ചിൻ ഓയിൽ **API SN**-ന്റെ ഗുണനിലവാര മാനദണ്ഡങ്ങൾക്ക് കീഴിലാണോയെന്ന് പരിശോധിക്കുക. മുകളിലെ ചാർട്ട് അനുസരിച്ച് ഉചിതമായ ഓയിൽ വിസകോസിറ്റി തിരഞ്ഞെടുക്കുക

SAE 0W-16 (1) മികച്ച ഫ്യൂൽ എക്കോണമിയ്ക്കുന്നതല്ലാത്ത കാലാവസ്ഥയിൽ നല്ല സ്റ്റാർട്ടിംഗ് ലഭിക്കാനും ഏറ്റവും മികച്ച തിരഞ്ഞെടുപ്പാണ്.

- കുറിപ്പ്:**
- നിങ്ങൾ തിരഞ്ഞെടുക്കുന്ന എഞ്ചിൻ ഓയിലിന്റെ തരം അനുസരിച്ച് അവ കൂടുതൽ നിറയ്ക്കാനുള്ള സമയം വ്യത്യാസപ്പെടുന്നു. ഈ വിഭാഗത്തിൽ "മിയിൻറനൻസ് ഷെഡ്യൂൾ" റഫർ ചെയ്യുക ബന്ധപ്പെട്ട അറ്റകുറ്റപ്പണി ഷെഡ്യൂളിനായി.
 - നിങ്ങൾ മാരുതി സൂസുക്കി ജെനുവിൻ ഓയിൽ ഉപയോഗിക്കാൻ തങ്ങൾ ശുപാർശ ചെയ്യുന്നു. ഇത് വാങ്ങാൻ, മാരുതി സൂസുക്കി അംഗീകൃത വർക്കിംഗ്ഷോപ്പ് സന്ദർശിക്കുക.

പരിശോധനയും പരിപാലനവും

ഓയിൽ ലെവൽ പരിശോധന



55RH07002

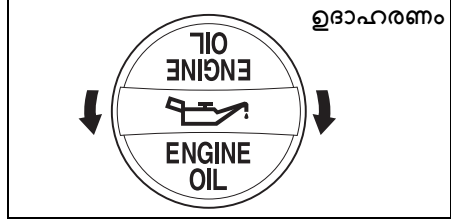
നിങ്ങളുടെ വാഹനത്തിന്റെ എഞ്ചിന്റെ ശരിയായ ലൂബ്രിക്കേഷനായി എഞ്ചിൻ ഓയിൽ ഉചിതമായ ലെവലിൽ സൂക്ഷിക്കേണ്ടത് പ്രധാനമാണ്. നിരപ്പായ പ്രതലത്തിൽ വാഹനം നിർത്തിയിട്ട് ഓയിൽ ലെവൽ പരിശോധിക്കുക. വാഹനം ചരിവിലാണെങ്കിൽ ഓയിൽ ലെവൽ സൂചന കൃത്യമായി ലഭിക്കില്ല. എഞ്ചിൻ ആരംഭിക്കുന്നതിന് മുമ്പോ എഞ്ചിൻ നിർത്തി 5 മിനിറ്റുകളിലും കഴിഞ്ഞോ ഓയിൽ ലെവൽ പരിശോധിക്കണം.

ഓയിൽ ഡിപ്സ്റ്റിക്ക് പുറത്തെടുക്കുക, വൃത്തിയുള്ള തുണി ഉപയോഗിച്ച് ഓയിൽ തുടയ്ക്കുക, ഡിപ്സ്റ്റിക്ക് എഞ്ചിനിലേക്ക് കയറ്റി വയ്ക്കുക, തുടർന്ന് അത് വീണ്ടും നീക്കം ചെയ്യുക. സ്റ്റിക്കിലെ ഓയിൽ അതിൽ രേഖപ്പെടുത്തിയിട്ടുള്ള മുകളിലും

താഴെയുമുള്ള പരിധികൾക്കിടയിലായിരിക്കണം. ഓയിൽ ലെവൽ സൂചകം താഴ്ന്ന പരിധിക്ക് അടുത്താണെങ്കിൽ, ലെവൽ ഉയർന്ന പരിധിയിലേക്ക് ഉയർത്താൻ ആവശ്യമായ ഓയിൽ ചേർക്കുക.

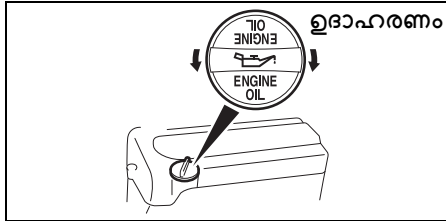
ശ്രദ്ധിക്കുക	
ഓയിൽ ലെവൽ പതിവായി പരിശോധിക്കുന്നതിൽ പരാജയപ്പെടുന്നത്, ആവശ്യത്തിന് ഓയിലിന്റെ അഭാവം ഗുരുതരമായ എഞ്ചിൻ തകരാറുകൾക്ക് കാരണമാകും.	

റീഫില്ലിംഗ്



68PH00762

ഓയിൽ ഫില്ലർ ക്യാപ് നീക്കം ചെയ്ത് ഫില്ലർ ഹോളിലൂടെ സാവധാനം ഓയിൽ ഒഴിക്കുക, ഡിപ്സ്റ്റിക്കിലെ ഓയിൽ ലെവൽ മുകളിലെ പരിധിയിലേക്ക് കൊണ്ടുവരിക. അമിതമായി നിറയാതിരിക്കാൻ ശ്രദ്ധിക്കുക. അമിതമായി ഓയിൽ ഉപയോഗിക്കുന്നത് പോലെത്തന്നെ വളരെ കുറച്ച് ഓയിൽ ഉപയോഗിക്കുന്നതും ദോഷകരമാണ്. റീഫിൽ ചെയ്ത ശേഷം, എഞ്ചിൻ ആരംഭിച്ച് ഒരു മിനിറ്റ് നേരത്തേക്ക് ഫ്ലൈഡലിംഗ് അനുവദിക്കുക. എഞ്ചിൻ നിർത്തുക, ഏകദേശം 5 മിനിറ്റ് കാത്തിരുന്ന് വീണ്ടും ഓയിൽ ലെവൽ പരിശോധിക്കുക.



68PM00703

എഞ്ചിൻ ഓയിലും ഫിൽട്രും

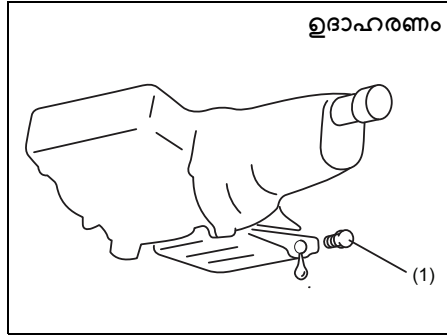
മാറ്റുന്നു

എഞ്ചിൻ ചൂടായിരിക്കുമ്പോൾ തന്നെ എഞ്ചിൻ ഓയിൽ ഒഴുക്കിക്കളയുക.

- 1) ഓയിൽ ഫില്ലർ ക്യാപ് നീക്കം ചെയ്യുക.
- 2) ഡ്രെയിൻ പ്ലഗ് കീഴിൽ ഒരു ഡ്രെയിൻ പാൻ വയ്ക്കുക.
- 3) ഒരു റെഞ്ച് ഉപയോഗിച്ച്, ഡ്രെയിൻ പ്ലഗ് നീക്കം ചെയ്ത് എഞ്ചിൻ ഓയിൽ ഒഴുക്കിക്കളയുക.

⚠ ജാഗ്രത

ഡ്രെയിൻ പ്ലഗ് അയഞ്ഞിരിക്കുമ്പോൾ എഞ്ചിൻ ഓയിൽ താപനില നിങ്ങളുടെ കൈകൾക്ക് പൊള്ളലേൽക്കാൻ പാകത്തിൽ ഉയർന്നതായിരിക്കാം. നിങ്ങളുടെ കൈകൊണ്ട് സ്പർശിക്കാൻ ഡ്രെയിൻ പ്ലഗ് തണുക്കുന്നതുവരെ കാത്തിരിക്കുക.



77PM07007

ഡ്രെയിൻ പ്ലഗിനുള്ള ടോർക്ക് (1):
50 Nm (5.1 kg-m, 36.9 lb-ft)

⚠ മുന്നറിയിപ്പ്

പുതിയതും ഉപയോഗിച്ചതുമായ ഓയിൽ അപകടകരമാണ്. പുതിയതോ ഉപയോഗിച്ചതോ ആയ ഓയിൽ അകത്തേത്തുന്നതുകൂട്ടികൾക്കും വളർത്തുമൃഗങ്ങൾക്കും ദോഷം ചെയ്യും. പുതിയതും ഉപയോഗിച്ചതുമായ ഓയിലും ഉപയോഗിച്ച ഓയിൽ ഫിൽട്രുകളും കൂട്ടികളിൽ നിന്നും നിന്നും വളർത്തുമൃഗങ്ങളിൽ നിന്നും അകറ്റി സൂക്ഷിക്കുക. ഉപയോഗിച്ച എഞ്ചിൻ ഓയിലുമായുള്ള ആവർത്തിച്ചുള്ള സമ്പർക്കം ചർമ്മ കാൻസറിന് കാരണമാകും. ഉപയോഗിച്ച എണ്ണയുമായുള്ള ഹ്രസ്വ സമ്പർക്കം ചർമ്മത്തെ പ്രകോപിപ്പിക്കാം. ഉപയോഗിച്ച ഓയിലുമായി നിങ്ങളുടെ എക്സ്പോഷർ കുറയ്ക്കുന്നതിന്, ഓയിൽ മാറ്റുമ്പോൾ നിളമുള്ള കൈയുളള ഷർട്ടും ഞാർപ്പം പ്രതിരോധിക്കുന്ന തരത്തിലുള്ള കയ്യുറകളും (പാത്രം കഴുകുന്ന കയ്യുറകൾ പോലുള്ളവ) ധരിക്കുക. നിങ്ങളുടെ ചർമ്മത്തിൽ ഓയിൽ പൂർണ്ണമായും ഉപയോഗിച്ച സോപ്പും വെള്ളവും ഉപയോഗിച്ചു നന്നായി കഴുകുക. എത്രെങ്കിലും വസ്ത്രത്തിലോ തൂണിയിലോ ഓയിൽ പറ്റുകയാണെങ്കിൽ അത് പെട്ടെന്ന് കഴുകിക്കളയുക. ഉപയോഗിച്ച ഓയിലും ഫിൽട്രുകളും റിസൈക്കിൾ ചെയ്യുക അല്ലെങ്കിൽ ശരിയായി നിർമാർജ്ജനം ചെയ്യുക.

- 4) ഡ്രെയിൻ പ്ലഗും ഗാസ്കറ്റും വീണ്ടും ഇൻസ്റ്റാൾ ചെയ്യുക.

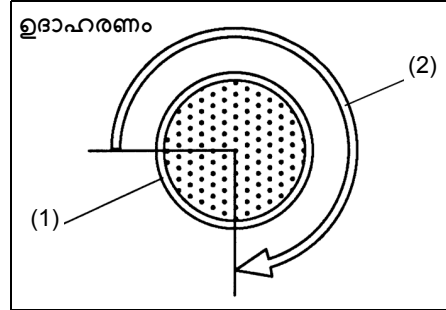
പരിശോധനയും പരിപാലനവും

നിർദ്ദിഷ്ട ടോർക്കിലേക്ക് ഒരു റെഞ്ച് ഉപയോഗിച്ച് പ്ലഗ് മുറുക്കുക.

ഓയിൽ ഫിൽട്ടർ മാറ്റിസ്ഥാപിക്കുക

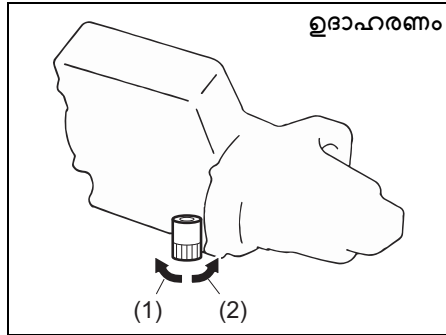
- 1) ഒരു ഓയിൽ ഫിൽട്ടർ റെഞ്ച് ഉപയോഗിച്ച്, ഓയിൽ ഫിൽട്ടർ എതിർ ഘടികാരദിശയിൽ തിരിച്ച് അത് നീക്കം ചെയ്യുക.
- 2) ഒരു വൃത്തിയുള്ള തുണിക്കുപ്പണം ഉപയോഗിച്ച്, പുതിയ ഫിൽട്ടർ ഇരിക്കുന്ന എഞ്ചിനിലെ മുണ്ടിംഗ് പ്രതലം തുടയ്ക്കുക.
- 3) പുതിയ ഓയിൽ ഫിൽട്ടറിന്റെ റബ്ബർ ഗാസ്കറ്റിന് ചുറ്റും അല്പം എഞ്ചിൻ ഓയിൽ പുരട്ടുക.
- 4) ഫിൽട്ടർ ഗാസ്കറ്റ് മുണ്ടിംഗ് പ്രതലവുമായി ബന്ധപ്പെടുന്നതുവരെ പുതിയ ഫിൽട്ടർ കൈകൊണ്ട് സക്രൂ ചെയ്യുക.

മുറുക്കുക (ഫിൽട്ടർ മുകളിൽ നിന്ന് കാണുന്നത്)



54G093

- (1) ഓയിൽ ഫിൽട്ടർ
- (2) 3/4 ടേൺ



77PH017

- (1) അഴിക്കുക
- (2) മുറുക്കുക

ശ്രദ്ധിക്കുക

ഓയിൽ ചോർച്ച തടയാൻ, ഓയിൽ ഫിൽട്ടർ മുറുകിയിരിക്കുന്നുവെന്ന് ഉറപ്പാക്കുക, പക്ഷേ അത് കൂടുതൽ മുറുക്കരുത്.

ഓയിൽ വീണ്ടും നിറയ്ക്കുക, ചോർച്ച പരിശോധിക്കുക

- 1) ഫില്ലർ ഹോളിലൂടെ എണ്ണ ഒഴിച്ച് ഫില്ലർ ക്യാപ് ഇൻസ്റ്റാൾ ചെയ്യുക. ഓയിലിന്റെ ഏകദേശ കപ്പാസിറ്റി അറിയുന്നതിനായി, "സ്പെസിഫിക്കേഷൻസ്" വിഭാഗത്തിലെ "കപ്പാസിറ്റികൾ" എന്ന സെക്ഷൻ കാണുക.
- 2) എഞ്ചിൻ സ്റ്റാർട്ട് ചെയ്യുക ഓയിൽ ഫിൽട്ടറിലും ഡ്രെയിൻ പ്ലഗിലും ചോർച്ചയുണ്ടോയെന്ന് ശ്രദ്ധാപൂർവ്വം നോക്കുക. കുറഞ്ഞത് 5 മിനിറ്റുകളിലും വിവിധ വേഗതയിൽ എഞ്ചിൻ പ്രവർത്തിപ്പിക്കുക.
- 3) എഞ്ചിൻ നിർത്തി ഏകദേശം 5 മിനിറ്റ് കാത്തിരിക്കുക. ഓയിൽ നില വീണ്ടും പരിശോധിക്കുക, ആവശ്യമെങ്കിൽ ഓയിൽ ചേർക്കുക. ചോർച്ച വീണ്ടും പരിശോധിക്കുക.

ശ്രദ്ധിക്കുക

ഓയിൽ ഫിൽട്ടർ ശരിയായി മുറുക്കുന്നതിന്, ഫിൽട്ടർ ഗാസ്കറ്റ് ആദ്യം മുണ്ടിംഗ് ഉപരിതലവുമായി ഉറപ്പിക്കുന്ന പൊസിഷൻ കൃത്യമായി തിരിച്ചറിയേണ്ടത് പ്രധാനമാണ്.

- 5) ഒരു ഓയിൽ ഫിൽട്ടർ റെഞ്ച് ഉപയോഗിച്ച് മുണ്ടിംഗ് ഉപരിതലവുമായുള്ള കോൺടാക്റ്റ് പോയിന്റിൽ നിന്ന് ഫിൽട്ടർ വ്യക്തമാക്കിയ ടേണിൽ (അല്ലെങ്കിൽ നിർദ്ദിഷ്ട ടോർക്കിലേക്ക്) മുറുക്കുക.

ഓയിൽ ഫിൽട്ടർ 3/4 ടേൺ അല്ലെങ്കിൽ 14 Nm (1.4 kgf-m, 10.3 lbf-ft) എന്ന ടൈറ്റിംഗ് ടോർക്കിലേക്ക് മുറുക്കുക

ശ്രദ്ധിക്കുക	
<ul style="list-style-type: none"> ഓയിൽ ഫിൽട്ടർ മാറ്റിസ്ഥാപിക്കുമ്പോൾ, നിങ്ങൾ ഒരു മാരുതി ജെനുവിൻ ഫിൽട്ടർ ഉപയോഗിക്കാൻ ശുപാർശ ചെയ്യുന്നു. നിങ്ങൾ വിപണിയിൽ ലഭിക്കുന്ന ഫിൽട്ടർ ഉപയോഗിക്കുകയാണെങ്കിൽ, അത് തത്തുല്യമായ ഗുണനിലവാരമുള്ളതാണെന്ന് ഉറപ്പുവരുത്തുകയും നിർമ്മാതാവിന്റെ നിർദ്ദേശങ്ങൾ പാലിക്കുകയും ചെയ്യുക. ഓയിൽ ഫിൽട്ടറിന്റെ അല്ലെങ്കിൽ ഡ്രെയിൻ പ്ലഗിന്റെ ചുറ്റും നിന്നുള്ള ഓയിൽ ചോർച്ച തെറ്റായ ഇൻസുലേഷൻ അല്ലെങ്കിൽ ഗ്യാസുകറ്റ് കേടുപാടുകളെ സൂചിപ്പിക്കുന്നു. നിങ്ങൾ എന്തെങ്കിലും ചോർച്ച കണ്ടെത്തുകയോ അല്ലെങ്കിൽ ഫിൽട്ടർ ശരിയായി എന്ന് മുറുക്കിയിട്ടുണ്ടോ സംശയിക്കുകയോ ചെയ്യുകയാണെങ്കിൽ, നിങ്ങളുടെ അംഗീകൃത മാരുതി സൂസുക്കി കൊമേഴ്സ്യൽ വർക്ക്ഷോപ്പ് സന്ദർശിച്ച് വാഹനം പരിശോധിക്കുക. 	

എഞ്ചിൻ കൂളന്റ്

കൂളന്റ് ലെവൽ പരിശോധന



77PM07010

റേഡിയേറ്ററിലല്ല, റിസർവോയർ ടാങ്കിലെ കൂളന്റ് ലെവൽ പരിശോധിക്കുക. കൂളന്റ് ലെവൽ "ലോ" മാർക്കിന് താഴെയാണെങ്കിൽ, കൂളന്റ് ചേർക്കണം.

കൂളന്റ് കൂട്ടിച്ചേർക്കലും മാറ്റിസ്ഥാപിക്കലും

നിങ്ങൾ കൂളന്റ് ചേർക്കുമ്പോൾ, റിസർവോയർ ടാങ്ക് ക്യാപ് നീക്കം ചെയ്യുകയും എഞ്ചിൻ തണുക്കുമ്പോൾ റിസർവോയർ ടാങ്ക് ലെവൽ "FULL" മാർക്കിൽ എത്തുന്നതുവരെ കൂളന്റ് ചേർക്കുകയും ചെയ്യുക. FULL എന്നതിന് മുകളിൽ ഒരിക്കലും റിസർവോയർ ടാങ്ക് നിറയ്ക്കരുത്.

കൂളന്റ് മാറ്റിസ്ഥാപിക്കുന്നതിന് പ്രത്യേക നടപടിക്രമങ്ങൾ ആവശ്യമായതിനാൽ, ഈ ജോലിക്കായി മാരുതി സൂസുക്കി (Maruti Suzuki) അംഗീകൃത വർക്ക്ഷോപ്പിൽ ആവശ്യപ്പെടാവുന്നതാണ്.

പരിശോധനയും പരിപാലനവും

⚠ മുന്നറിയിപ്പ്

എഞ്ചിൻ കൂളിംഗ് വിഷയങ്ങളിൽ ഗുരുതരമായ പരിക്കിനോ മരണത്തിനോ കാരണമാകാം. കൂളിംഗ് മിസ് അല്ലെങ്കിൽ നിരാവിശ്വസിക്കുന്നതോ നിങ്ങളുടെ കണ്ണുകളിൽ കൂളിംഗ് പുരളുന്നതോ ഗുരുതരമായ പരിക്കിന് കാരണമാകും.

- ആന്റിഫ്രീസ് അല്ലെങ്കിൽ കൂളിംഗ് ലായനി കുടിക്കരുത്. വിഷയങ്ങളാണെങ്കിൽ, സ്വന്തമായി ഛർദ്ദി വരുത്താൻ ശ്രമിക്കരുത്. ഒരു പോയ്സൻ കൺട്രോൾ സെന്ററിലോ ഡോക്ടറുമായോ ഉടൻ ബന്ധപ്പെടുക.
- കൂളിംഗ് മിസ് അല്ലെങ്കിൽ ചൂടുള്ള നിരാവിശ്വസിക്കുന്നതോ ഒഴിവാക്കുക. ശ്വസിക്കുകയാണെങ്കിൽ, ശുദ്ധവായു ലഭിക്കുന്ന പ്രദേശത്തേക്ക് വ്യക്തിയെ ഉടൻ മാറ്റുക.
- കൂളിംഗ് കണ്ണിൽ പുരളുകയാണെങ്കിൽ വെള്ളം ഉപയോഗിച്ച് കഴുകി വൈദ്യസഹായം തേടുക.
- കൂളിംഗ് കൈകാര്യം ചെയ്ത ശേഷം കൈ നന്നായി കഴുകുക.
- എഞ്ചിൻ കൂളിംഗ് കുട്ടികൾക്കും വളർത്തുമൃഗങ്ങൾക്കും ലഭ്യമാകാതെ സൂക്ഷിക്കുക.

ശ്രദ്ധിക്കുക
റിസർവോയർ ടാങ്കിൽ ക്യാപ് ഇടുമ്പോൾ, ക്യാപിലെ അടയാളവും ടാങ്കിലെ അടയാളവും സമാനമായ രീതിയിൽ വരേണ്ടതാണ്. ഈ വിന്യാസം പാലിക്കുന്നതിൽ പരാജയപ്പെടുന്നത് കൂളിംഗ് ചോർച്ചയ്ക്ക് കാരണമാകും.

കൂളിംഗ് തിരഞ്ഞെടുക്കുന്നത്

നിങ്ങളുടെ എഞ്ചിന്റെ ഒപ്റ്റിമൽ പെർഫോമൻസും ഈടും നിലനിർത്താൻ, **MARUTI SUZUKI** ഒറിജിനൽ കൂളിംഗ് അല്ലെങ്കിൽ തത്തുല്യമായത് ഉപയോഗിക്കുക. ഇനിപ്പറയുന്ന കാരണങ്ങളാൽ കൂളിംഗ് സംവിധാനത്തിന് ഈ കൂളിംഗ് ആണ് ഏറ്റവും മികച്ചത്:

- ശരിയായ എഞ്ചിൻ താപനില നിലനിർത്താൻ കൂളിംഗ് സഹായിക്കുന്നു.
- ഇത് ശീതീകരണത്തിനും തിളക്കുന്നതിനുമെതിരെ ശരിയായ സംരക്ഷണം നൽകുന്നു.
- ശരിയായ എഞ്ചിൻ താപനില നിലനിർത്താൻ കൂളിംഗ് സഹായിക്കുന്നു.

ശരിയായ കൂളിംഗ് ഉപയോഗിക്കാതിരിക്കുന്നത് നിങ്ങളുടെ കൂളിംഗ് സിസ്റ്റത്തെ തകരാറിലാക്കും. മാരുതി സുസുക്കി (Maruti Suzuki) അംഗീകൃത വർക്ക്ഷോപ്പുകൾ ശരിയായ കൂളിംഗ് തിരഞ്ഞെടുക്കാൻ നിങ്ങളെ സഹായിക്കും.

പരിശോധനയും പരിപാലനവും

ശ്രദ്ധിക്കുക
<p>നിങ്ങളുടെ കൂളിംഗ് സിസ്റ്റത്തിന് കേടുപാടുകൾ സംഭവിക്കാതിരിക്കാൻ:</p> <ul style="list-style-type: none"> കൃത്യമായ മിശ്രിത സാന്ദ്രതയിൽ വാറ്റിയെടുത്ത വെള്ളത്തിൽ ലയിപ്പിച്ച ഉയർന്ന നിലവാരമുള്ള എഥിലിൻ ഗ്ലൈക്കോൾ ബേസ് നോൺ-സിലിക്കേറ്റ് തരം കൂളന്റ് എപ്പോഴും ഉപയോഗിക്കുക. അധിക ഇൻഹിബിറ്ററുകളും അഡിറ്റീവുകളും ചേർക്കരുത്. അവ നിങ്ങളുടെ കൂളിംഗ് സിസ്റ്റവുമായി പൊരുത്തപ്പെടണമെന്നില്ല. വ്യത്യസ്ത തരം ബേസ് കൂളന്റുകൾ മിക്സ് ചെയ്യരുത്. അങ്ങനെ ചെയ്യുന്നത് സീലിന്റെ പെട്ടെന്നുള്ള തേയ്മാനത്തിനും കൂടാതെ/അല്ലെങ്കിൽ കഠിനമായ അമിതമായ ചൂട്/വിപുലമായ എഞ്ചിൻ/ട്രാൻസ്മിഷൻ കേടുപാടുകൾക്കും കാരണമായേക്കാം. കൂളന്റ് മിക്സ്-അപ്പ് സംഭവിക്കുകയാണെങ്കിൽ, മാരുതി സുസുക്കി (Maruti Suzuki) അംഗീകൃത വർക്ക്ഷോപ്പിൽ നിങ്ങളുടെ വാഹനം പരിശോധിക്കുക.

കുറിപ്പ്: മാരുതി സുസുക്കി (Maruti Suzuki) ഒറിജിനൽ കൂളന്റ് മാത്രം ഉപയോഗിക്കാൻ മാരുതി സുസുക്കി (Maruti Suzuki) ശുപാർശ ചെയ്യുന്നു. മാരുതി സുസുക്കി (Maruti Suzuki)

യഥാർത്ഥ കൂളന്റ് നിങ്ങളുടെ മാരുതി സുസുക്കി (Maruti Suzuki) ഉൽപ്പന്നത്തിനായി പ്രത്യേകം രൂപകൽപന ചെയ്തതാണ്, മാത്രമല്ല വാഹനത്തിന്റെ അനുയോജ്യമായ പെർഫോമൻസിനും ഡ്രൈവിംഗ് അനുഭവത്തിനും സഹായകമാകുന്നു.

നിങ്ങളുടെ വാഹനത്തിന്റെ ഉൽപ്പാദന കാലയളവിനെ ആശ്രയിച്ച്, ഒരു പുതിയ കാറിൽ ആ സമയത്ത് ഫിൽ ചെയ്ത കൂളന്റ് തരം വ്യത്യസ്തപ്പെട്ടേക്കാം. രണ്ട് തരത്തിലുള്ള കൂളന്റ് ഉണ്ട്, SUZUKI LLC: Super (Blue) കൂളന്റ്, SUZUKI LLC: Standard (Yellow) കൂളന്റ്. റിസർവോയർ ടാങ്കിലെ കൂളന്റിന്റെ നിറം ഉപയോഗിച്ച് നിങ്ങളുടെ വാഹനത്തിലെ യഥാർത്ഥ കൂളന്റ് തരം ഏതാണെന്നു പരിശോധിക്കാം (ചുവടെയുള്ള ചിത്രം കാണുക).

കൂളന്റ് നിറം	കൂളന്റ് തരം
Blue	Suzuki LLC : Super
Yellow	Suzuki LLC : Standard

കുറിപ്പ്: ഒരു പുതിയ കാറിൽ നിറച്ച അതേ ഫിൽ ചെയ്ത തരത്തിൽപ്പെട്ട കൂളന്റ് തന്നെ നിങ്ങൾ കൂടുതൽ കൂളന്റ് ചേർക്കുമ്പോഴോ മാറ്റുമ്പോഴോ ഉപയോഗിക്കേണ്ടതാണ്.



77PM07033

പരിശോധനയും പരിപാലനവും

SUZUKI LLC: Super (Blue) കൂളന്റ്:

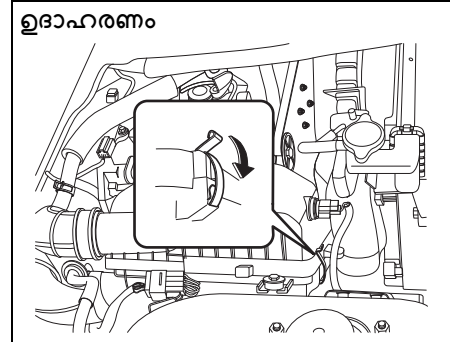
ശ്രദ്ധിക്കുക
<ul style="list-style-type: none"> ഈ കൂളന്റ് ശരിയായ ശതമാനത്തിൽ ലയിപ്പിച്ചതാണ്. അധികമായി ഡിസ്റ്റിൽ ചെയ്ത വെള്ളത്തിൽ ലയിപ്പിക്കരുത്. അങ്ങനെ ചെയ്യുന്നത് കൂളന്റ് ശീതീകരണത്തിനോ/ അമിതമായി ചൂടാകുന്നതിനോ ഇടയാക്കിയേക്കാം. SUZUKI LLC ചേർക്കരുത്: നിങ്ങളുടെ വാഹനത്തിൽ യഥാർത്ഥത്തിൽ SUZUKI LLC: Super (Blue) കൂളന്റ് നിറച്ചിട്ടുണ്ടെങ്കിൽ Standard (Yellow) കൂളന്റ് അല്ലെങ്കിൽ ഡിസ്റ്റിൽ ചെയ്ത വെള്ളം അല്ലെങ്കിൽ മറ്റെന്തെങ്കിലും അങ്ങനെയൊരു സാഹചര്യം ഉണ്ടാകുകയാണെങ്കിൽ, മാരുതി സുസുക്കി (Maruti Suzuki) അംഗീകൃത വർക്ക്ഷോപ്പിൽ വാഹനം പരിശോധിപ്പിക്കേണ്ടതാണ്

SUZUKI LLC: Standard (Yellow) കൂളന്റ്:

ശ്രദ്ധിക്കുക
<ul style="list-style-type: none"> ഉപയോഗിക്കേണ്ട മിശ്രിതത്തിന്റെ സാന്ദ്രതയിൽ 30% ആൻറിഫ്രീസും 70% ഡിസ്റ്റിൽ ചെയ്ത വെള്ളവുമാണ്. കൂളന്റും മാത്രമോ വെള്ളം മാത്രമോ ഉപയോഗിക്കരുത്. നിങ്ങളുടെ പ്രദേശത്തെ ഏറ്റവും കുറഞ്ഞ അന്തരീക്ഷ ഊഷ്മാവ് - 15°C (5°F) അല്ലെങ്കിൽ അതിൽ താഴെയാണ് പ്രതീക്ഷിക്കുന്നതെങ്കിൽ, ആൻറിഫ്രീസ് കണ്ടെയ്നറിലെ നിർദ്ദേശങ്ങൾ പാലിച്ച് 60% വരെ ഉയർന്ന സാന്ദ്രത ഉപയോഗിക്കാം. 60% ത്തിൽ കൂടുതലുള്ള സാന്ദ്രത അമിത ചൂടാകലിന് അഥവാ ഓവർ ഹീറ്റിംഗിനു കാരണമാകും നിങ്ങളുടെ വാഹനം യഥാർത്ഥത്തിൽ SUZUKI LLC നിറച്ചിരിക്കുന്നത്: Standard (Yellow) കൂളന്റ് ഉപയോഗിച്ചാണെങ്കിൽ, SUZUKI LLC-യുടെ മെയിന്റനൻസ് ഷെഡ്യൂൾ പിന്തുടരുക: ഈ വിഭാഗത്തിലെ Standard (Yellow) കൂളന്റ്. നിങ്ങൾ SUZUKI LLC: Super (Blue) കൂളന്റ് ഉപയോഗിച്ച് മാറ്റിസ്ഥാപിക്കുകയാണെങ്കിൽ തുടർന്ന് മാരുതി സുസുക്കി (Maruti Suzuki) അംഗീകൃത വർക്ക്ഷോപ്പിൽ വാഹനം പരിശോധിക്കുക.

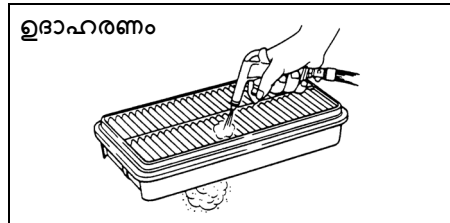
എയർ ക്ലീനർ

എയർ ക്ലീനറിൽ പൊടി മുലം അടഞ്ഞുപോയാൽ, ഇൻടേജ് റെസിസ്റ്റൻസ് കൂടുതലായേക്കാം, ഇത് വൈദ്യുതി ഉൽപാദനം കുറയുകയും ഫ്യൂൽ ഉപഭോഗം കൂടുകയും ചെയ്യാൻ കാരണമാകുന്നു.



ഉദാഹരണം 77PM07011

സൈഡ് ക്ലാമ്പുകൾ അഴിക്കുക, എയർ ക്ലീനർ കേസിൽ നിന്ന് ഘടകം നീക്കം ചെയ്യുക.



ഉദാഹരണം 60A183

വ്യതിഹിതമായി തോന്നുകയാണെങ്കിൽ, പീരിയോഡിക് മെയിന്റനൻസ് ഷെഡ്യൂൾ പ്രകാരം എയർ ക്ലീനർ വൃത്തിയാക്കുകയോ പകരം പുതിയത് സ്ഥാപിക്കുകയോ ചെയ്യുക.

സ്പാർക്ക് പ്ലഗുകൾ

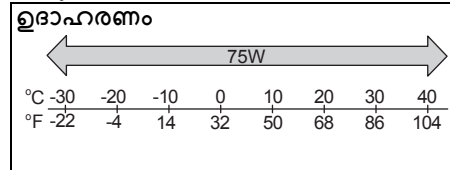
സ്പാർക്ക് പ്ലഗുകൾ പരിശോധിക്കുന്നതും മാറ്റിസ്ഥാപിക്കുന്നതും

പ്രത്യേക സ്പെഷ്യലൈസ്ഡ് മെറ്റീരിയലുകളും ഓട്ടോമോട്ടീവ് ആവശ്യമായതിനാൽ, മാരുതി സുസുക്കി അംഗീകൃത വർക്ക്ഷോപ്പിൽ ഈ ജോലി ഏൽപ്പിക്കാൻ ശുപാർശ ചെയ്യുന്നു.

ഗിയർ ഓയിൽ

മാനുവൽ ട്രാൻസ്മിഷൻ ഓയിൽ/ ഡിഫറൻഷ്യൽ ഓയിൽ ഗിയർ ഓയിൽ ചേർക്കുമ്പോൾ, താഴെപ്പറയുന്ന ചാർട്ട് അനുസരിച്ച് ഉചിതമായ വിസ്കോസിറ്റിയും ഗ്രെയ്ഡും ഉള്ള ഗിയർ ഓയിൽ ഉപയോഗിക്കുക

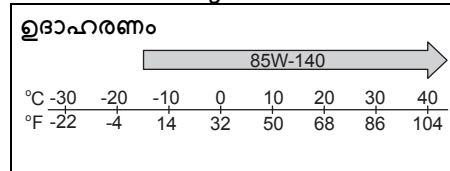
മാനുവൽ ട്രാൻസ്മിഷൻ ഓയിൽ



68LM728

മാനുവൽ ട്രാൻസ്മിഷൻ ഗിയർ ഓയിലിനായി "മാരുതി ജെനുവിൻ ഗിയർ ഓയിൽ 75W" ഉപയോഗിക്കാൻ ഞങ്ങൾ ശുപാർശ ചെയ്യുന്നു.

റിയർ ഡിഫറൻഷ്യൽ ഓയിൽ

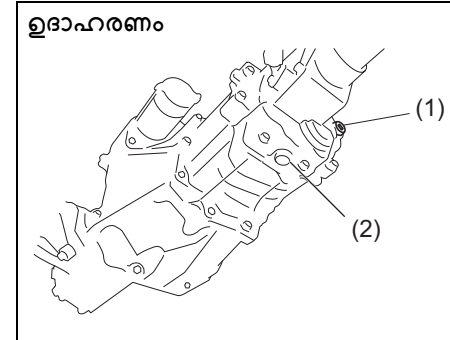


77PH075

മാനുവൽ ട്രാൻസ്മിഷൻ ഗിയർ ഓയിലിനായി "മാരുതി ജെനുവിൻ ഗിയർ ഓയിൽ 75W" ഉപയോഗിക്കാൻ ഞങ്ങൾ ശുപാർശ ചെയ്യുന്നു.

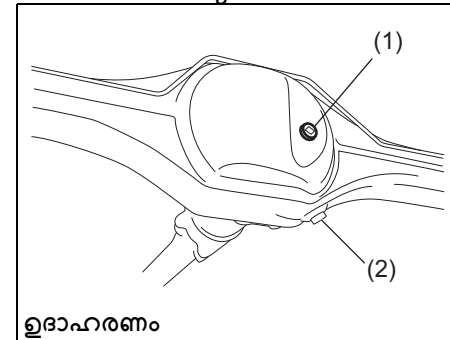
പരിശോധനയും പരിപാലനവും

ഗിയർ ഓയിൽ ലെവൽ പരിശോധന മാനുവൽ ട്രാൻസ്മിഷൻ



77PH078

റിയർ ഡിഫറൻഷ്യൽ



77PH047

1. ഓയിൽ ഫില്ലറും ലെവൽ പ്ലഗും (വീണ്ടും ഉപയോഗിക്കരുത്).
2. ഓയിൽ ഡ്രെയിൻ പ്ലഗ്.

പരിശോധനയും പരിപാലനവും

ഗിയർ ഓയിൽ ലെവൽ പരിശോധിക്കുന്നതിന്, ഇനിപ്പറയുന്ന നടപടിക്രമം പാലിക്കുക:

- 1) പാർക്കിംഗ് ബ്രേക്ക് പ്രയോഗിച്ച് നിരപ്പായ പ്രതലത്തിൽ വാഹനം പാർക്ക് ചെയ്യുക. ശേഷം, എഞ്ചിൻ നിർത്തുക.
- 2) ഓയിൽ ഫില്ലറും ലെവൽ പ്ലഗും നീക്കം ചെയ്യുക (1).
- 3) നിങ്ങളുടെ വീരൽ കൊണ്ട് ദ്വാരത്തിന്റെ ഉള്ളിൽ പരിശോധിക്കുക. പ്ലഗ് ഹോളിന്റെ അടിയിലേക്ക് ഓയിൽ ലെവൽ വന്നിട്ടുണ്ടെങ്കിൽ, ഓയിൽ ലെവൽ ശരിയാണ്. അങ്ങനെയൊന്നെങ്കിൽ, പ്ലഗ് വീണ്ടും ഇൻസ്റ്റാൾ ചെയ്യുക.
- 4) ഓയിൽ ലെവൽ കുറവാണെങ്കിൽ, ഓയിൽ ഫില്ലർ പ്ലഗ് ഹോളിലൂടെ (1) ഓയിൽ ലെവൽ ഫില്ലർ ഹോളിന്റെ അടിയിൽ എത്തുന്നതുവരെ ഗിയർ ഓയിൽ ചേർക്കുക, തുടർന്ന് പ്ലഗ് വീണ്ടും ഇൻസ്റ്റാൾ ചെയ്യുക.

ഓയിൽ ഫില്ലറിനും ലെവൽ പ്ലഗിനുമുള്ള ടൈറ്റിംഗ് ടോർക്ക് മാനുവൽ ട്രാൻസ്മിഷൻ (1): **23 Nm (2.3 kgf-m, 17.0 lbf-ft)**
 റിയർ ഡിഫറൻഷ്യൽ (1): **25 Nm (2.5 kgf-m, 18.5 lbf-ft)**

കുറിപ്പ്:
 റിയർ ഡിഫറൻഷ്യലിനായി എപ്പോഴും ഒരു പുതിയ ഓയിൽ ഫില്ലറും ലെവൽ പ്ലഗും (1) ഉപയോഗിക്കുക.

7-17

⚠ ജാഗ്രതജാഗ്രത

വാഹനം ഓടിച്ചതിന് ശേഷം, ഗിയർ ഓയിലിന്റെ താപനില നിങ്ങളുടെ ചർമ്മത്തിൽ പൊള്ളൽ ഏൽപ്പിക്കാൻ പര്യാപ്തമായേക്കാം. ഗിയർ ഓയിൽ ലെവൽ പരിശോധിക്കുന്നതിന് മുമ്പ് ഓയിൽ ഫില്ലർ പ്ലഗ് നിങ്ങളുടെ കൈകൊണ്ട് സ്പർശിക്കുന്നതിന് അത് തണുക്കുന്നത് വരെ കാത്തിരിക്കുക.

ശ്രദ്ധിക്കുക

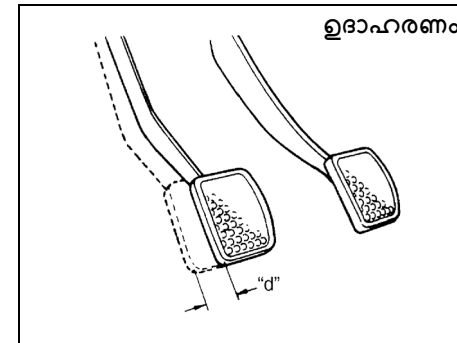
പ്ലഗ് മുറുക്കുമ്പോൾ, ഓയിൽ ചോർച്ച തടയാൻ ഇനിപ്പറയുന്ന സീലിംഗ് കോമ്പൗണ്ട് അല്ലെങ്കിൽ അതിനു തുല്യമായത് പ്ലഗ് ത്രെഡുകൾക്ക് മുകളിൽ പ്രയോഗിക്കുക.

മാരുതി സുസുക്കി ബോണ്ട് നമ്പർ "1216E" അല്ലെങ്കിൽ "1217G"

ഗിയർ ഓയിൽ ചേഞ്ച്
 പ്രത്യേക നടപടിക്രമങ്ങളും മെറ്റീരിയലുകളും ഉപകരണങ്ങളും ആവശ്യമായതിനാൽ, മാരുതി സുസുക്കി അംഗീകൃത വർക്ക്ഷോപ്പിൽ ഈ ജോലി ഏൽപ്പിക്കാൻ ശുപാർശ ചെയ്യുന്നു.

ക്ലച്ച് പെഡൽ

കേബിൾ കൺട്രോൾ ക്ലച്ച്



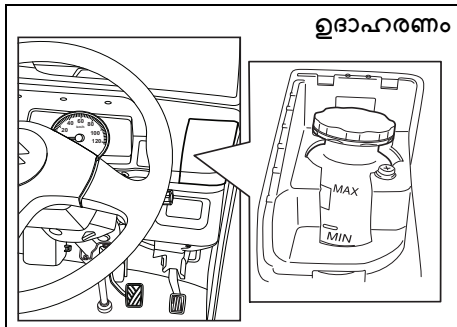
54G274

ക്ലച്ച് പെഡൽ പ്ലേ "d": 10 - 15 mm (0.4 - 0.6 in.)

നിങ്ങളുടെ കൈകൊണ്ട് ക്ലച്ച് പെഡൽ ചലിപ്പിച്ച് ക്ലച്ച് പെഡൽ പ്ലേ അളക്കുക - നിങ്ങൾക്ക് ചെറിയ പ്രതിരോധം അനുഭവപ്പെടുന്നത് വരെ അത് ചലിക്കുന്ന ദൂരം അളക്കുക. ക്ലച്ച് പെഡലിലെ പ്ലേ നിർദ്ദിഷ്ട മൂല്യങ്ങൾക്കിടയിലായിരിക്കണം. പ്ലേ മുകളിൽ പറഞ്ഞതിലും കൂടുതലോ കുറവോ ആണെങ്കിലോ പെഡൽ പൂർണ്ണമായി അമർത്തിപ്പോൾ ക്ലച്ച് ഡ്രാഗ്ബ് അനുഭവപ്പെടുന്നുണ്ടെങ്കിലോ, നിങ്ങളുടെ അംഗീകൃത മാരുതി സുസുക്കി കൊമേഴ്സ്യൽ വർക്ക്ഷോപ്പ് സന്ദർശിച്ച് ക്ലച്ച് പരിശോധിക്കുക.

ബ്രേക്കുകൾ

ബ്രേക്ക് പ്ലൂയിഡ്



77PM706

ഇൻസ്ട്രുമെന്റ് പാനലിലെ റിസർവോയർ നോക്കി ബ്രേക്ക് പ്ലൂയിഡ് ലെവൽ പരിശോധിക്കുക. ബ്രേക്ക് പ്ലൂയിഡ് റിസർവോയർ ലെവൽ പരിശോധിക്കാൻ സ്റ്റിയറിംഗ് വീലിന്റെ വലതുവശത്തുള്ള കവർ നീക്കം ചെയ്യുക. പ്ലൂയിഡ് ലെവൽ "MAX", "MIN" എന്നീ അടയാളങ്ങൾക്കിടയിലാണോയെന്നു പരിശോധിക്കുക. ബ്രേക്ക് പ്ലൂയിഡ് ലെവൽ "MIN" ലെനിന്ന് അടുത്താണെങ്കിൽ, അത് "MAX" ലെനിലേക്ക് എത്തുന്നത് വരെ മാർട്ടി ജെനുവിൻ ബ്രേക്ക് ഫ്ലൂയിഡ് (MGBF) അല്ലെങ്കിൽ DOT 3 ഉപയോഗിച്ച് നിറയ്ക്കുക. "മാർട്ടി ജെനുവിൻ ബ്രേക്ക് പ്ലൂയിഡ്" (MGBF) ഉപയോഗിക്കാൻ തിരഞ്ഞെടുക്കേണ്ട ശുപാർശ ചെയ്യുന്നു.

⚠ മുന്നറിയിപ്പ്

ചുവടെയുള്ള മാർഗ്ഗനിർദ്ദേശങ്ങൾ പാലിക്കുന്നില്ല എങ്കിൽ വ്യക്തിഗത പരികൂലങ്ങളോ ബ്രേക്ക് സിസ്റ്റത്തിന് ഗുരുതരമായ കേടുപാടുകളോ ഉണ്ടായേക്കാം.

- റിസർവോയറിലെ ബ്രേക്ക് പ്ലൂയിഡ് ഒരു നിശ്ചിത നിലവാരത്തിൽ കുറയുകയാണെങ്കിൽ, ഇൻസ്ട്രുമെന്റ് പാനലിലെ ബ്രേക്ക് വാണിംഗ് ലൈറ്റ് 'ഓൺ' ആകുന്നതുണ്ട് (എഞ്ചിൻ പാർക്കിംഗ് ബ്രേക്ക് പുർണ്ണമായും പ്രവർത്തനരഹിതമാക്കിയിരിക്കണം). ലൈറ്റ് തെളിഞ്ഞാൽ, നിങ്ങളുടെ അംഗീകൃത മാർട്ടി സുസുക്കി കൊമേഴ്സ്യൽ വർക്ക്ഷോപ്പ് സന്ദർശിച്ച് ബ്രേക്ക് സിസ്റ്റം പരിശോധിക്കാൻ ആവശ്യപ്പെടുക.
- പെട്ടെന്നുള്ള ഫ്ലൂയിഡ് നഷ്ടം ബ്രേക്ക് സിസ്റ്റത്തിലെ ചോർച്ചയെ സൂചിപ്പിക്കുന്നു, അംഗീകൃത മാർട്ടി സുസുക്കി കൊമേഴ്സ്യൽ വർക്ക്ഷോപ്പ് സന്ദർശിച്ച് അത് ഉടൻ പരിശോധിക്കണം.
- മാർട്ടി ജെനുവിൻ ബ്രേക്ക് പ്ലൂയിഡ് (MGBF) അല്ലെങ്കിൽ DOT 3 ഒഴികെയുള്ള ഒരു ദ്രാവകവും ഉപയോഗിക്കരുത്. "മാർട്ടി ജെനുവിൻ ബ്രേക്ക് പ്ലൂയിഡ്" (MGBF) ഉപയോഗിക്കാൻ തിരഞ്ഞെടുക്കേണ്ട ശുപാർശ ചെയ്യുന്നു. പഴയതോ തുറന്ന പാത്രങ്ങളിൽ സൂക്ഷിച്ചിരുന്നതോ ഒരു തവണ ഉപയോഗിച്ചതു ആയ പ്ലൂയിഡ് ഉപയോഗിക്കരുത്. ബ്രേക്ക് പ്ലൂയിഡ് റിസർവോയറിൽ അനൗപചാർത്ഥങ്ങൾ മറ്റ് ദ്രാവകങ്ങൾ എന്നിവ വീഴാതെ സൂക്ഷിക്കേണ്ടത് അത്യാവശ്യമാണ്.

⚠ ജാഗ്രത

ബ്രേക്ക് ദ്രാവകം നിങ്ങളുടെ കണ്ണുകൾക്ക് ദോഷം വരുത്തുകയും പെയിന്റ് ചെയ്ത പ്രതലങ്ങൾക്ക് കേടുപാടുകളുണ്ടാക്കുകയും റിസർവോയർ റീഫിൽ ചെയ്യുമ്പോൾ ജാഗ്രത പാലിക്കുക.

⚠ മുന്നറിയിപ്പ്

- അമിതമായി ലോഡുചെയ്ത അവസ്ഥയിലാണ് വാഹനം ഓടിക്കുന്നതെങ്കിൽ, ബ്രേക്കിംഗ് ദൂരം കൂടുതലായേക്കാം, ഉയർന്ന പെഡൽ ഫോഴ്സ് ആവശ്യമായി വന്നേക്കാം.

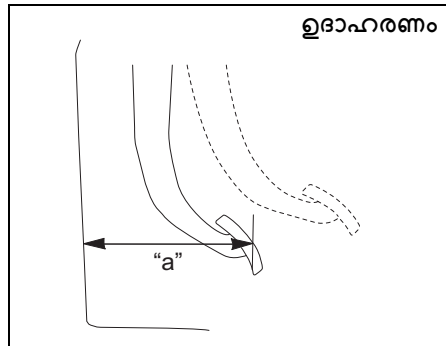
പരിശോധനയും പരിപാലനവും

⚠ മുന്നറിയിപ്പ്

ബ്രേക്ക് പ്ലിയയിൽ അകത്തേക്ക് കഴിക്കുന്നത് ഹാനികരമോ മരണകാരണമോ ആയേക്കാം, ചർമ്മത്തിലോ സ്പർശിച്ചാൽ ദോഷകരമാണ്. അറിയാതെ കഴിക്കുകയാണെങ്കിൽ, മനപ്പൂർവ്വം ഛർദ്ദിക്കാൻ ശ്രമിക്കരുത്. ഒരു വിഷചികിത്സ കേന്ദ്രവുമായോ ഡോക്ടറെയോ ഉടൻ ബന്ധപ്പെടുക. ബ്രേക്ക് പ്ലിയയിൽ കണ്ണിലായാൽ, വെള്ളം ഉപയോഗിച്ച് കണ്ണുകൾ കഴുകി ഉടൻ തന്നെ വൈദ്യസഹായം തേടുക. കൈകാര്യം ചെയ്ത ശേഷം കൈകൾ നന്നായി കഴുകുക. സൊല്യൂഷൻ മൃഗങ്ങൾക്കും ഹാനികരമാകാം. ആകാം. കുട്ടികൾക്കും മൃഗങ്ങൾക്കും ലഭ്യമാകാത്ത രീതിയിൽ സൂക്ഷിക്കുക.

കുറിപ്പ്: ഡിസക് ബ്രേക്കുകൾ ഉപയോഗിക്കുമ്പോൾ, ബ്രേക്ക് പാഡുകൾക്ക് തേയ്മാനം വരുന്നതനുസരിച്ച് പ്ലിയയിൽ നില ക്രമേണ കുറയുമെന്ന് പ്രതീക്ഷിക്കാം.

ബ്രേക്ക് പെഡൽ
ബ്രേക്ക് പെഡൽ അമർത്തുമ്പോൾ സ്പോഞ്ചിൽ തട്ടുന്ന തോന്നൽ ഇല്ലാതെ സാധാരണ ഉയർത്തിൽ നിൽക്കുന്നുണ്ടോയെന്ന് പരിശോധിക്കുക. ഇല്ലെങ്കിൽ, നിങ്ങളുടെ അംഗീകൃത മാർട്ടി സുസൂക്കി ക്രോമേഷ്യൽ വർക്ക്ഷോപ്പിൽ ബ്രേക്ക് സിസ്റ്റം പരിശോധിക്കുക. ബ്രേക്ക് പെഡലിന്റെ സാധാരണ ഉയരം സംബന്ധിച്ച സംശയമുണ്ടെങ്കിൽ, അത് ഇനിപ്പറയുന്ന രീതിയിൽ പരിശോധിക്കുക:



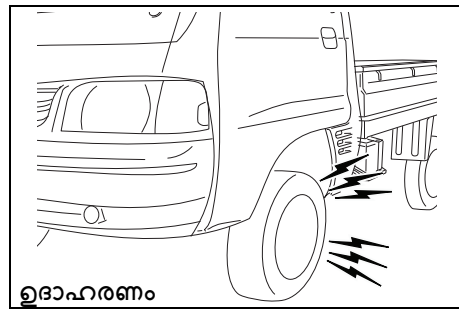
54G108S

പെഡലിൽ നിന്ന് ഫ്രണ്ട് പാനലിലേക്ക് ഏറ്റവും കുറഞ്ഞ ദൂരം "a": പെട്രോൾ, സി എൻ ജി എഞ്ചിൻ മോഡൽ: 157 mm

എഞ്ചിൻ പ്രവർത്തിപ്പിക്കുമ്പോൾ, ഏകദേശം 30 കിലോഗ്രാം (66 പൗണ്ട്)

ബലം ഉപയോഗിച്ച് പെഡൽ അമർത്തിയാൽ ബ്രേക്ക് പെഡലും ഫ്രണ്ട് പാനലും തമ്മിലുണ്ടായേക്കാവുന്ന ദുരന്തം അളക്കുക. ആവശ്യമായ ഏറ്റവും കുറഞ്ഞ ദൂരം വ്യക്തമാക്കിയിട്ടുള്ളതാണ്. നിങ്ങളുടെ വാഹനത്തിന്റെ ബ്രേക്ക് സിസ്റ്റം സ്വയം ക്രമീകരിക്കുന്നതിനാൽ, പെഡൽ ക്രമീകരിക്കേണ്ട ആവശ്യമില്ല. മുകളിൽ അളന്നതുപോലെ പെഡൽ റൂ ഫ്രണ്ട് പാനൽ ദൂരം ആവശ്യമായ ഏറ്റവും കുറഞ്ഞ ദൂരത്തേക്കാൾ കുറവാണെങ്കിൽ, അംഗീകൃത മാർട്ടി സുസൂക്കി ക്രോമേഷ്യൽ വർക്ക്ഷോപ്പ് സന്ദർശിച്ചു നിങ്ങളുടെ വാഹനം പരിശോധിക്കുക.

കുറിപ്പ്: ബ്രേക്ക് പെഡലും ഫ്രണ്ട് പാനലും തമ്മിലുള്ള ദൂരം അളക്കുമ്പോൾ, നിങ്ങളുടെ അളവെടുപ്പിൽ ഫ്രണ്ട് പാനലിലെ ഫ്ലോർ മാറ്റോ റബ്ബറോ ഉൾപ്പെടുത്താതിരിക്കാൻ ശ്രദ്ധിക്കുക.



ഉദാഹരണം

77PM07013

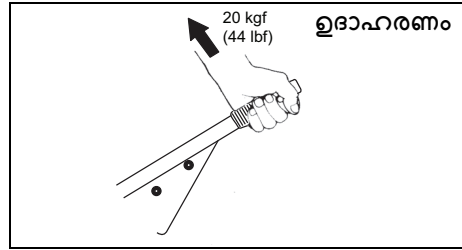
പരിശോധനയും പരിപാലനവും

⚠ മുന്നറിയിപ്പ്

നിങ്ങളുടെ വാഹനത്തിന്റെ ബ്രേക്ക് സിസ്റ്റത്തിൽ ഇനിപ്പറയുന്നവയിൽ എന്തെങ്കിലും പ്രശ്നങ്ങൾ അനുഭവപ്പെടുകയാണെങ്കിൽ, അംഗീകൃത മാരുതി സുസുക്കി കൊമേഴ്സ്യൽ വർക്ക്ഷോപ്പ് സന്ദർശിച്ചു ഉടൻ വാഹനം പരിശോധിക്കുക.

- മോശമായ ബ്രേക്കിംഗ് പ്രകടനം
- സമാനമല്ലാത്ത ബ്രേക്കിംഗ് (എല്ലാ വിലകളിലും ഒരേ രീതിയിൽ ബ്രേക്കുകൾ പ്രവർത്തിക്കുന്നില്ല)
- അമിതമായ പെഡൽ ട്രാവൽ
- ബ്രേക്ക് ഡ്രാഗിംഗ്
- അമിതമായ നോയ്സ്
- പെഡൽ പൾസേഷൻ (അമർത്തുമ്പോൾ പെഡൽ പൾസേറ്റ് ചെയ്യുന്നു)

പാർക്കിംഗ് ബ്രേക്ക്



77PM702

റാച്ചറ്റ് സ്കൂത്ത് സ്പെസിഫിക്കേഷൻ 6-9 ടിത്തർ ലിവാർ പൂൾ ഫോഴ്സ് (1): 200 N (20 kgf, 44 lbf)

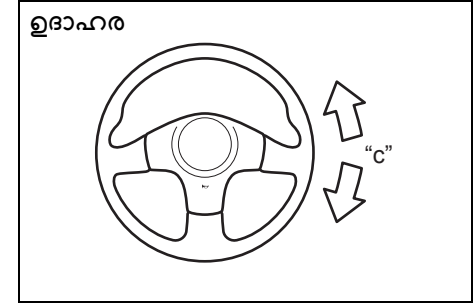
പാർക്കിംഗ് ബ്രേക്ക് ലിവാർ സാവധാനത്തിൽ പൂൾ ചെയ്ത് പൂർണ്ണമായി എൻഗേജ് ആകുന്ന ഘട്ടത്തിലേക്ക് എത്തുമ്പോഴേക്കും റാച്ചറ്റ് റിത്തിൽ നിന്നുള്ള ക്ലിക്ക്കളുടെ എണ്ണം കണക്കാക്കി പാർക്കിംഗ് ബ്രേക്ക് ക്രമീകരണം ശരിയല്ലേയെന്നു പരിശോധിക്കുക. പാർക്കിംഗ് ബ്രേക്ക് ലിവാർ നിർദ്ദിഷ്ട റാച്ചറ്റ് റിത്തുകൾക്കിടയിൽ നിൽക്കുകയും റിയർ വിലുകൾ സുരക്ഷിതമായി ലോക്ക് ചെയ്യപ്പെടുകയും വേണം. പാർക്കിംഗ് ബ്രേക്ക് ശരിയായി ക്രമീകരിച്ചിട്ടില്ലെങ്കിൽ അല്ലെങ്കിൽ ലിവാർ പൂർണ്ണമായി റിലീസ് ചെയ്തതിന് ശേഷം ബ്രേക്കുകൾ ഡ്രാഗ് ചെയ്യുന്നുവെങ്കിൽ, അംഗീകൃത മാരുതി സുസുക്കി കൊമേഴ്സ്യൽ വർക്ക്ഷോപ്പ് സന്ദർശിച്ചു വഴി പാർക്കിംഗ് ബ്രേക്ക്

പരിശോധിക്കുകയും അല്ലെങ്കിൽ ക്രമീകരിക്കുകയും ചെയ്യുക.

⚠ മുന്നറിയിപ്പ്

- വാഹനം അമിതമായി ലോഡ് ചെയ്താൽ പാർക്കിംഗ് ബ്രേക്ക് ഫലപ്രദമാകണമെന്നില്ല. വാഹനം ഹോൾഡ് ചെയ്യാൻ അധിക ചോക്കുകൾ ഉപയോഗിക്കുക.

സ്റ്റിയറിംഗ്



77PH042

സ്റ്റിയറിംഗ് വീൽ പ്ലേ "C": 0° - 30 mm (0.0 - 1.2 in.)

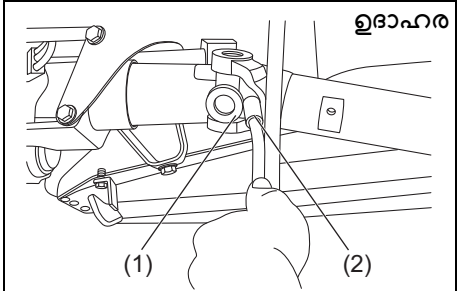
സ്റ്റിയറിംഗ് വീൽ ഇടത്തുനിന്ന് വലത്തോട്ടും വലത്തോട്ടും ഇടത്തോട്ടും വലത്തോട്ടും വിലുകൾക്ക് നേരെ നിൽക്കുകയും എഞ്ചിൻ ഓഫ് അവസ്ഥയിലുമായിരിക്കുമ്പോൾ അത് പരിശോധിക്കുക. നിങ്ങൾക്ക് ചെറിയ പ്രതിരോധം അനുഭവപ്പെടുന്നതിന്

പരിശോധനയും പരിപാലനവും

മുമ്പ് സ്വീയറിംഗ് ചെയ്യുന്ന ദൂരം അളക്കുക. പ്ലേ നിർദ്ദിഷ്ട മൂല്യങ്ങൾക്കിടയിലായിരിക്കണം. വളരെ സാവധാനത്തിൽ വാഹനമോടിക്കുമ്പോൾ സ്വീയറിംഗ് വീൽ വലത്തോട്ടും ഇടത്തോട്ടും റാറ്റിൽ ചെയ്യാതെ എളുപ്പത്തിലും സുഗമമായും തിരിയുന്നുണ്ടോയെന്ന് പരിശോധിക്കുക. പ്ലേ പ്ലേ മൂല്യം സ്പെസിഫിക്കേഷൻ പുറത്താണെങ്കിൽ അല്ലെങ്കിൽ മറ്റെന്തെങ്കിലും തെറ്റാണെന്ന് നിങ്ങൾ കണ്ടെത്തുകയാണെങ്കിൽ, അംഗീകൃത മാരുതി സുസുക്കി കോമേഴ്സ്യൽ വർക്ക്ഷോപ്പ് സന്ദർശിച്ചു ഒരു പരിശോധന നടത്തുക.

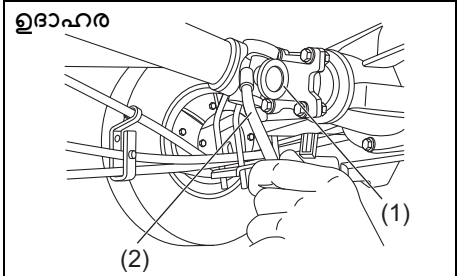
പ്രൊപ്പല്ലർ ഷാഫ്റ്റ് യൂണിറ്റിന്റെ യൂണിറ്റിന്റെ ജോയിന്റ്

ഫ്രണ്ട്



77PM703

റിയർ

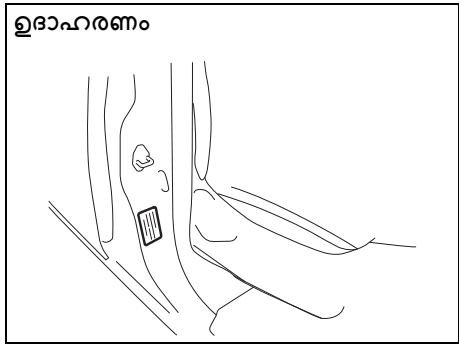


77PM704

ലൂബ്രിക്കേറ്റ് പ്രൊപ്പല്ലർ ഷാഫ്റ്റ് യൂണിറ്റിന്റെ ജോയിന്റ് (1) (ഫ്രണ്ട് & റിയർ) സർവീസ് ചെയ്യൂൾ അനുസരിച്ച്

പ്രൊപ്പല്ലർ ഷാഫ്റ്റ് യൂണിറ്റിന്റെ ജോയിന്റ് ലൂബ്രിക്കേറ്റ് ചെയ്യുന്നതിന് നിങ്ങൾ ഗ്രീസ് ഗൺ (2), നിർദ്ദിഷ്ട ഗ്രീസ് NLGI ഗ്രേഡ് 2 എന്നിവ ഉപയോഗിക്കണം

ടയറുകൾ



നിങ്ങളുടെ വാഹനത്തിന്റെ ഫ്രണ്ട്, റിയർ ടയറുകളുടെ പ്രഷർ സ്പെസിഫിക്കേഷനുകൾ ടയർ ഇൻഫർമേഷൻ ലേബലിൽ ലിസ്റ്റ് ചെയ്തിരിക്കുന്നു. മുനിലും പിന്നിലും ടയറുകൾക്ക് നിശ്ചിത ടയർ പ്രഷർ ഉണ്ടായിരിക്കണം. കേംപാക്റ്റ് സ്പെയർ ടയർ ഉണ്ടെങ്കിൽ ഈ മൂല്യം ബാധകമല്ല എന്ന് ശ്രദ്ധിക്കുക.

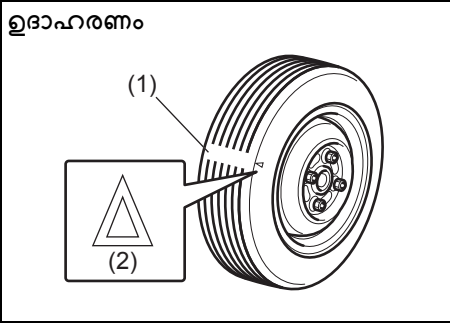
ടയർ പരിശോധന
ഇനിപ്പറയുന്ന പരിശോധനകൾ നടത്തി മാസത്തിൽ ഒരിക്കലെങ്കിലും നിങ്ങളുടെ വാഹനത്തിന്റെ ടയറുകൾ പരിശോധിക്കുക:

- 1) ഒരു ടയർ പ്രഷർ ഗേജ് ഉപയോഗിച്ച് വായു മർദ്ദം അളക്കുക. ആവശ്യമെങ്കിൽ പ്രഷർ

ക്രമീകരിക്കുക. സ്പെയർ ടയർ കൂടി മറക്കാതെ പരിശോധിക്കുക.

⚠ മുനറിയിപ്പ്

- ടയറുകൾ തണുക്കുമ്പോൾ മാത്രം വായു മർദ്ദം പരിശോധിക്കേണ്ടതാണ് അല്ലെങ്കിൽ നിങ്ങൾക്ക് കൃത്യമല്ലാത്ത റീഡിംഗുകൾ ലഭിച്ചേക്കാം.
- നിശ്ചിത പ്രഷർ ലഭിക്കുന്നതുവരെ, ടയറിൽ കാറ്റ് നിറയ്ക്കുമ്പോൾ സമയാസൂത്രമായ ഇൻഫ്ലേഷൻ പ്രഷർ പരിശോധിക്കുക.
- ടയറുകൾ ഒരിക്കലും അമിതമായോ കുറവായോ ഇൻഫ്ലേറ്റ് ചെയ്യരുത്.
- അണ്ടർ ഇൻഫ്ലേഷൻ അസാധാരണമായ ഹാൻഡിലിംഗ് സവിശേഷതകൾക്ക് കാരണമാകാം അല്ലെങ്കിൽ ടയർ ബീഡിൽ റിം തെന്നി വീഴാൻ കാരണമായേക്കാം, ഇത് മൂലം അപകടമോ ടയറിനോ റീമ്മിനോ കേടുപാടോ സംഭവിക്കാം.
- ഓവർ ഇൻഫ്ലേഷൻ ടയർ പൊട്ടിത്തെറിക്കാൻ ഇടയാക്കാം, ഇത് അപകടങ്ങൾക്ക് കാരണമാകും. ഓവർ ഇൻഫ്ലേഷൻ അസാധാരണമായ ഹാൻഡിലിംഗ് സവിശേഷതകൾക്കും അത് വഴി അപകടത്തിനും കാരണമാകാം



- (1) ട്രെയ്ഡ് വെയർ ഇൻഡിക്കേറ്റർ
 - (2) ഇൻഡിക്കേറ്റർ ലൊക്കേഷൻ മാർക്ക്
- 2) ട്രെയ്ഡ് ഗ്രോവിന്റെ ആഴം 1.6 mm (0.06 in.)ൽ കൂടുതലാണോ എന്ന് പരിശോധിക്കുക. ഇത് പരിശോധിക്കാൻ നിങ്ങളുടെ സഹായിക്കുന്നതിന്, ടയറുകളിൽ മോൾഡ്-ഇൻ ട്രെയ്ഡ് വെയർ ഇൻഡിക്കേറ്ററുകൾ ഗ്രോവുകളിൽ ഉണ്ട്. ട്രെയ്ഡ് ഉപരിതലത്തിൽ ഇൻഡിക്കേറ്ററുകൾ ദൃശ്യമാകുമ്പോൾ, ട്രെയ്ഡിന്റെ ശേഷിക്കുന്ന ആഴം 1.6 മില്ലീമീറ്ററോ (0.06 ഇഞ്ച്) അല്ലെങ്കിൽ അതിൽ കുറവോ ആയിരിക്കും അതായത് ടയർ മാറ്റിസ്ഥാപിക്കേണ്ടതാണ്.
 - 3) അസാധാരണമായ തേയ്മാനം, വിള്ളലുകൾ, കേടുപാടുകൾ എന്നിവ പരിശോധിക്കുക. വിള്ളലുകളോ മറ്റ് കേടുപാടുകളോ

പരിശോധനയും പരിപാലനവും

ഉള്ള ടയറുകൾ മാറ്റണം. ഏതെങ്കിലും ടയറുകൾ അസാധാരണമായ തേയ്മാനം കാണിക്കുന്നുവെങ്കിൽ, അംഗീകൃത മാരുതി സുസുക്കി കൊമേഴ്സ്യൽ വർക്ക്ഷോപ്പ് സന്ദർശിച്ച് അവ പരിശോധിക്കുക.

ജാഗ്രത

കർബുകൾ തട്ടുന്നതും പാറകളിലൂടെ വാഹനമോടിക്കുന്നതും ടയറുകൾക്ക് കേടുപാടുകൾ വരുത്തുകയും വീൽ അലൈൻമെന്റിനെ ബാധിക്കുകയും ചെയ്യും. നിങ്ങളുടെ അംഗീകൃത മാരുതി സുസുക്കി കൊമേഴ്സ്യൽ വർക്ക്ഷോപ്പ് സന്ദർശിച്ച് ഇടയ്ക്കിടെ ടയറുകളും വീൽ അലൈൻമെന്റും പരിശോധിക്കുന്നുവെന്ന് ഉറപ്പാക്കുക

- 4) അയഞ്ഞ വീൽ നട്ടുകൾ പരിശോധിക്കുക.
- 5) ടയറുകളിൽ ആണികളോ കല്ലുകളോ മറ്റ് വസ്തുക്കളോ പറ്റിപ്പിടിച്ചിട്ടില്ലെന്ന് പരിശോധിക്കുക.

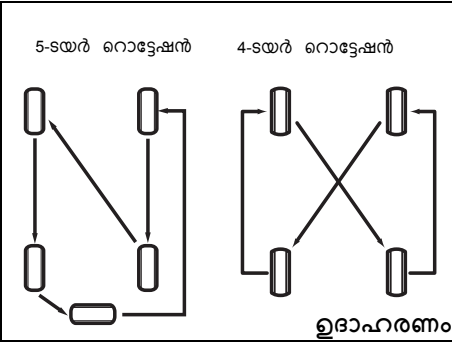
⚠ മുന്നറിയിപ്പ്

- നിങ്ങളുടെ വാഹനത്തിൽ ഒരേ തരത്തിലും വലുപ്പത്തിലുമുള്ള ടയറുകൾ സജ്ജീകരിച്ചിരിക്കുന്നു. വാഹനത്തിന്റെ ശരിയായ സ്റ്റിയറിംഗും ഹാൻഡിലിംഗും ഉറപ്പാക്കാൻ ഇത് പ്രധാനമാണ്. നിങ്ങളുടെ വാഹനത്തിന്റെ നാല് വീലുകളിൽ ഒരിക്കലും വ്യത്യസ്ത വലിപ്പത്തിലോ തരത്തിലോ ഉള്ള ടയറുകൾ ഉപയോഗിക്കരുത്. ഉപയോഗിക്കുന്ന ടയറുകളുടെ വലുപ്പവും തരവും നിങ്ങളുടെ വാഹനത്തിന്റെ സ്റ്റാൻഡേർഡ് അല്ലെങ്കിൽ ഓപ്ഷണൽ ഭാഗങ്ങളായി മാരുതി സുസുക്കി അംഗീകരിച്ചവ മാത്രമായിരിക്കണം.
- നിങ്ങളുടെ വാഹനത്തിൽ സജ്ജീകരിച്ചിരിക്കുന്ന വീലുകളും ടയറുകളും മാറ്റി പകരം വീപ്പിയിൽ ലഭ്യമാകുന്ന മറ്റു പല വീലുകളുടെയും ടയറുകളുടെയും കോമ്പിനേഷനുകൾ വയ്ക്കുന്നതിൽ നിങ്ങളുടെ വാഹനത്തിന്റെ സ്റ്റിയറിംഗ് ക്ഷമത, ഹാൻഡിലിംഗ് സിവിശേഷതകൾ എന്നിവ ഗണ്യമായി മാറ്റാൻ കഴിയും.
- അതിനാൽ, നിങ്ങളുടെ വാഹനത്തിന് സ്റ്റാൻഡേർഡ് അല്ലെങ്കിൽ ഓപ്ഷണൽ ഉപകരണങ്ങളായി മാരുതി സുസുക്കി അംഗീകരിച്ച വീൽ, ടയർ കോമ്പിനേഷനുകൾ മാത്രം ഉപയോഗിക്കുക.

ശ്രദ്ധിക്കുക

യഥാർത്ഥ ടയറുകൾ മാറ്റി മറ്റൊരു വലിപ്പത്തിലുള്ള ടയറുകൾ ഉപയോഗിക്കുന്നതാഴെ തെറ്റായ സ്പീഡോമീറ്റർ അല്ലെങ്കിൽ ഓഡോമീറ്റർ റീഡിംഗുകൾ ലഭിക്കിച്ചേക്കാം. യഥാർത്ഥ ടയറുകളിൽ നിന്ന് വലിപ്പത്തിൽ വ്യത്യാസമുള്ള റീപ്പേസ്മെന്റ് ടയറുകൾ വാങ്ങുന്നതിന് മുമ്പ് നിങ്ങളുടെ അംഗീകൃത മാരുതി സുസുക്കി കൊമേഴ്സ്യൽ വർക്ക്ഷോപ്പ് സന്ദർശിച്ച് അവ പരിശോധിക്കുക.

ടയർ റൊട്ടേഷൻ



നിങ്ങളുടെ ടയറുകളുടെ സമാനമല്ലാത്ത തേയ്മാനം ഒഴിവാക്കാനും അവയുടെ കാലാവധി വർദ്ധിപ്പിക്കാനും,

ചിത്രീകരിച്ചിരിക്കുന്നതുപോലെ ടയറുകൾ തിരിക്കുക. ഓരോ 10000 കിലോമീറ്ററിലും ടയറുകൾ റൊട്ടേറ്റ് ചെയ്യണം. റൊട്ടേഷനുശേഷം, നിങ്ങളുടെ വാഹനത്തിന്റെ ടയർ ഇൻഫർമേഷൻ ലേബലിൽ ലിസ്റ്റുചെയ്തിരിക്കുന്ന സ്പെസിഫിക്കേഷനിലേക്ക് ഫ്രണ്ട്, റിയർ ടയർ പ്രഷർ ക്രമീകരിക്കുക.

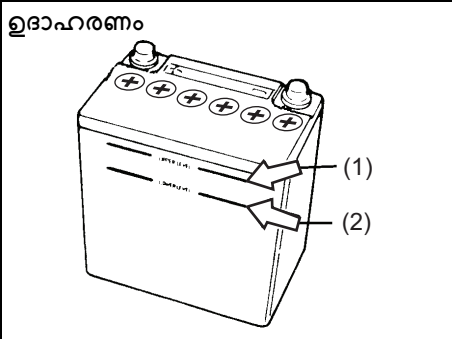
വീൽ ബാലൻസ്
മിനുസമാർന്ന റോഡിൽ വാഹനം അസാധാരണമായി വൈബ്രേറ്റ് ചെയ്യുകയാണെങ്കിൽ, അംഗീകൃത മാരുതി സൂസുക്കി കൊമേഴ്സ്യൽ വർക്ക്ഷോപ്പ് സന്ദർശിച്ചു വീൽ ബാലൻസ് ചെയ്യുക.

വീൽ അലൈൻമെന്റ്
അസാധാരണമായ ടയർ തേയ്മാനമോ ഒരു വശത്തേക്ക് പുള്ളിംഗോ അനുഭവപ്പെടുന്നുവെങ്കിൽ അംഗീകൃത മാരുതി സൂസുക്കി കൊമേഴ്സ്യൽ വർക്ക്ഷോപ്പ് സന്ദർശിച്ചു വീൽ അലൈൻ ചെയ്യുക.

ബാറ്ററി

⚠ മുന്നറിയിപ്പ്

- ബാറ്ററികൾ തീപിടിക്കുന്ന ഹൈഡ്രജൻ വാതകം ഉത്പാദിപ്പിക്കുന്നു. തീജ്വാലകളും തീപ്പൊരികളും ബാറ്ററിയ്ക്ക് അടുത്ത വരരുത് അല്ലെങ്കിൽ സ്ഫോടനം സംഭവിക്കാം. ബാറ്ററിയുടെ പരിസരത്ത് പ്രവർത്തിക്കുമ്പോൾ ഒരിക്കലും പുകവലിക്കരുത്.
- ബാറ്ററി പരിശോധിക്കുമ്പോൾ അല്ലെങ്കിൽ സർവീസ് ചെയ്യുമ്പോൾ, നെഗറ്റീവ് കേബിൾ വിച്ഛേദിക്കുക. ബാറ്ററി പോസ്റ്റുകളിലും വാഹനത്തിലും ഒരേ സമയം ലോഹ വസ്തുക്കൾ സ്പർശിക്കാൻ അനുവദിക്കുന്നതിലൂടെ ഷോർട്ട് സർക്യൂട്ട് ഉണ്ടാകാതിരിക്കാൻ ശ്രദ്ധിക്കുക.
- നിങ്ങളുടെ വാഹനത്തിനോ ബാറ്ററിക്കോ കേടുപാടുകൾ സംഭവിക്കാതിരിക്കാൻ, നിങ്ങളുടെ വാഹനം ജമ്പ് സ്റ്റാർട്ട് ചെയ്യേണ്ടത് അത്യാവശ്യമാണെങ്കിൽ ഈ മാനുവലിലെ "അടിയന്തര സേവനം" വിഭാഗത്തിലെ ജമ്പ് സ്റ്റാർട്ടിംഗ് നിർദ്ദേശങ്ങൾ പാലിക്കുക.



54GM701

മെയിന്റനൻസ്-(ഫീ ബാറ്ററിക്ക് (ക്യാപ്-ലെസ്) ടൈപ്പ്), നിങ്ങൾ വാട്ടർ ചേർക്കേണ്ടതില്ല വാട്ടർ ഫില്ലർ ക്യാപ് ഉള്ള പരമ്പരാഗത തരത്തിലുള്ള ബാറ്ററിക്ക്, ബാറ്ററി ലായനിയുടെ ലെവൽ എല്ലായ്പ്പോഴും അപ്പർ ലെവൽ ലൈനിയും (1) ലോവർ ലെവൽ ലൈനിയും (2) ഇടയിലായിരിക്കണം നിങ്ങൾ ഇടയ്ക്കിടെ ബാറ്ററി, കെയ്സ് ബാറ്ററി ടെർമിനലുകൾ, ബാറ്ററി ഹോൾഡ്-ഡൗൺ ബ്രാക്കറ്റ് എന്നിവയിൽ കേടുപാടുകൾ, തുരുമ്പ് എന്നിവ ഉണ്ടായെന്ന് പരിശോധിക്കണം ദൃഢമായ ബ്രഷും അമോണിയലായനി അല്ലെങ്കിൽ ബേക്കിംഗ് സോഡ ലായനിയും ഉപയോഗിച്ച് തുരുമ്പ് നീക്കം ചെയ്യുക. തുരുമ്പ് നീക്കം ചെയ്ത ശേഷം, ശുദ്ധമായ വെള്ളത്തിൽ കഴുകുക.

പരിശോധനയും പരിപാലനവും

അപ്പർ ലെവൽ ലൈനീനേക്കാൾ (1) കൂടുതൽ ബാറ്ററി ലിക്വിയ് ചേർത്തിട്ടുണ്ടെങ്കിൽ, ഡ്രൈവിംഗ് സമയത്ത് വൈബ്രേഷനുകൾ വഴി പ്ലൂയിയ് ചോർച്ച ഉണ്ടായേക്കാം. അല്ലെങ്കിൽ ബാറ്ററി ചാർജിംഗിന്റെ അവസ്ഥയെ ആശ്രയിച്ച് ചില സന്ദർഭങ്ങളിൽ ഫ്ലൂയിഡ് പുറത്തേക്ക് സ്പ്രേ ചെയ്യാം.

⚠ മുന്നറിയിപ്പ്
ബാറ്ററി ലെവൽ താഴത്തെ ലെവൽ ലൈനീനേക്കാൾ (2) കുറവുള്ള ബാറ്ററിയാണെങ്കിൽ, അത് ഉപയോഗിക്കുന്നതുകൊണ്ട്, അത് ബാറ്ററി ലൈഫ് കുറയുന്നതിനോ ഏകസോൾട്ടർമിക് ഹിറ്റിലേക്കോ ബാറ്ററിയിൽ നിന്ന് ഉണ്ടാകുന്ന ഹൈഡ്രജൻ വാതകം പൊട്ടിത്തെറിക്കുന്നതിനോ കാരണമായേക്കാം. ബാറ്ററി ലെവൽ ലോവർ ലെവൽ ലൈനീനേക്കാൾ കുറവുള്ള ബാറ്ററി ഉപയോഗിക്കരുത് (2).

ശ്രദ്ധിക്കുക
അപ്പർ ലെവൽ ലൈനീനേക്കാൾ (1) കൂടുതൽ ബാറ്ററി ലിക്വിയ് ചേർത്തിട്ടുണ്ടെങ്കിൽ, ഡ്രൈവിംഗ് സമയത്ത് വൈബ്രേഷനുകൾ വഴി പ്ലൂയിയ് ചോർച്ച ഉണ്ടായേക്കാം. അല്ലെങ്കിൽ ബാറ്ററി ചാർജിംഗിന്റെ അവസ്ഥയെ ആശ്രയിച്ച് ചില സന്ദർഭങ്ങളിൽ ഫ്ലൂയിഡ് പുറത്തേക്ക് സ്പ്രേ ചെയ്യാം. ഇവ ബാറ്ററിക്ക് സമീപമുള്ള ഭാഗങ്ങൾക്ക് കേടുപാടുകൾ വരുത്തുന്നു. ബാറ്ററി ലിക്വിയ് കവിഞ്ഞൊഴുകുകയാണെങ്കിൽ, ഉടൻ വെള്ളം ഉപയോഗിച്ച് കഴുകുക. മുകളിലെ ലെവൽ ലൈനീനേക്കാൾ കൂടുതൽ ബാറ്ററി ലിക്വിയ് ചേർക്കരുത് (1).

കുറിപ്പ്:
ബാറ്ററി ഉപയോഗിക്കുമ്പോൾ ബാറ്ററി ലിക്വിയ് ഉപയോഗിക്കപ്പെടുന്നു. ലെവൽ മുകളിലെ ലെവൽ (1) ന്റെയും താഴത്തെ ലെവലിന്റെയും (2) മധ്യത്തേക്കാൾ കുറവാണെന്ന് കണ്ടെത്തിയാൽ, അത് മുകളിലെ ലെവൽ റെലിയിൽ (1) എത്തുന്നതുവരെ ഡിസ്റ്റിൽഡ് വാട്ടർ ചേർക്കുക.

ഫ്യൂസുകൾ

താഴെ വിവരിച്ചിരിക്കുന്നതുപോലെ നിങ്ങളുടെ വാഹനത്തിന് മൂന്ന് തരം ഫ്യൂസുകൾ ഉണ്ട്:

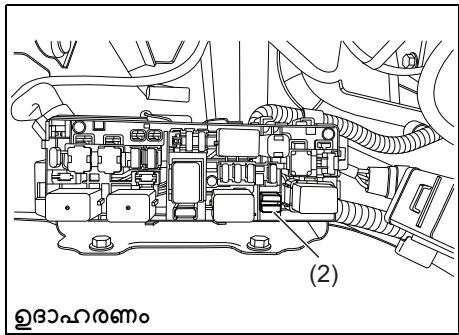
ഫ്യൂസിബിൾ ലിങ്ക് വയറും മെയിൻ ഫ്യൂസും മെയിൻ ഫ്യൂസ് ബാറ്ററിയിൽ നിന്ന് നേരിട്ട് കറന്റ് എടുക്കുന്നു.

പ്രൈമറി ഫ്യൂസുകൾ
ഈ ഫ്യൂസുകൾ പ്രധാന ഫ്യൂസിനും ഇൻഡിവിജ്വൽ ഫ്യൂസുകൾക്കും ഇടയിലാണ്, കൂടാതെ ഇവ ഇലക്ട്രിക്കൽ ലോഡ് ഗ്രൂപ്പുകൾക്കുള്ളതാണ്.

ഇൻഡിവിജ്വൽ ഫ്യൂസുകൾ
ഈ ഫ്യൂസുകൾ വ്യക്തിഗത ഇലക്ട്രിക്കൽ സർക്യൂട്ടുകൾക്കുള്ളതാണ്.

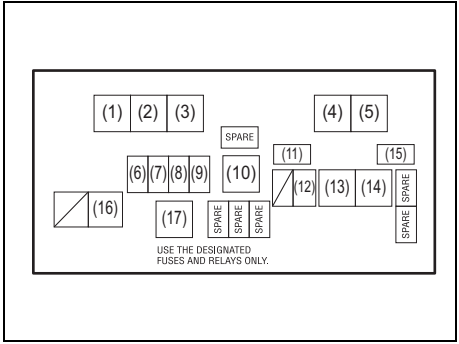
- കുറിപ്പ്:**
- നിങ്ങളുടെ വാഹനത്തിന്റെ ഫ്യൂസ് ബോക്സിന്റെ കവറിൽ ഫ്യൂസിന്റെ പേര് ലഭ്യമാണെങ്കിലും, വകഭേദം അനുസരിച്ച് ഫ്യൂസ് ബാധകമല്ലെന്നാണ് "ബ്ലാക്ക്" എന്നതിനാൽ സൂചിപ്പിക്കുന്നത്.
 - വാഹനത്തിന്റെ വകഭേദം അനുസരിച്ച് ചില ഫ്യൂസ് നിങ്ങളുടെ വാഹനത്തിന് ബാധകമായേക്കില്ല, എന്നാൽ അവ ബ്ലാക്ക് ആയി സൂചിപ്പിക്കാതെയുമിരിക്കാം.

ഒരു ഫ്യൂസ് നീക്കം ചെയ്യാൻ, റിലേ ബോക്സിൽ നൽകിയിരിക്കുന്ന ഫ്യൂസ് പുളളർ (2) ഉപയോഗിക്കുക.



ഉദാഹരണം 77PM07012

എഞ്ചിൻ കമ്പാർട്ട്മെന്റിലെ ഫ്യൂസുകൾ



77PM07030

കുറിപ്പ്: ബാക്ക് ആയി സൂചിപ്പിച്ചിട്ടില്ലെങ്കിലും, വാഹനത്തിന്റെ പകർപ്പ് അനുസരിച്ച് ചില ഫ്യൂസ് നിങ്ങളുടെ വാഹനത്തിന് ബാധകമായേക്കാം.

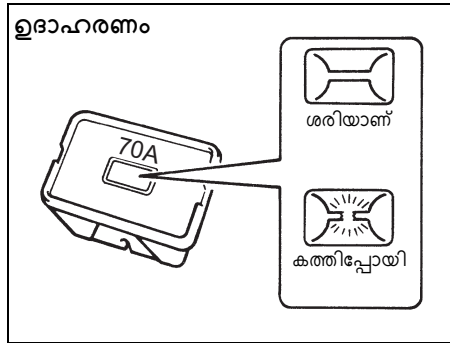
മെയിൻ ഫ്യൂസ് / പ്രൈമറി ഫ്യൂസ് / റിലേ		
S. No.	റേറ്റിംഗ്	ഫ്യൂസ് / റിലേ
(1)	-	സി എൻ ജി വാൽവ് റിലേ*
(2)	-	ഫ്യൂസ് പുളളർ
(3)	-	റേഡിയേറ്റർ ഫാൻ റിലേ
(4)	-	ഫ്യൂൽ പമ്പ് റിലേ
(5)		സ്ട്രാർട്ടിംഗ് മോട്ടോർ റിലേ
(6)	7.5A	സി എൻ ജി വാൽവ്*
(7)	20A	ഫ്യൂൽ ഇഞ്ചക്ഷൻ
(8)	30A	സ്ട്രാർട്ടിംഗ് മോട്ടോർ
(9)	15A	ഹോൺ
(10)	70A	ആൾട്ടർനേറ്റർ
(11)	7.5A	സി എൻ ജി*
(12)	10A	അപകടം വാർണിംഗ് ലൈറ്റ്
(13)	40A	ബാറ്ററി
(14)	40A	ഇഗ്നിഷൻ സ്വിച്ച്
(15)	7.5A	എസ്ടി എസ്എജി 2 (സ്ട്രാർട്ടിംഗ് സിസ്റ്റം)
(16)	30A	റേഡിയേറ്റർ ഫാൻ

പരിശോധനയും പരിപാലനവും

(17)	-	എഫ് ഐ മെയിൻ റിലേ
------	---	------------------

*: സി എൻ ജി മോഡലിന്

മെയിൻ ഫ്യൂസും പ്രൈമറി ഫ്യൂസുകളും ചില ഇൻഡിവിജൽ ഫ്യൂസുകളും എഞ്ചിൻ കമ്പാർട്ട്മെന്റിൽ കാണപ്പെടുന്നു. മെയിൻ ഫ്യൂസ് വിഘടിപ്പിക്കുകയാണെങ്കിൽ, ഒരു വൈദ്യുത ഘടകവും പ്രവർത്തിക്കില്ല. ഒരു പ്രൈമറി ഫ്യൂസ് കത്തിപോകുകയാണെങ്കിൽ, അനുബന്ധ ലോഡ് ഗ്രൂപ്പിലെ ഒരു ഇലക്ട്രിക്കൽ ഘടകവും പ്രവർത്തിക്കില്ല. മെയിൻ ഫ്യൂസ്, പ്രൈമറി ഫ്യൂസ് അല്ലെങ്കിൽ ഇൻഡിവിജൽ ഫ്യൂസ് എന്നിവ മാറ്റിസ്ഥാപിക്കുമ്പോൾ, ജെനുവിൻ മാർട്ടി ഉൽപ്പന്നങ്ങൾ ഉപയോച്ചു മാറ്റിസ്ഥാപിക്കുക. ഒരു ഫ്യൂസ് നീക്കം ചെയ്യാൻ, റിലേ ബോക്സിൽ നൽകിയിരിക്കുന്ന ഫ്യൂസ് പുളളർ (2) ഉപയോഗിക്കുക. ഓരോ ഫ്യൂസിന്റേയും ആമ്പിയർ ഫ്യൂസ് ബോക്സ് കവറിനുള്ളിൽ കാണിച്ചിരിക്കുന്നു.



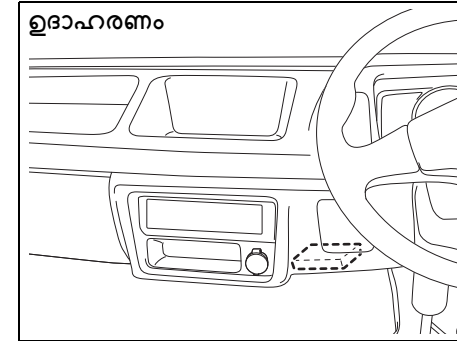
60G111

⚠ മുന്നറിയിപ്പ്

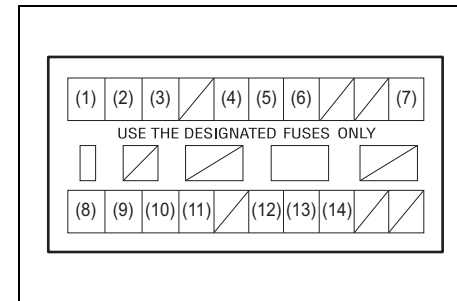
മെയിൻ ഫ്യൂസ് അല്ലെങ്കിൽ ഒരു പ്രൈമറി ഫ്യൂസ് കത്തിപോകുകയാണെങ്കിൽ, ഒരു അംഗീകൃത മാർട്ടി സൂസുക്കി കൊമേഴ്സ്യൽ വർക്ക്ഷോപ്പിൽ നിങ്ങളുടെ വാഹനം പരിശോധിക്കുക. എല്ലായ്പ്പോഴും ഒരു മാർട്ടി ജെനുവിൻ റിപേസ്മെന്റ് പാർട്സ് മാത്രം ഉപയോഗിക്കുക. താൽക്കാലിക അറ്റകുറ്റപ്പണികൾക്കായി പോലും വയർ പോലുള്ള ഒരു ബദൽ വസ്തുക്കൾ ഒരിക്കലും ഉപയോഗിക്കരുത്, അല്ലെങ്കിൽ വിപുലമായ വൈദ്യുത കേടുപാടുകൾ / തി പിടുത്തം ഉണ്ടാകാം.

കുറിപ്പ്: ബോക്സിൽ എല്ലായ്പ്പോഴും സ്പെയർ ഫ്യൂസുകളും ഫ്യൂസ് പുളളറും ഉണ്ടെന്ന് ഉറപ്പാക്കുക.

ഡാഷ് ബോർഡിന് കീഴിലുള്ള ഫ്യൂസുകൾ



77PH048

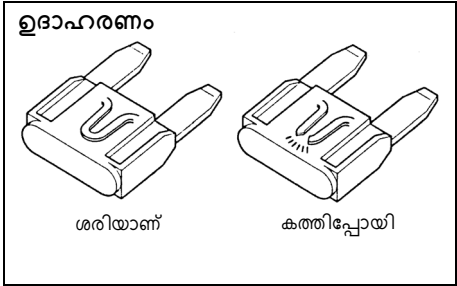


77PH049

മെയിൻ ഫ്യൂസ്/പ്രൈമറി ഫ്യൂസ്		
(1)	10A	ഹെഡ്ലൈറ്റ് (വലത്)
(2)	10A	ഹെഡ്ലൈറ്റ് (ഇടത്)
(3)	10A	ഡോം ലൈറ്റ്
(4)	10A	ടെയിൽ ലൈറ്റ്
(5)	10A	സ്റ്റോപ്പ് ലൈറ്റ്
(6)	15A	റേഡിയോ
(7)	10A	സ്റ്റാർട്ടിങ് സിഗ്നൽ
(8)	10A	മീറ്റർ
(9)	15A	ഇഗ്നിഷൻ
(10)	10A	ബാക്ക്-അപ്പ് ലൈറ്റ്
(11)	15A	ഫ്രണ്ട് വെപ്പർ
(12)	15A	ആക്സസറി 2
(13)	10A	ആക്സസറി
(14)	7.5A	സി ഏൻ ജി ഇഗ്നിഷൻ*

*: സി ഏൻ ജി മോഡലിന്

ഡാഷ്ബോർഡിന് താഴെയാണ് ഫ്യൂസ് ബോക്സ് സ്ഥിതി ചെയ്യുന്നത്.



65D046

⚠ മുന്നറിയിപ്പ്
 കത്തിപ്പോയ ഫ്യൂസിന് പകരം ശരിയായ ആമ്പിയർ ഉള്ള ഫ്യൂസ് ഇടുന്നത് ഉറപ്പാക്കുക. കത്തിപ്പോയ ഫ്യൂസിന് പകരം അലൂമിനിയം ഫോയിൽ അല്ലെങ്കിൽ വയർ പോലുള്ള ഒരു ബദൽ വസ്തു ഒരിക്കലും ഉപയോഗിക്കരുത്. നിങ്ങൾ ഒരു ഫ്യൂസ് മാറ്റി പുതിയത് ചുരുങ്ങിയ സമയത്തിനുള്ളിൽ കത്തിപ്പോകുകയാണെങ്കിൽ, നിങ്ങൾക്ക് ഒരു മറ്റെന്തിലും വൈദ്യുത പ്രശ്നമുണ്ടാകാം. നിങ്ങളുടെ അംഗീകൃത മാരുതി സൂപ്പർക്വി കൊമേഴ്സ്യൽ വർക്കിങ്ങോപ്പ് സന്ദർശിച്ചു വാഹനം ഉടൻ പരിശോധിക്കുക.

ബൾബ് മാറ്റിസ്ഥാപിക്കൽ

⚠ ജാഗ്രത

- ലൈറ്റ് ബൾബുകൾ ഓഫാക്കിയതിന് ശേഷം നിങ്ങളുടെ വിരൽ കത്തുന്ന തരത്തിൽ ചൂടുണ്ടായേക്കാം. ഹാലോജൻ ഹെഡ്ലൈറ്റ് ബൾബുകൾക്ക് ഇത് പ്രത്യേകിച്ചും ശ്രദ്ധിക്കണം. ബൾബുകൾ ആവശ്യത്തിന് തണുത്തതിന് ശേഷം മാറ്റിസ്ഥാപിക്കുക.
- ഹെഡ്ലൈറ്റ് ബൾബുകളിൽ പ്രഷറൈസഡ് ഹാലോജൻ വാർകം നിറഞ്ഞിരിക്കുന്നു. ഇടിച്ചാലോ വിഴുവോഴോ അവ പൊട്ടിത്തെറിക്കുകയും നിങ്ങളെ പരിക്കേൽക്കുകയും ചെയ്യും. അവ ശ്രദ്ധയോടെ കൈകാര്യം ചെയ്യുക.

ശ്രദ്ധിക്കുക

നിങ്ങളുടെ ചർമ്മത്തിൽ നിന്നുള്ള എണ്ണ ഒരു ഹാലോജൻ ബൾബ് അമീതമായി ചൂടാകാനും ലൈറ്റുകൾ ഓണായിരിക്കുമ്പോൾ പൊട്ടാനും ഇടയാക്കും. വൃത്തിയുള്ള തുണി ഉപയോഗിച്ച് പുതിയ ബൾബ് പിടിക്കുക.

പരിശോധനയും പരിപാലനവും

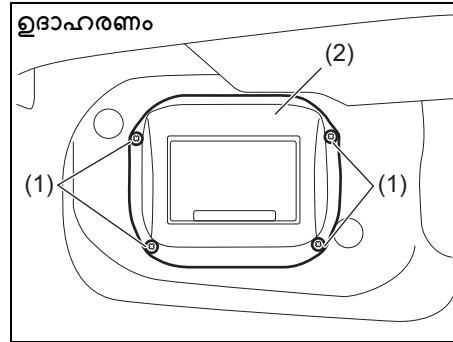
ശ്രദ്ധിക്കുക	
<ul style="list-style-type: none"> ബൾബ് ഇടയ്ക്കിടെ മാറ്റിസ്ഥാപിക്കേണ്ടി വരുമ്പോൾ വൈദ്യുത സംവിധാനത്തിന് പരിശോധന ആവശ്യമാണ് എന്ന് സൂചിപ്പിക്കുന്നു. നിങ്ങളുടെ മാരുതി സുസൂക്ഷി അംഗീകൃത വർക്ക്ഷോപ്പ് സന്ദർശിച്ചു ഇത് നടപ്പിലാക്കണം. ബൾബ് മാറ്റിസ്ഥാപിക്കുമ്പോൾ, പ്രസ്തുത ബൾബ്/യൂണിറ്റ് കൂടാതെ/ അല്ലെങ്കിൽ സ്പെസിഫിക്കേഷനുകളിൽ സൂചിപ്പിച്ചിരിക്കുന്ന അതേ ബൾബ് നമ്പർ തന്നെ വാഹനത്തിൽ എപ്പോഴും ഉപയോഗിക്കുക. 	

കുറിപ്പ്: മഴയത്ത് ഡ്രൈവ് ചെയ്യുമ്പോഴോ അതിനു ശേഷമോ കാർ കഴുകിയ ശേഷമോ പുറത്തെ ലൈറ്റുകളുടെ ലെൻസുകളിൽ (ഹെഡ്ലൈറ്റ്, റിയർ കോമ്പിനേഷൻ ലൈറ്റ് മുതലായവ) മൂടൽമണ്ണ് രൂപപ്പെടാക്കാം. ലൈറ്റിന്റെ അകത്തും പുറത്തുമുള്ള താപനിലയിലെ വ്യത്യാസം മൂലം സംഭവിക്കുന്ന ഒരു സ്വാഭാവിക പ്രതിഭാസമാണിത്. ലെൻസിലെ താൽക്കാലിക മൂടൽമണ്ണ് ഒരു തകരാറല്ല, വാഹനമോടിക്കുമ്പോൾ ഇതു മൂലം യാതൊരു തടസ്സവും ഉണ്ടാക്കില്ല. പുറത്തെ പരിസ്ഥിതിയിൽ സൂര്യപ്രകാശം വരുമ്പോഴോ ഹെഡ്ലാമ്പ് ഓണാക്കുമ്പോഴോ മൂടൽമണ്ണ് മായുന്നതാണ്.

7-29

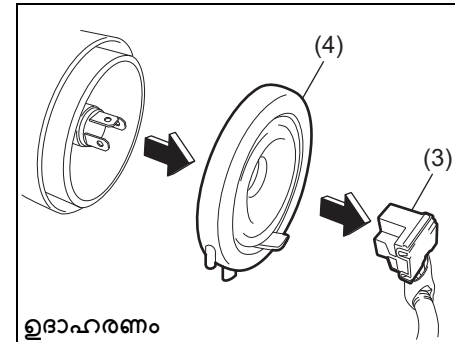
എന്നിരുന്നാലും ലൈറ്റിലേക്ക് വെള്ളം ചോർന്നിട്ടുണ്ടെന്നു സംശയിക്കുകയാണെങ്കിൽ, നിങ്ങളുടെ അംഗീകൃത മാരുതി സുസൂക്ഷി വർക്ക്ഷോപ്പുമായി ബന്ധപ്പെടുക

ഹെഡ്ലൈറ്റുകൾ



77PH050

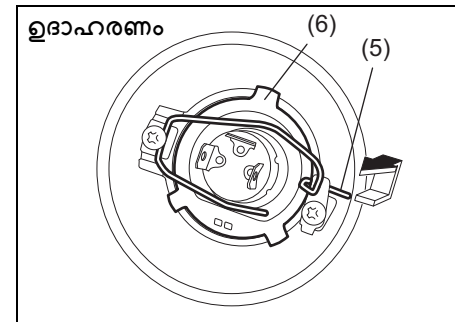
- 1) സ്ക്രൂകൾ (1) നീക്കം ചെയ്തതിനു ശേഷം എയർ ഇൻലെറ്റ് ബോക്സ് (2) നീക്കം ചെയ്യുക



ഉദാഹരണം

77PH051

- 2) കപ്പർ (3) വിച്ഛേദിക്കുക . സീലിംഗ് റബ്ബർ (4) നീക്കം ചെയ്യുക .



ഉദാഹരണം

77PH052

- 3) റീറ്റെയ്നിങ് സ്പ്രിംഗ് (5) മുന്നോട്ട് തള്ളുക, അത് അഴിക്കുക. അതിനുശേഷം ബൾബ് (6) നീക്കം ചെയ്യുക. നീക്കം ചെയ്ത

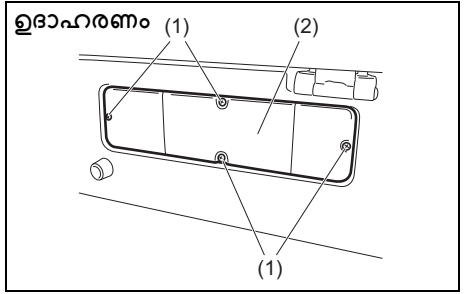
പരിശോധനയും പരിപാലനവും

നടപടികളുടെ വിപരീത ക്രമത്തിൽ ഒരു പുതിയ ബൾബ് ഇൻസ്റ്റാൾ ചെയ്യുക.

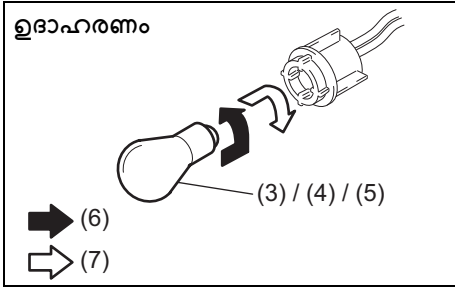
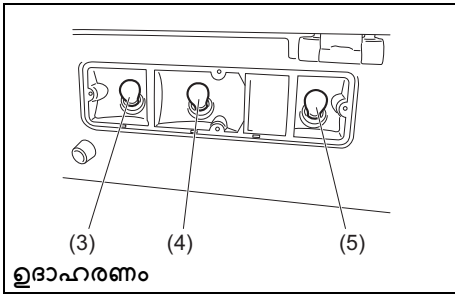
ഫ്രണ്ട് ട്രേസർ സിഗ്നൽ ലൈറ്റ് (ഫ്രണ്ട് പൊസിഷൻ ലൈറ്റ്)

പ്രത്യേക നടപടിക്രമങ്ങൾ ആവശ്യമായതിനാൽ, ബൾബ് മാറ്റിസ്ഥാപിക്കുന്നതിനായി നിങ്ങളുടെ അംഗീകൃത മാരുതി സൂസുക്കി കോമേഴ്സ്യൽ വർക്ക്ഷോപ്പിലേക്ക് വാഹനം കൊണ്ടുപോകാൻ തങ്ങൾ ശുപാർശ ചെയ്യുന്നു.

റിയർ കോമ്പിനേഷൻ ലൈറ്റ്



1) സ്ക്രൂകൾ (1) നീക്കം ചെയ്യുക, കവർ (2) നീക്കം ചെയ്യുക.

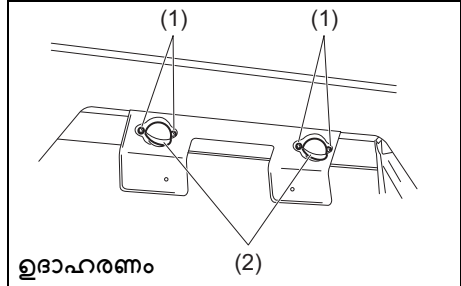


(6) നീക്കം ചെയ്യുക
(7) ഇൻസ്റ്റാൾ ചെയ്യുക

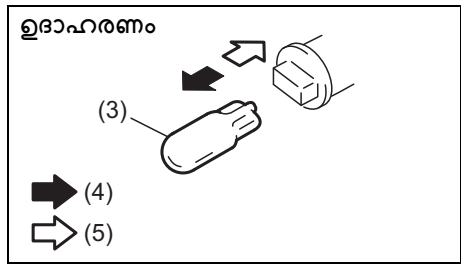
2) ട്രേസർ സിഗ്നൽ ലൈറ്റിന്റേയോ (3), ട്രെയിൽ/ബ്രേക്ക് ലൈറ്റിന്റേയോ (4) അല്ലെങ്കിൽ റിവേഴ്സിംഗ് ലൈറ്റിന്റേയോ (5) ബൾബ് ഹോൾഡറിൽ നിന്നും നീക്കം ചെയ്യാൻ, ബൾബിൽ അമർത്തി എതിർ ഘടികാരദിശയിൽ

തിരിക്കുക.. ഒരു പുതിയ ബൾബ് ഇൻസ്റ്റാൾ ചെയ്യാൻ, അത് ഉള്ളിലേക്ക് തള്ളി ഘടികാരദിശയിൽ തിരിക്കുക.

ലൈസൻസ് പ്ലേറ്റ് ലൈറ്റ്



1) സ്ക്രൂകൾ (1) നീക്കം ചെയ്യുക, കവർ (2) നീക്കം ചെയ്യുക.

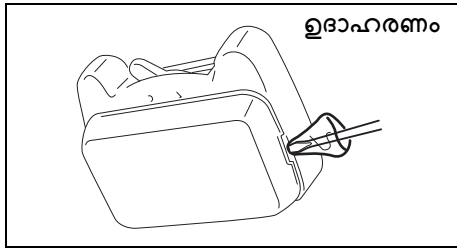


(4) നീക്കം ചെയ്യുക
(5) ഇൻസ്റ്റാൾ ചെയ്യുക

പരിശോധനയും പരിപാലനവും

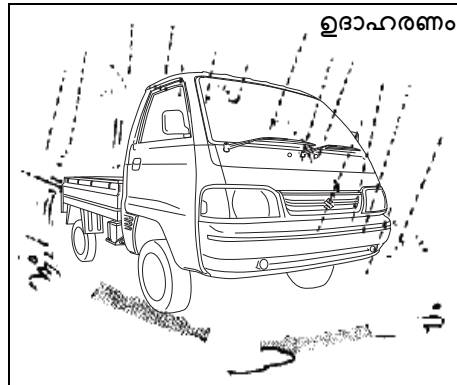
2) ലൈസൻസ് പേറ്റ് ലൈറ്റിന്റേ (3) ബൾബ് നീക്കം ചെയ്യാനും ഇൻസ്റ്റാൾ ചെയ്യാനും, ബൾബ് പുറത്തെയ്ക്ക് വലിച്ചെടുക്കുകയോ തള്ളുകയോ ചെയ്യുക.

ഇൻറീരിയർ ലൈറ്റ്
ചിത്രത്തിൽ കാണിച്ചിരിക്കുന്നതുപോലെ മുദുവായ തൂണികൊണ്ട് പൊതിഞ്ഞ പ്ലാസ്റ്റിക് ബൂഡ് സ്ക്രൂഡ്രൈവർ ഉപയോഗിച്ച് ലൈസൻസ് നീക്കം ചെയ്യുക. ഇത് ഇൻസ്റ്റാൾ ചെയ്യാൻ, അത് തിരികെ അകത്തേക്ക് തള്ളുക.



77PH057

വൈപ്പർ ബ്ലേഡുകൾ



ഉദാഹരണം

77PM07028

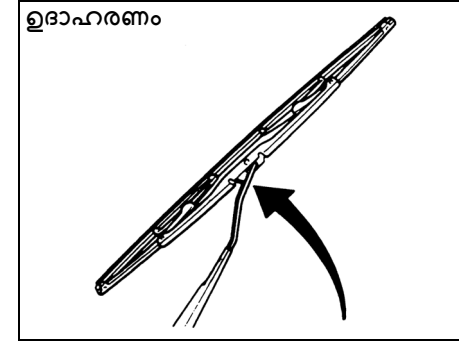
വൈപ്പർ ബ്ലേഡുകൾ പൊട്ടുകയോ കോടുകയോ ചെയ്യുകയോ തുടയ്ക്കുമ്പോൾ സ്ക്രീക്കുകൾ ഉണ്ടാക്കുകയോ ചെയ്താൽ, വൈപ്പർ ബ്ലേഡുകൾ മാറ്റിസ്ഥാപിക്കുക.

പുതിയ വൈപ്പർ ബ്ലേഡുകൾ ഇൻസ്റ്റാൾ ചെയ്യുന്നതിന്, ചുവടെയുള്ള നടപടിക്രമങ്ങൾ പാലിക്കുക.

ശ്രദ്ധിക്കുക	
വിൻഡോയിൽ ഉണ്ടാക്കുകയോ ഉണ്ടാക്കുകയോ ചെയ്യാതിരിക്കാൻ വൈപ്പർ മാറ്റിസ്ഥാപിക്കുമ്പോൾ വീൻഡോയിൽ അടിക്കരുത്.	സ്ക്രാച്ച് പൊട്ടൽ
	വൈപ്പർ ബ്ലേഡ്

കുറിപ്പ്: ചില വാഹനത്തിന്റേ വൈപ്പർ ബ്ലേഡുകൾ അനുസരിച്ച് ഇവിടെ വിവരിച്ചതിൽ നിന്ന് വ്യത്യസ്തമായിരിക്കും. അങ്ങനെയാണെങ്കിൽ ശരിയായ റിപ്പേസ്മെന്റ് രീതിയായി നിങ്ങളുടെ അംഗീകൃത മാരുതി സൂസൂക്ക് കോമേഴ്സ്യൽ വർക്കർമാർക്ക് കോൺസൾട്ടേഷൻ നേടുക.

വിൻഡ്ഷീൽഡ് വൈപ്പറുകൾക്ക്:



ഉദാഹരണം

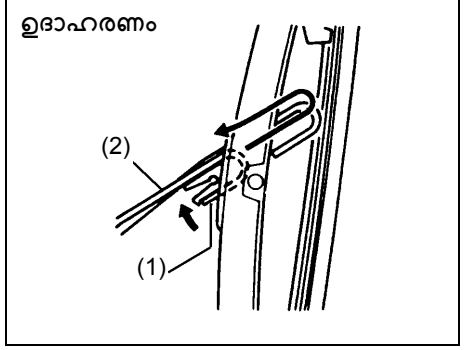
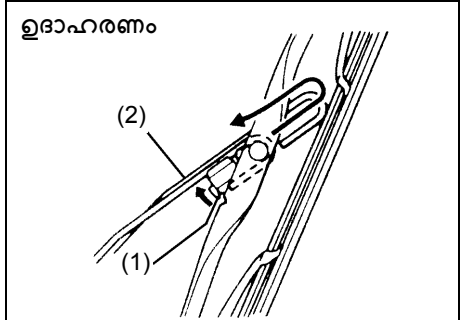
70G119

1) വൈപ്പർ ആം വിൻഡ്ഷീൽഡിൽ നിന്ന് മാറ്റി പിടിക്കുക.

കുറിപ്പ്: ചില വൈപ്പർ ആം രണ്ടും ഉയർത്തുമ്പോൾ, ആദ്യം ഡ്രൈവറുടെ സൈഡിലെ വൈപ്പർ ആം മുകളിലേക്ക് ഉയർത്തുക. ആ ഭാഗത്തെ വൈപ്പർ ആം താഴെത്തുമ്പോൾ, ആദ്യം യാത്രക്കാരന്റെ ഭാഗത്തെ സൈഡ് വൈപ്പർ ആം ഉയർത്തുക.. അല്ലെങ്കിൽ,

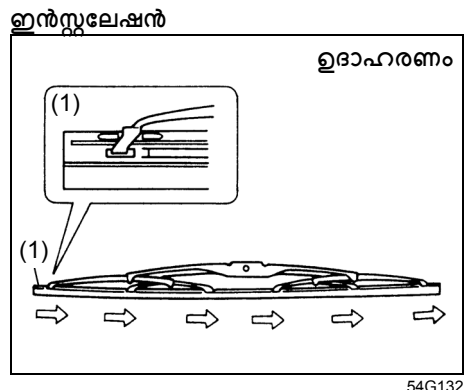
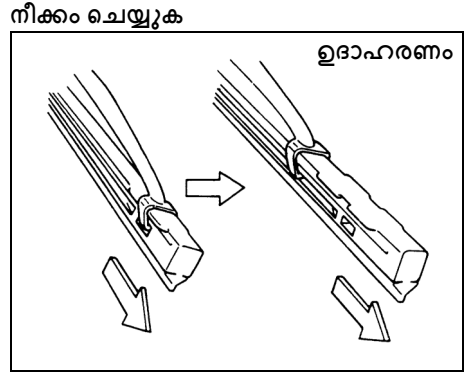
പരിശോധനയും പരിപാലനവും

വെപ്പർ ആമുകൾ പരസ്പരം തട്ടാനിടയുണ്ട്.

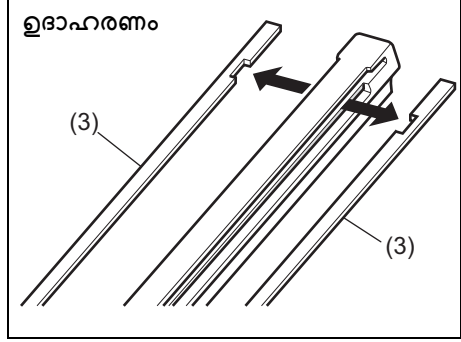


2) കാണിച്ചിരിക്കുന്നതുപോലെ ലോക്ക് (1) വെപ്പർ ആം (2) ന്നേരെ അമർത്തി, കൈയിൽ നിന്ന് വെപ്പർ ഫ്രെയിം നീക്കം ചെയ്യുക.

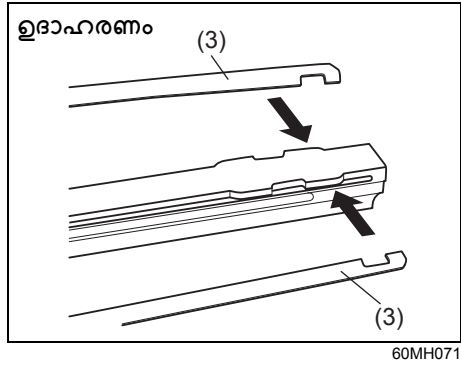
3) വെപ്പർ ബ്ലേഡിന്റെ ലോക്ക് അൺലോക്ക് ചെയ്ത് കാണിച്ചിരിക്കുന്നതുപോലെ ബ്ലേഡ് പുറത്തേക്ക് ഡ്രൈവ് ചെയ്യുക.



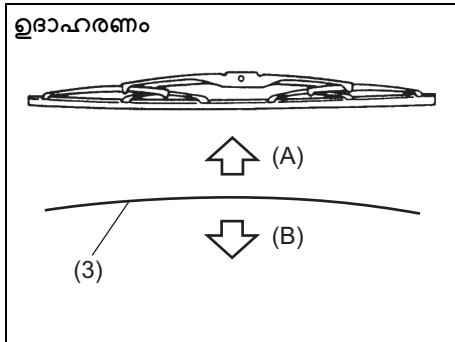
(1) ലോക്കർ ഫ്ലിൻഡ്



(3) റീട്രൈൻ
4) രണ്ട് മെറ്റൽ റിറ്റൈനറുകൾ ഇല്ലാതെയാണു പുതിയ ബ്ലേഡ് നൽകിയതെങ്കിൽ അവയെ പഴയ ബ്ലേഡിൽ നിന്ന് പുതിയതിലേക്ക് മാറ്റുക.



പരിശോധനയും പരിപാലനവും



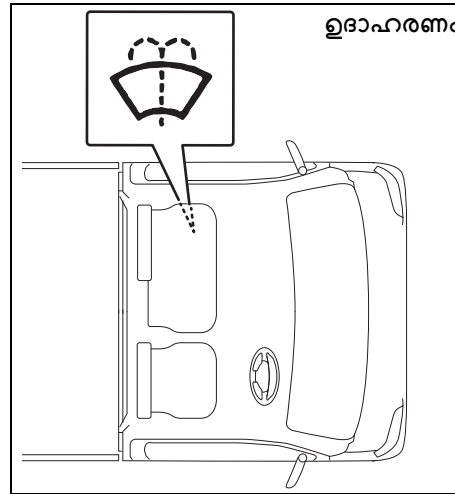
60MH072

- (A) മുകളിലേക്ക്
- (B) താഴേക്ക്

കുറിപ്പ്: നിങ്ങൾ മെറ്റൽ റിബ്ബനുകൾ (3) ഇൻസ്റ്റാൾ ചെയ്യുമ്പോൾ, മുകളിൽ പറഞ്ഞിരിക്കുന്ന ചിത്രങ്ങളിൽ കാണിച്ചിരിക്കുന്നതുപോലെ മെറ്റൽ റിബ്ബനുകളുടെ ദിശ ഉറപ്പാക്കുക.

- 5) നീക്കം ചെയ്തതിന്റെ വിപരീത ക്രമത്തിൽ, ലോക്കഡ് ഫ്രീൻഡ് വൈപ്പർ ആമിന് നേരെ വരുമ്പോൾ പുതിയ ബ്ലേഡ് ഇൻസ്റ്റാൾ ചെയ്യുക. എല്ലാ പാർട്ടുകളിലും ബ്ലേഡ് ശരിയായി നിലനിർത്തിയിട്ടുണ്ടെന്ന് ഉറപ്പാക്കുക. ബ്ലേഡിന്റേ അറ്റം ഉചിതമായി ലോക്ക് ചെയ്യുക.
- 6) ലോക്ക് ലിവർ, ആമിന് സുരക്ഷിതമായി സന്നാഹ് ചെയ്തിട്ടുണ്ടെന്ന് ഉറപ്പാക്കിക്കൊണ്ട് വൈപ്പർ ബ്രെയിം ആം വിണ്ടും ഇൻസ്റ്റാൾ ചെയ്യുക.

വിൻഡ്ഷീൽഡ് വാഷർ പ്ലൂയിഡ് (ഉണ്ടെങ്കിൽ)



77PM07027

ടാങ്കിൽ വാഷർ പ്ലൂയിഡ് ഉണ്ടോയെന്ന് നോക്കി പരിശോധിക്കുക. ആവശ്യമെങ്കിൽ വീണ്ടും നിറയ്ക്കുക. ആവശ്യാനുസരണം വെള്ളത്തിൽ ലയിപ്പിച്ച നല്ല നിലവാരമുള്ള വിൻഡ്ഷീൽഡ് വാഷർ പ്ലൂയിഡ് ഉപയോഗിക്കുക.

ശ്രദ്ധിക്കുക
വാഹനത്തിൽ ലൈം സ്കെയിൽ രൂപപ്പെടുന്നത് തടയാൻ കഠിനജലം ഉപയോഗിക്കുന്നത് ഒഴിവാക്കുക.

⚠ മുനറിയിപ്പ്
വിൻഡ്ഷീൽഡ് വാഷർ റിസർവോയറിൽ റേഡിയേറ്റർ ആന്റിഫ്രീസ് ഉപയോഗിക്കരുത്. വിൻഡ്ഷീൽഡിൽ ഇത സ്പ്രേ ചെയ്യുമ്പോൾ അതിലൂടെ പുറത്തേയ്ക്കുള്ള കാഴ്ചയെ സാരമായി ബാധിക്കുകയും നിങ്ങളുടെ വാഹനത്തിന്റെ പെയിന്റിന് കേടുവരുത്തുകയും ചെയ്യും.

ശ്രദ്ധിക്കുക
വാഷർ ടാങ്കിൽ പ്ലൂയിഡ് ഇല്ലാത്ത വാഷർ മോട്ടോർ പ്രവർത്തിപ്പിച്ചാൽ കേടുപാടുകൾ സംഭവിക്കാം.

എമർജൻസി സർവീസ്

ടയർ മാറ്റുന്നതിനുള്ള ഉപകരണം 8-1

ജാക്കിംഗ് നിർദ്ദേശങ്ങൾ 8-2

വീലുകൾ മാറ്റുന്നതിന് 8-5

ജമ്പ് സ്റ്റാർട്ടിങ് നിർദ്ദേശങ്ങൾ 8-6

ടോവിങ് 8-8

സ്റ്റാർട്ടർ പ്രവർത്തിക്കുന്നില്ലെങ്കിൽ 8-8

എഞ്ചിനിൽ വെള്ളം കയറിയിട്ടുണ്ടെങ്കിൽ 8-9

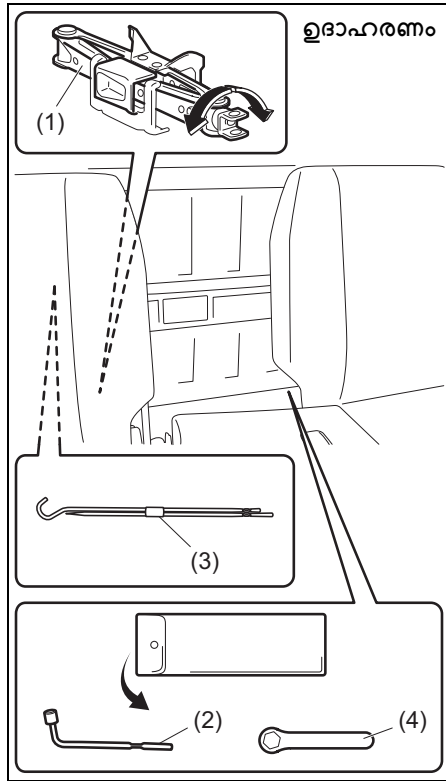
എഞ്ചിൻ പവർ ഹീറ്റ് ആണയാൾ 8-9

തട്ടുന്നതിലൂടെ വരുന്ന
അണ്ടർബോഡി ട്രബിൾ..... 8-10

മുന്നറിയിപ്പ് ത്രികോണം 8-10

ഫയർ എക്സ്റ്റിൻഗ്വിഷർ (ഉണ്ടെങ്കിൽ) 8-11

ടയർ മാറ്റുന്നതിനുള്ള ഉപകരണം

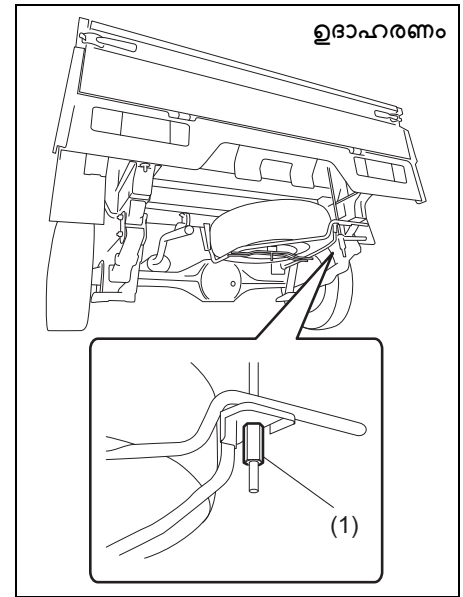


77PH202

- (1) ജാക്ക്
- (2) വീൽ ബ്രേസ്
- (3) ജാക്ക് ഹാൻഡിൽ
- (4) സ്പാനർ

ടയർ മാറ്റുന്നതിനുള്ള ഉപകരണങ്ങൾ ഡ്രൈവർ സിറ്റിന് പിന്നിൽ വെച്ചിരിക്കുന്നു. ജാക്ക് നീക്കം ചെയ്യാൻ, അതിന്റെ ഷാഫ്റ്റ് എതിർ ഘടികാരദിശയിൽ തിരിക്കുകയും സ്റ്റോറേജ് ബ്രാക്കറ്റിൽ നിന്ന് ജാക്ക് പുറത്തെടുക്കുകയും ചെയ്യുക. ജാക്ക് ഘടിപ്പിക്കാൻ, സ്റ്റോറേജ് ബ്രാക്കറ്റിൽ വയ്ക്കുക. ജാക്ക് സുരക്ഷിതമായി നിൽക്കുന്നതുവരെ ഷാഫ്റ്റ് ഘടികാരദിശയിൽ തിരിക്കുക.

സ്പെയർ ടയർ ബെഡിന് അടിയിൽ സൂക്ഷിച്ചിരിക്കുന്നു. സ്പെയർ ടയർ നീക്കം ചെയ്യാൻ:



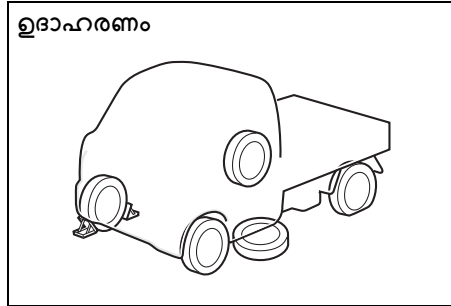
77PH099

- 1) സ്പെയർ ടയർ ഹോൾഡർ ഹുക്ക് നട്ട് അഴിക്കുക (1).
- 2) സ്പെയർ ടയർ ഹോൾഡർ അഴിച്ച് പുതുക്കെ താഴ്ത്തുക.
- 3) സ്പെയർ ടയറിന്റെ മധ്യഭാഗത്തുള്ള സ്ക്രൂ നീക്കം ചെയ്യുക, ടയർ നീക്കം ചെയ്യുക.

⚠ മുന്നറിയിപ്പ്
 ടയർ മാറ്റുന്ന ഉപകരണങ്ങൾ ഉപയോഗിച്ചതിന് ശേഷം, അവ സുരക്ഷിതമായി സൂക്ഷിക്കുന്നു എന്ന ഉറപ്പാക്കുക അല്ലെങ്കിൽ ഒരു അപകടം ഉണ്ടായാൽ അവ മൂലം പരിക്കേൽക്കാനിടയുണ്ട്.

⚠ ജാഗ്രത
 ചക്രങ്ങൾ മാറ്റാൻ മാത്രമേ ജാക്ക് ഉപയോഗിക്കാവൂ. ജാക്ക് ഉപയോഗിക്കാൻ ശ്രമിക്കുന്നതിന് മുമ്പ് ഈ വിഭാഗത്തിലെ ജാക്കിംഗ് നിർദ്ദേശങ്ങൾ വായിക്കേണ്ടത പ്രധാനമാണ്.

ജാക്കിംഗ് നിർദ്ദേശങ്ങൾ



77PH054

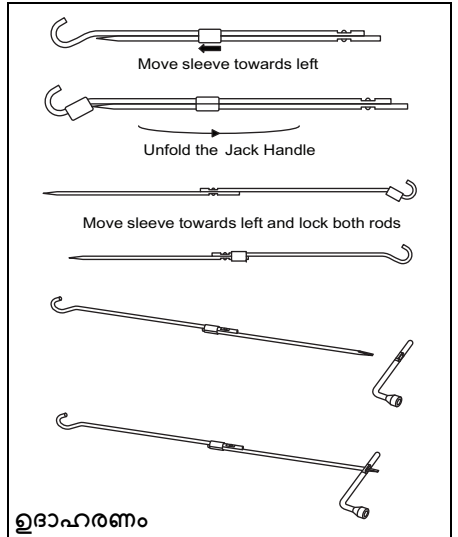
- 1) വാഹനം നിരപ്പായ, ഉറപ്പോലുള്ള സ്ഥലത്ത് ആയിരിക്കണം.
- 2) പാർക്കിംഗ് ബ്രേക്ക് ഉറപ്പിച്ച് "R" (റിവേഴ്സ്) ലേക്ക് മാറ്റുക.

⚠ മുന്നറിയിപ്പ്

- നിങ്ങൾ വാഹനം ജാക്ക് അപ്പ് ചെയ്യുമ്പോൾ "R" (റിവേഴ്സ്) ലേക്ക് മാറ്റുന്നുവെന്നു ഉറപ്പാക്കേണ്ടതാണ്.
- "N" (ന്യൂട്ട്രൽ) ട്രാൻസ്മിഷനിൽ ആയിരിക്കുമ്പോൾ വാഹനം ഒരിക്കലും ജാക്ക് അപ്പ് ചെയ്യരുത്. അല്ലെങ്കിൽ, ഉറപ്പില്ലാതെ ജാക്ക് മൂലം അപകടങ്ങൾ ഉണ്ടായേക്കാം

- 3) നിങ്ങളുടെ വാഹനം ട്രാഫിക്കിന് സമീപമാണെങ്കിൽ അപകട മുന്നറിയിപ്പ് ഫ്ലാഷർ ഓണാക്കുക.
- 4) ഉയർത്തിയ വീലിന് വിപരീതമായുള്ള ചക്രത്തിന്റെ

മുൻഭാഗവും പിൻഭാഗവും ബ്ലോക്ക് ചെയ്യുക.
 5) ജാക്ക് തെന്നി വീഴുകയാണെങ്കിലോ എന്ന സാഹചര്യം കണക്കാക്കി ചിത്രീകരണത്തിൽ കാണിച്ചിരിക്കുന്നതുപോലെ ഉയർത്തിയ വീലിന് സമീപം സ്വയർ വീൽ വയ്ക്കുക

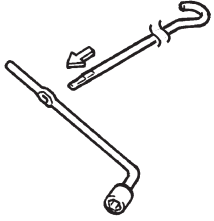


ഉദാഹരണം

77PH802

എമർജൻസി സർവീസ്

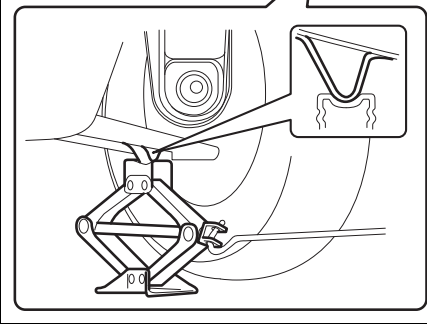
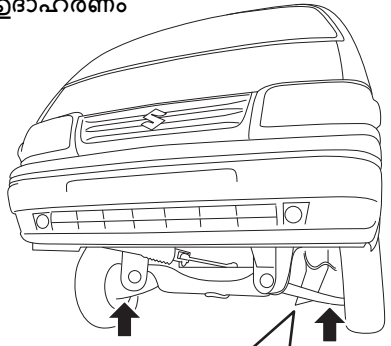
ഉദാഹരണം



54G253

ഫ്രണ്ട് ജാക്കിംഗ് പോയിന്റ്

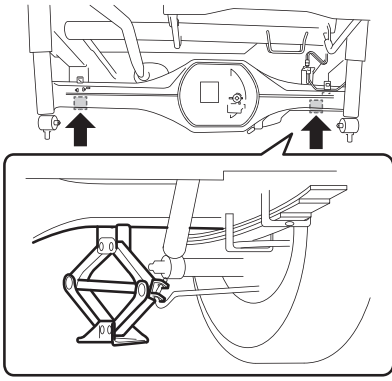
ഉദാഹരണം



77PH084

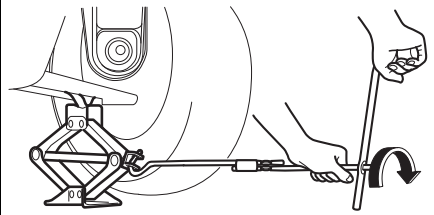
റിയർ ജാക്കിംഗ് പോയിന്റ്

ഉദാഹരണം



77PH106

ഉദാഹരണം

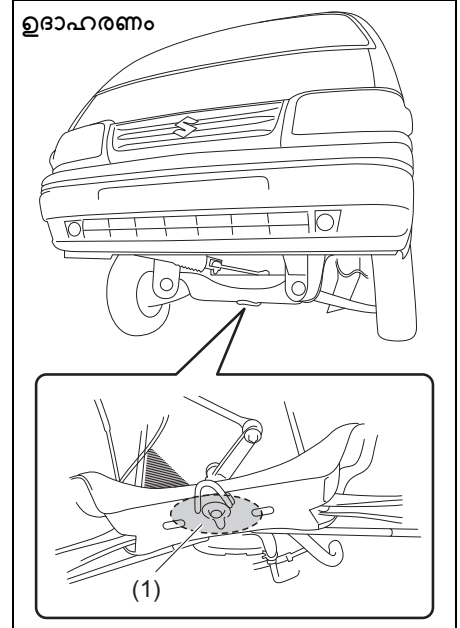


77PS052

- 6) ജാക്ക് കുത്തനെ വയ്ക്കുക വയ്ക്കുക, വാഹന ബോഡിക്ക് താഴെയുള്ള ജാക്കിംഗ് ബാറിന് ചുറ്റും ജാക്ക് ഹെഡ് ഗ്രോവ് യോജിച്ചിരിക്കുന്നത് വരെ ജാക്ക് ഹാൻഡിൽ ഘടികാരദിശയിൽ തിരിച്ചു കൊണ്ട് ജാക്ക് ഉയർത്തുക. ചിത്രീകരണങ്ങൾ കാണുക.
- 7) ടയർ നിലത്തു നിന്നും ഉയരുന്നത് വരെ ജാക്ക് സാവധാനത്തിലും സുഗമമായും ഉയർത്തുന്നത് തുടരുക. വാഹനം ആവശ്യത്തിലധികം ഉയർത്തരുത്.

- ഒരു ഗാരേജ് ജാക്ക് ഉപയോഗിച്ച് വാഹനം ഉയർത്താൻ**
- താഴെ സൂചിപ്പിച്ചിരിക്കുന്ന പോയിന്റുകളിലൊന്നിലേക്ക് ഗാരേജ് ജാക്ക് പ്രയോഗിക്കുക.
 - ഉയർത്തിയ വാഹനത്തിനു താഴെ സൂചിപ്പിച്ചിരിക്കുന്ന പോയിന്റുകളിൽ ജാക്ക് സ്റ്റാൻഡുകൾ ഉപയോഗിച്ച് സപ്പോർട്ട് നൽകുക.

ഗാരേജ് ജാക്കിനുള്ള ഫ്രണ്ട് ജാക്കിംഗ് പോയിന്റ് (1)



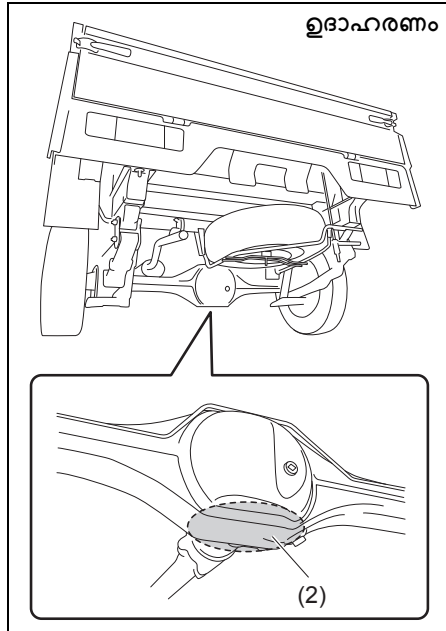
77PH060

⚠ മുനറിയിപ്പ്

- നിരപ്പായ റെപ്പൂള്ള പ്രദേശങ്ങളിൽ മാത്രം വീലുകൾ മാറ്റുന്നതിനുള്ള ജാക്ക് ഉപയോഗിക്കുക.
- ഒരിക്കലും ചെരിഞ്ഞ പ്രതലത്തിൽ വാഹനം ജാക്ക് അപ്പ ചെയ്യരുത്.
- മാറ്റേണ്ട വിലിന്റു സമീപമുള്ള നിർദ്ദിഷ്ട ജാക്കിംഗ് പോയിന്റ് (ചിത്രത്തിൽ കാണിച്ചിരിക്കുന്നത്) അല്ലാതെ മറ്റൊരു സ്ഥലത്തും ജാക്ക് ഉപയോഗിച്ച് വാഹനം ഉയർത്തരുത്.
- ഒരു ജാക്കിന് അടിയിൽ തടികൊണ്ടുള്ള കട്ടകളോ സമാനമായ വസ്തുക്കളോ ഉപയോഗിക്കരുത്.
- ജാക്ക് സപ്പോർട്ട് ചെയ്യുന്ന വാഹനത്തിനടിയിൽ ഒരിക്കലും കയറരുത്. ഒരു ജാക്ക് സപ്പോർട്ട് ചെയ്ത ഉയർത്തിയ വാഹനത്തിന് കീഴിൽ നിങ്ങളുടെ കൈകളും കാലുകളും ഒരിക്കലും വയ്ക്കരുത്.
- വാഹനം ജാക്ക് സപ്പോർട്ടിൽ ആയിരിക്കുമ്പോൾ ഒരിക്കലും എഞ്ചിൻ പ്രവർത്തിപ്പിക്കരുത്. വാഹനത്തിൽ തുടരാൻ യാത്രക്കാരെ അനുവദിക്കരുത്.

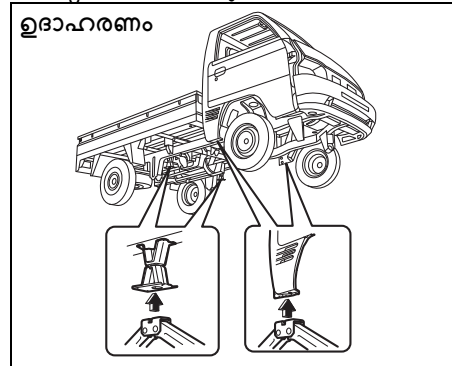
എമർജൻസി സർവീസ്

ഗാരേജ് ജാക്കിനുള്ള റിയർ ജാക്കിംഗ് പോയിന്റ് (2)



77PH101

ജാക്ക് സ്റ്റാൻഡ് (3) അല്ലെങ്കിൽ റൂ കോളം ലിഫ്റ്റ് പ്രയോഗിക്കുന്ന പോയിന്റ്



77PS055 (2)

ശ്രദ്ധിക്കുക

- എക്സ്ഹോസ്റ്റ് പൈപ്പിൽ ഒരിക്കലും ഗാരേജ് ജാക്ക് പ്രയോഗിക്കരുത്.
- ജാക്ക് സ്റ്റാൻഡോ റൂ കോളം ലിഫ്റ്റ് പിൽ വശത്തെ അറ്റിക്ടേഷൻ പോയിന്റിലേക്ക് പ്രയോഗിക്കുമ്പോൾ, പാർക്കിംഗ് കേബിളോ ഫ്യൂൽ ടാങ്കിന്റെ ഫ്ലോയോ പോലെ അതിന് ചുറ്റുമുള്ള ഭാഗങ്ങളിൽ തട്ടാതിരിക്കാൻ ശ്രദ്ധിക്കുക.

കുറിപ്പ്: കൂടുതൽ വിവരങ്ങൾക്ക്, ഒരു അംഗീകൃത മാരുതി സൂസുക്കി കോമേഴ്സ്യൽ വർക്ക്ഷോപ്പുമായി ബന്ധപ്പെടുക.

വിലുകൾ മാറ്റുന്നതിന്

▲ മുന്നറിയിപ്പ്

ട്രാഫിക് ഉള്ള വഴികളിൽ വച്ച ഒരിക്കലും വീൽ മാറ്റരുത്. വീൽ മാറ്റുന്നതിനായി ഏപ്രോച്ചും വാഹനം റോഡിൽ നിന്ന, ട്രാഫിക്കിലാത്ത നിരപ്പായ, ഉറപ്പുള്ള ഗ്രൗണ്ടിലേക്ക് മാറ്റുക. കൂടുതൽ സഹായത്തിന് നിങ്ങളുടെ അടുത്തുള്ള മാരുതി സൂസുക്കി അംഗീകൃത വർക്ക്ഷോപ്പുമായി ബന്ധപ്പെടുക.

ഒരു വീൽ മാറ്റാൻ, ഇനിപ്പറയുന്ന നടപടികൾ ഉപയോഗിക്കുക:

- 1) വാഹനത്തിൽ നിന്ന് എല്ലാ യാത്രക്കാരെയും ചരക്കുകളും നീക്കുക
- 2) വാഹനത്തിൽ നിന്ന് ജാക്ക്, ഉപകരണങ്ങൾ, സ്പെയർ വീൽ എന്നിവ നീക്കം ചെയ്യുക.
- 3) വീൽ നട്ട്സ് അഴിക്കുക, എന്നാൽ നീക്കം ചെയ്യരുത്.
- 4) വാഹനം ജാക്ക് അപ്പ് ചെയ്യുക.

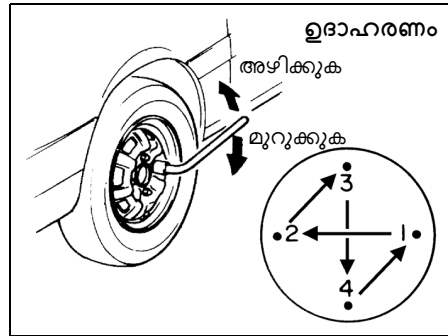
▲ ജാഗ്രത

വാഹനം ഓടിച്ച ഉടൻ, ചക്രങ്ങൾ, വീൽ നട്ട്സ്, ബ്രേക്കിന് ചുറ്റുമുള്ള ഭാഗം എന്നിവ വളരെ ചൂടായേക്കാം. ഈ ഭാഗങ്ങളിൽ സ്പർശിക്കുന്നത അപകടകാരണമായേക്കാം വാഹനം ഡ്രൈവ് ചെയ്യുന്നതിനു തൊട്ടു പിറകേ ഈ ഭാഗങ്ങളിൽ സ്പർശിക്കരുത്.

- 5) വീൽ നട്ടുകളും വിലും നീക്കം ചെയ്യുക.

- 6) പുതിയ വീൽ ഇൻസ്റ്റാൾ ചെയ്യുന്നതിനുമുമ്പ്, വീലിന്റെയും ഹബിന്റെയും ഉപരിതലത്തിൽ എന്തെങ്കിലും ചെളിയോ അഴുക്കോ ഉണ്ടെങ്കിൽ വൃത്തിയുള്ള തുണി ഉപയോഗിച്ച് വൃത്തിയാക്കുക. ഹബ്ബ് (ശ്രദ്ധാപൂർവ്വം) വൃത്തിയാക്കുക; വാഹനമോടിടുന്നത് വഴി ഇത് ചൂടായിട്ടുണ്ടാകാം.
- 7) പുതിയ വീൽ ഇൻസ്റ്റാൾ ചെയ്ത് വീൽ നട്ടുകൾ മാറ്റി അവയുടെ കോൺ ആക്സിലിയലുള്ള അഗ്രം വീലിനെ അഭിമുഖമായി വരുമ്പോൾ രീതിയിൽ വയ്ക്കുക. വീൽ ഹബ്ബിൽ സുരക്ഷിതമായി ഇരിക്കുന്നതുവരെ ഓരോ നട്ടും കൈകൊണ്ട് മറുക്കുക. അതിനു ശേഷം

- 8) ജാക്ക് താഴ്ത്തി, ചിത്രീകരണത്തിൽ കാണിച്ചിരിക്കുന്നതുപോലെ ഒരു റെഞ്ച് ഉപയോഗിച്ച് ക്രിസ്കോസ രീതിയിൽ നട്ട് പൂർണ്ണമായി മറുക്കുക.



54G116

വീൽ നട്ട് 100 Nm (10.2 kgf-m, 73.8 lbf-ft) ടൈറ്റിംഗ് ടോർക്കിലേക്ക് മറുക്കുക

⚠ മുന്നറിയിപ്പ്

യഥാർത്ഥ വീൽ നട്ടുകൾ മാത്രം ഉപയോഗിക്കുക, ചക്രങ്ങൾ മാറ്റിയതിന് ശേഷം കഴിയുന്നത്ര വേഗം അവയെ നിർദ്ദിഷ്ട ടോർക്കിലേക്ക് മറുക്കുക. തെറ്റായ വീൽ നട്ടുകൾ ഉപയോഗിക്കുകയോ അവ ശരിയായി മറുക്കിയിട്ടില്ല എങ്കിലോ വീൽ നട്ടുകൾ അഴിഞ്ഞുപിടിക്കാം, അത് അപകടത്തിൽ കലാശിച്ചേക്കാം. നിങ്ങൾക്ക് ഒരു ടോർക്ക് റെഞ്ച് ഇല്ലെങ്കിൽ, ഒരു അംഗീകൃത മാരുതി സൂപ്പർക്കി ക്രോമേഷ്യൽ വർക്ക്ഷോപ്പ് വഴി വീൽ നട്ട് ടോർക്ക് പരിശോധിക്കുക.

⚠ മുന്നറിയിപ്പ്

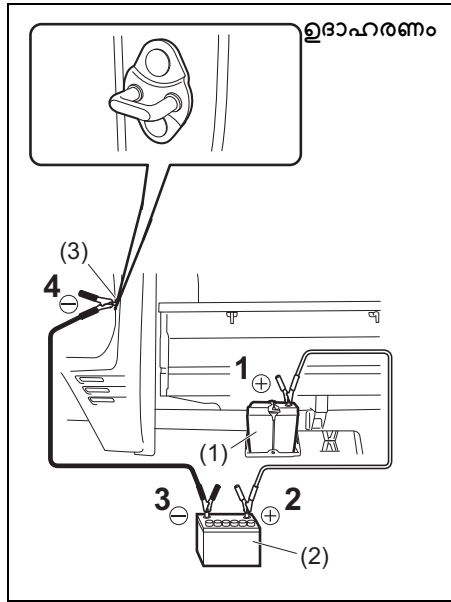
- ബാറ്ററി തോന്നുകയാണെങ്കിൽ മരവിച്ചതായി നിങ്ങളുടെ വാഹനം സ്റ്റാർട്ട് ചെയ്യാൻ ശ്രമിക്കരുത്. ജമ്പ് സ്റ്റാർട്ടിംഗ് ശ്രമിച്ചാൽ ഈ അവസ്ഥയിലുള്ള ബാറ്ററികൾ പൊട്ടിത്തെറിക്കുകയോ പൊട്ടുകയോ ചെയ്യാം.
- ജമ്പ് ലൈവ് കണക്ഷനുകൾ ഉണ്ടാക്കുമ്പോൾ, നിങ്ങളുടെ കൈകളും ജമ്പ് ലൈഡുകളും പൂട്ടിയിടുക, ബെൽറ്റുകൾ, ഫാന്റുകൾ എന്നിവയിൽ തടുപ്പില്ലാത്ത ഉറപ്പാക്കുക.
- ബാറ്ററികൾ തിപ്പിടിക്കുന്ന ഹൈഡ്രജൻ വാതകം ഉത്പാദിപ്പിക്കുന്നു. തിജാലുകളും തിപ്പിപ്പിടിക്കുന്ന ബാറ്ററിയ്ക്ക് അടുത്ത വരരുത്. അല്ലെങ്കിൽ സ്ഫോടനം സംഭവിക്കാം. ബാറ്ററിയുടെ പരിസരത്ത് പ്രവർത്തിക്കുമ്പോൾ ഒരിക്കലും പുകവലിക്കരുത്.
- ജമ്പ് സ്റ്റാർട്ടിംഗിനായി നിങ്ങൾ ഉപയോഗിക്കുന്ന ബുസ്റ്റർ ബാറ്ററി മറ്റൊരു വാഹനത്തിൽ ഇൻസ്റ്റാൾ ചെയ്തിട്ടുണ്ടെങ്കിൽ, രണ്ട് വാഹനങ്ങളും പരസ്പരം സ്പർശിക്കുന്നില്ലാത്ത ഉറപ്പാക്കുക.
- ഒരു കാരണവുമില്ലാതെ നിങ്ങളുടെ ബാറ്ററി തുടർച്ചയായി റിസ്ട്രാർജ് ചെയ്യുകയാണെങ്കിൽ, ഒരു അംഗീകൃത മാരുതി സൂപ്പർക്കി ക്രോമേഷ്യൽ വർക്ക്ഷോപ്പ് സന്ദർശിച്ചു നിങ്ങളുടെ വാഹനം പരിശോധിക്കുക.
- നിങ്ങളുടെ വാഹനത്തിനോ ബാറ്ററിക്കോ കേടുപാടുകൾ സംഭവിക്കാൻ തീർന്നാൽ, നിങ്ങളുടെ വാഹനം ജമ്പ് സ്റ്റാർട്ട് ചെയ്യേണ്ടതിനായി താഴെ തന്നിട്ടുള്ള നിർദ്ദേശങ്ങൾ കൃത്യമായി പാലിക്കുക. നിങ്ങൾക്ക് സംശയമുണ്ടെങ്കിൽ, യോഗ്യതയുള്ള റോഡ് സേവനങ്ങൾക്കായി വിളിക്കുക.

എമർജൻസി സർവീസ്

ശ്രദ്ധിക്കുക	
നിങ്ങളുടെ വാഹനം തുറന്നുകൊടുക്കുകയോ വലിക്കുകയോ ചെയ്യാൻ സാർട്ട് ചെയ്യരുത്. ഇങ്ങനെ സാർട്ട് ചെയ്യുന്നത കൺവെർട്ടറിന് കേടുപാടുകൾ വരുത്തിയേക്കാം. ദുർബലമായ ബാറ്ററിയുടെ വാഹനം സാർട്ട് ചെയ്യാൻ ജമ്പ് ലൈനുകൾ ഉപയോഗിക്കുക.	തുറന്നുകൊടുക്കുകയോ വലിക്കുകയോ ചെയ്യാൻ സാർട്ട് ചെയ്യരുത്. ഇങ്ങനെ സാർട്ട് ചെയ്യുന്നത കൺവെർട്ടറിന് കേടുപാടുകൾ വരുത്തിയേക്കാം. ദുർബലമായ ബാറ്ററിയുടെ വാഹനം സാർട്ട് ചെയ്യാൻ ജമ്പ് ലൈനുകൾ ഉപയോഗിക്കുക.

നിങ്ങളുടെ വാഹനം സാർട്ട് ചെയ്യാനായി, ഇനിപ്പറയുന്ന നടപടിക്രമം ഉപയോഗിക്കുക:

- 1) നിങ്ങളുടെ വാഹനം സാർട്ട് ചെയ്യാൻ 12 വോൾട്ട് ബാറ്ററി മാത്രം ഉപയോഗിക്കുക. മികച്ച 12-വോൾട്ട് ബാറ്ററി നിങ്ങളുടെ വാഹനത്തിന് സമീപം സ്ഥാപിക്കുക, അതുവഴി ജമ്പ് ലൈനുകൾ രണ്ട് ബാറ്ററികളിലും എത്തിയേക്കാം. മറ്റൊരു വാഹനത്തിൽ ഘടിപ്പിച്ച ബാറ്ററി ഉപയോഗിക്കുമ്പോൾ, വാഹനങ്ങൾ തമ്മിൽ സ്പർശിക്കാൻ അനുവദിക്കരുത്. രണ്ട് വാഹനങ്ങളിലും പാർക്കിംഗ് ബ്രേക്കുകൾ പൂർണ്ണമായും സജ്ജമാക്കേണ്ടതാണ്
- 2) സുരക്ഷാ കാരണങ്ങളാൽ ഉപയോഗിക്കാൻ ആവശ്യമായവ ഒഴികെ (ഉദാഹരണത്തിന്, ട്രൈലൈറ്റുകൾ അല്ലെങ്കിൽ ഹസാർഡ് ലൈറ്റുകൾ) എല്ലാ വാഹന ആക്സസറികളും ഓഫ് ചെയ്യുക.



3) ജമ്പ് ലൈൻ കണക്ഷനുകൾ ഇനിപ്പറയുന്ന രീതിയിൽ ഉണ്ടാക്കാം:

1. ആദ്യത്തെ ജമ്പ് ലൈനിന്റെ ഒരറ്റം ഫ്ലാറ്റ് ബാറ്ററിയുടെ (1) പോസിറ്റീവ് (+) ടെർമിനലുമായി ബന്ധിപ്പിക്കുക.
2. ബുസ്റ്റ് ബാറ്ററിയുടെ (2) പോസിറ്റീവ് (+) ടെർമിനലിലേക്ക് മറ്റേ ഒരറ്റം ബന്ധിപ്പിക്കുക.

3. രണ്ടാമത്തെ ജമ്പ് ലൈനിന്റെ ഒരറ്റം ബുസ്റ്റ് ബാറ്ററിയുടെ (2) നെഗറ്റീവ് (-) ടെർമിനലുമായി ബന്ധിപ്പിക്കുക.
4. ഫ്ലാറ്റ് ബാറ്ററി (1) ഉപയോഗിച്ച് വാഹനത്തിന്റെ പെയിന്റ് ചെയ്യാത്ത, ഹെവി മെറ്റൽ ഭാഗത്തേക്ക് (അതായത് ഡോർ ലാച്ച് സ്ക്രൈൻ (3)) അവസാന കണക്ഷൻ ഉണ്ടാക്കുക.

⚠ മുന്നറിയിപ്പ്

ഡിസ്ചാർജ്ജ് ചെയ്ത ബാറ്ററിയുടെ നെഗറ്റീവ് (-) ടെർമിനലിലേക്ക് ഒരിക്കലും ജമ്പ് ലൈൻ നേരിട്ട് ബന്ധിപ്പിക്കരുത്, ഇത ഒരു സഹോടനത്തിനു സംഭവിക്കാം.

- 4) നിങ്ങൾ ഉപയോഗിക്കുന്ന ബുസ്റ്റ് ബാറ്ററി മറ്റൊരു വാഹനത്തിൽ ഘടിപ്പിച്ചിട്ടുണ്ടെങ്കിൽ, ബുസ്റ്റ് ബാറ്ററി ഉപയോഗിച്ച് വാഹനത്തിന്റെ എഞ്ചിൻ സാർട്ട് ചെയ്യുക. മിതമായ വേഗതയിൽ എഞ്ചിൻ പ്രവർത്തിപ്പിക്കുക.
- 5) ഫ്ലാറ്റ് ബാറ്ററി ഉപയോഗിച്ച് വാഹനത്തിന്റെ എഞ്ചിൻ സാർട്ട് ചെയ്യുക.
- 6) നിങ്ങൾ അവയെ ബന്ധിപ്പിച്ച രീതിയുടെ വിപരീത ക്രമത്തിൽ ജമ്പ് ലൈനുകൾ നീക്കം ചെയ്യുക.

ടോവിങ്

നിങ്ങളുടെ വാഹനം ടോവിങ് (വലിച്ചു കൊണ്ട് പോകുക) ഒരു പ്രൊഫഷണൽ സേവനവുമായി ബന്ധപ്പെടുക. നിങ്ങളുടെ ഡ്രൈവർക്ക് ടോവിംഗ് സംബന്ധിച്ച വിശദമായ നിർദ്ദേശങ്ങൾ നൽകാൻ കഴിയും.

ശ്രദ്ധിക്കുക
വലിച്ചുകൊണ്ടു പോകുന്ന സമയത്ത് നിങ്ങളുടെ വാഹനത്തിന് കോട്ടപ്പാടുകൾ സംഭവിക്കാതിരിക്കാൻ, ശരിയായ ഉപകരണങ്ങളും ടോവിംഗ് നടപടികളുമെടുക്കുകയും ഉപയോഗിക്കേണ്ടതുണ്ട്.

ഉറപ്പാക്കുക (ഇംഗിഷൻ കി "ACC" സ്ഥാനത്തായിരിക്കണം), ടോവിംഗ് സർവീസിനായി രൂപകൽപ്പന ചെയ്ത ഒരു ക്ലാമ്പിംഗ് ഉപകരണം ഉപയോഗിച്ചു സ്റ്റിയറിംഗ് വീൽ സുരക്ഷിതമാക്കിയിരിക്കുന്നു.

ശ്രദ്ധിക്കുക
വലിച്ചു കൊണ്ട് പോകുമ്പോൾ ഫ്രണ്ട് വീലുകളിൽ നിന്നുണ്ടാകുന്ന ആഘാതങ്ങളെ ചെറുക്കാൻ സ്റ്റിയറിംഗ് കോളം ശക്തമല്ല വലിക്കുന്നതിനു മുൻപ് എല്ലായ്പ്പോഴും സ്റ്റിയറിംഗ് വീൽ അൺലോക്ക് ചെയ്യുക.

2-വീൽ ഡ്രൈവ് (2WD) മാനുവൽ ട്രാൻസ്മിഷൻ

മാനുവൽ ട്രാൻസ്മിഷൻ ആവശ്യമായ വാഹനങ്ങൾ ഇനിപ്പറയുന്ന ഏതു രീതി ഉപയോഗിച്ചും വലിച്ചുകൊണ്ട് പോകാം.

- 1) മുന്നിൽ നിന്ന് ഫ്രണ്ട് വീലുകൾ ഉയർത്തി റിയർ വീലുകൾ നിലത്തു തട്ടുന്ന രീതിയിൽ, ടോവിംഗിന് മുമ്പ്, ട്രാൻസ്മിഷൻ ന്യൂട്രലാണെന്നും പാർക്കിംഗ് ബ്രേക്ക് റിലീസ് ചെയ്തിട്ടുണ്ടെന്നും ഉറപ്പാക്കുക.
- 2) പിന്നിൽ നിന്ന്, റിയർ വീലുകൾ ഉയർത്തി ഫ്രണ്ട് വീലുകൾ നിലത്ത് തറ്റി സ്റ്റിയറിംഗും ഡ്രൈവ് ട്രെയിനും പ്രവർത്തനക്ഷമമായ അവസ്ഥയിൽ. ടോവിംഗിന് മുമ്പ്, സ്റ്റിയറിംഗ് വീൽ അൺലോക്ക് ചെയ്തിട്ടുണ്ടെന്ന്

സ്റ്റാർട്ടർ പ്രവർത്തിക്കുന്നില്ലെങ്കിൽ

- 1) ബാറ്ററിയുടെ അവസ്ഥ നിർണ്ണയിക്കാൻ ഹെഡ്ലൈറ്റുകൾ ഓൺചെയ്ത് ഇംഗിഷൻ സ്വിച്ച് "START" സ്ഥാനത്തേക്ക് തിരിക്കാൻ ശ്രമിക്കുക. ഹെഡ്ലൈറ്റുകൾ അമിതമായി മങ്ങുകയോ ഓഫാക്കുകയോ ചെയ്താൽ, ബാറ്ററി ആയിരിക്കുന്നുവെന്നോ ബാറ്ററി ടെർമിനൽ കോൺടാക്റ്റ് മോശമാണെന്നോ അർത്ഥമാക്കാം. ബാറ്ററി റിചാർജ്ജ് ചെയ്യുക അല്ലെങ്കിൽ ആവശ്യമെങ്കിൽ ബാറ്ററി ടെർമിനൽ കോൺടാക്റ്റ് ശരിയാക്കുക.
- 2) ഹെഡ്ലൈറ്റുകൾ തെളിച്ചമുള്ളതാണെങ്കിൽ, ഫ്യൂസുകൾ പരിശോധിക്കുക സ്റ്റാർട്ടറിന്റെ പരാജയത്തിന്റെ കാരണം വ്യക്തമല്ലെങ്കിൽ, ഏതെങ്കിലും ഗുരുതരമായ ഇലക്ട്രിക്കൽ പ്രശ്നങ്ങൾ ഉണ്ടാകാം. നിങ്ങളുടെ അംഗീകൃത മാരുതി സൂസുക്കി കൊമേഴ്സ്യൽ വർക്ക്ഷോപ്പ് സന്ദർശിച്ച് വാഹനം പരിശോധിക്കുക.

എഞ്ചിനിൽ വെള്ളം കയറിയിട്ടുണ്ടെങ്കിൽ

എഞ്ചിനിൽ പൂർണ്ണ അമിതമായി നിറയുകയാണെങ്കിൽ, അത് സ്റ്റാർട്ട് ചെയ്യാൻ പ്രയാസമാണ്. ഇങ്ങനെ സംഭവിക്കുകയാണെങ്കിൽ, ആക്സിലറേറ്റർ പെഡൽ തറയിലേക്ക് മുഴുവൻ അമർത്തി എഞ്ചിൻ ക്രാക്ക് ചെയ്തു ഹോൾഡ് ചെയ്യുക

- സ്റ്റാർട്ടർ മോട്ടോർ 30 സെക്കൻഡിൽ കൂടുതൽ പ്രവർത്തിപ്പിക്കരുത്.

എഞ്ചിൻ ഓവർ ഹീറ്റ് ആകുമ്പോൾ

കഠിനമായ സാഹചര്യങ്ങളിൽ താൽക്കാലികമായി എഞ്ചിൻ റൈവിംഗ് ചെയ്യാൻ ഉയർന്ന എഞ്ചിൻ കൂളിംഗ് താപനില വാർണിംഗ് ലൈറ്റ് ഓണാണെങ്കിൽ:

- 1) വാഹനം സുരക്ഷിത സ്ഥാനത്തേക്ക് കൊണ്ടുപോയി പാർക്ക് ചെയ്യുക.
- 2) ഉയർന്ന എഞ്ചിൻ കൂളിംഗ് ടെമ്പറേച്ചർ ലൈറ്റ് ഓഫ് ആകുന്നത് വരെ എഞ്ചിൻ സാധാരണ ഐഡിംഗ് വേഗതയിൽ കുറച്ച മിനിറ്റ് പ്രവർത്തിക്കാൻ അനുവദിക്കുക.

⚠ മുന്നറിയിപ്പ്

നിരാവി പുറത്തുകൊടുക്കുന്നത് നിങ്ങൾ കാണുകയോ ശബ്ദം കേൾക്കുകയോ ചെയ്താൽ, വാഹനം സുരക്ഷിതമായ സ്ഥലത്തു നിർത്തി ഉടൻ എഞ്ചിൻ ഓഫ് ചെയ്ത തിണുക്കാൻ അനുവദിക്കുക. നിരാവി ഉള്ളപ്പോൾ എഞ്ചിൻ കമ്പാർട്ട്മെന്റ് തുറക്കരുത്. നിരാവി കാണാനോ ശബ്ദം കേൾക്കാനോ കഴിയാതെ വരുമ്പോൾ, കൂളിംഗ് ഇപ്പോഴും തിളയ്ക്കുന്നുണ്ടെന്ന് എൻറിയാൻ എഞ്ചിൻ കമ്പാർട്ട്മെന്റ് തുറക്കുക. ഉണ്ടെങ്കിൽ, തുടരുന്നതിനായി അത് തിളയ്ക്കുന്നത് നിർത്തിയെടുക്കുന്നത് വരെ നിങ്ങൾ കാത്തിരിക്കണം.

ഉയർന്ന എഞ്ചിൻ കൂളിംഗ് താപനില വാർണിംഗ് ലൈറ്റ് ഓഫ് ആകുന്നില്ലെങ്കിൽ:

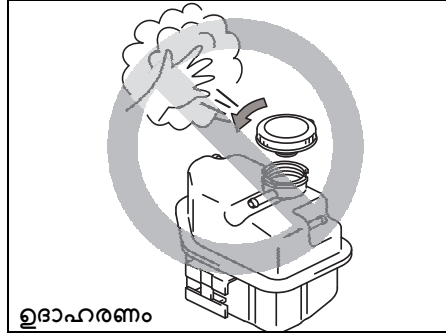
- 1) എഞ്ചിൻ ഓഫാക്കി വാട്ടർ പമ്പ് ബെൽറ്റും പുള്ളികളും കേടാകുകയോ തെന്നി വിഴുക്യോ ചെയ്തിട്ടില്ലെന്ന് പരിശോധിക്കുക. എന്തെങ്കിലും അസ്വാഭാവികത കണ്ടെത്തിയാൽ, അത് ശ്രദ്ധിക്കുക.
- 2) റിസർവോയറിലെ ശീതികരണ നില പരിശോധിക്കുക. "LOW" ലൈനിനേക്കാൾ താഴ്ന്നതായി കണ്ടെത്തിയാൽ, റേഡിയേറ്റർ, വാട്ടർ പമ്പ്, റേഡിയേറ്റർ, ഹീറ്റ് ഹോസുകൾ എന്നിവയിൽ ചോർച്ചകൾ എന്തിനായി ഉണ്ടായെന്ന് പരിശോധിക്കുക. ഓവർ ഹീറ്റിംഗിന് കാരണമായേക്കാവുന്ന എന്തെങ്കിലും ചോർച്ച നിങ്ങൾ കണ്ടെത്തുകയാണെങ്കിൽ, ഈ പ്രശ്നങ്ങൾ ശ്രദ്ധിക്കുന്നത് വരെ എഞ്ചിൻ പ്രവർത്തിപ്പിക്കരുത്.
- 3) നിങ്ങൾ ഒരു ചോർച്ച കണ്ടെത്തിയില്ലെങ്കിൽ, റിസർവോയറിലേക്കും തുടർന്ന് ആവശ്യമെങ്കിൽ റേഡിയേറ്റർ തുടർന്ന് ആവശ്യമെങ്കിൽ റേഡിയേറ്ററിലേക്കും ശ്രദ്ധാപൂർവ്വം കൂളിംഗ് ചേർക്കുക ("പരിശോധനയും അറ്റകുറ്റപ്പണിയും" സെക്ഷനിലെ "എഞ്ചിൻ കൂളിംഗ്" റഫർ ചെയ്യുക.)

കുറിപ്പ്: നിങ്ങളുടെ എഞ്ചിൻ അമിതമായി ചൂടാകുകയും എന്തുചെയ്യണമെന്ന് നിങ്ങൾക്ക് തിരുമാനിക്കാനും സാധിക്കുന്നില്ലെങ്കിൽ നിങ്ങളുടെ അംഗീകൃത മാരുതി സൂസൂക്കി

കൊമേഴ്സ്യൽ ബന്ധപ്പെടുക.

വർക്ക്ഷോപ്പുമായി

തട്ടുന്നതിലൂടെ വരുന്ന അണ്ടർബോഡി ട്രബിൾ

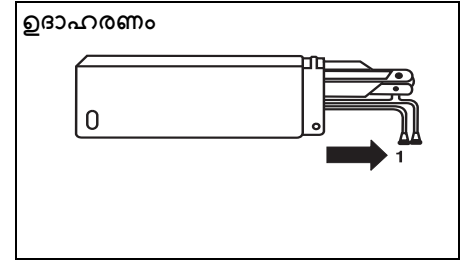


ഉദാഹരണം

65D350d

നിങ്ങളുടെ വാഹനത്തിന്റെ അടിവശം തട്ടിയാൽ, പരിശോധനയ്ക്കായി അംഗീകൃത മാരുതി സൂസുക്കി കൊമേഴ്സ്യൽ വർക്ക്ഷോപ്പിനോട് ആവശ്യപ്പെടുക. അല്ലെങ്കിൽ സിയറീംഗ്, സസ്പെൻഷൻ, ബ്രേക്ക്, ഡ്രൈവ് ലൈൻ, മുതലായവയ്ക്ക് കേടുപാടുകൾ സംഭവിച്ചാൽ സുരക്ഷിതമായി ഡ്രൈവ് ചെയ്യാനാകില്ല.

മൂന്നറിയിപ്പ് ത്രികോണം



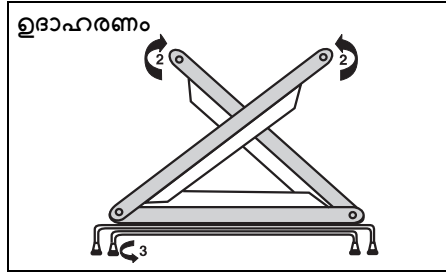
MHO-07-001

വാഹനം തകരാറിലാകുമ്പോഴോ അല്ലെങ്കിൽ അടിയന്തരമായി നിർത്തിയടിച്ചുനോക്കേണ്ട നിങ്ങളുടെ വാഹനം ട്രാഫിക് കുരുക്ക് ഉണ്ടാക്കാൻ സാധ്യതയുള്ള സന്ദർഭങ്ങളിൽ, നിങ്ങളുടെ വാഹനത്തിനൊപ്പം നൽകിയിരിക്കുന്ന വാർണിംഗ് ട്രയാക്കിൾ, വാഹനത്തിന് പിന്നിൽ തടസ്സങ്ങൾ ഉണ്ടാകാത്ത തരത്തിൽ ഏകദേശം 50-100 മീറ്റർ അകലെ, റോഡിൽ സൂക്ഷിക്കുക, അങ്ങനെ പിന്നീട് വരുന്ന വാഹനങ്ങൾക്ക് മൂന്നറിയിപ്പ് നൽകുക. ഭക്തജനന്റെ പ്രതിഫലിന ശേഷിയുള്ള വശം വരുന്ന വാഹനങ്ങളെ അഭ്യർത്ഥിക്കുന്ന രീതിയിലായിരിക്കണം. വാർണിംഗ് ട്രയാക്കിൾ വയ്ക്കുന്നതിനായി വാഹനം നിർത്തി ഇറങ്ങുന്നതിന് മുമ്പ് അപകട മൂന്നറിയിപ്പ് ലൈറ്റുകൾ സജീവമാക്കുക.

⚠ മൂന്നറിയിപ്പ്

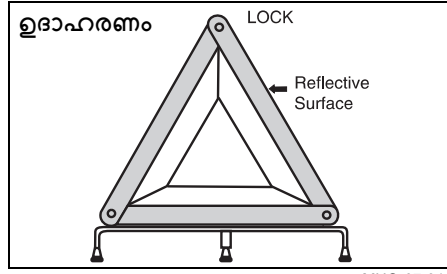
- ജലത്തിന്റെ ഉഷ്ണമാവ് കൂടുതലായിരിക്കുമ്പോൾ റേഡിയേറ്റർ ക്യാപ് (അല്ലെങ്കിൽ ഡിസ്കൽ എഞ്ചിനുള്ള ഡിഗ്രാസിംഗ് ടാങ്ക് ക്യാപ്) നിർമ്മിക്കും ചെയ്യുന്നത അപകടകരമാണ്, കാരണം മർദ്ദം മൂലം ചൂടുപൊങ്ങുന്ന ദ്രാവകവും നിരാവിധി പുറത്തേക്ക് പോകാം. ശീതീകരണ താപനില കുറയുമ്പോൾ മാത്രമേ ക്യാപ് ഊരി മാറ്റേണ്ടതുള്ളൂ.
- പരിക്കുകൾ തടയാൻ, ളകെകളും ചെകരണങ്ങളും വസ്തുക്കളും മറ്റും എഞ്ചിൻ കൂളിംഗ് ഫാനിൽ നിന്ന് അകറ്റി നിർത്തുക. ഈ ഞലകുടിക ഫാനുകൾക്ക് മൂന്നറിയിപ്പിലാതെ സ്വയമേവ ഓണാകാനാകും.

എമർജൻസി സർവീസ്



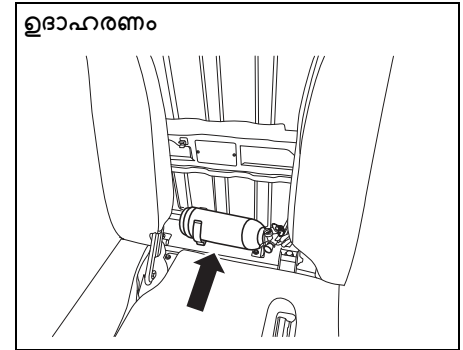
MHO-07-014-1

- ആരോമാർക്ക് 1 കാണിക്കുന്നത് പോലെ വാർണിംഗ് ട്രയാങ്കിൾ കവറിൽ നിന്ന് ശ്രദ്ധാപൂർവ്വം നീക്കം ചെയ്യുക.
- ആരോമാർക്കിൽ കാണിക്കുന്നത് പോലെ രണ്ട് റിഫ്ലക്ടർ ആമുകൾ തുറന്ന് വലതുഭാഗത്തെ ആമിൽ നൽകിയിരിക്കുന്ന ക്ലിപ്പ് ഉപയോഗിച്ച് ആമുകൾ പരസ്പരം ലോക്ക് ചെയ്യുക. ആരോമാർക്ക് 3 ൽ കാണിച്ചിരിക്കുന്നതുപോലെ താഴെയുള്ള സ്റ്റാൻഡ് എതിർ ഘടികാരദിശയിൽ തുറക്കുക. വാർണിംഗ് ട്രയാങ്കിൾ വാഹനത്തിന് പിന്നിൽ ഒരു പ്ലെയിൻ പ്രതലത്തിൽ സ്ഥാപിക്കുക.
- ഉള്ളിലെ കവർ നീക്കം ചെയ്യാനുള്ള നടപടിക്രമം വിപരീത രീതിയിൽ പിന്തുടരുക.



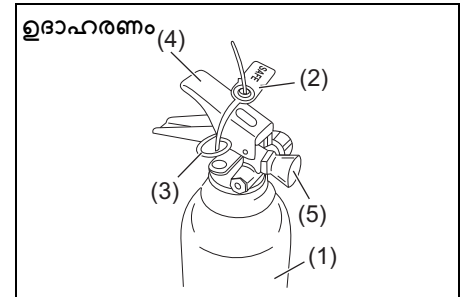
MHO-07-014

ഫയർ എക്സ്റ്റിൻഗ്വിഷർ (ഉണ്ടെങ്കിൽ)



77PM08009

ഫയർ എക്സ്റ്റിൻഗ്വിഷർ സീറ്റുകൾക്ക് പിന്നിൽ (ഡ്രൈവർ സീറ്റിനും പാസഞ്ചർ സീറ്റിനും ഇടയിൽ) സൂക്ഷിച്ചിരിക്കുന്നു.

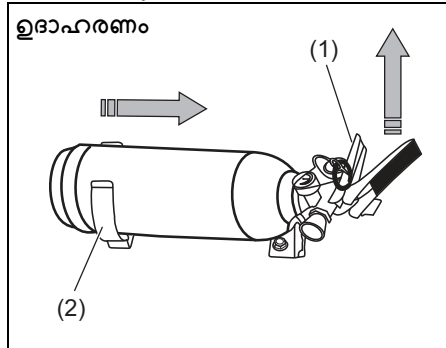


77PM08003

- (1) ഫയർ എക്സ്റ്റിൻഗ്വിഷർ സിലിണ്ടർ
- (2) സീൽ
- (3) സുരക്ഷാ പിൻ
- (4) ലിവർ
- (5) നോസൽ

ഫയർ എക്സ്റ്റിൻഗ്വിഷർ നീക്കം ചെയ്യുന്നതും പുനഃസ്ഥാപിക്കുന്നതും

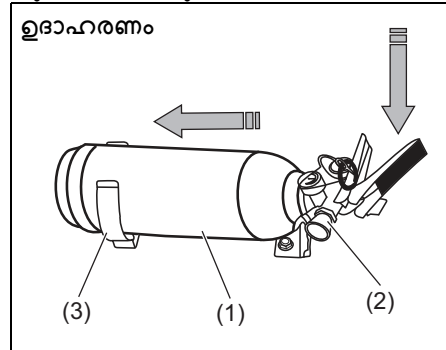
ഫയർ എക്സ്റ്റിൻഗ്വിഷർ നീക്കം ചെയ്യുന്നതിന്



77PM08004

ഫയർ എക്സ്റ്റിൻഗ്വിഷർ റിന്റെ ലിവർ (1) ചെറുതായി മുകളിലേക്ക് ഉയർത്തുക, ക്ലാമ്പിൽ (2) നിന്ന് വേർപെടുത്താൻ ഫയർ എക്സ്റ്റിൻഗ്വിഷർ ചിത്രത്തിൽ കാണിച്ചിരിക്കുന്ന ദിശയിലേക്ക് വലിക്കുക.

ഫയർ എക്സ്റ്റിൻഗ്വിഷർ പുനഃസ്ഥാപിക്കുന്നതിന്

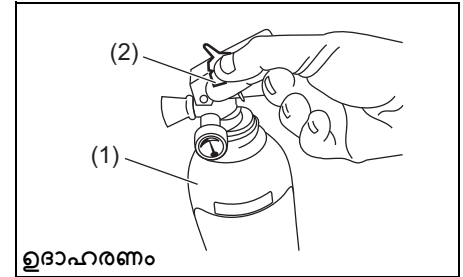


77PM08005

ഫയർ എക്സ്റ്റിൻഗ്വിഷറിന്റെ (1) ബോഡി ക്ലാമ്പിലേക്ക് (3) തിരുകുക, കൂടാതെ നോസൽ (2) ശ്രദ്ധാപൂർവ്വം താഴേക്ക്, ക്ലാമ്പിൽ വയ്ക്കുക.

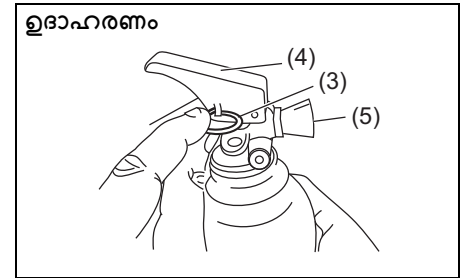
കുറിപ്പ്: അഗ്നിശമന ഉപകരണത്തിന്റെ നോസൽ ക്ലാമ്പിൽ ശരിയായി സ്ഥാപിച്ചിട്ടുണ്ടെന്ന് ഉറപ്പാക്കുക.

പ്രവർത്തനത്തിന്റെ നടപടിക്രമം



77PM08006

- 1) അഗ്നിശമന ഉപകരണം (1) കുത്തനെ പിടിക്കുക.
- 2) സേഫ്റ്റി പിൻ (3) തിരിക്കുന്നതിലൂടെ സീൽ തകർക്കുക (2).



77PM08007

- 3) സേഫ്റ്റി പിൻ (3) പുറത്തേക്ക് വലിക്കുക

എമർജൻസി സർവീസ്

4) ലിവർ (4) അമർത്തി, നോസിലിൽ നിന്ന് (5) ദ്രുത(വേഗത്തിലുള്ള) സീപ്പിംഗ് മോഷൻ ഉപയോഗിച്ച തീപ്പിടുത്തം ഉണ്ടായ ഭാഗത്തിന്റേ ഒരറ്റത്തേയ്ക്ക് ജെറ്റ് നീട്ടിപ്പിടിക്കുക.

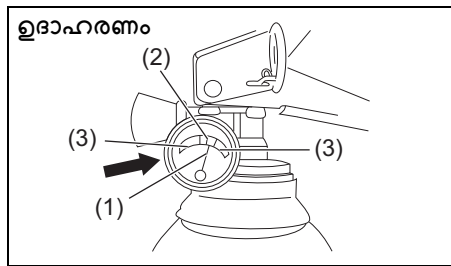


77PM08008

5) തീ അണയുന്നത് വരെ തീയിലേക്ക് പിടിക്കുക

കുറിപ്പ്:
ഫയർ എക്സ്റ്റിൻഗ്വിഷർ ബാഹ്യ സ്രോതസ്സുകളിലൂടെ വാഹനത്തിൽ ഉണ്ടാകുന്ന ചെറിയ തീപ്പിടുത്തം മാത്രമാണ് കൈകാര്യം ചെയ്യുന്നത്.

ചെയ്യേണ്ടവയും ചെയ്യരുതാത്തതും



77PM08001

ചെയ്യേണ്ടവ

- 1) പ്രഷർ ഗേജ് ഇടയ്ക്കിടെ പരിശോധിക്കുക. പരമാവധി ചാർജിംഗ് മർദ്ദം **15Kg/cm²** ആണ് (ഗ്രീൻ സോണിൽ (2)).
- 2) മർദ്ദം കുറയുമ്പോൾ ഇൻഡിക്കേറ്റർ നീഡിൽ (1) റെഡ് സോണിലേക്ക് (3) മാറും. ഫയർ എക്സ്റ്റിൻഗ്വിഷർ ഉപകരണത്തിൽ നൽകിയിരിക്കുന്ന വിവരങ്ങൾ അനുസരിച്ച് ഉടൻ തന്നെ ഫയർ എക്സ്റ്റിൻഗ്വിഷർ നിർമ്മാതാക്കളുമായി ബന്ധപ്പെടുക.
- 3) ഫയർ എക്സ്റ്റിൻഗ്വിഷർ നിർമ്മാതാവിന്റെ സർവീസ് സെന്ററിലൂടെ മാത്രം സേവനം ലഭ്യമാക്കുക. അടുത്തുള്ള സർവീസ് സെന്റർ കണ്ടെത്താൻ ഫയർ എക്സ്റ്റിൻഗ്വിഷർ ഉപകരണത്തിൽ നൽകിയിരിക്കുന്ന വിവരങ്ങൾ പരിശോധിക്കുക.

- 4) ഫയർ എക്സ്റ്റിൻഗ്വിഷർ ഉപകരണം എപ്പോഴും വാഹനത്തിൽ നിശ്ചിത സ്ഥാനത്ത് സൂക്ഷിച്ചിട്ടുണ്ടെന്ന് ഉറപ്പാക്കുക.
- 5) ഉപയോഗത്തിന് ശേഷം ഉടൻ തന്നെ ഫയർ എക്സ്റ്റിൻഗ്വിഷർ ഉപകരണം റീഫിൽ ചെയ്യുക.

ചെയ്യരുത്

- 1) അഗ്നിശമന ഉപകരണം വ്യത്തിയാക്കാൻ വെള്ളം ഉപയോഗിക്കരുത്. (പൊടി നീക്കം ചെയ്യാൻ വ്യത്യസ്തമായ തുണി ഉപയോഗിക്കുക)
- 2) ഉപയോഗിച്ചതോ ഡിസ്ചാർജ് ചെയ്തതോ ആയ അഗ്നിശമന ഉപകരണത്തെ ആശ്രയിക്കരുത്.

കുറിപ്പ്:

- ഓരോ ഉപയോഗത്തിനും ശേഷം റീഫിൽ ചെയ്യേണ്ടത് ആവശ്യമാണ്.
- ഫയർ എക്സ്റ്റിൻഗ്വിഷർ ഉപകരണം ഉപയോഗിച്ചില്ലെങ്കിലും ഓരോ 3 വർഷത്തിനും ശേഷവും റീഫിൽ ചെയ്യേണ്ടതുണ്ട്.

അപ്പിയറൻസ് സംരക്ഷണം

തേയ്മാനം പ്രതിരോധിക്കുന്നത്	9-1
വാഹനം വൃത്തിയാക്കൽ	9-3

തേയ്മാനം പ്രതിരോധിക്കുന്നത്

നിങ്ങളുടെ വാഹനം തേയ്മാനമില്ലാതെ സംരക്ഷിക്കാൻ അത് നന്നായി ശ്രദ്ധിക്കേണ്ടത് പ്രധാനമാണ്. തേയ്മാനം തടയാൻ നിങ്ങളുടെ വാഹനം എങ്ങനെ പരിപാലിക്കണം എന്നതിനുള്ള നിർദ്ദേശങ്ങൾ ചുവടെ പട്ടികപ്പെടുത്തിയിരിക്കുന്നു. ഈ നിർദ്ദേശങ്ങൾ ശ്രദ്ധാപൂർവ്വം വായിച്ച് പിന്തുടരുക.

തേയ്മാനത്തെ കുറിച്ചുള്ള പ്രധാനപ്പെട്ട വിവരങ്ങൾ

തേയ്മാനത്തിനായുള്ള സാധാരണ കാരണങ്ങൾ

- 1) വാഹനത്തിനടിയിലോ ഫ്രെയിമിലോ എത്തിച്ചേരാൻ പ്രയാസമുള്ള സ്ഥലങ്ങളിൽ റോഡിലെ ലവണങ്ങൾ, അഴുക്ക്, ഊർപ്പം, അല്ലെങ്കിൽ രാസവസ്തുക്കൾ എന്നിവ അടിഞ്ഞുകൂടുന്നത്
- 2) ചെറിയ അപകടങ്ങൾ അല്ലെങ്കിൽ കല്ലുകളും ചരലും കൊണ്ട് ഹർച്ചിലുകൾ മൂലം വിള്ളൽ, പോറലുകൾ, ട്രിറ്റ് ചെയ്തതോ പെയിന്റ് ചെയ്തതോ ആയ ലോഹ പ്രതലങ്ങളിൽ എന്തെങ്കിലും കേടുപാടുകൾ.
- 3) താഴെ പറഞ്ഞിരിക്കുന്ന ഏതെങ്കിലും അല്ലെങ്കിൽ എല്ലാ പോയിന്റുകളും:

- തുടർച്ചയായി സൂര്യപ്രകാശം ഏൽക്കുന്നത്
- വാഹനവുമായി സമ്പർക്കം പുലർത്തുന്ന കടൽ വെള്ളവും ലാവണജലവും..
- ഫ്യൂട്ട് റബ്ബിംഗ് (സ്കർട്ടിംഗ്).

തേയ്മാനത്തെ ത്വരിതപ്പെടുത്തുന്ന പാരിസ്ഥിതിക സാഹചര്യങ്ങൾ

- 1) റോഡിലെ ലവണങ്ങൾ, പൊടി നിയന്ത്രണ രാസവസ്തുക്കൾ, കടൽ വായു അല്ലെങ്കിൽ വ്യാവസായിക മലിനീകരണം എന്നിവയെല്ലാം ലോഹത്തിന്റെ ദ്രവീകരണത്തെ ത്വരിതപ്പെടുത്തും.
- 2) ഉയർന്ന ഊർപ്പം ദ്രവീകരണത്തിന്റെ തോത് വർദ്ധിപ്പിക്കും, പ്രത്യേകിച്ചും താപനില പരിധി ശീതീകരിക്കുന്ന പോയിന്റിന് മുകളിലായിരിക്കുമ്പോൾ.
- 3) ബോഡിയിലെ മറ്റ് ഭാഗങ്ങൾ പുറംതൊലിയും ഉണ്ടായിരിക്കാമെങ്കിലും, വാഹനത്തിന്റെ ചില ഭാഗങ്ങളിൽ ദീർഘനേരം ഊർപ്പം നിലനിൽക്കുന്നതും ദ്രവീകരണത്തിനു കാരണമാകുന്നു
- 4) പെട്ടെന്ന് ഉണ്ടാകാൻ സാധ്യതയില്ലാത്ത വായുസഞ്ചാരമില്ലാത്ത വാഹന ഭാഗങ്ങളിൽ ഉയർന്ന താപനിലയുള്ളതും ത്വരിതഗതിയിലുള്ള ദ്രവീകരണത്തിന് കാരണമാകും.

നിങ്ങളുടെ വാഹനം (പ്രത്യേകിച്ച് അടിവശം) കഴിയുന്നത്ര വൃത്തിയാക്കും ഉണ്ടെങ്കിലും സൂക്ഷ്മക്കേടുകളിന്റെ ആവശ്യകത ഈ വിവരങ്ങളിലൂടെ വ്യക്തമാകുന്നു. പെയിന്റ് അല്ലെങ്കിൽ സംരക്ഷിത കോട്ടിംഗുകൾക്ക് കേടുപാടുകൾ വരുന്നത് എത്രയും വേഗം നന്നാക്കുക എന്നതും പ്രധാനമാണ്.

ദ്രവീകുന്നതിനെ പ്രതിരോധിക്കാൻ എങ്ങനെ സഹായിക്കാനാകും

നിങ്ങളുടെ വാഹനം ഇടയ്ക്കിടെ കഴുകുക

നിങ്ങളുടെ വാഹനത്തിന്റെ ഫിനിഷ് സംരക്ഷിക്കാനും തുരുമ്പെടുക്കാതിരിക്കാനും സഹായിക്കുന്ന ഏറ്റവും നല്ല മാർഗ്ഗം ഇടയ്ക്കിടെ കഴുകി വൃത്തിയാക്കുക എന്നതാണ്. ശൈത്യകാലത്ത് ഒരിക്കലെങ്കിലും കൂടാതെ ശീതകാലം കഴിഞ്ഞയുടനേയും വാഹനം കഴുകുക. നിങ്ങളുടെ വാഹനം, പ്രത്യേകിച്ച് അടിവശം, കഴിയുന്നത്ര വൃത്തിയാക്കുകയും ഉണ്ടങ്ങിയതുമായി സൂക്ഷിക്കുക. ലവണാംശമുള്ള റോഡുകളിലൂടെ നിങ്ങൾ ഇടയ്ക്കിടെ വാഹനമോടിക്കുന്നുവെങ്കിൽ, ശൈത്യകാലത്തും നിങ്ങളുടെ വാഹനം മാസത്തിൽ ഒരിക്കലെങ്കിലും കഴുകണം. നിങ്ങൾ സമുദ്രത്ത് സമീപമാണ് താമസിക്കുന്നതെങ്കിൽ, നിങ്ങളുടെ വാഹനം വർഷം

മുഴുവനും മാസത്തിൽ ഒരിക്കലെങ്കിലും കഴുകണം.

വാഷിംഗ് നിർദ്ദേശങ്ങൾക്കായി, "വാഹനം വൃത്തിയാക്കൽ" സെക്ഷൻ കാണുക.

അന്യവസ്തുക്കൾ അടിഞ്ഞുകൂടിയത് നികം ചെയ്യുക

ലവണങ്ങൾ, രാസവസ്തുക്കൾ, റോഡ് ഓയിൽ അല്ലെങ്കിൽ ടാർ, മരത്തിന്റെ പശ, പക്ഷി കാഷം, വ്യാവസായികമായ ഉപയോഗം എന്നിവ പോലുള്ള നിങ്ങളുടെ വാഹനം പെയിന്റ് ചെയ്ത പ്രതലങ്ങളിൽ

അവശേഷിക്കുന്നുണ്ടെങ്കിൽ അതിന്റെ ഫിനിഷിനു ഹാനികരമാകുന്നതാണ്. ഇത്തരം കറകൾ എത്രയും വേഗം നീക്കം ചെയ്യുക. ഇവ കഴുകാൻ പ്രയാസമാണെങ്കിൽ, ഒരു അധിക ക്ലീനർ ആവശ്യമായി വന്നേക്കാം. നിങ്ങൾ ഉപയോഗിക്കുന്ന ഏതെങ്കിലും ക്ലീനർ പെയിന്റ് ചെയ്ത പ്രതലങ്ങൾക്ക്

ഹാനികരമല്ലെന്നും നിങ്ങളുടെ ആവശ്യങ്ങൾക്കായി പ്രത്യേകം ഉദ്ദേശിച്ചിട്ടുള്ളതാണെന്നും ഉറപ്പാക്കുക. ഈ പ്രത്യേക ക്ലീനർ ഉപയോഗിക്കുമ്പോൾ നിർമ്മാതാവിന്റെ നിർദ്ദേശങ്ങൾ പാലിക്കുക

റിപ്പയർ ഫിനിഷ് കേടുപാടുകൾ

ചായം പൂശിയ പ്രതലങ്ങളിൽ കേടുപാടുകൾ ഉണ്ടായെന്ന് മനസ്സിലാക്കാൻ നിങ്ങളുടെ വാഹനം ശ്രദ്ധാപൂർവ്വം പരിശോധിക്കുക. പെയിന്റിൽ എന്തെങ്കിലും

വിള്ളലുകളോ പോറലുകളോ കണ്ടാൽ, തുരുമ്പെടുക്കുന്നത് തടയാൻ ഉടൻ തന്നെ അവ ശരിയാക്കുക. വിള്ളലുകളോ പോറലുകളോ ലോഹ ഭാഗത്തേക്ക് എത്തിയിട്ടുണ്ടെങ്കിൽ, ഒരു സർവീസ് യോഗ്യതയുള്ള ബോഡി ഷോപ്പ് സന്ദർശിച്ചു റിപ്പയർ ചെയ്യുക.

പാസഞ്ചർ, ലഗേജ് കമ്പാർട്ട്മെന്റുകൾ വൃത്തിയാക്കി സൂക്ഷിക്കുക

പ്ലോർ മാറ്റുകൾക്ക് താഴെ ഈർപ്പം, അഴുക്ക് അല്ലെങ്കിൽ ചെട്ടി അടിഞ്ഞുകൂടുകയും നാശത്തിന് കാരണമാവുകയും ചെയ്യും. ഇടയ്ക്കിടെ, ഈ പ്രദേശം വൃത്തിയുള്ളതും വരണ്ടതുമാണെന്ന് ഉറപ്പാക്കാൻ ഈ മാറ്റുകൾ മാറ്റി അവിട് കീഴിൽ പരിശോധിക്കുക. ഓഫ് റോഡിലോ നനഞ്ഞ കാലാവസ്ഥയിലോ ആണ് വാഹനം ഉപയോഗിക്കുന്നതെങ്കിൽ കൂടുതൽ ഇടവേളകളിൽ പരിശോധനകൾ ആവശ്യമാണ്.

രാസവസ്തുക്കൾ, വളങ്ങൾ, ക്ലീനറുകൾ, ലവണങ്ങൾ മുതലായ ചില ചരക്കുകൾ അങ്ങേയറ്റം നശീകരണ സ്വഭാവമുള്ളവയാണ്. ഈ അടച്ച കണ്ടൈനറുകളിൽ കൊണ്ടുപോകണം. തുളുമ്പിപ്പോകുകയോ ചോരുകയോ സംഭവിക്കുകയാണെങ്കിൽ, ഉടൻ തന്നെ ആ ഭാഗം വൃത്തിയാക്കി ഉണക്കുക.

വരണ്ടതും നന്നായി വായുസഞ്ചാരമുള്ളതുമായ സ്ഥലത്ത് നിങ്ങളുടെ വാഹനം സൂക്ഷിക്കുക

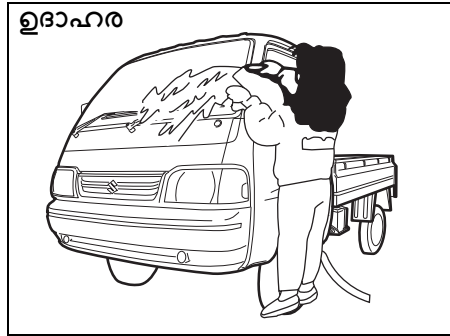
സൂര്യപ്രകാശം നേരിട്ട് ഏൽക്കുന്നതിൽ നിന്ന് വാഹനത്തെ സംരക്ഷിക്കാൻ വാഹനം സുരക്ഷിതമായി പാർക്ക് ചെയ്യുക.

നിങ്ങളുടെ വാഹനം ഈർപ്പമുള്ളതും വായുസഞ്ചാരമില്ലാത്തതുമായ സ്ഥലത്ത് പാർക്ക് ചെയ്യരുത്. നിങ്ങൾ പലപ്പോഴും നിങ്ങളുടെ വാഹനം ഗാരേജിൽ വെച്ച് കഴുകുകയോ നനഞ്ഞ സ്ഥലങ്ങളിലൂടെ ഓടിക്കുകയോ ചെയ്യുകയാണെങ്കിൽ, നിങ്ങളുടെ ഗാരേജ് നനഞ്ഞിരിക്കാം. ഗാരേജിലെ ഉയർന്ന ഈർപ്പം ദ്രവിക്കുന്നതിനു കാരണമാകാം അല്ലെങ്കിൽ അതിന്റെ നിരക്ക് വർദ്ധിപ്പിക്കാം. പെന്റിലിഷൻ മോശമാണെങ്കിൽ ചൂടായ ഗാരേജിൽ പോലും നനഞ്ഞ വാഹനത്തിൽ തുരുമ്പ് വരാതെ സാധ്യതയുണ്ട്.

⚠ മുന്നറിയിപ്പ്

കാറ്റലിറ്റിക് എക്സ്ഹോസ്റ്റ് മുതലായവ ഘടകങ്ങളിലോ എക്സ്റ്റാ അണ്ടർകോട്ടിംഗ് തുരുമ്പ് കോട്ടിംഗ്	കൺവെർട്ടർ, പൈപ്പുകൾ സിസ്റ്റം ചുറ്റുപാടിലോ അല്ലെങ്കിൽ പ്രതിരോധിക്കുന്നതിനുള്ള
--	--

വാഹനം വൃത്തിയാക്കൽ



77PM09001

⚠ മുനറിയിപ്പ്

വാഹനത്തിന്റെ അകവും പുറവും വൃത്തിയാക്കുമ്പോൾ, ലാകർ തിന്നുകൾ, പെട്രോൾ, ബെൻസിൻ തുടങ്ങിയ കത്തുന്ന ലായകങ്ങളോ ബീച്ചുകളോ ശക്തമായ ഡിറ്റർജന്റുകൾ പോലുള്ള ക്ലീനിംഗ് മെറ്റീരിയലുകളോ ഒരിക്കലും ഉപയോഗിക്കരുത്. ഈ മെറ്റീരിയലുകൾ ആളുകൾക്ക് പരിക്കോ വാഹനത്തിന് കേടുപാടുകളോ വരുത്തിയേക്കാം.

ഇന്റീരിയർ വൃത്തിയാക്കൽ

വിനൈൽ അപ്ഹോൾസ്റ്ററി ചെറുചുടുള്ള വെള്ളത്തിൽ സോപ്പ് അല്ലെങ്കിൽ വിദ്യം കുറഞ്ഞ ഡിറ്റർജന്റ് കലക്കി ഒരു സൊല്യൂഷൻ തയ്യാറാക്കുക. ഒരു സ്പോഞ്ച് അല്ലെങ്കിൽ മൃദുവായ തുണി ഉപയോഗിച്ച് വിനൈലിൽ ലായനി പ്രയോഗിക്കുക, കൂടാതെ അഴുക്ക് ഇളകിപ്പോകുവാൻ കുറച്ച് മിനിറ്റ് മുക്കിവയ്ക്കുക. അഴുക്കും സോപ്പ് ലായനിയും നീക്കം ചെയ്യാൻ വൃത്തിയുള്ളതും നനഞ്ഞതുമായ തുണി ഉപയോഗിച്ച് ഉപരിതലത്തിൽ തുടയ്ക്കുക. ചില അഴുക്ക് ഇപ്പോഴും ഉപരിതലത്തിൽ അപശേഷിക്കുന്നുണ്ടെങ്കിൽ, ഈ നടപടികൾ ആവർത്തിക്കുക.

ഫാബ്രിക് അപ്ഹോൾസ്റ്ററി (മുനിലെ യാത്രക്കാരുടെ സീറ്റ് ഒഴികെ) ഒരു വാക്വം ക്ലീനർ ഉപയോഗിച്ച് ഇളകിവന്ന അഴുക്ക് നീക്കം ചെയ്യുക. വിദ്യം കുറഞ്ഞ സോപ്പ് ലായനി ഉപയോഗിച്ച്, വൃത്തിയുള്ള നനഞ്ഞ തുണി ഉപയോഗിച്ച് കറ പുറംഭാഗങ്ങൾ തുടയ്ക്കുക. സോപ്പ് നീക്കം ചെയ്യാൻ, വെള്ളം നനച്ച തുണി ഉപയോഗിച്ച് പ്രദേശങ്ങൾ വീണ്ടും തുടയ്ക്കുക. കറ നീക്കുന്നത് വരെ ഇത് ആവർത്തിക്കുക, അല്ലെങ്കിൽ കടുപ്പമുള്ള കറകൾക്കായി ഒരു വാണിജ്യ ഫാബ്രിക് ക്ലീനർ ഉപയോഗിക്കുക. നിങ്ങൾ ഒരു ഫാബ്രിക് ക്ലീനർ ഉപയോഗിക്കുകയാണെങ്കിൽ,

നിർമ്മാതാവിന്റെ നിർദ്ദേശങ്ങളും മുൻകരുതലുകളും ശ്രദ്ധാപൂർവ്വം പിന്തുടരുക.

⚠ ജാഗ്രത

- മുൻവശത്തെ യാത്രക്കാരന്റെ സീറ്റിൽ ദ്രാവകമോ അർദ്ധവാവസ്ഥയിലുള്ളതായോ ആയ പാദാർഥങ്ങളെ ഒഴിക്കരുത്. മുൻവശത്തെ യാത്രക്കാരന്റെ സീറ്റിൽ ഇവ വീഴാൻ ഇടയായാൽ, ഉടൻ തന്നെ മുദുവായ തുണി ഉപയോഗിച്ച് തുടയ്ക്കുക. സെൻസറിൽ ദ്രാവകം പുരളുന്നത് സീറ്റ് ബെൽറ്റ് റിമൈൻഡർ സെൻസറിന്റെ പ്രവർത്തനത്തെ ബാധിച്ചേക്കാം.
- സീറ്റ് അപ്ഹോൾസ്റ്റിറിലൂടെ തുളച്ചുകയറാനും സെൻസറിന് കേടുപാടുകൾ വരുത്താനും കഴിയുന്ന മുൻച്ചയുള്ളതോ ഭാരമുള്ളതോ ആയ വസ്തുക്കളൊന്നും പാസഞ്ചർ സീറ്റിൽ വയ്ക്കരുത്.

ഫാബ്രിക് അപ്ഹോൾസ്റ്ററി (മുനിലെ യാത്രക്കാരുടെ സീറ്റിന്) വൃത്തിയാക്കാൻ ദ്രാവകം ഉപയോഗിക്കരുത്, കാരണം അത് തുണിയിൽ തുളച്ചുകയറുകയും സീറ്റ് സെൻസറിന് കേടുവരുത്തുകയും ചെയ്യും.

തുകൽ അപ്ഹോൾസ്റ്ററി

ഒരു വാക്വം ക്ലീനർ ഉപയോഗിച്ച് ഇളകിവന്ന അഴുക്ക് നീക്കം ചെയ്യുക. വിര്യം കുറഞ്ഞ സോപ്പ് അല്ലെങ്കിൽ സോപ്പ് ലായനി ഉപയോഗിച്ച്, വൃത്തിയുള്ള നനഞ്ഞ മുദുവായ തുണി ഉപയോഗിച്ച് അഴുക്ക് തുടയ്ക്കുക. സോപ്പ് നീക്കം ചെയ്യാൻ, വെള്ളം നനച്ച മുദുവായ തുണി ഉപയോഗിച്ച് ആ ഭാഗങ്ങൾ വീണ്ടും തുടയ്ക്കുക. മുദുവായ ഉണങ്ങിയ തുണി ഉപയോഗിച്ച് ഉണങ്ങിയ പ്രദേശങ്ങൾ തുടയ്ക്കുക. അഴുക്കും കറുപ്പും മാറുന്നത് വരെ ഇത് ആവർത്തിക്കുക, അല്ലെങ്കിൽ കടുപ്പമുള്ള അഴുക്കുകൾക്കും കറകൾക്കും ഒരു കൊമേഷ്യൽ ലെതർ ക്ലീനർ ഉപയോഗിക്കുക. നിങ്ങൾ ഒരു ലെതർ ക്ലീനർ ഉപയോഗിക്കുകയാണെങ്കിൽ, നിർമ്മാതാവിന്റെ നിർദ്ദേശങ്ങളും മുൻകരുതലുകളും ശ്രദ്ധാപൂർവ്വം പിന്തുടരുക. സോൾവന്റ് ടൈപ്പ് ക്ലീനർ അല്ലെങ്കിൽ അബ്രാസീവ് ക്ലീനറുകൾ ഉപയോഗിക്കരുത്.

കുറിപ്പ്:

- ലെതർ അപ്ഹോൾസ്റ്ററി മികച്ചതായി നിലനിർത്തുന്നതിന്, വർഷത്തിൽ രണ്ടുതവണയെങ്കിലും വൃത്തിയാക്കണം.
- ലെതർ അപ്ഹോൾസ്റ്ററി നനഞ്ഞാൽ, ട്രൈ ക്ലോറോ എഥെയ്ൻ പേപ്പറോ മുദുവായ തുണിയോ ഉപയോഗിച്ച് ഉണക്കുക. തുടച്ചുമാറ്റിയില്ലെങ്കിൽ തുകൽ ദുർവയയുള്ളതാകാനും

ചുരുങ്ങാനും വെള്ളം കാരണമായേക്കാം.

- സണ്ണി ദിവസങ്ങളിൽ പാർക്ക് ചെയ്യുമ്പോൾ, തണലുള്ള സ്ഥലം തിരഞ്ഞെടുക്കുക അല്ലെങ്കിൽ സൺഷെയ്ഡ് ഉപയോഗിക്കുക. ലെതർ അപ്ഹോൾസ്റ്ററിയിൽ ദീർഘനേരം നേരിട്ട് സൂര്യപ്രകാശം എൽക്കുകയാണെങ്കിൽ, അത് നിറം മാറുകയും ചുരുങ്ങുകയും ചെയ്യും.
- പ്രകൃതിദത്ത വസ്തുക്കളിൽ സാധാരണമായത് പോലെ, തുകൽ ക്രമരഹിതമാണിത്തും അതിന്റെ സ്വാഭാവിക അവസ്ഥയിൽ പാടുകൾ ഉള്ളതുമാണ്. ഇവ ലെതറിന്റെ പ്രകടനത്തെ ഒരു തരത്തിലും ബാധിക്കില്ല.

സീറ്റ് ബെൽറ്റുകൾ

വിര്യം കുറഞ്ഞ സോപ്പും വെള്ളവും ഉപയോഗിച്ച് സീറ്റ് ബെൽറ്റുകൾ വൃത്തിയാക്കുക. ബെൽറ്റുകളിൽ ബ്ലീച്ചോ ഡൈയോ ഉപയോഗിക്കരുത്. അവർ ബെൽറ്റുകളിലെ തുണിയെ ദുർബലപ്പെടുത്തിയേക്കാം.

വിനൈൽ ഫ്ലോർ മാറ്റുകൾ

സാധാരണ അഴുക്കുകൾ വെള്ളം അല്ലെങ്കിൽ മുദുവായ സോപ്പ് ഉപയോഗിച്ച് വിനൈലിൽ നിന്ന് നീക്കം ചെയ്യാം. അഴുക്ക് ഇളകാൻ സഹായിക്കുന്നതിന് ഒരു ബ്രഷ് ഉപയോഗിക്കുക. അഴുക്ക് ഇളകിവന്നതിനു ശേഷം, മാറ്റ് നന്നായി വെള്ളത്തിൽ കഴുകി തണലിൽ ഉണക്കുക.

കാർപെറ്റുകൾ

ഒരു വാക്വം ക്ലീനർ ഉപയോഗിച്ച് കഴിയുന്നത്ര അഴുക്കും മണ്ണും നീക്കം ചെയ്യുക. വിര്യം കുറഞ്ഞ സോപ്പ് ലായനിയും വൃത്തിയുള്ള നനഞ്ഞ തുണിയും ഉപയോഗിച്ച് കറ പുരണ്ട ഭാഗങ്ങൾ തുടയ്ക്കുക. സോപ്പ് നീക്കം ചെയ്യാൻ, വെള്ളം നനച്ച തുണി ഉപയോഗിച്ച് ആ ഭാഗങ്ങൾ വീണ്ടും തുടയ്ക്കുക. കറ നീങ്ങുന്നത് വരെ ഇത് ആവർത്തിക്കുക, അല്ലെങ്കിൽ കഠിനമായ കറകൾക്കായി വാങ്ങാൻ ലഭിക്കുന്ന ഒരു കാർപെറ്റ് ക്ലീനർ ഉപയോഗിക്കുക. നിങ്ങൾ ഒരു കാർപെറ്റ് ക്ലീനർ ഉപയോഗിക്കുകയാണെങ്കിൽ, നിർമ്മാതാവിന്റെ നിർദ്ദേശങ്ങളും മുൻകരുതലുകളും ശ്രദ്ധാപൂർവ്വം പിന്തുടരുക.

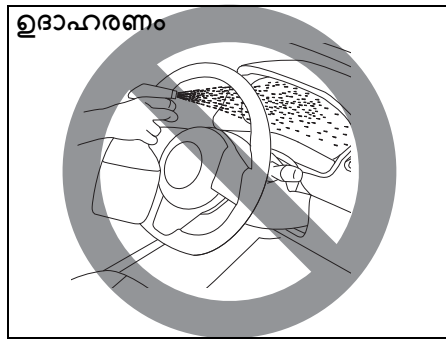
ഇൻസ്ട്രുമെന്റ് പാനലും കൺസോളും

ഒരു വാക്വം ക്ലീനർ ഉപയോഗിച്ച് ഇളകിവന്ന അഴുക്ക് നീക്കം ചെയ്യുക ദൃഢമായി പിഴിഞ്ഞ നനഞ്ഞ വൃത്തിയുള്ള തുണി ഉപയോഗിച്ച് അഴുക്ക് പതുക്കെ തുടയ്ക്കുക. അഴുക്ക് വൃത്തിയാകുന്നത് വരെ ഇത് ആവർത്തിക്കുക.

ശ്രദ്ധിക്കുക

സി.പി.കൾ പോലെയുള്ള ഇലക്ട്രിക്കൽ ഘടകങ്ങൾ തുടയക്കാൻ സിലിക്കൺ അടങ്ങിയ രാസവസ്തുക്കൾ ഉപയോഗിക്കരുത്. ഇവ ഘടകങ്ങൾക്ക് കേടുപാടുകൾ വരുത്തും.

ഇൻസ്ട്രുമെന്റ് കസറ്റിലോ മറ്റേതെങ്കിലും ഇലക്ട്രിക്കൽ അല്ലെങ്കിൽ ഇലക്ട്രോണിക് ഘടകങ്ങളിലോ വെള്ളമോ ദ്രാവകമോ നേരിട്ട് തളിക്കരുത്. ഇത് കേടുപാടുകൾക്കും കൂടാതെ/ ആ ഭാഗം പ്രവർത്തനരഹിതമാകുന്നതിലേക്കും നയിച്ചേക്കാം.



പുറംഭാഗം വൃത്തിയാക്കൽ

ശ്രദ്ധിക്കുക

നിങ്ങളുടെ വാഹനം വൃത്തിയാക്കാനും അഴുക്കിൽ നിന്ന് മുക്തമായും സൂക്ഷിക്കേണ്ടത് പ്രധാനമാണ്. നിങ്ങളുടെ വാഹനം വൃത്തിയാക്കി സൂക്ഷിക്കുന്നതിൽ പരാജയപ്പെടുന്നത വാഹനത്തിന്റെ വിവിധ ഭാഗങ്ങളിൽ പെയിന്റ് മങ്ങുകയോ തുരുമ്പെടുക്കുകയോ ചെയ്യുന്നതിന് കാരണമാകും.

കഴുകൽ



⚠ മുന്നറിയിപ്പ്

- എഞ്ചിൻ പ്രവർത്തിക്കുമ്പോൾ നിങ്ങളുടെ വാഹനം കഴുകാനും വാക്സ് ചെയ്യാനും ഒരിക്കലും ശ്രമിക്കരുത്.
- ബോഡിയുടെയും ഫെൻഡറിനെയും അടിവശം വൃത്തിയാക്കുമ്പോൾ, മുറിച്ചുയ്ക്കേണ്ട അരികുകളുള്ള ഭാഗങ്ങളിൽ ഉണ്ടാകാവുന്നിടത്ത്, നിങ്ങളുടെ കൈകൾ മുറിവേൽക്കാതെ സംരക്ഷിക്കാൻ നിങ്ങൾ കയ്യുറകളും നീളൻ കൈയ്ക്കുള്ള ഷർട്ടും ധരിക്കണം.
- നിങ്ങളുടെ വാഹനം കഴുകിയ ശേഷം, ബ്രെക്കുകൾ അടിയുടെ സാധാരണ കാര്യക്ഷമതയിലേക്ക് എത്തിയെന്ന് ഉറപ്പാക്കാൻ ഡ്രൈവ് ചെയ്യുന്നതിനുമുമ്പ് ശ്രദ്ധാപൂർവ്വം പരിശോധിക്കുക.

വാഹനം കഴുകുമ്പോൾ, നേരിട്ട് സൂര്യപ്രകാശം പതിക്കാത്തതിടത്ത് പാർക്ക് ചെയ്യുക, താഴെ പറയുന്ന നിർദ്ദേശങ്ങൾ പാലിക്കുക:

- 1) ചെളിയും അവശിഷ്ടങ്ങളും നീക്കം ചെയ്യുന്നതിനായി ബോഡിയുടെയും വീൽ ഹൗസുകളുടെയും അടിവശം പ്രഷർ ഉള്ള വെള്ളം ഉപയോഗിച്ച് പ്ലഷ് ചെയ്യുക. ധാരാളം വെള്ളം ഉപയോഗിക്കുക.

ശ്രദ്ധിക്കുക
<p>വാഹനം കഴുകുമ്പോൾ:</p> <ul style="list-style-type: none"> പാസ്റ്റിക് ഭാഗങ്ങളിൽ 80°C (176°F)-ൽ കൂടുതൽ നീരാവിയോ ചൂടുവെള്ളമോ സ്പർശിക്കാനിടയാകുന്നത് ഒഴിവാക്കുക. എഞ്ചിൻ ഘടകങ്ങൾക്ക് കേടുപാടുകൾ വരുത്താതിരിക്കാൻ, എഞ്ചിൻ കമ്പാർട്ട്മെന്റിൽ പ്രഷർ ഉള്ള വെള്ളം ഉപയോഗിക്കരുത്.

2) അഴുക്ക് കളയാൻ ബോഡി കഴുകുക. ഒഴുകുന്ന വെള്ളം ഉപയോഗിച്ച് ബോഡിയ്ക്ക് പുറത്തുള്ള അഴുക്കും ചെളിയും നീക്കം ചെയ്യുക. നിങ്ങൾക്ക് മുഖ്യമായ സ്പോഞ്ച് അല്ലെങ്കിൽ ബ്രഷ് ഉപയോഗിക്കാം. പെയിന്റിലോ പ്ലാസ്റ്റിക്കിലോ പേറൽ വിഴ്ത്തുന്ന കട്ടിയുള്ള വസ്തുക്കൾ ഉപയോഗിക്കരുത്. ഹെഡ്ലൈറ്റ് കവറുകൾ അല്ലെങ്കിൽ ലെൻസുകൾ പല കേസുകളിലും പ്ലാസ്റ്റിക് കൊണ്ടാണ് നിർമ്മിച്ചിരിക്കുന്നത് എന്ന് ഓർക്കുക.

ശ്രദ്ധിക്കുക
<p>പെയിന്റ് അല്ലെങ്കിൽ പ്ലാസ്റ്റിക് ഉപരിതലത്തിലെ കേടുപാടുകൾ ഒഴിവാക്കാൻ, ആവശ്യത്തിന് വെള്ളം ഉപയോഗിച്ച് തന്നെ അഴുക്ക് തുടച്ചു മാറ്റുക. മുകളിൽ പറഞ്ഞ നടപടിക്രമം പാലിക്കുന്നത് ഉറപ്പാക്കുക.</p>

3) ഒരു സ്പോഞ്ച് അല്ലെങ്കിൽ മുഖ്യമായ തുണിയും അതിനൊപ്പം വിദ്യം കുറഞ്ഞ ഡിറ്റർജന്റോ കാർ വാഷ് സോപ്പോ ഉപയോഗിച്ച് പുറംഭാഗം മുഴുവൻ കഴുകുക. സ്പോഞ്ചോ തുണിയോ സോപ്പ് ലായനിയിൽ ഇടയ്ക്കിടെ മുക്കിവയ്ക്കണം.

ശ്രദ്ധിക്കുക
<p>വാങ്ങാനാകുന്ന ഒരു കാർ വാഷ് ഉൽപ്പന്നം ഉപയോഗിക്കുമ്പോൾ, നിർമ്മാതാവ് വ്യക്തമാക്കിയ മുൻകരുതലുകൾ നിരീക്ഷിക്കുക. ശക്തമായ ഗാർഹിക ഡിറ്റർജന്റുകളും സൂപ്പുകളും ഒരിക്കലും ഉപയോഗിക്കരുത്.</p>

4) അഴുക്ക് പൂർണ്ണമായും നീക്കം ചെയ്തുകഴിഞ്ഞാൽ, ഒഴുകുന്ന വെള്ളത്തിൽ ഡിറ്റർജന്റ് കഴുകിക്കളയുക.

5) കഴുകിയ ശേഷം, നനഞ്ഞ തുണി ഉപയോഗിച്ച് വാഹന ബോഡി തുടച്ച് തണലിൽ ഉണങ്ങാൻ അനുവദിക്കുക.

6) പെയിന്റ് ചെയ്ത പ്രതലങ്ങൾക്ക് കേടുപാടുകൾ ഉണ്ടായെന്ന് ശ്രദ്ധാപൂർവ്വം പരിശോധിക്കുക. എന്തെങ്കിലും കേടുപാടുകൾ ഉണ്ടായാൽ, താഴെ പറയുന്ന നടപടിക്രമം അനുസരിച്ച് കേടുപാടുകൾ തീർക്കേണ്ടതാണ്:

1. കേടായ എല്ലാ ഭാഗങ്ങളും വൃത്തിയാക്കി ഉണങ്ങാൻ അനുവദിക്കുക.

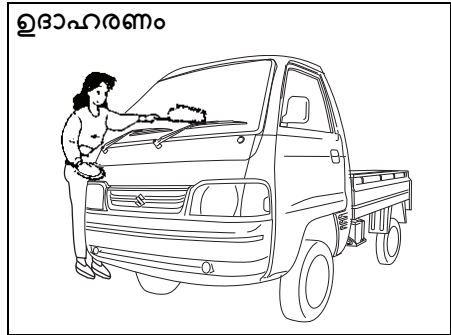
2. പെയിന്റ് ഇളക്കി ഒരു ചെറിയ ബ്രഷ് ഉപയോഗിച്ച് കേടായ ഭാഗങ്ങളിൽ ചെറുതായി പെയിന്റ് ടച്ച് അപ്പ് നടത്തുക.

3. പെയിന്റ് പൂർണ്ണമായും ഉണങ്ങാൻ അനുവദിക്കുക.

ശ്രദ്ധിക്കുക
<p>നിങ്ങൾ ഒരു ഓട്ടോമാറ്റിക് കാർ വാഷ് ഉപയോഗിക്കുകയാണെങ്കിൽ, നിങ്ങളുടെ വാഹനത്തിന്റേ സ്പേഴ്യിലറുകൾ പോലുള്ള പാർട്ടികൾക്ക് കേടുപാടുകൾ സംഭവിക്കുന്നില്ലെന്ന് ഉറപ്പാക്കുക. നിങ്ങൾക്ക് എന്തെങ്കിലും സംശയമുണ്ടെങ്കിൽ, ഉപദേശത്തിനായി കാർ വാഷ് ഓപ്പറേറ്ററെ സമീപിക്കുക.</p>

അപ്പീയറൻസ് സംരക്ഷണം

വാക്സിംഗ്



77PM09002

വാഹനം കഴുകിയ ശേഷം വാക്സിംഗ്, പോളിഷിംഗ് എന്നിവ ചെയ്യുന്നത് പെയിന്റ് കൂടുതൽ സംരക്ഷിക്കാനും മനോഹരമാക്കാനും ശുപാർശ ചെയ്യുന്നു.

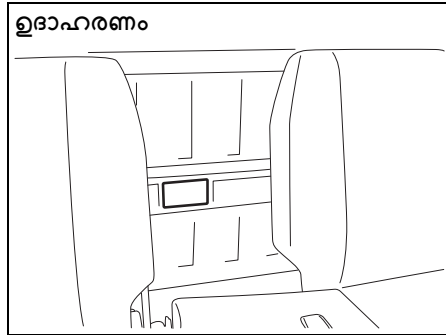
- ഗുണമേന്മയുള്ള വാക്സുകളും പോളിഷുകളും മാത്രം ഉപയോഗിക്കുക.
- വാക്സുകളും പോളിഷുകളും ഉപയോഗിക്കുമ്പോൾ, നിർമ്മാതാക്കൾ വ്യക്തമാക്കിയ മുൻകരുതലുകൾ ശ്രദ്ധിക്കുക.

പൊതുവിവരങ്ങൾ

വാഹന ഐഡൻറിഫിക്കേഷൻ	10-1
ഫാസ്റ്റാഗ് (ഉണ്ടെങ്കിൽ).....	10-1
സി എൻ ജി കിറ്റ് ഐഡൻറിഫിക്കേഷൻ നമ്പർ (ഉണ്ടെങ്കിൽ)	10-2
ഹൈ സെക്യൂരിറ്റി രജിസ്ട്രേഷൻ പ്ലേറ്റ് (HSRP) (ബാധകമെങ്കിൽ).....	10-3

വാഹന ഐഡൻറിഫിക്കേഷൻ

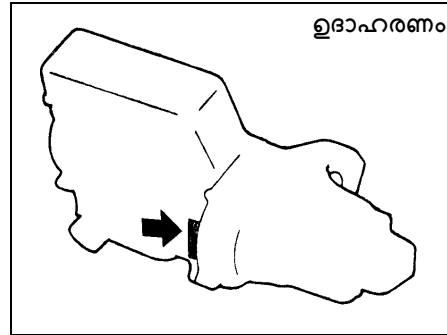
ചേസിസ് സീരിയൽ നമ്പർ



77PH059

വാഹനം രജിസ്റ്റർ ചെയ്യാൻ ചാസിസ് കൂടാതെ/അല്ലെങ്കിൽ എഞ്ചിൻ സീരിയൽ നമ്പറുകൾ ഉപയോഗിക്കുന്നു. പ്രത്യേക സേവന വിവരങ്ങൾ ഓർഡർ ചെയ്യുമ്പോഴോ റൂമർ ചെയ്യുമ്പോഴോ നിങ്ങളുടെ ഡിലറെ സഹായിക്കാനും അവ ഉപയോഗിക്കുന്നു. നിങ്ങളുടെ അംഗീകൃത മാരുതി സുസുക്കി കൊമേഴ്സ്യൽ വർക്ക്ഷോപ്പുമായി ബന്ധപ്പെടാൻ അവസർമുണ്ടാകുമ്പോഴല്ലാം, ഈ നമ്പർ ഉപയോഗിച്ചു നിങ്ങളുടെ വാഹനം തിരിച്ചറയാൻ ഓർത്തു വയ്ക്കുക. നമ്പർ വായിക്കാൻ ബുദ്ധിമുട്ടാണെങ്കിൽ, ഐഡൻറിഫിക്കേഷൻ പേറ്റിലും നിങ്ങൾക്ക് അത് കണ്ടെത്താനാകും.

എഞ്ചിൻ സീരിയൽ നമ്പർ



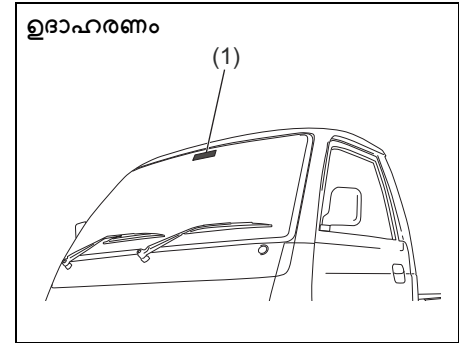
54G082

ചിത്രീകരണത്തിൽ കാണിച്ചിരിക്കുന്നതുപോലെ എഞ്ചിൻ സീരിയൽ നമ്പർ സിലിണ്ടർ ബ്ലോക്കിൽ സ്റ്റാമ്പ് ചെയ്തിരിക്കുന്നു.

ഫാസ്റ്റ് ടാഗ് (ഉണ്ടെങ്കിൽ)

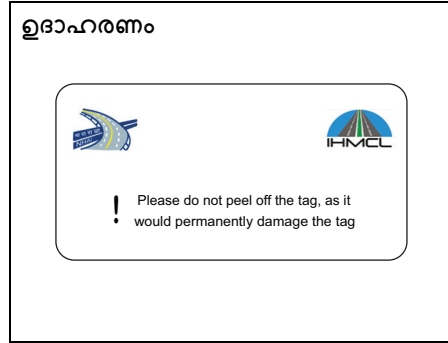
റോഡ് ഗതാഗത, ഹൈവേ മന്ത്രാലയത്തിലെ നിയമങ്ങൾ അനുസരിച്ച്, ഇലക്ട്രോണിക് ടാഗ് പിരിവീനോ അല്ലെങ്കിൽ ഇന്ത്യാ ഗവൺമെന്റ് നിർവചിച്ചേക്കാവുന്ന മറ്റേതെങ്കിലും ഉദ്ദേശ്യത്തിനോ ഓരോ വാഹനത്തിനും ഫാസ്റ്റ് ടാഗ് (1) നിർബന്ധമാണ്.

ഫാസ്റ്റാഗിന് എന്തെങ്കിലും കേടുപാടുകൾ സംഭവിക്കുകയോ മുൻവശത്തെ വിൻഡ് സ്ക്രീൻ മാറ്റിസ്ഥാപിക്കുകയോ ചെയ്താൽ, ദയവായി നിങ്ങളുടെ അടുത്തുള്ള അംഗീകൃത മാരുതി സുസുക്കി വർക്ക്ഷോപ്പുമായി ബന്ധപ്പെടുക.



66MM1001

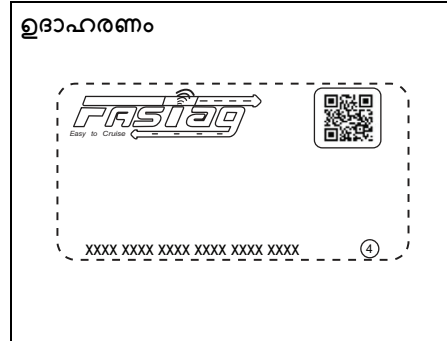
വാഹനത്തിന്റെ ഉള്ളിൽ നിന്ന് കാണുന്നത പോലെ



64MM01002

കുറിപ്പ്: കാണിച്ചിരിക്കുന്ന ആവശ്യങ്ങൾക്ക് വാഹനത്തിൽ യഥാർത്ഥ ആന്തരിക ഘടന കൂടി സൂചക മൂത്രമുള്ളതാണ്. ഘടിപ്പിച്ചിരിക്കുന്ന ഉപകരണത്തിന്റെ ഘടന വ്യത്യസ്തമായിരിക്കാം.

വാഹനത്തിന് പുറത്ത് നിന്ന് കാണുന്നത പോലെ

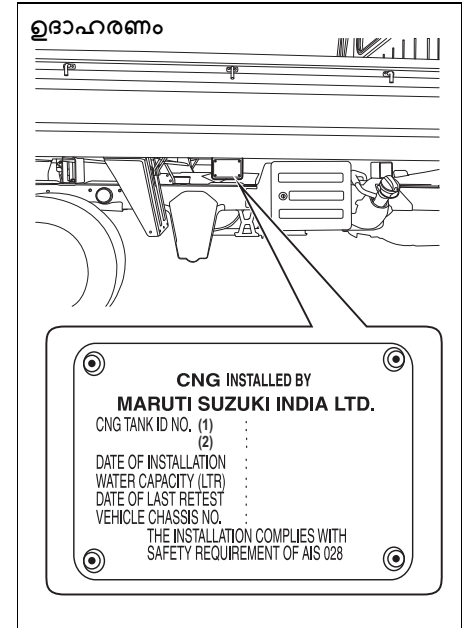


64MM01003

കുറിപ്പ്: കാണിച്ചിരിക്കുന്ന ആവശ്യങ്ങൾക്ക് വാഹനത്തിൽ യഥാർത്ഥ ആന്തരിക ഘടന കൂടി സൂചക മൂത്രമുള്ളതാണ്. ഘടിപ്പിച്ചിരിക്കുന്ന ഉപകരണത്തിന്റെ ഘടന വ്യത്യസ്തമായിരിക്കാം.

- വിൻഡ് സ്ക്രീനിൽ നിന്ന് ടാഗ് നീക്കം ചെയ്യാനുള്ള ഏതൊരു ശ്രമവും ടാഗിന് നഷ്ടമായ കേടുപാടുകൾക്ക് കാരണമാകും.
- ടാഗ് ഘടിപ്പിച്ചിരിക്കുന്ന വിൻഡ് സ്ക്രീൻ ഏറ്റിയ വ്യതിയാക്കാൻ കൈകൾ കീറ്റർ ഉപയോഗിക്കുന്നത് ടാഗിന് കേടുപാടാകും.
- ടാഗിൽ ഏതെങ്കിലും മുർച്ചയുള്ള വസ്തുക്കൾ ഉപയോഗിക്കുന്നത് ടാഗിന് കേടുപാടാകും.

സി എൻ ജി കിറ്റ് ഐഡൻറിഫിക്കേഷൻ നമ്പർ (ഉണ്ടെങ്കിൽ)



77PM10002

സി എൻ ജി സിലിണ്ടർ ഐഡൻറിഫിക്കേഷൻ നമ്പറും സി എൻ ജി കിറ്റ് ഇൻസ്റ്റാളേഷൻ തിയതിയും കാണിച്ചിരിക്കുന്നതുപോലെ കാർഗോ ബോഡിയുടെ വലതുവശത്ത് രേഖപ്പെടുത്തിയിരിക്കും.

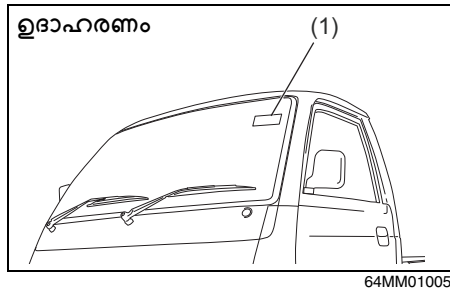
ഹൈ സെക്യൂരിറ്റി രജിസ്ട്രേഷൻ പ്ലേറ്റ് (HSRP) (ബാധകമെങ്കിൽ)

റോഡ് ട്രാൻസ്പോർട്ട് ആൻഡ് ഹൈവേ മന്ത്രാലയമനുസരിച്ച്, ഓരോ പുതിയ വാഹനത്തിനും HSRP ഉണ്ടായിരിക്കണം.

HSRP യിൽ അടങ്ങിയിരിക്കുന്നവ;

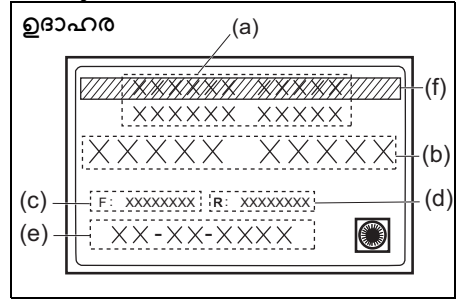
- ഫ്രണ്ട് റിയർ HSRP, നമ്പർ പ്ലേറ്റ് ഏരിയയിൽ നിന്നും 2 സ്മാപ്പ് ലോക്കുകൾ വീതം ഘടിപ്പിച്ചിരിക്കും.
- മുൻവശത്തെ വിൻഡ്ഷീൽഡിലെ മൂന്നാമത്തെ ലൈസൻസ് പ്ലേറ്റ്.

മൂന്നാമത്തെ ലൈസൻസ് പ്ലേറ്റ്



(1) മൂന്നാമത്തെ ലൈസൻസ് പ്ലേറ്റ്

മൂന്നാമത്തെ ലൈസൻസ് പ്ലേറ്റ് വാഹനത്തിന് പുറത്ത് നിന്ന് കാണുന്നത് പോലെ



- (a) HSRP നൽകുന്ന അതോറിറ്റിയുടെ പേര്
- (b) വാഹന രജിസ്ട്രേഷൻ നമ്പർ
- (c) യൂണിക്ക് ലേസർ നമ്പർ - ഫ്രണ്ട് പ്ലേറ്റ്
- (d) യൂണിക്ക് ലേസർ നമ്പർ - പിൻ പ്ലേറ്റ്
- (e) ആദ്യ രജിസ്ട്രേഷൻ തീയതി (DD-MM-YYYY ഫോർമാറ്റിൽ)
- (f) ഗ്രീൻ സ്ട്രിപ്പുകൾ (BS6 വാഹനം)

കുറിപ്പ്: കാണിച്ചിരിക്കുന്ന ചിത്രം സൂചക ആവശ്യങ്ങൾക്ക് മാത്രമുള്ളതാണ്. വാഹനത്തിൽ ഘടിപ്പിച്ചിരിക്കുന്ന യഥാർത്ഥ ലേബലിന്റെ ആന്തരിക ഘടന വ്യത്യസ്തമായിരിക്കാം.

- കുറിപ്പ്:
- വിൻഡ്ഷീറ്റിന് മുന്നിൽ മൂന്നാമത്തെ ലൈസൻസ് പ്ലേറ്റ് നിക്ഷേപിച്ചിട്ടുള്ള ഏതൊരു ശ്രമവും ലേബലിന്റെ സ്ഥിരമായ കേടുപാടുകൾക്ക് കാരണമാകും.
 - ലേബൽ ഘടിപ്പിച്ചിരിക്കുന്ന വിൻഡ്ഷീറ്റിന് ഏതൊരു വ്യതിയാനം കൈമാറ്റം ക്ലീൻ ഉപയോഗിക്കുന്നത് അതിനെ കേടുവരുത്തും.
 - ലേബലിൽ മുൻകൂട്ടിയുള്ള ഏതെങ്കിലും വസ്തുക്കൾ ഉപയോഗിക്കുന്നത് ലേബലിലെ കേടുപാടുകൾക്ക് കാരണമാകും.
 - മൂന്നാമത്തെ ലൈസൻസ് പ്ലേറ്റ് മാറ്റിസ്ഥാപിക്കുന്ന സാഹചര്യത്തിൽ, അംഗീകൃത അതോറിറ്റിയുമായി ബന്ധപ്പെടാവുന്നതാണ്.

മൂന്നാമത്തെ ലൈസൻസ് പ്ലേറ്റ് -
വാഹനത്തിന്റെ ഉള്ളിൽ പ്ലേറ്റ് നിന്ന്
കാണുന്നത് പോലെ

ഉദാഹരണം

Notice

It is unlawful for any person to duplicate, alter, change, deface, destroy, mutilate, remove, tear down this Third Registration Plate Sticker, except if done by authority of law. Do not wipe with harsh abrasive materials, detergents, etc. as it may deface or damage this Sticker.

64MM01009

കുറിപ്പ്:
കാണിച്ചിരിക്കുന്ന ചിത്രം സൂചക
ആവശ്യങ്ങൾക്ക് മാത്രമുള്ളതാണ്.

കുറിപ്പ്:
റോഡ് ഗതാഗത, ഹൈവേ മന്ത്രാലയം
നിർവചിച്ചിരിക്കുന്ന എച്ച്എസ്ആർപി
ചട്ടപ്രകാരമാണ് മൂന്നാമത്തെ
ലൈസൻസ് പ്ലേറ്റിന്റെ നിറം
(പിന്നിലെ).

സ്പെസിഫിക്കേഷനുകൾ

സ്പെസിഫിക്കേഷനുകൾ

കുറിപ്പ്:

അറിയിപ്പ് കൂടാതെ സ്പെസിഫിക്കേഷനുകൾ മാറ്റുന്നതിന് വിധേയമാണ്.

"ചേസിസ്" വകഭേദങ്ങളുമായി ബന്ധപ്പെട്ട സ്പെസിഫിക്കേഷൻ "ബോഡി ഫ്രെയിമുകളുടെ നിർദ്ദേശങ്ങൾ" റഫർ ചെയ്യുന്നു

ഇനം: അളവുകൾ		യൂണിറ്റ്: mm	
മൊത്തം ദൈർഘ്യം		3800	
മൊത്തം വീതി		1562	
മൊത്തത്തിലുള്ള ഉയരം		1883	
വീൽബേസ്		2110	
ട്രാക്ക്	ഫ്രണ്ട്	1345	
	റിയർ	1330	

ഇനം: മാസ്സ് (ഭാരം)		യൂണിറ്റ്: കിലോ	
കർബ് മാസ്സ് (ഭാരം)	പെട്രോൾ	860	
	സി.എൻ.ജി	975	
ഗ്രോസ് വെഹിക്കിൾ മാസ്സ് (ഭാരം) റേറ്റിംഗ്		1600	
അനുവദനീയമായ പരമാവധി ആകസ്മിക് ഭാരം	ഫ്രണ്ട്	900	
	റിയർ	1020	

ഇനം: എഞ്ചിൻ	പെട്രോൾ & സിഎൻജി (CNG)
തരം	K12N (DOHC)
സിലിണ്ടറുകളുടെ എണ്ണം	4
ബോർ	73.0 mm
സ്ട്രോക്ക്	71.5 mm
പിസ്റ്റൺ ഡിസ്പ്ലേസ്മെന്റ്	1197 cm3 (1197 cc)
കംപ്രഷൻ അനുപാതം	12.0: 1

ഇനം: ഇലക്ട്രിക്കൽ	
സ്പാർക്ക് പ്ലഗ്	NGK ILZKR6F11
ബാറ്ററി	12V 38B20R
ഫ്യൂസുകൾ	പരിശോധനയും അറ്റകുറ്റപ്പണിയും എന്ന സെക്ഷൻ കാണുക.

ഇനം: ലൈറ്റുകൾ		വാട്ടേജ്	ബൾബ് നമ്പർ.
ഹെഡ്ലൈറ്റ്		12V 60/55W	H4
പൊസിഷൻ ലൈറ്റ്		12V 5W	W5W
സിഗ്നൽ ലൈറ്റ് തിരിക്കുക	ഫ്രണ്ട്	12V 21W	PY21W
	റിയർ	12V 21W	P21W
ബ്രേക്ക്/ടെയിൽ ലൈറ്റ്		12V 21/5W	P21/5W
റിവേഴ്സ് ലൈറ്റ്		12V 21W	P21W
ലൈസൻസ് പ്ലേറ്റ് ലൈറ്റ്		12V 5W	W5W
ഇന്റീരിയർ ലൈറ്റ്		12V 5W	C5W

സ്പെസിഫിക്കേഷനുകൾ

ഇനം: വീലുകളും ടയറുകളും	
ടയർ വലുപ്പം, ഫ്രണ്ട്, റിയർ, സ്പെയർ	155R13 LT 8PR 89/88S* / 155R13 LT 8PR 90/89Q*
റിം വലിപ്പം	13X4J
ടയർ പ്രഷർ	നിർദ്ദിഷ്ട ടയർ മർദ്ദത്തിന്, ഡ്രൈവറുടെ ഡോർലോക്ക് പില്ലറിൽ സ്ഥിതിചെയ്യുന്ന ടയർ വിവര ലേബൽ കാണുക.

* നിർദ്ദിഷ്ട ലോഡ് ഇൻഡക്സ് നിരക്കും സ്പീഡ് സിംബലും ഉള്ള ഒരു ടയർ സാജ്കജീകരിക്കാൻ കഴിയുന്നില്ലെങ്കിൽ, ഉയർന്ന ലോഡ് ഇൻഡക്സ് നിരക്കും സ്പീഡ് സിമ്പൽ ഉള്ള ഒരു ടയർ സജ്ജീകരിക്കാവുന്നതാണ്.

സ്പെസിഫിക്കേഷനുകൾ

ഇനം: ശുപാർശ ചെയ്യുന്ന ഇന്ധനം / ലൂബ്രിക്കന്റുകൾ കൂടാതെ കപ്പാസിറ്റികൾ (ഏകദേശം)			
ഫ്യൂൽ	പെട്രോൾ (Petrol)		30 L [#]
	സിഎൻജി (CNG)	പെട്രോൾ (Petrol)	5 L [#]
		സിഎൻജി (CNG)	35 L x 2 ടാങ്കുകൾ [#]
എഞ്ചിൻ ഓയിൽ	പെട്രോൾ (Petrol)	വർഗ്ഗീകരണം: API SN വിസ്കോസിറ്റി: SAE 0W-16	3.8 L (ഓയിൽ ഫിൽട്ടർ ഉപയോഗിച്ച് മാറ്റിസ്ഥാപിക്കൽ)
	സിഎൻജി (CNG)		4.2 L (ഓയിൽ ഫിൽട്ടർ ഉപയോഗിച്ച് മാറ്റിസ്ഥാപിക്കൽ)
എഞ്ചിൻ ഓയിൽ	"SUZUKI LLC: Super (Blue) കൂളന്റ്" *1 "SUZUKI LLC: Standard (Yellow) കൂളന്റ്" *1		3.5 L (റിസർവോയർ ടാങ്ക് ഉൾപ്പെടെ)
മാനുവൽ ട്രാൻസ്മിഷൻ ഓയിൽ	മാരുതി യഥാർത്ഥ ഗിയർ ഓയിൽ 75W		1.4 L
റിയർ ഡിഫറൻഷ്യൽ ഓയിൽ	"ടോട്ടൽഫിനേൽഫ് ട്രാൻസ്മിഷൻ ഓയിൽ LL 85W-140"		1.6 L
ബ്രേക്ക് ഫ്ലൂയിഡ്	മാരുതി യഥാർത്ഥ ബ്രേക്ക് ഫ്ലൂയിഡ് (MGBF) അല്ലെങ്കിൽ DOT 3		പരിശോധനയും അറ്റകുറ്റപ്പണിയും വിഭാഗത്തിലെ നിർദ്ദേശങ്ങൾ അനുസരിച്ച് ശരിയായ ഓയിൽ ലെവലിലേക്ക് റീഫിൽ ചെയ്യുക.

*1: നിങ്ങളുടെ വാഹനത്തെ ആശ്രയിച്ച് ശുപാർശ ചെയ്യുന്ന കൂളന്റ് വ്യത്യാസപ്പെടുന്നു. "പരിശോധനയും അറ്റകുറ്റപ്പണിയും" എന്ന സെക്ഷൻ റഫർ ചെയ്യുക.

#: ഇന്ധന ടാങ്ക് കപ്പാസിറ്റി നിങ്ങൾക്ക് നിറയ്ക്കാൻ കഴിയുന്ന ഫ്യൂവലിന്റെ ശുപാർശ ചെയ്ത അളവിനേക്കാൾ അല്പം കൂടുതലാണ്. സുരക്ഷയും ശാസ്ത്രീയവുമായ കാരണങ്ങൾ മുൻനിർത്തി കൂടുതൽ സ്ഥലം നൽകിയിട്ടുണ്ട്.

ബോഡി ഫാബ്രിക്കേഷനുള്ള നിർദ്ദേശങ്ങൾ (ചേസിസ് വേരിയന്റ്)

ക്യാബ്-ചേസിസ് വാഹനത്തിന്റെ ബോഡി ഫാബ്രിക്കേഷൻ ഇനിപ്പറയുന്ന നിർദ്ദേശങ്ങളും ബൗണ്ടറി വ്യവസ്ഥകളും ഉറപ്പാക്കി നടപ്പിലാക്കണം:

(a) **ബോഡി എക്സ്റ്റീരിയർ:** വാഹനത്തിന്റെ ബാഹ്യ പ്രതലത്തിൽ മുർച്ചയുള്ള അരികുകളോ മുർച്ചയുള്ള പ്രൊജക്റ്റിംഗ് ഭാഗങ്ങളോ ഉണ്ടാകാത്ത വിധത്തിലാണ് ലോഡ് ബോഡി/ആപ്ലിക്കേഷൻ നിർമ്മിച്ചിരിക്കുന്നത്, ഒരു കൂട്ടിയിടി ഉണ്ടായാൽ ബോഡി വർക്ക് അല്ലെങ്കിൽ ബ്രഷിംഗ് മൂലം ഒരു വ്യക്തിക്ക് ശാരീരിക പരിക്കിന്റെ അപകടസാധ്യതയോ തീവ്രതയോ വർദ്ധിപ്പിക്കാൻ ഇത് സാധ്യതയുണ്ട്. പൂർണ്ണമായ വാഹനം നിശ്ചലമായിരിക്കുമ്പോഴും ചലനത്തിലായിരിക്കുമ്പോഴും ഇത് സാധുവാണ്. ബാഹ്യ അരികുകളിലും പ്രൊജക്റ്റിംഗ് ഭാഗങ്ങളിലും ഇത് കുറഞ്ഞത് **2.5** മില്ലീമീറ്ററോ അതിൽ കൂടുതലോ വക്രതയുള്ള ആരം ഉണ്ടെന്നു ഉറപ്പാക്കണം. **CMVR** റൂൾ **124(1)-11** പ്രകാരം നിർവ്വചിച്ചിരിക്കുന്ന വ്യവസ്ഥകൾ ബോഡി നിർമ്മാണം പാലിക്കേണ്ടതാണ്

ബോഡി ലേഔട്ടുകൾക്ക് (ടിപ്പർ ആപ്ലിക്കേഷൻ പോലെ), ബാറ്ററി മൗണ്ടിംഗുകൾ തുറന്നുകാട്ടുന്നിടത്ത്, **CMVR** റൂൾ **124(1)-11** പ്രകാരം നിർവ്വചിച്ചിരിക്കുന്നത് പോലെ ബാഹ്യ പ്രൊജക്ഷനുകളുടെ ആവശ്യമായ ആവശ്യകതകൾ നിറവേറ്റുന്നതിനായി ഒരു കവർ നൽകും.

(b) **റിഫ്ലക്റ്റീവ് ടേപ്പ്:** ബോഡി ബിൽഡർ വാഹനത്തിന്റെ പിൻഭാഗത്ത് ബോഡിയുടെ വിതീയിൽ പ്രവർത്തിക്കുന്ന ചുവന്ന പ്രതിഫലന ടേപ്പ് (**20** മില്ലീമീറ്ററിൽ കുറയാത്ത വീതി) ഒട്ടിക്കുകയും **CMVR** റൂൾ നമ്പർ **104** പ്രകാരമുള്ള ആവശ്യകതകൾ പാലിക്കുകയും വേണം.

(c) **ഹെഡ് ലാമ്പ്:** ബോഡി ഫാബ്രിക്കേഷനുശേഷം, ഹെഡ്ലാമ്പിന്റെ ഇനീഷ്യൽ ഇങ്കലിനേഷൻ ഹെഡ്ലാമ്പിൽ അടയാളപ്പെടുത്തിയിരിക്കുന്നതുപോലെ ക്രമീകരിക്കണം (**CVMR 124 (1)-20** പ്രകാരം). **GVW** കണ്ടിഷൻ ബാധകമായ ഹെഡ് ലാമ്പ് ലെവലിംഗ് സ്വീച്ച് സ്ഥാനം ബോഡി ഫാബ്രിക്കേറ്റർ ഉപഭോക്താവിന് വ്യക്തമാക്കും.

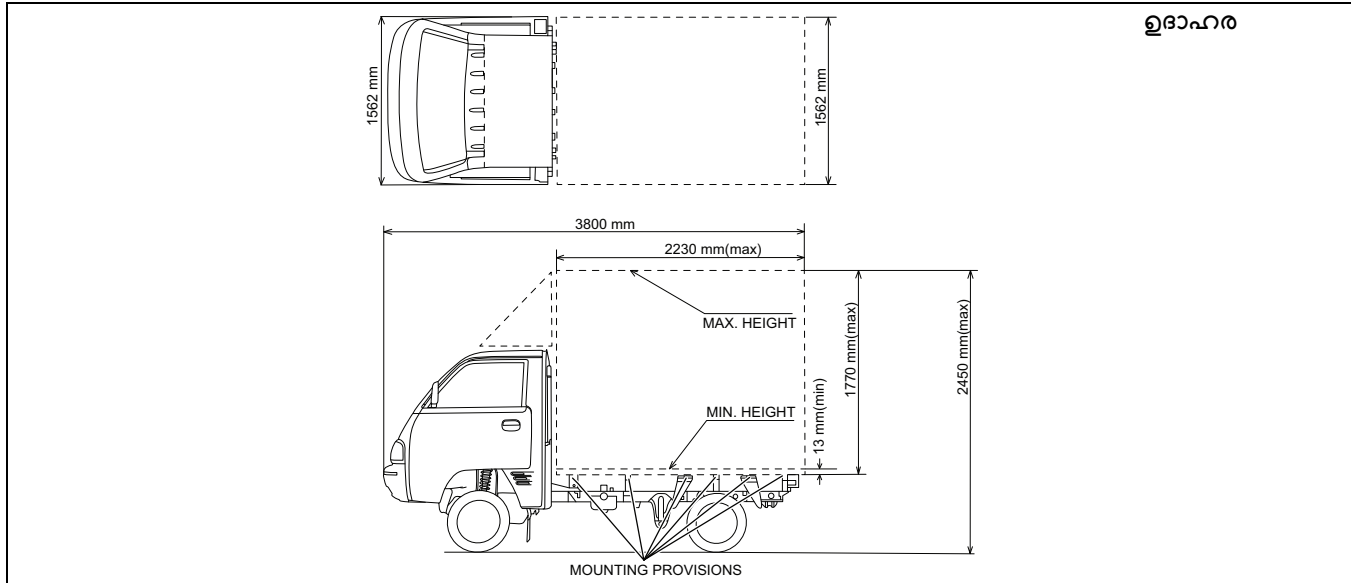
(d) **ബോഡി ബിൽഡേഴ്സ് പ്ലേറ്റ്:** **CMVR** റൂൾ **122** പ്രകാരം ബോഡി ബിൽഡർ ബോഡി ബിൽഡേഴ്സ് പ്ലേറ്റ് ലോഡ് കയറ്റാത്ത ഭാരം, പേലോഡ്, മറ്റ് വിശദാംശങ്ങൾ എന്നിവ വ്യക്തമാക്കണം.

(e) **ഫോം 22A ഭാഗം II:** **CMVR** റൂൾ **47** പ്രകാരം ബോഡി ബിൽഡർ **ഫോം 22A** ഭാഗം II നൽകും.

(f) ബോഡി ഫാബ്രിക്കേഷൻ സമയത്ത് ബോഡി ബിൽഡർ ഇലക്ട്രിക്കൽ വയറിംഗ്, ഇലക്ട്രിക്കൽ ഉപകരണങ്ങൾ, ബ്രേക്ക് കണക്ഷനുകൾ, ബ്രേക്ക് പൈപ്പിംഗ്, ഇന്ധന കണക്ഷൻ, എക്സ്പോസ്റ്റ് സിസ്റ്റം, ചാസിസ് ഘടകങ്ങൾ എന്നിവയിൽ മാറ്റം വരുത്തരുത്.

ബോഡി ഫ്രെയിംകോഷനുളള നിർദ്ദേശങ്ങൾ

(g) അളവുകൾ: നിർമ്മാതാവ് വിതരണം ചെയ്യുന്ന ക്യാബ് ചേസിസ് വാഹനത്തിൽ നിർമ്മിക്കേണ്ട ലോഡ് ബോഡി/ അപ്ലിക്കേഷൻ ചുവടെയുള്ള ചിത്രീകരണത്തിൽ വ്യക്തമാക്കിയിരിക്കുന്നതുപോലെ ഏറ്റവും കുറഞ്ഞതും കൂടിയതുമായ എൻവലപ്പിന്റുള്ളിൽ ഉൾക്കൊള്ളുന്ന തരത്തിൽ രൂപകൽപ്പന ചെയ്തിരിക്കണം.



77PM12003

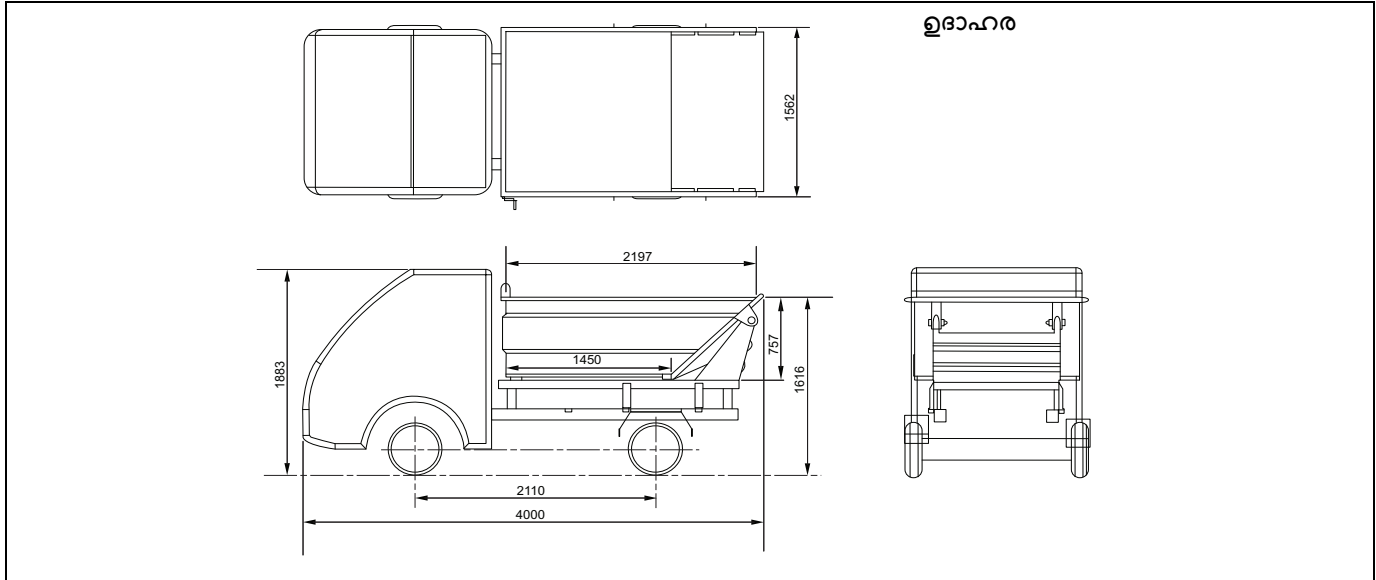
ബോഡി ഫാബ്രിക്കേഷനുള്ള നിർദ്ദേശങ്ങൾ

ബോഡി ഫാബ്രിക്കേഷനുള്ള നിർദ്ദേശങ്ങൾ

പെട്രോൾ മോഡൽ ടിപ്പറിന് (ഓപ്പൺ ടിപ്പർ / ക്ലോസ്ഡ് ടിപ്പർ)

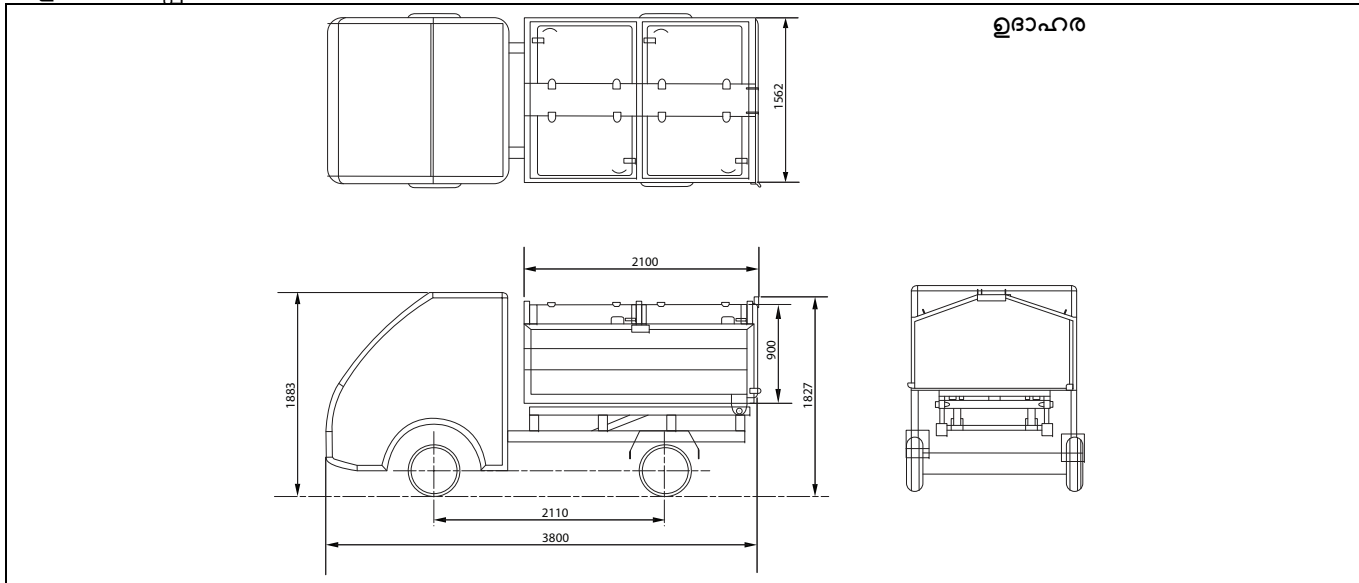
നിർമ്മാതാവ് വിതരണം ചെയ്യുന്ന ക്യാബ് ചേസിസ് വാഹനത്തിൽ നിർമ്മിക്കേണ്ട ലോഡ് ബോഡി/ആപ്ലിക്കേഷൻ ചുവടെയുള്ള ചിത്രീകരണത്തിലെ നപോലെ നിർദ്ദിഷ്ട അളവിനുള്ളിൽ യോജിച്ചതായിരിക്കണം.

- ഓപ്പൺ ടിപ്പർ :



77PM12006

- ക്ലോസ്ഡ് ട്രിപ്പർ:



77PM12007

(h) ഭാരവും അതിന്റെ വിതരണവും: പൂർണ്ണമായ വാഹനത്തിന്റെ എറ്റവും കുറഞ്ഞ ഭാരം **860** കിലോഗ്രാം (പെട്രോൾ), **975** കിലോഗ്രാം (സിയൂൻജി), പൂർണ്ണമായ വാഹനത്തിന്റെ പരമാവധി ഭാരം **1140** കിലോഗ്രാം (പെട്രോൾ), **1255** കിലോഗ്രാം (സിയൂൻജി) എന്നിവ പരിഗണിച്ചാണ് ലോഡ് ബോഡി/ആപ്ലിക്കേഷൻ നിർമ്മിക്കുന്നത്. ഫ്രണ്ട് ആക്സിലിന്റേയും പിൻ ആക്സിലിന്റേയും കർബ്ബ് ഭാരത്തിന്റെ അനുപാതം **1.46** (പെട്രോൾ), **1.24** (സിയൂൻജി) കവിയാൻ പാടില്ല. പെട്രോൾ മോഡൽ ട്രിപ്പർ ആപ്ലിക്കേഷനായി, ലോഡ് ബോഡി/ആപ്ലിക്കേഷൻ ഇനിപ്പറയുന്ന കർബ്ബ് വെയ്റ്റ് കണക്കിലെടുത്ത് നിർമ്മിച്ചതായിരിക്കും.

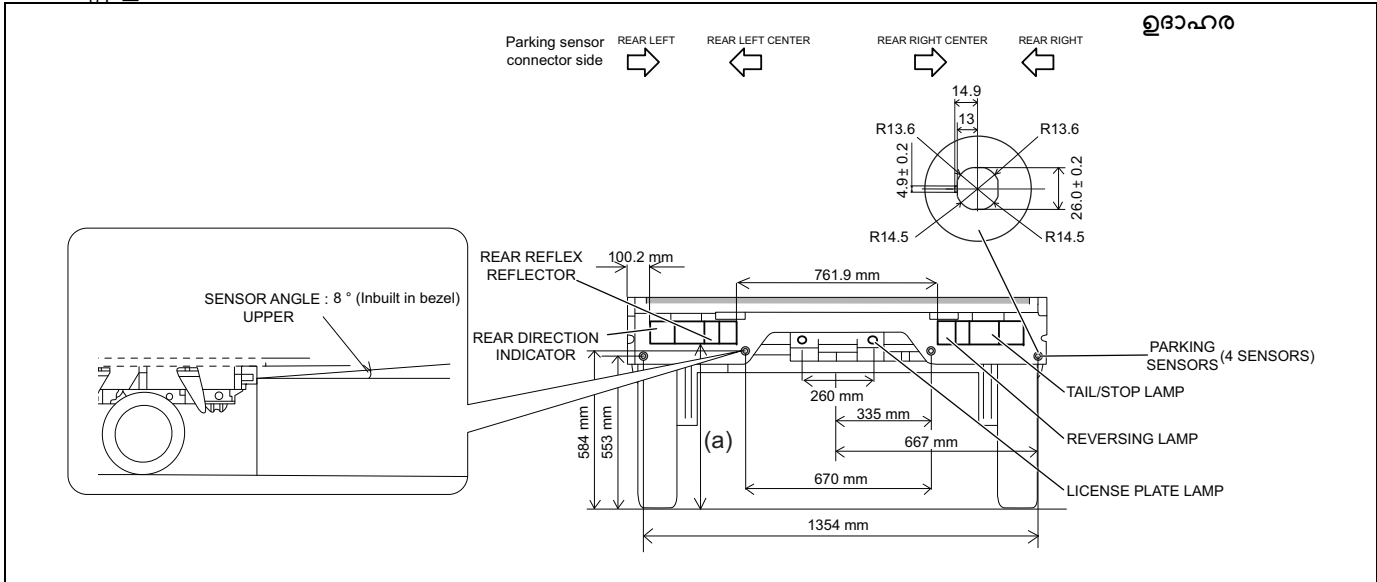
ഓപ്പൺ ട്രിപ്പറിന്റെ കെർബ്ബ് ഭാരം: **1070kg**

ക്ലോസ്ഡ് ട്രിപ്പറിന്റെ കെർബ്ബ് ഭാരം: **1140kg**

ഫ്രണ്ട് ആക്സിലിന്റേയും പിൻ ആക്സിലിന്റേയും അനുപാതം കർബ്ബ് ഭാരം **1.46** കവിയാൻ പാടില്ല.

ബോഡി ഫ്രണ്ടിംഗ് കോൺസ്ട്രിക്ഷൻ നിർദ്ദേശങ്ങൾ

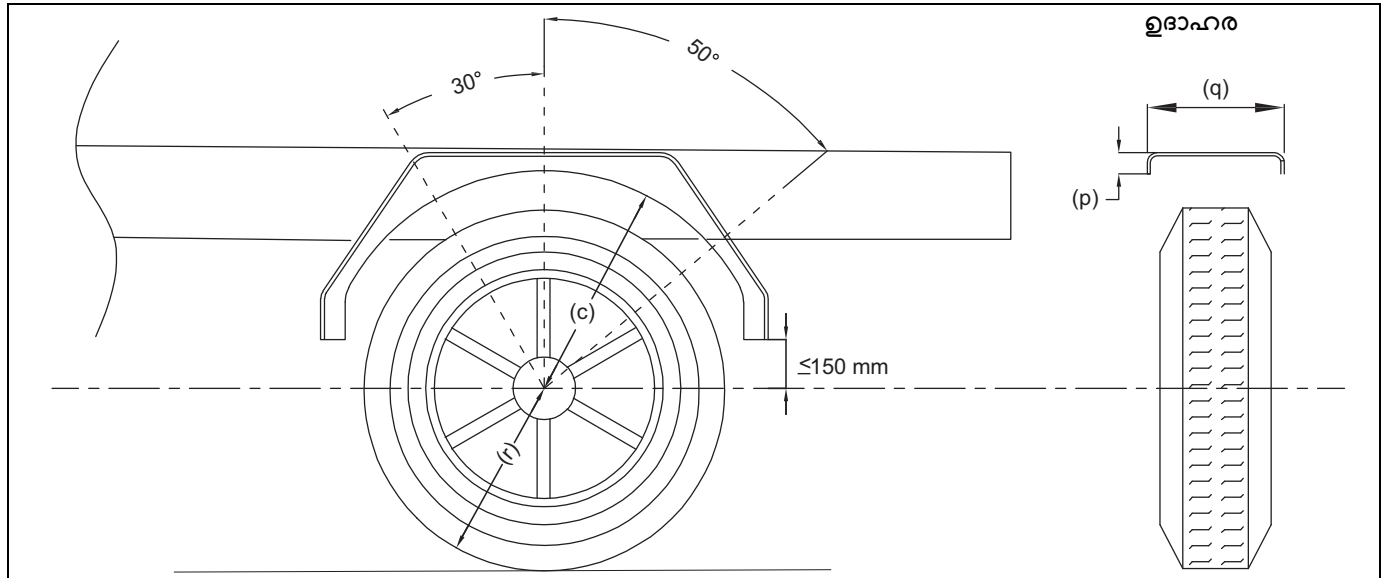
(ii) ലൈറ്റിംഗും സിഗ്നലിംഗ് ഉപകരണങ്ങളും: ക്യാബിനോപ്പം ഇൻബിൽറ്റ് ചെയ്ത ഹെഡ് ലാമ്പ് അസംബ്ലിയും റിയർ കോമ്പിനേഷൻ ലാമ്പുകളും രജിസ്ട്രേഷൻ പ്ലേറ്റ് ലാമ്പുകളുമുള്ള ഒരു താൽക്കാലിക പാനലും ക്യാബി ചേസിനീനു നൽകുന്നു. ഹെഡ് ലാമ്പ് അസംബ്ലിയുടെ സ്ഥാനത്ത് ഒരു മാറ്റവും വരുത്താൻ പാടില്ല. പിൻഭാഗത്തെ കോമ്പിനേഷൻ ലാമ്പുകൾ, രജിസ്ട്രേഷൻ പ്ലേറ്റ് ലാമ്പുകൾ, പാർക്കിംഗ് സെൻസറുകൾ (ഈ ബോകസിൽ വാഹനത്തോടൊപ്പം നൽകിയിരിക്കുന്നത്) എന്തിനും ലോഡ് ബോഡിയിൽ/അപ്ലിക്കേഷനിൽ താഴെ ചിത്രീകരിച്ചിരിക്കുന്നതുപോലെ നിർദ്ദിഷ്ട സ്ഥാനം അനുസരിച്ച് ഘടിപ്പിച്ചിരിക്കണം.



77PM12008

“a” വില	
ചേസിൻ്റെ അപ്ലിക്കേഷനുകൾ (പെട്രോൾ / സിഎൻജി)	612 mm
പെട്രോൾ മോഡൽ ഓപ്പൺ ടിപ്പർ അപ്ലിക്കേഷൻ	620 mm
പെട്രോൾ മോഡൽ ക്ലോസ്ഡ് ടിപ്പർ അപ്ലിക്കേഷൻ	660 mm

(j) വീൽ ഗാർഡ്: വീൽ ഗാർഡുകൾ **CMVR** റൂൾ നമ്പർ **124(1)-13** പ്രകാരമുള്ള ആവശ്യകതകൾ പാലിക്കണം. വീൽ ഗാർഡ് (റിയർ) താഴെ ചിത്രീകരണത്തിൽ വ്യക്തമാക്കിയ ഡിസൈൻ പാരാമീറ്ററുകൾ അനുസരിച്ച് നിർമ്മിക്കണം.



77PM12106

c	$\leq 2r$
p	$> 30 \text{ mm}$
q	$>$ മൊത്തം ടയർ വീതി
r	ടയർ സ്റ്റാറ്റിക് റേഡിയസ്

ബോഡി ഫാബ്രിക്കേഷനുള്ള നിർദ്ദേശങ്ങൾ

(k) വേരിയൻറിനായുള്ള അപേക്ഷ:

ലേബൽ:

ബോഡി ബിൽഡർ താഴെയുള്ള മാർഗ്ഗനിർദ്ദേശങ്ങൾ അനുസരിച്ച് പിൻ വശത്ത് ലോഡ് ബോഡിയിൽ "CNG ലേബൽ" (വാഹന ടൂൾ കിറ്റ് പാക്കറ്റിനൊപ്പം നൽകിയിരിക്കുന്നു) ഒട്ടിക്കും.

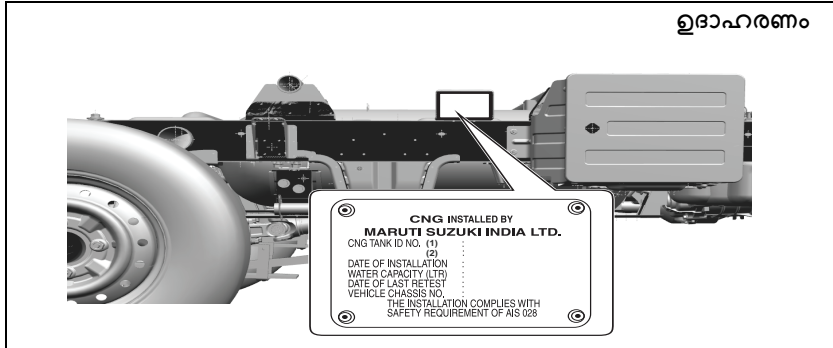
ഉദാഹരണം



77PM12011

- (a) പ്രായോഗികമായി വാഹന നമ്പർ പ്ലേറ്റിന് അടുത്തായി പരസ്യ പ്രതിലത്തിൽ ലംബമായ സ്ഥാനത്ത് (മുകളിൽ കാണിച്ചിരിക്കുന്നത് പോലെ) ലേബൽ ഒട്ടിച്ചിരിക്കണം.
- (b) ഒട്ടിച്ച ലേബൽ പിൻ വശങ്ങളിൽ നിന്നുള്ള ദൃശ്യപരത ഉറപ്പാക്കും.
- (c) ലേബൽ ഏല്പായ്പ്പോഴും സ്ഥാനത്ത് ഉണ്ടായിരിക്കണം. നല്ല രീതിയിലായിരിക്കണം, കൂടാതെ അകൃത്യം, കളറിംഗ്, അക്ഷരങ്ങൾ എന്നിവ ഏല്പുപ്പത്തിൽ തിരിച്ചറിയാൻ കഴിയും.

കിറ്റ് നമ്പർ തിരിച്ചറിയൽ:



77PM07032

CNG കമ്പയർൻസ് പ്ലേറ്റിന്റെ ദൃശ്യപരതയെ ബാധിക്കാത്ത തരത്തിൽ ലോഡ് ബോഡി/ആപ്ലിക്കേഷൻ നിർമ്മിച്ചതായിരിക്കണം.

നിരാകരണം:

സൂപ്പർ ക്യാരി ഷാസി വേരിയൻറിന്റെ ബോഡി ഫാബ്രിക്കേഷനുമായി ബന്ധപ്പെട്ട് കാലാകാലങ്ങളിൽ ബാധകമായ CMVR ആവശ്യകതകളും സംസ്ഥാന മോട്ടോർ വാഹന നിയമങ്ങളും ഉടമബോഡി ബിൽഡർ പാലിക്കേണ്ടതാണ്. നിർമ്മാതാവിന്റെ നിർദ്ദേശങ്ങൾക്കും നിലവിലുള്ള ചട്ടങ്ങൾക്കും വിരുദ്ധമായി, ബോഡി/ആപ്ലിക്കേഷൻ കെട്ടിച്ചമച്ചത് മൂലം ഉണ്ടാകുന്ന, ബാധകമായ നിയമങ്ങൾ പാലിക്കാത്തതിന് വാഹന നിർമ്മാതാവ് ബാധ്യസ്ഥനായിരിക്കില്ല.

ജാഗ്രത
 ഡെക്/ബോഡി ഫാബ്രിക്കേഷൻ ഇല്ലാതെ നിങ്ങളുടെ സൂപ്പർ ക്യാരി വാഹനം സൂക്ഷിക്കരുത്

Prepared by
MARUTI SUZUKI INDIA LIMITED

Service Division
July, 2024

Part No. 99011M77P11-745
Printed in India

For round-the-clock on-road assistance, call Maruti On-road Service at 1800 102 1800* / 1800 1800 180*
#No STD code to be prefixed.

ഏതു സമയത്തും ഓൺ റോഡ് സഹായത്തിന് മാരുതി ഓൺ റോഡ് സർവീസിലേക്ക് 1800 102 1800* / 1800 1800 180* ലേക്ക് വിളിക്കുക.

Service Division

MARUTI SUZUKI INDIA LIMITED

Palam Gurgaon Road, Gurgaon - 122 015 (Haryana)

www.marutisuzuki.com



99011M77P11-745

