

# SUPER CARRY

## OWNER'S MANUAL

Keep with vehicle at all times. Contains Warranty policy and important information on Safety, Operation & Maintenance

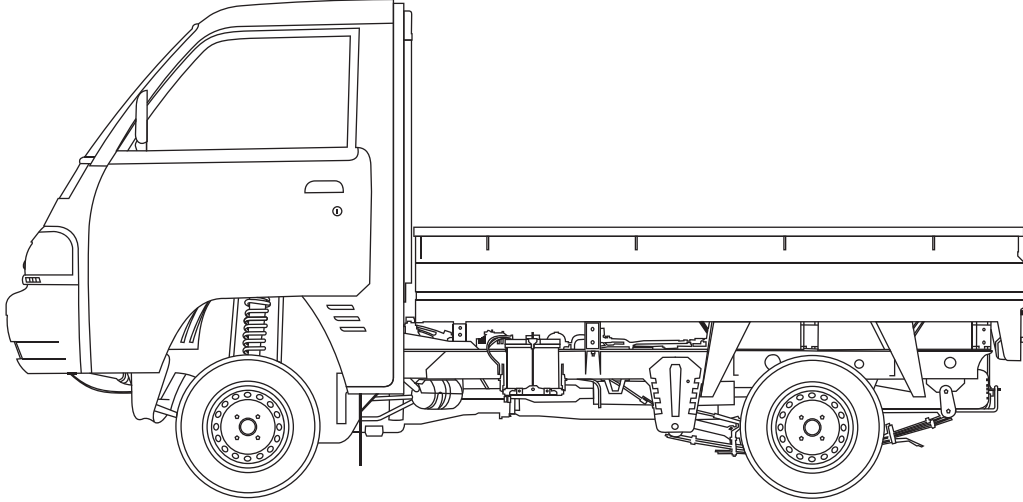
### ಮಾಲೀಕರ ಕೈಪಿಡಿ ಮತ್ತು ಸೇವಾ ಪುಸ್ತಿಕೆ

ಎಲ್ಲಾ ಸಮಯದಲ್ಲೂ ವಾಹನದೊಂದಿಗಿಡಿ. ಸುರಕ್ಷೆ, ಕಾರ್ಯವೈಖರಿ ಮತ್ತು ನಿರ್ವಹಣೆಗೆ ಸಂಬಂಧಿಸಿ ವಾರಂಟಿಪಾಲಿಸಿ ಮತ್ತು ಪ್ರಮುಖ ಮಾಹಿತಿಯನ್ನು ಹೊಂದಿರುತ್ತದೆ.

Part No. 99011M77P11-743  
July, 2024 (ENG)(KAN)

This owners manual applies to the Super Carry series  
produced by MARUTI SUZUKI INDIA LIMITED.

ಈ ಮಾಲೀಕರ ಕೈಪಿಡಿ ಮತ್ತು ಸೇವಾ ಪುಸ್ತಿಕೆ ಮಾರುತಿ ಸುಜುಕಿ ಇಂಡಿಯಾ ಲಿಮಿಟೆಡ್ ರವರಿಂದ ಉತ್ಪಾದಿಸಲಾಗುವ  
ಸೂಪರ್ ಕ್ಯಾರಿ ಸೀರೀಸ್ ಗೆ ಅನ್ವಯವಾಗುತ್ತದೆ



© COPYRIGHT MARUTI SUZUKI INDIA LIMITED 2024

© ಕಾಪಿರೈಟ್ ಮಾರುತಿ ಸುಜುಕಿ ಇಂಡಿಯಾ ಲಿಮಿಟೆಡ್ 2023

NOTE: The illustrated models are one of the Super Carry series.

ಗಮನಿಸಿ: ಉದಾಹರಿಸಲಾದ ಮಾಡೆಲ್ ಸೂಪರ್ ಕ್ಯಾರಿ ಸೀರೀಸ್ ಗಳಲ್ಲಿ ಒಂದಾಗಿದೆ

---

## FOREWORD

This manual is an essential part of your vehicle and should remain with the vehicle when resold or otherwise transferred to a new owner or operator. Please read this manual carefully before operating your new MARUTI SUZUKI and review the manual from time to time. It contains important information on safety, operation and maintenance. You are invited to avail the four Free Inspection Services as described in the manual. Four free inspection coupons are attached to this manual. Please show this manual to your dealer while you take your MARUTI SUZUKI for any Service.

To prolong the life of your vehicle and reduce maintenance cost, the periodic maintenance must be carried out according to "PERIODIC MAINTENANCE SCHEDULE" described in "INSPECTION AND MAINTENANCE" section of this manual. It is essential for preventing trouble and accidents to ensure your satisfaction and safety.

Daily inspection and care as per "DAILY INSPECTION CHECKLIST" described in the "OPERATING YOUR VEHICLE" section of this manual is essential for prolonging the life of the vehicle and for safe driving.

Vehicle and the available features/accessories therein should be used and plied by the owner/user in accordance with the applicable legal requirements.

MARUTI SUZUKI INDIA LIMITED believes in conservation and protection of Earth's natural resources.

To that end, we encourage every vehicle owner to recycle, trade-in or properly dispose of, as appropriate, used Engine Oil, coolant and other fluids, batteries and tyres etc.

### MARUTI SUZUKI INDIA LIMITED

---


**All information in this manual is based on the latest product information available at the time of publication. Due to improvements or other changes, there may be discrepancies between information in this manual and your vehicle. MARUTI SUZUKI INDIA LIMITED reserves the right to make production changes at any time, without notice and without incurring any obligation to make the same or similar changes to vehicles previously built or sold.**

**This vehicle may not comply with standards or regulations of other countries. Before attempting to register this vehicle in any other country, check all applicable regulations and make any necessary modifications.**

---

## IMPORTANT

### **WARNING/ CAUTION/NOTICE/NOTE**

Please read this manual and follow its instructions carefully. To emphasize special information, the symbol  and the words **WARNING**, **CAUTION**, **NOTICE** and **NOTE** have special meanings. Pay particular attention to messages highlighted by these signal words:

#### **WARNING**

Indicates a potential hazard that could result in death or serious injury.

#### **CAUTION**

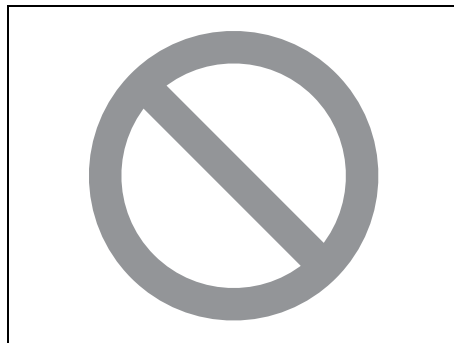
Indicates a potential hazard that could result in minor or moderate injury.

#### **NOTICE**

Indicates a potential hazard that could result in vehicle damage.

#### **NOTE:**

Indicates special information to make maintenance easier or instructions clearer.



75F135

The circle with a slash in this manual means “Don’t do this” or “Don’t let this happen”.

#### **NOTE:**

- Words like *car*, *model/variant* are invariably used in this manual to denote the “Vehicle”.
- Pictorial representations used in this manual are for reference purposes only.

## MODIFICATION WARNING

### **WARNING**

Do not modify your vehicle. Modification could adversely affect safety, handling, performance, or durability and may violate governmental regulations. In addition, damage or performance problems resulting from modification shall not be covered under warranty.

#### **NOTICE**

Improper installation of mobile communication equipment such as cellular telephones or CB (Citizen’s Band) radios may cause electronic interference with your vehicle’s ignition system, resulting in vehicle performance problems. Consult your authorized **MARUTI SUZUKI COMMERCIAL** dealer for advice on installing such mobile communication equipment.

#### **NOTICE**

Severe damage may be caused by the use of either poor quality fuel and/or lubricants not recommended by **MARUTI SUZUKI**.

# “WARNING”



Vehicle may **break-down**, meet with an **accident** or **catch fire** due to

1. Installation of
  - High wattage bulbs
  - Non genuine lamps / horns
  - Modified suspension / wheels
  - Non genuine parts / accessories etc.
2. Retrofitment of LPG / CNG fuel systems/kits.
3. Usage of domestic LPG.
4. Short circuiting due to tampering of wiring harness.

CAUTION: DO NOT STORE OR CARRY INFLAMMABLE MATERIALS IN THE VEHICLE.



Avoid driving into or starting the vehicle in a heavily water logged area. Vehicle may **break-down** or engine may fail due to

1. Water entry into the engine (which may lead to hydrostatic lock).
2. Short circuiting of the electrical systems.

**If the vehicle is stuck in deep water, do not start / crank the vehicle until the level of water drops below the level of exhaust pipe.**

NOTE:  
IF THE VEHICLE IS SUBMERGED IN WATER, REPORT TO THE NEAREST AUTHORIZED WORKSHOP.

## “CAUTION”

1. Retro-fitment of LPG / CNG kit may deteriorate vehicle performance, reduce engine & engine related component's life and also warranty will be null and void for such vehicles.
2. Do not use domestic LPG/LPG cylinder for your factory fitted LPG vehicles.
3. Usage of domestic LPG for running vehicles is prohibited as per law.
4. Do not remove company fitted LPG/CNG kit to install some other kit. It may affect vehicle performance and may cause fire.
5. Drive slowly on wet roads. Tires may slip while braking at higher speeds due to aquaplaning. (reduced contact area between tire and road due to presence of water)
6. Do not leave engine running in garages or confined areas, with passengers inside. This may result in accumulation of carbon-monoxide in cabin and may lead to suffocation or breathing problems.
7. Do not park vehicle on dry leaves or grass. This may lead to fire due to hot catalytic converter, igniting the dry leaves/grass.
8. If the vehicle is equipped with CNG/LPG, ensure availability of fire extinguisher in the vehicle all the time.
9. Always wear seat belt at all the times.
10. Do not use mobile phone while driving.
11. Avoid Smoking in the car, live bud thrown in car may cause fire.
12. Do not put any body part under the vehicle when it is supported on a Jack.
13. Do not use non-genuine accessories in your vehicle.
14. Do not fit accessories from unauthorized workshops/sources.
15. Usage of non-approved electrical accessories in your vehicle may result in spark, fire or personal injury.

---

## WARRANTY POLICY

Maruti Suzuki India Limited (hereinafter called “Maruti Suzuki”), warrants that each new Maruti Suzuki vehicle distributed in India by Maruti Suzuki and sold by a Maruti Suzuki authorised dealer will be free, under normal use and service, from any defects in material and workmanship at the time of manufacture SUBJECT TO THE FOLLOWING TERMS AND CONDITIONS:

### (1) Qualification:

To qualify for this warranty the vehicle must be delivered by a Maruti Suzuki authorised dealer and set-up, and serviced by a Maruti Suzuki authorised workshop.

### (2) Term:

**The term of the warranty shall be thirty-six (36) months or 1,00,000 kilometers (whichever occurs first) from the date of invoice to the first owner.**

### (3) Maruti Suzuki Warranty Obligation:

If any defect(s) should be found in a Maruti Suzuki vehicle within the term stipulated above, Maruti Suzuki’s only obligation is to repair or replace at its sole discretion any part shown to be defective, with a new part or the equivalent at no cost to the owner for parts or labour, when Maruti Suzuki acknowledges that such a defect is attributable to faulty material or workmanship at the time of manufacture. Such defective parts, which have been replaced, will become the property of Maruti Suzuki. The owner is responsible for any repair or replacements which are not covered by this warranty. The decision of Maruti Suzuki shall be final & binding.

### (4) Limitation:

This warranty shall not apply to:

- (a) Normal maintenance service required other than the four free services, including without limitation, oil and fluid changes, Consumables, headlight aiming, fastener retightening, wheel balancing, wheel alignment and tyre rotation, cleaning of injectors, adjustments of clutch and valve clearance.
- (b) The normal wear of parts including without limitation, bulbs, tyres and tubes, spark plugs, belts, hoses, filters, wiper blades, brushes, contact points, fuses, clutch disc, brake shoes, brake pads, cable and all rubber parts (except oil seal and glass run).
- (c) Any vehicle which has been used for competition, rallies or racing.
- (d) Any repairs or replacement arising from accidents or collision.
- (e) Any defect/ damage caused by misuse, negligence, abnormal use, insufficient care, vandalism, theft, riot, fire, flooding - not limited to entry of water in the components resulting in engine seizure, hydrostatic lock, etc. or external damages to the body/ components.
- (f) Any damage resulting due to usage of adulterated fuel/ lubricants/ oil/ coolant/ fluids/ polishing products and fuel/ lubricants/ oil/ coolant/ fluids used other than those specified in the Owner’s Manual.
- (g) Any vehicle which has been modified or altered, including without limitation, the installation of performance accessories, enlargements of lights, other changes and external/ consequential reasons.
- (h) Any vehicle on which parts or accessories not approved by Maruti Suzuki (Non-MSGA, Non-MSGP) have been used.
- (i) Any vehicle which has not been operated in accordance with the operating instructions in this Owner’s Manual and Service Booklet.

- 
- (j) Any vehicle which has not received the service inspections prescribed in this Owner's Manual and Service Booklet.
  - (k) Any vehicle which has been assembled, disassembled, adjusted or repaired by other than a Maruti Suzuki authorised workshop.
  - (l) Any vehicle which has been used for purposes other than what it was designed for.
  - (m) Any damage or deterioration caused by airborne fallout, industrial fallout, acid rain, hail or hail storm, wind storm, lightning, bird droppings, rodents bite / rat bite and such other thing that result in damage to the vehicle.
  - (n) Insignificant defects/noise which do not affect the function of the vehicle including without limitation, sound, vibration and fluid seep.
  - (o) Any natural wear and tear including without limitation, ageing, wear & tear or deterioration such as discoloration, fading, deformation or blurring and fabric discoloration.
  - (p) Installation and usage of domestic LPG gas/LPG Cylinder.
  - (q) V-belts, hoses and gas leaks.
  - (r) Any vehicle retrofitted with LPG/CNG kits.
  - (s) Repainting including patchwork, bodywork and mouldings and interior trims.
  - (t) Corrosion, rusting of body parts and/ or components.
  - (u) Any vehicle on which odometer has been changed unauthorisedly or odometer reading has been modified/ tampered with/ or not matching the service records.
  - (v) The damage(s) caused to the vehicle being unattended despite knowledge that the defect exists and ignorance by the owner/ user of the vehicle.
  - (w) Any damage(s) caused to vehicle including battery/ tyre due to parking of the vehicle in idle condition for long duration of time periods.
  - (x) Any vehicle on which the retro-fitment is not authorized and/ or type approved as per the standards prescribed by the relevant authority including but not limited to Automotive Standards of India.

- (y) Any vehicle on which the retro-fitment is such which directly or indirectly causes any damage to the vehicle or affects the functions of the vehicle in any manner whatsoever.

#### **(5)Extent of Warranty:**

This warranty is the entire written warranty given by Maruti Suzuki for Maruti Suzuki vehicles and no dealer or its or his agent or employee is authorised to extend or enlarge this warranty and no dealer or its or his agent or employee is authorised to make any oral warranty or representation or assurance on behalf of Maruti Suzuki.

Maruti Suzuki reserves the right to add any improvements or change the design of any model at any time with no obligation to make the same changes on units previously sold.

#### **(6) Warranty Service:**

To obtain warranty service, the complete vehicle must be presented at the owner's expenses to Maruti Suzuki authorised workshop.

The customer shall be responsible for his belongings or accessories fitted in the vehicle at the time of presenting the vehicle for service and no claim shall be entertained in any manner under any circumstances.

#### **(7) Owner's Warranty Obligations:**

##### ***NOTICE***

**The owner shall not use the vehicle in a damaged condition and report the same immediately to the nearest Maruti Suzuki authorized workshop. This would result in early inspection and repair of the vehicle and any possible harm to the person or aggravation of damage to the vehicle can be prevented.**



---

It is responsibility of each owner to:

- Have performed, at his own expenses, by a Maruti Suzuki authorised workshop all the service inspections specified in the Maruti Suzuki “Owner’s Manual and Service Booklet” and maintain adequate proof that such service inspections have been performed.
- Update and maintain the 'Customer service maintenance records' page in the “Owner’s Manual and Service Booklet”, whenever service inspection or warranty service is carried out on the vehicle in a Maruti Suzuki authorised workshop.
- Present the Maruti Suzuki “Owner’s Manual and Service Booklet” to the Maruti Suzuki authorised workshop whenever requesting service inspections or warranty service.

If the “Owner’s Manual and Service Booklet” should be lost or destroyed the owner should consult the Maruti Suzuki authorised dealer from whom the vehicle was purchased for instructions concerning replacement of the “Owner’s Manual and Service Booklet”.

### **(8) Disclaimer of Consequential Damage:**

Maruti Suzuki assumes no responsibility for loss of vehicle, loss of time, inconvenience or any other indirect incidental or consequential damage resulting from the vehicle not being available to the owner because of any defect covered by this warranty.

### **(9) Change of Owner**

Even if ownership of the vehicle changes, the remaining warranty period is effective for the new owner.

This Warranty is applicable only in India and not transferable to any other country.

---

## EMISSION WARRANTY POLICY

Maruti Suzuki offers the Emission Warranty on all Maruti Suzuki vehicles (apart from the Regular Warranty and will run parallel to the regular product warranty) only in four metropolitan cities (New Delhi, Kolkata, Mumbai and Chennai) with effect from July 1st, 2001.

### Terms:

The Emission Warranty will be applicable for 80,000 kms or 3 years (Whichever comes earlier) from the date of delivery to the first owner. The remaining warranty terms will be valid in case of any change in ownership provided the production of all valid documents.

### Conditions:

1. Under Emission Warranty, Warranty claims will be admitted for a prima facie examination, in case vehicle fails to meet the Emission Standard as specified in sub rule (2) of rule no. 115 of Central Motor Vehicles Rules (CMVR), 1989.
2. The warranty claims will only be accepted after examination carried out by Maruti Suzuki or it's dealer which leads to firm conclusions that the
  - a) Original settings have not been tempered in any case.
  - b) Part (as given in Annexure - A) has a manufacturing defect.
  - c) Vehicle is unable to meet the Emission Standards (as given in 1.), inspite of the vehicle having been maintained and used in accordance with the instructions as specified in Owner's Manual and Service Booklet and the used fuel and different oils (Engine oil, Transmission oil, Brake oil etc.) are also as per specification.
3. The method of examination for deciding the warranty of the parts will be at the sole discretion of Maruti Suzuki and it's dealer and results of the examination will be final and binding. If after examination, the warrant-able condition is not established, Maruti Suzuki and it's dealer has the right to charge all, or part of the cost of such examination.
4. Under Emission Warranty, the parts (as given in Annexure - A) will be changed free of cost, but the consumables will be charged as per actual.
5. If the part covered under Emission Warranty or the associated parts, are not independently replaceable, on account of these being integral parts of a complete assembly, Maruti Suzuki and it's dealer will have the sole discretion to replace either the entire assembly or by using some of the parts of the system through suitable repairs or modifications.
6. Any consequential repairs or replacement of parts which may be found necessary to establish compliance of Emission Warranty, will not be considered under warranty, unless the same is under product warranty. The consumable will be charged as per actual under such repair or replacement.
7. Maruti Suzuki will not be responsible for the cost of transportation of the vehicle to the nearest Maruti Suzuki dealer workshop or any loss due to non-availability of the vehicle during the period of lodging of a warranty claim and examination and/or repair by Maruti Suzuki dealer.
8. Maruti Suzuki will not be responsible for any penalty that may be charged by statutory authorities on account of failure to comply with the EMISSION STANDARDS.
9. Emission Warranty will not be affected on the change of owner, provided all the documents are available.

---

10. All maintenance actions (as specified in the Owner's Manual and Service Booklet) need to be followed and recorded in the manual for emission warranty.

11. The customer needs to produce the PUC (Pollution Under Control) certificate valid for the period preceding the test during which the failure is discovered. The receipts (for the maintenance of the vehicle as per specification in Owner's Manual and Service Booklet from the date of original purchase of the vehicle) will also be required.

### **Conditions under which the Emission Warranty is not APPLICABLE**

1. In the absence of valid PUC certificate.
2. Vehicle not serviced from Maruti Suzuki authorized workshop as per the schedule specified in the Owner's Manual.
3. Vehicle subjected to abnormal use (accident, motor race, rallies or for the purpose of establishing the records etc).
4. Use of non MGP (Maruti Genuine Part).
5. Vehicle tampered in an unauthorized manner.
6. Tampering with odometer so that the actual kilometer reading can not be read.
7. Use of adulterated fuel and/or unspecified oils (Engine oil, Transmission oil and Brake oil etc).

### **Annexure - A**

List of parts covered under Emission Warranty

1. Fuel Injection Assembly, Pressure Regulator, Throttle Body Assembly.
2. Electronic Control Module (ECM).
3. Intake Manifold.
4. EGR valve.
5. Distributor and internal parts.
6. Ignition Coil.
7. Canister Assembly.
8. Vapour Liquid Separator.
9. Fuel Tank and Filler Cap.
10. PCV (Positive Crankcase Ventilation) Valve.
11. Oil Filler Cap.
12. Catalytic Converter.
13. Exhaust Manifold.
14. All Fuel Injection System related SENSORS.
15. High Pressure Fuel Pump.
16. Glow Plug.
17. Glow Plug Controller.
18. Maniferter

---

## TABLE OF CONTENTS

<b>FUEL RECOMMENDATION</b>	<b>1</b>
<b>BEFORE DRIVING</b>	<b>2</b>
<b>OPERATING YOUR VEHICLE</b>	<b>3</b>
<b>DRIVING TIPS</b>	<b>4</b>
<b>OTHER CONTROLS AND EQUIPMENT</b>	<b>5</b>
<b>VEHICLE LOADING AND TOWING</b>	<b>6</b>
<b>INSPECTION AND MAINTENANCE</b>	<b>7</b>
<b>EMERGENCY SERVICE</b>	<b>8</b>
<b>APPEARANCE CARE</b>	<b>9</b>
<b>GENERAL INFORMATION</b>	<b>10</b>
<b>SPECIFICATIONS</b>	<b>11</b>
<b>INSTRUCTIONS FOR BODY FABRICATION (chassis variant)</b>	<b>12</b>

---

# FUEL RECOMMENDATION

Fuel Recommendation ..... 1-1

## FUEL RECOMMENDATION

### Fuel Recommendation

(For Petrol and CNG Engine Model)

#### For Petrol Engine Model

To avoid damaging catalytic converter, you must use unleaded petrol with an octane number (RON) of 91 or higher.

#### Gasoline/Ethanol blends

Blends of unleaded gasoline and ethanol, also known as gasohol, are commercially available in the country and can vary with location. Gasoline Ethanol blend up to E20 can be used as fuel for this vehicle.

#### Gasoline containing MTBE

Unleaded gasoline containing MTBE (methyl tertiary butyl ether) may be used in your vehicle if the MTBE content is not greater than 15%. This oxygenated fuel does not contain alcohol.

#### CAUTION

**Use of spurious, low quality, adulterated fuel can cause damage to the engine and engine auxiliaries, affect functioning of engine and degrade engine performance including but not limited to engine seizure.**

#### NOTICE

- The fuel tank has an air space to allow for fuel expansion in hot weather. If you continue to add fuel after the filler nozzle has automatically shut off or an initial blowback occurs, the air chamber will become full. Exposure to heat when fully fuelled in this manner will result in leakage due to fuel expansion. To prevent such fuel leakage, stop filling after the filler nozzle has automatically shut off, or when initial vent blowback occurs, if using an alternative non-automatic system.
- Be careful not to spill fuel containing alcohol while refueling. If fuel is spilled on the vehicle body, wipe it up immediately. Fuels containing alcohol can cause paint damage, which is not covered under the New Vehicle Limited Warranty.

### For CNG Engine Model

#### CNG

CNG (Compressed Natural Gas) is principally constituted by methane. CNG is considered as clean burning fuel. Due to low density of CNG, it is compressed at a pressure of around 200 bars to enhance the vehicle on-board storage capacity.

#### CAUTION

**In case of any symptom of CNG leakage or releasing noise or any external damage to CNG piping or during accident, do not panic.**

- Stop the vehicle and switch off the engine, roll down the windows and open all the doors.
- Ensure to close manual shut off valve.
- Contact authorised MARUTI SUZUKI COMMERCIAL workshop immediately for further assistance.

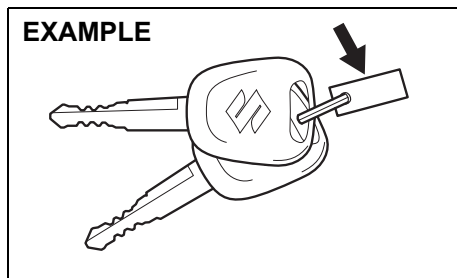
---

## BEFORE DRIVING

Keys .....	2-1
Door Locks .....	2-2
Tailgate .....	2-2
Windows .....	2-3
Mirrors .....	2-4
Seats .....	2-5
Seat Belts .....	2-5
Instrument Cluster .....	2-11
Speedometer .....	2-12
Fuel Gauge .....	2-12
Information Display .....	2-12
Warning and Indicator Lights .....	2-16
Lighting Control Lever .....	2-19
Headlight Leveling Switch .....	2-20
Turn Signal Control Lever .....	2-20
Hazard Warning Switch .....	2-21
Windshield Wiper and Washer Lever .....	2-21
Horn .....	2-23
CNG Cylinder Warning Label (if equipped) .....	2-23
CNG Warning Label (if equipped) .....	2-23
CNG Manual Shut-OFF Valve (if equipped) .....	2-24

## BEFORE DRIVING

### Keys



51KM024

Your vehicle comes with a pair of keys. The key(s) may or may not be equipped with a transmitter depending on model variant. Keep the spare key in a safe place. One key can open all of the locks on the vehicle.

The key identification number is stamped on a metal tag provided with the keys or on the keys. Keep the tag (if equipped) in a safe place. If you lose your keys, you will need this number to have new keys made. Write the number below for your future reference.

KEY NUMBER:

### Immobilizer system

This system is designed to help prevent vehicle theft by electronically disabling the engine starting system.

The engine can be started only with your vehicle's original immobilizer ignition key, which has an electronic identification code programmed into it. The key communicates the identification code to the vehicle when the ignition switch is turned to "ON" position. If you need to make spare keys, see a Maruti Suzuki authorised workshop. The vehicle must be programmed with the correct identification code for the spare. A key made by an ordinary locksmith will not work.



65D239

If the immobilizer system warning light blinks when the ignition switch is in "ON" position, the engine will not start.

If this light blinks, turn the ignition switch to "LOCK" position, and then turn it back to "ON" position.

If the light still blinks after the ignition switch is turned back to "ON" position, there may be something wrong with your

key or with the immobilizer system. Ask a Maruti Suzuki authorised workshop to have the system inspected.

#### NOTE:

- If you lose your immobilizer ignition key, ask a Maruti Suzuki authorised workshop as soon as possible to deactivate the lost one, and to make a new key.
- If you own other vehicles with immobilizer keys, keep those keys away from the ignition switch when using your MARUTI SUZUKI vehicle. Otherwise, the engine may not be started because they may interfere with your MARUTI SUZUKI vehicle's immobilizer system.
- If you attach any metal objects to the immobilizer key, it may not start the engine.
- This immobilizer system is maintenance-free.

#### NOTICE

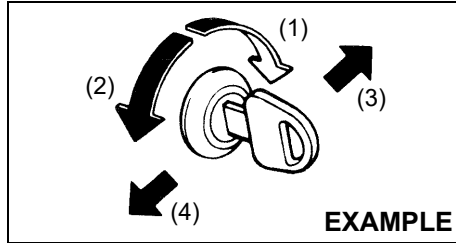
The immobilizer key is sensitive electronic instrument. To avoid damaging it:

- Do not expose it to impacts, moisture or high temperature such as on the dashboard under direct sunlight.
- Keep it away from magnetic objects.



**Door Locks**

**Side Door Locks  
Driver's door**



76MH0A001

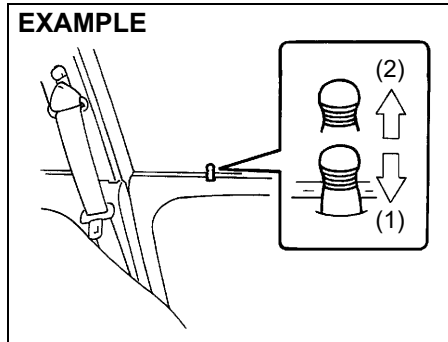
- (1) LOCK
- (2) UNLOCK
- (3) Front
- (4) Rear

To lock a driver's door from outside the vehicle:

- Insert the key and turn the top of the key toward the front of the vehicle, or
- Push the lock knob down, then pull and hold the door handle as you close the door.

To unlock a driver's door from outside the vehicle, insert the key and turn the top of the key toward the rear of the vehicle.

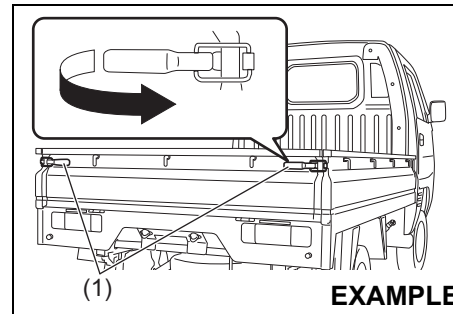
To lock a passenger's door from outside the vehicle, push the lock knob down, then pull and hold the door handle as you close the door.



54G005

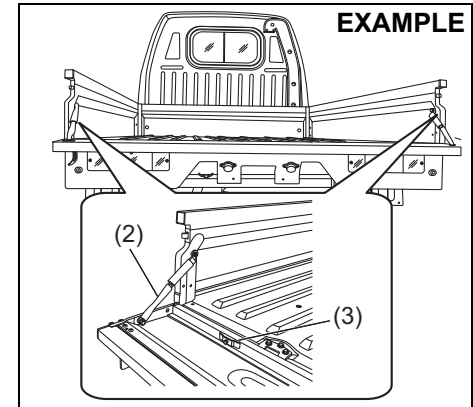
- (1) LOCK
- (2) UNLOCK

**Tailgate**



77PH025

The tailgate can be opened by pulling the lock handles (1). When closing, lock them firmly.



77PM201

The tailgate can also be locked in an intermediate position with the help of tailgate chain (2).

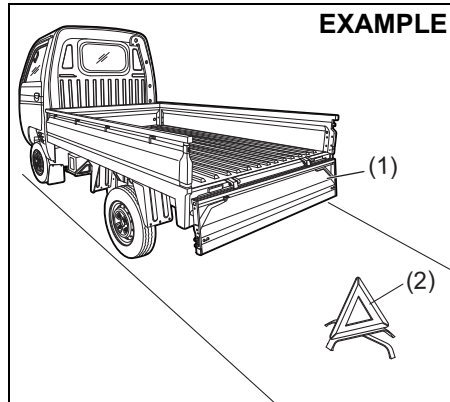
**NOTICE**

**Lock the tailgate chain (2) with pin (3) when not in use.**

## BEFORE DRIVING

### WARNING

- Driving with the tailgate in open / intermediate position will allow the tailgate to swing and hit others, causing injury or even death.
- The tailgate in open / intermediate position will hinder other drivers from seeing the taillights, causing accidents. Make sure the tailgate is closed and locked firmly before driving.
- Make sure that the tailgate is always closed and locked firmly to prevent cargo from being thrown out of the vehicle in the event of an accident.
- Do not stand, put load or put cargo on the tailgate when locked at an intermediate position.
- If the tailgate is in fully open condition, vehicle rear lighting devices such as position lamp, turn signal indicator and stop lamp get hidden, and are not visible.



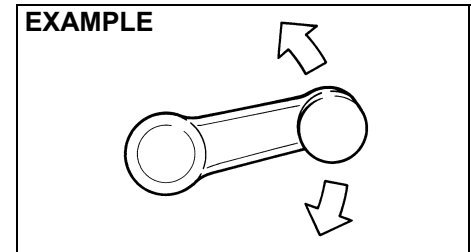
### WARNING

- If the loading and unloading is done while tailgate (1) is in fully open position, a warning triangle (2) must be placed on the road in visible manner to alert other users about the presence of the vehicle.

## Windows

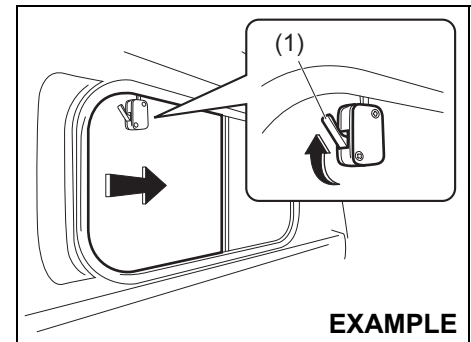
### Manual Window Control

#### EXAMPLE



Raise or lower the door windows by turning the handle located on the door panel.

### Rear Window



To open the window, push the lock (1) and slide the window.

**Mirrors**

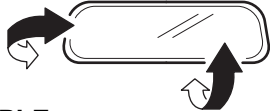
**⚠ WARNING**

Failure to observe following point may result in loss of vehicle control and cause an accident, leading to death or serious injury. Always follow below points while driving.

- Do not adjust the mirrors while driving.
- Always unfold all the outside rearview mirrors and adjust properly before driving.
- Do not place objects in the rear of the vehicle which may hinder visibility or interfere with your vision from the rear window glass.

**Inside Rearview Mirror**

You can adjust the inside rearview mirror by hand so as to see the rear of your vehicle in the mirror.



**EXAMPLE**

74LHT0235

**⚠ CAUTION**

Do not modify the inside rearview mirror or install a non-genuine wide mirror. It could result in injury during accident.

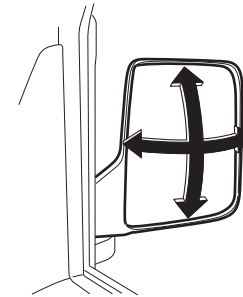
**Outside Rearview Mirror(s)**

Adjust the outside rearview mirror(s) so you can just see the side of your vehicle in the mirror(s).

**⚠ WARNING**

Be careful when judging the size or distance of a vehicle or other object seen in the side convex mirror. Be aware that objects look smaller and appear farther away than when seen in a flat mirror.

**EXAMPLE**



64P0190

## BEFORE DRIVING

### Seats

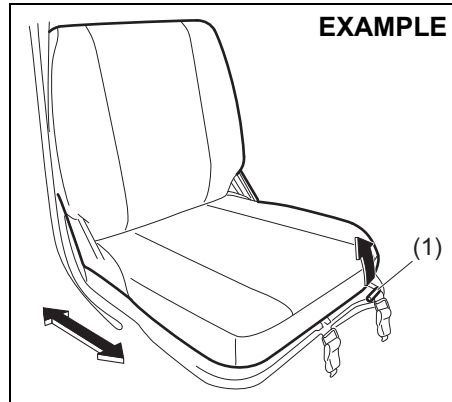
#### Seat Adjustment (driver's seat)

##### **⚠ WARNING**

Never attempt to adjust the driver's seat while driving. The seat could move unexpectedly, causing loss of control. Make sure that the driver's seat is properly adjusted before you start driving.

##### **⚠ WARNING**

To avoid excessive seat belt slack, which reduces effectiveness of the seat belts as a safety device, make sure that the seats are adjusted before the seat belts are fastened.



**Seat position adjustment lever (1)**  
Pull the lever up and slide the seat.

After adjustment, try to move the seat forward and rearward to ensure that it is securely latched.

##### **⚠ CAUTION**

While adjusting the seat, be careful that the seat does not pinch your hands, or hit your body.

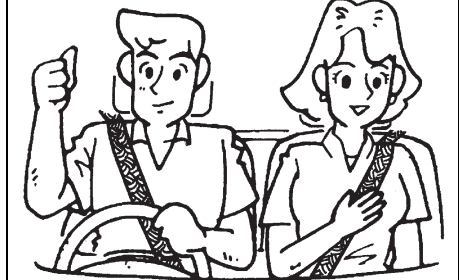
##### **NOTE:**

To operate the seat back smoothly, pull the seat back adjustment lever (2) in upward direction. Ensure to move seat back only after lever is moved to fully up position. After adjustment of seat back, release the

lever gently. Check that seat back is locked by moving it forward and backward.

### Seat Belts

#### EXAMPLE

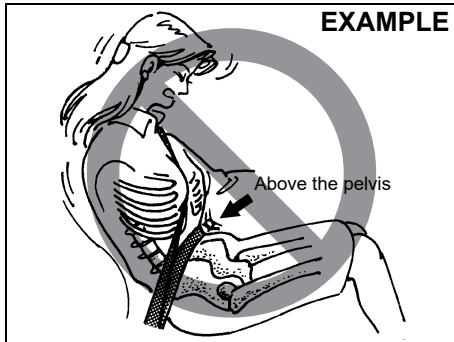


##### **⚠ WARNING**

**Wear Your Seat Belts at All Times.**

##### **⚠ WARNING**

The driver and the passenger must be properly restrained by wearing seat belts at all times even if driving for a very short distance, whether or not an air bag is mounted at their seating position, to minimize the risk of severe injury or death in the event of a crash.

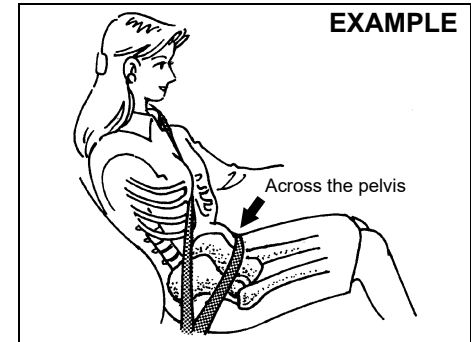


65D606

**⚠ WARNING**

- Never allow persons to ride in the cargo area of a vehicle. In the event of an accident, there is a much greater risk of injury for persons who are not riding in a seat with their seat belt securely fastened.
- Ensure that all seat belts are worn correctly. An improperly worn seat belt increases the risk of injury or death if a collision occurs.
- Seat belts should always be adjusted as follows:
  - the lap portion of the belt should be worn low across the pelvis, not across the waist.
  - the shoulder straps should be worn on the outside shoulder only, and never under the arm.
  - the shoulder straps should be away from your face and neck, but not falling off your shoulder.

(Continued)



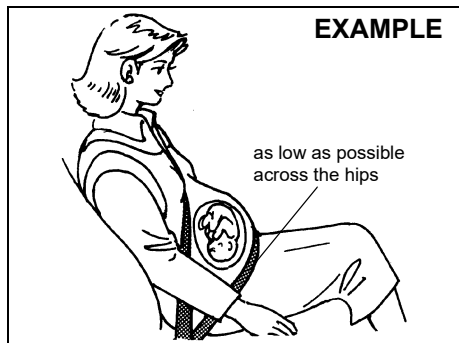
65D201

**⚠ WARNING**

(Continued)

- Seat belts should never be worn with the straps twisted and should be adjusted as tightly as is comfortable to provide the protection for which they have been designed. A slack belt will provide less protection than one which is snug.
- Make sure that each seat belt buckle is inserted into the proper buckle catch.

(Continued)



65D199

### **⚠ WARNING**

(Continued)

- Pregnant women should use seat belts, although specific recommendations about driving should be made by the woman's medical advisor. Remember that the lap portion of the belt should be worn as low as possible across the hips, as shown in the diagram.
- Do not wear seat belts over hard, fragile, or sharp items such as pens, keys, eyeglasses, etc. in pockets or on clothing. The pressure from seat belt on such items can cause injury in case of an accident.
- Do not wear your seat belt over hard or breakable objects in your pockets or on your clothing. If an accident occurs, objects such as glasses, pens, etc. under the seat belt can cause injury.

(Continued)

### **⚠ WARNING**

(Continued)

- Never use the same seat belt on more than one occupant and never attach a seat belt over an infant or child being held on an occupant's lap. Such seat belt use could cause serious injury in the event of an accident.
- Periodically inspect seat belt assemblies for excessive wear and damage. Seat belts should be replaced if webbing becomes frayed, contaminated, or damaged in any way. It is essential to replace the entire seat belt assembly after it has been worn in a severe impact, even if damage to the assembly is not obvious.
- Infants and small children should never be transported unless they are properly restrained.
- For children, if the shoulder belt irritates the neck or face, move the child closer to the center of the vehicle.
- Avoid contamination of seat belt webbing by polishes, oils, chemicals, and particularly battery acid. Cleaning may safely be carried out using mild soap and water.

(Continued)

**⚠ WARNING**

(Continued)

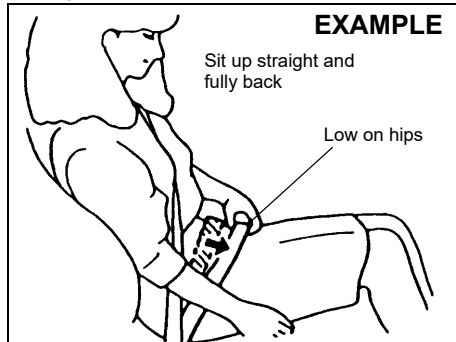
- Do not insert any items such as coins, clips, etc. into the seat belt buckles, and be careful not to spill liquids into these parts. If foreign materials get into a seat belt buckle, the seat belt may not work properly.

**Lap-Shoulder Belt**

**Emergency Locking Retractor (ELR)**

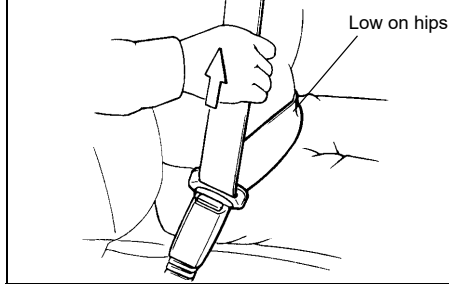
The seat belt has an emergency locking retractor (ELR), which is designed to lock the seat belt only during a sudden stop or impact. It also may lock if you pull the belt across your body very quickly. If this happens, let the belt go back to unlock it, then pull the belt across your body more slowly.

**Safety reminder**



60A038

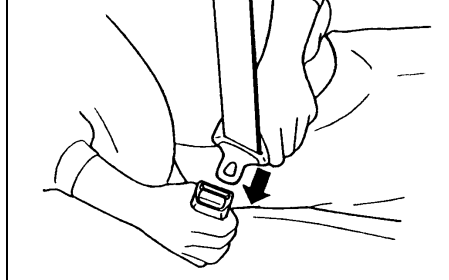
**EXAMPLE**



60A040

To reduce the risk of sliding under the belt during a collision, position the lap portion of the belt across your lap as low on your hips as possible and adjust it to a snug fit by pulling the shoulder portion of the belt upward through the latch plate. The length of the diagonal shoulder strap adjusts itself to allow freedom of movement.

**EXAMPLE**



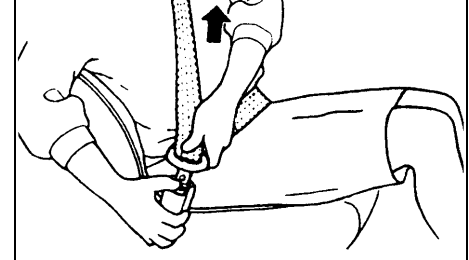
60A036

To fasten the seat belt, sit up straight and well back in the seat, pull the latch plate attached to the seat belt across your body and press it straight into the buckle until you hear a click.

**NOTE:**

*If the seat belt cannot be pulled from its fully retracted position, firmly pull the belt and release it. Then smoothly pull the belt out of the retractor.*

**EXAMPLE**

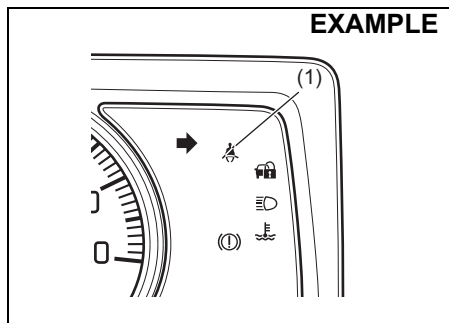


60A039

To unfasten the seat belt, push the button on the buckle and retract the belt slowly while attaching a hand to the belt or/and the latch plate.

## BEFORE DRIVING

### Seat Belt Reminder



77PM02017

- (1) Driver's seat belt reminder light / front passenger's seat belt reminder light

When the driver and / or front passenger do / does not fasten their seat belts, the seat belt reminder light will come on or blink and a buzzer will sound to remind the driver and/or passenger to fasten their seat belts. For more details, refer to the explanation below.

#### **WARNING**

**It is absolutely essential that the driver and passengers fasten their seat belts at all times. Persons who are not fastening seat belts have a much greater risk of injury if an accident occurs. Make a regular habit of buckling your seat belt before putting the key in the ignition switch.**

#### *NOTE:*

*The driver's seat belt reminder light / front passenger's seat belt reminder light is for both the driver and front passenger.*

#### **Driver's or front passenger's seat belt reminder**

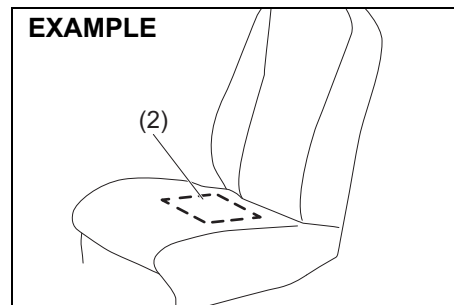
If the driver's or front passenger's seat belt remains unbuckled when the ignition switch is turned "ON", the reminder works as follows:

- 1) The driver's or front passenger's seat belt reminder light will come on.
- 2) After the vehicle's speed has reached about 15 km/h, the driver's or front passenger's seat belt reminder light will blink and a buzzer will sound for about 95 seconds.
- 3) After step 2) has finished, the reminder light will remain on until the driver's or front passenger's seat belt is buckled.

If the driver or front passenger has buckled his or her seat belt and later unbuckles the seat belt, the reminder system will be activated from Step 1) or 2) according to the vehicle's speed. When the vehicle's speed is less than 15 km/h, the reminder will start from Step 1). When the vehicle's speed is more than 15 km/h, the reminder will start from Step 2). The reminder will be automatically canceled when the driver's or front passenger's seat belt is buckled or the ignition switch is turned off.

#### **Front passenger's seat belt reminder**

If there is a person sitting on the front passenger seat and the front passenger seat belt is unbuckled when the ignition switch is turned to "ON" position, the front passenger's seat belt reminder will activate.



69RH203

- (2) The sensor of the front passenger's seat belt reminder

The seat belt reminder sensor (2) detects whether a person is sitting in the front seat. The sensor of the front passenger's seat belt reminder is located in the seat cushion. The front passenger's seat belt reminder works in the same manner as the driver's seat belt reminder.



**NOTICE**

- The sensor of the front passenger's seat belt reminder is located in the seat cushion. If heavy or sharp objects are put on the seat cushion, or a removal, disassembly and modification of the passenger's seat are performed, the sensor may not work properly or can be damaged. Do not put heavy or sharp objects on the seat cushion. Do not remove, disassemble and modify the passenger's seat.
- Depending on the variety of seat cover, operation of the sensor may be adversely affected. MARUTI SUZUKI highly recommends that you use MARUTI SUZUKI genuine seat cover exclusively for this vehicle.
- If you spill liquid such as liquid aromatics, soft drinks or juice on the front passenger's seat cushion, the sensor of the front passenger's seat belt reminder located in the seat cushion can be damaged. Immediately wipe it dry with a soft cloth when spilled.

(Continued)

**NOTICE**

(Continued)

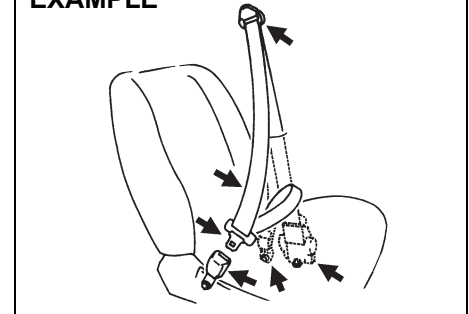
- When sitting on the front passenger's seat, it is very important that the passenger sits upright, leaning against the seat backrest and centered on the seat cushion in order for the seatbelt reminder system to function effectively. An occupant sitting improperly (slouches, turns sideways, sits forward or sideways) may hamper the functioning of this system as it may not detect the occupant.

**NOTE:**

- If you put an object on the passenger's seat, the weight of the object will be sensed by the sensor and the front passenger's seat belt reminder light will come on and then the interior buzzer may beep.
- If a child or a small sized person sits on the front passenger's seat or the cushion is put on the front passenger's seat, the weight may not be sensed by the sensor and the interior buzzer may not beep.

**NOTE:**

Maruti Suzuki recommends use of Maruti Suzuki Genuine accessory of "Seat cover".

**Seat Belt Inspection****EXAMPLE**

65D209S

Periodically inspect the seat belts to make sure they work properly and are not damaged. Check the webbing, buckles, latch plates, retractors, anchorages, and guide loops. Replace any seat belts which do not work properly or are damaged.

**⚠ WARNING**

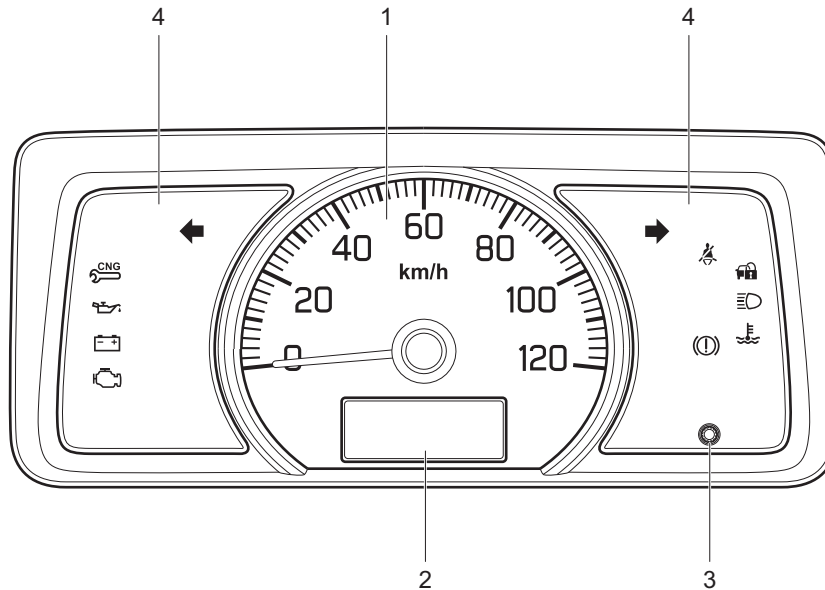
Be sure to inspect all seat belt assemblies after any collision. Any seat belt assembly which was in use during a collision (other than a very minor one) should be replaced, even if damage to the assembly is not obvious. Any seat belt assembly which was not in use during a collision should be replaced if it does not function properly or if it is damaged in any way.

## BEFORE DRIVING

### Instrument Cluster

1. Speedometer
2. Information display
3. Trip meter selector knob
4. Warning and indicator lights

#### EXAMPLE



77PM02001

## Speedometer

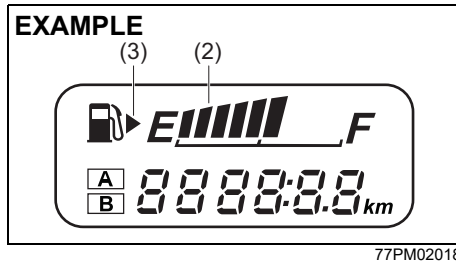
The speedometer indicates vehicle speed.

### NOTE:

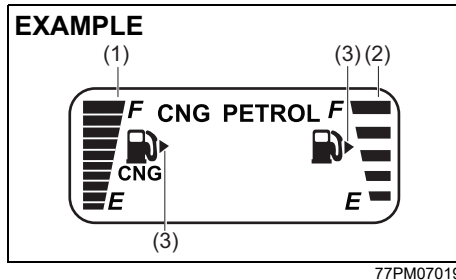
Maximum speed of the vehicle is 80 km/hr as per government regulation.

## Fuel Gauge

### Petrol Model



### CNG Model



- (1) Indicates CNG fuel gauge.
- (2) Indicates Petrol fuel gauge.

When the ignition switch is in the “ON” position, this gauge gives an approximate indication of the amount of fuel in the fuel tank. “F” stands for full and “E” stands for empty.

If the fuel meter indicator shows only one segment to “E”, refill the tank as soon as possible.

The mark (3) indicates that the fuel filler door is located on the right side of the vehicle.

### NOTICE

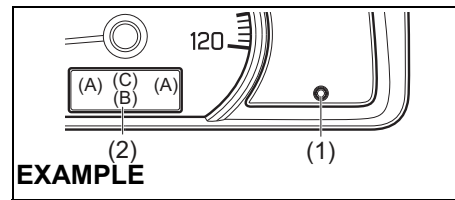
To minimize the possibility of damage to catalytic converter or other components of the vehicle, avoid driving the vehicle near empty fuel tank level.

### NOTE:

If the last segment blinks, it means that the fuel is almost empty.

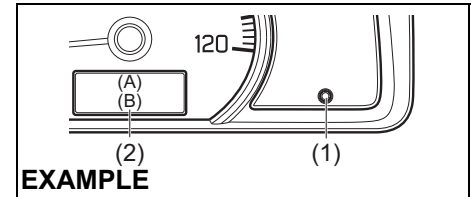
## Information Display

### For CNG Model



### EXAMPLE

### For Petrol Model



### EXAMPLE

- (1) Trip meter selector knob
- (2) Information display

When the ignition switch is in the “ON” position, the information display shows the following information.

### Display (A)

Fuel gauge

### Display (B)

Odometer / Trip meter / Clock / Brightness control

### Display (C)

Fuel modes (if equipped)

### Fuel Gauge

When the ignition switch is in the “ON” position, the display (A) shows the fuel gauge.

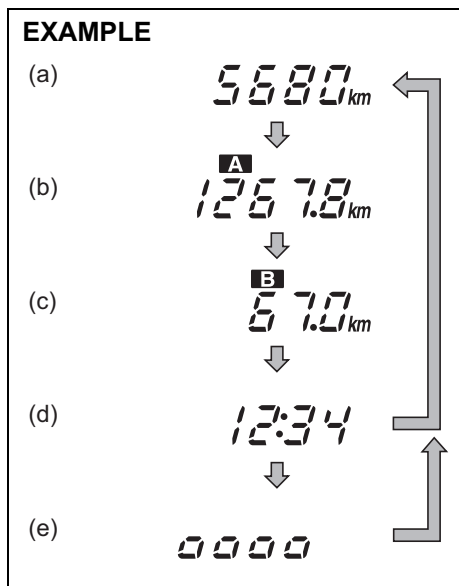
Refer to “Fuel Gauge” in this section.

## BEFORE DRIVING

### Odometer / Trip meter / Clock / Brightness Control

When the ignition switch is in the "ON" position, the display (B) shows one of the following indications, odometer, trip meter A, trip meter B or clock.

To switch the display indication (B), push the trip meter selector knob (1) quickly.



- (a) Odometer  
(b) Trip meter A

- (c) Trip meter B  
(d) Clock  
(e) Brightness control\*

\* The brightness control will appear when the position lights and/or headlights are on.

### ⚠ WARNING

**If you attempt to adjust the display while driving, you could lose control of the vehicle.**

**Do not attempt to adjust the display while driving.**

#### NOTE:

Indications will change when you push and release the knob.

#### Odometer

The odometer records the total distance for which the vehicle has been driven.

### NOTICE

**Keep track of your odometer reading and check the maintenance schedule regularly for required services. Increased wear or damage to certain parts can result from failure to perform required services at the proper mileage intervals.**

#### Trip meter

The trip meter can be used to measure the distance traveled on short trips or between fuel stops.

You can use the trip meter A or trip meter B independently.

To reset the trip meter to zero, push and hold the trip meter selector knob (1) for a while when the display shows the trip meter.

#### NOTE:

The indicated maximum value of the trip meter is 9999.9. When you run past the maximum value, the indicated value will return to 0.0.

#### Clock

The display shows the time.

To change the time indication:

- 1) Push and hold the trip meter selector knob (1) until the minute indication blinks.
- 2) To change the minute indication, push the trip meter selector knob (1) repeatedly when the minute indication blinks. To change the minute indication quickly, push and hold the trip meter selector knob (1). To set the minute indication, wait for about 5 seconds till the hour indication starts to blink.
- 3) To change the hour indication, push the trip meter selector knob (1) repeatedly till the minute indication begins to blink. Wait for about 5 seconds and hour indication will begin to blink. To change the

hour indication, quickly push and hold the trip meter selector knob (1). To set the hour indication, wait for about 5 seconds.

**⚠ WARNING**

**If you attempt to adjust the display while driving, you could lose control of the vehicle.**

**Do not attempt to adjust the display while driving.**

**NOTE:**

*When you reconnect the negative (-) terminal to the battery, the clock indication will be reinitialized. Change the indication again to your preference.*

**Brightness control**

When the position lights and/or headlights are ON, you can control the meter illumination intensity.

To change the brightness of the instrument panel lights, push and hold the trip meter selector knob (1).

**⚠ WARNING**

**If you attempt to adjust the display while driving, you could lose control of the vehicle.**

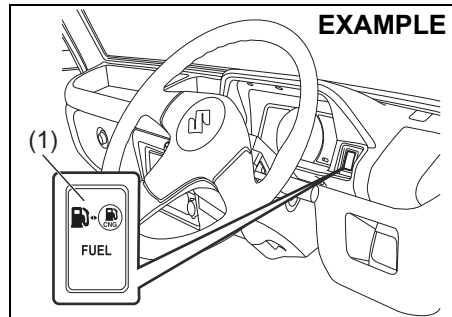
**Do not attempt to adjust the display while driving.**

**NOTE:**

- *If you do not push the trip meter selector knob within about 10 seconds of activating the brightness control display, the brightness control display will be canceled automatically.*
- *When you reconnect the battery, the brightness of the instrument panel lights will be reinitialized. Readjust the brightness according to your preference.*

**Fuel Modes for CNG model (if equipped)**

There are three fuel modes in the vehicle Petrol, Auto and Forced CNG modes which are selectable by pressing the selector switch(1) located on the right side of the steering wheel on the dashboard.



77PM02005

**Petrol Mode**

**EXAMPLE**



77PM02002

In this mode vehicle starts in petrol and continue running in petrol mode. In this mode, petrol indicator is continuously displayed and CNG indicator will remain "OFF".

**Auto Mode**

**EXAMPLE**



77PM02003

In this mode engine starts in petrol mode and then automatically changes to CNG after reaching programmed warming up condition. With ignition switch ON and vehicle started in "AUTO MODE", CNG indicator blinks on the display and PETROL indicator is displayed. After change-over to CNG, CNG indicator will be

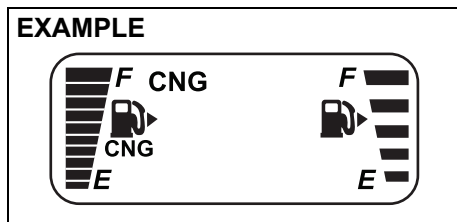
## BEFORE DRIVING

displayed and Petrol indicator will switch OFF automatically.

### NOTE:

- It is always recommended to start the vehicle in AUTO MODE or PETROL MODE to enhance the engine life.
- The fuel changeover to CNG may not happen if the vehicle is started when the ambient / engine temperature is below Zero Degree Celsius. In such a case, run the engine in PETROL MODE till it warms up and then try restarting the engine to changeover to CNG.

### Forced CNG Mode



77PM02004

This is emergency mode and may be used in cases where there is no petrol in petrol tank. In this mode vehicle starts in CNG mode and continues running in CNG mode. With ignition "ON" and engine not running, press and hold the changeover switch till only CNG indicator is displayed. In this mode, CNG indicator is displayed and Petrol indicator remains "OFF".

### NOTE:

- It is recommended to keep sufficient amount of petrol in the petrol tank.
- The vehicle may not start in Forced CNG mode if the ambient / engine temperature is below Zero Degree Celsius. It is recommended to start the vehicle in Auto mode.

### Automatic Changeover From CNG Mode To Petrol Mode

If CNG is finished while the engine is running, vehicle will automatically changeover from CNG mode to Petrol mode & CNG malfunction warning lamp will start blinking. Petrol indicator will be displayed continuously and CNG indicator will switch OFF automatically.

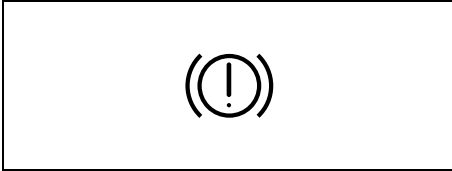
To acknowledge this information, press the changeover switch once. The CNG malfunction warning lamp will stop blinking after the changeover switch is pressed and Petrol indicator will glow continuously. However the CNG malfunction indicator lamp will continue to blink after every subsequent Ignition ON - Ignition OFF condition until the vehicle is refilled with CNG. In case CNG is refilled, please press the fuel changeover switch once to changeover to CNG. Then, vehicle can run on CNG.

### NOTE:

- It is recommended to keep sufficient amount of petrol in the petrol tank to prevent engine stalling while automatic changeover from CNG mode to Petrol mode.
- In case the CNG malfunction warning lamp does not stop blinking after pressing the changeover switch, have the vehicle inspected at the nearest authorised MARUTI SUZUKI COMMERCIAL workshop.

## Warning and Indicator Lights

### Brake System Warning Light



82K170

Four different types of operations exist depending on the vehicle's specification.

- 1) The light comes on briefly when the ignition switch is turned to the "ON" position.
- 2) The light comes on when the parking brake is engaged with the ignition switch in the "ON" position.
- 3) The light comes on when under either or both of above two conditions.
- 4) The light also comes on when the fluid in the brake fluid reservoir falls below the specified level.

The light should go out after starting the engine and fully releasing the parking brake, if the fluid level in the brake fluid reservoir is adequate.

If the brake system warning light comes on while you are driving the vehicle, it may mean that there is something wrong with the vehicle's brake system. If this happens, you should:

- 1) Pull off the road and stop carefully.

#### ⚠ WARNING

**Remember that stopping distance may be longer, you may have to push harder on the pedal, and the pedal may go down farther than normal.**

- 2) Test the brakes by carefully starting and stopping at the side of the road.
  - If you determine that it is safe, drive carefully at low speed to the nearest dealer for repairs, or
  - Have the vehicle towed to the nearest authorised MARUTI SUZUKI COMMERCIAL workshop for repairs.

#### ⚠ WARNING

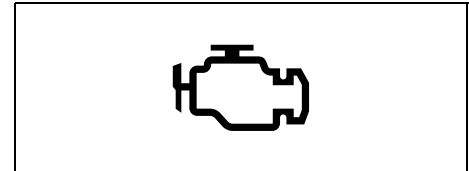
**If any of the following conditions occur, you should immediately ask your authorised MARUTI SUZUKI COMMERCIAL workshop to inspect the brake system.**

- **If the brake system warning light does not go out after the engine has been started and the parking brake has been fully released.**
- **If the brake system warning light does not come on when the ignition switch is turned to the "ON" position.**
- **If the brake system warning light comes on at any time during vehicle operation.**

#### NOTE:

*Because the brake system is self-adjusting, the fluid level will drop as the brake pads become worn. Replenishing the brake fluid reservoir is considered normal periodic maintenance.*

### Malfunction Indicator Light



63J031

Your vehicle has a computer-controlled emission control system. A malfunction indicator light is provided on the instrument panel to indicate when it is necessary to have the emission control system serviced. The malfunction indicator light comes on when the ignition switch is turned to "ON" position to let you know the light is working and goes out when the engine is started.

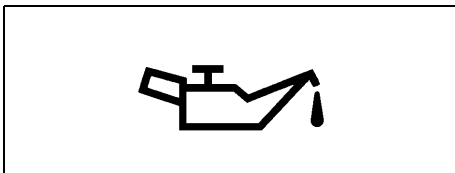
If the malfunction indicator light comes on when the engine is running, there is a problem with the emission control system. Take the vehicle to your nearest authorised MARUTI SUZUKI COMMERCIAL workshop to have the damage fixed.

## BEFORE DRIVING

### NOTICE

Continuing to drive the vehicle when the malfunction indicator light is on can cause permanent damage to the vehicle's emission control system, and can affect fuel economy and driveability.

### Oil Pressure Light



50G051

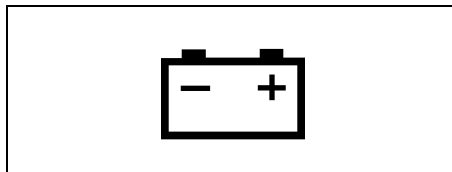
This light comes on when the ignition switch is turned to the "ON" position, and goes out when the engine is started. The light will come on and remain on if there is insufficient oil pressure. If the light comes on when driving, pull off the road as soon as you can and stop the engine.

Check the oil level and add recommended engine oil if necessary. If there is enough oil, the lubrication system should be inspected by your authorised MARUTI SUZUKI COMMERCIAL workshop before you drive the vehicle again.

### NOTICE

- If you operate the engine with this light on, severe engine damage can result.
- Do not rely on the Oil Pressure Light to indicate the need to add oil. Be sure to periodically check the engine oil level.

### Charging Light



50G052

This light comes on when the ignition switch is turned to the "ON" position, and goes out when the engine is started. The light will come on and remain on if there is something wrong with the battery charging system. If the light comes on when the engine is running, the charging system should be inspected immediately by your authorised MARUTI SUZUKI COMMERCIAL workshop.

### Driver's Seat Belt Warning Light / Front Passenger's Seat Belt Warning Light



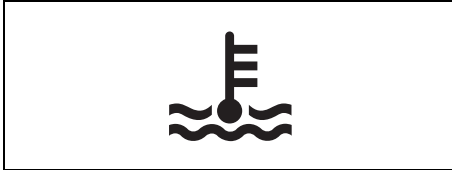
60G049

When the driver or front passenger does not buckle his or her seat belt, this light will come on and/or blink.

For details about the seat belt reminder, refer to "Seat Belts and Child Restraint Systems" in this section.



### High Engine Coolant Temperature Warning Light (red color)



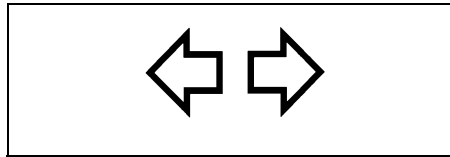
54G344

When the ignition switch is turned to the "ON" position, this light comes on briefly so you can check that the light is working. If this light blinks while driving, it means the engine is running hot. Avoid driving conditions that may lead to actual overheating. If the light stays on without blinking, then the engine is overheating. Follow the instructions in the "If the Engine Overheats" of "EMERGENCY SERVICE" section.

#### **NOTICE**

**Continuing to drive the vehicle when engine overheating is indicated can result in severe engine damage.**

### Turn Signal Indicators



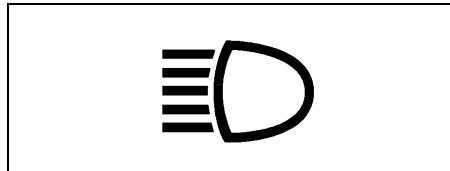
50G055

When you turn on the left or right turn signals, the corresponding green arrow on the instrument panel will flash along with the respective turn signal lights. When you turn on the hazard warning switch, both arrows will flash along with all of the turn signal lights.

#### *NOTE:*

*If any abnormality of the turn signals is observed, such as fast blinking, there may be malfunction in the turn signal system. Ask your Maruti Suzuki authorized workshop to inspect the system.*

### Main Beam (high beam) Indicator Light



50G056

This indicator comes on when headlight main beams (high beams) are turned on.

### Immobilizer system warning light



65D239

When the ignition switch is turned to the "ON" position, this light comes on to let you know the light is working. If this light blinks with the ignition switch turned to "ON", there may be something wrong with the immobilizer system. Ask a Maruti Suzuki authorised workshop to have the system inspected.

## BEFORE DRIVING

### CNG Malfunction Warning Light (if equipped)



77PMC015

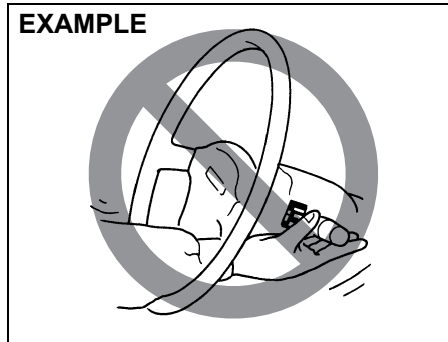
When the ignition switch is turned "ON", this CNG malfunction warning lamp comes on briefly, to check that the CNG malfunction lamp is trouble free.

- If CNG malfunction warning lamp glows continuously, with ignition "ON" there is some problem with the CNG system. Immediately get your vehicle checked by authorised MARUTI SUZUKI COMMERCIAL workshop.
- If CNG malfunction warning lamp blinks during engine running, it means there is some problem in CNG system in which vehicle cannot continue running in CNG-MODE and automatically switchover to petrol mode. Have your vehicle checked at authorised MARUTI SUZUKI COMMERCIAL workshop.

#### NOTE:

With ignition switch "ON" and engine not running, blinking of CNG lamp indicates that fuel lid is open. Vehicle will not start in this condition. Close the lid in order to start the vehicle.

### Lighting Control Lever

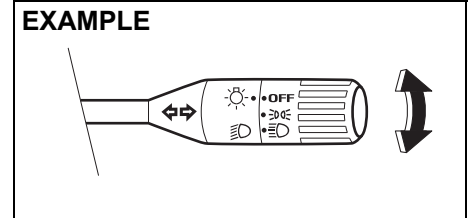


65D611

#### WARNING

**To avoid possible injury, do not operate controls by reaching through the steering wheel.**

### Lighting Operation



77PH110

To turn the lights on or off, twist the knob at the end of the lever. There are three positions:

#### OFF

All lights are off.

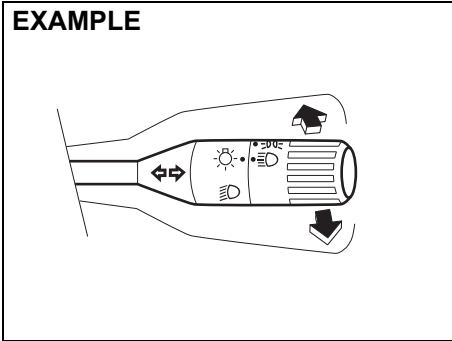
#### 

Front position lights, tail lights, license plate lights and instrument lights are on, but headlights are off.

#### 

Front position lights, tail lights, license plate lights, instrument lights and headlights are on.

EXAMPLE

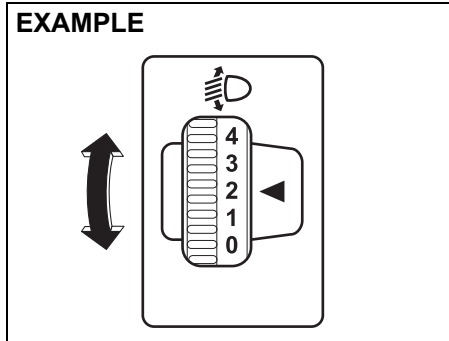


77PH111

With the headlights on, push the lever forward to switch to the high beams (main beams) or pull the lever toward you to switch to the low beams. When the high beams (main beams) are on, main beam (high beam) indicator light on the instrument panel will come on. To momentarily activate the high beams (main beams) as a passing signal, pull the lever slightly toward you and release it when you have completed the signal.

Headlight Leveling Switch

EXAMPLE



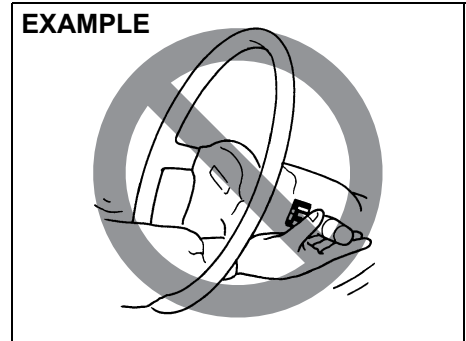
77PH010

Level the headlight beam according to the load condition of your vehicle by turning this switch. The chart below shows the appropriate switch position for different vehicle-load conditions.

Vehicle Load Condition	Switch Position
Driver only	0
Driver + full cargo	2

Turn Signal Control Lever

EXAMPLE



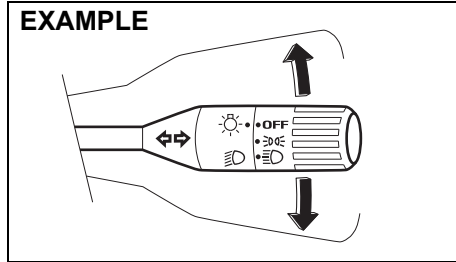
65D611

**⚠ WARNING**  
**To avoid possible injury, do not operate controls by reaching through the steering wheel.**

## BEFORE DRIVING

### Turn Signal Operation

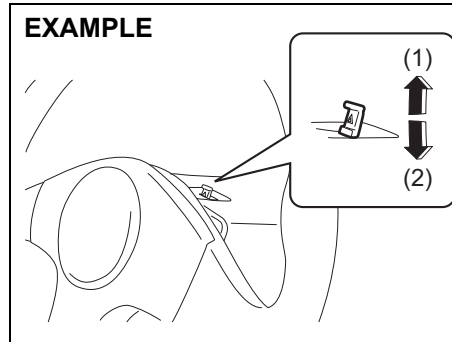
With the ignition switch in the "ON" position, move the lever up or down to activate the right or left turn signals.



77PH112

Move the lever upward or downward to signal. When the turn is completed, the signal will cancel and the lever will return to its normal position.

### Hazard Warning Switch



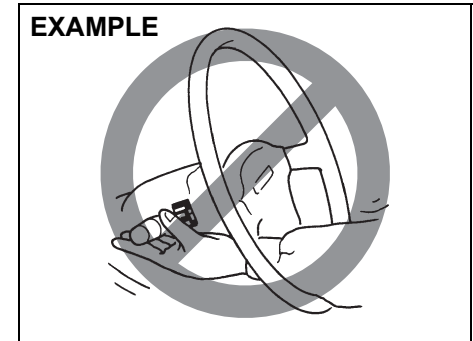
77PH028

- (1) ON
- (2) OFF

Pull up the hazard warning switch to activate the hazard warning lights. All turn signal lights and both turn signal indicators will flash simultaneously. To turn off the lights, push down the switch.

Use the hazard warning lights to warn other traffic during emergency parking or when your vehicle could otherwise become a traffic hazard.

### Windshield Wiper and Washer Lever



65D611

#### **WARNING**

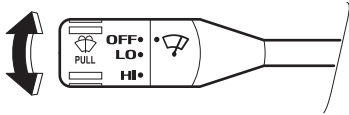
**To avoid possible injury, do not operate controls by reaching through the steering wheel.**

### Wiper Operation

When the ignition switch is in the "ON" position, you can use the wiper lever.

## Windshield Wipers

## EXAMPLE

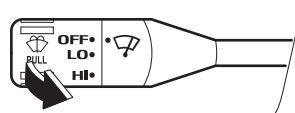


77PM02015

To turn the windshield wipers on, twist the knob at the end of the lever to one of the operating positions. In the “LO” position, the wipers operate at a steady low speed. In the “HI” position, the wipers operate at a steady high speed. To turn off the wipers, twist the lever back to the “OFF” position.

## Windshield Washer

## EXAMPLE



77PM02016

To spray windshield washer fluid, pull the lever towards you.

**⚠ WARNING**

**Do not use radiator antifreeze in the windshield washer reservoir. It can severely impair visibility when sprayed on the windshield, and can also damage your vehicle’s paint.**

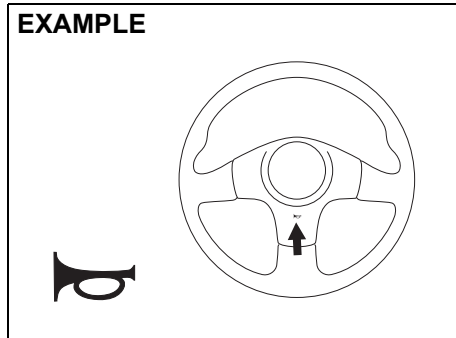
**NOTICE**

To help prevent damage to the windshield wiper and washer system components, you should take the following precautions:

- Do not continue to hold in the lever when there is no windshield washer fluid being sprayed or the washer motor can be damaged.
- Do not attempt to remove dirt from a dry windshield with the wipers or you can damage the windshield and the wiper blades. Always wet the windshield with washer fluid before operating the wipers.
- Clear ice or packed snow from the wiper blades before using the wipers.
- Check the washer fluid level regularly. Check it often when the weather is bad.
- Only fill the washer fluid reservoir 3/4 full during cold weather to allow room for expansion if the temperature falls low enough to freeze the solution.

## BEFORE DRIVING

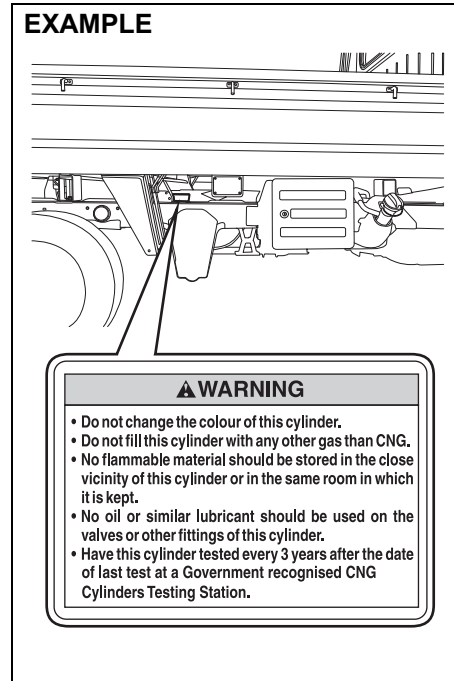
### Horn



77PH029

Press the horn button of the steering wheel to sound the horn. The horn will sound with the ignition switch in any position.

### CNG Cylinder Warning Label (if equipped)

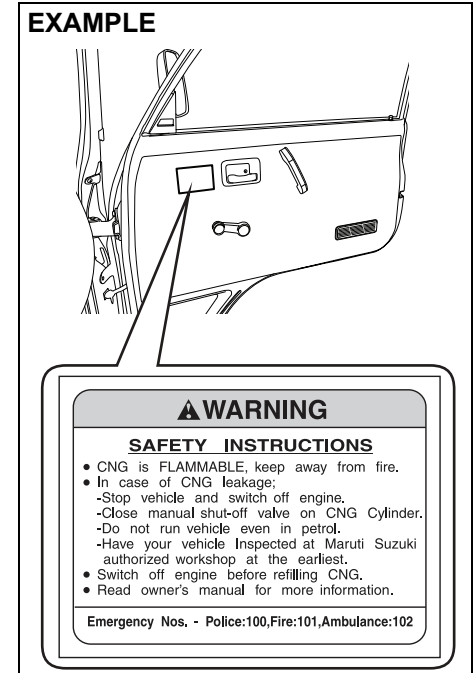


77PM02006

You may find this label on the CNG cylinder.

### CNG Warning Label (if equipped)

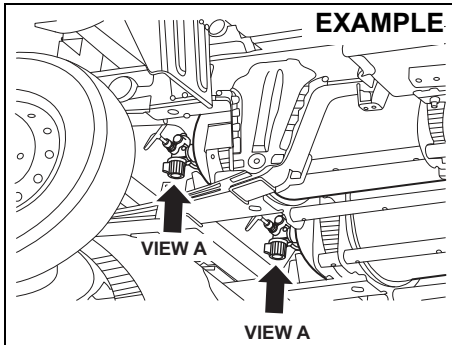
#### Front Driver Door



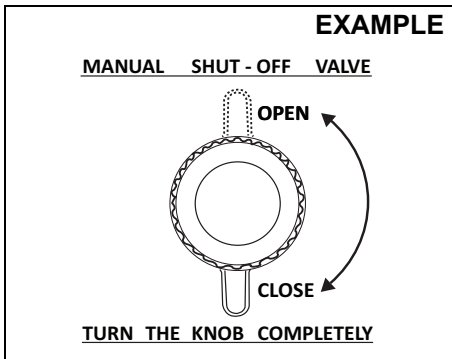
77PM02007

CNG warning label is located on front right door.

**CNG Manual Shut-OFF Valve  
(if equipped)**

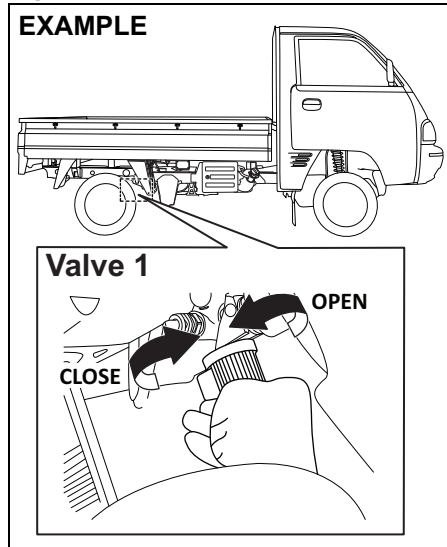


77PM02011



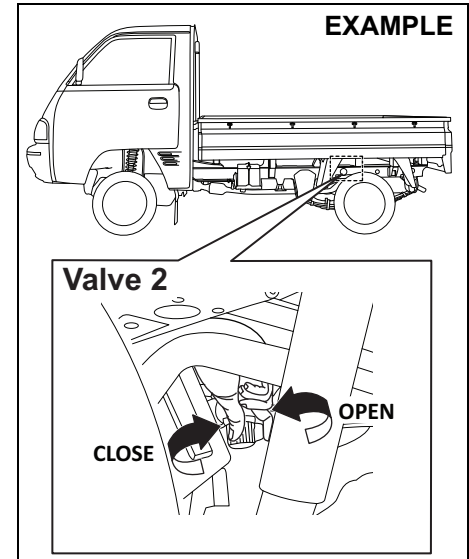
77PM02014

**Right Hand Side (RHS)**



77PM02012

**Left Hand Side (LHS)**



77PM02013

Manual shut off valve is located on CNG cylinders which are provided in vehicle under body.

There are two CNG cylinders in the vehicle under body, each containing one manual shut off valve.

The manual shutoff valve 1 and valve 2 are accessed from right hand side (RHS) and left hand side (LHS) of the vehicle respectively.

## BEFORE DRIVING

CNG supply can be switched off by closing the manual shut-off valve on both the CNG cylinders.

**Valve closing:** Turn the knob completely in clockwise direction (from view A) to close the CNG supply to Engine.

**Valve opening:** Turn the knob completely in anti-clockwise direction (from view A) to open the CNG supply to Engine.

### CAUTION

**Be careful that your hand does not touch exhaust pipe while accessing the manual shut off valve 2 (LHS). After driving, exhaust pipe can be hot enough to burn your hand.**

#### NOTE:

- If the manual shut-off valve is not opened fully, then the engine may not run properly.
- If the manual shut-off valve is in closed condition, it is not possible to fill CNG into the cylinder.

#### NOTE:

- As per Government regulation, CNG cylinder needs to be checked and certified every three (3) years from the date of initial testing as mentioned on the CNG cylinder identification plate.
- Customer has to present the vehicle to a government approved testing agency.
- Failure to test the cylinder may result in denying of CNG filling by the CNG dispensing stations or may result in confiscating the vehicle by enforcement authorities.
- All the expenses for CNG cylinder testing has to be borne by the customer.
- As per Government regulation, CNG cylinder has to be discarded at 20 years from the date of initial testing as mentioned in the CNG cylinder identification plate.
- Customer has to discard the cylinder at his / her expense through government approved scrap agencies.
- No person shall refill any cylinder, which has been repaired under sub-rule (2) with any gas unless a full report on the repairs and test carried out on the cylinder, accompanied by the repairer's certificate of testing are furnished to the Chief Controller and his permission is obtained for its refilling.

### WARNING

- Never remove the cylinder valve from the cylinder assembly. For any assistance consult authorised **MARUTI SUZUKI COMMERCIAL** workshop.
- Never try to clean the cylinder. In case of any problem, contact authorised **MARUTI SUZUKI COMMERCIAL** workshop.
- Do not reuse the cylinder valve, once it is replaced / removed from cylinder assembly.
- Even if the CNG from the cylinder is consumed till engine stops, some amount of CNG will be left out in the tank under pressure.



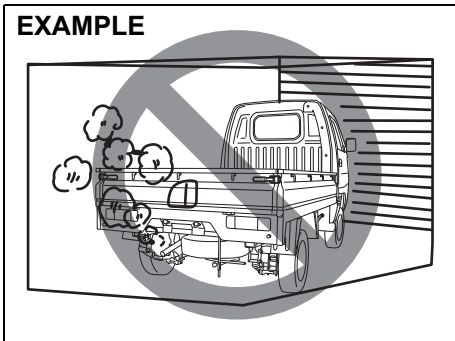
## OPERATING YOUR VEHICLE

Exhaust Gas Warning .....	3-1
Daily Inspection Checklist .....	3-1
Engine Oil Consumption .....	3-2
Ignition Switch .....	3-2
Parking Brake Lever .....	3-4
Pedal .....	3-5
Starting the Engine .....	3-5
Using the Transmission .....	3-6
Parking Sensors .....	3-8
Braking .....	3-11

## OPERATING YOUR VEHICLE

### Exhaust Gas Warning

#### EXAMPLE



82DY03

#### ⚠ WARNING

Avoid breathing exhaust gases. Exhaust gases contain carbon monoxide, a potentially lethal gas that is colorless and odorless. Since carbon monoxide is difficult to detect by itself, be sure to take the following precautions to help prevent carbon monoxide from entering your vehicle.

- Do not leave engine running in garages or confined areas, with passengers inside. This may result in accumulation of carbon-monoxide in cabin and may lead to suffocation or breathing problems and lead to death.

(Continued)

#### ⚠ WARNING

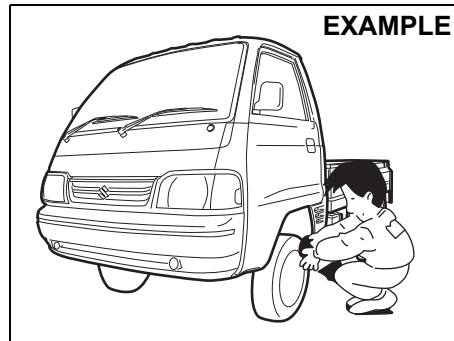
(Continued)

- Do not park with the engine running for a long period of time, even in an open area. In case of long periods, danger of choking and death on being inside the vehicle is a possibility when the engine is running. If it is necessary to sit for a short time in a parked vehicle with the engine running, make sure the air intake selector is set to "FRESH AIR" and the blower is at high speed.
- To allow proper operation of your vehicle's ventilation system, keep the air inlet grille in front of the vehicle clear of snow, leaves, or other obstructions at all times.
- Keep the exhaust pipe area clear of snow and other material to help reduce the buildup of exhaust gases under the vehicle. This is particularly important when parked in blizzard conditions.
- Have the exhaust system inspected periodically for damage and leaks. Any damage or leaks should be repaired immediately.

### Daily Inspection Checklist

#### Before Driving

#### EXAMPLE



77PM03001

- 1) Make sure that windows, mirrors, lights, and reflectors are clean and unobstructed.
- 2) Visually check the tyres for the following points:
  - the depth of the tread groove
  - abnormal wear, cracks and damage
  - loose wheel nuts
  - existence of foreign material such as nails, stones, etc.

Refer to "Tyres" in "INSPECTION AND MAINTENANCE" section for details.

- 3) Look for fluid and oil leaks.
- 4) Make sure the engine compartment is fully closed and latched.
- 5) Check the headlights, turn signal lights, brake lights and horn for proper operation.

- 6) Adjust the driver's seat.
- 7) Check the brake pedal and the parking brake lever.
- 8) Adjust the mirrors.
- 9) Make sure that you and passenger have properly fastened seat belts.
- 10) Make sure that all warning lights come on as the key is turned to the "ON" position.
- 11) Check all gauges.
- 12) Make sure that the BRAKE SYSTEM WARNING light turns off when the parking brake is released.

Once a week, or each time you fill your fuel tank or before a long distance driving (like highway driving), perform the following under-hood checks:

- 1) Engine oil level
- 2) Coolant level
- 3) Brake fluid level
- 4) Windshield washer fluid (if equipped) level
- 5) Battery electrolyte level
- 6) Latch operation  
See "All latches, hinges & locks" of "CHASSIS AND BODY" in the "Periodic Maintenance Schedule" in the "INSPECTION AND MAINTENANCE" section for lubrication schedule.

Once a month, or each time you fill your fuel tank or before a long distance driving (like highway driving), check the tyre pressure using a tyre pressure gauge. Also check the tyre pressure of the spare tyre.

## Engine Oil Consumption

It is normal for the engine to consume some engine oil during normal vehicle operation.

The amount of engine oil consumed depends on the viscosity of the oil, the quality of the oil and the conditions the vehicle is driven under.

More oil is consumed during high-speed driving and when there is frequent acceleration and deceleration. Under high loads, your engine also will consume more oil.

A new engine also consumes more oil, since its pistons, piston rings and cylinder walls have not yet become conditioned. New engines reach the normal level of oil consumption only after approximately 5000 km (3000 miles) driving.

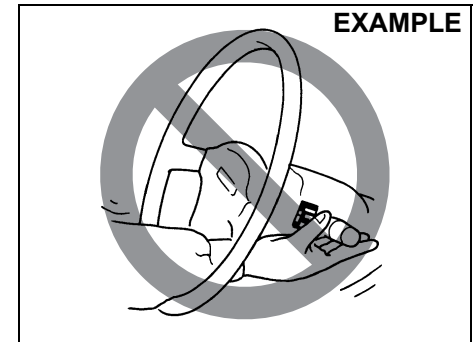
**Oil consumption:**  
**Max. 1.0 L per 1000 km**  
**(1 Qt. per 600 miles)**

When judging the amount of oil consumption, note that the oil may become diluted and make it difficult to accurately judge the true oil level.

As an example, if a vehicle is used for repeated short trips, and consumes a normal amount of oil, the dipstick may not show any drop in the oil level at all, even after 1000 km (600 miles) or more of driving. This is because the oil is gradually becoming diluted with fuel or moisture, making it appear that the oil level has not changed.

You should also be aware that the diluting ingredients evaporate out when the vehicle is subsequently driven at high speeds, such as on an expressway, making it appear that oil is excessively consumed after high-speed driving.

## Ignition Switch



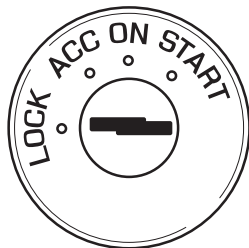
65D611

### **⚠ WARNING**

**To avoid possible injury, do not operate controls by reaching through the steering wheel.**

## OPERATING YOUR VEHICLE

### EXAMPLE



77PH002

The ignition switch has the following four positions:

### LOCK

This is the normal parking position. It is the only position in which the key can be removed.

To release the steering lock, insert the key and turn it clockwise to one of the other positions. If you have trouble turning the key to unlock the steering, try turning the steering wheel slightly to the right or left while turning the key.

### ACC

Accessories such as the accessory socket can operate, but the engine is off.

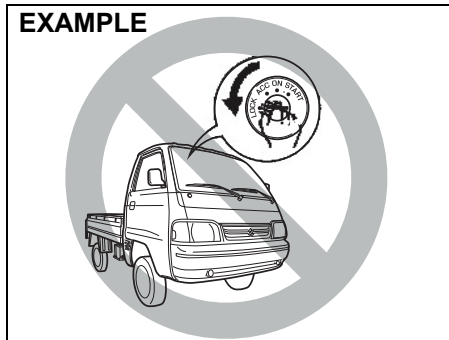
### ON

This is the normal operating position. All electrical systems are on.

### START

This is the position for starting the engine using the starter motor. The key should be released from this position as soon as the engine starts.

### EXAMPLE



82DY04

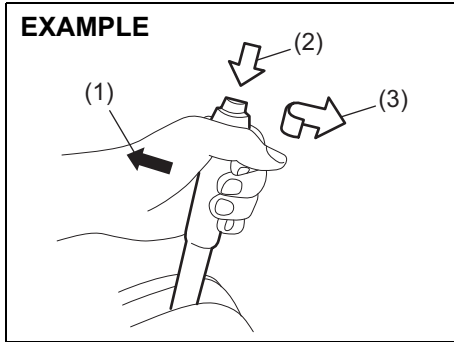
### ⚠ WARNING

- Never remove the ignition key while the vehicle is moving. The steering wheel will lock and you will not be able to steer the vehicle.
- Always remove the ignition key when leaving the vehicle even if only for a short time. Also do not leave children alone in a parked vehicle. They also could suffer from heat stroke in warm or hot weather. These could result in severe injury or even death.

### NOTICE

- Do not use the starter motor for more than 30 seconds at a time. If the engine does not start, wait 15 seconds before trying again. If the engine does not start after several attempts, check the fuel and ignition systems or consult your authorised MARUTI SUZUKI COMMERCIAL workshop.
- Do not leave the ignition switch in the "ON" position if the engine is not running as the battery will discharge.

## Parking Brake Lever



77PH030

- (1) To set
- (2) To release
- (3) To release

The parking brake lever is located between the seats. To set the parking brake, hold the brake pedal down and pull the parking brake lever all the way up. To release the parking brake, hold the brake pedal down, pull up slightly on the parking brake lever, push the button on the end of the lever with your thumb, and lower the lever to its original position.

### ⚠ WARNING

- Never drive your vehicle with the parking brake on: rear brake effectiveness can be reduced from overheating, brake life may be shortened, or permanent brake damage may result.
- If the parking brake does not hold the vehicle securely or does not fully release, have your vehicle inspected immediately by an authorised MARUTI SUZUKI COMMERCIAL workshop.

### ⚠ WARNING

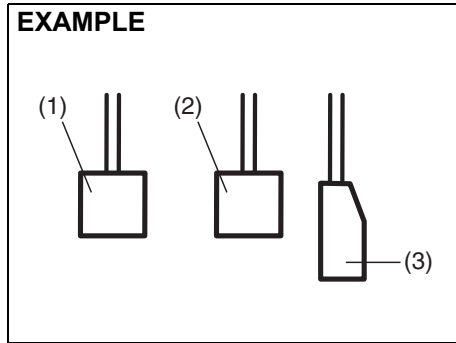
**Always set the parking brake fully before leaving your vehicle or it may move, causing injury or damage. When parking, make sure the gear-shift lever is in reverse or first gear. Remember, even though the transmission is in gear, you must set the parking brake fully.**

### ⚠ WARNING

When parking the vehicle in extremely cold weather, the following procedure should be used:

- 1) Set the parking brake.
  - 2) Turn off the engine, then shift into reverse or first gear.
  - 3) Get out of the vehicle and put chocks under the wheels.
  - 4) Release the parking brake.
- When you return to your vehicle, you must remember to first set the parking brake, then remove the wheel chocks.

## Pedal



80J2121

### Clutch Pedal (1)

The clutch pedal is used to disengage the drive to the wheels when starting the engine, stopping, or shifting the gearshift lever. Depressing the pedal disengages the clutch.

#### ⚠ WARNING

Do not drive with your foot resting on the clutch pedal. It could result in excessive clutch wear, clutch damage, or unexpected loss of engine braking.

### Brake Pedal (2)

Your vehicle is equipped with front disc brakes and rear drum brakes. Depressing the brake pedal applies both sets of brakes.

You may hear occasional brake squeal when you apply the brakes. This is a normal condition caused by environmental factors such as temperature, humidity, snow or dust, etc.

#### ⚠ WARNING

If brake squeal is excessive and occurs each time the brakes are applied, you should have the brakes checked by your authorised MARUTI SUZUKI COMMERCIAL workshop.

#### ⚠ WARNING

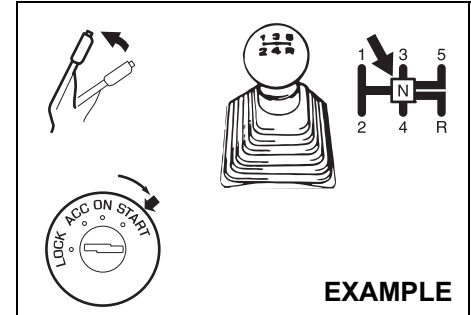
Do not ride the brakes by applying them continuously or resting your foot on the pedal. This will result in overheating of the brakes which could cause unpredictable braking action, longer stopping distances, or permanent brake damage.

### Accelerator Pedal (3)

This pedal controls the speed of the engine. Depressing the accelerator pedal increases power output and speed.

## Starting the Engine

### Before Starting the Engine



77PH014

- 1) Make sure the parking brake is set fully.
- 2) Shift into "N" (Neutral) and depress the clutch pedal all the way to the floor. Hold the clutch pedal while starting the engine.

#### ⚠ WARNING

Make sure that the parking brake is set fully and the transmission is in neutral before attempting to start the engine.

### Starting a Cold and Warm Engine

With your foot off the accelerator pedal, crank the engine by turning the ignition key to "START". Release the key when the engine starts.

#### NOTICE

- Stop turning the starter immediately after the engine has started or the starter system can be damaged.
- Do not crank the engine for more than 12 seconds at a time. If the engine doesn't start on the first try, wait about 15 seconds before trying again.

If the engine does not start after 12 seconds of cranking, wait about 15 seconds, then press down the accelerator pedal to 1/3 of its travel and try cranking the engine again. Release the key and accelerator pedal when the engine starts. If the engine still does not start, try holding the accelerator pedal all the way to the floor while cranking. This should clear the engine if it is flooded.

#### NOTE:

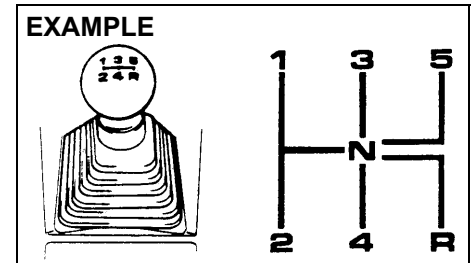
(For CNG Engine Model)

- Do not press the accelerator pedal to changeover from petrol to CNG mode.
- With ignition switch "ON" and engine not running, blinking of CNG malfunction warning lamp indicates that fuel lid is open. Vehicle will not start in this condition.

- It is always recommended to start the vehicle in AUTO MODE or PETROL MODE to enhance the engine life.
- The fuel changeover to CNG may not happen if the vehicle is started when the ambient / engine temperature is below Zero Degree Celsius. In such a case, run the engine in PETROL MODE till it warms up and then try restarting the engine to changeover to CNG.
- It is recommended to keep sufficient amount of petrol in the petrol tank.
- The vehicle may not start in Forced CNG mode if the ambient / engine temperature is below Zero Degree Celsius. It is recommended to start the vehicle in Auto mode.
- It is recommended to keep sufficient amount of petrol in the petrol tank to prevent engine stalling while automatic changeover from CNG mode to Petrol mode.
- In case the CNG malfunction warning lamp does not stop blinking after pressing the changeover switch, take the vehicle to the nearest authorised MARUTI SUZUKI COMMERCIAL workshop.

## Using the Transmission

### Manual Transmission



65D038

#### Starting off

To start off, depress the clutch pedal all the way to the floor and shift into 1st or 2nd gear. After releasing the parking brake, gradually release the clutch. When you hear a change in the engine's sound, slowly press the accelerator while continuing to gradually release the clutch.

#### NOTE:

- The recommended gear position for start off during normal driving is 2nd gear.
- In case of the cross country driving, crawling or loading driving that needs big driving force, shift position recommended is 1st gear.

#### Shifting

All forward gears are synchronized, which provides for quiet and easy shifting. Always push in the clutch pedal fully before shifting gears.

## OPERATING YOUR VEHICLE

### Downshifting maximum allowable speeds (For Petrol Model)

Downshifting	km/h
2nd to 1st	10
3rd to 2nd	65
4th to 3rd	100
5th to 4th	140*

### Downshifting maximum allowable speeds (For CNG Model)

Downshifting	km/h
2nd to 1st	10
3rd to 2nd	55
4th to 3rd	90
5th to 4th	125*

**\*NOTE:**

*You may not accelerate to the maximum allowable speed because of the driving situation and/or the vehicle condition.*

#### **NOTICE**

**When downshifting to a lower gear, make sure not to downshift at the speed faster than the maximum allowable speeds, or severe engine damage can result.**

#### **⚠ WARNING**

- Reduce your speed and downshift to a lower gear before going down a long or steep hill. A lower gear will allow the engine to provide braking. Avoid riding the brakes or they may overheat, resulting in brake failure.
- When driving on slippery roads, be sure to slow down before downshifting. Excessive and or sudden changes in engine speed may cause loss of traction, which could cause you to lose control.

#### **NOTICE**

- To help avoid clutch damage, do not use the clutch pedal as a foot-rest while driving or use the clutch to keep the vehicle stationary on a slope. Depress the clutch fully when shifting.
- When shifting or starting off, do not race the engine. Racing the engine can shorten engine life and affect smooth shifting.

#### **NOTICE**

**Before engaging reverse gear “R”, check that the vehicle is completely stationary and gear lever is in neutral [N] position. After depressing clutch pedal fully, shift to [R].**

**NOTE:**

*If it is difficult to engage reverse gear “R”, follow below procedure:-*

- 1. Put gear lever in neutral “N”.*
- 2. Release the clutch pedal once.*
- 3. Again depress the clutch pedal, and shift from “N” to “R”.*



## Parking Sensors

- The parking sensor system uses ultrasonic sensors to detect obstacles near the rear bumper. If obstacles are sensed while you are parking or moving the vehicle slowly, the system warns you by sounding a buzzer.
- The system emits an ultrasonic wave and the relevant sensor detects the return of the wave reflected by an obstacle. The system measures the time taken by the ultrasonic wave to reach the obstacle and return from it, from which it determines the obstacle's position.
- The parking sensor function can be used when you turn the ignition switch to "ON" position and the gearshift lever is in the "R" position. This function is helpful in the following cases: pulling over to the curb; parallel parking the vehicle; steering the vehicle into a garage; driving along an alley; and moving slowly in a place with obstacles.

### ⚠ WARNING

- **The parking sensor warns you of obstacles with buzzers. However, you still have to drive with particular care.**
- **The sensors can detect obstacles only within a limited area and only when the vehicle is moving within a limited speed range. So, in tricky areas, you must move the vehicle slowly while checking around it using your direct vision or rearview mirrors. There is increased risk of an accident if you control the vehicle relying only on the parking sensor.**

#### NOTE:

When the gearshift lever is shifted to the "R" position, a buzzer will sound once.

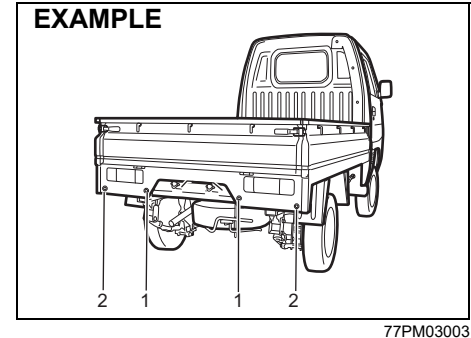
### NOTICE

Parking sensors are only for driver's assistance.

## Sensor locations

### On rear bumper

#### EXAMPLE



- (1) Rear center sensors (2 places)
- (2) Rear corner sensors (2 places)

### NOTICE

- **Avoid hitting the sensor areas or directing the nozzle of a high-pressure car washer onto the sensor areas. Otherwise, the sensors may be damaged.**
- **If the bumper hits a hard object, the sensors on it may not work properly. If this occurs, have the sensors inspected by a Maruti Suzuki authorised workshop.**

## OPERATING YOUR VEHICLE

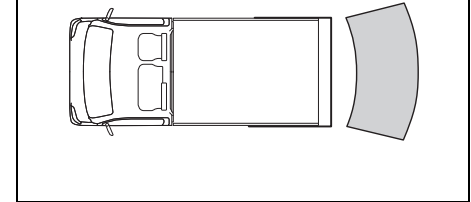
### Working sensors

The sensors work depending on the gearshift lever position as follows:

Gearshift lever position	R	N, 1st – 5th
Rear sensors	On	Off

### Approximate areas where obstacles can be detected

#### EXAMPLE



78MM05003

- An obstacle within about 20 cm (8 in) from a sensor or just below a sensor is not detectable.

The sensors can detect an obstacles such as wall up to about 1.8 m (6 ft) from the rear of vehicle.

**⚠ WARNING**

Under the following conditions, the parking sensor system may not work normally because the sensors cannot detect obstacles correctly.

- Sensors are covered with mud, ice or other materials. (Such materials must be removed for normal operation.)
- Sensors are wet from water splashes or heavy rain.
- Sensors are covered by a hand, sticker, accessory, etc.
- There is an accessory or other object attached within the sensor's sensing area.
- Items such as tow hooks, commercially available corner poles, radio antenna, etc. are installed on the bumper.
- The height of the bumper is changed due to alteration to the suspension or other causes.
- The sensor areas are extremely hot from direct sunlight or cold due to freezing weather.
- The vehicle is on a rough surface, slope, gravel road or grass field.
- The vehicle is at a steep angle.

(Continued)

**⚠ WARNING**

(Continued)

- Sensors have intercepted ultrasonic noise from another vehicle's horn, engine, air braking system (large vehicles), or parking sensor.
- Obstacles are too close to the sensors.
- Sensors are at an angle to a highly reflective object such as glass. (Ultrasonic waves are not reflected back from the obstacle.)
- Sensors may not be able to correctly detect the following types of obstacles:
  - Objects made of a thin material such as wire netting and ropes
  - Square-shaped curbstones or other objects with sharp edges
  - Tall objects with a large upper part such as a road sign
  - Low-profile objects such as curbstones
  - Sound-absorbing objects such as cotton and snow

**NOTE:**

*Thin poles or obstacles lower than the sensors may become undetectable as the vehicle moves closer to them even if they have been detected from longer distances.*

- The system may calculate the distance to a road sign or similar obstacle to be shorter than the actual distance.

**Obstacle indication by parking sensor**

Upon detecting an obstacle, the parking sensor causes an interior buzzer to sound.

- A buzzer located behind the rear seat sounds when a sensor at the rear detects an obstacle.
- Warnings when obstacles such as wall are detected by sensors

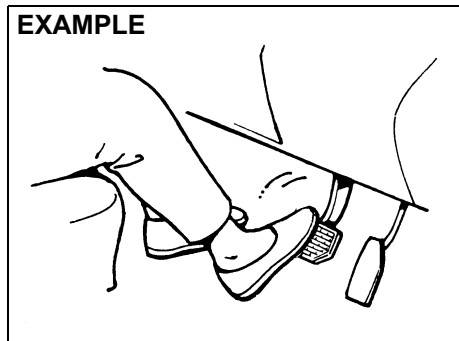
Distance (approx.)	Buzzer
100-180 cm	Short beeps at long intervals
80-100 cm	Short beeps at short intervals
70-80 cm	Short beeps at very short intervals
Less than 70 cm	Continuous beep

**Warning and indicator messages**

If there is a problem or warning regarding the parking sensor system, a buzzer informs it. Follow its instruction.

The buzzer sounds intermittently. The indicated sensor is contaminated. Wipe it clean with a soft cloth. If the buzzer does not stop after wiping, there may be problem with the parking sensor system. Have your vehicle inspected by a Maruti Suzuki authorised workshop.

### Braking



60G165S

The distance needed to bring any vehicle to a halt increases with the speed of the vehicle. The braking distance needed, for example, at 60 km/h (37 mph) will be approximately 4 times greater than the braking distance needed at 30 km/h (19 mph). Start to brake the vehicle when there is plenty of distance between your vehicle and the stopping point, and slow down gradually.

#### **⚠ WARNING**

**If water gets into the brake drums, brake performance may become poor and unpredictable.**

**After driving through water or washing the underside of the vehicle, test the brakes while driving at a slow speed to see if they have maintained their normal effectiveness. If the brakes are less effective than normal, dry them by repeatedly applying the brakes while driving slowly until the brakes have regained their normal effectiveness.**

#### **NOTE:**

*While braking you may hear operational noise due to friction between brake disc/drum and brake lining. This is a normal phenomenon and does not indicate any abnormality or affect normal functioning of the vehicle.*

### Power-Assisted Brakes

Your vehicle has power-assisted brakes. If power assistance is lost due to a stalled engine or other failures, the system is still fully operational on reserve power and you can bring the vehicle to a complete stop by pressing the brake pedal once and holding it down. The reserve power is partly used up when you depress the brake pedal and reduces each time the pedal is pressed. Apply smooth and even pressure to the pedal. Do not pump the pedal.

#### **⚠ WARNING**

**Even without reserve power in the brake system, you can still stop the vehicle by pressing the brake pedal harder than normally required. However, the stopping distance may be longer.**

---

# DRIVING TIPS

- Running-in ..... 4-1
- Catalytic Converter ..... 4-1
- Improving Fuel Economy ..... 4-2
- Highway Driving ..... 4-3
- Driving on Hills ..... 4-3
- Driving on Slippery Roads ..... 4-4
- Driving on Wet Roads ..... 4-5
- Do's and Dont's for Safe Driving ..... 4-6
- Margin for Safety ..... 4-7

### EXAMPLE



52D078S

### ⚠ WARNING

- **WEAR YOUR SEAT BELTS AT ALL TIMES.** The driver and passenger should be properly restrained at all times, using the seat belts provided. Refer to the “Seat Belts” section for instructions on proper use of the seat belts.
- **Never drive while under the influence of alcohol or other drugs.** Alcohol and drugs can seriously impair your ability to drive safely, greatly increasing the risk of injury to yourself and others. You should also avoid driving when you are tired, sick, irritated, or under stress.

## Running-in

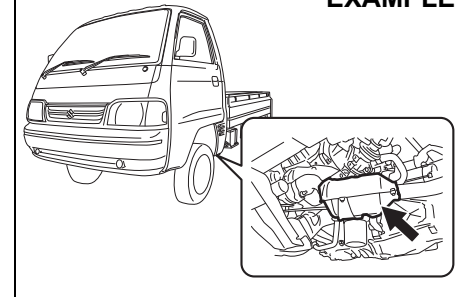
### NOTICE

The future performance and reliability of the engine depends on the care and restraint exercised during its early life. It is especially important to observe the following precautions during the initial 960 km of vehicle operation.

- After starting, do not race the engine. Warm it up gradually.
- Avoid prolonged vehicle operation at a constant speed. Moving parts will break in better if you vary your speed.
- Start off from a stop slowly. Avoid full throttle starts.
- Avoid hard braking, especially during the first 320 km of driving.
- Do not drive slowly with the transmission in a high gear.
- Drive the vehicle at moderate engine speeds.
- Do not tow a trailer.

## Catalytic Converter

### EXAMPLE



77PH201

The purpose of the catalytic converter is to minimize the amount of harmful pollutants in your vehicle's exhaust. Use of leaded fuel in vehicles equipped with catalytic converters is prohibited, because lead deactivates the pollutant-reducing components of the catalyst system.

The converter is designed to last the life of the vehicle under normal usage and when unleaded fuel is used. No special maintenance is required on the converter. However, it is very important to keep the engine properly tuned. Engine misfiring, which can result from an improperly tuned engine, may cause overheating of the catalyst. This may result in permanent heat damage to the catalyst and other vehicle components.

**NOTICE**

To avoid damaging catalyst or other vehicle damage:

- Maintain the engine in the proper operating condition.
- In the event of an engine malfunction, particularly one involving engine misfiring or other apparent loss of performance, have the vehicle serviced promptly.
- Do not turn off the engine or interrupt the ignition when the transmission is in gear and the vehicle is in motion.
- Do not try to start the engine by pushing or towing the vehicle, or coasting down a hill.
- Do not idle the engine with any spark plug wires disconnected or removed, such as during diagnostic testing.
- Do not idle the vehicle for prolonged periods if idling seems rough or there are other malfunctions.
- Do not allow the fuel tank to get near the empty level.
- Avoid driving your vehicle at excessively high engine speed.

**⚠ WARNING**

Be careful in areas where you park and drive; the catalytic converter and other exhaust components can get very hot. As with any vehicle, do not park or operate this vehicle in areas where combustible materials such as dry grass or leaves can come in contact with a hot exhaust system.

**EXAMPLE**

82DY05

**NOTE:**

*Non-usage of vehicle for long duration may cause gradual rusting of brake disc surface as it is made of cast iron. This may result in noise/vibration. Th same has no bearing on functioning of the vehicle. Regular driving of vehicle may prevent/remove rust, thus reducing the noise and vibration.*

**Improving Fuel Economy****NOTE:**

*Fuel economy (mileage) of the vehicle may vary due to several factors i.e., driving habits - gear change pattern, usage of A.C, Air pressure in the tyres, wind speed, traffic conditions, fuel quality- non adulterated standard fuel, maintenance of vehicle, road conditions, braking etc.*

The following instructions will help you improve fuel economy.

**Avoid excessive idling**

If you are to wait for more than a minute while you are parked, stop the engine and start it again later. When warming up a cold engine, do not allow the engine to idle or apply full throttle until the engine has reached operating temperature. Allow the engine to warm up while driving.

**Avoid sudden acceleration**

Sudden acceleration starting from rest or while driving will consume fuel unnecessarily and shorten engine life. Start off slowly.

**Avoid unnecessary stops**

Avoid unnecessary deceleration and stopping. Try to maintain a slow, steady speed whenever possible. Slowing down and then accelerating again uses more fuel.

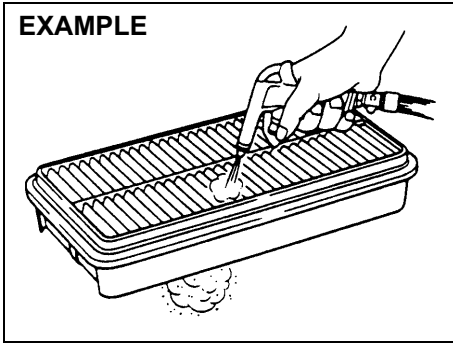
**Keep a steady cruising speed**

Keep as constant a speed as road and traffic conditions will permit.

## DRIVING TIPS

### Keep the air cleaner clean

#### EXAMPLE



60A183S

If the air cleaner is clogged with dust, there will be greater intake resistance, resulting in decreased power output and increased fuel consumption.

#### Keep weight to a minimum

Heavier the load, more fuel the vehicle consumes. Take out any luggage or cargo when it is not necessary.

#### Keep tyre pressures correct

Underinflation of the tyres can waste fuel due to increased running resistance of the tyres. Keep your tyres inflated to the correct pressure shown on the label on the driver's door lock pillar.

### Highway Driving

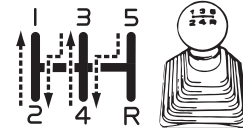
When driving at highway speeds, pay attention to the following:

- Stopping distance progressively increases with vehicle speed. Apply the brakes far enough ahead of the stopping point to allow for the extra stopping distance.
- On rainy days, hydroplaning can occur. Hydroplaning is the loss of direct contact between the road surface and the vehicle's tyres due to a water film forming between them. Steering or braking the vehicle while hydroplaning can be very difficult, and loss of control can occur. Keep speed down when the road surface is wet.
- At high speeds, the vehicle may be affected by side winds. Therefore, reduce speed and be prepared for unexpected buffeting, which can occur at the exits of tunnels, when passing by a cut of a hill, or when being overtaken by large vehicles, etc.

### Driving on Hills

- When climbing steep hills, the vehicle may begin to slow down and show a lack of power. If this happens, you should shift to a lower gear so that the engine will again be operating in its normal power range. Shift rapidly to prevent the vehicle from losing momentum.
- When driving down a hill, the engine should be used for braking by shifting into a lower gear.

#### EXAMPLE



77PH003

#### ⚠ WARNING

**Try not to hold the brake pedal down too long or too often while going down a steep or long hill. This could cause the brakes to overheat, resulting in reduced braking efficiency. Failure to take this precaution could result in loss of vehicle control.**



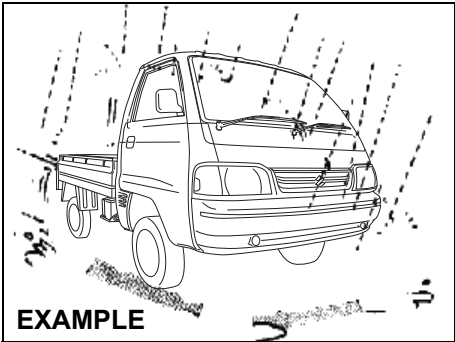
**While moving uphill/gradient from a stand still condition**

- Apply the parking brake firmly so that the vehicle does not roll backwards.
- Depress the Clutch pedal and Shift the gearshift lever to 1st Select position.
- Do not slip the clutch.
- When ready to start, press accelerator pedal and slowly release the clutch pedal simultaneously. When the vehicle starts to move, gradually release the parking brake.

**NOTICE**

**When descending down a hill, NEVER turn the ignition key to the "LOCK" position. Emission control system damage may result.**

**Driving on Slippery Roads**



82DY06

Under wet road conditions you should drive at a lower speed than on dry roads due to possible slippage of tyres during braking. When driving on icy, snow-covered, or muddy roads, reduce your speed and avoid sudden acceleration, abrupt braking, or sharp steering movements.

**If Your Vehicle Gets Stuck**

If your vehicle gets stuck in snow, mud, or sand, follow the directions below:

- 1) Shift the transmission back and forth between first gear and reverse. This will create a rocking motion which may give you enough momentum to free the vehicle. Press gently on the accelerator to keep wheel spinning to a minimum wheel rpm. Remove your foot from the accelerator while shifting.

- Do not race the engine. Excessive wheel spin will cause the tyres to dig deeper, making it more difficult to free the vehicle.
- 2) If your vehicle remains stuck after a few minutes of rocking, get another vehicle to pull your vehicle out.

**⚠ WARNING**

**Do not allow anyone to stand near the vehicle when you are rocking it, and do not spin the wheels faster than an indicated 40 km/h on the speedometer. Personal injury and/or vehicle damage may result from spinning the wheels too fast.**

**NOTICE**

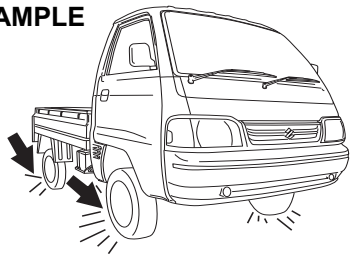
**Do not continue rocking the vehicle for more than a few minutes. Prolonged rocking can cause engine overheating or transmission damage.**

### Driving on Wet Roads

#### NOTICE

- When driving on wet roads, avoid driving through large amount of standing water on the road. Large amount of water entering the engine compartment may cause damage to the engine and or electrical components.
- If stuck in deep water, do not start till water level drops.
- Water is incompressible substance, water inside engine is harmful to the engine.

#### EXAMPLE



82DY07

#### ⚠ WARNING

In addition to following the driving tips in this section, it is important to observe the following precautions.

- Make sure your tyres are in good condition and always maintain the specified tyre pressure. Refer to “Tyres” in the “INSPECTION AND MAINTENANCE” section for details.
- Do not use tyres other than those specified by MARUTI SUZUKI. Never use different sizes or types of tyres on the front and rear wheels. For information regarding the specified tyres, refer to the Tyre Information Label located on the driver’s door lock pillar.
- Never use oversized tyres or special shock absorbers and springs to raise (jack up) your vehicle. This will change the handling characteristics. Oversized tyres may also rub against the vehicle body over bumps, causing vehicle damage or tyre failure.
- After driving through water, test the brakes while driving at a slow speed to see if they have maintained their normal effectiveness. If they are less effective than normal, dry them by repeatedly applying the brakes while driving slowly until the brakes have regained their normal effectiveness.

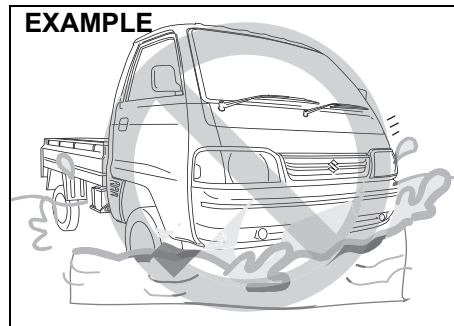
### Off-road Driving

**Do not drive in the field covered with grown grass.**

If you drive in the field covered with grass, it may cause accident or fire or vehicle damage by getting caught in grown grass.

### When Encountering a Flooded Area

#### EXAMPLE



77PM04011

Avoid driving in a flooded area or a deep puddle. If driving in a flooded area is unavoidable, go slowly in the lowest gear. In case that you have driven in a flooded area, stop the vehicle in a safe and non flooded place while checking the brake effectiveness. Then, ask a Maruti Suzuki authorised workshop to check the following inspection items.

- Function of brake
- Function of electrical components

- Changes in oil level and quality for engine and transmission. In case that the oil is turbid whitish, water has been mixed in the oil and an oil change is required.
- Lubricant condition of the bearings, suspension joints, etc.

**NOTICE**

- **Avoid driving in a flooded area or a deep puddle. It may cause an engine stall, short in electrical components, engine and transmission damages, etc.**
- **If the vehicle gets stuck in deep water do not start the engine.**

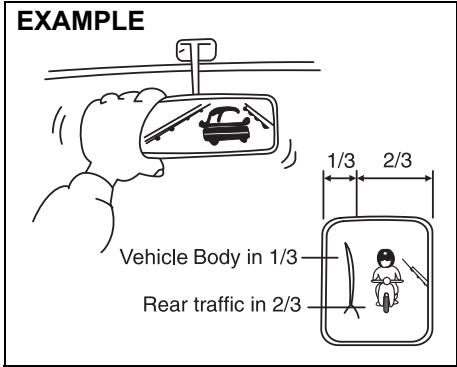
### **Do's and Dont's for Safe Driving**

Exercise care in handling your vehicle. Be conscious of not only your own safety but also the safety of others on the road, and thus enjoy the best and most comfortable driving experience.

Following are basic rules for safe driving. Read them carefully for good understanding of the content so that you can enjoy safe and pleasant driving in your vehicle.

#### **Starting**

- 1) Adjust the driver's seat for the proper driving posture.
- 2) Adjust the rear view mirror so as to obtain the best possible rear view.

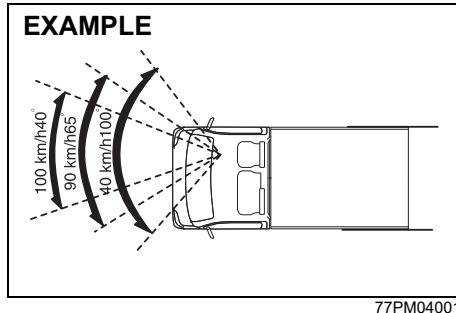


77PM04002

- 3) Before moving, look around your vehicle to confirm safety.
- 4) Don't accelerate suddenly, since it is dangerous and wastes fuel.

#### **General driving**

- 1) Be sure to stop before a stop light or stop sign. When moving into an intersection without any traffic lights or signs, drive slowly to confirm safety.
- 2) Always follow other vehicles at a safe distance in order to prevent a rear-end collision, in case the vehicle ahead makes a sudden stop.
- 3) Turn ON the turn signal at least 30 meters before making a turn or changing the lane so as to not be hit.
- 4) Before entering a corner, decelerate to a safe speed. Don't apply brakes during cornering, or skidding may occur.
- 5) When overtaking other vehicles, watch out for oncoming vehicles and carefully ensure safety.
- 6) Don't attempt zigzag driving as it will hinder your control over the vehicle and may cause an accident.
- 7) Avoid reckless high speed driving and try to drive at a safe speed suitable for the road conditions while maintaining a constant speed.
- 8) The higher the speed, the narrower the driver's visual range becomes. In such a state, it is difficult to anticipate any hazard and the driver feels fatigued.



- 9) Do not attempt sharp handling during high speed driving. You may lose your control over your vehicle.
- 10) When overtaking or changing lanes while driving at a high speed, keep ample vehicle-to-vehicle distance.

### Braking

- 1) Use the parking brake when parking your vehicle and shift the gear shift lever into the first gear or reverse gear position for the sake of safety.
- 2) Don't use hand-braking unless unavoidable. It causes the vehicle to skid and a collision may occur. It is especially dangerous when the tyres are worn out as they skid more.

Use foot brake in three stages

1. Warn the vehicle behind you
2. Gradually apply the brake.
3. Bring the vehicle to a halt.

- 3) When driving downhill, try not to apply the brake but use the engine brake effectively. Overuse of the foot-brake may result in reduction of brake effectiveness.

### Long distance driving

- 1) Be sure to perform safety checks before starting a trip.
- 2) Take rest at regular intervals to prevent accidents which may occur due to feeling sleepy or tired.

### Night time driving

- 1) Drive at lower speeds during the night than in the daytime, as the visual range is restricted at night.
- 2) Avoid overtaking other vehicles at night. Darkness bothers your sense of speed and hinders your judgment of vehicle-to-vehicle distance.
- 3) Don't use headlights on high beam unless its use is inevitable. It may cause visual impairment to the driver of the oncoming vehicle or the vehicle ahead of you, which may cause an accident.
- 4) Always keep the window glasses clean. Don't operate the windshield wiper when the windshield glass is dry else the wiper blade and glass may get damaged.

## Margin for Safety

It is important to allow yourself a margin for safety during driving so that you can cope with erroneous or unexpected driving of other drivers. For that, observe the following.

- Drive at a safe speed.
- Maintain a sufficient distance between your vehicle and the vehicle ahead.
- Don't force yourself to overtake other vehicles.
- Don't accelerate suddenly, steer sharply or stop suddenly.
- Keep ample gaps between driving schedules.
- Observe traffic rules and regulations.

### Conclusion

A perfect driver does not exist. The endeavour of every motorist should be to strive for perfection. Safety consciousness not only ensures your safety and the safety of other road users, it also helps reduce the wear and tear on your vehicle, lengthens its life, gives better fuel efficiency and ensures a comfortable driving experience.

**Follow the do's and don'ts listed, and driving will never be the same again.**

## OTHER CONTROLS AND EQUIPMENT

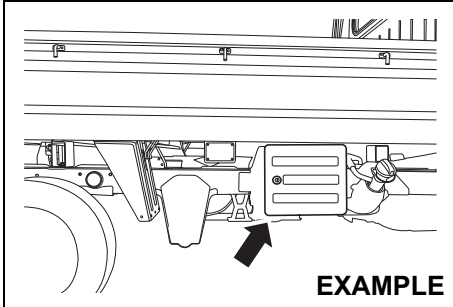
Fuel Filler Cap .....	5-1
Engine Compartment .....	5-3
Sun Visor .....	5-4
Interior Light .....	5-5
Accessory Socket .....	5-5
Glove Box .....	5-5
Storage Area .....	5-6
Air Vent .....	5-6
Frame Hook .....	5-7
Assist Grip .....	5-7

## OTHER CONTROLS AND EQUIPMENT

### Fuel Filler Cap

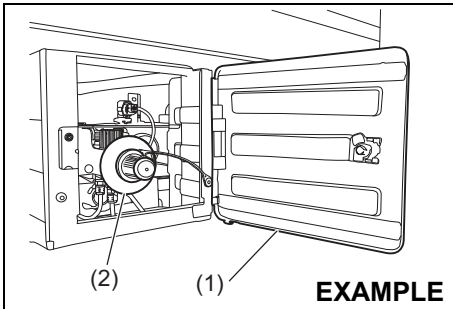
(For Petrol and CNG Engine Model)

CNG filler valve  
(For CNG engine model)



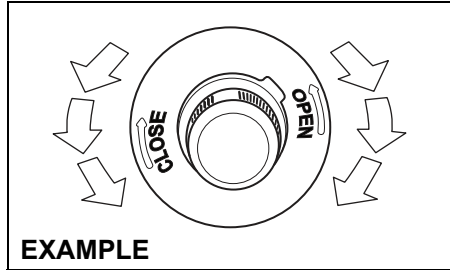
77PM05003

The CNG filler valve is located on the right side of the vehicle.



77PM05001

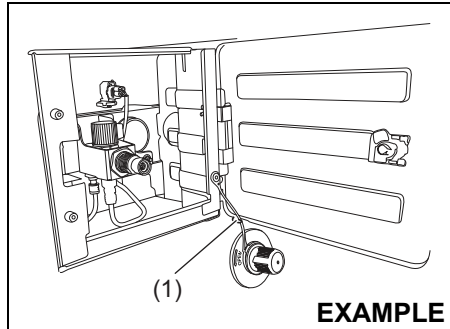
To unlock CNG filler door (1), insert the key and turn top of the key towards front of the vehicle.



77PM05005

To remove the CNG filler valve cover:

- 1) Open the CNG filler door (1).
- 2) Remove the CNG filler valve cover (2) by turning it anticlockwise direction.



77PM05006

**NOTE:**

*If the fuel filler door is equipped with the cap holder (3), then use the cap holder to hold fuel filler cap while refueling.*

Filling automatically gets cut off when the cylinder pressure becomes equal to dispenser pressure.

To reinstall the CNG filler valve cover:

- 1) Turn the CNG filler valve cover (2) clockwise direction until its completely closed.
- 2) Close the CNG filler door (1).

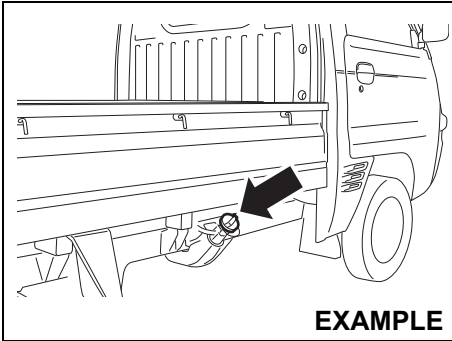
**NOTE:**

- *If the CNG filler cover (2) is not closed properly, you will not be able to start the vehicle.*
- *Engine will stop if the CNG filler cover (2) is opened in vehicle stationary condition.*

**NOTE:**

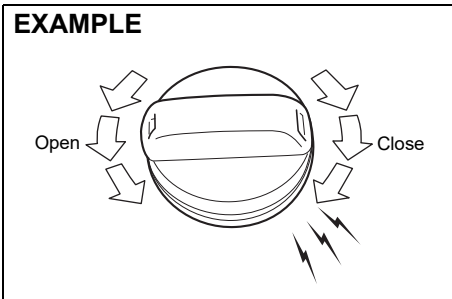
*During vehicle operation gravels may enter the CNG filler box. Remove whenever observed.*

**Petrol filling cap  
(For Petrol engine model)**



77PH031

The fuel filler cap is located on the right side of the vehicle.



68KN048

To remove the fuel filler cap, turn it counterclockwise. To reinstall the fuel filler cap, turn it in clockwise direction until you hear several clicks.

**⚠ CAUTION**

Remove the fuel filler cap slowly. The fuel may be under pressure and may spray out, causing injury.

**⚠ WARNING**

Fuel is extremely flammable. Do not smoke when refueling, and make sure there are no open flames or sparks in the area.

**⚠ WARNING**

If you need to replace the fuel cap, use a MARUTI genuine cap. Use of an improper cap can result in a malfunction of the fuel system or emission control system. It may also result in fuel leakage in the event of an accident.

**⚠ CAUTION**

Remove the fuel filler cap slowly. The fuel may be under pressure and may spray out, causing injury.

**⚠ WARNING**

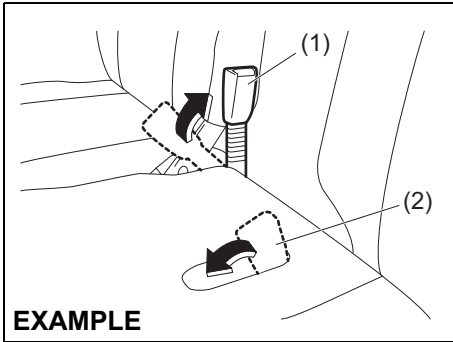
Fuel is extremely flammable. Do not smoke when refueling, and make sure there are no open flames or sparks in the area.

**⚠ WARNING**

If you need to replace the fuel cap, use a MARUTI genuine cap. Use of an improper cap can result in a malfunction of the fuel system or emission control system. It may also result in fuel leakage in the event of an accident.

## OTHER CONTROLS AND EQUIPMENT

### Engine Compartment



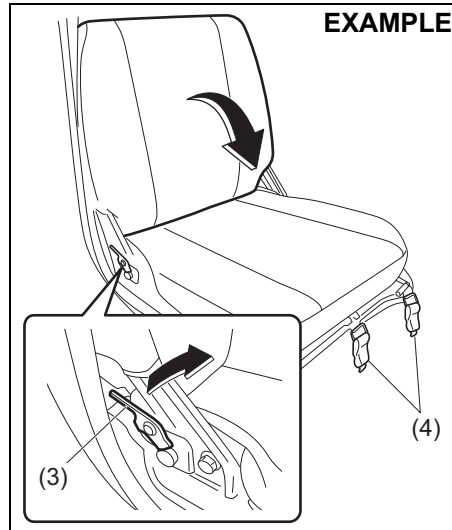
77PH094

To open the engine compartment:

- 1) Raise the driver's seat belt buckle (1) to the seatback position. Store the passenger's seat belt buckle (2).
- 2) For the driver's seat, slide the seat to the most rearward position.

#### **CAUTION**

**When you slide the driver's seat rearward, push the seatback. If you hold the seatback top, your hand could be pinched between the seatback and cabin back panel, may result in personal injury.**



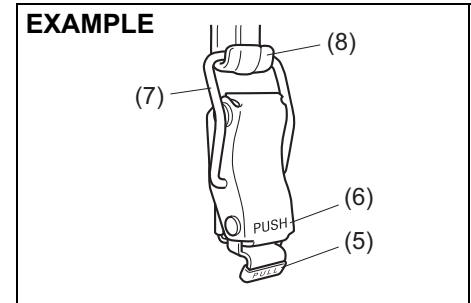
77PH093

- 3) For the driver's seat, pull the lock lever (3) to fold the seatback forward.

#### NOTE:

*The seatback can be folded only upto the position where it comes in contact with the steering wheel.*

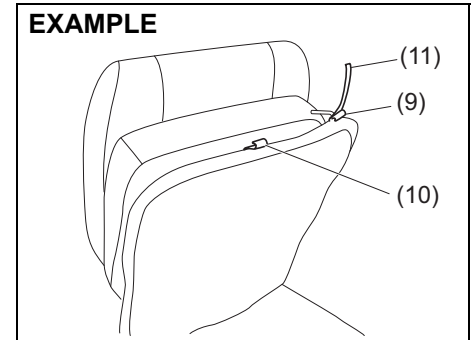
- 4) Unhook the lock handles (4) on the front end of each seat.



77PH081

- To unhook the lock handle, pull the "PULL" part (5) and unhook the ring (7) from the hook (8).
- To lock the lock handle, put the ring (7) on the hook (8) and then push the "PUSH" part (6).

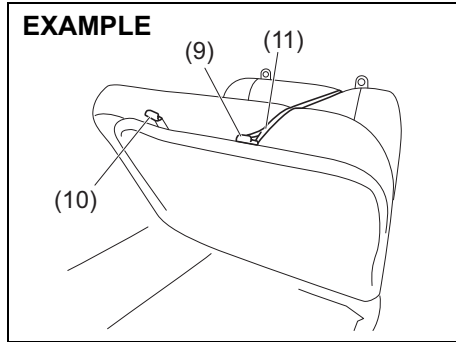
#### Driver side



77PH102



Passenger side



77PH103

NOTE:

The straps (11) are available behind the seatback of passenger seat.

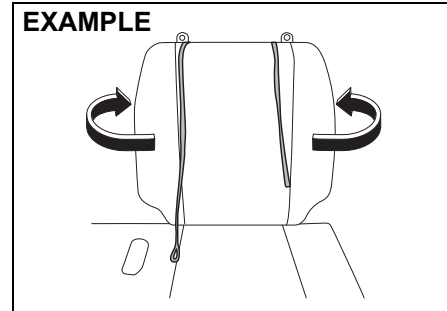
- 5) Raise the seat and hook the strap (11) to the hook (9). The hook (10) is not used for attaching the seat strap.

**NOTICE**

Do not hook the strap to the driver's seat position adjustment lever or do not apply undue force to the seats when being hooked by the straps. Doing so could break the straps, hooks and/or the driver's seat position adjustment lever.

- To close the engine compartment, reverse the steps in which you have opened it.

- After closing, try to move the seats to ensure that they are securely latched.
- Store the straps in space behind the passenger's seat as shown in the illustration.



77PH097

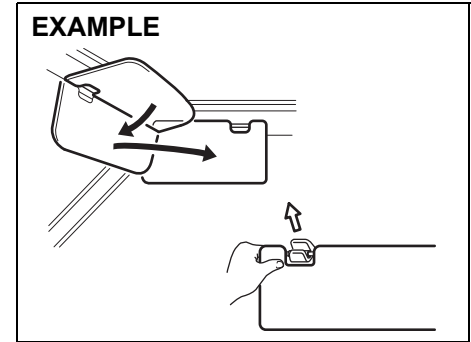
**WARNING**

Store the straps in space behind the passenger's seat. If an occupant's body gets caught by the straps, there is a risk of serious injury such as suffocation. If this happens, cut the straps with scissors.

**CAUTION**

When closing the engine compartment, be careful that the seats do not pinch your hands or the driver's seat belt buckle, or hit your body.

Sun Visor



77PH004

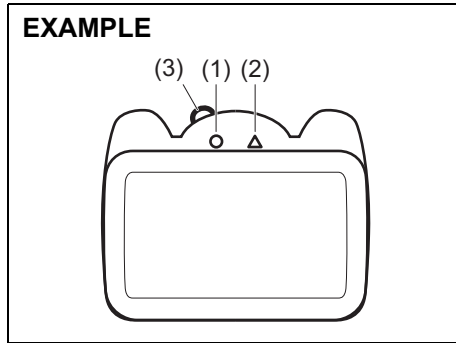
Sun visor is available on the driver side of the vehicle. The sun visor can be pulled down to block the glare coming through the windshield, or they can be unhooked and turned to the side to block the glare coming through the side window.

**NOTICE**

When unhooking and hooking a sun visor, be sure to handle it by side of the sun visor as shown in the figure else sun visor may get damaged.

## OTHER CONTROLS AND EQUIPMENT

### Interior Light



77PH074

This light switch has two positions. These positions can be selected using knob (3). The functions of the two positions are:

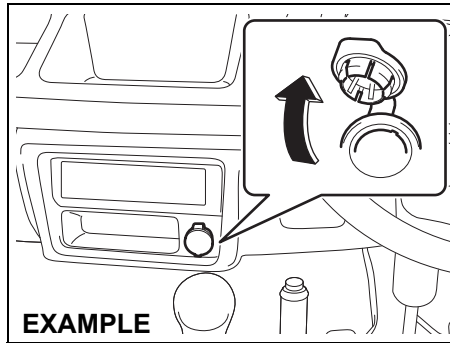
**ON (1)**

The light comes on and stays on.

**OFF (2)**

The light remains off.

### Accessory Socket



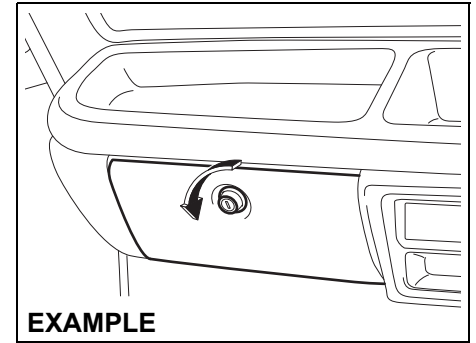
77PH044

The accessory socket will work when the ignition switch is in the “ACC” or “ON” position. This socket can be used to provide 12 volt/120 watt power for electrical accessories.

**NOTICE**

Use of inappropriate electrical accessories can cause damage to your vehicle's electrical system. Make sure that any electrical accessories you use are designed to plug into this type of socket.

### Glove Box



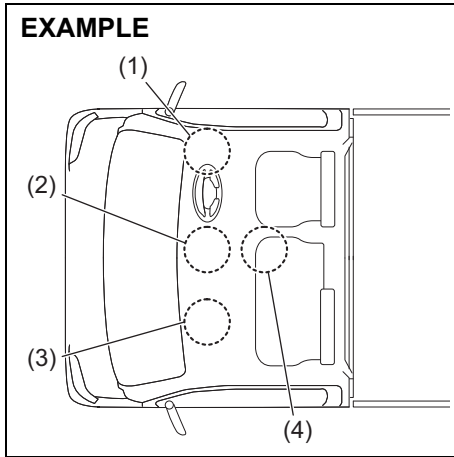
77PH045

To open the glove box, twist the knob counterclockwise. To close it, push the lid until it latches securely. To lock the glove box, insert the key into the knob and turn it clockwise. To unlock the glove box, insert the key into the knob and turn it counterclockwise.

**⚠ WARNING**

Never drive with the glove box lid open. It could cause injury if an accident occurs.

**Storage Area**



77PH104

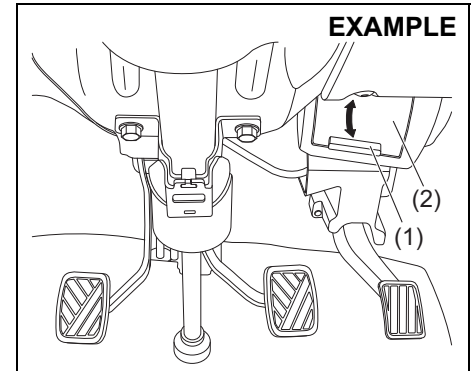
- (1) Instrument panel pocket (driver's side)
- (2) Instrument panel tray (center) / Instrument panel pocket (center)
- (3) Instrument panel tray (passenger's side)
- (4) Center pocket

Instrument Panel Pocket (1)/(2) /  
Instrument Panel Tray (2)/(3) /  
Center Pocket (4)

**⚠ WARNING**

**Do not place any objects which may fall out from the pocket/tray when the vehicle is moving. Failure to take the precaution may result in an object interfering with the pedals and causing a loss of vehicle control or an accident.**

**Air Vent**



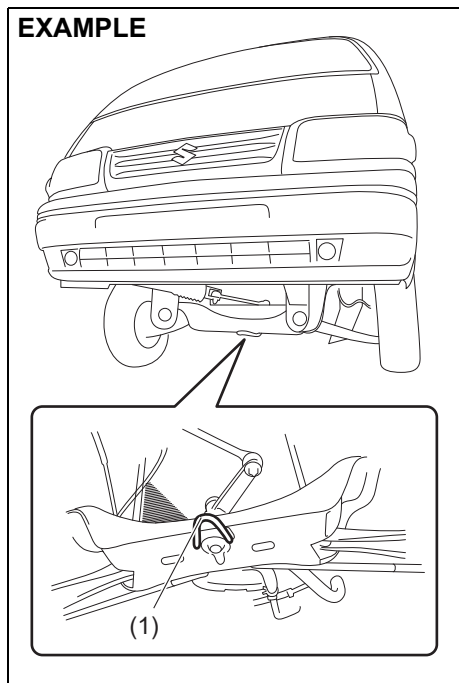
77PM502

Air vents are located on driver side and passenger side of the vehicle. For opening or closing the air vent, move the knob (1) vertically to open or close the flap (2). When "OPEN", fresh air will come inside the cabin.

## OTHER CONTROLS AND EQUIPMENT

### Frame Hook

#### Front



77PH035

The frame hook (1) is provided on the front of the vehicle for use in emergency situations and shipping purposes only.

To tow your vehicle on the road or highway, follow the instruction of "Towing" in "EMERGENCY SERVICE" section.

#### **⚠ WARNING**

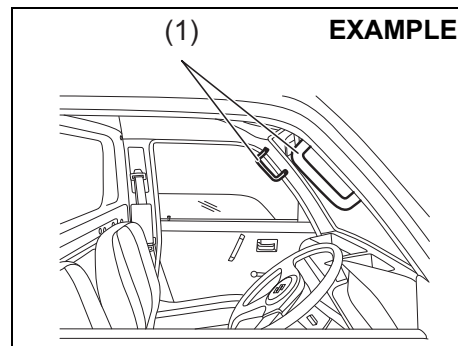
**Do not use the frame hook to tow another vehicle or to have your vehicle towed on the road or highway. The hook (1) is designed for use in emergency situations only, such as if your vehicle or another vehicle gets stuck in deep mud or snow.**

#### **NOTICE**

**When you use the frame hook (1), avoid driving in the manner that may give significant shock to the hook. Such operation can damage the hook, or the vehicle body.**

**Do not accelerate suddenly.**

### Assist Grip



77PM501

Assist grips (1) are available on driver side and passenger side of the vehicle. The assist grips are meant for driver / passenger to get in and get out of the vehicle easily.

# VEHICLE LOADING AND TOWING

Vehicle Loading ..... 6-1  
Trailer Towing ..... 6-1

## VEHICLE LOADING AND TOWING

---

### Vehicle Loading

Your vehicle was designed for specific weight capacities. The weight capacities of your vehicle are indicated by the Gross Vehicle Weight Rating (GVWR) and the Permissible maximum Axle Weight (PAW, front and rear). The GVWR and PAW (front and rear) are listed in the "SPECIFICATIONS" section.

GVWR – Maximum permissible overall weight of the fully loaded vehicle (including all the occupants, accessories and cargo plus the trailer nose weight if towing a trailer).

PAW – (Front and Rear) Maximum permissible weight on an individual axle.

Actual weight of the loaded vehicle and actual loads at the front and rear axles can only be determined by weighing the vehicle. Compare these weights to the GVWR and PAW (front and rear). If the gross vehicle weight or the load on either axle exceeds these ratings, you must remove enough weight to bring the load down to the rated capacity.

#### WARNING

**Never overload your vehicle. The gross vehicle weight (sum of the weights of the vehicle, all the occupants, accessories, cargo plus trailer nose weight if towing a trailer) must never exceed the Gross Vehicle Weight Rating (GVWR). In addition, never distribute a load so that the weight on either the front or rear axle exceeds the Permissible maximum Axle Weight (PAW).**

#### WARNING

**Always distribute cargo evenly. To avoid personal injury or damage to your vehicle, always secure cargo to prevent it from shifting if the vehicle moves suddenly. Place heavier objects on the floor and as far forward in the cargo area as possible. Never pile cargo higher than the top of the seat backs.**

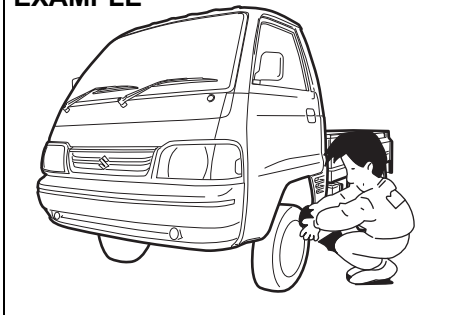
### Trailer Towing

Your vehicle was originally designed to carry one driver, one passenger and a certain amount of cargo, not to tow a trailer. MARUTI does not recommend you to use your vehicle to tow a trailer. Towing a trailer can adversely affect handling, durability, and fuel economy.

## INSPECTION AND MAINTENANCE

Maintenance Schedule .....	7-1
Periodic Maintenance Schedule .....	7-2
Inspection and Maintenance operations to be performed by customer .....	7-6
Drive Belt .....	7-8
Engine Oil and Filter .....	7-8
Engine Coolant .....	7-12
Air Cleaner .....	7-14
Spark Plugs .....	7-14
Gear Oil .....	7-14
Clutch Pedal .....	7-16
Brakes .....	7-16
Steering .....	7-18
Propeller Shaft Universal Joint .....	7-18
Tyres .....	7-19
Battery .....	7-20
Fuses .....	7-21
Bulb Replacement .....	7-24
Wiper Blades .....	7-27
Windshield Washer Fluid (If equipped).....	7-29

### EXAMPLE



77PM07008

### ⚠ WARNING

You should take extreme care when working on your vehicle to prevent accidental injury. Here are a few precautions that you should be especially careful to observe:

- Do not leave the engine running in garages or other confined areas.
- When the engine is running, keep hands, clothing, tools, and other objects away from the fan and drive belt. Even though the fan may not be moving, it can automatically turn on without warning.

(Continued)

### ⚠ WARNING

(Continued)

- When it is necessary to do service work with the engine running, make sure that the parking brake is set fully and the transmission is in Neutral.
- Do not touch ignition wires or other ignition system parts when starting the engine or when the engine is running, or you could receive an electric shock.
- Be careful not to touch a hot engine, exhaust manifold and pipes, muffler, radiator and water hoses.
- Do not allow smoking, sparks, or flames around fuel or the battery. Flammable fumes are present.
- Do not get under your vehicle if it is supported only with the portable jack provided in your vehicle.
- Be careful not to cause accidental short circuits between the positive and negative battery terminals.
- Keep used oil, coolant, and other fluids away from children and pets. Dispose of used fluids properly; never pour them on the ground, into sewers, etc.

## Maintenance Schedule

The following table shows the times when you should perform regular maintenance on your vehicle. This table shows in kilometers and months when you should perform inspections, adjustments, lubrication and other services.

### ⚠ WARNING

MARUTI SUZUKI recommends that maintenance on your vehicle should be performed by your authorised MARUTI SUZUKI COMMERCIAL workshop.

### NOTICE

Whenever it becomes necessary to replace parts on your vehicle, it is recommended that you use MARUTI genuine replacement parts or their equivalent.



## Periodic Maintenance Schedule

**“C”**: Clean

**“R”**: Replace or Change

**“I”**: Inspect, clean, adjust, lubricate or replace as necessary

**“L”**: Lubricate

**“T”**: Tighten to Specified Torque

**“O”**: Rotate

**NOTE:**

*This table includes services as scheduled up to 90,000 km mileage. Beyond 90,000km, carry out the same services at the same intervals respectively.*

## INSPECTION AND MAINTENANCE

Interval: This interval should be judged by odometer reading or months, whichever comes first.		FREE INSPECTION				PERIODIC MAINTENANCE AT COST						
		km (x1000)	5	10	20	30	40	50	60	70	80	90
		months	2	4	8	12	16	20	24	28	32	36
<b>ENGINE</b>												
1-1.	Water pump drive belt (Tension, Wear)		-	I	I	I	I	I	I	I	R	I
1-2.	Engine Coolant SUZUKI LLC: Super (Blue) (#1,2)		First time only:		Replace at 100000 km or 60 months whichever comes first.							
	Engine Coolant SUZUKI LLC: Standard (Yellow) (#1,3)		Second time and after:		Replace every 40000 km or 24 months whichever comes first.							
1-3.	Engine oil, engine oil filter and drain plug gasket (Level, Leakage)		I	R	R	R	R	R	R	R	R	R
1-4.	Cooling system hoses and connections (Leakage and Damage)		I	I	I	I	I	I	I	I	I	I
1-5.	Engine Mounting and Manifold fixing (Loose, Damage)		I	I	I	I	I	I	I	I	I	I
1-6.	Exhaust System (Noise, Leakage etc.)		I	-	I	-	I	-	I	-	I	-
1-7.	Positive Crank Case Ventilation System (Hoses, Connections and Valve)		I	-	I	-	I	-	I	-	I	-
1-8.	Exhaust Gas Recirculation Valve		-	-	-	C	-	-	C	-	-	C
<b>IGNITION</b>												
2-1.	Ignition wire (Damage, Deterioration)		-	-	I	-	I	-	I	-	I	-
2-2.	Spark Plug		Petrol		Replace every 100000 km or 84 months whichever comes first							
			CNG		Replace every 50000 km or 48 months whichever comes first							
<b>FUEL</b>												
3-1.	Air cleaner filter element		Paved-road		Clean every 5000 km. Replace every 40000 km							
			Dusty Condition		Clean every 2500 km. Replace every 40000 km. More frequent replacement if the conditions are severe.							
3-2.	Fuel tank cap, fuel lines and connections (Leakage and Damage)		I	-	-	-	I	-	-	-	I	-
3-3.	Fuel Filter (Leakage)		I	I	I	I	R	I	I	I	R	I

#1: Perform the engine coolant level check under the daily inspection in the "OPERATING YOUR VEHICLE" section.

The same type of coolant that is filled at the time of a brand new car should be used when you add or replace the coolant. Refer to "Engine coolant" in this section.

#2: Do not add SUZUKI LLC: Standard (Yellow) Coolant or distilled water or others when your vehicle is originally filled with SUZUKI LLC: Super (Blue) Coolant.

#3: When your vehicle is originally filled with SUZUKI LLC: Standard (Yellow) Coolant, follow the maintenance schedule of SUZUKI LLC: Standard (Yellow) Coolant.

## INSPECTION AND MAINTENANCE

Interval: This interval should be judged by odometer reading or months, whichever comes first.		FREE INSPECTION				PERIODIC MAINTENANCE AT COST						
		km (x1000)	5	10	20	30	40	50	60	70	80	90
		months	2	4	8	12	16	20	24	28	32	36
3-4.	CNG fuel line joints (Gas leakage)											
3-5.	CNG low pressure filter cartridge with O-Ring	-	-	R	-	R	-	R	-	R	-	
3-6.	CNG cylinder leak testing and certification	Every 3 years from the date of initial testing by govt. approved testing agency										
3-7.	CNG filler receptacle O-Ring	Replace every 4 years or 300000 km whichever comes earlier										
<b>CLUTCH AND TRANSMISSION</b>												
4-1.	Clutch Pedal (Play)											
4-2.	Clutch slipping (Dragging or Excess Damage)											
4-3.	Gear shifter (Operation)											
4-4.	Manual Transmission Oil (Level, Leakage)											
4-5.	Rear Differential Oil (Level, Leakage)	Replace at 80000 km or 4 years whichever comes first										
4-6.	Propeller shaft / Universal joint (Loose, Damage)		I&L	I&L	I&L	I&L	I&L	I&L	I&L	I&L	I&L	
<b>BRAKE</b>												
5-1.	Brake Fluid (Level, Leakage)	Replace every 40000 km or 24 months whichever comes first										
5-2.	Brake pedal (Pedal - Front Panel Clearance)											
5-3.	Parking brake lever and cable (Play, Damage)											
5-4.	Brake disc and pad (Wear)											
5-5.	Brake drum and shoes (Wear)	-										
5-6.	Master cylinder, wheel cylinder and caliper piston (Fluid Leakage, Boot/Seal Damage)											
5-7.	Brake hoses and pipes (Leakage, Damage)											
<b>WHEEL</b>												
6-1.	Tyres (Air pressure, Abnormal wear, Crack and Rotation)	I&O	I&O	I&O	I&O	I&O	I&O	I&O	I&O	I&O	I&O	
6-2.	Wheels (Damage)											
6-3.	Front/Rear wheel bearing (Loose, Damage)											

## INSPECTION AND MAINTENANCE

Interval: This interval should be judged by odometer reading or months, whichever comes first.		FREE INSPECTION				PERIODIC MAINTENANCE AT COST						
		km (x1000)	5	10	20	30	40	50	60	70	80	90
		months	2	4	8	12	16	20	24	28	32	36
<b>FRONT / REAR SUSPENSION</b>												
7-1.	Front suspension strut and shock absorber (Oil leakage, Damage)											
7-2.	Front suspension arms, Knuckle support and Tension rods (Loose, Damage)											
7-3.	Rear leaf spring (Damage)											
7-4.	Rear shock absorber (Oil leakage, Damage)											
7-5.	All bolts and nuts (Loose)	T	T	T	T	T	T	T	T	T	T	
<b>STEERING</b>												
8-1.	Steering wheel (Play, Loose)											
8-2.	Steering column rods and arms (Loose, Damage, Wear)											
<b>ELECTRICAL</b>												
9-1.	Battery - Electrolyte (Level, Leakage) and voltage											
9-2.	Wiring harness connection (Loose, Damage)											
9-3.	Lighting system (Operation)											
9-4.	Wiper (Operation, Stains, Damage)											
9-5.	Horn (Operation)											
9-6.	Accessory socket (Operation)											
<b>BODY</b>												
10-1.	All chassis bolts and nuts (Tighten)		T	T	T	T	T	T	T	T	T	
10-2.	All latches, hinges and locks (Function)	I&L	I&L	I&L	I&L	I&L	I&L	I&L	I&L	I&L	I&L	
10-3.	Cargo bed (Inspect)											
<b>ROAD TEST</b>												
11-1.	Operation of brakes, clutch, gear shifting and speedometer											
11-2.	Body and chassis noise											

### Inspection & Maintenance operations to be performed by customer

The following table shows the inspection & maintenance operations that you can perform.  
This table shows the frequency when you should perform inspection, greasing, lubrication & other services.

FREQUENCY	SR.NO.	OPERATION	REFERENCE	
Daily	1	Inspect all tyres (including spare wheel) for air pressure, abnormal wear, cracks and damage.	Page No. 7-19	
Weekly	2	Inspect engine oil level, if necessary, top up with Maruti Genuine Engine oil.	Page No. 7-9	
	3	Inspect coolant level in coolant reservoir and if necessary, top up with a mixture of recommended Maruti Genuine Coolant and distilled water in specified ratio.	Page No. 7-12	
	4	Inspect transmission oil level and differential oil level.	Page No. 7-15	
	5	Inspect brake fluid level in brake fluid reservoir and if necessary, top up with Maruti Genuine Brake Fluid.	Page No. 7-16	
	6	Inspect vehicle for <ul style="list-style-type: none"> <li>• Engine oil leakage</li> <li>• Coolant leakage</li> <li>• Brake fluid leakage</li> </ul>	<ul style="list-style-type: none"> <li>• Front suspension strut leakage</li> <li>• Rear shock absorber leakage</li> <li>• Fuel leakage</li> <li>• Transmission oil and differential oil leakage</li> </ul>	Inspection & maintenance Section
	7	Inspect battery electrolyte level, terminals and bracket.	Page No. 7-20	
	8	Inspect wheel mounting nuts and tighten if necessary.	Page No. 8-5	

## INSPECTION AND MAINTENANCE

---

Monthly	9	Inspect drive belt for damage or deterioration.	Page No. 7-8
	10	Clean air filter element.	Page No. 7-13
	11	Grease all latches, hinges and locks using multi purpose grease.	Page No. 7-5
	12	Grease propeller shaft universal joint with grease gun.	Page No. 7-18
As and when required	13	Inspect clutch pedal play.	Page No. 7-16
	14	Inspect the brake pedal to floor panel distance by applying the brakes, when engine is running.	Page No. 7-17
	15	Inspect parking brake for proper adjustment.	Page No. 7-18

**\* Inspect and/or adjust wheel alignment and balancing if the vehicle pulls to one side or vibrates at high speed.**

**Drive Belt**

**⚠ WARNING**

**When the engine is running, keep hands, hair, clothing, tools, etc. away from the moving fan and drive belts.**

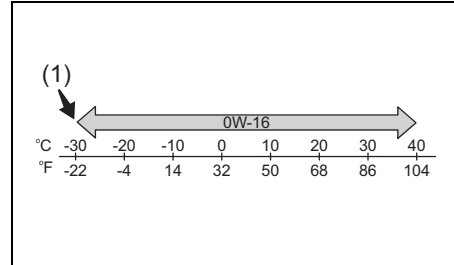
Make sure the drive belt tension is correct. If the belt is too loose, insufficient battery charging, engine overheating, or excessive belt wear can result.

The belts should also be examined to ensure that they are not damaged.

If you need to replace or adjust the belt have it done by your Maruti Suzuki authorised workshop.

**Engine Oil and Filter Specified Oil**

**For India**



56RM07013

(1) Recommended

Check that the engine oil you use comes under the quality classification of API SN. Select the appropriate oil viscosity according to the above chart

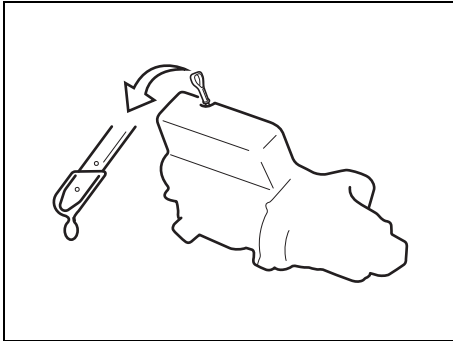
SAE 0W-16 (1) is the best choice for good fuel economy and good startability in cold weather.

**NOTE:**

- The replacement timing varies with the type of engine oil that you choose. Refer to "Maintenance schedule" in this section for corresponding maintenance schedule.
- We recommend that you use MARUTI SUZUKI genuine oil. To purchase it, see a Maruti Suzuki authorised workshop.

## INSPECTION AND MAINTENANCE

### Oil Level Check



55RH07002

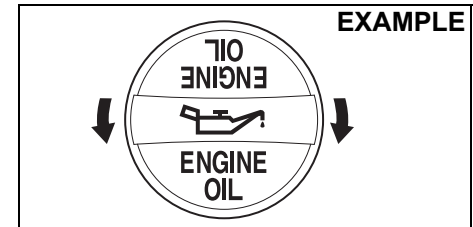
It is important to keep the engine oil at the correct level for proper lubrication of your vehicle's engine. Check the oil level with the vehicle on a level surface. The oil level indication may be inaccurate if the vehicle is on a slope. The oil level should be checked either before starting the engine or at least 5 minutes after stopping the engine.

Pull out the oil dipstick, wipe the oil off with a clean cloth, insert the dipstick all the way into the engine, and then remove it again. The oil on the stick should be between the upper and lower limits shown on the stick. If the oil level indication is near the lower limit, add enough oil to raise the level to the upper limit.

### NOTICE

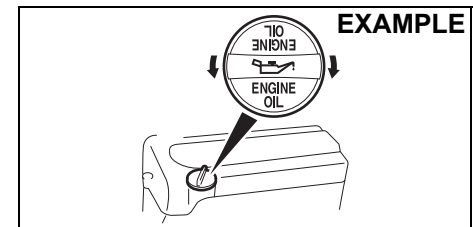
Failure to check the oil level regularly could lead to serious engine trouble due to insufficient oil.

### Refilling



68PH00762

Remove the oil filler cap and pour oil slowly through the filler hole to bring the oil level to the upper limit on the dipstick. Be careful not to overfill. Too much oil is almost as bad as too little oil. After refilling, start the engine and allow it to idle for about a minute. Stop the engine, wait about 5 minutes and check the oil level again.



68PM00703



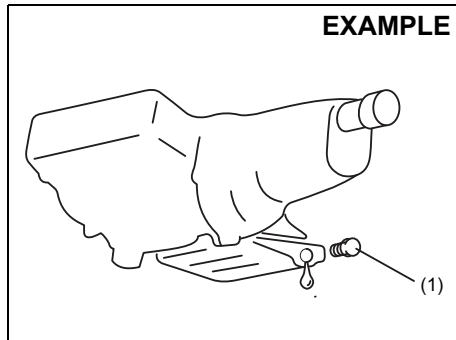
### Changing Engine Oil and Filter

Drain the engine oil while the engine is still warm.

- 1) Remove the oil filler cap.
- 2) Place a drain pan under the drain plug.
- 3) Using a wrench, remove the drain plug and drain out the engine oil.

**⚠ CAUTION**

The engine oil temperature may be high enough to burn your fingers when the drain plug is loosened. Wait until the drain plug is cool enough to touch with your bare hands.



77PM07007

**Tightening torque for drain plug (1):  
50 Nm (5.1 kg-m, 36.9 lb-ft)**

**⚠ WARNING**

**New and used oil can be hazardous. Children and pets may be harmed by swallowing new or used oil. Keep new and used oil and used oil filters away from children and pets.**

**Repeated, prolonged contact with used engine oil may cause skin cancer.**

**Brief contact with used oil may irritate skin.**

**To minimize your exposure to used oil, wear a long-sleeve shirt and moisture-proof gloves (such as dishwashing gloves) when changing oil. If oil contacts your skin, wash thoroughly with soap and water.**

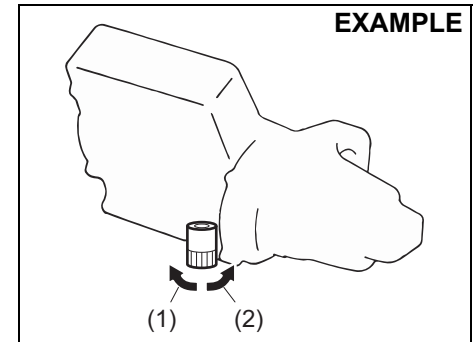
**Launder any clothing or rags if wet with oil.**

**Recycle or properly dispose of used oil and filters.**

- 4) Reinstall the drain plug and gasket. Tighten the plug with a wrench to the specified torque.

### Replace the Oil Filter

- 1) Using an oil filter wrench, turn the oil filter counterclockwise and remove it.
- 2) Using a clean rag, wipe off the mounting surface on the engine where the new filter will be seated.
- 3) Smear a little engine oil around the rubber gasket of the new oil filter.
- 4) Screw on the new filter by hand until the filter gasket contacts the mounting surface.

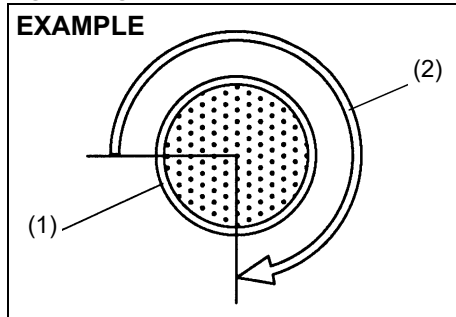


77PH017

- (1) Loosen
- (2) Tighten

## INSPECTION AND MAINTENANCE

### Tightening (viewed from filter top)



- (1) Oil filter  
(2) 3/4 turn

#### **NOTICE**

**To tighten the oil filter properly, it is important to accurately identify the position at which the filter gasket first contacts the mounting surface.**

- 5) Tighten the filter specified turn from the point of contact with the mounting surface (or to the specified torque) using an oil filter wrench.

**Tightening torque for oil filter**  
**3/4 turn or**  
**14 Nm (1.4 kgf-m, 10.3 lbf-ft)**

#### **NOTICE**

**To prevent oil leakage, make sure that the oil filter is tight, but do not over-tighten it.**

#### **Refill with Oil and Check for Leaks**

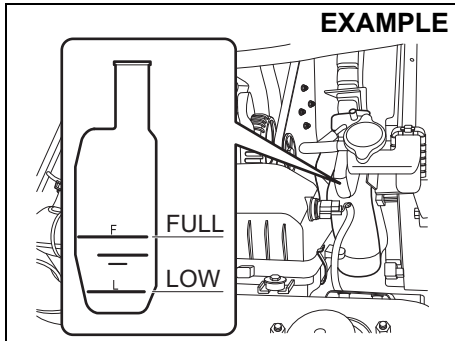
- 1) Pour oil through the filler hole and install the filler cap.  
For the approximate capacity of the oil, refer to the "CAPACITIES" item in the "SPECIFICATIONS" section.
- 2) Start the engine and look carefully for leaks at the oil filter and drain plug. Run the engine at various speeds for at least 5 minutes.
- 3) Stop the engine and wait about 5 minutes. Check the oil level again and add oil if necessary. Check for leaks again.

#### **NOTICE**

- When replacing the oil filter, it is recommended that you use a MARUTI genuine filter. If you use an after market filter, make sure it is of equivalent quality and follow the manufacturer's instructions.
- Oil leaks from around the oil filter or drain plug indicate incorrect installation or gasket damage. If you find any leaks or are not sure that the filter has been properly tightened, have the vehicle inspected by your authorised MARUTI SUZUKI COMMERCIAL workshop.

## Engine Coolant

### Coolant Level Check



77PM07010

Check the coolant level at the reservoir tank, not at the radiator. With the engine cool, the coolant level should be between "FULL" and "LOW" marks. If the coolant level is below "LOW" mark, coolant should be added.

### Coolant addition and replacement

When you add the coolant, remove the reservoir tank cap and add coolant until the reservoir tank level reaches "FULL" mark while the engine is cool. Never fill the reservoir tank above "FULL" mark.

Since special procedures are required for coolant replacement, ask a Maruti Suzuki authorised workshop for this job.

### ⚠ WARNING

**Swallowing engine coolant can cause severe injury or death. Inhaling coolant mist or vapors or getting coolant in your eyes could result in severe injury.**

- **Do not drink antifreeze or coolant solution. If swallowed, do not induce vomiting. Immediately contact a poison control center or a physician.**
- **Avoid inhaling coolant mist or hot vapors. If inhaled, remove to a fresh air area.**
- **If coolant gets in the eyes, flush with water and seek medical attention.**
- **Wash thoroughly after handling coolant.**
- **Keep engine coolant out of the reach of children and pets.**

### NOTICE

**When putting the cap on the reservoir tank, line up the mark on the cap and the mark on the tank. Failure to follow this can result in coolant leakage.**

### Selection of coolant

To maintain optimum performance and durability of your engine, use MARUTI SUZUKI genuine coolant or equivalent.

This type of coolant is the best for cooling system for the following reasons:

- The coolant helps maintain proper engine temperature.
- It gives proper protection against freezing and boiling.
- It gives proper protection against corrosion and rust.

Failure to use the proper coolant can damage your cooling system. A Maruti Suzuki authorised workshop can help you select the proper coolant.

### NOTICE

**To avoid damaging your cooling system:**

- **Always use a high quality ethylene glycol base non-silicate type coolant diluted with distilled water at the correct mixture concentration.**
- **Do not add extra inhibitors or additives. They may not be compatible with your cooling system.**
- **Do not mix different types of base coolants. Doing so may result in accelerated seal wear and/or the possibility of severe overheating and extensive engine/transmission damage. In case of coolant mix-up**

(Continued)

## INSPECTION AND MAINTENANCE

### NOTICE

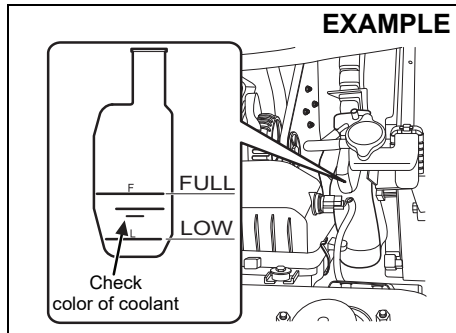
(Continued)

**have your vehicle inspected by a Maruti Suzuki authorised workshop.**

#### NOTE:

Maruti Suzuki highly recommends the use of Maruti Suzuki genuine coolant. Maruti Suzuki genuine coolant has been specially formulated for your Maruti Suzuki product and contributes to the desired vehicle performance and ideal driving experience.

Depending on the production period of your vehicle, the coolant type filled at the time of a brand new car differs. There are two coolant types, SUZUKI LLC: Super (Blue) Coolant and SUZUKI LLC: Standard (Yellow) Coolant. You can check the original coolant type in your vehicle by the color of the coolant in the reservoir tank (Refer below figure).



77PM07033

Coolant Color	Coolant Type
Blue	Suzuki LLC : Super
Yellow	Suzuki LLC : Standard

#### NOTE:

The same type of coolant that is filled at the time of a brand new car should be used when you add or replace the coolant.

#### SUZUKI LLC: Super (Blue) Coolant:

### NOTICE

- This coolant is already diluted to the proper percentage. Do not dilute with distilled water additionally. Doing so may result in the possibility of freezing and/or overheating coolant.
- Do not add SUZUKI LLC: Standard (Yellow) Coolant or distilled water or others when your vehicle is originally filled with SUZUKI LLC: Super (Blue) Coolant. If such a case occurs, then get the vehicle inspected by a Maruti Suzuki authorised workshop.

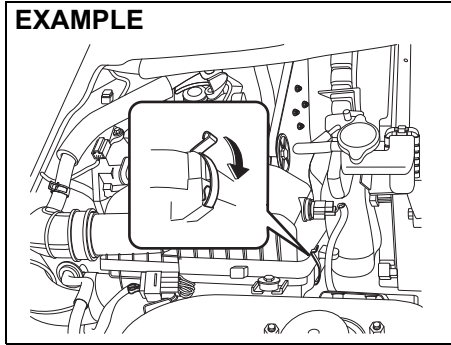
#### SUZUKI LLC: Standard (Yellow) Coolant:

### NOTICE

- The concentration of the mixture to be used shall be 30% antifreeze and 70% distilled water. Do not use straight coolant nor plain water.
- If the lowest ambient temperature in your area is expected to be  $-15^{\circ}\text{C}$  ( $5^{\circ}\text{F}$ ) or below, use higher concentrations up to 60% following the instructions on the antifreeze container. Concentrations greater than 60% will cause overheating conditions.
- When your vehicle is originally filled with SUZUKI LLC: Standard (Yellow) Coolant, follow the maintenance schedule of SUZUKI LLC: Standard (Yellow) Coolant in this section. In case you replace with Suzuki LLC: Super (Blue) Coolant, then get the vehicle inspected by a Maruti Suzuki authorised workshop.

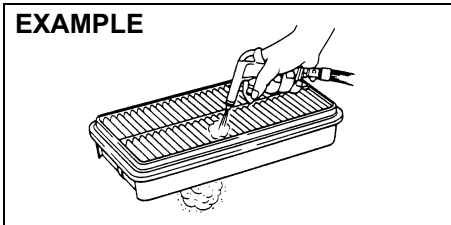
**Air Cleaner**

If the air cleaner is clogged with dust, there will be greater intake resistance, resulting in decreased power output and increased fuel consumption.



77PM07011

Unclamp the side clamps, and remove the element from the air cleaner case.



60A183

If it appears to be dirty, clean or replace the air cleaner with a new one as per periodic maintenance schedule.

**Spark Plugs**

**Replacing and inspection of spark plugs**

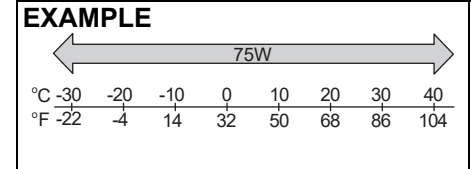
Since special procedures, materials and tools are required, it is recommended that you trust this job to your Maruti Suzuki authorised workshop.

**Gear Oil**

**Manual Transmission Oil/ Differential Oil**

When adding gear oil, use gear oil with the appropriate viscosity and grade as shown in the chart below.

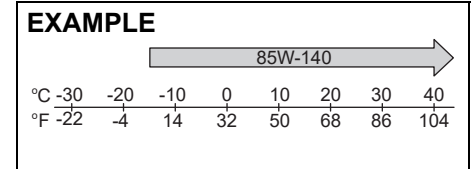
**Manual transmission oil**



68LM728

We highly recommend you use: "MARUTI GENUINE GEAR OIL **75W**" for manual transmission gear oil.

**Rear differential oil**



77PH075

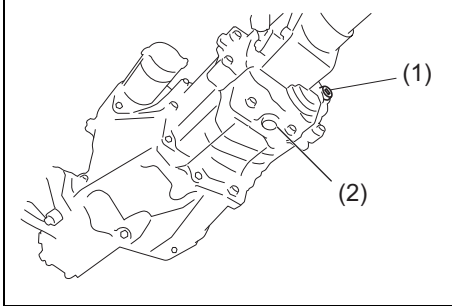
We highly recommend you use: "TOTALFINAELF TRANSELF LL **85W-140**" for rear differential oil.

## INSPECTION AND MAINTENANCE

### Gear Oil Level Check

#### Manual transmission

##### EXAMPLE



77PH078

To check the gear oil level, use the following procedure:

- 1) Park the vehicle on a level surface with the parking brake applied. Then, stop the engine.
- 2) Remove the oil filler and level plug (1).
- 3) Check the inside of the hole with your finger. If the oil level comes up to the bottom of the plug hole, the oil level is correct. If so, reinstall the plug.
- 4) If the oil level is low, add gear oil through the oil filler plug hole (1) until the oil level reaches the bottom of the filler hole, then reinstall the plug.

#### Tightening torque for oil filler and level plug

- Manual transmission (1):**  
23 Nm (2.3 kgf-m, 17.0 lbf-ft)  
**Rear differential (1):**  
25 Nm (2.5 kgf-m, 18.5 lbf-ft)

#### NOTE:

*For Rear differential always use a new oil filler and level plug (1).*

#### ▲ CAUTION

**After driving the vehicle, the gear oil temperature may be high enough to burn your skin. Wait until the oil filler plug is cool enough to touch with your bare hands before inspecting gear oil level.**

#### NOTICE

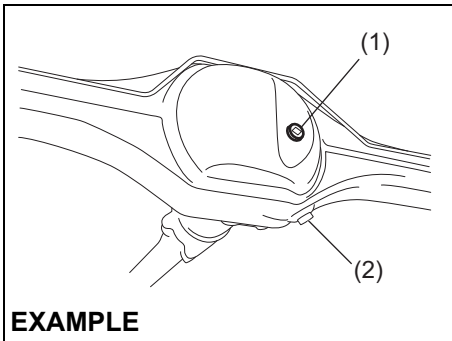
**When tightening the plug, apply the following sealing compound or equivalent to the plug threads to prevent oil leakage.**

**MARUTI SUZUKI Bond No. "1216E" or "1217G"**

#### Gear Oil Change

Since special procedures, materials and tools are required, it is recommended that you trust this job to your authorised MARUTI SUZUKI COMMERCIAL workshop.

#### Rear differential

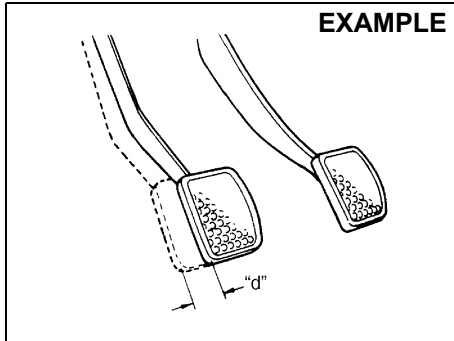


77PH047

1. Oil filler and level plug (Do not reuse).
2. Oil drain plug.

## Clutch Pedal

### Cable control clutch



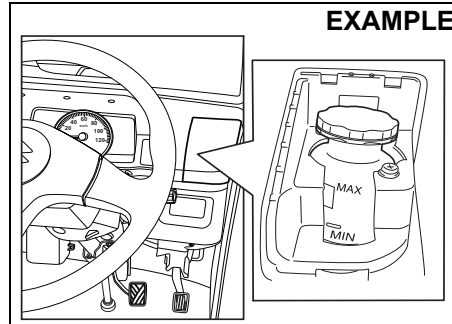
54G274

#### Clutch pedal play "d": 10 - 15 mm (0.4 - 0.6 in.)

Measure the clutch pedal play by moving the clutch pedal with your hand and measuring the distance it moves until you feel slight resistance. The play in the clutch pedal should be between the specified values. If the play is more or less than the above, or clutch dragging is felt with the pedal fully depressed, have the clutch inspected by your authorised MARUTI SUZUKI COMMERCIAL workshop.

## Brakes

### Brake Fluid



77PM706

Check the brake fluid level by looking at the reservoir in the instrument panel. Remove the cover on right hand side of steering wheel to check the brake fluid reservoir level. Check that the fluid level is between the "MAX" and "MIN" lines. If the brake fluid level is near the "MIN" line, fill it up to the "MAX" line with Maruti Genuine Brake Fluid (MGBF) or DOT 3. We highly recommend to use "Maruti Genuine Brake Fluid" (MGBF).

### ⚠ WARNING

Failure to follow the guidelines below can result in personal injury or serious damage to the brake system.

- If the brake fluid in the reservoir drops below a certain level, the brake warning light on the instrument panel will come 'ON' (the engine must be running with the parking brake fully disengaged). Should the light come on, immediately ask your authorised MARUTI SUZUKI COMMERCIAL workshop to inspect the brake system.
- A rapid fluid loss indicates a leak in the brake system which should be inspected by your authorised MARUTI SUZUKI COMMERCIAL workshop immediately.
- Do not use any fluid other than Maruti Genuine Brake Fluid (MGBF) or DOT 3. We highly recommend to use Maruti Genuine Brake Fluid (MGBF). Do not use reclaimed fluid or fluid that has been stored in old or open containers. It is essential that foreign particles and other liquids are kept out of the brake fluid reservoir.

### ⚠ CAUTION

Brake fluid can harm your eyes and damage painted surfaces. Use caution when refilling the reservoir.

## INSPECTION AND MAINTENANCE

### ⚠ WARNING

- In case vehicle is driven in overloaded condition, the braking distance may be longer and higher pedal force may be required.

### ⚠ WARNING

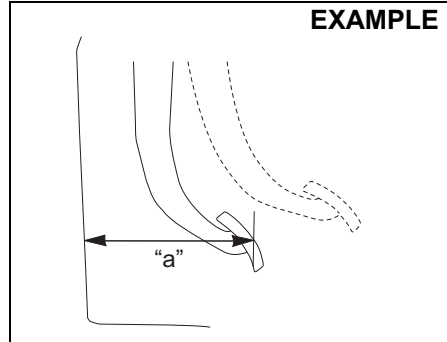
Brake fluid is harmful or fatal if swallowed, and harmful if it comes in contact with skin or eyes. If swallowed, do not induce vomiting. Immediately contact a poison control center or a physician. If brake fluid gets in eyes, flush eyes with water and seek medical attention. Wash thoroughly after handling. Solution can be poisonous to animals. Keep out of the reach of children and animals.

#### NOTE:

With disc brakes, the fluid level can be expected to gradually fall as the brake pads wear.

#### Brake Pedal

Check if the brake pedal stops at the regular height without spongy feeling when you depress it. If not, have the brake system inspected by your authorised MARUTI SUZUKI COMMERCIAL workshop. If you doubt the brake pedal for the regular height, check it as follows:



54G108S

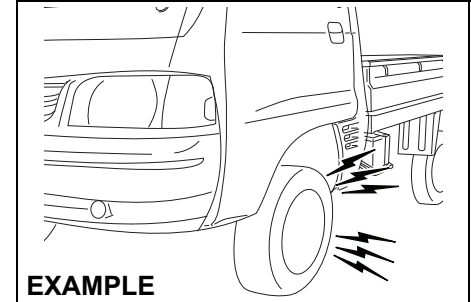
**Pedal to Front Panel minimum distance "a":  
Petrol and CNG Engine Model:  
157 mm**

With the engine running, measure the distance between the brake pedal and front panel when the pedal is depressed with approximately 30 kg (66 lbs) of force. The minimum distance required is as specified. Since your vehicle's brake system is self-adjusting, there is no need for pedal adjustment.

If the pedal to front panel distance as measured above is less than the minimum distance required, have your vehicle inspected by your authorised MARUTI SUZUKI COMMERCIAL workshop.

#### NOTE:

When measuring the distance between the brake pedal and front panel, be sure not to include the floor mat or rubber on the front panel in your measurement.



77PM07013

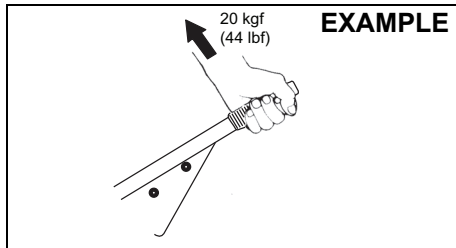
### ⚠ WARNING

If you experience any of the following problems with your vehicle's brake system, have the vehicle inspected immediately by your authorised MARUTI SUZUKI COMMERCIAL workshop.

- Poor braking performance
- Uneven braking (brakes not working uniformly on all wheels)
- Excessive pedal travel
- Brake dragging
- Excessive noise
- Pedal pulsation (pedal pulsates when depressed)



## Parking Brake



77PM702

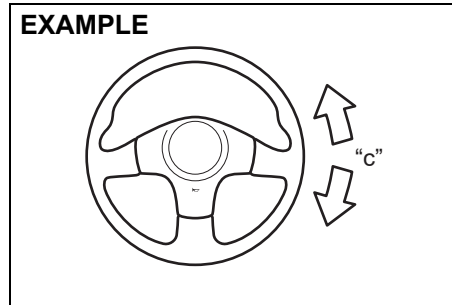
**Ratchet tooth specification**  
**6th – 9th teeth**  
**Lever pull force (1):**  
**200 N (20 kgf, 44 lbf)**

Check the parking brake for proper adjustment by counting the number of clicks made by the ratchet teeth as you slowly pull up on the parking brake lever to the point of full engagement. The parking brake lever should stop between the specified ratchet teeth and the rear wheels should be securely locked. If the parking brake is not properly adjusted or the brakes drag after the lever has been fully released, have the parking brake inspected and/or adjusted by your authorised MARUTI SUZUKI COMMERCIAL workshop.

### **⚠ WARNING**

- **Parking Brake may not be effective in case vehicle is over-loaded. Use additional chocks to hold the vehicle.**

## Steering



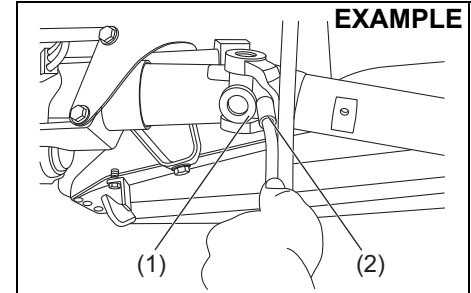
77PH042

**Steering wheel play "c":**  
**0 – 30 mm (0.0 – 1.2 in.)**

Check the play of the steering wheel by gently turning it from left to right and right to left, with wheels in straight ahead position and engine in OFF condition. Measure the distance that the steering moves before you feel slight resistance. The play should be between the specified values. Check that the steering wheel turns easily and smoothly without rattling by turning it all the way to the right and to the left while driving very slowly in an open area. If the amount of free play is outside the specification or you find anything else to be wrong, an inspection must be performed by your authorised MARUTI SUZUKI COMMERCIAL workshop.

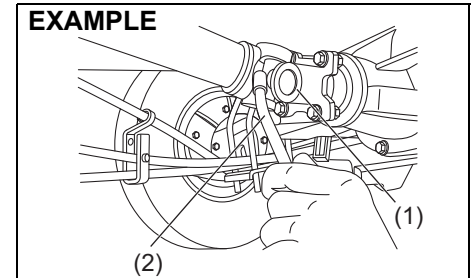
## Propeller Shaft Universal Joint

### Front



77PM703

### Rear



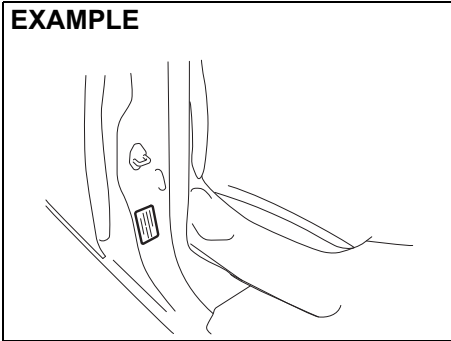
77PM704

Lubricate propeller shaft universal joint (1) (front & rear) as per the service schedule.

To lubricate the propeller shaft universal joint you should use grease gun (2) and specified grease NLGI GRADE 2.

## Tyres

### EXAMPLE



77PM705

The front and rear tyre pressure specifications for your vehicle are listed on the Tyre Information Label. Both the front and rear tyres should have the specified tyre pressure.

Note that the value does not apply to the compact spare tyre, if equipped.

### Tyre Inspection

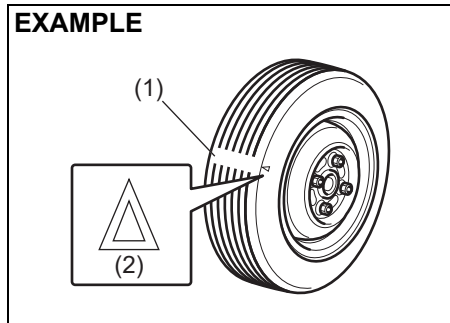
Inspect your vehicle's tyres at least once a month by performing the following checks:

- 1) Measure the air pressure with a tyre pressure gauge. Adjust the pressure if necessary. Remember to check the spare tyre, too.

### ⚠ WARNING

- Air pressures should be checked when the tyres are cold or you may get inaccurate readings.
- Check the inflation pressure from time to time while inflating the tyre gradually, until the specified pressure is obtained.
- Never under-inflate or over inflate the tyres.
- Under inflation can cause unusual handling characteristics or can cause the rim to slip on the tyre bead, resulting in an accident or damage to the tyre or rim.
- Overinflation can cause the tyre to burst, resulting in personal injury. Overinflation can also cause unusual handling characteristics which may result in an accident.

### EXAMPLE



52KM110

- (1) Tread wear indicator
- (2) Indicator location mark

- 2) Check that the depth of the tread groove is more than 1.6 mm (0.06 in.). To help you check this, the tyres have molded-in tread wear indicators in the grooves. When the indicators appear on the tread surface, the remaining depth of the tread is 1.6 mm (0.06 in.) or less and the tyre should be replaced.
- 3) Check for abnormal wear, cracks and damage. Any tyres with cracks or other damage should be replaced. If any tyres show abnormal wear, have them inspected by your authorised MARUTI SUZUKI COMMERCIAL workshop.

### ⚠ CAUTION

Hitting curbs and running over rocks can damage tyres and affect wheel alignment. Be sure to have tyres and wheel alignment checked periodically by your authorised MARUTI SUZUKI COMMERCIAL workshop.

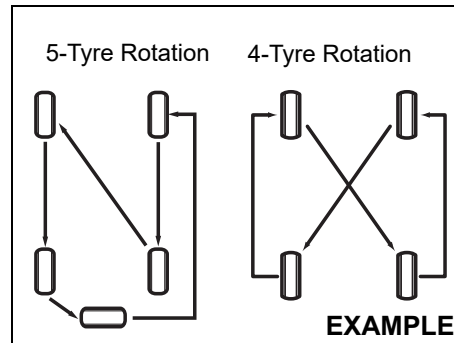
- 4) Check for loose wheel nuts.
- 5) Check that there are no nails, stones or other objects sticking into the tyres.

**⚠ WARNING**

- Your Vehicle is equipped with tyres which are all the same type and size. This is important to ensure proper steering and handling of the vehicle. Never mix tyres of different size or type on the four wheels of your vehicle. The size and type of tyres used should be only those approved by MARUTI SUZUKI as standard or optional equipment for your vehicle.
- Replacing the wheels and tyres equipped on your vehicle with certain combinations of aftermarket wheels and tyres can significantly change the steering and handling characteristics of your vehicle.
- Therefore, use only those wheel and tyre combinations approved by MARUTI SUZUKI as standard or optional equipment for your vehicle.

**NOTICE**

Replacing the original tyres with tyres of a different size may result in incorrect speedometer or odometer readings. Check with your authorised MARUTI SUZUKI COMMERCIAL workshop before purchasing replacement tyres that differ in size from the original tyres.

**Tyre Rotation**

80JK7001

To avoid uneven wear of your tyres and to prolong their life, rotate the tyres as illustrated. Tyres should be rotated every 10000 km. After rotation, adjust front and rear tyre pressures to the specification listed on your vehicle's Tyre Information Label.

**Wheel Balancing**

If the vehicle vibrates abnormally on smooth road, have the wheel balanced at authorised MARUTI SUZUKI COMMERCIAL workshop.

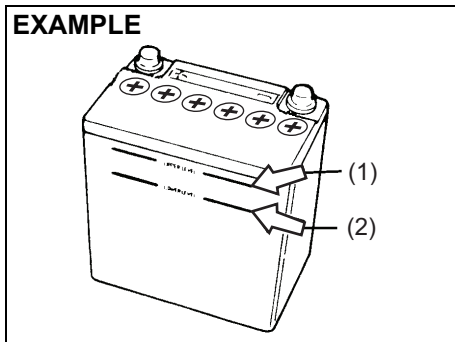
**Wheel Alignment**

In case of abnormal tyre wear or pulling towards one side, have the wheel aligned at authorised MARUTI SUZUKI COMMERCIAL workshop.

**Battery****⚠ WARNING**

- Batteries produce flammable hydrogen gas. Keep flames and sparks away from the battery or an explosion may occur. Never smoke when working in the vicinity of the battery.
- When checking or servicing the battery, disconnect the negative cable. Be careful not to cause a short circuit by allowing metal objects to contact the battery posts and the vehicle at the same time.
- To avoid harm to yourself or damage to your vehicle or battery, follow the jump starting instructions in the "EMERGENCY SERVICE" section of this manual if it is necessary to jump start your vehicle.

### EXAMPLE



54GM701

For maintenance-free battery (cap-less type), you need not add water. For traditional type battery, which has water filler caps, the level of the battery solution must be kept between the upper level line (1) and lower level line (2) at all times. You should periodically check the battery, case battery terminals, and battery hold-down bracket for damage or corrosion. Remove corrosion using a stiff brush and ammonia mixed with water, or baking soda mixed with water. After removing corrosion, rinse with clean water.

If your vehicle is not going to be driven for a month or longer, disconnect the cable from the negative terminal of the battery to help prevent discharge.

### ⚠ WARNING

If the battery is used with battery level being less than the lower level line (2), it may cause reduced battery life, an exothermic heat, or an explosion by hydrogen gas occurring from the battery. Do not use the battery with battery level being less than the lower level line (2).

### NOTICE

If the battery liquid is added more than the upper level line (1), liquid may leak by vibrations during driving or liquid may spray out in some case depending on the condition of battery charging. These may cause damage to the parts near the battery. If the battery liquid overflows, immediately wash away with water. Do not add the battery liquid more than the upper level line (1).

#### NOTE:

*The battery liquid is consumed when the battery is used. If the level is found to be less than the center of upper level (1) and lower level (2), add distilled water till it reaches the upper level line (1).*

## Fuses

Your vehicle has three types of fuses, as described below:

### Fusible Link Wire and Main fuse

The main fuse takes current directly from the battery.

### Primary fuses

These fuses are between the main fuse and individual fuses, and are for electrical load groups.

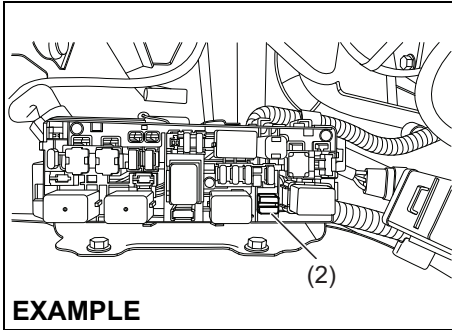
### Individual fuses

These fuses are for individual electrical circuits.

#### NOTE:

- "Blank" indicates that fuse is not applicable in the variant, even though name of fuse might be available on cover of fuse box of your vehicle.
- Some fuse may not be applicable to your vehicle according to the variant of vehicle, even though it is not mentioned as blank.

To remove a fuse, use the fuse puller (2) provided in the relay box.

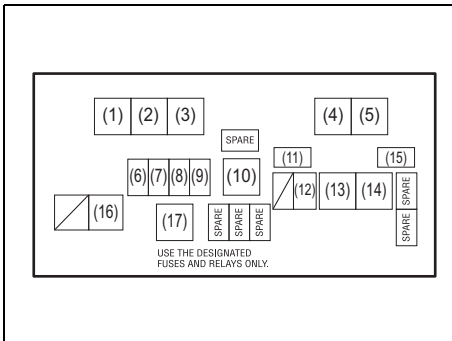


77PM07012

**NOTE:**

Some fuse may not be applicable to your vehicle according to the variant of vehicle, even though it is not mentioned as blank.

**Fuses in the Engine Compartment**

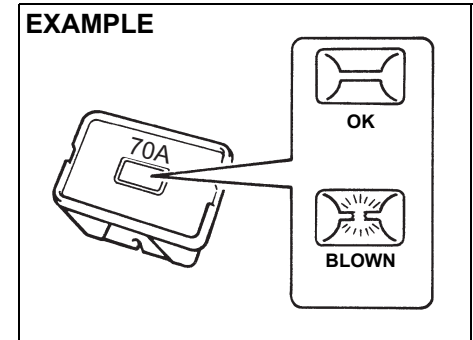


77PM07030

MAIN FUSE/PRIMARY FUSE / RELAY		
S. No.	Rating	Fuse / Relay
(1)	–	CNG valve relay*
(2)	–	Fuse puller
(3)	–	Radiator fan relay
(4)	–	Fuel pump relay
(5)		Starting motor relay
(6)	7.5A	CNG valve*
(7)	20A	Fuel Injection
(8)	30A	Starting motor
(9)	15A	Horn
(10)	70A	Alternator
(11)	7.5A	CNG*
(12)	10A	Hazard warning light
(13)	40A	Battery
(14)	40A	Ignition switch
(15)	7.5A	ST SIG 2 (starting signal)
(16)	30A	Radiator fan
(17)	–	FI main relay

\*: For CNG model

The main fuse, primary fuses and some of the individual fuses are located in the engine compartment. If the main fuse blows, no electrical component will function. If a primary fuse blows, no electrical component in the corresponding load group will function. When replacing the main fuse, a primary fuse or an individual fuse, use a MARUTI genuine replacement. To remove a fuse, use the fuse puller (2) provided in the relay box. The amperage of each fuse is shown inside of the fuse box cover.



60G111

## INSPECTION AND MAINTENANCE

### **⚠ WARNING**

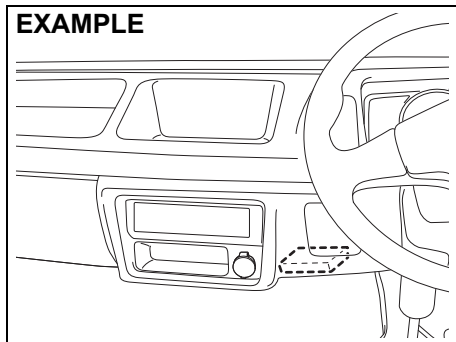
If the main fuse or a primary fuse blows, be sure to have your vehicle inspected by an authorised MARUTI SUZUKI COMMERCIAL workshop. Always use a MARUTI genuine replacement part. Never use a substitute such as a wire even for temporary repair, or extensive electrical damage / fire can result.

#### NOTE:

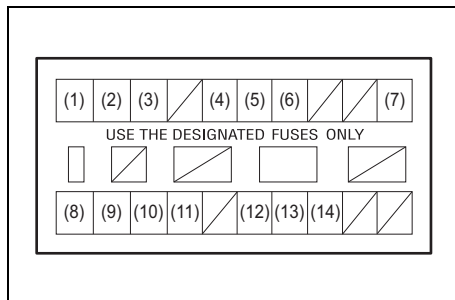
Make sure that the fuse box always carries spare fuses and fuse puller.

### Fuses under the Dash Board

#### EXAMPLE



77PH048

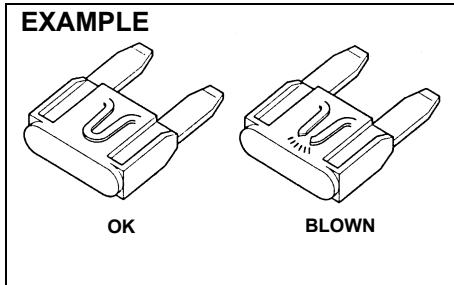


77PH049

MAIN FUSE/PRIMARY FUSE		
(1)	10A	Headlight (Right)
(2)	10A	Headlight (Left)
(3)	10A	Dome light
(4)	10A	Tail light
(5)	10A	Stop light
(6)	15A	Radio
(7)	10A	Starting signal
(8)	10A	Meter
(9)	15A	Ignition
(10)	10A	Back-up light
(11)	15A	Front wiper
(12)	15A	Accessory 2
(13)	10A	Accessory
(14)	7.5A	CNG Ignition*

\*: For CNG model

The fuse box is located under the dashboard.



65D046

**⚠ WARNING**

Always be sure to replace a blown fuse with a fuse of the correct amperage. Never use a substitute such as aluminum foil or wire to replace a blown fuse. If you replace a fuse and the new one blows in a short period of time, you may have a major electrical problem. Have your vehicle inspected immediately by your authorised MARUTI SUZUKI COMMERCIAL workshop.

## Bulb Replacement

**⚠ CAUTION**

- Light bulbs can be hot enough to burn your finger right after being turned off. This is true especially for halogen headlight bulbs. Replace the bulbs after they become cool enough.
- The headlight bulbs are filled with pressurized halogen gas. They can burst and injure you if they are hit or dropped. Handle them carefully.

**NOTICE**

The oils from your skin may cause a halogen bulb to overheat and burst when the lights are on. Grasp a new bulb with a clean cloth.

**NOTICE**

- Frequent replacement of a bulb indicates the need for an inspection of the electrical system. This should be carried out by your Maruti Suzuki authorised workshop.
- During bulb replacement always use same bulb number as used in vehicle which is imprinted on the said bulb/unit and/or mentioned in SPECIFICATIONS.

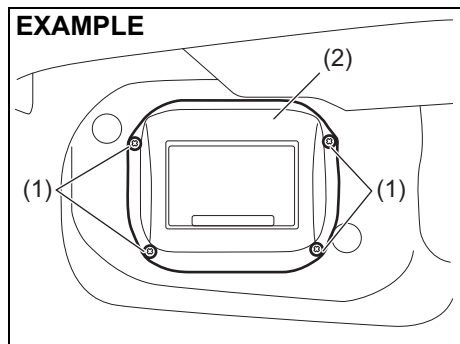
**NOTE:**

*Mist may form on the lenses of exterior lights (Headlight, Rear combination light etc.) during or after driving in the rain or after car washing. This is a natural phenomenon which occurs due to temperature difference between lamp inside and outside. Temporary mist on the lens is not a malfunction and will not cause any discomfort during vehicle driving.*

*The mist would get cleared when the environmental condition change to sunny or when headlamp is kept on. However if there is water leakage inside the lamp, contact your authorised Maruti Suzuki workshop.*

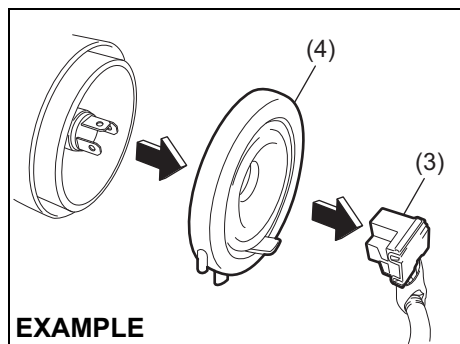
## INSPECTION AND MAINTENANCE

### Headlights



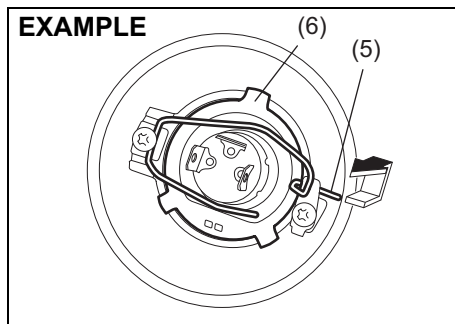
77PH050

- 1) Remove the screws (1) and remove the air inlet box (2).



77PH051

- 2) Disconnect the coupler (3). Remove the sealing rubber (4).



77PH052

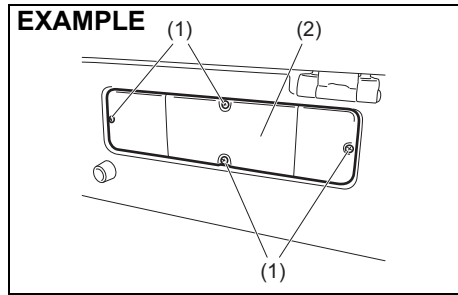
- 3) Push the retaining spring (5) forward and unhook it. Then remove the bulb (6). Install a new bulb in the reverse order of removal.

### Front Turn Signal Light Front Position Light

Since special procedures are required, we recommend you take your vehicle to your authorised MARUTI SUZUKI COMMERCIAL workshop for bulb replacement.

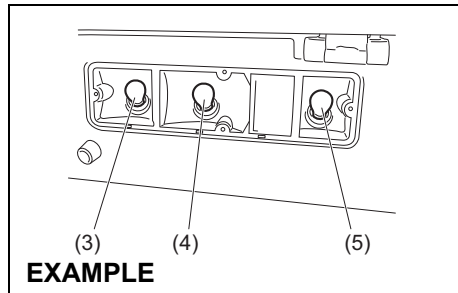


**Rear Combination Light**

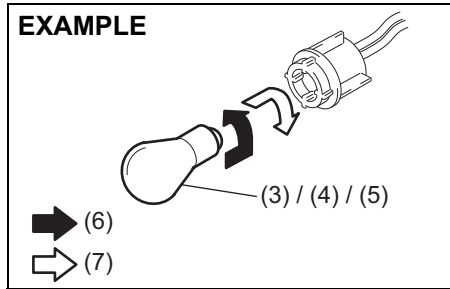


77PH055

- 1) Remove the screws (1) and remove the cover (2).



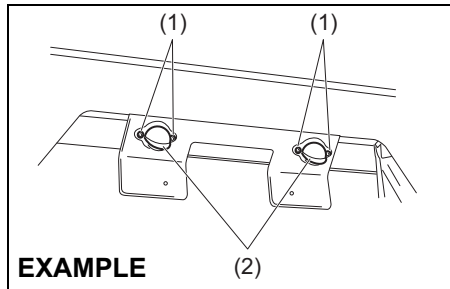
77PH056



76MH0A123

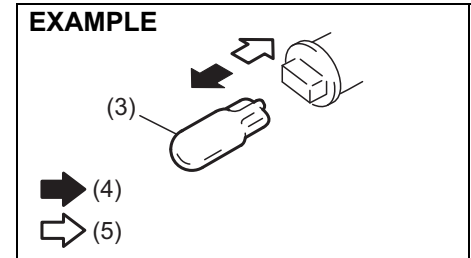
- (6) Removal  
(7) Install
- 2) To remove the bulb of the turn signal light (3), the tail/brake light (4) or the reversing light (5) bulb holder, push in the bulb and turn it counterclockwise. To install a new bulb, push it in and turn it clockwise.

**License Plate Light**



77PH056

- 1) Remove the screws (1) and remove the cover (2).

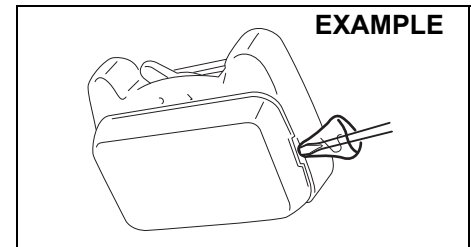


77PH063

- (4) Removal  
(5) Install
- 2) To remove and install the bulb of the license plate light (3), simply pull out or push in the bulb.

**Interior Light**

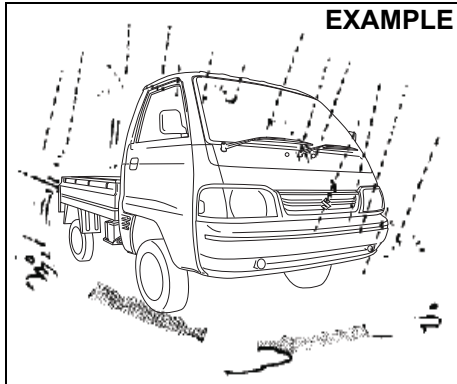
Remove the lens by using a flat blade screwdriver covered with a soft cloth as shown. To install it, simply push it back in.



77PH057

## INSPECTION AND MAINTENANCE

### Wiper Blades



77PM07028

If the wiper blades become brittle or damaged, or make streaks when wiping, replace the wiper blades.

To install new wiper blades, follow the procedures below.

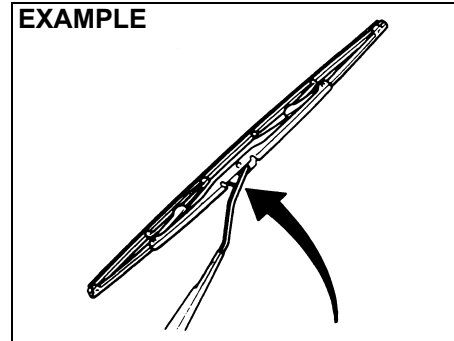
#### NOTICE

To avoid scratching or breaking the window, do not let the wiper arm strike the window while replacing the wiper blade.

#### NOTE:

Some wiper blades may be different from the ones described here depending on vehicle specifications. If so, consult your authorised MARUTI SUZUKI COMMERCIAL workshop for proper replacement method.

#### For windshield wipers:



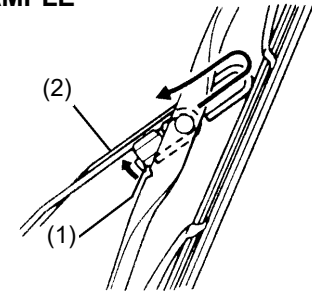
70G119

- 1) Hold the wiper arm away from the windshield.

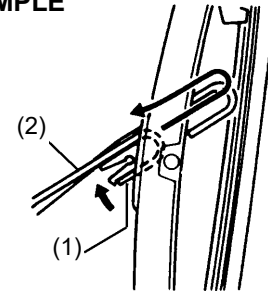
#### NOTE:

When raising both of the front wiper arms, pull the driver's side wiper arm up first. When returning the wiper arms, lower the passenger's side wiper arm first. Otherwise, the wiper arms may interfere with each other.

#### EXAMPLE



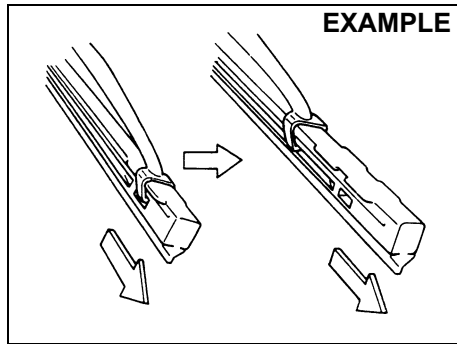
#### EXAMPLE



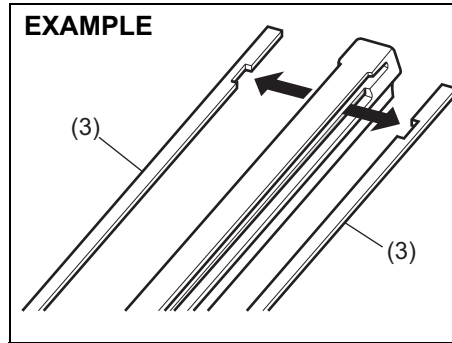
54G130

- 2) Squeeze lock (1) towards wiper arm (2) and remove the wiper frame from the arm as shown.
- 3) Unlock the lock end of the wiper blade and slide the blade out as shown.

## Removal

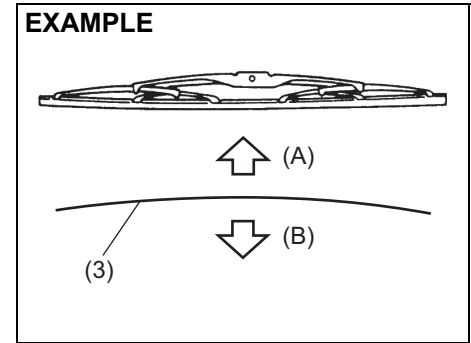


60A260



68PH00754

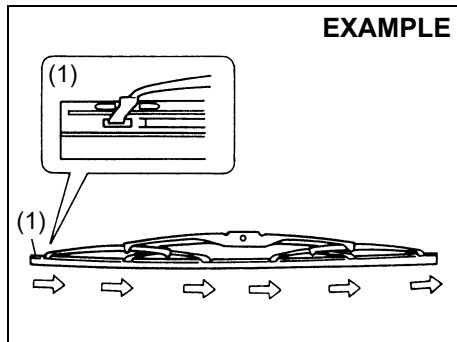
(3) Retainer



60MH072

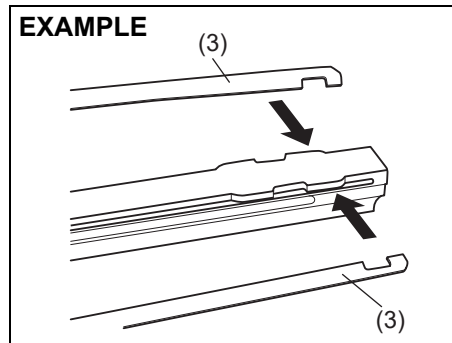
(A) Up  
(B) Down

## Installation



54G132

(1) Locked end



60MH071

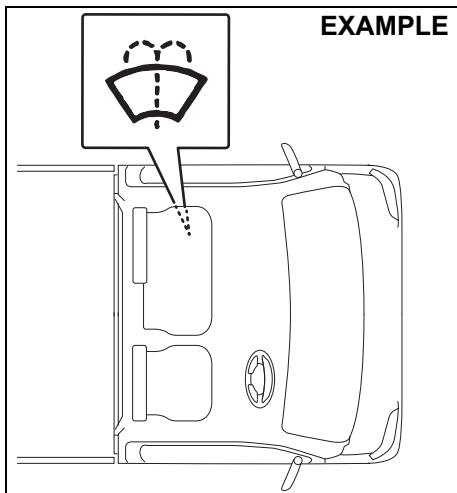
- 4) If the new blade is provided without the two metal retainers, move them from the old blade to the new one.

### NOTE:

*When you install the metal retainers (3), make sure the direction of metal retainers is as shown in the above illustrations.*

- 5) Install the new blade in the reverse order of removal, with the locked end positioned toward the wiper arm. Make sure the blade is properly retained by all the hooks. Lock the blade end into place.
- 6) Reinstall wiper frame to arm, making sure that the lock lever is snapped securely into the arm.

### Windshield Washer Fluid (If equipped)



77PM07027

Visually inspect that there is washer fluid in the tank. Refill it if necessary. Use a good quality windshield washer fluid, diluted with water as necessary.

#### **NOTICE**

Avoid use of hard water to prevent building of lime scale on the vehicle.

#### **⚠ WARNING**

Do not use radiator antifreeze in the windshield washer reservoir. This can severely impair visibility when sprayed on the windshield, and can also damage your vehicle's paint.

#### **NOTICE**

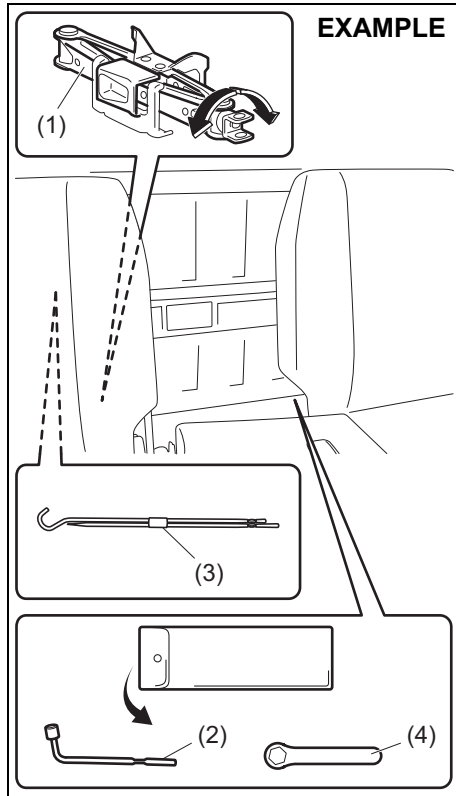
Damage may result if the washer motor is operated with no fluid in the washer tank.

## EMERGENCY SERVICE

Tyre Changing Tool .....	8-1
Jacking Instructions .....	8-2
Changing Wheels .....	8-5
Jump Starting Instructions .....	8-6
Towing .....	8-7
If the Starter Does Not Operate .....	8-8
If the Engine is Flooded .....	8-8
If the Engine Overheats .....	8-8
Underbody Trouble by Hitting .....	8-9
Warning Triangle .....	8-9
Fire Extinguisher (if equipped) .....	8-10

## EMERGENCY SERVICE

### Tyre Changing Tool

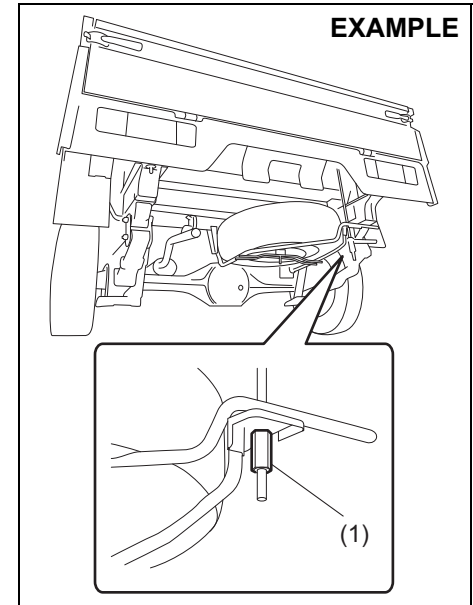


- (1) Jack
- (2) Wheel brace
- (3) Jack handle
- (4) Spanner

The tyre changing tools are stowed behind the driver seat.

To remove the jack, turn its shaft counter-clockwise and pull the jack out of the storage bracket. To stow the jack, place it in the storage bracket and turn the shaft clockwise until the jack is securely held in place.

The spare tyre is stowed under the bed. To remove the spare tyre:



- 1) Loosen the spare tyre holder hook nut (1).
- 2) Unhook the spare tyre holder and lower it slowly.
- 3) Remove the screw in the center of the spare tyre, and remove the tyre.

**⚠ WARNING**

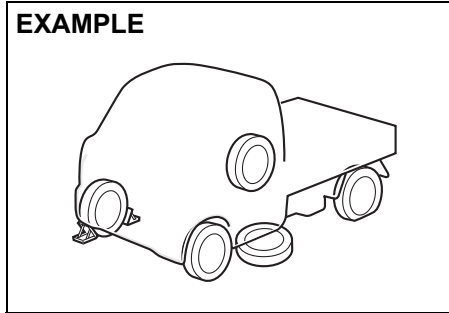
After using the tyre changing tools, be sure to stow them securely or they can cause injury if an accident occurs.

**⚠ CAUTION**

The jack should be used only to change wheels. It is important to read the jacking instructions in this section before attempting to use the jack.

**Jacking Instructions**

**EXAMPLE**



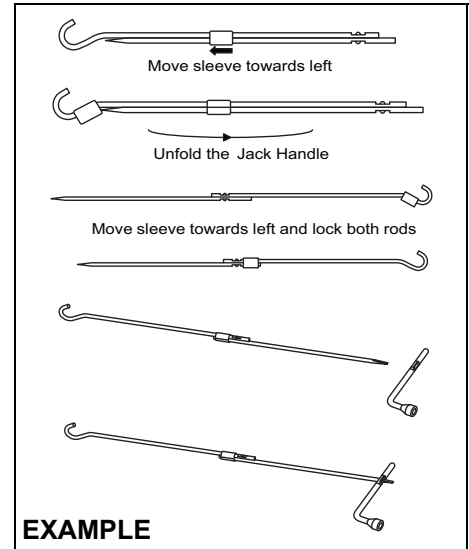
77PH054

- 1) Place the vehicle on level, hard ground.
- 2) Set the parking brake firmly and shift into "R" (Reverse).

**⚠ WARNING**

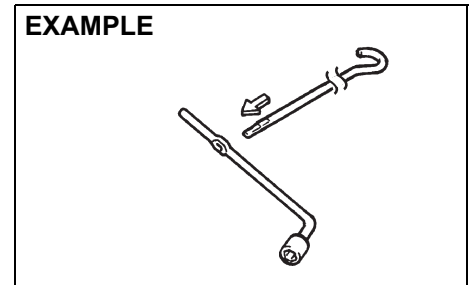
- Be sure to shift into "R" (Reverse) when you jack up the vehicle.
- Never jack up the vehicle with the transmission in "N" (Neutral). Otherwise, unstable jack may cause an accident.

- 3) Turn on the hazard warning flasher if your vehicle is near traffic.
- 4) Block the front and rear of the wheel diagonally opposite of the wheel being lifted.
- 5) Place the spare wheel near the wheel being lifted as shown in the illustration in case the jack slips.



**EXAMPLE**

77PH802



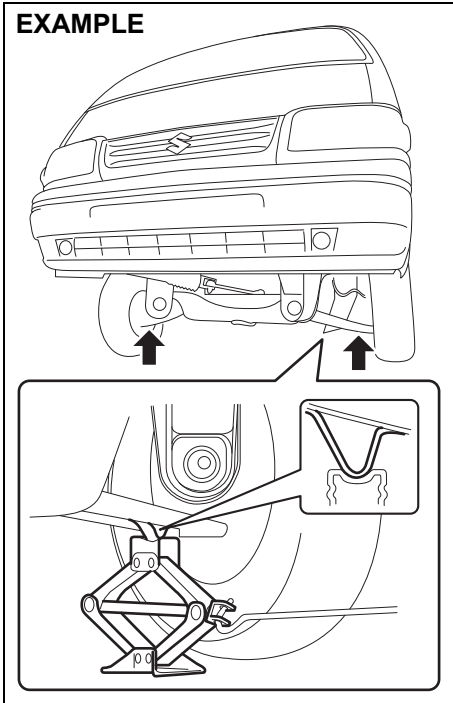
**EXAMPLE**

54G253

## EMERGENCY SERVICE

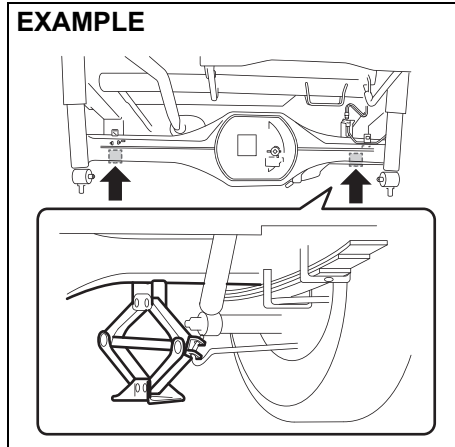
### Front jacking point

#### EXAMPLE

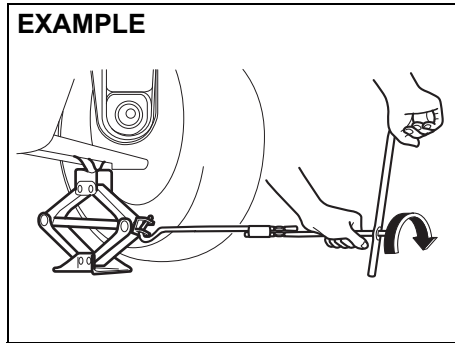


### Rear jacking point

#### EXAMPLE



#### EXAMPLE



- 6) Position the jack vertically and raise the jack by turning the jack handle clockwise until the jack head groove fits around the jacking bar beneath the vehicle body. See illustrations.
- 7) Continue to raise the jack slowly and smoothly until the tyre clears the ground. Do not raise the vehicle more than necessary.

#### **▲ WARNING**

- Use the jack only to change wheels on level, hard ground.
- Never jack up the vehicle on an inclined surface.
- Never raise the vehicle with the jack in a location other than the specified jacking point (shown in the illustration) near the wheel to be changed.
- Do not use wooden blocks or similar objects as a jack underlay.
- Never get under the vehicle when it is supported by the jack. Never place your hands and feet under the raised vehicle when it is supported by a jack.
- Never run the engine when the vehicle is supported by the jack and never allow passengers to remain in the vehicle.

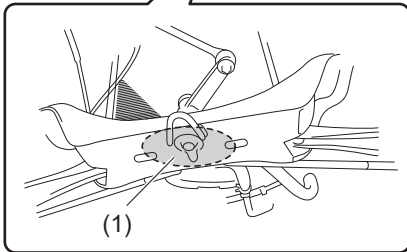
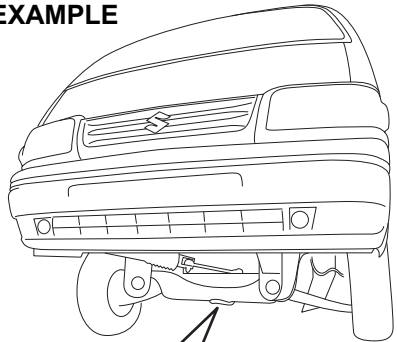


**To Raise the Vehicle with a Garage Jack**

- Apply the garage jack to one of the points indicated below.
- Always support the raised vehicle with jack stands (commercially available) at the points indicated below.

**Front jacking point for garage jack (1)**

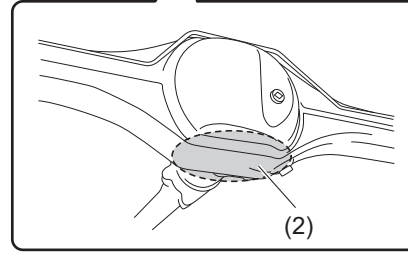
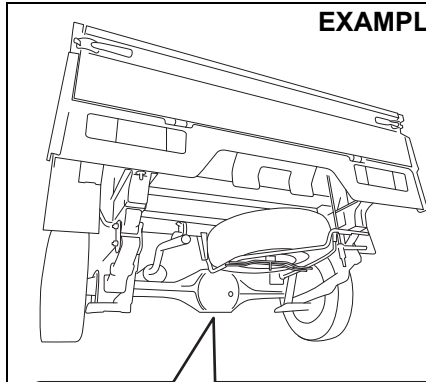
**EXAMPLE**



77PH060

**Rear jacking point for garage jack (2)**

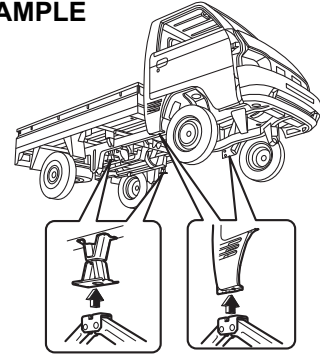
**EXAMPLE**



77PH101

**Application point for jack stand (3) or two-column lift**

**EXAMPLE**



77PS055 (2)

**NOTICE**

- Never apply a garage jack to the exhaust pipe.
- When applying the jack stand or the two-column lift to the application point of the rear side, be careful not to interfere with the surrounding parts such as the parking cable or the flange of the fuel tank.

**NOTE:**

For more details, please contact an authorised MARUTI SUZUKI COMMERCIAL workshop.

### Changing Wheels

#### **⚠ WARNING**

**Never change a wheel in traffic lane. Always move the vehicle off the road on level, hard ground away from traffic for changing a wheel. For any further assistance contact your nearest Maruti Suzuki authorised workshop.**

To change a wheel, use the following procedure:

- 1) Clear all passengers and cargo from the vehicle.
- 2) Remove the jack, tools and spare wheel from the vehicle.
- 3) Loosen, but do not remove the wheel nuts.
- 4) Jack up the vehicle.

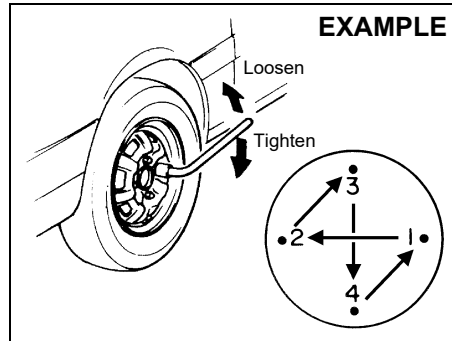
#### **⚠ CAUTION**

**Immediately after the vehicle has been driven, the wheels, the wheel nuts and the area around the brakes might be extremely hot. Touching these areas may cause burn injury. Do not touch these areas immediately after the vehicle has been driven.**

- 5) Remove the wheel nuts and wheel.
- 6) Before installing the new wheel, clean any mud or dirt off from the surface of

the wheel and hub with a clean cloth. Clean the hub carefully; it may be hot from driving.

- 7) Install the new wheel and replace the wheel nuts with their cone shaped end facing the wheel. Tighten each nut snugly by hand until the wheel is securely seated on the hub.



54G116

**Tightening torque for wheel nut  
100 Nm (10.2 kgf-m, 73.8 lbf-ft)**

- 8) Lower the jack and fully tighten the nuts in a crisscross fashion with a wrench as shown in the illustration.

#### **⚠ WARNING**

**Use genuine wheel nuts and tighten them to the specified torque as soon as possible after changing wheels. Incorrect wheel nuts or improperly tightened wheel nuts may come loose or fall off, which can result in an accident. If you do not have a torque wrench, have the wheel nut torque checked by an authorised MARUTI SUZUKI COMMERCIAL workshop.**

## Jump Starting Instructions

### ⚠ WARNING

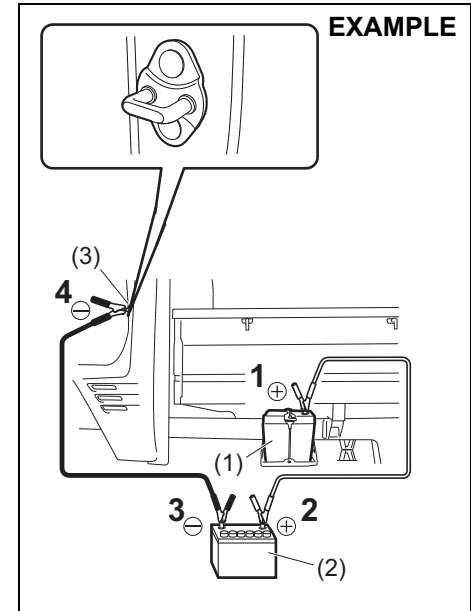
- Never attempt to jump start your vehicle if the battery appears to be frozen. Batteries in this condition may explode or rupture if jump starting is attempted.
  - When making jump lead connections, be certain that your hands and the jump leads remain clear from pulleys, belts, or fans.
  - Batteries produce flammable hydrogen gas. Keep flames and sparks away from the battery or an explosion may occur. Never smoke when working in the vicinity of the battery.
  - If the booster battery you use for jump starting is installed in another vehicle, make sure the two vehicles are not touching each other.
  - If your battery discharges repeatedly, for no apparent reason, have your vehicle inspected by an authorised MARUTI SUZUKI COMMERCIAL workshop.
  - To avoid harm to yourself or damage to your vehicle or battery, follow the jump starting instructions below precisely and in order.
- If you are in doubt, call for qualified road service.

### NOTICE

Your vehicle should not be started by pushing or towing. This starting method could result in permanent damage to the catalytic converter. Use jump leads to start a vehicle with a weak or flat battery.

### When Jump Starting Your Vehicle, Use the Following Procedure:

- 1) Use only a 12-volt battery to jump start your vehicle. Position the good 12-volt battery close to your vehicle so that the jump leads will reach both batteries. When using a battery installed on another vehicle, DO NOT LET THE VEHICLES TOUCH. Set the parking brakes fully on both vehicles.
- 2) Turn off all vehicle accessories, except those necessary for safety reasons (for example, headlights or hazard lights).



77PS056

- 3) Make jump lead connections as follows:
  1. Connect one end of the first jump lead to the positive (+) terminal of the flat battery (1).
  2. Connect the other end to the positive (+) terminal of the booster battery (2).

## EMERGENCY SERVICE

3. Connect one end of the second jump lead to the negative (-) terminal of the booster battery (2).
4. Make the final connection to an unpainted, heavy metal part (i.e. door latch striker (3)) of the vehicle with the flat battery (1).

### **WARNING**

**Never connect the jump lead directly to the negative (-) terminal of the discharged battery, or an explosion may occur.**

- 4) If the booster battery you are using is fitted to another vehicle, start the engine of the vehicle with the booster battery. Run the engine at moderate speed.
- 5) Start the engine of the vehicle with the flat battery.
- 6) Remove the jump leads in the exact reverse order in which you connected them.

## Towing

If you need to have your vehicle towed, contact a professional service. Your dealer can provide you with detailed towing instructions.

### **NOTICE**

**To help avoid damage to your vehicle during towing, proper equipment and towing procedures must be used.**

## 2-Wheel Drive (2WD) Manual Transmission

Manual transmission vehicles may be towed using either of the following methods.

- 1) From the front, with the front wheels lifted and the rear wheels on the ground. Before towing, make sure that the transmission is in neutral and the parking brake is released.
- 2) From the rear, with the rear wheels lifted and the front wheels on the ground, provided the steering and drivetrain are in operational condition. Before towing, make sure that the steering wheel is unlocked (the ignition key should be in the "ACC" position), and the steering wheel is secured with a clamping device designed for towing service.

### **NOTICE**

**The steering column is not strong enough to withstand shocks transmitted from the front wheels during towing. Always unlock the steering wheel before towing.**

## If the Starter Does Not Operate

- 1) Try turning the ignition switch to the "START" position with the headlights turned on to determine the battery condition. If the headlights go excessively dim or go off, it usually means that either the battery is flat or the battery terminal contact is poor. Recharge the battery or correct battery terminal contact as necessary.
- 2) If the headlights remain bright, check the fuses. If the reason for failure of the starter is not obvious, there may be a major electrical problem. Have the vehicle inspected by your authorised MARUTI SUZUKI COMMERCIAL workshop.

## If the Engine is Flooded

If the engine is flooded with fuel, it may be hard to start. If this happens, press the accelerator pedal all the way to the floor and hold it there while cranking the engine.

- Do not operate the starter motor for more than 30 seconds.

## If the Engine Overheats

The engine could overheat temporarily under severe driving conditions. If the high engine coolant temperature warning light comes on during driving:

- 1) Take the vehicle to a safe place and park.
- 2) Let the engine run at the normal idle speed for a few minutes until the high engine coolant temperature warning light goes off.

### ⚠ WARNING

**If you see or hear escaping steam, stop the vehicle in a safe place and immediately turn off the engine to let it cool. Do not open the engine compartment when steam is present. When the steam can no longer be seen or heard, open the engine compartment to see if the coolant is still boiling. If it is, you must wait until it stops boiling before you proceed.**

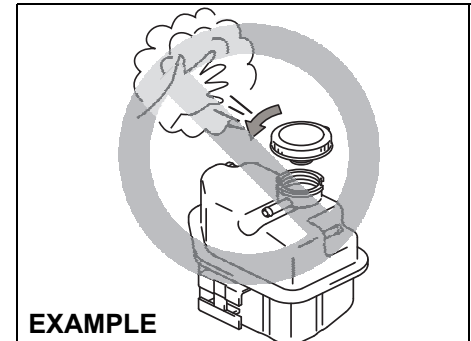
If the high engine coolant temperature warning light does not go off:

- 1) Turn off the engine and check that the water pump belt and pulleys are not damaged or slipping. If any abnormality is found, correct it.

- 2) Check the coolant level in the reservoir. If it is found to be lower than the "LOW" line, look for leaks at the radiator, water pump, and radiator and heater hoses. If you locate any leaks that may have caused the overheating, do not run the engine until these problems have been corrected.
- 3) If you do not find a leak, carefully add coolant to the reservoir and then the radiator, if necessary. (Refer to "Engine Coolant" in the "INSPECTION AND MAINTENANCE" section.)

### NOTE:

*If your engine overheats and you are unsure what to do, contact your authorised MARUTI SUZUKI COMMERCIAL workshop.*



**EXAMPLE**

65D350d

### WARNING

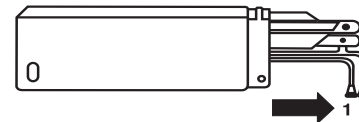
- It is hazardous to remove the radiator cap (or degassing tank cap for a diesel engine) when the water temperature is high, because scalding fluid and steam may be blown out under pressure. The cap should only be taken off when the coolant temperature has lowered.
- To help prevent personal injury, keep hands, tools and clothing away from the engine cooling fan. These electric fans can automatically turn on without warning.

### Underbody Trouble by Hitting

If you hit underbody of your vehicle, ask an authorised MARUTI SUZUKI COMMERCIAL workshop for inspection. Otherwise damage to steering, Suspension, Drive-line, and Brake etc. could prevent your safe driving.

### Warning Triangle

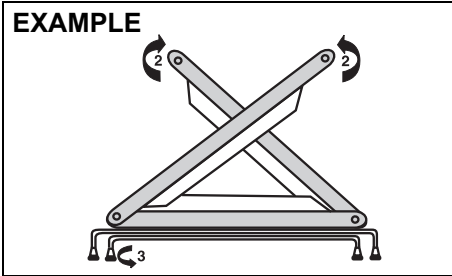
#### EXAMPLE



MHO-07-001

In case of vehicle break-down or during emergency stopping, where, your vehicle could become a potential traffic hazard, keep the warning triangle, provided with your vehicle, on the road free from any obstacles behind your vehicle so as to warn the approaching traffic, at an approximate distance of 50-100 m. The reflecting side of the triangle should face the on coming traffic. Please activate the hazard warning lamps before alighting the vehicle to keep the warning triangle.

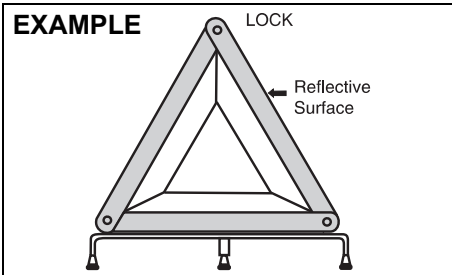
**EXAMPLE**



MHO-07-014-1

- Remove the warning triangle carefully from the cover as shown by arrow 1.
- Open both the reflector arms as shown by arrow and lock the arms with each other with the clip provided in the right arm. Open the bottom stand in counter clock-wise direction as shown by arrow 3. Position the warning triangle behind the vehicle on a plain surface.
- Reverse the removal procedure for keeping inside the cover.

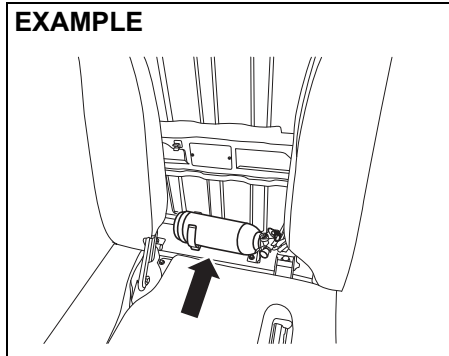
**EXAMPLE**



MHO-07-014

**Fire Extinguisher (if equipped)**

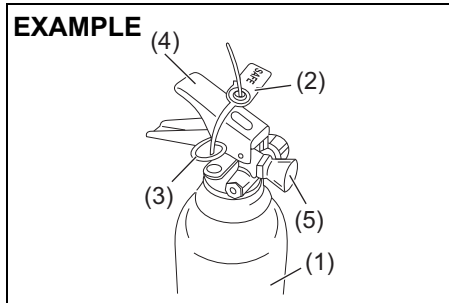
**EXAMPLE**



77PM08009

Fire extinguisher is stowed behind the seats (between driver seat and passenger seat).

**EXAMPLE**



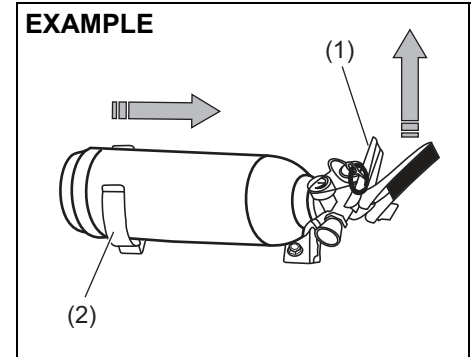
77PM08003

- (1) Fire extinguisher cylinder
- (2) Seal
- (3) Safety Pin
- (4) Lever
- (5) Nozzle

**Removal and Refitment of Fire Extinguisher**

**For Removal of Fire Extinguisher**

**EXAMPLE**

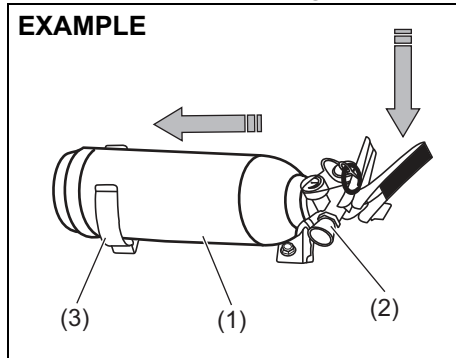


77PM08004

Lift Lever (1) of fire extinguisher slightly upwards and pull the fire extinguisher in the direction as shown in the figure, in order to disengage it from clamp (2).

## EMERGENCY SERVICE

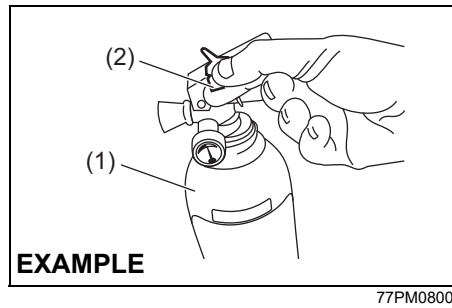
### For Refitment of Fire Extinguisher



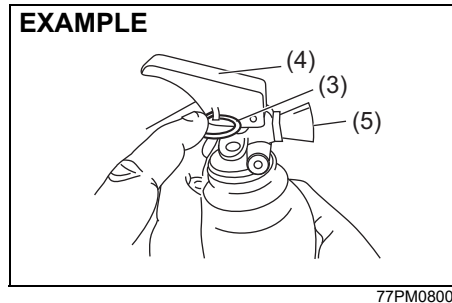
Insert the body of fire extinguisher (1) in to the clamp (3) and place the nozzle (2) carefully downwards, on the clamp.

**NOTE:**  
Ensure that the nozzle of fire extinguisher is properly seated on the clamp.

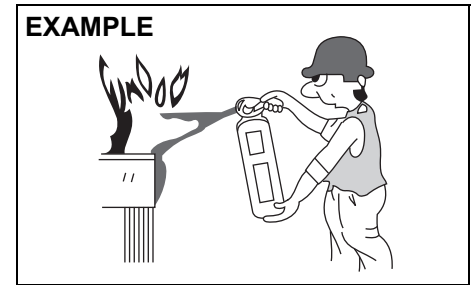
### Procedure of Operation



- 1) Hold the fire extinguisher (1) upright.
- 2) Break seal (2) by rotating the safety pin(3).



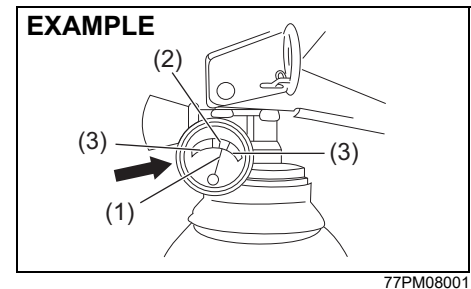
- 3) Pull Safety pin (3)
- 4) Squeeze lever (4) and direct the jet from nozzle (5) towards the near edge of the fire with a rapid (fast) sweeping motion.



- 5) Drive the fire towards the far edge until flames are extinguished.

**NOTE:**  
Fire extinguisher is only meant for small fire caused in vehicle by external source only.

### Do's and Dont's





### **Do's**

- 1) Check pressure gauge periodically. Max charging pressure is 15Kgf/cm<sup>2</sup> (in green zone (2)).
- 2) When pressure drops, indicator needle(1) will shift to the red zone (3).Immediately contact the fire extinguisher manufacturer as per the information provided on the fire extinguisher.
- 3) Get the fire extinguisher serviced only through the manufacturer service centre.Refer the information provided on the fire extinguisher to locate the nearest service centre.
- 4) Ensure that the Fire extinguisher is always kept at its prescribed position in the vehicle.
- 5) Refill the fire extinguisher immediately after use.

### **Don't**

- 1) Do not use water for cleaning fire extinguisher. (Use clean cloth for removing dust)
- 2) Do not rely on used or discharged fire extinguisher.

### **NOTE:**

- *Refilling is necessary after every use.*
- *Fire extinguisher needs refilling after every 3 years even if it is not used.*

## APPEARANCE CARE

Corrosion Prevention .....	9-1
Vehicle Cleaning .....	9-2

### Corrosion Prevention

It is important to take good care of your vehicle to protect it from corrosion. Listed below are instructions for how to maintain your vehicle to prevent corrosion. Please read and follow these instructions carefully.

#### Important Information About Corrosion

##### Common causes of corrosion

- 1) Accumulation of road salt, dirt, moisture, or chemicals in hard-to-reach areas of the vehicle underbody or frame.
- 2) Chipping, scratches and any damage to treated or painted metal surfaces resulting from minor accidents or abrasion by stones and gravel.
- 3) Any or all of the below mentioned points:
  - Continuous exposure to sunlight
  - Hard water and sea water coming in contact with vehicle.
  - Foot rubbing (skirting).

##### Environmental conditions which accelerate corrosion

- 1) Road salt, dust control chemicals, sea air or industrial pollution will all accelerate the corrosion of metal.
- 2) High humidity will increase the rate of corrosion particularly when the temperature range is just above the freezing point.

- 3) Moisture in certain areas of a vehicle for an extended period of time may promote corrosion even though other body sections may be completely dry.
- 4) High temperatures will cause an accelerated rate of corrosion to parts of the vehicle which are not well ventilated to permit quick drying.

This information illustrates the necessity of keeping your vehicle (particularly the underbody) as clean and dry as possible. It is equally important to repair any damage to the paint or protective coatings as soon as possible.

#### How to Help Prevent Corrosion

##### Wash your vehicle frequently

The best way to preserve the finish on your vehicle and to help avoid corrosion is to keep it clean with frequent washing.

Wash your vehicle at least once during the winter and once immediately after the winter. Keep your vehicle, particularly the underside, as clean and dry as possible.

If you frequently drive on salted roads, your vehicle should be washed at least once a month during the winter. If you live near the ocean, your vehicle should be washed at least once a month throughout the year.

For washing instructions, refer to the "Vehicle Cleaning" section.

#### Remove foreign material deposits

Foreign material such as salts, chemicals, road oil or tar, tree sap, bird droppings and industrial fall-out may damage the finish of your vehicle if it is left on painted surfaces. Remove these types of deposits as quickly as possible. If these deposits are difficult to wash off, an additional cleaner may be required. Be sure that any cleaner you use is not harmful to painted surfaces and is specifically intended for your purposes. Follow the manufacturer's directions when using these special cleaners.

#### Repair finish damage

Carefully examine your vehicle for damage to the painted surfaces. If you find any chips or scratches in the paint, touch them up immediately to prevent corrosion from starting. If the chips or scratches have gone through to the bare metal, have a qualified body shop make the repair.

#### Keep passenger and luggage compartments clean

Moisture, dirt or mud can accumulate under the floor mats and may cause corrosion. Occasionally, check under these mats to ensure that this area is clean and dry. More frequent checks are necessary if the vehicle is used off road or in wet weather.

Certain cargos such as chemicals, fertilizers, cleaners, salts, etc. are extremely corrosive by nature. These products should be transported in sealed containers. If a spill or leak does occur, clean and dry the area immediately.

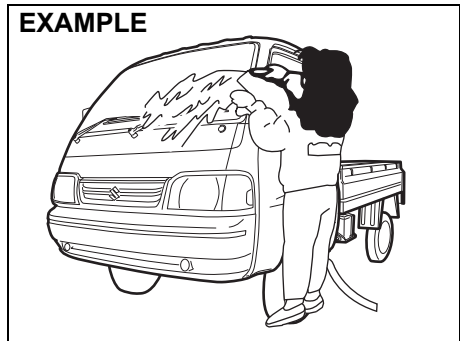
**Store your vehicle in a dry, well-ventilated area**

Park your vehicle to save it from continuous exposure to direct sunlight. Do not park your vehicle in a damp, poorly ventilated area. If you often wash your vehicle in the garage or if you frequently drive it in when wet, your garage may be damp. The high humidity in the garage may cause or accelerate corrosion. A wet vehicle may corrode even in a heated garage if the ventilation is poor.

**⚠ WARNING**

**Do not apply additional undercoating or rust preventive coating on or around exhaust system components such as the catalytic converter, exhaust pipes, etc. A fire could be started if the undercoating substance becomes overheated.**

**Vehicle Cleaning**



77PM09001

**⚠ WARNING**

**When cleaning the interior or exterior of the vehicle, NEVER USE flammable solvents such as lacquer thinners, Petrol, benzene or cleaning materials such as bleaches or strong household detergents. The materials could cause personal injury or damage to the vehicle.**

**Cleaning the Interior**

**Vinyl upholstery**

Prepare a solution of soap or mild detergent mixed with warm water. Apply the solution to the vinyl with a sponge or soft cloth and let it soak for a few minutes to loosen dirt. Rub the surface with a clean, damp cloth to remove dirt and the soap solution. If some dirt still remains on the surface, repeat this procedure.

**Fabric upholstery (Except front passenger seat)**

Remove loose dirt with a vacuum cleaner. Using a mild soap solution, rub stained areas with a clean damp cloth. To remove soap, rub the areas again with a cloth dampened with water. Repeat this until the stain is removed, or use a commercial fabric cleaner for tougher stains. If you use a fabric cleaner, carefully follow the manufacturer's instructions and precautions.

**⚠ CAUTION**

- **Do not spill liquid or semi-solid on the front passenger's seat. If you spill it on the front passenger's seat, immediately wipe it dry with a soft cloth. Contact of liquid with sensor may impact the function of seat belt reminder sensor.**
- **Do not place any sharp or heavy object on passenger seat which can penetrate through seat upholstery and can cause damage to sensor.**

## APPEARANCE CARE

### Fabric upholstery (For front passenger seat)

Do not use liquid for cleaning as it may penetrate the fabric and damage the seat sensor.

### Leather upholstery

Remove loose dirt with a vacuum cleaner. Using a mild soap or saddle soap solution, wipe dirt off with a clean damp soft cloth. To remove soap, wipe the areas again with a soft cloth dampened with water. Wipe the areas dry with a soft dry cloth. Repeat this until the dirt or stain is removed, or use a commercial leather cleaner for tougher dirt or stains. If you use a leather cleaner, carefully follow the manufacturer's instructions and precautions. Do not use solvent type cleaners or abrasive cleaners.

#### NOTE:

- In order to keep leather upholstery looking good, it should be cleaned at least twice a year.
- If leather upholstery becomes wet, immediately wipe it dry with tissue paper or a soft cloth. Water may cause leather to harden and shrink if it is not wiped off.
- When parking on sunny days, select a shady place or use a sunshade. If leather upholstery is exposed to direct sunlight for a long time, it may discolor and shrink.
- As is common with natural materials, leather is inherently irregular in grain and cowhide has spots in its natural state. These do not affect the performance of the leather in any way.

### Seat belts

Clean seat belts with a mild soap and water. Do not use bleach or dye on the belts. They may weaken the fabric in the belts.

### Vinyl floor mats

Ordinary dirt can be removed from vinyl with water or mild soap. Use a brush to help loosen dirt. After the dirt is loosened, rinse the mat thoroughly with water and dry it in the shade.

### Carpets

Remove dirt and soil as much as possible with a vacuum cleaner. Using a mild soap solution, rub stained areas with a clean damp cloth. To remove soap, rub the areas again with a cloth dampened with water. Repeat this until the stain is removed, or use a commercial carpet cleaner for tougher stains. If you use a carpet cleaner, carefully follow the manufacturer's instructions and precautions.

### Instrument panel and console

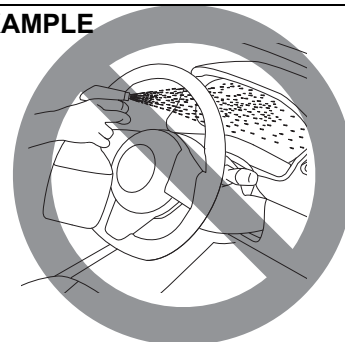
Remove loose dirt with a vacuum cleaner. Gently wipe dirt off with a tightly squeezed damp clean cloth. Repeat this until the dirt is removed.

### NOTICE

**Do not use chemical products that contain silicon to wipe electrical components such as the switches. These will cause damage to the components.**

**Do not spray water or any liquid directly on instrument cluster or any other electrical or electronic components. This may cause damage and/or lead to non-functioning of the part.**

### EXAMPLE



81RM08005

**Cleaning the Exterior**

**NOTICE**

It is important that your vehicle be kept clean and free from dirt. Failure to keep your vehicle clean may result in fading of the paint or corrosion to various parts of the vehicle body.

**Washing**

**EXAMPLE**



82DY0

**⚠ WARNING**

- Never attempt to wash and wax your vehicle with the engine running.
- When cleaning the underside of the body and fender, where there may be sharp-edged parts, you should wear gloves and a long-sleeved shirt to protect your hands and arms from being cut.
- After washing your vehicle, carefully test the brakes before driving to make sure they have maintained their normal effectiveness.

When washing the vehicle, park it where direct sunlight does not fall on it and follow the instructions below:

- 1) Flush the underside of body and wheel housings with pressurized water to remove mud and debris. Use plenty of water.

**NOTICE**

- When washing the vehicle:**
- Avoid directing steam or hot water of more than 80°C (176°F) on plastic parts.
  - To avoid damaging engine components, do not use pressurized water in the engine compartment.

- 2) Rinse the body to loosen the dirt. Remove dirt and mud from the body exterior with running water. You may use a soft sponge or brush. Do not use hard materials which can scratch the paint or plastic. Remember that the headlight covers or lenses are made of plastic in many cases.

**NOTICE**

To avoid damage to the paint or plastic surface, do not wipe the dirt off without ample water. Be sure to follow above procedure.

- 3) Wash the entire exterior with a mild detergent or car wash soap using a sponge or soft cloth. The sponge or cloth should be frequently soaked in the soap solution.

**NOTICE**

When using a commercial car wash product, observe the cautions specified by the manufacturer. Never use strong household detergents or soaps.

- 4) Once the dirt has been completely removed, rinse off the detergent with running water.
- 5) After rinsing, wipe off the vehicle body with a wet chamois or cloth and allow it to dry in the shade.

## APPEARANCE CARE

---

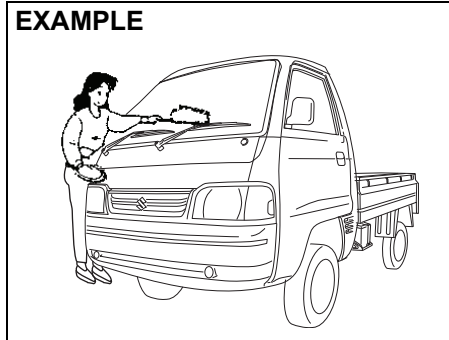
- 6) Check carefully for damage to painted surfaces. If there is any damage, touch up the damage following the procedure below:
1. Clean all damaged spots and allow them to dry.
  2. Stir the paint and touch up the damaged spots lightly using a small brush.
  3. Allow the paint to dry completely.

### **NOTICE**

**If you use an automatic car wash, make sure that your vehicle's body parts, such as spoilers, cannot be damaged. If you are in doubt, consult the car wash operator for advice.**

## Waxing

### EXAMPLE



77PM09002

After washing the vehicle, waxing and polishing are recommended to further protect and beautify the paint.

- Only use waxes and polishes of good quality.
- When using waxes and polishes, observe the precautions specified by the manufacturers.

## GENERAL INFORMATION

Vehicle Identification .....	10-1
FASTag (if equipped).....	10-1
CNG Kit Number Identification (if equipped) .....	10-2
High Security Registration Plate (HSRP) (if applicable) .....	10-3

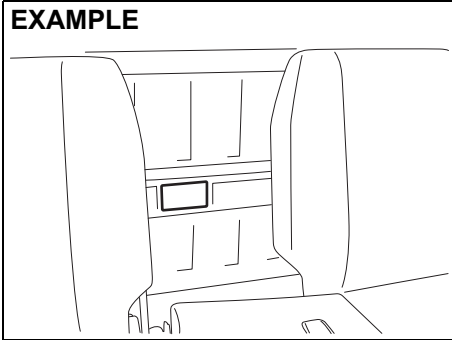


## GENERAL INFORMATION

### Vehicle Identification

#### Chassis Serial Number

**EXAMPLE**

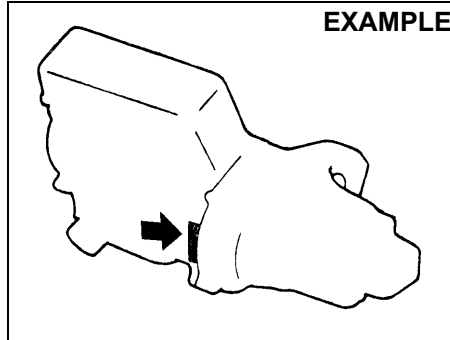


77PH059

The chassis and/or engine serial numbers are used to register the vehicle. They are also used to assist your dealer when ordering or referring to special service information. Whenever you have occasion to consult your authorised MARUTI SUZUKI COMMERCIAL workshop, remember to identify your vehicle with this number. If you find the number difficult to read, you can also find it on the identification plate.

#### Engine Serial Number

**EXAMPLE**



54G082

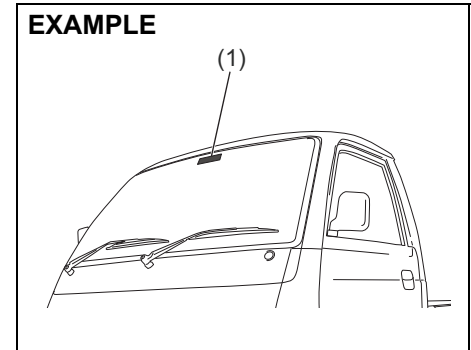
The engine serial number is stamped on the cylinder block as shown in the illustration.

#### FASTag (if equipped)

As per Ministry of Road Transport and Highways, the FASTag (1) is mandatory for each vehicle for the purpose of electronic toll collection or any other purpose as may be defined by the Government of India.

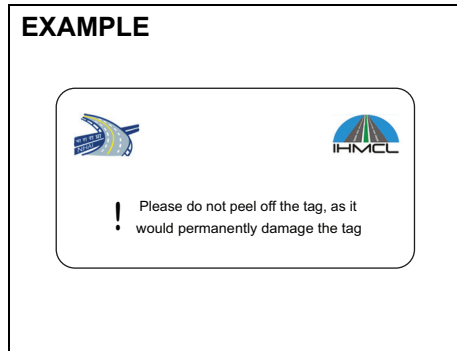
In case of any damage to FASTag or replacement of front windscreen, please contact your nearest authorised Maruti Suzuki workshop.

**EXAMPLE**



66MM01001

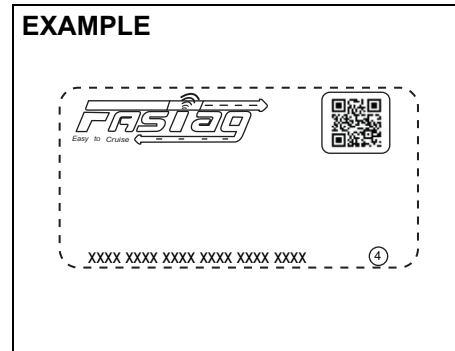
As seen from inside of the vehicle



64MM01002

**NOTE:**  
The picture shown is for indicative purpose only. Internal structure of actual device mounted on vehicle may be different.

As seen from outside of the vehicle

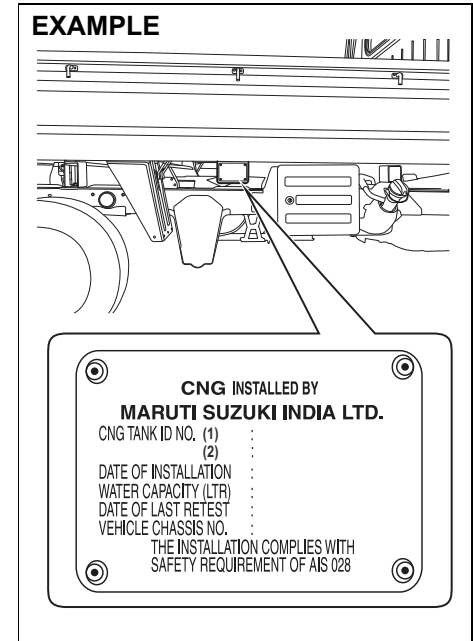


64MM01003

**NOTE:**  
The picture shown is for indicative purpose only. Internal structure of actual device mounted on vehicle may be different.

- NOTE:**
- Any attempt to remove the tag from the windscreen will result in permanent damage to the tag.
  - Use of chemical cleaners to clean the windscreen area where the tag is mounted can damage the tag.
  - Use of any sharp objects on the tag can damage the tag.

CNG Kit Number Identification (if equipped)



77PM10002

CNG cylinder identification number and CNG kit installation date is located on right side of cargo body as shown.

## GENERAL INFORMATION

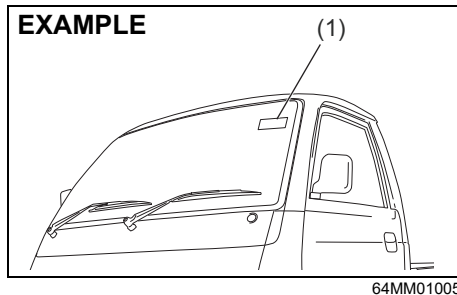
### High Security Registration Plate (HSRP) (if applicable)

As per Ministry of Road Transport and Highways, every new vehicle must have HSRP.

HSRP contains;

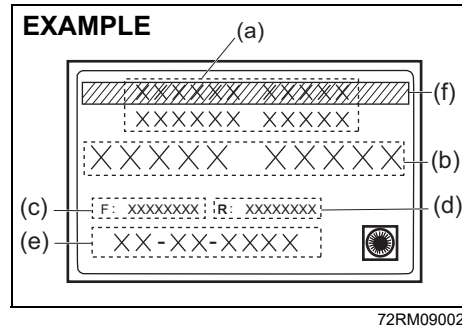
- Front and rear HSRP, which will be fitted with 2 snap-locks each on number plate area.
- Third license plate on front windshield.

### Third License Plate



(1) Third license plate

### Third license plate - As seen from outside of the vehicle



- (a) HSRP issuing authority name
- (b) Vehicle registration number
- (c) Unique laser number - Front plate
- (d) Unique laser number - Rear plate
- (e) Date of 1st registration (in DD-MM-YYYY format)
- (f) Green stripes (BS6 vehicle)

#### NOTE:

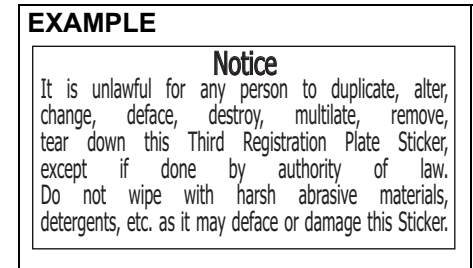
The picture shown is for indicative purpose only. Internal structure of actual label mounted on vehicle may be different.

#### NOTE:

- Any attempt to remove the third license plate from the windscreen will result in permanent damage to the label.
- Use of chemical cleaners to clean the windscreen area where the label is mounted can damage the same.

- Use of any sharp objects on the label can damage the label.
- In the event of any replacement of the third license plate, may please contact the approved authority.

### Third license plate - As seen from inside of the vehicle



#### NOTE:

The picture shown is for indicative purpose only.

#### NOTE:

Color of third license plate (back) is as per HSRP regulation as defined by Ministry of Road Transport and highways.

## SPECIFICATIONS

---

# SPECIFICATIONS

**NOTE:**

*Specifications are subject to change without notice.*

*Specification related to “chassis” variants refer “Instructions For Body Fabrication”*

ITEM: Dimensions		UNIT: mm
Overall length		3800
Overall width		1562
Overall height		1883
Wheelbase		2110
Track	Front	1345
	Rear	1330

ITEM: Mass (weight)		UNIT: kg
Curb mass (weight)	Petrol	860
	CNG	975
Gross Vehicle Mass (weight) Rating		1600
Permissible maximum Axle Weight	Front	900
	Rear	1020

## SPECIFICATIONS

<b>ITEM: Engine</b>	<b>Petrol and CNG</b>
Type	K12N (DOHC)
Number of cylinders	4
Bore	73.0 mm
Stroke	71.5 mm
Piston displacement	1197 cm <sup>3</sup> (1197 cc)
Compression ratio	12.0: 1

<b>ITEM: Electrical</b>	
Spark plug	NGK ILZKR6F11
Battery	12V 38B20R
Fuses	See "INSPECTION AND MAINTENANCE" section.

<b>ITEM: Lights</b>	<b>WATTAGE</b>	<b>BULB No.</b>
Headlight	12V 60/55W	H4
Position light	12V 5W	W5W
Turn signal light	Front	PY21W
	Rear	P21W
Brake/tail light	12V 21/5W	P21/5W
Reversing light	12V 21W	P21W
License plate light	12V 5W	W5W
Interior light	12V 5W	C5W

## SPECIFICATIONS

---

<b>ITEM: Wheels and Tyres</b>	
Tyre size, front, rear and spare	155R13 LT 8PR 89/88S* / 155R13 LT 8PR 90/89Q*
Rim size	13X4J
Tyre pressures	For the specified Tyre pressure, see the Tyre Information Label located on the driver's door lock pillar.

\* If you cannot prepare a tyre with the specified load index rate and speed symbol, prepare a tyre with higher load index rate and speed symbol.

<b>ITEM: Recommended Fuel / Lubricants and Capacities (approx.)</b>			
Fuel	Petrol		30 L <sup>#</sup>
	CNG	Petrol	5 L <sup>#</sup>
		CNG	35 L × 2 tanks <sup>#</sup>
Engine oil	Petrol		Classification: API SN Viscosity: SAE 0W-16
	CNG		
Engine coolant			“SUZUKI LLC: Super (Blue) Coolant” *1 “SUZUKI LLC: Standard (Yellow) Coolant” *1
Manual transmission oil			MARUTI GENUINE GEAR OIL 75W
Rear differential oil			“TOTALFINAELF TRANSELF LL 85W-140”
Brake fluid			Maruti Genuine Brake Fluid (MGBF) or DOT 3
			Refill to the proper oil level according to the instructions in the “INSPECTION AND MAINTENANCE” section.

\*1: The recommended coolant varies depending on your vehicle. Refer to “INSPECTION AND MAINTENANCE” section.

#: The fuel tank capacity is slightly more than the recommended quantity of fuel that you can fill. The additional voluminous space is provided for safety and scientific reasons.

## INSTRUCTIONS FOR BODY FABRICATION

---

### INSTRUCTIONS FOR BODY FABRICATION (Chassis Variant)

The body fabrication on the cab-chassis vehicle shall be carried out ensuring the following instructions and boundary conditions:

- (a) **Body exteriors:** The load body/ application shall be fabricated such that the external surface of the vehicle shall not have sharp edges or sharp projecting parts which are likely to increase the risk or seriousness of bodily injury to a person hit by the bodywork or brushing against it in the event of a collision. This is valid both when the complete vehicle is stationary and in motion. It is to be ensured a minimum 2.5mm or more radius of curvature on external edges and projecting parts. Body shall meet the stipulated requirement as defined under CMVR Rule 124(1)-11.

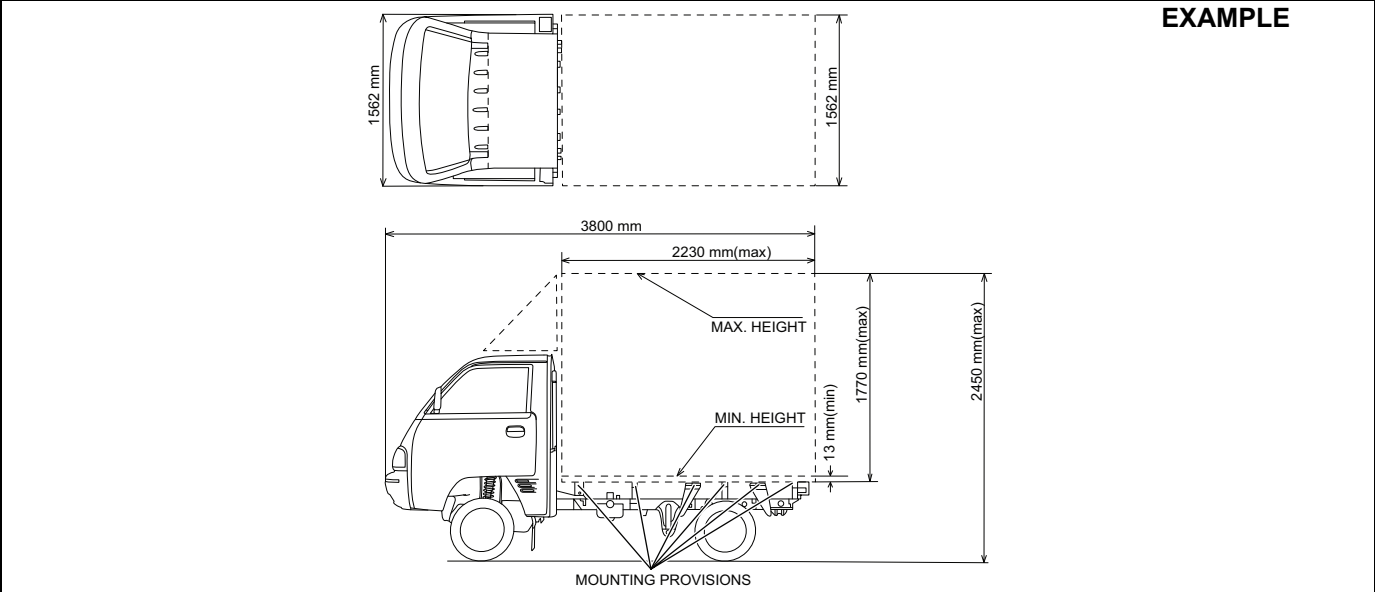
For body layouts (like Tipper Application), where battery mountings are exposed, a cover shall be provided in order to meet the necessary requirements of exterior projections as defined under CMVR Rule 124(1)-11.

- (b) **Reflective Tape:** The body builder shall paste a red reflective tape (of not less than 20mm width) running across the width of the body on the rear of the vehicle and shall comply with requirements under CMVR Rule No. 104.
- (c) **Head Lamp:** After the body fabrication, Initial inclination of Head lamp shall be adjusted as marked on the headlamp (as per CMVR 124 (1)-20). The head lamp leveling switch position for GVW condition shall be specified by Body Fabricator to the Customer.
- (d) **Body Builder's Plate:** The body builder shall place the body-builder's plate specifying the unladen weight, payload and other details as per requirement under CMVR Rule 122.
- (e) **Form 22A Part II:** The body builder shall provide Form 22A Part II as per requirement under CMVR Rule 47.
- (f) The body builder shall not alter with the electrical wiring, electrical equipment, brake connections, brake piping, fuel connection, exhaust system and chassis components during the body fabrication.



# INSTRUCTIONS FOR BODY FABRICATION

(g) **Dimensions:** The load body/application to be built upon the manufacturer supplied cab chassis vehicle shall be designed to fit within a minimum and maximum envelop as specified in below illustration.



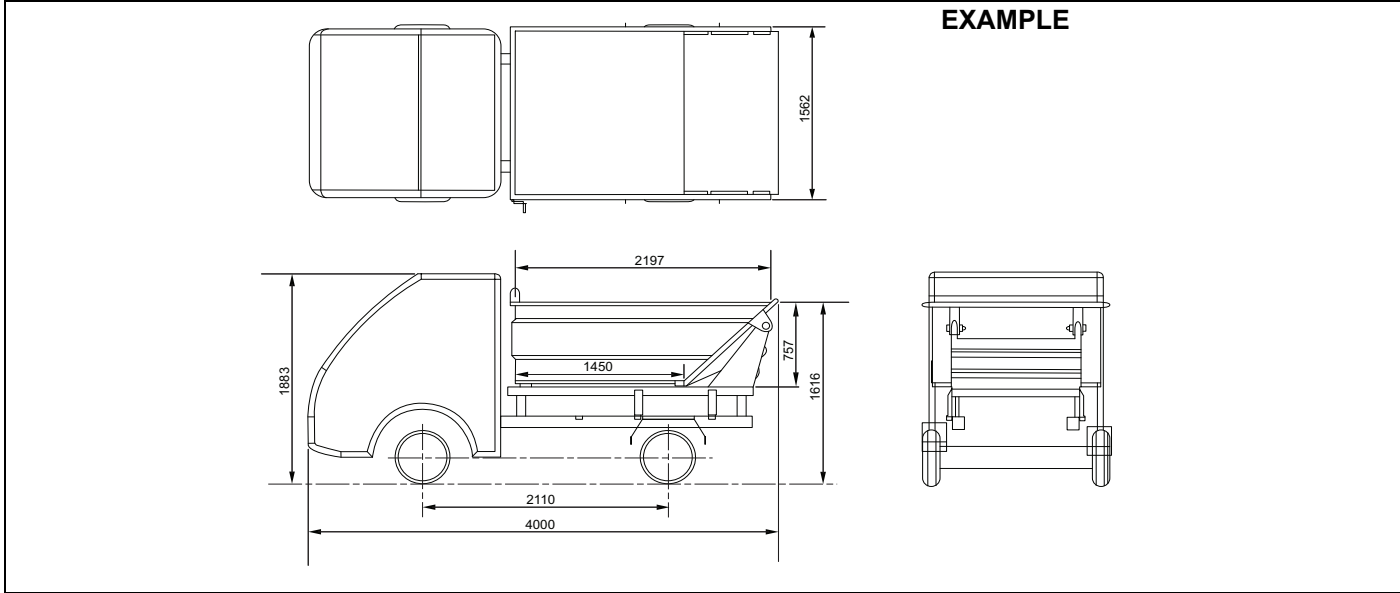
77PM12003

INSTRUCTIONS FOR BODY FABRICATION

For Petrol Model Tipper (Open Tipper & Closed Tipper)

The load body/application to be built upon the manufacturer supplied cab chassis vehicle shall be designed to fit within specified dimension as in the below illustration.

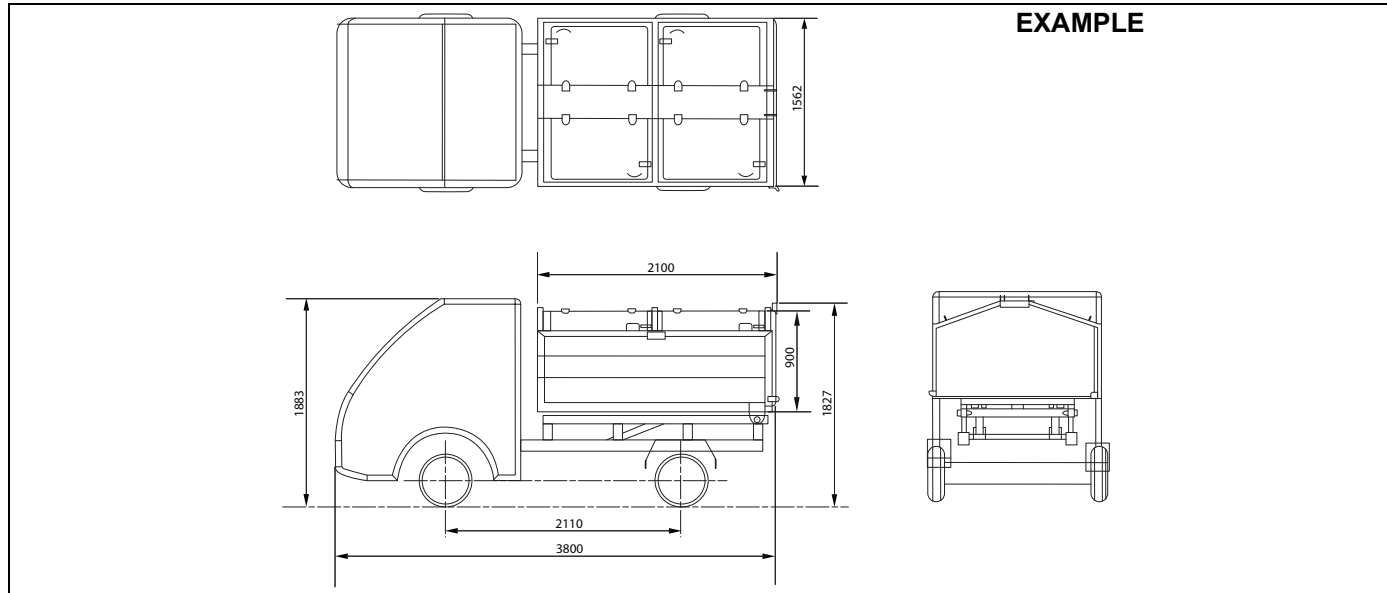
- Open Tipper:



77PM12006

## INSTRUCTIONS FOR BODY FABRICATION

- Closed Tipper:



EXAMPLE

77PM12007

- (h) **Weight and its distribution:** The load body/application shall be fabricated considering the minimum kerb weight of complete vehicle as 860kg (Petrol), 975kg (CNG) and maximum kerb weight of complete vehicle as 1140kg (Petrol), 1255kg (CNG). The ratio of front axle and rear axle kerb weight shall not exceed 1.46 (Petrol), 1.24 (CNG).

For Petrol Model Tipper Application, the load body/application shall be fabricated considering the following Kerb weight.

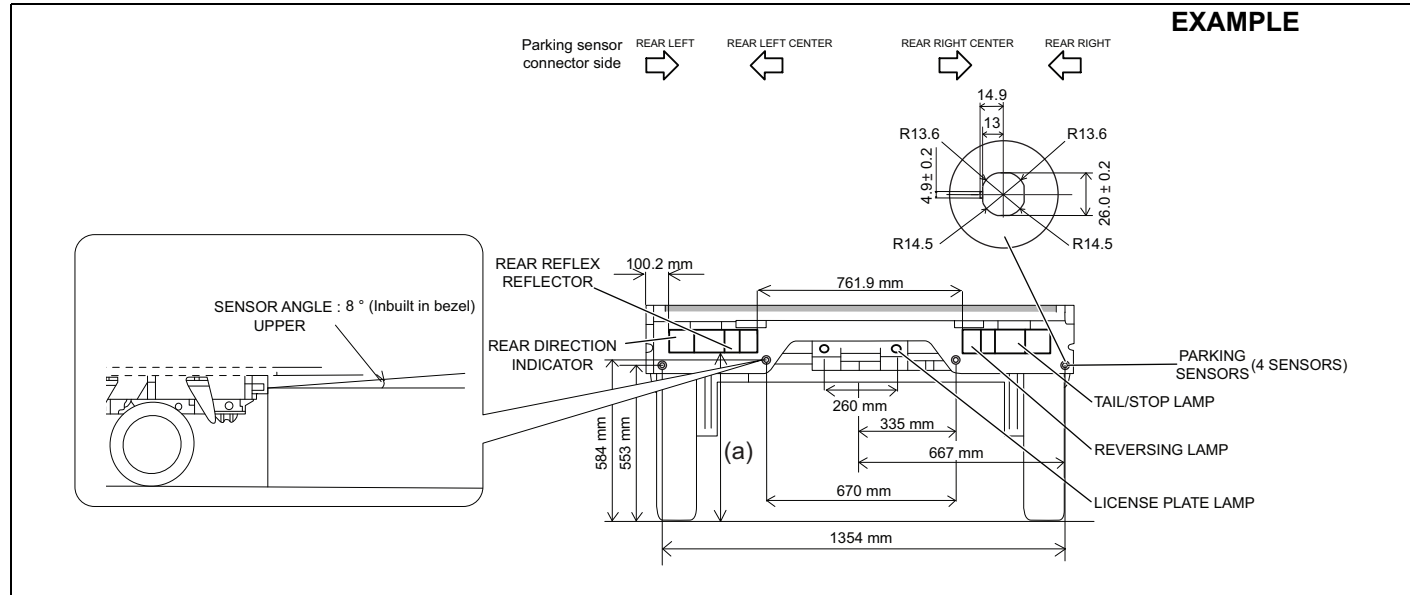
Kerb weight of open tipper: 1070kg

Kerb weight of closed tipper: 1140kg

The ratio of front axle and rear axle Kerb weight shall not exceed 1.46.

## INSTRUCTIONS FOR BODY FABRICATION

- (i) **Lighting and signaling devices:** The cab chassis is being supplied with head lamp assembly inbuilt with the cab and a temporary panel with rear combination lamps and registration plate lamps. There shall not be any modifications done with the position of Head lamp assembly. The rear combination lamps, registration plate lamps and parking sensors (provided along with vehicle in glove box) shall be fitted on the load body/ application as per the specified position as in below illustration.

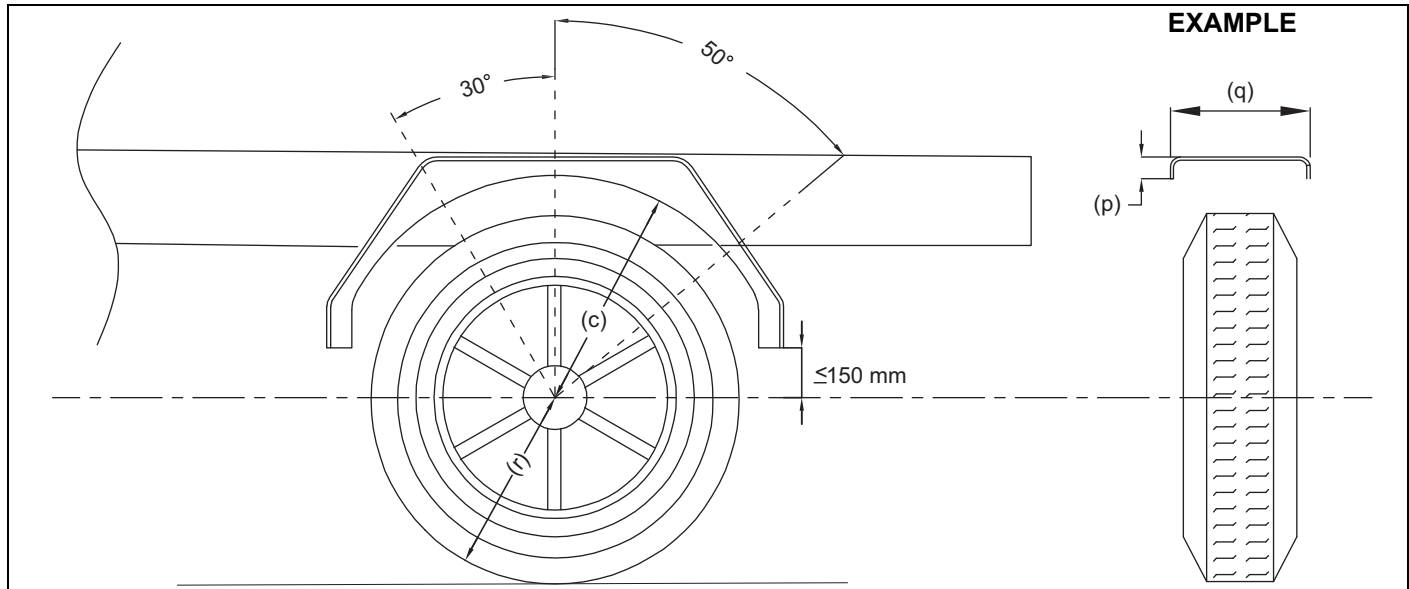


77PM12008

<b>“a” Value</b>	
Chassis Applications (Petrol & CNG)	612 mm
Petrol Model Open Tipper Application	620 mm
Petrol Model Closed Tipper Application	660 mm

## INSTRUCTIONS FOR BODY FABRICATION

- (j) **Wheel Guard:** Wheel guards shall comply with requirements under CMVR Rule No. 124(1)-13. The wheel guard (rear) must be fabricated as per design parameters specified in below illustration.



77PM12106

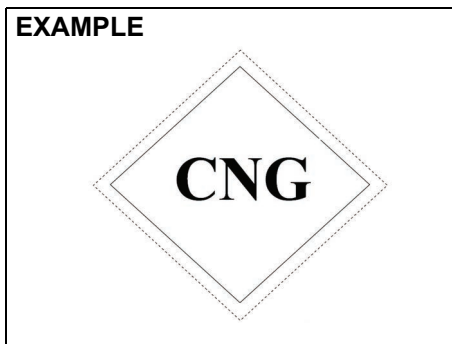
c	$\leq 2r$
p	> 30 mm
q	> Total Tyre Width
r	Tyre Static Radius

## INSTRUCTIONS FOR BODY FABRICATION

### (k) Application for CNG Variant :

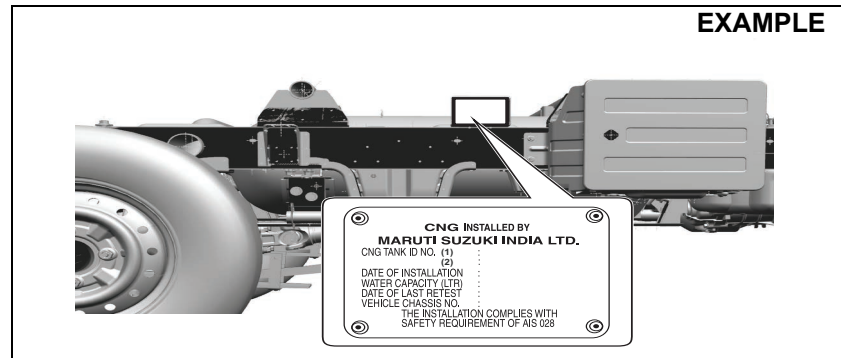
#### CNG Label:

The body builder shall paste "CNG Label" (provided along with vehicle Tool kit packet) on the load body on rear side as per below guidelines.



- Label shall be affixed in a vertical position (as shown above) on flat surface as close to the vehicle number plate as practical.
- Affixed label shall ensure visibility from rear sides.
- The label shall be in position at all times, shall be in good condition, and the shape, colouring and lettering shall be easily identifiable.

#### CNG Kit Number Identification:



The load body/application shall be fabricated such that it does not impact the visibility of CNG compliance plate.

#### Disclaimer:

The owner/body-builder shall comply to applicable CMVR requirements and also State Motor vehicle Rules as applicable from time to time in respect of body fabrication of super carry chassis variant.

The vehicle manufacturer shall not be liable for any non-conformity of applicable laws arising due to fabrication of body/ application, in contradiction to manufacturer's instructions and prevailing regulations.

#### ⚠ CAUTION

**Do not keep your super carry vehicle without deck/body fabrication**

## ಮುನ್ನುಡಿ

ಈ ಮ್ಯಾನುವಲ್ ನಿಮ್ಮ ವಾಹನದ ಒಂದು ಅತೀ ಮುಖ್ಯ ಭಾಗವಾಗಿದೆ ಮತ್ತು ವಾಹನವನ್ನು ಮರುಮಾರಾಟ ಮಾಡುವಾಗ ಅಥವಾ ಹೊಸ ಮಾಲೀಕ ಅಥವಾ ಚಾಲಕನಿಗೆ ವರ್ಗಾಯಿಸುವಾಗ ಅದರಲ್ಲಿರಬೇಕು. ದಯವಿಟ್ಟು ನಿಮ್ಮ ಹೊಸ ಮಾರುತಿ ಸುಜುಕಿಯನ್ನು ಚಲಾಯಿಸುವ ಮೊದಲು ಈ ಮ್ಯಾನುವಲ್ ಅನ್ನು ಜಾಗರೂಕವಾಗಿ ಓದಿ. ಆಗಾಗ್ಗೆ ಮ್ಯಾನುವಲ್ ಅನ್ನು ಮರಳಿ ಓದಿ. ಸುರಕ್ಷತೆ, ಚಾಲನೆ ಮತ್ತು ನಿರ್ವಹಣೆಗೆ ಸಂಬಂಧಿಸಿದ ಪ್ರಮುಖ ಮಾಹಿತಿಗಳನ್ನು ಇದು ಹೊಂದಿದೆ. ಮ್ಯಾನುವಲ್ ನಲ್ಲಿ ವಿವರಿಸಿರುವಂತೆ ನಾಲ್ಕು ಉಚಿತ ತಪಾಸಣಾ ಸರ್ವಿಸ್ ಗಳನ್ನು ಪಡೆಯಲು ನಿಮಗೆ ಅಪ್ಪಾಯಿಟಿವಿ. ನಾಲ್ಕು ಉಚಿತ ತಪಾಸಣಾ ಕೂಪನ್ ಗಳನ್ನು ಈ ಮ್ಯಾನುವಲ್ ಗೆ ಜೋಡಿಸಲಾಗಿದೆ. ನೀವು ನಿಮ್ಮ ಮಾರುತಿ ಸುಜುಕಿಯನ್ನು ಯಾವುದೇ ಸರ್ವಿಸ್ ಗಾಗಿ ತೆಗೆದುಕೊಂಡು ಹೋದಾಗ ದಯವಿಟ್ಟು ಈ ಮ್ಯಾನುವಲ್ ಅನ್ನು ನಿಮ್ಮ ಡೀಲರ್ ಗೆ ತೋರಿಸಿ.

ನಿಮ್ಮ ವಾಹನದ ಬಾಳಿಕೆಯನ್ನು ಧೀರ್ಘಗೊಳಿಸಲು ಮತ್ತು ನಿರ್ವಹಣಾ ವೆಚ್ಚವನ್ನು ಕಡಿಗೊಳಿಸಲು, ಕಾಲ ಕಾಲಕ್ಕೆ ನಿರ್ವಹಣೆಯನ್ನು "ಕಾಲಕಾಲದ ನಿರ್ವಹಣಾ ವೇಳಾಪಟ್ಟಿ"ಗೆ ಅನುಗುಣವಾಗಿ ಈ ಮ್ಯಾನುವಲ್ ನ "ತಪಾಸಣಾ ಮತ್ತು ನಿರ್ವಹಣಾ" ವಿಭಾಗದಲ್ಲಿ ವಿವರಿಸಿದಂತೆ ನಡೆಸಬೇಕು. ನಿಮ್ಮ ತ್ಯಜಿ ಮತ್ತು ಸುರಕ್ಷೆಗಾಗಿ ಸಮಸ್ಯೆ ಮತ್ತು ಅವಘಡಗಳನ್ನು ತಡೆಯುವುದು ಅತ್ಯಗತ್ಯ.

ನಿತ್ಯದ ತಪಾಸಣೆ ಮತ್ತು ಆರೈಕೆಯನ್ನು "ನಿತ್ಯ ತಪಾಸಣಾ ಪರಿಶೀಲನಾ ಪಟ್ಟಿ"ಗೆ ತಕ್ಕಂತೆ ಈ ಮ್ಯಾನುವಲ್ ನ "ತಪಾಸಣಾ ಮತ್ತು ನಿರ್ವಹಣಾ" ವಿಭಾಗದಲ್ಲಿ ವಿವರಿಸಿದಂತೆ ನಡೆಸಬೇಕು. ವಾಹನದ ಧೀರ್ಘ ಬಾಳಿಕೆ ಮತ್ತು ಸುರಕ್ಷಿತ ಚಾಲನೆಗೆ ಇದು ಅತ್ಯಗತ್ಯ.

ವೆಹಿಕಲ್ ಮತ್ತು ಅದರಲ್ಲಿ ಲಭ್ಯವಿರುವ ವೈಶಿಷ್ಟ್ಯಗಳು/ ಆಕ್ಷೆಸರಿಗಳನ್ನು ಮಾಲೀಕರು/ಬಳಕೆದಾರರು ಅನ್ವಯಿಸುವ ಕಾನೂನು ಅವಶ್ಯಕತೆಗಳಿಗೆ ಅನುಗುಣವಾಗಿ ಬಳಸಬೇಕು ಮತ್ತು ಕೊಳ್ಳಬೇಕು.

ಮಾರುತಿ ಸುಜುಕಿ ಇಂಡಿಯಾ ಲಿಮಿಟೆಡ್ ಭೂಮಿಯ ಪ್ರಾಕೃತಿಕ ಸಂಪನ್ಮೂಲಗಳ ಸಂರಕ್ಷಣೆಯಲ್ಲಿ ವಿಶ್ವಾಸ ಹೊಂದಿದೆ.

ಅಂತಿಮವಾಗಿ, ಪ್ರೀತಿ ವಾಹನದ ಮಾಲೀಕನೂ ಬಳಸಿದ ಇಂಜಿನ್ ಆಯಿಲ್, ಕೂಲಂಟ್ ಮತ್ತು ಇತರ ಫ್ಲೂಯಿಡ್ ಗಳು, ಬ್ಯಾಟರಿಗಳು ಮತ್ತು ಟೈರ್ ಗಳು ಇತ್ಯಾದಿಗಳನ್ನು ನವೀಕರಿಸುವುದು, ಮಾರಾಟ ಮಾಡುವುದು ಅಥವಾ ಸರಿಯಾಗಿ, ಸೂಕ್ತವೆನಿಸಿದಂತೆ ವಿಲೇವಾರಿ ಮಾಡಬೇಕು ಎಂದು ಪ್ರೋತ್ಸಾಹಿಸುತ್ತೇವೆ.

## ಮಾರುತಿ ಸುಜುಕಿ ಇಂಡಿಯಾ ಲಿಮಿಟೆಡ್

ಈ ಮ್ಯಾನುವಲ್ ನಲ್ಲಿರುವ ಎಲ್ಲಾ ಮಾಹಿತಿಗಳು ಪ್ರಕಟಣೆಯ ಸಂದರ್ಭದಲ್ಲಿ ಲಭ್ಯವಿರುವ ಇತ್ತೀಚೆಗಿನ ಉತ್ಪನ್ನ ಮಾಹಿತಿಯನ್ನು ಆಧರಿಸಿದೆ. ಸುಧಾರಣೆಗಳು ಮತ್ತು ಇತರ ಬದಲಾವಣೆಗಳ ಕಾರಣದಿಂದ, ಈ ಮ್ಯಾನುವಲ್ ಮತ್ತು ನಿಮ್ಮ ವಾಹನದ ಮಾಹಿತಿಯ ನಡುವೆ ಸ್ವಲ್ಪ ವ್ಯತ್ಯಾಸಗಳು ಕಾಣಬಹುದು. ಮಾರುತಿ ಸುಜುಕಿ ಇಂಡಿಯಾ ಲಿಮಿಟೆಡ್ ಯಾವುದೇ ಸಂದರ್ಭದಲ್ಲಿ ಬೇಕಾದರೂ ಉತ್ಪಾದನಾ ಬದಲಾವಣೆಗಳನ್ನು, ಪೂರ್ವಸೂಚನೆ ಕೊಡದೆ ಮತ್ತು ಅಂತಹ ಬದಲಾವಣೆಗಳನ್ನೇ ಈಗಾಗಲೇ ತಯಾರಿಸಿದ ಮತ್ತು ಮಾರಾಟ ಮಾಡಿರುವ ವಾಹನಗಳಲ್ಲೂ ಮಾಡುವ ಬದ್ಧತೆಯನ್ನು ಹೊಂದಿರದೆಯೇ, ಕೈಗೊಳ್ಳುವ ಹಕ್ಕನ್ನು ಕಾಯ್ದಿರಿಸಿಕೊಂಡಿದೆ.

ಈ ವಾಹನವು ಇತರ ದೇಶಗಳ ಮಾನದಂಡಗಳು ಅಥವಾ ನಿಯಂತ್ರಣಗಳಿಗೆ ಬದ್ಧವಾಗದೆ ಇರಬಹುದು. ಈ ವಾಹನವನ್ನು ಇತರ ಯಾವುದೇ ದೇಶದಲ್ಲಿ ನೋಂದಣಿ ಮಾಡಿಕೊಳ್ಳಲು ಪ್ರಯತ್ನಿಸುವ ಮೊದಲು, ಎಲ್ಲಾ ಅನ್ವಯಿಸುವ ನಿಯಂತ್ರಣಗಳನ್ನು ಪರಿಶೀಲಿಸಿ ಮತ್ತು ಅಗತ್ಯ ಬದಲಾವಣೆಗಳನ್ನು ಮಾಡಿಕೊಳ್ಳಿ.

## ಪ್ರಮುಖ

▲ ಎಚ್ಚರಿಕೆ | ▲ ಜಾಗ್ರತೆ | ಸೂಚನೆ / ಗಮನಿಸಿ  
ದಯವಿಟ್ಟು ಈ ಮ್ಯಾನುವಲ್ ಅನ್ನು ಓದಿ ಮತ್ತು ಇದರ ಸೂಚನೆಗಳನ್ನು ಜಾಗರೂಕವಾಗಿ ಪಾಲಿಸಿ. ವಿಶೇಷ ಮಾಹಿತಿಗಳಿಗೆ ಓತ್ತು ನೀಡಲು, ▲ ಚಿಹ್ನೆ ಮತ್ತು ಎಚ್ಚರಿಕೆ, ಜಾಗ್ರತೆ, ಸೂಚನೆ ಮತ್ತು ಗಮನಿಸಿ ಮೊದಲಾದ ವಿಶೇಷ ಅರ್ಥವಿರುವ ಶಬ್ದಗಳಲ್ಲಿ ವಿವರಿಸಲಾಗಿದೆ. ಈ ವಿಶೇಷ ಶಬ್ದಗಳಲ್ಲಿ ಪ್ರಮುಖವಾಗಿ ತಿಳಿಸಲಾದ ಸಂದೇಶಗಳ ಮೇಲೆ ಹೆಚ್ಚು ಗಮನವನ್ನು ನೀಡಿ:

### ▲ ಎಚ್ಚರಿಕೆ

ಮರಣ ಅಥವಾ ಗಂಭೀರ ಗಾಯಗಳು ಸಂಭವಿಸುವ ಸಾಧ್ಯತೆಯಿರುವ ಅಪಾಯವನ್ನು ಸೂಚಿಸುತ್ತದೆ.

### ▲ ಜಾಗ್ರತೆ

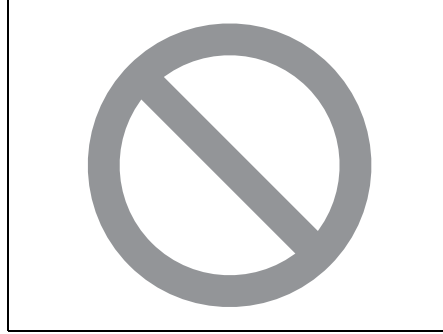
ಸಣ್ಣ ಅಥವಾ ಸಾಮಾನ್ಯ ಗಾಯಗಳು ಸಂಭವಿಸುವ ಸಾಧ್ಯತೆಯಿರುವ ಅಪಾಯವನ್ನು ಸೂಚಿಸುತ್ತದೆ.

### ಸೂಚನೆ

ವಾಹನಕ್ಕೆ ಹಾನಿ ಸಂಭವಿಸುವ ಸಾಧ್ಯತೆಯಿರುವ ಅಪಾಯವನ್ನು ಸೂಚಿಸುತ್ತದೆ.

### ಸೂಚನೆ:

ನಿರ್ವಹಣೆಯನ್ನು ಸರಳ ಮಾಡುವ ಅಥವಾ ಸೂಚನೆಗಳನ್ನು ಸ್ಪಷ್ಟಪಡಿಸುವ ವಿಶೇಷ ಮಾಹಿತಿಯನ್ನು ಸೂಚಿಸುತ್ತದೆ.



75F135

ಈ ಮ್ಯಾನುವಲ್ ನಲ್ಲಿ ಸ್ಪಷ್ಟ ಜೊತೆಗೆ ಕೊಡಲಾಗಿರುವ ವ್ಯತ್ಯದ ಅರ್ಥ - "ಇದನ್ನು ಮಾಡಬೇಡಿ" ಅಥವಾ "ಇದು ಆಗಲು ಬಿಡಬೇಡಿ".

### ಸೂಚನೆ:

- ಕಾರು, ಮಾದರಿ/ರೂಪಾಂತರದಂತಹ ಪದಗಳನ್ನು ಈ ಮ್ಯಾನುಯಲ್ನಲ್ಲಿ "ವೆಹಿಕಲ್" ಎಂದು ಸೂಚಿಸಲು ಏಕರೂಪವಾಗಿ ಬಳಸಲಾಗುತ್ತದೆ.
- ಈ ಮ್ಯಾನುಯಲ್ನಲ್ಲಿ ಬಳಸಲಾದ ಚಿತ್ರಾತ್ಮಕ ಪ್ರಾತಿನಿಧ್ಯಗಳು ಉಲ್ಲೇಖದ ಉದ್ದೇಶಗಳಿಗಾಗಿ ಮಾತ್ರ.

## ಬದಲಾವಣೆ ಎಚ್ಚರಿಕೆ

### ▲ ಎಚ್ಚರಿಕೆ

ನಿಮ್ಮ ವೆಹಿಕಲ್ ಅನ್ನು ಮಾರ್ಪಡಿಸಬೇಡಿ. ಮಾರ್ಪಾಡು ಮಾಡುವಿಕೆಯು ಸುರಕ್ಷತೆ, ನಿರ್ವಹಣೆ, ಕಾರ್ಯಕ್ಷಮತೆ ಅಥವಾ ಬಾಳಿಕೆಯ ಮೇಲೆ ಪ್ರತಿಕೂಲ ಪರಿಣಾಮ ಬೀರಬಹುದು ಮತ್ತು ಸರ್ಕಾರದ ನಿಯಮಗಳನ್ನು ಉಲ್ಲಂಘಿಸಬಹುದು. ಹೆಚ್ಚುವರಿಯಾಗಿ, ಮಾರ್ಪಾಡಿನಿಂದ ಉಂಟಾಗುವ ಹಾನಿ ಅಥವಾ ಕಾರ್ಯಕ್ಷಮತೆಯ ಸಮಸ್ಯೆಗಳು ವಾರಂಟಿಯ ಅಡಿಯಲ್ಲಿ ಬರುವುದಿಲ್ಲ.

### ಸೂಚನೆ

ಮೊಬೈಲ್ ಸಂಪರ್ಕ ಸಲಕರಣೆಗಳಾದ ಸೆಲ್ಯುಲರ್ ಟೆಲಿಫೋನ್ ಗಳು ಅಥವಾ ಸಿಬಿ (ಸಿಟಿಜನ್ಸ್ ಬ್ಯಾಂಡ್) ರೇಡಿಯೋಗಳ ಅನುಮೋದನೆ ಜೋಡಣೆಯಿಂದ ನಿಮ್ಮ ವಾಹನದ ಇಗ್ನಿಷನ್ ವ್ಯವಸ್ಥೆಗೆ ಎಲೆಕ್ಟ್ರಾನಿಕ್ ಮಧ್ಯಪ್ರವೇಶಗಳಾಗಿ, ವಾಹನದ ಕಾರ್ಯವೈಖರಿಯಲ್ಲಿ ಸಮಸ್ಯೆಯಾಗುವ ಸಾಧ್ಯತೆಯಿದೆ. ನಿಮ್ಮ ಅಧಿಕೃತ ಮಾರುತಿ ಸುಜುಕಿ ವಾಣಿಜ್ಯ ಡೀಲರ್ ನನ್ನು ಸಂಪರ್ಕಿಸಿ ಅಂತಹ ಮೊಬೈಲ್ ಸಂಪರ್ಕ ಸಲಕರಣೆಗಳನ್ನು ಜೋಡಿಸಲು ಸಲಹೆಗಳನ್ನು ಪಡೆಯಿರಿ.

### ಸೂಚನೆ

ಮಾರುತಿ ಸುಜುಕಿ ಶಿಫಾರಸು ಮಾಡಿರದ ಕಡಿಮೆ ಗುಣಮಟ್ಟದ ಫ್ಯೂಯಲ್ ಮತ್ತು/ಅಥವಾ ಲುಬ್ರಿಕೇಂಟ್ ಗಳನ್ನು ಬಳಸುವುದರಿಂದ ಗಂಭೀರ ಅಪಾಯ ಸಂಭವಿಸಬಹುದು.



## ವಾರಂಟಿ ಪಾಲಿಸಿ

ಮಾರುತಿ ಸುಜುಕಿ ಇಂಡಿಯಾ ಲಿಮಿಟೆಡ್ (ಇಲ್ಲಿಂದ ಮುಂದೆ ಮಾರುತಿ ಸುಜುಕಿ ಎಂದೇ ಉಲ್ಲೇಖಿಸಲಾಗುವುದು), ಭಾರತದಲ್ಲಿ ಮಾರುತಿ ಸುಜುಕಿಯಿಂದ ಮತ್ತು ಅಧಿಕೃತ ಮಾರುತಿ ಸುಜುಕಿ ಡೀಲರ್ ಮಾರಾಟ ಮಾಡುವ ಮೂಲಕ ವಿತರಣೆಯಾಗುವ ಪ್ರತೀ ಹೊಸ ಮಾರುತಿ ಸುಜುಕಿ ವಾಹನ ಸಾಮಾನ್ಯ ಬಳಕೆ ಮತ್ತು ಸರ್ವಿಸ್ ಅಡಿಯಲ್ಲಿ ಮೆಟೀರಿಯಲ್ ನಲ್ಲಿ ಇರಬಹುದಾದ ದೋಷಗಳಿಂದ ಮುಕ್ತವಾಗಿರುತ್ತದೆ ಮತ್ತು ಕಾರ್ಯಶಲ್ಯವು ಈ ಕೆಳಗಿನ ನಿಯಮಗಳು ಮತ್ತು ಷರತ್ತುಗಳನ್ನು ಅನ್ವಯಿಸಿರುತ್ತದೆ ಎಂದು ವಾರಂಟಿ ನೀಡುತ್ತದೆ:

### (1) ಅರ್ಹತೆ:

ಈ ವಾರಂಟಿಗೆ ಅರ್ಹತೆ ಪಡೆಯಬೇಕೆಂದಿದ್ದಲ್ಲಿ ಮಾರುತಿ ಸುಜುಕಿ ವಾಹನವನ್ನು ಮಾರುತಿ ಸುಜುಕಿ ಅಧಿಕೃತ ಡೀಲರ್ ಮತ್ತು ವ್ಯವಸ್ಥೆ ವಿತರಿಸಿರಬೇಕು, ಮಾರುತಿ ಸುಜುಕಿ ಅಧಿಕೃತ ಕಾರ್ಯಾಕಾರದಲ್ಲಿ ಸರ್ವಿಸ್ ಮಾಡಿರಬೇಕು.

### (2) ನಿಯಮ:

ಮೊದಲ ಮಾಲೀಕನಿಗೆ ವಾಹನವನ್ನು ವಿತರಣೆ ಮಾಡಿದ ದಿನದಿಂದ ಮೂವತ್ತಾರು (36) ತಿಂಗಳುಗಳು ಅಥವಾ 1,00,000 ಕಿಲೋಮೀಟರ್ ಗಳು (ಯಾವುದು ಮೊದಲು ಆಗುತ್ತದೋ ಅದು).

### (3) ಮಾರುತಿ ಸುಜುಕಿ ವಾರಂಟಿ ಬದ್ಧತೆಗಳು:

ಮೇಲೆ ತಿಳಿಸಿರುವ ಕಾಲಾವಧಿಯಲ್ಲಿ ಮಾರುತಿ ಸುಜುಕಿ ವಾಹನದಲ್ಲಿ ಯಾವುದೇ ದೋಷಗಳು ಕಂಡುಬಂದಲ್ಲಿ, ಮಾರುತಿ ಸುಜುಕಿಯ ಕೇವಲ ಒಂದೇ ಬದ್ಧತೆಯೆಂದರೆ, ತನ್ನದೇ ನಿರ್ಧಾರದಲ್ಲಿ, ಅಂತಹ ದೋಷವು ತಯಾರಿಯ ಸಂದರ್ಭದಲ್ಲಿ ದೋಷದ ಮೆಟೀರಿಯಲ್ ಅಥವಾ ಕಾರ್ಯಶಲ್ಯದಿಂದ ಆಗಿದೆ ಎನ್ನುವುದನ್ನು ಮಾರುತಿ ಸುಜುಕಿ ಒಪ್ಪಿಕೊಂಡಲ್ಲಿ, ದೋಷವೆಂದು ಕಂಡು ಬಂದಿರುವ ಯಾವುದೇ ಭಾಗವನ್ನು ಹೊಸ ಭಾಗ ಅಥವಾ ಸಮಾನ ಬೆಲೆಯ ಭಾಗವನ್ನು ಮಾಲೀಕರಿಗೆ ಉಚಿತವಾಗಿ ಭಾಗ ಮತ್ತು ಕೆಲಸವನ್ನು ಮಾಡಿಕೊಟ್ಟು ರಿಪೇರಿ ಮಾಡುವುದು ಅಥವಾ ಬದಲಿಸುವುದು. ಅಂತಹ ದೋಷಪೂರ್ಣ ಭಾಗಗಳು, ಅವುಗಳನ್ನು ಬದಲಿಸಲಾಗಿದ್ದಲ್ಲಿ, ಮಾರುತಿ ಸುಜುಕಿಯ ಆಸ್ತಿಯಾಗುತ್ತವೆ. ಈ ವಾರಂಟಿಯ ಅಡಿಯಲ್ಲಿ ಬಾರದ ಇರುವ ಯಾವುದೇ ರಿಪೇರಿ ಅಥವಾ ಬದಲಿಗೆ ಮಾಲೀಕನು ಜವಾಬ್ದಾರಾಗುತ್ತಾನೆ. ಮಾರುತಿ ಸುಜುಕಿಯ ನಿರ್ಧಾರವು ಅಂತಿಮ ಮತ್ತು ಅನ್ವಯಿಸುತ್ತದೆ.

### (4) ಮಿತಿ:

ಈ ವಾರಂಟಿ ಅನ್ವಯಿಸುವುದಿಲ್ಲ:

- 1) ನಾಲ್ಕು ಉಚಿತ ಸರ್ವಿಸ್ ಗಳನ್ನು ಹೊರತುಪಡಿಸಿ ಸಾಮಾನ್ಯ ನಿರ್ವಹಣಾ ಸರ್ವಿಸ್ ಗಳ ಅಗತ್ಯವಿದೆ, ಮಿತಿಮೀರಿದ್ದೂ ಸೇರಿ, ಆಯಿಲ್ ಮತ್ತು ಫ್ಲೂಯಿಡ್ ಬದಲಾವಣೆಗಳು, ಉಪಭೋಗಿಗಳು, ಹೆಡ್ ಲೈಟ್ ಗುರಿ, ಫಾಸ್ಟನರ್ ಮರಳಿ ಬಿಗಿಮಾಡುವುದು, ವೀಲ್ ಬ್ಯಾಲೆನ್ಸಿಂಗ್, ವೀಲ್ ಸಾಲು ಜೋಡಣೆ ಮತ್ತು ಟೈರ್ ರೋಟೇಶನ್, ಇಂಜಿನ್ ಗಳನ್ನು ಸ್ವಚ್ಛಗೊಳಿಸುವುದು, ಕಾರ್ಬುರೇಟರ್ ಹೊಂದಿಸುವುದು, ಇಗ್ನಿಷನ್ ಟೈಮಿಂಗ್, ಕ್ಲಚ್ ಮತ್ತು ವಾಲ್ವ್ ಕ್ಲಿಯರನ್ಸ್ ಇತ್ಯಾದಿ.
- 2) ಲಿಮಿಟೇಶನ್ ಹೊರತುಪಡಿಸಿ ಸೇರಿದಂತೆ ಸಾಮಾನ್ಯ ಸವೆದ ಭಾಗಗಳು, ಬಲ್ಬ್ ಗಳು, ಟೈರ್ ಗಳು ಮತ್ತು ಟ್ಯೂಬ್ ಗಳು, ಸ್ಪಾರ್ಕ್ ಪ್ಲಗ್ ಗಳು, ಬೆಲ್ಟ್ ಗಳು, ಹೋಸ್ ಗಳು, ಫಿಲ್ಟರ್ ಗಳು, ವೈವರ್ ಬ್ಲೇಡ್ ಗಳು, ಬುಷ್ ಗಳು, ಕಾಂಟಾಕ್ಟ್ ಪಾಯಿಂಟ್ ಗಳು, ಫ್ಯೂಸ್ ಗಳು, ಕ್ಲಚ್ ಡಿಸ್ಕ್, ಬ್ರೇಕ್ ಶೂಗಳು, ಬ್ರೇಕ್ ಪ್ಯಾಡ್ ಗಳು, ಕೇಬಲ್ ಮತ್ತು ಎಲ್ಲಾ ರಬ್ಬರ್ ಭಾಗಗಳು (ಆಯಿಲ್ ಸೀಲ್ ಮತ್ತು ಗ್ಲಾಸ್ ರನ್ ಹೊರತುಪಡಿಸಿ).
- 3) ಸ್ಪರ್ಧೆಗೆ, ರಾಲಿಗಳಿಗೆ ಅಥವಾ ರೇಸಿಂಗ್ ಗೆ ಬಳಸಿದ ಯಾವುದೇ ವಾಹನ.
- 4) ಅಪಘಾತ ಅಥವಾ ಡಿಕ್ಕಿಯ ಕಾರಣದಿಂದ ಬರುವ ಯಾವುದೇ ರಿಪೇರಿಗಳು ಅಥವಾ ಬದಲಿ.
- 5) ದುರ್ಬಳಕೆ, ಅಲಕ್ಷ್ಯ, ಅಸಹಜ ಬಳಕೆ, ಅಜಾಗರೂಕತೆ, ದಾಂದಲೆ, ಕಳ್ಳತನ, ಗಲಭೆ, ಬೆಂಕಿ, ಪ್ರವಾಹದಿಂದ- ಭಾಗಗಳ ಒಳಗೆ ನೀರು ಪ್ರವೇಶಿಸಿ ಇಂಜಿನ್ ಕಟ್ಟಿಕೊಳ್ಳುವುದು, ಹೈಡ್ರೋಸ್ಟಾಟಿಕ್ ಲಾಕ್ ಇತ್ಯಾದಿಗಾಗಿ ಮಿತಿಗೊಳ್ಳದೆ ಅಥವಾ ಬಾಡಿ/ ಭಾಗಗಳಿಗೆ ಹೊರಗಿನ ಹಾನಿಗಳಿಂದಾಗಿ ಯಾವುದೇ ದೋಷ/ ಹಾನಿಯಾದಲ್ಲಿ.
- 6) ಮಾಲೀಕರ ಮ್ಯಾನುವಲ್ ನಲ್ಲಿ ನಿರ್ದೇಶಿಸಲಾಗಿರುವುದಕ್ಕಿಂತ ಭಿನ್ನವಾದಂತಹ ಕಲಬೆರಕೆ ಇಂಧನ, ಲುಬ್ರಿಕೇಂಟ್ ಗಳು, ಆಯಿಲ್, ಕೂಲಿಂಗ್, ಫ್ಲೂಯಿಡ್ ಗಳು / ಪಾಲಿಶಿಂಗ್ ಉತ್ಪನ್ನಗಳು ಮತ್ತು ಇಂಧನ / ಲುಬ್ರಿಕೇಂಟ್ / ಆಯಿಲ್, ಕೂಲಿಂಗ್ / ಫ್ಲೂಯಿಡ್ ಗಳು ಇತ್ಯಾದಿಗಳ ಬಳಕೆಯ ಕಾರಣದಿಂದ ಯಾವುದೇ ಹಾನಿಯಾದಲ್ಲಿ.
- 7) ಯಾವುದೇ ವಾಹನವನ್ನು ಮಾಡಿಫೈ ಮಾಡಿದ್ದಲ್ಲಿ ಅಥವಾ ಬದಲಿಸಿದ್ದಲ್ಲಿ, ಲಿಮಿಟೇಶನ್ ಇಲ್ಲದ್ದು ಸೇರಿ, ಕಾರ್ಯ ವೈಖರಿ ಹೆಚ್ಚಿಸುವ ಅಕ್ಸೆಸರಿಗಳ ಅಳವಡಿಕೆ, ಬೆಳಕಿನ ವ್ಯವಸ್ಥೆಯನ್ನು ಹೆಚ್ಚು ಪ್ರಖರಗೊಳಿಸುವುದು, ಇತರ ಬದಲಾವಣೆಗಳು ಮತ್ತು ಹೊರಗಿನ/ಸಂಬಂಧಿತ ಕಾರಣಗಳು.
- 8) ಮಾರುತಿ ಸುಜುಕಿ (ನಾನ್-ಎಂಎಸ್‌ಜಿಎ, ನಾನ್-ಎಂಎಸ್‌ಜಿಪಿ) ಅಂಗೀಕರಿಸದ ಇರುವ ಯಾವುದೇ ಭಾಗಗಳು ಅಥವಾ ಅಕ್ಸೆಸರಿಗಳನ್ನು ಯಾವುದೇ ವಾಹನದಲ್ಲಿ ಬಳಸಿದಲ್ಲಿ.
- 9) ಮಾರುತಿ ಸುಜುಕಿ ಮಾಲೀಕರ ಮ್ಯಾನುವಲ್ ನಲ್ಲಿ ಹೇಳಲಾಗಿರುವ ಚಾಲನಾ ಸೂಚನೆಗಳಿಗೆ ತಕ್ಕಂತೆ ಕಾರ್ಯನಿರ್ವಹಿಸದ ಇರುವ ಯಾವುದೇ ವಾಹನ.

- 10) ಮಾರುತಿ ಸುಜುಕಿ ಮಾಲೀಕರ ಮ್ಯಾನುವಲ್ ಮತ್ತು ಸರ್ವಿಸ್ ಕರಪತ್ರದಲ್ಲಿ ಹೇಳಲಾಗಿರುವ ಚಾಲನಾ ಸೂಚನೆಗಳಿಗೆ ತಕ್ಕಂತೆ ಕಾರ್ಯನಿರ್ವಹಿಸದೆ ಇರುವ ಯಾವುದೇ ವಾಹನ.
- 11) ಮಾರುತಿ ಸುಜುಕಿ ಅಧಿಕೃತ ಕಾರ್ಯಾಗಾರವನ್ನು ಹೊರತುಪಡಿಸಿದ ಸ್ಥಳಗಳಲ್ಲಿ ಜೋಡಣೆಗೊಂಡ, ಕಳಚಲಾಗಿರುವ, ಹೊಂದಿಸಲಾಗಿರುವ ಅಥವಾ ರಿಪೇರಿ ಮಾಡಲಾಗಿರುವ ಯಾವುದೇ ವಾಹನ.
- 12) ವಾಹನವನ್ನು ಯಾವ ಕಾರಣಕ್ಕೆ ವಿನ್ಯಾಸ ಮಾಡಲಾಗಿದೆಯೋ ಅದನ್ನು ಹೊರತುಪಡಿಸಿ ಬೇರೆ ಉದ್ದೇಶಗಳಿಗೆ ಬಳಕೆಯಾದ ಯಾವುದೇ ವಾಹನ.
- 13) ಯಾವುದೇ ಹಾನಿ ಅಥವಾ ಕೆಟ್ಟು ಹೋಗುವುದಕ್ಕೆ ಕಾರಣವಾಗಿ ಗಾಳಿಯಿಂದಾದ ನಷ್ಟ, ಔದ್ಯಮಿಕ ನಷ್ಟ, ಆಸಿಡ್ ಮಳೆ, ಆಲಿಕಲ್ಲು ಅಥವಾ ಆಲಿಕಲ್ಲು ಮಳೆ, ಗಾಳಿ ಮಳೆ, ಮಿಂಚು, ಪಕ್ಷಿಗಳ ಹಿಕ್ಕೆ, ಇಲಿಗಳು ಕಚ್ಚುವುದು/ ಇಲಿ ಕಡಿತ ಅಥವಾ ಇತರ ಅಂತಹ ಕಾರಣಗಳಿಂದಾಗಿ ವಾಹನಗಳಿಗೆ ಹಾನಿಯಾದಲ್ಲಿ.
- 14) ವಾಹನದ ಕಾರ್ಯ ಕೌಶಲ್ಯಕ್ಕೆ ತೊಂದರೆಯಾಗದಂತೆ ಹೆಚ್ಚು ಪ್ರಮುಖವಲ್ಲದ ದೋಷಗಳ/ ಶಬ್ದ, ಮಿತಿಗಳಿಲ್ಲದವೂ ಸೇರಿ, ಧ್ವನಿ, ಕಂಪನ ಮತ್ತು ಫ್ಲೂಯಿಡ್ ಸೀಪ್.
- 15) ಯಾವುದೇ ಪ್ರಾಕೃತಿಕ ಸವೆತ ಮತ್ತು ಮುರತವು ಮಿತಿಗಳ ಹೊರತುಪಡಿಸಿರುವುದು ಸೇರಿದಂತೆ, ಹಳತಾಗಿರುವುದು, ಸವೆತ & ಮುರತ ಅಥವಾ ಬಣ್ಣಶಳೆದು ಹೋಗಿರುವುದು, ಮಾಸುವುದು, ವಿರೂಪತೆ ಅಥವಾ ಮಂದವಾಗುವುದು ಮತ್ತು ಫ್ಯಾಬ್ರಿಕ್ ಬಣ್ಣ ಹೋಗುವುದು ಇತ್ಯಾದಿಯಿಂದಾಗಿ ಕೆಟ್ಟುಹೋಗುವುದು.
- 16) ಅದುಗೆ ಗ್ಯಾಸ್/ಎಲ್ ಪಿಜಿ ಸಿಲಿಂಡರ್ ಅಳವಡಿಕೆ ಮತ್ತು ಬಳಕೆ.
- 17) V-ಬೆಲ್ಟ್ ಗಳು, ಹೋಸ್ ಗಳು ಮತ್ತು ಗ್ಯಾಸ್ ಸೋರಿಕೆಗಳು.
- 18) ಎಲ್ ಪಿಜಿ/ ಸಿಎನ್ ಜಿ ಕಿಟ್ ಗಳಿಂದ ರಿಟ್ರೋಫಿಟ್ ಆಗಿರುವ ಯಾವುದೇ ವಾಹನ.
- 19) ಮರು ಬಣ್ಣ ಬಳಿಯುವುದರಲ್ಲಿ ಪ್ಯಾಚ್‌ವರ್ಕ್, ಬಾಡಿ ವರ್ಕ್ ಮತ್ತು ಮೌಲ್ಟಿಂಗ್‌ಗಳು ಮತ್ತು ಇಂಟೀರಿಯರ್ ಟ್ರಿಮ್‌ಗಳು ಸೇರಿದಂತೆ.
- 20) ಕೊರತೆ, ಬಾಡಿ ಭಾಗಗಳ ತುಕ್ಕು ಹಿಡಿಯುವುದು ಮತ್ತು ಅಥವಾ ಭಾಗಗಳು.
- 21) ಅನಧಿಕೃತವಾಗಿ ಓಡೋಮೀಟರ್ ಬದಲಿಸಲಾಗಿರುವ ಯಾವುದೇ ವಾಹನ ಅಥವಾ ಓಡೋಮೀಟರ್ ರೀಡಿಂಗ್ ಸುಧಾರಿಸಲಾಗಿರುವ / ತಿರುಚಲಾಗಿರುವ/ ಅಥವಾ ಸರ್ವಿಸ್ ರೆಕಾರ್ಡ್‌ಗಳನ್ನು ಹೊಂದಿಸಲಾಗದೆ ಇರುವುದು.
- 22) ದೋಷವಾಗಿದೆ ಎನ್ನುವ ಮಾಹಿತಿ ಇದ್ದ ಹೊರತಾಗಿಯೂ ವಾಹನಕ್ಕೆ ರಿಪೇರಿ ಮಾಡದೆ ಅಥವಾ ವಾಹನದ ಮಾಲೀಕನಿಗೆ/ ಬಳಕೆದಾರನು ಗಮನ ಕೊಡದೆ ಆಗಿರುವ ಹಾನಿಗಳು.
- 23) ವಾಹನವನ್ನು ಬಳಸದೆ ದೀರ್ಘ ಕಾಲದ ಅವಧಿಯವರೆಗೆ ಪಾರ್ಕಿಂಗ್‌ನಲ್ಲಿಯೇ ಇಟ್ಟು ಕಾರಣ ಬ್ಯಾಟರಿ/ಟೈರ್ ಸೇರಿದಂತೆ ವಾಹನಕ್ಕೆ ಆಗಿರುವ ಹಾನಿಗಳು.

- 24) ರೆಟ್ರೋ-ಫಿಟ್ಟಿಂಗ್ ಅನ್ನು ಅಧಿಕೃತಗೊಳಿಸದ ಮತ್ತು/ಅಥವಾ ಭಾರತದ ಆಟೋಮೋಟಿವ್ ಸ್ಟ್ಯಾಂಡರ್ಡ್ಸ್ ಸೇರಿದಂತೆ ಆದರೆ ಸೀಮಿತವಾಗಿಲ್ಲದಂತೆ ಸಂಬಂಧಿತ ಪ್ರಾಧಿಕಾರವು ನಿಗದಿಪಡಿಸಿದ ಮಾನದಂಡಗಳ ಪ್ರಕಾರ ಅಂಗೀಕರಿಸದ ಟೈಪ್ ಯಾವುದೇ ವೆಹಿಕಲ್.
- 25) ರೆಟ್ರೋ-ಫಿಟ್ಟಿಂಗ್ ಆಗಿರುವ ಯಾವುದೇ ವೆಹಿಕಲ್ ನೇರವಾಗಿ ಅಥವಾ ಪರೋಕ್ಷವಾಗಿ ವೆಹಿಕಲ್ ಗೆ ಯಾವುದೇ ಹಾನಿಯನ್ನುಂಟುಮಾಡುತ್ತದೆ ಅಥವಾ ವೆಹಿಕಲ್ ಕಾರ್ಯಗಳ ಮೇಲೆ ಯಾವುದೇ ರೀತಿಯಲ್ಲಿ ಪರಿಣಾಮ ಬೀರುತ್ತದೆ.

#### (5) ವಾರಂಟಿ ವಿಸ್ತರಣೆ:

ವಾರಂಟಿ ಎಂದರೆ ಮಾರುತಿ ಸುಜುಕಿ ವಾಹನಗಳಿಗಾಗಿ ಮಾರುತಿ ಸುಜುಕಿ ಲಿಖಿತವಾಗಿ ಕೊಟ್ಟಿರುವ ವಿವರವಾಗಿದೆ ಮತ್ತು ಯಾವುದೇ ಡೀಲರ್ ಅಥವಾ ಅದರ ಅಥವಾ ಆತನ ಏಜೆಂಟ್ ಅಥವಾ ಉದ್ಯೋಗಿಗೆ ಈ ವಾರಂಟಿಯನ್ನು ವಿಸ್ತರಿಸಲು ಅಥವಾ ಹೆಚ್ಚು ಮಾಡುವ ಅಧಿಕಾರವಿರುವುದಿಲ್ಲ ಮತ್ತು ಯಾವುದೇ ಡೀಲರ್ ಅಥವಾ ಅದರ ಅಥವಾ ಆತನ ಏಜೆಂಟ್ ಅಥವಾ ಉದ್ಯೋಗಿಗೆ ಮಾರುತಿ ಸುಜುಕಿ ಪರವಾಗಿ ಯಾವುದೇ ಬಾಯಿ ಮಾತಿನ ವಾರಂಟಿಯನ್ನು ನೀಡುವ ಅಧಿಕಾರವಿರುವುದಿಲ್ಲ. ಅಥವಾ ಮಾರುತಿ ಸುಜುಕಿಯ ಪರವಾಗಿ ಪ್ರತಿನಿಧಿಸಲು ಅಥವಾ ಭರವಸೆ ನೀಡುವಂತಿಲ್ಲ.

ಮಾರುತಿ ಸುಜುಕಿ ಯಾವುದೇ ಸುಧಾರಣೆಗಳು ಅಥವಾ ಬದಲಾವಣೆಯನ್ನು ಯಾವುದೇ ಮಾಡಲ್ ನ ವಿನ್ಯಾಸಕ್ಕೆ ಯಾವುದೇ ಸಮಯದಲ್ಲೂ ಮಾಡಬಹುದು ಮತ್ತು ಈ ಹಿಂದೆಯೇ ಮಾರಿದ ಯುನಿಟ್ ಗಳಲ್ಲೂ ಅದೇ ಬದಲಾವಣೆಗಳನ್ನು ಮಾಡಬೇಕಾದ ಬದ್ಧತೆಯನ್ನು ಹೊಂದಿರುವುದಿಲ್ಲ.

#### (6) ವಾರಂಟಿ ಸರ್ವಿಸ್:

ವಾರಂಟಿ ಸರ್ವಿಸ್ ಗಳನ್ನು ಪಡೆದುಕೊಳ್ಳಲು, ಸಂಪೂರ್ಣ ವಾಹನವನ್ನು ಮಾಲೀಕರ ವೆಚ್ಚದಲ್ಲಿ ಯಾವುದೇ ಅಧಿಕೃತ ಮಾರುತಿ ಸುಜುಕಿ ಕಾರ್ಯಾಗಾರಕ್ಕೆ ಕೊಟ್ಟಿರಬೇಕು. ವಾಹನವನ್ನು ಸರ್ವಿಸ್‌ಗೆ ಕೊಡುವ ಸಂದರ್ಭದಲ್ಲಿ ವಾಹನದಲ್ಲಿ ಜೋಡಿಸಲಾಗಿರುವ ವಸ್ತುಗಳು ಅಥವಾ ಸಲಕರಣೆಗಳಿಗೆ ಗ್ರಾಹಕನು ಜವಾಬ್ದಾರನಾಗಿರುತ್ತಾನೆ ಮತ್ತು ಯಾವುದೇ ಪರಿಷ್ಕರಿಯಲ್ಲಿಯೂ ಯಾವುದೇ ರೀತಿಯ ಕ್ಲೇಮ್ ಅನ್ನು ಮಾಡುವ ಅವಕಾಶವಿರುವುದಿಲ್ಲ.

(7) ಮಾಲೀಕರ ವಾರಂಟಿ ಕಷ್ಟಪಾಡುಗಳು:

ಸೂಚನೆ
ಮಾಲೀಕರು ವೆಹಿಕಲ್ ಅನ್ನು ಹಾನಿಗೊಳಗಾದ ಸ್ಥಿತಿಯಲ್ಲಿ ಬಳಸಬಾರದು ಮತ್ತು ಅದನ್ನು ತಕ್ಷಣವೇ ಹತ್ತಿರದ ಮಾರುತಿ ಸುಜುಕಿ ಅಧಿಕೃತ ಕಾರ್ಯಾಗಾರಕ್ಕೆ ವರದಿ ಮಾಡಬೇಕು. ಇದು ವೆಹಿಕಲ್ ನ ಆರಂಭಿಕ ತಪಾಸಣೆ ಮತ್ತು ರಿಪೇರಿಗೆ ಕಾರಣವಾಗುತ್ತದೆ ಮತ್ತು ವ್ಯಕ್ತಿಗೆ ಯಾವುದೇ ಹಾನಿಯಾಗಬಹುದು ಅಥವಾ ವೆಹಿಕಲ್ ಗೆ ಹಾನಿಯಾಗುವುದನ್ನು ತಡೆಯಬಹುದು.

ಇದು ಪ್ರತೀ ಮಾಲೀಕರ ಜವಾಬ್ದಾರಿಯೂ ಆಗಿರುತ್ತದೆ:

- ಮಾರುತಿ ಸುಜುಕಿ ಅಧಿಕೃತ ಕಾರ್ಯಾಗಾರ ತಮ್ಮದೇ ವೆಚ್ಚದಲ್ಲಿ ಕಾರ್ಯ ನಿರ್ವಹಿಸಿದ ಮಾರುತಿ ಸುಜುಕಿ "ಮಾಲೀಕರ" ಮ್ಯಾನುವಲ್ ಮತ್ತು ಸರ್ವಿಸ್ ಬುಕ್ ಲೆಟ್ ಮತ್ತು ನಿರ್ವಹಣೆಯಲ್ಲಿ ಸೂಚಿಸಿರುವ ಎಲ್ಲಾ ಸರ್ವಿಸ್ ತಪಾಸಣೆಗಳು ಅಂತಹ ಸರ್ವಿಸ್ ತಪಾಸಣೆಗಳು ನಡೆದಿರುವುದಕ್ಕೆ ಸಾಕ್ಷ್ಯಗಳಾಗಿರುತ್ತವೆ.
- "ಮಾಲೀಕರ" ಮ್ಯಾನುವಲ್ ಮತ್ತು ಸರ್ವಿಸ್ ಬುಕ್ ಲೆಟ್ ಮತ್ತು ನಿರ್ವಹಣೆಯಲ್ಲಿ ಸೂಚಿಸಿರುವ ಎಲ್ಲಾ ಸರ್ವಿಸ್ ತಪಾಸಣೆಗಳು ಅಂತಹ ಸರ್ವಿಸ್ ತಪಾಸಣೆಗಳು ಮಾರುತಿ ಸುಜುಕಿ ಅಧಿಕೃತ ಕಾರ್ಯಾಗಾರದಲ್ಲಿಯೇ ವಾಹನದಲ್ಲಿ ನಡೆದಿರುವುದಕ್ಕೆ ಗ್ರಾಹಕ ಸರ್ವಿಸ್ ಮ್ಯಾಂಟೇನೆನ್ಸ್ ರೆಕಾರ್ಡ್ಸ್ ಪುಟವನ್ನು ಅಪ್‌ಡೇಟ್ ಮಾಡಿ ಮತ್ತು ನಿಭಾಯಿಸಿ.
- ಮಾರುತಿ ಸುಜುಕಿಯ "ಮಾಲೀಕರ ಮ್ಯಾನುವಲ್ ಮತ್ತು ಸರ್ವಿಸ್ ಬುಕ್ ಲೆಟ್" ಅನ್ನು ಅಧಿಕೃತ ಮಾರುತಿ ಸುಜುಕಿ ಕಾರ್ಯಾಗಾರದಲ್ಲಿ ಸರ್ವಿಸ್ ತಪಾಸಣೆಗಳು ಮತ್ತು ವಾರಂಟಿ ಸರ್ವಿಸ್ ಬೇಡಿಕೆ ಇಡುವಾಗಲೂ ಸಲ್ಲಿಸಬೇಕಾಗುತ್ತದೆ.

"ಮಾಲೀಕರ ಮ್ಯಾನುವಲ್ ಮತ್ತು ಸರ್ವಿಸ್ ಬುಕ್ ಲೆಟ್" ಕಳೆದು ಹೋದಲ್ಲಿ ಅಥವಾ ನಾಶವಾದಲ್ಲಿ "ಮಾಲೀಕರ ಮ್ಯಾನುವಲ್ ಮತ್ತು ಸರ್ವಿಸ್ ಬುಕ್ ಲೆಟ್" ಗೆ ಸಂಬಂಧಿಸಿದಂತೆ ಬದಲಿ ವ್ಯವಸ್ಥೆಯಸೂಚನೆಗಳಿಗಾಗಿ ಮಾಲೀಕರು ವಾಹನವನ್ನು ಖರೀದಿ ಮಾಡಿರುವ ಅಧಿಕೃತ ಮಾರುತಿ ಸುಜುಕಿ ಡೀಲರ್ ರನ್ನು ಸಂಪರ್ಕಿಸಬೇಕು.

(8) ಅನುಗತ ಹಾನಿಗೆ ಸಂಬಂಧಿಸಿ ಹಕ್ಕುತ್ಯಾಗ:

ವಾಹನದ ಕೆಳವು, ಸಮಯದ ನಷ್ಟ, ಅನನುಕೂಲ ಅಥವಾ ಇತರ ಯಾವುದೇ ಪರೋಕ್ಷ ಆಕಸ್ಮಿಕ ಅಥವಾ ಯಾವುದೇ ಧೋಷದಿಂದಾಗಿ ಮಾಲೀಕರಿಗೆ ಲಭ್ಯವಾಗದೆ ಆಗಿರುವ ಕಾಕತಾಳೀಯ ಹಾನಿಗಳು ಆದಲ್ಲಿ ಮಾರುತಿ ಸುಜುಕಿ ಆ ಬಗ್ಗೆ ವಾರಂಟಿ ಅವಧಿಯಲ್ಲಿ ಜವಾಬ್ದಾರಿಯನ್ನು ವಹಿಸಿಕೊಳ್ಳುವುದಿಲ್ಲ.

(9) ಮಾಲೀಕರ ಬದಲಾವಣೆ:

ವಾಹನದ ಮಾಲೀಕತ್ವ ಬದಲಾದಲ್ಲಿ ಉಳಿದ ವಾರಂಟಿ ಅವಧಿಯು ಹೊಸ ಮಾಲೀಕರಿಗೆ ಹೋಗುತ್ತದೆ.

ಈ ವಾರಂಟಿಯು ಭಾರತದಲ್ಲಿ ಮಾತ್ರ ಅನ್ವಯಿಸುತ್ತದೆ ಮತ್ತು ಬೇರೆ ಯಾವುದೇ ದೇಶಕ್ಕೆ ವರ್ಗಾಯಿಸಲಾಗುವುದಿಲ್ಲ.

## ಎಮಿಶನ್ ವಾರಂಟಿ ನೀತಿ

ಎಮಿಶನ್ ವಾರಂಟಿಯನ್ನು ಮಾರುತಿ ಸುಜುಕಿ ಎಲ್ಲಾ ಮಾರುತಿ ಸುಜುಕಿ ವಾಹನಗಳಿಗೆ (ನಿತ್ಯದ ವಾರಂಟಿಯನ್ನು ಹೊರತುಪಡಿಸಿ ಮತ್ತು ನಿತ್ಯದ ಉತ್ಪನ್ನಕ್ಕೆ ಸಮಾಂತರವಾಗಿರುತ್ತದೆ) ನಾಲ್ಕು ಮಹಾನಗರಗಳಲ್ಲಿ (ನವದೆಹಲಿ, ಕೋಲ್ಕತ್ತಾ, ಮುಂಬೈ ಮತ್ತು ಚೆನ್ನೈ) ಮಾತ್ರ 2001 ಜುಲೈ 1 ರಿಂದ ಅನ್ವಯಿಸುವಂತೆ ಒದಗಿಸುತ್ತದೆ.

### ನಿಯಮಗಳು:

ಎಮಿಶನ್ ವಾರಂಟಿಯು ವಾಹನವನ್ನು ಮೊದಲ ಮಾಲೀಕರಿಗೆ ಡೆಲಿವರಿ ಮಾಡಿದ 80,000 ಕಿಮೀಗಳಿಗೆ ಅಥವಾ 3 ವರ್ಷಗಳಿಗೆ ಅನ್ವಯಿಸುತ್ತದೆ. ಉಳಿದ ವಾರಂಟಿ ನಿಯಮಗಳು ಮಾಲೀಕತ್ವದಲ್ಲಿ ಯಾವುದೇ ಬದಲಾವಣೆಯಾದಲ್ಲೂ ಮಾನ್ಯತೆಯಿರುವ ದಾಖಲೆಗಳನ್ನು ಮುಂದಿಡುವ ಹಿನ್ನೆಲೆಯಲ್ಲಿ ಮಾನ್ಯತೆ ಹೊಂದಿರುತ್ತದೆ.

### ಷರತ್ತುಗಳು:

1. ವಾಹನವು ಕೇಂದ್ರ ಮೋಟಾರು ವಾಹನ ನಿಯಮಗಳು (ಸಿಎಂವಿಆರ್), 1989 ನಿಯಮ ಸಂಖ್ಯೆ 115ರ ಉಪನಿಯಮ (2) ದಲ್ಲಿ ಸೂಚಿಸಲಾದ ಎಮಿಶನ್ ಗುಣಮಟ್ಟವನ್ನು ತಲುಪಲು ವಿಫಲವಾದಲ್ಲಿ ಎಮಿಶನ್ ವಾರಂಟಿ ಅಡಿಯಲ್ಲಿ, ವಾರಂಟಿ ಬೇಡಿಕೆಗಳನ್ನು ಪ್ರಾಥಮಿಕ ಪರಿಶೀಲನೆಯ ನಂತರ ಪಡೆದುಕೊಳ್ಳಲಾಗುತ್ತದೆ.
2. ವಾರಂಟಿ ಬೇಡಿಕೆಗಳನ್ನು ಮಾರುತಿ ಸುಜುಕಿ ಅಥವಾ ಅದರ ಡೀಲರ್ ನಡೆಸಿದ ಪರಿಶೀಲನೆಯ ನಂತರ ಅಂಗೀಕರಿಸಲಾಗುತ್ತದೆ. ಇದು ದೃಢವಾದ ನಿರ್ಧಾರಕ್ಕೆ ಕಾರಣವಾಗುತ್ತದೆ, ಅವುಗಳೆಂದರೆ
  - ಎ) ಯಾವುದೇ ಕಾರಣಕ್ಕೂ ಮೂಲ ಸೆಟ್ಟಿಂಗ್ ಗಳನ್ನು ಬದಲಿಸಲಾಗಿಲ್ಲ
  - ಬಿ) ಭಾಗ (ಅನೇಕ್ - (ಎ) ನಲ್ಲಿ ಕೊಟ್ಟಂತೆ) ದಲ್ಲಿ ಉತ್ಪಾದನಾ ಧೋಷವಿರುತ್ತದೆ.
  - ಸಿ) ವಾಹನದಲ್ಲಿ ಎಲ್ಲವನ್ನೂ ಉತ್ತಮ ಸ್ಥಿತಿಯಲ್ಲಿ ನಿಭಾಯಿಸಲಾಗಿದ್ದರೂ ಮತ್ತು "ಮಾಲೀಕರ ಮ್ಯಾನುವಲ್ ಮತ್ತು ಸರ್ವಿಸ್ ಬುಕ್ ಲೆಟ್" ನಲ್ಲಿ ಸೂಚಿಸಿರುವ ವಿವರಗಳಂತೆ ನಿರ್ವಹಿಸಿ ಬಳಕೆಯಾಗಿದ್ದರೆ ಮತ್ತು ಬಳಸಿದ ಫ್ಯೂಯೆಲ್ ಮತ್ತು ವಿಭಿನ್ನ ಆಯಿಲ್ ಗಳು (ಇಂಜಿನ್ ಆಯಿಲ್, ಟ್ರಾನ್ಸ್ ಮಿಶನ್ ಆಯಿಲ್, ಬ್ರೇಕ್ ಆಯಿಲ್ ಇತ್ಯಾದಿ) ಸೂಚನೆಗಳಿಗೆ ತಕ್ಕಂತೆ ಇದ್ದರೂ ವಾಹನವು ಎಮಿಶನ್ ಗುಣಮಟ್ಟಗಳನ್ನು (1. ರಲ್ಲಿ ಕೊಟ್ಟಂತೆ) ತಲುಪಲು ಸಾಧ್ಯವಾಗಿಲ್ಲ.

3. ಭಾಗಗಳ ವಾರಂಟಿಯನ್ನು ನಿರ್ಧರಿಸಲು ಪರಿಶೀಲನೆಯ ವಿಧಾನವು ಮಾರುತಿ ಸುಜುಕಿಯ ಮತ್ತು ಅದರ ಡೀಲರ್ ಗಳ ಏಕಮಾತ್ರ ನಿರ್ಧಾರ ಮತ್ತು ಪರಿಶೀಲನೆಯ ಫಲಿತಾಂಶವೇ ಅಂತಿಮ ಮತ್ತು ಅನ್ವಯವಾಗುತ್ತದೆ. ಪರಿಶೀಲನೆಯ ನಂತರ ವಾರಂಟಿಯು ಷರತ್ತಿಗೆ ಅನ್ವಯವಾಗದ ಇದ್ದಲ್ಲಿ, ಮಾರುತಿ ಸುಜುಕಿ ಮತ್ತು ಅದರ ಡೀಲರ್ ಎಲ್ಲ ವೆಚ್ಚವನ್ನೂ ಅಥವಾ ಅಂತಹ ಪರಿಶೀಲನೆಯ ವೆಚ್ಚದ ಭಾಗವನ್ನು ಮಾಲೀಕರ ಮೇಲೆ ಹೇರಬಹುದು.
4. ಎಮಿಶನ್ ವಾರಂಟಿ ಅಡಿಯಲ್ಲಿ, ಭಾಗಗಳನ್ನು (ಅಧ್ಯಾಯ - (ಎ) ನಲ್ಲಿ ಕೊಡಲಾದ) ಉಚಿತವಾಗಿ ಬದಲಿಸಬಹುದು, ಆದರೆ ಕನ್ ಸ್ಯೂಮೇಬಲ್ ಗಳಿಗೆ ವಾಸ್ತವಿಕವಾಗಿ ಶುಲ್ಕ ವಿಧಿಸಲಾಗುವುದು.
5. ಎಮಿಶನ್ ವಾರಂಟಿ ಅಡಿಯಲ್ಲಿ ಕವರ್ ಮಾಡಲಾದ ಭಾಗವು ಅಥವಾ ಸಂಬಂಧಿತ ಭಾಗಗಳು ಬರುತ್ತಿದ್ದಲ್ಲಿ, ಸ್ವತಂತ್ರವಾಗಿ ಬದಲಿಸಲಾಗುವುದಿಲ್ಲ. ಇವು ಸಂಪೂರ್ಣ ಅಸೆಂಬ್ಲಿಯ ಅಂತರ್ಗತ ಭಾಗವಾಗಿರುವ ಹಿನ್ನೆಲೆಯಲ್ಲಿ ಸಂಪೂರ್ಣ ಅಸೆಂಬ್ಲಿಯನ್ನು ಅಥವಾ ಸಿಸ್ಟಂನ ಕೆಲವು ಭಾಗಗಳನ್ನು ಸೂಕ್ತ ರಿಪೇರಿಗಳು ಅಥವಾ ಮಾಡಿಫಿಕೇಶನ್ ಗಳ ರೀತಿ ಬಳಸಿಕೊಳ್ಳುವ ನಿರ್ಧಾರ ತೆಗೆದುಕೊಳ್ಳುವ ಹಕ್ಕನ್ನು ಮಾರುತಿ ಸುಜುಕಿ ಮತ್ತು ಅದರ ಡೀಲರ್ ಹೊಂದಿರುತ್ತಾರೆ.
6. ಯಾವುದೇ ಸಂಬಂಧಿತ ರಿಪೇರಿಗಳು ಅಥವಾ ಬದಲಿ ಭಾಗಗಳು ಅಗತ್ಯವೆಂದು ಎಮಿಶನ್ ವಾರಂಟಿಗೆ ಸಂಬಂಧಿಸಿ ಕಂಡು ಬಂದಲ್ಲಿ, ಅದು ಉತ್ಪನ್ನ ವಾರಂಟಿ ಅಡಿಯಲ್ಲಿ ಬಾರದೆ ಹೊರತು ವಾರಂಟಿಯ ಅಡಿಯಲ್ಲಿ ಪರಿಗಣಿಸಲಾಗುವುದಿಲ್ಲ. ಅಂತಹ ರಿಪೇರಿ ಅಥವಾ ಬದಲಿಯಲ್ಲಿ ಕನ್ ಸ್ಯೂಮೇಬಲ್ ಗಳಿಗೆ ವಾಸ್ತವಿಕವಾಗಿ ಶುಲ್ಕ ವಿಧಿಸಲಾಗುತ್ತದೆ.
7. ವಾಹನವನ್ನು ಸಮೀಪದ ಮಾರುತಿ ಸುಜುಕಿ ಡೀಲರ್ ವರ್ಕ್ ಶಾಪ್ ಗೆ ಸಾಗಾಟ ಮಾಡುವ ವೆಚ್ಚಕ್ಕೆ ಅಥವಾ ವಾರಂಟಿಗಾಗಿ ಅರ್ಜಿ ಹಾಕುವಾಗ, ಮಾರುತಿ ಸುಜುಕಿ ಡೀಲರ್ ಮಾಡುವ ರಿಪೇರಿ ಮತ್ತು / ಅಥವಾ ಪರಿಶೀಲನೆಯ ಸಮಯದಲ್ಲಿ ವಾಹನವು ಲಭ್ಯವಿಲ್ಲದ ಇರುವುದರಿಂದ ಆದ ನಷ್ಟಕ್ಕೆ ಮಾರುತಿ ಸುಜುಕಿ ಜವಾಬ್ದಾರನ್ನಲ್ಲ.
8. ಎಮಿಶನ್ ಗುಣಮಟ್ಟಕ್ಕೆ ಬದ್ಧವಾಗದೆ ಇರುವುದರಿಂದ ಶಾಸನಬದ್ಧ ಅಧಿಕಾರಿಗಳು ವಿಧಿಸಬಹುದಾದ ದಂಡದ ಸಂದರ್ಭದಲ್ಲಿ ಮಾರುತಿ ಸುಜುಕಿ ಜವಾಬ್ದಾರನ್ನಲ್ಲ.
9. ಮಾಲೀಕರ ಬದಲಾವಣೆಯಿಂದ, ಎಲ್ಲಾ ದಾಖಲೆಗಳನ್ನು ಹೊಂದಿದ್ದಲ್ಲಿ ಎಮಿಶನ್ ವಾರಂಟಿಗೆ ಬದಲಾವಣೆಯಾಗುವುದಿಲ್ಲ.

10. ಎಲ್ಲಾ ನಿರ್ವಹಣಾ ಕಾರ್ಯಗಳನ್ನು (ಮಾಲೀಕರ ಮ್ಯಾನುವಲ್ ಮತ್ತು ಸರ್ವಿಸ್ ಬುಕ್ ಲೆಟ್ ನಲ್ಲಿ ಸೂಚಿಸಿದಂತೆ) ಪಾಲಿಸತಕ್ಕದ್ದು ಮತ್ತು ಮ್ಯಾನುವಲ್ ನಲ್ಲಿ ಎಮಿಶನ್ ವಾರಂಟಿಗಾಗಿ ದಾಖಲಿಸಬೇಕು.
11. ವೈಫಲ್ಯವನ್ನು ಪತ್ತೆ ಮಾಡಿದ ಪರೀಕ್ಷೆಯ ನಂತರದ ಅವಧಿಗೆ ಗ್ರಾಹಕರು ಮಾನ್ಯತೆ ಹೊಂದಿದ ಪಿಯುಸಿ (ಮಾಲಿನ್ಯ ನಿಯಂತ್ರಣದಲ್ಲಿ) ಪ್ರಮಾಣಪತ್ರವನ್ನು ಮುಂದಿಡಬೇಕಿದೆ. ಇದಕ್ಕೆ ರಶೀದಿಯೂ (ವಾಹನದ ಮೂಲ ಖರೀದಿಯ ದಿನದಿಂದ ವಾಹನವನ್ನು ಮಾಲೀಕರ ಮ್ಯಾನುವಲ್ ಮತ್ತು ಸರ್ವಿಸ್ ಬುಕ್ ಲೆಟ್ ಗೆ ಅನುಗುಣವಾಗಿ ನಿರ್ವಹಣೆಗೆ) ಅಗತ್ಯವಿದೆ.

### ಎಮಿಶನ್ ವಾರಂಟಿಯ ಸಿಗದೆ ಇರುವ ಸ್ಥಿತಿಗಳು ಅನ್ವಯಿಸುತ್ತವೆ

1. ಮಾನ್ಯತೆ ಹೊಂದಿದ ಪಿಯುಸಿ ಪ್ರಮಾಣಪತ್ರ ಇಲ್ಲದಿದ್ದಲ್ಲಿ.
2. ಮಾರುತಿ ಸುಜುಕಿ ಅಧಿಕೃತ ವರ್ಕ್ ಶಾಪ್ ನಲ್ಲಿ ಮಾಲೀಕರ ಮ್ಯಾನುವಲ್ ನಲ್ಲಿ ಸೂಚಿಸಿದ ಕಾಲಾವಧಿಗೆ ತಕ್ಕಂತೆ ವಾಹನವನ್ನು ಸರ್ವಿಸ್ ಮಾಡದೆ ಇದ್ದಲ್ಲಿ.
3. ವಾಹನವನ್ನು ಅನುಪಯೋಗವಾಗಿ ಬಳಸಿದ್ದಲ್ಲಿ (ಅವಘಾತ, ಮೋಟಾರ್ ಸ್ಪರ್ಡ್, ರಾಲಿಗಳು ಅಥವಾ ದಾಖಲೆ ಸ್ಥಾಪಿಸುವ ಉದ್ದೇಶ ಇತ್ಯಾದಿ).
4. ನಾನ್ ಎಂಜಿಪಿ (ಮಾರುತಿ ಮಾನ್ಯತೆ ಹೊಂದಿದ ಭಾಗ) ಬಳಕೆ.
5. ಅನಧಿಕೃತ ರೀತಿಯಲ್ಲಿ ವಾಹನಕ್ಕೆ ಬದಲಿ.
6. ಓಡೋಮೀಟರ್ ಗೆ ಬದಲಾವಣೆ ತಂದು ವಾಸ್ತವಿಕ ಕಿಲೋಮೀಟರ್ ರೀಡಿಂಗ್ ಓದದೆ ಇರುವಂತೆ ಮಾಡಿರುವುದು.
7. ಕಲಬರಕೆಯ ಫ್ಯೂಯಿಲ್ ಮತ್ತು / ಅಥವಾ ಸೂಚಿಸಿದ ಇರುವ ಆಯಿಲ್ ಗಳ ಬಳಕೆ (ಇಂಜಿನ್ ಆಯಿಲ್, ಟ್ರಾನ್ಸ್ ಮಿಶನ್ ಆಯಿಲ್ ಮತ್ತು ಬ್ರೇಕ್ ಆಯಿಲ್ ಇತ್ಯಾದಿ).

### ಅಧ್ಯಾಯ - (ಎ)

ಎಮಿಶನ್ ವಾರಂಟಿ ಅಡಿಯಲ್ಲಿ ಕವರ್ ಆಗಿರುವ ಭಾಗಗಳು

1. ಫ್ಯೂಯಿಲ್ ಇಂಜಕ್ಷನ್ ಅಸೆಂಬ್ಲಿ, ಪ್ರೆಶರ್ ರೆಗ್ಯುಲೇಟರ್, ಥ್ರಾಟಲ್ ಬಾಡಿ ಅಸೆಂಬ್ಲಿ
2. ಇಲೆಕ್ಟ್ರಾನಿಕ್ ಕಂಟ್ರೋಲ್ ಮೊಡ್ಯೂಲ್ (ಇಸಿಎಂ)
3. ಇನ್ಲೇಕ್ ಮ್ಯಾನಿಫೋಲ್ಡ್
4. ಇಜಿಆರ್ ವಾಲ್ವ್
5. ವಿತರಣೆ ಮತ್ತು ಅಂತರಿಕ ಭಾಗಗಳು
6. ಇಗ್ನಿಷನ್ ಕಾಯ್ಡ್
7. ಕ್ಯಾನಿಸ್ಟರ್ ಅಸೆಂಬ್ಲಿ
8. ವೇಪರ್ ಲಿಕ್ವಿಡ್ ಸೆಪರೇಟರ್
9. ಫ್ಯೂಯಿಲ್ ಟ್ಯಾಂಕ್ ಮತ್ತು ಫಿಲ್ಟರ್ ಕ್ಯಾಪ್
10. ಪಿಸಿವಿ (ಪಾಸಿಟಿವ್ ಕ್ರಾಂಕ್ ಕೇಸ್ ವೆಂಟಿಲೇಶನ್) ವಾಲ್ವ್
11. ಆಯಿಲ್ ಫಿಲ್ಟರ್ ಕ್ಯಾಪ್
12. ಕ್ಯಾಟಲಿಟಿಕ್ ಕನ್ವರ್ಟರ್
13. ಎಕ್ಸಾಸ್ಟ್ ಮ್ಯಾನಿಫೋಲ್ಡ್
14. ಸೆನ್ಸರ್ ಗಳನ್ನು ಆಧರಿಸಿದ ಎಲ್ಲಾ ಫ್ಯೂಯಿಲ್ ಇಂಜಕ್ಷನ್ ಸಿಸ್ಟಂ
15. ಹೈ ಪ್ರೆಶರ್ ಫ್ಯೂಯಿಲ್ ಪಂಪ್
16. ಗ್ಲೋ ಫ್ಲಗ್
17. ಗ್ಲೋ ಫ್ಲಗ್ ಕಂಟ್ರೋಲರ್
18. ಮ್ಯಾನಿವರ್ಟರ್

## ಪರಿವಿಡಿ

ಇಂಧನ ಶಿಫಾರಸು	1
ಚಾಲನೆ ಮಾಡುವ ಮೊದಲು	2
ನಿಮ್ಮ ವಾಹನವನ್ನು ನಿರ್ವಹಿಸುವುದು	3
ಡೈವಿಂಗ್ ಟಿಪ್ಸ್	4
ಇತರ ನಿಯಂತ್ರಣಗಳು ಮತ್ತು ಸಲಕರಣೆಗಳು	5
ವಾಹನವನ್ನು ಲೋಡ್ ಮಾಡುವುದು ಮತ್ತು ಎಳೆಯುವುದು	6
ತಪಾಸಣೆ ಮತ್ತು ನಿರ್ವಹಣೆ	7
ತುರ್ತು ಸೇವೆ	8
ಗೋಚರತೆ ಕಾಳಜಿ	9
ಸಾಮಾನ್ಯ ಮಾಹಿತಿ	10
ವಿಶೇಷಣೆಗಳು	11
ಬಾಡಿ ಫ್ಯಾಬ್ರಿಕೇಶನ್‌ಗೆ ಸೂಚನೆಗಳು (ಚಾಸಿಸ್ ರೂಪಾಂತರ)	12

# ಇಂಧನ ಶಿಫಾರಸು

ಇಂಧನ ಶಿಫಾರಸು ..... 1-1

ಇಂಧನ ಶಿಫಾರಸು

(ಪೆಟ್ರೋಲ್ ಮತ್ತು ಸಿಎನ್ ಜಿ ಇಂಜಿನ್ ಮಾದರಿಗಾಗಿ)

ಪೆಟ್ರೋಲ್ ಇಂಜಿನ್ ಮಾದರಿಗಾಗಿ ವೇಗವರ್ಧಕ ಪರಿವರ್ತಕವನ್ನು ಹಾನಿಗೊಳಿಸುವುದನ್ನು ತಪ್ಪಿಸಲು, ನೀವು 91 ಅಥವಾ ಹೆಚ್ಚಿನ ಆಕ್ಟೇನ್ ಸಂಖ್ಯೆ (RON) ನೊಂದಿಗೆ ಸೀಸದ ಪೆಟ್ರೋಲ್ ಅನ್ನು ಬಳಸಬೇಕು.

ಗ್ಯಾಸೋಲಿನ್ (Gasoline) / ಎಥನಾಲ್ (Ethanol) ಸಂಯೋಜನೆ ಗ್ಯಾಸೋಹಾಲ್ (ಪೆಟ್ರೋಲ್) ಎಂದೂ ಕರೆಯಲಾಗುವ, ಸೀಸವಿಲ್ಲದ ಗ್ಯಾಸೋಲಿನ್ ಮತ್ತು ಎಥನಾಲ್ ಸಂಯೋಜನೆ, ದೇಶದಲ್ಲಿ ವಾಣಿಜ್ಯ ಮಾರಾಟಕ್ಕೆ ಲಭ್ಯವಿರುತ್ತದೆ ಮತ್ತು ಸ್ಥಳದಿಂದ ಸ್ಥಳಕ್ಕೆ ವ್ಯತ್ಯಾಸವಿರಬಹುದು. ಗ್ಯಾಸೋಲಿನ್ ಎಥನಾಲ್ E20 ವರೆಗೆ ಸಂಯೋಜನೆ ಸಾಧ್ಯವಿದ್ದು, ವಾಹನಗಳಿಗೆ ಇಂಧನವಾಗಿ ಬಳಸಬಹುದು.

ಎಂಟಿಬಿ ಇ ಹೊಂದಿರುವ ಗ್ಯಾಸೋಲಿನ್ ಎಂಟಿಬಿ ಇ ವಿಷಯವು 15% ಕ್ವಿಂಟ್ ಹೆಚ್ಚಿಲ್ಲದಿದ್ದರೆ ಎಂಟಿಬಿ ಇ (ಮೀಥೈಲ್ ಟರ್ಷಿಯರಿ ಬ್ಯುಟೈಲ್ ಈಥರ್) ಅನ್ನು ಹೊಂದಿರುವ ಶೀಸರಹಿತ ಗ್ಯಾಸೋಲಿನ್ ಅನ್ನು ನಿಮ್ಮ ವಾಹನದಲ್ಲಿ ಬಳಸಬಹುದು. ಈ ಅಮೆಜನಕಯುಕ್ತ ಇಂಧನದಲ್ಲಿ ಆಲ್ಕೋಹಾಲ್ ಇರುವುದಿಲ್ಲ.

**▲ ಎಚ್ಚರಿಕೆ**  
ನಕಲಿ, ಕಡಿಮೆ ಗುಣಮಟ್ಟದ, ಕಲಬೆರೆಕೆ ಇಂಧನದ ಬಳಕೆಯು ಇಂಜಿನ್ ಮತ್ತು ಇಂಜಿನ್ ಸಹಾಯಕಗಳಿಗೆ ಹಾನಿಯನ್ನುಂಟುಮಾಡುತ್ತದೆ, ಇಂಜಿನ್ ಕಾರ್ಯನಿರ್ವಹಣೆಯ ಮೇಲೆ ಪರಿಣಾಮ ಬೀರುತ್ತದೆ ಮತ್ತು ಇಂಜಿನ್ ಸೆಳವು ಸೇರಿದಂತೆ ಆದರೆ ಸೀಮಿತವಾಗಿರದೆ ಇಂಜಿನ್ ಕಾರ್ಯಕ್ಷಮತೆಯನ್ನು ಕುಗ್ಗಿಸಬಹುದು.

**ಸೂಚನೆ**

- ಬೇಸಿಗೆಕಾಲದಲ್ಲಿ ಇಂಧನ ವಿಸ್ತರಣೆಗೆ ಅನುವು ಮಾಡಿಕೊಡಲು ಇಂಧನ ಟ್ಯಾಂಕ್ ನಲ್ಲಿ ಸೆಳವಕಾಶವಿದೆ. ಫಿಲ್ರ್ ನಳಿಕೆಯು ಸ್ವಯಂಚಾಲಿತವಾಗಿ ಸ್ವಿಗಿತಗೊಂಡ ನಂತರ ಅಥವಾ ಆರಂಭಿಕ ಬೋಂಬಾಕ್ ಸಂಭವಿಸಿದ ನಂತರ ನೀವು ಇಂಧನವನ್ನು ಸೇರಿಸುವುದನ್ನು ಮುಂದುವರಿಸಿದರೆ, ಏರ್ ಚೇಂಬರ್ ಪೂರ್ಣಗೊಳ್ಳುತ್ತದೆ. ಈ ರೀತಿಯಲ್ಲಿ ಸಂಪೂರ್ಣವಾಗಿ ಇಂಧನ ತುಂಬಿದಾಗ ಶಾಖಕ್ಕೆ ಒಡ್ಡಿಕೊಳ್ಳುವುದರಿಂದ ಇಂಧನ ವಿಸ್ತರಣೆಯಿಂದಾಗಿ ಸೋರಿಕೆಯಾಗುತ್ತದೆ. ಅಂತಹ ಇಂಧನ ಸೋರಿಕೆಯನ್ನು ತಡೆಗಟ್ಟಲು, ಫಿಲ್ರ್ ನಳಿಕೆಯು ಸ್ವಯಂಚಾಲಿತವಾಗಿ ಸ್ವಿಗಿತಗೊಂಡ ನಂತರ ಅಥವಾ ಆರಂಭಿಕ ತೆರೆಪಿನ ಬೋಂಬಾಕ್ ಸಂಭವಿಸಿದಾಗ, ಪರ್ಯಾಯ ಸ್ವಯಂಚಾಲಿತವಲ್ಲದ ವ್ಯವಸ್ಥೆಯನ್ನು ಬಳಸಿದರೆ ಭರ್ತಿ ಮಾಡುವುದನ್ನು ನಿಲ್ಲಿಸಿ.
- ಇಂಧನ ತುಂಬುವಾಗ ಆಲ್ಕೋಹಾಲ್ ಹೊಂದಿರುವ ಇಂಧನವನ್ನು ಚೆಲ್ಲದಂತೆ ಎಚ್ಚರವಹಿಸಿ. ವಾಹನದ ದೇಹದ ಮೇಲೆ ಇಂಧನ ಚೆಲ್ಲಿದರೆ, ತಕ್ಷಣ ಅದನ್ನು ಒರೆಸಿ. ಆಲ್ಕೋಹಾಲ್ ಹೊಂದಿರುವ ಇಂಧನಗಳು ಬಣ್ಣದ ಹಾನಿಯನ್ನು ಉಂಟುಮಾಡಬಹುದು, ಇದು ಹೊಸ ವಾಹನ ಲಿಮಿಟೆಡ್ ವಾರಂಟಿ ಅಡಿಯಲ್ಲಿ ಒಳಗೊಳ್ಳುವುದಿಲ್ಲ.



## ಸಿ ಎನ್ ಜಿ ಇಂಜಿನ್ ಮಾದರಿಗಾಗಿ

### ಸಿ ಎನ್ ಜಿ

ಸಿ ಎನ್ ಜಿ (ಸಂಕುಚಿತ ನೈಸರ್ಗಿಕ ಅನಿಲ) ಮುಖ್ಯವಾಗಿ ಮೀಥೇನ್‌ನಿಂದ ರಚನೆಯಾಗಿದೆ. ಸಿ ಎನ್ ಜಿ ಅನ್ನು ಶುದ್ಧ ಸುಡುವ ಇಂಧನವೆಂದು ಪರಿಗಣಿಸಲಾಗುತ್ತದೆ. ಸಿ ಎನ್ ಜಿ ಯ ಕಡಿಮೆ ಸಾಂದ್ರತೆಯಿಂದಾಗಿ, ವಾಹನದ ಆನ್-ಬೋರ್ಡ್ ಶೇಖರಣಾ ಸಾಮರ್ಥ್ಯವನ್ನು ಹೆಚ್ಚಿಸಲು ಅದನ್ನು ಸುಮಾರು **200** ಬಾರ್‌ಗಳ ಒತ್ತಡದಲ್ಲಿ ಸಂಕುಚಿತಗೊಳಿಸಲಾಗುತ್ತದೆ.

### ▲ ಎಚ್ಚರಿಕೆ

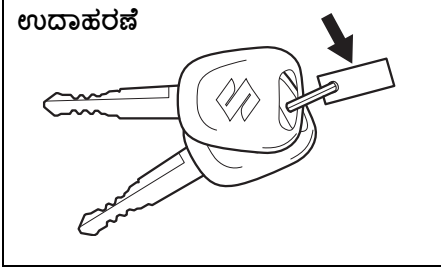
ಸಿಎನ್ ಜಿ ಸೋರಿಕೆಯ ಯಾವುದೇ ಲಕ್ಷಣ ಕಂಡುಬಂದಲ್ಲಿ ಅಥವಾ ಶಬ್ದವನ್ನು ಬಿಡುಗಡೆ ಮಾಡುವ ಸಂದರ್ಭದಲ್ಲಿ ಅಥವಾ ಸಿಎನ್ ಜಿ ಕೊಳವೆಗಳಿಗೆ ಯಾವುದೇ ಬಾಹ್ಯ ಹಾನಿ ಅಥವಾ ಅಪಘಾತದ ಸಂದರ್ಭದಲ್ಲಿ, ಭಯಪಡಬೇಡಿ.

- ವಾಹನವನ್ನು ನಿಲ್ಲಿಸಿ ಮತ್ತು ಇಂಜಿನ್ ಅನ್ನು ಸ್ವಿಚ್ ಆಫ್ ಮಾಡಿ, ಕಿಟಕೆಗಳನ್ನು ತೆರೆಯಿರಿ ಮತ್ತು ಎಲ್ಲಾ ಬಾಗಿಲುಗಳನ್ನು ತೆರೆಯಿರಿ.
- ಕೈಯಿಂದ ಮುಚ್ಚುವ ಕವಾಟವನ್ನು ಮುಚ್ಚುವುದನ್ನು ಖಚಿತಪಡಿಸಿಕೊಳ್ಳಿ.
- ಹೆಚ್ಚಿನ ಸಹಾಯಕ್ಕಾಗಿ ತಕ್ಷಣವೇ ಅಧಿಕೃತ ಮಾರುತಿ ಸುಜುಕಿ ವಾಣಿಜ್ಯ ಕಾರ್ಯಾಗಾರವನ್ನು ಸಂಪರ್ಕಿಸಿ.

## ಚಾಲನೆ ಮಾಡುವ ಮೊದಲು

ಕೀಲಿಗಳು .....	2-1
ಡೋರ್ ಲಾಕ್ಸ್ .....	2-2
ಟೈಲ್ ಗೇಟ್ .....	2-3
ಕಿಟಕಿಗಳು .....	2-4
ಕನ್ನಡಿ .....	2-4
ಸೀಟುಗಳು .....	2-5
ಸೀಟ್ ಬೆಲ್ಟ್‌ಗಳು .....	2-6
ಇನ್ನು ಮೆಂಟ್ ಕ್ಲಸ್ಟರ್ .....	2-13
ಸ್ಪ್ರಿಡೋಮೀಟರ್ .....	2-14
ಇಂಧನ ಮಾಪಕ .....	2-14
ಮಾಹಿತಿ ಪ್ರದರ್ಶನ .....	2-14
ಎಚ್ಚರಿಕೆ ಮತ್ತು ಇಂಡಿಕೇಟರ್ ಲೈಟ್ಸ್ .....	2-18
ಲೈಟಿಂಗ್ ಕಂಟ್ರೋಲ್ ಲಿವರ್ .....	2-22
ಹೆಡ್‌ಲೈಟ್ ಲೆವೆಲಿಂಗ್ ಸ್ವಿಚ್ .....	2-23
ಸಿಗ್ನಲ್ ಕಂಟ್ರೋಲ್ ಲಿವರ್ ಅನ್ನು ತಿರುಗಿಸಿ .....	2-23
ಅಪಾಯದ ಎಚ್ಚರಿಕೆ ಸ್ವಿಚ್ .....	2-24
ವಿಂಡ್ ಷೀಲ್ಡ್ ವೈಪರ್ ಮತ್ತು ವಾಷರ್ ಲಿವರ್ .....	2-24
ಹಾರ್ನ್ .....	2-25
ಸಿಎನ್ ಜಿ ಸಿಲಿಂಡರ್ ಎಚ್ಚರಿಕೆ ಲೇಬಲ್ (ಸಜ್ಜುಗೊಳಿಸಿದ್ದರೆ) .....	2-26
ಸಿಎನ್ ಜಿ ಎಚ್ಚರಿಕೆ ಲೇಬಲ್ (ಸಜ್ಜುಗೊಳಿಸಿದ್ದರೆ) .....	2-26
ಸಿಎನ್ ಜಿ ಮ್ಯಾನ್ಯುಯಲ್ ಶಟ್-ಆಫ್ ವಾಲ್ವ್ (ಸಜ್ಜುಗೊಳಿಸಿದ್ದರೆ) .....	2-26

ಕೀಲಿಗಳು



51KM024

ನಿಮ್ಮ ವಾಹನವು ಒಂದು ಜೋಡಿ ಕೀಲಿಗಳೊಂದಿಗೆ ಬರುತ್ತದೆ. ಮಾದರಿಯ ರೂಪಾಂತರವನ್ನು ಅಪಲಂಬಿಸಿ ಕೀಲಿ(ಗಳು) ಟ್ರಾನ್ಸ್‌ಮೀಟರ್ ಅನ್ನು ಹೊಂದಿರಬಹುದು ಅಥವಾ ಹೊಂದಿರದಿರಬಹುದು. ಬಿಡಿ ಕೀಲಿಯನ್ನು ಸುರಕ್ಷಿತ ಸ್ಥಳದಲ್ಲಿ ಇರಿಸಿ. ಒಂದು ಕೀಲಿಯು ವಾಹನದ ವಿಲ್ಲಾ ಲಾಕ್‌ಗಳನ್ನು ತೆರೆಯುತ್ತದೆ.

ಕೀ ಗುರುತಿನ ಸಂಖ್ಯೆಯನ್ನು ಕೀಲಿಗಳೊಂದಿಗೆ ಅಥವಾ ಕೀಲಿಗಳ ಮೇಲೆ ಒದಗಿಸಲಾದ ಲೋಹದ ಟ್ಯಾಗ್‌ನಲ್ಲಿ ಸ್ಪಾಂಪ್ ಮಾಡಲಾಗಿದೆ. ಟ್ಯಾಗ್ ಅನ್ನು (ಸಜ್ಜುಗೊಳಿಸಿದರೆ) ಸುರಕ್ಷಿತ ಸ್ಥಳದಲ್ಲಿ ಇರಿಸಿ. ನಿಮ್ಮ ಕೀಲಿಗಳನ್ನು ನೀವು ಕಳೆದುಕೊಂಡರೆ, ಹೊಸ ಕೀಲಿಗಳನ್ನು ಮಾಡಲು ನಿಮಗೆ ಈ ಸಂಖ್ಯೆಯ ಅಗತ್ಯವಿರುತ್ತದೆ. ನಿಮ್ಮ ಮುಂದಿನ ಉಲ್ಲೇಖಕ್ಕಾಗಿ ಕೆಳಗಿನ ಸಂಖ್ಯೆಯನ್ನು ಬರೆಯಿರಿ.

ಕೀಲಿ ಸಂಖ್ಯೆ:

ನಿಶ್ಚಲಗೊಳಿಸುವ ವ್ಯವಸ್ಥೆ

ಇಂಜಿನ್ ಸ್ಟಾರ್ಟಿಂಗ್ ಸಿಸ್ಟಮ್ ಅನ್ನು ವಿದ್ಯುನ್ಮಾನವಾಗಿ ನಿಷ್ಕ್ರಿಯಗೊಳಿಸುವ ಮೂಲಕ ವಾಹನ ಕಳ್ಳತನವನ್ನು ತಡೆಯಲು ಈ ವ್ಯವಸ್ಥೆಯನ್ನು ವಿದ್ಯುನ್ಮಾನಗೊಳಿಸಲಾಗಿದೆ. ನಿಮ್ಮ ವಾಹನದ ಮೂಲ ಇಮೊಬಿಲೈಸರ್ ಇಗ್ನಿಷನ್ ಕೀಯಿಂದ ಮಾತ್ರ ಇಂಜಿನ್ ಅನ್ನು ಪ್ರಾರಂಭಿಸಬಹುದು. ಅದರಲ್ಲಿ ಎಲೆಕ್ಟ್ರಾನಿಕ್ ಗುರುತಿನ ಕೋಡ್ ಅನ್ನು ಪ್ರೋಗ್ರಾಮ್ ಮಾಡಲಾಗಿದೆ. ಇಗ್ನಿಷನ್ ಸ್ವಿಚ್ ಅನ್ನು "ಆನ್" ಸ್ಥಾನಕ್ಕೆ ತಿರುಗಿಸಿದಾಗ ಕೀಲಿಯು ಗುರುತಿನ ಕೋಡ್ ಅನ್ನು ವಾಹನಕ್ಕೆ ಸೇರಿಸುತ್ತದೆ. ನೀವು ಬಿಡಿ ಕೀಲಿಗಳನ್ನು ಮಾಡಬೇಕಾದರೆ, ಮಾರುತಿ ಸುಜುಕಿ ಅಧಿಕೃತ ಕಾರ್ಯಾಗಾರವನ್ನು ನೋಡಿ. ವಾಹನವನ್ನು ಸರಿಯಾದ ಗುರುತಿನ ಕೋಡ್‌ನೊಂದಿಗೆ ಬಿಡಿಭಾಗಕ್ಕಾಗಿ ಪ್ರೋಗ್ರಾಮ್ ಮಾಡಬೇಕು. ಸಾಮಾನ್ಯ ಲಾಕ್ಸ್‌ನಲ್ಲಿ ಮಾಡಿದ ಕೀ ಕೆಲಸ ಮಾಡುವುದಿಲ್ಲ.



65D239

ದಹನ ಸ್ವಿಚ್ "ಆನ್" ಸ್ಥಾನದಲ್ಲಿದ್ದಾಗ ಇಮೊಬಿಲೈಸರ್ ಸಿಸ್ಟಮ್ ಎಚ್ಚರಿಕೆಯು ಬೆಳಕು ಮಿಟುಕಿಸಿದರೆ, ಇಂಜಿನ್ ಪ್ರಾರಂಭವಾಗುವುದಿಲ್ಲ.

ಈ ಬೆಳಕು ಮಿಟುಕಿಸಿದರೆ, ಇಗ್ನಿಷನ್ ಸ್ವಿಚ್ ಅನ್ನು "ಲಾಕ್" ಸ್ಥಾನಕ್ಕೆ ತಿರುಗಿಸಿ, ತದನಂತರ ಅದನ್ನು "ಆನ್" ಸ್ಥಾನಕ್ಕೆ ತಿರುಗಿಸಿ.

ಇಗ್ನಿಷನ್ ಸ್ವಿಚ್ ಅನ್ನು "ಆನ್" ಸ್ಥಾನಕ್ಕೆ ಹಿಂತಿರುಗಿಸಿದ ನಂತರ ಬೆಳಕು ಇನ್ನೂ ಮಿಟುಕುತ್ತಿದ್ದರೆ, ನಿಮ್ಮ ಕೀ ಅಥವಾ ಇಮೊಬಿಲೈಸರ್ ಸಿಸ್ಟಮ್‌ನಲ್ಲಿ ಏನಾದರೂ ತಪ್ಪಾಗಿರಬಹುದು. ಸಿಸ್ಟಮ್ ಅನ್ನು ಪರಿಶೀಲಿಸಲು ಮಾರುತಿ ಸುಜುಕಿ ಅಧಿಕೃತ ಕಾರ್ಯಾಗಾರವನ್ನು ಕೇಳಿ.

ಸೂಚನೆ:

- ನಿಮ್ಮ ಇಮೊಬಿಲೈಸರ್ ಇಗ್ನಿಷನ್ ಕೀಯನ್ನು ನೀವು ಕಳೆದುಕೊಂಡರೆ, ಕಳೆದುಹೋದ ಒಂದನ್ನು ನಿಷ್ಕ್ರಿಯಗೊಳಿಸಲು ಮತ್ತು ಹೊಸ ಕೀ ಮಾಡಲು ಸಾಧ್ಯವಾದಷ್ಟು ಬೇಗ ಮಾರುತಿ ಸುಜುಕಿ ಅಧಿಕೃತ ಕಾರ್ಯಾಗಾರವನ್ನು ಕೇಳಿ.
- ನೀವು ಇಮೊಬಿಲೈಸರ್ ಕೀಗಳನ್ನು ಹೊಂದಿರುವ ಇತರ ವಾಹನಗಳನ್ನು ಹೊಂದಿದ್ದರೆ, ನಿಮ್ಮ ಮಾರುತಿ ಸುಜುಕಿ ವಾಹನವನ್ನು ಬಳಸುವಾಗ ಆ ಕೀಗಳನ್ನು ಇಗ್ನಿಷನ್ ಸ್ವಿಚ್‌ನಿಂದ ದೂರವಿಡಿ. ಇಲ್ಲದಿದ್ದರೆ, ಇಂಜಿನ್ ಅನ್ನು ಪ್ರಾರಂಭಿಸದೇ ಇರಬಹುದು ಏಕೆಂದರೆ ಅವುಗಳು ನಿಮ್ಮ ಮಾರುತಿ ಸುಜುಕಿ ವಾಹನದ ಇಮೊಬಿಲೈಸರ್ ಸಿಸ್ಟಮ್‌ಗೆ ಅಡಿಯಾಗಬಹುದು.
- ನೀವು ಯಾವುದೇ ಲೋಹದ ವಸ್ತುಗಳನ್ನು ಇಮೊಬಿಲೈಸರ್ ಕೀಗೆ ಲಗತ್ತಿಸಿದರೆ, ಅದು ಇಂಜಿನ್ ಅನ್ನು ಪ್ರಾರಂಭಿಸದೇ ಇರಬಹುದು.
- ಈ ಇಮೊಬಿಲೈಸರ್ ಸಿಸ್ಟಮ್ ನಿರ್ವಹಣೆ ಮುಕ್ತವಾಗಿದೆ.

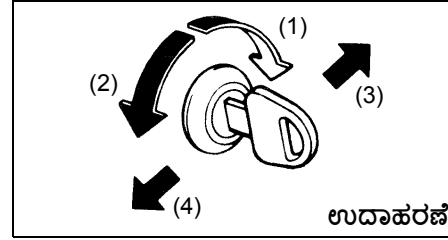
**ಸೂಚನೆ**

ಇಮೊಬಿಲೈಸರ್ ಕೀ ಸೂಕ್ತ ಎಲೆಕ್ಟಾನಿಕ್ ಉಪಕರಣವಾಗಿದೆ. ಹಾನಿಯಾಗದಂತೆ ತಡೆಯಲು:

- ನೇರ ಸೂರ್ಯನ ಬೆಳಕಿನಲ್ಲಿ ಡ್ರಾಶ್‌ಬೋರ್ಡ್‌ನಲ್ಲಿರುವಂತಹ ಪರಿಣಾಮಗಳು, ತೇವಾಂಶ ಅಥವಾ ಹೆಚ್ಚಿನ ತಾಪಮಾನಕ್ಕೆ ಅದನ್ನು ಒಡ್ಡಬೇಡಿ.
- ಕಾಂತೀಯ ವಸ್ತುಗಳಿಂದ ದೂರವಿಡಿ.

**ಡೋರ್ ಲಾಕ್ಸ್**

ಸೈಡ್ ಡೋರ್ ಲಾಕ್ಸ್ ಚಾಲಕನ ಬಾಗಿಲು



76MHOA001

- (1) ಲಾಕ್
- (2) ಅನ್ಲಾಕ್
- (3) ಮುಂಭಾಗ
- (4) ಹಿಂಭಾಗ

ವಾಹನದ ಹೊರಗಿನಿಂದ ಚಾಲಕನ ಬಾಗಿಲನ್ನು ಲಾಕ್ ಮಾಡಲು:

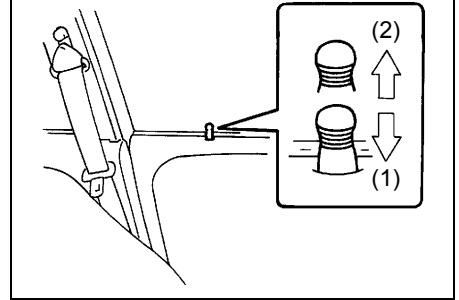
- ಕೀಲಿಯನ್ನು ಸೇರಿಸಿ ಮತ್ತು ಕೀಲಿಯ ಮೇಲ್ಭಾಗವನ್ನು ವಾಹನದ ಮುಂಭಾಗದ ಕಡೆಗೆ ತಿರುಗಿಸಿ, ಅಥವಾ
- ಲಾಕ್ ನಾಬ್ ಅನ್ನು ಕೆಳಕ್ಕೆ ತಳ್ಳಿರಿ, ನಂತರ ನೀವು ಬಾಗಿಲನ್ನು ಮುಚ್ಚುವಾಗ ಬಾಗಿಲಿನ ಹಿಡಿಕೆಯನ್ನು ಎಳೆದು ಹಿಡಿದುಕೊಳ್ಳಿ.

ವಾಹನದ ಹೊರಗಿನಿಂದ ಚಾಲಕನ ಬಾಗಿಲನ್ನು ಅನ್ಲಾಕ್ ಮಾಡಲು, ಕೀಲಿಯನ್ನು ಸೇರಿಸಿ ಮತ್ತು ಕೀಲಿಯ ಮೇಲ್ಭಾಗವನ್ನು ವಾಹನದ ಹಿಂಭಾಗಕ್ಕೆ ತಿರುಗಿಸಿ.

ವಾಹನದ ಹೊರಗಿನಿಂದ ಪ್ರಯಾಣಿಕರ ಬಾಗಿಲನ್ನು ಲಾಕ್ ಮಾಡಲು, ಲಾಕ್ ನಾಬ್ ಅನ್ನು ಕೆಳಕ್ಕೆ

ತಳ್ಳಿರಿ. ನಂತರ ನೀವು ಬಾಗಿಲನ್ನು ಮುಚ್ಚುವಾಗ ಬಾಗಿಲಿನ ಹಿಡಿಕೆಯನ್ನು ಎಳೆದು ಹಿಡಿದುಕೊಳ್ಳಿ.

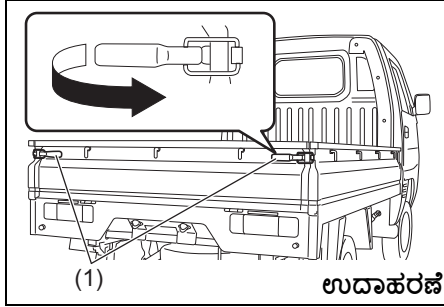
**ಉದಾಹರಣೆ**



54G005

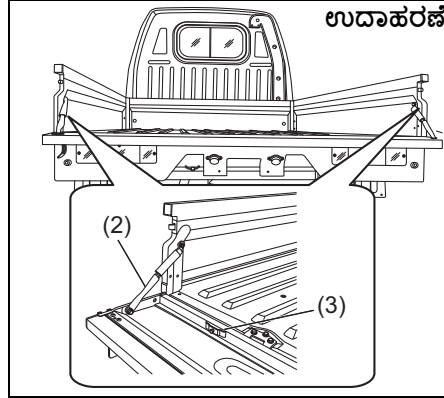
- (1) ಲಾಕ್
- (2) ಅನ್ಲಾಕ್

ಟ್ರೈಲ್ ಗೇಟ್



77PH025

ಲಾಕ್ ಹ್ಯಾಂಡಲ್‌ಗಳನ್ನು ಎಳೆಯುವ ಮೂಲಕ ಟ್ರೈಲ್‌ಗೇಟ್ ಅನ್ನು ತೆರೆಯಬಹುದು (1). ಮುಖ್ಯವಾಗಿ, ಅವುಗಳನ್ನು ದೃಢವಾಗಿ ಲಾಕ್ ಮಾಡಿ.



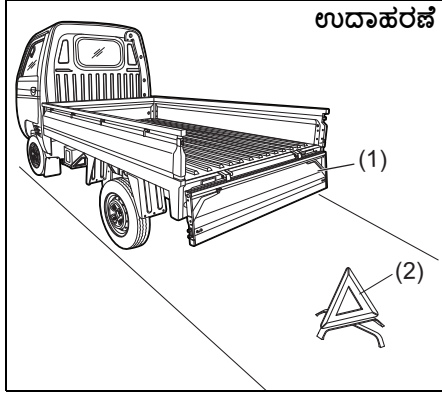
77PM201

ಟ್ರೈಲ್‌ಗೇಟ್ ಚೈನ್ (2) ಸಹಾಯದಿಂದ ಟ್ರೈಲ್‌ಗೇಟ್ ಅನ್ನು ಮಧ್ಯಂತರ ಸ್ಥಾನದಲ್ಲಿ ಲಾಕ್ ಮಾಡಬಹುದು.

<b>ಸೂಚನೆ</b>
ಬಳಕೆಯಿಲ್ಲದಿದ್ದಾಗ ಟ್ರೈಲ್‌ಗೇಟ್ ಚೈನ್ (2) ಅನ್ನು ಪಿನ್ (3) ನೊಂದಿಗೆ ಲಾಕ್ ಮಾಡಿ.

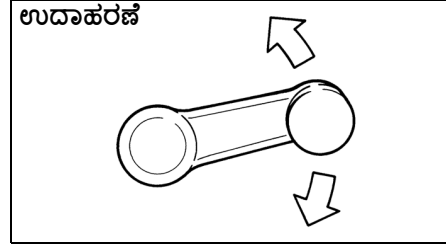
⚠ ಎಚ್ಚರಿಕೆ

- ತೆರೆದ / ಮಧ್ಯಂತರ ಸ್ಥಾನದಲ್ಲಿ ಟ್ರೈಲ್‌ಗೇಟ್‌ನೊಂದಿಗೆ ಚಾಲನೆ ಮಾಡುವುದು ಟ್ರೈಲ್‌ಗೇಟ್ ಅನ್ನು ಸ್ಪಿಂಗ್ ಮಾಡಲು ಮತ್ತು ಇತರರಿಗೆ ಹೊಡೆಯಲು ಅನುವು ಮಾಡಿಕೊಡುತ್ತದೆ, ಇದು ಹಾನಿ ಅಥವಾ ಹಾಳಾಗಬಹುದು ಕಾರಣವಾಗುತ್ತದೆ.
- ತೆರೆದ / ಮಧ್ಯಂತರ ಸ್ಥಾನದಲ್ಲಿರುವ ಟ್ರೈಲ್‌ಗೇಟ್ ಇತರ ಚಾಲಕರು ಟ್ರೈಲ್‌ಗೇಟ್‌ಗಳನ್ನು ನೋಡದಂತೆ ತಡೆಯುತ್ತದೆ, ಇದು ಅಪಘಾತಗಳಿಗೆ ಕಾರಣವಾಗುತ್ತದೆ. ಚಾಲನೆ ಮಾಡುವ ಮೊದಲು ಟ್ರೈಲ್‌ಗೇಟ್ ಅನ್ನು ಮುಚ್ಚಲಾಗಿದೆ ಮತ್ತು ದೃಢವಾಗಿ ಲಾಕ್ ಮಾಡಲಾಗಿದೆ ಎಂದು ಖಚಿತಪಡಿಸಿಕೊಳ್ಳಿ.
- ಅಪಘಾತದ ಸಂದರ್ಭದಲ್ಲಿ ಸರಕನ್ನು ವಾಹನದಿಂದ ಹೊರಕ್ಕೆ ಎಸೆಯುವುದನ್ನು ತಡೆಯಲು ಟ್ರೈಲ್‌ಗೇಟ್ ಅನ್ನು ಯಾವಾಗಲೂ ಮುಚ್ಚಲಾಗಿದೆ ಮತ್ತು ದೃಢವಾಗಿ ಲಾಕ್ ಮಾಡಲಾಗಿದೆ ಎಂದು ಖಚಿತಪಡಿಸಿಕೊಳ್ಳಿ.
- ಮಧ್ಯಂತರ ಸ್ಥಾನದಲ್ಲಿ ಲಾಕ್ ಮಾಡಿದಾಗ ಟ್ರೈಲ್‌ಗೇಟ್‌ನಲ್ಲಿ ನಿಲಬೇಡಿ, ಲೋಡ್ ಅನ್ನು ಹಾಕಬೇಡಿ ಅಥವಾ ಸೆರೆಕುಗಳನ್ನು ಹಾಕಬೇಡಿ.
- ಟ್ರೈಲ್‌ಗೇಟ್ ಸಂಪೂರ್ಣವಾಗಿ ತೆರೆದ ಸ್ಥಿತಿಯಲ್ಲಿದ್ದರೆ, ವಾಹನದ ಹಿಂಭಾಗದ ಬೆಳಕಿನ ಸಾಧನಗಳೊಂದಿಗೆ ಪೊಸಿಷನ್ ಲ್ಯಾಂಪ್, ಟರ್ನ್ ಸಿಗ್ನಲ್ ಇಂಡಿಕೇಟರ್ ಮತ್ತು ಸ್ವಿಪ್ ಲ್ಯಾಂಪ್ ಮರೆಮಾಡಲ್ಪಡುತ್ತವೆ ಮತ್ತು ಗೋಚರಿಸುವುದಿಲ್ಲ.



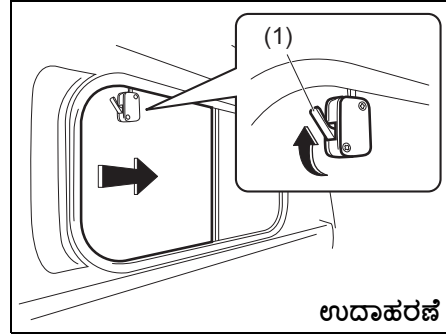
## ಕಿಟಕಿಗಳು

ಹಸ್ತಚಾಲಿತ ಕಿಟಕಿ ನಿಯಂತ್ರಣ



ಬಾಗಿಲಿನ ಫಲಕದಲ್ಲಿರುವ ಹ್ಯಾಂಡಲ್ ಅನ್ನು ತಿರುಗಿಸುವ ಮೂಲಕ ಬಾಗಿಲಿನ ಕಿಟಕಿಗಳನ್ನು ಮೇಲಕ್ಕೆತ್ತಿ ಅಥವಾ ಕೆಳಗೆ ಮಾಡಿ.

ಹಿಂದಿನ ಕಿಟಕಿ



ಕಿಟಕಿಯನ್ನು ತೆರೆಯಲು, ಕೀಲಿ (1) ಅನ್ನು ಒತ್ತಿ ಮತ್ತು ಕಿಟಕಿಯನ್ನು ಪಕ್ಕಕ್ಕೆ ತಳ್ಳಿ.

## ಕನ್ನಡಿ

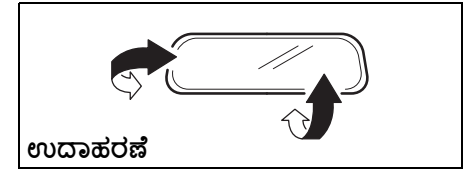
### ⚠ ಎಚ್ಚರಿಕೆ

ಕೆಳಗಿನ ಅಂಶವನ್ನು ಗಮನಿಸಲು ವಿಫಲವಾದರೆ ವಾಹನ ನಿಯಂತ್ರಣವನ್ನು ಕಳೆದುಕೊಳ್ಳಬಹುದು ಮತ್ತು ಅಪಘಾತವನ್ನು ಉಂಟುಮಾಡಬಹುದು, ಸಾವು ಅಥವಾ ಗಂಭೀರ ಗಾಯಕ್ಕೆ ಕಾರಣವಾಗಬಹುದು. ಚಾಲನೆ ಮಾಡುವಾಗ ಯಾವಾಗಲೂ ಕೆಳಗಿನ ಅಂಶಗಳನ್ನು ಅನುಸರಿಸಿ.

- ಚಾಲನೆ ಮಾಡುವಾಗ ಕನ್ನಡಿಗಳನ್ನು ಸರಿಹೊಂದಿಸಬೇಡಿ.
- ಯಾವಾಗಲೂ ಎಲ್ಲಾ ಹೊರಗಿನ ಹಿಂಬದಿಯ ಕನ್ನಡಿಗಳನ್ನು ಬಿಚ್ಚಿ ಮತ್ತು ಚಾಲನೆ ಮಾಡುವ ಮೊದಲು ಸರಿಯಾಗಿ ಹೊಂದಿಸಿ.
- ವಾಹನದ ಹಿಂಭಾಗದಲ್ಲಿ ಗೋಚರತೆಯನ್ನು ತಡೆಯುವ ಅಥವಾ ಹಿಂಭಾಗದ ಕಿಟಕಿಯ ಗಾಜಿನಿಂದ ನಿಮ್ಮ ದೃಷ್ಟಿಗೆ ಅಡ್ಡಿಪಡಿಸುವ ವಸ್ತುಗಳನ್ನು ಇರಿಸಬೇಡಿ.

### ರಿಯರ್ ವ್ಯೂ ಮಿರರ್ ಒಳಗೆ

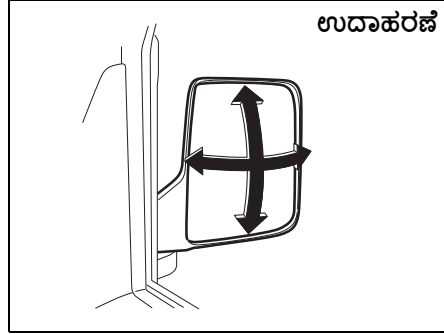
ನಿಮ್ಮ ವಾಹನದ ಹಿಂಬದಿಯನ್ನು ಕನ್ನಡಿಯಲ್ಲಿ ಕಾಣುವಂತೆ ನೀವು ಕೈಯಿಂದ ಒಳಗಿನ ಹಿಂಬದಿಯ ಕನ್ನಡಿಯನ್ನು ಸರಿಹೊಂದಿಸಬಹುದು.



**⚠ ಎಚ್ಚರಿಕೆ**  
 ಒಳಗಿನ ಹಿಂಬದಿಯ ಕನ್ನಡಿಯನ್ನು  
 ಮಾರ್ಪಡಿಸಬೇಡಿ ಅಥವಾ ನಿಜವಾದ  
 ಅಗಲವಲ್ಲದ ಕನ್ನಡಿಯನ್ನು ಸ್ಥಾಪಿಸಬೇಡಿ. ಇದು  
 ಅಪಘಾತದ ಸಮಯದಲ್ಲಿ ಗಾಯಕ್ಕೆ  
 ಕಾರಣವಾಗಬಹುದು.

ಹೊರಗಿನ ಹಿಂಬದಿಯ ಕನ್ನಡಿಗಳು  
 ಹೊರಗಿನ ಹಿಂಬದಿ ಕನ್ನಡಿ(ಗಳನ್ನು) ಹೊಂದಿಸಿ  
 ಇದರಿಂದ ನೀವು ಕನ್ನಡಿ(ಗಳಲ್ಲಿ) ನಿಮ್ಮ ವಾಹನದ  
 ಬದಿಯನ್ನು ನೋಡಬಹುದು.

**⚠ ಎಚ್ಚರಿಕೆ**  
 ಪಾರ್ಶ್ವದ ಪೀನ ಕನ್ನಡಿಯಲ್ಲಿ ಕಂಡುಬರುವ  
 ವಾಹನ ಅಥವಾ ಇತರ ವಸ್ತುವಿನ ಗಾತ್ರ ಅಥವಾ  
 ಸ್ಥಾನವನ್ನು ನಿರ್ಣಯಿಸುವಾಗ  
 ಜಾಗರೂಕರಾಗಿರಿ. ವಸ್ತುಗಳು ಚಪ್ಪಟೆಯಾದ  
 ಕನ್ನಡಿಯಲ್ಲಿ ನೋಡುವುದಕ್ಕಿಂತ ಚಿಕ್ಕದಾಗಿ  
 ಕಾಣುತ್ತವೆ ಮತ್ತು ದೂರದಲ್ಲಿ ಕಾಣುತ್ತವೆ ಎಂದು  
 ತಿಳಿದಿರಲಿ.



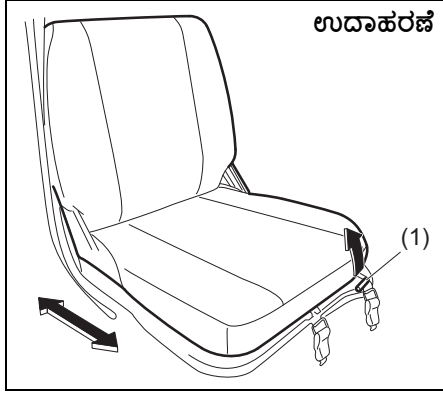
64P0190

## ಸೀಟುಗಳು

ಸೀಟ್ ಹೊಂದಾಣಿಕೆ (ಚಾಲಕರ ಸೀಟ್)

**⚠ ಎಚ್ಚರಿಕೆ**  
 ಚಾಲನೆ ಮಾಡುವಾಗ ಚಾಲಕನ ಸೀಟನ್ನು  
 ಸರಿಹೊಂದಿಸಲು ಎಂದಿಗೂ ಪ್ರಯತ್ನಿಸಬೇಡಿ.  
 ಸೀಟು ಅನಿರೀಕ್ಷಿತವಾಗಿ ಚಲಿಸಬಹುದು ಮತ್ತು  
 ನಿಯಂತ್ರಣವನ್ನು ಕಳೆದುಕೊಳ್ಳಬಹುದು. ನೀವು  
 ಚಾಲನೆಯನ್ನು ಪ್ರಾರಂಭಿಸುವ ಮೊದಲು  
 ಚಾಲಕನ ಸೀಟ್ ಅನ್ನು ಸರಿಯಾಗಿ  
 ಹೊಂದಿಸಲಾಗಿದೆಯೇ ಎಂದು  
 ಖಚಿತಪಡಿಸಿಕೊಳ್ಳಿ.

**⚠ ಎಚ್ಚರಿಕೆ**  
 ಸುರಕ್ಷತಾ ಸಾಧನವಾಗಿ ಸೀಟ್ ಬೆಲ್ಟ್‌ಗಳ  
 ಪರಿಣಾಮಕಾರಿತ್ವವನ್ನು ಕಡಿಮೆ ಮಾಡುವ  
 ಅತಿಯಾದ ಸೀಟ್ ಬೆಲ್ಟ್ ಸಾಕ್ ಅನ್ನು ತಪ್ಪಿಸಲು,  
 ಸೀಟ್ ಬೆಲ್ಟ್‌ಗಳನ್ನು ಜೋಡಿಸುವ ಮೊದಲು  
 ಸೀಟುಗಳನ್ನು ಸರಿಹೊಂದಿಸಲಾಗಿದೆ ಎಂದು  
 ಖಚಿತಪಡಿಸಿಕೊಳ್ಳಿ.



77PH087

**ಸೀಟ್ ಸ್ಪಾನ ಹೊಂದಾಣಿಕೆ ಲಿವರ್ (1)**

ಲಿವರ್ ಟಿನ್ನು ಮೇಲಕ್ಕೆ ಎಳೆಯಿರಿ ಮತ್ತು ಸೀಟ್ ಅನ್ನು ಹಿಂದಕ್ಕೆ ತಳ್ಳಿ

ಹೊಂದಾಣಿಕೆಯ ನಂತರ, ಸೀಟ್ ಅನ್ನು ಮುಂದಕ್ಕೆ ಮತ್ತು ಹಿಂದಕ್ಕೆ ಸರಿಸಲು ಪ್ರಯತ್ನಿಸಿ, ಅದನ್ನು ಸುರಕ್ಷಿತವಾಗಿ ಜೋಡಿಸಲಾಗಿದೆ ಎಂದು ಖಚಿತಪಡಿಸಿಕೊಳ್ಳಿ.

**⚠ ಎಚ್ಚರಿಕೆ**

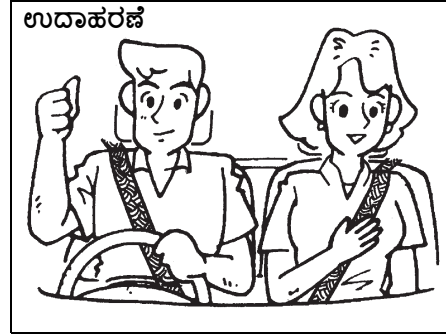
ಸೀಟ್ ಅನ್ನು ಸರಿಹೊಂದಿಸುವಾಗ, ಸೀಟ್ ನಿಯಂತ್ರಣಗಳನ್ನು ಸಿಲುಕಿಕೊಳ್ಳದಂತೆ ಅಥವಾ ನಿಯಂತ್ರಣಗಳನ್ನು ಹೊಡೆಯದಂತೆ ಎಚ್ಚರಿಕೆ ವಹಿಸಿ.

ಸೂಚನೆ:

ಸೀಟ್ ಅನ್ನು ಸರಾಗವಾಗಿ ಹಿಂದಕ್ಕೆ ನಿರ್ವಹಿಸಲು, ಸೀಟ್ ಬ್ಯಾಕ್ ಹೊಂದಾಣಿಕೆ ಲಿವರ್ (2) ಅನ್ನು ಮೇಲ್ಮುಖವಾಗಿ ಎಳೆಯಿರಿ. ಲಿವರ್ ಅನ್ನು

ಸಂಪೂರ್ಣವಾಗಿ ಮೇಲಕ್ಕೆ ಸರಿಸಿದ ನಂತರವೇ ಸೀಟ್ ಅನ್ನು ಹಿಂದಕ್ಕೆ ಸರಿಸಲು ಖಚಿತಪಡಿಸಿಕೊಳ್ಳಿ. ಸೀಟ್ ಹಿಂಬದಿಯನ್ನು ಸರಿಹೊಂದಿಸಿದ ನಂತರ, ಲಿವರ್ ಅನ್ನು ನಿಧಾನವಾಗಿ ಬಿಡುಗಡೆ ಮಾಡಿ. ಸೀಟ್ ಅನ್ನು ಮುಂದಕ್ಕೆ ಮತ್ತು ಹಿಂದಕ್ಕೆ ಚಲಿಸುವ ಮೂಲಕ ಲಾಕ್ ಮಾಡಲಾಗಿದೆಯೇ ಎಂದು ಪರಿಶೀಲಿಸಿ.

**ಸೀಟ್ ಬೆಲ್ಟ್ ಗಳು**



65D231S

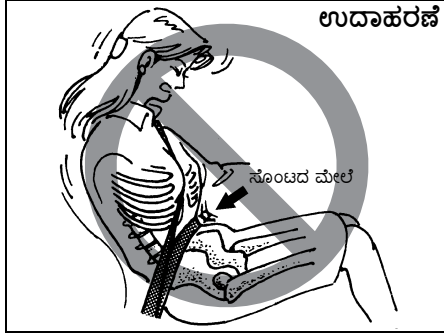
**⚠ ಎಚ್ಚರಿಕೆ**

ಎಲ್ಲಾ ಸಮಯದಲ್ಲೂ ನಿಮ್ಮ ಸೀಟ್ ಬೆಲ್ಟ್ ಧರಿಸಿ.

**⚠ ಎಚ್ಚರಿಕೆ**

ಈ ಸಂದರ್ಭದಲ್ಲಿ ತೀವ್ರ ಗಾಯ ಅಥವಾ ಸಾವಿನ ಅಪಾಯವನ್ನು ಕಡಿಮೆ ಮಾಡಲು, ಚಾಲಕ ಮತ್ತು ಪ್ರಯಾಣಿಕರು ಎಲ್ಲಾ ಸಮಯದಲ್ಲೂ ಸೀಟ್ ಬೆಲ್ಟ್ ಗಳನ್ನು ಧರಿಸುವುದರ ಮೂಲಕ ಸರಿಯಾಗಿ ನಿಗ್ರಹಿಸಬೇಕು ಒಂದು ಕುಸಿತದ.



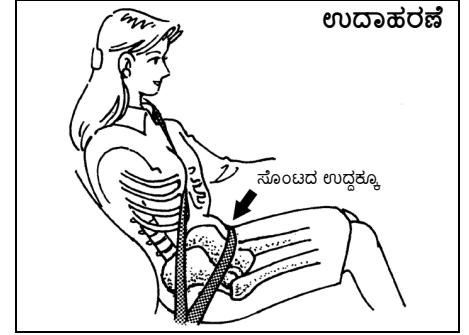


65D606

ಉದಾಹರಣೆ

⚠ ಎಚ್ಚರಿಕೆ

- ವಾಹನದ ಕಾರ್ಗೋ ಪ್ರದೇಶದಲ್ಲಿ ಸವಾರಿ ಮಾಡಲು ವ್ಯಕ್ತಿಗಳನ್ನು ಎಂದಿಗೂ ಅನುಮತಿಸಬೇಡಿ. ಅಪಘಾತದ ಸಂದರ್ಭದಲ್ಲಿ, ಸೀಟ್ ಬೆಲ್ ಅನ್ನು ಸುರಕ್ಷಿತವಾಗಿ ಜೋಡಿಸಿ ಆಸನದಲ್ಲಿ ಸವಾರಿ ಮಾಡಿದ ವ್ಯಕ್ತಿಗಳಿಗೆ ಗಾಯದ ಅಪಾಯ ಹೆಚ್ಚು.
  - ಎಲಾ ಸೀಟ್ ಬೆಲ್ಗಳನ್ನು ಸರಿಯಾಗಿ ಧರಿಸಿರುವುದನ್ನು ಖಚಿತಪಡಿಸಿಕೊಳ್ಳಿ. ಅಸಮರ್ಪಕವಾಗಿ ಧರಿಸಿರುವ ಸೀಟ್ ಬೆಲ್ ಘರ್ಷಣೆ ಸಂಭವಿಸಿದಲ್ಲಿ ಗಾಯ ಅಥವಾ ಸಾವಿನ ಅಪಾಯವನ್ನು ಹೆಚ್ಚಿಸುತ್ತದೆ.
  - ಸೀಟ್ ಬೆಲ್ಗಳನ್ನು ಯಾವಾಗಲೂ ಈ ಕೆಳಗಿನಂತೆ ಸರಿಹೊಂದಿಸಬೇಕು:
    - ಬೆಲ್‌ನ ಲಾಪ್ ಭಾಗವನ್ನು ಸೊಂಟದ ಉದ್ದಕ್ಕೂ ಕಡಿಮೆ ಧರಿಸಬೇಕು, ಸೊಂಟದ ಉದ್ದಕ್ಕೂ ಅಲ್ಲ.
    - ಭುಜದ ಪಟ್ಟಿಗಳನ್ನು ಹೊರಗಿನ ಭುಜದ ಮೇಲೆ ಮಾತ್ರ ಧರಿಸಬೇಕು ಮತ್ತು ಎಂದಿಗೂ ತೋಳಿನ ಕೆಳಗೆ ಇರಬಾರದು.
    - ಭುಜದ ಪಟ್ಟಿಗಳು ನಿಮ್ಮ ಮುಖ ಮತ್ತು ಕುತ್ತಿಗೆಯಿಂದ ದೂರವಿರಬೇಕು, ಆದರೆ ನಿಮ್ಮ ಭುಜದಿಂದ ಬೀಳಬಾರದು.
- (ಮುಂದುವರಿಯುವುದು)

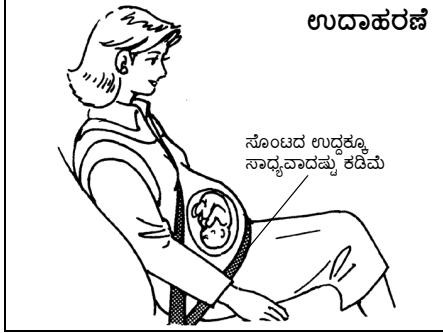


65D201

ಉದಾಹರಣೆ

⚠ ಎಚ್ಚರಿಕೆ

- (ಮುಂದುವರಿಯುವುದು)
- ಸೀಟ್ ಬೆಲ್‌ಗಳನ್ನು ಎಂದಿಗೂ ತಿರುಚಿದ ಪಟ್ಟಿಗಳೊಂದಿಗೆ ಧರಿಸಬಾರದು ಮತ್ತು ಅವುಗಳನ್ನು ವಿನ್ಯಾಸಗೊಳಿಸಿದ ರಕ್ಷಣೆಯನ್ನು ಒದಗಿಸಲು ಆರಾಮದಾಯಕವಾಗುವಂತೆ ಬಿಗಿಯಾಗಿ ಹೊಂದಿಸಬೇಕು. ಸಾಕ್ ಬೆಲ್ ಹಿತವಾದ ಒಂದಕ್ಕಿಂತ ಕಡಿಮೆ ರಕ್ಷಣೆ ನೀಡುತ್ತದೆ.
  - ಪ್ರತಿ ಸೀಟ್ ಬೆಲ್ ಬಕಲ್ ಅನ್ನು ಸರಿಯಾದ ಬಕಲ್ ಕ್ಲಾಚ್‌ಗೆ ಸೇರಿಸಲಾಗಿದೆಯೇ ಎಂದು ಖಚಿತಪಡಿಸಿಕೊಳ್ಳಿ.
- (ಮುಂದುವರಿಯುವುದು)



65D199

ಉದಾಹರಣೆ

⚠ ಎಚ್ಚರಿಕೆ

- (ಮುಂದುವರಿಯುವುದು)
- ಗರ್ಭಿಣಿಯರು ಸೀಟ್ ಬೆಲ್ಟ್‌ಗಳನ್ನು ಬಳಸಬೇಕು, ಆದರೂ ಡ್ರೈವಿಂಗ್ ಬಗ್ಗೆ ನಿರ್ದಿಷ್ಟ ಶಿಫಾರಸುಗಳನ್ನು ಮಹಿಳೆಯ ವೈದ್ಯಕೀಯ ಸಲಹೆಗಾರರಿಂದ ಮಾಡಬೇಕು. ರೇಖಾಚಿತ್ರದಲ್ಲಿ ತೋರಿಸಿರುವಂತೆ ಬೆಲ್ಟ್ ಲ್ಯಾಪ್ ಭಾಗವನ್ನು ಸೊಂಟದ ಉದ್ದಕ್ಕೂ ಸಾಧ್ಯವಾದಷ್ಟು ಕಡಿಮೆ ಧರಿಸಬೇಕು ಎಂದು ನೆನಪಿಡಿ.
  - ಜೇಬುಗಳಲ್ಲಿ ಅಥವಾ ಬಟ್ಟೆಗಳಲ್ಲಿ ಪೆನ್ನುಗಳು, ಕೀಗಳು, ಕನ್ನಡಕಗಳು ಮುಂತಾದ ಗಟ್ಟಿಯಾದ, ದುರ್ಬಲವಾದ ಅಥವಾ ಚೂಪಾದ ವಸ್ತುಗಳ ಮೇಲೆ ಸೀಟ್ ಬೆಲ್ಟ್‌ಗಳನ್ನು ಧರಿಸಬೇಡಿ. ಅಂತಹ ವಸ್ತುಗಳ ಮೇಲೆ ಸೀಟ್ ಬೆಲ್ಟ್ ಒಂದೆಡೆ ಅಪಘಾತದ ಸಂದರ್ಭದಲ್ಲಿ ಗಾಯವನ್ನು ಉಂಟುಮಾಡಬಹುದು.
  - ನಿಮ್ಮ ಪಾಕೆಟ್ ಅಥವಾ ನಿಮ್ಮ ಬಟ್ಟೆಯ ಮೇಲೆ ಗಟ್ಟಿಯಾದ ಅಥವಾ ಒಡೆಯಬಹುದಾದ ವಸ್ತುಗಳ ಮೇಲೆ ನಿಮ್ಮ ಸೀಟ್ ಬೆಲ್ಟ್ ಅನ್ನು ಧರಿಸಬೇಡಿ. ಅಪಘಾತ ಸಂಭವಿಸಿದಲ್ಲಿ, ಸೀಟ್ ಬೆಲ್ಟ್ ಅಡಿಯಲ್ಲಿ ಗಾಸಗಳು, ಪೆನ್ನುಗಳು ಇತ್ಯಾದಿ ವಸ್ತುಗಳು ಗಾಯವನ್ನು ಉಂಟುಮಾಡಬಹುದು.
- (ಮುಂದುವರಿಯುವುದು)

⚠ ಎಚ್ಚರಿಕೆ

- (ಮುಂದುವರಿಯುವುದು)
- ಒಂದಕ್ಕಿಂತ ಹೆಚ್ಚು ನಿವಾಸಿಗಳ ಮೇಲೆ ಒಂದೇ ಸೀಟ್ ಬೆಲ್ಟ್ ಅನ್ನು ಎಂದಿಗೂ ಬಳಸಬೇಡಿ ಮತ್ತು ಕುಳಿತುಕೊಳ್ಳುವವರ ತೊಡೆಯ ಮೇಲೆ ಹಿಡಿದಿರುವ ಶಿಶು ಅಥವಾ ಮಗುವಿನ ಮೇಲೆ ಸೀಟ್ ಬೆಲ್ಟ್ ಅನ್ನು ಎಂದಿಗೂ ಜೋಡಿಸಬೇಡಿ. ಅಂತಹ ಸೀಟ್ ಬೆಲ್ಟ್ ಬಳಕೆಯು ಅಪಘಾತದ ಸಂದರ್ಭದಲ್ಲಿ ಗಂಭೀರವಾದ ಗಾಯವನ್ನು ಉಂಟುಮಾಡಬಹುದು.
  - ಮಿತಿಮೀರಿದ ಉಡುಗೆ ಮತ್ತು ಹಾನಿಗಾಗಿ ಸೀಟ್ ಬೆಲ್ಟ್ ಟ್ರಸೆಂಬಿಗಳನ್ನು ನಿಯತಕಾಲಿಕವಾಗಿ ಪರಿಶೀಲಿಸಿ. ವೆಬ್‌ಬಿಂಗ್ ಕ್ಲೀನಿಸಿದರೆ, ಕಲುಷಿತಗೊಂಡರೆ ಅಥವಾ ಯಾವುದೇ ರೀತಿಯಲ್ಲಿ ಹಾನಿಗೊಳಗಾದರೆ ಸೀಟ್ ಬೆಲ್ಟ್‌ಗಳನ್ನು ಬದಲಾಯಿಸಬೇಕು. ಅಸೆಂಬ್ಲಿಗೆ ಹಾನಿಯು ಸ್ಪಷ್ಟವಾಗಿಲ್ಲದಿದ್ದರೂ ಸಹ, ತೀವ್ರವಾದ ಪರಿಣಾಮದಲ್ಲಿ ಧರಿಸಿದ ನಂತರ ಸಂಪೂರ್ಣ ಸೀಟ್ ಬೆಲ್ಟ್ ಜೋಡಣೆಯನ್ನು ಬದಲಾಯಿಸುವುದು ಅತ್ಯಗತ್ಯ.
  - ಶಿಶುಗಳು ಮತ್ತು ಚಿಕ್ಕ ಮಕ್ಕಳನ್ನು ಸರಿಯಾಗಿ ನಿಗ್ರಹಿಸದ ಹೊರತು ಎಂದಿಗೂ ಸಾಗಿಸಬಾರದು.
  - ಮಕ್ಕಳಿಗೆ, ಭುಜದ ಬೆಲ್ಟ್ ಕುತಿಗೆ ಅಥವಾ ಮುಖವನ್ನು ಕಿರಿಕಿರಿಗೊಳಿಸಿದರೆ, ಮಗುವನ್ನು ವಾಹನದ ಮಧ್ಯಭಾಗಕ್ಕೆ ಹತ್ತಿರಕ್ಕೆ ಸರಿಸಿ.
  - ಪಾಲಿಶ್‌ಗಳು, ತೈಲಗಳು, ರಾಸಾಯನಿಕಗಳು ಮತ್ತು ವಿಶೇಷವಾಗಿ ಬ್ಯಾಟರಿ ಅಮದಿಂದ ಸೀಟ್ ಬೆಲ್ಟ್ ವೆಬ್‌ಬಿಂಗ್‌ನಿ ಮಾಲಿನ್ಯವನ್ನು ತಪ್ಪಿಸಿ. ಸೌಮ್ಯವಾದ ಸೋಪ್ ಮತ್ತು ನೀರನ್ನು ಬಳಸಿ ಶುಚಿಗೊಳಿಸುವಿಕೆಯನ್ನು ಸುರಕ್ಷಿತವಾಗಿ ಕೈಗೊಳ್ಳಬಹುದು.
- (ಮುಂದುವರಿಯುವುದು)

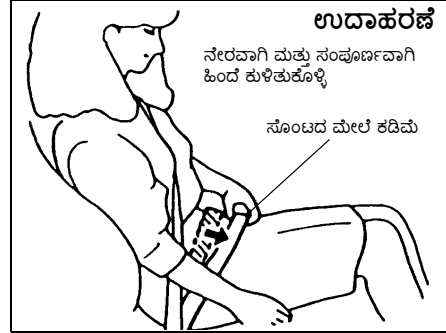
**⚠ ಎಚ್ಚರಿಕೆ**  
(ಮುಂದುವರಿಯುವುದು)  
• ಸೀಟ್ ಬೆಲ್ಟ್ ಬಲೆಗಳಲ್ಲಿ ನಾಣ್ಯಗಳು, ಕಿಪ್‌ಗಳು, ಇತ್ಯಾದಿಗಳಂತಹ ಯಾವುದೇ ವಸ್ತುಗಳನ್ನು ಸೇರಿಸಬೇಡಿ ಮತ್ತು ಈ ಭಾಗಗಳಲ್ಲಿ ಧ್ರುವವನ್ನು ಚಲದಂತೆ ವೆಚ್ಚರಿಕೆ ವಹಿಸಿ. ಸೀಟ್ ಬೆಲ್ಟ್ ಬಲೆಗೆ ವಿಡೇಶಿ ವಸ್ತುಗಳು ಸಿಕ್ಕಿದರೆ, ಸೀಟ್ ಬೆಲ್ಟ್ ಸರಿಯಾಗಿ ಕೆಲಸ ಮಾಡದೇ ಇರಬಹುದು.

**ಲ್ಯಾಪ್-ಶೋಲ್ಡರ್ ಬೆಲ್ಟ್**

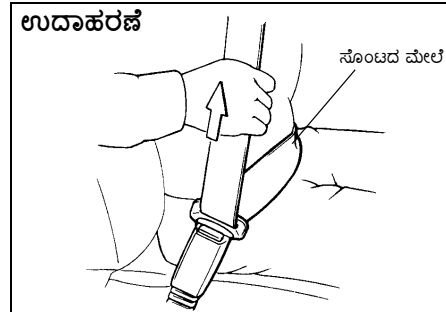
**ತುರ್ತು ಲಾಕ್ ರಿಟ್ರಾಕ್ಟರ್ (ELR)**

ಸೀಟ್ ಬೆಲ್ಟ್ ತುರ್ತು ಲಾಕ್ ರಿಟ್ರಾಕ್ಟರ್ (ELR) ಅನ್ನು ಹೊಂದಿದೆ. ಇದು ಹಠಾತ್ ನಿಲುಗಡೆ ಅಥವಾ ಪ್ರಭಾವದ ಸಮಯದಲ್ಲಿ ಮಾತ್ರ ಸೀಟ್ ಬೆಲ್ಟ್ ಅನ್ನು ಲಾಕ್ ಮಾಡಲು ವಿನ್ಯಾಸಗೊಳಿಸಲಾಗಿದೆ. ನಿಮ್ಮ ದೇಹದಾದ್ಯಂತ ಬೆಲ್ಟ್ ಅನ್ನು ನೀವು ಬೇಗನೆ ಎಳೆದರೆ ಅದು ಲಾಕ್ ಆಗಬಹುದು. ಇದು ಸಂಭವಿಸಿದಲ್ಲಿ, ಅವನು ಅದನ್ನು ಅನುಮತಿಸಿ, ನಂತರ ನಿಮ್ಮ ದೇಹದಾದ್ಯಂತ ಬೆಲ್ಟ್ ಅನ್ನು ಹಚ್ಚು ನಿಧಾನವಾಗಿ ಎಳೆಯಿರಿ.

**ಸುರಕ್ಷತಾ ಜ್ಞಾಪನೆ**



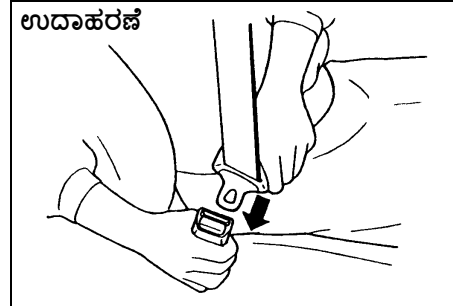
60A038



60A040

ಘರ್ಷಣೆಯ ಸಮಯದಲ್ಲಿ ಬೆಲ್ಟ್ ಅಡಿಯಲ್ಲಿ ಜಾರುವ ಅಪಾಯವನ್ನು ಕಡಿಮೆ ಮಾಡಲು, ಬೆಲ್ಟ್‌ನ ಲ್ಯಾಪ್ ಭಾಗವನ್ನು ನಿಮ್ಮ ತೊಡೆಯ ಮೇಲೆ ಸಾಧ್ಯವಾದಷ್ಟು ಕಡಿಮೆ ಇರಿಸಿ ಮತ್ತು ಬೆಲ್ಟ್‌ನ ಭುಜದ ಭಾಗವನ್ನು ಲಾಜ್ ಫೇಟ್ ಮೂಲಕ ಮೇಲಕ್ಕೆ ಎಳೆಯುವ ಮೂಲಕ ಅದನ್ನು ಬಿಗಿಯಾಗಿ

ಹೊಂದಿಸಿ. ಕರ್ತವ್ಯ ಭುಜದ ಪಟ್ಟಿಯ ಉದ್ದವು ಚಲನೆಯ ಸ್ವಾತಂತ್ರ್ಯವನ್ನು ಅನುಮತಿಸಲು ಸ್ವತಃ ಸರಿಹೊಂದಿಸುತ್ತದೆ.

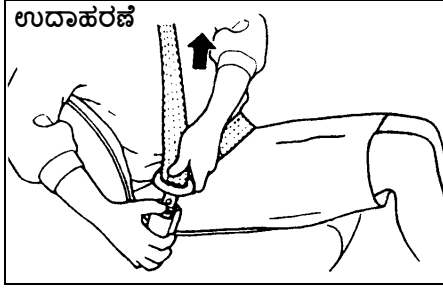


60A036

ಸೀಟ್ ಬೆಲ್ಟ್ ಅನ್ನು ಜೋಡಿಸಲು, ಸೀಟಿನಲ್ಲಿ ನೇರವಾಗಿ ಮತ್ತು ಹಿಂದೆ ಕುಳಿತುಕೊಳ್ಳಿ. ಸೀಟ್ ಬೆಲ್ಟ್ ಜೋಡಿಸಲಾದ ಲಾಜ್ ಫೇಟ್ ಅನ್ನು ನಿಮ್ಮ ದೇಹದಾದ್ಯಂತ ಎಳೆಯಿರಿ ಮತ್ತು ನೀವು ಕಿಕ್ ಅನ್ನು ಕೇಳುವವರೆಗೆ ಅದನ್ನು ನೇರವಾಗಿ ಬಲೆಗೆ ಒತ್ತಿರಿ.

**ಸೂಚನೆ:**

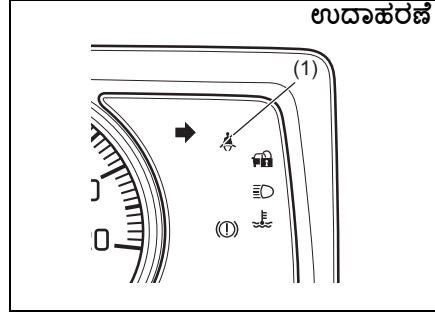
ಸೀಟ್ ಬೆಲ್ಟ್ ಅನ್ನು ಅದರ ಸಂಪೂರ್ಣ ಹಿಂತೆಗೆದುಕೊಳ್ಳುವ ಸ್ಥಾನದಿಂದ ಎಳೆಯಲು ಸಾಧ್ಯವಾಗದಿದ್ದರೆ, ಬೆಲ್ಟ್ ಅನ್ನು ದೃಢವಾಗಿ ಎಳೆಯಿರಿ ಮತ್ತು ಅದನ್ನು ಬಿಡುಗಡೆ ಮಾಡಿ. ನಂತರ ಸರಾಗವಾಗಿ ಹಿಂತೆಗೆದುಕೊಳ್ಳುವವರಿಂದ ಬೆಲ್ಟ್ ಅನ್ನು ಎಳೆಯಿರಿ.



60A039

ಸೀಟ್ ಬೆಲ್ಟ್ ಅನ್ನು ಬಿಚ್ಚಲು, ಬಕಲ್‌ನಲ್ಲಿರುವ ಬಟನ್ ಅನ್ನು ಒತ್ತಿ ಮತ್ತು ಬೆಲ್ಟ್ ಅಥವಾ/ಮತ್ತು ಲಾಚ್ ಪೇಟೆಗೆ ಕೈಯನ್ನು ಜೋಡಿಸುವಾಗ ಬೆಲ್ಟ್ ಅನ್ನು ನಿಧಾನವಾಗಿ ಹಿಂತೆಗೆದುಕೊಳ್ಳಿ.

### ಸೀಟ್ ಬೆಲ್ಟ್ ಜ್ಞಾಪನೆ



77PM02017

(1) ಚಾಲಕನ ಸೀಟ್ ಬೆಲ್ಟ್ ರಿಮ್ಯಾಂಡರ್ ಲೈಟ್ / ಫ್ರಂಟ್ ಪ್ಯಾಸೆಂಜರ್ ಸೀಟ್ ಬೆಲ್ಟ್ ರಿಮ್ಯಾಂಡರ್ ಲೈಟ್

ಚಾಲಕ ಮತ್ತು / ಅಥವಾ ಮುಂಭಾಗದ ಪ್ರಯಾಣಿಕರು ತಮ್ಮ ಸೀಟ್ ಬೆಲ್ಟ್‌ಗಳನ್ನು ಜೋಡಿಸದಿದ್ದಾಗ, ಸೀಟ್ ಬೆಲ್ಟ್ ರಿಮ್ಯಾಂಡರ್ ಲೈಟ್ ಆನ್ ಆಗುತ್ತದೆ ಅಥವಾ ಮಿಟುಕಿಸುತ್ತದೆ ಮತ್ತು ಚಾಲಕ ಮತ್ತು/ಅಥವಾ ಪ್ರಯಾಣಿಕರಿಗೆ ತಮ್ಮ ಸೀಟ್ ಬೆಲ್ಟ್‌ಗಳನ್ನು ಜೋಡಿಸಲು ನೆನಪಿಸಲು ಬಜರ್ ಧ್ವನಿಸುತ್ತದೆ. ಹೆಚ್ಚಿನ ವಿವರಗಳಿಗಾಗಿ, ಕೆಳಗಿನ ವಿವರಣೆಯನ್ನು ನೋಡಿ.

### ⚠ ಎಚ್ಚರಿಕೆ

ಚಾಲಕ ಮತ್ತು ಪ್ರಯಾಣಿಕರು ತಮ್ಮ ಸೀಟ್ ಬೆಲ್ಟ್ ಅನ್ನು ಎಲ್ಲಾ ಸಮಯದಲ್ಲೂ ಜೋಡಿಸುವುದು ಸಂಪೂರ್ಣವಾಗಿ ಅವಶ್ಯಕವಾಗಿದೆ. ಅಪಘಾತ ಸಂಭವಿಸಿದಲ್ಲಿ ಸೀಟ್ ಬೆಲ್ಟ್ ಅನ್ನು ಜೋಡಿಸದ ವ್ಯಕ್ತಿಗಳು ಗಾಯದ ಅಪಾಯವನ್ನು ಹೊಂದಿರುತ್ತಾರೆ. ಇಗ್ನಿಷನ್ ಸ್ವಿಚ್‌ನಲ್ಲಿ ಕೀಲಿಯನ್ನು ಹಾಕುವ ಮೊದಲು ನಿಮ್ಮ ಸೀಟ್ ಬೆಲ್ಟ್‌ನ ಬಕಲ್ ಹಾಕುವ ಅಭ್ಯಾಸವನ್ನು ಮಾಡಿ.

ಸೂಚನೆ:

ಚಾಲಕನ ಸೀಟ್ ಬೆಲ್ಟ್ ರಿಮ್ಯಾಂಡರ್ ಲೈಟ್ / ಫ್ರಂಟ್ ಪ್ಯಾಸೆಂಜರ್ ಸೀಟ್ ಬೆಲ್ಟ್ ರಿಮ್ಯಾಂಡರ್ ಲೈಟ್ ಡ್ರೈವರ್ ಮತ್ತು ಫ್ರಂಟ್ ಪ್ಯಾಸೆಂಜರ್ ಇಬ್ಬರಿಗೂ ಆಗಿದೆ.

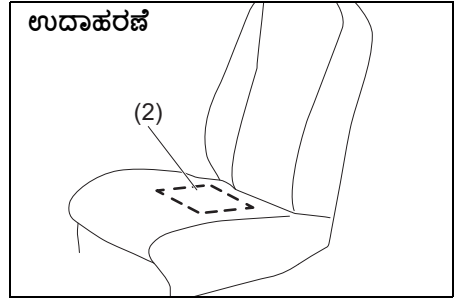
ಚಾಲಕ ಅಥವಾ ಮುಂಭಾಗದ ಪ್ರಯಾಣಿಕರ ಸೀಟ್ ಬೆಲ್ಟ್ ಜ್ಞಾಪಿಸುವಿಕೆ

ಇಗ್ನಿಷನ್ ಸ್ವಿಚ್ ಅನ್ನು "ಆನ್" ಮಾಡಿದಾಗ ಚಾಲಕನ ಅಥವಾ ಮುಂಭಾಗದ ಪ್ರಯಾಣಿಕರ ಸೀಟ್ ಬೆಲ್ಟ್ ಅನ್ ಬಕಲ್ ಆಗಿದ್ದರೆ, ತಿಳಿಸುವಿಕೆಯು ಈ ಕೆಳಗಿನಂತೆ ಕಾರ್ಯನಿರ್ವಹಿಸುತ್ತದೆ:

- 1) ಚಾಲಕನ ಅಥವಾ ಮುಂಭಾಗದ ಪ್ರಯಾಣಿಕರ ಸೀಟ್ ಬೆಲ್ಟ್ ರಿಮ್ಯಾಂಡರ್ ಲೈಟ್ ಆನ್ ಆಗುತ್ತದೆ.
- 2) ವಾಹನದ ವೇಗವು ಸುಮಾರು 15 ಕಿಮೀ/ಗಂ ತಲುಪಿದ ನಂತರ, ಚಾಲಕನ ಅಥವಾ ಮುಂಭಾಗದ ಪ್ರಯಾಣಿಕರ ಸೀಟ್ ಬೆಲ್ಟ್ ರಿಮ್ಯಾಂಡರ್ ಲೈಟ್ ಮಿನುಗುತ್ತದೆ ಮತ್ತು ಬಜರ್ ಸುಮಾರು 95 ಸೆಕೆಂಡುಗಳ ಕಾಲ ಧ್ವನಿಸುತ್ತದೆ.
- 3) ಹಂತ 2) ಮುಗಿದ ನಂತರ, ಚಾಲಕನ ಅಥವಾ ಮುಂಭಾಗದ ಪ್ರಯಾಣಿಕರ ಸೀಟ್ ಬೆಲ್ಟ್ ಬಕಲ್ ಆಗುವವರೆಗೆ ರಿಮ್ಯಾಂಡರ್ ಲೈಟ್ ಆನ್ ಆಗಿರುತ್ತದೆ.

ಚಾಲಕ ಅಥವಾ ಮುಂಭಾಗದ ಪ್ರಯಾಣಿಕರು ತನ್ನ ಸೀಟ್ ಬೆಲ್ ಅನ್ನು ಬಕಲ್ ಮಾಡಿದ್ದರೆ ಮತ್ತು ನಂತರ ಸೀಟ್ ಬೆಲ್ ಅನ್ನು ಬಿಚ್ಚಿದರೆ, ವಾಹನದ ವೇಗಕ್ಕೆ ಅನುಗುಣವಾಗಿ ರಿಮ್ಯಾಂಡರ್ ಸಿಸ್ಟಮ್ ಅನ್ನು ಹಂತ 1) ಅಥವಾ 2) ರಿಂದ ಸಕ್ರಿಯಗೊಳಿಸಲಾಗುತ್ತದೆ. ವಾಹನದ ವೇಗವು 15 km/h ಗಿಂತ ಕಡಿಮೆಯಿದ್ದರೆ, ಜ್ಞಾಪನೆಯು ಹಂತ 1 ರಿಂದ ಪ್ರಾರಂಭವಾಗುತ್ತದೆ. ವಾಹನದ ವೇಗವು 15 km/h ಗಿಂತ ಹೆಚ್ಚಿದ್ದರೆ, ಜ್ಞಾಪನೆಯು ಹಂತ 2 ರಿಂದ ಪ್ರಾರಂಭವಾಗುತ್ತದೆ. ಚಾಲಕನ ಅಥವಾ ಮುಂಭಾಗದ ಪ್ರಯಾಣಿಕರ ಸೀಟ್ ಬೆಲ್ ಅನ್ನು ಬಕಲ್ ಮಾಡಿದಾಗ ಅಥವಾ ಇಗ್ನಿಷನ್ ಸ್ವಿಚ್ ಆಫ್ ಮಾಡಿದಾಗ ರಿಮ್ಯಾಂಡರ್ ಸ್ವಯಂಚಾಲಿತವಾಗಿ ರದ್ದುಗೊಳ್ಳುತ್ತದೆ.

ಮುಂಭಾಗದ ಪ್ರಯಾಣಿಕರ ಸೀಟ್ ಬೆಲ್ ಜ್ಞಾಪನೆಯು ಮುಂಭಾಗದ ಪ್ರಯಾಣಿಕರ ಸೀಟ್‌ನಲ್ಲಿ ಒಬ್ಬ ವ್ಯಕ್ತಿಯು ಕುಳಿತಿದ್ದರೆ ಮತ್ತು ಇಗ್ನಿಷನ್ ಸ್ವಿಚ್ ಆನ್ ಸಾನ್ದಲಿದ್ದಾಗ ಮುಂಭಾಗದ ಪ್ರಯಾಣಿಕರ ಸೀಟ್ ಬೆಲ್ ಅನ್ನು ಬಿಚ್ಚಿದರೆ, ಮುಂಭಾಗದ ಪ್ರಯಾಣಿಕರ ಸೀಟ್ ಬೆಲ್ ರಿಮ್ಯಾಂಡರ್ ಸಕ್ರಿಯಗೊಳ್ಳುತ್ತದೆ.



69RH203

(2) ಮುಂಭಾಗದ ಪ್ರಯಾಣಿಕರ ಸೀಟ್ ಬೆಲ್ ರಿಮ್ಯಾಂಡರ್‌ನ ಸಂವೇದಕ

ಸೀಟ್ ಬೆಲ್ ರಿಮ್ಯಾಂಡರ್ ಸೆನ್ಸರ್ (2) ಒಬ್ಬ ವ್ಯಕ್ತಿಯು ಮುಂಭಾಗದ ಸೀಟ್‌ನಲ್ಲಿ ಕುಳಿತಿದ್ದಾನೆಯೇ ಎಂದು ಪತ್ತೆ ಮಾಡುತ್ತದೆ. ಮುಂಭಾಗದ ಪ್ರಯಾಣಿಕರ ಸೀಟ್ ಬೆಲ್ ರಿಮ್ಯಾಂಡರ್‌ನ ಸಂವೇದಕವು ಸೀಟ್ ಕುಶನ್‌ನಲ್ಲಿದೆ. ಮುಂಭಾಗದ ಪ್ರಯಾಣಿಕರ ಸೀಟ್ ಬೆಲ್ ಜ್ಞಾಪನೆಯು ಚಾಲಕನ ಸೀಟ್ ಬೆಲ್ ಜ್ಞಾಪನೆಯ ರೀತಿಯಲ್ಲಿಯೇ ಕಾರ್ಯನಿರ್ವಹಿಸುತ್ತದೆ.

ಸೂಚನೆ
<ul style="list-style-type: none"> <li>ಮುಂಭಾಗದ ಪ್ರಯಾಣಿಕರ ಸೀಟ್ ಬೆಲ್ ಜ್ಞಾಪನೆಯ ಸಂವೇದಕವು ಸೀಟ್ ಕುಶನ್‌ನಲ್ಲಿದೆ. ಸೀಟ್ ಮೇಲೆ ಭಾರವಾದ ಅಥವಾ ಚೂಪಾದ ವಸ್ತುಗಳನ್ನು ಹಾಕಿದರೆ ಅಥವಾ ಪ್ರಯಾಣಿಕರ ಸೀಟ್‌ನ ತೆಗೆದುಹಾಕುವಿಕೆ, ಡಿಸ್‌ಅಸೆಂಬಲ್ ಮತ್ತು ಮಾರ್ಪಾಡುಗಳನ್ನು ನಿರ್ವಹಿಸಿದರೆ, ಸಂವೇದಕವು ಸರಿಯಾಗಿ ಕೆಲಸ ಮಾಡದಿರಬಹುದು ಅಥವಾ ಹಾನಿಗೊಳಗಾಗಬಹುದು. ಸೀಟ್ ಕುಶನ್ ಮೇಲೆ ಭಾರವಾದ ಅಥವಾ ಚೂಪಾದ ವಸ್ತುಗಳನ್ನು ಹಾಕಬೇಡಿ. ಪ್ರಯಾಣಿಕರ ಅಸೆಂಬಲ್ ತೆಗೆದುಹಾಕಬೇಡಿ, ಡಿಸ್‌ಅಸೆಂಬಲ್ ಮಾಡಬೇಡಿ ಮತ್ತು ಮಾರ್ಪಾಡಿಸಬೇಡಿ.</li> <li>ಸೀಟ್ ಕರ್ವರ್ ವೈವಿಧ್ಯತೆಯನ್ನು ಅವಲಂಬಿಸಿ, ಸಂವೇದಕದ ಕಾರ್ಯಾಚರಣೆಯು ಪ್ರತಿಕೂಲ ಪರಿಣಾಮ ಬೀರಬಹುದು. ಈ ವಾಹನಕ್ಕಾಗಿ ನೀವು ಮಾರುತಿ ಸುಜುಕಿ ನಿಜವಾದ ಸೀಟ್ ಕರ್ವರ್ ಅನ್ನು ಬಳಸಬೇಕೆಂದು ಮಾರುತಿ ಸುಜುಕಿ ಹೆಚ್ಚು ಶಿಫಾರಸು ಮಾಡುತ್ತದೆ.</li> </ul> <p>(ಮುಂದುವರಿಯುವುದು)</p>

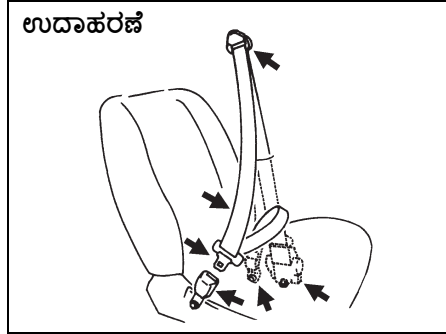
ಸೂಚನೆ
<p>(ಮುಂದುವರಿಯುವುದು)</p> <ul style="list-style-type: none"> <li>ನೀವು ಮುಂಭಾಗದ ಪ್ರಯಾಣಿಕರ ಸೀಟ್ ಕುಶನ್‌ನಲ್ಲಿ ದ್ರವ ಸುಗಂಧ, ತಂಪು ಪಾನೀಯಗಳು ಅಥವಾ ಜ್ಯೂಸ್‌ನಂತಹ ದ್ರವವನ್ನು ಚೆಲ್ಲಿದರೆ, ಸೀಟ್ ಕುಶನ್‌ನಲ್ಲಿರುವ ಮುಂಭಾಗದ ಪ್ರಯಾಣಿಕರ ಸೀಟ್ ಬೆಲ್ ರಿಮ್ಯಾಂಡರ್‌ನ ಸಂವೇದಕವು ಹಾನಿಗೊಳಗಾಗಬಹುದು. ಚೆಲ್ಲಿದ ತಕ್ಷಣ ಅದನ್ನು ಮೃದುವಾದ ಬಟ್ಟೆಯಿಂದ ಒರೆಸಿ.</li> <li>ಮುಂಭಾಗದ ಪ್ರಯಾಣಿಕರ ಸೀಟ್‌ನಲ್ಲಿ ಕುಳಿತಾಗ, ಸೀಟ್‌ಬೆಲ್ ರಿಮ್ಯಾಂಡರ್ ಸಿಸ್ಟಮ್ ಪರಿಣಾಮಕಾರಿಯಾಗಿ ಕಾರ್ಯನಿರ್ವಹಿಸಲು ಪ್ರಯಾಣಿಕರು ನೇರವಾಗಿ ಕುಳಿತುಕೊಳ್ಳುವುದು, ಸೀಟ್ ಬ್ಯಾಕ್‌ರೇಸ್‌ಗೆ ಒಲವು ತೋರುವುದು ಮತ್ತು ಸೀಟ್ ಕುಶನ್‌ನ ಮೇಲೆ ಕೇಂದ್ರೀಕರಿಸುವುದು ಬಹಳ ಮುಖ್ಯ. ಅನುಮರ್ಪಕವಾಗಿ ಕುಳಿತುಕೊಳ್ಳುವ ನಿವಾಸಿಗಳು (ಬಾಗಿ ಕುಳಿತುಕೊಳ್ಳುವುದು, ಪಕ್ಕಕ್ಕೆ ತಿರುಗುವುದು, ಮುಂದಕ್ಕೆ ಅಥವಾ ಪಕ್ಕಕ್ಕೆ ಕುಳಿತುಕೊಳ್ಳುವುದು) ಈ ವ್ಯವಸ್ಥೆಯ ಕಾರ್ಯನಿರ್ವಹಣೆಗೆ ಅಡ್ಡಿಯಾಗಬಹುದು ಏಕೆಂದರೆ ಅದು ನಿವಾಸಿಯನ್ನು ಪತ್ತೆಹಚ್ಚುವುದಿಲ್ಲ.</li> </ul> <p>(ಮುಂದುವರಿಯುವುದು)</p>

ಸೂಚನೆ:

- ನೀವು ಪ್ರಯಾಣಿಕರ ಸೀಟಿನ ಮೇಲೆ ವಸುವನ್ನು ಇರಿಸಿದರೆ, ವಸುವಿನ ತೂಕವನ್ನು ಸಂವೇದಕವು ಗ್ರಹಿಸುತ್ತದೆ ಮತ್ತು ಮುಂಭಾಗದ ಪ್ರಯಾಣಿಕರ ಸೀಟ್ ಬೆಲ್ಟ್ ರಿಮ್ಯಾಂಡರ್ ಲೈಟ್ ಆನ್ ಆಗುತ್ತದೆ ಮತ್ತು ನಂತರ ಆಂತರಿಕ ಬಜರ್ ಬೀಪ್ ಮಾಡಬಹುದು.
- ಒಂದು ಮಗು ಅಥವಾ ಸಣ್ಣ ಗಾತ್ರದ ವ್ಯಕ್ತಿಯು ಮುಂಭಾಗದ ಪ್ರಯಾಣಿಕರ ಸೀಟಿನಲ್ಲಿ ಕುಳಿತುಕೊಂಡರೆ ಅಥವಾ ಮುಂಭಾಗದ ಪ್ರಯಾಣಿಕರ ಸೀಟಿನ ಮೇಲೆ ಕುಳನ್ ಅನ್ನು ಹಾಕಿದರೆ, ಸೆನ್ಸರ್‌ನಿಂದ ತೂಕವನ್ನು ಗ್ರಹಿಸಲಾಗುವುದಿಲ್ಲ ಮತ್ತು ಆಂತರಿಕ ಬಜರ್ ಬೀಪ್ ಮಾಡದಿರಬಹುದು.

ಸೂಚನೆ:

ಮಾರುತಿ ಸುಜುಕಿ "ಸೀಟ್ ಕವರ್" ನ ಮಾರುತಿ ಸುಜುಕಿ ನಿಜವಾದ ಪರಿಕರವನ್ನು ಬಳಸಲು ಶಿಫಾರಸು ಮಾಡುತ್ತದೆ.  
ಸೀಟ್ ಬೆಲ್ಟ್ ತಪಾಸಣೆ



65D209S

ನಿಯತಕಾಲಿಕವಾಗಿ ಸೀಟ್ ಬೆಲ್ಟ್‌ಗಳು ಸರಿಯಾಗಿ ಕಾರ್ಯನಿರ್ವಹಿಸುತ್ತವೆ ಮತ್ತು ಹಾನಿಯಾಗದಂತೆ ನೋಡಿಕೊಳ್ಳಿ. ವೆಬ್ಬಿಂಗ್, ಬಕಲ್, ಲಾಚ್ ಪೇಟ್‌ಗಳು, ರಿಟ್ರಾಕ್ಟರ್‌ಗಳು, ಆಂಕರೇಜ್‌ಗಳು ಮತ್ತು ಗ್ಯಾಡ್ ಲೂಪ್‌ಗಳನ್ನು ಪರಿಶೀಲಿಸಿ. ಸರಿಯಾಗಿ ಕಾರ್ಯನಿರ್ವಹಿಸದ ಅಥವಾ ಹಾನಿಗೊಳಗಾದ ಯಾವುದೇ ಸೀಟ್ ಬೆಲ್ಟ್‌ಗಳನ್ನು ಬದಲಾಯಿಸಿ.

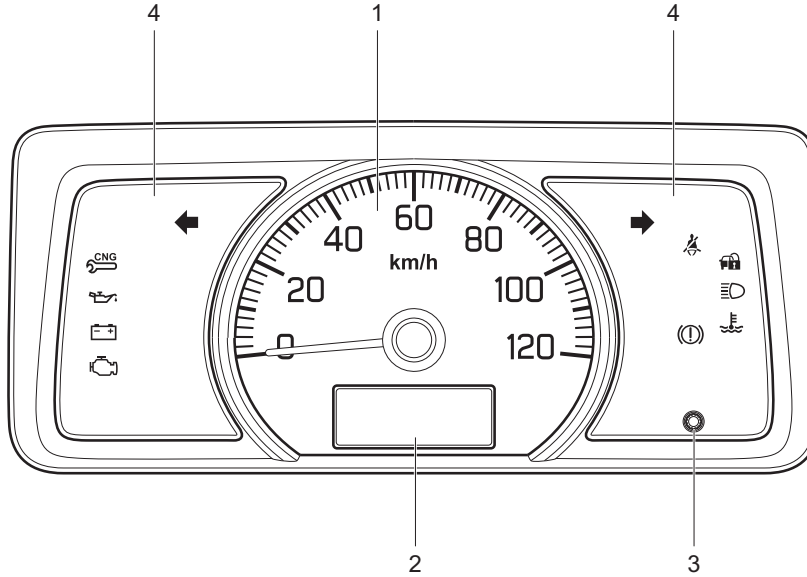
### ⚠ ಎಚ್ಚರಿಕೆ

ಯಾವುದೇ ಘರ್ಷಣೆಯ ನಂತರ ಎಲಾ ಸೀಟ್ ಬೆಲ್ಟ್ ಅಸೆಂಬ್ಲಿಗಳನ್ನು ಪರಿಶೀಲಿಸಲು ಮರೆಯದಿರಿ. ಘರ್ಷಣೆಯ ಸಮಯದಲ್ಲಿ ಬಳಕೆಯಲ್ಲಿದ್ದ ಯಾವುದೇ ಸೀಟ್ ಬೆಲ್ಟ್ ಅಸೆಂಬ್ಲಿಯನ್ನು (ಅತ್ಯಂತ ಚಿಕ್ಕದನ್ನು ಹೊರತುಪಡಿಸಿ) ಬದಲಾಯಿಸಬೇಕು, ಅಸೆಂಬ್ಲಿಗೆ ಹಾನಿಯು ಸಂಭವಿಸಿಲ್ಲದಿದ್ದರೂ ಸಹ. ಘರ್ಷಣೆಯ ಸಮಯದಲ್ಲಿ ಬಳಕೆಯಲ್ಲಿದ್ದ ಯಾವುದೇ ಸೀಟ್ ಬೆಲ್ಟ್ ಅಸೆಂಬ್ಲಿ ಸರಿಯಾಗಿ ಕಾರ್ಯನಿರ್ವಹಿಸದಿದ್ದರೆ ಅಥವಾ ಯಾವುದೇ ರೀತಿಯಲ್ಲಿ ಹಾನಿಗೊಳಗಾದರೆ ಅದನ್ನು ಬದಲಾಯಿಸಬೇಕು.

ಇನ್ನು ಮೆಂಟ್ ಕ್ಲಸ್ಟರ್

1. ಸ್ಪೀಡೋಮೀಟರ್
2. ಮಾಹಿತಿ ಪ್ರದರ್ಶನ
3. ಟ್ರಿಪ್ ಮೀಟರ್ ಸೆಲೆಕ್ಟರ್ ನಾಬ್
4. ಎಚ್ಚರಿಕೆ ಮತ್ತು ಸೂಚಕ ದೀಪಗಳು

ಉದಾಹರಣೆ



## ಸ್ವೀಡೋಮೀಟರ್

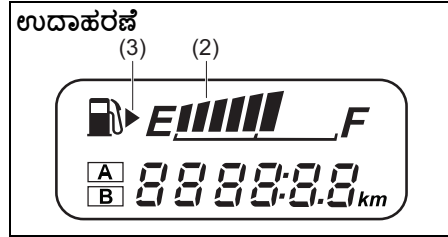
ಸ್ವೀಡೋಮೀಟರ್ ವಾಹನದ ವೇಗವನ್ನು ಸೂಚಿಸುತ್ತದೆ.

ಸೂಚನೆ:

ಸರ್ಕಾರದ ನಿಯಮದ ಪ್ರಕಾರ ವಾಹನದ ಗರಿಷ್ಠ ವೇಗ ಗಂಟೆಗೆ 80 ಕಿ.ಮೀ.

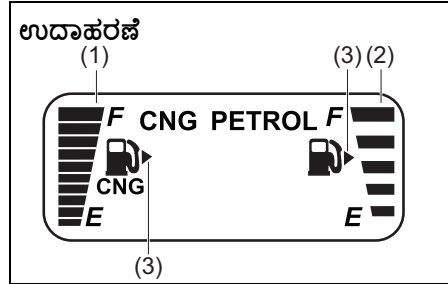
## ಇಂಧನ ಮಾಪಕ

ಪೆಟ್ರೋಲ್ ಮಾದರಿ



77PM02018

ಸಿ ಎನ್ ಜಿ ಮಾದರಿ



77PM07019

- (1) ಸಿ ಎನ್ ಜಿ ಇಂಧನ ಗೇಜ್ ಅನ್ನು ಸೂಚಿಸುತ್ತದೆ.
- (2) ಪೆಟ್ರೋಲ್ ಇಂಧನ ಗೇಜ್ ಅನ್ನು ಸೂಚಿಸುತ್ತದೆ.

ಇಗ್ನಿಷನ್ ಸ್ವಿಚ್ "ಆನ್" ಸ್ಥಾನದಲ್ಲಿದ್ದಾಗ, ಈ ಗೇಜ್ ಇಂಧನ ಟ್ಯಾಂಕ್ ನಲ್ಲಿ ಇಂಧನದ ಮೊತ್ತದ ಅಂದಾಜು ಸೂಚನೆಯನ್ನು ನೀಡುತ್ತದೆ. "ಎಫ್" ಎಂದರೆ ಪೂರ್ಣ ಮತ್ತು "ಈ" ಎಂದರೆ ಖಾಲಿ.

ಇಂಧನ ಮೀಟರ್ ಸೂಚಕವು "ಈ" ಗೆ ಕೇವಲ ಒಂದು ವಿಭಾಗವನ್ನು ತೋರಿಸಿದರೆ, ಸಾಧ್ಯವಾದಷ್ಟು ಬೇಗ ಇಂಧನ ವನ್ನು ಪುನಃ ತುಂಬಿಸಿ.

ಇಂಧನ ತುಂಬುವ ಬಾಗಿಲು ವಾಹನದ ಬಲಭಾಗದಲ್ಲಿದೆ ಎಂದು ಗುರುತು (3) ಸೂಚಿಸುತ್ತದೆ.

### ಸೂಚನೆ

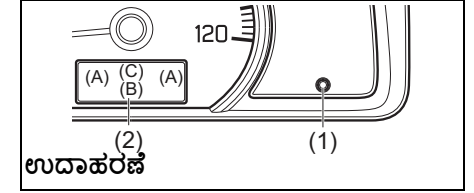
ವೇಗವರ್ಧಕ ಪರಿವರ್ತಕ ಅಥವಾ ವಾಹನದ ಇತರ ಘಟಕಗಳಿಗೆ ಹಾನಿಯಾಗುವ ಸಾಧ್ಯತೆಯನ್ನು ಕಡಿಮೆ ಮಾಡಲು, ಖಾಲಿ ಇಂಧನ ಟ್ಯಾಂಕ್ ಮಟ್ಟದ ಬಳಿ ವಾಹನವನ್ನು ಚಾಲನೆ ಮಾಡುವುದನ್ನು ತಪ್ಪಿಸಿ.

ಸೂಚನೆ:

ಕೊನೆಯ ವಿಭಾಗವು ಮಿಟುಕಿಸಿದರೆ, ಇಂಧನವು ಬಹುತೇಕ ಖಾಲಿಯಾಗಿದೆ ಎಂದರ್ಥ.

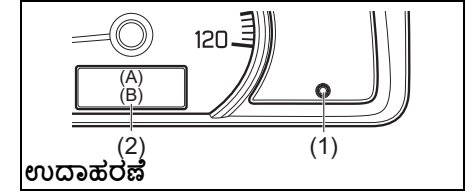
## ಮಾಹಿತಿ ಪ್ರದರ್ಶನ

ಸಿ ಎನ್ ಜಿ ಮಾದರಿಗಾಗಿ



77PM07029

ಪೆಟ್ರೋಲ್ ಮಾದರಿಗಾಗಿ



77PM07031

- (1) ಟ್ರಿಪ್ ಮೀಟರ್ ಸೆಲೆಕ್ಟರ್ ನಾಬ್
- (2) ಮಾಹಿತಿ ಪ್ರದರ್ಶನ

ಇಗ್ನಿಷನ್ ಸ್ವಿಚ್ "ಆನ್" ಸ್ಥಾನದಲ್ಲಿದ್ದಾಗ, ಮಾಹಿತಿ ಪ್ರದರ್ಶನವು ಈ ಕೆಳಗಿನ ಮಾಹಿತಿಯನ್ನು ತೋರಿಸುತ್ತದೆ.



## ಚಾಲನೆ ಮಾಡುವ ಮೊದಲು

### ಪ್ರದರ್ಶನ (A)

ಇಂಧನ ಮಾಪಕ

### ಪ್ರದರ್ಶನ (B)

ಓಡೋಮೀಟರ್ / ಟ್ರಿಪ್ ಮೀಟರ್ / ಗಡಿಯಾರ / ಪ್ರಕಾಶಮಾನ ನಿಯಂತ್ರಣ

### ಪ್ರದರ್ಶನ (C)

ಇಂಧನ ವಿಧಾನಗಳು (ಸಜ್ಜುಗೊಳಿಸಿದ್ದರೆ)

### ಇಂಧನ ಮಾಪಕ

ಇಗ್ನಿಷನ್ ಸ್ವಿಚ್ "ಆನ್" ಸ್ಥಾನದಲ್ಲಿದ್ದಾಗ, ಪ್ರದರ್ಶನ (ಎ) ಇಂಧನ ಗೇಜ್ ಅನ್ನು ತೋರಿಸುತ್ತದೆ.

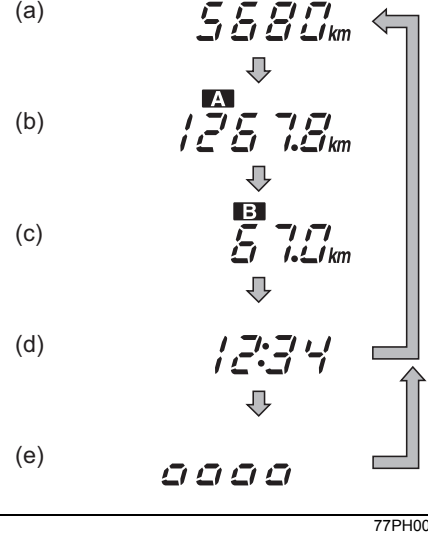
ಈ ವಿಭಾಗದಲ್ಲಿ "ಫ್ಯೂಯಲ್ ಗೇಜ್" ಅನ್ನು ನೋಡಿ.

### ಓಡೋಮೀಟರ್ / ಟ್ರಿಪ್ ಮೀಟರ್ / ಗಡಿಯಾರ / ಪ್ರಕಾಶಮಾನ ನಿಯಂತ್ರಣ

ಇಗ್ನಿಷನ್ ಸ್ವಿಚ್ "ಆನ್" ಸ್ಥಾನದಲ್ಲಿದ್ದಾಗ, ಡಿಸ್ಪ್ಲೇ (ಬಿ) ಕೆಳಗಿನ ಸೂಚನೆಗಳಲ್ಲಿ ಒಂದನ್ನು ತೋರಿಸುತ್ತದೆ, ಓಡೋಮೀಟರ್, ಟ್ರಿಪ್ ಮೀಟರ್ ಎ, ಟ್ರಿಪ್ ಮೀಟರ್ ಬಿ ಅಥವಾ ಗಡಿಯಾರ.

ಡಿಸ್ಪ್ಲೇ ಸೂಚನೆಯನ್ನು ಬದಲಾಯಿಸಲು (B), ಟ್ರಿಪ್ ಮೀಟರ್ ಸೆಲೆಕ್ಟರ್ ನಾಬ್ (1) ಅನ್ನು ತ್ವರಿತವಾಗಿ ಒತ್ತಿರಿ.

### ಉದಾಹರಣೆ



- (a) ಓಡೋಮೀಟರ್  
(b) ಟ್ರಿಪ್ ಮೀಟರ್ A  
(c) ಟ್ರಿಪ್ ಮೀಟರ್ B  
(d) ಗಡಿಯಾರ  
(e) ಪ್ರಕಾಶಮಾನ ನಿಯಂತ್ರಣ\*

\* ಪೂಸಿಷನ್ ಲೈಟ್‌ಗಳು ಮತ್ತು/ಅಥವಾ ಹೆಡ್‌ಲೈಟ್‌ಗಳು ಆನ್ ಆಗಿರುವಾಗ ಬೈಟ್‌ನೇಸ್ ಕಂಟ್ರೋಲ್ ಕಾಣಿಸುತ್ತದೆ.

### ⚠ ಎಚ್ಚರಿಕೆ

ಚಾಲನೆ ಮಾಡುವಾಗ ನೀವು ಡಿಸ್‌ಪ್ಲೇಯನ್ನು ಸರಿಹೊಂದಿಸಲು ಪ್ರಯತ್ನಿಸಿದರೆ, ನೀವು ವಾಹನದ ನಿಯಂತ್ರಣವನ್ನು ಕಳೆದುಕೊಳ್ಳಬಹುದು.

ಚಾಲನೆ ಮಾಡುವಾಗ ಪ್ರದರ್ಶನವನ್ನು ಸರಿಹೊಂದಿಸಲು ಪ್ರಯತ್ನಿಸಬೇಡಿ.

### ಸೂಚನೆ:

ನೀವು ನಾಬ್ ಅನ್ನು ತಳ್ಳಿದಾಗ ಮತ್ತು ಬಿಡುಗಡೆ ಮಾಡಿದಾಗ ಸೂಚನೆಗಳು ಬದಲಾಗುತ್ತವೆ.

### ಓಡೋಮೀಟರ್

ಓಡೋಮೀಟರ್ ವಾಹನವನ್ನು ಓಡಿಸಿದ ಒಟ್ಟು ದೂರವನ್ನು ದಾಖಲಿಸುತ್ತದೆ.

### ಸೂಚನೆ

ನಿಮ್ಮ ಓಡೋಮೀಟರ್ ಓದುವಿಕೆಯನ್ನು ಟ್ರಾಕ್ ಮಾಡಿ ಮತ್ತು ಅಗತ್ಯವಿರುವ ಸೇವೆಗಳಿಗಾಗಿ ನಿಯಮಿತವಾಗಿ ನಿರ್ವಹಣೆ ವೇಳಾಪಟ್ಟಿಯನ್ನು ಪರಿಶೀಲಿಸಿ.

ಸರಿಯಾದ ಮೈಲೇಜ್ ಮಧ್ಯಂತರದಲ್ಲಿ ಅಗತ್ಯವಿರುವ ಸೇವೆಗಳನ್ನು ನಿರ್ವಹಿಸಲು ವಿಫಲವಾದ ಕಾರಣದಿಂದ ಹೆಚ್ಚಿದ ಉಡುಗೆ ಅಥವಾ ಕೆಲವು ಭಾಗಗಳಿಗೆ ಹಾನಿಯಾಗಬಹುದು.

**ಟ್ರಿಪ್ ಮೀಟರ್**

ಸಣ್ಣ ಪ್ರಯಾಣಗಳಲ್ಲಿ ಅಥವಾ ಇಂಧನ ನಿಲುಗಡೆಗಳ ನಡುವೆ ಪ್ರಯಾಣಿಸುವ ದೂರವನ್ನು ಅಳೆಯಲು ಟ್ರಿಪ್ ಮೀಟರ್ ಅನ್ನು ಬಳಸಬಹುದು. ನೀವು ಟ್ರಿಪ್ ಮೀಟರ್ ಎ ಅಥವಾ ಟ್ರಿಪ್ ಮೀಟರ್ ಬಿ ಅನ್ನು ಸ್ವತಂತ್ರವಾಗಿ ಬಳಸಬಹುದು.

ಟ್ರಿಪ್ ಮೀಟರ್ ಅನ್ನು ಸೂನೆಗೆ ಮರುಹೊಂದಿಸಲು, ಡಿಸ್‌ಪೇಯ್ ಟ್ರಿಪ್ ಮೀಟರ್ ಅನ್ನು ತೋರಿಸಿದಾಗ ಟ್ರಿಪ್ ಮೀಟರ್ ಸೆಲೆಕ್ಟರ್ ನಾಬ್ (1) ಅನ್ನು ಸ್ವಲ್ಪ ಸಮಯದವರೆಗೆ ಒತ್ತಿ ಹಿಡಿದುಕೊಳ್ಳಿ.

**ಸೂಚನೆ:**

ಟ್ರಿಪ್ ಮೀಟರ್‌ನ ಗರಿಷ್ಠ ಮೌಲ್ಯವು 9999.9 ಆಗಿದೆ. ನೀವು ಗರಿಷ್ಠ ಮೌಲ್ಯವನ್ನು ದಾಟಿದಾಗ, ಸೂಚಿಸಲಾದ ಮೌಲ್ಯವು 0.0 ಗೆ ಹಿರಿತರುತ್ತದೆ.

**ಗಡಿಯಾರ**

ಪ್ರದರ್ಶನವು ಸಮಯವನ್ನು ತೋರಿಸುತ್ತದೆ.

ಸಮಯದ ಸೂಚನೆಯನ್ನು ಬದಲಾಯಿಸಲು:

- 1) ಟ್ರಿಪ್ ಮೀಟರ್ ಸೆಲೆಕ್ಟರ್ ನಾಬ್ (1) ಅನ್ನು ನಿಮಿಷದ ಸೂಚನೆಯು ಮಿಟುಕಿಸುವವರೆಗೆ ಒತ್ತಿ ಮತ್ತು ಹಿಡಿದುಕೊಳ್ಳಿ.
- 2) ನಿಮಿಷದ ಸೂಚನೆಯನ್ನು ಬದಲಾಯಿಸಲು, ನಿಮಿಷದ ಸೂಚನೆಯು ಮಿಟುಕಿಸಿದಾಗ ಟ್ರಿಪ್ ಮೀಟರ್ ಸೆಲೆಕ್ಟರ್ ನಾಬ್ (1) ಅನ್ನು ಪದೇ ಪದೇ ಒತ್ತಿರಿ. ನಿಮಿಷದ ಸೂಚನೆಯನ್ನು ತ್ವರಿತವಾಗಿ ಬದಲಾಯಿಸಲು, ಟ್ರಿಪ್ ಮೀಟರ್ ಸೆಲೆಕ್ಟರ್ ನಾಬ್ (1) ಅನ್ನು ಒತ್ತಿ ಮತ್ತು ಹಿಡಿದುಕೊಳ್ಳಿ. ನಿಮಿಷದ ಸೂಚನೆಯನ್ನು ಹೊಂದಿಸಲು, ಗಂಟೆಯ ಸೂಚನೆಯು ಮಿನುಗಲು ಪ್ರಾರಂಭವಾಗುವವರೆಗೆ ಸುಮಾರು 5 ಸೆಕೆಂಡುಗಳ ಕಾಲ ಕಾಯಿರಿ.
- 3) ಗಂಟೆಯ ಸೂಚನೆಯನ್ನು ಬದಲಾಯಿಸಲು, ನಿಮಿಷದ ಸೂಚನೆಯು ಮಿನುಗಲು ಪ್ರಾರಂಭವಾಗುವವರೆಗೆ ಟ್ರಿಪ್ ಮೀಟರ್

ಸೆಲೆಕ್ಟರ್ ನಾಬ್ (1) ಅನ್ನು ಪದೇ ಪದೇ ಒತ್ತಿರಿ. ಸುಮಾರು 5 ಸೆಕೆಂಡುಗಳ ಕಾಲ ನಿರೀಕ್ಷಿಸಿ ಮತ್ತು ಗಂಟೆಯ ಸೂಚನೆಯು ಮಿನುಗಲು ಪ್ರಾರಂಭವಾಗುತ್ತದೆ. ಗಂಟೆಯ ಸೂಚನೆಯನ್ನು ಬದಲಾಯಿಸಲು, ಟ್ರಿಪ್ ಮೀಟರ್ ಸೆಲೆಕ್ಟರ್ ನಾಬ್ (1) ಅನ್ನು ತ್ವರಿತವಾಗಿ ಒತ್ತಿ ಮತ್ತು ಹಿಡಿದುಕೊಳ್ಳಿ. ಗಂಟೆಯ ಸೂಚನೆಯನ್ನು ಹೊಂದಿಸಲು, ಸುಮಾರು 5 ಸೆಕೆಂಡುಗಳ ಕಾಲ ನಿರೀಕ್ಷಿಸಿ.

**⚠ ಎಚ್ಚರಿಕೆ**

ಚಾಲನೆ ಮಾಡುವಾಗ ನೀವು ಡಿಸ್‌ಪೇಯನ್ನು ಸರಿಹೊಂದಿಸಲು ಪ್ರಯತ್ನಿಸಿದರೆ, ನೀವು ವಾಹನದ ನಿಯಂತ್ರಣವನ್ನು ಕಳೆದುಕೊಳ್ಳಬಹುದು.

ಚಾಲನೆ ಮಾಡುವಾಗ ಪ್ರದರ್ಶನವನ್ನು ಸರಿಹೊಂದಿಸಲು ಪ್ರಯತ್ನಿಸಬೇಡಿ.

**ಸೂಚನೆ:**

ನೀವು ಖುಣಾತ್ಮಕ (-) ಟರ್ಮಿನಲ್ ಅನ್ನು ಬ್ಯಾಟರಿಗೆ ಮರುಸಂಪರ್ಕಿಸಿದಾಗ, ಗಡಿಯಾರದ ಸೂಚನೆಯನ್ನು ಮರುಪ್ರಾರಂಭಿಸಲಾಗುತ್ತದೆ. ನಿಮ್ಮ ಆದ್ಯತೆಗೆ ಸೂಚನೆಯನ್ನು ಮತ್ತೊಮ್ಮೆ ಬದಲಾಯಿಸಿ.

**ಪ್ರಕಾಶಮಾನ ನಿಯಂತ್ರಣ**

ಸ್ಥಾನದ ದೀಪಗಳು ಮತ್ತು/ಅಥವಾ ಹೆಡ್‌ಲೈಟ್‌ಗಳು ಆನ್ ಆಗಿರುವಾಗ, ನೀವು ಮೀಟರ್ ಪ್ರಕಾಶದ ತೀವ್ರತೆಯನ್ನು ನಿಯಂತ್ರಿಸಬಹುದು.

ವಾದ್ಯ ಫಲಕದ ದೀಪಗಳ ಹೊಳಪನ್ನು ಬದಲಾಯಿಸಲು, ಟ್ರಿಪ್ ಮೀಟರ್ ಸೆಲೆಕ್ಟರ್ ನಾಬ್ (1) ಅನ್ನು ಒತ್ತಿ ಮತ್ತು ಹಿಡಿದುಕೊಳ್ಳಿ.

**⚠ ಎಚ್ಚರಿಕೆ**

ಚಾಲನೆ ಮಾಡುವಾಗ ನೀವು ಡಿಸ್‌ಪೇಯನ್ನು ಸರಿಹೊಂದಿಸಲು ಪ್ರಯತ್ನಿಸಿದರೆ, ನೀವು ವಾಹನದ ನಿಯಂತ್ರಣವನ್ನು ಕಳೆದುಕೊಳ್ಳಬಹುದು.

ಚಾಲನೆ ಮಾಡುವಾಗ ಪ್ರದರ್ಶನವನ್ನು ಸರಿಹೊಂದಿಸಲು ಪ್ರಯತ್ನಿಸಬೇಡಿ.

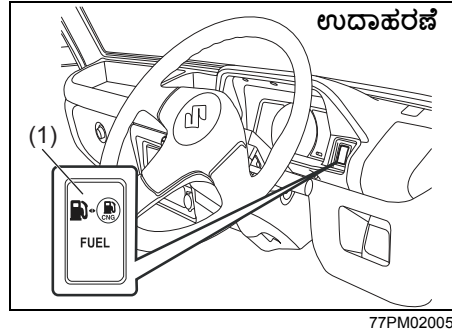
**ಸೂಚನೆ:**

- ಬ್ರೆಟ್‌ನಸ್ ಕಂಟ್ರೋಲ್ ಡಿಸ್‌ಪೇಯನ್ನು ಸಕ್ರಿಯಗೊಳಿಸಿದ ಸುಮಾರು 10 ಸೆಕೆಂಡುಗಳೇ ಒಳಗೆ ನೀವು ಟ್ರಿಪ್ ಮೀಟರ್ ಸೆಲೆಕ್ಟರ್ ನಾಬ್ ಅನ್ನು ತಳ್ಳದಿದ್ದರೆ, ಬ್ರೆಟ್‌ನಸ್ ಕಂಟ್ರೋಲ್ ಡಿಸ್‌ಪೇ ಸ್ವಯಂಚಾಲಿತವಾಗಿ ರದ್ದುಗೊಳ್ಳುತ್ತದೆ.
- ನೀವು ಬ್ಯಾಟರಿಯನ್ನು ಮರುಸಂಪರ್ಕಿಸಿದಾಗ, ಇನ್ನು ಮೆಂಟ್ ಪ್ಯಾನೆಲ್ ಲೈಟ್‌ಗಳ ಹೊಳಪನ್ನು ಮರುಪ್ರಾರಂಭಿಸಲಾಗುತ್ತದೆ. ನಿಮ್ಮ ಆದ್ಯತೆಗೆ ಅನುಗುಣವಾಗಿ ಹೊಳಪನ್ನು ಮರುಹೊಂದಿಸಿ.

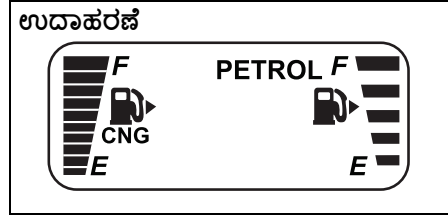
## ಚಾಲನೆ ಮಾಡುವ ಮೊದಲು

### ಸಿಎನ್‌ಜಿ ಮಾದರಿಗೆ ಇಂಧನ ವಿಧಾನಗಳು (ಸಜ್ಜುಗೊಳಿಸಿದ್ದರೆ)

ವಾಹನದಲ್ಲಿ ಪೆಟ್ರೋಲ್, ಆಟೋ ಮತ್ತು ಫೋರ್ಸ್ ಸಿಎನ್‌ಜಿ ಮೋಡ್‌ಗಳಲ್ಲಿ ಮೂರು ಇಂಧನ ಮೋಡ್‌ಗಳಿದ್ದು, ಡ್ರಾಶ್‌ಮೋಡ್‌ನಲ್ಲಿ ಸ್ವೀರಿಂಗ್ ವೀಲ್‌ನ ಬಲಭಾಗದಲ್ಲಿರುವ ಸೆಲೆಕ್ಟರ್ ಸ್ವಿಚ್ (1) ಅನ್ನು ಒತ್ತುವ ಮೂಲಕ ಆಯ್ಕೆ ಮಾಡಬಹುದಾಗಿದೆ.



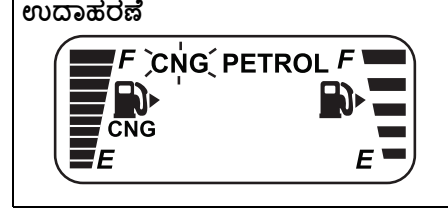
### ಪೆಟ್ರೋಲ್ ಮೋಡ್



ಈ ಮೋಡ್‌ನಲ್ಲಿ ವಾಹನವು ಪೆಟ್ರೋಲ್‌ನಲ್ಲಿ ಪ್ರಾರಂಭವಾಗುತ್ತದೆ ಮತ್ತು ಪೆಟ್ರೋಲ್

ಮೋಡ್‌ನಲ್ಲಿ ಚಾಲನೆಯಲ್ಲಿ ಮುಂದುವರಿಯುತ್ತದೆ. ಈ ಕ್ರಮದಲ್ಲಿ, ಪೆಟ್ರೋಲ್ ಸೂಚಕವನ್ನು ನಿರಂತರವಾಗಿ ಪ್ರದರ್ಶಿಸಲಾಗುತ್ತದೆ ಮತ್ತು ಸಿಎನ್‌ಜಿ ಸೂಚಕವು "ಆಫ್" ಆಗಿರುತ್ತದೆ.

### ಆಟೋ ಮೋಡ್



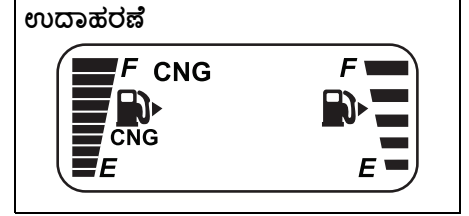
ಈ ಮೋಡ್‌ನಲ್ಲಿ ಇಂಜಿನ್ ಪೆಟ್ರೋಲ್ ಮೋಡ್‌ನಲ್ಲಿ ಪ್ರಾರಂಭವಾಗುತ್ತದೆ ಮತ್ತು ಪ್ರೋಗ್ರಾಮ್ ಮಾಡಲಾದ ವಾರ್ಮಿಂಗ್ ಸೈತಿಯನ್ನು ತಲುಪಿದ ನಂತರ ಸ್ವಯಂಚಾಲಿತವಾಗಿ ಸಿಎನ್‌ಜಿ ಗೆ ಬದಲಾಗುತ್ತದೆ. ಇಗ್ನಿಷನ್ ಸ್ವಿಚ್ ಆನ್ ಮತ್ತು "ಆಟೋ ಮೋಡ್" ನಲ್ಲಿ ವಾಹನವನ್ನು ಪ್ರಾರಂಭಿಸಿದಾಗ, ಸಿಎನ್‌ಜಿ ಸೂಚಕವು ಪ್ರದರ್ಶನದಲ್ಲಿ ಮಿನುಗುತ್ತದೆ ಮತ್ತು ಪೆಟ್ರೋಲ್ ಸೂಚಕವನ್ನು ಪ್ರದರ್ಶಿಸಲಾಗುತ್ತದೆ. ಸಿಎನ್‌ಜಿ ಗೆ ಬದಲಾಯಿಸಿದ ನಂತರ, ಸಿಎನ್‌ಜಿ ಸೂಚಕವು ಬೆಡ್ ತೆಗೆದುಹಾಕುವುದು ಡಿಸ್‌ಲೇ ಆಗುತ್ತದೆ ಮತ್ತು ಪೆಟ್ರೋಲ್ ಸೂಚಕವು ಸ್ವಯಂಚಾಲಿತವಾಗಿ ಸ್ವಿಚ್ ಆಫ್ ಆಗುತ್ತದೆ.

### ಸೂಚನೆ:

- ಇಂಜಿನ್ ಜೀವಿತಾವಧಿಯನ್ನು ಹೆಚ್ಚಿಸಲು ವಾಹನವನ್ನು ಆಟೋ ಮೋಡ್‌ನಲ್ಲಿ ಪ್ರಥಮ ಪೆಟ್ರೋಲ್ ಮೋಡ್‌ನಲ್ಲಿ ಪ್ರಾರಂಭಿಸಲು ಯಾವಾಗಲೂ ಶಿಫಾರಸು ಮಾಡಲಾಗುತ್ತದೆ.

- ಸುತ್ತುವರಿದ / ಇಂಜಿನ್ ತಾಪಮಾನವು ಶೂನ್ಯ, ಡಿಗ್ರಿ ಸೆಲ್ಸಿಯಸ್‌ಗಿಂತ ಕಡಿಮೆ ಇರುವಾಗ ವಾಹನವನ್ನು ಪ್ರಾರಂಭಿಸಿದರೆ ಸಿಎನ್‌ಜಿ ಗೆ ಇಂಧನ ಬದಲಾವಣೆಯು ಸಂಭವಿಸುವುದಿಲ್ಲ. ಅಂತಹ ಸಂದರ್ಭದಲ್ಲಿ, ಇಂಜಿನ್ ಅನ್ನು ಪೆಟ್ರೋಲ್ ಮೋಡ್‌ನಲ್ಲಿ ಅಡು ಬೆಚ್ಚಗಾಗುವವರೆಗೆ ರನ್ ಮಾಡಿ ಮತ್ತು ನಂತರ ಸಿಎನ್‌ಜಿ ಗೆ ಬದಲಾಯಿಸಲು ಇಂಜಿನ್ ಅನ್ನು ಮರುಪ್ರಾರಂಭಿಸಲು ಪ್ರಯತ್ನಿಸಿ.

### ಬಲವಂತದ ಸಿಎನ್‌ಜಿ ಮೋಡ್



ಇದು ತುರ್ತು ಮೋಡ್ ಮತ್ತು ಪೆಟ್ರೋಲ್ ಟ್ಯಾಂಕ್‌ನಲ್ಲಿ ಪೆಟ್ರೋಲ್ ಇಲ್ಲದಿರುವ ಸಂದರ್ಭಗಳಲ್ಲಿ ಇದನ್ನು ಬಳಸಬಹುದು. ಈ ಮೋಡ್‌ನಲ್ಲಿ ವಾಹನವು ಸಿಎನ್‌ಜಿ ಮೋಡ್‌ನಲ್ಲಿ ಪ್ರಾರಂಭವಾಗುತ್ತದೆ ಮತ್ತು ಸಿಎನ್‌ಜಿ ಮೋಡ್‌ನಲ್ಲಿ ಚಾಲನೆಯಲ್ಲಿ ಮುಂದುವರಿಯುತ್ತದೆ. ಇಗ್ನಿಷನ್ "ಆನ್" ಮತ್ತು ಇಂಜಿನ್ ಚಾಲನೆಯಲ್ಲಿಲ್ಲದಿರುವಾಗ, ಸಿಎನ್‌ಜಿ ಸೂಚಕವನ್ನು ಮಾತ್ರ ಪ್ರದರ್ಶಿಸುವವರೆಗೆ ಬದಲಾವಣೆ ಸ್ವಿಚ್ ಅನ್ನು ಒತ್ತಿ ಹಿಡಿದುಕೊಳ್ಳಿ. ಈ ಕ್ರಮದಲ್ಲಿ, ಸಿಎನ್‌ಜಿ ಸೂಚಕವನ್ನು ಪ್ರದರ್ಶಿಸಲಾಗುತ್ತದೆ ಮತ್ತು ಪೆಟ್ರೋಲ್ ಸೂಚಕವು "ಆಫ್" ಆಗಿರುತ್ತದೆ.

ಸೂಚನೆ:

- ಪೆಟ್ರೋಲ್ ಟ್ಯಾಂಕ್‌ನಲ್ಲಿ ಸಾಕಷ್ಟು ಪ್ರಮಾಣದ ಪೆಟ್ರೋಲ್ ಅನ್ನು ಇರಿಸಲು ಶಿಫಾರಸು ಮಾಡಲಾಗಿದೆ.
- ಸುತ್ತುವರಿದ / ಇಂಜಿನ್ ತಾಪಮಾನವು ಶೂನ್ಯ ಡಿಗ್ರಿ ಸೆಲ್ಸಿಯಸ್‌ಗಿಂತ ಕಡಿಮೆಯಿದ್ದರೆ ಬಲವಂತದ ಸಿಎನ್‌ಜಿ ಮೋಡ್‌ನಲ್ಲಿ ವಾಹನವು ಪ್ರಾರಂಭವಾಗುವುದಿಲ್ಲ. ಆಟೋ ಮೋಡ್‌ನಲ್ಲಿ ವಾಹನವನ್ನು ಪ್ರಾರಂಭಿಸಲು ಶಿಫಾರಸು ಮಾಡಲಾಗಿದೆ.

ಸಿಎನ್‌ಜಿ ಮೋಡ್‌ನಿಂದ ಪೆಟ್ರೋಲ್ ಮೋಡ್‌ಗೆ ಸ್ವಯಂಚಾಲಿತ ಬದಲಾವಣೆ

ಇಂಜಿನ್ ಚಾಲನೆಯಲ್ಲಿರುವಾಗ ಸಿಎನ್‌ಜಿ ಪೂರ್ಣಗೊಂಡರೆ, ವಾಹನವು ಸ್ವಯಂಚಾಲಿತವಾಗಿ ಸಿಎನ್‌ಜಿ ಮೋಡ್‌ನಿಂದ ಪೆಟ್ರೋಲ್ ಮೋಡ್‌ಗೆ ಬದಲಾಗುತ್ತದೆ ಮತ್ತು ಸಿಎನ್‌ಜಿ ಅಸಮರ್ಪಕ ಎಚ್ಚರಿಕೆ ದೀಪವು ಮಿನುಗಲು ಪ್ರಾರಂಭಿಸುತ್ತದೆ. ಪೆಟ್ರೋಲ್ ಸೂಚಕವನ್ನು ನಿರಂತರವಾಗಿ ಪ್ರದರ್ಶಿಸಲಾಗುತ್ತದೆ ಮತ್ತು ಸಿಎನ್‌ಜಿ ಸೂಚಕವು ಸ್ವಯಂಚಾಲಿತವಾಗಿ ಸ್ವಿಚ್ ಆಫ್ ಆಗುತ್ತದೆ.

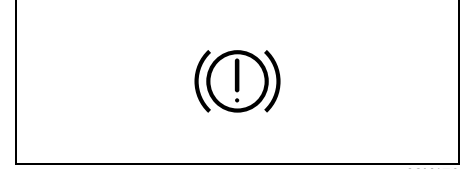
ಈ ಮಾಹಿತಿಯನ್ನು ಅಂಗೀಕರಿಸಲು, ಬದಲಾವಣೆ ಸ್ವಿಚ್ ಅನ್ನು ಒಮ್ಮೆ ಒತ್ತಿರಿ. ಬದಲಾವಣೆ ಸ್ವಿಚ್ ಒತ್ತಿದ ನಂತರ ಸಿಎನ್‌ಜಿ ಅಸಮರ್ಪಕ ಎಚ್ಚರಿಕೆ ದೀಪವು ಮಿಟುಕಿಸುವುದನ್ನು ನಿಲ್ಲಿಸುತ್ತದೆ ಮತ್ತು ಪೆಟ್ರೋಲ್ ಸೂಚಕವು ನಿರಂತರವಾಗಿ ಹೊಳೆಯುತ್ತದೆ. ಆದಾಗ್ಯೂ, ಸಿಎನ್‌ಜಿ ಅಸಮರ್ಪಕ ಸೂಚಕ ದೀಪವು ಪ್ರತಿ ನಿರಂತರ ಇಗ್ನಿಷನ್ ಆನ್ - ಇಗ್ನಿಷನ್ ಆಫ್ ಸ್ಥಿತಿಯ ನಂತರ ವಾಹನವು ಸಿಎನ್‌ಜಿ ಯೊಂದಿಗೆ ಮರುಪೂರಣಗೊಳ್ಳುವವರೆಗೆ ಮಿಟುಕಿಸುವುದನ್ನು ಮುಂದುವರಿಸುತ್ತದೆ. ಸಿಎನ್‌ಜಿ ರೀಫಿಲ್ ಆಗಿದ್ದರೆ, ಸಿಎನ್‌ಜಿ ಗೆ ಬದಲಾಯಿಸಲು ಇಂಧನ ಬದಲಾವಣೆ ಸ್ವಿಚ್ ಅನ್ನು ಒಮ್ಮೆ ಒತ್ತಿರಿ. ನಂತರ, ವಾಹನವು ಸಿಎನ್‌ಜಿಯಲ್ಲಿ ಚಲಿಸಬಹುದು.

ಸೂಚನೆ:

- ಸಿಎನ್‌ಜಿ ಮೋಡ್‌ನಿಂದ ಪೆಟ್ರೋಲ್ ಮೋಡ್‌ಗೆ ಸ್ವಯಂಚಾಲಿತವಾಗಿ ಬದಲಾಯಿಸುವಾಗ ಇಂಜಿನ್ ಸ್ಪಿಗಿತಗೊಳ್ಳುವುದನ್ನು ತಡೆಯಲು ಪೆಟ್ರೋಲ್ ಟ್ಯಾಂಕ್‌ನಲ್ಲಿ ಸಾಕಷ್ಟು ಪ್ರಮಾಣದ ಪೆಟ್ರೋಲ್ ಅನ್ನು ಇರಿಸಲು ಶಿಫಾರಸು ಮಾಡಲಾಗಿದೆ.
- ಬದಲಾವಣೆ ಸ್ವಿಚ್ ಅನ್ನು ಒತ್ತಿದ ನಂತರ ಸಿಎನ್‌ಜಿ ಅಸಮರ್ಪಕ ಎಚ್ಚರಿಕೆ ದೀಪವು ಮಿಟುಕಿಸುವುದನ್ನು ನಿಲ್ಲಿಸದಿದ್ದರೆ, ಹತ್ತಿರದ ಅಧಿಕೃತ ಮಾರ್ಕೆಟಿಂಗ್ ಸೆಂಟರ್‌ನಲ್ಲಿ ವಾಹನವನ್ನು ಪರಿಶೀಲಿಸಿ.

## ಎಚ್ಚರಿಕೆ ಮತ್ತು ಸೂಚಕ ದೀಪಗಳು

ಬ್ರೇಕ್ ಸಿಸ್ಟಮ್ ಎಚ್ಚರಿಕೆ ಬೆಳಕು



82K170

ವಾಹನದ ನಿರ್ದಿಷ್ಟತೆಯನ್ನು ಅವಲಂಬಿಸಿ ನಾಲ್ಕು ವಿಭಿನ್ನ ರೀತಿಯ ಕಾರ್ಯಾಚರಣೆಗಳು ಅಸ್ತಿತ್ವದಲ್ಲಿವೆ.

- 1) ಇಗ್ನಿಷನ್ ಸ್ವಿಚ್ ಅನ್ನು "ಆನ್" ಸ್ಥಾನಕ್ಕೆ ತಿರುಗಿಸಿದಾಗ ಬೆಳಕು ಸಂಕ್ಷಿಪ್ತವಾಗಿ ಬರುತ್ತದೆ.
- 2) ಪಾರ್ಕಿಂಗ್ ಬ್ರೇಕ್ "ಆನ್" ಸ್ಥಾನದಲ್ಲಿ ಇಗ್ನಿಷನ್ ಸ್ವಿಚ್‌ನಿಂದ ತೊಡಗಿಸಿಕೊಂಡಾಗ ಬೆಳಕು ಬರುತ್ತದೆ.
- 3) ಮೇಲಿನ ಎರಡು ಪರಿಸ್ಥಿತಿಗಳಲ್ಲಿ ಯಾವುದಾದರೂ ಅಥವಾ ಎರಡರ ಅಡಿಯಲ್ಲಿದ್ದಾಗ ಬೆಳಕು ಬರುತ್ತದೆ.
- 4) ಮೇಲಿನ ಎರಡು ಪರಿಸ್ಥಿತಿಗಳಲ್ಲಿ ಯಾವುದಾದರೂ ಅಥವಾ ಎರಡರ ಅಡಿಯಲ್ಲಿದ್ದಾಗ ಬೆಳಕು ಬರುತ್ತದೆ.

ಬ್ರೇಕ್ ದ್ರವದ ಜಲಾಶಯದಲ್ಲಿ ದ್ರವದ ಮಟ್ಟವು ಸಮರ್ಪಕವಾಗಿದ್ದರೆ ಇಂಜಿನ್ ಅನ್ನು ಪ್ರಾರಂಭಿಸಿ ಮತ್ತು ಪಾರ್ಕಿಂಗ್ ಬ್ರೇಕ್ ಅನ್ನು ಸಂಪೂರ್ಣವಾಗಿ ಬಿಡುಗಡೆ ಮಾಡಿದ ನಂತರ ಬೆಳಕು ಹೊರಹೋಗಬೇಕು.

ನೀವು ವಾಹನವನ್ನು ಚಾಲನೆ ಮಾಡುವಾಗ ಬ್ರೇಕ್ ಸಿಸ್ಟಮ್ ಎಚ್ಚರಿಕೆಯ ಬೆಳಕು ಬಂದರೆ, ವಾಹನದ ಬ್ರೇಕ್ ಸಿಸ್ಟಮ್‌ನಲ್ಲಿ ಏನಾದರೂ ದೋಷವಿದೆ ಎಂದು

## ಚಾಲನೆ ಮಾಡುವ ಮೊದಲು

ಅರ್ಥೈಸಬಹುದು. ಇದು ಸಂಭವಿಸಿದಲ್ಲಿ, ನೀವು ಹೀಗೆ ಮಾಡಬೇಕು:

- 1) ಇಗ್ನಿಷನ್ ಸ್ವಿಚ್ ಅನ್ನು "ಆನ್" ಸ್ಥಾನಕ್ಕೆ ತಿರುಗಿಸಿದಾಗ ಬೆಳಕು ಸಂಕ್ಷಿಪ್ತವಾಗಿ ಬರುತ್ತದೆ.

### ⚠ ಎಚ್ಚರಿಕೆ

ನಿಲಿಸುವ ಅಂತರವು ಹೆಚ್ಚು ಇರಬಹುದು ಎಂಬುದನ್ನು ನೆನಪಿಡಿ, ನೀವು ಪೆಡಲ್ ಮೇಲೆ ಗಟ್ಟಿಯಾಗಿ ತಳ್ಳಬೇಕಾಗಬಹುದು ಮತ್ತು ಪೆಡಲ್ ಸಾಮಾನ್ಯಕ್ಕಿಂತ ಹೆಚ್ಚು ಕೆಳಗೆ ಹೋಗಬಹುದು.

- 2) ರಸ್ತೆಯ ಬದಿಯಲ್ಲಿ ಎಚ್ಚರಿಕೆಯಿಂದ ಪ್ರಾರಂಭಿಸಿ ಮತ್ತು ನಿಲ್ಲಿಸುವ ಮೂಲಕ ಬ್ರೇಕ್‌ಗಳನ್ನು ಪರಿಶೀಲಿಸಿ.
  - ಇದು ಸುರಕ್ಷಿತವಾಗಿದೆ ಎಂದು ನೀವು ನಿರ್ದರಿಸಿದರೆ, ರಿಪೇರಿಗಾಗಿ ಹತ್ತಿರದ ಡೀಲರ್‌ಗೆ ಕಡಿಮೆ ವೇಗದಲ್ಲಿ ಎಚ್ಚರಿಕೆಯಿಂದ ಚಾಲನೆ ಮಾಡಿ ಅಥವಾ
  - ರಿಪೇರಿಗಾಗಿ ವಾಹನವನ್ನು ಹತ್ತಿರದ ಅಧಿಕೃತ ಮಾರುತಿ ಸುಜುಕಿ ವಾಣಿಜ್ಯ ಕಾರ್ಯಾಗಾರಕ್ಕೆ ಎಳೆಯಿರಿ.

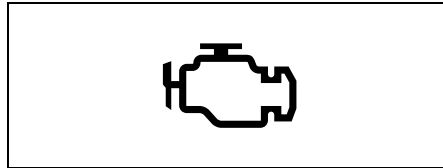
### ⚠ ಎಚ್ಚರಿಕೆ

ಕೆಳಗಿನ ಯಾವುದೇ ಪರಿಸ್ಥಿತಿಗಳು ಸಂಭವಿಸಿದಲ್ಲಿ, ಬ್ರೇಕ್ ಸಿಸ್ಟಮ್ ಅನ್ನು ಪರಿಶೀಲಿಸಲು ನೀವು ತಕ್ಷಣ ನಿಮ್ಮ ಅಧಿಕೃತ ಮಾರುತಿ ಸುಜುಕಿ ವಾಣಿಜ್ಯ ಕಾರ್ಯಾಗಾರವನ್ನು ಕೇಳಬೇಕು.

- ಇಂಜಿನ್ ಅನ್ನು ಪ್ರಾರಂಭಿಸಿದ ನಂತರ ಮತ್ತು ಪಾರ್ಕಿಂಗ್ ಬ್ರೇಕ್ ಅನ್ನು ಸಂಪೂರ್ಣವಾಗಿ ಬಿಡುಗಡೆ ಮಾಡಿದ ನಂತರ ಬ್ರೇಕ್ ಸಿಸ್ಟಮ್ ಎಚ್ಚರಿಕೆಯ ದೀಪವು ಹೊರಹೋಗದಿದ್ದರೆ.
- ಇಗ್ನಿಷನ್ ಸ್ವಿಚ್ ಅನ್ನು "ಆನ್" ಸ್ಥಾನಕ್ಕೆ ತಿರುಗಿಸಿದಾಗ ಬ್ರೇಕ್ ಸಿಸ್ಟಮ್ ಎಚ್ಚರಿಕೆ ಬೆಳಕು ಬರದಿದ್ದರೆ.
- ವಾಹನ ಕಾರ್ಯಾಚರಣೆಯ ಸಮಯದಲ್ಲಿ ಯಾವುದೇ ಸಮಯದಲ್ಲಿ ಬ್ರೇಕ್ ಸಿಸ್ಟಮ್ ಎಚ್ಚರಿಕೆಯ ಬೆಳಕು ಬಂದರೆ.

ಸೂಚನೆ:  
ಬ್ರೇಕ್ ಸಿಸ್ಟಮ್ ಸ್ವಯಂ-ಹೊಂದಾಣಿಕೆಯಾಗಿರುವುದರಿಂದ, ಬ್ರೇಕ್ ಪ್ಯಾಡ್‌ಗಳು ಧರಿಸುವುದರಿಂದ ದ್ರವದ ಮಟ್ಟವು ಕುಸಿಯುತ್ತದೆ. ಬ್ರೇಕ್ ದ್ರವದ ಜಲಾಶಯವನ್ನು ಮರುಪೂರಣ ಮಾಡುವುದು ಸಾಮಾನ್ಯ ಆವರ್ತಕ ನಿರ್ವಹಣೆ ಎಂದು ಪರಿಗಣಿಸಲಾಗುತ್ತದೆ.

ಅಸಮರ್ಪಕ ಕಾರ್ಯ ಸೂಚಕ ಬೆಳಕು



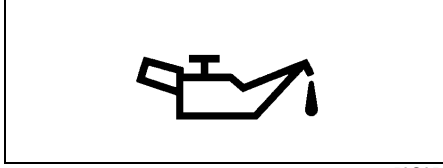
ನಿಮ್ಮ ವಾಹನವು ಕಂಪ್ಯೂಟರ್-ನಿಯಂತ್ರಿತ ಹೊರಸೂಸುವಿಕೆ ನಿಯಂತ್ರಣ ವ್ಯವಸ್ಥೆಯನ್ನು ಹೊಂದಿದೆ. ಎಮಿಷನ್ ಕಂಟ್ರೋಲ್ ಸಿಸ್ಟಮ್ ಸೇವೆಯನ್ನು ಹೊಂದಲು ಅಗತ್ಯವಿರುವಾಗ ಸೂಚಿಸಲು ಸಲಕರಣೆ ಫಲಕದಲ್ಲಿ ಅಸಮರ್ಪಕ ಸೂಚಕ ಬೆಳಕನ್ನು ಒದಗಿಸಲಾಗಿದೆ. ಇಗ್ನಿಷನ್ ಸ್ವಿಚ್ ಅನ್ನು "ಆನ್" ಸ್ಥಾನಕ್ಕೆ ತಿರುಗಿಸಿದಾಗ ಅಸಮರ್ಪಕ ಸೂಚಕ ಬೆಳಕು ಆನ್ ಆಗುತ್ತದೆ ಮತ್ತು ಲೈಟ್ ಕಾರ್ಯನಿರ್ವಹಿಸುತ್ತಿದೆ ಎಂದು ನಿಮಗೆ ತಿಳಿಸುತ್ತದೆ ಮತ್ತು ಇಂಜಿನ್ ಅನ್ನು ಪ್ರಾರಂಭಿಸಿದಾಗ ಅದು ಹೊರಹೋಗುತ್ತದೆ.

ಇಂಜಿನ್ ಚಾಲನೆಯಲ್ಲಿರುವಾಗ ಅಸಮರ್ಪಕ ಸೂಚಕ ಬೆಳಕು ಬಂದರೆ, ಹೊರಸೂಸುವಿಕೆ ನಿಯಂತ್ರಣ ವ್ಯವಸ್ಥೆಯಲ್ಲಿ ಸಮಸ್ಯೆ ಇದೆ. ಹಾನಿಯನ್ನು ಸರಿಪಡಿಸಲು ವಾಹನವನ್ನು ನಿಮ್ಮ ಹತ್ತಿರದ ಅಧಿಕೃತ ಮಾರುತಿ ಸುಜುಕಿ ವಾಣಿಜ್ಯ ಕಾರ್ಯಾಗಾರಕ್ಕೆ ಕೊಂಡೊಯ್ಯಿರಿ.

### ಸೂಚನೆ

ಅಸಮರ್ಪಕ ಸೂಚಕ ದೀಪವು ಆನ್ ಆಗಿರುವಾಗ ವಾಹನವನ್ನು ಚಾಲನೆ ಮಾಡುವುದನ್ನು ಮುಂದುವರಿಸುವುದು ವಾಹನದ ಹೊರಸೂಸುವಿಕೆ ನಿಯಂತ್ರಣ ವ್ಯವಸ್ಥೆಗೆ ಶಾಶ್ವತ ಹಾನಿಯನ್ನು ಉಂಟುಮಾಡಬಹುದು ಮತ್ತು ಇಂಧನ ಆರ್ಥಿಕತೆ ಮತ್ತು ಚಾಲನೆಯ ಮೇಲೆ ಪರಿಣಾಮ ಬೀರಬಹುದು.

**ತೈಲ ಒತ್ತಡದ ಬೆಳಕು**

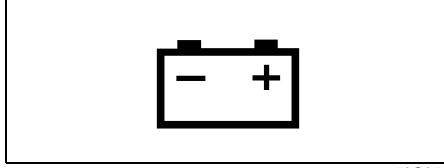


50G051

ಇಗ್ನಿಷನ್ ಸ್ವಿಚ್ ಅನ್ನು "ಆನ್" ಸ್ಥಾನಕ್ಕೆ ತಿರುಗಿಸಿದಾಗ ಈ ಬೆಳಕು ಬರುತ್ತದೆ ಮತ್ತು ಇಂಜಿನ್ ಅನ್ನು ಪ್ರಾರಂಭಿಸಿದಾಗ ಹೊರಹೋಗುತ್ತದೆ. ಸಾಕಷ್ಟು ತೈಲ ಒತ್ತಡವಿಲ್ಲದಿದ್ದರೆ ಬೆಳಕು ಆನ್ ಆಗುತ್ತದೆ ಮತ್ತು ಉಳಿಯುತ್ತದೆ. ಚಾಲನೆ ಮಾಡುವಾಗ ಬೆಳಕು ಬಂದರೆ, ನೀವು ಸಾಧ್ಯವಾದಷ್ಟು ಬೇಗ ರಸ್ತೆಯನ್ನು ಪಕ್ಕದಲಿ ಹಾಕಿ ಮತ್ತು ಇಂಜಿನ್ ಅನ್ನು ನಿಲ್ಲಿಸಿ. ತೈಲ ಮಟ್ಟವನ್ನು ಪರಿಶೀಲಿಸಿ ಮತ್ತು ಅಗತ್ಯವಿದ್ದರೆ ಶಿಫಾರಸು ಮಾಡಲಾದ ಇಂಜಿನ್ ತೈಲವನ್ನು ಸೇರಿಸಿ. ಸಾಕಷ್ಟು ತೈಲವಿದ್ದರೆ, ನೀವು ಮತ್ತೆ ವಾಹನವನ್ನು ಓಡಿಸುವ ಮೊದಲು ನಿಮ್ಮ ಅಧಿಕೃತ ಮಾರುತಿ ಸೆಜುಕಿ ವಾಣಿಜ್ಯ ಕಾರ್ಯಾಗಾರದಿಂದ ಲಾಬ್ರಿಟೇಶನ್ ಸಿಸ್ಟಮ್ ಅನ್ನು ಪರೀಕ್ಷಿಸಬೇಕು.

ಸೂಚನೆ
<ul style="list-style-type: none"> <li>• ಈ ಲೈಟ್ ಆನ್ ಆಗಿ ನೀವು ಇಂಜಿನ್ ಅನ್ನು ನಿರ್ವಹಿಸಿದರೆ, ತೀವ್ರವಾದ ಇಂಜಿನ್ ಹಾನಿ ಉಂಟಾಗುತ್ತದೆ.</li> <li>• ತೈಲವನ್ನು ಸೇರಿಸುವ ಅಗತ್ಯವನ್ನು ಸೂಚಿಸಲು ಆಯಿಲ್ ಪ್ರೆಶರ್ ಲೈಟ್ ಅನ್ನು ಅವಲಂಬಿಸಬೇಡಿ. ನಿಯತಕಾಲಿಕವಾಗಿ ಇಂಜಿನ್ ಆಯಿಲ್ ಮಟ್ಟವನ್ನು ಪರೀಕ್ಷಿಸಲು ಮರೆಯದಿರಿ.</li> </ul>

**ಚಾರ್ಜಿಂಗ್ ಲೈಟ್**



50G052

ಇಗ್ನಿಷನ್ ಸ್ವಿಚ್ ಅನ್ನು "ಆನ್" ಸ್ಥಾನಕ್ಕೆ ತಿರುಗಿಸಿದಾಗ ಈ ಬೆಳಕು ಬರುತ್ತದೆ ಮತ್ತು ಇಂಜಿನ್ ಅನ್ನು ಪ್ರಾರಂಭಿಸಿದಾಗ ಹೊರಹೋಗುತ್ತದೆ. ಬ್ಯಾಟರಿ ಚಾರ್ಜಿಂಗ್ ವ್ಯವಸ್ಥೆಯಲ್ಲಿ ಒಂದಾದರೂ ದೋಷವಿದ್ದರೆ ಬೆಳಕು ಉರಿಯುತ್ತದೆ ಮತ್ತು ಉರಿಯುತ್ತದೆ. ಇಂಜಿನ್ ಚಾಲನೆಯಲ್ಲಿರುವಾಗ ಬೆಳಕು ಬಂದರೆ, ನಿಮ್ಮ ಅಧಿಕೃತ ಮಾರುತಿ ಸೆಜುಕಿ ಕಮರ್ಷಿಯಲ್ ವರ್ಕ್‌ಶಾಪ್‌ನಿಂದ ಚಾರ್ಜಿಂಗ್ ಸಿಸ್ಟಮ್ ಅನ್ನು ತಕ್ಷಣವೇ ಪರಿಶೀಲಿಸಬೇಕು.

**ಚಾಲಕನ ಸೀಟ್ ಬೆಲ್ಟ್ ಎಚ್ಚರಿಕೆ ಬೆಳಕು / ಮುಂಭಾಗದ ಪ್ರಯಾಣಿಕರ ಸೀಟ್ ಬೆಲ್ಟ್ ಎಚ್ಚರಿಕೆ ಬೆಳಕು**



60G049

ಚಾಲಕ ಅಥವಾ ಮುಂಭಾಗದ ಪ್ರಯಾಣಿಕರು ಅವನ ಅಥವಾ ಅವಳ ಸೀಟ್ ಬೆಲ್ಟ್ ಅನ್ನು ಬಕಲ್

ಮಾಡದಿದ್ದರೆ, ಈ ಬೆಳಕು ಆನ್ ಆಗುತ್ತದೆ ಮತ್ತು/ ಅಥವಾ ಮಿಟುಕಿಸುತ್ತದೆ.

ಸೀಟ್ ಬೆಲ್ಟ್ ರಿಮೈಂಡರ್ ಕುರಿತು ವಿವರಗಳಿಗಾಗಿ, ಈ ವಿಭಾಗದಲ್ಲಿ "ಸೀಟ್ ಬೆಲ್ಟ್‌ಗಳು ಮತ್ತು ಮಕ್ಕಳ ಸಂಯಮ ವ್ಯವಸ್ಥೆಗಳು" ಅನ್ನು ನೋಡಿ.

**ಹೆಚ್ಚಿನ ಇಂಜಿನ್ ಕೂಲಿಂಗ್ ತಾಪಮಾನ ಎಚ್ಚರಿಕೆ ಬೆಳಕು (ಕೆಂಪು ಬಣ್ಣ)**

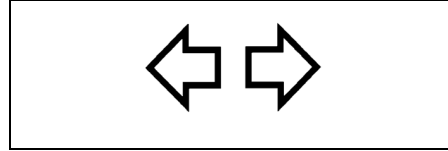


54G344

ಇಗ್ನಿಷನ್ ಸ್ವಿಚ್ ಅನ್ನು "ಆನ್" ಸ್ಥಾನಕ್ಕೆ ತಿರುಗಿಸಿದಾಗ, ಈ ಬೆಳಕು ಸಂಕ್ಷಿಪ್ತವಾಗಿ ಬರುತ್ತದೆ ಆದ್ದರಿಂದ ನೀವು ಬೆಳಕು ಕಾರ್ಯನಿರ್ವಹಿಸುತ್ತಿರುವಾಗ ಎಂದು ಪರಿಶೀಲಿಸಬಹುದು. ಚಾಲನೆ ಮಾಡುವಾಗ ಈ ಲೈಟ್ ಮಿನುಗಿದರೆ, ಇಂಜಿನ್ ಬಿಸಿಯಾಗುತ್ತಿದೆ ಎಂದರ್ಥ. ವಾಸವಿಕ ಅಧಿಕ ತಾಪಕ್ಕೆ ಕಾರಣವಾಗುವ ಡ್ರೈವಿಂಗ್ ಪರಿಸ್ಥಿತಿಗಳನ್ನು ತಪ್ಪಿಸಿ. ಮಿಟುಕಿಸದ ಬೆಳಕು ಆನ್ ಆಗಿದ್ದರೆ, ಇಂಜಿನ್ ಹೆಚ್ಚು ಬಿಸಿಯಾಗುತ್ತದೆ. "ತುರ್ತು ಸೇವೆ" ವಿಭಾಗದಲ್ಲಿ "ಇಂಜಿನ್ ಅತಿಯಾಗಿ ಬಿಸಿಯಾದರೆ" ಸೂಚನೆಗಳನ್ನು ಅನುಸರಿಸಿ.

ಸೂಚನೆ	
ಇಂಜಿನ್ ಅತಿಯಾಗಿ ಬಿಸಿಯಾಗುವುದನ್ನು ಸೂಚಿಸಿದಾಗ	ವಾಹನವನ್ನು ಚಾಲನೆ ಮಾಡುವುದನ್ನು ಮುಂದುವರಿಸುವುದು ತೀವ್ರವಾದ ಇಂಜಿನ್ ಹಾನಿಗೆ ಕಾರಣವಾಗಬಹುದು.

ಸಿಗ್ನಲ್ ಸೂಚಕಗಳನ್ನು ತಿರುಗಿಸಿ

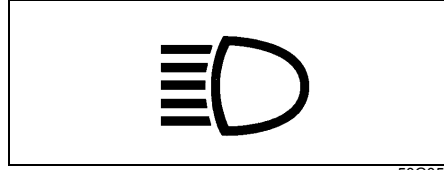


50G055

ನೀವು ಎಡ ಅಥವಾ ಬಲ ತಿರುವು ಸಂಕೇತಗಳನ್ನು ಆನ್ ಮಾಡಿದಾಗ, ವಾದ್ಯ ಫಲಕದಲ್ಲಿ ಅನುಗುಣವಾದ ಹಸಿರು ಬಾಣವು ಆಯಾ ಟರ್ನ್ ಸಿಗ್ನಲ್ ಲೈಟ್‌ಗಳೊಂದಿಗೆ ಮಿನ್ನುಗುತ್ತದೆ. ನೀವು ಅಪಾಯದ ಎಚ್ಚರಿಕೆ ಸ್ವಿಚ್ ಅನ್ನು ಆನ್ ಮಾಡಿದಾಗ, ಎಲೆಕ್ಟ್ರಿಕ್ ಸಿಗ್ನಲ್ ಲೈಟ್‌ಗಳ ಜೊತೆಗೆ ಎರಡೂ ಬಾಣಗಳು ಮಿನ್ನುಗುತ್ತವೆ.

**ಸೂಚನೆ:**  
ಟರ್ನ್ ಸಿಗ್ನಲ್‌ಗಳ ಯಾವುದೇ ಅಸಹಜತೆಯನ್ನು ಗಮನಿಸಿದರೆ, ಉದಾಹರಣೆಗೆ ವೇಗವಾಗಿ ಮಿಟುಕಿಸುವುದು, ಟರ್ನ್ ಸಿಗ್ನಲ್ ವ್ಯವಸ್ಥೆಯಲ್ಲಿ ಅಸಮರ್ಪಕ ಕಾರ್ಯವಿರಬಹುದು. ಸಿಸ್ಟಮ್ ಅನ್ನು ಪರಿಶೀಲಿಸಲು ನಿಮ್ಮ ಮಾರುತಿ ಸುಜುಕಿ ಅಧಿಕೃತ ಕಾರ್ಯಾಗಾರವನ್ನು ಕೇಳಿ.

ಮುಖ್ಯ ಕಿರಣ (ಹೆಚ್ಚಿನ ಕಿರಣ) ಸೂಚಕ ಬೆಳಕು



50G056

ಹೆಡ್‌ಲ್ಯಾಂಪ್ ಮುಖ್ಯ ಕಿರಣಗಳು (ಹೆಚ್ಚಿನ ಕಿರಣಗಳು) ಆನ್ ಮಾಡಿದಾಗ ಈ ಸೂಚಕವು ಬರುತ್ತದೆ.

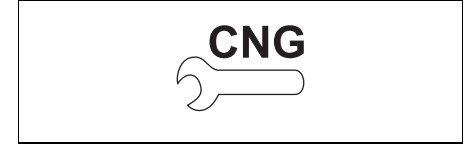
ಇಮೊಬಿಲೈಸರ್ ಸಿಸ್ಟಮ್ ಎಚ್ಚರಿಕೆ ಬೆಳಕು



65D239

ಇಗ್ನಿಷನ್ ಸ್ವಿಚ್ ಅನ್ನು "ಆನ್" ಸ್ಥಾನಕ್ಕೆ ತಿರುಗಿಸಿದಾಗ, ಬೆಳಕು ಕಾರ್ಯನಿರ್ವಹಿಸುತ್ತಿದೆ ಎಂದು ನಿಮಗೆ ತಿಳಿಸಲು ಈ ಬೆಳಕು ಬರುತ್ತದೆ. ಇಗ್ನಿಷನ್ ಸ್ವಿಚ್ "ಆನ್" ಗೆ ತಿರುಗಿದಾಗ ಈ ಬೆಳಕು ಮಿಟುಕಿಸಿದರೆ, ಇಮೊಬಿಲೈಸರ್ ಸಿಸ್ಟಮ್‌ನಲ್ಲಿ ಏನಾದರೂ ತಪ್ಪಾಗಿರಬಹುದು. ಸಿಸ್ಟಮ್ ಅನ್ನು ಪರಿಶೀಲಿಸಲು ಮಾರುತಿ ಸುಜುಕಿ ಅಧಿಕೃತ ಕಾರ್ಯಾಗಾರವನ್ನು ಕೇಳಿ.

ಸಿ ಎನ್ ಜಿ ಅಸಮರ್ಪಕ ಎಚ್ಚರಿಕೆಯ ಬೆಳಕು (ಸಜ್ಜುಗೊಂಡಿದ್ದರೆ)



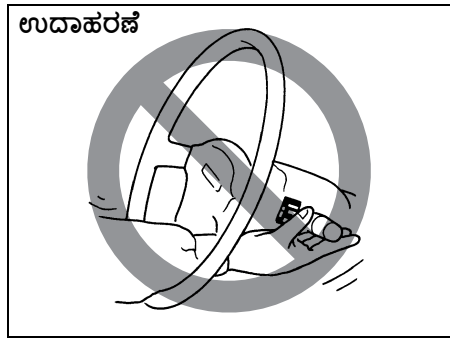
77PMC015

ಇಗ್ನಿಷನ್ ಸ್ವಿಚ್ ಅನ್ನು "ಆನ್" ಮಾಡಿದಾಗ, ಸಿ ಎನ್ ಜಿ ಅಸಮರ್ಪಕ ದೀಪವು ತೊಂದರೆ ಮುಕ್ತವಾಗಿದೆಯೇ ಎಂದು ಪರಿಶೀಲಿಸಲು ಈ ಸಿ ಎನ್ ಜಿ ಅಸಮರ್ಪಕ ಎಚ್ಚರಿಕೆ ದೀಪವು ಸಂಕ್ಷಿಪ್ತವಾಗಿ ಆನ್ ಆಗುತ್ತದೆ.

- ಸಿ ಎನ್ ಜಿ ಅಸಮರ್ಪಕ ಎಚ್ಚರಿಕೆ ದೀಪವು ನಿರಂತರವಾಗಿ ಬೆಳಗುತ್ತಿದ್ದರೆ, ಇಗ್ನಿಷನ್ "ಆನ್" ನೊಂದಿಗೆ ಸಿ ಎನ್ ಜಿ ವ್ಯವಸ್ಥೆಯಲ್ಲಿ ಕೆಲವು ಸಮಸ್ಯೆಗಳಿವೆ. ಅಧಿಕೃತ ಮಾರುತಿ ಸುಜುಕಿ ವಾಣಿಜ್ಯ ಕಾರ್ಯಾಗಾರದಿಂದ ತಕ್ಷಣವೇ ನಿಮ್ಮ ವಾಹನವನ್ನು ಪರಿಶೀಲಿಸಿ.
- ಇಂಜಿನ್ ಚಾಲನೆಯಲ್ಲಿರುವಾಗ ಸಿ ಎನ್ ಜಿ ಅಸಮರ್ಪಕ ಎಚ್ಚರಿಕೆ ದೀಪವು ಮಿನ್ನುಗಿದರೆ, ಸಿ ಎನ್ ಜಿ ಸಿಸ್ಟಮ್‌ನಲ್ಲಿ ಕೆಲವು ಸಮಸ್ಯೆ ಇದೆ ಎಂದರ್ಥ. ಇದರಲ್ಲಿ ವಾಹನವು ಸಿ ಎನ್ ಜಿ ಮೋಡ್‌ನಲ್ಲಿ ಚಾಲನೆಯಲ್ಲಿ ಮುಂದುವರಿಯಲು ಸಾಧ್ಯವಿಲ್ಲ ಮತ್ತು ಸ್ವಯಂಚಾಲಿತವಾಗಿ ಪೆಟ್ರೋಲ್ ಮೋಡ್‌ಗೆ ಬದಲಾಯಿಸುತ್ತದೆ. ಅಧಿಕೃತ ಮಾರುತಿ ಸುಜುಕಿ ವಾಣಿಜ್ಯ ಕಾರ್ಯಾಗಾರದಲ್ಲಿ ನಿಮ್ಮ ವಾಹನವನ್ನು ಪರಿಶೀಲಿಸಿ.

ಸೂಚನೆ:  
ಇಗ್ನಿಷನ್ ಸ್ವಿಚ್ "ಆನ್" ಮತ್ತು ಇಂಜಿನ್ ಚಾಲನೆಯಲ್ಲಿಲ್ಲ, ಸಿ ಎನ್ ಜೆ ದೀಪವನ್ನು ಮಿಟುಕಿಸುವುದು ಇಂಧನ ಮುಚ್ಚಳವನ್ನು ತೆರೆದಿರುವುದನ್ನು ಸೂಚಿಸುತ್ತದೆ. ಈ ಸ್ಥಿತಿಯಲ್ಲಿ ವಾಹನವನ್ನು ಪ್ರಾರಂಭಿಸಲಾಗುವುದಿಲ್ಲ. ವಾಹನವನ್ನು ಪ್ರಾರಂಭಿಸಲು ಮುಚ್ಚಳವನ್ನು ಮುಚ್ಚಿ.

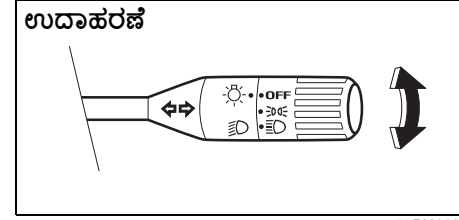
### ಲೈಟಿಂಗ್ ಕಂಟ್ರೋಲ್ ಲಿವರ್



65D611

**⚠ ಎಚ್ಚರಿಕೆ**  
ಸಂಭವನೀಯ ಗಾಯವನ್ನು ತಪ್ಪಿಸಲು, ಸೀರಿಂಗ್ ಚಕ್ರದ ಮೂಲಕ ತೆರೆದಿರುವ ಮೂಲಕ ನಿಯಂತ್ರಣಗಳನ್ನು ನಿರ್ವಹಿಸಬೇಡಿ.

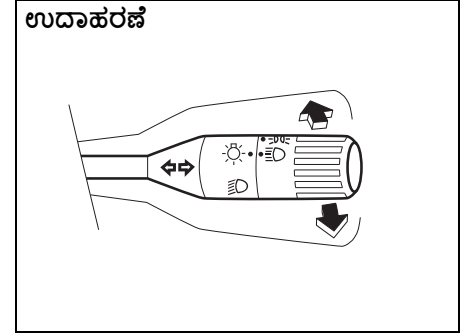
### ಬೆಳಕಿನ ಕಾರ್ಯಾಚರಣೆ



77PH110

ದೀಪಗಳನ್ನು ಆನ್ ಅಥವಾ ಆಫ್ ಮಾಡಲು, ಲಿವರ್‌ನ ಕೊನೆಯಲ್ಲಿ ನಾಬ್ ಅನ್ನು ತಿರುಗಿಸಿ. ಮೂರು ಸ್ಥಾನಗಳಿವೆ:

- ಆಫ್ ಎಲ್ಲಾ ದೀಪಗಳು ಆಫ್ ಆಗಿವೆ.
- ☀ ಫ್ಲಾಂಡ್ ಪೊಸಿಷನ್ ಲೈಟ್‌ಗಳು, ಟೈಲ್ ಲೈಟ್‌ಗಳು, ಲೈಸೆನ್ ಪೇಟ್ ಲೈಟ್‌ಗಳು ಮತ್ತು ಇನ್ನು ಮೆಂಟ್ ಲೈಟ್‌ಗಳು ಆನ್ ಆಗಿವೆ, ಆದರೆ ಹೆಡ್‌ಲೈಟ್‌ಗಳು ಆಫ್ ಆಗಿವೆ.
- ☾ ಫ್ಲಾಂಡ್ ಪೊಸಿಷನ್ ಲೈಟ್‌ಗಳು, ಟೈಲ್ ಲೈಟ್‌ಗಳು, ಲೈಸೆನ್ ಪೇಟ್ ಲೈಟ್‌ಗಳು, ಇನ್ನು ಮೆಂಟ್ ಲೈಟ್‌ಗಳು ಮತ್ತು ಹೆಡ್‌ಲೈಟ್‌ಗಳು ಆನ್ ಆಗಿವೆ.

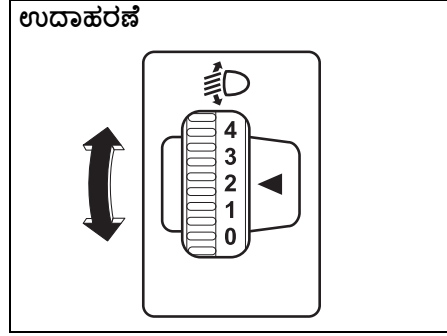


77PH111

ಹೆಡ್‌ಲೈಟ್‌ಗಳನ್ನು ಆನ್ ಮಾಡಿದಾಗ, ಹೆಚ್ಚಿನ ಕಿರಣಗಳಿಗೆ (ಮುಖ್ಯ ಕಿರಣಗಳು) ಬದಲಾಯಿಸಲು ಲಿವರ್ ಅನ್ನು ಮುಂದಕ್ಕೆ ತಳ್ಳಿರಿ ಅಥವಾ ಕಡಿಮೆ ಕಿರಣಗಳಿಗೆ ಬದಲಾಯಿಸಲು ಲಿವರ್ ಅನ್ನು ನಿಮ್ಮ ಕಡೆಗೆ ಎಳೆಯಿರಿ. ಹೆಚ್ಚಿನ ಕಿರಣಗಳು (ಮುಖ್ಯ ಕಿರಣಗಳು) ಆನ್ ಆಗಿರುವಾಗ, ಸಲಕರಣೆ ಫಲಕದಲ್ಲಿ ಮುಖ್ಯ ಕಿರಣದ (ಹೈ ಬೀಮ್) ಸೂಚಕ ಬೆಳಕು ಬಿರುತ್ತದೆ. ಹೆಚ್ಚಿನ ಕಿರಣಗಳನ್ನು (ಮುಖ್ಯ ಕಿರಣಗಳು) ಹಾದುಹೋಗುವ ಸಿಗ್ನಲ್ ಆಗಿ ಕ್ಷಣಿಕವಾಗಿ ಸಕ್ರಿಯಗೊಳಿಸಲು, ಲಿವರ್ ಅನ್ನು ಸ್ವಲ್ಪ ನಮ್ಮ ಕಡೆಗೆ ಎಳೆಯಿರಿ ಮತ್ತು ನೀವು ಸಿಗ್ನಲ್ ಅನ್ನು ಪೂರ್ಣಗೊಳಿಸಿದಾಗ ಅದನ್ನು ಬಿಡುಗಡೆ ಮಾಡಿ.



## ಹೆಡ್‌ಲೈಟ್ ಲೆವೆಲಿಂಗ್ ಸ್ವಿಚ್

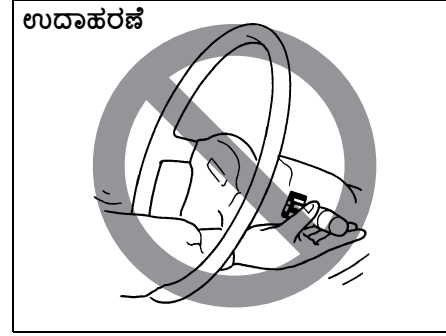


77PH010

ಈ ಸ್ವಿಚ್ ಅನ್ನು ತಿರುಗಿಸುವ ಮೂಲಕ ನಿಮ್ಮ ವಾಹನದ ಲೋಡ್ ಸ್ಥಿತಿಗೆ ಅನುಗುಣವಾಗಿ ಹೆಡ್‌ಲೈಟ್ ಕಿರಣವನ್ನು ಲೆವೆಲ್ ಮಾಡಿ. ಕೆಳಗಿನ ಚಾರ್ಟ್ ವಿಭಿನ್ನ ವಾಹನ-ಲೋಡ್ ಪರಿಸ್ಥಿತಿಗಳಿಗೆ ಸೂಕ್ತವಾದ ಸ್ವಿಚ್ ಸ್ಥಾನವನ್ನು ತೋರಿಸುತ್ತದೆ.

ವಾಹನ ಲೋಡ್ ಸ್ಥಿತಿ	ಸ್ಥಾನವನ್ನು ಬದಲಿಸಿ
ಚಾಲಕ ಮಾತ್ರ	0
ಚಾಲಕ + ಪೂರ್ಣ ಸರಕು	2

## ಸಿಗ್ನಲ್ ಕಂಟ್ರೋಲ್ ಲಿವರ್ ಅನ್ನು ತಿರುಗಿಸಿ



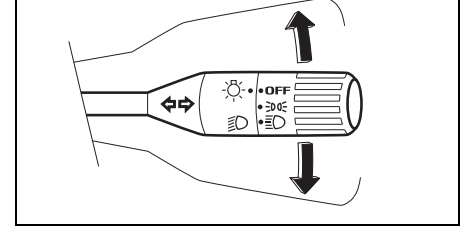
65D611

### ⚠ ಎಚ್ಚರಿಕೆ

ಸಂಭವನೀಯ ಹಾನಿಯನ್ನು ತಪ್ಪಿಸಲು, ಸೀರಿಂಗ್ ಚಕ್ರದ ಮೂಲಕ ತಲುಪುವ ಮೂಲಕ ನಿಯಂತ್ರಣಗಳನ್ನು ನಿರ್ವಹಿಸಬೇಡಿ.

ಸಿಗ್ನಲ್ ಕಾರ್ಯಾಚರಣೆಯನ್ನು ತಿರುಗಿಸಿ "ಆನ್" ಸ್ಥಾನದಲ್ಲಿ ಇಗ್ನಿಷನ್ ಸ್ವಿಚ್ಚೊಂದಿಗೆ, ಬಲ ಅಥವಾ ಎಡ ತಿರುವು ಸಂಕೇತಗಳನ್ನು ಸಕ್ರಿಯಗೊಳಿಸಲು ಲಿವರ್ ಅನ್ನು ಮೇಲಕ್ಕೆ ಅಥವಾ ಕೆಳಕ್ಕೆ ಸರಿಸಿ.

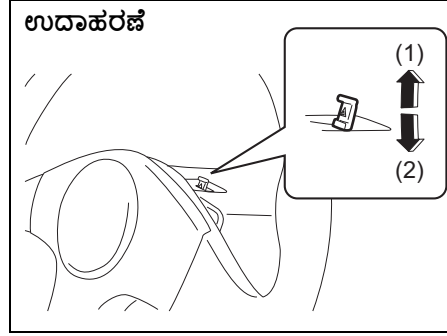
## ಉದಾಹರಣೆ



77PH112

ಸಿಗ್ನಲ್ ಮಾಡಲು ಲಿವರ್ ಅನ್ನು ಮೇಲಕ್ಕೆ ಅಥವಾ ಕೆಳಕ್ಕೆ ಸರಿಸಿ ತಿರುವು ಪೂರ್ಣಗೊಂಡಾಗ, ಸಿಗ್ನಲ್ ರದ್ದುಗೊಳ್ಳುತ್ತದೆ ಮತ್ತು ಲಿವರ್ ಅದರ ಸಾಮಾನ್ಯ ಸ್ಥಾನಕ್ಕೆ ಮರಳುತ್ತದೆ.

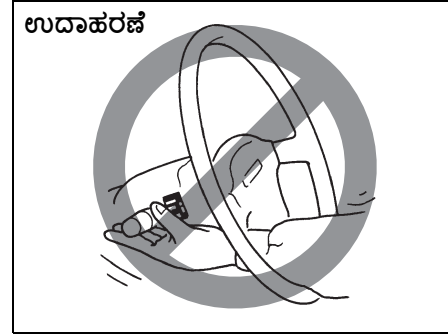
## ಅಪಾಯದ ಎಚ್ಚರಿಕೆ ಸ್ವಿಚ್



- (1) ಆನ್
- (2) ಆಫ್

ಅಪಾಯದ ಎಚ್ಚರಿಕೆ ದೀಪಗಳನ್ನು ಸಕ್ರಿಯಗೊಳಿಸಲು ಅಪಾಯದ ಎಚ್ಚರಿಕೆ ಸ್ವಿಚ್ ಅನ್ನು ಎಳೆಯಿರಿ. ಎಲ್ಲಾ ಟರ್ನ್ ಸಿಗ್ನಲ್ ಲೈಟ್‌ಗಳು ಮತ್ತು ಎರಡೂ ಟರ್ನ್ ಸಿಗ್ನಲ್ ಇಂಡಿಕೇಟರ್‌ಗಳು ಏಕಕಾಲದಲ್ಲಿ ಫ್ಲಾಷ್ ಆಗುತ್ತವೆ. ದೀಪಗಳನ್ನು ಆಫ್ ಮಾಡಲು, ಸ್ವಿಚ್ ಅನ್ನು ಕೆಳಗೆ ತಳ್ಳಿರಿ. ತುರ್ತು ಪಾರ್ಕಿಂಗ್ ಸಮಯದಲ್ಲಿ ಅಥವಾ ನಿಮ್ಮ ವಾಹನವು ಟ್ರಾಫಿಕ್ ಅಪಾಯವಾಗಬಹುದಾದಾಗ ಇತರ ಟ್ರಾಫಿಕ್ ಅನ್ನು ಎಚ್ಚರಿಸಲು ಅಪಾಯದ ಎಚ್ಚರಿಕೆ ದೀಪಗಳನ್ನು ಬಳಸಿ.

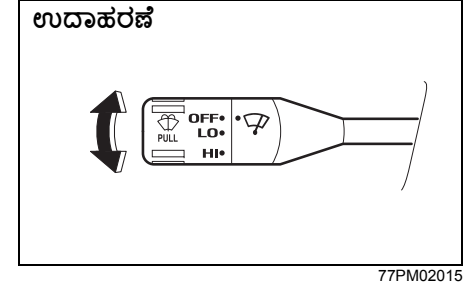
## ವಿಂಡ್ ಷೀಲ್ಡ್ ವೈಪರ್ ಮತ್ತು ವಾಷರ್ ಲಿವರ್



**⚠ ಎಚ್ಚರಿಕೆ**  
ಸಂಭವನೀಯ ಹಾನಿಯನ್ನು ತಪ್ಪಿಸಲು, ಸೀರಿಂಗ್ ಚಕ್ರದ ಮೂಲಕ ತಲುಪುವ ಮೂಲಕ ನಿಯಂತ್ರಣಗಳನ್ನು ನಿರ್ವಹಿಸಬೇಡಿ.

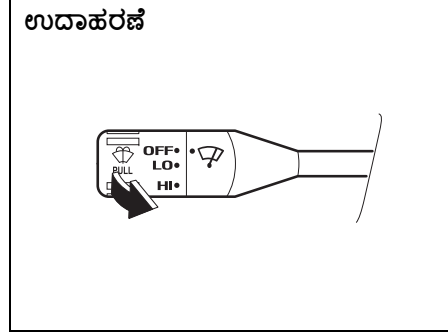
ವೈಪರ್ ಕಾರ್ಯಾಚರಣೆ ಇಗ್ನಿಷನ್ ಸ್ವಿಚ್ "ಆನ್" ಸ್ಥಾನದಲ್ಲಿದ್ದಾಗ, ನೀವು ವೈಪರ್ ಲಿವರ್ ಅನ್ನು ಬಳಸಬಹುದು.

## ವಿಂಡ್ ಷೀಲ್ಡ್ ವೈಪರ್ಸ್



ವಿಂಡ್‌ಶೀಲ್ಡ್ ವೈಪರ್‌ಗಳನ್ನು ಆನ್ ಮಾಡಲು, ಲಿವರ್‌ನ ತುದಿಯಲ್ಲಿರುವ ನಾಬ್ ಅನ್ನು ಆಪರೇಟಿಂಗ್ ಸ್ಥಾನಗಳಲ್ಲಿ ಒಂದಕ್ಕೆ ತಿರುಗಿಸಿ. "ಲೋ" ಸ್ಥಾನದಲ್ಲಿ ವೈಪರ್‌ಗಳು ಸ್ಥಿರವಾದ ಕಡಿಮೆ ವೇಗದಲ್ಲಿ ಕಾರ್ಯನಿರ್ವಹಿಸುತ್ತವೆ. "ಹೈ" ಸ್ಥಾನದಲ್ಲಿ, ವೈಪರ್‌ಗಳು ಸ್ಥಿರವಾದ ಹೆಚ್ಚಿನ ವೇಗದಲ್ಲಿ ಕಾರ್ಯನಿರ್ವಹಿಸುತ್ತವೆ. ವೈಪರ್‌ಗಳನ್ನು ಆಫ್ ಮಾಡಲು, ಲಿವರ್ ಅನ್ನು ಮತ್ತೆ "ಆಫ್" ಸ್ಥಾನಕ್ಕೆ ತಿರುಗಿಸಿ.

ವಿಂಡ್ ಷೀಲ್ಡ್ ವಾಷರ್



77PM02016

ವಿಂಡ್ ಷೀಲ್ಡ್ ವಾಷರ್ ದ್ರವವನ್ನು ಸಿಂಪಡಿಸಲು, ಲಿವರ್ ಅನ್ನು ನಿಮ್ಮ ಕಡೆಗೆ ಎಳೆಯಿರಿ.

**⚠ ಎಚ್ಚರಿಕೆ**

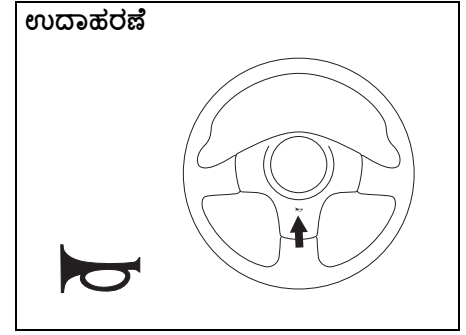
ವಿಂಡ್ ಷೀಲ್ಡ್ ವಾಷರ್ ಜಲಾಶಯದಲ್ಲಿ ರೇಡಿಯೇಟರ್ ಅಂಟಿಫ್ರೀಜ್ ಅನ್ನು ಬಳಸಬೇಡಿ. ವಿಂಡ್ ಷೀಲ್ಡ್‌ನಲ್ಲಿ ಸಿಂಪಡಿಸಿದಾಗ ಇದು ಗೋಚರತೆಯನ್ನು ತೀವ್ರವಾಗಿ ದುರ್ಬಲಗೊಳಿಸುತ್ತದೆ ಮತ್ತು ನಿಮ್ಮ ವಾಹನದ ಬಣ್ಣವನ್ನು ಸಹ ಹಾನಿಗೊಳಿಸುತ್ತದೆ.

**ಸೂಚನೆ**

ವಿಂಡ್‌ಶೀಲ್ಡ್ ವೈಪರ್ ಮತ್ತು ವಾಷರ್ ಸಿಸ್ಟಮ್ ಘಟಕಗಳಿಗೆ ಹಾನಿಯಾಗದಂತೆ ತಡೆಯಲು, ನೀವು ಈ ಕೆಳಗಿನ ಮುನ್ನೆಚ್ಚರಿಕೆಗಳನ್ನು ತೆಗೆದುಕೊಳ್ಳಬೇಕು:

- ವಿಂಡ್ ಷೀಲ್ಡ್ ವಾಷರ್ ದ್ರವವನ್ನು ಸಿಂಪಡಿಸದೇ ಇರುವಾಗ ಅಥವಾ ವಾಷರ್ ಮೋಟರ್ ಹಾನಿಗೊಳಗಾದಾಗ ಲಿವರ್‌ನಲ್ಲಿ ಹಿಡಿದಿಟ್ಟುಕೊಳ್ಳುವುದನ್ನು ಮುಂದುವರಿಸಬೇಡಿ.
- ವೈಪರ್‌ಗಳೊಂದಿಗೆ ಒಣ ವಿಂಡ್‌ಶೀಲ್ಡ್‌ನಿಂದ ಕೊಳೆಯನ್ನು ತೆಗೆದುಹಾಕಲು ಪ್ರಯತ್ನಿಸಬೇಡಿ ಅಥವಾ ನೀವು ವಿಂಡ್‌ಶೀಲ್ಡ್ ಮತ್ತು ವೈಪರ್ ಬೇಡ್‌ಗಳನ್ನು ಹಾನಿಗೊಳಿಸಬಹುದು. ವೈಪರ್‌ಗಳನ್ನು ನಿರ್ವಹಿಸುವ ಮೊದಲು ಯಾವಾಗಲೂ ವಿಂಡ್‌ಶೀಲ್ಡ್ ಅನ್ನು ತೊಳೆಯುವ ದ್ರವದಿಂದ ತೇವಗೊಳಿಸಿ.
- ವೈಪರ್‌ಗಳನ್ನು ಬಳಸುವ ಮೊದಲು ವೈಪರ್ ಬೇಡ್‌ಗಳಿಂದ ಐಸ್ ಅಥವಾ ಪ್ಯಾಕ್ ಮಾಡಿದ ಹಿಮವನ್ನು ತೆರವುಗೊಳಿಸಿ.
- ವಾಷರ್ ದ್ರವದ ಮಟ್ಟವನ್ನು ನಿಯಮಿತವಾಗಿ ಪರಿಶೀಲಿಸಿ. ಹವಾಮಾನವು ಕೆಟ್ಟದಾಗಿದ್ದಾಗ ಆಗಾಗ್ಗೆ ಪರಿಶೀಲಿಸಿ.
- ದ್ರಾವಣವನ್ನು ಫ್ಲೀಜ್ ಮಾಡುವಷ್ಟು ತಾಪಮಾನವು ಕಡಿಮೆಯಾದರೆ ವಿಸರಣೆಗೆ ಅವಕಾಶ ನೀಡಲು ಶೀತ ವಾತಾವರಣದಲ್ಲಿ ತೊಳೆಯುವ ದ್ರವದ ಜಲಾಶಯವನ್ನು 3/4 ತುಂಬಿಸಿ.

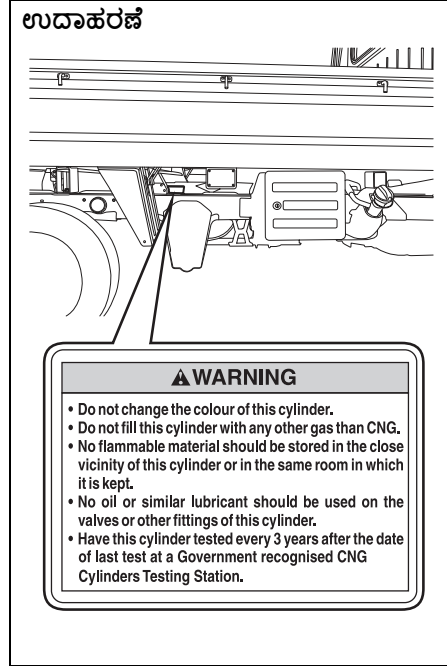
ಹಾರ್ನ್



77PH029

ಹಾರ್ನ್ ಅನ್ನು ಧ್ವನಿಸಲು ಸ್ಪೀರಿಂಗ್ ಚಕ್ರದ ಹಾರ್ನ್ ಬಟನ್ ಒತ್ತಿರಿ. ಯಾವುದೇ ಸ್ಥಾನದಲ್ಲಿ ಇಗ್ನಿಷನ್ ಸ್ವಿಚ್ಚೊಂದಿಗೆ ಹಾರ್ನ್ ಧ್ವನಿಸುತ್ತದೆ.

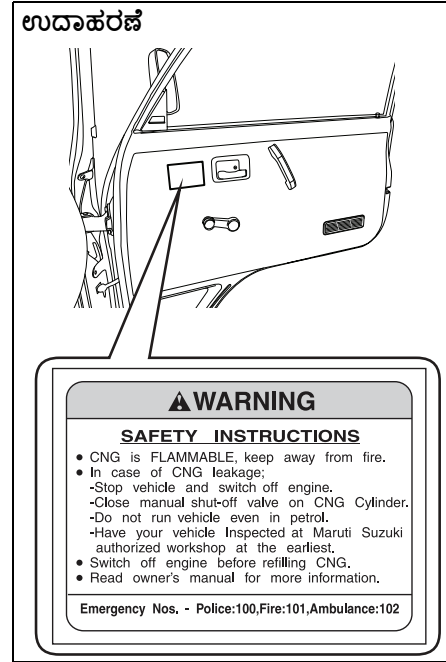
ಸಿ ಎನ್ ಜಿ ಸಿಲಿಂಡರ್ ಎಚ್ಚರಿಕೆ ಲೇಬಲ್  
(ಸಜ್ಜುಗೊಳಿಸಿದ್ದರೆ)



ಸಿ ಎನ್ ಜಿ ಸಿಲಿಂಡರ್‌ನಲ್ಲಿ ನೀವು ಈ ಲೇಬಲ್ ಅನ್ನು ಕಾಣಬಹುದು.

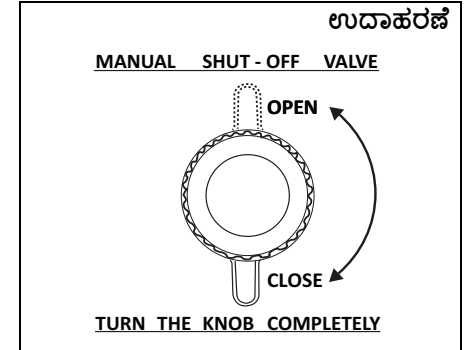
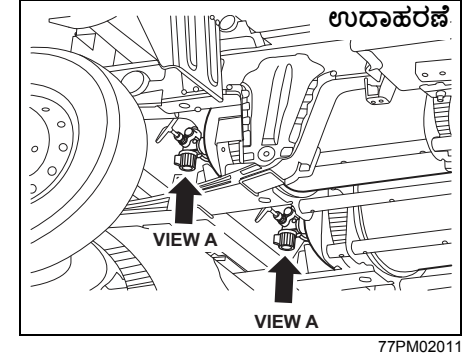
ಸಿ ಎನ್ ಜಿ ಎಚ್ಚರಿಕೆ ಲೇಬಲ್  
(ಸಜ್ಜುಗೊಳಿಸಿದ್ದರೆ)

ಮುಂಭಾಗದ ಚಾಲಕ ಬಾಗಿಲು



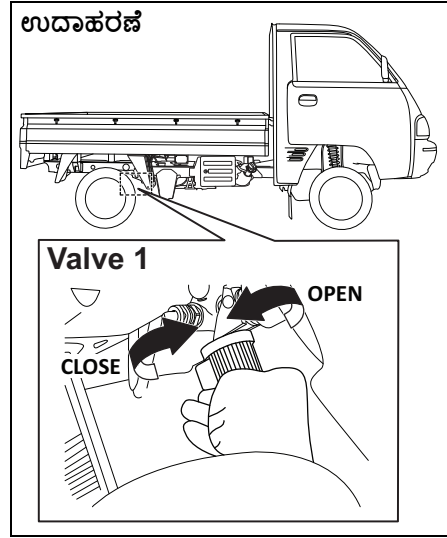
ಸಿ ಎನ್ ಜಿ ಎಚ್ಚರಿಕೆ ಲೇಬಲ್ ಮುಂಭಾಗದ ಬಲ ಬಾಗಿಲಿನ ಮೇಲ್‌ಇದ.

ಸಿ ಎನ್ ಜಿ ಮ್ಯಾನ್ಯುಯಲ್ ಶಟ್-ಆಫ್  
ವಾಲ್ವ್ (ಸಜ್ಜುಗೊಳಿಸಿದ್ದರೆ)



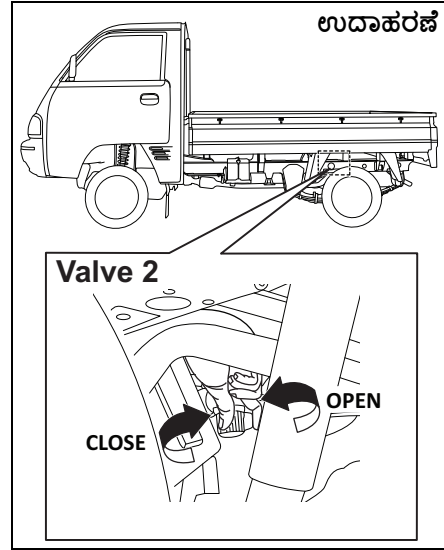
## ಚಾಲನೆ ಮಾಡುವ ಮೊದಲು

### ಬಲಭಾಗ (ಆರ್ ಹೆಚ್ ಎಸ್)



77PM02012

### ಎಡಭಾಗ (ಎಲ್ ಹೆಚ್ ಎಸ್)



77PM02013

ಹಸಚಾಲಿತ ಸ್ಥಿತಗೊಳಿಸುವ ವಾಲ್ವ್ ಸಿ ಎನ್ ಜಿ ಸಿಲಿಂಡರ್‌ಗಳ ಮೇಲೆ ಇದೆ. ಇವುಗಳನ್ನು ದೇಹದ ಅಡಿಯಲ್ಲಿ ವಾಹನದಲಿ ಒದಗಿಸಲಾಗುತ್ತದೆ. ದೇಹದ ಕೆಳಗಿರುವ ವಾಹನದಲಿ ಎರಡು ಸಿ ಎನ್ ಜಿ ಸಿಲಿಂಡರ್‌ಗಳಿವೆ, ಪ್ರತಿಯೊಂದೂ ಒಂದು ಕೈಯಿಂದ ಮುಚ್ಚುವ ವಾಲ್ವ್ ಅನ್ನು ಹೊಂದಿರುತ್ತದೆ. ಹಸಚಾಲಿತ ಸ್ಥಿತಗೊಳಿಸುವ ವಾಲ್ವ್ 1 ಮತ್ತು ವಾಲ್ವ್ 2 ಅನ್ನು ಕ್ರಮವಾಗಿ ವಾಹನದ ಬಲಭಾಗದಿಂದ (ಆರ್ ಹೆಚ್ ಎಸ್) ಮತ್ತು ಎಡಭಾಗದಿಂದ (ಎಲ್ ಹೆಚ್ ಎಸ್) ಪ್ರವೇಶಿಸಲಾಗುತ್ತದೆ.

ಎರಡೂ ಸಿಎನ್‌ಜಿ ಸಿಲಿಂಡರ್‌ಗಳಲ್ಲಿ ಹಸಚಾಲಿತ ಸ್ಥಿತಗೊಳಿಸುವ ಕವಾಟವನ್ನು ಮುಚ್ಚುವ ಮೂಲಕ ಸಿಎನ್‌ಜಿ ಪೂರೈಕೆಯನ್ನು ಸ್ವಿಚ್ ಆಫ್ ಮಾಡಬಹುದು.

**ವಾಲ್ವ್ ಮುಚ್ಚುವಿಕೆ:** ಇಂಜಿನ್ ಸಿಎನ್‌ಜಿ ಪೂರೈಕೆಯನ್ನು ಮುಚ್ಚಲು ನಾಬ್ ಅನ್ನು ಪ್ರದಕ್ಷಿಣಾಕಾರವಾಗಿ (ಎ ವೀಕ್ಷಣೆಯಿಂದ) ಸಂಪೂರ್ಣವಾಗಿ ತಿರುಗಿಸಿ.

**ವಾಲ್ವ್ ತೆರೆಯುವಿಕೆ:** ಇಂಜಿನ್ ಸಿಎನ್‌ಜಿ ಪೂರೈಕೆಯನ್ನು ತೆರೆಯಲು ನಾಬ್ ಅನ್ನು ಸಂಪೂರ್ಣವಾಗಿ ಅಂಟಿ-ಕ್ಲಾಕ್‌ವೈಸ್ ದಿಕ್ಕಿನಲ್ಲಿ (ವೆ ವೀಕ್ಷಣೆಯಿಂದ) ತಿರುಗಿಸಿ.

### ⚠ ಎಚ್ಚರಿಕೆ

ಹಸಚಾಲಿತ ಶೆಟ್ ಆಫ್ ವಾಲ್ವ್ 2 (ಎಲ್ ಹೆಚ್ ಎಸ್) ಅನ್ನು ಪ್ರವೇಶಿಸುವಾಗ ನಿಮ್ಮ ಕೈ ಎಕ್ಸಾಸ್ ಪೈಪ್ ಅನ್ನು ಸ್ಪರ್ಶಿಸುವುದಿಲ್ಲ ಎಂದು ಜಾಗರೂಕರಾಗಿರಿ. ಚಾಲನೆ ಮಾಡಿದ ನಂತರ, ಎಕ್ಸಾಸ್ ಪೈಪ್ ನಿಮ್ಮ ಕೈಯನ್ನು ಸುಡುವಷ್ಟು ಬಿಸಿಯಾಗಿರುತ್ತದೆ.

### ಸೂಚನೆ:

- ಹಸಚಾಲಿತ ಸ್ಥಿತಗೊಳಿಸುವ ವಾಲ್ವ್ ಅನ್ನು ಸಂಪೂರ್ಣವಾಗಿ ತೆರೆಯದಿದ್ದರೆ, ಇಂಜಿನ್ ಸರಿಯಾಗಿ ಕಾರ್ಯನಿರ್ವಹಿಸದೆ ಇರಬಹುದು.
- ಹಸಚಾಲಿತ ಸ್ಥಿತಗೊಳಿಸುವ ಕವಾಟವು ಮುಚ್ಚಿದ ಸ್ಥಿತಿಯಲ್ಲಿದ್ದರೆ, ಸಿಲಿಂಡರ್‌ಗೆ ಸಿ ಎನ್ ಜಿ ಅನ್ನು ತುರಿಬಲು ಸಾಧ್ಯವಿಲ್ಲ.

ಸೂಚನೆ:

- ಸರ್ಕಾರದ ನಿಯಮಾವಳಿಯ ಪ್ರಕಾರ, ಸಿ ಎನ್ ಜಿ ಸಿಲಿಂಡರ್ ಗುರುತಿನ ಫಲಕದಲ್ಲಿ ನಮೂದಿಸಿದಂತೆ ಆರಂಭಿಕ ಪರೀಕ್ಷೆಯ ದಿನಾಂಕದಿಂದ ಪ್ರತಿ ಮೂರು (3) ವರ್ಷಗಳಿಗೊಮ್ಮೆ ಸಿ ಎನ್ ಜಿ ಸಿಲಿಂಡರ್ ಅನ್ನು ಪರಿಶೀಲಿಸಬೇಕು ಮತ್ತು ಪ್ರಮಾಣೀಕರಿಸಬೇಕು.
- ಗ್ರಾಹಕರು ವಾಹನವನ್ನು ಸರ್ಕಾರಿ ಅನುಮೋದಿತ ಪರೀಕ್ಷಣೆ ಏಜೆನ್ಸಿಗೆ ಹಾಜರುಪಡಿಸಬೇಕು.
- ಸಿಲಿಂಡರ್ ಅನ್ನು ಪರೀಕ್ಷಿಸಲು ವಿಫಲವಾದರೆ ಸಿ ಎನ್ ಜಿ ವಿತರಣಾ ಕೇಂದ್ರಗಳು ಸಿ ಎನ್ ಜಿ ತುಂಬುವಿಕೆಯನ್ನು ನಿರಾಕರಿಸುವಲ್ಲಿ ಕಾರಣವಾಗಬಹುದು ಅಥವಾ ಜಾರಿ ಅಧಿಕಾರಿಗಳಿಂದ ವಾಹನವನ್ನು ಮುಟ್ಟುಗೋಲು ಹಾಕಿಕೊಳ್ಳಬಹುದು.
- ಸಿ ಎನ್ ಜಿ ಸಿಲಿಂಡರ್ ಪರೀಕ್ಷೆಯ ಎಲ್ಲಾ ವೆಚ್ಚಗಳನ್ನು ಗ್ರಾಹಕರು ಭರಿಸಬೇಕಾಗುತ್ತದೆ.
- ಸರ್ಕಾರದ ನಿಯಮಾವಳಿಯ ಪ್ರಕಾರ, ಸಿ ಎನ್ ಜಿ ಸಿಲಿಂಡರ್ ಗುರುತಿನ ಫಲಕದಲ್ಲಿ ನಮೂದಿಸಿರುವಂತೆ ಆರಂಭಿಕ ಪರೀಕ್ಷೆಯ ದಿನಾಂಕದಿಂದ 20 ವರ್ಷಗಳಲ್ಲಿ ಸಿ ಎನ್ ಜಿ ಸಿಲಿಂಡರ್ ಅನ್ನು ತ್ರಿಜಿಸಬೇಕಾಗುತ್ತದೆ.
- ಗ್ರಾಹಕರು ಸರ್ಕಾರದಿಂದ ಅನುಮೋದಿತ ಸ್ನಾಪ್ ಏಜೆನ್ಸಿಗಳ ಮೂಲಕ ಸಿಲಿಂಡರ್ ಅನ್ನು ಅವೆನ್ / ಅವಳೆ ವೆಚ್ಚದಲ್ಲಿ ತ್ರಿಜಿಸಬೇಕು.
- ಯಾವುದೇ ವ್ಯಕ್ತಿಯ ಯಾವುದೇ ಗ್ಯಾಸ್‌ನೊಂದಿಗೆ ಉಪ-ನಿಯಮ (2) ರ ಅಡಿಯಲ್ಲಿ ದುರಸ್ತಿ ಮಾಡಲಾದ ಯಾವುದೇ ಸಿಲಿಂಡರ್ ಅನ್ನು ಮರುಪೂರಣ ಮಾಡಬಾರದು, ಸಿಲಿಂಡರ್‌ನಲ್ಲಿ ನಡೆಸಲಾದ ರಿಪೇರಿ ಮತ್ತು ಪರೀಕ್ಷೆಯ ಸಂಪೂರ್ಣ ವರದಿಯನ್ನು ರಿಪೇರಿ ಮಾಡುವವರ ಪರೀಕ್ಷೆಯ ಪ್ರಮಾಣೀಕೃತವನ್ನು ಮುಖ್ಯ ನಿಯಂತ್ರಕರಿಗೆ ಒದಗಿಸದ ಹೊರತು ಮತ್ತು ಅದರ ಮರುಪೂರಣಕ್ಕಾಗಿ ಅವರ ಅನುಮತಿಯನ್ನು ಪಡೆಯಲಾಗುತ್ತದೆ.

⚠ ಎಚ್ಚರಿಕೆ

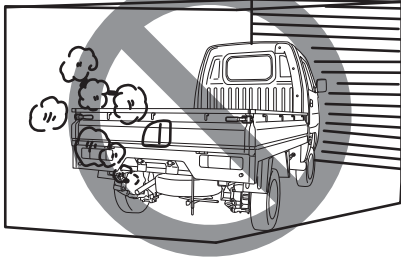
- ಸಿಲಿಂಡರ್ ಜೋಡಣೆಯಿಂದ ಸಿಲಿಂಡರ್ ಕವಾಟವನ್ನು ಎಂದಿಗೂ ತೆಗೆದುಹಾಕಬೇಡಿ. ಯಾವುದೇ ಸಹಾಯಕ್ಕಾಗಿ ಅಧಿಕೃತ ಮಾರುತಿ ಸುಜುಕಿ ವಾಣಿಜ್ಯ ಕಾರ್ಯಾಗಾರವನ್ನು ಸಂಪರ್ಕಿಸಿ.
- ಸಿಲಿಂಡರ್ ಅನ್ನು ಸ್ವಚ್ಛಗೊಳಿಸಲು ಎಂದಿಗೂ ಪ್ರಯತ್ನಿಸಬೇಡಿ. ಯಾವುದೇ ಸಮಸ್ಯೆಯಿದ್ದಲ್ಲಿ, ಅಧಿಕೃತ ಮಾರುತಿ ಸುಜುಕಿ ವಾಣಿಜ್ಯ ಕಾರ್ಯಾಗಾರವನ್ನು ಸಂಪರ್ಕಿಸಿ.
- ಸಿಲಿಂಡರ್ ಕವಾಟವನ್ನು ಒಮ್ಮೆ ಬದಲಾಯಿಸಿದರೆ / ಸಿಲಿಂಡರ್ ಜೋಡಣೆಯಿಂದ ತೆಗೆದುಹಾಕಿದಾಗ ಅದನ್ನು ಮರುಬಳಕೆ ಮಾಡಬೇಡಿ.
- ಇಂಜಿನ್ ನಿಲುಕುವವರೆಗೆ ಸಿಲಿಂಡರ್‌ನಿಂದ ಸಿಎನ್‌ಜಿಯನ್ನು ಸೇವಿಸಿದರೂ, ಒತ್ತಡದಲ್ಲಿ ಸ್ವಲ್ಪ ಪ್ರಮಾಣದ ಸಿಎನ್‌ಜಿಯು ಟ್ಯಾಂಕ್‌ನಲ್ಲಿ ಉಳಿಯುತ್ತದೆ.

## ನಿಮ್ಮ ವಾಹನವನ್ನು ನಿರ್ವಹಿಸುವುದು

ಎಕ್ಸಾಸ್ಟ್ ಗ್ಯಾಸ್ ಎಚ್ಚರಿಕೆ .....	3-1
ದೈನಂದಿನ ತಪಾಸಣೆ ಪರಿಶೀಲನಾಪಟ್ಟಿ .....	3-2
ಇಂಜಿನ್ ತೈಲ ಬಳಕೆ .....	3-2
ಇಗ್ನಿಷನ್ ಸ್ವಿಚ್ .....	3-3
ಪಾರ್ಕಿಂಗ್ ಬ್ರೇಕ್ ಲಿವರ್ .....	3-4
ಪೆಡಲ್ .....	3-5
ಇಂಜಿನ್ ಅನ್ನು ಪ್ರಾರಂಭಿಸಲಾಗುತ್ತಿದೆ .....	3-6
ಪ್ರಸರಣವನ್ನು ಬಳಸುವುದು .....	3-7
ಪಾರ್ಕಿಂಗ್ ಸಂವೇದಕಗಳು .....	3-9
ಬ್ರೇಕಿಂಗ್ .....	3-12

ಎಕ್ಸಾಸ್ಟ್ ಗ್ಯಾಸ್ ಎಚ್ಚರಿಕೆ

ಉದಾಹರಣೆ



82DY03

⚠ ಎಚ್ಚರಿಕೆ

ನಿಷ್ಕಾಸ ಅನಿಲಗಳನ್ನು ಉಸಿರಾಡುವುದನ್ನು ತಪ್ಪಿಸಿ. ನಿಷ್ಕಾಸ ಅನಿಲಗಳು ಕಾರ್ಬನ್ ಮಾನಾಕ್ಸೈಡ್ ಅನ್ನು ಹೊಂದಿರುತ್ತವೆ, ಇದು ಬಣ್ಣರಹಿತ ಮತ್ತು ವಾಸನೆಯಿಲ್ಲದ ಸಂಭಾವ್ಯ ಮೌರಕ ಅನಿಲವಾಗಿದೆ. ಕಾರ್ಬನ್ ಮಾನಾಕ್ಸೈಡ್ ಅನ್ನು ಸ್ವತಃ ಪತ್ತೆಹಚ್ಚಲು ಕಷ್ಟವಾಗುವುದರಿಂದ, ಕಾರ್ಬನ್ ಮಾನಾಕ್ಸೈಡ್ ಅನ್ನು ನಿಮ್ಮ ವಾಹನಕ್ಕೆ ಪ್ರವೇಶಿಸದಂತೆ ತಡೆಯಲು ಕಳಗಿನ ಮುನ್ನೆಚ್ಚರಿಕೆಗಳನ್ನು ತೆಗೆದುಕೊಳ್ಳಲು ಮರೆಯದಿರಿ.

- ಗ್ಯಾರೇಜ್‌ಗಳು ಅಥವಾ ಸೀಮಿತ ಪ್ರದೇಶಗಳಲ್ಲಿ, ಪ್ರಯಾಣಿಕರು ಒಳಗೆ ಇರುವಾಗ ಇಂಜಿನ್ ಚಾಲನೆಯಾಗುವುದನ್ನು ಬಿಡಬೇಡಿ. ಇದು ಕ್ಯಾಬಿನಿನಲ್ಲಿ ಕಾರ್ಬನ್ ಮಾನಾಕ್ಸೈಡ್ ಶೇಖರಣೆಗೆ ಕಾರಣವಾಗಬಹುದು ಮತ್ತು ಉಸಿರುಗಟ್ಟುವಿಕೆ ಅಥವಾ ಉಸಿರಾಡದ ತೊಂದರೆಗಳಿಗೆ ಕಾರಣವಾಗಬಹುದು ಮತ್ತು ಸಾವಿಗೆ ಕಾರಣವಾಗಬಹುದು.

(ಮುಂದುವರಿಯುವುದು)

⚠ ಎಚ್ಚರಿಕೆ

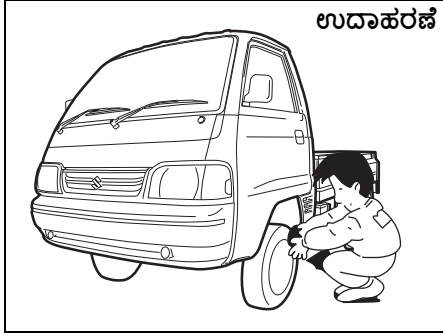
(ಮುಂದುವರಿಯುವುದು)

- ತೆರೆದ ಪ್ರದೇಶದಲ್ಲಿಯೂ ಸಹ, ದೀರ್ಘಕಾಲದವರೆಗೆ ಇಂಜಿನ್ ಚಾಲನೆಯಲ್ಲಿರುವಂತೆ ನಿಲಿಸಬೇಡಿ. ದೀರ್ಘಾವಧಿಯ ಸಂದರ್ಭದಲ್ಲಿ, ಇಂಜಿನ್ ಚಾಲನೆಯಲ್ಲಿರುವಾಗ ವಾಹನದೊಳಗೆ ಇರುವಾಗ ಉಸಿರುಗಟ್ಟಿಸುವ ಮತ್ತು ಸಾವಿನ ಅಪಾಯದ ಸಾಧ್ಯತೆಯಿದೆ. ಇಂಜಿನ್ ಚಾಲನೆಯಲ್ಲಿರುವ ನಿಲುಗಡೆ ಮಾಡಿದ ವಾಹನದಲ್ಲಿ ಸ್ವಲ್ಪ ಸಮಯದವರೆಗೆ ಕುಳಿತುಕೊಳ್ಳಲು ಅಗತ್ಯವಿದ್ದರೆ, ಏರ್ ಇನ್ಲೇಕ್ ಸೆಲೆಕ್ಟರ್ ಅನ್ನು "ಫ್ರೆಶ್ ಏರ್" ಗೆ ಹೊಂದಿಸಲಾಗಿದೆ ಮತ್ತು ಬೋವರ್ ಹೆಚ್ಚಿನ ವೇಗದಲ್ಲಿದೆ ಎಂದು ಖಚಿತಪಡಿಸಿಕೊಳ್ಳಿ.
- ನಿಮ್ಮ ವಾಹನದ ವಾತಾಯನ ವ್ಯವಸ್ಥೆಯ ಸರಿಯಾದ ಕಾರ್ಯಾಚರಣೆಯನ್ನು ಅನುಮತಿಸಲು, ವಾಹನದ ಮುಂಭಾಗದಲ್ಲಿ ಏರ್ ಇನ್ಲೇಟ್ ಗ್ರಿಲ್ ಅನ್ನು ಎಲೆಕ್ಟ್ರಿಕ್ ಸಮಯದಲ್ಲೂ ಹಿಮ್ಮೆ ಎಲೆಕ್ಟ್ರಿಕ್ ಅಥವಾ ಇತರ ಅಡೆತಡೆಗಳಿಂದ ತೆರವುಗೊಳಿಸಿ.
- ವಾಹನದ ಅಡಿಯಲ್ಲಿ ನಿಷ್ಕಾಸ ಅನಿಲಗಳ ಸಂಗ್ರಹವನ್ನು ಕಡಿಮೆ ಮಾಡಲು ಸಹಾಯ ಮಾಡಲು ನಿಷ್ಕಾಸ ಪೈಪ್ ಪ್ರದೇಶವನ್ನು ಹಿಮ್ಮೆ ಮತ್ತು ಇತರ ವಸ್ತುಗಳಿಂದ ಮುಕ್ತವಾಗಿಡಿ. ಹಿಮ್ಮೆಪಾತದ ಪರಿಸ್ಥಿತಿಗಳಲ್ಲಿ ನಿಲುಗಡೆ ಮಾಡುವಾಗ ಇದು ವಿಶೇಷವಾಗಿ ಮುಖ್ಯವಾಗಿದೆ.
- ಹಾನಿ ಮತ್ತು ಸೋರಿಕೆಗಳಿಗಾಗಿ ನಿಯತಕಾಲಿಕವಾಗಿ ನಿಷ್ಕಾಸ ವ್ಯವಸ್ಥೆಯನ್ನು ಪರಿಶೀಲಿಸಿ. ಯಾವುದೇ ಹಾನಿ ಅಥವಾ ಸೋರಿಕೆಯನ್ನು ತಕ್ಷಣವೇ ಹರಿಪಡಿಸಬೇಕು.



ದೈನಂದಿನ ತಪಾಸಣೆ ಪರಿಶೀಲನಾಪಟ್ಟಿ

ಚಾಲನ ಮಾಡುವ ಮೊದಲು



77PM03001

- 1) ಕಿಟಕಿಗಳು, ಕನ್ನಡಿಗಳು, ದೀಪಗಳು ಮತ್ತು ಪ್ರತಿಫಲಕಗಳು ಸ್ವಚ್ಛವಾಗಿರುತ್ತವೆ ಮತ್ತು ಅಡತಡೆಗಳಿಲ್ಲದೆಯೇ ಎಂದು ಖಚಿತಪಡಿಸಿಕೊಳ್ಳಿ.
  - 2) ಈ ಕೆಳಗಿನ ಅಂಶಗಳಿಗಾಗಿ ಟೈರ್‌ಗಳನ್ನು ದೃಷ್ಟಿಗೋಚರವಾಗಿ ಪರಿಶೀಲಿಸಿ:
    - ಚಕ್ರದ ಹೊರಮೆಯಲ್ಲಿರುವ ತೋಡಿನ ಆಳ
    - ಅಸಹಜ ಸವಯುವಿಕೆ, ಬಿರುಕುಗಳು ಮತ್ತು ಹಾನಿ
    - ಸಡಿಲವಾದ ಚಕ್ರ ನಟ್ಟಳು
    - ಮೊಳೆಗಳು, ಕಲ್ಲುಗಳು ಮುಂತಾದ ವಿದೇಶಿ ವಸ್ತುಗಳ ಅಸ್ತಿತ್ವ.
- ವಿವರಗಳಿಗಾಗಿ "ತಪಾಸಣೆ ಮತ್ತು ನಿರ್ವಹಣೆ" ವಿಭಾಗದಲ್ಲಿ "ಟೈರುಗಳು" ಅನ್ನು ನೋಡಿ.
- 3) ದ್ರವ ಮತ್ತು ತೈಲ ಸೋರಿಕೆಗಾಗಿ ನೋಡಿ.

- 4) ಇಂಜಿನ್ ವಿಭಾಗವು ಸಂಪೂರ್ಣವಾಗಿ ಮುಚ್ಚಲ್ಪಟ್ಟಿದೆ ಮತ್ತು ಬೀಗ ಹಾಕಲ್ಪಟ್ಟಿದೆ ಎಂದು ಖಚಿತಪಡಿಸಿಕೊಳ್ಳಿ.
- 5) ಸರಿಯಾದ ಕಾರ್ಯಾಚರಣೆಗಾಗಿ ಹೆಡ್‌ಲೈಟ್‌ಗಳನ್ನು ಪರಿಶೀಲಿಸಿ, ಸಿಗ್ನಲ್ ಲೈಟ್‌ಗಳು, ಬ್ರೇಕ್ ಲೈಟ್‌ಗಳು ಮತ್ತು ಹಾರ್ನ್‌ ಅನ್ನು ತಿರುಗಿಸಿ.
- 6) ಚಾಲನೆ ಆನನವನ್ನು ಹೊಂದಿಸಿ.
- 7) ಬ್ರೇಕ್ ಪೆದಲ್ ಮತ್ತು ಪಾರ್ಕಿಂಗ್ ಬ್ರೇಕ್ ಲೆವರ್ ಅನ್ನು ಪರಿಶೀಲಿಸಿ.
- 8) ಕನ್ನಡಿಗಳನ್ನು ಹೊಂದಿಸಿ.
- 9) ನೀವು ಮತ್ತು ಪ್ರಯಾಣಿಕರು ಸೀಟ್ ಬೆಲೆಗಳನ್ನು ಸರಿಯಾಗಿ ಜೋಡಿಸಿದ್ದೀರಿ ಎಂದು ಖಚಿತಪಡಿಸಿಕೊಳ್ಳಿ.
- 10) ಕೀಲಿಯನ್ನು "ಆನ್" ಸ್ಥಾನಕ್ಕೆ ತಿರುಗಿಸಿದಂತೆ ಎಲ್ಲಾ ಎಂಜಿನ್ ದೀಪಗಳು ಆನ್ ಆಗುತ್ತವೆ ಎಂದು ಖಚಿತಪಡಿಸಿಕೊಳ್ಳಿ.
- 11) ಎಲ್ಲಾ ಗೇಜ್‌ಗಳನ್ನು ಪರಿಶೀಲಿಸಿ.
- 12) ಪಾರ್ಕಿಂಗ್ ಬ್ರೇಕ್ ಬಿಡುಗಡೆಯಾದಾಗ ಬ್ರೇಕ್ ಸಿಸ್ಟಮ್ ವಾರ್ನಿಂಗ್ ಲೈಟ್ ಆಫ್ ಆಗುತ್ತದೆ ಎಂದು ಖಚಿತಪಡಿಸಿಕೊಳ್ಳಿ.

ವಾರ್ಕೋಮೈ ಅಥವಾ ಪ್ರತಿ ಬಾರಿ ನೀವು ನಿಮ್ಮ ಇಂಧನ ಟ್ಯಾಂಕ್ ಅನ್ನು ತುಂಬುವ ಮೊದಲು ಅಥವಾ ದೂರದ ಚಾಲನೆಯ ಮೊದಲು (ಹೆದ್ದಾರಿ ಚಾಲನೆಯಂತೆ), ಕೆಳಗಿನ ಅಂಡರ್-ಹುಡ್ ತಪಾಸಣೆಗಳನ್ನು ಮಾಡಿ:

- 1) ಇಂಜಿನ್ ತೈಲ ಮಟ್ಟ
- 2) ಕೂಲಿಂಗ್ ಮಿಷಿನ್
- 3) ಬ್ರೇಕ್ ದ್ರವದ ಮಟ್ಟ
- 4) ವಿಂಡ್ ಷೀಲ್ಡ್ ವಾಷರ್ ದ್ರವ (ಸಜ್ಜುಗೊಂಡಿದ್ದರೆ) ಮಟ್ಟ
- 5) ಬ್ಯಾಟರಿ ಎಲೆಕ್ಟ್ರೋಲೈಟ್ ಮಟ್ಟ
- 6) ಲಾಂಚ್ ಕಾರ್ಯಾಚರಣೆ ಲಾಂಚ್‌ಕೇಶನ್ ವೇಳಾಪಟ್ಟಿಗಾಗಿ "ಪರಿಶೀಲನೆ ಮತ್ತು ನಿರ್ವಹಣೆ" ವಿಭಾಗದಲ್ಲಿ "ಆವರ್ತಕ

ನಿರ್ವಹಣೆ ವೇಳಾಪಟ್ಟಿ" ಯಲ್ಲಿ "ಚಾಸಿಸ್ ಮತ್ತು ದೇಹ" ದ "ಎಲ್ಲಾ ಲಾಂಚ್‌ಗಳು, ಕೀಲುಗಳು ಮತ್ತು ಲಾಂಚ್‌ಗಳು" ನೋಡಿ.

ತಿಂಗಳಿಗೊಮ್ಮೆ ಅಥವಾ ಪ್ರತಿ ಬಾರಿ ನೀವು ನಿಮ್ಮ ಇಂಧನ ಟ್ಯಾಂಕ್ ಅನ್ನು ತುಂಬಿದಾಗ ಅಥವಾ ದೂರದ ಚಾಲನೆಯ ಮೊದಲು (ಹೆದ್ದಾರಿ ಡ್ರೈವಿಂಗ್‌ನಂತೆ), ಟೈರ್ ಪ್ರಶರ್ ಗೇಜ್ ಬಳಸಿ ಟೈರ್ ಒತ್ತಡವನ್ನು ಪರಿಶೀಲಿಸಿ. ಬಿಡಿ ಟೈರ್‌ನ ಟೈರ್ ಒತ್ತಡವನ್ನು ಸಹ ಪರಿಶೀಲಿಸಿ.

**ಇಂಜಿನ್ ತೈಲ ಬಳಕೆ**

ಸಾಮಾನ್ಯ ವಾಹನ ಕಾರ್ಯಾಚರಣೆಯ ಸಮಯದಲ್ಲಿ ಇಂಜಿನ್ ತೆಲವು ಇಂಜಿನ್ ತೈಲವನ್ನು ಸೇವಿಸುವುದು ಸಹಜ.

ಸೇವಿಸುವ ಇಂಜಿನ್ ತೈಲದ ಪ್ರಮಾಣವು ತೈಲದ ಸಿಗ್ನಲ್ ತೈಲದ ಗುಣಮಟ್ಟ ಮತ್ತು ವಾಹನವನ್ನು ಚಾಲನೆ ಮಾಡುವ ಪರಿಸ್ಥಿತಿಗಳ ಮೇಲೆ ಅವಲಂಬಿತವಾಗಿರುತ್ತದೆ.

ಹೆಚ್ಚಿನ ವೇಗದ ಚಾಲನೆಯ ಸಮಯದಲ್ಲಿ ಮತ್ತು ಆಗಾಗ್ಗೆ ವೇಗವರ್ಧನೆ ಮತ್ತು ಕ್ರೀಣತೆ ಇದ್ದಾಗ ಹೆಚ್ಚು ತೈಲವನ್ನು ಸೇವಿಸಲಾಗುತ್ತದೆ. ಹೆಚ್ಚಿನ ಹೊರಗಟ್ಟಿ ಅಡಿಯಲ್ಲಿ ನಿಮ್ಮ ಇಂಜಿನ್ ಹೆಚ್ಚು ತೈಲವನ್ನು ಸೇವಿಸುತ್ತದೆ.

ಹೊಸ ಇಂಜಿನ್ ಹೆಚ್ಚು ತೈಲವನ್ನು ಬಳಸುತ್ತದೆ, ಏಕೆಂದರೆ ಅದರ ಪಿಸ್ಟನ್‌ಗಳು, ಪಿಸ್ಟನ್ ಉಂಗುರಗಳು ಮತ್ತು ಸಿಲಿಂಡರ್ ಗೋಡೆಗಳು ಇನ್ನೂ ನಿಯಮಾಧೀನವಾಗಿಲ್ಲ. ಸರಿಸುಮಾರು 5000 ಕಿಮೀ (3000 ಮೈಲುಗಳು) ಚಾಲನೆಯ ನಂತರ ಮಾತ್ರ ಹೊಸ ಇಂಜಿನ್ ತೈಲ ಬಳಕೆಯು ಸಾಮಾನ್ಯ ಮಟ್ಟವನ್ನು ತಲುಪುತ್ತದೆ.

**ತೈಲ ಬಳಕೆ:**  
ಗರಿಷ್ಠ 1000 ಕಿಮೀಗೆ 1.0 ಲೀ (1 ಕ್ಯೂ.ಟಿ. ಪ್ರತಿ 600 ಮೈಲುಗಳಿಗೆ)

## ನಿಮ್ಮ ವಾಹನವನ್ನು ನಿರ್ವಹಿಸುವುದು

ತ್ಯಲ ಸೇವನೆಯ ಪ್ರಮಾಣವನ್ನು ನಿರ್ಣಯಿಸುವಾಗ, ತ್ಯಲವು ದುರ್ಬಲಗೊಳ್ಳಬಹುದು ಮತ್ತು ನಿಜವಾದ ತ್ಯಲ ಮಟ್ಟವನ್ನು ನಿಖರವಾಗಿ ನಿರ್ಣಯಿಸಲು ಕಷ್ಟವಾಗಬಹುದು ಎಂಬುದನ್ನು ಗಮನಿಸಿ.

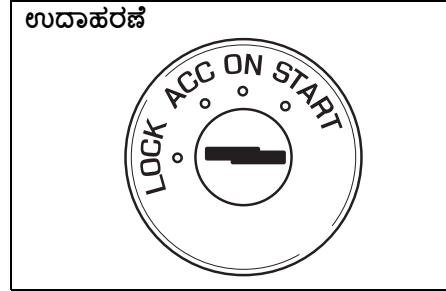
ಉದಾಹರಣೆಗೆ, ವಾಹನವನ್ನು ಪುನರಾವರ್ತಿತ ಸಣ್ಣ ಪ್ರಯಾಣಗಳಿಗೆ ಬಳಸಿದರೆ ಮತ್ತು ಸಾಮಾನ್ಯ ಪ್ರಮಾಣದ ತ್ಯಲವನ್ನು ಬಳಸಿದರೆ, ಡಿಜಿ ಕ್ 1000 ಕಮೀ (600 ಮೈಲುಗಳು) ಅಥವಾ ಹೆಚ್ಚಿನ ಚಾಲನೆಯ ನಂತರವೂ ತ್ಯಲ ಮಟ್ಟದಲ್ಲಿ ಯಾವುದೇ ಕುಸಿತವನ್ನು ತೋರಿಸುವುದಿಲ್ಲ. ಏಕೆಂದರೆ ತ್ಯಲವು ಕ್ರಮೇಣ ಇಂಧನ ಅಥವಾ ತೇವಾಂಶದೊಂದಿಗೆ ದುರ್ಬಲಗೊಳ್ಳುತ್ತಿದೆ, ತ್ಯಲ ಮಟ್ಟವು ಬದಲಾಗಿಲ್ಲ ಎಂದು ತೋರುತ್ತದೆ. ಎಕ್ಸ್‌ಪ್ಲೆನ್‌ವೇಯಂತಹ ಹೆಚ್ಚಿನ ವೇಗದಲಿ ವಾಹನವನ್ನು ಓಡಿಸಿದಾಗ ದುರ್ಬಲಗೊಳ್ಳಿಸುವ ಪದಾರ್ಥಗಳು ಆವಿಯಾಗುತ್ತವೆ, ಹೆಚ್ಚಿನ ವೇಗದ ಚಾಲನೆಯ ನಂತರ ತ್ಯಲವನ್ನು ಅತಿಯಾಗಿ ಸೇವಿಸಲಾಗುತ್ತದೆ ಎಂದು ನೇವು ತಿಳಿದಿರಬೇಕು.

### ಇಗ್ನಿಷನ್ ಸ್ವಿಚ್



65D611

**⚠ ಎಚ್ಚರಿಕೆ**  
ಸಂಭವನೀಯ ಗಾಯವನ್ನು ತಪ್ಪಿಸಲು, ಸ್ಪೀರಿಂಗ್ ಚಕ್ರದ ಮೂಲಕ ತಲುಪುವ ಮೂಲಕ ನಿಯಂತ್ರಣಗಳನ್ನು ನಿರ್ವಹಿಸಬೇಡಿ.



77PH002

ಇಗ್ನಿಷನ್ ಸ್ವಿಚ್ ಕೆಳಗಿನ ನಾಲ್ಕು ಸ್ಥಾನಗಳನ್ನು ಹೊಂದಿದೆ:

#### ಲಾಕ್

ಇದು ಸಾಮಾನ್ಯ ಪಾರ್ಕಿಂಗ್ ಸ್ಥಾನವಾಗಿದೆ. ಕೀಲಿಯನ್ನು ತೆಗೆಯಬಹುದಾದ ಏಕೈಕ ಸ್ಥಾನ ಇದು.

ಸ್ಪೀರಿಂಗ್ ಲಾಕ್ ಅನ್ನು ಬಿಡುಗಡೆ ಮಾಡಲು, ಕೀಲಿಯನ್ನು ಸೇರಿಸಿ ಮತ್ತು ಅದನ್ನು ಇತರ ಸ್ಥಾನಗಳಲ್ಲಿ ಒಂದಕ್ಕೆ ಪ್ರದಕ್ಷಿಣಾಕಾರವಾಗಿ ತಿರುಗಿಸಿ. ಸ್ಪೀರಿಂಗ್ ಅನ್ನು ಅನ್ಲಾಕ್ ಮಾಡಲು ಕೀಲಿಯನ್ನು ತಿರುಗಿಸಲು ನಿಮಗೆ ತೊಂದರೆಯಾಗಿದ್ದರೆ, ಕೀ ತಿರುಗಿಸುವಾಗ ಸ್ಪೀರಿಂಗ್ ಚಕ್ರವನ್ನು ಸ್ವಲ್ಪ ಬಲಕ್ಕೆ ಅಥವಾ ಎಡಕ್ಕೆ ತಿರುಗಿಸಲು ಪ್ರಯತ್ನಿಸಿ.

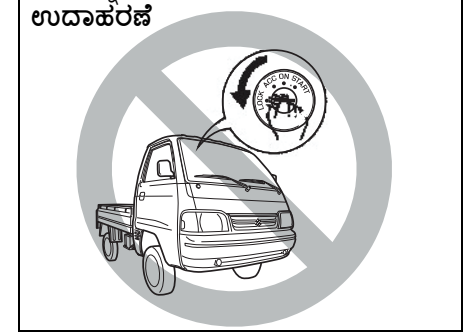
ಎಸಿಸಿ ಆಕ್ಸರಿ ಸಾಕೆಟ್‌ನಂತಹ ಪರಿಕರಗಳು ಕಾರ್ಯನಿರ್ವಹಿಸಬಹುದು, ಆದರೆ ಇಂಜಿನ್ ಆಫ್ ಆಗಿದೆ.

#### ಆನ್

ಇದು ಸಾಮಾನ್ಯ ಕಾರ್ಯಾಚರಣೆಯ ಸ್ಥಾನವಾಗಿದೆ. ಎಲ್ಲಾ ವಿದ್ಯುತ್ ವ್ಯವಸ್ಥೆಗಳು ಆನ್ ಆಗಿವೆ.

#### ಪ್ರಾರಂಭಿಸಿ

ಸ್ಟಾರ್ಟರ್ ಮೋಟಾರ್ ಬಳಸಿ ಇಂಜಿನ್ ಅನ್ನು ಪ್ರಾರಂಭಿಸಲು ಇದು ಸ್ಥಾನವಾಗಿದೆ. ಇಂಜಿನ್ ಪ್ರಾರಂಭವಾಹಿ ತಕ್ಷಣ ಈ ಸ್ಥಾನದಿಂದ ಕೀಲಿಯನ್ನು ಬಿಡುಗಡೆ ಮಾಡಬೇಕು.



82DY04

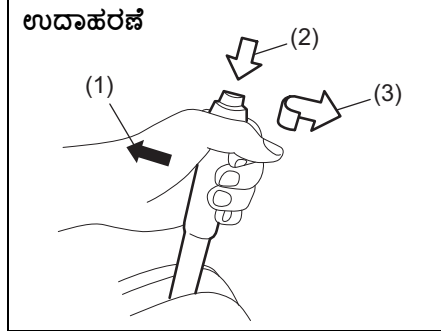
⚠ ಎಚ್ಚರಿಕೆ

- ವಾಹನ ಚಲಿಸುತ್ತಿರುವಾಗ ಇಗ್ನಿಷನ್ ಕೀಯನ್ನು ಎಂದಿಗೂ ತೆಗೆಯಬೇಡಿ. ಸ್ಪೀರಿಂಗ್ ಚಕ್ರವು ಲಾಕ್ ಆಗುತ್ತದೆ ಮತ್ತು ನೀವು ವಾಹನವನ್ನು ಓಡಿಸಲು ಸಾಧ್ಯವಾಗುವುದಿಲ್ಲ.
- ಸ್ವಲ್ಪ ಸಮಯದವರೆಗೆ ವಾಹನವನ್ನು ಬಿಡುವಾಗ ಯಾವಾಗಲೂ ಇಗ್ನಿಷನ್ ಕೀಯನ್ನು ತೆಗೆದುಹಾಕಿ. ಹಾಗೆಯೇ ನಿಲ್ಲಿಸಿದ ವಾಹನದಲ್ಲಿ ಮಕ್ಕಳನ್ನು ಒಂಟಿಯಾಗಿ ಬಿಡಬೇಡಿ. ಅವರು ಬೆಚ್ಚಗಿನ ಅಥವಾ ಬಿಸಿ ವಾತಾವರಣದಲ್ಲಿ ಶಾಖದ ಹೊಡೆತದಿಂದ ಬಳಲುತ್ತಿದ್ದಾರೆ. ಇವುಗಳು ತೀವ್ರವಾದ ಗಾಯ ಅಥವಾ ಸಾವಿಗೆ ಕಾರಣವಾಗಬಹುದು.

ಸೂಚನೆ

- ಒಂದು ಸಮಯದಲ್ಲಿ 30 ಸೆಕೆಂಡುಗಳಿಗಿಂತ ಹೆಚ್ಚು ಕಾಲ ಸ್ಟಾರ್ಟರ್ ಮೋಟಾರ್ ಅನ್ನು ಬಳಸಬೇಡಿ. ಇಂಜಿನ್ ಪ್ರಾರಂಭವಾಗದಿದ್ದರೆ, ಮತ್ತೆ ಪ್ರಯತ್ನಿಸುವ ಮೊದಲು 15 ಸೆಕೆಂಡುಗಳು ನಿರೀಕ್ಷಿಸಿ. ಹಲವಾರು ಪ್ರಯತ್ನಗಳ ನಂತರ ಇಂಜಿನ್ ಪ್ರಾರಂಭವಾಗದಿದ್ದರೆ, ಇಂಧನ ಮತ್ತು ದಹನ ವ್ಯವಸ್ಥೆಗಳನ್ನು ಪರಿಶೀಲಿಸಿ ಅಥವಾ ನಿಮ್ಮ ಅಧಿಕೃತ ಮಾರುತಿ ಸುಜುಕಿ ವಾಣಿಜ್ಯ ಕಾರ್ಯಾಗಾರವನ್ನು ಸಂಪರ್ಕಿಸಿ.
- ಬ್ಯಾಟರಿ ದಿಸ್ಚಾರ್ಜ್ ಆಗುವುದರಿಂದ ಇಂಜಿನ್ ಚಾಲನೆಯಲ್ಲಿಲ್ಲದಿದ್ದರೆ ಇಗ್ನಿಷನ್ ಸ್ವಿಚ್ ಅನ್ನು "ಆನ್" ಸ್ಥಾನದಲ್ಲಿ ಬಿಡಬೇಡಿ.

ಪಾರ್ಕಿಂಗ್ ಬ್ರೇಕ್ ಲಿವರ್



77PH030

- (1) ಹೊಂದಿಸಲು
- (2) ಬಿಡುಗಡೆ ಮಾಡಲು
- (3) ಬಿಡುಗಡೆ ಮಾಡಲು

ಪಾರ್ಕಿಂಗ್ ಬ್ರೇಕ್ ಲಿವರ್ ಆಸನಗಳ ನಡುವೆ ಇದೆ. ಪಾರ್ಕಿಂಗ್ ಬ್ರೇಕ್ ಅನ್ನು ಹೊಂದಿಸಲು, ಬ್ರೇಕ್ ಪೆಡಲ್ ಅನ್ನು ಕೆಳಗೆ ಹಿಡಿದುಕೊಳ್ಳಿ ಮತ್ತು ಪಾರ್ಕಿಂಗ್ ಬ್ರೇಕ್ ಲಿವರ್ ಅನ್ನು ಎಲ್ಲಾ ರೀತಿಯಲ್ಲಿ ಮೇಲಕ್ಕೆ ಎಳೆಯಿರಿ. ಪಾರ್ಕಿಂಗ್ ಬ್ರೇಕ್ ಅನ್ನು ಬಿಡುಗಡೆ ಮಾಡಲು, ಬ್ರೇಕ್ ಪೆಡಲ್ ಅನ್ನು ಹಿಡಿದುಕೊಳ್ಳಿ, ಪಾರ್ಕಿಂಗ್ ಬ್ರೇಕ್ ಲಿವರ್ ಮೇಲೆ ಸ್ವಲ್ಪ ಮೇಲಕ್ಕೆ ಎಳೆಯಿರಿ, ನಿಮ್ಮ ಹೆಬ್ಬರಳಿನಿಂದ ಲಿವರ್‌ನ ತುದಿಯಲ್ಲಿರುವ ಬಟನ್ ಅನ್ನು ಒತ್ತಿ ಮತ್ತು ಲಿವರ್ ಅನ್ನು ಅದರ ಮೂಲ ಸ್ಥಾನಕ್ಕೆ ಇಳಿಸಿ.

⚠ ಎಚ್ಚರಿಕೆ

- ಪಾರ್ಕಿಂಗ್ ಬ್ರೇಕ್‌ನಲ್ಲಿ ನಿಮ್ಮ ವಾಹನವನ್ನು ಎಂದಿಗೂ ಓಡಿಸಬೇಡಿ: ಹಿಂಬದಿಯ ಬ್ರೇಕ್ ಪರಿಣಾಮಕಾರಿತ್ವವನ್ನು ಅಧಿಕ ಬಿಸಿಯಾಗುವುದರಿಂದ ಕಡಿಮೆ ಮಾಡಬಹುದು, ಬ್ರೇಕ್ ಜೀವಿತಾವಧಿಯನ್ನು ಕಡಿಮೆ ಮಾಡಬಹುದು ಅಥವಾ ಶಾಶ್ವತ ಬ್ರೇಕ್ ಹಾನಿಗೆ ಕಾರಣವಾಗಬಹುದು.
- ಪಾರ್ಕಿಂಗ್ ಬ್ರೇಕ್ ವಾಹನವನ್ನು ಸುರಕ್ಷಿತವಾಗಿ ಹಿಡಿದಿಟ್ಟುಕೊಳ್ಳದಿದ್ದರೆ ಅಥವಾ ಸಂಪೂರ್ಣವಾಗಿ ಬಿಡುಗಡೆ ಮಾಡದಿದ್ದರೆ, ಅಧಿಕೃತ ಮಾರುತಿ ಸುಜುಕಿ ವಾಣಿಜ್ಯ ಕಾರ್ಯಾಗಾರದಿಂದ ತಕ್ಷಣವೇ ನಿಮ್ಮ ವಾಹನವನ್ನು ಪರಿಶೀಲಿಸಿ.

⚠ ಎಚ್ಚರಿಕೆ

ನಿಮ್ಮ ವಾಹನವನ್ನು ಬಿಡುವ ಮೊದಲು ಯಾವಾಗಲೂ ಪಾರ್ಕಿಂಗ್ ಬ್ರೇಕ್ ಅನ್ನು ಸಂಪೂರ್ಣವಾಗಿ ಹೊಂದಿಸಿ ಅಥವಾ ಅದು ಚಲಿಸಬಹುದು, ಗಾಯ ಅಥವಾ ಹಾನಿಯನ್ನು ಉಂಟುಮಾಡಬಹುದು. ಪಾರ್ಕಿಂಗ್ ಮಾಡುವಾಗ, ಗೇರ್‌ಶಿಫ್ಟ್ ಲಿವರ್ ರಿವರ್ಸ್ ಅಥವಾ ಮೊದಲ ಗೇರ್‌ನಲ್ಲಿದೆ ಎಂದು ಖಚಿತಪಡಿಸಿಕೊಳ್ಳಿ. ನೆನಪಿಡಿ, ಪ್ರಸರಣವು ಗೇರ್‌ನಲ್ಲಿದ್ದರೂ, ನೀವು ಪಾರ್ಕಿಂಗ್ ಬ್ರೇಕ್ ಅನ್ನು ಸಂಪೂರ್ಣವಾಗಿ ಹೊಂದಿಸಬೇಕು.

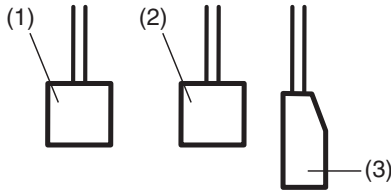
⚠ ಎಚ್ಚರಿಕೆ

ಅತ್ಯಂತ ಶೀತ ವಾತಾವರಣದಲ್ಲಿ ವಾಹನವನ್ನು ನಿಲ್ಲಿಸುವಾಗ, ಈ ಕೆಳಗಿನ ವಿಧಾನವನ್ನು ಬಳಸಬೇಕು:

- 1) ಪಾರ್ಕಿಂಗ್ ಬ್ರೇಕ್ ಅನ್ನು ಹೊಂದಿಸಿ.
- 2) ಇಂಜಿನ್ ಅನ್ನು ಆಫ್ ಮಾಡಿ, ನಂತರ ರಿವರ್ಸ್ ಅಥವಾ ಮೊದಲ ಗೇರ್‌ಗೆ ಬದಲಾಯಿಸಿ.
- 3) ವಾಹನದಿಂದ ಹೊರಬನ್ನಿ ಮತ್ತು ಚಕ್ರಗಳ ಕೆಳಗೆ ಚಾಕ್ ಹಾಕಿ.
- 4) ಪಾರ್ಕಿಂಗ್ ಬ್ರೇಕ್ ಅನ್ನು ಬಿಡುಗಡೆ ಮಾಡಿ. ನಿಮ್ಮ ವಾಹನಕ್ಕೆ ನೀವು ಹಿಂತಿರುಗಿದಾಗ, ನೀವು ಮೊದಲು ಪಾರ್ಕಿಂಗ್ ಬ್ರೇಕ್ ಅನ್ನು ಹೊಂದಿಸಲು ಮರೆಯದಿರಿ, ನಂತರ ಚಕ್ರದ ಚಾಕ್ ಅನ್ನು ತೆಗೆದುಹಾಕಿ.

ಪೆಡಲ್

ಉದಾಹರಣೆ



80J2121

ಕಚ್ ಪೆಡಲ್ (1)

ಇಂಜಿನ್ ಅನ್ನು ಪ್ರಾರಂಭಿಸುವಾಗ, ನಿಲ್ಲಿಸುವಾಗ ಅಥವಾ ಗೇರ್‌ಶಿಫ್ಟ್ ಲಿವರ್ ಅನ್ನು ಬದಲಾಯಿಸುವಾಗ ಕಚ್ ಪೆಡಲ್ ಅನ್ನು ಚಕ್ರಗಳಿಗೆ ಡ್ರೈವ್ ಅನ್ನು ಬೇರ್ಪಡಿಸಲು ಬಳಸಲಾಗುತ್ತದೆ. ಪೆಡಲ್ ಅನ್ನು ಒತ್ತಿಹಿಡಿಯುವುದು ಕ್ಲಚ್ ಅನ್ನು ಬೇರ್ಪಡಿಸುತ್ತದೆ.

⚠ ಎಚ್ಚರಿಕೆ

ನಿಮ್ಮ ಪಾದವನ್ನು ಕಚ್ ಪೆಡಲ್ ಮೇಲೆ ಇರಿಸಿ ಚಾಲನೆ ಮಾಡಬೇಡಿ. ಇದು ಅತಿಯಾದ ಕಚ್ ವೇರ್, ಕಚ್ ಹಾನಿ ಅಥವಾ ಇಂಜಿನ್ ಬ್ರೇಕಿಂಗ್‌ನ ಅನಿರೀಕ್ಷಿತ ನಷ್ಟಕ್ಕೆ ಕಾರಣವಾಗಬಹುದು.

ಬ್ರೇಕ್ ಪೆಡಲ್ (2)

ನಿಮ್ಮ ವಾಹನವು ಮುಂಭಾಗದ ಡಿಸ್ಕ್ ಬ್ರೇಕ್‌ಗಳು ಮತ್ತು ಹಿಂಭಾಗದ ಡ್ರಮ್ ಬ್ರೇಕ್‌ಗಳನ್ನು ಹೊಂದಿದೆ. ಬ್ರೇಕ್ ಪೆಡಲ್ ಅನ್ನು ಒತ್ತಿಹಿಡಿಯುವುದು ಬ್ರೇಕ್‌ಗಳ ಎರಡೂ ಸೆಟ್‌ಗಳನ್ನು ಅನ್ವಯಿಸುತ್ತದೆ.

ನೀವು ಬ್ರೇಕ್‌ಗಳನ್ನು ಅನ್ವಯಿಸಿದಾಗ ಸಾಂದರ್ಭಿಕ ಬ್ರೇಕ್ ಕೇರಲು ಧ್ವನಿಯನ್ನು ನೀವು ಕೇಳಬಹುದು. ಇದು ತಾಪಮಾನ, ಆರ್ದ್ರತೆ, ಹಿಮ ಅಥವಾ ಧೂಳು ಮುಂತಾದ ಪರಿಸರ ಅಂಶಗಳಿಂದ ಉಂಟಾಗುವ ಸಾಮಾನ್ಯ ಸ್ಥಿತಿಯಾಗಿದೆ.

⚠ ಎಚ್ಚರಿಕೆ

ಬ್ರೇಕ್ ಸ್ಪೀಡ್ ವಿಪರೀತವಾಗಿದರೆ ಮತ್ತು ಬ್ರೇಕ್‌ಗಳನ್ನು ಅನ್ವಯಿಸಿದಾಗ ಜೈತಿ ಬಾರಿ ಸಂಭವಿಸಿದರೆ, ನಿಮ್ಮ ಅಧಿಕೃತ ಮಾರುತಿ ಸುಜುಕಿ ಕಮರ್ಷಿಯಲ್ ವರ್ಕ್‌ಶಾಪ್‌ನಿಂದ ನೀವು ಬ್ರೇಕ್‌ಗಳನ್ನು ಪರಿಶೀಲಿಸಬೇಕು.

⚠ ಎಚ್ಚರಿಕೆ

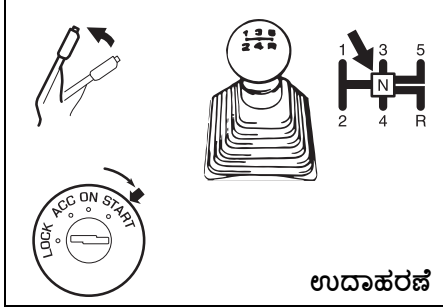
ಬ್ರೇಕ್‌ಗಳನ್ನು ನಿರಂತರವಾಗಿ ಅನ್ವಯಿಸುವ ಮೂಲಕ ಅಥವಾ ಪೆಡಲ್ ಮೇಲೆ ನಿಮ್ಮ ಪಾದವನ್ನು ವಿಶ್ರಾಂತಿ ಮಾಡುವ ಮೂಲಕ ಸವಾರಿ ಮಾಡಬೇಡಿ. ಇದು ಬ್ರೇಕ್‌ಗಳ ಅಧಿಕ ಬಿಸಿಯಾಗುವಿಕೆಗೆ ಕಾರಣವಾಗುತ್ತದೆ, ಇದು ಅನಿರೀಕ್ಷಿತ ಬ್ರೇಕಿಂಗ್ ಕ್ರಿಯೆಯನ್ನು ಉಂಟುಮಾಡಬಹುದು, ಹೆಚ್ಚು ದೂರವನ್ನು ನಿಲಿಸಬಹುದು ಅಥವಾ ಶಾಶ್ವತ ಬ್ರೇಕ್ ಹಾನಿಗೆ ಕಾರಣವಾಗಬಹುದು.

ವೇಗವರ್ಧಕ ಪೆಡಲ್ (3)

ಈ ಪೆಡಲ್ ಇಂಜಿನ್ ವೇಗವನ್ನು ನಿಯಂತ್ರಿಸುತ್ತದೆ. ವೇಗವರ್ಧಕ ಪೆಡಲ್ ಅನ್ನು ಒತ್ತಿದರೆ ವಿದ್ಯುತ್ ಉತ್ಪಾದನೆ ಮತ್ತು ವೇಗವನ್ನು ಹೆಚ್ಚಿಸುತ್ತದೆ.

## ಇಂಜಿನ್ ಅನ್ನು ಪ್ರಾರಂಭಿಸಲಾಗುತ್ತಿದೆ

### ಇಂಜಿನ್ ಅನ್ನು ಪ್ರಾರಂಭಿಸುವ ಮೊದಲು



ಉದಾಹರಣೆ

77PH014

- 1) ಪಾರ್ಕಿಂಗ್ ಬ್ರೇಕ್ ಅನ್ನು ಸಂಪೂರ್ಣವಾಗಿ ಹೊಂದಿಸಲಾಗಿದೆ ಎಂದು ಖಚಿತಪಡಿಸಿಕೊಳ್ಳಿ.
- 2) "ಎನ್" (ತಟಸ್ಥ) ಗೆ ಶಿಫ್ಟ್ ಮಾಡಿ ಮತ್ತು ಕ್ಲಚ್ ಪೆಡಲ್ ಅನ್ನು ನೆಲದವರೆಗೆ ಒತ್ತಿರಿ. ಇಂಜಿನ್ ಅನ್ನು ಪ್ರಾರಂಭಿಸುವಾಗ ಕ್ಲಚ್ ಪೆಡಲ್ ಅನ್ನು ಹಿಡಿದುಕೊಳ್ಳಿ.

### ⚠ ಎಚ್ಚರಿಕೆ

ಇಂಜಿನ್ ಅನ್ನು ಪ್ರಾರಂಭಿಸಲು ಪ್ರಯತ್ನಿಸುವ ಮೊದಲು ಪಾರ್ಕಿಂಗ್ ಬ್ರೇಕ್ ಅನ್ನು ಸಂಪೂರ್ಣವಾಗಿ ಹೊಂದಿಸಲಾಗಿದೆ ಮತ್ತು ಪ್ರಸರಣವು ತಟಸ್ಥವಾಗಿದೆ ಎಂದು ಖಚಿತಪಡಿಸಿಕೊಳ್ಳಿ.

ಶೀತ ಮತ್ತು ಬೆಚ್ಚಗಿನ ಇಂಜಿನ್ ಅನ್ನು ಪ್ರಾರಂಭಿಸುವುದು

ವೇಗವರ್ಧಕ ಪೆಡಲ್‌ನಿಂದ ನಿಮ್ಮ ಪಾದದಿಂದ, ಇಂಜಿನ್ ಕೀಯನ್ನು "ಸ್ಟಾಟ್" ಗೆ ತಿರುಗಿಸುವ ಮೂಲಕ ಇಂಜಿನ್ ಅನ್ನು ಕ್ರಾಂಕ್ ಮಾಡಿ. ಇಂಜಿನ್ ಪ್ರಾರಂಭವಾದಾಗ ಕೀಲಿಯನ್ನು ಬಿಡುಗಡೆ ಮಾಡಿ.

### ಸೂಚನೆ

- ಇಂಜಿನ್ ಪ್ರಾರಂಭವಾದ ತಕ್ಷಣ ಸ್ಟಾರ್ಟರ್ ಅನ್ನು ತಿರುಗಿಸುವುದನ್ನು ನಿಲ್ಲಿಸಿ ಅಥವಾ ಸ್ಟಾರ್ಟರ್ ಸಿಸ್ಟಮ್ ಹಾನಿಗೊಳಗಾಗಬಹುದು.
- ಒಂದು ಸಮಯದಲ್ಲಿ 12 ಸೆಕೆಂಡುಗಳಿಗಿಂತ ಹೆಚ್ಚು ಕಾಲ ಇಂಜಿನ್ ಅನ್ನು ಕ್ರಾಂಕ್ ಮಾಡಬೇಡಿ. ಮೊದಲ ಪ್ರಯತ್ನದಲ್ಲಿ ಇಂಜಿನ್ ಪ್ರಾರಂಭವಾಗದಿದ್ದರೆ, ಮತ್ತೆ ಪ್ರಯತ್ನಿಸುವ ಮೊದಲು ಸುಮಾರು 15 ಸೆಕೆಂಡುಗಳ ಕಾಲ ನಿರೀಕ್ಷಿಸಿ.

12 ಸೆಕೆಂಡುಗಳ ಕ್ರಾಂಕಿಂಗ್ ನಂತರ ಇಂಜಿನ್ ಪ್ರಾರಂಭವಾಗದಿದ್ದರೆ, ಸುಮಾರು 15 ಸೆಕೆಂಡುಗಳ ಕಾಲ ನಿರೀಕ್ಷಿಸಿ, ನಂತರ ವೇಗವರ್ಧಕ ಪೆಡಲ್ ಅನ್ನು ಅದರ ಪ್ರಯಾಣದ 1/3 ಕ್ಕೆ ಒತ್ತಿರಿ ಮತ್ತು ಇಂಜಿನ್ ಅನ್ನು ಮತ್ತೆ ಕ್ರಾಂಕ್ ಮಾಡಲು ಪ್ರಯತ್ನಿಸಿ. ಇಂಜಿನ್ ಪ್ರಾರಂಭವಾದಾಗ ಕೀ ಮತ್ತು ವೇಗವರ್ಧಕ ಪೆಡಲ್ ಅನ್ನು ಬಿಡುಗಡೆ ಮಾಡಿ.

ಇಂಜಿನ್ ಇನ್ನೂ ಪ್ರಾರಂಭವಾಗದಿದ್ದರೆ, ಕ್ರಾಂಕ್ ಮಾಡುವಾಗ ವೇಗವರ್ಧಕ ಪೆಡಲ್ ಅನ್ನು ನೆಲದವರೆಗೆ ಹಿಡಿದುಕೊಳ್ಳಲು ಪ್ರಯತ್ನಿಸಿ. ಇದು ಪ್ರವಾಹದಲ್ಲಿದ್ದರೆ ಇಂಜಿನ್ ಅನ್ನು ತೆರವುಗೊಳಿಸಬೇಕು.

### ಸೂಚನೆ:

(ಸಿ ಎನ್ ಜಿ ಇಂಜಿನ್ ಮಾದರಿಗಾಗಿ)

- ಪೆಟ್ರೋಲ್‌ನಿಂದ ಸಿ ಎನ್ ಜಿ ಮೋಡ್‌ಗೆ ಬದಲಾಯಿಸಲು ವೇಗವರ್ಧಕ ಪೆಡಲ್ ಅನ್ನು ಒತ್ತಬೇಡಿ.
- ಇಂಜಿನ್ ಸ್ಪೈಚ್ "ಆನ್" ಮತ್ತು ಇಂಜಿನ್ ಚಾಲನೆಯಲ್ಲಿ, ಸಿ ಎನ್ ಜಿ ಅಸಮರ್ಪಕ ಎಚ್ಚರಿಕೆ ದೀಪದ ಮಿಟುಕಿಸುವುದು ಇಂಧನ ಮುಚ್ಚಳವನ್ನು ತೆರೆದಿರುವುದನ್ನು ಸೂಚಿಸುತ್ತದೆ. ಈ ಸ್ಥಿತಿಯಲ್ಲಿ ವಾಹನವನ್ನು ಪ್ರಾರಂಭಿಸಲಾಗುವುದಿಲ್ಲ.
- ಇಂಜಿನ್ ಜೀವಿತಾವಧಿಯನ್ನು ಹೆಚ್ಚಿಸಲು ವಾಹನವನ್ನು ಆಟೋ ಮೋಡ್ ಅಥವಾ ಪೆಟ್ರೋಲ್ ಮೋಡ್‌ನಲ್ಲಿ ಪ್ರಾರಂಭಿಸಲು ಯಾವಾಗಲೂ ಶಿಫಾರಸು ಮಾಡಲಾಗುತ್ತದೆ.
- ಸುತ್ತುವರಿದ / ಇಂಜಿನ್ ತಾಪಮಾನವು ಶೂನ್ಯ ಡಿಗ್ರಿ ಸೆಲ್ಸಿಯಸ್‌ಗಿಂತ ಕಡಿಮೆ ಇರುವಾಗ ವಾಹನವನ್ನು ಪ್ರಾರಂಭಿಸಿದರೆ ಸಿ ಎನ್ ಜಿ ಗೆ ಇಂಧನ ಬದಲಾವಣೆಯು ಸಂಭವಿಸುವುದಿಲ್ಲ. ಅಂತಹ ಸಂದರ್ಭದಲ್ಲಿ, ಇಂಜಿನ್ ಅನ್ನು ಪೆಟ್ರೋಲ್ ಮೋಡ್‌ನಲ್ಲಿ ಅದೇ ಬೆಚ್ಚಗಾಗುವವರೆಗೆ ರನ್ ಮಾಡಿ ಮತ್ತು ನಂತರ ಸಿ ಎನ್ ಜಿ ಗೆ ಬದಲಾಯಿಸಲು ಇಂಜಿನ್ ಅನ್ನು ಮರುಪ್ರಾರಂಭಿಸಲು ಪ್ರಯತ್ನಿಸಿ.
- ಪೆಟ್ರೋಲ್ ಟ್ಯಾಂಕ್‌ನಲ್ಲಿ ಸಾಕಷ್ಟು ಪ್ರಮಾಣದ ಪೆಟ್ರೋಲ್ ಅನ್ನು ಇರಿಸಲು ಶಿಫಾರಸು ಮಾಡಲಾಗಿದೆ.
- ಸುತ್ತುವರಿದ / ಇಂಜಿನ್ ತಾಪಮಾನವು ಶೂನ್ಯ ಡಿಗ್ರಿ ಸೆಲ್ಸಿಯಸ್‌ಗಿಂತ ಕಡಿಮೆಯಿದ್ದರೆ ಬಲವಂತದ ಸಿ ಎನ್ ಜಿ ಮೋಡ್‌ನಲ್ಲಿ ವಾಹನವು ಪ್ರಾರಂಭವಾಗುವುದಿಲ್ಲ. ಆಟೋ ಮೋಡ್‌ನಲ್ಲಿ ವಾಹನವನ್ನು ಪ್ರಾರಂಭಿಸಲು ಶಿಫಾರಸು ಮಾಡಲಾಗಿದೆ.
- ಸಿ ಎನ್ ಜಿ ಮೋಡ್‌ನಿಂದ ಪೆಟ್ರೋಲ್ ಮೋಡ್‌ಗೆ ಸ್ವಯಂಚಾಲಿತ ಬದಲಾವಣೆ ಮಾಡುವಾಗ ಇಂಜಿನ್ ಸ್ಥಗಿತಗೊಳ್ಳುವುದನ್ನು ತಡೆಯಲು

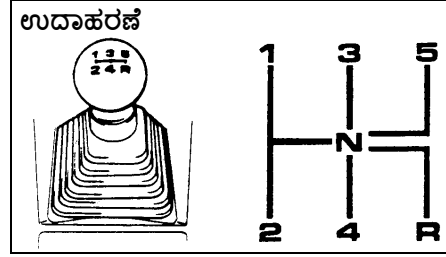
## ನಿಮ್ಮ ವಾಹನವನ್ನು ನಿರ್ವಹಿಸುವುದು

ಪೆಟ್ರೋಲ್ ಟ್ಯಾಂಕ್‌ನಲ್ಲಿ ಸಾಕಷ್ಟು ಪ್ರಮಾಣದ ಪೆಟ್ರೋಲ್ ಅನ್ನು ಇರಿಸಲು ಶಿಫಾರಸು ಮಾಡಲಾಗಿದೆ.

- ಬದಲಾವಣೆ ಸೈಚ್ ಅನ್ನು ಒತ್ತಿದ ನಂತರ ಸಿ ಎನ್ ಜಿ ಅನುಮರ್ಪಕ ವೆಚ್ಚರಿಕೆ ದೀಪವು ಮಿಟುಕಿಸುವುದನ್ನು ನಿಲ್ಲಿಸದಿದ್ದರೆ, ವಾಹನವನ್ನು ಹತ್ತಿರದ ಅಧಿಕೃತ ಮಾರುಕಟ್ಟೆ ಸುಜುಕಿ ವಾಣಿಜ್ಯ ಕಾರ್ಯಾಗಾರಕ್ಕೆ ಕೊಂಡೊಯ್ಯಿರಿ.

## ಪ್ರಸರಣವನ್ನು ಬಳಸುವುದು

ಹಸ್ತಚಾಲಿತ ಪ್ರಸರಣ



65D038

### ಆರಂಭಗೊಳ್ಳುತ್ತಿದೆ

ಪ್ರಾರಂಭಿಸಲು, ಕ್ಲಚ್ ಪೆಡಲ್ ಅನ್ನು ನೆಲದವರೆಗೆ ಒತ್ತಿ ಮತ್ತು 1 ನೇ ಅಥವಾ 2 ನೇ ಗೇರ್‌ಗೆ ವರ್ಗಾಯಿಸಿ. ಪಾರ್ಕಿಂಗ್ ಬ್ರೇಕ್ ಅನ್ನು ಬಿಡುಗಡೆ ಮಾಡಿದ ನಂತರ, ಕ್ರಮೇಣ ಕ್ಲಚ್ ಅನ್ನು ಬಿಡುಗಡೆ ಮಾಡಿ. ಇಂಜಿನ್ ಧ್ವನಿಯಲ್ಲಿ ಬದಲಾವಣೆಯನ್ನು ನೀವು ಕೇಳಿದಾಗ, ಕ್ಲಚ್ ಅನ್ನು ಕ್ರಮೇಣ ಬಿಡುಗಡೆ ಮಾಡುವುದನ್ನು ಮುಂದುವರಿಸುವಾಗ ವೇಗವರ್ಧಕವನ್ನು ನಿಧಾನವಾಗಿ ಒತ್ತಿರಿ.

ಸೂಚನೆ:

- ಸಾಮಾನ್ಯ ಚಾಲನೆಯ ಸಮಯದಲ್ಲಿ ಪ್ರಾರಂಭಿಸಲು ಶಿಫಾರಸು ಮಾಡಲಾದ ಗೇರ್ ಸ್ಥಾನವು 2 ನೇ ಗೇರ್ ಆಗಿದೆ.
- ದೊಡ್ಡ ಚಾಲನಾ ಶಕ್ತಿಯ ಅಗತ್ಯವಿರುವ ಕ್ರಾಸ್ ಕಂಟ್ರಿ ಡ್ರೈವಿಂಗ್, ಕಾಲ್ ಅಥವಾ ಲೋಡ್ ಡ್ರೈವಿಂಗ್ ಸಂದರ್ಭದಲ್ಲಿ, ಶಿಫ್ಟ್ ಸ್ಥಾನವನ್ನು ಶಿಫಾರಸು ಮಾಡಲಾಗಿದೆ 1 ನೇ ಗೇರ್.

### ಶಿಫ್ಟಿಂಗ್

ಎಲ್ಲಾ ಫಾರ್ವರ್ಡ್ ಗೇರ್‌ಗಳನ್ನು ಸಿಂಕ್ರೊನೈಸ್ ಮಾಡಲಾಗಿದೆ, ಇದು ಶಾಂತ ಮತ್ತು ಸುಲಭವಾಗಿ ಬದಲಾಯಿಸುವಿಕೆಯನ್ನು ಒದಗಿಸುತ್ತದೆ. ಗೇರ್ ಅನ್ನು ಬದಲಾಯಿಸುವ ಮೊದಲು ಯಾವಾಗಲೂ ಕ್ಲಚ್ ಪೆಡಲ್ ಅನ್ನು ಸಂಪೂರ್ಣವಾಗಿ ತಳ್ಳಿರಿ.

ಗರಿಷ್ಠ ಅನುಮತಿಸುವ ವೇಗವನ್ನು ಕಡಿಮೆಗೊಳಿಸುವುದು (ಪೆಟ್ರೋಲ್ ಮಾದರಿಗಾಗಿ)

ಡ್ರೈವಿಂಗ್	ಕಿಮೀ / ಗಂ
2 ರಿಂದ 1 ನೇ	10
3 ರಿಂದ 2 ನೇ	65
4 ರಿಂದ 3 ನೇ	100
5 ರಿಂದ 4 ನೇ	140

ಗರಿಷ್ಠ ಅನುಮತಿಸುವ ವೇಗವನ್ನು ಕಡಿಮೆಗೊಳಿಸುವುದು (ಸಿ ಎನ್ ಜಿ ಮಾದರಿಗಾಗಿ)

ಡೌನ್‌ಶಿಫ್ಟಿಂಗ್	ಕಿಮೀ / ಗಂ
2 ರಿಂದ 1 ನೇ	10
3 ರಿಂದ 2 ನೇ	55
4 ರಿಂದ 3 ನೇ	90
5 ರಿಂದ 4 ನೇ	125

ಸೂಚನೆ:  
ಡ್ರೈವಿಂಗ್ ಪರಿಸ್ಥಿತಿ ಮತ್ತು/ಅಥವಾ ವಾಹನದ ಸ್ಥಿತಿಯಿಂದಾಗಿ ನೀವು ಗರಿಷ್ಠ ಅನುಮತಿಸುವ ವೇಗಕ್ಕೆ ವೇಗವನ್ನು ಹೆಚ್ಚಿಸದಿರಬಹುದು.

ಸೂಚನೆ
ಕಡಿಮೆ ಗೇರ್‌ಗೆ ಡೌನ್‌ಶಿಫ್ಟಿಂಗ್ ಮಾಡುವಾಗ, ಗರಿಷ್ಠ ಅನುಮತಿಸುವ ವೇಗಕ್ಕಿಂತ ವೇಗದಲ್ಲಿ ಡೌನ್‌ಶಿಫ್ಟ್ ಆಗದಂತೆ ನೋಡಿಕೊಳ್ಳಿ ಅಥವಾ ತೀವ್ರವಾದ ಇಂಜಿನ್ ಹಾನಿ ಉಂಟಾಗುತ್ತದೆ.

**⚠ ಎಚ್ಚರಿಕೆ**

- ಉದ್ದವಾದ ಅಥವಾ ಕಡಿಮೆ ಬೆಟ್ಟವನ್ನು ಇಳಿಯುವ ಮೊದಲು ನಿಮ್ಮ ವೇಗವನ್ನು ಕಡಿಮೆ ಮಾಡಿ ಮತ್ತು ಕಡಿಮೆ ಗೇರ್‌ಗೆ ಡೌನ್‌ಶಿಫ್ಟ್ ಮಾಡಿ. ಕಡಿಮೆ ಗೇರ್ ಇಂಜಿನ್ ಬ್ರೇಕಿಂಗ್ ಒದಗಿಸಲು ಅನುಮತಿಸುತ್ತದೆ. ಬ್ರೇಕ್‌ಗಳನ್ನು ಸವಾರಿ ಮಾಡುವುದನ್ನು ತಪ್ಪಿಸಿ ಅಥವಾ ಅವುಗಳು ಹೆಚ್ಚು ಬಿಸಿಯಾಗಬಹುದು, ಇದರ ಪರಿಣಾಮವಾಗಿ ಬ್ರೇಕ್ ವ್ಯುಪ್ಪಲ್ಯಕ್ಕೆ ಕಾರಣವಾಗುತ್ತದೆ.
- ಜಾರು ರಸ್ತೆಗಳಲ್ಲಿ ಚಾಲನೆ ಮಾಡುವಾಗ, ಡೌನ್‌ಶಿಫ್ಟಿಂಗ್ ಮಾಡುವ ಮೊದಲು ನಿಧಾನಗೊಳಿಸಲು ಮರೆಯದಿರಿ. ಇಂಜಿನ್ ವೇಗದಲ್ಲಿ ಅತಿಯಾದ ಮತ್ತು ಅಥವಾ ಹಠಾತ್ ಬದಲಾವಣೆಗಳು ಎಳೆತದ ನಷ್ಟಕ್ಕೆ ಕಾರಣವಾಗಬಹುದು, ಇದು ನಿಮ್ಮ ನಿಯಂತ್ರಣವನ್ನು ಕಳೆದುಕೊಳ್ಳಲು ಕಾರಣವಾಗಬಹುದು.

**ಸೂಚನೆ**

- ಕಚ್ ಹಾನಿಯನ್ನು ತಪ್ಪಿಸಲು ಸಹಾಯ ಮಾಡಲು, ಚಾಲನೆ ಮಾಡುವಾಗ ಕಚ್ ಪೆಡಲ್ ಅನ್ನು ಫುಟ್‌ರಸ್‌ನಂತೆ ಬಳಸಬೇಡಿ ಅಥವಾ ವಾಹನವನ್ನು ಇಳಿಜಾರಿನಲ್ಲಿ ಸ್ಥಿರವಾಗಿಡಲು ಕಚ್ ಅನ್ನು ಬಳಸಿ. ಬದಲಾಯಿಸುವಾಗ ಕಚ್ ಅನ್ನು ಸಂಪೂರ್ಣವಾಗಿ ಒತ್ತಿರಿ.
- ಬದಲಾಯಿಸುವಾಗ ಅಥವಾ ಪ್ರಾರಂಭಿಸುವಾಗ, ಇಂಜಿನ್ ಅನ್ನು ರೇಸ್ ಮಾಡಬೇಡಿ. ಇಂಜಿನ್ ಅನ್ನು ರೇಸಿಂಗ್ ಮಾಡುವುದರಿಂದ ಇಂಜಿನ್ ಜೀವಿತಾವಧಿಯನ್ನು ಕಡಿಮೆ ಮಾಡಬಹುದು ಮತ್ತು ಸುಗಮ ವರ್ಗಾವಣೆಯ ಮೇಲೆ ಪರಿಣಾಮ ಬೀರಬಹುದು.

**ಸೂಚನೆ**

ರಿವರ್ಸ್ ಗೇರ್ "ಆರ್" ಅನ್ನು ತೊಡಗಿಸುವ ಮೊದಲು, ವಾಹನವು ಸಂಪೂರ್ಣವಾಗಿ ನಿಶ್ಚಲವಾಗಿದೆಯೇ ಮತ್ತು ಗೇರ್ ಲಿವರ್ ತಟಸ್ಥ [ಎನ್] ಸ್ಥಾನದಲ್ಲಿದೆಯೇ ಎಂದು ಪರಿಶೀಲಿಸಿ. ಕಚ್ ಪೆಡಲ್ ಅನ್ನು ಸಂಪೂರ್ಣವಾಗಿ ಒತ್ತಿದ ನಂತರ, [ಆರ್] ಗೆ ಬದಲಾಯಿಸಿ.

ಸೂಚನೆ:  
ರಿವರ್ಸ್ ಗೇರ್ "ಆರ್" ಅನ್ನು ತೊಡಗಿಸಿಕೊಳ್ಳಲು ಕಷ್ಟವಾಗಿದ್ದರೆ, ಕೆಳಗಿನ ವಿಧಾನವನ್ನು ಅನುಸರಿಸಿ:  
1. ತಟಸ್ಥ "ಎನ್" ನಲ್ಲಿ ಗೇರ್ ಲಿವರ್ ಅನ್ನು ಹಾಕಿ.  
2. ಕಚ್ ಪೆಡಲ್ ಅನ್ನು ಒಮ್ಮೆ ಬಿಡುಗಡೆ ಮಾಡಿ.  
3. ಮತ್ತೊಮ್ಮೆ ಕಚ್ ಪೆಡಲ್ ಅನ್ನು ಒತ್ತಿ, ಮತ್ತು "ಎನ್" ನಿಂದ "ಆರ್" ಗೆ ಬದಲಿಸಿ.

## ಪಾರ್ಕಿಂಗ್ ಸೆನ್ಸರ್‌ಗಳು

- ಪಾರ್ಕಿಂಗ್ ಸೆನ್ಸರ್ ವ್ಯವಸ್ಥೆಯು ಹಿಂಭಾಗದ ಬಂಪರ್ ಬಳಿ ಅಡೆತಡೆಗಳನ್ನು ಪತ್ತೆಹಚ್ಚಲು ಅಲ್ಟ್ರಾ ಸೌನಿಕ್ ಸಂವೇದಕಗಳನ್ನು ಬಳಸುತ್ತದೆ. ನೀವು ವಾಹನವನ್ನು ನಿಲುಗಡೆ ಮಾಡುವಾಗ ಅಥವಾ ನಿಧಾನವಾಗಿ ಚಲಿಸುವಾಗ ಅಡೆತಡೆಗಳು ಕಂಡುಬಂದರೆ, ವ್ಯವಸ್ಥೆಯು ಬಜರ್ ಅನ್ನು ಧ್ವನಿಸುವ ಮೂಲಕ ನಿಮ್ಮನ್ನು ಎಚ್ಚರಿಸುತ್ತದೆ.
- ವ್ಯವಸ್ಥೆಯು ಅಲ್ಟ್ರಾ ಸೌನಿಕ್ ತರಂಗವನ್ನು ಹೊರಸೂಸುತ್ತದೆ ಮತ್ತು ಸಂಬಂಧಿತ ಸಂವೇದಕವು ಅಡಚಣೆಯಿಂದ ಪ್ರತಿಫಲಿಸುವ ತರಂಗದ ಹಿಂತಿರುಗುವಿಕೆಯನ್ನು ಪತ್ತೆ ಮಾಡುತ್ತದೆ. ವ್ಯವಸ್ಥೆಯು ಅಲ್ಟ್ರಾ ಸೌನಿಕ್ ತರಂಗವು ಅಡಚಣೆಯನ್ನು ತಲುಪಲು ಮತ್ತು ಅದರಿಂದ ಹಿಂತಿರುಗಲು ತೆಗೆದುಕೊಳ್ಳುವ ಸಮಯವನ್ನು ಅಳೆಯುತ್ತದೆ, ಇದರಿಂದ ಅದು ಅಡಚಣೆಯ ಸ್ಥಾನವನ್ನು ನಿರ್ಧರಿಸುತ್ತದೆ.
- ನೀವು ಇಗ್ನಿಷನ್ ಸ್ವಿಚ್ ಅನ್ನು "ಆನ್" ಸ್ಥಾನಕ್ಕೆ ತಿರುಗಿಸಿದಾಗ ಪಾರ್ಕಿಂಗ್ ಸೆನ್ಸರ್ ಕಾರ್ಯವನ್ನು ಬಳಸಬಹುದು ಮತ್ತು ಗೇರ್‌ಶಿಫ್ಟ್ ಲಿವರ್ "ಆರ್" ಸ್ಥಾನದಲ್ಲಿದೆ. ಕೆಳಗಿನ ಸಂದರ್ಭಗಳಲ್ಲಿ ಈ ಕಾರ್ಯವು ಸಹಾಯಕವಾಗಿದೆ: ದೊಡ್ಡ ಎಳೆಯವು; ವಾಹನವನ್ನು ಸಮಾನಾಂತರವಾಗಿ ನಿಲ್ಲಿಸುವುದು; ವಾಹನವನ್ನು ಗ್ಯಾರೇಜ್‌ಗೆ ತಿರುಗಿಸುವುದು; ಅಲೆ ಉದ್ದಕ್ಕೂ ಚಾಲನೆ; ಮತ್ತು ಅಡೆತಡೆಗಳನ್ನು ಹೊರಿದಿರುವ ಸ್ಥಳದಲ್ಲಿ ನಿಧಾನವಾಗಿ ಚಲಿಸುತ್ತದೆ.

**⚠ ಎಚ್ಚರಿಕೆ**

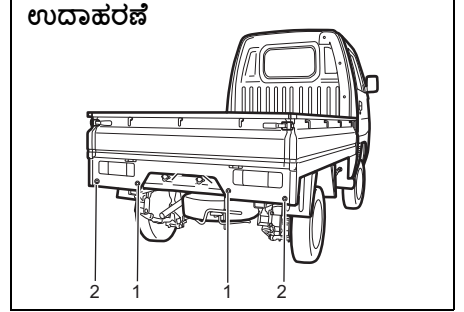
- ಪಾರ್ಕಿಂಗ್ ಸೆನ್ಸರ್ ಬಜರ್‌ಗಳೊಂದಿಗಿನ ಅಡೆತಡೆಗಳ ಬಗ್ಗೆ ನಿಮಗೆ ಎಚ್ಚರಿಕೆ ನೀಡುತ್ತದೆ. ಆದಾಗ್ಯೂ, ನೀವು ಇನ್ನೂ ನಿರ್ದಿಷ್ಟ ಕಾಳಜಿಯೊಂದಿಗೆ ಚಾಲನೆ ಮಾಡಬೇಕು.
- ಸೆನ್ಸರ್‌ಗಳು ಸೀಮಿತ ಪ್ರದೇಶದೊಳಗೆ ಮಾತ್ರ ಅಡೆತಡೆಗಳನ್ನು ಪತ್ತೆ ಮಾಡುತ್ತದೆ ಮತ್ತು ವಾಹನವು ಸೀಮಿತ ವೇಗದ ವ್ಯಾಪ್ತಿಯಲ್ಲಿ ಚಲಿಸುವಾಗ ಮಾತ್ರ. ಆದ್ದರಿಂದ, ಟ್ರಿಕ್ ಪ್ರದೇಶಗಳಲ್ಲಿ, ನಿಮ್ಮ ನೇರ ದೃಷ್ಟಿ ಅಥವಾ ಹಿಂಬದಿಯ ಕನ್ನಡಿಗಳನ್ನು ಬಳಸಿಕೊಂಡು ಅದರ ಸುತ್ತಲೂ ಪರಿಶೀಲಿಸುವಾಗ ನೀವು ವಾಹನವನ್ನು ನಿಧಾನವಾಗಿ ಚಲಿಸಬೇಕು. ಪಾರ್ಕಿಂಗ್ ಸೆನ್ಸರ್ ಅನ್ನು ಮಾತ್ರ ಅವಲಂಬಿಸಿ ನೀವು ವಾಹನವನ್ನು ನಿಯಂತ್ರಿಸಿದರೆ ಅಪಘಾತದ ಅಪಾಯ ಹೆಚ್ಚಾಗುತ್ತದೆ.

*ಸೂಚನೆ:*  
ಗೇರ್‌ಶಿಫ್ಟ್ ಲಿವರ್ ಅನ್ನು "ಆರ್" ಸ್ಥಾನಕ್ಕೆ ಬದಲಾಯಿಸಿದಾಗ, ಬಜರ್ ಹಿಮ್ಮೆ ಧ್ವನಿಸುತ್ತದೆ.

<b>ಸೂಚನೆ</b>		
ಪಾರ್ಕಿಂಗ್	ಸೆನ್ಸರ್‌ಗಳು	ಚಾಲಕನ
ಸಹಾಯಕ್ಕಾಗಿ ಮಾತ್ರ.		

## ಸೆನ್ಸರ್ ಸ್ಥಳಗಳು

ಹಿಂಭಾಗದ ಬಂಪರ್ ಮೇಲೆ



- (1) ಹಿಂದಿನ ಕೇಂದ್ರ ಸೆನ್ಸರ್‌ಗಳು (2 ಸ್ಥಳಗಳು)
- (2) ಹಿಂದಿನ ಮೂಲೆಯ ಸೆನ್ಸರ್‌ಗಳು (2 ಸ್ಥಳಗಳು)

**ಸೂಚನೆ**

- ಸೆನ್ಸರ್ ಪ್ರದೇಶಗಳನ್ನು ಹೊಡೆಯುವುದನ್ನು ತಪ್ಪಿಸಿ ಅಥವಾ ಹೆಚ್ಚಿನ ಒತ್ತಡದ ಕಾರ್ ವಾಷರ್‌ನ ನಳಿಕೆಯನ್ನು ಸಂವೇದಕ ಪ್ರದೇಶಗಳ ಮೇಲೆ ನಿರ್ದೇಶಿಸಿ. ಇಲ್ಲದಿದ್ದರೆ, ಸೆನ್ಸರ್‌ಗಳು ಹಾನಿಗೊಳಗಾಗಬಹುದು.
- ಬಂಪರ್ ಗಟ್ಟಿಯಾದ ವಸ್ತುವನ್ನು ಹೊಡೆದರೆ, ಅದರ ಮೇಲಿನ ಸೆನ್ಸರ್‌ಗಳು ಸರಿಯಾಗಿ ಕಾರ್ಯನಿರ್ವಹಿಸದೇ ಇರಬಹುದು. ಇದು ಸಂಭವಿಸಿದಲ್ಲಿ, ಮಾರುತಿ ಸುಜುಕಿ ಅಧಿಕೃತ ಕಾರ್ಯಾಗಾರದಿಂದ ಸಂವೇದಕಗಳನ್ನು ಪರಿಶೀಲಿಸಿ.

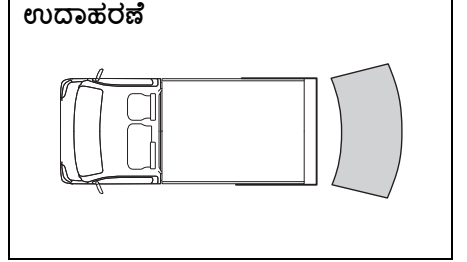


ಕೆಲಸ ಮಾಡುವ ಸೆನ್ಸರ್‌ಗಳು

ಗೇರ್‌ಶಿಫ್ಟ್ ಲಿವರ್ ಸ್ಥಾನವನ್ನು ಅವಲಂಬಿಸಿ ಸೆನ್ಸರ್‌ಗಳು ಈ ಕೆಳಗಿನಂತೆ ಕಾರ್ಯನಿರ್ವಹಿಸುತ್ತವೆ:

ಗೇರ್‌ಶಿಫ್ಟ್ ಲಿವರ್ ಸ್ಥಾನ	R	N, 1st – 5th
ಹಿಂದಿನ ಸೆನ್ಸರ್‌ಗಳು	ಆನ್	ಆರಿಸಿ

ಅಡೆತಡೆಗಳನ್ನು ಪತ್ತೆಹಚ್ಚಬಹುದಾದ ಅಂದಾಜು ಪ್ರದೇಶಗಳು



78MM05003

- ಸೆನ್ಸರ್ ದಿಂದ ಸುಮಾರು **20 cm (8 in)** ಒಳಗೆ ಅಥವಾ ಸೆನ್ಸರ್ ಕ್ಷಿಂತ್ರ ಸ್ಥಳ ಕೆಳಗಿರುವ ಅಡಚಣೆಯನ್ನು ಪತ್ತೆಹಚ್ಚಲಾಗುವುದಿಲ್ಲ.

ಸೆನ್ಸರ್‌ಗಳು ವಾಹನದ ಹಿಂಭಾಗದಿಂದ ಸುಮಾರು **1.8 ಮೀ (6 ಅಡಿ)** ವರೆಗಿನ ಗೋಡೆಯಂತಹ ಅಡೆತಡೆಗಳನ್ನು ಪತ್ತೆ ಮಾಡುತ್ತದೆ.

⚠ ಎಚ್ಚರಿಕೆ

ಕೆಳಗಿನ ಪರಿಸ್ಥಿತಿಗಳಲ್ಲಿ, ಸಂವೇದಕಗಳು ಅಡತಡೆಗಳನ್ನು ಸರಿಯಾಗಿ ಪತ್ತೆಹಚ್ಚಲು ಸಾಧ್ಯವಾಗದ ಕಾರಣ ಪಾರ್ಕಿಂಗ್ ಸೆನ್ಸರ್ ವ್ಯವಸ್ಥೆಯು ಸಾಮಾನ್ಯವಾಗಿ ಕಾರ್ಯನಿರ್ವಹಿಸುವುದಿಲ್ಲ.

- ಸೆನ್ಸರ್‌ಗಳನ್ನು ಮಣ್ಣು, ಮಂಜುಗಡ್ಡೆ ಅಥವಾ ಇತರ ವಸ್ತುಗಳಿಂದ ಮುಚ್ಚಲಾಗುತ್ತದೆ. (ಸಾಮಾನ್ಯ ಕಾರ್ಯಾಚರಣೆಗಾಗಿ ಅಂತಹ ವಸ್ತುಗಳನ್ನು ತೆಗೆದುಹಾಕಬೇಕು.)
- ಸೆನ್ಸರ್‌ಗಳು ನೀರಿನ ಸ್ಪರ್ಶ ಅಥವಾ ಭಾರೀ ಮಳೆಯಿಂದ ತೇವವಾಗಿರುತ್ತದೆ.
- ಸೆನ್ಸರ್‌ಗಳನ್ನು ಕೆ, ಸಿಕ್ವರ್, ಪರಿಕರ ಇತ್ಯಾದಿಗಳಿಂದ ಮುಚ್ಚಲಾಗುತ್ತದೆ.
- ಸೆನ್ಸರ್‌ನ ಸಂವೇದನಾ ಪ್ರದೇಶದೊಳಗೆ ಒಂದು ಪರಿಕರ ಅಥವಾ ಇತರ ವಸ್ತುವನ್ನು ಲಗತ್ತಿಸಲಾಗಿದೆ.
- ಟ್ರಾಕ್‌ಗಳು, ವಾಣಿಜ್ಯಕವಾಗಿ ಲಭ್ಯವಿರುವ ಮೂಲೆಯ ಕರೆಬುಗಳು, ರೇಡಿಯೋ ಆಂಟೆನಾ, ಇತ್ಯಾದಿಗಳನ್ನು ಅಂಪರ್‌ನಲ್ಲಿ ಸ್ಥಾಪಿಸಲಾಗಿದೆ.
- ಅಮಾನತ್ತು ಅಥವಾ ಇತರ ಕಾರಣಗಳ ಬದಲಾವಣೆಯಿಂದಾಗಿ ಅಂಪರ್‌ನ ಅಂತರವನ್ನು ಬದಲಾಯಿಸಲಾಗಿದೆ.
- ಘನೀಕರಿಸುವ ಹವಾಮಾನದಿಂದಾಗಿ ನೇರ ಸೂರ್ಯನ ಬೆಳಕು ಅಥವಾ ಶೀತದಿಂದ ಸೆನ್ಸರ್ ಪ್ರದೇಶಗಳು ಅತ್ಯಂತ ಬಿಸಿಯಾಗಿರುತ್ತವೆ.
- ವಾಹನವು ಒರೆಟು ಮೇಲ್ಮೈ ಇಳಿಜಾರು, ಜಿಲಿ ಸೆನ್ ಅಥವಾ ಹುಲು ಮೈದಾನದಲ್ಲಿದೆ.
- ವಾಹನವು ಕಡಿಮೆ ಕೋನದಲ್ಲಿದೆ.

(ಮುಂದುವರಿಯುವುದು)

⚠ ಎಚ್ಚರಿಕೆ

(ಮುಂದುವರಿಯುವುದು)

- ಸೆನ್ಸರ್‌ಗಳು ಮತ್ತೊಂದು ವಾಹನದ ಹಾರ್ನ್, ಇಂಜಿನ್, ಏರ್ ಬ್ರೇಕಿಂಗ್ ಸಿಸ್ಟಮ್ (ದೂರ ವಾಹನಗಳು) ಅಥವಾ ಪಾರ್ಕಿಂಗ್ ಸೆನ್ಸರ್‌ನಿಂದ ಅಲ್ಟ್ರಾಸಾನಿಕ್ ಶಬ್ದವನ್ನು ತಡೆಹಿಡಿಯುತ್ತವೆ.
- ಅಡತಡೆಗಳು ಸೆನ್ಸರ್‌ಗಳಿಗೆ ತುಂಬಾ ಹತ್ತಿರದಲ್ಲವೆ.
- ಸೆನ್ಸರ್‌ಗಳು ಗಾಜಿನಂತಹ ಹೆಚ್ಚು ಪ್ರತಿಫಲಿತ ವಸ್ತುವಿಗೆ ಕೋನದಲ್ಲವೆ. (ಅಲ್ಟ್ರಾಸಾನಿಕ್ ತರಂಗಗಳು ಅಡಚಣೆಯಿಂದ ಪ್ರತಿಫಲಿಸುವುದಿಲ್ಲ.)
- ಸೆನ್ಸರ್‌ಗಳು ಈ ಕೆಳಗಿನ ರೀತಿಯ ಅಡತಡೆಗಳನ್ನು ಸರಿಯಾಗಿ ಪತ್ತೆಹಚ್ಚಲು ಸಾಧ್ಯವಾಗದಿರಬಹುದು:
  - ತೆರಿಗೆ ಬಲೆ ಮತ್ತು ಹಗ್ಗಗಳಂತಹ ತೆಳುವಾದ ವಸ್ತುಗಳಿಂದ ಮಾಡಿದ ವಸ್ತುಗಳು
  - ಚದರ ಆಕಾರದ ಕರ್ಬ್‌ಸೋನ್‌ಗಳು ಅಥವಾ ಚೂಪಾದ ಅಂಚುಗಳೊಂದಿಗೆ ಇತರ ವಸ್ತುಗಳು
  - ರಸ್ತೆ ಚಿಹ್ನೆಯಂತಹ ದೊಡ್ಡ ಮೇಲಿನ ಭಾಗವನ್ನು ಹೊಂದಿರುವ ಎತ್ತರದ ವಸ್ತುಗಳು
  - ಕರ್ಬ್‌ಸೋನ್‌ಗಳಂತಹ ಕಡಿಮೆ ಪ್ರೊಫೈಲ್ ವಸ್ತುಗಳು
  - ಹತ್ತಿ ಮತ್ತು ಹಿಮದಂತಹ ಧ್ವನಿ-ಹೀರಿಕೊಳ್ಳುವ ವಸ್ತುಗಳು

ಸೂಚನೆ:

ಸೆನ್ಸರ್‌ಗಳಿಗಿಂತ ಕಡಿಮೆ ಇರುವ ತೆಳುವಾದ ವಸ್ತುಗಳು ಅಥವಾ ಅಡತಡೆಗಳು ಹೆಚ್ಚು ದೂರದಿಂದ ಪತ್ತೆಯಾದರೂ ಸಹ ವಾಹನವು

ಅವುಗಳ ಸಮೀಪಕ್ಕೆ ಚಲಿಸುವುದರಿಂದ ಅವುಗಳನ್ನು ಕಂಡುಹಿಡಿಯಲಾಗುವುದಿಲ್ಲ.

- ಸಿಸ್ಟಂ ರಸ್ತೆ ಚಿಹ್ನೆ ಅಥವಾ ಅಂತಹುದೇ ಅಡಚಣೆಗೆ ಇರುವ ಅಂತರವನ್ನು ನಿಜವಾದ ದೂರಕ್ಕಿಂತ ಕಡಿಮೆ ಎಂದು ಲೆಕ್ಕ ಹಾಕಬಹುದು.

ಪಾರ್ಕಿಂಗ್ ಸೆನ್ಸರ್‌ನಿಂದ ಅಡಚಣೆಯ ಸೂಚನೆ ಅಡಚಣೆಯನ್ನು ಪತ್ತೆಹಚ್ಚಿದ ನಂತರ, ಪಾರ್ಕಿಂಗ್ ಸಂವೇದಕವು ಅಂತರಿಕ ಬಜರ್ ಅನ್ನು ಧ್ವನಿಸುವಂತೆ ಮಾಡುತ್ತದೆ.

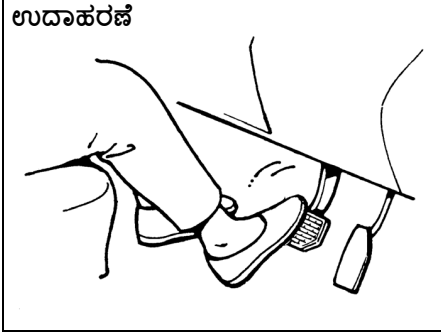
- ಹಿಂಬದಿಯ ಆಸನದ ಹಿಂದೆ ಇರುವ ಬಜರ್ ಹಿಂಭಾಗದಲ್ಲಿರುವ ಸಂವೇದಕವು ಅಡಚಣೆಯನ್ನು ಪತ್ತೆಹಚ್ಚದಾಗ ಧ್ವನಿಸುತ್ತದೆ.
- ಸೆನ್ಸರ್‌ಗಳಿಂದ ಗೋಡೆಯಂತಹ ಅಡತಡೆಗಳು ಪತ್ತೆಯಾದಾಗ ಎಚ್ಚರಿಕೆಗಳು

ದೂರ (ಅಂದಾಜು.)	ಬಜರ್
100- 180 cm	ದೀರ್ಘ ಮಧ್ಯಂತರದಲ್ಲಿ ಸಣ್ಣ ಧ್ವನಿ
80- 100 cm	ಕಡಿಮೆ ಅಂತರದಲ್ಲಿ ಸಣ್ಣ ಧ್ವನಿ
70 - 80 cm	ಬಹಳ ಕಡಿಮೆ ಅಂತರದಲ್ಲಿ ಸಣ್ಣ ಧ್ವನಿ
ಕಡಿಮೆ 70 cm	ನಿರಂತರ ಬೀಪ್

ಎಚ್ಚರಿಕೆ ಮತ್ತು ಸೂಚಕ ಸಂದೇಶಗಳು ಪಾರ್ಕಿಂಗ್ ಸಂವೇದಕ ವ್ಯವಸ್ಥೆಗೆ ಸಂಬಂಧಿಸಿದಂತೆ ಸಮಸ್ಯೆ ಅಥವಾ ಎಚ್ಚರಿಕೆ ಇದ್ದರೆ, ಬಜರ್ ಅದನ್ನು ತಿಳಿಸುತ್ತದೆ. ಅದರ ಸೂಚನೆಯನ್ನು ಅನುಸರಿಸಿ, ಬಜರ್ ಮಧ್ಯಂತರವಾಗಿ ಧ್ವನಿಸುತ್ತದೆ. ಸೂಚಿಸಲಾದ ಸಂವೇದಕವು ಕಲುಷಿತವಾಗಿದೆ. ಅದನ್ನು ಮೃದುವಾದ ಬಟ್ಟೆಯಿಂದ ಒರೆಸಿ, ಒರೆಸುವ ನಂತರ ಬಜರ್ ನಿಲ್ಲಿಸಿದರೆ, ಪಾರ್ಕಿಂಗ್ ಸಂವೇದಕ ವ್ಯವಸ್ಥೆಯಲ್ಲಿ ಸಮಸ್ಯೆ ಇರಬಹುದು. ಮಾರುತಿ ಸುಜುಕಿ ಅಧಿಕೃತ ಕಾರ್ಯಾಗಾರದಿಂದ ನಿಮ್ಮ ವಾಹನವನ್ನು ಪರೀಕ್ಷಿಸಿ.

## ಬ್ರೇಕಿಂಗ್

ಉದಾಹರಣೆ



60G165S

ಯಾವುದೇ ವಾಹನವನ್ನು ನಿಲ್ಲಿಸಲು ಬೇಕಾದ ದೂರವು ವಾಹನದ ವೇಗದೊಂದಿಗೆ ಹೆಚ್ಚಾಗುತ್ತದೆ. ಅಗತ್ಯವಿರುವ ಬ್ರೇಕಿಂಗ್ ದೂರ, ಉದಾಹರಣೆಗೆ, 60 ಕೆ ಎಂ/ಹೆಚ್ (37 ಎಂಪಿಹೆಚ್) ನಲ್ಲಿ 30 ಕೆ ಎಂ/ಹೆಚ್ (19 ಎಂಪಿಹೆಚ್) ನಲ್ಲಿ ಅಗತ್ಯವಿರುವ ಬ್ರೇಕಿಂಗ್ ಅಂತರಕ್ಕಿಂತ ಸರಿಸುಮಾರು 4 ಪಟ್ಟು ಹೆಚ್ಚಾಗಿರುತ್ತದೆ. ನಿಮ್ಮ ವಾಹನ ಮತ್ತು ನಿಲ್ಲಿಸುವ ಸ್ಥಳದ ನಡುವೆ ಸಾಕಷ್ಟು ಅಂತರವಿರುವಾಗ ವಾಹನವನ್ನು ಬ್ರೇಕ್ ಮಾಡಲು ಪ್ರಾರಂಭಿಸಿ ಮತ್ತು ಕ್ರಮೇಣ ನಿಧಾನಗೊಳಿಸಿ.

### ⚠ ಎಚ್ಚರಿಕೆ

ಬ್ರೇಕ್ ಡ್ರಮ್‌ಗಳಿಗೆ ನೀರು ಬಂದರೆ, ಬ್ರೇಕ್ ಕಾರ್ಯಕ್ರಮಿತ ಕಳಪೆಯಾಗಬಹುದು ಮತ್ತು ಅನಿರೀಕ್ಷಿತವಾಗಬಹುದು. ನೀರಿನ ಮೂಲಕ ಚಾಲನೆ ಮಾಡಿದ ನಂತರ ಅಥವಾ ವಾಹನದ ಕೆಳಭಾಗವನ್ನು ತೊಳೆದ ನಂತರ, ನಿಧಾನ ವೇಗದಲ್ಲಿ ಚಾಲನೆ ಮಾಡುವಾಗ ಬ್ರೇಕ್‌ಗಳು ತಮ್ಮ ಸಾಮಾನ್ಯ ಪರಿಣಾಮಕಾರಿತ್ವವನ್ನು ಉಳಿಸಿಕೊಂಡಿವೆಯೇ ಎಂದು ಪರಿಶೀಲಿಸಿ. ಬ್ರೇಕ್‌ಗಳು ಸಾಮಾನ್ಯಕ್ಕಿಂತ ಕಡಿಮೆ ಪರಿಣಾಮಕಾರಿಯಾಗಿದ್ದರೆ, ಬ್ರೇಕ್‌ಗಳು ತಮ್ಮ ಸಾಮಾನ್ಯ ಪರಿಣಾಮಕಾರಿತ್ವವನ್ನು ಮರಳಿ ಪಡೆಯುವವರೆಗೆ ನಿಧಾನವಾಗಿ ಚಾಲನೆ ಮಾಡುವಾಗ ಬ್ರೇಕ್‌ಗಳನ್ನು ಪದೇ ಪದೇ ಅನ್ವಯಿಸುವ ಮೂಲಕ ಒಣಗಿಸಿ.

ಸೂಚನೆ:

"ಬ್ರೇಕ್ ಹಿಡಿಯುವಾಗ ನೀವು ಶಬ್ದವನ್ನು ಕೇಳಬಹುದು ಬ್ರೇಕ್ ಮತ್ತು ಡಿಸ್ಕ್ ನಡುವಿನ ಘರ್ಷಣೆಯಿಂದ ಶಬ್ದ ಡ್ರಮ್ ಮತ್ತು ಬ್ರೇಕ್ ಲೈನಿಂಗ್ ಹೊರ ಹೊಮ್ಮುವುದು. ಇದು ಸಾಮಾನ್ಯ ಸಿದ್ಧಮಾನ ಆಧಾರದ ಯಾವುದನ್ನೂ ಸೂಚಿಸುವುದಿಲ್ಲ. ಅನುಕೂಲತೆ ಅಥವಾ ಸಾಮಾನ್ಯ ಕಾರ್ಯನಿರ್ವಹಣೆಯ ವಾಹನದ ಮೇಲೆ ಪರಿಣಾಮ ಬೀರುತ್ತದೆ"

### ಪವರ್-ಅಸಿಸ್ಟೆಡ್ ಬ್ರೇಕ್‌ಗಳು

ನಿಮ್ಮ ವಾಹನವು ಪವರ್ ಅಸಿಸ್ಟೆಡ್ ಬ್ರೇಕ್‌ಗಳನ್ನು ಹೊಂದಿದೆ. ಸ್ಪ್ರಿಂಗ್‌ಗೊಂಡ ಇಂಜಿನ್ ಅಥವಾ ಇತರೆ ವೈಫಲ್ಯಗಳಿಂದಾಗಿ ವಿದ್ಯುತ್ ಸಹಾಯವು ಕಳೆದುಹೋದರೆ, ಸಿಸ್ಟಮ್ ಇನ್ನೂ ಮೀಸಲು ಶಕ್ತಿಯಲ್ಲಿ ಸಂಪೂರ್ಣವಾಗಿ ಕಾರ್ಯನಿರ್ವಹಿಸುತ್ತಿದೆ ಮತ್ತು ಬ್ರೇಕ್ ಪೆಡಲ್ ಅನ್ನು ಒಮ್ಮೆ ಒತ್ತಿ ಮತ್ತು ಅದನ್ನು ಹಿಡಿದಿಟ್ಟುಕೊಳ್ಳುವ ಮೂಲಕ ನೀವು ವಾಹನವನ್ನು ಸಂಪೂರ್ಣ ನಿಲುಗಡೆಗೆ ತರಬಹುದು. ನೀವು ಬ್ರೇಕ್ ಪೆಡಲ್ ಅನ್ನು ಒತ್ತಿದಾಗ ರಿಸರ್ವ್ ಪವರ್ ಅನ್ನು ಭಾಗಶಃ ಬಳಸಲಾಗುತ್ತದೆ ಮತ್ತು ಪ್ರತಿ ಬಾರಿ ಪೆಡಲ್ ಅನ್ನು ಒತ್ತಿದಾಗ ಅದು ಕಡಿಮೆಯಾಗುತ್ತದೆ. ಪೆಡಲ್ ನಿಯಂತ್ರಣ ಮತ್ತು ಒತ್ತಡವನ್ನು ಅನ್ವಯಿಸಿ. ಪೆಡಲ್ ಅನ್ನು ಪಂಪ್ ಮಾಡಬೇಡಿ.

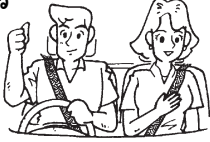
### ⚠ ಎಚ್ಚರಿಕೆ

ಬ್ರೇಕ್ ಸಿಸ್ಟಮ್‌ನಲ್ಲಿ ರಿಸರ್ವ್ ಪವರ್ ಇಲ್ಲದಿದ್ದರೂ ಸಹ, ಬ್ರೇಕ್ ಪೆಡಲ್ ಅನ್ನು ಸಾಮಾನ್ಯವಾಗಿ ಅಗತ್ಯಕ್ಕಿಂತ ಹೆಚ್ಚು ಒತ್ತುವ ಮೂಲಕ ನೀವು ವಾಹನವನ್ನು ನಿಲ್ಲಿಸಬಹುದು. ಆದಾಗ್ಯೂ, ನಿಲ್ಲಿಸುವ ಅಂತರವು ಹೆಚ್ಚು ಇರಬಹುದು.

## ಡೈವಿಂಗ್ ಟಿಪ್ಸ್

ರನ್ನಿಂಗ್-ಇನ್ .....	4-1
ಕಟಲ್ಯುಟಿಕ್ ಕನ್ಸೆರ್ವರ್ .....	4-1
ಇಂಧನ ಅರ್ಥಿಕತೆಯನ್ನು ಸುಧಾರಿಸುವುದು .....	4-2
ಹೆದ್ದಾರಿ ಚಾಲನೆ .....	4-3
ಬೆಟ್ಟಗಳ ಮೇಲೆ ಚಾಲನೆ .....	4-4
ಸ್ಲಿಪರಿ ರಸ್ತೆಗಳಲ್ಲಿ ಚಾಲನೆ .....	4-4
ಒದ್ದೆ ರಸ್ತೆಗಳಲ್ಲಿ ಚಾಲನೆ .....	4-5
ಸುರಕ್ಷಿತ ಚಾಲನೆಗಾಗಿ ಮಾಡಬೇಕಾದುದು	
ಮತ್ತು ಮಾಡಬಾರದು .....	4-6
ಸುರಕ್ಷತೆಗಾಗಿ ಅಂಚು .....	4-8

ಉದಾಹರಣೆ



52D078S

⚠ ಎಚ್ಚರಿಕೆ

- ಎಲ್ಲಾ ಸಮಯದಲ್ಲೂ ನಿಮ್ಮ ಸೀಟ್ ಬೆಲ್ಟ್ ಧರಿಸಿ. ಒದಗಿಸಿದ ಸೀಟ್ ಬೆಲ್ಟ್‌ಗಳನ್ನು ಬಳಸಿಕೊಂಡು ಚಾಲಕ ಮತ್ತು ಪ್ರಯಾಣಿಕರು ಎಲ್ಲಾ ಸಮಯದಲ್ಲೂ ಸರಿಯಾಗಿ ನಿಗ್ಗಹಿಸಬೇಕು. ಸೀಟ್ ಬೆಲ್ಟ್‌ಗಳ ಸರಿಯಾದ ಬಳಕೆಯ ಸೂಚನೆಗಳಿಗಾಗಿ "ಸೀಟ್ ಬೆಲ್ಟ್" ವಿಭಾಗವನ್ನು ನೋಡಿ.
- ಮದ್ಯಪಾನ ಅಥವಾ ಇತರ ಮಾದಕ ದ್ರವ್ಯಗಳ ಪ್ರಭಾವದ ಅಡಿಯಲ್ಲಿ ಎಂದಿಗೂ ಚಾಲನೆ ಮಾಡಬೇಡಿ. ಆಲ್ಕೋಹಾಲ್ ಮತ್ತು ಮಾದಕ ದ್ರವ್ಯಗಳು ಸುರಕ್ಷಿತವಾಗಿ ಚಾಲನೆ ಮಾಡುವ ನಿಮ್ಮ ಸಾಮರ್ಥ್ಯವನ್ನು ಗಂಭೀರವಾಗಿ ಕುಗ್ಗಿಸಬಹುದು, ನಿಮಗೆ ಮತ್ತು ಇತರರಿಗೆ ಗಾಯದ ಅಪಾಯವನ್ನು ಹೆಚ್ಚಿಸುತ್ತದೆ. ನೀವು ದಣಿದಿರುವಾಗ, ಅನಾರೋಗ್ಯ ಕಿರಿಕಿರಿ ಅಥವಾ ಒತ್ತಡದಲಿರುವಾಗ ನೀವು ಚಾಲನೆ ಮಾಡುವುದನ್ನು ತಪ್ಪಿಸಬೇಕು.

ರನ್ನಿಂಗ್-ಇನ್

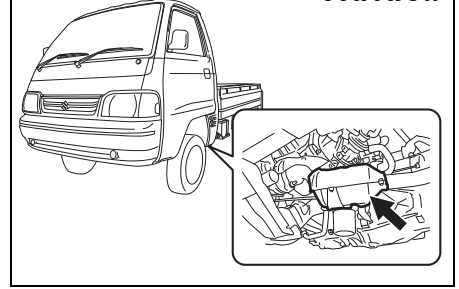
ಸೂಚನೆ

ಇಂಜಿನ್ ಭವಿಷ್ಯದ ಕಾರ್ಯಕ್ಷಮತೆ ಮತ್ತು ವಿಶ್ವಾಸಾರ್ಹತೆಯು ಅದರ ಆರಂಭಿಕ ಜೀವನದಲ್ಲಿ ನಿರ್ವಹಿಸಿದ ಕಾಳಜಿ ಮತ್ತು ಸಂಯಮದ ಮೇಲೆ ಅವಲಂಬಿತವಾಗಿರುತ್ತದೆ. ಆರಂಭಿಕ 960 ಕಿಮೀ ವಾಹನ ಕಾರ್ಯಾಚರಣೆಯ ಸಮಯದಲ್ಲಿ ಈ ಕೆಳಗಿನ ಮುನ್ನೆಚ್ಚರಿಕೆಗಳನ್ನು ಗಮನಿಸುವುದು ಮುಖ್ಯವಾಗಿದೆ.

- ಪ್ರಾರಂಭಿಸಿದ ನಂತರ, ಇಂಜಿನ್ ಅನ್ನು ರೇಸ್ ಮಾಡಬೇಡಿ. ಅದನ್ನು ಕ್ರಮೇಣ ಬೆಚ್ಚಗಾಗಿಸಿ.
- ನಿರಂತರ ವೇಗದಲ್ಲಿ ಸುದೀರ್ಘ ವಾಹನ ಕಾರ್ಯಾಚರಣೆಯನ್ನು ತಪ್ಪಿಸಿ. ನಿಮ್ಮ ವೇಗವನ್ನು ಬದಲಾಯಿಸಿದರೆ ಚಲಿಸುವ ಭಾಗಗಳು ಉತ್ತಮವಾಗಿ ಒಡೆಯುತ್ತವೆ.
- ನಿಲುಗಡೆಯಿಂದ ನಿಧಾನವಾಗಿ ಪ್ರಾರಂಭಿಸಿ. ಪೂರ್ಣ ಥ್ರೋಟಲ್ ಆರಂಭಗಳನ್ನು ತಪ್ಪಿಸಿ.
- ಹಾರ್ಡ್ ಬ್ರೇಕಿಂಗ್ ಅನ್ನು ತಪ್ಪಿಸಿ, ವಿಶೇಷವಾಗಿ ಮೊದಲ 320 ಕಿಮೀ ಚಾಲನೆಯಲ್ಲಿ.
- ಹೆಚ್ಚಿನ ಗೇರ್‌ನಲ್ಲಿ ಪ್ರಸರಣವೊಂದಿಗೆ ನಿಧಾನವಾಗಿ ಚಾಲನೆ ಮಾಡಬೇಡಿ.
- ಮಧ್ಯಮ ಇಂಜಿನ್ ವೇಗದಲ್ಲಿ ವಾಹನವನ್ನು ಚಾಲನೆ ಮಾಡಿ.
- ಟೈಲರ್ ಅನ್ನು ಎಳೆಯಬೇಡಿ.

ಕಟಲ್ಯುಟಿಕ್ ಕನ್ವೆರ್ಟರ್

ಉದಾಹರಣೆ



77PH201

ವೇಗವರ್ಧಕ ಪರಿವರ್ತಕದ ಉದ್ದೇಶವು ನಿಮ್ಮ ವಾಹನದ ನಿಷ್ಪಾಸದಲ್ಲಿ ಹಾನಿಕಾರಕ ಮಾಲಿನ್ಯಕಾರಕಗಳ ಪ್ರಮಾಣವನ್ನು ಕಡಿಮೆ ಮಾಡುವುದು. ವೇಗವರ್ಧಕ ಪರಿವರ್ತಕಗಳನ್ನು ಹೊಂದಿದ ವಾಹನಗಳಲ್ಲಿ ಸೀಸದ ಇಂಧನವನ್ನು ಬಳಸುವುದನ್ನು ನಿಷೇಧಿಸಲಾಗಿದೆ, ಏಕೆಂದರೆ ಸೀಸವು ವೇಗವರ್ಧಕ ವ್ಯವಸ್ಥೆಯ ಮಾಲಿನ್ಯಕಾರಕ-ಕಡಿಮೆಗೊಳಿಸುವ ಘಟಕಗಳನ್ನು ನಿಷ್ಕ್ರಿಯಗೊಳಿಸುತ್ತದೆ.

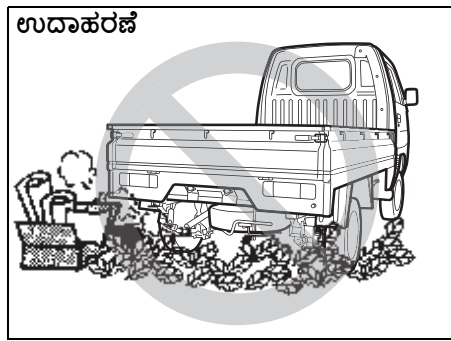
ಪರಿವರ್ತಕವನ್ನು ಸಾಮಾನ್ಯ ಬಳಕೆಯ ಅಡಿಯಲ್ಲಿ ಮತ್ತು ಸೀಸದ ಇಂಧನವನ್ನು ಬಳಸುವಾಗ ವಾಹನದ ಜೀವಿತಾವಧಿಯಲ್ಲಿ ಉಳಿಯಲು ವಿನ್ಯಾಸಗೊಳಿಸಲಾಗಿದೆ. ಪರಿವರ್ತಕದಲ್ಲಿ ವಿಶೇಷ ನಿರ್ವಹಣೆ ಅಗತ್ಯವಿಲ್ಲ. ಆದಾಗ್ಯೂ, ಇಂಜಿನ್ ಅನ್ನು ಸರಿಯಾಗಿ ಟ್ಯೂನ್ ಮಾಡುವುದು ಬಹಳ ಮುಖ್ಯ. ಅಸಮರ್ಪಕವಾಗಿ ಟ್ಯೂನ್ ಮಾಡಲಾದ ಇಂಜಿನ್ನಿಂದ ಉಂಟಾಗುವ ಇಂಜಿನ್ ಮಿಸ್‌ಫೈರಿಂಗ್, ವೇಗವರ್ಧಕದ ಅಧಿಕ ತಾಪಕ್ಕೆ

ಕಾರಣವಾಗಬಹುದು. ಇದು ವೇಗವರ್ಧಕ ಮತ್ತು ಇತರ ವಾಹನ ಘಟಕಗಳಿಗೆ ಶಾಶ್ವತ ಶಾಖ ಹಾನಿಗೆ ಕಾರಣವಾಗಬಹುದು.

ಸೂಚನೆ
<p>ಹಾನಿಕಾರಕ ವೇಗವರ್ಧಕ ಅಥವಾ ಇತರ ವಾಹನ ಹಾನಿಯನ್ನು ತಪ್ಪಿಸಲು:</p> <ul style="list-style-type: none"> <li>• ಸರಿಯಾದ ಕಾರ್ಯಾಚರಣೆಯ ಸ್ಥಿತಿಯಲ್ಲಿ ಇಂಜಿನ್ ಅನ್ನು ನಿರ್ವಹಿಸಿ.</li> <li>• ಇಂಜಿನ್ ಅಸಮರ್ಪಕ ಕ್ರಿಯೆಯ ಸಂದರ್ಭದಲ್ಲಿ, ನಿರ್ದಿಷ್ಟವಾಗಿ ಇಂಜಿನ್ ಮ್ಯಾನ್ಯುಯಲ್ ಅಥವಾ ಇತರ ಸಪ್ಲೈ ವಾಹನ ಕಾರ್ಯಾಚರಣೆಯ ನಡವಳಿಯನ್ನು ಒಳಗೊಂಡಿರುವ ಸಂದರ್ಭದಲ್ಲಿ, ವಾಹನವನ್ನು ತಕ್ಷಣವೇ ಸರ್ವಿಸ್ ಮಾಡಿ.</li> <li>• ಪುನರಣವು ಗೇರ್‌ನಲ್ಲಿರುವಾಗ ಮತ್ತು ವಾಹನವು ಚಲನೆಯಲ್ಲಿರುವಾಗ ಇಂಜಿನ್ ಅನ್ನು ಆಫ್ ಮಾಡಬೇಡಿ ಅಥವಾ ದಹನವನ್ನು ಅಡ್ಡಿಸಬೇಡಿ.</li> <li>• ವಾಹನವನ್ನು ತಳ್ಳುವ ಅಥವಾ ಎಳೆಯುವ ಮೂಲಕ ಅಥವಾ ಬೆಟ್ಟದ ಕೆಳಗೆ ಇಳಿಯುವ ಮೂಲಕ ಇಂಜಿನ್ ಅನ್ನು ಪ್ರಾರಂಭಿಸಲು ಪ್ರಯತ್ನಿಸಬೇಡಿ.</li> <li>• ರೋಟಾರಿಯ ಪರಿಚಯ ಸಮಯದಲ್ಲಿ ಯಾವುದೇ ಸ್ಪರ್ಶ ಪ್ಲಾಟ್‌ಗಳ ಸಂಪರ್ಕ ಕಡಿಗೊಂಡಿರುವ ಅಥವಾ ತೆಗೆದುಹಾಕಲಾದ ಇಂಜಿನ್ ಅನ್ನು ನಿಷ್ಕ್ರಿಯಗೊಳಿಸಬೇಡಿ.</li> <li>• ಐಡಲಿಂಗ್ ಒರಟಾಗಿ ತೋರುತ್ತಿದ್ದರೆ ಅಥವಾ ಇತರ ಅಸಮರ್ಪಕ ಕಾರ್ಯಗಳಿದ್ದರೆ ದೀರ್ಘಕಾಲದವರೆಗೆ ವಾಹನವನ್ನು ನಿಷ್ಕ್ರಿಯಗೊಳಿಸಬೇಡಿ.</li> <li>• ಇಂಧನ ಟ್ಯಾಂಕ್ ಖಾಲಿ ಮಟ್ಟದ ಹತ್ತಿರ ಬರಲು ಅನುಮತಿಸಬೇಡಿ.</li> <li>• ನಿಮ್ಮ ವಾಹನವನ್ನು ಅತಿ ಹೆಚ್ಚಿನ ಇಂಜಿನ್ ವೇಗದಲ್ಲಿ ಓಡಿಸುವುದನ್ನು ತಪ್ಪಿಸಿ.</li> </ul>

**⚠ ಎಚ್ಚರಿಕೆ**

ನೀವು ನಿಲುಗಡೆ ಮತ್ತು ಚಾಲನೆ ಮಾಡುವ ಪ್ರದೇಶಗಳಲ್ಲಿ ಜಾಗರೂಕರಾಗಿರಿ; ವೇಗವರ್ಧಕ ಪರಿವರ್ತಕ ಮತ್ತು ಇತರ ನಿಷ್ಕ್ರಿಯ ಘಟಕಗಳು ತುಂಬಾ ಬಿಸಿಯಾಗಬಹುದು. ಯಾವುದೇ ವಾಹನದಂತೆ, ಒಣ ಹುಲು ಅಥವಾ ಎಲೆಗಳಂತಹ ದಹನಕಾರಿ ವಸ್ತುಗಳು ಬಿಸಿ ನಿಷ್ಕ್ರಿಯ ವ್ಯವಸ್ಥೆಯೊಂದಿಗೆ ಸಂಪರ್ಕಕ್ಕೆ ಬರಬಹುದಾದ ಪ್ರದೇಶಗಳಲ್ಲಿ ಈ ವಾಹನವನ್ನು ನಿಲ್ಲಿಸಬೇಡಿ ಅಥವಾ ನಿರ್ವಹಿಸಬೇಡಿ.



82DY05

**ಉದಾಹರಣೆ**

ಸೂಚನೆ: "ದೀರ್ಘ ಅವಧಿಯವರೆಗೆ ವಾಹನವನ್ನು ಬಳಸದಿರುವುದೇ ಬ್ರೇಕ್ ಡಿಸ್ಕ್ ಮೇಲ್ ಕ್ರಮೇಣ ತುತ್ತು ಹಿಡಿಯಲು ಕಾರಣವಾಗುತ್ತದೆ. ಇದು ಎರಕೆಹಾಯ ಕಬ್ಬಿಣದಿಂದ ಮಾಡಲ್ಪಟ್ಟಿದೆ. ಇದು ಕಾರಣವಾಗಬಹುದು ಶಬ್ದ/ಕಂಪನ ಅದೇ ಬೇರಿಂಗ್ ಇಲ ವಾಹನದ ಕಾರ್ಯನಿರ್ವಹಣೆಯ ಮೇಲೆ. ನಿಯಮಿತ ಚಾಲನೆ ಮಾಡಿದಾಗ ವಾಹನದ ತುತ್ತು ತಡೆಯಬಹುದು ಕಡಿಮೆಯಾಗಬಹುದು ಹೀಗಾಗಿ ಶಬ್ದ ಮತ್ತು ಕಂಪನವನ್ನು ಕಡಿಮೆ ಮಾಡುತ್ತದೆ."

**ಇಂಧನ ಆರ್ಥಿಕತೆಯನ್ನು ಸುಧಾರಿಸುವುದು**

ಸೂಚನೆ: ವಾಹನದ ಇಂಧನ ಮಿತವ್ಯಯ (ಮೈಲೇಜ್) ಹಲವಾರು ಅಂಶಗಳಿಂದ ಬದಲಾಗಬಹುದು ಅಂದರೆ, ಡ್ರೈವಿಂಗ್ ಅಭ್ಯಾಸಗಳು - ಗೇರ್ ಬದಲಾವಣೆಯ ಮಾದರಿ, ಎಸಿ ಬಳಕೆ, ಟೈರ್‌ಗಳಲ್ಲಿನ ಗಾಳಿಯ ಒತ್ತಡ, ಗಾಳಿಯ ವೇಗ, ಟ್ರಾಫಿಕ್ ಪರಿಸ್ಥಿತಿಗಳು, ಇಂಧನ ಗುಣಮಟ್ಟ-ಕಲಬೆರಕೆ ಮೊದಲಾದ ಗುಣಮಟ್ಟದ ಇಂಧನ, ವಾಹನದ ನಿರ್ವಹಣೆ, ರಸ್ತೆ ಪರಿಸ್ಥಿತಿಗಳು, ಬ್ರೇಕಿಂಗ್ ಇತ್ಯಾದಿ.

ಕೆಳಗಿನ ಸೂಚನೆಗಳು ಇಂಧನ ಆರ್ಥಿಕತೆಯನ್ನು ಸುಧಾರಿಸಲು ನಿಮಗೆ ಸಹಾಯ ಮಾಡುತ್ತದೆ.

ಅತಿಯಾದ ನಿಷ್ಕ್ರಿಯತೆಯನ್ನು ತಪ್ಪಿಸಿ ನೀವು ನಿಲುಗಡೆ ಮಾಡುವಾಗ ಒಂದು ನಿಮಿಷಕ್ಕಿಂತ ಹೆಚ್ಚು ಸಮಯ ಕಾಯಬೇಕಾದರೆ, ಇಂಜಿನ್ ಅನ್ನು ನಿಲ್ಲಿಸಿ ಮತ್ತು ನಂತರ ಅದನ್ನು ಮತ್ತೆ ಪ್ರಾರಂಭಿಸಿ. ಕೋಲ್ಡ್ ಇಂಜಿನ್ ಅನ್ನು ಬೆಚ್ಚಗಾಗಿಸುವಾಗ, ಇಂಜಿನ್ ಕಾರ್ಯಾಚರಣೆ ತಾಪಮಾನವನ್ನು ತಲುಪುವವರೆಗೆ ಇಂಜಿನ್ ಅನ್ನು ನಿಷ್ಕ್ರಿಯಗೊಳಿಸಲು ಅಥವಾ ಪೂರ್ಣ ಡ್ರೋಟಲ್ ಅನ್ನು ಅನ್ವಯಿಸಲು ಅನುಮತಿಸಬೇಡಿ. ಚಾಲನೆ ಮಾಡುವಾಗ ಇಂಜಿನ್ ಬೆಚ್ಚಗಾಗಲು ಅನುಮತಿಸಿ.

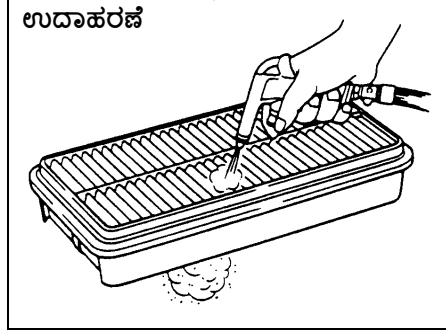
ಹಠಾತ್ ವೇಗವರ್ಧನೆಯನ್ನು ತಪ್ಪಿಸಿ ವಿಶ್ರಾಂತಿಯಿಂದ ಅಥವಾ ಚಾಲನೆ ಮಾಡುವಾಗ ಹಠಾತ್ ವೇಗವರ್ಧನೆಯು ಇಂಧನವನ್ನು ಅನಗತ್ಯವಾಗಿ ಸೇವಿಸುತ್ತದೆ ಮತ್ತು ಇಂಜಿನ್ ಜೀವಿತಾವಧಿಯನ್ನು ಕಡಿಮೆ ಮಾಡುತ್ತದೆ. ನಿಧಾನವಾಗಿ ಪ್ರಾರಂಭಿಸಿ.

## ಡೈವಿಂಗ್ ಟಿಪ್ಸ್

ಅನಾವಶ್ಯಕ ನಿಲುಗಡೆಗಳನ್ನು ತಪ್ಪಿಸಿ ಅನಗತ್ಯ ನಿಧಾನ ಮತ್ತು ನಿಲಿಸುವುದನ್ನು ತಪ್ಪಿಸಿ. ಸಾಧ್ಯವಾದಾಗಲೆಲ್ಲಾ ನಿಧಾನ, ಸ್ಥಿರವಾದ ವೇಗವನ್ನು ನಿರ್ವಹಿಸಲು ಪ್ರಯತ್ನಿಸಿ. ನಿಧಾನಗೊಳಿಸುವುದು ಮತ್ತು ಮತ್ತೆ ವೇಗವನ್ನು ಹೆಚ್ಚಿಸುವುದು ಹೆಚ್ಚು ಇಂಧನವನ್ನು ಬಳಸುತ್ತದೆ.

ಸ್ಥಿರವಾದ ಕ್ಯೂಸಿಂಗ್ ವೇಗವನ್ನು ಇರಿಸಿಕೊಳ್ಳಿ ರಿಸೆ ಮತ್ತು ಟ್ರಾಫಿಕ್ ಪರಿಸ್ಥಿತಿಗಳು ಅನುಮತಿಸುವಷ್ಟು ವೇಗವನ್ನು ಸ್ಥಿರವಾಗಿರಿಸಿಕೊಳ್ಳಿ.

ಏರ್ ಕ್ಲೀನರ್ ಅನ್ನು ಸ್ವಚ್ಛವಾಗಿಡಿ



60A183S

ಏರ್ ಕ್ಲೀನರ್ ಧೂಳಿನಿಂದ ಮುಚ್ಚಿಹೋಗಿದ್ದರೆ, ಹೆಚ್ಚಿನ ಸೇವನೆಯ ಪ್ರತೀಕೋಧವನ್ನು ಹೊಂದಿರುತ್ತದೆ, ಇದರ ಪರಿಣಾಮವಾಗಿ ವಿದ್ಯುತ್ ಉತ್ಪಾದನೆ ಕಡಿಮೆಯಾಗುತ್ತದೆ ಮತ್ತು ಇಂಧನ ಬಳಕೆ ಹೆಚ್ಚಾಗುತ್ತದೆ.

ತೂಕವನ್ನು ಕನಿಷ್ಠಕ್ಕೆ ಇರಿಸಿ ಭಾರವಾದ ಹೊರೆ, ವಾಹನವು ಹೆಚ್ಚು ಇಂಧನವನ್ನು ಬಳಸುತ್ತದೆ. ಅಗತ್ಯವಿಲ್ಲದಿದ್ದಾಗ ಯಾವುದೇ ಸಾಮಾನ್ಯ ಅಥವಾ ಸರಕುಗಳನ್ನು ಹೊರತೆಗೆಯಿರಿ.

ಟ್ರೈರ್ ಒತ್ತಡವನ್ನು ಸರಿಯಾಗಿ ಇರಿಸಿ ಟ್ರೈರ್‌ಗಳ ಕಡಿಮೆ ಹಣದುಬ್ಬರವು ಟ್ರೈರ್‌ಗಳ ಚಾಲನೆಯಲ್ಲಿರುವ ಪ್ರತೀಕೋಧದಿಂದಾಗಿ ಇಂಧನವನ್ನು ವ್ಯರ್ಥ ಮಾಡಬಹುದು. ಡ್ರೈವರ್‌ನ ಡೋರ್ ಲಾಕ್ ಪಿಲರ್‌ನಲ್ಲಿ ಲೇಬೆಲ್‌ನಲ್ಲಿ ತೋರಿಸಿರುವ ಸರಿಯಾದ ಒತ್ತಡಕ್ಕೆ ನಿಮ್ಮ ಟ್ರೈರ್‌ಗಳನ್ನು ಗಾಳಿಯಲ್ಲಿ ಇರಿಸಿ.

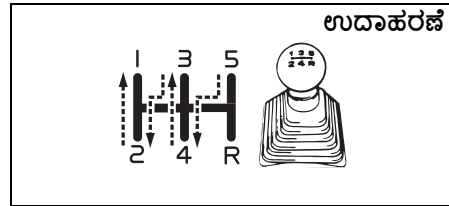
## ಹೆದ್ದಾರಿ ಚಾಲನೆ

ಹೆದ್ದಾರಿ ವೇಗದಲ್ಲಿ ಚಾಲನೆ ಮಾಡುವಾಗ, ಈ ಕೆಳಗಿನವುಗಳಿಗೆ ಗಮನ ಕೊಡಿ:

- ನಿಲಿಸುವ ದೂರವು ವಾಹನದ ವೇಗದೊಂದಿಗೆ ಹಂತಹಂತವಾಗಿ ಹೆಚ್ಚಾಗುತ್ತದೆ. ಹೆಚ್ಚುವರಿ ನಿಲಿಸುವ ದೂರವನ್ನು ಅನುಮತಿಸಲು ನಿಲಿಸುವ ಸ್ಥಳಕ್ಕಿಂತ ಸಾಕಷ್ಟು ಮುಂಚಿತವಾಗಿ ಬ್ರೇಕ್‌ಗಳನ್ನು ಅನ್ವಯಿಸಿ.
- ಮಳೆಯ ದಿನಗಳಲ್ಲಿ, ಹೈಡ್ರೋಪ್ಲಾನಿಂಗ್ ಸಂಭವಿಸಬಹುದು. ಹೈಡ್ರೋಪ್ಲಾನಿಂಗ್ ವಿಂದರೆ ರಸ್ತೆಯ ಮೇಲೆ ಮತ್ತು ವಾಹನದ ಟ್ರೈರ್‌ಗಳ ನಡುವೆ ನೀರಿನ ಫಿಲ್ಮ್ ರಚನೆಯಾಗುವುದರಿಂದ ಅವುಗಳ ನಡುವಿನ ನೇರ ಸಂಪರ್ಕದ ನಷ್ಟವಾಗಿದೆ. ಹೈಡ್ರೋಪ್ಲಾನಿಂಗ್ ಮಾಡುವಾಗ ವಾಹನವನ್ನು ಸ್ಪೇರಿಂಗ್ ಅಥವಾ ಬ್ರೇಕಿಂಗ್ ಮಾಡುವುದು ತುಂಬಾ ಕಷ್ಟಕರವಾಗಿರುತ್ತದೆ ಮತ್ತು ನಿಯಂತ್ರಣ ಕಳೆದುಕೊಳ್ಳಬಹುದು. ರಸ್ತೆಯ ಮೇಲ್ಮೈ ಒದ್ದೆಯಾಗಿರುವಾಗ ವೇಗವನ್ನು ಕಡಿಮೆ ಮಾಡಿ.
- ಹೆಚ್ಚಿನ ವೇಗದಲ್ಲಿ, ವಾಹನವು ಅಡ್ಡ ಗಾಳಿಯಿಂದ ವ್ಯಥಾವಿತವಾಗಬಹುದು. ಆದ್ದರಿಂದ, ವೇಗವನ್ನು ಕಡಿಮೆ ಮಾಡಿ ಮತ್ತು ಅನಿರೀಕ್ಷಿತ ಬಫೆಟಿಂಗ್‌ಗೆ ಸಿದ್ಧರಾಗಿರಿ, ಇದು ಸುರಂಗಗಳ ನಿರ್ಗಮನದಲ್ಲಿ ಸಂಭವಿಸಬಹುದು. ಬೆಟ್ಟದ ಕಡಿತದಿಂದ ಹಾದುಹೋಗುವಾಗ ಅಥವಾ ದೊಡ್ಡ ವಾಹನಗಳು ಹಿಂದಿಕ್ಕಿದಾಗ ಇತ್ಯಾದಿ.

## ಬೆಟ್ಟಗಳ ಮೇಲೆ ಚಾಲನೆ

- ಕಡಿದಾದ ಬೆಟ್ಟಗಳನ್ನು ಹತ್ತುವಾಗ, ವಾಹನವು ನಿಧಾನಗೊಳ್ಳಲು ಪ್ರಾರಂಭಿಸಬಹುದು ಮತ್ತು ಶಕ್ತಿಯ ಕೊರತೆಯನ್ನು ತೋರಿಸಬಹುದು. ಇದು ಸಂಭವಿಸಿದಲ್ಲಿ ನೀವು ಕಡಿಮೆ ಗೇರ್‌ಗೆ ಬದಲಾಯಿಸಬೇಕು ಇದರಿಂದ ಇಂಜಿನ್ ಮತ್ತು ಅದರ ಸಾಮಾನ್ಯ ಶಕ್ತಿಯ ವ್ಯಾಪ್ತಿಯಲ್ಲಿ ಕಾರ್ಯನಿರ್ವಹಿಸುತ್ತದೆ. ವಾಹನವು ಆವೇಗವನ್ನು ಕಳೆದುಕೊಳ್ಳದಂತೆ ತಡೆಯಲು ವೇಗವಾಗಿ ಶಿಫ್ಟ್ ಮಾಡಿ.
- ಬೆಟ್ಟದ ಕೆಳಗೆ ಚಾಲನೆ ಮಾಡುವಾಗ, ಕಡಿಮೆ ಗೇರ್‌ಗೆ ಬದಲಾಯಿಸುವ ಮೂಲಕ ಪ್ರೇಕಿಂಗ್‌ಗಾಗಿ ಇಂಜಿನ್ ಅನ್ನು ಬಳಸಬೇಕು.



77PH003

**⚠ ಎಚ್ಚರಿಕೆ**

ಕಡಿದಾದ ಅಥವಾ ಉದ್ದವಾದ ಬೆಟ್ಟದ ಕೆಳಗೆ ಹೋಗುವಾಗ ಬ್ರೇಕ್ ಪೆಡಲ್ ಅನ್ನು ತುಂಬಾ ಉದ್ದವಾಗಿ ಅಥವಾ ಆಗಾಗ್ಗೆ ಹಿಡಿದಿಟ್ಟುಕೊಳ್ಳದಿರಲು ಪ್ರಯತ್ನಿಸಿ. ಇದು ಬ್ರೇಕ್‌ಗಳು ಹೆಚ್ಚು ಬಿಸಿಯಾಗಲು ಕಾರಣವಾಗಬಹುದು, ಇದರ ಪರಿಣಾಮವಾಗಿ ಬ್ರೇಕಿಂಗ್ ದಕ್ಷತೆಯು ಕಡಿಮೆಯಾಗುತ್ತದೆ. ಈ ಮುನ್ನ ಚರಿಕೆಯನ್ನು ತೆಗೆದುಕೊಳ್ಳುವಲ್ಲಿ ವಿಫಲವಾದರೆ ವಾಹನ ನಿಯಂತ್ರಣವನ್ನು ಕಳೆದುಕೊಳ್ಳಬಹುದು.

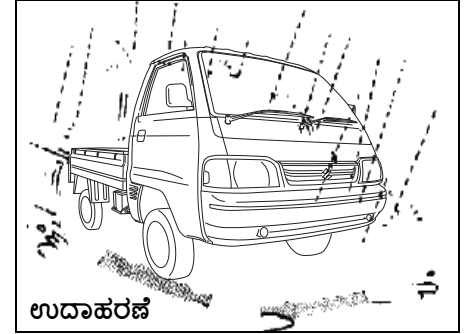
ಸಾಂಡ್ ಸಿಲ್ ಸ್ಥಿತಿಯಿಂದ ಹತ್ತುವಿಕೆಗ್ರೇಡಿಯಂಟ್ ಚಲಿಸುವಾಗ

- ವಾಹನವು ಹಿಂದಕ್ಕೆ ಉರುಳದಂತೆ ಪಾರ್ಕಿಂಗ್ ಬ್ರೇಕ್ ಅನ್ನು ದೃಢವಾಗಿ ಅನ್ವಯಿಸಿ.
- ಕ್ಲಚ್ ಪೆಡಲ್ ಅನ್ನು ಒತ್ತಿ ಮತ್ತು ಗೇರ್‌ಶಿಫ್ಟ್ ಲೆವರ್ ಅನ್ನು 1 ನೇ ಟಯ್ಕು ಸ್ಥಾನಕ್ಕೆ ಶಿಫ್ಟ್ ಮಾಡಿ.
- ಕ್ಲಚ್ ಅನ್ನು ಸಿಪ್ ಮಾಡಬೇಡಿ.
- ಪ್ರಾರಂಭಿಸಲು ಸಿದ್ಧವಾದಾಗ, ವೇಗವರ್ಧಕ ಪೆಡಲ್ ಅನ್ನು ಒತ್ತಿ ಮತ್ತು ನಿಧಾನವಾಗಿ ಕ್ಲಚ್ ಪೆಡಲ್ ಅನ್ನು ಏಕಕಾಲದಲ್ಲಿ ಬಿಡುಗಡೆ ಮಾಡಿ. ವಾಹನವು ಚಲಿಸಲು ಪ್ರಾರಂಭಿಸಿದಾಗ, ಕ್ರಮೇಣ ಪಾರ್ಕಿಂಗ್ ಬ್ರೇಕ್ ಅನ್ನು ಬಿಡುಗಡೆ ಮಾಡಿ.

**ಸೂಚನೆ**

ಬೆಟ್ಟದ ಕೆಳಗೆ ಇಳಿಯುವಾಗ, ಇಗ್ರಿಷನ್ ಕಿಲಿಯನ್ನು "ಲಾಕ್" ಸ್ಥಾನಕ್ಕೆ ತಿರುಗಿಸಬೇಡಿ. ಹೊರಸೂಸುವಿಕೆ ನಿಯಂತ್ರಣ ವ್ಯವಸ್ಥೆಗೆ ಹಾನಿಯಾಗಬಹುದು.

## ಸ್ಥಿರ ರಸ್ತೆಗಳಲ್ಲಿ ಚಾಲನೆ



ಉದಾಹರಣೆ

82DY06

ಒದ್ದೆಯಾದ ರಸ್ತೆಯ ಪರಿಸ್ಥಿತಿಗಳಲ್ಲಿ ನೀವು ಬ್ರೇಕಿಂಗ್ ಸಮಯದಲ್ಲಿ ಟೈರುಗಳ ಸಂಭವನೀಯ ಜಾರುವಿಕೆಯಿಂದಾಗಿ ಓಣ ರಸ್ತೆಗಳಿಗಿಂತ ಕಡಿಮೆ ವೇಗದಲ್ಲಿ ಚಾಲನೆ ಮಾಡಬೇಕು. ಹಿಮಾವೃತ, ಹಿಮದಿಂದ ಆವೃತವಾದ ಅಥವಾ ಮಣ್ಣಿನ ರಸ್ತೆಗಳಲ್ಲಿ ಚಾಲನೆ ಮಾಡುವಾಗ, ನಿಮ್ಮ ವೇಗವನ್ನು ಕಡಿಮೆ ಮಾಡಿ ಮತ್ತು ಹಠಾತ್ ವೇಗವರ್ಧನೆ, ಹಠಾತ್ ಬ್ರೇಕಿಂಗ್ ಅಥವಾ ತೀಕ್ಷ್ಣವಾದ ಸ್ವೀರಿಂಗ್ ಚಲನೆಯನ್ನು ತಪ್ಪಿಸಿ.

ನಿಮ್ಮ ವಾಹನವು ಸಿಲುಕಿಕೊಂಡರೆ ನಿಮ್ಮ ವಾಹನವು ಹಿಮ, ಕೆಸರು ಅಥವಾ ಮರಳಿನಲ್ಲಿ ಸಿಲುಕಿಕೊಂಡರೆ, ಕೆಳಗಿನ ನಿರ್ದೇಶನಗಳನ್ನು ಅನುಸರಿಸಿ:

- 1) ಮೊದಲ ಗೇರ್ ಮತ್ತು ರಿವರ್ಸ್ ನಡುವೆ ಪ್ರಸರಣವನ್ನು ಹಿಂದಕ್ಕೆ ಮತ್ತು ಮುಂದಕ್ಕೆ ವರ್ಗಾಯಿಸಿ. ಇದು ರಾಕಿಂಗ್ ಚಲನೆಯನ್ನು ರಚಿಸುತ್ತದೆ, ಇದು ವಾಹನವನ್ನು



ಮುಕ್ತಗೊಳಿಸಲು ನಿಮಗೆ ಸಾಕಷ್ಟು ಅವೇಗವನ್ನು ನೀಡುತ್ತದೆ. ಕನಿಷ್ಠ ಚಕ್ರದ ಆರ್ಪಿಎಂಗೆ ಚಕ್ರ ತಿರುಗುತ್ತಿರಲು ವೇಗವರ್ಧಕದ ಮೇಲೆ ನಿಧಾನವಾಗಿ ಒತ್ತಿರಿ. ಬದಲಾಯಿಸುವಾಗ ವೇಗವರ್ಧಕದಿಂದ ನಿಮ್ಮ ಪಾದವನ್ನು ತೆಗೆದುಹಾಕಿ. ಇಂಜಿನ್ ಅನ್ನು ರೇಸ್ ಮಾಡಬೇಡಿ. ಅತಿಯಾದ ಚಕ್ರ ತಿರುಗುವಿಕೆಯು ಟೈರ್‌ಗಳನ್ನು ಆಳವಾಗಿ ಅಗೆಯಲು ಕಾರಣವಾಗುತ್ತದೆ. ವಾಹನವನ್ನು ಮುಕ್ತಗೊಳಿಸಲು ಹೆಚ್ಚು ಕಷ್ಟಕರವಾಗುತ್ತದೆ.

2) ಕೆಲವು ನಿಮಿಷಗಳ ರಾಕಿಂಗ್ ನಂತರ ನಿಮ್ಮ ವಾಹನವು ಸಿಲುಕಿಕೊಂಡರೆ, ನಿಮ್ಮ ವಾಹನವನ್ನು ಹೊರತೆಗೆಯಲು ಇನ್ನೊಂದು ವಾಹನವನ್ನು ಉಪಯೋಗಿಸಿ

**⚠ ಎಚ್ಚರಿಕೆ**

ನೀವು ವಾಹನವನ್ನು ರಾಕಿಂಗ್ ಮಾಡುವಾಗ ಯಾರನ್ನೂ ಅಡೆರ ಬಳಿ ನಿಲ್ಲಲು ಅನುಮತಿಸಬೇಡಿ ಮತ್ತು ಸೀಡೋಮೀಟರ್‌ನಲ್ಲಿ ಸೂಚಿಸಲಾದ 40 ಕಿಮೀ / ಗಂಗೆಂತ ವೇಗವಾಗಿ ಚಕ್ರಗಳನ್ನು ತಿರುಗಿಸಬೇಡಿ. ಚಕ್ರಗಳನ್ನು ವೇಗವಾಗಿ ತಿರುಗಿಸುವುದರಿಂದ ವೈಯಕ್ತಿಕ ಗಾಯ ಮತ್ತು/ಅಥವಾ ವಾಹನದ ಹಾನಿ ಉಂಟಾಗಬಹುದು.

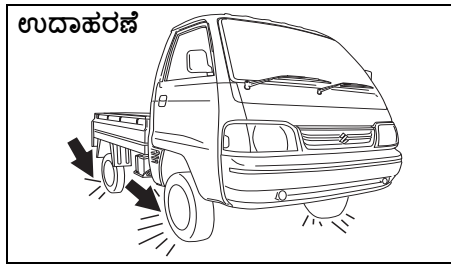
**ಸೂಚನೆ**

ಕೆಲವು ನಿಮಿಷಗಳಿಗಿಂತ ಹೆಚ್ಚು ಕಾಲ ವಾಹನವನ್ನು ರಾಕಿಂಗ್ ಮಾಡುವುದನ್ನು ಮುಂದುವರಿಸಬೇಡಿ. ದೀರ್ಘಕಾಲದ ರಾಕಿಂಗ್ ಇಂಜಿನ್ ಅಧಿಕ ತಾಪ ಅಥವಾ ಪ್ರಸರಣ ಹಾನಿಗೆ ಕಾರಣವಾಗಬಹುದು.

**ಬದ್ಧ ರಸ್ತೆಗಳಲ್ಲಿ ಚಾಲನೆ**

**ಸೂಚನೆ**

- ಒದ್ದೆಯಾದ ರಸ್ತೆಗಳಲ್ಲಿ ಚಾಲನೆ ಮಾಡುವಾಗ, ರಸ್ತೆಯಲ್ಲಿ ದೊಡ್ಡ ಪ್ರಮಾಣದ ನೀರು ನಿಂತಿರುವ ಮೂಲಕ ಚಾಲನೆ ಮಾಡುವುದನ್ನು ತಪ್ಪಿಸಿ. ಇಂಜಿನ್ ವಿಭಾಗವನ್ನು ಪ್ರವೇಶಿಸುವೆ ದೊಡ್ಡ ಪ್ರಮಾಣದ ನೀರು ಇಂಜಿನ್ ಮತ್ತು ಅಥವಾ ವಿದ್ಯುತ್ ಘಟಕಗಳಿಗೆ ಹಾನಿಯನ್ನು ಉಂಟುಮಾಡಬಹುದು.
- ಆಳವಾದ ನೀರಿನಲ್ಲಿ ಸಿಲುಕಿಕೊಂಡರೆ, ನೀರಿನ ಮಟ್ಟ ಇಳಿಯುವವರೆಗೆ ಪ್ರಾರಂಭಿಸಬೇಡಿ.
- ನೀರು ಸಂಕುಚಿತಗೊಳಿಸಲಾಗದ ವಸ್ತುವಾಗಿದೆ, ಇಂಜಿನ್ ಒಳಗಿನ ನೀರು ಇಂಜಿನ್ ಹಾನಿಕಾರಕವಾಗಿದೆ.



**⚠ ಎಚ್ಚರಿಕೆ**

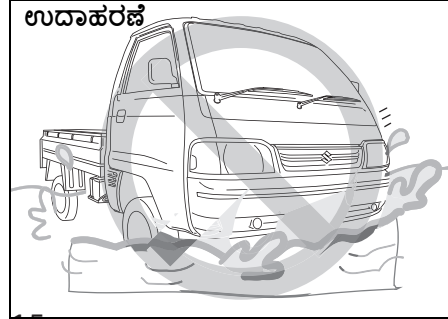
ಈ ವಿಭಾಗದಲ್ಲಿ ಚಾಲನಾ ಸಲಹೆಗಳನ್ನು ಅನುಸರಿಸುವುದರ ಜೊತೆಗೆ, ಈ ಕೆಳಗಿನ ಮುನ್ನಚರಿಕೆಗಳನ್ನು ಗಮನಿಸುವುದು ಮುಖ್ಯವಾಗಿದೆ.

- ನಿಮ್ಮ ಟೈರ್‌ಗಳು ಉತ್ತಮ ಸ್ಥಿತಿಯಲ್ಲಿವೆಯೇ ಎಂಬುದನ್ನು ಖಚಿತಪಡಿಸಿಕೊಳ್ಳಿ ಮತ್ತು ಯಾವಾಗಲೂ ನಿರ್ದಿಷ್ಟಪಡಿಸಿದ ಟೈರ್ ಒತ್ತಡವನ್ನು ನಿರ್ವಹಿಸಿ. ವಿವರಗಳಿಗಾಗಿ "ತಪಾಸಣೆ ಮತ್ತು ನಿರ್ವಹಣೆ" ವಿಭಾಗದಲ್ಲಿ "ಟೈರುಗಳು" ಅನ್ನು ನೋಡಿ.
- ಮಾರುತಿ ಸುಜುಕಿ ಸೂಚಿಸಿದ ಟೈರ್‌ಗಳನ್ನು ಹೊರತುಪಡಿಸಿ ಬೇರೆ ಟೈರ್‌ಗಳನ್ನು ಬಳಸಬೇಡಿ. ಮುಂಭಾಗ ಮತ್ತು ಹಿಂಭಾಗದ ಚಕ್ರಗಳಲ್ಲಿ ವಿವಿಧ ಗಾತ್ರಗಳು ಅಥವಾ ಟೈರ್‌ಗಳನ್ನು ಎಂದಿಗೂ ಬಳಸಬೇಡಿ. ನಿರ್ದಿಷ್ಟಪಡಿಸಿದ ಟೈರ್‌ಗಳ ಬಗ್ಗೆ ಮಾಹಿತಿಗಾಗಿ, ಚಾಲಕನ ಡೋರ್ ಲಾಕ್ ಪಿಲರ್‌ನಲ್ಲಿರುವ ಟೈರ್ ಮಾಹಿತಿ ಲೇಬಲ್ ಅನ್ನು ನೋಡಿ.
- ನಿಮ್ಮ ವಾಹನವನ್ನು ಹೆಚ್ಚಿನ (ಜಾಕ್ ಅಪ್) ದೊಡ್ಡ ಗಾತ್ರದ ಟೈರ್‌ಗಳು ಅಥವಾ ವಿಶೇಷ ಶಾಕ್ ಅಬಾರ್ಬರ್‌ಗಳು ಮತ್ತು ಸ್ಪ್ರಿಂಗ್‌ಗಳನ್ನು ಎಂದಿಗೂ ಬಿಳಿಸಬೇಡಿ. ಇದೆ ನಿರ್ವಹಣೆಯ ಗುಣಲಕ್ಷಣಗಳನ್ನು ಬದಲಾಯಿಸುತ್ತದೆ. ದೊಡ್ಡ ಗಾತ್ರದ ಟೈರ್‌ಗಳು ವಾಹನದ ದೇಹದ ಮೇಲೆ ಉಬ್ಬುಗಳ ಮೇಲೆ ಉಜ್ಜಬಹುದು, ಇದು ವಾಹನ ಹಾನಿ ಅಥವಾ ಟೈರ್ ವೈಫಲ್ಯಕ್ಕೆ ಕಾರಣವಾಗಬಹುದು.
- ನೀರಿನ ಮೂಲಕ ಚಾಲನೆ ಮಾಡಿದ ನಂತರ, ನಿಧಾನ ವೇಗದಲ್ಲಿ ಚಾಲನೆ ಮಾಡುವಾಗ ಬ್ರೇಕ್‌ಗಳು ತಮ್ಮ ಸಾಮಾನ್ಯ ಪರಿಣಾಮಕಾರಿತ್ವವನ್ನು ಕಳೆದುಕೊಂಡಿವೆಯೇ ಎಂದು ಪರೀಕ್ಷಿಸಿ. ಅದನ್ನು ಸಾಮಾನ್ಯ ಸ್ಥಿತಿಗೆ ಕಡಿಮೆ ಪರಿಣಾಮಕಾರಿಯಾಗಿದರೆ, ಬ್ರೇಕ್‌ಗಳು ತಮ್ಮ ಸಾಮಾನ್ಯ ಪರಿಣಾಮಕಾರಿತ್ವವನ್ನು ಮರಳಿ ಪಡೆಯುವವರೆಗೆ ನಿಧಾನವಾಗಿ ಚಾಲನೆ ಮಾಡುವಾಗ ಬ್ರೇಕ್‌ಗಳನ್ನು ಪದೇ ಪದೇ ಅನ್ವಯಿಸುವ ಮೂಲಕ ಒಣಗಿಸಿ.

## ಆಫ್-ರೋಡ್ ಡ್ರೈವಿಂಗ್

ಬೆಳದ ಹುಲಿನಿಂದ ಆವೃತವಾದ ಮೈದಾನದಲ್ಲಿ ವಾಹನ ಚಲಾಯಿಸಬೇಡಿ. ಹುಲಿನಿಂದ ಆವೃತವಾಗಿರುವ ಗದೆಯಲ್ಲಿ ವಾಹನ ಚಲಾಯಿಸಿದರೆ, ಬೆಳದ ಹುಲಿನಲ್ಲಿ ಸಿಲುಕಿ ಅಪಘಾತ ಅಥವಾ ಬೆಂಕಿ ಅಥವಾ ವಾಹನಕ್ಕೆ ಹಾನಿಯಾಗಬಹುದು.

## ಪ್ರವಾಹ ಪ್ರದೇಶವನ್ನು ಎದುರಿಸುವಾಗ



77PM04011

ಪ್ರವಾಹ ಪ್ರದೇಶ ಅಥವಾ ಆಳವಾದ ಕೊಚ್ಚಿಗುಂಡಿಯಲ್ಲಿ ಚಾಲನೆ ಮಾಡುವುದನ್ನು ತಪ್ಪಿಸಿ. ಪ್ರವಾಹದ ಪ್ರದೇಶದಲ್ಲಿ ವಾಹನ ಚಲಾಯಿಸುವುದು ಅನಿವಾರ್ಯವಾಗಿದ್ದರೆ, ಕಡಿಮೆ ಗೇರ್‌ನಲ್ಲಿ ನಿಧಾನವಾಗಿ ಹೋಗಿ. ಒಂದು ವೇಳೆ ನೀವು ಪ್ರವಾಹದ ಪ್ರದೇಶದಲ್ಲಿ ಚಾಲನೆ ಮಾಡಿದ್ದರೆ, ಬ್ರೇಕ್ ಪರಿಣಾಮಕಾರಿತ್ವವನ್ನು ಪರಿಶೀಲಿಸುವಾಗ ವಾಹನವನ್ನು ಸುರಕ್ಷಿತ ಮತ್ತು ಪ್ರವಾಹವಿಲ್ಲದ ಸ್ಥಳದಲ್ಲಿ ನಿಲ್ಲಿಸಿ. ನಂತರ, ಈ ಕೆಳಗಿನ ತಪಾಸಣೆ

ಐಟಂಗಳನ್ನು ಪರಿಶೀಲಿಸಲು ಮಾರುತಿ ಸುಜುಕಿ ಅಧಿಕೃತ ಕಾರ್ಯಾಗಾರವನ್ನು ಕೇಳಿ.

- ಬ್ರೇಕ್ ಕಾರ್ಯ
- ವಿದ್ಯುತ್ ಘಟಕಗಳ ಕಾರ್ಯ
- ಇಂಜಿನ್ ಮತ್ತು ಪ್ರಸರಣಕ್ಕಾಗಿ ತೈಲ ಮಟ್ಟ ಮತ್ತು ಗುಣಮಟ್ಟದಲ್ಲಿನ ಬದಲಾವಣೆಗಳು.
- ತೈಲವು ಟರ್ಬಿಡ್ ಬಿಳಿಯಾಗಿದ್ದರೆ, ಎಣ್ಣೆಯಲ್ಲಿ ನೀರನ್ನು ಬೆರೆಸಲಾಗುತ್ತದೆ ಮತ್ತು ತೈಲ ಬದಲಾವಣೆಯ ಅಗತ್ಯವಿರುತ್ತದೆ.
- ಬೇರಿಂಗ್‌ಗಳ ಲೂಬ್ರಿಕೇಟ್ ಸ್ಥಿತಿ, ಅಮಾನತು ಕೀಲುಗಳು, ಇತ್ಯಾದಿ.

### ನೂಚನೆ

- ಪ್ರವಾಹ ಪ್ರದೇಶ ಅಥವಾ ಆಳವಾದ ಕೊಚ್ಚಿಗುಂಡಿಯಲ್ಲಿ ವಾಹನ ಚಲಾಯಿಸುವುದನ್ನು ತಪ್ಪಿಸಿ. ಇದು ಇಂಜಿನ್ ಸ್ಥಿತಿಗೆ ಕಾರಣವಾಗಬಹುದು, ವಿದ್ಯುತ್ ಘಟಕಗಳಿಗೆ ಚಿಕ್ಕದಾಗಿದೆ, ಇಂಜಿನ್ ಮತ್ತು ಪ್ರಸರಣ ಹಾನಿಗಳು ಇತ್ಯಾದಿ.
- ವಾಹನವು ಆಳವಾದ ನೀರಿನಲ್ಲಿ ಸಿಲುಕಿಕೊಂಡರೆ ಇಂಜಿನ್ ಅನ್ನು ಪ್ರಾರಂಭಿಸಬೇಡಿ.

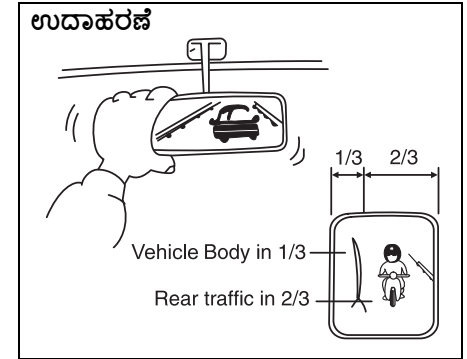
## ಸುರಕ್ಷಿತ ಚಾಲನೆಗಾಗಿ ಮಾಡಬೇಕಾದುದು ಮತ್ತು ಮಾಡಬಾರದು

ನಿಮ್ಮ ವಾಹನವನ್ನು ನಿರ್ವಹಿಸುವಲ್ಲಿ ಕಾಳಜಿಯನ್ನು ವ್ಯಾಯಾಮ ಮಾಡಿ. ನಿಮ್ಮ ಸ್ವಂತ ಸುರಕ್ಷತೆಯ ಬಗ್ಗೆ ಮಾತ್ರವಲ್ಲ ರಸ್ತೆಯಲ್ಲಿ ಇತರರ ಸುರಕ್ಷತೆಯ ಬಗ್ಗೆಯೂ ಜಾಗೃತರಾಗಿರಿ ಮತ್ತು ಆದ್ದರಿಂದ ಉತ್ತಮ ಮತ್ತು ಅತ್ಯಂತ ಆರಾಮದಾಯಕವಾದ ಚಾಲನಾ ಅನುಭವವನ್ನು ಆನಂದಿಸಿ.

ಸುರಕ್ಷಿತ ಚಾಲನೆಗಾಗಿ ಮೂಲ ನಿಯಮಗಳು ಈ ಕೆಳಗಿನಂತಿವೆ. ವಿಷಯದ ಉತ್ತಮ ತಿಳುವಳಿಕೆಗಾಗಿ ಅವುಗಳನ್ನು ಎಚ್ಚರಿಕೆಯಿಂದ ಓದಿ ಇದರಿಂದ ನೀವು ನಿಮ್ಮ ವಾಹನದಲ್ಲಿ ಸುರಕ್ಷಿತ ಮತ್ತು ಆಹ್ಲಾದಕರ ಚಾಲನೆಯನ್ನು ಆನಂದಿಸಬಹುದು.

### ಆರಂಭಿಕ

- 1) ಸರಿಯಾದ ಚಾಲನಾ ಭಂಗಿಗೆ ಚಾಲಕನ ಆಸನವನ್ನು ಹೊಂದಿಸಿ.
- 2) ಸಾಧ್ಯವಾದಷ್ಟು ಉತ್ತಮವಾದ ಹಿಂಬದಿ ನೋಟವನ್ನು ಪಡೆಯಲು ಹಿಂಬದಿಯ ಕನ್ನಡಿಯನ್ನು ಹೊಂದಿಸಿ.



77PM04002

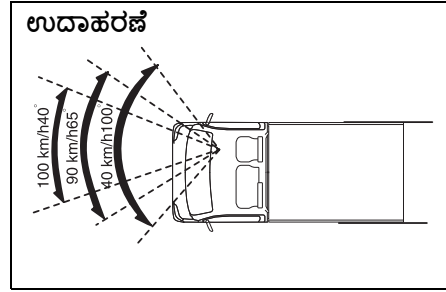
## ಡೈವಿಂಗ್ ಟಿಪ್ಸ್

- 3) ಚಲಿಸುವ ಮೊದಲು, ಸುರಕ್ಷತೆಯನ್ನು ಖಚಿತಪಡಿಸಲು ನಿಮ್ಮ ವಾಹನದ ಸುತ್ತಲೂ ನೋಡಿ.
- 4) ಇದ್ದಕ್ಕಿದ್ದಂತೆ ವೇಗವನ್ನು ಹೆಚ್ಚಿಸಬೇಡಿ, ಏಕೆಂದರೆ ಇದು ಅಪಾಯಕಾರಿ ಮತ್ತು ಎಂಧನವನ್ನು ವ್ಯರ್ಥ ಮಾಡುತ್ತದೆ.

### ಸಾಮಾನ್ಯ ಚಾಲನೆ

- 1) ಯಾವುದೇ ಟ್ರಾಫಿಕ್ ದೀಪಗಳು ಅಥವಾ ಚಿಹ್ನೆಗಳು ಇಲ್ಲದ ಛೇದಕಕ್ಕೆ ಚಲಿಸುವಾಗ, ಸುರಕ್ಷತೆಯನ್ನು ಖಚಿತಪಡಿಸಲು ನಿಧಾನವಾಗಿ ಚಾಲನೆ ಮಾಡಿ.
- 2) ಮುಂದಿರುವ ವಾಹನವು ಹಠಾತ್ ನಿಲುಗಡೆ ಮಾಡಿದರೆ, ಹಿಂಬದಿಯ ಘರ್ಷಣೆಯನ್ನು ತಡೆಗಟ್ಟಲು ಯಾವಾಗಲೂ ಇತರ ವಾಹನಗಳನ್ನು ಸುರಕ್ಷಿತ ದೂರದಲ್ಲಿ ಅನುಸರಿಸಿ.
- 3) ತಿರುವು ಮಾಡುವ ಮೊದಲು ಅಥವಾ ಲೇನ್ ಅನ್ನು ಬದಲಾಯಿಸುವ ಮೊದಲು ಕನಿಷ್ಠ 30 ಮೀಟರ್ ಟರ್ನಿಂಗ್ ಸಿಗ್ನಲ್ ಅನ್ನು ಆನ್ ಮಾಡಿ.
- 4) ಮೂಲೆಯನ್ನು ಪ್ರವೇಶಿಸುವ ಮೊದಲು, ಸುರಕ್ಷಿತ ವೇಗಕ್ಕೆ ನಿಧಾನಗೊಳಿಸಿ. ಮೂಲೆಗುಂಪಾಗುವ ಸಮಯದಲ್ಲಿ ಬ್ರೇಕ್‌ಗಳನ್ನು ಅನ್ವಯಿಸಬೇಡಿ ಅಥವಾ ಸ್ಪ್ರಿಂಗ್ ಸರ್ಟಿಫಿಕೇಷನ್ ಮಾಡಿ.
- 5) ಇತರ ವಾಹನಗಳನ್ನು ಹಿಂದಿಕ್ಕುವಾಗ, ಮುಂಬರುವ ವಾಹನಗಳನ್ನು ಗಮನಿಸಿ ಮತ್ತು ಸುರಕ್ಷತೆಯನ್ನು ಎಚ್ಚರಿಕೆಯಿಂದ ಖಚಿತಪಡಿಸಿಕೊಳ್ಳಿ.
- 6) ಅಂಕುಡೊಂಕಾದ ಡೈವಿಂಗ್ ಅನ್ನು ಪ್ರಯತ್ನಿಸಬೇಡಿ ಏಕೆಂದರೆ ಅದು ವಾಹನದ ಮೇಲೆ ನಿಮ್ಮ ನಿಯಂತ್ರಣಕ್ಕೆ ಅಡಿಯಾಗುತ್ತದೆ ಮತ್ತು ಅಪಘಾತಕ್ಕೆ ಕಾರಣವಾಗಬಹುದು.
- 7) ಅಜಾಗರೂಕ ವೇಗದ ಚಾಲನೆಯನ್ನು ತಪ್ಪಿಸಿ ಮತ್ತು ಸ್ಥಿರವಾದ ವೇಗವನ್ನು ಉಳಿಸಿಕೊಂಡು

- ರನೆ ಪರಿಸ್ಥಿತಿಗಳಿಗೆ ಸೂಕ್ತವಾದ ಸುರಕ್ಷಿತ ವೇಗದಲ್ಲಿ ಚಾಲನೆ ಮಾಡಲು ಪ್ರಯತ್ನಿಸಿ.
- 8) ಹೆಚ್ಚಿನ ವೇಗ, ಚಾಲಕನ ದೃಷ್ಟಿಗೋಚರ ವ್ಯಾಪ್ತಿಯ ಕಿರಿದಾಗುತ್ತದೆ. ಅಂತಹ ಸ್ಥಿತಿಯಲ್ಲಿ, ಯಾವುದೇ ಅಪಾಯವನ್ನು ನಿರೀಕ್ಷಿಸುವುದು ಕಷ್ಟ ಮತ್ತು ಚಾಲಕನು ಆಯಾಸವನ್ನು ಅನುಭವಿಸುತ್ತಾನೆ.



- 9) ಹೆಚ್ಚಿನ ವೇಗದ ಚಾಲನೆಯಲ್ಲಿ ತೀಕ್ಷ್ಣವಾದ ನಿರ್ವಹಣೆಯನ್ನು ಪ್ರಯತ್ನಿಸಬೇಡಿ. ನಿಮ್ಮ ವಾಹನದ ಮೇಲಿನ ನಿಮ್ಮ ನಿಯಂತ್ರಣವನ್ನು ನೀವು ಕಳೆದುಕೊಳ್ಳಬಹುದು.
- 10) ಅತಿವೇಗದಲ್ಲಿ ಚಾಲನೆ ಮಾಡುವಾಗ ಓವರ್‌ಟೇಕ್ ಮಾಡುವಾಗ ಅಥವಾ ಲೇನ್‌ಗಳನ್ನು ಬದಲಾಯಿಸುವಾಗ, ಸಾಕಷ್ಟು ವಾಹನದಿಂದ ವಾಹನಕ್ಕೆ ಸಾಕಷ್ಟು ಅಂತರವನ್ನು ಇರಿಸಿ.

### ಬ್ರೇಕಿಂಗ್

- 1) ನಿಮ್ಮ ವಾಹನವನ್ನು ನಿಲ್ಲಿಸುವಾಗ ಪಾರ್ಕಿಂಗ್ ಬ್ರೇಕ್ ಅನ್ನು ಬಳಸಿ ಮತ್ತು ಸುರಕ್ಷತೆಯ ಸಲುವಾಗಿ ಗೇರ್ ಶಿಫ್ಟ್ ಲಿವರ್ ಅನ್ನು ಮೊದಲ ಗೇರ್ ಅಥವಾ ರಿವರ್ಸ್ ಗೇರ್ ಸ್ಥಾನಕ್ಕೆ ಬದಲಾಯಿಸಿ.
- 2) ಅನಿವಾರ್ಯವಲ್ಲದ ಹೊರತು ಹ್ಯಾಂಡ್ ಬ್ರೇಕಿಂಗ್ ಬಳಸಬೇಡಿ. ಇದು ವಾಹನವು ಸ್ಪಿಡ್ ಆಗಲು ಕಾರಣವಾಗುತ್ತದೆ ಮತ್ತು ಡಿಕ್ಕಿ ಸಂಭವಿಸಬಹುದು. ಟೈರ್‌ಗಳು ಹೆಚ್ಚು ಸ್ಪಿಡ್ ಆಗುವುದರಿಂದ ಅವು ಸವೆದು ಹೋದಾಗ ಇದು ವಿಶೇಷವಾಗಿ ಅಪಾಯಕಾರಿ.

### ಮೂರು ಹಂತಗಳಲ್ಲಿ ಕಾಲು ಬ್ರೇಕ್ ಬಳಸಿ

1. ನಿಮ್ಮ ಹಿಂದೆ ವಾಹನವನ್ನು ಎಚ್ಚರಿಸಿ.
  2. ಕ್ರಮೇಣ ಬ್ರೇಕ್ ಅನ್ನು ಅನ್ವಯಿಸಿ.
  3. ವಾಹನವನ್ನು ನಿಲ್ಲಿಸಿ.
- 3) ಕಳೆದ ಮುಖವಾಗಿ ಚಾಲನೆ ಮಾಡುವಾಗ, ಬ್ರೇಕ್ ಅನ್ನು ಅನ್ವಯಿಸದಿರಲು ಪ್ರಯತ್ನಿಸಿ ಆದರೆ ಇಂಜಿನ್ ಬ್ರೇಕ್ ಅನ್ನು ಪರಿಣಾಮಕಾರಿಯಾಗಿ ಬಳಸಿ. ಪುಟ್-ಬ್ರೇಕ್ ಮಿತಿಮೀರಿದ ಬಳಿಕೆಯು ಬ್ರೇಕ್ ಪರಿಣಾಮಕಾರಿತ್ವವನ್ನು ಕಡಿಮೆ ಮಾಡಲು ಕಾರಣವಾಗಬಹುದು.

### ದೂರದ ಚಾಲನೆ

- 1) ಪ್ರವಾಸವನ್ನು ಪ್ರಾರಂಭಿಸುವ ಮೊದಲು ಸುರಕ್ಷತಾ ತಪಾಸಣೆಗಳನ್ನು ಮಾಡಲು ಮರೆಯದಿರಿ.
- 2) ನಿಂದೆ ಅಥವಾ ಆಯಾಸದಿಂದ ಸಂಭವಿಸಬಹುದಾದ ಅಪಘಾತಗಳನ್ನು ತಡೆಗಟ್ಟಲು ನಿಯಮಿತ ಮಧ್ಯಂತರದಲ್ಲಿ ವಿಶ್ರಾಂತಿ ತೆಗೆದುಕೊಳ್ಳಿ.

**ರಾತ್ರಿ ಸಮಯ ಚಾಲನೆ**

- 1) ರಾತ್ರಿಯಲ್ಲಿ ದೃಶ್ಯ ವ್ಯಾಪ್ತಿಯನ್ನು ನಿರ್ಬಂಧಿಸಲಾಗಿರುವುದರಿಂದ ಹೆಗಲಿನ ಸಮಯಕ್ಕಿಂತ ರಾತ್ರಿಯಲ್ಲಿ ಕಡಿಮೆ ವೇಗದಲ್ಲಿ ಚಾಲನೆ ಮಾಡಿ.
- 2) ರಾತ್ರಿಯಲ್ಲಿ ಇತರ ವಾಹನಗಳನ್ನು ಓವರ್‌ಟೇಕ್ ಮಾಡುವುದನ್ನು ತಪ್ಪಿಸಿ. ಕತ್ತಲೆಯು ನಿಮ್ಮ ವೇಗದ ಪ್ರಜ್ಞೆಯನ್ನು ಕಾಡುತ್ತದೆ ಮತ್ತು ವಾಹನದಿಂದ ವಾಹನದ ಅಂತರದ ನಿಮ್ಮ ನಿರ್ಣಯವನ್ನು ತಡೆಯುತ್ತದೆ.
- 3) ಹೈ ಬೀಮ್‌ನಲ್ಲಿ ಹೆಡ್‌ಲೈಟ್‌ಗಳನ್ನು ಬಳಸುವುದು ಅನಿವಾರ್ಯವಲ್ಲದಿದ್ದರೆ ಅದನ್ನು ಬಳಸಬೇಡಿ. ಇದು ಮುಂದೆ ಬರುವ ವಾಹನ ಅಥವಾ ನಿಮ್ಮ ಮುಂದೆ ಇರುವ ವಾಹನದ ಚಾಲಕನಿಗೆ ದೃಷ್ಟಿ ದೋಷವನ್ನು ಉಂಟುಮಾಡಬಹುದು, ಇದು ಅಪಘಾತಕ್ಕೆ ಕಾರಣವಾಗಬಹುದು.
- 4) ಕಿಟಕಿಯ ಕನ್ನಡಕಗಳನ್ನು ಯಾವಾಗಲೂ ಸ್ವಚ್ಛವಾಗಿಡಿ. ವಿಂಡ್‌ಶೀಲ್ಡ್ ಗ್ಲಾಸ್ ಒಣಗಿದಾಗ ವಿಂಡ್‌ಶೀಲ್ಡ್ ವ್ಯವಸ್ಥೆ ಅನ್ನು ಆಪರೇಟ್ ಮಾಡಬೇಡಿ ಇಲ್ಲದಿದ್ದರೆ ವೈಪರ್ ಬ್ಲೇಡ್ ಮತ್ತು ಗ್ಲಾಸ್ ಹಾನಿಗೊಳಗಾಗಬಹುದು.

**ಸುರಕ್ಷತೆಗಾಗಿ ಅಂಚು**

ಇತರ ಚಾಲಕರ ತಪ್ಪಾದ ಅಥವಾ ಅನಿರೀಕ್ಷಿತ ಚಾಲನೆಯನ್ನು ನಿಭಾಯಿಸಲು ಡೈವಿಂಗ್ ಸಮಯದಲ್ಲಿ ಸುರಕ್ಷತೆಗಾಗಿ ನೀವೇ ಒಂದು ಅಂಚು ಅನುಮತಿಸುವುದು ಮುಖ್ಯವಾಗಿದೆ. ಅದಕ್ಕಾಗಿ ಈ ಕೆಳಗಿನವುಗಳನ್ನು ಗಮನಿಸಿ.

- ಸುರಕ್ಷಿತ ವೇಗದಲ್ಲಿ ಚಾಲನೆ ಮಾಡಿ.
- ನಿಮ್ಮ ವಾಹನ ಮತ್ತು ಮುಂದಿರುವ ವಾಹನದ ನಡುವೆ ಸಾಕಷ್ಟು ಅಂತರವನ್ನು ಕಾಯ್ದುಕೊಳ್ಳಿ.
- ಇತರ ವಾಹನಗಳನ್ನು ಹಿಂದಿಕ್ಕಲು ನಿಮ್ಮನ್ನು ಒತ್ತಾಯಿಸಬೇಡಿ.
- ಇದ್ದಕ್ಕಿದ್ದಂತೆ ವೇಗವನ್ನು ಹೆಚ್ಚಿಸಬೇಡಿ, ತೀವ್ರವಾಗಿ ಚಲಿಸಬೇಡಿ ಅಥವಾ ಇದ್ದಕ್ಕಿದ್ದಂತೆ ನಿಲ್ಲಿಸಬೇಡಿ.
- ಡೈವಿಂಗ್ ವೇಳಾಪಟ್ಟಿಗಳ ನಡುವೆ ಸಾಕಷ್ಟು ಅಂತರವನ್ನು ಇರಿಸಿ.
- ಸಂಚಾರ ನಿಯಮಗಳು ಮತ್ತು ನಿಬಂಧನೆಗಳನ್ನು ಗಮನಿಸಿ.

**ತೀರ್ಮಾನ**

ಪರಿಪೂರ್ಣ ಚಾಲಕ ಅಸ್ತಿತ್ವದಲ್ಲಿಲ್ಲ. ಪ್ರತಿಯೊಬ್ಬ ವಾಹನ ಚಾಲಕನ ಪ್ರಯತ್ನವು ಪರಿಪೂರ್ಣತೆಗಾಗಿ ಶ್ರಮಿಸಬೇಕು. ಸುರಕ್ಷತಾ ಪ್ರಜ್ಞೆಯು ನಿಮ್ಮ ಸುರಕ್ಷತೆ ಮತ್ತು ಇತರ ರಸ್ತೆ ಬಳಕೆದಾರರ ಸುರಕ್ಷತೆಯನ್ನು ಖಚಿತಪಡಿಸುತ್ತದೆ, ಇದು ನಿಮ್ಮ ವಾಹನದ ಸವಿತೆ ಮತ್ತು ಹಳಾಗುವಿಕೆ ಕಡಿಮೆ ಮಾಡಲು ಸಹಾಯ ಮಾಡುತ್ತದೆ, ಅದರ ಜೀವಿತಾವಧಿಯನ್ನು ಹೆಚ್ಚಿಸುತ್ತದೆ. ಉತ್ತಮ ಇಂಧನ ದಕ್ಷತೆಯನ್ನು ನೀಡುತ್ತದೆ ಮತ್ತು ಆರಾಮದಾಯಕ ಚಾಲನಾ ಅನುಭವವನ್ನು ಖಾತ್ರಿಗೊಳಿಸುತ್ತದೆ. ಪಟ್ಟಿ ಮಾಡಬೇಕಾದ ಮತ್ತು ಮಾಡಬಾರದ ವಿಷಯಗಳನ್ನು ಅನುಸರಿಸಿ ಮತ್ತು ಡೈವಿಂಗ್ ಮತ್ತೆ ಎಂದಿಗೂ ಒಂದೇ ಆಗುವುದಿಲ್ಲ.

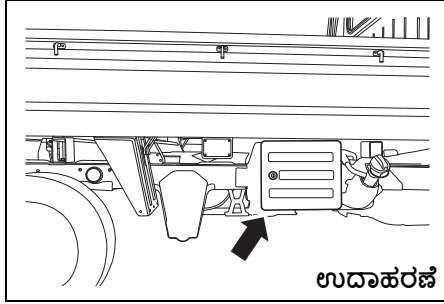
## ಇತರ ನಿಯಂತ್ರಣಗಳು ಮತ್ತು ಸಲಕರಣೆಗಳು

ಇಂಧನ ತುಂಬುವ ಕ್ಯಾಪ್ .....	5-1
ಇಂಜಿನ್ ವಿಭಾಗ .....	5-3
ಸನ್ ವೈಸರ್ .....	5-4
ಆಂತರಿಕ ಬೆಳಕು .....	5-5
ಪರಿಕರ ಸಾಕೆಟ್ .....	5-5
ಗ್ಲೋವ್ ಬಾಕ್ಸ್ .....	5-5
ಕೂಡಿಡುವ ಜಾಗ .....	5-6
ಗಾಳಿ ಕಿಂಡಿ .....	5-6
ಫ್ರೇಮ್ ಹುಕ್ .....	5-7
ಅಸಿಸ್ಟ್ ಗ್ರಿಪ್ .....	5-7

**ಇಂಧನ ತುಂಬುವ ಕ್ಯಾಪ್**

(ಪೆಟ್ರೋಲ್ ಮತ್ತು CNG ಇಂಜಿನ್ ಮಾದರಿಗಾಗಿ)

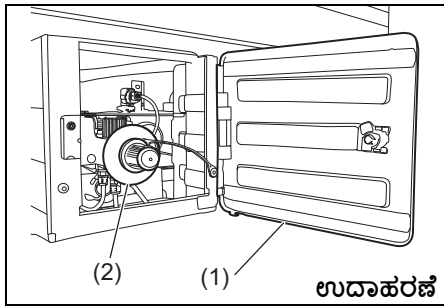
ಸಿ ಎನ್ ಜಿ ಫಿಲ್ಲರ್ ಕವಾಟ (ಸಿ ಎನ್ ಜಿ ಇಂಜಿನ್ ಮಾದರಿಗಾಗಿ)



ಉದಾಹರಣೆ

77PM05003

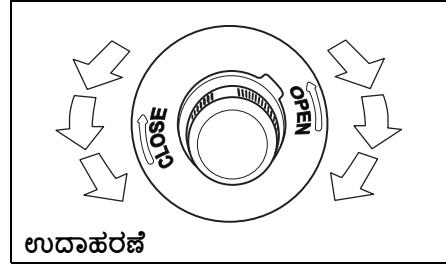
ಸಿ ಎನ್ ಜಿ ಫಿಲ್ಲರ್ ವಾಲ್ವ್ ಬಲಭಾಗದಲ್ಲಿದೆ ವಾಹನದ ಬದಿ.



ಉದಾಹರಣೆ

77PM05001

ಸಿ ಎನ್ ಜಿ ಫಿಲ್ಲರ್ ಬಾಗಿಲು (1) ಅನಾಕ್ ಮಾಡಲು, ಕೀಲಿಯನ್ನು ಸೇರಿಸಿ ಮತ್ತು ವಾಹನದ ಮುಂಭಾಗದ ಕಡೆಗೆ ಕೀಲಿಯ ಮೇಲ್ಭಾಗವನ್ನು ತಿರುಗಿಸಿ.

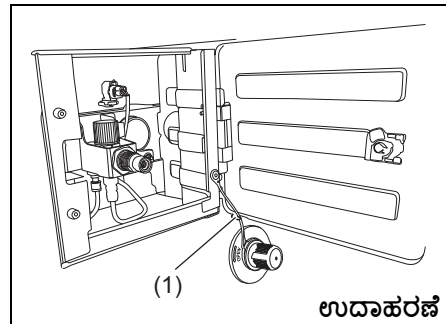


ಉದಾಹರಣೆ

77PM05005

ಸಿ ಎನ್ ಜಿ ಫಿಲ್ಲರ್ ವಾಲ್ವ್ ಕವರ್ ಅನ್ನು ತೆಗೆದುಹಾಕಲು:

- 1) ಸಿ ಎನ್ ಜಿ ಫಿಲ್ಲರ್ ಬಾಗಿಲು ತೆರೆಯಿರಿ (1).
- 2) ಸಿ ಎನ್ ಜಿ ಫಿಲ್ಲರ್ ವಾಲ್ವ್ ಕವರ್ (2) ಅನ್ನು ಅಪ್ಪದಕ್ಷಿಣಾಕಾರವಾಗಿ ತಿರುಗಿಸುವ ಮೂಲಕ ತೆಗೆದುಹಾಕಿ.



ಉದಾಹರಣೆ

77PM05006

ಸೂಚನೆ:

ಇಂಧನ ತುಂಬುವ ಬಾಗಿಲು ಕ್ಯಾಪ್ ಹೋಲ್ಡರ್ (3) ನೊಂದಿಗೆ ಸಜ್ಜುಗೊಂಡಿದ್ದರೆ, ಇಂಧನ ತುಂಬುವಾಗ ಇಂಧನ ತುಂಬುವ ಕ್ಯಾಪ್ ಅನ್ನು ಹಿಡಿದಿಡಲು ಕ್ಯಾಪ್ ಹೋಲ್ಡರ್ ಅನ್ನು ಬಳಸಿ.

ಸಿಲಿಂಡರ್ ಒತ್ತಡವು ಡಿಸ್ಟೆನ್ಸರ್ ಒತ್ತಡಕ್ಕೆ ಸಮಾನವಾದಾಗ ಭರ್ತಿ ಮಾಡುವುದು ಸ್ವಯಂಚಾಲಿತವಾಗಿ ಕಡಿತಗೊಳ್ಳುತ್ತದೆ.

ಸಿ ಎನ್ ಜಿ ಫಿಲ್ಲರ್ ಮೌಲ್ಯದ ಕವರ್ ಅನ್ನು ಮರುಸ್ಥಾಪಿಸಲು:

- 1) ಸಿ ಎನ್ ಜಿ ಫಿಲ್ಲರ್ ವಾಲ್ವ್ ಕವರ್ ಅನ್ನು ಸಂಪೂರ್ಣವಾಗಿ ಮುಚ್ಚುವವರೆಗೆ (2) ಪ್ರದಕ್ಷಿಣಾಕಾರವಾಗಿ ತಿರುಗಿಸಿ.
- 2) ಸಿ ಎನ್ ಜಿ ಫಿಲ್ಲರ್ ಬಾಗಿಲು ಮುಚ್ಚಿ (1).

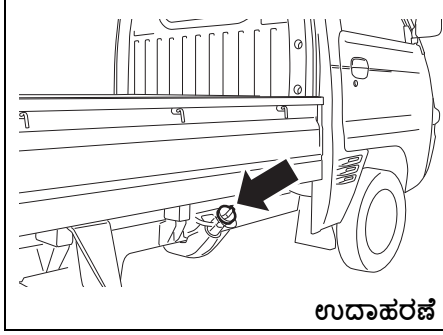
ಸೂಚನೆ:

- ಸಿ ಎನ್ ಜಿ ಫಿಲ್ಲರ್ ಕವರ್ (2) ಸರಿಯಾಗಿ ಮುಚ್ಚಲಿಲ್ಲದಿದ್ದರೆ, ನೀವು ವಾಹನವನ್ನು ಪ್ರಾರಂಭಿಸಲು ಸಾಧ್ಯವಾಗುವುದಿಲ್ಲ.
- ವಾಹನ ಸ್ಥಾಯಿ ಸ್ಥಿತಿಯಲ್ಲಿ ಸಿ ಎನ್ ಜಿ ಫಿಲ್ಲರ್ ಕವರ್ (2) ತೆರೆದರೆ ಇಂಜಿನ್ ನಿಲ್ಲುತ್ತದೆ.

ಸೂಚನೆ:

ವಾಹನ ಕಾರ್ಯಾಚರಣೆಯ ಸಮಯದಲ್ಲಿ ಜಲಿತಗಳು ಸಿ ಎನ್ ಜಿ ಫಿಲ್ಲರ್ ಬಾಕ್ಸ್ ಅನ್ನು ಪ್ರವೇಶಿಸಬಹುದು. ಗಮನಿಸಿದಾಗಲೆಲ್ಲಾ ತೆಗೆದುಹಾಕಿ.

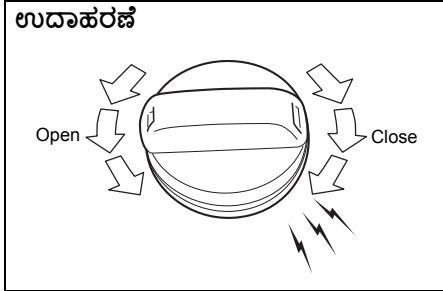
ಪೆಟ್ರೋಲ್ ತುಂಬುವ ಕ್ಯಾಪ್  
(ಪೆಟ್ರೋಲ್ ಇಂಜಿನ್ ಮೌದರಿಗಾಗಿ)



ಉದಾಹರಣೆ

77PH031

ಇಂಧನ ತುಂಬುವ ಕ್ಯಾಪ್ ವಾಹನದ ಬಲಭಾಗದಲ್ಲಿದೆ.



68KN048

ಇಂಧನ ತುಂಬುವ ಕ್ಯಾಪ್ ಅನ್ನು ತೆಗೆದುಹಾಕಲು, ಅದನ್ನು ಅಪ್ರದಕ್ಷಿಣಾಕಾರವಾಗಿ ತಿರುಗಿಸಿ. ಇಂಧನ ಫಿಲ್ಲರ್ ಕ್ಯಾಪ್ ಅನ್ನು ಮರುಸ್ಥಾಪಿಸಲು, ನೀವು

ಹಲವಾರು ಕಿಕ್‌ಗಳನ್ನು ಕೆಳುವವರೆಗೆ ಅದನ್ನು ಪ್ರದಕ್ಷಿಣಾಕಾರವಾಗಿ ತಿರುಗಿಸಿ.

⚠ ಎಚ್ಚರಿಕೆ

ಇಂಧನ ತುಂಬುವ ಕ್ಯಾಪ್ ಅನ್ನು ನಿಧಾನವಾಗಿ ತೆಗೆದುಹಾಕಿ. ಇಂಧನವು ಒತ್ತಡದಲಿರಬಹುದು ಮತ್ತು ಸ್ಪೇ ಔಟ್ ಆಗಬಹುದು, ಗಾಯವನ್ನು ಉಂಟುಮಾಡಬಹುದು.

⚠ ಎಚ್ಚರಿಕೆ

ಇಂಧನವು ಅತ್ಯಂತ ಸುಡುವ ವಸ್ತುವಾಗಿದೆ. ಇಂಧನ ತುಂಬುವಾಗ ಧೂಮಪಾನ ಮಾಡಬೇಡಿ, ಮತ್ತು ಪ್ರದೇಶದಲ್ಲಿ ಯಾವುದೇ ತೆರೆದ ಜ್ವಾಲೆ ಅಥವಾ ಕಿಡಿಗಳಿಲ್ಲ ಎಂದು ಖಚಿತಪಡಿಸಿಕೊಳ್ಳಿ.

⚠ ಎಚ್ಚರಿಕೆ

ನೀವು ಇಂಧನ ಕ್ಯಾಪ್ ಅನ್ನು ಬದಲಾಯಿಸಬೇಕಾದರೆ, ಮಾರುತಿ ನಿಜವಾದ ಕ್ಯಾಪ್ ಅನ್ನು ಬಳಸಿ. ಅಸಮರ್ಪಕ ಕ್ಯಾಪ್ ಬಳಕೆಯು ಇಂಧನ ವ್ಯವಸ್ಥೆ ಅಥವಾ ಹೊರಸೂಸುವಿಕೆ ನಿಯಂತ್ರಣ ವ್ಯವಸ್ಥೆಯ ಅಸಮರ್ಪಕ ಕಾರ್ಯಕ್ಕೆ ಕಾರಣವಾಗಬಹುದು. ಇದು ಅಪಘಾತದ ಸಂದರ್ಭದಲ್ಲಿ ಇಂಧನ ಸೋರಿಕೆಗೆ ಕಾರಣವಾಗಬಹುದು.

⚠ ಎಚ್ಚರಿಕೆ

ಇಂಧನ ತುಂಬುವ ಕ್ಯಾಪ್ ಅನ್ನು ನಿಧಾನವಾಗಿ ತೆಗೆದುಹಾಕಿ. ಇಂಧನವು ಒತ್ತಡದಲಿರಬಹುದು ಮತ್ತು ಸ್ಪೇ ಔಟ್ ಆಗಬಹುದು, ಗಾಯವನ್ನು ಉಂಟುಮಾಡಬಹುದು.

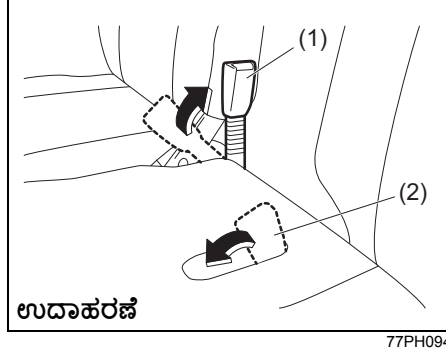
⚠ ಎಚ್ಚರಿಕೆ

ಇಂಧನವು ಅತ್ಯಂತ ಸುಡುವ ವಸ್ತುವಾಗಿದೆ. ಇಂಧನ ತುಂಬುವಾಗ ಧೂಮಪಾನ ಮಾಡಬೇಡಿ, ಮತ್ತು ಪ್ರದೇಶದಲ್ಲಿ ಯಾವುದೇ ತೆರೆದ ಜ್ವಾಲೆ ಅಥವಾ ಕಿಡಿಗಳಿಲ್ಲ ಎಂದು ಖಚಿತಪಡಿಸಿಕೊಳ್ಳಿ.

⚠ ಎಚ್ಚರಿಕೆ

ನೀವು ಇಂಧನ ಕ್ಯಾಪ್ ಅನ್ನು ಬದಲಾಯಿಸಬೇಕಾದರೆ, ಮಾರುತಿ ನಿಜವಾದ ಕ್ಯಾಪ್ ಅನ್ನು ಬಳಸಿ. ಅಸಮರ್ಪಕ ಕ್ಯಾಪ್ ಬಳಕೆಯು ಇಂಧನ ವ್ಯವಸ್ಥೆ ಅಥವಾ ಹೊರಸೂಸುವಿಕೆ ನಿಯಂತ್ರಣ ವ್ಯವಸ್ಥೆಯ ಅಸಮರ್ಪಕ ಕಾರ್ಯಕ್ಕೆ ಕಾರಣವಾಗಬಹುದು. ಇದು ಅಪಘಾತದ ಸಂದರ್ಭದಲ್ಲಿ ಇಂಧನ ಸೋರಿಕೆಗೆ ಕಾರಣವಾಗಬಹುದು.

ಇಂಜಿನ್ ವಿಭಾಗ

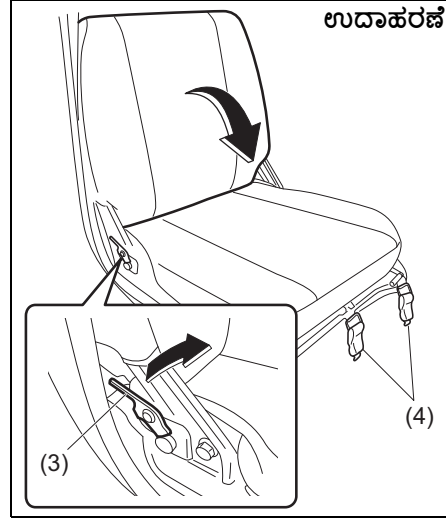


ಇಂಜಿನ್ ವಿಭಾಗವನ್ನು ತೆರೆಯಲು:

- 1) ಚಾಲಕನ ಸೀಟ್ ಬೆಲ್ಟ್ ಬಕ್ಲ್ (1) ಅನ್ನು ಸೀಟ್‌ಬ್ಯಾಕ್ ಸ್ಥಾನಕ್ಕೆ ಹೆಚ್ಚಿಸಿ. ಪ್ರಯಾಣಿಕರೆ ಸೀಟ್ ಬೆಲ್ಟ್ ಬಕ್ಲ್ (2) ಅನ್ನು ಸಂಗ್ರಹಿಸಿ.
- 2) ಚಾಲಕನ ಆಸನಕ್ಕಾಗಿ, ಆಸನವನ್ನು ಅತ್ಯಂತ ಹಿಂಭಾಗದ ಸ್ಥಾನಕ್ಕೆ ಸ್ವೈಡ್ ಮಾಡಿ.

**▲ ಎಚ್ಚರಿಕೆ**

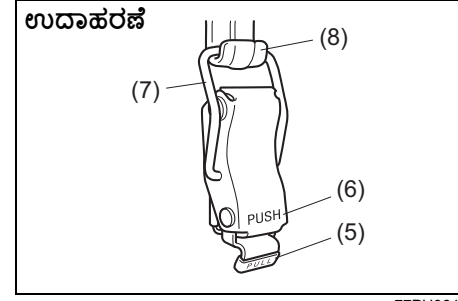
ನೀವು ಚಾಲಕನ ಆಸನವನ್ನು ಹಿಂದಕ್ಕೆ ಸ್ವೈಡ್ ಮಾಡಿದಾಗ, ಸೀಟ್‌ಬ್ಯಾಕ್ ಅನ್ನು ತಳ್ಳಿರಿ. ನೀವು ಸೀಟ್‌ಬ್ಯಾಕ್ ಟಾಪ್ ಅನ್ನು ಹಿಡಿದಿದ್ದರೆ, ಸೀಟ್‌ಬ್ಯಾಕ್ ಮತ್ತು ಕ್ಯಾಬಿನ್ ಬ್ಯಾಕ್ ಪ್ಯಾನೆಲ್ ನಡುವೆ ನಿಮ್ಮ ಕೈಯನ್ನು ಸೆಟ್‌ಮಾಡಬಹುದು, ಇದು ವೈಯಕ್ತಿಕ ಗಾಯಕ್ಕೆ ಕಾರಣವಾಗಬಹುದು.



- 3) ಚಾಲಕನ ಸೀಟಿಗಾಗಿ, ಸೀಟ್‌ಬ್ಯಾಕ್ ಅನ್ನು ಮುಂದಕ್ಕೆ ಮಡಚಲು ಲಾಕ್ ಲಿವರ್ (3) ಅನ್ನು ಎಳೆಯಿರಿ.

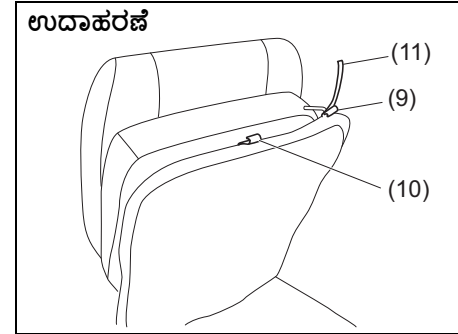
ಸೂಚನೆ:  
ಸೀಟ್‌ಬ್ಯಾಕ್ ಅನ್ನು ಸ್ಪೀರಿಂಗ್ ಚಕ್ರದೊಂದಿಗೆ ಸಂಪರ್ಕಕ್ಕೆ ಬರುವ ಸ್ಥಾನದವರೆಗೆ ಮಾತ್ರ ಮಡಚಬಹುದು.

- 4) ಪ್ರತಿ ಸೀಟಿನ ಮುಂಭಾಗದ ತುದಿಯಲ್ಲಿರುವ ಲಾಕ್ ಹ್ಯಾಂಡಲ್‌ಗಳನ್ನು (4) ಅನುಹುಕ್ ಮಾಡಿ.



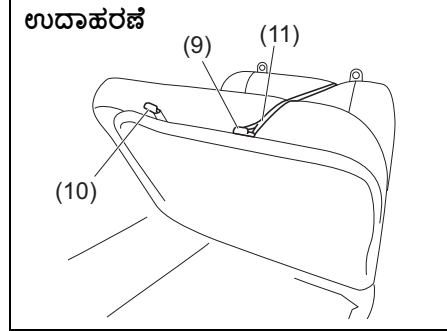
- ಲಾಕ್ ಹ್ಯಾಂಡಲ್ ಅನ್ನು ಅನುಹುಕ್ ಮಾಡಲು, "ಪುಲ್" ಭಾಗವನ್ನು ಎಳೆಯಿರಿ (5) ಮತ್ತು ಹುಕ್ (8) ನಿಂದ ರಿಂಗ್ (7) ಅನ್ನು ಅನುಹುಕ್ ಮಾಡಿ.
- ಲಾಕ್ ಹ್ಯಾಂಡಲ್ ಅನ್ನು ಲಾಕ್ ಮಾಡಲು, ರಿಂಗ್ (7) ಅನ್ನು ಹುಕ್ (8) ನಲ್ಲಿ ಹಾಕಿ ಮತ್ತು ನಂತರ "ಪುಶ್" ಭಾಗವನ್ನು (6) ತಿಳ್ಳಿರಿ.

ಚಾಲಕ ಬದಿ





ಪ್ರಯಾಣಿಕರ ಕಡೆ



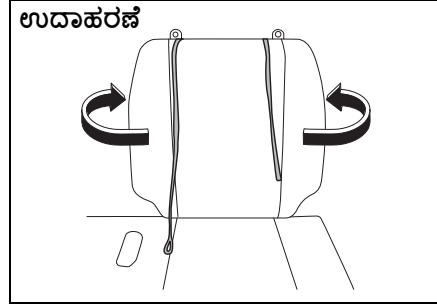
ಸೂಚನೆ: ಪಟ್ಟಿಗಳು (11) ಪ್ರಯಾಣಿಕರ ಸೀಟಿನ ಹಿಂಭಾಗದ ಹಿಂಭಾಗದಲ್ಲಿ ಲಭ್ಯವಿದೆ.

5) ಆಸನವನ್ನು ಮೇಲಕ್ಕೆತ್ತಿ ಮತ್ತು ಸ್ನಾಪ್ ಅನ್ನು (11) ಕೊಕ್ಕೆ (9) ಗೆ ಹುಕ್ ಮಾಡಿ. ಆಸನ ಪಟ್ಟಿಯನ್ನು ಜೋಡಿಸಲು ಹುಕ್ (10) ಅನ್ನು ಬಳಸಲಾಗುವುದಿಲ್ಲ.

**ಸೂಚನೆ**  
ಚಾಲಕನ ಆಸನದ ಹೊಂದಾಣಿಕೆಯ ಲಿವರ್‌ಗೆ ಸ್ನಾಪ್ ಅನ್ನು ಹುಕ್ ಮಾಡಬೇಡಿ ಅಥವಾ ಸ್ನಾಪ್‌ಗಳಿಂದ ಸಿಕ್ಕಿಸಿದಾಗ ಆಸನಗಳಿಗೆ ಅನಗತ್ಯ ಬಲವನ್ನು ಅನ್ವಯಿಸಬೇಡಿ. ಹಾಗೆ ಮಾಡುವುದರಿಂದ ಸ್ನಾಪ್‌ಗಳು, ಕೊಕ್ಕೆಗಳು ಮತ್ತು/ಅಥವಾ ಡ್ರೈವರ್‌ನ ಸೀಟ್ ಸ್ನಾನ ಹೊಂದಾಣಿಕೆ ಲಿವರ್ ಅನ್ನು ಮುರಿಯಬಹುದು.

• ಇಂಜಿನ್ ವಿಭಾಗವನ್ನು ಮುಚ್ಚಲು, ನೀವು ಅದನ್ನು ತೆರೆದಿರುವ ಹಂತಗಳನ್ನು ಹಿಮ್ಮುಖಗೊಳಿಸಿ.

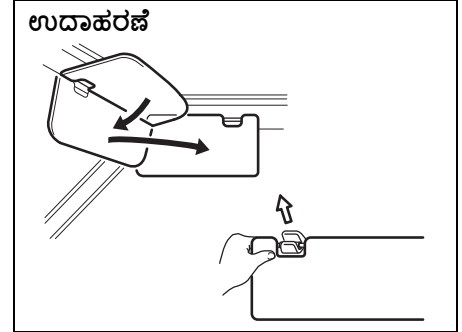
- ಮುಚ್ಚಿದ ನಂತರ, ಆಸನಗಳನ್ನು ಸುರಕ್ಷಿತವಾಗಿ ಜೋಡಿಸಲಾಗಿದೆ ಎಂದು ಖಚಿತಪಡಿಸಿಕೊಳ್ಳಲು ಅವುಗಳನ್ನು ಸರಿಸಲು ಪ್ರಯತ್ನಿಸಿ.
- ವಿವರಣೆಯಲ್ಲಿ ತೋರಿಸಿರುವಂತೆ ಪ್ರಯಾಣಿಕರ ಸೀಟಿನ ಹಿಂದೆ ಜಾಗದಲ್ಲಿ ಪಟ್ಟಿಗಳನ್ನು ಸಂಗ್ರಹಿಸಿ.



**⚠ ಎಚ್ಚರಿಕೆ**  
ಪ್ರಯಾಣಿಕರ ಸೀಟಿನ ಹಿಂದೆ ಜಾಗದಲ್ಲಿ ಪಟ್ಟಿಗಳನ್ನು ಸಂಗ್ರಹಿಸಿ. ಪ್ರಯಾಣಿಕರ ದೇಹವು ಪಟ್ಟಿಗಳಿಂದ ಸಿಕ್ಕಿಹಾಕಿಕೊಂಡರೆ, ಉಸಿರುಗಟ್ಟುವಿಕೆಯಂತಹ ಗಂಭೀರವಾದ ಗಾಯದ ಅಪಾಯವಿರುತ್ತದೆ. ಇದು ಸಂಭವಿಸಿದಲ್ಲಿ, ಕತ್ತರಿಗಳಿಂದ ಪಟ್ಟಿಗಳನ್ನು ಕತ್ತರಿಸಿ.

**⚠ ಎಚ್ಚರಿಕೆ**  
ಇಂಜಿನ್ ವಿಭಾಗವನ್ನು ಮುಚ್ಚುವಾಗ, ಆಸನಗಳು ನಿಮ್ಮ ಕೈಗಳನ್ನು ಅಥವಾ ಚಾಲಕನ ಸೀಟ್ ಬೆಲ್ಟ್ ಅನ್ನು ಹಿಡಿಸಿಕೊಳ್ಳುವುದಿಲ್ಲ ಅಥವಾ ನಿಮ್ಮ ದೇಹವನ್ನು ಹೊಡೆಯುವುದಿಲ್ಲ ಎಂದು ಜಾಗರೂಕರಾಗಿರಿ.

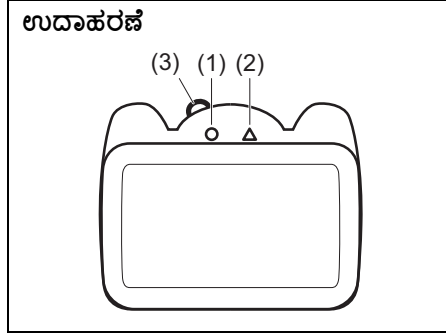
ಸನ್ ವಿಸರ್



ವಾಹನದ ಚಾಲಕ ಬದಿಯಲ್ಲಿ ಸನ್ ವೈಸರ್ ಲಭ್ಯವಿದೆ. ವಿಂಡ್ ಷೀಲ್ಡ್ ಮೂಲಕ ಬರುವ ಪ್ರಜ್ವಲಿಸುವಿಕೆಯನ್ನು ತಡೆಯಲು ಸೂರ್ಯನ ಮುಖವಾಡವನ್ನು ಕೆಳಕ್ಕೆ ಎಳೆಯಬಹುದು ಅಥವಾ ಪಕ್ಕದ ಕಿಟಕಿಯ ಮೂಲಕ ಬರುವ ಪ್ರಜ್ವಲಿಸುವಿಕೆಯನ್ನು ತಡೆಯಲು ಅವುಗಳನ್ನು ಕೊಕ್ಕೆ ತೆಗೆದು ಬದಿಗೆ ತಿರುಗಿಸಬಹುದು.

**ಸೂಚನೆ**  
ಸನ್‌ವೈಸರ್ ಅನ್ನು ಅನುಹುಕ್ ಮಾಡುವಾಗ ಮತ್ತು ಹುಕ್ ಮಾಡುವಾಗ, ಚಿತ್ರದಲ್ಲಿ ತೋರಿಸಿರುವಂತೆ ಸೂರ್ಯನ ಮುಖವಾಡವೇ ಪಕ್ಕದಲ್ಲಿ ಅದನ್ನು ನಿರ್ವಹಿಸಲು ಮರೆಯದಿರಿ ಇಲ್ಲದಿದ್ದರೆ ಸೂರ್ಯನ ಮುಖವಾಡವು ಹಾನಿಗೊಳಗಾಗಬಹುದು.

ಆಂತರಿಕ ಬೆಳಕು



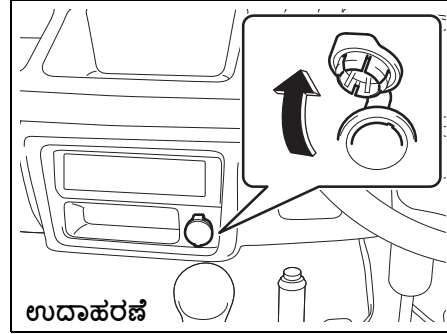
77PH074

ಈ ಬೆಳಕಿನ ಸ್ವಿಚ್ ಎರಡು ಸ್ಥಾನಗಳನ್ನು ಹೊಂದಿದೆ. ಈ ಸ್ಥಾನಗಳನ್ನು ನಾಬ್ (3) ಬಳಸಿ ಆಯ್ಕೆ ಮಾಡಬಹುದು. ಎರಡು ಸ್ಥಾನಗಳ ಕಾರ್ಯಗಳು:

ಆನ್ (1)  
ಬೆಳಕು ಉರಿಯುತ್ತದೆ ಮತ್ತು ಉಳಿಯುತ್ತದೆ.

ಆಫ್ (2)  
ಬೆಳಕು ಆಫ್ ಆಗಿರುತ್ತದೆ.

ಪರಿಕರ ಸಾಕೆಟ್

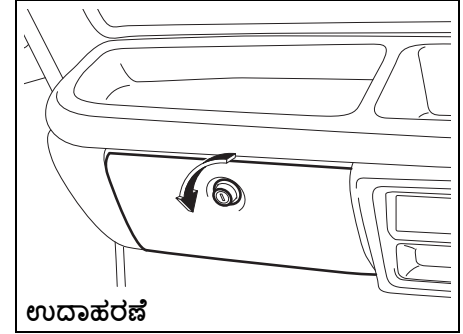


77PH044

ಇಗ್ನಿಷನ್ ಸ್ವಿಚ್ "ಎಸಿಸಿ" ಅಥವಾ "ಆನ್" ಸ್ಥಾನದಲ್ಲಿದ್ದಾಗ ಪರಿಕರ ಸಾಕೆಟ್ ಕಾರ್ಯನಿರ್ವಹಿಸುತ್ತದೆ. ವಿದ್ಯುತ್ ಪರಿಕರಗಳಿಗೆ 12 ವೋಲ್ಟ್/120 ವ್ಯಾಟ್ ಶಕ್ತಿಯನ್ನು ಒದಗಿಸಲು ಈ ಸಾಕೆಟ್ ಅನ್ನು ಬಳಸಬಹುದು.

ಸೂಚನೆ
ಸೂಕ್ತವಲ್ಲದ ವಿದ್ಯುತ್ ಪರಿಕರಗಳ ಬಳಕೆಯು ನಿಮ್ಮ ವಾಹನದ ವಿದ್ಯುತ್ ವ್ಯವಸ್ಥೆಗೆ ಹಾನಿಯನ್ನು ಉಂಟುಮಾಡಬಹುದು. ನೀವು ಬಳಸುವ ಯಾವುದೇ ವಿದ್ಯುತ್ ಪರಿಕರಗಳನ್ನು ಈ ರೀತಿಯ ಸಾಕೆಟ್‌ಗೆ ಪ್ಲಗ್ ಮಾಡಲು ವಿನ್ಯಾಸಗೊಳಿಸಲಾಗಿದೆ ಎಂದು ಖಚಿತಪಡಿಸಿಕೊಳ್ಳಿ.

ಗ್ಲೋವ್ ಬಾಕ್ಸ್



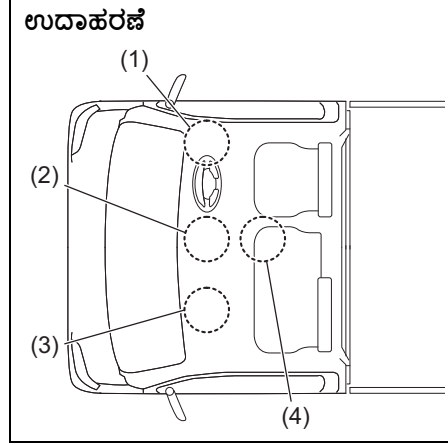
77PH045

ಗ್ಲೋವ್ ಬಾಕ್ಸ್ ಪೆಟ್ಟಿಗೆಯನ್ನು ತೆರೆಯಲು, ನಾಬ್ ಅನ್ನು ಅಪ್ರದಕ್ಷಿಣಾಕಾರವಾಗಿ ತಿರುಗಿಸಿ. ಅದನ್ನು ಮುಚ್ಚಲು, ಅದು ಸುರಕ್ಷಿತವಾಗಿ ಅಂಟಿಕೊಳ್ಳುವವರೆಗೆ ಮುಚ್ಚಳವನ್ನು ತಳ್ಳಿರಿ. ಗ್ಲೋವ್ ಬಾಕ್ಸ್ ಪೆಟ್ಟಿಗೆಯನ್ನು ಲಾಕ್ ಮಾಡಲು, ಕೀಲಿಯನ್ನು ನಾಬ್‌ಗೆ ಸೇರಿಸಿ ಮತ್ತು ಅದನ್ನು ಪ್ರದಕ್ಷಿಣಾಕಾರವಾಗಿ ತಿರುಗಿಸಿ. ಗ್ಲೋವ್ ಬಾಕ್ಸ್ ಪೆಟ್ಟಿಗೆಯನ್ನು ಅನಾಕ್ ಮಾಡಲು, ಕೀಲಿಯನ್ನು ನಾಬ್‌ಗೆ ಸೇರಿಸಿ ಮತ್ತು ಅದನ್ನು ಅಪ್ರದಕ್ಷಿಣಾಕಾರವಾಗಿ ತಿರುಗಿಸಿ.

**⚠ ಎಚ್ಚರಿಕೆ**

ಗ್ಲೋವ್ ಬಾಕ್ಸ್ ಪೆಟ್ಟಿಗೆಯ ಮುಚ್ಚಳವನ್ನು ತೆರೆದಿರುವಂತೆ ಎಂದಿಗೂ ಚಾಲನೆ ಮಾಡಬೇಡಿ. ಅಪಘಾತ ಸಂಭವಿಸಿದಲ್ಲಿ ಗಾಯವಾಗಬಹುದು.

ಕೂಡಿದುವ ಜಾಗ



77PH104

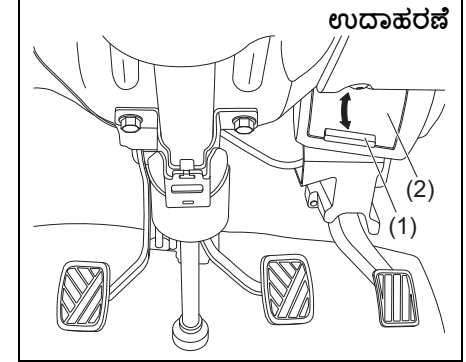
- (1) ವಾಹ್ಯ ಫಲಕದ ಪಾರ್ಕಿಂಗ್ (ಚಾಲಕನ ಬದಿ)
- (2) ಇನ್ಸುಲೇಷನ್ ಪ್ಯಾನೆಲ್ ಟ್ರೇ (ಸೆಂಟರ್) / ಇನ್ಸುಲೇಷನ್ ಪ್ಯಾನೆಲ್ ಪಾರ್ಕಿಂಗ್ (ಮಧ್ಯ)
- (3) ಇನ್ಸುಲೇಷನ್ ಪ್ಯಾನೆಲ್ ಟ್ರೇ (ಪ್ರಯಾಣಿಕರ ಬದಿ)
- (4) ಸೆಂಟರ್ ಪಾರ್ಕಿಂಗ್

ಇನ್ಸುಲೇಷನ್ ಪ್ಯಾನೆಲ್ ಪಾರ್ಕಿಂಗ್ (1)/(2) / ಇನ್ಸುಲೇಷನ್ ಪ್ಯಾನೆಲ್ ಟ್ರೇ (2)/(3) / ಸೆಂಟರ್ ಪಾರ್ಕಿಂಗ್ (4)

**⚠ ಎಚ್ಚರಿಕೆ**

ವಾಹನ ಚಲಿಸುವಾಗ ಜೇಬಿನಿಂದ/ಟ್ರೇಯಿಂದ ಬೀಳಬಹುದಾದ ಯಾವುದೇ ವಸ್ತುಗಳನ್ನು ಇಡಬೇಡಿ.  
ಮುನ್ನೆಚ್ಚರಿಕೆಯನ್ನು ತೆಗೆದುಕೊಳ್ಳುವಲ್ಲಿ ವಿಫಲವಾದರೆ ಪೆಡಲ್‌ಗಳಿಗೆ ವಸ್ತುವು ಅಡ್ಡಪಡಿಸಬಹುದು ಮತ್ತು ವಾಹನ ನಿಯಂತ್ರಣವನ್ನು ಕಳೆದುಕೊಳ್ಳಬಹುದು ಅಥವಾ ಅಪಘಾತಕ್ಕೆ ಕಾರಣವಾಗಬಹುದು.

ಗಾಳಿ ಕಿಂಡಿ

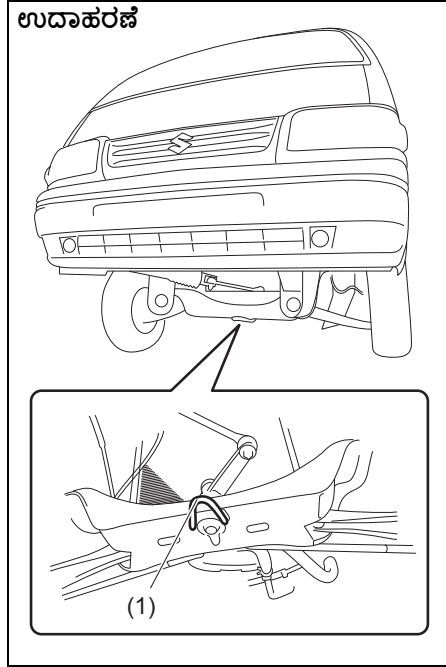


77PM502

ಗಾಳಿಯ ದ್ವಾರಗಳು ವಾಹನದ ಚಾಲಕ ಮತ್ತು ಪ್ರಯಾಣಿಕರ ಬದಿಯಲ್ಲಿವೆ. ಗಾಳಿಯ ದ್ವಾರವನ್ನು ತೆರೆಯಲು ಅಥವಾ ಮುಚ್ಚಲು, ಫ್ಲಾಪ್ (2) ಅನ್ನು ತೆರೆಯಲು ಅಥವಾ ಮುಚ್ಚಲು ನಾಬ್ (1) ಅನ್ನು ಲಂಬವಾಗಿ ಸರಿಸಿ. "ಓಪನ್" ಮಾಡಿದಾಗ, ತಾಜ್ ಗಾಳಿಯು ಕ್ಯಾಬಿನ್ ಒಳಗೆ ಬರುತ್ತದೆ.

## ಫ್ರೇಮ್ ಹುಕ್

ಮುಂಭಾಗ



ಫ್ರೇಮ್ ಹುಕ್ (1) ಅನ್ನು ವಾಹನದ ಮುಂಭಾಗದಲ್ಲಿ ತುರ್ತು ಸಂದರ್ಭಗಳಲ್ಲಿ ಬಳಸಲು ಮತ್ತು ಹಡಗು ಉದ್ದೇಶಗಳಿಗಾಗಿ ಮಾತ್ರ ಒದಗಿಸಲಾಗಿದೆ.

ನಿಮ್ಮ ವಾಹನವನ್ನು ರಸ್ತೆ ಅಥವಾ ಹೆದ್ದಾರಿಯಲ್ಲಿ ಎಳೆಯಲು, "ತುರ್ತು ಸೇವೆ" ವಿಭಾಗದಲ್ಲಿ "ಟೋಯಿಂಗ್" ಸೂಚನೆಯನ್ನು ಅನುಸರಿಸಿ.

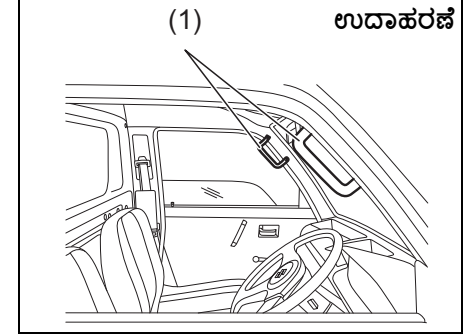
### ⚠ ಎಚ್ಚರಿಕೆ

ಮತ್ತೊಂದು ವಾಹನವನ್ನು ಎಳೆಯಲು ಅಥವಾ ನಿಮ್ಮ ವಾಹನವನ್ನು ರಸ್ತೆ ಅಥವಾ ಹೆದ್ದಾರಿಯಲ್ಲಿ ಎಳೆಯಲು ಫ್ರೇಮ್ ಹುಕ್ ಅನ್ನು ಬಳಸಬೇಡಿ. ಹುಕ್ (1) ಅನ್ನು ತುರ್ತು ಸಂದರ್ಭಗಳಲ್ಲಿ ಮಾತ್ರ ಬಳಸಲು ವಿನ್ಯಾಸಗೊಳಿಸಲಾಗಿದೆ, ಉದಾಹರಣೆಗೆ ನಿಮ್ಮ ವಾಹನ ಅಥವಾ ಇನ್ನೊಂದು ವಾಹನವು ಆಳವಾದ ಕೆಸರು ಅಥವಾ ಹಿಮದಲ್ಲಿ ಸಿಲುಕಿಕೊಂಡರೆ.

### ಸೂಚನೆ

ನೀವು ಫ್ರೇಮ್ ಹುಕ್ (1) ಅನ್ನು ಬಳಸುವಾಗ, ಹುಕ್‌ಗೆ ಗಮನಾರ್ಹ ಆಫಾತವನ್ನು ಉಂಟುಮಾಡುವ ರೀತಿಯಲ್ಲಿ ಚಾಲನೆ ಮಾಡುವುದನ್ನು ತಪ್ಪಿಸಿ. ಅಂತಹ ಕಾರ್ಯಾಚರಣೆಯು ಕೊಕ್ಕೆ ಅಥವಾ ವಾಹನದ ದೇಹವನ್ನು ಹಾನಿಗೊಳಿಸುತ್ತದೆ. ಇದ್ದಕ್ಕಿದ್ದಂತೆ ವೇಗವನ್ನು ಹೆಚ್ಚಿಸಬೇಡಿ.

## ಅಸಿಸ್ಟ್ ಗ್ರಿಪ್



ಅಸಿಸ್ಟ್ ಹಿಡಿತಗಳು (1) ವಾಹನದ ಚಾಲಕ ಬದಿಯಲ್ಲಿ ಮತ್ತು ಪ್ರಯಾಣಿಕರ ಬದಿಯಲ್ಲಿ ಲಭ್ಯವಿದೆ. ಅಸಿಸ್ಟ್ ಗ್ರಿಪ್‌ಗಳು ಚಾಲಕ ಪ್ರಯಾಣಿಕರಿಗೆ ಸುಲಭವಾಗಿ ವಾಹನವನ್ನು ಪ್ರವೇಶಿಸಲು ಮತ್ತು ಹೊರಬರಲು ಉದ್ದೇಶಿಸಲಾಗಿದೆ.

## ವಾಹನವನ್ನು ಲೋಡ್ ಮಾಡುವುದು ಮತ್ತು ಎಳೆಯುವುದು

ವಾಹನ ಲೋಡ್ ಆಗುತ್ತಿದೆ .....	6-1
ಟೈಲರ್ ಚೋವಿಂಗ್ .....	6-1

## ವಾಹನ ಲೋಡ್ ಆಗುತ್ತಿದೆ

ನಿಮ್ಮ ವಾಹನವನ್ನು ನಿರ್ದಿಷ್ಟ ತೂಕದ ಸಾಮರ್ಥ್ಯಗಳಿಗಾಗಿ ವಿನ್ಯಾಸಗೊಳಿಸಲಾಗಿದೆ. ನಿಮ್ಮ ವಾಹನದ ತೂಕದ ಸಾಮರ್ಥ್ಯಗಳನ್ನು ಗ್ರಾಸ್ ವೆಹಿಕಲ್ ವೇಟ್ ರೇಟಿಂಗ್ (ಜಿವಿಡಬ್ಲ್ಯು ಆರ್) ಮತ್ತು ಅನುಮತಿಸುವ ಗರಿಷ್ಠ ಆಕ್ಸ್ ಟೂಕ (ಪಿಎಡಬ್ಲ್ಯು, ಮುಂಭಾಗ ಮತ್ತು ಹಿಂಭಾಗ) ಮೂಲಕ ಸೂಚಿಸಲಾಗುತ್ತದೆ. ಜಿವಿಡಬ್ಲ್ಯುಆರ್ ಮತ್ತು ಪಿಎಡಬ್ಲ್ಯು (ಮುಂಭಾಗ ಮತ್ತು ಹಿಂಭಾಗ) ಅನ್ನು "ನಿರ್ದಿಷ್ಟವಾದ" ವಿಭಾಗದಲ್ಲಿ ಪಟ್ಟಿಮಾಡಲಾಗಿದೆ.

ಜಿವಿಡಬ್ಲ್ಯುಆರ್ - ಸಂಪೂರ್ಣ ಲೋಡ್ ಮಾಡಲಾದ ವಾಹನದ ಗರಿಷ್ಠ ಅನುಮತಿಸುವ ಒಟ್ಟಾರೆ ತೂಕ (ಎಲ್ಲಾ ಪ್ರಯಾಣಿಕರು, ಪರಿಕರಗಳು ಮತ್ತು ಸರಕು ಮತ್ತು ಟ್ರೇಲರ್ ಅನ್ನು ಎಳೆಯುವ ವೇಳೆ ಟ್ರೇಲರ್ ಮೊತ್ತದ ತೂಕವನ್ನು ಒಳಗೊಂಡಂತೆ).

ಪಿಎಡಬ್ಲ್ಯು - (ಮುಂಭಾಗ ಮತ್ತು ಹಿಂಭಾಗ) ಪ್ರತ್ಯೇಕ ಆಕ್ಸ್ ಟೂಕಲ್ಲಿ ಗರಿಷ್ಠ ಅನುಮತಿಸುವ ತೂಕ.

ಲೋಡ್ ಮಾಡಲಾದ ವಾಹನದ ನಿಜವಾದ ತೂಕ ಮತ್ತು ಮುಂಭಾಗ ಮತ್ತು ಹಿಂಭಾಗದ ಆಕ್ಸ್ ಟೂಕುಗಳಲ್ಲಿನ ನಿಜವಾದ ಲೋಡ್‌ಗಳನ್ನು ವಾಹನದ ತೂಕದಿಂದ ಮಾತ್ರ ನಿರ್ಧರಿಸಬಹುದು. ಈ ತೂಕವನ್ನು ಜಿವಿಡಬ್ಲ್ಯು ಆರ್ ಮತ್ತು ಪಿಎಡಬ್ಲ್ಯು (ಮುಂಭಾಗ ಮತ್ತು ಹಿಂಭಾಗ) ಗೆ ಹೋಲಿಸಿ. ಒಟ್ಟು ವಾಹನದ ತೂಕ ಅಥವಾ ಆಕ್ಸ್ ಟೂಕಿನ ಲೋಡ್ ಈ ರೇಟಿಂಗ್‌ಗಳನ್ನು ಮೀರಿದರೆ, ಲೋಡ್ ಅನ್ನು ರೇಟ್ ಮಾಡಲಾದ ಸಾಮರ್ಥ್ಯಕ್ಕೆ ತರಲು ನೀವು ಸಾಕಷ್ಟು ತೂಕವನ್ನು ತೆಗೆದುಹಾಕಬೇಕು.

### ⚠ ಎಚ್ಚರಿಕೆ

ನಿಮ್ಮ ವಾಹನವನ್ನು ಎಂದಿಗೂ ಓವರ್‌ಲೋಡ್ ಮಾಡಬೇಡಿ. ಒಟ್ಟು ವಾಹನದ ತೂಕವು (ವಾಹನದ ತೂಕದ ಮೊತ್ತ, ಎಲ್ಲಾ ಪ್ರಯಾಣಿಕರು, ಪರಿಕರಗಳು, ಸರಕು ಮತ್ತು ಟ್ರೇಲರ್ ಅನ್ನು ಎಳೆಯುವ ವೇಳೆ ಟ್ರೇಲರ್ ಮೂಗಿನ ತೂಕ) ಗ್ರಾಸ್ ವೆಹಿಕಲ್ ತೂಕದ ರೇಟಿಂಗ್ (ಜಿವಿಡಬ್ಲ್ಯುಆರ್) ಅನ್ನು ಎಂದಿಗೂ ಮೀರಬಾರದು. ಹೆಚ್ಚುವರಿಯಾಗಿ, ಲೋಡ್ ಅನ್ನು ಎಂದಿಗೂ ವಿತರಿಸಬೇಡಿ ಇದರಿಂದ ಮುಂಭಾಗ ಅಥವಾ ಹಿಂಭಾಗದ ಆಕ್ಸ್ ಟೂಕಿನಲ್ಲಿನ ತೂಕವು ಅನುಮತಿಸುವ ಗರಿಷ್ಠ ಆಕ್ಸ್ ಟೂಕನ್ನು (ಪಿಎಡಬ್ಲ್ಯು) ಮೀರುತ್ತದೆ.

### ⚠ ಎಚ್ಚರಿಕೆ

ಯಾವಾಗಲೂ ಸರಕುಗಳನ್ನು ಸಮವಾಗಿ ವಿತರಿಸಿ. ನಿಮ್ಮ ವಾಹನಕ್ಕೆ ವೈಯಕ್ತಿಕ ಗಾಯ ಅಥವಾ ಹಾನಿಯನ್ನು ತಪ್ಪಿಸಲು, ವಾಹನವು ಹಠಾತ್ತನೆ ಚಲಿಸಿದರೆ ಅದನ್ನು ಸ್ಥಳಾಂತರಿಸುವುದನ್ನು ತಡೆಯಲು ಯಾವಾಗಲೂ ಸರಕುಗಳನ್ನು ಸುರಕ್ಷಿತಗೊಳಿಸಿ. ನೆಲದ ಮೇಲೆ ಭಾರವಾದ ವಸ್ತುಗಳನ್ನು ಇರಿಸಿ ಮತ್ತು ಕಾರ್ಗೋ ಪ್ರದೇಶದಲ್ಲಿ ಸಾಧ್ಯವಾದಷ್ಟು ಮುಂದಕ್ಕೆ ಇರಿಸಿ. ಸೀಟಿನ ಹಿಂಭಾಗಕ್ಕಿಂತ ಹೆಚ್ಚಿನ ಸರಕುಗಳನ್ನು ಎಂದಿಗೂ ರಾಶಿ ಮಾಡಬೇಡಿ.

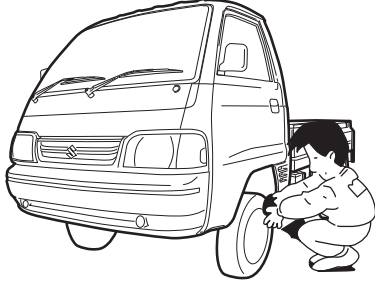
## ಟ್ರೇಲರ್ ಟೋವಿಂಗ್

ನಿಮ್ಮ ವಾಹನವನ್ನು ಮೂಲತಃ ಒಬ್ಬ ಚಾಲಕ, ಒಬ್ಬ ಪ್ರಯಾಣಿಕ ಮತ್ತು ನಿರ್ದಿಷ್ಟ ಪ್ರಮಾಣದ ಸರಕುಗಳನ್ನು ಸಾಗಿಸಲು ವಿನ್ಯಾಸಗೊಳಿಸಲಾಗಿದೆ. ಟ್ರೇಲರ್ ಅನ್ನು ಎಳೆಯಲು ಅಲ್ಲ. ಟ್ರೇಲರ್ ಅನ್ನು ಎಳೆಯಲು ನಿಮ್ಮ ವಾಹನವನ್ನು ಬಳಸಲು ಮಾರುತಿ ಶಿಫಾರಸ್ಸು ಮಾಡುವುದಿಲ್ಲ. ಟ್ರೇಲರ್ ಅನ್ನು ಎಳೆಯುವುದು ನಿರ್ವಹಣೆ, ಬಾಳಿಕೆ ಮತ್ತು ಇಂಧನ ಆರ್ಥಿಕತೆಯ ಮೇಲೆ ಪ್ರತಿಕೂಲ ಪರಿಣಾಮ ಬೀರುತ್ತದೆ.

## ತಪಾಸಣೆ ಮತ್ತು ನಿರ್ವಹಣೆ

ನಿರ್ವಹಣೆ ವೇಳಾಪಟ್ಟಿ .....	7-1
ಅವರ್ತಕ ನಿರ್ವಹಣೆ ವೇಳಾಪಟ್ಟಿ .....	7-2
ತಪಾಸಣೆ ಮತ್ತು ನಿರ್ವಹಣೆ ಕಾರ್ಯಾಚರಣೆಗಳು	
ಆಗಿರಬೇಕು ಗ್ರಾಹಕರು ನಿರ್ವಹಿಸಿದ್ದಾರೆ .....	7-6
ಡೈವ್ ಬೆಲ್ಟ್ .....	7-8
ಇಂಜಿನ್ ತೈಲ ಮತ್ತು ಫಿಲ್ಟರ್ .....	7-8
ಇಂಜಿನ್ ಕೂಲಿಂಗ್ .....	7-11
ಎರ್ ಕ್ಲೀನರ್ .....	7-14
ಸ್ಪಾರ್ಕ್ ಪ್ಲಗ್ಗಳು .....	7-14
ಗೇರ್ ಆಯಿಲ್ .....	7-15
ಕಚ್ ಪೆಡಲ್ .....	7-16
ಬ್ರೇಕ್ಗಳು .....	7-16
ಸ್ಟೀರಿಂಗ್ .....	7-18
ಪ್ರೊಪೆಲ್ಲರ್ ಶಾಫ್ಟ್ ಯುನಿವರ್ಸಲ್ ಜಾಯಿಂಟ್ .....	7-19
ಟೈರ್ .....	7-19
ಬ್ಯಾಟರಿ .....	7-21
ಫ್ಯೂಯೆಲ್ .....	7-22
ಬಲ್ಬ್ ಬದಲಿ .....	7-24
ವೈಪರ್ ಬ್ಲೇಡ್ಸ್ .....	7-27
ವಿಂಡ್ ಷೀಲ್ಡ್ ವಾಷರ್ ದ್ರವ (ಸಜ್ಜಿತವಾಗಿದ್ದರೆ).....	7-29

ಉದಾಹರಣೆ



77PM07008

⚠ ಎಚ್ಚರಿಕೆ

ಆಕಸ್ಮಿಕ ಗಾಯವನ್ನು ತಡೆಗಟ್ಟಲು ನಿಮ್ಮ ವಾಹನದಲ್ಲಿ ಕೆಲಸ ಮಾಡುವಾಗ ನೀವು ತೀವ್ರ ಕಾಳಜಿಯನ್ನು ತೆಗೆದುಕೊಳ್ಳಬೇಕು.

- ಗ್ಯಾರೇಜ್‌ಗಳು ಅಥವಾ ಇತರ ಸೀಮಿತ ಪ್ರದೇಶಗಳಲ್ಲಿ ಇಂಜಿನ್ ಚಾಲನೆಯಾಗುವುದನ್ನು ಬಿಡಬೇಡಿ.
- ಇಂಜಿನ್ ಚಾಲನೆಯಲ್ಲಿರುವಾಗ, ಫ್ಯಾನ್ ಮತ್ತು ಡೈವ್ ಬೆಲ್‌ನಿಂದ ಕೈಗಳು, ಬಟ್ಟೆ, ಉಪಕರಣಗಳು ಮತ್ತು ಇತರ ವಸ್ತುಗಳನ್ನು ದೂರವಿಡಿ. ಫ್ಯಾನ್ ಚಲಿಸದಿದ್ದರೂ ಸಹ, ಎಚ್ಚರಿಕೆಯಿಂದ ಅದು ಸ್ವಯಂಚಾಲಿತವಾಗಿ ಆನ್ ಆಗಬಹುದು. (ಮುಂದುವರಿಯುವುದು)

(ಮುಂದುವರಿಯುವುದು)

⚠ ಎಚ್ಚರಿಕೆ

(ಮುಂದುವರಿಯುವುದು)

- ಇಂಜಿನ್ ಚಾಲನೆಯಲ್ಲಿರುವ ಸೇವಾ ಕಾರ್ಯವನ್ನು ಮಾಡಲು ಅಗತ್ಯವಾದಾಗ, ಪಾರ್ಕಿಂಗ್ ಬ್ರೇಕ್ ಅನ್ನು ಸಂಪೂರ್ಣವಾಗಿ ಹೊಂದಿಸಲಾಗಿದೆ ಮತ್ತು ಪ್ರಸರಣವು ತಟಸ್ಥವಾಗಿದೆ ಎಂದು ಖಚಿತಪಡಿಸಿಕೊಳ್ಳಿ.
- ಇಂಜಿನ್ ಅನ್ನು ಪ್ರಾರಂಭಿಸುವಾಗ ಅಥವಾ ಇಂಜಿನ್ ಚಾಲನೆಯಲ್ಲಿರುವಾಗ ಇಗ್ನಿಷನ್ ತಂತಿಗಳು ಅಥವಾ ಇತರ ಇಗ್ನಿಷನ್ ಸಿಸ್ಟಮ್ ಭಾಗಗಳನ್ನು ಮುಟ್ಟಬೇಡಿ ಅಥವಾ ನೀವು ವಿದ್ಯುತ್ ಆಘಾತವನ್ನು ಪಡೆಯಬಹುದು.
- ಹಾರ್ಟ್ ಇಂಜಿನ್, ಎಕ್ಸ್‌ಪ್ಲಾಸ್ ಮ್ಯಾನಿಫೋಲ್ಡ್ ಮತ್ತು ಪೈಪ್‌ಗಳು, ಮೆಕ್ಯಾನ್, ರೇಡಿಯೇಟರ್ ಮತ್ತು ವಾಟರ್ ಹೋಸ್‌ಗಳನ್ನು ಮುಟ್ಟದಂತೆ ಎಚ್ಚರಿಕೆ ವಹಿಸಿ.
- ಇಂಧನ ಅಥವಾ ಬ್ಯಾಟರಿಯ ಸುತ್ತಲೂ ಧೂಮಪಾನ, ಕಿಡಿಗಳು ಅಥವಾ ಜ್ವಾಲೆಗಳನ್ನು ಅನುಮತಿಸಬೇಡಿ. ಸುಡುವ ಹೊಗೆಯ್ಗೆ ಇರುತ್ತದೆ.
- ನಿಮ್ಮ ವಾಹನದಲ್ಲಿ ಒದಗಿಸಲಾದ ಪೋರ್ಟ್‌ಬಲ್ ಜಾಕ್‌ನೊಂದಿಗೆ ಮಾತ್ರ ನಿಮ್ಮ ವಾಹನವನ್ನು ಬೆಂಬಲಿಸಿದರೆ ಅದರ ಕೆಳಗೆ ಹೋಗಬೇಡಿ.
- ಧನಾತ್ಮಕ ಮತ್ತು ಋಣಾತ್ಮಕ ಬ್ಯಾಟರಿ ಟರ್ಮಿನಲ್‌ಗಳ ನಡುವೆ ಆಕಸ್ಮಿಕ ಶಾರ್ಟ್ ಸರ್ಕ್ಯೂಟ್ ಉಂಟಾಗದಂತೆ ಎಚ್ಚರಿಕೆ ವಹಿಸಿ.
- ಬಳಸಿದ ಎಣ್ಣೆ, ಶೀತಕ ಮತ್ತು ಇತರ ದ್ರವಗಳನ್ನು ಮಕ್ಕಳು ಮತ್ತು ಸಾಕುಪ್ರಾಣಿಗಳಿಂದ ದೂರವಿಡಿ. ಬಳಸಿದ ದ್ರವಗಳನ್ನು ಸರಿಯಾಗಿ ವಿಲೇವಾರಿ ಮಾಡಿ; ಅವುಗಳನ್ನು ಎಂದಿಗೂ ನೆಲದ ಮೇಲೆ, ಒಳಚರಂಡಿ, ಇತ್ಯಾದಿಗಳಲ್ಲಿ ಸುರಿಯಬೇಡಿ.

ನಿರ್ವಹಣೆ ವೇಳಾಪಟ್ಟಿ

ಕೆಳಗಿನ ಕೋಷ್ಟಕವು ನಿಮ್ಮ ವಾಹನದ ಮೇಲೆ ನಿಯಮಿತ ನಿರ್ವಹಣೆಯನ್ನು ನಿರ್ವಹಿಸಬೇಕಾದ ಸಮಯವನ್ನು ತೋರಿಸುತ್ತದೆ. ನೀವು ತಪಾಸಣೆ, ಹೊಂದಾಣಿಕೆಗಳು, ನಯಗೊಳಿಸುವಿಕೆ ಮತ್ತು ಇತರ ಸೇವೆಗಳನ್ನು ಯಾವಾಗ ನಿರ್ವಹಿಸಬೇಕು ಎಂಬುದನ್ನು ಈ ಕೋಷ್ಟಕವು ಕಿಲೋಮೀಟರ್‌ಗಳು ಮತ್ತು ತಿಂಗಳುಗಳಲ್ಲಿ ತೋರಿಸುತ್ತದೆ.

⚠ ಎಚ್ಚರಿಕೆ

ನಿಮ್ಮ ವಾಹನದ ನಿರ್ವಹಣೆಯನ್ನು ನಿಮ್ಮ ಅಧಿಕೃತ ಮಾರುತಿ ಸುಜುಕಿ ವಾಣಿಜ್ಯ ಕಾರ್ಯಾಗಾರದಿಂದ ನಿರ್ವಹಿಸಬೇಕು ಎಂದು ಮಾರುತಿ ಸುಜುಕಿ ಶಿಫಾರಸು ಮಾಡುತ್ತದೆ.

ಸೂಚನೆ

ನಿಮ್ಮ ವಾಹನದ ಭಾಗಗಳನ್ನು ಬದಲಾಯಿಸಲು ಅಗತ್ಯವಾದಾಗ, ನೀವು ಮಾರುತಿ ನಿಜವಾದ ಬದಲಿ ಭಾಗಗಳನ್ನು ಅಥವಾ ಅವುಗಳ ಸಮಾನ ಭಾಗಗಳನ್ನು ಬಳಸಲು ಶಿಫಾರಸು ಮಾಡಲಾಗುತ್ತದೆ.



## ಆವರ್ತಕ ನಿರ್ವಹಣೆ ವೇಳಾಪಟ್ಟಿ

“C”: ಕೀನ್

“R”: ಬೆದಲಾಯಿಸಿ ಅಥವಾ ಬದಲಾಯಿಸಿ

“I”: ಪರೀಕ್ಷಿಸಿ, ಸ್ಪಷ್ಟಗೊಳಿಸಿ, ಸರಿಹೊಂದಿಸಿ, ನಯಗೊಳಿಸಿ ಅಥವಾ ಅಗತ್ಯವಿರುವಂತೆ ಬದಲಿಸಿ

“L”: ನಯಗೊಳಿಸಿ

“T”: ನಿರ್ದಿಷ್ಟಪಡಿಸಿದ ಟಾರ್ಗೆಟ್ ಬಿಗಿಗೊಳಿಸಿ

“O”: ತಿರುಗಿಸಿ

ಸೂಚನೆ:

ಈ ಕೋಷ್ಟಕವು 90,000 ಕಿಮೀ ಮೈಲೇಜ್ ವರೆಗೆ ನಿಗದಿತ ಸೇವೆಗಳನ್ನು ಒಳಗೊಂಡಿದೆ. 90,000 ಕಿಮೀ ಮೀರಿ, ತ್ರಮವಾಗಿ ಅದೇ ಮಧ್ಯಂತರದಲ್ಲಿ ಅದೇ ಸೇವೆಗಳನ್ನು ಕೈಗೊಳ್ಳಿ.

**ತಪಾಸಣೆ ಮತ್ತು ನಿರ್ವಹಣೆ**

ಮಧ್ಯಂತರ: ದೂರಮಾಪಕ ಓದುವಿಕೆಯಿಂದ ಈ ಮಧ್ಯಂತರವನ್ನು ನಿರ್ಣಯಿಸಬೇಕು ಅಥವಾ ತಿಂಗಳುಗಳು, ಯಾವುದು ಮೊದಲು ಬರುತ್ತದೆ.		ಉಚಿತ ತಪಾಸಣೆ				ವೆಚ್ಚದಲ್ಲಿ ಅವರ್ತನ ನಿರ್ವಹಣೆ						
		km (x1000)	5	10	20	30	40	50	60	70	80	90
		ತಿಂಗಳುಗಳು	2	4	8	12	16	20	24	28	32	36
<b>ಇಂಜಿನ್</b>												
1-1.	ವಾಟರ್ ಪಂಪ್ ಡ್ರೈವ್ ಬೆಲ್ಟ್ (ಒತ್ತಡ, ಉದುಗ)		-								R	
1-2.	ಇಂಜಿನ್ ಕೂಲಿಂಗ್ SUZUKI LLC: Super (Blue) (#1,2)	ಮೊದಲ ಬಾರಿಗೆ ಮಾತ್ರ:	1,00,000 ಕಿಮೀ ಅಥವಾ 60 ತಿಂಗಳುಗಳಲ್ಲಿ ಯಾವುದು ಮೊದಲು ಬರುತ್ತದೆಯೋ ಅದನ್ನು ಬದಲಾಯಿಸಿ.									
		ಎರಡನೇ ಬಾರಿ ಮತ್ತು ನಂತರ:	ಪ್ರತಿ 40,000 ಕಿ.ಮೀ ಅಥವಾ 24 ತಿಂಗಳುಗಳಲ್ಲಿ ಯಾವುದು ಮೊದಲು ಬರುತ್ತದೆಯೋ ಅದನ್ನು ಬದಲಾಯಿಸಿ.									
	ಇಂಜಿನ್ ಕೂಲಿಂಗ್ SUZUKI LLC: Standard (Yellow) (#1,3)				R		R		R		R	
1-3.	ಇಂಜಿನ್ ತೈಲ, ಇಂಜಿನ್ ತೈಲ ಫಿಲ್ಟರ್ ಮತ್ತು ಡೈನ್ ಫ್ಲಾಗ್ ಗ್ಯಾಸ್ಸೆಟ್ (ಮಟ್ಟ, ಸೋರಿಕೆ)			R	R	R	R	R	R	R	R	R
1-4.	ಕೂಲಿಂಗ್ ಸಿಸ್ಟಮ್ ಮತ್ತು ನೀರ್ನಾಳಗಳು ಮತ್ತು ಸಂಪರ್ಕಗಳು (ಸೋರಿಕೆ ಮತ್ತು ಹಾನಿ)											
1-5.	ಇಂಜಿನ್ ಮೌಂಟಿಂಗ್ ಮತ್ತು ಮ್ಯಾನಿಫೋಲ್ಡ್ ಫಿಕ್ಸಿಂಗ್ (ನಡೆಲ, ಹಾನಿ)											
1-6.	ಸೈಲೆನ್ಸರ್ ವ್ಯವಸ್ಥೆ (ಶಬ್ದ, ಸೋರಿಕೆ ಇತ್ಯಾದಿ)			-		-		-		-		-
1-7.	ಧನಾತ್ಮಕ ಕ್ಯಾಂಕ್ ಕೇಸ್ ವೆಂಟಿಲೇಷನ್ ವ್ಯವಸ್ಥೆ (ಹೋನ್ಗಳು, ಸಂಪರ್ಕಗಳು ಮತ್ತು ಕವಾಟ)			-		-		-		-		-
1-8.	ಎಕ್ಸಾಸ್ಟ್ ಗ್ಯಾಸ್ ರಿಸರ್ಕ್ಯುಲೇಷನ್ ವಾಲ್ವ್		-	-	-	C	-	-	C	-	-	C
<b>ಇಗ್ನಿಶನ್</b>												
2-1.	ಇಗ್ನಿಶನ್ ತಂತಿ (ಹಾನಿ, ಕ್ಷೀಣತೆ)		-	-		-		-		-		-
2-2.	ಸ್ಪಾರ್ಕ್ ಪ್ಲಗ್	ಪೆಟ್ರೋಲ್ (Petrol)	ಪ್ರತಿ 1,00,000 ಕಿಮೀ ಅಥವಾ 84 ತಿಂಗಳುಗಳಲ್ಲಿ ಯಾವುದು ಮೊದಲು ಬರುತ್ತದೆಯೋ ಅದನ್ನು ಬದಲಾಯಿಸಿ									
		ಸಿ ಎನ್ ಜಿ (CNG)	ಪ್ರತಿ 50,000 ಕಿಮೀ ಅಥವಾ 48 ತಿಂಗಳುಗಳಲ್ಲಿ ಯಾವುದು ಮೊದಲು ಬರುತ್ತದೆಯೋ ಅದನ್ನು ಬದಲಾಯಿಸಿ									
<b>ಇಂಧನ</b>												
3-1.	ಏರ್ ಕ್ಲೀನರ್ ಫಿಲ್ಟರ್ ಅಂಶ	ಸುಸಜ್ಜಿತ ರಸ್ತೆ	ಪ್ರತಿ 5,000 ಕಿಮೀ ಸ್ವಚ್ಛಗೊಳಿಸಿ. ಪ್ರತಿ 40,000 ಕಿಮೀ ಬದಲಾಯಿಸಿ									
		ಧೂಳಿನ ಸ್ಥಿತಿ	ಪ್ರತಿ 2,500 ಕಿಮೀ ಸ್ವಚ್ಛಗೊಳಿಸಿ. ಪ್ರತಿ 40,000 ಕಿಮೀ ಬದಲಾಯಿಸಿ. ಹೆಚ್ಚು ಆಗಾಗ್ಗೆ ಬದಲಿ ಪರಿಸ್ಥಿತಿಗಳು ತೀವ್ರವಾಗಿದ್ದರೆ.									

- #1: "ನಿಮ್ಮ ವಾಹನವನ್ನು ನಿರ್ವಹಿಸುವುದು" ವಿಭಾಗದಲ್ಲಿ ದೈನಂದಿನ ತಪಾಸಣೆಯ ಅಡಿಯಲ್ಲಿ ಇಂಜಿನ್ ಕೂಲಿಂಗ್ ಮಟ್ಟದ ಪರಿಶೀಲನೆಯನ್ನು ಮಾಡಿ. ಹೊಚ್ಚ ಹೊಸ ಕಾರಿನ ಸಮಯದಲ್ಲಿ ತುಂಬಿದಿರುವ ಕೂಲಿಂಗ್ನ ರೀತಿಯ ಕೂಲಿಂಗ್ ಅನ್ನು ನೀವು ಸೇರಿಸಿದಾಗ ಅಥವಾ ಬದಲಾಯಿಸಿದಾಗ ಬಳಸಬೇಕು. ಈ ವಿಭಾಗದಲ್ಲಿ "ಇಂಜಿನ್ ಕೂಲಿಂಗ್" ಅನ್ನು ನೋಡಿ.
- #2: SUZUKI LLC ಸೇರಿಸಬೇಡಿ: ನಿಮ್ಮ ವಾಹನವು ಮೂಲತಃ SUZUKI LLC ಯಿಂದ ತುಂಬಿರುವಾಗ Standard (Yellow) ಕೂಲಿಂಗ್ ಅಥವಾ ಡಿಸ್ಪಿಲ್ಡ್ ವಾಟರ್ ಅಥವಾ ಇತರರು: Super (Blue) ಕೂಲಿಂಗ್.
- #3: ನಿಮ್ಮ ವಾಹನವು ಮೂಲತಃ SUZUKI LLC ಯಿಂದ ತುಂಬಿದಾಗ: Standard (Yellow) ಕೂಲಿಂಗ್, SUZUKI LLC ನ ನಿರ್ವಹಣೆ ವೇಳಾಪಟ್ಟಿಯನ್ನು ಅನುಸರಿಸಿ: Standard (Yellow) ಕೂಲಿಂಗ್.

**ತಪಾಸಣೆ ಮತ್ತು ನಿರ್ವಹಣೆ**

ಮಧ್ಯಂತರ: ದೂರಮಾಪಕ ಓದುವಿಕೆಯಿಂದ ಈ ಮಧ್ಯಂತರವನ್ನು ನಿರ್ಣಯಿಸಬೇಕು ಅಥವಾ ತಿಂಗಳುಗಳು, ಯಾವುದು ಮೊದಲು ಬರುತ್ತದೆ.		ಉಚಿತ ತಪಾಸಣೆ				ವೆಚ್ಚದಲ್ಲಿ ಅವರ್ತನ ನಿರ್ವಹಣೆ					
		km (x1000)	5	10	20	30	40	50	60	70	80
	ತಿಂಗಳುಗಳು	2	4	8	12	16	20	24	28	32	36
3-2.	ಇಂಧನ ಟ್ಯಾಂಕ್ ಕ್ಯಾಪ್, ಇಂಧನ ಮಾರ್ಗಗಳು ಮತ್ತು ಸಂಪರ್ಕಗಳು (ಸೋರಿಕೆ ಮತ್ತು ಹಾನಿ)		-	-	-		-	-	-		-
3-3.	ಇಂಧನ ಫಿಲ್ಟರ್ (ಸೋರಿಕೆ)					R				R	
3-4.	ಸಿ ಎನ್ ಜಿ ಇಂಧನ ಲೈನ್ ಕೀಲುಗಳು (ಅನಿಲ ಸೋರಿಕೆ)										
3-5.	O-ರಿಂಗ್‌ನೊಂದಿಗೆ ಸಿ ಎನ್ ಜಿ ಕಡಿಮೆ ಒತ್ತಡದ ಫಿಲ್ಟರ್ ಕಾರ್ಟ್ರಿಡ್ಜ್	-	-	R	-	R	-	R	-	R	-
3-6.	ಸಿ ಎನ್ ಜಿ ಸಿಲಿಂಡರ್ ಸೋರಿಕೆ ಪರಿಶೀಲನೆ ಮತ್ತು ಪ್ರಮಾಣೀಕರಣ	ಸರ್ಕಾರದಿಂದ ಪ್ರಾಥಮಿಕ ಪರಿಶೀಲನೆಯ ದಿನಾಂಕದಿಂದ ಪ್ರತಿ 3 ವರ್ಷಗಳಿಗೊಮ್ಮೆ ಅನುಮೋದಿತ ಪರಿಶೀಲನೆ ಏಜೆಂಟ್									
3-7.	ಸಿ ಎನ್ ಜಿ ಫಿಲ್ಟರ್ ರೆಸೆಪ್ಷನ್ O-ರಿಂಗ್	ಪ್ರತಿ 4 ವರ್ಷಗಳಿಗೊಮ್ಮೆ ಅಥವಾ 3,00,000 ಕಿಮೀ, ಯಾವುದು ಮೊದಲು ಬರುತ್ತದೆಯೋ ಅದನ್ನು ಬದಲಾಯಿಸಿ									
<b>ಕ್ಲೆಚ್ ಮತ್ತು ಟ್ರಾನ್ಸ್ಮಿಷನ್</b>											
4-1.	ಕ್ಲೆಚ್ ಪೆಡಲ್ (ಫ್ಲೇ)										
4-2.	ಕ್ಲೆಚ್ ಜಾರಿಬೀಳುವುದು (ಡ್ರಾಫ್ಟ್ ಮಾಡುವುದು ಅಥವಾ ಹೆಚ್ಚಿನ ಹಾನಿ)										
4-3.	ಗೇರ್ ಶಿಫ್ಟರ್ (ಕಾರ್ಯಾಚರಣೆ)										
4-4.	ಹಸ್ತಚಾಲಿತ ಪ್ರಸರಣ ತೈಲ (ಮಟ್ಟ, ಸೋರಿಕೆ)										
4-5.	ಹಿಂದಿನ ಡಿಫರೆನ್ಷಿಯಲ್ ಆಯಿಲ್ (ಮಟ್ಟ, ಸೋರಿಕೆ)	80,000 ಕಿಮೀ ಅಥವಾ 4 ವರ್ಷಗಳಲ್ಲಿ ಯಾವುದು ಮೊದಲು ಬರುತ್ತದೆಯೋ ಅದನ್ನು ಬದಲಾಯಿಸಿ									
4-6.	ಪ್ರೊಪೆಲ್ಲರ್ ಶಾಫ್ಟ್ / ಯುನಿವರ್ಸಲ್ ಜಾಯಿಂಟ್ (ಸಡಿಲ, ಹಾನಿ)		I&L	I&L	I&L	I&L	I&L	I&L	I&L	I&L	I&L
<b>ಬ್ರೇಕ್</b>											
5-1.	ಬ್ರೇಕ್ ದ್ರವ (ಮಟ್ಟ, ಸೋರಿಕೆ)	ಪ್ರತಿ 40,000 ಕಿಮೀ ಅಥವಾ 24 ತಿಂಗಳುಗಳಲ್ಲಿ ಯಾವುದು ಮೊದಲು ಬರುತ್ತದೆಯೋ ಅದನ್ನು ಬದಲಾಯಿಸಿ									
5-2.	ಬ್ರೇಕ್ ಪೆಡಲ್ (ಪೆಡಲ್ - ಫ್ರಂಟ್ ಪ್ಯಾನಲ್ ಕ್ಲಿಯರೆನ್ಸ್)										
5-3.	ಪಾರ್ಕಿಂಗ್ ಬ್ರೇಕ್ ಲಿವರ್ ಮತ್ತು ಕೇಬಲ್ (ಫ್ಲೇ, ಡ್ಯಾಮೇಜ್)										
5-4.	ಬ್ರೇಕ್ ಡಿಸ್ಕ್ ಮತ್ತು ಪ್ಯಾಡ್ (ಬದಲಾಯಿಸಿ)										
5-5.	ಬ್ರೇಕ್ ಡ್ರಮ್ ಮತ್ತು ಶೂಗಳು (ಬದಲಾಯಿಸಿ)	-									
5-6.	ಮಾಸ್ಟರ್ ಸಿಲಿಂಡರ್, ಚಕ್ರ ಸಿಲಿಂಡರ್ ಮತ್ತು ಕ್ಯಾಲಿಪರ್ ಪಿಸ್ಟನ್ (ದ್ರವ ಸೋರಿಕೆ, ಬೂಟ್/ಸೆಡ್ಡಾಮೇಜ್)										
5-7.	ಬ್ರೇಕ್ ಹೊಸ್ಸೆಗಳು ಮತ್ತು ವೈಫ್ಲಗಳು (ಸೋರಿಕೆ, ಹಾನಿ)										
<b>ಚಕ್ರ</b>											
6-1.	ಟೈರ್‌ಗಳು (ಗಾಳಿಯ ಒತ್ತಡ, ಅನುಪುಟ ಉದುರಿ, ಬಿರುಕು ಮತ್ತು ತಿರುಗುವಿಕೆ)	I&O	I&O	I&O	I&O	I&O	I&O	I&O	I&O	I&O	I&O
6-2.	ಚಕ್ರಗಳು (ಹಾನಿ)										
6-3.	ಮುಂಭಾಗ/ಹಿಂದಿನ ಚಕ್ರ ಬೇರಿಂಗ್ (ಸಡಿಲ, ಹಾನಿ)										

**ತಪಾಸಣೆ ಮತ್ತು ನಿರ್ವಹಣೆ**

ಮಧ್ಯಂತರ: ದೂರಮಾಪಕ ಓದುವಿಕೆಯಿಂದ ಈ ಮಧ್ಯಂತರವನ್ನು ನಿರ್ಣಯಿಸಬೇಕು ಅಥವಾ ತಿಂಗಳುಗಳು, ಯಾವುದು ಮೊದಲು ಬರುತ್ತದೆ.		ಉಚಿತ ತಪಾಸಣೆ				ವೆಚ್ಚದಲ್ಲಿ ಅವರ್ತನ ನಿರ್ವಹಣೆ					
		km (x1000)	5	10	20	30	40	50	60	70	80
ತಿಂಗಳುಗಳು		2	4	8	12	16	20	24	28	32	36
<b>ಮುಂಭಾಗ / ಹಿಂಭಾಗದ ಸಸ್ಟೇನ್ಮೆನ್</b>											
7-1.	ಮುಂಭಾಗದ ಸಸ್ಟೇನ್ಮೆನ್ ಸ್ಪ್ರಿಂಗ್ ಮತ್ತು ಶಾಕ್ ಅಬ್ಸಾರ್ಬರ್ (ತೈಲ ಸೋರಿಕೆ, ಹಾನಿ)										
7-2.	ಮುಂಭಾಗದ ಅಮಾನತು ತೋಳುಗಳು, ಗೆಜ್ಜು ಬೆಂಬಲ ಮತ್ತು ಟೆನ್ಸನ್ ರಾಡ್‌ಗಳು (ಸಡಿಲ, ಹಾನಿ)										
7-3.	ಹಿಂದಿನ ಎಲಿಯ ವಸಂತ (ಹಾನಿ)										
7-4.	ಹಿಂದಿನ ಆಫಾತ ಅಬ್ಸಾರ್ಬರ್ (ತೈಲ ಸೋರಿಕೆ, ಹಾನಿ)										
7-5.	ಎಲ್ಲಾ ಬೋಲ್ಡ್‌ಗಳು ಮತ್ತು ನಟ್ಟು (ಸಡಿಲ)	T	T	T	T	T	T	T	T	T	T
<b>ಚುಕ್ಕಾಟ</b>											
8-1.	ಸ್ಟೀರಿಂಗ್ ಚಕ್ರ (ಫ್ಲೇ, ಲೂಸ್)										
8-2.	ಸ್ಟೀರಿಂಗ್ ಕಾಲಮ್ ರಾಡ್‌ಗಳು ಮತ್ತು ತೋಳುಗಳು (ಲೂಸ್, ಡ್ಯಾಮೇಜ್, ವೇರ್)										
<b>ವಿದ್ಯುತ್</b>											
9-1.	ಬ್ಯಾಟರಿ - ಎಲೆಕ್ಟ್ರೋಲೈಟ್ (ಮಟ್ಟ, ಸೋರಿಕೆ) ಮತ್ತು ವೋಲ್ಟೇಜ್										
9-2.	ವೈರಿಂಗ್ ಸರಂಜಾಮು ಸಂಪರ್ಕ (ಸಡಿಲ, ಹಾನಿ)										
9-3.	ಬೆಳಕಿನ ವ್ಯವಸ್ಥೆ (ಕಾರ್ಯಾಚರಣೆ)										
9-4.	ವೈಪರ್ (ಕಾರ್ಯಾಚರಣೆ, ಶಲೆಗಳು, ಹಾನಿ)										
9-5.	ಹಾರ್ನ್ (ಕಾರ್ಯಾಚರಣೆ)										
9-6.	ಪರಿಕರ ಸಾಕೆಟ್ (ಕಾರ್ಯಾಚರಣೆ)										
<b>ಬಾಡಿ</b>											
10-1.	ಎಲ್ಲಾ ಚಾಸಿಸ್ ಬೋಲ್ಡ್‌ಗಳು ಮತ್ತು ನಟ್ಟು (ಬಿಗಿಗೊಳಿಸು)		T	T	T	T	T	T	T	T	T
10-2.	ಎಲ್ಲಾ ಲ್ಯಾಚ್‌ಗಳು, ಕೀಲುಗಳು ಮತ್ತು ಬೀಗಗಳು (ಕಾರ್ಯ)	I&L	I&L	I&L	I&L	I&L	I&L	I&L	I&L	I&L	I&L
10-3.	ಕಾರ್ಗೋ ಬೆಡ್ (ಪರಿಶೀಲನೆ)										
<b>ರಸ್ತೆ ಪರಿಣಿ</b>											
11-1.	ಬ್ರೇಕ್, ಕ್ಲಚ್, ಗೇರ್ ಶಿಫ್ಟಿಂಗ್ ಮತ್ತು ಸ್ಟೀಡೋಮೀಟರ್ ಕಾರ್ಯಾಚರಣೆ										
11-2.	ದೇಹ ಮತ್ತು ಚಾಸಿಸ್ ಶಬ್ದ										

7-5

**ತಪಾಸಣೆ ಮತ್ತು ನಿರ್ವಹಣೆ ಕಾರ್ಯಾಚರಣೆಗಳನ್ನು ಗ್ರಾಹಕರು ನಿರ್ವಹಿಸಬೇಕು**

ಕೆಳಗಿನ ಕೋಷ್ಟಕವು ನೀವು ನಿರ್ವಹಿಸಬಹುದಾದ ತಪಾಸಣೆ ಮತ್ತು ನಿರ್ವಹಣೆ ಕಾರ್ಯಾಚರಣೆಗಳನ್ನು ತೋರಿಸುತ್ತದೆ. ನೀವು ತಪಾಸಣೆ, ಗ್ರೀಸ್, ನಯಗೊಳಿಸುವಿಕೆ ಮತ್ತು ಇತರ ಸೇವೆಗಳನ್ನು ಯಾವಾಗ ನಿರ್ವಹಿಸಬೇಕು ಎಂಬುದನ್ನು ಈ ಕೋಷ್ಟಕವು ತೋರಿಸುತ್ತದೆ.

ಫ್ರೀಕ್ವೆನ್ಸಿ	ಎಸ್ ಆರ್.ನಂ.	ಕಾರ್ಯಾಚರಣೆ	ಉಲ್ಲೇಖ
ಪ್ರತಿದಿನ	1	ಗಾಳಿಯ ಒತ್ತಡ, ಅಸಹಜ ಉಡುಗೆ, ಬಿರುಕುಗಳು ಮತ್ತು ಹಾನಿಗಾಗಿ ಎಲ್ಲಾ ಟೈರ್‌ಗಳನ್ನು (ಸ್ಟೇರ್ ವೀಲ್ ಸೇರಿದಂತೆ) ಪರಿಶೀಲಿಸಿ.	ಪುಟ ಸಂಖ್ಯೆ. 7-19
ಸಾಪ್ತಾಹಿಕ	2	ಇಂಜಿನ್ ತೈಲ ಮಟ್ಟವನ್ನು ಪರಿಶೀಲಿಸಿ, ಅಗತ್ಯವಿದ್ದರೆ, ಮಾರುತಿ ನಿಜವಾದ ಇಂಜಿನ್ ತೈಲದೊಂದಿಗೆ ಟಾಪ್ ಅಪ್ ಮಾಡಿ.	ಪುಟ ಸಂಖ್ಯೆ. 7-8
	3	ಕೂಲಿಂಗ್ ಜಲಾಶಯದಲ್ಲಿ ಕೂಲಿಂಗ್ ಮಟ್ಟವನ್ನು ಪರಿಶೀಲಿಸಿ ಮತ್ತು ಅಗತ್ಯವಿದ್ದರೆ, ಶಿಫಾರಸು ಮಾಡಲಾದ ಮಾರುತಿ ಅಪ್ಪಟ ಕೂಲಿಂಗ್ ಮತ್ತು ಡಿಸ್ಪಿಲ್ಡ್ ವಾಟರ್ ಮಿಶ್ರಣವನ್ನು ನಿಗದಿತ ಅನುಪಾತದಲ್ಲಿ ಟಾಪ್ ಅಪ್ ಮಾಡಿ.	ಪುಟ ಸಂಖ್ಯೆ. 7-11
	4	ಪ್ರಸರಣ ತೈಲ ಮಟ್ಟ ಮತ್ತು ಭೇದಾತ್ಮಕ ತೈಲ ಮಟ್ಟವನ್ನು ಪರಿಶೀಲಿಸಿ.	ಪುಟ ಸಂಖ್ಯೆ. 7-15
	5	ಬ್ರೇಕ್ ದ್ರವದ ಜಲಾಶಯದಲ್ಲಿ ಬ್ರೇಕ್ ದ್ರವದ ಮಟ್ಟವನ್ನು ಪರಿಶೀಲಿಸಿ ಮತ್ತು ಅಗತ್ಯವಿದ್ದರೆ, ಮಾರುತಿ ನಿಜವಾದ ಬ್ರೇಕ್ ದ್ರವದೊಂದಿಗೆ ಟಾಪ್ ಅಪ್ ಮಾಡಿ.	ಪುಟ ಸಂಖ್ಯೆ. 7-16
	6	ಇದಕ್ಕಾಗಿ ವಾಹನವನ್ನು ಪರಿಶೀಲಿಸಿ <ul style="list-style-type: none"> <li>• ಇಂಜಿನ್ ತೈಲ ಸೋರಿಕೆ</li> <li>• ಕೂಲಿಂಗ್ ಸೋರಿಕೆ</li> <li>• ಬ್ರೇಕ್ ದ್ರವ ಸೋರಿಕೆ</li> <li>• ಮುಂಭಾಗದ ಅಮಾನತು ಸ್ಪಟ್ ಸೋರಿಕೆ</li> <li>• ಹಿಂದಿನ ಆಫಾತ ಅಬ್ಸಾರ್ಟ್ ಸೋರಿಕೆ</li> <li>• ಇಂಧನ ಸೋರಿಕೆ</li> <li>• ಟ್ರಾನ್ಸ್ಮಿಷನ್ ಆಯಿಲ್ ಮತ್ತು ಡಿಫರೆನ್ಷಿಯಲ್ ಆಯಿಲ್ ಸೋರಿಕೆ</li> </ul>	ತಪಾಸಣೆ ಮತ್ತು ನಿರ್ವಹಣೆ ವಿಭಾಗ
	7	ಬ್ಯಾಟರಿ ಎಲೆಕ್ಟ್ರೋಲೈಟ್ ಮಟ್ಟ, ಟರ್ಮಿನಲ್‌ಗಳು ಮತ್ತು ಬ್ರಾಕೆಟ್ ಅನ್ನು ಪರಿಶೀಲಿಸಿ.	ಪುಟ ಸಂಖ್ಯೆ. 7-21
	8	ವೀಲ್ ಮೌಂಟಿಂಗ್ ನಟ್ಟಳನ್ನು ಪರಿಶೀಲಿಸಿ ಮತ್ತು ಅಗತ್ಯವಿದ್ದರೆ ಬಿಗಿಗೊಳಿಸಿ.	ಪುಟ ಸಂಖ್ಯೆ. 8-5

**ತಪಾಸಣೆ ಮತ್ತು ನಿರ್ವಹಣೆ**

ಮಾಸಿಕ	9	ಹಾನಿ ಅಥವಾ ಕ್ಷೀಣತೆಗಾಗಿ ಡೈವ್ ಬೆಲ್ಡ್ ಅನ್ನು ಪರಿಶೀಲಿಸಿ.	ಪುಟ ಸಂಖ್ಯೆ. 7-8
	10	ಕ್ಲೀನ್ ಏರ್ ಫಿಲ್ಟರ್ ಅಂಶ.	ಪುಟ ಸಂಖ್ಯೆ. 7-14
	11	ಬಹು ಉದ್ದೇಶದ ಗ್ರೀಸ್ ಬಳಸಿ ಎಲ್ಲಾ ಲ್ಯಾಚ್‌ಗಳು, ಕೀಲುಗಳು ಮತ್ತು ಲಾಕ್‌ಗಳನ್ನು ಗ್ರೀಸ್ ಮಾಡಿ.	ಪುಟ ಸಂಖ್ಯೆ. 7-5
	12	ಗ್ರೀಸ್ ಗನ್ನೊಂದಿಗೆ ಗ್ರೀಸ್ ಪ್ರೊಪೆಲ್ಲರ್ ಶಾಫ್ಟ್ ಸಾರ್ವತ್ರಿಕ ಜಂಟಿ.	ಪುಟ ಸಂಖ್ಯೆ. 7-19
ಅಗತ್ಯವಿದ್ದಾಗ ಮತ್ತು	13	ಕ್ಲಚ್ ಪೆಡಲ್ ಫ್ಲೇ ಅನ್ನು ಪರಿಶೀಲಿಸಿ.	ಪುಟ ಸಂಖ್ಯೆ. 7-16
	14	ಇಂಜಿನ್ ಚಾಲನೆಯಲ್ಲಿರುವಾಗ ಬ್ರೇಕ್‌ಗಳನ್ನು ಅನ್ವಯಿಸುವ ಮೂಲಕ ಬ್ರೇಕ್ ಪೆಡಲ್‌ನಿಂದ ನೆಲದ ಪ್ಯಾನಲ್ ಅಂತರವನ್ನು ಪರಿಶೀಲಿಸಿ.	ಪುಟ ಸಂಖ್ಯೆ. 7-17
	15	ಸರಿಯಾದ ಹೊಂದಾಣಿಕೆಗಾಗಿ ಪಾರ್ಕಿಂಗ್ ಬ್ರೇಕ್ ಅನ್ನು ಪರಿಶೀಲಿಸಿ.	ಪುಟ ಸಂಖ್ಯೆ. 7-18

\* ವಾಹನವು ಒಂದು ಬದಿಗೆ ಎಳೆದರೆ ಅಥವಾ ಹೆಚ್ಚಿನ ವೇಗದಲ್ಲಿ ಕಂಪಿಸಿದರೆ ಚಕ್ರ ಜೋಡಣೆ ಮತ್ತು ಸಮತೋಲನವನ್ನು ಪರಿಶೀಲಿಸಿ ಮತ್ತು/ಅಥವಾ ಹೊಂದಿಸಿ.

## ಡೈವ್ ಬೆಲ್ಟ್

### ⚠ ಎಚ್ಚರಿಕೆ

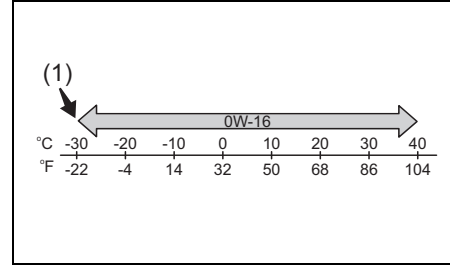
ಇಂಜಿನ್ ಚಾಲನೆಯಲ್ಲಿರುವಾಗ, ಚಲಿಸುವ ಫ್ಯಾನ್ ಮತ್ತು ಡೈವ್ ಬೆಲ್ಟ್‌ಗಳಿಂದ ಕೈಗಳು, ಕೂದಲು, ಬಟ್ಟೆ, ಉಪಕರಣಗಳು ಇತ್ಯಾದಿಗಳನ್ನು ದೂರವಿಡಿ.

ಡೈವ್ ಬೆಲ್ಟ್ ಟೆನ್ಷನ್ ಸರಿಯಾಗಿದೆಯೇ ಎಂದು ಖಚಿತಪಡಿಸಿಕೊಳ್ಳಿ. ಬೆಲ್ಟ್ ತುಂಬಾ ಸಡಿಲವಾಗಿದ್ದರೆ, ಸಾಕಷ್ಟು ಬ್ಯಾಟರಿ ಚಾರ್ಜಿಂಗ್, ಇಂಜಿನ್ ಅಧಿಕ ಬಿಸಿಯಾಗುವುದು ಅಥವಾ ಅತಿಯಾದ ಬೆಲ್ಟ್ ಧರಿಸುವುದು ಕಾರಣವಾಗಬಹುದು.

ಬೆಲ್ಟ್‌ಗಳು ಹಾನಿಯಾಗದಂತೆ ನೋಡಿಕೊಳ್ಳಲು ಸಹಪರಿಶ್ರಮಿಸಬೇಕು.

"ನೀವು ಬೆಲ್ಟ್ ಅನ್ನು ಬದಲಾಯಿಸಲು ಅಥವಾ ಹೊಂದಿಸಲು ಅಗತ್ಯವಿದ್ದರೆ ಇದನ್ನು ನಿಮ್ಮ ಮಾರುತಿ ಸುಜುಕಿ ಅಧಿಕೃತ ಕಾರ್ಯಾಗಾರಕ್ಕೆ ತೆಗೆದುಕೊಂಡು ಹೋಗಿ

## ಇಂಜಿನ್ ತೈಲ ಮತ್ತು ಫಿಲ್ಟರ್ ನಿರ್ದಿಷ್ಟಪಡಿಸಿದ ತೈಲ ಭಾರತಕ್ಕಾಗಿ



56RM07013

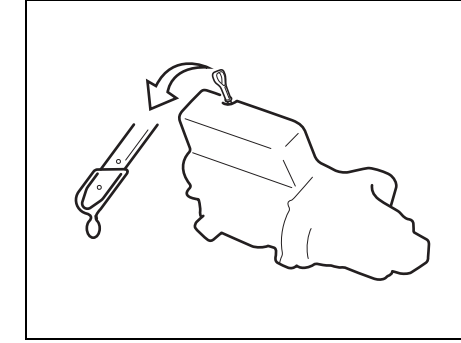
(1) ಶಿಫಾರಸು ಮಾಡಲಾಗಿದೆ ನೀವು ಬಳಸುವ ಇಂಜಿನ್ ತೈಲವು ಎಪಿಎ ಎನ್ ಎನ್ ನ ಗುಣಮಟ್ಟದ ವರ್ಗೀಕರಣದ ಅಡಿಯಲ್ಲಿ ಬರುತ್ತದೆಯೇ ಎಂದು ಪರಿಶೀಲಿಸಿ

**SAE 0W-16 (1)** ಉತ್ತಮ ಇಂಧನ ಆರ್ಥಿಕತೆ ಮತ್ತು ಶೀತ ಹವಾಮಾನದಲ್ಲಿ ಉತ್ತಮ ಆರಂಭಕ್ಕೆ ಅತ್ಯುತ್ತಮ ಆಯ್ಕೆಯಾಗಿದೆ.

### ಸೂಚನೆ:

- ಬದಲಿ ಸಮಯವು ನೀವು ಆಯ್ಕೆ ಮಾಡುವ ಇಂಜಿನ್ ತೈಲದ ಪ್ರಕಾರಕ್ಕೆ ಬದಲಾಗುತ್ತದೆ. ಈ ವಿಭಾಗದಲ್ಲಿ "ನಿರ್ವಹಣೆ ವೇಳಾಪಟ್ಟಿ" ಅನ್ನು ಉಲ್ಲೇಖಿಸಿ ಅನುಗುಣವಾದ ನಿರ್ವಹಣೆ ವೇಳಾಪಟ್ಟಿಗಾಗಿ.
- ನೀವು ಮಾರುತಿ ಸುಜುಕಿ ನಿಜವಾದ ತೈಲವನ್ನು ಬಳಸಲು ನಾವು ಶಿಫಾರಸು ಮಾಡುತ್ತೇವೆ. ಅದನ್ನು ಖರೀದಿಸಲು, ಮಾರುತಿ ಸುಜುಕಿ ಅಧಿಕೃತ ಕಾರ್ಯಾಗಾರವನ್ನು ನೋಡಿ.

## ತೈಲ ಮಟ್ಟದ ಪರಿಶೀಲನೆ



55RH07002

ನಿಮ್ಮ ವಾಹನದ ಇಂಜಿನ್ ಸರಿಯಾದ ನಿಯಂತ್ರಿಸುವಿಕೆಗಾಗಿ ಇಂಜಿನ್ ತೈಲವನ್ನು ಸರಿಯಾದ ಮಟ್ಟದಲ್ಲಿ ಇಡುವುದು ಮುಖ್ಯ. ಸಮತಲ ಮೇಲ್ಮೈಯಲ್ಲಿ ವಾಹನದೊಂದಿಗೆ ತೈಲ ಮಟ್ಟವನ್ನು ಪರಿಶೀಲಿಸಿ. ವಾಹನವು ಇಳಿಜಾರಿನಲ್ಲಿದ್ದರೆ ತೈಲ ಮಟ್ಟದ ಸೂಚನೆಯು ತಪ್ಪಾಗಿರಬಹುದು. ಇಂಜಿನ್ ಅನ್ನು ಪ್ರಾರಂಭಿಸುವ ಮೊದಲು ಅಥವಾ ಇಂಜಿನ್ ಅನ್ನು ನಿಲ್ಲಿಸಿದ ಕನಿಷ್ಠ 5 ನಿಮಿಷಗಳ ನಂತರ ತೈಲ ಮಟ್ಟವನ್ನು ಪರಿಶೀಲಿಸಬೇಕು.

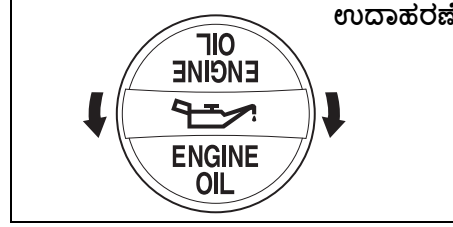
ತೈಲ ಡಿಪ್‌ಸ್ಟಿಕ್ ಅನ್ನು ಹೊರತೆಗೆಯಿರಿ, ಶುದ್ಧವಾದ ಬಟ್ಟೆಯಿಂದ ಎಣ್ಣೆಯನ್ನು ಒರೆಸಿ, ಡಿಪ್‌ಸ್ಟಿಕ್ ಅನ್ನು ಇಂಜಿನ್ ಎಲಾ ರೀತಿಯಲ್ಲಿ ಸೇರಿಸಿ, ತದನಂತರ ಅದನ್ನು ಮತ್ತೆ ತೆಗೆದುಹಾಕಿ. ಕೋಲಿನ ಮೇಲಿನ ಎಣ್ಣೆಯು ಕೋಲಿನ ಮೇಲೆ ತೋರಿಸಿರುವ ಮೇಲಿನ ಮತ್ತು ಕೆಳಗಿನ ಮಿತಿಗಳ ನಡುವೆ ಇರಬೇಕು. ತೈಲ ಮಟ್ಟದ ಸೂಚನೆಯು ಕಡಿಮೆ ಮಿತಿಯ

## ತಪಾಸಣೆ ಮತ್ತು ನಿರ್ವಹಣೆ

ಸಮೀಪದಲ್ಲಿದ್ದರೆ, ಮೇಲಿನ ಮಿತಿಗೆ ಮಟ್ಟವನ್ನು ಹೆಚ್ಚಿಸಲು ಸಾಕಷ್ಟು ತೈಲವನ್ನು ಸೇರಿಸಿ.

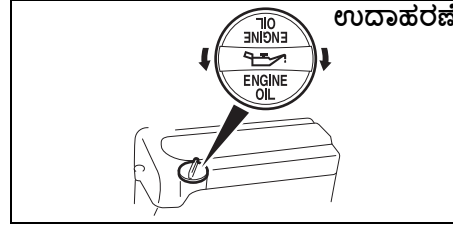
ಸೂಚನೆ
ನಿಯಮಿತವಾಗಿ ತೈಲ ಮಟ್ಟವನ್ನು ಪರೀಕ್ಷಿಸಲು ವಿಫಲವಾದರೆ ಸಾಕಷ್ಟು ತೈಲದ ಕೊರತೆಯಿಂದಾಗಿ ಗಂಭೀರ ಇಂಜಿನ್ ತೊಂದರೆಗೆ ಕಾರಣವಾಗಬಹುದು.

### ಮರುಪೂರಣ



68PH00762

ಆಯಿಲ್ ಫಿಲ್ಲರ್ ಕ್ಯಾಪ್ ತೆಗೆದುಹಾಕಿ ಮತ್ತು ತೈಲ ಮಟ್ಟವನ್ನು ಡಿಪ್ ಸ್ಟಿಕ್ ಮೇಲಿನ ಮಿತಿಗೆ ತರಲು ಫಿಲ್ಲರ್ ರೆಂಧದ ಮೂಲಕ ನಿಧಾನವಾಗಿ ಎಣ್ಣೆಯನ್ನು ಸುರಿಯಿರಿ. ತುಂಬದಂತೆ ಎಚ್ಚರವಹಿಸಿ. ಹೆಚ್ಚು ಎಣ್ಣೆಯು ಕಡಿಮೆ ಎಣ್ಣೆಯಷ್ಟೇ ಕೆಟ್ಟದು. ಮರುಪೂರಣದ ನಂತರ, ಇಂಜಿನ್ ಅನ್ನು ಪ್ರಾರಂಭಿಸಿ ಮತ್ತು ಅದನ್ನು ಸುಮಾರು ಒಂದು ನಿಮಿಷ ನಿಷ್ಕ್ರಿಯಗೊಳಿಸಲು ಅನುಮತಿಸಿ. ಇಂಜಿನ್ ಅನ್ನು ನಿಲ್ಲಿಸಿ, ಸುಮಾರು 5 ನಿಮಿಷ ಕಾಯಿರಿ ಮತ್ತು ತೈಲ ಮಟ್ಟವನ್ನು ಮತ್ತೊಮ್ಮೆ ಪರಿಶೀಲಿಸಿ.



68PM00703

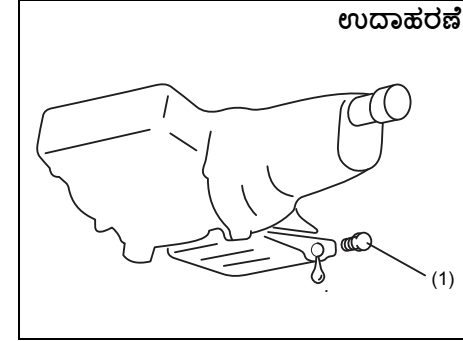
### ಇಂಜಿನ್ ಆಯಿಲ್ ಮತ್ತು ಫಿಲ್ಲರ್ ಅನ್ನು ಬದಲಾಯಿಸುವುದು

ಇಂಜಿನ್ ಇನ್ನೂ ಬೆಚ್ಚಗಿರುವಾಗ ಇಂಜಿನ್ ತೈಲವನ್ನು ಹರಿಸುತ್ತವೆ.

- 1) ಆಯಿಲ್ ಫಿಲ್ಲರ್ ಕ್ಯಾಪ್ ತೆಗೆದುಹಾಕಿ.
- 2) ಡ್ರೈನ್ ಪ್ಲಗ್ ಅಡಿಯಲ್ಲಿ ಡ್ರೈನ್ ಪ್ಯಾನ್ ಅನ್ನು ಇರಿಸಿ.
- 3) ವೆಂಚ್ ಬಳಸಿ, ಡ್ರೈನ್ ಪ್ಲಗ್ ಅನ್ನು ತೆಗೆದುಹಾಕಿ ಮತ್ತು ಇಂಜಿನ್ ಎಣ್ಣೆಯನ್ನು ಹೊರಹಾಕಿ.

### ಎಚ್ಚರಿಕೆ

ಡ್ರೈನ್ ಪ್ಲಗ್ ಅನ್ನು ಸಡಿಲಗೊಳಿಸಿದಾಗ ನಿಮ್ಮ ಬೆರಳುಗಳನ್ನು ಸುಡುವಷ್ಟು ಇಂಜಿನ್ ತೈಲದ ಉಷ್ಣತೆಯು ಹೆಚ್ಚಿರಬಹುದು. ಡ್ರೈನ್ ಪ್ಲಗ್ ನಿಮ್ಮ ಕೈಗಳಿಂದ ಸ್ಪರ್ಶಿಸುವಷ್ಟು ತಂಪಾಗುವವರೆಗೆ ಕಾಯಿರಿ.



77PM07007

ಡ್ರೈನ್ ಪ್ಲಗ್‌ಗಾಗಿ ಟಾರ್ಕ್ ಅನ್ನು ಬಿಗಿಗೊಳಿಸುವುದು (1):  
50 Nm (5.1 kg-m, 36.9 lb-ft)



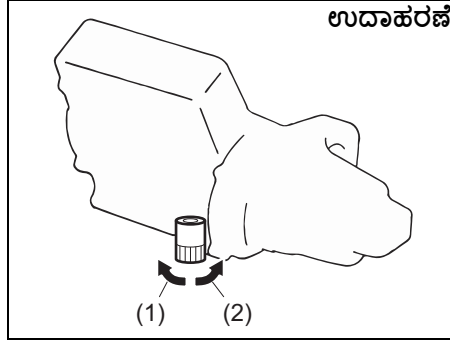
**⚠ ಎಚ್ಚರಿಕೆ**

ಹೊಸ ಮತ್ತು ಬಳಸಿದ ತೈಲವು ಅಪಾಯಕಾರಿ. ಹೊಸ ಅಥವಾ ಬಳಸಿದ ಎಣ್ಣೆಯನ್ನು ನುಂಗುವುದರಿಂದ ಮಕ್ಕಳು ಮತ್ತು ಸಾಕುಪ್ರಾಣಿಗಳು ಹಾನಿಗೊಳಗಾಗಬಹುದು. ಹೊಸ ಮತ್ತು ಬಳಸಿದ ತೈಲ ಮತ್ತು ಬಳಸಿದ ತೈಲ ಫಿಲ್ಟರ್‌ಗಳನ್ನು ಮಕ್ಕಳು ಮತ್ತು ಸಾಕುಪ್ರಾಣಿಗಳಿಂದ ದೂರವಿಡಿ. ಬಳಸಿದ ಇಂಜಿನ್ ಎಣ್ಣೆಯೊಂದಿಗೆ ಪುನರಾವರ್ತಿತ, ದೀರ್ಘಕಾಲದ ಸಂಪರ್ಕವು ಚರ್ಮದ ಕಾನನರ್ಗೇ ಕಾರಣವಾಗಬಹುದು. ಬಳಸಿದ ಎಣ್ಣೆಯೊಂದಿಗಿನ ಸಂಕ್ಷಿಪ್ತ ಸಂಪರ್ಕವು ಚರ್ಮವನ್ನು ಹಾಳುಮಾಡಬಹುದು. ಬಳಸಿದ ಎಣ್ಣೆಗೆ ನಿಮ್ಮ ಒಡ್ಡಿಕೊಳ್ಳುವಿಕೆಯನ್ನು ಕಡಿಮೆ ಮಾಡಲು, ಎಣ್ಣೆಯನ್ನು ಬದಲಾಯಿಸುವಾಗ ಉದ್ದನೆಯ ತೋಳಿನ ಅಂಗಿ ಮತ್ತು ತೇವಾಂಶ-ನಿರೋಧಕ ಕೈಗವಸುಗಳನ್ನು (ಡಿಶ್‌ಶಿಂಗ್ ಕೈಗವಸುಗಳಂತಹ) ಧರಿಸಿ. ತೈಲವು ನಿಮ್ಮ ಚರ್ಮವನ್ನು ಸಂಪರ್ಕಿಸಿದರೆ, ಸಾಬೂನು ಮತ್ತು ನೀರಿನಿಂದ ಚೆನ್ನಾಗಿ ತೊಳೆಯಿರಿ. ಎಣ್ಣೆಯಿಂದ ಒದೆಯಾಗಿದ್ದರೆ ಯಾವುದೇ ಬಟ್ಟೆ ಅಥವಾ ಚಂದಿಗಳನ್ನು ಒಗೆದು ಮಾಡಿ. ಬಳಸಿದ ತೈಲ ಮತ್ತು ಫಿಲ್ಟರ್‌ಗಳನ್ನು ಮರುಬಳಕೆ ಮಾಡಿ ಅಥವಾ ಸರಿಯಾಗಿ ವಿಲೇವಾರಿ ಮಾಡಿ.

- 4) ಡ್ರೈನ್ ಪ್ಲಗ್ ಮತ್ತು ಗ್ಯಾಸ್‌ಪೆಟ್ ಅನ್ನು ಮತ್ತೆಹಾಕಿ. ನಿಗದಿತ ಟಾರ್ಕ್‌ಗೆ ವ್ರಂಚ್‌ನೊಂದಿಗೆ ಪ್ಲಗ್ ಅನ್ನು ಬಿಗಿಗೊಳಿಸಿ.

**ಆಯಿಲ್ ಫಿಲ್ಟರ್ ಅನ್ನು ಬದಲಾಯಿಸಿ**

- 1) ತೈಲ ಫಿಲ್ಟರ್ ವ್ರಂಚ್ ಅನ್ನು ಬಳಸಿ, ತೈಲ ಫಿಲ್ಟರ್ ಅನ್ನು ಅಪ್ಪದಕ್ಷಿಣಾಕಾರವಾಗಿ ತಿರುಗಿಸಿ ಮತ್ತು ಅದನ್ನು ತೆಗೆದುಹಾಕಿ.
- 2) ಕೀನ್ ರಾಗ್ ಅನ್ನು ಬಳಸಿ, ಹೊಸ ಫಿಲ್ಟರ್ ಅನ್ನು ಕುಳಿತುಕೊಳ್ಳುವ ಇಂಜಿನ್‌ನಲ್ಲಿ ಜೋಡಿಸುವ ಮೇಲ್ಮೈಯನ್ನು ಅಳಿಸಿಹಾಕಿ.
- 3) ಹೊಸ ಆಯಿಲ್ ಫಿಲ್ಟರ್‌ನ ರಬ್ಬರ್ ಗ್ಯಾಸ್ಪೆಟ್ ಸುತ್ತಲೂ ಸ್ವಲ್ಪ ಇಂಜಿನ್ ಎಣ್ಣೆಯನ್ನು ಸಿಟಿಯರ್ ಮಾಡಿ.
- 4) ಫಿಲ್ಟರ್ ಗ್ಯಾಸ್ಪೆಟ್ ಆರೋಹಿಸುವಾಗ ಮೇಲ್ಮೈಯನ್ನು ಸಂಪರ್ಕಿಸುವವರೆಗೆ ಕೈಯಿಂದ ಹೊಸ ಫಿಲ್ಟರ್ ಅನ್ನು ಸ್ಪೃಶ್ಯ ಮಾಡಿ.

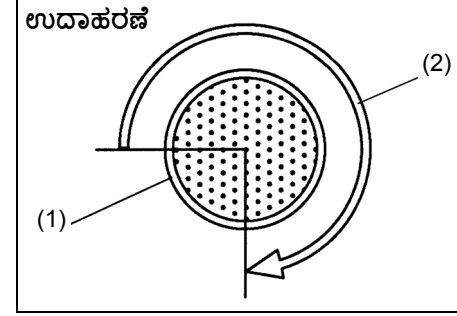


ಉದಾಹರಣೆ

77PH017

- (1) ಸಡಿಲಗೊಳಿಸು
- (2) ಬಿಗಿಗೊಳಿಸು

ಬಿಗಿಗೊಳಿಸುವಿಕೆ (ಫಿಲ್ಟರ್ ಮೇಲಿನಿಂದ ನೋಡಲಾಗಿದೆ)



54G093

- (1) ತೈಲ ಫಿಲ್ಟರ್
- (2) 3/4 ತಿರುವು

**ಸೂಚನೆ**

ತೈಲ ಫಿಲ್ಟರ್ ಅನ್ನು ಸರಿಯಾಗಿ ಬಿಗಿಗೊಳಿಸಲು, ಫಿಲ್ಟರ್ ಗ್ಯಾಸ್ಪೆಟ್ ಆರೋಹಿಸುವಾಗ ಮೇಲ್ಮೈಯನ್ನು ಮೊದಲು ಸಂಪರ್ಕಿಸುವ ಸ್ಥಾನವನ್ನು ನಿಖರವಾಗಿ ಗುರುತಿಸುವುದು ಮುಖ್ಯವಾಗಿದೆ.

- 5) ಆಯಿಲ್ ಫಿಲ್ಟರ್ ವ್ರಂಚ್ ಅನ್ನು ಬಳಸಿಕೊಂಡು ಆರೋಹಿಸುವ ಮೇಲ್ಮೈ (ಅಥವಾ ನಿರ್ದಿಷ್ಟಪಡಿಸಿದ ಟಾರ್ಕ್‌ಗೆ) ಸಂಪರ್ಕದ ಬಿಂದುವಿನಿಂದ ಫಿಲ್ಟರ್ ನಿರ್ದಿಷ್ಟಪಡಿಸಿದ ತಿರುವನ್ನು ಬಿಗಿಗೊಳಿಸಿ.

ತೈಲ ಫಿಲ್ಟರ್ 3/4 ತಿರುವು ಅಥವಾ 14 Nm (1.4 kgf-m, 10.3 lbf-ft) ಗಾಗಿ ಟಾರ್ಕ್ ಅನ್ನು ಬಿಗಿಗೊಳಿಸುವುದು

**ತಪಾಸಣೆ ಮತ್ತು ನಿರ್ವಹಣೆ**

**ಸೂಚನೆ**  
 ತೈಲ ಸೋರಿಕೆಯನ್ನು ತಡೆಗಟ್ಟಲು, ತೈಲ ಫಿಲ್ಟರ್ ಬಿಗಿಯಾಗಿದೆ ಎಂದು ಖಚಿತಪಡಿಸಿಕೊಳ್ಳಿ, ಆದರೆ ಅದನ್ನು ಹೆಚ್ಚು ಬಿಗಿಗೊಳಿಸಬೇಡಿ.

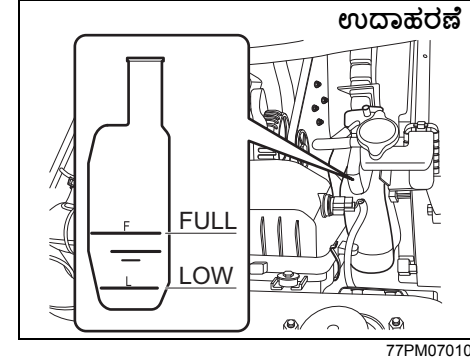
ತೈಲವನ್ನು ಪುನಃ ತುಂಬಿಸಿ ಮತ್ತು ಸೋರಿಕೆಗಾಗಿ ಪರಿಶೀಲಿಸಿ

- 1) ಫಿಲ್ಟರ್ ರಂಧ್ರದ ಮೂಲಕ ತೈಲವನ್ನು ಸುರಿಯಿರಿ ಮತ್ತು ಫಿಲ್ಟರ್ ಕ್ಯಾಪ್ ಅನ್ನು ಹಾಕಿ ತೈಲದ ಅಂದಾಜು ಸಾಮರ್ಥ್ಯಕ್ಕಾಗಿ, "ಸ್ಪೆಸಿಫಿಕೇಶನ್" ವಿಭಾಗದಲ್ಲಿ "ಕ್ಯಾಪಾಸಿಟಿಗಳು" ಐಟಂ ಅನ್ನು ಉಲ್ಲೇಖಿಸಿ.
- 2) ಇಂಜಿನ್ ಅನ್ನು ಪ್ರಾರಂಭಿಸಿ ಮತ್ತು ತೈಲ ಫಿಲ್ಟರ್ ಮತ್ತು ಡ್ರೈನ್ ಪ್ಲಗ್‌ನ ಸೋರಿಕೆಯನ್ನು ಎಚ್ಚರಿಕೆಯಿಂದ ನೋಡಿ. ಕನಿಷ್ಠ 5 ನಿಮಿಷಗಳ ಕಾಲ ವಿವಿಧ ವೇಗಗಳಲ್ಲಿ ಇಂಜಿನ್ ಅನ್ನು ಚಲಾಯಿಸಿ.
- 3) ಇಂಜಿನ್ ಅನ್ನು ನಿಲ್ಲಿಸಿ ಮತ್ತು ಸುಮಾರು 5 ನಿಮಿಷ ಕಾಯಿರಿ. ತೈಲ ಮಟ್ಟವನ್ನು ಮತ್ತೊಮ್ಮೆ ಪರಿಶೀಲಿಸಿ ಮತ್ತು ಅಗತ್ಯವಿದ್ದರೆ ಎಣ್ಣೆಯನ್ನು ಸೇರಿಸಿ. ಸೋರಿಕೆಗಾಗಿ ಮತ್ತೊಮ್ಮೆ ಪರಿಶೀಲಿಸಿ.

**ಸೂಚನೆ**

- ತೈಲ ಫಿಲ್ಟರ್ ಅನ್ನು ಬದಲಾಯಿಸುವಾಗ, ನೀವು ಮಾರುತಿ ನಿಜವಾದ ಫಿಲ್ಟರ್ ಅನ್ನು ಬಳಸಲು ಶಿಫಾರಸು ಮಾಡಲಾಗಿದೆ. ನೀವು ಮಾರುಕಟ್ಟೆಯ ನಂತರ ಫಿಲ್ಟರ್ ಅನ್ನು ಬಳಸಿದರೆ, ಅದು ಸಮಾನ ಗುಣಮಟ್ಟದ್ದಾಗಿದೆ ಎಂದು ಖಚಿತಪಡಿಸಿಕೊಳ್ಳಿ ಮತ್ತು ತಯಾರಕರ ಸೂಚನೆಗಳನ್ನು ಅನುಸರಿಸಿ.
- ತೈಲ ಫಿಲ್ಟರ್ ಅಥವಾ ಡ್ರೈನ್ ಪ್ಲಗ್ ಸುತ್ತಲೂ ತೈಲ ಸೋರಿಕೆಯು ತಪ್ಪಾದ ಸ್ಪಾಪ್ ಅಥವಾ ಗ್ಯಾಸ್‌ನೇಟ್ ಹಾನಿಯನ್ನು ಸೂಚಿಸುತ್ತದೆ. ನೀವು ಯಾವುದೇ ಸೋರಿಕೆಯನ್ನು ಕಂಡುಕೊಂಡರೆ ಅಥವಾ ಫಿಲ್ಟರ್ ಅನ್ನು ಸರಿಯಾಗಿ ಬಿಗಿಗೊಳಿಸಲಾಗಿದೆ ಎಂದು ಖಚಿತವಾಗಿಲ್ಲದಿದ್ದರೆ, ನಿಮ್ಮ ಅಧಿಕೃತ ಮಾರುತಿ ಸುಜುಕಿ ಕಮರ್ಷಿಯಲ್ ವರ್ಕ್‌ಶಾಪ್‌ನಿಂದ ವಾಹನವನ್ನು ಪರೀಕ್ಷಿಸಿ.

**ಇಂಜಿನ್ ಕೂಲಂಟ್ ಕೂಲಂಟ್ ಲೆವೆಲ್ ಪರಿಶೀಲನೆ**



ಇಂಜಿನ್ ತಂಪಾಗಿರುವಾಗ, ಜಲಾಶಯದ ತೊಟ್ಟಿಯಲ್ಲಿ ಕೂಲಂಟ್ ಮಟ್ಟವನ್ನು ಪರಿಶೀಲಿಸಿ. ಕೂಲಂಟ್ ಮಟ್ಟವು "ಪೂರ್ಣ" ಮತ್ತು "ಕಡಿಮೆ" ಅಂಕಗಳ ನಡುವೆ ಇರಬೇಕು. ಶೀತಕದ ಮಟ್ಟವು "ಕಡಿಮೆ" ಗುರುತುಗಿಂತ ಕಡಿಮೆಯಿದ್ದರೆ, ಕೂಲಂಟ್ ಅನ್ನು ಸೇರಿಸಬೇಕು.

**ಕೂಲಂಟ್ ಸೇರ್ಪಡೆ ಮತ್ತು ಬದಲಿ**

ನೀವು ಕೂಲಂಟ್ ಅನ್ನು ಸೇರಿಸಿದಾಗ, ಜಲಾಶಯದ ಟ್ಯಾಂಕ್ ಕ್ಯಾಪ್ ಅನ್ನು ತೆಗೆದುಹಾಕಿ ಮತ್ತು ಇಂಜಿನ್ ತಂಪಾಗಿರುವಾಗ ಜಲಾಶಯದ ಟ್ಯಾಂಕ್ ಮಟ್ಟವು "ಪೂರ್ಣ" ಮಾರ್ಕ್ ಅನ್ನು ತಲುಪುವವರೆಗೆ ಕೂಲಂಟ್ ಅನ್ನು ಸೇರಿಸಿ. "FULL" ಮಾರ್ಕ್ ಮೇಲೆ ಜಲಾಶಯದ ಟ್ಯಾಂಕ್ ಅನ್ನು ಎಂದಿಗೂ ತುಂಬಬೇಡಿ. ಕೂಲಂಟ್ ಬದಲಿಗಾಗಿ ವಿಶೇಷ ಕಾರ್ಯವಿಧಾನಗಳ ಅಗತ್ಯವಿರುವುದರಿಂದ, ಈ

ಕೆಲಸಕ್ಕಾಗಿ ಮಾರುತಿ ಸುಜುಕಿ ಅಧಿಕೃತ ಕಾರ್ಯಾಗಾರವನ್ನು ಕೇಳಿ.

**ಶೀತಕದ ಆಯ್ಕೆ**

**⚠ ಎಚ್ಚರಿಕೆ**

ಎಂಜಿನ್ ಕೂಲಂಟ್ ಅನ್ನು ನುಂಗುವುದರಿಂದ ತೀವ್ರವಾದ ಗಾಯ ಅಥವಾ ಸಾವಿಗೆ ಕಾರಣವಾಗಬಹುದು. ಕೂಲಂಟ್ ಮಂಜು ಅಥವಾ ಆವಿಯನ್ನು ಉಸಿರಾಡುವುದು ಅಥವಾ ನಿಮ್ಮ ಕಣ್ಣುಗಳಲ್ಲಿ ಕೂಲಂಟ್ ಅನ್ನು ಪಡೆಯುವುದು ತೀವ್ರವಾದ ಗಾಯಕ್ಕೆ ಕಾರಣವಾಗಬಹುದು.

- ಆಂಟಿಫ್ರೀಜ್ ಅಥವಾ ಕೂಲಂಟ್ ದ್ರಾವಣವನ್ನು ಕುಡಿಯಬೇಡಿ.ನುಂಗಿದರೆ, ವಾಂತಿಗೆ ಪ್ರೇರೇಪಿಸಬೇಡಿ. ತಕ್ಷಣ ವಿಷ ನಿಯಂತ್ರಣ ಕೇಂದ್ರ ಅಥವಾ ವೈದ್ಯರನ್ನು ಸಂಪರ್ಕಿಸಿ.
- ಶೀತಕ ಮಂಜು ಅಥವಾ ಬಿಸಿ ಆವಿಯನ್ನು ಉಸಿರಾಡುವುದನ್ನು ತಪ್ಪಿಸಿ. ಉಸಿರಾಡಿದರೆ, ತಾಜಾ ಗಾಳಿಯ ಪ್ರದೇಶಕ್ಕೆ ತೆಗೆದುಹಾಕಿ.
- ಕೂಲಂಟ್ ಕಣ್ಣಿಗೆ ಬಿದ್ದರೆ, ನೀರಿನಿಂದ ತೊಳೆಯಿರಿ ಮತ್ತು ವೈದ್ಯಕೀಯ ಚಿಕಿತ್ಸೆ ಪಡೆಯಿರಿ.
- ಕೂಲಂಟ್ ಅನ್ನು ನಿರ್ವಹಿಸಿದ ನಂತರ ಚೆನ್ನಾಗಿ ತೊಳೆಯಿರಿ.
- ಇಂಜಿನ್ ಕೂಲಂಟ್ ಅನ್ನು ಮಕ್ಕಳು ಮತ್ತು ಸಾಕುಪ್ರಾಣಿಗಳ ವ್ಯಾಪ್ತಿಯಿಂದ ದೂರವಿಡಿ.

**ಸೂಚನೆ**

ಜಲಾಶಯದ ತೊಟ್ಟಿಯ ಮೇಲೆ ಕ್ಯಾಪ್ ಹಾಕುವಾಗ, ಕ್ಯಾಪ್ ಮತ್ತು ಮಾರ್ಕ್ ಮೇಲೆ ಮಾರ್ಕ್ ಅನ್ನು ಜೋಡಿಸಿ. ಇದನ್ನು ಅನುಸರಿಸಲು ವಿಫಲವಾದರೆ ಶೀತಕ ಸೋರಿಕೆಗೆ ಕಾರಣವಾಗಬಹುದು.

ನಿಮ್ಮ ಎಂಜಿನ್‌ನ ಅತ್ಯುತ್ತಮ ಕಾರ್ಯಕ್ಷಮತೆ ಮತ್ತು ಬಾಳಿಕೆಯನ್ನು ಕಾಪಾಡಿಕೊಳ್ಳಲು, ಮಾರುತಿ ಸುಜುಕಿ ನಿಜವಾದ ಕೂಲಂಟ್ ಅಥವಾ ತತಮಾನವನ್ನು ಬಳಸಿ. ಕೆಳಗಿನ ಕಾರಣಗಳಿಗಾಗಿ ಈ ರೀತಿಯ ಶೀತಕವು ತಂಪಾಗಿಸುವ ವ್ಯವಸ್ಥೆಗೆ ಉತ್ತಮವಾಗಿದೆ:

- ಶೀತಕವು ಸರಿಯಾದ ಎಂಜಿನ್ ತಾಪಮಾನವನ್ನು ನಿರ್ವಹಿಸಲು ಸಹಾಯ ಮಾಡುತ್ತದೆ.
- ಇದು ಫೆನೀಕರಣ ಮತ್ತು ಕುದಿಯುವ ವಿರುದ್ಧ ಸರಿಯಾದ ರಕ್ಷಣೆ ನೀಡುತ್ತದೆ.
- ಇದು ತುಕ್ಕು ಮತ್ತು ತುಕ್ಕು ವಿರುದ್ಧ ಸರಿಯಾದ ರಕ್ಷಣೆ ನೀಡುತ್ತದೆ.

ಸರಿಯಾದ ಕೂಲಂಟ್ ಅನ್ನು ಬಳಸಲು ವಿಫಲವಾದರೆ ನಿಮ್ಮ ಕೂಲಿಂಗ್ ವ್ಯವಸ್ಥೆಯನ್ನು ಹಾನಿಗೊಳಿಸಬಹುದು. ಮಾರುತಿ ಸುಜುಕಿ ಅಧಿಕೃತ ಕಾರ್ಯಾಗಾರವು ಸರಿಯಾದ ಕೂಲಂಟ್ ಅನ್ನು ಆಯ್ಕೆ ಮಾಡಲು ನಿಮಗೆ ಸಹಾಯ ಮಾಡುತ್ತದೆ.

**ಸೂಚನೆ**

ನಿಮ್ಮ ಕೂಲಿಂಗ್ ವ್ಯವಸ್ಥೆಗೆ ಹಾನಿಯಾಗದಂತೆ ತಡೆಯಲು:

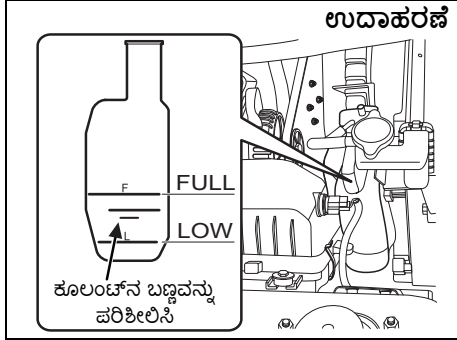
- ಸರಿಯಾದ ಮಿಶ್ರಣದ ಸಾಂದ್ರತೆಯಲ್ಲಿ ಡಿಸಿಲ್ ವಾಟರ್‌ನಿಂದ ದುರ್ಬಲಗೊಳಿಸಿದ ಉತ್ತಮ ಗುಣಮಟ್ಟದ ಎಥಿಲೀನ್ ಗ್ಲೈಕೋಲ್ ಬೇಸ್ ಸಿಲಿಕೇಟ್ ಅಲ್ಲದ ರೀತಿಯ ಕೂಲಂಟ್ ಅನ್ನು ಯಾವಾಗಲೂ ಬಳಸಿ.
- ಹೆಚ್ಚುವರಿ ಪ್ರತಿರೋಧಕಗಳು ಅಥವಾ ಸೇರ್ಪಡೆಗಳನ್ನು ಸೇರಿಸಬೇಡಿ.. ಅವು ನಿಮ್ಮ ಕೂಲಿಂಗ್ ಸಿಸ್ಟಮ್‌ಗೆ ಹೊಂದಿಕೆಯಾಗದಿರಬಹುದು.
- ವಿವಿಧ ರೀತಿಯ ಬೇಸ್ ಕೂಲಂಟ್‌ಗಳನ್ನು ಮಿಶ್ರಣ ಮಾಡಬೇಡಿ. ಹಾಗೆ ಮಾಡುವುದರಿಂದ ವೇಗವರ್ಧಿತ ಸೀಲ್ ಉಡುಗೆ ಮತ್ತು/ಅಥವಾ ತೀವ್ರ ಮಿತಿಮೀರಿದ ಮತ್ತು ವ್ಯಾಪಕವಾದ ಎಂಜಿನ್/ಪ್ರಸರಣ ಹಾನಿಯ ಸಾಧ್ಯತೆಗೆ ಕಾರಣವಾಗಬಹುದು. ಕೂಲಂಟ್ ಮಿಶ್ರಣದ ಸಂದರ್ಭದಲ್ಲಿ ನಿಮ್ಮ ವಾಹನವನ್ನು ಮಾರುತಿ ಸುಜುಕಿ ಅಧಿಕೃತ ಕಾರ್ಯಾಗಾರದಿಂದ ಪರಿಶೀಲಿಸಿ.

**ಸೂಚನೆ:**  
ಮಾರುತಿ ಸುಜುಕಿ ನಿಜವಾದ ಕೂಲಂಟ್ ಅನ್ನು ನಿಮ್ಮ ಮಾರುತಿ ಸುಜುಕಿ ಉತ್ಪನ್ನಕ್ಕಾಗಿ ವಿಶೇಷವಾಗಿ ರೂಪಿಸಲಾಗಿದೆ ಮತ್ತು ಅಪೇಕ್ಷಿತ ವಾಹನ ಕಾರ್ಯಕ್ಷಮತೆ ಮತ್ತು ಆದರ್ಶ ಚಾಲನಾ ಅನುಭವಕ್ಕೆ ಕೊಡುಗೆ ನೀಡುತ್ತದೆ.

ನಿಮ್ಮ ವಾಹನದ ಉತ್ಪಾದನಾ ಅವಧಿಯನ್ನು ಅವಲಂಬಿಸಿ, ಹೊಚ್ಚಹೊಸ ಕಾರಿನ ಸಮಯದಲ್ಲಿ ತುಂಬಿದ ಕೂಲಂಟ್ ಪ್ರಕಾರವು ಭಿನ್ನವಾಗಿರುತ್ತದೆ. ಎರಡು ರೀತಿಯ ಶೀತಕಗಳಿವೆ, SUZUKI LLC: Super (Blue) ಕೂಲಂಟ್ ಮತ್ತು SUZUKI LLC:

## ತಪಾಸಣೆ ಮತ್ತು ನಿರ್ವಹಣೆ

Standard (Yellow) ಕೂಲಂಟ್ ಜಲಾಶಯದ ತೊಟ್ಟಿಯಲ್ಲಿನ ಕೂಲಂಟ್‌ನ ಬಣ್ಣದಿಂದ ನಿಮ್ಮ ವಾಹನದಲ್ಲಿನ ಮೂಲ ಕೂಲಂಟ್ ಪ್ರಕಾರವನ್ನು ನೀವು ಪರಿಶೀಲಿಸಬಹುದು (ಕೆಳಗಿನ ಚಿತ್ರ ನೋಡಿ).



ಕೂಲಂಟ್ ಬಣ್ಣ	ಕೂಲಂಟ್ ಪ್ರಕಾರ
Blue	Suzuki LLC : Super
Yellow	Suzuki LLC : Standard

**ಸೂಚನೆ:**  
ಹೊಚ್ಚ ಹೊಸ ಕಾರಿನ ಸಮಯದಲ್ಲಿ ತುಂಬಿದಿರುವ ಕೂಲಂಟ್‌ನ ರೀತಿಯ ಕೂಲಂಟ್ ಅನ್ನು ನೀವು ಸೇರಿಸಿದಾಗ ಅಥವಾ ಬದಲಾಯಿಸಿದಾಗ ಬಳಸಬೇಕು.

### SUZUKI LLC: Super (Blue) ಕೂಲಂಟ್:

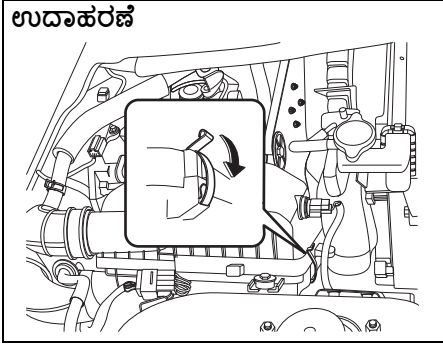
ಸೂಚನೆ
<ul style="list-style-type: none"> <li>ಈ ಕೂಲಂಟ್ ಅನ್ನು ಈಗಾಗಲೇ ಸರಿಯಾದ ಶೇಕಡಾವಾರು ಪ್ರಮಾಣದಲ್ಲಿ ದುರ್ಬಲಗೊಳಿಸಲಾಗಿದೆ. ಹೆಚ್ಚುವರಿಯಾಗಿ ಡಿಸೈಲ್ ವಾಟರ್‌ನಿಂದ ದುರ್ಬಲಗೊಳಿಸಬೇಡಿ. ಹಾಗೆ ಮಾಡುವುದರಿಂದ ಕೂಲಂಟ್ ಅನ್ನು ಘನೀಕರಿಸುವ ಮತ್ತು/ಅಥವಾ ಅಧಿಕ ಬಿಸಿಯಾಗುವ ಸಾಧ್ಯತೆಗೆ ಕಾರಣವಾಗಬಹುದು.</li> <li><b>SUZUKI LLC</b> ಸೇರಿಸಬೇಡಿ: ನಿಮ್ಮ ವಾಹನವು ಮೂಲತಃ <b>SUZUKI LLC</b> ಯಿಂದ ತುಂಬಿರುವಾಗ <b>Standard (Yellow)</b> ಕೂಲಂಟ್ ಅಥವಾ ಡಿಸೈಲ್ ವಾಟರ್ ಅಥವಾ ಇತರರು: <b>Super (Blue)</b> ಕೂಲಂಟ್.</li> <li>ಅಂತಹ ಪ್ರಕರಣ ಸಂಭವಿಸಿದಲ್ಲಿ, ಮಾರುತಿ ಸುಜುಕಿ ಅಧಿಕೃತ ಕಾರ್ಯಾಗಾರದಿಂದ ವಾಹನವನ್ನು ತಪಾಸಣೆ ಮಾಡಿ.</li> </ul>

### SUZUKI LLC: Standard (Yellow) ಕೂಲಂಟ್:

ಸೂಚನೆ
<ul style="list-style-type: none"> <li>ಬಳಸಬೇಕಾದ ಮಿಶ್ರಣದ ಸಾಂದ್ರತೆಯು 30% ಅಂಟಿಫ್ರೀಜ್ ಮತ್ತು 70% ಡಿಸೈಲ್ ವಾಟರ್ ಆಗಿರಬೇಕು. ನೇರ ಕೂಲಂಟ್ ಅಥವಾ ಸರಳ ನೀರನ್ನು ಬಳಸಬೇಡಿ.</li> <li>ನಿಮ್ಮ ಪ್ರದೇಶದಲ್ಲಿ ಕಡಿಮೆ ಸುತ್ತುವರಿದ ತಾಪಮಾನವು <math>-15^{\circ} \text{C}</math> (<math>5^{\circ} \text{F}</math>) ಅಥವಾ ಅದಕ್ಕಿಂತ ಕಡಿಮೆಯಿದ್ದರೆ, ಅಂಟಿಫ್ರೀಜ್ ಕಂಟೇನರ್‌ನಲ್ಲಿನ ಸೂಚನೆಗಳನ್ನು ಅನುಸರಿಸಿ 60% ವರೆಗೆ ಹೆಚ್ಚಿನ ಸಾಂದ್ರತೆಯನ್ನು ಬಳಸಿ. 60% ಕ್ಕಿಂತ ಹೆಚ್ಚಿನ ಸಾಂದ್ರತೆಯು ಮಿತಿಮೀರಿದ ಪರಿಸ್ಥಿತಿಗಳನ್ನು ಉಂಟುಮಾಡುತ್ತದೆ.</li> <li>ನಿಮ್ಮ ವಾಹನವು ಮೂಲತಃ <b>SUZUKI LLC</b> ಯಿಂದ ತುಂಬಿದಾಗ: <b>Standard (Yellow)</b> ಕೂಲಂಟ್, <b>SUZUKI LLC</b> ನ ನಿರ್ವಹಣೆ ವೇಳಾಪಟ್ಟಿಯನ್ನು ಅನುಸರಿಸಿ: <b>Standard (Yellow)</b> ಕೂಲಂಟ್. ನೀವು <b>SUZUKI LLC</b> ನೊಂದಿಗೆ ಬದಲಾಯಿಸಿದರೆ: <b>Super (Blue)</b> ಕೂಲಂಟ್, ನಂತರ ಮಾರುತಿ ಸುಜುಕಿ ಅಧಿಕೃತ ಕಾರ್ಯಾಗಾರದಿಂದ ವಾಹನವನ್ನು ಪರಿಶೀಲಿಸಿ.</li> </ul>

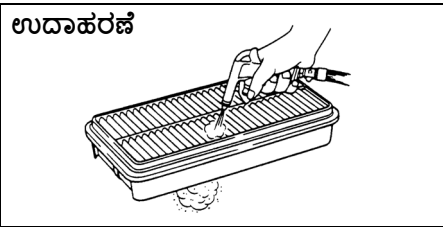
## ಏರ್ ಕ್ಲೀನರ್

ಏರ್ ಕ್ಲೀನರ್ ಧೂಳಿನಿಂದ ಮುಚ್ಚಿಹೋಗಿದ್ದರೆ, ಹೆಚ್ಚಿನ ಸೇವನೆಯ ಪ್ರತಿದೋಧವನ್ನು ಹೊಂದಿರುತ್ತದೆ, ಇದರ ಪರಿಣಾಮವಾಗಿ ವಿದ್ಯುತ್ ಉತ್ಪಾದನೆ ಕಡಿಮೆಯಾಗುತ್ತದೆ ಮತ್ತು ಇಂಧನ ಬಳಕೆ ಹೆಚ್ಚಾಗುತ್ತದೆ.



77PM07011

ಸೈಡ್ ಕ್ಯಾಂಪ್‌ಗಳನ್ನು ಅನ್‌ಕ್ಯಾಂಪ್ ಮಾಡಿ ಮತ್ತು ಏರ್ ಕ್ಲೀನರ್ ಕೇಸ್‌ನಿಂದ ಅಂಶವನ್ನು ತೆಗೆದುಹಾಕಿ.



60A183

ಇದು ಕೊಳಕು ಎಂದು ಕಂಡುಬಂದರೆ, ಆವರ್ತಕ ನಿರ್ವಹಣಾ ವೇಳಾಪಟ್ಟಿಯ ಪ್ರಕಾರ ಏರ್ ಕ್ಲೀನರ್ ಅನ್ನು ಹೊಸದೊಂದಿಗೆ ಸ್ವಚ್ಛಗೊಳಿಸಿ ಅಥವಾ ಬದಲಾಯಿಸಿ.

## ಸ್ಪಾರ್ಕ್ ಪ್ಲಗ್‌ಗಳು

ಸ್ಪಾರ್ಕ್ ಪ್ಲಗ್‌ಗಳ ಬದಲಿ ಮತ್ತು ತಪಾಸಣೆ

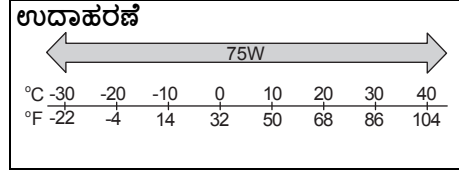
ವಿಶೇಷ ಕಾರ್ಯವಿಧಾನಗಳು, ಸಾಮಗ್ರಿಗಳು ಮತ್ತು ಉಪಕರಣಗಳು ಅಗತ್ಯವಿರುವುದರಿಂದ, ನಿಮ್ಮ ಮಾರುತಿ ಸುಜುಕಿ ಅಧಿಕೃತ ಕಾರ್ಯಾಗಾರದಲ್ಲಿ ಈ ಕೆಲಸವನ್ನು ನೀವು ನಂಬುವಂತೆ ಶಿಫಾರಿಸು ಮಾಡಲಾಗಿದೆ.

## ತಪಾಸಣೆ ಮತ್ತು ನಿರ್ವಹಣೆ

### ಗೇರ್ ಆಯಿಲ್

ಮ್ಯಾನುವಲ್ ಟ್ರಾನ್ಸಿ ಷನ್ ಆಯಿಲ್/ ಡಿಫರೆನ್ಷಿಯಲ್ ಆಯಿಲ್ ಗೇರ್ ಎಣ್ಣೆಯನ್ನು ಸೇರಿಸುವಾಗ, ಕೆಳಗಿನ ಚಾರ್ಟ್‌ನಲ್ಲಿ ತೋರಿಸಿರುವಂತೆ ಸೂಕ್ತವಾದ ಸಿಗ್ನಲ್ ಮತ್ತು ಗ್ರೇಡ್‌ನೊಂದಿಗೆ ಗೇರ್ ಎಣ್ಣೆಯನ್ನು ಬಳಸಿ.

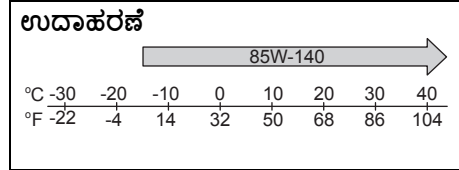
ಹಸಚಾಲಿತ ಪ್ರಸರಣ ತೈಲ



68LM728

ಹಸಚಾಲಿತ ಪ್ರಸರಣ ಗೇರ್ ಎಣ್ಣೆಗಾಗಿ "ಮಾರುತಿ ಜೆನ್ನೋನ್ ಗೇರ್ ಆಯಿಲ್ 75 ಡಬ್ಲ್ಯೂ" ಅನ್ನು ಬಳಸಲು ನಾವು ಹೆಚ್ಚು ಶಿಫಾರಸು ಮಾಡುತ್ತೇವೆ.

ಹಿಂದಿನ ಭೇದಾತ್ಮಕ ತೈಲ



77PH075

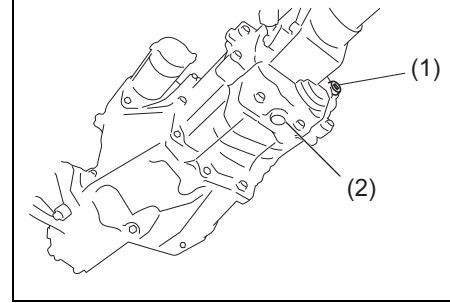
ಹಿಂದಿನ ಡಿಫರೆನ್ಷಿಯಲ್ ಆಯಿಲ್‌ಗಾಗಿ ನೀವು ಬಳಸಲು ನಾವು ಹೆಚ್ಚು ಶಿಫಾರಸು ಮಾಡುತ್ತೇವೆ: "ಟೋಟಲ್‌ಫಿನಲ್ಸ್ ಟ್ರಾನ್ಸ್‌ಸಲ್ಸ್ LL 85W-140".

7-15

### ಗೇರ್ ಆಯಿಲ್ ಲೆವೆಲ್ ಚೆಕ್

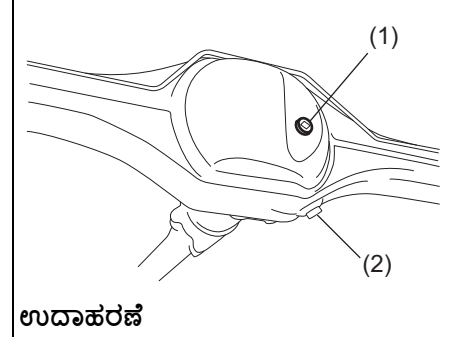
ಹಸಚಾಲಿತ ಪ್ರಸರಣ

ಉದಾಹರಣೆ



77PH078

ಹಿಂದಿನ ಡಿಫರೆನ್ಷಿಯಲ್



77PH047

ಉದಾಹರಣೆ

1. ಆಯಿಲ್ ಫಿಲ್ಲರ್ ಮತ್ತು ಲೆವೆಲ್ ಫ್ಲಗ್ (ಮರುಬಳಕೆ ಮಾಡಬೇಡಿ).
2. ಆಯಿಲ್ ಡ್ರೈನ್ ಫ್ಲಗ್.

ಗೇರ್ ತೈಲ ಮಟ್ಟವನ್ನು ಪರಿಶೀಲಿಸಲು, ಈ ಕೆಳಗಿನ ವಿಧಾನವನ್ನು ಬಳಸಿ:

- 1) ಪಾರ್ಕಿಂಗ್ ಬ್ರೇಕ್ ಅನ್ನು ಅನ್ವಯಿಸುವ ಮೂಲಕ ವಾಹನವನ್ನು ಸಮತಟ್ಟಾದ ಮೇಲ್ಮೈಯಲ್ಲಿ ನಿಲ್ಲಿಸಿ. ನಂತರ, ಇಂಜಿನ್ ನಿಲ್ಲಿಸಿ.
- 2) ತೈಲ ಫಿಲ್ಲರ್ ಮತ್ತು ಲೆವೆಲ್ ಫ್ಲಗ್ (1) ತೆಗೆದುಹಾಕಿ.
- 3) ನಿಮ್ಮ ಬೆರಳಿನಿಂದ ರಂಧ್ರದ ಒಳಭಾಗವನ್ನು ಪರಿಶೀಲಿಸಿ. ತೈಲ ಮಟ್ಟವು ಫ್ಲಗ್ ರಂಧ್ರದ ಕೆಳಭಾಗಕ್ಕೆ ಬಂದರೆ, ತೈಲ ಮಟ್ಟವು ಸರಿಯಾಗಿದೆ. ಹಾಗಿದ್ದಲ್ಲಿ, ಫ್ಲಗ್ ಅನ್ನು ಮರುಸ್ಥಾಪಿಸಿ.
- 4) ತೈಲ ಮಟ್ಟವು ಕಡಿಮೆಯಾಗಿದ್ದರೆ, ತೈಲ ಮಟ್ಟವು ಫಿಲ್ಲರ್ ರಂಧ್ರದ ಕೆಳಭಾಗವನ್ನು ತಲುಪುವವರೆಗೆ ಆಯಿಲ್ ಫಿಲ್ಲರ್ ಫ್ಲಗ್ ಹೋಲ್ (1) ಮೂಲಕ ಗೇರ್ ಎಣ್ಣೆಯನ್ನು ಸೇರಿಸಿ, ನಂತರ ಫ್ಲಗ್ ಅನ್ನು ಮರುಸ್ಥಾಪಿಸಿ.

ತೈಲ ಫಿಲ್ಲರ್ ಮತ್ತು ಲೆವೆಲ್ ಫ್ಲಗ್‌ಗಾಗಿ ಟಾರ್ಕ್ ಅನ್ನು ಬಿಗಿಗೊಳಿಸುವುದು

ಹಸಚಾಲಿತ ಪ್ರಸರಣ (1):

23 Nm (2.3 kgf-m, 17.0 lbf-ft)

ಹಿಂದಿನ ಡಿಫರೆನ್ಷಿಯಲ್ (1):

25 Nm (2.5 kgf-m, 18.5 lbf-ft)

ಸೂಚನೆ:

ಹಿಂದಿನ ಡಿಫರೆನ್ಷಿಯಲ್‌ಗಾಗಿ ಯಾವಾಗಲೂ ಹೊಸ ತೈಲ ಫಿಲ್ಲರ್ ಮತ್ತು ಲೆವೆಲ್ ಫ್ಲಗ್ (1) ಅನ್ನು ಬಳಸಿ.

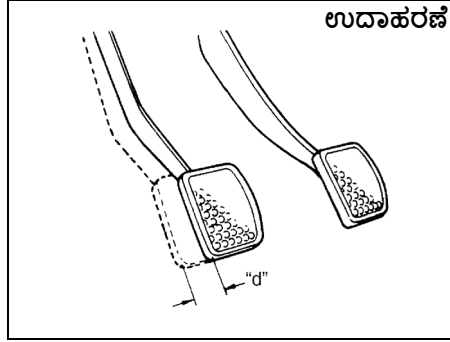
**▲ ಎಚ್ಚರಿಕೆ**  
 ವಾಹನವನ್ನು ಚಾಲನೆ ಮಾಡಿದ ನಂತರ, ಗೇರ್ ಎಣ್ಣೆಯ ಉಷ್ಣತೆಯು ನಿಮ್ಮ ಚರ್ಮವನ್ನು ಸುಡುವಷ್ಟು ಹೆಚ್ಚಿರಬಹುದು. ಗೇರ್ ಆಯಿಲ್ ಮಟ್ಟವನ್ನು ಪರಿಶೀಲಿಸುವ ಮೊದಲು ಆಯಿಲ್ ಫಿಲರ್ ಪೆಗ್ ನಿಮ್ಮ ಕೈಗಳಿಂದ ಸ್ಪರ್ಶಿಸುವಷ್ಟು ತಂಪಾಗುವವರೆಗೆ ಕಾಯಿರಿ.

**ಸೂಚನೆ**  
 ಪೆಗ್ ಅನ್ನು ಬಿಗಿಗೊಳಿಸುವಾಗ, ತೈಲ ಸೋರಿಕೆಯನ್ನು ತಡೆಗಟ್ಟಲು ಕೆಳಗಿನ ಸೀಲಿಂಗ್ ಸಂಯುಕ್ತವನ್ನು ಅಥವಾ ಪ್ಲಗ್ ಧ್ರೆಡ್‌ಗಳಿಗೆ ಸಮನಾದವನ್ನು ಅನ್ವಯಿಸಿ.  
 ಮಾರುತಿ ಸುಜುಕಿ ಬಾಂಡ್ ಸಂಖ್ಯೆ "1216ಇ" ಅಥವಾ "1217ಜಿ"

**ಗೇರ್ ಆಯಿಲ್ ಬದಲಾವಣೆ**  
 ವಿಶೇಷ ಕಾರ್ಯವಿಧಾನಗಳು, ಸಾಮಗ್ರಿಗಳು ಮತ್ತು ಪರಿಕರಗಳು ಅಗತ್ಯವಿರುವುದರಿಂದ, ನಿಮ್ಮ ಅಧಿಕೃತ ಮಾರುತಿ ಸುಜುಕಿ ವಾಣಿಜ್ಯ ಕಾರ್ಯಾಗಾರದಲ್ಲಿ ಈ ಕೆಲಸವನ್ನು ನೀವು ನಂಬುವಂತೆ ಶಿಫಾರಸು ಮಾಡಲಾಗಿದೆ.

**ಕ್ಲಚ್ ಪೆಡಲ್**

ಕೇಬಲ್ ನಿಯಂತ್ರಣ ಕ್ಲಚ್



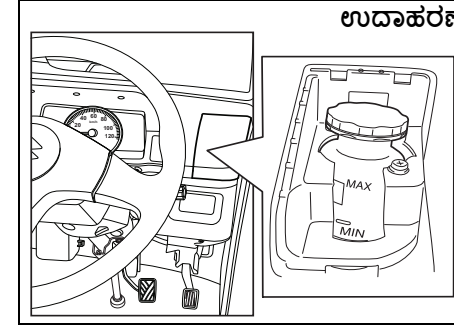
54G274

**ಕ್ಲಚ್ ಪೆಡಲ್ ಪೇ "d":**  
**10 - 15 mm (0.4 - 0.6 in.)**

ನಿಮ್ಮ ಕೈಯಿಂದ ಕ್ಲಚ್ ಪೆಡಲ್ ಅನ್ನು ಚಲಿಸುವ ಮೂಲಕ ಕ್ಲಚ್ ಪೆಡಲ್ ಆಟವನ್ನು ಅಳಯಿರಿ ಮತ್ತು ನೀವು ಸ್ವಲ್ಪ ಪ್ರತಿರೋಧವನ್ನು ಅನುಭವಿಸುವವರೆಗೆ ಅದು ಚಲಿಸುವ ದೂರವನ್ನು ಅಳಯಿರಿ. ಕ್ಲಚ್ ಪೆಡಲ್‌ನಲ್ಲಿನ ಆಟವು ನಿಗದಿತ ಮೌಲ್ಯಗಳ ನಡುವೆ ಇರಬೇಕು. ಆಟವು ಮೇಲಿನದಕ್ಕಿಂತ ಹೆಚ್ಚು ಅಥವಾ ಕಡಿಮೆಯಿದ್ದರೆ, ಅಥವಾ ಪೆಡಲ್ ಸಂಪೂರ್ಣವಾಗಿ ನಿರುತ್ಸಾಹಗೊಂಡಿರುವಾಗ ಕ್ಲಚ್ ಡ್ರಾ ಗ್ ಆಗಿದ್ದರೆ, ನಿಮ್ಮ ಅಧಿಕೃತ ಮಾರುತಿ ಸುಜುಕಿ ವಾಣಿಜ್ಯ ಕಾರ್ಯಾಗಾರದಿಂದ ಕ್ಲಚ್ ಅನ್ನು ಪರಿಶೀಲಿಸಿ.

**ಬ್ರೇಕ್ಗಳು**

ಬ್ರೇಕ್ ದ್ರವ



77PM706

ಸಲಕರಣೆ ಫಲಕದಲ್ಲಿ ಜಲಾಶಯವನ್ನು ನೋಡುವ ಮೂಲಕ ಬ್ರೇಕ್ ದ್ರವದ ಮಟ್ಟವನ್ನು ಪರಿಶೀಲಿಸಿ. ಬ್ರೇಕ್ ದ್ರವದ ಜಲಾಶಯದ ಮಟ್ಟವನ್ನು ಪರಿಶೀಲಿಸಲು ಸ್ಪೀರಿಂಗ್ ಚಕ್ರದ ಬಲಭಾಗದಲ್ಲಿರುವ ಕವರ್ ಅನ್ನು ತೆಗೆದುಹಾಕಿ. ದ್ರವದ ಮಟ್ಟವು "ಮ್ಯಾಕ್" ಮತ್ತು "ಮಿನ್" ಸಾಲುಗಳ ನಡುವೆ ಇದೆಯೇ ಎಂದು ಪರಿಶೀಲಿಸಿ. ಬ್ರೇಕ್ ದ್ರವದ ಮಟ್ಟವು "ಮಿನ್" ರೇಖೆಯ ಸಮೀಪದಲ್ಲಿದ್ದರೆ, ಅದನ್ನು "ಮ್ಯಾಕ್" ಗೆ ಮಾರುತಿ ನಿಜವಾದ ಬ್ರೇಕ್ ದ್ರವ (ಎಂಜಿಬಿಎಫ್) ಅಥವಾ ಡಾಟ್ 3 ನೊಂದಿಗೆ ತುಂಬಿಸಿ. "ಮಾರುತಿ ಅಪಟ ಬ್ರೇಕ್ ದ್ರವ" (ಎಂಜಿಬಿಎಫ್) ಅನ್ನು ಬಳಸಲು ನಾವು ಹೆಚ್ಚು ಶಿಫಾರಸು ಮಾಡುತ್ತೇವೆ.

**ತಪಾಸಣೆ ಮತ್ತು ನಿರ್ವಹಣೆ**

**⚠ ಎಚ್ಚರಿಕೆ**

ಕೆಳಗಿನ ಮಾರ್ಗಸೂಚಿಗಳನ್ನು ಅನುಸರಿಸಲು ವಿಫಲವಾದರೆ ವ್ಯಯಿಸಿಕೆ ಗಾಯ ಅಥವಾ ಬ್ರೇಕ್ ಸಿಸ್ಟಮ್ ಗೆ ಗಂಭೀರ ಹಾನಿ ಉಂಟಾಗಬಹುದು.

- ಬ್ರೇಕ್ ಸಿಲಿಂಡರ್ ನಲ್ಲಿ ಬ್ರೇಕ್ ದ್ರವವು ಒಂದು ನಿರ್ದಿಷ್ಟ ಮಟ್ಟಕ್ಕಿಂತ ಕಡಿಮೆಯಾದರೆ, ಇನ್ನು ಮುಂಚೆ ಪ್ಲಾನಲ್ ನಲ್ಲಿ ಬ್ರೇಕ್ ಎಚ್ಚರಿಕೆಯ ಬೆಳಕು ಆನ್ ಆಗುತ್ತದೆ (ಇಂಜಿನ್ ಪಾರ್ಕಿಂಗ್ ಬ್ರೇಕ್ ಅನ್ನು ಸಂಪೂರ್ಣವಾಗಿ ನಿಷ್ಕ್ರಿಯಗೊಳಿಸಬೇಕು). ಲೈಟ್ ಆನ್ ಆಗಿದ್ದರೆ, ಬ್ರೇಕ್ ಸಿಸ್ಟಮ್ ಅನ್ನು ಪರಿಶೀಲಿಸಲು ತಕ್ಷಣವೇ ನಿಮ್ಮ ಅಧಿಕೃತ ಮಾರುತಿ ಸುಜುಕಿ ವಾಣಿಜ್ಯ ಕಾರ್ಯಾಗಾರವನ್ನು ಕೇಳಿ.
- ಕೆಲವು ದ್ರವದ ನಷ್ಟವು ಬ್ರೇಕ್ ಸಿಸ್ಟಮ್ ನಲ್ಲಿ ಸೋರಿಕೆಯನ್ನು ಸೂಚಿಸುತ್ತದೆ ಅದನ್ನು ನಿಮ್ಮ ಅಧಿಕೃತ ಮಾರುತಿ ಸುಜುಕಿ ವಾಣಿಜ್ಯ ಕಾರ್ಯಾಗಾರವು ತಕ್ಷಣವೇ ಪರಿಶೀಲಿಸಬೇಕು.
- ಮಾರುತಿ ನಿಜವಾದ ಬ್ರೇಕ್ ದ್ರವ (ಎಂಜಿಬಿಎಫ್) ಅಥವಾ ಡಾಟ್ 3 ಹೊರತುಪಡಿಸಿ ಯಾವುದೇ ದ್ರವವನ್ನು ಬಳಸಬೇಡಿ. ಮಾರುತಿ ನಿಜವಾದ ಬ್ರೇಕ್ ದ್ರವವನ್ನು (ಎಂಜಿಬಿಎಫ್) ಬಳಸಲು ನಾವು ಹೆಚ್ಚು ಶಿಫಾರಸು ಮಾಡುತ್ತೇವೆ. ಹಳೆಯ ಅಥವಾ ತರದ ಪಾತ್ರೆಗಳಲ್ಲಿ ಸಂಗ್ರಹಿಸಲಾದ ಮರುಪಡೆಯಲಾದ ದ್ರವ ಅಥವಾ ದ್ರವವನ್ನು ಬಳಸಬೇಡಿ. ವಿದೇಶಿ ಕಣಗಳು ಮತ್ತು ಇತರೆ ದ್ರವಗಳನ್ನು ಬ್ರೇಕ್ ದ್ರವದ ಜಲಾಶಯದಿಂದ ಹೊರಗಿಡುವುದು ಅತ್ಯಗತ್ಯ.

**⚠ ಎಚ್ಚರಿಕೆ**

ಬ್ರೇಕ್ ದ್ರವವು ನಿಮ್ಮ ಕಣ್ಣುಗಳಿಗೆ ಹಾನಿ ಮಾಡುತ್ತದೆ ಮತ್ತು ಚಿತ್ರಿಸಿದ ಮೇಲೆ ಗಳನ್ನು ಹಾನಿಗೊಳಿಸುತ್ತದೆ. ಜಲಾಶಯವನ್ನು ಮರುಪೂರಣ ಮಾಡುವಾಗ ಎಚ್ಚರಿಕೆಯಿಂದ ಬಳಸಿ.

**⚠ ಎಚ್ಚರಿಕೆ**

- ಒಂದು ವೇಳೆ ವಾಹನವನ್ನು ಅತಿಯಾಗಿ ಲೋಡ್ ಮಾಡಲಾದ ಸಿತಿಯಲ್ಲಿ ಓಡಿಸಿದರೆ, ಬ್ರೇಕಿಂಗ್ ಅಂತರವು ಹೆಚ್ಚಿರಬಹುದು ಮತ್ತು ಹೆಚ್ಚಿನ ಪೆಡಲ್ ಬಲದ ಅಗತ್ಯವಿರಬಹುದು.

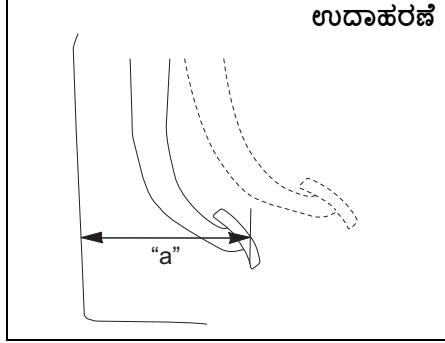
**⚠ ಎಚ್ಚರಿಕೆ**

ಬ್ರೇಕ್ ದ್ರವವು ನುಂಗಿದರೆ ಹಾನಿಕಾರಕ ಅಥವಾ ಮಾರಣಾಂತಿಕವಾಗಿದೆ ಮತ್ತು ಚರ್ಮ ಅಥವಾ ಕಣ್ಣುಗಳೊಂದಿಗೆ ಸಂಪರ್ಕಕ್ಕೆ ಬಂದರೆ ಹಾನಿಕಾರಕವಾಗಿದೆ. ನುಂಗಿದರೆ, ವಾಂತಿಗೆ ಪ್ರೇರೇಪಿಸಬೇಡಿ. ತಕ್ಷಣ ವಿಸ್ಮ ನಿಯಂತ್ರಣ ಕೇಂದ್ರ ಅಥವಾ ವೈದ್ಯರನ್ನು ಸಂಪರ್ಕಿಸಿ. ಬ್ರೇಕ್ ದ್ರವವು ಕಣ್ಣಿಗೆ ಬಿದ್ದರೆ, ನಿಮ್ಮ ಕಣ್ಣುಗಳನ್ನು ನೇರಿನಿಂದ ತೊಳೆಯಿರಿ ಮತ್ತು ವೈದ್ಯರನ್ನು ಸಂಪರ್ಕಿಸಿ. ನಿರ್ವಹಿಸಿದ ನಂತರ ಚೆನ್ನಾಗಿ ತೊಳೆಯಿರಿ. ಪರಿಹಾರವು ಪ್ರಾಣಿಗಳಿಗೆ ವಿಷವಾಗಬಹುದು. ಮಕ್ಕಳು ಮತ್ತು ಪ್ರಾಣಿಗಳ ವ್ಯಾಪ್ತಿಯಿಂದ ದೂರವಿಡಿ.

*ಸೂಚನೆ:*  
ಡಿಸ್ಕ್ ಬ್ರೇಕ್ ಗಳೊಂದಿಗೆ, ಬ್ರೇಕ್ ಪ್ಯಾಡ್ ಗಳು ಸವದಂತೆ ದ್ರವದ ಮಟ್ಟವು ಕ್ರಮೇಣ ಕುಸಿಯುತ್ತದೆ ಎಂದು ನಿರೀಕ್ಷಿಸಬಹುದು.

**ಬ್ರೇಕ್ ಪೆಡಲ್**  
ಬ್ರೇಕ್ ಪೆಡಲ್ ಅನ್ನು ನೀವು ಒತ್ತಿದಾಗ ಸ್ಪಂಜಿನ ಭಾವನೆ ಇಲ್ಲದೆ ನಿಯಮಿತ ಎತ್ತರದಲ್ಲಿ ನಿಲ್ಲುತ್ತದೆಯೇ ಎಂದು ಪರಿಶೀಲಿಸಿ. ಇಲ್ಲದಿದ್ದರೆ, ನಿಮ್ಮ ಅಧಿಕೃತ ಮಾರುತಿ ಸುಜುಕಿ ವಾಣಿಜ್ಯ ಕಾರ್ಯಾಗಾರದಿಂದ ಬ್ರೇಕ್ ಸಿಸ್ಟಮ್ ಅನ್ನು ಪರಿಶೀಲಿಸಿ. ನಿಯಮಿತ ಎತ್ತರಕ್ಕಾಗಿ ಬ್ರೇಕ್ ಪೆಡಲ್

ಅನ್ನು ನೀವು ಅನುಮಾನಿಸಿದರೆ, ಅದನ್ನು ಈ ಕೆಳಗಿನಂತೆ ಪರಿಶೀಲಿಸಿ:



54G108S

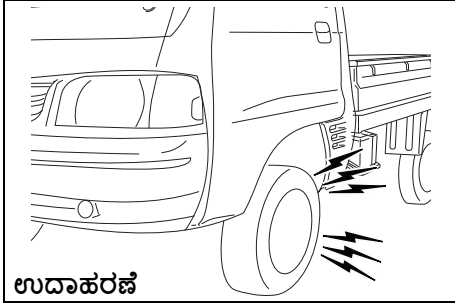
ಮುಂಭಾಗದ ಫಲಕದಿಂದ ಪೆಡಲ್ ಕನಿಷ್ಠ ದೂರ "a":  
ಪೆಟ್ರೋಲ್ ಮತ್ತು ಸಿ ಎನ್ ಜಿ ಇಂಜಿನ್ ಮಾದರಿ:  
**157 mm**

ಇಂಜಿನ್ ಚಾಲನೆಯಲ್ಲಿರುವಾಗ, ಪೆಡಲ್ ಸುಮಾರು 30 ಕೆಜಿ (66 ಐಬಿಎಸ್) ಬಲದಿಂದ ಒತ್ತಿದಾಗ ಬ್ರೇಕ್ ಪೆಡಲ್ ಮತ್ತು ಮುಂಭಾಗದ ಫಲಕದ ನಡುವಿನ ಅಂತರವನ್ನು ಅಳೆಯಿರಿ. ಅಗತ್ಯವಿರುವ ಕನಿಷ್ಠ ದೂರವನ್ನು ನಿರ್ದಿಷ್ಟಪಡಿಸಲಾಗಿದೆ. ನಿಮ್ಮ ವಾಹನದ ಬ್ರೇಕ್ ಸಿಸ್ಟಮ್ ಸ್ಪರ್ಯೆ ಹೊಂದಾಣಿಕೆಯಾಗಿರುವುದರಿಂದ, ಪೆಡಲ್ ಹೊಂದಾಣಿಕೆಯು ಅಗತ್ಯವಿಲ್ಲ. ಮೇಲೆ ಅಳತೆ ಮಾಡಿರುವಂತೆ ಪೆಡಲ್ ನಿಂದ ಮುಂಭಾಗದ ಪ್ಲಾನಲ್ ಅಂತರವು ಅಗತ್ಯವಿರುವ ಕನಿಷ್ಠ ಅಂತರಕ್ಕಿಂತ ಕಡಿಮೆಯಿದ್ದರೆ, ನಿಮ್ಮ ಅಧಿಕೃತ ಮಾರುತಿ ಸುಜುಕಿ ವಾಣಿಜ್ಯ ಕಾರ್ಯಾಗಾರದಿಂದ ನಿಮ್ಮ ವಾಹನವನ್ನು ಪರಿಶೀಲಿಸಿ.



ಸೂಚನೆ:

ಬ್ರೇಕ್ ಪೆಡಲ್ ಮತ್ತು ಮುಂಭಾಗದ ಫಲಕದ ನಡುವಿನ ಅಂತರವನ್ನು ಅಳಿಯುವಾಗ, ನಿಮ್ಮ ಮಾಪನದಲ್ಲಿ ಮುಂಭಾಗದ ಫಲಕದಲ್ಲಿ ನೆಲದ ಚಾಪೆ ಅಥವಾ ರಬ್ಬರ್ ಅನ್ನು ಸೇರಿಸದಿರಲು ಮರೆಯದಿರಿ.



ಉದಾಹರಣೆ

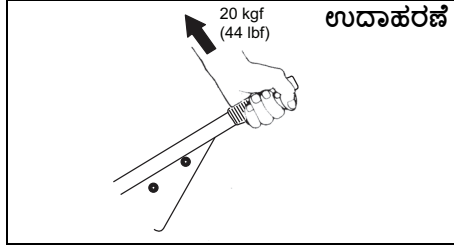
77PM07013

**⚠ ಎಚ್ಚರಿಕೆ**

ನಿಮ್ಮ ವಾಹನದ ಬ್ರೇಕ್ ಸಿಸ್ಟಂನಲ್ಲಿ ಈ ಕೆಳಗಿನ ಯಾವುದೇ ಸಮಸ್ಯೆಗಳನ್ನು ನೀವು ಅನುಭವಿಸಿದರೆ, ನಿಮ್ಮ ಅಧಿಕೃತ ಮಾರುತಿ ಸುಜುಕಿ ವಾಣಿಜ್ಯ ಕಾರ್ಯಾಗಾರದಿಂದ ತಕ್ಷಣವೇ ವಾಹನವನ್ನು ಪರಿಶೀಲಿಸಿ.

- ಕಳಪೆ ಬ್ರೇಕಿಂಗ್ ಕಾರ್ಯಕ್ಷಮತೆ
- ಅಸಮ ಬ್ರೇಕಿಂಗ್ (ಬ್ರೇಕ್‌ಗಳು ಎಲ್ಲಾ ಚಕ್ರಗಳಲ್ಲಿ ಏಕರೂಪವಾಗಿ ಕಾರ್ಯನಿರ್ವಹಿಸುವುದಿಲ್ಲ)
- ಅತಿಯಾದ ಪೆಡಲ್ ಪ್ರಯಾಣ
- ಬ್ರೇಕ್ ಎಳೆಯುವುದು
- ಅತಿಯಾದ ಶಬ್ದ
- ಪೆಡಲ್ ಪಲೆಶೆನ್ (ಖಿನ್ನಗೊಂಡಾಗ ಪೆಡಲ್ ಪಲ್ಲೇಟ್ ಆಗುತ್ತದೆ)

ಪಾರ್ಕಿಂಗ್ ಬ್ರೇಕ್



ಉದಾಹರಣೆ

77PM702

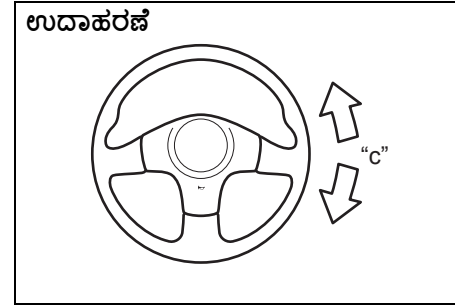
ರಾಟೆಟ್ ಹಲಿನ ವಿವರಣೆ  
6 ನೇ - 9 ನೇ ಹಲುಗಳ  
ಲಿವರ್ ಫುಲ್ ಫೋರ್ಸ್ (1):  
200 N (20 kgf, 44 lbf)

ಪಾರ್ಕಿಂಗ್ ಬ್ರೇಕ್ ಲಿವರ್ ಅನ್ನು ಪೂರ್ಣ ತೊಡಗಿಸಿಕೊಳ್ಳುವ ಹಂತಕ್ಕೆ ನಿಧಾನವಾಗಿ ಎಳೆಯುವಾಗ ರಾಟೆಟ್ ಹಲುಗಳಿಂದ ಮಾಡಿದ ಕಿಕ್‌ಗಳ ಸಂಖ್ಯೆಯನ್ನು ಎಣಿಸುವ ಮೂಲಕ ಸರಿಯಾದ ಹೊಂದಾಣಿಕೆಗಾಗಿ ಪಾರ್ಕಿಂಗ್ ಬ್ರೇಕ್ ಅನ್ನು ಪರಿಶೀಲಿಸಿ. ಪಾರ್ಕಿಂಗ್ ಬ್ರೇಕ್ ಲಿವರ್ ನಿರ್ದಿಷ್ಟಪಡಿಸಿದ ರಾಟೆಟ್ ಹಲುಗಳ ನಡುವೆ ನಿಲ್ಲಬೇಕು ಮತ್ತು ಹಿಂದಿನ ಚಕ್ರಗಳನ್ನು ಸುರಕ್ಷಿತವಾಗಿ ಲಾಕ್ ಮಾಡಬೇಕು. ಪಾರ್ಕಿಂಗ್ ಬ್ರೇಕ್ ಅನ್ನು ಸರಿಯಾಗಿ ಹೊಂದಿಸಿದರೆ ಅಥವಾ ಲಿವರ್ ಅನ್ನು ಸಂಪೂರ್ಣವಾಗಿ ಬಿಡುಗಡೆ ಮಾಡಿದ ನಂತರ ಬ್ರೇಕ್‌ಗಳು ಎಳೆದರೆ, ನಿಮ್ಮ ಅಧಿಕೃತ ಮಾರುತಿ ಸುಜುಕಿ ವಾಣಿಜ್ಯ ಕಾರ್ಯಾಗಾರದಿಂದ ಪಾರ್ಕಿಂಗ್ ಬ್ರೇಕ್ ಅನ್ನು ಪರಿಶೀಲಿಸಿ ಮತ್ತು/ಅಥವಾ ಸರಿಹೊಂದಿಸಿ.

**⚠ ಎಚ್ಚರಿಕೆ**

- ವಾಹನವು ಹೆಚ್ಚು ಲೋಡ್ ಆಗಿದ್ದರೆ ಪಾರ್ಕಿಂಗ್ ಬ್ರೇಕ್ ಪರಿಣಾಮಕಾರಿಯಾಗಿರುವುದಿಲ್ಲ. ವಾಹನವನ್ನು ಹಿಡಿದಿಡಲು ಹೆಚ್ಚುವರಿ ಚಾಕ್‌ಗಳನ್ನು ಬಳಸಿ.

ಸ್ಪೀರಿಂಗ್



ಉದಾಹರಣೆ

77PH042

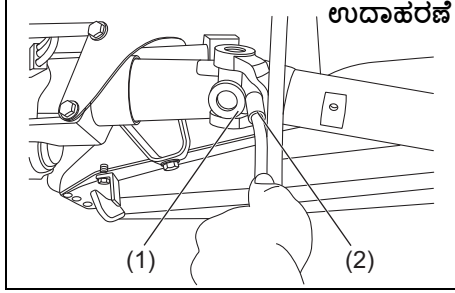
ಸ್ಪೀರಿಂಗ್ ವೀಲ್ ಫ್ರೇ "c":  
0 - 30 mm (0.0 - 1.2 in.)

ಸ್ಪೀರಿಂಗ್ ವೀಲ್ ಅನ್ನು ನಿಧಾನವಾಗಿ ಎಡದಿಂದ ಬಲಕ್ಕೆ ಮತ್ತು ಬಲದಿಂದ ಎಡಕ್ಕೆ ತಿರುಗಿಸುವ ಮೂಲಕ ಅದನ್ನು ಪರಿಶೀಲಿಸಿ, ಚಕ್ರಗಳು ನೇರ ಮುಂದಿರುವ ಸ್ಥಾನ ಮತ್ತು ಇಂಜಿನ್ ಆಫ್ ಸ್ಥಿತಿಯಲ್ಲಿದೆ. ನೀವು ಸ್ವಲ್ಪ ಪ್ರತಿರೋಧವನ್ನು ಅನುಭವಿಸುವ ಮೊದಲು ಸ್ಪೀರಿಂಗ್ ಚಲಿಸುವ ದೂರವನ್ನು ಅಳೆಯಿರಿ. ಆಟವು ನಿಗದಿತ ಮೌಲ್ಯಗಳ ನಡುವೆ ಇರಬೇಕು. ತೆರೆದ ಪ್ರದೇಶದಲ್ಲಿ ತುಂಬಾ ನಿಧಾನವಾಗಿ ಚಾಲನೆ ಮಾಡುವಾಗ ಸ್ಪೀರಿಂಗ್ ಚಕ್ರವನ್ನು ಬಲಕ್ಕೆ ಮತ್ತು ಎಡಕ್ಕೆ ತಿರುಗಿಸುವ ಮೂಲಕ ಗದ್ದಲವಿಲ್ಲದ ಸುಲಭವಾಗಿ ಮತ್ತು ಸರಾಗವಾಗಿ ತಿರುಗುತ್ತದೆ ಎಂಬುದನ್ನು ಪರಿಶೀಲಿಸಿ. ಉಚಿತ ಆಟದ ಪ್ರಮಾಣವು ನಿರ್ದಿಷ್ಟತೆಯ ಹೊರಗಿದ್ದರೆ ಅಥವಾ ಬೇರೆ ಯಾವುದಾದರೂ ತಪ್ಪು ಎಂದು ನೀವು ಕಂಡುಕೊಂಡರೆ, ನಿಮ್ಮ ಅಧಿಕೃತ ಮಾರುತಿ ಸುಜುಕಿ ವಾಣಿಜ್ಯ ಕಾರ್ಯಾಗಾರದಿಂದ ತಪಾಸಣೆ ನಡೆಸಬೇಕು.

## ತಪಾಸಣೆ ಮತ್ತು ನಿರ್ವಹಣೆ

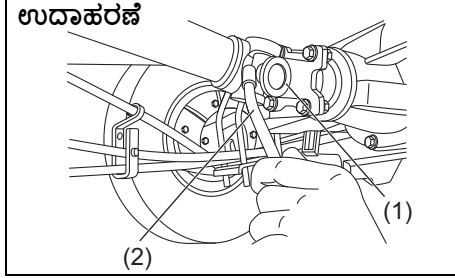
### ಫ್ರಂಟ್ ಶಾಫ್ಟ್ ಯುನಿವರ್ಸಲ್ ಜಾಯಿಂಟ್

ಮುಂಭಾಗ



77PM703

ಹಿಂದಿನ



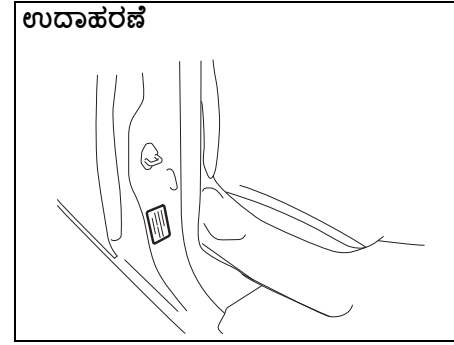
77PM704

ಸೇವಾ ವೇಳಾಪಟ್ಟಿಯ ಪ್ರಕಾರ ಲೂಬ್ರಿಕೇಟ್ ಫ್ರಂಟ್ ಶಾಫ್ಟ್ ಯುನಿವರ್ಸಲ್ ಜಾಯಿಂಟ್ (1) (ಮುಂಭಾಗ ಮತ್ತು ಹಿಂಭಾಗ).

ಫ್ರಂಟ್ ಶಾಫ್ಟ್ ಯುನಿವರ್ಸಲ್ ಜಾಯಿಂಟ್ ಅನ್ನು ನಿಯಂತ್ರಿಸಲು ನೀವು ಗ್ರೀಸ್ ಗನ್ (2)

ಮತ್ತು ನಿರ್ದಿಷ್ಟಪಡಿಸಿದ ಗ್ರೀಸ್ ಎನ್ ಎಲ್ ಜಿ ಐ ಗ್ರೇಡ್ 2 ಅನ್ನು ಬಳಸಬೇಕು.

### ಟೈರ್



77PM705

ನಿಮ್ಮ ವಾಹನದ ಮುಂಭಾಗ ಮತ್ತು ಹಿಂಭಾಗದ ಟೈರ್ ಒತ್ತಡದ ವಿಶೇಷಣಗಳನ್ನು ಟೈರ್ ಮಾಹಿತಿ ಲೇಬಲ್‌ನಲ್ಲಿ ಪರಿಶೀಲಿಸಿ ಮಾಡಲಾಗಿದೆ. ಮುಂಭಾಗ ಮತ್ತು ಹಿಂಭಾಗದ ಟೈರ್‌ಗಳು ನಿಗದಿತ ಟೈರ್ ಒತ್ತಡವನ್ನು ಹೊಂದಿರಬೇಕು. ಸಜ್ಜುಗೊಂಡಿದ್ದರೆ, ಕಾಂಪ್ಯಾಕ್ಟ್ ಬಿಡಿ ಟೈರ್‌ಗೆ ಮೌಲ್ಯವು ಅನ್ವಯಿಸುವುದಿಲ್ಲ ಎಂಬುದನ್ನು ಗಮನಿಸಿ.

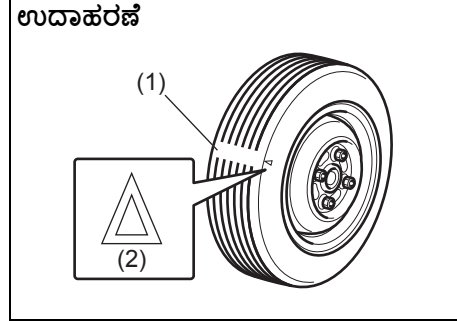
### ಟೈರ್ ತಪಾಸಣೆ

ಈ ಕೆಳಗಿನ ತಪಾಸಣೆಗಳನ್ನು ಮಾಡುವ ಮೂಲಕ ತಿಂಗಳಿಗೊಮ್ಮೆ ಯಾದರೂ ನಿಮ್ಮ ವಾಹನದ ಟೈರ್‌ಗಳನ್ನು ಪರಿಶೀಲಿಸಿ.

1) ಟೈರ್ ಒತ್ತಡದ ಗೇಜ್‌ನಿಂದ ಗಾಳಿಯ ಒತ್ತಡವನ್ನು ಅಳವಿರಿ. ಅಗತ್ಯವಿದ್ದರೆ ಒತ್ತಡವನ್ನು ಹೊಂದಿಸಿ. ಬಿಡಿ ಟೈರ್ ಅನ್ನು ಪರಿಶೀಲಿಸಲು ಮರೆಯದಿರಿ.

### ⚠ ಎಚ್ಚರಿಕೆ

- ಟೈರ್‌ಗಳು ತಣ್ಣಗಿರುವಾಗ ಗಾಳಿಯ ಒತ್ತಡವನ್ನು ಪರಿಶೀಲಿಸಬೇಕು ಅಥವಾ ನೀವು ತಪ್ಪಾದ ರೀಡಿಂಗ್‌ಗಳನ್ನು ಪಡೆಯಬಹುದು.
- ನಿಗದಿತ ಒತ್ತಡವನ್ನು ಪಡೆಯುವವರೆಗೆ, ಟೈರ್ ಅನ್ನು ಕ್ರಮೇಣವಾಗಿ ಉಬ್ಬಿಸುವಾಗ ಕಾಲಕಾಲಕ್ಕೆ ಹಣದುಬ್ಬರ ಒತ್ತಡವನ್ನು ಪರಿಶೀಲಿಸಿ.
- ಟೈರ್‌ಗಳನ್ನು ಎಂದಿಗೂ ಕಡಿಮೆ ಗಾಳಿ ಅಥವಾ ಹೆಚ್ಚು ಗಾಳಿ ತುಂಬಬೇಡಿ.
- ಹಣದುಬ್ಬರದ ಅಡಿಯಲ್ಲಿ ಅಸಾಮಾನ್ಯ ನಿರ್ವಹಣೆ ಗುಣಲಕ್ಷಣಗಳನ್ನು ಉಂಟುಮಾಡಬಹುದು ಅಥವಾ ಟೈರ್ ಮೇಲ್ ರಿಮ್ ಜಾರಿಕೊಳ್ಳಬಹುದು, ಇದು ಅಪಘಾತ ಅಥವಾ ಟೈರ್ ಅಥವಾ ರಿಮ್‌ಗೆ ಹಾನಿಯಾಗುತ್ತದೆ.
- ಅತಿಯಾದ ಹಣದುಬ್ಬರವು ಟೈರ್ ಸಿಡಿಯಲು ಕಾರಣವಾಗಬಹುದು, ಇದು ವೈಯಕ್ತಿಕ ಗಾಯಕ್ಕೆ ಕಾರಣವಾಗುತ್ತದೆ. ಮಿತಿಯಿರುವ ಹಣದುಬ್ಬರವು ಅಸಾಧಾರಣ ನಿರ್ವಹಣೆ ಗುಣಲಕ್ಷಣಗಳನ್ನು ಉಂಟುಮಾಡಬಹುದು, ಇದು ಅಪಘಾತಕ್ಕೆ ಕಾರಣವಾಗಬಹುದು.



52KM110

- (1) ಟ್ರೆಡ್ ಉಡುಗೆ ಸೂಚಕ  
(2) ಸೂಚಕ ಸ್ಥಳ ಗುರುತು
- 2) ಚಕ್ರದ ಹೊರಮೈಯಲ್ಲಿರುವ ತೋಡಿನ ಆಳವು 1.6 ಎಂಎಂ (0.06 ಐಎನ್.) ಗಿಂತ ಹೆಚ್ಚಿದೆಯೇ ಎಂದು ಪರಿಶೀಲಿಸಿ. ಇದನ್ನು ಪರಿಶೀಲಿಸಲು ನಿಮಗೆ ಸಹಾಯ ಮಾಡಲು, ಟ್ರೆಡ್‌ಗಳು ಚಡಿಗಳಲ್ಲಿ ಮೋಲ್ಡ್-ಇನ್ ಟ್ರೆಡ್ ವೇರ್ ಸೂಚಕಗಳನ್ನು ಹೊಂದಿವೆ. ಚಕ್ರದ ಹೊರಮೈಯಲ್ಲಿರುವ ಮೇಲ್ಮೈಯಲ್ಲಿ ಸೂಚಕಗಳು ಕಾಣಿಸಿಕೊಂಡಾಗ, ಚಕ್ರದ ಹೊರಮೈಯಲ್ಲಿರುವ ಉಳಿದ ಆಳವು 1.6 ಎಂಎಂ (0.06 ಐಎನ್.) ಅಥವಾ ಅದಕ್ಕಿಂತ ಕಡಿಮೆಯಿರುತ್ತದೆ ಮತ್ತು ಟ್ರೆಡ್ ಅನ್ನು ಬದಲಾಯಿಸಬೇಕು.
- 3) ಅಸಹಜ ಉಡುಗೆ, ಬಿರುಕುಗಳು ಮತ್ತು ಹಾನಿಗಾಗಿ ಪರಿಶೀಲಿಸಿ. ಬಿರುಕುಗಳು ಅಥವಾ ಇತರ ಹಾನಿಗಳೊಂದಿಗೆ ಯಾವುದೇ ಟ್ರೆಡ್‌ಗಳನ್ನು ಬದಲಾಯಿಸಬೇಕು. ಯಾವುದೇ ಟ್ರೆಡ್‌ಗಳು ಅಸಹಜ ಉಡುಗೆಯನ್ನು ತೋರಿಸಿದರೆ, ಅವುಗಳನ್ನು ನಿಮ್ಮ ಅಧಿಕೃತ ಮಾರುತಿ ಸುಜುಕಿ ಕಮರ್ಷಿಯಲ್ ವರ್ಕ್‌ಶಾಪ್ ಮೂಲಕ ಪರೀಕ್ಷಿಸಿ.

**▲ ಎಚ್ಚರಿಕೆ**

ಕರ್ಬ್‌ಗಳನ್ನು ಹೊಡೆಯುವುದು ಮತ್ತು ಬಂಡೆಗಳ ಮೇಲೆ ಓಡುವುದು ಟ್ರೆಡ್‌ಗಳನ್ನು ಹಾನಿಗೊಳಿಸುತ್ತದೆ ಮತ್ತು ಚಕ್ರ ಜೋಡಣೆಯ ಮೇಲೆ ಪರಿಣಾಮ ಬೀರುತ್ತದೆ. ನಿಮ್ಮ ಅಧಿಕೃತ ಮಾರುತಿ ಸುಜುಕಿ ಕಮರ್ಷಿಯಲ್ ವರ್ಕ್‌ಶಾಪ್‌ನಿಂದ ಟ್ರೆಡ್‌ಗಳು ಮತ್ತು ಚಕ್ರ ಜೋಡಣೆಯನ್ನು ನಿಯಂತ್ರಣವಾಗಿ ಪರಿಶೀಲಿಸುವುದನ್ನು ಖಚಿತಪಡಿಸಿಕೊಳ್ಳಿ.

- 4) ಸಡಿಲವಾದ ಚಕ್ರ ಬೀಜಗಳನ್ನು ಪರಿಶೀಲಿಸಿ.
- 5) ಟ್ರೆಡ್‌ಗಳಿಗೆ ಯಾವುದೇ ಉಗುರುಗಳು, ಕಲುಗಳು ಅಥವಾ ಇತರ ವಸ್ತುಗಳು ಅಂಟಿಕೊಂಡಿಲ್ಲ ಎಂದು ಪರಿಶೀಲಿಸಿ.

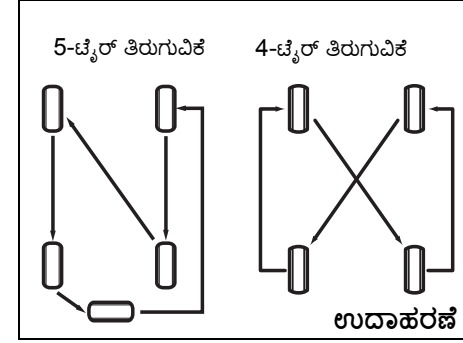
**▲ ಎಚ್ಚರಿಕೆ**

- ನಿಮ್ಮ ವಾಹನವು ಒಂದೇ ರೀತಿಯ ಮತ್ತು ಗಾತ್ರದ ಟ್ರೆಡ್‌ಗಳನ್ನು ಹೊಂದಿದೆ. ವಾಹನದ ಸರಿಯಾದ ಸೀರಿಂಗ್ ಮತ್ತು ನಿರ್ವಹಣೆಯನ್ನು ಖಚಿತಪಡಿಸಿಕೊಳ್ಳಲು ಇದು ಮುಖ್ಯವಾಗಿದೆ. ನಿಮ್ಮ ವಾಹನದ ನಾಲ್ಕು ಚಕ್ರಗಳಲ್ಲಿ ವಿಭಿನ್ನ ಗಾತ್ರದ ಅಥವಾ ಟ್ರೆಡ್‌ಗಳನ್ನು ಪಿಂಡಿಗೂ ಮಿಶ್ರಣ ಮಾಡಬೇಡಿ. ಬಳಸಿದ ಟ್ರೆಡ್‌ಗಳ ಗಾತ್ರ ಮತ್ತು ಪ್ರಕಾರವು ನಿಮ್ಮ ವಾಹನಕ್ಕೆ ಪ್ರಮಾಣಿತ ಅಥವಾ ಐಚ್ಛಿಕ ಸಾಧನವಾಗಿ ಮಾರುತಿ ಸುಜುಕಿ ನಿಂದ ಅನುಮೋದಿಸಲ್ಪಟ್ಟಿರುವುದಾಗಿರಬೇಕು.
- ನಿಮ್ಮ ವಾಹನದಲ್ಲಿ ಅಳವಡಿಸಲಾಗಿರುವ ಚಕ್ರಗಳು ಮತ್ತು ಟ್ರೆಡ್‌ಗಳನ್ನು ಅಫ್‌ಮಾರ್ಕೆಟ್ ಚಕ್ರಗಳು ಮತ್ತು ಟ್ರೆಡ್‌ಗಳಿಗೆ ಕೆಲವು ಸಂಯೋಜನೆಗಳೊಂದಿಗೆ ಬದಲಾಯಿಸುವುದರಿಂದ ನಿಮ್ಮ ವಾಹನದ ಸೀರಿಂಗ್ ಮತ್ತು ನಿರ್ವಹಣೆ ಗುಣಲಕ್ಷಣಗಳನ್ನು ಗಮನಾರ್ಹವಾಗಿ ಬದಲಾಯಿಸಬಹುದು.
- ಆದ್ದರಿಂದ, ನಿಮ್ಮ ವಾಹನಕ್ಕೆ ಪ್ರಮಾಣಿತ ಅಥವಾ ಐಚ್ಛಿಕ ಸಾಧನವಾಗಿ ಮಾರುತಿ ಸುಜುಕಿ ಅನುಮೋದಿಸಿದ ಚಕ್ರ ಮತ್ತು ಟ್ರೆಡ್ ಸಂಯೋಜನೆಗಳನ್ನು ಮಾತ್ರ ಬಳಸಿ.

**ಸೂಚನೆ**

ಮೂಲ ಟ್ರೆಡ್‌ಗಳನ್ನು ಬೇರೆ ಗಾತ್ರದ ಟ್ರೆಡ್‌ಗಳೊಂದಿಗೆ ಬದಲಾಯಿಸುವುದು ತಪ್ಪಾದ ಸೀಡೋಮೀಟರ್ ಅಥವಾ ಓಡೋಮೀಟರ್ ರೀಡಿಂಗ್‌ಗಳಿಗೆ ಕಾರಣವಾಗಬಹುದು. ಮೂಲ ಟ್ರೆಡ್‌ಗಳಿಗಿಂತ ಗಾತ್ರದಲ್ಲಿ ಭಿನ್ನವಾಗಿರುವ ಬದಲಿ ಟ್ರೆಡ್‌ಗಳನ್ನು ಖರೀದಿಸುವ ಮೊದಲು ನಿಮ್ಮ ಅಧಿಕೃತ ಮಾರುತಿ ಸುಜುಕಿ ವಾಣಿಜ್ಯ ಕಾರ್ಯಾಗಾರವನ್ನು ಪರಿಶೀಲಿಸಿ.

**ಟ್ರೆಡ್ ತಿರುಗುವಿಕೆ**



80JK7001

ನಿಮ್ಮ ಟ್ರೆಡ್‌ಗಳ ಅಸಮವಾದ ಉಡುಗೆಯನ್ನು ತಡೆಗಟ್ಟಲು ಮತ್ತು ಅವುಗಳ ಜೀವಿತಾವಧಿಯನ್ನು ಹೆಚ್ಚಿಸಲು, ವಿವರಿಸಿದಂತೆ ಟ್ರೆಡ್‌ಗಳನ್ನು ತಿರುಗಿಸಿ. ಪ್ರತಿ 10000 ಕಿಮೀಗೆ ಟ್ರೆಡ್ ಅನ್ನು ತಿರುಗಿಸಬೇಕು. ತಿರುಗುವಿಕೆಯ ನಂತರ, ನಿಮ್ಮ ವಾಹನದ ಟ್ರೆಡ್ ಮಾಹಿತಿ ಲೇಬಲ್‌ನಲ್ಲಿ ಪಟ್ಟಿ ಮಾಡಲಾದ ನಿರ್ದಿಷ್ಟತೆಗೆ ಮುಂಭಾಗ ಮತ್ತು ಹಿಂಭಾಗದ ಟ್ರೆಡ್ ಒತ್ತಡವನ್ನು ಹೊಂದಿಸಿ.

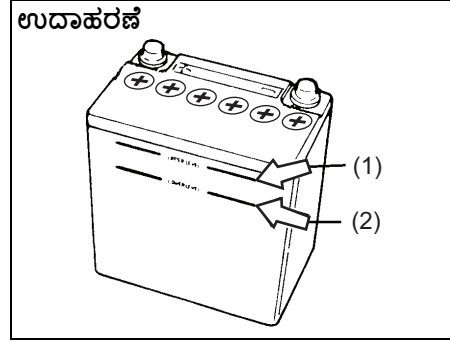
**ವೀಲ್ ಬ್ಯಾಲೆನ್ಸಿಂಗ್**  
ವಾಹನವು ನಿಯಮದ ರಸೆಯಲ್ಲಿ ಅಸಹಜವಾಗಿ ಕಂಪಿಸಿದರೆ, ಅಧಿಕೃತ ಮಾರುತಿ ಸುಜುಕಿ ವಾಣಿಜ್ಯ ಕಾರ್ಯಾಗಾರದಲ್ಲಿ ಚಕ್ರವನ್ನು ಸಮತೋಲನಗೊಳಿಸಿ.

**ವೀಲ್ ಅಲೈನ್ಮೆಂಟ್**  
ಅಸಹಜ ಟ್ರೆಡ್ ಸವತೆ ಅಥವಾ ಒಂದು ಬದಿಗೆ ಎಳೆಯುವ ಸಂದರ್ಭದಲ್ಲಿ, ಅಧಿಕೃತ ಮಾರುತಿ ಸುಜುಕಿ ಕಮರ್ಷಿಯಲ್ ವರ್ಕ್‌ಶಾಪ್‌ನಲ್ಲಿ ಚಕ್ರವನ್ನು ಜೋಡಿಸಿ.

**ಬ್ಯಾಟರಿ**

**⚠ ಎಚ್ಚರಿಕೆ**

- ಬ್ಯಾಟರಿಗಳು ಸುಡುವ ಹೈಡ್ರೋಜನ್ ಅನಿಲವನ್ನು ಉತ್ಪಾದಿಸುತ್ತವೆ. ಬ್ಯಾಟರಿಯಿಂದ ಜ್ವಾಲೆ ಮತ್ತು ಕಿಡಿಗಳನ್ನು ದೂರವಿಡಿ ಅಥವಾ ಸ್ಪೋಟ ಸಂಭವಿಸಬಹುದು. ಬ್ಯಾಟರಿಯ ಸಮೀಪದಲ್ಲಿ ಕೆಲಸ ಮಾಡುವಾಗ ಎಂದಿಗೂ ಧೂಮಪಾನ ಮಾಡಬೇಡಿ.
- ಬ್ಯಾಟರಿಯನ್ನು ಪರಿಶೀಲಿಸುವಾಗ ಅಥವಾ ಸೇವೆ ಮಾಡುವಾಗ, ನಿಕಾರಾತ್ರಕ ಕೇಬಲ್ ಸಂಪರ್ಕ ಕಡಿತಗೊಳಿಸಿ. ಲೋಹದ ವಸ್ತುಗಳು ಬ್ಯಾಟರಿ ಪೋಸ್ಟ್‌ಗಳು ಮತ್ತು ವಾಹನವನ್ನು ಒಂದೇ ಸಮಯದಲ್ಲಿ ಸಂಪರ್ಕಿಸಲು ಉಂಟಾಗದಂತೆ ಎಚ್ಚರಿಕೆ ವಹಿಸಿ.
- ನಿಮಗೆ ಹಾನಿಯಾಗುವುದನ್ನು ತಪ್ಪಿಸಲು ಅಥವಾ ನಿಮ್ಮ ವಾಹನ ಅಥವಾ ಬ್ಯಾಟರಿಗೆ ಹಾನಿಯಾಗುವುದನ್ನು ತಪ್ಪಿಸಲು, ನಿಮ್ಮ ವಾಹನವನ್ನು ಜಂಪ್ ಸಾರ್ಟ್ ಮಾಡಲು ಅಗತ್ಯವಿದ್ದರೆ ಈ ಕೈಪಿಡಿಯ "ತುರ್ತು ಸೇವೆ" ವಿಭಾಗದಲ್ಲಿ ಜಂಪ್ ಸಾರ್ಟಿಂಗ್ ಸೂಚನೆಗಳನ್ನು ಅನುಸರಿಸಿ.



ನಿರ್ವಹಣೆ-ಮುಕ್ತ ಬ್ಯಾಟರಿಗಾಗಿ (ಕ್ಯಾಪ್-ಕಡಿಮೆ ಪ್ರಕಾರ), ನೀವು ನೀರನ್ನು ಸೇರಿಸುವ ಅಗತ್ಯವಿಲ್ಲ. ವಾಟರ್ ಫಿಲ್ಲರ್ ಕ್ಯಾಪ್‌ಗಳನ್ನು ಹೊಂದಿರುವ ಸಾಂಪ್ರದಾಯಿಕ ಮಾದರಿಯ ಬ್ಯಾಟರಿಗೆ, ಬ್ಯಾಟರಿ ದ್ರಾವಣದ ಮಟ್ಟವನ್ನು ಎಲ್ಲಾ ಸಮಯದಲ್ಲೂ ಮೇಲಿನ ಹಂತದ ರೇಖೆ (1) ಮತ್ತು ಕೆಳಗಿನ ಹಂತದ ರೇಖೆ (2) ನಡುವೆ ಇರಿಸಬೇಕು. ಹಾನಿ ಅಥವಾ ತುಕ್ಕುಗಾಗಿ ನೀವು ಬ್ಯಾಟರಿ, ಕೇಸ್ ಬ್ಯಾಟರಿ ಟರ್ಮಿನಲ್‌ಗಳು ಮತ್ತು ಬ್ಯಾಟರಿ ಹೋಲ್-ಡೌನ್ ಬ್ರಾಕೆಟ್ ಅನ್ನು ನಿಯತಕಾಲಿಕವಾಗಿ ಪರಿಶೀಲಿಸಬೇಕು. ನೀರಿನೊಂದಿಗೆ ಬೆರೆಸಿದ ಗಟ್ಟಿಯಾದ ಬ್ರಷ್ ಮತ್ತು ಅಮೋನಿಯಾವನ್ನು ಅಥವಾ ಬೇಕಿಂಗ್ ಸೋಡಾವನ್ನು ನೀರಿನೊಂದಿಗೆ ಬೆರೆಸಿ ಬಳಸಿ ತುಕ್ಕು ತೆಗೆದುಹಾಕಿ. ತುಕ್ಕು ತೆಗೆದ ನಂತರ, ಶುದ್ಧ ನೀರಿನಿಂದ ತೊಳೆಯಿರಿ.

ಬ್ಯಾಟರಿ ಲಿಕ್ವಿಡ್ ಅನ್ನು ಮೇಲಿನ ಹಂತದ ಲೈನ್ (1) ಗಿಂತ ಹೆಚ್ಚು ಸೇರಿಸಿದರೆ, ಡ್ರೈವಿಂಗ್ ಸಮಯದಲ್ಲಿ ದ್ರವವು ಕಂಪನಗಳಿಂದ ಸೋರಿಕೆಯಾಗಬಹುದು ಅಥವಾ ಬ್ಯಾಟರಿ

ಚಾರ್ಜಿಂಗ್ ಸ್ಥಿತಿಯನ್ನು ಅವಲಂಬಿಸಿ ದ್ರವವು ಕೆಲವು ಸಂದರ್ಭಗಳಲ್ಲಿ ಸ್ಪೀ ಆಗಬಹುದು.

**⚠ ಎಚ್ಚರಿಕೆ**

ಬ್ಯಾಟರಿ ಮಟ್ಟವು ಕೆಳ ಹಂತದ ಲೈನ್ (2) ಗಿಂತ ಕಡಿಮೆಯಿರುವ ಬ್ಯಾಟರಿಯನ್ನು ಬಳಸಿದರೆ, ಅದು ಕಡಿಮೆ ಬ್ಯಾಟರಿ ಬಾಳಿಕೆ, ಎಕ್ಸ್‌ಟ್ರೀಮ್ ಶಾಖ ಅಥವಾ ಬ್ಯಾಟರಿಯಿಂದ ಸಂಭವಿಸುವ ಹೈಡ್ರೋಜನ್ ಅನಿಲದಿಂದ ಸ್ಪೋಟಕ್ಕೆ ಕಾರಣವಾಗಬಹುದು. ಬ್ಯಾಟರಿ ಮಟ್ಟವು ಕೆಳ ಹಂತದ ಲೈನ್ (2) ಗಿಂತ ಕಡಿಮೆ ಇರುವ ಬ್ಯಾಟರಿಯನ್ನು ಬಳಸಬೇಡಿ.

**ಸೂಚನೆ**

ಬ್ಯಾಟರಿ ಲಿಕ್ವಿಡ್ ಅನ್ನು ಮೇಲಿನ ಹಂತದ ಲೈನ್ (1) ಗಿಂತ ಹೆಚ್ಚು ಸೇರಿಸಿದರೆ, ಡ್ರೈವಿಂಗ್ ಸಮಯದಲ್ಲಿ ದ್ರವವು ಕಂಪನಗಳಿಂದ ಸೋರಿಕೆಯಾಗಬಹುದು ಅಥವಾ ಬ್ಯಾಟರಿ ಚಾರ್ಜಿಂಗ್ ಸ್ಥಿತಿಯನ್ನು ಅವಲಂಬಿಸಿ ದ್ರವವು ಕೆಲವು ಸಂದರ್ಭಗಳಲ್ಲಿ ಸ್ಪೀ ಆಗಬಹುದು. ಇವು ಬ್ಯಾಟರಿಯ ಬಳಿ ಇರುವ ಭಾಗಗಳಿಗೆ ಹಾನಿಯನ್ನುಂಟುಮಾಡಬಹುದು. ಬ್ಯಾಟರಿಯ ದ್ರವವು ಅತಿಯಾಗಿ ಚೆಲಿದರೆ, ತಕ್ಷಣವೇ ನೀರಿನಿಂದ ತೊಳೆಯಿರಿ. ಬ್ಯಾಟರಿ ದ್ರವವನ್ನು ಮೇಲಿನ ಹಂತದ ರೇಖೆಗಿಂತ (1) ಹೆಚ್ಚು ಸೇರಿಸಬೇಡಿ.

**ಸೂಚನೆ:**  
ಬ್ಯಾಟರಿಯನ್ನು ಬಳಸಿದಾಗ ಬ್ಯಾಟರಿ ದ್ರವವನ್ನು ಸೇವಿಸಲಾಗುತ್ತದೆ. ಮಟ್ಟವು ಮೇಲಿನ ಹಂತ (1) ಮತ್ತು ಕೆಳಗಿನ ಹಂತ (2) ಗಿಂತ ಕಡಿಮೆಯಿರುವುದು ಕಂಡುಬಂದರೆ, ಮೇಲಿನ ಹಂತದ ರೇಖೆಯನ್ನು (1) ತಲುಪುವವರೆಗೆ ಫಿಲ್ಲರ್ ಮಾಡಿದ ನೀರನ್ನು ಸೇರಿಸಿ.

### ಫ್ಯೂಸ್‌ಗಳು

ಕೆಳಗೆ ವಿವರಿಸಿದಂತೆ ನಿಮ್ಮ ವಾಹನವು ಮೂರು ವಿಧದ ಫ್ಯೂಸ್‌ಗಳನ್ನು ಹೊಂದಿದೆ:

ಫ್ಯೂಸಿಬಲ್ ಲಿಂಕ್ ವೈರ್ ಮತ್ತು ಮುಖ್ಯ ಫ್ಯೂಸ್ ಮುಖ್ಯ ಫ್ಯೂಸ್ ಬ್ಯಾಟರಿಯಿಂದ ನೇರವಾಗಿ ಕರೆಂಟ್ ತೆಗೆದುಕೊಳ್ಳುತ್ತದೆ.

#### ಪ್ರಾಥಮಿಕ ಫ್ಯೂಸ್‌ಗಳು

ಈ ಫ್ಯೂಸ್‌ಗಳು ಮುಖ್ಯ ಫ್ಯೂಸ್ ಮತ್ತು ಪ್ರತ್ಯೇಕ ಫ್ಯೂಸ್‌ಗಳ ನಡುವೆ ಇರುತ್ತವೆ ಮತ್ತು ವಿದ್ಯುತ್ ಲೋಡ್ ಗುಂಪುಗಳಿಗೆ.

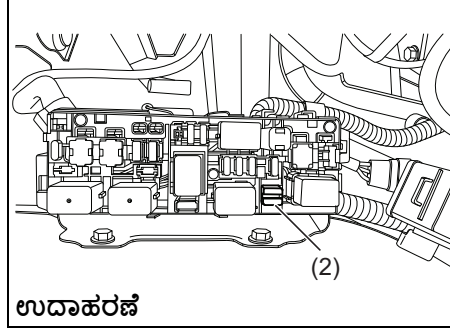
#### ವೈಯಕ್ತಿಕ ಫ್ಯೂಸ್‌ಗಳು

ಈ ಫ್ಯೂಸ್‌ಗಳು ಪ್ರತ್ಯೇಕ ವಿದ್ಯುತ್ ಸರ್ಕ್ಯೂಟ್‌ಗಳಿಗೆ.

ಸೂಚನೆ:

- ನಿಮ್ಮ ವಾಹನದ ಫ್ಯೂಸ್ ಬಾಕ್‌ನ ಕವರ್‌ನಲ್ಲಿ ಫ್ಯೂಸ್‌ನ ಹೆಸರು ಲಭ್ಯವಿದ್ದರೂ ಸಹ, ರೂಪಾಂತರದಲ್ಲಿ ಫ್ಯೂಸ್ ಅನ್ವಯಿಸುವುದಿಲ್ಲ ಎಂದು "ಖಾಲಿ" ಸೂಚಿಸುತ್ತದೆ.
- ವಾಹನದ ರೂಪಾಂತರದ ಪ್ರಕಾರ ಕೆಲವು ಫ್ಯೂಸ್ ನಿಮ್ಮ ವಾಹನಕ್ಕೆ ಅನ್ವಯಿಸದಿರಬಹುದು, ಅದನ್ನು ಖಾಲಿ ಎಂದು ನಮೂದಿಸದಿದ್ದರೂ ಸಹ.

ಫ್ಯೂಸ್ ಅನ್ನು ತೆಗೆದುಹಾಕಲು, ರಿಲೇ ಬಾಕ್‌ನಲ್ಲಿ ಒದಗಿಸಲಾದ ಫ್ಯೂಸ್ ಪುಲ್ಲರ್ (2) ಅನ್ನು ಬಳಸಿ.

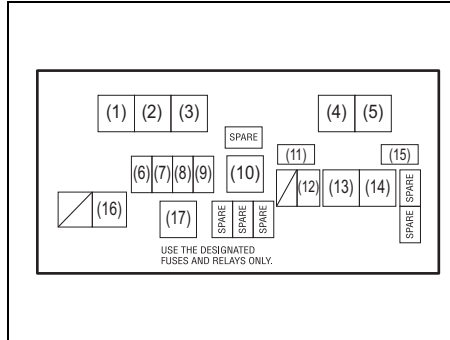


ಉದಾಹರಣೆ

77PM07012

ಸೂಚನೆ: ವಾಹನದ ರೂಪಾಂತರದ ಪ್ರಕಾರ ನಿಮ್ಮ ವಾಹನಕ್ಕೆ ಕೆಲವು ಫ್ಯೂಸ್ ಅನ್ವಯಿಸದಿರಬಹುದು, ಅದನ್ನು ಖಾಲಿ ಎಂದು ನಮೂದಿಸದಿದ್ದರೂ ಸಹ.

#### ಇಂಜಿನ್ ಕಂಪಾರ್ಟ್‌ಮೆಂಟ್‌ನಲ್ಲಿ ಫ್ಯೂಸ್‌ಗಳು



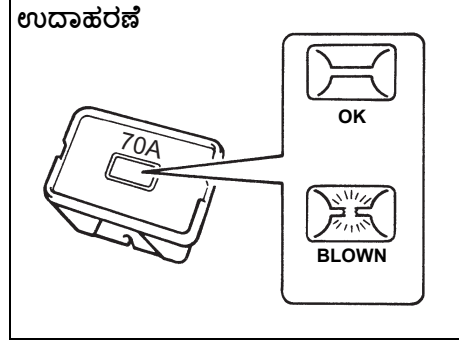
77PM07030

ಮುಖ್ಯ ಫ್ಯೂಸ್ / ಪ್ರಾಥಮಿಕ ಫ್ಯೂಸ್ / ರಿಲೇ		
S. No.	ರೇಟಿಂಗ್	ಫ್ಯೂಸ್ / ರಿಲೇ
(1)	-	ಸಿಎನ್ ಜಿ ವಾಲ್ಟ್ ರಿಲೇ*
(2)	-	ಫ್ಯೂಸ್ ಎಳೆಯುವವನು
(3)	-	ರೇಡಿಯೋಟರ್ ಫ್ಯೂಸ್ ರಿಲೇ
(4)	-	ಇಂಧನ ಪಂಪ್ ರಿಲೇ
(5)		ಮೋಟಾರ್ ರಿಲೇಯನ್ನು ಪ್ರಾರಂಭಿಸಲಾಗುತ್ತಿದೆ
(6)	7.5A	ಸಿಎನ್ ಜಿ ವಾಲ್ಟ್*
(7)	20A	ಇಂಧನ ಇಂಜೆಕ್ಷನ್
(8)	30A	ಮೋಟಾರ್ ಪ್ರಾರಂಭ
(9)	15A	ಹಾರ್ನ್
(10)	70A	ಆವರ್ತಕ
(11)	7.5A	ಸಿಎನ್ ಜಿ*
(12)	10A	ಅಪಾಯ ಎಚ್ಚರಿಕೆ ಬೆಳಕು
(13)	40A	ಬ್ಯಾಟರಿ
(14)	40A	ಇಗ್ನಿಶನ್ ಸ್ವಿಚ್
(15)	7.5A	ST SIG 2 (ಆರಂಭಿಕ ಸಂಕೇತ)
(16)	30A	ರೇಡಿಯೋಟರ್ ಫ್ಯೂಸ್
(17)	-	ಎಫ್ ಐ ಮುಖ್ಯ ರಿಲೇ

\*: ಸಿಎನ್ ಜಿ ಮಾದರಿಗಾಗಿ

## ತಪಾಸಣೆ ಮತ್ತು ನಿರ್ವಹಣೆ

ಮುಖ್ಯ ಫ್ಯೂಸ್, ಪ್ರಾಥಮಿಕ ಫ್ಯೂಸ್‌ಗಳು ಮತ್ತು ಕೆಲವು ಪ್ರತ್ಯೇಕ ಫ್ಯೂಸ್‌ಗಳು ಇಂಜಿನ್ ವಿಭಾಗದಲ್ಲಿ ನೆಲೆಗೊಂಡಿವೆ. ಮುಖ್ಯ ಫ್ಯೂಸ್ ಸ್ಪೋಟಿಸಿದರೆ, ಯಾವುದೇ ವಿದ್ಯುತ್ ಘಟಕವು ಕಾರ್ಯನಿರ್ವಹಿಸುವುದಿಲ್ಲ. ಪ್ರಾಥಮಿಕ ಫ್ಯೂಸ್ ಸ್ಪೋಟಿಸಿದರೆ, ಅನುಗುಣವಾದ ಲೋಡ್ ಗುಂಪಿನಲ್ಲಿ ಯಾವುದೇ ವಿದ್ಯುತ್ ಘಟಕವು ಕಾರ್ಯನಿರ್ವಹಿಸುವುದಿಲ್ಲ. ಮುಖ್ಯ ಫ್ಯೂಸ್, ಪ್ರಾಥಮಿಕ ಫ್ಯೂಸ್ ಅಥವಾ ಪ್ರತ್ಯೇಕ ಫ್ಯೂಸ್ ಅನ್ನು ಬದಲಾಯಿಸುವಾಗ, ಮಾರುತಿ ನಿಜವಾದ ಬದಲಿಯನ್ನು ಬಳಸಿ. ಫ್ಯೂಸ್ ಅನ್ನು ತೆಗೆದುಹಾಕಲು, ರಿಲೇ ಬಾಕ್ ನಲ್ಲಿ ಒದಗಿಸಲಾದ ಫ್ಯೂಸ್ ಫುಲರ್ (2) ಅನ್ನು ಬಳಸಿ. ಪ್ರತಿ ಫ್ಯೂಸ್‌ನ ಆಂಪೇಜ್ ಅನ್ನು ಫ್ಯೂಸ್ ಬಾಕ್ಸ್ ಕವರ್‌ನ ಒಳಗೆ ತೋರಿಸಲಾಗುತ್ತದೆ.



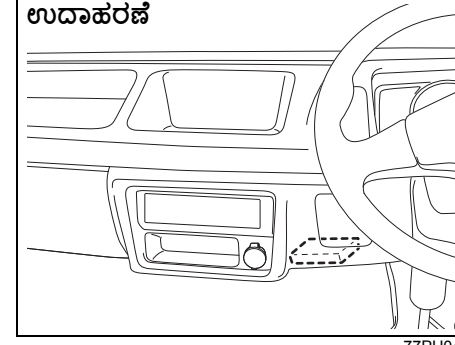
60G111

### ⚠ ಎಚ್ಚರಿಕೆ

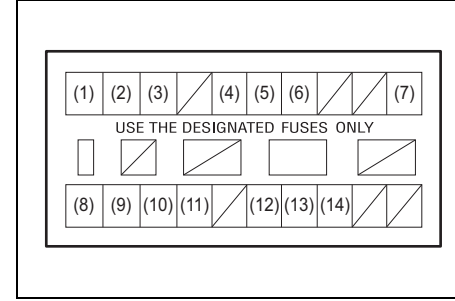
ಮುಖ್ಯ ಫ್ಯೂಸ್ ಅಥವಾ ಪ್ರಾಥಮಿಕ ಫ್ಯೂಸ್ ಸ್ಪೋಟಿಸಿದರೆ, ಅಧಿಕೃತ ಮಾರುತಿ ಸುಜುಕಿ ಕಾರ್ಪೊರೇಷನ್ ವರ್ಕ್‌ಶಾಪ್‌ನಿಂದ ನಿಮ್ಮ ವಾಹನವನ್ನು ಪರಿಶೀಲಿಸಲು ಮರೆಯದಿರಿ. ಯಾವಾಗಲೂ ಮಾರುತಿ ನಿಜವಾದ ಬದಲಿ ಭಾಗವನ್ನು ಬಳಸಿ. ತಾತ್ಕಾಲಿಕ ದುರಸ್ತಿಗಾಗಿ ವೈರ್‌ನಂತಹ ಪರ್ಯಾಯವನ್ನು ಎಂದಿಗೂ ಬಳಸಬೇಡಿ ಅಥವಾ ವ್ಯಾಪಕವಾದ ವಿದ್ಯುತ್ ಹಾನಿ / ಬೆಂಕಿ ಕಾರಣವಾಗಬಹುದು.

*ಸೂಚನೆ:*  
ಫ್ಯೂಸ್ ಬಾಕ್ ಯಾವಾಗಲೂ ಬಿಡಿ ಫ್ಯೂಸ್ ಮತ್ತು ಫ್ಯೂಸ್ ಫುಲರ್ ಅನ್ನು ಒಯ್ಯುತ್ತದೆ ಎಂದು ಖಚಿತಪಡಿಸಿಕೊಳ್ಳಿ.

## ಡ್ಯಾಶ್ ಬೋರ್ಡ್ ಅಡಿಯಲ್ಲಿ ಫ್ಯೂಸ್‌ಗಳು



77PH048

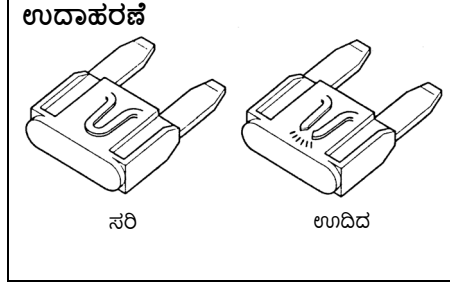


77PH049

ಮುಖ್ಯ ಫ್ಯೂಸ್/ಪೈಮರಿ ಫ್ಯೂಸ್		
(1)	10A	ಹೆಡ್ಲೈಟ್ (ಬಲ)
(2)	10A	ಹೆಡ್ಲೈಟ್ (ಎಡ)
(3)	10A	ಗುಮ್ಮಟದ ಬೆಳಕು
(4)	10A	ಟೈಲ್ ಲೈಟ್
(5)	10A	ಬೆಳಕನ್ನು ನಿಲ್ಲಿಸಿ
(6)	15A	ರೇಡಿಯೋ
(7)	10A	ಪ್ರಾರಂಭದ ಸಂಕೇತ
(8)	10A	ಮೀಟರ್
(9)	15A	ಇಗ್ನಿಶನ್
(10)	10A	ಬ್ಯಾಕ್-ಅಪ್ ಲೈಟ್
(11)	15A	ಮುಂಭಾಗದ ವೈಪರ್
(12)	15A	ಪರಿಕರ 2
(13)	10A	ಪರಿಕರ
(14)	7.5A	ಸಿ ಎನ್ ಜಿ ಇಗ್ನಿಶನ್*

\*: ಸಿಎನ್ ಜಿ ಮಾದರಿಗಾಗಿ

ಫ್ಯೂಸ್ ಬಾಕ್ಸ್ ಡ್ಯಾಶ್ಬೋರ್ಡ್ ಅಡಿಯಲ್ಲಿ ಇದೆ.



65D046

#### ⚠ ಎಚ್ಚರಿಕೆ

ಉದಿದ ಫ್ಯೂಸ್ ಅನ್ನು ಸರಿಯಾದ ಆಂಪೇರ್ಜ್‌ನ ಫ್ಯೂಸ್‌ನೊಂದಿಗೆ ಬದಲಾಯಿಸಲು ಯಾವಾಗಲೂ ಮರೆಯದಿರಿ. ಉದಿದ ಫ್ಯೂಸ್ ಅನ್ನು ಬದಲಿಸಲು ಅಲ್ಲೂಮಿನಿಯಂ ಫಾಯಿಲ್ ಅಥವಾ ತಂತಿಯಂತಹ ಪರ್ಯಾಯವನ್ನು ಎಂದಿಗೂ ಬಳಸಬೇಡಿ. ನೀವು ಫ್ಯೂಸ್ ಅನ್ನು ಬದಲಾಯಿಸಿದರೆ ಮತ್ತು ಹೊಸದನ್ನು ಕಡಿಮೆ ಸಮಯದಲ್ಲಿ ಸ್ಥಾಪಿಸಿದರೆ, ನಿಮಗೆ ದೊಡ್ಡ ವಿದ್ಯುತ್ ಸೆಮನ್ಸ್ ಉಂಟಾಗಬಹುದು. ನಿಮ್ಮ ಅಧಿಕೃತ ಮಾರುತಿ ಸುಜುಕಿ ವಾಣಿಜ್ಯ ಕಾರ್ಯಾಗಾರದಿಂದ ನಿಮ್ಮ ವಾಹನವನ್ನು ತಕ್ಷಣವೇ ಪರಿಶೀಲಿಸಿ.

#### ಬಲ್ಬ್ ಬದಲಿ

##### ⚠ ಎಚ್ಚರಿಕೆ

- ಲೈಟ್ ಬಲ್ಬ್‌ಗಳು ಆಫ್ ಮಾಡಿದ ನಂತರ ನಿಮ್ಮ ಬೆರಳನ್ನು ಸುಡುವಷ್ಟು ಬಿಸಿಯಾಗಿರಬಹುದು. ಹ್ಯಾಲೋಜೆನ್ ಹೆಡ್ಲೈಟ್ ಬಲ್ಬ್‌ಗಳಿಗೆ ಇದು ವಿಶೇಷವಾಗಿ ಸತ್ಯವಾಗಿದೆ. ಬಲ್ಬ್‌ಗಳು ಸಾಕಷ್ಟು ತಣ್ಣಗಾದ ನಂತರ ಬದಲಾಯಿಸಿ.
- ಹೆಡ್ಲೈಟ್ ಬಲ್ಬ್‌ಗಳು ಒತ್ತಡಕ್ಕೊಳಗಾದ ಹ್ಯಾಲೋಜೆನ್ ಅನಿಲದಿಂದ ತುಂಬಿರುತ್ತವೆ. ಅವರು ಹೊಡೆದರೆ ಅಥವಾ ಬೀಳಿಸಿದರೆ ಅವರು ಸಿಡಿ ಮತ್ತು ಗಾಯಗೊಳಿಸಬಹುದು. ಅವುಗಳನ್ನು ಎಚ್ಚರಿಕೆಯಿಂದ ನಿರ್ವಹಿಸಿ.

##### ಸೂಚನೆ

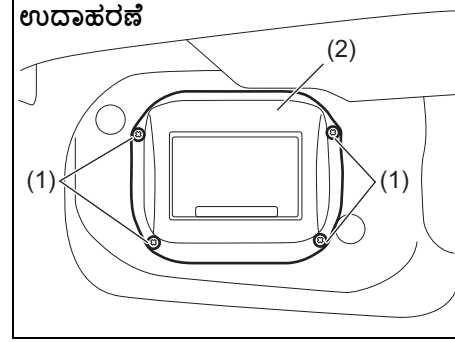
ನಿಮ್ಮ ಚರ್ಮದ ಎಣ್ಣೆಗಳು ಹ್ಯಾಲೋಜೆನ್ ಬಲ್ಬ್ ಅನ್ನು ಹೆಚ್ಚು ಬಿಸಿಯಾಗಲು ಕಾರಣವಾಗಬಹುದು ಮತ್ತು ದೀಪಗಳು ಆನ್ ಆಗಿರುವಾಗ ಸಿಡಿಯಬಹುದು. ಹೊಸ ಬಲ್ಬ್ ಅನ್ನು ಸ್ಪರ್ಶವಾದ ಬಟ್ಟೆಯಿಂದ ಹಿಡಿದುಕೊಳ್ಳಿ.

## ತಪಾಸಣೆ ಮತ್ತು ನಿರ್ವಹಣೆ

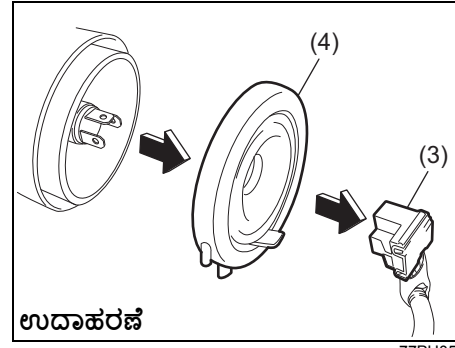
ಸೂಚನೆ
<ul style="list-style-type: none"> <li>• ಬಲ್ ಅನ್ನು ಆಗಾಗ್ಗೆ ಬದಲಿಸುವುದು ವಿದ್ಯುತ್ ವ್ಯವಸ್ಥೆಯ ತಪಾಸಣೆಯ ಅಗತ್ಯವನ್ನು ಸೂಚಿಸುತ್ತದೆ. ನಿಮ್ಮ ಮಾರುತಿ ಸುಜುಕಿ ಅಧಿಕೃತ ಕಾರ್ಯಾಗಾರದಿಂದ ಇದನ್ನು ಕೈಗೊಳ್ಳಬೇಕು.</li> <li>• ಬಲ್ ಬದಲಿ ಸಮಯದಲ್ಲಿ ಯಾವಾಗಲೂ ವಾಹನದಲ್ಲಿ ಬಳಸಿದ ಅದೇ ಬಲ್ ಸಂಖ್ಯೆಯನ್ನು ಬಳಸಿ ಅದನ್ನು ಬಲ್/ಯುನಿಟ್ ಮತ್ತು/ಅಥವಾ ವಿಶೇಷಣಗಳಲ್ಲಿ ನಮೂದಿಸಲಾಗಿದೆ.</li> </ul>

**ಸೂಚನೆ:**  
ಮಳೆಯಲ್ಲಿ ಚಾಲನೆ ಮಾಡುವಾಗ ಅಥವಾ ನಂತರ ಅಥವಾ ಕಾರು ತೊಳೆಯುವ ನಂತರ ಬಾಹ್ಯ ದೀಪಗಳ (ಹೆಡ್‌ಲೈಟ್, ಹಿಂಬದಿಯ ಸಂಯೋಜನೆಯ ಬೆಳಕು ಇತ್ಯಾದಿ) ಮಸೂರಗಳ ಮೇಲೆ ಮಂಜು ರಚನೆಯಾಗಬಹುದು. ಇದು ನೈಸರ್ಗಿಕ ವಿದ್ಯಮಾನವಾಗಿದ್ದು, ಒಳಗೆ ಮತ್ತು ಹೊರಗೆ ದೀಪದ ನಡುವಿನ ತಾಪಮಾನ ವ್ಯತ್ಯಾಸದಿಂದಾಗಿ ಸಂಭವಿಸುತ್ತದೆ. ಲೆನ್ಸ್‌ನಲ್ಲಿನ ತಾತ್ಕಾಲಿಕ ಮಂಜು ಅಸಮರ್ಪಕ ಕಾರ್ಯವಲ್ಲ ಮತ್ತು ವಾಹನ ಚಾಲನೆಯ ಸಮಯದಲ್ಲಿ ಯಾವುದೇ ಅಸ್ಪಷ್ಟತೆಯನ್ನು ಉಂಟುಮಾಡುವುದಿಲ್ಲ. ಪರಿಸರದ ಸ್ಥಿತಿಯು ಬಿಸಿಲಿಗೆ ಬದಲಾದಾಗ ಅಥವಾ ಹೆಡ್‌ಲೈಟ್ ಅನ್ನು ಇರಿಸಿದಾಗ ಮಂಜು ತೆರವುಗೊಳ್ಳುತ್ತದೆ. ಆದಾಗ್ಯೂ ದೀಪದ ಒಳಗೆ ನೀರಿನ ಸೋರಿಕೆ ಇದ್ದರೆ, ನಿಮ್ಮ ಅಧಿಕೃತ ಮಾರುತಿ ಸುಜುಕಿ ಕಾರ್ಯಾಗಾರವನ್ನು ಸಂಪರ್ಕಿಸಿ

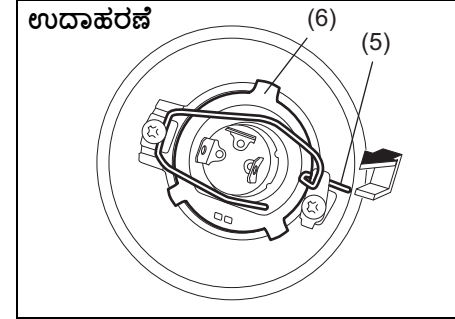
### ಹೆಡ್‌ಲೈಟ್‌ಗಳು



1) ಸ್ಕೂಗಳನ್ನು ತೆಗೆದುಹಾಕಿ (1) ಮತ್ತು ಏರ್ ಇನ್‌ಲೆಟ್ ಬಾಕ್ಸ್ ಅನ್ನು ತೆಗೆದುಹಾಕಿ (2)



2) ಸಂಯೋಜಕವನ್ನು ಸಂಪರ್ಕ ಕಡಿತಗೊಳಿಸಿ (3). ಸೀಲಿಂಗ್ ರಬ್ಬರ್ ತೆಗೆದುಹಾಕಿ (4).



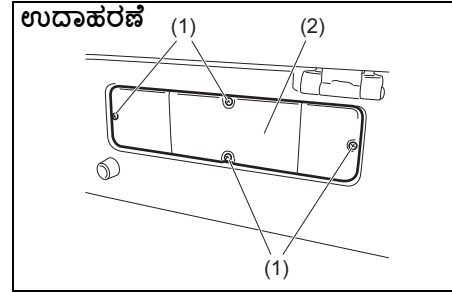
3) ಉಳಿಸಿಕೊಳ್ಳುವ ವಸ್ತುವನ್ನು (5) ಮುಂದಕ್ಕೆ ತಳ್ಳಿರಿ ಮತ್ತು ಅದನ್ನು ಅನಿಹುಕ್ ಮಾಡಿ. ನಂತರ ಬೆಲ್ಟ್ (6) ತೆಗೆದುಹಾಕಿ. ತೆಗೆದುಹಾಕುವಿಕೆಯ ಹಿಮ್ಮುಖ ಕ್ರಮದಲ್ಲಿ ಹೊಸ ಬಲ್ಬ್ ಅನ್ನು ಸ್ಥಾಪಿಸಿ.



ಫ್ಲಂಟ್ ಟರ್ನ್ ಸಿಗ್ನಲ್ ಲೈಟ್  
ಮುಂಭಾಗದ ಸ್ಥಾನದ ಬೆಳಕು

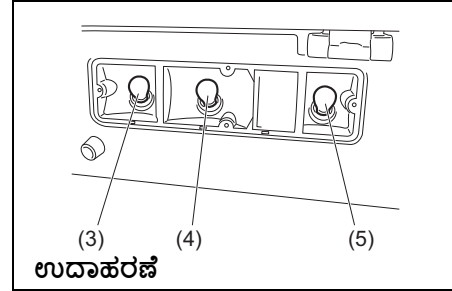
ವಿಶೇಷ ಕಾರ್ಯವಿಧಾನಗಳ ಅಗತ್ಯವಿರುವುದರಿಂದ, ಬಲ್ಬ್ ಬದಲಾವಣೆಗಾಗಿ ನಿಮ್ಮ ವಾಹನವನ್ನು ನಿಮ್ಮ ಅಧಿಕೃತ ಮಾರುತಿ ಸುಜುಕಿ ವಾಣಿಜ್ಯ ಕಾರ್ಯಾಗಾರಕ್ಕೆ ತೆಗೆದುಕೊಂಡು ಹೋಗುವಂತೆ ನಾವು ಶಿಫಾರಸು ಮಾಡುತ್ತೇವೆ.

ಹಿಂದಿನ ಕಾಂಬಿನೇಶನ್ ಲೈಟ್

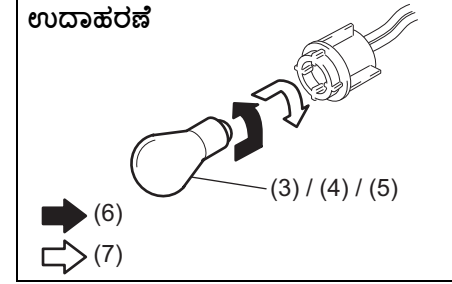


77PH055

- 1) ಸ್ತಂಭಗಳನ್ನು ತೆಗೆದುಹಾಕಿ (1) ಮತ್ತು ಕವರ್ ತೆಗೆದುಹಾಕಿ (2).



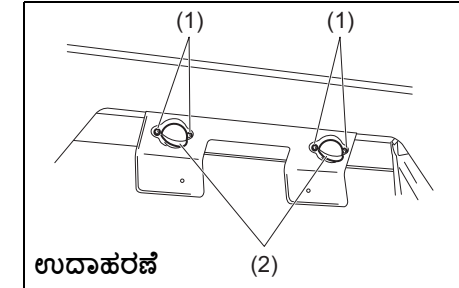
77PH056



76MH0A123

- (6) ತೆಗೆಯುವಿಕೆ  
(7) ಸ್ಥಾಪಿಸಿ  
2) ಟರ್ನ್ ಸಿಗ್ನಲ್ ಲೈಟ್ (3), ಟ್ರೈಲ್/ಬ್ರೇಕ್ ಲೈಟ್ (4) ಅಥವಾ ರಿವರ್ಸ್‌ಲೈಟ್ (5) ಬಲ್ಬ್ ಹೋಲ್‌ನ ಬಲ್ಬ್ ಅನ್ನು ತೆಗೆದುಹಾಕಲು, ಬಲ್ಬ್ ಅನ್ನು ತಳ್ಳಿ ಮತ್ತು ಅಪ್ರದಕ್ಷಿಣಾಕಾರವಾಗಿ ತಿರುಗಿಸಿ.

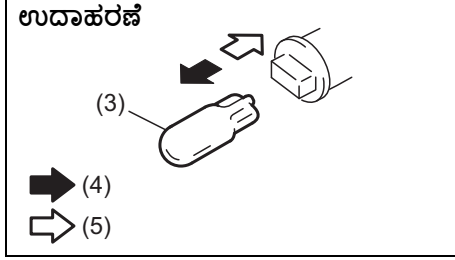
ಪರವಾನಗಿ ಫಲಕದ ಬೆಳಕು



77PH066

## ತಪಾಸಣೆ ಮತ್ತು ನಿರ್ವಹಣೆ

- 1) ಸ್ಕೂಗಳನ್ನು ತೆಗೆದುಹಾಕಿ (1) ಮತ್ತು ಕವರ್ ತೆಗೆದುಹಾಕಿ (2).



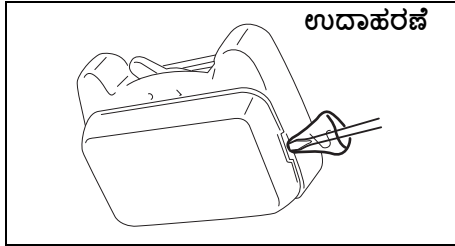
77PH063

- (4) ತೆಗೆಯುವಿಕೆ
- (5) ಸ್ಥಾಪಿಸಿ

- 2) ನೇ ಪರವಾನಗಿ ಫಲಕದ ಬೆಳಕಿನ (3) ಬಲ್ಬ್ ಅನ್ನು ತೆಗೆದುಹಾಕಲು ಮತ್ತು ಸ್ಥಾಪಿಸಲು, ಸರಳವಾಗಿ ಎಳೆಯಿರಿ ಅಥವಾ ಬಲ್ಬ್ ಅನ್ನು ತಳ್ಳಿರಿ.

### ಆಂತರಿಕ ಬೆಳಕು

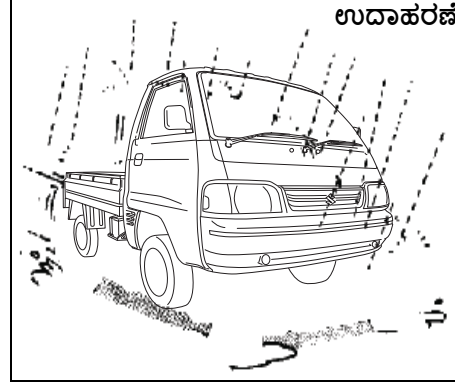
ತೋರಿಸಿರುವಂತೆ ಮೃದುವಾದ ಬಟ್ಟೆಯಿಂದ ಮುಚ್ಚಿದ ಫಾಟ್ ಬ್ಲೇಡ್ ಸ್ಕೂಡ್ಲೆವರ್ ಬಳಸಿ ಲೆನ್ಸ್ ಅನ್ನು ತೆಗೆದುಹಾಕಿ. ಅದನ್ನು ಸ್ಥಾಪಿಸಲು, ಅದನ್ನು ಹಿಂದಕ್ಕೆ ತಳ್ಳಿರಿ.



77PH057

7-27

## ವೈಪರ್ ಬ್ಲೇಡ್ಸ್



77PM07028

ವೈಪರ್ ಬ್ಲೇಡ್ಗಳು ಸುಲಭವಾಗಿ ಅಥವಾ ಹಾನಿಗೊಳಗಾದರೆ ಅಥವಾ ಒರೆಸುವಾಗ ಗೆರೆಗಳನ್ನು ಮಾಡಿದರೆ, ವೈಪರ್ ಬ್ಲೇಡ್ಗಳನ್ನು ಬದಲಾಯಿಸಿ.

ಹೊಸ ವೈಪರ್ ಬ್ಲೇಡ್ಗಳನ್ನು ಸ್ಥಾಪಿಸಲು, ಕೆಳಗಿನ ಕಾರ್ಯವಿಧಾನಗಳನ್ನು ಅನುಸರಿಸಿ.

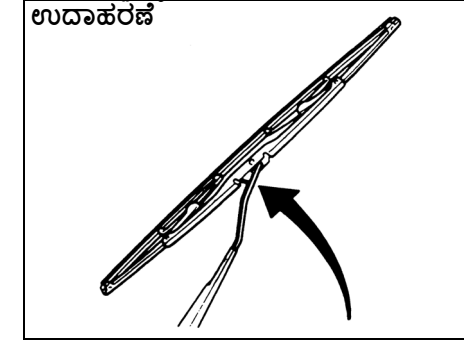
### ಸೂಚನೆ

ಕಿಟಕಿಯನ್ನು ಸ್ವಾಚಿಂಗ್ ಅಥವಾ ಒಡೆಯುವುದನ್ನು ತಪ್ಪಿಸಲು, ವೈಪರ್ ಬ್ಲೇಡ್ ಅನ್ನು ಬದಲಿಸುವಾಗ ವೈಪರ್ ಆರ್ಮ್ ಕಿಟಕಿಗೆ ಹೊಡೆಯಲು ಬಿಡಬೇಡಿ.

### ಸೂಚನೆ:

ವಾಹನದ ವಿಶೇಷಣಗಳನ್ನು ಅವಲಂಬಿಸಿ ಕೆಲವು ವೈಪರ್ ಬ್ಲೇಡ್ಗಳು ಇಲಿ ವೆರಿನಿಸಿರುವವುಗಳಿಗಿಂತ ಭಿನ್ನವಾಗಿರಬಹುದು. ಹಾಗಿದ್ದಲ್ಲಿ, ಸರಿಯಾದ ಬದಲಿ ವಿಧಾನಕ್ಕಾಗಿ ನಿಮ್ಮ ಅಧಿಕೃತ ಮಾರುತಿ ಸುಜುಕಿ ವಾಣಿಜ್ಯ ಕಾರ್ಯಾಗಾರವನ್ನು ಸಂಪರ್ಕಿಸಿ.

### ವಿಂಡ್ಶೀಲ್ಡ್ ವೈಪರ್ಗಳಿಗಾಗಿ:

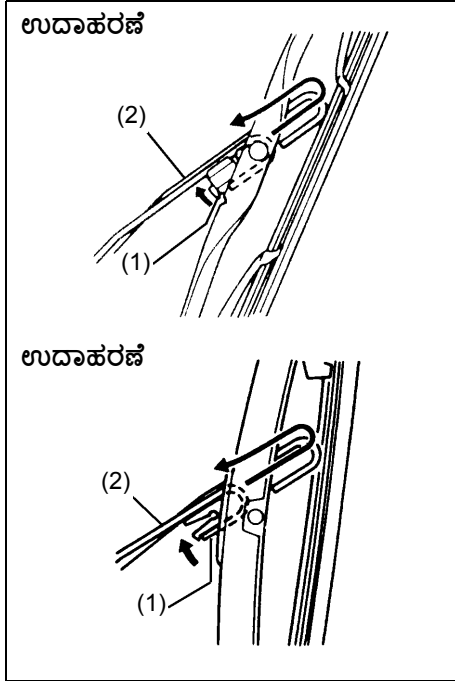


70G119

- 1) ವಿಂಡ್ಶೀಲ್ಡ್ನಿಂದ ವೈಪರ್ ಆರ್ಮ್ ಅನ್ನು ಹಿಡಿದುಕೊಳ್ಳಿ.

### ಸೂಚನೆ:

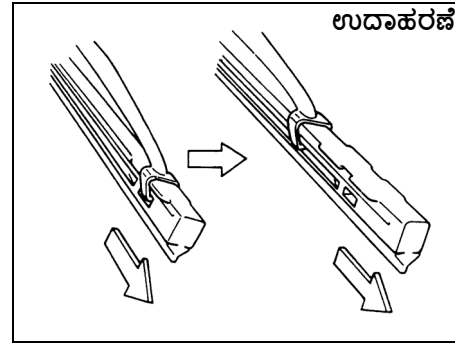
ಮುಂಭಾಗದ ಎರಡೂ ಒರೆಸುವ ತೋಳುಗಳನ್ನು ಎತ್ತುವಾಗ, ಚಾಲಕನ ಬದಿಯ ವೈಪರ್ ತೋಳನ್ನು ಮೊದಲು ಮೇಲಕ್ಕೆ ಎಳೆಯಿರಿ. ವೈಪರ್ ಆರ್ಮ್ಗಳನ್ನು ಹಿಂತೆರುಗಿಸುವಾಗ, ಪ್ರಯಾಣಿಕರ ಸೈಡ್ ವೈಪರ್ ಆರ್ಮ್ ಅನ್ನು ಮೊದಲು ಕಡಿಮೆ ಮಾಡಿ. ಇಲ್ಲದಿದ್ದರೆ, ವೈಪರ್ ಆರ್ಮ್ ಪರಸ್ಪರ ಹಸ್ತಕ್ಷೇಪ ಮಾಡಬಹುದು.



54G130

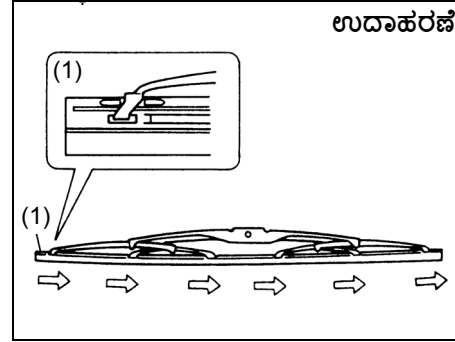
- 2) ವೈಪರ್ ಆರ್ಮ್ (2) ಕಡೆಗೆ ಲಾಕ್ (1) ಅನ್ನು ಸ್ವೀಜ್ ಮಾಡಿ ಮತ್ತು ತೋರಿಸಿರುವಂತೆ ತೆಗೆಯಿರಿ. ವೈಪರ್ ಫ್ಲೇಮ್ ಅನ್ನು ತೆಗೆದುಹಾಕಿ.
- 3) ವೈಪರ್ ಬ್ಲೇಡ್‌ನ ಲಾಕ್ ಎಂಡ್ ಅನ್ನು ಅನ್‌ಲಾಕ್ ಮಾಡಿ ಮತ್ತು ತೋರಿಸಿರುವಂತೆ ಬ್ಲೇಡ್ ಅನ್ನು ಸ್ಲೈಡ್ ಮಾಡಿ.

ತೆಗೆಯುವಿಕೆ



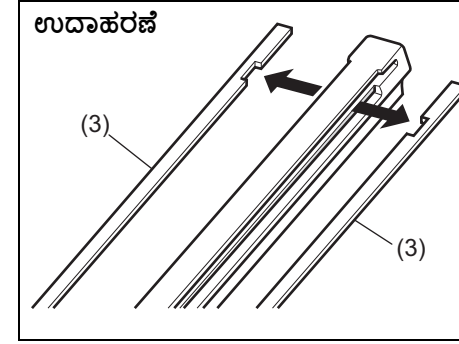
60A260

ಅನುಸ್ಥಾಪನೆ



54G132

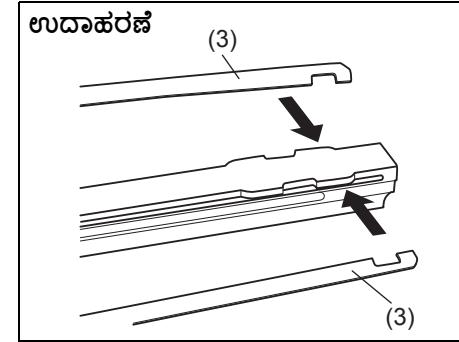
- (1) ಲಾಕ್ ಎಂಡ್



68PH00754

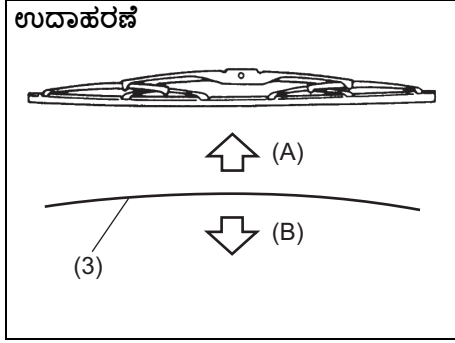
(3) ಧಾರಕ

- 4) ಎರಡು ಲೋಹದ ಧಾರಕಗಳಿಲ್ಲದೆ ಹೊಸ ಬ್ಲೇಡ್ ಅನ್ನು ಒದಗಿಸಿದರೆ, ಅವುಗಳನ್ನು ಹಳೆಯ ಬ್ಲೇಡ್‌ನಿಂದ ಹೊಸದಕ್ಕೆ ಸರಿಸಿ.



60MH071

ತಪಾಸಣೆ ಮತ್ತು ನಿರ್ವಹಣೆ



60MH072

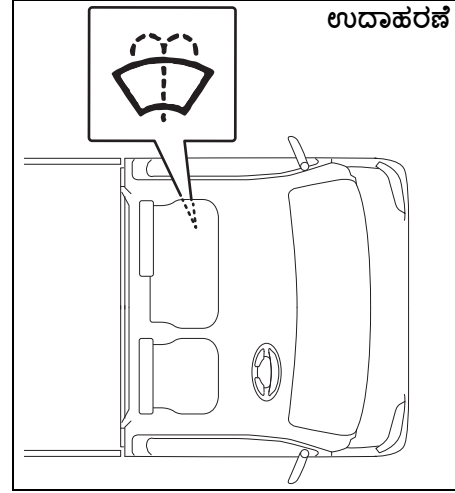
- (A) ಮೇಲಕ್ಕೆ
- (B) ಕೆಳಗೆ

**ಸೂಚನೆ:**  
ನೀವು ಲೋಹದ ಧಾರಕಗಳನ್ನು (3) ಸ್ವಾಚ್ಛಿಸಿದಾಗ, ಮೇಲಿನ ವಿವರಣೆಗಳಲ್ಲಿ ತೋರಿಸಿರುವಂತೆ ಲೋಹದ ಧಾರಕಗಳ ದಿಕ್ಕು ಇದೆಯೇ ಎಂದು ಖಚಿತಪಡಿಸಿಕೊಳ್ಳಿ.

- 5) ಹೊಸ ಬ್ಲೇಡ್ ಅನ್ನು ತೆಗೆದುಹಾಕುವಿಕೆಯ ಹಿಮ್ಮುಖ ಕ್ರಮದಲ್ಲಿ ಸ್ವಾಚ್ಛಿಸಿ, ಲಾಕ್ ಮಾಡಲಾದ ತುದಿಯನ್ನು ವೈಪರ್ ಆರ್ಮ್ ಕಡೆಗೆ ಇರಿಸಲಾಗುತ್ತದೆ. ಎಲ್ಲಾ ಕೊಕ್ಕೆಗಳಿಂದ ಬ್ಲೇಡ್ ಅನ್ನು ಸರಿಯಾಗಿ ಉಳಿಸಿಕೊಳ್ಳಲಾಗಿದೆ ಎಂದು ಖಚಿತಪಡಿಸಿಕೊಳ್ಳಿ, ಬ್ಲೇಡ್ ತುದಿಯನ್ನು ಸ್ಥಳದಲ್ಲಿ ಲಾಕ್ ಮಾಡಿ.
- 6) ತೋಳಿಗೆ ವೈಪರ್ ಫ್ರೇಮ್ ಅನ್ನು ಮರುಸ್ವಾಚ್ಛಿಸಿ, ಲಾಕ್ ಲಿವರ್ ಅನ್ನು ತೋಳಿನೊಳಗೆ ಸುರಕ್ಷಿತವಾಗಿ ಸ್ವಾಪ್ ಮಾಡಲಾಗಿದೆ ಎಂದು ಖಚಿತಪಡಿಸಿಕೊಳ್ಳಿ.

7-29

ವಿಂಡ್ ಷೀಲ್ಡ್ ವಾಷರ್ ದ್ರವ (ಸಜ್ಜಿತವಾಗಿದ್ದರೆ)



77PM07027

ತೊಟ್ಟಿಯಲ್ಲಿ ತೊಳೆಯುವ ದ್ರವವಿದೆ ಎಂದು ದೃಷ್ಟಿಗೋಚರವಾಗಿ ಪರಿಶೀಲಿಸಿ. ಅಗತ್ಯವಿದ್ದರೆ ಅದನ್ನು ಪುನಃ ತುಂಬಿಸಿ. ಉತ್ತಮ ಗುಣಮಟ್ಟದ ವಿಂಡ್ ಷೀಲ್ಡ್ ವಾಷರ್ ದ್ರವವನ್ನು ಬಳಸಿ, ಅಗತ್ಯವಿರುವಂತೆ ನೀರಿನಿಂದ ದುರ್ಬಲಗೊಳಿಸಿ.

**ಸೂಚನೆ**  
"ವಾಹನದ ಮೇಲೆ ಗಟ್ಟಿ ಸುಣ್ಣದ ಪ್ರಮಾಣವನ್ನು ತಡೆಗಟ್ಟಲು ಗಡಸು ನೀರಿನ ಬಳಕೆಯನ್ನು ತಡೆಯಿರಿ"

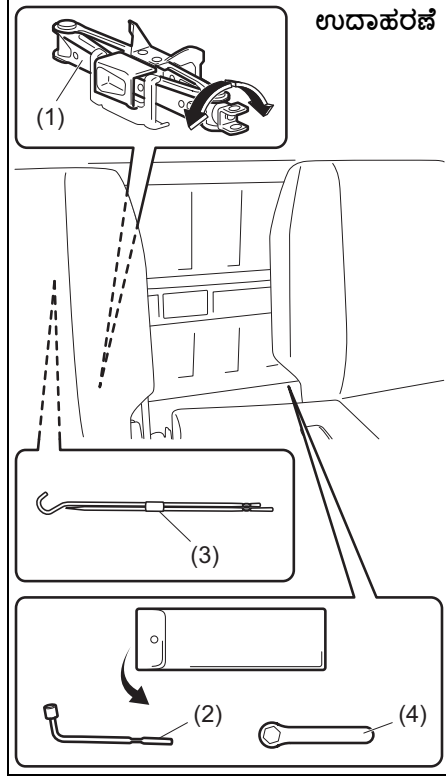
**ಎಚ್ಚರಿಕೆ**  
ವಿಂಡ್ ಷೀಲ್ಡ್ ವಾಷರ್ ಜಲಾಶಯದಲ್ಲಿ ರೇಡಿಯೇಟರ್ ಅಂಟಿಫ್ರೀಜ್ ಅನ್ನು ಬಳಸಬೇಡಿ. ವಿಂಡ್ ಷೀಲ್ಡ್‌ನಲ್ಲಿ ಸಂಪಡಿಸಿದಾಗ ಇದು ಗೋಚರತೆಯನ್ನು ತೀವ್ರವಾಗಿ ದುರ್ಬಲಗೊಳಿಸುತ್ತದೆ ಮತ್ತು ನಿಮ್ಮ ವಾಹನದ ಬಣ್ಣವನ್ನು ಸಹ ಹಾನಿಗೊಳಿಸುತ್ತದೆ.

**ಸೂಚನೆ**  
ವಾಷರ್ ಟ್ಯಾಂಕ್‌ನಲ್ಲಿ ಯಾವುದೇ ದ್ರವವಿಲ್ಲದೆ ವಾಷರ್ ಮೋಟರ್ ಕಾರ್ಯನಿರ್ವಹಿಸಿದರೆ ಹಾನಿ ಉಂಟಾಗಬಹುದು.

## ತುರ್ತು ಸೇವೆ

ಟೈರ್ ಬದಲಾಯಿಸುವ ಸಾಧನ .....	8-1
ಜಾಕಿಂಗ್ ಸೂಚನೆಗಳು .....	8-2
ಚಕ್ರಗಳನ್ನು ಬದಲಾಯಿಸುವುದು .....	8-5
ಜಂಪ್ ಪ್ರಾರಂಭ ಸೂಚನೆಗಳು .....	8-6
ಎಳೆಯುವುದು .....	8-8
ಸ್ಪಾರ್ಟರ್ ಕಾರ್ಯನಿರ್ವಹಿಸದಿದ್ದರೆ .....	8-8
ಇಂಜಿನ್ ಪ್ರವಾಹಕ್ಕೆ ಒಳಗಾಗಿದ್ದರೆ .....	8-8
ಇಂಜಿನ್ ಅತಿಯಾಗಿ ಬಿಸಿಯಾದರೆ .....	8-9
ಹೊಡೆಯುವ ಮೂಲಕ ಅಂಡರ್ಬಾಡಿ ಟ್ರಬಲ್ .....	8-10
ಎಚ್ಚರಿಕೆ ತ್ರಿಕೋನ .....	8-10
ಅಗ್ನಿಶಾಮಕ (ಸಜ್ಜುಗೊಂಡಿದ್ದರೆ) .....	8-11

ಟೈರ್ ಬದಲಾಯಿಸುವ ಸಾಧನ

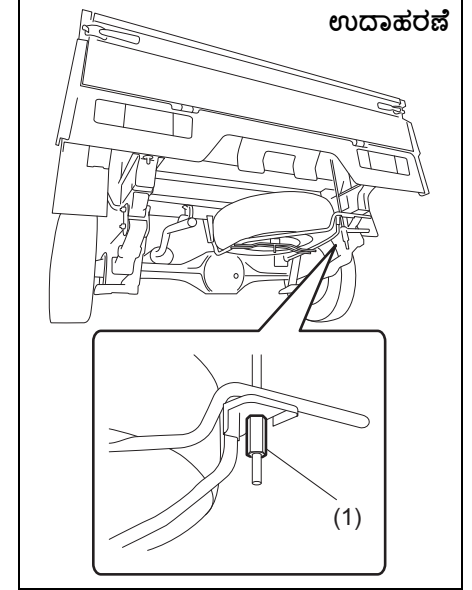


77PH202

- (1) ಜ್ಯಾಕ್
- (2) ವೀಲ್ ಬ್ಲೇಸ್
- (3) ಜ್ಯಾಕ್ ಹ್ಯಾಂಡಲ್
- (4) ಸ್ಪಾನರ್

ಟೈರ್ ಬದಲಾಯಿಸುವ ಉಪಕರಣಗಳನ್ನು ಚಾಲಕ ಸೀಟಿನ ಹಿಂದೆ ಇರಿಸಲಾಗುತ್ತದೆ. ಜ್ಯಾಕ್ ಅನ್ನು ತೆಗೆದುಹಾಕಲು, ಅದರ ಶಾಫ್ಟ್ ಅನ್ನು ಅಪ್ಪದಕ್ಷಿಣಾಕಾರವಾಗಿ ತಿರುಗಿಸಿ ಮತ್ತು ಶೇಖರಣಾ ಆವರಣದಿಂದ ಜಾಕ್ ಅನ್ನು ಎಳೆಯಿರಿ. ಜ್ಯಾಕ್ ಅನ್ನು ಇರಿಸಲು, ಅದನ್ನು ಶೇಖರಣಾ ಬ್ರಾಕೆಟ್‌ನಲ್ಲಿ ಇರಿಸಿ ಮತ್ತು ಜಾಕ್ ಅನ್ನು ಸುರಕ್ಷಿತವಾಗಿ ಹಿಡಿದಿಟ್ಟುಕೊಳ್ಳುವವರೆಗೆ ಶಾಫ್ಟ್ ಅನ್ನು ಪ್ರದಕ್ಷಿಣಾಕಾರವಾಗಿ ತಿರುಗಿಸಿ.

ಬಿಡಿ ಟೈರ್ ಅನ್ನು ಹಾಸಿಗೆಯ ಕೆಳಗೆ ಇಡಲಾಗಿದೆ. ಬಿಡಿ ಟೈರ್ ಅನ್ನು ತೆಗೆದುಹಾಕಲು:



77PH099

- 1) ಬಿಡಿ ಟೈರ್ ಹೋಲ್ಡರ್ ಹುಕ್ ನೆಟ್ (1) ಅನ್ನು ಸಡಿಲಗೊಳಿಸಿ.
- 2) ಬಿಡಿ ಟೈರ್ ಹೋಲ್ಡರ್ ಅನ್ನು ಅನುಕ್ರಮವಾಗಿ ಮತ್ತು ಅದನ್ನು ನಿಧಾನವಾಗಿ ಕೆಳಕ್ಕೆ ಇಳಿಸಿ.
- 3) ಬಿಡಿ ಟೈರ್‌ನ ಮಧ್ಯಭಾಗದಲ್ಲಿರುವ ಸ್ಪೂ ಅನ್ನು ತೆಗೆದುಹಾಕಿ ಮತ್ತು ಟೈರ್ ಅನ್ನು ತೆಗೆದುಹಾಕಿ.

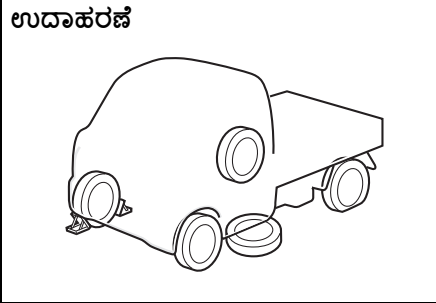
**⚠ ಎಚ್ಚರಿಕೆ**

ಟ್ರೈರ್ ಬದಲಾಯಿಸುವ ಸಾಧನಗಳನ್ನು ಬಳಸಿದ ನಂತರ, ಅವುಗಳನ್ನು ಸುರಕ್ಷಿತವಾಗಿ ಇರಿಸಲು ಮರೆಯದಿರಿ ಅಥವಾ ಅಪಘಾತ ಸಂಭವಿಸಿದಲ್ಲಿ ಅವು ಗಾಯವನ್ನು ಉಂಟುಮಾಡಬಹುದು.

**⚠ ಎಚ್ಚರಿಕೆ**

ಚಕ್ರಗಳನ್ನು ಬದಲಾಯಿಸಲು ಮಾತ್ರ ಜ್ಯಾಕ್ ಅನ್ನು ಬಳಸಬೇಕು. ಜ್ಯಾಕ್ ಅನ್ನು ಬಳಸಲು ಪ್ರಯತ್ನಿಸುವ ಮೊದಲು ಈ ವಿಭಾಗದಲ್ಲಿ ಜಾಕಿಂಗ್ ಸೂಚನೆಗಳನ್ನು ಓದುವುದು ಮುಖ್ಯ.

**ಜಾಕಿಂಗ್ ಸೂಚನೆಗಳು**



77PH054

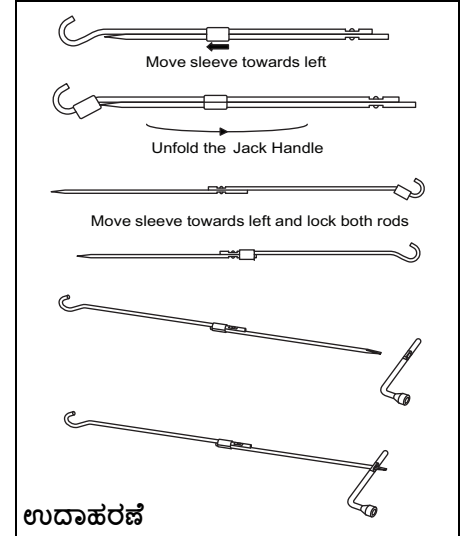
- 1) ವಾಹನವನ್ನು ಸಮತಟ್ಟಾದ, ಗಟ್ಟಿಯಾದ ನೆಲದ ಮೇಲೆ ಇರಿಸಿ.
- 2) ಪಾರ್ಕಿಂಗ್ ಬ್ರೇಕ್ ಅನ್ನು ದೃಢವಾಗಿ ಹೊಂದಿಸಿ ಮತ್ತು "ಆರ್" (ರಿವರ್ಸ್) ಗೆ ಬದಲಿಸಿ.

**⚠ ಎಚ್ಚರಿಕೆ**

- ನೀವು ವಾಹನವನ್ನು ಜ್ಯಾಕ್ ಅಪ್ ಮಾಡಿದಾಗ "ಆರ್" (ರಿವರ್ಸ್) ಗೆ ಬದಲಾಯಿಸಲು ಮರೆಯದಿರಿ.
- "ಆರ್" (ತಟಸ್ಥ) ನಲ್ಲಿ ಪ್ರಸರಣದೊಂದಿಗೆ ವಾಹನವನ್ನು ಎಂದಿಗೂ ಜ್ಯಾಕ್ ಅಪ್ ಮಾಡಬೇಡಿ. ಇಲ್ಲದಿದ್ದರೆ, ಅಸ್ಥಿರ ಜ್ಯಾಕ್ ಅಪಘಾತಕ್ಕೆ ಕಾರಣವಾಗಬಹುದು.

- 3) ನಿಮ್ಮ ವಾಹನವು ಟ್ರಾಫಿಕ್ ಸಮೀಪದಲ್ಲಿದ್ದರೆ ಅಪಾಯದ ಎಚ್ಚರಿಕೆಯ ಫ್ಲಾಷರ್ ಅನ್ನು ಆನ್ ಮಾಡಿ.

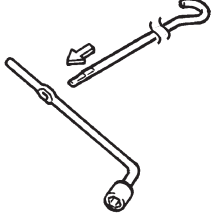
- 4) ಚಕ್ರದ ಮುಂಭಾಗ ಮತ್ತು ಹಿಂಭಾಗವನ್ನು ಕರ್ತವ್ಯವಾಗಿ ಎತ್ತುವ ಚಕ್ರಕ್ಕೆ ವಿರುದ್ಧವಾಗಿ ನಿರ್ಬಂಧಿಸಿ.
- 5) ಜಾಕ್ ಸ್ಲಿಪ್ ಆಗುವ ಸಂದರ್ಭದಲ್ಲಿ ವಿವರಣೆಯಲ್ಲಿ ತೋರಿಸಿರುವಂತೆ ಎತ್ತುವ ಚಕ್ರದ ಬಳಿ ಬಿಡಿ ಚಕ್ರವನ್ನು ಇರಿಸಿ.



ಉದಾಹರಣೆ

77PH802

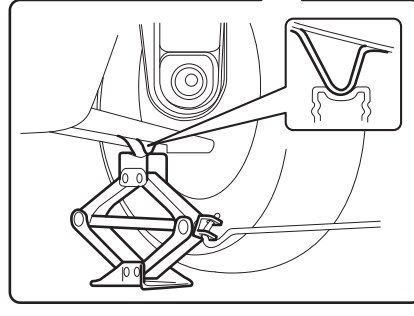
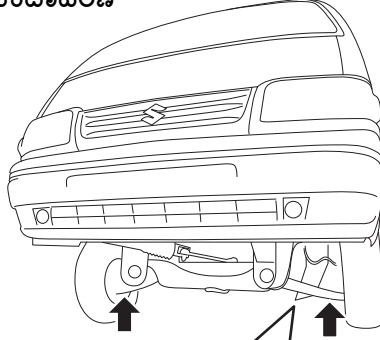
ಉದಾಹರಣೆ



54G253

ಮುಂಭಾಗದ ಜಾಕಿಂಗ್ ಪಾಯಿಂಟ್

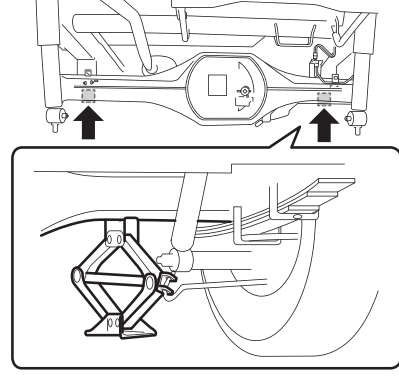
ಉದಾಹರಣೆ



77PH084

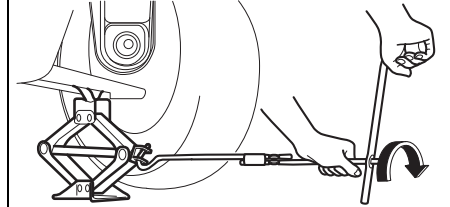
ಹಿಂದಿನ ಜಾಕಿಂಗ್ ಪಾಯಿಂಟ್

ಉದಾಹರಣೆ



77PH106

ಉದಾಹರಣೆ



77PS052



- 6) ಜ್ಯಾಕ್ ಅನ್ನು ಲಂಬವಾಗಿ ಇರಿಸಿ ಮತ್ತು ಜ್ಯಾಕ್ ಹ್ಯಾಂಡಲ್ ಅನ್ನು ಪ್ರದಕ್ಷಿಣಾಕಾರವಾಗಿ ತಿರುಗಿಸುವ ಮೂಲಕ ಜ್ಯಾಕ್ ಅನ್ನು ಮೇಲಕ್ಕೆತ್ತಿ, ಜ್ಯಾಕ್ ಹೆಡ್ ಗ್ರೂಪ್ ವಾಹನದ ದೇಹದ ಕೆಳಗಿರುವ ಜಾಕಿಂಗ್ ಬಾರ್ ಸುತ್ತಲೂ ಹೊಂದಿಕೊಳ್ಳುತ್ತದೆ. ಚಿತ್ರಣಗಳನ್ನು ನೋಡಿ.
- 7) ಟ್ರೇ ನೆಲವನ್ನು ತೆರವುಗೊಳಿಸುವವರೆಗೆ ಜ್ಯಾಕ್ ಅನ್ನು ನಿಧಾನವಾಗಿ ಮತ್ತು ಸರಾಗವಾಗಿ ಹೆಚ್ಚಿಸಲು ಮುಂದುವರಿಸಿ. ಅಗತ್ಯಕ್ಕಿಂತ ಹೆಚ್ಚು ವಾಹನವನ್ನು ಎರಿಸಬೇಡಿ.

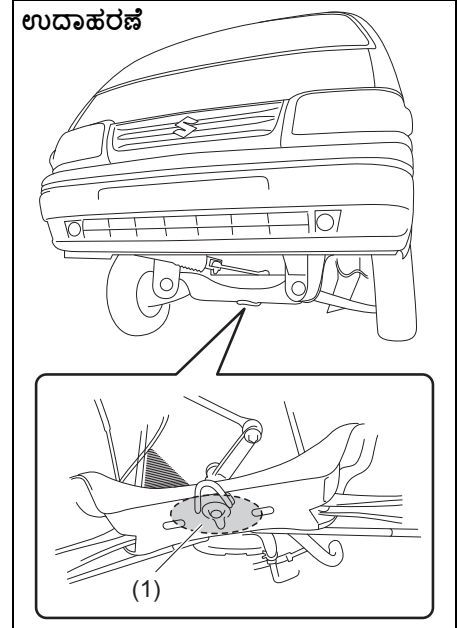
**⚠ ಎಚ್ಚರಿಕೆ**

- ಜ್ಯಾಕ್ ಅನ್ನು ಮಟ್ಟ, ಗಟ್ಟಿಯಾದ ನೆಲದ ಮೇಲೆ ಚಕ್ರಗಳನ್ನು ಬದಲಾಯಿಸಲು ಮಾತ್ರ ಬಳಸಿ.
- ಇಳಿಜಾರಾದ ಮೇಲೆ ಯಲಿ ವಾಹನವನ್ನು ಎಂದಿಗೂ ಜ್ಯಾಕ್ ಅಪ್ ಮಾಡಬೇಡಿ.
- ಬದಲಾಯಿಸಬೇಕಾದ ಚಕ್ರದ ಬಳಿ ನಿರ್ದಿಷ್ಟಪಡಿಸಿದ ಜಾಕಿಂಗ್ ಪಾಯಿಂಟ್ (ಚಿತ್ರದಲ್ಲಿ ತೋರಿಸಲಾಗಿದೆ) ಹೊರತುಪಡಿಸಿ ಬೇರೆ ಸ್ಥಳದಲ್ಲಿ ಜ್ಯಾಕ್‌ನೊಂದಿಗೆ ವಾಹನವನ್ನು ಎಂದಿಗೂ ಎರಿಸಬೇಡಿ.
- ಮರದ ಬಾಕಗಳು ಅಥವಾ ಒಂದೇ ರೀತಿಯ ವಸ್ತುಗಳನ್ನು ಜ್ಯಾಕ್ ಅಂಡರ್‌ಲೇ ಆಗಿ ಬಳಸಬೇಡಿ.
- ವಾಹನವು ಜ್ಯಾಕ್‌ನಿಂದ ಬೆಂಬಲಿತವಾಗಿರುವಾಗ ಅದನ್ನು ಎಂದಿಗೂ ಕೆಳಕ್ಕೆ ಇಳಿಸಬೇಡಿ. ಜ್ಯಾಕ್‌ನಿಂದ ಬೆಂಬಲಿತವಾಗಿರುವಾಗ ಎತ್ತಿದ ವಾಹನದ ಕೆಳಗೆ ನಿಮ್ಮ ಕೈ ಮತ್ತು ಪಾದಗಳನ್ನು ಎಂದಿಗೂ ಇರಿಸಬೇಡಿ.
- ವಾಹನವು ಜ್ಯಾಕ್‌ನಿಂದ ಬೆಂಬಲಿತವಾಗಿರುವಾಗ ಇಂಜಿನ್ ಅನ್ನು ಎಂದಿಗೂ ಚಾಲನೆ ಮಾಡಬೇಡಿ ಮತ್ತು ಪ್ರಯಾಣಿಕರನ್ನು ವಾಹನದಲ್ಲಿ ಉಳಿಯಲು ಎಂದಿಗೂ ಅನುಮತಿಸಬೇಡಿ.

**ಗ್ಯಾರೇಜ್ ಜ್ಯಾಕ್‌ನೊಂದಿಗೆ ವಾಹನವನ್ನು ಹೆಚ್ಚಿಸಲು**

- ಕೆಳಗೆ ಸೂಚಿಸಲಾದ ಬಿಂದುಗಳಲ್ಲಿ ಒಂದಕ್ಕೆ ಗ್ಯಾರೇಜ್ ಜ್ಯಾಕ್ ಅನ್ನು ಅನ್ವಯಿಸಿ.
- ಕೆಳಗೆ ಸೂಚಿಸಲಾದ ಬಿಂದುಗಳಲ್ಲಿ ಯಾವಾಗಲೂ ಜ್ಯಾಕ್ ಸ್ಪಾಂಡ್‌ಗಳೊಂದಿಗೆ (ವಾಣಿಜ್ಯಕವಾಗಿ ಲಭ್ಯವಿದೆ) ಎತ್ತರಿಸಿದ ವಾಹನವನ್ನು ಬೆಂಬಲಿಸಿ.

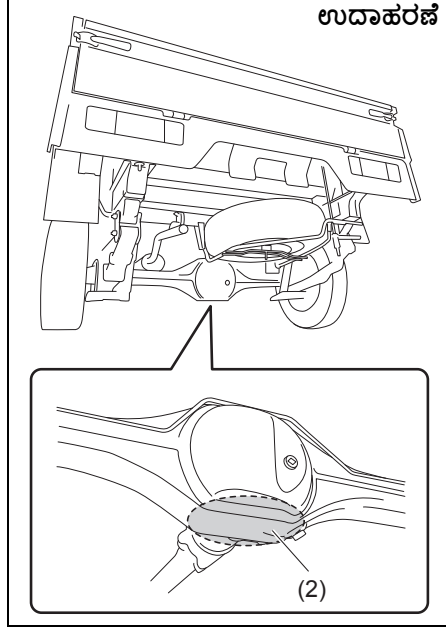
**ಗ್ಯಾರೇಜ್ ಜ್ಯಾಕ್‌ಗಾಗಿ ಮುಂಭಾಗದ ಜಾಕಿಂಗ್ ಪಾಯಿಂಟ್ (1)**



77PH060

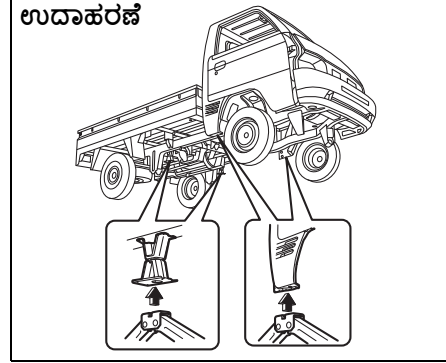
## ತುರ್ತು ಸೇವೆ

ಗ್ಯಾರೇಜ್ ಜ್ಯಾಕ್‌ಗಾಗಿ ಹಿಂದಿನ ಜಾಕಿಂಗ್ ಪಾಯಿಂಟ್ (2)



77PH101

ಜ್ಯಾಕ್ ಸಾಂಡ್ (3) ಅಥವಾ ಎರಡು-ಕಾಲಮ್ ಲಿಫ್ಟ್‌ಗಾಗಿ ಅಪ್‌ಲಿಕ್‌ಶನ್ ಪಾಯಿಂಟ್



77PS055 (2)

### ಸೂಚನೆ

- ಎಕ್ಸಾಸ್ಟ್ ಪೈಪ್‌ಗೆ ಎಂದಿಗೂ ಗ್ಯಾರೇಜ್ ಜ್ಯಾಕ್ ಅನ್ನು ಅನ್ವಯಿಸಬೇಡಿ.
- ಜ್ಯಾಕ್ ಸಾಂಡ್ ಅಥವಾ ಎರಡು-ಕಾಲಮ್ ಲಿಫ್ಟ್ ಅನ್ನು ಹಿಂಬದಿಯ ಅಪ್‌ಲಿಕ್‌ಶನ್ ಪಾಯಿಂಟ್‌ಗೆ ಅನ್ವಯಿಸುವಾಗ, ಪಾರ್ಕಿಂಗ್ ಕೇಬಲ್ ಅಥವಾ ಇಂಧನ ಟ್ಯಾಂಕ್‌ನ ಫ್ಲೇಂಜ್‌ನಂತಹ ಸುತಮುತಲಿನ ಭಾಗಗಳಿಗೆ ಅಡ್ಡಿಯಾಗದಂತೆ ಎಚ್ಚರಿಕೆ ವಹಿಸಿ.

ಸೂಚನೆ:  
ಹೆಚ್ಚಿನ ವಿವರಗಳಿಗಾಗಿ, ದಯವಿಟ್ಟು ಅಧಿಕೃತ ಮಾರುತಿ ಸುಜುಕಿ ವಾಣಿಜ್ಯ ಕಾರ್ಯಾಗಾರವನ್ನು ಸಂಪರ್ಕಿಸಿ.

## ಚಕ್ರಗಳನ್ನು ಬದಲಾಯಿಸುವುದು

### ⚠ ಎಚ್ಚರಿಕೆ

ಟ್ರಾಫಿಕ್ ಲೇನ್‌ನಲ್ಲಿ ಎಂದಿಗೂ ಚಕ್ರವನ್ನು ಬದಲಾಯಿಸಬೇಡಿ. ಚಕ್ರವನ್ನು ಬದಲಾಯಿಸಲು ಯಾವಾಗಲೂ ವಾಹನವನ್ನು ರಸ್ತೆಯಿಂದ ಸಮತಲದಲ್ಲಿ ಸರಿಸಿ, ದಟ್ಟಣೆಯಿಂದ ದೂರಕ್ಕೆ ಗಟ್ಟಿಯಾದ ನೆಲದಲ್ಲಿ, ಯಾವುದೇ ಹೆಚ್ಚಿನ ಸಹಾಯಕ್ಕಾಗಿ ನಿಮ್ಮ ಹತ್ತಿರದ ಮಾರುತಿ ಸುಜುಕಿ ಅಧಿಕೃತ ಕಾರ್ಯಾಗಾರವನ್ನು ಸಂಪರ್ಕಿಸಿ.

ಚಕ್ರವನ್ನು ಬದಲಾಯಿಸಲು, ಈ ಕೆಳಗಿನ ವಿಧಾನವನ್ನು ಬಳಸಿ:

- 1) ವಾಹನದಿಂದ ಎಲ್ಲಾ ಪ್ರಯಾಣಿಕರು ಮತ್ತು ಸರಕುಗಳನ್ನು ತೆರವುಗೊಳಿಸಿ.
- 2) ವಾಹನದಿಂದ ಜ್ಯಾಕ್, ಉಪಕರಣಗಳು ಮತ್ತು ಬಿಡಿ ಚಕ್ರವನ್ನು ತೆಗೆದುಹಾಕಿ.
- 3) ಸಡಿಲಗೊಳಿಸಿ, ಆದರೆ ಚಕ್ರದ ನಟ್ಟಳನ್ನು ತೆಗೆಯಬೇಡಿ.
- 4) ವಾಹನವನ್ನು ಜ್ಯಾಕ್ ಅಪ್ ಮಾಡಿ.

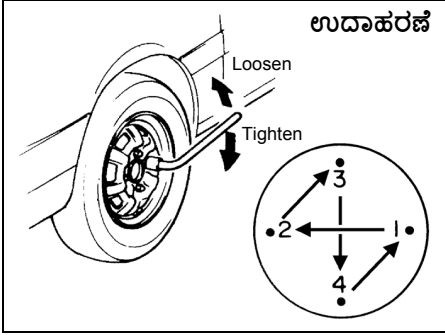
### ⚠ ಎಚ್ಚರಿಕೆ

ವಾಹನವನ್ನು ಓಡಿಸಿದ ತಕ್ಷಣ, ಚಕ್ರಗಳು, ವೀಲ್ ನಟ್‌ಗಳು ಮತ್ತು ಬ್ಲೇಕ್‌ಗಳ ಸುತಲಿನ ಪ್ರದೇಶವು ತುಂಬಾ ಬಿಸಿಯಾಗಿರಬಹುದು. ಈ ಪ್ರದೇಶಗಳನ್ನು ಸ್ಪರ್ಶಿಸುವುದು ಸುಟ್ಟ ಗಾಯಕ್ಕೆ ಕಾರಣವಾಗಬಹುದು. ವಾಹನ ಚಲಾಯಿಸಿದ ತಕ್ಷಣ ಈ ಪ್ರದೇಶಗಳನ್ನು ಮುಟ್ಟಬೇಡಿ.

- 5) ಚಕ್ರ ನಟ್ಟಳು ಮತ್ತು ಚಕ್ರವನ್ನು ತೆಗೆದುಹಾಕಿ.
- 6) ಹೊಸ ಚಕ್ರವನ್ನು ಸ್ಥಾಪಿಸುವ ಮೊದಲು, ಚಕ್ರ ಮತ್ತು ಹಬ್‌ನ ಮೇಲ್ಮೈಯಿಂದ ಯಾವುದೇ

ಮಣ್ಣು ಅಥವಾ ಮಣ್ಣನ್ನು ಸ್ವಚ್ಛವಾದ ಬಟ್ಟೆಯಿಂದ ಸ್ವಚ್ಛಗೊಳಿಸಿ. ಹಬ್ ಅನ್ನು ಎಚ್ಚರಿಕೆಯಿಂದ ಸ್ವಚ್ಛಗೊಳಿಸಿ; ಚಾಲನೆಯಿಂದ ಬಿಡಿಸಬಹುದು.

- 7) ಹೊಸ ಚಕ್ರವನ್ನು ಸಾಪಿಸಿ ಮತ್ತು ಚಕ್ರಕ್ಕೆ ಎದುರಾಗಿರುವ ಕೋನ್ ಆಕಾರದ ತುದಿಯೊಂದಿಗೆ ವೀಲ್ ನಟ್‌ಗಳನ್ನು ಬದಲಾಯಿಸಿ. ಚಕ್ರವು ಹಬ್‌ನಲ್ಲಿ ಸುರಕ್ಷಿತವಾಗಿ ಕುಳಿತುಕೊಳ್ಳುವವರೆಗೆ ಪ್ರತಿ ನಟ್ಟಳನ್ನು ಕೈಯಿಂದ ಬಿಗಿಯಾಗಿ ಬಿಗಿಗೊಳಿಸಿ.



54G116

ವೀಲ್ ನಟ್ 100 ಎನ್ ಎಂ ಗಾಗಿ ಬಿಗಿಗೊಳಿಸುವ ಟಾರ್ಕ್ (10.2 kgf-m, 73.8 lbf-ft)

- 8) ಜಾಕ್ ಅನ್ನು ಕೆಳಕ್ಕೆ ಇಳಿಸಿ ಮತ್ತು ವಿವರಣೆಯಲ್ಲಿ ತೋರಿಸಿರುವಂತೆ ವೆಂಚ್‌ನೊಂದಿಗೆ ಕ್ರಿಸ್‌ಕ್ರಾಸ್ ಶ್ರೇಣಿಯಲ್ಲಿ ನಟ್‌ಗಳನ್ನು ಸಂಪೂರ್ಣವಾಗಿ ಬಿಗಿಗೊಳಿಸಿ.

**⚠ ಎಚ್ಚರಿಕೆ**

ನಿಜವಾದ ವೀಲ್ ನಟ್‌ಗಳನ್ನು ಬಳಸಿ ಮತ್ತು ಚಕ್ರಗಳನ್ನು ಬದಲಾಯಿಸಿದ ನಂತರ ಸಾಧ್ಯವಾದಷ್ಟು ಬೇಗ ಅವುಗಳನ್ನು ನಿಗದಿತ ಟಾರ್ಕ್‌ಗೆ ಬಿಗಿಗೊಳಿಸಿ. ತಪ್ಪಾದ ವೀಲ್ ನಟ್ ಅಥವಾ ಸರಿಯಾಗಿ ಬಿಗಿಗೊಳಿಸದ ವೀಲ್ ನಟ್‌ಗಳು ಸಡಿಲವಾಗಬಹುದು ಅಥವಾ ಬೀಳಬಹುದು, ಇದು ಅಪಘಾತಕ್ಕೆ ಕಾರಣವಾಗಬಹುದು. ನೀವು ಟಾರ್ಕ್ ವೈಂಚ್ ಹೊಂದಿಲ್ಲದಿದ್ದರೆ, ಅಧಿಕೃತ ಮಾರುತಿ ಸುಜುಕಿ ವಾಣಿಜ್ಯ ಕಾರ್ಯಾಗಾರದಿಂದ ಚಕ್ರ ನಟ್ ಟಾರ್ಕ್ ಅನ್ನು ಪರೀಕ್ಷಿಸಿ.

**⚠ ಎಚ್ಚರಿಕೆ**

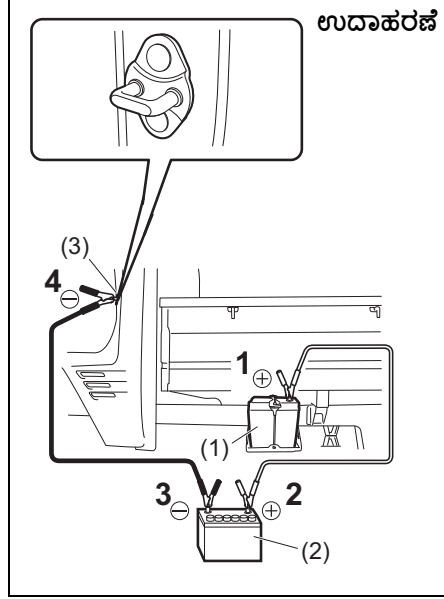
- ಬ್ಯಾಟರಿ ಫ್ರೀಜ್ ಆಗಿರುವಂತೆ ಕಂಡುಬಂದರೆ ನಿಮ್ಮ ವಾಹನವನ್ನು ಜಂಪ್ ಮಾಡಲು ಎಂದಿಗೂ ಪ್ರಯತ್ನಿಸಬೇಡಿ. ಜಂಪ್ ಸಾರ್ಟಿಂಗ್ ಪ್ರಯತ್ನಿಸಿದರೆ ಈ ಸ್ಥಿತಿಯಲ್ಲಿ ಬ್ಯಾಟರಿಗಳು ಸೋಡೆಗೊಳ್ಳಬಹುದು ಅಥವಾ ಛಿದ್ರವಾಗಬಹುದು.
- ಜಂಪ್ ಲೀಡ್ ಸಂಪರ್ಕಗಳನ್ನು ಮಾಡುವಾಗ, ನಿಮ್ಮ ಕೈಗಳು ಮತ್ತು ಜಂಪ್ ಲೀಡ್‌ಗಳು ಫುಲಿಗಳು, ಬೆಲ್‌ಗಳು ಅಥವಾ ಫ್ರಾನ್‌ಗಳಿಂದ ಸ್ಪರ್ಶವಾಗಿರುತ್ತವೆ ಎಂದು ಖಚಿತಪಡಿಸಿಕೊಳ್ಳಿ.
- ಬ್ಯಾಟರಿಗಳು ಸುಡುವ ಹೆಡ್‌ಲೈಟ್‌ಗಳನ್ನು ಅನಿಲವನ್ನು ಉತ್ಪಾದಿಸುತ್ತವೆ. ಬ್ಯಾಟರಿಯಿಂದ ಜಾಲ ಮತ್ತು ಕಿಡಿಗಳನ್ನು ದೂರವಿಡಿ ಅಥವಾ ಸ್ಥಳೀಯ ಸಂಭವಿಸಬಹುದು. ಬ್ಯಾಟರಿಯ ಸಮೀಪದಲ್ಲಿ ಕೆಲಸ ಮಾಡುವಾಗ ಎಂದಿಗೂ ಧೂಮಪಾನ ಮಾಡಬೇಡಿ.
- ನೀವು ಜಂಪ್ ಸಾರ್ಟಿಂಗ್‌ಗೆ ಬಳಸುವ ಬೂಸರ್ ಬ್ಯಾಟರಿಯನ್ನು ಮತ್ತೊಂದು ವಾಹನದಲ್ಲಿ ಸಾಪಿಸಿದರೆ, ಎರಡು ವಾಹನಗಳೂ ಪರಸ್ಪರಿ ಸ್ಪರ್ಶಿಸುತ್ತಿಲ್ಲ ಎಂದು ಖಚಿತಪಡಿಸಿಕೊಳ್ಳಿ.
- ಯಾವುದೇ ಸ್ಪಷ್ಟ ಕಾರಣವಿಲ್ಲದೆ ನಿಮ್ಮ ಬ್ಯಾಟರಿ ಪದೇ ಪದೇ ಡಿಸ್‌ಚಾರ್ಜ್ ಆಗುತ್ತಿದ್ದರೆ ಅಧಿಕೃತ ಮಾರುತಿ ಸುಜುಕಿ ಕಮರ್ಷಿಯಲ್ ವರ್ಕ್‌ಶಾಪ್ ಮೂಲಕ ನಿಮ್ಮ ವಾಹನವನ್ನು ಪರೀಕ್ಷಿಸಿ.
- ನಿಮಗೆ ಹಾನಿಯಾಗದಂತೆ ಅಥವಾ ನಿಮ್ಮ ವಾಹನ ಅಥವಾ ಬ್ಯಾಟರಿಗೆ ಹಾನಿಯಾಗುವುದನ್ನು ತಡೆಸಲು, ಕೆಳಗಿನ ಜಂಪ್ ಆರಂಭಿಕ ಸೂಚನೆಗಳನ್ನು ನಿಖರವಾಗಿ ಮತ್ತು ಕ್ರಮವಾಗಿ ಅನುಸರಿಸಿ. ನಿಮಗೆ ಸಂದೇಹವಿದ್ದರೆ, ಅರ್ಹ ರಸ್ತೆ ಸೇವೆಗಾಗಿ ಕರೆ ಮಾಡಿ.

ಸೂಚನೆ

ನಿಮ್ಮ ವಾಹನವನ್ನು ತಳ್ಳುವ ಅಥವಾ ಎಳೆಯುವ ಮೂಲಕ ಪ್ರಾರಂಭಿಸಬಾರದು. ಈ ಆರಂಭಿಕ ವಿಧಾನವು ವೇಗವರ್ಧಕ ಪರಿವರ್ತಕಕ್ಕೆ ಶಾಶ್ವತ ಹಾನಿಯನ್ನು ಉಂಟುಮಾಡಬಹುದು. ದುರ್ಬಲ ಅಥವಾ ಫಾಟ್ ಬ್ಯಾಟರಿಯೊಂದಿಗೆ ವಾಹನವನ್ನು ಪ್ರಾರಂಭಿಸಲು ಜಂಪ್ ಲೀಡ್‌ಗಳನ್ನು ಬಳಸಿ.

ನಿಮ್ಮ ವಾಹನವನ್ನು ಪ್ರಾರಂಭಿಸುವಾಗ, ಈ ಕೆಳಗಿನ ವಿಧಾನವನ್ನು ಬಳಸಿ:

- 1) ನಿಮ್ಮ ವಾಹನವನ್ನು ಪ್ರಾರಂಭಿಸಲು ಕೇವಲ 12-ವೋಲ್ಟ್ ಬ್ಯಾಟರಿಯನ್ನು ಬಳಸಿ. ಉತ್ತಮ 12-ವೋಲ್ಟ್ ಬ್ಯಾಟರಿಯನ್ನು ನಿಮ್ಮ ವಾಹನದ ಹತ್ತಿರ ಇರಿಸಿ ಇದರಿಂದ ಜಂಪ್ ಲೀಡ್‌ಗಳು ಎರಡೂ ಬ್ಯಾಟರಿಗಳನ್ನು ತಲುಪುತ್ತವೆ. ಮತ್ತೊಂದು ವಾಹನದಲ್ಲಿ ಅಳವಡಿಸಲಾದ ಬ್ಯಾಟರಿಯನ್ನು ಬಳಸುವಾಗ, ವಾಹನಗಳನ್ನು ಸ್ಪರ್ಶಿಸಲು ಬಿಡಬೇಡಿ. ಎರಡೂ ವಾಹನಗಳಲ್ಲಿ ಪಾರ್ಕಿಂಗ್ ಬ್ರೇಕ್‌ಗಳನ್ನು ಸಂಪೂರ್ಣವಾಗಿ ಹೊಂದಿಸಿ.
- 2) ಸುರಕ್ಷತಾ ಕಾರಣಗಳಿಗಾಗಿ (ಉದಾಹರಣೆಗೆ, ಹೆಡ್‌ಲೈಟ್‌ಗಳು ಅಥವಾ ಅಪಾಯಕಾರಿ ದೀಪಗಳು) ಅಗತ್ಯವಿರುವವುಗಳನ್ನು ಹೊರತುಪಡಿಸಿ, ಎಲ್ಲಾ ವಾಹನ ಬಿಡಿಭಾಗಗಳನ್ನು ಆಫ್ ಮಾಡಿ.



ಉದಾಹರಣೆ

77PS056

3) ಜಂಪ್ ಲೀಡ್ ಸಂಪರ್ಕಗಳನ್ನು ಈ ಕೆಳಗಿನಂತೆ ಮಾಡಿ:

1. ಫಾಟ್ ಬ್ಯಾಟರಿ (1) ನ ಧನಾತ್ಮಕ (+) ಟರ್ಮಿನಲ್‌ಗೆ ಮೊದಲ ಜಂಪ್ ಲೀಡ್‌ನ ಒಂದು ತುದಿಯನ್ನು ಸಂಪರ್ಕಿಸಿ.
2. ಬೂಸ್ಟರ್ ಬ್ಯಾಟರಿಯ (2) ಧನಾತ್ಮಕ (+) ಟರ್ಮಿನಲ್‌ಗೆ ಇನ್ನೊಂದು ತುದಿಯನ್ನು ಸಂಪರ್ಕಿಸಿ.

3. ಎರಡನೇ ಜಂಪ್ ಲೀಡ್‌ನ ಒಂದು ತುದಿಯನ್ನು ಬೂಸ್ಟರ್ ಬ್ಯಾಟರಿಯ (2) ಋಣಾತ್ಮಕ (-) ಟರ್ಮಿನಲ್‌ಗೆ ಸಂಪರ್ಕಿಸಿ.
4. ಫಾಟ್ ಬ್ಯಾಟರಿ (1) ನೊಂದಿಗೆ ವಾಹನದ ಬಣ್ಣವಿಲ್ಲದ, ಹೆವಿ ಮೆಟಲ್ ಭಾಗಕ್ಕೆ (ಅಂದರೆ ಡೋರ್ ಲಾಚ್ ಸ್ಪ್ರಿಂಗ್ (3)) ಅಂತಿಮ ಸಂಪರ್ಕವನ್ನು ಮಾಡಿ.

⚠ ಎಚ್ಚರಿಕೆ

ಡಿಸ್ಸಾರ್ಜ್ ಮಾಡಲಾದ ಬ್ಯಾಟರಿಯ ಋಣಾತ್ಮಕ (-) ಟರ್ಮಿನಲ್‌ಗೆ ನೇರವಾಗಿ ಜಂಪ್ ಲೀಡ್ ಅನ್ನು ಸಂಪರ್ಕಿಸಬೇಡಿ ಅಥವಾ ಸ್ಫೋಟ ಸಂಭವಿಸಬಹುದು.

- 4) ನೀವು ಬಳಸುತ್ತಿರುವ ಬೂಸ್ಟರ್ ಬ್ಯಾಟರಿಯನ್ನು ಮತ್ತೊಂದು ವಾಹನಕ್ಕೆ ಅಳವಡಿಸಿದ್ದರೆ, ಬೂಸ್ಟರ್ ಬ್ಯಾಟರಿಯೊಂದಿಗೆ ವಾಹನದ ಇಂಜಿನ್ ಅನ್ನು ಪ್ರಾರಂಭಿಸಿ. ಮಧ್ಯಮ ವೇಗದಲ್ಲಿ ಇಂಜಿನ್ ಅನ್ನು ಚಲಾಯಿಸಿ.
- 5) ಫಾಟ್ ಬ್ಯಾಟರಿಯೊಂದಿಗೆ ವಾಹನದ ಇಂಜಿನ್ ಅನ್ನು ಪ್ರಾರಂಭಿಸಿ.
- 6) ನೀವು ಸಂಪರ್ಕಿಸಿರುವ ನಿಖರವಾದ ಹಿಮ್ಮುಖ ಕ್ರಮದಲ್ಲಿ ಜಂಪ್ ಲೀಡ್‌ಗಳನ್ನು ತೆಗೆದುಹಾಕಿ.

### ಎಳೆಯುವುದು

ನಿಮ್ಮ ವಾಹನವನ್ನು ಎಳೆಯಬೇಕಾದರೆ, ವೃತ್ತಿಪರ ಸೇವೆಯನ್ನು ಸಂಪರ್ಕಿಸಿ. ನಿಮ್ಮ ವಿತರಕರು ನಿಮಗೆ ವಿವರವಾದ ಎಳೆಯುವ ಸೂಚನೆಗಳನ್ನು ಒದಗಿಸಬಹುದು.

ಸೂಚನೆ
ಎಳೆಯುವ ಸಮಯದಲ್ಲಿ ನಿಮ್ಮ ವಾಹನಕ್ಕೆ ಹಾನಿಯಾಗದಂತೆ ಸೆಹಾಯ ಮಾಡಲು, ಸರಿಯಾದ ಉಪಕರಣಗಳು ಮತ್ತು ಎಳೆಯುವ ಕಾರ್ಯವಿಧಾನಗಳನ್ನು ಬಳಸಬೇಕು.

### 2-ವೀಲ್ ಡ್ರೈವ್ (2ಡಬ್ಲ್ಯು ಡಿ) ಮ್ಯಾನುಯಲ್

#### ಟ್ರಾನ್ ಮಿಷನ್

ಹಸೆಬೆಲಿತ ಪ್ರಸರಣ ವಾಹನಗಳನ್ನು ಈ ಕೆಳಗಿನ ವಿಧಾನಗಳಲ್ಲಿ ಒಂದನ್ನು ಬಳಸಿ ಎಳೆಯಬಹುದು.

- 1) ಮುಂಭಾಗದಿಂದ, ಮುಂಭಾಗದ ಚಕ್ರಗಳನ್ನು ಮೇಲಕ್ಕೆತ್ತಿ ಹಿಂಭಾಗದ ಚಕ್ರಗಳು ನೆಲದ ಮೇಲೆ. ಎಳೆಯುವ ಮೊದಲು, ಪ್ರಸರಣವು ತಟಸ್ಥವಾಗಿದೆ ಮತ್ತು ಪಾರ್ಕಿಂಗ್ ಬ್ರೇಕ್ ಬಿಡುಗಡೆಯಾಗಿದೆ ಎಂದು ಖಚಿತಪಡಿಸಿಕೊಳ್ಳಿ.
- 2) ಹಿಂಬದಿಯಿಂದ, ಹಿಂಬದಿಯ ಚಕ್ರಗಳನ್ನು ಮೇಲಕ್ಕೆತ್ತಿ ಮತ್ತು ಮುಂಭಾಗದ ಚಕ್ರಗಳೆ ನೆಲದ ಮೇಲೆ. ಸ್ಪೀರಿಂಗ್ ಮತ್ತು ಡ್ರೈವ್‌ಟೇನ್ ಕಾರ್ಯಾಚರಣೆಯ ಸಿತಿಯಲ್ಲಿದೆ. ಎಳೆಯುವ ಮೊದಲು, ಸ್ಪೀರಿಂಗ್ ಚಕ್ರವನ್ನು ಅನಾಕ್ ಮಾಡಲಾಗಿದೆಯೆ ಎಂದು ಖಚಿತಪಡಿಸಿಕೊಳ್ಳಿ (ಇಗಿಷನ್ ಕೀ "ಎಸಿಸಿ" ಸ್ಥಾನದಲ್ಲಿರಬೇಕು), ಮತ್ತು ಸ್ಪೀರಿಂಗ್ ವೀಲ್ ಅನ್ನು ಎಳೆಯುವ ಸೇವೆಗಾಗಿ ವಿನ್ಯಾಸಗೊಳಿಸಲಾದ ಕ್ರಾಂಪ್ ಮಾಡುವ ಸಾಧನದೊಂದಿಗೆ ಸುರಕ್ಷಿತಗೊಳಿಸಲಾಗಿದೆ.

ಸೂಚನೆ		
ಎಳೆಯುವ ಚಕ್ರಗಳಿಂದ ತಡೆದುಕೊಳ್ಳುವಷ್ಟು ಬಲವಾಗಿಲ್ಲ.	ಸಮಯದಲ್ಲಿ ಹರಡುವ ಸ್ಪೀರಿಂಗ್ ಕಾಲಮ್	ಮುಂಭಾಗದ ಆಫಾತಗಳನ್ನು ಕಾಲಮ್

### ಸ್ಪಾರ್ಟರ್ ಕಾರ್ಯನಿರ್ವಹಿಸದಿದ್ದರೆ

- 1) ಬ್ಯಾಟರಿ ಸಿತಿಯನ್ನು ನಿರ್ಧರಿಸಲು ಹೆಡ್‌ಲೈಟ್‌ಗಳನ್ನು ಆನ್ ಮಾಡುವುದರೊಂದಿಗೆ ಇಗಿಷನ್ ಸ್ವಿಚ್ ಅನ್ನು "START" ಸ್ಥಾನಕ್ಕೆ ತಿರುಗಿಸಲು ಪ್ರಯತ್ನಿಸಿ. ಹೆಡ್‌ಲೈಟ್‌ಗಳು ಅತಿಯಾಗಿ ಮಬ್ಬಾಗಿ ಹೋದರೆ ಅಥವಾ ಆಫ್ ಆಗಿದ್ದರೆ, ಸಾಮಾನ್ಯವಾಗಿ ಬ್ಯಾಟರಿಯು ಫಾಟ್ ಆಗಿದೆ ಅಥವಾ ಬ್ಯಾಟರಿ ಟರ್ಮಿನಲ್ ಸಂಪರ್ಕವು ಕಳಪೆಯಾಗಿದೆ ಎಂದರ್ಥ. ಬ್ಯಾಟರಿಯನ್ನು ರೀಚಾರ್ಜ್ ಮಾಡಿ ಅಥವಾ ಅಗತ್ಯವಿರುವಂತೆ ಬ್ಯಾಟರಿ ಟರ್ಮಿನಲ್ ಸಂಪರ್ಕವನ್ನು ಸರಿಪಡಿಸಿ.
- 2) ಹೆಡ್‌ಲೈಟ್‌ಗಳು ಪ್ರಕಾಶಮಾನವಾಗಿ ಉಳಿದಿದ್ದರೆ, ಫೋನ್‌ಗಳನ್ನು ಪರಿಶೀಲಿಸಿ ಸ್ಪಾರ್ಟರ್ ವೈಫಲ್ಯದ ಕಾರಣವು ಸಜ್ಜೆವಾಗಿಲ್ಲದಿದ್ದರೆ, ಪ್ರಮುಖ ವಿಧ್ಯುತ್ ಸಮಸ್ಯೆ ಇರಬಹುದು. ನಿಮ್ಮ ಅಧಿಕೃತ ಮಾರುತಿ ಸುಜುಕಿ ವಾಣಿಜ್ಯ ಕಾರ್ಯಾಗಾರದಿಂದ ವಾಹನವನ್ನು ಪರೀಕ್ಷಿಸಿ.

### ಇಂಜಿನ್ ಪ್ರವಾಹಕ್ಕೆ ಒಳಗಾಗಿದ್ದರೆ

ಇಂಜಿನ್ ಇಂಧನದಿಂದ ತುಂಬಿದ್ದರೆ, ಅದನ್ನು ಪ್ರಾರಂಭಿಸಲು ಕಷ್ಟವಾಗಬಹುದು. ಇದು ಸಂಭವಿಸಿದಲ್ಲಿ, ವೇಗವರ್ಧಕ ಪೆಡಲ್ ಅನ್ನು ನೆಲದವರೆಗೆ ಒತ್ತಿರಿ ಮತ್ತು ಇಂಜಿನ್ ಅನ್ನು ಕ್ರಾಂಕ್ ಮಾಡುವಾಗ ಅದನ್ನು ಹಿಡಿದುಕೊಳ್ಳಿ.

- ಸ್ಪಾರ್ಟರ್ ಮೋಟಾರ್ ಅನ್ನು 30 ಸೆಕೆಂಡ್‌ಗಳಿಗಿಂತ ಹೆಚ್ಚು ಕಾಲ ಕಾರ್ಯನಿರ್ವಹಿಸಬೇಡಿ.

## ಇಂಜಿನ್ ಅತಿಯಾಗಿ ಬಿಸಿಯಾದರೆ

ತೀವ್ರವಾದ ಚಾಲನಾ ಪರಿಸ್ಥಿತಿಗಳಲ್ಲಿ ಇಂಜಿನ್ ತಾತ್ಕಾಲಿಕವಾಗಿ ಬಿಸಿಯಾಗಬಹುದು. ಚಾಲನೆಯ ಸಮಯದಲ್ಲಿ ಹೆಚ್ಚಿನ ಇಂಜಿನ್ ಕೂಲಂಟ್ ತಾಪಮಾನದ ಎಚ್ಚರಿಕೆಯ ಬೆಳಕು ಬಂದರೆ:

- 1) ವಾಹನವನ್ನು ಸುರಕ್ಷಿತ ಸ್ಥಳಕ್ಕೆ ತೆಗೆದುಕೊಂಡು ಹೋಗಿ ನಿಲ್ಲಿಸಿ ಮಾಡಿ.
- 2) ಹೆಚ್ಚಿನ ಇಂಜಿನ್ ಕೂಲಂಟ್ ತಾಪಮಾನದ ಎಚ್ಚರಿಕೆಯ ಬೆಳಕು ಆಫ್ ಆಗುವವರೆಗೆ ಕೆಲವು ನಿಮಿಷಗಳ ಕಾಲ ಇಂಜಿನ್ ಅನ್ನು ಸಾಮಾನ್ಯ ನಿಷ್ಕ್ರಿಯ ವೇಗದಲ್ಲಿ ಚಲಾಯಿಸಲು ಬಿಡಿ.

### ⚠ ಎಚ್ಚರಿಕೆ

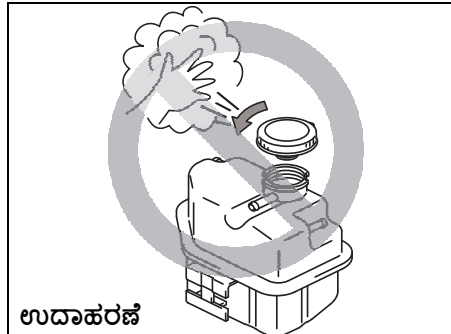
ಉಗಿ ತಪ್ಪಿಸಿಕೊಳ್ಳುವುದನ್ನು ನೀವು ನೋಡಿದರೆ ಅಥವಾ ಕೇಳಿದರೆ, ವಾಹನವನ್ನು ಸುರಕ್ಷಿತ ಸ್ಥಳದಲ್ಲಿ ನಿಲ್ಲಿಸಿ ಮತ್ತು ಅದನ್ನು ತಣಗಾಗಲು ತಕ್ಷಣವೇ ಇಂಜಿನ್ ಅನ್ನು ಆಫ್ ಮಾಡಿ. ಉಗಿ ಇರುವಾಗ ಇಂಜಿನ್ ವಿಭಾಗವನ್ನು ತೆರೆಯಬೇಡಿ. ಆವಿಯು ಇನ್ನು ಮುಂದೆ ನೋಡಲು ಅಥವಾ ಕೇಳಲು ಸಾಧ್ಯವಾಗದಿದ್ದಾಗ, ಶೀತಕವು ಇನ್ನೂ ಕುದಿಯುತ್ತಿದೆಯೇ ಎಂದು ನೋಡಲು ಇಂಜಿನ್ ಕಾಂಪಾರ್ಟ್‌ಮೆಂಟ್ ಅನ್ನು ತೆರೆಯಿರಿ. ಹಾಗಿದ್ದಲ್ಲಿ, ನೀವು ಮುಂದುವರಿಯುವ ಮೊದಲು ಅದು ಕುದಿಯುವುದನ್ನು ನಿಲ್ಲಿಸುವವರೆಗೆ ನೀವು ಕಾಯಬೇಕು.

ಹೆಚ್ಚಿನ ಇಂಜಿನ್ ಶೀತಕ ತಾಪಮಾನದ ಎಚ್ಚರಿಕೆಯ ಬೆಳಕು ಆಫ್ ಆಗದಿದ್ದರೆ:

- 1) ಇಂಜಿನ್ ಅನ್ನು ಆಫ್ ಮಾಡಿ ಮತ್ತು ನೀರಿನ ಪಂಪ್ ಬೆಲ್ ಮತ್ತು ಪುಲ್ಲಿಗಳು ಹಾನಿಗೊಳಗಾಗುವುದಿಲ್ಲ ಅಥವಾ ಜಾರಿಬೀಳುವುದಿಲ್ಲ ಎಂದು ಪರಿಶೀಲಿಸಿ. ಯಾವುದೇ ಅಸಹಜತೆ ಕಂಡುಬಂದರೆ, ಅದನ್ನು ಸರಿಪಡಿಸಿ.

- 2) ಚಲಾಶಯದಲ್ಲಿ ಶೀತಕ ಮಟ್ಟವನ್ನು ಪರಿಶೀಲಿಸಿ. ಇದು "ಕಡಿಮೆ" ರೇಖೆಗಿಂತ ಕಡಿಮೆ ಎಂದು ಕಂಡುಬಂದರೆ, ರೇಡಿಯೇಟರ್, ವಾಟರ್ ಪಂಪ್ ಮತ್ತು ರೇಡಿಯೇಟರ್ ಮತ್ತು ಹೀಟರ್ ಮತ್ತು ನೀರ್‌ನಾಳಗಳಲ್ಲಿ ಸೋರಿಕೆಯನ್ನು ನೋಡಿ. ಅಧಿಕ ತಾಪಕ್ಕೆ ಕಾರಣವಾಗುವ ಯಾವುದೇ ಸೋರಿಕೆಯನ್ನು ನೀವು ಪತ್ತೆ ಮಾಡಿದರೆ, ಈ ಸಮಸ್ಯೆಗಳನ್ನು ಸರಿಪಡಿಸುವವರೆಗೆ ಇಂಜಿನ್ ಅನ್ನು ಚಲಾಯಿಸಬೇಡಿ.
- 3) ನೀವು ಸೋರಿಕೆಯನ್ನು ಕಂಡುಹಿಡಿಯದಿದ್ದರೆ, ಎಚ್ಚರಿಕೆಯಿಂದ ಜಲಾಶಯಕ್ಕೆ ಶೀತಕವನ್ನು ಸೇರಿಸಿ ಮತ್ತು ನಂತರ ರೇಡಿಯೇಟರ್ ಅಗತ್ಯವಿದ್ದರೆ, ("ಪರಿಶೀಲನೆ ಮತ್ತು ನಿರ್ವಹಣೆ" ವಿಭಾಗದಲ್ಲಿ "ಇಂಜಿನ್ ಕೂಲಂಟ್" ಅನ್ನು ನೋಡಿ.)

*ಸೂಚನೆ:*  
ನಿಮ್ಮ ಇಂಜಿನ್ ಅತಿಯಾಗಿ ಬಿಸಿಯಾದರೆ ಮತ್ತು ಏನು ಮಾಡಬೇಕೆಂದು ನಿಮಗೆ ಖಚಿತವಿಲ್ಲದಿದ್ದರೆ, ನಿಮ್ಮ ಅಧಿಕೃತ ಮಾರುತಿ ಸುಜುಕಿ ವಾಣಿಜ್ಯ ಕಾರ್ಯಾಗಾರವನ್ನು ಸಂಪರ್ಕಿಸಿ.



65D350d

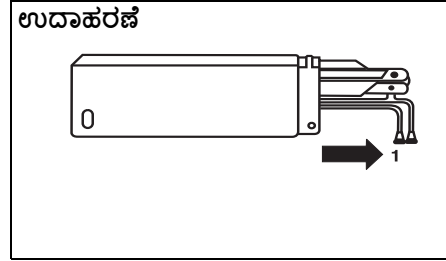
### ⚠ ಎಚ್ಚರಿಕೆ

- ನೀರಿನ ಉಷ್ಣತೆಯು ಅಧಿಕವಾಗಿರುವಾಗ ರೇಡಿಯೇಟರ್ ಕ್ಯಾಪ್ ಅನ್ನು (ಅಥವಾ ಡೀಸೆಲ್ ಇಂಜಿನ್ ಡಿಗ್ರಾಸಿಂಗ್ ಟ್ಯಾಂಕ್ ಕ್ಯಾಪ್) ತೆಗೆದುಹಾಕುವುದು ಅಪಾಯಕಾರಿ, ಏಕೆಂದರೆ ಸುಡುವ ದ್ರವ ಮತ್ತು ಉಗಿ ಒತ್ತಡದಲ್ಲಿ ಹೊರಹಾಕಬಹುದು. ಶೀತಕದ ಉಷ್ಣತೆಯು ಕಡಿಮೆಯಾದಾಗ ಮಾತ್ರ ಕ್ಯಾಪ್ ಅನ್ನು ತೆಗೆಯಬೇಕು.
- ವೈಯಕ್ತಿಕ ಗಾಯವನ್ನು ತಡೆಗಟ್ಟಲು ಸಹಾಯ ಮಾಡಲು, ಕೈಗಳು, ಉಪಕರಣಗಳು ಮತ್ತು ಬಟ್ಟೆಗಳನ್ನು ಇಂಜಿನ್ ಕೂಲಿಂಗ್ ಫ್ಲಾನ್‌ನಿಂದ ದೂರವಿಡಿ. ಈ ಎಲೆಕ್ಟ್ರಿಕ್ ಫ್ಲಾನ್‌ಗಳು ಎಚ್ಚರಿಕೆಯಿಲ್ಲದೆ ಸ್ಪರ್ಶಿಸಿದರೆ ಅಪಾಯಕಾರಿ ಆಗಬಹುದು.

## ಹೊಡೆಯುವ ಮೂಲಕ ಅಂಡರ್ಬಾರ್ಡಿ ಟ್ರಬಲ್

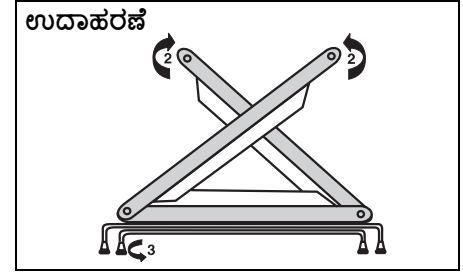
ನಿಮ್ಮ ವಾಹನದ ಕೆಳಭಾಗವನ್ನು ನೀವು ಹೊಡೆದರೆ, ತಪಾಸಣೆಗಾಗಿ ಅಧಿಕೃತ ಮಾರುತಿ ಸುಜುಕಿ ವಾಣಿಜ್ಯ ಕಾರ್ಯಾಗಾರವನ್ನು ಕೇಳಿ. ಇಲ್ಲದಿದ್ದರೆ ಸೀರಿಂಗ್, ಅಮಾನತು, ಡ್ರೈವ್‌ಲೈನ್ ಮತ್ತು ಬ್ರೇಕ್ ಇತ್ಯಾದಿಗಳಿಗೆ ಹಾನಿಯು ನಿಮ್ಮ ಸುರಕ್ಷಿತ ಚಾಲನೆಯನ್ನು ತಡೆಯಬಹುದು.

## ಎಚ್ಚರಿಕೆ ತ್ರಿಕೋನ



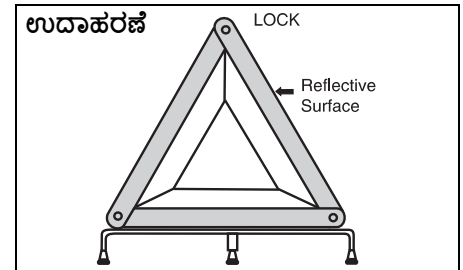
MHO-07-001

ವಾಹನ ಸ್ಥಗಿತಗೊಂಡಾಗ ಅಥವಾ ತುರ್ತು ನಿಲುಗಡೆಯ ಸಂದರ್ಭದಲ್ಲಿ ನಿಮ್ಮ ವಾಹನವು ಸಂಭಾವ್ಯ ಟ್ರಾಫಿಕ್ ಅಪಾಯವಾಗಬಹುದು. ಸಮೀಪಿಸುತ್ತಿರುವ ದಟ್ಟಣೆಯನ್ನು ಎಚ್ಚರಿಸಲು ನಿಮ್ಮ ವಾಹನದ ಹಿಂದೆ ಯಾವುದೇ ಅಡೆತಡೆಗಳಿಲ್ಲದೆ ನಿಮ್ಮ ವಾಹನದೊಂದಿಗೆ ಒದಗಿಸಲಾದ ಎಚ್ಚರಿಕೆಯ ತ್ರಿಕೋನವನ್ನು ಇರಿಸಿ. ಅಂದಾಜು 50-100 ಮೀ ದೂರದಲ್ಲಿ ತ್ರಿಕೋನದ ಪ್ರತಿಬಿಂಬಿಸುವ ಭಾಗವು ಆನ್ ಕಮ್-ಇಂಗ್ ಟ್ರಾಫಿಕ್ ಅನ್ನು ಎದುರಿಸಬೇಕು. ಎಚ್ಚರಿಕೆಯ ತ್ರಿಕೋನವನ್ನು ಇರಿಸಿಕೊಳ್ಳಲು ವಾಹನವನ್ನು ಇಳಿಸುವ ಮೊದಲು ಅಪಾಯದ ಎಚ್ಚರಿಕೆ ದೀಪಗಳನ್ನು ಸಕ್ರಿಯಗೊಳಿಸಿ.



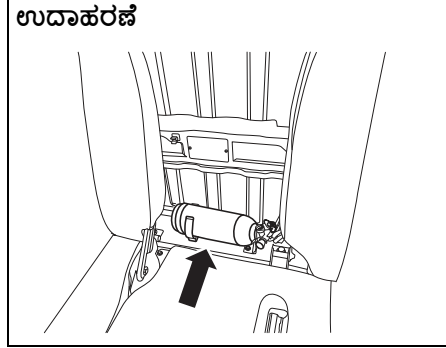
MHO-07-014-1

- ಬಾಣ 1 ರಲ್ಲಿ ತೋರಿಸಿರುವಂತೆ ಎಚ್ಚರಿಕೆಯ ತ್ರಿಕೋನವನ್ನು ಕವರ್‌ನಿಂದ ಎಚ್ಚರಿಕೆಯಿಂದ ತೆಗೆದುಹಾಕಿ.
- ಬಾಣದ ಮೂಲಕ ತೋರಿಸಿರುವಂತೆ ಎರಡೂ ಪ್ರತಿಫಲಕ ತೋಳುಗಳನ್ನು ತೆರೆಯಿರಿ ಮತ್ತು ಭಲಗ್ಯಯಲಿ ಒದಗಿಸಲಾದ ಕಿಪ್‌ನೊಂದಿಗೆ ತೋಳುಗಳನ್ನು ಪರಸ್ಪರ ಲಾಕ್ ಮಾಡಿ. ಬಾಣ 3 ರಲ್ಲಿ ತೋರಿಸಿರುವಂತೆ ಕಾಂಟರ್ ಗಡಿಯಾರವಾಯ್ ದಿಕ್ಕಿನಲ್ಲಿ ಕೆಳಗಿನ ಸ್ಪಾಂಡ್ ಅನ್ನು ತೆರೆಯಿರಿ. ವಾಹನದ ಹಿಂದೆ ಎಚ್ಚರಿಕೆಯ ತ್ರಿಕೋನವನ್ನು ಸರಳ ಮೇಲ್ಯಯಲಿ ಇರಿಸಿ.
- ಕವರ್ ಒಳಗೆ ಇಡಲು ತೆಗೆದುಹಾಕುವ ವಿಧಾನವನ್ನು ಹಿಮ್ಮುಖಗೊಳಿಸಿ.



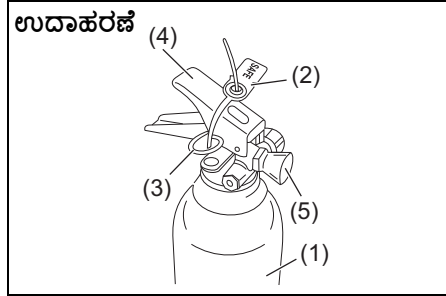
MHO-07-014

ಅಗ್ನಿಶಾಮಕ (ಸಜ್ಜುಗೊಂಡಿದ್ದರೆ)



77PM08009

ಅಗ್ನಿಶಾಮಕವನ್ನು ಆಸನಗಳ ಹಿಂದೆ ಇರಿಸಲಾಗುತ್ತದೆ (ಚಾಲಕ ಮತ್ತು ಪ್ರಯಾಣಿಕರ ಆಸನದ ನಡುವೆ).

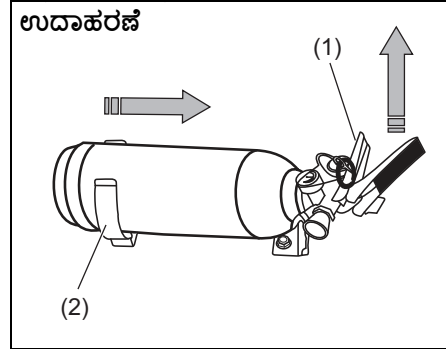


77PM08003

- (1) ಅಗ್ನಿಶಾಮಕ ಸಿಲಿಂಡರ್
- (2) ಮುದ್ರೆ
- (3) ಸೇಫ್ಟಿ ಪಿನ್
- (4) ಲಿವರ್
- (5) ನಳಿಕೆ

ಅಗ್ನಿಶಾಮಕವನ್ನು ತೆಗೆಯುವುದು ಮತ್ತು ಮರುಹೊಂದಿಸುವುದು

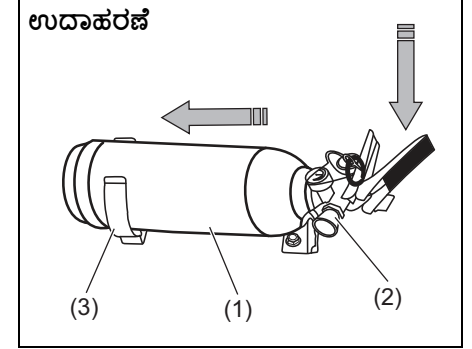
ಅಗ್ನಿಶಾಮಕವನ್ನು ತೆಗೆದುಹಾಕಲು



77PM08004

ಅಗ್ನಿಶಾಮಕದ ಲಿವರ್ (1) ಅನ್ನು ಸ್ವಲ್ಪ ಮೇಲಕ್ಕೆ ಮೇಲಕ್ಕೆ ತಿ ಮತ್ತು ಫಿಗರ್‌ನಲ್ಲಿ ತೋರಿಸಿರುವಂತೆ ಅಗ್ನಿಶಾಮಕವನ್ನು ದಿಕ್ಕಿಗೆ ಎಳೆಯಿರಿ. ಅದನ್ನು ಕ್ಲಾಂಪ್ (2) ನಿಂದ ಬೇರ್ಪಡಿಸಲು.

ಅಗ್ನಿಶಾಮಕವನ್ನು ಮರುಹೊಂದಿಸಲು



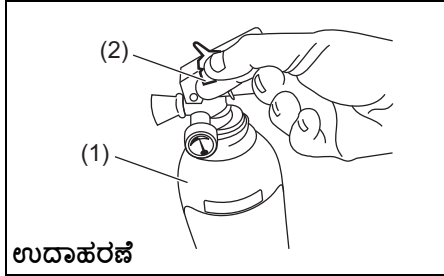
77PM08005

ಕ್ಲಾಂಪ್ (3) ಗೆ ಅಗ್ನಿಶಾಮಕ (1) ದೇಹವನ್ನು ಸೇರಿಸಿ ಮತ್ತು ನಳಿಕೆಯನ್ನು (2) ಎಚ್ಚರಿಕೆಯಿಂದ ಕಳಚಿ, ಕ್ಲಾಂಪ್ ಮೇಲೆ ಇರಿಸಿ.

ಸೂಚನೆ:  
ಅಗ್ನಿಶಾಮಕ ನಳಿಕೆಯು ಕ್ಲಾಂಪ್ ಮೇಲೆ ಸರಿಯಾಗಿ ಕುಳಿತಿದೆ ಎಂದು ಖಚಿತಪಡಿಸಿಕೊಳ್ಳಿ.



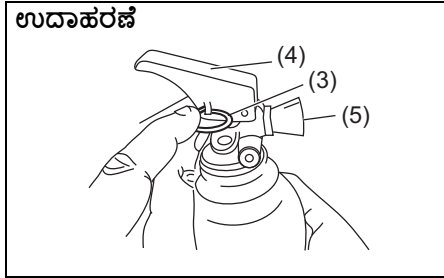
ಕಾರ್ಯಾಚರಣೆಯ ಕಾರ್ಯವಿಧಾನ



ಉದಾಹರಣೆ

77PM08006

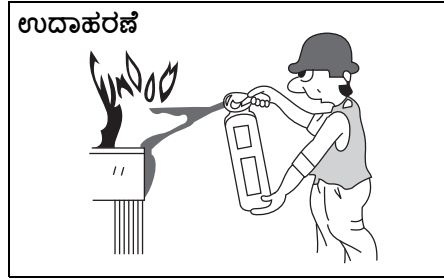
- 1) ಅಗ್ನಿ ಶಾಮಕವನ್ನು (1) ನೇರವಾಗಿ ಹಿಡಿದುಕೊಳ್ಳಿ.
- 2) ಸುರಕ್ಷತಾ ಪಿನ್ (3) ಅನ್ನು ತಿರುಗಿಸುವ ಮೂಲಕ ಸೀಲ್ (2) ಮುರಿಯಿರಿ.



ಉದಾಹರಣೆ

77PM08007

- 3) ಫುಲ್ ಸೇಫ್ಟಿ ಪಿನ್ (3)
- 4) ಸ್ಪ್ರಿಂಗ್ ಲೆವರ್ (4) ಮತ್ತು ಜೆಟ್ ಅನ್ನು ನೆಲೆಗೊಳಿಸಿ (5) ಬೆಂಕಿಯ ಸಮೀಪವಿರುವ ಅಂಚಿನ ಕಡೆಗೆ ಕಿವುಟ (ವೇಗದ) ಸ್ಟ್ರೀಮಿಂಗ್ ಚಲನೆಯೊಂದಿಗೆ ನೆರ್ದೇಶಿಸಿ.



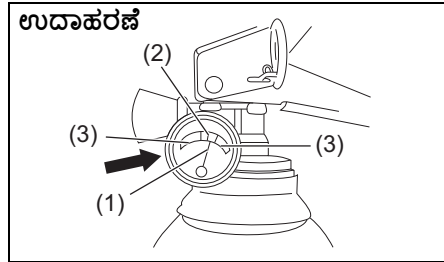
ಉದಾಹರಣೆ

77PM08008

- 5) ಜ್ವಾಲೆಗಳು ನಂದಿಸುವವರೆಗೆ ಬೆಂಕಿಯನ್ನು ದೂರದ ಅಂಚಿನ ಕಡೆಗೆ ಓಡಿಸಿ.

ಸೂಚನೆ:  
ಅಗ್ನಿ ಶಾಮಕವು ಬಾಹ್ಯ ಮೂಲದಿಂದ ವಾಹನದಲ್ಲಿ ಉಂಟಾಗುವ ಸಣ್ಣ ಬೆಂಕಿಗೆ ಮಾತ್ರ ಉದ್ದೇಶಿಸಲಾಗಿದೆ.

ಮಾಡಬೇಕಾದದ್ದು ಮತ್ತು ಮಾಡಬಾರದು



ಉದಾಹರಣೆ

77PM08001

ಮಾಡಬೇಕಾದದ್ದು

- 1) ನಿಯತಕಾಲಿಕವಾಗಿ ಒತ್ತಡದ ಮಾಪಕವನ್ನು ಪರಿಶೀಲಿಸಿ. ಗರಿಷ್ಠ ಬಾರ್ಜಿಂಗ್ ಒತ್ತಡ 15ಕೆಜಿಎಫ್/ಸಿಎಂ<sup>2</sup> (ಹಸಿರು ವಲಯದಲ್ಲಿ (2)).
- 2) ಒತ್ತಡ ಕಡಿಮೆಯಾದಾಗ, ಸೂಚಕ ಸೂಚಿ (1) ಕೆಂಪು ವಲಯಕ್ಕೆ (3) ಬದಲಾಗುತ್ತದೆ. ಅಗ್ನಿ ಶಾಮಕದಲ್ಲಿ ಓದಗಿಸಲಾದ ಮಾಹಿತಿಯ ಪ್ರಕಾರ ತಕ್ಷಣ ಅಗ್ನಿ ಶಾಮಕ ತಯಾರಕರನ್ನು ಸಂಪರ್ಕಿಸಿ.
- 3) ತಯಾರಕರ ಸೇವಾ ಕೇಂದ್ರದ ಮೂಲಕ ಮಾತ್ರ ಅಗ್ನಿ ಶಾಮಕ ಸೇವೆಯನ್ನು ಪಡೆಯಿರಿ. ಹತ್ತಿರದ ಸೇವಾ ಕೇಂದ್ರವನ್ನು ಪತ್ತೆಹಚ್ಚಲು ಅಗ್ನಿ ಶಾಮಕದಲ್ಲಿ ಓದಗಿಸಲಾದ ಮಾಹಿತಿಯನ್ನು ನೋಡಿ.
- 4) ಅಗ್ನಿ ಶಾಮಕವನ್ನು ಯಾವಾಗಲೂ ವಾಹನದಲ್ಲಿ ಅದೇ ನಿಗದಿತ ಸ್ಥಾನದಲ್ಲಿ ಇರಿಸಲಾಗಿದೆ ಎಂದು ಖಚಿತಪಡಿಸಿಕೊಳ್ಳಿ.
- 5) ಬಳಕೆಯ ನಂತರ ತಕ್ಷಣವೇ ಅಗ್ನಿ ಶಾಮಕವನ್ನು ಪುನಃ ತುಂಬಿಸಿ.

ಮಾಡಬೇಡ

- 1) ಅಗ್ನಿ ಶಾಮಕವನ್ನು ಸ್ವಚ್ಛಗೊಳಿಸಲು ನೀರನ್ನು ಬಳಸಬೇಡಿ. (ಧೂಳನ್ನು ತೆಗೆಯಲು ಸ್ವಚ್ಛವಾದ ಬಟ್ಟೆಯನ್ನು ಬಳಸಿ)
- 2) ಬಳಸಿದ ಅಥವಾ ಡಿಸ್ಚಾರ್ಜ್ ಮಾಡಿದ ಅಗ್ನಿ ಶಾಮಕವನ್ನು ಅವಲಂಬಿಸಬೇಡಿ.

ಸೂಚನೆ:

- ಪ್ರತಿ ಬಳಕೆಯ ನಂತರ ಮರುಪೂರಣ ಅಗತ್ಯ.
- ಅಗ್ನಿ ಶಾಮಕವನ್ನು ಬಳಸದಿದ್ದರೂ ಪ್ರತಿ 3 ವರ್ಷಗಳ ನಂತರ ಪುನಃ ತುಂಬುವ ಅಗತ್ಯವಿದೆ.



## ಗೋಚರತೆ ಕಾಳಜಿ

ತುಕ್ಕು ತಡೆಗಟ್ಟುವಿಕೆ .....	9-1
ವಾಹನ ಶುಚಿಗೊಳಿಸುವಿಕೆ .....	9-2

## ತುಕ್ಕು ತಡೆಗಟ್ಟುವಿಕೆ

ನಿಮ್ಮ ವಾಹನವನ್ನು ಸವೆತದಿಂದ ರಕ್ಷಿಸಲು ಅದನ್ನು ಚೆನ್ನಾಗಿ ನೋಡಿಕೊಳ್ಳುವುದು ಮುಖ್ಯ. ಸವೆತವನ್ನು ತಡೆಗಟ್ಟಲು ನಿಮ್ಮ ವಾಹನವನ್ನು ಹೇಗೆ ನಿರ್ವಹಿಸುವುದು ಎಂಬುದರ ಸೂಚನೆಗಳನ್ನು ಕೆಳಗೆ ಪಟ್ಟಿ ಮಾಡಲಾಗಿದೆ. ದಯವಿಟ್ಟು ಈ ಸೂಚನೆಗಳನ್ನು ಎಚ್ಚರಿಕೆಯಿಂದ ಓದಿ ಮತ್ತು ಅನುಸರಿಸಿ.

### ತುಕ್ಕಿನ ಬಗ್ಗೆ ಪ್ರಮುಖ ಮಾಹಿತಿ

ತುಕ್ಕಿಗೆ ಸಾಮಾನ್ಯ ಕಾರಣಗಳು

- 1) ರಸ್ತೆಯ ಉಪ್ಪು, ಕೊಳಕು, ತೇವಾಂಶ ಅಥವಾ ರಾಸಾಯನಿಕಗಳ ಶೇಖರಣೆ ವಾಹನದ ಒಳಭಾಗ ಅಥವಾ ಚೌಕಟ್ಟಿನ ಕಷ್ಟದಿಂದ ತಲುಪುವ ಪ್ರದೇಶಗಳಲ್ಲಿ.
- 2) ಚಿಪ್ಪಿಂಗ್, ಗೀರುಗಳು ಮತ್ತು ಸಣ್ಣ ಅಪಘಾತಗಳು ಅಥವಾ ಕಲ್ಲುಗಳು ಮತ್ತು ಜಲಿಕಣ್ಣುಗಳಿಂದ ಸವೆತದ ಪರಿಣಾಮವಾಗಿ ಸಂಸ್ಕರಿಸಿದ ಅಥವಾ ಚಿತ್ರಿಸಿದ ಲೋಹದ ಮೇಲ್ಮೈಗಳಿಗೆ ಯಾವುದೇ ಹಾನಿ.
- 3) ಕೆಳಗೆ ತಿಳಿಸಲಾದ ಯಾವುದೇ ಅಥವಾ ಎಲ್ಲಾ ಅಂಶಗಳು:
  - ಸೂರ್ಯನ ಬೆಳಕಿಗೆ ನಿರಂತರ ಒಡ್ಡಿಕೊಳ್ಳುವುದು
  - ಗಡಸು ನೀರು ಮತ್ತು ಸಮುದ್ರದ ನೀರು ವಾಹನದ ಸಂಪರ್ಕಕ್ಕೆ ಬರುವುದು.
  - ಕಾಲು ಉಜ್ಜುವುದು (ಸೈಡಿಂಗ್).

ಸವೆತವನ್ನು ವೇಗಗೊಳಿಸುವ ಪರಿಸರ ಪರಿಸ್ಥಿತಿಗಳು

- 1) ರಸ್ತೆ ಉಪ್ಪು, ಧೂಳು ನಿಯಂತ್ರಣ ರಾಸಾಯನಿಕಗಳು, ಸಮುದ್ರ ಗಾಳಿ ಅಥವಾ ಕೈಗಾರಿಕಾ ಮಾಲಿನ್ಯವು ಲೋಹದ ತುಕ್ಕಿಗೆ ವೇಗವನ್ನು ನೀಡುತ್ತದೆ.
- 2) ಹೆಚ್ಚಿನ ಆರ್ದ್ರತೆಯು ಸವೆತದ ಪ್ರಮಾಣವನ್ನು ಹೆಚ್ಚಿಸುತ್ತದೆ, ವಿಶೇಷವಾಗಿ ತಾಪಮಾನದ

ವ್ಯಾಪ್ತಿಯು ಘನೀಕರಿಸುವ ಹಂತಕ್ಕಿಂತ ಹೆಚ್ಚಾಗಿರುತ್ತದೆ.

- 3) ದೇಹದ ಇತರ ವಿಭಾಗಗಳು ಸಂಪೂರ್ಣವಾಗಿ ಒಣಗಿದ್ದರೂ ಸಹ ದೀರ್ಘಕಾಲದವರೆಗೆ ವಾಹನದ ಕೆಲವು ಪ್ರದೇಶಗಳಲ್ಲಿ ತೇವಾಂಶವು ತುಕ್ಕಿಗೆ ಕಾರಣವಾಗಬಹುದು.
- 4) ಹೆಚ್ಚಿನ ತಾಪಮಾನವು ತ್ವರಿತವಾಗಿ ಒಣಗಲು ಅನುಮತಿಸಲು ಚೆನ್ನಾಗಿ ಗಾಳಿ ಇಲದಿರುವ ವಾಹನದ ಭಾಗಗಳಿಗೆ ತುಕ್ಕು ವೇಗವರ್ಧಿತ ದರವನ್ನು ಉಂಟುಮಾಡುತ್ತದೆ.

ಈ ಮಾಹಿತಿಯು ನಿಮ್ಮ ವಾಹನವನ್ನು (ವಿಶೇಷವಾಗಿ ಒಳಭಾಗ) ಸಾಧ್ಯವಾದಷ್ಟು ಸ್ವಚ್ಛವಾಗಿ ಮತ್ತು ಶುಷ್ಕವಾಗಿಟ್ಟುಕೊಳ್ಳುವ ಅಗತ್ಯವನ್ನು ವಿವರಿಸುತ್ತದೆ. ಸಾಧ್ಯವಾದಷ್ಟು ಬೇಗ ಬಣ್ಣ ಅಥವಾ ರಕ್ಷಣಾತ್ಮಕ ಲೇಪನಗಳಿಗೆ ಯಾವುದೇ ಹಾನಿಯನ್ನು ಸರಿಪಡಿಸುವುದು ಅಷ್ಟೇ ಮುಖ್ಯ.

### ತುಕ್ಕು ತಡೆಯಲು ಹೇಗೆ ಸಹಾಯ ಮಾಡುವುದು

ನಿಮ್ಮ ವಾಹನವನ್ನು ಆಗಾಗ್ಗೆ ತೊಳೆಯಿರಿ ನಿಮ್ಮ ವಾಹನದ ಫಿನಿಶ್ ಅನ್ನು ಸಂರಕ್ಷಿಸಲು ಮತ್ತು ತುಕ್ಕು ತಪ್ಪಿಸಲು ಸಹಾಯ ಮಾಡುವ ಉತ್ತಮ ಮಾರ್ಗವೆಂದರೆ ಆಗಾಗ್ಗೆ ತೊಳೆಯುವ ಮೂಲಕ ಅದನ್ನು ಸ್ವಚ್ಛವಾಗಿರಿಸಿಕೊಳ್ಳುವುದು.

ಚಳಿಗಾಲದಲ್ಲಿ ಒಮ್ಮೆಯಾದರೂ ಮತ್ತು ಚಳಿಗಾಲದ ನಂತರ ಒಮ್ಮೆಯಾದರೂ ನಿಮ್ಮ ವಾಹನವನ್ನು ತೊಳೆಯಿರಿ. ನಿಮ್ಮ ವಾಹನವನ್ನು ವಿಶೇಷವಾಗಿ ಕೆಳಭಾಗವನ್ನು ಸಾಧ್ಯವಾದಷ್ಟು ಸ್ವಚ್ಛವಾಗಿ ಮತ್ತು ಒಣಗಿಸಿ.

ನೀವು ಆಗಾಗ್ಗೆ ಉಪ್ಪುಸಹಿತ ರಸ್ತೆಗಳಲ್ಲಿ ಚಾಲನೆ ಮಾಡುತ್ತಿದ್ದರೆ, ಚಳಿಗಾಲದಲ್ಲಿ ನಿಮ್ಮ ವಾಹನವನ್ನು ತಿಂಗಳಿಗೆ ಒಮ್ಮೆಯಾದರೂ ತೊಳೆಯಬೇಕು. ನೀವು ಸಮುದ್ರದ ಬಳಿ ವಾಸಿಸುತ್ತಿದ್ದರೆ, ನಿಮ್ಮ

ವಾಹನವನ್ನು ವರ್ಷವಿಡೀ ತಿಂಗಳಿಗೊಮ್ಮೆ ತೊಳೆಯಬೇಕು.

ವಾಷಿಂಗ್ ಸೂಚನೆಗಳಿಗಾಗಿ, "ವಾಹನ ಶುಚಿಗೊಳಿಸುವಿಕೆ" ವಿಭಾಗವನ್ನು ನೋಡಿ.

ವಿದೇಶಿ ವಸ್ತುಗಳ ಹೊಡೆತಿಯನ್ನು ತೆಗೆದುಹಾಕಿ ಲವಣಗಳು, ರಾಸಾಯನಿಕಗಳು, ರಸ ತೈಲ ಅಥವಾ ಟಾರ್, ಮರದ ರಸ, ಪಕ್ಷಿ ಹಿಕ್ಕೆಗಳು ಮತ್ತು ಕೈಗಾರಿಕಾ ಬೀಳುವಿಕೆಗಳಂತಹ ವಿದೇಶಿ ವಸ್ತುಗಳನ್ನು ನಿಮ್ಮ ವಾಹನವನ್ನು ಬಣ್ಣದ ಮೇಲ್ಮೈಗಳಲ್ಲಿ ಬಿಟ್ಟರೆ ಅದರ ಅಂದವನ್ನು ಹಾನಿಗೊಳಿಸಬಹುದು. ಈ ರೀತಿಯ ಅಂಟಿಕೊಂಡಿರುವುದನ್ನು ಸಾಧ್ಯವಾದಷ್ಟು ಬೇಗ ತೆಗೆದುಹಾಕಿ. ಈ ಅಂಟಿಕೊಂಡಿರುವುದನ್ನು ತೊಳೆಯುವುದು ಕಷ್ಟವಾಗಿದ್ದರೆ, ಹೆಚ್ಚುವರಿ ಕ್ಲೀನರ್ ಅಗತ್ಯವಿರಬಹುದು. ನೀವು ಬಳಸುವ ಯಾವುದೇ ಕ್ಲೀನರ್ ಚಿತ್ರಿಸಿದ ಮೇಲ್ಮೈಗಳಿಗೆ ಹಾನಿಕಾರಕವಲ್ಲ ಮತ್ತು ನಿರ್ದಿಷ್ಟವಾಗಿ ನಿಮ್ಮ ಉದ್ದೇಶಗಳಿಗಾಗಿ ಉದ್ದೇಶಿಸಲಾಗಿದೆ ಎಂದು ಖಚಿತಪಡಿಸಿಕೊಳ್ಳಿ. ಈ ವಿಶೇಷ ಕ್ಲೀನರ್‌ಗಳನ್ನು ಬಳಸುವಾಗ ತಯಾರಕರ ನಿರ್ದೇಶನೆಗಳನ್ನು ಅನುಸರಿಸಿ.

ದುರಸ್ತಿ ಮುಕ್ತಾಯದ ಹಾನಿ

ಚಿತ್ರಿಸಿದ ಮೇಲ್ಮೈಗಳಿಗೆ ಹಾನಿಯಾಗದಂತೆ ನಿಮ್ಮ ವಾಹನವನ್ನು ಎಚ್ಚರಿಕೆಯಿಂದ ಪರೀಕ್ಷಿಸಿ. ಬಣ್ಣದಲ್ಲಿ ಯಾವುದೇ ಚಿಪ್ಪಿ ಅಥವಾ ಗೀರುಗಳನ್ನು ನೀವು ಕಂಡುಕೊಂಡರೆ, ತುಕ್ಕು ಪ್ರಾರಂಭವಾಗುವುದನ್ನು ತಡೆಯಲು ತಕ್ಷಣ ಅವುಗಳನ್ನು ಸ್ಪರ್ಶಿಸಿ. ಚಿಪ್ಪಿ ಅಥವಾ ಗೀರುಗಳು ಬೇರೆ ಮೆಟ್ಟಿಲಿನ ಹೋಗಿದ್ದರೆ, ರಿಪೇರಿ ಮಾಡಲು ಅರ್ಹವಾದ ದೇಹದ ಅಂಗಡಿಯನ್ನು ಹೊಂದಿರಿ.

ಪ್ರಯಾಣಿಕರು ಮತ್ತು ಲಗೇಜ್ ವಿಭಾಗಗಳನ್ನು ಸ್ವಚ್ಛವಾಗಿಡಿ ತೇವಾಂಶ, ಕೊಳಕು ಅಥವಾ ಮಣ್ಣು ನೆಲದ ಮ್ಯಾಟ್‌ಗಳ ಅಡಿಯಲ್ಲಿ ಸಂಗ್ರಹವಾಗಬಹುದು ಮತ್ತು ತುಕ್ಕುಗೆ ಕಾರಣವಾಗಬಹುದು.

ಸಾಂದರ್ಭಿಕವಾಗಿ, ಈ ಪ್ರದೇಶವು ಸ್ವಚ್ಛ ಮತ್ತು ಶುಷ್ಕವಾಗಿದೆ ಎಂದು ಖಚಿತಪಡಿಸಿಕೊಳ್ಳಲು ಈ ಮ್ಯಾಟ್ ಅಡಿಯಲ್ಲಿ ಪರಿಶೀಲಿಸಿ. ವಾಹನವನ್ನು ಆಫ್ ರೋಡ್ ಅಥವಾ ಆರ್ಥಿಕ್ ವಾತಾವರಣದಲ್ಲಿ ಬಳಸಿದರೆ ಹೆಚ್ಚು ಆಗಾಗ್ಗೆ ತಪಾಸಣೆ ಅಗತ್ಯ. ರಾಸಾಯನಿಕಗಳು, ಲವಣಗಳು, ಕೀನರ್‌ಗಳು, ಲವಣಗಳು ಇತ್ಯಾದಿಗಳಂತಹ ಕೆಲವು ಸರಕುಗಳು ಸ್ವಭಾವತಃ ಅತ್ಯಂತ ನಾಶಕಾರಿ. ಈ ಉತ್ಪನ್ನಗಳನ್ನು ಮುಚ್ಚಿದ ಪಾತ್ರೆಗಳಲ್ಲಿ ಸಾಗಿಸಬೇಕು. ಸೋರಿಕೆ ಅಥವಾ ಸೋರಿಕೆ ಸಂಭವಿಸಿದಲ್ಲಿ, ತಕ್ಷಣವೇ ಪ್ರದೇಶವನ್ನು ಸ್ವಚ್ಛಗೊಳಿಸಿ ಮತ್ತು ಒಣಗಿಸಿ.

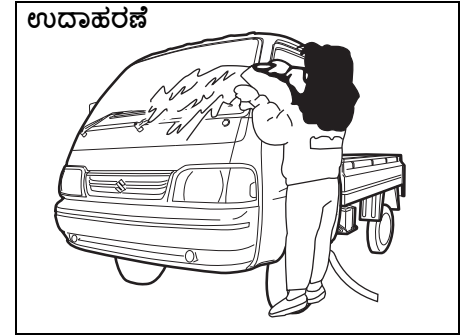
ಒಣ, ಚೆನ್ನಾಗಿ ಗಾಳಿ ಇರುವ ಪ್ರದೇಶದಲ್ಲಿ ನಿಮ್ಮ ವಾಹನವನ್ನು ಸಂಗ್ರಹಿಸಿ ನೇರ ಸೂರ್ಯನ ಬೆಳಕಿಗೆ ನಿರಂತರವಾಗಿ ಒಡ್ಡಿಕೊಳ್ಳುವುದರಿಂದ ನಿಮ್ಮ ವಾಹನವನ್ನು ಉಳಿಸಲು ಅದನ್ನು ನಿಲ್ಲಿಸಿ.

ತೇವ, ಕಳಪೆ ಗಾಳಿ ಇರುವ ಪ್ರದೇಶದಲ್ಲಿ ನಿಮ್ಮ ವಾಹನವನ್ನು ನಿಲ್ಲಿಸಬೇಡಿ. ನೀವು ಆಗಾಗ್ಗೆ ನಿಮ್ಮ ವಾಹನವನ್ನು ಗ್ಯಾರೇಜ್‌ನಲ್ಲಿ ತೊಳೆದರೆ ಅಥವಾ ಒದ್ದೆಯಾದಾಗ ನೀವು ಆಗಾಗ್ಗೆ ಓಡಿಸಿದರೆ, ನಿಮ್ಮ ಗ್ಯಾರೇಜ್ ತೇವವಾಗಿರುತ್ತದೆ. ಗ್ಯಾರೇಜ್‌ನಲ್ಲಿನ ಹೆಚ್ಚಿನ ಆರ್ಧತೆಯು ತುಕ್ಕುಗೆ ಕಾರಣವಾಗಬಹುದು ಅಥವಾ ವೇಗವನ್ನು ಉಂಟುಮಾಡಬಹುದು. ವಾತಾಯನವು ಕಳಪೆಯಾಗಿದ್ದರೆ ಬಿಸಿಯಾದ ಗ್ಯಾರೇಜ್‌ನಲ್ಲಿಯೂ ಒದ್ದೆಯಾದ ವಾಹನವು ತುಕ್ಕು ಹಿಡಿಯಬಹುದು.

**⚠ ಎಚ್ಚರಿಕೆ**

ವೇಗವರ್ಧಕ ಪರಿವರ್ತಕ, ಎಕ್ಸಾಸ್ ಪೈಪ್‌ಗಳು ಇತ್ಯಾದಿ ಎಕ್ಸಾಸ್ ಸಿಸ್ಟಮ್ ಘಟಕಗಳ ಮೇಲೆ ಅಥವಾ ಅದರ ಸುತ್ತಲೂ ಹೆಚ್ಚುವರಿ ಅಂಡರ್‌ಕೋಟಿಂಗ್ ಅಥವಾ ತುಕ್ಕು ತಡೆಗಟ್ಟುವ ಲೇಪನವನ್ನು ಅನ್ವಯಿಸಬೇಡಿ.

**ವಾಹನ ಶುಚಿಗೊಳಿಸುವಿಕೆ**



77PM09001

**⚠ ಎಚ್ಚರಿಕೆ**

ವಾಹನದ ಒಳಭಾಗ ಅಥವಾ ಹೊರಭಾಗವನ್ನು ಶುಚಿಗೊಳಿಸುವಾಗ, ಲ್ಯಾಕ್ಸರ್ ಥಿನ್‌ನರ್‌ಗಳು, ಪೆಟ್ರೋಲ್, ಬೆಂಜೀನ್ ಅಥವಾ ಬೀಜ್‌ಗಳು ಅಥವಾ ಬಲವಾದ ಮನೆಯ ಮಾರ್ಬಲೈಂಗ್‌ಗಳಂತಹ ಶುಚಿಗೊಳಿಸುವ ವಸ್ತುಗಳಂತಹ ಸುಡುವ ದ್ರಾವಕಗಳನ್ನು ಎಂದಿಗೂ ಬಳಸಬೇಡಿ. ವಸ್ತುಗಳು ವೈಯಕ್ತಿಕ ಗಾಯ ಅಥವಾ ವಾಹನಕ್ಕೆ ಹಾನಿ ಉಂಟುಮಾಡಬಹುದು.

**ಬಳಾಂಗಳವನ್ನು ಸ್ವಚ್ಛಗೊಳಿಸುವುದು**

**ವಿನ್ಯೆಲ್ ಸಜ್ಜು**

ಬೆಚ್ಚಗಿನ ನೀರಿನಲ್ಲಿ ಬೆರೆಸಿದ ಸೋಪ್ ಅಥವಾ ಸೌಮ್ಯ ಮಾರ್ಜಕದ ದ್ರಾವಣವನ್ನು ತಯಾರಿಸಿ. ಸಂಜೆ ಅಥವಾ ಮೃದುವಾದ ಬಟ್ಟೆಯಿಂದ ವಿನ್ಯೆಲ್ ಪರಿಹಾರವನ್ನು ಅನ್ವಯಿಸಿ ಮತ್ತು ಕೊಳಕು ಸಡಿಲಗೊಳಿಸಲು ಕೆಲವು ನಿಮಿಷಗಳ ಕಾಲ ಅದನ್ನು ನೆನಿಸು.

ಕೊಳಕು ಮತ್ತು ಸೋಪ್ ದ್ರಾವಣವನ್ನು ತೆಗೆದುಹಾಕಲು ಮೇಲ್ಮೈಯನ್ನು ಶುದ್ಧ, ಒದ್ದೆಯಾದ ಬಟ್ಟೆಯಿಂದ ಉಜ್ಜಿಕೊಳ್ಳಿ. ಕೆಲವು ಕೊಳಕು ಇನ್ನೂ ಮೇಲ್ಮೈಯಲ್ಲಿ ಉಳಿದಿದ್ದರೆ, ಈ ವಿಧಾನವನ್ನು ಪುನರಾವರ್ತಿಸಿ.

**ಫ್ಯಾಬ್ರಿಕ್ ಅಪ್ಪೋಲು ರಿ (ಮುಂಭಾಗದ ಪ್ರಯಾಣಿಕರ ಆಸನವನ್ನು ಹೊರತುಪಡಿಸಿ)**

ವ್ಯಾಕ್ಯೂಮ್ ಕ್ಲೀನರ್ನೊಂದಿಗೆ ಸಡಿಲವಾದ ಕೊಳೆಯನ್ನು ತೆಗೆದುಹಾಕಿ. ಸೌಮ್ಯವಾದ ಸೋಪ್ ದ್ರಾವಣವನ್ನು ಬಳಸಿ, ಸ್ವಚ್ಛವಾದ ಒದ್ದೆಯಾದ ಬಟ್ಟೆಯಿಂದ ಕಲೆ ಇಯೆಪಿ ಪ್ರದೇಶಗಳನ್ನು ಉಜ್ಜಿಕೊಳ್ಳಿ. ಸೋಪ್ ಅನ್ನು ತೆಗೆದುಹಾಕಲು, ನೀರಿನಿಂದ ತೇವಗೊಳಿಸಲಾದ ಬಟ್ಟೆಯಿಂದ ಮತ್ತೆ ಪ್ರದೇಶಗಳನ್ನು ಅಳಿಸಿಬಿಡು. ಸೇನ್ ತೆಗೆಯುವವರೆಗೆ ಇದನ್ನು ಪುನರಾವರ್ತಿಸಿ ಅಥವಾ ಕಠಿಣವಾದ ಕಲೆಗಳಿಗಾಗಿ ವಾಣಿಜ್ಯ ಫ್ಯಾಬ್ರಿಕ್ ಕ್ಲೀನರ್ ಅನ್ನು ಬಳಸಿ. ನೀವು ಫ್ಯಾಬ್ರಿಕ್ ಕ್ಲೀನರ್ ಅನ್ನು ಬಳಸಿದರೆ, ತಯಾರಕರ ಸೂಚನೆಗಳು ಮತ್ತು ಮುನ್ನೆಚ್ಚರಿಕೆಗಳನ್ನು ಎಚ್ಚರಿಕೆಯಿಂದ ಅನುಸರಿಸಿ.

**⚠ ಎಚ್ಚರಿಕೆ**

- ಮುಂಭಾಗದ ಪ್ರಯಾಣಿಕರ ಸೀಟಿನ ಮೇಲೆ ದ್ರವ ಅಥವಾ ಅರೆ-ಘನವನ್ನು ಚೆಲಬೇಡಿ. ನೀವು ಅದನ್ನು ಮುಂಭಾಗದ ಪ್ರಯಾಣಿಕರ ಸೀಟಿನ ಮೇಲೆ ಚೆಲಿದರೆ, ತಕ್ಷಣ ಅದನ್ನು ಮೃದುವಾದ ಬಟ್ಟೆಯಿಂದ ಒರೆಸಿ. ಸಂವೇದಕದೊಂದಿಗೆ ದ್ರವದ ಸಂಪರ್ಕವು ಸೀಟ್ ಬೆಲ್ ರಿಮ್ನಿಂದ ಸಂವೇದಕದ ಕಾರ್ಯದ ಮೇಲೆ ಪರಿಣಾಮ ಬೀರಬಹುದು.
- ಪ್ರಯಾಣಿಕರ ಆಸನದ ಮೇಲೆ ಯಾವುದೇ ಚೂಪಾದ ಅಥವಾ ಭಾರವಾದ ವಸ್ತುವನ್ನು ಇರಿಸಬೇಡಿ, ಅದು ಸೀಟ್ ಅಪ್ಪೋಲು ರಿ ಮೂಲಕ ಭೇದಿಸಬಲದು ಮತ್ತು ಸಂವೇದಕಕ್ಕೆ ಹಾನಿಯನ್ನುಂಟುಮಾಡುತ್ತದೆ.

**ಫ್ಯಾಬ್ರಿಕ್ ಅಪ್ಪೋಲು ರಿ (ಮುಂಭಾಗದ ಪ್ರಯಾಣಿಕರ ಆಸನಕ್ಕಾಗಿ)**  
ಶುಚಿಗೊಳಿಸಲು ದ್ರವವನ್ನು ಬಳಸಬೇಡಿ ಏಕೆಂದರೆ ಅದು ಬಟ್ಟೆಯನ್ನು ಭೇದಿಸಬಹುದು ಮತ್ತು ಸೀಟ್ ಸಂವೇದಕವನ್ನು ಹಾನಿಗೊಳಿಸಬಹುದು.

**ಚರ್ಮದ ಸಜ್ಜು**

ವ್ಯಾಕ್ಯೂಮ್ ಕ್ಲೀನರ್ನೊಂದಿಗೆ ಸಡಿಲವಾದ ಕೊಳೆಯನ್ನು ತೆಗೆದುಹಾಕಿ. ಸೌಮ್ಯವಾದ ಸೋಪ್ ಅಥವಾ ಸೌಡಲ್ ಸೋಪ್ ದ್ರಾವಣವನ್ನು ಬಳಸಿ, ಸ್ವಚ್ಛವಾದ ಒದ್ದೆಯಾದ ಮೃದುವಾದ ಬಟ್ಟೆಯಿಂದ ಕೊಳೆಯನ್ನು ಒರೆಸಿ. ಸೋಪ್ ಅನ್ನು ತೆಗೆದುಹಾಕಲು, ನೀರಿನಿಂದ ತೇವಗೊಳಿಸಲಾದ ಮೃದುವಾದ ಬಟ್ಟೆಯಿಂದ ಪ್ರದೇಶಗಳನ್ನು ಮತ್ತೆ ಒರೆಸಿ. ಮೃದುವಾದ ಒಣ ಬಟ್ಟೆಯಿಂದ ಒಣಗಿದ ಪ್ರದೇಶಗಳನ್ನು ಒರೆಸಿ. ಕೊಳಕು ಅಥವಾ ಸೇನ್ ಅನ್ನು ತೆಗೆದುಹಾಕುವವರೆಗೆ ಇದನ್ನು ಪುನರಾವರ್ತಿಸಿ ಅಥವಾ ಕಠಿಣವಾದ ಕೊಳಕು ಅಥವಾ ಕಲೆಗಳಿಗಾಗಿ ವಾಣಿಜ್ಯ ಚರ್ಮದ ಕ್ಲೀನರ್ ಅನ್ನು ಬಳಸಿ. ನೀವು ಚರ್ಮದ ಕ್ಲೀನರ್ ಅನ್ನು

ಬಳಸಿದರೆ, ತಯಾರಕರ ಸೂಚನೆಗಳನ್ನು ಮತ್ತು ಮುನ್ನೆಚ್ಚರಿಕೆಗಳನ್ನು ಎಚ್ಚರಿಕೆಯಿಂದ ಅನುಸರಿಸಿ. ದ್ರಾವಣ ರೀತಿಯಲ್ಲಿ ಕ್ಲೀನರ್ ಅಥವಾ ಅಪಘರ್ಷಕ ಕ್ಲೀನರ್ಗಳನ್ನು ಬಳಸಬೇಡಿ.

**ಸೂಚನೆ:**

- ಚರ್ಮದ ಹೊದಿಕೆಯನ್ನು ಉತ್ತಮವಾಗಿ ಕಾಣುವಂತೆ ಮಾಡಲು, ಅದನ್ನು ವರ್ಷಕ್ಕೆ ಎರಡು ಬಾರಿ ಸ್ವಚ್ಛಗೊಳಿಸಬೇಕು.
- ಚರ್ಮದ ಸಜ್ಜು ಒದ್ದೆಯಾಗಿದ್ದರೆ, ತಕ್ಷಣ ಅದನ್ನು ಟಿಶ್ಯೂ ಪೇಪರ್ ಅಥವಾ ಮೃದುವಾದ ಬಟ್ಟೆಯಿಂದ ಒರೆಸಿ. ನೀರನ್ನು ಒರೆಸದಿದ್ದರೆ ಚರ್ಮವು ಗಟ್ಟಿಯಾಗಲು ಮತ್ತು ಕುಗ್ಗಲು ಕಾರಣವಾಗಬಹುದು.
- ಬಿಸಿಲಿನ ದಿನಗಳಲ್ಲಿ ಪಾರ್ಕಿಂಗ್ ಮಾಡುವಾಗ, ನೆರಳಿನ ಸ್ಥಳವನ್ನು ಆಯ್ಕೆಮಾಡಿ ಅಥವಾ ಸನ್‌ಲೆಸ್ ಬಳಸಿ. ಚರ್ಮದ ಸಜ್ಜು ದೀರ್ಘಕಾಲದವರೆಗೆ ನೇರ ಸೂರ್ಯನ ಬೆಳಕಿಗೆ ಒಡ್ಡಿಕೊಂಡರೆ, ಅದು ಬಣ್ಣ ಮತ್ತು ಕುಗ್ಗಬಹುದು.

• ನೈಸರ್ಗಿಕ ವಸ್ತುಗಳೊಂದಿಗೆ ಸಾಮಾನ್ಯವಾಗಿರುವಂತೆ, ಚರ್ಮವು ಧಾನ್ಯದಲಿ ಅಂತರ್ಗತವಾಗಿ ಅನಿಮಿಶಿತವಾಗಿರುತ್ತದೆ ಮತ್ತು ಹಸುವಿನ ಚರ್ಮವು ಅದರ ನೈಸರ್ಗಿಕ ಸ್ಥಿತಿಯಲ್ಲಿ ಕಲೆಗಳನ್ನು ಹೊಂದಿರುತ್ತದೆ. ಇವು ಚರ್ಮದ ಕಾರ್ಯಕ್ಷಮತೆಯ ಮೇಲೆ ಯಾವುದೇ ರೀತಿಯಲ್ಲಿ ಪರಿಣಾಮ ಬೀರುವುದಿಲ್ಲ.

**ಸೀಟ್ ಬೆಲ್ಳು**

ಸೌಮ್ಯವಾದ ಸೋಪ್ ಮತ್ತು ನೀರಿನಿಂದ ಸೀಟ್ ಬೆಲ್ಳನ್ನು ಸ್ವಚ್ಛಗೊಳಿಸಿ. ಬೆಲ್ಳುಗಳಲ್ಲಿ ಬ್ಲೀಚ್ ಅಥವಾ ಡೈ ಬೆಳಸಬೇಡಿ. ಅವರು ಬೆಲ್ಳುಗಳ ಬಟ್ಟೆಯನ್ನು ದುರ್ಬಲಗೊಳಿಸಬಹುದು.

**ವಿನ್ಯೆಲ್ ನೆಲದ ಮ್ಯಾಟ್**

ಸಾಮಾನ್ಯ ಕೊಳಕು ನೀರು ಅಥವಾ ಸೌಮ್ಯ ಸೋಪ್ನೊಂದಿಗೆ ವಿನ್ಯೆಲ್‌ನಿಂದ ತೆಗೆಯಬಹುದು. ಕೊಳಕು ಸಡಿಲಗೊಳಿಸಲು ಸಹಾಯ ಮಾಡಲು ಬ್ರಷ್ ಬಳಸಿ. ಕೊಳಕು ಸಡಿಲಗೊಂಡ ನಂತರ,

ಚಾಪೆಯನ್ನು ನೀರಿನಿಂದ ಚೆನ್ನಾಗಿ ತೊಳೆಯಿರಿ ಮತ್ತು ನೆರಳಿನಲ್ಲಿ ಒಣಗಿಸಿ.

**ಕಾರ್ಪೆಟ್‌ಗಳು**  
ವ್ಯಾಕ್ಯೂಮ್ ಕ್ಲೀನರ್‌ನೊಂದಿಗೆ ಕೊಳಕು ಮತ್ತು ಮಣ್ಣನ್ನು ಸಾಧ್ಯವಾದಷ್ಟು ತೆಗೆದುಹಾಕಿ. ಸಾಮಾನ್ಯವಾದ ಸೋಪ್ ದ್ರವವನ್ನು ಬಳಸಿ, ಸ್ವಚ್ಛವಾದ ಒದ್ದೆಯಾದ ಬಟ್ಟೆಯಿಂದ ಕೆಲವು ಇರುವ ಪ್ರದೇಶಗಳನ್ನು ಉಜ್ಜಿಕೊಳ್ಳಿ. ಸೋಪ್ ಅನ್ನು ತೆಗೆದುಹಾಕಲು, ನೀರಿನಿಂದ ತೇವಗೊಳಿಸಲಾದ ಬಟ್ಟೆಯಿಂದ ಮತ್ತೆ ಪ್ರದೇಶಗಳನ್ನು ಅಳಿಸಿಬಿಡಿ. ಸ್ಪೆನ್ ತೆಗೆಯುವವರೆಗೆ ಇದನ್ನು ಪುನರಾವರ್ತಿಸಿ ಅಥವಾ ಕಠಿಣವಾದ ಕೆಲಗಳಿಗಾಗಿ ವಾಣಿಜ್ಯ ಕಾರ್ಪೆಟ್ ಕ್ಲೀನರ್ ಅನ್ನು ಬಳಸಿ. ನೀವು ಕಾರ್ಪೆಟ್ ಕ್ಲೀನರ್ ಅನ್ನು ಬಳಸಿದರೆ, ತಯಾರಕರ ಸೂಚನೆಗಳನ್ನು ಮತ್ತು ಮುನ್ನೆಚ್ಚರಿಕೆಗಳನ್ನು ಎಚ್ಚರಿಕೆಯಿಂದ ಅನುಸರಿಸಿ.

**ವಾದ್ಯ ಫಲಕ ಮತ್ತು ಕನ್ಸೋಲ್**  
ವ್ಯಾಕ್ಯೂಮ್ ಕ್ಲೀನರ್‌ನೊಂದಿಗೆ ಸಡಿಲವಾದ ಕೊಳೆಯನ್ನು ತೆಗೆದುಹಾಕಿ. ಬಿಗಿಯಾಗಿ ಸ್ಪ್ರೇಯ್ ಒದ್ದೆಯಾದ ಕ್ಲೀನ್ ಬಟ್ಟೆಯಿಂದ ಕೊಳೆಯನ್ನು ನಿಧಾನವಾಗಿ ಒರೆಸಿ. ಕೊಳಪು ತೆಗೆದುಹಾಕುವವರೆಗೆ ಇದನ್ನು ಪುನರಾವರ್ತಿಸಿ.

**ಸೂಚನೆ**

ಸಿಚ್‌ಗಳಂತಹ ವಿದ್ಯುತ್ ಘಟಕಗಳನ್ನು ಒರೆಸಲು ಸೆಲಿಕಾನ್ ಹೊಂದಿರುವ ರಾಸಾಯನಿಕ ಉತ್ಪನ್ನಗಳನ್ನು ಬಳಸಬೇಡಿ. ಇವು ಘಟಕಗಳಿಗೆ ಹಾನಿಯನ್ನುಂಟುಮಾಡುತ್ತವೆ.

ಇನ್ನು ಮೆಂಟ್ ಕಸೆರ್ ಅಥವಾ ಯಾವುದೇ ಇತರ ವಿದ್ಯುತ್ ಅಥವಾ ಎಲೆಕ್ಟ್ರಾನಿಕ್ ಘಟಕಗಳ ಮೇಲೆ ನೇರವಾಗಿ ನೀರು ಅಥವಾ ಯಾವುದೇ ದ್ರವವನ್ನು ಸಿಂಪಡಿಸಬೇಡಿ. ಇದು ಹಾನಿ ಮತ್ತು/ಅಥವಾ ಭಾಗದ ಕಾರ್ಯನಿರ್ವಹಣೆಗೆ ಕಾರಣವಾಗಬಹುದು.

**ಉದಾಹರಣೆ**



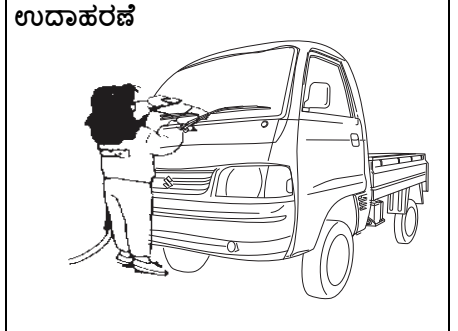
81RM08005

**ಹೊರಭಾಗವನ್ನು ಸ್ವಚ್ಛಗೊಳಿಸುವುದು**

**ಸೂಚನೆ**

ನಿಮ್ಮ ವಾಹನವನ್ನು ಕೊಳಕು ಮುಕ್ತವಾಗಿ ಮತ್ತು ಸ್ವಚ್ಛವಾಗಿರಿಸಿಕೊಳ್ಳುವುದು ಮುಖ್ಯ. ನಿಮ್ಮ ವಾಹನವನ್ನು ಸ್ವಚ್ಛವಾಗಿಡಲು ವಿಫಲವಾದರೆ, ಬಣ್ಣವು ಮರೆಯಾಗಬಹುದು ಅಥವಾ ವಾಹನದ ದೇಹದ ವಿವಿಧ ಭಾಗಗಳಿಗೆ ತುಕ್ಕು ಹಿಡಿಯಬಹುದು.

**ವಾಶಿಂಗ್**



82DY0

**⚠ ಎಚ್ಚರಿಕೆ**

- ಇಂಜಿನ್ ಚಾಲನೆಯಲ್ಲಿರುವ ನಿಮ್ಮ ವಾಹನವನ್ನು ತೊಳೆಯಲು ಮತ್ತು ವ್ಯಾಕ್ಸ್ ಮಾಡಲು ಎಂದಿಗೂ ಪ್ರಯತ್ನಿಸಬೇಡಿ.
- ದೇಹದ ಕೆಳಭಾಗವನ್ನು ಮತ್ತು ಫೆಂಡರ್ ಅನ್ನು ಚುಚ್ಚಿಗೊಳಿಸುವಾಗ, ಅಲ್ಲಿ ಚೂಪಾದ ಅಂಚುಗಳಿರುವ ಭಾಗಗಳು ಇರಬಹುದು, ನಿಮ್ಮ ಕೈಗಳು ಮತ್ತು ತೋಳುಗಳನ್ನು ಕತ್ತರಿಸದಂತೆ ರಕ್ಷಿಸಲು ನೀವು ಗೋವ್ ಬಾಕೆ ಟು ಮತ್ತು ಉದ್ದನೆಯ ತೋಳಿನ ಶೆರ್ಟ್ ಅನ್ನು ಧರಿಸಬೇಕು.
- ನಿಮ್ಮ ವಾಹನವನ್ನು ತೊಳೆದ ನಂತರ, ಚಾಲನೆ ಮಾಡುವ ಮೊದಲು ಬ್ರೇಕ್‌ಗಳು ಅವುಗಳ ಸಾಮಾನ್ಯ ಪರಿಣಾಮಕಾರಿತ್ವವನ್ನು ಕಾಪಾಡಿಕೊಂಡಿವೆಯೇ ಎಂದು ಖಚಿತಪಡಿಸಿಕೊಳ್ಳಲು ಎಚ್ಚರಿಕೆಯಿಂದ ಪರೀಕ್ಷಿಸಿ.

ವಾಹನವನ್ನು ತೊಳೆಯುವಾಗ, ನೇರ ಸೂರ್ಯನ ಬೆಳಕು ಬೀಳಿದ ಸ್ಥಳದಲ್ಲಿ ನಿಲ್ಲಿಸಿ ಮತ್ತು ಕೆಳಗಿನ ಸೂಚನೆಗಳನ್ನು ಅನುಸರಿಸಿ:

- 1) ಕೆಸರು ಮತ್ತು ಕಸವನ್ನು ತೆಗೆದುಹಾಕಲು ಒತ್ತಡದ ನೀರಿನಿಂದ ದೇಹ ಮತ್ತು ಚಕ್ರದ ಮನೆಗಳ ಕೆಳಭಾಗವನ್ನು ಫ್ಲಶ್ ಮಾಡಿ. ಸಾಕಷ್ಟು ನೀರು ಬಳಸಿ.

**ಸೂಚನೆ**

ವಾಹನವನ್ನು ತೊಳೆಯುವಾಗ:

- ಪ್ಯಾಸಿಕ್ ಭಾಗಗಳ ಮೇಲೆ 80°C (176°F) ಗಿಂತ ಹೆಚ್ಚು ಉಗಿ ಅಥವಾ ಬಿಸಿನೀರನ್ನು ನಿರ್ದೇಶಿಸುವುದನ್ನು ತಪ್ಪಿಸಿ.
- ಇಂಜಿನ್ ಘಟಕಗಳನ್ನು ಹಾನಿಗೊಳಿಸುವುದನ್ನು ತಪ್ಪಿಸಲು, ಇಂಜಿನ್ ವಿಭಾಗದಲ್ಲಿ ಒತ್ತಡದ ನೀರನ್ನು ಬಳಸಬೇಡಿ.

- 2) ಕೊಳೆಯನ್ನು ಸಡಿಲಗೊಳಿಸಲು ದೇಹವನ್ನು ತೊಳೆಯಿರಿ. ಹರಿಯುವ ನೀರಿನಿಂದ ದೇಹದ ಹೊರಭಾಗದಿಂದ ಕೊಳಕು ಮತ್ತು ಮಣ್ಣನ್ನು ತೆಗೆದುಹಾಕಿ. ನೀವು ಮೃದುವಾದ ಸ್ಟ್ರಾಂಜ್ ಅಥವಾ ಬ್ರಷ್ ಅನ್ನು ಬಳಸಬಹುದು. ಬಣ್ಣ ಅಥವಾ ಪ್ಲಾಸ್ಟಿಕ್ ಅನ್ನು ಸ್ಟ್ರಾಚ್ ಮಾಡುವ ಗಟ್ಟಿಯಾದ ವಸ್ತುಗಳನ್ನು ಬಳಸಬೇಡಿ. ಹೆಡ್‌ಲೈಟ್ ಕವರ್‌ಗಳು ಅಥವಾ ಲೆನ್ಸ್‌ಗಳು ಅನೇಕ ಸಂದರ್ಭಗಳಲ್ಲಿ ಪ್ಯಾಸಿಕ್‌ನಿಂದ ಮಾಡಲ್ಪಟ್ಟಿದೆ ಎಂಬುದನ್ನು ನೆನಪಿಡಿ.

**ಸೂಚನೆ**

ಬಣ್ಣ ಅಥವಾ ಪ್ಯಾಸಿಕ್ ಮೇಲೆ ಗೆ ಹಾನಿಯಾಗದಂತೆ, ಸಾಕಷ್ಟು ನೀರು ಇಲ್ಲದ ಕೊಳೆಯನ್ನು ಒರಸಬೇಡಿ. ಮೇಲಿನ ವಿಧಾನವನ್ನು ಅನುಸರಿಸಲು ಮರೆಯದಿರಿ.

- 3) ಸ್ಟ್ರಾಂಜ್ ಅಥವಾ ಮೃದುವಾದ ಬಟ್ಟೆಯನ್ನು ಬಳಸಿ ಸಾಮಾನ್ಯವಾದ ಡಿಟರ್ಜೆಂಟ್ ಅಥವಾ ಕಾರ್ ವಾಶ್ ಸೋಪಿನಿಂದ ಸಂಪೂರ್ಣ ಹೊರಭಾಗವನ್ನು ತೊಳೆಯಿರಿ. ಸ್ಟ್ರಾಂಜ್ ಅಥವಾ ಬಟ್ಟೆಯನ್ನು ಆಗಾಗ್ಗೆ ಸೋಪ್ ದ್ರಾವಣದಲ್ಲಿ ನೆನಸಬೇಕು.

**ಸೂಚನೆ**

ವಾಣಿಜ್ಯ ಕಾರ್ ವಾಶ್ ಉತ್ಪನ್ನವನ್ನು ಬಳಸುವಾಗ, ತಯಾರಕರು ನಿರ್ದಿಷ್ಟಪಡಿಸಿದ ಎಚ್ಚರಿಕೆಗಳನ್ನು ಗಮನಿಸಿ. ಬಲವಾದ ಮನೆಯ ಮಾರ್ಜಕಗಳು ಅಥವಾ ಸಾಬೂನುಗಳನ್ನು ಎಂದಿಗೂ ಬಳಸಬೇಡಿ.

- 4) ಕೊಳೆಯನ್ನು ಸಂಪೂರ್ಣವಾಗಿ ತೆಗೆದುಹಾಕಿದ ನಂತರ, ಡಿಟರ್ಜೆಂಟ್ ಅನ್ನು ಹರಿಯುವ ನೀರಿನಿಂದ ತೊಳೆಯಿರಿ.
- 5) ತೊಳೆದ ನಂತರ, ವಾಹನದ ದೇಹವನ್ನು ಒದ್ದೆಯಾದ ಚೆಮೋಯಿಸ್ ಅಥವಾ ಬಟ್ಟೆಯಿಂದ ಒರೆಸಿ ಮತ್ತು ನೆರಳಿನಲ್ಲಿ ಒಣಗಲು ಬಿಡಿ.
- 6) ಬಣ್ಣದ ಮೇಲೆ ಗೆಳಿಗೆ ಹಾನಿಗಾಗಿ ಎಚ್ಚರಿಕೆಯಿಂದ ಪರಿಶೀಲಿಸಿ. ಯಾವುದೇ ಹಾನಿ ಉಂಟಾದರೆ, ಕೆಳಗಿನ ವಿಧಾನವನ್ನು ಅನುಸರಿಸಿ ಹಾನಿಯನ್ನು ಸ್ಪರ್ಶಿಸಿ:
  1. ಎಲ್ಲಾ ಹಾನಿಗೊಳಗಾದ ತಾಣಗಳನ್ನು ಸ್ಪಷ್ಟಗೊಳಿಸಿ ಮತ್ತು ಅವುಗಳನ್ನು ಒಣಗಲು ಅನುಮತಿಸಿ.
  2. ಬಣ್ಣವನ್ನು ಬೆರೆಸಿ ಮತ್ತು ಸಣ್ಣ ಬ್ರಷ್ ಬಳಸಿ ಹಾನಿಗೊಳಗಾದ ಸ್ಥಳಗಳನ್ನು ಲಘುವಾಗಿ ಸ್ಪರ್ಶಿಸಿ.
  3. ಬಣ್ಣವನ್ನು ಸಂಪೂರ್ಣವಾಗಿ ಒಣಗಲು ಅನುಮತಿಸಿ.

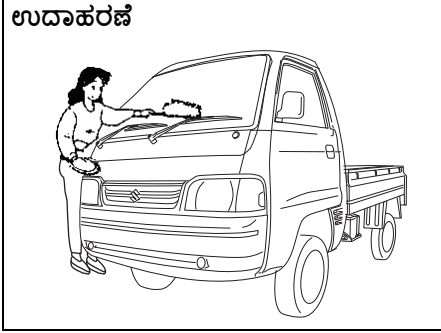
**ಸೂಚನೆ**

ನೀವು ಸ್ವಯಂಚಾಲಿತ ಕಾರ್ ವಾಶ್ ಅನ್ನು ಬಳಸಿದರೆ, ನಿಮ್ಮ ವಾಹನದ ದೇಹದ ಭಾಗಗಳಾದ ಸ್ಟ್ರಾಯರ್‌ಗಳಿಗೆ ಹಾನಿಯಾಗದಂತೆ ನೋಡಿಕೊಳ್ಳಿ. ನಿಮಗೆ ಸಂದೇಹವಿದ್ದರೆ, ಸಲಹೆಗಾಗಿ ಕಾರ್ ವಾಶ್ ಆಪರೇಟರ್ ಅನ್ನು ಸಂಪರ್ಕಿಸಿ.



## ವ್ಯಾಕ್ಸಿಂಗ್

### ಉದಾಹರಣೆ



77PM09002

ವಾಹನವನ್ನು ತೊಳೆದ ನಂತರ, ಬಣ್ಣವನ್ನು ಮತ್ತಷ್ಟು ರೆಕ್ಕೆಸಲು ಮತ್ತು ಸುಂದರಗೊಳಿಸಲು ವ್ಯಾಕ್ಸಿಂಗ್ ಮತ್ತು ಪಾಲಿಶ್ ಅನ್ನು ಶಿಫಾರಸು ಮಾಡಲಾಗುತ್ತದೆ.

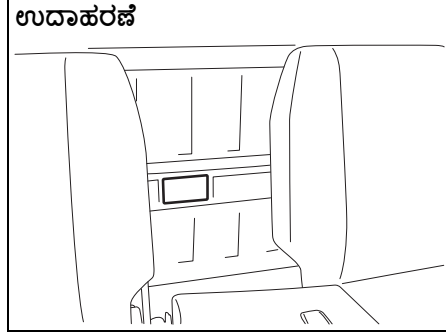
- ಉತ್ತಮ ಗುಣಮಟ್ಟದ ವ್ಯಾಕ್ಸ್ ಮತ್ತು ಪಾಲಿಶ್‌ಗಳನ್ನು ಮಾತ್ರ ಬಳಸಿ.
- ಮೇಣಗಳು ಮತ್ತು ಪಾಲಿಶ್‌ಗಳನ್ನು ಬಳಸುವಾಗ, ತಯಾರಕರು ನಿರ್ದಿಷ್ಟಪಡಿಸಿದ ಮುನ್ನೆಚ್ಚರಿಕೆಗಳನ್ನು ಗಮನಿಸಿ.

## ಸಾಮಾನ್ಯ ಮಾಹಿತಿ

ವಾಹನ ಗುರುತಿಸುವಿಕೆ .....	10-1
ಫಾಸ್ಟ್ ಟ್ಯಾಗ್ (ಸಜ್ಜುಗೊಂಡಿದ್ದರೆ) .....	10-1
ಸಿ ಎನ್‌ಜಿ ಕಿಟ್ ಸಂಖ್ಯೆ ಗುರುತಿಸುವಿಕೆ (ಸಜ್ಜುಗೊಳಿಸಿದ್ದರೆ) .....	10-2
ಹೈ ಸೆಕ್ಯೂರಿಟಿ ರಿಜಿಸ್ಟ್ರೇಶನ್ ಪ್ಲೇಟ್ (ಹೆಚ್ ಎಸ್ ಆರ್ ಪಿ) (ಅನ್ವಯವಾದಲ್ಲಿ).....	10-3

## ವಾಹನ ಗುರುತಿಸುವಿಕೆ

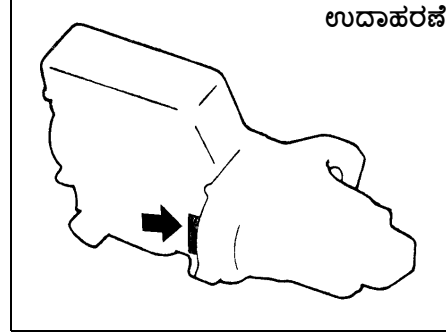
### ಚಾಸಿಸ್ ಸರಣಿ ಸಂಖ್ಯೆ



77PH059

ವಾಹನವನ್ನು ನೋಂದಾಯಿಸಲು ಚಾಸಿಸ್ ಮತ್ತು/ ಅಥವಾ ಇಂಜಿನ್ ಸರಣಿ ಸಂಖ್ಯೆಗಳನ್ನು ಬಳಸಲಾಗುತ್ತದೆ. ವಿಶೇಷ ಸೇವಾ ಮಾಹಿತಿಯನ್ನು ಆರ್ಡರ್ ಮಾಡುವಾಗ ಅಥವಾ ಉಲ್ಲೇಖಿಸುವಾಗ ನಿಮ್ಮ ಡೀಲರ್‌ಗೆ ಸಹಾಯ ಮಾಡಲು ಸಹ ಅವುಗಳನ್ನು ಬಳಸಲಾಗುತ್ತದೆ. ನಿಮ್ಮ ಅಧಿಕೃತ ಮಾರುತಿ ಸುಜುಕಿ ವಾಣಿಜ್ಯ ಕಾರ್ಯಾಗಾರವನ್ನು ಸಂಪರ್ಕಿಸಲು ನಿಮಗೆ ಸಂದರ್ಭ ಬಂದಾಗಲೆಲ್ಲಾ, ಈ ಸಂಖ್ಯೆಯೊಂದಿಗೆ ನಿಮ್ಮ ವಾಹನವನ್ನು ಗುರುತಿಸಲು ಮರೆಯದಿರಿ. ನೀವು ಸಂಖ್ಯೆಯನ್ನು ಓದಲು ಕಷ್ಟವಾಗಿದ್ದರೆ, ನೀವು ಅದನ್ನು ಗುರುತಿಸಿ ಫಲಕದಲ್ಲಿಯೂ ಕಾಣಬಹುದು.

### ಇಂಜಿನ್ ಸರಣಿ ಸಂಖ್ಯೆ



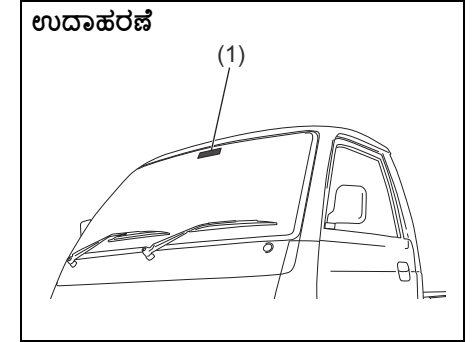
54G082

ವಿವರಣೆಯಲ್ಲಿ ತೋರಿಸಿರುವಂತೆ ಇಂಜಿನ್ ಸರಣಿ ಸಂಖ್ಯೆಯನ್ನು ಸಿಲಿಂಡರ್ ಬ್ಲಾಕ್‌ನಲ್ಲಿ ಸ್ವಾಂಪ್ ಮಾಡಲಾಗಿದೆ.

### ಫಾಸ್ಟ್‌ಗ್ (ಸಜ್ಜುಗೊಂಡಿದ್ದರೆ)

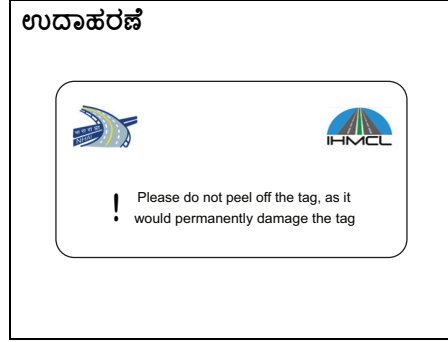
ರಸ್ತೆ ಸಾರಿಗೆ ಮತ್ತು ಹೆದ್ದಾರಿಗಳ ಸಚಿವಾಲಯದ ಪ್ರಕಾರ, ಎಲೆಕ್ಟ್ರಾನಿಕ್ ಟೋಲ್ ಸಂಗ್ರಹಣೆಗಾಗಿ ಅಥವಾ ಭಾರತ ಸರ್ಕಾರವು ವ್ಯಾಖ್ಯಾನಿಸಬಹುದಾದ ಯಾವುದೇ ಇತರ ಉದ್ದೇಶಕ್ಕಾಗಿ ಪ್ರತಿ ವಾಹನಕ್ಕೂ ಫಾಸ್ಟ್‌ಗ್ (1) ಕಡ್ಡಾಯವಾಗಿದೆ.

ಫಾಸ್ಟ್‌ಗ್‌ಗೆ ಯಾವುದೇ ಹಾನಿಯಾಗಿದ್ದರೆ ಅಥವಾ ಮುಂಭಾಗದ ವಿಂಡ್‌ಸೀನ್ ಅನ್ನು ಬದಲಿಸಿದರೆ, ದಯವಿಟ್ಟು ನಿಮ್ಮ ಹತ್ತಿರದ ಅಧಿಕೃತ ಮಾರುತಿ ಸುಜುಕಿ ಕಾರ್ಯಾಗಾರವನ್ನು ಸಂಪರ್ಕಿಸಿ.



66MM01001

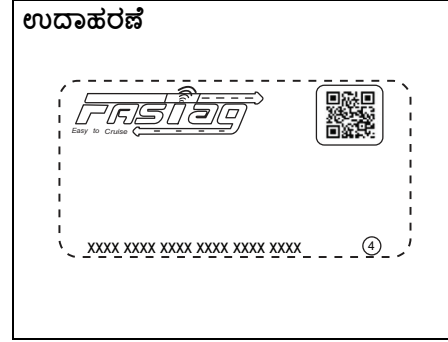
ವಾಹನದ ಒಳಗಿನಿಂದ ನೋಡಿದಂತೆ



64MM01002

**ಸೂಚನೆ:**  
ತೋರಿಸಿರುವ ಚಿತ್ರವು ಸೂಚಕ ಉದ್ದೇಶಕ್ಕಾಗಿ ಮಾತ್ರ. ವಾಹನದ ಮೇಲೆ ಅಳವಡಿಸಲಾಗಿರುವ ನಿಜವಾದ ಸಾಧನದ ಆಂತರಿಕ ರಚನೆಯು ವಿಭಿನ್ನವಾಗಿರಬಹುದು.

ವಾಹನದ ಹೊರಗಿನಿಂದ ನೋಡಿದಂತೆ

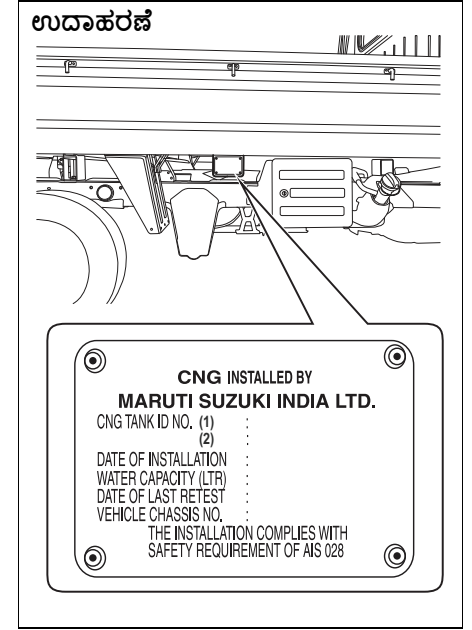


64MM01003

**ಸೂಚನೆ:**  
ತೋರಿಸಿರುವ ಚಿತ್ರವು ಸೂಚಕ ಉದ್ದೇಶಕ್ಕಾಗಿ ಮಾತ್ರ. ವಾಹನದ ಮೇಲೆ ಅಳವಡಿಸಲಾಗಿರುವ ನಿಜವಾದ ಸಾಧನದ ಆಂತರಿಕ ರಚನೆಯು ವಿಭಿನ್ನವಾಗಿರಬಹುದು.

- ಸೂಚನೆ:**
- ವಿಂಡ್‌ಸ್ಟೀನ್‌ನಿಂದ ಟ್ಯಾಗ್ ಅನ್ನು ತೆಗೆದುಹಾಕಲು ಯಾವುದೇ ಪ್ರಯತ್ನವು ಟ್ಯಾಗ್‌ಗೆ ಶಾಶ್ವತ ಹಾನಿಗೆ ಕಾರಣವಾಗುತ್ತದೆ.
  - ಟ್ಯಾಗ್ ಅಳವಡಿಸಲಾಗಿರುವ ವಿಂಡ್‌ಸ್ಟೀನ್ ಪ್ರದೇಶವನ್ನು ಸ್ವಚ್ಛಗೊಳಿಸಲು ರಾಸಾಯನಿಕ ಕ್ಲೀನರ್‌ಗಳನ್ನು ಬಳಸುವುದು ಟ್ಯಾಗ್ ಅನ್ನು ಹಾನಿಗೊಳಿಸಬಹುದು.
  - ಟ್ಯಾಗ್‌ನಲ್ಲಿ ಯಾವುದೇ ಚೂಪಾದ ವಸ್ತುಗಳ ಬಳಕೆಯು ಟ್ಯಾಗ್ ಅನ್ನು ಹಾನಿಗೊಳಿಸಬಹುದು.

ಸಿ ಎನ್ ಜಿ ಕಿಟ್ ಸಂಖ್ಯೆ ಗುರುತಿಸುವಿಕೆ (ಸಜ್ಜುಗೊಳಿಸಿದ್ದರೆ)



77PM10002

ಸಿಎನ್‌ಜಿ ಸಿಲಿಂಡರ್ ಗುರುತಿಸ ಸಂಖ್ಯೆ ಮತ್ತು ಸಿಎನ್‌ಜಿ ಕಿಟ್ ಸ್ಥಾಪನೆ ದಿನಾಂಕವು ತೋರಿಸಿರುವಂತೆ ಕಠಿಣೀ ದೇಹದ ಬಲಭಾಗದಲ್ಲಿದೆ.

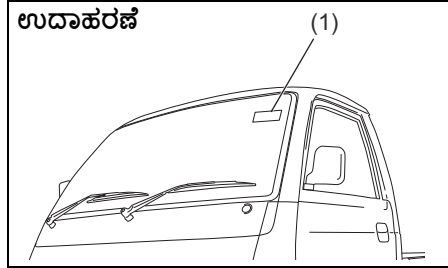
## ಹೆಚ್ಚಿನ ಭದ್ರತಾ ನೋಂದಣಿ ಪ್ಲೇಟ್ (ಹೆಚ್ ಎಸ್ ಆರ್ ಪಿ) (ಅನ್ವಯಿಸಿದರೆ)

ರಸ್ತೆ ಸಾರಿಗೆ ಮತ್ತು ಹೆದ್ದಾರಿ ಸಚಿವಾಲಯದ ಪ್ರಕಾರ, ಪ್ರತಿ ಹೊಸ ವಾಹನವು ಎಚ್‌ಎಸ್‌ಆರ್‌ಪಿ ಹೊಂದಿರಬೇಕು.

ಹೆಚ್ ಎಸ್ ಆರ್ ಪಿ ಒಳಗೊಂಡಿದೆ:

- ಮುಂಭಾಗ ಮತ್ತು ಹಿಂಭಾಗದ ಹೆಚ್ ಎಸ್ ಆರ್ ಪಿ ಇದು ನಂಬರ್ ಪ್ಲೇಟ್ ಪ್ರದೇಶದಲ್ಲಿ ಪ್ರತಿಯೊಂದೂ 2 ಸ್ಕ್ಯಾಪ್-ಲಾಕ್‌ಗಳೊಂದಿಗೆ ಅಳವಡಿಸಲ್ಪಡುತ್ತದೆ.
- ಮುಂಭಾಗದ ವಿಂಡ್‌ಶೀಲ್ಡ್‌ನಲ್ಲಿ ಮೂರನೇ ಪರವಾನಗಿ ಫಲಕ.

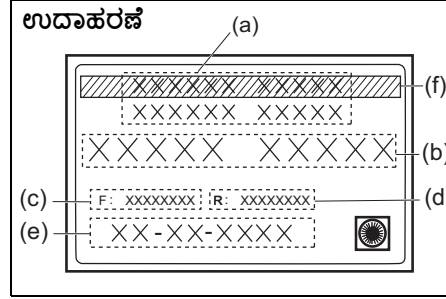
### ಮೂರನೇ ಪರವಾನಗಿ ಫಲಕ



64MM01005

(1) ಮೂರನೇ ಪರವಾನಗಿ ಫಲಕ

ಮೂರನೇ ಪರವಾನಗಿ ಫಲಕ - ವಾಹನದ ಹೊರಗಿನಿಂದ ನೋಡಿದಂತೆ



72RM09002

- (a) ಎಚ್‌ಎಸ್‌ಆರ್‌ಪಿ ನೀಡುವ ಅಧಿಕಾರದ ಹೆಸರು  
 (b) ವಾಹನ ನೋಂದಣಿ ಸಂಖ್ಯೆ  
 (c) ವಿಶಿಷ್ಟ ಲೇಸರ್ ಸಂಖ್ಯೆ - ಫ್ರಂಟ್ ಪ್ಲೇಟ್  
 (d) ವಿಶಿಷ್ಟ ಲೇಸರ್ ಸಂಖ್ಯೆ - ಹಿಂದಿನ ಪ್ಲೇಟ್  
 (e) 1 ನೇ ನೋಂದಣಿಯ ದಿನಾಂಕ (DD-MM-YYYY ಸ್ವರೂಪದಲ್ಲಿ)  
 (f) ಹೆಸರು ಪಟ್ಟಿಗಳು (BSR ವಾಹನ)

ಸೂಚನೆ:

ತೋರಿಸಿರುವ ಚಿತ್ರವು ಸೂಚಕ ಉದ್ದೇಶಕ್ಕಾಗಿ ಮಾತ್ರ. ವಾಹನದ ಮೇಲೆ ಅಳವಡಿಸಲಾಗಿರುವ ನಿಜವಾದ ಲೇಬಲ್‌ನ ಆಂತರಿಕ ರಚನೆಯು ವಿಭಿನ್ನವಾಗಿರಬಹುದು.

ಸೂಚನೆ:

- ವಿಂಡ್‌ಶೀಲ್ಡ್‌ನಿಂದ ಮೂರನೇ ಪರವಾನಗಿ ಪ್ಲೇಟ್ ಅನ್ನು ತೆಗೆದುಹಾಕುವ ಯಾವುದೇ ಪ್ರಯತ್ನವು ಲೇಬಲ್‌ಗೆ ಶಾಶ್ವತ ಹಾನಿಗೆ ಕಾರಣವಾಗುತ್ತದೆ.

- ಲೇಬಲ್ ಅಳವಡಿಸಲಾಗಿರುವ ವಿಂಡ್‌ಶೀಲ್ಡ್ ಪ್ರದೇಶವನ್ನು ಸ್ವಚ್ಛಗೊಳಿಸಲು ರಾಸಾಯನಿಕ ತೇನರ್‌ಗಳ ಬಳಕೆಯನ್ನು ಹಾನಿಗೊಳಿಸಬಹುದು.
- ಲೇಬಲ್‌ನಲ್ಲಿ ಯಾವುದೇ ಚೂಪಾದ ವಸ್ತುಗಳ ಬಳಕೆಯು ಲೇಬಲ್ ಅನ್ನು ಹಾನಿಗೊಳಿಸಬಹುದು.
- ಮೂರನೇ ಪರವಾನಗಿ ಫಲಕದ ಯಾವುದೇ ಬದಲಿ ಸಂದರ್ಭದಲ್ಲಿ, ದಯವಿಟ್ಟು ಅನುಮೋದಿತ ಪ್ರಾಧಿಕಾರವನ್ನು ಸಂಪರ್ಕಿಸಬಹುದು.

ಮೂರನೇ ಪರವಾನಗಿ ಫಲಕ - ವಾಹನದ ಒಳಗಿನಿಂದ ನೋಡಿದಂತೆ



64MM01009

ಸೂಚನೆ:

ತೋರಿಸಿರುವ ಚಿತ್ರವು ಸೂಚಕ ಉದ್ದೇಶಕ್ಕಾಗಿ ಮಾತ್ರ.

ಸೂಚನೆ:

ರಸ್ತೆ ಸಾರಿಗೆ ಮತ್ತು ಹೆದ್ದಾರಿಗಳ ಸಚಿವಾಲಯವು ವ್ಯತಿತ್ಯಾಸಿಸಿರುವಂತೆ ಎಚ್‌ಎಸ್‌ಆರ್‌ಪಿ ನಿರೀಕ್ಷಿತ ಪ್ರಕಾರ ಮೂರನೇ ಪರವಾನಗಿ ಫಲಕದ ಬಣ್ಣ (ಹಿಂಭಾಗ)

## ವಿಶೇಷಣಗಳು

ಸೂಚನೆ:

ವಿಶೇಷಣಗಳು ಸೂಚನೆಯಿಲ್ಲದೆ ಬದಲಾವಣೆಗೆ ಒಳಪಟ್ಟಿರುತ್ತವೆ.

"ಚಾನಿಸ್" ದೂಪಾಂತರಗಳಿಗೆ ಸಂಬಂಧಿಸಿದ ನಿರ್ದಿಷ್ಟತೆಯು "ಬಾಡಿ ಫ್ಯಾಬ್ರಿಕೇಶನ್‌ಗಾಗಿ ಸೂಚನೆಗಳು" ಅನ್ನು ಉಲ್ಲೇಖಿಸುತ್ತದೆ

ಐಟಂ: ಆಯಾಮಗಳು		ಘಟಕ: ಮಿಮೀ	
ಒಟ್ಟಾರೆ ಉದ್ದ		3800	
ಒಟ್ಟಾರೆ ಅಗಲ		1562	
ಒಟ್ಟಾರೆ ಎತ್ತರ		1883	
ವೀಲ್ಬೇಸ್		2110	
ಟ್ರ್ಯಾಕ್	ಮುಂಭಾಗ	1345	
	ಹಿಂದಿನ	1330	

ಐಟಂ: ದ್ರವ್ಯರಾಶಿ (ತೂಕ)		ಘಟಕ: ಕೆ.ಜಿ	
ಕರ್ಬ್ ಮಾಸ್ (ತೂಕ)	ವೆಟೋಲ್	860	
	ಸಿ ಎನ್ ಜಿ	975	
ಗ್ರಾಸ್ ವೆಹಿಕಲ್ ಮಾಸ್ (ತೂಕ) ರೇಟಿಂಗ್		1600	
ಅನುಮತಿಸುವ ಗರಿಷ್ಠ ಆಕ್ಸಲ್ ತೂಕ	ಮುಂಭಾಗ	900	
	ಹಿಂದಿನ	1020	

ವಿಶೇಷಣಗಳು

ಐಟಂ: ಇಂಜಿನ್	ಪೆಟ್ರೋಲ್ ಮತ್ತು ಸಿ ಎನ್ ಜಿ
ಮಾದರಿ	K12N (DOHC)
ಸಿಲಿಂಡರ್‌ಗಳ ಸಂಖ್ಯೆ	4
ಬೋರ್	73.0 mm
ಸ್ಟ್ರೋಕ್	71.5 mm
ಪಿಸ್ಟನ್ ಸ್ಥಳಾಂತರ	1197 cm <sup>3</sup> (1197 cc)
ಸಂಕೋಚನ ಅನುಪಾತ	12.0: 1

ಐಟಂ: ಎಲೆಕ್ಟ್ರಿಕಲ್	
ಸ್ಪಾರ್ಕ್ ಪ್ಲಗ್	NGK ILZKR6F11
ಬ್ಯಾಟರಿ	12V 38B20R
ಫ್ಯೂಯೆಲ್	"ಪರಿಶೀಲನೆ ಮತ್ತು ನಿರ್ವಹಣೆ" ವಿಭಾಗವನ್ನು ನೋಡಿ.

ಐಟಂ: ದೀಪಗಳು	ವಾಟೇಜ್	ಬಲ್ಬ್ ಸಂ.	
ಹೆಡ್‌ಲ್ಯಾಂಟ್	12V 60/55W	H4	
ಸ್ಥಾನ ಬೆಳಕು	12V 5W	W5W	
ಸಿಗ್ನಲ್ ಲೈಟ್ ತಿರುಗಿಸಿ	ಮುಂಭಾಗ	12V 21W	PY21W
	ಹಿಂದಿನ	12V 21W	P21W
ಬ್ರೇಕ್/ಟೈಲ್ ಲೈಟ್	12V 21/5W	P21/5W	
ಹಿಮ್ಮುಖ ಬೆಳಕು	12V 21W	P21W	
ಪರವಾನಗಿ ಫಲಕದ ಬೆಳಕು	12V 5W	W5W	
ಆಂತರಿಕ ಬೆಳಕು	12V 5W	C5W	

ಐಟಂ: ಚಕ್ರಗಳು ಮತ್ತು ಟೈರುಗಳು	
ಟೈರ್ ಗಾತ್ರ, ಮುಂಭಾಗ, ಹಿಂಭಾಗ ಮತ್ತು ಬಿಡಿ	155R13 LT 8PR 89/88S* / 155R13 LT 8PR 90/89Q*
ರಿಮ್ ಗಾತ್ರ	13X4J
ಟೈರ್ ಒತ್ತಡಗಳು	ನಿರ್ದಿಷ್ಟಪಡಿಸಿದ ಟೈರ್ ಒತ್ತಡಕ್ಕಾಗಿ, ಚಾಲಕನ ಡೋರ್‌ಲಾಕ್ ಪಿಲ್ಲರ್‌ನಲ್ಲಿರುವ ಟೈರ್ ಮಾಹಿತಿ ಲೇಬಲ್ ಅನ್ನು ನೋಡಿ.

\* ನಿರ್ದಿಷ್ಟಪಡಿಸಿದ ಲೋಡ್ ಇಂಡೆಕ್ಸ್ ದರ ಮತ್ತು ವೇಗದ ಚಿಹ್ನೆಯೊಂದಿಗೆ ಟೈರ್ ತಯಾರಿಸಲು ನಿಮಗೆ ಸಾಧ್ಯವಾಗದಿದ್ದರೆ, ಹೆಚ್ಚಿನ ಲೋಡ್ ಇಂಡೆಕ್ಸ್ ದರ ಮತ್ತು ವೇಗದ ಚಿಹ್ನೆಯೊಂದಿಗೆ ಟೈರ್ ತಯಾರಿಸಿ.



ಐಟಂ: ಶಿಫಾರಸು ಮಾಡಲಾದ ಇಂಧನ / ಲೂಬ್ರಿಕಂಟ್‌ಗಳು ಮತ್ತು ಸಾಮರ್ಥ್ಯಗಳು (ಅಂದಾಜು.)			
ಇಂಧನ	ಪೆಟ್ರೋಲ್ (Petrol)		30 L#
	ಸಿ ಎನ್ ಜಿ (CNG)	ಪೆಟ್ರೋಲ್ (Petrol)	5 L#
		ಸಿ ಎನ್ ಜಿ (CNG)	35 L × 2 ಟ್ಯಾಂಕ್‌ಗಳು#
ಇಂಜಿನ್ ತೈಲ	ಪೆಟ್ರೋಲ್ (Petrol)		ವರ್ಗೀಕರಣ: API SN ಸ್ಲಿಗ್ಡ್: SAE 0W-16
	ಸಿ ಎನ್ ಜಿ (CNG)		3.8 L (ಆಯಿಲ್ ಫಿಲ್ಟರ್‌ನೊಂದಿಗೆ ಬದಲಿಸಿ) 4.2 L (ಆಯಿಲ್ ಫಿಲ್ಟರ್‌ನೊಂದಿಗೆ ಬದಲಿಸಿ)
ಇಂಜಿನ್ ಶೀತಕ		"SUZUKI LLC: Super (Blue) ಕೂಲಂಟ್" *1 "SUZUKI LLC: Standard (Yellow) ಕೂಲಂಟ್" *1	3.5 L (ಜಲಾಶಯದ ಟ್ಯಾಂಕ್ ಸೇರಿದಂತೆ)
ಮ್ಯಾನುವಲ್ ಟ್ರಾನ್ಸ್ಮಿಷನ್ ಆಯಿಲ್		ಮಾರುತಿ ಅಪ್ಪಟ ಗೇರ್ ಆಯಿಲ್ 75W	1.4 L
ಹಿಂದಿನ ಭೇದಾತ್ಮಕ ತೈಲ		"TOTALFINAELF TRANSELF LL 85W-140"	1.6 L
ಬ್ರೇಕ್ ದ್ರವ		ಮಾರುತಿ ಅಪ್ಪಟ ಬ್ರೇಕ್ ದ್ರವ (MGBF) ಅಥವಾ ಡಾಟ್ 3	"ಪರಿಶೀಲನೆ ಮತ್ತು ನಿರ್ವಹಣೆ" ವಿಭಾಗದಲ್ಲಿನ ಸೂಚನೆಗಳ ಪ್ರಕಾರ ಸರಿಯಾದ ತೈಲ ಮಟ್ಟಕ್ಕೆ ಪುನಃ ತುಂಬಿಸಿ.

\*1: ಶಿಫಾರಸು ಮಾಡಲಾದ ಶೀತಕವು ನಿಮ್ಮ ವಾಹನವನ್ನು ಅವಲಂಬಿಸಿ ಬದಲಾಗುತ್ತದೆ. "ಪರಿಶೀಲನೆ ಮತ್ತು ನಿರ್ವಹಣೆ" ವಿಭಾಗವನ್ನು ನೋಡಿ.

# : ಇಂಧನ ಟ್ಯಾಂಕ್ ಸಾಮರ್ಥ್ಯವು ನೀವು ತುಂಬಬಹುದಾದ ಶಿಫಾರಸು ಮಾಡಿದ ಇಂಧನದ ಪ್ರಮಾಣಕ್ಕಿಂತ ಸ್ವಲ್ಪ ಹೆಚ್ಚು. ಸುರಕ್ಷತೆ ಮತ್ತು ವೈಜ್ಞಾನಿಕ ಕಾರಣಗಳಿಗಾಗಿ ಹೆಚ್ಚುವರಿ ಬೈಹತ್ ಜಾಗವನ್ನು ಒದಗಿಸಲಾಗಿದೆ.

## ಬಾಡಿ ಫ್ಯಾಬ್ರಿಕೇಶನ್‌ಗೆ ಸೂಚನೆಗಳು (ಚಾಸಿಸ್ ರೂಪಾಂತರ)

ಕ್ಯಾಬ್-ಚಾಸಿಸ್ ವಾಹನದ ದೇಹದ ತಯಾರಿಕೆಯು ಈ ಕೆಳಗಿನ ಸೂಚನೆಗಳು ಮತ್ತು ಗಾಡಿಯ ಪರಿಸ್ಥಿತಿಗಳನ್ನು ಖಾತ್ರಿಪಡಿಸುತ್ತದೆ:

(a) ದೇಹದ ಹೊರಭಾಗಗಳು: ವಾಹನದ ಹೊರಗಿನ ಮೇಲ್ಮೈಯು ಚೂಪಾದ ಅಂಚುಗಳು ಅಥವಾ ಚೂಪಾದ ಭಾಗಗಳನ್ನು ಹೊಂದಿರಬಾರದು ಎಂದು ಲೋಡ್ ದೇಹ/ಅಪ್ಪಿಕೇಶನ್ ಅನ್ನು ತಯಾರಿಸಬೇಕು, ಚೂಪಾದ ಭಾಗಗಳು ಅಪಘಾತದ ಸಮಯದಲ್ಲಿ ವ್ಯಕ್ತಿಗೆ ದೈಹಿಕ ಹಾನಿ ಉಂಟುಮಾಡಬಹುದು ಅಪಾಯ ಅಥವಾ ಗಂಭೀರತೆಯನ್ನು ಹೆಚ್ಚಿಸುವ ಸಾಧ್ಯತೆಯಿದೆ. ಇದು ಘರ್ಷಣೆಯ ಸಂದರ್ಭದಲ್ಲಿ. ಸಂಪೂರ್ಣ ವಾಹನವು ಸ್ಥಿರವಾಗಿರುವಾಗ ಮತ್ತು ಚಲನೆಯಲ್ಲಿರುವಾಗ ಇದು ಮಾನ್ಯವಾಗಿರುತ್ತದೆ. ಹೊರಗಿನ ಅಂಚುಗಳು ಮತ್ತು ಯೋಜಿತ ಭಾಗಗಳಲ್ಲಿ ಕನಿಷ್ಠ 2.5ಎಂಎಂ ಅಥವಾ ಹೆಚ್ಚಿನ ವೈಕ್ಯವನ್ನು ತ್ರೈಜ್ಯವನ್ನು ಖಚಿತಪಡಿಸಿಕೊಳ್ಳಬೇಕು. ಸಿಎಂವಿಆರ್ ನಿಯಮ 124(1)-11 ಅಡಿಯಲ್ಲಿ ವ್ಯಾಖ್ಯಾನಿಸಲಾದ ನಿಗದಿತ ಅವಶ್ಯಕತೆಗಳನ್ನು ದೇಹವು ಪೂರೈಸುತ್ತದೆ.

ಬಾಡಿ ಲೇಔಟ್‌ಗಳಿಗೆ (ಟಿಪ್ಪರ್ ಅಪ್ಪಿಕೇಶನ್‌ನಂತೆ), ಅಲ್ಲಿ ಬ್ಯಾಟರಿ ಆರೋಹಣಗಳನ್ನು ಬಹಿರಂಗಪಡಿಸಲಾಗುತ್ತದೆ, CMVR ನಿಯಮ 124(1)-11 ರ ಅಡಿಯಲ್ಲಿ ವ್ಯಾಖ್ಯಾನಿಸಲಾದ ಬಾಹ್ಯ ಪ್ರಕ್ಷೇಪಗಳ ಅಗತ್ಯ ಅವಶ್ಯಕತೆಗಳನ್ನು ಪೂರೈಸಲು ಕವರ್ ಅನ್ನು ಒದಗಿಸಬೇಕು.

(b) ರಿಫ್ಲೆಕ್ಟ್ ಟೇಪ್: ಬಾಡಿ ಬಿಲ್ಡರ್ ವಾಹನದ ಹಿಂಭಾಗದಲ್ಲಿ ದೇಹದ ಅಗಲದ ಉದ್ದಕ್ಕೂ ಚಲಿಸುವ ಕೆಂಪು ಪ್ರತಿಫಲಿತ ಟೇಪ್ ಅನ್ನು (20 ಮಿಮೀ ಅಗಲಕ್ಕಿಂತ ಕಡಿಮೆಯಿಲ್ಲ) ಅಂಟಿಸಬೇಕು ಮತ್ತು ಸಿಎಂವಿಆರ್ ನಿಯಮ ಸಂಖ್ಯೆ 104 ರ ಅಡಿಯಲ್ಲಿ ಅವಶ್ಯಕತೆಗಳನ್ನು ಅನುಸರಿಸಬೇಕು.

(c) ಹೆಡ್ ಲ್ಯಾಂಪ್: ಹೊರಭಾಗದ ತಯಾರಿಕೆಯ ನಂತರ, ಹೆಡ್ ಲ್ಯಾಂಪ್‌ನ ಆರಂಭಿಕ ಇಳಿಜಾರನ್ನು ಹೆಡ್‌ಲ್ಯಾಂಪ್‌ನಲ್ಲಿ ಗುರುತಿಸಿದಂತೆ ಸರಿಹೊಂದಿಸಬೇಕು (ಸಿಎಮ್‌ವಿಆರ್ 124 (1)-20 ರ ಪ್ರಕಾರ). ಜಿವಿಡಬ್ಲ್ಯೂ ಸ್ಥಿತಿಗಾಗಿ ಹೆಡ್ ಲ್ಯಾಂಪ್ ಲೆವೆಲಿಂಗ್ ಸ್ಪಿಟ್ ಸ್ಥಾನವನ್ನು ಗ್ರಾಹಕರಿಗೆ ಬಾಡಿ ಫ್ಯಾಬ್ರಿಕೇಟರ್ ನಿರ್ದಿಷ್ಟಪಡಿಸಬೇಕು.

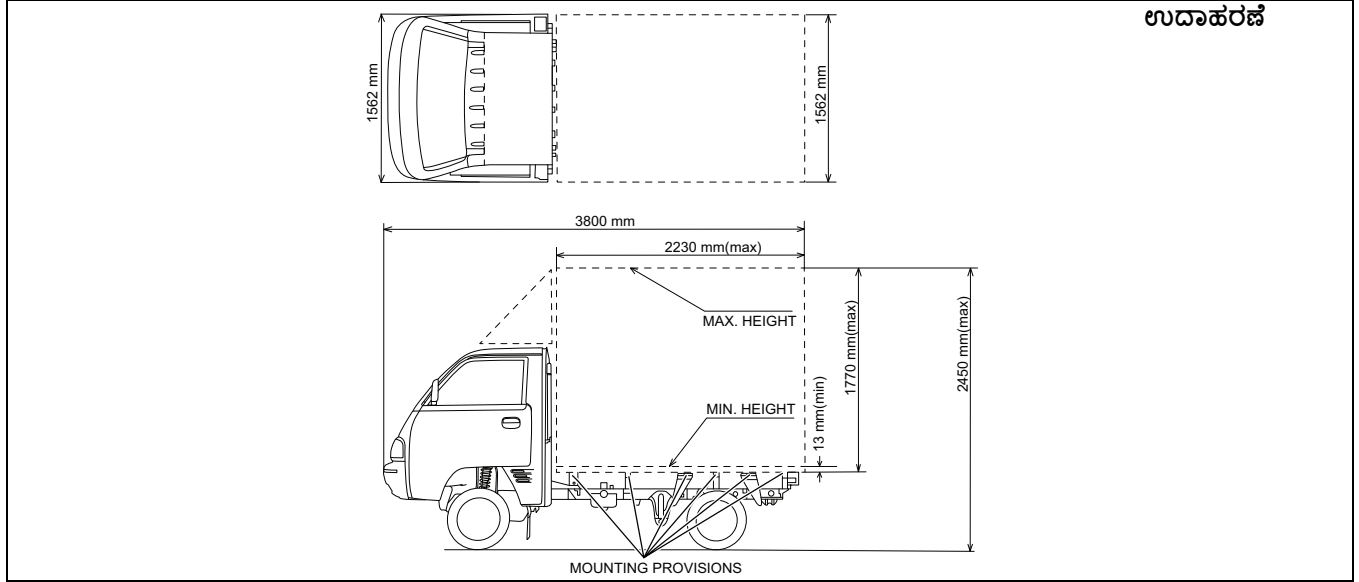
(d) ಬಾಡಿ ಬಿಲ್ಡರ್‌ನ ಪೇಟ್: ಬಾಡಿ ಬಿಲ್ಡರ್‌ಗಳು ಬಾಡಿ ಬಿಲ್ಡರ್‌ನ ಪೇಟ್ ಅನ್ನು ಸಿಎಮ್‌ವಿಆರ್ ನಿಯಮ 122 ರ ಅಡಿಯಲ್ಲಿ ಅವಶ್ಯಕತೆಗೆ ಅನುಗುಣವಾಗಿ ಹೊರೆಯಿಲ್ಲದ ತೊಕ, ಪೇಲೋಡ್ ಮತ್ತು ಇತರ ವಿವರಗಳನ್ನು ನಿರ್ದಿಷ್ಟಪಡಿಸಬೇಕು..

(e) ಫಾರ್ಮ್ 22ಎ ಭಾಗ II: ಸಿಎಂವಿಆರ್ ನಿಯಮ 47 ರ ಅಡಿಯಲ್ಲಿ ಅಗತ್ಯವಿರುವಂತೆ ದೇಹ ಬಿಲ್ಡರ್ ಫಾರ್ಮ್ 22ಎ ಭಾಗ II ಅನ್ನು ಒದಗಿಸಬೇಕು.

(f) ಬಾಡಿ ಬಿಲ್ಡರ್ ತಯಾರಿಕೆಯ ಸಮಯದಲ್ಲಿ ವಿಡುತ್ ವೈರಿಂಗ್, ವಿಡುತ್ ಉಪಕರಣಗಳು, ಬ್ರೇಕ್ ಸಂಪರ್ಕಗಳು, ಬ್ರೇಕ್ ಪೈಪಿಂಗ್, ಇಂಧನ ಸಂಪರ್ಕ, ಎಕ್ಸಾಸ್ಟ್ ಸಿಸ್ಟಮ್ ಮತ್ತು ಚಾಸಿಸ್ ಘಟಕಗಳನ್ನು ಬದಲಾಯಿಸಬಾರದು.

## ಬಾಡಿ ಫ್ಯಾಬ್ರಿಕೇಶನ್‌ಗೆ ಸೂಚನೆಗಳು

- (g) ಆಯಾಮಗಳು: ತಯಾರಕರು ಒದಗಿಸಿದ ಕ್ಯಾಬ್ ಚಾಸಿಸ್ ವಾಹನದ ಮೇಲೆ ನಿರ್ಮಿಸಲಾದ ಲೋಡ್ ಮೇಲ್ಮೈ/ಅಪ್ಲಿಕೇಶನ್ ಅನ್ನು ಡಿಸೈನ್ ವಿವರಣೆಯಂತೆ ಕನಿಷ್ಠ ಮತ್ತು ಗರಿಷ್ಠ ಹೊದಿಕೆಯೊಳಗೆ ಹೊಂದಿಕೊಳ್ಳುವಂತೆ ವಿನ್ಯಾಸಗೊಳಿಸಬೇಕು.



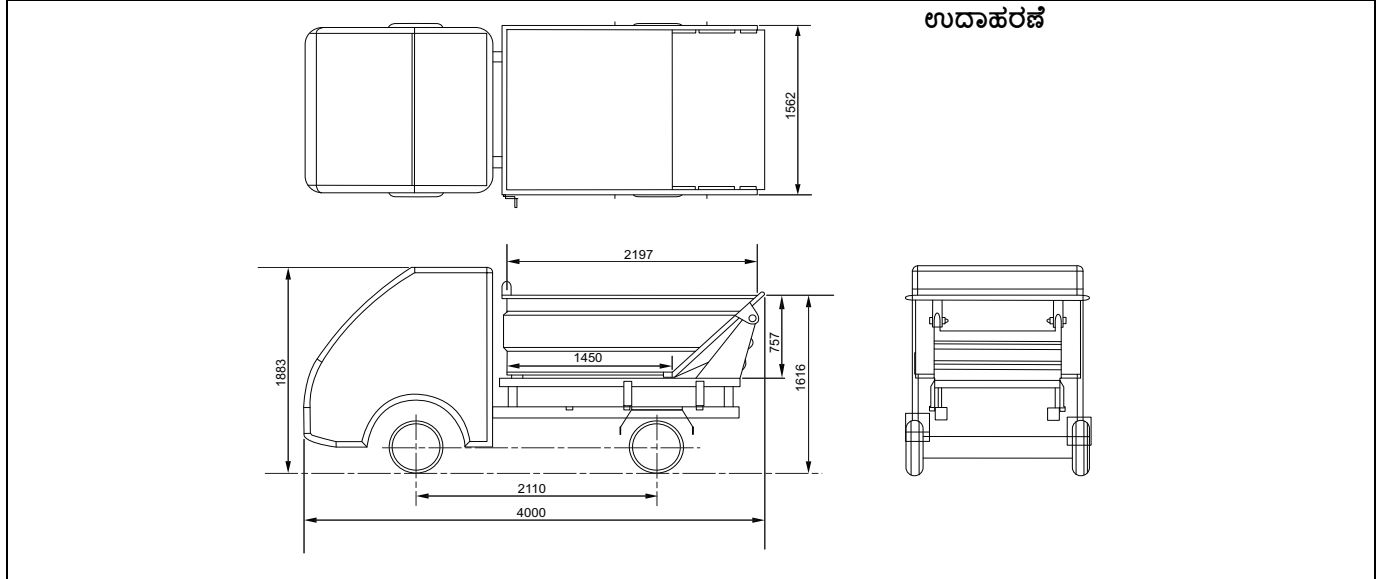
77PM12003

## ಬಾಡಿ ಫ್ಯಾಬ್ರಿಕೇಶನ್‌ಗೆ ಸೂಚನೆಗಳು

ಪೆಟ್ರೋಲ್ ಮಾದರಿ ಟಿಪ್ಪರ್‌ಗಾಗಿ (ತೆರೆದ ಟಿಪ್ಪರ್ ಮತ್ತು ಮುಚ್ಚಿದ ಟಿಪ್ಪರ್)

ತಯಾರಕರು ಒದಗಿಸಿದ ಕ್ಯಾಬ್ ಚಾಸಿಸ್ ವಾಹನದ ಮೇಲೆ ನಿರ್ಮಿಸಬೇಕಾದ ಲೋಡ್ ದೇಹ/ಅಪ್ಲಿಕೇಶನ್ ಅನ್ನು ಡಿಸೈನ್ ವಿವರಣೆಯಂತೆ ನಿರ್ದಿಷ್ಟ ಆಯಾಮದೊಳಗೆ ಹೊಂದಿಕೊಳ್ಳುವಂತೆ ವಿನ್ಯಾಸಗೊಳಿಸಬೇಕು.

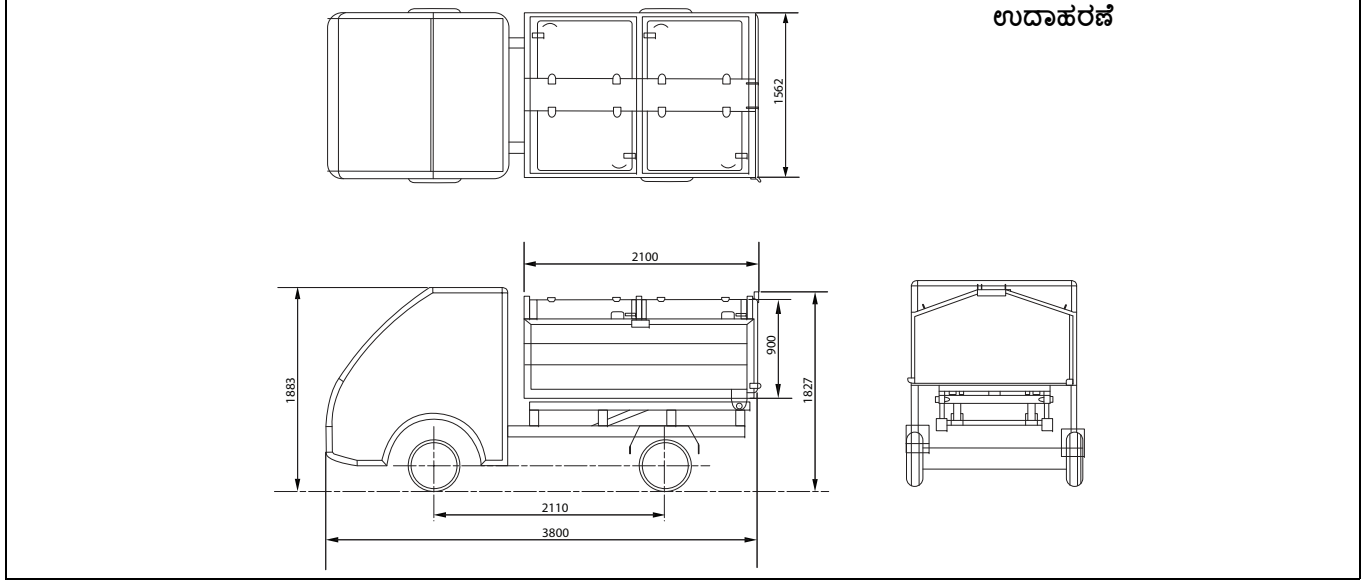
- ಟಿಪ್ಪರ್ ತೆರೆಯಿರಿ:



77PM12006

## ಬಾಡಿ ಫ್ಯಾಬ್ರಿಕೇಶನ್‌ಗೆ ಸೂಚನೆಗಳು

- ಮುಚ್ಚಿದ ಟಿಪ್ಪರ್:



77PM12007

- (h) ತೂಕ ಮತ್ತು ಅದರ ವಿತರಣೆ: ಸಂಪೂರ್ಣ ವಾಹನದ ಕನಿಷ್ಠ ಕರ್ಬ್ ತೂಕವನ್ನು **860kg** (ಪೆಟ್ರೋಲ್), **975kg** (ಸಿಎನ್‌ಜಿ) ಮತ್ತು ಸಂಪೂರ್ಣ ವಾಹನದ ಗರಿಷ್ಠ ಕರ್ಬ್ ತೂಕವನ್ನು **1140kg** (ಪೆಟ್ರೋಲ್), **1255kg** (ಸಿಎನ್‌ಜಿ) ಎಂದು ಪರಿಗಣಿಸಿ ಲೋಡ್ ದೇಹ/ಅಪ್ಲಿಕೇಶನ್ ಅನ್ನು ತಯಾರಿಸಬೇಕು. ಮುಂಭಾಗದ ಆಕ್ಸಲ್ ಮತ್ತು ಹಿಂಭಾಗದ ಆಕ್ಸಲ್ ಕರ್ಬ್ ತೂಕದ ಅನುಪಾತವು **1.46** (ಪೆಟ್ರೋಲ್), **1.24** (ಸಿಎನ್‌ಜಿ) ಅನ್ನು ಮೀರಬಾರದು.

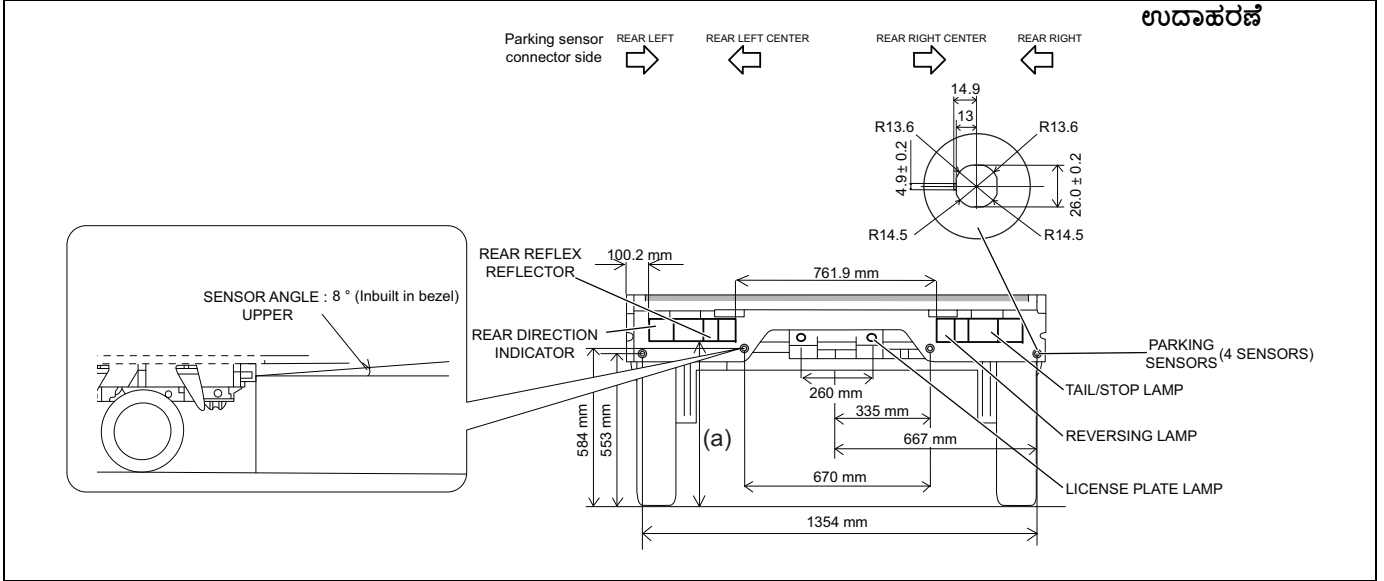
ಪೆಟ್ರೋಲ್ ಮಾದರಿ ಟಿಪ್ಪರ್ ಅಪ್ಲಿಕೇಶನ್‌ಗಾಗಿ, ಈ ಕೆಳಗಿನ ಕರ್ಬ್ ತೂಕವನ್ನು ಪರಿಗಣಿಸಿ ಲೋಡ್ ದೇಹ/ಅಪ್ಲಿಕೇಶನ್ ಅನ್ನು ತಯಾರಿಸಬೇಕು.

ತೆರೆದ ಟಿಪ್ಪರ್‌ನ ಒಟ್ಟುತೂಕ : **1070kg**

ಮುಚ್ಚಿದ ಟಿಪ್ಪರ್‌ನ ಒಟ್ಟುತೂಕ: **1140kg**

ಮುಂಭಾಗದ ಆಕ್ಸಲ್ ಮತ್ತು ಹಿಂದಿನ ಆಕ್ಸಲ್ ಒಟ್ಟುತೂಕದ ಅನುಪಾತವು **1.46** ಅನ್ನು ಮೀರಬಾರದು.

(i) ಲೈಟಿಂಗ್ ಮತ್ತು ಸಿಗ್ನಲಿಂಗ್ ಸಾಧನಗಳು: ಕ್ಯಾಬ್ ಚಾಸಿಸ್ ಅನ್ನು ಕ್ಯಾಬ್‌ನೊಂದಿಗೆ ಅಂತರ್ನಿರ್ಮಿತ ಹೆಡ್ ಲ್ಯಾಂಪ್ ಅಸೆಂಬ್ಲಿ ಮತ್ತು ಹಿಂಭಾಗದ ಸರಿಯೋಜನೆಯ ಲ್ಯಾಂಪ್‌ಗಳು ಮತ್ತು ರಿಫ್ಲೆಕ್ಟರ್ ಪೇಟ್ ಲ್ಯಾಂಪ್‌ಗಳೊಂದಿಗೆ ತಾತ್ಕಾಲಿಕ ಪ್ರಾನೋಟೊಂದಿಗೆ ಸೆರಬರಾಜು ಮಾಡಲಾಗುತ್ತಿದೆ. ಹೆಡ್ ಲ್ಯಾಂಪ್ ಜೋಡಣೆಯ ಸ್ಥಾನದೊಂದಿಗೆ ಯಶಸ್ವಿ ಮಾರ್ಪಾಡುಗಳನ್ನು ಮಾಡಬಾರದು. ಹಿಂದಿನ ಸಂಯೋಜನೆಯ ದೀಪಗಳು, ನೋಂದಣಿ ಪ್ಲೇಟ್ ದೀಪಗಳು ಮತ್ತು ಪಾರ್ಕಿಂಗ್ ಸಂವೇದಕಗಳು (ಕ್ಯೂಗವನ್ನು ಪಟ್ಟಿಯಲ್ಲಿ ವಾಹನದೊಂದಿಗೆ ಒದಗಿಸಲಾಗಿದೆ) ಕೆಳಗಿನ ವಿವರಣೆಯಲ್ಲಿರುವಂತೆ ನಿರ್ದಿಷ್ಟಪಡಿಸಿದ ಸ್ಥಾನದ ಪ್ರಕಾರ ಲೋಡ್ ದೇಹ/ಅಪ್ಲಿಕೇಶನ್‌ನಲ್ಲಿ ಅಳವಡಿಸಬೇಕು.

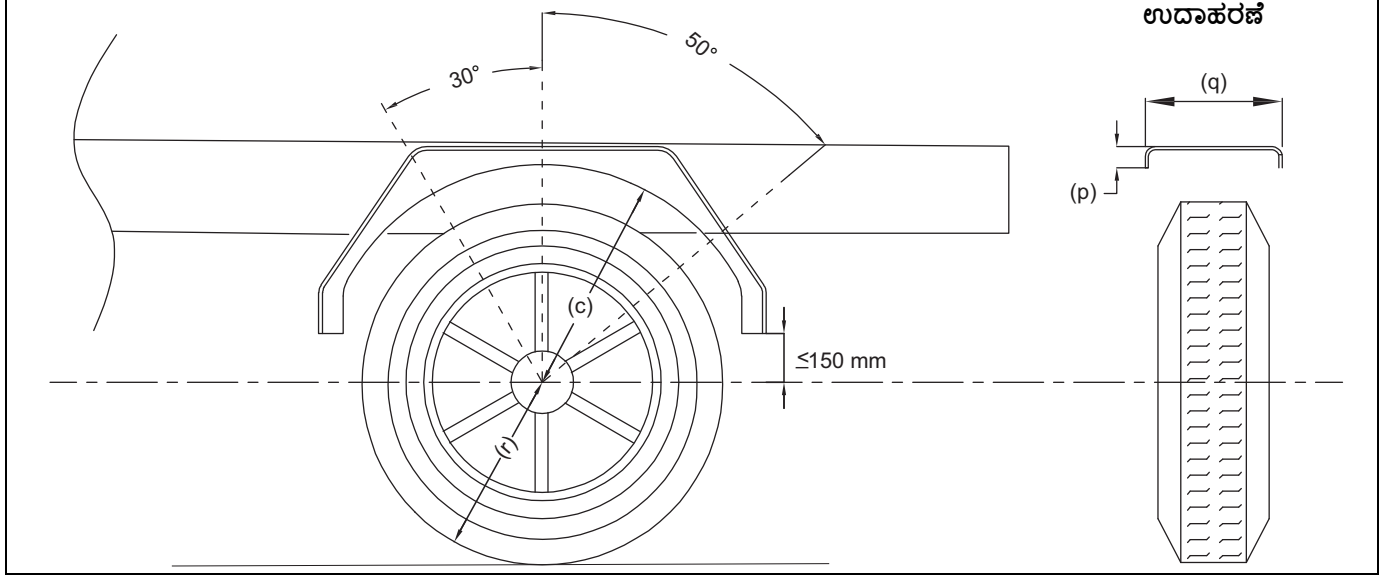


77PM12008

“a” ಮಾಲ್ಯ	
ಚಾಸಿಸ್ ಅಪ್ಲಿಕೇಶನ್‌ಗಳು (ಪೆಟ್ರೋಲ್ ಮತ್ತು ಸಿಎನ್‌ಜಿ)	612 mm
ಪೆಟ್ರೋಲ್ ಮಾದರಿ ಓಪನ್ ಟಿಪ್ಪರ್ ಅಪ್ಲಿಕೇಶನ್	620 mm
ಪೆಟ್ರೋಲ್ ಮಾದರಿ ಮುಚ್ಚಿದ ಟಿಪ್ಪರ್ ಅಪ್ಲಿಕೇಶನ್	660 mm

ಬಾಡಿ ಫ್ಯಾಬ್ರಿಕೇಶನ್‌ಗೆ ಸೂಚನೆಗಳು

(j) ವೀಲ್ ಗಾರ್ಡ್: ವೀಲ್ ಗಾರ್ಡ್‌ಗಳು ಸಿಎಂವಿಆರ್ ನಿಯಮ ಸಂಖ್ಯೆ 124(1)-13 ರ ಅಡಿಯಲ್ಲಿ ಅವಶ್ಯಕತೆಗಳನ್ನು ಅನುಸರಿಸಬೇಕು. ಡಿಸೈನ್ ವಿವರಣೆಯಂತೆ ನಿರ್ದಿಷ್ಟಪಡಿಸಿದ ವಿನ್ಯಾಸದ ನಿಯತಾಂಕಗಳ ಪ್ರಕಾರ ವೀಲ್ ಗಾರ್ಡ್ (ಹಿಂಭಾಗ) ಅನ್ನು ತಯಾರಿಸಬೇಕು.



77PM12106

c	$\leq 2r$
p	$> 30 \text{ mm}$
q	$> \text{ಒಟ್ಟು ಟೈರ್ ಅಗಲ}$
r	ಟೈರ್ ಸ್ಟಿರ ಸುತ್ತಳತೆ

(k) ಸಿಎನ್‌ಜಿ ರೂಪಾಂತರಕ್ಕಾಗಿ ಅರ್ಜಿ:

ಸಿಎನ್‌ಜಿ ಲೇಬಲ್:

ಬಾಡಿ ಬಿಲ್ಡರ್ ಕೆಳಗಿನ ಮಾರ್ಗಸೂಚಿಗಳ ಪ್ರಕಾರ ಹಿರಿಭಾಗದ ಲೋಡ್ ದೇಹದ ಮೇಲೆ "CNG ಲೇಬಲ್" (ವಾಹನ ಟೂಲ್ ಕಿಟ್ ಪ್ರಾಕ್ಟೆಟ್ ಜೊತೆಗೆ ಒದಗಿಸಲಾಗಿದೆ) ಅನ್ನು ಅಂಟಿಸತಕ್ಕದ್ದು.

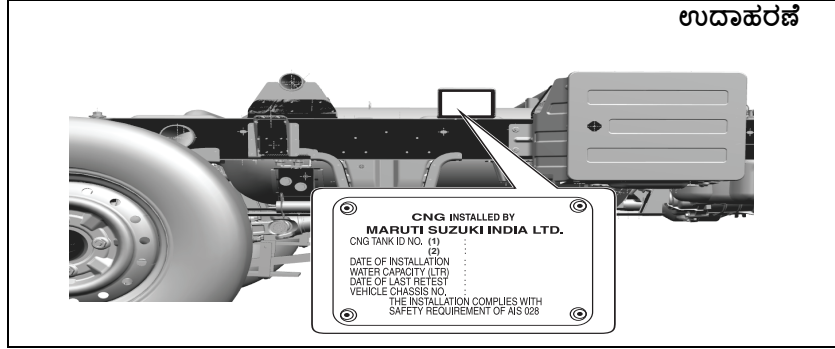
ಉದಾಹರಣೆ



77PM12011

- ಲೇಬಲ್ ಅನ್ನು ಪ್ರಾಯೋಗಿಕವಾಗಿ ವಾಹನದ ನಂಬರ್ ಪ್ಲೇಟ್‌ಗೆ ಹತ್ತಿರವಿರುವ ಸಮತಟ್ಟಾದ ಮೇಲ್ಮೈಯಲ್ಲಿ ಲಂಬವಾದ ಸ್ಥಾನದಲ್ಲಿ (ಮೇಲ್ಮೈ ತೋರಿಸಿರುವಂತೆ) ಅಂಟಿಸಬೇಕು.
- ಅಂಟಿಸಲಾದ ಲೇಬಲ್ ಹಿಂದಿನ ಬದಿಗಳಿಂದ ಗೋಚರತೆಯನ್ನು ಖಚಿತಪಡಿಸುತ್ತದೆ.
- "ಲೇಬಲ್ ಎಲ್ಲಾ ಸಮಯದಲ್ಲೂ ಸ್ಥಾನದಲ್ಲಿರುತ್ತದೆ, ಉತ್ತಮ ಸ್ಥಿತಿಯಲ್ಲಿರುತ್ತದೆ ಮತ್ತು ಟಿಕಾರ್, ಬಣ್ಣ ಮತ್ತು ಅಕ್ಷರಗಳನ್ನು ಸುಲಭವಾಗಿ ಗುರುತಿಸಬಹುದು."

ಸಿಎನ್‌ಜಿ ಕಿಟ್ ಸಂಖ್ಯೆ ಗುರುತಿಸುವಿಕೆ:



77PM07032

ಲೋಡ್ ಬಾಡಿ/ಅಪ್ಲಿಕೇಶನ್ ಅನ್ನು ಸಿಎನ್‌ಜಿ ಅನುಸರಣೆ ಪ್ಲೇಟ್‌ನ ಗೋಚರತೆಯ ಮೇಲೆ ಪರಿಣಾಮ ಬೀರದಂತೆ ತಯಾರಿಸಬೇಕು.

ಹಕ್ಕು ನಿರಾಕರಣೆ:

ಮಾಲೀಕರು/ಬಾಡಿ-ಬಿಲ್ಡರ್‌ಗಳು ಅನ್ವಯವಾಗುವ ಸಿಎಂವಿಆರ್ ಅವಶ್ಯಕತೆಗಳನ್ನು ಮತ್ತು ಸೂಪರ್ ಕ್ಯಾರಿ ಚಾಸಿಸ್ ರೂಪಾಂತರದ ದೇಹದ ತಯಾರಿಕೆಗೆ ಸಂಬಂಧಿಸಿದಂತೆ ಕಾಲಕಾಲಕ್ಕೆ ಅನ್ವಯವಾಗುವಂತೆ ರಾಜ್ಯ ಮೋಟಾರು ವಾಹನ ನಿಯಮಗಳನ್ನು ಅನುಸರಿಸಬೇಕು. ತಯಾರಕರ ಸೂಚನೆಗಳು ಮತ್ತು ಚಾಲಿಯಲ್ಲಿರುವ ನಿಯಮಗಳಿಗೆ ವಿರುದ್ಧವಾಗಿ, ಮೇಲ್ಮೈ/ಅಪ್ಲಿಕೇಶನ್‌ನ ತಯಾರಿಕೆಯ ಕಾರಣದಿಂದ ಉಂಟಾಗುವ ಅನ್ವಯವಾಗುವ ಕಾನೂನುಗಳ ಯಾವುದೇ ಅನುಸರಣೆಗೆ ವಾಹನ ತಯಾರಕರು ಜವಾಬ್ದಾರರಾಗಿರುವುದಿಲ್ಲ.

▲ ಎಚ್ಚರಿಕೆ

ಡೆಕ್/ಬಾಡಿ ಫ್ಯಾಬ್ರಿಕೇಶನ್ ಇಲ್ಲದೆ ನಿಮ್ಮ ಸೂಪರ್ ಕ್ಯಾರಿ ವಾಹನವನ್ನು ಇಟ್ಟುಕೊಳ್ಳಬೇಡಿ



Prepared by  
**MARUTI SUZUKI INDIA LIMITED**

Service Division  
July, 2024

Part No. 99011M77P11-743  
Printed in India

**For round-the-clock on-road assistance, call Maruti On-road Service at 1800 102 1800# / 1800 1800 180#**  
#No STD code to be prefixed.

24ಗಂಟೆಗಳ ಆನ್-ರೋಡ್ ನೆರವಿಗಾಗಿ, ಮಾರುತಿ ಆನ್ ರೋಡ್ ಸರ್ವಿಸ್ ಸಂಖ್ಯೆಯಾದ 1800 102 1800# / 1800 1800 180# ಕ್ಕೆ ಕರೆಮಾಡಿ  
# ಎಸ್ ಡಿ ಡಿ ಕೋಡ್ ಮೊದಲೇ ಹೊಂದಿಸಲಾಗಿಲ್ಲ.

Service Division  
**MARUTI SUZUKI INDIA LIMITED**  
Palam Gurgaon Road, Gurgaon - 122 015 (Haryana)  
[www.marutisuzuki.com](http://www.marutisuzuki.com)



99011M77P11-743

