

SUPER CARRY

OWNER'S MANUAL

Refer for vehicle usage at all time. Contains warranty policy and important information on safety, operation & maintenance

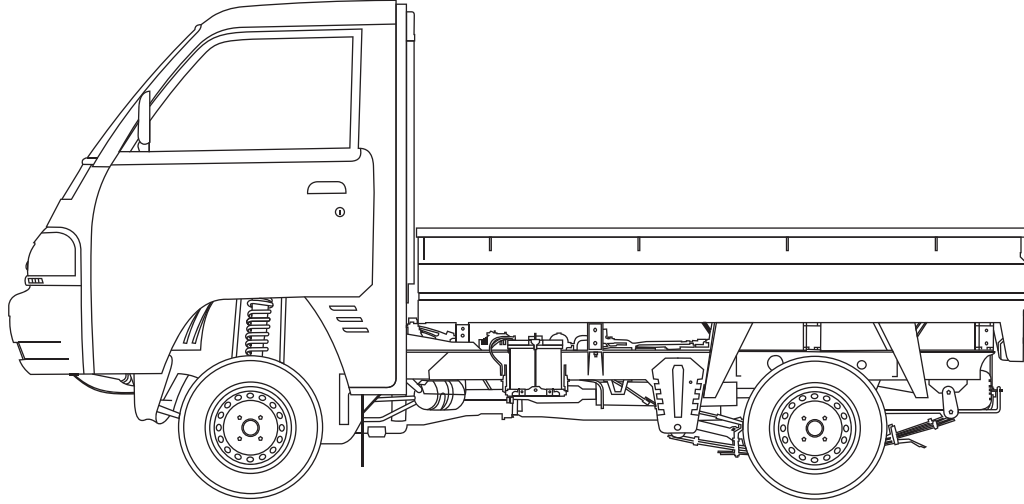
માલિકનું મેન્યુઅલ

દર વખતે વાહનના ઉપયોગ પર ધ્યાન આપો. સુરક્ષા, કામગીરી અને જાળવણી બાબતે વોટી નીતિ અને મહત્વપૂર્ણ માહિતી સામેલ છે.

Part No. 99011M77P16-747
February, 2025 (ENG) (GUJ.)

This owners manual applies to the Super Carry series
produced by MARUTI SUZUKI INDIA LIMITED.

આ માલિકનું મેન્યુઅલ મારુતિ સુઝુકી ઈન્ડિયા લિમિટેડ દ્વારા સર્જિત
સુપર કેરી શ્રેણીને લાગુ પડે છે.



© COPYRIGHT MARUTI SUZUKI INDIA LIMITED 2025
© કોપીરાઈટ મારુતિ સુઝુકી ઈન્ડિયા લિમિટેડ 2025

NOTE: The illustrated models are one of the Super Carry series.
નોંધ: અહીં રેખાંકિત કરાયેલા મોડેલ્સ સુપર કેરી શ્રેણીમાંથી એકના છે.

FOREWORD

The digital Owner's Manual is an essential part of your vehicle a rich document which familiarizes you with the vehicle by providing information such as features, warnings, operations and equipment description etc. Please read this manual carefully before operating your new MARUTI SUZUKI vehicle and review the manual from time to time. It is recommended to download this manual (from "Maruti Suzuki Rewards" mobile application with your registered mobile number) and save a soft copy of the same for easy access all times. Please visit MARUTI SUZUKI authorised workshop for availing any service.

To prolong the life of your vehicle and reduce maintenance cost, the periodic maintenance must be carried out according to "PERIODIC MAINTENANCE SCHEDULE" described in "INSPECTION AND MAINTENANCE" section of this manual. It is essential for preventing trouble and accidents to ensure your satisfaction and safety.

Daily inspection and care as per "DAILY INSPECTION CHECKLIST" described in the "OPERATING YOUR VEHICLE" section of this manual is essential for prolonging the life of the vehicle and for safe driving.

Vehicle and the available features/accessories therein should be used and plied by the owner/user in accordance with the applicable legal requirements.

MARUTI SUZUKI INDIA LIMITED believes in conservation and protection of Earth's natural resources.

To that end, we encourage every vehicle owner to recycle, trade-in or properly dispose of, as appropriate, used Engine Oil, coolant and other fluids, batteries and tyres etc.

MARUTI SUZUKI INDIA LIMITED

All information in this manual is based on the latest product information available at the time of publication. Due to improvements or other changes, there may be discrepancies between information in this manual and your vehicle. MARUTI SUZUKI INDIA LIMITED reserves the right to make production changes at any time, without notice and without incurring any obligation to make the same or similar changes to vehicles previously built or sold.

This vehicle may not comply with standards or regulations of other countries. Before attempting to register this vehicle in any other country, check all applicable regulations and make any necessary modifications.

IMPORTANT

▲ WARNING/ ▲ CAUTION/NOTICE/ NOTE

Please read this manual and follow its instructions carefully. To emphasize special information, the symbol ▲ and the words **WARNING**, **CAUTION**, **NOTICE** and **NOTE** have special meanings. Pay particular attention to messages highlighted by these signal words:

▲ WARNING

Indicates a potential hazard that could result in death or serious injury.

▲ CAUTION

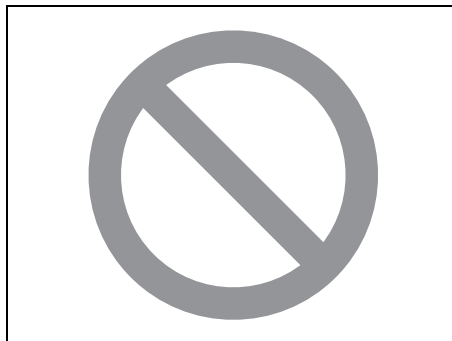
Indicates a potential hazard that could result in minor or moderate injury.

NOTICE

Indicates a potential hazard that could result in vehicle damage.

NOTE:

Indicates special information to make maintenance easier or instructions clearer.



75F135

The circle with a slash in this manual means “Don’t do this” or “Don’t let this happen”.

NOTE:

- Words like *car*, *model/variant* are invariably used in this manual to denote the “Vehicle”.
- Pictorial representations used in this manual are for reference purposes only.

MODIFICATION WARNING

▲ WARNING

Do not modify your vehicle. Modification could adversely affect safety, handling, performance, or durability and may violate governmental regulations. In addition, damage or performance problems resulting from modification shall not be covered under warranty.

NOTICE

Improper installation of mobile communication equipment such as cellular telephones or CB (Citizen’s Band) radios may cause electronic interference with your vehicle’s ignition system, resulting in vehicle performance problems. Consult your authorized **MARUTI SUZUKI COMMERCIAL** dealer for advice on installing such mobile communication equipment.

NOTICE

Severe damage may be caused by the use of either poor quality fuel and/or lubricants not recommended by **MARUTI SUZUKI**.

“WARNING”



Vehicle may **break-down**, meet with an **accident** or **catch fire** due to

1. Installation of
 - High wattage bulbs
 - Non genuine lamps / horns
 - Modified suspension / wheels
 - Non genuine parts / accessories etc.
2. Retrofitment of LPG / CNG fuel systems/kits.
3. Usage of domestic LPG.
4. Short circuiting due to tampering of wiring harness.

CAUTION: DO NOT STORE OR CARRY INFLAMMABLE MATERIALS IN THE VEHICLE.



Avoid driving into or starting the vehicle in a heavily water logged area. Vehicle may **break-down** or engine may fail due to

1. Water entry into the engine (which may lead to hydrostatic lock).
2. Short circuiting of the electrical systems.

If the vehicle is stuck in deep water, do not start / crank the vehicle until the level of water drops below the level of exhaust pipe.

NOTE:

IF THE VEHICLE IS SUBMERGED IN WATER, REPORT TO THE NEAREST AUTHORIZED WORKSHOP.

“CAUTION”

1. Retro-fitment of LPG / CNG kit may deteriorate vehicle performance, reduce engine & engine related component's life and also warranty will be null and void for such vehicles.
2. Do not use domestic LPG/LPG cylinder for your factory fitted LPG vehicles.
3. Usage of domestic LPG for running vehicles is prohibited as per law.
4. Do not remove company fitted LPG/CNG kit to install some other kit. It may affect vehicle performance and may cause fire.
5. Drive slowly on wet roads. Tires may slip while braking at higher speeds due to aquaplaning. (reduced contact area between tire and road due to presence of water)
6. Do not leave engine running in garages or confined areas, with passengers inside. This may result in accumulation of carbon-monoxide in cabin and may lead to suffocation or breathing problems.
7. Do not park vehicle on dry leaves or grass. This may lead to fire due to hot catalytic converter, igniting the dry leaves/grass.
8. If the vehicle is equipped with CNG/LPG, ensure availability of fire extinguisher in the vehicle all the time.
9. Always wear seat belt at all the times.
10. Do not use mobile phone while driving.
11. Avoid Smoking in the car, live bud thrown in car may cause fire.
12. Do not put any body part under the vehicle when it is supported on a Jack.
13. Do not use non-genuine accessories in your vehicle.
14. Do not fit accessories from unauthorized workshops/sources.
15. Usage of non-approved electrical accessories in your vehicle may result in spark, fire or personal injury.

To experience and use the Digital Owner's Manual, download Maruti Suzuki app



Maruti Suzuki Rewards app ensures a hassle free car ownership experience. Get easy access to all the services and information you need by downloading the app



How to download Owners manual from Maruti Suzuki application

Step 1: Download "Maruti Suzuki Rewards" application from apple app store / google play store on your mobile phone

Step 2: Input registered mobile number and the OTP received from SMS

Step 3: Select "S-Assist BOT" icon and click "View Owner's Manual" to access digital Owner's Manual

Step 4: Click "Down Arrow" download and save Owner's Manual on your mobile phone

Now, the Owner's Manual is available on your mobile phone for reference at all times.

(For assistance, contact Maruti Suzuki authorised workshop)

WARRANTY POLICY

Maruti Suzuki India Limited (hereinafter called “Maruti Suzuki”), warrants that each new Maruti Suzuki vehicle distributed in India by Maruti Suzuki and sold by a Maruti Suzuki authorised dealer will be free, under normal use and service, from any defects in material and workmanship at the time of manufacture SUBJECT TO THE FOLLOWING TERMS AND CONDITIONS:

(1) Qualification:

To qualify for this warranty the vehicle must be delivered by a Maruti Suzuki authorised dealer and set-up, and serviced by a Maruti Suzuki authorised workshop.

(2) Term:

The term of the warranty shall be thirty-six (36) months or 1,00,000 kilometers (whichever occurs first) from the date of invoice to the first owner.

(3) Maruti Suzuki Warranty Obligation:

If any defect(s) should be found in a Maruti Suzuki vehicle within the term stipulated above, Maruti Suzuki’s only obligation is to repair or replace at its sole discretion any part shown to be defective, with a new part or the equivalent at no cost to the owner for parts or labour, when Maruti Suzuki acknowledges that such a defect is attributable to faulty material or workmanship at the time of manufacture. Such defective parts, which have been replaced, will become the property of Maruti Suzuki. The owner is responsible for any repair or replacements which are not covered by this warranty. The decision of Maruti Suzuki shall be final & binding.

(4) Limitation:

This warranty shall not apply to:

- (a) Normal maintenance service required other than the four free services, including without limitation, oil and fluid changes, Consumables, headlight aiming, fastener retightening, wheel balancing, wheel alignment and tyre rotation, cleaning of injectors, adjustments of clutch and valve clearance.
- (b) The normal wear of parts including without limitation, bulbs, tyres and tubes, spark plugs, belts, hoses, filters, wiper blades, brushes, contact points, fuses, clutch disc, brake shoes, brake pads, cable and all rubber parts (except oil seal and glass run).
- (c) Any vehicle which has been used for competition, rallies or racing.
- (d) Any repairs or replacement arising from accidents or collision.
- (e) Any defect/ damage caused by misuse, negligence, abnormal use, insufficient care, vandalism, theft, riot, fire, flooding - not limited to entry of water in the components resulting in engine seizure, hydrostatic lock, etc. or external damages to the body/ components.
- (f) Any damage resulting due to usage of adulterated fuel/ lubricants/ oil/ coolant/ fluids/ polishing products and fuel/ lubricants/ oil/ coolant/ fluids used other than those specified in the Owner’s Manual.
- (g) Any vehicle which has been modified or altered, including without limitation, the installation of performance accessories, enlargements of lights, other changes and external/ consequential reasons.
- (h) Any vehicle on which parts or accessories not approved by Maruti Suzuki (Non-MSGA, Non-MSGP) have been used.
- (i) Any vehicle which has not been operated in accordance with the operating instructions in this Owner’s Manual and Service Booklet.

-
- (j) Any vehicle which has not received the service inspections prescribed in this Owner's Manual and Service Booklet.
 - (k) Any vehicle which has been assembled, disassembled, adjusted or repaired by other than a Maruti Suzuki authorised workshop.
 - (l) Any vehicle which has been used for purposes other than what it was designed for.
 - (m) Any damage or deterioration caused by airborne fallout, industrial fallout, acid rain, hail or hail storm, wind storm, lightning, bird droppings, rodents bite / rat bite and such other thing that result in damage to the vehicle.
 - (n) Insignificant defects/noise which do not affect the function of the vehicle including without limitation, sound, vibration and fluid seep.
 - (o) Any natural wear and tear including without limitation, ageing, wear & tear or deterioration such as discoloration, fading, deformation or blurring and fabric discoloration.
 - (p) Installation and usage of domestic LPG gas/LPG Cylinder.
 - (q) V-belts, hoses and gas leaks.
 - (r) Any vehicle retrofitted with LPG/CNG kits.
 - (s) Repainting including patchwork, bodywork and mouldings and interior trims.
 - (t) Corrosion, rusting of body parts and/ or components.
 - (u) Any vehicle on which odometer has been changed unauthorisedly or odometer reading has been modified/ tampered with/ or not matching the service records.
 - (v) The damage(s) caused to the vehicle being unattended despite knowledge that the defect exists and ignorance by the owner/ user of the vehicle.
 - (w) Any damage(s) caused to vehicle including battery/ tyre due to parking of the vehicle in idle condition for long duration of time periods.
 - (x) Any vehicle on which the retro-fitment is not authorized and/ or type approved as per the standards prescribed by the relevant authority including but not limited to Automotive Standards of India.

- (y) Any vehicle on which the retro-fitment is such which directly or indirectly causes any damage to the vehicle or affects the functions of the vehicle in any manner whatsoever.

(5)Extent of Warranty:

This warranty is the entire written warranty given by Maruti Suzuki for Maruti Suzuki vehicles and no dealer or its or his agent or employee is authorised to extend or enlarge this warranty and no dealer or its or his agent or employee is authorised to make any oral warranty or representation or assurance on behalf of Maruti Suzuki.

Maruti Suzuki reserves the right to add any improvements or change the design of any model at any time with no obligation to make the same changes on units previously sold.

(6) Warranty Service:

To obtain warranty service, the complete vehicle must be presented at the owner's expenses to Maruti Suzuki authorised workshop.

The customer shall be responsible for his belongings or accessories fitted in the vehicle at the time of presenting the vehicle for service and no claim shall be entertained in any manner under any circumstances.

(7) Owner's Warranty Obligations:

NOTICE
The owner shall not use the vehicle in a damaged condition and report the same immediately to the nearest Maruti Suzuki authorized workshop. This would result in early inspection and repair of the vehicle and any possible harm to the person or aggravation of damage to the vehicle can be prevented.

It is responsibility of each owner to:

- Have performed, at his own expenses, by a Maruti Suzuki authorised workshop all the service inspections specified in the Owner's Manual described in "INSPECTION AND MAINTENANCE" section".
- Should you resell the vehicle, please guide the new users/ owners to download this manual (from "Maruti Suzuki Rewards" mobile application with your registered mobile number). Also the soft copy of the manual must be passed on to new users/ owners when resold or otherwise transferred.

If the Owner's Manual is lost due to any reason, the owner or user may download a soft copy of the same (from "Maruti Suzuki Rewards" mobile application with the mobile number) and save it for easy access at any point of time.

(8) Disclaimer of Consequential Damage:

Maruti Suzuki assumes no responsibility for loss of vehicle, loss of time, inconvenience or any other indirect incidental or consequential damage resulting from the vehicle not being available to the owner because of any defect covered by this warranty.

(9) Change of Owner

Even if ownership of the vehicle changes, the remaining warranty period is effective for the new owner.

This Warranty is applicable only in India and not transferable to any other country.

FUEL RECOMMENDATION

Fuel Recommendation 1-1

FUEL RECOMMENDATION

Fuel Recommendation

(For Petrol and CNG Engine Model)

For Petrol Engine Model

To avoid damaging catalytic converter, you must use unleaded petrol with an octane number (RON) of 91 or higher.

Gasoline/Ethanol blends

Blends of unleaded gasoline and ethanol, also known as gasohol, are commercially available in the country and can vary with location. Gasoline Ethanol blend up to E20 can be used as fuel for this vehicle.

Gasoline containing MTBE

Unleaded gasoline containing MTBE (methyl tertiary butyl ether) may be used in your vehicle if the MTBE content is not greater than 15%. This oxygenated fuel does not contain alcohol.

CAUTION

Use of spurious, low quality, adulterated fuel can cause damage to the engine and engine auxiliaries, affect functioning of engine and degrade engine performance including but not limited to engine seizure.

NOTICE

- The fuel tank has an air space to allow for fuel expansion in hot weather. If you continue to add fuel after the filler nozzle has automatically shut off or an initial blowback occurs, the air chamber will become full. Exposure to heat when fully fuelled in this manner will result in leakage due to fuel expansion. To prevent such fuel leakage, stop filling after the filler nozzle has automatically shut off, or when initial vent blowback occurs, if using an alternative non-automatic system.
- Be careful not to spill fuel containing alcohol while refueling. If fuel is spilled on the vehicle body, wipe it up immediately. Fuels containing alcohol can cause paint damage, which is not covered under the New Vehicle Limited Warranty.

For CNG Engine Model

CNG

CNG (Compressed Natural Gas) is principally constituted by methane. CNG is considered as clean burning fuel. Due to low density of CNG, it is compressed at a pressure of around 200 bars to enhance the vehicle on-board storage capacity.

CAUTION

In case of any symptom of CNG leakage or releasing noise or any external damage to CNG piping or during accident, do not panic.

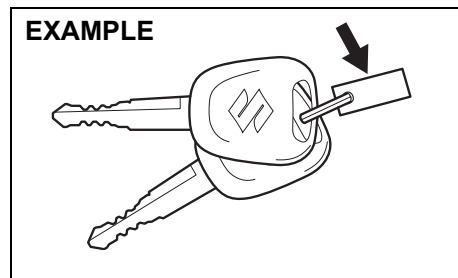
- Stop the vehicle and switch off the engine, roll down the windows and open all the doors.
- Ensure to close manual shut off valve.
- Contact authorised **MARUTI SUZUKI COMMERCIAL** workshop immediately for further assistance.

BEFORE DRIVING

Keys	2-1
Door Locks	2-2
Tailgate	2-2
Windows	2-3
Mirrors	2-4
Seats	2-5
Seat Belts	2-5
Instrument Cluster	2-11
Speedometer	2-12
Fuel Gauge	2-12
Information Display	2-12
Warning and Indicator Lights	2-16
Lighting Control Lever	2-20
Headlight Leveling Switch	2-21
Turn Signal Control Lever	2-21
Hazard Warning Switch	2-22
Windshield Wiper and Washer Lever	2-22
Horn	2-24
CNG Cylinder Warning Label (if equipped)	2-24
CNG Warning Label (if equipped)	2-24
CNG Manual Shut-OFF Valve (if equipped)	2-25

BEFORE DRIVING

Keys



51KM024

Your vehicle comes with a pair of keys. The key(s) may or may not be equipped with a transmitter depending on model variant. Keep the spare key in a safe place. One key can open all of the locks on the vehicle.

The key identification number is stamped on a metal tag provided with the keys or on the keys. Keep the tag (if equipped) in a safe place. If you lose your keys, you will need this number to have new keys made. Write the number below for your future reference.

KEY NUMBER:

Immobilizer system

This system is designed to help prevent vehicle theft by electronically disabling the engine starting system.

The engine can be started only with your vehicle's original immobilizer ignition key, which has an electronic identification code programmed into it. The key communicates the identification code to the vehicle when the ignition switch is turned to "ON" position. If you need to make spare keys, see a Maruti Suzuki authorised workshop. The vehicle must be programmed with the correct identification code for the spare. A key made by an ordinary locksmith will not work.



65D239

If the immobilizer system warning light blinks when the ignition switch is in "ON" position, the engine will not start.

If this light blinks, turn the ignition switch to "LOCK" position, and then turn it back to "ON" position.

If the light still blinks after the ignition switch is turned back to "ON" position, there may be something wrong with your

key or with the immobilizer system. Ask a Maruti Suzuki authorised workshop to have the system inspected.

NOTE:

- If you lose your immobilizer ignition key, ask a Maruti Suzuki authorised workshop as soon as possible to deactivate the lost one, and to make a new key.
- If you own other vehicles with immobilizer keys, keep those keys away from the ignition switch when using your MARUTI SUZUKI vehicle. Otherwise, the engine may not be started because they may interfere with your MARUTI SUZUKI vehicle's immobilizer system.
- If you attach any metal objects to the immobilizer key, it may not start the engine.
- This immobilizer system is maintenance-free.

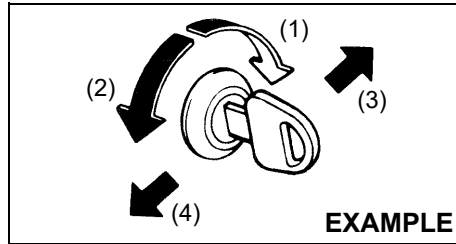
NOTICE

The immobilizer key is sensitive electronic instrument. To avoid damaging it:

- Do not expose it to impacts, moisture or high temperature such as on the dashboard under direct sunlight.
- Keep it away from magnetic objects.

Door Locks

**Side Door Locks
Driver's door**



EXAMPLE

76MHOA001

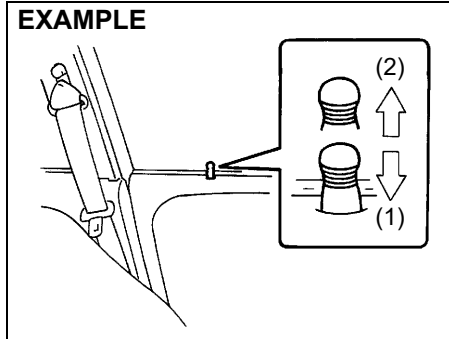
- (1) LOCK
- (2) UNLOCK
- (3) Front
- (4) Rear

To lock a driver's door from outside the vehicle:

- Insert the key and turn the top of the key toward the front of the vehicle, or
- Push the lock knob down, then pull and hold the door handle as you close the door.

To unlock a driver's door from outside the vehicle, insert the key and turn the top of the key toward the rear of the vehicle.

To lock a passenger's door from outside the vehicle, push the lock knob down, then pull and hold the door handle as you close the door.

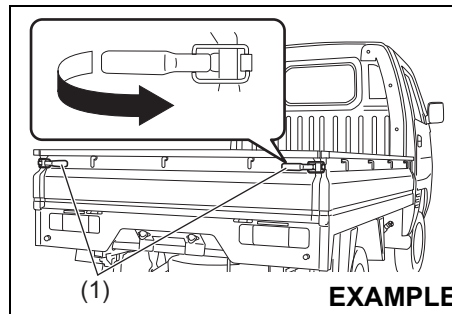


EXAMPLE

- (1) LOCK
- (2) UNLOCK

54G005

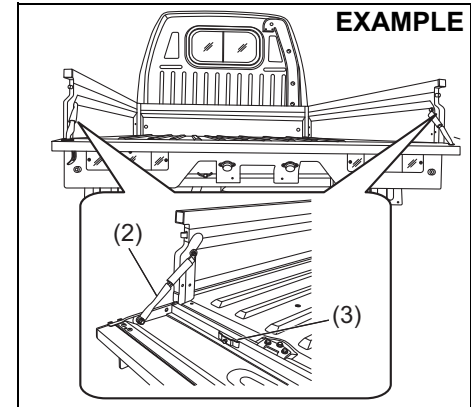
Tailgate



EXAMPLE

77PH025

The tailgate can be opened by pulling the lock handles (1). When closing, lock them firmly.



EXAMPLE

77PM201

The tailgate can also be locked in an intermediate position with the help of tailgate chain (2).

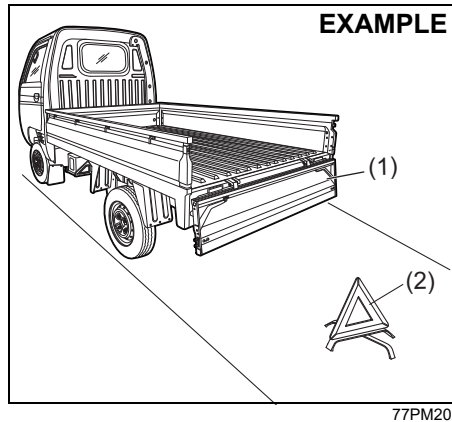
NOTICE

Lock the tailgate chain (2) with pin (3) when not in use.

BEFORE DRIVING

⚠ WARNING

- Driving with the tailgate in open / intermediate position will allow the tailgate to swing and hit others, causing injury or even death.
- The tailgate in open / intermediate position will hinder other drivers from seeing the taillights, causing accidents. Make sure the tailgate is closed and locked firmly before driving.
- Make sure that the tailgate is always closed and locked firmly to prevent cargo from being thrown out of the vehicle in the event of an accident.
- Do not stand, put load or put cargo on the tailgate when locked at an intermediate position.
- If the tailgate is in fully open condition, vehicle rear lighting devices such as position lamp, turn signal indicator and stop lamp get hidden, and are not visible.



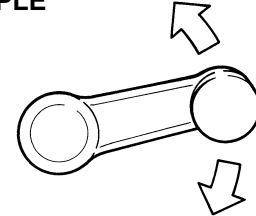
⚠ WARNING

- If the loading and unloading is done while tailgate (1) is in fully open position, a warning triangle (2) must be placed on the road in visible manner to alert other users about the presence of the vehicle.

Windows

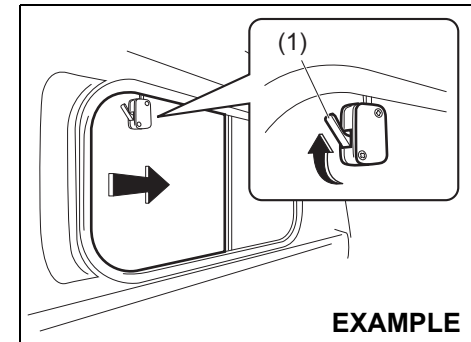
Manual Window Control

EXAMPLE



Raise or lower the door windows by turning the handle located on the door panel.

Rear Window



To open the window, push the lock (1) and slide the window.

Mirrors

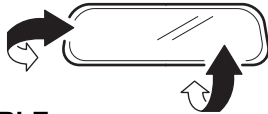
▲ WARNING

Failure to observe following point may result in loss of vehicle control and cause an accident, leading to death or serious injury. Always follow below points while driving.

- Do not adjust the mirrors while driving.
- Always unfold all the outside rearview mirrors and adjust properly before driving.
- Do not place objects in the rear of the vehicle which may hinder visibility or interfere with your vision from the rear window glass.

Inside Rearview Mirror

You can adjust the inside rearview mirror by hand so as to see the rear of your vehicle in the mirror.



EXAMPLE

74LHT0235

▲ CAUTION

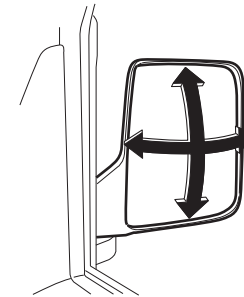
Do not modify the inside rearview mirror or install a non-genuine wide mirror. It could result in injury during accident.

Outside Rearview Mirror(s)

Adjust the outside rearview mirror(s) so you can just see the side of your vehicle in the mirror(s).

▲ WARNING

Be careful when judging the size or distance of a vehicle or other object seen in the side convex mirror. Be aware that objects look smaller and appear farther away than when seen in a flat mirror.



EXAMPLE

64P0190

BEFORE DRIVING

Seats

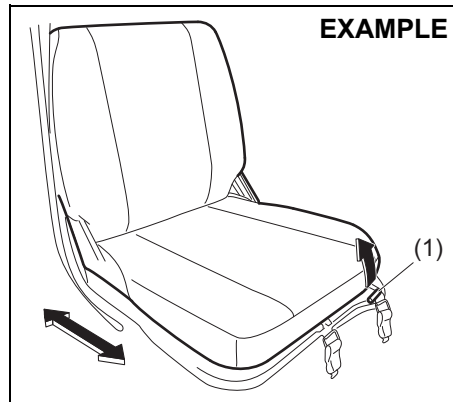
Seat Adjustment (driver's seat)

⚠ WARNING

Never attempt to adjust the driver's seat while driving. The seat could move unexpectedly, causing loss of control. Make sure that the driver's seat is properly adjusted before you start driving.

⚠ WARNING

To avoid excessive seat belt slack, which reduces effectiveness of the seat belts as a safety device, make sure that the seats are adjusted before the seat belts are fastened.



77PH087

Seat position adjustment lever (1)

Pull the lever up and slide the seat.

After adjustment, try to move the seat forward and rearward to ensure that it is securely latched.

⚠ CAUTION

While adjusting the seat, be careful that the seat does not pinch your hands, or hit your body.

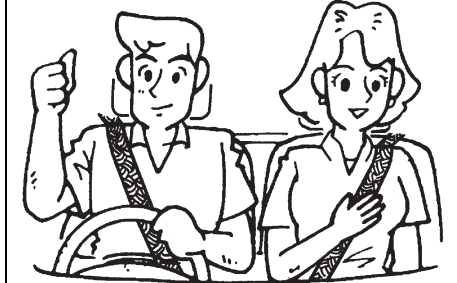
NOTE:

To operate the seat back smoothly, pull the seat back adjustment lever (2) in upward direction. Ensure to move seat back only after lever is moved to fully up position. After adjustment of seat back, release the

lever gently. Check that seat back is locked by moving it forward and backward.

Seat Belts

EXAMPLE



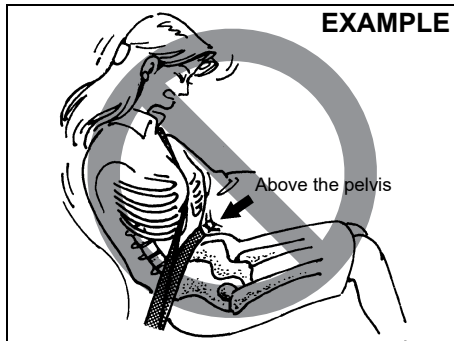
65D231S

⚠ WARNING

Wear Your Seat Belts at All Times.

⚠ WARNING

The driver and the passenger must be properly restrained by wearing seat belts at all times even if driving for a very short distance, whether or not an air bag is mounted at their seating position, to minimize the risk of severe injury or death in the event of a crash.

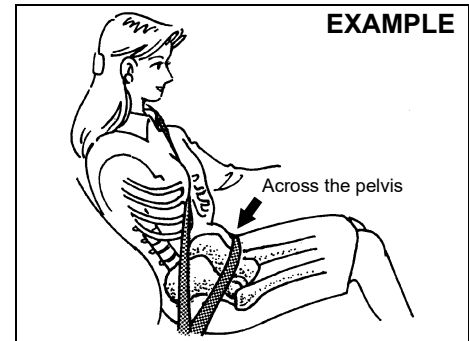


65D606

⚠ WARNING

- Never allow persons to ride in the cargo area of a vehicle. In the event of an accident, there is a much greater risk of injury for persons who are not riding in a seat with their seat belt securely fastened.
- Ensure that all seat belts are worn correctly. An improperly worn seat belt increases the risk of injury or death if a collision occurs.
- Seat belts should always be adjusted as follows:
 - the lap portion of the belt should be worn low across the pelvis, not across the waist.
 - the shoulder straps should be worn on the outside shoulder only, and never under the arm.
 - the shoulder straps should be away from your face and neck, but not falling off your shoulder.

(Continued)



65D201

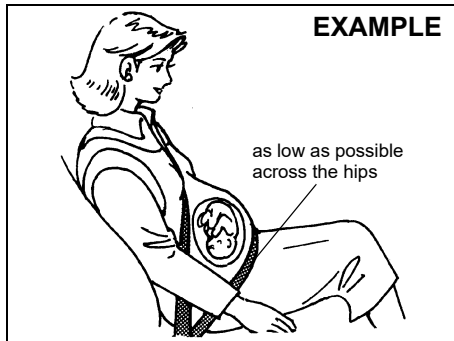
⚠ WARNING

(Continued)

- Seat belts should never be worn with the straps twisted and should be adjusted as tightly as is comfortable to provide the protection for which they have been designed. A slack belt will provide less protection than one which is snug.
- Make sure that each seat belt buckle is inserted into the proper buckle catch.

(Continued)

BEFORE DRIVING



65D199

⚠ WARNING

(Continued)

- Pregnant women should use seat belts, although specific recommendations about driving should be made by the woman's medical advisor. Remember that the lap portion of the belt should be worn as low as possible across the hips, as shown in the diagram.
- Do not wear seat belts over hard, fragile, or sharp items such as pens, keys, eyeglasses, etc. in pockets or on clothing. The pressure from seat belt on such items can cause injury in case of an accident.
- Do not wear your seat belt over hard or breakable objects in your pockets or on your clothing. If an accident occurs, objects such as glasses, pens, etc. under the seat belt can cause injury.

(Continued)

⚠ WARNING

(Continued)

- Never use the same seat belt on more than one occupant and never attach a seat belt over an infant or child being held on an occupant's lap. Such seat belt use could cause serious injury in the event of an accident.
- Periodically inspect seat belt assemblies for excessive wear and damage. Seat belts should be replaced if webbing becomes frayed, contaminated, or damaged in any way. It is essential to replace the entire seat belt assembly after it has been worn in a severe impact, even if damage to the assembly is not obvious.
- Infants and small children should never be transported unless they are properly restrained.
- For children, if the shoulder belt irritates the neck or face, move the child closer to the center of the vehicle.
- Avoid contamination of seat belt webbing by polishes, oils, chemicals, and particularly battery acid. Cleaning may safely be carried out using mild soap and water.

(Continued)

▲ WARNING

(Continued)

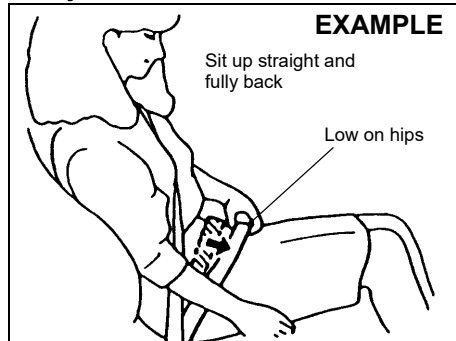
- Do not insert any items such as coins, clips, etc. into the seat belt buckles, and be careful not to spill liquids into these parts. If foreign materials get into a seat belt buckle, the seat belt may not work properly.

Lap-Shoulder Belt

Emergency Locking Retractor (ELR)

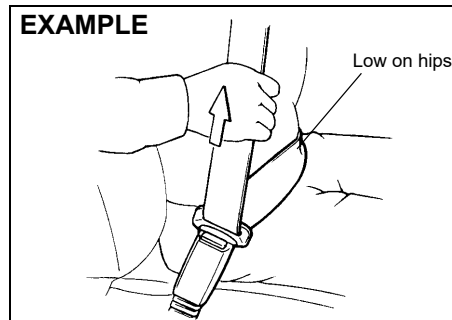
The seat belt has an emergency locking retractor (ELR), which is designed to lock the seat belt only during a sudden stop or impact. It also may lock if you pull the belt across your body very quickly. If this happens, let the belt go back to unlock it, then pull the belt across your body more slowly.

Safety reminder



60A038

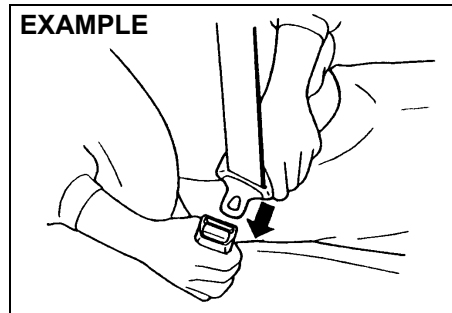
EXAMPLE



60A040

To reduce the risk of sliding under the belt during a collision, position the lap portion of the belt across your lap as low on your hips as possible and adjust it to a snug fit by pulling the shoulder portion of the belt upward through the latch plate. The length of the diagonal shoulder strap adjusts itself to allow freedom of movement.

EXAMPLE



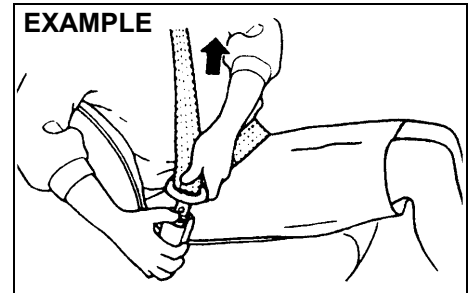
60A036

To fasten the seat belt, sit up straight and well back in the seat, pull the latch plate attached to the seat belt across your body and press it straight into the buckle until you hear a click.

NOTE:

If the seat belt cannot be pulled from its fully retracted position, firmly pull the belt and release it. Then smoothly pull the belt out of the retractor.

EXAMPLE

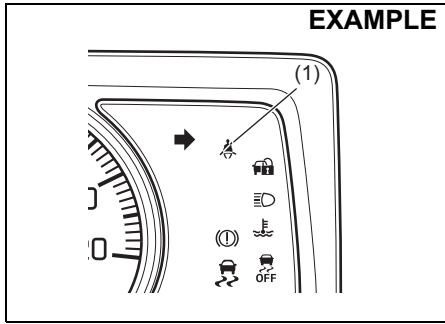


60A039

To unfasten the seat belt, push the button on the buckle and retract the belt slowly while attaching a hand to the belt or/and the latch plate.

BEFORE DRIVING

Seat Belt Reminder



77PM02020

- (1) Driver's seat belt reminder light / front passenger's seat belt reminder light

When the driver and / or front passenger do / does not fasten their seat belts, the seat belt reminder light will come on or blink and a buzzer will sound to remind the driver and/or passenger to fasten their seat belts. For more details, refer to the explanation below.

⚠ WARNING

It is absolutely essential that the driver and passengers fasten their seat belts at all times. Persons who are not fastening seat belts have a much greater risk of injury if an accident occurs. Make a regular habit of buckling your seat belt before putting the key in the ignition switch.

NOTE:

The driver's seat belt reminder light / front passenger's seat belt reminder light is for both the driver and front passenger.

Driver's or front passenger's seat belt reminder

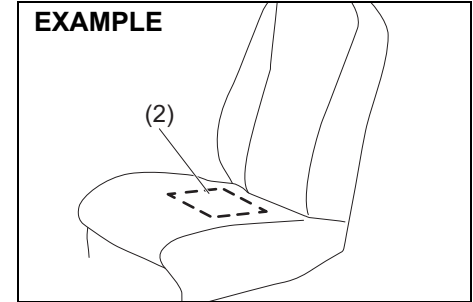
If the driver's or front passenger's seat belt remains unbuckled when the ignition switch is turned "ON", the reminder works as follows:

- 1) The driver's or front passenger's seat belt reminder light will come on.
- 2) After the vehicle's speed has reached about 15 km/h, the driver's or front passenger's seat belt reminder light will blink and a buzzer will sound for about 95 seconds.
- 3) After step 2) has finished, the reminder light will remain on until the driver's or front passenger's seat belt is buckled.

If the driver or front passenger has buckled his or her seat belt and later unbuckles the seat belt, the reminder system will be activated from Step 1) or 2) according to the vehicle's speed. When the vehicle's speed is less than 15 km/h, the reminder will start from Step 1). When the vehicle's speed is more than 15 km/h, the reminder will start from Step 2). The reminder will be automatically canceled when the driver's or front passenger's seat belt is buckled or the ignition switch is turned off.

Front passenger's seat belt reminder

If there is a person sitting on the front passenger seat and the front passenger seat belt is unbuckled when the ignition switch is turned to "ON" position, the front passenger's seat belt reminder will activate.



69RH203

- (2) The sensor of the front passenger's seat belt reminder

The seat belt reminder sensor (2) detects whether a person is sitting in the front seat. The sensor of the front passenger's seat belt reminder is located in the seat cushion. The front passenger's seat belt reminder works in the same manner as the driver's seat belt reminder.

NOTICE

- The sensor of the front passenger's seat belt reminder is located in the seat cushion. If heavy or sharp objects are put on the seat cushion, or a removal, disassembly and modification of the passenger's seat are performed, the sensor may not work properly or can be damaged. Do not put heavy or sharp objects on the seat cushion. Do not remove, disassemble and modify the passenger's seat.
- Depending on the variety of seat cover, operation of the sensor may be adversely affected. MARUTI SUZUKI highly recommends that you use MARUTI SUZUKI genuine seat cover exclusively for this vehicle.
- If you spill liquid such as liquid aromatics, soft drinks or juice on the front passenger's seat cushion, the sensor of the front passenger's seat belt reminder located in the seat cushion can be damaged. Immediately wipe it dry with a soft cloth when spilled.

(Continued)

NOTICE

(Continued)

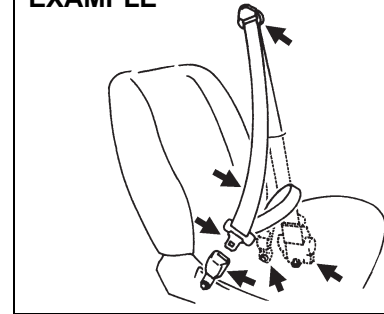
- When sitting on the front passenger's seat, it is very important that the passenger sits upright, leaning against the seat backrest and centered on the seat cushion in order for the seatbelt reminder system to function effectively. An occupant sitting improperly (slouches, turns sideways, sits forward or sideways) may hamper the functioning of this system as it may not detect the occupant.

NOTE:

- If you put an object on the passenger's seat, the weight of the object will be sensed by the sensor and the front passenger's seat belt reminder light will come on and then the interior buzzer may beep.
- If a child or a small sized person sits on the front passenger's seat or the cushion is put on the front passenger's seat, the weight may not be sensed by the sensor and the interior buzzer may not beep.

NOTE:

Maruti Suzuki recommends use of Maruti Suzuki Genuine accessory of "Seat cover".

Seat Belt Inspection**EXAMPLE**

65D209S

Periodically inspect the seat belts to make sure they work properly and are not damaged. Check the webbing, buckles, latch plates, retractors, anchorages, and guide loops. Replace any seat belts which do not work properly or are damaged.

⚠ WARNING

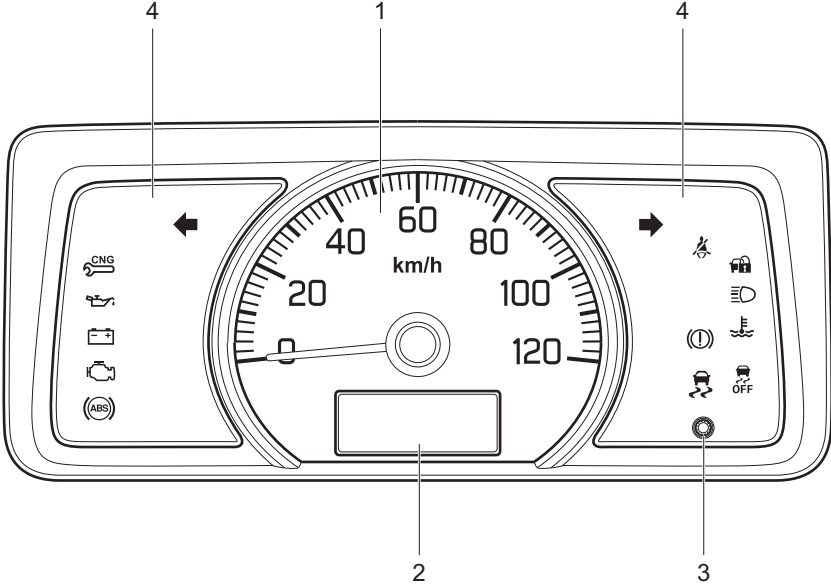
Be sure to inspect all seat belt assemblies after any collision. Any seat belt assembly which was in use during a collision (other than a very minor one) should be replaced, even if damage to the assembly is not obvious. Any seat belt assembly which was not in use during a collision should be replaced if it does not function properly or if it is damaged in any way.

BEFORE DRIVING

Instrument Cluster

- 1. Speedometer
- 2. Information display
- 3. Trip meter selector knob
- 4. Warning and indicator lights

EXAMPLE



Speedometer

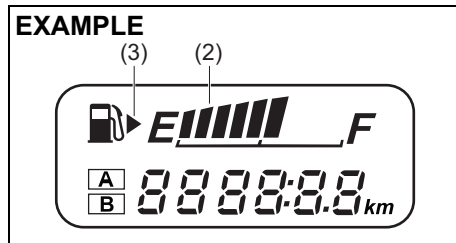
The speedometer indicates vehicle speed.

NOTE:

Maximum speed of the vehicle is 80 km/hr as per government regulation.

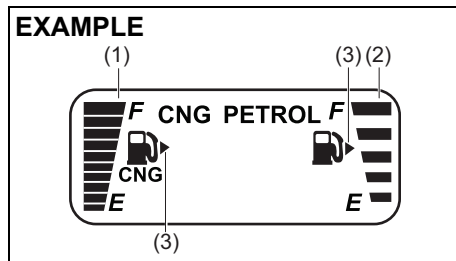
Fuel Gauge

Petrol Model



77PM02018

CNG Model



77PM07019

- (1) Indicates CNG fuel gauge.
- (2) Indicates Petrol fuel gauge.

When the ignition switch is in the “ON” position, this gauge gives an approximate indication of the amount of fuel in the fuel tank. “F” stands for full and “E” stands for empty.

If the fuel meter indicator shows only one segment to “E”, refill the tank as soon as possible.

The mark (3) indicates that the fuel filler door is located on the right side of the vehicle.

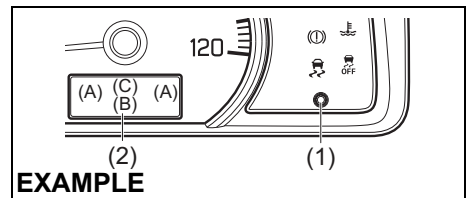
NOTICE
To minimize the possibility of damage to catalytic converter or other components of the vehicle, avoid driving the vehicle near empty fuel tank level.

NOTE:

If the last segment blinks, it means that the fuel is almost empty.

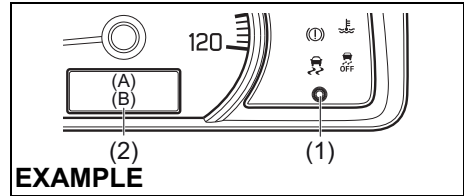
Information Display

For CNG Model



77PM07026

For Petrol Model



77PM07035

- (1) Trip meter selector knob
- (2) Information display

When the ignition switch is in the “ON” position, the information display shows the following information.

Display (A)

Fuel gauge

Display (B)

Odometer / Trip meter / Clock / Brightness control

Display (C)

Fuel modes (if equipped)

Fuel Gauge

When the ignition switch is in the “ON” position, the display (A) shows the fuel gauge.

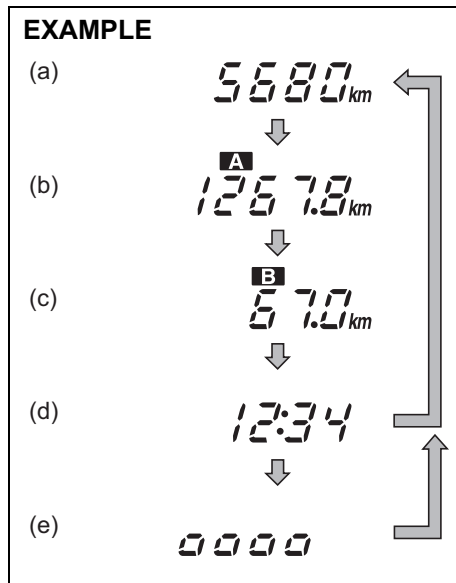
Refer to “Fuel Gauge” in this section.

BEFORE DRIVING

Odometer / Trip meter / Clock / Brightness Control

When the ignition switch is in the "ON" position, the display (B) shows one of the following indications, odometer, trip meter A, trip meter B or clock.

To switch the display indication (B), push the trip meter selector knob (1) quickly.



- (a) Odometer
(b) Trip meter A

- (c) Trip meter B
(d) Clock
(e) Brightness control*

* The brightness control will appear when the position lights and/or headlights are on.

⚠ WARNING

If you attempt to adjust the display while driving, you could lose control of the vehicle.

Do not attempt to adjust the display while driving.

NOTE:
Indications will change when you push and release the knob.

Odometer
The odometer records the total distance for which the vehicle has been driven.

NOTICE

Keep track of your odometer reading and check the maintenance schedule regularly for required services. Increased wear or damage to certain parts can result from failure to perform required services at the proper mileage intervals.

Trip meter

The trip meter can be used to measure the distance traveled on short trips or between fuel stops. You can use the trip meter A or trip meter B independently.

To reset the trip meter to zero, push and hold the trip meter selector knob (1) for a while when the display shows the trip meter.

NOTE:
The indicated maximum value of the trip meter is 9999.9. When you run past the maximum value, the indicated value will return to 0.0.

Clock
The display shows the time.

- To change the time indication:
- 1) Push and hold the trip meter selector knob (1) until the minute indication blinks.
 - 2) To change the minute indication, push the trip meter selector knob (1) repeatedly when the minute indication blinks. To change the minute indication quickly, push and hold the trip meter selector knob (1). To set the minute indication, wait for about 5 seconds till the hour indication starts to blink.
 - 3) To change the hour indication, push the trip meter selector knob (1) repeatedly till the minute indication begins to blink. Wait for about 5 seconds and hour indication will begin to blink. To change the

hour indication, quickly push and hold the trip meter selector knob (1). To set the hour indication, wait for about 5 seconds.

⚠ WARNING

If you attempt to adjust the display while driving, you could lose control of the vehicle.

Do not attempt to adjust the display while driving.

NOTE:

When you reconnect the negative (-) terminal to the battery, the clock indication will be reinitialized. Change the indication again to your preference.

Brightness control

When the position lights and/or headlights are ON, you can control the meter illumination intensity.

To change the brightness of the instrument panel lights, push and hold the trip meter selector knob (1).

⚠ WARNING

If you attempt to adjust the display while driving, you could lose control of the vehicle.

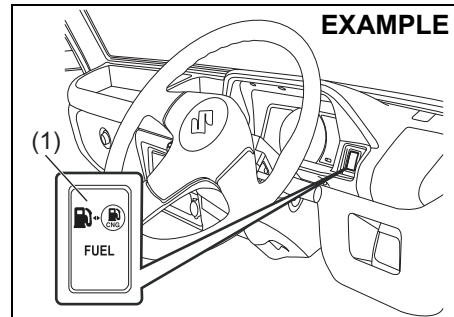
Do not attempt to adjust the display while driving.

NOTE:

- *If you do not push the trip meter selector knob within about 10 seconds of activating the brightness control display, the brightness control display will be canceled automatically.*
- *When you reconnect the battery, the brightness of the instrument panel lights will be reinitialized. Readjust the brightness according to your preference.*

Fuel Modes for CNG model (if equipped)

There are three fuel modes in the vehicle Petrol, Auto and Forced CNG modes which are selectable by pressing the selector switch(1) located on the right side of the steering wheel on the dashboard.



77PM02005

Petrol Mode

EXAMPLE



77PM02002

In this mode vehicle starts in petrol and continue running in petrol mode. In this mode, petrol indicator is continuously displayed and CNG indicator will remain "OFF".

Auto Mode

EXAMPLE



77PM02003

In this mode engine starts in petrol mode and then automatically changes to CNG after reaching programmed warming up condition. With ignition switch ON and vehicle started in "AUTO MODE", CNG indicator blinks on the display and PETROL indicator is displayed. After change-over to CNG, CNG indicator will be

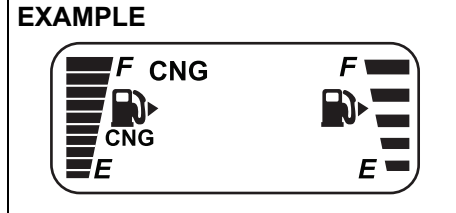
BEFORE DRIVING

displayed and Petrol indicator will switch OFF automatically.

NOTE:

- It is always recommended to start the vehicle in AUTO MODE or PETROL MODE to enhance the engine life.
- The fuel changeover to CNG may not happen if the vehicle is started when the ambient / engine temperature is below Zero Degree Celsius. In such a case, run the engine in PETROL MODE till it warms up and then try restarting the engine to changeover to CNG.

Forced CNG Mode



77PM02004

This is emergency mode and may be used in cases where there is no petrol in petrol tank. In this mode vehicle starts in CNG mode and continues running in CNG mode. With ignition "ON" and engine not running, press and hold the changeover switch till only CNG indicator is displayed. In this mode, CNG indicator is displayed and Petrol indicator remains "OFF".

NOTE:

- It is recommended to keep sufficient amount of petrol in the petrol tank.
- The vehicle may not start in Forced CNG mode if the ambient / engine temperature is below Zero Degree Celsius. It is recommended to start the vehicle in Auto mode.

Automatic Changeover From CNG Mode To Petrol Mode

If CNG is finished while the engine is running, vehicle will automatically changeover from CNG mode to Petrol mode & CNG malfunction warning lamp will start blinking. Petrol indicator will be displayed continuously and CNG indicator will switch OFF automatically.

To acknowledge this information, press the changeover switch once. The CNG malfunction warning lamp will stop blinking after the changeover switch is pressed and Petrol indicator will glow continuously. However the CNG malfunction indicator lamp will continue to blink after every subsequent Ignition ON - Ignition OFF condition until the vehicle is refilled with CNG. In case CNG is refilled, please press the fuel changeover switch once to changeover to CNG. Then, vehicle can run on CNG.

NOTE:

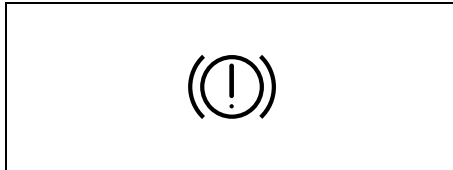
- It is recommended to keep sufficient amount of petrol in the petrol tank to prevent engine stalling while automatic changeover from CNG mode to Petrol mode.
- In case the CNG malfunction warning lamp does not stop blinking after pressing the changeover switch, have the vehicle inspected at the nearest authorised MARUTI SUZUKI COMMERCIAL workshop.

Warning and Indicator Lights

NOTE:

If warning and indicator lights blink or come on, the corresponding messages may be shown on the information display.

Brake System Warning Light



82K170

Four different types of operations exist depending on the vehicle's specification.

- 1) The light comes on briefly when the ignition switch is turned to the "ON" position.
- 2) The light comes on when the parking brake is engaged with the ignition switch in the "ON" position.
- 3) The light comes on when under either or both of above two conditions.
- 4) The light also comes on when the fluid in the brake fluid reservoir falls below the specified level.

The light should go out after starting the engine and fully releasing the parking brake, if the fluid level in the brake fluid reservoir is adequate.

The light also comes on together with the ABS warning light when the rear brake force control function (proportioning valve function) of the ABS system fails.

If the brake system warning light comes on while you are driving the vehicle, it may mean that there is something wrong with the vehicle's brake system. If this happens, you should:

- 1) Pull off the road and stop carefully.

⚠ WARNING

Remember that stopping distance may be longer, you may have to push harder on the pedal, and the pedal may go down farther than normal.

- 2) Test the brakes by carefully starting and stopping at the side of the road.
 - If you determine that it is safe, drive carefully at low speed to the nearest dealer for repairs, or
 - Have the vehicle towed to the nearest authorised MARUTI SUZUKI COMMERCIAL workshop for repairs.

⚠ WARNING

If any of the following conditions occur, you should immediately ask your authorised MARUTI SUZUKI COMMERCIAL workshop to inspect the brake system.

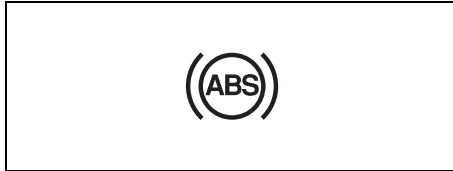
- If the brake system warning light does not go out after the engine has been started and the parking brake has been fully released.
- If the brake system warning light does not come on when the ignition switch is turned to the "ON" position.
- If the brake system warning light comes on at any time during vehicle operation.

NOTE:

Because the brake system is self-adjusting, the fluid level will drop as the brake pads become worn. Replenishing the brake fluid reservoir is considered normal periodic maintenance.

BEFORE DRIVING

Anti-lock Brake System (ABS) warning light (if equipped)



65D529

When the ignition switch is turned to “ON” position, the light comes on briefly so you can check that the light is working. If the light stays on, or comes on when driving, there may be something wrong with the ABS.

If this happens:

- 1) Pull off the road and stop carefully.
- 2) Turn the ignition switch to “LOCK” position and then start the engine again.

If the warning light comes on briefly and then turns off, the system is normal. If the warning light still stays on, something is wrong with the system.

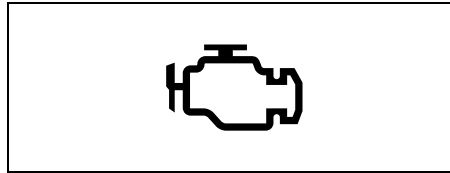
If the light and the brake system warning light stay on, or come on simultaneously when driving, your ABS system is equipped with the rear brake force control function (proportioning valve function) and there may be something wrong with both the rear brake force control function and the anti-lock function of the ABS system.

If one of the above occur, have the system inspected by a MARUTI SUZUKI authorized workshop.

If the ABS becomes inoperative, the brake system will function as an ordinary brake system that does not have this ABS system.

For details of ABS system, refer to “Anti-lock Brake System (ABS)” in “OPERATING YOUR VEHICLE” section.

Malfunction Indicator Light



63J031

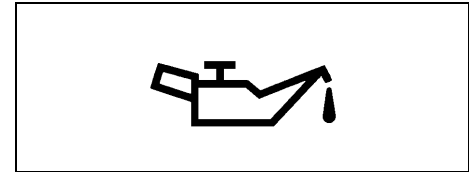
Your vehicle has a computer-controlled emission control system. A malfunction indicator light is provided on the instrument panel to indicate when it is necessary to have the emission control system serviced. The malfunction indicator light comes on when the ignition switch is turned to “ON” position to let you know the light is working and goes out when the engine is started.

If the malfunction indicator light comes on when the engine is running, there is a problem with the emission control system. Take the vehicle to your nearest authorised MARUTI SUZUKI COMMERCIAL workshop to have the damage fixed.

NOTICE

Continuing to drive the vehicle when the malfunction indicator light is on can cause permanent damage to the vehicle’s emission control system, and can affect fuel economy and driveability.

Oil Pressure Light



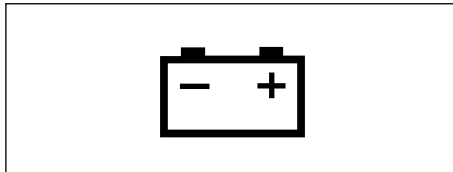
50G051

This light comes on when the ignition switch is turned to the “ON” position, and goes out when the engine is started. The light will come on and remain on if there is insufficient oil pressure. If the light comes on when driving, pull off the road as soon as you can and stop the engine. Check the oil level and add recommended engine oil if necessary. If there is enough oil, the lubrication system should be inspected by your authorised MARUTI SUZUKI COMMERCIAL workshop before you drive the vehicle again.

NOTICE

- If you operate the engine with this light on, severe engine damage can result.
- Do not rely on the Oil Pressure Light to indicate the need to add oil. Be sure to periodically check the engine oil level.

Charging Light



50G052

This light comes on when the ignition switch is turned to the "ON" position, and goes out when the engine is started. The light will come on and remain on if there is something wrong with the battery charging system. If the light comes on when the engine is running, the charging system should be inspected immediately by your authorised MARUTI SUZUKI COMMERCIAL workshop.

Driver's Seat Belt Warning Light / Front Passenger's Seat Belt Warning Light

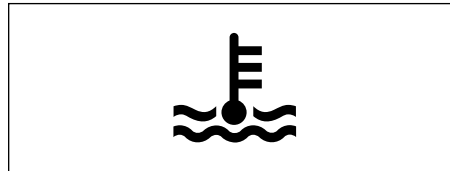


60G049

When the driver or front passenger does not buckle his or her seat belt, this light will come on and/or blink.

For details about the seat belt reminder, refer to "Seat Belts and Child Restraint Systems" in this section.

High Engine Coolant Temperature Warning Light (red color)



54G344

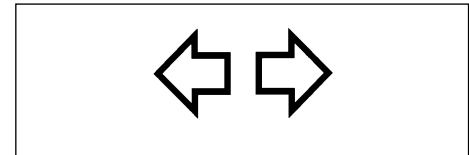
When the ignition switch is turned to the "ON" position, this light comes on briefly so you can check that the light is working. If this light blinks while driving, it means the engine is running hot. Avoid driving conditions that may lead to actual overheating. If the light stays on without blinking, then the

engine is overheating. Follow the instructions in the "If the Engine Overheats" of "EMERGENCY SERVICE" section.

NOTICE

Continuing to drive the vehicle when engine overheating is indicated can result in severe engine damage.

Turn Signal Indicators



50G055

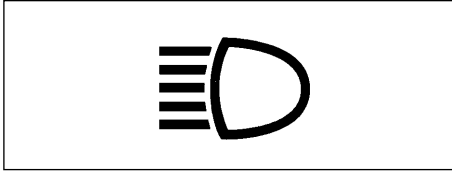
When you turn on the left or right turn signals, the corresponding green arrow on the instrument panel will flash along with the respective turn signal lights. When you turn on the hazard warning switch, both arrows will flash along with all of the turn signal lights.

NOTE:

If any abnormality of the turn signals is observed, such as fast blinking, there may be malfunction in the turn signal system. Ask your Maruti Suzuki authorized workshop to inspect the system.

BEFORE DRIVING

Main Beam (high beam) Indicator Light



50G056

This indicator comes on when headlight main beams (high beams) are turned on.

Immobilizer system warning light



65D239

When the ignition switch is turned to the "ON" position, this light comes on to let you know the light is working. If this light blinks with the ignition switch turned to "ON", there may be something wrong with the immobilizer system. Ask a Maruti Suzuki authorised workshop to have the system inspected.

ESP® Warning light (if equipped)



56RM02033

ESP® is a registered trademark of Daimler AG.

This light blinks 5 times per second when one of the following systems is activated.

- Stability control system
- Traction control system

If this light blinks, drive carefully.

When the ignition switch is turned to "ON" position, the light comes on briefly so you can check that the light is working. If the light stays ON, or comes on when driving and remains ON, there may be something wrong with the ESP® systems (other than ABS). You should have the system inspected by a Maruti Suzuki authorized workshop.

For details of the ESP® systems, refer to "Electronic Stability Program (ESP®) (if equipped)" in "OPERATING YOUR VEHICLE" section.

WARNING

The ESP® systems cannot prevent accidents. Always drive carefully.

ESP® OFF indicator light (if equipped)



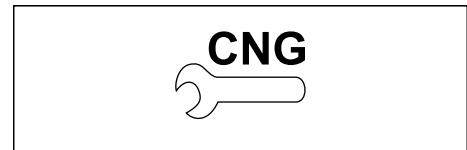
56RM02034

When the ignition switch is turned to the "ON" position, this light comes on briefly so you can check that the light is working.

When the ESP® OFF switch is pushed to turn off the ESP® systems (other than ABS), the ESP® OFF indicator light comes on and stays on.

For details of the ESP® systems, refer to "Electronic Stability Program (ESP®) (if equipped)" in "OPERATING YOUR VEHICLE" section.

CNG Malfunction Warning Light (if equipped)



77PMC015

When the ignition switch is turned "ON", this CNG malfunction warning lamp comes

on briefly, to check that the CNG malfunction lamp is trouble free.

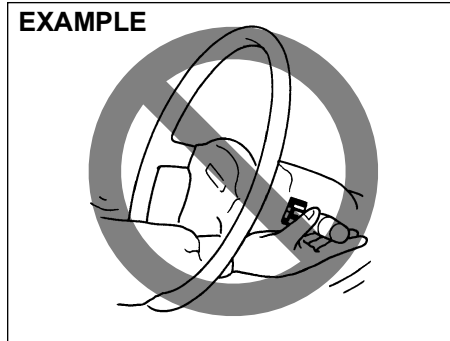
- If CNG malfunction warning lamp glows continuously, with ignition "ON" there is some problem with the CNG system. Immediately get your vehicle checked by authorised MARUTI SUZUKI COMMERCIAL workshop.
- If CNG malfunction warning lamp blinks during engine running, it means there is some problem in CNG system in which vehicle cannot continue running in CNG-MODE and automatically switchover to petrol mode. Have your vehicle checked at authorised MARUTI SUZUKI COMMERCIAL workshop.

NOTE:

With ignition switch "ON" and engine not running, blinking of CNG lamp indicates that fuel lid is open. Vehicle will not start in this condition. Close the lid in order to start the vehicle.

Lighting Control Lever

EXAMPLE

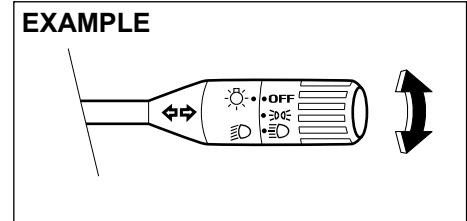


65D611

⚠ WARNING
To avoid possible injury, do not operate controls by reaching through the steering wheel.

Lighting Operation

EXAMPLE



77PH110

To turn the lights on or off, twist the knob at the end of the lever. There are three positions:

OFF

All lights are off.



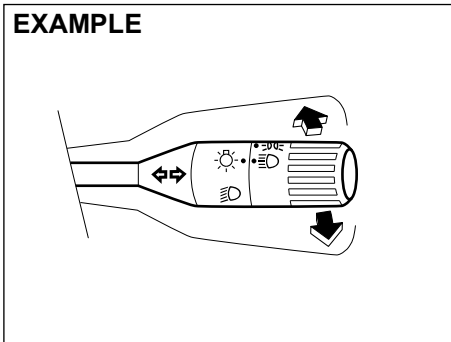
Front position lights, tail lights, license plate lights and instrument lights are on, but headlights are off.



Front position lights, tail lights, license plate lights, instrument lights and headlights are on.

BEFORE DRIVING

EXAMPLE

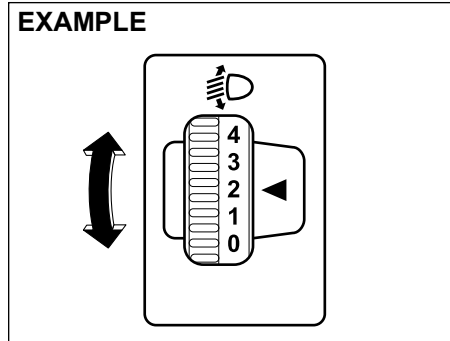


77PH111

With the headlights on, push the lever forward to switch to the high beams (main beams) or pull the lever toward you to switch to the low beams. When the high beams (main beams) are on, main beam (high beam) indicator light on the instrument panel will come on. To momentarily activate the high beams (main beams) as a passing signal, pull the lever slightly toward you and release it when you have completed the signal.

Headlight Leveling Switch

EXAMPLE



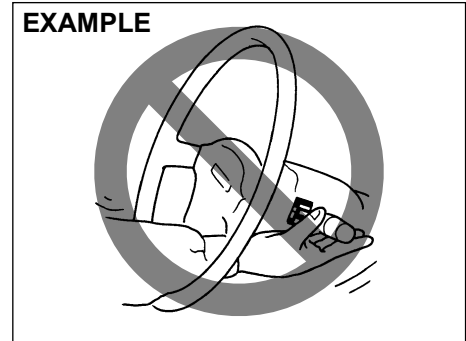
77PH010

Level the headlight beam according to the load condition of your vehicle by turning this switch. The chart below shows the appropriate switch position for different vehicle-load conditions.

Vehicle Load Condition	Switch Position
Driver only	0
Driver + full cargo	3

Turn Signal Control Lever

EXAMPLE



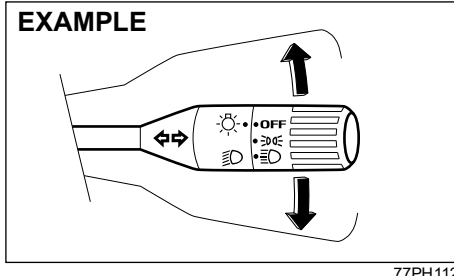
65D611

⚠ WARNING

To avoid possible injury, do not operate controls by reaching through the steering wheel.

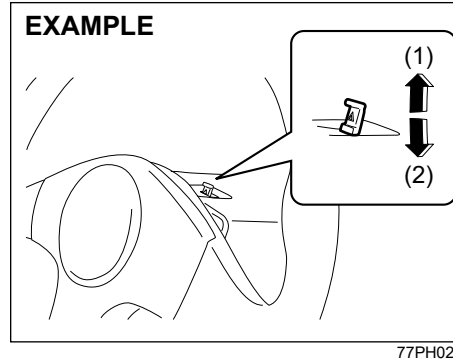
Turn Signal Operation

With the ignition switch in the “ON” position, move the lever up or down to activate the right or left turn signals.



Move the lever upward or downward to signal. When the turn is completed, the signal will cancel and the lever will return to its normal position.

Hazard Warning Switch

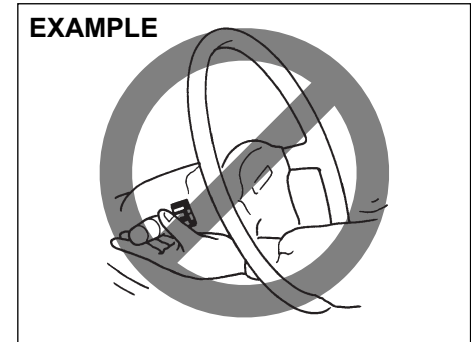


- (1) ON
- (2) OFF

Pull up the hazard warning switch to activate the hazard warning lights. All turn signal lights and both turn signal indicators will flash simultaneously. To turn off the lights, push down the switch.

Use the hazard warning lights to warn other traffic during emergency parking or when your vehicle could otherwise become a traffic hazard.

Windshield Wiper and Washer Lever



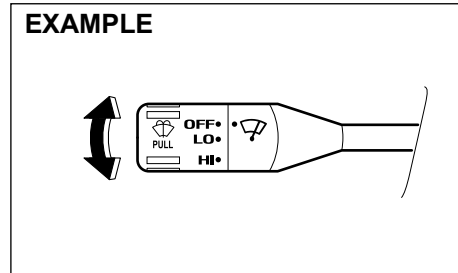
⚠ WARNING
To avoid possible injury, do not operate controls by reaching through the steering wheel.

Wiper Operation

When the ignition switch is in the “ON” position, you can use the wiper lever.

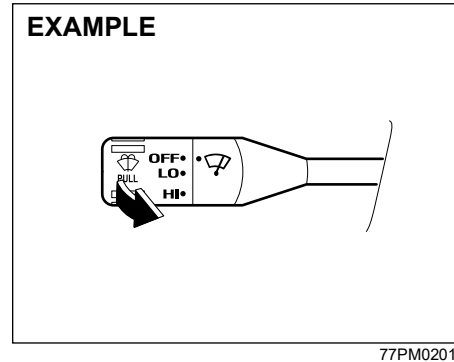
BEFORE DRIVING

Windshield Wipers



To turn the windshield wipers on, twist the knob at the end of the lever to one of the operating positions. In the “LO” position, the wipers operate at a steady low speed. In the “HI” position, the wipers operate at a steady high speed. To turn off the wipers, twist the lever back to the “OFF” position.

Windshield Washer



To spray windshield washer fluid, pull the lever towards you.

⚠ WARNING

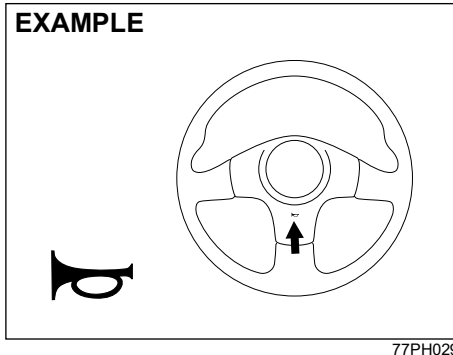
Do not use radiator antifreeze in the windshield washer reservoir. It can severely impair visibility when sprayed on the windshield, and can also damage your vehicle's paint.

NOTICE

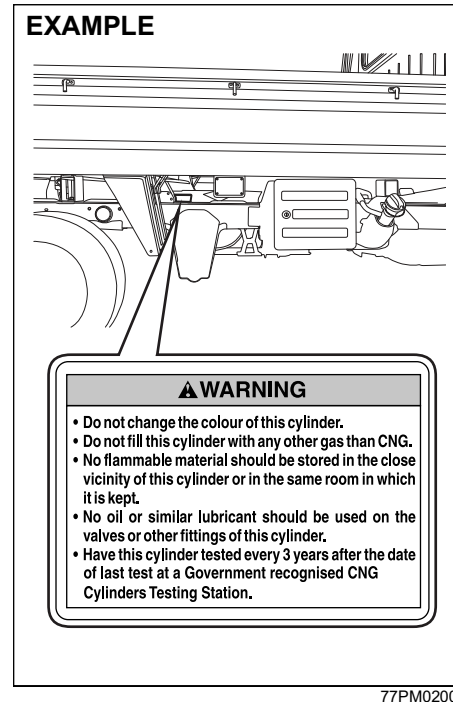
To help prevent damage to the windshield wiper and washer system components, you should take the following precautions:

- Do not continue to hold in the lever when there is no windshield washer fluid being sprayed or the washer motor can be damaged.
- Do not attempt to remove dirt from a dry windshield with the wipers or you can damage the windshield and the wiper blades. Always wet the windshield with washer fluid before operating the wipers.
- Clear ice or packed snow from the wiper blades before using the wipers.
- Check the washer fluid level regularly. Check it often when the weather is bad.
- Only fill the washer fluid reservoir 3/4 full during cold weather to allow room for expansion if the temperature falls low enough to freeze the solution.

Horn



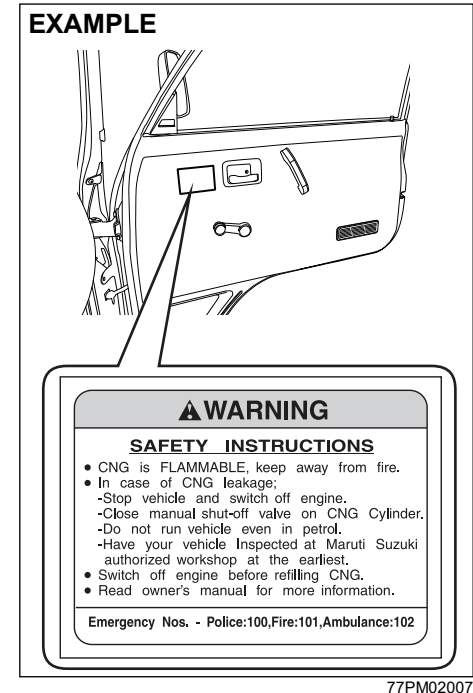
Press the horn button of the steering wheel to sound the horn. The horn will sound with the ignition switch in any position.

CNG Cylinder Warning Label
(if equipped)

You may find this label on the CNG cylinder.

CNG Warning Label
(if equipped)

Front Driver Door



CNG warning label is located on front right door.

▲ WARNING

- Do not change the colour of this cylinder.
- Do not fill this cylinder with any other gas than CNG.
- No flammable material should be stored in the close vicinity of this cylinder or in the same room in which it is kept.
- No oil or similar lubricant should be used on the valves or other fittings of this cylinder.
- Have this cylinder tested every 3 years after the date of last test at a Government recognised CNG Cylinders Testing Station.

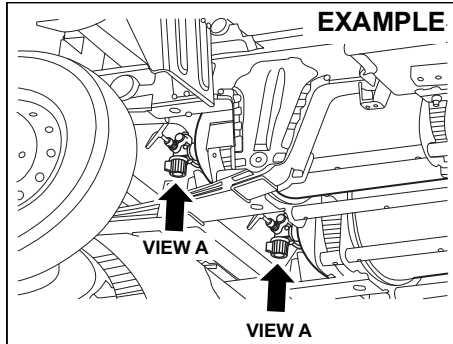
▲ WARNING**SAFETY INSTRUCTIONS**

- CNG is FLAMMABLE, keep away from fire.
- In case of CNG leakage;
 - Stop vehicle and switch off engine.
 - Close manual shut-off valve on CNG Cylinder.
 - Do not run vehicle even in petrol.
 - Have your vehicle Inspected at Maruti Suzuki authorized workshop at the earliest.
- Switch off engine before refilling CNG.
- Read owner's manual for more information.

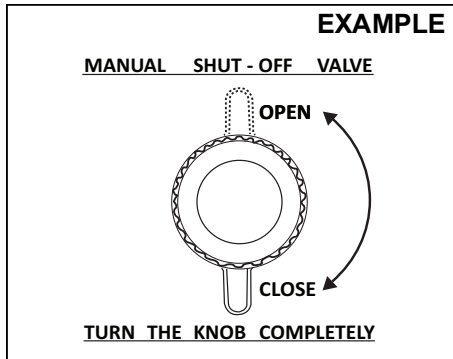
Emergency Nos. - Police:100,Fire:101,Ambulance:102

BEFORE DRIVING

CNG Manual Shut-Off Valve (if equipped)



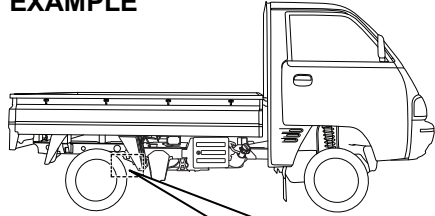
77PM02011



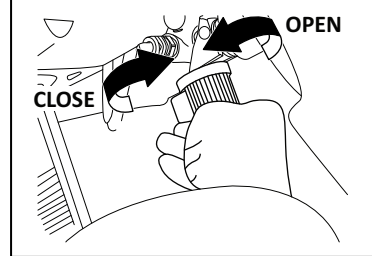
77PM02014

Right Hand Side (RHS)

EXAMPLE



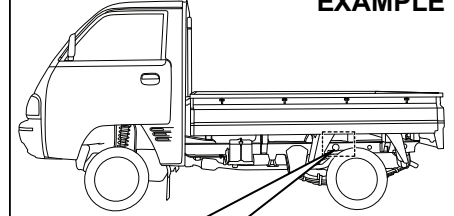
Valve 1



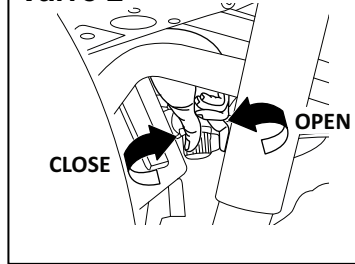
77PM02012

Left Hand Side (LHS)

EXAMPLE



Valve 2



77PM02013

Manual shut off valve is located on CNG cylinders which are provided in vehicle under body.

There are two CNG cylinders in the vehicle under body, each containing one manual shut off valve.

The manual shutoff valve 1 and valve 2 are accessed from right hand side (RHS) and left hand side (LHS) of the vehicle respectively.

CNG supply can be switched off by closing the manual shut-off valve on both the CNG cylinders.

Valve closing: Turn the knob completely in clockwise direction (from view A) to close the CNG supply to Engine.

Valve opening: Turn the knob completely in anti-clockwise direction (from view A) to open the CNG supply to Engine.

⚠ CAUTION

Be careful that your hand does not touch exhaust pipe while accessing the manual shut off valve 2 (LHS). After driving, exhaust pipe can be hot enough to burn your hand.

NOTE:

- If the manual shut-off valve is not opened fully, then the engine may not run properly.
- If the manual shut-off valve is in closed condition, it is not possible to fill CNG into the cylinder.

NOTE:

- As per Government regulation, CNG cylinder needs to be checked and certified every three (3) years from the date of initial testing as mentioned on the CNG cylinder identification plate.
- Customer has to present the vehicle to a government approved testing agency.
- Failure to test the cylinder may result in denying of CNG filling by the CNG dispensing stations or may result in confiscating the vehicle by enforcement authorities.
- All the expenses for CNG cylinder testing has to be borne by the customer.
- As per Government regulation, CNG cylinder has to be discarded at 20 years from the date of initial testing as mentioned in the CNG cylinder identification plate.
- Customer has to discard the cylinder at his / her expense through government approved scrap agencies.
- No person shall refill any cylinder, which has been repaired under sub-rule (2) with any gas unless a full report on the repairs and test carried out on the cylinder, accompanied by the repairer's certificate of testing are furnished to the Chief Controller and his permission is obtained for its refilling.

⚠ WARNING

- Never remove the cylinder valve from the cylinder assembly. For any assistance consult authorised MARUTI SUZUKI COMMERCIAL workshop.
- Never try to clean the cylinder. In case of any problem, contact authorised MARUTI SUZUKI COMMERCIAL workshop.
- Do not reuse the cylinder valve, once it is replaced / removed from cylinder assembly.
- Even if the CNG from the cylinder is consumed till engine stops, some amount of CNG will be left out in the tank under pressure.

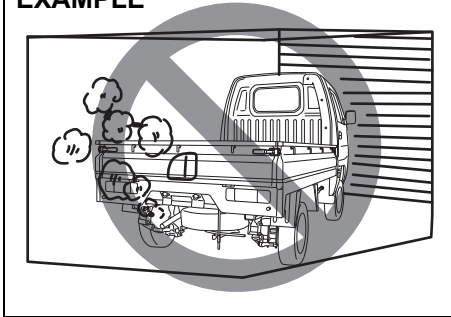
OPERATING YOUR VEHICLE

Exhaust Gas Warning	3-1
Daily Inspection Checklist	3-1
Engine Oil Consumption	3-2
Ignition Switch	3-2
Parking Brake Lever	3-4
Pedal	3-5
Starting the Engine	3-5
Using the Transmission	3-6
Parking Sensors	3-8
Braking	3-11
Anti-Lock Brake System (ABS)	3-12
Electronic Stability Program (ESP®)	3-15

OPERATING YOUR VEHICLE

Exhaust Gas Warning

EXAMPLE



82DY03

⚠ WARNING

Avoid breathing exhaust gases. Exhaust gases contain carbon monoxide, a potentially lethal gas that is colorless and odorless. Since carbon monoxide is difficult to detect by itself, be sure to take the following precautions to help prevent carbon monoxide from entering your vehicle.

- Do not leave engine running in garages or confined areas, with passengers inside. This may result in accumulation of carbon-monoxide in cabin and may lead to suffocation or breathing problems and lead to death.

(Continued)

⚠ WARNING

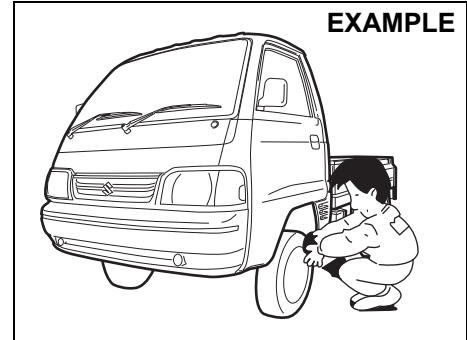
(Continued)

- Do not park with the engine running for a long period of time, even in an open area. In case of long periods, danger of choking and death on being inside the vehicle is a possibility when the engine is running. If it is necessary to sit for a short time in a parked vehicle with the engine running, make sure the air intake selector is set to "FRESH AIR" and the blower is at high speed.
- To allow proper operation of your vehicle's ventilation system, keep the air inlet grille in front of the vehicle clear of snow, leaves, or other obstructions at all times.
- Keep the exhaust pipe area clear of snow and other material to help reduce the buildup of exhaust gases under the vehicle. This is particularly important when parked in blizzard conditions.
- Have the exhaust system inspected periodically for damage and leaks. Any damage or leaks should be repaired immediately.

Daily Inspection Checklist

Before Driving

EXAMPLE



77PM03001

- 1) Make sure that windows, mirrors, lights, and reflectors are clean and unobstructed.
- 2) Visually check the tyres for the following points:
 - the depth of the tread groove
 - abnormal wear, cracks and damage
 - loose wheel nuts
 - existence of foreign material such as nails, stones, etc.

Refer to "Tyres" in "INSPECTION AND MAINTENANCE" section for details.

- 3) Look for fluid and oil leaks.
- 4) Make sure the engine compartment is fully closed and latched.
- 5) Check the headlights, turn signal lights, brake lights and horn for proper operation.

- 6) Adjust the driver's seat.
- 7) Check the brake pedal and the parking brake lever.
- 8) Adjust the mirrors.
- 9) Make sure that you and passenger have properly fastened seat belts.
- 10) Make sure that all warning lights come on as the key is turned to the "ON" position.
- 11) Check all gauges.
- 12) Make sure that the BRAKE SYSTEM WARNING light turns off when the parking brake is released.

Once a week, or each time you fill your fuel tank or before a long distance driving (like highway driving), perform the following under-hood checks:

- 1) Engine oil level
- 2) Coolant level
- 3) Brake fluid level
- 4) Windshield washer fluid (if equipped) level
- 5) Battery electrolyte level
- 6) Latch operation
See "All latches, hinges & locks" of "CHASSIS AND BODY" in the "Periodic Maintenance Schedule" in the "INSPECTION AND MAINTENANCE" section for lubrication schedule.

Once a month, or each time you fill your fuel tank or before a long distance driving (like highway driving), check the tyre pressure using a tyre pressure gauge. Also check the tyre pressure of the spare tyre.

Engine Oil Consumption

It is normal for the engine to consume some engine oil during normal vehicle operation.

The amount of engine oil consumed depends on the viscosity of the oil, the quality of the oil and the conditions the vehicle is driven under.

More oil is consumed during high-speed driving and when there is frequent acceleration and deceleration. Under high loads, your engine also will consume more oil.

A new engine also consumes more oil, since its pistons, piston rings and cylinder walls have not yet become conditioned. New engines reach the normal level of oil consumption only after approximately 5000 km (3000 miles) driving.

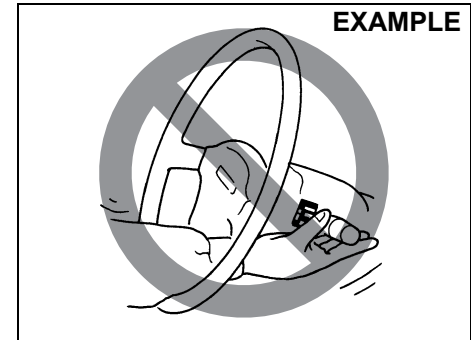
Oil consumption:
Max. 1.0 L per 1000 km
(1 Qt. per 600 miles)

When judging the amount of oil consumption, note that the oil may become diluted and make it difficult to accurately judge the true oil level.

As an example, if a vehicle is used for repeated short trips, and consumes a normal amount of oil, the dipstick may not show any drop in the oil level at all, even after 1000 km (600 miles) or more of driving. This is because the oil is gradually becoming diluted with fuel or moisture, making it appear that the oil level has not changed.

You should also be aware that the diluting ingredients evaporate out when the vehicle is subsequently driven at high speeds, such as on an expressway, making it appear that oil is excessively consumed after high-speed driving.

Ignition Switch



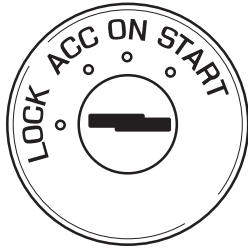
65D611

⚠ WARNING

To avoid possible injury, do not operate controls by reaching through the steering wheel.

OPERATING YOUR VEHICLE

EXAMPLE



77PH002

The ignition switch has the following four positions:

LOCK

This is the normal parking position. It is the only position in which the key can be removed.

To release the steering lock, insert the key and turn it clockwise to one of the other positions. If you have trouble turning the key to unlock the steering, try turning the steering wheel slightly to the right or left while turning the key.

ACC

Accessories such as the accessory socket can operate, but the engine is off.

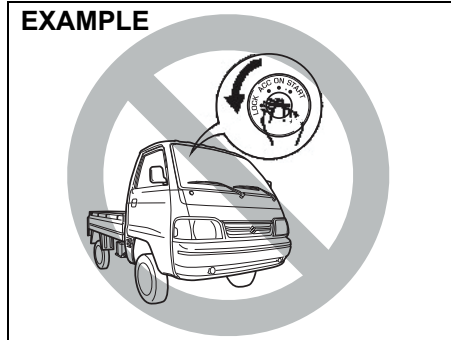
ON

This is the normal operating position. All electrical systems are on.

START

This is the position for starting the engine using the starter motor. The key should be released from this position as soon as the engine starts.

EXAMPLE



82DY04

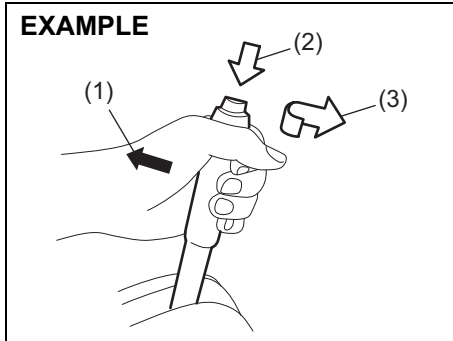
NOTICE

- Do not use the starter motor for more than 30 seconds at a time. If the engine does not start, wait 15 seconds before trying again. If the engine does not start after several attempts, check the fuel and ignition systems or consult your authorised MARUTI SUZUKI COMMERCIAL workshop.
- Do not leave the ignition switch in the "ON" position if the engine is not running as the battery will discharge.

⚠ WARNING

- Never remove the ignition key while the vehicle is moving. The steering wheel will lock and you will not be able to steer the vehicle.
- Always remove the ignition key when leaving the vehicle even if only for a short time. Also do not leave children alone in a parked vehicle. They also could suffer from heat stroke in warm or hot weather. These could result in severe injury or even death.

Parking Brake Lever



77PH030

- (1) To set
- (2) To release
- (3) To release

The parking brake lever is located between the front seats. To set the parking brake, depress the brake pedal down and pull the parking brake lever all the way up. To release the parking brake, depress the brake pedal down, pull up slightly on the parking brake lever, push the button on the end of the lever with your thumb, and lower the lever to its original position.

⚠ WARNING

- Never drive your vehicle with the parking brake on: rear brake effectiveness can be reduced from overheating, brake life may be shortened, or permanent brake damage may result.
- If the parking brake does not hold the vehicle securely or does not fully release, have your vehicle inspected immediately by an authorised MARUTI SUZUKI COMMERCIAL workshop.

⚠ WARNING

Always set the parking brake fully before leaving your vehicle or it may move, causing injury or damage. When parking, make sure the gear-shift lever is in reverse or first gear. Remember, even though the transmission is in gear, you must set the parking brake fully.

⚠ WARNING

When parking the vehicle in extremely cold weather, the following procedure should be used:

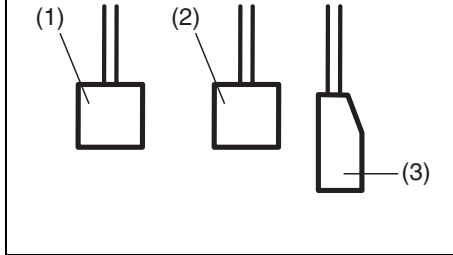
- 1) Set the parking brake.
 - 2) Turn off the engine, then shift into reverse or first gear.
 - 3) Get out of the vehicle and put chocks under the wheels.
 - 4) Release the parking brake.
- When you return to your vehicle, you must remember to first set the parking brake, then remove the wheel chocks.

- Do not leave cigarette lighters, spray cans, soft drink cans or plastic articles (such as glasses, CD cases, etc.) in sun-heated vehicle. The temperature inside the vehicle may cause as follows:
 - Gas may leak from a cigarette lighter or spray can and may lead to a fire.
 - The glasses, plastic cards or CD cases, etc. may deform or crack.
 - Soft drink cans may fracture.

OPERATING YOUR VEHICLE

Pedal

EXAMPLE



Clutch Pedal (1)

The clutch pedal is used to disengage the drive to the wheels when starting the engine, stopping, or shifting the gearshift lever. Depressing the pedal disengages the clutch.

⚠ WARNING

Do not drive with your foot resting on the clutch pedal. It could result in excessive clutch wear, clutch damage, or unexpected loss of engine braking.

Brake Pedal (2)

Your vehicle is equipped with front disc brakes and rear drum brakes. Depressing the brake pedal applies both sets of brakes.

You may hear occasional brake squeal when you apply the brakes. This is a normal condition caused by environmental factors such as temperature, humidity, snow or dust, etc.

⚠ WARNING

If brake squeal is excessive and occurs each time the brakes are applied, you should have the brakes checked by your authorised MARUTI SUZUKI COMMERCIAL workshop.

⚠ WARNING

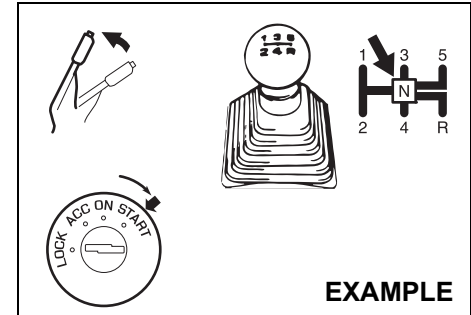
Do not ride the brakes by applying them continuously or resting your foot on the pedal. This will result in overheating of the brakes which could cause unpredictable braking action, longer stopping distances, or permanent brake damage.

Accelerator Pedal (3)

This pedal controls the speed of the engine. Depressing the accelerator pedal increases power output and speed.

Starting the Engine

Before Starting the Engine



- 1) Make sure the parking brake is set fully.
- 2) Shift into "N" (Neutral) and depress the clutch pedal all the way to the floor. Hold the clutch pedal while starting the engine.

⚠ WARNING

Make sure that the parking brake is set fully and the transmission is in neutral before attempting to start the engine.

Starting a Cold and Warm Engine

With your foot off the accelerator pedal, crank the engine by turning the ignition key to "START". Release the key when the engine starts.

▲ CAUTION

- Stop turning the starter immediately after the engine has started or the starter system can be damaged.
- Do not crank the engine for more than 12 seconds at a time. If the engine doesn't start on the first try, wait about 30 seconds before trying again.

If the engine does not start after 12 seconds of cranking, wait about 30 seconds, then press down the accelerator pedal to 1/3 of its travel and try cranking the engine again. Release the key and accelerator pedal when the engine starts.

If the engine still does not start, try holding the accelerator pedal all the way to the floor while cranking. This should clear the engine if it is flooded.

NOTE:

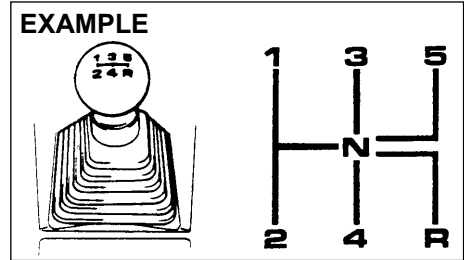
(For CNG Engine Model)

- Do not press the accelerator pedal to changeover from petrol to CNG mode.
- With ignition switch "ON" and engine not running, blinking of CNG malfunction warning lamp indicates that fuel lid is open. Vehicle will not start in this condition.

- It is always recommended to start the vehicle in AUTO MODE or PETROL MODE to enhance the engine life.
- The fuel changeover to CNG may not happen if the vehicle is started when the ambient / engine temperature is below Zero Degree Celsius. In such a case, run the engine in PETROL MODE till it warms up and then try restarting the engine to changeover to CNG.
- It is recommended to keep sufficient amount of petrol in the petrol tank.
- The vehicle may not start in Forced CNG mode if the ambient / engine temperature is below Zero Degree Celsius. It is recommended to start the vehicle in Auto mode.
- It is recommended to keep sufficient amount of petrol in the petrol tank to prevent engine stalling while automatic changeover from CNG mode to Petrol mode.
- In case the CNG malfunction warning lamp does not stop blinking after pressing the changeover switch, take the vehicle to the nearest authorised MARUTI SUZUKI COMMERCIAL workshop.

Using the Transmission

Manual Transmission



65D038

Starting off

To start off, depress the clutch pedal all the way to the floor and shift into 1st or 2nd gear. After releasing the parking brake, gradually release the clutch. When you hear a change in the engine's sound, slowly press the accelerator while continuing to gradually release the clutch.

NOTE:

- The recommended gear position for start off during normal driving is 2nd gear.
- In case of the cross country driving, crawling or loading driving that needs big driving force, shift position recommended is 1st gear.

Shifting

All forward gears are synchronized, which provides for quiet and easy shifting. Always push in the clutch pedal fully before shifting gears.

OPERATING YOUR VEHICLE

Downshifting maximum allowable speeds (For Petrol Model)

Downshifting	km/h
2nd to 1st	10
3rd to 2nd	65
4th to 3rd	100
5th to 4th	140*

Downshifting maximum allowable speeds (For CNG Model)

Downshifting	km/h
2nd to 1st	10
3rd to 2nd	55
4th to 3rd	90
5th to 4th	125*

***NOTE:**

You may not accelerate to the maximum allowable speed because of the driving situation and/or the vehicle condition.

NOTICE

When downshifting to a lower gear, make sure not to downshift at the speed faster than the maximum allowable speeds, or severe engine damage can result.

⚠ WARNING

- Reduce your speed and downshift to a lower gear before going down a long or steep hill. A lower gear will allow the engine to provide braking. Avoid riding the brakes or they may overheat, resulting in brake failure.
- When driving on slippery roads, be sure to slow down before downshifting. Excessive and or sudden changes in engine speed may cause loss of traction, which could cause you to lose control.

NOTICE

- To help avoid clutch damage, do not use the clutch pedal as a footrest while driving or use the clutch to keep the vehicle stationary on a slope. Depress the clutch fully when shifting.
- When shifting or starting off, do not race the engine. Racing the engine can shorten engine life and affect smooth shifting.

NOTICE

Before engaging reverse gear "R", check that the vehicle is completely stationary and gear lever is in neutral [N] position. After depressing clutch pedal fully, shift to [R].

NOTE:

If it is difficult to engage reverse gear "R", follow below procedure:-

1. Put gear lever in neutral "N".
2. Release the clutch pedal once.
3. Again depress the clutch pedal, and shift from "N" to "R".

Parking Sensors

- The parking sensor system uses ultrasonic sensors to detect obstacles near the rear bumper. If obstacles are sensed while you are parking or moving the vehicle slowly, the system warns you by sounding a buzzer.
- The system emits an ultrasonic wave and the relevant sensor detects the return of the wave reflected by an obstacle. The system measures the time taken by the ultrasonic wave to reach the obstacle and return from it, from which it determines the obstacle's position.
- The parking sensor function can be used when you turn the ignition switch to "ON" position and the gearshift lever is in the "R" position. This function is helpful in the following cases: pulling over to the curb; parallel parking the vehicle; steering the vehicle into a garage; driving along an alley; and moving slowly in a place with obstacles.

⚠ WARNING

- The parking sensor warns you of obstacles with buzzers. However, you still have to drive with particular care.
- The sensors can detect obstacles only within a limited area and only when the vehicle is moving within a limited speed range. So, in tricky areas, you must move the vehicle slowly while checking around it using your direct vision or rearview mirrors. There is increased risk of an accident if you control the vehicle relying only on the parking sensor.

NOTE:

When the gearshift lever is shifted to the "R" position, a buzzer will sound once.

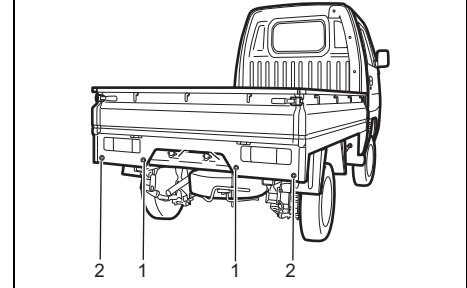
NOTICE

Parking sensors are only for driver's assistance.

Sensor locations

On rear bumper

EXAMPLE



77PM03003

- (1) Rear center sensors (2 places)
- (2) Rear corner sensors (2 places)

NOTICE

- Avoid hitting the sensor areas or directing the nozzle of a high-pressure car washer onto the sensor areas. Otherwise, the sensors may be damaged.
- If the bumper hits a hard object, the sensors on it may not work properly. If this occurs, have the sensors inspected by a Maruti Suzuki authorised workshop.

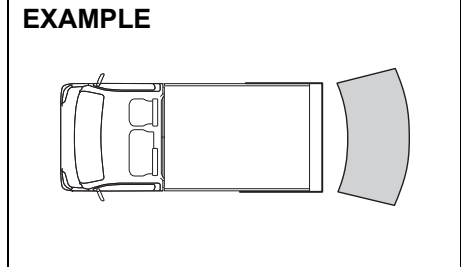
OPERATING YOUR VEHICLE

Working sensors

The sensors work depending on the gearshift lever position as follows:

Gearshift lever position	R	N, 1st – 5th
Rear sensors	On	Off

Approximate areas where obstacles can be detected



78MM05003

- An obstacle within about 20 cm (8 in) from a sensor or just below a sensor is not detectable.

The sensors can detect an obstacles such as wall up to about 1.8 m (6 ft) from the rear of vehicle.

▲ WARNING

Under the following conditions, the parking sensor system may not work normally because the sensors cannot detect obstacles correctly.

- Sensors are covered with mud, ice or other materials. (Such materials must be removed for normal operation.)
- Sensors are wet from water splashes or heavy rain.
- Sensors are covered by a hand, sticker, accessory, etc.
- There is an accessory or other object attached within the sensor's sensing area.
- Items such as tow hooks, commercially available corner poles, radio antenna, etc. are installed on the bumper.
- The height of the bumper is changed due to alteration to the suspension or other causes.
- The sensor areas are extremely hot from direct sunlight or cold due to freezing weather.
- The vehicle is on a rough surface, slope, gravel road or grass field.
- The vehicle is at a steep angle.

(Continued)

▲ WARNING

(Continued)

- Sensors have intercepted ultrasonic noise from another vehicle's horn, engine, air braking system (large vehicles), or parking sensor.
- Obstacles are too close to the sensors.
- Sensors are at an angle to a highly reflective object such as glass. (Ultrasonic waves are not reflected back from the obstacle.)
- Sensors may not be able to correctly detect the following types of obstacles:
 - Objects made of a thin material such as wire netting and ropes
 - Square-shaped curbstones or other objects with sharp edges
 - Tall objects with a large upper part such as a road sign
 - Low-profile objects such as curbstones
 - Sound-absorbing objects such as cotton and snow

NOTE:

Thin poles or obstacles lower than the sensors may become undetectable as the vehicle moves closer to them even if they have been detected from longer distances.

- *The system may calculate the distance to a road sign or similar obstacle to be shorter than the actual distance.*

Obstacle indication by parking sensor

Upon detecting an obstacle, the parking sensor causes an interior buzzer to sound.

- A buzzer located behind the rear seat sounds when a sensor at the rear detects an obstacle.
- Warnings when obstacles such as wall are detected by sensors

Distance (approx.)	Buzzer
100-180 cm	Short beeps at long intervals
80-100 cm	Short beeps at short intervals
70-80 cm	Short beeps at very short intervals
Less than 70 cm	Continuous beep

Warning and indicator messages

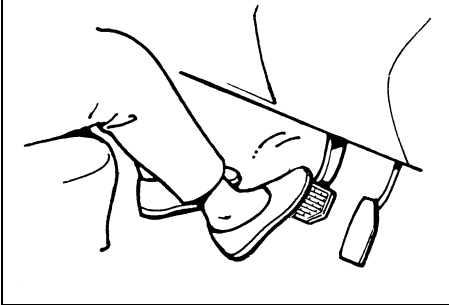
If there is a problem or warning regarding the parking sensor system, a buzzer informs it. Follow below instruction.

The buzzer sounds for some time and then stops. The sensor may be contaminated. Wipe it clean with a soft cloth. If the same issue (Buzzer sounds and stops) persists after ignition mode turned OFF to ON, there may be problem with the parking sensor system. Have your vehicle inspected by a Maruti Suzuki authorized workshop.

OPERATING YOUR VEHICLE

Braking

EXAMPLE



60G165S

The distance needed to bring any vehicle to a halt increases with the speed of the vehicle. The braking distance needed, for example, at 60 km/h will be approximately 4 times greater than the braking distance needed at 30 km/h. Start to brake the vehicle when there is plenty of distance between your vehicle and the stopping point, and slow down gradually.

⚠ WARNING

If water gets into the brake devices, brake performance may become poor and unpredictable. After driving through water or washing the underside of the vehicle, test the brakes while driving at a slow speed to see if they have maintained their normal effectiveness. If the brakes are less effective than normal, dry them by repeatedly applying the brakes while driving slowly until the brakes have regained their normal effectiveness.

NOTE:

While braking you may hear operational noise due to friction between brake disc/drum and brake lining. This is a normal phenomenon and does not indicate any abnormality or affect normal functioning of the vehicle.

Power-Assisted Brakes

Your vehicle has power-assisted brakes. If power assistance is lost due to a stalled engine or other failures, the system is still fully operational on reserve power and you can bring the vehicle to a complete stop by pressing the brake pedal once and holding it down. The reserve power is partly used up when you depress the brake pedal and reduces each time the pedal is pressed. Apply smooth and even pressure to the pedal. Do not pump the pedal.

⚠ WARNING

Even without reserve power in the brake system, you can still stop the vehicle by pressing the brake pedal harder than normally required. However, the stopping distance may be longer.

Brake Assist System

When you slam the brakes on, the brake assist system determines it to be an emergency stop and provides more powerful braking for a driver who cannot hold down the brake pedal firmly.

NOTE:

During brake pedal application & release, you may hear some operational noise owing to activation and functioning of components in the brake system. This is a normal phenomenon and does not indicate any abnormality or malfunction. Also, it does not affect the brake function.

Anti-Lock Brake System (ABS) (if equipped)

ABS will help you avoid skidding by electronically controlling braking pressure. It will also help you maintain steering control when braking on slippery surfaces or when braking hard.

The ABS works automatically, so you do not need any special braking technique. Just push the brake pedal down without pumping. The ABS will operate whenever it senses that the wheels are locking up. You may feel the brake pedal move a little while the ABS is operating.

WARNING

- Always check the surrounding conditions and drive the vehicle in a safe manner, as controlling the vehicle by ABS has limits and the system may not function properly depending on the surrounding conditions.
- If tyre grip performance is over the limit or hydroplaning occurs, ABS cannot work properly.

NOTE:

- If the ABS system is activated, you may hear a clunking noise and/or feel pulsating in the brake pedal. This is normal and indicates that the brake fluid pressure is being controlled properly.

- You may hear an operation sound when you start the engine or after the vehicle begins to move. This means that the above systems are in the self-check mode. This sound does not indicate a malfunction.

Braking Distance

ABS is not designed to shorten the stopping distance.

WARNING

- In the following situations, the braking distance required for a vehicle with ABS may be slightly greater than the one required for a vehicle without ABS, resulting in an accident. Drive the vehicle slowly and maintain ample distance between your vehicle and the vehicle in front of you.
 - When driving on rough roads such as unpaved or stone-paved roads
 - When driving on gravel roads or fresh snow roads
 - When driving over bumps on the roads such as joint seams
 - When passing over metal plates such as manholes
 - When snow chains are installed

NOTE:

- When applying sudden brake or applying brake on slippery roads, the braking distance required for a vehicle with ABS is almost the same as the one required for a vehicle without ABS.
- If you would like to suddenly apply brake, just push the brake pedal down firmly without pumping. Otherwise, the longer braking distance will be required.
- The ABS will not work if vehicle speed is under about 9 km/h. This depends on the road conditions.

Vibration and Sound during ABS Operation

When strongly depressing the brake pedal, you might feel vibration of the brake pedal, the steering wheel, and the vehicle body. This is due to ABS operation, and does not indicate a malfunction; continue strongly depressing the brake pedal at this time.

NOTE:

Immediately after starting the engine and beginning to drive, you might temporarily hear a motor sound. This means that the systems are in self-check mode. This sound does not indicate a malfunction.

OPERATING YOUR VEHICLE

Tyres

WARNING

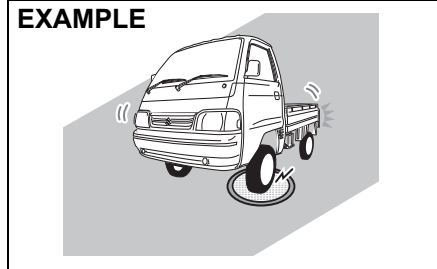
ABS detects each wheel rotation speed via a sensor. If tyres or wheels other than those specified in the owner's manual are used for size, type, tread pattern, or if worn conditions of tyres are different, the correct wheel rotation speed cannot be detected and ABS will not work properly. This may result in an accident. When replacing tyres, use the tyres with the size, type, and tread patterns which are specified in this owner's manual.

Also, do not use the tyres which are excessively worn.

Situations where ABS may Activate by Chance when Applying Brake

- When driving on slippery roads

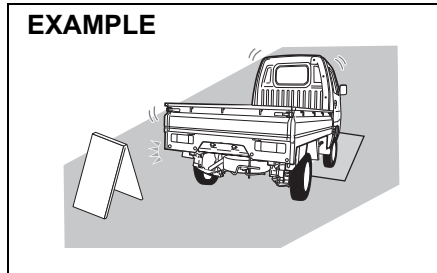
EXAMPLE



78MM05002

- Manholes

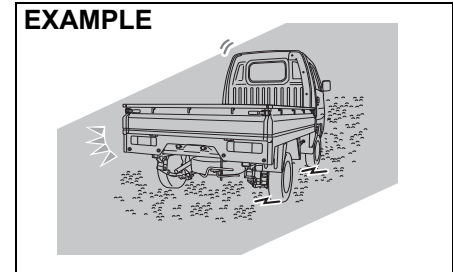
EXAMPLE



78MM05006

- Metal plates in construction zones

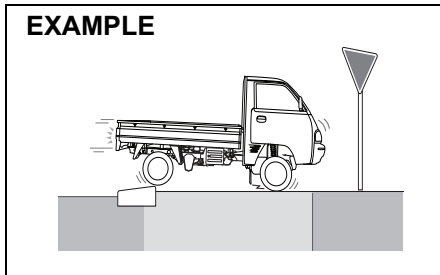
EXAMPLE



78MM05004

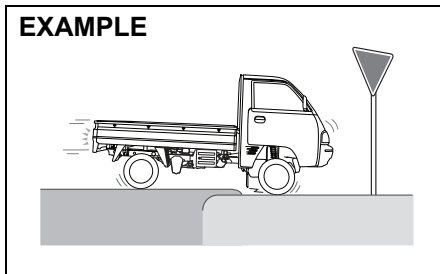
- Gravel roads

- When driving over joints in roads and other height differences



78MM05007

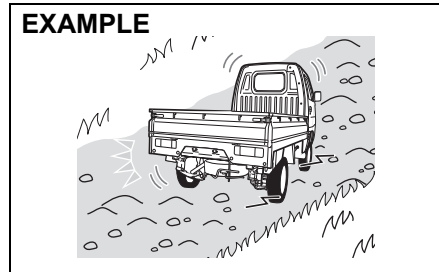
- Joints in roads



78MM05005

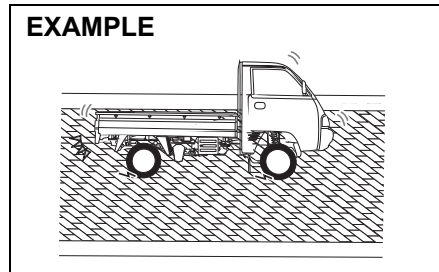
- Height differences in roads

- When driving on rough roads



78MM05008

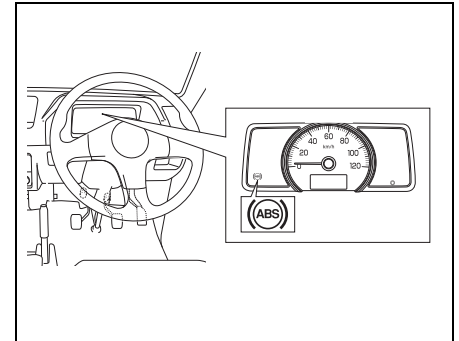
- Bumpy roads



78MM05009

- Cobblestone

ABS Warning Light



78MM05010

If there is a problem in the ABS system with the ignition switch in "ON" position, this light will come on.

Braking Assist

This function assists you in applying more force when operating the brake. When sudden braking is applied, the time until the ABS comes into full effect is shortened.

- If you do not depress the brake pedal firmly, braking assist will not operate.
- Brake assist is not a device that provides control beyond the original braking performance.

OPERATING YOUR VEHICLE

Electronic stability program (ESP®) (if equipped)

ESP® is a registered trademark of Daimler AG.

The Electronic Stability Program (ESP®) helps to control the vehicle during cornering if front wheels or rear wheels skid. It also assists you in maintaining traction while accelerating on loose or slippery road surfaces. It does this by regulating the engine's output, and by selectively applying the brakes. In addition, ESP® helps to avoid skidding by controlling braking pressure.

WARNING

The ESP® cannot enhance the vehicle's driving stability in all situations and does not control your vehicle's entire braking system. The ESP® cannot prevent accidents, including those resulting from excessive speed in turns, or hydroplaning. Only safe and attentive drive can prevent accidents.

The capabilities of an ESP®-equipped vehicle must never be used as a substitute for careful driving.

The ESP® has the following systems:

Anti-lock Brake System (ABS)

Refer to "Anti-lock Brake System (ABS)" in this section.

Brake Assist System

Refer to "Brake Assist System" in this section.

Traction Control System

The traction control system automatically helps prevent the spinning of wheels when the vehicle is started or accelerated on slippery road surfaces. The system operates only if it senses that some of the wheels are spinning or beginning to lose traction. When this happens, the system operates the front or rear brakes and reduces engine power to limit wheel spin.

NOTE:

You may hear an operation sound when you start the engine or after the vehicle begins to move. This means that the above systems are in the self-check mode. This sound does not indicate a malfunction.

Stability control system

The vehicle stability control system helps provide integrated control of systems such as anti-lock brakes, traction control, engine control, etc. This system automatically controls the brakes and engine to help prevent the vehicle from skidding when cornering on a slippery road surface or when turning the steering wheel abruptly.

WARNING

Always check the surrounding conditions and drive the vehicle in a safe manner, as controlling the vehicle by ESP® has limits and ESP® may not function properly depending on the surrounding conditions.

CAUTION

- **Observe the following points. Otherwise, ESP® may not operate properly or it may result in a malfunction.**
 - Adjust the tyre pressure as specified.
 - When replacing tyres, use the same tyres with the size, type, and tread patterns.
 - Do not use the tyres which have excessively worn conditions.
 - Do not modify the suspension or the brake and do not change vehicle height or suspension hardness.
 - Do not drive the vehicle with suspension or brake excessively deteriorated.
 - Do not modify the engine or the muffler.

(Continued)

▲ CAUTION

(Continued)

- Do not install LSD (limited slip differential).
- When you install the snow chains, ESP® may not operate properly.

NOTE:

- If you perform the following operations, you may hear an operation sound or a clicking sound. This means that the ESP® system is in the self-check mode and this does not indicate a malfunction.
 - When ignition switch is turned to the "ON" position.
 - When releasing your foot from the brake pedal, after the ignition switch is in "ON" position.
 - When starting the engine
 - When starting the vehicle after starting the engine
 - When engine revolutions is high and ESP® operates, you may feel the change of engine revolutions or vibration of vehicle body. However, this is normal.

ESP® warning light (if equipped)

EXAMPLE



56RM03011

- If there is a problem in the ESP® system with the ignition switch in "ON" position, this light will come on. While this light comes on, the following situations will occur. In this case, ask a Maruti Suzuki authorised workshop for inspection.
 - The following functions will not work:
 - Traction control system
 - Stability control system
 - ABS will work.
 - Depending on the malfunction condition, brake assist system may not work.
- If any of the following situations occurs, this light will blink at very short intervals of 0.2 seconds.
 - Traction control system is activated when starting or accelerating the vehicle
 - Stability control system is activated when making a sharp turn or whirling round.

- If the system is in normal condition, when you turn the ignition switch to "ON" position, this light will come on for about 2 seconds and then come off.

▲ CAUTION

If this light blinks at very short intervals, there is high possibility that the vehicle will be stuck or skid on a slippery road surface. In this case, drive the vehicle very carefully.

NOTE:

While this light comes on, traction control system and stability control system will not be activated. However, you can use ABS.

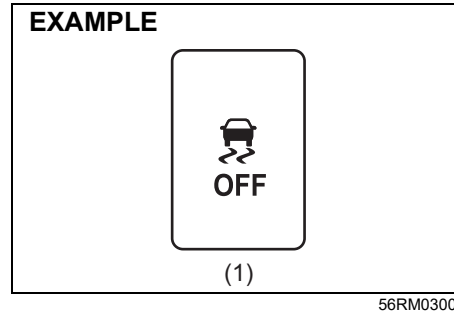
OPERATING YOUR VEHICLE

ESP® OFF indicator light (if equipped)



- If you press and hold the ESP® OFF switch with the ignition switch is in “ON” position or the ignition mode is “ON”, this light will come on.
 - While this light comes on, traction control system and stability control system will not work.
- If the system is in normal condition, when you turn the ignition switch to “ON” position, this light will come on for about 2 seconds and then come off.

ESP® OFF switch (if equipped)



(1) ESP® OFF switch

- In the following situation, keep pressing the ESP® OFF switch until the ESP® OFF indicator light in the instrument cluster comes on. Traction control system and stability control system will not work.
 - When placing the vehicle on the tester for automobile inspection, traction control system and stability control system needs to be deactivated.
 - If your vehicle is stuck and you try to get out of the stuck condition, traction control system may not be suitable.
- If you perform the following operations, the ESP® OFF indicator light will come off. Also, traction control system and stability control system will return to be in the activated condition.
 - Pressing the ESP® OFF switch again

- Stopping the engine and then restarting the engine
- When the vehicle speed exceeds approximately 20 km/h.

- If you would like to perform normal driving after escaping from the stuck condition, press the ESP® OFF switch again. This will allow the ESP® OFF indicator light to come off and the vehicle will return to the original condition. Traction control system and stability control system will not be activated automatically. (except when stopping the engine and then restarting the engine) or When the vehicle speed exceeds approximately 20 km/h.

NOTE:

For safety reasons, even if you press the ESP® OFF switch, ABS and brake assist system will not be deactivated.

ABS warning light / brake system warning light

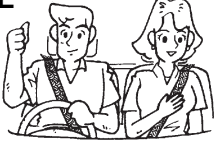
Refer to “Braking” in this section.

DRIVING TIPS

Running-in	4-1
Catalytic Converter	4-1
Improving Fuel Economy	4-2
Highway Driving	4-3
Driving on Hills	4-3
Driving on Slippery Roads	4-4
Driving on Wet Roads	4-5
Do's and Dont's for Safe Driving	4-6
Margin for Safety	4-7

DRIVING TIPS

EXAMPLE



52D078S

WARNING

- **WEAR YOUR SEAT BELTS AT ALL TIMES.** The driver and passenger should be properly restrained at all times, using the seat belts provided. Refer to the “Seat Belts” section for instructions on proper use of the seat belts.
- **Never drive while under the influence of alcohol or other drugs.** Alcohol and drugs can seriously impair your ability to drive safely, greatly increasing the risk of injury to yourself and others. You should also avoid driving when you are tired, sick, irritated, or under stress.

Running-in

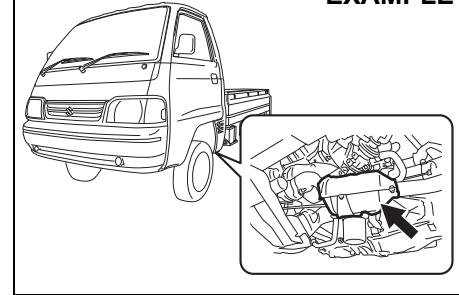
NOTICE

The future performance and reliability of the engine depends on the care and restraint exercised during its early life. It is especially important to observe the following precautions during the initial 960 km of vehicle operation.

- After starting, do not race the engine. Warm it up gradually.
- Avoid prolonged vehicle operation at a constant speed. Moving parts will break in better if you vary your speed.
- Start off from a stop slowly. Avoid full throttle starts.
- Avoid hard braking, especially during the first 320 km of driving.
- Do not drive slowly with the transmission in a high gear.
- Drive the vehicle at moderate engine speeds.
- Do not tow a trailer.

Catalytic Converter

EXAMPLE



77PH201

The purpose of the catalytic converter is to minimize the amount of harmful pollutants in your vehicle's exhaust. Use of leaded fuel in vehicles equipped with catalytic converters is prohibited, because lead deactivates the pollutant-reducing components of the catalyst system.

The converter is designed to last the life of the vehicle under normal usage and when unleaded fuel is used. No special maintenance is required on the converter. However, it is very important to keep the engine properly tuned. Engine misfiring, which can result from an improperly tuned engine, may cause overheating of the catalyst. This may result in permanent heat damage to the catalyst and other vehicle components.

NOTICE

To avoid damaging catalyst or other vehicle damage:

- Maintain the engine in the proper operating condition.
- In the event of an engine malfunction, particularly one involving engine misfiring or other apparent loss of performance, have the vehicle serviced promptly.
- Do not turn off the engine or interrupt the ignition when the transmission is in gear and the vehicle is in motion.
- Do not try to start the engine by pushing or towing the vehicle, or coasting down a hill.
- Do not idle the engine with any spark plug wires disconnected or removed, such as during diagnostic testing.
- Do not idle the vehicle for prolonged periods if idling seems rough or there are other malfunctions.
- Do not allow the fuel tank to get near the empty level.
- Avoid driving your vehicle at excessively high engine speed.

⚠ WARNING

Be careful in areas where you park and drive; the catalytic converter and other exhaust components can get very hot. As with any vehicle, do not park or operate this vehicle in areas where combustible materials such as dry grass or leaves can come in contact with a hot exhaust system.

EXAMPLE

82DY05

NOTE:

Non-usage of vehicle for long duration may cause gradual rusting of brake disc surface as it is made of cast iron. This may result in noise/vibration. The same has no bearing on functioning of the vehicle. Regular driving of vehicle may prevent/remove rust, thus reducing the noise and vibration.

Improving Fuel Economy**NOTE:**

Fuel economy (mileage) of the vehicle may vary due to several factors i.e., driving habits - gear change pattern, usage of A.C, Air pressure in the tyres, wind speed, traffic conditions, fuel quality- non adulterated standard fuel, maintenance of vehicle, road conditions, braking etc.

The following instructions will help you improve fuel economy.

Avoid excessive idling

If you are to wait for more than a minute while you are parked, stop the engine and start it again later. When warming up a cold engine, do not allow the engine to idle or apply full throttle until the engine has reached operating temperature. Allow the engine to warm up while driving.

Avoid sudden acceleration

Sudden acceleration starting from rest or while driving will consume fuel unnecessarily and shorten engine life. Start off slowly.

Avoid unnecessary stops

Avoid unnecessary deceleration and stopping. Try to maintain a slow, steady speed whenever possible. Slowing down and then accelerating again uses more fuel.

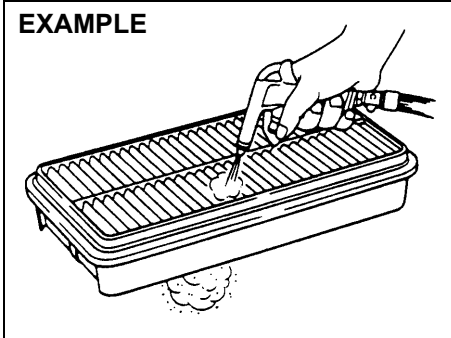
Keep a steady cruising speed

Keep as constant a speed as road and traffic conditions will permit.

DRIVING TIPS

Keep the air cleaner clean

EXAMPLE



60A183S

If the air cleaner is clogged with dust, there will be greater intake resistance, resulting in decreased power output and increased fuel consumption.

Keep weight to a minimum

Heavier the load, more fuel the vehicle consumes. Take out any luggage or cargo when it is not necessary.

Keep tyre pressures correct

Underinflation of the tyres can waste fuel due to increased running resistance of the tyres. Keep your tyres inflated to the correct pressure shown on the label on the driver's door lock pillar.

Highway Driving

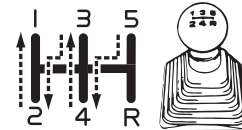
When driving at highway speeds, pay attention to the following:

- Stopping distance progressively increases with vehicle speed. Apply the brakes far enough ahead of the stopping point to allow for the extra stopping distance.
- On rainy days, hydroplaning can occur. Hydroplaning is the loss of direct contact between the road surface and the vehicle's tyres due to a water film forming between them. Steering or braking the vehicle while hydroplaning can be very difficult, and loss of control can occur. Keep speed down when the road surface is wet.
- At high speeds, the vehicle may be affected by side winds. Therefore, reduce speed and be prepared for unexpected buffeting, which can occur at the exits of tunnels, when passing by a cut of a hill, or when being overtaken by large vehicles, etc.

Driving on Hills

- When climbing steep hills, the vehicle may begin to slow down and show a lack of power. If this happens, you should shift to a lower gear so that the engine will again be operating in its normal power range. Shift rapidly to prevent the vehicle from losing momentum.
- When driving down a hill, the engine should be used for braking by shifting into a lower gear.

EXAMPLE



77PH003

⚠ WARNING

Try not to hold the brake pedal down too long or too often while going down a steep or long hill. This could cause the brakes to overheat, resulting in reduced braking efficiency. Failure to take this precaution could result in loss of vehicle control.

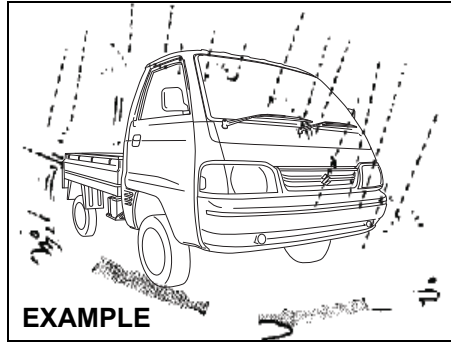
While moving uphill/gradient from a stand still condition

- Apply the parking brake firmly so that the vehicle does not roll backwards.
- Depress the Clutch pedal and Shift the gearshift lever to 1st Select position.
- Do not slip the clutch.
- When ready to start, press accelerator pedal and slowly release the clutch pedal simultaneously. When the vehicle starts to move, gradually release the parking brake.

NOTICE

When descending down a hill, **NEVER** turn the ignition key to the "LOCK" position. Emission control system damage may result.

Driving on Slippery Roads



82DY06

Under wet road conditions you should drive at a lower speed than on dry roads due to possible slippage of tyres during braking. When driving on icy, snow-covered, or muddy roads, reduce your speed and avoid sudden acceleration, abrupt braking, or sharp steering movements.

If Your Vehicle Gets Stuck

If your vehicle gets stuck in snow, mud, or sand, follow the directions below:

- 1) Shift the transmission back and forth between first gear and reverse. This will create a rocking motion which may give you enough momentum to free the vehicle. Press gently on the accelerator to keep wheel spinning to a minimum wheel rpm. Remove your foot from the accelerator while shifting.

Do not race the engine. Excessive wheel spin will cause the tyres to dig deeper, making it more difficult to free the vehicle.

- 2) If your vehicle remains stuck after a few minutes of rocking, get another vehicle to pull your vehicle out.

⚠ WARNING

Do not allow anyone to stand near the vehicle when you are rocking it, and do not spin the wheels faster than an indicated 40 km/h on the speedometer. Personal injury and/or vehicle damage may result from spinning the wheels too fast.

NOTICE

Do not continue rocking the vehicle for more than a few minutes. Prolonged rocking can cause engine overheating or transmission damage.

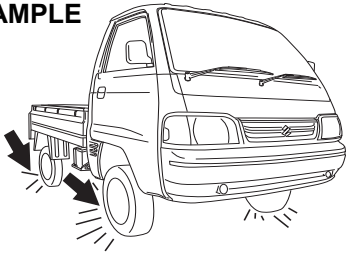
DRIVING TIPS

Driving on Wet Roads

NOTICE

- When driving on wet roads, avoid driving through large amount of standing water on the road. Large amount of water entering the engine compartment may cause damage to the engine and or electrical components.
- If stuck in deep water, do not start till water level drops.
- Water is incompressible substance, water inside engine is harmful to the engine.

EXAMPLE



82DY07

⚠ WARNING

In addition to following the driving tips in this section, it is important to observe the following precautions.

- Make sure your tyres are in good condition and always maintain the specified tyre pressure. Refer to “Tyres” in the “INSPECTION AND MAINTENANCE” section for details.
- Do not use tyres other than those specified by MARUTI SUZUKI. Never use different sizes or types of tyres on the front and rear wheels. For information regarding the specified tyres, refer to the Tyre Information Label located on the driver’s door lock pillar.
- Never use oversized tyres or special shock absorbers and springs to raise (jack up) your vehicle. This will change the handling characteristics. Oversized tyres may also rub against the vehicle body over bumps, causing vehicle damage or tyre failure.
- After driving through water, test the brakes while driving at a slow speed to see if they have maintained their normal effectiveness. If they are less effective than normal, dry them by repeatedly applying the brakes while driving slowly until the brakes have regained their normal effectiveness.

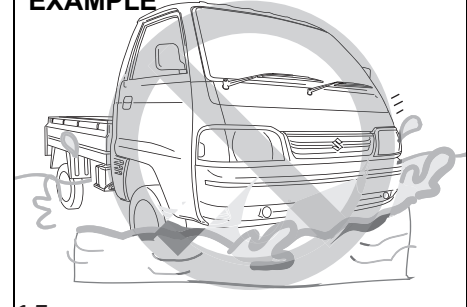
Off-road Driving

Do not drive in the field covered with grown grass.

If you drive in the field covered with grass, it may cause accident or fire or vehicle damage by getting caught in grown grass.

When Encountering a Flooded Area

EXAMPLE



77PM04011

Avoid driving in a flooded area or a deep puddle. If driving in a flooded area is unavoidable, go slowly in the lowest gear. In case that you have driven in a flooded area, stop the vehicle in a safe and non flooded place while checking the brake effectiveness. Then, ask a Maruti Suzuki authorised workshop to check the following inspection items.

- Function of brake
- Function of electrical components

- Changes in oil level and quality for engine and transmission. In case that the oil is turbid whitish, water has been mixed in the oil and an oil change is required.
- Lubricant condition of the bearings, suspension joints, etc.

NOTICE

- **Avoid driving in a flooded area or a deep puddle. It may cause an engine stall, short in electrical components, engine and transmission damages, etc.**
- **If the vehicle gets stuck in deep water do not start the engine.**

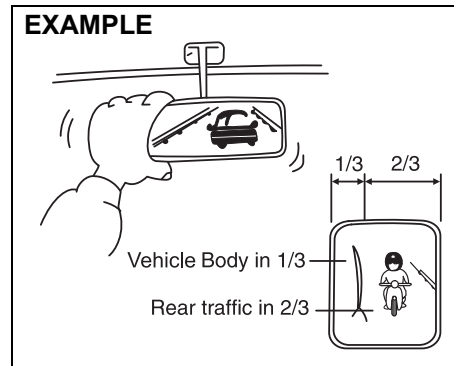
Do's and Dont's for Safe Driving

Exercise care in handling your vehicle. Be conscious of not only your own safety but also the safety of others on the road, and thus enjoy the best and most comfortable driving experience.

Following are basic rules for safe driving. Read them carefully for good understanding of the content so that you can enjoy safe and pleasant driving in your vehicle.

Starting

- 1) Adjust the driver's seat for the proper driving posture.
- 2) Adjust the rear view mirror so as to obtain the best possible rear view.



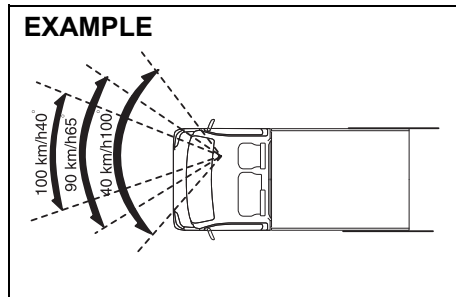
77PM04002

- 3) Before moving, look around your vehicle to confirm safety.
- 4) Don't accelerate suddenly, since it is dangerous and wastes fuel.

General driving

- 1) Be sure to stop before a stop light or stop sign. When moving into an intersection without any traffic lights or signs, drive slowly to confirm safety.
- 2) Always follow other vehicles at a safe distance in order to prevent a rear-end collision, in case the vehicle ahead makes a sudden stop.
- 3) Turn ON the turn signal at least 30 meters before making a turn or changing the lane so as to not be hit.
- 4) Before entering a corner, decelerate to a safe speed. Don't apply brakes during cornering, or skidding may occur.
- 5) When overtaking other vehicles, watch out for oncoming vehicles and carefully ensure safety.
- 6) Don't attempt zigzag driving as it will hinder your control over the vehicle and may cause an accident.
- 7) Avoid reckless high speed driving and try to drive at a safe speed suitable for the road conditions while maintaining a constant speed.
- 8) The higher the speed, the narrower the driver's visual range becomes. In such a state, it is difficult to anticipate any hazard and the driver feels fatigued.

DRIVING TIPS



77PM04001

- 9) Do not attempt sharp handling during high speed driving. You may lose your control over your vehicle.
- 10) When overtaking or changing lanes while driving at a high speed, keep ample vehicle-to-vehicle distance.

Braking

- 1) Use the parking brake when parking your vehicle and shift the gear shift lever into the first gear or reverse gear position for the sake of safety.
- 2) Don't use hand-braking unless unavoidable. It causes the vehicle to skid and a collision may occur. It is especially dangerous when the tyres are worn out as they skid more.

Use foot brake in three stages

1. Warn the vehicle behind you
2. Gradually apply the brake.
3. Bring the vehicle to a halt.

- 3) When driving downhill, try not to apply the brake but use the engine brake effectively. Overuse of the foot-brake may result in reduction of brake effectiveness.

Long distance driving

- 1) Be sure to perform safety checks before starting a trip.
- 2) Take rest at regular intervals to prevent accidents which may occur due to feeling sleepy or tired.

Night time driving

- 1) Drive at lower speeds during the night than in the daytime, as the visual range is restricted at night.
- 2) Avoid overtaking other vehicles at night. Darkness bothers your sense of speed and hinders your judgment of vehicle-to-vehicle distance.
- 3) Don't use headlights on high beam unless its use is inevitable. It may cause visual impairment to the driver of the oncoming vehicle or the vehicle ahead of you, which may cause an accident.
- 4) Always keep the window glasses clean. Don't operate the windshield wiper when the windshield glass is dry else the wiper blade and glass may get damaged.

Margin for Safety

It is important to allow yourself a margin for safety during driving so that you can cope with erroneous or unexpected driving of other drivers. For that, observe the following.

- Drive at a safe speed.
- Maintain a sufficient distance between your vehicle and the vehicle ahead.
- Don't force yourself to overtake other vehicles.
- Don't accelerate suddenly, steer sharply or stop suddenly.
- Keep ample gaps between driving schedules.
- Observe traffic rules and regulations.

Conclusion

A perfect driver does not exist. The endeavour of every motorist should be to strive for perfection. Safety consciousness not only ensures your safety and the safety of other road users, it also helps reduce the wear and tear on your vehicle, lengthens its life, gives better fuel efficiency and ensures a comfortable driving experience. **Follow the do's and don'ts listed, and driving will never be the same again.**

OTHER CONTROLS AND EQUIPMENT

Fuel Filler Cap 5-1
Engine Compartment 5-3
Sun Visor 5-4
Interior Light 5-5
Accessory Socket 5-5
Glove Box 5-5
Storage Area 5-6
Air Vent 5-6
Frame Hook 5-7
Assist Grip 5-7

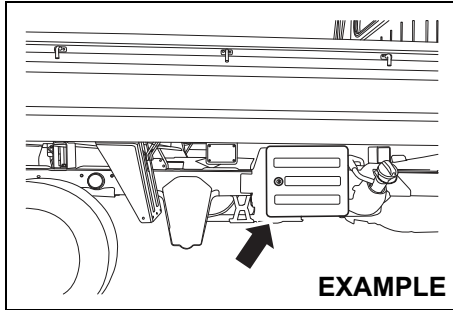
OTHER CONTROLS AND EQUIPMENT

Fuel Filler Cap

(For Petrol and CNG Engine Model)

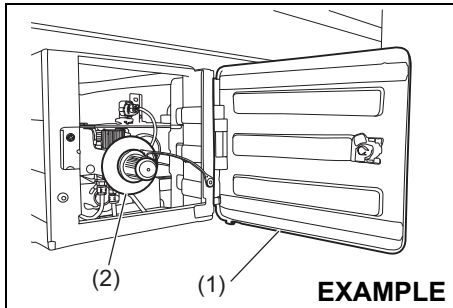
CNG filler valve

(For CNG engine model)



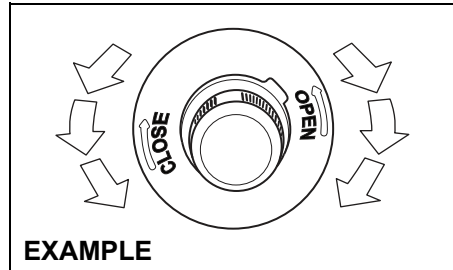
77PM05003

The CNG filler valve is located on the right side of the vehicle.



77PM05001

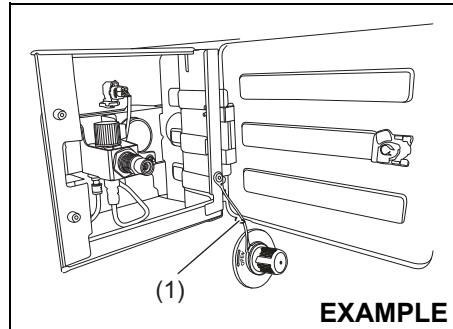
To unlock CNG filler door (1), insert the key and turn top of the key towards front of the vehicle.



77PM05005

To remove the CNG filler valve cover:

- 1) Open the CNG filler door (1).
- 2) Remove the CNG filler valve cover (2) by turning it anticlockwise direction.



77PM05006

NOTE:

If the fuel filler door is equipped with the cap holder (3), then use the cap holder to hold fuel filler cap while refueling.

Filling automatically gets cut off when the cylinder pressure becomes equal to dispenser pressure.

To reinstall the CNG filler valve cover:

- 1) Turn the CNG filler valve cover (2) clockwise direction until its completely closed.
- 2) Close the CNG filler door (1).

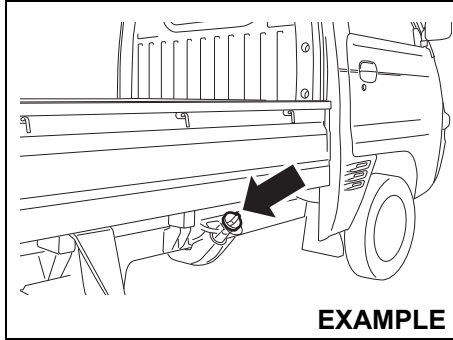
NOTE:

- *If the CNG filler cover (2) is not closed properly, you will not be able to start the vehicle.*
- *Engine will stop if the CNG filler cover (2) is opened in vehicle stationary condition.*

NOTE:

During vehicle operation gravels may enter the CNG filler box. Remove whenever observed.

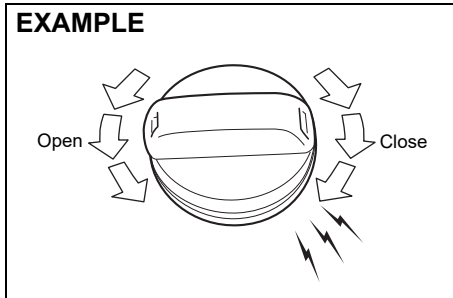
**Petrol filling cap
(For Petrol engine model)**



EXAMPLE

77PH031

The fuel filler cap is located on the right side of the vehicle.



68KN048

To remove the fuel filler cap, turn it counterclockwise. To reinstall the fuel filler cap, turn it in clockwise direction until you hear several clicks.

⚠ CAUTION

Remove the fuel filler cap slowly. The fuel may be under pressure and may spray out, causing injury.

⚠ WARNING

Fuel is extremely flammable. Do not smoke when refueling, and make sure there are no open flames or sparks in the area.

⚠ WARNING

If you need to replace the fuel cap, use a MARUTI genuine cap. Use of an improper cap can result in a malfunction of the fuel system or emission control system. It may also result in fuel leakage in the event of an accident.

⚠ CAUTION

Remove the fuel filler cap slowly. The fuel may be under pressure and may spray out, causing injury.

⚠ WARNING

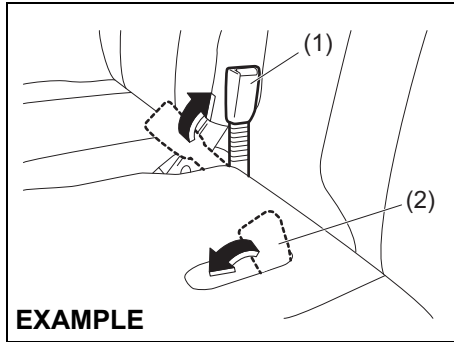
Fuel is extremely flammable. Do not smoke when refueling, and make sure there are no open flames or sparks in the area.

⚠ WARNING

If you need to replace the fuel cap, use a MARUTI genuine cap. Use of an improper cap can result in a malfunction of the fuel system or emission control system. It may also result in fuel leakage in the event of an accident.

OTHER CONTROLS AND EQUIPMENT

Engine Compartment

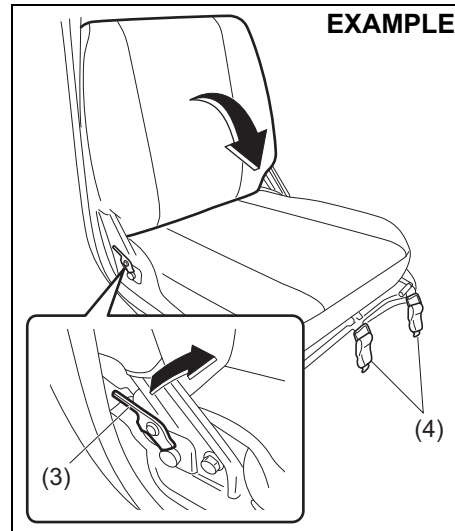


To open the engine compartment:

- 1) Raise the driver's seat belt buckle (1) to the seatback position. Store the passenger's seat belt buckle (2).
- 2) For the driver's seat, slide the seat to the most rearward position.

CAUTION

When you slide the driver's seat rearward, push the seatback. If you hold the seatback top, your hand could be pinched between the seatback and cabin back panel, may result in personal injury.

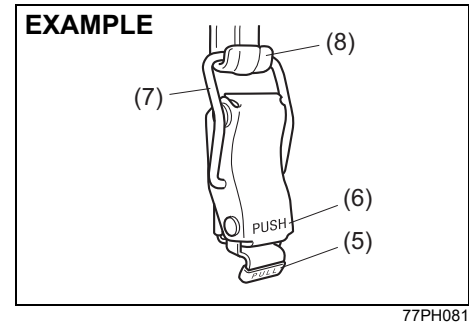


- 3) For the driver's seat, pull the lock lever (3) to fold the seatback forward.

NOTE:

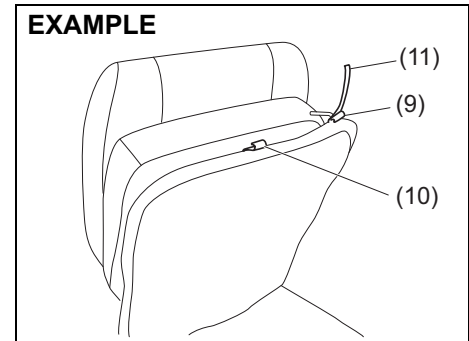
The seatback can be folded only upto the position where it comes in contact with the steering wheel.

- 4) Unhook the lock handles (4) on the front end of each seat.

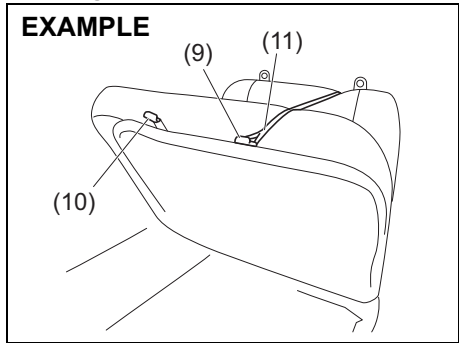


- To unhook the lock handle, pull the "PULL" part (5) and unhook the ring (7) from the hook (8).
- To lock the lock handle, put the ring (7) on the hook (8) and then push the "PUSH" part (6).

Driver side



Passenger side



77PH103

NOTE:
The straps (11) are available behind the seatback of passenger seat.

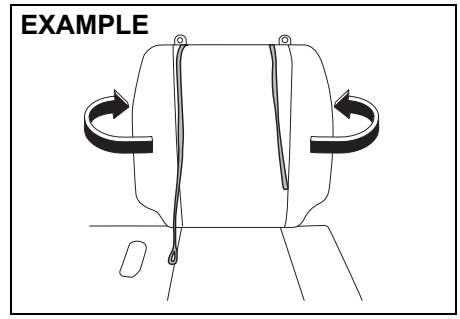
- 5) Raise the seat and hook the strap (11) to the hook (9). The hook (10) is not used for attaching the seat strap.

NOTICE

Do not hook the strap to the driver's seat position adjustment lever or do not apply undue force to the seats when being hooked by the straps. Doing so could break the straps, hooks and/or the driver's seat position adjustment lever.

- To close the engine compartment, reverse the steps in which you have opened it.

- After closing, try to move the seats to ensure that they are securely latched.
- Store the straps in space behind the passenger's seat as shown in the illustration.



77PH097

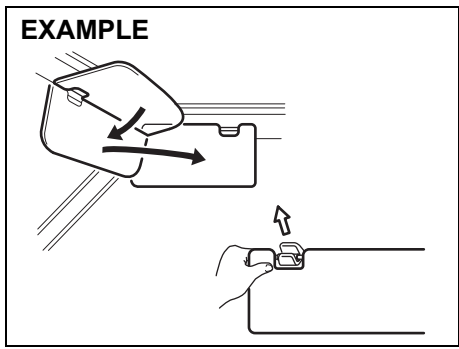
WARNING

Store the straps in space behind the passenger's seat. If an occupant's body gets caught by the straps, there is a risk of serious injury such as suffocation. If this happens, cut the straps with scissors.

CAUTION

When closing the engine compartment, be careful that the seats do not pinch your hands or the driver's seat belt buckle, or hit your body.

Sun Visor



77PH004

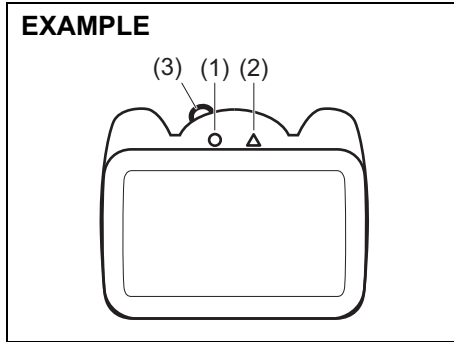
Sun visor is available on the driver side of the vehicle. The sun visor can be pulled down to block the glare coming through the windshield, or they can be unhooked and turned to the side to block the glare coming through the side window.

NOTICE

When unhooking and hooking a sun visor, be sure to handle it by side of the sun visor as shown in the figure else sun visor may get damaged.

OTHER CONTROLS AND EQUIPMENT

Interior Light



This light switch has two positions. These positions can be selected using knob (3). The functions of the two positions are:

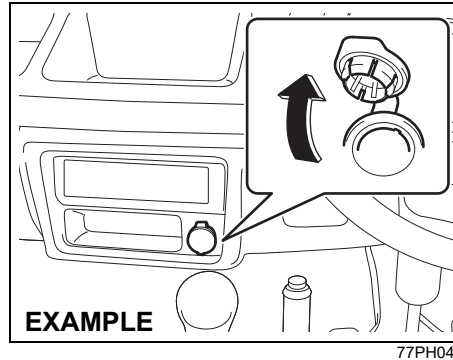
ON (1)

The light comes on and stays on.

OFF (2)

The light remains off.

Accessory Socket

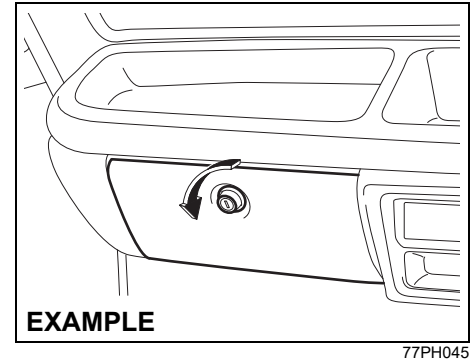


The accessory socket will work when the ignition switch is in the "ACC" or "ON" position. This socket can be used to provide 12 volt/120 watt power for electrical accessories.

NOTICE

Use of inappropriate electrical accessories can cause damage to your vehicle's electrical system. Make sure that any electrical accessories you use are designed to plug into this type of socket.

Glove Box

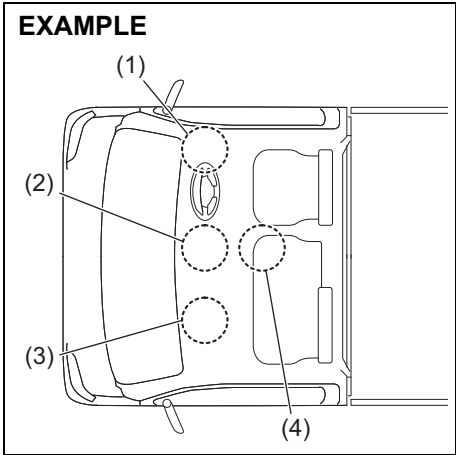


To open the glove box, twist the knob counterclockwise. To close it, push the lid until it latches securely. To lock the glove box, insert the key into the knob and turn it clockwise. To unlock the glove box, insert the key into the knob and turn it counterclockwise.

⚠ WARNING

Never drive with the glove box lid open. It could cause injury if an accident occurs.

Storage Area



77PH104

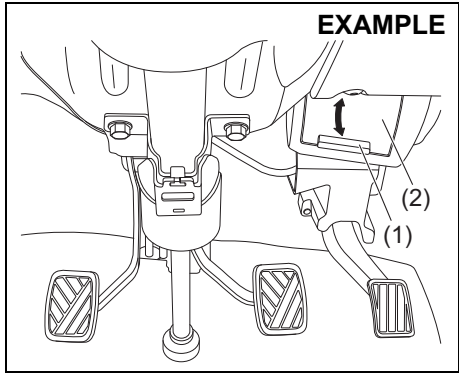
- (1) Instrument panel pocket (driver's side)
- (2) Instrument panel tray (center) / Instrument panel pocket (center)
- (3) Instrument panel tray (passenger's side)
- (4) Center pocket

Instrument Panel Pocket (1)/(2) / Instrument Panel Tray (2)/(3) / Center Pocket (4)

⚠ WARNING

Do not place any objects which may fall out from the pocket/tray when the vehicle is moving. Failure to take the precaution may result in an object interfering with the pedals and causing a loss of vehicle control or an accident.

Air Vent



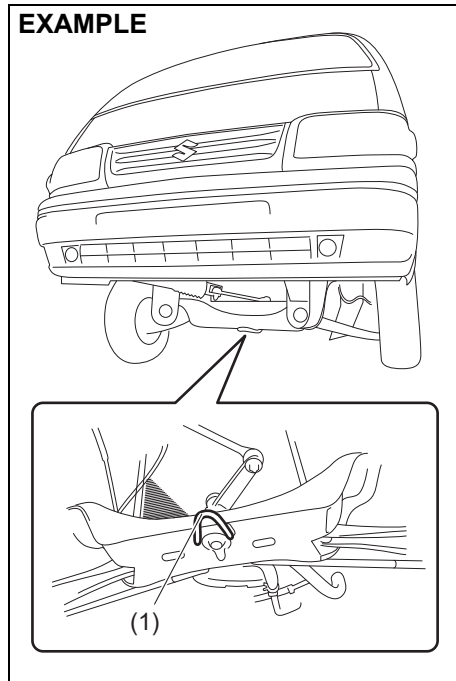
77PM502

Air vents are located on driver side and passenger side of the vehicle. For opening or closing the air vent, move the knob (1) vertically to open or close the flap (2). When "OPEN", fresh air will come inside the cabin.

OTHER CONTROLS AND EQUIPMENT

Frame Hook

Front



77PH035

The frame hook (1) is provided on the front of the vehicle for use in emergency situations and shipping purposes only.

To tow your vehicle on the road or highway, follow the instruction of "Towing" in "EMERGENCY SERVICE" section.

⚠ WARNING

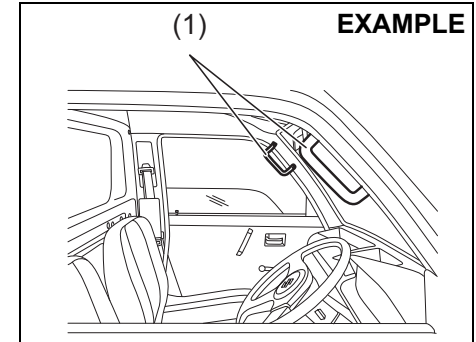
Do not use the frame hook to tow another vehicle or to have your vehicle towed on the road or highway. The hook (1) is designed for use in emergency situations only, such as if your vehicle or another vehicle gets stuck in deep mud or snow.

NOTICE

When you use the frame hook (1), avoid driving in the manner that may give significant shock to the hook. Such operation can damage the hook, or the vehicle body.

Do not accelerate suddenly.

Assist Grip



77PM501

Assist grips (1) are available on driver side and passenger side of the vehicle. The assist grips are meant for driver / passenger to get in and get out of the vehicle easily.

VEHICLE LOADING AND TOWING

Vehicle Loading	6-1
Trailer Towing	6-1

VEHICLE LOADING AND TOWING

Vehicle Loading

Your vehicle was designed for specific weight capacities. The weight capacities of your vehicle are indicated by the Gross Vehicle Weight Rating (GVWR) and the Permissible maximum Axle Weight (PAW, front and rear). The GVWR and PAW (front and rear) are listed in the "SPECIFICATIONS" section.

GVWR – Maximum permissible overall weight of the fully loaded vehicle (including all the occupants, accessories and cargo plus the trailer nose weight if towing a trailer).

PAW – (Front and Rear) Maximum permissible weight on an individual axle.

Actual weight of the loaded vehicle and actual loads at the front and rear axles can only be determined by weighing the vehicle. Compare these weights to the GVWR and PAW (front and rear). If the gross vehicle weight or the load on either axle exceeds these ratings, you must remove enough weight to bring the load down to the rated capacity.

WARNING

Never overload your vehicle. The gross vehicle weight (sum of the weights of the vehicle, all the occupants, accessories, cargo plus trailer nose weight if towing a trailer) must never exceed the Gross Vehicle Weight Rating (GVWR). In addition, never distribute a load so that the weight on either the front or rear axle exceeds the Permissible maximum Axle Weight (PAW).

WARNING

Always distribute cargo evenly. To avoid personal injury or damage to your vehicle, always secure cargo to prevent it from shifting if the vehicle moves suddenly. Place heavier objects on the floor and as far forward in the cargo area as possible. Never pile cargo higher than the top of the seat backs.

Trailer Towing

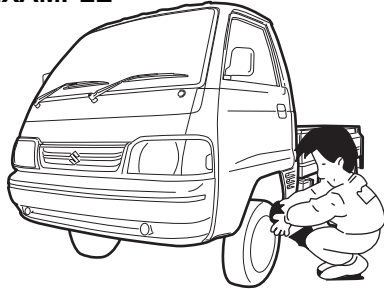
Your vehicle was originally designed to carry one driver, one passenger and a certain amount of cargo, not to tow a trailer. MARUTI does not recommend you to use your vehicle to tow a trailer. Towing a trailer can adversely affect handling, durability, and fuel economy.

INSPECTION AND MAINTENANCE

- Maintenance Schedule 7-1
- Periodic Maintenance Schedule 7-2
- Inspection and Maintenance operations to be performed by customer 7-6
- Drive Belt 7-8
- Engine Oil and Filter 7-8
- Engine Coolant 7-12
- Air Cleaner 7-14
- Spark Plugs 7-14
- Gear Oil 7-14
- Clutch Pedal 7-16
- Brakes 7-16
- Steering 7-19
- Propeller Shaft Universal Joint 7-19
- Tyres 7-19
- Battery 7-21
- Fuses 7-22
- Bulb Replacement 7-25
- Wiper Blades 7-28
- Windshield Washer Fluid (If equipped)..... 7-30

INSPECTION AND MAINTENANCE

EXAMPLE



77PM07008

⚠ WARNING

You should take extreme care when working on your vehicle to prevent accidental injury. Here are a few precautions that you should be especially careful to observe:

- Do not leave the engine running in garages or other confined areas.
- When the engine is running, keep hands, clothing, tools, and other objects away from the fan and drive belt. Even though the fan may not be moving, it can automatically turn on without warning.

(Continued)

⚠ WARNING

(Continued)

- When it is necessary to do service work with the engine running, make sure that the parking brake is set fully and the transmission is in Neutral.
- Do not touch ignition wires or other ignition system parts when starting the engine or when the engine is running, or you could receive an electric shock.
- Be careful not to touch a hot engine, exhaust manifold and pipes, muffler, radiator and water hoses.
- Do not allow smoking, sparks, or flames around fuel or the battery. Flammable fumes are present.
- Do not get under your vehicle if it is supported only with the portable jack provided in your vehicle.
- Be careful not to cause accidental short circuits between the positive and negative battery terminals.
- Keep used oil, coolant, and other fluids away from children and pets. Dispose of used fluids properly; never pour them on the ground, into sewers, etc.

Maintenance Schedule

The following table shows the times when you should perform regular maintenance on your vehicle. This table shows in kilometers and months when you should perform inspections, adjustments, lubrication and other services.

⚠ WARNING

MARUTI SUZUKI recommends that maintenance on your vehicle should be performed by your authorised MARUTI SUZUKI COMMERCIAL workshop.

NOTICE

Whenever it becomes necessary to replace parts on your vehicle, it is recommended that you use MARUTI genuine replacement parts or their equivalent.

Periodic Maintenance Schedule

“C”: Clean

“R”: Replace or Change

“I”: Inspect, clean, adjust, lubricate or replace as necessary

“L”: Lubricate

“T”: Tighten to Specified Torque

“O”: Rotate

NOTE:

This table includes services as scheduled up to 90,000 km mileage. Beyond 90,000km, carry out the same services at the same intervals respectively.

For free inspection the cost of materials and consumables to be borne by customer.

INSPECTION AND MAINTENANCE

Interval: This interval should be judged by odometer reading or months, whichever comes first.		FREE INSPECTION				PERIODIC MAINTENANCE AT COST						
		km (x1000)	5	10	20	30	40	50	60	70	80	90
		months	2	4	8	12	16	20	24	28	32	36
ENGINE												
1-1.	Water pump drive belt (Tension, Wear)		-	I	I	I	I	I	I	I	R	I
1-2.	Engine Coolant SUZUKI LLC: Super (Blue) (#1,2)		First time only:		Replace at 100000 km or 60 months whichever comes first.							
			Second time and after:		Replace every 40000 km or 24 months whichever comes first.							
	Engine Coolant SUZUKI LLC: Standard (Yellow) (#1,3)		I	I	R	I	R	I	R	I	R	I
1-3.	Engine oil, engine oil filter and drain plug gasket (Level, Leakage)		I	R	R	R	R	R	R	R	R	R
1-4.	Cooling system hoses and connections (Leakage and Damage)		I	I	I	I	I	I	I	I	I	I
1-5.	Engine Mounting and Manifold fixing (Loose, Damage)		I	I	I	I	I	I	I	I	I	I
1-6.	Exhaust System (Noise, Leakage etc.)		I	-	I	-	I	-	I	-	I	-
1-7.	Positive Crank Case Ventilation System (Hoses, Connections and Valve)		I	-	I	-	I	-	I	-	I	-
1-8.	Exhaust Gas Recirculation Valve		-	-	-	C	-	-	C	-	-	C
IGNITION												
2-1.	Ignition wire (Damage, Deterioration)		-	-	I	-	I	-	I	-	I	-
2-2.	Spark Plug		Petrol		Replace every 100000 km or 84 months whichever comes first							
			CNG		Replace every 50000 km or 48 months whichever comes first							
FUEL												
3-1.	Air cleaner filter element		Paved-road		Clean every 5000 km. Replace every 40000 km							
			Dusty Condition		Clean every 2500 km. Replace every 40000 km. More frequent replacement if the conditions are severe.							
3-2.	Fuel tank cap, fuel lines and connections (Leakage and Damage)		I	-	-	-	I	-	-	-	I	-
3-3.	Fuel Filter (Leakage)		I	I	I	I	R	I	I	I	R	I

#1: Perform the engine coolant level check under the daily inspection in the "OPERATING YOUR VEHICLE" section.

The same type of coolant that is filled at the time of a brand new car should be used when you add or replace the coolant. Refer to "Engine coolant" in this section.

#2: Do not add SUZUKI LLC: Standard (Yellow) Coolant or distilled water or others when your vehicle is originally filled with SUZUKI LLC: Super (Blue) Coolant.

#3: When your vehicle is originally filled with SUZUKI LLC: Standard (Yellow) Coolant, follow the maintenance schedule of SUZUKI LLC: Standard (Yellow) Coolant.

INSPECTION AND MAINTENANCE

Interval: This interval should be judged by odometer reading or months, whichever comes first.		FREE INSPECTION				PERIODIC MAINTENANCE AT COST						
		km (x1000)	5	10	20	30	40	50	60	70	80	90
		months	2	4	8	12	16	20	24	28	32	36
3-4.	CNG fuel line joints (Gas leakage)											
3-5.	CNG low pressure filter cartridge with O-Ring	-	-	R	-	R	-	R	-	R	-	
3-6.	CNG cylinder leak testing and certification	Every 3 years from the date of initial testing by govt. approved testing agency										
3-7.	CNG filler receptacle O-Ring	Replace every 4 years or 300000 km whichever comes earlier										
CLUTCH AND TRANSMISSION												
4-1.	Clutch Pedal (Play)											
4-2.	Clutch slipping (Dragging or Excess Damage)											
4-3.	Gear shifter (Operation)											
4-4.	Manual Transmission Oil (Level, Leakage)											
4-5.	Rear Differential Oil (Level, Leakage)	Replace at 80000 km or 4 years whichever comes first										
4-6.	Propeller shaft / Universal joint (Loose, Damage)		I&L	I&L	I&L	I&L	I&L	I&L	I&L	I&L	I&L	
BRAKE												
5-1.	Brake Fluid (Level, Leakage)											
		Replace every 40000 km or 24 months whichever comes first										
5-2.	Brake pedal (Pedal - Front Panel Clearance)											
5-3.	Parking brake lever and cable (Play, Damage)											
5-4.	Brake disc and pad (Wear)											
5-5.	Brake drum and shoes (Wear)	-	-									
5-6.	Master cylinder, wheel cylinder and caliper piston (Fluid Leakage, Boot/Seal Damage)											
5-7.	Brake hoses and pipes (Leakage, Damage)											
WHEEL												
6-1.	Tyres (Air pressure, Abnormal wear, Crack and Rotation)	I&O	I&O	I&O	I&O	I&O	I&O	I&O	I&O	I&O	I&O	
6-2.	Wheels (Damage)											
6-3.	Front/Rear wheel bearing (Loose, Damage)											

INSPECTION AND MAINTENANCE

Interval: This interval should be judged by odometer reading or months, whichever comes first.		FREE INSPECTION				PERIODIC MAINTENANCE AT COST						
		km (x1000)	5	10	20	30	40	50	60	70	80	90
		months	2	4	8	12	16	20	24	28	32	36
FRONT / REAR SUSPENSION												
7-1.	Front suspension strut and shock absorber (Oil leakage, Damage)											
7-2.	Front suspension arms, Knuckle support and Tension rods (Loose, Damage)											
7-3.	Rear leaf spring (Damage)											
7-4.	Rear shock absorber (Oil leakage, Damage)											
7-5.	All bolts and nuts (Loose)	T	T	T	T	T	T	T	T	T	T	
STEERING												
8-1.	Steering wheel (Play, Loose)											
8-2.	Steering column rods and arms (Loose, Damage, Wear)											
ELECTRICAL												
9-1.	Battery - Electrolyte (Level, Leakage) and voltage											
9-2.	Wiring harness connection (Loose, Damage)											
9-3.	Lighting system (Operation)											
9-4.	Wiper (Operation, Stains, Damage)											
9-5.	Horn (Operation)											
9-6.	Accessory socket (Operation)											
BODY												
10-1.	All chassis bolts and nuts (Tighten)		T	T	T	T	T	T	T	T	T	
10-2.	All latches, hinges and locks (Function)	I&L	I&L	I&L	I&L	I&L	I&L	I&L	I&L	I&L	I&L	
10-3.	Cargo bed (Inspect)											
ROAD TEST												
11-1.	Operation of brakes, clutch, gear shifting and speedometer											
11-2.	Body and chassis noise											

Inspection & Maintenance operations to be performed by customer

The following table shows the inspection & maintenance operations that you can perform.
This table shows the frequency when you should perform inspection, greasing, lubrication & other services.

FREQUENCY	SR.NO.	OPERATION	REFERENCE
Daily	1	Inspect all tyres (including spare wheel) for air pressure, abnormal wear, cracks and damage.	Page No. 7-19
Weekly	2	Inspect engine oil level, if necessary, top up with Maruti Genuine Engine oil.	Page No. 7-9
	3	Inspect coolant level in coolant reservoir and if necessary, top up with a mixture of recommended Maruti Genuine Coolant and distilled water in specified ratio.	Page No. 7-12
	4	Inspect transmission oil level and differential oil level.	Page No. 7-15
	5	Inspect brake fluid level in brake fluid reservoir and if necessary, top up with Maruti Genuine Brake Fluid.	Page No. 7-16
	6	Inspect vehicle for <ul style="list-style-type: none"> • Engine oil leakage • Coolant leakage • Brake fluid leakage • Front suspension strut leakage • Rear shock absorber leakage • Fuel leakage • Transmission oil and differential oil leakage 	Inspection & maintenance Section
	7	Inspect battery electrolyte level, terminals and bracket.	Page No. 7-20
	8	Inspect wheel mounting nuts and tighten if necessary.	Page No. 8-5

INSPECTION AND MAINTENANCE

Monthly	9	Inspect drive belt for damage or deterioration.	Page No. 7-8
	10	Clean air filter element.	Page No. 7-13
	11	Grease all latches, hinges and locks using multi purpose grease.	Page No. 7-5
	12	Grease propeller shaft universal joint with grease gun.	Page No. 7-18
As and when required	13	Inspect clutch pedal play.	Page No. 7-16
	14	Inspect the brake pedal to floor panel distance by applying the brakes, when engine is running.	Page No. 7-17
	15	Inspect parking brake for proper adjustment.	Page No. 7-18

*** Inspect and/or adjust wheel alignment and balancing if the vehicle pulls to one side or vibrates at high speed.**

Drive Belt

▲ WARNING
When the engine is running, keep hands, hair, clothing, tools, etc. away from the moving fan and drive belts.

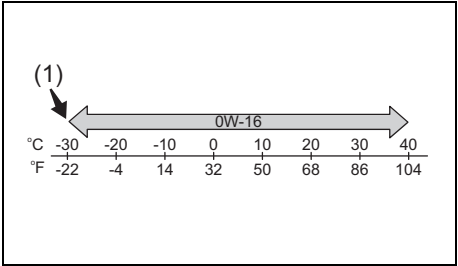
Make sure the drive belt tension is correct. If the belt is too loose, insufficient battery charging, engine overheating, or excessive belt wear can result.

The belts should also be examined to ensure that they are not damaged.

If you need to replace or adjust the belt have it done by your Maruti Suzuki authorised workshop.

Engine Oil and Filter Specified Oil

For India



(1) Recommended

Check that the engine oil you use comes under the quality classification of API SN. Select the appropriate oil viscosity according to the above chart

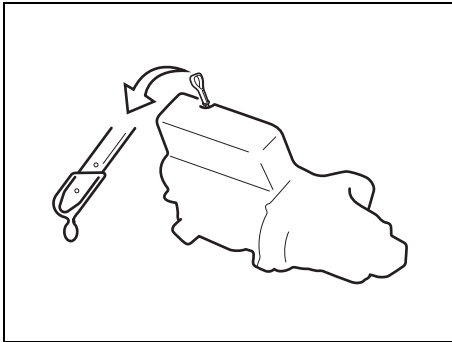
SAE 0W-16 (1) is the best choice for good fuel economy and good startability in cold weather.

NOTE:

- The replacement timing varies with the type of engine oil that you choose. Refer to "Maintenance schedule" in this section for corresponding maintenance schedule.
- We recommend that you use MARUTI SUZUKI genuine oil. To purchase it, see a Maruti Suzuki authorised workshop.

INSPECTION AND MAINTENANCE

Oil Level Check



55RH07002

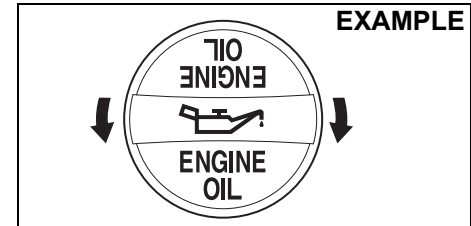
It is important to keep the engine oil at the correct level for proper lubrication of your vehicle's engine. Check the oil level with the vehicle on a level surface. The oil level indication may be inaccurate if the vehicle is on a slope. The oil level should be checked either before starting the engine or at least 5 minutes after stopping the engine.

Pull out the oil dipstick, wipe the oil off with a clean cloth, insert the dipstick all the way into the engine, and then remove it again. The oil on the stick should be between the upper and lower limits shown on the stick. If the oil level indication is near the lower limit, add enough oil to raise the level to the upper limit.

NOTICE

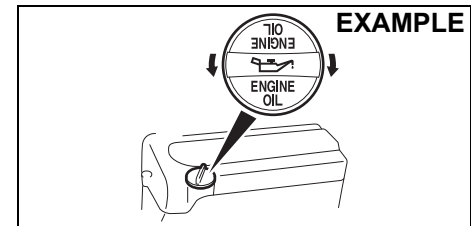
Failure to check the oil level regularly could lead to serious engine trouble due to insufficient oil.

Refilling



68PH00762

Remove the oil filler cap and pour oil slowly through the filler hole to bring the oil level to the upper limit on the dipstick. Be careful not to overfill. Too much oil is almost as bad as too little oil. After refilling, start the engine and allow it to idle for about a minute. Stop the engine, wait about 5 minutes and check the oil level again.



68PM00703

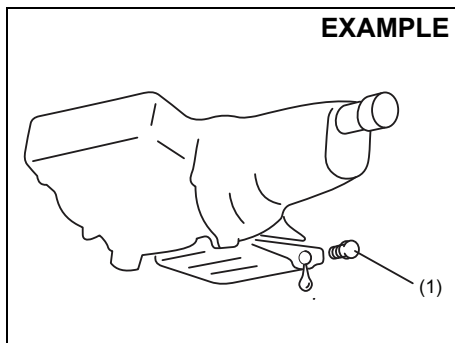
Changing Engine Oil and Filter

Drain the engine oil while the engine is still warm.

- 1) Remove the oil filler cap.
- 2) Place a drain pan under the drain plug.
- 3) Using a wrench, remove the drain plug and drain out the engine oil.

CAUTION

The engine oil temperature may be high enough to burn your fingers when the drain plug is loosened. Wait until the drain plug is cool enough to touch with your bare hands.



77PM07007

**Tightening torque for drain plug (1):
50 Nm (5.1 kg-m, 36.9 lb-ft)**

WARNING

New and used oil can be hazardous. Children and pets may be harmed by swallowing new or used oil. Keep new and used oil and used oil filters away from children and pets.

Repeated, prolonged contact with used engine oil may cause skin cancer.

Brief contact with used oil may irritate skin.

To minimize your exposure to used oil, wear a long-sleeve shirt and moisture-proof gloves (such as dish-washing gloves) when changing oil. If oil contacts your skin, wash thoroughly with soap and water.

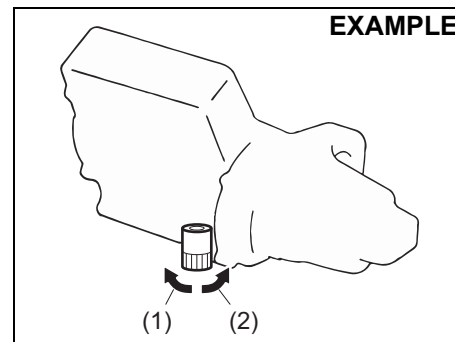
Launder any clothing or rags if wet with oil.

Recycle or properly dispose of used oil and filters.

- 4) Reinstall the drain plug and gasket. Tighten the plug with a wrench to the specified torque.

Replace the Oil Filter

- 1) Using an oil filter wrench, turn the oil filter counterclockwise and remove it.
- 2) Using a clean rag, wipe off the mounting surface on the engine where the new filter will be seated.
- 3) Smear a little engine oil around the rubber gasket of the new oil filter.
- 4) Screw on the new filter by hand until the filter gasket contacts the mounting surface.

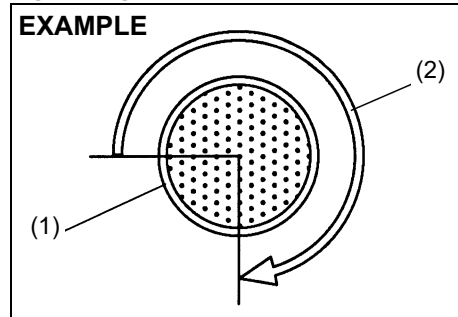


77PH017

- (1) Loosen
- (2) Tighten

INSPECTION AND MAINTENANCE

Tightening (viewed from filter top)



- (1) Oil filter
(2) 3/4 turn

NOTICE

To tighten the oil filter properly, it is important to accurately identify the position at which the filter gasket first contacts the mounting surface.

- 5) Tighten the filter specified turn from the point of contact with the mounting surface (or to the specified torque) using an oil filter wrench.

Tightening torque for oil filter
3/4 turn or
14 Nm (1.4 kgf-m, 10.3 lbf-ft)

NOTICE

To prevent oil leakage, make sure that the oil filter is tight, but do not over-tighten it.

Refill with Oil and Check for Leaks

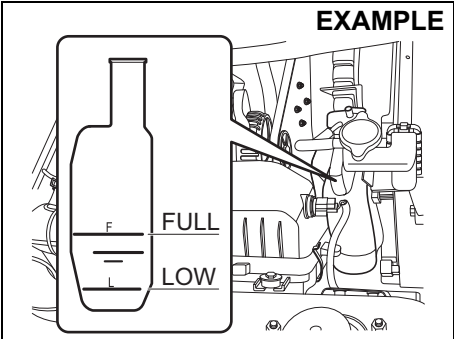
- 1) Pour oil through the filler hole and install the filler cap.
For the approximate capacity of the oil, refer to the "CAPACITIES" item in the "SPECIFICATIONS" section.
- 2) Start the engine and look carefully for leaks at the oil filter and drain plug. Run the engine at various speeds for at least 5 minutes.
- 3) Stop the engine and wait about 5 minutes. Check the oil level again and add oil if necessary. Check for leaks again.

NOTICE

- When replacing the oil filter, it is recommended that you use a **MARUTI** genuine filter. If you use an after market filter, make sure it is of equivalent quality and follow the manufacturer's instructions.
- Oil leaks from around the oil filter or drain plug indicate incorrect installation or gasket damage. If you find any leaks or are not sure that the filter has been properly tightened, have the vehicle inspected by your authorised **MARUTI SUZUKI COMMERCIAL** workshop.

Engine Coolant

Coolant Level Check



77PM07010

Check the coolant level at the reservoir tank, not at the radiator. With the engine cool, the coolant level should be between “FULL” and “LOW” marks. If the coolant level is below “LOW” mark, coolant should be added.

Coolant addition and replacement

When you add the coolant, remove the reservoir tank cap and add coolant until the reservoir tank level reaches “FULL” mark while the engine is cool. Never fill the reservoir tank above “FULL” mark.

Since special procedures are required for coolant replacement, ask a Maruti Suzuki authorised workshop for this job.

▲ WARNING

Swallowing engine coolant can cause severe injury or death. Inhaling coolant mist or vapors or getting coolant in your eyes could result in severe injury.

- **Do not drink antifreeze or coolant solution. If swallowed, do not induce vomiting. Immediately contact a poison control center or a physician.**
- **Avoid inhaling coolant mist or hot vapors. If inhaled, remove to a fresh air area.**
- **If coolant gets in the eyes, flush with water and seek medical attention.**
- **Wash thoroughly after handling coolant.**
- **Keep engine coolant out of the reach of children and pets.**

NOTICE

When putting the cap on the reservoir tank, line up the mark on the cap and the mark on the tank. Failure to follow this can result in coolant leakage.

Selection of coolant

To maintain optimum performance and durability of your engine, use MARUTI SUZUKI genuine coolant or equivalent.

This type of coolant is the best for cooling system for the following reasons:

- The coolant helps maintain proper engine temperature.
- It gives proper protection against freezing and boiling.
- It gives proper protection against corrosion and rust.

Failure to use the proper coolant can damage your cooling system. A Maruti Suzuki authorised workshop can help you select the proper coolant.

NOTICE

To avoid damaging your cooling system:

- **Always use a high quality ethylene glycol base non-silicate type coolant diluted with distilled water at the correct mixture concentration.**
- **Do not add extra inhibitors or additives. They may not be compatible with your cooling system.**
- **Do not mix different types of base coolants. Doing so may result in accelerated seal wear and/or the possibility of severe overheating and extensive engine/transmission damage. In case of coolant mix-up**

(Continued)

INSPECTION AND MAINTENANCE

NOTICE

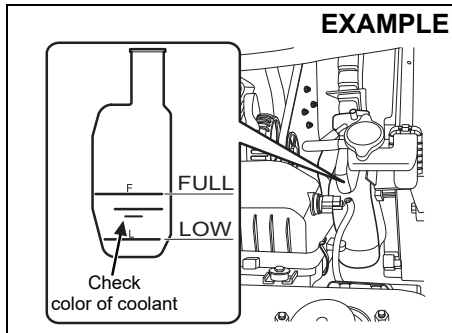
(Continued)

have your vehicle inspected by a Maruti Suzuki authorised workshop.

NOTE:

Maruti Suzuki highly recommends the use of Maruti Suzuki genuine coolant. Maruti Suzuki genuine coolant has been specially formulated for your Maruti Suzuki product and contributes to the desired vehicle performance and ideal driving experience.

Depending on the production period of your vehicle, the coolant type filled at the time of a brand new car differs. There are two coolant types, SUZUKI LLC: Super (Blue) Coolant and SUZUKI LLC: Standard (Yellow) Coolant. You can check the original coolant type in your vehicle by the color of the coolant in the reservoir tank (Refer below figure).



EXAMPLE

77PM07033

Coolant Color	Coolant Type
Blue	Suzuki LLC : Super
Yellow	Suzuki LLC : Standard

NOTE:

The same type of coolant that is filled at the time of a brand new car should be used when you add or replace the coolant.

SUZUKI LLC: Super (Blue) Coolant:

NOTICE

- This coolant is already diluted to the proper percentage. Do not dilute with distilled water additionally. Doing so may result in the possibility of freezing and/or overheating coolant.
- Do not add SUZUKI LLC: Standard (Yellow) Coolant or distilled water or others when your vehicle is originally filled with SUZUKI LLC: Super (Blue) Coolant. If such a case occurs, then get the vehicle inspected by a Maruti Suzuki authorised workshop.

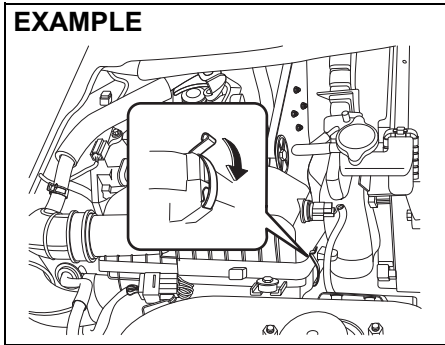
SUZUKI LLC: Standard (Yellow) Coolant:

NOTICE

- The concentration of the mixture to be used shall be 30% antifreeze and 70% distilled water. Do not use straight coolant nor plain water.
- If the lowest ambient temperature in your area is expected to be -15°C (5°F) or below, use higher concentrations up to 60% following the instructions on the antifreeze container. Concentrations greater than 60% will cause overheating conditions.
- When your vehicle is originally filled with SUZUKI LLC: Standard (Yellow) Coolant, follow the maintenance schedule of SUZUKI LLC: Standard (Yellow) Coolant in this section. In case you replace with Suzuki LLC: Super (Blue) Coolant, then get the vehicle inspected by a Maruti Suzuki authorised workshop.

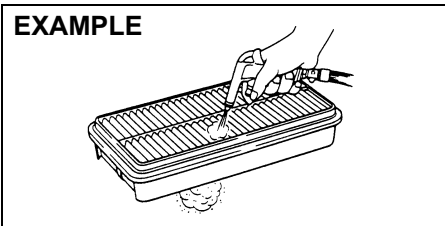
Air Cleaner

If the air cleaner is clogged with dust, there will be greater intake resistance, resulting in decreased power output and increased fuel consumption.



77PM07011

Unclamp the side clamps, and remove the element from the air cleaner case.



60A183

If it appears to be dirty, clean or replace the air cleaner with a new one as per periodic maintenance schedule.

Spark Plugs

Replacing and inspection of spark plugs

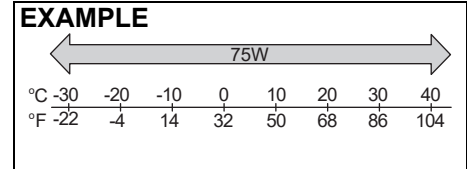
Since special procedures, materials and tools are required, it is recommended that you trust this job to your Maruti Suzuki authorised workshop.

Gear Oil

**Manual Transmission Oil/
Differential Oil**

When adding gear oil, use gear oil with the appropriate viscosity and grade as shown in the chart below.

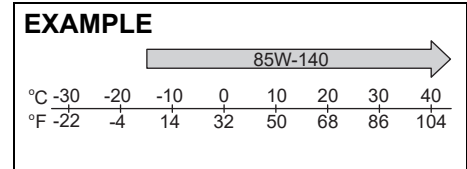
Manual transmission oil



68LM728

We highly recommend you use: "MARUTI GENUINE GEAR OIL 75W" for manual transmission gear oil.

Rear differential oil



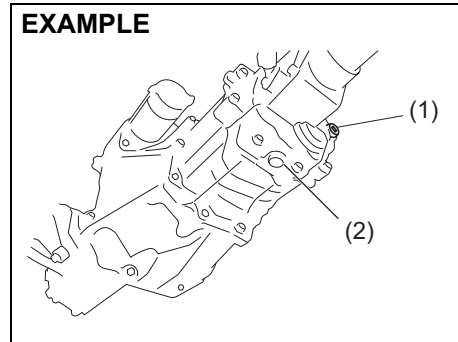
77PH075

We highly recommend you use: "TOTALFINAELF TRANSELF LL 85W-140" for rear differential oil.

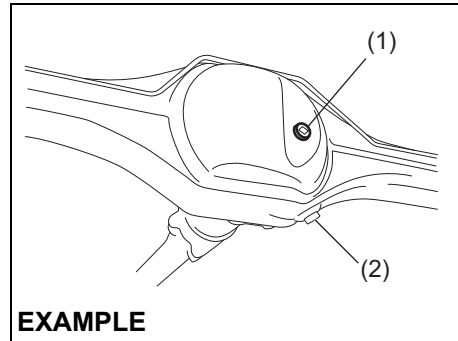
INSPECTION AND MAINTENANCE

Gear Oil Level Check

Manual transmission



Rear differential



1. Oil filler and level plug (Do not reuse).
2. Oil drain plug.

To check the gear oil level, use the following procedure:

- 1) Park the vehicle on a level surface with the parking brake applied. Then, stop the engine.
- 2) Remove the oil filler and level plug (1).
- 3) Check the inside of the hole with your finger. If the oil level comes up to the bottom of the plug hole, the oil level is correct. If so, reinstall the plug.
- 4) If the oil level is low, add gear oil through the oil filler plug hole (1) until the oil level reaches the bottom of the filler hole, then reinstall the plug.

Tightening torque for oil filler and level plug

Manual transmission (1):

23 Nm (2.3 kgf-m, 17.0 lbf-ft)

Rear differential (1):

25 Nm (2.5 kgf-m, 18.5 lbf-ft)

NOTE:

For Rear differential always use a new oil filler and level plug (1).

NOTICE

When tightening the plug, apply the following sealing compound or equivalent to the plug threads to prevent oil leakage.

MARUTI SUZUKI Bond No. "1216E" or "1217G"

Gear Oil Change

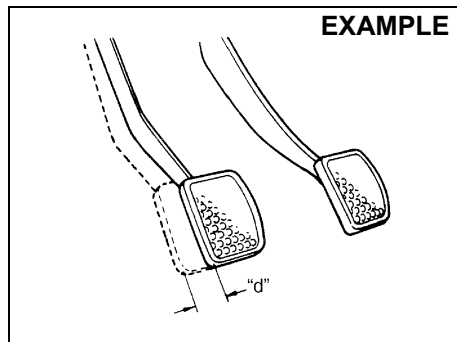
Since special procedures, materials and tools are required, it is recommended that you trust this job to your authorised MARUTI SUZUKI COMMERCIAL workshop.

CAUTION

After driving the vehicle, the gear oil temperature may be high enough to burn your skin. Wait until the oil filler plug is cool enough to touch with your bare hands before inspecting gear oil level.

Clutch Pedal

Cable control clutch



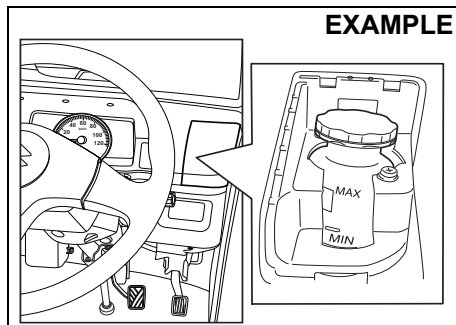
54G274

Clutch pedal play "d": 10 - 15 mm (0.4 - 0.6 in.)

Measure the clutch pedal play by moving the clutch pedal with your hand and measuring the distance it moves until you feel slight resistance. The play in the clutch pedal should be between the specified values. If the play is more or less than the above, or clutch dragging is felt with the pedal fully depressed, have the clutch inspected by your authorised MARUTI SUZUKI COMMERCIAL workshop.

Brakes

Brake Fluid



77PM706

Check the brake fluid level by looking at the reservoir in the instrument panel. Remove the cover on right hand side of steering wheel to check the brake fluid reservoir level. Check that the fluid level is between the "MAX" and "MIN" lines. If the brake fluid level is near the "MIN" line, fill it up to the "MAX" line with Maruti Genuine Brake Fluid (MGBF) or DOT 3. We highly recommend to use "Maruti Genuine Brake Fluid" (MGBF).

⚠ WARNING

Failure to follow the guidelines below can result in personal injury or serious damage to the brake system.

- If the brake fluid in the reservoir drops below a certain level, the brake warning light on the instrument panel will come 'ON' (the engine must be running with the parking brake fully disengaged). Should the light come on, immediately ask your authorised MARUTI SUZUKI COMMERCIAL workshop to inspect the brake system.
- A rapid fluid loss indicates a leak in the brake system which should be inspected by your authorised MARUTI SUZUKI COMMERCIAL workshop immediately.
- Do not use any fluid other than Maruti Genuine Brake Fluid (MGBF) or DOT 3. We highly recommend to use Maruti Genuine Brake Fluid (MGBF). Do not use reclaimed fluid or fluid that has been stored in old or open containers. It is essential that foreign particles and other liquids are kept out of the brake fluid reservoir.

⚠ CAUTION

Brake fluid can harm your eyes and damage painted surfaces. Use caution when refilling the reservoir.

INSPECTION AND MAINTENANCE

⚠ WARNING

- In case vehicle is driven in overloaded condition, the braking distance may be longer and higher pedal force may be required.

⚠ WARNING

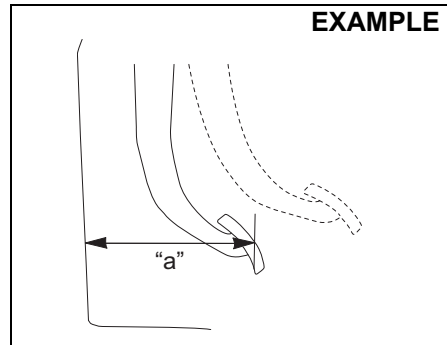
Brake fluid is harmful or fatal if swallowed, and harmful if it comes in contact with skin or eyes. If swallowed, do not induce vomiting. Immediately contact a poison control center or a physician. If brake fluid gets in eyes, flush eyes with water and seek medical attention. Wash thoroughly after handling. Solution can be poisonous to animals. Keep out of the reach of children and animals.

NOTE:

With disc brakes, the fluid level can be expected to gradually fall as the brake pads wear.

Brake Pedal

Check if the brake pedal stops at the regular height without spongy feeling when you depress it. If not, have the brake system inspected by your authorised MARUTI SUZUKI COMMERCIAL workshop. If you doubt the brake pedal for the regular height, check it as follows:



54G108S

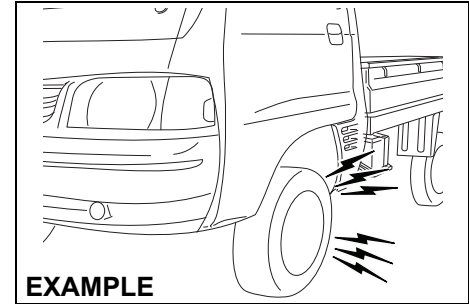
Pedal to Front Panel minimum distance "a":
Petrol and CNG Engine Model:
150 mm

With the engine running, measure the distance between the brake pedal and front panel when the pedal is depressed with approximately 30 kg (66 lbs) of force. The minimum distance required is as specified. Since your vehicle's brake system is self-adjusting, there is no need for pedal adjustment.

If the pedal to front panel distance as measured above is less than the minimum distance required, have your vehicle inspected by your authorised MARUTI SUZUKI COMMERCIAL workshop.

NOTE:

When measuring the distance between the brake pedal and front panel, be sure not to include the floor mat or rubber on the front panel in your measurement.



77PM07013

⚠ WARNING

If you experience any of the following problems with your vehicle's brake system, have the vehicle inspected immediately by your authorised MARUTI SUZUKI COMMERCIAL workshop.

- Poor braking performance
- Uneven braking (brakes not working uniformly on all wheels)
- Excessive pedal travel
- Brake dragging
- Excessive noise
- Pedal pulsation (pedal pulsates when depressed)

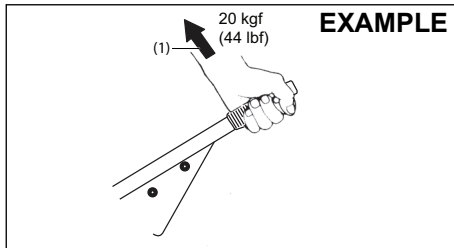
⚠ WARNING

If the brake pad lining becomes worn and it has reached its minimum thickness, squealing noise sounds during braking.

If you hear this noise, have the vehicle inspected immediately by a MARUTI SUZUKI authorized workshop.

Continued driving with this condition can cause an accident.

Parking Brake



EXAMPLE

77PM702

Ratchet tooth specification

6th – 9th teeth

Lever pull force (1):

200 N (20 kgf, 44 lbf)

Check the parking brake for proper adjustment by counting the number of clicks made by the ratchet teeth as you slowly pull up on the parking brake lever to the point of full engagement. The parking brake lever should stop between the specified ratchet

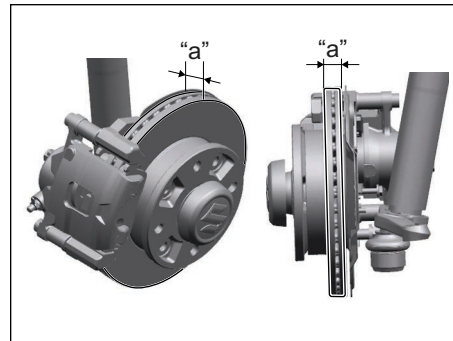
teeth and the rear wheels should be securely locked. If the parking brake is not properly adjusted or the brakes drag after the lever has been fully released, have the parking brake inspected and/or adjusted by your authorised MARUTI SUZUKI COMMERCIAL workshop.

⚠ WARNING

- **Parking Brake may not be effective in case vehicle is over-loaded. Use additional chocks to hold the vehicle.**

Brake discs and brake drums

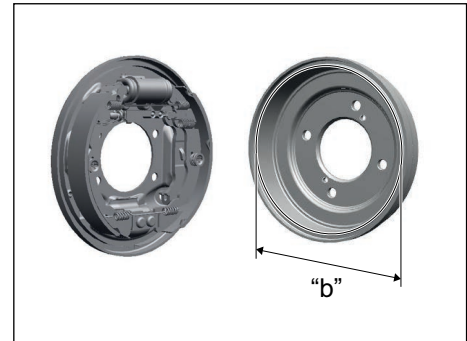
Brake disc



77PM709

Brake location	Minimum thickness "a"
Front wheels	18.0 mm

Brake drum



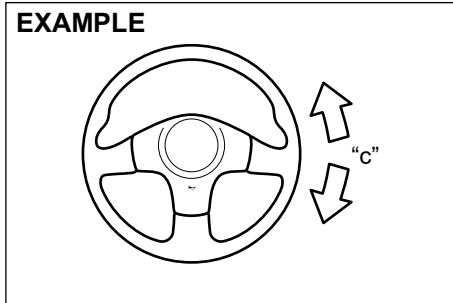
77PM708

Brake location	Maximum inner diameter "b"
Rear wheels	202 mm

If the measured thickness or inner diameter of the most worn part falls below or exceeds the value indicated above, the parts should be replaced with a new one. The measurement involves disassembling each brake and requires the use of a micrometer or caliper, which must be done according to the instructions described in the relevant service manual or available from the relevant repair information site.

INSPECTION AND MAINTENANCE

Steering



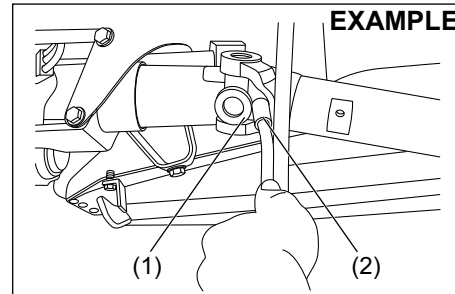
77PH042

Steering wheel play "c":
0 – 30 mm (0.0 – 1.2 in.)

Check the play of the steering wheel by gently turning it from left to right and right to left, with wheels in straight ahead position and engine in OFF condition. Measure the distance that the steering moves before you feel slight resistance. The play should be between the specified values. Check that the steering wheel turns easily and smoothly without rattling by turning it all the way to the right and to the left while driving very slowly in an open area. If the amount of free play is outside the specification or you find anything else to be wrong, an inspection must be performed by your authorised MARUTI SUZUKI COMMERCIAL workshop.

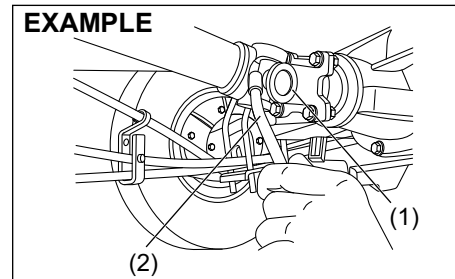
Propeller Shaft Universal Joint

Front



77PM703

Rear



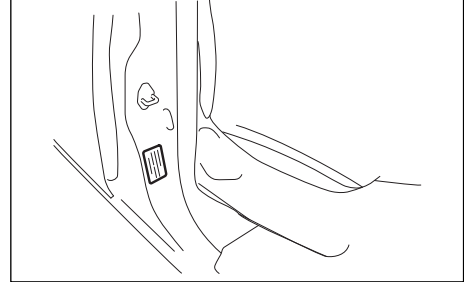
77PM704

Lubricate propeller shaft universal joint (1) (front & rear) as per the service schedule.

To lubricate the propeller shaft universal joint you should use grease gun (2) and specified grease NLGI GRADE 2.

Tyres

EXAMPLE



77PM705

The front and rear tyre pressure specifications for your vehicle are listed on the Tyre Information Label. Both the front and rear tyres should have the specified tyre pressure.

Note that the value does not apply to the compact spare tyre, if equipped.

Tyre Inspection

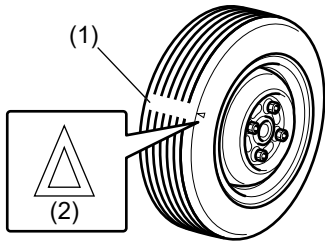
Inspect your vehicle's tyres at least once a month by performing the following checks:

- 1) Measure the air pressure with a tyre pressure gauge. Adjust the pressure if necessary. Remember to check the spare tyre, too.

▲ WARNING

- Air pressures should be checked when the tyres are cold or you may get inaccurate readings.
- Check the inflation pressure from time to time while inflating the tyre gradually, until the specified pressure is obtained.
- Never under-inflate or over inflate the tyres.
- Under inflation can cause unusual handling characteristics or can cause the rim to slip on the tyre bead, resulting in an accident or damage to the tyre or rim.
- Overinflation can cause the tyre to burst, resulting in personal injury. Overinflation can also cause unusual handling characteristics which may result in an accident.

EXAMPLE



52KM110

- (1) Tread wear indicator
 - (2) Indicator location mark
- 2) Check that the depth of the tread groove is more than 1.6 mm (0.06 in.). To help you check this, the tyres have molded-in tread wear indicators in the grooves. When the indicators appear on the tread surface, the remaining depth of the tread is 1.6 mm (0.06 in.) or less and the tyre should be replaced.
 - 3) Check for abnormal wear, cracks and damage. Any tyres with cracks or other damage should be replaced. If any tyres show abnormal wear, have them inspected by your authorised MARUTI SUZUKI COMMERCIAL workshop.

▲ CAUTION

Hitting curbs and running over rocks can damage tyres and affect wheel alignment. Be sure to have tyres and wheel alignment checked periodically by your authorised MARUTI SUZUKI COMMERCIAL workshop.

- 4) Check for loose wheel nuts.
- 5) Check that there are no nails, stones or other objects sticking into the tyres.

▲ WARNING

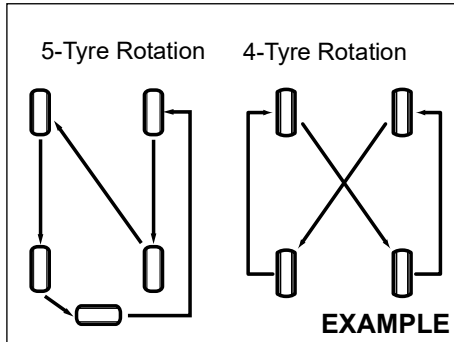
- Your Vehicle is equipped with tyres which are all the same type and size. This is important to ensure proper steering and handling of the vehicle. Never mix tyres of different size or type on the four wheels of your vehicle. The size and type of tyres used should be only those approved by MARUTI SUZUKI as standard or optional equipment for your vehicle.
- Replacing the wheels and tyres equipped on your vehicle with certain combinations of aftermarket wheels and tyres can significantly change the steering and handling characteristics of your vehicle.
- Therefore, use only those wheel and tyre combinations approved by MARUTI SUZUKI as standard or optional equipment for your vehicle.

NOTICE

Replacing the original tyres with tyres of a different size may result in incorrect speedometer or odometer readings. Check with your authorised MARUTI SUZUKI COMMERCIAL workshop before purchasing replacement tyres that differ in size from the original tyres.

INSPECTION AND MAINTENANCE

Tyre Rotation



To avoid uneven wear of your tyres and to prolong their life, rotate the tyres as illustrated. Tyres should be rotated every 10000 km. After rotation, adjust front and rear tyre pressures to the specification listed on your vehicle's Tyre Information Label.

Wheel Balancing

If the vehicle vibrates abnormally on smooth road, have the wheel balanced at authorised MARUTI SUZUKI COMMERCIAL workshop.

Wheel Alignment

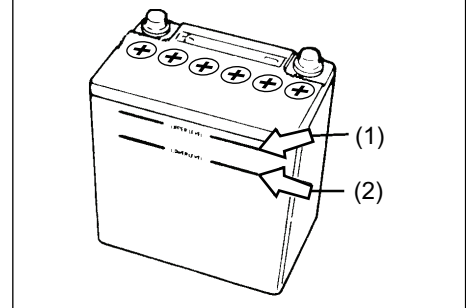
In case of abnormal tyre wear or pulling towards one side, have the wheel aligned at authorised MARUTI SUZUKI COMMERCIAL workshop.

Battery

⚠ WARNING

- Batteries produce flammable hydrogen gas. Keep flames and sparks away from the battery or an explosion may occur. Never smoke when working in the vicinity of the battery.
- When checking or servicing the battery, disconnect the negative cable. Be careful not to cause a short circuit by allowing metal objects to contact the battery posts and the vehicle at the same time.
- To avoid harm to yourself or damage to your vehicle or battery, follow the jump starting instructions in the "EMERGENCY SERVICE" section of this manual if it is necessary to jump start your vehicle.

EXAMPLE



54GM701

For maintenance-free battery (cap-less type), you need not add water. For traditional type battery, which has water filler caps, the level of the battery solution must be kept between the upper level line (1) and lower level line (2) at all times. You should periodically check the battery, case battery terminals, and battery hold-down bracket for damage or corrosion. Remove corrosion using a stiff brush and ammonia mixed with water, or baking soda mixed with water. After removing corrosion, rinse with clean water.

If your vehicle is not going to be driven for a month or longer, disconnect the cable from the negative terminal of the battery to help prevent discharge.

▲ WARNING

If the battery is used with battery level being less than the lower level line (2), it may cause reduced battery life, an exothermic heat, or an explosion by hydrogen gas occurring from the battery. Do not use the battery with battery level being less than the lower level line (2).

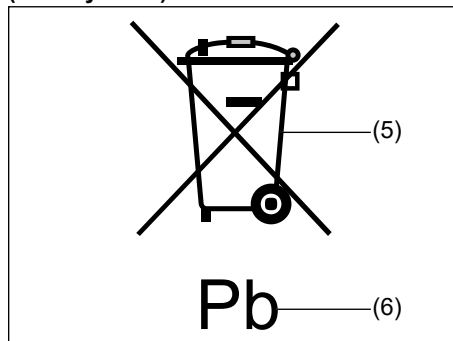
NOTICE

If the battery liquid is added more than the upper level line (1), liquid may leak by vibrations during driving or liquid may spray out in some case depending on the condition of battery charging. These may cause damage to the parts near the battery. If the battery liquid overflows, immediately wash away with water. Do not add the battery liquid more than the upper level line (1).

NOTE:

The battery liquid is consumed when the battery is used. If the level is found to be less than the center of upper level (1) and lower level (2), add distilled water till it reaches the upper level line (1).

(Battery label)



51KM042

- (5) Crossed-out wheeled bin symbol
 (6) Chemical symbol of "Pb"

The crossed-out wheeled bin symbol (5) located on the battery label indicates that the used battery should be collected separately from ordinary household trash. The chemical symbol of "Pb" (6) indicates the battery contains more than 0.004% lead.

By ensuring the used battery is disposed of or recycled correctly, you will help prevent potential negative consequences for the environment and human health, which could otherwise be caused by inappropriate trash handling of the battery. The recycling of materials will help to conserve natural resources. For more detailed information about disposing of or recycling the used battery, consult a MARUTI SUZUKI authorized workshop.

Fuses

Your vehicle has three types of fuses, as described below:

Fusible Link Wire and Main fuse

The main fuse takes current directly from the battery.

Primary fuses

These fuses are between the main fuse and individual fuses, and are for electrical load groups.

Individual fuses

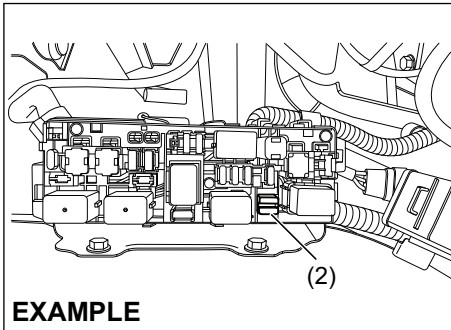
These fuses are for individual electrical circuits.

NOTE:

- "Blank" indicates that fuse is not applicable in the variant, even though name of fuse might be available on cover of fuse box of your vehicle.
- Some fuse may not be applicable to your vehicle according to the variant of vehicle, even though it is not mentioned as blank.

To remove a fuse, use the fuse puller (2) provided in the relay box.

INSPECTION AND MAINTENANCE



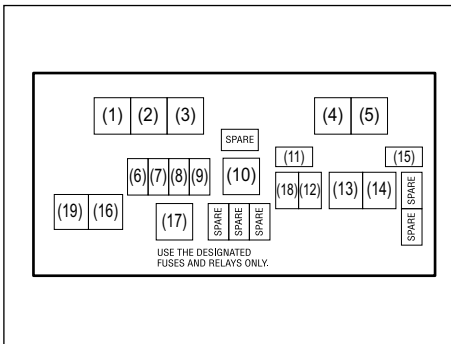
77PM07012

EXAMPLE

NOTE:

Some fuse may not be applicable to your vehicle according to the variant of vehicle, even though it is not mentioned as blank.

Fuses in the Engine Compartment

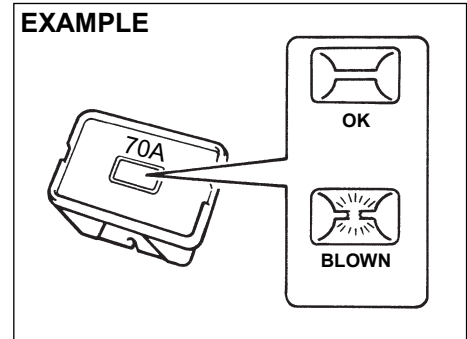


77PM07034

MAIN FUSE/PRIMARY FUSE / RELAY		
S. No.	Rating	Fuse / Relay
(1)	–	CNG valve relay*
(2)	–	Fuse puller
(3)	–	Radiator fan relay
(4)	–	Fuel pump relay
(5)		Starting motor relay
(6)	7.5A	CNG valve*
(7)	20A	Fuel Injection
(8)	30A	Starting motor
(9)	15A	Horn
(10)	70A	Alternator
(11)	7.5A	CNG*
(12)	10A	Hazard warning light
(13)	40A	Battery
(14)	40A	Ignition switch
(15)	7.5A	ST SIG 2 (starting signal)
(16)	30A	Radiator fan
(17)	–	FI main relay
(18)	25A	ABS SOL
(19)	40A	ABS MOT

*: For CNG model

The main fuse, primary fuses and some of the individual fuses are located in the engine compartment. If the main fuse blows, no electrical component will function. If a primary fuse blows, no electrical component in the corresponding load group will function. When replacing the main fuse, a primary fuse or an individual fuse, use a MARUTI genuine replacement. To remove a fuse, use the fuse puller (2) provided in the relay box. The amperage of each fuse is shown inside of the fuse box cover.



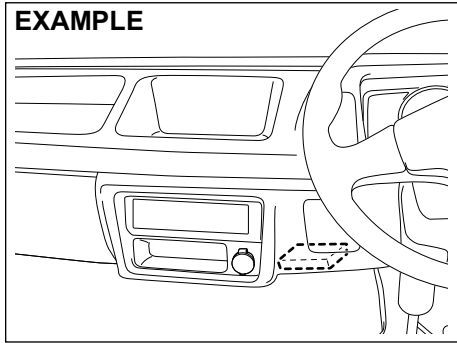
60G111

▲ WARNING

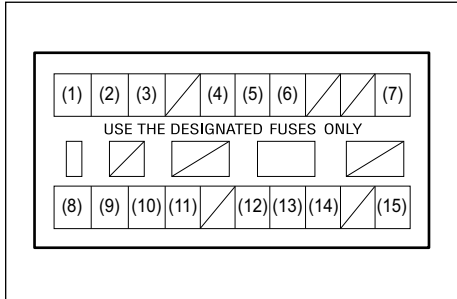
If the main fuse or a primary fuse blows, be sure to have your vehicle inspected by an authorised MARUTI SUZUKI COMMERCIAL workshop. Always use a MARUTI genuine replacement part. Never use a substitute such as a wire even for temporary repair, or extensive electrical damage / fire can result.

NOTE:
Make sure that the fuse box always carries spare fuses and fuse puller.

Fuses under the Dash Board



77PH048



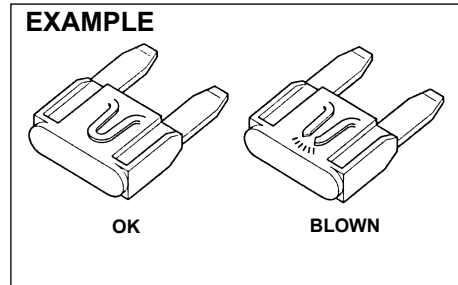
77PH043

MAIN FUSE/PRIMARY FUSE		
(1)	10A	Headlight (Right)
(2)	10A	Headlight (Left)
(3)	10A	Dome light
(4)	10A	Tail light
(5)	10A	Stop light
(6)	15A	Radio
(7)	10A	Starting signal
(8)	10A	Meter
(9)	15A	Ignition
(10)	10A	Back-up light
(11)	15A	Front wiper
(12)	15A	Accessory 2
(13)	10A	Accessory
(14)	7.5A	CNG Ignition*
(15)	10A	ABS

*: For CNG model

INSPECTION AND MAINTENANCE

The fuse box is located under the dashboard.



▲ WARNING

Always be sure to replace a blown fuse with a fuse of the correct amperage. Never use a substitute such as aluminum foil or wire to replace a blown fuse. If you replace a fuse and the new one blows in a short period of time, you may have a major electrical problem. Have your vehicle inspected immediately by your authorised MARUTI SUZUKI COMMERCIAL workshop.

Bulb Replacement

▲ CAUTION

- Light bulbs can be hot enough to burn your finger right after being turned off. This is true especially for halogen headlight bulbs. Replace the bulbs after they become cool enough.
- The headlight bulbs are filled with pressurized halogen gas. They can burst and injure you if they are hit or dropped. Handle them carefully.

NOTICE

The oils from your skin may cause a halogen bulb to overheat and burst when the lights are on. Grasp a new bulb with a clean cloth.

NOTICE

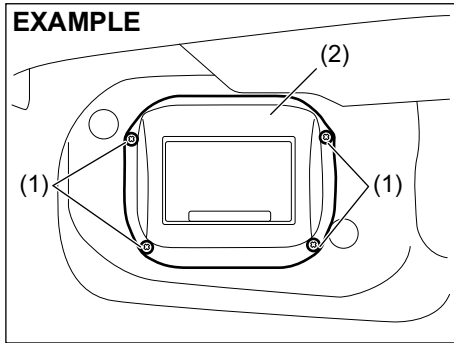
- Frequent replacement of a bulb indicates the need for an inspection of the electrical system. This should be carried out by your Maruti Suzuki authorised workshop.
- During bulb replacement always use same bulb number as used in vehicle which is imprinted on the said bulb/unit and/or mentioned in SPECIFICATIONS.

NOTE:

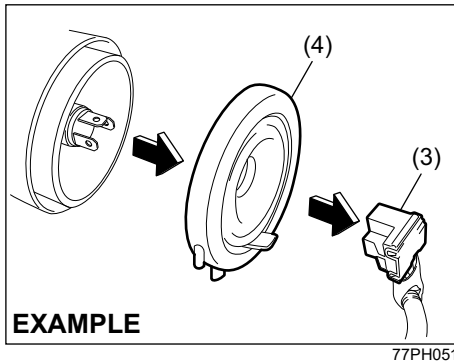
Mist may form on the lenses of exterior lights (Headlight, Rear combination light etc.) during or after driving in the rain or after car washing. This is a natural phenomenon which occurs due to temperature difference between lamp inside and outside. Temporary mist on the lens is not a malfunction and will not cause any discomfort during vehicle driving.

The mist would get cleared when the environmental condition change to sunny or when headlamp is kept on. However if there is water leakage inside the lamp, contact your authorised Maruti Suzuki workshop.

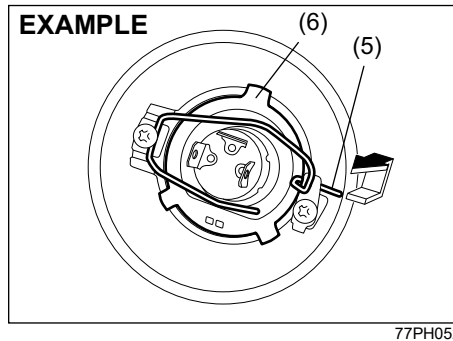
Headlights



- 1) Remove the screws (1) and remove the air inlet box (2).



- 2) Disconnect the coupler (3). Remove the sealing rubber (4).



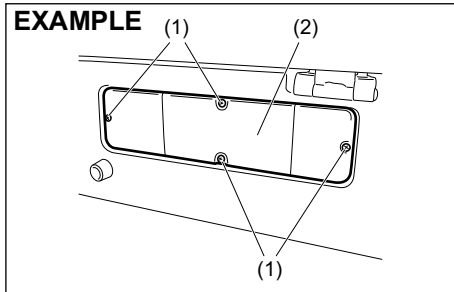
- 3) Push the retaining spring (5) forward and unhook it. Then remove the bulb (6). Install a new bulb in the reverse order of removal.

**Front Turn Signal Light
Front Position Light**

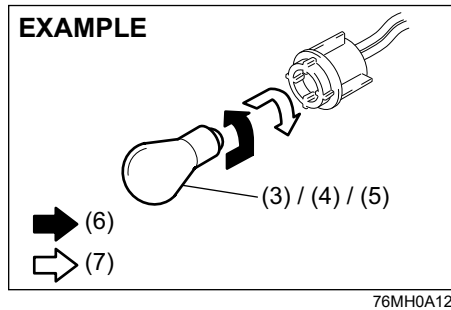
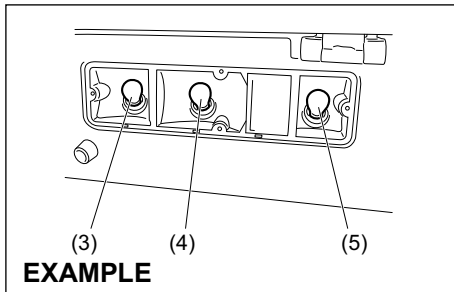
Since special procedures are required, we recommend you take your vehicle to your authorised MARUTI SUZUKI COMMERCIAL workshop for bulb replacement.

INSPECTION AND MAINTENANCE

Rear Combination Light

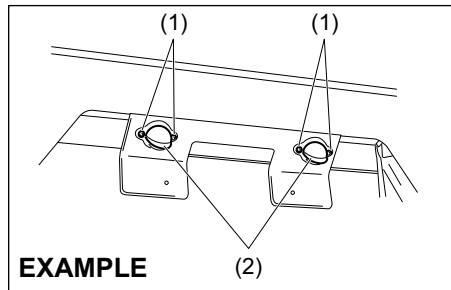


- 1) Remove the screws (1) and remove the cover (2).

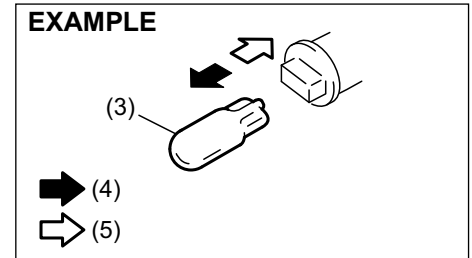


- (6) Removal
 - (7) Install
- 2) To remove the bulb of the turn signal light (3), the tail/brake light (4) or the reversing light (5) bulb holder, push in the bulb and turn it counterclockwise. To install a new bulb, push it in and turn it clockwise.

License Plate Light



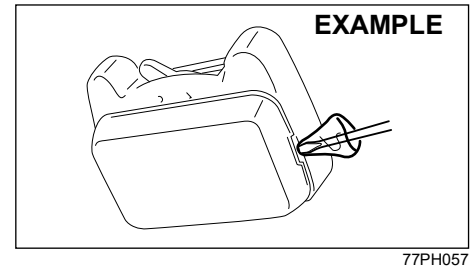
- 1) Remove the screws (1) and remove the cover (2).



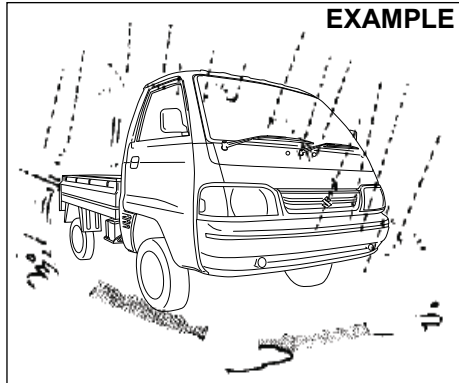
- (4) Removal
 - (5) Install
- 2) To remove and install the bulb of the license plate light (3), simply pull out or push in the bulb.

Interior Light

Remove the lens by using a flat blade screwdriver covered with a soft cloth as shown. To install it, simply push it back in.



Wiper Blades



77PM07028

If the wiper blades become brittle or damaged, or make streaks when wiping, replace the wiper blades.

To install new wiper blades, follow the procedures below.

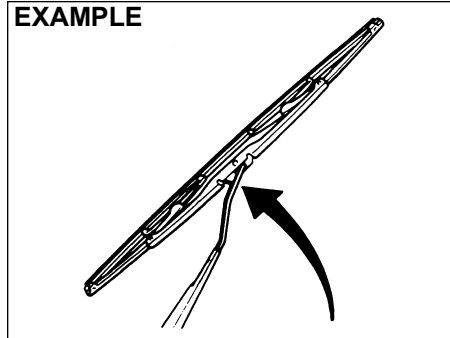
NOTICE

To avoid scratching or breaking the window, do not let the wiper arm strike the window while replacing the wiper blade.

NOTE:

Some wiper blades may be different from the ones described here depending on vehicle specifications. If so, consult your authorised MARUTI SUZUKI COMMERCIAL workshop for proper replacement method.

For windshield wipers:



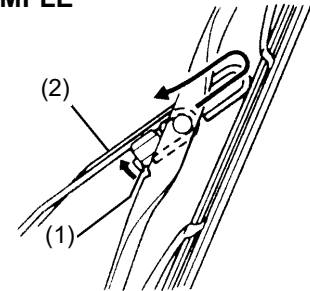
70G119

- 1) Hold the wiper arm away from the windshield.

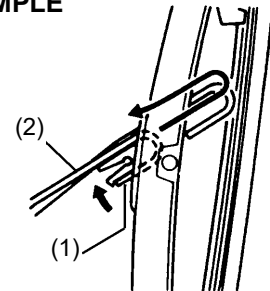
NOTE:

When raising both of the front wiper arms, pull the driver's side wiper arm up first. When returning the wiper arms, lower the passenger's side wiper arm first. Otherwise, the wiper arms may interfere with each other.

EXAMPLE



EXAMPLE

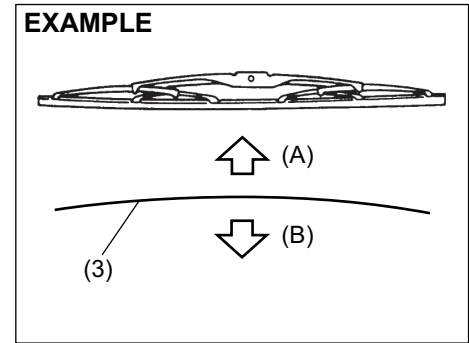
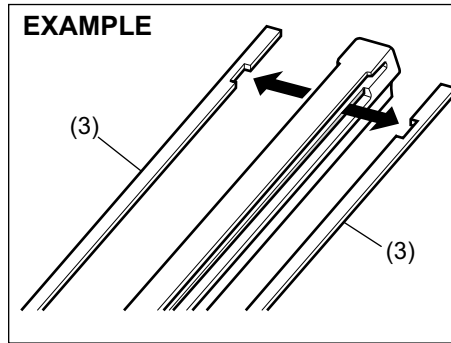
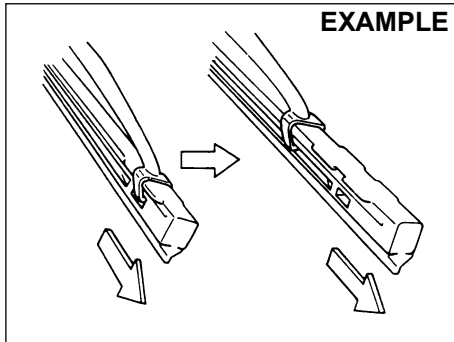


54G130

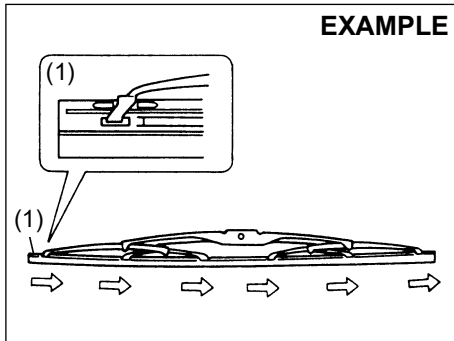
- 2) Squeeze lock (1) towards wiper arm (2) and remove the wiper frame from the arm as shown.
- 3) Unlock the lock end of the wiper blade and slide the blade out as shown.

INSPECTION AND MAINTENANCE

Removal



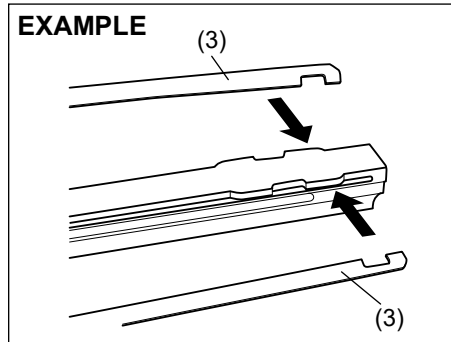
Installation



(1) Locked end

(3) Retainer

- 4) If the new blade is provided without the two metal retainers, move them from the old blade to the new one.



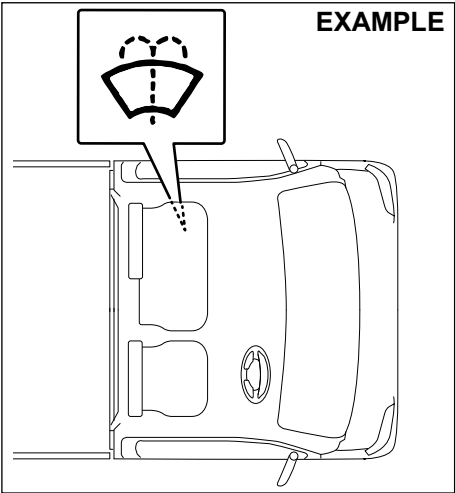
(A) Up
(B) Down

NOTE:

When you install the metal retainers (3), make sure the direction of metal retainers is as shown in the above illustrations.

- 5) Install the new blade in the reverse order of removal, with the locked end positioned toward the wiper arm. Make sure the blade is properly retained by all the hooks. Lock the blade end into place.
- 6) Reinstall wiper frame to arm, making sure that the lock lever is snapped securely into the arm.

Windshield Washer Fluid (If equipped)



77PM07027

Visually inspect that there is washer fluid in the tank. Refill it if necessary. Use a good quality windshield washer fluid, diluted with water as necessary.

NOTICE
Avoid use of hard water to prevent building of lime scale on the vehicle.

WARNING
Do not use radiator antifreeze in the windshield washer reservoir. This can severely impair visibility when sprayed on the windshield, and can also damage your vehicle's paint.

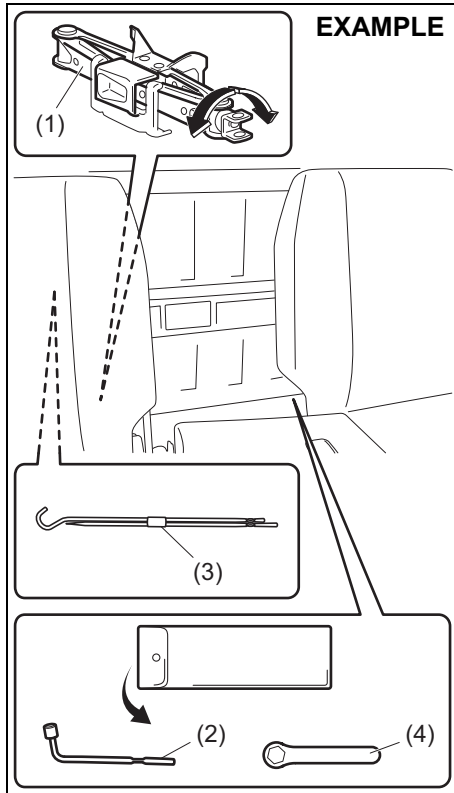
NOTICE
Damage may result if the washer motor is operated with no fluid in the washer tank.

EMERGENCY SERVICE

Tyre Changing Tool	8-1
Jacking Instructions	8-2
Changing Wheels	8-5
Jump Starting Instructions	8-6
Towing	8-7
If the Starter Does Not Operate	8-8
If the Engine is Flooded	8-8
If the Engine Overheats	8-8
Underbody Trouble by Hitting	8-9
Warning Triangle	8-9
Fire Extinguisher (if equipped)	8-10

EMERGENCY SERVICE

Tyre Changing Tool



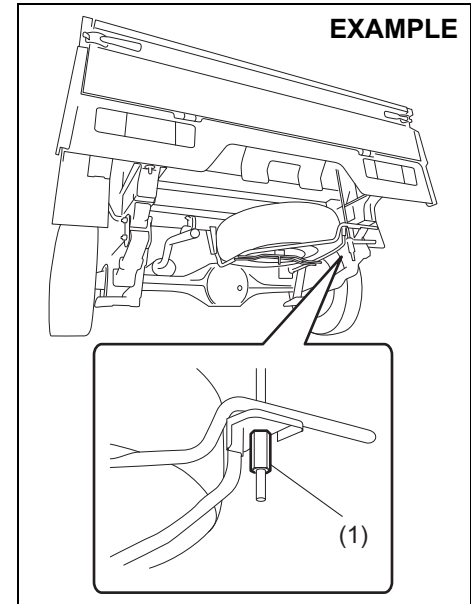
77PH202

- (1) Jack
- (2) Wheel brace
- (3) Jack handle
- (4) Spanner

The tyre changing tools are stowed behind the driver seat.

To remove the jack, turn its shaft counter-clockwise and pull the jack out of the storage bracket. To stow the jack, place it in the storage bracket and turn the shaft clockwise until the jack is securely held in place.

The spare tyre is stowed under the bed.
To remove the spare tyre:



77PH099

- 1) Loosen the spare tyre holder hook nut (1).
- 2) Unhook the spare tyre holder and lower it slowly.
- 3) Remove the screw in the center of the spare tyre, and remove the tyre.

⚠ WARNING

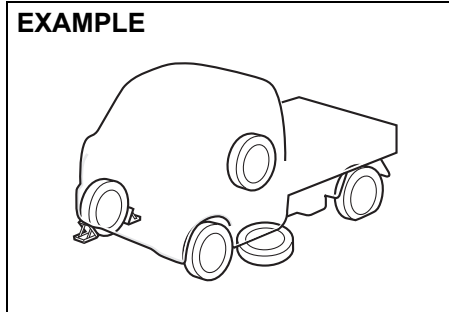
After using the tyre changing tools, be sure to stow them securely or they can cause injury if an accident occurs.

⚠ CAUTION

The jack should be used only to change wheels. It is important to read the jacking instructions in this section before attempting to use the jack.

Jacking Instructions

EXAMPLE



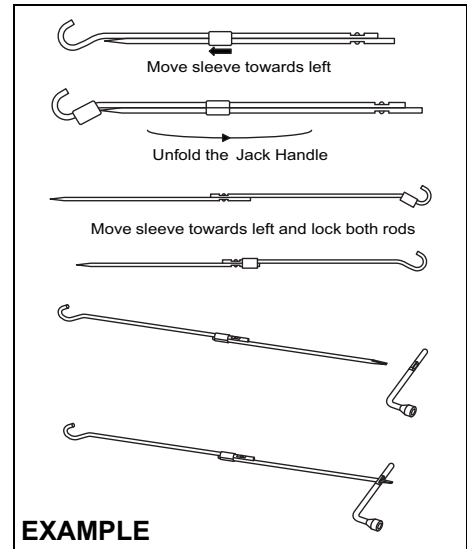
77PH054

- 1) Place the vehicle on level, hard ground.
- 2) Set the parking brake firmly and shift into "R" (Reverse).

⚠ WARNING

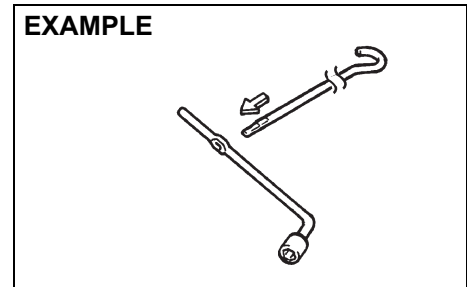
- Be sure to shift into "R" (Reverse) when you jack up the vehicle.
- Never jack up the vehicle with the transmission in "N" (Neutral). Otherwise, unstable jack may cause an accident.

- 3) Turn on the hazard warning flasher if your vehicle is near traffic.
- 4) Block the front and rear of the wheel diagonally opposite of the wheel being lifted.
- 5) Place the spare wheel near the wheel being lifted as shown in the illustration in case the jack slips.



EXAMPLE

77PH802



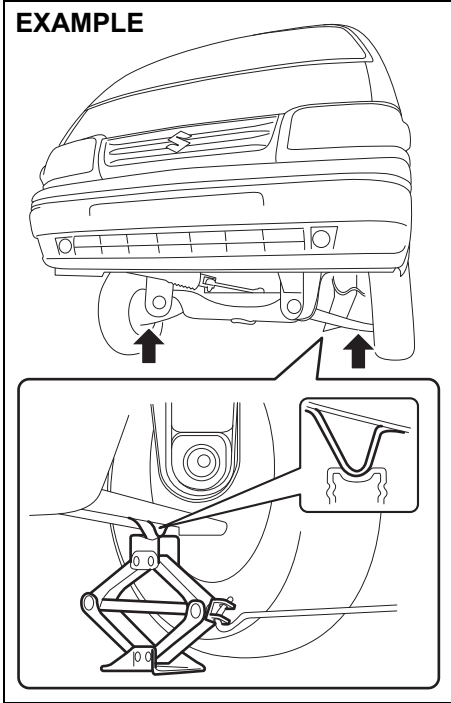
EXAMPLE

54G253

EMERGENCY SERVICE

Front jacking point

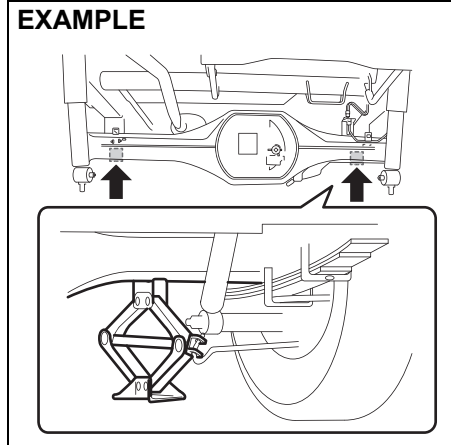
EXAMPLE



77PH084

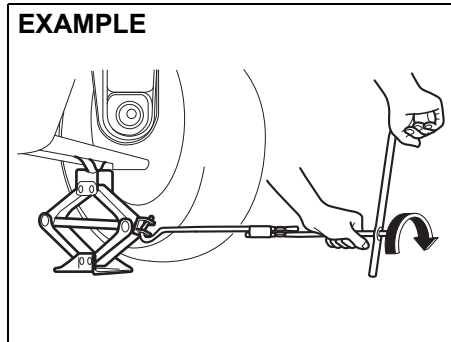
Rear jacking point

EXAMPLE



77PH106

EXAMPLE



77PS052

- 6) Position the jack vertically and raise the jack by turning the jack handle clockwise until the jack head groove fits around the jacking bar beneath the vehicle body. See illustrations.
- 7) Continue to raise the jack slowly and smoothly until the tyre clears the ground. Do not raise the vehicle more than necessary.

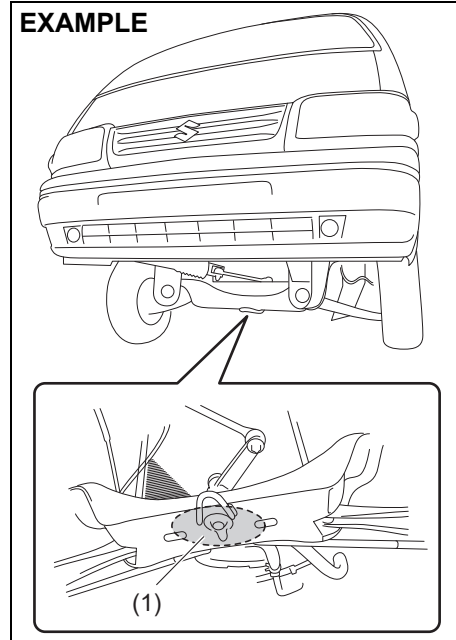
⚠ WARNING

- Use the jack only to change wheels on level, hard ground.
- Never jack up the vehicle on an inclined surface.
- Never raise the vehicle with the jack in a location other than the specified jacking point (shown in the illustration) near the wheel to be changed.
- Do not use wooden blocks or similar objects as a jack underlay.
- Never get under the vehicle when it is supported by the jack. Never place your hands and feet under the raised vehicle when it is supported by a jack.
- Never run the engine when the vehicle is supported by the jack and never allow passengers to remain in the vehicle.

To Raise the Vehicle with a Garage Jack

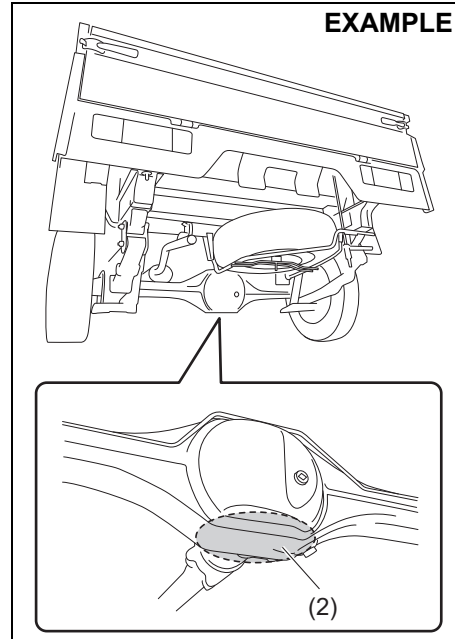
- Apply the garage jack to one of the points indicated below.
- Always support the raised vehicle with jack stands (commercially available) at the points indicated below.

Front jacking point for garage jack (1)



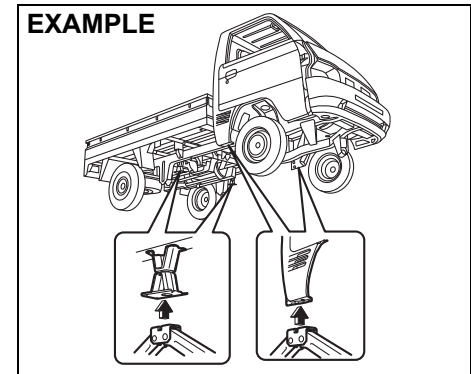
77PH060

Rear jacking point for garage jack (2)



77PH101

Application point for jack stand (3) or two-column lift



77PS055 (2)

NOTICE

- Never apply a garage jack to the exhaust pipe.
- When applying the jack stand or the two-column lift to the application point of the rear side, be careful not to interfere with the surrounding parts such as the parking cable or the flange of the fuel tank.

NOTE:

For more details, please contact an authorised MARUTI SUZUKI COMMERCIAL workshop.

EMERGENCY SERVICE

Changing Wheels

⚠ WARNING

Never change a wheel in traffic lane. Always move the vehicle off the road on level, hard ground away from traffic for changing a wheel. For any further assistance contact your nearest Maruti Suzuki authorised workshop.

To change a wheel, use the following procedure:

- 1) Clear all passengers and cargo from the vehicle.
- 2) Remove the jack, tools and spare wheel from the vehicle.
- 3) Loosen, but do not remove the wheel nuts.
- 4) Jack up the vehicle.

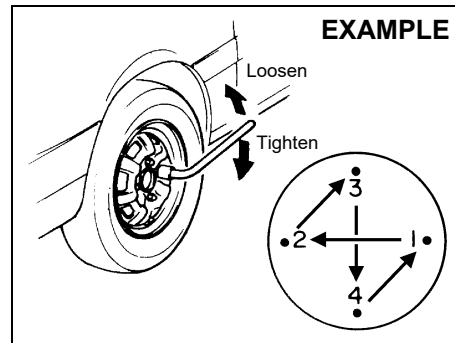
⚠ CAUTION

Immediately after the vehicle has been driven, the wheels, the wheel nuts and the area around the brakes might be extremely hot. Touching these areas may cause burn injury. Do not touch these areas immediately after the vehicle has been driven.

- 5) Remove the wheel nuts and wheel.
- 6) Before installing the new wheel, clean any mud or dirt off from the surface of

the wheel and hub with a clean cloth. Clean the hub carefully; it may be hot from driving.

- 7) Install the new wheel and replace the wheel nuts with their cone shaped end facing the wheel. Tighten each nut snugly by hand until the wheel is securely seated on the hub.



**Tightening torque for wheel nut
100 Nm (10.2 kgf-m, 73.8 lbf-ft)**

- 8) Lower the jack and fully tighten the nuts in a crisscross fashion with a wrench as shown in the illustration.

⚠ WARNING

Use genuine wheel nuts and tighten them to the specified torque as soon as possible after changing wheels. Incorrect wheel nuts or improperly tightened wheel nuts may come loose or fall off, which can result in an accident. If you do not have a torque wrench, have the wheel nut torque checked by an authorised MARUTI SUZUKI COMMERCIAL workshop.

Jump Starting Instructions

⚠ WARNING

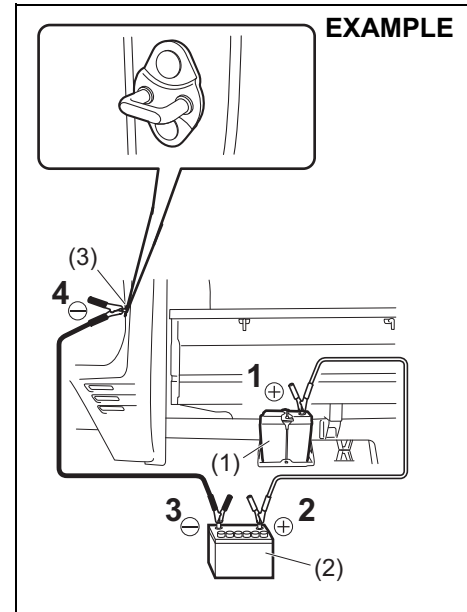
- Never attempt to jump start your vehicle if the battery appears to be frozen. Batteries in this condition may explode or rupture if jump starting is attempted.
- When making jump lead connections, be certain that your hands and the jump leads remain clear from pulleys, belts, or fans.
- Batteries produce flammable hydrogen gas. Keep flames and sparks away from the battery or an explosion may occur. Never smoke when working in the vicinity of the battery.
- If the booster battery you use for jump starting is installed in another vehicle, make sure the two vehicles are not touching each other.
- If your battery discharges repeatedly, for no apparent reason, have your vehicle inspected by an authorised MARUTI SUZUKI COMMERCIAL workshop.
- To avoid harm to yourself or damage to your vehicle or battery, follow the jump starting instructions below precisely and in order. If you are in doubt, call for qualified road service.

NOTICE

Your vehicle should not be started by pushing or towing. This starting method could result in permanent damage to the catalytic converter. Use jump leads to start a vehicle with a weak or flat battery.

When Jump Starting Your Vehicle, Use the Following Procedure:

- 1) Use only a 12-volt battery to jump start your vehicle. Position the good 12-volt battery close to your vehicle so that the jump leads will reach both batteries. When using a battery installed on another vehicle, DO NOT LET THE VEHICLES TOUCH. Set the parking brakes fully on both vehicles.
- 2) Turn off all vehicle accessories, except those necessary for safety reasons (for example, headlights or hazard lights).



77PS056

- 3) Make jump lead connections as follows:
 1. Connect one end of the first jump lead to the positive (+) terminal of the flat battery (1).
 2. Connect the other end of the positive (+) terminal of the booster battery (2).

EMERGENCY SERVICE

3. Connect one end of the second jump lead to the negative (-) terminal of the booster battery (2).
4. Make the final connection to an unpainted, heavy metal part (i.e. door latch striker (3)) of the vehicle with the flat battery (1).

WARNING

Never connect the jump lead directly to the negative (-) terminal of the discharged battery, or an explosion may occur.

- 4) If the booster battery you are using is fitted to another vehicle, start the engine of the vehicle with the booster battery. Run the engine at moderate speed.
- 5) Start the engine of the vehicle with the flat battery.
- 6) Remove the jump leads in the exact reverse order in which you connected them.

Towing

If you need to have your vehicle towed, contact a professional service. Your dealer can provide you with detailed towing instructions.

NOTICE

To help avoid damage to your vehicle during towing, proper equipment and towing procedures must be used.

2-Wheel Drive (2WD) Manual Transmission

Manual transmission vehicles may be towed using either of the following methods.

- 1) From the front, with the front wheels lifted and the rear wheels on the ground. Before towing, make sure that the transmission is in neutral and the parking brake is released.
- 2) From the rear, with the rear wheels lifted and the front wheels on the ground, provided the steering and drivetrain are in operational condition. Before towing, make sure that the steering wheel is unlocked (the ignition key should be in the "ACC" position), and the steering wheel is secured with a clamping device designed for towing service.

NOTICE

The steering column is not strong enough to withstand shocks transmitted from the front wheels during towing. Always unlock the steering wheel before towing.

If the Starter Does Not Operate

- 1) Try turning the ignition switch to the "START" position with the headlights turned on to determine the battery condition. If the headlights go excessively dim or go off, it usually means that either the battery is flat or the battery terminal contact is poor. Recharge the battery or correct battery terminal contact as necessary.
- 2) If the headlights remain bright, check the fuses. If the reason for failure of the starter is not obvious, there may be a major electrical problem. Have the vehicle inspected by your authorised MARUTI SUZUKI COMMERCIAL workshop.

If the Engine is Flooded

If the engine is flooded with fuel, it may be hard to start. If this happens, press the accelerator pedal all the way to the floor and hold it there while cranking the engine.

- Do not operate the starter motor for more than 30 seconds.

If the Engine Overheats

The engine could overheat temporarily under severe driving conditions. If the high engine coolant temperature warning light comes on during driving:

- 1) Take the vehicle to a safe place and park.
- 2) Let the engine run at the normal idle speed for a few minutes until the high engine coolant temperature warning light goes off.

⚠ WARNING

If you see or hear escaping steam, stop the vehicle in a safe place and immediately turn off the engine to let it cool. Do not open the engine compartment when steam is present. When the steam can no longer be seen or heard, open the engine compartment to see if the coolant is still boiling. If it is, you must wait until it stops boiling before you proceed.

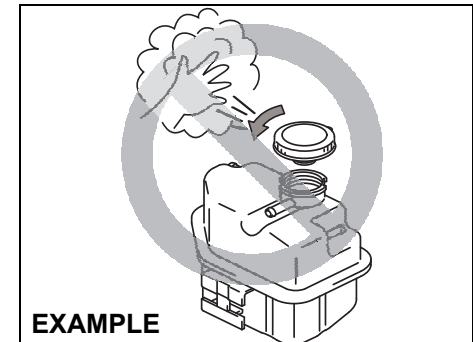
If the high engine coolant temperature warning light does not go off:

- 1) Turn off the engine and check that the water pump belt and pulleys are not damaged or slipping. If any abnormality is found, correct it.

- 2) Check the coolant level in the reservoir. If it is found to be lower than the "LOW" line, look for leaks at the radiator, water pump, and radiator and heater hoses. If you locate any leaks that may have caused the overheating, do not run the engine until these problems have been corrected.
- 3) If you do not find a leak, carefully add coolant to the reservoir and then the radiator, if necessary. (Refer to "Engine Coolant" in the "INSPECTION AND MAINTENANCE" section.)

NOTE:

If your engine overheats and you are unsure what to do, contact your authorised MARUTI SUZUKI COMMERCIAL workshop.



65D350d

WARNING

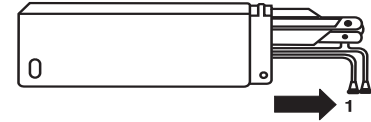
- It is hazardous to remove the radiator cap (or degassing tank cap for a diesel engine) when the water temperature is high, because scalding fluid and steam may be blown out under pressure. The cap should only be taken off when the coolant temperature has lowered.
- To help prevent personal injury, keep hands, tools and clothing away from the engine cooling fan. These electric fans can automatically turn on without warning.

Underbody Trouble by Hitting

If you hit underbody of your vehicle, ask an authorised MARUTI SUZUKI COMMERCIAL workshop for inspection. Otherwise damage to steering, Suspension, Drive-line, and Brake etc. could prevent your safe driving.

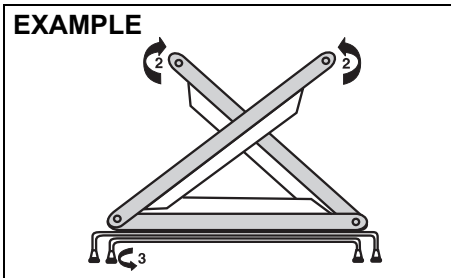
Warning Triangle

EXAMPLE



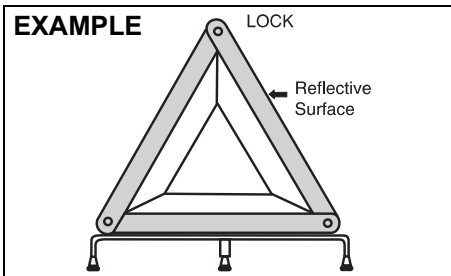
MHO-07-001

In case of vehicle break-down or during emergency stopping, where, your vehicle could become a potential traffic hazard, keep the warning triangle, provided with your vehicle, on the road free from any obstacles behind your vehicle so as to warn the approaching traffic, at an approximate distance of 50-100 m. The reflecting side of the triangle should face the on coming traffic. Please activate the hazard warning lamps before alighting the vehicle to keep the warning triangle.



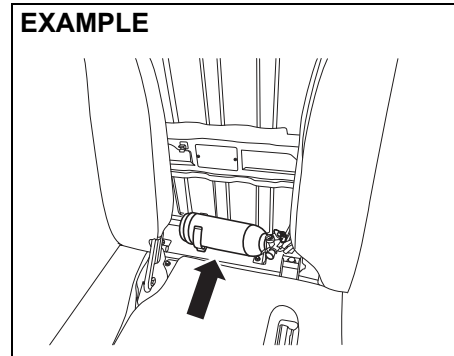
MHO-07-014-1

- Remove the warning triangle carefully from the cover as shown by arrow 1.
- Open both the reflector arms as shown by arrow and lock the arms with each other with the clip provided in the right arm. Open the bottom stand in counter clock-wise direction as shown by arrow 3. Position the warning triangle behind the vehicle on a plain surface.
- Reverse the removal procedure for keeping inside the cover.



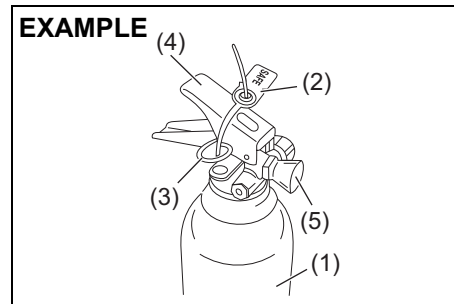
MHO-07-014

Fire Extinguisher (if equipped)



77PM08009

Fire extinguisher is stowed behind the seats (between driver seat and passenger seat).

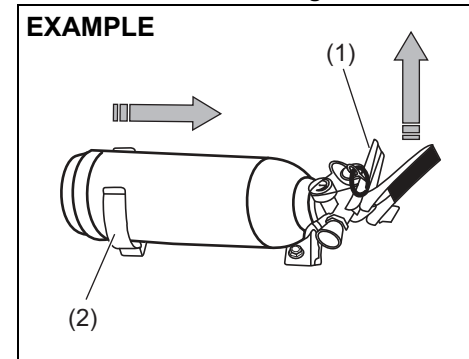


77PM08003

- (1) Fire extinguisher cylinder
- (2) Seal
- (3) Safety Pin
- (4) Lever
- (5) Nozzle

Removal and Refitment of Fire Extinguisher

For Removal of Fire Extinguisher

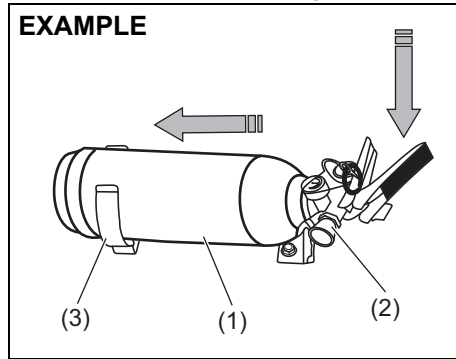


77PM08004

Lift Lever (1) of fire extinguisher slightly upwards and pull the fire extinguisher in the direction as shown in the figure, in order to disengage it from clamp (2).

EMERGENCY SERVICE

For Refitment of Fire Extinguisher

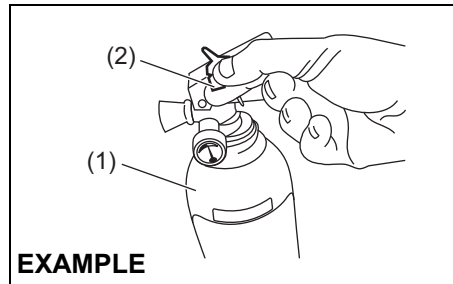


Insert the body of fire extinguisher (1) in to the clamp (3) and place the nozzle (2) carefully downwards, on the clamp.

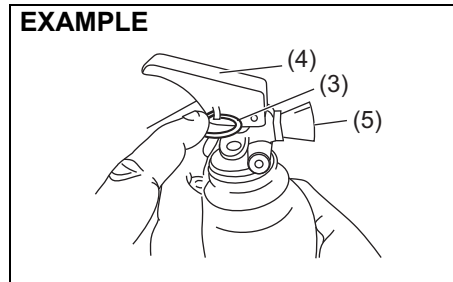
NOTE:

Ensure that the nozzle of fire extinguisher is properly seated on the clamp.

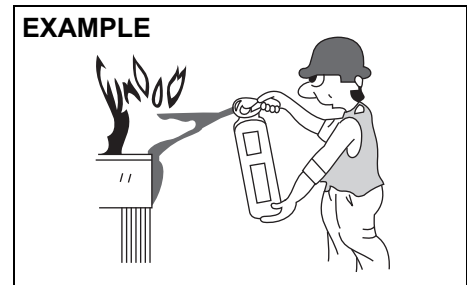
Procedure of Operation



- 1) Hold the fire extinguisher (1) upright.
- 2) Break seal (2) by rotating the safety pin(3).



- 3) Pull Safety pin (3)
- 4) Squeeze lever (4) and direct the jet from nozzle (5) towards the near edge of the fire with a rapid (fast) sweeping motion.

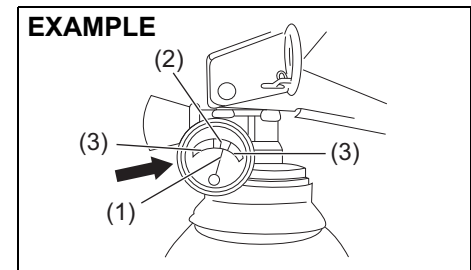


- 5) Drive the fire towards the far edge until flames are extinguished.

NOTE:

Fire extinguisher is only meant for small fire caused in vehicle by external source only.

Do's and Dont's



Do's

- 1) Check pressure gauge periodically. Max charging pressure is 15Kgf/cm² (in green zone (2)).
- 2) When pressure drops, indicator needle(1) will shift to the red zone (3).Immediately contact the fire extinguisher manufacturer as per the information provided on the fire extinguisher.
- 3) Get the fire extinguisher serviced only through the manufacturer service centre.Refer the information provided on the fire extinguisher to locate the nearest service centre.
- 4) Ensure that the Fire extinguisher is always kept at its prescribed position in the vehicle.
- 5) Refill the fire extinguisher immediately after use.

Don't

- 1) Do not use water for cleaning fire extinguisher. (Use clean cloth for removing dust)
- 2) Do not rely on used or discharged fire extinguisher.

NOTE:

- *Refilling is necessary after every use.*
- *Fire extinguisher needs refilling after every 3 years even if it is not used.*

APPEARANCE CARE

Corrosion Prevention	9-1
Vehicle Cleaning	9-2

APPEARANCE CARE

Corrosion Prevention

It is important to take good care of your vehicle to protect it from corrosion. Listed below are instructions for how to maintain your vehicle to prevent corrosion. Please read and follow these instructions carefully.

Important Information About Corrosion

Common causes of corrosion

- 1) Accumulation of road salt, dirt, moisture, or chemicals in hard-to-reach areas of the vehicle underbody or frame.
- 2) Chipping, scratches and any damage to treated or painted metal surfaces resulting from minor accidents or abrasion by stones and gravel.
- 3) Any or all of the below mentioned points:
 - Continuous exposure to sunlight
 - Hard water and sea water coming in contact with vehicle.
 - Foot rubbing (skirting).

Environmental conditions which accelerate corrosion

- 1) Road salt, dust control chemicals, sea air or industrial pollution will all accelerate the corrosion of metal.
- 2) High humidity will increase the rate of corrosion particularly when the temperature range is just above the freezing point.

- 3) Moisture in certain areas of a vehicle for an extended period of time may promote corrosion even though other body sections may be completely dry.
- 4) High temperatures will cause an accelerated rate of corrosion to parts of the vehicle which are not well ventilated to permit quick drying.

This information illustrates the necessity of keeping your vehicle (particularly the underbody) as clean and dry as possible. It is equally important to repair any damage to the paint or protective coatings as soon as possible.

How to Help Prevent Corrosion

Wash your vehicle frequently

The best way to preserve the finish on your vehicle and to help avoid corrosion is to keep it clean with frequent washing. Wash your vehicle at least once during the winter and once immediately after the winter. Keep your vehicle, particularly the underside, as clean and dry as possible. If you frequently drive on salted roads, your vehicle should be washed at least once a month during the winter. If you live near the ocean, your vehicle should be washed at least once a month throughout the year.

For washing instructions, refer to the "Vehicle Cleaning" section.

Remove foreign material deposits

Foreign material such as salts, chemicals, road oil or tar, tree sap, bird droppings and industrial fall-out may damage the finish of your vehicle if it is left on painted surfaces. Remove these types of deposits as quickly as possible. If these deposits are difficult to wash off, an additional cleaner may be required. Be sure that any cleaner you use is not harmful to painted surfaces and is specifically intended for your purposes. Follow the manufacturer's directions when using these special cleaners.

Repair finish damage

Carefully examine your vehicle for damage to the painted surfaces. If you find any chips or scratches in the paint, touch them up immediately to prevent corrosion from starting. If the chips or scratches have gone through to the bare metal, have a qualified body shop make the repair.

Keep passenger and luggage compartments clean

Moisture, dirt or mud can accumulate under the floor mats and may cause corrosion. Occasionally, check under these mats to ensure that this area is clean and dry. More frequent checks are necessary if the vehicle is used off road or in wet weather.

Certain cargos such as chemicals, fertilizers, cleaners, salts, etc. are extremely corrosive by nature. These products should be transported in sealed containers. If a spill or leak does occur, clean and dry the area immediately.

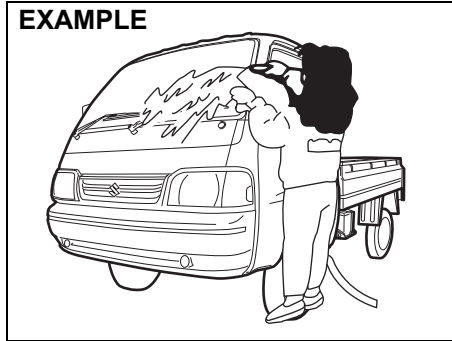
Store your vehicle in a dry, well-ventilated area

Park your vehicle to save it from continuous exposure to direct sunlight. Do not park your vehicle in a damp, poorly ventilated area. If you often wash your vehicle in the garage or if you frequently drive it in when wet, your garage may be damp. The high humidity in the garage may cause or accelerate corrosion. A wet vehicle may corrode even in a heated garage if the ventilation is poor.

⚠ WARNING

Do not apply additional undercoating or rust preventive coating on or around exhaust system components such as the catalytic converter, exhaust pipes, etc. A fire could be started if the undercoating substance becomes overheated.

Vehicle Cleaning



77PM09001

⚠ WARNING

When cleaning the interior or exterior of the vehicle, **NEVER USE** flammable solvents such as lacquer thinners, Petrol, benzene or cleaning materials such as bleaches or strong household detergents. The materials could cause personal injury or damage to the vehicle.

Cleaning the Interior

Vinyl upholstery

Prepare a solution of soap or mild detergent mixed with warm water. Apply the solution to the vinyl with a sponge or soft cloth and let it soak for a few minutes to loosen dirt. Rub the surface with a clean, damp cloth to remove dirt and the soap solution. If some dirt still remains on the surface, repeat this procedure.

Fabric upholstery (Except front passenger seat)

Remove loose dirt with a vacuum cleaner. Using a mild soap solution, rub stained areas with a clean damp cloth. To remove soap, rub the areas again with a cloth dampened with water. Repeat this until the stain is removed, or use a commercial fabric cleaner for tougher stains. If you use a fabric cleaner, carefully follow the manufacturer's instructions and precautions.

⚠ CAUTION

- Do not spill liquid or semi-solid on the front passenger's seat. If you spill it on the front passenger's seat, immediately wipe it dry with a soft cloth. Contact of liquid with sensor may impact the function of seat belt reminder sensor.
- Do not place any sharp or heavy object on passenger seat which can penetrate through seat upholstery and can cause damage to sensor.

APPEARANCE CARE

Fabric upholstery (For front passenger seat)

Do not use liquid for cleaning as it may penetrate the fabric and damage the seat sensor.

Leather upholstery

Remove loose dirt with a vacuum cleaner. Using a mild soap or saddle soap solution, wipe dirt off with a clean damp soft cloth. To remove soap, wipe the areas again with a soft cloth dampened with water. Wipe the areas dry with a soft dry cloth. Repeat this until the dirt or stain is removed, or use a commercial leather cleaner for tougher dirt or stains. If you use a leather cleaner, carefully follow the manufacturer's instructions and precautions. Do not use solvent type cleaners or abrasive cleaners.

NOTE:

- In order to keep leather upholstery looking good, it should be cleaned at least twice a year.
- If leather upholstery becomes wet, immediately wipe it dry with tissue paper or a soft cloth. Water may cause leather to harden and shrink if it is not wiped off.
- When parking on sunny days, select a shady place or use a sunshade. If leather upholstery is exposed to direct sunlight for a long time, it may discolor and shrink.
- As is common with natural materials, leather is inherently irregular in grain and cowhide has spots in its natural state. These do not affect the performance of the leather in any way.

Seat belts

Clean seat belts with a mild soap and water. Do not use bleach or dye on the belts. They may weaken the fabric in the belts.

Vinyl floor mats

Ordinary dirt can be removed from vinyl with water or mild soap. Use a brush to help loosen dirt. After the dirt is loosened, rinse the mat thoroughly with water and dry it in the shade.

Carpets

Remove dirt and soil as much as possible with a vacuum cleaner. Using a mild soap solution, rub stained areas with a clean damp cloth. To remove soap, rub the areas again with a cloth dampened with water. Repeat this until the stain is removed, or use a commercial carpet cleaner for tougher stains. If you use a carpet cleaner, carefully follow the manufacturer's instructions and precautions.

Instrument panel and console

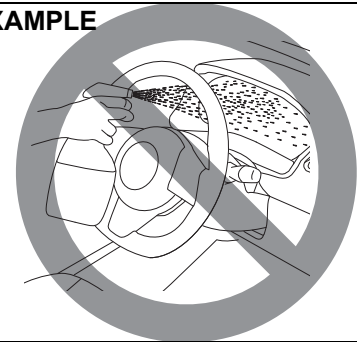
Remove loose dirt with a vacuum cleaner. Gently wipe dirt off with a tightly squeezed damp clean cloth. Repeat this until the dirt is removed.

NOTICE

Do not use chemical products that contain silicon to wipe electrical components such as the switches. These will cause damage to the components.

Do not spray water or any liquid directly on instrument cluster or any other electrical or electronic components. This may cause damage and/or lead to non-functioning of the part.

EXAMPLE



81RM08005

Cleaning the Exterior

NOTICE

It is important that your vehicle to be kept clean and free from dirt. Failure to keep your vehicle clean may result in fading of the paint or corrosion to various parts of the vehicle body.

Washing

EXAMPLE



82DY0

⚠ WARNING

- Never attempt to wash and wax your vehicle with the engine running.
- When cleaning the underside of the body and fender, where there may be sharp-edged parts, you should wear gloves and a long-sleeved shirt to protect your hands and arms from being cut.
- After washing your vehicle, carefully test the brakes before driving to make sure they have maintained their normal effectiveness.

When washing the vehicle, park it where direct sunlight does not fall on it and follow the instructions below:

- 1) Flush the underside of body and wheel housings with pressurized water to remove mud and debris. Use plenty of water.

NOTICE

When washing the vehicle:

- Avoid directing steam or hot water of more than 80°C (176°F) on plastic parts.
- To avoid damaging engine components, do not use pressurized water in the engine compartment.

- 2) Rinse the body to loosen the dirt. Remove dirt and mud from the body exterior with running water. You may use a soft sponge or brush. Do not use hard materials which can scratch the paint or plastic. Remember that the headlight covers or lenses are made of plastic in many cases.

NOTICE

To avoid damage to the paint or plastic surface, do not wipe the dirt off without ample water. Be sure to follow above procedure.

- 3) Wash the entire exterior with a mild detergent or car wash soap using a sponge or soft cloth. The sponge or cloth should be frequently soaked in the soap solution.

NOTICE

When using a commercial car wash product, observe the cautions specified by the manufacturer. Never use strong household detergents or soaps.

- 4) Once the dirt has been completely removed, rinse off the detergent with running water.
- 5) After rinsing, wipe off the vehicle body with a wet chamois or cloth and allow it to dry in the shade.

APPEARANCE CARE

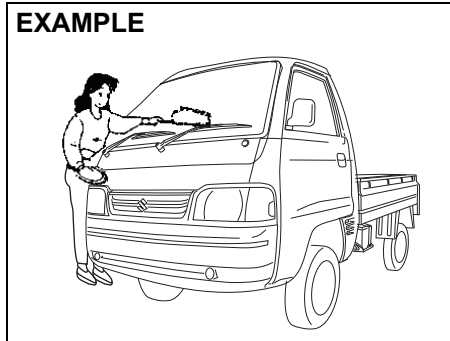
- 6) Check carefully for damage to painted surfaces. If there is any damage, touch up the damage following the procedure below:
1. Clean all damaged spots and allow them to dry.
 2. Stir the paint and touch up the damaged spots lightly using a small brush.
 3. Allow the paint to dry completely.

NOTICE

If you use an automatic car wash, make sure that your vehicle's body parts, such as spoilers, cannot be damaged. If you are in doubt, consult the car wash operator for advice.

Waxing

EXAMPLE



77PM09002

After washing the vehicle, waxing and polishing are recommended to further protect and beautify the paint.

- Only use waxes and polishes of good quality.
- When using waxes and polishes, observe the precautions specified by the manufacturers.

GENERAL INFORMATION

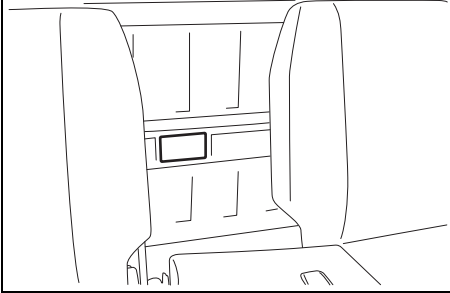
Vehicle Identification 10-1
FASTag (if equipped)..... 10-1
CNG Kit Number Identification (if equipped) 10-2
High Security Registration Plate (HSRP)
(if applicable) 10-3

GENERAL INFORMATION

Vehicle Identification

Chassis Serial Number

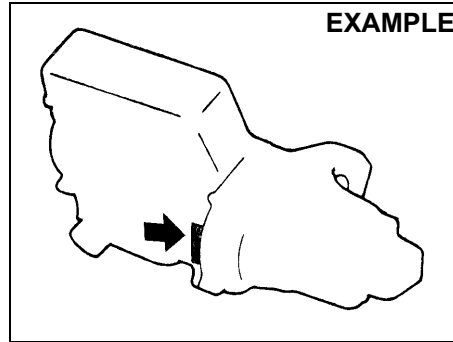
EXAMPLE



77PH059

The chassis and/or engine serial numbers are used to register the vehicle. They are also used to assist your dealer when ordering or referring to special service information. Whenever you have occasion to consult your authorised MARUTI SUZUKI COMMERCIAL workshop, remember to identify your vehicle with this number. If you find the number difficult to read, you can also find it on the identification plate.

Engine Serial Number



EXAMPLE

54G082

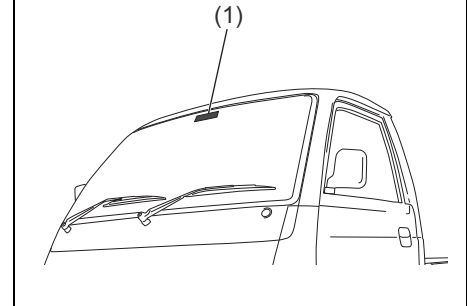
The engine serial number is stamped on the cylinder block as shown in the illustration.

FASTag (if equipped)

As per Ministry of Road Transport and Highways, the FASTag (1) is mandatory for each vehicle for the purpose of electronic toll collection or any other purpose as may be defined by the Government of India.

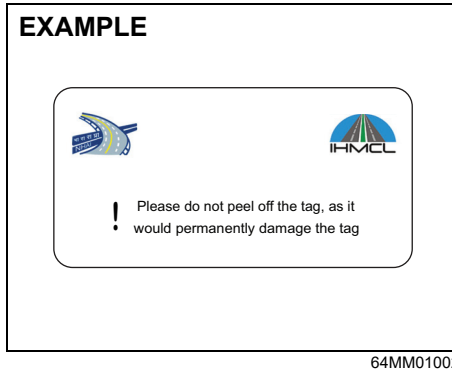
In case of any damage to FASTag or replacement of front windscreen, please contact your nearest authorised Maruti Suzuki workshop.

EXAMPLE



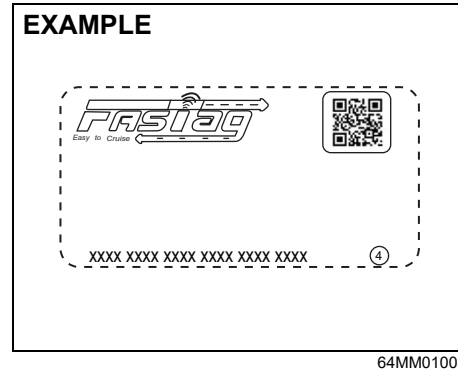
66MM01001

As seen from inside of the vehicle



NOTE:
The picture shown is for indicative purpose only. Internal structure of actual device mounted on vehicle may be different.

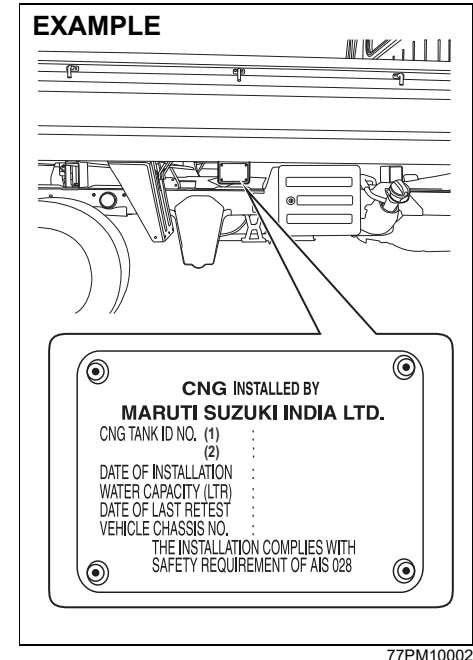
As seen from outside of the vehicle



NOTE:
The picture shown is for indicative purpose only. Internal structure of actual device mounted on vehicle may be different.

- NOTE:**
- Any attempt to remove the tag from the windscreen will result in permanent damage to the tag.
 - Use of chemical cleaners to clean the windscreen area where the tag is mounted can damage the tag.
 - Use of any sharp objects on the tag can damage the tag.

CNG Kit Number Identification (if equipped)



CNG cylinder identification number and CNG kit installation date is located on right side of cargo body as shown.

GENERAL INFORMATION

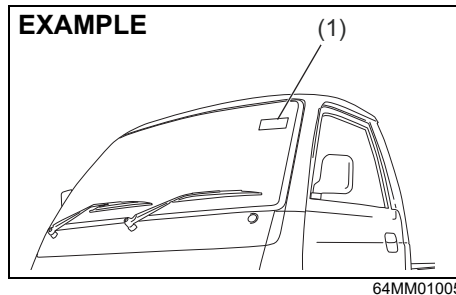
High Security Registration Plate (HSRP) (if applicable)

As per Ministry of Road Transport and Highways, every new vehicle must have HSRP.

HSRP contains;

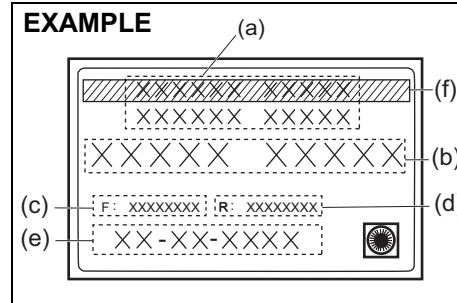
- Front and rear HSRP, which will be fitted with 2 snap-locks each on number plate area.
- Third license plate on front windshield.

Third License Plate



(1) Third license plate

Third license plate - As seen from outside of the vehicle



- (a) HSRP issuing authority name
- (b) Vehicle registration number
- (c) Unique laser number - Front plate
- (d) Unique laser number - Rear plate
- (e) Date of 1st registration
(in DD-MM-YYYY format)
- (f) Green stripes (BS6 vehicle)

NOTE:

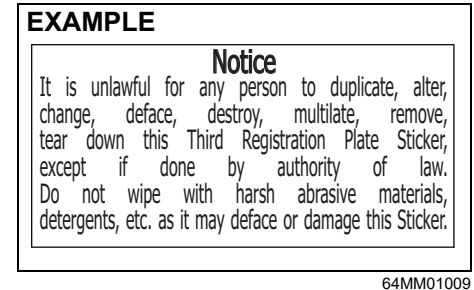
The picture shown is for indicative purpose only. Internal structure of actual label mounted on vehicle may be different.

NOTE:

- Any attempt to remove the third license plate from the windscreen will result in permanent damage to the label.
- Use of chemical cleaners to clean the windscreen area where the label is mounted can damage the same.

- Use of any sharp objects on the label can damage the label.
- In the event of any replacement of the third license plate, may please contact the approved authority.

Third license plate - As seen from inside of the vehicle



NOTE:

The picture shown is for indicative purpose only.

NOTE:

Color of third license plate (back) is as per HSRP regulation as defined by Ministry of Road Transport and highways.

SPECIFICATIONS

SPECIFICATIONS

NOTE:

Specifications are subject to change without notice.

Specification related to “chassis” variants refer “Instructions For Body Fabrication”

ITEM: Dimensions		UNIT: mm
Overall length		3800
Overall width		1562
Overall height		1883
Wheelbase		2110
Track	Front	1345
	Rear	1330

ITEM: Mass (weight)		UNIT: kg
Curb mass (weight)	Petrol	870
	CNG	990
Gross Vehicle Mass (weight) Rating		1620
Permissible maximum Axle Weight	Front	900
	Rear	1020

SPECIFICATIONS

ITEM: Engine	Petrol and CNG
Type	K12N (DOHC)
Number of cylinders	4
Bore	73.0 mm
Stroke	71.5 mm
Piston displacement	1197 cm ³ (1197 cc)
Compression ratio	12.0: 1

ITEM: Electrical	
Spark plug	NGK ILZKR6F11
Battery	12V 38B20R
Fuses	See "INSPECTION AND MAINTENANCE" section.

ITEM: Lights	WATTAGE	BULB No.
Headlight	12V 60/55W	H4
Position light	12V 5W	W5W
Turn signal light	Front	PY21W
	Rear	P21W
Brake/tail light	12V 21/5W	P21/5W
Reversing light	12V 21W	P21W
License plate light	12V 5W	W5W
Interior light	12V 5W	C5W

SPECIFICATIONS

ITEM: Wheels and Tyres	
Tyre size, front, rear and spare	155R13 LT 8PR 89/88S* / 155R13 LT 8PR 90/89Q*
Rim size	13X4J
Tyre pressures	For the specified Tyre pressure, see the Tyre Information Label located on the driver's door lock pillar.

* If you cannot prepare a tyre with the specified load index rate and speed symbol, prepare a tyre with higher load index rate and speed symbol.

SPECIFICATIONS

ITEM: Recommended Fuel / Lubricants and Capacities (approx.)			
Fuel	Petrol		30 L [#]
	CNG	Petrol	5 L [#]
		CNG	35 L × 2 tanks [#]
Engine oil	Petrol		Classification: API SN Viscosity: SAE 0W-16 3.8 L (replacement without oil filter) 4.2 L (replacement with oil filter)
	CNG		
Engine coolant	Petrol		3.6 L (including reservoir tank)
	CNG		3.65 L (including reservoir tank)
Manual transmission oil		MARUTI GENUINE GEAR OIL 75W	1.4 L
Rear differential oil		"TOTALFINAELF TRANSELF LL 85W-140"	1.6 L
Brake fluid		Maruti Genuine Brake Fluid (MGBF) or DOT 3	Refill to the proper oil level according to the instructions in the "INSPECTION AND MAINTENANCE" section.

*1: The recommended coolant varies depending on your vehicle. Refer to "INSPECTION AND MAINTENANCE" section.

#: The fuel tank capacity is slightly more than the recommended quantity of fuel that you can fill. The additional voluminous space is provided for safety and scientific reasons.

INSTRUCTIONS FOR BODY FABRICATION

INSTRUCTIONS FOR BODY FABRICATION (Chassis Variant)

The body fabrication on the cab-chassis vehicle shall be carried out ensuring the following instructions and boundary conditions:

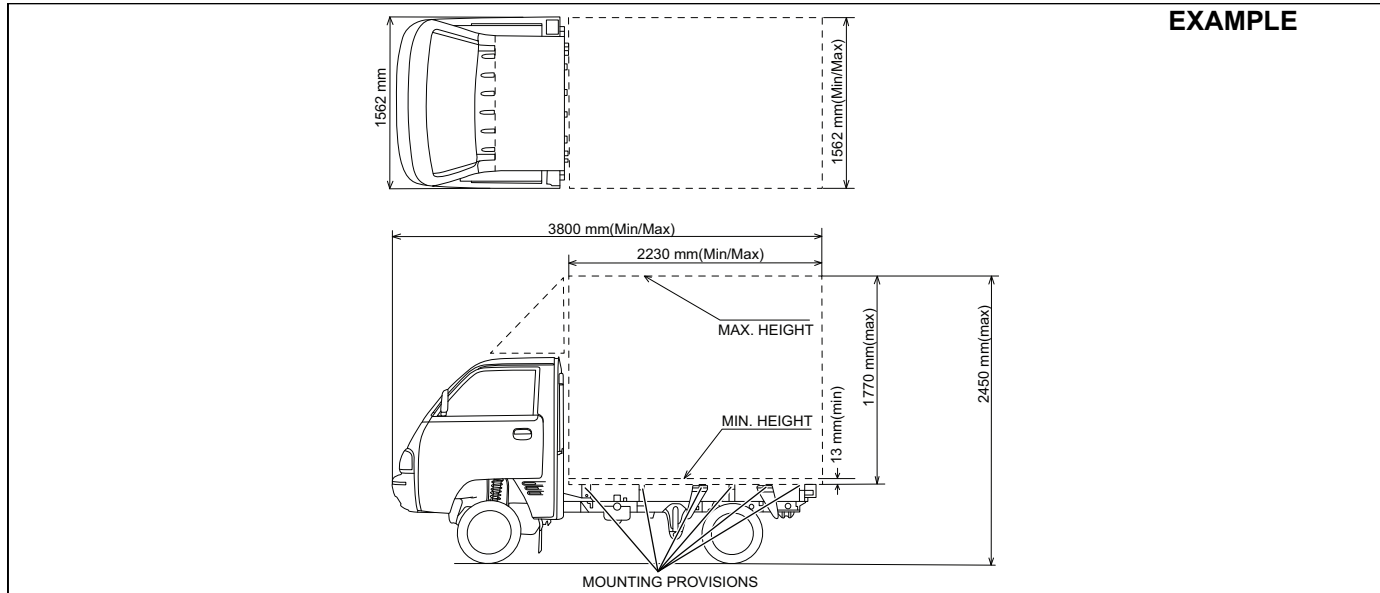
- (a) **Body exteriors:** The load body/ application shall be fabricated such that the external surface of the vehicle shall not have sharp edges or sharp projecting parts which are likely to increase the risk or seriousness of bodily injury to a person hit by the bodywork or brushing against it in the event of a collision. This is valid both when the complete vehicle is stationary and in motion. It is to be ensured a minimum 2.5mm or more radius of curvature on external edges and projecting parts. Body shall meet the stipulated requirement as defined under CMVR Rule 124(1)-11.

For body layouts (like Tipper Application), where battery mountings are exposed, a cover shall be provided in order to meet the necessary requirements of exterior projections as defined under CMVR Rule 124(1)-11.

- (b) **Reflective Tape:** The body builder shall paste a red reflective tape (of not less than 20mm width) running across the width of the body on the rear of the vehicle and shall comply with requirements under CMVR Rule No. 104.
- (c) **Head Lamp:** After the body fabrication, Initial inclination of Head lamp shall be adjusted as marked on the headlamp (as per CMVR 124 (1)-20). The head lamp leveling switch position for GVW condition shall be specified by Body Fabricator to the Customer.
- (d) **Body Builder's Plate:** The body builder shall place the body-builder's plate specifying the unladen weight, payload and other details as per requirement under CMVR Rule 122.
- (e) **Form 22A Part II:** The body builder shall provide Form 22A Part II as per requirement under CMVR Rule 47.
- (f) The body builder shall not alter with the electrical wiring, electrical equipment, brake connections, brake piping, fuel connection, exhaust system and chassis components during the body fabrication.

INSTRUCTIONS FOR BODY FABRICATION

- (g) **Dimensions:** The load body/application to be built upon the manufacturer supplied cab chassis vehicle shall be designed to fit within a minimum and maximum envelop as specified in below illustration.



77PM12003

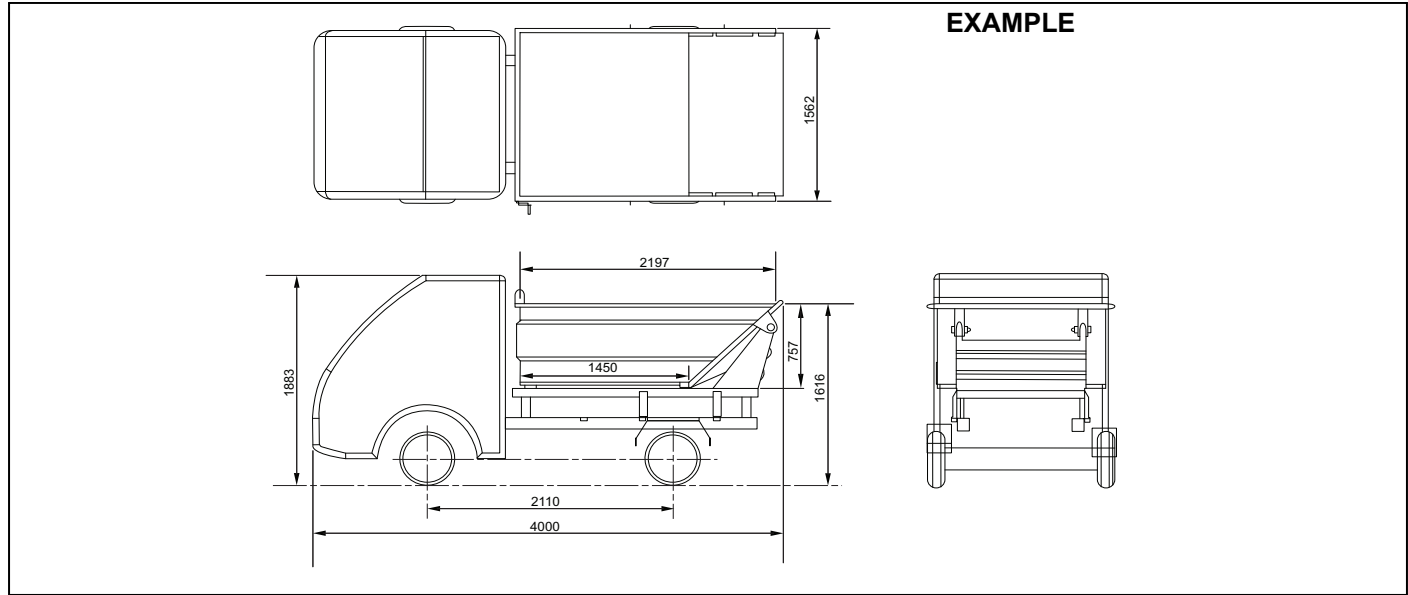
INSTRUCTIONS FOR BODY FABRICATION

INSTRUCTIONS FOR BODY FABRICATION

For Petrol Model Tipper (Open Tipper & Closed Tipper)

The load body/application to be built upon the manufacturer supplied cab chassis vehicle shall be designed to fit within specified dimension as in the below illustration.

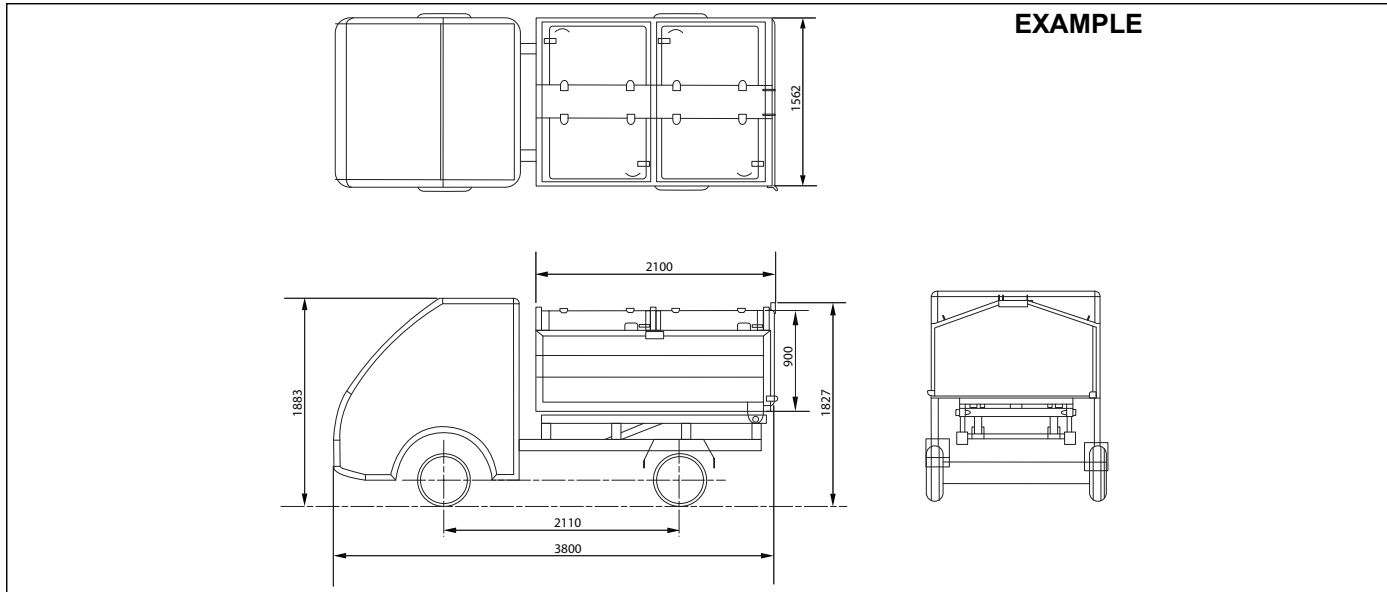
- Open Tipper:



77PM12006

INSTRUCTIONS FOR BODY FABRICATION

- Closed Tipper:



77PM12007

- (h) **Weight and its distribution:** The load body/application shall be fabricated considering the minimum kerb weight of complete vehicle as 870kg (Petrol), 990kg (CNG) and maximum kerb weight of complete vehicle as 1140kg (Petrol), 1255kg (CNG). The ratio of front axle and rear axle kerb weight shall not exceed 1.45 (Petrol), 1.25 (CNG).

For Petrol Model Tipper Application, the load body/application shall be fabricated considering the following Kerb weight.

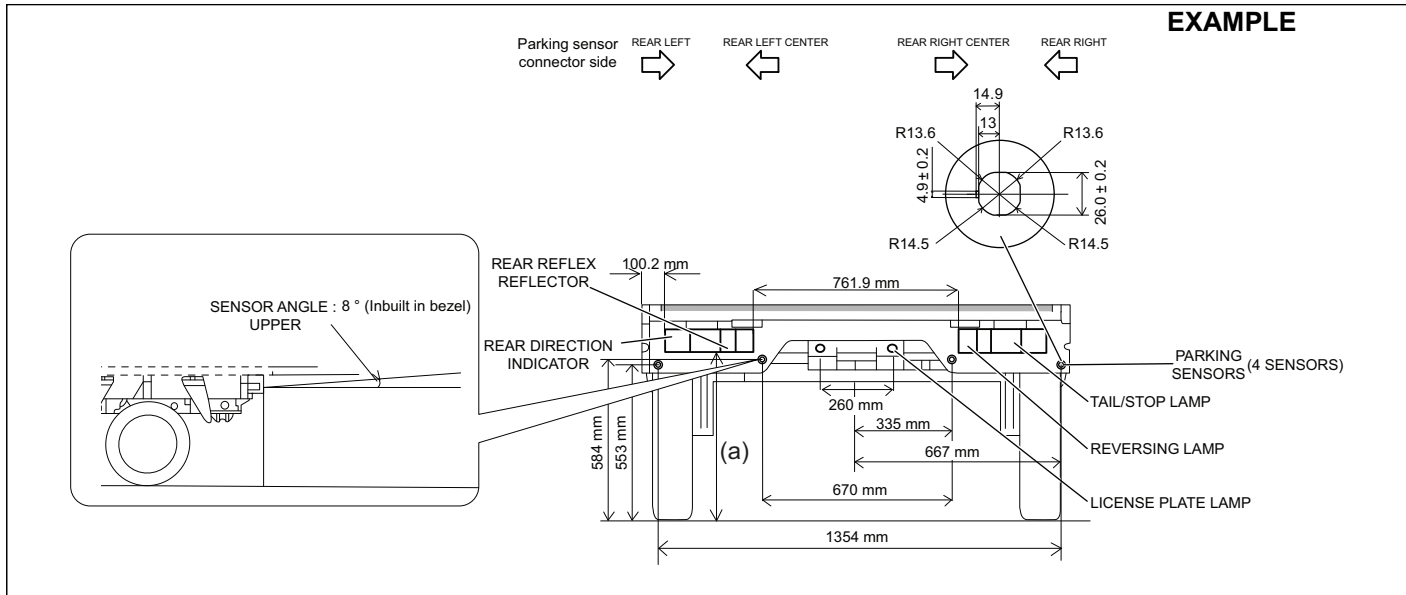
Kerb weight of open tipper: 1070kg

Kerb weight of closed tipper: 1140kg

The ratio of front axle and rear axle kerb weight shall not exceed 1.45.

INSTRUCTIONS FOR BODY FABRICATION

- (i) **Lighting and signaling devices:** The cab chassis is being supplied with head lamp assembly inbuilt with the cab and a temporary panel with rear combination lamps and registration plate lamps. There shall not be any modifications done with the position of Head lamp assembly. The rear combination lamps, registration plate lamps and parking sensors (provided along with vehicle in glove box) shall be fitted on the load body/ application as per the specified position as in below illustration.



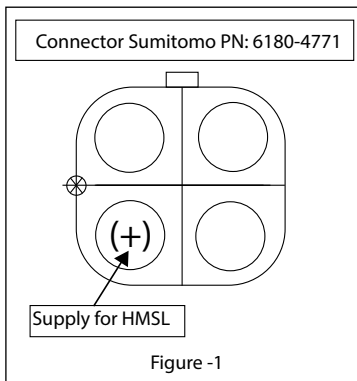
77PM12008

"a" Value	
Chassis Applications (Petrol & CNG)	612 mm
Petrol Model Open Tipper Application	620 mm
Petrol Model Closed Tipper Application	660 mm

INSTRUCTIONS FOR BODY FABRICATION

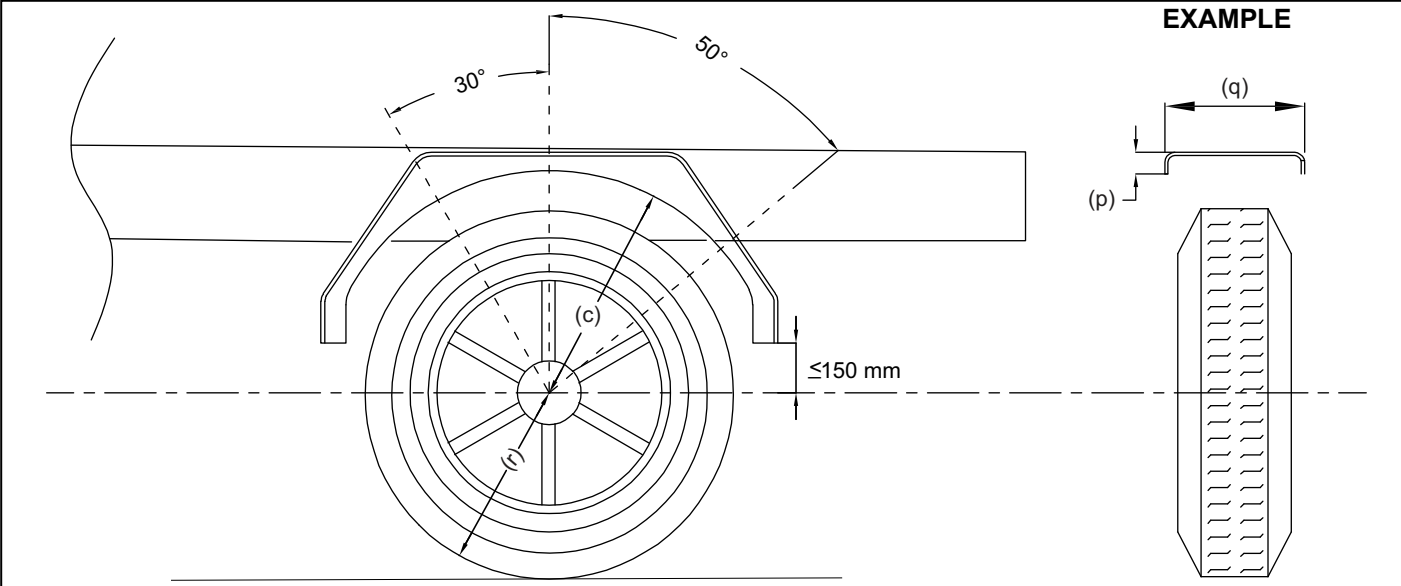
(j) **HMSL installation:** (Applicable for full metal body application)

- Body fabricator shall ensure to install High Mount Stop Lamp (HMSL) with a maximum power limit of 25 watts and in compliance to CMVR Rule 124(1)-20.
- For HMSL wiring provision and its functioning, Rear combination lamp (RCL) connectors already have required positive supply as shown in below figure-1. Body fabricator must use this without tampering the electrical wiring harness. Grounding fix terminal shall be connected properly with RCL ground point.



INSTRUCTIONS FOR BODY FABRICATION

(k) **Wheel Guard:** Wheel guards shall comply with requirements under CMVR Rule No. 124(1)-13. The wheel guard (rear) must be fabricated as per design parameters specified in below illustration.



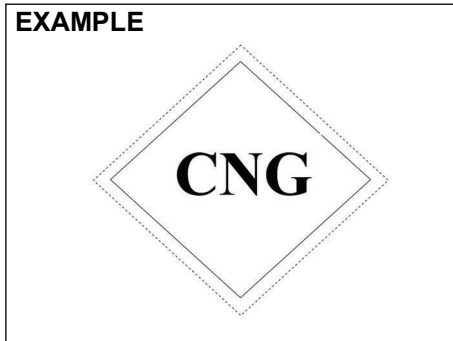
7PM12106

c	≤ 2r
p	> 30 mm
q	> Total Tyre Width
r	Tyre Static Radius

(I) Application for CNG Variant:

CNG Label:

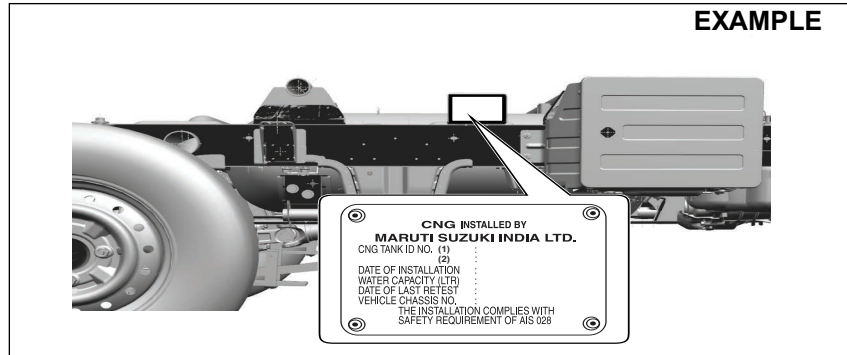
The body builder shall paste “CNG Label” (provided along with vehicle Tool kit packet) on the load body on rear side as per below guidelines.



77PM12011

- (a) Label shall be affixed in a vertical position (as shown above) on flat surface as close to the vehicle number plate as practical.
- (b) Affixed label shall ensure visibility from rear sides.
- (c) The label shall be in position at all times, shall be in good condition, and the shape, colouring and lettering shall be easily identifiable.

CNG Kit Number Identification:



77PM07032

The load body/application shall be fabricated such that it does not impact the visibility of CNG compliance plate.

Disclaimer:

The owner/body-builder shall comply to applicable CMVR requirements and also State Motor vehicle Rules as applicable from time to time in respect of body fabrication of super carry chassis variant.

The vehicle manufacturer shall not be liable for any non-conformity of applicable laws arising due to fabrication of body/ application, in contradiction to manufacturer's instructions and prevailing regulations.

CAUTION
Do not keep your super carry vehicle without deck/body fabrication

પ્રસ્તાવના

ડિજિટલ ઓનર્સ મેન્યુઅલ એ તમારા વાહનનો જરૂરી ભાગ છે, જે એક સંપન્ન દસ્તાવેજ છે, જે ફિયર્સ, ચેતવણીઓ, ઓપરેશન અને ઉપકરણની વિગતો વગેરે જેવી માહિતી પૂરી પાડીને તમને વાહન સાથે પરિચય કરાવે છે. તમારા નવા મારુતિ સુઝુકી વાહનનો ઓપરેટ કરતા પહેલા કૃપા કરીને આ મેન્યુઅલને કાળજીપૂર્વક વાંચો અને સમયાંતરે મેન્યુઅલની સમીક્ષા કરો. આ મેન્યુઅલ (તમારા રજિસ્ટર્ડ મોબાઇલ નંબર સાથે "મારુતિ સુઝુકી રિવોર્ડ્સ" મોબાઇલ એપ્લિકેશનમાંથી) ડાઉનલોડ કરવા અને તેની સોફ્ટ કોપીને હંમેશા સરળતાથી એક્સેસ કરવા માટે સેવ કરવાની ભલામણ કરવામાં આવે છે. કોઈ પણ સર્વિસનો લાભ લેવા માટે કૃપા કરીને મારુતિ સુઝુકી અધિકૃત વર્કશોપની મુલાકાત લો.

તમારા વાહનની આવરદા વધારવા અને જાળવણી ખર્ચ ઘટાડવા, આ મેન્યુઅલના "ઈન્સપેક્શન એન્ડ મેન્ટેનન્સ" વિભાગમાં ઉલ્લેખ કરાયેલ "પિરિયોડિક મેન્ટેનન્સ શિડ્યુલ" અનુસાર સમયાંતરે જાળવણી કરાવવી જ જોઈએ. તમારા સંતોષ અને સુરક્ષાને સુનિશ્ચિત કરવા મુશ્કેલીઓ અને અકસ્માતોને નિવારવા માટે આ આવશ્યક છે.

આ મેન્યુઅલના "ઈન્સપેક્શન એન્ડ મેન્ટેનન્સ" વિભાગમાં ઉલ્લેખ કરાયેલ "ડેઈલી ઈન્સપેક્શન ચેકલિસ્ટ" અનુસાર દૈનિક નિરીક્ષણ અને કાળજી આવશ્યક છે જેથી તમારા વાહનની આવરદા વધારવાની સાથે સુરક્ષિત પરિચાલન સુનિશ્ચિત કરી શકાય.

વાહન અને તેમાં ઉપલબ્ધ સુવિધાઓ / ઉપસાધનો લાગુ કાનૂની જરૂરિયાતો મુજબ માલિક /વપરાશકર્તા દ્વારા વાપરવા અને લાગુ કરવા જોઈએ.

મારુતિ સુઝુકી ઈન્ડિયા લિમિટેડ પૃથ્વીના કુદરતી સંસાધનોની જાળવણી અને રક્ષણમાં વિશ્વાસ ધરાવે છે.

તે પરિપ્રેક્ષ્યમાં અમે, દરેક વાહન માલિકને ઉપયોગ કરાયેલા એન્જિન ઓઈલ, ફ્લુન્ટ તથા અન્ય ફ્લૂઈડ્સ, બેટરી અને ટાયર્સને રિસાઈકલ, ટ્રેડ-ઈન અથવા તો યોગ્ય રીતે નિકાલ કરવામાંથી જે અનુકૂળ લાગે તેમ કરવા પ્રોત્સાહિત કરીએ છીએ.

મારુતિ સુઝુકી ઈન્ડિયા લિમિટેડ

આ મેન્યુઅલમાં સામેલ તમામ માહિતી પ્રકાશનના સમયે ઉપલબ્ધ લેટેસ્ટ પ્રોડક્ટ માહિતી આધારિત છે. સુધારા તેમજ અન્ય ફેરફારોને કારણે આ મેન્યુઅલમાં સામેલ માહિતી અને તમારા વાહન વચ્ચે અમુક વિસંગતતા હોઈ શકે છે. મારુતિ સુઝુકી આગોતરી જાણ કર્યા વિના કોઈ પણ સમયે કોઈ પણ સમયે ઉત્પાદનમાં ફેરફાર કરવાનો તેમજ અગાઉ નિર્મિત અથવા વેચાયેલા વાહનોમાં તે અથવા તેના જેવા ફેરફારો કરી આપવાની ફરજ બંધાયેલા વિના આમ કરવાનો અબાધિત અધિકાર ધરાવે છે.

આ વાહન અન્ય દેશોના માપદંડો અથવા નિયમોનું અનુસરણ ન પણ કરતું હોય. અન્ય કોઈ દેશમાં આ વાહનની ગોંધણીનો પ્રયાસ કરાવતા પહેલા, તમામ લાગુ પડતા નિયમોને ચકાસીને જરૂરી સુધારા કરાવી લેવા.

મહત્વપૂર્ણ

⚠ ચેતવણી/ ⚠ સાવધાની/ નોટિસ
નોંધ

કૃપા કરીને આ મેન્યુઅલ વાંચીને તેની સૂચનાઓનું કાળજીપૂર્વક અનુસરણ કરવું. વિશેષ માહિતી, પ્રતિક ⚠ અને શબ્દો ચેતવણી, સાવધાની, નોટિસ અને નોંધ પર ભાર મૂકવા તેના ખાસ અર્થ જણાવાયા છે. આ સંકેતાત્મક શબ્દો દ્વારા ભારપૂર્વક ઉલ્લેખ કરાયેલા સંદેશા પરત્વે ખાસ ધ્યાન આપવું.

⚠ ચેતવણી

સૂચવે છે સંભવિત જોખમ જેના પરિણામે મૃત્યુ અથવા ગંભીર ઈજા પહોંચી શકે છે.

⚠ સાવધાની

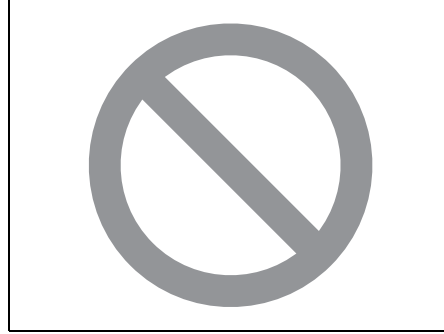
સૂચવે છે સંભવિત જોખમ જેના કારણે નાની અથવા મોટી ઈજા થઈ શકે છે.

નોટિસ

સૂચવે છે સંભવિત જોખમ જેના કારણે વાહનને હાનિ પહોંચી શકે છે:

નોંધ:

સૂચવે છે ખાસ માહિતી જેથી જાળવણીને સરળ અથવા સૂચનાને સ્પષ્ટ બનાવી શકાય



75F135

આ મેન્યુઅલમાં સ્લેશ સાથે કુંડાળું કર્યું હોય તો તેનો મતલબ થશે કે “આમ ન કરશો” અથવા “આમ થવા દેશો નહીં”.

સુધારાવધારા ચેતવણી

⚠ ચેતવણી

તમારા વાહનમાં સુધારાવધારા ન કરાવશો. સુધારાવધારાથી વાહનની સુરક્ષા, સંચાલન, કામગીરી અથવા ટકાઉપણા પર વિપરીત અસર પડી શકે છે અને સરકારી નિયમોનું પણ ઉલ્લંઘન થઈ શકે છે. તદ્દુપરાંત, સુધારાવધારાના પરિણામે થનારી હાનિ અથવા કામગીરીમાં સમસ્યાને વોરન્ટી હેઠળ આવરી ન પણ લેવાય.

નોટિસ

સેલ્યુલર ટેલિફોન્સ અથવા CB (સિટિઝન્સ બેન્ડ) રેડિયો જેવા મોબાઈલ સંદેશાવ્યવહાર સાધનોના અયોગ્ય ઈન્સ્ટોલેશનને કારણે તમારા વાહનની ઈન્જિન પ્રણાલિ સાથે ચેડાં થઈ શકે છે, જેના પરિણામે વાહનની કામગીરીમાં સમસ્યા આવે છે. આવા મોબાઈલ સંદેશાવ્યવહાર સાધનો ઈન્સ્ટોલ કરતા પહેલા તમારા મારુતિ સુઝુકી ડીલરની સલાહ લેવી.

નોટિસ

મારુતિ સુઝુકી દ્વારા ભલામણ કરાઈ ન હોય તેવા હલકી ગુણવત્તાના ઈંધણ અને/અથવા લુબ્રિકેન્ડ્સના ઉપયોગને કારણે ગંભીર હાનિ થઈ શકે છે

ડિજિટલ ઓનર્સ મેન્યુઅલનો અનુભવ કરવા અને તેનો ઉપયોગ કરવા માટે, મારુતિ સુઝુકી એપ ડાઉનલોડ કરો



મારુતિ સુઝુકી રિવોર્ડ્સ એપ કાર માલિકીના અનુભવની મફત ખાતરી કરે છે. એપ ડાઉનલોડ કરીને તમને જોઈતી તમામ સર્વિસિસ અને માહિતીનો સરળ એક્સેસ મેળવો



મારુતિ સુઝુકી પાસેથી ઓનર્સ મેન્યુઅલ કેવી રીતે ડાઉનલોડ કરવું

પગલું 1: તમારા મોબાઇલ ફોન પર એપલ એપ સ્ટોર/ગૂગલ પ્લે સ્ટોર પરથી "મારુતિ સુઝુકી રિવોર્ડ્સ" એપ્લિકેશન ડાઉનલોડ કરો

પગલું 2: રજિસ્ટર્ડ મોબાઇલ નંબર અને SMSમાંથી મેળવેલ OTP ઇનપુટ કરો

પગલું 3: "S-Assist BOT" ઇકોન પસંદ કરો અને ડિજિટલ માલિક મેન્યુઅલને એક્સેસ કરવા માટે "View Owner's Manual" પર ક્લિક કરો

પગલું 4: "ડાઉન એરો" પર ક્લિક કરો, તમારા મોબાઇલ ફોન પર ઓનર્સ મેન્યુઅલ ડાઉનલોડ કરો અને સેવ કરો.

હવે, ઓનર્સ મેન્યુઅલ તમારા મોબાઇલ ફોન પર દરેક સમયે સંદર્ભ માટે ઉપલબ્ધ છે.

(સહાય માટે, મારુતિ સુઝુકી ઓથોરાઇઝ્ડ વર્કશોપનો સંપર્ક કરો)

વોરન્ટી પોલિસી

મારુતિ સુઝુકી ઈન્ડિયા લિમિટેડ (હવેથી જેને કહેવાશે “મારુતિ સુઝુકી”), વોરન્ટી આપે છે કે મારુતિ સુઝુકી દ્વારા ભારતમાં ડિસ્ટ્રીબ્યૂટ કરાતા અને મારુતિ સુઝુકીના અધિકૃત ડીલર દ્વારા વેચવામાં આવતું દરેક નવું મારુતિ સુઝુકી વાહન ઉત્પાદનના સમયે સામગ્રીમાં કોઈ પણ ક્ષતિથી સામાન્ય વપરાશ અને સેવા હેઠળ મુક્ત રહેશે જે નીચેની શરતો અને નિયમોને આધિન રહેશે:

(1) લાયકાત:

આ વોરન્ટી માટે લાયક ઠરવા માટે વાહનની ડીલિવરી મારુતિ સુઝુકીના અધિકૃત ડીલર દ્વારા થયેલી હોવી જોઈએ તથા સેટ-અપ અને સર્વિસ મારુતિ સુઝુકીના અધિકૃત વર્કશોપ દ્વારા થયેલાં હોવા જોઈએ.

(2) અવધિ:

વોરન્ટીની અવધિ પ્રથમ માલિકને ઇન્વોઇસ પૂરું પાડ્યાંની તારીખથી ચોવીસ છત્રીસ (36) મહિના અથવા 1,00,000 કિલોમીટર (જે પહેલું આવે તે) સુધી લાગુ પડશે.

(3) મારુતિ સુઝુકી વોરન્ટીની ફરજો:

ઉપર ઉલ્લેખ કરાયેલી અવધિની અંદર જો મારુતિ સુઝુકી વાહનમાં કોઈ પણ ખામી(ઓ) જોવા મળશે, તો મારુતિ સુઝુકીની એકમાત્ર ફરજ ખામીયુક્ત જણાય તેવા કોઈ પણ પાર્ટને પોતાની સંપૂર્ણ મુનસફીને આધિન રહીને રિપેર કરવા અથવા નવા પાર્ટ વડે બદલવાની અથવા તેની સમકક્ષ સેવા પૂરી પાડવાની જ રહેશે જેના માટે માલિક પાસેથી પાર્ટ્સ અથવા લેબરની કોઈ રકમ નહીં વસૂલાય, ફક્ત જો મારુતિ સુઝુકી એ સ્વીકારે કે આ પ્રકારની ક્ષતિ એ ઉત્પાદનના સમયે ખામીયુક્ત સામગ્રી અથવા તો કારીગરીને કારણે સર્જાયેલી હતી. બદલવામાં આવેલાં આવા ખામીયુક્ત પાર્ટ્સ મારુતિ સુઝુકીની સંપત્તિ બની જશે. આ વોરન્ટી હેઠળ આવરી લેવાતા ન હોય તેવા કોઈ પણ સમારકામ અથવા ફેરબદલી માટે માલિક જ જવાબદાર રહેશે. મારુતિ સુઝુકી દ્વારા લેવામાં આવેલ નિર્ણય અંતિમ અને બાદ ગણાશે.

(4) મર્યાદાઓ:

આ વોરન્ટી આ કિસ્સામાં લાગુ નથી પડતી:

- સામાન્ય મરામત સર્વિસ ચાર મફત સર્વિસ ઉપરાંત જરૂરી છે, જેમાં કોઈ લિમિટેશન વિના, ઓઈલ અને પ્રવાહી ચાર્જિસ, કન્ઝ્યુમેબલ્સ (ઉપભોજ્ય ચીજવસ્તુઓ) હેડલાઈટ એઈમિંગ, ફાસ્ટનર રિટાઈટિંગ, વ્હીલ બેલેન્સિંગ, વ્હીલ એલાઈન્મેન્ટ અને ટાયર રોટેશન, ઈન્જેક્ટર્સની સફાઈ, ક્લચ અને વાલ્વ ક્લીયરન્સનું એડજસ્ટમેન્ટ, કાર્બુરેટર એડજસ્ટમેન્ટ, ઈન્જિન ટાઈમિંગ, ક્લચ અને વાલ્વ ક્લિયરન્સનો સમાવેશ થાય છે.
- મર્યાદા વિના બલ્બ, ટાયર્સ અને ટ્યૂબ્સ, સ્પાર્ક પ્લગ્સ, બેલ્ટ, હોઝિસ, ફિલ્ટર્સ, વાઈપર બ્લેડ્સ, બ્રશિસ, કોન્ટેક્ટ પોઈન્ટ્સ, ફ્યુઝ, ક્લચ ડિસ્ક, બ્રેક શુઝ, બ્રેક પેડ્સ, કેબલ અને તમામ રબર પાર્ટ્સ (ઓઈલ સીલ અને ગ્લાસ રન સિવાય) સહિત પાર્ટ્સને પહોંચતો સામાન્ય ઘસારો.
- કોઈ પણ વાહન જેનો રેસિંગ અથવા કોમ્પિટિશન, રેલીઓ માટે ઉપયોગ કરાયો હોય.
- અકસ્માતો અથવા અથડામણને કારણે સર્જાતા કોઈપણ સમારકામ અથવા ફેરબદલી.
- દુરુપયોગ, બેદરકારી, અસામાન્ય ઉપયોગ, અપુરતી કાળજી, ગુંડાગદી, ચોરી, રમખાણો, આગ, પૂર કે જે વિવિધ ઘટકોમાં પાણી ધૂસી જવાને કારણે એન્જિન ઠપ્પ થઈ જવા, હાઇડ્રોસ્ટેટિક લોક વાગી જવા વગેરે અથવા તો બોડી/વિવિધ ઘટકોને થતાં બાહ્ય નુકસાનને કારણે સર્જાતી કોઈ ખામી/નુકસાન.
- ભેળસેળ કરેલાં ઇંધણ / લ્યુબ્રિકેન્ટ્સ / ઓઈલ / ફ્લન્ટ / પ્રવાહીઓ / પોલિશિંગ કરવા માટેના ઉત્પાદનો તથા ઓનર્સ મેન્યૂઅલમાં ઉલ્લેખિત કયાં હોય તે સિવાયના ઉપયોગમાં લેવાતાં ઇંધણ / લ્યુબ્રિકેન્ટ્સ / ઓઈલ / ફ્લન્ટ / પ્રવાહીઓને કારણે થતી કોઈ ક્ષત.
- લિમિટેશન, કામગીરીની એસેસરીઝના ઈન્સ્ટોલેશન, લાઇટ્સનું એન્લાઈટમેન્ટ, અન્ય ફેરફારો અને બાહ્ય/પરિણામસ્વરૂપના કારણો વિના સહિત સુધારેલું અથવા ફેરફાર કરાયેલું કોઈ પણ વાહન.

- (h) મારુતિ સુઝુકી (નોન-એમએસજીએ, નોન-એમએસજીપી) દ્વારા મંજૂર કરાયેલ ન હોય તેવા પાર્ટ્સ અથવા એસેસરીઝનો જેની પર ઉપયોગ કરાયેલો છે તેવું કોઈ વાહન.
- (i) આ ઓનર્સ મેન્યુઅલ અને સર્વિસ બુકલેટમાં અપાયેલી સંચાલનની સૂચનાઓનું અનુસરણ કરતી ન હોય તેવી રીતે ચલાવવામાં આવેલું કોઈ પણ વાહન.
- (j) ઓનર્સ મેન્યુઅલ અને સર્વિસ બુકલેટમાં ઉલ્લેખ કરાયેલા સર્વિસ ઇન્સપેક્શનને મેળવવામાં આવ્યું ન હોય તેવું કોઈ પણ વાહન.
- (k) મારુતિ સુઝુકીના અધિકૃત વર્કશોપ સિવાય એસેમ્બલ, ડિસએસેમ્બલ, એડજસ્ટ અથવા સમારકામ કરાયું હોય તેવું કોઈ પણ વાહન.
- (l) વાહનને જેના માટે ડિઝાઇન કરાયું છે તે સિવાયના કોઈ અન્ય હેતુ માટે તેનો ઉપયોગ કરાયો હોય.
- (m) હવામાંથી આવીને પડેલી કોઈ વસ્તુ, આકાશમાંથી નીચે પડતી કોઈ ઔદ્યોગિક ચીજવસ્તુ, એસિડ વરસાદ, કરા અથવા કરાની વૃષ્ટિ, પવનનું તોફાન, વીજળી, બર્ડ ડ્રોપિંગ્સ, ઉંદર કરડી જવાથી અને અન્ય કોઈ ચીજવસ્તુ કે જેનાથી વાહનને નુકસાન થાય તેવા કોઈપણ નુકસાન કે ખરાબી.
- (n) મર્યાદા, ધ્વનિ, કંપન અને ફ્લુઇડ સીપ વિના સહિત વાહનની કામગીરીને અસર કરતી ન હોય તેવી બિનનોંધપાત્ર ક્ષતિઓ.
- (o) મર્યાદા, આવરદા, ઘસારો અને તોડફોડ અથવા રંગ ખરાબ થઈ જવો, ઉડી જવો, વિરુપતા આવી જવી અથવા ધૂંધળો થઈ જવો અને ફેબ્રિકનો રંગ ખરાબ થઈ જવા જેવી ખરાબી વગેરે વિના સહિત કોઈ પણ કુદરતી ઘસારો.
- (p) ઘરેલું એલપીજી ગેસ/એલપીજી સિલિન્ડરનો વપરાશ અને સ્થાપના.
- (q) વી-બેલ્ટ્સ, હોઝિસ અને ગેસ લીક્સ
- (r) એલપીજી/સીએનજી ફીટ પાછળથી ફીટ કરાવેલું કોઈ પણ વાહન.
- (s) પેચવર્ક, બોડીવર્ક અને મોલ્ડિંગ્સ અને ઇન્ટીરિયર ટ્રિમ્સ સહિત રીપેઇન્ટિંગ.
- (t) ખવાણ, બોડીના પાર્ટ્સ અને/અથવા ઘટકોને કાટ લાગવો.
- (u) એવું કોઈપણ વાહન જેમાં બિનઅધિકૃત રીતે ઓડોમીટર બદલવામાં આવ્યું હોય અથવા તો ઓડોમીટરના રીડિંગમાં ફેરફાર/છેડખાની કરવામાં આવી હોય, જે સર્વિસ રેકોર્ડ સાથે મેળ ખાતી હોય / અથવા ન ખાતી હોય.

- (v) વાહનના માલિક / વપરાશકર્તાને નુકસાનની જાણકારી હોવા છતાં અને તેમની અજ્ઞાનતાને પરિણામે વાહનનું સમારકામ ન થતાં થયેલું નુકસાન.
- (w) લાંબા સમયગાળા સુધી વાહનને નિષ્ક્રિય રીતે પાર્ક કરી રાખવાથી બેટરી / ટાયર સહિત વાહનને થયેલું કોઈ નુકસાન.
- (x) કોઈપણ વાહન કે જેના પર રેટ્રો-ફિટમેન્ટ અધિકૃત નથી અને/અથવા સંબંધિત ઓટોમોટિવ સ્ટાન્ડર્ડ્સ ઓફ ઇન્ડીયા સહિત મર્યાદિત નથી પરંતુ સંબંધિત ઓથોરિટિવ ધારાધોરણો દ્વારા નિર્ધારિત ધોરણો અનુસાર મંજૂરી આપવામાં આવી છે.
- (y) કોઈપણ વાહન જેના પર રેટ્રો-ફિટમેન્ટ એવું છે જે વાહનને સીધી કે આડકતરી રીતે કોઈ નુકસાન પહોંચાડે અથવા વાહનના કાર્યોને કોઈપણ રીતે અસર કરે.

(5) વોરન્ટી લંબાવવી:

આ વોરન્ટી એ મારુતિ સુઝુકીના વાહનો માટે મારુતિ સુઝુકી દ્વારા સંપૂર્ણપણે લખી આપેલી આ વોરન્ટી છે અને કોઈ ડીલર અથવા તેના એજન્ટ અથવા તેના કર્મચારી આ વોરન્ટીને વિસ્તૃત કરી આપવાની અથવા તો મારુતિ સુઝુકી વતી કોઈ મૌખિક વોરન્ટી અથવા તો રજૂઆત કે બાંધધરી આપવાની અધિકૃતતા ધરાવતા નથી.

કોઈ પણ સમયે કોઈ પણ મોડેલની ડિઝાઇનમાં કોઈ પણ સુધારા-વધારા કે ફેરફાર કરવાનો તથા અગાઉ વેચાયેલા યુનિટ્સમાં આવા ફેરફારો કરી આપવા વચને નહીં બંધાવવાનો અબાધિત અધિકાર ધરાવે છે.

(6) વોરન્ટી સર્વિસ:

વોરન્ટી સર્વિસ પ્રાપ્ત કરવા, મારુતિ સુઝુકીના અધિકૃત વર્કશોપને ત્યાં સંપૂર્ણ વાહનને માલિકના ખર્ચે લાવવા-લઈ જવાનું રહેશે.

વાહનને સર્વિસમાં મુકતી વખતે વાહનમાં રહેલી ગ્રાહકની અંગત ચીજવસ્તુઓ અને વાહનમાં ફિટ કરવામાં આવેલ એસેસરીઝ માટે ગ્રાહક પોતે જવાબદાર રહેશે તથા કોઈપણ પરિસ્થિતિમાં કોઈપણ પ્રકારે કોઈપણ દાવા પર ધ્યાન આપવામાં આવશે નહીં.

(7) માલિકની વોરન્ટી જવાબદારીઓ:

નોટિસ

માલિક ક્ષતિગ્રસ્ત સ્થિતિમાં વાહન વાપરશે નહીં અને તરત જ નજીકના મારુતિ સુઝુકીના અધિકૃત વર્કશોપમાં તેની જાણ કરશે. આના પરિણામે વાહનની વહેલી તકે નિરીક્ષણ અને સમારકામ કરવામાં આવશે અને વ્યક્તિને કોઈ સંભવિત નુકસાન થાય છે અથવા વાહન પ્રકોપન થતું અટકાવી શકાય છે.

દરેક માલિકની એ જવાબદારી બને છે કે:

- તેના પોતાના ખર્ચે, "નિરીક્ષણ અને જાળવણી" પુસ્તકમાં વર્ણવેલા માલિક માટેના મેન્યુઅલમાં ઉલ્લેખિત તમામ સર્વિસ નિરીક્ષણો મારુતિ સુઝુકીના અધિકૃત વર્કશોપ દ્વારા હાથ ધરવામાં આવે છે.
- જો તમે વાહનનું ફરી વેચાણ કરો, તો કૃપા કરીને નવા યૂઝર્સ/માલિકોને આ મેન્યુઅલ ("મારુતિ સુઝુકી રિવોર્ડ્સ" મોબાઇલ એપ્લિકેશનમાંથી તેમના રજિસ્ટર્ડ મોબાઇલ નંબર સાથે) ડાઉનલોડ કરવા માટે માર્ગદર્શન આપો. સાથે જ મેન્યુઅલની સોફ્ટ કોપી નવા યૂઝર્સ/માલિકોને આપવામાં આવવી જોઈએ જ્યારે તેને ફરીથી વેચવામાં આવે અથવા અન્યથા ટ્રાન્સફર કરવામાં આવે.

જો કોઈ કારણસર ઓનર્સ મેન્યુઅલ ગુમ થાય, તો માલિક અથવા યૂઝર તેની સોફ્ટ કોપી ડાઉનલોડ કરી શકે છે (મોબાઇલ નંબર સાથે "મારુતિ સુઝુકી રિવોર્ડ્સ" (Maruti Suzuki Rewards) મોબાઇલ એપ્લિકેશનથી) અને તેને કોઈપણ સમયે સરળ એક્સેસ માટે સેવ કરી શકે છે.

(8) પરિણામ સ્વરૂપી નુકસાનનું ડિસ્ક્લેમર:

આ વોરન્ટી હેઠળ આવરી લેવાતી કોઈ ક્ષતિને કારણે માલિક પાસે વાહન ઉપલબ્ધ ન હોય તો તેના પરિણામે થતા અથવા અન્ય કોઈ પરોક્ષ આકસ્મિક એવા કોઈ પણ નુકસાન અથવા અસુવિધા, સમયની બરબાદી, વાહન ગુમાવવા માટેની કોઈ જવાબદારી મારુતિ સુઝુકી સ્વીકારતી નથી.

(9) માલિકીપણાની તબદિલી

વાહનના માલિકીપણાની તબદિલી થાય, તો પણ નવા માલિક માટે બાકીની વોરન્ટી સમયાવધિ અસરમાં રહે છે.

આ વોરન્ટી ફક્ત ભારતમાં જ લાગુ છે અને અન્ય કોઈ દેશમાં સ્થાનાંતરણ યોગ્ય નથી.

અનુક્રમણિકા

ફ્યુઅલની ભલામણ	1
ડ્રાઇવિંગ પહેલાં	2
તમારા વાહનનું સંચાલન	3
ડ્રાઇવિંગ ટિપ્સ	4
અન્ય કન્ટ્રોલ્સ અને સાધનો	5
વાહન લોડિંગ અને ટોવિંગ	6
નિરીક્ષણ અને જાળવણી	7
ઇમરજન્સી સેવા	8
દેખાવ સંભાળ	9
સામાન્ય માહિતી	10
સ્પષ્ટીકરણો	11
બોડી ફેબ્રિકેશન માટે સૂચનાઓ (ચેસીસ વેરિઅન્ટ)	12

ફ્યુઅલની ભલામણ

ફ્યુઅલની ભલામણ..... 1-1

ફ્યુઅલની ભલામણ

(પેટ્રોલ અને CNG એન્જિન મોડલ માટે)

પેટ્રોલ એન્જિન મોડલ માટે

નુકસાનકારક કેટાલિટીક કન્વર્ટરને (catalytic converter) ટાળવા માટે, તમારે 91 અથવા તેથી વધુના ઓક્ટેન નંબર (RON) સાથે અનલીડેડ પેટ્રોલનો ઉપયોગ કરવો આવશ્યક છે.

ગેસોલિન (Gasoline) / ઇથેનોલ (Ethanol) મિશ્રણ

અનલીડેડ ગેસોલિન (પેટ્રોલ) અને ઇથેનોલનું મિશ્રણ, જેને ગેસહોલ તરીકે પણ ઓળખવામાં આવે છે, તે દેશમાં વ્યવસાયિક રીતે ઉપલબ્ધ છે અને જગ્યા પ્રમાણે બદલાઈ શકે છે. આ વાહન માટે E20 સુધીના ગેસોલિન ઇથેનોલ મિશ્રણનો ઇંધણ તરીકે વાપરી શકાય છે.

MTBE ધરાવતું ગેસોલિન

જો MTBE સામગ્રી 15% થી વધુ ન હોય તો તમારા વાહનમાં MTBE (મિથાઈલ ટર્શરી બ્યુટાઇલ ઈથર) ધરાવતું અનલીડેડ ગેસોલિનનો ઉપયોગ થઈ શકે છે. આ ઓક્સિજનયુક્ત ફ્યુઅલમાં આલ્કોહોલ નથી.

▲ સાવધાન

બનાવટી, હલકી ગુણવત્તાવાળા, ભેળસેળયુક્ત ફ્યુઅલનો ઉપયોગ એન્જિન અને એન્જિન સહાયકોને નુકસાન પહોંચાડી શકે છે, એન્જિનની કામગીરીને અસર કરી શકે છે અને એન્જિનની કામગીરીને બગાડે છે, જેમાં એન્જિન જપ્તીનો સમાવેશ થાય છે, પરંતુ તે પૂરતો મર્યાદિત નથી.

નોટિસ

- ફ્યુઅલ ટાંકી ગરમ હવામાનમાં ફ્યુઅલ વિસ્તરણ માટે પરવાનગી આપવા માટે હવાની જગ્યા ધરાવે છે. જો તમે ફિલર નોઝલ આપમેળે બંધ થઈ ગયા પછી અથવા પ્રારંભિક બ્લોબેક થાય પછી ફ્યુઅલ ઉમેરવાનું ચાલુ રાખશો, તો એર ચોબર ભરાઈ જશે. જ્યારે આ રીતે સંપૂર્ણપણે ફ્યુઅલ આપવામાં આવે ત્યારે ગરમીના સંપર્કમાં ફ્યુઅલના વિસ્તરણને કારણે લીકેજ થશે. આવા ફ્યુઅલ લિકેજને રોકવા માટે, ફિલર નોઝલ આપમેળે બંધ થઈ જાય પછી અથવા જ્યારે વૈકલ્પિક નોન-ઓટોમેટિક સિસ્ટમનો ઉપયોગ કરવામાં આવે તો જ્યારે પ્રારંભિક વેન્ટ બ્લોબેક થાય ત્યારે ભરવાનું બંધ કરો.
- રિફ્યુઅલ કરતી વખતે આલ્કોહોલ ધરાવતું ફ્યુઅલ ન ફેલાય તેની કાળજી રાખો. જો વાહનના બોડી પર ફ્યુઅલ ઢોળાય છે, તો તેને તરત જ સાફ કરો. આલ્કોહોલ ધરાવતા ફ્યુઅલ પેઇન્ટને નુકસાન પહોંચાડી શકે છે, જે ન્યૂ વ્હીકલ લિમિટેડ વોરંટી હેઠળ આવરી લેવામાં આવતું નથી.

CNG એન્જિન મોડલ માટે

CNG

CNG (કમ્પ્રેસ્ડ નેચરલ ગેસ) મુખ્યત્વે મિથેન દ્વારા બનેલી છે. CNGને સ્વચ્છ બર્નિંગ ફ્યુઅલ ગણવામાં આવે છે. CNGની ઓછી ઘનતાને કારણે, વાહનની ઓન-બોર્ડ સ્ટોરેજ ક્ષમતા વધારવા માટે તેને લગભગ 200 બારના દબાણ પર સંકુચિત કરવામાં આવે છે.

▲ સાવધાન

CNG લીકેજ અથવા અવાજ છોડવાના કોઈપણ લક્ષણોના કિસ્સામાં અથવા CNG પાઇપિંગને કોઈ બાહ્ય નુકસાન અથવા અકસ્માત દરમિયાન ગભરાશો નહીં.

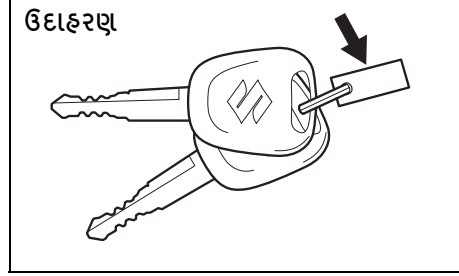
- વાહન રોકી અને એન્જિન બંધ કરો, બારીઓ નીચે ફેરવો અને બધા દરવાજા ખોલો.
- મેન્યુઅલ શટ ઓફ વાલ્વ બંધ કરવાની ખાતરી કરો.
- વધુ સહાયતા માટે તરત જ અધિકૃત મારુતિ સુઝુકી કોમર્શિયલ વર્કશોપનો સંપર્ક કરો.

ડ્રાઇવિંગ પહેલાં

2

ચાવીઓ	2-1
દરવાજાના તાબાઓ.....	2-2
ટેઇલગેટ	2-2
બારીઓ.....	2-3
અરીસાઓ.....	2-4
સીટ	2-5
સીટ બેલ્ટ	2-5
સાધન ક્લસ્ટર.....	2-11
સ્પીડોમીટર	2-12
ફ્યુઅલ ગેજ.....	2-12
માહિતી પ્રદર્શન.....	2-12
ચેતવણી અને સૂચક લાઇટ્સ	2-16
લાઇટિંગ કંટ્રોલ લિવર	2-20
હેડલાઇટ લેવલિંગ સ્વિચ	2-21
ટર્ન સિગ્નલ કંટ્રોલ લીવર	2-21
સંકટ ચેતવણી સ્વિચ.....	2-22
વિન્ડશિલ્ડ વાઇપર અને વોશર લિવર.....	2-22
હોર્ન	2-23
CNG સિલિન્ડર ચેતવણી લેબલ (જો સજ્જ હોય તો).....	2-24
CNG ચેતવણી લેબલ (જો સજ્જ હોય તો).....	2-24
CNG મેન્યુઅલ શટ-ઓફ વાલ્વ (જો સજ્જ હોય તો).....	2-24

ચાવીઓ



51KM024

તમારું વાહન ચાવીઓની જોડી સાથે આવે છે. મોડલ વેરિઅન્ટના આધારે ચાવી ટ્રાન્સમીટરથી સજ્જ હોઈ શકે કે ન પણ હોય. ફાજલ ચાવી સુરક્ષિત જગ્યાએ રાખો. એક ચાવી વાહનના તમામ તાળાઓ ખોલી શકે છે.

ચાવી ઓળખ નંબર ચાવીઓ સાથે પ્રદાન કરવામાં આવેલ મેટલ ટેગ પર અથવા ચાવીઓ પર સ્ટેમ્પ કરવામાં આવે છે. ટેગ (જો સજ્જ હોય તો) સુરક્ષિત જગ્યાએ રાખો. જો તમે તમારી ચાવીઓ ગુમાવો છો, તો તમને નવી ચાવીઓ બનાવવા માટે આ નંબરની જરૂર પડશે. તમારા ભાવિ સંદર્ભ માટે નીચેનો નંબર લખો.

ચાવી નંબર:

ઇમોબિલાઇઝર સિસ્ટમ

આ સિસ્ટમ એન્જિન સ્ટાર્ટિંગ સિસ્ટમને ઇલેક્ટ્રોનિકલી અક્ષમ કરીને વાહન ચોરીને રોકવામાં મદદ કરવા માટે બનાવવામાં આવી છે.

એન્જિન ફક્ત તમારા વાહનની અસલ ઇમોબિલાઇઝર ઇન્જીન ચાવી વડે જ શરૂ કરી શકાય છે, જેમાં ઇલેક્ટ્રોનિક ઓળખ કોડ પ્રોગ્રામ કરેલ હોય છે. જ્યારે ઇન્જીન સ્વીચ "ઓન" સ્થિતિમાં ફેરવાય છે ત્યારે ચાવી વાહનને ઓળખ કોડનો સંચાર કરે છે. જો તમારે ફાજલ ચાવી બનાવવાની જરૂર હોય, તો મારૂતિ સુઝુકી અધિકૃત વર્કશોપમાં જાઓ. વાહનને ફાજલ માટે યોગ્ય ઓળખ કોડ સાથે પ્રોગ્રામ કરેલ હોવું જોઈએ. સામાન્ય ચાવીવાળા દ્વારા બનાવેલી ચાવી કામ કરશે નહીં.



65D239

જો ઇન્જીન સ્વીચ "ઓન" સ્થિતિમાં હોય ત્યારે જો ઇમોબિલાઇઝર સિસ્ટમ ચેતવણી લાઇટ ઝબકી જાય, તો એન્જિન શરૂ થશે નહીં.

જો આ લાઇટ ઝબકતી હોય, તો ઇન્જીન સ્વીચને "લોક" સ્થિતિમાં ફેરવો અને પછી તેને "ઓન" સ્થિતિમાં પાછું ફેરવો.

જો ઇન્જીન સ્વીચ પાછી "ઓન" સ્થિતિ પર ફેરવાયા પછી પણ લાઇટ ઝબકતી હોય, તો તમારી ચાવી અથવા ઇમોબિલાઇઝર સિસ્ટમમાં

કંઈક ખોટું હોઈ શકે છે. મારૂતિ સુઝુકી અધિકૃત વર્કશોપને સિસ્ટમનું નિરીક્ષણ કરવા માટે કહો.

નોંધ:

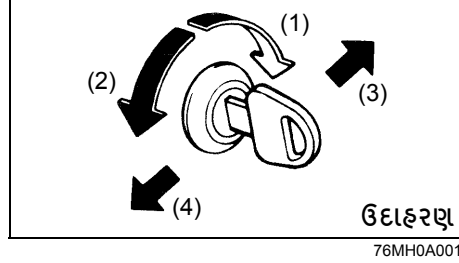
- જો તમે તમારી ઇમોબિલાઇઝર ઇન્જીન ચાવી ગુમાવી દો, તો મારૂતિ સુઝુકી અધિકૃત વર્કશોપને શક્ય તેટલી વહેલી તકે ગુમ થયેલ કીને નિષ્ક્રિય કરવા અને નવી ચાવી બનાવવા માટે કહો.
- જો તમારી પાસે ઇમોબિલાઇઝર ચાવીઓ ધરાવતા અન્ય વાહનો હોય, તો તમારા મારૂતિ સુઝુકી વાહનનો ઉપયોગ કરતી વખતે તે ચાવીઓને ઇન્જીન સ્વીચથી દૂર રાખો. નહિતર, એન્જિન શરૂ થઈ શકશે નહીં કારણ કે તે તમારા મારૂતિ સુઝુકી વાહનની ઇમોબિલાઇઝર સિસ્ટમમાં દખલ કરી શકે છે.
- જો તમે ઇમોબિલાઇઝર ચાવી સાથે કોઈપણ ધાતુની વસ્તુઓને જોડો છો, તો તે એન્જિન શરૂ કરી શકશે નહીં.
- આ ઇમોબિલાઇઝર સિસ્ટમ જાળવણી મુક્ત છે.

નોટિસ

ઇમોબિલાઇઝર ચાવી એ સંવેદનશીલ ઇલેક્ટ્રોનિક સાધન છે. તેને નુકસાન ન થાય તે માટે:

- તેને પ્રભાવો, ભેજ અથવા ઊંચા તાપમાન જેવા કે સીધા સૂર્યપ્રકાશ હેઠળ ડેશબોર્ડ પર ખુલ્લા પાડશો નહીં.
- તેને ચુંબકીય વસ્તુઓથી દૂર રાખો.

**દરવાજાના તાળાઓ
બાજુના દરવાજાના તાળાઓ
ડ્રાઇવરનો દરવાજો**



- (1) લોક
- (2) અનલોક
- (3) આગળ
- (4) પાછળ

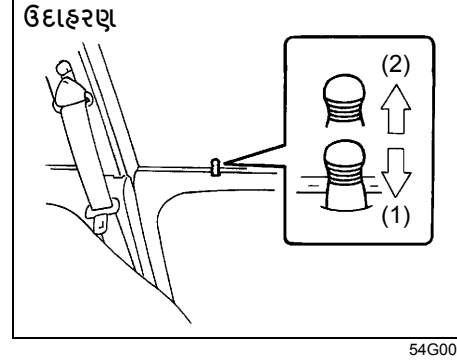
વાહનની બહારથી ડ્રાઇવરના દરવાજાને લોક કરવા માટે:

- ચાવી દાખલ કરો અને ચાવીની ટોચને વાહનના આગળના ભાગ તરફ ફેરવો અથવા
- લોક નોબને નીચે દબાવો, પછી જેમ જેમ તમે દરવાજો બંધ કરો તેમ દરવાજાના હેન્ડલને ખેંચો અને પકડી રાખો.

વાહનની બહારથી ડ્રાઇવરના દરવાજાને અનલોક કરવા માટે, ચાવી દાખલ કરો અને ચાવીની ટોચને વાહનના પાછળના ભાગ તરફ ફેરવો.

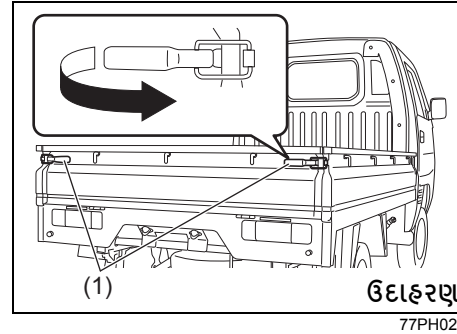
વાહનની બહારથી પેસેન્જરનો દરવાજો લોક કરવા માટે, લોક નોબને નીચે દબાવો, પછી

જ્યારે તમે દરવાજો બંધ કરો ત્યારે દરવાજાના હેન્ડલને ખેંચો અને પકડી રાખો.

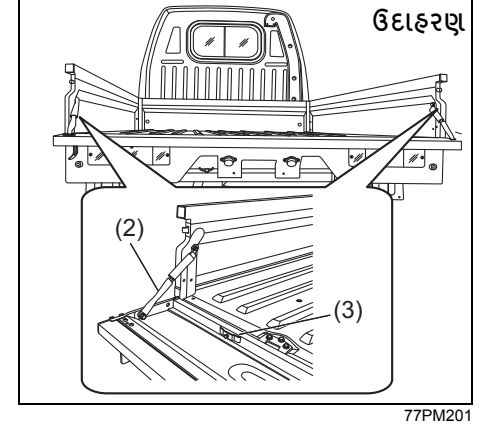


- (1) લોક
- (2) અનલોક

ટેઇલગેટ



ટેઇલગેટ લોક હેન્ડલ્સ (1) ખેંચીને ખોલી શકાય છે. બંધ કરતી વખતે, તેમને નિશ્ચિતપણે લોક કરો.



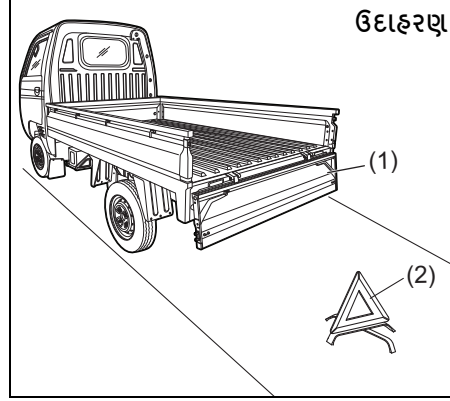
ટેઇલગેટ ચેઇન (2) ની મદદથી મધ્યવર્તી સ્થિતિમાં પણ ટેઇલગેટને લોક કરી શકાય છે.

નોટિસ

જ્યારે ઉપયોગમાં ન હોય ત્યારે ટેઇલગેટ ચેઇન (2) ને પિન (3) વડે લોક કરો.

⚠ ચેતવણી

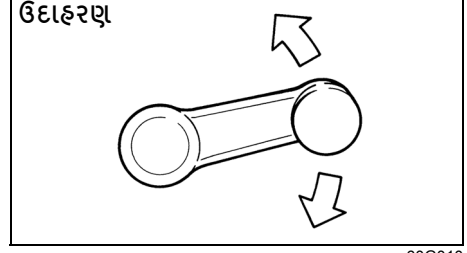
- ખુલ્લી / મધ્યવર્તી સ્થિતિમાં ટેઇલગેટ સાથે ડ્રાઇવિંગ કરવાથી ટેઇલગેટ સ્વિંગ થઈ શકે છે અને અન્યને અથડાશે, જેનાથી ઈજા અથવા મૃત્યુ પણ થઈ શકે છે.
- ખુલ્લી / મધ્યવર્તી સ્થિતિમાં ટેઇલગેટ અન્ય ડ્રાઇવરોને ટેલલાઇટ્સ જોવામાં અવરોધ કરશે, જેના કારણે અકસ્માતો થશે. ખાતરી કરો કે ડ્રાઇવિંગ કરતા પહેલા ટેઇલગેટ બંધ છે અને નિશ્ચિતપણે લોક કરેલું છે.
- ખાતરી કરો કે અકસ્માતની ઘટનામાં કાર્ગોને વાહનમાંથી બહાર ફેંકવામાં ન આવે તે માટે ટેઇલગેટ હંમેશા બંધ અને મજબૂત રીતે લોક કરેલ છે.
- જ્યારે વચગાળાની સ્થિતિમાં લોક કરવામાં આવે ત્યારે ટેઇલગેટ પૂર ઊભા ન રહે, લોડ ન કરો અથવા કાર્ગો ન મૂકો.
- જો ટેઇલગેટ સંપૂર્ણપણે ખુલ્લી સ્થિતિમાં હોય, તો વાહનના પાછળના લાઇટિંગ ઉપકરણો જેમ કે સ્થિતિ લેમ્પ, ટર્ન સિગ્નલ સૂચક અને સ્ટોપ લેમ્પ છુપાઇ જાય છે, અને દેખાતા નથી.



⚠ ચેતવણી

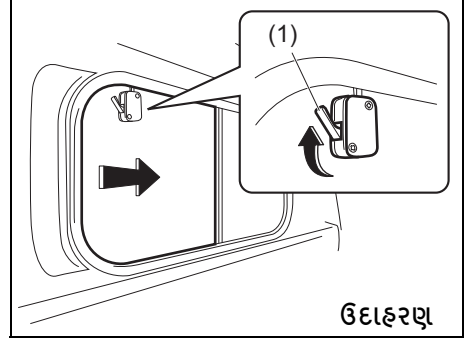
- જો ટેઇલગેટ (1) સંપૂર્ણપણે ખુલ્લી સ્થિતિમાં હોય ત્યારે લોડિંગ અને અનલોડિંગ કરવામાં આવે છે, તો વાહનની હાજરી વિશે અન્ય વપરાશકર્તાઓને ચેતવણી આપવા માટે રસ્તા પર એક ચેતવણી ત્રિકોણ (2) દૃશ્યમાન રીતે મૂકવો આવશ્યક છે.

બારીઓ
મેન્યુઅલ બારી નિયંત્રણ



ડોર પેનલ પર સ્થિત હેન્ડલને ફેરવીને દરવાજાની બારીઓને ઉંચી અથવા ઓછી કરો.

પાછળની બારી



બારી ખોલવા માટે, લોક (1) ને દબાવ કરો અને બારીને સ્લાઇડ કરો.

અરીસાઓ

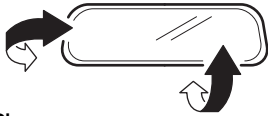
⚠ ચેતવણી

નીચેના મુદ્દાનું અવલોકન કરવામાં નિષ્ફળતાના પરિણામે વાહનનો નિયંત્રણ ગુમાવવો અને અકસ્માત થઈ શકે છે, જેનાથી મૃત્યુ અથવા ગંભીર ઈજા થઈ શકે છે. ડ્રાઇવિંગ કરતી વખતે હંમેશા નીચેના મુદ્દાઓને અનુસરો.

- ડ્રાઇવિંગ કરતી વખતે અરીસાઓને ગોઠવશો નહીં.
- હંમેશા બહારના તમામ રિયરવ્યુ અરીસાને ખોલો અને ડ્રાઇવિંગ કરતા પહેલા યોગ્ય રીતે ગોઠવો.
- વાહનના પાછળના ભાગમાં એવી વસ્તુઓ ન મૂકો કે જે દૃશ્યતાને અવરોધે અથવા પાછળની બારીના કાચમાંથી તમારી દ્રષ્ટિમાં દખલ કરી શકે.

રિયરવ્યુ અરીસાની અંદર

તમે અંદરના રિયરવ્યુ અરીસાને હાથથી ગોઠવી શકો છો જેથી કરીને અરીસામાં તમારા વાહનનો પાછળનો ભાગ જોઈ શકાય.



ઉદાહરણ

74LHT0235

⚠ સાવધાન

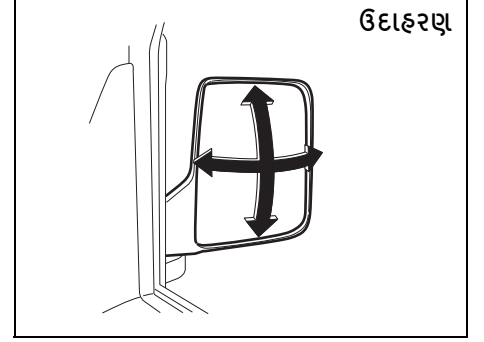
અંદરના રિયરવ્યુ અરીસાને સંશોધિત કરશો નહીં અથવા બિન-અસલી પહોળા અરીસાને ઇન્સ્ટોલ કરશો નહીં. તે અકસ્માત દરમિયાન ઈજામાં પરિણમી શકે છે.

રિયરવ્યુ અરીસાની બહાર

બહારના રિયરવ્યુ અરીસા(ઓ) ને ગોઠવો જેથી તમે અરીસા(ઓ)માં તમારા વાહનની બાજુ જોઈ શકો.

⚠ ચેતવણી

બાજુના બહિર્મુખ અરીસામાં દેખાતા વાહન અથવા અન્ય ઓબ્જેક્ટના કદ અથવા સ્થિતિનું મૂલ્યાંકન કરતી વખતે સાવચેત રહો. ધ્યાન રાખો કે વસ્તુઓ નાની દેખાય છે અને સપાટ અરીસામાં દેખાય છે તેના કરતાં દૂર દેખાય છે.



ઉદાહરણ

64P0190

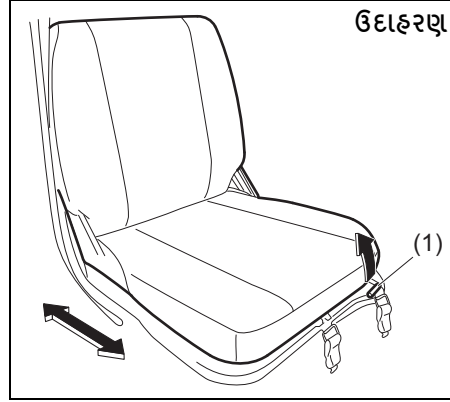
સીટ સીટ એડજસ્ટમેન્ટ (ફાઇવરની સીટ)

⚠ ચેતવણી

ફાઇવિંગ કરતી વખતે ક્યારેય ફાઇવરની સીટને વ્યવસ્થિત કરવાનો પ્રયાસ કરશો નહીં. સીટ અણધારી રીતે ખસી શકે છે, જેના કારણે નિયંત્રણ ગુમાવી શકાય છે. ખાતરી કરો કે તમે ફાઇવિંગ શરૂ કરો તે પહેલાં ફાઇવરની સીટ યોગ્ય રીતે ગોઠવેલ છે.

⚠ ચેતવણી

સીટ બેલ્ટની વધુ પડતી સ્ટ્રેક ટાળવા માટે, જે સલામતી ઉપકરણ તરીકે સીટ બેલ્ટની અસરકારકતા ઘટાડે છે, ખાતરી કરો કે સીટ બેલ્ટ બાંધતા પહેલાં સીટો ગોઠવવામાં આવી છે.



સીટ સ્થિતિ એડજસ્ટમેન્ટ લીવર (1)

લીવરને ઉપર ખેંચો અને સીટને સ્લાઇડ કરો. ગોઠવણ કર્યા પછી, સીટ સુરક્ષિત રીતે ગોઠવેલી છે તેની ખાતરી કરવા માટે તેને આગળ અને પાછળ ખસેડવાનો પ્રયાસ કરો.

⚠ સાવધાન

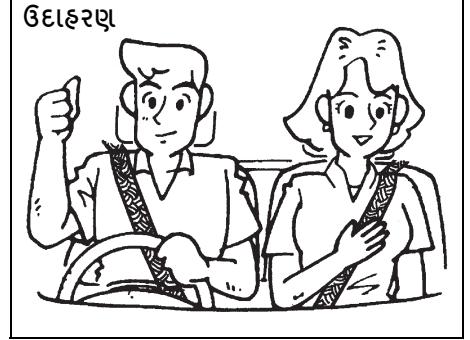
સીટને સમાયોજિત કરતી વખતે, ધ્યાન રાખો કે સીટ તમારા હાથથી ચપટી કરે નહીં, અથવા તમારા શરીરને અથડાય નહીં.

નોંધ:

સીટને સરળતાથી ચલાવવા માટે, સીટ બેક એડજસ્ટમેન્ટ લીવર (2) ને ઉપરની દિશામાં ખેંચો. લીવરને સંપૂર્ણપણે ઉપરની સ્થિતિમાં

ખસેડ્યા પછી જ સીટને પાછી ખસેડવાની ખાતરી કરો. સીટ બેક એડજસ્ટ કર્યા પછી, લીવરને હળવેથી છોડો. સીટને આગળ અને પાછળ ખસેડીને તપાસો કે પાછળની સીટ લોક છે.

સીટ બેલ્ટ

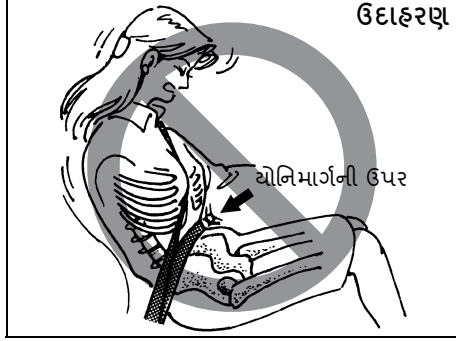


⚠ ચેતવણી

તમારા સીટ બેલ્ટ દરેક સમયે પહેરો.

⚠ ચેતવણી

ફાઇવર અને મુસાફરને દરેક સમયે સીટ બેલ્ટ પહેરીને યોગ્ય રીતે સંયમ રાખવો જોઈએ, પછી ભલે તે ખૂબ જ ઓછા અંતર માટે વાહન ચલાવતા હોય, પછી ભલે તેમની સીટ પર એર બેગ લગાવવામાં આવી હોય કે ન હોય, જેથી કેશની ઘટનામાં ગંભીર ઈજા કે મૃત્યુનું જોખમ ઓછું થાય.



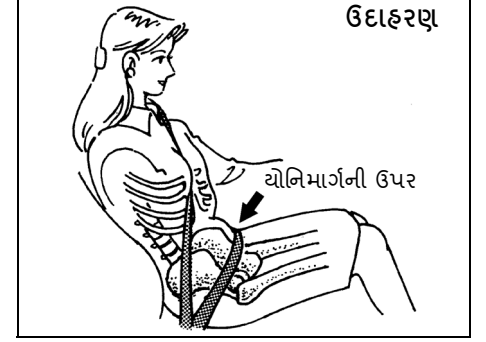
ઉદાહરણ

65D606

⚠ યેતવણી

- વ્યક્તિઓને વાહનના કાર્ગો વિસ્તારમાં ક્યારેય સવારી કરવાની મંજૂરી આપશો નહીં. અકસ્માતની ઘટનામાં, જે લોકો સીટ બેલ્ટ સુરક્ષિત રીતે બાંધીને સીટ પર સવારી કરતા નથી તેમના માટે ઈજા થવાનું વધુ જોખમ રહેલું છે.
- ખાતરી કરો કે બધા સીટ બેલ્ટ યોગ્ય રીતે પહેર્યા છે.જો અથડામણ થાય તો અયોગ્ય રીતે પહેરવામાં આવેલ સીટ બેલ્ટ ઈજા અથવા મૃત્યુનું જોખમ વધારે છે.
- સીટ બેલ્ટ હંમેશા નીચે પ્રમાણે ગોઠવવા જોઈએ:
 - બેલ્ટનો લેપ ભાગ યોનિમાર્ગની આજુબાજુ નીચો પહેરવો જોઈએ, કમર તરફ નહીં.
 - ખભાના પટ્ટાઓ ફક્ત બહારના ખભા પર પહેરવા જોઈએ, અને ક્યારેય હાથની નીચે નહીં.
 - ખભાના પટ્ટા તમારા ચહેરા અને ગરદનથી દૂર હોવા જોઈએ, પરંતુ તમારા ખભા પરથી ન પડતાં હોય.

(ચાલુ)



ઉદાહરણ

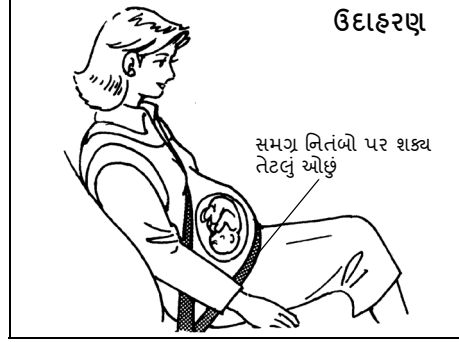
65D201

⚠ યેતવણી

(ચાલુ)

- સીટ બેલ્ટને સ્ટ્રેપ ટુવિસ્ટેડ સાથે ક્યારેય પહેરવા જોઈએ નહીં અને તેને જે સુરક્ષા માટે ડિઝાઇન કરવામાં આવી છે તે પૂરી પાડવા માટે આરામદાયક હોય તેટલી ચુસ્ત રીતે ગોઠવવી જોઈએ.સ્લેક પટ્ટો સ્નગ બેલ્ટ કરતાં ઓછું રક્ષણ પૂરું પાડશે.
- ખાતરી કરો કે દરેક સીટ બેલ્ટ બકલ યોગ્ય બકલ કેચમાં દાખલ કરવામાં આવે છે.

(ચાલુ)



65D199

ઉદાહરણ

⚠ ચેતવણી

(ચાલુ)

- સગર્ભા સ્ત્રીઓએ સીટ બેલ્ટનો ઉપયોગ કરવો જોઈએ, જો કે ડ્રાઇવિંગ વિશે મહિલાના તબીબી સલાહકાર દ્વારા ચોક્કસ ભલામણો કરવી જોઈએ. યાદ રાખો કે આકૃતિમાં બતાવ્યા પ્રમાણે, બેલ્ટનો લેપ ભાગ શક્ય તેટલો નીચો નિતંબ પર પહેરવો જોઈએ.
- ખિસ્સામાં કે કપડામાં સખત, નાજુક અથવા તીક્ષ્ણ વસ્તુઓ જેમ કે પેન, ચાવી, યશ્મા વગેરે પર સીટ બેલ્ટ ન પહેરો. આવી વસ્તુઓ પર સીટ બેલ્ટના દબાણથી અકસ્માતના કિસ્સામાં ઈજા થઈ શકે છે.
- તમારો સીટ બેલ્ટ તમારા ખિસ્સામાં અથવા તમારા કપડા પર સખત અથવા તોડી શકાય તેવી વસ્તુઓ પર ન પહેરો. જો અકસ્માત થાય તો સીટ બેલ્ટની નીચે યશ્મા, પેન વગેરે વસ્તુઓને કારણે ઈજા થઈ શકે છે.

(ચાલુ)

⚠ ચેતવણી

(ચાલુ)

- એક જ સીટ બેલ્ટનો ઉપયોગ એક કરતાં વધુ વ્યક્તિઓ પર ન લગાડો અને વ્યક્તિના ખોળામાં રાખવામાં આવેલ શિશુ અથવા બાળક પર ક્યારેય સીટ બેલ્ટ ન જોડો. આવા સીટ બેલ્ટના ઉપયોગથી અકસ્માતની ઘટનામાં ગંભીર ઈજા થઈ શકે છે.
- અતિશય ઘસારાઓ અને નુકસાન માટે સમયાંતરે સીટ બેલ્ટ એસેમ્બલીનું નિરીક્ષણ કરો. સીટ બેલ્ટ બદલવો જોઈએ જો વેબિંગ તૂટેલું, દૂષિત અથવા કોઈપણ રીતે નુકસાન થયું હોય. આખી સીટ બેલ્ટ એસેમ્બલીને ગંભીર અસરમાં પહેર્યા પછી બદલવી જરૂરી છે, પછી ભલે એસેમ્બલીને નુકસાન સ્પષ્ટ ન હોય.
- શિશુઓ અને નાના બાળકોને જ્યાં સુધી યોગ્ય રીતે સંયમિત ન હોય ત્યાં સુધી ક્યારેય પરિવહન ન કરવું જોઈએ.
- બાળકો માટે, જો ખભાનો પટ્ટો ગરદન અથવા ચહેરા પર બળતરા કરે છે, તો બાળકને વાહનના કેબ્લની નજીક ખસેડો.
- પોલિશ, તેલ, રસાયણો અને ખાસ કરીને બેટરી એસિડ દ્વારા સીટ બેલ્ટના જોડાણને દૂષિત કરવાનું ટાળો. હળવા સાબુ અને પાણીનો ઉપયોગ કરીને સફાઈ સુરક્ષિત રીતે થઈ શકે છે.

(ચાલુ)

⚠ ચેતવણી

(ચાલુ)

- સીટ બેલ્ટના બક્લમાં સિક્કા, ક્લિપ્સ વગેરે જેવી કોઈપણ ચીજવસ્તુઓ દાખલ કરશો નહીં અને આ ભાગોમાં પ્રવાહી ન ફેલાય તેનું ધ્યાન રાખો.

લેપ-શોલ્ડર બેલ્ટ

ઈમરજન્સી લોકીંગ રીટ્રેક્ટર (ELR)

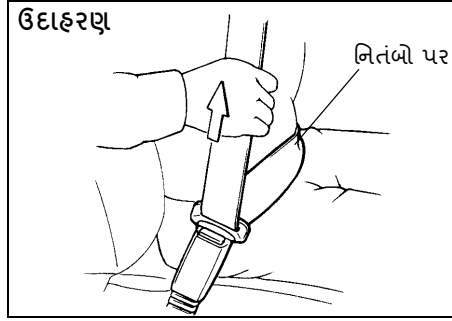
સીટ બેલ્ટમાં ઈમરજન્સી લોકીંગ રીટ્રેક્ટર (ELR) હોય છે, જે સીટ બેલ્ટને માત્ર અચાનક સ્ટોપ અથવા અસર દરમિયાન જ લોક કરવા માટે રચાયેલ છે. જો તમે તમારા શરીર પર ખૂબ જ ઝડપથી પદ્ધતિ ખેંચો તો તે લોક પણ થઈ શકે છે. જો આવું થાય, તો તેને થવા દો, પછી તમારા શરીર પર પદ્ધતિ વધુ ધીમેથી ખેંચો.

સલામતી રીમાઇન્ડર



60A038

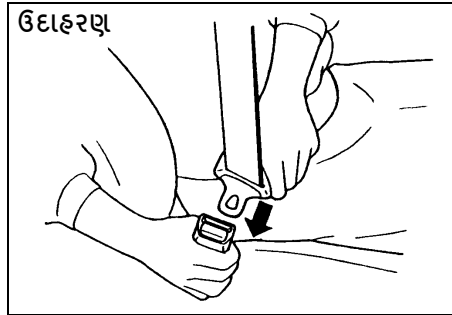
ઉદાહરણ



60A040

અથડામણ દરમિયાન બેલ્ટની નીચે સરકવાનું જોખમ ઘટાડવા માટે, બેલ્ટના લેપના ભાગને તમારા ખોળામાં શક્ય તેટલું નીચું રાખો અને બેલ્ટના ખભાના ભાગને લેવ પ્લેટ દ્વારા ઉપરની તરફ ખેંચીને તેને સ્નગ ફિટમાં ગોઠવો. ખભાના પદ્ધતિની લંબાઈ એ ગતિની સ્વતંત્રતાને મંજૂરી આપવા માટે પોતાને સમાયોજિત કરે છે.

ઉદાહરણ



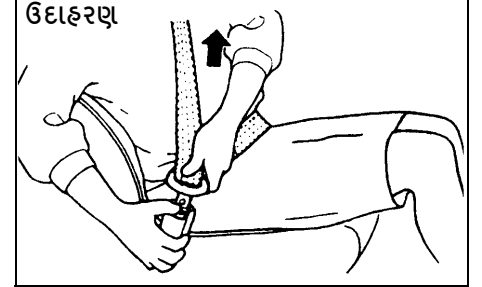
60A036

સીટ બેલ્ટને બાંધવા માટે, સીટ પર સીધા અને સારી રીતે બેસો, સીટ બેલ્ટ સાથે જોડાયેલ લેવ પ્લેટને તમારા સમગ્ર શરીરમાં ખેંચો અને જ્યાં સુધી તમે ક્લિક ન સાંભળો ત્યાં સુધી તેને સીધા બક્લમાં દબાવો.

નોંધ:

જો સીટ બેલ્ટ તેની સંપૂર્ણ પાછી ખેંચાયેલી સ્થિતિમાંથી ખેંચી શકાતો નથી, તો બેલ્ટને નિશ્ચિતપણે ખેંચો અને તેને છોડો. પછી રીટ્રેક્ટરમાંથી બેલ્ટને સરળતાથી ખેંચો.

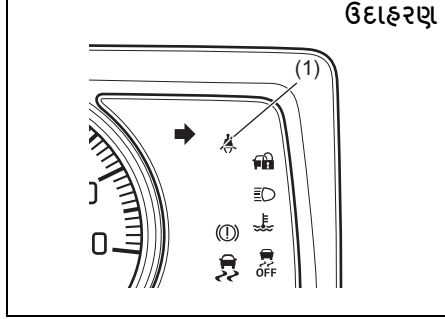
ઉદાહરણ



60A039

સીટ બેલ્ટને બંધ કરવા માટે, બક્લ પરના બટનને દબાવો અને બેલ્ટ અથવા/અને લેવ પ્લેટ સાથે હાથ જોડતી વખતે ધીમે ધીમે બેલ્ટને પાછી ખેંચો.

સીટ બેલ્ટ રીમાઇન્ડર



77PM02020

(1) ડ્રાઇવરની સીટ બેલ્ટ રીમાઇન્ડર લાઇટ / આગળના પેસેન્જરના સીટ બેલ્ટ રીમાઇન્ડર લાઇટ

જ્યારે ડ્રાઇવર અને/અથવા આગળનો મુસાફર તેમના સીટ બેલ્ટ બાંધે/નથી બાંધે, ત્યારે સીટ બેલ્ટ રીમાઇન્ડર લાઇટ આવશે અથવા ઝબકશે અને ડ્રાઇવર અને/અથવા પેસેન્જરને તેમના સીટ બેલ્ટ બાંધવાની યાદ અપાવવા માટે બઝર અવાજ કરશે. વધુ વિગતો માટે, નીચેની સમજૂતીનો સંદર્ભ લો.

⚠ ચેતવણી

તે એકદમ જરૂરી છે કે ડ્રાઇવર અને મુસાફરો હંમેશા તેમના સીટ બેલ્ટ બાંધે. જે લોકો સીટ બેલ્ટ બાંધતા નથી તેઓને અકસ્માત થાય તો ઈજા થવાનું જોખમ ઘણું વધારે હોય છે. ઇઝીશન સ્વીચમાં ચાવી નાખતા પહેલા તમારા સીટ બેલ્ટને બકલ કરવાની નિયમિત આદત બનાવો.

નોંધ:

ડ્રાઇવરની સીટ બેલ્ટ રીમાઇન્ડર લાઇટ / ફ્રન્ટ પેસેન્જરના સીટ બેલ્ટ રીમાઇન્ડર લાઇટ ડ્રાઇવર અને આગળના પેસેન્જર બંને માટે છે.

ડ્રાઇવર અથવા આગળના યાત્રીનું સીટ બેલ્ટ રીમાઇન્ડર

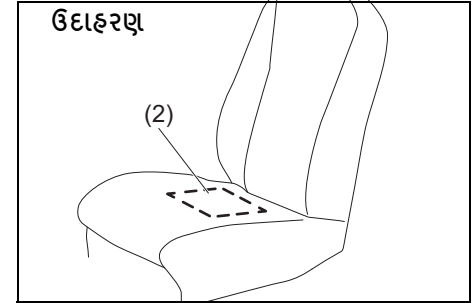
જો ઇઝીશન સ્વીચ "ચાલુ" હોય ત્યારે ડ્રાઇવરનો અથવા આગળના યાત્રીનો સીટ બેલ્ટ અનબકલ રહેતો હોય, તો રીમાઇન્ડર નીચે પ્રમાણે કાર્ય કરે છે:

- 1) ડ્રાઇવર અથવા આગળના યાત્રીના સીટ બેલ્ટ રીમાઇન્ડર પર લાઇટ આવશે.
- 2) વાહનની સ્પીડ લગભગ **15** કિમી/કલાક સુધી પહોંચી ગયા પછી, ડ્રાઇવર અથવા આગળના યાત્રીના સીટ બેલ્ટ રિમાઇન્ડર પર લાઇટ ઝબકશે અને લગભગ **95** સેકન્ડ માટે બઝર અવાજ કરશે.
- 3) પગલું **2** સમાપ્ત થયા પછી, ડ્રાઇવર અથવા આગળના યાત્રીનો સીટ બેલ્ટ બંધ ન થાય ત્યાં સુધી રીમાઇન્ડર લાઇટ ચાલુ રહેશે.

જો ડ્રાઇવર અથવા આગળના યાત્રી એ તેનો સીટ બેલ્ટ બાંધ્યો હોય અને બાદમાં સીટ બેલ્ટને અનબકલ કર્યો હોય, તો રીમાઇન્ડર સિસ્ટમ વાહનની ગતિ અનુસાર પગલું **1** અથવા **2** થી સક્રિય થશે. જ્યારે વાહનની ઝડપ **15** કિમી/કલાકથી ઓછી હોય, ત્યારે રિમાઇન્ડર પગલું **1** થી શરૂ થશે). જ્યારે વાહનની ઝડપ **15** કિમી/કલાકથી વધુ હોય, ત્યારે રિમાઇન્ડર પગલું **2** થી શરૂ થશે). જ્યારે ડ્રાઇવરનો અથવા આગળના યાત્રીનો સીટ બેલ્ટ બકલ કરવામાં આવે અથવા ઇઝીશન સ્વીચ બંધ હોય ત્યારે રીમાઇન્ડર આપમેળે રદ થઈ જશે.

ફ્રન્ટ પેસેન્જર સીટ બેલ્ટ રીમાઇન્ડર

જો આગળની પેસેન્જર સીટ પર કોઈ વ્યક્તિ બેઠેલી હોય અને જ્યારે ઇઝીશન સ્વીચ "ચાલુ" સ્થિતિમાં હોય ત્યારે આગળનો પેસેન્જર સીટ બેલ્ટ અનબકલ કરેલ હોય, તો આગળના પેસેન્જરનું સીટ બેલ્ટ રીમાઇન્ડર સક્રિય થશે.



69RH203

(2) આગળના પેસેન્જરના સીટ બેલ્ટ રીમાઇન્ડરનું સેન્સર

સીટ બેલ્ટ રીમાઇન્ડર સેન્સર (2) તપાસે છે કે વ્યક્તિ આગળની સીટ પર બેઠી છે કે કેમ. આગળના પેસેન્જરના સીટ બેલ્ટ રીમાઇન્ડરનું સેન્સર સીટ કુશનમાં સ્થિત છે.

આગળના પેસેન્જરનું સીટ બેલ્ટ રીમાઇન્ડર ડ્રાઇવરના સીટ બેલ્ટ રીમાઇન્ડરની જેમ જ કામ કરે છે.

નોટિસ

- આગળના પેસેન્જરના સીટ બેલ્ટ રિમાઇન્ડરનું સેન્સર સીટ કુશનમાં સ્થિત છે. જો સીટના ગાદી પર ભારે અથવા તીક્ષ્ણ વસ્તુઓ મૂકવામાં આવે અથવા પેસેન્જરની સીટને દૂર કરવા, ડિસએસેમ્બલી અને ફેરફાર કરવામાં આવે તો, સેન્સર યોગ્ય રીતે કામ કરી શકશે નહીં અથવા તેને નુકસાન થઈ શકે છે. સીટના ગાદી પર ભારે કે તીક્ષ્ણ વસ્તુઓ ન મુકો. મુસાફરની સીટને દૂર, ડિસએસેમ્બલ અને સંશોધિત કરશો નહીં.
- સીટ કવરની વિવિધતાને આધારે, સેન્સરની કામગીરી પર પ્રતિકૂળ અસર થઈ શકે છે. મારૂતિ સુઝુકી ભારપૂર્વક ભલામણ કરે છે કે તમે આ વાહન માટે ફક્ત મારૂતિ સુઝુકી જેન્યુઇન સીટ કવરનો ઉપયોગ કરો.
- જો તમે આગળના પેસેન્જરના સીટ કુશન પર લિક્વિડ એરોમેટિક્સ, સોફ્ટ ડ્રિંક્સ અથવા જ્યુસ જેવા પ્રવાહી કેલાવી છો, તો સીટ કુશનમાં સ્થિત ફન્ટ પેસેન્જરના સીટ બેલ્ટ રિમાઇન્ડરના સેન્સરને નુકસાન થઈ શકે છે. જ્યારે હોળાઈ જાય ત્યારે તેને તરત જ નરમ કપડાથી સૂકવી લો. (ચાલુ)

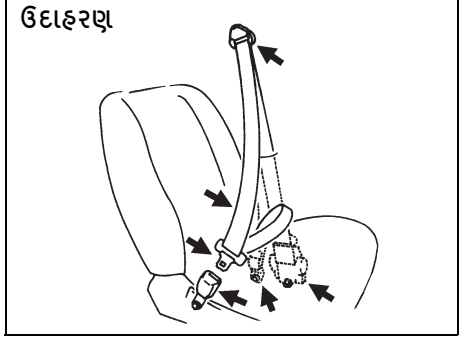
નોટિસ

- (ચાલુ)
- જ્યારે આગળના મુસાફરની સીટ પર બેઠો હોય, ત્યારે તે ખૂબ જ મહત્વપૂર્ણ છે કે સીટબેલ્ટ રિમાઇન્ડર સિસ્ટમ અસરકારક રીતે કાર્ય કરી શકે તે માટે પેસેન્જર સીટો સીધો બેસે, સીટની પાછળની બાજુએ ઝુકે અને સીટ કુશન પર કેન્દ્રિત હોય. અયોગ્ય રીતે બેઠેલાં વ્યક્તિ (સ્લોય, બાજુ તરફ વળે, આગળ કે બાજુમાં બેસે) આ સિસ્ટમની કામગીરીને અવરોધી શકે છે કારણ કે તે વ્યક્તિને શોધી શકશે નહીં.

- નોંધ:
- જો તમે પેસેન્જરની સીટ પર ઓબ્જેક્ટ મૂકો છો, તો ઓબ્જેક્ટનું વજન સેન્સર દ્વારા સમજાશે અને આગળના પેસેન્જરના સીટ બેલ્ટની રિમાઇન્ડર લાઇટ આવશે અને પછી આંતરિક બઝર બીપ કરી શકે છે.
 - જો કોઈ બાળક અથવા નાના કદની વ્યક્તિ આગળના પેસેન્જરની સીટ પર બેસે છે અથવા ગાદી આગળના પેસેન્જરની સીટ પર મુકવામાં આવે છે, તો સેન્સર દ્વારા વજનનો અહેસાસ થઈ શકશે નહીં અને આંતરિક બઝર બીપ કરશે નહીં.

નોંધ:
મારૂતિ સુઝુકી "સીટ કવર"ની મારૂતિ સુઝુકી જેન્યુઇન સહાયકોનો ઉપયોગ કરવાની ભલામણ કરે છે.

સીટ બેલ્ટનું નિરીક્ષણ



65D209S

સીટ બેલ્ટ યોગ્ય રીતે કામ કરે છે અને નુકસાન નથી થયું તેની ખાતરી કરવા માટે સમયાંતરે તેનું નિરીક્ષણ કરો. વેબિંગ, બક્લ્સ, લેય પ્લેટ્સ, રિટ્રેક્ટર્સ, એન્કરેજ અને માર્ગદર્શિકા લુપ્સ તપાસો. કોઈપણ સીટ બેલ્ટ બદલો જે યોગ્ય રીતે કામ કરતા ન હોય અથવા ક્ષતિગ્રસ્ત હોય.

⚠ ચેતવણી

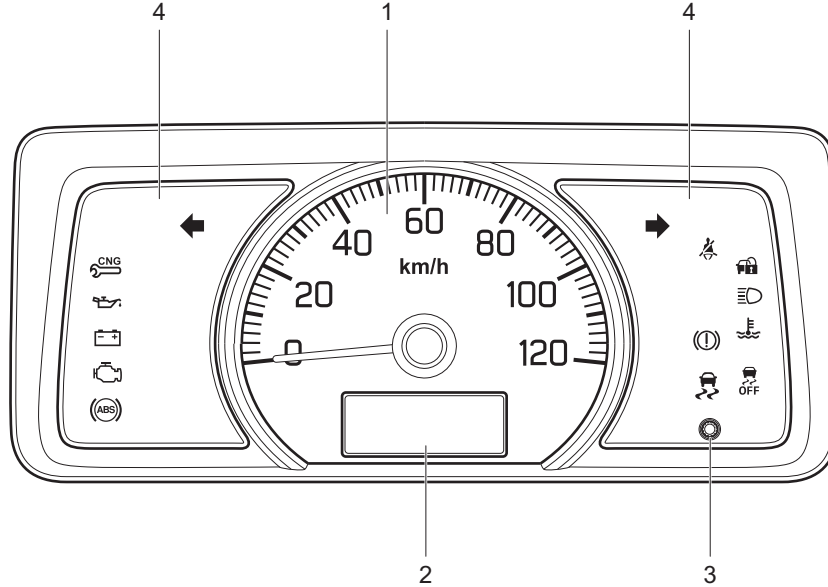
કોઈપણ અથડામણ પછી તમામ સીટ બેલ્ટ એસેમ્બલીનું નિરીક્ષણ કરવાની ખાતરી કરો. કોઈપણ સીટ બેલ્ટ એસેમ્બલી કે જે અથડામણ દરમિયાન ઉપયોગમાં લેવામાં આવી હતી (ખૂબ જ નાના સિવાય) બદલવી જોઈએ. ભલે એસેમ્બલીને નુકસાન સ્પષ્ટ ન હોય. કોઈપણ સીટ બેલ્ટ એસેમ્બલી કે જે અથડામણ દરમિયાન ઉપયોગમાં ન હતી તે જો તે યોગ્ય રીતે કામ કરતું ન હોય અથવા તેને કોઈપણ રીતે નુકસાન થયું હોય તો તેને બદલવું જોઈએ.

ડ્રાઇવિંગ પહેલાં

સાધન ક્લસ્ટર

1. સ્પીડોમીટર
2. માહિતી પ્રદર્શન
3. ટ્રીપ મીટર સિલેક્ટર નોબ
4. ચેતવણી અને સૂચક લાઇટ

ઉદાહરણ



77PM02021

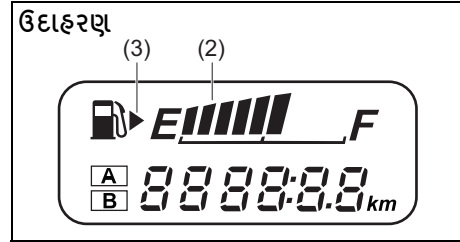
સ્પીડોમીટર

સ્પીડોમીટર વાહનની ગતિ દર્શાવે છે.

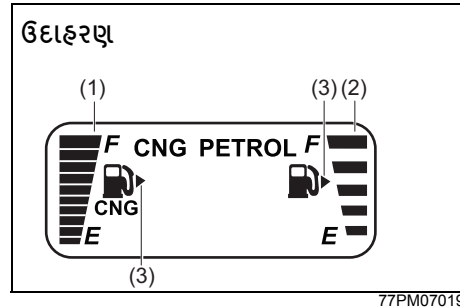
નોંધ:

સરકારના નિયમ મુજબ વાહનની મહત્તમ ઝડપ 80 કિમી પ્રતિ કલાક છે.

ફ્યુઅલ ગેજ પેટ્રોલ મોડલ



CNG મોડલ



(1) CNG ફ્યુઅલ ગેજ સૂચવે છે.

(2) પેટ્રોલ ફ્યુઅલ ગેજ સૂચવે છે.

જ્યારે ઇન્જીન સ્વીચ "ઓન" સ્થિતિમાં હોય, ત્યારે આ ગેજ ફ્યુઅલ ટાંકીમાં ફ્યુઅલની માત્રાનો અંદાજિત સૂચક આપે છે. "F" નો અર્થ સંપૂર્ણ અને "E" નો અર્થ ખાલી છે.

જો ફ્યુઅલ મીટર સૂચક "E" માટે માત્ર એક જ સેગમેન્ટ દર્શાવે છે, તો બને તેટલી વહેલી તકે ટાંકીને ફરી ભરો.

ચિત્ર (3) સૂચવે છે કે ફ્યુઅલ ભરવાનો દરવાજો વાહનની જમણી બાજુએ સ્થિત છે.

નોટિસ

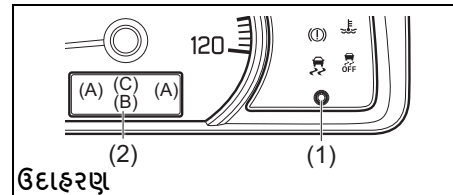
ઉત્પ્રેરક કન્વર્ટર અથવા વાહનના અન્ય ઘટકોને નુકસાન થવાની સંભાવનાને ઘટાડવા માટે, ખાલી ફ્યુઅલ ટાંકીના સ્તરની નજીક વાહન ચલાવવાનું ટાળો.

નોંધ:

જો છેલ્લો સેગમેન્ટ ઝબકતો હોય, તો તેનો અર્થ એ છે કે ફ્યુઅલ લગભગ ખાલી છે.

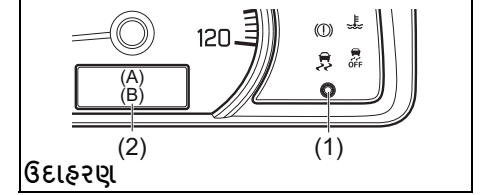
માહિતી પ્રદર્શન

CNG મોડલ માટે



ઉદાહરણ

પેટ્રોલ મોડલ માટે



(1) ટ્રીપ મીટર સિલેક્ટર નોબ

(2) માહિતી પ્રદર્શન

જ્યારે ઇન્જીન સ્વીચ "ઓન" સ્થિતિમાં હોય, ત્યારે માહિતી પ્રદર્શન નીચેની માહિતી દર્શાવે છે.

ડિસ્પ્લે (A)

ફ્યુઅલ ગેજ

ડિસ્પ્લે (B)

ઓડોમીટર / ટ્રીપ મીટર / ઘડિયાળ / ચમક નિયંત્રણ

ડિસ્પ્લે (C)

ફ્યુઅલ મોડલ (જો સજ્જ હોય તો)

ફ્યુઅલ ગેજ

જ્યારે ઇન્જીન સ્વીચ "ઓન" સ્થિતિમાં હોય, ત્યારે ડિસ્પ્લે (A) ફ્યુઅલ ગેજ દર્શાવે છે.

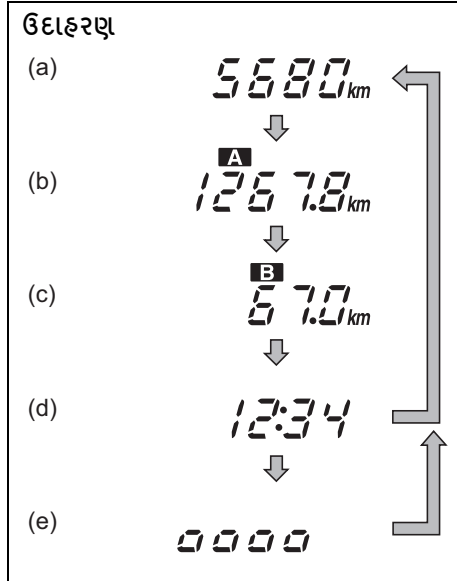
આ વિભાગમાં "ફ્યુઅલ ગેજ" નો સંદર્ભ લો.

ડ્રાઇવિંગ પહેલાં

ઓડોમીટર / ટ્રીપ મીટર / ઘડિયાળ / ચમક નિયંત્રણ

જ્યારે ઇન્જીન સ્વીચ "ઓન" સ્થિતિમાં હોય, ત્યારે ડિસ્પ્લે (B) નીચેના સૂચકોમાંથી એક, ઓડોમીટર, ટ્રિપ મીટર A, ટ્રિપ મીટર B અથવા ઘડિયાળ દર્શાવે છે.

ડિસ્પ્લે ઇન્ડિકેશન (B) ને સ્વિચ કરવા માટે, ટ્રીપ મીટર સિલેક્ટર નોબ (1) ને ઝડપથી દબાવવા કરો.



77PH007

- (a) ઓડોમીટર
- (b) ટ્રીપ મીટર A
- (c) ટ્રીપ મીટર B
- (d) ઘડિયાળ
- (e) ચમક નિયંત્રણ*

*જ્યારે સ્થિતિ લાઇટ અને/અથવા હેડલાઇટ ચાલુ હોય ત્યારે ચમક નિયંત્રણ દબાવો.

⚠ ચેતવણી

જો તમે ડ્રાઇવિંગ કરતી વખતે ડિસ્પ્લેને સમાયોજિત કરવાનો પ્રયાસ કરો છો, તો તમે વાહન પરનું નિયંત્રણ ગુમાવી શકો છો.

ડ્રાઇવિંગ કરતી વખતે ડિસ્પ્લેને સમાયોજિત કરવાનો પ્રયાસ કરશો નહીં.

નોંધ:

જ્યારે તમે નોબને દબાવવા કરશો અને છોડશો ત્યારે સૂચકો બદલાશે.

ઓડોમીટર

ઓડોમીટર કુલ અંતર રેકોર્ડ કરે છે જેટલા પર વાહન ચલાવવામાં આવ્યું છે.

નોંટિસ

તમારા ઓડોમીટર રીડિંગનો ટ્રેક રાખો અને જરૂરી સેવાઓ માટે નિયમિતપણે જાળવણી શેડ્યુલ તપાસો.

યોગ્ય માઇલેજ અંતરાલો પર જરૂરી સેવાઓ કરવામાં નિષ્ફળતાના પરિણામે અમુક ભાગોમાં વધારો અથવા નુકસાન થઈ શકે છે.

ટ્રીપ મીટર

ટ્રીપ મીટરનો ઉપયોગ ટૂંકી ટ્રિપ્સ પર અથવા ફ્યુઅલના સ્ટોપ વચ્ચેના અંતરને માપવા માટે થઈ શકે છે.

તમે ટ્રિપ મીટર A અથવા ટ્રિપ મીટર B નો સ્વતંત્ર રીતે ઉપયોગ કરી શકો છો.

ટ્રિપ મીટરને શૂન્ય પર રીસેટ કરવા માટે, જ્યારે ડિસ્પ્લે ટ્રિપ મીટર બતાવે ત્યારે ટ્રિપ મીટર સિલેક્ટર નોબ (1) ને થોડીવાર માટે દબાવી રાખો.

નોંધ:

ટ્રિપ મીટરનું દર્શાવેલ મહત્તમ મૂલ્ય 9999.9 છે. જ્યારે તમે મહત્તમ મૂલ્યને પાર કરો છો, ત્યારે દર્શાવેલ મૂલ્ય 0.0 પર પાછું આવશે.

ઘડિયાળ

ડિસ્પ્લે સમય બતાવે છે.

સમય સૂચક બદલવા માટે:

- 1) ટ્રિપ મીટર સિલેક્ટર નોબ (1) ને જ્યાં સુધી મિનિટનો સૂચક ઝબકી ન જાય ત્યાં સુધી દબાવી રાખો.
- 2) મિનિટનો સૂચક બદલવા માટે, જ્યારે મિનિટનો સૂચક ઝબકતો હોય ત્યારે ટ્રિપ મીટર સિલેક્ટર નોબ (1) ને વારંવાર દબાવવા કરો. મિનિટના સૂચકને ઝડપથી બદલવા માટે, ટ્રિપ મીટર સિલેક્ટર નોબને દબાવો અને પકડી રાખો (1). મિનિટનો સૂચક સેટ કરવા માટે, કલાકનો સૂચક ઝબકવા માંડે ત્યાં સુધી લગભગ 5 સેકન્ડ્સ રાહ જુઓ.

૩) કલાકનો સૂચક બદલવા માટે, ટ્રિપ મીટર સિલેક્ટર નોબ (1) ને વારંવાર દબાણ કરો જ્યાં સુધી મિનિટનો સૂચક ઝબકવાનું શરૂ ન થાય. લગભગ 5 સેકન્ડ્સ રાહ જુઓ અને કલાકનો સૂચક ઝબકવા લાગશે. કલાકનો સૂચક બદલવા માટે, ટ્રિપ મીટર સિલેક્ટર નોબ (1) ને ઝડપથી દબાવો અને પકડી રાખો. કલાકનો સૂચક સેટ કરવા માટે, લગભગ 5 સેકન્ડ્સ રાહ જુઓ.

⚠ ચેતવણી

જો તમે ડ્રાઇવિંગ કરતી વખતે ડિસ્પ્લેને સમાયોજિત કરવાનો પ્રયાસ કરો છો, તો તમે વાહન પરનું નિયંત્રણ ગુમાવી શકો છો.

ડ્રાઇવિંગ કરતી વખતે ડિસ્પ્લેને સમાયોજિત કરવાનો પ્રયાસ કરશો નહીં.

નોંધ:

જ્યારે તમે નકારાત્મક (-) ટર્મિનલને બેટરી સાથે ફરીથી કનેક્ટ કરો છો, ત્યારે ઘડિયાળનો સૂચક ફરીથી શરૂ કરવામાં આવશે. તમારી પસંદગી પર ફરીથી સૂચક બદલો.

બ્રાઇટનેસ કંટ્રોલ

જ્યારે સ્થિતિ લાઇટ અને/અથવા હેડલાઇટ ચાલુ હોય, ત્યારે તમે મીટરની રોશની તીવ્રતાને નિયંત્રિત કરી શકો છો.

ઇન્સ્ટ્રુમેન્ટ પેનલ લાઇટની બ્રાઇટનેસ બદલવા માટે, ટ્રિપ મીટર સિલેક્ટર નોબ (1) ને દબાવો અને પકડી રાખો.

⚠ ચેતવણી

જો તમે ડ્રાઇવિંગ કરતી વખતે ડિસ્પ્લેને સમાયોજિત કરવાનો પ્રયાસ કરો છો, તો તમે વાહન પરનું નિયંત્રણ ગુમાવી શકો છો.

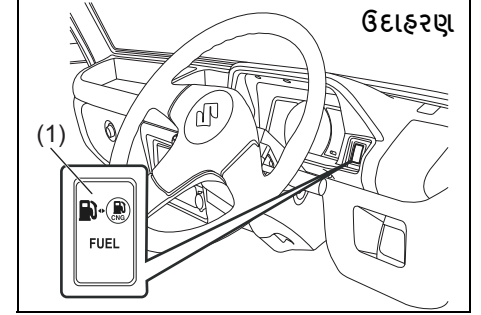
ડ્રાઇવિંગ કરતી વખતે ડિસ્પ્લેને સમાયોજિત કરવાનો પ્રયાસ કરશો નહીં.

નોંધ:

- જો તમે ચમક નિયંત્રણ ડિસ્પ્લેને સક્રિય કર્યાની લગભગ 10 સેકન્ડ્સની અંદર ટ્રિપ મીટર સિલેક્ટર નોબને દબાણ કરશો નહીં, તો ચમક નિયંત્રણ ડિસ્પ્લે આપમેળે રદ થઈ જશે.
- જ્યારે તમે બેટરીને ફરીથી કનેક્ટ કરો છો, ત્યારે ઇન્સ્ટ્રુમેન્ટ પેનલ લાઇટની ચમક ફરી શરૂ કરવામાં આવશે. તમારી પસંદગી અનુસાર ચમકને ફરીથી ગોઠવો.

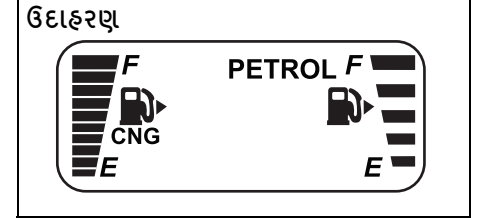
CNG મોડલ માટે ફ્યુઅલ મોડ્સ (જો સજ્જ હોય તો)

વાહન પેટ્રોલ, ઓટો અને ફોર્સ CNG મોડ્સમાં ત્રણ ફ્યુઅલ મોડ્સ છે જે ડેશબોર્ડ પર સ્ટિયરિંગ વ્હીલની જમણી બાજુએ આવેલી સિલેક્ટર સ્વીચ(1) દબાવીને પસંદ કરી શકાય છે.



77PM02005

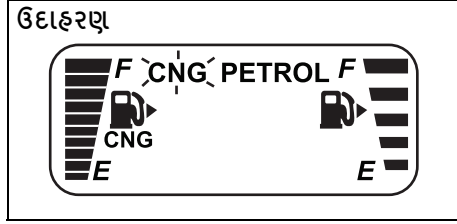
પેટ્રોલ મોડ



77PM02002

આ મોડમાં વાહન પેટ્રોલમાં શરૂ થાય છે અને પેટ્રોલ મોડમાં ચાલવાનું ચાલુ રાખે છે. આ મોડમાં, પેટ્રોલ સૂચક સતત પ્રદર્શિત થાય છે અને CNG સૂચક “ઓફ” રહેશે.

ઓટો મોડ



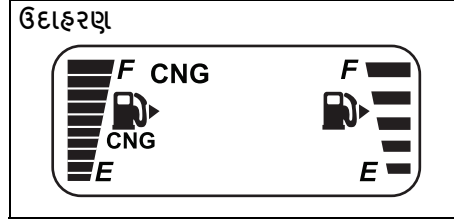
77PM02003

આ મોડમાં એન્જિન પેટ્રોલ મોડમાં સ્ટાર્ટ થાય છે અને પછી પ્રોગ્રામ કરેલ લીમિટિંગ અપ કંટ્રોલમાં પહોંચ્યા પછી આપોઆપ CNG માં બદલાય છે. ઇન્જીન સ્વીચ ઓન થવાથી અને વાહન "ઓટો મોડ" માં શરૂ થાય છે, CNG સૂચક ડિસ્પ્લે પર ઝબકે છે અને પેટ્રોલ સૂચક પ્રદર્શિત થાય છે. CNG માં બદલાવ પછી, CNG સૂચક પ્રદર્શિત થશે અને પેટ્રોલ સૂચક આપોઆપ સ્વિચ ઓફ થઈ જશે.

નોંધ:

- એન્જિનના જીવનને વધારવા માટે વાહનને હંમેશા ઓટો મોડ અથવા પેટ્રોલ મોડમાં શરૂ કરવાની ભલામણ કરવામાં આવે છે.
- જ્યારે એમ્બિયન્ટ/એન્જિનનું તાપમાન શૂન્ય ડિગ્રી સેલ્સિયસથી નીચે હોય ત્યારે વાહન ચાલુ કરવામાં આવે તો CNGમાં ક્યુઅલનું પરિવર્તન થઈ શકશે નહીં. આવા કિસ્સામાં, એન્જિનને જ્યાં સુધી તે ગરમ ન થાય ત્યાં સુધી પેટ્રોલ મોડમાં ચલાવો અને પછી એન્જિનને CNG પર બદલવા માટે ફરીથી શરૂ કરવાનો પ્રયાસ કરો.

ફરજિયાત CNG મોડ



77PM02004

આ ઇમરજન્સી મોડ છે અને પેટ્રોલ ટાંકીમાં પેટ્રોલ ન હોય તેવા કિસ્સામાં તેનો ઉપયોગ થઈ શકે છે. આ મોડમાં વાહન CNG મોડમાં શઇન્જીશન "ઓન" હોય અને એન્જિન ચાલુ ન હોય, માત્ર CNG સૂચક પ્રદર્શિત ન થાય ત્યાં સુધી એન્જિન સ્વીચને દબાવી રાખો. આ મોડમાં, CNG સૂચક પ્રદર્શિત થાય છે અને પેટ્રોલ સૂચક "ઓફ" રહે છે.

નોંધ:

- પેટ્રોલ ટાંકીમાં પેટ્રોલનો પૂરતો જથ્થો રાખવાની ભલામણ કરવામાં આવે છે.
- જો એમ્બિયન્ટ/એન્જિનનું તાપમાન શૂન્ય ડિગ્રી સેલ્સિયસથી ઓછું હોય તો વાહન ફોર્સ CNG મોડમાં શરૂ ન થઈ શકે. વાહનને ઓટો મોડમાં શરૂ કરવાની ભલામણ કરવામાં આવે છે.

CNG મોડથી પેટ્રોલ મોડમાં ઓટોમેટિક એન્જિન ઓવર

જો એન્જિન ચાલુ હોય ત્યારે CNG સમાપ્ત થઈ જાય, તો વાહન આપમેળે CNG મોડમાંથી પેટ્રોલ મોડમાં બદલાઈ જશે અને CNG ખરાબ થવાની ચેતવણીનો લેમ્પ ઝબકવા લાગશે. પેટ્રોલ સૂચક સતત પ્રદર્શિત થશે અને CNG સૂચક આપોઆપ સ્વિચ ઓફ થઈ જશે.

આ માહિતીને સ્વીકારવા માટે, એન્જિન ઓવર સ્વિચને એકવાર દબાવો. એન્જિન ઓવર સ્વીચ દબાવવામાં આવ્યા પછી CNG મેલફંક્શન વોર્નિંગ લેમ્પ ઝબકતો બંધ થઈ જશે અને પેટ્રોલ ઈન્ડિકેટર સતત ચમકશે. જો કે CNG મેલફંક્શન સૂચક લેમ્પ દરેક અનુગામી ઇન્જીન ચાલુ - ઇન્જીન બંધ સ્થિતિ પછી ઝબકવાનું ચાલુ રાખશે જ્યાં સુધી વાહન CNG સાથે રિફિલ ન થાય. જો CNG રિફિલ કરવામાં આવ્યું હોય, તો કૃપા કરીને CNG પર બદલવા માટે એકવાર ક્યુઅલ એન્જિન ઓવર સ્વીચ દબાવો. ત્યારબાદ CNG પર વાહન ચાલી શકશે.

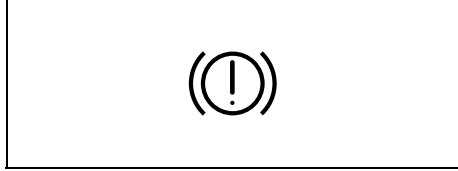
નોંધ:

- CNG મોડમાંથી પેટ્રોલ મોડમાં સ્વચાલિત ફેરફાર કરતી વખતે એન્જિન અટકી ન જાય તે માટે પેટ્રોલની ટાંકીમાં પૂરતા પ્રમાણમાં પેટ્રોલ રાખવાની ભલામણ કરવામાં આવે છે.
- જો એન્જિન ઓવર સ્વીચ દબાવ્યા પછી CNG ની ખરાબી ચેતવણી લેમ્પ ઝબકતો બંધ ન થાય, તો નજીકના અધિકૃત મારૂતિ સુઝુકી કોમર્શિયલ વર્કશોપમાં વાહનની તપાસ કરાવો.

ચેતવણી અને સૂચક લાઇટ્સ

નોંધ:
જો ચેતવણી અને સૂચક લાઇટ ઝબકતી હોય અથવા ચાલુ થાય, તો માહિતી ડિસ્પ્લે પર સંબંધિત સંદેશાઓ બતાવવામાં આવી શકે છે.

બ્રેક સિસ્ટમ ચેતવણી લાઇટ



82K170

વાહનના સ્પષ્ટીકરણના આધારે ચાર અલગ-અલગ પ્રકારની કામગીરી અસ્તિત્વમાં છે.

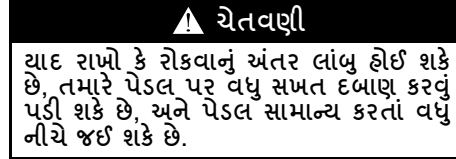
- 1) જ્યારે ઇમ્બ્રેક સ્વીચ "ઓન" સ્થિતિમાં ફેરવાય છે ત્યારે લાઇટ થોડા સમય માટે આવે છે.
- 2) જ્યારે પાર્કિંગ બ્રેક "ઓન" સ્થિતિમાં ઇમ્બ્રેક સ્વીચ સાથે જોડાયેલ હોય ત્યારે લાઇટ આવે છે.
- 3) જ્યારે ઉપરોક્ત બેમાંથી એક અથવા બંને સ્થિતિમાં લાઇટ આવે છે.
- 4) જ્યારે બ્રેક ફ્લુઇડ રિઝર્વોયરમાં પ્રવાહી નિર્દિષ્ટ લેવલથી નીચે આવે ત્યારે પણ લાઇટ આવે છે.

જો બ્રેક પ્રવાહી રિઝર્વોયરમાં પ્રવાહીનું સ્તર પૂરતું હોય તો, એન્જિન શરૂ કર્યા પછી અને પાર્કિંગ બ્રેકને સંપૂર્ણપણે મુક્ત કર્યા પછી લાઇટ બહાર જવી જોઈએ.

જ્યારે **ABS** સિસ્ટમનું રિઅર બ્રેક ફોર્સ કંટ્રોલ ફંક્શન (પ્રોપોર્શનિંગ વાલ્વ ફંક્શન) નિષ્ક્રમ જાય છે ત્યારે **ABS** ચેતવણી લાઇટ સાથે લાઇટ પણ ચાલુ થાય છે.

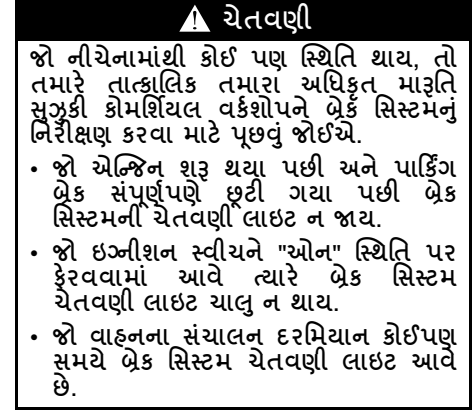
જો તમે વાહન ચલાવતા હોવ ત્યારે જો બ્રેક સિસ્ટમની ચેતવણી લાઇટ આવે છે, તો તેનો અર્થ એવો થઈ શકે છે કે વાહનની બ્રેક સિસ્ટમમાં કંઈક ગરબડ છે. જો આવું થાય, તો તમારે:

- 1) રસ્તા પરથી ખેંચો અને કાળજીપૂર્વક રોકો.



ચાલુ રાખો કે રોકવાનું અંતર લાંબુ હોઈ શકે છે, તમારે પેડલ પર વધુ સખત દબાણ કરવું પડી શકે છે, અને પેડલ સામાન્ય કરતાં વધુ નીચે જઈ શકે છે.

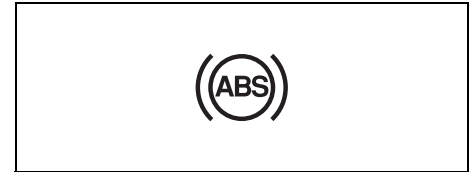
- 2) રસ્તાની બાજુએ કાળજીપૂર્વક શરૂ કરીને અને રોકીને બ્રેક્સનું પરીક્ષણ કરો.
 - જો તમે નક્કી કરો કે તે સુરક્ષિત છે, તો સમારકામ માટે નજીકના ડીલર પાસે ઓછી ઝડપે કાળજીપૂર્વક વાહન ચલાવો અથવા
 - સમારકામ માટે વાહનને નજીકના અધિકૃત માણે સુઝુકી કોમર્શિયલ વર્કશોપમાં લઈ જાઓ.



નોંધ:

કારણ કે બ્રેક સિસ્ટમ સ્વ-વ્યવસ્થિત છે, જેમ જેમ બ્રેક પેડલ પહેરવામાં આવશે તેમ પ્રવાહીનું સ્તર ઘટશે. બ્રેક પ્રવાહી રિઝર્વોયરને ફરી ભરવું એ સામાન્ય સામાયિક જાળવણી ગણવામાં આવે છે.

એન્ટિ-લોક બ્રેક સિસ્ટમ (**ABS**) ચેતવણી લાઇટ (જો જોડેલું હોય તો)



65D529

ડ્રાઇવિંગ પહેલાં

જ્યારે ઇન્જીન સ્વીચને “ચાલુ” કરવામાં આવે છે, ત્યારે થોડા સમય માટે લાઇટ ચાલુ થાય છે જેથી તમે તપાસ કરી શકો કે લાઇટ કામ કરી રહી છે કે નહીં.
જો લાઇટ ચાલુ રહે છે અથવા ડ્રાઇવિંગ કરતી વખતે ચાલુ થાય છે, તો **ABS** માં કંઈક ખરાબી હોઈ શકે છે.

જો આવું થાય, તો:

- 1) રસ્તાની બાજુ પાર જાઓ અને કાળજીપૂર્વક રોકો.
- 2) ઇન્જીન સ્વીચને “લોક” સ્થિતિમાં લાવો અને પછી ફરીથી એન્જિન શરૂ કરો.

જો ચેતવણી લાઇટ થોડા સમય માટે ચાલુ થાય છે અને પછી બંધ થઇ જાય છે, તો સિસ્ટમ સામાન્ય છે. જો ચેતવણી લાઇટ હજુ પણ ચાલુ રહે છે, તો સિસ્ટમમાં કંઈક ખરાબી છે.

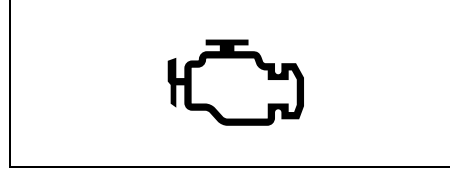
જો લાઇટ અને બ્રેક સિસ્ટમની ચેતવણી લાઇટ ચાલુ રહે છે અથવા ડ્રાઇવિંગ કરતી વખતે એકસાથે ચાલુ થાય છે, તો તમારી **ABS** સિસ્ટમ રિઅર બ્રેક ફોર્સ કંટ્રોલ ફંક્શન (પ્રોપોર્શનિંગ વાલ્વ ફંક્શન)થી જોડેલું છે અને રિઅર બ્રેક ફોર્સ કંટ્રોલ ફંક્શન અને **ABS** સિસ્ટમના એન્ટી-લોક ફંક્શન બંનેમાં કંઈક ખરાબી હોઈ શકે છે.

જો ઉપરોક્તમાંથી કોઇપણ એક થાય, તો **MARUTI SUZUKI** અધિકૃત વર્કશોપ દ્વારા સિસ્ટમનું નિરીક્ષણ કરાવો.

જો **ABS** નિષ્ક્રિય થઇ જાય, તો બ્રેક સિસ્ટમ સામાન્ય બ્રેક સિસ્ટમ તરીકે કાર્ય કરશે જેમાં આ **ABS** સિસ્ટમ ન હોય.

ABS સિસ્ટમની વિગતો માટે, “તમારા વાહનનું સંચાલન” વિભાગમાં “એન્ટીલોક બ્રેક સિસ્ટમ (ABS)” નો સંદર્ભ લો.

માલફંક્શન સૂચક લાઇટ



63J031

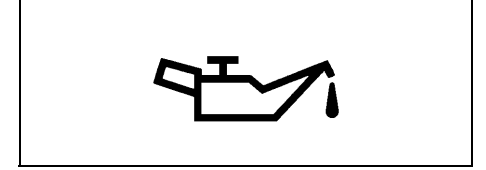
તમારા વાહનમાં કમ્પ્યુટર-નિયંત્રિત ઉત્સર્જન નિયંત્રણ સિસ્ટમ છે જ્યારે ઉત્સર્જન નિયંત્રણ સિસ્ટમની સેવા કરવી જરૂરી છે ત્યારે તે સૂચવવા માટે સાધનની પેનલ પર પ્રામીયુક્ત સૂચક લાઇટ પ્રદાન કરવામાં આવે છે. જ્યારે એન્જિન શરૂ થાય ત્યારે લાઇટ કામ કરી રહી છે અને બહાર જાય છે તે જણાવવા માટે જ્યારે ઇન્જીન સ્વીચને “ઓન” સ્થિતિમાં ફેરવવામાં આવે ત્યારે ખામી સૂચક લાઇટ આવે છે.

જો એન્જિન ચાલુ હોય ત્યારે ખામી સૂચક લાઇટ આવે છે, તો ઉત્સર્જન નિયંત્રણ સિસ્ટમમાં સમસ્યા છે. નુકસાનને ઠીક કરવા માટે વાહનને તમારી નજીકની અધિકૃત મારુતિ સુઝુકી કોમર્શિયલ વર્કશોપ પર લઈ જાઓ.

નોટિસ

જ્યારે ખામી સૂચક લાઇટ ચાલુ હોય ત્યારે વાહન ચલાવવાનું ચાલુ રાખવાથી વાહનની ઉત્સર્જન નિયંત્રણ સિસ્ટમને કાયમી નુકસાન થઈ શકે છે, અને તે ક્યુઅલના અર્થતંત્ર અને ડ્રાઇવિંગને અસર કરી શકે છે.

ઓઇલ પ્રેશર લાઇટ



50G051

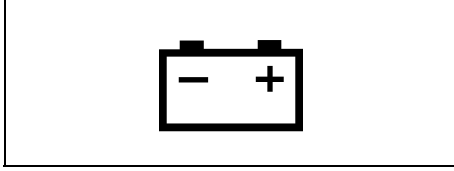
આ લાઇટ ત્યારે આવે છે જ્યારે ઇન્જીન સ્વીચ “ઓન” સ્થિતિમાં ફેરવાય છે, અને જ્યારે એન્જિન શરૂ થાય છે ત્યારે બહાર જાય છે. જો તેલનું પૂરતું દબાણ ન હોય તો લાઇટ ચાલુ રહેશે અને ચાલુ રહેશે. જો ડ્રાઇવિંગ કરતી વખતે લાઇટ આવે છે, તો શક્ય તેટલી વહેલી તકે રસ્તો બંધ કરો અને એન્જિન બંધ કરો.

તેલનું સ્તર તપાસો અને જો જરૂરી હોય તો ભલામણ કરેલ એન્જિન તેલ ઉમેરો. જો ત્યાં પૂરતું તેલ હોય, તો તમે ફરીથી વાહન ચલાવો તે પહેલાં તમારી અધિકૃત મારુતિ સુઝુકી કોમર્શિયલ વર્કશોપ દ્વારા લ્યુબ્રિકેશન સિસ્ટમનું નિરીક્ષણ કરવું જોઈએ.

નોટિસ

- જો તમે આ લાઇટ ચાલુ રાખીને એન્જિન ચલાવો છો, તો એન્જિનને ગંભીર નુકસાન થઈ શકે છે.
- તેલ ઉમેરવાની જરૂરિયાત દર્શાવવા માટે ઓઇલ પ્રેશર લાઇટ પર આધાર રાખશો નહીં. સમયાંતરે એન્જિન તેલનું સ્તર તપાસવાની ખાતરી કરો.

ચાર્જિંગ લાઇટ



50G052

આ લાઇટ ત્યારે આવે છે જ્યારે ઇન્જીન સ્વીચ "ઓન" સ્થિતિમાં ફેરવાય છે, અને જ્યારે એન્જિન શરૂ થાય છે ત્યારે બહાર જાય છે. જો બેટરી ચાર્જિંગ સિસ્ટમમાં કંઈક ખામી હશે તો લાઇટ ચાલુ રહેશે અને ચાલુ રહેશે. જો એન્જિન ચાલુ હોય ત્યારે લાઇટ આવે છે, તો તમારી અધિકૃત મારૂતિ સુઝુકી કોમર્શિયલ વર્કશોપ દ્વારા તરત જ ચાર્જિંગ સિસ્ટમનું નિરીક્ષણ કરવું જોઈએ.

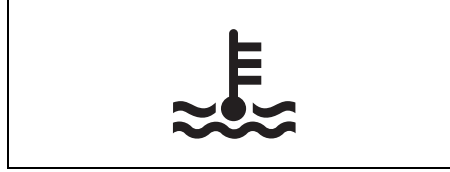
ડ્રાઇવરની સીટ બેલ્ટ ચેતવણી લાઇટ / આગળના પેસેન્જરની સીટ બેલ્ટ ચેતવણી લાઇટ



60G049

જ્યારે ડ્રાઇવર અથવા આગળનો મુસાફર પોતાનો સીટ બેલ્ટ બાંધતો નથી, ત્યારે આ લાઇટ આવશે અને/અથવા ઝબકશે.

સીટ બેલ્ટ રીમાઇન્ડર વિશે વિગતો માટે, આ વિભાગમાં "સીટ બેલ્ટ અને ચાઇલ્ડ રેસ્ટ્રેટ સિસ્ટમ્સ" નો સંદર્ભ લો.
ઉચ્ચ એન્જિન ક્લેન્ટ તાપમાન ચેતવણી લાઇટ (લાલ રંગ)



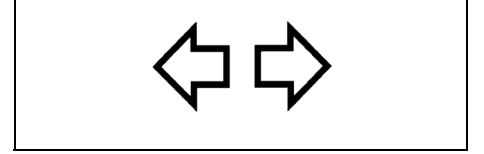
54G344

જ્યારે ઇન્જીન સ્વીચ "ઓન" સ્થિતિ પર ફેરવવામાં આવે છે, ત્યારે આ લાઇટ થોડા સમય માટે આવે છે જેથી તમે ચકાસી શકો કે લાઇટ કામ કરી રહી છે. જો ડ્રાઇવિંગ કરતી વખતે આ લાઇટ ઝબકતી હોય, તો તેનો અર્થ એ કે એન્જિન ગરમ થઈ રહ્યું છે. ડ્રાઇવિંગની પરિસ્થિતિઓ ટાળો જે વાસ્તવિક ઓવરહિટિંગ તરફ દોરી શકે. જો લાઇટ ઝબક્યા વિના ચાલુ રહે છે, તો એન્જિન વધુ ગરમ થાય છે. "ઇમર્જન્સી સર્વિસ" વિભાગના "જો એન્જિન વધુ ગરમ થાય છે" માં આપેલી સૂચનાઓને અનુસરો.

નોટિસ

જ્યારે એન્જિન ઓવરહિટિંગ સૂચવવામાં આવે ત્યારે વાહન ચલાવવાનું ચાલુ રાખવાથી એન્જિનને ગંભીર નુકસાન થઈ શકે છે.

ટર્ન સિગ્નલ સૂચકો



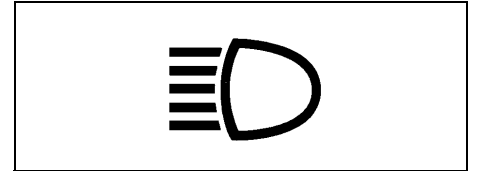
50G055

જ્યારે તમે ડાબે કે જમણે ટર્ન સિગ્નલ ચાલુ કરો છો, ત્યારે ઈન્સ્ટ્રુમેન્ટ પેનેલ પર સંબંધિત લીલો એરો સંબંધિત ટર્ન સિગ્નલ લાઇટ સાથે ફ્લેશ થશે. જ્યારે તમે જોખમ ચેતવણી સ્વીચ ચાલુ કરો છો, ત્યારે તમામ ટર્ન સિગ્નલ લાઇટ સાથે બંને તીરો ફ્લેશ થશે.

નોંધ:

જો ટર્ન સિગ્નલની કોઈપણ અસાધારણતા જોવા મળે છે, જેમ કે ઝડપી ઝબકવું, તો ટર્ન સિગ્નલ સિસ્ટમમાં ખામી હોઈ શકે છે. તમારી મારૂતિ સુઝુકી અધિકૃત વર્કશોપને સિસ્ટમનું નિરીક્ષણ કરવા કહો.

મુખ્ય બીમ (ઉચ્ચ બીમ) સૂચક લાઇટ



50G056

જ્યારે હેડલાઇટ મુખ્ય બીમ (ઉચ્ચ બીમ) ચાલુ હોય ત્યારે આ સૂચક ચાલુ થાય છે.

ઇમોબિલાઇઝર સિસ્ટમ ચેતવણી લાઇટ



65D239

જ્યારે ઇમોબિલાઇઝર સ્વીચ "ઓન" સ્થિતિ પર ફેરવાય છે, ત્યારે આ લાઇટ તમને જણાવવા માટે આવે છે કે લાઇટ કામ કરી રહી છે. જો આ લાઇટ ઇમોબિલાઇઝર સિસ્ટમમાં કંઈક ખોટું હોઈ શકે છે, મારુતિ સુઝુકી અધિકૃત વર્કશોપને સિસ્ટમનું નિરીક્ષણ કરવા માટે કહો.

ESP® ચેતવણી લાઇટ (જો જોડેલું હોય તો)



56RM02033

ESP® એ Daimler AG નો રજીસ્ટર્ડ ટ્રેડમાર્ક છે.

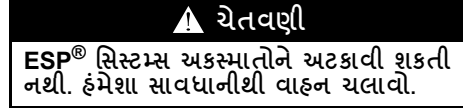
જ્યારે નીચેની સિસ્ટમમાંથી કોઈ એક સક્રિય થાય છે ત્યારે આ લાઇટ પ્રતિ સેકન્ડમાં 5 વખત ઝબકે છે.

- સ્ટેબિલિટી કંટ્રોલ સિસ્ટમ
- ટ્રેક્શન કંટ્રોલ સિસ્ટમ

જો આ લાઇટ ઝબકતી હોય, તો વાહન કાળજીપૂર્વક ચલાવો.

જ્યારે ઇમોબિલાઇઝર સ્વીચને "ચાલુ" કરવામાં આવે છે, ત્યારે થોડા સમય માટે લાઇટ ચાલુ થાય છે જેથી તમે તપાસ કરી શકો કે લાઇટ કામ કરી રહી છે કે નહીં. જો લાઇટ ચાલુ રહે છે અથવા ડ્રાઇવિંગ કરતી વખતે ચાલુ થાય છે અને ચાલુ રહે છે, તો ESP® સિસ્ટમ (ABS સિવાય)માં કંઈક ખરાબી હોઈ શકે છે. તમારે Maruti Suzuki અધિકૃત વર્કશોપ દ્વારા સિસ્ટમની તપાસ કરાવવી જોઈએ.

ESP® સિસ્ટમની વિગતો માટે, "તમારા વાહનનું સંચાલન" વિભાગમાં "ઇલેક્ટ્રોનિક સ્ટેબિલિટી પ્રોગ્રામ (ESP®) (જો જોડેલું હોય તો)" નો સંદર્ભ લો.



ESP® સિસ્ટમ્સ અકસ્માતોને અટકાવી શકતી નથી. હંમેશા સાવધાનીથી વાહન ચલાવો.



56RM02034

જ્યારે ઇમોબિલાઇઝર સ્વીચ "ચાલુ" કરવામાં આવે છે, ત્યારે આ લાઇટ થોડા સમય માટે ચાલુ થાય છે જેથી તમે તપાસી શકો કે લાઇટ કામ કરી રહી છે.

જ્યારે ESP® બંધ સ્વીચને દબાવીને ESP® સિસ્ટમ્સ (ABS સિવાય) બંધ કરવામાં આવે છે, ત્યારે ESP® બંધ સૂચક લાઇટ ચાલુ થાય છે અને ચાલુ રહે છે.

ESP® સિસ્ટમ્સની વિગતો માટે, "તમારા વાહનનું સંચાલન" વિભાગમાં "ઇલેક્ટ્રોનિક સ્ટેબિલિટી પ્રોગ્રામ (ESP®) (જો જોડેલું હોય તો)" નો સંદર્ભ લો.

CNG માલફંક્શન ચેતવણી લાઇટ (જો સજ્જ હોય તો)



77PMC015

જ્યારે ઇમોબિલાઇઝર સ્વીચ "ઓન" કરવામાં આવે છે, ત્યારે આ CNG મેલફંક્શન ચેતવણી લેમ્પ થોડા સમય માટે ચાલુ થાય છે, તે તપાસવા માટે કે CNG મેલફંક્શન લેમ્પ મુશ્કેલી મુક્ત છે.

- જો CNG માં ખામીયુક્ત ચેતવણી લેમ્પ સતત ઝળકે છે, તો ઇમોબિલાઇઝર "ઓન" સાથે CNG સિસ્ટમમાં થોડી સમસ્યા છે. અધિકૃત મારુતિ સુઝુકી કોમર્શિયલ વર્કશોપ દ્વારા તરત જ તમારા વાહનની તપાસ કરાવો.
- જો એન્જન ચાલતી વખતે CNG ની ખામીની ચેતવણી લેમ્પ ઝબકે છે, તો તેનો અર્થ એ છે કે CNG સિસ્ટમમાં કેટલીક સમસ્યા છે જેમાં વાહન CNG મોડમાં ચાલવાનું ચાલુ રાખી શકતું નથી અને આપોઆપ પેટ્રોલ મોડ પર સ્વિચ્ચોવર કરી શકતું નથી. તમારા વાહનને

અધિકૃત મારુતિ સુઝુકી કોમર્શિયલ વર્કશોપમાં ચેક કરાવો.

નોંધ:

ઇઝીશન સ્વીચ "ઓન" અને એન્જિન ચાલુ ન હોવા સાથે, **CNG** લેમ્પનું ઝબકવું સૂચવે છે કે ફ્યુઅલનું ઢાંકણ ખુલ્લું છે. આ સ્થિતિમાં વાહન શરૂ થશે નહીં. વાહન શરૂ કરવા માટે ઢાંકણ બંધ કરો.

લાઇટિંગ કંટ્રોલ લિવર

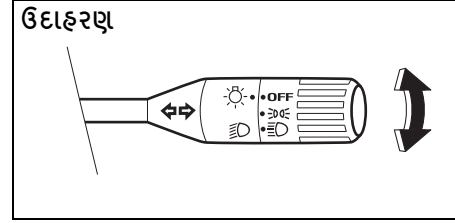


65D611

⚠ ચેતવણી

સંભવિત ઈજાને ટાળવા માટે, સ્ટીયરિંગ વ્હીલ દ્વારા પહોંચીને કન્ટ્રોલ્સ ચલાવશો નહીં.

લાઇટિંગ ઓપરેશન



77PH110

લાઇટ ચાલુ અથવા બંધ કરવા માટે, લીવરના છેડે નોબને ટવિસ્ત કરો.ત્યાં ત્રણ સ્થિતિ છે:

ઓફ

બધી લાઇટો બંધ છે.

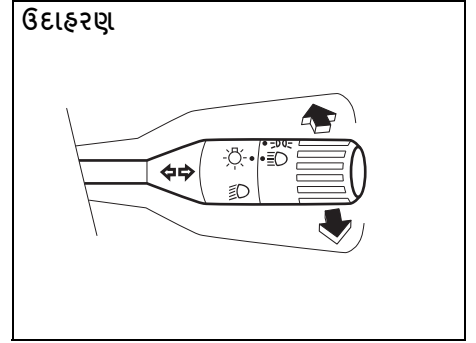
☀

ફન્ટ સ્થિતિ લાઇટ, ટેલ લાઇટ, લાયસન્સ પ્લેટ લાઇટ અને ઇન્સ્ટ્રુમેન્ટ લાઇટ ચાલુ છે, પરંતુ હેડલાઇટ બંધ છે.

☾

ફન્ટ સ્થિતિ લાઇટ, ટેલ લાઇટ, લાયસન્સ પ્લેટ લાઇટ, ઇન્સ્ટ્રુમેન્ટ લાઇટ અને હેડલાઇટ ચાલુ છે.

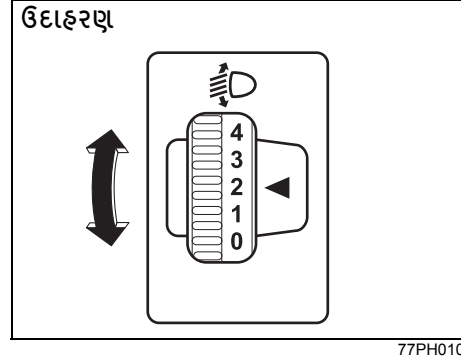
ઉદાહરણ



77PH111

હેડલાઇટ ચાલુ રાખીને, ઊંચા બીમ (મુખ્ય બીમ) પર સ્વિચ કરવા માટે લીવરને આગળ ધકેલો અથવા નીચા બીમ પર સ્વિચ કરવા માટે લીવરને તમારી તરફ ખેંચો. જ્યારે ઉચ્ચ બીમ (મુખ્ય બીમ) ચાલુ હોય, ત્યારે ઇન્સ્ટ્રુમેન્ટ પેનલ પર મુખ્ય બીમ (ઉચ્ચ બીમ) સૂચક લાઇટ આવશે.પસાર થતા સિઝનલ તરીકે ઉચ્ચ બીમ (મુખ્ય બીમ) ને ક્ષણભરમાં સક્રિય કરવા માટે, લીવરને સહેજ તમારી તરફ ખેંચો અને જ્યારે તમે સિઝનલ પૂર્ણ કરી લો ત્યારે તેને છોડો.

હેડલાઇટ લેવલિંગ સ્વિચ



આ સ્વીચને ફેરવીને તમારા વાહનની લોડ સ્થિતિ અનુસાર હેડલાઇટ બીમનું લેવલ કરો. નીચેનો યાદે વિવિધ વાહન-લોડ સ્થિતિઓ માટે યોગ્ય સ્વિચ સ્થિતિ દર્શાવે છે.

વાહન લોડ સ્થિતિ	સ્વિચ સ્થિતિ
માત્ર ડ્રાઇવર	0
ડ્રાઇવર + સંપૂર્ણ કાર્ગો	3

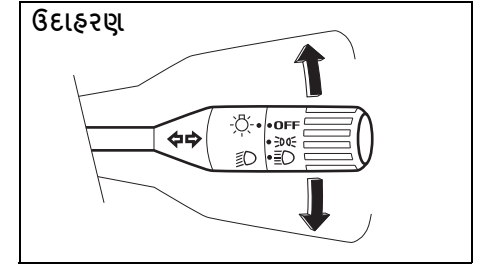
ટર્ન સિગ્નલ કંટ્રોલ લીવર



⚠ ચેતવણી
સંભવિત ઇજાને ટાળવા માટે, સ્ટીયરિંગ વ્હીલ દ્વારા પહોંચીને કન્ટ્રોલ્સ ચલાવશો નહીં.

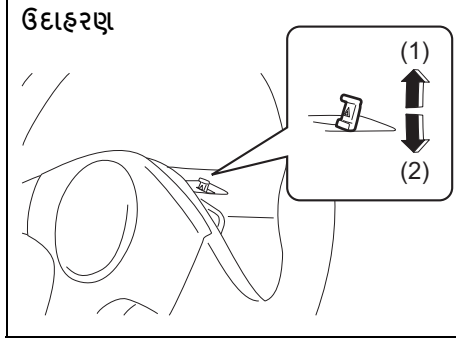
ટર્ન સિગ્નલ ઓપરેશન

ચાલુ સ્થિતિમાં ઇઝીશન સ્વિચ સાથે, જમણા અથવા ડાબા વળાંકના સૂચકોને સક્રિય કરવા માટે લીવરને ઉપર અથવા નીચે ખસેડો.



સિગ્નલ માટે લીવરને ઉપર અથવા નીચે ખસેડો. જ્યારે વળાંક પૂર્ણ થાય છે, ત્યારે સિગ્નલ રદ થશે અને લીવર તેની સામાન્ય સ્થિતિમાં પાછા આવશે.

સંકટ ચેતવણી સ્વીચ



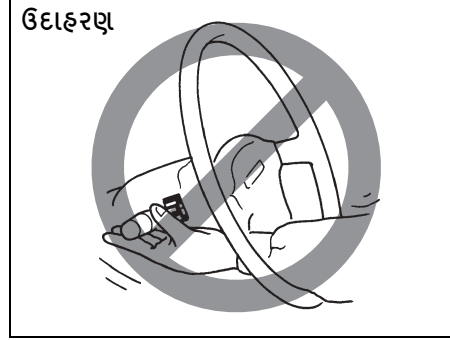
77PH028

- (1) ઓન
- (2) ઓફ

સંકટ ચેતવણી લાઇટને સક્રિય કરવા માટે સંકટ ચેતવણી સ્વીચને ઉપર ખેંચો. તમામ ટર્ન સિગ્નલ લાઇટ્સ અને બંને ટર્ન સિગ્નલ સૂચક ચેક સાથે ફ્લેશ થશે. લાઇટ બંધ કરવા માટે, સ્વીચને નીચે દબાવો.

ઇમરજન્સી પાર્કિંગ દરમિયાન અથવા જ્યારે તમારું વાહન અન્યથા ટ્રાફિકનું જોખમ બની શકે ત્યારે અન્ય ટ્રાફિકને ચેતવણી આપવા માટે સંકટ ચેતવણી લાઇટનો ઉપયોગ કરો.

વિન્ડશિલ્ડ વાઇપર અને વોશર લિવર



65D611

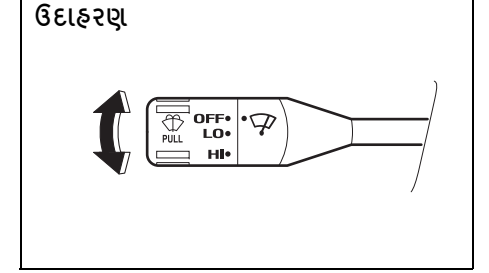
⚠ ચેતવણી

સંભવિત ઈજાને ટાળવા માટે, સ્ટીયરિંગ વ્હીલ દ્વારા પર્ફોર્મીંગ કન્ટ્રોલ્સ ચલાવશો નહીં.

વાઇપર ઓપરેશન

જ્યારે ઇન્જિન સ્વીચ "ઓન" સ્થિતિમાં હોય, ત્યારે તમે વાઇપર લીવરનો ઉપયોગ કરી શકો છો.

વિન્ડશિલ્ડ વાઇપર્સ

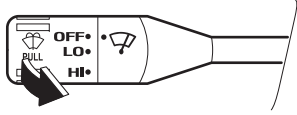


77PM02015

વિન્ડશિલ્ડ વાઇપર્સ ચાલુ કરવા માટે, લિવરના છેડે આવેલા નોબને ઓપરેટિંગ સ્થિતિમાંથી એક પર ટવિસ્ટ કરો. **LO** સ્થિતિમાં, વાઇપર્સ સતત ઓછી ઝડપે કાર્ય કરે છે. **HI** સ્થિતિમાં, વાઇપર્સ સતત ઊંચી ઝડપે કાર્ય કરે છે. વાઇપર્સ બંધ કરવા માટે, લીવરને ફરી "ઓફ" સ્થિતિમાં ફેરવો.

વિન્ડશિલ્ડ વોશર

ઉદાહરણ



77PM02016

વિન્ડશિલ્ડ વોશર પ્રવાહીને સ્પ્રે કરવા માટે, લીવરને તમારી તરફ ખેંચો.

⚠ ચેતવણી

વિન્ડશિલ્ડ વોશર રિઝર્વોયરમાં રેડિયેટર એન્ટિફ્રીઝનો ઉપયોગ કરશો નહીં. જ્યારે વિન્ડશિલ્ડ પર છંટકાવ કરવામાં આવે ત્યારે તે દૃશ્યતાને ગંભીર રીતે બગાડે છે, અને તમારા વાહનના પેઇન્ટને પણ નુકસાન પહોંચાડી શકે છે.

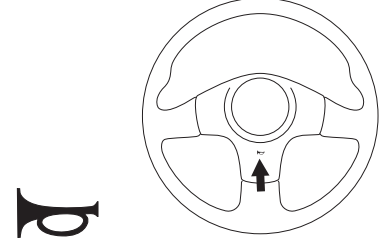
નોટિસ

વિન્ડશિલ્ડ વાઇપર અને વોશર સિસ્ટમના ઘટકોને નુકસાન થતું અટકાવવા માટે, તમારે નીચેની સાવચેતી રાખવી જોઈએ:

- જ્યારે વિન્ડશિલ્ડ વોશર પ્રવાહીનો છંટકાવ કરવામાં આવતો ન હોય અથવા વોશર મોટરને નુકસાન થઈ શકે ત્યારે લિવરને પકડી રાખવાનું ચાલુ રાખશો નહીં.
- વાઇપર વડે ડ્રાય વિન્ડશિલ્ડમાંથી ગંદકી દૂર કરવાનો પ્રયાસ કરશો નહીં અથવા તમે વિન્ડશિલ્ડ અને વાઇપર બ્લેડને નુકસાન પહોંચાડી શકો છો. વાઇપર્સ ચલાવતા પહેલા હંમેશા વિન્ડશિલ્ડને વોશર પ્રવાહીથી ભીની કરો.
- વાઇપરનો ઉપયોગ કરતા પહેલા વાઇપર બ્લેડમાંથી બરફ અથવા પેક કરેલા હિમને સાફ કરો.
- વોશર પ્રવાહીનું સ્તર નિયમિતપણે તપાસો. જ્યારે હવામાન ખરાબ હોય ત્યારે તેને વારંવાર તપાસો.
- ઠંડા હવામાન દરમિયાન માત્ર વોશર પ્રવાહી રિઝર્વોયરને 3/4 ભરો ભરો જેથી જો તાપમાન ઢાલણને સ્થિર કરવા માટે પૂરતું ઓછું હોય તો વિસ્તરણ માટે જગ્યા મળી શકે.

હોર્ન

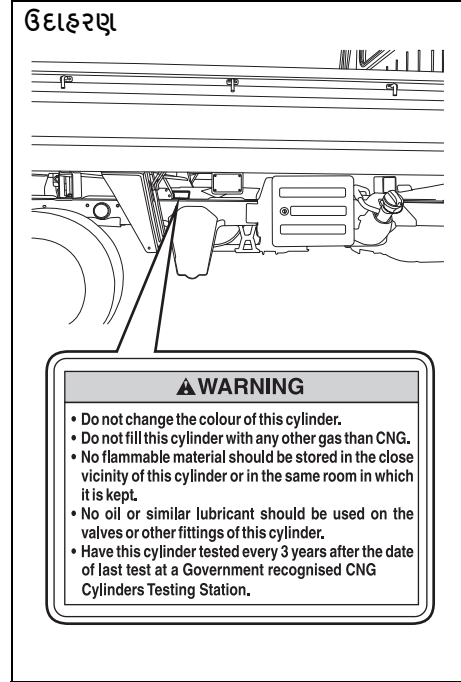
ઉદાહરણ



77PH029

હોર્ન વગાડવા માટે સ્ટીયરીંગ વ્હીલનું હોર્ન બટન દબાવો. કોઈપણ સ્થિતિમાં ઇન્જીન શન સ્વીચ સાથે હોર્ન વાગશે.

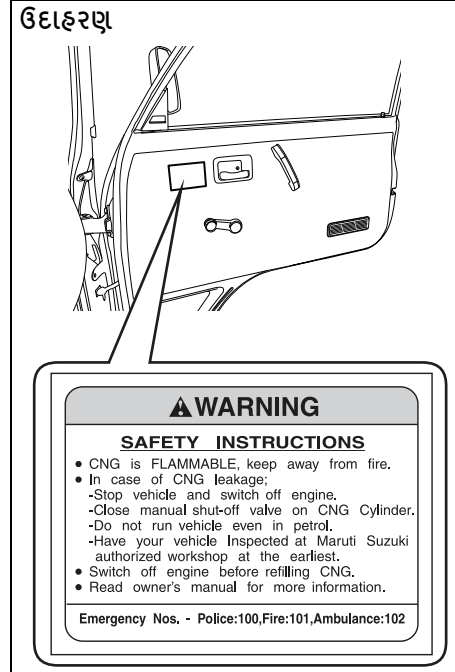
CNG સિલિન્ડર ચેતવણી લેબલ (જો સજ્જ હોય તો)



77PM02006

તમને આ લેબલ CNG સિલિન્ડર પર મળી શકે છે.

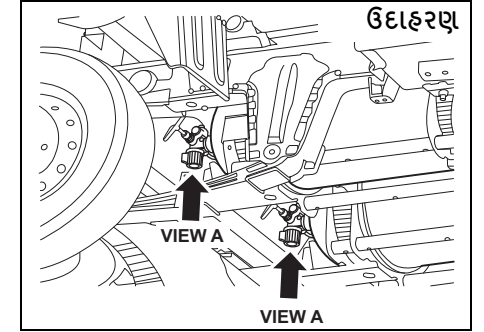
CNG ચેતવણી લેબલ (જો સજ્જ હોય તો) ફ્રન્ટ ડ્રાઈવર દરવાજો



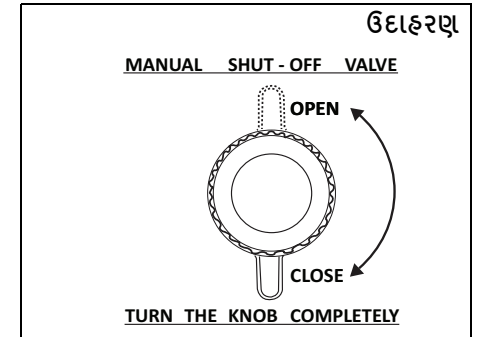
77PM02007

CNG ચેતવણીનું લેબલ આગળના જમણા દરવાજા પર આવેલું છે.

CNG મેન્યુઅલ શટ-ઓફ વાલ્વ (જો સજ્જ હોય તો)

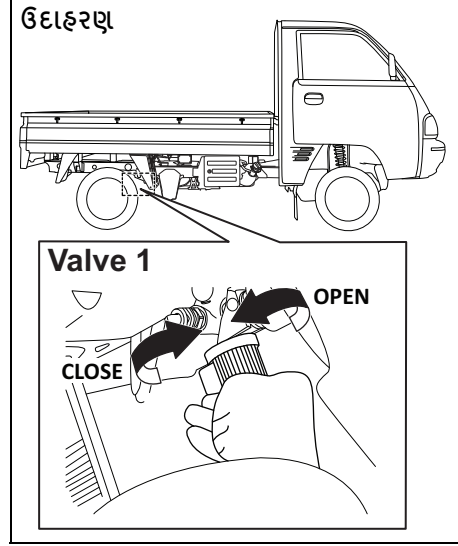


77PM02011



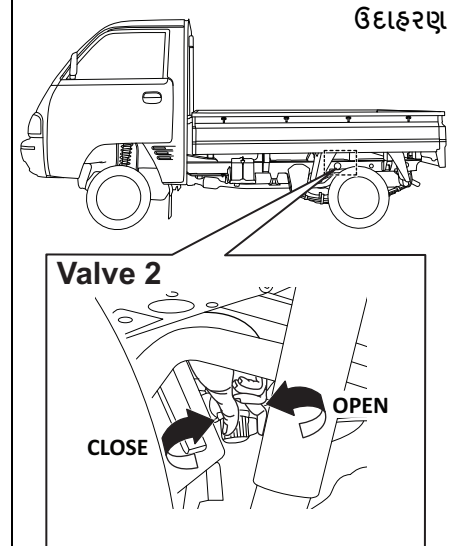
77PM02014

જમણી બાજુ (RHS)



77PM02012

ડાબી બાજુ (LHS)



77PM02013

મેન્યુઅલ શટ ઓફ વાલ્વ CNG સિલિન્ડરો પર સ્થિત છે જે વાહનમાં બોડીની નીચે આપવામાં આવે છે.

વાહનમાં બે CNG સિલિન્ડર બોડીની નીચે હોય છે, દરેકમાં એક મેન્યુઅલ શટ ઓફ વાલ્વ હોય છે.

મેન્યુઅલ શટ ઓફ વાલ્વ 1 અને વાલ્વ 2 અનુક્રમે વાહનની જમણી બાજુ (RHS) અને ડાબી બાજુ (LHS) થી એક્સેસ કરવામાં આવે છે.

બંને CNG સિલિન્ડરો પર મેન્યુઅલ શટ-ઓફ વાલ્વ બંધ કરીને CNG સપ્લાય બંધ કરી શકાય છે.

વાલ્વ બંધ: એન્જિનને CNG સપ્લાય બંધ કરવા માટે ઘડિયાળની દિશામાં (વ્યુ A થી) નોબને સંપૂર્ણપણે ફેરવો.

વાલ્વ ઓપનિંગ: એન્જિનને CNG સપ્લાય ખોલવા માટે નોબને સંપૂર્ણપણે ઘડિયાળની વિરુદ્ધ દિશામાં (વ્યુ A થી) ફેરવો.

▲ નોટિસ

સાવચેત રહો કે મેન્યુઅલ શટ ઓફ વાલ્વ 2 (LHS) ને એક્સેસ કરતી વખતે તમારો હાથ એક્ઝોસ્ટ પાઇપને સ્પર્શ નહીં. ફાઇવિંગ કર્યા પછી, એક્ઝોસ્ટ પાઇપ તમારા હાથને બાળી શકે તેટલી ગરમ હોઈ શકે છે.

નોંધ:

- જો મેન્યુઅલ શટ-ઓફ વાલ્વ સંપૂર્ણ રીતે ખોલવામાં ન આવે, તો એન્જિન યોગ્ય રીતે ચાલી શકશે નહીં.
- જો મેન્યુઅલ શટ-ઓફ વાલ્વ બંધ હાલતમાં હોય, તો સિલિન્ડરમાં CNG ભરવું શક્ય નથી.

નોંધ:

- સરકારી નિયમન મુજબ, CNG સિલિન્ડર ઓળખ પ્લેટ પર દર્શાવેલ પ્રારંભિક પરીક્ષણની તારીખથી દર ત્રણ (૩) વર્ષે CNG સિલિન્ડરની તપાસ અને પ્રમાણિત કરવાની જરૂર છે.
- ગ્રાહકે સરકાર માન્ય પરીક્ષણ એજન્સીને વાહન રજૂ કરવું પડશે.
- સિલિન્ડરનું પરીક્ષણ કરવામાં નિષ્ફળતાના પરિણામે CNG વિતરણ સ્ટેશનો દ્વારા CNG ભરવાનો ઇનકાર કરવામાં આવી શકે છે અથવા અમલીકરણ સત્તાવાળાઓ દ્વારા વાહનને જપ્ત કરવામાં પરિણમી શકે છે.
- CNG સિલિન્ડર ટેસ્ટિંગ માટેનો તમામ ખર્ચ ગ્રાહકે ઉઠાવવો પડશે.
- સરકારના નિયમન મુજબ, CNG સિલિન્ડર ઓળખ પ્લેટમાં દર્શાવેલ પ્રારંભિક પરીક્ષણની તારીખથી 20 વર્ષ પછી CNG સિલિન્ડર કાઢી નાખવામાં આવે છે.
- ગ્રાહકે સરકાર માન્ય સ્કેપ એજન્સી મારફત તેના ખર્ચે સિલિન્ડરનો ત્યાગ કરવો પડશે.
- કોઈપણ વ્યક્તિ કોઈપણ સિલિન્ડરને રિફિલ કરી શકશે નહીં, જેનું પેટા-નિયમ (2) હેઠળ સમારકામ કરવામાં આવ્યું હોય, સિવાય કે સિલિન્ડર પર કરવામાં આવેલા સમારકામ અને પરીક્ષણ અંગેની સંપૂર્ણ અહેવાલ, મુખ્ય નિયંત્રકને રિપોર્ટરનું પરીક્ષણ પ્રમાણપત્ર આપવામાં આવે. અને તેના રિફિલિંગ માટે તેની પરવાનગી મેળવવામાં આવે છે.

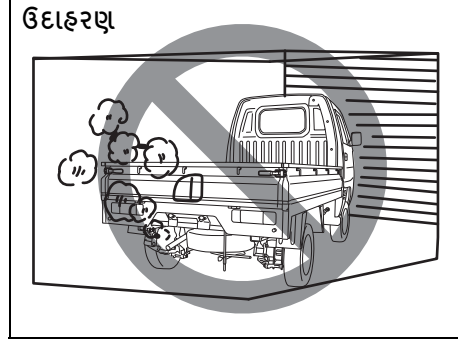
⚠ ચેતવણી

- સિલિન્ડર એસેમ્બલીમાંથી સિલિન્ડર વાલ્વને ક્યારેય દૂર કરશો નહીં. કોઈપણ સહાયતા માટે અધિકૃત મારુતિ સુગુકી કોમર્શિયલ વર્કશોપનો સંપર્ક કરો.
- સિલિન્ડરને ક્યારેય સાફ કરવાનો પ્રયાસ કરશો નહીં. કોઈપણ સમસ્યાના કિસ્સામાં, અધિકૃત મારુતિ સુગુકી કોમર્શિયલ વર્કશોપનો સંપર્ક કરો.
- સિલિન્ડર વાલ્વને સિલિન્ડર એસેમ્બલીમાંથી બદલી/હટાવવામાં આવે તે પછી તેનો ફરીથી ઉપયોગ કરશો નહીં.
- જો એન્જિન બંધ ન થાય ત્યાં સુધી સિલિન્ડરમાંથી CNGનો વપરાશ કરવામાં આવે તો પણ, CNGનો અમુક જથ્થો દબાણ હેઠળ ટાંકીમાં છોડી દેવામાં આવશે.

તમારા વાહનનું સંચાલન

એકઝેસ્ટ ગેસ ચેતવણી.....	3-1
દૈનિક નિરીક્ષણ ચેકલિસ્ટ.....	3-1
એન્જિન તેલ વપરાશ.....	3-2
ઇગ્નીશન સ્વિચ.....	3-2
પાર્કિંગ બ્રેક લીવર.....	3-4
પેડલ.....	3-5
એન્જિન શરૂ કરવું.....	3-5
ટ્રાન્સમિશનનો ઉપયોગ કરીને.....	3-6
પાર્કિંગ સેન્સર્સ.....	3-8
બ્રેકિંગ.....	3-11
એન્ટિ-લોક બ્રેક સિસ્ટમ (ABS).....	3-12
ઇલેક્ટ્રોનિક સ્ટેબિલિટી પ્રોગ્રામ (ESP®).....	3-15

એકઝોસ્ટ ગેસ ચેતવણી



82DY03

▲ ચેતવણી

એકઝોસ્ટ ગેસને ધ્યાસ લેવાનું ટાળો. એકઝોસ્ટ ગેસમાં કાર્બન મોનોક્સાઇડ હોય છે, જે સંભવિત ઘાતક ગેસ છે જે રંગહીન અને ગંધહીન છે. કાર્બન મોનોક્સાઇડ જાતે જ શોધવું મુશ્કેલ હોવાથી, કાર્બન મોનોક્સાઇડને તમારા વાહનમાં પ્રવેશતા અટકાવવા માટે નીચેની સાવચેતીઓ લેવાની ખાતરી કરો.

- ગેરેજ અથવા બંધિયાર વિસ્તારોમાં, મુસાફરો અંદર હોય ત્યાં એન્જિનને ચાલતું ન છોડો. આ કેબિનમાં કાર્બન-મોનોક્સાઇડના સંચયમાં પરિણમી શકે છે અને ગૂંગળામણ અથવા ધ્યાસની તકલીફ તરફ દોરી શકે છે અને મૃત્યુ તરફ દોરી શકે છે.

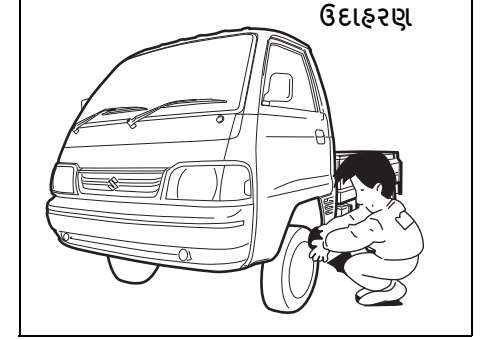
(ચાલુ)

▲ ચેતવણી

(ચાલુ)

- ખૂલ્લા વિસ્તારમાં પણ લાંબા સમય સુધી એન્જિન ચાલતું હોય ત્યારે પાર્ક કરશો નહીં. લાંબા ગાળાના કિસ્સામાં, જ્યારે એન્જિન ચાલુ હોય ત્યારે વાહનની અંદર ગૂંગળામણ અને મૃત્યુનો ભય સંભવ છે. જો એન્જિન ચાલતું હોય તો પાર્ક કરેલા વાહનમાં થોડા સમય માટે બેસવું જરૂરી હોય, તો ખાતરી કરો કે એર ઇન્ટેક સિલેક્ટર "ફેશ એર" પર સેટ છે અને બ્લોઅર હાઇ સ્પીડ પર છે.
- તમારા વાહનની વેન્ટિલેશન સિસ્ટમને યોગ્ય રીતે ચલાવવા માટે, વાહનની સામે એર ઇનલેટ ગિલને હંમેશા બરફ, પાંદડા અથવા અન્ય અવરોધોથી સાફ રાખો.
- વાહનની નીચે એકઝોસ્ટ ગેસના એકઝોસ્ટને ઘટાડવામાં મદદ કરવા માટે એકઝોસ્ટ પાઇપ વિસ્તારને બરફ અને અન્ય સામગ્રીથી સાફ રાખો. જ્યારે બરફવર્ષાની સ્થિતિમાં પાર્ક કરવામાં આવે ત્યારે આ ખાસ કરીને મહત્વનું છે.
- નુકસાન અને લીક માટે સમયાંતરે એકઝોસ્ટ સિસ્ટમનું નિરીક્ષણ કરો. કોઈપણ નુકસાન અથવા લીક તરત જ સમારકામ કરવું જોઈએ.

દૈનિક નિરીક્ષણ ચેકલિસ્ટ ડ્રાઇવિંગ પહેલાં



77PM03001

- ખાતરી કરો કે બારીઓ, અરીસાઓ, લાઇટ્સ અને રિફ્લેક્ટર સ્વચ્છ અને અવરોધ વિનાના છે.
- નીચેના મુદ્દાઓ માટે ટાયરને દૈનિક રીતે તપાસો:
 - ટ્રેડ ગુવની ઊંડાઈ
 - અસામાન્ય ધાર, તિરાડો અને નુકસાન
 - છૂટક વ્હીલ નટ્સ
 - નંખ, પત્થરો વગેરે જેવી વિદેશી સામગ્રીનું અસ્તિત્વ.
 વિગતો માટે "નિરીક્ષણ અને જાળવણી" વિભાગમાં "ટાયર" નો સંદર્ભ લો.
- પ્રવાહી અને તેલ લીક માટે જુઓ.
- ખાતરી કરો કે એન્જિનનો ડબ્બો સંપૂર્ણપણે બંધ છે અને લેચ કરેલો છે.

- 5) યોગ્ય ક્રમગીરી માટે હેડલાઇટ, ટર્ન સિગ્નલ લાઇટ, બ્રેક લાઇટ અને હોર્ન તપાસો.
 - 6) ડ્રાઇવરની સીટ ગોઠવો.
 - 7) બ્રેક પેડલ અને પાર્કિંગ બ્રેક લીવર તપાસો.
 - 8) અરીસાઓને સમાયોજિત કરો.
 - 9) ખાતરી કરો કે તમે અને પેસેન્જરે સીટ બેલ્ટ યોગ્ય રીતે બાંધ્યા છે.
 - 10) ખાતરી કરો કે બધી ચેતવણી લાઇટો ચાલુ થાય છે કારણ કે ચાવી "ઓન" સ્થિતિ તરફ વળે છે.
 - 11) તમામ ગેજ તપાસો.
 - 12) ખાતરી કરો કે જ્યારે પાર્કિંગ બ્રેક છોડવામાં આવે ત્યારે બ્રેક સિસ્ટમ ચેતવણી લાઇટ બંધ થાય.
- અઠવાડિયામાં એકવાર, અથવા દરેક વખતે જ્યારે તમે તમારી ફ્યુઅલની ટાંકી ભરો અથવા લાંબા અંતરની ડ્રાઇવિંગ (જેમ કે હાઇવે ડ્રાઇવિંગ) પહેલાં, નીચેની અંડર-હૂડ તપાસો કરો:

- 1) એન્જિન તેલ સ્તર
 - 2) ફ્લેવેટ સ્તર
 - 3) બ્રેક પ્રવાહી સ્તર
 - 4) વિન્ડશિલ્ડ વોશર પ્રવાહી (જો સજ્જ હોય તો) સ્તર
 - 5) બેટરી ઇલેક્ટ્રોલાઇટ સ્તર
 - 6) લેય ઓપરેશન લ્યુબ્રિકેશન શેડ્યુલ માટે "નિરીક્ષણ અને જાળવણી" વિભાગમાં "સામાયિક જાળવણી શેડ્યુલ" માં "ચેસીસ અને બોડી" ના "બંધા લેય, હિન્જ્સ અને તાળાઓ" જુઓ.
- મહિનામાં એકવાર, અથવા દર વખતે જ્યારે તમે તમારી ફ્યુઅલની ટાંકી ભરો અથવા લાંબા

અંતરની ડ્રાઇવિંગ (જેમ કે હાઇવે ડ્રાઇવિંગ) પહેલાં, ટાયર પ્રેશર ગેજનો ઉપયોગ કરીને ટાયરનું દબાણ તપાસો. સ્પેર ટાયરના ટાયર પ્રેશર પણ તપાસો.

એન્જિન તેલ વપરાશ

સામાન્ય વાહનના સંચાલન દરમિયાન એન્જિન માટે અમુક એન્જિન તેલનો વપરાશ થાય તે સામાન્ય છે.

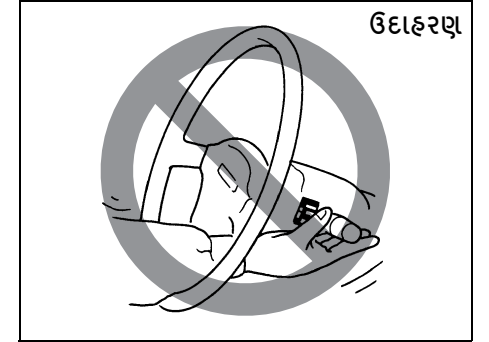
વપરાશમાં લેવાયેલ એન્જિન ઓઇલની માત્રા તેલની સ્નેગ્ધતા, તેલની ગુણવત્તા અને વાહન ચાલતી પરિસ્થિતિઓ પર આધારિત છે. હાઇ-સ્પીડ ડ્રાઇવિંગ દરમિયાન અને જ્યારે વારંવાર પ્રવેગક અને મંદી હોય ત્યારે વધુ તેલનો વપરાશ થાય છે. ઊંચા ભાર હેઠળ, તમારું એન્જિન પણ વધુ તેલનો વપરાશ કરશે. નવું એન્જિન પણ વધુ તેલ વાપરે છે, કારણ કે તેના પિસ્ટન, પિસ્ટન રિંગ્સ અને સિલિન્ડરની દિવાલો હજુ કન્ડિશન બની નથી. લગભગ **5000** કિમી (**3000** માઇલ) ડ્રાઇવિંગ પછી જ નવા એન્જિન ઓઇલ વપરાશના સામાન્ય સ્તરે પહોંચે છે.

તેલનો વપરાશ:
મહત્તમ **1.0 L** પ્રતિ **1000** કિ.મી
(**1 Qt.** પ્રતિ **600** માઇલ)

તેલના વપરાશની માત્રા નક્કી કરતી વખતે, નોંધ લો કે તેલ પાતળું થઈ શકે છે અને સાચા તેલના સ્તરને ચોક્કસ રીતે નક્કી કરવાનું મુશ્કેલ બનાવે છે. ઉદાહરણ તરીકે, જો વાહનનો ઉપયોગ પુનરાવર્તિત ટ્રેકી સફર માટે કરવામાં આવે છે, અને તે સામાન્ય માત્રામાં તેલનો વપરાશ કરે છે, તો ડિપસ્ટિક **1000** કિમી (**600** માઇલ) અથવા વધુ ડ્રાઇવિંગ પછી પણ, તેલના સ્તરમાં

કોઈ ઘટાડો બતાવી શકશે નહીં. આનું કારણ એ છે કે તેલ ધીમે ધીમે ફ્યુઅલ અથવા ભેજથી પાતળું થઈ રહ્યું છે, જેનાથી એવું લાગે છે કે તેલનું સ્તર બદલાયું નથી. તમારું એ પણ ધ્યાન રાખવું જોઈએ કે જ્યારે વાહનને પછીથી વધુ ઝડપે ચલાવવામાં આવે છે, જેમ કે એક્સપ્રેસવે પર, ત્યારે પાતળા ઘટકો બાષ્પીભવન કરે છે, જેનાથી એવું લાગે છે કે હાઇ-સ્પીડ ડ્રાઇવિંગ પછી તેલનો વધુ પડતો વપરાશ થાય છે.

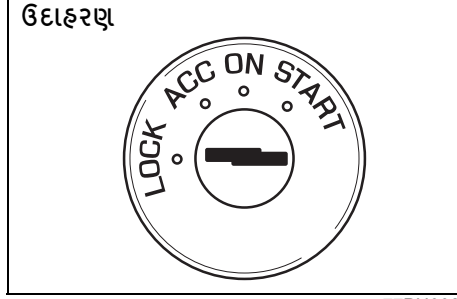
ઇન્જીન સ્વિચ



65D811

▲ ચેતવણી

સંભવિત ઈજાને ટાળવા માટે, સ્ટીયરિંગ વ્હીલ દ્વારા પહોંચીને કન્ડ્રોલ્સ ચલાવશો નહીં.



77PH002

ઇજ્જીશન સ્વીચમાં નીચેની ચાર સ્થિતિઓ છે:

લોક

આ પાર્કિંગની સામાન્ય સ્થિતિ છે. તે એકમાત્ર સ્થિતિ છે જેમાં ચાવી દૂર કરી શકાય છે.

સ્ટીયરીંગ લોક છોડવા માટે, ચાવી દાખલ કરો અને તેને ઘડિયાળની દિશામાં અન્ય સ્થાનોમાંથી એક તરફ ફેરવો. જો તમને સ્ટીયરીંગને અનલોક કરવા માટે ચાવી ફેરવવામાં તકલીફ પડતી હોય, તો ચાવી ફેરવતી વખતે સ્ટીયરીંગ વ્હીલને સહેજ જમણી કે ડાબી તરફ ફેરવવાનો પ્રયાસ કરો.

એસીસી

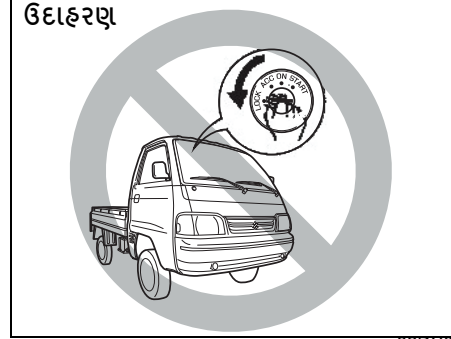
એસેસરીઝ જેમ કે એસેસરી સોકેટ ઓપરેટ કરી શકે છે, પરંતુ એન્જિન બંધ છે.

ઓન

આ સામાન્ય ઓપરેટિંગ સ્થિતિ છે. તમામ ઇલેક્ટ્રિકલ સિસ્ટમ ચાલુ છે.

શરૂઆત

સ્ટાર્ટર મોટરનો ઉપયોગ કરીને એન્જિન શરૂ કરવા માટેની આ સ્થિતિ છે. એન્જિન શરૂ થતાંની સાથે જ ચાવીને આ સ્થિતિમાંથી છોડવી જોઈએ.



82DY04

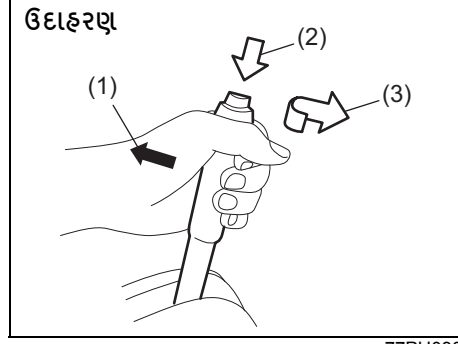
⚠ ચેતવણી

- વાહન ચાલતું હોય ત્યારે ઇજ્જીશન ચાવીને ક્યારેય દૂર કરશો નહીં. સ્ટીયરીંગ વ્હીલ લોક થઈ જશે અને તમે વાહન ચલાવી શકશો નહીં.
- વાહનમાંથી બહાર નીકળતી વખતે હંમેશા ઇજ્જીશન ચાવી દૂર કરો. પછી ભલે તે માત્ર થોડા સમય માટે જ હોય. તેમજ પાર્ક કરેલા વાહનમાં બાળકોને એકલા ન છોડો. તેઓ ગરમ અથવા ગરમ હવામાનમાં હીટ સ્ટ્રોકથી પણ પીડાઈ શકે છે. આ ગંભીર ઇજા અથવા મૃત્યુ પણ પરિણમી શકે છે.

નોટિસ

- એક સમયે 30 સેકન્ડથી વધુ સમય માટે સ્ટાર્ટર મોટરનો ઉપયોગ કરશો નહીં. જો એન્જિન શરૂ ન થાય, તો ફરી પ્રયાસ કરતા પહેલા 15 સેકન્ડ રાહ જુઓ જો ઘણા પ્રયત્નો પછી પણ એન્જિન સ્ટાર્ટ ન થાય, તો ફ્યુઅલ અને ઇજ્જીશન સિસ્ટમ તપાસો અથવા તમારી અધિકૃત માત્રુતિ સુઝુકી કોમર્શિયલ વર્કશોપનો સંપર્ક કરો.
- જો એન્જિન ચાલતું ન હોય તો બેટરી ડિસ્ચાર્જ થશે તેમ ઇજ્જીશન સ્વીચને "ઓન" સ્થિતિમાં ન છોડો.

પાર્કિંગ બ્રેક લીવર



- (1) સેટ કરવું
- (2) મુક્ત કરવા
- (3) મુક્ત કરવા

પાર્કિંગ બ્રેક લીવર આગળની સીટો વચ્ચે હોય છે. પાર્કિંગ બ્રેક સેટ કરવા માટે, બ્રેક પેડલને નીચેની તરફ દબાવો અને પાર્કિંગ બ્રેક લીવરને ઉપર સુધી ખેંચો. પાર્કિંગ બ્રેક છોડવા માટે, બ્રેક પેડલને નીચેની તરફ દબાવો, પાર્કિંગ બ્રેક લીવરને પર સહેજ ઉપર ખેંચો, તમારા અંગૂઠા વડે લીવરના છેડા પરના બટનને દબાવો અને લીવરને તેની મૂળ સ્થિતિમાં નીચે લાવો.

⚠ ચેતવણી

- પાર્કિંગ બ્રેક ચાલુ રાખીને તમારું વાહન ક્યારેય ચલાવશો નહીં: પાછળની બ્રેકની અસરકારકતા વધુ ગરમ થવાથી ઘટાડી શકાય છે, બ્રેકનું જીવન ટૂંકું થઈ શકે છે અથવા કાયમી બ્રેક નુકસાન થઈ શકે છે. પાછળની બ્રેકની અસરકારકતા વધુ ગરમ થવાથી ઘટાડી શકાય છે, બ્રેકનું જીવન ટૂંકું થઈ શકે છે અથવા કાયમી બ્રેક નુકસાન થઈ શકે છે.
- જો પાર્કિંગ બ્રેક વાહનને સુરક્ષિત રીતે પકડી શકતી નથી અથવા સંપૂર્ણ રીતે બહાર આવતી નથી, તો અધિકૃત માડુતિ સુગુકી કોમર્શિયલ વર્કશોપ દ્વારા તરત જ તમારા વાહનની તપાસ કરાવો.

⚠ ચેતવણી

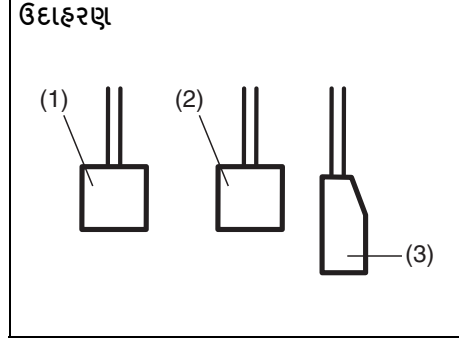
તમારા વાહનને છોડતા પહેલા હંમેશા પાર્કિંગ બ્રેકને સંપૂર્ણપણે સેટ કરો અથવા તે ખસી શકે છે, જેનાથી ઈજા અથવા નુકસાન થઈ શકે છે. પાર્કિંગ કરતી વખતે, ખાતરી કરો કે ગિયરશિફ્ટ લીવર એ રિવર્સ અથવા પ્રથમ ગિયરમાં છે. યાદ રાખો, ટ્રાન્સમિશન ગિયરમાં હોવા છતાં, તમારે પાર્કિંગ બ્રેક સંપૂર્ણપણે સેટ કરવી આવશ્યક છે.

⚠ ચેતવણી

અત્યંત ઠંડા હવામાનમાં વાહન પાર્ક કરતી વખતે, નીચેની પ્રક્રિયાનો ઉપયોગ કરવો જોઈએ:

- 1) પાર્કિંગ બ્રેક સેટ કરો.
 - 2) એન્જિન બંધ કરો, પછી રિવર્સ અથવા પહેલા ગિયરમાં શિફ્ટ કરો.
 - 3) વાહનમાંથી બહાર નીકળો અને વ્હીલ્સની નીચે ચોક્સ મૂકો.
 - 4) પાર્કિંગ બ્રેક છોડો. જ્યારે તમે તમારા વાહન પર પાછા ફરો, ત્યારે તમારે પહેલા પાર્કિંગ બ્રેક સેટ કરવાનું યાદ રાખવું જોઈએ, પછી વ્હીલ ચોક્સ દૂર કરો.
- સિગારેટ લાઇટર, સ્પ્રેના ડબ્બા, સોફ્ટ ડ્રિંકના ડબ્બા અથવા પ્લાસ્ટિકની વસ્તુઓ (જેમ કે યશ્મા, સીડી કેસ વગેરે) સૂર્યથી ગરમ થતા વાહનમાં રાખી મુકશો નહીં. વાહનની અંદરનું તાપમાન નીચે માટેનું કારણ બની શકે છે:
 - સિગારેટ લાઇટર અથવા સ્પ્રેના ડબ્બામાંથી ગેસ લીક થઈ શકે છે અને આગ લાગી શકે છે.
 - યશ્મા, પ્લાસ્ટિક કાર્ડ અથવા સીડી કેસ વગેરે બગડી શકે છે અને તૂટી શકે છે.
 - સોફ્ટ ડ્રિંકના ડબ્બામાં તિરાડો આવી શકે છે.

પેડલ



80J2121

ક્લચ પેડલ (1)

ક્લચ ઉપયોગ એન્જિન શરૂ કરતી વખતે, બંધ કરતી વખતે અથવા ગિયરશિફ્ટ લિવરને ખસેડતી વખતે ડ્રાઇવને વ્હીલ્સ સાથે છૂટા કરવા માટે થાય છે. પેડલને દબાવવાથી ક્લચ છૂટી જાય છે.

⚠ ચેતવણી

તમારા પગ ક્લચ પેડલ પર રાખીને વાહન ચલાવશો નહીં. તે અતિશય ક્લચ ઘસારો, ક્લચને નુકસાન અથવા એન્જિન બ્રેકિંગના અણધાર્યા નુકસાનમાં પરિણમી શકે છે.

બ્રેક પેડલ (2)

તમારું વાહન આગળના ડિસ્ક બ્રેક્સ અને પાછળના ડ્રમ બ્રેક્સથી સજ્જ છે. બ્રેક પેડલને દબાવવાથી બ્રેકના બંને સેટ લાગુ પડે છે.

જ્યારે તમે બ્રેક લગાવો છો ત્યારે તમને પ્રસંગોપાત બ્રેકની બૂમો સંભળાઈ શકે છે. તાપમાન, ભેજ, બરફ અથવા ધૂળ વગેરે જેવા પર્યાવરણીય પરિબલોને કારણે આ સામાન્ય સ્થિતિ છે.

⚠ ચેતવણી

જો બ્રેક સ્ક્રીલ વધુ પડતી હોય અને દરેક વખતે બ્રેક લગાવતી વખતે થાય, તો તમારે તમારા અધિકૃત મારૂતિ સુઝુકી કોમર્શિયલ વર્કશોપ દ્વારા બ્રેકની તપાસ કરાવવી જોઈએ.

⚠ ચેતવણી

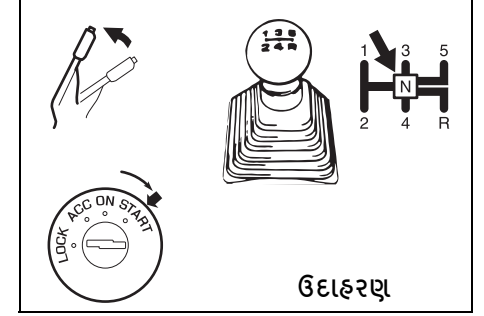
બ્રેક્સને સતત લગાવીને અથવા તમારા પગને પેડલ પર આરામ કરીને સવારી કરશો નહીં. આના પરિણામે બ્રેક્સ ઓવરહીટીંગ થશે જે અણધારી બ્રેકિંગ એક્શન, લાંબા સમય સુધી રોકવાનું અંતર અથવા કાચમી બ્રેક નુકસાનનું કારણ બની શકે છે.

એક્સિલરેટર પેડલ (3)

આ પેડલ એન્જિનની ગતિને નિયંત્રિત કરે છે. એક્સિલરેટર પેડલને દબાવવાથી પાવર આઉટપુટ અને ઝડપ વધે છે.

એન્જિન શરૂ કરવું

એન્જિન શરૂ કરતા પહેલા



ઉદાહરણ

77PH014

- 1) ખાતરી કરો કે પાર્કિંગ બ્રેક સંપૂર્ણ રીતે સેટ છે.
- 2) “N” (તટસ્થ) માં શિફ્ટ કરો અને ક્લચ પેડલને ફ્લોર સુધી બધી રીતે દબાવો. એન્જિન શરૂ કરતી વખતે ક્લચ પેડલને પકડી રાખો.

⚠ ચેતવણી

એન્જિન શરૂ કરવાનો પ્રયાસ કરતા પહેલા ખાતરી કરો કે પાર્કિંગ બ્રેક સંપૂર્ણ રીતે સેટ છે અને ટ્રાન્સમિશન ન્યુટ્રલ છે.

ઠંડુ અને ગરમ એન્જિન શરૂ કરી રહ્યાં છીએ એક્સિલરેટર પેડલ પરથી તમારા પગથી, ઇન્જીન ચાલીને "સ્ટાર્ટ" પર ફેરવીને એન્જિનને કેન્ક કરો. જ્યારે એન્જિન શરૂ થાય ત્યારે ચાવી છોડો.

▲ સાવધાન

- એન્જિન ચાલુ થયા પછી તરત જ સ્ટાર્ટર ચાલુ કરવાનું બંધ કરો અથવા સ્ટાર્ટર સિસ્ટમને નુકસાન થઈ શકે છે.
- એક સમયે 12 સેકન્ડથી વધુ સમય માટે એન્જિનને કેન્ક કરશો નહીં. જો એન્જિન પ્રથમ પ્રયાસમાં શરૂ ન થાય, તો ફરીથી પ્રયાસ કરતા પહેલા લગભગ 30 સેકન્ડ રાહ જુઓ.

જો 12 સેકન્ડના કેન્કિંગ પછી એન્જિન શરૂ ન થાય, તો લગભગ 30 સેકન્ડ રાહ જુઓ, પછી એક્સિલરેટર પેડલને તેની મુસાફરીના 1/3 સુધી નીચે દબાવો અને ફરીથી એન્જિનને કેન્ક કરવાનો પ્રયાસ કરો. જ્યારે એન્જિન શરૂ થાય ત્યારે ચાવી અને એક્સિલરેટર પેડલ છોડો. જો એન્જિન હજી પણ ચાલુ ન થાય, તો કેન્ક કરતી વખતે એક્સિલરેટર પેડલને ફ્લોર સુધી આપી રીતે પકડી રાખવાનો પ્રયાસ કરો. જો તે પૂર આવે તો આનાથી એન્જિન સાફ કરવું જોઈએ.

નોંધ:

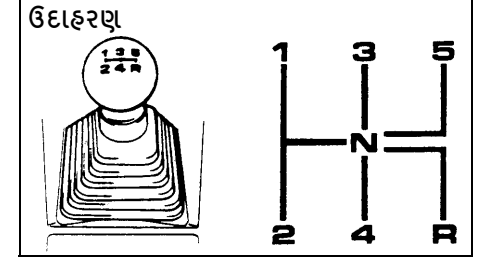
(CNG એન્જિન મોડલ માટે)

- પેટ્રોલથી CNG મોડમાં બદલવા માટે એક્સિલરેટર પેડલ દબાવો નહીં.
- ઇન્જીન સ્વીચ "ઓન" અને એન્જિન ચાલતું ન હોવા પર, CNG ખામીયુક્ત ચેતવણી

લેમ્પનું ઝબકવું સુચવે છે કે ફ્યુઅલનું ઢાંકણ ખુલ્લું છે. આ સ્થિતિમાં વાહન શરૂ થશે નહીં.

- એન્જિનના જીવનને વધારવા માટે વાહનને હંમેશા ઓટો મોડ અથવા પેટ્રોલ મોડમાં શરૂ કરવાની ભલામણ કરવામાં આવે છે.
- જ્યારે એમ્બ્રેચન્ટ/એન્જિનનું તાપમાન શૂન્ય ડિગ્રી સેલ્સિયસથી નીચે હોય ત્યારે વાહન ચાલુ કરવામાં આવે તો CNGમાં ફ્યુઅલનું પરિવર્તન થઈ શકશે નહીં. આવા કિસ્સામાં, એન્જિન ગરમ થાય ત્યાં સુધી તેને પેટ્રોલ મોડમાં ચલાવો અને પછી એન્જિનને CNG પર બદલવા માટે ફરીથી શરૂ કરવાનો પ્રયાસ કરો.
- પેટ્રોલ ટાંકીમાં પેટ્રોલનો પૂરતો જથ્થો રાખવાની ભલામણ કરવામાં આવે છે.
- જો એમ્બ્રેચન્ટ/એન્જિનનું તાપમાન શૂન્ય ડિગ્રી સેલ્સિયસથી ઓછું હોય તો વાહન ફોર્સ CNG મોડમાં શરૂ ન થઈ શકે. વાહનને ઓટો મોડમાં શરૂ કરવાની ભલામણ કરવામાં આવે છે.
- CNG મોડમાંથી પેટ્રોલ મોડમાં સ્વચાલિત ફેરફાર કરતી વખતે એન્જિન અટકી ન જાય તે માટે પેટ્રોલની ટાંકીમાં પૂરતા પ્રમાણમાં પેટ્રોલ રાખવાની ભલામણ કરવામાં આવે છે.
- જો એન્જિન ઓવર સ્વીચ દબાવ્યા પછી CNG ની ખરાબી ચેતવણી લેમ્પ ઝબકવાનું બંધ ન કરે, તો વાહનને નજીકના અધિકૃત મારૂતિ સુઝુકી કોમર્શિયલ વર્કશોપ પર લઈ જાઓ.

ટ્રાન્સમિશનનો ઉપયોગ કરીને મેન્યુઅલ ટ્રાન્સમિશન



65D038

શરૂ કરી રહ્યા છીએ

શરૂ કરવા માટે, ક્લચ પેડલને ફ્લોર સુધી આપી રીતે દબાવો અને 1લા અથવા 2જા ગિયરમાં શિફ્ટ કરો પાર્કિંગ બ્રેક છોડ્યા પછી, ધીમે ધીમે ક્લચ છોડો જ્યારે તમે એન્જિનના અવાજમાં ફેરફાર સાંભળો છો, ત્યારે ધીમે ધીમે ક્લચ છોડવાનું ચાલુ રાખીને એક્સિલરેટરને દબાવો.

નોંધ:

- સામાન્ય ડ્રાઇવિંગ દરમિયાન સ્ટાર્ટ એક માટે ભલામણ કરેલ ગિયર સ્થિતિ 2જી ગિયર છે.
- ક્રોસ કન્ટ્રી ડ્રાઇવિંગ, ક્રોલિંગ અથવા લોડિંગ ડ્રાઇવિંગના કિસ્સામાં કે જેને મોટા ડ્રાઇવિંગ ક્રોસની જરૂર હોય, શિફ્ટ સ્થિતિ 1 લી ગિયરની ભલામણ કરવામાં આવે છે.

શિફ્ટિંગ

બધા ક્રોસવર્ડ ગિયર્સ સમન્વયિત છે, જે શાંત અને સરળ સ્થળોત્તર માટે પ્રદાન કરે છે. ગિયર્સ ખસેડતા પહેલા હંમેશા ક્લચ પેડલને સંપૂર્ણપણે દબાવો.

તમારા વાહનનું સંચાલન

મહત્તમ સ્વીકાર્ય ગતિને ડાઉનશિફ્ટ કરી રહી છે (પેટ્રોલ મોડલ માટે)

ડાઉનશિફ્ટિંગ	કિમી/કલાક
2જી થી 1લી	10
3જી થી 2જી	65
4થી 3જી	100
5મી થી 4થી	140

મહત્તમ સ્વીકાર્ય ગતિને ડાઉનશિફ્ટ કરી રહી છે (CNG મોડલ માટે)

ડાઉનશિફ્ટિંગ	કિમી/કલાક
2જી થી 1લી	10
3જી થી 2જી	55
4થી 3જી	90
5મી થી 4થી	125

*નોંધ:

ડ્રાઇવિંગની સ્થિતિ અને/અથવા વાહનની સ્થિતિને કારણે તમે મહત્તમ સ્વીકાર્ય ઝડપે વેગ નહીં મેળવી શકો.

નોટિસ

જ્યારે નીચા ગિયર પર ડાઉનશિફ્ટ કરી રહ્યા હોય, ત્યારે ખાતરી કરો કે મહત્તમ સ્વીકાર્ય ગતિ કરતાં વધુ ઝડપે ડાઉનશિફ્ટ ન કરો, અથવા એન્જિનને ગંભીર નુકસાન થઈ શકે છે.

⚠ ચેતવણી

- તમારી સ્પીડ ઓછી કરો અને લાંબી કે ઢોળાવવાળી ટેકરી નીચે જતા પહેલા નીચલા ગિયરમાં ડાઉન શિફ્ટ કરો. નીચું ગિયર એન્જિનને બ્રેકિંગ પ્રદાન કરવાની મંજૂરી આપશે. બ્રેક્સ ચલાવવાનું ટાળો અથવા તે વધુ ગરમ થઈ શકે છે, પરિણામે બ્રેક ફેઈલ થઈ જશે.
- લપસણા રસ્તાઓ પર ડ્રાઇવિંગ કરતી વખતે, ડાઉન શિફ્ટિંગ પહેલાં ધીમી કરવાની ખાતરી કરો. એન્જિનની ગતિમાં અતિશય અને અથવા અચાનક ફેરફારો ટ્રેક્શન ગુમાવવાનું કારણ બની શકે છે, જેના કારણે તમે નિયંત્રણ ગુમાવી શકો છો.

નોટિસ

- ક્લચના નુકસાનને ટાળવા માટે, ડ્રાઇવિંગ કરતી વખતે ક્લચ પેડલનો ઉપયોગ ફુટરેસ્ટ તરીકે કરશો નહીં અથવા વાહનને ઢોળ પર સ્થિર રાખવા માટે ક્લચનો ઉપયોગ કરશો નહીં. શિફ્ટ કરતી વખતે ક્લચને સંપૂર્ણપણે દબાવો.
- શિફ્ટ કરતી વખતે અથવા શરૂ કરતી વખતે, એન્જિનને ઝડપ આપશો નહીં. એન્જિનને દોડાવવાથી એન્જિનનું જીવન ટૂંકું થઈ શકે છે અને સરળ સ્થળોતરને અસર કરે છે.

નોટિસ

રિવર્સ ગિયર "R" ને જોડતા પહેલા, તપાસો કે વાહન સંપૂર્ણપણે સ્થિર છે અને ગિયર લીવર તટસ્થ [N] સ્થિતિમાં છે. ક્લચ પેડલને સંપૂર્ણપણે ડિપ્રેસ કર્યા પછી, [R] પર શિફ્ટ કરો.

નોંધ:

જો રિવર્સ ગિયર "R" જોડવાનું મુશ્કેલ હોય, તો નીચેની પ્રક્રિયાને અનુસરો:

- ગિયર લીવરને તટસ્થ "N" માં મૂકો.
- એકવાર ક્લચ પેડલ છોડો.
- ફરીથી ક્લચ પેડલને દબાવો અને "N" થી "R" માં શિફ્ટ કરો.

પાર્કિંગ સેન્સર્સ

- પાર્કિંગ સેન્સર સિસ્ટમ પાછળના બમ્પરની નજીકના અવરોધોને શોધવા માટે અલ્ટ્રાસોનિક સેન્સરનો ઉપયોગ કરે છે. જો તમે પાર્કિંગ કરી રહ્યા હોવ અથવા વાહનને ધીમેથી ખસેડો ત્યારે અવરોધો અનુભવાય, તો સિસ્ટમ તમને બઝર વગાડીને ચેતવણી આપે છે.
- સિસ્ટમ અલ્ટ્રાસોનિક તરંગનું ઉત્સર્જન કરે છે અને સંબંધિત સેન્સર અવરોધ દ્વારા પ્રતિબિંબિત તરંગના વળતરને શોધી કાઢે છે. સિસ્ટમ અલ્ટ્રાસોનિક તરંગ દ્વારા અવરોધ સુધી પહોંચવા અને તેમાંથી પાછા ફરવા માટે લેવાયેલા સમયને માપે છે, જેમાંથી તે અવરોધની સ્થિતિ નક્કી કરે છે.
- જ્યારે તમે ઇગ્નીશન સ્વિચને "ઓન" સ્થિતિમાં કરો અને ગિયરશિફ્ટ લીવર "R" સ્થિતિમાં હોય ત્યારે પાર્કિંગ સેન્સર ફંક્શનનો ઉપયોગ કરી શકાય છે. આ ફંક્શન નીચેના કેસોમાં મદદરૂપ છે: કર્બ પર ખેંચીને; વાહનની સમાંતર પાર્કિંગ; ગેરેજમાં વાહનનું સ્ટીયરિંગ; ગલીમાં ડ્રાઇવિંગ; અને અવરોધોવાળી જગ્યાએ ધીમે ધીમે આગળ વધવું.

⚠ ચેતવણી

- પાર્કિંગ સેન્સર તમને બઝર સાથેના અવરોધો વિશે ચેતવણી આપે છે. જો કે, તમારે હજુ પણ ખાસ કાળજી સાથે વાહન ચલાવવું પડશે.
- સેન્સર માત્ર મર્યાદિત વિસ્તારની અંદર અવરોધોને શોધી શકે છે અને જ્યારે વાહન મર્યાદિત ગતિ શ્રેણીમાં આગળ વધી રહ્યું હોય ત્યારે જ તેથી, મૂશ્કેલ વિસ્તારોમાં, તમારે તમારી સીધી દ્રષ્ટિ અથવા રિયરવ્યુ અરીસાનો ઉપયોગ કરીને તેની આસપાસ તપાસ કરતી વખતે વાહનને ધીમેથી ખસેડવું જોઈએ. જો તમે માત્ર પાર્કિંગ સેન્સર પર આધાર રાખીને વાહનને નિયંત્રિત કરો છો તો અકસ્માતનું જોખમ વધી જાય છે.

નોંધ:
જ્યારે ગિયરશિફ્ટ લિવરને "R" સ્થાન પર ખસેડવામાં આવે છે, ત્યારે બઝર એકવાર વાગશે.

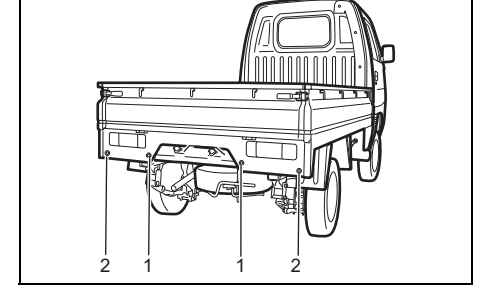
નોટિસ

પાર્કિંગ સેન્સર ફક્ત ડ્રાઇવરની સહાય માટે છે.

સેન્સર સ્થાનો

પાછળના બમ્પર પર

ઉદાહરણ



77PM03003

- (1) પાછળના કેન્દ્ર સેન્સર (2 સ્થાનો)
- (2) પાછળના ખૂણાના સેન્સર (2 સ્થાનો)

નોટિસ

- સેન્સર વિસ્તારોને અથડાવાનું અથવા ઉચ્ચ દબાણવાળા કાર વોશરની નોઝલને સેન્સર વિસ્તારો પર દિશામાન કરવાનું ટાળો. નહિતર, સેન્સરને નુકસાન થઈ શકે છે.
- જો બમ્પર સખત વસ્તુને અથડાવે છે, તો તેના પરના સેન્સર યોગ્ય રીતે કામ કરી શકશે નહીં. જો આવું થાય, તો મારુતિ સુઝુકી અધિકૃત વર્કશોપ દ્વારા સેન્સરનું નિરીક્ષણ કરાવો.

તમારા વાહનનું સંચાલન

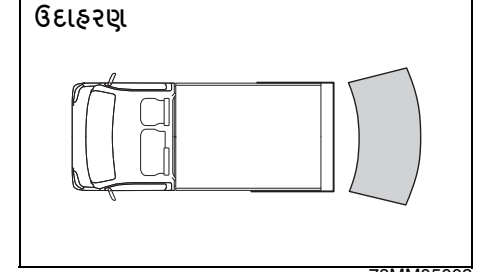
કામ કરતા સેન્સરો

સેન્સર નીચે પ્રમાણે ગિયરશિફ્ટ લિવર સ્થિતિના આધારે કામ કરે છે:

ગિયરશિફ્ટ લિવર સ્થિતિ	R	N, 1લી - 5મી
પાછળના સેન્સરો	ઓન	ઓફ

અંદાજિત વિસ્તારો જ્યાં અવરોધો શોધી શકાય છે

ઉદાહરણ



78MM05003

- સેન્સરથી લગભગ **20** સેમી (**8** ઇંચ) ની અંદર અથવા સેન્સરથી નીચેનો અવરોધ શોધી શકાતો નથી.

સેન્સર વાહનના પાછળના ભાગથી લગભગ **1.8** મીટર (**6** ફુટ) સુધીની દિવાલ જેવા અવરોધોને શોધી શકે છે.

▲ ચેતવણી

નીચેની પરિસ્થિતિઓમાં, પાર્કિંગ સેન્સર સિસ્ટમ સામાન્ય રીતે કામ કરી શકશે નહીં કારણ કે સેન્સર અવરોધોને યોગ્ય રીતે શોધી શકતા નથી.

- સેન્સર કાદવ, બરફ અથવા અન્ય સામગ્રીઓથી ઢંકાયેલા હોય છે. (સામાન્ય કામગીરી માટે આવી સામગ્રી દૂર કરવી આવશ્યક છે.)
- સેન્સર પાણીના છાંટા અથવા ભારે વરસાદથી ભીના હોય છે.
- સેન્સર હાથ, સ્ટીકર, સહાયક વગેરે દ્વારા આવરી લેવામાં આવે છે.
- સેન્સરના સેન્સિંગ એરિયામાં સહાયકો અથવા અન્ય ઓબ્જેક્ટ જોડાયેલ છે.
- ટો હુક્સ, ક્રોમશિયલ રીતે ઉપલબ્ધ કોર્નર પોલ્સ, રેડિયો એન્ટેના વગેરે જેવી વસ્તુઓ બમ્પર પર ઇન્સ્ટોલ કરેલ છે.
- સસ્પેન્શનમાં કેરફાર અથવા અન્ય કારણોને લીધે બમ્પરની ઊંચાઈ બદલાઈ છે.
- સેન્સર વિસ્તારો સીધા સૂર્યપ્રકાશથી અત્યંત ગરમ હોય છે અથવા ઠંડું હવામાનને કારણે ઠંડા હોય છે.
- વાહન ખરબચડી સપાટી, ઢાળ, કાંકરી રોડ અથવા ઘાસના મેદાન પર છે.
- વાહન ઊંડા કોણ પર છે.

(ચાલુ)

▲ ચેતવણી

(ચાલુ)

- સેન્સરે અન્ય વાહનના હોર્ન, એન્જિન, એર બ્રેકિંગ સિસ્ટમ (મોટા વાહનો) અથવા પાર્કિંગ સેન્સરમાંથી અલ્ટ્રાસોનિક અવાજને અટકાવ્યો છે.
- અવરોધો સેન્સરની ખૂબ નજીક છે.
- સેન્સર કાચ જેવા અત્યંત પ્રતિબિંબિત પદાર્થના ખૂણા પર હોય છે. (અલ્ટ્રાસોનિક તરંગો અવરોધમાંથી પાછા પ્રતિબિંબિત થતા નથી.)
- સેન્સર નીચેના પ્રકારના અવરોધોને યોગ્ય રીતે શોધી શકતા નથી:
 - વાયર નેટિંગ અને દોરડા જેવી પાતળા સામગ્રીથી બનેલી વસ્તુઓ
 - ચોરસ આકારના કર્બસ્ટોન્સ અથવા તીક્ષ્ણ ધારવાળા અન્ય ઓબ્જેક્ટ
 - રોડ સાઇન જેવા મોટા ઉપલા ભાગ સાથેના ઊંચા ઓબ્જેક્ટ
 - લો-પ્રોફાઇલ વસ્તુઓ જેમ કે કર્બસ્ટોન્સ
 - કપાસ અને બરફ જેવી ધ્વનિ-શોષી લેતા ઓબ્જેક્ટ

નોંધ:

પાતળા ધુવો અથવા સેન્સર કરતા નીચા અવરોધો શોધી ન શકાય તેવા બની શકે છે કારણ કે વાહન તેમની નજીક જાય છે, પછી ભલે તે લાંબા અંતરથી શોધાયેલ હોય.

- સિસ્ટમ રસ્તાના ચિહ્ન માટેના અંતરની ગણતરી કરી શકે છે અથવા વાસ્તવિક અંતર

કરતાં ટૂંકા હોય તેવા સમાન અવરોધની ગણતરી કરી શકે છે.

પાર્કિંગ સેન્સર દ્વારા અવરોધ સૂચક કોઈ અવરોધને શોધવા પર, પાર્કિંગ સેન્સર આંતરિક બઝરને અવાજનું કારણ બને છે.

- જ્યારે પાછળનું સેન્સર અવરોધ શોધે છે ત્યારે પાછળની સીટની પાછળ સ્થિત બઝર અવાજ કરે છે.
- સેન્સર દ્વારા દિવાલ જેવા અવરોધો શોધવામાં આવે ત્યારે ચેતવણી

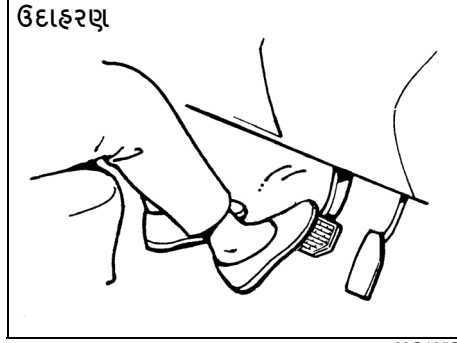
અંતર (અંદાજે)	બઝર
100-180 cm	લાંબા સમયાંતરે ટૂંકા બીપ્સ
80-100 cm	ટૂંકા અંતરાલ પર ટૂંકા બીપ્સ
70-80 cm	ખૂબ જ ટૂંકા અંતરાલમાં ટૂંકા બીપ્સ
કરતાં ઓછી છે 70 cm	સતત બીપ

ચેતવણી અને સૂચક સંદેશાઓ

જો પાર્કિંગ સેન્સર સિસ્ટમ સંબંધિત કોઈ સમસ્યા અથવા ચેતવણી હોય, તો બઝર તેની જાણ કરે છે. નીચેની સૂચનાને અનુસરો.

બઝર થોડા સમય માટે સંભળાય છે અને પછી બંધ થઈ જાય છે. સેન્સર દૂષિત હોઈ શકે છે. તેને નરમ કપડાથી સાફ કરો. જો ઇન્જીન મોડ બંધ કરીને ચાલુ કર્યા પછી સમાન સમસ્યા (બઝર થોડા સમય માટે સંભળાય અને પછી બંધ થઈ જાય) ચાલુ રહે, તો પાર્કિંગ સેન્સર સિસ્ટમમાં સમસ્યા હોય શકે છે. **Maruti Suzuki** અધિકૃત વર્કશોપ દ્વારા તમારા વાહનની તપાસ કરાવો.

બ્રેકિંગ



60G165S

કોઈપણ વાહનને રોકવા માટે જરૂરી અંતર વાહનની ઝડપ સાથે વધે છે. જરૂરી બ્રેકિંગ અંતર, ઉદાહરણ તરીકે, 60 કિમી/કલાક 30 કિમી/કલાક પર જરૂરી બ્રેકિંગ અંતર કરતાં લગભગ 4 ગણું વધારે હશે. જ્યારે તમારા વાહન અને સ્ટોપિંગ પોઈન્ટ વચ્ચે પુષ્કળ અંતર હોય ત્યારે વાહનને બ્રેક મારવાનું શરૂ કરો અને ધીમે ધીમે ધીમું કરો..

⚠ ચેતવણી

જો બ્રેક ઉપકરણોમાં પાણી પ્રવેશે છે, તો બ્રેકની કામગીરી નબળી અને અણધારી બની શકે છે. પાણીમાંથી ડ્રાઇવિંગ કર્યા પછી અથવા વાહનની નીચેની બાજુ ધોયા પછી, ધીમી ગતિએ ડ્રાઇવિંગ કરતી વખતે બ્રેક્સનું પરીક્ષણ કરો કે તેણે તેમની સામાન્ય અસરકારકતા જાળવી રાખી છે કે નહીં. જો બ્રેક્સ સામાન્ય કરતાં ઓછી અસરકારક હોય, તો બ્રેક્સ તેમની સામાન્ય અસરકારકતા પાછી ન મેળવે ત્યાં સુધી ધીમે ધીમે ડ્રાઇવિંગ કરતી વખતે વારંવાર બ્રેક લગાવીને તેને સૂકવી દો.

નોંધ:

બ્રેક કરતી વખતે તમે બ્રેક ડિસ્ક/ડ્રમ અને બ્રેક લાઇનિંગ વચ્ચેના ઘર્ષણને કારણે ઓપરેશનલ અવાજ સાંભળી શકો છો. આ એક સામાન્ય ઘટના છે અને તે કોઈ અસાધારણતા અથવા વાહનની સામાન્ય કામગીરીને અસર કરતી નથી.

પાવર-આસિસ્ટેડ બ્રેક્સ

તમારા વાહનમાં પાવર-આસિસ્ટેડ બ્રેક્સ છે. જો અટકેલા એન્જિન અથવા અન્ય નિષ્ફળતાને લીધે પાવર સહાયતા ખોવાઈ જાય, તો સિસ્ટમ હજી પણ રિઝર્વ પાવર પર સંપૂર્ણ રીતે કાર્યરત છે અને તમે બ્રેક પેડલને એકવાર દબાવીને અને તેને પકડી રાખીને વાહનને સંપૂર્ણ સ્ટોપ પર લાવી શકો છો. જ્યારે તમે બ્રેક પેડલને દબાવો છો ત્યારે રિઝર્વ પાવરનો આંશિક ઉપયોગ થાય છે અને જ્યારે પણ પેડલ દબાવવામાં આવે ત્યારે તે ઘટાડે છે. પેડલ પર સરળ અને સમાન દબાણ લાગુ કરો. પેડલ પંપ કરશો નહીં.

⚠ ચેતવણી

બ્રેક સિસ્ટમમાં રિઝર્વ પાવર વિના પણ, તમે બ્રેક પેડલને સામાન્ય રીતે જરૂરી કરતાં વધુ સખત દબાવીને વાહનને રોકી શકો છો. જો કે, થોભવાનું અંતર લાંબુ હોઈ શકે છે.

બ્રેક આસિસ્ટ સિસ્ટમ

જ્યારે તમે જોરથી બ્રેક ચાલુ કરો છો, ત્યારે બ્રેક આસિસ્ટ સિસ્ટમ તેને ઇમરજન્સી સ્ટોપ તરીકે નિર્ધારિત કરે છે અને જે ડ્રાઇવર બ્રેક પેડલને મજબૂતીથી પકડી શકતા નથી તેમને વધુ શક્તિશાળી બ્રેકિંગ પ્રદાન કરે છે.

નોંધ:

બ્રેક પેડલ મારતી અને છોડતી વખતે, તમે બ્રેક સિસ્ટમમાં કમ્પોનેન્ટ્સના સક્રિયકરણ અને કાર્યને કારણે કેટલાક ઓપરેશનલ અવાજ સાંભળી શકો છો. આ એક સામાન્ય ઘટના છે અને તે કોઈપણ અસાધારણતા અથવા ખામીને સૂચવતી નથી. ઉપરાંત, તે બ્રેક ફક્શનને અસર કરતું નથી.

એન્ટિ-લોક બ્રેક સિસ્ટમ (ABS) (જો જોડેલું હોય તો)

ABS ઇલેક્ટ્રોનિક રીતે બ્રેકિંગ પ્રેશરને નિયંત્રિત કરીને સ્ક્રિડિંગને ટાળવામાં તમારી મદદ કરશે. તે તમને લપસણી સુપાટી પર બ્રેક મારતી વખતે અથવા જોરથી બ્રેક મારતી વખતે સ્ટીયરિંગનું નિયંત્રણ જાળવવામાં પણ મદદ કરશે.

ABS આપોઆપ કામ કરે છે, તેથી તમારે કોઈ ખાસ બ્રેકિંગ તકનીકની જરૂર નથી. પંખિયેગ કર્યા વિના ફક્ત બ્રેક પેડલને નીચેની તરફ દબાવો. જ્યારે પણ વ્હીલ્સ લોક થઇ રહ્યાં છે તેવો અહેસાસ થશે ત્યારે **ABS** કાર્ય કરશે. જ્યારે **ABS** કાર્ય કરી રહ્યું હોય ત્યારે તમને બ્રેક પેડલ થોડું ખસતું હોય તેવું લાગી શકે છે.

⚠ ચેતવણી

- હંમેશા આસપાસની પરિસ્થિતિઓ તપાસો અને વાહનને સલામત રીતે ચલાવો, કારણ કે **ABS** દ્વારા વાહનને નિયંત્રિત કરવાની મર્યાદાઓ હોય છે અને આસપાસની પરિસ્થિતિઓને આધારે સિસ્ટમ યોગ્ય રીતે કાર્ય કરી શકતી નથી.
- જો ટાયરની પકડની કામગીરી મર્યાદા કરતાં વધી જાય અથવા હાઇડ્રોપ્લેનિંગ થાય, તો **ABS** યોગ્ય રીતે કામ કરી શકતું નથી.

નોંધ:

- જો **ABS** સિસ્ટમ સક્રિય થાય, તો તમે બ્રેક પેડલમાં કલોકિંગ અવાજ અને/અથવા ધબકારા અનુભવી શકો છો. આ સામાન્ય છે અને સુચવે છે કે બ્રેક ફ્લુઇડનું દબાણ યોગ્ય રીતે નિયંત્રિત થઇ રહ્યું છે.

- જ્યારે તમે એન્જિન ચાલુ કરો છો અથવા વાહન ચાલવાનું શરૂ કરે છે ત્યારે તમને ઓપરેશનનો અવાજ સંભળાશે. આનો અર્થ એ છે કે ઉપરોક્ત સિસ્ટમ્સ સ્વ-તપાસ મોડમાં છે. આ અવાજ કોઈ ખામી દર્શાવતો નથી.

બ્રેકિંગ ડિસ્ટન્સ

ABS સ્ટોપિંગ ડિસ્ટન્સને ઘટાડવા માટે બનાવવામાં આવ્યું નથી.

⚠ ચેતવણી

- નીચેની પરિસ્થિતિઓમાં, **ABS** સાથેના વાહન માટે જરૂરી બ્રેકિંગ ડિસ્ટન્સ **ABS** વિનાના વાહન માટે જરૂરી ડિસ્ટન્સ કરતાં થોડું વધારે હોઈ શકે છે, જેના પરિણામે અકસ્માત થાય છે. વાહન ધીમે ચલાવો અને તમારા વાહન અને તમારી આગળના વાહન વચ્ચે પૂરતું અંતર જાળવો.
 - જ્યારે ઉબડખાબડ રસ્તાઓ જેમ કે ક્રાચા અથવા પથ્થરના રસ્તાઓ પર ડ્રાઇવિંગ કરતી વખતે
 - જ્યારે કાંકરીવાળા રસ્તાઓ અથવા તાજા બરફના રસ્તાઓ પર ડ્રાઇવિંગ કરતી વખતે
 - જ્યારે જોઈન્ટ સીમ જેવા રસ્તાઓ પર બ્રમ્સ પર ડ્રાઇવિંગ કરતી વખતે
 - ગટર જેવી મેટલ પ્લેટો પરથી પસાર થતી વખતે
 - જ્યારે બરફની સાંકળો ઇન્સ્ટોલ કરેલી હોય

નોંધ:

- અચાનક બ્રેક લગાવતી વખતે અથવા લપસણા રસ્તાઓ પર બ્રેક લગાવતી વખતે, **ABS** વાળા વાહન માટે જરૂરી બ્રેકિંગ ડિસ્ટન્સ લગભગ **ABS** વગરના વાહન માટે જરૂરી ડિસ્ટન્સ જેટલું જ હોય છે.
- જો તમે અચાનક બ્રેક લગાવવા માંગતા હોવ, તો માત્ર બ્રેક પેડલને પંખિયેગ કર્યા વિના મજબૂત રીતે નીચેની તરફ દબાવો. નહિતર, લાંબા બ્રેકિંગ ડિસ્ટન્સની જરૂર પડશે.
- જો વાહનની ઝડપ લગભગ 9 કિમી/કલાકથી ઓછી હોય તો **ABS** કામ કરશે નહીં. આ રસ્તાની સ્થિતિ પર આધાર રાખે છે.

ABS ઓપરેશન દરમિયાન કંપન અને ધ્વનિ

બ્રેક પેડલને મજબૂત રીતે દબાવતી વખતે, તમે બ્રેક પેડલ, સ્ટીયરિંગ વ્હીલ અને વાહનના શરીરના કંપન અનુભવી શકો છો. આ **ABS** ઓપરેશનને કારણે છે અને તે ખામીને સૂચવતું નથી; આ સમયે બ્રેક પેડલને મજબૂત રીતે દબાવવાનું ચાલુ રાખો.

નોંધ:

એન્જિન શરૂ કર્યા પછી અને વાહન ચલાવવાનું શરૂ કર્યા પછી તરત જ, તમે અસ્થાયી રૂપે મોટરનો અવાજ સંભળી શકો છો. આનો અર્થ એ છે કે સિસ્ટમ્સ સ્વ-તપાસ મોડમાં છે. આ અવાજ કોઈ ખામી દર્શાવતો નથી.

ટાયર

⚠ ચેતવણી

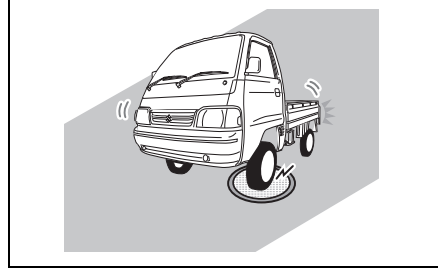
ABS સેન્સર દ્વારા દરેક વ્હીલ રોટેશનની ઝડપ શોધી કાઢે છે. જો માલિકની માર્ગદર્શિકામાં ઉલ્લેખ કર્યા સિવાયના ટાયર અથવા વ્હીલ્સનો ઉપયોગ કદ, પ્રકાર, ચાલવાની પેટર્ન માટે કરવામાં આવે છે અથવા જો ટાયરના વપરાશની સ્થિતિ અલગ હોય તો, વ્હીલની સાચી રોટેશનની ઝડપ શોધી શકાતી નથી અને **ABS** યોગ્ય રીતે કામ કરશે નહીં. આ અકસ્માતમાં પરિણમી શકે છે.

ટાયર બદલતી વખતે, આ માલિકની માર્ગદર્શિકામાં ઉલ્લેખિત કદ, પ્રકાર અને ચાલવાની પેટર્ન સાથેના ટાયરનો ઉપયોગ કરો.

ઉપરાંત, જે ટાયર વધુ પડતા વપરાય ગયા હોય તેનો ઉપયોગ કરશો નહીં.

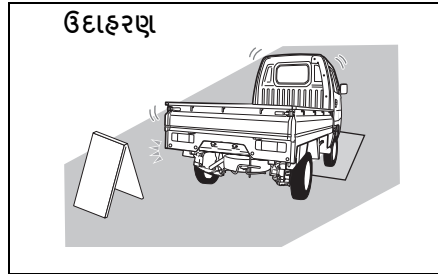
એવી પરિસ્થિતિઓ કે જ્યાં બ્રેક લગાવતી વખતે **ABS** ભૂલથી સક્રિય થઇ શકે છે

- લપસણા રસ્તાઓ પર ડ્રાઇવિંગ કરતી વખતે



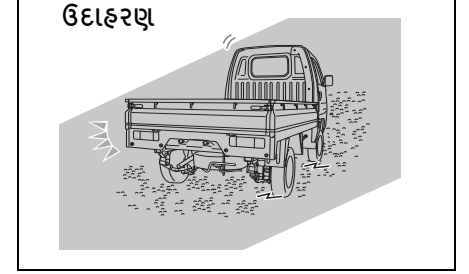
78MM05002

– ગટર



78MM05006

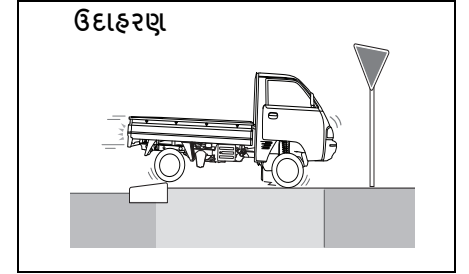
– બાંધકામ ઝોનમાંની મેટલ પ્લેટ્સ



78MM05004

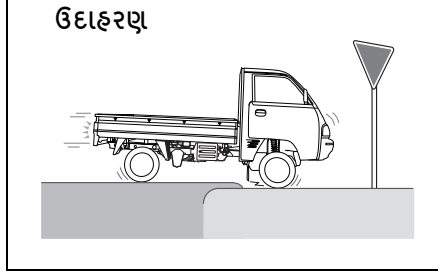
– કાંકરીવાળા રસ્તાઓ

- જ્યારે રસ્તાઓ અને અન્ય ઊંચાઈ તફાવતો પરના જોઇન્ટ્સ પર ડ્રાઇવિંગ કરતી વખતે



78MM05007

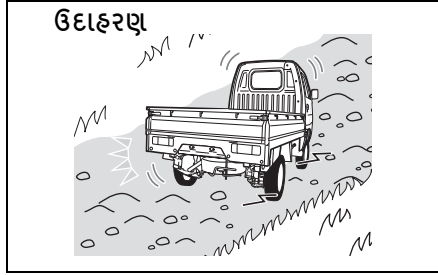
– રસ્તાઓના જોઇન્ટ્સ



78MM05005

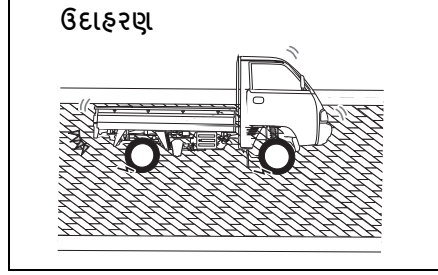
– રસ્તાઓની ઊંચાઈમાં તફાવત

- જ્યારે ઉબડખાબડ રસ્તાઓ પર વાહન ચલાવવું



78MM05008

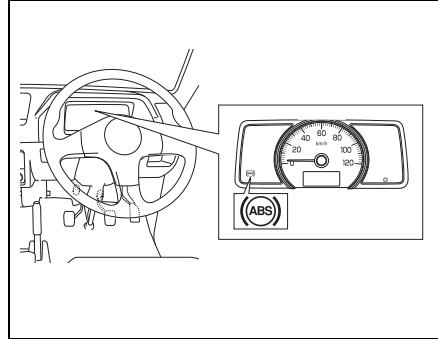
– ઉબડખાબડ રસ્તાઓ



78MM05009

– કોબલસ્ટોન

ABS ચેતવણી લાઇટ



78MM05010

જો ઇન્જીનશન સ્વીચ “ચાલુ” સ્થિતિ સાથેની **ABS** સિસ્ટમમાં કોઈ સમસ્યા હોય, તો આ લાઇટ ચાલુ થશે.

બ્રેકિંગ આસિસ્ટ

આ ઇંક્શન બ્રેક ઓપરેટ કરતી વખતે તમને વધુ બળ લાગુ કરવામાં મદદ કરે છે. જ્યારે અચાનક બ્રેકિંગ લાગુ કરવામાં આવે છે, ત્યારે **ABS** સંપૂર્ણ અસરમાં આવે ત્યાં સુધીનો સમય ઓછો કરવામાં આવે છે.

- જો તમે બ્રેક પેડલને મજબૂત રીતે દબાવશો નહીં, તો બ્રેકિંગ આસિસ્ટ કાર્યે કરશે નહીં.
- બ્રેક આસિસ્ટ એ એવું ઉપકરણ નથી કે જે મૂળ બ્રેકિંગ પરફોર્મન્સથી વધુ નિયંત્રણ પૂરું પાડે.

ઇલેક્ટ્રોનિક સ્ટેબિલિટી પ્રોગ્રામ (ESP®) (જો જોડેલું હોય તો)

ESP® એ Daimler AG નો રજીસ્ટર્ડ ટ્રેડમાર્ક છે.

જો ફન્ટ વ્હીલ અથવા રીઅર વ્હીલ્સ લપસી જાય, તો ઇલેક્ટ્રોનિક સ્ટેબિલિટી પ્રોગ્રામ (ESP®) કોર્નરિંગ દરમિયાન વાહનને નિયંત્રિત કરવામાં મદદ કરે છે. તે તમને હીલાં અથવા લપસણા રસ્તાની સપાટી પર વેગ આપતી વખતે ટ્રેક્શન જાળવવામાં પણ મદદ કરે છે. તે એન્જિનના આઉટપુટને નિયંત્રિત કરીને અને પસંદગીપૂર્વક બ્રેક્સ લાગુ કરીને આ કરે છે. વધુમાં, ESP® બ્રેકિંગ દબાણને નિયંત્રિત કરીને લપસવાનું ટાળવામાં મદદ કરે છે.

⚠ ચેતવણી

ESP® તમામ પરિસ્થિતિઓમાં વાહનની ડ્રાઇવિંગ સ્થિરતાને વધારી શકતું નથી અને તમારા વાહનની સંપૂર્ણ બ્રેકિંગ સિસ્ટમને નિયંત્રિત કરતું નથી. ESP® અકસ્માતોને રોકી શકતું નથી, જેમાં વળાંકમાં વધુ પડતી ઝડપ અથવા હાઇડ્રોપ્લેનિંગના પરિણામે થતા અકસ્માતોનો સમાવેશ થાય છે. માત્ર સલામત અને સચેત ડ્રાઇવ જ અકસ્માતોને અટકાવી શકે છે.

ESP®-જોડેલ વાહનની ક્ષમતાઓનો ઉપયોગ સાવચેતીપૂર્વકના ડ્રાઇવિંગના વિકલ્પ તરીકે ક્યારેય થવો જોઈએ નહીં.

ESP® પાસે નીચેની સિસ્ટમ્સ છે:

એન્ટી લોક બ્રેક સિસ્ટમ એસી (ABS)

આ વિભાગમાં “એન્ટી-લોક બ્રેક સિસ્ટમ (ABS)” નો સંદર્ભ લો.

બ્રેક આસિસ્ટ સિસ્ટમ

આ વિભાગમાં “બ્રેક આસિસ્ટ સિસ્ટમ” નો સંદર્ભ લો.

ટ્રેક્શન કંટ્રોલ સિસ્ટમ

જ્યારે લપસણા રસ્તાની સપાટી પર વાહન કરવામાં આવે અથવા તેને વેગ આપવામાં આવે ત્યારે વ્હીલ્સને ફરતા અટકાવવામાં ટ્રેક્શન કંટ્રોલ સિસ્ટમ આપમેળે મદદ કરે છે. સિસ્ટમ માત્ર ત્યારે જ કાર્ય કરે છે જ્યારે તેને લાગે છે કે કેટલાક વ્હીલ્સ લાગે છે અથવા ટ્રેક્શન ગુમાવવાનું શરૂ કરે છે. જ્યારે આવું થાય છે, ત્યારે સિસ્ટમ ફન્ટ અથવા રીઅર બ્રેક્સ ચલાવે છે અને વ્હીલના ફરવાનું મર્યાદિત કરવા માટે એન્જિનનો પાવર ઘટાડે છે.

નોંધ:

જ્યારે તમે એન્જિન ચાલુ કરો છો અથવા વાહન ચાલવાનું શરૂ કરે છે ત્યારે તમને ઓપરેશનનો અવાજ સંભળાશે. આનો અર્થ એ છે કે ઉપરોક્ત સિસ્ટમ્સ સ્વ-તપાસ મોડમાં છે. આ અવાજ કોઈ ખામી દર્શાવતો નથી.

સ્ટેબિલિટી કંટ્રોલ સિસ્ટમ

વ્હીકલ સ્ટેબિલિટી કંટ્રોલ સિસ્ટમ એન્ટી-લોક બ્રેક્સ, ટ્રેક્શન કંટ્રોલ, એન્જિન કંટ્રોલ વગેરે જેવી સિસ્ટમ્સનું સંકલિત નિયંત્રણ પ્રદાન કરવામાં મદદ કરે છે. આ સિસ્ટમ લપસણા રસ્તાની સપાટી પર કોર્નરિંગ કરતી વખતે અથવા જ્યારે સ્ટિયરિંગ વ્હીલને અચાનક ફેરવવામાં આવે ત્યારે વાહનને લપસતા અટકાવવા માટે બ્રેક્સ અને એન્જિનને આપમેળે નિયંત્રિત કરે છે.

⚠ ચેતવણી

હંમેશા આસપાસની પરિસ્થિતિઓ તપાસો અને વાહનને સલામત રીતે ચલાવો, કારણ કે ESP® દ્વારા વાહનને નિયંત્રિત કરવાની મર્યાદાઓ હોય છે અને ESP® આસપાસની પરિસ્થિતિઓને આધારે યોગ્ય રીતે કાર્ય કરી શકશે નહીં.

⚠ સાવધાન

- નીચેના મુદ્દાઓનું અવલોકન કરો. નહિંતર, ESP® યોગ્ય રીતે કાર્ય કરી શકશે નહીં અથવા તેમાં ખામી આવી શકે છે.
 - નિર્દિષ્ટ કર્યા મુજબ ટાયરના દબાણને સમાયોજિત કરો.
 - ટાયર બદલતી વખતે, સમાન કદ, પ્રકાર અને ચાલવાની પેટર્ન સાથેના ટાયરનો ઉપયોગ કરો.
 - એવા ટાયરનો ઉપયોગ કરશો નહીં કે જે વધુ પડતા વપરાય ગયા હોય.
 - સસ્પેન્શન અથવા બ્રેકમાં ફેરફાર કરશો નહીં અને વાહનની ઊંચાઈ અથવા સસ્પેન્શનની હાર્ડનેસ બદલશો નહીં.
 - જે વાહનમાં સસ્પેન્શન અથવા બ્રેક વધુ પડતા બગડેલા હોય તેને ચલાવશો નહીં.
 - એન્જિન અથવા મફલરમાં ફેરફાર કરશો નહીં.

(ચાલુ)

▲ સાવધાન

(ચાલુ)

- LSD (મર્યાદિત સ્લિપ ડિફરન્સિયલ) ઇન્સ્ટોલ કરશો નહીં.

- જ્યારે તમે સ્નો ચેઇન્સ ઇન્સ્ટોલ કરો છો, ત્યારે ESP® યોગ્ય રીતે કામ કરી શકશે નહીં.

નોંધ:

- જો તમે નીચેની ક્રિયાઓ કરો છો, તો તમે ઓપરેશનનો અવાજ અથવા ક્લિકિંગ અવાજ સાંભળી શકો છો. આનો અર્થ એ છે કે ESP® સિસ્ટમ સ્વ-તપાસ મોડમાં છે અને આ કોઈ ખામી દર્શાવતું નથી.
 - જ્યારે ઇઝીશન સ્વીચ “ચાલુ” સ્થિતિ પર ફેરવાય છે.
 - બ્રેક પેડલમાંથી તમારા પગને છોડતી વખતે, ઇઝીશન સ્વીચ “ચાલુ” સ્થિતિમાં હોય તે પછી.
 - એન્જિન શરૂ કરતી વખતે
 - જ્યારે એન્જિન ચાલુ કર્યા પછી વાહન ચાલુ કરતી વખતે
 - જ્યારે એન્જિનના રિવોલ્યુશન વધારે હોય અને ESP® કાર્ય કરવાનું ચાલુ કરે, ત્યારે તમે એન્જિનના રિવોલ્યુશનમાં ફેરફાર અથવા વાહનના બોડીના કંપનનો અનુભવ કરી શકો છો. જો કે, આ સામાન્ય છે.

ESP® ચેતવણી લાઇટ (જો જોડેલું હોય તો)

ઉદાહરણ



56RM03011

- જો ઇઝીશન સ્વીચની “ચાલુ” સ્થિતિ સાથેની ESP® સિસ્ટમમાં કોઈ સમસ્યા હોય, તો આ લાઇટ ચાલુ થશે. જ્યારે આ લાઇટ ચાલુ થાય છે, ત્યારે નીચેની પરિસ્થિતિઓ થશે. આ કિસ્સામાં, **Maruti Suzuki** અધિકૃત વર્કશોપને નિરીક્ષણ માટે કહો.
 - નીચેના કાર્યો કામ કરશે નહીં:
 - ટ્રેક્શન કંટ્રોલ સિસ્ટમ
 - સ્ટેબિલિટી કંટ્રોલ સિસ્ટમ
 - **ABS** કામ કરશે.
 - ખામીયુક્ત સ્થિતિના આધારે, બ્રેક આસિસ્ટ સિસ્ટમ કામ કરી શકશે નહીં.
- જો નીચેનામાંથી કોઈ પણ પરિસ્થિતિ થાય, તો આ લાઇટ **0.2** સેકન્ડના ખૂબ જ ટૂંકા અંતરાલમાં ઝબકશે.
 - વાહન શરૂ કરતી વખતે અથવા વેગ આપતી વખતે ટ્રેક્શન કંટ્રોલ સિસ્ટમ સક્રિય થાય છે
 - તીક્ષ્ણ વળાંક અથવા ચક્કર મારતી વખતે સ્ટેબિલિટી કંટ્રોલ સિસ્ટમ સક્રિય થાય છે.

- જો સિસ્ટમ સામાન્ય સ્થિતિમાં હોય, તો જ્યારે તમે ઇઝીશન સ્વીચને “ચાલુ” કરો છો, ત્યારે આ લાઇટ લગભગ **2** સેકન્ડ માટે ચાલુ થશે અને પછી બંધ થઇ જશે.

▲ સાવધાન

જો આ લાઇટ ખૂબ જ ટૂંકા અંતરાલમાં ઝબકે છે, તો વાહનની લપસણા રસ્તાની સપાટી પર અટકી જવાની અથવા લપસવાની ઉચ્ચ સંભાવના છે. આ કિસ્સામાં, વાહન ખૂબ જ કાળજીપૂર્વક ચલાવો.

નોંધ:

જ્યારે આ લાઇટ ચાલુ થાય છે, ત્યારે ટ્રેક્શન કંટ્રોલ સિસ્ટમ અને સ્ટેબિલિટી કંટ્રોલ સિસ્ટમ સક્રિય થશે નહીં. જો કે, તમે **ABS** નો ઉપયોગ કરી શકો છો.

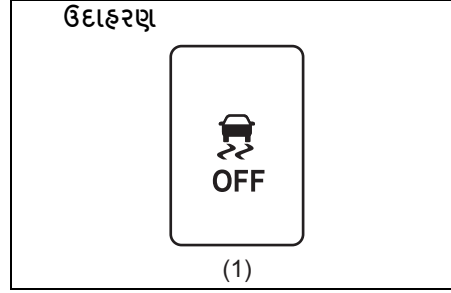
ESP® બંધ સૂચક લાઇટ (જો જોડેલું હોય તો)



56RM03010

- ઇન્જીન સ્વીચ “ચાલુ” સ્થિતિમાં હોય અથવા ઇન્જીન મોડ “ચાલુ” હોય, ત્યારે જો તમે **ESP®** બંધ સ્વીચને દબાવીને પકડી રાખો છો, તો આ લાઇટ ચાલુ થશે.
 - જ્યારે આ લાઇટ ચાલુ થાય છે, ત્યારે ટ્રેક્શન કંટ્રોલ સિસ્ટમ અને સ્ટેબિલિટી કંટ્રોલ સિસ્ટમ કામ કરશે નહીં.
- જો સિસ્ટમ સામાન્ય સ્થિતિમાં હોય, તો જ્યારે તમે ઇન્જીન સ્વીચને “ચાલુ” કરો છો, ત્યારે આ લાઇટ લગભગ 2 સેકન્ડ માટે ચાલુ થશે અને પછી બંધ થઇ જશે.

ESP® બંધ સ્વીચ (જો જોડેલું હોય તો)



56RM03009

(1) **ESP®** બંધ સ્વીચ

- નીચેની પરિસ્થિતિમાં, જ્યાં સુધી સાધન ક્લસ્ટરમાં **ESP®** બંધ સૂચક લાઇટ ન આવે ત્યાં સુધી **ESP®** બંધ સ્વીચને દબાવતા રહો. ટ્રેક્શન કંટ્રોલ સિસ્ટમ અને સ્ટેબિલિટી કંટ્રોલ સિસ્ટમ કામ કરશે નહીં.
 - ઓટોમોબાઇલ નિરીક્ષણ માટે વાહનને ટેસ્ટ પર મૂકતી વખતે, ટ્રેક્શન કંટ્રોલ સિસ્ટમ અને સ્ટેબિલિટી કંટ્રોલ સિસ્ટમને નિષ્ક્રિય કરવું જરૂરી છે.
 - જો તમારું વાહન અટકી ગયું હોય અને તમે અટવાઈ ગયેલી સ્થિતિમાંથી બહાર નીકળવાનો પ્રયાસ કરો છો, તો તેના માટે ટ્રેક્શન કંટ્રોલ સિસ્ટમ યોગ્ય ન હોઈ શકે.
- જો તમે નીચેના કાર્યો કરો છો, તો **ESP®** બંધ સૂચક લાઇટ બંધ થઇ જશે. વધુમાં, ટ્રેક્શન કંટ્રોલ સિસ્ટમ અને સ્ટેબિલિટી કંટ્રોલ સિસ્ટમ સક્રિય સ્થિતિમાં પરત આવશે.
 - **ESP®** બંધ સ્વીચને ફરીથી દબાવીને
 - એન્જિન બંધ કરીને અને પછી એન્જિન ફરીથી શરૂ કરીને

- જ્યારે વાહનની ઝડપ આશરે 20 કિમી/કલાકથી વધી જાય ત્યારે.

- જો તમે અટવાયેલી સ્થિતિમાંથી બહાર નીકળ્યા પછી સામાન્ય ડ્રાઇવિંગ કરવા માંગતા હોવ, તો ફરીથી **ESP®** બંધ સ્વીચ દબાવો. આ **ESP®** બંધ સૂચક લાઇટને બંધ થવા દેશે અને વાહન મૂળ સ્થિતિમાં પાછું આવશે. ટ્રેક્શન કંટ્રોલ સિસ્ટમ અને સ્ટેબિલિટી કંટ્રોલ સિસ્ટમ આપમેળે સક્રિય થશે નહીં. (એન્જિનને બંધ કરીને અને પછી એન્જિનને ફરીથી શરૂ કરવા સિવાય) અથવા જ્યારે વાહનની ઝડપ આશરે 20 કિમી/કલાકથી વધી જાય ત્યારે.

નોંધ:

સલામતીના કારણોસર, જો તમે **ESP®** બંધ સ્વીચ દબાવો તો પણ, **ABS** અને બ્રેક આસિસ્ટ સિસ્ટમને નિષ્ક્રિય કરવામાં આવશે નહીં.

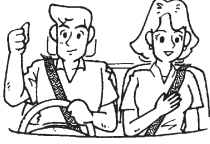
ABS ચેતવણી લાઇટ / બ્રેક સિસ્ટમ ચેતવણી લાઇટ

આ વિભાગમાં “બ્રેકિંગ” નો સંદર્ભ લો.

ઢાઘવિંગ ટિપ્સ

રનિંગ-ઘન.....	4-1
ઉત્પેરક કન્વર્ટર	4-1
ફ્યુઅલ અર્થતંત્રમાં સુઘારો.....	4-2
હાઘવે ઢાઘવિંગ	4-3
ટેકરીઓ પર ઢાઘવિંગ.....	4-3
લપસણા રસ્તાઓ પર ઢાઘવિંગ	4-4
ભીના રસ્તાઓ પર ઢાઘવિંગ	4-5
સલામત ઢાઘવિંગ માટે શું કરવું અને શું ન કરવું	4-6
સલામતી માટે માજિન.....	4-8

ઉદાહરણ



52D078S

▲ ચેતવણી

- દરેક સમયે તમારા સીટ બેલ્ટ પહેરો. ફાઇવર અને મુસાફરને પૂરા પાડવામાં આવેલ સીટ બેલ્ટનો ઉપયોગ કરીને દરેક સમયે યોગ્ય રીતે સંયમિત રહેવું જોઈએ. સીટ બેલ્ટના યોગ્ય ઉપયોગ અંગેની સૂચનાઓ માટે "સી ટ બેલ્ટ" વિભાગનો સંદર્ભ લો.
- આલ્કોહોલ અથવા અન્ય દવાઓના પ્રભાવ હેઠળ ક્યારેય વાહન ચલાવશો નહીં. આલ્કોહોલ અને માદક દ્રવ્યો સુરક્ષિત રીતે વાહન ચલાવવાની તમારી ક્ષમતાને ગંભીર રીતે બગાડી શકે છે, પોતાને અને અન્ય લોકોને ઈજા થવાના જોખમને મોટા પ્રમાણમાં વધારી શકે છે. જ્યારે તમે થાકેલા, માંદા, ચિડાઈ ગયેલા અથવા તણાવમાં હોવ ત્યારે તમારે ફાઇવિંગ કરવાનું પણ ટાળવું જોઈએ.

રનિંગ-ઇન

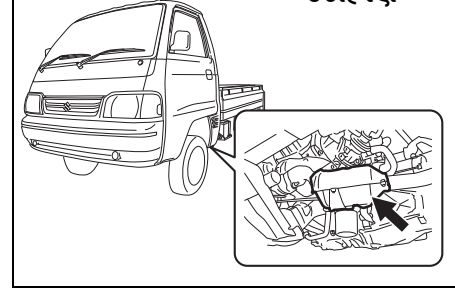
નોટિસ

એન્જિનનું ભાવિ પ્રદર્શન અને વિશ્વસનીયતા તેના પ્રારંભિક જીવન દરમિયાન કરવામાં આવતી કાળજી અને સંચય પર આધારિત છે. વાહનના પ્રારંભિક 960 કિમી દરમિયાન નીચેની સાવચેતીઓનું પાલન કરવું ખાસ કરીને મહત્વપૂર્ણ છે.

- શરૂ કર્યા પછી, એન્જિનને વેગ આપશો નહીં. તેને ધીમે ધીમે ગરમ કરો.
- સતત ગતિએ લાંબા સમય સુધી વાહન ચલાવવાનું ટાળો. જો તમે તમારી ઝડપમાં ફેરફાર કરશો તો ફરતા ભાગો વધુ સારી રીતે તૃટી જશે.
- સ્ટોપથી ધીમે ધીમે શરૂઆત કરો. સંપૂર્ણ થોટલ શરૂ કરવાનું ટાળો.
- સખત બ્રેક મારવાનું ટાળો, ખાસ કરીને પૂથમ 320 કિમી ફાઇવિંગ દરમિયાન.
- ઊંચા ગિયરમાં ટ્રાન્સમિશન સાથે ધીમેથી વાહન ચલાવશો નહીં.
- વાહનને મધ્યમ એન્જિનની ઝડપે ચલાવો
- ટ્રેલરને ખેંચશો નહીં.

ઉત્પ્રેરક રૂપાંતર

ઉદાહરણ



77PH201

ઉત્પ્રેરક કન્વર્ટરનો હેતુ તમારા વાહનના એકઝીસ્ટમાં હાનિકારક પ્રદૂષકોની માત્રાને ઘટાડવાનો છે. ઉત્પ્રેરક કન્વર્ટરથી સજ્જ વાહનોમાં સીસાવાળા ક્યુઅલનો ઉપયોગ પ્રતિબંધિત છે, કારણ કે લીડ ઉત્પ્રેરક સિસ્ટમના પ્રદૂષક-ઘટાડા ઘટકોને નિષ્ક્રિય કરે છે.

કન્વર્ટર સામાન્ય વપરાશ હેઠળ અને જ્યારે અનલીડેડ ક્યુઅલનો ઉપયોગ કરવામાં આવે ત્યારે વાહનનું જીવન ટકાવી રાખવા માટે ડિઝાઇન કરવામાં આવ્યું છે. કન્વર્ટર પર કોઈ ખાસ જાળવણીની જરૂર નથી. જો કે, એન્જિનને યોગ્ય રીતે ટ્યુન રાખવું ખૂબ જ મહત્વપૂર્ણ છે. એન્જિન મિસફાયરીંગ, જે અયોગ્ય રીતે ટ્યુન કરેલ એન્જિનથી પરિણમી શકે છે, તે ઉત્પ્રેરકને વધુ ગરમ કરવાનું કારણ બની શકે છે. આ ઉત્પ્રેરક અને અન્ય વાહન ઘટકોને કાયમી ગરમીના નુકસાનમાં પરિણમી શકે છે.

નોટિસ

નુકસાનકારક ઉત્પેરક અથવા અન્ય વાહનના નુકસાનને ટાળવા માટે:

- એન્જિનને યોગ્ય ઓપરેટિંગ સ્થિતિમાં જાળવો.
- એન્જિનમાં ખામી સર્જવાની ઘટનામાં, ખાસ કરીને એક જેમાં એન્જિન ખોટી રીતે ફાટી નીકળવું અથવા અન્ય દેખીતી રીતે કાર્યક્ષમતા ગુમાવવી, વાહનને તાત્કાલિક સર્વિસ કરાવો.
- જ્યારે ટ્રાન્સમિશન ગિયરમાં હોય અને વાહન ગતિમાં હોય ત્યારે એન્જિનને બંધ કરશો નહીં અથવા ઇન્જીનમાં વિક્ષેપ પાડશો નહીં.
- વાહનને ધક્કો મારીને અથવા ટોઇંગ કરીને અથવા ટેકરી નીચે કિનારે જઈને એન્જિન શરૂ કરવાનો પ્રયાસ કરશો નહીં.
- ડાયઝેલ ટેસ્ટિંગ દરમિયાન ડિસ્કનેક્ટ થયેલા અથવા દૂર કરેલા કોઈપણ સ્પાર્ક પ્લગ વાયર સાથે એન્જિનને નિષ્ક્રિય ન કરો.
- જો ખરબચડી લાગે અથવા અન્ય કોઈ ખામી હોય તો વાહનને લાંબા સમય સુધી નિષ્ક્રિય ન રાખો.
- ફ્યુઅલની ટાંકીને ખાલી સ્તરની નજીક જવા દો નહીં.
- ફ્યુઅલની ટાંકીને ખાલી સ્તરની નજીક જવા દો નહીં.
- તમારા વાહનને અતિશય વધારે એન્જિન સ્પીડ પર ચલાવવાનું ટાળો.

ચેતવણી

તમે જ્યાં પાર્ક કરો છો અને વાહન ચલાવો છો ત્યાં સાવચેત રહો; ઉત્પેરક કન્વર્ટર અને અન્ય એક્ઝોસ્ટ ઘટકો ખૂબ ગરમ થઈ શકે છે. કોઈપણ વાહનની જેમ, આ વાહનને એવા વિસ્તારોમાં પાર્ક કરશો નહીં અથવા ચલાવશો નહીં જ્યાં સૂકા ઘાસ અથવા પાંદડા જેવી જ્વલનશીલ સામગ્રી ગરમ એક્ઝોસ્ટ સિસ્ટમના સંપર્કમાં આવી શકે છે.

ઉદાહરણ



82DY05

નોંધ: લાંબા સમય સુધી વાહનનો ઉપયોગ ન કરવાને કારણે બ્રેક ડિસ્કની સપાટી પર ધીમે ધીમે કાટ લાગી શકે છે કારણ કે તે કાસ્ટ લોખંડથી બનેલી છે. આનાથી અવાજ/સ્પંદન થઈ શકે છે. આની વાહનની કામગીરી પર કોઈ અસર પડતી નથી. વાહનનું નિયમિત ફાઇવિંગ કાટને અટકાવી/દૂર કરી શકે છે, આમ અવાજ અને કંપન ઘટાડે છે.

ફ્યુઅલ અર્થતંત્રમાં સુધારો

નોંધ: વાહનની ફ્યુઅલ ઇફોનોમી (માઇલેજ) અનેક પરિબલોને કારણે બદલાઈ શકે છે એટલે કે, ફાઇવિંગની આદતો - ગિયર બદલવાની પેટન, A.C નો ઉપયોગ, ટાયરમાં હવાનું દબાણ, પવનની ગતિ, ટ્રાફિકની સ્થિતિ, ફ્યુઅલની ગુણવત્તા- ભેળસેળ વિનાનું પ્રમાણભૂત ફ્યુઅલ, વાહનની જાળવણી, રસ્તાની સ્થિતિ, બ્રેકિંગ વગેરે.

નીચેની સૂચનાઓ તમને ફ્યુઅલ અર્થતંત્રમાં સુધારો કરવામાં મદદ કરશે.

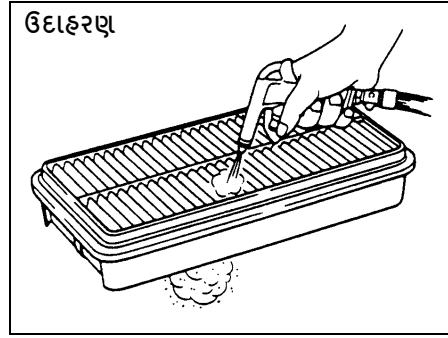
વધુ પડતી નિષ્ક્રિયતા ટાળો
જો તમે પાર્ક કરેલા હો ત્યારે એક મિનિટથી વધુ રાહ જોવી હોય, તો એન્જિન બંધ કરો અને તેને પછીથી ફરી શરૂ કરો. ઠંડા એન્જિનને ગરમ કરતી વખતે, એન્જિન ઓપરેટિંગ તાપમાને ન પહોંચે ત્યાં સુધી એન્જિનને નિષ્ક્રિય થવા દો નહીં અથવા સંપૂર્ણ થોટલ લાગુ ન કરો. ફાઇવિંગ કરતી વખતે એન્જિનને ગરમ થવા દો.

અચાનક પ્રવેગ ટાળો
આરામથી અથવા ફાઇવિંગ કરતી વખતે અચાનક પ્રવેગક ફ્યુઅલનો બિનજરૂરી વપરાશ કરશે અને એન્જિનનું જીવન ટૂંકું કરશે. ધીમે ધીમે શરૂ કરો.

બિનજરૂરી સ્ટોપ્સ ટાળો
બિનજરૂરી મંદ ગતિ અને અટકાવવાનું ટાળો. જ્યારે પણ શક્ય હોય ત્યારે ધીમી, સ્થિર ગતિ જાળવવાનો પ્રયાસ કરો. ધીમી અને પછી ફરીથી વેગ આપવાથી વધુ ફ્યુઅલ વપરાય છે.

સતત ક્રૂઝિંગ સ્પીડ રાખો
રોડ અને ટ્રાફિકની સ્થિતિ પરવાનગી આપશે તેટલી જ સ્પીડ સતત રાખો.

એર ક્લીનર સ્વચ્છ રાખો



જો એર ક્લીનર ઘૂળથી ભરેલું હોય, તો વધુ પ્રમાણમાં ઇન્ટેક પ્રતિકાર હશે, પરિણામે પાવર આઉટપુટ ઘટશે અને ફ્યુઅલનો વપરાશ વધશે. વજનને ન્યૂનતમ રાખો જેટલો વધુ ભાર, વાહન વધુ ફ્યુઅલ વાપરે છે. જ્યારે જરૂરી ન હોય ત્યારે કોઈપણ સામાન અથવા કાગો બહાર કાઢો.

ટાયરના દબાણને યોગ્ય રાખો ટાયરના ચાલતા પ્રતિકારમાં વધારો થવાને કારણે ટાયરનો ઓછો કુગાવો ફ્યુઅલનો ભગાડ કરી શકે છે. ડ્રાઇવરના દરવાજાના લોક પિલર પરના લેબલ પર દર્શાવેલ યોગ્ય દબાણ પ્રમાણ તમારા ટાયરને ફૂલેલા રાખો.

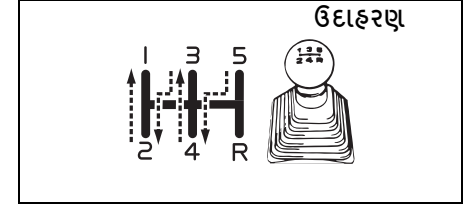
હાઇવે ડ્રાઇવિંગ

હાઇવે સ્પીડ પર ડ્રાઇવિંગ કરતી વખતે, નીચેના પર ધ્યાન આપો:

- રોકાવાનું અંતર વાહનની ગતિ સાથે ધીમે ધીમે વધે છે. વધારાના સ્ટોપિંગ અંતર માટે પરવાનગી આપવા માટે સ્ટોપિંગ પોઈન્ટથી આગળ પૂરતી બ્રેક્સ લાગુ કરો.
- વરસાદનો દિવસોમાં, હાઈડ્રોપ્લેનિંગ થઈ શકે છે. હાઈડ્રોપ્લેનિંગ એ રસ્તાની સપાટી અને વાહનના ટાયર વચ્ચે પાણીની ફિલ્મના કારણે સીધો સંપર્ક ગુમાવવો છે. હાઈડ્રોપ્લેનિંગ કરતી વખતે વાહનને સ્ટીયરિંગ અથવા બ્રેક મારવી ખૂબ જ મુશ્કેલ બની શકે છે અને નિયંત્રણ ગુમાવવું પડી શકે છે. જ્યારે રસ્તાની સપાટી ભીની હોય ત્યારે ગતિ ઓછી રાખો.
- વધુ ઝડપે, વાહન બાજુના પવનથી પ્રભાવિત થઈ શકે છે. તેથી, ઝડપ ઓછી કરો અને અણધારી બકેટિંગ માટે તૈયાર રહો, જે ટનલની બહાર નીકળતી વખતે, ટેકરીના કાપમાંથી પસાર થતી વખતે અથવા મોટા વાહનો દ્વારા ઓવરટેક કરતી વખતે, વગેરે થઈ શકે છે.

ટેકરીઓ પર ડ્રાઇવિંગ

- જ્યારે ઢાળવાળી ટેકરીઓ પર ચડતી વખતે વાહન ધીમું થવા લાગે છે અને પાવરનો અભાવ દર્શાવે છે, જો આવું થાય, તો તમારે નીચા ગિયરમાં શિફ્ટ થવું જોઈએ જેથી કરીને એન્જિન ફરીથી તેની સામાન્ય પાવર રેન્જમાં કાર્યરત થાય. વાહનને ગતિ ગુમાવતા અટકાવવા માટે ઝડપથી શિફ્ટ કરો.
- જ્યારે કોઈ પહાડી નીચે વાહન ચલાવતા હોય, ત્યારે એન્જિનને નીચા ગિયરમાં ફેરવીને બ્રેક મારવા માટે વાપરવું જોઈએ.



⚠ ચેતવણી

ઊભો અથવા લાંબી ટેકરી નીચે જતી વખતે બ્રેક પેડલને ખૂબ લાંબુ અથવા ઘણી વાર નીચે ન રાખવાનો પ્રયાસ કરો. આના કારણે બ્રેક વધુ ગરમ થઈ શકે છે, પરિણામે બ્રેકિંગ કાર્યક્ષમતા ઘટી જાય છે. આ સાવચેતી રાખવામાં નિષ્ફળતા વાહન નિયંત્રણ ગુમાવી શકે છે.

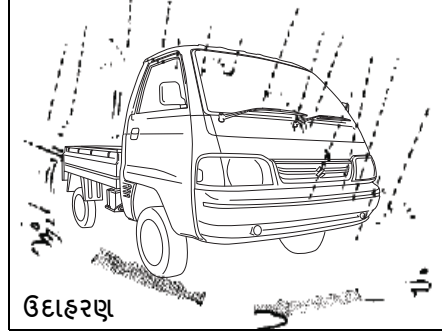
સ્ટેન્ડ સ્થિર સ્થિતિમાંથી ચઢાવ/ગ્રેડિયન્ટ ખસેડતી વખતે

- પાર્કિંગ બ્રેકને મજબૂત રીતે લગાવો જેથી વાહન પાછળની તરફ ન ફરે.
- ક્લચ પેડલને દબાવો અને ગિયરશિફ્ટ લીવરને 1લી પસંદગીની સ્થિતિમાં શિફ્ટ કરો.
- ક્લચને સરકી ન લો.
- જ્યારે શરૂ કરવા માટે તૈયાર હોય, ત્યારે એક્સિલરેટર પેડલ દબાવો અને ધીમે ધીમે એક્સાઇઝ ક્લચ પેડલ છોડો. જ્યારે વાહન ચાલવાનું શરૂ કરે, ત્યારે ધીમે ધીમે પાર્કિંગ બ્રેક છોડો.

નોટિસ

ટેકરી નીચે ઉતરતી વખતે, ઇન્જીન યાવીને ક્યારેય “લોક” સ્થિતિમાં ફેરવશો નહીં. ઉત્સર્જન નિયંત્રણ સિસ્ટમને નુકસાન થઈ શકે છે.

લપસણા રસ્તાઓ પર ડ્રાઇવિંગ



બીના રસ્તાની સ્થિતિમાં તમારે બ્રેકિંગ દરમિયાન ટાયરના સંભવિત સ્લિપેજને કારણે સુકા રસ્તાઓ કરતાં ઓછી ઝડપે વાહન ચલાવવું જોઈએ. બફીલા, બરફથી ઢંકાયેલ અથવા કાદવવાળા રસ્તાઓ પર ડ્રાઇવિંગ કરતી વખતે, તમારી ઝડપ ઓછી કરો અને અચાનક પ્રવેગક, અચાનક બ્રેક મારવા અથવા સ્ટીયરિંગની તીવ્ર હિલચાલ ટાળો.

જો તમારું વાહન અટકી જાય

જો તમારું વાહન બરફ, કાદવ અથવા રેતીમાં ફસાઈ જાય, તો નીચેની ટિપ્સઓને અનુસરો:

- 1) પ્રથમ ગિયર અને રિવર્સ વચ્ચે ટ્રાન્સમિશનને આગળ અને પાછળ ખસેડો. આ એક રોકિંગ ગતિ બનાવશે જે તમને વાહનને મુક્ત કરવા માટે પૂરતી ગતિ આપશે. વ્હીલને ન્યૂનતમ વ્હીલ આરપીએમ પર ફરતું રાખવા માટે એક્સિલરેટર પર હળવા હાથે દબાવો. સ્થળાંતર કરતી વખતે

તમારા પગને એક્સિલરેટરમાંથી દૂર કરો. એન્જિન વેગ આપશો નહીં. અતિશય વ્હીલ સ્પિનને કારણે ટાયર વધુ ઊંડે ખોદવામાં આવશે, જેનાથી વાહનને મુક્ત કરવું વધુ મુશ્કેલ બનશે.

- 2) જો તમારું વાહન થોડી મિનિટો રોકાયા પછી અટકી જાય, તો તમારા વાહનને બહાર કાઢવા માટે બીજું વાહન મેળવો.

⚠ ચેતવણી

જ્યારે તમે વાહનને રોકી રહ્યા હોવ ત્યારે કોઈને તેની પાસે ઊભા રહેવાની મંજૂરી આપશો નહીં અને સ્પીડોમીટર પર દર્શાવેલ 40 કિમી/કલાક કરતાં વધુ ઝડપથી વ્હીલ્સને સ્પિન કરશો નહીં. વ્હીલ્સ ખૂબ ઝડપથી ફરવાને કારણે વ્યક્તિગત ઈજા અને/અથવા વાહનને નુકસાન થઈ શકે છે.

નોટિસ

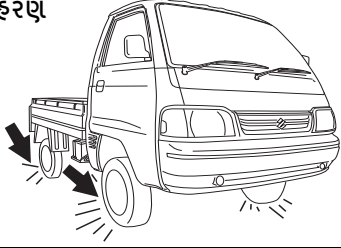
થોડી મિનિટો કરતાં વધુ સમય માટે વાહનને રોકવાનું ચાલુ રાખશો નહીં. લાંબા સમય સુધી રોકિંગ એન્જિન ઓવરહિટિંગ અથવા ટ્રાન્સમિશનને નુકસાન પહોંચાડી શકે છે.

ભીના રસ્તાઓ પર ડ્રાઇવિંગ

નોટિસ

- ભીના રસ્તાઓ પર વાહન ચલાવતી વખતે, રસ્તા પર મોટા પ્રમાણમાં ઊભા પાણીમાંથી વાહન ચલાવવાનું ટાળો. એન્જીન કમ્પાર્ટમેન્ટમાં મોટા પ્રમાણમાં પાણી પ્રવેશવાથી એન્જીન અને અથવા વિદ્યુત ઘટકોને નુકસાન થઈ શકે છે.
- જો ઊંડા પાણીમાં કસાઈ ગયા હોય, તો જ્યાં સુધી પાણીનું સ્તર ઓછું ન થાય ત્યાં સુધી શરૂ કરશો નહીં.
- પાણી એ સંકોચનીય પદાર્થ છે, એન્જીનની અંદરનું પાણી એન્જીન માટે હાનિકારક છે.

ઉદાહરણ



82DY07

⚠ ચેતવણી

આ વિભાગમાં ડ્રાઇવિંગ ટીપ્સને અનુસરવા ઉપરાંત, નીચેની સાવચેતીઓનું પાલન કરવું મહત્વપૂર્ણ છે.

- ખાતરી કરો કે તમારા ટાયર સારી સ્થિતિમાં છે અને હંમેશા નિર્દિષ્ટ ટાયરનું દબાણ જાળવી રાખો. વિગતો માટે "નિરીક્ષણ અને જાળવણી" વિભાગમાં "ટાયર" નો સંદર્ભ લો.
- માફતિ સુઝુકી દ્વારા નિર્દિષ્ટ કરેલા ટાયર સિવાયના ટાયરનો ઉપયોગ કરશો નહીં. આગળના અને પાછળના વ્હીલ્સ પર ક્યારેય અલગ-અલગ કદ અથવા પ્રકારના ટાયરનો ઉપયોગ કરશો નહીં. ઉલ્લેખિત ટાયર સંબંધિત માહિતી માટે, ડ્રાઇવરના દરવાજાના લોક થાંભલા પર સ્થિત ટાયર માહિતી લેબલનો સંદર્ભ લો.
- તમારા વાહનને વધારવા (જેક અપ) કરવા માટે કદી મોટા કદના ટાયર અથવા ખાસ શોક શોષક અને સ્પ્રિંગનો ઉપયોગ કરશો નહીં. આ હેન્ડલિંગ લાક્ષણિકતાઓને બદલશે. મોટા કદના ટાયર બમ્પ્સ પર વાહનના બોડી પર ઘસવામાં પણ આવી શકે છે, જેના કારણે વાહનને નુકસાન થાય છે અથવા ટાયર ફેલ થાય છે.

(ચાલુ)

⚠ ચેતવણી

(ચાલુ)

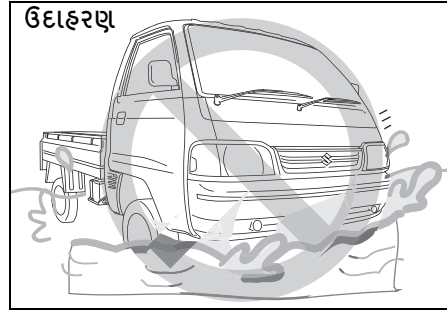
- પાણીમાંથી ડ્રાઇવિંગ કર્યા પછી, ધીમી ગતિએ ડ્રાઇવિંગ કરતી વખતે બ્રેક્સનું પરીક્ષણ કરો કે તેણે તેમની સામાન્ય અસરકારકતા જાળવી રાખી છે કે નહીં. જો તેઓ સામાન્ય કરતાં ઓછા અસરકારક હોય, તો બ્રેક્સ તેમની સામાન્ય અસરકારકતા પુનઃપ્રાપ્ત કરે ત્યાં સુધી ધીમે ધીમે ડ્રાઇવિંગ કરતી વખતે વારંવાર બ્રેક લગાવીને તેમને સૂકવી દો.

ઓફ-રોડ ફાઇવિંગ

ઉગાડેલા ઘાસથી ઢંકાયેલા ખેતરમાં વાહન ચલાવશો નહીં.

જો તમે ઘાસથી ઢંકાયેલ ખેતરમાં વાહન ચલાવો છો, તો તે ઉગાડેલા ઘાસમાં ફસાઈને અકસ્માત કે આગ અથવા વાહનને નુકસાન પહોંચાડી શકે છે.

જ્યારે પૂરગ્રસ્ત વિસ્તારનો સામનો કરવો



77PM04011

પૂરગ્રસ્ત વિસ્તારમાં અથવા ઊંડા ખાડામાં વાહન ચલાવવાનું ઠાળો. જો પૂરગ્રસ્ત વિસ્તારમાં વાહન ચલાવવું અનિવાર્ય હોય, તો સૌથી નીચલા ગિયરમાં ધીમેથી જાઓ. જો તમે પૂરગ્રસ્ત વિસ્તારમાં વાહન ચલાવ્યું હોય, તો બ્રેકની અસરકારકતા તપાસતી વખતે વાહનને સલામત અને પુર ન હોય તેવી જગ્યાએ રોકો. પછી, નીચેની નિરીક્ષણ વસ્તુઓ તપાસવા માટે મારુતિ સુઝુકી અધિકૃત વર્કશોપને કહો.

- બ્રેકનું કાર્ય
- વિદ્યુત ઘટકોનું કાર્ય
- એન્જિન અને ટ્રાન્સમિશન માટે તેલના સ્તર અને ગુણવત્તામાં ફેરફાર. જો તેલ ગંદુ સફેદ હોય, તો તેલમાં પાણી ભેળવવામાં આવ્યું હોય અને તેલ બદલવું જરૂરી છે.
- બેરિંગ્સ, સસ્પેન્શન સાંધા, વગેરેની લ્યુબ્રિકેન્ટ સ્થિતિ.

નોટિસ

- પૂરગ્રસ્ત વિસ્તારમાં અથવા ઊંડા ખાડામાં વાહન ચલાવવાનું ઠાળો. તે એન્જિન સ્ટોલ, ઇલેક્ટ્રિકલ ઘટકોમાં ટ્રેક્સ, એન્જિન અને ટ્રાન્સમિશન નુકસાન વગેરેનું કારણ બની શકે છે.
- જો વાહન ઊંડા પાણીમાં ફસાઈ જાય તો એન્જિન ચાલુ કરશો નહીં.

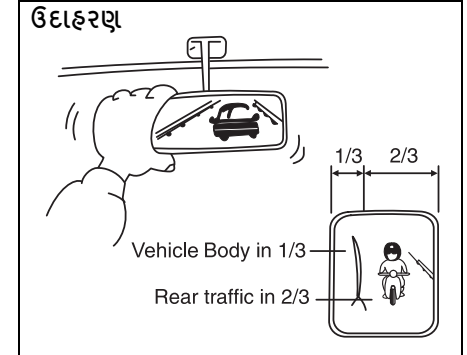
સલામત ફાઇવિંગ માટે શું કરવું અને શું ન કરવું

તમારા વાહનના સંચાલનમાં કાળજી રાખો. માત્ર તમારી પોતાની સલામતી જ નહીં પરંતુ રસ્તા પર અન્ય લોકોની સલામતી માટે પણ સલામત બનો અને આ રીતે શ્રેષ્ઠ અને સૌથી આરામદાયક ફાઇવિંગ અનુભવનો આનંદ માણો.

સલામત ફાઇવિંગ માટે નીચેના મૂળભૂત નિયમો છે. સામગ્રીની સારી સમજણ માટે તેમને કાળજીપૂર્વક વાંચો જેથી કરીને તમે તમારા વાહનમાં સલામત અને સુખદ ફાઇવિંગનો આનંદ માણી શકો.

શરૂ કરી રહ્યા છીએ

- 1) ફાઇવિંગની યોગ્ય મુદ્રા માટે ફાઇવરની સીટને સમાયોજિત કરો.
- 2) રિયર વ્યુ અરીસાને ગોઠવો જેથી કરીને શક્ય શ્રેષ્ઠ રિયર વ્યુ મેળવી શકાય.



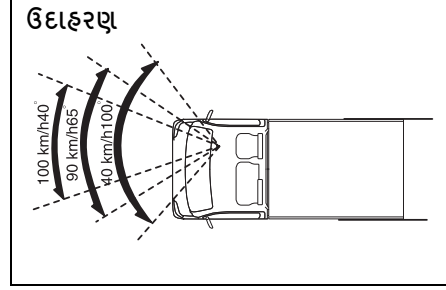
77PM04002

ડ્રાઇવિંગ ટિપ્સ

- 3) ખસેડતા પહેલા, સલામતીની ખાતરી કરવા માટે તમારા વાહનની આસપાસ જુઓ.
- 4) અચાનક વેગ ન આપો, કારણ કે તે ખતરનાક છે અને ક્યુઅલનો બગાડ કરે છે.

સામાન્ય ડ્રાઇવિંગ

- 1) સ્ટોપ લાઇટ અથવા સ્ટોપ સાઇન પહેલાં રોકવાની ખાતરી કરો. કોઈપણ ટ્રાફિક લાઇટ અથવા ચિહ્ને વિના આંતરછેદમાં જતી વખતે, સલામતીની ખાતરી કરવા માટે ધીમેથી વાહન ચલાવો.
- 2) પાછળના ભાગની અથડામણને રોકવા માટે હંમેશા સલામત અંતરે અન્ય વાહનોને અનુસરો, જે આગળ વાહન અચાનક બંધ થઈ જાય.
- 3) વળાંક લેતા પહેલા અથવા લેન બદલતા પહેલા ઓછામાં ઓછા 30 મીટર પહેલા ટર્ન સિગ્નલ ચાલુ કરો જેથી ટર્ન ન લાગે.
- 4) ખણામાં પૂવંશતા પહેલા, સલામત ગતિએ ધીમું કરો. કોર્નરિંગ દરમિયાન બ્રેક લગાવશો નહીં, અથવા સ્કિડિંગ થઈ શકે છે.
- 5) અન્ય વાહનોને ઓવરટેક કરતી વખતે, આગળ આવતા વાહનોનું ધ્યાન રાખો અને સાવચેતીપૂર્વક સલામતીની ખાતરી કરો.
- 6) ઝિગઝેગ ડ્રાઇવિંગ કરવાનો પ્રયાસ કરશો નહીં કારણ કે તે તમારા વાહન પરના નિયંત્રણમાં અવરોધ લાવશે અને અકસ્માતનું કારણ બની શકે છે.
- 7) અવિચારી હાઇ સ્પીડ ડ્રાઇવિંગ ટાળો અને સતત ગતિ જાળવી રાખીને રસ્તાની સ્થિતિને અનુરૂપ સુરક્ષિત ઝડપે વાહન ચલાવવાનો પ્રયાસ કરો.
- 8) ઝડપ જેટલી વધારે છે, તેટલી જ ડ્રાઇવરની વિજ્યુઅલ રેન્જ સાંકડી થાય છે. આવી સ્થિતિમાં, કોઈપણ સંકટનો અંદાજ લગાવવો મુશ્કેલ છે અને ડ્રાઇવર થાક અનુભવે છે.



77PM04001

- 9) હાઇ સ્પીડ ડ્રાઇવિંગ દરમિયાન તીક્ષ્ણ હેન્ડલિંગનો પ્રયાસ કરશો નહીં. તમે તમારા વાહન પર તમારું નિયંત્રણ ગુમાવી શકો છો.
- 10) વધુ ઝડપે ડ્રાઇવિંગ કરતી વખતે ઓવરટેક કરતી વખતે અથવા લેન બદલતી વખતે, વાહનથી વાહનનું પૂરતું અંતર રાખો.

બ્રેકિંગ

- 1) તમારું વાહન પાર્ક કરતી વખતે પાર્કિંગ બ્રેકનો ઉપયોગ કરો અને સલામતી ખાતર ગિયર શિફ્ટ લિવરને પહેલા ગિયર અથવા રિવર્સ ગિયર સ્થિતિમાં શિફ્ટ કરો.
- 2) અનિવાર્ય સિવાય હેન્ડ બ્રેકિંગનો ઉપયોગ કરશો નહીં. જેના કારણે વાહન લપસી જાય છે અને અથડામણ થઈ શકે છે. તે ખાસ કરીને ખતરનાક છે જ્યારે ટાયર ઘસાઈ જાય છે કારણ કે તે વધુ અટકે છે.

ત્રણ તબક્કામાં ફૂટ બ્રેકનો ઉપયોગ કરો

1. તમારી પાછળના વાહનને ચેતવણી આપો
2. ધીમે ધીમે બ્રેક લગાવો.
3. વાહનને થંભાવી દો.

- 3) ઉતાર પર ડ્રાઇવિંગ કરતી વખતે, બ્રેક ન લગાવવાનો પ્રયાસ કરો પરંતુ એન્જિન બ્રેકનો અસરકારક રીતે ઉપયોગ કરો. ફૂટ-બ્રેકના વધુ પડતા ઉપયોગથી બ્રેકનો અસરકારકતામાં ઘટાડો થઈ શકે છે.

લાંબા અંતરની ડ્રાઇવિંગ

- 1) સફર શરૂ કરતા પહેલા સલામતી તપાસ કરવાનું સુનિશ્ચિત કરો.
- 2) નિદ્રા અથવા થાક લાગવાને કારણે થતા અકસ્માતોને રોકવા માટે નિયમિત સમયાંતરે આરામ કરો.

રાત્રિના સમયે ડ્રાઇવિંગ

- 1) દિવસના સમય કરતાં રાત્રે ઓછી ઝડપે વાહન ચલાવો, કારણ કે રાત્રે દ્રશ્ય શ્રેણી પ્રતિબંધિત છે.
- 2) રાત્રે અન્ય વાહનોને ઓવરટેક કરવાનું ટાળો. અંધકાર તમારી ઝડપની સમજને પરેશાન કરે છે અને વાહનથી વાહનના અંતરના તમારા નિર્ણયને અવરોધે છે.
- 3) ઉચ્ચ બીમ પર હેડલાઇટનો ઉપયોગ કરશો નહીં સિવાય કે તેનો ઉપયોગ અનિવાર્ય હોય. તે તમારી આગળ આવતા વાહનના ડ્રાઇવરને અથવા તમારી આગળના વાહનને દૃષ્ટિની ક્ષતિનું કારણ બની શકે છે, જે અકસ્માતનું કારણ બની શકે છે.
- 4) બારીના કાચ હંમેશા સાફ રાખો. જ્યારે વિન્ડશિલ્ડ કાચ સુકાઈ જાય ત્યારે વિન્ડશિલ્ડ વાઇપર ચલાવશો નહીં અન્યથા વાઇપર બ્લેડ અને કાચને નુકસાન થઈ શકે છે.

સલામતી માટે માર્જિન

ડ્રાઇવિંગ દરમિયાન તમારી જાતને સલામતી માટે માર્જિન આપવી મહત્વપૂર્ણ છે જેથી કરીને તમે અન્ય ડ્રાઇવરોના ભૂલભરેલા અથવા અણધાર્યા ડ્રાઇવિંગનો સામનો કરી શકો. તેના માટે નીચેની બાબતોનું અવલોકન કરો.

- સલામત ઝડપે વાહન ચલાવો.
- તમારા વાહન અને આગળના વાહન વચ્ચે પૂરતું અંતર જાળવો.
- અન્ય વાહનોને ઓવરટેક કરવા માટે તમારી જાતને દબાણ કરશો નહીં.
- અચાનક વેગ ન આપો, ઝડપથી આગળ વધો અથવા અચાનક બંધ થાઓ.
- ડ્રાઇવિંગ સમયપત્રક વચ્ચે પૂરતો અંતર રાખો.
- ટ્રાફિક નિયમો અને નિયમોનું અવલોકન કરો.

નિષ્કર્ષ

એક સંપૂર્ણ ડ્રાઇવર શક્ય નથી. દરેક વાહનચાલકનો પ્રયાસ પૂર્ણતા માટે પ્રયત્નશીલ હોવો જોઈએ. સલામતીની સભાનતા ફક્ત તમારી સલામતી અને અન્ય માર્ગ વપરાશકર્તાઓની સલામતી સુનિશ્ચિત કરતી નથી, તે તમારા વાહનના ઘસારાને ઘટાડવામાં પણ મદદ કરે છે, તેનું જીવન લંબાવે છે, વધુ સારી ફ્યુઅલ કાર્યક્ષમતા આપે છે અને આરામદાયક ડ્રાઇવિંગ અનુભવ સુનિશ્ચિત કરે છે. સૂચિબદ્ધ કરવું અને શું ન કરવું તે અનુસરો, અને ડ્રાઇવિંગ ફરી ક્યારેય સમાન નહીં રહે.

અન્ય કન્ટ્રોલ્સ અને સાધનો

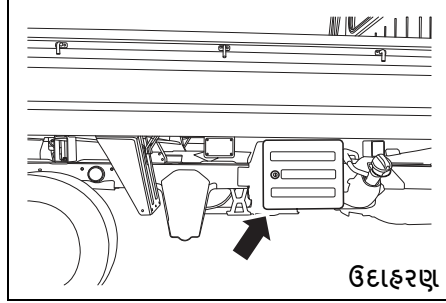
ફ્યુઅલ ફિલર કેપ	5-1
એન્જિન કમ્પાર્ટમેન્ટ	5-3
સન વિઝર	5-4
આંતરિક લાઇટ	5-5
એસેસરી સોકેટ	5-5
ડલોવ બોક્સ	5-5
સંગ્રહ વિસ્તાર	5-6
એર વેન્ટ	5-6
ફેમ હૂક	5-7
આસિસ્ટ ગ્રિપ	5-7

ફ્યુઅલ ફિલર કેપ

(પેટ્રોલ અને CNG એન્જિન મોડલ માટે)

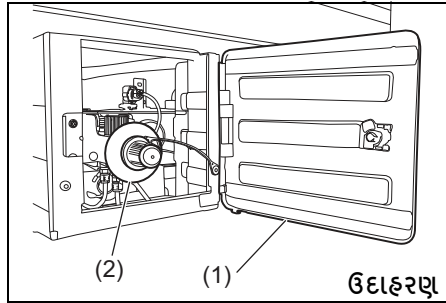
CNG ફિલર વાલ્વ

(CNG એન્જિન મોડલ માટે)



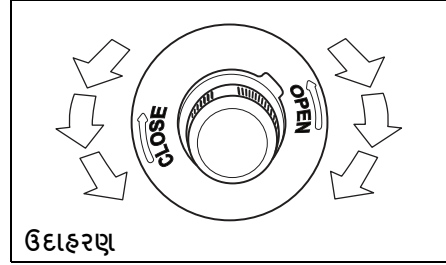
77PM05003

CNG ફિલર વાલ્વ વાહનની જમણી બાજુએ સ્થિત છે.



77PM05001

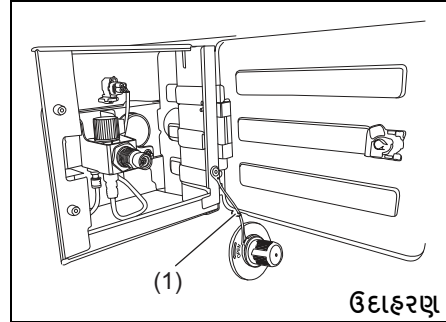
CNG ફિલરનો દરવાજો અનલોક કરવા માટે (1), ચાવી દાખલ કરો અને ચાવીની ટોચને વાહનની આગળની તરફ ફેરવો.



77PM05005

CNG ફિલર વાલ્વ કવર દૂર કરવા માટે:

- 1) CNG ફિલરનો દરવાજો ખોલો (1).
- 2) CNG ફિલર વાલ્વ કવરને દૂર કરો (2) તેને ઘડિયાળની વિરુદ્ધ દિશામાં ફેરવીને.



77PM05006

નોંધ:

જો ફ્યુઅલ ફિલર ડોર કેપ હોલ્ડર (3) થી સુજ્જ હોય, તો રિક્યુઅલ કરતી વખતે ફ્યુઅલ ફિલર કેપને પકડી રાખવા માટે કેપ ધારકનો ઉપયોગ કરો.

જ્યારે સિલિન્ડરનું દબાણ ડિસ્પેન્સર પ્રેશર જેટલું થાય છે ત્યારે ભંરણ આપોઆપ કાપી નાખવામાં આવે છે.

CNG ફિલર વેલ્યુ કવર ફરીથી ઇન્સ્ટોલ કરવા માટે:

- 1) CNG ફિલર વાલ્વ કવર (2) ઘડિયાળની દિશામાં ફેરવો જ્યાં સુધી તે સંપૂર્ણપણે બંધ ન થાય.
- 2) CNG ફિલરનો દરવાજો બંધ કરો (1).

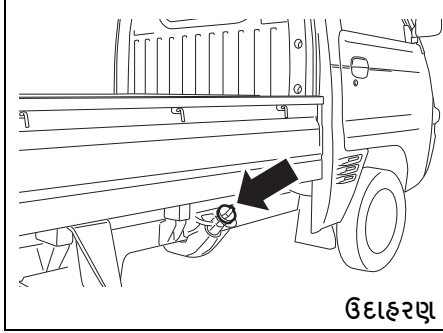
નોંધ:

- જો CNG ફિલર કવર (2) યોગ્ય રીતે બંધ ન હોય, તો તમે વાહન ચાલુ કરી શકશો નહીં.
- જો વાહન સ્થિર સ્થિતિમાં CNG ફિલર કવર (2) ખોલવામાં આવે તો એન્જિન બંધ થઈ જશે.

નોંધ:

વાહન ઓપરેશન દરમિયાન કાંકરીઓ CNG ફિલર બોક્સમાં પ્રવેશી શકે છે. જ્યારે પણ અવલોકન કરવામાં આવે ત્યારે દૂર કરો.

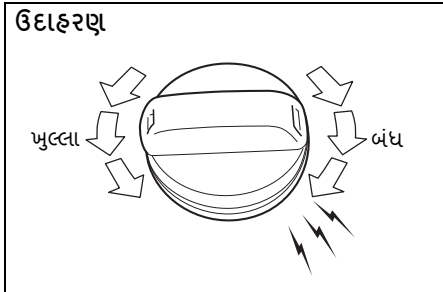
પેટ્રોલ ભરવાની કેપ
(પેટ્રોલ એન્જિન મોડલ માટે)



ઉદાહરણ

77PH031

ફ્યુઅલ ફિલર કેપ વાહનની જમણી બાજુએ સ્થિત છે.



68KN048

ફ્યુઅલ ફિલર કેપને દૂર કરવા માટે, તેને ઘડિયાળની વિરુદ્ધ દિશામાં ફેરવો. ફ્યુઅલ ફિલર કેપને ફરીથી ઇન્સ્ટોલ કરવા માટે, જ્યાં સુધી તમને ઘણી ક્લિક્સ સંભળાય નહીં ત્યાં સુધી તેને ઘડિયાળની દિશામાં ફેરવો.

⚠ સાવધાન

ફ્યુઅલ ફિલર કેપ ધીમે ધીમે દૂર કરો. ફ્યુઅલ દબાણ હેઠળ હોઈ શકે છે અને છંટકાવ કરી શકે છે, જેના કારણે ઈજા થઈ શકે છે.

⚠ ચેતવણી

ફ્યુઅલ અત્યંત જ્વલનશીલ છે. રિફ્યુઅલ કરતી વખતે ધૂમ્રપાન કરશો નહીં અને ખાતરી કરો કે આ વિસ્તારમાં કોઈ ખુલ્લી જ્વાળાઓ અથવા તણખા નથી.

⚠ ચેતવણી

જો તમારે ફ્યુઅલ કેપ બદલવાની જરૂર હોય, તો MARUTI જેન્યુઈન કેપનો ઉપયોગ કરો. અયોગ્ય કેપનો ઉપયોગ ફ્યુઅલ સિસ્ટમ અથવા ઉત્સર્જન નિયંત્રણ સિસ્ટમની ખામીમાં પરિણમી શકે છે. તે અકસ્માતની ઘટનામાં ફ્યુઅલ લીકેજમાં પણ પરિણમી શકે છે.

⚠ સાવધાન

ફ્યુઅલ ફિલર કેપ ધીમે ધીમે દૂર કરો. ફ્યુઅલ દબાણ હેઠળ હોઈ શકે છે અને છંટકાવ કરી શકે છે, જેના કારણે ઈજા થઈ શકે છે.

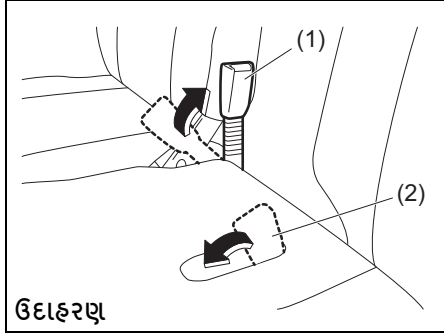
⚠ ચેતવણી

ફ્યુઅલ અત્યંત જ્વલનશીલ છે. રિફ્યુઅલ કરતી વખતે ધૂમ્રપાન કરશો નહીં અને ખાતરી કરો કે આ વિસ્તારમાં કોઈ ખુલ્લી જ્વાળાઓ અથવા તણખા નથી.

⚠ ચેતવણી

જો તમારે ફ્યુઅલ કેપ બદલવાની જરૂર હોય, તો MARUTI જેન્યુઈન કેપનો ઉપયોગ કરો. અયોગ્ય કેપનો ઉપયોગ ફ્યુઅલ સિસ્ટમ અથવા ઉત્સર્જન નિયંત્રણ સિસ્ટમની ખામીમાં પરિણમી શકે છે. તે અકસ્માતની ઘટનામાં ફ્યુઅલ લીકેજમાં પણ પરિણમી શકે છે.

એન્જિન કમ્પાર્ટમેન્ટ



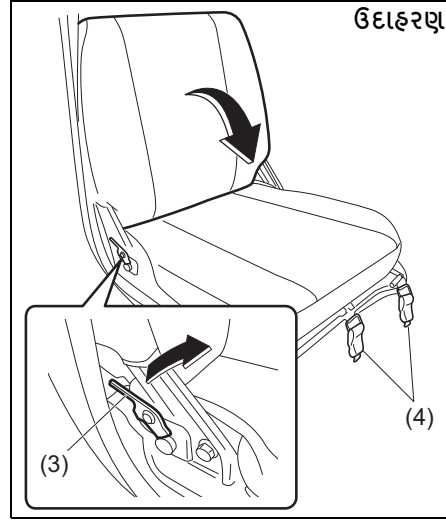
77PH094

એન્જિન કમ્પાર્ટમેન્ટ ખોલવા માટે:

- 1) ડ્રાઇવરના સીટ બેલ્ટ બકલ (1) ને સીટબેક સ્થિતિ પર ઉભા કરો. પેસેન્જરના સીટ બેલ્ટની બકલ (2) સ્ટોર કરો.
- 2) ડ્રાઇવરની સીટ માટે, સીટને સૌથી પાછળની સ્થિતિમાં સ્લાઇડ કરો.

⚠ સાવધાન

જ્યારે તમે ડ્રાઇવરની સીટને પાછળની તરફ સ્લાઇડ કરો છો, ત્યારે સીટબેકને દબાવવા કરો. જો તમે સીટબેક ટોપ પકડો છો, તો તમારો હાથ સીટબેક અને કેબીન બેક પેનલ વચ્ચે પિંચ થઈ શકે છે, જેના પરિણામે વ્યક્તિગત ઈજા થઈ શકે છે.



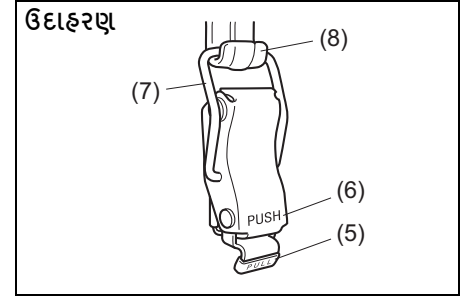
77PH093

- 3) ડ્રાઇવરની સીટ માટે, સીટબેકને આગળ ફોલ્ડ કરવા માટે લોક લિવર (3) ખેંચો.

નોંધ:

સીટબેકને માત્ર તે સ્થાન સુધી ફોલ્ડ કરી શકાય છે જ્યાં તે સ્ટીયરીંગ વ્હીલના સંપર્કમાં આવે છે.

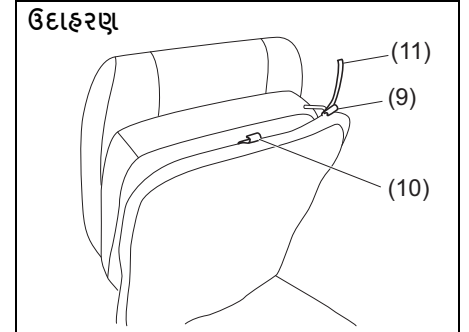
- 4) દરેક સીટના આગળના છેડે લોક હેન્ડલ્સ (4) ને અનલૂક કરો.



77PH081

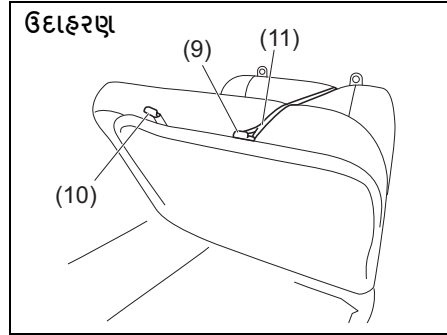
- લોક હેન્ડલને અનલૂક કરવા માટે, "પુલ" ભાગ (5) ને ખેંચો અને હૂક (8)માંથી રિંગ (7) ને અનલૂક કરો.
- લોક હેન્ડલને લોક કરવા માટે, હૂક (8) પર રિંગ (7) મૂકો અને પછી "PUSH" ભાગ (6) ને ધક્કો મારો.

ડ્રાઇવર બાજુ



77PH102

પેસેન્જર બાજુ



77PH103

નોંધ: સ્ટ્રેપ (11) પેસેન્જર સીટની સીટબેક પાછળ ઉપલબ્ધ છે.

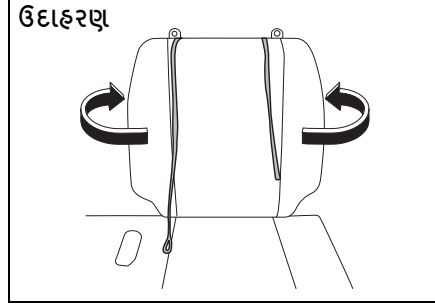
5) સીટ ઉભી કરો અને સ્ટ્રેપ (11) ને હૂક (9) સાથે હૂક કરો. સીટના પદ્ધતિને જોડવા માટે હૂક (10) નો ઉપયોગ થતો નથી.

નોટિસ

સ્ટ્રેપને ડ્રાઇવરની સીટ સ્થિતિ એડજસ્ટમેન્ટ લીવર સાથે હૂક કરશો નહીં અથવા જ્યારે સ્ટ્રેપ દ્વારા હૂક કરવામાં આવે ત્યારે સીટો પર અયોગ્ય બેઠા લાગુ કરશો નહીં. આમ કરવાથી સ્ટ્રેપ, હુક્સ અને/અથવા ડ્રાઇવરની સીટ સ્થિતિ એડજસ્ટમેન્ટ લીવર તૂટી શકે છે.

• એન્જિન કમ્પાર્ટમેન્ટને બંધ કરવા માટે, તમે જે સ્ટેપમાં તેને ખોલ્યું છે તેને ઉલટાવી દો.

- બંધ થયા પછી, સીટો સુરક્ષિત રીતે લેવ કરેલી છે તેની ખાતરી કરવા માટે તેને ખસેડવાનો પ્રયાસ કરો.
- ચિત્રમાં બતાવ્યા પ્રમાણે પેસેન્જરની સીટની પાછળની જગ્યામાં પદ્ધતિઓનો સંગ્રહ કરો.



77PH097

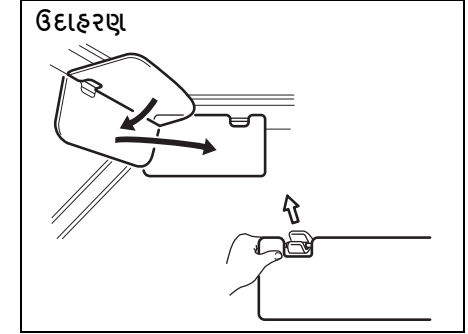
⚠ ચેતવણી

પદ્ધતિઓ પેસેન્જરની સીટની પાછળની જગ્યામાં સંગ્રહ કરો. જો વ્યક્તિનું શરીર પદ્ધતિઓથી ફસાઈ જાય, તો ગુંગાળામણ જેવી ગંભીર ઈજા થવાનું જોખમ રહેલું છે. જો આવું થાય, તો કાતરથી સ્ટ્રેપ કાપો.

⚠ સાવધાન

એન્જિનનો ડબ્બો બંધ કરતી વખતે ધ્યાન રાખો કે સીટો તમારા હાથને અથવા ડ્રાઇવરના સીટ બેલ્ટના બકલને ચપટી ન નાખે અથવા તમારા શરીરને અથડાવે નહીં.

સન વિઝર



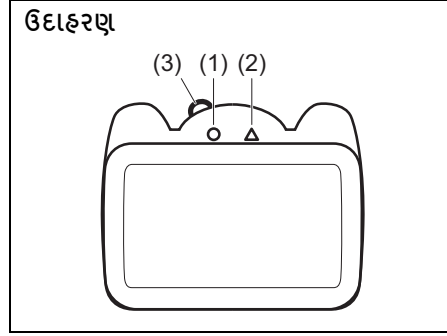
77PH004

સન વિઝર વાહનની ડ્રાઇવર બાજુ પર ઉપલબ્ધ છે. વિન્ડશિલ્ડમાંથી આવતી ઝગઝગાટને અવરોધવા માટે સન વિઝરને નીચે ખેંચી શકાય છે અથવા બાજુની બારીમાંથી આવતી ઝગઝગાટને અવરોધવા માટે તેને અનહૂક કરીને બાજુ તરફ ફેરવી શકાય છે.

નોટિસ

સન વિઝરને અનહૂક કરતી વખતે અને હૂક કરતી વખતે, આકૃતિમાં બતાવ્યા પ્રમાણે તેને સન વિઝરની બાજુમાં હેન્ડલ કરવાની ખાતરી કરો અન્યથા સન વિઝરને નુકસાન થઈ શકે છે.

આંતરિક લાઇટ

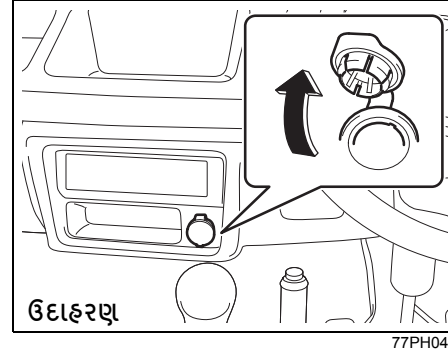


આ લાઇટ સ્વીચની બે સ્થિતિ છે. આ સ્થિતિઓ નોબ (3) નો ઉપયોગ કરીને પસંદ કરી શકાય છે. ફંક્શન બે સ્થિતિઓ ધરાવે છે:

ઓન (1)
લાઇટ આવે છે અને ઓન રહે છે.

ઓફ (2)
લાઇટ ઓફ રહે છે.

એસેસરી સોકેટ

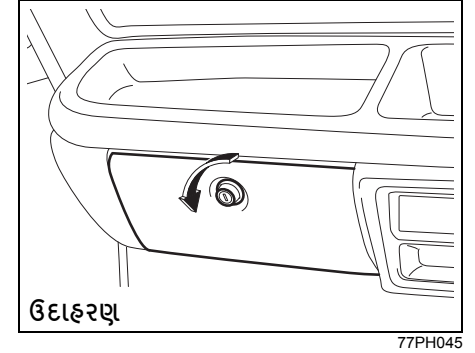


જ્યારે ઇન્જીન સ્વીચ "ACC" અથવા "ઓન" સ્થિતિમાં હોય ત્યારે સહાયક સોકેટ કામ કરશે. આ સોકેટનો ઉપયોગ ઇલેક્ટ્રિકલ એસેસરીઝ માટે 12 વોલ્ટ/120 વોટ પાવર પ્રદાન કરવા માટે થઈ શકે છે.

નોટિસ

અયોગ્ય ઇલેક્ટ્રિકલ એસેસરીઝનો ઉપયોગ તમારા વાહનની ઇલેક્ટ્રિકલ સિસ્ટમને નુકસાન પહોંચાડી શકે છે. ખાતરી કરો કે તમે ઉપયોગ કરો છો તે કોઈપણ ઇલેક્ટ્રિકલ એસેસરીઝ આ પ્રકારના સોકેટમાં પ્લગ કરવા માટે રચાયેલ છે.

ઝલોવ બોક્સ

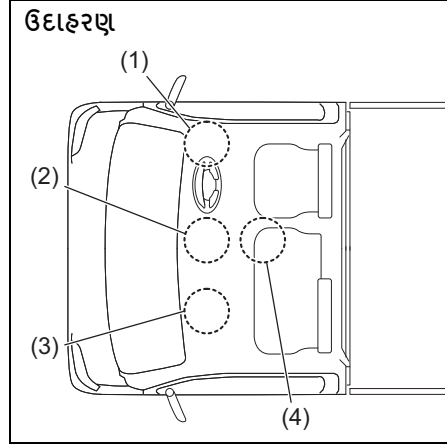


ઝલોવ બોક્સ ખોલવા માટે, નોબને ઘડિયાળની વિરુદ્ધ દિશામાં ટુવિસ્ટ કરો. તેને બંધ કરવા માટે, ઢાંકણને ત્યાં સુધી દબાવો જ્યાં સુધી તે સુરક્ષિત રીતે લચી ન જાય. ઝલોવ બોક્સને લોક કરવા માટે, ચાવીને નોબમાં દાખલ કરો અને તેને ઘડિયાળની દિશામાં ફેરવો. ઝલોવ બોક્સને અનલોક કરવા માટે, ચાવીને નોબમાં દાખલ કરો અને તેને ઘડિયાળની વિરુદ્ધ દિશામાં ફેરવો.

⚠ ચેતવણી

ઝલોવ બોક્સનું ઢાંકણ ખુલ્લું રાખીને ક્યારેય વાહન ચલાવશો નહીં. જો અકસ્માત થાય તો તેને ઈજા થઈ શકે છે.

સંગ્રહ વિસ્તાર



77PH104

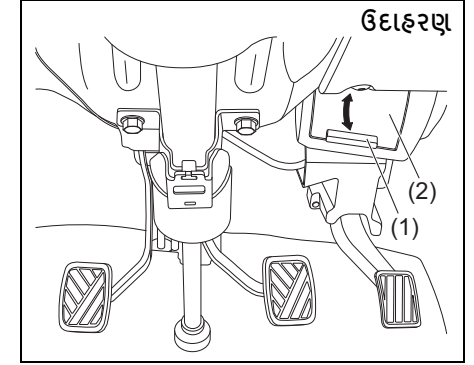
- (1) ઇન્સ્ટ્રુમેન્ટ પેનલ પોકેટ (ડ્રાઇવરની બાજુ)
- (2) ઇન્સ્ટ્રુમેન્ટ પેનલ ટ્રે (મધ્યમાં) / ઇન્સ્ટ્રુમેન્ટ પેનલ પોકેટ (મધ્યમાં)
- (3) ઇન્સ્ટ્રુમેન્ટ પેનલ ટ્રે (મુસાફરની બાજુ)
- (4) સેન્ટર પોકેટ

ઇન્સ્ટ્રુમેન્ટ પેનલ પોકેટ (1)/(2) / ઇન્સ્ટ્રુમેન્ટ પેનલ ટ્રે (2)/(3) / સેન્ટર પોકેટ (4)

⚠ ચેતવણી

વાહન ચાલતું હોય ત્યારે ખિસ્સા/ટ્રેમાંથી બહાર પડી શકે તેવી કોઈપણ ચીજવસ્તુઓ ન મૂકો. સાવચેતી રાખવામાં નિષ્ફળતાના પરિણામે કોઈ વસ્તુ પેડલમાં દખલ કરી શકે છે અને વાહન નિયંત્રણ ગુમાવી શકે છે અથવા અકસ્માત થઈ શકે છે.

એર વેન્ટ

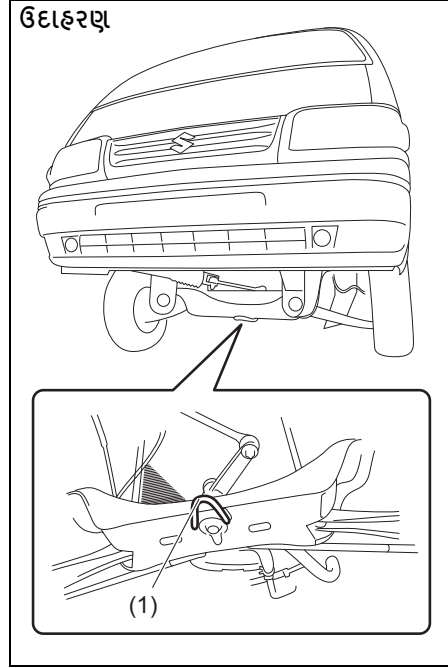


77PM502

એર વેન્ટ્સ વાહનની ડ્રાઇવર બાજુ અને પેસેન્જર બાજુ પર સ્થિત છે. એર વેન્ટ ખોલવા અથવા બંધ કરવા માટે, (2) ને ખોલવા અથવા બંધ કરવા માટે નોબ (1) ને ઊભી રીતે ખસેડો. જ્યારે "ઓપન" થાય છે, ત્યારે કૉબિનની અંદર તાજી હવા આવશે.

ફેમ હૂક

આગળ



ફેમ હૂક (1) વાહનના આગળના ભાગમાં ક્રોકેટીની પરિસ્થિતિઓમાં અને માત્ર શિપિંગ હેતુ માટે જ આપવામાં આવે છે.

તમારા વાહનને રોડ અથવા હાઇવે પર ટોઇંગ કરવા માટે, "ઇમર્જન્સી સર્વિસ" વિભાગમાં "ટોઇંગ" ની સૂચનાને અનુસરો.

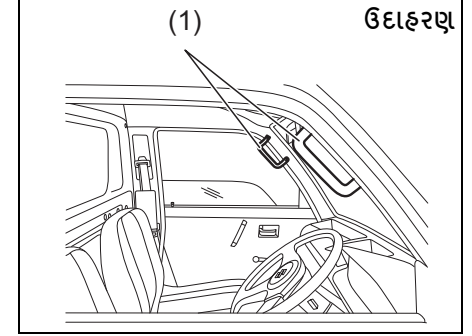
ચેતવણી

ફેમના હૂકનો ઉપયોગ બીજા વાહનને ખેંચવા માટે અથવા તમારા વાહનને રોડ અથવા હાઇવે પર ખેંચવા માટે કરશો નહીં. હૂક (1) માત્ર ક્રોકેટીની પરિસ્થિતિઓમાં ઉપયોગ કરવા માટે રચાયેલ છે, જેમ કે જો તમારું વાહન અથવા અન્ય વાહન ઊંડા કાઠવ અથવા બરફમાં ફસાઈ જાય.

નોટિસ

જ્યારે તમે ફેમ હૂક (1) નો ઉપયોગ કરો છો, ત્યારે હૂકને નોંધપાત્ર આંચકો આપી શકે તે રીતે ફાઇવિંગ કરવાનું ટાળો. આવી કામગીરી હૂક અથવા વાહનના બોડીને નુકસાન પહોંચાડી શકે છે. અચાનક ગતિ ન આપો.

આસિસ્ટ ગ્રિપ



આસિસ્ટ ગ્રિપ્સ (1) વાહનની ડ્રાઇવર બાજુ અને પેસેન્જર બાજુ પર ઉપલબ્ધ છે. આસિસ્ટ ગ્રિપ્સનો હેતુ ડ્રાઇવર/મુસાફરને સરળતાથી વાહનમાં પ્રવેશવા અને બહાર નીકળવા માટે છે.

વાહન લોડિંગ અને ટોવિંગ

વાહન લોડિંગ	6-1
ટ્રેલર ટોઇંગ	6-1

વાહન લોડિંગ

તમારું વાહન ચોક્કસ વજન ક્ષમતાઓ માટે ડિઝાઇન કરવામાં આવ્યું હતું. તમારા વાહનની વજન ક્ષમતાઓ ગોસ વ્હીકલ વેઇટ રેટિંગ (GVWR) અને અનુમતિપાત્ર મહત્તમ એક્સલ વેઇટ (PAW, આગળ અને પાછળ) દ્વારા સૂચવવામાં આવે છે. GVWR અને PAW (આગળ અને પાછળ) "સ્પેસિફિકેશન્સ" વિભાગમાં સૂચિબદ્ધ છે.

GVWR - સંપૂર્ણ લોડ થયેલ વાહનનું મહત્તમ અનુમતિપાત્ર એક્સલ વજન (તમામ મુસાફરો, એસેસરીઝ અને કાર્ગો વત્તા ટ્રેલરના નાકના વજન સહિત જો ટ્રેલરને ટોઇંગ કરવામાં આવે તો).

PAW - (આગળ અને પાછળ) વ્યક્તિગત એક્સલ પર મહત્તમ અનુમતિપાત્ર વજન.

લોડેડ વાહનનું વાસ્તવિક વજન અને આગળ અને પાછળના એક્સલ પરનો વાસ્તવિક ભાર ફક્ત વાહનના વજન દ્વારા જ નક્કી કરી શકાય છે. આ વજનની તુલના GVWR અને PAW (આગળ અને પાછળ) સાથે કરો. જો વાહનનું કુલ વજન અથવા બંને એક્સલ પરનો ભાર આ રેટિંગ કરતાં વધી જાય, તો તમારે ભારને રેટ કરેલ ક્ષમતા સુધી નીચે લાવવા માટે પૂરતું વજન દૂર કરવું આવશ્યક છે.

▲ ચેતવણી

તમારા વાહનને ક્યારેય ઓવરલોડ ન કરો. વાહનનું કુલ વજન (વાહનનાં વજનનો સરવાળો, તમામ મુસાફરો, એસેસરીઝ, કાર્ગો વત્તા ટ્રેલરના નાકનું વજન જો ટ્રેલરને ટોઇંગ કરવામાં આવે તો) ક્યારેય પણ ગોસ વ્હીકલ વેઇટ રેટિંગ (GVWR) થી વધુ ન હોવું જોઈએ. વધુમાં, ક્યારેય લોડનું વિતરણ કરશો નહીં જેથી આગળના અથવા પાછળના એક્સલ પરનું વજન અનુમતિપાત્ર મહત્તમ એક્સલ વેઇટ (PAW) કરતાં વધી જાય.

▲ ચેતવણી

કાર્ગો હંમેશા સમાનરૂપે વિતરિત કરો. તમારા વાહનને વ્યક્તિગત ઈજા અથવા નુકસાન ટાળવા માટે, જો વાહન અચાનક આગળ વધે તો તેને સ્થળાંતર થતું અટકાવવા માટે હંમેશા કાર્ગોને સુરક્ષિત રાખો. ભારે વસ્તુઓ ફ્લોર પર અને શક્ય હોય ત્યાં સુધી કાર્ગો વિસ્તારમાં આગળ મૂકો. સીટબેકની ટોચ કરતાં કાર્ગો ક્યારેય ઊંચો ન કરો.

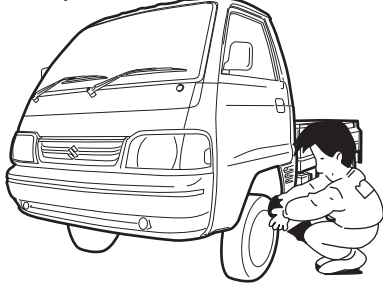
ટ્રેલર ટોઇંગ

તમારું વાહન મૂળ રૂપે એક ડ્રાઇવર, એક પેસેન્જર અને ચોક્કસ જથ્થો કાર્ગો લઈ જવા માટે બનાવવામાં આવ્યું હતું. ટ્રેલરને ખેંચવા માટે નહીં. મારુતિ તમને ટ્રેલર ખેંચવા માટે તમારા વાહનનો ઉપયોગ કરવાની ભલામણ કરતું નથી. ટ્રેલરને ટોઇંગ કરવાથી હેન્ડલિંગ, ટકાઉપણું અને ડ્યુઅલના અર્થતંત્રને પ્રતિકૂળ અસર થઈ શકે છે.

નિરીક્ષણ અને જાળવણી

જાળવણી શેડ્યૂલ.....	7-1
સામયિક જાળવણી શેડ્યૂલ.....	7-2
નિરીક્ષણ અને જાળવણી કામગીરી	
ગ્રાહક દ્વારા કરવામાં આવશે.....	7-6
ડ્રાઇવ બેલ્ટ.....	7-8
એન્જિન તેલ અને ફિલ્ટર.....	7-8
એન્જિન ફૂલેન્ટ.....	7-12
એર ક્લીનર.....	7-14
સ્પાર્ક પ્લગ.....	7-14
ગિયર તેલ.....	7-15
ક્લચ પેડલ.....	7-16
બ્રેક્સ.....	7-16
સ્ટીયરીંગ.....	7-19
પ્રોપેલર શાફ્ટ યુનિવર્સલ સંયુક્ત.....	7-19
ટાયર.....	7-20
બેટરી.....	7-21
ફ્યુઝ.....	7-22
બલ્બ રિપ્લેસમેન્ટ.....	7-25
વાઇપર બ્લેડ.....	7-27
વિન્ડશિલ્ડ વોશર પ્રવાહી (જો સજ્જ હોય તો).....	7-29

ઉદાહરણ



77PM07008

⚠ ચેતવણી

આકસ્મિક ઈજાને રોકવા માટે તમારા તમારા વાહન પર કામ કરતી વખતે અત્યંત કાળજી લેવી જોઈએ. અહીં કેટલીક સાવચેતીઓ છે જેનું તમારે ખાસ ધ્યાન રાખવું જોઈએ:

- એન્જિનને ગેરેજ અથવા અન્ય બંધિયાર વિસ્તારોમાં ચાલતું ન છોડો.
- જ્યારે એન્જિન ચાલુ હોય, ત્યારે હાથ, કપડાં, સાધનો અને અન્ય વસ્તુઓને પંખા અને ફાઇવ બેલ્ટથી દૂર રાખો. ભલે પંખો હાલતો ન હોય, તે ચેતવણી વિના આપમેળે ચાલુ થઈ શકે છે.

(ચાલુ)

⚠ ચેતવણી

(ચાલુ)

- જ્યારે એન્જિન ચાલી રહ્યું હોય ત્યારે સર્વિસ વર્ક કરવું જરૂરી હોય, ત્યારે ખાતરી કરો કે પાર્કિંગ બ્રેક સંપૂર્ણ રીતે સેટ છે અને ટ્રાન્સમિશન ન્યુટ્રલમાં છે.
- એન્જિન શરૂ કરતી વખતે અથવા એન્જિન ચાલુ હોય ત્યારે ઇન્જીન વાયર અથવા અન્ય ઇન્જીન સિસ્ટમના ભાગોને સ્પર્શ કરશો નહીં, અથવા તમને ઇલેક્ટ્રિક આંચકો આવી શકે છે.
- ગરમ એન્જિન, એક્ઝોસ્ટ મેનીફોલ્ડ અને પાઈપો, મફલર, રેડિએટર અને પાણીના નળીઓને સ્પર્શ ન કરવાની કાળજી રાખો.
- ફ્યુઅલ અથવા બેટરીની આસપાસ ધૂમ્રપાન, સ્પાર્ક અથવા જ્વાળાઓને મંજૂરી આપશો નહીં. જ્વલનશીલ ધુમાડો હાજર છે.
- તમારા વાહનની નીચે ન આવો જો તે ફક્ત તમારા વાહનમાં આપવામાં આવેલ પોર્ટબલ જેકથી સપોર્ટેડ હોય.
- સકારાત્મક અને નકારાત્મક બેટરી ટર્મિનલ્સ વચ્ચે આકસ્મિક શોર્ટ સર્કિટ ન થાય તેનું ધ્યાન રાખો.
- વપરાયેલ તેલ, ફુલેન્ટ અને અન્ય પ્રવાહીને બાળકો અને પાલતુ પ્રાણીઓથી દૂર રાખો. વપરાયેલ પ્રવાહીનો યોગ્ય રીતે નિકાલ કરો; તેમને ક્યારેય જમીન પર, ગટર વગેરેમાં રેડશો નહીં.

જાળવણી શેડ્યુલ

નીચેનું કોષ્ટક તે સમય દર્શાવે છે કે જ્યારે તમારે તમારા વાહનની નિયમિત જાળવણી કરવી જોઈએ. આ કોષ્ટક કિલોમીટર અને મહિનાઓમાં બતાવે છે જ્યારે તમારે નિરીક્ષણ, ગોઠવણો, લ્યુબ્રિકેશન અને અન્ય સેવાઓ કરવી જોઈએ.

⚠ ચેતવણી

મારૂંતિ સુઝુકી ભલામણ કરે છે કે તમારા વાહનની જાળવણી તમારી અધિકૃત મારૂંતિ સુઝુકી કોમર્શિયલ વર્કશોપ દ્વારા કરવામાં આવે.

નોટિસ

જ્યારે પણ તમારા વાહનના પાર્ટ્સ બદલવાની જરૂર પડે, ત્યારે ભલામણ કરવામાં આવે છે કે તમે મારૂંતિના વાસ્તવિક રિપ્લેસમેન્ટ પાર્ટ્સ અથવા તેના સમકક્ષનો ઉપયોગ કરો.

સામયિક જાળવણી શેડ્યૂલ

"C": સ્વચ્છ

"R": બદલો

"I": તપાસો, સાફ કરો, સમાયોજિત કરો, લુબ્રિકેટ કરો અથવા જરૂર મુજબ બદલો

"L": લુબ્રિકેટ

"T": નિર્દિષ્ટ ટોર્કને સજ્જડ કરો

"O": ફેરવો

નોંધ:

- આ કોષ્ટકમાં 90,000 કિમી માઇલેજ સુધી સુનિશ્ચિત કરેલ સેવાઓનો સમાવેશ થાય છે. 90,000 કિમીથી આગળ, અનુક્રમે સમાન અંતરાલ પર સમાન સેવાઓ હાથ ધરો.
- મફત નિરીક્ષણ માટે સામગ્રી અને કન્સ્યુમેબલ્સની કિંમત ગ્રાહક દ્વારા વહન કરવામાં આવશે.

નિરીક્ષણ અને જાળવણી

અંતરાલ: આ અંતરાલને ઓડોમીટર રીડિંગ દ્વારા નક્કી કરવું જોઈએ અથવા મહિનાઓ, જે પહેલા આવે.		મફત તપાસ				ખર્ચે સમયાંતર જાળવણી						
		km (x1000)	5	10	20	30	40	50	60	70	80	90
મહિનાઓ		2	4	8	12	16	20	24	28	32	36	
એન્જિન												
1-1.	વોટર પંપ ડ્રાઈવ બેલ્ટ (ટેન્શન, પહેરો)	-	I	I	I	I	I	I	I	I	R	I
1-2.	એન્જિન ફૂલન્ટ SUZUKI LLC: Super (Blue) (#1,2)	માત્ર પહેલી વખત:	1,00,000 KM અથવા 60 મહિના, જે પણ પહેલા આવે ત્યારે બદલો.									
	બીજી વખત અને ત્યારબાદ:	દર 40,000 KM અથવા 24 મહિના, જે પણ પહેલા આવે ત્યારે બદલો.										
	એન્જિન ફૂલન્ટ SUZUKI LLC: Standard (Yellow) (#1,3)	I	I	R	I	R	I	R	I	R	I	
1-3.	એન્જિન ઓઇલ, એન્જિન ઓઇલ ફિલ્ટર અને ડ્રેઇન પ્લગ ગાસ્કેટ (લેવલ, લિકેજ)	I	R	R	R	R	R	R	R	R	R	
1-4.	ફૂલિંગ સિસ્ટમ હોસીસ અને કનેક્શન (લીકેજ અને નુકસાન)	I	I	I	I	I	I	I	I	I	I	
1-5.	એન્જિન માઉન્ટિંગ અને મેનીફોલ્ડ ફિક્સિંગ (લૂઝ, ડેમેજ)	I	I	I	I	I	I	I	I	I	I	
1-6.	એક્ઝોસ્ટ સિસ્ટમ (અવાજ, લિકેજ વગેરે)	I	-	I	-	I	-	I	-	I	-	
1-7.	પોઝિટિવ કેન્ક કેસ વેન્ટિલેશન સિસ્ટમ (હોસીસ, કનેક્શન અને વાલ્વ)	I	-	I	-	I	-	I	-	I	-	
1-8.	એક્ઝોસ્ટ ગેસ રિસર્ક્યુલેશન વાલ્વ	-	-	-	C	-	-	C	-	-	C	
ઇન્જીનિયર												
2-1.	ઇન્જીનિયર વાયર (નુકસાન, બગાડ)	-	-	I	-	I	-	I	-	I	-	
2-2.	સ્પાર્ક પ્લગ	Petrol	દર 1,00,000 KM અથવા 84 મહિનામાં જે પણ પહેલા આવે તેમાં તેને બદલો									
		CNG	દર 50,000 KM અથવા 48 મહિનામાં જે પણ પહેલા આવે તેમાં તેને બદલો									
ફ્યુઅલ												
3-1.	એર ક્લીનર ફિલ્ટર તત્વ	પાકો રસ્તો	દર 5,000 કિમી સાફ કરો. દર 40,000 કિમી પર બદલો									
		ડસ્ટી સ્થિતિ	દર 2,500 કિમી સાફ કરો. દર 40,000 કિમી પર બદલો. વધુ વારંવાર રિપ્લેસમેન્ટ જો પરિસ્થિતિઓ ગંભીર છે.									

#1: "તમારા વાહનનું સંચાલન" વિભાગમાં દૈનિક નિરીક્ષણ હેઠળ એન્જિન ફૂલન્ટ લેવલની તપાસ કરો.

જ્યારે તમે ફૂલન્ટ ઉમેરો અથવા બદલો ત્યારે તે જ પ્રકારનું ફૂલન્ટ કે જે તદ્દન નવી કારના સમયે ભરવામાં આવે છે તેનો ઉપયોગ કરવો જોઈએ. આ વિભાગમાં "એન્જિન ફૂલન્ટ" નો સંદર્ભ લો.

#2: SUZUKI LLC ઉમેરશો નહીં: જ્યારે તમારું વાહન મૂળ SUZUKI LLC થી ભરેલું હોય ત્યારે Standard (Yellow) ફૂલન્ટ અથવા Distilled પાણી અથવા અન્ય: Super (Blue) ફૂલન્ટ.

#3: જ્યારે તમારું વાહન મૂળ SUZUKI LLC થી ભરેલું હોય: Standard (Yellow) ફૂલન્ટ, SUZUKI LLC ના જાળવણી શેડ્યુલને અનુસરો: Standard (Yellow) ફૂલન્ટ.

અંતરાલ: આ અંતરાલને ઓડોમીટર રીડિંગ દ્વારા નક્કી કરવું જોઈએ અથવા મહિનાઓ, જે પહેલા આવે.		મફત તપાસ				ખર્ચે સમયાંતર જાળવણી						
		km (x1000)	5	10	20	30	40	50	60	70	80	90
		મહિનાઓ	2	4	8	12	16	20	24	28	32	36
3-2.	ફ્યુઅલ ટેન્ક કેપ, ફ્યુઅલ લાઇન અને કનેક્શન (લિકેજ અને નુકસાન)		-	-	-		-	-	-		-	
3-3.	ફ્યુઅલ ફિલ્ટર (લિકેજ)					R				R		
3-4.	CNG ફ્યુઅલ લાઇન સાંધા (ગેસ લીકેજ)											
3-5.	ઓ-રિંગ સાથે સીએનજી લો પ્રેશર ફિલ્ટર કારતૂસ	-	-	R	-	R	-	R	-	R	-	
3-6.	CNG સિલિન્ડર લીક પરીક્ષણ અને પ્રમાણપત્ર	સરકાર દ્વારા માન્ય પરીક્ષણ એજન્સી પ્રારંભિક પરીક્ષણની તારીખથી દર 3 વર્ષે.										
3-7.	CNG ફિલર રીસેપ્ટકલ ઓ-રિંગ	દર 4 વર્ષે અથવા 3,00,000 કિમી, જે વહેલું આવે ત્યારે બદલો										
કલચ અને ટ્રાન્સમિશન												
4-1.	કલચ પેડલ (પ્લે)											
4-2.	કલચ સ્ટોપિંગ (ખેંચવું અથવા વધારે નુકસાન)											
4-3.	ગિયર શિફ્ટર (ઓપરેશન)											
4-4.	મેન્યુઅલ ટ્રાન્સમિશન તેલ (સ્તર, લિકેજ)											
4-5.	પાછળનું ડિફરન્શિયલ ઓઇલ (સ્તર, લિકેજ)	80,000 કિમી અથવા 4 વર્ષ જે પહેલા આવે ત્યારે બદલો										
4-6.	પ્રોપેલર શાફ્ટ / યુનિવર્સલ જોઇન્ટ (લૂઝ, નુકસાન)		I&L	I&L	I&L	I&L	I&L	I&L	I&L	I&L	I&L	
બ્રેક												
5-1.	બ્રેક ફ્લુઇડ (સ્તર, લિકેજ)											
		દર 40,000 કિમી અથવા 24 મહિને જે પહેલા આવે ત્યારે બદલો										
5-2.	બ્રેક પેડલ (પેડલ - ફ્રન્ટ પેનલ ક્લિયરન્સ)											
5-3.	પાઈકિંગ બ્રેક લીવર અને કેબલ (પ્લે, નુકસાન)											
5-4.	બ્રેક ડિસ્ક અને પેડ (પહેરો)											
5-5.	બ્રેક ડ્રમ અને શૂઝ (પહેરો)	-	-									
5-6.	માસ્ટર સિલિન્ડર, વ્હીલ સિલિન્ડર અને કંલેપર પિસ્ટન (પ્રવાહી લિકેજ, બુટ/સેનુકસાન)											
5-7.	બ્રેક હોસ અને પાઈપો (લિકેજ, નુકસાન)											
વ્હીલ												
6-1.	ટાયર (હવાના દબાણ, અસામાન્ય ઘસારાએ, કંક અને ફરવલું)	I&O	I&O	I&O	I&O	I&O	I&O	I&O	I&O	I&O	I&O	
6-2.	વ્હીલ્સ (નુકસાન)											
6-3.	ફ્રન્ટ/રિયર વ્હીલ બોરિંગ (લૂઝ, નુકસાન)											

નિરીક્ષણ અને જાળવણી

અંતરાલ: આ અંતરાલને ઓડોમીટર રીડિંગ દ્વારા નક્કી કરવું જોઈએ અથવા મહિનાઓ, જે પહેલા આવે.		મફત તપાસ				ખર્ચે સમયાંતર જાળવણી						
		km (x1000)	5	10	20	30	40	50	60	70	80	90
		મહિનાઓ	2	4	8	12	16	20	24	28	32	36
ફ્રન્ટ / રીઅર સસ્પેન્શન												
7-1.	ફ્રન્ટ સસ્પેન્શન સ્ટ્રટ અને શોક શોષક (ઓઇલ લીકેજ, નુકસાન)											
7-2.	આગળના સસ્પેન્શન આર્મ્સ, નકલ સપોર્ટ અને ટેન્શન રોડ્સ (લૂઝ, નુકસાન)											
7-3.	રિઅર લીફ સ્પ્રિંગ (નુકસાન)											
7-4.	રિઅર શોક એબ્સોર્બર (ઓઇલ લીકેજ, નુકસાન)											
7-5.	બધા બોલ્ટ અને નટ્સ (લુઝ)	T	T	T	T	T	T	T	T	T	T	
સ્ટીયરિંગ												
8-1.	સ્ટીયરિંગ લીલ (પ્લે, લૂઝ)											
8-2.	સ્ટિયરિંગ કોલમ સળિયા અને હથિયારો (ઢીલું, નુકસાન, ઘસારો)											
ઇલેક્ટ્રિકલ												
9-1.	બેટરી - ઇલેક્ટ્રોલાઇટ (સ્તર, લિકેજ) અને વોલ્ટેજ											
9-2.	વાયરિંગ હાર્નેસ કનેક્શન (લૂઝ, નુકસાન)											
9-3.	લાઇટિંગ સિસ્ટમ (ઓપરેશન)											
9-4.	વાઇપર (ઓપરેશન, સ્ટેન, નુકસાન)											
9-5.	હોર્ન (ઓપરેશન)											
9-6.	સહાયક સોકેટ (ઓપરેશન)											
બોર્ડ												
10-1.	બધા ચેસીસ બોલ્ટ અને નટ્સ (કડક કરો)		T	T	T	T	T	T	T	T	T	
10-2.	બધા લેચીસ, હિન્ક્સ અને તાળાઓ (કાર્ય)	I&L	I&L	I&L	I&L	I&L	I&L	I&L	I&L	I&L	I&L	
10-3.	કાર્ગો બેડ (નિરીક્ષણ)											
રોડનું પરીક્ષણ												
11-1.	બ્રેક્સ, ક્લચ, ગિયર શિફ્ટિંગ અને સ્પીડોમીટરનું સંચાલન											
11-2.	બોર્ડ અને ચેસિસ અવાજ											

નિરીક્ષણ અને જાળવણી કામગીરી ગ્રાહક દ્વારા કરવામાં આવશે

નીચેનું કોષ્ટક નિરીક્ષણ અને જાળવણી કામગીરી દર્શાવે છે જે તમે કરી શકો છો.
આ કોષ્ટક તમારે તપાસ, ગ્રીસિંગ, લુબ્રિકેશન અને અન્ય સેવાઓ ક્યારે કરવી જોઈએ તે આવર્તન બતાવે છે.

આવર્તન	શ્રેણી.ક	ઓપરેશન	સંદર્ભ								
દૈનિક	1	હવાના દબાણ, અસામાન્ય ઘસારાઓ, તિરાડો અને નુકસાન માટે તમામ ટાયર (સ્પેર વ્હીલ સહિત) તપાસો.	પૃષ્ઠ નં. 7-20								
સાપ્તાહિક	2	એન્જીનનું તેલનું સ્તર તપાસો, જો જરૂરી હોય તો માડુતિ જેન્યુઇન એન્જીન ઓઇલ સાથે ટોપ અપ કરો.	પૃષ્ઠ નં. 7-9								
	3	ફૂલેન્ટ રિઝર્વોયરમાં ફૂલેન્ટ સ્તરનું નિરીક્ષણ કરો અને જો જરૂરી હોય તો, ભલામણ કરેલ માડુતિ જેન્યુઇન ફૂલેન્ટ અને Distilled પાણીના મિશ્રણ સાથે નિર્દિષ્ટ ગુણોત્તરમાં ટોપ અપ કરો.	પૃષ્ઠ નં. 7-12								
	4	ટ્રાન્સમિશન તેલ સ્તર અને ડિફરન્શિયલ ઓઇલ સ્તર તપાસો.	પૃષ્ઠ નં. 7-15								
	5	બ્રેક પ્રવાહી રિઝર્વોયરમાં બ્રેક પ્રવાહીનું સ્તર તપાસો અને જો જરૂરી હોય તો, માડુતિ જેન્યુઇન બ્રેક ફ્લુઇડ સાથે ટોપ અપ કરો.	પૃષ્ઠ નં. 7-16								
	6	<table border="0"> <tr> <td>માટે વાહન તપાસો</td> <td>• ફન્ટ સસ્પેન્શન સ્ટ્રટ લિકેજ</td> </tr> <tr> <td>• એન્જીન ઓઇલ લીકેજ</td> <td>• પાછળનું શોક શોષક લિકેજ</td> </tr> <tr> <td>• ફૂલેન્ટ લિકેજ</td> <td>• ફ્યુઅલ લીકેજ</td> </tr> <tr> <td>• બ્રેક પ્રવાહી લિકેજ</td> <td>• ટ્રાન્સમિશન તેલ અને ડિફરન્શિયલ ઓઇલ લિકેજ</td> </tr> </table>	માટે વાહન તપાસો	• ફન્ટ સસ્પેન્શન સ્ટ્રટ લિકેજ	• એન્જીન ઓઇલ લીકેજ	• પાછળનું શોક શોષક લિકેજ	• ફૂલેન્ટ લિકેજ	• ફ્યુઅલ લીકેજ	• બ્રેક પ્રવાહી લિકેજ	• ટ્રાન્સમિશન તેલ અને ડિફરન્શિયલ ઓઇલ લિકેજ	નિરીક્ષણ અને જાળવણી વિભાગ
	માટે વાહન તપાસો	• ફન્ટ સસ્પેન્શન સ્ટ્રટ લિકેજ									
	• એન્જીન ઓઇલ લીકેજ	• પાછળનું શોક શોષક લિકેજ									
	• ફૂલેન્ટ લિકેજ	• ફ્યુઅલ લીકેજ									
• બ્રેક પ્રવાહી લિકેજ	• ટ્રાન્સમિશન તેલ અને ડિફરન્શિયલ ઓઇલ લિકેજ										
7	બેટરી ઇલેક્ટ્રોલાઇટ સ્તર, ટર્મિનલ્સ અને બ્રેકેટનું નિરીક્ષણ કરો.	પૃષ્ઠ નં. 7-21									
8	વ્હીલ માઉન્ટિંગ નટ્સનું નિરીક્ષણ કરો અને જો જરૂરી હોય તો સજ્જડ કરો.	પૃષ્ઠ નં. 8-5									

નિરીક્ષણ અને જાળવણી

માસિક	9	નુકસાન અથવા બગાડ માટે ડ્રાઇવ બેલ્ટનું નિરીક્ષણ કરો.	પૃષ્ઠ નં. 7-8
	10	એર ફિલ્ટર તત્વ સાફ કરો.	પૃષ્ઠ નં. 7-14
	11	મલ્ટી પર્પઝ ગ્રીસનો ઉપયોગ કરીને તમામ લેય, હિન્જ્સ અને તાળાઓને ગ્રીસ કરો.	પૃષ્ઠ નં. 7-5
	12	ગ્રીસ બંદૂક સાથે ગ્રીસ પ્રોપેલર શાફ્ટ યુનિવર્સલ જોઇન્ટ.	પૃષ્ઠ નં. 7-19
જ્યારે અને જ્યારે જરૂરી હોય ત્યારે	13	ક્લચ પેડલ પ્લેનું નિરીક્ષણ કરો.	પૃષ્ઠ નં. 7-16
	14	જ્યારે એન્જિન ચાલુ હોય ત્યારે બ્રેક લગાવીને બ્રેક પેડલથી ફ્લોર પેનલના અંતરનું નિરીક્ષણ કરો.	પૃષ્ઠ નં. 7-17
	15	યોગ્ય ગોઠવણ માટે પાર્કિંગ બ્રેકનું નિરીક્ષણ કરો.	પૃષ્ઠ નં. 7-18

* જો વાહન એક તરફ ખેંચે છે અથવા વધુ ઝડપે વાઇબ્રેટ કરે છે તો વ્હીલની ગોઠવણી અને સંતુલનનું નિરીક્ષણ કરો અને/અથવા ગોઠવણ કરો.

ડ્રાઇવ બેલ્ટ

⚠ ચેતવણી

જ્યારે એન્જિન ચાલુ હોય, ત્યારે હાથ, વાળ, કપડાં, સાધનો વગેરેને ફરતા પંખા અને ડ્રાઇવ બેલ્ટથી દૂર રાખો.

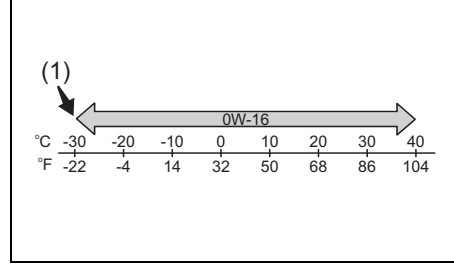
ખાતરી કરો કે ડ્રાઇવ બેલ્ટ ટેન્શન યોગ્ય છે. જો બેલ્ટ ખૂબ ઢીલો હોય, તો અપૂરતી બેટરી ચાર્જિંગ, એન્જિન ઓવરહીટિંગ અથવા વધુ પડતા બેલ્ટ પહેરવાથી પરિણામી શકે છે.

બેલ્ટને નુકસાન ન થાય તેની ખાતરી કરવા માટે પણ તપાસ કરવી જોઈએ.

જો તમારે બેલ્ટ બદલવાની અથવા એડજસ્ટ કરવાની જરૂર હોય તો તે તમારા માડુતિ સુઝુકી અધિકૃત વર્કશોપ દ્વારા કરાવો.

એન્જિન તેલ અને ફિલ્ટર સ્પષ્ટ તેલ

ભારત માટે



56RM07013

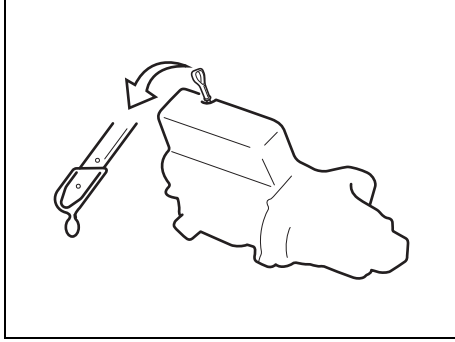
(1) ભલામણ કરેલ

ચકાસો કે તમે જે એન્જિન તેલનો ઉપયોગ કરો છો તે **API SN** ના ગુણવત્તા વર્ગીકરણ હેઠળ આવે છે. ઉપરના ચાર્ટ અનુસાર યોગ્ય તેલની સ્નિગ્ધતા પસંદ કરો.

SAE 0W-16 (1) એ સારા ડ્યુઅલ અર્થતંત્ર અને ઠંડા હવામાનમાં સારી શરૂઆત માટે શ્રેષ્ઠ પસંદગી છે.

- નોંધ:
- રિપ્લેસમેન્ટનો સમય તમે પસંદ કરેલ એન્જિન તેલના પ્રકાર પ્રમાણે બદલાય છે. આ વિભાગમાં "જાળવણી સમયપત્રક" નો સંદર્ભ લો અનુરૂપ જાળવણી શેડ્યુલ માટે.
- અમે ભલામણ કરીએ છીએ કે તમે માડુતિ સુઝુકી અસલ તેલનો ઉપયોગ કરો. તેને ખરીદવા માટે, માડુતિ સુઝુકી અધિકૃત વર્કશોપ જુઓ.

તેલ સ્તર તપાસો



55RH07002

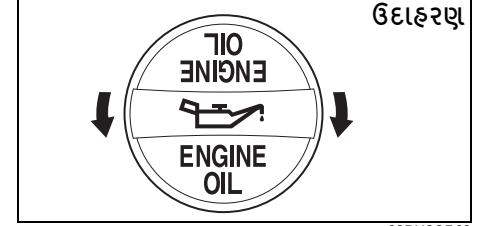
તમારા વાહનના એન્જિનના યોગ્ય લ્યુબ્રિકેશન માટે એન્જિન તેલને યોગ્ય સ્તરે રાખવું મહત્વપૂર્ણ છે. લેવલ સપાટી પર વાહન સાથે તેલનું સ્તર તપાસો. જો વાહન ઢોળાવ પર હોય તો તેલના સ્તરનો સૂચક અચોક્કસ હોઈ શકે છે. એન્જિન શરૂ કરતા પહેલા અથવા એન્જિન બંધ કર્યા પછી ઓછામાં ઓછા 5 મિનિટ પછી તેલનું સ્તર તપાસવું જોઈએ.

તેલની ડીપસ્ટીકને બહાર કાઢો, સ્વચ્છ કપડાથી તેલને સાફ કરો, ડીપસ્ટીકને એન્જિનમાં બધી રીતે દાખલ કરો અને પછી તેને ફરીથી દૂર કરો. લાકડી પરનું તેલ લાકડી પર દર્શાવેલ ઉપલા અને નીચલા મર્યાદા વચ્ચે હોવું જોઈએ. જો તેલના સ્તરનો સૂચક નીચલી મર્યાદાની નજીક હોય, તો સ્તરને ઉપરની મર્યાદા સુધી વધારવા માટે પૂરતું તેલ ઉમેરો.

નોટિસ

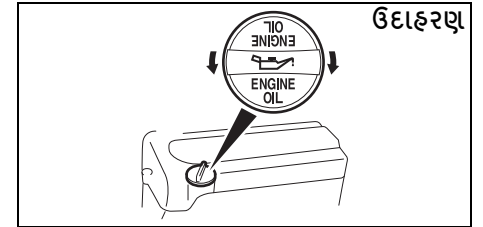
તેલના સ્તરને નિયમિતપણે તપાસવામાં નિષ્ફળતા અપૂરતા તેલને કારણે એન્જિનમાં ગંભીર સમસ્યા તરફ દોરી શકે છે.

રિફિલિંગ



68PH00762

ઓઇલ ફિલર કેપને દૂર કરો અને તેલના સ્તરને ડિપસ્ટિક પર ઉપલી મર્યાદા સુધી લાવવા માટે ફિલર હોલ દ્વારા ધીમે ધીમે તેલ રેડો. ઓવરફિલ ન થાય તેનું ધ્યાન રાખો. વધુ પડતું તેલ એ બહુ ઓછા તેલ જેટલું જ ખરાબ છે. રિફિલિંગ કર્યા પછી, એન્જિન શરૂ કરો અને તેને લગભગ એક મિનિટ માટે નિષ્ક્રિય થવા દો. એન્જિન બંધ કરો, લગભગ 5 મિનિટ રાહ જુઓ અને ફરીથી તેલનું સ્તર તપાસો.



68PM00703

એન્જિન ઓઇલ અને ફિલ્ટર બદલવું

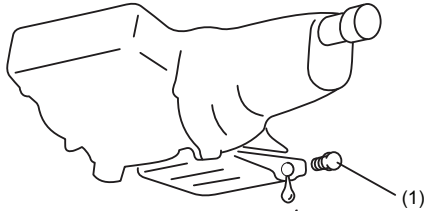
જ્યારે એન્જિન હજી પણ ગરમ હોય ત્યારે એન્જિન તેલને ડ્રેઇન કરો.

- 1) ઓઇલ ફિલર કેપ દૂર કરો.
- 2) ડ્રેઇન પ્લગ હેઠળ ડ્રેઇન પેન મૂકો.
- 3) રેંચનો ઉપયોગ કરીને, ડ્રેઇન પ્લગને દૂર કરો અને એન્જિન તેલને બહાર કાઢો.

⚠ સાવધાન

જ્યારે ડ્રેઇન પ્લગ ઢીલો થાય ત્યારે એન્જિન તેલનું તાપમાન તમારી આંગળીઓને બળી શકે તેટલું ઊંચું હોઈ શકે છે. ડ્રેઇન પ્લગ તમારા ખુલ્લા હાથથી સ્પર્શ કરવા માટે પૂરતો ઠંડો ન થાય ત્યાં સુધી રાહ જુઓ.

ઉદાહરણ



77PM07007

ડ્રેઇન પ્લગ (1) માટે ટોર્કને કડક બનાવવું:

50 Nm (5.1 kg-m, 36.9 lb-ft)

⚠ ચેતવણી

નવું અને વપરાયેલું તેલ જોખમી હોઈ શકે છે. નવું અથવા વપરાયેલું તેલ ગળી જવાથી બાળકો અને પાલતુ પ્રાણીઓને નુકસાન થઈ શકે છે. નવા અને વપરાયેલા તેલ અને વપરાયેલ તેલના ફિલ્ટરને બાળકો અને પાલતુ પ્રાણીઓથી દૂર રાખો.

વારંવાર, વપરાયેલ એન્જિન તેલ સાથે લાંબા સમય સુધી સંપર્ક કરવાથી ત્વચાનું કેન્સર થઈ શકે છે. વપરાયેલ તેલ સાથે સંક્ષિપ્ત સંપર્ક ત્વચાને બળતરા કરી શકે છે.

વપરાયેલ તેલના તમારા સંપર્કને ઘટાડવા માટે, તેલ બદલતી વખતે લાંબી બાંયનો શર્ટ અને ભેજ-પુફ મોજા (જેમ કે ડીશ ધોવાના મોજા) પહેરો. જો તેલ તમારી ત્વચાનો સંપર્ક કરે છે, તો સાબુ અને પાણીથી સારી રીતે ધોઈ લો.

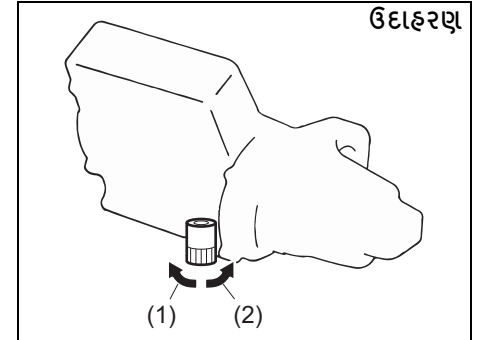
કોઈપણ કપડાં અથવા ચીથરા જો તેલથી ભીના હોય તો ધોઈ નાખો. વપરાયેલ તેલ અને ફિલ્ટર્સને રિસાયકલ કરો અથવા યોગ્ય રીતે નિકાલ કરો.

- 4) ડ્રેઇન પ્લગ અને ગાસ્કેટ ફરીથી ઇન્સ્ટોલ કરો. નિર્દિષ્ટ ટોર્ક માટે રેન્ય વડે પ્લગને સજ્જડ કરો.

તેલ ફિલ્ટર બદલો

- 1) ઓઇલ ફિલ્ટર રેન્યનો ઉપયોગ કરીને, ઓઇલ ફિલ્ટરને ઘડિયાળની વિરુદ્ધ દિશામાં ફેરવો અને તેને દૂર કરો.
- 2) સ્વચ્છ ચીથરાનો ઉપયોગ કરીને, એન્જિન પરની માઉન્ટિંગ સપાટીને સાફ કરો જ્યાં નવું ફિલ્ટર બેસશે.
- 3) નવા ઓઇલ ફિલ્ટરના રબર ગાસ્કેટની આસપાસ થોડું એન્જિન તેલ લગાવો.
- 4) નવા ફિલ્ટરને હાથથી સ્ક્રૂ કરો જ્યાં સુધી ફિલ્ટર ગાસ્કેટ માઉન્ટિંગ સપાટીનો સંપર્ક ન કરે.

ઉદાહરણ



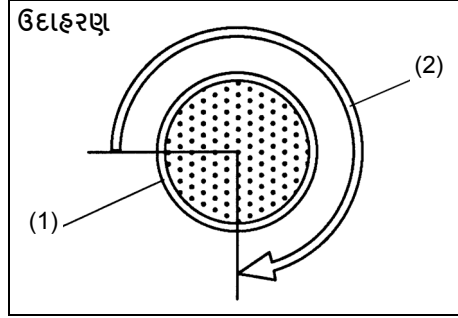
77PH017

(1) ઢીલું કરવું

(2) સજ્જડ કરવું

નિરીક્ષણ અને જાળવણી

કડક કરવું (ફિલ્ટર ટોચ પરથી જોવામાં આવે છે)



54G093

- (1) તેલ ફિલ્ટર
(2) 3/4 વળાંક

નોટિસ

ઓઇલ ફિલ્ટરને યોગ્ય રીતે સજ્જડ કરવા માટે, ફિલ્ટર ગાસ્કેટ માઉન્ટિંગ સપાટી સાથે પ્રથમ સંપર્ક કરે છે તે સ્થાનને ચોક્કસપણે ઓળખવું મહત્વપૂર્ણ છે.

- 5) ઓઇલ ફિલ્ટર રેન્યનો ઉપયોગ કરીને માઉન્ટિંગ સપાટી (અથવા ઉલ્લેખિત ટોર્ક) સાથેના સંપર્કના બિંદુથી ફિલ્ટર નિર્દિષ્ટ વળાંકને સજ્જડ કરો.

ઓઇલ ફિલ્ટર 3/4 ટર્ન અથવા 14 Nm (1.4 kgf-m, 10.3 lbf-ft) માટે ટોર્કને કડક બનાવે છે.

નોટિસ

તેલના લીકેજને રોકવા માટે, ખાતરી કરો કે ઓઇલ ફિલ્ટર ચુસ્ત છે, પરંતુ તેને વધુ કડક ન કરો.

તેલ સાથે રિફિલ કરો અને લિક માટે તપાસો

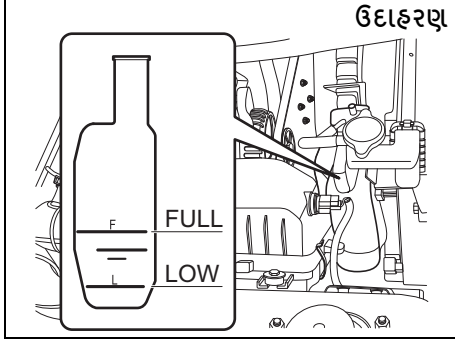
- 1) ફિલ્ટર હોલ દ્વારા તેલ રેડો અને ફિલ્ટર કેપ ઇન્સ્ટોલ કરો. તેલની અંદાજિત ક્ષમતા માટે, "વિશેષતાઓ" વિભાગમાં "ક્ષમતા" આઇટમનો સંદર્ભ લો.
- 2) એન્જિન શરૂ કરો અને ઓઇલ ફિલ્ટર અને ડ્રેઇન પ્લગ પર લીક થવા માટે કાળજીપૂર્વક જુઓ. એન્જિનને ઓછામાં ઓછી 5 મિનિટ સુધી વિવિધ ઝડપે ચલાવો.
- 3) એન્જિન બંધ કરો અને લગભગ 5 મિનિટ રાહ જુઓ. તેલનું સ્તર ફરીથી તપાસો અને જો જરૂરી હોય તો તેલ ઉમેરો. ફરીથી લીક્સ માટે તપાસો.

નોટિસ

- ઓઇલ ફિલ્ટર બદલતી વખતે, એવી ભલામણ કરવામાં આવે છે કે તમે MARUTI જેન્યુઇન ફિલ્ટરનો ઉપયોગ કરો. જો તમે આફ્ટર માર્કેટ ફિલ્ટરનો ઉપયોગ કરો છો, તો ખાતરી કરો કે તે સમકક્ષ ગુણવત્તાનું છે અને ઉત્પાદકની સૂચનાઓનું પાલન કરો.
- ઓઇલ ફિલ્ટર અથવા ડ્રેઇન પ્લગની આજુબાજુમાંથી તેલ લીક થાય છે તે ખોટી ઇન્સ્ટોલેશન અથવા ગાસ્કેટ નુકસાન સૂચવે છે. જો તમને કોઈ લીક જણાય અથવા ફિલ્ટર યોગ્ય રીતે કડક કરવામાં આવ્યું હોવાની ખાતરી ન હોય, તો તમારા અધિકૃત મારૂતિ સુઝુકી કોમર્શિયલ વર્કશોપ દ્વારા વાહનની તપાસ કરાવો.

એન્જિન કુલેન્ટ

કુલેન્ટ લેવલ ની તપાસ



77PM07010

રેડિયેટર પર નહીં, પાણીની ટાંકી પર ફુલન્ટનું લેવલ તપાસો. એન્જિનની ઠંડક સાથે, ફુલન્ટનું લેવલ "FULL" અને "LOW" ચિહ્ન વચ્ચે હોવું જોઈએ.

જો ફુલન્ટનું સ્તર "LOW" ચિહ્નથી નીચે હોય, તો ફુલન્ટ ઉમેરવું જોઈએ.

કુલન્ટ ઉમેરવું અને બદલવું

જ્યારે તમે ફુલન્ટ ઉમેરો છો, ત્યારે પાણીની ટાંકીના ઢાંકણને દૂર કરો અને એન્જિન ઠંડું હોય ત્યાં સુધી પાણીની ટાંકીનું લેવલ "ફુલ" ચિહ્ન સુધી પહોંચે ત્યાં સુધી ફુલન્ટ ઉમેરો. પાણીની ટાંકીને ક્યારેય પણ "FULL" ચિહ્નથી ઉપર ન ભરો.

ફુલન્ટ બદલવા માટે વિશેષ પ્રક્રિયાઓની જરૂર હોવાથી, આ કામ માટે **Maruti Suzuki** અધિકૃત વર્કશોપને પૂછો.

⚠ ચેતવણી

એન્જિન કુલન્ટને ગળી જવાથી ગંભીર ઈજા અથવા મૃત્યુ થઈ શકે છે. ફુલન્ટ ઝાકળ અથવા વરાળને ધ્યાસમાં લેવાથી અથવા તમારી આંખોમાં ફુલન્ટ મેળવવાથી ગંભીર ઈજા થઈ શકે છે.

- એન્ટિફ્રીઝ અથવા કુલન્ટ સોલ્યુશન પીશો નહીં. જો ગળી જાવ, તો ઉલટી કરવા પ્રેરિત કરશો નહીં. તરત જ ઝેર નિયંત્રણ કેન્દ્ર અથવા ચિકિત્સકનો સંપર્ક કરો.
- ફુલન્ટ ઝાકળ અથવા ગરમ વરાળને ધ્યાસમાં લેવાનું ટાળો. જો ધ્યાસમાં લેવામાં આવે તો, તાજી હવાના વિસ્તારમાં ખસેડો.
- જો ફુલન્ટ આંખોમાં જાય, તો આંખોને પાણીથી ફલશ કરો અને તબીબી સલાહ મેળવો.
- કુલન્ટને ઉપયોગ કર્યા પછી સારી રીતે ધોઈ લો.
- એન્જિન કુલન્ટને બાળકો અને પાલતુ પ્રાણીઓની પહોંચથી દૂર રાખો.

નોંધ

પાણીની ટાંકીનું ઢાંકણ બંધ કરતી વખતે, ઢાંકણ પરનું ચિહ્ન અને ટાંકી પરનું ચિહ્ન એક લાઇનમાં આવે તેમ ગોઠવો. આનું પાલન કરવામાં નિષ્ફળતા ફુલન્ટ લિકેજમાં પરિણમી શકે છે.

ફુલન્ટની પસંદગી

તમારા એન્જિનની શ્રેષ્ઠ કામગીરી અને ટકાઉપણું જાળવવા માટે, **MARUTI SUZUKI** નું અસલી ફુલન્ટ અથવા તેને સમકક્ષનો ઉપયોગ કરો.

નીચેના કારણોસર ફુલિંગ સિસ્ટમ માટે આ પ્રકારનું ફુલન્ટ શ્રેષ્ઠ છે:

- ફુલન્ટ એન્જિનનું યોગ્ય તાપમાન જાળવવામાં મદદ કરે છે.
- તે ઠંડી અને ઉકળાટ સામે યોગ્ય રક્ષણ આપે છે.
- તે સંક્ષારણ અને કાટ સામે યોગ્ય રક્ષણ આપે છે.

યોગ્ય ફુલન્ટનો ઉપયોગ કરવામાં નિષ્ફળતા તમારી ફુલિંગ સિસ્ટમને નુકસાન પહોંચાડી શકે છે. **Maruti Suzuki** અધિકૃત વર્કશોપ તમને યોગ્ય ફુલન્ટ પસંદ કરવામાં મદદ કરી શકે છે.

નોંધ

તમારી ફૂલિંગ સિસ્ટમને નુકસાન ન થાય તે માટે:

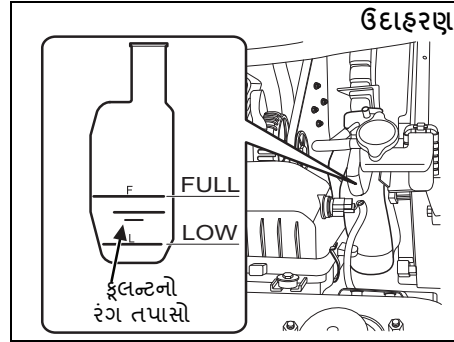
- હંમેશા યોગ્ય મિશ્રણ સંદ્રતા પર **Distilled** પાણીથી ઓગળેલા ઉચ્ચ ગુણવત્તાવાળા ઇથિલિન ગ્લાયકોલ બેઝ નોન-સિલિકેટ પ્રકારના ફૂલન્ટનો ઉપયોગ કરો.
- વધારાના અવરોધકો અથવા ઉમેરણો ઉમેરશો નહીં. તેઓ તમારી ફૂલિંગ સિસ્ટમ સાથે સુસંગત ન હોય તેવું બની શકે છે.
- વિવિધ પ્રકારના બેઝ ફૂલન્ટને મિશ્રિત કરશો નહીં. આમ કરવાથી ત્વરિત સીલ ઘસારો અને/અથવા ગંભીર ઓવરહિટીંગ અને વ્યાપક એન્જિન/ટ્રાન્સમિશન નુકસાનની શક્યતામાં પરિણમી શકે છે. ફૂલન્ટના મિશ્રણના કિસ્સામાં **Maruti Suzuki** અધિકૃત વર્કશોપ પાસે તમારા વાહનનું નિરીક્ષણ કરાવો.

નોંધ:

Maruti Suzuki ખૂબ ભલામણ કરે છે કે તમે **Maruti Suzuki** ના અસલી ફૂલન્ટનો ઉપયોગ કરો. **Maruti Suzuki** નું અસલી ફૂલન્ટ તમારા **Maruti Suzuki** પ્રોડક્ટ માટે ખાસ તૈયાર કરવામાં આવ્યું છે અને ઇચ્છિત વાહન પ્રદર્શન અને આદર્શ ડ્રાઇવિંગ અનુભવમાં યોગદાન આપે છે.

તમારા વાહનના ઉત્પાદન સમયગાળાના આધારે, તદ્દન નવી કારના સમયે ભરવામાં આવેલ ફૂલન્ટનો પ્રકાર અલગ પડે છે. ફૂલન્ટના બે પ્રકાર છે, **SUZUKI LLC: Super (Blue)** ફૂલન્ટ અને **SUZUKI LLC: Standard (Yellow)**

low) ફૂલન્ટ. તમે પાણીની ટાંકીમાં ફૂલન્ટના રંગ દ્વારા તમારા વાહનમાં મૂળ ફૂલન્ટનો પ્રકાર ચકાસી શકો છો (નીચેની આકૃતિનો સંદર્ભ લો).



77PM07033

ફૂલન્ટનો રંગ	ફૂલન્ટનો પ્રકાર
Blue	Suzuki LLC : Super
Yellow	Suzuki LLC : Standard

નોંધ:

જ્યારે તમે ફૂલન્ટ ઉમેરો અથવા બદલો ત્યારે તે જ પ્રકારનું ફૂલન્ટ કે જે તદ્દન નવી કારના સમયે ભરવામાં આવે છે તેનો ઉપયોગ કરવો જોઈએ.

SUZUKI LLC: Super (Blue) ફૂલન્ટ:

નોંધ

- આ ફૂલન્ટ પહેલાથી જ યોગ્ય ટકાવારી માટે પાતળું છે. વધુ **Distilled** પાણી સાથે પાતળું કરશો નહીં. આમ કરવાથી ફૂલન્ટ ઠંડું અને/અથવા વધુ ગરમ થવાની શક્યતામાં પરિણમી શકે છે.
- **SUZUKI LLC** ઉમેરશો નહીં: જ્યારે તમારું વાહન મૂળ **SUZUKI LLC** થી ભરેલું હોય ત્યારે **Standard (Yellow)** ફૂલન્ટ અથવા **Distilled** પાણી અથવા અન્ય: **Super (Blue)** ફૂલન્ટ. જો આવું બને, તો **Maruti Suzuki** અધિકૃત વર્કશોપ પાસે વાહનની તપાસ કરાવો.

SUZUKI LLC: Standard (Yellow) કૂલન્ટ:

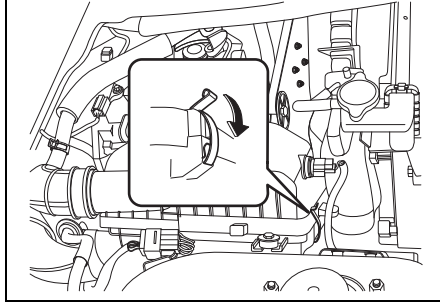
નોંધ

- ઉપયોગમાં લેવાતા મિશ્રણની સાંદ્રતા **30%** એન્ટિફ્રીઝ અને **70% Distilled** પાણી હોવી જોઈએ. સીધા કૂલન્ટ અથવા સાદા પાણીનો ઉપયોગ કરશો નહીં.
- જો તમારા વિસ્તારમાં સૌથી નીચું આજુબાજુનું તાપમાન **-15°C (5°F)** અથવા તેનાથી ઓછું રહેવાની અપેક્ષા હોય, તો એન્ટિફ્રીઝ કન્ટેનર પરની સૂચનાઓને અનુસરીને **60%** સુધી વધુ સાંદ્રતાનો ઉપયોગ કરો. **60%** થી વધુ સાંદ્રતા ઓવરહિટીંગની સ્થિતિનું કારણ બનશે.
- જ્યારે તમારું વાહન મૂળ **SUZUKI LLC** થી ભરેલું હોય: **Standard (Yellow)** કૂલન્ટ, **SUZUKI LLC** ના જાળવણી શેડ્યુલને અનુસરો: આ વિભાગમાં **Standard (Yellow)** કૂલન્ટ. જો તમે **Suzuki LLC** સાથે બદલો તો: **Super (Blue)** કૂલન્ટ, પછી **Maruti Suzuki** અધિકૃત વર્કશોપ દ્વારા વાહનની તપાસ કરાવો.

એર ક્લીનર

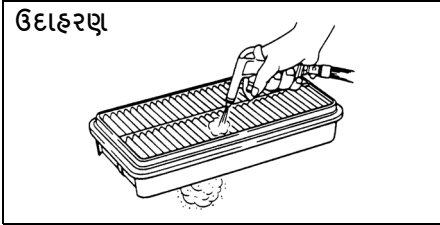
જો એર ક્લીનર ધૂળથી ભરેલું હોય, તો વધુ પ્રમાણમાં ઇન્ટેક પ્રતિકાર હશે, પરિણામે પાવર આઉટપુટ ઘટશે અને ફ્યુઅલનો વપરાશ વધશે.

ઉદાહરણ



77PM07011

સાઇડ ફ્લેપ્સને અનક્લેમ્પ કરો અને એર ક્લીનર કેસમાંથી તત્વ દૂર કરો.



60A183

જો તે ગંદુ જણાતું હોય, તો સમયાંતરે જાળવણી શેડ્યુલ મુજબ એર ક્લીનરને સાફ કરો અથવા નવા સાથે બદલો.

સ્પાર્ક પ્લગ

સ્પાર્ક પ્લગને બદલવું અને તેનું નિરીક્ષણ કરવું

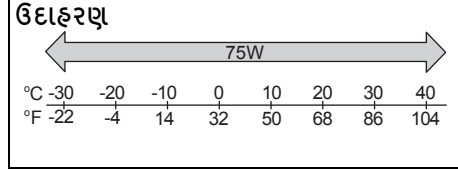
ખાસ પ્રક્રિયાઓ, સામગ્રી અને સાધનોની આવશ્યકતા હોવાથી, એવી ભલામણ કરવામાં આવે છે કે તમે આ નોકરી પર તમારી માડુતિ સુઝુકી અધિકૃત વર્કશોપ પર વિશ્વાસ કરો.

ગિયર તેલ

મેન્યુઅલ ટ્રાન્સમિશન ઓઈલ/ ડિફરન્શિયલ ઓઈલ

ગિયર ઓઈલ ઉમેરતી વખતે, નીચેના ચાર્ટમાં બતાવ્યા પ્રમાણે યોગ્ય સ્નિગ્ધતા અને ગ્રેડ સાથે ગિયર તેલનો ઉપયોગ કરો.

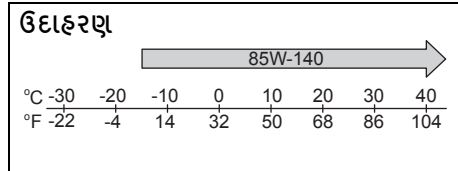
મેન્યુઅલ ટ્રાન્સમિશન ઓઈલ



68LM728

અમે તમને મેન્યુઅલ ટ્રાન્સમિશન ગિયર ઓઈલ માટે:

"મારુતિ જેન્યુઈન ગિયર ઓઈલ **75W**" નો ઉપયોગ કરવાની ખૂબ ભલામણ કરીએ છીએ. રિયર ડિફરન્શિયલ ઓઈલ



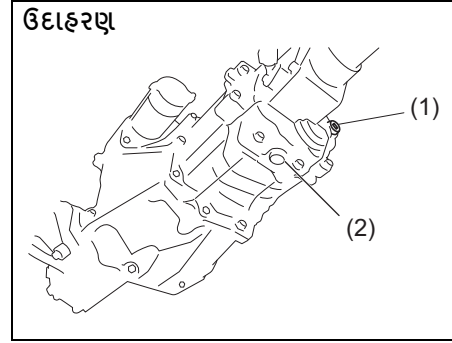
77PH075

અમે તમને આનો ઉપયોગ કરવાની ખૂબ ભલામણ કરીએ છીએ:

પાછળના ડિફરન્શિયલ ઓઈલ માટે **"TOTAL-FINAELF TRANSELF LL 85W-140"**.

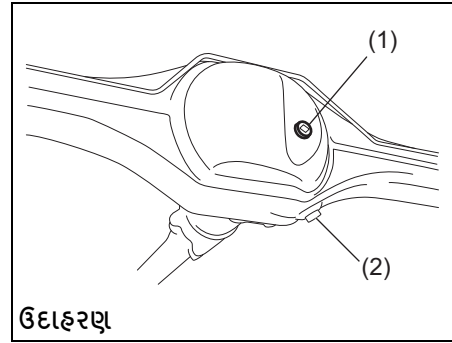
ગિયર તેલ સ્તરની તપાસ

મેન્યુઅલ ટ્રાન્સમિશન



77PH078

રિયર ડિફરન્શિયલ



77PH047

ઉદાહરણ

1. ઓઈલ ફિલર અને લેવલ પ્લગ (ફરીથી ઉપયોગ કરશો નહીં).
2. ઓઈલ ડ્રેઇન પ્લગ.

ગિયર તેલનું સ્તર તપાસવા માટે, નીચેની પ્રક્રિયાનો ઉપયોગ કરો:

- 1) પાર્કિંગ બ્રેક લગાવીને વાહનને લેવલ સપાટી પર પાર્ક કરો. તે પછી, એન્જિન બંધ કરો.
- 2) ફિલર અને લેવલ પ્લગ (1) દૂર કરો.
- 3) તમારી આંગળી વડે છિદ્રની અંદરની બાજુ તપાસો. જો તેલનું સ્તર પ્લગ હોલના તળિયે આવે છે, તો તેલનું સ્તર યોગ્ય છે. જો એમ હોય, તો પ્લગ ફરીથી ઇન્સ્ટોલ કરો.
- 4) જો તેલનું સ્તર ઓછું હોય, તો ઓઈલ ફિલર પ્લગ હોલ (1) દ્વારા તેલનું સ્તર ફિલર હોલના તળિયે પહોંચે ત્યાં સુધી ગિયર ઓઈલ ઉમેરો, પછી પ્લગને ફરીથી ઇન્સ્ટોલ કરો.

ઓઈલ ફિલર અને લેવલ પ્લગ માટે કડક ટોર્ક

મેન્યુઅલ ટ્રાન્સમિશન (1):

23 Nm (2.3 kgf-m, 17.0 lbf-ft)

પાછળનો તફાવત (1):

25 Nm (2.5 kgf-m, 18.5 lbf-ft)

નોંધ:

રિયર ડિફરન્શિયલ માટે હંમેશા નવા ઓઈલ ફિલર અને લેવલ પ્લગ (1) નો ઉપયોગ કરો.

▲ સાવધાન

વાહન ચલાવ્યા પછી, ગિયર તેલનું તાપમાન તમારી ત્વચાને બાળી શકે તેટલું ઊંચું હોઈ શકે છે. ગિયર તેલના સ્તરની તપાસ કરતા પહેલા ઓઈલ ફિલર પ્લગ તમારા ખુલ્લા હાથથી સ્પર્શ કરવા માટે પૂરતો ઠંડુ ન થાય ત્યાં સુધી રાહ જુઓ.

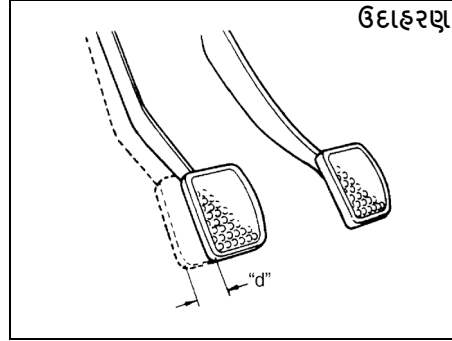
નોટિસ

પ્લગને કડક કરતી વખતે, તેલના લીકેજને રોકવા માટે નીચેનું સીલિંગ સંયોજન અથવા પ્લગ થ્રેડોની સમકક્ષ લાગુ કરો. મારુતિ સુઝુકી બોન્ડ નંબર “1216E” અથવા “1217G”

ગિયર તેલ બદલવું

ખાસ પ્રક્રિયાઓ, સામગ્રી અને સાધનોની આવશ્યકતા હોવાથી, એવી ભલામણ કરવામાં આવે છે કે તમે તમારી અધિકૃત મારુતિ સુઝુકી કોમર્શિયલ વર્કશોપમાં આ કામ પર વિશ્વાસ કરો.

ક્લચ પેડલ
કેબલ નિયંત્રણ ક્લચ



54G274

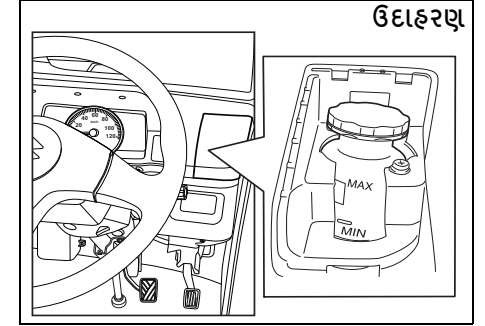
ક્લચ પેડલ પ્લે “d”:

10 - 15 mm (0.4 - 0.6 in.)

તમારા હાથથી ક્લચ પેડલને ખસેડીને ક્લચ પેડલ પ્લેને માપો અને જ્યાં સુધી તમને સહેજ પ્રતિકાર ન લાગે ત્યાં સુધી તે ખસે છે તે અંતર માપો. ક્લચ પેડલમાં નાટક ઉલ્લેખિત મૂલ્યો વચ્ચે હોવું જોઈએ. જો નાટક ઉપરોક્ત કરતાં વધુ કે ઓછું હોય, અથવા પેડલ સંપૂર્ણપણે ડિપ્રેસ્ડ સાથે ક્લચ ડ્રેગિંગ અનુભવાય છે, તો તમારી અધિકૃત મારુતિ સુઝુકી કોમર્શિયલ વર્કશોપ દ્વારા ક્લચનું નિરીક્ષણ કરો.

બ્રેક્સ

બ્રેક ફ્લુઇડ



77PM706

ઇન્સ્ટ્રુમેન્ટ પેનલમાં રિઝર્વોયરને જોઈને બ્રેક પૂર્વાહીનું સ્તર તપાસો. બ્રેક પૂર્વાહી રિઝર્વોયરના સ્તરને તપાસવા માટે સ્ટીયરીંગ વ્હીલની જમણી બાજુના કવરને દૂર કરો. ચકાસો કે પૂર્વાહીનું સ્તર “મહ” અને “અલ્પ” રેખાઓ વચ્ચે છે. જો બ્રેક પૂર્વાહીનું સ્તર “અલ્પ” લાઇનની નજીક હોય, તો તેને મારુતિ જેન્યુઇન બ્રેક ફ્લુઇડ (MGBF) અથવા DOT 3 વડે “મહ” લાઇન સુધી ભરો.

અમે “મારુતિ જેન્યુઇન બ્રેક ફ્લુઇડ” (MGBF) નો ઉપયોગ કરવાની ખૂબ ભલામણ કરીએ છીએ.

⚠ ચેતવણી

નીચેની માર્ગદર્શિકાઓનું પાલન કરવામાં નિષ્ફળતાના પરિણામે વ્યક્તિગત ઈજા અથવા બ્રેક સિસ્ટમને ગંભીર નુકસાન થઈ શકે છે.

- જો રિઝર્વોઈરમાં બ્રેક ફ્લુઇડ ચોક્કસ સ્તરથી નીચે જાય છે, તો ઇન્સ્ટ્રુમેન્ટ પેનલ પરની બ્રેક ચેતવણી લાઇટ 'ચાલુ' થશે (એન્જિન પાર્કિંગ બ્રેક સંપૂર્ણ રીતે બંધ હોવા સાથે ચાલતું હોવું જોઈએ). જો લાઇટ આવે, તો તરત જ તમારી અધિકૃત મારૂતિ સુઝુકી કોમર્શિયલ વર્કશોપને બ્રેક સિસ્ટમનું નિરીક્ષણ કરવા માટે કહો.
- ઝડપી પ્રવાહીનું નુકશાન બ્રેક સિસ્ટમમાં લીક થવાનો સંકેત આપે છે જેનું તાત્કાલિક તમારા અધિકૃત મારૂતિ સુઝુકી કોમર્શિયલ વર્કશોપ દ્વારા નિરીક્ષણ કરવું જોઈએ.
- મારૂતિ જેન્યુઇન બ્રેક ફ્લુઇડ (MGBF) અથવા DOT 3 સિવાય કોઈપણ પ્રવાહીનો ઉપયોગ કરશો નહીં. અમે મારૂતિ જેન્યુઇન બ્રેક ફ્લુઇડ (MGBF) નો ઉપયોગ કરવાની ખૂબ ભલામણ કરીએ છીએ. પુનઃપ્રાપ્ત પ્રવાહી અથવા પ્રવાહીનો ઉપયોગ કરશો નહીં જે જૂના અથવા ખલ્લા કન્ટેનરમાં સંગ્રહિત છે. તે જરૂરી છે કે વિદેશી કણો અને અન્ય પ્રવાહીને બ્રેક ફ્લુઇડ રિઝર્વોઈરની બહાર રાખવામાં આવે.

⚠ સાવધાન

બ્રેક પ્રવાહી તમારી આંખોને નુકસાન પહોંચાડી શકે છે અને પેઇન્ટેડ સપાટીઓને નુકસાન પહોંચાડી શકે છે. જળાશય રિફિલ કરતી વખતે સાવચેતી રાખો.

⚠ ચેતવણી

- જો વાહન ઓવર-લોડેડ સ્થિતિમાં ચલાવવામાં આવે છે, તો બ્રેકિંગ અંતર લાંબુ હોઈ શકે છે અને વધુ પેડલ ફોર્સની જરૂર પડી શકે છે.

⚠ ચેતવણી

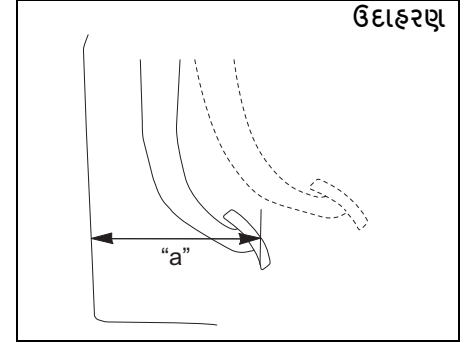
બ્રેક પ્રવાહી જો ગળી જવાય તો તે હાનિકારક અથવા જીવલેણ છે અને જો તે ત્વચા અથવા આંખોના સંપર્કમાં આવે તો તે હાનિકારક છે. જો ગળી જાય, તો ઉલટીને પ્રેરશો નહીં. તરત જ વિષ નિયંત્રણ કેન્દ્ર અથવા ચિકિત્સકનો સંપર્ક કરો. જો બ્રેક પ્રવાહી આંખોમાં જાય, તો આંખોને પાણીથી ફ્લશ કરો અને તબીબી સંભાળ મેળવો. સંભાળ્યા પછી સારી રીતે ધોઈ લો. દ્રાવણ પ્રાણીઓ માટે ઝેરી હોઈ શકે છે. બાળકો અને પ્રાણીઓની પહોંચથી દૂર રાખો.

નોંધ:

ડિસ્ક બ્રેક્સ સાથે, બ્રેક પેડ્સ પહેરવાથી પ્રવાહીનું સ્તર ધીમે ધીમે ઘટવાની અપેક્ષા રાખી શકાય છે.

બ્રેક પેડલ

ચેક કરો કે બ્રેક પેડલ નિયમિત ઉંચાઈ પર અટકે છે કે કેમ તે સ્પોન્જના અનુભવ વગર જ્યારે તમે તેને ડિપ્રેસ કરો છો. જો નહિ, તો તમારી અધિકૃત મારૂતિ સુઝુકી કોમર્શિયલ વર્કશોપ દ્વારા બ્રેક સિસ્ટમની તપાસ કરાવો. જો તમને નિયમિત ઉંચાઈ માટે બ્રેક પેડલ પર શંકા હોય, તો તેને નીચે પ્રમાણે તપાસો:



54G108S

પેડલ ટુ ફ્રન્ટ પેનલ ન્યૂનતમ અંતર "a":

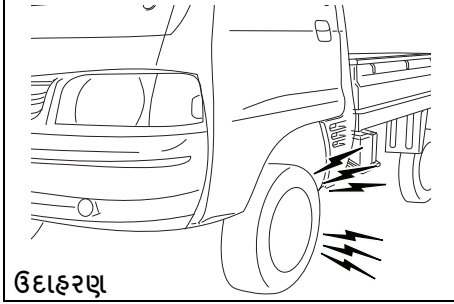
પેટ્રોલ અને CNG એન્જિન મોડલ: 150 mm

જ્યારે એન્જિન ચાલી રહ્યું હોય ત્યારે બ્રેક પેડલ અને ફ્રન્ટ પેનલ વચ્ચેના અંતરને માપી જ્યારે પેડલ લગભગ 30 કિગ્રા (66 lbs) બળ સાથે દબાવેલું હોય. જરૂરી લઘુત્તમ અંતર નિર્દિષ્ટ કર્યા મુજબ છે. તમારા વાહનની બ્રેક સિસ્ટમ સ્વ-એડજસ્ટિંગ હોવાથી, પેડલ એડજસ્ટમેન્ટની જરૂર નથી.

જો ઉપર માપ્યા મુજબ પેડલથી ફ્રન્ટ પેનલનું અંતર જરૂરી ન્યૂનતમ અંતર કરતાં ઓછું હોય, તો તમારા અધિકૃત મારૂતિ સુઝુકી કોમર્શિયલ વર્કશોપ દ્વારા તમારા વાહનની તપાસ કરાવો.

નોંધ:

બ્રેક પેડલ અને ફ્રન્ટ પેનલ વચ્ચેનું અંતર માપતી વખતે, તમારા માપમાં ફ્રન્ટ પેનલ પર ફ્લોર મેટ અથવા રબરનો સમાવેશ ન કરવાની ખાતરી કરો.



ઉદાહરણ

77PM07013

⚠ ચેતવણી

જો તમને તમારા વાહનની બ્રેક સિસ્ટમમાં નીચેની કોઈપણ સમસ્યાઓનો અનુભવ થાય, તો તમારા અધિકૃત મારુતિ સુઝુકી કોમર્શિયલ વર્કશોપ દ્વારા તરત જ વાહનની તપાસ કરાવો.

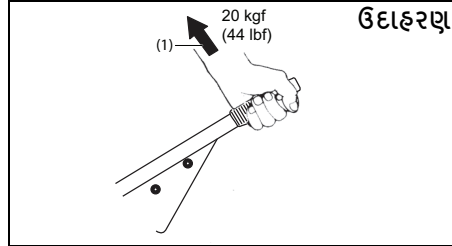
- નબળી બ્રેકિંગ કામગીરી
- અસમાન બ્રેકિંગ (બ્રેક તમામ વ્હીલ્સ પર એકસરખી રીતે કામ કરતી નથી)
- અતિશય પેડલ મુસાફરી
- બ્રેક ખેંચવું
- અતિશય અવાજ
- પેડલ પલ્સેશન (દબાવેલ હોય ત્યારે પેડલ ધબકે છે)

⚠ ચેતવણી

જો બ્રેક પેડ લાઇનિંગ વધુ પડતી વપરાય જાય છે અને તે તેની ન્યૂનતમ જાડાઈ સુધી પહોંચી ગઈ હોય, તો બ્રેકિંગ દરમિયાન ચીસ જેવો અવાજ આવે છે.

જો તમે આ અવાજ સાંભળો છો, તો તરત જ **MARUTI SUZUKI** અધિકૃત વર્કશોપ દ્વારા વાહનની તપાસ કરાવો. આ સ્થિતિ સાથે ડ્રાઇવિંગ ચાલુ રાખવું એ અકસ્માતનું કારણ બની શકે છે.

પાર્કિંગ બ્રેક



ઉદાહરણ

77PM0702

રેચેટ ટ્રથ વિશિષ્ટતા 6ઘ - 9મા ટીથ

લીવર પુલ ફોર્સ (1):

200 N (20 kgf, 44 lbf)

પાર્કિંગ બ્રેકને યોગ્ય ગોઠવણ માટે તપાસો કે જેમ તમે ધીમે ધીમે પાર્કિંગ બ્રેક લીવરને પૂર્ણ જોડાણના બિંદુ સુધી ખેંચો છો ત્યારે રેચેટ ટીથ દ્વારા ફરવામાં આવેલી ક્લિક્સની સંખ્યાની ગણતરી કરો. પાર્કિંગ બ્રેક લીવર નિર્દિષ્ટ રેચેટ ટીથ વચ્ચે બંધ થવું જોઈએ અને પાછળના વ્હીલ્સ સુરક્ષિત રીતે લોક હોવા જોઈએ. જો

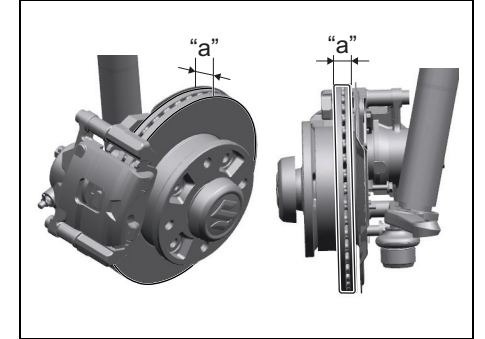
પાર્કિંગ બ્રેક યોગ્ય રીતે ગોઠવાઈ હોય અથવા લીવર સંપૂર્ણપણે છૂટી ગયા પછી બ્રેક્સ ખેંચાઈ જાય, તો તમારા અધિકૃત મારુતિ સુઝુકી વ્યાપારી વર્કશોપ દ્વારા પાર્કિંગ બ્રેકનું નિરીક્ષણ અને/અથવા ગોઠવાવો.

⚠ ચેતવણી

- વાહન ઓવર લોડ થવાના કિસ્સામાં પાર્કિંગ બ્રેક અસરકારક ન હોઈ શકે. વાહનને પકડી રાખવા માટે વધારાના ચોક્કસની ઉપયોગ કરો.

બ્રેક ડિસ્ક અને બ્રેક ડ્રમ્સ

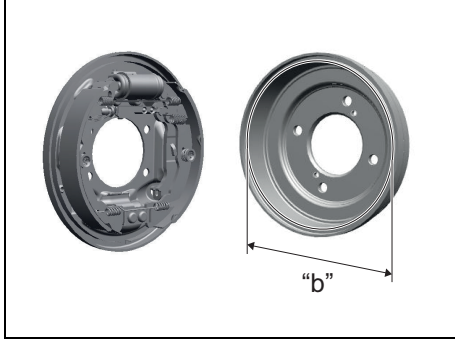
બ્રેક ડિસ્ક



77PM0709

બ્રેકનું સ્થાન	ન્યૂનતમ જાડાઈ "a"
ફ્રન્ટ વ્હીલ્સ	18.0 mm

બ્રેક ડ્રમ

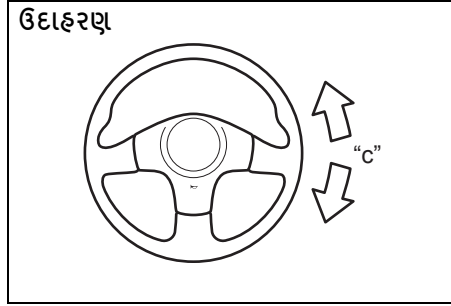


77PM708

બ્રેકનું સ્થાન	મહત્તમ આંતરિક વ્યાસ “b”
રીઅર વ્હીલ્સ	202 mm

જો સૌથી વધુ વપરાયેલ ભાગની માપેલી જાડાઈ અથવા આંતરિક વ્યાસ ઉપર દર્શાવેલ મૂલ્ય કરતાં ઓછો આવે છે અથવા તેનાથી વધી જાય છે, તો ભાગોને નવા સાથે બદલવા જોઈએ. માપમાં દરેક બ્રેકને ડિસએસેમ્બલ કરવાનો સમાવેશ થાય છે અને માઇક્રોમીટર અથવા કેલિપરનો ઉપયોગ કરવાની જરૂર છે, જે સંબંધિત સેવા માર્ગદર્શિકામાં વર્ણવેલ અથવા સંબંધિત સમારકામ માહિતી સાઇટ પરથી ઉપલબ્ધ સૂચનાઓ અનુસાર કરવા જોઈએ.

સ્ટીયરીંગ

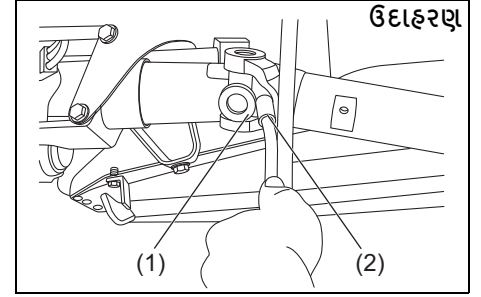


77PH042

સ્ટીયરીંગ વ્હીલ પ્લે “c”:
0 – 30 mm (0.0 – 1.2 in.)

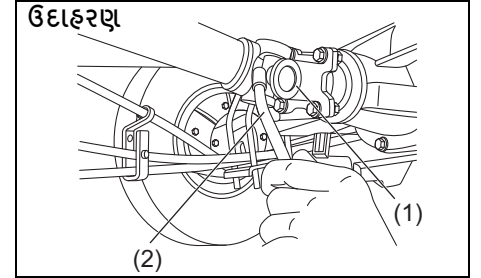
સ્ટીયરિંગ વ્હીલને ધીમેથી ડાબેથી જમણે અને જમણેથી ડાબે ફેરવીને તપાસો, જેમાં વ્હીલ્સ સીધા આગળની સ્થિતિમાં છે અને એન્જિન બંધ સ્થિતિમાં છે, તમે સહેજ પ્રતિકાર અનુભવો તે પહેલાં સ્ટીયરિંગ ચાલતું અંતર માપો. પ્લે ઉલ્લેખિત મૂલ્યો વચ્ચે હોવું જોઈએ. સ્ટીયરીંગ વ્હીલ ખુલ્લી જગ્યામાં ખૂબ જ ધીમી ગતિએ ફાઇવિંગ કરતી વખતે તેને જમણી અને ડાબી બાજુએ ફેરવીને ખડખડાટ વગર સરળતાથી અને સરળતાથી વળે છે તે તપાસો. જો ફી પ્લેની રકમ સ્પષ્ટીકરણની બહાર હોય અથવા તમને બીજું કંઈ ખોટું જણાય, તો તમારી અધિકૃત મારુતિ સુઝુકી કોમર્શિયલ વર્કશોપ દ્વારા તપાસ કરાવવી આવશ્યક છે.

પ્રોપેલર શાફ્ટ યુનિવર્સલ સંયુક્ત આગળ



77PM703

પાછળ

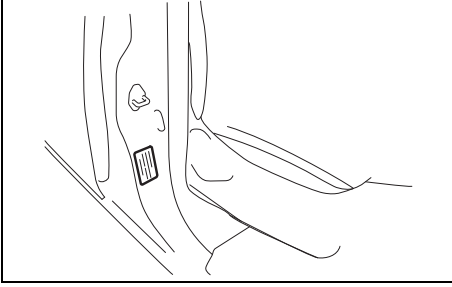


77PM704

સર્વિસ શેડ્યુલ મુજબ પ્રોપેલર શાફ્ટ યુનિવર્સલ જોઇન્ટ (1) (આગળ અને પાછળ) લુબ્રિકેટ કરો. પ્રોપેલર શાફ્ટ યુનિવર્સલ જોઇન્ટને લુબ્રિકેટ કરવા માટે તમારે ગ્રીસ ગન (2) અને ઉલ્લેખિત ગ્રીસ **NLGI ગ્રેડ 2** નો ઉપયોગ કરવો જોઈએ.

ટાયર

ઉદાહરણ



77PM705

તમારા વાહન માટે આગળના અને પાછળના ટાયરના દબાણની વિશિષ્ટતાઓ ટાયર માહિતી લેબલ પર સૂચિબદ્ધ છે. આગળના અને પાછળના બંને ટાયરમાં નિર્દિષ્ટ ટાયરનું દબાણ હોવું જોઈએ. નોંધ કરો કે જો સજ્જ હોય તો, કોમ્પેક્ટ સ્પેર ટાયર પર મૂલ્ય લાગુ પડતું નથી.

ટાયર નિરીક્ષણ

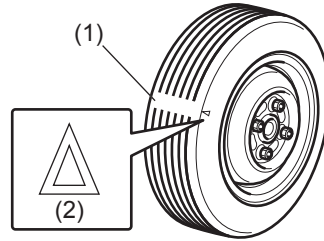
નીચેની તપાસ કરીને મહિનામાં ઓછામાં ઓછા એક વખત તમારા વાહનના ટાયરની તપાસ કરો:

- 1) ટાયર પ્રેશર ગેજ વડે હવાનું દબાણ માપો. જો જરૂરી હોય તો દબાણને સમાયોજિત કરો. કાજલ ટાયર પણ તપાસવાનું યાદ રાખો.

⚠ ચેતવણી

- જ્યારે ટાયર ઠંડા હોય અથવા તમને અચોક્કસ રીડિંગ મળી શકે ત્યારે હવાનું દબાણ તપાસવું જોઈએ.
- જ્યાં સુધી નિર્દિષ્ટ દબાણ પ્રાપ્ત ન થાય ત્યાં સુધી ટાયરને ધીમે-ધીમે ફૂલાવતી વખતે સમયાંતરે ફુગાવાના દબાણને તપાસો.
- ટાયરને ક્યારેય અંડર-ફ્લેટ કે વધુ ફુલાવો નહીં.
- ફુગાવાને કારણે અસાધારણ હેન્ડલિંગ લાક્ષણિકતાઓ થઈ શકે છે અથવા ટાયરના મણકા પર રિમ લપસી શકે છે, પરિણામે અકસ્માત થાય છે અથવા ટાયર અથવા રિમને નુકસાન થાય છે.
- વધુ પડતા ફુગાવાના કારણે ટાયર ફાટી શકે છે, પરિણામે વ્યક્તિગત ઈજા થઈ શકે છે. અતિશય ફુગાવો પણ અસામાન્ય હેન્ડલિંગ લાક્ષણિકતાઓનું કારણ બની શકે છે જે અકસ્માતમાં પરિણમી શકે છે.

ઉદાહરણ



52KM110

- (1) ટ્રેડ ઘસારો સૂચક

- (2) સૂચક સ્થાન ચિહ્ન

- 2) ચકાસો કે ટ્રેડ ગુવની ઊંડાઈ **1.6 મિમી (0.06 ઇંચ.)** કરતાં વધુ છે. આ તપાસવામાં તમારી મદદ કરવા માટે, ટાયરમાં ગુવ્સમાં મોલ્ડ-ઇન ટ્રેડ ઘસારાના સૂચકો હોય છે. જ્યારે સૂચકો ચાલવાની સંપાટી પર દેખાય છે, ત્યારે ચાલવાની બાકીની ઊંડાઈ **1.6 mm (0.06 in.)** અથવા ઓછી હોય છે અને ટાયર બદલવું જોઈએ.
- 3) અસામાન્ય ઘસારાઓ, તિરાડો અને નુકસાન માટે તપાસો. તિરાડો અથવા અન્ય નુકસાનવાળા કોઈપણ ટાયરને બદલવું જોઈએ. જો કોઈપણ ટાયર અસામાન્ય વસ્ત્રો દર્શાવે છે, તો તમારી અધિકૃત મારૂતિ સુઝુકી કોમર્શિયલ વર્કશોપ દ્વારા તેનું નિરીક્ષણ કરાવો.

⚠ સાવધાન

કબ્સને મારવાથી અને ખડકો પર દોડવાથી ટાયરને નુકસાન થઈ શકે છે અને વ્હીલની ગોઠવણીને અસર થઈ શકે છે. તમારા અધિકૃત મારૂતિ સુઝુકી કોમર્શિયલ વર્કશોપ દ્વારા સમયાંતરે ટાયર અને વ્હીલ અલાઈનમેન્ટ ચેક કરાવવાની ખાતરી કરો.

- 4) છૂટક વ્હીલ નટ્સ માટે તપાસો.
- 5) ચકાસો કે ટાયરમાં કોઈ નખ, પત્થરો અથવા અન્ય વસ્તુઓ ચોટેલી નથી.

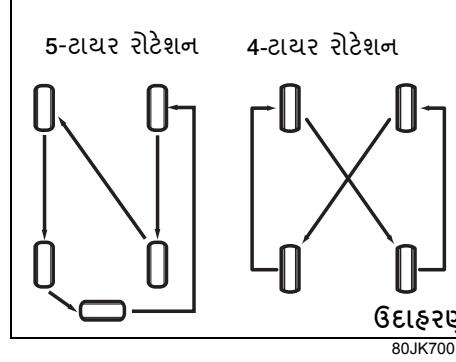
⚠ ચેતવણી

- તમારું વાહન એક જ પ્રકાર અને કદના ટાયરથી સજ્જ છે. વાહનના યોગ્ય સ્ટીયરિંગ અને હેન્ડલિંગની ખાતરી કરવા માટે આ મહત્વપૂર્ણ છે. તમારા વાહનના ચાર વ્હીલ્સ પર અલગ-અલગ કદના અથવા ટાઈપના ટાયરને ક્યારેય મિક્સ ન કરો. ઉપયોગમાં લેવાતા ટાયરનું કદ અને પ્રકાર ફક્ત તમારા વાહન માટે માનક અથવા વૈકલ્પિક સાધન તરીકે માત્ર સુઝુકી દ્વારા મંજૂર કરાયેલા હોવા જોઈએ.
- આક્ટરમાર્કેટ વ્હીલ્સ અને ટાયરના ચોક્કસ સંયોજનો સાથે તમારા વાહન પર સજ્જ વ્હીલ્સ અને ટાયરને બદલવાથી તમારા વાહનના સ્ટીયરિંગ અને હેન્ડલિંગ લાક્ષણિકતાઓમાં નોંધપાત્ર ફેરફાર થઈ શકે છે.
- તેથી, તમારા વાહન માટે પ્રમાણભૂત અથવા વૈકલ્પિક સાધનો તરીકે માત્ર સુઝુકી દ્વારા મંજૂર કરાયેલ વ્હીલ અને ટાયરના સંયોજનોનો જ ઉપયોગ કરો.

નોટિસ

મૂળ ટાયરને અલગ કદના ટાયર સાથે બદલવાથી ખોટા સ્પીડોમીટર અથવા ઓડોમીટર રીડિંગ થઈ શકે છે. મૂળ ટાયરથી અલગ કદમાં બદલાતા ટાયર ખરીદતા પહેલા તમારા અધિકૃત માત્ર સુઝુકી કોમર્શિયલ વર્કશોપમાં તપાસ કરો.

ટાયર રોટેશન



તમારા ટાયરના અસમાન ઘસારાઓને ટાળવા અને તેમના જીવનને લંબાવવા માટે, ટાયરને સચિત્ર પ્રમાણે ફેરવો. ટાયરને દર 10000 km કિમીએ ફેરવવા જોઈએ. પરિભ્રમણ પછી, તમારા વાહનના ટાયર માહિતી લેબલ પર સચિબદ્ધ સ્પષ્ટીકરણો માટે આગળ અને પાછળના ટાયરના દબાણને સમાયોજિત કરો.

વ્હીલ બેલેન્સિંગ

જો વાહન લીસા રોડ પર અસાધારણ રીતે કંપન કરે છે, તો અધિકૃત માત્ર સુઝુકી કોમર્શિયલ વર્કશોપમાં વ્હીલને સંતુલિત રાખો.

વ્હીલ સંરેખણ

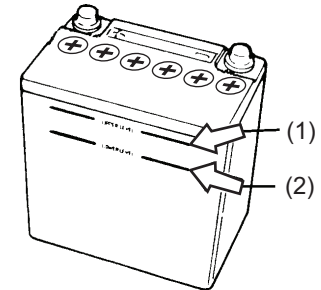
અસામાન્ય ટાયર ફાટવાના કિસ્સામાં અથવા એક તરફ ખેંચાઈ જવાના કિસ્સામાં, વ્હીલને અધિકૃત માત્ર સુઝુકી કોમર્શિયલ વર્કશોપમાં ગોઠવો.

બેટરી

⚠ ચેતવણી

- બેટરીઓ જ્વલનશીલ હાઈડ્રોજન ગેસ ઉત્પન્ન કરે છે. જ્વાળાઓ અને સ્પાર્ક્સને બેટરીથી દૂર રાખો અથવા વિસ્ફોટ થઈ શકે છે. બેટરીની નજીકમાં કામ કરતી વખતે ક્યારેય ધૂમ્રપાન કરશો નહીં.
- બેટરી તપાસતી વખતે અથવા સર્વિસ કરતી વખતે, નેગેટિવ કેબલને ડિસ્કનેક્ટ કરો. ધાતુના પદાર્થોને બેટરી પોસ્ટ્સ અને વાહનનો એક જ સમયે સંપર્ક કરવાની મંજૂરી આપીને શોર્ટ સર્કિટ ન થાય તેની કાળજી રાખો.
- તમારી જાતને નુકસાન અથવા તમારા વાહન અથવા બેટરીને નુકસાન ન થાય તે માટે, આ માર્ગદર્શિકાના "ઇમર્જન્સી સર્વિસ" વિભાગમાં જમ્પ શરૂ કરવાની સૂચનાઓને અનુસરો, જો તમારું વાહન શરૂ કરવું જરૂરી હોય તો.

ઉદાહરણ



54GM701

જાળવણી-મુક્ત બેટરી (કેપ-લેસ પ્રકાર) માટે, તમારે પાણી ઉમેરવાની જરૂર નથી. પરંપરાગત પ્રકારની બેટરી માટે, જેમાં વોટર ફિલર કેપ્સ હોય છે, બેટરી ડ્રાઇવણનું સ્તર દરેક સમયે ઉપલા સ્તરની લાઇન (1) અને નીચલા સ્તરની રેખા (2) વચ્ચે રાખવું આવશ્યક છે. તમારે સમયાંતરે બેટરી, કેસ બેટરી ટર્મિનલ્સ અને બેટરી હોલ્ડ-ડાઉન બ્રેકેટને નુકસાન અથવા કાટ માટે તપાસવું જોઈએ. સખંત બ્રશ અને પાણી સાથે મિશ્રિત એમોનિયા અથવા પાણી સાથે મિશ્રિત ખાવાનો સોડાનો ઉપયોગ કરીને કાટ દૂર કરો. કાટ દૂર કર્યા પછી, સ્વચ્છ પાણીથી કોગળા કરો.

જો તમારું વાહન એક મહિના કે તેથી વધુ સમય સુધી ચાલતું નથી, તો ડિસ્ચાર્જ અટકાવવામાં મદદ કરવા માટે બેટરીના નેગેટિવ ટર્મિનલમાંથી કેબલને ડિસ્કનેક્ટ કરો.

⚠ ચેતવણી

જો બેટરીનો ઉપયોગ બેટરીનું સ્તર નીચલા સ્તરની રેખા (2) કરતાં ઓછું હોય, તો તે બેટરીનું જીવન ઘટાડી શકે છે, એકઝોથમિક ગરમી અથવા બેટરીમાંથી હાઇડ્રોજન ગેસ દ્વારા વિસ્ફોટ થઈ શકે છે. બેટરીનું સ્તર નિમ્ન લેવલ લાઇન (2) કરતા ઓછું હોય તેવી બેટરીનો ઉપયોગ કરશો નહીં.

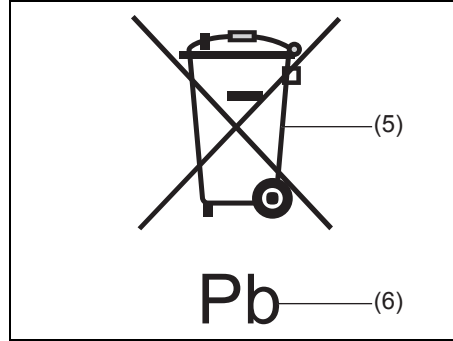
નોટિસ

જો બેટરીનું પ્રવાહી ઉપલા સ્તરની લાઇન (1) કરતાં વધુ ઉમેરવામાં આવે, તો ડ્રાઇવિંગ દરમિયાન સ્પંદનો દ્વારા પ્રવાહી લીક થઈ શકે છે અથવા બેટરી ચાર્જિંગની સ્થિતિને આધારે અમુક કિસ્સામાં પ્રવાહી બહાર સ્પૂ થઈ શકે છે. આ બેટરીની નજીકના ભાગોને નુકસાન પહોંચાડી શકે છે. જો બેટરીનું પ્રવાહી વધુ પડતું જાય, તો તરત જ પાણીથી ધોઈ લો. ઉપલા સ્તરની રેખા (1) કરતાં વધુ બેટરી પ્રવાહી ઉમેરશો નહીં.

નોંધ:

જ્યારે બેટરીનો ઉપયોગ કરવામાં આવે ત્યારે બેટરી પ્રવાહીનો વપરાશ થાય છે. જો સ્તર ઉપલા સ્તર (1) અને નીચલા સ્તર (2) ના કેન્દ્ર કરતા ઓછું હોવાનું જણાય છે, તો તે ઉપલા સ્તરની રેખા (1) સુધી પહોંચે ત્યાં સુધી Distilled પાણી ઉમેરો.

(બેટરી લેબલ)



51KM042

- (5) કોસ-આઉટ વ્હીલ્ડ ડબ્બાનું પ્રતીક
- (6) "Pb" નું રાસાયણિક પ્રતીક

બેટરી લેબલ પર સ્થિત કોસ-આઉટ વ્હીલ્ડ બિન પ્રતીક (5) સૂચવે છે કે વપરાયેલી બેટરી સામાન્ય ધરના કચરાપેટીમાંથી અલગથી એકત્રિત કરવી જોઈએ. "Pb" (6) નું રાસાયણિક પ્રતીક સૂચવે છે કે બેટરીમાં 0.004% કરતાં વધુ લીડ છે.

વપરાયેલી બેટરીનો યોગ્ય રીતે નિકાલ અથવા રિસાયકલ કરવામાં આવે છે તેની ખાતરી કરીને, તમે બેટરીના અયોગ્ય ટ્રેશ હેન્ડલિંગને કારણે

પર્યાવરણ અને માનવ સ્વાસ્થ્યને થતા સંભવિત નકારાત્મક પરિણામોને રોકવામાં મદદ કરશો. સામગ્રીનું રિસાયકલિંગ કુદરતી સંસાધનોના સંરક્ષણમાં મદદ કરશે. વપરાયેલી બેટરીના નિકાલ અથવા રિસાયકલિંગ વિશે વધુ વિગતવાર માહિતી માટે, **MARUTI SUZUKI** અધિકૃત વર્કશોપનો સંપર્ક કરો.

ફ્યુઝ

નીચે વર્ણવ્યા પ્રમાણે તમારા વાહનમાં ત્રણ પ્રકારના ફ્યુઝ છે:

ફ્યુઝેબલ લીક વાયર અને મુખ્ય ફ્યુઝ
મુખ્ય ફ્યુઝ સીધી બેટરીમાંથી કરંટ લે છે.

પ્રાથમિક ફ્યુઝ

આ ફ્યુઝ મુખ્ય ફ્યુઝ અને વ્યક્તિગત ફ્યુઝ વચ્ચે હોય છે અને તે વિદ્યુત લોડ જૂથો માટે હોય છે.

વ્યક્તિગત ફ્યુઝ

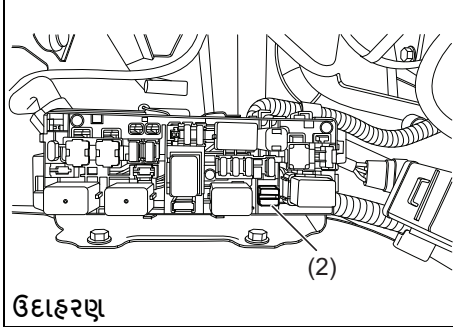
આ ફ્યુઝ વ્યક્તિગત ઇલેક્ટ્રિકલ સર્કિટ માટે છે.

નોંધ:

- "ખાલી" સૂચવે છે કે તમારા વાહનના ફ્યુઝ બોક્સના કવર પર ફ્યુઝનું નામ ઉપલબ્ધ હોવા છતાં, વેરિઅન્ટમાં ફ્યુઝ લાગુ પડતું નથી.
- કેટલાક ફ્યુઝ તમારા વાહનને વાહનના પ્રકાર અનુસાર લાગુ ન થઈ શકે, તેમ છતાં તે ખાલી તરીકે ઉલ્લેખિત નથી.

ફ્યુઝને દૂર કરવા માટે, રિલે બોક્સમાં આપેલા ફ્યુઝ પુલર (2) નો ઉપયોગ કરો.

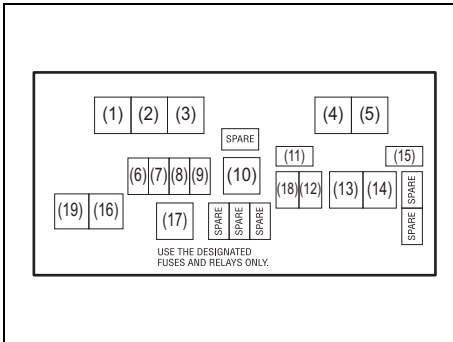
નિરીક્ષણ અને જાળવણી



77PM07012

નોંધ:
કેટલાક ફ્યુઝ તમારા વાહનને વાહનના પ્રકાર અનુસાર લાગુ ન થઈ શકે, તેમ છતાં તે ખાલી તરીકે ઉલ્લેખિત નથી.

એન્જિન કમ્પાર્ટમેન્ટમાં ફ્યુઝ

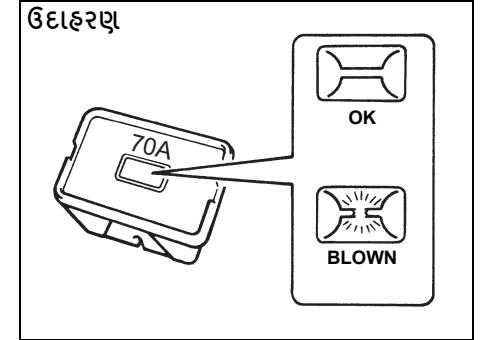


77PM07034

મુખ્ય ફ્યુઝ/પ્રાથમિક ફ્યુઝ/રિલે		
S.No.	રેટિંગ	ફ્યુઝ / રિલે
(1)	-	CNG વાલ્વ રિલે*
(2)	-	ફ્યુઝ પુલર
(3)	-	રેડિયેટર ફેન રિલે
(4)	-	ફ્યુઅલ પંપ રિલે
(5)		મોટર રિલે શરૂ કરી રહ્યું છે
(6)	7.5A	CNG વાલ્વ*
(7)	20A	ફ્યુઅલ ઇન્જેક્શન
(8)	30A	મોટર શરૂ કરવી
(9)	15A	હોર્ન
(10)	70A	ઓલ્ટરનેટર
(11)	7.5A	CNG*
(12)	10A	સંકટ ચેતવણી લાઈટ
(13)	40A	બેટરી
(14)	40A	ઇન્જીન સ્વીચ
(15)	7.5A	ST SIG 2 (પ્રારંભિક સૂચક)
(16)	30A	રેડિયેટર ફેન
(17)	-	FI મુખ્ય રિલે
(18)	25A	ABS SOL
(19)	40A	ABS MOT

*: CNG મોડલ માટે

મુખ્ય ફ્યુઝ, પ્રાથમિક ફ્યુઝ અને કેટલાક વ્યક્તિગત ફ્યુઝ એન્જિનના ડબ્બામાં સ્થિત છે. જો મુખ્ય ફ્યુઝ ફૂંકાય છે, તો કોઈ વિદ્યુત ઘટક કાર્ય કરશે નહીં. જો પ્રાથમિક ફ્યુઝ ફૂંકાય છે, તો સંબંધિત લોડ જૂથમાં કોઈ વિદ્યુત ઘટક કાર્ય કરશે નહીં. મુખ્ય ફ્યુઝ, પ્રાથમિક ફ્યુઝ અથવા વ્યક્તિગત ફ્યુઝને બદલતી વખતે, **MARUTI** જેન્યુઈન રિપ્લેસમેન્ટનો ઉપયોગ કરો. ફ્યુઝને દૂર કરવા માટે, રિલે બોક્સમાં આપેલા ફ્યુઝ પુલર (2) નો ઉપયોગ કરો. દરેક ફ્યુઝનું એમ્પેરેજ ફ્યુઝ બોક્સ કવરની અંદર દર્શાવેલ છે.



60G111

⚠ ચેતવણી

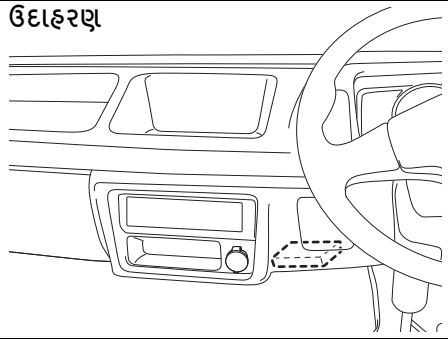
જો મુખ્ય ફ્યુઝ અથવા પ્રાથમિક ફ્યુઝ ફૂંકાય છે, તો ખાતરી કરો કે અધિકૃત મારુતિ સુઝુકી કોમર્શિયલ વર્કશોપ દ્વારા તમારા વાહનની તપાસ કરાવવી જરૂરી છે. હંમેશા મારુતિ જેન્યુઇન રિપ્લેસમેન્ટ પાર્ટનો ઉપયોગ કરો. કામચલાઉ સમારકામ માટે પણ વાયર જેવા અવેજનો ક્યારેય ઉપયોગ કરશો નહીં, અથવા વ્યાપક વિદ્યુત નુકસાન/આગ પરિણામી શકે છે.

નોંધ:

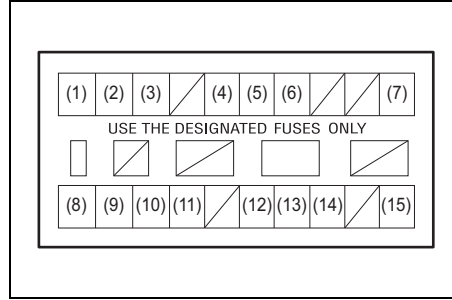
ખાતરી કરો કે ફ્યુઝ બોક્સ હંમેશા ફાજલ ફ્યુઝ અને ફ્યુઝ પુલર વહન કરે છે.

ડેશ બોર્ડ હેઠળ ફ્યુઝ

ઉદાહરણ



77PH048



77PH043

મુખ્ય ફ્યુઝ/પ્રાથમિક ફ્યુઝ

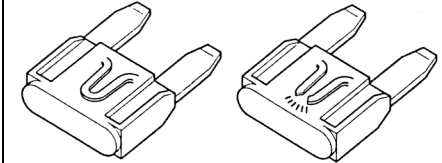
(1)	10A	હેડલાઇટ (જમણે)
(2)	10A	હેડલાઇટ (ડાબે)
(3)	10A	ગુંબજ લાઇટ
(4)	10A	પૂંછડી લાઇટ
(5)	10A	લાઇટ રોકો
(6)	15A	રેડિયો
(7)	10A	પ્રારંભ સૂચક
(8)	10A	મીટર
(9)	15A	ઇઝનીશન
(10)	10A	બેક-અપ લાઇટ
(11)	15A	ફન્ટ વાઇપર
(12)	15A	સહાયક 2
(13)	10A	સહાયક
(14)	7.5A	CNG ઇઝનીશન*

(15) 10A ABS

*: CNG મોડલ માટે

ફ્યુઝ બોક્સ ડેશબોર્ડની નીચે સ્થિત છે.

ઉદાહરણ



ઓકે

ફૂંકાવું

65D046

⚠ ચેતવણી

હંમેશા ફૂંકાયેલા ફ્યુઝને યોગ્ય એમ્પેરેજના ફ્યુઝ સાથે બદલવાની ખાતરી કરો. ફૂંકાયેલા ફ્યુઝને બદલવા માટે એલ્યુમિનિયમ ફોઇલ અથવા વાયર જેવા વિકલ્પનો ક્યારેય ઉપયોગ કરશો નહીં. જો તમે ફ્યુઝ બદલો છો અને ટૂંકા ગાળામાં નવો ફૂંકાય છે, તો તમને મોટી વિદ્યુત સમસ્યા આવી શકે છે. તમારા અધિકૃત મારુતિ સુઝુકી કોમર્શિયલ વર્કશોપ દ્વારા તરત જ તમારા વાહનની તપાસ કરાવો.

બલ્બ રિપ્લેસમેન્ટ

▲ સાવધાન

- લાઇટ બલ્બ બંધ કર્યા પછી તે તરત જ તમારી આંગળીને બાળી શકે તેટલા ગરમ હોઈ શકે છે. આ ખાસ કરીને હેલોજન હેડલાઇટ બલ્બ માટે સાચું છે. બલ્બ પૂરતા પ્રમાણમાં ઠંડા થઈ જાય પછી તેને બદલો.
- હેડલાઇટ બલ્બ દબાણયુક્ત હેલોજન ગેસથી ભરેલા છે. જો તેઓ ફટકો મારવામાં આવે અથવા છોડવામાં આવે તો તેઓ ફૂટી શકે છે અને તમને ઇજા પહોંચાડી શકે છે. તેમને કાળજીપૂર્વક સંચાલિત કરો.

નોટિસ

લાઇટ ચાલુ હોય ત્યારે તમારી ત્વચાના તેલને કારણે હેલોજન બલ્બ વધુ ગરમ થઈ શકે છે અને ફાટી શકે છે. સ્વચ્છ કપડા વડે નવો બલ્બ પકડો.

નોટિસ

- બલ્બને વારંવાર બદલવાથી વિદ્યુત વ્યવસ્થાના નિરીક્ષણની જરૂરિયાત સૂચવે છે. આ તમારી મારુતિ સુઝુકી અધિકૃત વર્કશોપ દ્વારા હાથ ધરવામાં આવવી જોઈએ.
- બલ્બ રિપ્લેસમેન્ટ દરમિયાન હંમેશા તે જ બલ્બ નંબરનો ઉપયોગ કરો જે વાહનમાં વપરાય છે જે ઉપરોક્ત બલ્બ/યુનિટ પર છાપેલ હોય અને/અથવા સ્પષ્ટીકરણોમાં ઉલ્લેખિત હોય.

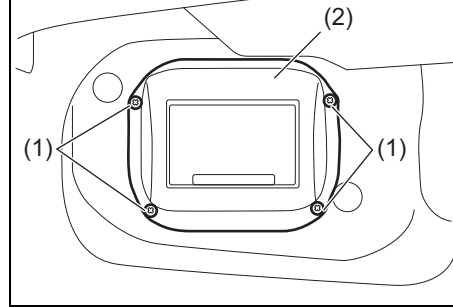
નોંધ:

વરસાદમાં ડ્રાઇવિંગ દરમિયાન અથવા કાર ધોવા પછી બહારની લાઇટ્સ (હેડલાઇટ, રિયર કોમ્બિનેશન લાઇટ વગેરે) ના લેન્સ પર ઝાકળ બની શકે છે. આ એક કુદરતી ઘટના છે જે અંદર અને બહારના લેમ્પ વચ્ચેના તાપમાનના તફાવતને કારણે થાય છે. લેન્સ પર કામચલાઉ ઝાકળ કોઈ ખામી નથી અને વાહન ચલાવતી વખતે કોઈ અગવડતા પેદા કરશે નહીં.

જ્યારે પર્યાવરણની સ્થિતિ તડકામાં બદલાઈ જાય અથવા હેડલેમ્પ ચાલુ રાખવામાં આવે ત્યારે ઝાકળ સાફ થઈ જશે. જો કે લેમ્પની અંદર પાણી લીકેજ હોય તો, તમારી અધિકૃત મારુતિ સુઝુકી વર્કશોપનો સંપર્ક કરો

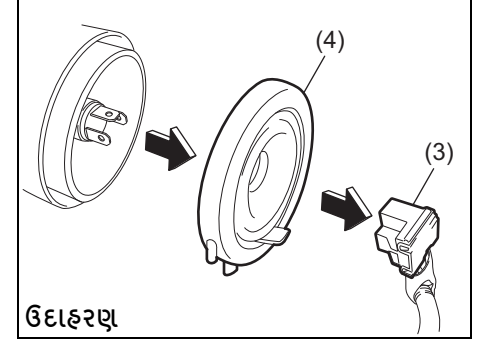
હેડલાઇટ્સ

ઉદાહરણ



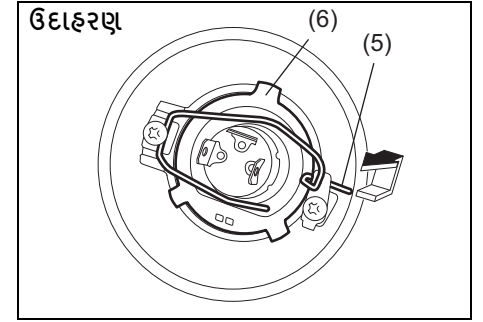
77PH050

- 1) સ્ક્રૂ દૂર કરો (1) અને એર ઇનલેટ બોક્સ (2) દૂર કરો



77PH051

- 2) કપ્લરને ડિસ્કનેક્ટ કરો (3). સીલિંગ રબર (4) દૂર કરો.



77PH052

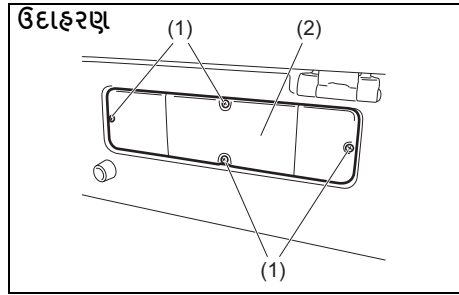
- 3) જાળવી રાખતા સ્પ્રિંગ (5) ને આગળ ધકેલવી અને તેને અનહક કરો. પછી બલ્બ (6) દૂર કરો. દૂર કરવાના વિપરીત ક્રમમાં નવો બલ્બ ઇન્સ્ટોલ કરો.

ફન્ટ ટર્ન સિગ્નલ લાઇટ

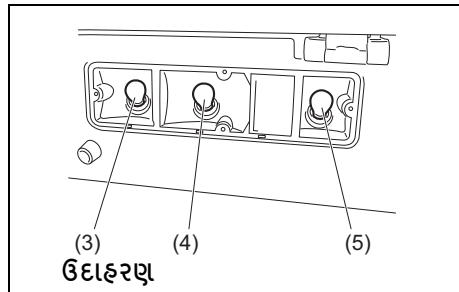
ફન્ટ સ્થિતિ લાઇટ

ખાસ પ્રક્રિયાઓ જરૂરી હોવાથી, અમે ભલામણ કરીએ છીએ કે તમે બલ્બ બદલવા માટે તમારા વાહનને તમારી અધિકૃત માણ્ડલિ સુઝુકી કોમર્શિયલ વર્કશોપમાં લઈ જાઓ.

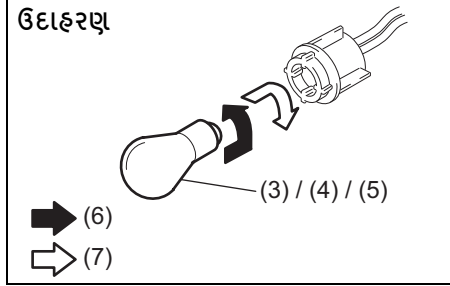
રિયર કોમ્બિનેશન લાઇટ



1) સ્ક્રૂ દૂર કરો (1) અને (2) કવર દૂર કરો.



ઉદાહરણ

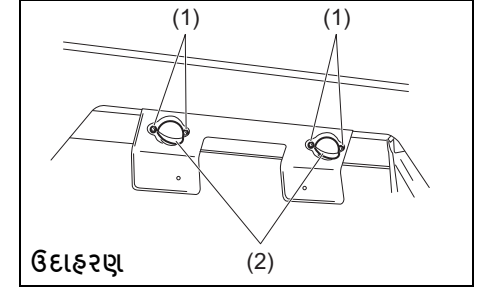


(6) દૂર કરવું

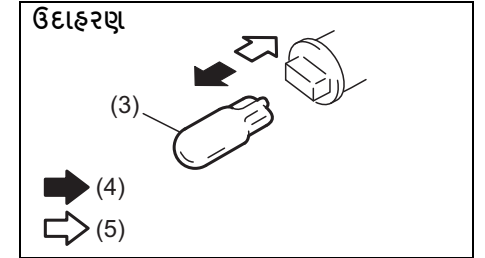
(7) ઇન્સ્ટોલ કરો

2) ટર્ન સિગ્નલ લાઇટ (3), ટેઇલ/બ્રેક લાઇટ (4) અથવા રિવર્સિંગ લાઇટ (5) બલ્બ ધારકના બલ્બને દૂર કરવા માટે, બલ્બને ધકેલો અને તેને ઘડિયાળની વિરુદ્ધ દિશામાં ફેરવો. નવો બલ્બ ઇન્સ્ટોલ કરવા માટે, તેને અંદર ધકેલો અને તેને ઘડિયાળની દિશામાં ફેરવો.

લાઇસન્સ પ્લેટ લાઇટ



1) સ્ક્રૂ દૂર કરો (1) અને (2) કવર દૂર કરો.



(4) દૂર કરવું

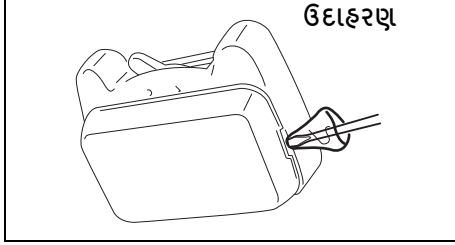
(5) ઇન્સ્ટોલ કરો

2) લાઇસન્સ પ્લેટ લાઇટ (3) ના બલ્બને દૂર કરવા અને ઇન્સ્ટોલ કરવા માટે, ફક્ત બલ્બને બહાર કાઢો અથવા ધકેલો.

નિરીક્ષણ અને જાળવણી

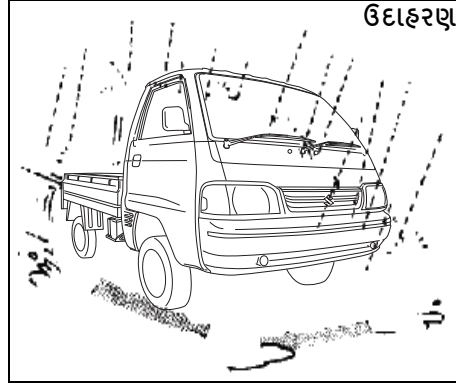
આંતરિક લાઈટ

બતાવ્યા પ્રમાણે સોફ્ટ કાપડથી ઢંકાયેલ ફ્લેટ બ્લેડ સ્ક્રૂડ્રાઈવરનો ઉપયોગ કરીને લેન્સને દૂર કરો. તેને ઇન્સ્ટોલ કરવા માટે, તેને પાછું ધકેલો.



77PH057

વાઇપર બ્લેડ



77PM07028

જો વાઇપર બ્લેડ બરડ થઈ જાય અથવા ક્ષતિગ્રસ્ત થઈ જાય અથવા લૂછતી વખતે છટાઓ બનાવે, તો વાઇપર બ્લેડ બદલો. નવા વાઇપર બ્લેડ ઇન્સ્ટોલ કરવા માટે, નીચેની પ્રક્રિયાઓને અનુસરો.

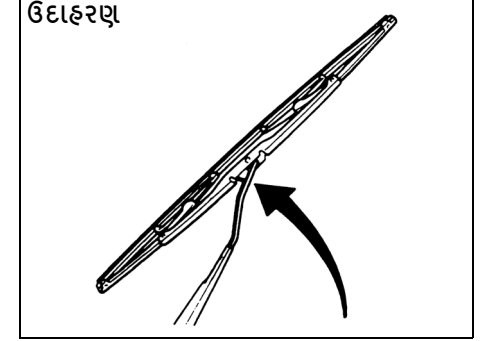
નોટિસ

બારીને ખંજવાળવા અથવા તોડવાનું ટાળવા માટે, વાઇપર બ્લેડને બદલતી વખતે વાઇપર હાથને બારી પર અથડાવા ન દો.

નોંધ:

કેટલાક વાઇપર બ્લેડ વાહન વિશિષ્ટતાઓના આધારે અહીં વર્ણવેલ બ્લેડ કરતાં અલગ હોઈ શકે છે. જો એમ હોય તો, યોગ્ય રિપ્લેસમેન્ટ પૂરતી માટે તમારી અધિકૃત માન્ય સુઝુકી કોમર્શિયલ વર્કશોપનો સંપર્ક કરો.

વિન્ડશિલ્ડ વાઇપર્સ માટે:

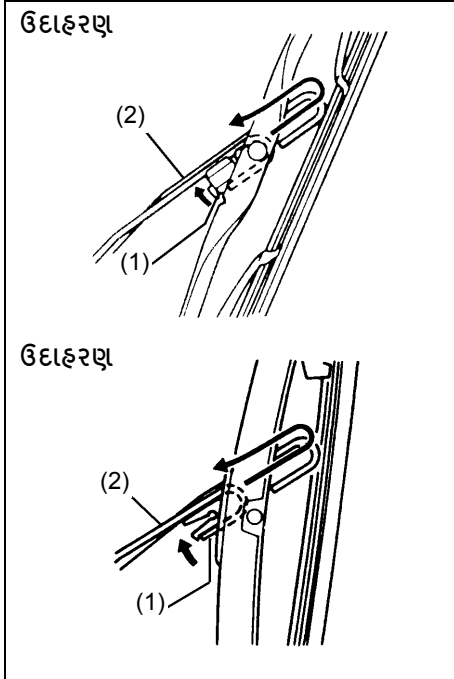


70G119

1) વાઇપર હાથને વિન્ડશિલ્ડથી દૂર રાખો.

નોંધ:

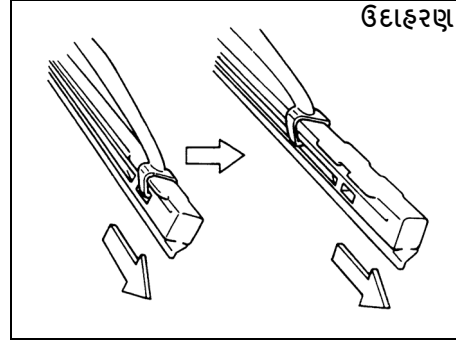
જ્યારે આગળના બંને વાઇપર આર્મ્સ ઉભા કરો, ત્યારે ડ્રાઇવરના બાજુના વાઇપર આર્મ્સને પહેલા ઉપર ખેંચો. વાઇપર આર્મ્સ પરત કરતી વખતે, પેસેન્જરના બાજુના વાઇપર હાથને પહેલા નીચે કરો. નહિતર, વાઇપર આર્મ્સ એકબીજા સાથે દબાવ કરી શકે છે.



54G130

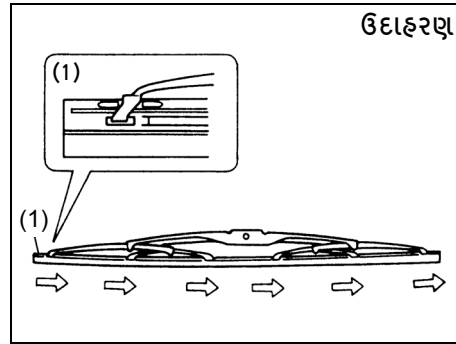
- 2) વાહપર આર્મ (2) તરફ લોક (1) દબાવો અને બતાવ્યા પ્રમાણે હાથમાંથી વાહપર ફેમ દૂર કરો.
- 3) વાહપર બ્લેડના લોક છેડાને અનલોક કરો અને બતાવ્યા પ્રમાણે બ્લેડને બહાર સ્લાઇડ કરો.

દૂર કરવું



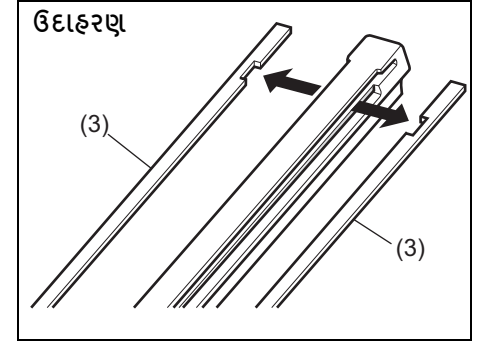
60A260

સ્થાપન



54G132

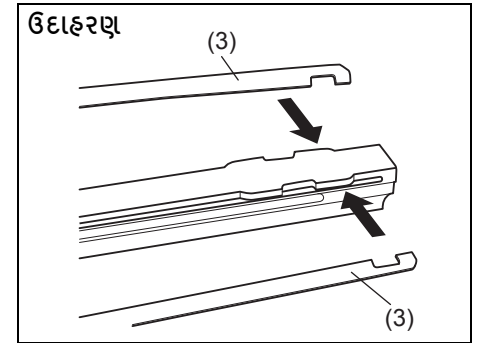
- (1) લોક કરેલ છેડો



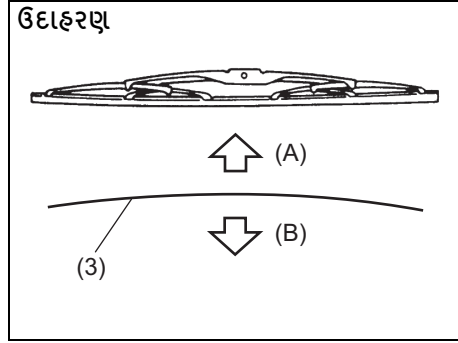
68PH00754

(3) રીટેનર

- 4) જો નવી બ્લેડ બે મેટલ રીટેનર વિના આપવામાં આવે, તો તેને જૂના બ્લેડમાંથી નવામાં ખસેડો.



60MH071



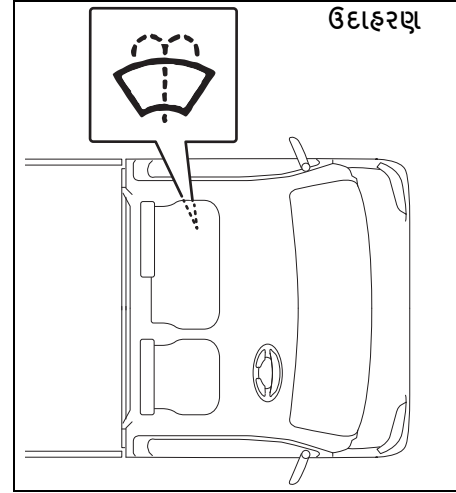
- (A) ઉપર
(B) નીચે

નોંધ:

જ્યારે તમે મેટલ રીટેનર (3) ઇન્સ્ટોલ કરો છો, ત્યારે ખાતરી કરો કે મેટલ રીટેનર્સની દિશા ઉપરના ચિત્રોમાં બતાવ્યા પ્રમાણે છે.

- 5) નવી બ્લેડને દૂર કરવાના વિપરીત ક્રમમાં સ્થાપિત કરો, લોક કરેલા છેડાને વાઇપર આર્મ્સ તરફ સ્થિત કરો. ખાતરી કરો કે બ્લેડ બધા હુક્સ દ્વારા યોગ્ય રીતે જાળવી રાખવામાં આવે છે. બ્લેડના અંતને સ્થાને લોક કરો.
- 6) વાઇપર ફ્રેમને હાથ પર પુનઃસ્થાપિત કરો, ખાતરી કરો કે લોક લિવર આર્મ્સમાં સુરક્ષિત રીતે સ્નેપ થયેલ છે.

વિન્ડશિલ્ડ વોશર પ્રવાહી (જો સજ્જ હોય તો)



ટાંકીમાં વોશર પ્રવાહી છે કે નહીં તે જોઈને તપાસો. જો જરૂરી હોય તો તેને ફરીથી ભરો. સારી ગુણવત્તાવાળા વિન્ડશિલ્ડ વોશર પ્રવાહીનો ઉપયોગ કરો, જરૂર મુજબ પાણીમાં ભેળવો.

નોંટિસ

વાહન પર લાઈમસ્કેલનું નિર્માણ અટકાવવા માટે સખત પાણીનો ઉપયોગ ટાળો.

⚠ ચેતવણી

વિન્ડશિલ્ડ વોશર રિઝર્વોયરમાં રેડિયેટર એન્ટિફ્રીઝનો ઉપયોગ કરશો નહીં. જ્યારે વિન્ડશિલ્ડ પર છંટકાવ કરવામાં આવે ત્યારે તે દૃશ્યતાને ગંભીર રીતે બગાડે છે, અને તમારા વાહનના પેઇન્ટને પણ નુકસાન પહોંચાડી શકે છે.

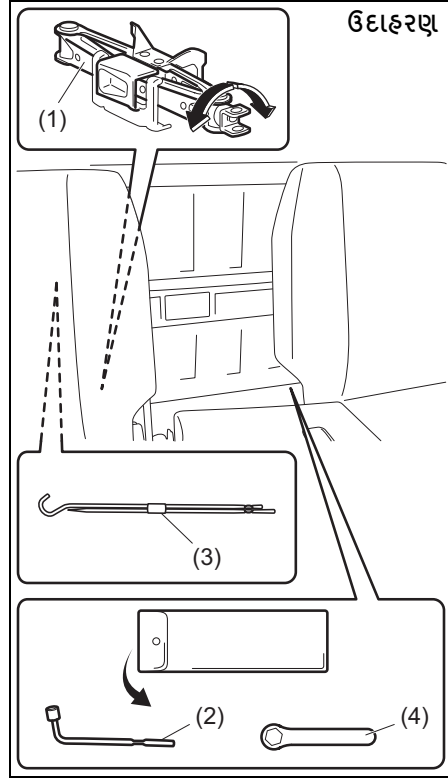
નોંટિસ

જો વોશર ટાંકીમાં કોઈ પ્રવાહી વગર વોશર મોટર ચલાવવામાં આવે તો નુકસાન થઈ શકે છે.

ઇમરજન્સી સેવા

ટાયર બદલવાનું સાધન.....	8-1
જેકીંગ સૂચનાઓ.....	8-2
વ્હીલ્સ બદલવા.....	8-5
જમ્પ સ્ટાર્ટ કરવાની સૂચનાઓ.....	8-6
ટોઇંગ.....	8-7
જો સ્ટાર્ટર કામ કરતું નથી.....	8-8
જો એન્જિન છલકાઈ ગયું હોય.....	8-8
જો એન્જિન વધુ ગરમ થાય.....	8-8
હિટિંગ દ્વારા અન્ડરબોડી મુશ્કેલી.....	8-9
ચેતવણી ત્રિકોણ.....	8-9
વિશામક (જો સજ્જ હોય તો).....	8-10

ટાયર બદલવાનું સાધન



77PH202

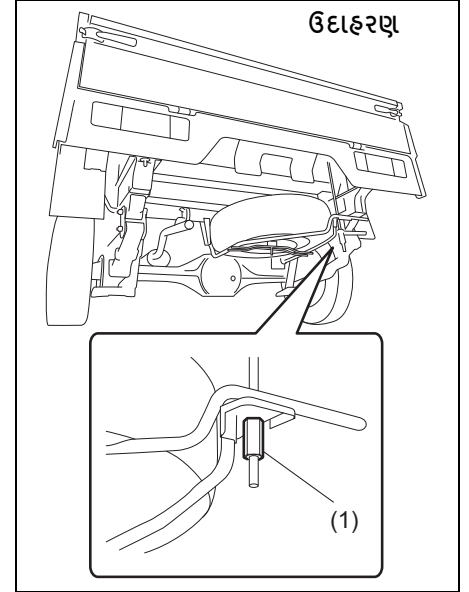
- (1) જેક
- (2) વ્હીલ બ્રેસ
- (3) જેક હેન્ડલ
- (4) સ્પેનર

ટાયર બદલવાનાં સાધનો ડ્રાઇવર સીટની પાછળ રાખવામાં આવે છે.

જેકને દૂર કરવા માટે, તેના શાફ્ટને ઘડિયાળની વિરુદ્ધ દિશામાં ફેરવો અને જેકને સ્ટોરેજ બેકેટની બહાર ખેંચો. જેકને સ્ટોવ કરવા માટે, તેને સ્ટોરેજ બેકેટમાં મૂકો અને જ્યાં સુધી જેક સુરક્ષિત રીતે સ્થાને ન આવે ત્યાં સુધી શાફ્ટને ઘડિયાળની દિશામાં ફેરવો.

ફાજલ ટાયર બેડની નીચે રાખવામાં આવે છે.

ફાજલ ટાયર દૂર કરવા માટે:



77PH099

- 1) ફાજલ ટાયર ધારક હૂક નટ (1) ઢીલો કરો.
- 2) ફાજલ ટાયર ધારકને અનલૂક કરો અને તેને ધીમે ધીમે નીચે કરો.
- 3) ફાજલ ટાયરની મધ્યમાં આવેલ સ્કુને દૂર કરો અને ટાયરને દૂર કરો.

⚠ ચેતવણી

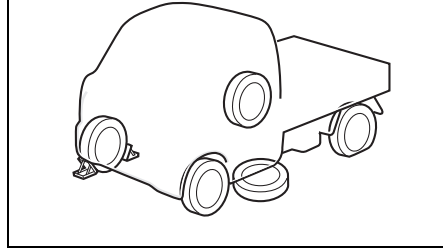
ટાયર બદલતા ટૂલ્સનો ઉપયોગ કર્યા પછી તેમને સુરક્ષિત રીતે સ્ટોવ કરવાની ખાતરી કરો અથવા જો કોઈ અકસ્માત થાય તો તેઓ ઈજા પહોંચાડી શકે છે.

⚠ સાવધાન

જેકનો ઉપયોગ વ્હીલ્સ બદલવા માટે જ થવો જોઈએ. જેકનો ઉપયોગ કરવાનો પ્રયાસ કરતા પહેલા આ વિભાગમાં જેકિંગ સૂચનાઓ વાંચવી મહત્વપૂર્ણ છે.

જેકિંગ સૂચનાઓ

ઉદાહરણ



77PH054

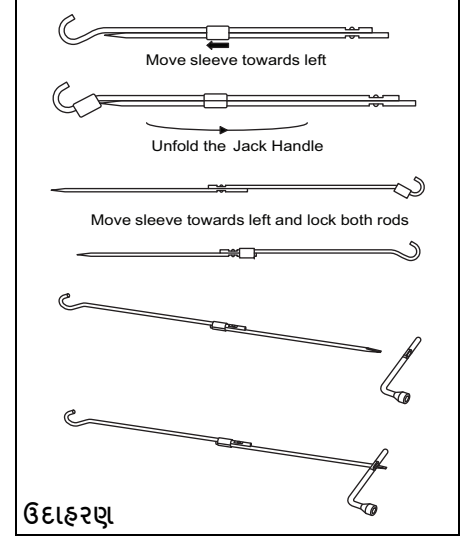
- 1) વાહનને સપાટ, કઠણ જમીન પર મૂકો.
- 2) પાર્કિંગ બ્રેકને નિશ્ચિતપણે સેટ કરો અને "R" (વિપરીત) માં શિફ્ટ કરો.

⚠ ચેતવણી

- જ્યારે તમે વાહનને જેક અપ કરો ત્યારે "R" (રિવર્સ) માં શિફ્ટ કરવાનું સુનિશ્ચિત કરો.
- "N" (નટસ્થ) માં ટ્રાન્સમિશન સાથે વાહનને ક્યારેય જેક અપ કરશો નહીં. નહિતર, અસ્થિર જેક અકસ્માતનું કારણ બની શકે છે.

- 3) જો તમારું વાહન ટ્રાકિકની નજીક હોય તો જોખમ ચેતવણી ફ્લેશર ચાલુ કરો.
- 4) જે વ્હીલ ઉપાડવામાં આવે છે તેની સામેના વ્હીલના આગળના અને પાછળના ભાગને ત્રાંસી રીતે અવરોધિત કરો.

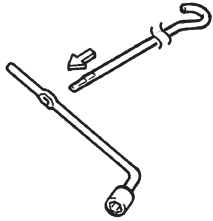
- 5) સ્પેર વ્હીલને જેક સ્લિપ થવાના કિસ્સામાં ચિત્રમાં બતાવ્યા પ્રમાણે ઉપાડવામાં આવતા વ્હીલની નજીક મૂકો.



ઉદાહરણ

77PH802

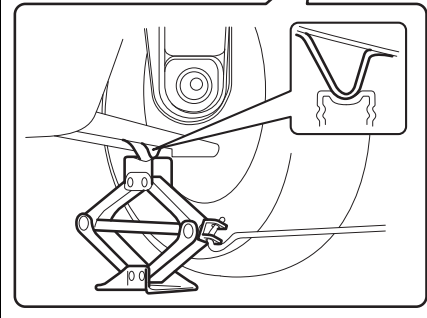
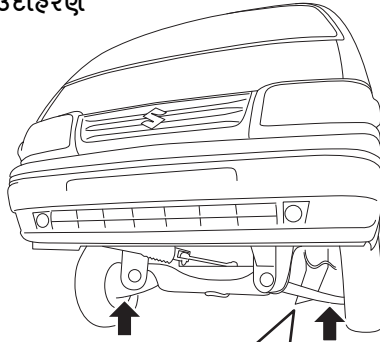
ઉદાહરણ



54G253

ફ્રન્ટ શેકિંગ પોઇન્ટ

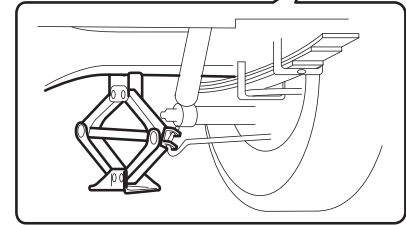
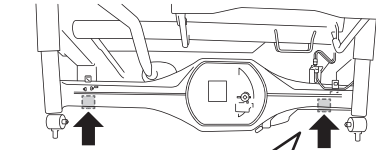
ઉદાહરણ



77PH084

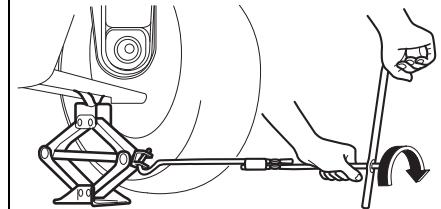
રિયર શેકિંગ પોઇન્ટ

ઉદાહરણ



77PH106

ઉદાહરણ



77PS052

- 6) જેકને ઊભી રીતે સ્થિત કરો અને જેક હેન્ડલને ઘડિયાળની દિશામાં ફેરવીને જ્યાં સુધી જેક હેડ ગુવ વાહનના બોડીની નીચે જેકીંગ બારની આસપાસ ફિટ ન થાય ત્યાં સુધી જેકને ઊંચો કરો. ચિત્રો જુઓ.
- 7) જ્યાં સુધી ટાયર જમીનને સાફ ન કરે ત્યાં સુધી ધીમે ધીમે અને સરળતાથી જેકને વધારવાનું ચાલુ રાખો. વાહનને જરૂર કરતાં વધારે ન ઉભું કરો.

⚠ ચેતવણી

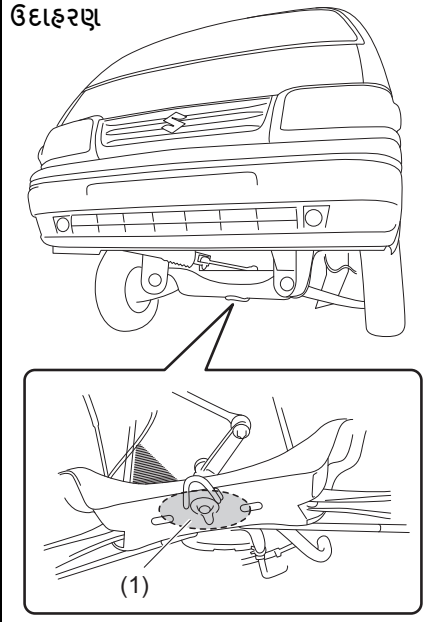
- જેકનો ઉપયોગ માત્ર સપાટ, કઠણ જમીન પર વ્હીલ્સ બદલવા માટે કરો.
- વાહનને ઝોકવાળી સપાટી પર ક્યારેય જેક ન કરો.
- જેક સાથે વાહનને બદલવાના વ્હીલની નજીકના નિર્દિષ્ટ જેકીંગ પોઇન્ટ (દ્રષ્ટાંતમાં દર્શાવેલ) સિવાયના સ્થાને ક્યારેય ઊભા કરશો નહીં.
- જેક અંડરલે તરીકે લાકડાના બ્લોક્સ અથવા સિમી-લાર વસ્તુઓનો ઉપયોગ કરશો નહીં.
- જ્યારે વાહન જેક દ્વારા સપોર્ટેડ હોય ત્યારે તેની નીચે ક્યારેય ન આવી. તમારા હાથ અને પગને ઊભા કરેલા વાહનની નીચે ક્યારેય ન રાખો જ્યારે તે જેક દ્વારા સપોર્ટેડ હોય.
- જ્યારે વાહન જેક દ્વારા સપોર્ટેડ હોય ત્યારે એન્જિનને ક્યારેય ચલાવશો નહીં અને મુસાફરોને ક્યારેય વાહનમાં રહેવા દો નહીં.

ગેરેજ જેક સાથે વાહન ઉભું કરવા

- નીચે દર્શાવેલ બિંદુઓમાંથી એક પર ગેરેજ જેક લાગુ કરો.

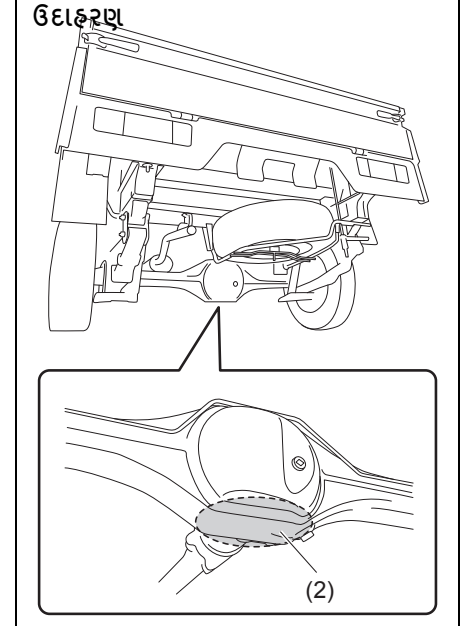
- નીચે દર્શાવેલ પોઇન્ટ પર હંમેશા જેક સ્ટેન્ડ (વ્યવસાયિક રીતે ઉપલબ્ધ) સાથે ઊભા થયેલા વાહનને સપોર્ટ કરો.

ગેરેજ જેક માટે ફ્રન્ટ જેકીંગ પોઇન્ટ (1)



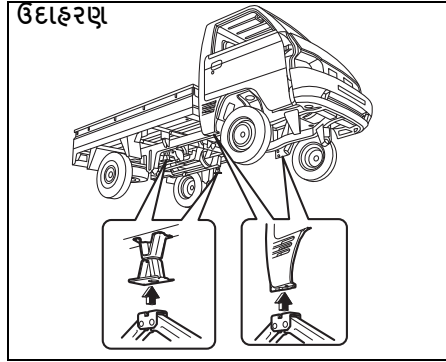
77PH060

ગેરેજ જેક માટે રિયર જેકીંગ પોઇન્ટ (2)



77PH101

જેક સ્ટેન્ડ (૩) અથવા બે-કોલમ લિફ્ટ માટે એપ્લિકેશન પોઇન્ટ



77PS055 (2)

નોટિસ

- એક્ઝોસ્ટ પાઇપ પર ક્યારેય ગેરેજ જેક ન લગાવો.
- જેક સ્ટેન્ડ અથવા બે-કોલમ લિફ્ટને પાછળની બાજુના એપ્લિકેશન પોઇન્ટ પર લાગુ કરતી વખતે, પાર્કિંગ કેબલ અથવા ફ્યુઅલ ટાંકીના ફ્લેજ જેવા આસપાસના ભાગોમાં દખલ ન થાય તેનું ધ્યાન રાખો.

નોંધ:

વધુ વિગતો માટે, કૃપા કરીને અધિકૃત માહિતી સુઝુકી કોમર્શિયલ વર્કશોપનો સંપર્ક કરો.

વ્હીલ્સ બદલવા

⚠ ચેતવણી

ટ્રાફિક લેનમાં ક્યારેય વ્હીલ બદલશો નહીં. વ્હીલ બદલવા માટે વાહનને હંમેશા રોડ પરથી સપાટ, કઠણ જમીન પર ટ્રાફિકથી દૂર રાખો. કોઈપણ વધુ સહાયતા માટે તમારી નજીકની માહિતી સુઝુકી અધિકૃત વર્કશોપનો સંપર્ક કરો.

વ્હીલ બદલવા માટે, નીચેની પ્રક્રિયાનો ઉપયોગ કરો:

- 1) વાહનમાંથી તમામ મુસાફરો અને કાર્ગો ખાલી કરો.
- 2) વાહનમાંથી જેક, ટૂલ્સ અને ફાજલ વ્હીલ દૂર કરો.
- 3) ઠીલું કરો, પરંતુ વ્હીલ નટ્સ દૂર કરશો નહીં.
- 4) વાહનને જેક અપ કરો.

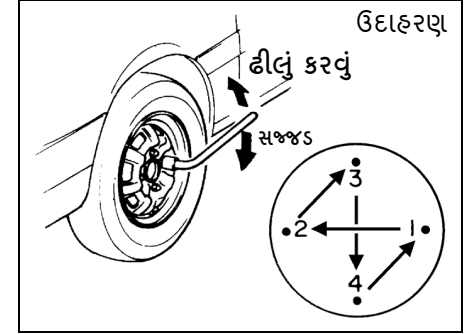
⚠ સાવધાન

વાહન ચલાવ્યા પછી તરત જ, વ્હીલ્સ વ્હીલ નટ્સ અને બેક્સની આસપાસનો વિસ્તાર અત્યંત ગરમ હોઈ શકે છે. આ વિસ્તારોને સ્પર્શ કરવાથી બળવાની ઈજા થઈ શકે છે. વાહન ચલાવ્યા પછી તરત જ આ વિસ્તારોને સ્પર્શ કરશો નહીં.

5) વ્હીલ નટ્સ અને વ્હીલ દૂર કરો.

6) નવું વ્હીલ ઇન્સ્ટોલ કરતા પહેલા, વ્હીલ અને હબની સપાટી પરથી કોઈપણ કાદવ અથવા ગંદકીને સ્વચ્છ કપડાથી સાફ કરો. હબને ફાળજીપૂર્વક સાફ કરો; તે ડ્રાઇવિંગથી ગરમ હોઈ શકે છે.

7) નવું વ્હીલ ઇન્સ્ટોલ કરો અને વ્હીલ નટ્સને તેમના શંકુ આકારના છેડા સાથે વ્હીલની સામે રાખો. જ્યાં સુધી વ્હીલ હબ પર સુરક્ષિત રીતે બેઠું ન થાય ત્યાં સુધી દરેક નટને હાથથી યુસ્તપણે સંજ્જડ કરો.



54G116

વ્હીલ નટ 100 Nm (10.2 kgf-m, 73.8 lbf-ft) માટે કડક ટોર્ક

8) જેકને નીચે કરો અને ચિત્રમાં બતાવ્યા પ્રમાણે નટ્સને ક્રિસક્રોસ ફેશનમાં રેન્ય વડે સંપૂર્ણ રીતે સંજ્જડ કરો.

▲ ચેતવણી

વાસ્તવિક વ્હીલ નટસનો ઉપયોગ કરો અને વ્હીલ્સ બદલ્યા પછી શક્ય તેટલી વહેલી તકે તેમને નિર્દિષ્ટ ટોર્ક પર સજ્જડ કરો. ખોટા વ્હીલ નટસ અથવા અયોગ્ય રીતે સજ્જડ વ્હીલ નટસ છૂટી પડી શકે છે અથવા નીચે પડી શકે છે, જે અકસ્માતમાં પરિણમી શકે છે. જો તમારી પાસે ટોર્ક રેન્ય ન હોય, તો અધિકૃત મારુતિ સુઝુકી કોમર્શિયલ વર્કશોપ દ્વારા વ્હીલ નટ ટોર્કની તપાસ કરાવો.

જમ્પ સ્ટાર્ટ કરવાની સૂચનાઓ

▲ ચેતવણી

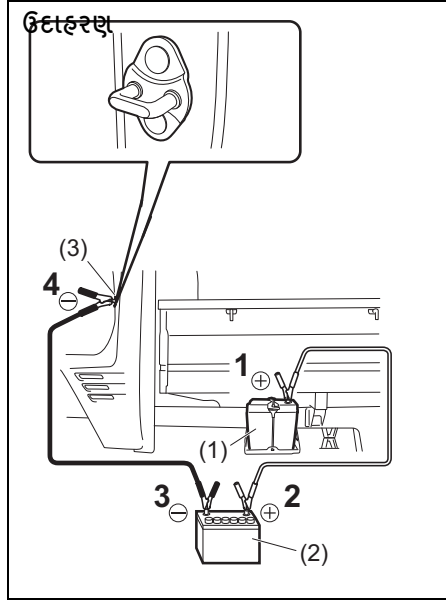
- જો બેટરી જામી ગયેલી જણાય તો ક્યારેય પણ તમારા વાહનને જમ્પ સ્ટાર્ટ કરવાનો પ્રયાસ કરશો નહીં. જો જમ્પ સ્ટાર્ટ કરવાનો પ્રયાસ કરવામાં આવે તો આ સ્થિતિમાં બેટરી ફાટી શકે છે અથવા ફાટી શકે છે.
- જમ્પ લીડ કનેક્શન બનાવતી વખતે, ખાતરી કરો કે તમારા હાથ અને જમ્પ લીડ્સ પુલી, લેટ અથવા પંખાથી સ્પર્ષ રહે છે.
- બેટરીઓ જ્વલનશીલ હાઇડ્રોજન ગેસ ઉત્પન્ન કરે છે. જ્વાળાઓ અને સ્પાર્ક્સને બેટરીથી દૂર રાખો અથવા વિસ્ફોટ થઈ શકે છે. બેટરીની નજીકમાં કામ કરતી વખતે ક્યારેય ધૂમ્રપાન કરશો નહીં.
- જો તમે જમ્પ સ્ટાર્ટ કરવા માટે ઉપયોગ કરો છો તે બુસ્ટર બેટરી બીજા વાહનમાં ઇન્સ્ટોલ કરેલી હોય, તો ખાતરી કરો કે બે વાહનો એકબીજાને સ્પર્શતા નથી.
- જો કોઈ દેખીતા કારણ વગર તમારી બેટરી વારંવાર ડિસ્ચાર્જ થાય છે, તો અધિકૃત મારુતિ સુઝુકી કોમર્શિયલ વર્કશોપ દ્વારા તમારા વાહનની તપાસ કરાવો.
- તમારી જાતને નુકસાન અથવા તમારા વાહન અથવા બેટરીને નુકસાન ન થાય તે માટે, નીચે આપેલી જમ્પની સ્ટાર્ટની સૂચનાઓને ચોક્કસ અને ક્રમમાં અનુસરો.
જો તમને શંકા હોય, તો યોગ્ય માર્ગ સેવા માટે કોલ કરો.

નોટિસ

તમારું વાહન ધક્કો મારીને અથવા ટોઈંગ કરીને શરૂ ન કરવું જોઈએ. આ પ્રારંભિક પદ્ધતિ ઉત્પ્રેરક કન્વર્ટરને કાયમી નુકસાનમાં પરિણમી શકે છે. નબળી અથવા સપાટ બેટરી સાથે વાહન શરૂ કરવા માટે જમ્પ લીડ્સનો ઉપયોગ કરો.

જ્યારે તમારું વાહન શરૂ કરો ત્યારે નીચેની પ્રક્રિયાનો ઉપયોગ કરો:

- 1) તમારું વાહન ચાલુ કરવા માટે માત્ર 12-વોલ્ટની બેટરીનો ઉપયોગ કરો. સારી 12-વોલ્ટ બેટરીને તમારા વાહનની નજીક રાખો જેથી કરીને જમ્પ લીડ્સ બંને બેટરી સુધી પહોંચે. જ્યારે અન્ય વાહનમાં બેટરીનો ઉપયોગ કરો, ત્યારે વાહનને સ્પર્શવા ન દો. બંને વાહનો પર પાર્કિંગ બ્રેક સંપૂર્ણપણે સેટ કરો.
- 2) સલામતીના કારણોસર (ઉદાહરણ તરીકે, હેડલાઇટ અથવા જોખમી લાઇટો) જરૂરી હોય તે સિવાય તમામ વાહન એક્સેસરીઝ બંધ કરો.



77PS056

- 3) નીચે પ્રમાણે જમ્પ લીડ જોડાણો બનાવો:
1. ફ્લેટ બેટરી (1) ના ધન (+) ટર્મિનલ સાથે પ્રથમ જમ્પ લીડના એક છેડાને જોડો.
 2. બીજા છેડાને બૂસ્ટર બેટરી (2) ના ધન (+) ટર્મિનલ સાથે જોડો.
 3. બીજા જમ્પ લીડના એક છેડાને બૂસ્ટર બેટરી (2) ના ઋણ (-) ટર્મિનલ સાથે જોડો.

4. ફ્લેટ બેટરી (1) વડે વાહનના અનપેઈન્ટેડ, હેવી મેટલના ભાગ (એટલે કે ડોર લેય સ્ટ્રાઈકર (3 ટકા) સાથે અંતિમ જોડાણ કરો.

⚠ ચેતવણી

ડિસ્ચાર્જ થયેલ બેટરીના ઋણ (-) ટર્મિનલ સાથે સીધા જમ્પ લીડને ક્યારેય કનેક્ટ કરશો નહીં, અથવા વિસ્ફોટ થઈ શકે છે.

- 4) જો તમે જે બૂસ્ટર બેટરીનો ઉપયોગ કરી રહ્યા છો તે અન્ય વાહનમાં ફીટ કરેલ હોય, તો બૂસ્ટર બેટરી વડે વાહનનું એન્જિન શરૂ કરો. એન્જિનને મધ્યમ ગતિએ ચલાવો.
- 5) ફ્લેટ બેટરી વડે વાહનનું એન્જિન શરૂ કરો.
- 6) જમ્પ લીડસને ચોક્કસ વિપરીત ક્રમમાં દૂર કરો કે જેમાં તમે તેમને જોડ્યા હતા.

ટોઇંગ

જો તમારે તમારું વાહન ખેંચવાની જરૂર હોય, તો વ્યાવસાયિક સેવાનો સંપર્ક કરો. તમારા ડીલર તમને વિગત ખેંચવાની સૂચનાઓ આપી શકે છે.

નોટિસ

ટોઇંગ દરમિયાન તમારા વાહનને નુકસાન ટાળવા માટે, યોગ્ય સાધનો અને ટોઇંગ પ્રક્રિયાઓનો ઉપયોગ કરવો આવશ્યક છે.

2-વ્હીલ ડ્રાઇવ (2WD) મેન્યુઅલ ટ્રાન્સમિશન

મેન્યુઅલ ટ્રાન્સમિશન વાહનો નીચેની કોઈપણ પદ્ધતિઓનો ઉપયોગ કરીને ખેંચી શકાય છે.

- 1) આગળથી, આગળના વ્હીલ્સને ઉંચા કરીને અને પાછળના વ્હીલ્સ જમીન પર. ટોઇંગ કરતા પહેલા, ખાતરી કરો કે ટ્રાન્સમિશન તટસ્થ છે અને પાર્કિંગ બ્રેક મુક્ત છે.
- 2) પાછળથી, પાછળના વ્હીલ્સ ઉઠાવીને અને આગળના વ્હીલ્સ જમીન પર હોય, જો કે સ્ટીયરિંગ અને ડ્રાઇવટ્રેન કાર્યરત સ્થિતિમાં હોય. ટોઇંગ કરતા પહેલા, ખાતરી કરો કે સ્ટીયરિંગ વ્હીલ અનલોક થયેલ છે (ઇન્જીનિયર યાવી "ACC" સ્થિતિમાં હોવી જોઈએ), અને સ્ટીયરિંગ વ્હીલ ટોઇંગ સેવા માટે રચાયેલ ક્લેમ્પિંગ ઉપકરણ સાથે સુરક્ષિત છે.

નોટિસ
સ્ટીયરીંગ કોલમ ટોઇંગ દરમિયાન આગળના વ્હીલ્સમાંથી પ્રસારિત થતા આંચકાઓનો સામનો કરવા જેટલી મજબૂત નથી. ટોઇંગ કરતા પહેલા હંમેશાં સ્ટીયરીંગ વ્હીલને અનલોક કરો.

જો સ્ટાર્ટર કામ કરતું નથી

- 1) બેટરીની સ્થિતિ નક્કી કરવા માટે હેડલાઇટ ચાલુ કરીને ઇન્જીન સ્વીચને "સ્ટાર્ટ" સ્થિતિમાં ફેરવવાનો પ્રયાસ કરો. જો હેડલાઇટ વધુ પડતી મંદ થઈ જાય અથવા બંધ થઈ જાય, તો તેનો સામાન્ય રીતે અર્થ એવો થાય છે કે બેટરી ફ્લેટ છે અથવા બેટરી ટર્મિનલનો સંપર્ક નબળો છે. બેટરી રિચાર્જ કરો અથવા જરૂર મુજબ બેટરી ટર્મિનલનો સંપર્ક કરો.
- 2) જો સ્ટાર્ટરની નિષ્ફળતાનું કારણ સ્પષ્ટ નથી, તો ત્યાં મોટી વિદ્યુત સમસ્યા હોઈ શકે છે. તમારા અધિકૃત મારુતિ સુઝુકી કોમર્શિયલ વર્કશોપ દ્વારા વાહનની તપાસ કરાવો.

જો એન્જિન છલકાઈ ગયું હોય

જો એન્જિન ફ્યુઅલથી ભરેલું હોય, તો તેને શરૂ કરવું મુશ્કેલ હોઈ શકે છે. જો આવું થાય, તો એક્સિલરેટર પેડલને ફ્લોર સુધી બધી રીતે દબાવો અને એન્જિનને કંક કરતી વખતે તેને ત્યાં જ પકડી રાખો.

• સ્ટાર્ટર મોટરને 30 સેકન્ડથી વધુ સમય સુધી ચલાવશો નહીં.

જો એન્જિન વધુ ગરમ થાય

ગંભીર ડ્રાઇવિંગ પરિસ્થિતિઓમાં એન્જિન અસ્થાયી રૂપે વધુ ગરમ થઈ શકે છે. જો ડ્રાઇવિંગ દરમિયાન ઉચ્ચ એન્જિન ફ્લેન્ટ તાપમાન ચેતવણી લાઇટ આવે છે:

- 1) વાહનને સલામત સ્થળે લઈ જાઓ અને પાર્ક કરો.
- 2) ઉચ્ચ એન્જિન ફ્લેન્ટ તાપમાન ચેતવણી લાઇટ બંધ ન થાય ત્યાં સુધી એન્જિનને થોડી મિનિટો માટે સામાન્ય નિષ્ક્રિય ગતિએ ચાલવા દો.

⚠ ચેતવણી

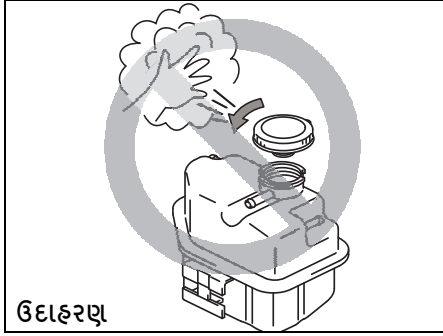
જો તમે બહાર નીકળતી વરાળ જુઓ અથવા સાંભળો, તો વાહનને સુરક્ષિત જગ્યાએ રોકો અને તેને ઠંડુ થવા દેવા માટે તરત જ એન્જિન બંધ કરો. જ્યારે વરાળ હોય ત્યારે એન્જિનનો ડબ્બો ખોલશો નહીં. જ્યારે વરાળ હવે જોઈ શકાતી નથી કે સાંભળી શકાતી નથી, ત્યારે ફ્લેન્ટ હજુ પણ ઉકળી રહ્યું છે કે કેમ તે જોવા માટે એન્જિન કમ્-પાર્ટમેન્ટ ખોલો. જો તે હોય, તો તમારે આગળ વધતા પહેલા તે ઉકળવાનું બંધ ન થાય ત્યાં સુધી તમારે રાહ જોવી પડશે.

જો ઉચ્ચ એન્જિન ફ્લેન્ટ તાપમાન ચેતવણી લાઇટ બંધ ન થાય તો:

- 1) એન્જિન બંધ કરો અને તપાસો કે પાણીના પંખો પટ્ટો અને ગરગડી ક્ષતિગ્રસ્ત કે લપસી નથી રહી. જો કોઈ અસાધારણતા જોવા મળે, તો તેને ઠીક કરો.
- 2) રિઝર્વોયરમાં ફ્લેન્ટનું સ્તર તપાસો. જો તે "ઓછું" લાઇન કરતાં નીચી હોવાનું જણાય છે, તો રેડિયેટર, વોટર પંપ અને રેડિયેટર અને હીટર હોસીસ પર લીક જુઓ. જો તમે કોઈ લીક શોધી કાઢો કે જેના કારણે ઓવરહિટીંગ થઈ શકે છે, તો જ્યાં સુધી આ સમસ્યાઓ સુધારાઈ ન જાય ત્યાં સુધી એન્જિન ચલાવશો નહીં.
- 3) જો તમને લીક ન મળે, તો કાળજીપૂર્વક રીઝર્વોયરમાં ફ્લેન્ટ ઉમેરો અને પેછી રેડિયેટર, જો જરૂરી હોય તો. ("નિરીક્ષણ અને જાળવણી" વિભાગમાં "એન્જિન ફ્લેન્ટ" નો સંદર્ભ લો.)

નોંધ:

જો તમારું એન્જિન વધારે ગરમ થાય અને શરૂ કરવું તે અંગે તમને ખાતરી ન હોય, તો તમારા અધિકૃત મારુતિ સુઝુકી કોમર્શિયલ વર્કશોપનો સંપર્ક કરો.



ઉદાહરણ

65D350d

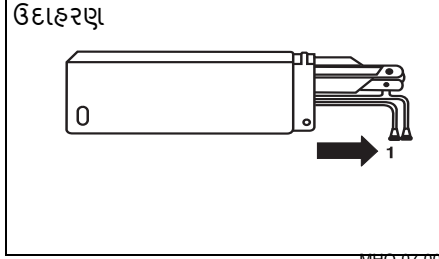
⚠ ચેતવણી

- જ્યારે પાણીનું તાપમાન ઊંચું હોય ત્યારે રેડિયેટર કેપ (અથવા ડીઝલ એન્જિન માટે ડીગાસિંગ ટાંકી કેપ) દૂર કરવી જોખમી છે, કારણ કે દબાણ હેઠળ સ્કેલિંગ પ્રવાહી અને વરાળ બહાર નીકળી શકે છે. જ્યારે ફૂલેન્ટનું તાપમાન ઓછું થઈ જાય ત્યારે જ કેપ ઉતારવી જોઈએ.
- વ્યક્તિગત ઈજાને રોકવામાં મદદ કરવા માટે, હાથ, સાધનો અને કપડાંને એન્જિન ફ્લિગ ફેનથી દૂર રાખો. આ ઈલેક્ટ્રિક ફેન કોઈ ચેતવણી આપ્યા વિના આપોઆપ ચાલુ થઈ શકે છે.

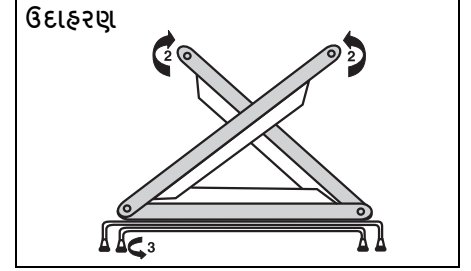
હિટિંગ દ્વારા અન્ડરબોડી મુશ્કેલી

જો તમે તમારા વાહનના અન્ડરબોડીને ટક્કર મારશો, તો તપાસ માટે અધિકૃત મારુતિ સુઝુકી કોમર્શિયલ વર્કશોપને પૂછો. અન્યથા સ્ટિયરિંગ, સસ્પેન્શન, ડ્રાઇવલાઇન અને બ્રેક વગેરેને નુકસાન તમારા સુરક્ષિત ડ્રાઇવિંગને અટકાવી શકે છે.

ચેતવણી ત્રિકોણ



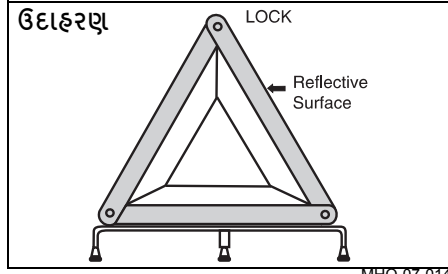
MHO-07-007



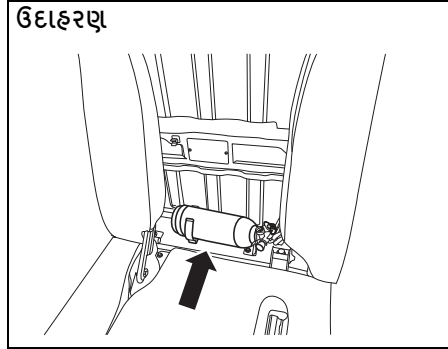
MHO-07-014-1

- તીર 1 દ્વારા બતાવ્યા પ્રમાણે ચેતવણી ત્રિકોણને કવરમાંથી કાળજીપૂર્વક દૂર કરો.
- તીર 2 દ્વારા બતાવ્યા પ્રમાણે બંને રિફ્લેક્ટર હાથ ખોલો અને જમણા હાથમાં આપેલી ક્લિપ વડે હાથને એકબીજા સાથે લોક કરો. તીર 3 દ્વારા બતાવ્યા પ્રમાણે ઘડિયાળની દિશામાં નીચેનું સ્ટેન્ડ ખોલો. વાહનની પાછળ ચેતવણી ત્રિકોણને સાદી સપાટી પર સ્થિત કરો.
- કવરની અંદર રાખવા માટે દૂર કરવાની પ્રક્રિયાને ઉલટાવી દો.

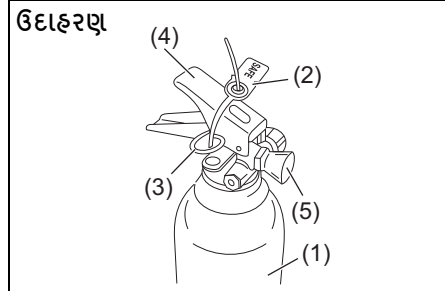
વાહન તૂટી જવાના કિસ્સામાં અથવા ઇમરજન્સી સ્ટોપિંગ દરમિયાન, જ્યાં, તમારું વાહન સંભવિત ટ્રાફિકનું જોખમ બની શકે છે, તમારા વાહન સાથે આપેલ ચેતવણી ત્રિકોણને તમારા વાહનની પાછળના કોઈપણ અવરોધોથી મુક્ત રસ્તા પર રાખો જેથી નજીક આવતા ટ્રાફિકને આશરે 50-100 મીટરના અંતરે ચેતવણી આપી શકાય. ત્રિકોણની પ્રતિબિંબિત બાજુએ આવતા ટ્રાફિકનો સામનો કરવો જોઈએ. ચેતવણી ત્રિકોણ રાખવા માટે કૃપા કરીને વાહનને નીચે ઉતારતા પહેલા સંકટ ચેતવણી લેમ્પને સક્રિય કરો.



અગ્નિશામક (જો સજ્જ હોય તો)

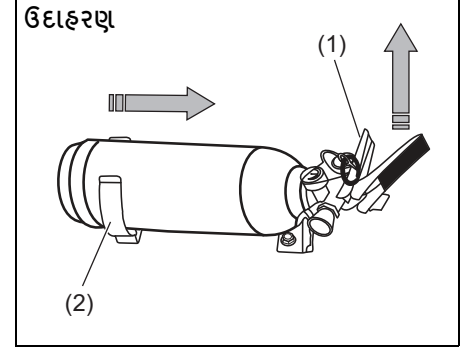


અગ્નિશામક સીટોની પાછળ (ડ્રાઈવર સીટ અને પેસેન્જર સીટ વચ્ચે) રાખવામાં આવે છે.



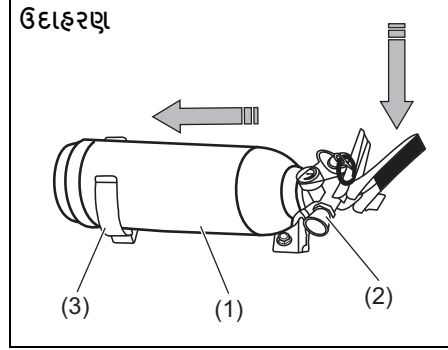
- 1) અગ્નિશામક સિલિન્ડર
 - 2) સીલ
 - 3) સેફ્ટી પિન
 - 4) લિવર
 - 5) નોઝલ
- અગ્નિશામક ઉપકરણને દૂર કરવું અને સુધારવું

અગ્નિશામક દૂર કરવા માટે



અગ્નિશામકનું લિવર (1) સહેજ ઉપરની તરફ ઉઠાવો અને તેને ક્લેમ્પ (2)થી દૂર કરવા માટે, આકૃતિમાં બતાવ્યા પ્રમાણે અગ્નિશામકને ખેંચો.

અગ્નિશામક ઉપકરણના રિક્ષિટમેન્ટ માટે

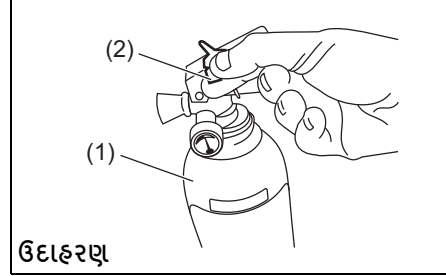


ક્લેમ્પ (3) માં અગ્નિશામક (1) ની બોડીને દાખલ કરો અને ક્લેમ્પ પર નોઝલ (2) કાળજીપૂર્વક નીચેની તરફ મૂકો.

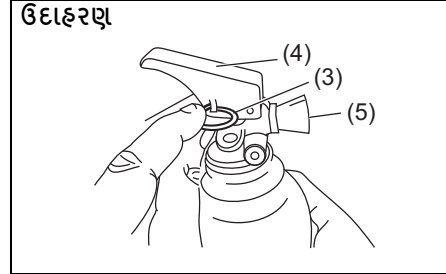
નોંધ:

ખાતરી કરો કે અગ્નિશામકની નોઝલ ક્લેમ્પ પર યોગ્ય રીતે બેઠેલી છે.

કામગીરીની પ્રક્રિયા



- 1) અગ્નિશામક (1) સીધું રાખો.
- 2) (2) સેફ્ટી પિન ફેરવીને (3) સીલ તોડો.



- 3) સેફ્ટી પિન (3) ખેંચો.
- 4) સ્વિચ્છ લિવર (4) અને નોઝલ (5) થી જેટને આગની નજીકની ધાર તરફ ઝડપી (ઝડપી) સ્વીપિંગ ગતિ સાથે દિશામાન કરો.

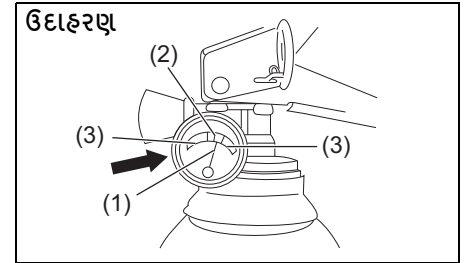


- 5) જ્યાં સુધી જ્વાળાઓ બુઝાઈ ન જાય ત્યાં સુધી આગને દૂરની ધાર તરફ ધકેલો.

નોંધ:

અગ્નિશામક ઉપકરણ માત્ર બાહ્ય સ્ત્રોત દ્વારા વાહનમાં લાગેલી નાની આગ માટે જ છે.

કરવું અને ના કરવું



કરવું

- 6) સમયાંતરે પ્રેશર ગેજ તપાસો. મહત્તમ યાજિંગ પ્રેશર **15Kgf/cm2** (ગ્રીન ઝોનમાં **(2)**) છે.
- 7) જ્યારે દબાણ ઘટશે, ત્યારે સૂચક સોલ(1) રેડ ઝોન **(3)** તરફ જશે. અગ્નિશામક ઉપકરણ પર આપવામાં આવેલી માહિતી મુજબ તાત્કાલિક અગ્નિશામક ઉત્પાદકનો સંપર્ક કરો.
- 8) અગ્નિશામક સેવા ફક્ત ઉત્પાદક સેવા કેન્દ્ર દ્વારા જ મેળવો. નજીકના સેવા કેન્દ્રને શોધવા માટે અગ્નિશામક પર આપવામાં આવેલી માહિતીનો સંદર્ભ લો.
- 9) ખાતરી કરો કે વાહનમાં અગ્નિશામક હંમેશા તેની નિયત સ્થાને રાખવામાં આવે છે.
- 10)ઉપયોગ કર્યા પછી તરત જ અગ્નિશામકને ફરીથી ભરો.

ના કરવું

- 11)અગ્નિશામકની સફાઈ માટે પાણીનો ઉપયોગ કરશો નહીં. (ધૂળ દૂર કરવા માટે સ્વચ્છ કપડાનો ઉપયોગ કરો)
- 12)વપરાયેલ અથવા વિસર્જિત અગ્નિશામક પર આધાર રાખશો નહીં.

નોંધ:

- દરેક ઉપયોગ પછી રિફિલિંગ જરૂરી છે.
- અગ્નિશામક ઉપકરણને દર 3 વર્ષ પછી રિફિલિંગની જરૂર પડે છે, પછી ભલે તેનો ઉપયોગ ન થાય.

દેખાવ સંભાળ

કાટ નિવારણ	9-1
વાહન સફાઈ	9-2

કાટ નિવારણ

તમારા વાહનને કાટ લાગવાથી બચાવવા માટે તેની સારી કાળજી લેવી મહત્વપૂર્ણ છે. કાટને રોકવા માટે તમારા વાહનની જાળવણી કેવી રીતે કરવી તે માટેની સૂચનાઓ નીચે સૂચિબદ્ધ છે. કૃપા કરીને આ સૂચનાઓને કાળજીપૂર્વક વાંચો અને અનુસરો.

કાટ વિશે મહત્વપૂર્ણ માહિતી

કાટ લાગવાના સામાન્ય કારણો

- 1) વાહનના અન્ડરબોડી અથવા ફ્રેમના હાર્ડ-ટુ-પહોંચના વિસ્તારોમાં રોડ મીઠું, ગંદકી, ભેજ અથવા રસાયણોનો સંગ્રહ.
- 2) ચીપિંગ, સ્ક્રેચ અને પત્થરો અને કાંકરી દ્વારા નાના અકસ્માતો અથવા ઘર્ષણના પરિણામે ટ્રીટેડ અથવા પેઇન્ટેડ ધાતુની સપાટીને કોઈપણ નુકસાન.
- 3) નીચે દર્શાવેલ કોઈપણ અથવા બધા મુદ્દાઓ:
 - સૂર્યપ્રકાશનો સતત સંપર્ક
 - સખત પાણી અને દરિયાનું પાણી વાહનના સંપર્કમાં આવે છે.
 - પગનું ઘસવું (સ્કટિંગ).

પર્યાવરણીય પરિસ્થિતિઓ જે કાટને વેગ આપે છે

- 1) માર્ગ મીઠું, ધૂળ નિયંત્રણ રસાયણો, દરિયાઈ હવા અથવા ઔદ્યોગિક પ્રદૂષણ બંધું ધાતુના કાટને વેગ આપશે.
- 2) ઉચ્ચ ભેજ કાટના દરમાં વધારો કરશે, ખાસ કરીને જ્યારે તાપમાનની શ્રેણી ઠંડકના બિંદુથી ઉપર હોય.
- 3) લાંબા સમય સુધી વાહનના અમુક વિસ્તારોમાં ભેજ બોડીના અન્ય ભાગો

સંપૂર્ણપણે સૂકા હોવા છતાં કાટને પ્રોત્સાહન આપી શકે છે.

- 4) ઊંચા તાપમાનને કારણે વાહનના ભાગોને ઝડપથી સૂકાઈ જવા માટે સારી રીતે વેન્ટિલેટેડ ન હોય તેવા ભાગોમાં કાટ લાગવાની ગતિ વધી જાય છે.

આ માહિતી તમારા વાહનને (ખાસ કરીને અંડરબોડી)ને શક્ય તેટલી સ્વચ્છ અને શુષ્ક રાખવાની આવશ્યકતા દર્શાવે છે. પેઇન્ટ અથવા રક્ષણાત્મક કોટિંગ્સને શક્ય તેટલી વહેલી તકે કોઈપણ નુકસાનને સમારકામ કરવું તેટલું જ મહત્વપૂર્ણ છે.

કાટ રોકવામાં કેવી રીતે મદદ કરવી

તમારા વાહનને વારંવાર ધુઓ તમારા વાહન પર ફિનિશને સાચવવાનો અને કાટ લાગવાથી બચવા માટેનો શ્રેષ્ઠ રસ્તો એ છે કે તેને વારંવાર ધોઈને સાફ રાખવું.

શિયાળા દરમિયાન ઓછામાં ઓછું એકવાર અને શિયાળા પછી તરત જ એકવાર તમારા વાહનને ધોઈ લો. તમારા વાહનને, ખાસ કરીને નીચેની બાજુ, શક્ય તેટલું સ્વચ્છ અને સૂકું રાખો.

જો તમે વારંવાર મીઠાવાળા રસ્તાઓ પર વાહન ચલાવો છો, તો શિયાળા દરમિયાન મહિનામાં ઓછામાં ઓછું એકવાર તમારું વાહન ધોવાવું જોઈએ. જો તમે સમુદ્રની નજીક રહો છો, તો તમારા વાહનને આખા વર્ષમાં ઓછામાં ઓછા મહિનામાં એકવાર ધોવાવું જોઈએ.

ધોવા માટેની સૂચનાઓ માટે, "વાહન સફાઈ" વિભાગનો સંદર્ભ લો.

વિદેશી સામગ્રીની ડિપોઝીટ્સ દૂર કરો વિદેશી સામગ્રી જેમ કે ક્ષાર, રસાયણો, રોડ ઓઇલ અથવા ટાર, ઝાડનો રસ, પક્ષીઓની ચરક અને ઔદ્યોગિક પતન તમારા વાહનની પૂર્ણાંકુતિને નુકસાન પહોંચાડી શકે છે જો તેને પેઇન્ટેડ સપાટી પર છોડી દેવામાં આવે. આ પ્રકારની ડિપોઝીટ્સ શક્ય તેટલી ઝડપથી દૂર કરો. જો આ ડિપોઝીટ્સને ધોવાનું મુશ્કેલ હોય, તો વધારાના ક્લીનરની જરૂર પડી શકે છે. ખાતરી કરો કે તમે ઉપયોગ કરો છો તે કોઈપણ ક્લીનર પેઇન્ટેડ સપાટીઓ માટે હાનિકારક નથી અને ખાસ કરીને તમારા હેતુઓ માટે બનાવાયેલ છે. આ વિશિષ્ટ ક્લીનર્સનો ઉપયોગ કરતી વખતે ઉત્પાદકની સૂચનાઓનું પાલન કરો.

રિપેર ફિનીશ નુકસાન

પેઇન્ટેડ સપાટીઓને નુકસાન માટે તમારા વાહનની કાળજીપૂર્વક તપાસ કરો. જો તમને પેઇન્ટમાં કોઈ ચિપ્સ અથવા સ્ક્રેચ લાગે છે, તો કાટ શરૂ થતો અટકાવવા માટે તેને તરત જ સ્પર્શ કરો. જો ચિપ્સ અથવા સ્ક્રેચ એકદમ ધાતુમાં ગયા હોય, તો લાયક બોડી શોપથી રિપેર કરાવો.

પેસેન્જર અને લગેજ કમ્પાર્ટમેન્ટ સાફ રાખો ફ્લોર મેટની નીચે ભેજ, ગંદકી અથવા કાદવ એકઠા થઈ શકે છે અને તે કાટનું કારણ બની શકે છે. પ્રસંગોપાત, આ વિસ્તાર સ્વચ્છ અને શુષ્ક છે તેની ખાતરી કરવા માટે આ સાંદરીઓની નીચે તપાસો. જો વાહન રસ્તાની બહાર અથવા ભીના હવામાનમાં વપરાય છે તો વધુ વારંવાર તપાસ કરવી જરૂરી છે.

અમુક કાર્ગો જેમ કે રસાયણો, ખાતરો, ક્લીનર્સ, ક્ષાર વગેરે પ્રકૃતિ મુજબ અત્યંત કાટ લાગતા હોય છે. આ ઉત્પાદનોનું સીલબંધ કન્ટેનરમાં પરિવહન કરવું જોઈએ. જો ઢોળાય અથવા લીક

થાય છે, તો તે વિસ્તારને તરત જ સાફ કરો અને સૂકવો.

તમારા વાહનને સૂકા સારી રીતે વેન્ટિલેટેડ વિસ્તારમાં સંગ્રહિત કરો

તમારા વાહનને સીધા સૂર્યપ્રકાશના સતત સંપર્કમાં આવવાથી બચાવવા માટે તેને પાર્ક કરો.

તમારા વાહનને ભીના, ખરાબ વેન્ટિલેટેડ વિસ્તારમાં પાર્ક કરશો નહીં, જો તમે વારંવાર તમારા વાહનને ગેરેજમાં ધોતા હોવ અથવા ભીના હોય ત્યારે તમે વારંવાર વાહન ચલાવો છો, તો તમારું ગેરેજ ભીનું હોઈ શકે છે. ગેરેજમાં ઉચ્ચ ભેજ કાટનું કારણ બની શકે છે અથવા તેને વેગ આપી શકે છે. જો વેન્ટિલેશન નબળું હોય તો ભીનું વાહન ગરમ ગેરેજમાં પણ કાટ લાગી શકે છે.

▲ ચેતવણી

ઉત્પ્રેરક કન્વર્ટર, એકઝોસ્ટ પાઇપ્સ વગેરે જેવા એકઝોસ્ટ સિસ્ટમના ઘટકો પર અથવા તેની આસપાસ વધારાના અન્ડરકોટિંગ અથવા કાટ નિવારક કોટિંગ લાગુ કરશો નહીં. જો અન્ડરકોટિંગ પદાર્થ વધુ ગરમ થઈ જાય તો આગ શરૂ થઈ શકે છે.

વાહન સફાઈ

ઉદાહરણ



77PM09001

▲ ચેતવણી

વાહનની અંદરની અથવા બહારની સફાઈ કરતી વખતે, જ્વલનશીલ દ્રાવક જેવા કે લેકર થિનર, પેટ્રોલ, બેન્ઝીન અથવા સફાઈ સામગ્રી જેમ કે બ્લીચ અથવા મજબૂત ધરગથ્થુ ડીટરજન્ટનો ક્યારેય ઉપયોગ કરશો નહીં. સામગ્રી વ્યક્તિગત ઇજા અથવા વાહનને નુકસાન પહોંચાડી શકે છે.

આંતરિક સફાઈ

વિનાઇલ અપહોલ્સ્ટરી

સાબુ અથવા હળવા ડીટરજન્ટવાળું દ્રાવણ ગરમ પાણીમાં ભેળવીને તૈયાર કરો. પ્લાસ્ટિકના જૂથમાંથી દ્રાવણને સ્પોન્જ અથવા નરમ કપડા વડે લગાડો અને ગંદકી છૂટી કરવા માટે તેને થોડી મિનિટો માટે પલાળી દો.

ગંદકી અને સાબુના દ્રાવણને દૂર કરવા માટે સ્વચ્છ, ભીના કપડાથી સપાટીને ઘસવું. જો કેટલીક ગંદકી હજુ પણ સપાટી પર રહે છે, તો આ પ્રક્રિયાને પુનરાવર્તિત કરો.

કેબ્રિક અપહોલ્સ્ટ્રી (આગળની પેસેન્જર સીટ સિવાય)

વેક્યૂમ ક્લીનર વડે છૂટીછવાઇ ગંદકી દૂર કરો. હળવા સાબુના દ્રાવણનો ઉપયોગ કરીને, સ્વચ્છ ભીના કપડાથી ડાઘવાળા વિસ્તારોને ઘસો. સાબુને દૂર કરવા માટે, પાણીથી ભીના કપડાથી વિસ્તારોને ફરીથી ઘસો. ડાઘ દૂર ન થાય ત્યાં સુધી આને પુનરાવર્તિત કરો, અથવા સખત ડાઘ માટે ક્રોમશિયલ કેબ્રિક ક્લીનરનો ઉપયોગ કરો. જો તમે કેબ્રિક ક્લીનરનો ઉપયોગ કરો છો, તો ઉત્પાદકની સૂચનાઓ અને સાવચેતીઓનું કાળજીપૂર્વક પાલન કરો.

▲ સાવધાન

- આગળના પેસેન્જરની સીટ પર પ્રવાહી અથવા જરાક નક્કર પદાર્થો ન ફેલાવો. જો તમે તેને આગળના પેસેન્જરની સીટ પર ફેલાવો છો, તો તેને તરત જ નરમ કપડાથી સૂકવી દો. સેન્સર સાથે પ્રવાહીનો સંપર્ક સીટ બેલ્ટ રીમાઇન્ડર સેન્સરના કાર્યને અસર કરી શકે છે.
- પેસેન્જર સીટ પર કોઈપણ તીક્ષ્ણ અથવા ભારે વસ્તુ ન મૂકો જે સીટની બેઠકમાં ગાદીમાંથી ધસી શકે અને સેન્સરને નુકસાન પહોંચાડી શકે.

કેબ્રિક અપહોલ્સ્ટ્રી (આગળની પેસેન્જર સીટ માટે)

સફાઈ માટે પ્રવાહીનો ઉપયોગ કરશો નહીં કારણ કે તે કેબ્રિકમાં ધસી શકે છે અને સીટ સેન્સરને નુકસાન પહોંચાડી શકે છે.

લેધર અપહોલ્સ્ટ્રી

વેક્યુમ ક્લીનર વડે છૂટીછવાઇ ગંદકી દૂર કરો. હળવા સાબુ અથવા સેડલ સોપ ડ્રાવણનો ઉપયોગ કરીને, સ્વચ્છ ભીના નરમ કપડાથી ગંદકી સાફ કરો. સાબુને દૂર કરવા માટે, પાણીથી ભીના સોફ્ટ કપડાથી વિસ્તારોને ફરીથી સાફ કરો. સૂકા વિસ્તારોને નરમ સૂકા કપડાથી સાફ કરો. જ્યાં સુધી ગંદકી અથવા ડાઘ દૂર ન થાય ત્યાં સુધી આને પુનરાવર્તિત કરો અથવા સખત ગંદકી અથવા ડાઘ માટે કોમશિયલ લેધર ક્લીનરનો ઉપયોગ કરો. જો તમે ચામડાના ક્લીનરનો ઉપયોગ કરો છો, તો ઉત્પાદકની સૂચનાઓ અને સાવચેતીઓનું કાળજીપૂર્વક પાલન કરો. ડ્રાવક પ્રકારના ક્લીનર્સ અથવા ધર્ષક ક્લીનર્સનો ઉપયોગ કરશો નહીં.

નોંધ:

- લેધર અપહોલ્સ્ટ્રી સારી દેખાતી રાખવા માટે, તેને વર્ષમાં ઓછામાં ઓછા બે વાર સાફ કરવી જોઈએ.
- જો લેધર અપહોલ્સ્ટ્રી ભીની થઈ જાય, તો તેને તરત જ ટીશ્યુ પેપર અથવા નરમ કપડાથી સૂકવી લો. જો તેને સાફ ન કરવામાં આવે તો પાણીને કારણે ચામડું સખત અને સંકોચાઈ શકે છે.
- તડકાના દિવસોમાં પાર્કિંગ કરતી વખતે, સંદિગ્ધ સ્થળ પરસેદ કરો અથવા સનશેડનો ઉપયોગ કરો. જો લેધર અપહોલ્સ્ટ્રી લાંબા સમય સુધી સીધા સૂર્યપ્રકાશના સંપર્કમાં રહે છે, તો તે વિકૃત થઈ શકે છે અને સંકોચાઈ શકે છે.

જેમ કે કુદરતી સામગ્રીઓ સાથે સામાન્ય છે, ચામડું અનાજમાં સ્વાભાવિક રીતે અનિયમિત

હોય છે અને ગાયના ચામડામાં કુદરતી સ્થિતિમાં કોલેલીઓ હોય છે. આ ચામડાની કામગીરીને કોઈપણ રીતે અસર કરતા નથી.

સીટ બેલ્ટ

સીટ બેલ્ટને હળવા સાબુ અને પાણીથી સાફ કરો. બેલ્ટ પર બ્લીચ અથવા ડાઈનો ઉપયોગ કરશો નહીં. તેઓ બેલ્ટમાં ફેબ્રિકને નબળા બનાવી શકે છે.

વિનાઇલ ફ્લોર સાદડીઓ

સામાન્ય ગંદકીને પ્લાસ્ટિકના જૂથમાંથી પાણી અથવા હળવા સાબુથી દૂર કરી શકાય છે. ગંદકી છૂટી કરવામાં મદદ કરવા માટે બ્રશનો ઉપયોગ કરો. ગંદકી છૂટી જાય પછી, સાદડીને પાણીથી સારી રીતે ધોઈ લો અને તેને છાંયડામાં સૂકવી દો.

કાર્પેટ

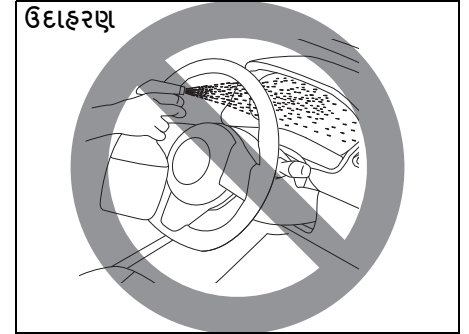
વેક્યુમ ક્લીનર વડે શક્ય તેટલી ગંદકી અને માટી દૂર કરો. હળવા સાબુના ડ્રાવણનો ઉપયોગ કરીને, સ્વચ્છ ભીના કપડાથી ડાઘવાળા વિસ્તારોને ઘસો. સાબુને દૂર કરવા માટે, પાણીથી ભીના કપડાથી વિસ્તારોને ફરીથી ઘસો. સાબુને દૂર કરવા માટે, પાણીથી ભીના કપડાથી વિસ્તારોને ફરીથી ઘસો. ડાઘ દૂર ન થાય ત્યાં સુધી આને પુનરાવર્તિત કરો, અથવા સખત ડાઘ માટે કોમશિયલ કાર્પેટ ક્લીનરનો ઉપયોગ કરો. જો તમે કાર્પેટ ક્લીનરનો ઉપયોગ કરો છો, તો ઉત્પાદકની સૂચનાઓ અને સાવચેતીઓને કાળજીપૂર્વક અનુસરો.

ઇન્સ્ટ્રુમેન્ટ પેનલ અને કન્સોલ

વેક્યુમ ક્લીનર વડે છૂટીછવાઇ ગંદકી દૂર કરો. યુસ્તપણે સ્ક્રિબર્સ કરેલા ભીના સ્વચ્છ કપડાથી

ધીમેધીમે ગંદકી સાફ કરો. જ્યાં સુધી ગંદકી દૂર ન થાય ત્યાં સુધી આને પુનરાવર્તન કરો.

નોટિસ
સ્વીચો જેવા વિદ્યુત ઘટકોને સાફ કરવા માટે સિલિકોન ધરાવતા રાસાયણિક ઉત્પાદનોનો ઉપયોગ કરશો નહીં. આ ઘટકોને નુકસાન પહોંચાડશે.
ઇન્સ્ટ્રુમેન્ટ કલસ્ટર અથવા અન્ય કોઈપણ ઇલેક્ટ્રિકલ અથવા ઇલેક્ટ્રોનિક ઘટકો પર પાણી અથવા કોઈપણ પ્રવાહીનો સીધો છંટકાવ કરશો નહીં. આ નુકસાનનું કારણ બની શકે છે અને/અથવા ભાગના બિન-કાર્યશીલતા તરફ દોરી શકે છે.

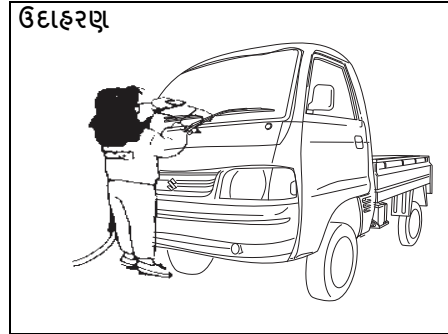


81RM08005

બાહ્ય ભાગની સફાઈ

નોટિસ
તમારા વાહનને સ્વચ્છ અને ગંદકીથી મુક્ત રાખવું જરૂરી છે. તમારા વાહનને સ્વચ્છ રાખવામાં નિષ્ફળતાના પરિણામે પેઇન્ટ અંખા પડી શકે છે અથવા વાહનના બોડીના વિવિધ ભાગોમાં કાટ લાગી શકે છે.

ઘોવું



82DY0

ચેતવણી
<ul style="list-style-type: none"> એન્જીન ચાલુ હોય ત્યારે તમારા વાહનને ક્યારેય ધોવાનો અને વેક્સ કરવાનો પ્રયાસ કરશો નહીં જ્યારે બોડી અને ફેન્ડરની નીચેની બાજુ સાફ કરતી વખતે, જ્યાં તીક્ષ્ણ ધારવાળા ભાગો હોઈ શકે છે, ત્યારે તમારે તમારા હાથ અને ભુજાઓને કાંપવાથી બચાવવા માટે મોજા અને લાંબી બાંયનો શર્ટ પહેરવો જોઈએ. તમારા વાહનને ધોયા પછી, વાહન ચલાવતા પહેલા બ્રેકનું કાળજીપૂર્વક પરીક્ષણ કરો જેથી ખાતરી થાય કે તેણે તેમની સામાન્ય અસરકારકતા જાળવી રાખી છે.

વાહન ધોતી વખતે, સીધો સૂર્યપ્રકાશ તેના પર ન પડે ત્યાં તેને પાર્ક કરો અને નીચેની સૂચનાઓનું પાલન કરો:

- 1) કાદવ અને કાટમાળને દૂર કરવા માટે બોડી અને વ્હીલ હાઉસિંગની નીચેની બાજુને દબાણયુક્ત પાણીથી ફ્લશ કરો. પુષ્કળ પાણીનો ઉપયોગ કરો.

નોટિસ
<p>વાહન ધોતી વખતે:</p> <ul style="list-style-type: none"> પ્લાસ્ટિકના ભાગો પર 80°C (176°F) કરતા વધુ વરાળ અથવા ગરમ પાણીને દિશામાન કરવાનું ટાળો. એન્જીનના ઘટકોને નુકસાન ન થાય તે માટે એન્જીનના ડબ્બામાં દબાણયુક્ત પાણીનો ઉપયોગ કરશો નહીં.

- 2) ગંદકીને છુટા કરવા માટે બોડીને પલાળો. વહેતા પાણીથી બોડીની બહારની ગંદકી અને કાદવ દૂર કરો. તમે સોફ્ટ સ્પોન્જ અથવા બ્રશનો ઉપયોગ કરી શકો છો. સખત સામગ્રીનો ઉપયોગ કરશો નહીં જે પેઇન્ટ અથવા પ્લાસ્ટિકને સ્ક્રેચ કરી શકે છે. ચાદ રાખો કે હેડલાઇટ કવર અથવા લેન્સ ઘણા કિસ્સાઓમાં પ્લાસ્ટિકના બનેલા હોય છે.

નોટિસ
પેઇન્ટ અથવા પ્લાસ્ટિકની સપાટીને નુકસાન ન થાય તે માટે, પૂરતા પાણી વિના ગંદકીને સાફ કરશો નહીં. ઉપરોક્ત પ્રક્રિયાને અનુસરવાની ખાતરી કરો.

- 3) સ્પોન્જ અથવા નરમ કાપડનો ઉપયોગ કરીને હળવા ડીટરજન્ટ અથવા કાર ધોવાના સાબુથી સમગ્ર બાહ્ય ભાગ ધુઓ. સ્પોન્જ અથવા કાપડને વારંવાર સાબુના દ્રાવણમાં પલાળવું જોઈએ.

નોટિસ
ક્રોમશિયલ કાર ધોવાના ઉત્પાદનનો ઉપયોગ કરતી વખતે, ઉત્પાદક દ્વારા ઉલ્લેખિત સાવચેતીઓનું અવલોકન કરો. મજબૂત ઘરગથ્થુ ડીટરજન્ટ અથવા સાબુનો ક્યારેય ઉપયોગ કરશો નહીં.

- 4) એકવાર ગંદકી સંપૂર્ણપણે દૂર થઈ જાય, પછી વહેતા પાણીથી ડીટરજન્ટને ધોઈ નાખો.

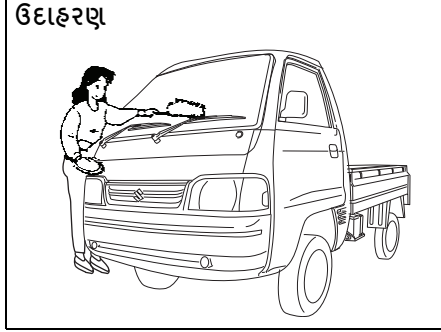
- 5) પલાબ્યા પછી, વાહનના બોડીને ભીના પોતા અથવા કપડાથી સાફ કરો અને તેને છાયામાં સૂકવવા દો.
- 6) પેઇન્ટેડ સપાટીઓને નુકસાન માટે કાળજીપૂર્વક તપાસો. જો કોઈ નુકસાન થયું હોય, તો નીચેની પ્રક્રિયાને અનુસરીને નુકસાનને સ્પર્શ કરો:
 1. તમામ ક્ષતિગ્રસ્ત સ્થળોને સાફ કરો અને તેમને સૂકવવા દો.
 2. પેઇન્ટને હલાવો અને નાના બ્રશનો ઉપયોગ કરીને ક્ષતિગ્રસ્ત સ્થળોને હળવાશથી સ્પર્શ કરો.
 3. પેઇન્ટને સંપૂર્ણપણે સૂકવવા દો.

નોટિસ

જો તમે ઓટોમેટિક કાર વોશનો ઉપયોગ કરો છો, તો ખાતરી કરો કે તમારા વાહનના બોડીના ભાગો, જેમ કે સ્પોઈલરથી નુકસાન ન થઈ શકે. જો તમને શંકા હોય, તો સલાહ માટે કાર વોશ ઓપરેટરની સલાહ લો.

વેક્સિંગ

ઉદાહરણ



77PM09002

વાહન ધોયા પછી, પેઇન્ટને વધુ સુરક્ષિત અને સુંદર બનાવવા માટે વેક્સિંગ અને પોલિશિંગની ભલામણ કરવામાં આવે છે.

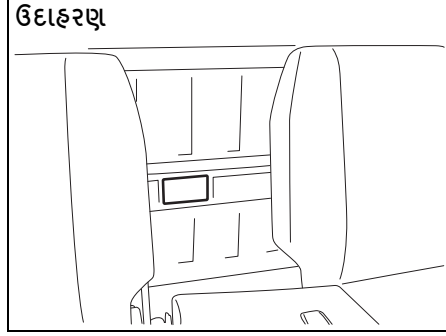
- માત્ર સારી ગુણવત્તાના મીણ અને પોલિશનો ઉપયોગ કરો.
- મીણ અને પોલિશનો ઉપયોગ કરતી વખતે, ઉત્પાદકો દ્વારા ઉલ્લેખિત સાવચેતીઓનું અવલોકન કરો.

સામાન્ય માહિતી

વાહનની ઓળખ	10-1
FASTag (જો સજ્જ હોય તો)	10-1
CNG કિટ નંબર ઓળખ (જો સજ્જ હોય તો)	10-2
ઉચ્ચ સુરક્ષા નોંધણી પ્લેટ (HSRP) (જો લાગુ હોય).....	10-3

વાહનની ઓળખ

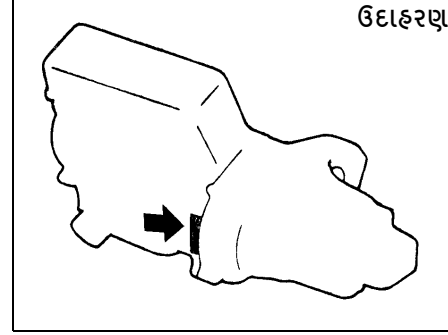
ચેસીસ સીરીયલ નંબર



77PH059

વાહનની નોંધણી કરવા માટે ચેસીસ અને/ અથવા એન્જિન સીરીયલ નંબરનો ઉપયોગ કરવામાં આવે છે. તેઓનો ઉપયોગ તમારા ડીલરને ઓર્ડર કરતી વખતે અથવા વિશેષ સેવાની માહિતીનો સંદર્ભ આપવા માટે પણ કરવામાં આવે છે. જ્યારે પણ તમારી પાસે તમારી અધિકૃત મારુતિ સુઝુકી કોમર્શિયલ વર્કશોપનો સંપર્ક કરવાનો પ્રસંગ હોય, ત્યારે આ નંબર વડે તમારા વાહનને ઓળખવાનું યાદ રાખો. જો તમને નંબર વાંચવો મુશ્કેલ લાગે, તો તમે તેને ઓળખ પ્લેટ પર પણ શોધી શકો છો.

એન્જિન સીરીયલ નંબર



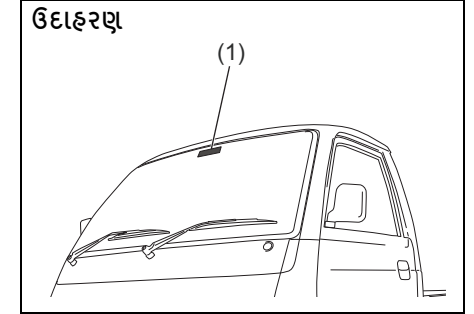
54G082

ઉદાહરણમાં બતાવ્યા પ્રમાણે સિલિન્ડર બ્લોક પર એન્જિન સીરીયલ નંબર સ્ટેમ્પ થયેલ છે.

FASTag (જો સજ્જ હોય તો)

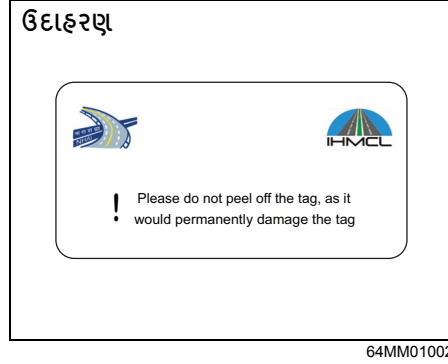
માર્ગ પરિવહન અને ધોરીમાર્ગ મંત્રાલય મુજબ, ઇલેક્ટ્રોનિક ટોલ વસૂલાતના હેતુ માટે અથવા ભારત સરકાર દ્વારા વ્યાખ્યાયિત કરી શકાય તેવા અન્ય કોઈપણ હેતુ માટે **FASTag (1)** દરેક વાહન માટે ફરજિયાત છે.

FASTag ને કોઈ નુકસાન થવાના કિસ્સામાં અથવા આગળની વિન્ડસ્ક્રીન બદલવાના કિસ્સામાં, કૃપા કરીને તમારા નજીકના અધિકૃત મારુતિ સુઝુકી વર્કશોપનો સંપર્ક કરો. ને કોઈ નુકસાન થવાના કિસ્સામાં અથવા આગળની વિન્ડસ્ક્રીન બદલવાના કિસ્સામાં, કૃપા કરીને તમારા નજીકના અધિકૃત મારુતિ સુઝુકી વર્કશોપનો સંપર્ક કરો.



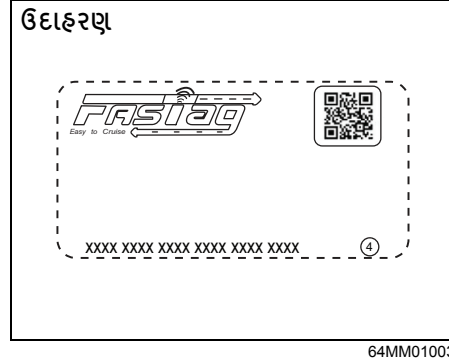
66MM01001

જેમ કે વાહનની અંદરથી દેખાય છે



નોંધ:
બતાવેલ ચિત્ર માત્ર સૂચક હેતુ માટે છે. વાહન પર માઉન્ટ થયેલ વાસ્તવિક ઉપકરણની આંતરિક રચના અલગ હોઈ શકે છે.

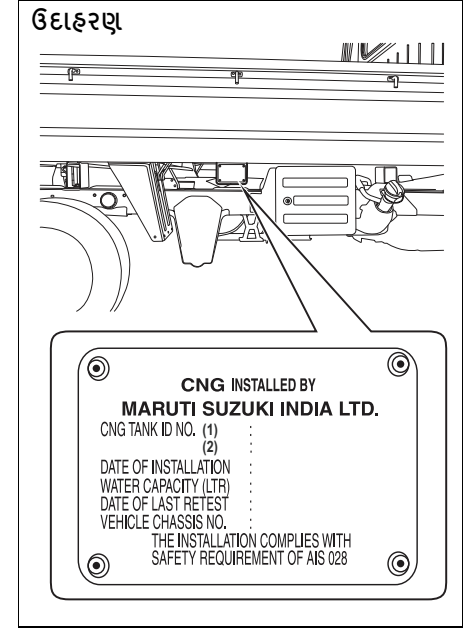
જેમ કે વાહનની બહારથી દેખાય છે



નોંધ:
બતાવેલ ચિત્ર માત્ર સૂચક હેતુ માટે છે. વાહન પર માઉન્ટ થયેલ વાસ્તવિક ઉપકરણની આંતરિક રચના અલગ હોઈ શકે છે.

- નોંધ:
- વિન્ડસ્ક્રીનમાંથી ટેગને દૂર કરવાના કોઈપણ પ્રયાસના પરિણામે ટેગને કાયમી નુકસાન થશે.
 - વિન્ડસ્ક્રીન વિસ્તારને સાફ કરવા માટે રાસાયણિક ક્લીનર્સનો ઉપયોગ જ્યાં ટેગ માઉન્ટ થયેલ છે તે ટેગને નુકસાન પહોંચાડી શકે છે.
 - ટેગ પર કોઈપણ તીક્ષ્ણ વસ્તુઓનો ઉપયોગ ટેગને નુકસાન પહોંચાડી શકે છે.

CNG કિટ નંબર ઓળખ (જો સજ્જ હોય તો)



CNG સિલિન્ડર ઓળખ નંબર અને CNG કિટ સ્થાપિત કરવાની તારીખ બતાવ્યા પ્રમાણે કાર્ગો બોડીની જમણી બાજુએ સ્થિત છે.

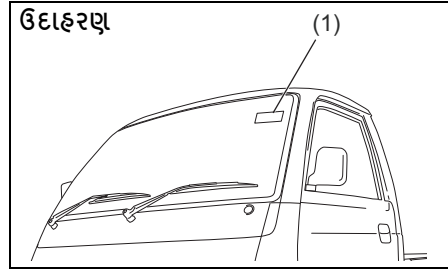
ઉચ્ચ સુરક્ષા નોંધણી પ્લેટ (HSRP) (જો લાગુ હોય તો)

માર્ગ પરિવહન અને રાજમાર્ગ મંત્રાલયના જણાવ્યા મુજબ, દરેક નવા વાહનમાં HSRP હોવું આવશ્યક છે.

HSRP સમાવે છે:

- આગળ અને પાછળનું HSRP, જે નંબર પ્લેટ એરિયા પર દરેકમાં 2 સ્નેપ-લોક સાથે ફીટ કરવામાં આવશે.
- આગળની વિન્ડશિલ્ડ પર ત્રીજી લાઇસન્સ પ્લેટ.

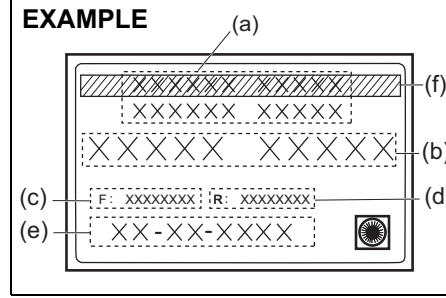
ત્રીજી લાઇસન્સ પ્લેટ



64MM01005

(1) ત્રીજી લાઇસન્સ પ્લેટ

ત્રીજી લાઇસન્સ પ્લેટ - જેમ કે વાહનની બહારથી દેખાય છે



72RM09002

- (a) HSRP જારી કરતા સત્તાધિકારીનું નામ
- (b) વાહન નોંધણી નંબર
- (c) અનન્ય લેસર નંબર - આગળની પ્લેટ
- (d) અનન્ય લેસર નંબર - પાછળની પ્લેટ
- (e) 1લી નોંધણીની તારીખ (DD-MM- YYYY ફોર્મેટમાં)
- (f) ગ્રીન સ્ટ્રીપ્સ (BS6 વાહન)

નોંધ:

બતાવેલ ચિત્ર માત્ર સૂચક હેતુ માટે છે. વાહન પર લગાવેલ વાસ્તવિક લેબલની આંતરિક રચના અલગ હોઈ શકે છે.

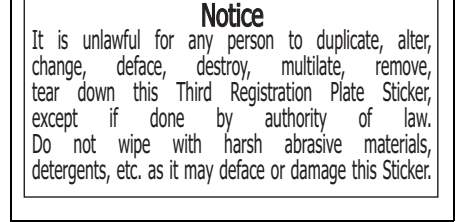
નોંધ:

- વિન્ડસ્ક્રીનમાંથી ત્રીજી લાઇસન્સ પ્લેટ દૂર કરવાનો કોઈપણ પ્રયાસ લેબલને કાયમી નુકસાનમાં પરિણમશે.

- વિન્ડસ્ક્રીન વિસ્તારને સાફ કરવા માટે રાસાયણિક ક્લીનર્સનો ઉપયોગ જ્યાં લેબલ લગાવેલું છે તે જ નુકસાન કરી શકે છે.
- લેબલ પરની કોઈપણ તીક્ષ્ણ વસ્તુઓનો ઉપયોગ લેબલને નુકસાન પહોંચાડી શકે છે.
- ત્રીજી લાઇસન્સ પ્લેટ બદલવાની ઘટનામાં, કૃપા કરીને માન્ય સત્તાધિકારીનો સંપર્ક કરી શકો છો.

ત્રીજી લાઇસન્સ પ્લેટ - જેમ કે વાહનની અંદરથી દેખાય છે

ઉદાહરણ



64MM01009

નોંધ:

બતાવેલ ચિત્ર માત્ર સૂચક હેતુ માટે છે.

નોંધ:

ત્રીજી લાઇસન્સ પ્લેટ (પાછળ) નો રંગ માર્ગ પરિવહન અને ધોરીમાર્ગ મંત્રાલય દ્વારા નિર્ધારિત HSRP નિયમન મુજબ છે.

સ્પષ્ટીકરણો

સ્પષ્ટીકરણો

નોંધ:

સ્પષ્ટીકરણો સૂચના વિના ફેરફારને પાત્ર છે.

"ચેસીસ" વેરિઅન્ટ્સ સંબંધિત સ્પષ્ટીકરણ "બોડી બનાવટ માટેની સૂચનાઓ" નો સંદર્ભ આપે છે

આઇટમ: પરિમાણો		એકમ: mm
એકંદર લંબાઈ		3800
એકંદર પહોળાઈ		1562
એકંદરે ઊંચાઈ		1883
વ્હીલબેઝ		2110
ટ્રેક	આગળ	1345
	પાછળ	1330

આઇટમ: માસ (વજન)		એકમ: Kg
કર્બ માસ (વજન)	પેટ્રોલ (Petrol)	870
	સીએનજી (CNG)	990
ગ્રોસ વાહન માસ (વજન) રેટિંગ		1620
અનુમતિપાત્ર મહત્તમ એક્સલ વજન	આગળ	900
	પાછળ	1020

આઇટમ: એન્જિન	પેટ્રોલ અને બાસીએનજી
પ્રકાર	K12N (DOHC)
સિલિન્ડરોની સંખ્યા	4
બોર	73.0 mm
સ્ટ્રોક	71.5 mm
પિસ્ટન ડિસ્પ્લેસમેન્ટ	1197 cm ³ (1197 cc)
કમ્પ્રેશન રેશિયો	12.0: 1

આઇટમ: ઇલેક્ટ્રિકલ	
સ્પાર્ક પ્લગ	NGK ILZKR6F11
બેટરી	12V 38B20R
ફ્યુઝ	"નિરીક્ષણ અને જાળવણી" વિભાગ જુઓ.

આઇટમ: લાઇટ્સ	વોટેજ	બલ્બ નં.
હેડલાઇટ	12V 60/55W	H4
સ્થિતિ લાઇટ	12V 5W	W5W
સિગ્નલ લાઇટ ચાલુ કરો	આગળ	12V 21W
	પાછળ	12V 21W
બ્રેક/ટેઇલ લાઇટ	12V 21/5W	P21/5W
રિવર્સિંગ લાઇટ	12V 21W	P21W
લાઇસન્સ પ્લેટ લાઇટ	12V 5W	W5W
આંતરિક લાઇટ	12V 5W	C5W

સ્પષ્ટીકરણો

આઇટમ: વ્હીલ્સ અને ટાયર	
ટાયરનું કદ, આગળ, પાછળનું અને ફાજલ	155R13 LT 8PR 89/88S* / 155R13 LT 8PR 90/89Q*
રિમ કદ	13X4J
ટાયર દબાણ	ઉલ્લેખિત ટાયરના દબાણ માટે, ડ્રાઇવરના ડોરલોક પિલર પર સ્થિત ટાયર માહિતી લેબલ જુઓ.

* જો તમે નિર્દિષ્ટ લોડ ઇન્ડેક્સ રેટ અને સ્પીડ સિમ્બોલ સાથે ટાયર તૈયાર કરી શકતા નથી, તો વધુ લોડ ઇન્ડેક્સ રેટ અને સ્પીડ સિમ્બોલ સાથે ટાયર તૈયાર કરો.

આઇટમ: ભલામણ કરેલ ફ્યુઅલ / લ્યુબ્રિકન્ટ્સ અને ક્ષમતાઓ (અંદાજે)			
ફ્યુઅલ	પેટ્રોલ (Petrol)		30 L#
	સીએનજી (CNG)	પેટ્રોલ (Petrol)	5 L#
		સીએનજી (CNG)	35 L × 2 ટાંકી#
એન્જિન તેલ	પેટ્રોલ (Petrol)	વર્ગીકરણ: API SN	3.8L (ઓઇલ ફિલ્ટર સાથે બદલો)
	સીએનજી (CNG)	સ્નેઝતા: SAE 0W-16	4.2 L (ઓઇલ ફિલ્ટર સાથે બદલો)
એન્જિન ફ્લેન્ટ	પેટ્રોલ (Petrol)	"SUZUKI LLC: Super (Blue) Coolant" *1	3.6 L (રિસર્વોયર ટેન્ક સહિત)
	સીએનજી (CNG)	"SUZUKI LLC: Standard (Yellow) Coolant" *1	3.65 L (રિસર્વોયર ટેન્ક સહિત)
મેન્યુઅલ ટ્રાન્સમિશન તેલ પેટ્રોલ		MARUTI GENUINE GEAR OIL 75W	1.4 L
પાછળનું ડિફરન્શિયલ ઓઇલ		"TOTALFINAELF TRANSELF LL 85W-140"	1.6 L
બ્રેક પ્રવાહી		મારુતિ જેન્યુઇન બ્રેક ફ્લુઇડ (MGBF) અથવા DOT 3	નિરીક્ષણ અને જાળવણી વિભાગમાં આપેલી સૂચનાઓ અનુસાર યોગ્ય તેલ સ્તર પર ફરીથી ભરો.

*1: ભલામણ કરેલ ફ્લેન્ટ તમારા વાહનના આધારે બદલાય છે. "નિરીક્ષણ અને જાળવણી" વિભાગનો સંદર્ભ લો.

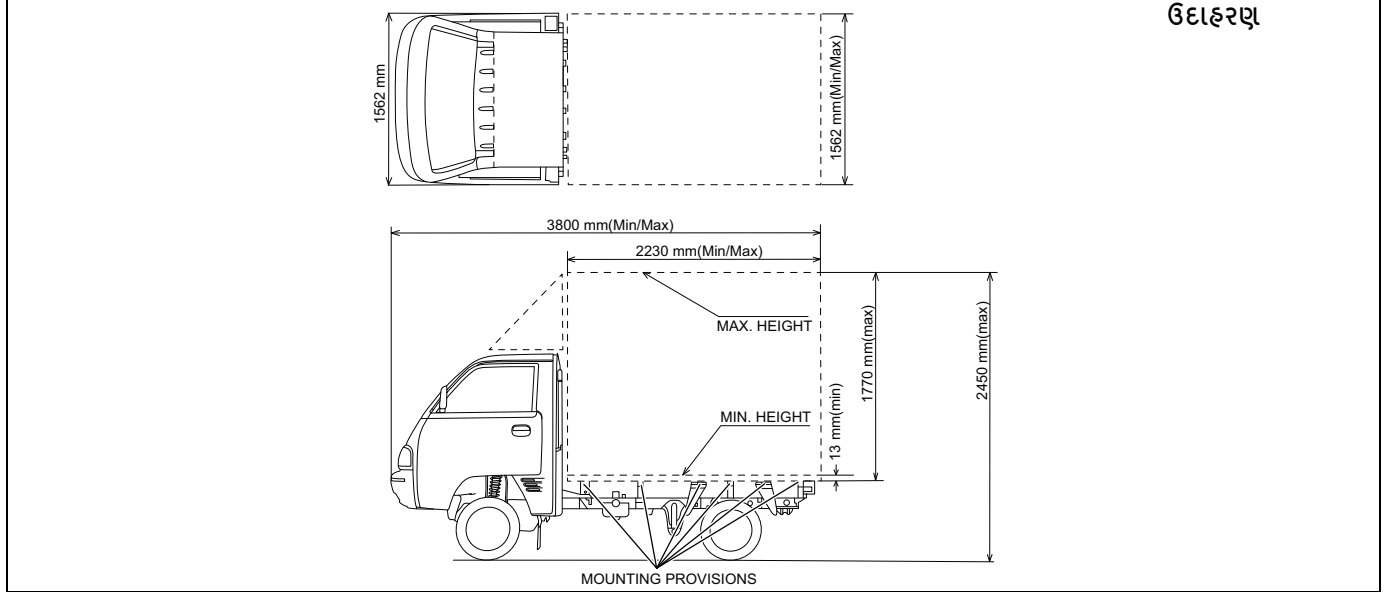
#: ફ્યુઅલ ટાંકીની ક્ષમતા તમે ભરી શકો તે ફ્યુઅલના ભલામણ કરેલ જથ્થા કરતાં થોડી વધુ છે. વધારાની વિશાળ જગ્યા સલામતી અને વૈજ્ઞાનિક કારણોસર આપવામાં આવી છે.

બોડી ફેબ્રિકેશન માટે સૂચનાઓ (ચેસીસ વેરિઅન્ટ)

કેબ-ચેસીસ વાહન પર બોડી ફેબ્રિકેશન નીચેની સૂચનાઓ અને સીમાની શરતોને સુનિશ્ચિત કરીને હાથ ધરવામાં આવશે:

- બોડી એક્સ્ટીરિયર્સ:** લોડ બોડી/એપ્લિકેશન એવી રીતે બનાવવી જોઈએ કે વાહનની બાહ્ય સપાટી પર તીક્ષ્ણ કિનારીઓ અથવા તીક્ષ્ણ પ્રોજેક્ટિંગ પાર્ટ્સ ન હોવા જોઈએ જે બોડીના કામ અથવા તેની સામે બૂંધ કરવાથી વ્યક્તિને શારીરિક ઈજા થવાનું જોખમ અથવા ગંભીરતા વધારી શકે છે. તે અથડામણની ઘટનામાં, જ્યારે સંપૂર્ણ વાહન સ્થિર હોય અને ગતિમાં હોય ત્યારે આ બંને માન્ય છે. બાહ્ય કિનારીઓ અને પ્રોજેક્ટિંગ ભાગો પર વક્તાની ઓછામાં ઓછી **2.5મિમી** અથવા વધુ ત્રિજ્યાની ખાતરી કરવી જરૂરી છે. બોડી એ **CMVR** નિયમ **124(1)-11** હેઠળ વ્યાખ્યાયિત કર્યા મુજબ નિર્ધારિત જરૂરિયાતને પૂર્ણ કરશે.
- બોડી લેઆઉટ (જેમ કે ટિપર એપ્લિકેશન) માટે,** જ્યાં બેટરી માઉન્ટ કરવાનું ખુલ્લું હોય છે, **CMVR** નિયમ **124(1)-11** હેઠળ વ્યાખ્યાયિત કરાયેલા બાહ્ય અંદાજોની આવશ્યક જરૂરિયાતોને પહોંચી વળવા માટે કવર પૂરું પાડવામાં આવશે.
- પ્રતિબિંબિત ટેપ:** બોડી બિલ્ડરે વાહનના પાછળના ભાગની પહોળાઈ પર ચાલતી લાલ પ્રતિબિંબિત ટેપ (**20** મીમીથી ઓછી પહોળાઈની) પેસ્ટ કરવી જોઈએ અને **CMVR** નિયમ નંબર **104** હેઠળની જરૂરિયાતોનું પાલન કરવું જોઈએ.
- હેડ લેમ્પ:** બોડી ફેબ્રિકેશન પછી, હેડ લેમ્પ (**CMVR 124 (1)-20** મુજબ) પર ચિહ્નિત કર્યા મુજબ હેડ લેમ્પનો પ્રારંભિક ઝોક ગોઠવવામાં આવશે. **GVW** સ્થિતિ માટે હેડ લેમ્પ લેવલિંગ સ્વીચની સ્થિતિ બોડી ફેબ્રિકેટર દ્વારા ગ્રાહકને નિર્દિષ્ટ કરવામાં આવશે.
- બોડી બિલ્ડરની પ્લેટ:** બોડી બિલ્ડરે **CMVR** નિયમ **122** હેઠળ જરૂરિયાત મુજબ બોડી-બિલ્ડરની પ્લેટ મૂકવી પડશે જેમાં ભાર વિનાનું વજન, પેલોડ અને અન્ય વિગતોનો ઉલ્લેખ કરવામાં આવશે.
- ફોર્મ 22A ભાગ II:** બોડી બિલ્ડર **CMVR** નિયમ **47** હેઠળ જરૂરિયાત મુજબ ફોર્મ **22A** ભાગ II પ્રદાન કરશે.
- બોડી બિલ્ડરે બોડી ફેબ્રિકેશન દરમિયાન ઇલેક્ટ્રિકલ વાયરિંગ, ઇલેક્ટ્રિકલ ઇન્વેપમેન્ટ, બ્રેક કનેક્શન, બ્રેક પાઇપિંગ, ફ્યુઅલ કનેક્શન, એક્ઝોસ્ટ સિસ્ટમ અને ચેસિસના ઘટકોમાં ફેરફાર કરવો જોઈએ નહીં**

(g) પરિમાણો: ઉત્પાદક દ્વારા પૂરા પાડવામાં આવેલ કેબ ચેસીસ વાહન પર બાંધવામાં આવનાર લોડ બોડી/એપ્લિકેશન નીચે આપેલા ચિત્રમાં દર્શાવ્યા મુજબ લઘુત્તમ અને મહત્તમ એનવલપમાં ફિટ કરવા માટે ડિઝાઇન કરવામાં આવશે.



77PM12003

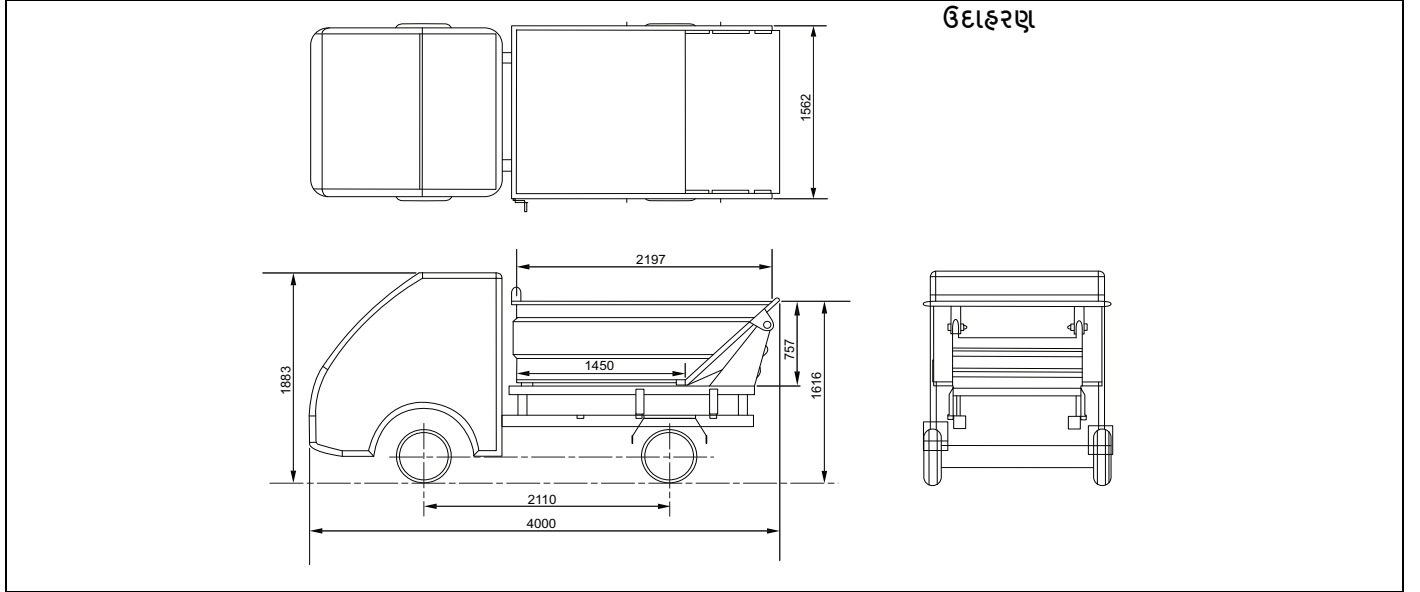
બોડી ફેબ્રિકેશન માટેની સૂચનાઓ

બોડી ફેબ્રિકેશન માટેની સૂચનાઓ

પેટ્રોલ મોડેલ ટીપર માટે (ઓપન ટીપર અને ક્લોઝ્ડ ટીપર)

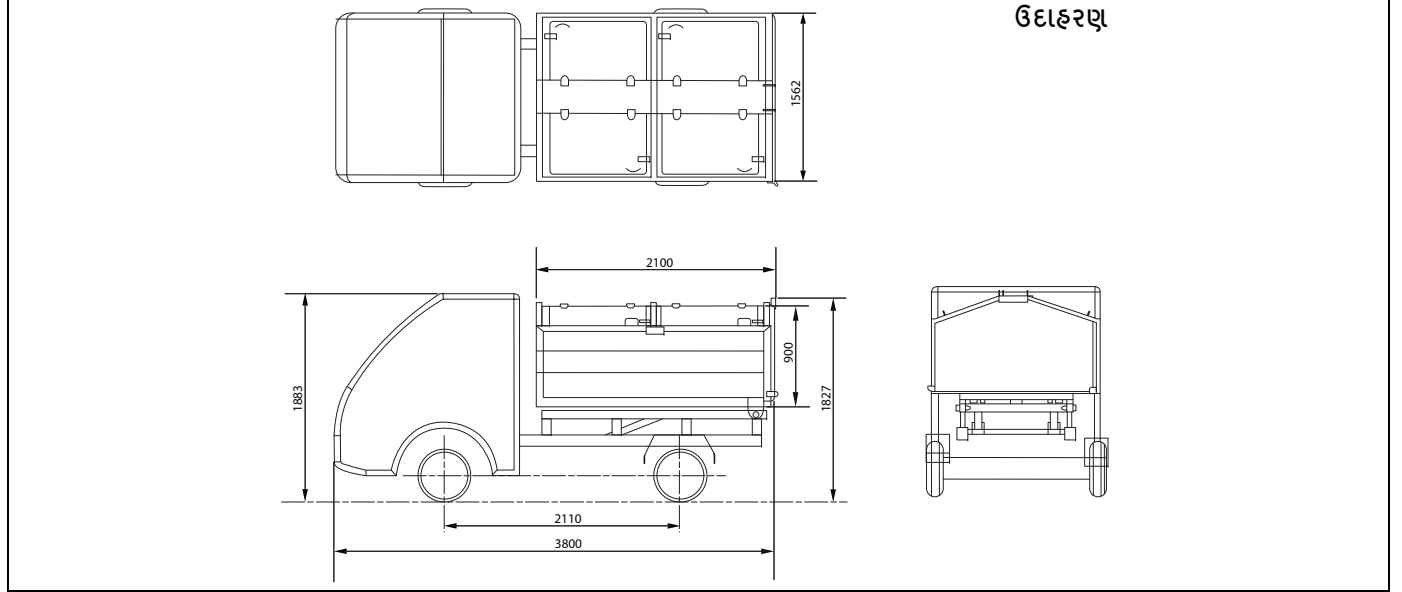
નિર્માતા દ્વારા પૂરા પાડવામાં આવેલ કેબ ચેસીસ વાહન પર બાંધવામાં આવનાર લોડ બોડી/એપ્લિકેશન નીચે આપેલા ચિત્રની જેમ નિર્દિષ્ટ પરિમાણમાં ફિટ થવા માટે ડિઝાઇન કરવામાં આવશે

- ઓપન ટીપર:



77PM12006

• ક્લોઝ્ડ ટીપર:



77PM12007

(h) વજન અને તેનું વિતરણ: લોડ બોડી/એપ્લિકેશન સંપૂર્ણ વાહનના લઘુત્તમ કર્બ વજનને **870kg** (પેટ્રોલ), **990kg (CNG)** અને સંપૂર્ણ વાહનનું મહત્તમ કર્બ વજન **1140kg** (પેટ્રોલ), **1255kg (CNG)** તરીકે ધ્યાનમાં રાખીને બનાવવું જોઈએ. ફ્રન્ટ એક્સલ અને રીઅર એક્સલ કર્બ વજનનો ગુણોત્તર **1.45** (પેટ્રોલ), **1.25 (CNG)** થી વધુ ન હોવો જોઈએ.

પેટ્રોલ મોડલ ટીપર એપ્લિકેશન માટે, લોડ બોડી/એપ્લિકેશન નીચેના કર્બ વજનને ધ્યાનમાં રાખીને બનાવેલી હોવી જોઈએ.

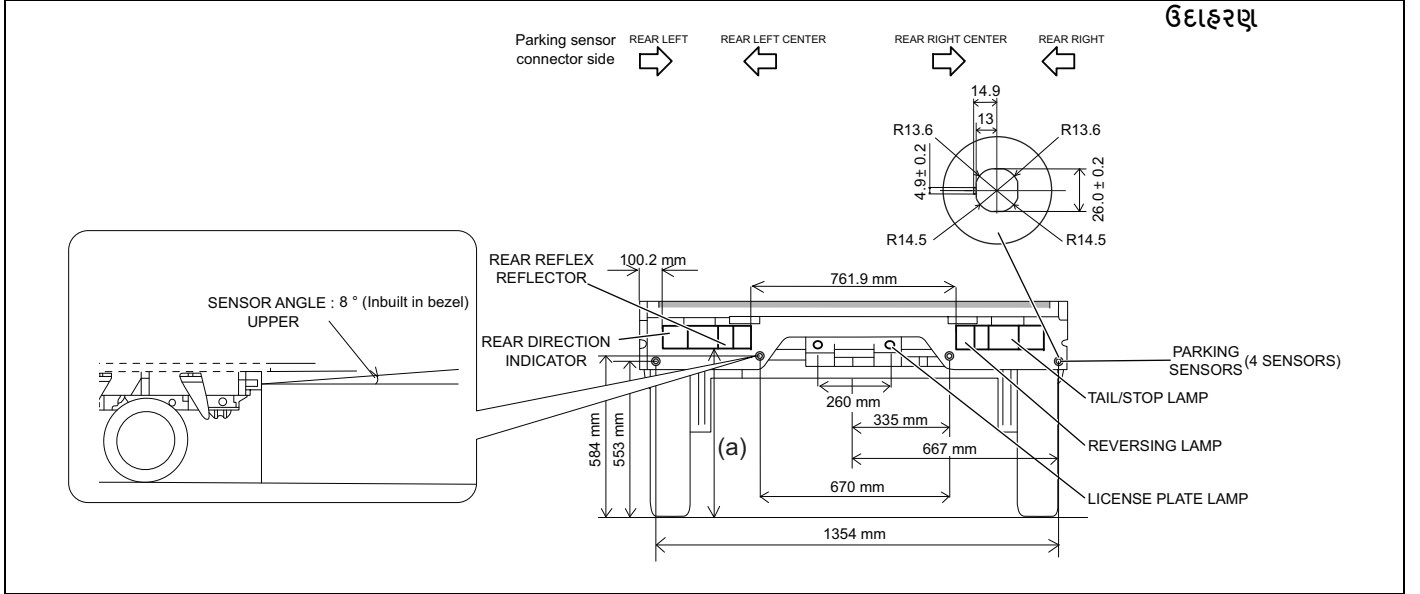
ઓપન ટીપરનું કર્બ વજન: **1070kg**

ક્લોઝ્ડ ટીપરનું કર્બ વજન: **1140kg**

ફ્રન્ટ એક્સલ અને રીઅર એક્સલ કર્બ વજનનો ગુણોત્તર **1.45** થી વધુ ન હોવો જોઈએ.

બોડી ફેબ્રિકેશન માટેની સૂચનાઓ

- (i) લાઇટિંગ અને સિગ્નલિંગ ઉપકરણો: કેબ ચેસિસને કેબ સાથે ઇનબિલ્ટ હેડ લેમ્પ એસેમ્બલી અને પાછળના ક્રોમ્બિનેશન લેમ્પ્સ અને રજિસ્ટ્રેશન પ્લેટ લેમ્પ્સ સાથે કામચલાઉ પેનલ સાથે સપ્લાય કરવામાં આવે છે. હેડ લેમ્પ એસેમ્બલીની સ્થિતિ સાથે કોઈ ફેરફાર કરવામાં આવશે નહીં. પાછળના ક્રોમ્બિનેશન લેમ્પ્સ, રજિસ્ટ્રેશન પ્લેટ લેમ્પ્સ અને પાર્કિંગ સેન્સર (મોજાના બોક્સમાં વાહન સાથે આપવામાં આવે છે) નીચે આપેલા ચિત્રમાં દર્શાવેલ સ્થિતિ મુજબ લોડ બોડી/એપ્લિકેશન પર ફીટ કરવામાં આવશે.

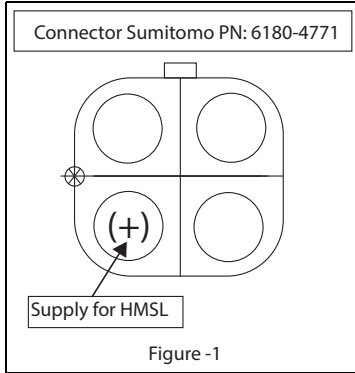


77PM12008

“a” મૂલ્ય	
ચેસીસ એપ્લિકેશન (પેટ્રોલ અને સીએનજી)	612 mm
પેટ્રોલ મોડલ ઓપન ટીપર એપ્લિકેશન	620 mm
પેટ્રોલ મોડલ ક્લોઝ્ડ ટીપર એપ્લિકેશન	660 mm

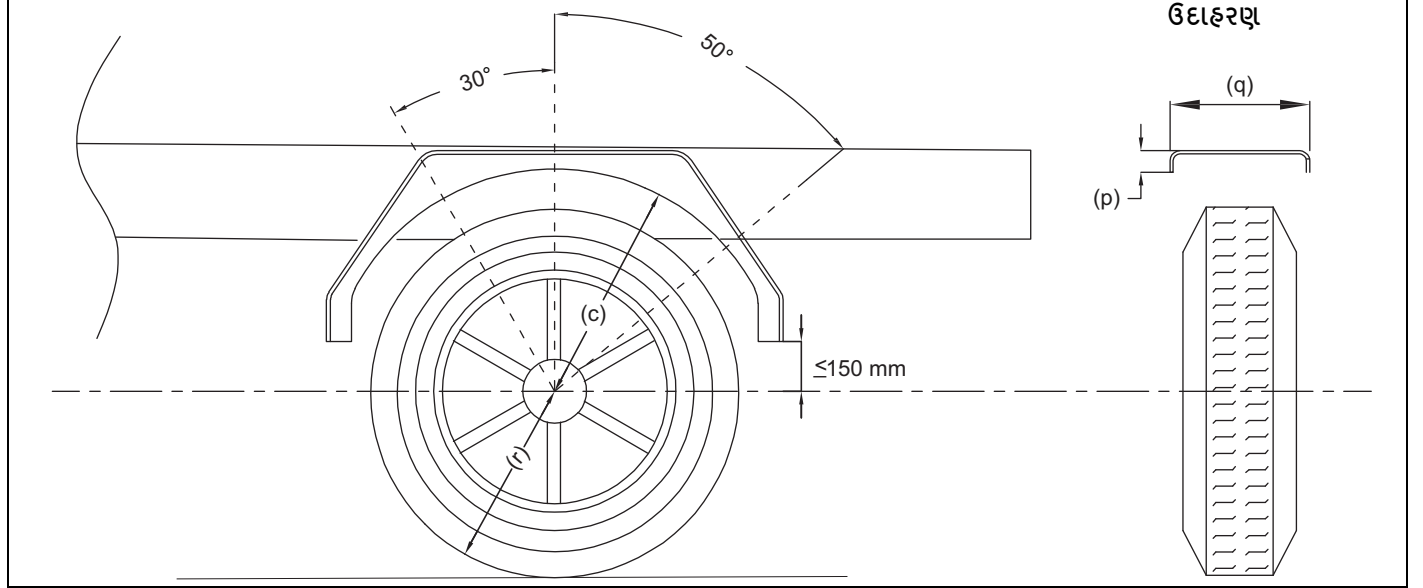
(j) **HMSL** ઇન્સ્ટોલેશન: (સંપૂર્ણ મેટલ બોડી એપ્લિકેશન માટે લાગુ)

- બોડી ફેબ્રિકેટરે **25** વોટ્સની મહત્તમ પાવર મર્યાદા સાથે અને **CMVR** નિયમ **124(1)-20**ના પાલનમાં હાઈ માઉન્ટ સ્ટોપ લેમ્પ (**HMSL**) ઇન્સ્ટોલ કરવાનું સુનિશ્ચિત કરવું જોઈએ.
- **HMSL** વાયરિંગની જોગવાઈ માટે અને તેના કાર્ય માટે, રીઅર કોમ્પિનેશન લેમ્પ (**RCL**) કનેક્ટર્સમાં નીચેની આકૃતિ-1માં બતાવ્યા પ્રમાણે પહેલાથી જ જરૂરી પોઝિટિવ સપ્લાય ઉપલબ્ધ છે. બોડી ફેબ્રિકેટરે ઇલેક્ટ્રિકલ વાયરિંગ હાર્નેસ સાથે ચેડા કર્યા વિના તેનો ઉપયોગ કરવો જ જોઈએ. ગ્રાઉન્ડિંગ ફિક્સ ટર્મિનલને **RCL** ગ્રાઉન્ડ પોઈન્ટ સાથે યોગ્ય રીતે જોડાયેલ હોવું જોઈએ.



બોડી ફેબ્રિકેશન માટેની સૂચનાઓ

(k) વ્હીલ ગાર્ડ: વ્હીલ ગાર્ડસ **CMVR** નિયમ નંબર **124(1)-13** હેઠળની જરૂરિયાતોનું પાલન કરશે. વ્હીલ ગાર્ડ (પાછળનું) નીચેના ચિત્રમાં ઉલ્લેખિત ડિઝાઇન પરિમાણો મુજબ બનાવાયેલ હોવું જોઈએ.



77PM12106

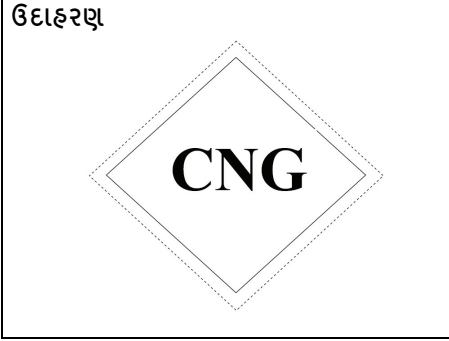
c	$\leq 2r$
p	> 30 mm
q	> ટાયરની કુલ પહોળાઈ
r	ટાયરની સ્થિર ત્રિજ્યા

(I) વેરિઅન્ટ માટે એપ્લિકેશન:

લેબલ:

બોડી બિલ્ડરે નીચેની માર્ગદર્શિકા મુજબ પાછળની બાજુએ લોડ બોડી પર “CNG લેબલ” (વ્હીકલ ટૂલ કીટ પેકેટ સાથે પ્રદાન કરેલ) પેસ્ટ કરવું જોઈએ.

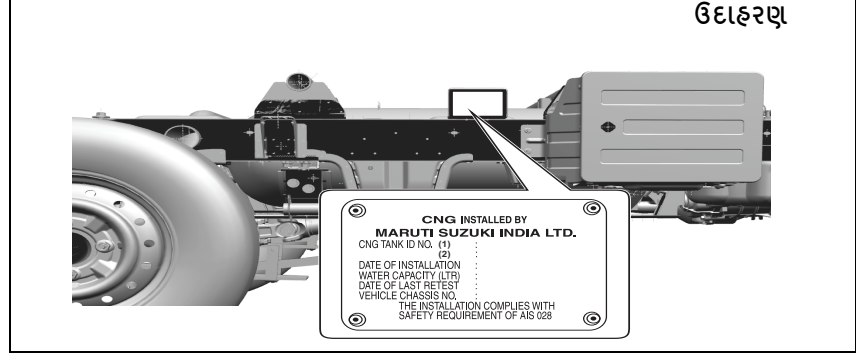
ઉદાહરણ



77PM12011

- વ્યવહારુ હોય તેટલું વાહન નંબર પ્લેટની નજીક સપાટ સપાટી પર ઊભી સ્થિતિમાં (ઉપર બતાવ્યા પ્રમાણે) લેબલ ચોટાડવામાં આવશે.
- ચોટેલું લેબલ પાછળની બાજુઓથી દૃશ્યતાની ખાતરી કરશે.
- લેબલ દરેક સમયે સ્થિતિમાં હોવા જોઈએ, સારી સ્થિતિમાં હોવા જોઈએ, અનેઆકાર, રંગ અને અક્ષર સરળતાથી ઓળખી શકાય તેવા હોવા જોઈએ.

કિટ નંબર ઓળખ:



77PM07032







લોડ બોડી/એપ્લિકેશન એવી રીતે બનાવવી જોઈએ કે તે CNG કમ્પ્લાયન્સ પ્લેટની દૃશ્યતાને અસર ન કરે.

અસ્વીકરણ:

માલિક/બોડી-બિલ્ડરે સુપર કેરી ચેસિસ વેરિઅન્ટના બોડી ફેબ્રિકેશનના સંબંધમાં સમયાંતરે લાગુ પડતા CMVR જરૂરિયાતો અને રાજ્ય મોટર વાહન નિયમોનું પણ પાલન કરવું જોઈએ. વાહન નિર્માતા ઉત્પાદકની સૂચનાઓ અને પ્રવર્તમાન નિયમોના વિરોધાભાસમાં, બોડી/એપ્લિકેશનના બનાવટને કારણે ઉદ્ભવતા કોઈપણ લાગુ કાયદાની અનુરૂપતા માટે જવાબદાર રહેશે નહીં.

⚠ સાવધાન
તમારા સુપર કેરી વાહનને ડેક/બોડી ફેબ્રિકેશન વગર રાખશો નહીં

બેટરી લેબલ સિમ્બોલનો અર્થ

	કોઈ ધુમ્રપાન નહીં, કોઈ ખૂલ્લી લપટો નહીં, કોઈ ચિગારી નહીં		બેટરી એસિડ
	આંખોને શિલ્ડ કરો		ઓપરેટિંગ સૂચનાઓની નોંધ કરો
	બાલકોથી દૂર રહો		વિસ્ફોટક ગેસ

Prepared by
MARUTI SUZUKI INDIA LIMITED

Service Division
February, 2025

Part No. 99011M77P16-747
Printed in India

For round-the-clock on-road assistance, call Maruti On-road Service at 1800 102 1800# / 1800 1800 180#
#No STD code to be prefixed.

ચોવીસે કલાક ઓન-રોડ સહાય માટે, કોલ કરો મારુટિ ઓન-રોડ સર્વિસનો 1800 102 1800# / 1800 1800 180#
નં. પર, જેની અગાઉ એસટીડી કોડ રાખવો.

Service Division

MARUTI SUZUKI INDIA LIMITED

Palam Gurgaon Road, Gurgaon - 122 015 (Haryana)

www.marutisuzuki.com

