

SUPER CARRY

OWNER'S MANUAL

Refer for vehicle usage at all time. Contains warranty policy and important information on safety, operation & maintenance

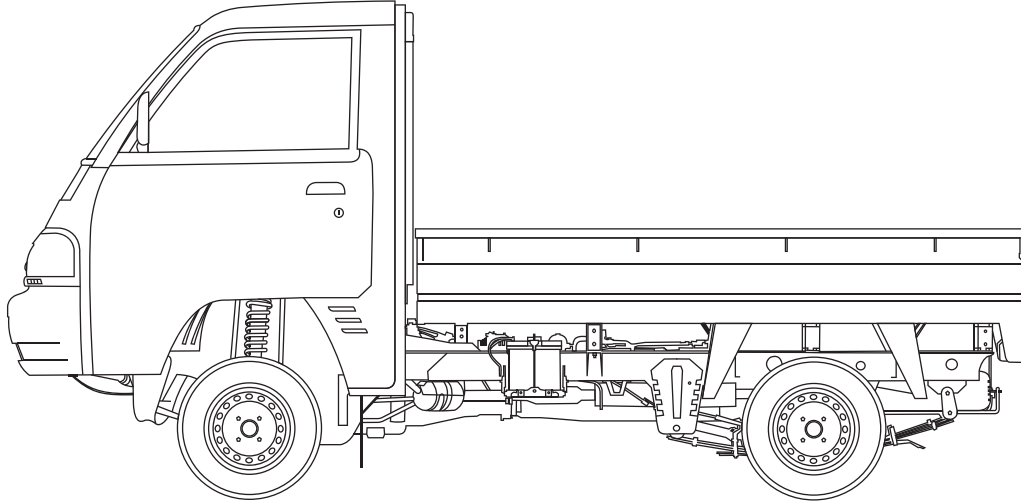
মালিকের ম্যানুয়াল

গাড়ি ব্যবহারকালে সবসময় দেখে নিন। এতে ওয়ারেন্টি নীতি এবং নিরাপত্তা, চালানো এবং রক্ষণাবেক্ষণের বিষয়ে গুরুত্বপূর্ণ তথ্য আছে।

Part No. 99011M77P13-748
February, 2025 (ENG.) (BEN.)

This owners manual applies to the Super Carry series
produced by MARUTI SUZUKI INDIA LIMITED.

প্রযোজক মারুতি সুজুকি ইন্ডিয়া লিমিটেড মালিকের এই ম্যানুয়াল
মডেল পথর্ঠব্য সুপার ক্যারি ক্ষেত্রে প্রযোজ্য।



© COPYRIGHT MARUTI SUZUKI INDIA LIMITED 2025

© কপিরাইট মারুতি সুজুকি ইন্ডিয়া লিমিটেড 2025

NOTE: The illustrated models are one of the Super Carry series.

টীকা: ছবিতে দেখানো মডেলটি হল Super Carry-র একটি মডেল

FOREWORD

The digital Owner's Manual is an essential part of your vehicle a rich document which familiarizes you with the vehicle by providing information such as features, warnings, operations and equipment description etc. Please read this manual carefully before operating your new MARUTI SUZUKI vehicle and review the manual from time to time. It is recommended to download this manual (from "Maruti Suzuki Rewards" mobile application with your registered mobile number) and save a soft copy of the same for easy access all times. Please visit MARUTI SUZUKI authorised workshop for availing any service.

To prolong the life of your vehicle and reduce maintenance cost, the periodic maintenance must be carried out according to "PERIODIC MAINTENANCE SCHEDULE" described in "INSPECTION AND MAINTENANCE" section of this manual. It is essential for preventing trouble and accidents to ensure your satisfaction and safety.

Daily inspection and care as per "DAILY INSPECTION CHECKLIST" described in the "OPERATING YOUR VEHICLE" section of this manual is essential for prolonging the life of the vehicle and for safe driving.

Vehicle and the available features/accessories therein should be used and plied by the owner/user in accordance with the applicable legal requirements.

MARUTI SUZUKI INDIA LIMITED believes in conservation and protection of Earth's natural resources.

To that end, we encourage every vehicle owner to recycle, trade-in or properly dispose of, as appropriate, used Engine Oil, coolant and other fluids, batteries and tyres etc.

MARUTI SUZUKI INDIA LIMITED

All information in this manual is based on the latest product information available at the time of publication. Due to improvements or other changes, there may be discrepancies between information in this manual and your vehicle. MARUTI SUZUKI INDIA LIMITED reserves the right to make production changes at any time, without notice and without incurring any obligation to make the same or similar changes to vehicles previously built or sold.

This vehicle may not comply with standards or regulations of other countries. Before attempting to register this vehicle in any other country, check all applicable regulations and make any necessary modifications.

IMPORTANT

▲ WARNING/ ▲ CAUTION/NOTICE/ NOTE

Please read this manual and follow its instructions carefully. To emphasize special information, the symbol ▲ and the words **WARNING**, **CAUTION**, **NOTICE** and **NOTE** have special meanings. Pay particular attention to messages highlighted by these signal words:

▲ WARNING

Indicates a potential hazard that could result in death or serious injury.

▲ CAUTION

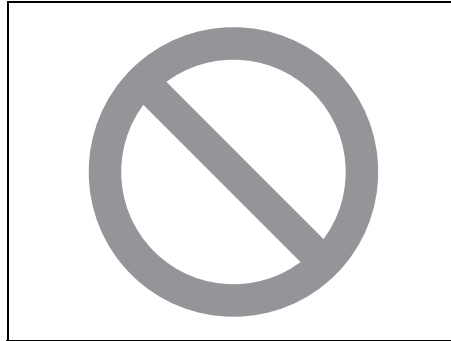
Indicates a potential hazard that could result in minor or moderate injury.

NOTICE

Indicates a potential hazard that could result in vehicle damage.

NOTE:

Indicates special information to make maintenance easier or instructions clearer.



75F135

The circle with a slash in this manual means “Don’t do this” or “Don’t let this happen”.

NOTE:

- Words like *car*, *model/variant* are invariably used in this manual to denote the “Vehicle”.
- Pictorial representations used in this manual are for reference purposes only.

MODIFICATION WARNING

▲ WARNING

Do not modify your vehicle. Modification could adversely affect safety, handling, performance, or durability and may violate governmental regulations. In addition, damage or performance problems resulting from modification shall not be covered under warranty.

NOTICE

Improper installation of mobile communication equipment such as cellular telephones or CB (Citizen’s Band) radios may cause electronic interference with your vehicle’s ignition system, resulting in vehicle performance problems. Consult your authorized **MARUTI SUZUKI COMMERCIAL** dealer for advice on installing such mobile communication equipment.

NOTICE

Severe damage may be caused by the use of either poor quality fuel and/or lubricants not recommended by **MARUTI SUZUKI**.

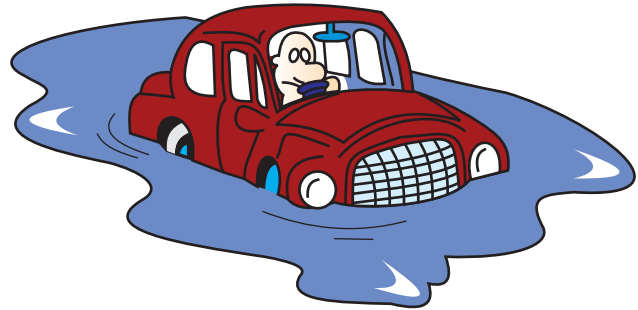
“WARNING”



Vehicle may **break-down**, meet with an **accident** or **catch fire** due to

1. Installation of
 - High wattage bulbs
 - Non genuine lamps / horns
 - Modified suspension / wheels
 - Non genuine parts / accessories etc.
2. Retrofitment of LPG / CNG fuel systems/kits.
3. Usage of domestic LPG.
4. Short circuiting due to tampering of wiring harness.

CAUTION: DO NOT STORE OR CARRY INFLAMMABLE MATERIALS IN THE VEHICLE.



Avoid driving into or starting the vehicle in a heavily water logged area. Vehicle may break-down or engine may fail due to

1. Water entry into the engine (which may lead to hydrostatic lock).
2. Short circuiting of the electrical systems.

If the vehicle is stuck in deep water, do not start / crank the vehicle until the level of water drops below the level of exhaust pipe.

NOTE:

IF THE VEHICLE IS SUBMERGED IN WATER, REPORT TO THE NEAREST AUTHORIZED WORKSHOP.

“CAUTION”

1. Retro-fitting of LPG / CNG kit may deteriorate vehicle performance, reduce engine & engine related component's life and also warranty will be null and void for such vehicles.
2. Do not use domestic LPG/LPG cylinder for your factory fitted LPG vehicles.
3. Usage of domestic LPG for running vehicles is prohibited as per law.
4. Do not remove company fitted LPG/CNG kit to install some other kit. It may affect vehicle performance and may cause fire.
5. Drive slowly on wet roads. Tires may slip while braking at higher speeds due to aquaplaning. (reduced contact area between tire and road due to presence of water)
6. Do not leave engine running in garages or confined areas, with passengers inside. This may result in accumulation of carbon-monoxide in cabin and may lead to suffocation or breathing problems.
7. Do not park vehicle on dry leaves or grass. This may lead to fire due to hot catalytic converter, igniting the dry leaves/grass.
8. If the vehicle is equipped with CNG/LPG, ensure availability of fire extinguisher in the vehicle all the time.
9. Always wear seat belt at all the times.
10. Do not use mobile phone while driving.
11. Avoid Smoking in the car, live bud thrown in car may cause fire.
12. Do not put any body part under the vehicle when it is supported on a Jack.
13. Do not use non-genuine accessories in your vehicle.
14. Do not fit accessories from unauthorized workshops/sources.
15. Usage of non-approved electrical accessories in your vehicle may result in spark, fire or personal injury.

To experience and use the Digital Owner's Manual, download Maruti Suzuki app



Maruti Suzuki Rewards app ensures a hassle free car ownership experience. Get easy access to all the services and information you need by downloading the app



How to download Owners manual from Maruti Suzuki application

Step 1: Download "Maruti Suzuki Rewards" application from apple app store / google play store on your mobile phone

Step 2: Input registered mobile number and the OTP received from SMS

Step 3: Select "S-Assist BOT" icon and click "View Owner's Manual" to access digital Owner's Manual

Step 4: Click "Down Arrow" download and save Owner's Manual on your mobile phone

Now, the Owner's Manual is available on your mobile phone for reference at all times.

(For assistance, contact Maruti Suzuki authorised workshop)

WARRANTY POLICY

Maruti Suzuki India Limited (hereinafter called “Maruti Suzuki”), warrants that each new Maruti Suzuki vehicle distributed in India by Maruti Suzuki and sold by a Maruti Suzuki authorised dealer will be free, under normal use and service, from any defects in material and workmanship at the time of manufacture SUBJECT TO THE FOLLOWING TERMS AND CONDITIONS:

(1) Qualification:

To qualify for this warranty the vehicle must be delivered by a Maruti Suzuki authorised dealer and set-up, and serviced by a Maruti Suzuki authorised workshop.

(2) Term:

The term of the warranty shall be thirty-six (36) months or 1,00,000 kilometers (whichever occurs first) from the date of invoice to the first owner.

(3) Maruti Suzuki Warranty Obligation:

If any defect(s) should be found in a Maruti Suzuki vehicle within the term stipulated above, Maruti Suzuki’s only obligation is to repair or replace at its sole discretion any part shown to be defective, with a new part or the equivalent at no cost to the owner for parts or labour, when Maruti Suzuki acknowledges that such a defect is attributable to faulty material or workmanship at the time of manufacture. Such defective parts, which have been replaced, will become the property of Maruti Suzuki. The owner is responsible for any repair or replacements which are not covered by this warranty. The decision of Maruti Suzuki shall be final & binding.

(4) Limitation:

This warranty shall not apply to:

- (a) Normal maintenance service required other than the four free services, including without limitation, oil and fluid changes, Consumables, headlight aiming, fastener retightening, wheel balancing, wheel alignment and tyre rotation, cleaning of injectors, adjustments of clutch and valve clearance.
- (b) The normal wear of parts including without limitation, bulbs, tyres and tubes, spark plugs, belts, hoses, filters, wiper blades, brushes, contact points, fuses, clutch disc, brake shoes, brake pads, cable and all rubber parts (except oil seal and glass run).
- (c) Any vehicle which has been used for competition, rallies or racing.
- (d) Any repairs or replacement arising from accidents or collision.
- (e) Any defect/ damage caused by misuse, negligence, abnormal use, insufficient care, vandalism, theft, riot, fire, flooding - not limited to entry of water in the components resulting in engine seizure, hydrostatic lock, etc. or external damages to the body/ components.
- (f) Any damage resulting due to usage of adulterated fuel/ lubricants/ oil/ coolant/ fluids/ polishing products and fuel/ lubricants/ oil/ coolant/ fluids used other than those specified in the Owner’s Manual.
- (g) Any vehicle which has been modified or altered, including without limitation, the installation of performance accessories, enlargements of lights, other changes and external/ consequential reasons.
- (h) Any vehicle on which parts or accessories not approved by Maruti Suzuki (Non-MSG A, Non-MSG P) have been used.
- (i) Any vehicle which has not been operated in accordance with the operating instructions in this Owner’s Manual and Service Booklet.

-
- (j) Any vehicle which has not received the service inspections prescribed in this Owner's Manual and Service Booklet.
 - (k) Any vehicle which has been assembled, disassembled, adjusted or repaired by other than a Maruti Suzuki authorised workshop.
 - (l) Any vehicle which has been used for purposes other than what it was designed for.
 - (m) Any damage or deterioration caused by airborne fallout, industrial fallout, acid rain, hail or hail storm, wind storm, lightning, bird droppings, rodents bite / rat bite and such other thing that result in damage to the vehicle.
 - (n) Insignificant defects/noise which do not affect the function of the vehicle including without limitation, sound, vibration and fluid seep.
 - (o) Any natural wear and tear including without limitation, ageing, wear & tear or deterioration such as discoloration, fading, deformation or blurring and fabric discoloration.
 - (p) Installation and usage of domestic LPG gas/LPG Cylinder.
 - (q) V-belts, hoses and gas leaks.
 - (r) Any vehicle retrofitted with LPG/CNG kits.
 - (s) Repainting including patchwork, bodywork and mouldings and interior trims.
 - (t) Corrosion, rusting of body parts and/ or components.
 - (u) Any vehicle on which odometer has been changed unauthorisedly or odometer reading has been modified/ tampered with/ or not matching the service records.
 - (v) The damage(s) caused to the vehicle being unattended despite knowledge that the defect exists and ignorance by the owner/ user of the vehicle.
 - (w) Any damage(s) caused to vehicle including battery/ tyre due to parking of the vehicle in idle condition for long duration of time periods.
 - (x) Any vehicle on which the retro-fitment is not authorized and/ or type approved as per the standards prescribed by the relevant authority including but not limited to Automotive Standards of India.

- (y) Any vehicle on which the retro-fitment is such which directly or indirectly causes any damage to the vehicle or affects the functions of the vehicle in any manner whatsoever.

(5)Extent of Warranty:

This warranty is the entire written warranty given by Maruti Suzuki for Maruti Suzuki vehicles and no dealer or its or his agent or employee is authorised to extend or enlarge this warranty and no dealer or its or his agent or employee is authorised to make any oral warranty or representation or assurance on behalf of Maruti Suzuki.

Maruti Suzuki reserves the right to add any improvements or change the design of any model at any time with no obligation to make the same changes on units previously sold.

(6) Warranty Service:

To obtain warranty service, the complete vehicle must be presented at the owner's expenses to Maruti Suzuki authorised workshop.

The customer shall be responsible for his belongings or accessories fitted in the vehicle at the time of presenting the vehicle for service and no claim shall be entertained in any manner under any circumstances.

(7) Owner's Warranty Obligations:

NOTICE
The owner shall not use the vehicle in a damaged condition and report the same immediately to the nearest Maruti Suzuki authorized workshop. This would result in early inspection and repair of the vehicle and any possible harm to the person or aggravation of damage to the vehicle can be prevented.

It is responsibility of each owner to:

- Have performed, at his own expenses, by a Maruti Suzuki authorised workshop all the service inspections specified in the Owner's Manual described in "INSPECTION AND MAINTENANCE" section".
- Should you resell the vehicle, please guide the new users/ owners to download this manual (from "Maruti Suzuki Rewards" mobile application with your registered mobile number). Also the soft copy of the manual must be passed on to new users/ owners when resold or otherwise transferred.

If the Owner's Manual is lost due to any reason, the owner or user may download a soft copy of the same (from "Maruti Suzuki Rewards" mobile application with the mobile number) and save it for easy access at any point of time.

(8) Disclaimer of Consequential Damage:

Maruti Suzuki assumes no responsibility for loss of vehicle, loss of time, inconvenience or any other indirect incidental or consequential damage resulting from the vehicle not being available to the owner because of any defect covered by this warranty.

(9) Change of Owner

Even if ownership of the vehicle changes, the remaining warranty period is effective for the new owner.

This Warranty is applicable only in India and not transferable to any other country.

FUEL RECOMMENDATION

Fuel Recommendation 1-1

FUEL RECOMMENDATION

Fuel Recommendation

(For Petrol and CNG Engine Model)

For Petrol Engine Model

To avoid damaging catalytic converter, you must use unleaded petrol with an octane number (RON) of 91 or higher.

Gasoline/Ethanol blends

Blends of unleaded gasoline and ethanol, also known as gasohol, are commercially available in the country and can vary with location. Gasoline Ethanol blend up to E20 can be used as fuel for this vehicle.

Gasoline containing MTBE

Unleaded gasoline containing MTBE (methyl tertiary butyl ether) may be used in your vehicle if the MTBE content is not greater than 15%. This oxygenated fuel does not contain alcohol.

CAUTION

Use of spurious, low quality, adulterated fuel can cause damage to the engine and engine auxiliaries, affect functioning of engine and degrade engine performance including but not limited to engine seizure.

NOTICE

- The fuel tank has an air space to allow for fuel expansion in hot weather. If you continue to add fuel after the filler nozzle has automatically shut off or an initial blowback occurs, the air chamber will become full. Exposure to heat when fully fuelled in this manner will result in leakage due to fuel expansion. To prevent such fuel leakage, stop filling after the filler nozzle has automatically shut off, or when initial vent blowback occurs, if using an alternative non-automatic system.
- Be careful not to spill fuel containing alcohol while refueling. If fuel is spilled on the vehicle body, wipe it up immediately. Fuels containing alcohol can cause paint damage, which is not covered under the New Vehicle Limited Warranty.

For CNG Engine Model

CNG

CNG (Compressed Natural Gas) is principally constituted by methane. CNG is considered as clean burning fuel. Due to low density of CNG, it is compressed at a pressure of around 200 bars to enhance the vehicle on-board storage capacity.

CAUTION

In case of any symptom of CNG leakage or releasing noise or any external damage to CNG piping or during accident, do not panic.

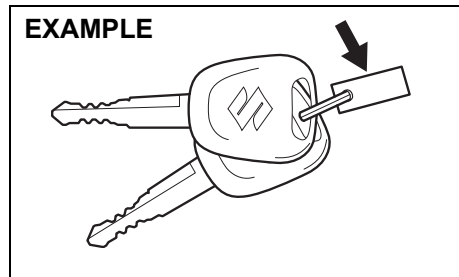
- Stop the vehicle and switch off the engine, roll down the windows and open all the doors.
- Ensure to close manual shut off valve.
- Contact authorised **MARUTI SUZUKI COMMERCIAL** workshop immediately for further assistance.

BEFORE DRIVING

Keys 2-1
Door Locks 2-2
Tailgate 2-2
Windows 2-3
Mirrors 2-4
Seats 2-5
Seat Belts 2-5
Instrument Cluster 2-11
Speedometer 2-12
Fuel Gauge 2-12
Information Display 2-12
Warning and Indicator Lights 2-16
Lighting Control Lever 2-20
Headlight Leveling Switch 2-21
Turn Signal Control Lever 2-21
Hazard Warning Switch 2-22
Windshield Wiper and Washer Lever 2-22
Horn 2-24
CNG Cylinder Warning Label (if equipped) 2-24
CNG Warning Label (if equipped) 2-24
CNG Manual Shut-OFF Valve (if equipped) 2-25

BEFORE DRIVING

Keys



51KM024

Your vehicle comes with a pair of keys. The key(s) may or may not be equipped with a transmitter depending on model variant. Keep the spare key in a safe place. One key can open all of the locks on the vehicle.

The key identification number is stamped on a metal tag provided with the keys or on the keys. Keep the tag (if equipped) in a safe place. If you lose your keys, you will need this number to have new keys made. Write the number below for your future reference.

KEY NUMBER:

Immobilizer system

This system is designed to help prevent vehicle theft by electronically disabling the engine starting system.

The engine can be started only with your vehicle's original immobilizer ignition key, which has an electronic identification code programmed into it. The key communicates the identification code to the vehicle when the ignition switch is turned to "ON" position. If you need to make spare keys, see a Maruti Suzuki authorised workshop. The vehicle must be programmed with the correct identification code for the spare. A key made by an ordinary locksmith will not work.



65D239

If the immobilizer system warning light blinks when the ignition switch is in "ON" position, the engine will not start.

If this light blinks, turn the ignition switch to "LOCK" position, and then turn it back to "ON" position.

If the light still blinks after the ignition switch is turned back to "ON" position, there may be something wrong with your

key or with the immobilizer system. Ask a Maruti Suzuki authorised workshop to have the system inspected.

NOTE:

- If you lose your immobilizer ignition key, ask a Maruti Suzuki authorised workshop as soon as possible to deactivate the lost one, and to make a new key.
- If you own other vehicles with immobilizer keys, keep those keys away from the ignition switch when using your MARUTI SUZUKI vehicle. Otherwise, the engine may not be started because they may interfere with your MARUTI SUZUKI vehicle's immobilizer system.
- If you attach any metal objects to the immobilizer key, it may not start the engine.
- This immobilizer system is maintenance-free.

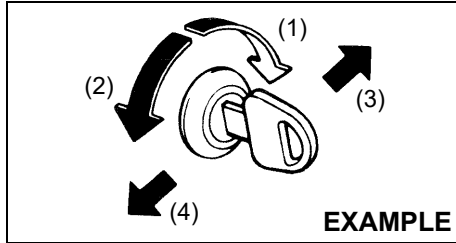
NOTICE

The immobilizer key is sensitive electronic instrument. To avoid damaging it:

- Do not expose it to impacts, moisture or high temperature such as on the dashboard under direct sunlight.
- Keep it away from magnetic objects.

Door Locks

**Side Door Locks
Driver's door**



EXAMPLE

76MHOA001

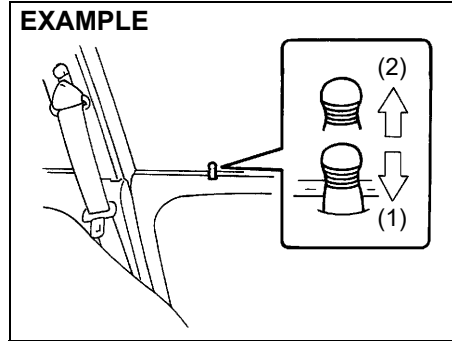
- (1) LOCK
- (2) UNLOCK
- (3) Front
- (4) Rear

To lock a driver's door from outside the vehicle:

- Insert the key and turn the top of the key toward the front of the vehicle, or
- Push the lock knob down, then pull and hold the door handle as you close the door.

To unlock a driver's door from outside the vehicle, insert the key and turn the top of the key toward the rear of the vehicle.

To lock a passenger's door from outside the vehicle, push the lock knob down, then pull and hold the door handle as you close the door.

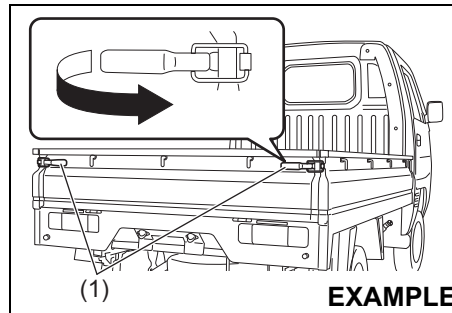


EXAMPLE

54G005

- (1) LOCK
- (2) UNLOCK

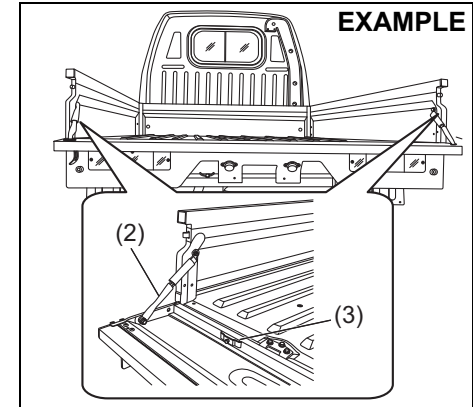
Tailgate



EXAMPLE

77PH025

The tailgate can be opened by pulling the lock handles (1). When closing, lock them firmly.



EXAMPLE

77PM201

The tailgate can also be locked in an intermediate position with the help of tailgate chain (2).

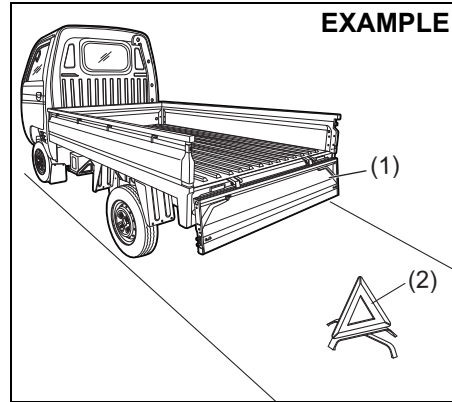
NOTICE

Lock the tailgate chain (2) with pin (3) when not in use.

BEFORE DRIVING

⚠ WARNING

- Driving with the tailgate in open / intermediate position will allow the tailgate to swing and hit others, causing injury or even death.
- The tailgate in open / intermediate position will hinder other drivers from seeing the taillights, causing accidents. Make sure the tailgate is closed and locked firmly before driving.
- Make sure that the tailgate is always closed and locked firmly to prevent cargo from being thrown out of the vehicle in the event of an accident.
- Do not stand, put load or put cargo on the tailgate when locked at an intermediate position.
- If the tailgate is in fully open condition, vehicle rear lighting devices such as position lamp, turn signal indicator and stop lamp get hidden, and are not visible.

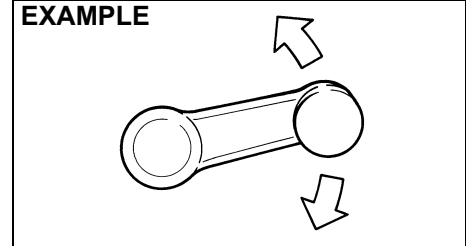


⚠ WARNING

- If the loading and unloading is done while tailgate (1) is in fully open position, a warning triangle (2) must be placed on the road in visible manner to alert other users about the presence of the vehicle.

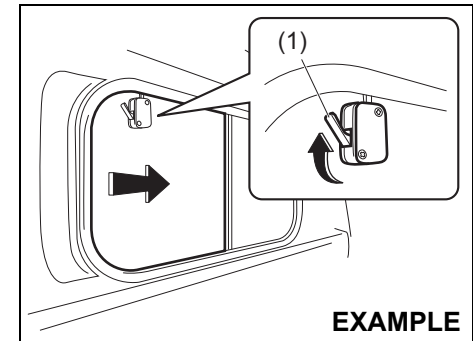
Windows

Manual Window Control



Raise or lower the door windows by turning the handle located on the door panel.

Rear Window



To open the window, push the lock (1) and slide the window.

Mirrors

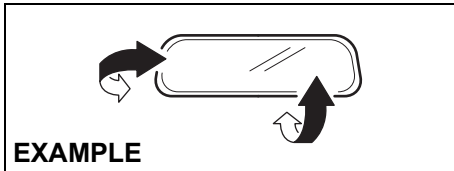
▲ WARNING

Failure to observe following point may result in loss of vehicle control and cause an accident, leading to death or serious injury. Always follow below points while driving.

- Do not adjust the mirrors while driving.
- Always unfold all the outside rearview mirrors and adjust properly before driving.
- Do not place objects in the rear of the vehicle which may hinder visibility or interfere with your vision from the rear window glass.

Inside Rearview Mirror

You can adjust the inside rearview mirror by hand so as to see the rear of your vehicle in the mirror.



EXAMPLE

74LHT0235

▲ CAUTION

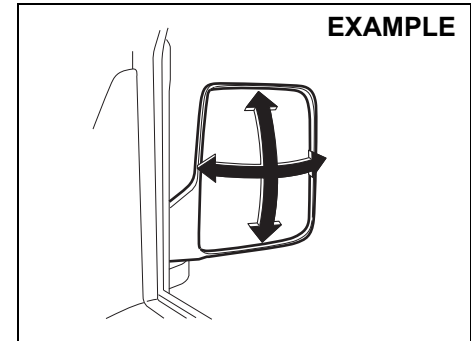
Do not modify the inside rearview mirror or install a non-genuine wide mirror. It could result in injury during accident.

Outside Rearview Mirror(s)

Adjust the outside rearview mirror(s) so you can just see the side of your vehicle in the mirror(s).

▲ WARNING

Be careful when judging the size or distance of a vehicle or other object seen in the side convex mirror. Be aware that objects look smaller and appear farther away than when seen in a flat mirror.



EXAMPLE

64P0190

BEFORE DRIVING

Seats

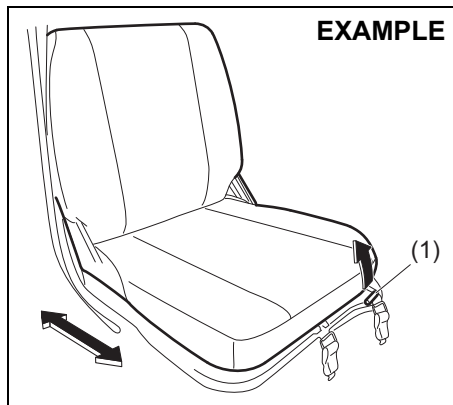
Seat Adjustment (driver's seat)

⚠ WARNING

Never attempt to adjust the driver's seat while driving. The seat could move unexpectedly, causing loss of control. Make sure that the driver's seat is properly adjusted before you start driving.

⚠ WARNING

To avoid excessive seat belt slack, which reduces effectiveness of the seat belts as a safety device, make sure that the seats are adjusted before the seat belts are fastened.



77PH087

Seat position adjustment lever (1)

Pull the lever up and slide the seat.

After adjustment, try to move the seat forward and rearward to ensure that it is securely latched.

⚠ CAUTION

While adjusting the seat, be careful that the seat does not pinch your hands, or hit your body.

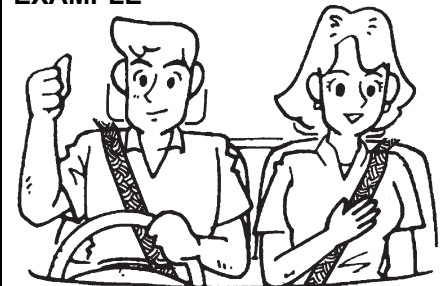
NOTE:

To operate the seat back smoothly, pull the seat back adjustment lever (2) in upward direction. Ensure to move seat back only after lever is moved to fully up position. After adjustment of seat back, release the

lever gently. Check that seat back is locked by moving it forward and backward.

Seat Belts

EXAMPLE



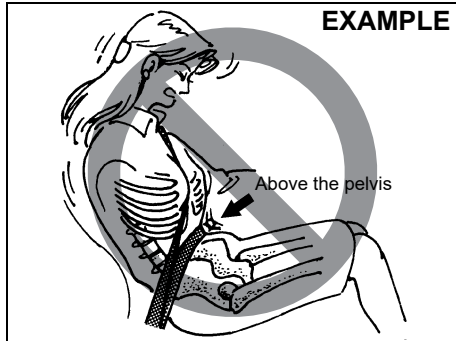
65D231S

⚠ WARNING

Wear Your Seat Belts at All Times.

⚠ WARNING

The driver and the passenger must be properly restrained by wearing seat belts at all times even if driving for a very short distance, whether or not an air bag is mounted at their seating position, to minimize the risk of severe injury or death in the event of a crash.

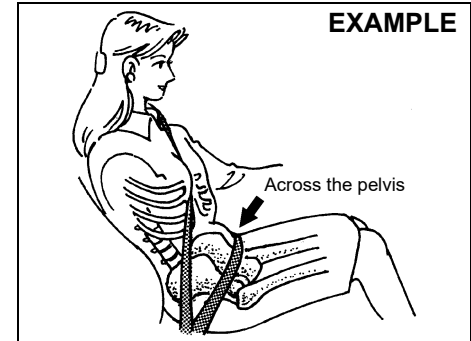


65D606

⚠ WARNING

- Never allow persons to ride in the cargo area of a vehicle. In the event of an accident, there is a much greater risk of injury for persons who are not riding in a seat with their seat belt securely fastened.
- Ensure that all seat belts are worn correctly. An improperly worn seat belt increases the risk of injury or death if a collision occurs.
- Seat belts should always be adjusted as follows:
 - the lap portion of the belt should be worn low across the pelvis, not across the waist.
 - the shoulder straps should be worn on the outside shoulder only, and never under the arm.
 - the shoulder straps should be away from your face and neck, but not falling off your shoulder.

(Continued)



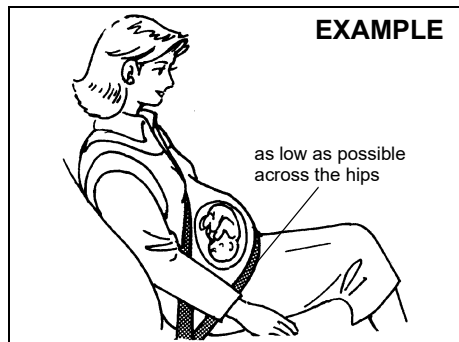
65D201

⚠ WARNING

(Continued)

- Seat belts should never be worn with the straps twisted and should be adjusted as tightly as is comfortable to provide the protection for which they have been designed. A slack belt will provide less protection than one which is snug.
- Make sure that each seat belt buckle is inserted into the proper buckle catch.

(Continued)



65D199

⚠ WARNING

(Continued)

- **Pregnant women should use seat belts, although specific recommendations about driving should be made by the woman's medical advisor. Remember that the lap portion of the belt should be worn as low as possible across the hips, as shown in the diagram.**
- **Do not wear seat belts over hard, fragile, or sharp items such as pens, keys, eyeglasses, etc. in pockets or on clothing. The pressure from seat belt on such items can cause injury in case of an accident.**
- **Do not wear your seat belt over hard or breakable objects in your pockets or on your clothing. If an accident occurs, objects such as glasses, pens, etc. under the seat belt can cause injury.**

(Continued)

⚠ WARNING

(Continued)

- **Never use the same seat belt on more than one occupant and never attach a seat belt over an infant or child being held on an occupant's lap. Such seat belt use could cause serious injury in the event of an accident.**
- **Periodically inspect seat belt assemblies for excessive wear and damage. Seat belts should be replaced if webbing becomes frayed, contaminated, or damaged in any way. It is essential to replace the entire seat belt assembly after it has been worn in a severe impact, even if damage to the assembly is not obvious.**
- **Infants and small children should never be transported unless they are properly restrained.**
- **For children, if the shoulder belt irritates the neck or face, move the child closer to the center of the vehicle.**
- **Avoid contamination of seat belt webbing by polishes, oils, chemicals, and particularly battery acid. Cleaning may safely be carried out using mild soap and water.**

(Continued)

▲ WARNING

(Continued)

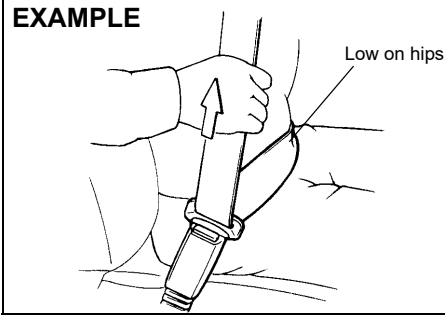
- Do not insert any items such as coins, clips, etc. into the seat belt buckles, and be careful not to spill liquids into these parts. If foreign materials get into a seat belt buckle, the seat belt may not work properly.

Lap-Shoulder Belt

Emergency Locking Retractor (ELR)

The seat belt has an emergency locking retractor (ELR), which is designed to lock the seat belt only during a sudden stop or impact. It also may lock if you pull the belt across your body very quickly. If this happens, let the belt go back to unlock it, then pull the belt across your body more slowly.

Safety reminder



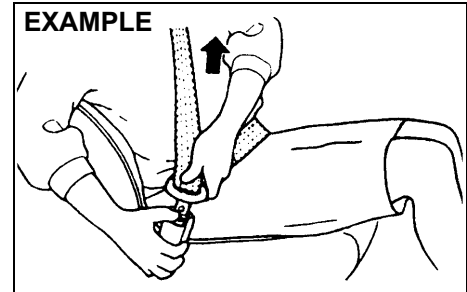
60A040

To reduce the risk of sliding under the belt during a collision, position the lap portion of the belt across your lap as low on your hips as possible and adjust it to a snug fit by pulling the shoulder portion of the belt upward through the latch plate. The length of the diagonal shoulder strap adjusts itself to allow freedom of movement.

To fasten the seat belt, sit up straight and well back in the seat, pull the latch plate attached to the seat belt across your body and press it straight into the buckle until you hear a click.

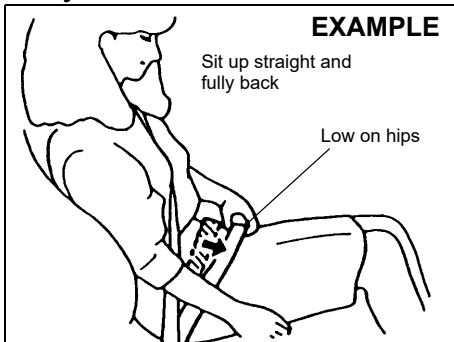
NOTE:

If the seat belt cannot be pulled from its fully retracted position, firmly pull the belt and release it. Then smoothly pull the belt out of the retractor.

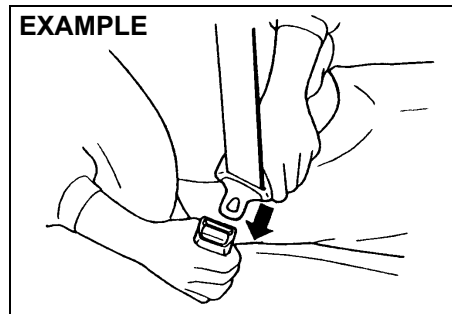


60A039

To unfasten the seat belt, push the button on the buckle and retract the belt slowly while attaching a hand to the belt or/and the latch plate.



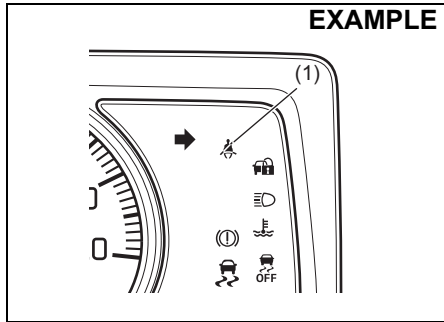
60A038



60A036

BEFORE DRIVING

Seat Belt Reminder



77PM02020

- (1) Driver's seat belt reminder light / front passenger's seat belt reminder light

When the driver and / or front passenger do / does not fasten their seat belts, the seat belt reminder light will come on or blink and a buzzer will sound to remind the driver and/or passenger to fasten their seat belts. For more details, refer to the explanation below.

▲ WARNING

It is absolutely essential that the driver and passengers fasten their seat belts at all times. Persons who are not fastening seat belts have a much greater risk of injury if an accident occurs. Make a regular habit of buckling your seat belt before putting the key in the ignition switch.

NOTE:

The driver's seat belt reminder light / front passenger's seat belt reminder light is for both the driver and front passenger.

Driver's or front passenger's seat belt reminder

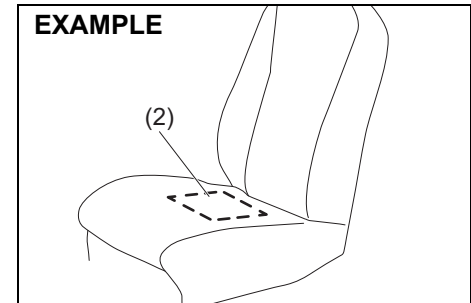
If the driver's or front passenger's seat belt remains unbuckled when the ignition switch is turned "ON", the reminder works as follows:

- 1) The driver's or front passenger's seat belt reminder light will come on.
- 2) After the vehicle's speed has reached about 15 km/h, the driver's or front passenger's seat belt reminder light will blink and a buzzer will sound for about 95 seconds.
- 3) After step 2) has finished, the reminder light will remain on until the driver's or front passenger's seat belt is buckled.

If the driver or front passenger has buckled his or her seat belt and later unbuckles the seat belt, the reminder system will be activated from Step 1) or 2) according to the vehicle's speed. When the vehicle's speed is less than 15 km/h, the reminder will start from Step 1). When the vehicle's speed is more than 15 km/h, the reminder will start from Step 2). The reminder will be automatically canceled when the driver's or front passenger's seat belt is buckled or the ignition switch is turned off.

Front passenger's seat belt reminder

If there is a person sitting on the front passenger seat and the front passenger seat belt is unbuckled when the ignition switch is turned to "ON" position, the front passenger's seat belt reminder will activate.



69RH203

- (2) The sensor of the front passenger's seat belt reminder

The seat belt reminder sensor (2) detects whether a person is sitting in the front seat. The sensor of the front passenger's seat belt reminder is located in the seat cushion. The front passenger's seat belt reminder works in the same manner as the driver's seat belt reminder.

NOTICE

- The sensor of the front passenger's seat belt reminder is located in the seat cushion. If heavy or sharp objects are put on the seat cushion, or a removal, disassembly and modification of the passenger's seat are performed, the sensor may not work properly or can be damaged. Do not put heavy or sharp objects on the seat cushion. Do not remove, disassemble and modify the passenger's seat.
- Depending on the variety of seat cover, operation of the sensor may be adversely affected. MARUTI SUZUKI highly recommends that you use MARUTI SUZUKI genuine seat cover exclusively for this vehicle.
- If you spill liquid such as liquid aromatics, soft drinks or juice on the front passenger's seat cushion, the sensor of the front passenger's seat belt reminder located in the seat cushion can be damaged. Immediately wipe it dry with a soft cloth when spilled.

(Continued)

NOTICE

(Continued)

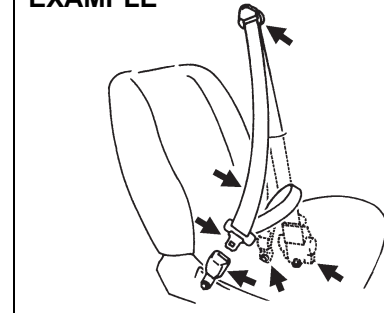
- When sitting on the front passenger's seat, it is very important that the passenger sits upright, leaning against the seat backrest and centered on the seat cushion in order for the seatbelt reminder system to function effectively. An occupant sitting improperly (slouches, turns sideways, sits forward or sideways) may hamper the functioning of this system as it may not detect the occupant.

NOTE:

- If you put an object on the passenger's seat, the weight of the object will be sensed by the sensor and the front passenger's seat belt reminder light will come on and then the interior buzzer may beep.
- If a child or a small sized person sits on the front passenger's seat or the cushion is put on the front passenger's seat, the weight may not be sensed by the sensor and the interior buzzer may not beep.

NOTE:

Maruti Suzuki recommends use of Maruti Suzuki Genuine accessory of "Seat cover".

Seat Belt Inspection**EXAMPLE**

65D209S

Periodically inspect the seat belts to make sure they work properly and are not damaged. Check the webbing, buckles, latch plates, retractors, anchorages, and guide loops. Replace any seat belts which do not work properly or are damaged.

⚠ WARNING

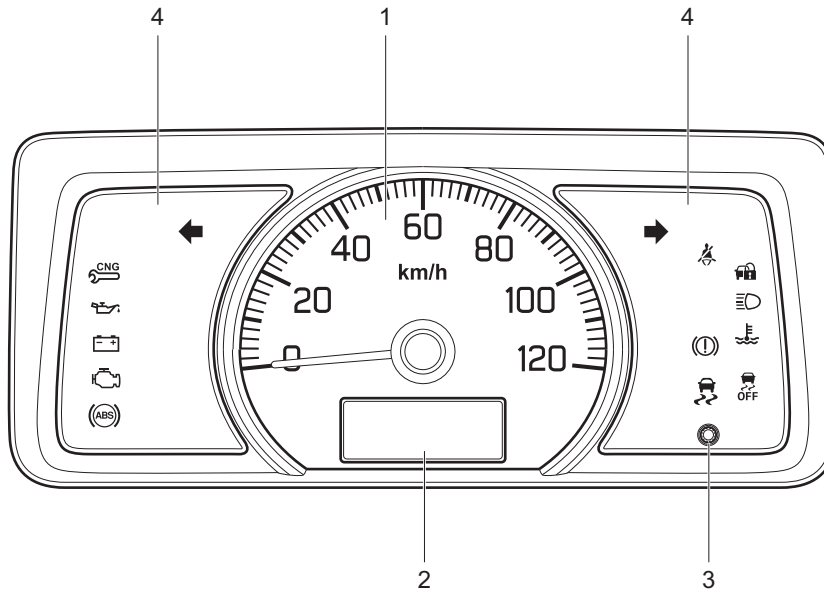
Be sure to inspect all seat belt assemblies after any collision. Any seat belt assembly which was in use during a collision (other than a very minor one) should be replaced, even if damage to the assembly is not obvious. Any seat belt assembly which was not in use during a collision should be replaced if it does not function properly or if it is damaged in any way.

BEFORE DRIVING

Instrument Cluster

1. Speedometer
2. Information display
3. Trip meter selector knob
4. Warning and indicator lights

EXAMPLE



77PM02021

Speedometer

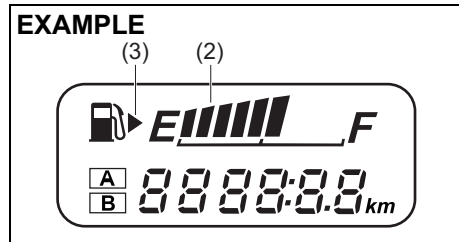
The speedometer indicates vehicle speed.

NOTE:

Maximum speed of the vehicle is 80 km/hr as per government regulation.

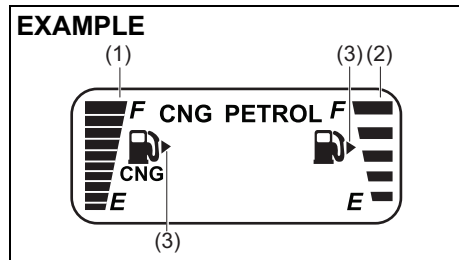
Fuel Gauge

Petrol Model



77PM02018

CNG Model



77PM07019

- (1) Indicates CNG fuel gauge.
- (2) Indicates Petrol fuel gauge.

When the ignition switch is in the “ON” position, this gauge gives an approximate indication of the amount of fuel in the fuel tank. “F” stands for full and “E” stands for empty.

If the fuel meter indicator shows only one segment to “E”, refill the tank as soon as possible.

The mark (3) indicates that the fuel filler door is located on the right side of the vehicle.

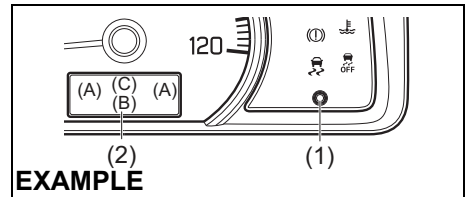
NOTICE

To minimize the possibility of damage to catalytic converter or other components of the vehicle, avoid driving the vehicle near empty fuel tank level.

NOTE:
If the last segment blinks, it means that the fuel is almost empty.

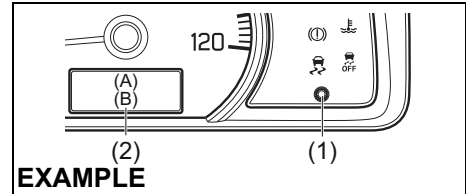
Information Display

For CNG Model



77PM07026

For Petrol Model



77PM07035

- (1) Trip meter selector knob
- (2) Information display

When the ignition switch is in the “ON” position, the information display shows the following information.

Display (A)

Fuel gauge

Display (B)

Odometer / Trip meter / Clock / Brightness control

Display (C)

Fuel modes (if equipped)

Fuel Gauge

When the ignition switch is in the “ON” position, the display (A) shows the fuel gauge.

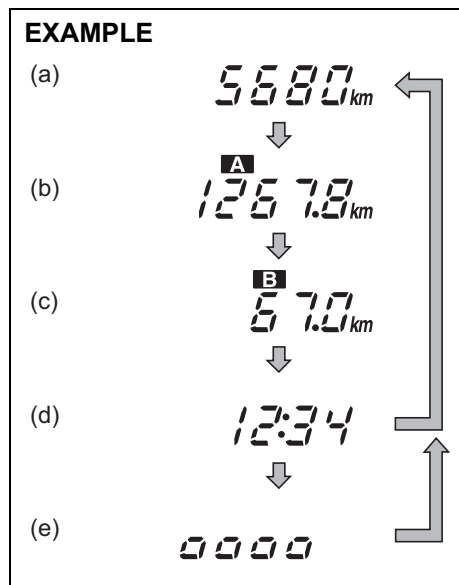
Refer to “Fuel Gauge” in this section.

BEFORE DRIVING

Odometer / Trip meter / Clock / Brightness Control

When the ignition switch is in the "ON" position, the display (B) shows one of the following indications, odometer, trip meter A, trip meter B or clock.

To switch the display indication (B), push the trip meter selector knob (1) quickly.



77PH007

- (a) Odometer
- (b) Trip meter A

- (c) Trip meter B
- (d) Clock
- (e) Brightness control*

* The brightness control will appear when the position lights and/or headlights are on.

WARNING

If you attempt to adjust the display while driving, you could lose control of the vehicle.

Do not attempt to adjust the display while driving.

NOTE:

Indications will change when you push and release the knob.

Odometer

The odometer records the total distance for which the vehicle has been driven.

NOTICE

Keep track of your odometer reading and check the maintenance schedule regularly for required services. Increased wear or damage to certain parts can result from failure to perform required services at the proper mileage intervals.

Trip meter

The trip meter can be used to measure the distance traveled on short trips or between fuel stops.

You can use the trip meter A or trip meter B independently.

To reset the trip meter to zero, push and hold the trip meter selector knob (1) for a while when the display shows the trip meter.

NOTE:

The indicated maximum value of the trip meter is 9999.9. When you run past the maximum value, the indicated value will return to 0.0.

Clock

The display shows the time.

To change the time indication:

- 1) Push and hold the trip meter selector knob (1) until the minute indication blinks.
- 2) To change the minute indication, push the trip meter selector knob (1) repeatedly when the minute indication blinks. To change the minute indication quickly, push and hold the trip meter selector knob (1). To set the minute indication, wait for about 5 seconds till the hour indication starts to blink.
- 3) To change the hour indication, push the trip meter selector knob (1) repeatedly till the minute indication begins to blink. Wait for about 5 seconds and hour indication will begin to blink. To change the

hour indication, quickly push and hold the trip meter selector knob (1). To set the hour indication, wait for about 5 seconds.

⚠ WARNING

If you attempt to adjust the display while driving, you could lose control of the vehicle.

Do not attempt to adjust the display while driving.

NOTE:

When you reconnect the negative (-) terminal to the battery, the clock indication will be reinitialized. Change the indication again to your preference.

Brightness control

When the position lights and/or headlights are ON, you can control the meter illumination intensity.

To change the brightness of the instrument panel lights, push and hold the trip meter selector knob (1).

⚠ WARNING

If you attempt to adjust the display while driving, you could lose control of the vehicle.

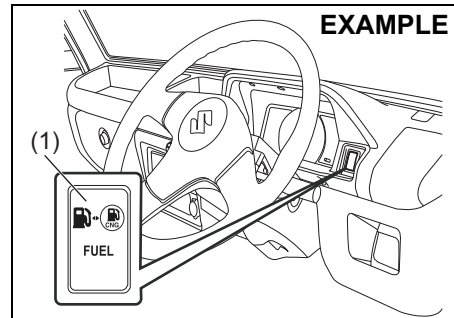
Do not attempt to adjust the display while driving.

NOTE:

- *If you do not push the trip meter selector knob within about 10 seconds of activating the brightness control display, the brightness control display will be canceled automatically.*
- *When you reconnect the battery, the brightness of the instrument panel lights will be reinitialized. Readjust the brightness according to your preference.*

Fuel Modes for CNG model (if equipped)

There are three fuel modes in the vehicle Petrol, Auto and Forced CNG modes which are selectable by pressing the selector switch(1) located on the right side of the steering wheel on the dashboard.



77PM02005

Petrol Mode

EXAMPLE



77PM02002

In this mode vehicle starts in petrol and continue running in petrol mode. In this mode, petrol indicator is continuously displayed and CNG indicator will remain "OFF".

Auto Mode

EXAMPLE



77PM02003

In this mode engine starts in petrol mode and then automatically changes to CNG after reaching programmed warming up condition. With ignition switch ON and vehicle started in "AUTO MODE", CNG indicator blinks on the display and PETROL indicator is displayed. After change-over to CNG, CNG indicator will be

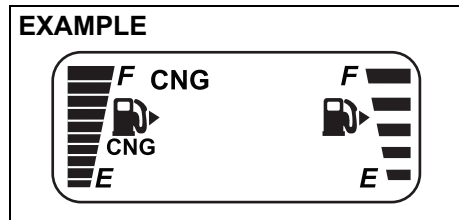
BEFORE DRIVING

displayed and Petrol indicator will switch OFF automatically.

NOTE:

- It is always recommended to start the vehicle in AUTO MODE or PETROL MODE to enhance the engine life.
- The fuel changeover to CNG may not happen if the vehicle is started when the ambient / engine temperature is below Zero Degree Celsius. In such a case, run the engine in PETROL MODE till it warms up and then try restarting the engine to changeover to CNG.

Forced CNG Mode



77PM02004

This is emergency mode and may be used in cases where there is no petrol in petrol tank. In this mode vehicle starts in CNG mode and continues running in CNG mode. With ignition "ON" and engine not running, press and hold the changeover switch till only CNG indicator is displayed. In this mode, CNG indicator is displayed and Petrol indicator remains "OFF".

NOTE:

- It is recommended to keep sufficient amount of petrol in the petrol tank.
- The vehicle may not start in Forced CNG mode if the ambient / engine temperature is below Zero Degree Celsius. It is recommended to start the vehicle in Auto mode.

Automatic Changeover From CNG Mode To Petrol Mode

If CNG is finished while the engine is running, vehicle will automatically changeover from CNG mode to Petrol mode & CNG malfunction warning lamp will start blinking. Petrol indicator will be displayed continuously and CNG indicator will switch OFF automatically.

To acknowledge this information, press the changeover switch once. The CNG malfunction warning lamp will stop blinking after the changeover switch is pressed and Petrol indicator will glow continuously. However the CNG malfunction indicator lamp will continue to blink after every subsequent Ignition ON - Ignition OFF condition until the vehicle is refilled with CNG. In case CNG is refilled, please press the fuel changeover switch once to changeover to CNG. Then, vehicle can run on CNG.

NOTE:

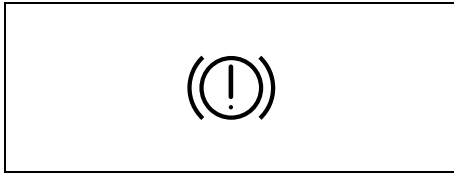
- It is recommended to keep sufficient amount of petrol in the petrol tank to prevent engine stalling while automatic changeover from CNG mode to Petrol mode.
- In case the CNG malfunction warning lamp does not stop blinking after pressing the changeover switch, have the vehicle inspected at the nearest authorised MARUTI SUZUKI COMMERCIAL workshop.

Warning and Indicator Lights

NOTE:

If warning and indicator lights blink or come on, the corresponding messages may be shown on the information display.

Brake System Warning Light



82K170

Four different types of operations exist depending on the vehicle's specification.

- 1) The light comes on briefly when the ignition switch is turned to the "ON" position.
- 2) The light comes on when the parking brake is engaged with the ignition switch in the "ON" position.
- 3) The light comes on when under either or both of above two conditions.
- 4) The light also comes on when the fluid in the brake fluid reservoir falls below the specified level.

The light should go out after starting the engine and fully releasing the parking brake, if the fluid level in the brake fluid reservoir is adequate.

The light also comes on together with the ABS warning light when the rear brake force control function (proportioning valve function) of the ABS system fails.

If the brake system warning light comes on while you are driving the vehicle, it may mean that there is something wrong with the vehicle's brake system. If this happens, you should:

- 1) Pull off the road and stop carefully.

⚠ WARNING

Remember that stopping distance may be longer, you may have to push harder on the pedal, and the pedal may go down farther than normal.

- 2) Test the brakes by carefully starting and stopping at the side of the road.
 - If you determine that it is safe, drive carefully at low speed to the nearest dealer for repairs, or
 - Have the vehicle towed to the nearest authorised MARUTI SUZUKI COMMERCIAL workshop for repairs.

⚠ WARNING

If any of the following conditions occur, you should immediately ask your authorised MARUTI SUZUKI COMMERCIAL workshop to inspect the brake system.

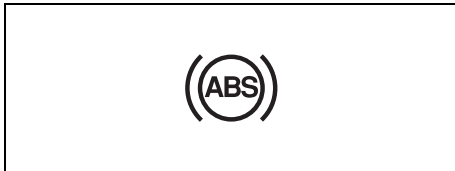
- If the brake system warning light does not go out after the engine has been started and the parking brake has been fully released.
- If the brake system warning light does not come on when the ignition switch is turned to the "ON" position.
- If the brake system warning light comes on at any time during vehicle operation.

NOTE:

Because the brake system is self-adjusting, the fluid level will drop as the brake pads become worn. Replenishing the brake fluid reservoir is considered normal periodic maintenance.

BEFORE DRIVING

Anti-lock Brake System (ABS) warning light (if equipped)



65D529

When the ignition switch is turned to "ON" position, the light comes on briefly so you can check that the light is working. If the light stays on, or comes on when driving, there may be something wrong with the ABS.

If this happens:

- 1) Pull off the road and stop carefully.
- 2) Turn the ignition switch to "LOCK" position and then start the engine again.

If the warning light comes on briefly and then turns off, the system is normal. If the warning light still stays on, something is wrong with the system.

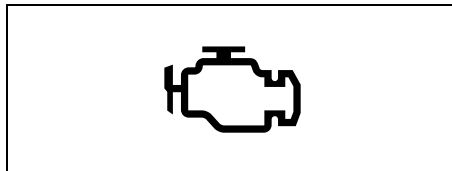
If the light and the brake system warning light stay on, or come on simultaneously when driving, your ABS system is equipped with the rear brake force control function (proportioning valve function) and there may be something wrong with both the rear brake force control function and the anti-lock function of the ABS system.

If one of the above occur, have the system inspected by a MARUTI SUZUKI authorized workshop.

If the ABS becomes inoperative, the brake system will function as an ordinary brake system that does not have this ABS system.

For details of ABS system, refer to "Anti-lock Brake System (ABS)" in "OPERATING YOUR VEHICLE" section.

Malfunction Indicator Light



63J031

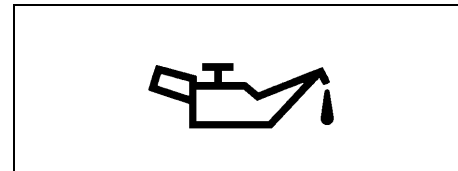
Your vehicle has a computer-controlled emission control system. A malfunction indicator light is provided on the instrument panel to indicate when it is necessary to have the emission control system serviced. The malfunction indicator light comes on when the ignition switch is turned to "ON" position to let you know the light is working and goes out when the engine is started.

If the malfunction indicator light comes on when the engine is running, there is a problem with the emission control system. Take the vehicle to your nearest authorised MARUTI SUZUKI COMMERCIAL workshop to have the damage fixed.

NOTICE

Continuing to drive the vehicle when the malfunction indicator light is on can cause permanent damage to the vehicle's emission control system, and can affect fuel economy and driveability.

Oil Pressure Light



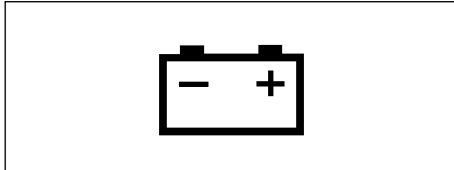
50G051

This light comes on when the ignition switch is turned to the "ON" position, and goes out when the engine is started. The light will come on and remain on if there is insufficient oil pressure. If the light comes on when driving, pull off the road as soon as you can and stop the engine. Check the oil level and add recommended engine oil if necessary. If there is enough oil, the lubrication system should be inspected by your authorised MARUTI SUZUKI COMMERCIAL workshop before you drive the vehicle again.

NOTICE

- If you operate the engine with this light on, severe engine damage can result.
- Do not rely on the Oil Pressure Light to indicate the need to add oil. Be sure to periodically check the engine oil level.

Charging Light



50G052

This light comes on when the ignition switch is turned to the “ON” position, and goes out when the engine is started. The light will come on and remain on if there is something wrong with the battery charging system. If the light comes on when the engine is running, the charging system should be inspected immediately by your authorised MARUTI SUZUKI COMMERCIAL workshop.

Driver’s Seat Belt Warning Light / Front Passenger’s Seat Belt Warning Light

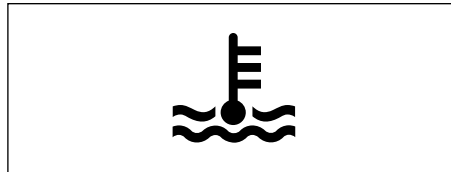


60G049

When the driver or front passenger does not buckle his or her seat belt, this light will come on and/or blink.

For details about the seat belt reminder, refer to “Seat Belts and Child Restraint Systems” in this section.

High Engine Coolant Temperature Warning Light (red color)



54G344

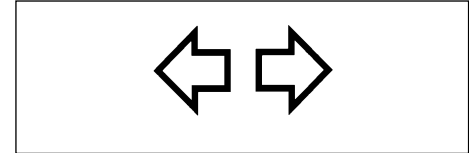
When the ignition switch is turned to the “ON” position, this light comes on briefly so you can check that the light is working. If this light blinks while driving, it means the engine is running hot. Avoid driving conditions that may lead to actual overheating. If the light stays on without blinking, then the

engine is overheating. Follow the instructions in the “If the Engine Overheats” of “EMERGENCY SERVICE” section.

NOTICE

Continuing to drive the vehicle when engine overheating is indicated can result in severe engine damage.

Turn Signal Indicators



50G055

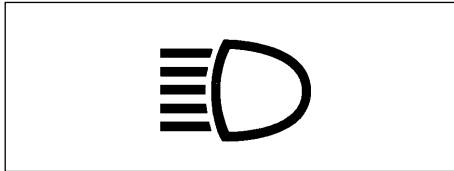
When you turn on the left or right turn signals, the corresponding green arrow on the instrument panel will flash along with the respective turn signal lights. When you turn on the hazard warning switch, both arrows will flash along with all of the turn signal lights.

NOTE:

If any abnormality of the turn signals is observed, such as fast blinking, there may be malfunction in the turn signal system. Ask your Maruti Suzuki authorized workshop to inspect the system.

BEFORE DRIVING

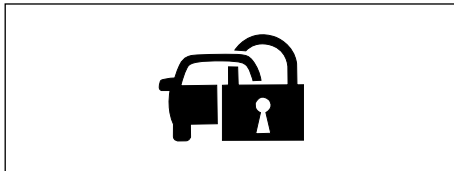
Main Beam (high beam) Indicator Light



50G056

This indicator comes on when headlight main beams (high beams) are turned on.

Immobilizer system warning light



65D239

When the ignition switch is turned to the "ON" position, this light comes on to let you know the light is working. If this light blinks with the ignition switch turned to "ON", there may be something wrong with the immobilizer system. Ask a Maruti Suzuki authorised workshop to have the system inspected.

ESP® Warning light (if equipped)



56RM02033

ESP® is a registered trademark of Daimler AG.

This light blinks 5 times per second when one of the following systems is activated.

- Stability control system
- Traction control system

If this light blinks, drive carefully.

When the ignition switch is turned to "ON" position, the light comes on briefly so you can check that the light is working. If the light stays ON, or comes on when driving and remains ON, there may be something wrong with the ESP® systems (other than ABS). You should have the system inspected by a Maruti Suzuki authorized workshop.

For details of the ESP® systems, refer to "Electronic Stability Program (ESP®) (if equipped)" in "OPERATING YOUR VEHICLE" section.

WARNING

The ESP® systems cannot prevent accidents. Always drive carefully.

ESP® OFF indicator light (if equipped)



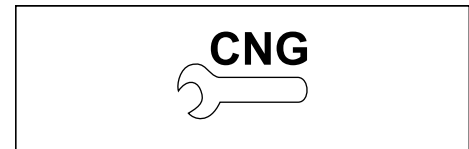
56RM02034

When the ignition switch is turned to the "ON" position, this light comes on briefly so you can check that the light is working.

When the ESP® OFF switch is pushed to turn off the ESP® systems (other than ABS), the ESP® OFF indicator light comes on and stays on.

For details of the ESP® systems, refer to "Electronic Stability Program (ESP®) (if equipped)" in "OPERATING YOUR VEHICLE" section.

CNG Malfunction Warning Light (if equipped)



77PMC015

When the ignition switch is turned "ON", this CNG malfunction warning lamp comes

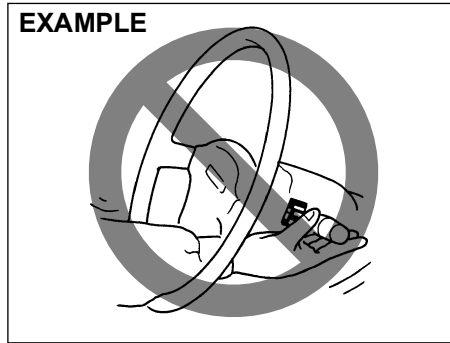
on briefly, to check that the CNG malfunction lamp is trouble free.

- If CNG malfunction warning lamp glows continuously, with ignition "ON" there is some problem with the CNG system. Immediately get your vehicle checked by authorised MARUTI SUZUKI COMMERCIAL workshop.
- If CNG malfunction warning lamp blinks during engine running, it means there is some problem in CNG system in which vehicle cannot continue running in CNG-MODE and automatically switchover to petrol mode. Have your vehicle checked at authorised MARUTI SUZUKI COMMERCIAL workshop.

NOTE:

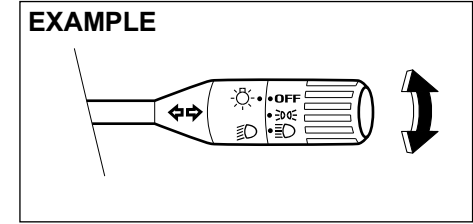
With ignition switch "ON" and engine not running, blinking of CNG lamp indicates that fuel lid is open. Vehicle will not start in this condition. Close the lid in order to start the vehicle.

Lighting Control Lever



⚠ WARNING
To avoid possible injury, do not operate controls by reaching through the steering wheel.

Lighting Operation



To turn the lights on or off, twist the knob at the end of the lever. There are three positions:

OFF

All lights are off.



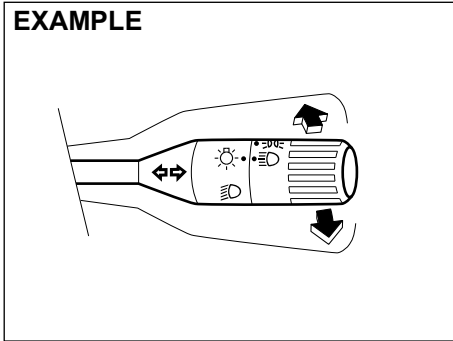
Front position lights, tail lights, license plate lights and instrument lights are on, but headlights are off.



Front position lights, tail lights, license plate lights, instrument lights and headlights are on.

BEFORE DRIVING

EXAMPLE

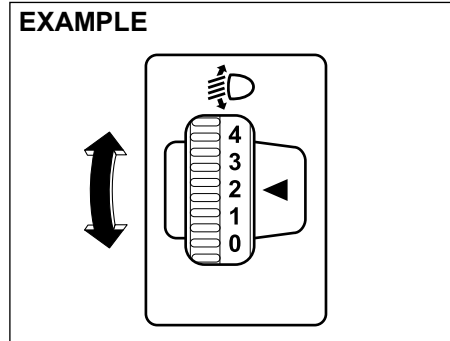


77PH111

With the headlights on, push the lever forward to switch to the high beams (main beams) or pull the lever toward you to switch to the low beams. When the high beams (main beams) are on, main beam (high beam) indicator light on the instrument panel will come on. To momentarily activate the high beams (main beams) as a passing signal, pull the lever slightly toward you and release it when you have completed the signal.

Headlight Leveling Switch

EXAMPLE



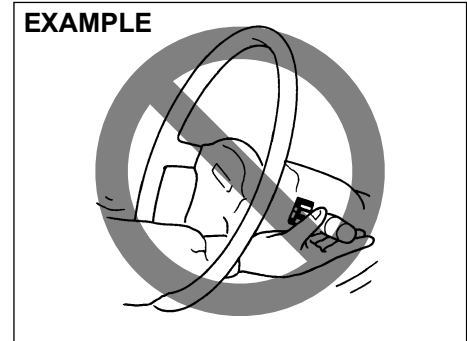
77PH010

Level the headlight beam according to the load condition of your vehicle by turning this switch. The chart below shows the appropriate switch position for different vehicle-load conditions.

Vehicle Load Condition	Switch Position
Driver only	0
Driver + full cargo	3

Turn Signal Control Lever

EXAMPLE



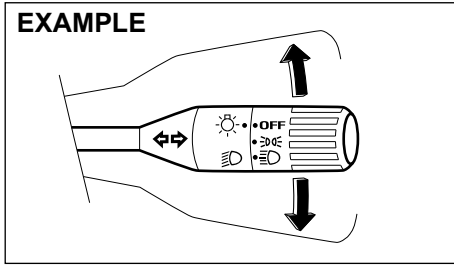
65D611

⚠ WARNING

To avoid possible injury, do not operate controls by reaching through the steering wheel.

Turn Signal Operation

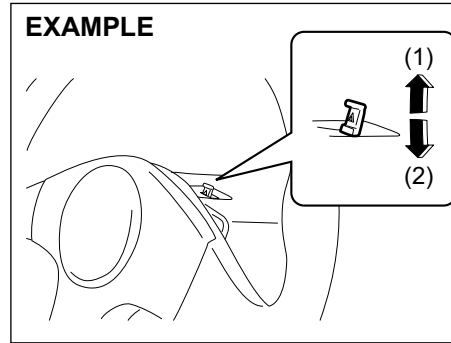
With the ignition switch in the "ON" position, move the lever up or down to activate the right or left turn signals.



77PH112

Move the lever upward or downward to signal. When the turn is completed, the signal will cancel and the lever will return to its normal position.

Hazard Warning Switch



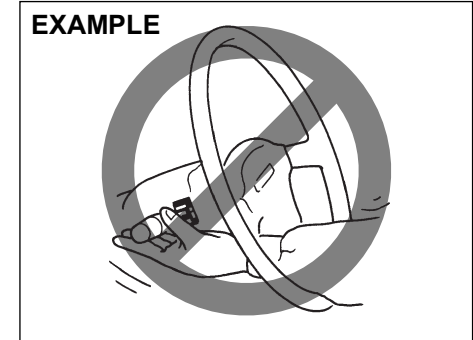
77PH028

- (1) ON
- (2) OFF

Pull up the hazard warning switch to activate the hazard warning lights. All turn signal lights and both turn signal indicators will flash simultaneously. To turn off the lights, push down the switch.

Use the hazard warning lights to warn other traffic during emergency parking or when your vehicle could otherwise become a traffic hazard.

Windshield Wiper and Washer Lever



65D611

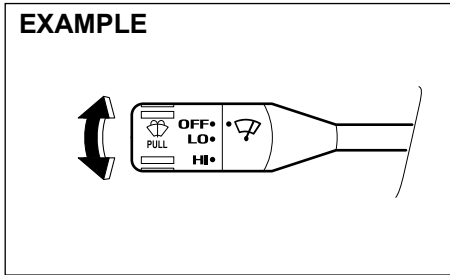
⚠ WARNING
To avoid possible injury, do not operate controls by reaching through the steering wheel.

Wiper Operation

When the ignition switch is in the "ON" position, you can use the wiper lever.

BEFORE DRIVING

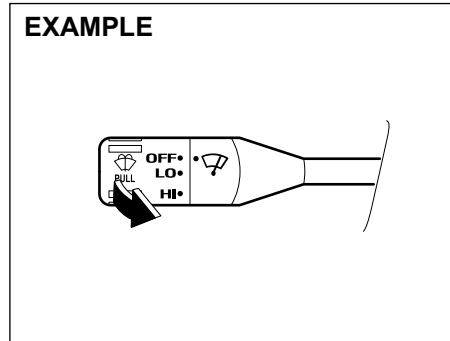
Windshield Wipers



77PM02015

To turn the windshield wipers on, twist the knob at the end of the lever to one of the operating positions. In the “LO” position, the wipers operate at a steady low speed. In the “HI” position, the wipers operate at a steady high speed. To turn off the wipers, twist the lever back to the “OFF” position.

Windshield Washer



77PM02016

To spray windshield washer fluid, pull the lever towards you.

⚠ WARNING

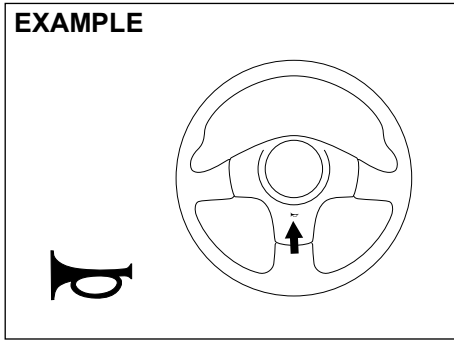
Do not use radiator antifreeze in the windshield washer reservoir. It can severely impair visibility when sprayed on the windshield, and can also damage your vehicle's paint.

NOTICE

To help prevent damage to the windshield wiper and washer system components, you should take the following precautions:

- Do not continue to hold in the lever when there is no windshield washer fluid being sprayed or the washer motor can be damaged.
- Do not attempt to remove dirt from a dry windshield with the wipers or you can damage the windshield and the wiper blades. Always wet the windshield with washer fluid before operating the wipers.
- Clear ice or packed snow from the wiper blades before using the wipers.
- Check the washer fluid level regularly. Check it often when the weather is bad.
- Only fill the washer fluid reservoir 3/4 full during cold weather to allow room for expansion if the temperature falls low enough to freeze the solution.

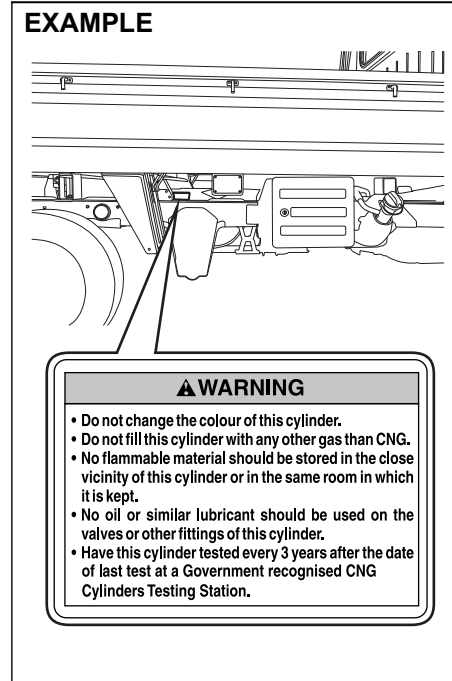
Horn



77PH029

Press the horn button of the steering wheel to sound the horn. The horn will sound with the ignition switch in any position.

**CNG Cylinder Warning Label
(if equipped)**

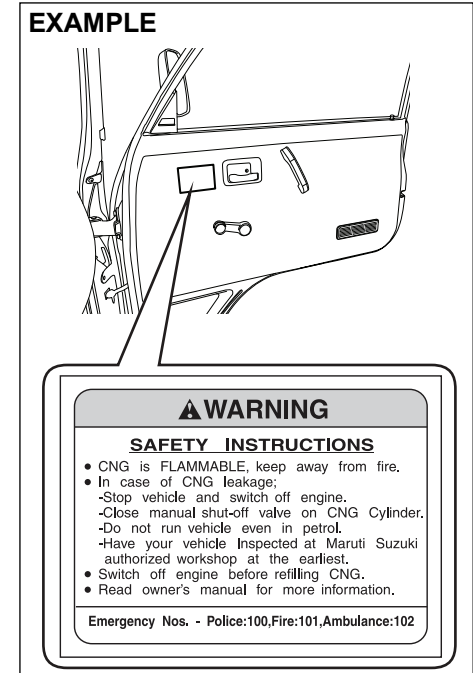


77PM02006

You may find this label on the CNG cylinder.

**CNG Warning Label
(if equipped)**

Front Driver Door

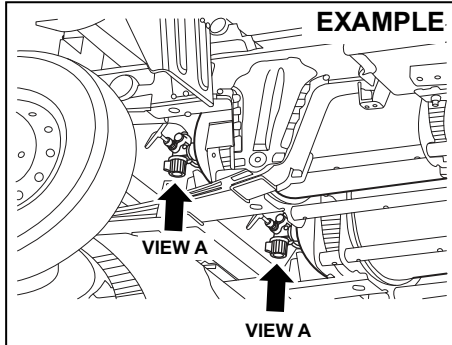


77PM02007

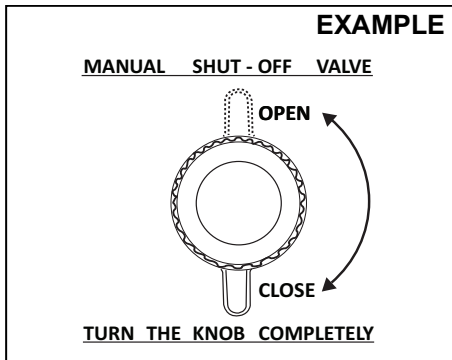
CNG warning label is located on front right door.

BEFORE DRIVING

CNG Manual Shut-OFF Valve (if equipped)

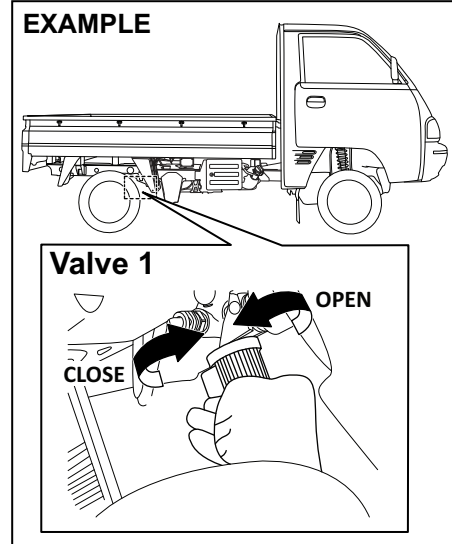


77PM02011



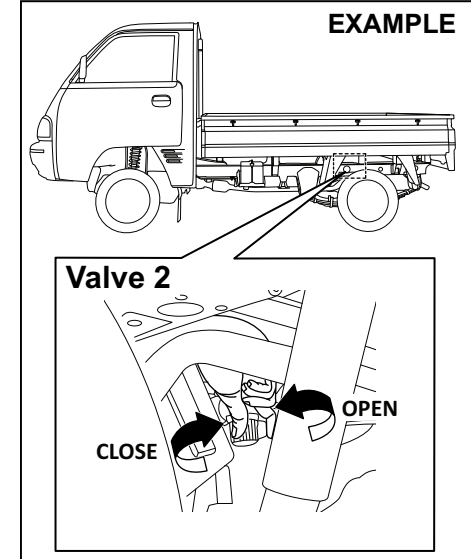
77PM02014

Right Hand Side (RHS)



77PM02012

Left Hand Side (LHS)



77PM02013

Manual shut off valve is located on CNG cylinders which are provided in vehicle under body.

There are two CNG cylinders in the vehicle under body, each containing one manual shut off valve.

The manual shutoff valve 1 and valve 2 are accessed from right hand side (RHS) and left hand side (LHS) of the vehicle respectively.

CNG supply can be switched off by closing the manual shut-off valve on both the CNG cylinders.

Valve closing: Turn the knob completely in clockwise direction (from view A) to close the CNG supply to Engine.

Valve opening: Turn the knob completely in anti-clockwise direction (from view A) to open the CNG supply to Engine.

⚠ CAUTION

Be careful that your hand does not touch exhaust pipe while accessing the manual shut off valve 2 (LHS). After driving, exhaust pipe can be hot enough to burn your hand.

NOTE:

- If the manual shut-off valve is not opened fully, then the engine may not run properly.
- If the manual shut-off valve is in closed condition, it is not possible to fill CNG into the cylinder.

NOTE:

- As per Government regulation, CNG cylinder needs to be checked and certified every three (3) years from the date of initial testing as mentioned on the CNG cylinder identification plate.
- Customer has to present the vehicle to a government approved testing agency.
- Failure to test the cylinder may result in denying of CNG filling by the CNG dispensing stations or may result in confiscating the vehicle by enforcement authorities.
- All the expenses for CNG cylinder testing has to be borne by the customer.
- As per Government regulation, CNG cylinder has to be discarded at 20 years from the date of initial testing as mentioned in the CNG cylinder identification plate.
- Customer has to discard the cylinder at his / her expense through government approved scrap agencies.
- No person shall refill any cylinder, which has been repaired under sub-rule (2) with any gas unless a full report on the repairs and test carried out on the cylinder, accompanied by the repairer's certificate of testing are furnished to the Chief Controller and his permission is obtained for its refilling.

⚠ WARNING

- Never remove the cylinder valve from the cylinder assembly. For any assistance consult authorised MARUTI SUZUKI COMMERCIAL workshop.
- Never try to clean the cylinder. In case of any problem, contact authorised MARUTI SUZUKI COMMERCIAL workshop.
- Do not reuse the cylinder valve, once it is replaced / removed from cylinder assembly.
- Even if the CNG from the cylinder is consumed till engine stops, some amount of CNG will be left out in the tank under pressure.

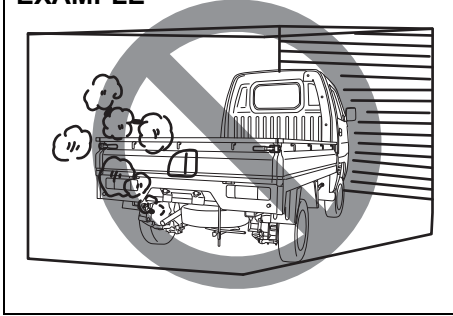
OPERATING YOUR VEHICLE

Exhaust Gas Warning	3-1
Daily Inspection Checklist	3-1
Engine Oil Consumption	3-2
Ignition Switch	3-2
Parking Brake Lever	3-4
Pedal	3-5
Starting the Engine	3-5
Using the Transmission	3-6
Parking Sensors	3-8
Braking	3-11
Anti-Lock Brake System (ABS)	3-12
Electronic Stability Program (ESP®)	3-15

OPERATING YOUR VEHICLE

Exhaust Gas Warning

EXAMPLE



82DY03

⚠ WARNING

Avoid breathing exhaust gases. Exhaust gases contain carbon monoxide, a potentially lethal gas that is colorless and odorless. Since carbon monoxide is difficult to detect by itself, be sure to take the following precautions to help prevent carbon monoxide from entering your vehicle.

- Do not leave engine running in garages or confined areas, with passengers inside. This may result in accumulation of carbon-monoxide in cabin and may lead to suffocation or breathing problems and lead to death.

(Continued)

⚠ WARNING

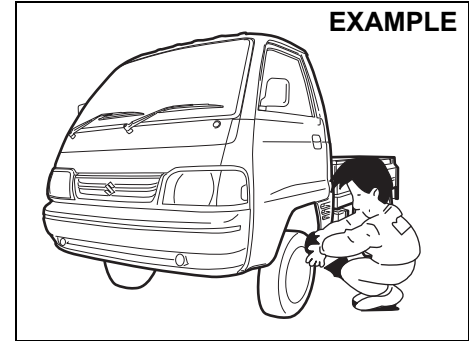
(Continued)

- Do not park with the engine running for a long period of time, even in an open area. In case of long periods, danger of choking and death on being inside the vehicle is a possibility when the engine is running. If it is necessary to sit for a short time in a parked vehicle with the engine running, make sure the air intake selector is set to "FRESH AIR" and the blower is at high speed.
- To allow proper operation of your vehicle's ventilation system, keep the air inlet grille in front of the vehicle clear of snow, leaves, or other obstructions at all times.
- Keep the exhaust pipe area clear of snow and other material to help reduce the buildup of exhaust gases under the vehicle. This is particularly important when parked in blizzard conditions.
- Have the exhaust system inspected periodically for damage and leaks. Any damage or leaks should be repaired immediately.

Daily Inspection Checklist

Before Driving

EXAMPLE



77PM03001

- 1) Make sure that windows, mirrors, lights, and reflectors are clean and unobstructed.
- 2) Visually check the tyres for the following points:
 - the depth of the tread groove
 - abnormal wear, cracks and damage
 - loose wheel nuts
 - existence of foreign material such as nails, stones, etc.

Refer to "Tyres" in "INSPECTION AND MAINTENANCE" section for details.

- 3) Look for fluid and oil leaks.
- 4) Make sure the engine compartment is fully closed and latched.
- 5) Check the headlights, turn signal lights, brake lights and horn for proper operation.

- 6) Adjust the driver's seat.
- 7) Check the brake pedal and the parking brake lever.
- 8) Adjust the mirrors.
- 9) Make sure that you and passenger have properly fastened seat belts.
- 10) Make sure that all warning lights come on as the key is turned to the "ON" position.
- 11) Check all gauges.
- 12) Make sure that the BRAKE SYSTEM WARNING light turns off when the parking brake is released.

Once a week, or each time you fill your fuel tank or before a long distance driving (like highway driving), perform the following under-hood checks:

- 1) Engine oil level
- 2) Coolant level
- 3) Brake fluid level
- 4) Windshield washer fluid (if equipped) level
- 5) Battery electrolyte level
- 6) Latch operation
See "All latches, hinges & locks" of "CHASSIS AND BODY" in the "Periodic Maintenance Schedule" in the "INSPECTION AND MAINTENANCE" section for lubrication schedule.

Once a month, or each time you fill your fuel tank or before a long distance driving (like highway driving), check the tyre pressure using a tyre pressure gauge. Also check the tyre pressure of the spare tyre.

Engine Oil Consumption

It is normal for the engine to consume some engine oil during normal vehicle operation.

The amount of engine oil consumed depends on the viscosity of the oil, the quality of the oil and the conditions the vehicle is driven under.

More oil is consumed during high-speed driving and when there is frequent acceleration and deceleration. Under high loads, your engine also will consume more oil. A new engine also consumes more oil, since its pistons, piston rings and cylinder walls have not yet become conditioned. New engines reach the normal level of oil consumption only after approximately 5000 km (3000 miles) driving.

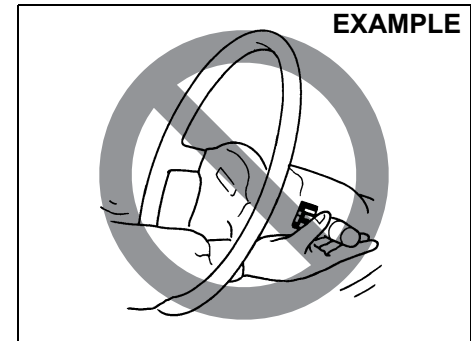
Oil consumption:
Max. 1.0 L per 1000 km
(1 Qt. per 600 miles)

When judging the amount of oil consumption, note that the oil may become diluted and make it difficult to accurately judge the true oil level.

As an example, if a vehicle is used for repeated short trips, and consumes a normal amount of oil, the dipstick may not show any drop in the oil level at all, even after 1000 km (600 miles) or more of driving. This is because the oil is gradually becoming diluted with fuel or moisture, making it appear that the oil level has not changed.

You should also be aware that the diluting ingredients evaporate out when the vehicle is subsequently driven at high speeds, such as on an expressway, making it appear that oil is excessively consumed after high-speed driving.

Ignition Switch



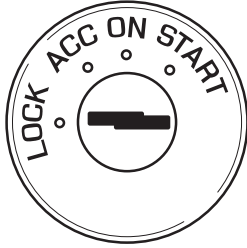
65D611

⚠ WARNING

To avoid possible injury, do not operate controls by reaching through the steering wheel.

OPERATING YOUR VEHICLE

EXAMPLE



77PH002

The ignition switch has the following four positions:

LOCK

This is the normal parking position. It is the only position in which the key can be removed.

To release the steering lock, insert the key and turn it clockwise to one of the other positions. If you have trouble turning the key to unlock the steering, try turning the steering wheel slightly to the right or left while turning the key.

ACC

Accessories such as the accessory socket can operate, but the engine is off.

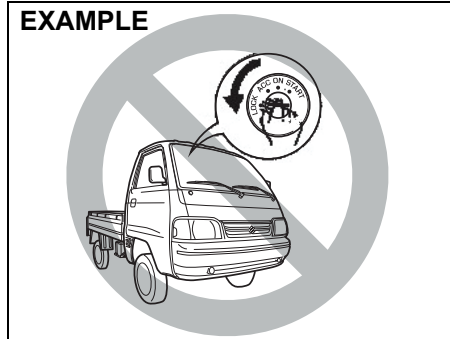
ON

This is the normal operating position. All electrical systems are on.

START

This is the position for starting the engine using the starter motor. The key should be released from this position as soon as the engine starts.

EXAMPLE



82DY04

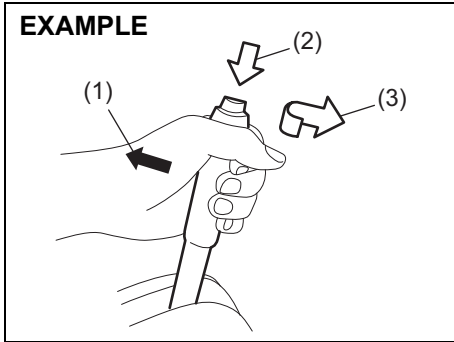
NOTICE

- Do not use the starter motor for more than 30 seconds at a time. If the engine does not start, wait 15 seconds before trying again. If the engine does not start after several attempts, check the fuel and ignition systems or consult your authorised MARUTI SUZUKI COMMERCIAL workshop.
- Do not leave the ignition switch in the "ON" position if the engine is not running as the battery will discharge.

⚠ WARNING

- Never remove the ignition key while the vehicle is moving. The steering wheel will lock and you will not be able to steer the vehicle.
- Always remove the ignition key when leaving the vehicle even if only for a short time. Also do not leave children alone in a parked vehicle. They also could suffer from heat stroke in warm or hot weather. These could result in severe injury or even death.

Parking Brake Lever



77PH030

- (1) To set
- (2) To release
- (3) To release

The parking brake lever is located between the front seats. To set the parking brake, depress the brake pedal down and pull the parking brake lever all the way up. To release the parking brake, depress the brake pedal down, pull up slightly on the parking brake lever, push the button on the end of the lever with your thumb, and lower the lever to its original position.

⚠ WARNING

- Never drive your vehicle with the parking brake on: rear brake effectiveness can be reduced from overheating, brake life may be shortened, or permanent brake damage may result.
- If the parking brake does not hold the vehicle securely or does not fully release, have your vehicle inspected immediately by an authorised MARUTI SUZUKI COMMERCIAL workshop.

⚠ WARNING

Always set the parking brake fully before leaving your vehicle or it may move, causing injury or damage. When parking, make sure the gear-shift lever is in reverse or first gear. Remember, even though the transmission is in gear, you must set the parking brake fully.

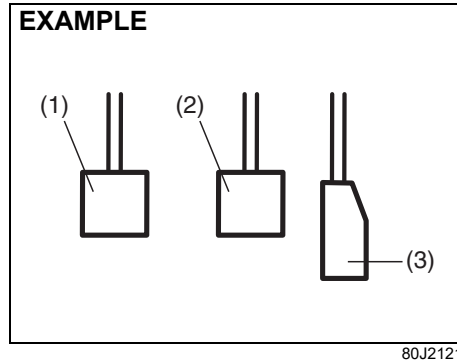
⚠ WARNING

When parking the vehicle in extremely cold weather, the following procedure should be used:

- 1) Set the parking brake.
 - 2) Turn off the engine, then shift into reverse or first gear.
 - 3) Get out of the vehicle and put chocks under the wheels.
 - 4) Release the parking brake. When you return to your vehicle, you must remember to first set the parking brake, then remove the wheel chocks.
- Do not leave cigarette lighters, spray cans, soft drink cans or plastic articles (such as glasses, CD cases, etc.) in sun-heated vehicle. The temperature inside the vehicle may cause as follows:
 - Gas may leak from a cigarette lighter or spray can and may lead to a fire.
 - The glasses, plastic cards or CD cases, etc. may deform or crack.
 - Soft drink cans may fracture.

OPERATING YOUR VEHICLE

Pedal



Clutch Pedal (1)

The clutch pedal is used to disengage the drive to the wheels when starting the engine, stopping, or shifting the gearshift lever. Depressing the pedal disengages the clutch.

⚠ WARNING

Do not drive with your foot resting on the clutch pedal. It could result in excessive clutch wear, clutch damage, or unexpected loss of engine braking.

Brake Pedal (2)

Your vehicle is equipped with front disc brakes and rear drum brakes. Depressing the brake pedal applies both sets of brakes.

You may hear occasional brake squeal when you apply the brakes. This is a normal condition caused by environmental factors such as temperature, humidity, snow or dust, etc.

⚠ WARNING

If brake squeal is excessive and occurs each time the brakes are applied, you should have the brakes checked by your authorised MARUTI SUZUKI COMMERCIAL workshop.

⚠ WARNING

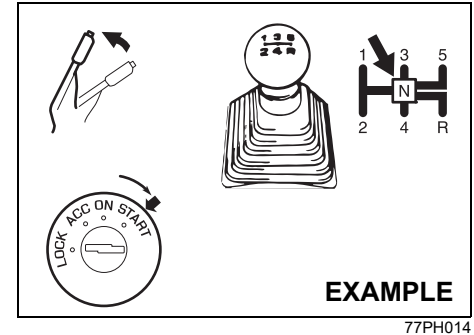
Do not ride the brakes by applying them continuously or resting your foot on the pedal. This will result in overheating of the brakes which could cause unpredictable braking action, longer stopping distances, or permanent brake damage.

Accelerator Pedal (3)

This pedal controls the speed of the engine. Depressing the accelerator pedal increases power output and speed.

Starting the Engine

Before Starting the Engine



- 1) Make sure the parking brake is set fully.
- 2) Shift into "N" (Neutral) and depress the clutch pedal all the way to the floor. Hold the clutch pedal while starting the engine.

⚠ WARNING

Make sure that the parking brake is set fully and the transmission is in neutral before attempting to start the engine.

Starting a Cold and Warm Engine

With your foot off the accelerator pedal, crank the engine by turning the ignition key to "START". Release the key when the engine starts.

CAUTION

- Stop turning the starter immediately after the engine has started or the starter system can be damaged.
- Do not crank the engine for more than 12 seconds at a time. If the engine doesn't start on the first try, wait about 30 seconds before trying again.

If the engine does not start after 12 seconds of cranking, wait about 30 seconds, then press down the accelerator pedal to 1/3 of its travel and try cranking the engine again. Release the key and accelerator pedal when the engine starts.

If the engine still does not start, try holding the accelerator pedal all the way to the floor while cranking. This should clear the engine if it is flooded.

NOTE:

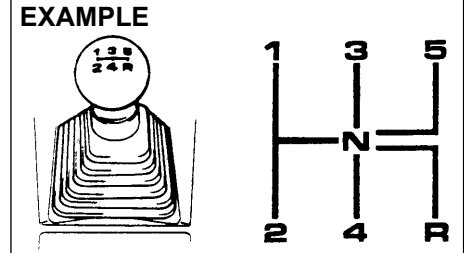
(For CNG Engine Model)

- Do not press the accelerator pedal to changeover from petrol to CNG mode.
- With ignition switch "ON" and engine not running, blinking of CNG malfunction warning lamp indicates that fuel lid is open. Vehicle will not start in this condition.

- It is always recommended to start the vehicle in AUTO MODE or PETROL MODE to enhance the engine life.
- The fuel changeover to CNG may not happen if the vehicle is started when the ambient / engine temperature is below Zero Degree Celsius. In such a case, run the engine in PETROL MODE till it warms up and then try restarting the engine to changeover to CNG.
- It is recommended to keep sufficient amount of petrol in the petrol tank.
- The vehicle may not start in Forced CNG mode if the ambient / engine temperature is below Zero Degree Celsius. It is recommended to start the vehicle in Auto mode.
- It is recommended to keep sufficient amount of petrol in the petrol tank to prevent engine stalling while automatic changeover from CNG mode to Petrol mode.
- In case the CNG malfunction warning lamp does not stop blinking after pressing the changeover switch, take the vehicle to the nearest authorised MARUTI SUZUKI COMMERCIAL workshop.

Using the Transmission

Manual Transmission



Starting off

To start off, depress the clutch pedal all the way to the floor and shift into 1st or 2nd gear. After releasing the parking brake, gradually release the clutch. When you hear a change in the engine's sound, slowly press the accelerator while continuing to gradually release the clutch.

NOTE:

- The recommended gear position for start off during normal driving is 2nd gear.
- In case of the cross country driving, crawling or loading driving that needs big driving force, shift position recommended is 1st gear.

Shifting

All forward gears are synchronized, which provides for quiet and easy shifting. Always push in the clutch pedal fully before shifting gears.

OPERATING YOUR VEHICLE

Downshifting maximum allowable speeds (For Petrol Model)

Downshifting	km/h
2nd to 1st	10
3rd to 2nd	65
4th to 3rd	100
5th to 4th	140*

Downshifting maximum allowable speeds (For CNG Model)

Downshifting	km/h
2nd to 1st	10
3rd to 2nd	55
4th to 3rd	90
5th to 4th	125*

***NOTE:**

You may not accelerate to the maximum allowable speed because of the driving situation and/or the vehicle condition.

NOTICE

When downshifting to a lower gear, make sure not to downshift at the speed faster than the maximum allowable speeds, or severe engine damage can result.

⚠ WARNING

- Reduce your speed and downshift to a lower gear before going down a long or steep hill. A lower gear will allow the engine to provide braking. Avoid riding the brakes or they may overheat, resulting in brake failure.
- When driving on slippery roads, be sure to slow down before downshifting. Excessive and or sudden changes in engine speed may cause loss of traction, which could cause you to lose control.

NOTICE

- To help avoid clutch damage, do not use the clutch pedal as a foot-rest while driving or use the clutch to keep the vehicle stationary on a slope. Depress the clutch fully when shifting.
- When shifting or starting off, do not race the engine. Racing the engine can shorten engine life and affect smooth shifting.

NOTICE

Before engaging reverse gear "R", check that the vehicle is completely stationary and gear lever is in neutral [N] position. After depressing clutch pedal fully, shift to [R].

NOTE:

If it is difficult to engage reverse gear "R", follow below procedure:-

1. Put gear lever in neutral "N".
2. Release the clutch pedal once.
3. Again depress the clutch pedal, and shift from "N" to "R".

Parking Sensors

- The parking sensor system uses ultrasonic sensors to detect obstacles near the rear bumper. If obstacles are sensed while you are parking or moving the vehicle slowly, the system warns you by sounding a buzzer.
- The system emits an ultrasonic wave and the relevant sensor detects the return of the wave reflected by an obstacle. The system measures the time taken by the ultrasonic wave to reach the obstacle and return from it, from which it determines the obstacle's position.
- The parking sensor function can be used when you turn the ignition switch to "ON" position and the gearshift lever is in the "R" position. This function is helpful in the following cases: pulling over to the curb; parallel parking the vehicle; steering the vehicle into a garage; driving along an alley; and moving slowly in a place with obstacles.

⚠ WARNING

- **The parking sensor warns you of obstacles with buzzers. However, you still have to drive with particular care.**
- **The sensors can detect obstacles only within a limited area and only when the vehicle is moving within a limited speed range. So, in tricky areas, you must move the vehicle slowly while checking around it using your direct vision or rearview mirrors. There is increased risk of an accident if you control the vehicle relying only on the parking sensor.**

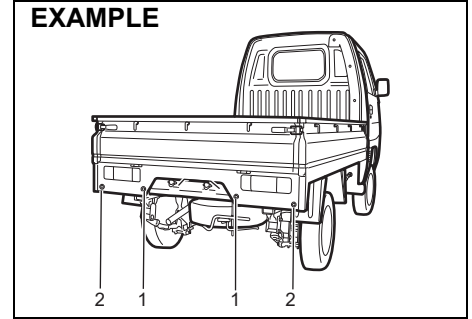
NOTE:
When the gearshift lever is shifted to the "R" position, a buzzer will sound once.

NOTICE

Parking sensors are only for driver's assistance.

Sensor locations

On rear bumper



- (1) Rear center sensors (2 places)
- (2) Rear corner sensors (2 places)

NOTICE

- **Avoid hitting the sensor areas or directing the nozzle of a high-pressure car washer onto the sensor areas. Otherwise, the sensors may be damaged.**
- **If the bumper hits a hard object, the sensors on it may not work properly. If this occurs, have the sensors inspected by a Maruti Suzuki authorised workshop.**

OPERATING YOUR VEHICLE

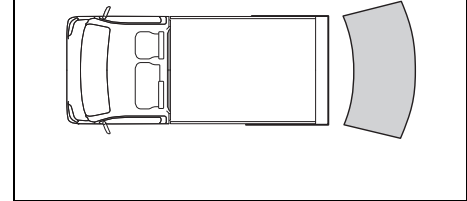
Working sensors

The sensors work depending on the gearshift lever position as follows:

Gearshift lever position	R	N, 1st – 5th
Rear sensors	On	Off

Approximate areas where obstacles can be detected

EXAMPLE



78MM05003

- An obstacle within about 20 cm (8 in) from a sensor or just below a sensor is not detectable.

The sensors can detect an obstacles such as wall up to about 1.8 m (6 ft) from the rear of vehicle.

⚠ WARNING

Under the following conditions, the parking sensor system may not work normally because the sensors cannot detect obstacles correctly.

- Sensors are covered with mud, ice or other materials. (Such materials must be removed for normal operation.)
- Sensors are wet from water splashes or heavy rain.
- Sensors are covered by a hand, sticker, accessory, etc.
- There is an accessory or other object attached within the sensor's sensing area.
- Items such as tow hooks, commercially available corner poles, radio antenna, etc. are installed on the bumper.
- The height of the bumper is changed due to alteration to the suspension or other causes.
- The sensor areas are extremely hot from direct sunlight or cold due to freezing weather.
- The vehicle is on a rough surface, slope, gravel road or grass field.
- The vehicle is at a steep angle.

(Continued)

⚠ WARNING

(Continued)

- Sensors have intercepted ultrasonic noise from another vehicle's horn, engine, air braking system (large vehicles), or parking sensor.
- Obstacles are too close to the sensors.
- Sensors are at an angle to a highly reflective object such as glass. (Ultrasonic waves are not reflected back from the obstacle.)
- Sensors may not be able to correctly detect the following types of obstacles:
 - Objects made of a thin material such as wire netting and ropes
 - Square-shaped curbstones or other objects with sharp edges
 - Tall objects with a large upper part such as a road sign
 - Low-profile objects such as curbstones
 - Sound-absorbing objects such as cotton and snow

NOTE:

Thin poles or obstacles lower than the sensors may become undetectable as the vehicle moves closer to them even if they have been detected from longer distances.

- *The system may calculate the distance to a road sign or similar obstacle to be shorter than the actual distance.*

Obstacle indication by parking sensor

Upon detecting an obstacle, the parking sensor causes an interior buzzer to sound.

- A buzzer located behind the rear seat sounds when a sensor at the rear detects an obstacle.
- Warnings when obstacles such as wall are detected by sensors

Distance (approx.)	Buzzer
100-180 cm	Short beeps at long intervals
80-100 cm	Short beeps at short intervals
70-80 cm	Short beeps at very short intervals
Less than 70 cm	Continuous beep

Warning and indicator messages

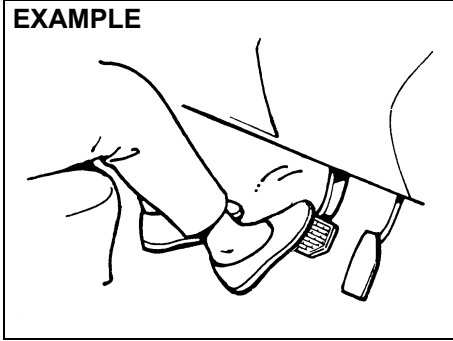
If there is a problem or warning regarding the parking sensor system, a buzzer informs it. Follow below instruction.

The buzzer sounds for some time and then stops. The sensor may be contaminated. Wipe it clean with a soft cloth. If the same issue (Buzzer sounds and stops) persists after ignition mode turned OFF to ON, there may be problem with the parking sensor system. Have your vehicle inspected by a Maruti Suzuki authorized workshop.

OPERATING YOUR VEHICLE

Braking

EXAMPLE



60G165S

The distance needed to bring any vehicle to a halt increases with the speed of the vehicle. The braking distance needed, for example, at 60 km/h will be approximately 4 times greater than the braking distance needed at 30 km/h. Start to brake the vehicle when there is plenty of distance between your vehicle and the stopping point, and slow down gradually.

⚠ WARNING

If water gets into the brake devices, brake performance may become poor and unpredictable. After driving through water or washing the underside of the vehicle, test the brakes while driving at a slow speed to see if they have maintained their normal effectiveness. If the brakes are less effective than normal, dry them by repeatedly applying the brakes while driving slowly until the brakes have regained their normal effectiveness.

NOTE:

While braking you may hear operational noise due to friction between brake disc/drum and brake lining. This is a normal phenomenon and does not indicate any abnormality or affect normal functioning of the vehicle.

Power-Assisted Brakes

Your vehicle has power-assisted brakes. If power assistance is lost due to a stalled engine or other failures, the system is still fully operational on reserve power and you can bring the vehicle to a complete stop by pressing the brake pedal once and holding it down. The reserve power is partly used up when you depress the brake pedal and reduces each time the pedal is pressed. Apply smooth and even pressure to the pedal. Do not pump the pedal.

⚠ WARNING

Even without reserve power in the brake system, you can still stop the vehicle by pressing the brake pedal harder than normally required. However, the stopping distance may be longer.

Brake Assist System

When you slam the brakes on, the brake assist system determines it to be an emergency stop and provides more powerful braking for a driver who cannot hold down the brake pedal firmly.

NOTE:

During brake pedal application & release, you may hear some operational noise owing to activation and functioning of components in the brake system. This is a normal phenomenon and does not indicate any abnormality or malfunction. Also, it does not affect the brake function.

**Anti-Lock Brake System (ABS)
(if equipped)**

ABS will help you avoid skidding by electronically controlling braking pressure. It will also help you maintain steering control when braking on slippery surfaces or when braking hard.

The ABS works automatically, so you do not need any special braking technique. Just push the brake pedal down without pumping. The ABS will operate whenever it senses that the wheels are locking up. You may feel the brake pedal move a little while the ABS is operating.

⚠ WARNING

- Always check the surrounding conditions and drive the vehicle in a safe manner, as controlling the vehicle by ABS has limits and the system may not function properly depending on the surrounding conditions.
- If tyre grip performance is over the limit or hydroplaning occurs, ABS cannot work properly.

NOTE:

- If the ABS system is activated, you may hear a clunking noise and/or feel pulsating in the brake pedal. This is normal and indicates that the brake fluid pressure is being controlled properly.

- You may hear an operation sound when you start the engine or after the vehicle begins to move. This means that the above systems are in the self-check mode. This sound does not indicate a malfunction.

Braking Distance

ABS is not designed to shorten the stopping distance.

⚠ WARNING

- In the following situations, the braking distance required for a vehicle with ABS may be slightly greater than the one required for a vehicle without ABS, resulting in an accident. Drive the vehicle slowly and maintain ample distance between your vehicle and the vehicle in front of you.
 - When driving on rough roads such as unpaved or stone-paved roads
 - When driving on gravel roads or fresh snow roads
 - When driving over bumps on the roads such as joint seams
 - When passing over metal plates such as manholes
 - When snow chains are installed

NOTE:

- When applying sudden brake or applying brake on slippery roads, the braking distance required for a vehicle with ABS is almost the same as the one required for a vehicle without ABS.
- If you would like to suddenly apply brake, just push the brake pedal down firmly without pumping. Otherwise, the longer braking distance will be required.
- The ABS will not work if vehicle speed is under about 9 km/h. This depends on the road conditions.

Vibration and Sound during ABS Operation

When strongly depressing the brake pedal, you might feel vibration of the brake pedal, the steering wheel, and the vehicle body. This is due to ABS operation, and does not indicate a malfunction; continue strongly depressing the brake pedal at this time.

NOTE:

Immediately after starting the engine and beginning to drive, you might temporarily hear a motor sound. This means that the systems are in self-check mode. This sound does not indicate a malfunction.

OPERATING YOUR VEHICLE

Tyres

⚠ WARNING

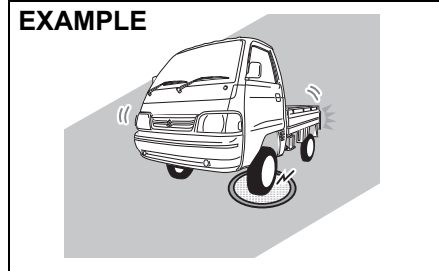
ABS detects each wheel rotation speed via a sensor. If tyres or wheels other than those specified in the owner's manual are used for size, type, tread pattern, or if worn conditions of tyres are different, the correct wheel rotation speed cannot be detected and ABS will not work properly. This may result in an accident. When replacing tyres, use the tyres with the size, type, and tread patterns which are specified in this owner's manual.

Also, do not use the tyres which are excessively worn.

Situations where ABS may Activate by Chance when Applying Brake

- When driving on slippery roads

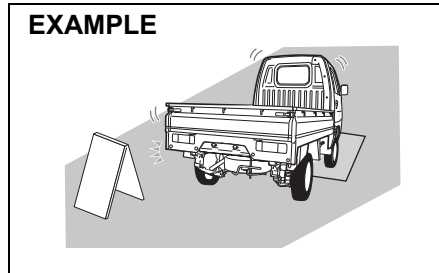
EXAMPLE



78MM05002

- Manholes

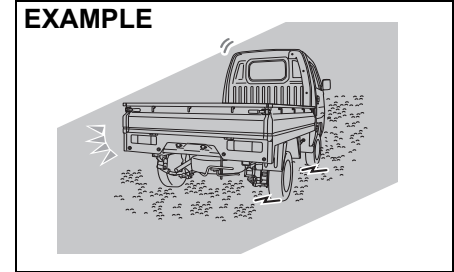
EXAMPLE



78MM05006

- Metal plates in construction zones

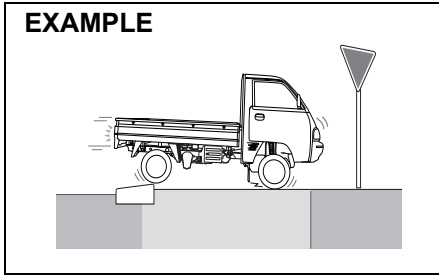
EXAMPLE



78MM05004

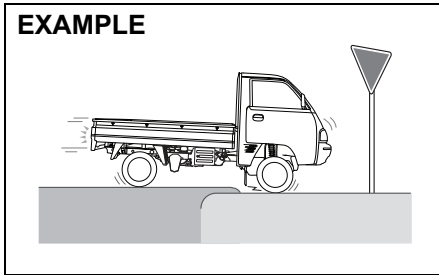
- Gravel roads

- When driving over joints in roads and other height differences



78MM05007

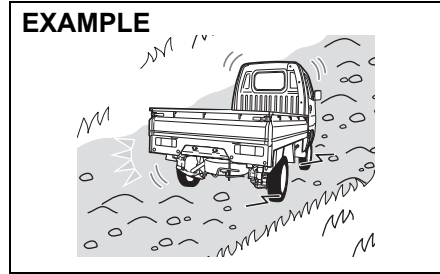
- Joints in roads



78MM05005

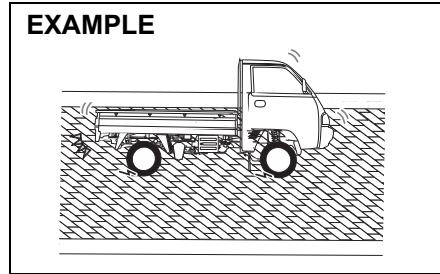
- Height differences in roads

- When driving on rough roads



78MM05008

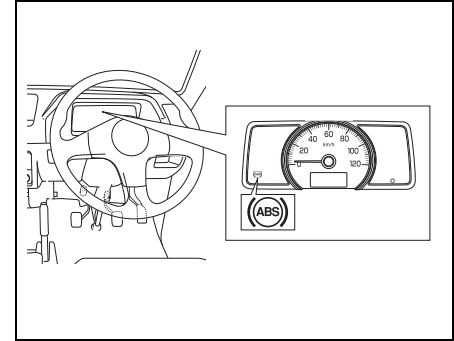
- Bumpy roads



78MM05009

- Cobblestone

ABS Warning Light



78MM05010

If there is a problem in the ABS system with the ignition switch in "ON" position, this light will come on.

Braking Assist

This function assists you in applying more force when operating the brake. When sudden braking is applied, the time until the ABS comes into full effect is shortened.

- If you do not depress the brake pedal firmly, braking assist will not operate.
- Brake assist is not a device that provides control beyond the original braking performance.

OPERATING YOUR VEHICLE

Electronic stability program (ESP®) (if equipped)

ESP® is a registered trademark of Daimler AG.

The Electronic Stability Program (ESP®) helps to control the vehicle during cornering if front wheels or rear wheels skid. It also assists you in maintaining traction while accelerating on loose or slippery road surfaces. It does this by regulating the engine's output, and by selectively applying the brakes. In addition, ESP® helps to avoid skidding by controlling braking pressure.

WARNING

The ESP® cannot enhance the vehicle's driving stability in all situations and does not control your vehicle's entire braking system. The ESP® cannot prevent accidents, including those resulting from excessive speed in turns, or hydroplaning. Only safe and attentive drive can prevent accidents. The capabilities of an ESP®-equipped vehicle must never be used as a substitute for careful driving.

The ESP® has the following systems:

Anti-lock Brake System (ABS)

Refer to "Anti-lock Brake System (ABS)" in this section.

Brake Assist System

Refer to "Brake Assist System" in this section.

Traction Control System

The traction control system automatically helps prevent the spinning of wheels when the vehicle is started or accelerated on slippery road surfaces. The system operates only if it senses that some of the wheels are spinning or beginning to lose traction. When this happens, the system operates the front or rear brakes and reduces engine power to limit wheel spin.

NOTE:

You may hear an operation sound when you start the engine or after the vehicle begins to move. This means that the above systems are in the self-check mode. This sound does not indicate a malfunction.

Stability control system

The vehicle stability control system helps provide integrated control of systems such as anti-lock brakes, traction control, engine control, etc. This system automatically controls the brakes and engine to help prevent the vehicle from skidding when cornering on a slippery road surface or when turning the steering wheel abruptly.

WARNING

Always check the surrounding conditions and drive the vehicle in a safe manner, as controlling the vehicle by ESP® has limits and ESP® may not function properly depending on the surrounding conditions.

CAUTION

- **Observe the following points. Otherwise, ESP® may not operate properly or it may result in a malfunction.**
 - **Adjust the tyre pressure as specified.**
 - **When replacing tyres, use the same tyres with the size, type, and tread patterns.**
 - **Do not use the tyres which have excessively worn conditions.**
 - **Do not modify the suspension or the brake and do not change vehicle height or suspension hardness.**
 - **Do not drive the vehicle with suspension or brake excessively deteriorated.**
 - **Do not modify the engine or the muffler.**

(Continued)

▲ CAUTION

(Continued)

- Do not install LSD (limited slip differential).
- When you install the snow chains, ESP® may not operate properly.

NOTE:

- If you perform the following operations, you may hear an operation sound or a clicking sound. This means that the ESP® system is in the self-check mode and this does not indicate a malfunction.
 - When ignition switch is turned to the "ON" position.
 - When releasing your foot from the brake pedal, after the ignition switch is in "ON" position.
 - When starting the engine
 - When starting the vehicle after starting the engine
 - When engine revolutions is high and ESP® operates, you may feel the change of engine revolutions or vibration of vehicle body. However, this is normal.

ESP® warning light (if equipped)

EXAMPLE



56RM03011

- If there is a problem in the ESP® system with the ignition switch in "ON" position, this light will come on. While this light comes on, the following situations will occur. In this case, ask a Maruti Suzuki authorised workshop for inspection.
 - The following functions will not work:
 - Traction control system
 - Stability control system
 - ABS will work.
 - Depending on the malfunction condition, brake assist system may not work.
- If any of the following situations occurs, this light will blink at very short intervals of 0.2 seconds.
 - Traction control system is activated when starting or accelerating the vehicle
 - Stability control system is activated when making a sharp turn or whirling round.

- If the system is in normal condition, when you turn the ignition switch to "ON" position, this light will come on for about 2 seconds and then come off.

▲ CAUTION

If this light blinks at very short intervals, there is high possibility that the vehicle will be stuck or skid on a slippery road surface. In this case, drive the vehicle very carefully.

NOTE:

While this light comes on, traction control system and stability control system will not be activated. However, you can use ABS.

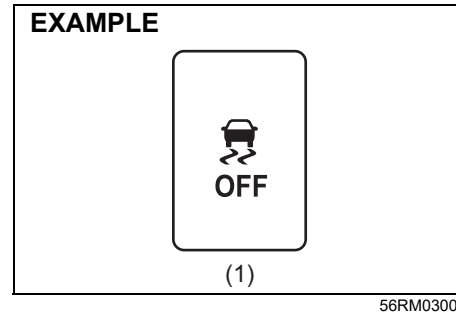
OPERATING YOUR VEHICLE

ESP® OFF indicator light (if equipped)



- If you press and hold the ESP® OFF switch with the ignition switch is in "ON" position or the ignition mode is "ON", this light will come on.
 - While this light comes on, traction control system and stability control system will not work.
- If the system is in normal condition, when you turn the ignition switch to "ON" position, this light will come on for about 2 seconds and then come off.

ESP® OFF switch (if equipped)



(1) ESP® OFF switch

- In the following situation, keep pressing the ESP® OFF switch until the ESP® OFF indicator light in the instrument cluster comes on. Traction control system and stability control system will not work.
 - When placing the vehicle on the tester for automobile inspection, traction control system and stability control system needs to be deactivated.
 - If your vehicle is stuck and you try to get out of the stuck condition, traction control system may not be suitable.
- If you perform the following operations, the ESP® OFF indicator light will come off. Also, traction control system and stability control system will return to be in the activated condition.
 - Pressing the ESP® OFF switch again

- Stopping the engine and then restarting the engine
- When the vehicle speed exceeds approximately 20 km/h.

- If you would like to perform normal driving after escaping from the stuck condition, press the ESP® OFF switch again. This will allow the ESP® OFF indicator light to come off and the vehicle will return to the original condition. Traction control system and stability control system will not be activated automatically. (except when stopping the engine and then restarting the engine) or When the vehicle speed exceeds approximately 20 km/h.

NOTE:

For safety reasons, even if you press the ESP® OFF switch, ABS and brake assist system will not be deactivated.

ABS warning light / brake system warning light

Refer to "Braking" in this section.

DRIVING TIPS

Running-in	4-1
Catalytic Converter	4-1
Improving Fuel Economy	4-2
Highway Driving	4-3
Driving on Hills	4-3
Driving on Slippery Roads	4-4
Driving on Wet Roads	4-5
Do's and Dont's for Safe Driving	4-6
Margin for Safety	4-7

DRIVING TIPS

EXAMPLE



52D078S

⚠ WARNING

- **WEAR YOUR SEAT BELTS AT ALL TIMES.** The driver and passenger should be properly restrained at all times, using the seat belts provided. Refer to the “Seat Belts” section for instructions on proper use of the seat belts.
- **Never drive while under the influence of alcohol or other drugs.** Alcohol and drugs can seriously impair your ability to drive safely, greatly increasing the risk of injury to yourself and others. You should also avoid driving when you are tired, sick, irritated, or under stress.

Running-in

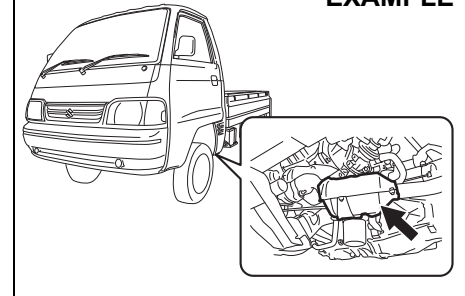
NOTICE

The future performance and reliability of the engine depends on the care and restraint exercised during its early life. It is especially important to observe the following precautions during the initial 960 km of vehicle operation.

- **After starting, do not race the engine. Warm it up gradually.**
- **Avoid prolonged vehicle operation at a constant speed. Moving parts will break in better if you vary your speed.**
- **Start off from a stop slowly. Avoid full throttle starts.**
- **Avoid hard braking, especially during the first 320 km of driving.**
- **Do not drive slowly with the transmission in a high gear.**
- **Drive the vehicle at moderate engine speeds.**
- **Do not tow a trailer.**

Catalytic Converter

EXAMPLE



77PH201

The purpose of the catalytic converter is to minimize the amount of harmful pollutants in your vehicle's exhaust. Use of leaded fuel in vehicles equipped with catalytic converters is prohibited, because lead deactivates the pollutant-reducing components of the catalyst system.

The converter is designed to last the life of the vehicle under normal usage and when unleaded fuel is used. No special maintenance is required on the converter. However, it is very important to keep the engine properly tuned. Engine misfiring, which can result from an improperly tuned engine, may cause overheating of the catalyst. This may result in permanent heat damage to the catalyst and other vehicle components.

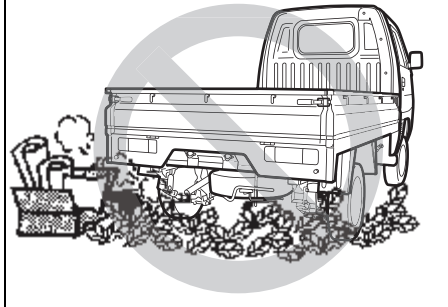
NOTICE

To avoid damaging catalyst or other vehicle damage:

- Maintain the engine in the proper operating condition.
- In the event of an engine malfunction, particularly one involving engine misfiring or other apparent loss of performance, have the vehicle serviced promptly.
- Do not turn off the engine or interrupt the ignition when the transmission is in gear and the vehicle is in motion.
- Do not try to start the engine by pushing or towing the vehicle, or coasting down a hill.
- Do not idle the engine with any spark plug wires disconnected or removed, such as during diagnostic testing.
- Do not idle the vehicle for prolonged periods if idling seems rough or there are other malfunctions.
- Do not allow the fuel tank to get near the empty level.
- Avoid driving your vehicle at excessively high engine speed.

⚠ WARNING

Be careful in areas where you park and drive; the catalytic converter and other exhaust components can get very hot. As with any vehicle, do not park or operate this vehicle in areas where combustible materials such as dry grass or leaves can come in contact with a hot exhaust system.

EXAMPLE

82DY05

NOTE:

Non-usage of vehicle for long duration may cause gradual rusting of brake disc surface as it is made of cast iron. This may result in noise/vibration. This has no bearing on functioning of the vehicle. Regular driving of vehicle may prevent/remove rust, thus reducing the noise and vibration.

Improving Fuel Economy**NOTE:**

Fuel economy (mileage) of the vehicle may vary due to several factors i.e., driving habits - gear change pattern, usage of A.C., Air pressure in the tyres, wind speed, traffic conditions, fuel quality- non adulterated standard fuel, maintenance of vehicle, road conditions, braking etc.

The following instructions will help you improve fuel economy.

Avoid excessive idling

If you are to wait for more than a minute while you are parked, stop the engine and start it again later. When warming up a cold engine, do not allow the engine to idle or apply full throttle until the engine has reached operating temperature. Allow the engine to warm up while driving.

Avoid sudden acceleration

Sudden acceleration starting from rest or while driving will consume fuel unnecessarily and shorten engine life. Start off slowly.

Avoid unnecessary stops

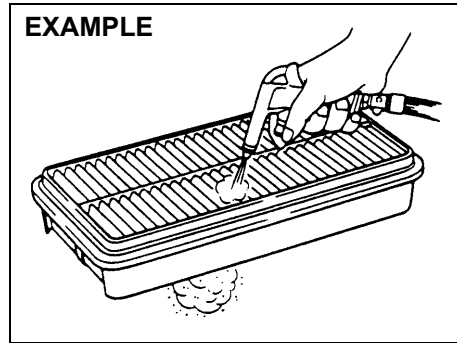
Avoid unnecessary deceleration and stopping. Try to maintain a slow, steady speed whenever possible. Slowing down and then accelerating again uses more fuel.

Keep a steady cruising speed

Keep as constant a speed as road and traffic conditions will permit.

DRIVING TIPS

Keep the air cleaner clean



If the air cleaner is clogged with dust, there will be greater intake resistance, resulting in decreased power output and increased fuel consumption.

Keep weight to a minimum

Heavier the load, more fuel the vehicle consumes. Take out any luggage or cargo when it is not necessary.

Keep tyre pressures correct

Underinflation of the tyres can waste fuel due to increased running resistance of the tyres. Keep your tyres inflated to the correct pressure shown on the label on the driver's door lock pillar.

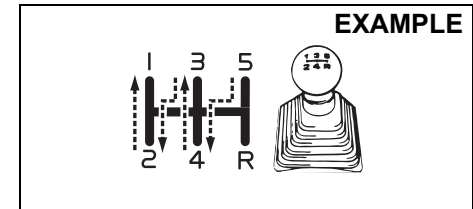
Highway Driving

When driving at highway speeds, pay attention to the following:

- Stopping distance progressively increases with vehicle speed. Apply the brakes far enough ahead of the stopping point to allow for the extra stopping distance.
- On rainy days, hydroplaning can occur. Hydroplaning is the loss of direct contact between the road surface and the vehicle's tyres due to a water film forming between them. Steering or braking the vehicle while hydroplaning can be very difficult, and loss of control can occur. Keep speed down when the road surface is wet.
- At high speeds, the vehicle may be affected by side winds. Therefore, reduce speed and be prepared for unexpected buffeting, which can occur at the exits of tunnels, when passing by a cut of a hill, or when being overtaken by large vehicles, etc.

Driving on Hills

- When climbing steep hills, the vehicle may begin to slow down and show a lack of power. If this happens, you should shift to a lower gear so that the engine will again be operating in its normal power range. Shift rapidly to prevent the vehicle from losing momentum.
- When driving down a hill, the engine should be used for braking by shifting into a lower gear.



⚠ WARNING

Try not to hold the brake pedal down too long or too often while going down a steep or long hill. This could cause the brakes to overheat, resulting in reduced braking efficiency. Failure to take this precaution could result in loss of vehicle control.

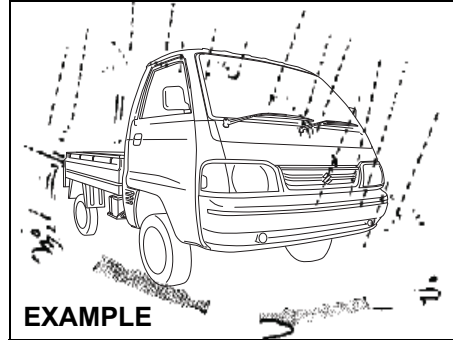
While moving uphill/gradient from a stand still condition

- Apply the parking brake firmly so that the vehicle does not roll backwards.
- Depress the Clutch pedal and Shift the gearshift lever to 1st Select position.
- Do not slip the clutch.
- When ready to start, press accelerator pedal and slowly release the clutch pedal simultaneously. When the vehicle starts to move, gradually release the parking brake.

NOTICE

When descending down a hill, **NEVER** turn the ignition key to the "LOCK" position. Emission control system damage may result.

Driving on Slippery Roads



82DY06

Under wet road conditions you should drive at a lower speed than on dry roads due to possible slippage of tyres during braking. When driving on icy, snow-covered, or muddy roads, reduce your speed and avoid sudden acceleration, abrupt braking, or sharp steering movements.

If Your Vehicle Gets Stuck

If your vehicle gets stuck in snow, mud, or sand, follow the directions below:

- 1) Shift the transmission back and forth between first gear and reverse. This will create a rocking motion which may give you enough momentum to free the vehicle. Press gently on the accelerator to keep wheel spinning to a minimum wheel rpm. Remove your foot from the accelerator while shifting.

Do not race the engine. Excessive wheel spin will cause the tyres to dig deeper, making it more difficult to free the vehicle.

- 2) If your vehicle remains stuck after a few minutes of rocking, get another vehicle to pull your vehicle out.

⚠ WARNING

Do not allow anyone to stand near the vehicle when you are rocking it, and do not spin the wheels faster than an indicated 40 km/h on the speedometer. Personal injury and/or vehicle damage may result from spinning the wheels too fast.

NOTICE

Do not continue rocking the vehicle for more than a few minutes. Prolonged rocking can cause engine overheating or transmission damage.

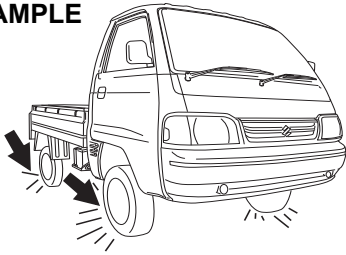
DRIVING TIPS

Driving on Wet Roads

NOTICE

- When driving on wet roads, avoid driving through large amount of standing water on the road. Large amount of water entering the engine compartment may cause damage to the engine and or electrical components.
- If stuck in deep water, do not start till water level drops.
- Water is incompressible substance, water inside engine is harmful to the engine.

EXAMPLE



82DY07

⚠ WARNING

In addition to following the driving tips in this section, it is important to observe the following precautions.

- Make sure your tyres are in good condition and always maintain the specified tyre pressure. Refer to “Tyres” in the “INSPECTION AND MAINTENANCE” section for details.
- Do not use tyres other than those specified by MARUTI SUZUKI. Never use different sizes or types of tyres on the front and rear wheels. For information regarding the specified tyres, refer to the Tyre Information Label located on the driver's door lock pillar.
- Never use oversized tyres or special shock absorbers and springs to raise (jack up) your vehicle. This will change the handling characteristics. Oversized tyres may also rub against the vehicle body over bumps, causing vehicle damage or tyre failure.
- After driving through water, test the brakes while driving at a slow speed to see if they have maintained their normal effectiveness. If they are less effective than normal, dry them by repeatedly applying the brakes while driving slowly until the brakes have regained their normal effectiveness.

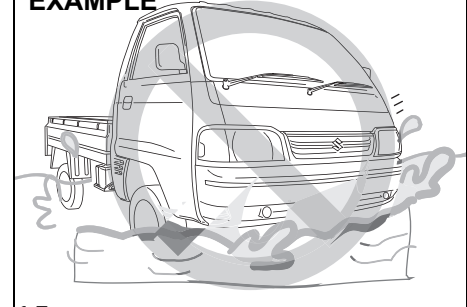
Off-road Driving

Do not drive in the field covered with grown grass.

If you drive in the field covered with grass, it may cause accident or fire or vehicle damage by getting caught in grown grass.

When Encountering a Flooded Area

EXAMPLE



77PM04011

Avoid driving in a flooded area or a deep puddle. If driving in a flooded area is unavoidable, go slowly in the lowest gear. In case that you have driven in a flooded area, stop the vehicle in a safe and non flooded place while checking the brake effectiveness. Then, ask a Maruti Suzuki authorised workshop to check the following inspection items.

- Function of brake
- Function of electrical components

- Changes in oil level and quality for engine and transmission. In case that the oil is turbid whitish, water has been mixed in the oil and an oil change is required.
- Lubricant condition of the bearings, suspension joints, etc.

NOTICE

- **Avoid driving in a flooded area or a deep puddle. It may cause an engine stall, short in electrical components, engine and transmission damages, etc.**
- **If the vehicle gets stuck in deep water do not start the engine.**

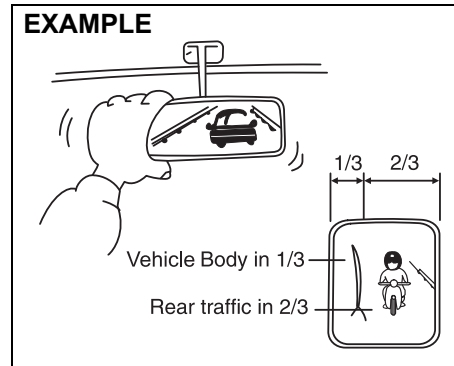
Do's and Dont's for Safe Driving

Exercise care in handling your vehicle. Be conscious of not only your own safety but also the safety of others on the road, and thus enjoy the best and most comfortable driving experience.

Following are basic rules for safe driving. Read them carefully for good understanding of the content so that you can enjoy safe and pleasant driving in your vehicle.

Starting

- 1) Adjust the driver's seat for the proper driving posture.
- 2) Adjust the rear view mirror so as to obtain the best possible rear view.



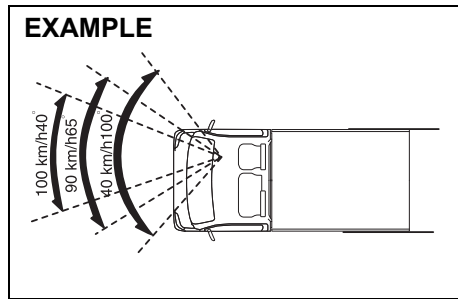
77PM04002

- 3) Before moving, look around your vehicle to confirm safety.
- 4) Don't accelerate suddenly, since it is dangerous and wastes fuel.

General driving

- 1) Be sure to stop before a stop light or stop sign. When moving into an intersection without any traffic lights or signs, drive slowly to confirm safety.
- 2) Always follow other vehicles at a safe distance in order to prevent a rear-end collision, in case the vehicle ahead makes a sudden stop.
- 3) Turn ON the turn signal at least 30 meters before making a turn or changing the lane so as to not be hit.
- 4) Before entering a corner, decelerate to a safe speed. Don't apply brakes during cornering, or skidding may occur.
- 5) When overtaking other vehicles, watch out for oncoming vehicles and carefully ensure safety.
- 6) Don't attempt zigzag driving as it will hinder your control over the vehicle and may cause an accident.
- 7) Avoid reckless high speed driving and try to drive at a safe speed suitable for the road conditions while maintaining a constant speed.
- 8) The higher the speed, the narrower the driver's visual range becomes. In such a state, it is difficult to anticipate any hazard and the driver feels fatigued.

DRIVING TIPS



77PM04001

- 9) Do not attempt sharp handling during high speed driving. You may lose your control over your vehicle.
- 10) When overtaking or changing lanes while driving at a high speed, keep ample vehicle-to-vehicle distance.

Braking

- 1) Use the parking brake when parking your vehicle and shift the gear shift lever into the first gear or reverse gear position for the sake of safety.
- 2) Don't use hand-braking unless unavoidable. It causes the vehicle to skid and a collision may occur. It is especially dangerous when the tyres are worn out as they skid more.

Use foot brake in three stages

1. Warn the vehicle behind you
2. Gradually apply the brake.
3. Bring the vehicle to a halt.

- 3) When driving downhill, try not to apply the brake but use the engine brake effectively. Overuse of the foot-brake may result in reduction of brake effectiveness.

Long distance driving

- 1) Be sure to perform safety checks before starting a trip.
- 2) Take rest at regular intervals to prevent accidents which may occur due to feeling sleepy or tired.

Night time driving

- 1) Drive at lower speeds during the night than in the daytime, as the visual range is restricted at night.
- 2) Avoid overtaking other vehicles at night. Darkness bothers your sense of speed and hinders your judgment of vehicle-to-vehicle distance.
- 3) Don't use headlights on high beam unless its use is inevitable. It may cause visual impairment to the driver of the oncoming vehicle or the vehicle ahead of you, which may cause an accident.
- 4) Always keep the window glasses clean. Don't operate the windshield wiper when the windshield glass is dry else the wiper blade and glass may get damaged.

Margin for Safety

It is important to allow yourself a margin for safety during driving so that you can cope with erroneous or unexpected driving of other drivers. For that, observe the following.

- Drive at a safe speed.
- Maintain a sufficient distance between your vehicle and the vehicle ahead.
- Don't force yourself to overtake other vehicles.
- Don't accelerate suddenly, steer sharply or stop suddenly.
- Keep ample gaps between driving schedules.
- Observe traffic rules and regulations.

Conclusion

A perfect driver does not exist. The endeavour of every motorist should be to strive for perfection. Safety consciousness not only ensures your safety and the safety of other road users, it also helps reduce the wear and tear on your vehicle, lengthens its life, gives better fuel efficiency and ensures a comfortable driving experience. **Follow the do's and don'ts listed, and driving will never be the same again.**

OTHER CONTROLS AND EQUIPMENT

Fuel Filler Cap 5-1
Engine Compartment 5-3
Sun Visor 5-4
Interior Light 5-5
Accessory Socket 5-5
Glove Box 5-5
Storage Area 5-6
Air Vent 5-6
Frame Hook 5-7
Assist Grip 5-7

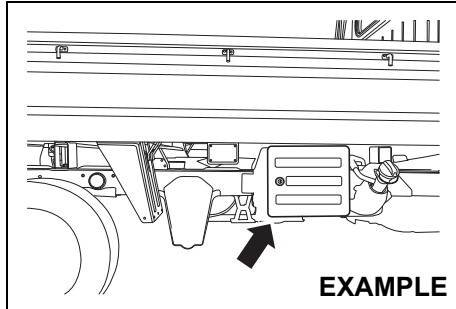
OTHER CONTROLS AND EQUIPMENT

Fuel Filler Cap

(For Petrol and CNG Engine Model)

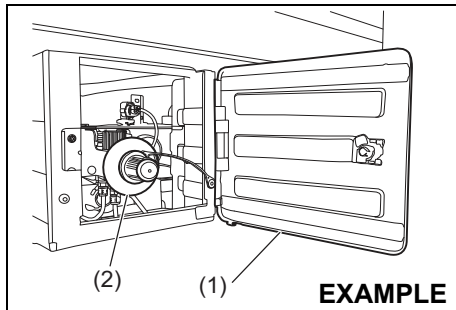
CNG filler valve

(For CNG engine model)



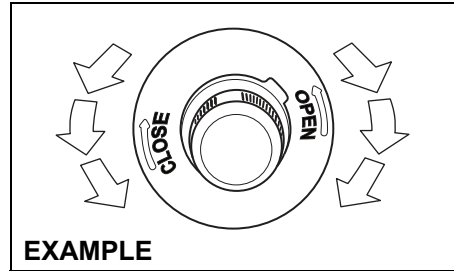
77PM05003

The CNG filler valve is located on the right side of the vehicle.



77PM05001

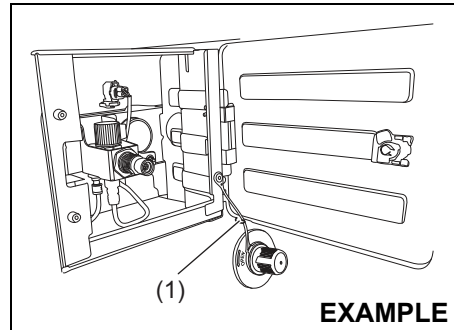
To unlock CNG filler door (1), insert the key and turn top of the key towards front of the vehicle.



77PM05005

To remove the CNG filler valve cover:

- 1) Open the CNG filler door (1).
- 2) Remove the CNG filler valve cover (2) by turning it anticlockwise direction.



77PM05006

NOTE:

If the fuel filler door is equipped with the cap holder (3), then use the cap holder to hold fuel filler cap while refueling.

Filling automatically gets cut off when the cylinder pressure becomes equal to dispenser pressure.

To reinstall the CNG filler valve cover:

- 1) Turn the CNG filler valve cover (2) clockwise direction until its completely closed.
- 2) Close the CNG filler door (1).

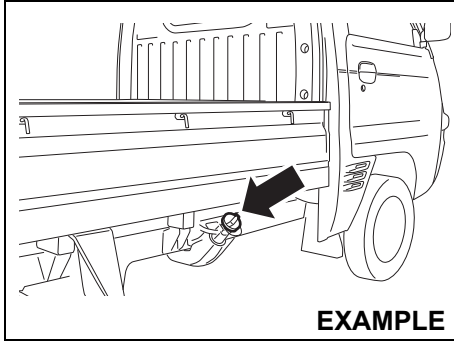
NOTE:

- *If the CNG filler cover (2) is not closed properly, you will not be able to start the vehicle.*
- *Engine will stop if the CNG filler cover (2) is opened in vehicle stationary condition.*

NOTE:

During vehicle operation gravels may enter the CNG filler box. Remove whenever observed.

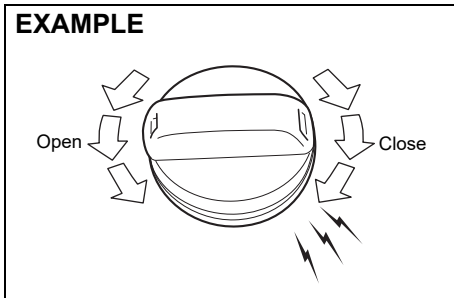
**Petrol filling cap
(For Petrol engine model)**



EXAMPLE

77PH031

The fuel filler cap is located on the right side of the vehicle.



68KN048

To remove the fuel filler cap, turn it counterclockwise. To reinstall the fuel filler cap, turn it in clockwise direction until you hear several clicks.

⚠ CAUTION

Remove the fuel filler cap slowly. The fuel may be under pressure and may spray out, causing injury.

⚠ WARNING

Fuel is extremely flammable. Do not smoke when refueling, and make sure there are no open flames or sparks in the area.

⚠ WARNING

If you need to replace the fuel cap, use a MARUTI genuine cap. Use of an improper cap can result in a malfunction of the fuel system or emission control system. It may also result in fuel leakage in the event of an accident.

⚠ CAUTION

Remove the fuel filler cap slowly. The fuel may be under pressure and may spray out, causing injury.

⚠ WARNING

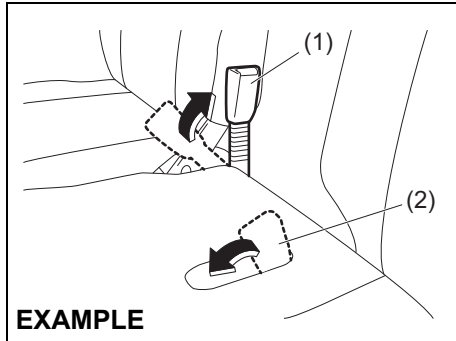
Fuel is extremely flammable. Do not smoke when refueling, and make sure there are no open flames or sparks in the area.

⚠ WARNING

If you need to replace the fuel cap, use a MARUTI genuine cap. Use of an improper cap can result in a malfunction of the fuel system or emission control system. It may also result in fuel leakage in the event of an accident.

OTHER CONTROLS AND EQUIPMENT

Engine Compartment



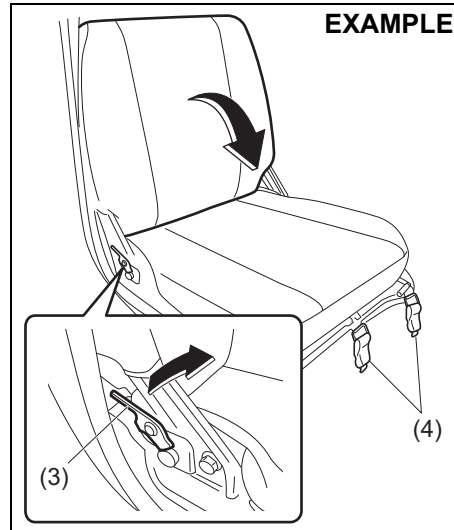
77PH094

To open the engine compartment:

- 1) Raise the driver's seat belt buckle (1) to the seatback position. Store the passenger's seat belt buckle (2).
- 2) For the driver's seat, slide the seat to the most rearward position.

CAUTION

When you slide the driver's seat rearward, push the seatback. If you hold the seatback top, your hand could be pinched between the seatback and cabin back panel, may result in personal injury.



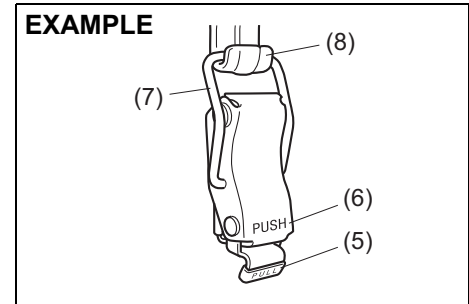
77PH093

- 3) For the driver's seat, pull the lock lever (3) to fold the seatback forward.

NOTE:

The seatback can be folded only up to the position where it comes in contact with the steering wheel.

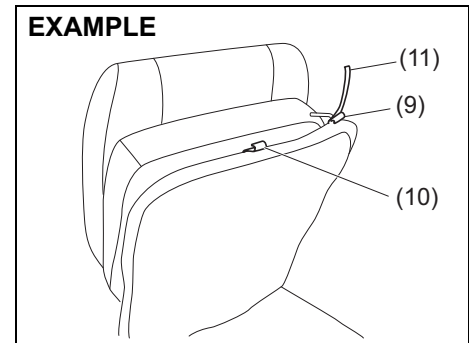
- 4) Unhook the lock handles (4) on the front end of each seat.



77PH081

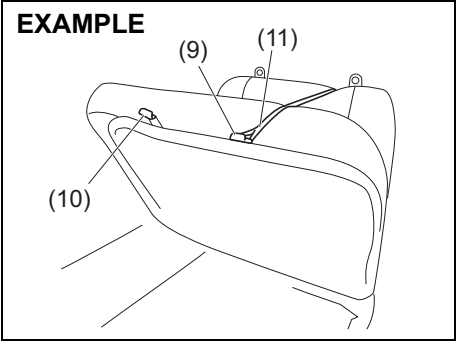
- To unhook the lock handle, pull the "PULL" part (5) and unhook the ring (7) from the hook (8).
- To lock the lock handle, put the ring (7) on the hook (8) and then push the "PUSH" part (6).

Driver side



77PH102

Passenger side



77PH103

NOTE:
The straps (11) are available behind the seatback of passenger seat.

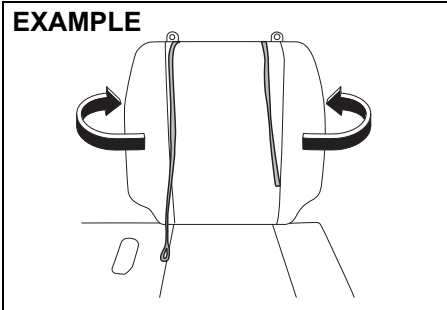
- 5) Raise the seat and hook the strap (11) to the hook (9). The hook (10) is not used for attaching the seat strap.

NOTICE

Do not hook the strap to the driver's seat position adjustment lever or do not apply undue force to the seats when being hooked by the straps. Doing so could break the straps, hooks and/or the driver's seat position adjustment lever.

- To close the engine compartment, reverse the steps in which you have opened it.

- After closing, try to move the seats to ensure that they are securely latched.
- Store the straps in space behind the passenger's seat as shown in the illustration.



77PH097

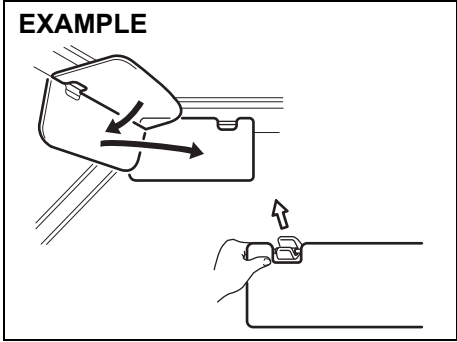
WARNING

Store the straps in space behind the passenger's seat. If an occupant's body gets caught by the straps, there is a risk of serious injury such as suffocation. If this happens, cut the straps with scissors.

CAUTION

When closing the engine compartment, be careful that the seats do not pinch your hands or the driver's seat belt buckle, or hit your body.

Sun Visor



77PH004

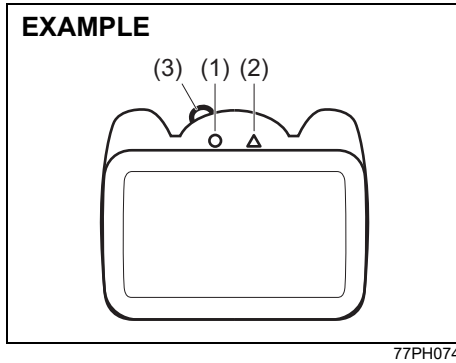
Sun visor is available on the driver side of the vehicle. The sun visor can be pulled down to block the glare coming through the windshield, or they can be unhooked and turned to the side to block the glare coming through the side window.

NOTICE

When unhooking and hooking a sun visor, be sure to handle it by side of the sun visor as shown in the figure else sun visor may get damaged.

OTHER CONTROLS AND EQUIPMENT

Interior Light



This light switch has two positions. These positions can be selected using knob (3). The functions of the two positions are:

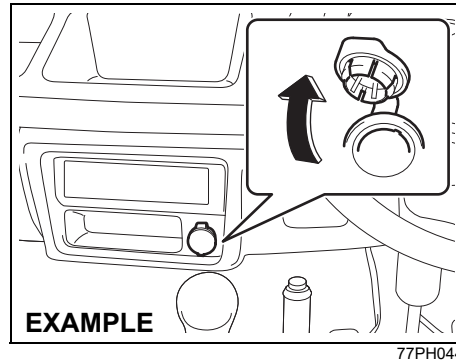
ON (1)

The light comes on and stays on.

OFF (2)

The light remains off.

Accessory Socket

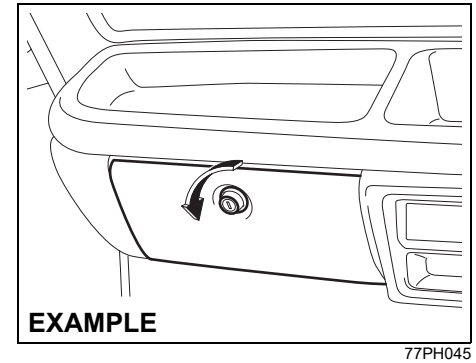


The accessory socket will work when the ignition switch is in the “ACC” or “ON” position. This socket can be used to provide 12 volt/120 watt power for electrical accessories.

NOTICE

Use of inappropriate electrical accessories can cause damage to your vehicle’s electrical system. Make sure that any electrical accessories you use are designed to plug into this type of socket.

Glove Box

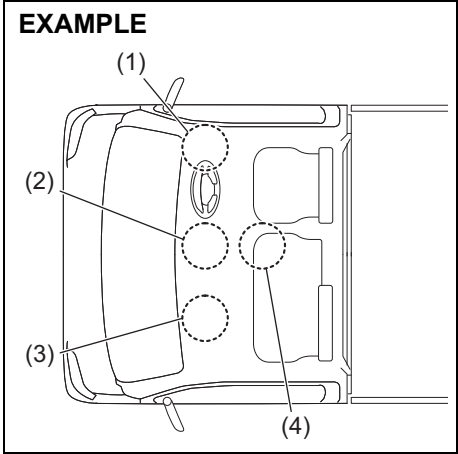


To open the glove box, twist the knob counterclockwise. To close it, push the lid until it latches securely. To lock the glove box, insert the key into the knob and turn it clockwise. To unlock the glove box, insert the key into the knob and turn it counterclockwise.

⚠ WARNING

Never drive with the glove box lid open. It could cause injury if an accident occurs.

Storage Area



77PH104

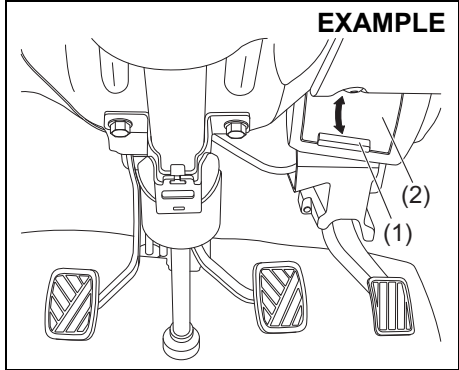
- (1) Instrument panel pocket (driver's side)
- (2) Instrument panel tray (center) / Instrument panel pocket (center)
- (3) Instrument panel tray (passenger's side)
- (4) Center pocket

Instrument Panel Pocket (1)/(2) / Instrument Panel Tray (2)/(3) / Center Pocket (4)

⚠ WARNING

Do not place any objects which may fall out from the pocket/tray when the vehicle is moving. Failure to take the precaution may result in an object interfering with the pedals and causing a loss of vehicle control or an accident.

Air Vent



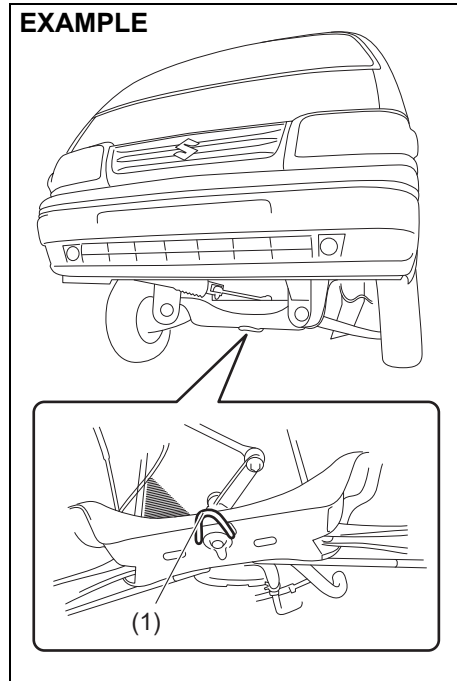
77PM502

Air vents are located on driver side and passenger side of the vehicle. For opening or closing the air vent, move the knob (1) vertically to open or close the flap (2). When "OPEN", fresh air will come inside the cabin.

OTHER CONTROLS AND EQUIPMENT

Frame Hook

Front



77PH035

The frame hook (1) is provided on the front of the vehicle for use in emergency situations and shipping purposes only.

To tow your vehicle on the road or highway, follow the instruction of "Towing" in "EMERGENCY SERVICE" section.

⚠ WARNING

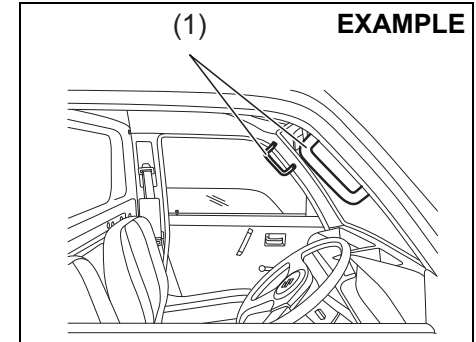
Do not use the frame hook to tow another vehicle or to have your vehicle towed on the road or highway. The hook (1) is designed for use in emergency situations only, such as if your vehicle or another vehicle gets stuck in deep mud or snow.

NOTICE

When you use the frame hook (1), avoid driving in the manner that may give significant shock to the hook. Such operation can damage the hook, or the vehicle body.

Do not accelerate suddenly.

Assist Grip



77PM501

Assist grips (1) are available on driver side and passenger side of the vehicle. The assist grips are meant for driver / passenger to get in and get out of the vehicle easily.

VEHICLE LOADING AND TOWING

Vehicle Loading	6-1
Trailer Towing	6-1

VEHICLE LOADING AND TOWING

Vehicle Loading

Your vehicle was designed for specific weight capacities. The weight capacities of your vehicle are indicated by the Gross Vehicle Weight Rating (GVWR) and the Permissible maximum Axle Weight (PAW, front and rear). The GVWR and PAW (front and rear) are listed in the "SPECIFICATIONS" section.

GVWR – Maximum permissible overall weight of the fully loaded vehicle (including all the occupants, accessories and cargo plus the trailer nose weight if towing a trailer).

PAW – (Front and Rear) Maximum permissible weight on an individual axle.

Actual weight of the loaded vehicle and actual loads at the front and rear axles can only be determined by weighing the vehicle. Compare these weights to the GVWR and PAW (front and rear). If the gross vehicle weight or the load on either axle exceeds these ratings, you must remove enough weight to bring the load down to the rated capacity.

WARNING

Never overload your vehicle. The gross vehicle weight (sum of the weights of the vehicle, all the occupants, accessories, cargo plus trailer nose weight if towing a trailer) must never exceed the Gross Vehicle Weight Rating (GVWR). In addition, never distribute a load so that the weight on either the front or rear axle exceeds the Permissible maximum Axle Weight (PAW).

WARNING

Always distribute cargo evenly. To avoid personal injury or damage to your vehicle, always secure cargo to prevent it from shifting if the vehicle moves suddenly. Place heavier objects on the floor and as far forward in the cargo area as possible. Never pile cargo higher than the top of the seat backs.

Trailer Towing

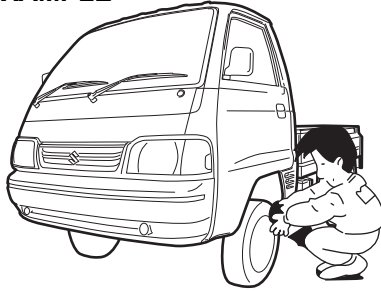
Your vehicle was originally designed to carry one driver, one passenger and a certain amount of cargo, not to tow a trailer. MARUTI does not recommend you to use your vehicle to tow a trailer. Towing a trailer can adversely affect handling, durability, and fuel economy.

INSPECTION AND MAINTENANCE

- Maintenance Schedule 7-1
- Periodic Maintenance Schedule 7-2
- Inspection and Maintenance operations to be performed by customer 7-6
- Drive Belt 7-8
- Engine Oil and Filter 7-8
- Engine Coolant 7-12
- Air Cleaner 7-14
- Spark Plugs 7-14
- Gear Oil 7-14
- Clutch Pedal 7-16
- Brakes 7-16
- Steering 7-19
- Propeller Shaft Universal Joint 7-19
- Tyres 7-19
- Battery 7-21
- Fuses 7-22
- Bulb Replacement 7-25
- Wiper Blades 7-28
- Windshield Washer Fluid (If equipped)..... 7-30

INSPECTION AND MAINTENANCE

EXAMPLE



77PM07008

⚠ WARNING

You should take extreme care when working on your vehicle to prevent accidental injury. Here are a few precautions that you should be especially careful to observe:

- Do not leave the engine running in garages or other confined areas.
- When the engine is running, keep hands, clothing, tools, and other objects away from the fan and drive belt. Even though the fan may not be moving, it can automatically turn on without warning.

(Continued)

⚠ WARNING

(Continued)

- When it is necessary to do service work with the engine running, make sure that the parking brake is set fully and the transmission is in Neutral.
- Do not touch ignition wires or other ignition system parts when starting the engine or when the engine is running, or you could receive an electric shock.
- Be careful not to touch a hot engine, exhaust manifold and pipes, muffler, radiator and water hoses.
- Do not allow smoking, sparks, or flames around fuel or the battery. Flammable fumes are present.
- Do not get under your vehicle if it is supported only with the portable jack provided in your vehicle.
- Be careful not to cause accidental short circuits between the positive and negative battery terminals.
- Keep used oil, coolant, and other fluids away from children and pets. Dispose of used fluids properly; never pour them on the ground, into sewers, etc.

Maintenance Schedule

The following table shows the times when you should perform regular maintenance on your vehicle. This table shows in kilometers and months when you should perform inspections, adjustments, lubrication and other services.

⚠ WARNING

MARUTI SUZUKI recommends that maintenance on your vehicle should be performed by your authorised MARUTI SUZUKI COMMERCIAL workshop.

NOTICE

Whenever it becomes necessary to replace parts on your vehicle, it is recommended that you use MARUTI genuine replacement parts or their equivalent.

Periodic Maintenance Schedule

“C”: Clean

“R”: Replace or Change

“I”: Inspect, clean, adjust, lubricate or replace as necessary

“L”: Lubricate

“T”: Tighten to Specified Torque

“O”: Rotate

NOTE:

This table includes services as scheduled up to 90,000 km mileage. Beyond 90,000km, carry out the same services at the same intervals respectively.

For free inspection the cost of materials and consumables to be borne by customer.

INSPECTION AND MAINTENANCE

Interval: This interval should be judged by odometer reading or months, whichever comes first.		FREE INSPECTION				PERIODIC MAINTENANCE AT COST						
		km (x1000)	5	10	20	30	40	50	60	70	80	90
		months	2	4	8	12	16	20	24	28	32	36
ENGINE												
1-1.	Water pump drive belt (Tension, Wear)		-	I	I	I	I	I	I	I	R	I
1-2.	Engine Coolant SUZUKI LLC: Super (Blue) (#1,2)	First time only:	Replace at 100000 km or 60 months whichever comes first.									
		Second time and after:	Replace every 40000 km or 24 months whichever comes first.									
	Engine Coolant SUZUKI LLC: Standard (Yellow) (#1,3)		I	I	R	I	R	I	R	I	R	I
1-3.	Engine oil, engine oil filter and drain plug gasket (Level, Leakage)		I	R	R	R	R	R	R	R	R	R
1-4.	Cooling system hoses and connections (Leakage and Damage)		I	I	I	I	I	I	I	I	I	I
1-5.	Engine Mounting and Manifold fixing (Loose, Damage)		I	I	I	I	I	I	I	I	I	I
1-6.	Exhaust System (Noise, Leakage etc.)		I	-	I	-	I	-	I	-	I	-
1-7.	Positive Crank Case Ventilation System (Hoses, Connections and Valve)		I	-	I	-	I	-	I	-	I	-
1-8.	Exhaust Gas Recirculation Valve		-	-	-	C	-	-	C	-	-	C
IGNITION												
2-1.	Ignition wire (Damage, Deterioration)		-	-	I	-	I	-	I	-	I	-
2-2.	Spark Plug	Petrol	Replace every 100000 km or 84 months whichever comes first									
		CNG	Replace every 50000 km or 48 months whichever comes first									
FUEL												
3-1.	Air cleaner filter element	Paved-road	Clean every 5000 km. Replace every 40000 km									
		Dusty Condition	Clean every 2500 km. Replace every 40000 km. More frequent replacement if the conditions are severe.									
3-2.	Fuel tank cap, fuel lines and connections (Leakage and Damage)		I	-	-	-	I	-	-	-	I	-
3-3.	Fuel Filter (Leakage)		I	I	I	I	R	I	I	I	R	I

#1: Perform the engine coolant level check under the daily inspection in the "OPERATING YOUR VEHICLE" section.

The same type of coolant that is filled at the time of a brand new car should be used when you add or replace the coolant. Refer to "Engine coolant" in this section.

#2: Do not add SUZUKI LLC: Standard (Yellow) Coolant or distilled water or others when your vehicle is originally filled with SUZUKI LLC: Super (Blue) Coolant.

#3: When your vehicle is originally filled with SUZUKI LLC: Standard (Yellow) Coolant, follow the maintenance schedule of SUZUKI LLC: Standard (Yellow) Coolant.

INSPECTION AND MAINTENANCE

Interval: This interval should be judged by odometer reading or months, whichever comes first.		FREE INSPECTION				PERIODIC MAINTENANCE AT COST						
		km (x1000)	5	10	20	30	40	50	60	70	80	90
		months	2	4	8	12	16	20	24	28	32	36
3-4.	CNG fuel line joints (Gas leakage)											
3-5.	CNG low pressure filter cartridge with O-Ring	-	-	R	-	R	-	R	-	R	-	
3-6.	CNG cylinder leak testing and certification	Every 3 years from the date of initial testing by govt. approved testing agency										
3-7.	CNG filler receptacle O-Ring	Replace every 4 years or 300000 km whichever comes earlier										
CLUTCH AND TRANSMISSION												
4-1.	Clutch Pedal (Play)											
4-2.	Clutch slipping (Dragging or Excess Damage)											
4-3.	Gear shifter (Operation)											
4-4.	Manual Transmission Oil (Level, Leakage)											
4-5.	Rear Differential Oil (Level, Leakage)	Replace at 80000 km or 4 years whichever comes first										
4-6.	Propeller shaft / Universal joint (Loose, Damage)		I&L	I&L	I&L	I&L	I&L	I&L	I&L	I&L	I&L	
BRAKE												
5-1.	Brake Fluid (Level, Leakage)											
		Replace every 40000 km or 24 months whichever comes first										
5-2.	Brake pedal (Pedal - Front Panel Clearance)											
5-3.	Parking brake lever and cable (Play, Damage)											
5-4.	Brake disc and pad (Wear)											
5-5.	Brake drum and shoes (Wear)	-	-									
5-6.	Master cylinder, wheel cylinder and caliper piston (Fluid Leakage, Boot/Seal Damage)											
5-7.	Brake hoses and pipes (Leakage, Damage)											
WHEEL												
6-1.	Tyres (Air pressure, Abnormal wear, Crack and Rotation)	I&O	I&O	I&O	I&O	I&O	I&O	I&O	I&O	I&O	I&O	
6-2.	Wheels (Damage)											
6-3.	Front/Rear wheel bearing (Loose, Damage)											

INSPECTION AND MAINTENANCE

Interval: This interval should be judged by odometer reading or months, whichever comes first.		FREE INSPECTION				PERIODIC MAINTENANCE AT COST						
		km (x1000)	5	10	20	30	40	50	60	70	80	90
		months	2	4	8	12	16	20	24	28	32	36
FRONT / REAR SUSPENSION												
7-1.	Front suspension strut and shock absorber (Oil leakage, Damage)											
7-2.	Front suspension arms, Knuckle support and Tension rods (Loose, Damage)											
7-3.	Rear leaf spring (Damage)											
7-4.	Rear shock absorber (Oil leakage, Damage)											
7-5.	All bolts and nuts (Loose)	T	T	T	T	T	T	T	T	T	T	
STEERING												
8-1.	Steering wheel (Play, Loose)											
8-2.	Steering column rods and arms (Loose, Damage, Wear)											
ELECTRICAL												
9-1.	Battery - Electrolyte (Level, Leakage) and voltage											
9-2.	Wiring harness connection (Loose, Damage)											
9-3.	Lighting system (Operation)											
9-4.	Wiper (Operation, Stains, Damage)											
9-5.	Horn (Operation)											
9-6.	Accessory socket (Operation)											
BODY												
10-1.	All chassis bolts and nuts (Tighten)		T	T	T	T	T	T	T	T	T	
10-2.	All latches, hinges and locks (Function)	I&L	I&L	I&L	I&L	I&L	I&L	I&L	I&L	I&L	I&L	
10-3.	Cargo bed (Inspect)											
ROAD TEST												
11-1.	Operation of brakes, clutch, gear shifting and speedometer											
11-2.	Body and chassis noise											

Inspection & Maintenance operations to be performed by customer

The following table shows the inspection & maintenance operations that you can perform.
This table shows the frequency when you should perform inspection, greasing, lubrication & other services.

FREQUENCY	SR.NO.	OPERATION	REFERENCE
Daily	1	Inspect all tyres (including spare wheel) for air pressure, abnormal wear, cracks and damage.	Page No. 7-19
Weekly	2	Inspect engine oil level, if necessary, top up with Maruti Genuine Engine oil.	Page No. 7-9
	3	Inspect coolant level in coolant reservoir and if necessary, top up with a mixture of recommended Maruti Genuine Coolant and distilled water in specified ratio.	Page No. 7-12
	4	Inspect transmission oil level and differential oil level.	Page No. 7-15
	5	Inspect brake fluid level in brake fluid reservoir and if necessary, top up with Maruti Genuine Brake Fluid.	Page No. 7-16
	6	Inspect vehicle for <ul style="list-style-type: none"> • Engine oil leakage • Coolant leakage • Brake fluid leakage <ul style="list-style-type: none"> • Front suspension strut leakage • Rear shock absorber leakage • Fuel leakage • Transmission oil and differential oil leakage 	Inspection & maintenance Section
	7	Inspect battery electrolyte level, terminals and bracket.	Page No. 7-20
	8	Inspect wheel mounting nuts and tighten if necessary.	Page No. 8-5

INSPECTION AND MAINTENANCE

Monthly	9	Inspect drive belt for damage or deterioration.	Page No. 7-8
	10	Clean air filter element.	Page No. 7-13
	11	Grease all latches, hinges and locks using multi purpose grease.	Page No. 7-5
	12	Grease propeller shaft universal joint with grease gun.	Page No. 7-18
As and when required	13	Inspect clutch pedal play.	Page No. 7-16
	14	Inspect the brake pedal to floor panel distance by applying the brakes, when engine is running.	Page No. 7-17
	15	Inspect parking brake for proper adjustment.	Page No. 7-18

*** Inspect and/or adjust wheel alignment and balancing if the vehicle pulls to one side or vibrates at high speed.**

Drive Belt

⚠ WARNING

When the engine is running, keep hands, hair, clothing, tools, etc. away from the moving fan and drive belts.

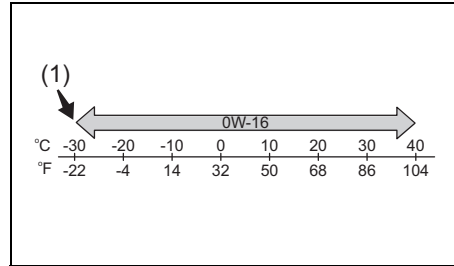
Make sure the drive belt tension is correct. If the belt is too loose, insufficient battery charging, engine overheating, or excessive belt wear can result.

The belts should also be examined to ensure that they are not damaged.

If you need to replace or adjust the belt have it done by your Maruti Suzuki authorised workshop.

Engine Oil and Filter Specified Oil

For India



56RM07013

(1) Recommended

Check that the engine oil you use comes under the quality classification of API SN. Select the appropriate oil viscosity according to the above chart

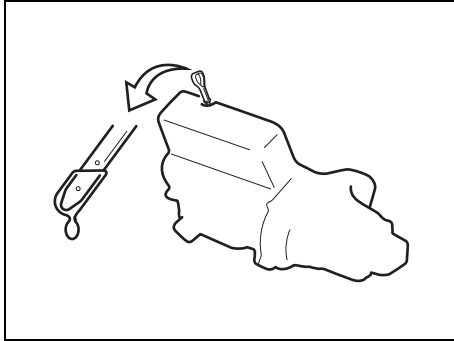
SAE 0W-16 (1) is the best choice for good fuel economy and good startability in cold weather.

NOTE:

- The replacement timing varies with the type of engine oil that you choose. Refer to "Maintenance schedule" in this section for corresponding maintenance schedule.
- We recommend that you use MARUTI SUZUKI genuine oil. To purchase it, see a Maruti Suzuki authorised workshop.

INSPECTION AND MAINTENANCE

Oil Level Check



55RH07002

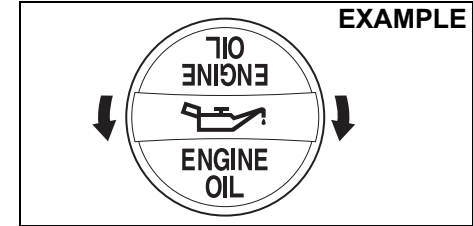
It is important to keep the engine oil at the correct level for proper lubrication of your vehicle's engine. Check the oil level with the vehicle on a level surface. The oil level indication may be inaccurate if the vehicle is on a slope. The oil level should be checked either before starting the engine or at least 5 minutes after stopping the engine.

Pull out the oil dipstick, wipe the oil off with a clean cloth, insert the dipstick all the way into the engine, and then remove it again. The oil on the stick should be between the upper and lower limits shown on the stick. If the oil level indication is near the lower limit, add enough oil to raise the level to the upper limit.

NOTICE

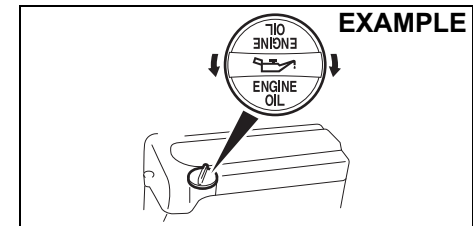
Failure to check the oil level regularly could lead to serious engine trouble due to insufficient oil.

Refilling



68PH00762

Remove the oil filler cap and pour oil slowly through the filler hole to bring the oil level to the upper limit on the dipstick. Be careful not to overfill. Too much oil is almost as bad as too little oil. After refilling, start the engine and allow it to idle for about a minute. Stop the engine, wait about 5 minutes and check the oil level again.



68PM00703

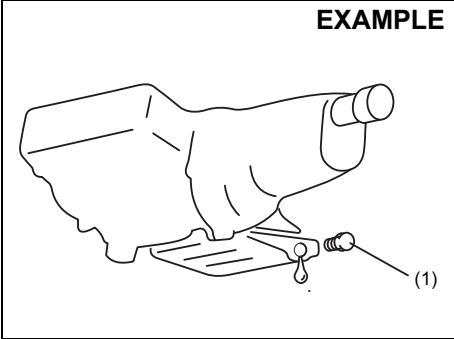
Changing Engine Oil and Filter

Drain the engine oil while the engine is still warm.

- 1) Remove the oil filler cap.
- 2) Place a drain pan under the drain plug.
- 3) Using a wrench, remove the drain plug and drain out the engine oil.

⚠ CAUTION

The engine oil temperature may be high enough to burn your fingers when the drain plug is loosened. Wait until the drain plug is cool enough to touch with your bare hands.



77PM07007

**Tightening torque for drain plug (1):
50 Nm (5.1 kg-m, 36.9 lb-ft)**

⚠ WARNING

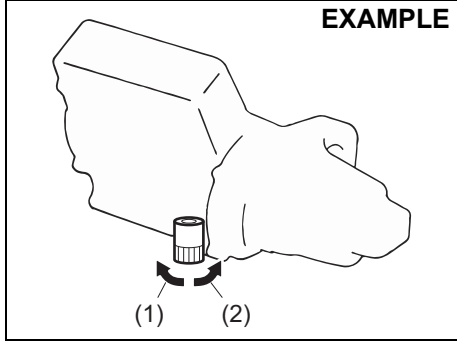
New and used oil can be hazardous. Children and pets may be harmed by swallowing new or used oil. Keep new and used oil and used oil filters away from children and pets. Repeated, prolonged contact with used engine oil may cause skin cancer. Brief contact with used oil may irritate skin.

To minimize your exposure to used oil, wear a long-sleeve shirt and moisture-proof gloves (such as dish-washing gloves) when changing oil. If oil contacts your skin, wash thoroughly with soap and water. Launder any clothing or rags if wet with oil. **Recycle or properly dispose of used oil and filters.**

- 4) Reinstall the drain plug and gasket. Tighten the plug with a wrench to the specified torque.

Replace the Oil Filter

- 1) Using an oil filter wrench, turn the oil filter counterclockwise and remove it.
- 2) Using a clean rag, wipe off the mounting surface on the engine where the new filter will be seated.
- 3) Smear a little engine oil around the rubber gasket of the new oil filter.
- 4) Screw on the new filter by hand until the filter gasket contacts the mounting surface.

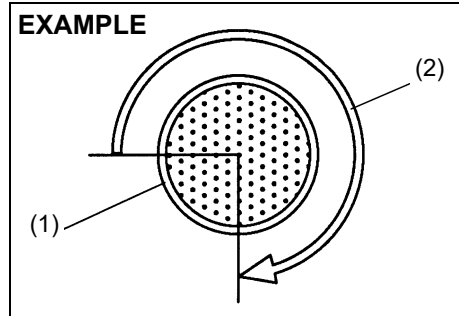


77PH017

- (1) Loosen
- (2) Tighten

INSPECTION AND MAINTENANCE

Tightening (viewed from filter top)



54G093

- (1) Oil filter
(2) 3/4 turn

NOTICE

To tighten the oil filter properly, it is important to accurately identify the position at which the filter gasket first contacts the mounting surface.

- 5) Tighten the filter specified turn from the point of contact with the mounting surface (or to the specified torque) using an oil filter wrench.

Tightening torque for oil filter
3/4 turn or
14 Nm (1.4 kgf-m, 10.3 lbf-ft)

NOTICE

To prevent oil leakage, make sure that the oil filter is tight, but do not over-tighten it.

Refill with Oil and Check for Leaks

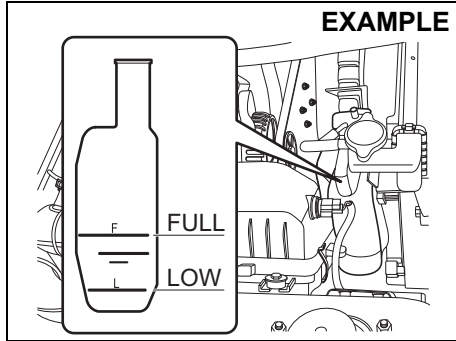
- 1) Pour oil through the filler hole and install the filler cap.
For the approximate capacity of the oil, refer to the "CAPACITIES" item in the "SPECIFICATIONS" section.
- 2) Start the engine and look carefully for leaks at the oil filter and drain plug. Run the engine at various speeds for at least 5 minutes.
- 3) Stop the engine and wait about 5 minutes. Check the oil level again and add oil if necessary. Check for leaks again.

NOTICE

- When replacing the oil filter, it is recommended that you use a **MARUTI** genuine filter. If you use an after market filter, make sure it is of equivalent quality and follow the manufacturer's instructions.
- Oil leaks from around the oil filter or drain plug indicate incorrect installation or gasket damage. If you find any leaks or are not sure that the filter has been properly tightened, have the vehicle inspected by your authorised **MARUTI SUZUKI COMMERCIAL** workshop.

Engine Coolant

Coolant Level Check



77PM07010

Check the coolant level at the reservoir tank, not at the radiator. With the engine cool, the coolant level should be between “FULL” and “LOW” marks.

If the coolant level is below “LOW” mark, coolant should be added.

Coolant addition and replacement

When you add the coolant, remove the reservoir tank cap and add coolant until the reservoir tank level reaches “FULL” mark while the engine is cool. Never fill the reservoir tank above “FULL” mark.

Since special procedures are required for coolant replacement, ask a Maruti Suzuki authorised workshop for this job.

⚠ WARNING

Swallowing engine coolant can cause severe injury or death. Inhaling coolant mist or vapors or getting coolant in your eyes could result in severe injury.

- **Do not drink antifreeze or coolant solution. If swallowed, do not induce vomiting. Immediately contact a poison control center or a physician.**
- **Avoid inhaling coolant mist or hot vapors. If inhaled, remove to a fresh air area.**
- **If coolant gets in the eyes, flush with water and seek medical attention.**
- **Wash thoroughly after handling coolant.**
- **Keep engine coolant out of the reach of children and pets.**

NOTICE

When putting the cap on the reservoir tank, line up the mark on the cap and the mark on the tank. Failure to follow this can result in coolant leakage.

Selection of coolant

To maintain optimum performance and durability of your engine, use MARUTI SUZUKI genuine coolant or equivalent.

This type of coolant is the best for cooling system for the following reasons:

- The coolant helps maintain proper engine temperature.
- It gives proper protection against freezing and boiling.
- It gives proper protection against corrosion and rust.

Failure to use the proper coolant can damage your cooling system. A Maruti Suzuki authorised workshop can help you select the proper coolant.

NOTICE

To avoid damaging your cooling system:

- **Always use a high quality ethylene glycol base non-silicate type coolant diluted with distilled water at the correct mixture concentration.**
- **Do not add extra inhibitors or additives. They may not be compatible with your cooling system.**
- **Do not mix different types of base coolants. Doing so may result in accelerated seal wear and/or the possibility of severe overheating and extensive engine/transmission damage. In case of coolant mix-up**

(Continued)

INSPECTION AND MAINTENANCE

NOTICE

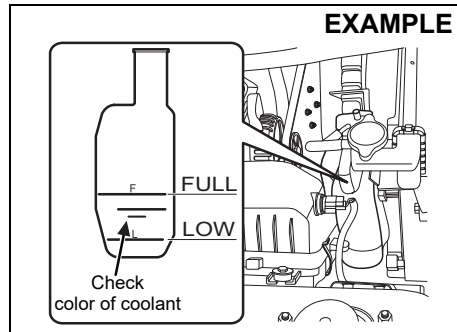
(Continued)

have your vehicle inspected by a Maruti Suzuki authorised workshop.

NOTE:

Maruti Suzuki highly recommends the use of Maruti Suzuki genuine coolant. Maruti Suzuki genuine coolant has been specially formulated for your Maruti Suzuki product and contributes to the desired vehicle performance and ideal driving experience.

Depending on the production period of your vehicle, the coolant type filled at the time of a brand new car differs. There are two coolant types, SUZUKI LLC: Super (Blue) Coolant and SUZUKI LLC: Standard (Yellow) Coolant. You can check the original coolant type in your vehicle by the color of the coolant in the reservoir tank (Refer below figure).



77PM07033

Coolant Color	Coolant Type
Blue	Suzuki LLC : Super
Yellow	Suzuki LLC : Standard

NOTE:

The same type of coolant that is filled at the time of a brand new car should be used when you add or replace the coolant.

SUZUKI LLC: Super (Blue) Coolant:

NOTICE

- This coolant is already diluted to the proper percentage. Do not dilute with distilled water additionally. Doing so may result in the possibility of freezing and/or overheating coolant.
- Do not add SUZUKI LLC: Standard (Yellow) Coolant or distilled water or others when your vehicle is originally filled with SUZUKI LLC: Super (Blue) Coolant. If such a case occurs, then get the vehicle inspected by a Maruti Suzuki authorised workshop.

SUZUKI LLC: Standard (Yellow) Coolant:

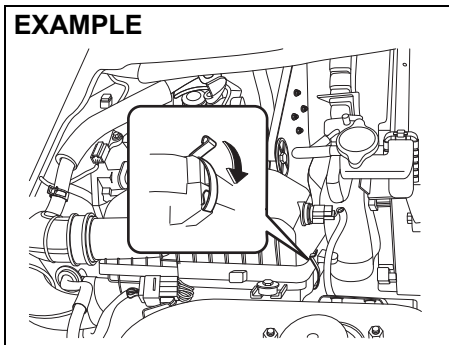
NOTICE

- The concentration of the mixture to be used shall be 30% antifreeze and 70% distilled water. Do not use straight coolant nor plain water.
- If the lowest ambient temperature in your area is expected to be -15°C (5°F) or below, use higher concentrations up to 60% following the instructions on the antifreeze container. Concentrations greater than 60% will cause overheating conditions.
- When your vehicle is originally filled with SUZUKI LLC: Standard (Yellow) Coolant, follow the maintenance schedule of SUZUKI LLC: Standard (Yellow) Coolant in this section. In case you replace with Suzuki LLC: Super (Blue) Coolant, then get the vehicle inspected by a Maruti Suzuki authorised workshop.

Air Cleaner

If the air cleaner is clogged with dust, there will be greater intake resistance, resulting in decreased power output and increased fuel consumption.

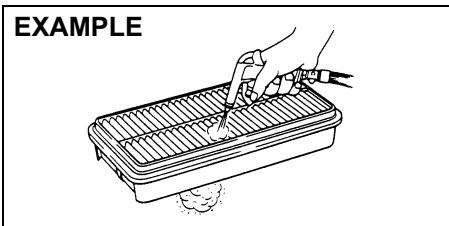
EXAMPLE



77PM07011

Unclamp the side clamps, and remove the element from the air cleaner case.

EXAMPLE



60A183

If it appears to be dirty, clean or replace the air cleaner with a new one as per periodic maintenance schedule.

Spark Plugs

Replacing and inspection of spark plugs

Since special procedures, materials and tools are required, it is recommended that you trust this job to your Maruti Suzuki authorised workshop.

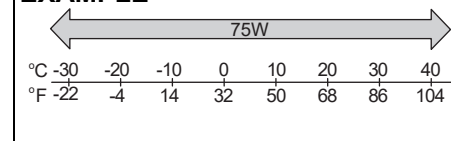
Gear Oil

Manual Transmission Oil/ Differential Oil

When adding gear oil, use gear oil with the appropriate viscosity and grade as shown in the chart below.

Manual transmission oil

EXAMPLE

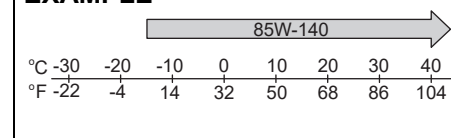


68LM728

We highly recommend you use: "MARUTI GENUINE GEAR OIL 75W" for manual transmission gear oil.

Rear differential oil

EXAMPLE



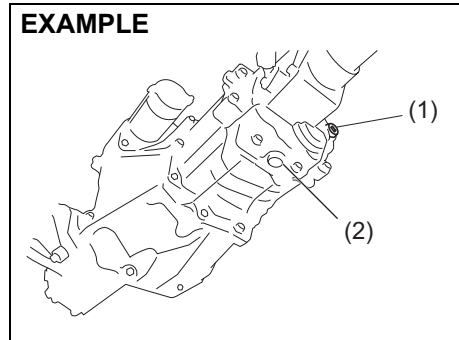
77PH075

We highly recommend you use: "TOTALFINAELF TRANSELF LL 85W-140" for rear differential oil.

INSPECTION AND MAINTENANCE

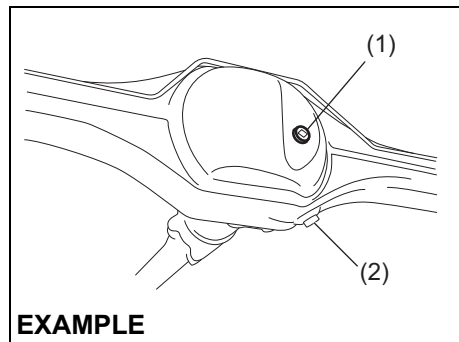
Gear Oil Level Check

Manual transmission



77PH078

Rear differential



77PH047

1. Oil filler and level plug (Do not reuse).
2. Oil drain plug.

To check the gear oil level, use the following procedure:

- 1) Park the vehicle on a level surface with the parking brake applied. Then, stop the engine.
- 2) Remove the oil filler and level plug (1).
- 3) Check the inside of the hole with your finger. If the oil level comes up to the bottom of the plug hole, the oil level is correct. If so, reinstall the plug.
- 4) If the oil level is low, add gear oil through the oil filler plug hole (1) until the oil level reaches the bottom of the filler hole, then reinstall the plug.

Tightening torque for oil filler and level plug

Manual transmission (1):

23 Nm (2.3 kgf-m, 17.0 lbf-ft)

Rear differential (1):

25 Nm (2.5 kgf-m, 18.5 lbf-ft)

NOTE:

For Rear differential always use a new oil filler and level plug (1).

▲ CAUTION

After driving the vehicle, the gear oil temperature may be high enough to burn your skin. Wait until the oil filler plug is cool enough to touch with your bare hands before inspecting gear oil level.

NOTICE

When tightening the plug, apply the following sealing compound or equivalent to the plug threads to prevent oil leakage.

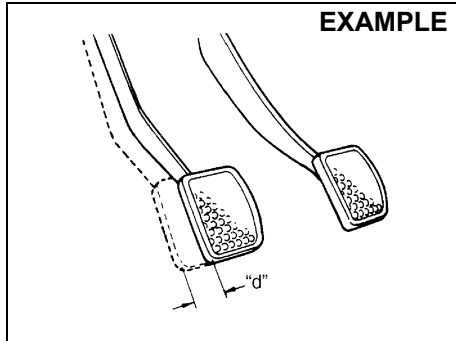
MARUTI SUZUKI Bond No. "1216E" or "1217G"

Gear Oil Change

Since special procedures, materials and tools are required, it is recommended that you trust this job to your authorised MARUTI SUZUKI COMMERCIAL workshop.

Clutch Pedal

Cable control clutch



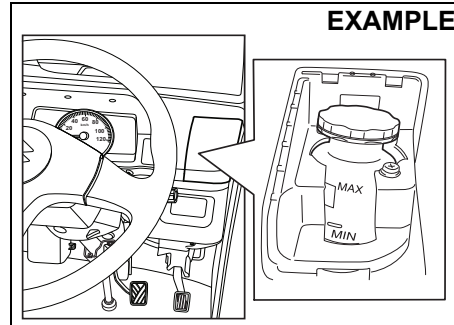
54G274

Clutch pedal play "d": 10 - 15 mm (0.4 - 0.6 in.)

Measure the clutch pedal play by moving the clutch pedal with your hand and measuring the distance it moves until you feel slight resistance. The play in the clutch pedal should be between the specified values. If the play is more or less than the above, or clutch dragging is felt with the pedal fully depressed, have the clutch inspected by your authorised MARUTI SUZUKI COMMERCIAL workshop.

Brakes

Brake Fluid



77PM706

Check the brake fluid level by looking at the reservoir in the instrument panel. Remove the cover on right hand side of steering wheel to check the brake fluid reservoir level. Check that the fluid level is between the "MAX" and "MIN" lines. If the brake fluid level is near the "MIN" line, fill it up to the "MAX" line with Maruti Genuine Brake Fluid (MGBF) or DOT 3. We highly recommend to use "Maruti Genuine Brake Fluid" (MGBF).

⚠ WARNING

Failure to follow the guidelines below can result in personal injury or serious damage to the brake system.

- If the brake fluid in the reservoir drops below a certain level, the brake warning light on the instrument panel will come 'ON' (the engine must be running with the parking brake fully disengaged). Should the light come on, immediately ask your authorised MARUTI SUZUKI COMMERCIAL workshop to inspect the brake system.
- A rapid fluid loss indicates a leak in the brake system which should be inspected by your authorised MARUTI SUZUKI COMMERCIAL workshop immediately.
- Do not use any fluid other than Maruti Genuine Brake Fluid (MGBF) or DOT 3. We highly recommend to use Maruti Genuine Brake Fluid (MGBF). Do not use reclaimed fluid or fluid that has been stored in old or open containers. It is essential that foreign particles and other liquids are kept out of the brake fluid reservoir.

⚠ CAUTION

Brake fluid can harm your eyes and damage painted surfaces. Use caution when refilling the reservoir.

INSPECTION AND MAINTENANCE

⚠ WARNING

- In case vehicle is driven in overloaded condition, the braking distance may be longer and higher pedal force may be required.

⚠ WARNING

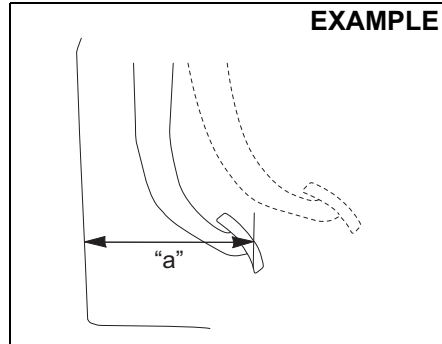
Brake fluid is harmful or fatal if swallowed, and harmful if it comes in contact with skin or eyes. If swallowed, do not induce vomiting. Immediately contact a poison control center or a physician. If brake fluid gets in eyes, flush eyes with water and seek medical attention. Wash thoroughly after handling. Solution can be poisonous to animals. Keep out of the reach of children and animals.

NOTE:

With disc brakes, the fluid level can be expected to gradually fall as the brake pads wear.

Brake Pedal

Check if the brake pedal stops at the regular height without spongy feeling when you depress it. If not, have the brake system inspected by your authorised MARUTI SUZUKI COMMERCIAL workshop. If you doubt the brake pedal for the regular height, check it as follows:



54G108S

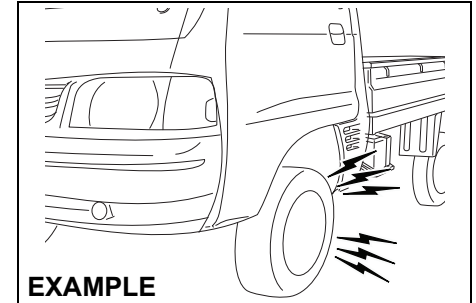
Pedal to Front Panel minimum distance "a":
Petrol and CNG Engine Model:
150 mm

With the engine running, measure the distance between the brake pedal and front panel when the pedal is depressed with approximately 30 kg (66 lbs) of force. The minimum distance required is as specified. Since your vehicle's brake system is self-adjusting, there is no need for pedal adjustment.

If the pedal to front panel distance as measured above is less than the minimum distance required, have your vehicle inspected by your authorised MARUTI SUZUKI COMMERCIAL workshop.

NOTE:

When measuring the distance between the brake pedal and front panel, be sure not to include the floor mat or rubber on the front panel in your measurement.



77PM07013

⚠ WARNING

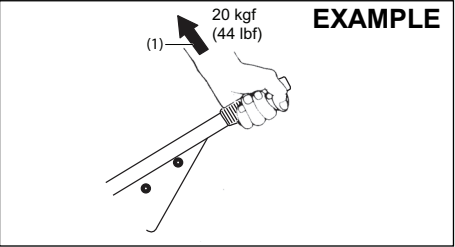
If you experience any of the following problems with your vehicle's brake system, have the vehicle inspected immediately by your authorised MARUTI SUZUKI COMMERCIAL workshop.

- Poor braking performance
- Uneven braking (brakes not working uniformly on all wheels)
- Excessive pedal travel
- Brake dragging
- Excessive noise
- Pedal pulsation (pedal pulsates when depressed)

⚠ WARNING

If the brake pad lining becomes worn and it has reached its minimum thickness, squealing noise sounds during braking.
If you hear this noise, have the vehicle inspected immediately by a MARUTI SUZUKI authorized workshop.
Continued driving with this condition can cause an accident.

Parking Brake



EXAMPLE

77PM702

Ratchet tooth specification
6th – 9th teeth
Lever pull force (1):
200 N (20 kgf, 44 lbf)

Check the parking brake for proper adjustment by counting the number of clicks made by the ratchet teeth as you slowly pull up on the parking brake lever to the point of full engagement. The parking brake lever should stop between the specified ratchet

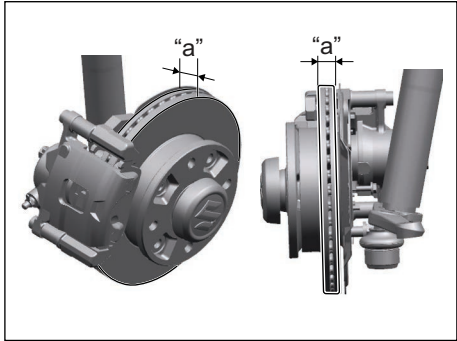
teeth and the rear wheels should be securely locked. If the parking brake is not properly adjusted or the brakes drag after the lever has been fully released, have the parking brake inspected and/or adjusted by your authorised MARUTI SUZUKI COMMERCIAL workshop.

⚠ WARNING

- **Parking Brake may not be effective in case vehicle is over-loaded. Use additional chocks to hold the vehicle.**

Brake discs and brake drums

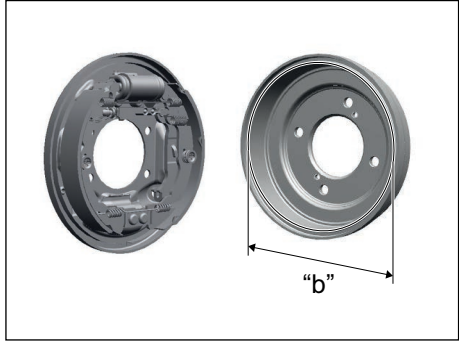
Brake disc



77PM709

Brake location	Minimum thickness "a"
Front wheels	18.0 mm

Brake drum



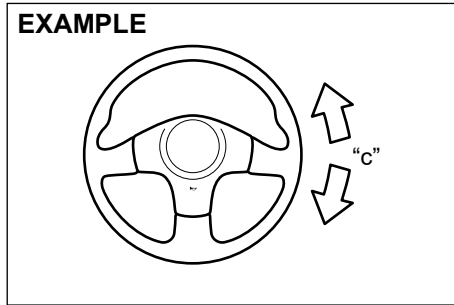
77PM708

Brake location	Maximum inner diameter "b"
Rear wheels	202 mm

If the measured thickness or inner diameter of the most worn part falls below or exceeds the value indicated above, the parts should be replaced with a new one. The measurement involves disassembling each brake and requires the use of a micrometer or caliper, which must be done according to the instructions described in the relevant service manual or available from the relevant repair information site.

INSPECTION AND MAINTENANCE

Steering



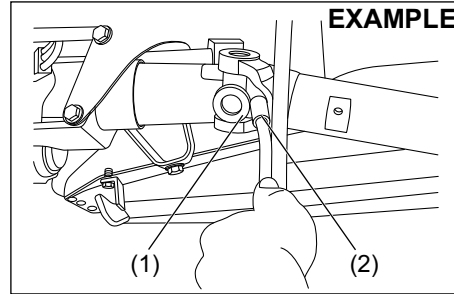
77PH042

**Steering wheel play "c":
0 – 30 mm (0.0 – 1.2 in.)**

Check the play of the steering wheel by gently turning it from left to right and right to left, with wheels in straight ahead position and engine in OFF condition. Measure the distance that the steering moves before you feel slight resistance. The play should be between the specified values. Check that the steering wheel turns easily and smoothly without rattling by turning it all the way to the right and to the left while driving very slowly in an open area. If the amount of free play is outside the specification or you find anything else to be wrong, an inspection must be performed by your authorised MARUTI SUZUKI COMMERCIAL workshop.

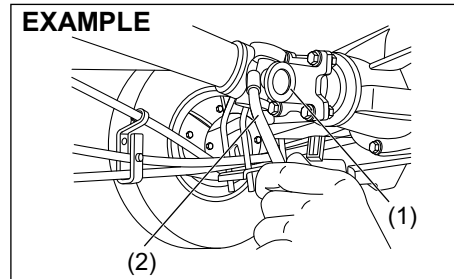
Propeller Shaft Universal Joint

Front



77PM703

Rear

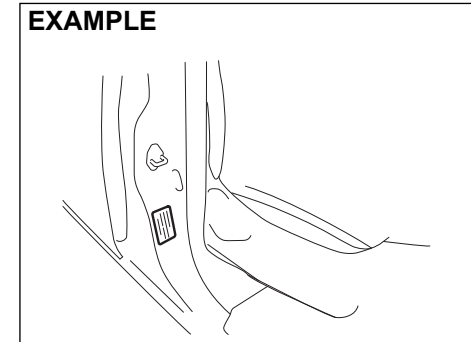


77PM704

Lubricate propeller shaft universal joint (1) (front & rear) as per the service schedule.

To lubricate the propeller shaft universal joint you should use grease gun (2) and specified grease NLGI GRADE 2.

Tyres



77PM705

The front and rear tyre pressure specifications for your vehicle are listed on the Tyre Information Label. Both the front and rear tyres should have the specified tyre pressure.

Note that the value does not apply to the compact spare tyre, if equipped.

Tyre Inspection

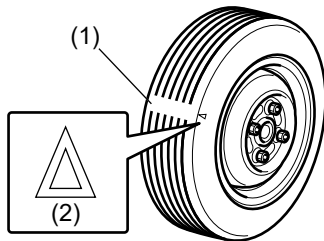
Inspect your vehicle's tyres at least once a month by performing the following checks:

- 1) Measure the air pressure with a tyre pressure gauge. Adjust the pressure if necessary. Remember to check the spare tyre, too.

▲ WARNING

- Air pressures should be checked when the tyres are cold or you may get inaccurate readings.
- Check the inflation pressure from time to time while inflating the tyre gradually, until the specified pressure is obtained.
- Never under-inflate or over inflate the tyres.
- Under inflation can cause unusual handling characteristics or can cause the rim to slip on the tyre bead, resulting in an accident or damage to the tyre or rim.
- Overinflation can cause the tyre to burst, resulting in personal injury. Overinflation can also cause unusual handling characteristics which may result in an accident.

EXAMPLE



52KM110

- (1) Tread wear indicator
- (2) Indicator location mark

- 2) Check that the depth of the tread groove is more than 1.6 mm (0.06 in.). To help you check this, the tyres have molded-in tread wear indicators in the grooves. When the indicators appear on the tread surface, the remaining depth of the tread is 1.6 mm (0.06 in.) or less and the tyre should be replaced.
- 3) Check for abnormal wear, cracks and damage. Any tyres with cracks or other damage should be replaced. If any tyres show abnormal wear, have them inspected by your authorised MARUTI SUZUKI COMMERCIAL workshop.

▲ CAUTION

Hitting curbs and running over rocks can damage tyres and affect wheel alignment. Be sure to have tyres and wheel alignment checked periodically by your authorised MARUTI SUZUKI COMMERCIAL workshop.

- 4) Check for loose wheel nuts.
- 5) Check that there are no nails, stones or other objects sticking into the tyres.

▲ WARNING

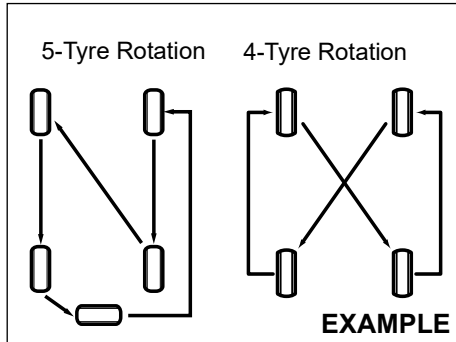
- Your Vehicle is equipped with tyres which are all the same type and size. This is important to ensure proper steering and handling of the vehicle. Never mix tyres of different size or type on the four wheels of your vehicle. The size and type of tyres used should be only those approved by MARUTI SUZUKI as standard or optional equipment for your vehicle.
- Replacing the wheels and tyres equipped on your vehicle with certain combinations of aftermarket wheels and tyres can significantly change the steering and handling characteristics of your vehicle.
- Therefore, use only those wheel and tyre combinations approved by MARUTI SUZUKI as standard or optional equipment for your vehicle.

NOTICE

Replacing the original tyres with tyres of a different size may result in incorrect speedometer or odometer readings. Check with your authorised MARUTI SUZUKI COMMERCIAL workshop before purchasing replacement tyres that differ in size from the original tyres.

INSPECTION AND MAINTENANCE

Tyre Rotation



To avoid uneven wear of your tyres and to prolong their life, rotate the tyres as illustrated. Tyres should be rotated every 10000 km. After rotation, adjust front and rear tyre pressures to the specification listed on your vehicle's Tyre Information Label.

Wheel Balancing

If the vehicle vibrates abnormally on smooth road, have the wheel balanced at authorised MARUTI SUZUKI COMMERCIAL workshop.

Wheel Alignment

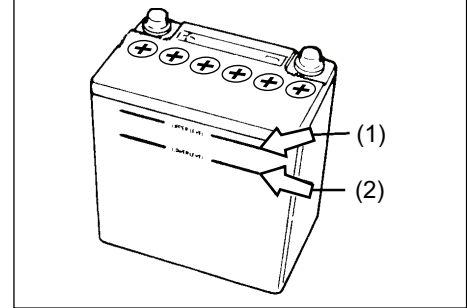
In case of abnormal tyre wear or pulling towards one side, have the wheel aligned at authorised MARUTI SUZUKI COMMERCIAL workshop.

Battery

WARNING

- Batteries produce flammable hydrogen gas. Keep flames and sparks away from the battery or an explosion may occur. Never smoke when working in the vicinity of the battery.
- When checking or servicing the battery, disconnect the negative cable. Be careful not to cause a short circuit by allowing metal objects to contact the battery posts and the vehicle at the same time.
- To avoid harm to yourself or damage to your vehicle or battery, follow the jump starting instructions in the "EMERGENCY SERVICE" section of this manual if it is necessary to jump start your vehicle.

EXAMPLE



54GM701

For maintenance-free battery (cap-less type), you need not add water. For traditional type battery, which has water filler caps, the level of the battery solution must be kept between the upper level line (1) and lower level line (2) at all times. You should periodically check the battery, case battery terminals, and battery hold-down bracket for damage or corrosion. Remove corrosion using a stiff brush and ammonia mixed with water, or baking soda mixed with water. After removing corrosion, rinse with clean water.

If your vehicle is not going to be driven for a month or longer, disconnect the cable from the negative terminal of the battery to help prevent discharge.

⚠ WARNING

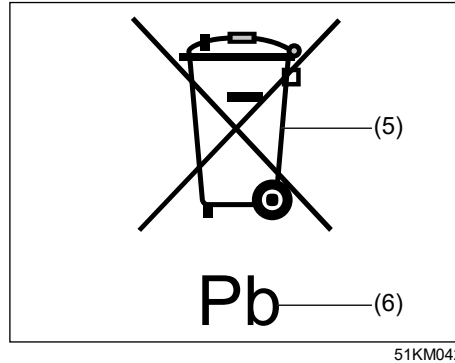
If the battery is used with battery level being less than the lower level line (2), it may cause reduced battery life, an exothermic heat, or an explosion by hydrogen gas occurring from the battery. Do not use the battery with battery level being less than the lower level line (2).

NOTICE

If the battery liquid is added more than the upper level line (1), liquid may leak by vibrations during driving or liquid may spray out in some case depending on the condition of battery charging. These may cause damage to the parts near the battery. If the battery liquid overflows, immediately wash away with water. Do not add the battery liquid more than the upper level line (1).

NOTE:
 The battery liquid is consumed when the battery is used. If the level is found to be less than the center of upper level (1) and lower level (2), add distilled water till it reaches the upper level line (1).

(Battery label)



- (5) Crossed-out wheeled bin symbol
- (6) Chemical symbol of "Pb"

The crossed-out wheeled bin symbol (5) located on the battery label indicates that the used battery should be collected separately from ordinary household trash. The chemical symbol of "Pb" (6) indicates the battery contains more than 0.004% lead.

By ensuring the used battery is disposed of or recycled correctly, you will help prevent potential negative consequences for the environment and human health, which could otherwise be caused by inappropriate trash handling of the battery. The recycling of materials will help to conserve natural resources. For more detailed information about disposing of or recycling the used battery, consult a MARUTI SUZUKI authorized workshop.

Fuses

Your vehicle has three types of fuses, as described below:

Fusible Link Wire and Main fuse

The main fuse takes current directly from the battery.

Primary fuses

These fuses are between the main fuse and individual fuses, and are for electrical load groups.

Individual fuses

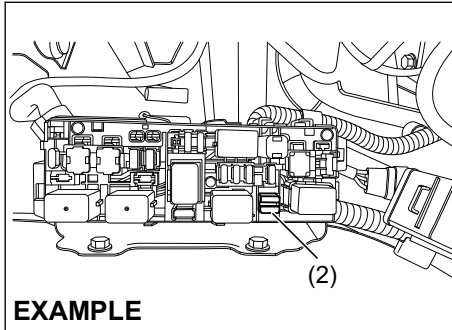
These fuses are for individual electrical circuits.

NOTE:

- "Blank" indicates that fuse is not applicable in the variant, even though name of fuse might be available on cover of fuse box of your vehicle.
- Some fuse may not be applicable to your vehicle according to the variant of vehicle, even though it is not mentioned as blank.

To remove a fuse, use the fuse puller (2) provided in the relay box.

INSPECTION AND MAINTENANCE

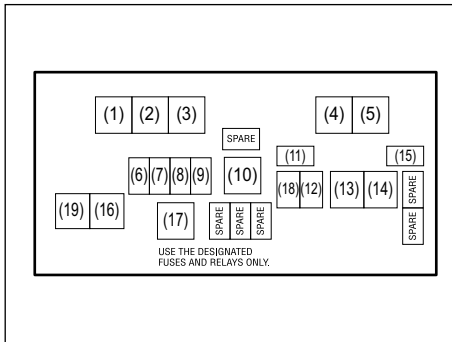


77PM07012

NOTE:

Some fuse may not be applicable to your vehicle according to the variant of vehicle, even though it is not mentioned as blank.

Fuses in the Engine Compartment

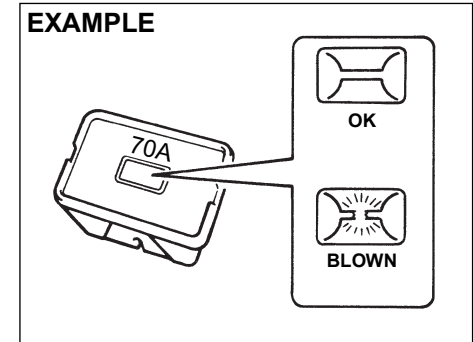


77PM07034

MAIN FUSE/PRIMARY FUSE / RELAY		
S. No.	Rating	Fuse / Relay
(1)	–	CNG valve relay*
(2)	–	Fuse puller
(3)	–	Radiator fan relay
(4)	–	Fuel pump relay
(5)	–	Starting motor relay
(6)	7.5A	CNG valve*
(7)	20A	Fuel Injection
(8)	30A	Starting motor
(9)	15A	Horn
(10)	70A	Alternator
(11)	7.5A	CNG*
(12)	10A	Hazard warning light
(13)	40A	Battery
(14)	40A	Ignition switch
(15)	7.5A	ST SIG 2 (starting signal)
(16)	30A	Radiator fan
(17)	–	FI main relay
(18)	25A	ABS SOL
(19)	40A	ABS MOT

*: For CNG model

The main fuse, primary fuses and some of the individual fuses are located in the engine compartment. If the main fuse blows, no electrical component will function. If a primary fuse blows, no electrical component in the corresponding load group will function. When replacing the main fuse, a primary fuse or an individual fuse, use a MARUTI genuine replacement. To remove a fuse, use the fuse puller (2) provided in the relay box. The amperage of each fuse is shown inside of the fuse box cover.



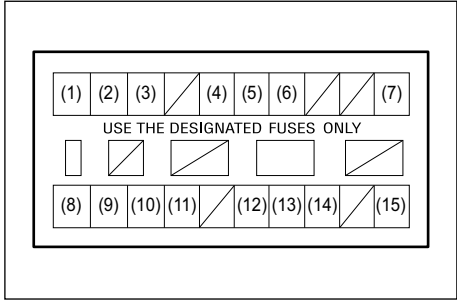
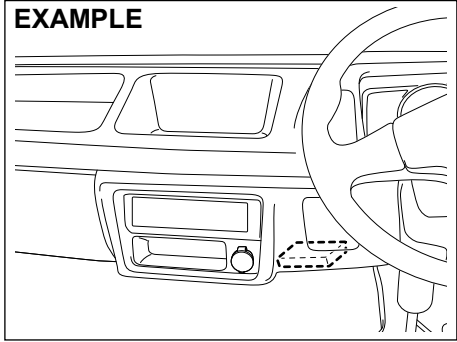
60G111

⚠ WARNING

If the main fuse or a primary fuse blows, be sure to have your vehicle inspected by an authorised MARUTI SUZUKI COMMERCIAL workshop. Always use a MARUTI genuine replacement part. Never use a substitute such as a wire even for temporary repair, or extensive electrical damage / fire can result.

NOTE:
Make sure that the fuse box always carries spare fuses and fuse puller.

Fuses under the Dash Board

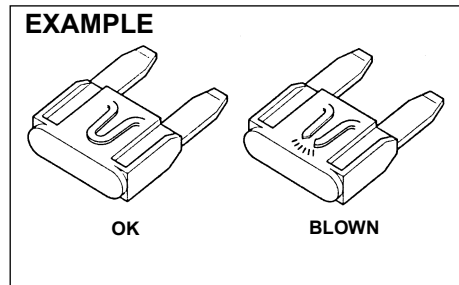


MAIN FUSE/PRIMARY FUSE		
(1)	10A	Headlight (Right)
(2)	10A	Headlight (Left)
(3)	10A	Dome light
(4)	10A	Tail light
(5)	10A	Stop light
(6)	15A	Radio
(7)	10A	Starting signal
(8)	10A	Meter
(9)	15A	Ignition
(10)	10A	Back-up light
(11)	15A	Front wiper
(12)	15A	Accessory 2
(13)	10A	Accessory
(14)	7.5A	CNG Ignition*
(15)	10A	ABS

*: For CNG model

INSPECTION AND MAINTENANCE

The fuse box is located under the dashboard.



▲ WARNING

Always be sure to replace a blown fuse with a fuse of the correct amperage. Never use a substitute such as aluminum foil or wire to replace a blown fuse. If you replace a fuse and the new one blows in a short period of time, you may have a major electrical problem. Have your vehicle inspected immediately by your authorised MARUTI SUZUKI COMMERCIAL workshop.

Bulb Replacement

▲ CAUTION

- Light bulbs can be hot enough to burn your finger right after being turned off. This is true especially for halogen headlight bulbs. Replace the bulbs after they become cool enough.
- The headlight bulbs are filled with pressurized halogen gas. They can burst and injure you if they are hit or dropped. Handle them carefully.

NOTICE

The oils from your skin may cause a halogen bulb to overheat and burst when the lights are on. Grasp a new bulb with a clean cloth.

NOTICE

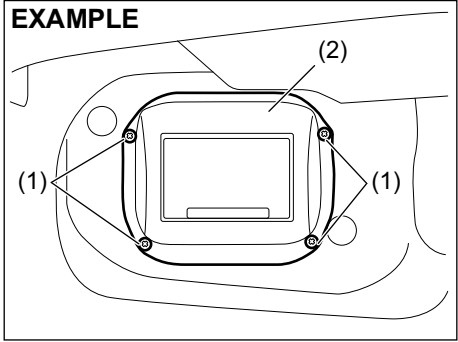
- Frequent replacement of a bulb indicates the need for an inspection of the electrical system. This should be carried out by your Maruti Suzuki authorised workshop.
- During bulb replacement always use same bulb number as used in vehicle which is imprinted on the said bulb/unit and/or mentioned in SPECIFICATIONS.

NOTE:

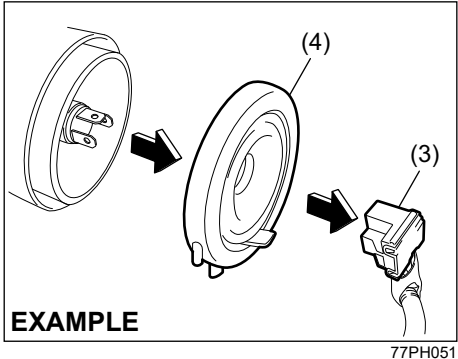
Mist may form on the lenses of exterior lights (Headlight, Rear combination light etc.) during or after driving in the rain or after car washing. This is a natural phenomenon which occurs due to temperature difference between lamp inside and outside. Temporary mist on the lens is not a malfunction and will not cause any discomfort during vehicle driving.

The mist would get cleared when the environmental condition change to sunny or when headlamp is kept on. However if there is water leakage inside the lamp, contact your authorised Maruti Suzuki workshop.

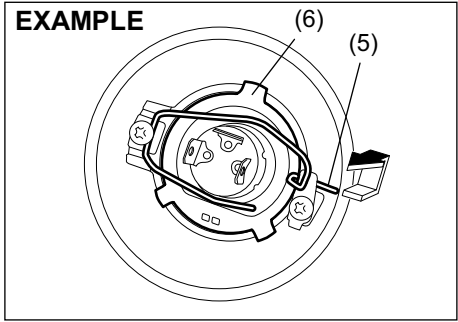
Headlights



1) Remove the screws (1) and remove the air inlet box (2).



2) Disconnect the coupler (3). Remove the sealing rubber (4).



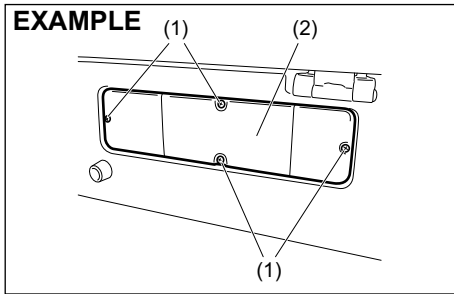
3) Push the retaining spring (5) forward and unhook it. Then remove the bulb (6). Install a new bulb in the reverse order of removal.

**Front Turn Signal Light
Front Position Light**

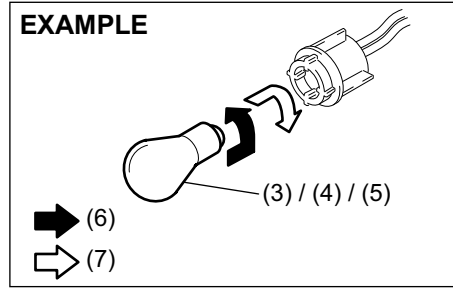
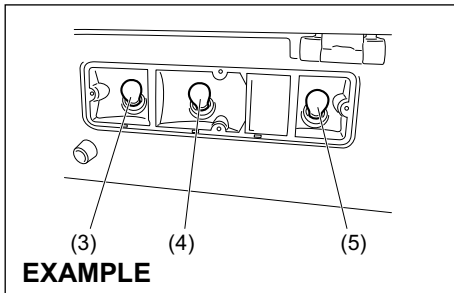
Since special procedures are required, we recommend you take your vehicle to your authorised MARUTI SUZUKI COMMERCIAL workshop for bulb replacement.

INSPECTION AND MAINTENANCE

Rear Combination Light

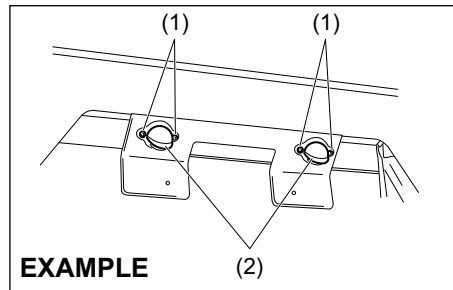


- 1) Remove the screws (1) and remove the cover (2).

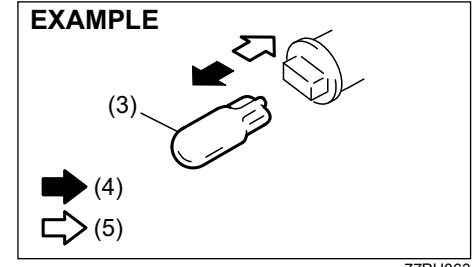


- (6) Removal
 - (7) Install
- 2) To remove the bulb of the turn signal light (3), the tail/brake light (4) or the reversing light (5) bulb holder, push in the bulb and turn it counterclockwise. To install a new bulb, push it in and turn it clockwise.

License Plate Light



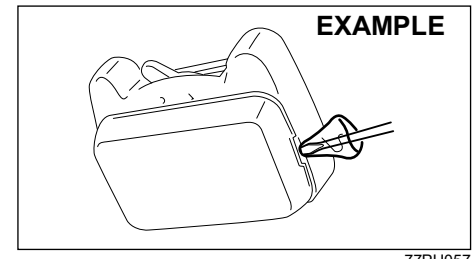
- 1) Remove the screws (1) and remove the cover (2).



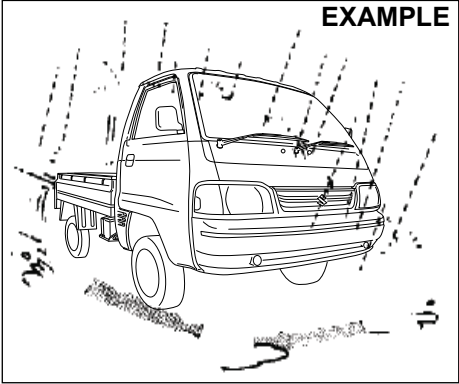
- (4) Removal
 - (5) Install
- 2) To remove and install the bulb of the license plate light (3), simply pull out or push in the bulb.

Interior Light

Remove the lens by using a flat blade screwdriver covered with a soft cloth as shown. To install it, simply push it back in.



Wiper Blades



77PM07028

If the wiper blades become brittle or damaged, or make streaks when wiping, replace the wiper blades.

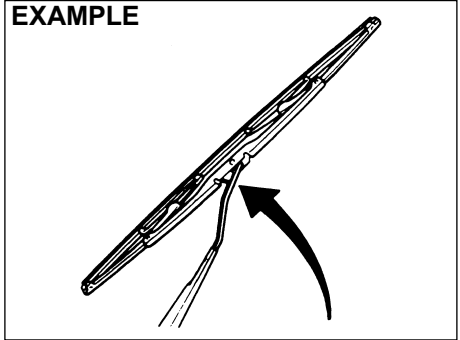
To install new wiper blades, follow the procedures below.

NOTICE

To avoid scratching or breaking the window, do not let the wiper arm strike the window while replacing the wiper blade.

NOTE:
Some wiper blades may be different from the ones described here depending on vehicle specifications. If so, consult your authorised MARUTI SUZUKI COMMERCIAL workshop for proper replacement method.

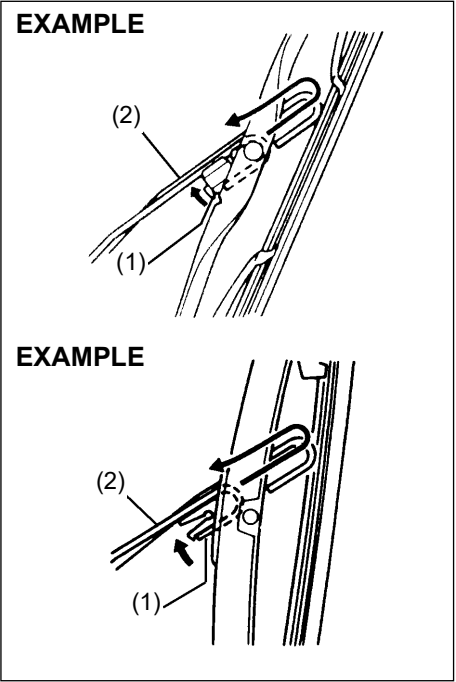
For windshield wipers:



70G119

- 1) Hold the wiper arm away from the windshield.

NOTE:
When raising both of the front wiper arms, pull the driver's side wiper arm up first. When returning the wiper arms, lower the passenger's side wiper arm first. Otherwise, the wiper arms may interfere with each other.

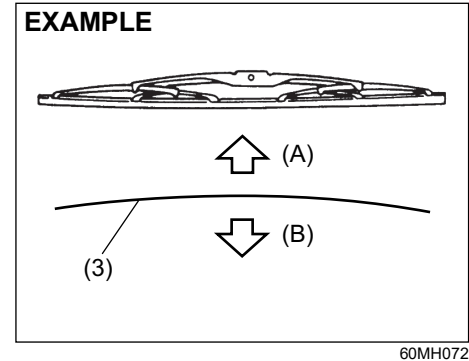
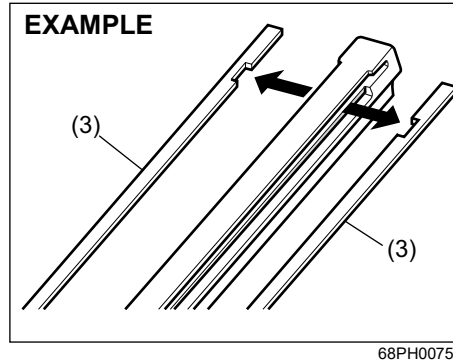
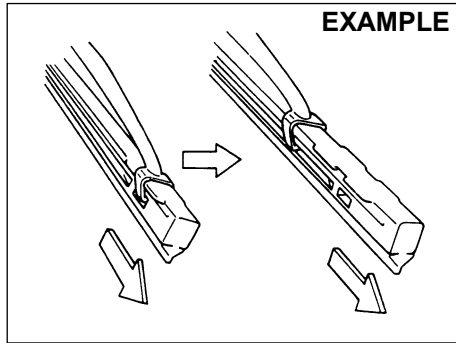


54G130

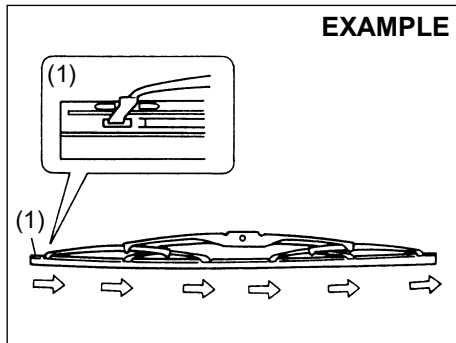
- 2) Squeeze lock (1) towards wiper arm (2) and remove the wiper frame from the arm as shown.
- 3) Unlock the lock end of the wiper blade and slide the blade out as shown.

INSPECTION AND MAINTENANCE

Removal



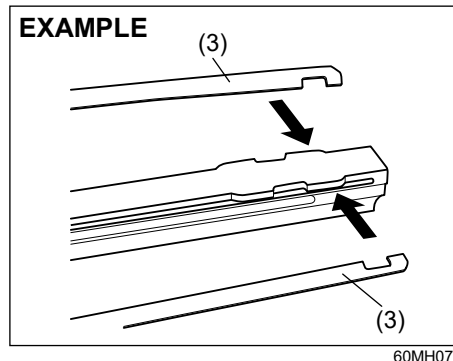
Installation



(1) Locked end

(3) Retainer

- 4) If the new blade is provided without the two metal retainers, move them from the old blade to the new one.



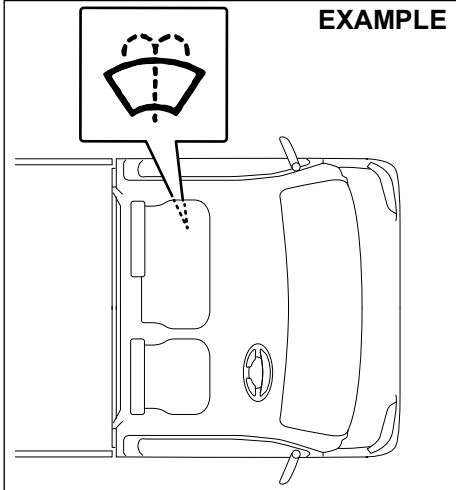
(A) Up
(B) Down

NOTE:

When you install the metal retainers (3), make sure the direction of metal retainers is as shown in the above illustrations.

- 5) Install the new blade in the reverse order of removal, with the locked end positioned toward the wiper arm. Make sure the blade is properly retained by all the hooks. Lock the blade end into place.
- 6) Reinstall wiper frame to arm, making sure that the lock lever is snapped securely into the arm.

Windshield Washer Fluid (If equipped)



77PM07027

Visually inspect that there is washer fluid in the tank. Refill it if necessary. Use a good quality windshield washer fluid, diluted with water as necessary.

NOTICE
Avoid use of hard water to prevent building of lime scale on the vehicle.

WARNING
Do not use radiator antifreeze in the windshield washer reservoir. This can severely impair visibility when sprayed on the windshield, and can also damage your vehicle's paint.

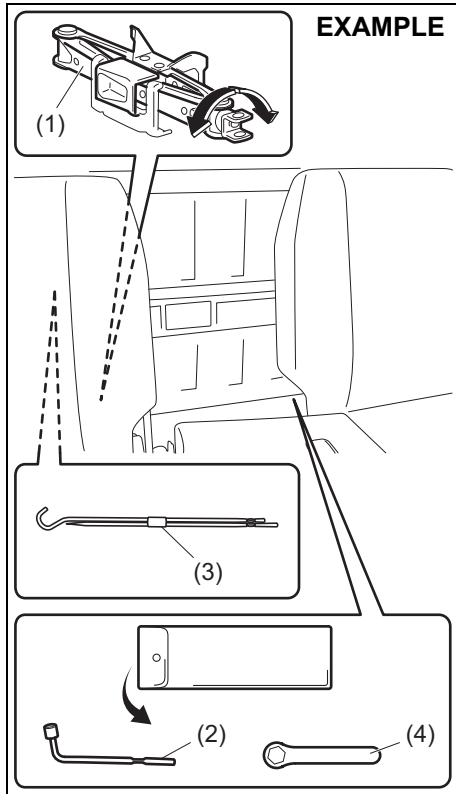
NOTICE
Damage may result if the washer motor is operated with no fluid in the washer tank.

EMERGENCY SERVICE

Tyre Changing Tool	8-1
Jacking Instructions	8-2
Changing Wheels	8-5
Jump Starting Instructions	8-6
Towing	8-7
If the Starter Does Not Operate	8-8
If the Engine is Flooded	8-8
If the Engine Overheats	8-8
Underbody Trouble by Hitting	8-9
Warning Triangle	8-9
Fire Extinguisher (if equipped)	8-10

EMERGENCY SERVICE

Tyre Changing Tool



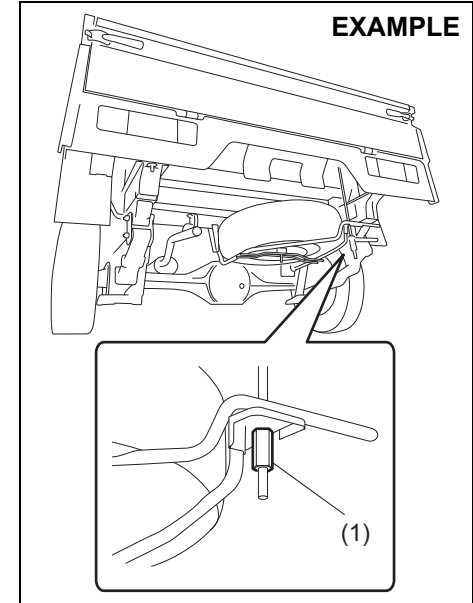
77PH202

- (1) Jack
- (2) Wheel brace
- (3) Jack handle
- (4) Spanner

The tyre changing tools are stowed behind the driver seat.

To remove the jack, turn its shaft counter-clockwise and pull the jack out of the storage bracket. To stow the jack, place it in the storage bracket and turn the shaft clockwise until the jack is securely held in place.

The spare tyre is stowed under the bed. To remove the spare tyre:



77PH099

- 1) Loosen the spare tyre holder hook nut (1).
- 2) Unhook the spare tyre holder and lower it slowly.
- 3) Remove the screw in the center of the spare tyre, and remove the tyre.

⚠ WARNING

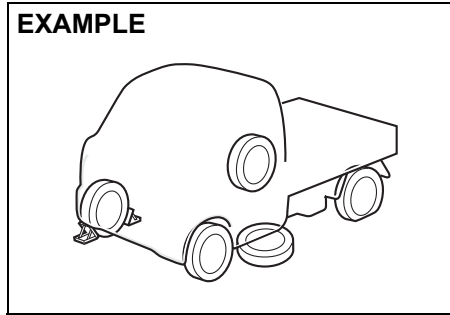
After using the tyre changing tools, be sure to stow them securely or they can cause injury if an accident occurs.

⚠ CAUTION

The jack should be used only to change wheels. It is important to read the jacking instructions in this section before attempting to use the jack.

Jacking Instructions

EXAMPLE



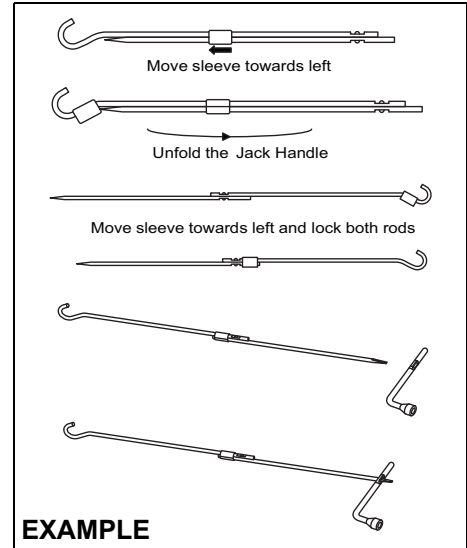
77PH054

- 1) Place the vehicle on level, hard ground.
- 2) Set the parking brake firmly and shift into "R" (Reverse).

⚠ WARNING

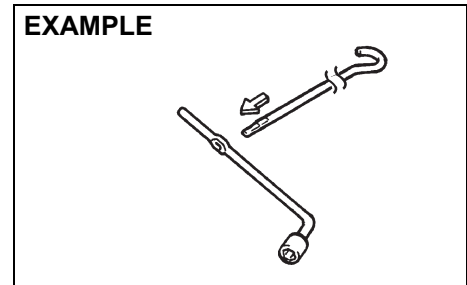
- Be sure to shift into "R" (Reverse) when you jack up the vehicle.
- Never jack up the vehicle with the transmission in "N" (Neutral). Otherwise, unstable jack may cause an accident.

- 3) Turn on the hazard warning flasher if your vehicle is near traffic.
- 4) Block the front and rear of the wheel diagonally opposite of the wheel being lifted.
- 5) Place the spare wheel near the wheel being lifted as shown in the illustration in case the jack slips.



EXAMPLE

77PH802



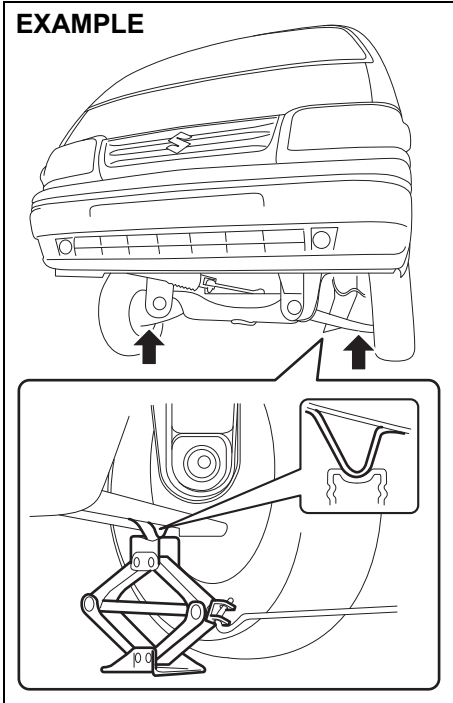
EXAMPLE

54G253

EMERGENCY SERVICE

Front jacking point

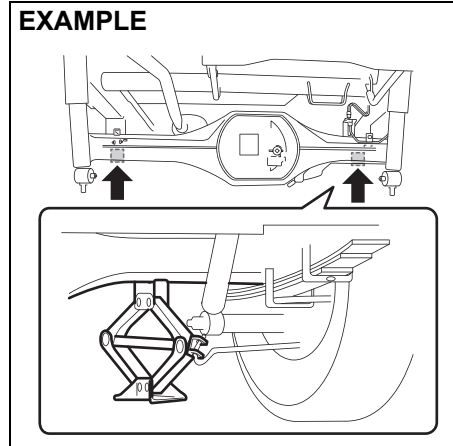
EXAMPLE



77PH084

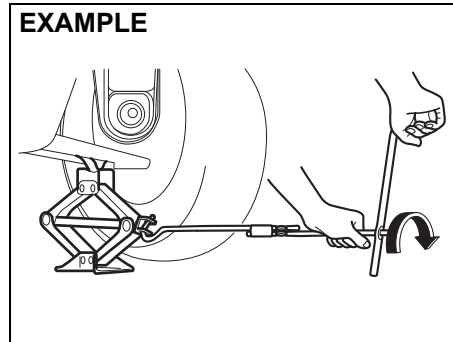
Rear jacking point

EXAMPLE



77PH106

EXAMPLE



77PS052

- 6) Position the jack vertically and raise the jack by turning the jack handle clockwise until the jack head groove fits around the jacking bar beneath the vehicle body. See illustrations.
- 7) Continue to raise the jack slowly and smoothly until the tyre clears the ground. Do not raise the vehicle more than necessary.

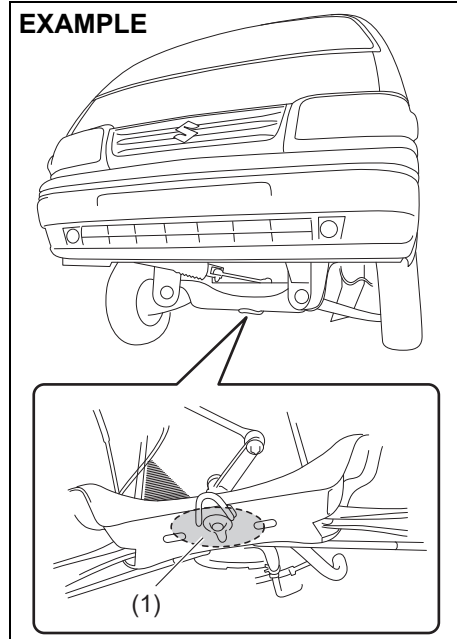
⚠ WARNING

- Use the jack only to change wheels on level, hard ground.
- Never jack up the vehicle on an inclined surface.
- Never raise the vehicle with the jack in a location other than the specified jacking point (shown in the illustration) near the wheel to be changed.
- Do not use wooden blocks or similar objects as a jack underlay.
- Never get under the vehicle when it is supported by the jack. Never place your hands and feet under the raised vehicle when it is supported by a jack.
- Never run the engine when the vehicle is supported by the jack and never allow passengers to remain in the vehicle.

To Raise the Vehicle with a Garage Jack

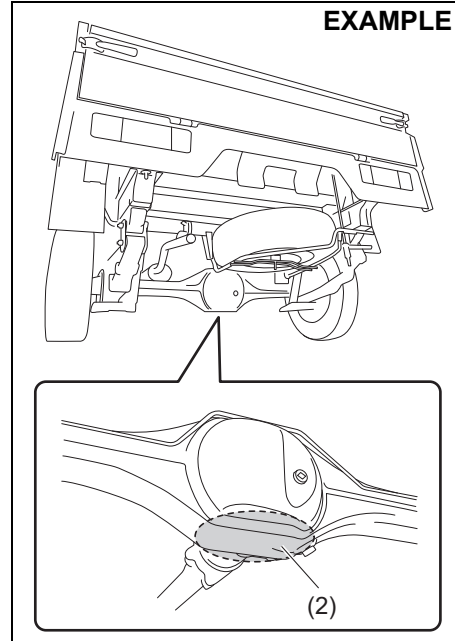
- Apply the garage jack to one of the points indicated below.
- Always support the raised vehicle with jack stands (commercially available) at the points indicated below.

Front jacking point for garage jack (1)



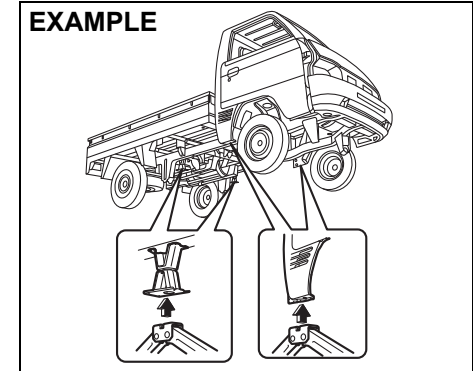
77PH060

Rear jacking point for garage jack (2)



77PH101

Application point for jack stand (3) or two-column lift



77PS055 (2)

NOTICE

- Never apply a garage jack to the exhaust pipe.
- When applying the jack stand or the two-column lift to the application point of the rear side, be careful not to interfere with the surrounding parts such as the parking cable or the flange of the fuel tank.

NOTE:

For more details, please contact an authorised **MARUTI SUZUKI COMMERCIAL** workshop.

EMERGENCY SERVICE

Changing Wheels

⚠ WARNING

Never change a wheel in traffic lane. Always move the vehicle off the road on level, hard ground away from traffic for changing a wheel. For any further assistance contact your nearest Maruti Suzuki authorised workshop.

To change a wheel, use the following procedure:

- 1) Clear all passengers and cargo from the vehicle.
- 2) Remove the jack, tools and spare wheel from the vehicle.
- 3) Loosen, but do not remove the wheel nuts.
- 4) Jack up the vehicle.

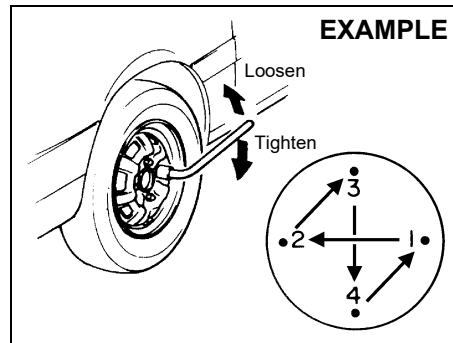
⚠ CAUTION

Immediately after the vehicle has been driven, the wheels, the wheel nuts and the area around the brakes might be extremely hot. Touching these areas may cause burn injury. Do not touch these areas immediately after the vehicle has been driven.

- 5) Remove the wheel nuts and wheel.
- 6) Before installing the new wheel, clean any mud or dirt off from the surface of

the wheel and hub with a clean cloth. Clean the hub carefully; it may be hot from driving.

- 7) Install the new wheel and replace the wheel nuts with their cone shaped end facing the wheel. Tighten each nut snugly by hand until the wheel is securely seated on the hub.



54G116

**Tightening torque for wheel nut
100 Nm (10.2 kgf-m, 73.8 lbf-ft)**

- 8) Lower the jack and fully tighten the nuts in a crisscross fashion with a wrench as shown in the illustration.

⚠ WARNING

Use genuine wheel nuts and tighten them to the specified torque as soon as possible after changing wheels. Incorrect wheel nuts or improperly tightened wheel nuts may come loose or fall off, which can result in an accident. If you do not have a torque wrench, have the wheel nut torque checked by an authorised MARUTI SUZUKI COMMERCIAL workshop.

Jump Starting Instructions

⚠ WARNING

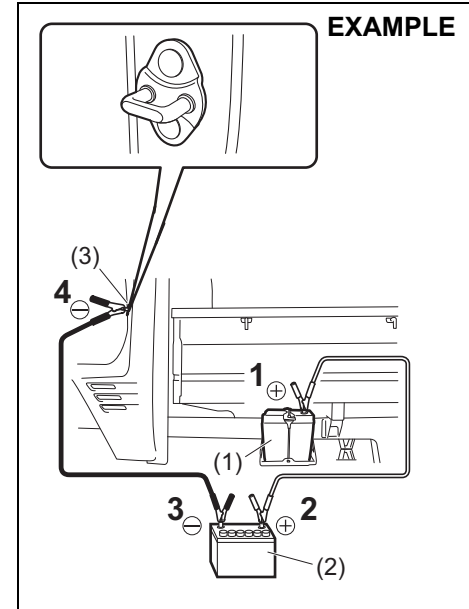
- Never attempt to jump start your vehicle if the battery appears to be frozen. Batteries in this condition may explode or rupture if jump starting is attempted.
- When making jump lead connections, be certain that your hands and the jump leads remain clear from pulleys, belts, or fans.
- Batteries produce flammable hydrogen gas. Keep flames and sparks away from the battery or an explosion may occur. Never smoke when working in the vicinity of the battery.
- If the booster battery you use for jump starting is installed in another vehicle, make sure the two vehicles are not touching each other.
- If your battery discharges repeatedly, for no apparent reason, have your vehicle inspected by an authorised MARUTI SUZUKI COMMERCIAL workshop.
- To avoid harm to yourself or damage to your vehicle or battery, follow the jump starting instructions below precisely and in order. If you are in doubt, call for qualified road service.

NOTICE

Your vehicle should not be started by pushing or towing. This starting method could result in permanent damage to the catalytic converter. Use jump leads to start a vehicle with a weak or flat battery.

When Jump Starting Your Vehicle, Use the Following Procedure:

- 1) Use only a 12-volt battery to jump start your vehicle. Position the good 12-volt battery close to your vehicle so that the jump leads will reach both batteries. When using a battery installed on another vehicle, DO NOT LET THE VEHICLES TOUCH. Set the parking brakes fully on both vehicles.
- 2) Turn off all vehicle accessories, except those necessary for safety reasons (for example, headlights or hazard lights).



77PS056

- 3) Make jump lead connections as follows:
 1. Connect one end of the first jump lead to the positive (+) terminal of the flat battery (1).
 2. Connect the other end to the positive (+) terminal of the booster battery (2).

EMERGENCY SERVICE

3. Connect one end of the second jump lead to the negative (-) terminal of the booster battery (2).
4. Make the final connection to an unpainted, heavy metal part (i.e. door latch striker (3)) of the vehicle with the flat battery (1).

WARNING

Never connect the jump lead directly to the negative (-) terminal of the discharged battery, or an explosion may occur.

- 4) If the booster battery you are using is fitted to another vehicle, start the engine of the vehicle with the booster battery. Run the engine at moderate speed.
- 5) Start the engine of the vehicle with the flat battery.
- 6) Remove the jump leads in the exact reverse order in which you connected them.

Towing

If you need to have your vehicle towed, contact a professional service. Your dealer can provide you with detailed towing instructions.

NOTICE

To help avoid damage to your vehicle during towing, proper equipment and towing procedures must be used.

2-Wheel Drive (2WD) Manual Transmission

Manual transmission vehicles may be towed using either of the following methods.

- 1) From the front, with the front wheels lifted and the rear wheels on the ground. Before towing, make sure that the transmission is in neutral and the parking brake is released.
- 2) From the rear, with the rear wheels lifted and the front wheels on the ground, provided the steering and drivetrain are in operational condition. Before towing, make sure that the steering wheel is unlocked (the ignition key should be in the "ACC" position), and the steering wheel is secured with a clamping device designed for towing service.

NOTICE

The steering column is not strong enough to withstand shocks transmitted from the front wheels during towing. Always unlock the steering wheel before towing.

If the Starter Does Not Operate

- 1) Try turning the ignition switch to the "START" position with the headlights turned on to determine the battery condition. If the headlights go excessively dim or go off, it usually means that either the battery is flat or the battery terminal contact is poor. Recharge the battery or correct battery terminal contact as necessary.
- 2) If the headlights remain bright, check the fuses. If the reason for failure of the starter is not obvious, there may be a major electrical problem. Have the vehicle inspected by your authorised MARUTI SUZUKI COMMERCIAL workshop.

If the Engine is Flooded

- If the engine is flooded with fuel, it may be hard to start. If this happens, press the accelerator pedal all the way to the floor and hold it there while cranking the engine.
- Do not operate the starter motor for more than 30 seconds.

If the Engine Overheats

The engine could overheat temporarily under severe driving conditions. If the high engine coolant temperature warning light comes on during driving:

- 1) Take the vehicle to a safe place and park.
- 2) Let the engine run at the normal idle speed for a few minutes until the high engine coolant temperature warning light goes off.

▲ WARNING

If you see or hear escaping steam, stop the vehicle in a safe place and immediately turn off the engine to let it cool. Do not open the engine compartment when steam is present. When the steam can no longer be seen or heard, open the engine compartment to see if the coolant is still boiling. If it is, you must wait until it stops boiling before you proceed.

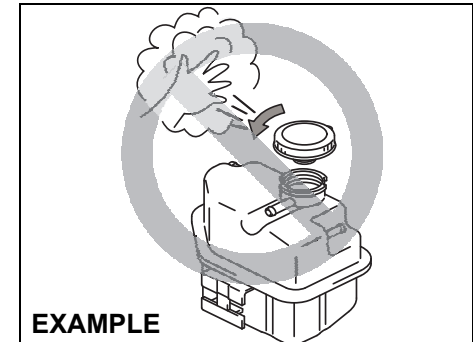
If the high engine coolant temperature warning light does not go off:

- 1) Turn off the engine and check that the water pump belt and pulleys are not damaged or slipping. If any abnormality is found, correct it.

- 2) Check the coolant level in the reservoir. If it is found to be lower than the "LOW" line, look for leaks at the radiator, water pump, and radiator and heater hoses. If you locate any leaks that may have caused the overheating, do not run the engine until these problems have been corrected.
- 3) If you do not find a leak, carefully add coolant to the reservoir and then the radiator, if necessary. (Refer to "Engine Coolant" in the "INSPECTION AND MAINTENANCE" section.)

NOTE:

If your engine overheats and you are unsure what to do, contact your authorised MARUTI SUZUKI COMMERCIAL workshop.



EXAMPLE

65D350d

WARNING

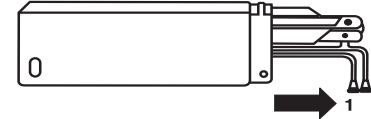
- It is hazardous to remove the radiator cap (or degassing tank cap for a diesel engine) when the water temperature is high, because scalding fluid and steam may be blown out under pressure. The cap should only be taken off when the coolant temperature has lowered.
- To help prevent personal injury, keep hands, tools and clothing away from the engine cooling fan. These electric fans can automatically turn on without warning.

Underbody Trouble by Hitting

If you hit underbody of your vehicle, ask an authorised MARUTI SUZUKI COMMERCIAL workshop for inspection. Otherwise damage to steering, Suspension, Drive-line, and Brake etc. could prevent your safe driving.

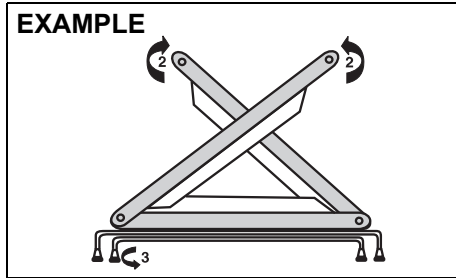
Warning Triangle

EXAMPLE



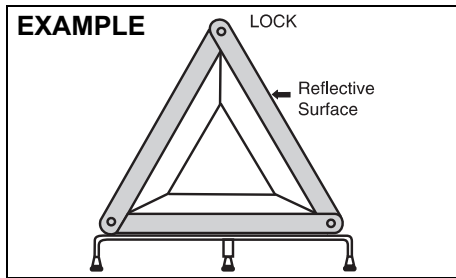
MHO-07-001

In case of vehicle break-down or during emergency stopping, where, your vehicle could become a potential traffic hazard, keep the warning triangle, provided with your vehicle, on the road free from any obstacles behind your vehicle so as to warn the approaching traffic, at an approximate distance of 50-100 m. The reflecting side of the triangle should face the on coming traffic. Please activate the hazard warning lamps before alighting the vehicle to keep the warning triangle.



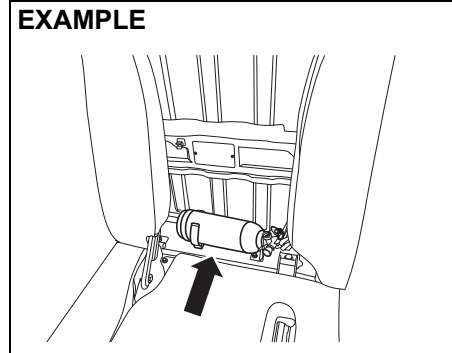
MHO-07-014-1

- Remove the warning triangle carefully from the cover as shown by arrow 1.
- Open both the reflector arms as shown by arrow 2 and lock the arms with each other with the clip provided in the right arm. Open the bottom stand in counter clock-wise direction as shown by arrow 3. Position the warning triangle behind the vehicle on a plain surface.
- Reverse the removal procedure for keeping inside the cover.



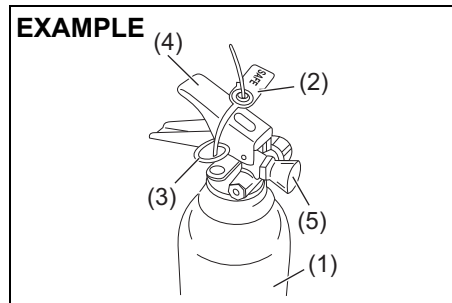
MHO-07-014

Fire Extinguisher (if equipped)



77PM08009

Fire extinguisher is stowed behind the seats (between driver seat and passenger seat).

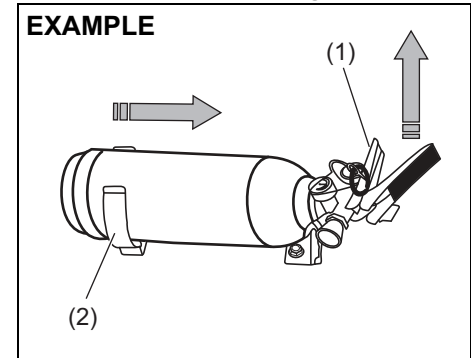


77PM08003

- (1) Fire extinguisher cylinder
- (2) Seal
- (3) Safety Pin
- (4) Lever
- (5) Nozzle

Removal and Refitment of Fire Extinguisher

For Removal of Fire Extinguisher

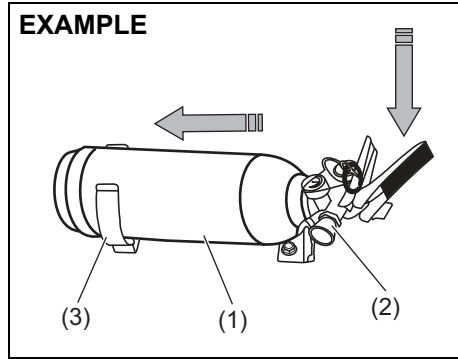


77PM08004

Lift Lever (1) of fire extinguisher slightly upwards and pull the fire extinguisher in the direction as shown in the figure, in order to disengage it from clamp (2).

EMERGENCY SERVICE

For Refitment of Fire Extinguisher

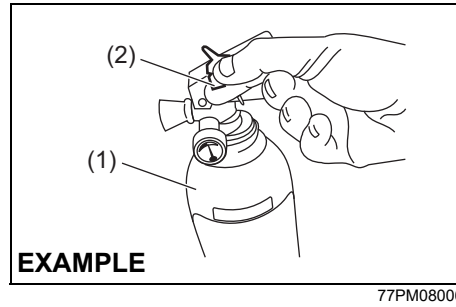


Insert the body of fire extinguisher (1) in to the clamp (3) and place the nozzle (2) carefully downwards, on the clamp.

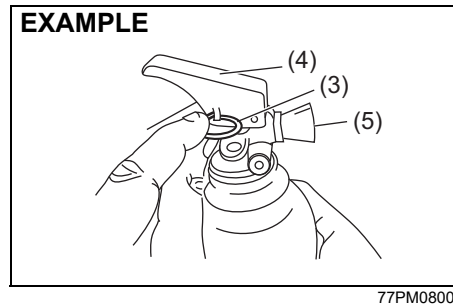
NOTE:

Ensure that the nozzle of fire extinguisher is properly seated on the clamp.

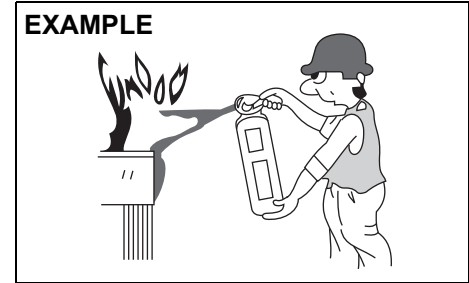
Procedure of Operation



- 1) Hold the fire extinguisher (1) upright.
- 2) Break seal (2) by rotating the safety pin(3).



- 3) Pull Safety pin (3)
- 4) Squeeze lever (4) and direct the jet from nozzle (5) towards the near edge of the fire with a rapid (fast) sweeping motion.

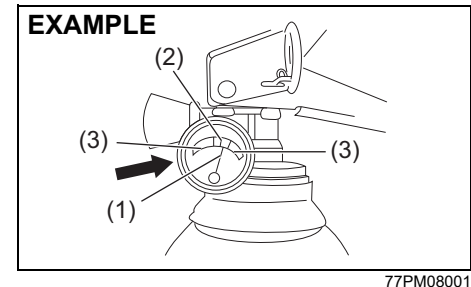


- 5) Drive the fire towards the far edge until flames are extinguished.

NOTE:

Fire extinguisher is only meant for small fire caused in vehicle by external source only.

Do's and Dont's



Do's

- 1) Check pressure gauge periodically. Max charging pressure is 15Kgf/cm² (in green zone (2)).
- 2) When pressure drops, indicator needle(1) will shift to the red zone (3).Immediately contact the fire extinguisher manufacturer as per the information provided on the fire extinguisher.
- 3) Get the fire extinguisher serviced only through the manufacturer service centre.Refer the information provided on the fire extinguisher to locate the nearest service centre.
- 4) Ensure that the Fire extinguisher is always kept at its prescribed position in the vehicle.
- 5) Refill the fire extinguisher immediately after use.

Don't

- 1) Do not use water for cleaning fire extinguisher. (Use clean cloth for removing dust)
- 2) Do not rely on used or discharged fire extinguisher.

NOTE:

- *Refilling is necessary after every use.*
- *Fire extinguisher needs refilling after every 3 years even if it is not used.*

APPEARANCE CARE

Corrosion Prevention	9-1
Vehicle Cleaning	9-2

APPEARANCE CARE

Corrosion Prevention

It is important to take good care of your vehicle to protect it from corrosion. Listed below are instructions for how to maintain your vehicle to prevent corrosion. Please read and follow these instructions carefully.

Important Information About Corrosion

Common causes of corrosion

- 1) Accumulation of road salt, dirt, moisture, or chemicals in hard-to-reach areas of the vehicle underbody or frame.
- 2) Chipping, scratches and any damage to treated or painted metal surfaces resulting from minor accidents or abrasion by stones and gravel.
- 3) Any or all of the below mentioned points:
 - Continuous exposure to sunlight
 - Hard water and sea water coming in contact with vehicle.
 - Foot rubbing (skirting).

Environmental conditions which accelerate corrosion

- 1) Road salt, dust control chemicals, sea air or industrial pollution will all accelerate the corrosion of metal.
- 2) High humidity will increase the rate of corrosion particularly when the temperature range is just above the freezing point.

- 3) Moisture in certain areas of a vehicle for an extended period of time may promote corrosion even though other body sections may be completely dry.
- 4) High temperatures will cause an accelerated rate of corrosion to parts of the vehicle which are not well ventilated to permit quick drying.

This information illustrates the necessity of keeping your vehicle (particularly the underbody) as clean and dry as possible. It is equally important to repair any damage to the paint or protective coatings as soon as possible.

How to Help Prevent Corrosion

Wash your vehicle frequently

The best way to preserve the finish on your vehicle and to help avoid corrosion is to keep it clean with frequent washing. Wash your vehicle at least once during the winter and once immediately after the winter. Keep your vehicle, particularly the underside, as clean and dry as possible. If you frequently drive on salted roads, your vehicle should be washed at least once a month during the winter. If you live near the ocean, your vehicle should be washed at least once a month throughout the year.

For washing instructions, refer to the "Vehicle Cleaning" section.

Remove foreign material deposits

Foreign material such as salts, chemicals, road oil or tar, tree sap, bird droppings and industrial fall-out may damage the finish of your vehicle if it is left on painted surfaces. Remove these types of deposits as quickly as possible. If these deposits are difficult to wash off, an additional cleaner may be required. Be sure that any cleaner you use is not harmful to painted surfaces and is specifically intended for your purposes. Follow the manufacturer's directions when using these special cleaners.

Repair finish damage

Carefully examine your vehicle for damage to the painted surfaces. If you find any chips or scratches in the paint, touch them up immediately to prevent corrosion from starting. If the chips or scratches have gone through to the bare metal, have a qualified body shop make the repair.

Keep passenger and luggage compartments clean

Moisture, dirt or mud can accumulate under the floor mats and may cause corrosion. Occasionally, check under these mats to ensure that this area is clean and dry. More frequent checks are necessary if the vehicle is used off road or in wet weather.

Certain cargos such as chemicals, fertilizers, cleaners, salts, etc. are extremely corrosive by nature. These products should be transported in sealed containers. If a spill or leak does occur, clean and dry the area immediately.

Store your vehicle in a dry, well-ventilated area

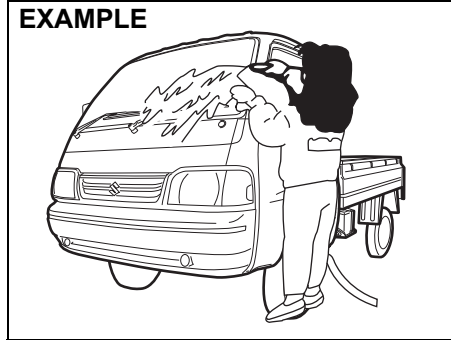
Park your vehicle to save it from continuous exposure to direct sunlight. Do not park your vehicle in a damp, poorly ventilated area. If you often wash your vehicle in the garage or if you frequently drive it in when wet, your garage may be damp. The high humidity in the garage may cause or accelerate corrosion. A wet vehicle may corrode even in a heated garage if the ventilation is poor.

⚠ WARNING

Do not apply additional undercoating or rust preventive coating on or around exhaust system components such as the catalytic converter, exhaust pipes, etc. A fire could be started if the undercoating substance becomes overheated.

Vehicle Cleaning

EXAMPLE



77PM09001

⚠ WARNING

When cleaning the interior or exterior of the vehicle, **NEVER USE** flammable solvents such as lacquer thinners, Petrol, benzene or cleaning materials such as bleaches or strong household detergents. The materials could cause personal injury or damage to the vehicle.

Cleaning the Interior

Vinyl upholstery

Prepare a solution of soap or mild detergent mixed with warm water. Apply the solution to the vinyl with a sponge or soft cloth and let it soak for a few minutes to loosen dirt. Rub the surface with a clean, damp cloth to remove dirt and the soap solution. If some dirt still remains on the surface, repeat this procedure.

Fabric upholstery (Except front passenger seat)

Remove loose dirt with a vacuum cleaner. Using a mild soap solution, rub stained areas with a clean damp cloth. To remove soap, rub the areas again with a cloth dampened with water. Repeat this until the stain is removed, or use a commercial fabric cleaner for tougher stains. If you use a fabric cleaner, carefully follow the manufacturer's instructions and precautions.

⚠ CAUTION

- Do not spill liquid or semi-solid on the front passenger's seat. If you spill it on the front passenger's seat, immediately wipe it dry with a soft cloth. Contact of liquid with sensor may impact the function of seat belt reminder sensor.
- Do not place any sharp or heavy object on passenger seat which can penetrate through seat upholstery and can cause damage to sensor.

APPEARANCE CARE

Fabric upholstery (For front passenger seat)

Do not use liquid for cleaning as it may penetrate the fabric and damage the seat sensor.

Leather upholstery

Remove loose dirt with a vacuum cleaner. Using a mild soap or saddle soap solution, wipe dirt off with a clean damp soft cloth. To remove soap, wipe the areas again with a soft cloth dampened with water. Wipe the areas dry with a soft dry cloth. Repeat this until the dirt or stain is removed, or use a commercial leather cleaner for tougher dirt or stains. If you use a leather cleaner, carefully follow the manufacturer's instructions and precautions. Do not use solvent type cleaners or abrasive cleaners.

NOTE:

- In order to keep leather upholstery looking good, it should be cleaned at least twice a year.
- If leather upholstery becomes wet, immediately wipe it dry with tissue paper or a soft cloth. Water may cause leather to harden and shrink if it is not wiped off.
- When parking on sunny days, select a shady place or use a sunshade. If leather upholstery is exposed to direct sunlight for a long time, it may discolor and shrink.
- As is common with natural materials, leather is inherently irregular in grain and cowhide has spots in its natural state. These do not affect the performance of the leather in any way.

Seat belts

Clean seat belts with a mild soap and water. Do not use bleach or dye on the belts. They may weaken the fabric in the belts.

Vinyl floor mats

Ordinary dirt can be removed from vinyl with water or mild soap. Use a brush to help loosen dirt. After the dirt is loosened, rinse the mat thoroughly with water and dry it in the shade.

Carpets

Remove dirt and soil as much as possible with a vacuum cleaner. Using a mild soap solution, rub stained areas with a clean damp cloth. To remove soap, rub the areas again with a cloth dampened with water. Repeat this until the stain is removed, or use a commercial carpet cleaner for tougher stains. If you use a carpet cleaner, carefully follow the manufacturer's instructions and precautions.

Instrument panel and console

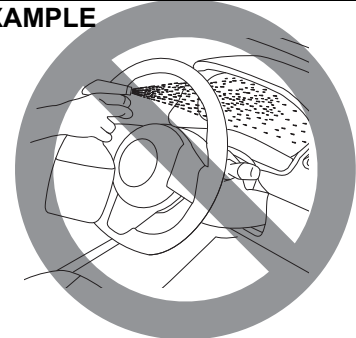
Remove loose dirt with a vacuum cleaner. Gently wipe dirt off with a tightly squeezed damp clean cloth. Repeat this until the dirt is removed.

NOTICE

Do not use chemical products that contain silicon to wipe electrical components such as the switches. These will cause damage to the components.

Do not spray water or any liquid directly on instrument cluster or any other electrical or electronic components. This may cause damage and/or lead to non-functioning of the part.

EXAMPLE



81RM08005

Cleaning the Exterior

NOTICE

It is important that your vehicle to be kept clean and free from dirt. Failure to keep your vehicle clean may result in fading of the paint or corrosion to various parts of the vehicle body.

Washing

EXAMPLE



82DY0

⚠ WARNING

- Never attempt to wash and wax your vehicle with the engine running.
- When cleaning the underside of the body and fender, where there may be sharp-edged parts, you should wear gloves and a long-sleeved shirt to protect your hands and arms from being cut.
- After washing your vehicle, carefully test the brakes before driving to make sure they have maintained their normal effectiveness.

When washing the vehicle, park it where direct sunlight does not fall on it and follow the instructions below:

- 1) Flush the underside of body and wheel housings with pressurized water to remove mud and debris. Use plenty of water.

NOTICE

When washing the vehicle:

- Avoid directing steam or hot water of more than 80°C (176°F) on plastic parts.
- To avoid damaging engine components, do not use pressurized water in the engine compartment.

- 2) Rinse the body to loosen the dirt. Remove dirt and mud from the body exterior with running water. You may use a soft sponge or brush. Do not use hard materials which can scratch the paint or plastic. Remember that the headlight covers or lenses are made of plastic in many cases.

NOTICE

To avoid damage to the paint or plastic surface, do not wipe the dirt off without ample water. Be sure to follow above procedure.

- 3) Wash the entire exterior with a mild detergent or car wash soap using a sponge or soft cloth. The sponge or cloth should be frequently soaked in the soap solution.

NOTICE

When using a commercial car wash product, observe the cautions specified by the manufacturer. Never use strong household detergents or soaps.

- 4) Once the dirt has been completely removed, rinse off the detergent with running water.
- 5) After rinsing, wipe off the vehicle body with a wet chamois or cloth and allow it to dry in the shade.

APPEARANCE CARE

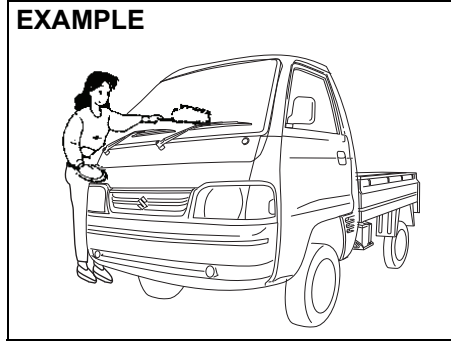
- 6) Check carefully for damage to painted surfaces. If there is any damage, touch up the damage following the procedure below:
1. Clean all damaged spots and allow them to dry.
 2. Stir the paint and touch up the damaged spots lightly using a small brush.
 3. Allow the paint to dry completely.

NOTICE

If you use an automatic car wash, make sure that your vehicle's body parts, such as spoilers, cannot be damaged. If you are in doubt, consult the car wash operator for advice.

Waxing

EXAMPLE



77PM09002

After washing the vehicle, waxing and polishing are recommended to further protect and beautify the paint.

- Only use waxes and polishes of good quality.
- When using waxes and polishes, observe the precautions specified by the manufacturers.

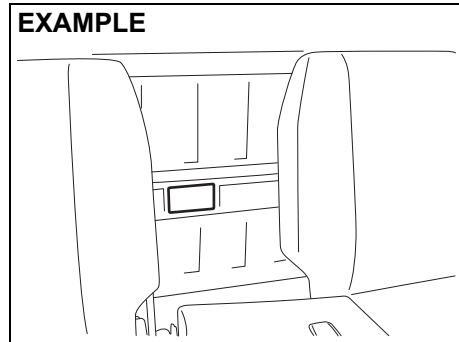
GENERAL INFORMATION

Vehicle Identification 10-1
FASTag (if equipped)..... 10-1
CNG Kit Number Identification (if equipped) 10-2
High Security Registration Plate (HSRP)
(if applicable) 10-3

GENERAL INFORMATION

Vehicle Identification

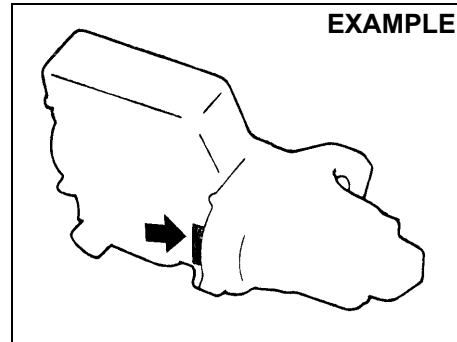
Chassis Serial Number



77PH059

The chassis and/or engine serial numbers are used to register the vehicle. They are also used to assist your dealer when ordering or referring to special service information. Whenever you have occasion to consult your authorised MARUTI SUZUKI COMMERCIAL workshop, remember to identify your vehicle with this number. If you find the number difficult to read, you can also find it on the identification plate.

Engine Serial Number



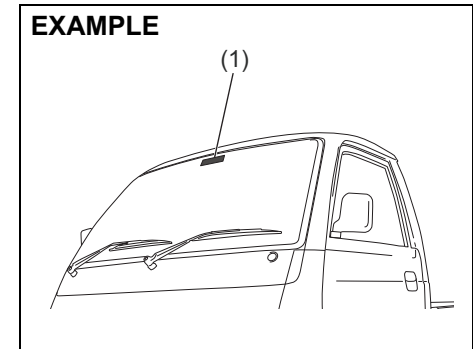
54G082

The engine serial number is stamped on the cylinder block as shown in the illustration.

FASTag (if equipped)

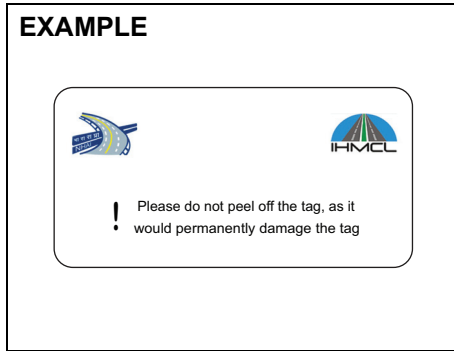
As per Ministry of Road Transport and Highways, the FASTag (1) is mandatory for each vehicle for the purpose of electronic toll collection or any other purpose as may be defined by the Government of India.

In case of any damage to FASTag or replacement of front windscreen, please contact your nearest authorised Maruti Suzuki workshop.



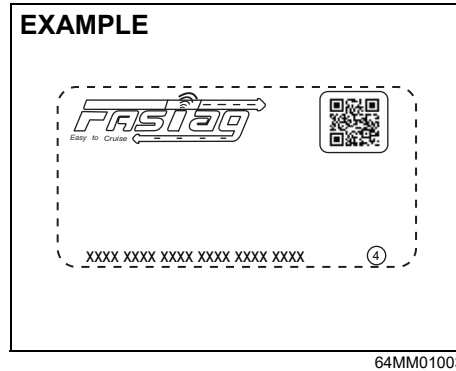
66MM01001

As seen from inside of the vehicle



NOTE:
The picture shown is for indicative purpose only. Internal structure of actual device mounted on vehicle may be different.

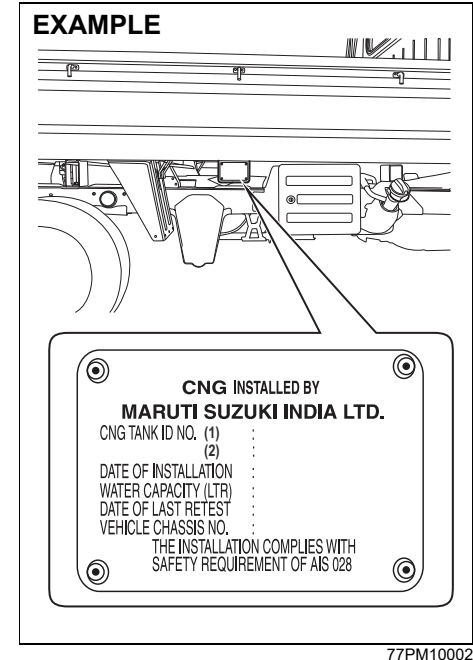
As seen from outside of the vehicle



NOTE:
The picture shown is for indicative purpose only. Internal structure of actual device mounted on vehicle may be different.

- NOTE:**
- Any attempt to remove the tag from the windscreen will result in permanent damage to the tag.
 - Use of chemical cleaners to clean the windscreen area where the tag is mounted can damage the tag.
 - Use of any sharp objects on the tag can damage the tag.

CNG Kit Number Identification (if equipped)



CNG cylinder identification number and CNG kit installation date is located on right side of cargo body as shown.

GENERAL INFORMATION

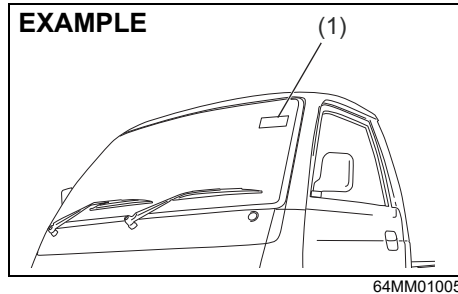
High Security Registration Plate (HSRP) (if applicable)

As per Ministry of Road Transport and Highways, every new vehicle must have HSRP.

HSRP contains;

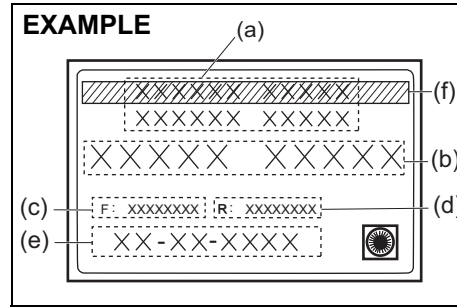
- Front and rear HSRP, which will be fitted with 2 snap-locks each on number plate area.
- Third license plate on front windshield.

Third License Plate



(1) Third license plate

Third license plate - As seen from outside of the vehicle



- (a) HSRP issuing authority name
- (b) Vehicle registration number
- (c) Unique laser number - Front plate
- (d) Unique laser number - Rear plate
- (e) Date of 1st registration
(in DD-MM-YYYY format)
- (f) Green strips (BS6 vehicle)

NOTE:

The picture shown is for indicative purpose only. Internal structure of actual label mounted on vehicle may be different.

NOTE:

- Any attempt to remove the third license plate from the windscreen will result in permanent damage to the label.
- Use of chemical cleaners to clean the windscreen area where the label is mounted can damage the same.

- Use of any sharp objects on the label can damage the label.
- In the event of any replacement of the third license plate, may please contact the approved authority.

Third license plate - As seen from inside of the vehicle



NOTE:

The picture shown is for indicative purpose only.

NOTE:

Color of third license plate (back) is as per HSRP regulation as defined by Ministry of Road Transport and highways.

SPECIFICATIONS

SPECIFICATIONS

NOTE:

Specifications are subject to change without notice.

Specification related to “chassis” variants refer “Instructions For Body Fabrication”

ITEM: Dimensions		UNIT: mm
Overall length		3800
Overall width		1562
Overall height		1883
Wheelbase		2110
Track	Front	1345
	Rear	1330

ITEM: Mass (weight)		UNIT: kg
Curb mass (weight)	Petrol	870
	CNG	990
Gross Vehicle Mass (weight) Rating		1620
Permissible maximum Axle Weight	Front	900
	Rear	1020

SPECIFICATIONS

ITEM: Engine	Petrol and CNG
Type	K12N (DOHC)
Number of cylinders	4
Bore	73.0 mm
Stroke	71.5 mm
Piston displacement	1197 cm ³ (1197 cc)
Compression ratio	12.0: 1

ITEM: Electrical	
Spark plug	NGK ILZKR6F11
Battery	12V 38B20R
Fuses	See "INSPECTION AND MAINTENANCE" section.

ITEM: Lights	WATTAGE	BULB No.
Headlight	12V 60/55W	H4
Position light	12V 5W	W5W
Turn signal light	Front	PY21W
	Rear	P21W
Brake/tail light	12V 21/5W	P21/5W
Reversing light	12V 21W	P21W
License plate light	12V 5W	W5W
Interior light	12V 5W	C5W

SPECIFICATIONS

ITEM: Wheels and Tyres	
Tyre size, front, rear and spare	155R13 LT 8PR 89/88S* / 155R13 LT 8PR 90/89Q*
Rim size	13X4J
Tyre pressures	For the specified Tyre pressure, see the Tyre Information Label located on the driver's door lock pillar.

* If you cannot prepare a tyre with the specified load index rate and speed symbol, prepare a tyre with higher load index rate and speed symbol.

ITEM: Recommended Fuel / Lubricants and Capacities (approx.)			
Fuel	Petrol		30 L [#]
	CNG	Petrol	5 L [#]
		CNG	35 L × 2 tanks [#]
Engine oil	Petrol		Classification: API SN Viscosity: SAE 0W-16 3.8 L (replacement without oil filter) 4.2 L (replacement with oil filter)
	CNG		
Engine coolant	Petrol		3.6 L (including reservoir tank)
	CNG		3.65 L (including reservoir tank)
Manual transmission oil		MARUTI GENUINE GEAR OIL 75W	1.4 L
Rear differential oil		“TOTALFINAELF TRANSELF LL 85W-140”	1.6 L
Brake fluid		Maruti Genuine Brake Fluid (MGBF) or DOT 3	Refill to the proper oil level according to the instructions in the “INSPECTION AND MAINTENANCE” section.

*1: The recommended coolant varies depending on your vehicle. Refer to “INSPECTION AND MAINTENANCE” section.

#: The fuel tank capacity is slightly more than the recommended quantity of fuel that you can fill. The additional voluminous space is provided for safety and scientific reasons.

INSTRUCTIONS FOR BODY FABRICATION

INSTRUCTIONS FOR BODY FABRICATION (Chassis Variant)

The body fabrication on the cab-chassis vehicle shall be carried out ensuring the following instructions and boundary conditions:

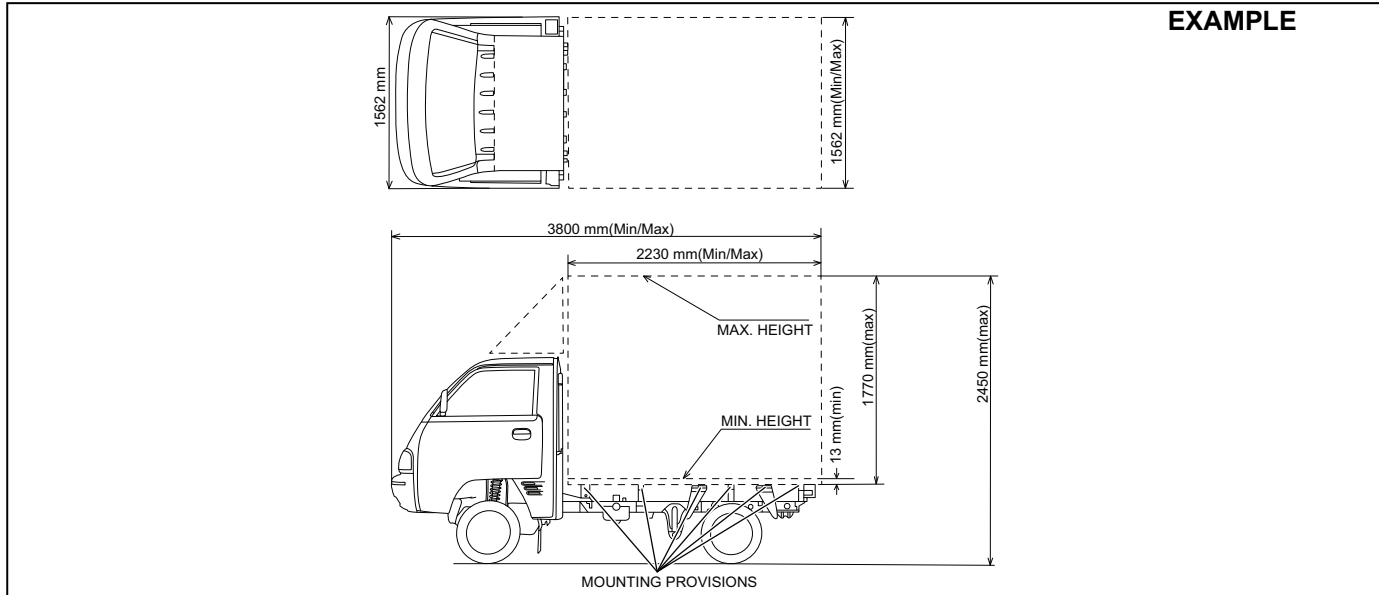
- (a) **Body exteriors:** The load body/ application shall be fabricated such that the external surface of the vehicle shall not have sharp edges or sharp projecting parts which are likely to increase the risk or seriousness of bodily injury to a person hit by the bodywork or brushing against it in the event of a collision. This is valid both when the complete vehicle is stationary and in motion. It is to be ensured a minimum 2.5mm or more radius of curvature on external edges and projecting parts. Body shall meet the stipulated requirement as defined under CMVR Rule 124(1)-11.

For body layouts (like Tipper Application), where battery mountings are exposed, a cover shall be provided in order to meet the necessary requirements of exterior projections as defined under CMVR Rule 124(1)-11.

- (b) **Reflective Tape:** The body builder shall paste a red reflective tape (of not less than 20mm width) running across the width of the body on the rear of the vehicle and shall comply with requirements under CMVR Rule No. 104.
- (c) **Head Lamp:** After the body fabrication, Initial inclination of Head lamp shall be adjusted as marked on the headlamp (as per CMVR 124 (1)-20). The head lamp leveling switch position for GVW condition shall be specified by Body Fabricator to the Customer.
- (d) **Body Builder's Plate:** The body builder shall place the body-builder's plate specifying the unladen weight, payload and other details as per requirement under CMVR Rule 122.
- (e) **Form 22A Part II:** The body builder shall provide Form 22A Part II as per requirement under CMVR Rule 47.
- (f) The body builder shall not alter with the electrical wiring, electrical equipment, brake connections, brake piping, fuel connection, exhaust system and chassis components during the body fabrication.

INSTRUCTIONS FOR BODY FABRICATION

- (g) **Dimensions:** The load body/application to be built upon the manufacturer supplied cab chassis vehicle shall be designed to fit within a minimum and maximum envelop as specified in below illustration.



77PM12003

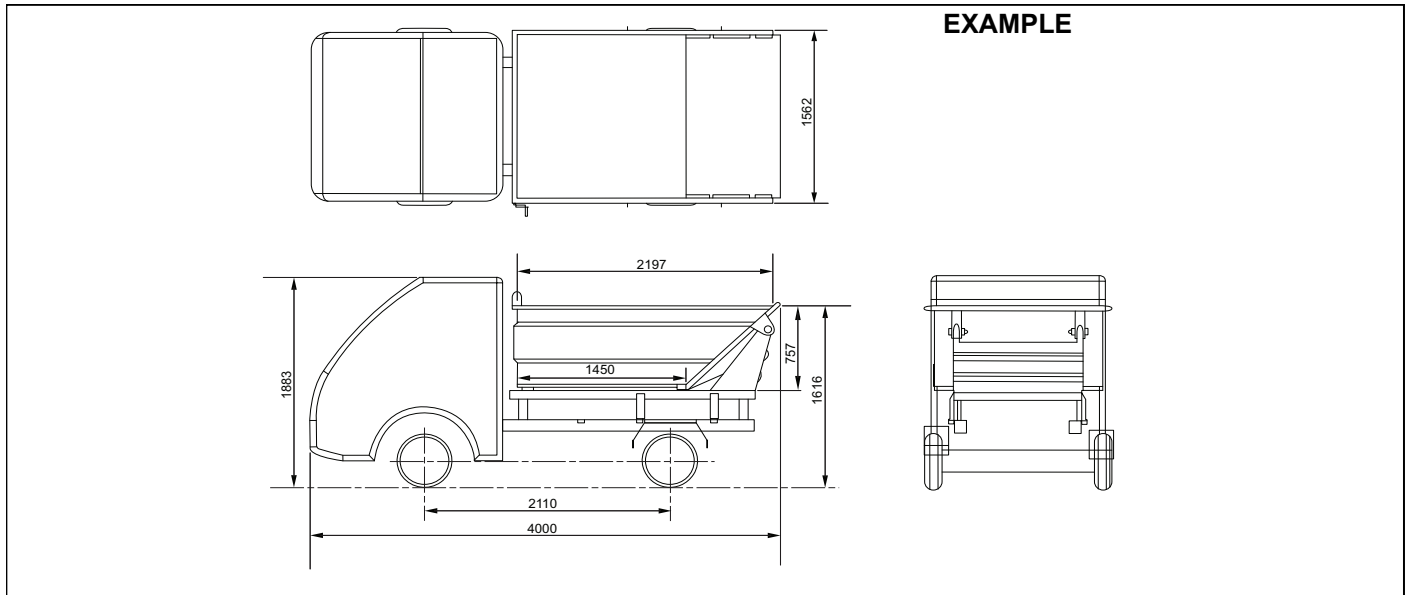
INSTRUCTIONS FOR BODY FABRICATION

INSTRUCTIONS FOR BODY FABRICATION

For Petrol Model Tipper (Open Tipper & Closed Tipper)

The load body/application to be built upon the manufacturer supplied cab chassis vehicle shall be designed to fit within specified dimension as in the below illustration.

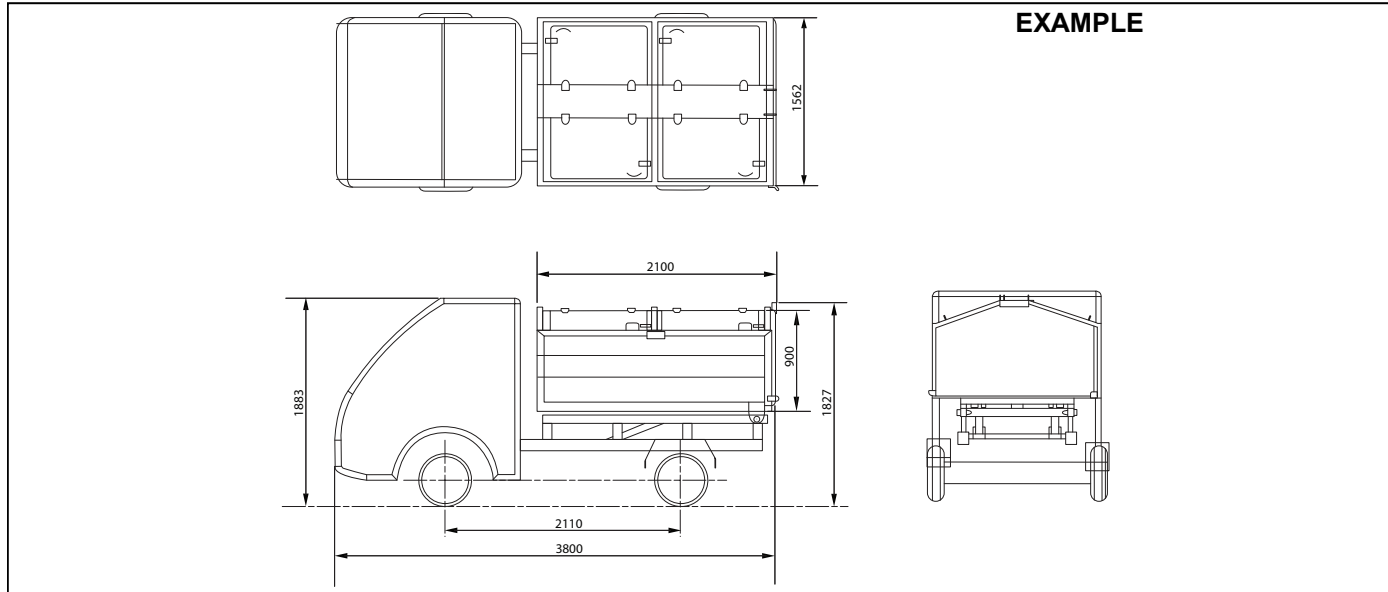
- Open Tipper:



77PM12006

INSTRUCTIONS FOR BODY FABRICATION

- Closed Tipper:



77PM12007

(h) **Weight and its distribution:** The load body/application shall be fabricated considering the minimum kerb weight of complete vehicle as 870kg (Petrol), 990kg (CNG) and maximum kerb weight of complete vehicle as 1140kg (Petrol), 1255kg (CNG). The ratio of front axle and rear axle kerb weight shall not exceed 1.45 (Petrol), 1.25 (CNG).

For Petrol Model Tipper Application, the load body/application shall be fabricated considering the following Kerb weight.

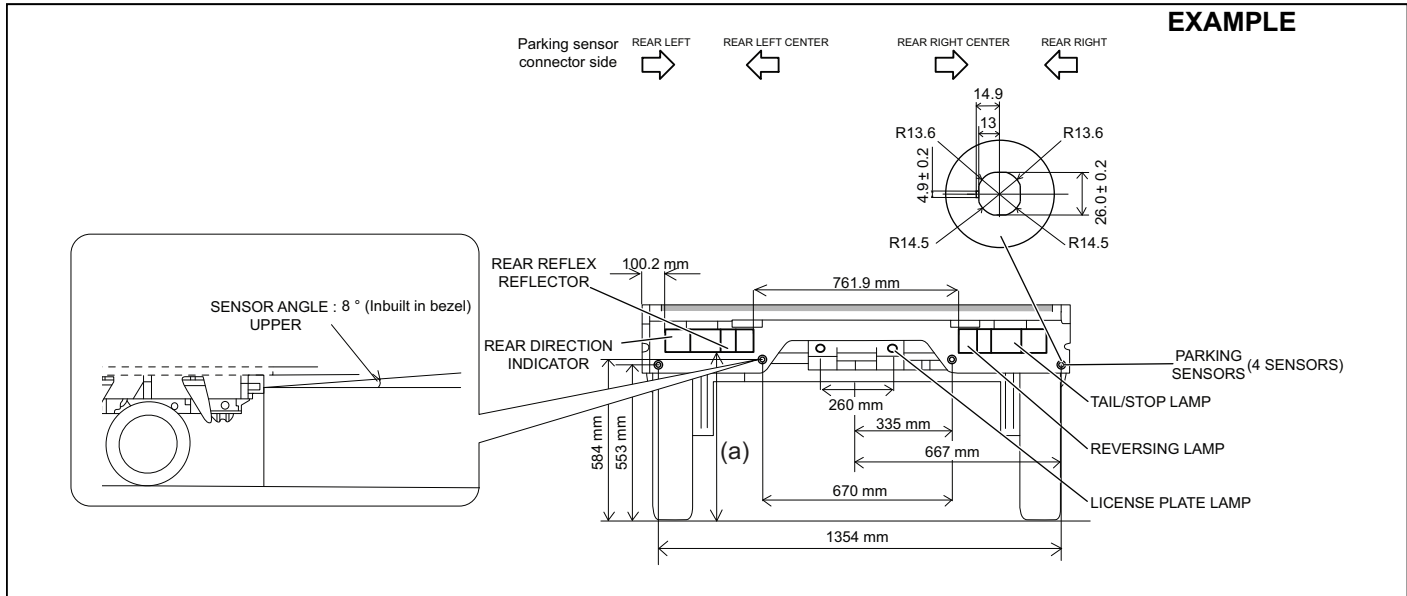
Kerb weight of open tipper: 1070kg

Kerb weight of closed tipper: 1140kg

The ratio of front axle and rear axle kerb weight shall not exceed 1.45.

INSTRUCTIONS FOR BODY FABRICATION

- (i) **Lighting and signaling devices:** The cab chassis is being supplied with head lamp assembly inbuilt with the cab and a temporary panel with rear combination lamps and registration plate lamps. There shall not be any modifications done with the position of Head lamp assembly. The rear combination lamps, registration plate lamps and parking sensors (provided along with vehicle in glove box) shall be fitted on the load body/ application as per the specified position as in below illustration.

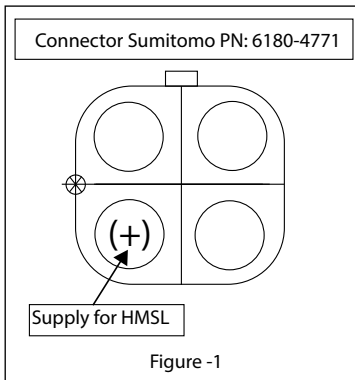


77PM12008

INSTRUCTIONS FOR BODY FABRICATION

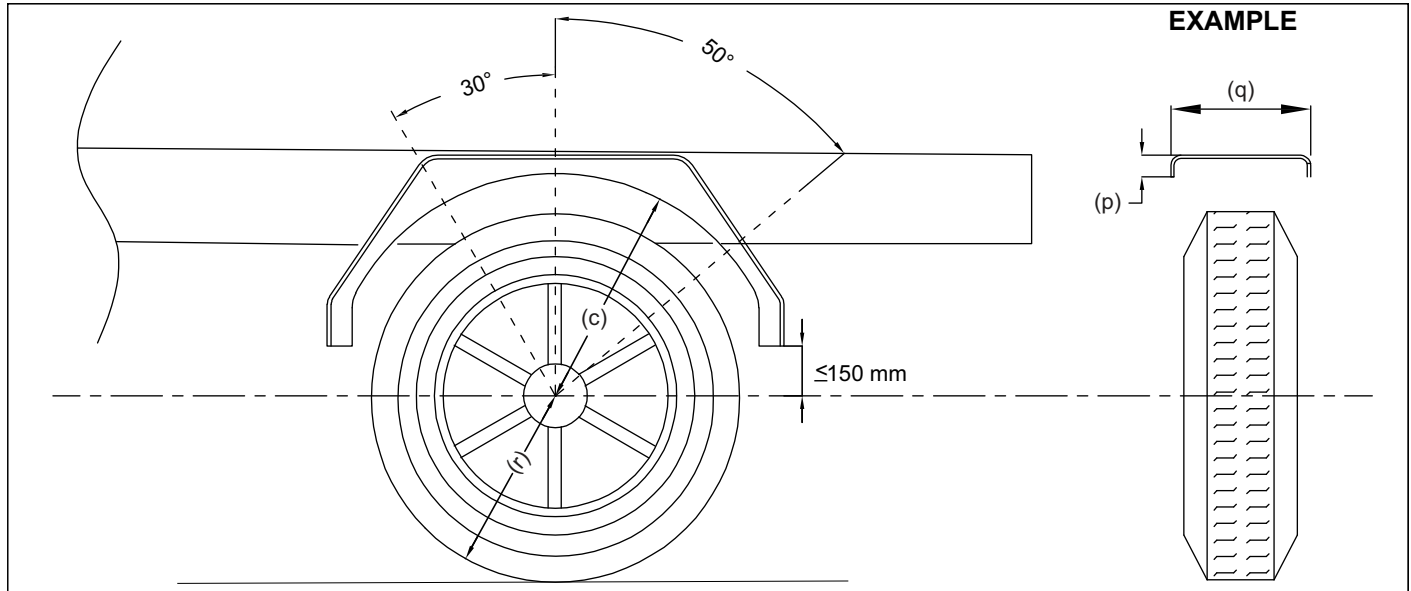
(j) **HMSL installation:** (Applicable for full metal body application)

- Body fabricator shall ensure to install High Mount Stop Lamp (HMSL) with a maximum power limit of 25 watts and in compliance to CMVR Rule 124(1)-20.
- For HMSL wiring provision and its functioning, Rear combination lamp (RCL) connectors already have required positive supply as shown in below figure-1. Body fabricator must use this without tampering the electrical wiring harness. Grounding fix terminal shall be connected properly with RCL ground point.



INSTRUCTIONS FOR BODY FABRICATION

(k) **Wheel Guard:** Wheel guards shall comply with requirements under CMVR Rule No. 124(1)-13. The wheel guard (rear) must be fabricated as per design parameters specified in below illustration.



7PM12106

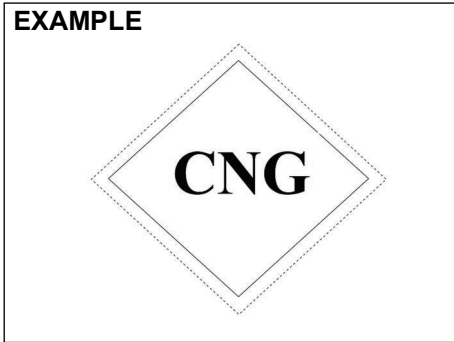
c	$\leq 2r$
p	> 30 mm
q	> Total Tyre Width
r	Tyre Static Radius

(I) Application for CNG Variant:

CNG Label:

The body builder shall paste “CNG Label” (provided along with vehicle Tool kit packet) on the load body on rear side as per below guidelines.

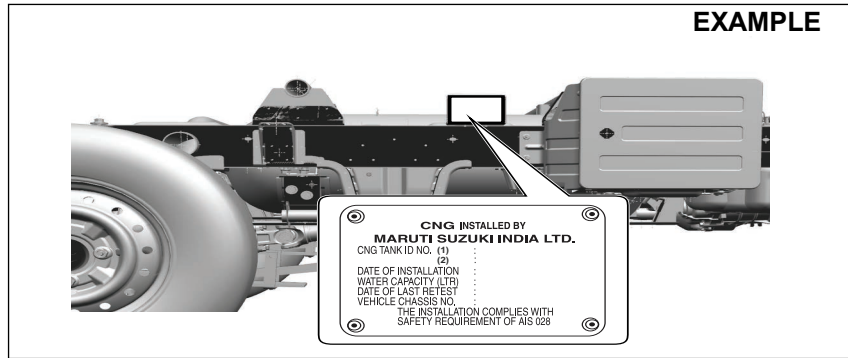
EXAMPLE



77PM12011

- (a) Label shall be affixed in a vertical position (as shown above) on flat surface as close to the vehicle number plate as practical.
- (b) Affixed label shall ensure visibility from rear sides.
- (c) The label shall be in position at all times, shall be in good condition, and the shape, colouring and lettering shall be easily identifiable.

CNG Kit Number Identification:



77PM07032

The load body/application shall be fabricated such that it does not impact the visibility of CNG compliance plate.

Disclaimer:

The owner/body-builder shall comply to applicable CMVR requirements and also State Motor vehicle Rules as applicable from time to time in respect of body fabrication of super carry chassis variant.

The vehicle manufacturer shall not be liable for any non-conformity of applicable laws arising due to fabrication of body/ application, in contradiction to manufacturer's instructions and prevailing regulations.

<p>⚠ CAUTION</p> <p>Do not keep your super carry vehicle without deck/body fabrication</p>
--

ভূমিকা

ডিজিটাল মালিকের ম্যানুয়াল আপনার গাড়ির একটি অপরিহার্য অংশ এবং এটি একটি সমৃদ্ধ নথি যা আপনাকে বৈশিষ্ট্য, সতর্কতা, কার্যধারা এবং সরঞ্জামের বিবরণ ইত্যাদির মতো তথ্য প্রদান করে গাড়ির সাথে পরিচিত করে। আপনার নতুন মারুতি সুজুকি (MARUTI SUZUKI) গাড়ি চালানোর আগে অনুগ্রহ করে, এই ম্যানুয়ালটি ভালোভাবে পড়ে নিন এবং সময়ে সময়ে ম্যানুয়ালটি পর্যালোচনা করুন। এই ম্যানুয়ালটি ডাউনলোড করার পরামর্শ দেওয়া হচ্ছে (আপনার নিবন্ধিত মোবাইল নম্বর দিয়ে "মারুতি সুজুকি রিওয়ার্ডস" (Maruti Suzuki Rewards) মোবাইল অ্যাপ্লিকেশন থেকে) এবং সর্বদা সহজে অ্যাক্সেসের জন্য এর একটি সফট কপি সেভ করে রাখুন। কোনো সার্ভিসের জন্য অনুগ্রহ করে মারুতি সুজুকি (MARUTI SUZUKI) অনুমোদিত ওয়ার্কশপে যান।

আপনার গাড়ির মেয়াদ বাড়ানোর জন্য এবং রক্ষণাবেক্ষণের খরচ কমানোর জন্য, নির্দিষ্ট সময় অন্তর রক্ষণাবেক্ষণ অবশ্যই করতে হবে "পিরিয়ডিক মেন্টেন্যান্স সিডিউল" অনুযায়ী যার বর্ণনা এই ম্যানুয়ালের "ইনস্পেকশন অ্যান্ড মেন্টেন্যান্স" অধ্যায় আছে। আপনার সন্তুষ্টি ও নিরাপত্তা নিশ্চিত করার জন্য সমস্যা ও দুর্ঘটনা নিবারণ করা জরুরি।

গাড়ির মেয়াদ বাড়ানোর জন্য এবং নিরাপদে গাড়ি চালানোর জন্য "ডেইলি ইনস্পেকশন চেকলিস্ট" অনুযায়ী দৈনিক যাচাই ও যত্ন নেওয়া আবশ্যিক যার বর্ণনা এই ম্যানুয়ালের "ইনস্পেকশন অ্যান্ড মেন্টেন্যান্স" আছে।

প্রযোজ্য আইনি প্রয়োজনীয়তা অনুসারে, মালিক/ব্যবহারকারীর দ্বারা গাড়ি এবং এতে উপলব্ধ বৈশিষ্ট্য/আনুষঙ্গিক জিনিসপত্র ব্যবহার করা উচিত।

মারুতি সুজুকি ইন্ডিয়া লিমিটেড পৃথিবীর প্রাকৃতিক সম্পদের সংরক্ষণ এবং সুরক্ষার জন্য দায়বদ্ধ।

র উদ্দেশ্যে আমরা প্রত্যেক গাড়িক মালিককে উৎসাহ দিই ব্যবহৃত ইঞ্জিন অয়েল, কুল্যান্ট এবং অন্য তরল পদার্থ, ব্যাটারি ও টায়ার ইত্যাদি রিসাইকেল, বিক্রি বা সঠিকভাবে নিষ্পত্তি করার জন্য, যেমন যথাযথ হবে।

মারুতি সুজুকি ইন্ডিয়া লিমিটেড

এই ম্যানুয়ালের সকল তথ্য সংস্করণের সময়ে সর্বশেষ লভ্য পণ্য তথ্য ভিত্তিক। উন্নতি বা অন্য পরিবর্তনগুলির দরুন এই ম্যানুয়ালে দেওয়া তথ্য এবং আপনার গাড়ির মধ্যে অমিল থাকতে পারে। মারুতি সুজুকি ইন্ডিয়া লিমিটেড বিনা নোটিসে এবং দায় ছাড়া যে কোনও সময়ে উৎপাদনে পরিবর্তন করার অধিকার সংরক্ষিত রাখে পূর্বে তৈরি বা বিক্রি করা গাড়িতে একই বা অনুরূপ পরিবর্তন করার জন্য।

এই গাড়িটি অন্য দেশের নিরিখ বা প্রবিধান পালন নাও করতে পারে। অন্য কোনও দেশে এই গাড়িটি নথিভুক্ত করার পূর্বে, প্রযোজ্য সকল প্রবিধান যাচাই করুন এবং প্রয়োজনীয় কোনও রূপান্তর কজরুরি।

জরুরি

⚠️ **সাবধান!** ⚠️ **সতর্কতা!** **বিজ্ঞপ্তি/টীকা**
অনুগ্রহ করে এই ম্যানুয়ালটি পড়ুন এবং যত্নসহকারে এর নির্দেশগুলি অনুসরণ করুন। বিশেষ তথ্যকে গুরুত্ব দেওয়ার জন্য **সাবধান**, **সতর্কতা**, **বিজ্ঞপ্তি** ও **টীকা** - এর প্রতীক ⚠️ ও শব্দগুলির বিশেষ মানে আছে। এই সংকেতের শব্দগুলি দিয়ে তুলে ধরা বার্তাগুলির প্রতি বিশেষ মনোযোগ দিন:

⚠️ সাবধান

একটি সম্ভাব্য বিপত্তির ইঙ্গিত দেয় যার দরুন মৃত্যু বা গুরুতর জখম হতে পারে।

⚠️ সতর্কতা

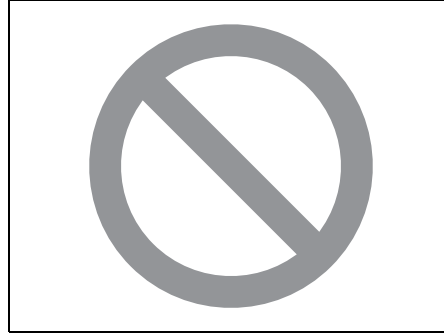
একটি সম্ভাব্য বিপত্তির ইঙ্গিত দেয় যার দরুন নগন্য বা মাঝারি জখম হতে পারে।

বিজ্ঞপ্তি

একটি সম্ভাব্য বিপত্তির ইঙ্গিত দেয় যার দরুন গাড়ির ক্ষতি হতে পারে।

টীকা:

রক্ষণাবেক্ষণ সহজ বা নির্দেশগুলি স্পষ্ট করার জন্য বিশেষ তথ্যের ইঙ্গিত দেয়।



75F135

এই ম্যানুয়ালে ব্ল্যাশ থাকা সার্কেলের অর্থ হল এটা করবেন না" অথবা "এটা ঘটতে দেবেন না"।

টীকা:

- গাড়ি, মডেল/ভ্যারিয়েন্টের মতো শব্দগুলি এই ম্যানুয়ালটিতে "ভেহিকেল" বোঝাতেই সবসময় ব্যবহার করা হয়েছে।
- এই ম্যানুয়ালটিতে ব্যবহৃত চিত্রগুলি কেবলমাত্র রেফারেন্সের উদ্দেশ্যে ব্যবহার করা হয়েছে।

রূপান্তরের জন্য সাবধান

⚠️ সাবধান

আপনার ভেহিকেল টি মডিফাই করবেন না। মডিফাই করার ফলে এর নিরাপত্তা, পরিচালনা, পারফরম্যান্স বা শ্বামিৎসের ক্ষেত্রে বিরূপ প্রভাব ফেলতে পারে এবং এর ফলে সরকারী বিধিবিধান লঙ্ঘন হতে পারে। এছাড়াও, মডিফাই করার ফলে কোন ক্ষতি হলে বা পারফরম্যান্সের ক্ষেত্রে কোন সমস্যা দেখা দিলে তা ওয়ারেন্টের আওতায় আসবে না।

বিজ্ঞপ্তি

অনুপযুক্তভাবে বসানো মোবাইল যোগাযোগ সরঞ্জাম যেমন সেনুলার টেলিফোন বা CB (সিটিজেন্স ব্যান্ড) রেডিও আপনার গাড়ির ইগনিশন ব্যবস্থার সাথে বৈদ্যুতিন বাধা সৃষ্টি করতে পারে, যা থেকে গাড়ির সম্পাদনের সমস্যা হতে পারে। এই ধরনের মোবাইল যোগাযোগ সরঞ্জাম বসানোর উপর পরামর্শের জন্য আপনার মারুতি সুজুকি ডিলারের সাথে যোগাযোগ করুন।

বিজ্ঞপ্তি

মারুতি সুজুকির সুপারিশ না করা নিষ্কাশনের ইন্ধন এবং / অথবা লুব্রিক্যান্ট ব্যবহার করলে গুরুতর ক্ষতি হতে পারে।

ডিজিটাল মালিকের ম্যানুয়ালের অভিজ্ঞতা পেতে এবং ব্যবহার করতে, মারুতি সুজুকি অ্যাপ ডাউনলোড করুন



মারুতি সুজুকি রিওয়ার্ডস (Maruti Suzuki Rewards) অ্যাপ গাড়ির একটি ঝামেলাহীন মালিকানার অভিজ্ঞতা নিশ্চিত করে। অ্যাপটি ডাউনলোড করে আপনার প্রয়োজনীয় সমস্ত পরিষেবা এবং তথ্য সহজে অ্যাক্সেস পান।



মারুতি সুজুকি অ্যাপ্লিকেশন থেকে মালিকের ম্যানুয়াল কীভাবে ডাউনলোড করবেন

ধাপ 1: আপনার মোবাইল ফোনে অ্যাপল অ্যাপ স্টোর (apple app store) / গুগল প্লে স্টোর (google play store) থেকে "মারুতি সুজুকি রিওয়ার্ডস" অ্যাপ্লিকেশন ডাউনলোড করুন

ধাপ 2: রেজিস্টার্ড মোবাইল নম্বরটি দিন এবং SMS থেকে প্রাপ্ত OTP প্রবেশ করান

ধাপ 3: "S-Assist BOT" আইকনটি নির্বাচন করুন এবং ডিজিটাল মালিকের ম্যানুয়াল অ্যাক্সেস করতে "মালিকের ম্যানুয়াল দেখুন"-এ ক্লিক করুন

ধাপ 4: "নিম্নমুখী তীরচিহ্ন" ডাউনলোড ক্লিক করুন এবং আপনার মোবাইল ফোনে মালিকের ম্যানুয়াল সেভ করুন।

এখন, মালিকের ম্যানুয়াল আপনার মোবাইল ফোনে সব সময় রেফারেন্সের জন্য উপলব্ধ রয়েছে।

(সহায়তার জন্য, মারুতি সুজুকি (Maruti Suzuki) অনুমোদিত ওয়ার্কশপের সাথে যোগাযোগ করুন)

ওয়ারেন্টি নীতি

মার্কতি সুজুকি ইন্ডিয়া লিমিটেড (অতঃপর বলা হবে "মার্কতি সুজুকি"), অভয় দেয় যে প্রতিটি নতুন মার্কতি সুজুকি গাড়ি মার্কতি সুজুকির দ্বারা ভারতে পরিবেশিত এবং একটি অনুমোদিত মার্কতি সুজুকি ডিলারের দ্বারা বিক্রিত, স্বাভাবিক ব্যবহার ও পরিষেবার অধীন, উৎপাদনের সময়ে উপাদান এবং কাজের দক্ষতার ক্ষেত্রে ত্রুটিমুক্ত থাকবে যা নিম্নলিখিত শর্তাবলী সাপেক্ষ:

(1) যোগ্যতা:

এই ওয়ারেন্টির জন্য উপযুক্ত হওয়া উদ্দেশ্যে যানটিকে আবশ্যিকভাবে মার্কতি সুজুকি-এর একজন অনুমোদিত ডিলারের দ্বারা সরবরাহ করা এবং মার্কতি সুজুকি-এর অনুমোদিত ওয়ার্কশপে সেট-আপ এবং সার্ভিস করা হতে হবে।

(2) মেয়াদ:

এই ওয়ারেন্টির মেয়াদ হবে ছত্রিশ (36) মাস বা 1,00,000 কিলোমিটার (প্রথমে যেটা ঘটবে) প্রথম মালিকের কাছে হস্তান্তর করার তারিখ থেকে।

(3) মার্কতি সুজুকির ওয়ারেন্টির দায়:

উল্লিখিত মেয়াদের মধ্যে মার্কতি সুজুকি গাড়িতে কোনও ত্রুটি (সমূহ) পাওয়া গেলে, মার্কতি সুজুকির একমাত্র দায় হবে তার মেরামত করা বা তার ইচ্ছাধীন দেখালো কোনও ত্রুটিপূর্ণ যন্ত্রাংশ বদলে দেওয়া, একটি নতুন বা সমতুল্য যন্ত্রাংশ দিয়ে এবং মালিকের কাছ থেকে তার দাম বা মজুরি না নিয়ে, যখন মার্কতি সুজুকি স্বীকার করে যে উক্ত ত্রুটিটি খারাপ উপাদান বা কারিগরির দরুন হয়েছে উৎপাদন করার সময়ে। এই প্রকার ত্রুটিপূর্ণ অংশগুলি, যেগুলি বদল করা হয়েছে, মার্কতি সুজুকি-এর সম্পত্তি হবে। ওয়ারেন্টির আওতায় না থাকা সকল মেরামত বা যন্ত্রাংশ বদলানোর খরচ মালিককে বহন করতে হবে। মার্কতি সুজুকি-এর সিদ্ধান্তটি চূড়ান্ত এবং শর্তাবদ্ধকারী হবে।

(4) সীমাবদ্ধতা:

এই ওয়ারেন্টি প্রযোজ্য হবে না:

- তিনটি ফির সার্ভিস ছাড়া নিয়মিত রক্ষণাবেক্ষণ সার্ভিসের ক্ষেত্রে, সমস্ত সীমাবদ্ধতা ছাড়া, তেল ও তরল পদার্থ পরিবর্তন, সাধারণভাবে ব্যবহৃত উপাদানসমূহ, হেড লাইটের দিশা, ফাসনার পুনরায় টাইট করা, চাকায় ভারসাম্য ঠিক করা চাকা সোজা করা এবং টায়ার আবর্তন, ইনজেক্টরগুলি পরিষ্কার করা, কার্বুরেটর অ্যাডজাস্ট করা, ইগনিশন টাইমিং, ক্লাচ ও ভালভ ক্লিয়ারেন্স।
- যন্ত্রাংশগুলির স্বাভাবিক ক্ষয়গুলি অন্তর্ভুক্ত করে কিন্তু সেগুলির মধ্যে সীমাবদ্ধ না থেকে, ছাড়া, বাষ্প, টায়ার ও টিউব, স্পার্ক প্লাগ, বেল্ট, হোস, ফিল্টার, ওয়াইপার ব্লেড, ব্রুশ, কনট্যাক্ট পয়েন্ট, ফিউজ, ক্লাচ ডিস্ক, বেরক শু, বেরক প্যাড, তার এবং রবারের সব যন্ত্রাংশ (অয়েল সিল ও গ্লাস রান ছাড়া)।
- প্রতিযোগিতা, দৌড় অভিযান বা রেসের জন্য ব্যবহার করা যে কোনও গাড়ির ক্ষেত্রে।
- দুর্ঘটনা অথবা সংঘর্ষের কারণে উদ্ভব হওয়া মেরামতি অথবা বদল।
- অপব্যবহার, অবহেলা, অস্বাভাবিক ব্যবহার, অপর্যাপ্ত যত্ন, আক্রমণাত্মক ব্যবহার, চুরি, দাঙ্গা, অগ্নিকান্ড, বন্যা - জল প্রবেশ করার কারণে ইঞ্জিন খারাপ হয়ে যাওয়া, হাইড্রলিক শক ইত্যাদি অথবা গ্যাস/যন্ত্রাংশগুলির বহির্ভাগের ক্ষতির মধ্যে সীমিত নয়, কারণে ঘটা যেকোন প্রকার ত্রুটি/ক্ষতি।
- মালিকের ব্যবহারিক নির্দেশিকায় নির্দিষ্টকৃতগুলি ব্যতীত, ভেজাল-মিশ্রিত জালানী/ লুব্রিক্যান্ট/ তেল/ কুল্যান্ট/ ফ্লুইড/ পালিশের উপাদান ব্যবহারের কারণজনিত যেকোন প্রকার ক্ষতি।
- রূপান্তর বা পরিবর্তন করা যে কোনও গাড়ির ক্ষেত্রে, সীমাবদ্ধতা ছাড়া সমস্ত, সম্পাদনজনিত আনুষঙ্গিক সরঞ্জাম বসানো। আলো বৃদ্ধি হওয়া, অন্যান্য পরিবর্তনগুলি এবং বহির্ভূত/ফলাফলস্বরূপ কারণ।
- যে গাড়িতে মার্কতি সুজুকির অনুমোদিত যন্ত্রাংশ বা সরঞ্জাম (নন-এমএসজিএ, নন-এমএসজিপি) ব্যবহার করা হয়নি তার ক্ষেত্রে।
- যে গাড়ি এই মালিকের ব্যবহারিক নির্দেশিকা এবং সার্ভিস পুস্তিকার। নির্দেশ অনুযায়ী চালানো হয় নি তার ক্ষেত্রে।
- যে গাড়ি মার্কতি সুজুকি ওনার্স ম্যানুয়াল-এ উল্লেখিত সার্ভিস পরিদর্শনগুলি ওয়ারেন্টি পর্বে পায়নি তার ক্ষেত্রে।

- (k) যে গাড়ি মার্কতি সুজুকি অনুমোদিত ডিলার/সার্ভিস স্টেশনের বাইরে/অ্যাসেম্বল, ডিসঅ্যাসেম্বল, অ্যাডজাস্ট বা মেরামত করা হয়েছে তার ক্ষেত্রে।
- (l) যে গাড়ি তার নির্ধারিত উদ্দেশ্যের জন্য ব্যবহার করা হয় নি তার ক্ষেত্রে।
- (m) বাসুতে ভাসমান কোন বস্তুর পতন, শিল্পভিত্তিক পতন, অল্পবৃষ্টি, শিলা অথবা শিলাবৃষ্টি, ঝড়, বজ্রপাত, ছিদ্রকারী প্রাণীর কামড়/ইঁদুরের কামড় এবং এই প্রকার অন্যান্য বস্তু যেগুলি গাড়িটির ক্ষতি করতে পারে, ইত্যাদি জনিত যেকোন প্রকার ক্ষতি অথবা অবনমন।
- (n) নগন্য ত্রুটি/শব্দ যেগুলি গাড়ির আওয়াজ, বাঁকুনি ও তরল পদার্থ চেঁয়ালো প্রভাবিত করে না সীমাবদ্ধতা ছাড়া সমেত তার ক্ষেত্রে।
- (o) যে কোনও স্বাভাবিক ক্ষয়ক্ষতি সীমাবদ্ধতা ছাড়া সমেত, ক্ষয় ও ক্ষতি অথবা অবনমন যেমন রঙ উঠে যাওয়া, বিবর্ণ হওয়া, বিকৃত হওয়া অথবা ব্যাপসা হয়ে যাওয়া অথবা ফ্যাব্রিকের বিবর্ণ হয়ে যাওয়া।
- (p) ঘরোয়া এলপিজি গ্যাস/এলপিজি সিলিন্ডার বসানো এবং ব্যবহার করার ক্ষেত্রে।
- (q) ভি-বেল্ট, হোস এবং গ্যাস লিক করার ক্ষেত্রে।
- (r) এলপিজি/সিএনজি কিট রেটেরাফিট করা যে কোনও গাড়ির ক্ষেত্রে।
- (s) প্যাচওয়ার্ক, বডিওয়ার্ক এবং মোল্ডিং এবং ইন্টেরিয়ার টিরমগুলি অন্তর্ভুক্ত করে পুনরায় রঙ করা।
- (t) ক্ষয়, বডি অংশগুলিতে/অথবা উপাদানগুলিকে মরচে ধরা।
- (u) যেকোন গাড়ি, যেটিতে সার্ভিস রেকর্ডের সঙ্গে মিলবিহীনভাবে, অনুমোদিতভাবে ওডোমিটারের অথবা ওডোমিটারের রিডিং-এর বদল/অনধিকার ব্যবহার করা হয়েছে।
- (v) গাড়িটির মালিকের/ব্যবহারকারীর, ত্রুটিগুলি থাকার বিষয়ে জ্ঞাততা সত্ত্বেও এবং অবহেলার কারণে, গাড়িতে ঘটনা ক্ষতি (গুলি)।
- (w) দীর্ঘ সময়ের জন্য গাড়িটিকে অব্যবহৃত অবস্থায় ফেলে রাখার কারণে ব্যাটারি/টায়ার অন্তর্ভুক্ত করে গাড়িটির ক্ষেত্রে ঘটনা যেকোন ক্ষতি (গুলি)।
- (x) কোনো গাড়ির উপর রেট্রো-ফিটমেন্ট যা অনুমোদিত নয় এবং/অথবা প্রাসঙ্গিক কর্তৃপক্ষ দ্বারা নির্ধারিত মান অনুযায়ী অনুমোদিত নয়, যার মধ্যে ভারতের অটোমোটিভ স্ট্যান্ডার্ড অন্তর্ভুক্ত রয়েছে, তবে এতেই তা সীমাবদ্ধ নয়।
- (y) কোনো গাড়িতে রেট্রো-ফিটমেন্ট এমনভাবে লাগানো হয়েছে, যা প্রত্যক্ষ বা পরোক্ষভাবে গাড়ির কোনো ক্ষতি করে বা কোনো উপায়ে গাড়ির কার্যকারিতাকে প্রভাবিত করে।

(5) ওয়ারেন্টির ব্যাপ্তি:

এই ওয়ারেন্টি হল পূর্ণলিখিত ওয়ারেন্টি যেটা মার্কতি সুজুকি, মার্কতি সুজুকি গাড়িগুলির জন্য দেয় এবং কোনও ডিলার বা তার প্রতিনিধি বা কর্মচারীর এই ওয়ারেন্টির মেয়াদ বাড়ানোর বা বড় করার অনুমতি নেই এবং কোনও ডিলার বা তার প্রতিনিধি বা কর্মচারীর অনুমতি নেই মার্কতি সুজুকির পক্ষে কোনও মৌখিক ওয়ারেন্টি দেওয়ার।

মার্কতি সুজুকি যে কোনও সময়ে কোনও দায় ছাড়া কোনও মডেলে উন্নতি যোগ করার বা তার ডিজাইন বদলাবার অধিকার সংরক্ষিত রাখে পূর্বে বিক্রি হওয়া ইউনিটগুলিতে একই পরিবর্তন করার কোনও দায় ছাড়া।

(6) ওয়ারেন্টি সার্ভিস:

ওয়ারেন্টি সার্ভিস পেতে হলে মালিকের খরচায় গাড়িটি যে কোনও মার্কতি সুজুকি-এর একটি অনুমোদিত ওয়ার্কশপে নিয়ে যেতে হবে।

সার্ভিসের জন্য গাড়িটি দেওয়ার সময়ে গাড়িতে লাগানো অ্যাক্সেসরিগুলি এবং সেটিতে থাকা মালিকের নিজস্ব জিনিসগুলির জন্য তিনিই দায়ী থাকবেন এবং কোন পরিস্থিতিতেই কোন ভাবেই কোন দাবি গ্রাহ্য হবে না।

(7) মালিকের ওয়ারেন্টির দায়িত্ব:

বিজ্ঞপ্তি

মালিক ক্ষতিগ্রস্ত অবস্থায় গাড়িটি ব্যবহার করবেন না এবং অবিলম্বে নিকটস্থ মার্কতি সুজুকি (Maruti Suzuki) অনুমোদিত ওয়ার্কশপে রিপোর্ট করবেন। এর ফলে গাড়ির প্রাথমিক পরিদর্শন ও মেরামত হবে এবং ব্যক্তির সম্ভাব্য ক্ষতি বা গাড়ির ক্ষতির বৃদ্ধি রোধ করা যাবে।

এটি প্রতিটি মালিকের দায়িত্ব:

- মারুতি সুজুকি (Maruti Suzuki) অনুমোদিত ওয়ার্কশপ দ্বারা, মালিকের ম্যানুয়ালে “পরিদর্শন এবং রক্ষণাবেক্ষণ” বিভাগে বর্ণিত ও উল্লেখিত সমস্ত মার্ভিস পরিদর্শনগুলি নিজের খরচে সম্পাদন করা।
- আপনি যদি গাড়িটি পুনরায় বিক্রি করেন, অনুগ্রহ করে নতুন ব্যবহারকারী/মালিককে এই ম্যানুয়ালটি ডাউনলোড করার জন্য সহায়তা করুন (আপনার রেজিস্টার্ড মোবাইল নম্বর সহ “মারুতি সুজুকি রিওয়ার্ডস” (Maruti Suzuki Rewards) মোবাইল অ্যাপ্লিকেশন থেকে)। এছাড়াও গাড়িটি পুনরায় বিক্রি করা হলে বা অন্যথায় স্থানান্তরিত করা হলে, ম্যানুয়ালটির সফট কপি অবশ্যই নতুন ব্যবহারকারী/মালিকের কাছে পাঠাতে হবে।

যদি কোনো কারণে মালিকের ম্যানুয়াল হারিয়ে যায়, মালিক বা ব্যবহারকারী সেটির একটি সফট কপি ডাউনলোড করতে পারেন (মোবাইল নম্বর সহ “মারুতি সুজুকি রিওয়ার্ডস” (Maruti Suzuki Rewards) মোবাইল অ্যাপ্লিকেশন থেকে) এবং কোনো সময়ে সহজে অ্যাক্সেসের জন্য এটি সেভ করতে পারেন।

(৪) আনুষঙ্গিক ক্ষতির দায়িত্ব অস্বীকারকারী বিবৃতি:

মারুতি সুজুকি কোনও দায়িত্ব নেয় না গাড়ি হারিয়ে গেলে, সময় নষ্ট হলে, অসুবিধা হলে বা অন্য পরোক্ষ সম্ভাব্য বা আনুষঙ্গিক ক্ষতির জন্য মালিকের কাছে গাড়িটি না থাকার দরুন একটি ট্রটির জন্য যা এই ওয়ারেন্টির আওতায় আছে।

(৯) মালিক বদলানো

গাড়ির মালিকানা বদলালেও, বাকি ওয়ারেন্টি পর্ব নতুন মালিকের জন্য বহাল থাকবে। এই ওয়ারেন্টি শুধুমাত্র ভারতে প্রযোজ্য এবং অন্য কোন দেশে স্থানান্তরযোগ্য নয়।

সূচিপত্র

জ্বালানির সুপারিশ	1
চালানোর আগে	2
আপনার গাড়ির পরিচালনা করা	3
চালানো সংক্রান্ত উপদেশ	4
অন্যান্য কন্ট্রোল ও সরঞ্জাম	5
গাড়ি লোড করা ও টেনে নিয়ে যাওয়া	6
পরিদর্শন ও রক্ষণাবেক্ষণ	7
জরুরী পরিষেবা	8
চেহারার যত্ন	9
সাধারণ তথ্য	10
স্পেসিফিকেশন	11
বডি ফ্যাব্রিকেশনের জন্য নির্দেশাবলী (চ্যাসিস ভ্যারিয়েন্ট)	12

অ্যালানির সুপারিশ

অ্যালানির সুপারিশ 1-1

জ্বালানির সুপারিশ

জ্বালানির সুপারিশ

(পেট্রোল ও CNG ইঞ্জিন মডেলের জন্য)

পেট্রোল মডেলের জন্য

ক্যাটালাইটিক কনভার্টারের যাতে ক্ষতি না হয়, তার জন্য আপনি অবশ্যই অক্টেন নম্বর (RON) 91 অথবা তার বেশির আনলেডেড পেট্রোল ব্যবহার করবেন।

গ্যাসোলিন (Gasoline) / ইথানল (Ethanol) মিশ্রণ

সীসামুক্ত করা গ্যাসোলিন (পেট্রোল) ও ইথানলের মিশ্রণগুলি দেশে বাণিজ্যিকভাবে পাওয়া যাচ্ছে, যা গ্যাসোহল নামেও পরিচিত এবং তা স্থানভেদে ভিন্ন হতে পারে। E20 পর্যন্ত গ্যাসোলিন ইথানল মিশ্রণ এই গাড়ির জন্য জ্বালানি হিসেবে ব্যবহৃত হতে পারে।

MTBE মিশ্রিত গ্যাসোলিন

MTBE (মেথাইল টার্সিয়ারি বিউটাইল ইথার) আছে এমন আনলেডেড গ্যাসোলিন আপনার গাড়িতে ব্যবহার করা যেতে পারে, যদি MTBE-এর পরিমাণ 15%-এর বেশি না থাকে। এই অক্সিজিনেটেড জ্বালানিতে অ্যালকোহল থাকে না।

⚠ সতর্কতা

নকল, নিম্ন মানের অথবা ভেজাল জ্বালানী ব্যবহার করলে ইঞ্জিন এবং ইঞ্জিনের অ্যাঙ্কিলিয়ামিগুলির ক্ষতি হতে পারে, ইঞ্জিনের কর্মক্ষমতা প্রভাবিত হতে পারে এবং ট্রাস পেতে পারে, এমনকি ইঞ্জিন বন্ধও হয়ে যেতে পারে।

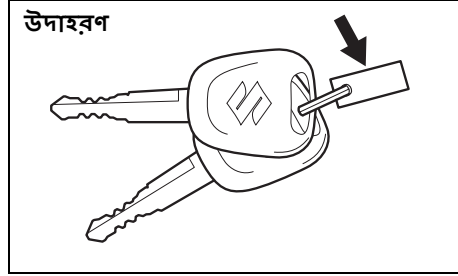
নক্ষণীয় বিষয়

- গরম আবহাওয়ায় জ্বালানি যাতে প্রসারিত হতে পারে তার জন্য জ্বালানির ট্যাঙ্কে খালি (এয়ার চেম্বার) জায়গা থাকে। ফিলার নজল স্বয়ংক্রিয় ভাবে বন্ধ হয়ে যাওয়ার পরেও, অথবা প্রাথমিক ব্লোবাক হওয়ার পরেও যদি আপনি জ্বালানি ভর্তি করতে থাকেন, তাহলে এয়ার চেম্বারটি (খালি জায়গা) ভর্তি হয়ে যাবে। এইভাবে ভর্তি করা হলে গরম আবহাওয়ায় জ্বালানি প্রসারিত হবে লিক করবে। এই ধরনের লিকেজ বন্ধ করার জন্য ফিলার নজেল স্বয়ংক্রিয় ভাবে বন্ধ হয়ে গেলে, অথবা প্রাথমিক ভেন্ট ব্লোবাক হলে জ্বালানি ভর্তি করা বন্ধ করবেন, যদি স্বয়ংক্রিয় নয় এমন বিকল্প পদ্ধতির ব্যবহার করেন।
- জ্বালানি ভর্তি করার সময় অ্যালকোহল মিশ্রিত জ্বালানি যাতে উপচে না পড়ে তার জন্য সতর্ক থাকবেন। গাড়ির বডিতে জ্বালানি উপচে পড়লে অবিলম্বে তা মুছে ফেলুন। অ্যালকোহল মিশ্রিত জ্বালানি গাড়ির রঙের ক্ষতি করতে পারে, যা নতুন গাড়ির লিমিটেড ওয়ারেন্টির অন্তর্ভুক্ত নয়।

চালানোর আগে

চাবি	2-1
দরজার তালা	2-2
টেইলগেট	2-2
জানালা	2-3
আয়না	2-4
সিট	2-5
সিট বেল্ট	2-5
ইন্সট্রুমেন্ট ক্লাস্টার	2-11
স্পিডোমিটার	2-12
ফুয়েল গেজ	2-12
ইনফর্মেশন ডিসপ্লে	2-12
ওয়ার্নিং ও ইন্ডিকেটর লাইট	2-16
লাইটিং কন্ট্রোল লিভার	2-20
হেডলাইট লেভেলিং সুইচ	2-21
টার্ন সিগন্যাল কন্ট্রোল লিভার	2-18
হায়জার্ড ওয়ার্নিং সুইচ	2-22
উইন্ডশীল্ড ওয়াইপার ও ওয়াশার লিভার	2-22
হর্ন	2-24
CNG সিলিন্ডার ওয়ার্নিং লেবেল (যদি থাকে)	2-24
CNG ওয়ার্নিং লেবেল (যদি থাকে)	2-24
CNG ম্যানুয়েল শাট-অফ ভালভ (যদি থাকে)	2-25

চাবি



51KM024

আপনার গাড়ির সঙ্গে দুটি চাবি দেওয়া হয়। মডেল ভ্যারিয়েন্টের উপরে নির্ভর করে চাবি (গুলি)তে একটি ট্র্যান্সমিটার থাকতে অথবা না থাকতে পারে। দ্বিতীয় চাবিটি একটি নিরাপদ স্থানে রাখবেন। একটি চাবি দিয়ে গাড়ির সমস্ত তালাই খোলা যায়।

চাবির (গুলির) সঙ্গে দেওয়া মেটাল ট্যাগে অথবা চাবি (গুলি)তেই চাবির আইডেন্টিফিকেশন নম্বর খোদাই করা থাকে। এই ট্যাগটিকে (যদি দেওয়া হয়ে থাকে) একটি নিরাপদ স্থানে রাখবেন। যদি চাবি হারিয়ে যায় তাহলে নতুন চাবি পাওয়ার জন্য এই নম্বরটির প্রয়োজন হবে। ভবিষ্যতের প্রয়োজনে নীচে নম্বরটি লিখুন।

চাবির নম্বর:

ইমমোবাইলজার সিস্টেম

গাড়ি চুরি হওয়া প্রতিরোধ করতে ইঞ্জিন চালু হওয়ার ব্যবস্থাকে বৈদ্যুতিন ভাবে নিষ্ক্রিয় করার জন্য এই ব্যবস্থাটি ডিজাইন করা হয়েছে। ইঞ্জিনটিকে শুধুমাত্র আপনার গাড়ির আসল ইমমোবাইলজার ইগনিশন কী দিয়েই চালু করা যাবে; ইমমোবাইলজারে একটি বৈদ্যুতিন আইডেন্টিফিকেশন কোড প্রোগ্রাম করা আছে। যখন ইগনিশন কী "অন" করা হয় তখন এই কী-টি গাড়িটিকে আইডেন্টিফিকেশন কোডটি জানায়। আপনার যদি অতিরিক্ত চাবির প্রয়োজন হয়, তাহলে মার্কুতি সূজুকির অনুমোদিত ওয়ার্কশপের সঙ্গে যোগাযোগ করুন। খুচরা যন্ত্রাংশের জন্য গাড়িটিকে সঠিক আইডেন্টিফিকেশন কোড দিয়ে প্রোগ্রাম করতে হবে। সাধারণ একজন চাবিওয়ালার তৈরি চাবি এখানে কাজ করবে না।

উদাহরণ



65D239

ইগনিশন সুইচ যখন "অন" অবস্থানে থাকবে তখন ইমমোবাইলজার সিস্টেমের সতর্কীকরণ আলো যদি মিটমিট করতে থাকে, তাহলে ইঞ্জিন চালু হবে না।

এই আলোটি যদি মিটমিট করতে থাকে, তাহলে ইগনিশন সুইচটিকে "লক" অবস্থানে নিয়ে যান, এবং তারপরে এটিকে "অন" অবস্থানে নিয়ে আসুন।

ইগনিশন সুইচটিকে "অন" অবস্থানে নিয়ে আসার পরেও যদি আলোটি মিটমিট করতে থাকে, তাহলে আপনার চাবিটিতে অথবা ইমমোবাইলজার সিস্টেমে কোনও ত্রুটি আছে। মার্কুতি সূজুকির অনুমোদিত ওয়ার্কশপকে আপনার সিস্টেমটি পরীক্ষা করে দেখতে বলুন।

মন্তব্য:

- আপনার ইমমোবাইলজার ইগনিশন কী যদি হারিয়ে যায়, তাহলে যতো দ্রুত সম্ভব মার্কুতি সূজুকির অনুমোদিত ওয়ার্কশপকে হারিয়ে চাওয়া চাবিটিকে নিষ্ক্রিয় করার জন্য অনুরোধ করুন, এবং নতুন আরেকটি চাবি বানিয়ে নিন।
- আপনার যদি অন্য কোনও গাড়ি থাকে যার ইমমোবাইলজার কী আছে, তাহলে আপনি যখন মার্কুতি সূজুকি গাড়িটি ব্যবহার করবেন তখন সেই চাবিগুলি ইগনিশন সুইচ থেকে দূরে রাখবেন। তা না করলে ইঞ্জিন চালু নাও হতে পারে, কারণ সেই চাবিগুলি মার্কুতি সূজুকি গাড়ির ইমমোবাইলজার সিস্টেমে বাধার সৃষ্টি করতে পারে।
- ইমমোবাইলজার কী-এর সঙ্গে আপনি যদি কোনও ধাতব পদার্থ লাগিয়ে রাখেন, তাহলে ইঞ্জিন চালু নাও হতে পারে।
- এই ইমমোবাইলজার সিস্টেমটির রক্ষণাবেক্ষণের প্রয়োজন নেই।

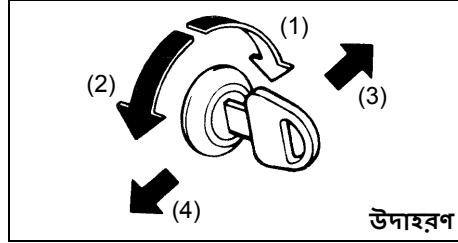
রক্ষণীয় বিষয়

ইমমোবাইলজার কী একটি সংবেদনশীল বৈদ্যুতিন সরঞ্জাম। এর যাতে কোনও ক্ষতি না হয় তার জন্য:

- এতে যাতে কোনও আঘাত না লাগে, আর্দ্রতা না লাগে, অথবা খুব বেশি তাপ না লাগে, যেমন ড্যাশবোর্ডে রাখলে সূর্যের আলো সরাসরি ভাবে পড়া।
- এটিকে চৌম্বকীয় বস্তু থেকে দূরে রাখবেন।

দরজার তালা

পাশের দিকের দরজার তালা
চালকের দরজা



উদাহরণ

76MH0A001

- (1) তালা লাগানো
- (2) তালা খোলা
- (3) সামনের দিক
- (4) পিছনের দিক

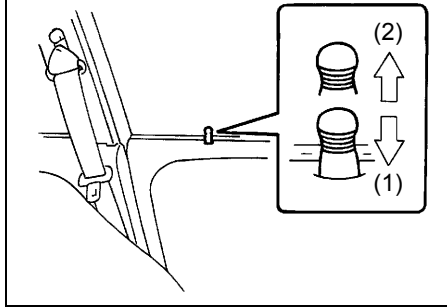
গাড়ির বাইরে থেকে চালকের দিকের দরজায় তালা লাগানো:

- চাবিটি ঢোকান, তারপরে চাবির উপরের দিকটি গাড়ির সামনের দিকে ঘোরান, অথবা
- লক নবটিকে নীচের দিকে চাপুন, তারপরে দরজার হাতলটিকে টেনে ধরে রেখে দরজা বন্ধ করুন।

গাড়ির বাইরে থেকে চালকের দিকের দরজার তালা খোলার জন্য চাবিটি ঢোকান এবং চাবির উপরের দিকটি গাড়ির পিছনের দিকে ঘোরান।

অন্য যাত্রীদের দরজা গাড়ির বাইরে থেকে তালা লাগানোর জন্য লক নবটিকে নীচের দিকে চাপুন, তারপরে দরজার হাতলটিকে টেনে ধরে রেখে দরজা বন্ধ করুন।

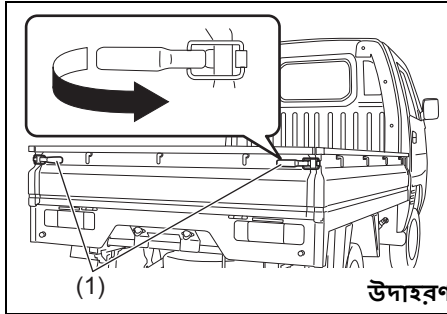
উদাহরণ



54G005

- (1) তালা লাগানো
- (2) তালা খোলা

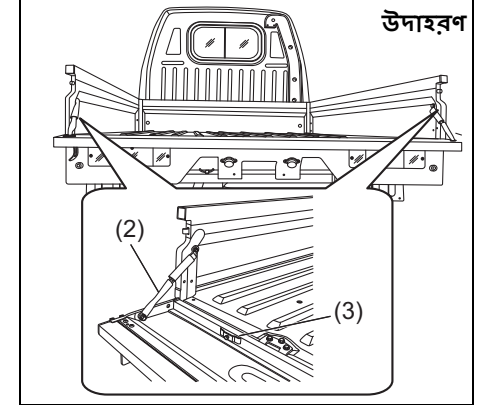
টেইলগেট



উদাহরণ

77PH025

লক হ্যান্ডেল টেনে টেইলগেট খোলা যাবে (1)। বন্ধ করার সময় দৃঢ় ভাবে তালা লাগান।



উদাহরণ

77PM201

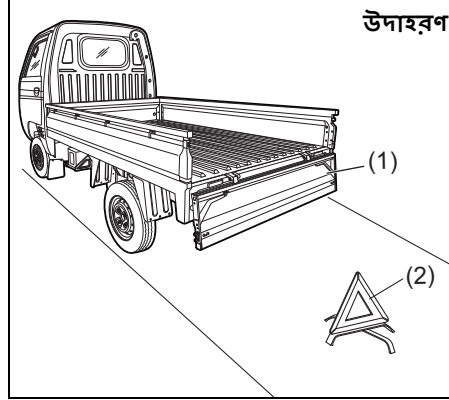
টেইলগেট চেইন দিয়ে টেইলগেটটিকে মধ্যবর্তী অবস্থানেও তালা লাগানো যেতে পারে (2)।

নক্ষণীয় বিষয়

যখন ব্যবহার করছেন না তখন টেইলগেট চেইনটিকে (2) পিন (3) দিয়ে লক করুন।

⚠ সতর্কতা

- গাড়ি চালানোর সময় টেইলগেট খোলা / মধ্যবর্তী অবস্থানে থাকলে সেটি দুলতে থাকবে এবং কাউকে আঘাত করতে পারে, ফলে তা আহত করা অথবা এমনকি মৃত্যুর কারণও হতে পারে।
- টেইলগেট খোলা / মধ্যবর্তী অবস্থানে থাকলে পিছনের গাড়ির চালকরা টেইললাইট নাও দেখতে পারেন, ফলে দুর্ঘটনা ঘটতে পারে। গাড়ি চালানোর আগে টেইলগেট যে বন্ধ আছে তা নিশ্চিত হয়ে নিন।
- সর্বদাই নিশ্চিত হয়ে নেবেন যে টেইলগেট বন্ধ ও লক করা আছে যাতে কোনও দুর্ঘটনা ঘটলে গাড়ি থেকে কোনও মালপত্র ছিটকে না পড়ে।
- টেইলগেট মধ্যবর্তী অবস্থানে লক করা থাকলে তাতে দাঁড়াবেন না, ভার অথবা মালপত্র রাখবেন না।
- টেইলগেট যদি সম্পূর্ণ খোলা থাকে, তাহলে গাড়ির পিছনের দিকের আলোগুলি যেমন পোজিশন ল্যাম্প, টার্ন সিগন্যাল ইন্ডিকেটর এবং স্টপ ল্যাম্প দেখা যাবে না।

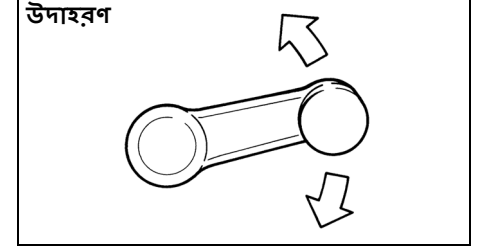


⚠ সতর্কতা

- টেইলগেট (1) সম্পূর্ণ খোলা থাকা অবস্থায় যদি মালপত্র তোলা অথবা নামানো হয়, তাহলে রাস্তায় অবশ্যই দৃশ্যমান অবস্থায় একটি ওয়ার্নিং ট্র্যাঙ্গেল (2) রাখতে হবে যাতে সেটি দেখে অন্যান্য ব্যবহারকারীরা সতর্ক হতে পারেন।

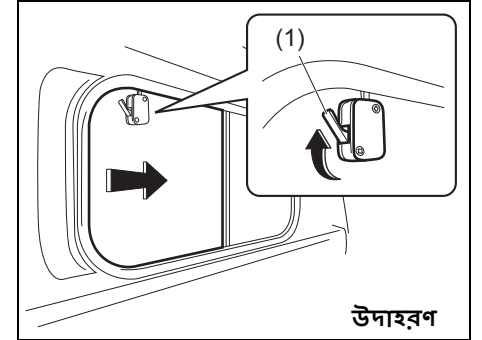
জানালা

জানালায় ম্যানুয়েল কন্ট্রোল



দরজার প্যানেলে লাগানো হ্যান্ডেল দিয়ে দরজার জানালাগুলি খোলা অথবা বন্ধ করবেন।

পিছনের জানালা



জানালা খোলার জন্য লক (1) চাপ দিয়ে জানালা স্লাইড করে খুলুন।

আয়না

⚠ সতর্কতা

নিম্নলিখিত বিষয়গুলি না মানলে গাড়ির নিয়ন্ত্রণ হারিয়ে দুর্ঘটনা ঘটতে পারে, যার ফলে গুরুত্বপূর্ণ আঘাত প্রাপ্তি অথবা মৃত্যু হতে পারে। গাড়ি চালানোর সময়ে সর্বদাই নিম্নলিখিত বিষয়গুলি মেনে চলবেন।

- গাড়ি চালাতে চালাতে আয়নাগুলির অবস্থান পরিবর্তন করবেন না।
- গাড়ি চালানো শুরু করার আগে সর্বদাই বাইরের রিয়ারভিউ আয়নাগুলি খুলে সঠিক অবস্থানে রাখবেন।
- গাড়ির পিছন দিকে কোনও সামগ্রী রাখবেন না যা পিছনের জানালা দিয়ে দেখতে আপনার দৃষ্টিকে বাধা দিতে পারে।

ভিতরের রিয়ারভিউ মিরার

আপনি হাত দিয়ে গাড়ির ভিতরের রিয়ারভিউ আয়না এমন অবস্থানে নিয়ে আসুন যাতে আয়নাটিতে আপনি গাড়ির পিছন দিক দেখতে পান।



উদাহরণ

74LHT0235

⚠ সতর্কতা

গাড়ির ভিতরের রিয়ারভিউ আয়নাটি সংশোধন অথবা অন্য কোনও ধরণের আয়না দিয়ে পরিবর্তন করবেন না। দুর্ঘটনা ঘটলে এর ফলে আগাত লাগতে পারে।

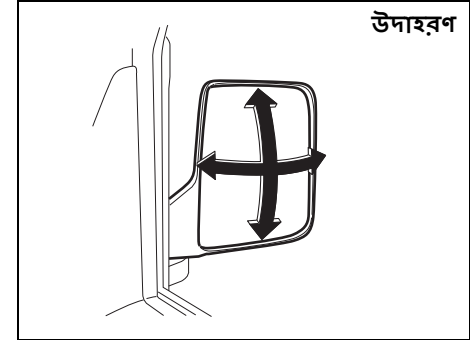
বাইরের দিকের রিয়ারভিউ আয়না(গুলি)

বাইরের দিকের রিয়ারভিউ আয়না(গুলি) এমন অবস্থানে রাখুন যাতে আপনি আয়নাতে গাড়ির পাশের জায়গা দেখতে পান।

⚠ সতর্কতা

পাশের কনভেক্স আয়নাগুলিতে দেখা যাওয়া অন্য গাড়িগুলির অথবা অন্য কোনও বস্তুর মাপ এবং দূরত্ব বোঝার ক্ষেত্রে সতর্ক থাকবেন। মনে রাখবেন যে সমতল আয়নাতে অন্য বস্তুগুলিকে ছোট এবং দূরে মনে হয়।

উদাহরণ



64P0190

সিট (বসার আসন)

সিট (চালকের) অ্যাডজাস্ট করা

⚠ সতর্কতা

গাড়ি চালানোর সময়ে চালকের সিট কখনই অ্যাডজাস্ট করার চেষ্টা করবেন না। সিটটি অপ্রত্যাশিতভাবে সরে যেতে পারে, ফলে নিয়ন্ত্রণ হারিয়ে যেতে পারে। গাড়ি চালানো শুরু করার আগেই চালকের সিটটি যথাযথ ভাবে অ্যাডজাস্ট করে নেবেন।

⚠ সতর্কতা

সিট বেলেট ঢিলে হয়ে গেলে আপনার নিরাপত্তা বিঘ্নিত হবে। ঢিলে হয়ে যাওয়া এড়াতে সিট বেলেট বাঁধার আগে সিট অ্যাডজাস্ট করে নেবেন।



উদাহরণ

77PH087

সিটের অবস্থান অ্যাডজাস্ট করার লিভার (1)

লিভারটিকে উপরের দিকে টেনে সিটটিকে স্লাইড করুন।

অ্যাডজাস্ট করার পরে সিট সামনে-পিছনে নিয়ে যাওয়ার চেষ্টা করে নিশ্চিত হয়ে নিন যে এটি নিরাপদ ভাবে আটকে গিয়েছে।

⚠ সতর্কতা

সিট অ্যাডজাস্ট করার সময় সতর্ক থাকবেন যাতে সিট নড়ানোর সময়ে আপনার হাতে চিমটি না লাগে অথবা দেহে আঘাত না লাগে।

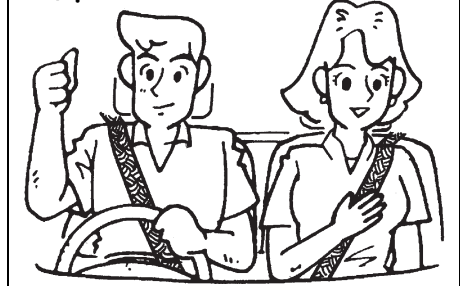
মন্তব্য:

সিট ব্যাক (হেলান দেওয়া অংশটি) মসৃণ ভাবে অপারেট করার জন্য সিট ব্যাক অ্যাডজাস্ট করার লিভার (2) উপরের দিকে টানুন। লিভারটি

সম্পূর্ণ ভাবে উপরে এলে তবেই সিট ব্যাক সরাবেন। সিট ব্যাক অ্যাডজাস্ট করা হয়ে গেলে ধীরে ধীরে লিভারটি ছাড়ুন। সামনে-পিছনে এগিয়ে দেখে নিন যে সিট ব্যাক লক হয়েছে।

সিট বেলেট

উদাহরণ



65D231S

⚠ সতর্কতা

সর্বদাই আপনার সিট বেলেট লাগাবেন।

⚠ সতর্কতা

সিটের সামনে এয়ার ব্যাগ থাকা নির্বিশেষে এমনকি অল্প দূরত্বে যাওয়ার সময়েও চালক এবং যাত্রীরা সিট বেলেট লাগাবেন। এর ফলে দুর্ঘটনা ঘটলে আগাতের তীব্রতা অথবা মৃত্যুর আশঙ্কা কম থাকবে।

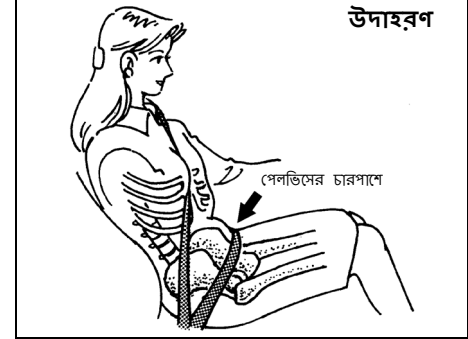


উদাহরণ

65D606

⚠ সতর্কতা

- একটি গাড়ির মালপত্র রাখার স্থানে কোনও ব্যক্তিকে বসতে দেবেন না। যে যাত্রীরা সিটে বসবেন না এবং সঠিক ভাবে সিট বেল্ট বাঁধবেন না দুর্ঘটনা ঘটলে তাদের আঘাত পাওয়ার সম্ভাবনা অত্যন্ত বেশি থাকবে।
- সবগুলি সিট বেল্ট যাতে সঠিক ভাবে বাঁধা থাকে তা নিশ্চিত করবেন। দুর্ঘটনা ঘটলে সঠিক ভাবে সিট বেল্ট বাঁধা না থাকলে আঘাত পাওয়ার অথবা মৃত্যু হওয়ার ঝুঁকি বেশি থাকে।
- নিম্নলিখিত উপায়ে সিট বেল্ট অ্যাডজাস্ট করতে হবে:
 - বেল্টের ল্যাপ অংশটিকে পেলভিসের চারপাশে লাগাতে হবে, কোমরের চারপাশে নয়।
 - শোল্ডার স্ট্র্যাপ কাঁধের বাইরে দিয়ে পরতে হবে, কখনই হাতের নীচে দিয়ে নয়।
- শোল্ডার স্ট্র্যাপ আপনার মুখ ও গলা থেকে দূরে থাকবে, কাঁধ থেকে পড়ে যাবে না।
(চলবে)



উদাহরণ

65D201

⚠ সতর্কতা

(চলবে)

- সিট বেল্ট পরার সময়ে স্ট্র্যাপ কখনই প্যাঁচানো থাকবে না, যতোটা আরামদায়ক হয় সেইভাবে আঁট করতে হবে যাতে সিট বেল্ট ডিজাইন অনুযায়ী যথামত সুবক্ষা দিতে পারে। ঢিলে হয়ে থাকা একটি সিট বেল্ট আঁট হয়ে থাকা সিট বেল্টের চেয়ে কম সুবক্ষা দেবে।
- সিট বেল্টের প্রত্যেকটি বাকল যথামত বাকেল ক্যাচে ঢোকানো থাকে তা নিশ্চিত করবেন।
(চলবে)



65D199

উদাহরণ

⚠ সতর্কতা

(চলবে)

- গর্ভবতী মহিলারা অবশ্যই সিট বেল্ট লাগাবেন, যদিও ড্রাইভিং সম্পর্কে সুনির্দিষ্ট সুপারিশ মহিলাটির ডিকিৎসক করবেন। মনে রাখবেন যে বেল্টের ল্যাপ অংশটি নিতম্বের চারপাশে যতোটা সম্ভব নীচে লাগাবেন, চিত্রে যেমন দেখানো হয়েছে।
- কলম, চাবি, চশমা ইত্যাদির মতো পকেটে অথবা পোশাকে থাকা শক্ত, ভঙ্গুর অথবা ধারালো বস্তুর উপর দিয়ে সিট বেল্ট লাগাবেন না। দুর্ঘটনার সময়ে সিট বেল্টের চাপে ঐ ধরণের বস্তু আঘাত পাওয়ার কারণ হতে পারে।
- আপনার পকেটে অথবা পোশাকে থাকা কোনও শক্ত অথবা ভঙ্গুর বস্তুর উপর দিয়ে সিট বেল্ট লাগাবেন না। যদি কোনও দুর্ঘটনা ঘটে তাহলে সিট বেল্টের তলায় থাকা চশমা, কলম ইত্যাদির মতো বস্তুগুলি আঘাত পাওয়ার কারণ হতে পারে।
- একাধিক ব্যক্তি কখনই একই সিট বেল্ট ব্যবহার করবেন না, এবং একজন যাত্রীর কোলে থাকে শিশুর উপর দিয়ে সিট বেল্ট লাগাবেন না। দুর্ঘটনার ক্ষেত্রে এই ভাবে লাগানো সিট বেল্ট গুরুতর আঘাতের কারণ হতে পারে।

(চলবে)

⚠ সতর্কতা

(চলবে)

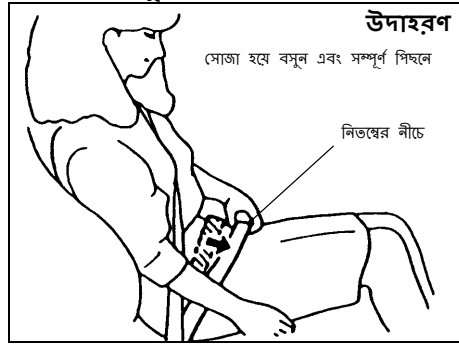
- সিট বেল্টের কোনও ক্ষয়ক্ষতি হয়েছে কিনা তা নিয়মিত ভাবে পরীক্ষা করবেন। সিট বেল্টের ওয়েবিং (জাল) ভেঙে বা দূষিত হলে অবশ্যই পরিবর্তন করবেন। এটি একটি তীব্র ধাক্কার পরে সম্পূর্ণ সিট বেল্ট অ্যাসেম্বলি বদলে ফেলা অত্যাৱশ্যক, এমনকি অ্যাসেম্বলিটির ক্ষতি স্পষ্ট ভাবে দেখা না গেলেও।
- যথামত ভাবে আটকানো না থাকলে শিশু ও ছোট বাচ্চাদের কখনই গাড়িতে নিয়ে যাবেন না।
- ছোটদের গলায় বা মুখে যদি বেল্টের ঘষা লাগে, তাহলে তাদের গাড়ির মাঝামাঝি বসান।
- লিশ, অয়েল, রাসায়নিক এবং বিশেষ ভাবে ব্যাটারির অ্যাসিড যাতে সিট বেল্টের ওয়েবিংকে দূষিত না করে তার জন্য সতর্ক থাকবেন। হালকা সাবান জল দিয়ে নিরাপদে বেল্ট পরিষ্কার করা যেতে পারে।
- সিট বেল্টের বাকলে মুদ্রা, ক্রিপ ইত্যাদির মতো সামগ্রী কখনই টোকাবেন না, এবং এই অংশটিতে কোনও ক্লুইড পদার্থ যাতে না পড়ে তার জন্য সতর্ক থাকবেন। বাইরের কোনও বস্তু যদি সিট বেল্ট বাকলে চুকে যায়, তাহলে সিট বেল্ট যথামত ভাবে কাজ নাও করতে পারে।

ল্যাপ-শোল্ডার বেল্ট

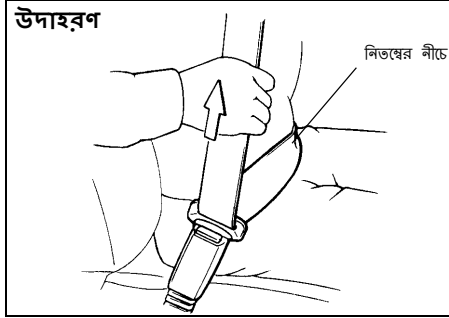
এমার্জেন্সি লকিং রিট্র্যাকটর (ELR)

সিট বেল্টে একটি এমার্জেন্সি লকিং রিট্র্যাকটর (ELR) থাকে, এটি এমন ভাবে তৈরি করা হয় যাতে শুধুমাত্র গাড়ি হঠাৎ থেমে গেলে অথবা ধাক্কা লাগলে সিট বেল্ট লক হয়ে যায়। আপনি যদি আপনার দেহের উপর দিয়ে খুব দ্রুত বেল্টটিকে টানেন, তাহলেও এটি লক হয়ে যেতে পারে। যদি তাই ঘটে, তাহলে বেল্টটি ছেড়ে দিন, এবং তারপরে আরও ধীরে ধীরে দেহের উপর দিয়ে বেল্টটি টানুন।

নিরাপত্তার অনুস্মারক

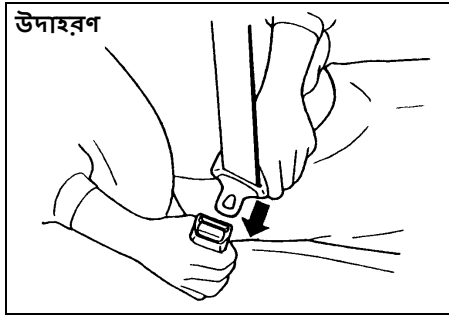


60A038



60A040

ধাক্কা লাগার সময় বেল্টের ভিতরে পিছলে যাওয়ার ঝুঁকি কম করার জন্য বেল্টের ল্যাপ অংশটি আপনার কোলের আড়াআড়ি ভাবে নিচু করে নিতম্বের যতটা কাছে সম্ভব করে অ্যাডজাস্ট করুন, এবং ল্যাচ প্লেটের মধ্যে দিয়ে বেল্টের কাঁধের অংশটি টেলে আরামপ্রদ ভাবে লাগান। নড়াচড়া করার সুবিধার জন্য কোণাকুণি ভাবে কাঁধের উপর দিয়ে যাওয়া বেল্টের অংশটির দৈর্ঘ্য নিজে থেকেই অ্যাডজাস্ট হয়ে যাবে।

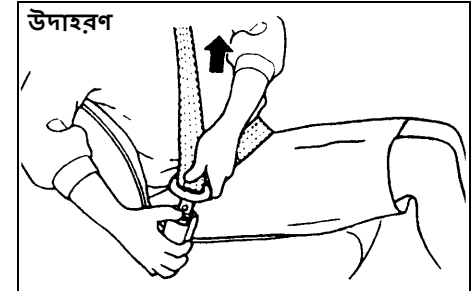


60A036

সিট বেল্ট লাগানোর জন্য সোজা হয়ে সিটের ভিতরে ঢুকে বসুন, সিট বেল্টের সঙ্গে লাগানো ল্যাচ প্লেট আপনার দেহের আড়াআড়ি ভাবে টেলে আনুন এবং সরাসরি ভাবে বাকলে ঢুকিয়ে দিন যাতে আপনি ক্লিক করার শব্দ শুনতে পান।

মন্তব্য:

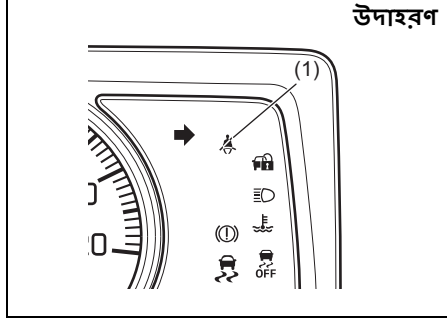
গুটিয়ে থাকা সিট বেল্ট যদি টানা না যায়, তাহলে বেল্টটি দুট ভাবে টেলে ছেড়ে দিন। তারপরে বেল্টটিকে রেক্ট্রাক্টর থেকে মসৃণ ভাবে টেলে বার করুন।



60A039

সিট বেল্ট খুলতে হলে বাকলের বাটনে চাপ দিন এবং বেল্ট অথবা/এবং ল্যাচ প্লেট ধরে রেখে বেল্ট ধীরে ধীরে গুটিয়ে আসতে দিন।

Sসিট বেল্ট রিমাইন্ডার



77PM02020

(1) চালকের সিট বেল্ট রিমাইন্ডার লাইট / সামনের যাত্রীর সিট বেল্ট রিমাইন্ডার লাইট যদি চালক এবং/অথবা সামনের সিটের যাত্রী সিট বেল্ট না লাগান, তাহলে সিট বেল্ট রিমাইন্ডার লাইট জ্বলতে অথবা মিটমিট করতে থাকবে, এবং একটি বাজার বাজবে যাতে চালক এবং/অথবা যাত্রীর সিট বেল্ট লাগানোর কথা মনে পড়ে। আরও বিশদের জন্য নীচের ব্যাখ্যাটি পড়ুন।

সতর্কতা

চালক এবং যাত্রীর সর্বদা সিট বেল্ট পরে থাকা অত্যাৱশ্যক। যে যাত্রীরা সিট বেল্ট বাঁধবেন না দুর্ঘটনা ঘটলে তাদের আঘাত লাগার ঝুঁকি বেশি থাকবে। ইগনিশন সুইচে চাবি ঢোকানোর আগে নিম্নমিত ভাবে সিট বেল্ট বাঁধার অভ্যাস তৈরি করুন।

মনুবা:

চালকের সিট বেল্ট রিমাইন্ডার লাইট / সামনের সিটের যাত্রীর সিট বেল্ট রিমাইন্ডার লাইট চালক এবং সামনের যাত্রী উভয়ের জন্যই।

ড্রাইভারের অথবা সামনের প্যাসেঞ্জারের সিট বেল্ট রিমাইন্ডার

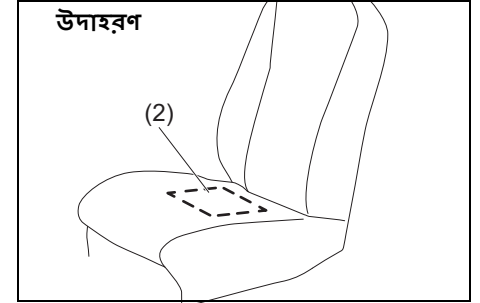
ইগনিশন সুইচ যখন "অন" করা হয়, তখন যদি ড্রাইভারের অথবা সামনের প্যাসেঞ্জারের সিট বেল্টের বাকল খোলা থাকে, তাহলে রিমাইন্ডার এইভাবে কাজ করে:

- 1) ড্রাইভারের অথবা সামনের প্যাসেঞ্জারের সিট বেল্ট রিমাইন্ডারের লাইট জ্বলে উঠবে।
- 2) গাড়ির গতি যখন **15 km/h** পৌঁছাবে, তখন ড্রাইভারের অথবা সামনের প্যাসেঞ্জারের সিট বেল্টের রিমাইন্ডার লাইট মিটমিট করে জ্বলতে থাকবে এবং প্রায় **95** সেকেন্ড ধরে একটি বাজার বাজতে থাকবে।
- 3) **2য়** ধাপ শেষ হয়ে গেলে রিমাইন্ডার আলোটি ততক্ষণ জ্বলেই থাকবে যতক্ষণ পর্যন্ত না ড্রাইভারের অথবা সামনের প্যাসেঞ্জারের সিট বেল্টের বাকল লাগানো হয়।

ড্রাইভারের অথবা সামনের প্যাসেঞ্জার তার সিট বেল্ট লাগানোর পরে যদি খুলে ফেলেন, তাহলে গাড়ির গতি অনুসারে রিমাইন্ডার ব্যবস্থাটি **1ম** অথবা **2য়** ধাপ থেকে শুরু হবে। গাড়ির গতি যখন **15 km/h**-এর চেয়ে কম থাকবে, তখন রিমাইন্ডার **1ম** ধাপ থেকে শুরু হবে। গাড়ির গতি যখন **15 km/h**-এর বেশি থাকবে, তখন রিমাইন্ডার **2য়** ধাপ থেকে শুরু হবে। ড্রাইভারের অথবা সামনের প্যাসেঞ্জারের সিট বেল্ট লাগানো হলে অথবা ইগনিশন সুইচ বন্ধ করে দিলে রিমাইন্ডারটি স্বয়ংক্রিয়ভাবে বন্ধ হয়ে যাবে।

সামনের যাত্রীর সিট বেল্টের রিমাইন্ডার

সামনের যাত্রীর সিটে যদি কেউ বসে থাকেন এবং তার সিট বেল্ট খোলা থাকে এবং তখন ইগনিশন সুইচটি "অন" অবস্থানে থাকে, তাহলে সামনের সিটের যাত্রীর সিট বেল্টের রিমাইন্ডার সক্রিয় হবে।



69RH203

- (2) সামনের সিটের যাত্রীর সিট বেল্ট রিমাইন্ডারের সেন্সর

সিট বেল্ট রিমাইন্ডার সেন্সর (2) বুঝতে পারে যে কোনও যাত্রী সামনের সিটে বসে আছে কিনা। সামনের সিটের যাত্রীর সিট বেল্ট রিমাইন্ডারের সেন্সরটি সিট কুশনে থাকে। সামনের সিটের যাত্রীর সিট বেল্ট রিমাইন্ডার চালকের সিট বেল্ট রিমাইন্ডারের মতো একই পদ্ধতিতে কাজ করে।

নক্ষণীয় বিষয়

- সামনের সিটের যাত্রীর সিট বেল্ট রিমাইন্ডারের সেন্সরটি সিট কুশনে থাকে। যদি সিটের কুশনে ভারী অথবা ধারালো বস্তু রাখা হয়, অথবা যাত্রীর সিট সরিয়ে ফেলা হয়, ডিসঅ্যাসেম্বলি এবং পরিবর্তন করা হয়, তাহলে সেন্সরটি সঠিকভাবে কাজ করতে পারবে না অথবা ক্ষতিগ্রস্ত হতে পারে। সিটের কুশনে ভারী অথবা ধারালো বস্তু রাখবেন না। যাত্রীর সিট সরিয়ে ফেলবেন না, ডিসঅ্যাসেম্বলি এবং পরিবর্তন করবেন না।
- সিট কভারের ভ্যারাইটির উপর নির্ভর করে সেন্সরের কাজ বিকৃত ভাবে প্রভাবিত হতে পারে। মার্কতি সুজুকি সুপারিশ করে যে আপনি এই গাড়ির জন্য শুধুমাত্র আসল মার্কতি সুজুকি সিট কভার ব্যবহার করবেন।
- আপনি যদি সামনের যাত্রীর সিট কুশনে ফুইড গল্ড্রব্য (অ্যারোমেটিকস), নরম পানীয় অথবা জুসের মতো ফুইড ফেলেন, তাহলে সিট কুশনে থাকা সামনের যাত্রীর সিট বেল্ট রিমাইন্ডারের সেন্সর ক্ষতিগ্রস্ত হতে পারে। ফুইড পড়ে গেলে অবিলম্বে একটি নরম কাপড় দিয়ে মুছে শুকিয়ে নিন।

(চলবে)

নক্ষণীয় বিষয়

(চলবে)

- সামনের যাত্রীর সিট বেল্ট রিমাইন্ডার সিস্টেমটি কার্যকরভাবে কাজ করার জন্য যাত্রীর সোজা হয়ে সিটের ব্যাকরেস্টে হেলান দিয়ে এবং সিট কুশনের কেন্দ্রে বসে থুই গুরুত্বপূর্ণ। কোনও যাত্রীর অনুপযুক্তভাবে বসে থুই, পাশ ফিরে, সিটের সামনের অথবা পাশের দিকে বসে। এই সিস্টেমের কাজে ব্যাঘাত ঘটতে পারে কারণ, যাত্রী যে বসে আছে তা এটি বুঝতে পারবে না।

মন্তব্য:

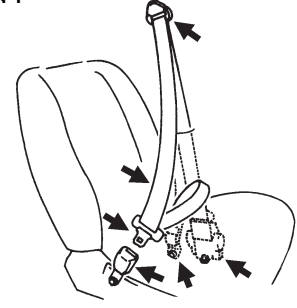
- আপনি যদি যাত্রীর সিটে কোনও সামগ্রী রাখেন, তাহলে সেন্সর সামগ্রীটির ওজন বুঝতে পারবে, ফলে সামনের যাত্রীর সিট বেল্টের রিমাইন্ডার লাইট জ্বলে উঠবে এবং তারপর ভিতরের বাজারে বীপ আওয়াজ হতে পারে।
- যদি কোনও শিশু অথবা ছোট আকারের ব্যক্তি সামনের যাত্রীর সিটে বসে থাকেন, অথবা সামনের যাত্রীর সিটে একটি কুশন রাখা হয়, তাহলে সেন্সর তার ওজন নাও বুঝতে পারে এবং ভিতরের বাজারটি বীপ আওয়াজ নাও করতে পারে।

মন্তব্য:

মার্কতি সুজুকির আসল "সিট কভার" ব্যবহার করার জন্য মার্কতি সুজুকি সুপারিশ করে।

সিট বেল্ট পরিদর্শন

উদাহরণ



65D209S

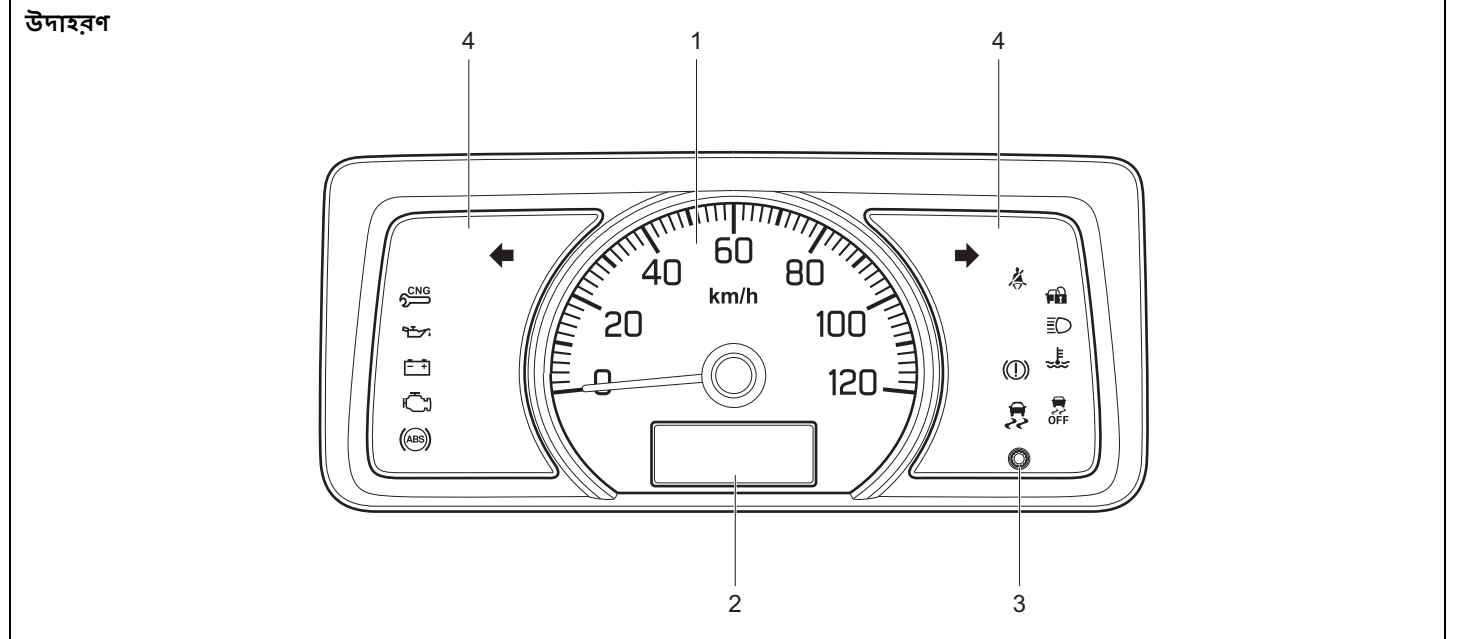
সিট বেল্টগুলি যে সঠিকভাবে কাজ করছে এবং ক্ষতিগ্রস্ত হয়নি তা নিশ্চিত করতে নিয়মিত ভাবে পরীক্ষা করুন। ওয়েবিং, বাকেল, ল্যাচ স্ট্রেট, রিট্রাক্টর, অ্যাক্সরেজ এবং গাইড লুপগুলি পরীক্ষা করুন। যদি কোনও সিট বেল্ট সঠিকভাবে কাজ না করে, অথবা ক্ষতিগ্রস্ত হয় তাহলে তা বদলে ফেলুন।

⚠ সতর্কতা

যে কোনও দুর্ঘটনার পরে সমস্ত সিট বেল্ট অ্যাসেম্বলিগুলি অবশ্যই পরিদর্শন করবেন। দুর্ঘটনার (খুব ছোটখাটো ছাড়া) সময়ে ব্যবহার করা হচ্ছিল এমন যে কোনও সিট বেল্ট অ্যাসেম্বলি বদলে ফেলতে হবে, এমনকি কোনও ক্ষতি স্পষ্ট না দেখা গেলেও। দুর্ঘটনার সময় ব্যবহৃত হচ্ছিল না এমন কোনও সিট বেল্ট অ্যাসেম্বলি যদি সঠিকভাবে কাজ না করে, অথবা এটি কোনও ভাবে ক্ষতিগ্রস্ত হয়ে থাকে তাহলে তা বদলে ফেলতে হবে।

ইন্সট্রুমেন্ট ক্লাস্টার

1. স্পিডোমিটার
2. ইনফর্মেশন ডিসপ্লে
3. ট্রিপ মিটার সিলেক্টর নব
4. ওয়ার্নিং এবং ইন্ডিকেটর লাইট



স্পিডোমিটার

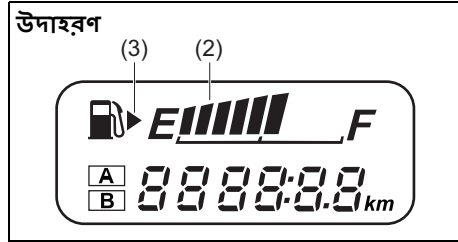
স্পিডোমিটার গাড়ির গতি নির্দেশ করে।

মন্তব্য:

সরকারি নিয়ম অনুযায়ী গাড়ির সর্বোচ্চ গতি 80 km/ঘন্টা থাকবে।

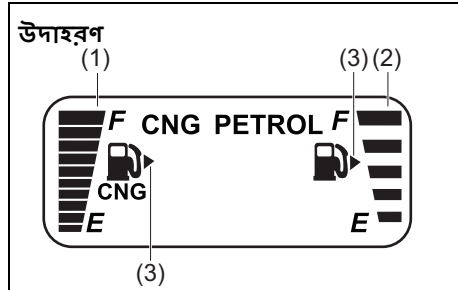
ফ্যুয়েল গেজ

পেট্রোল মডেল



77PM02018

CNG মডেল



77PM07019

- (1) CNG ফ্যুয়েল গেজ নির্দেশ করে।
- (2) পেট্রোল ফ্যুয়েল গেজ নির্দেশ করে।

যখন ইগনিশন সুইচ "অন" অবস্থানে থাকে, তখন এই গেজটি জ্বালানী ট্যাঙ্কে জ্বালানীর পরিমাণের একটি আনুমানিক ইঙ্গিত দেয়। "F" এর অর্থ ভর্তি এবং "E" এর অর্থ খালি।

যদি জ্বালানী মিটার ইন্ডিকেটর "E" তে শুধুমাত্র একটি অংশ দেখায়, যত তাড়াতাড়ি সম্ভব ট্যাঙ্কটি রিফিল করুন।

চিহ্নটি (3) দেখায় যে জ্বালানী ভর্তি করার দরজাটি গাড়ির ডানদিকে আছে।

নক্ষত্রীয় বিষয়

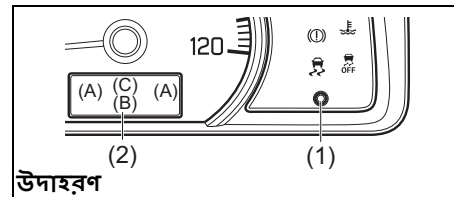
ক্যাটালাইটিক কনভার্টার অথবা গাড়ির অন্যান্য অংশগুলির ক্ষতিব সম্ভাবনা কমাতে জ্বালানী ট্যাঙ্ক প্রায় খালি থাকা অবস্থায় গাড়ি চালানো এড়িয়ে চলুন।

মন্তব্য:

যখন শেষ সেগমেন্টটি মিটমিট করে জ্বলে, তখন এর মানে হল যে জ্বালানী প্রায় শেষ হয়ে গিয়েছে।

ইনফর্মেশন ডিসপ্লে

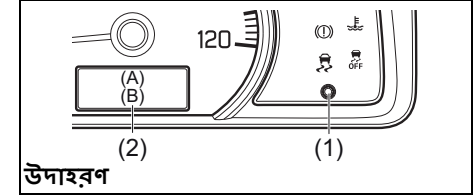
CNG মডেলের জন্য



উদাহরণ

77PM07026

পেট্রোল মডেলের জন্য



উদাহরণ

77PM07035

- (1) ড্রিপ মিটার সিলেক্টর নব
- (2) ইনফর্মেশন ডিসপ্লে

ইগনিশন সুইচটি যখন "অন" অবস্থানে থাকে, তখন ইনফর্মেশন ডিসপ্লেতে নিম্নলিখিত তথ্য দেখা যায়।

ডিসপ্লে (A)
ফ্যুয়েল গেজ

ডিসপ্লে (B)

ওডোমিটার / ড্রিপ মিটার / ক্লক / ব্রাইটনেস কন্ট্রোল

ডিসপ্লে (C)

ফ্যুয়েল মোড (যদি থাকে)

ফ্যুয়েল গেজ

ইগনিশন সুইচটি যখন "অন" অবস্থানে থাকে, তখন ডিসপ্লে (A) ফ্যুয়েল গেজ দেখায়।

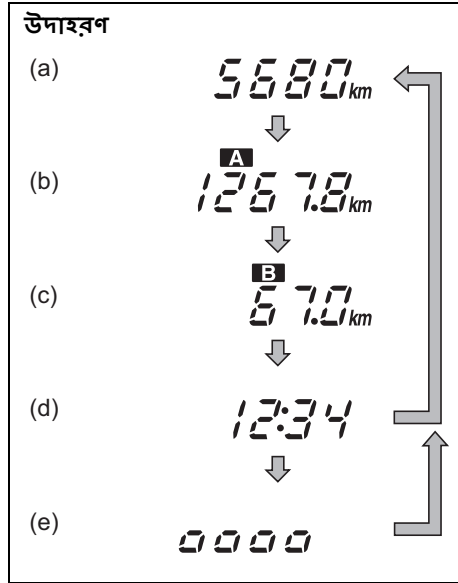
এই অনুচ্ছেদে "ফ্যুয়েল গেজ" দ্রষ্টব্য।

চালানোর আগে

ওডোমিটার / ট্রিপ মিটার / ক্লক / ব্রাইটনেস কন্ট্রোল

ইগনিশন সুইচটি যখন "অন" অবস্থানে থাকে, তখন ডিসপ্লে (B) নিম্নলিখিতগুলির মধ্যে একটিকে দেখায়, ওডোমিটার, ট্রিপ মিটার A, ট্রিপ মিটার B অথবা ক্লক।

ডিসপ্লে ইন্ডিকেশনের (B) পরিবর্তন করতে, দ্রুত ট্রিপ মিটার সিলেক্টর নব (1) চাপুন।



- (a) ওডোমিটার
(b) ট্রিপ মিটার A

- (c) ট্রিপ মিটার B
(d) ক্লক
(e) ব্রাইটনেস কন্ট্রোল*

* পজিশন লাইট এবং/অথবা হেডলাইট অন থাকলে ব্রাইটনেস কন্ট্রোল দেখা যাবে।

সতর্কতা

গাড়ি চালানোর সময় আপনি যদি ডিসপ্লে অ্যাডজাস্ট করার চেষ্টা করেন, তাহলে আপনি গাড়ির নিয়ন্ত্রণ হারাতে পারেন।

গাড়ি চালানোর সময় ডিসপ্লে অ্যাডজাস্ট করার চেষ্টা করবেন না।

মন্তব্য:
আপনি যখন নবাতিতে চাপ দিয়ে ছেড়ে দেবেন তখন ইন্ডিকেশনগুলির পরিবর্তন হবে।

ওডোমিটার

গাড়িটি মোট কত দূরত্ব অতিক্রম করেছে ওডোমিটার তার রেকর্ড রাখে।

লক্ষণীয় বিষয়

ওডোমিটার রিডিংয়ের প্রতি লক্ষ্য রাখবেন, এবং সেই অনুযায়ী প্রয়োজনীয় পরিষেবার জন্য নিয়মিত রক্ষণাবেক্ষণ সময়সূচী পরীক্ষা করবেন।

সঠিক দূরত্ব চলার পরে প্রয়োজনীয় পরিষেবাগুলি না পেলে গাড়ির কিছু অংশের ক্ষয় ও ক্ষতি হতে পারে।

ট্রিপ মিটার

স্বল্প দূরত্ব যাওয়া অথবা জ্বালানি নেওয়ার জন্য খামার মধ্যের দূরত্ব মাপার জন্য ট্রিপ মিটারের ব্যবহার করা যেতে পারে। আপনি পৃথক ভাবে ট্রিপ মিটার A অথবা ট্রিপ মিটার B ব্যবহার করতে পারেন।

ট্রিপ মিটার শূন্যে রিসেট করতে হলে ডিসপ্লে যখন ট্রিপ মিটার দেখাবে তখন কিছুক্ষণের জন্য ট্রিপ মিটার সিলেক্টর নব (1) টিপে ধরে রাখুন।

মন্তব্য:

ট্রিপ মিটার সর্বোচ্চ 9999.9 ভ্যালু দেখায়। সর্বোচ্চ ভ্যালু পার হয়ে গেলে নির্দেশিত ভ্যালু 0.0-এ ফিরে আসবে।

ক্লক

ডিসপ্লেটি সময় দেখায়।

দেখানো সময়ের পরিবর্তন করতে হলে:

- 1) ট্রিপ মিটার সিলেক্টর নব (1) টিপে ধরে থাকুন যতক্ষণ না মিনিট ইন্ডিকেশন মিটমিট করা শুরু করে।
- 2) মিনিটের পরিবর্তন করতে হলে যখন মিনিট ইন্ডিকেশন মিটমিট করবে তখন ট্রিপ মিটার সিলেক্টর নব (1) বারবার চাপ দিতে থাকুন। দ্রুত মিনিট পরিবর্তন করার জন্য ট্রিপ মিটার সিলেক্টর নব (1) চাপ দিয়ে ধরে থাকুন। মিনিট সেট করার জন্য ঘন্টার ইন্ডিকেশন মিটমিট করা শুরু করা পর্যন্ত প্রায় 5 সেকেন্ড অপেক্ষা করুন।
- 3) ঘন্টার পরিবর্তন করার জন্য ট্রিপ মিটার সিলেক্টর নব (1) বারবার চাপ দিতে থাকুন যতক্ষণ পর্যন্ত না মিনিটের ইন্ডিকেশন মিটমিট করা শুরু করে। প্রায় 5 সেকেন্ড অপেক্ষা করুন এবং ঘন্টার ইন্ডিকেশন মিটমিট করা শুরু করবে। ঘন্টার পরিবর্তন করার জন্য

ট্রিপ মিটার সিলেক্টর নব (1) দ্রুত টিপে ধরে থাকুন। ঘটনা সেট করার জন্য প্রায় 5 সেকেন্ড অপেক্ষা করুন।

⚠ সতর্কতা

আপনি গাড়ি চালানোর সময় ডিসপ্লে অ্যাডজাস্ট করার চেষ্টা করলে আপনি গাড়ির নিয়ন্ত্রণ হারাতে পারেন।

গাড়ি চালানোর সময় ডিসপ্লে অ্যাডজাস্ট করার চেষ্টা করবেন না।

মন্তব্য:

আপনি যখন ব্যাটারির সঙ্গে নেগেটিভ (-) টার্মিনালের পুনরায় সংযোগ করবেন, তখন ঘড়ির ইন্ডিকেশন পুনরায় চালু হবে। আপনার পছন্দ অনুযায়ী আবার ইন্ডিকেশনের পরিবর্তন করুন।

ব্রাইটনেস কন্ট্রোল

যখন পোজিশন লাইট এবং/অথবা হেডলাইটগুলি চালু থাকবে, তখন আপনি মিটারের উজ্জ্বলতার তীব্রতা নিয়ন্ত্রণ করতে পারবেন।

ইন্সট্রুমেন্ট প্যানেলের আলোর উজ্জ্বলতার পরিবর্তন করার জন্য ট্রিপ মিটার সিলেক্টর নব (1) চেপে ধরে খাউন।

⚠ সতর্কতা

গাড়ি চালানোর সময় ডিসপ্লে অ্যাডজাস্ট করার চেষ্টা করলে আপনি গাড়ির নিয়ন্ত্রণ হারাতে পারেন।

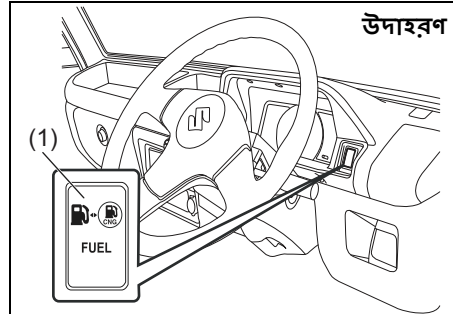
গাড়ি চালানোর সময় ডিসপ্লে অ্যাডজাস্ট করার চেষ্টা করবেন না।

মন্তব্য:

- ব্রাইটনেস কন্ট্রোল ডিসপ্লে সক্রিয় করার প্রায় 10 সেকেন্ডের মধ্যে আপনি যদি ট্রিপ মিটার সিলেক্টর নবটি না চাপেন, তাহলে ব্রাইটনেস কন্ট্রোল ডিসপ্লে স্বয়ংক্রিয়ভাবে বাতিল হয়ে যাবে।
- আপনি যখন পুনরায় ব্যাটারি সংযোগ করবেন, তখন ইন্সট্রুমেন্ট প্যানেলের আলোর উজ্জ্বলতা পুনরায় চালু (রিইনিশিয়ালাইজ) হবে। আপনার পছন্দ অনুযায়ী আবার উজ্জ্বলতার পরিবর্তন করুন।

CNG মডেলের জন্য ফ্যুয়েল মোড (যদি থাকে)

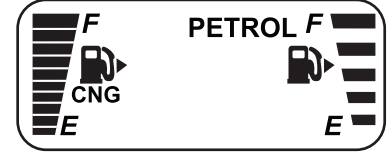
গাড়িতে তিনটি ফ্যুয়েল মোড থাকে। এইগুলি হল পেট্রোল, অটো এবং ফোর্সড CNG মোড। এইগুলি স্টিয়ারিং হুইলের ডানদিকে ড্যাশবোর্ডে অবস্থিত সিলেক্টর সুইচ(1) টিপে নির্বাচন করা যায়।



77PM02005

পেট্রোল মোড

উদাহরণ



77PM02002

এই মোডে গাড়ি পেট্রোল দিয়ে চালু হয় এবং পেট্রোল মোডে চলতে থাকে। এই মোডে পেট্রোল ইন্ডিকেটর অবিরত ভাবে প্রদর্শিত হতে থাকে, এবং CNG ইন্ডিকেটর "অফ" থাকে।

অটো (স্বয়ংক্রিয়) মোড

উদাহরণ



77PM02003

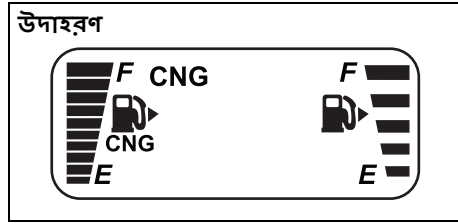
এই মোডে ইঞ্জিন পেট্রোল মোডে চালু হয়। তারপরে প্রোগ্রাম করা ওয়ামিং আপ কন্ডিশনে পৌঁছানোর পর স্বয়ংক্রিয়ভাবে CNG-এ পরিবর্তিত হয়। ইগনিশন সুইচ অন থাকলে এবং গাড়ি "অটো মোডে" চালু হলে, ডিসপ্লেতে CNG ইন্ডিকেটর মিটমিট করবে এবং পেট্রোল ইন্ডিকেটর প্রদর্শিত হবে। CNG-তে পরিবর্তন হওয়ার পরে CNG ইন্ডিকেটর প্রদর্শিত হবে এবং পেট্রোল ইন্ডিকেটর স্বয়ংক্রিয় ভাবে বন্ধ হয়ে যাবে।

চালানোর আগে

মন্তব্য:

- ইঞ্জিনের আয়ু বাড়ানোর জন্য সর্বদা গাড়িকে অটো মোডে অথবা পেট্রোল মোডে চালু করার জন্য সুপারিশ করা হয়।
- আশেপাশের/ইঞ্জিনের তাপমাত্রা শূন্য ডিগ্রি সেলসিয়াসের নীচে থাকলে গাড়িটি চালু করলে জ্বালানি CNG-তে পরিবর্তিত নাও হতে পারে। এই ধরনের ক্ষেত্রে ইঞ্জিন গরম না হওয়া পর্যন্ত পেট্রোল মোডে চালাতে থাকুন। তারপরে CNG-তে পরিবর্তন করার জন্য আবার ইঞ্জিন চালু করার চেষ্টা করুন।

ফোর্সড (জোর করে) CNG মোড



এটি হল জরুরি মোড। যখন পেট্রোল ট্যাঙ্কে পেট্রোল নেই তখন এর ব্যবহার করা যেতে পারে। এই মোডে গাড়ি CNG মোডে চালু হয়ে CNG মোডেই চলতে থাকে। যখন ইগনিশন "অন" আছে কিন্তু ইঞ্জিন চালু করা হয়নি, তখন চেঞ্জওভার সুইচ টিপুন এবং ধরে রাখুন যতক্ষণ পর্যন্ত না শুধুমাত্র CNG ইন্ডিকেটর প্রদর্শিত হয়। এই মোডে CNG ইন্ডিকেটর প্রদর্শিত হয় এবং পেট্রোল ইন্ডিকেটর "অফ" থাকে।

মন্তব্য:

- পেট্রোল ট্যাঙ্কে পর্যাপ্ত পরিমাণে পেট্রোল রাখার জন্য পরামর্শ দেওয়া হয়।
- আশেপাশের/ইঞ্জিনের তাপমাত্রা শূন্য ডিগ্রি সেলসিয়াসের নীচে থাকলে গাড়িটি ফোর্সড CNG মোডে চালু নাও হতে পারে। গাড়িটিকে অটো মোডে চালু করার জন্য সুপারিশ করা হয়।

CNG মোড থেকে পেট্রোল মোডে স্বয়ংক্রিয় ভাবে পরিবর্তন

ইঞ্জিন চালু থাকার সময়ে CNG শেষ হয়ে গেলে গাড়িটি স্বয়ংক্রিয় ভাবে CNG মোড থেকে পেট্রোল মোডে পরিবর্তিত হয়ে যাবে এবং CNG ম্যালফাংশন ওয়ার্নিং ল্যাম্প মিটমিট করা শুরু করবে। পেট্রোল ইন্ডিকেটর অবিরত ভাবে প্রদর্শিত হতে থাকবে, এবং CNG ইন্ডিকেটর স্বয়ংক্রিয় ভাবে বন্ধ হয়ে যাবে।

এই তথ্যটি স্বীকার করার জন্য একবার চেঞ্জওভার সুইচ টিপুন। চেঞ্জওভার সুইচ চাপার পরে CNG ম্যালফাংশন ওয়ার্নিং ল্যাম্প মিটমিট করতে থাকা বন্ধ হয়ে যাবে এবং পেট্রোল ইন্ডিকেটর অবিরত ভাবে জ্বলে থাকবে। তবে CNG ম্যালফাংশন ওয়ার্নিং ল্যাম্প এর পরে প্রত্যেকবার ইগনিশন অন - ইগনিশন অফ করার পরে মিটমিট করতে থাকবে যতক্ষণ পর্যন্ত গাড়িটি CNG দিয়ে রিফিল না করা হয়। CNG ভর্তি করার পরে CNG-তে পরিবর্তন করার জন্য একবার ফুয়েল চেঞ্জওভার সুইচ টিপুন। তারপরে গাড়িটি CNG-তে চলতে পারবে।

মন্তব্য:

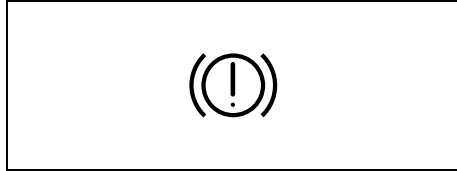
- CNG মোড থেকে পেট্রোল মোডে স্বয়ংক্রিয়ভাবে পরিবর্তিত হওয়ার সময় ইঞ্জিন যাতে বন্ধ না হয়ে যায় তার জন্য পেট্রোল ট্যাঙ্কে পর্যাপ্ত পরিমাণ পেট্রোল রাখার জন্য সুপারিশ করা হয়।
- চেঞ্জওভার সুইচ টেপার পরেও CNG ম্যালফাংশন ওয়ার্নিং ল্যাম্প যদি মিটমিট করা বন্ধ না হয়, তাহলে নিকটতম অনুমোদিত মার্কুতি সূত্বকি কমার্শিয়াল কর্মশালায় গাড়িটির পরিদর্শন করান।

ওয়ার্নিং ও ইন্ডিকেটর লাইট

মন্তব্য:

যদি ওয়ার্নিং এবং ইন্ডিকেটর আলো জ্বলতে থাকে বা ব্লিঙ্ক করে, তাহলে সংশ্লিষ্ট বার্তাগুলি তথ্য প্রদর্শনে প্রদর্শিত হতে পারে।

ব্রেক সিস্টেম ওয়ার্নিং লাইট



82K170

গাড়ির স্পেসিফিকেশনের উপর নির্ভর করে চারটি ভিন্ন ধরনের অপারেশন করা যায়।

- 1) ইগনিশন সুইচ "অন" অবস্থানে নিয়ে গেলে অল্প সময়ের জন্য আলো জ্বলে।
- 2) পার্কিং ব্রেক চালু থাকা অবস্থায় ইগনিশন সুইচ "অন" অবস্থানে থাকলে আলো জ্বলে ওঠে।
- 3) উপরের দুটি অবস্থার মধ্যে যে কোনও একটি অথবা দুটিই থাকলে আলো জ্বলবে।
- 4) ব্রেক ফ্লুইড রিজার্ভারের ফ্লুইড নিম্নস্তরিত মাত্রার নীচে নেমে গেলেও আলো জ্বলবে।

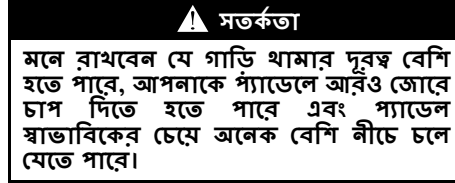
ব্রেক ফ্লুইড রিজার্ভারে ফ্লুইডের মাত্রা পর্যাপ্ত থাকলে ইগনিশন চালু করে পার্কিং ব্রেক সম্পূর্ণভাবে ছেড়ে দিলে আলো নিভে যাওয়া উচিত।

ABS সিস্টেমের রিসার ব্রেক ফোর্স কন্ট্রোল ফাংশন (প্রপোর্শনিং ভালভ ফাংশন) ব্যর্থ হলে আলোটি **ABS** সতর্কতা আলোর সাথেও আসে।

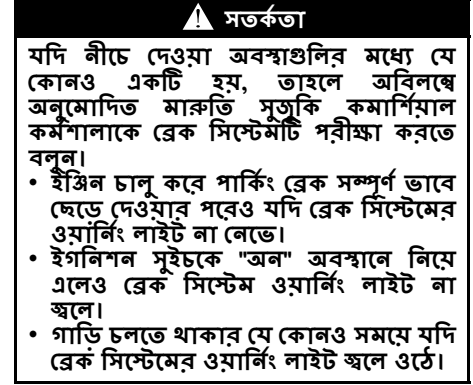
আপনার গাড়ি চালানোর সময়ে যদি ব্রেক সিস্টেমের ওয়ার্নিং লাইট জ্বলে ওঠে, তাহলে এর

অর্থ হতে পারে যে গাড়ির ব্রেক সিস্টেমে কিছু সমস্যা আছে। যদি এই রকম হয়, তাহলে আপনার করণীয় হল:

- 1) রাস্তার পাশে সরে গিয়ে সতর্কভাবে গাড়ি থামান।



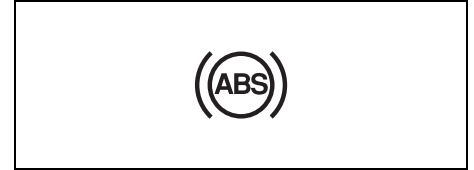
- 2) রাস্তার পাশে সাবধানে গাড়ি চালানো শুরু করে এবং থামিয়ে ব্রেক পরীক্ষা করুন।
 - আপনার যদি মনে হয় যে এটি নিরাপদ হবে, তাহলে কম গতিতে সাবধানে গাড়ি চালিয়ে মেরামতের জন্য নিকটতম ডিলারের কাছে যান, অথবা
 - মেরামতের জন্য গাড়িটিকে টাও করে টেলে নিয়ে নিকটতম অনুমোদিত মারুতি সুজুকি কমার্শিয়াল কর্মশালায় নিয়ে যান।



মন্তব্য:

যেহেতু ব্রেক সিস্টেমটি নিজে নিজেই অ্যাডজাস্ট হয়ে যায়, তাই ব্রেক প্যাডগুলি ক্ষয়ে গেলে ফ্লুইডের মাত্রা কমে যাবে। ব্রেক ফ্লুইড রিজার্ভার আবারও ভর্তি করাকে স্বাভাবিক একটি নিয়মিত রক্ষণাবেক্ষণের কাজ হিসাবে বিবেচনা করা হয়।

অ্যান্টি-লক ব্রেক সিস্টেম (ABS) ওয়ার্নিং আলো (যদি সজ্জিত থাকে)



65D529

যখন ইগনিশন সুইচটি "চালু" করা হয়, তখন আলোটি ক্ষণিকের জন্য জ্বলে ওঠে যাতে আপনি

চালানোর আগে

পরীক্ষা করতে পারেন যে আলোটি কাজ করছে কিনা।

যদি আলো জ্বলে থাকে, বা গাড়ি চালানোর সময় জ্বলে ওঠে, তাহলে **ABS**-এ কিছু সমস্যা থাকতে পারে।

যদি এমন হয়:

- 1) রাস্তা থেকে সরে যান এবং সাবধানে থামুন।
- 2) ইগনিশন সুইচটি "লক" অবস্থানে ঘোরান এবং তারপর আবার ইঞ্জিন চালু করুন।

যদি সতর্কবার্তার আলো অল্প সময়ের জন্য জ্বলে ওঠে এবং তারপর বন্ধ হয়ে যায়, তাহলে সিস্টেমটি স্বাভাবিক। যদি ওয়ার্নিং আলো এখনও জ্বলতে থাকে, তাহলে সিস্টেমে কিছু তুল আছে।

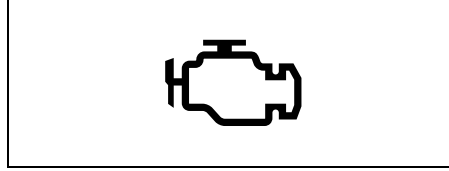
যদি আলো এবং ব্রেক সিস্টেমের ওয়ার্নিং আলো চালু থাকে, বা গাড়ি চালানোর সময় একই সাথে আসে তবে আপনার **ABS** সিস্টেমটি রিয়ার ব্রেক ফোর্স কন্ট্রোল ফাংশন (প্রপরশনিং ভালভ ফাংশন) দিয়ে সজ্জিত এবং রিয়ার ব্রেক ফোর্স কন্ট্রোল ফাংশন এবং **ABS** সিস্টেমের অ্যান্টি-লক ফাংশন উভয় ক্ষেত্রেই কিছু খারাপ হতে পারে।

যদি উপরেরগুলির মধ্যে একটিও ঘটে, তবে একটি **Maruti Suzuki** অনুমোদিত ওয়ার্কসপ-এ সিস্টেমটি দেখান।

যদি **ABS** নিষ্ক্রিয় হয়ে যায়, ব্রেক সিস্টেমটি একটি সাধারণ ব্রেক সিস্টেম হিসাবে কাজ করবে যার এই **ABS** সিস্টেম নেই।

ABS সিস্টেমের বিশদ বিবরণের জন্য, "অপারেটিং ইউজ ভেহিকল" বিভাগে "অ্যান্টিলক ব্রেক সিস্টেম (**ABS**)" দেখুন।

ম্যালফাংশন ইন্ডিকেটর লাইট



63J031

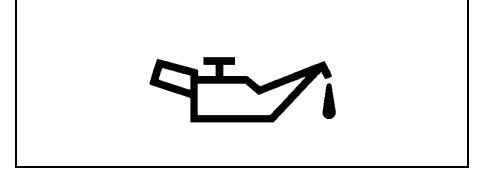
আপনার গাড়িতে একটি কম্পিউটার-নিয়ন্ত্রিত এমিশন কন্ট্রোল সিস্টেম আছে। ইন্সট্রুমেন্ট প্যানেলে একটি ম্যালফাংশন ইন্ডিকেটর লাইট আছে যা দেখিয়ে দেয় যে কখন এমিশন কন্ট্রোল সিস্টেমের সার্ভিস করা প্রয়োজন। ইগনিশন সুইচ "অন" অবস্থানে নিয়ে গেলে ম্যালফাংশন ইন্ডিকেটর লাইট জ্বলে উঠে জানিয়ে দেয় যে আলোটি কাজ করছে, এবং ইঞ্জিন চালু হলে তা নিভে যায়।

ইঞ্জিন চালু থাকা অবস্থায় ম্যালফাংশন ইন্ডিকেটর লাইট যদি জ্বলে ওঠে তাহলে বুঝতে হবে যে এমিশন কন্ট্রোল সিস্টেমে কোনও ত্রুটি আছে। ত্রুটি মেরামত করার জন্য গাড়িটিকে আপনার নিকটতম অনুমোদিত মারুতি সূজুকি কমার্শিয়াল কর্মশালায় নিয়ে যান।

লক্ষণীয় বিষয়

ম্যালফাংশন ইন্ডিকেটর লাইট যখন জ্বলতে থাকবে তখন গাড়ি চালাতে থাকলে গাড়ির এমিশন কন্ট্রোল সিস্টেমের স্বাস্থ্য ক্ষতি হতে পারে এবং ফুয়েল ইকনমি এবং গাড়ির চালনার ক্ষমতাকে প্রভাবিত করতে পারে।

অয়েল প্রেশার লাইট



50G051

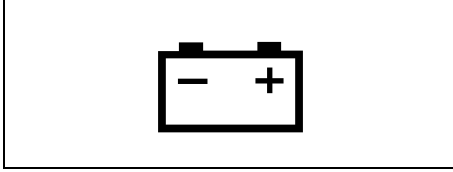
যখন ইগনিশন সুইচটিকে "অন" অবস্থানে আনা হয় তখন এই আলোটি জ্বলে এবং ইঞ্জিন চালু হলে নিভে যায়। অয়েল প্রেশার কম থাকলে আলো জ্বলে উঠবে এবং জ্বলেই থাকবে। গাড়ি চালানোর সময় যদি আলো জ্বলে ওঠে, তাহলে যত তাড়াতাড়ি সম্ভব রাস্তার পাশে সরে এসে ইঞ্জিন বন্ধ করে দিন।

অয়েলের পরিমাণ পরীক্ষা করুন এবং প্রয়োজনে সুপারিশ করা ইঞ্জিন অয়েল ভর্তি করুন। অয়েল যদি পর্যাপ্ত পরিমাণে থাকে তাহলে আবার গাড়ি চালানোর আগে অনুমোদিত মারুতি সূজুকি কমার্শিয়াল কর্মশালায় গাড়িটির লুব্রিকেশন সিস্টেমের পরীক্ষা করিয়ে নিতে হবে।

লক্ষণীয় বিষয়

- এই আলো জ্বলে গেলে এমন অবস্থায় আপনি যদি ইঞ্জিন চালান, তাহলে ইঞ্জিনের মারাত্মক ক্ষতি হতে পারে।
- অয়েল ভর্তি করার প্রয়োজনীয়তা নির্দেশ করতে অয়েল প্রেশার লাইটের উপর নির্ভর করবেন না। নিয়মিত ভাবে ইঞ্জিন অয়েলের পরিমাণ নিশ্চিত ভাবে পরীক্ষা করবেন।

চার্জিং লাইট



50G052

ইগনিশন সুইচটি "অন" অবস্থানে নিয়ে এলে এই আলোটি জ্বলে ওঠে এবং ইঞ্জিন চালু হলে নিভে যায়। ব্যাটারি চার্জিং সিস্টেমে কোনও ত্রুটি থাকলে আলোটি জ্বলে উঠবে এবং জ্বলেই থাকবে। ইঞ্জিন চলাকালীন যদি আলোটি জ্বলে, তাহলে অবিলম্বে চার্জিং সিস্টেমটিকে আপনার অনুমোদিত মার্কুতি সূজুকি কমার্শিয়াল কর্মশালায় পরীক্ষা করিয়ে নিতে হবে।

চালকের সিট বেল্ট ওয়ার্নিং লাইট /
সামনের যাত্রীর সিট বেল্ট ওয়ার্নিং লাইট



60G049

যদি চালক অথবা সামনের সিটের যাত্রী তার সিট বেল্ট না বাঁধেন, তাহলে এই আলো জ্বলে এবং/অথবা মিটমিট করবে।

সিট বেল্ট রিমাইন্ডার সম্পর্কে বিশদ বিবরণের জন্য, এই অনুচ্ছেদে "সিট বেল্ট ও শিশু প্রতিরোধ ব্যবস্থা" দ্রষ্টব্য।

হাই ইঞ্জিন কুল্যান্ট টেম্পারেচার ওয়ার্নিং
লাইট (লাল রঙের)



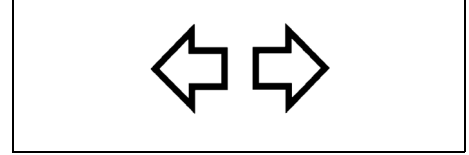
54G344

ইগনিশন সুইচটি "অন" অবস্থানে নিয়ে এলে এই আলোটি স্বল্প সময়ের জন্য জ্বলে ওঠে যাতে আপনি বুঝতে পারেন যে আলোটি কাজ করছে কিনা। গাড়ি চালানোর সময় যদি এই আলোটি মিটমিট করে জ্বলে, তাহলে বুঝতে হবে যে ইঞ্জিন গরম হয়ে গিয়েছে। এমন পরিস্থিতিতে গাড়ি চালানো এড়িয়ে চলুন যখন ইঞ্জিন প্রকৃতই অতিরিক্ত গরম হয়ে যেতে পারে। যদি আলো জ্বলতে থাকে কিন্তু মিটমিট না করে, তাহলে বুঝতে হবে যে ইঞ্জিনটি অতিরিক্ত গরম হয়ে যাচ্ছে। ইমার্জেন্সি সার্ভিস অনুচ্ছেদের "ইঞ্জিন বেশি গরম হলে" নির্দেশাবলী অনুসরণ করুন।

নক্ষত্রীয় বিষয়

ইঞ্জিন অতিরিক্ত গরম হয়েছে দেখানোর
পরেও গাড়ি চালিয়ে গেলে ইঞ্জিনের মারাত্মক
ক্ষতি হতে পারে।

টার্ন সিগন্যাল ইন্ডিকেটর



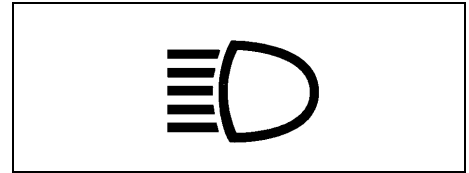
50G055

আপনি যখন বাম অথবা ডান দিকে বাঁক নেওয়ার সিগন্যাল চালু করবেন, তখন ইন্সট্রুমেন্ট প্যানেলে সংশ্লিষ্ট সবুজ রঙের তীর চিহ্নটি সংশ্লিষ্ট টার্ন সিগন্যাল লাইটের সঙ্গে সঙ্গে ফ্ল্যাশ করতে থাকবে। আপনি যখন হ্যাডার্ড ওয়ার্নিং সুইচটি চালু করবেন, তখন দুটি তীর চিহ্নই সমস্ত টার্ন সিগন্যাল লাইটের সঙ্গে সঙ্গে ফ্ল্যাশ করতে থাকবে।

মন্তব্য:

যদি টার্ন সিগন্যালে কোনও রকমের অস্বাভাবিকতা লক্ষ্য করেন, যেমন দ্রুত মিটমিট করছে, তাহলে টার্ন সিগন্যাল সিস্টেমে ত্রুটি থাকতে পারে। আপনার মার্কুতি সূজুকি অনুমোদিত ওয়ার্কশপকে সিস্টেমটি পরীক্ষা করে দেখতে বলুন।

মেইন বিম (হাই বিম) ইন্ডিকেটর লাইট



50G056

হেডলাইট মেইন বিম (হাই বিম) চালু করা হলে এই ইন্ডিকেটরটি চালু হয়।

চালানোর আগে

ইমমোবাইলজার সিস্টেম ওয়ার্নিং লাইট



65D239

যখন ইগনিশন সুইচটি "অন" অবস্থানে নিয়ে যাবেন, তখন এই আলোটি জ্বলে উঠে আপনাকে জানাবে যে আলোটি কাজ করছে। ইগনিশন সুইচটি "অন" করার পরে এই আলোটি যদি মিটমিট করে, তাহলে বুঝতে হবে যে ইমোবাইলজার সিস্টেমে কোনও ত্রুটি থাকতে পারে। কোনও মারুতি সুজুকি অনুমোদিত ওয়ার্কশপকে সিস্টেমটি পরীক্ষা করে দেখতে বলুন।

ESP® ওয়ার্নিং আলো (যদি সজ্জিত থাকে)



56RM02033

ESP® Daimler AG’র একটি নিবন্ধিত ড্রেডমার্ক

নিম্নলিখিত সিস্টেমগুলির মধ্যে একটিও সক্রিয় হলে এই আলো প্রতি সেকেন্ডে 5 বার ব্লিঙ্ক করে।

- স্টেবিলিটি কন্ট্রোল সিস্টেম
- আকর্ষণ নিয়ন্ত্রণ ব্যবস্থা

যদি এই আলোটি ব্লিঙ্ক করে, সাবধানে গাড়ি চালান

যখন ইগনিশন সুইচটি "চালু" করা হয়, তখন আলোটি স্ক্যানিকের জন্য জ্বলে ওঠে যাতে আপনি পরীক্ষা করতে পারেন যে আলোটি কাজ করছে কিনা। যদি আলো চালু থাকে, অথবা গাড়ি চালানোর সময় জ্বলে ওঠে এবং চালু থাকে, তাহলে **ESP®** সিস্টেমে (**ABS** ছাড়া) কিছু সমস্যা হতে পারে। আপনার **Maruti Suzuki** অনুমোদিত ওয়ার্কশপ দ্বারা সিস্টেমটি চেক করানো উচিত।

ESP® সিস্টেমের বিশদ বিবরণের জন্য, "অপারেটিং ইওর ভেহিকল" বিভাগে "ইলেকট্রনিক স্ট্যাবিলিটি প্রোগ্রাম (**ESP®**) (যদি সজ্জিত থাকে)" দেখুন।

⚠ সতর্কতা

ESP® ব্যবস্থা দুর্ঘটনা রোধ করতে পারে না। সবসময় সাবধানে গাড়ি চালান।

ESP® OFF ইন্ডিকেটর আলো (যদি সজ্জিত থাকে)



56RM02034

যখন ইগনিশন সুইচটি "ON" অবস্থানে ঘোরানো হয়, তখন এই আলোটি অল্পক্ষণ জ্বলে ওঠে যাতে আপনি পরীক্ষা করতে পারেন যে আলোটি কাজ করছে কিনা।

যখন **ESP® OFF** সুইচটি **ESP®** সিস্টেমগুলি (**ABS** ব্যতীত) বন্ধ করার জন্য চাপা হয় তখন **ESP® OFF** ইন্ডিকেটর আলো চালু হয় এবং চালু থাকে।

ESP® সিস্টেমের বিশদ বিবরণের জন্য, "অপারেটিং ইওর ভেহিকল" বিভাগে "ইলেকট্রনিক স্ট্যাবিলিটি প্রোগ্রাম (**ESP®**) (যদি সজ্জিত থাকে)" দেখুন।

CNG ম্যালফাংশন ওয়ার্নিং লাইট (যদি থাকে)



77PMC015

ইগনিশন সুইচটি "অন" করা হলে এই **CNG** ম্যালফাংশন ওয়ার্নিং লাইট স্বল্প সময়ের জন্য চালু হয়, যাতে পরীক্ষা করা যায় যে **CNG** ম্যালফাংশন লাইটে কোনও ত্রুটি নেই।

- ইগনিশন "অন" থাকা অবস্থায় **CNG** ম্যালফাংশন ওয়ার্নিং লাইট যদি জ্বলতেই থাকে, তাহলে বুঝতে হবে যে **CNG** সিস্টেমে কোনও ত্রুটি আছে। অনুমোদিত মারুতি সুজুকি কমার্শিয়াল কর্মশালায় অবিলম্বে আপনার গাড়িটির পরীক্ষা করান।
- যদি ইঞ্জিন চলাকালীন সময়ে **CNG** ম্যালফাংশন ওয়ার্নিং লাইট মিটমিট করে জ্বলতে থাকে, তাহলে বুঝতে হবে যে **CNG** সিস্টেমে কোনও সমস্যা হয়েছে। এই অবস্থায় গাড়িটি **CNG** মোডে চলতে পারবে না এবং স্বয়ংক্রিয়ভাবে পেট্রোল মোডে চলে যাবে।

আপনার গাড়িটিকে অনুমোদিত মার্কতি সূজুকি কমাশিয়াল কর্মশালায় পরীক্ষা করিয়ে নিন।

মন্তব্য:

ইগনিশন সুইচ "অন" আছে কিন্তু ইঞ্জিন চালু করা হয়নি, এমন অবস্থায় CNG লাইট যদি মিটিমিট করে জ্বলে তাহলে বুঝতে হবে যে ফুয়েল ট্যাঙ্কের ঢাকনা খোলা আছে। এই অবস্থায় গাড়িটি চালু হবে না। গাড়িটি চালু করার জন্য ঢাকনা বন্ধ করুন।

লাইটিং কন্ট্রোল লিভার

উদাহরণ



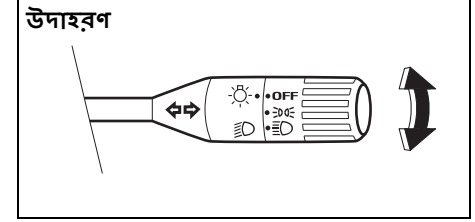
65D611

⚠ সতর্কতা

দুর্ঘটনার সম্ভাবনা এড়াতে স্টিয়ারিং হুইলের ভিতর দিয়ে কন্ট্রোলগুলি অপারেট করবেন না।

লাইটিং অপারেশন

উদাহরণ



77PH110

লাইটগুলি জ্বালাতে অথবা নেভাতে লিভারের প্রান্তের নবটি ঘোরান। এখানে তিনটি বিকল্প আছে:

অফ

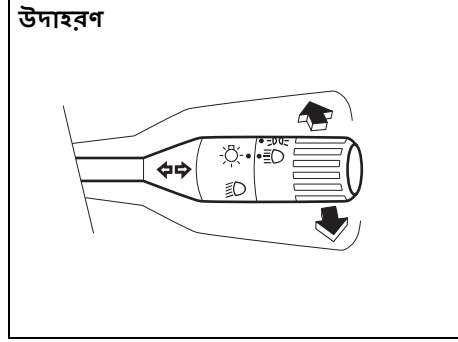
সব আলো নিভে থাকবে।

☀

ফ্রন্ট পজিশন লাইট, টেইল লাইট, লাইসেন্স প্লেট লাইট এবং ইন্সট্রুমেন্ট লাইট চালু আছে, কিন্তু হেডলাইট বন্ধ।

☀

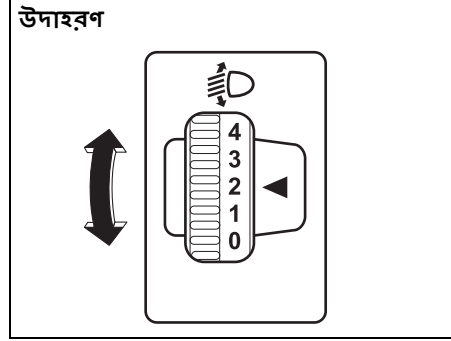
ফ্রন্ট পজিশন লাইট, টেইল লাইট, লাইসেন্স প্লেট লাইট, ইন্সট্রুমেন্ট লাইট এবং হেডলাইট চালু আছে।



77PH111

হেডলাইট জ্বলে থাকা অবস্থায় হাই বিম (মেইন বিম) যেতে লিভারটিকে সামনের দিকে ঠেলে দিন, অথবা লো বিম যেতে লিভারটিকে আপনার দিকে টেনে আনুন। যখন হাই বিম (মেইন বিম) চালু থাকবে, তখন ইন্সট্রুমেন্ট প্যানেলে মেইন বিম (হাই বিম) ইন্ডিকেটর আলো জ্বলবে। পাসিং সিগন্যাল দিতে হাই বিম (মেইন বিম) খুব অল্প সময়ের জন্য সক্রিয় করার জন্য লিভারটিকে আপনার দিকে কিছুটা টানুন এবং সিগন্যাল দেওয়া হলে গেলে এটি ছেড়ে দিন।

হেডলাইট লেভেলিং সুইচ



77PH010

গাড়িতে যতোটা লোড আছে সেই অনুযায়ী হেডলাইট বিম লেভেল করার জন্য এই সুইচটিকে ঘুরিয়ে আডজাস্ট করুন। নীচের চার্টটিতে গাড়ির বিভিন্ন লোড অবস্থা অনুযায়ী সুইচের উপযুক্ত অবস্থান দেখান হয়েছে।

গাড়ির লোডের অবস্থা	সুইচের অবস্থান
শুধুমাত্র চালক	0
চালক + সম্পূর্ণ মালপত্র ভর্তি	3

সিগন্যাল কন্ট্রোল লিভার চালু করা



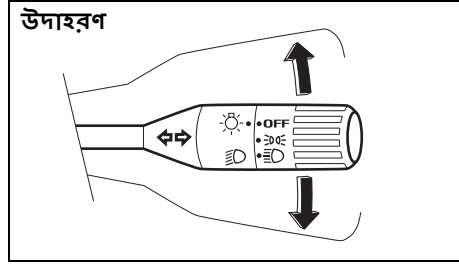
65D611

⚠ সতর্কতা

দুর্ঘটনার সম্ভাবনা এড়াতে স্টিয়ারিং হুইলের ভিত্তির দিয়ে কন্ট্রোলগুলি অপারেট করবেন না।

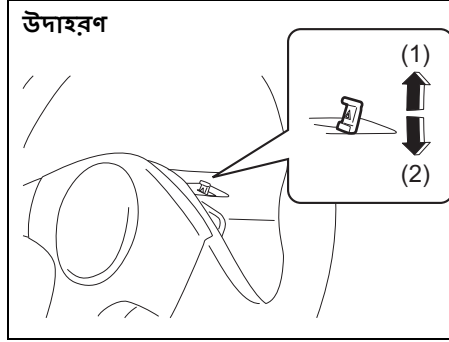
টার্ন সিগন্যাল অপারেশন

ইগনিশন সুইচ "অন" থাকা অবস্থায় ডান অথবা বাম দিকে বাঁক নেওয়ার সিগন্যাল সক্রিয় করতে লিভারটিকে উপরে অথবা নীচে আনুন।



সিগন্যাল দেওয়ার জন্য লিভারটিকে উপরের দিকে অথবা নীচের দিকে সরান। বাঁক নেওয়া হয়ে গেলে সিগন্যাল বাতিল হয়ে যাবে এবং লিভারটি নিজের স্বাভাবিক অবস্থানে ফিরে আসবে।

হ্যাঞ্জার্ড ওয়ার্নিং সুইচ

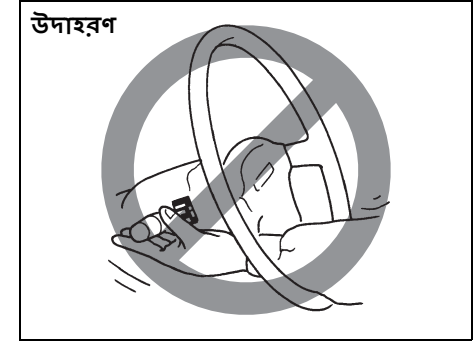


- (1) অন
- (2) অফ

হ্যাঞ্জার্ড ওয়ার্নিং লাইট সক্রিয় করার জন্য হ্যাঞ্জার্ড ওয়ার্নিং সুইচটি উপরের দিকে টানুন। সবগুলি টার্ন সিগন্যাল লাইট এবং উভয় টার্ন সিগন্যাল ইন্ডিকেটর একই সঙ্গে ফ্ল্যাশ করতে থাকবে। লাইট বন্ধ করতে, সুইচটিকে নীচের দিকে নামান।

আপনার গাড়ি জরুরি কারণে পার্কিং করার সময় অথবা আপনার গাড়ি যদি কোনও কারণে অন্য গাড়িগুলির বিপদের কারণ হতে পারে, তাহলে অন্য গাড়িগুলিকে সতর্ক করার জন্য হ্যাঞ্জার্ড ওয়ার্নিং লাইটের ব্যবহার করবেন।

উইন্ডশীল্ড ওয়াইপার ও ওয়াশার লিভার



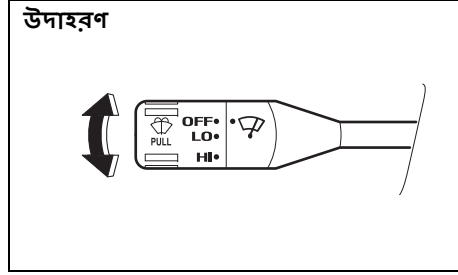
⚠ সতর্কতা

দুর্ঘটনার সম্ভাবনা এড়াতে স্টিয়ারিং হুইলের ভিতর দিয়ে কন্ট্রোলগুলি অপারেট করবেন না।

ওয়াইপার অপারেশন

যখন ইগনিশন সুইচ "অন" অবস্থানে থাকবে, তখন আপনি ওয়াইপার লিভার ব্যবহার করতে পারবেন।

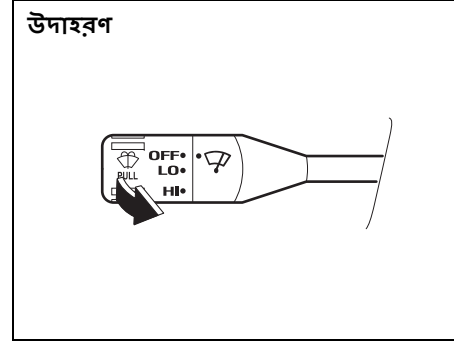
উইন্ডশীল্ড ওয়াইপার



77PM02015

উইন্ডশীল্ড ওয়াইপারগুলি চালু করার জন্য লিভারের প্রান্তের নবটিকে ঘুরিয়ে একটি অপারেটিং অবস্থানে নিয়ে যান। "লো" অবস্থানে, ওয়াইপারগুলি স্থির ভাবে কম গতিতে কাজ করবে। "হাই" অবস্থানে, ওয়াইপারগুলি স্থির ভাবে দ্রুত গতিতে কাজ করবে। ওয়াইপারগুলি বন্ধ করতে হলে লিভারটিকে "অফ" অবস্থানে ফিরিয়ে নিয়ে যান।

উইন্ডশীল্ড ওয়াশার



77PM02016

উইন্ডশীল্ড ওয়াশার ফ্লুইড স্প্রে করতে হলে লিভারটিকে আপনার দিকে টানুন।

⚠ সতর্কতা

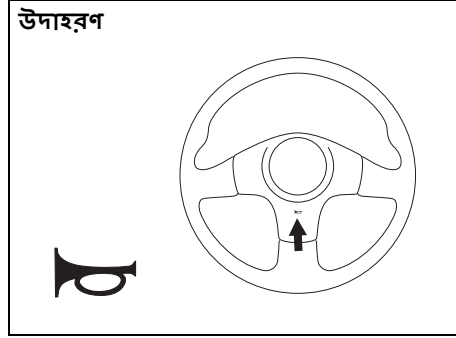
উইন্ডশীল্ড ওয়াশার রিজার্ভারে রেডিমেটর অ্যান্টিফ্রিজ ব্যবহার করবেন না। উইন্ডশীল্ডে স্প্রে করলে এটি দৃশ্যমানতাকে নিদারুণ ভাবে ক্ষতিগ্রস্ত করতে পারে এবং আপনার গাড়ির রঙেরও ক্ষতি করতে পারে।

নক্ষণীয় বিষয়

উইন্ডশীল্ড ওয়াইপার এবং ওয়াশার সিস্টেমের কম্পোনেন্টগুলির যাতে ক্ষতি না হয় তার জন্য আপনাকে নীচে দেওয়া সতর্কতাগুলি মেনে চলতে হবে:

- যখন উইন্ডশীল্ড ওয়াশার ফ্লুইড স্প্রে করা হচ্ছে না বা ওয়াশার মোটর ক্ষতিগ্রস্ত হতে পারে তখন লিভার ধরে রাখবেন না।
- শুকনো উইন্ডশীল্ড থেকে ওয়াইপার দিয়ে ময়লা সরানোর চেষ্টা করবেন না। এটি উইন্ডশীল্ড এবং ওয়াইপার ব্লেডগুলির ক্ষতি করতে পারে। ওয়াইপার ব্যবহার করার আগে সর্বদাই ওয়াশার ফ্লুইড দিয়ে উইন্ডশীল্ড ভিজিয়ে নেবেন।
- ওয়াইপার ব্যবহার করার আগে ওয়াইপার ব্লেড থেকে বরফ অথবা জমে থাকা তুষার পরিষ্কার করুন।
- ওয়াশার ফ্লুইডের পরিমাণ নিয়মিত ভাবে পরীক্ষা করুন। আবহাওয়া খারাপ থাকলে প্রায়ই এটি পরীক্ষা করবেন।
- ঠাণ্ডা আবহাওয়ায় ওয়াশার ফ্লুইড রিজার্ভারটি 3/4 পর্যন্ত ভর্তি করুন যাতে তাপমাত্রা যথেষ্ট কমে গেলে ফ্লুইডটি জমে গিয়ে সম্প্রসারিত হওয়ার জন্য জায়গা থাকে।

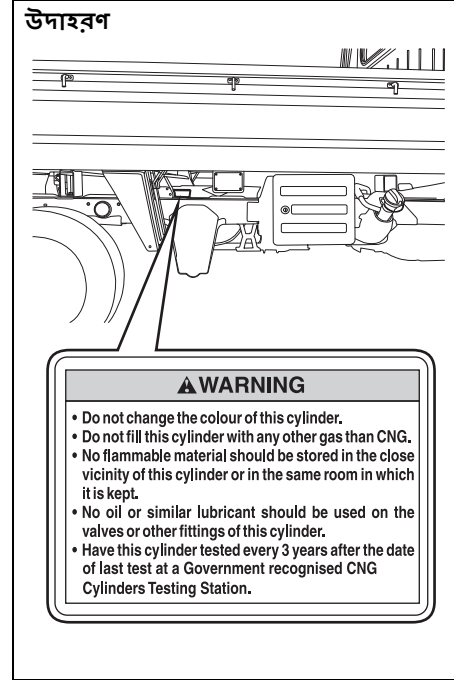
হর্ন



77PH029

হর্ন বাজানোর জন্য স্টিয়ারিং হুইলের হর্ন বাটন টিপুন। ইগনিশন সুইচ যে কোনও অবস্থানেই থাকুক না কেন, তা নির্বিশেষে হর্ন বাজানো যাবে।

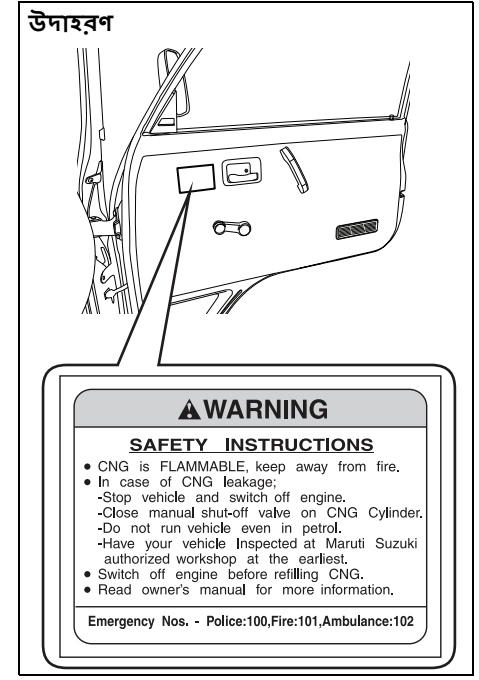
CNG সিলিন্ডার ওয়ার্নিং লেবেল (যদি থাকে)



77PM02006

আপনি **CNG** সিলিন্ডারে এই লেবেলটি দেখতে পাবেন।

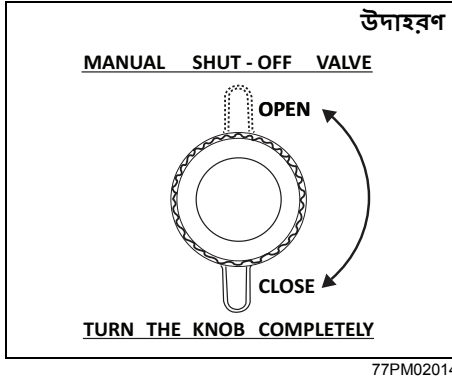
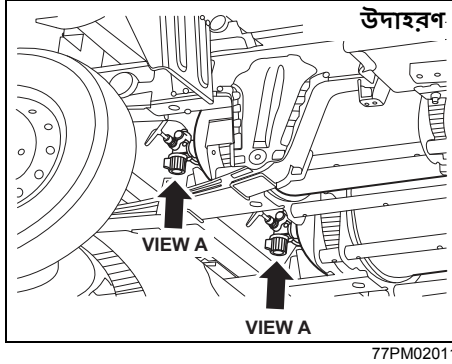
CNG ওয়ার্নিং লেবেল (যদি থাকে) সামনে চালকের দিকের দরজা



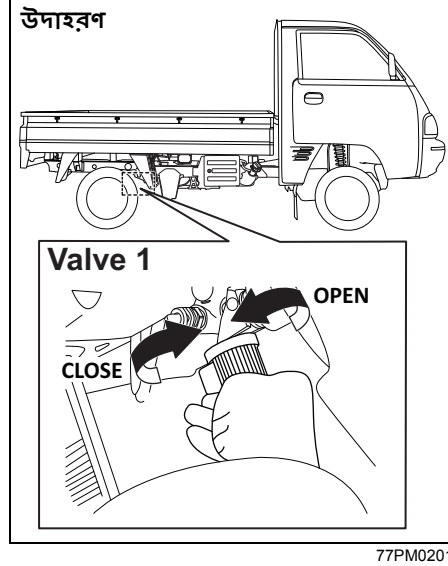
77PM02007

CNG সতর্কতা লেবেল সামনের ডানদিকের দরজায় আছে।

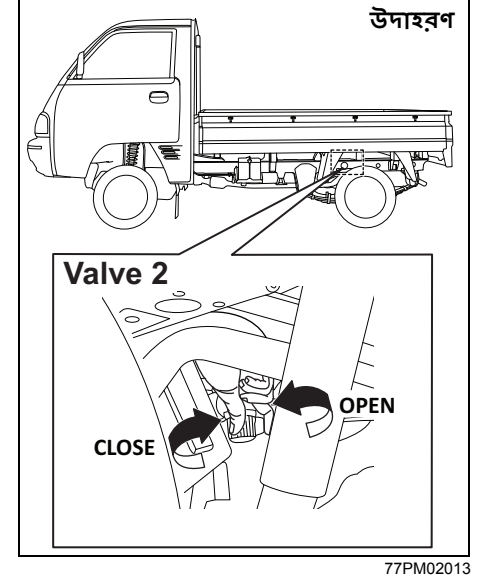
**CNG ম্যানুয়াল শাট-অফ ভালভ
(যদি থাকে)**



ডান দিকের পাশ (RHS)



বাম দিকের পাশ (LHS)



CNG সিলিন্ডারে ম্যানুয়াল শাট অফ ভালভ থাকে, যা গাড়ির নীচে দেওয়া হয়। গাড়ির বডি'র নীচে দুটি **CNG** সিলিন্ডার থাকে, প্রত্যেকটিতে একটি করে ম্যানুয়াল শাট অফ ভালভ থাকে। ম্যানুয়াল শাটঅফ ভালভ **1** এবং ভালভ **2** যথাক্রমে গাড়ির ডান দিক থেকে (**RHS**) এবং বাম দিক থেকে (**LHS**) থেকে অ্যাক্সেস করা যায়।

উভয় **CNG** সিলিন্ডারের ম্যানুয়াল শাট-অফ ভালভ বন্ধ করে দিয়ে **CNG** সরবরাহ বন্ধ করা যেতে পারে।

ভালভ বন্ধ করা: ইঞ্জিনে **CNG**-এর সরবরাহ বন্ধ করতে হলে (দৃশ্য **A** থেকে) নবটি ঘড়ির কাঁটার দিকে সম্পূর্ণ ঘুরিয়ে দিন।

ভালভ খোলা: ইঞ্জিনে **CNG**-এর সরবরাহ চালু করতে হলে (দৃশ্য **A** থেকে) নবটি ঘড়ির কাঁটার উল্টো দিকে সম্পূর্ণ ঘুরিয়ে দিন।

⚠ সতর্কতা

ম্যানুয়াল শাট অফ ভালভ 2 (LHS) অ্যাক্সেস করার সময় আপনার হাত যাতে এক্সহস্ট পাইপ স্পর্শ না করে সে বিষয়ে সতর্ক থাকবেন। গাড়ি চালানোর পরে এক্সহস্ট পাইপ যথেষ্ট গরম থাকতে পারে এবং আপনার হাত পুড়ে যেতে পারে।

মন্তব্য:

- ম্যানুয়াল শাট-অফ ভালভ যদি সম্পূর্ণ খোলা না হয়, তাহলে ইঞ্জিন সঠিকভাবে চলবে না।
- ম্যানুয়াল শাট-অফ ভালভ যদি বন্ধ থাকে, তাহলে সিলিন্ডারে **CNG** ভর্তি করা সম্ভব নয়।

মন্তব্য:

- সরকারী প্রবিধান অনুসারে **CNG** সিলিন্ডার আইডেন্টিফিকেশন প্লেটে উল্লেখ করা প্রথমবারের পরীক্ষার তারিখ থেকে প্রতি তিন (3) বছর অন্তর **CNG** সিলিন্ডার পরীক্ষা এবং প্রত্যায়িত করানো আবশ্যিক।
- গ্রাহককে গাড়িটি সরকার অনুমোদিত টেস্টিং এজেন্সির কাছে নিয়ে যেতে হবে।
- সিলিন্ডার পরীক্ষা না করলে **CNG** সরবরাহকারী স্টেশনগুলি **CNG** ভর্তি করতে অস্বীকার করতে পারে, অথবা প্রবর্তন (এনফোসমেন্ট) কর্তৃপক্ষ গাড়িটি বাজেয়াপ্ত করতে পারে।
- **CNG** সিলিন্ডার পরীক্ষা বাবদ সমস্ত ব্যয় গ্রাহককে বহন করতে হবে।
- সরকারী প্রবিধান অনুসারে **CNG** সিলিন্ডার আইডেন্টিফিকেশন প্লেটে উল্লেখ করা প্রথমবারের পরীক্ষার তারিখ থেকে 20 বছরের মধ্যে **CNG** সিলিন্ডারটি বাতিল করতে হবে।
- গ্রাহককে সরকার অনুমোদিত স্ক্র্যাপ এজেন্সির মাধ্যমে নিজের ব্যয়ে সিলিন্ডারটি বাতিল করতে হবে।
- কোনও ব্যক্তি উপ-বিধি (2)-এর আওতায় মেরামত করা কোনও সিলিন্ডারে গ্যাস ভর্তি করবেন না, যদি না সেই সিলিন্ডারের মেরামত এবং পরীক্ষা সম্বন্ধিত সম্পূর্ণ প্রতিবেদন এবং মেরামতকারীর পরীক্ষার সংশ্লিষ্ট চিফ কন্ট্রোলারের কাছে জমা না দেওয়া হয় এবং পুনরায় ভর্তি করার জন্য তার অনুমতি নেওয়া না হয়।

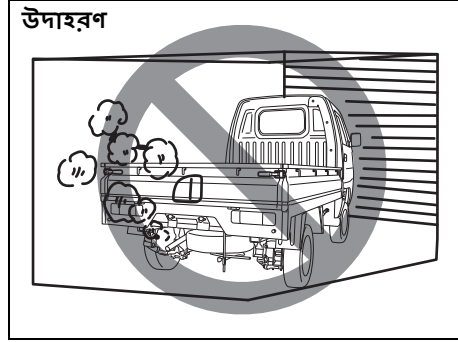
⚠ সতর্কতা

- সিলিন্ডার অ্যাসেম্বলি থেকে সিলিন্ডারের ভালভ কখনই সরিয়ে ফেলবেন না। যে কোনও প্রকারের সহায়তার জন্য অনুমোদিত মারুতি সুজুকি কমার্শিয়াল কর্মশালার প্রবাস্ত্র নিন।
- সিলিন্ডার কখনই পরিষ্কার করার চেষ্টা করবেন না। কোনও রকমের সমস্যা হলে, অনুমোদিত মারুতি সুজুকি কমার্শিয়াল কর্মশালার সঙ্গে যোগাযোগ করবেন।
- সিলিন্ডার অ্যাসেম্বলি থেকে সিলিন্ডার ভালভটি পরিবর্তন/খুলে ফেলা হলে সেই সিলিন্ডার ভালভটির পুনর্ব্যবহার করবেন না।
- ইঞ্জিন বন্ধ হওয়া পর্যন্ত সিলিন্ডারের **CNG** শেষ হয়ে গেলেও ট্যাঙ্কে চাপে থাকা কিছু পরিমাণ **CNG** অবশিষ্ট থাকবে।

আপনার গাড়ি চালানো

এক্সহস্ট গ্যাস ওয়ার্নিং	3-1
দৈনিক পরিদর্শন চেকলিস্ট	3-1
ইঞ্জিনের অয়েল খরচ	3-2
ইগনিশন সুইচ	3-2
পার্কিং ব্রেক লিভার	3-4
প্যাডেল	3-5
ইঞ্জিন চালু করা	3-5
ট্রান্সমিশনের ব্যবহার করা	3-6
পার্কিং সেন্সর	3-8
ব্রেকিং	3-11
অ্যান্টি-লক ব্রেক সিস্টেম (ABS)	3-12
ইলেকট্রনিক স্ট্যাবিলিটি প্রোগ্রাম (ESP®)	3-15

এক্সহস্ট গ্যাস ওয়ার্নিং



82DY03

সতর্কতা

নিঃস্বাসের সঙ্গে এক্সহস্ট গ্যাস নেওয়া এড়িয়ে চলুন। এক্সহস্ট গ্যাসে কার্বন মনোক্সাইড থাকে, যা একটি সন্তোষ্য প্রাণঘাতী বর্ণহীন ও গন্ধহীন গ্যাস। যেহেতু কার্বন মনোক্সাইড শনাক্ত করা কঠিন, তাই কার্বন মনোক্সাইড যাতে আপনার গাড়িতে প্রবেশ না করতে পারে তার জন্য নিম্নলিখিত সতর্কতাগুলি অবশ্যই মেনে চলবেন।

• যাত্রীদের গাড়ির ভিতরে রেখে গ্যারেজে অথবা সীমাবদ্ধ জায়গায় ইঞ্জিন চালু অবস্থায় রাখবেন না। এর ফলে কেবিনে কার্বন-মনোক্সাইড জমা হয়ে স্বাস্রোধ অথবা স্বাস্রকষ্ট হতে পারে, যার ফলে মৃত্যু হতে পারে।

(চলবে)

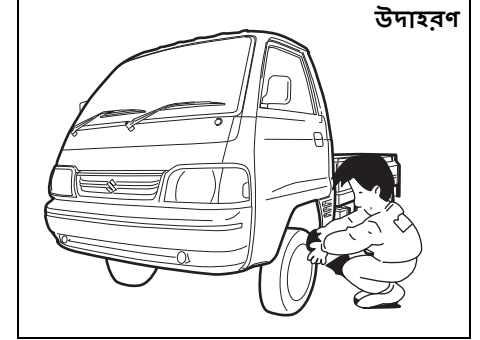
সতর্কতা

(চলবে)

- এমনকি খোলা জায়গাতেও ইঞ্জিন দীর্ঘ সময়ের জন্য চালু রেখে গাড়ি পার্ক করবেন না। দীর্ঘ সময় ধরে ইঞ্জিন চালু থাকলে গাড়ির ভিতরে থাকা যাত্রীদের দম বন্ধ হওয়ার এবং মৃত্যু হওয়ার আশঙ্কা থাকে। যদি ইঞ্জিন চালু থাকা অবস্থায় পার্ক করা গাড়িতে অল্প সময়ের জন্য বসার প্রয়োজন হয়, তাহলে নিশ্চিত করবেন যে এয়ার ইনটেক সিলেকটর "ফ্রেশ এয়ার" -এ সেট করা আছে এবং রোয়ারটি উচ্চ গতিতে আছে।
- আপনার গাড়ির বায়ুচলাচল ব্যবস্থা (ভেন্টিলেশন সিস্টেম) যাতে সঠিকভাবে কাজ করতে পারে তার জন্য গাড়ির সামনের এয়ার ইনলেট গিল সব সময় তুষার, গাছের পাতা অথবা অন্যান্য বাধা থেকে পরিষ্কার রাখবেন।
- গাড়ির নীচে এক্সহস্ট গ্যাস যাতে কম পরিমাণে জমা হয় তার জন্য এক্সহস্ট পাইপের জায়গাটি তুষার এবং অন্যান্য উপাদান থেকে পরিষ্কার রাখবেন। যখন তুষারঝড় হবে তখন গাড়ি পার্ক করার সময় এটি বিশেষভাবে গুরুত্বপূর্ণ।
- এক্সহস্ট সিস্টেমে কোনও ক্ষতি এবং লিকেজ আছে কিনা তা নিয়মিত ভাবে পরীক্ষা করবেন। কোনও ক্ষতি অথবা লিক থাকলে অবিলম্বে তার মেরামত করতে হবে।

দৈনিক পরিদর্শন চেকলিস্ট

গাড়ি চালানোর আগে



77PM03001

- 1) নিশ্চিত হয়ে নিন যে জানালা, আয়না, আলো এবং রিফ্লেক্টরগুলি পরিষ্কার ও বাধাহীন আছে।
- 2) টায়ার সংক্রান্ত নিম্নলিখিত বিষয়গুলি চাফুশ পরীক্ষা করুন:
 - ট্রেড গ্রুভের গভীরতা
 - অস্বাভাবিক ক্ষয়, ফাটল এবং ক্ষতি
 - হুইল নাট ঢিলে থাকা
 - পেরেক, পাথর ইত্যাদির মতো বস্তু থাকা।বিশদের জন্য "পরিদর্শন ও রক্ষণাবেক্ষণ" অনুচ্ছেদে "টায়ারস" দ্রষ্টব্য।
- 3) ফুইড এবং অয়েল লিকেজ আছে কিনা দেখুন।
- 4) নিশ্চিত হয়ে নিন যে ইঞ্জিনের কম্পার্টমেন্ট পুরোপুরি বন্ধ এবং তাতে ল্যাচ লাগানো আছে।
- 5) হেডলাইট, টার্ন সিগন্যাল লাইট, ব্রেক লাইট এবং হর্ন সঠিক ভাবে কাজ করছে কিনা পরীক্ষা করে দেখুন।

- 6) ড্রাইভারের সিট অ্যাডজাস্ট করুন।
- 7) ব্রেক প্যাডেল এবং পার্কিং ব্রেক লিভার পরীক্ষা করুন।
- 8) আয়না অ্যাডজাস্ট করুন।
- 9) নিশ্চিত হয়ে নিন যে আপনি এবং সহযাত্রী সিট বেল্ট সঠিক ভাবে বেঁধেছেন।
- 10) নিশ্চিত হয়ে নিন যে চাবিটি "অন" অবস্থানে নিয়ে গেলে সঙ্গে সঙ্গে সমস্ত ওয়ার্নিং লাইটগুলি জ্বলে ওঠে।
- 11) সমস্ত গেজ চেক করুন।
- 12) নিশ্চিত হয়ে নিন যে পার্কিং ব্রেক ছেড়ে দিলে ব্রেক সিস্টেম ওয়ার্নিং লাইট নিভে যায়।

সম্ভাহে একবার, অথবা প্রতিবার যখন আপনি ফুয়েল ট্যাঙ্ক ভর্তি করেন, অথবা দীর্ঘ দূরত্বে গাড়ি চালানোর আগে (যেমন হাইওয়েতে চালানো), নীচে দেওয়া আন্ডার-হুড পরীক্ষাগুলি করুন:

- 1) ইঞ্জিন অয়েলের পরিমাণ
- 2) কুল্যান্টের পরিমাণ
- 3) ব্রেক ফ্লুইডের পরিমাণ
- 4) উইন্ডশীল্ড ওয়াশার ফ্লুইডের (যদি দেওয়া হয়ে থাকে) পরিমাণ
- 5) ব্যাটারির ইলেক্ট্রোলাইটের পরিমাণ
- 6) ল্যাচ অপারেশন লুব্রিকেশনের সময়সূচীর জন্য "পরিদর্শন ও রক্ষণাবেক্ষণ" অনুচ্ছেদের "নিয়মিত রক্ষণাবেক্ষণের সময়সূচী"-তে "চ্যাসিস ও বডি"-তে "সমস্ত ল্যাচ, কন্ডা এবং তালা" দ্রষ্টব্য।

সম্ভাহে একবার, অথবা প্রতিবার যখন আপনি ফুয়েল ট্যাঙ্ক ভর্তি করেন, অথবা দীর্ঘ দূরত্বে গাড়ি চালানোর আগে (যেমন হাইওয়েতে চালানো), একটি টায়ার প্রেসার গেজ ব্যবহার

করে টায়ারের প্রেশার পরীক্ষা করুন। অতিরিক্ত (স্পায়ার) টায়ারটির প্রেশারও পরীক্ষা করুন।

ইঞ্জিন অয়েল খরচ

গাড়ির স্বাভাবিক অপারেশনের সময়ে ইঞ্জিন অয়েলের কিছুটা খরচ হওয়া স্বাভাবিক।

ইঞ্জিন অয়েল খরচ হওয়ার পরিমাণ নির্ভর করে অয়েলের ভিস্কোসিটি, গুণমান এবং গাড়িটি যে অবস্থার মধ্যে চলেছে তার উপর।

বেশি গতিতে গাড়ি চালালে এবং গতি ঘন ঘন কমতে ও বাড়তে থাকলে অয়েল খরচ বেশি হয়। গাড়িতে লোড বেশি থাকলেও ইঞ্জিন আরও বেশি অয়েল খরচ করবে।

একটি নতুন ইঞ্জিনেও অয়েল বেশি খরচ হবে, যেহেতু এর পিস্টন, পিস্টন রিং এবং সিলিন্ডারের দেয়াল তখনও কন্ডিশনড হয়নি। প্রায় **5000 km (3000 মাইল)** চলার পরেই নতুন ইঞ্জিনগুলির অয়েল খরচ স্বাভাবিক স্তরে পৌঁছায়।

অয়েল খরচ:
সর্বোচ্চ **1.0 L** প্রতি **1000 km**
(**1 Qt.** প্রতি **600 মাইল**)

অয়েল খরচের পরিমাণ বিচার করার সময় মনে রাখবেন যে অয়েল পাতলা হয়ে যেতে পারে। তাই সঠিকভাবে অয়েলের সঠিক পরিমাণ বিচার করা কঠিন হতে পারে।

এর একটি উদাহরণ হল, যদি একটি গাড়ি বারবার ছোট ছোট দূরত্বে যায় এবং তার জন্য স্বাভাবিক পরিমাণ অয়েল খরচ হয়, তাহলে এই ভাবে **1000 km (600 মাইল)** অথবা তার বেশি দূরত্ব অতিক্রম করার পরেও ডিপস্টিক ব্যবহার করে অয়েলের পরিমাণে কোনও হ্রাস দেখা যাবে না। এর কারণ হল অয়েল ধীরে ধীরে জ্বালানি অথবা আর্দ্রতার সঙ্গে মিশে পাতলা হয়ে

যাচ্ছে, ফলে মনে হচ্ছে যেন অয়েলের পরিমাণে কোনও পরিবর্তন হয়নি।

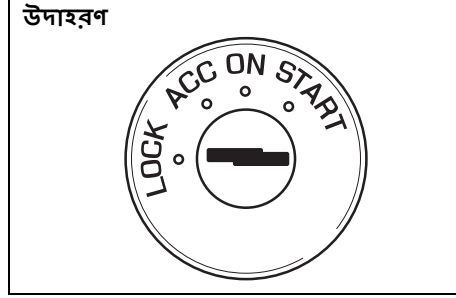
আপনার আরও মনে রাখতে হবে যে পরে যখন গাড়িটি বেশি গতিতে চলবে, যেমন এক্সপ্রেসওয়ে ধরে যাওয়া, তখন পাতলা করার উপাদানগুলি বাষ্পীভূত হয়ে যাবে, এবং তখন মনে হবে যে বেশি গতিতে গাড়ি চালানোর ফলে অত্যধিক পরিমাণে অয়েল খরচ হয়েছে।

ইগনিশন সুইচ



সতর্কতা
দুর্ঘটনার সম্ভাবনা এড়াতে স্টিয়ারিং হুইলের ভিতর দিয়ে কন্ট্রোলগুলি অপারেট করবেন না।

আপনার গাড়ি চালানো



ইগনিশন সুইচের নীচের চারটি অবস্থান রয়েছে:

লক

এটি হল স্বাভাবিক পার্কিং অবস্থান। শুধুমাত্র এই অবস্থানে থাকলেই চাবিটি খোলা যেতে পারে।

স্টিয়ারিং লক খোলার জন্য চাবিটি ঢোকান এবং এটিকে ঘড়ির কাঁটার দিকে অন্য অবস্থানগুলির মধ্যে যে কোনও একটিতে ঘুরিয়ে নিন। স্টিয়ারিং আনলক করার জন্য চাবি ঘোরাতে আপনার যদি কোনও সমস্যা হয়, তাহলে, চাবি ঘোরানোর সময় স্টিয়ারিং হুইলটিকে সামান্য ডান অথবা বাম দিকে ঘোরান।

ACC

অ্যাক্সেসরিজ সকেটের মতো অ্যাক্সেসরি কাজ করতে পারে, কিন্তু ইঞ্জিন বন্ধ আছে।

অন

এটি হল স্বাভাবিক অপারেটিং অবস্থান। সমস্ত বৈদ্যুতিক ব্যবস্থা চালু আছে।

স্টার্ট

এটি হল স্টার্টার মোটর ব্যবহার করে ইঞ্জিন চালু করার অবস্থান। ইঞ্জিন চালু হওয়া মাত্রই চাবিটিকে এই অবস্থান থেকে সরিয়ে দিতে হবে।



82DY04

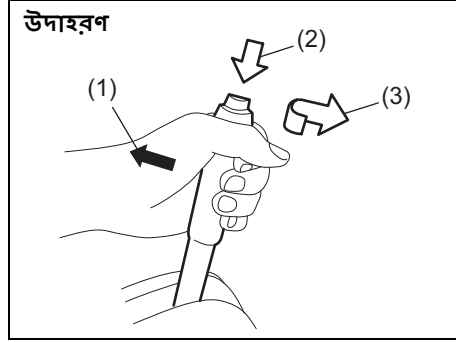
⚠ সতর্কতা

- গাড়ি চলতে থাকার সময় কখনই ইগনিশন কী সরিয়ে ফেলবেন না। স্টিয়ারিং হুইল লক হয়ে যাবে এবং আপনি গাড়ির দিক নির্দেশ করতে পারবেন না।
- গাড়ি ছেড়ে অল্প সময়ের জন্য বাইরে যেতে হলেও সর্বদা ইগনিশন চাবিটি খুলে নেবেন। এছাড়াও পার্ক করা গাড়িতে বাস্বাদের একা রেখে যাবেন না। উষ্ণ অথবা গরম আবহাওয়ায় তাদের হিট স্ট্রোকেও হতে পারে। এর ফলে গুরুতর আঘাত প্রাপ্তি অথবা এমনকি মৃত্যুও হতে পারে।

নক্ষণীয় বিষয়

- একবারে 30 সেকেন্ডের বেশি সময় ধরে স্টার্টার মোটর ব্যবহার করবেন না। ইঞ্জিন যদি চালু না হয়, তাহলে 15 সেকেন্ড অপেক্ষা করে তারপরে আবার চেষ্টা করুন। অনেকবার চেষ্টা করার পরেও যদি ইঞ্জিন চালু না হয়, তখন জ্বালানি এবং ইগনিশন সিস্টেম পরীক্ষা করুন, অথবা আপনার অনুমোদিত মার্কতি সূজুকি কমার্শিয়াল কর্মশালার পরামর্শ নিন।
- যদি ইঞ্জিন চালু না থাকে তাহলে ইগনিশন সুইচটিকে "অন" অবস্থানে রাখবেন না, নয়তো এর ফলে ব্যাটারি ডিসচার্জ হয়ে যাবে।

পার্কিং ব্রেক লিভার



77PH030

- (1) সেট করা
- (2) ছেড়ে দেওয়া
- (3) ছেড়ে দেওয়া

পার্কিং ব্রেক লিভারটি সামনের সিটগুলির মধ্যে অবস্থিত। পার্কিং ব্রেক সেট করতে, ব্রেক প্যাডেলটি চেপে রাখুন এবং পার্কিং ব্রেক লিভারটি উপরের দিকে টানুন। পার্কিং ব্রেক ছেড়ে দেওয়ার জন্য, ব্রেক প্যাডেলটি চেপে রাখুন, পার্কিং ব্রেক লিভারে সামান্য উপরে টানুন, আপনার বুডো আঙুল দিয়ে লিভারের শেষে বোতামটি টিপুন এবং লিভারটিকে তার আসল অবস্থানে নামান।

⚠ সতর্কতা

- পার্কিং ব্রেক চালু রেখে কখনই আপনার গাড়ি চালাবেন না: অতিরিক্ত গরম হয়ে পিছনের ব্রেকের কার্যক্ষমতা কমে যেতে পারে, ব্রেক লাইফ কমে যেতে পারে, অথবা ব্রেকের স্থায়ী ক্ষতি হতে পারে।
- পার্কিং ব্রেক যদি গাড়িকে নিরাপদে ধরে রাখতে না পারে, অথবা সম্পূর্ণ ভাবে না ছাড়ে, তাহলে আপনার গাড়িটি অবিলম্বে একটি অনুমোদিত মার্ক্‌তি সুজুকি কমার্শিয়াল কর্মশালায় পরীক্ষা করিয়ে নিন।

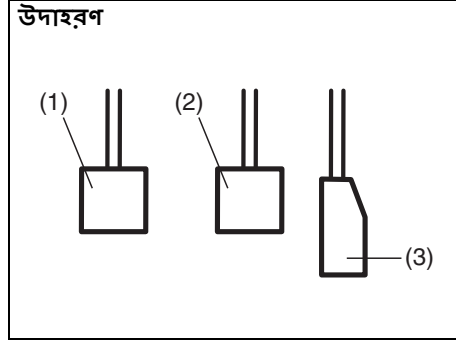
⚠ সতর্কতা

গাড়ি চেড়ে বাইরে যাওয়ার আগে সর্বদাই পার্কিং ব্রেক সম্পূর্ণ ভাবে সেট করবেন, অন্যথায় গাড়িটি নড়াচড়া করতে পারে এবং আঘাত অথবা ক্ষতির কারণ হতে পারে। পার্কিং করার সময় নিশ্চিত হয়ে নেবেন যে গিয়ারশিফট লিভার রিভার্স অথবা প্রথম গিয়ারে আছে। মনে রাখবেন যে ট্রান্সমিশন গিয়ারে থাকলেও আপনাকে পার্কিং ব্রেক অবশ্যই সম্পূর্ণরূপে সেট করতে হবে।

⚠ সতর্কতা

- অত্যন্ত ঠান্ডা আবহাওয়ায় গাড়ি পার্কিং করার সময় নীচের পদ্ধতি মেনে চলতে হবে:
- 1) পার্কিং ব্রেক সেট করুন।
 - 2) ইঞ্জিন বন্ধ করুন, তারপর রিভার্স অথবা প্রথম গিয়ারে যান।
 - 3) গাড়ি থেকে নামুন এবং চাকার নীচে চোক (বোধা) লাগান।
 - 4) পার্কিং ব্রেক ছেড়ে দিন। আপনি যখন আপনার গাড়িতে ফিরে আসবেন, তখন আপনি অবশ্যই প্রথমে পার্কিং ব্রেক সেট করবেন, এবং তারপরে চাকার চোকগুলি সরাবেন।
- সিগারেটের লাইটার, স্প্রে ক্যান, কোমল পানীয়ের ক্যান বা প্লাস্টিকের জিনিস (যেমন চশমা, সিডি কেস ইত্যাদি) সূর্য-উত্তপ্ত গাড়িতে রেখে যাবেন না। গাড়ির ভিতরের তাপমাত্রা নিম্নরূপ হতে পারে:
 - সিগারেটের লাইটার বা স্প্রে ক্যান থেকে গ্যাস লিক হতে পারে এবং আগুন লাগার কারণ হতে পারে।
 - চশমা, প্লাস্টিকের কার্ড বা সিডি কেস ইত্যাদি বিকৃত বা ফেটে যেতে পারে।
 - কোমল পানীয়ের ক্যানগুলি ভেঙে যেতে পারে।

প্যাডেল



80J2121

ক্লাচ প্যাডেল (1)

ইঞ্জিন চালু করার সময়, থামানোর সময় অথবা গিয়ারশিফট লিভার পরিবর্তন করার সময় চাকা থেকে ড্রাইভকে বিচ্ছিন্ন করতে ক্লাচ প্যাডেল ব্যবহার করা হয়। প্যাডেলে চাপ দিলে ক্লাচ ডিসএঙ্গেজ হয়ে যায়।

⚠ সতর্কতা

ক্লাচ প্যাডেলে পা রেখে গাড়ি চালাবেন না। এর ফলে ক্লাচের অত্যধিক ক্ষয় ও ক্ষতি হতে পারে, অথবা ইঞ্জিন ব্রেকিংয়ের অপ্রত্যাশিত ক্ষতি হতে পারে।

ব্রেক প্যাডেল (2)

আপনার গাড়িতে ফ্রন্ট ডিস্ক ব্রেক এবং রিয়ার ড্রাম ব্রেক দেওয়া আছে। ব্রেক প্যাডেলে চাপ দিলে উভয় ব্রেকেই তা প্রযোজ্য হয়।

আপনি যখন ব্রেক প্রয়োগ করেন তখন মাঝে মাঝে হয়তো ব্রেক থেকে জোরে আওয়াজ শুনতে পান। এটি একটি স্বাভাবিক অবস্থা। এটি পরিবেশগত কারণে হয়, যেমন তাপমাত্রা, আর্দ্রতা, তুষার অথবা ধূলা ইত্যাদি।

⚠ সতর্কতা

ব্রেক প্রয়োগের সময়ে প্রত্যেকবার যদি অত্যধিক আওয়াজ হয়, তাহলে আপনার অনুমোদিত মারুতি সূত্রিকি কমার্শিয়াল কর্মশালায় ব্রেকের পরীক্ষা করিয়ে নিতে হবে।

⚠ সতর্কতা

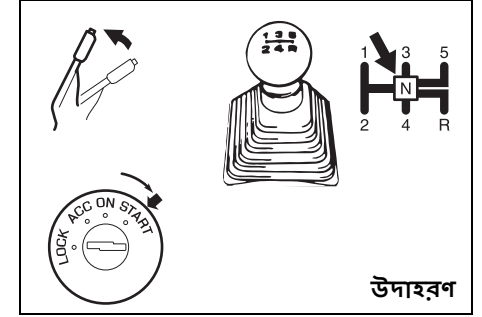
ক্রমাগত ব্রেকে চাপ দিয়ে অথবা ব্রেক প্যাডেলে আপনার পা রেখে গাড়ি চালাবেন না। এর ফলে ব্রেক অত্যন্ত গরম হয়ে গিয়ে অপ্রত্যাশিত ব্রেকিং অ্যাকশন হতে পারে, গাড়ি থামার দুরত্ব বেড়ে যেতে পারে, অথবা ব্রেকের স্বামী ক্ষতির কারণ হতে পারে।

এক্সিলারেটর প্যাডেল (3)

এই প্যাডেলটি ইঞ্জিনের গতি নিয়ন্ত্রণ করে। অ্যাক্সিলারেটর প্যাডেলকে চাপ দিলে পাওয়ার আউটপুট এবং গতি বেড়ে যায়।

ইঞ্জিন চালু করা

ইঞ্জিন চালু করার আগে



উদাহরণ

77PH014

- নিশ্চিত হয়ে নিন যে পার্কিং ব্রেক সম্পূর্ণরূপে সেট করা আছে।
- "N" (নিউট্রাল)-এ যান এবং ক্লাচ প্যাডেলে চাপ দিয়ে মেরে পর্যন্ত নিয়ে যান। ইঞ্জিন চালু করার সময় ক্লাচ প্যাডেল চেপে রাখুন।

⚠ সতর্কতা

ইঞ্জিন চালু করার আগে নিশ্চিত হয়ে নিন যে পার্কিং ব্রেক সম্পূর্ণরূপে সেট করা আছে এবং ট্রান্সমিশন নিউট্রাল আছে।

ঠান্ডা এবং গরম ইঞ্জিন চালু করা

অ্যাক্সিলারেটর প্যাডেল থেকে আপনার পা তুলে নিন, ইগনিশন কী "স্টার্ট"-এ ঘুরিয়ে ইঞ্জিন ক্র্যাঙ্ক করুন। ইঞ্জিন চালু হলে কী ছেড়ে দিন।

সতর্কতা

- ইঞ্জিন শুরু হলেই স্টার্টার ঘোরানো বন্ধ করুন, অন্যথায় স্টার্টার সিস্টেম ক্ষতিগ্রস্ত হতে পারে।
- একবারে 12 সেকেন্ডের বেশি ইঞ্জিন ক্র্যাঙ্ক করবেন না। প্রথম চেষ্টায় ইঞ্জিন চালু না হলে, প্রায় 30 সেকেন্ড অপেক্ষা করে তারপরে আবার চেষ্টা করুন।

যদি 12 সেকেন্ড ক্র্যাঙ্ক করার পরে ইঞ্জিন চালু না হয়, তাহলে প্রায় 30 সেকেন্ড অপেক্ষা করুন, তারপর এক্সিলারেটর প্যাডেলকে 1/3 চাপুন এবং আবার ইঞ্জিনটি ক্র্যাঙ্ক করার চেষ্টা করুন। ইঞ্জিন চালু হলে কী এবং অ্যাক্সিলারেটর প্যাডেলটি ছেড়ে দিন।

যদি তবুও ইঞ্জিন চালু না হয়, তাহলে ক্র্যাঙ্ক করার সময় অ্যাক্সিলারেটর প্যাডেলটি চেপে মেঝেতে ধরে রাখার চেষ্টা করুন। যদি ইঞ্জিনে অতিরিক্ত ফুয়েল চলে গিয়ে থাকে (ক্লাডিং) তাহলে এর ফলে তা পরিষ্কার হয়ে যাবে।

মন্তব্য:

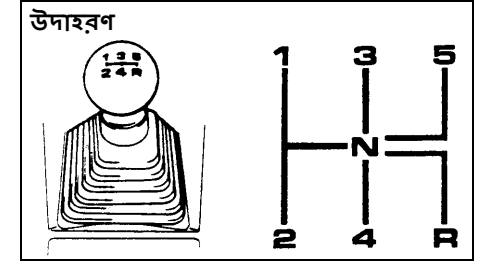
(CNG মডেলের জন্য)

- পেট্রোল থেকে CNG মোডে পরিবর্তন করতে এক্সিলারেটর প্যাডেলে চাপ দেবেন না।
- যখন ইগনিশন সুইচ "অন" এবং ইঞ্জিন বন্ধ থাকবে, তখন CNG ম্যালফাংশন ওয়ার্নিং লাইটের মিটমিট করে জ্বলা ইঙ্গিত দেয় যে জ্বালানীর ঢাকনা খোলা আছে। এই অবস্থায় গাড়ি স্টার্ট নেবে না।

- ইঞ্জিনের আয়ু বাড়ানোর জন্য সর্বদাই গাড়িটিকে অটো অথবা পেট্রোল মোডে চালু করার জন্য সুপারিশ করা হয়।
- আশেপাশের/ইঞ্জিনের তাপমাত্রা শূন্য ডিগ্রি সেলসিয়াসের নীচে থাকলে গাড়িটি চালু হলে জ্বালানি CNG-তে পরিবর্তিত নাও হতে পারে। এই ক্ষেত্রে, ইঞ্জিনটিকে পেট্রোল মোডে চালু করে চালাতে থাকুন যতক্ষণ পর্যন্ত না ইঞ্জিন গরম হয়, এবং তারপরে ইঞ্জিনটিকে CNG-তে পরিবর্তন করার জন্য পুনরায় চালু করার চেষ্টা করুন।
- পেট্রোল ট্যাঙ্কে পর্যাপ্ত পরিমাণ পেট্রোল রাখার জন্য সুপারিশ করা হয়।
- আশেপাশের/ইঞ্জিনের তাপমাত্রা শূন্য ডিগ্রি সেলসিয়াসের নীচে থাকলে গাড়িটি ফোর্সড CNG মোডে স্টার্ট নাও হতে পারে। গাড়িটিকে অটো মোডে চালু করার সুপারিশ করা হয়।
- CNG মোড থেকে পেট্রোল মোডে স্বয়ংক্রিয়ভাবে পরিবর্তিত হওয়ার সময় ইঞ্জিন যাতে বন্ধ না হয়ে যায় তার জন্য পেট্রোল ট্যাঙ্কে পর্যাপ্ত পরিমাণ পেট্রোল রাখার জন্য সুপারিশ করা হয়।
- চেঞ্জওভার সুইচে চাপ দিলে CNG ম্যালফাংশন ওয়ার্নিং ল্যাম্প মিটমিট করে জ্বলা বন্ধ না হলে, গাড়িটিকে নিকটতম অনুমোদিত মার্কুতি সুজুকি কমার্শিয়াল কর্মশালায় নিয়ে যান।

ট্রান্সমিশনের ব্যবহার করা

ম্যানুয়াল ট্রান্সমিশনে



65D038

চালু করা

চালু করার জন্য ক্লাচ প্যাডেলে চাপ দিয়ে মেঝে পর্যন্ত নিয়ে যান এবং 1ম অথবা 2য় গিয়ারে স্থানান্তর করুন। পার্কিং ব্রেক ছেড়ে দেওয়ার পরে ধীরে ধীরে ক্লাচ ছাড়ুন। ইঞ্জিনের আওয়াজের পরিবর্তন শুনতে পেলে ধীরে ধীরে ক্লাচ ছাড়তে থাকুন এবং ধীরে ধীরে এক্সিলারেটরে চাপ দিতে থাকুন।

মন্তব্য:

- স্বাভাবিক অবস্থায় গাড়ি চালানো ২য় গিয়ার থেকে শুরু করার জন্য সুপারিশ করা হয়।
- ক্রস কান্ট্রি ডাইভিং, ক্রলিং অথবা ভার নিয়ে গাড়ি চালানোর সময় বেশি শক্তির প্রয়োজন হয়, তখন সিকটের অবস্থান 1ম গিয়ারে রাখার জন্য সুপারিশ করা হয়।

শিফট করা

সমস্ত ফরোয়ার্ড গিয়ারগুলির শিফটিং সিক্রোনাইজ করা হয়েছে, ফলে শিফটিং নিঃশব্দে ও সহজে করা যায়। গিয়ার শিফট করার আগে সর্বদাই ক্লাচ প্যাডেলে পুরোপুরি চাপ দেবেন।

আপনার গাড়ি চালানো

ডাউনশিফটিংয়ে সর্বাধিক অনুমোদিত গতি
(পেট্রোল মডেলের জন্য)

ডাউনশিফটিং	km/h
2য় থেকে 1ম	10
3য় থেকে 2য়	65
4র্থ থেকে 3য়	100
5ম থেকে 4র্থ	140

ডাউনশিফটিংয়ে সর্বাধিক অনুমোদিত গতি
(CNG মডেলের জন্য)

ডাউনশিফটিং	km/h
2য় থেকে 1ম	10
3য় থেকে 2য়	55
4র্থ থেকে 3য়	90
5ম থেকে 4র্থ	125

মন্তব্য:

গাড়ি চালানোর পরিস্থিতি এবং/অথবা গাড়ির
অবস্থার কারণে আপনি সর্বোচ্চ অনুমোদিত
গতিতে অ্যাক্সিলারেট নাও করতে পারেন।

নক্ষণীয় বিষয়

নীচের গিয়ারে যাওয়ার সময়, সর্বোচ্চ
অনুমোদিত গতির চেয়ে বেশি গতিতে নীচের
গিয়ারে না যাওয়া নিশ্চিত করবেন,
অন্যথায় ইঞ্জিনের মারাত্মক ক্ষতি হতে
পারে।

⚠ সতর্কতা

- খাড়া পাহাড়ী রাস্তায় নীচে অথবা উপরে
যাওয়ার আগে গাড়ির গতি কমিয়ে নীচের
গিয়ারে যাবেন। নীচের গিয়ারে থাকলে
ইঞ্জিন ব্রেক দিতে পারবে। ব্রেক চেপে রেখে
গাড়ি চালানো এড়িয়ে চলুন, অন্যথায়
ব্রেক খুব গরম হতে পারে, ফলে ব্রেক কাজ
না করতে পারে।
- পিচ্ছিল রাস্তায় গাড়ি চালানোর সময়
নীচের গিয়ারে যাওয়ার আগে গতি
কমিয়ে নেওয়া নিশ্চিত করে নেবেন।
ইঞ্জিনের গতি অত্যন্ত বেশি থাকলে অথবা
হঠাৎ গতি পরিবর্তন করলে ট্র্যাকশন কম
হতে পারে, যার ফলে আপনি নিয়ন্ত্রণ
হারাতে পারেন।

নক্ষণীয় বিষয়

- ক্লাচের যাতে কোনও ক্ষতি না হয় তার
জন্য গাড়ি চালানোর সময় ক্যাচ
প্যাডেলকে ফুটরেস্ট হিসাবে ব্যবহার
করবেন না, অথবা গাড়িটিকে চালু
জামগায় স্থির রাখতে ক্লাচ ব্যবহার
করবেন না। শিফট করার সময় ক্লাচে
সম্পূর্ণভাবে চাপ দেবেন।
- শিফটিং অথবা চালু করার সময়, ইঞ্জিন
রেস করবেন না। ইঞ্জিন রেস করলে
ইঞ্জিনের জীবন কমে যেতে পারে এবং
মসৃণ ভাবে শিফটিকে প্রভাবিত করতে
পারে।

নক্ষণীয় বিষয়

রিভার্স গিয়ার "R"-এ যাওয়ার আগে গাড়ি
সম্পূর্ণভাবে স্থির এবং গিয়ার লিভার
নিউট্রাল [N] অবস্থানে আছে কিনা তা
পরীক্ষা করে নিন। ক্লাচ প্যাডেল সম্পূর্ণ চাপ
দেওয়ার পরে [R]-এ শিফট করুন।

মন্তব্য:

রিভার্স গিয়ার "R"-এ যেতে অসুবিধা হলে
নীচের পদ্ধতি অনুসরণ করুন:-

1. গিয়ার লিভার নিউট্রাল "N"-এ রাখুন।
2. একবার ক্লাচ প্যাডেল ছেড়ে দিন।
3. আবার ক্লাচ প্যাডেল চাপ দিয়ে "N" থেকে
"R"-এ শিফট করুন।

পার্কিং সেন্সর

- পার্কিং সেন্সর সিস্টেমটি পিছনের বাম্পারের কাছাকাছি কোনও বাধা আছে কিনা তা বুঝতে আন্ড্রোসনিক সেন্সর ব্যবহার করে। পার্কিং করার সময় অথবা ধীরে ধীরে গাড়ি চালানোর সময় যদি বাধা অনুভূত হয়, তবে সিস্টেমটি আপনাকে বাজারের শব্দ করে সতর্ক করে দেবে।
- সিস্টেমটি একটি আন্ড্রোসনিক তরঙ্গ নিষ্ক্ষেপ করে, কোনও বাধায় লেগে প্রতিফলিত হয়ে তরঙ্গ ফিরে এলে প্রাসঙ্গিক সেন্সর তা বুঝতে পারে। সিস্টেমটি আন্ড্রোসনিক তরঙ্গের সেই বাধা পর্যন্ত পৌঁছাতে এবং সেখান থেকে ফিরে আসার সময় পরিমাপ করে, এবং তার থেকে এটি বাধার অবস্থান নির্ধারণ করে।
- Tই পার্কিং সেন্সর ফাংশনটির ব্যবহার করা যাবে যখন আপনি ইগনিশন সুইচটিকে "অন" অবস্থানে এবং গিয়ারশিফ্ট লিভারটিকে "R" অবস্থানে রাখবেন। এই ফাংশনটি নীচে দেওয়া ক্ষেত্রে সহায়তা করবে: কার্বের উপর দিয়ে যাওয়া; গাড়িকে সমান্তরাল ভাবে পার্কিং করা; গাড়িটিকে গ্যারেজে ঢোকানো; একটি গলি দিয়ে গাড়ি চালানো; এবং বাধা আছে এমন একটি জায়গায় ধীরে ধীরে গাড়ি চালানো।

⚠ সতর্কতা

- পার্কিং সেন্সর আপনাকে বাজার বাজিয়ে বাধা সস্পর্কে সতর্ক করে দেবে। তবে আপনাকে তখনও বিশেষ ভাবে সতর্কতার সঙ্গে গাড়ি চালাতে হবে।
- সেন্সর শুধুমাত্র একটি সীমিত এলাকার মধ্যে থাকা কোনও বাধা সনাক্ত করতে পারে, এবং গাড়িটি যখন শুধুমাত্র একটি সীমিত গতি সীমার মধ্যে চলবে। সতরাং, অসুবিধাজনক জায়গায় আপনাকে ডিরেক্ট ভিশন অথবা রিয়ারভিউ মিরার ব্যবহার করে গাড়ির চারপাশ দেখে নিতে হবে এবং অবশ্যই গাড়িটিকে ধীরে ধীরে চালাতে হবে। শুধুমাত্র পার্কিং সেন্সরের উপর নির্ভর করে গাড়ি চালানো দুর্ঘটনার ঝুঁকি বেড়ে যাবে।

মন্তব্য:
যখন গিয়ারশিফ্ট লিভারটি "R" অবস্থানে নিয়ে যাওয়া হবে, তখন বাজার একবার বেজে উঠবে।

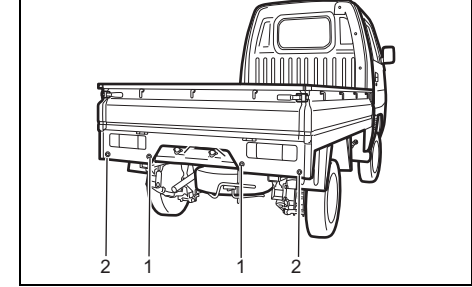
লক্ষণীয় বিষয়

পার্কিং সেন্সর শুধুমাত্র ড্রাইভারের সহায়তার জন্য।

সেন্সরের অবস্থান

পিছনের বাম্পারে

উদাহরণ



77PM03003

- (1) পিছনের কেন্দ্রীয় সেন্সর (2টি স্থান)
- (2) পিছনের কোণের সেন্সর (2টি স্থান)

লক্ষণীয় বিষয়

- সেন্সরের জায়গাগুলিতে আঘাত করা, অথবা গাড়ি ধোয়ার জন্য উচ্চ-চাপের জলের নলের অগ্রভাগ (নজল) নির্দেশ করা এড়িয়ে চলবেন। অন্যথায়, সেন্সর ক্ষতিগ্রস্ত হতে পারে।
- যদি বাম্পার কোনও একটি শক্ত বস্তুতে আঘাত করে, তাহলে সেন্সরগুলি সঠিকভাবে কাজ নাও করতে পারে। যদি এমন হয়ে থাকে, তাহলে একটি মার্কুতি সূত্রিকি অনুমোদিত ওয়ার্কশপে সেন্সরগুলি পরীক্ষা করিয়ে নেবেন।

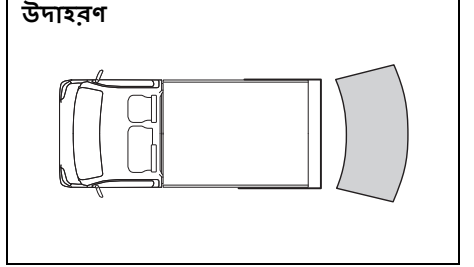
আপনার গাড়ি চালানো

ওয়ার্কিং সেক্সর

গিয়ারশিফট লিভারের অবস্থানের উপর নির্ভর করে সেক্সরগুলি কাজ করে, যেমন:

গিয়ারশিফট লিভারের অবস্থান	R	N, 1ম - 5ম
পিছনের সেক্সর	অন	অফ

আনুমানিক অঞ্চল যেখানে বাধা আছে কিনা তা বোঝা যেতে পারে



78MM05003

- সেক্সর থেকে প্রায় **20** সেমি (**8** ইঞ্চি) দূরত্বের মধ্যে, অথবা একটি সেক্সরের ঠিক নীচে থাকা কোনও বাধা বোঝা যাবে না। সেক্সরগুলি গাড়ির পিছনের দিক থেকে প্রায় **1.8** মিটার (**6** ফুট) পর্যন্ত দূরত্বে থাকা দেওয়ালের মতো বাধা বুঝতে পারে।

⚠ সতর্কতা

নীচের পরিস্থিতিগুলিতে পার্কিং সেন্সর সিস্টেম স্বাভাবিকভাবে কাজ নাও করতে পারে, কারণ সেন্সর সঠিকভাবে বাধাগুলিকে বুঝতে পারে না।

- সেন্সরগুলি কাদা, বরফ অথবা অন্যান্য বস্তু দিয়ে ঢাকা পড়েছে। (স্বাভাবিক কাজের জন্য এই জাতীয় বস্তুগুলিকে অবশ্যই পরিষ্কার করতে হবে।)
- সেন্সরগুলি জলের ছোটাম অথবা ভারী বৃষ্টিতে ভিজে গিয়েছে।
- সেন্সরগুলি হাত, স্টিকার, অ্যাক্সেসরি ইত্যাদি দিয়ে ঢাকা পড়েছে।
- সেন্সরের সেন্সিং এরিয়াম কোনও অ্যাক্সেসরি অথবা অন্য কোনও বস্তু লাগানো আছে।
- টো হুক, বাণিজ্যিকভাবে উপলব্ধ কর্নার পোল, রেডিও অ্যান্টেনা ইত্যাদির মতো সামগ্রী বাস্পারে ইনস্টল করা হয়েছে।
- সাসপেনশনের পরিবর্তন করা হয়েছে, অথবা অন্যান্য কারণে বাস্পারের উচ্চতার পরিবর্তন হয়েছে।
- সেন্সরের জায়গাগুলি সরাসরি সূর্যের আলো পড়ে অভ্যন্তর গরম হয়েছে, অথবা হিমায়িত আবহাওয়ার কারণে ঠান্ডা হয়ে গিয়েছে।
- গাড়িটি একটি অসমতল স্থানে, ঢালে, নুড়ি পাথরের রাস্তায় অথবা ঘাসের মাঠে রয়েছে।
- গাড়িটি একটি খাড়া কোণে রয়েছে।

(চলবে)

⚠ সতর্কতা

(চলবে)

- সেন্সরগুলি অন্য গাড়ির হর্ন, ইঞ্জিন, এয়ার ব্রেকিং সিস্টেম (বেড গাড়ি), অথবা পার্কিং সেন্সরের আন্ড্রাসনিক শব্দ থেকে বাধাপ্রাপ্ত হয়েছে।
- বাধাগুলি সেন্সরগুলির খুব কাছাকাছি রয়েছে।
- সেন্সরগুলি একটি উচ্চ প্রতিফলনশীল বস্তু যেমন কাচের কোণাকৃণি আছে (আন্ড্রাসনিক তরঙ্গ এই বাধাগুলি থেকে প্রতিফলিত হয় না।)
- নীচে বর্ণিত সামগ্রীগুলিকে সেন্সর সঠিকভাবে নাও চিনতে পারে:
 - তারের জাল এবং দড়ির মতো সরু উপাদান দিয়ে তৈরি কোনও সামগ্রী
 - বর্গাকার আকৃতির কার্বস্টোন অথবা ধারালো প্রান্ত আছে এমন অন্যান্য সামগ্রী
 - উপরের অংশটি বড় সহ লম্বা কোনও বস্তু, যেমন রোড সাইন
 - লো-প্রোফাইল সামগ্রী, যেমন কার্বস্টোন
 - শব্দ শোষণকারী বস্তু, যেমন তুলা এবং তুষার

মন্তব্য:

সেন্সরগুলির চেয়ে নীচে অবস্থিত সরু খুঁটি অথবা বাধার কাছাকাছি গাড়িটি যখন চলে আসে তখন সেইগুলিকে সনাক্ত নাও করা যেতে পারে, কিন্তু যদি সেগুলি বেশি দূর থাকে তাহলে সেগুলি সনাক্ত করা যায়।

- সিস্টেমটি একটি রোড সাইন অথবা সেই রকমের কোনও বাধাকে প্রকৃত দূরত্বের চেয়ে কম দূরত্বে আছে বলে মনে করতে পারে।

পার্কিং সেন্সরের দ্বারা বাধার সংকেত

পার্কিং সেন্সর কোনও বাধা শনাক্ত করলে একটি অভ্যন্তরীণ বাজারের আওয়াজ করে সংকেত দেয়।

- পিছনের সিটের পিছনে অবস্থিত একটি বাজার থেকে শব্দ হয় যখন পিছনের সেন্সর কোনও বাধাকে শনাক্ত করে।
- সেন্সর যখন দেওয়ালের মতো বাধা শনাক্ত করে, তখনের সতর্কতা

দূরত্ব (আনুমানিক)	বাজার
100-180 cm	দীর্ঘ বিরতিতে ছোট ছোট বীপ
80-100 cm	অল্প ব্যবধানে ছোট ছোট বীপ
70-80 cm	খুব অল্প ব্যবধানে ছোট ছোট বীপ
এর থেকে কম 70 cm	একটানা বীপ

সতর্কতা এবং নির্দেশক বার্তা

পার্কিং সেন্সর সিস্টেমে কোনও সমস্যা অথবা সতর্কতা থাকলে, বাজার তা জানিয়ে দেয়। নিচের নির্দেশনা অনুসরণ করুন।

বাজার কিছুক্ষণ বেজে ওঠে এবং তারপর থেমে যায়। সেন্সরটি অপরিষ্কার হতে পারে। নরম কাপড় দিয়ে পরিষ্কার করে মুছে নিন। ইগনিশন মোড চালু হওয়ার পরেও যদি একই সমস্যা (বাজার বেজে ওঠে এবং থেমে যায়) থেকে যায়, তাহলে পার্কিং সেন্সর সিস্টেমে সমস্যা হতে পারে।

Maruti Suzuki অনুমোদিত ওয়ার্কশপ দ্বারা আপনার গাড়িটি পরীক্ষা করুন।

ব্রেকিং



যে কোনও গাড়িকে থামানোর জন্য যে দূরত্ব প্রয়োজন হয় গাড়ির গতির সঙ্গে তা বেড়ে যায়। এর একটি উদাহরণ হল, **60 km/h** গতিতে চলা একটি গাড়ির ক্ষেত্রে, **30 km/h** গতিতে চলা একটি গাড়ির ব্রেকিং দূরত্বের চেয়ে প্রায় **4** গুণ বেশি হবে। আপনার গাড়ি এবং থামার জায়গার মধ্যে যখন অনেকটা দূরত্ব থাকবে তখন গাড়িটিকে ব্রেক করা শুরু করুন এবং ধীরে ধীরে গতি কমান।

⚠ মতর্কতা

যদি ব্রেক ডিভাইসে জল প্রবেশ করে, তবে ব্রেক পারফরম্যান্স দুর্বল এবং অপ্রত্যাশিত হতে পারে। জলের মধ্য দিয়ে গাড়ি চালানোর পরে, অথবা গাড়ির নীচের অংশ (আন্ডারসাইড) ধোয়ার পরে, ধীর গতিতে গাড়ি চালিয়ে ব্রেকগুলি পরীক্ষা করে দেখুন যে সেইগুলির স্বাভাবিক কার্যকারিতা বজায় আছে কিনা। যদি ব্রেকগুলির কর্মক্ষমতা স্বাভাবিকের চেয়ে কম থাকে, তাহলে ব্রেকগুলি স্বাভাবিক কর্মক্ষমতা ফিরে না পাওয়া পর্যন্ত ধীর গতিতে গাড়ি চালিয়ে বাবে বাবে ব্রেক প্রয়োগ করে ব্রেক শুকিয়ে নিন।

মন্তব্য:

ব্রেক করার সময় ব্রেক ডিস্ক/ড্রামের সঙ্গে ব্রেক লাইনিংয়ের ঘর্ষা লাগার ফলে আপনি হয়তো অপারেশনাল আওয়াজ শুনতে পাবেন। এটি স্বাভাবিক এবং এর জন্য গাড়িটির স্বাভাবিক কাজের কোনও ত্রুটি বোঝায় না।

পাওয়ার-অ্যাসিস্টেড ব্রেক

আপনার গাড়িতে পাওয়ার-অ্যাসিস্টেড ব্রেক আছে। যদি বন্ধ হয়ে যাওয়া ইঞ্জিন অথবা অন্য ত্রুটির কারণে পাওয়ার অ্যাসিস্ট্যান্স (সহায়তা) হারিয়ে যায়, তাহলেও সিস্টেমটি তখনও রিজার্ভ পাওয়ারে সম্পূর্ণরূপে চালু থাকবে, এবং আপনি একবার ব্রেক প্যাডেলে চাপ দিয়ে ধরে থেকে গাড়িটিকে সম্পূর্ণ ভাবে থামাতে পারবেন। আপনি যখন ব্রেক প্যাডেল চাপ দেবেন তখন রিজার্ভ পাওয়ার আংশিকভাবে ব্যবহৃত হয় এবং প্রতিবার প্যাডেল চাপার সময় তা কমে যায়। প্যাডেল মসৃণ এবং সমান ভাবে চাপ দেবেন। প্যাডেল পাম্প করবেন না।

⚠ মতর্কতা

এমনকি, ব্রেক সিস্টেমে রিজার্ভ পাওয়ার না থাকলেও আপনি ব্রেক প্যাডেলটি স্বাভাবিকের চেয়ে বেশি জোরে চেপে গাড়ি থামাতে পারেন। তবে থামার দূরত্ব বেশি হতে পারে।

ব্রেক অ্যাসিস্ট সিস্টেম

আপনি যখন ব্রেকগুলি স্ল্যাম করেন, তখন ব্রেক অ্যাসিস্ট সিস্টেম এটিকে একটি জরুরী স্টপ হিসাবে নির্ধারণ করে এবং এমন একজন চালকের জন্য আরও শক্তিশালী ব্রেকিং সরবরাহ করে যে ব্রেক প্যাডেলটি দৃঢ়ভাবে ধরে রাখতে পারে না।

মন্তব্য:

ব্রেক প্যাডেল প্রয়োগ এবং ছাড়ার সময়, আপনি ব্রেক সিস্টেমে উপাদানগুলির সক্রিয়করণ এবং কার্যকারিতার কারণে কিছু কার্যকরী শব্দ শুনতে পাবেন। এটি একটি স্বাভাবিক ঘটনা এবং কোনও অস্বাভাবিকতা বা ত্রুটির ইঙ্গিত দেয় না। এছাড়াও, এটি ব্রেক ফাংশনকে প্রভাবিত করে না।

অ্যান্টি-লক ব্রেক সিস্টেম (ABS) (যদি থাকে)

বৈদ্যুতিকভাবে ব্রেকিং চাপ নিয়ন্ত্রণ কোরে ABS আপনাকে স্কিড এড়াতে সাহায্য করবে। পিচ্ছিল পৃষ্ঠে ব্রেক দেওয়ার সময় বা জোরে ব্রেক দেওয়ার সময় এটি আপনাকে স্টিয়ারিং নিয়ন্ত্রণ বজায় রাখতে সহায়তা করবে।

ABS স্বয়ংক্রিয়ভাবে কাজ করে, তাই আপনার কোনও বিশেষ ব্রেকিং কৌশলের প্রয়োজন নেই। কেবল পাম্প না করে ব্রেক প্যাডেলটি নিচে ঠেলে দিন। যখনই এটি অনুভব করবে যে চাকাগুলি লক হয়ে যাচ্ছে তখনই ABS কাজ করবে। ABS কাজ করার সময় আপনি ব্রেক প্যাডেলের একটু নড়াচড়া অনুভব করতে পারেন।

⚠ সতর্কতা

- সর্বদা আশেপাশের অবস্থা পরীক্ষা করুন এবং নিরাপদে গাড়ি চালান, কারণ ABS দ্বারা গাড়ি নিয়ন্ত্রণ করার সীমা রয়েছে এবং পারিপার্শ্বিক অবস্থার পরিপ্রেক্ষিতে সিস্টেমটি সঠিকভাবে কাজ নাও করতে পারে।
- যদি টায়ার গ্রিপ কর্মক্ষমতা সীমা অতিক্রম করে বা জলবিন্যাস ঘটে, ABS সঠিকভাবে কাজ করতে পারে না।

মন্তব্য:

- যদি ABS সিস্টেমটি সক্রিয় থাকে, তাহলে আপনি একটি ক্লকিং শব্দ শুনতে পাবেন এবং/অথবা ব্রেক প্যাডালে স্পন্দন অনুভব করতে পারেন। এটি স্বাভাবিক এবং নির্দেশ করে যে ব্রেক ক্লয়িডের চাপ সঠিকভাবে নিয়ন্ত্রণ করা হচ্ছে।

- ইঞ্জিন চালু করার সময় বা গাড়িটি চলতে শুরু করার পরে আপনি একটি অপারেশনের শব্দ শুনতে পাবেন। এর মানে হল যে উপরের সিস্টেমগুলি স্ব-চেক মোডে রয়েছে। এই শব্দটি কোনও ক্রটির ইঙ্গিত দেয় না।

ব্রেকিং দূরত্ব

ABS স্টপিং দূরত্ব কম করার জন্য ডিজাইন করা হয়নি।

⚠ সতর্কতা

- নিম্নলিখিত পরিস্থিতিতে, ABS সহ গাড়ির ক্ষেত্রে প্রয়োজনীয় ব্রেকিং দূরত্ব ABS ছাড়া গাড়ির ক্ষেত্রে প্রয়োজনীয় দূরত্বের চেয়ে সামান্য বেশি হতে পারে, যার ফলে দুর্ঘটনা ঘটে। গাড়িটি ধীরে চালান এবং আপনার গাড়ি এবং আপনার সামনের গাড়ির মধ্যে যথেষ্ট দূরত্ব বজায় রাখুন।
 - কাঁচা বা পাথরের-পাকা রাস্তার মতো রুক্ষ রাস্তায় গাড়ি চালানোর সময়
 - ভূডিপাথরের রাস্তায় বা তাজা তুষার রাস্তায় গাড়ি চালানোর সময়
 - বাম্পের উপর দিয়ে গাড়ি চালানোর সময় যেমন জয়েন্ট সিমের মতো রাস্তায়
 - ম্যানহোলের মতো ধাতব প্লেটের উপর দিয়ে যাওয়ার সময়
 - যখন ব্লো চেন লাগানো হয়

মন্তব্য:

- আচমকা ব্রেক বা পিচ্ছিল রাস্তায় ব্রেক প্রয়োগ করার সময়, ABS সহ একটি গাড়ির ক্ষেত্রে প্রয়োজনীয় ব্রেকিং দূরত্ব, ABS ছাড়া গাড়ির ক্ষেত্রে প্রয়োজনীয় ব্রেকিং দূরত্বের প্রায় সমান।
- আপনি যদি হঠাৎ করে ব্রেক লাগাতে চান, তবে পাম্প না করে ব্রেক প্যাডেলটি দুটোভাবে নিচে চেপে দিন। অন্যথায়, ব্রেকিং দূরত্বের দীর্ঘ হবে।
- গাড়ির গতিবেগ 9 km/h কম হলে ABS কাজ করবে না। এটি রাস্তার অবস্থার উপর নির্ভর করে।

ABS অপারেশনের সময় কম্পন এবং শব্দ

ব্রেক প্যাডেলকে দুটোভাবে চাপ দেওয়ার সময়, আপনি ব্রেক প্যাডেল, স্টিয়ারিং হুইল এবং গাড়ির বডিতে কম্পন অনুভব করতে পারেন। এটি ABS অপারেশনের কারণে হয়, এবং কোনও ক্রটির ইঙ্গিত দেয় না; এই সময়ে ব্রেক প্যাডেলকে দুটোভাবে চেপে থাকুন।

মন্তব্য:

ইঞ্জিন চালু করার এবং গাড়ি চালানো শুরু করার পরপরই, আপনি হয়তো সাময়িকভাবে একটি মোটরের শব্দ শুনতে পাবেন। এর মানে হল সিস্টেমগুলি স্ব-চেক মোডে রয়েছে। এই শব্দটি কোনও ক্রটির ইঙ্গিত দেয় না।

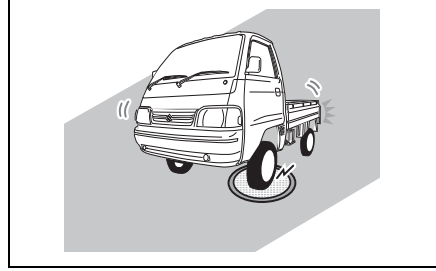
টায়ার

⚠ সতর্কতা

ABS একটি সেন্সরের মাধ্যমে প্রতিটি চাকার ঘূর্ণন গতি সনাক্ত করে। যদি ওনার্স ম্যানুয়ালে নির্দিষ্ট টায়ার বা চাকা ব্যতীত অন্য টায়ার বা চাকা আকার, প্রকার, ড্রেড প্যাটার্নের জন্য ব্যবহার করা হয়, অথবা যদি টায়ারের জীর্ণ অবস্থা ভিন্ন হয়, তবে সঠিক চাকা ঘূর্ণন গতি সনাক্ত করা যাবে না এবং এবিএস সঠিকভাবে কাজ করবে না। এর ফলে দুর্ঘটনা ঘটতে পারে। টায়ার প্রতিস্থাপনের সময়, এই ওনার্স ম্যানুয়ালে নির্দিষ্ট আকার, প্রকার এবং ড্রেড প্যাটার্ন সহ টায়ারগুলি ব্যবহার করুন। এছাড়াও, অত্যধিক জীর্ণ টায়ার ব্যবহার করবেন না।

পরিস্থিতি যেখানে ব্রেক প্রয়োগ করার সময় ABS হঠাত সক্রিয় হতে পারে

- পিচ্ছিল রাস্তায় গাড়ি চালানোর সময়



78MM05002

– ম্যানহোল



78MM05004

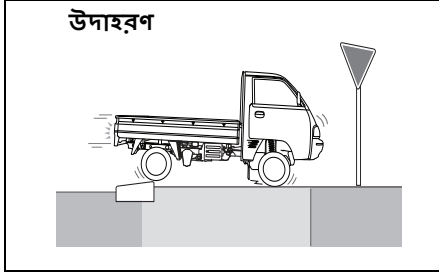
– বুড়ি রাস্তা



78MM05006

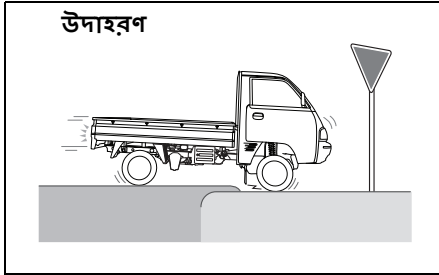
– নির্মাণ অঞ্চলে ধাতব প্লেট

- রাস্তায় জয়েন্টের উপর দিয়ে গাড়ি চালানোর সময় এবং অন্যান্য উচ্চতার পার্থক্যে



78MM05007

- রাস্তায় জয়েন্টে



78MM05005

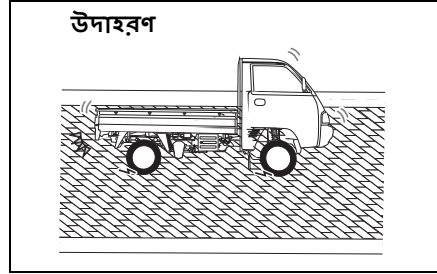
- রাস্তার উচ্চতার পার্থক্যে

- রুক্ষ রাস্তায় গাড়ি চালানোর সময়



78MM05008

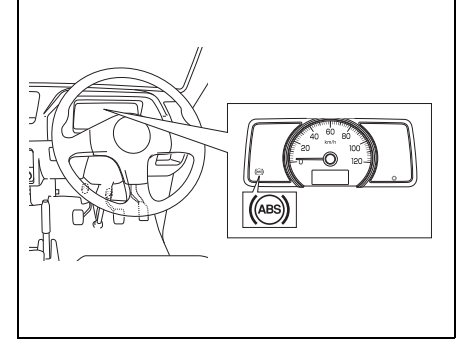
- বাম্পি রাস্তাই



78MM05009

- খোয়া

ABS ওয়ার্নিং আলো



78MM05010

যদি ইগনিশন সুইচ "অন" অবস্থায় ABS সিস্টেমে কোনও সমস্যা হয়, এই আলো জ্বলবে।

ব্রেকিং অ্যাসিস্ট

এই ফাংশনটি ব্রেক করার সময় আপনাকে আরও শক্তি প্রয়োগ করতে সহায়তা করে। যখন হঠাৎ ব্রেকিং প্রয়োগ করা হয়, তখন ABS পুরোপুরি কার্যকর হওয়ার সময় কমিয়ে দেওয়া হয়।

- আপনি যদি ব্রেক প্যাডেলকে দৃঢ়ভাবে না চাপেন, তবে ব্রেকিং অ্যাসিস্ট কাজ করবে না।
- ব্রেক অ্যাসিস্ট এমন কোনও যন্ত্র নয় যা মূল ব্রেকিং পারফরম্যান্সের বাইরে নিয়ন্ত্রণ সরবরাহ করে।

ইলেকট্রনিক স্ট্যাবিলিটি প্রোগ্রাম (ESP®) (যদি সজ্জিত থাকে)

ESP® Daimler AG'র একটি নিবন্ধভুক্ত
ট্রেডমার্ক

ইলেকট্রনিক স্ট্যাবিলিটি প্রোগ্রাম (ESP®) সামনের চাকা বা পিছনের চাকা স্কিড হলে কর্নারিং এর সময় গাড়ি নিয়ন্ত্রণ করতে সাহায্য করে। এটি আপনাকে আলগা বা পিচ্ছিল রাস্তায় এক্সালারেট করার সময় ট্র্যাকশন বজায় রাখতে সহায়তা করে। এটি ইঞ্জিনের আউটপুট নিয়ন্ত্রণ করে এবং নির্বাচিতভাবে ব্রেক প্রয়োগ করে। উপরন্তু, ESP® ব্রেকিং চাপ নিয়ন্ত্রণ করে স্কিডিং এড়াতে সাহায্য করে।

⚠ সতর্কতা

ESP® সমস্ত পরিস্থিতিতে গাড়ির ড্রাইভিং স্থিতিশীলতা বাড়াতে পারে না এবং আপনার গাড়ির পুরো ব্রেকিং সিস্টেমকে নিয়ন্ত্রণ করে না। ESP® দুর্ঘটনাগুলি প্রতিরোধ করতে পারে না, যেগুলি বাঁক যুক্ত রাস্তায় অতিরিক্ত গতি বা হাইড্রোপ্ল্যানিংয়ের ফলে ঘটে। শুধুমাত্র নিরাপদ এবং সতর্ক ড্রাইভ দুর্ঘটনা রোধ করতে পারে। একটি ESP®-যুক্ত গাড়ির কখনই সাবধানে গাড়ি চালানোর বিকল্প হিসাবে ব্যবহার করা উচিত নয়।

ESP® -তে নিম্নলিখিত সিস্টেম রয়েছে:

এন্টি লক ব্রেক সিস্টেম (ABS)

এই বিভাগে "অ্যান্টি-লক ব্রেক সিস্টেম (ABS)" পড়ুন।

ব্রেক অ্যাসিস্ট সিস্টেম

এই বিভাগে "ব্রেক অ্যাসিস্ট সিস্টেম" পড়ুন।

আকর্ষণ নিয়ন্ত্রণ ব্যবস্থা

পিচ্ছিল রাস্তার উপর গাড়ি চালু বা চালানোর সময় ট্র্যাকশন কন্ট্রোল সিস্টেম স্বয়ংক্রিয়ভাবে চাকাগুলির স্পিনিং রোধ করতে সহায়তা করে। সিস্টেমটি তখনই কাজ করে যখন এটি অনুভব করে যে কিছু চাকা স্পিন করছে বা ট্র্যাকশন হারাতে শুরু করেছে। যখন এটি ঘটে, তখন সিস্টেমটি সামনের বা পিছনের ব্রেকগুলি পরিচালনা করে এবং চাকা স্পিন সীমাবদ্ধ করতে ইঞ্জিনের শক্তি হ্রাস করে।

মন্তব্য:

ইঞ্জিন চালু করার সময় বা গাড়িটি চলতে শুরু করার পরে আপনি একটি অপারেশনের শব্দ শুনতে পাবেন। এর মানে হল যে উপরের সিস্টেমগুলি স্ব-চেক মোডে রয়েছে। এই শব্দটি কোনও ত্রুটির ইঙ্গিত দেয় না।

স্টেবিলিটি কন্ট্রোল সিস্টেম

যানবাহন স্থায়ী নিয়ন্ত্রণ ব্যবস্থা অ্যান্টি-লক ব্রেক, ট্র্যাকশন নিয়ন্ত্রণ, ইঞ্জিন নিয়ন্ত্রণ ইত্যাদির মতো সিস্টেমগুলির সমন্বিত নিয়ন্ত্রণ সরবরাহ করতে সহায়তা করে। এই ব্যবস্থাটি স্বয়ংক্রিয়ভাবে ব্রেক এবং ইঞ্জিন নিয়ন্ত্রণ করে যাতে পিচ্ছিল রাস্তার উপর কোণ ঘোরার সময় বা স্টিয়ারিং হুইলটি হঠাৎ ঘুরিয়ে দেওয়ার সময় গাড়িটি স্কিড করা থেকে বিরত রাখতে সহায়তা করে।

⚠ সতর্কতা

সর্বদা আশেপাশের পরিস্থিতি পর্যবেক্ষণ করুন এবং নিরাপদ পদ্ধতিতে গাড়ি চালান, কারণ ESP® দ্বারা গাড়ি নিয়ন্ত্রণের সীমা রয়েছে এবং আশেপাশের অবস্থার উপর নির্ভর করে ESP® সঠিকভাবে কাজ নাও করতে পারে।

⚠ সতর্কতা

- নিচের বিষয়গুলো লক্ষ্য করুন। অন্যথায়, ESP® সঠিকভাবে কাজ নাও করতে পারে অথবা এর ফলে কোনও ত্রুটি হতে পারে।
 - নির্দিষ্ট হিসাবে টায়ারের প্রেসার অ্যাডজাস্ট করুন।
 - টায়ার বদল করার সময়, সাইজ, টাইপ এবং ট্রেড প্যাটার্নের সাথে একই টায়ার ব্যবহার করুন।
 - অত্যধিক জীর্ণ অবস্থা আছে যে টায়ার, ব্যবহার করবেন না।
 - সাসপেনশন বা ব্রেক পরিবর্তন করবেন না এবং গাড়ির উচ্চতা বা সাসপেনশনের কঠোরতা পরিবর্তন করবেন না।
 - সাসপেনশন বা ব্রেক অত্যধিক খারাপ হলে গাড়ি চালাবেন না।
 - ইঞ্জিন বা মাফলার রূপান্তর করবেন না। (চলবে)

⚠ সতর্কতা

(চলবে)

- LSD (সীমিত স্লিপ ডিফারেনশিয়াল) ইনস্টল করবেন না।

- আপনি যখন স্লো চেইন ইনস্টল করেন, তখন ESP® সঠিকভাবে কাজ নাও করতে পারে।

মন্তব্য:

- আপনি যদি নিম্নলিখিত ফ্রিয়াকলাপগুলি সম্পাদন করেন, আপনি একটি অপারেশন শব্দ বা একটি ক্লিক শব্দ শুনতে পারেন। এর মানে হল যে ESP® সিস্টেমটি স্ব-চেক মোডে রয়েছে এবং এটি কোনও ত্রুটি নির্দেশ করে না।
- যখন ইগনিশন সুইচ "অন" অবস্থানে ঘোরানো হয়।
- ব্রেক প্যাডেল থেকে আপনার পা ছাড়ার সময়, ইগনিশন সুইচ "অন" অবস্থানে থাকার পরে।
- ইঞ্জিন চালু করার সময়
- ইঞ্জিন স্টার্ট করার পর গাড়ি চালান শুরু করার সময়
- যখন ইঞ্জিনের ঘূর্ণন বেশি হয় এবং ESP® কাজ করে, তখন আপনি ইঞ্জিনের ঘূর্ণন বা গাড়ির বডি কম্পনের পরিবর্তন অনুভব করতে পারেন। যদিও, এটা স্বাভাবিক।

ESP® ওয়ার্নিং আলো (যদি সজ্জিত থাকে)

উদাহরণ



56RM03011

- যদি ESP® সিস্টেমে কোনও সমস্যা থাকে, ইগনিশন সুইচ "অন" করলে এই আলো জ্বলে উঠবে। এই আলো জ্বলতে থাকলে, নিম্নলিখিত পরিস্থিতিগুলি ঘটবে। এই ক্ষেত্রে, একটি Maruti Suzuki অনুমোদিত ওয়ার্কশপে দেখান।
- নিম্নলিখিত ফাংশন কাজ করবে না:
 - আকর্ষণ নিয়ন্ত্রণ ব্যবস্থা
 - স্টেবিলিটি কন্ট্রোল সিস্টেম
- ABS কাজ করবে।
- ত্রুটির অবস্থার পরিপ্রেক্ষিতে, ব্রেক অ্যাসিস্ট সিস্টেম কাজ নাও করতে পারে।
- যদি নিম্নলিখিত পরিস্থিতিগুলির মধ্যে কোনওটি ঘটে তবে এই আলোটি 0.2 সেকেন্ডের খুব অল্প ব্যবধানে ব্লিঙ্ক করবে।
- গাড়ি চালু বা চালানোর সময় ট্র্যাকশন কন্ট্রোল সিস্টেম সক্রিয় করা হয়।
- একটি তীক্ষ্ণ বাঁক বা বৃত্তাকার ঘূর্ণায়মান করার সময় স্টেবিলিটি কন্ট্রোল সিস্টেমকে সক্রিয় করা হয়।

- যদি সিস্টেমটি স্বাভাবিক অবস্থায় থাকে, আপনি যখন ইগনিশন সুইচটিকে "অন" অবস্থানে আনবেন, তখন এই আলোটি প্রায় 2 সেকেন্ডের জন্য জ্বলবে এবং তারপর বন্ধ হয়ে যাবে।

⚠ সতর্কতা

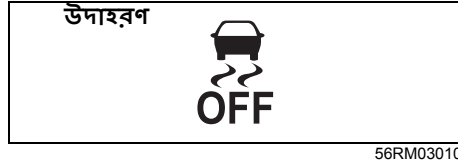
যদি এই আলো খুব অল্প ব্যবধানে ব্লিঙ্ক করে, তাহলে পিচ্ছিল বাস্তার উপর গাড়িটি আটকে যাওয়ার বা স্ক্রিড হওয়ার প্রবল সম্ভাবনা থাকে। এক্ষেত্রে খুব সাবধানে গাড়ি চালান।

মন্তব্য:

এই আলো আসলে, ট্র্যাকশন কন্ট্রোল সিস্টেম এবং স্টেবিলিটি কন্ট্রোল সিস্টেম সক্রিয় হবে না। তবে, আপনি ABS ব্যবহার করতে পারেন।

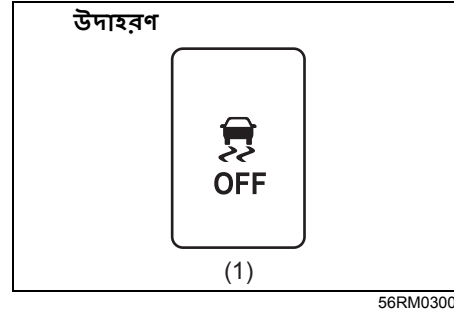
আপনার গাড়ি চালানো

ESP® OFF ইন্ডিকেটর আলো (যদি সজ্জিত থাকে)



- আপনি যদি ইগনিশন সুইচটি "অন" অবস্থানে বা ইগনিশন মোডটি "অন" অবস্থায়, **ESP® OFF** সুইচটি টিপেন এবং ধরে রাখেন, তবে এই আলোটি চালু হবে।
 - এই আলো থাকাকালীন, ট্র্যাকশন কন্ট্রোল সিস্টেম এবং স্টেবিলিটি কন্ট্রোল সিস্টেম কাজ করবে না।
- যদি সিস্টেমটি স্বাভাবিক অবস্থায় থাকে, আপনি যখন ইগনিশন সুইচটিকে "অন" অবস্থানে আনবেন, তখন এই আলোটি প্রায় 2 সেকেন্ডের জন্য জ্বলবে এবং তারপর বন্ধ হয়ে যাবে।

ESP® OFF সুইচ (যদি সজ্জিত থাকে)



(1) ESP® OFF সুইচ

- নিম্নলিখিত পরিস্থিতিতে, ইন্সট্রুমেন্ট ক্লাস্টারে **ESP® OFF** ইন্ডিকেটর আলো না আসা পর্যন্ত **ESP® OFF** সুইচটি টিপে থাকুন। ট্র্যাকশন কন্ট্রোল সিস্টেম এবং স্টেবিলিটি কন্ট্রোল সিস্টেম কাজ করবে না।
 - অটোমোবাইল পরীক্ষার জন্য গাড়িটিকে টেস্টার উপর রাখার সময়, ট্র্যাকশন নিয়ন্ত্রণ ব্যবস্থা এবং স্টেবিলিটি কন্ট্রোল সিস্টেম নিষ্ক্রিয় করা প্রয়োজন।
 - যদি আপনার গাড়ি আটকে থাকে এবং আপনি আটকে থাকা অবস্থা থেকে বেরিয়ে আসার চেষ্টা করেন, ট্র্যাকশন কন্ট্রোল সিস্টেম উপযুক্ত নাও হতে পারে।
- আপনি যদি নিম্নলিখিত ক্রিয়াকলাপগুলি সম্পাদন করেন, তাহলে **ESP® OFF** ইন্ডিকেটর আলোটি বন্ধ হয়ে যাবে। এছাড়াও, ট্র্যাকশন কন্ট্রোল সিস্টেম এবং স্টেবিলিটি কন্ট্রোল সিস্টেম সক্রিয় অবস্থায় ফিরে আসবে।
 - আবার **ESP® OFF** সুইচ টিপুন

- ইঞ্জিন বন্ধ করে তারপর ইঞ্জিন পুনরায় চালু করুন
- যখন গাড়ির গতি আনুমানিক **20 km/h** অতিক্রম করে।

- আটকে থাকা অবস্থা থেকে বেরিয়ে আসার পর যদি আপনি স্বাভাবিক ড্রাইভিং করতে চান, তাহলে আবার **ESP® OFF** সুইচ টিপুন। এটি **ESP® OFF** ইন্ডিকেটর লাইট বন্ধ করার অনুমতি দেবে এবং গাড়িটি আসল অবস্থায় ফিরে আসবে। ট্র্যাকশন কন্ট্রোল সিস্টেম এবং স্টেবিলিটি কন্ট্রোল সিস্টেম স্বয়ংক্রিয়ভাবে সক্রিয় হবে না। (ইঞ্জিন বন্ধ করার এবং তারপর ইঞ্জিন পুনরায় চালু করার সময় ছাড়া) বা যখন গাড়ির গতি আনুমানিক **20 km/h** অতিক্রম করে।

মন্তব্য:

নিরাপত্তার কারণে, আপনি **ESP® OFF** সুইচ চাপলেও, **ABS** এবং ব্রেক অ্যাসিস্ট সিস্টেম নিষ্ক্রিয় করা হবে না।

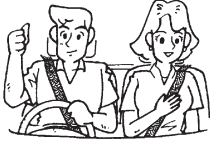
ABS ওয়ার্নিং আলো / ব্রেক সিস্টেম ওয়ার্নিং আলো

এই বিভাগে "ব্রেকিং" পড়ুন।

ড্রাইভিং টিপস

চলমান	4-1
ক্যাটলাইটিক কনভার্টার	4-1
ফুয়েল ইকনমির উন্নতি	4-2
হাইওয়ে ড্রাইভিং	4-3
পাহাড়ে গাড়ি চালানো	4-3
পিচ্ছিল রাস্তায় গাড়ি চালানো	4-4
ভেজা রাস্তায় গাড়ি চালানো	4-5
নিরাপদ ড্রাইভিং এর জন্য কী করণীয় এবং কী করণীয় নয়	4-6
নিরাপত্তার মার্জিন	4-7

উদাহরণ



52D078S

⚠️ সতর্কতা

- সর্বদা আপনার সিট বেল্ট লাগিয়ে রাখবেন। সিট বেল্ট ব্যবহার করে চালক এবং যাত্রীকে সর্বদা সঠিকভাবে আটকে রাখতে হবে। সিট বেল্টের সঠিক ব্যবহারের নির্দেশাবলীর জন্য "সিট বেল্ট" অনুচ্ছেদ দ্রষ্টব্য।
- মদ্যপান করে অথবা অন্যান্য মাদকের প্রভাবে থাকাকালীন সময়ে কখনই গাড়ি চালাবেন না। মদ এবং ড্রাগ আপনার নিরাপদে গাড়ি চালানোর ক্ষমতাকে মারাত্মকভাবে ক্ষতিগ্রস্ত করতে পারে, ফলে নিজের এবং অন্যদের আশাতের ঝুঁকি ব্যাপকভাবে বেড়ে যায়। আপনি যখন ক্লান্ত, অসুস্থ, বিরক্ত অথবা মানসিক চাপে থাকেন তখন গাড়ি চালানো এড়িয়ে চলা উচিত।

চলমান

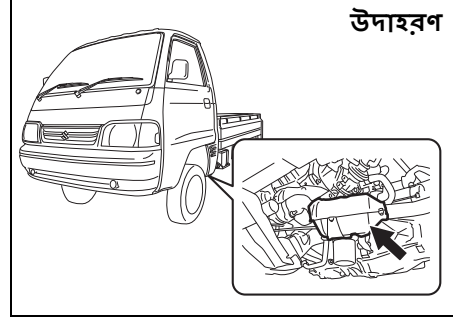
লক্ষণীয় বিষয়

ইঞ্জিনের ভবিষ্যত কর্মক্ষমতা ও নির্ভরযোগ্যতা তার জীবনের প্রথম দিকে যে যত্ন করা এবং সংযম পালন করা হয়েছিল তার উপর নির্ভর করে। গাড়ি চালানোর প্রথম 960 km চলার সময়কালে নীচে দেওয়া সতর্কতাগুলি মেনে চলা বিশেষ ভাবে গুরুত্বপূর্ণ।

- চালু করার পবে, ইঞ্জিন রেস করবেন না। ধীরে ধীরে গরম করুন।
- একই গতিতে দীর্ঘ সময় গাড়ি চালানো এড়িয়ে চলুন। গতির তারতম্য করতে থাকলে চলন্ত অংশগুলি আরও ভাল ভাবে ব্রেক ইন করবে।
- থেকে থাকা অবস্থা থেকে ধীরে ধীরে গতি বাড়াবেন। শুরুতে সম্পূর্ণ থ্রোটল এড়িয়ে চলুন।
- জোরে ব্রেক কষা এড়িয়ে চলুন, বিশেষ করে প্রথম 320 km গাড়ি চালানোর সময়।
- উপরের গিয়ারে ট্রান্সমিশন দিয়ে ধীরে ধীরে গাড়ি চালাবেন না।
- মাঝারি ইঞ্জিন গতিতে গাড়ি চালান।
- কোনও ট্রেলার টেনে নিয়ে যাবেন না।

ক্যাটালাইটিক কনভার্টার

উদাহরণ



77PH201

ক্যাটালাইটিক কনভার্টারের উদ্দেশ্য হল আপনার গাড়ির এক্সহাস্টে ক্ষতিকারক দূষকের পরিমাণ কমিয়ে আনা। যে গাড়িগুলিতে ক্যাটালাইটিক কনভার্টার দেওয়া আছে সেগুলিতে লেডেড ফ্যুয়েলের ব্যবহার নিষিদ্ধ, কারণ ক্যাটালাইটিক কনভার্টারের দূষণকারী-ত্বাসকারী উপাদানগুলিকে লেড (সীসা) নিষ্ক্রিয় করে দেয়।

কনভার্টারটি এমনভাবে ডিজাইন করা হয়েছে যাতে গাড়ি সাধারণ ভাবে ব্যবহার করলে এবং আনলেডেড ফ্যুয়েল ব্যবহার করলে তা জীবন ব্যাপী স্থায়ী হয়। কনভার্টারে বিশেষ কোনও রক্ষণাবেক্ষণের প্রয়োজন নেই। তবে ইঞ্জিন সঠিকভাবে টিউন করে রাখা খুবই গুরুত্বপূর্ণ। ইঞ্জিনের মিসফায়ার হলে, যা ইঞ্জিন যথাযথ ভাবে টিউন না করার জন্য হয়, ক্যাটালিস্ট অত্যধিক উত্তপ্ত হয়ে যেতে পারে। এর ফলে ক্যাটালিস্টের এবং গাড়ির অন্যান্য অংশগুলির স্থায়ী হিট ড্যামেজ হতে পারে।

লক্ষণীয় বিষয়

ক্যাটালিস্টের অথবা গাড়ির অন্যান্য ক্ষতি এডালোর জন্য:

- ইঞ্জিন সঠিক অপারেটিং অবস্থায় বজায় রাখুন।
- ইঞ্জিন সঠিক ভাবে কাজ না করলে, বিশেষ করে ইঞ্জিনের মিসফায়ারিং হলে অথবা কার্যক্ষমতা কমে গেল, অবিলম্বে গাড়ির সার্ভিসিং করান।
- যখন ট্রান্সমিশন গিয়ারে থাকে এবং গাড়ি চলতে থাকে তখন ইঞ্জিন বন্ধ করবেন না, অথবা ইগনিশনে বাধা দেবেন না।
- গাড়িটিকে ঠেলে অথবা টেনে অথবা পাহাড়ের ঢালু রাস্তায় গড়িয়ে ইঞ্জিন চালু করার চেষ্টা করবেন না।
- স্পার্ক প্লাগের তাবের সংযোগ বিচ্ছিন্ন অথবা অপসারণ করে ইঞ্জিনকে নিষ্ক্রিয় করবেন না, যেমন ডায়াগনস্টিক পরীক্ষার সময়।
- আইডলিং যদি মসৃণ মনে না হয় অথবা অন্য কোনও সমস্যা থাকে তাহলে গাড়িকে দীর্ঘ সময়ের জন্য আইডলিং করবেন না।
- স্বালালির ট্যাককে প্রায় খালি হতে দেবেন না।
- ইঞ্জিনের অত্যধিক বেশি গতিতে গাড়ি চালানো এড়িয়ে চলুন।

সতর্কতা

আপনি যেখানে গাড়ি পার্কিং করছেন এবং চালাচ্ছেন সেই সব জায়গা সম্বন্ধে সতর্ক থাকবেন; ক্যাটালাইটিক কনভার্টার এবং অন্যান্য এক্সহস্ট কম্পোনেন্টগুলি খুব গরম হয়ে যেতে পারে। অন্য যে কোনও গাড়ির মতোই এই গাড়িটিও এমন জায়গায় পার্ক করবেন না অথবা চালাবেন না যেখানে শুকনো ঘাস অথবা পাতার মতো দাহ্য পদার্থ গরম এক্সহস্ট সিস্টেমের সংস্পর্শে আসতে পারে।

উদাহরণ



82DY05

দ্রষ্টব্য: গাড়ি দীর্ঘদিন অব্যবহৃত অবস্থায় পড়ে থাকলে ধীরে ধীরে ব্রেক ডিস্কের সারফেসে মরচে ধরতে পারে, কারণ এটি কাস্ট আয়রনের তৈরি। এর ফলে আওয়াজ/কম্পন হতে পারে। গাড়িটির কর্মক্ষমতায় এরও কোনও প্রভাব নেই। গাড়ির

নিয়মিত ব্যবহারে মরচে পড়া বন্ধ হতে/মরচে চলে যেতে পারে, যার ফলে আওয়াজ ও কম্পন কমে যাবে।

ফুয়েল ইকনমির উন্নতি করা

মন্তব্য:

গাড়ির ফুয়েল ইকনমি (মাইলেজ) বিভিন্ন কারণে বিভিন্ন রকমের হতে পারে যেমন, ড্রাইভিংয়ের অভ্যাস - গিয়ার পরিবর্তনের ধরণ, A.C-এর ব্যবহার, টায়ারের বায়ুর চাপ, বাতাসের গতি, ট্র্যাফিকের অবস্থা, স্বালালীর গুণমান - ভেজালহীন মান-সম্মত স্বালালী, গাড়ির রক্ষণাবেক্ষণ, রাস্তার অবস্থা, ব্রেকিং ইত্যাদি।

নীচে দেওয়া নির্দেশাবলী আপনাকে ফুয়েল ইকনমি উন্নত করতে সাহায্য করবে।

অতিরিক্ত আইডলিং এড়িয়ে চলুন

পার্ক করার পরে আপনাকে যদি এক মিনিটের বেশি সময় অপেক্ষা করতে হয়, তাহলে ইঞ্জিন বন্ধ করে দিন এবং পরে আবার চালু করুন। ঠান্ডা হয়ে যাওয়া ইঞ্জিন গরম করার জন্য ইঞ্জিনটি অপারেটিং তাপমাত্রায় না পৌঁছানো পর্যন্ত ইঞ্জিনটিকে আইডলিং অথবা সম্পূর্ণ স্ট্রাটল প্রয়োগ করবেন না। গাড়ি চালানোর সময় ইঞ্জিনকে গরম হতে দিন।

হঠাৎ অ্যাক্সিলারেট করা এড়ান

খেমে থাকা থেকে গাড়ি চালু করেই অথবা গাড়ি চালানোর সময় হঠাৎ গতি বাড়ালে অপ্রয়োজনীয়ভাবে স্বালালি খরচ হবে এবং ইঞ্জিনের আয়ু কমে যাবে। ধীরে ধীরে চালু করুন।

অপ্রয়োজনীয় খামা এড়ান

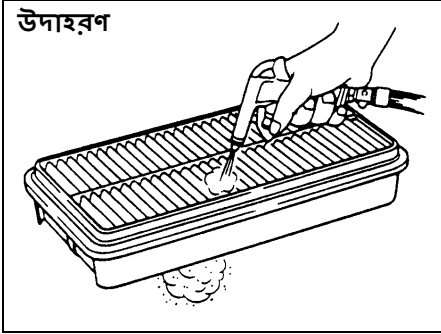
অপ্রয়োজনীয় ভাবে গতি কমানো এবং খামা এড়িয়ে চলুন। যখনই সম্ভব হবে ধীরে ও অবিচলিত গতিতে চালানো বজায় রাখার চেষ্টা করুন। গতি কমানোর পরে আবার গতি বাড়ালে বেশি পরিমাণে জ্বালানি খরচ হবে।

অবিচলিত গতি বজায় রাখুন

রাস্তা এবং অন্যান্য যানবাহনের অবস্থার উপরে নির্ভর করলে গতি যতটা সম্ভব অবিচলিত রাখুন।

এয়ার ক্লিনার পরিষ্কার রাখুন

উদাহরণ



60A183S

এয়ার ক্লিনার ধুলোয় বন্ধ হয়ে গেলে বাতাস টানার ক্ষমতায় প্রতিবন্ধকতা বেশি হবে, যার ফলে পাওয়ার আউটপুট কমে যাবে এবং জ্বালানি খরচ বেড়ে যাবে।

ওজন ন্যূনতম রাখুন

লোড যত বেশি হবে, গাড়িটি তত বেশি জ্বালানি খরচ করবে। প্রয়োজন না হলে কোনও লাগেজ অথবা মালপত্র নেবেন না।

টায়ারের প্রেশার সঠিক রাখুন

টায়ারের প্রেশার কম থাকলে টায়ারের রেজিস্টেন্স বেশি হবে, ফলে জ্বালানি নষ্ট হতে পারে। ড্রাইভারের দরজার লক পিলারে লাগানো লেবেল অনুযায়ী টায়ারগুলিতে সঠিক প্রেশার বজায় রাখুন।

হাইওয়েতে গাড়ি চালানো

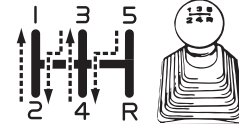
হাইওয়ের গতিতে গাড়ি চালানোর সময় নীচের বিষয়গুলিতে মনোযোগ দেবেন:

- গাড়ির গতি বৃদ্ধির সঙ্গে খামার দূরত্বও ক্রমশ বৃদ্ধি পায়। বাড়তি স্টপিং দূরত্ব পাওয়ার জন্য স্টপিং পয়েন্টের অনেক আগেই ব্রেক প্রয়োগ করুন।
- বৃষ্টির দিনে, হাইড্রোপ্ল্যানিং হতে পারে। হাইড্রোপ্ল্যানিং হল রাস্তা এবং গাড়ির টায়ারগুলির মধ্যে জলের একটি পাতল স্তর তৈরি হওয়ার কারণে তাদের মধ্যে সরাসরি সংযোগ হওয়া কমে যাওয়া। হাইড্রোপ্ল্যানিংয়ের সময় গাড়ির স্টিয়ারিংয়ের নিয়ন্ত্রণ অথবা ব্রেক করা খুব কঠিন হতে পারে এবং নিয়ন্ত্রণ হারাতে পারে। ভেজা রাস্তায় গাড়ি ধীরে চালান।
- গতি বেশি থাকলে গাড়ি পাশের বাতাসে প্রভাবিত হতে পারে। সূত্রাং, গতি কমিয়ে রাখুন এবং টানেল থেকে বের হওয়ার সময়, পাহাড়ের কাটা পাশ দিয়ে যাওয়ার সময় অথবা বড় কোনও গাড়ি যখন আপনাকে ওভারটেক করে তখন অপ্রত্যাশিত বাফেটিংয়ের জন্য প্রস্তুত থাকুন।

পাহাড়ি রাস্তায় গাড়ি চালানো

- খাড়া পাহাড়ি রাস্তায় উপরে যাওয়ার সময় গাড়ির গতি কমে যেতে পারে এবং শক্তির অভাব হতে পারে। এই রকম অবস্থায় নীচের গিয়ারে যেতে হবে যাতে ইঞ্জিনটি আবার তার স্বাভাবিক পাওয়ার রেঞ্জে কাজ করতে পারে। গাড়ির গতি হারানো রোধ করতে দ্রুত গিয়ার বদল করুন।
- পাহাড়ি রাস্তায় নীচে নামার সময় নীচের গিয়ার ব্যবহার করে ইঞ্জিনকে ব্রেক করার জন্য ব্যবহার করতে হবে।

উদাহরণ



77PH003

⚠ সতর্কতা

অত্যন্ত ঢালু অথবা দীর্ঘ পাহাড়ি পথে নীচে যাওয়ার সময় ব্রেক প্যাডেল খুব বেশি সময় অথবা খুব ঘন ঘন না চাপার চেষ্টা করবেন। অন্যথায় ব্রেকগুলি অত্যধিক গরম হয়ে গিয়ে কার্যক্ষমতা কমে যাবে। এই সতর্কতা মেনে চলতে না পারলে গাড়ির নিয়ন্ত্রণ হারিয়ে যেতে পারে।

স্থান হয়ে দাঁড়িয়ে থাকা অবস্থা থেকে চড়াই/চালে চড়ার সময়

- দূতভাবে পার্কিং ব্রেক লাগান যাতে গাড়িটি পিছনের দিকে গড়িয়ে না যায়।
- ক্লাচ প্যাডেলে চাপ দিন এবং গিয়ারশিফট লিভারটিকে 1ম গিয়ার অবস্থানে নিয়ে যান।
- ক্লাচ স্লিপ করবেন না।
- গাড়ি চালু করার জন্য প্রস্তুত হলে, এক্সিক্লারেটর প্যাডেলে চাপ দিন এবং একই সঙ্গে ধীরে ধীরে ক্লাচ প্যাডেল ছাড়তে থাকুন।

লক্ষণীয় বিষয়

পাহাড়ি রাস্তায় নীচে নামার সময় ইগনিশন চাবিটিকে কখনই "লক" অবস্থানে ঘুরিয়ে দেবেন না। এমিশন কন্ট্রোল সিস্টেমের ক্ষতি হতে পারে।

পিচ্ছিল রাস্তায় গাড়ি চালানো



82DY06

ভেজা রাস্তায় ব্রেক করার সময় টায়ারের স্লিপেজে হতে পারে, তাই এখানে শুকনো রাস্তার চেয়ে কম গতিতে গাড়ি চালাতে হবে। বরফ অথবা তুষারে ঢাকা পথে অথবা কাদা রাস্তায় গাড়ি চালানোর সময় গাড়ির গতি কমিয়ে দিন এবং হঠাৎ গতি বাড়ানো, হঠাৎ ব্রেক কষা অথবা হঠাৎ স্টিয়ারিং ঘোরানো এড়িয়ে চলুন।

আপনার গাড়ি যদি আটকে যায়

আপনার গাড়ি যদি তুষার, কাদা অথবা বালিতে আটকে যায়, তাহলে নীচের নির্দেশাবলী অনুসরণ করুন:

- 1) ট্রান্সমিশনটিকে প্রথম এবং রিভার্সের মধ্যে সামনে-পিছনে আনা-নেওয়া করুন। এটি একটি দোলনার মতো (রকিং) গতি তৈরি করবে যা আপনাকে গাড়িটি মুক্ত করতে যথেষ্ট গতি দিতে পারে। অ্যাক্সিক্লারেটরে হালকা চাপ রাখুন যাতে চাকা ন্যূনতম rpm গতিতে ঘোরে। শিফট করার সময় অ্যাক্সিক্লারেটর

থেকে পা তুলে নেবেন।

ইঞ্জিন রেস করবেন না। চাকা অত্যধিক ঘুরলে টায়ারগুলি আরও গভীরে ঢুকে, ফলে গাড়িটিকে মুক্ত করা আরও কঠিন হয়ে যাবে।

- 2) কয়েক মিনিট রকিং করার পরেও আপনার গাড়ি যদি আটকে থাকে, তাহলে আপনার গাড়িটিকে টেনে বের করার জন্য অন্য আরেকটি গাড়ি ডাকুন।

⚠ সতর্কতা

আপনি যখন গাড়িটি বক করছেন তখন কাউকে গাড়ির পাশে দাঁড়াতে দেবেন না, এবং স্পিডোমিটারে দেখালো 40 km/ঘন্টার চেয়ে বেশি গতিতে চাকা ঘোরাবেন না। অত্যন্ত দ্রুত বেগে গাড়ির চাকা ঘোরালে ব্যক্তিগত শারীরিক আঘাত লাগতে পারে অথবা গাড়ির ক্ষতি হতে পারে।

লক্ষণীয় বিষয়

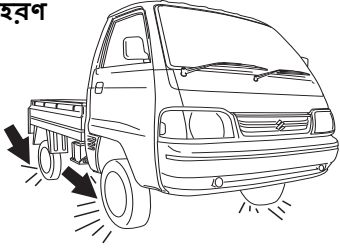
কয়েক মিনিটের বেশি গাড়ি বক করতে থাকবেন না। দীর্ঘ সময় ধরে বক করলে ইঞ্জিন অত্যধিক গরম হয়ে যেতে পারে অথবা ট্রান্সমিশনের ক্ষতি হতে পারে।

ভেজা রাস্তায় গাড়ি চালানো

লক্ষণীয় বিষয়

- ভেজা রাস্তায় গাড়ি চালানোর সময় রাস্তায় জমা জলের মধ্যে দিয়ে গাড়ি চালানো এড়িয়ে চলুন। ইঞ্জিন কম্পার্টমেন্টে বেশি পরিমাণে জল ঢুকলে ইঞ্জিন এবং/অথবা বৈদ্যুতিক উপাদানগুলির ক্ষতি হতে পারে।
- বেশি জলে গাড়ি আটকে গেলে জলের স্তর নোমে না যাওয়া পর্যন্ত গাড়ি চালু করবেন না।
- জল হল একটি অসংকোচনীয় পদার্থ, ইঞ্জিনের ভিতরে জল ঢুকলে তা ইঞ্জিনের পক্ষে ক্ষতিকারক।

উদাহরণ



82DY07

সতর্কতা

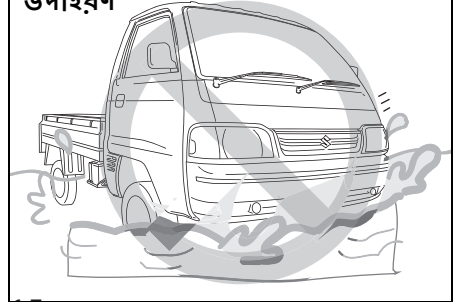
- এই অনুচ্ছেদে বর্ণিত ড্রাইভিং টিপস মেনে চলার পাশাপাশি নীচে দেওয়া সতর্কতাগুলি পালন করাও গুরুত্বপূর্ণ।
- আপনার গাড়ির টায়ারগুলি যে ভাল অবস্থায় আছে তা নিশ্চিত করুন এবং সর্বদাই টায়ারের নির্দিষ্ট প্রেশার বজায় রাখুন। বিশদে জানার জন্য "পরিদর্শন ও রক্ষণাবেক্ষণ" অনুচ্ছেদটির "টায়ার" অংশটি দ্রষ্টব্য।
 - মারুতি সুজুকির নির্দিষ্ট করা টায়ার ছাড়া অন্য কোনও টায়ার ব্যবহার করবেন না। সামনের এবং পিছনের চাকায় কখনোই বিভিন্ন মাপের অথবা ধরনের টায়ার ব্যবহার করবেন না। নির্দিষ্ট করা টায়ার সম্পর্কে তথ্যের জন্য ড্রাইভারের দরজার লক পিলায়ে লিখানো টায়ার ইনফর্মেশন লেবেলটি পড়ুন।
 - আপনার গাড়িকে উঁচু করার জন্য (জ্যাক আপ) কখনই বড় মাপের টায়ার অথবা বিশেষ শক অ্যাবজরবার এবং স্প্রিংয়ের ব্যবহার করবেন না। এটি হ্যান্ডলিং বেশিষ্টো পরিবর্তন আনবে। কোনও বাম্পের উপর দিয়ে যাওয়ার সময়ে বড় মাপের টায়ার গাড়ির বডি'র সঙ্গে ঘর্ষে যেতে পারে, ফলে গাড়ির ক্ষতি অথবা টায়ার ফেলিও'র হতে পারে।
 - জলের মধ্যে দিয়ে গাড়ি চালানোর পরে ধীর গতিতে গাড়ি চালিয়ে ব্রেক পরীক্ষা করে দেখুন যে সেইগুলির স্বাভাবিক কার্যকারিতা বজায় রয়েছে কিনা। যদি ব্রেকগুলির কর্মক্ষমতা স্বাভাবিকের চেয়ে কম থাকে, তাহলে স্বাভাবিক কর্মক্ষমতা ফিরে না আসা পর্যন্ত গাড়ি ধীরে ধীরে চালিয়ে বারবার ব্রেক প্রয়োগ করে সেগুলি শুকিয়ে নিন।

অফ-রোড ড্রাইভিং (কাঁচা রাস্তায় গাড়ি চালানো)

বড় ঘাসে ঢাকা মাঠে গাড়ি চালানোর না বড় ঘাসে ঢাকা মাঠে গাড়ি চালানো ঘাসে আটকে গিয়ে দুর্ঘটনা ঘটতে পারে, আগুন লাগতে পারে অথবা গাড়ির ক্ষতি হতে পারে।

একটি প্লাবিত এলাকার সম্মুখীন হলে

উদাহরণ



77PM04011

প্লাবিত এলাকায় অথবা ঘন কাদায় গাড়ি চালানো এড়িয়ে চলুন। প্লাবিত এলাকায় গাড়ি চালাতেই হলে সবচেয়ে নীচের গিয়ারে ধীরে ধীরে চান। আপনি যদি প্লাবিত এলাকায় গাড়ি চালিয়ে থাকেন, তাহলে এমন একটি নিরাপদ স্থানে গাড়িটিকে দাঁড় করান যেখানে জল নেই, তারপরে ব্রেকগুলির কর্মক্ষমতা পরীক্ষা করুন। তারপরে একটি মারুতি সুজুকি অনুমোদিত ওয়ার্কশপকে নীচে দেওয়া আইটেমগুলি পরীক্ষা করিয়ে নিন।

- ব্রেকের কর্মক্ষমতা
- বৈদ্যুতিক উপাদানগুলির কার্যকারিতা
- ইঞ্জিন এবং ট্রান্সমিশন অয়েলের পরিমাণ ও গুণমানের কোনও পরিবর্তন হয়েছে কিনা। অয়েল যদি ঘোলা ও সাদা হয়, তাহলে ওয়েলের সঙ্গে জল মিশে গিয়েছে। সেই ক্ষেত্রে ওয়েল পরিবর্তন করতে হবে।
- বিয়ারিং, সাসপেনশন জয়েন্ট, ইত্যাদির নুত্রিক্যান্টের অবস্থা।

লক্ষণীয় বিষয়

- প্লাবিত এলাকায় অথবা ঘন কাদাময় গাড়ি চালানো এড়িয়ে চলুন। অন্যথায় ইঞ্জিন বন্ধ হয়ে যেতে পারে, বৈদ্যুতিক সার্কিট হতে পারে, ইঞ্জিন এবং ট্রান্সমিশনের ক্ষতি হতে পারে, ইত্যাদি।
- গাড়িটি গভীর জলে আটকে গেলে ইঞ্জিন চালু করবেন না।

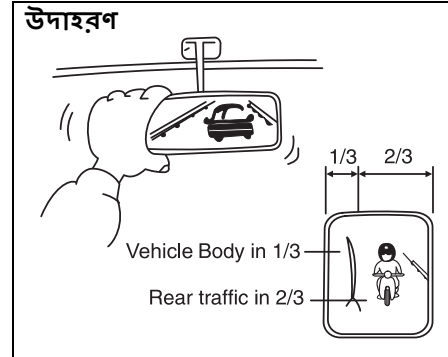
নিরাপদে গাড়ি চালানোর ক্ষেত্রে যা করণীয় এবং যা করণীয় নয়

আপনার গাড়ির হ্যান্ডলিংয়ে যত্ন নিন। শুধুমাত্র আপনার নিজের নিরাপত্তা নিয়েই নয়, রাস্তায় অন্য যারা থাকবেন তাদের নিরাপত্তার নিয়েও সচেতন থাকবেন, এবং এইভাবে সেরা এবং সবচেয়ে আরামদায়ক ড্রাইভিংয়ের অভিজ্ঞতা উপভোগ করুন।

নীচের নিয়মাবলি হল নিরাপদ ভাবে গাড়ি চালানোর জন্য। এর বিষয়বস্তুগুলি ভাল ভাবে বোঝার জন্য মনোযোগ দিয়ে পড়ুন যাতে আপনি আপনার গাড়িতে নিরাপদ এবং আনন্দদায়ক ড্রাইভিং উপভোগ করতে পারেন।

স্টার্ট নেওয়া

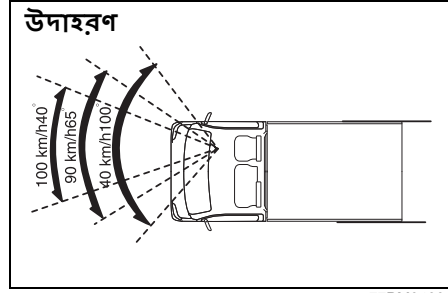
- 1) ড্রাইভিংয়ের জন্য উপযুক্ত সঠিক ভঙ্গিতে বসার জন্য চালকের আসন অ্যাডজাস্ট করুন।
- 2) রিয়ার ভিউ মিরার অ্যাডজাস্ট করুন যাতে ভাল ভাবে পিছনের দৃশ্য দেখা যায়।



- 3) চলা শুরু করার আগে নিরাপত্তা নিশ্চিত করতে আপনার গাড়ির চারপাশ দেখে নিন।
- 4) হঠাৎ অ্যাক্সিলারেট করবেন না, কারণ এটি বিপজ্জনক এবং জ্বালানীও নষ্ট করে।

সাধারণ ড্রাইভিং

- 1) স্টপ লাইট অথবা স্টপ সাইনের আগে নিশ্চিত ভাবে থামবেন। যে মোড়ে কোনও ট্রাফিক লাইট অথবা ট্রাফিক চিহ্ন নেই, সেখানে নিরাপত্তা নিশ্চিত করতে ধীরে ধীরে গাড়ি চালান।
- 2) সামনের গাড়ির পিছন থেকে নিরাপদ দূরত্বে থাকুন যাতে সামনের গাড়িটি হঠাৎ থেমে গেলে ধাক্কা না লাগে।
- 3) বাঁক নেওয়ার অথবা লেন পরিবর্তন করার অন্তর 30 মিটার আগে টার্ন সিগন্যাল চালু করুন যাতে ধাক্কা না লাগে।
- 4) একটি কোণে প্রবেশ করার আগে, গতি কমিয়ে নিরাপদ থাকুন। কর্নারিংয়ের সময় ব্রেক চাপবেন না, অন্যথায় গাড়ি পিছলে যেতে পারে।
- 5) অন্য গাড়িকে ওভারটেক করার সময় সামনে থেকে আসা অন্যান্য গাড়ির প্রতি নজর রাখবেন যাতে নিরাপত্তা বজায় থাকে।
- 6) একে-বঁকে গাড়ি চালানোর চেষ্টা করবেন না, এতে আপনার গাড়ির নিয়ন্ত্রণে বাধা দেবে এবং দুর্ঘটনা ঘটতে পারে।
- 7) উচ্চ গতিতে বেপরোয়া ভাবে গাড়ি চালানো এড়িয়ে চলুন, একটি অবিচলিত গতি বজায় রাখুন, এবং রাস্তার অবস্থা অনুযায়ী নিরাপদ গতিতে চালানোর চেষ্টা করুন।
- 8) গাড়ির গতি যত বেশি হবে, চালকের দৃষ্টির পরিসর তত কম হবে। এই রকমের অবস্থায় চালকের পক্ষে কোনও বিপদ অগ্রিম অনুমান করা কঠিন হবে এবং তিনি ক্লান্ত বোধ করবেন।



77PM04001

- 9) উচ্চ গতিতে গাড়ি চালানোর সময় তীক্ষ্ণ হ্যান্ডলিং করার চেষ্টা করবেন না। আপনি গাড়ির উপর থেকে নিয়ন্ত্রণ হারিয়ে ফেলতে পারেন।
- 10) উচ্চ গতিতে গাড়ি চালানোর সময় ওভারটেকিং অথবা লেন পরিবর্তন করার সময় অন্যান্য গাড়িগুলি থেকে যথেষ্ট দূরত্ব বজায় রাখবেন।

ব্রেকিং:

- 1) গাড়ি পার্ক করার সময় পার্কিং ব্রেক ব্যবহার করুন, নিরাপত্তার জন্য গিয়ার শিফট লিভারটিকে প্রথম গিয়ারে অথবা রিভার্স গিয়ারে রাখুন।
- 2) অনিবার্য না হলে হ্যান্ড-ব্রেক ব্যবহার করবেন না। এর ফলে গাড়িটি পিছলে যাবে এবং সংঘর্ষ ঘটতে পারে। টায়ারগুলি ক্ষয়ে গিয়ে থাকলে এটি বিশেষ ভাবে বিপজ্জনক, কারণ ক্ষয়ে যাওয়া টায়ার বেশি পিছলে যায়।

তিনটি ধাপে ফুট ব্রেক ব্যবহার করবেন

1. আপনার পিছনের গাড়িকে সতর্ক করুন
 2. ধীরে ধীরে ব্রেক প্রয়োগ করুন।
 3. গাড়িটিকে থামিয়ে দিন।
- 3) ঢালু পথে নীচে নামার সময় ব্রেক প্রয়োগ করার চেষ্টা না করে ইঞ্জিন ব্রেক কার্যকরভাবে ব্যবহার করুন। অত্যধিক ব্যবহারের ফলে ফুট-ব্রেকের কর্মক্ষমতা কমে যেতে পারে।

দীর্ঘ দূরত্ব গাড়ি চালানো

- 1) যাত্রা শুরু করার আগে নিরাপত্তামূলক পরীক্ষা করা নিশ্চিত করুন।
- 2) ঘুম পলে অথবা ক্লান্তি বোধ করলে দুর্ঘটনা ঘটতে পারে, তাই দুর্ঘটনা যাতে না হয় তার নিয়মিত ব্যবধানে বিশ্রাম নিন।

রাত্রিবেলায় গাড়ি চালানো

- 1) দৃষ্টিসীমার পরিসর রাত্রিবেলায় সীমিত থাকে। তাই দিনের বেলার চেয়ে রাত্রিবেলায় কম গতিতে গাড়ি চালানো।
- 2) রাত্রিবেলায় অন্য গাড়িকে ওভারটেক করা এড়িয়ে চলবেন। অন্ধকার আপনার গতির অনুভূতিকে বিভ্রান্ত করে এবং একটি গাড়ি থেকে অন্য আরেকটি গাড়ির দূরত্ব বুঝতে অস্বীকার সৃষ্টি করে।
- 3) অনিবার্য না হলে হাই বিমে হেড লাইটের ব্যবহার করবেন না। এটি সামনের দিক থেকে আসা গাড়ির চালককে অথবা আপনার সামনের গাড়ির চালকের দৃষ্টিশক্তিতে বাধার সৃষ্টি করতে পারে, ফলে দুর্ঘটনা ঘটতে পারে।
- 4) জানালার কাচ সবসময় পরিষ্কার রাখবেন। শুকনো উইন্ডশীল্ড গ্লাসে উইন্ডশিল্ড ওয়াইপার চালানো না, অন্যথায় ওয়াইপার রেড এবং গ্লাস ক্ষতিগ্রস্ত হতে পারে।

নিরাপত্তার মার্জিন

গাড়ি চালানোর সময় নিরাপত্তার জন্য নিজের জন্য একটি মার্জিন রাখা গুরুত্বপূর্ণ, এতে আপনি অন্য চালকদের ভুল অথবা অপ্রত্যাশিত ভাবে গাড়ি চালানোর মোকাবেলা করতে পারবেন। এর জন্য নীচের বিষয়গুলি মেনে চলবেন।

- নিরাপদ গতিতে গাড়ি চালানো।
- আপনার সামনের গাড়ি এবং নিজের গাড়ির মধ্যে পর্যাপ্ত দূরত্ব বজায় রাখুন।
- অন্য গাড়িকে ওভারটেক করার জন্য নিজের উপরে চাপ দেবেন না।
- হঠাৎ গতি বাড়াবেন না, তীক্ষ্ণভাবে বাঁক নেবেন না অথবা হঠাৎ গাড়ি থামবেন না।
- গাড়ি চালানোর সময়সূচীর মধ্যে যথেষ্ট সময়ের ব্যবধান রাখুন।
- ট্রাফিকের নিয়ম এবং প্রবিধান পালন করুন।

উপসংহার

একজন নির্ভুল গাড়িচালকের অস্তিত্ব নেই। প্রত্যেক গাড়িচালকেই নির্ভুল হওয়ার জন্য চেষ্টা করতে হবে। নিরাপত্তার বিষয়ে সচেতনতা শুধুমাত্র আপনার এবং অন্যান্য রাস্তা ব্যবহারকারীদের নিরাপত্তাই নিশ্চিত করে না, এটি আপনার গাড়ির ক্ষয়ক্ষতি কমাতেও সাহায্য করে, গাড়ির জীবনকে দীর্ঘায়িত করে, ফুয়েল এক্শিয়াম্পি বাড়ায় এবং আরামপ্রদ ড্রাইভিং নিশ্চিত করে। তালিকাভুক্ত করণীয় এবং করণীয় নয়গুলি মেনে চলুন, দেখবেন যে ড্রাইভিং আর কখনও একই রকমের থাকবে না।

অন্যান্য কন্ট্ৰোল এৰং সৰঞ্জাম

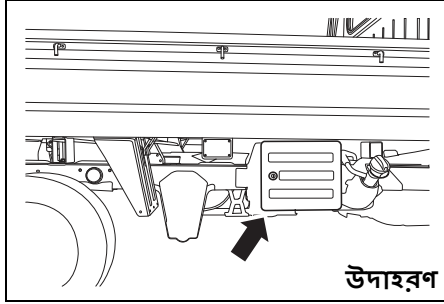
ফুয়েল ফিলার ক্যাপ	5-1
ইঞ্জিন কম্পাৰ্টমেন্ট	5-3
সাল ভিজ্যার	5-4
ইন্টেলিভিট লাইট	5-5
অক্সিজেন সকেট	5-5
গ্লাভ বক্স	5-5
স্টেৰেজ এৰিয়া	5-6
এয়ার ভেন্ট	5-6
ফ্ৰেম হুক	5-7
অ্যাসিস্ট গ্ৰিপ	5-7

ফুয়েল ফিলার ক্যাপ

(পেট্রোল এবং CNG ইঞ্জিন মডেলের জন্য)

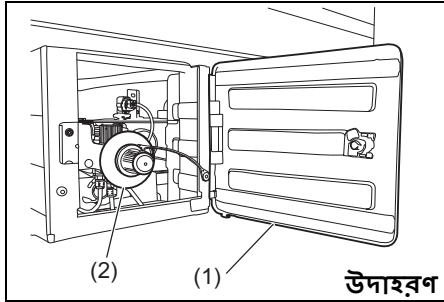
CNG ফিলার ভালভ

(CNG ইঞ্জিন মডেলের জন্য)



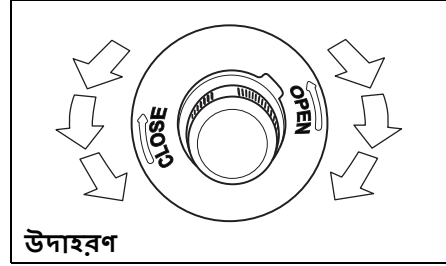
77PM05003

CNG ফিলার ভালভ গাড়ির ডান পাশে থাকে।



77PM05001

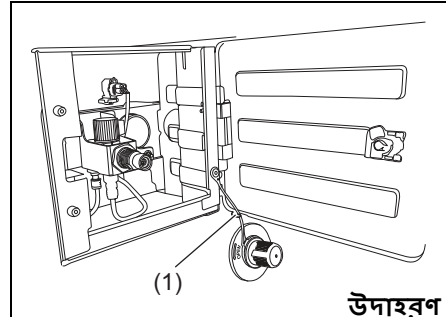
CNG ফিলার ডোর (1) আনলক করতে হলে চারিটি চুকিয়ে চাবির উপরের দিকটি গাড়ির সামনের দিকে ঘোরান।



77PM05005

CNG ফিলার ভালভ কভার খুলতে হলে:

- 1) CNG ফিলার ডোর খুলুন (1)।
- 2) CNG ফিলার ভালভ কভারটিকে (2) ঘড়ির কাঁটার বিপরীত দিকে ঘুরিয়ে খুলুন।



77PM05006

মন্তব্য:

যদি ফুয়েল ফিলার ডোরে ক্যাপ হোল্ডার (3) থাকে, তাহলে রিকম্বিলিশনের সময় ফুয়েল ফিলার ক্যাপটিকে ধরে রাখার জন্য ক্যাপ হোল্ডার ব্যবহার করুন।

সিলিন্ডারের পেশার এবং ডিসপেনসারের পেশার সমান হয়ে গেলে ভর্তি করা স্বয়ংক্রিয়ভাবে বন্ধ হয়ে যায়।

CNG ফিলার ভালভ কভার আবার লাগাতে হলে:

- 1) CNG ফিলার ভালভ কভারটিকে (2) ঘড়ির কাঁটার দিকে ঘোরান যতক্ষণ পর্যন্ত না এটি সম্পূর্ণ ভাবে বন্ধ হয়ে যায়।
- 2) CNG ফিলার ডোর বন্ধ করে দিন (1)।

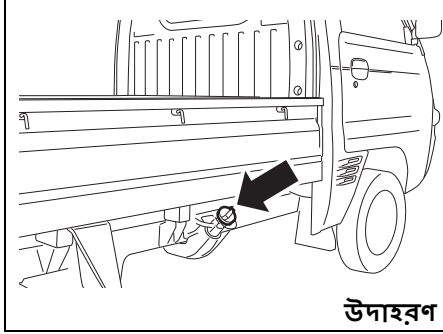
মন্তব্য:

- CNG ফিলার কভার (2) সঠিকভাবে বন্ধ না হলে আপনি গাড়িটি চালু করতে পারবেন না।
- গাড়ি এক জায়গায় স্থির হয়ে দাঁড়িয়ে থাকার সময় CNG ফিলার কভার (2) খোলা হলে ইঞ্জিন বন্ধ হয়ে যাবে।

মন্তব্য:

গাড়ি চালানোর সময় নুড়ি পাখড CNG ফিলার বক্সে ঢুকতে পারে। এই রকম হয়ে তা সরিয়ে ফেলুন।

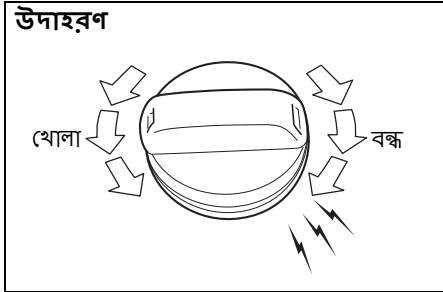
পেট্রোল ফিলিং ক্যাপ
(পেট্রোল ইঞ্জিন মডেলের জন্য)



77PH031

ফুয়েল ফিলার ক্যাপটি গাড়ির ডানদিকে থাকে।

উদাহরণ



68KN048

ফুয়েল ফিলার ক্যাপ খুলতে হলে এটি ঘড়ির কাটার বিপরীত দিকে ঘোরান। ফুয়েল ফিলার ক্যাপ আবার লাগাতে হলে এটি ঘড়ির কাটার দিকে ঘোরান যতক্ষণ পর্যন্ত না আপনি বেশ কয়েকটি ক্লিক শুনতে পাবেন।

⚠ সতর্কতা

ফুয়েল ফিলার ক্যাপটি ধীরে ধীরে খুলুন। ফুয়েল চাপের মধ্যে থাকতে পারে, এবং তা ছিটকে বেড়িয়ে এসে আঘাতের কারণ হতে পারে।

⚠ সতর্কতা

ফুয়েল একটি অত্যন্ত সহজদাহ্য পদার্থ। রিফুয়েলিং করার সময় ধূমপান করবেন না, এবং নিশ্চিত হয়ে নেবেন যে আশে পাশে কোনও খোলা আগুনের শিখা অথবা স্পার্ক নেই।

⚠ সতর্কতা

ফুয়েল ক্যাপ বদল করার প্রয়োজন হলে একটি মারুতি আসল ক্যাপ ব্যবহার করুন। একটি অনুপযুক্ত ক্যাপ ব্যবহার করলে ফুয়েল সিস্টেমে অথবা এমিশন কন্ট্রোল সিস্টেমে ত্রুটি হতে পারে। দুর্ঘটনা হলে ফুয়েল লিকেজও হতে পারে।

⚠ সতর্কতা

ফুয়েল ফিলার ক্যাপটি ধীরে ধীরে খুলুন। ফুয়েল চাপের মধ্যে থাকতে পারে, এবং তা ছিটকে বেড়িয়ে এসে আঘাতের কারণ হতে পারে।

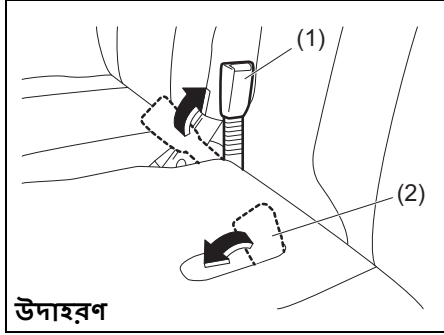
⚠ সতর্কতা

ফুয়েল একটি অত্যন্ত সহজদাহ্য পদার্থ। রিফুয়েলিং করার সময় ধূমপান করবেন না, এবং নিশ্চিত হয়ে নেবেন যে আশে পাশে কোনও খোলা আগুনের শিখা অথবা স্পার্ক নেই।

⚠ সতর্কতা

ফুয়েল ক্যাপ বদল করার প্রয়োজন হলে একটি মারুতি আসল ক্যাপ ব্যবহার করুন। একটি অনুপযুক্ত ক্যাপ ব্যবহার করলে ফুয়েল সিস্টেমে অথবা এমিশন কন্ট্রোল সিস্টেমে ত্রুটি হতে পারে। দুর্ঘটনা হলে ফুয়েল লিকেজও হতে পারে।

ইঞ্জিন কম্পার্টমেন্ট



77PH094

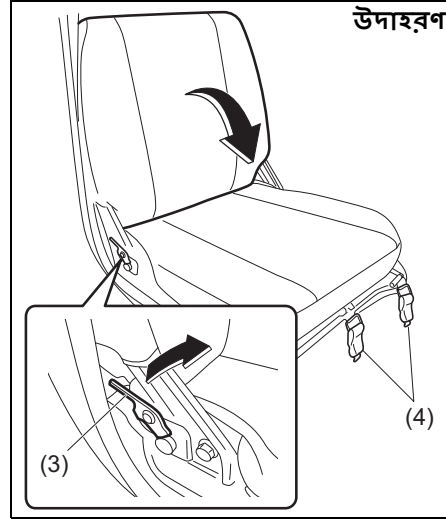
ইঞ্জিন কম্পার্টমেন্ট খুলতে হলে:

- 1) ড্রাইভারের সিট বেলেটের বাকেল (1) সিটব্যাক অবস্থানে তুলুন। যাত্রীর সিট বেলেটের বাকেল (2) সংরক্ষণ করুন।
- 2) ড্রাইভারের সিটটিকে সবচেয়ে পিছনের অবস্থানে ঠেলে দিন।

⚠ সতর্কতা

আপনি যখন চালকের সিট পিছনের দিকে ঠেলে দেবেন, তখন সিটব্যাকটিকে ধাক্কা দিন।

আপনি যদি সিটব্যাকের উপর দিকটি ধরে থাকেন, তাহলে আপনার হাত সিটব্যাক এবং কেবিন ব্যাক প্যানেলের মধ্যে চেপে যেতে পারে, যার ফলে ব্যক্তিগত আঘাত লাগতে পারে।

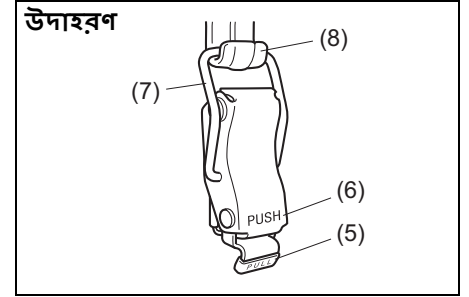


77PH093

- 3) চালকের আসনের সিটব্যাকটি সামনে ভাঁজ করার জন্য লক লিভার (3) টানুন।

মন্তব্য:
স্ট্রিয়ারিং হুইল ছোঁয়ার মতো জায়গায় আসা পর্যন্ত সিটব্যাকটি ভাঁজ করা যেতে পারে।

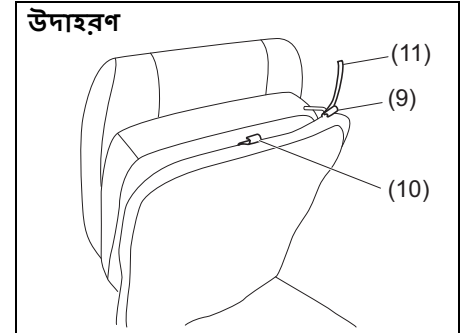
- 4) প্রতিটি আসনের সামনের প্রান্তে লক হ্যান্ডলগুলি (4) খুলে দিন।



77PH081

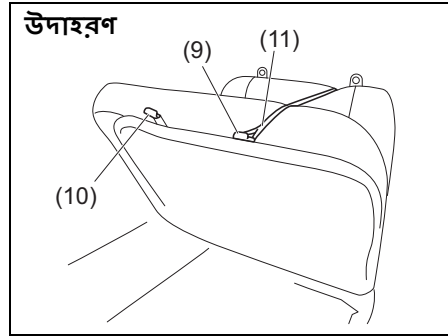
- লক হ্যান্ডেলটি আনহক করার জন্য "পুল" অংশটি (5) টানুন এবং হক (8) থেকে রিং (7) খুলে দিন।
- লক হ্যান্ডেল লক করার জন্য হকের (8) উপর রিং (7) রেখে "পুশ" অংশটি (6) চাপুন।

চালকের দিক



77PH102

যাত্রীর দিক



77PH103

মন্তব্য:

যাত্রীর সিটের সিটব্যাকের পিছনে স্ট্র্যাপগুলি (11) আছে।

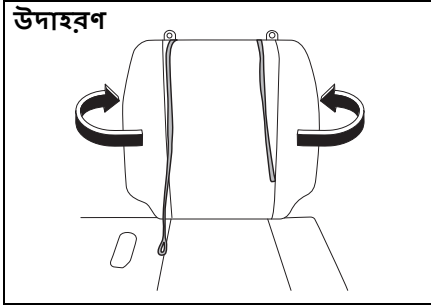
- 5) সিট উঁচু করুন এবং হকের (9) সঙ্গে স্ট্র্যাপ (11) লাগান। সিট স্ট্র্যাপ লাগানোর জন্য হক (10) ব্যবহার করা হয় না।

লক্ষণীয় বিষয়

চালকের সিট পজিশন অ্যাডজাস্টমেন্ট লিভারের সঙ্গে স্ট্র্যাপটিকে হক করবেন না, অথবা স্ট্র্যাপ দিয়ে হক করার সময় সিটে অযথা বল প্রয়োগ করবেন না। এই রকম করলে স্ট্র্যাপ, হক এবং/অথবা ড্রাইভারের সিট পজিশন অ্যাডজাস্টমেন্ট লিভার ভেঙ্গে যেতে পারে।

- ইঞ্জিন কম্পার্টমেন্ট বন্ধ করার জন্য আপনি যে ধাপগুলির মাধ্যমে এটি খুলেছেন সেগুলির বিপরীত কাজ করুন।

- বন্ধ করার পরে সিটগুলিকে নিরাপদে আটকানো হয়েছে কিনা তা নিশ্চিত করার জন্য সরানোর চেষ্টা করুন।
- চিত্রে যেমন দেখানো হয়েছে সেইভাবে যাত্রীর সিটের পিছনে স্ট্র্যাপগুলিকে রাখুন।



77PH097

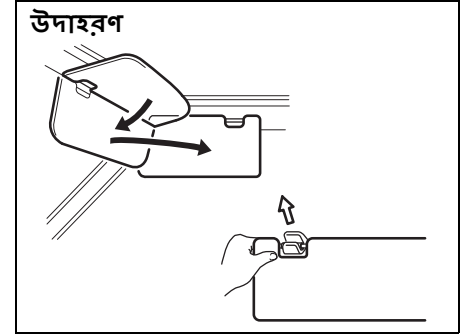
⚠ সতর্কতা

যাত্রীর সিটের পিছনে স্ট্র্যাপগুলিকে রাখুন। যদি কোনও যাত্রীর শরীর স্ট্র্যাপের সঙ্গে জড়িয়ে যায় তাহলে স্বাস্রোধের মতো গুরুতর আঘাতের ঝুঁকি রয়েছে। এই রকমের ঘটনার ক্ষেত্রে কাঁচি দিয়ে স্ট্র্যাপগুলি কেটে ফেলুন।

⚠ সতর্কতা

ইঞ্জিন কম্পার্টমেন্ট বন্ধ করার সময় সতর্ক থাকবেন যে সিটগুলি আপনার হাতে, অথবা চালকের সিট বেলেটের বাকলে, অথবা আপনার দেহে আঘাত না করে।

সান ভিজার



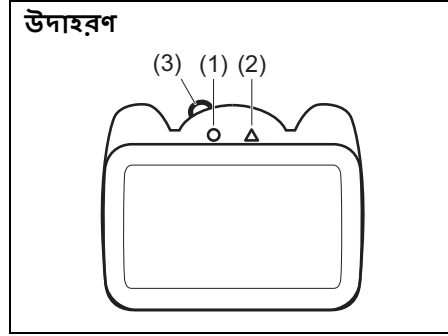
77PH004

গাড়ির চালকের দিকে সান ভিজার থাকে। উইন্ডশীল্ডের ভিতর দিয়ে আসা চোখ ধাঁধানো আলো আটকাতে সান ভিজারকে নীচে টেনে আনা যেতে পারে, অথবা সেইগুলিকে আনহুক করে পাশের জানালার দিকে ঘুরিয়ে পাশ থেকে আসা চোখ ধাঁধানো আলো আটকানো যেতে পারে।

লক্ষণীয় বিষয়

চিত্রে যেমন দেখানো হয়েছে সেই ভাবে একটি সান ভিজারের পাশের দিকটি ধরে আনহুক এবং হক করবেন, অন্যথায় সান ভিজারটির ক্ষতি হতে পারে।

ভিতরের আলো



77PH074

এই আলোর সুইচের দুটি অবস্থান আছে। নব (3) ব্যবহার করে এই অবস্থানগুলি নির্বাচন করা যেতে পারে। এই দুটি অবস্থানের কাজগুলি হল:

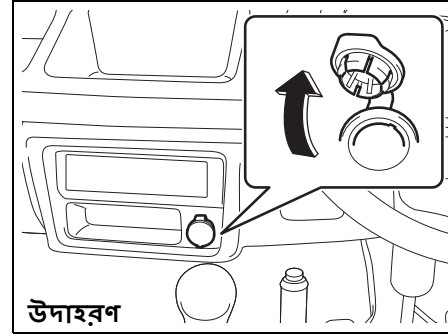
অন (1)

আলো জ্বলে থাকে।

অফ (2)

আলো নিভে থাকে।

অ্যাক্সেসরি সকেট



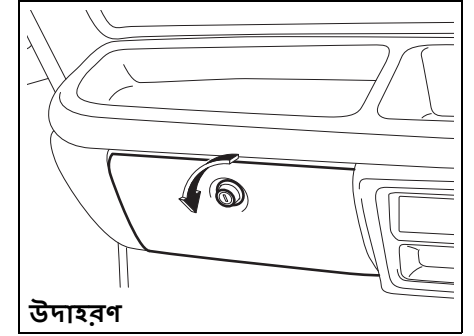
77PH044

ইগনিশন সুইচ "ACC" অথবা "অন" অবস্থানে থাকলে তবেই অ্যাক্সেসরি সকেট কাজ করবে। বৈদ্যুতিক অ্যাক্সেসরিগুলিতে 12 ভোল্ট/120 ওয়াট শক্তি সরবরাহ করার জন্য এই সকেটটি ব্যবহার করা যেতে পারে।

লক্ষণীয় বিষয়

অনুপযুক্ত বৈদ্যুতিক অ্যাক্সেসরি ব্যবহার করলে আপনার গাড়ির বৈদ্যুতিক ব্যবস্থার ক্ষতি হতে পারে। নিশ্চিত হয়ে নেন আপনি যে বৈদ্যুতিক অ্যাক্সেসরিগুলি ব্যবহার করবেন এই ধরনের সকেটে লাগানোর জন্য সেইগুলি ডিজাইন করা হয়েছে।

গ্লাভ বক্স



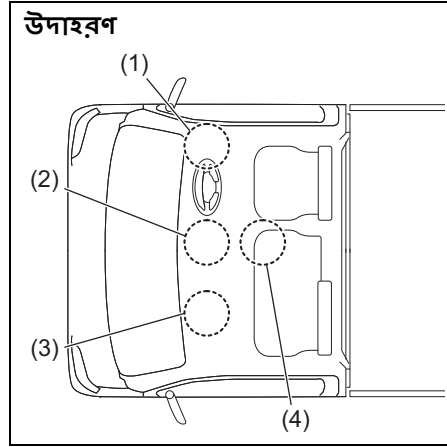
77PH045

গ্লাভ বক্স খোলার জন্য নবটিকে ঘড়ির কাঁটার বিপরীত দিকে ঘোরান। এটি বন্ধ করতে হলে ঢাকনাটিতে চাপ দিন যতক্ষণ পর্যন্ত না এটি নিরাপদে আটকে যায়। গ্লাভ বাক্সটি লক করতে হলে চাবিটি নবে ঢুকিয়ে ঘড়ির কাঁটার দিকে ঘোরান। গ্লাভ বাক্স আনলক করতে হলে চাবিটি নবে ঢুকিয়ে ঘড়ির কাঁটার বিপরীত দিকে ঘোরান।

⚠ সতর্কতা

গ্লাভ বক্সের ঢাকনা খোলা থাকা অবস্থায় কখনই গাড়ি চালাবেন না। কোনও দুর্ঘটনা ঘটলে এটি আঘাতের কারণ হতে পারে।

মালপত্র রাখার জায়গা (স্টোরেজ এরিয়া)



77PH104

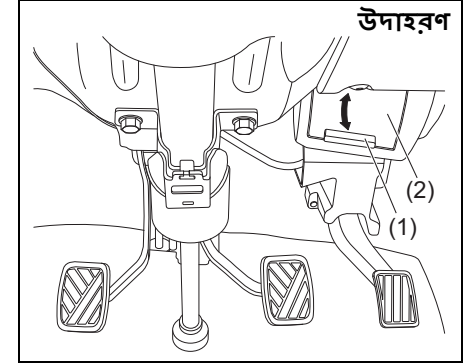
- (1) ইন্সট্রুমেন্ট প্যানেলের পকেট (চালকের দিকে)
- (2) ইন্সট্রুমেন্ট প্যানেল ট্রে (মার্বথানে) / ইন্সট্রুমেন্ট প্যানেল পকেট (মার্বথানে)
- (3) ইন্সট্রুমেন্ট প্যানেল ট্রে (যাত্রীর দিকে)
- (4) সেন্টার পকেট

ইনস্ট্রুমেন্ট প্যানেল পকেট (1)/(2) /
ইনস্ট্রুমেন্ট প্যানেল ট্রে (2)/(3) / সেন্টার
পকেট (4)

⚠ সতর্কতা

চলন্ত গাড়িতে পকেট/ট্রে থেকে পড়ে যেতে পারে এমন কোনও সামগ্রী রাখবেন না। সতর্ক না থাকলে কোনও বস্তু প্যাডেলের কাছে চলে আসতে পারে, ফলে গাড়ির নিয়ন্ত্রণ হারিয়ে যেতে পারে, অথবা দুর্ঘটনা ঘটতে পারে।

এয়ার ভেন্ট

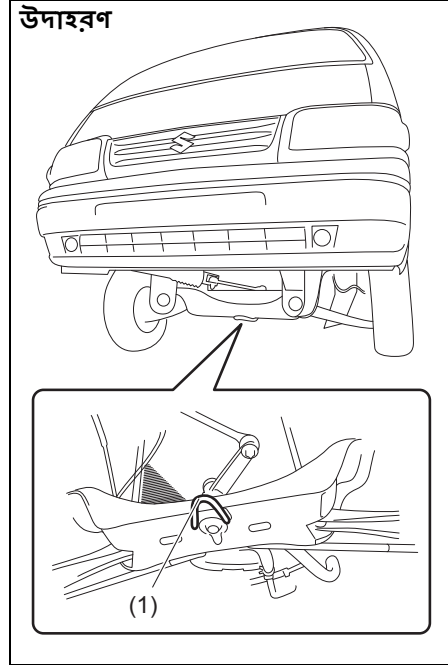


77PM502

এয়ার ভেন্টগুলি গাড়িতে চালক এবং যাত্রীর পাশে থেকে। এয়ার ভেন্ট খোলা অথবা বন্ধ করার জন্য নবটিকে (1) উপরের দিকে তুলে ক্ল্যাপ (2) খুলুন অথবা বন্ধ করুন। যখন "ওপেন" থাকবে, তখন তাজা বাতাস কেবিনের ভিতরে আসবে।

ফ্রেম হুক

সামনে



শুধুমাত্র জরুরি পরিস্থিতিতে এবং শিপিংয়ে ব্যবহার করার জন্য গাড়ির সামনের দিকে ফ্রেম হুক (1) দেওয়া থাকে।

রাস্তায় অথবা হাইওয়েতে আপনার গাড়ি টেনে নিয়ে যাওয়ার জন্য "জরুরি পরিষেবা" অনুচ্ছেদে "টোলিং" সংক্রান্ত নির্দেশনা অনুসরণ করুন।

⚠ সতর্কতা

রাস্তায় অথবা হাইওয়েতে অন্য কোনও গাড়িকে অথবা আপনার গাড়িকে টেনে নিয়ে যাওয়ার জন্য ফ্রেম হুক ব্যবহার করবেন না।

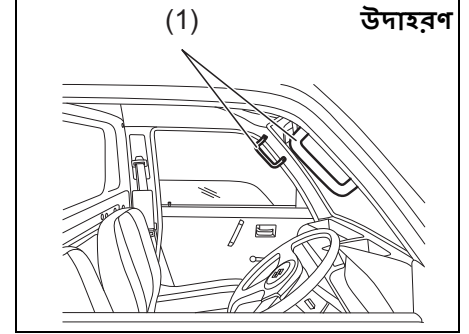
শুধুমাত্র জরুরি পরিস্থিতিতে ব্যবহার করার জন্য হুক (1) ডিজাইন করা হয়েছে, যেমন আপনার অথবা অন্য কারো গাড়ি গভীর কাদায় অথবা তুষারে আটকে গিয়েছে।

লক্ষণীয় বিষয়

ফ্রেম হুক (1) ব্যবহার করার সময় এমনভাবে গাড়ি চালানো এড়িয়ে চলুন যা হুকে উল্লেখযোগ্য ভাবে শক দিতে পারে। এইভাবে গাড়ি চালালে হুক অথবা গাড়ির বিভিন্ন ক্ষতি হতে পারে।

হঠাৎ গাড়ির গতি বাড়াবেন না।

অ্যাসিস্ট গ্রিপ



গাড়ির চালক এবং যাত্রীর পাশে অ্যাসিস্ট গ্রিপগুলি (1) থাকে। গাড়ির চালক/যাত্রী যাতে সহজেই গাড়িতে উঠতে এবং নামতে পারেন তার জন্য অ্যাসিস্ট গ্রিপগুলি দেওয়া হয়।

গাড়িতে লোড করা এবং টেনে নিয়ে যাওয়া

গাড়িতে লোড করা	6-1
ট্রেইলার টেনে নিয়ে যাওয়া	6-1

গাড়িতে লোড করা

আপনার গাড়িটি নির্দিষ্ট ওজন বহন-ক্ষমতার জন্য ডিজাইন করা হয়েছে। আপনার গাড়ির ওজন বহন-ক্ষমতা নির্দেশিত হয় গ্রস ভেহিকেল ওয়েট রেটিং (GVWR) এবং পারমিসিবল ম্যাক্সিমাম অ্যাক্সেল ওয়েট (PAW, সামনে এবং পিছনে) এর মাধ্যমে। GVWR এবং PAW (সামনে এবং পিছনে) "স্পেসিফিকেশন" অনুচ্ছেদে তালিকাভুক্ত করা হয়েছে।

GVWR - সম্পূর্ণ লোড করা একটি গাড়ির সর্বাধিক অনুমোদিত মোট ওজন (সব যাত্রী, অ্যাক্সেসরি এবং মালপত্র সহ ট্রেলার নোজ ওজন যদি একটি ট্রেলার টানতে হয়)।

PAW - (সামনে এবং পিছনে) একটি স্বতন্ত্র অ্যাক্সেলে সর্বাধিক অনুমোদিত ওজন।

লোড করা একটি গাড়ির আসল ওজন, সামনের ও পিছনের এক্সেলগুলিতে আসল লোড শুধুমাত্র গাড়িটি ওজন করেই জানা যাবে। এই ওজনগুলিকে **GVWR** এবং **PAW**-এর (সামনে এবং পিছনে) সঙ্গে তুলনা করুন। গাড়ির মোট ওজন অথবা উভয় এক্সেলের উপরের লোড যদি এই রেটিংগুলির চেয়ে বেশি হয়, তাহলে আপনাকে অবশ্যই পর্যাপ্ত ওজন কমিয়ে লোডটিকে রিট করা ক্ষমতাতে নামিয়ে আনতে হবে।

⚠ সতর্কতা

গাড়িকে কখনই ওভারলোড (অতিরিক্ত ওজন) করবেন না। একটি গাড়ির মোট ওজন (সব যাত্রী, অ্যাক্সেসরি এবং মালপত্র সহ ট্রেলার নোজ ওজন যদি একটি ট্রেলার টানতে হয়) কখনই গ্রস ভেহিকেল ওয়েট রেটিংয়ের (GVWR) চেয়ে বেশি হতে পারবে না। এছাড়াও, কখনও লোড এমন ভাবে বিতরণ করবেন না যাতে সামনের অথবা পিছনের অ্যাক্সেলের উপর ওজন পারমিসিবল ম্যাক্সিমাম অ্যাক্সেল ওয়েটকে (অনুমোদিত সর্বাধিক অ্যাক্সেল ওজন) (PAW) ছাড়িয়ে যায়।

⚠ সতর্কতা

সর্বদা মালপত্র সমানভাবে বিতরণ করবেন। কার্বোর যাতে আঘাত যাতে না লাগে, অথবা গাড়িটির যাতে ক্ষতি না হয় তার জন্য মালপত্র এমন ভাবে সুবক্ষিত রাখবেন যাতে গাড়িটি হঠাৎ চলতে শুরু করলে সেইগুলি জায়গা থেকে নড়ে না যায়। ভারী মালপত্র যতটা সম্ভব কার্গো এলাকায় সামনের দিকের মেঝেতে রাখবেন। সিট ব্যাকের উচ্চতার চেয়ে বেশি উঁচু করে কখনই মালপত্র গাদা করে রাখবেন না।

ট্রেলার টেনে নিয়ে যাওয়া

আপনার গাড়িটি প্রধানত একজন চালক, একজন যাত্রী এবং একটি নির্দিষ্ট পরিমাণ মালপত্র বহন করার জন্য ডিজাইন করা হয়েছে, কোনও ট্রেলার টেনে নিয়ে যাওয়ার জন্য নয়। কোনও ট্রেলার টেনে নিয়ে যাওয়ার জন্য এই গাড়িটি ব্যবহার করার জন্য মার্কটি সুপারিশ করে না। একটি ট্রেলার টেনে নিয়ে গেলে গাড়িটির হ্যান্ডলিংয়ে, স্থায়িত্বে এবং ফুয়েল ইকনমিতে বিরূপ প্রভাব ফেলতে পারে।

পরিদর্শন ও রক্ষণাবেক্ষণ

রক্ষণাবেক্ষণের সময়সূচি	7-1
নিয়মিত রক্ষণাবেক্ষণের সময়সূচি	7-2
পরিদর্শন ও রক্ষণাবেক্ষণের কাজগুলি	
গ্রাহক করবেন	7-6
ড্রাইভ বেল্ট	7-8
ইঞ্জিন অয়েল এবং ফিল্টার	7-8
ইঞ্জিন কুল্যান্ট	7-12
এয়ার ক্লিনার	7-14
স্পার্ক প্লাগ	7-14
গিয়ার অয়েল	7-14
ক্ল্যাচ প্যাডাল	7-16
ব্রেক	7-16
স্টিয়ারিং	7-19
প্রোপেলার শ্যাফট ইউনিভার্সাল জয়েন্ট	7-19
টায়ার	7-19
ব্যাটারি	7-21
ফিউজ	7-22
বাল্ব রিপ্লেসমেন্ট	7-25
ওয়াইপার ব্লেড	7-28
উইন্ডশিল্ড ধোয়ার ফ্লুইড (যদি দেয়া থাকে).....	7-30



77PM07008

⚠ সতর্কতা

দুর্ঘটনাজনিত আঘাত এড়াতে আপনার গাড়িতে কাজ করার সময় আপনাকে অত্যন্ত সার্বধান থাকতে হবে। এখানে কয়েকটি বিষয়ে আপনাকে বিশেষ ভাবে সতর্ক থাকার জন্য বলা হয়েছে:

- গ্যারেজ অথবা কোনও বন্ধ স্থানে ইঞ্জিন চালু রেখে দেবেন না।
- যখন ইঞ্জিন চলছে তখন ফ্যান ও ড্রাইভ বেল্ট থেকে হাত, পোশাক, সরঞ্জাম এবং অন্যান্য জিনিস দূরে রাখুন। যদিও ফ্যানটি হমতো চলছে না, তবুও এটি নিজে থেকেই কোনও সতর্কতা না দিয়ে চালু হয়ে যেতে পারে। (চলবে)

(চলবে)

⚠ সতর্কতা

(চলবে)

- যখন ইঞ্জিন চালু রেখে রক্ষণাবেক্ষণের কাজ করার প্রয়োজন হবে, তখন নিশ্চিত হয়ে নিন যে পার্কিং ব্রেক সম্পূর্ণরূপে সেট করা আছে এবং ট্রান্সমিশন নিউট্রালে আছে।
- ইঞ্জিন চালু করার সময় অথবা যখন ইঞ্জিন চলছে, তখন ইগনিশন অয়ের অথবা ইগনিশন সিস্টেমের অন্যান্য অংশ স্পর্শ করবেন না, অন্যথায় আপনার বৈদ্যুতিক শক লাগতে পারে।
- সতর্ক থাকবেন যাতে গরম ইঞ্জিন, এক্সহস্ট ম্যানিফোল্ড ও পাইপ, মাফলার, রেডিয়েটর এবং ওয়াটার হোজগুলির স্পর্শ আপনার দেহে না লাগে।
- ফুয়েল অথবা ব্যাটারির কাছাকাছি ধূমপান, স্পার্ক অথবা অগ্নিশিখা যাতে না থাকে তার জন্য সতর্ক থাকবেন। দাহ্য ধোঁয়া বিদ্যমান।
- আপনার গাড়িটি যদি শুধুমাত্র পোর্টেবল জ্যাক দিয়ে উপরে তোলা থাকে তাহলে গাড়ির নীচে প্রবেশ করবেন না।
- ব্যাটারির পজিটিভ ও নেগেটিভ টার্মিনালগুলির মধ্যে দুর্ঘটনাজনিত শর্ট সার্কিট যাতে না হয় তার জন্য সতর্ক থাকবেন।
- ব্যবহৃত অয়েল, কুল্যান্ট এবং অন্যান্য ফ্লুইড পদার্থগুলি শিশু এবং পোষ্য প্রাণীদের থেকে দূরে রাখবেন। ব্যবহৃত ফ্লুইডগুলি সঠিকভাবে নিষ্পত্তি করবেন; কখনই এগুলিকে মাটিতে, নদমা ইত্যাদিতে ঢেলে দেবেন না।

রক্ষণাবেক্ষণের সময়সূচি

আপনার গাড়ির নিয়মিত রক্ষণাবেক্ষণের সময়সূচি নীচের সারণীটিতে দেওয়া আছে। কিলোমিটার এবং মাস অনুযায়ী এই সারণীটি দেখাচ্ছে যে কখন আপনাকে পরিদর্শন, অ্যাডজাস্টমেন্ট, লুব্রিকেশন এবং রক্ষণাবেক্ষণের অন্যান্য কাজগুলি করতে হবে।

⚠ সতর্কতা

মারুতি সুজুকি সুপারিশ করে যে আপনার গাড়ির রক্ষণাবেক্ষণের কাজগুলি আপনার অনুমোদিত মারুতি সুজুকি কমার্শিয়াল কর্মশালায় করা হোক।

লক্ষণীয় বিষয়

যখন আপনার গাড়ির কোনও যন্ত্রাংশ পরিবর্তন করার প্রয়োজন হবে, তখন আপনাকে মারুতির আসল যন্ত্রাংশ অথবা তাদের সমতুল্য যন্ত্রাংশ ব্যবহার করার পরামর্শ দেওয়া হয়।

নিয়মিত রক্ষণাবেক্ষণের সময়সূচী

“C”: পরিষ্কার করা

“R”: প্রতিস্থাপন অথবা পরিবর্তন করা

“I”: পরিদর্শন করা, পরিষ্কার করা, অ্যাডজাস্ট করা, লুব্রিকেট করা অথবা প্রয়োজন অনুসারে প্রতিস্থাপন করা

“L”: লুব্রিকেট করা

“T”: নির্দিষ্ট টর্কের জন্য টাইট করা

“O”: ঘোরানো

মন্তব্য:

- এই সারণীটিতে 90,000 km মাইলেজ পর্যন্ত নির্ধারিত পরিষেবাগুলি অন্তর্ভুক্ত রয়েছে। 90,000 km অতিক্রান্ত হলে যথাক্রমে একই সময়ের ব্যবধানে একই রক্ষণাবেক্ষণগুলি করুন।
- বিনামূল্যে পরিদর্শনের জন্য উপকরণ এবং ব্যবহৃত জিনিসের খরচ গ্রাহককে বহন করতে হবে।

পরিদর্শন ও রক্ষণাবেক্ষণ

ব্যবধান: এই ব্যবধানটি বিচার করতে হবে ওডোমিটারের রিডিং থেকে অথবা মাস থেকে, যেটি প্রথমে আসবে।		বিনা ব্যয়ে পরিদর্শন				খরচের বিনিময়ে নিয়মিত রক্ষণাবেক্ষণ						
		km (x1000)	5	10	20	30	40	50	60	70	80	90
		মাস	2	4	8	12	16	20	24	28	32	36
ইঞ্জিন												
1-1.	ওয়াটার পাম্প বেল্ট ড্রাইভ (টান, ক্ষয়)		-								R	
1-2.	ইঞ্জিন কুল্যান্ট SUZUKI LLC: Super (Blue) (#1,2)	শুধুমাত্র প্রথমবার:	1,00,000 km অথবা 60 মাস, যেটি প্রথমে আসে সেই সময়ে পরিবর্তন করুন।									
	ইঞ্জিন কুল্যান্ট SUZUKI LLC: Standard (Yellow) (#1,3)	দ্বিতীয়বার এবং তারপরে:	প্রতি 40,000 km অথবা 24 মাস, যেটি প্রথমে আসে সেই সময়ে পরিবর্তন করুন।									
1-3.	ইঞ্জিন অয়েল, ইঞ্জিন অয়েল ফিল্টার এবং ড্রেইন প্লাগ গ্যাসকেট (পরিমাপ, লিকেজ)			R	R	R	R	R	R	R	R	R
1-4.	কুলিং সিস্টেমের হোজ এবং কানেকশন (লিকেজ এবং ক্ষতিগ্রস্ত)											
1-5.	ইঞ্জিন মার্ভিঙ এবং ম্যানিফোল্ড ফিল্ট্রিং (টিলে, ক্ষতিগ্রস্ত)											
1-6.	এক্সহস্ট সিস্টেম (আওয়াজ, লিকেজ, ইত্যাদি)			-		-		-		-		-
1-7.	পজিটিভ ক্র্যাঙ্ক কেস ভেন্টিলেশন সিস্টেম (হোজ, কানেকশন এবং ভালভ)			-		-		-		-		-
1-8.	এক্সহস্ট গ্যাস রিসার্কুলেশন ভালভ		-	-	-	C	-	-	C	-	-	C
ইগনিশন												
2-1.	ইগনিশন অয়ের (ক্ষতিগ্রস্ত, অবনতি)		-	-		-		-		-		-
2-2.	স্পার্ক প্লাগ	Petrol	প্রতি 1,00,000 km অথবা 84 মাসে যেটি আগে হয়, প্রতিস্থাপন করুন									
		CNG	প্রতি 50,000 km অন্তর, অথবা প্রতি 48 মাস অন্তর, যেটি প্রথমে হবে, প্রতিস্থাপন করুন									
ফুয়েল												
3-1.	এয়ার ক্লিনার ফিল্টার এলিমেন্ট	বাঁধানো রাস্তা	প্রতি 5,000 km অন্তর পরিষ্কার করুন। প্রতি 40,000 km অন্তর প্রতিস্থাপন করুন									
		ধূলিময় অবস্থা	প্রতি 2,500 km অন্তর পরিষ্কার করুন। প্রতি 40,000 km অন্তর প্রতিস্থাপন করুন অবস্থা খারাপ থাকলে আরও ঘন ঘন প্রতিস্থাপন করতে হবে।									
3-2.	ফুয়েল ট্যাঙ্কের ক্যাপ, ফুয়েল লাইন এবং সংযোগ (লিকেজ ও ড্যামেজ)			-	-	-		-	-	-		-
3-3.	ফুয়েল ফিল্টার (লিকেজ)						R				R	

#1: “আপনার গাড়ি পরিচালনা করা” বিভাগে দৈনিক পরিদর্শনের এর অধীনে দেওয়া ইঞ্জিন কুল্যান্ট লেভেল চেক করুন।

একদম নতুন একটি গাড়িতে যে ধরণের কুল্যান্ট ভর্তি করা হয়েছিল, পুনরায় কুল্যান্ট ভর্তি করার সময় অথবা পরিবর্তন করার সময় সেই একই ধরণের কুল্যান্ট ব্যবহার করতে হবে। এই বিভাগে “ইঞ্জিন কুল্যান্ট” দ্রষ্টব্য।

#2: আপনার গাড়িতে প্রথমে (মূলত) যখন SUZUKI LLC: Super (Blue) কুল্যান্ট ভর্তি করা হয়েছিল, তখন SUZUKI LLC: Standard (Yellow) কুল্যান্ট অথবা ডিস্টিল ওয়াটার অথবা অন্য কিছু যোগ করবেন না।

#3: আপনার গাড়িতে প্রথমে (মূলত) যখন SUZUKI LLC: Standard (Yellow) কুল্যান্ট ভর্তি করা হয়েছিল, SUZUKI LLC: Standard (Yellow) কুল্যান্ট-এর রক্ষণাবেক্ষণের সময়সূচী অনুসরণ করুন।

পরিদর্শন ও রক্ষণাবেক্ষণ

ব্যবধান: এই ব্যবধানটি বিচার করতে হবে ওডোমিটারের রিডিং থেকে অথবা মাস থেকে, যেটি প্রথমে আসবে।		বিনা ব্যয়ে পরিদর্শন				খরচের বিনিময়ে নিয়মিত রক্ষণাবেক্ষণ						
		km (x1000)	5	10	20	30	40	50	60	70	80	90
		মাস	2	4	8	12	16	20	24	28	32	36
3-4.	CNG ফুয়েল লাইনের সংযোগগুলি (গ্যাস লিকেজ)											
3-5.	O-রিং সহ CNG লো প্রেসার ফিল্টার কার্টেজ	-	-	R	-	R	-	R	-	R	-	
3-6.	CNG সিলিন্ডারের লিক টেস্টিং এবং সার্টিফিকেশন	প্রথম পরীক্ষার তারিখ থেকে প্রতি 3 বছর অন্তর সরকার কর্তৃক অনুমোদিত টেস্টিং সংস্থায় পরীক্ষা করা										
3-7.	CNG ফিলার রিসেপ্টাল O-রিং	প্রতি 4 বছর অন্তর, অথবা প্রতি 3,00,000 km অন্তর, যেটি প্রথমে হবে, প্রতিস্থাপন করুন										
ক্ল্যাচ ও ড্রামশিফট												
4-1.	ক্ল্যাচ প্যাডাল (প্রে)											
4-2.	ক্ল্যাচ প্লিপিং (টানা অথবা অতিরিক্ত ক্ষতি)											
4-3.	গিয়ার শিফটার (অপারেশন)											
4-4.	ম্যানুয়াল ড্রামশিফট অয়েল (পরিমাপ, লিকেজ)											
4-5.	রিয়ার ডিফারেনশিয়াল অয়েল (পরিমাপ, লিকেজ)	প্রতি 80,000 km অন্তর, প্রতি 4 বছর অন্তর, যেটি প্রথমে হবে, প্রতিস্থাপন করুন										
4-6.	প্রোপেলার শ্যাফট / ইউনিভার্সাল জয়েন্ট (টিলে, ক্ষতি)		I&L	I&L	I&L	I&L	I&L	I&L	I&L	I&L	I&L	
ব্রেক												
5-1.	ব্রেক ক্লুইড (পরিমাপ, লিকেজ)											
5-2.	ব্রেক প্যাডেল (প্যাডেল - ফ্রন্ট প্যানেল ক্লিয়ারেন্স)	প্রতি 40,000 km অথবা 24 মাসে যেটি আগে হয়, প্রতিস্থাপন করুন										
5-3.	পার্কিং ব্রেক লিভার এবং কেবল (প্রে, ক্ষতি)											
5-4.	ব্রেক ডিস্ক এবং প্যাড (ক্ষয়)											
5-5.	ব্রেক ড্রাম এবং শু (ক্ষয়)	-	-									
5-6.	মাস্টার সিলিন্ডার, হুইল সিলিন্ডার এবং ক্যালিপার পিস্টন (ক্লুইড লিকেজ, বুট/সেড্যামেজ)											
5-7.	ব্রেক হোস এবং পাইপ (লিকেজ, ক্ষতি)											
চাকা												
6-1.	টায়ার (এয়ার প্রেশার, অস্বাভাবিক ক্ষয়, ক্র্যাক এবং ঘূর্ণন)	I&O	I&O	I&O	I&O	I&O	I&O	I&O	I&O	I&O	I&O	
6-2.	চাকা (ক্ষতি)											
6-3.	সামনে/পিছনের চাকার বিয়ারিং (টিলে, ক্ষতি)											
সামনে/পিছনের সাসপেনশন												
7-1.	ফ্রন্ট সাসপেনশন স্ট্রাট এবং শক অ্যাবজর্ভার (অয়েল লিকেজ, ক্ষতি)											
7-2.	ফ্রন্ট সাসপেনশন আর্মস, নাকল সাপোর্ট এবং টেনশন রড (টিলে, ড্যামেজ)											

পরিদর্শন ও রক্ষণাবেক্ষণ

ব্যবধান: এই ব্যবধানটি বিচার করতে হবে ওডোমিটারের রিডিং থেকে অথবা মাস থেকে, যেটি প্রথমে আসবে।		বিনা ব্যয়ে পরিদর্শন				খরচের বিনিময়ে নিয়মিত রক্ষণাবেক্ষণ					
		km (x1000)	5	10	20	30	40	50	60	70	80
	মাস	2	4	8	12	16	20	24	28	32	36
7-3.	রিয়ার লিফ শিপ্রিং (ক্ষতি)										
7-4.	রিয়ার শক অ্যাবজর্বার (অয়েল লিকেজ, ক্ষতি)										
7-5.	সমস্ত বোল্ট ও নাট (টিলে)	T	T	T	T	T	T	T	T	T	T
স্টিয়ারিং											
8-1.	স্টিয়ারিং হুইল (প্লে, টিলে)										
8-2.	স্টিয়ারিং কলাম রড এবং আর্মস (টিলে, ক্ষতি, ক্ষয়)										
বেদুতিক											
9-1.	ব্যাটারি - ইলেক্ট্রোলাইট (পরিমাপ, লিকেজ) এবং ভোল্টেজ										
9-2.	অয়ের হার্নেস কানেকশন (টিলে, ক্ষতি)										
9-3.	লাইটিং সিস্টেম (অপারেশন)										
9-4.	ওয়াইপার (অপারেশন, দাগ, ক্ষতি)										
9-5.	হর্ন (অপারেশন)										
9-6.	অ্যাক্সেসরি সকেট (অপারেশন)										
বডি											
10-1.	সমস্ত চ্যাসির বোল্ট ও নাট (টাইট করা)		T	T	T	T	T	T	T	T	T
10-2.	সমস্ত ল্যাচ, হিঞ্জ ও লক (ফাংশন)	I&L	I&L	I&L	I&L	I&L	I&L	I&L	I&L	I&L	I&L
10-3.	কার্গো বেড (পরিদর্শন)										
রাস্তায় পরীক্ষা করা											
11-1.	ব্রেক, ক্লাচ, গিয়ার শিফটিং এবং স্পিডোমিটারের অপারেশন										
11-2.	বডি'র এবং চ্যাসির আওয়াজ										

পরিদর্শন এবং রক্ষণাবেক্ষণের যে কাজগুলি গ্রাহককে করতে হবে

পরিদর্শন এবং রক্ষণাবেক্ষণের যে কাজগুলি আপনি করতে পারবেন সেইগুলি নীচের সারণীতে দেওয়া আছে।
পরিদর্শন, গ্রীসিং, লুব্রিকেশন এবং রক্ষণাবেক্ষণের অন্যান্য কাজগুলি আপনাকে কত ঘন ঘন (ফ্রিকোয়েন্সি) করতে হবে তা এই সারণীটিতে দেওয়া আছে।

ফ্রিকোয়েন্সি	ক্রমিক নং	অপারেশন	রেফারেন্স	
দৈনিক	1	সবগুলি টায়ারে (অতিরিক্ত চাকা সহ) এয়ার প্রেশার, অস্বাভাবিক ক্ষয়, ফাটা এবং ক্ষতি আছে কিনা তা পরিদর্শন করুন।	পৃষ্ঠা নং 7-19	
সাপ্তাহিক	2	ইঞ্জিন অয়েলের পরিমাণ মাপুন, প্রয়োজন হলে মার্কতি জেনুইন ইঞ্জিন অয়েল দিয়ে টপ আপ করুন।	পৃষ্ঠা নং 7-9	
	3	কুল্যান্ট রিসার্ভারে কুল্যান্টের পরিমাণ দেখুন, প্রয়োজন হলে সুপারিশ করা মার্কতি জেনুইন কুল্যান্ট এবং ডিস্টিল ওয়াটার নির্দিষ্ট অনুপাতে মিশিয়ে টপ আপ করুন।	পৃষ্ঠা নং 7-12	
	4	ট্রান্সমিশন অয়েলের এবং ডিফারেনশিয়াল অয়েলের পরিমাণ পরিমাপ করুন।	পৃষ্ঠা নং 7-15	
	5	ব্রেক ফ্লুইড রিজার্ভারে ব্রেক ফ্লুইডের পরিমাণ পরিমাপ করুন, প্রয়োজন হলে মার্কতি জেনুইন ব্রেক ফ্লুইড দিয়ে টপ আপ করুন।	পৃষ্ঠা নং 7-16	
	6	গাড়িতে নীচের বিষয়গুলি পরিদর্শন করুন <ul style="list-style-type: none"> • ইঞ্জিন অয়েল লিকেজ • কুল্যান্ট লিকেজ • ব্রেক ফ্লুইড লিকেজ 	<ul style="list-style-type: none"> • ফ্রন্ট সাসপেনশন স্ট্রাট লিকেজ • রিয়ার শক অ্যাবজর্বার লিকেজ • ফুয়েল লিকেজ • ট্রান্সমিশন অয়েল এবং ডিফারেনশিয়াল অয়েল লিকেজ 	পরিদর্শন ও রক্ষণাবেক্ষণ অনুচ্ছেদ
	7	ব্যাটারি ইলেক্ট্রোলাইটের পরিমাণ, টার্মিনাল এবং ব্র্যাকেট পরিদর্শন করুন।	পৃষ্ঠা নং 7-21	
	8	হুইল মাউন্টিং নাটগুলি পরিদর্শন করুন এবং প্রয়োজন হলে টাইট করুন।	পৃষ্ঠা নং 8-5	

পরিদর্শন ও রক্ষণাবেক্ষণ

মাসিক	9	ড্রাইভ বেল্টে কোনও ক্ষয় অথবা ক্ষতি আছে কিনা তা পরিদর্শন করুন।	পৃষ্ঠা নং 7-8
	10	এয়ার ফিল্টার এলিমেন্ট পরিষ্কার করুন	পৃষ্ঠা নং 7-14
	11	সমস্ত ল্যাচ, হিঞ্জ এবং লকে মাল্টি-পারপাস গ্রীস লাগান।	পৃষ্ঠা নং 7-5
	12	প্রপেলার শাফট ইউনিভার্সাল জয়েন্টে গ্রীস গান দিয়ে গ্রীস লাগান।	পৃষ্ঠা নং 7-19
যখন ও যেমন প্রয়োজন হবে	13	ক্লাচ প্যাডেলের প্লে পরিদর্শন করুন।	পৃষ্ঠা নং 7-16
	14	ইঞ্জিন চালু রেখে ব্রেক চেপে ব্রেক প্যাডেল থেকে ক্লোর প্যানেলের দূরত্ব পরিদর্শন করুন।	পৃষ্ঠা নং 7-17
	15	সঠিক ভাবে অ্যাডজাস্টমেন্ট করার জন্য পার্কিং ব্রেক পরীক্ষা করুন।	পৃষ্ঠা নং 7-18

* গাড়ির গতি বেশি থাকার সময়ে গাড়িটি যদি এক পাশে সরে যেতে থাকে অথবা কাঁপতে থাকে, তাহলে হুইল অ্যালাইনমেন্ট এবং ব্যালেন্স পরীক্ষা এবং/অথবা অ্যাডজাস্ট করাবেন

ড্রাইভ বেল্ট

⚠ সতর্কতা

যখন ইঞ্জিন চলছে তখন চলন্ত ফ্যান এবং ড্রাইভ বেল্ট থেকে হাত, চুল, পোশাক, সরঞ্জাম ইত্যাদি দূরে রাখুন।

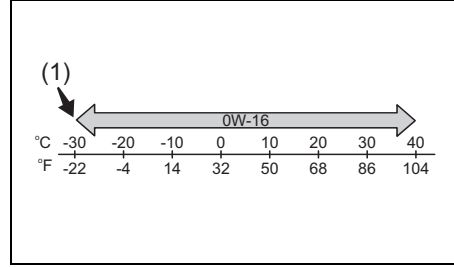
ড্রাইভ বেল্টের টেনশন যে সঠিক আছে তা নিশ্চিত হয়ে নিন। বেল্ট খুব টিলে থাকলে ব্যাটারির চার্জিং কম হবে, ইঞ্জিন অতিরিক্ত গরম হয়ে যাবে, অথবা বেল্টের বেশি ক্ষয় হতে পারে।

বেল্টগুলিতে যে কোনও ক্ষয়ক্ষতি হয়নি তা নিশ্চিত করার জন্য পরীক্ষা করতে হবে।

যদি বেল্টের পরিবর্তন অথবা অ্যাডজাস্ট করার প্রয়োজন হয় তাহলে আপনার মারুতি সুজুকি অনুমোদিত কর্মশালায় তা করিয়ে নেবেন।

ইঞ্জিন অয়েল এবং ফিল্টার নির্দিষ্ট করা অয়েল

ভারতের জন্য



56RM07013

(1) সুপারিশ করা

আপনি যে ইঞ্জিন অয়েল ব্যবহার করেন তা **API SN**-এর মানের শ্রেণীবিভাগের আওতায় আসে কিনা তা যাচাই করে নিন। উপরের চার্ট অনুযায়ী উপযুক্ত অয়েল ভিস্কোসিটি নির্বাচন করুন।

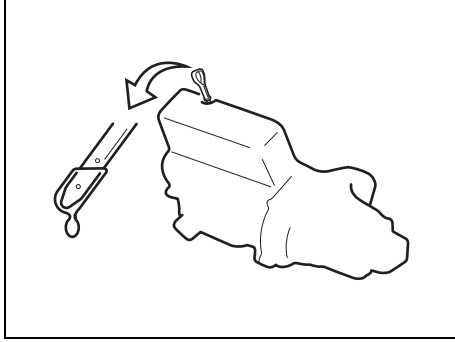
ভাল ফুয়েল ইকনমির এবং ঠাণ্ডা আবহাওয়ায় ভাল ভাবে স্টার্ট নেওয়ার জন্য **SAE 0W-16 (1)** হল সেরা পছন্দ।

মন্তব্য:

- কখন পরিবর্তন করতে হবে তার সময় আপনার বেছে নেওয়া ইঞ্জিন অয়েলের প্রকারের উপরে নির্ভর করে পরিবর্তিত হবে। সংশ্লিষ্ট রক্ষণাবেক্ষণ সময়সূচীর জন্য এই বিভাগে "রক্ষণাবেক্ষণ সময়সূচী" দ্রষ্টব্য।
- আমরা আপনাকে মারুতি সুজুকি জেনুইন অয়েল ব্যবহার করার জন্য সুপারিশ করছি। এটি কেনার জন্য একটি মারুতি সুজুকি অনুমোদিত ওয়ার্কশপে যান।

পরিদর্শন ও রক্ষণাবেক্ষণ

অয়েলের পরিমাণ পরীক্ষা করা



55RH07002

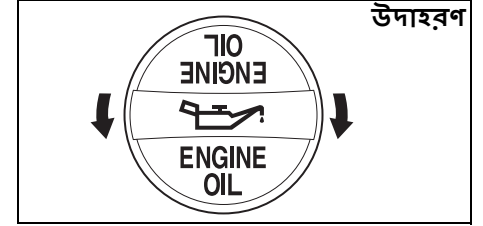
আপনার গাড়ির ইঞ্জিনের সঠিক লুব্রিকেশনের জন্য সঠিক পরিমাণে ইঞ্জিন অয়েল থাকা গুরুত্বপূর্ণ। একটি সমতল স্থানে গাড়ি দাঁড় করিয়ে অয়েলের পরিমাণ পরীক্ষা করুন। গাড়িটি ঢালে দাঁড়িয়ে থাকলে অয়েল লেভেল ইন্ডিকেশন ভুল হতে পারে। ইঞ্জিন চালু করার আগে অথবা ইঞ্জিন বন্ধ করার অন্তত 5 মিনিট পরে অয়েলের পরিমাণ পরীক্ষা করতে হবে।

অয়েল ডিপস্টিক টেনে তুলুন, একটি পরিষ্কার কাপড় দিয়ে অয়েল মুছুন, তারপরে ডিপস্টিকটি ইঞ্জিনের মধ্যে ঢোকান এবং তারপরে আবার বার করে আনুন। ডিপস্টিকে দেওয়া আপার এবং লোয়ার লিমিটের মধ্যে অয়েল থাকতে হবে। যদি অয়েলের পরিমাণ লোয়ার লিমিটের কাছাকাছি থাকে, তাহলে পর্যাপ্ত অয়েল ভর্তি করে আপনার লিমিটে নিয়ে আসুন।

নক্ষণীয় বিষয়

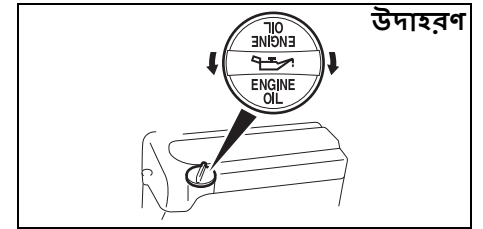
নিয়মিত ভাবে অয়েলের পরিমাণ পরীক্ষা না করলে কম অয়েল থাকলে ইঞ্জিনের গুরুতর সমস্যা হতে পারে।

রিফিলিং



68PH00762

অয়েল ফিলার ক্যাপ খুলুন, ফিলার হোল দিয়ে ধীরে ধীরে অয়েল ঢেলে ডিপস্টিকের উপরের লেভেল পর্যন্ত অয়েলের পরিমাণ নিয়ে আসুন। বেশি ভর্তি যাতে না হয়ে যায় তার জন্য সতর্ক থাকবেন। বেশি পরিমাণে অয়েল থাকা কম পরিমাণে থাকার মতোই খারাপ। রিফিলিং হয়ে গেলে ইঞ্জিন চালু করে আনুমানিক এক মিনিট সময়ের জন্য আইডেল রাখুন। এবার ইঞ্জিন বন্ধ করুন, 5 মিনিট অপেক্ষা করে আবার অয়েলের পরিমাণ পরীক্ষা করুন।



68PM00703

ইঞ্জিন অয়েল এবং ফিল্টার পরিবর্তন করা

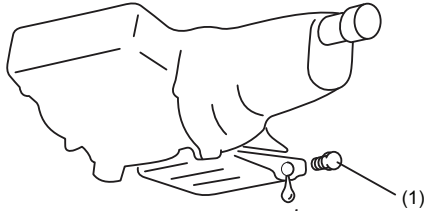
ইঞ্জিন গরম থাকতে থাকতেই ইঞ্জিন অয়েল বার করে দিন।

- 1) অয়েল ফিলার ক্যাপ খুলুন।
- 2) ড্রেইন প্লাগের নীচে একটি ড্রেইন প্যান রাখুন।
- 3) একটি রেষ দিয়ে ড্রেইন প্লাগ খুলে ইঞ্জিন অয়েল বার করে দিন।

⚠ সতর্কতা

ড্রেইন প্লাগ ঢিলে করার সময় ইঞ্জিন অয়েলের তাপমাত্রা এতো বেশি থাকতে পারে যে আপনার আঙুল পুড়ে যেতে পারে। ড্রেইন প্লাগটি খালি হাতে স্পর্শ করা যায় এমন ঠাণ্ডা হওয়া পর্যন্ত অপেক্ষা করুন।

উদাহরণ



77PM07007

ড্রেইন প্লাগ টাইট করার টর্ক (1):
50 Nm (5.1 kg-m, 36.9 lb-ft)

⚠ সতর্কতা

নতুন এবং ব্যবহৃত অয়েল বিপজ্জনক হতে পারে। শিশুরা এবং পোষ্য প্রাণীরা নতুন এবং ব্যবহৃত অয়েল পান করলে তা ক্ষতিকারক হবে। শিশু এবং পোষ্য প্রাণীদের থেকে নতুন ও ব্যবহৃত অয়েল এবং ব্যবহৃত অয়েল ফিল্টার দূরে রাখবেন।

বারে বারে দীর্ঘ সময়ের জন্য ব্যবহৃত ইঞ্জিন অয়েলের সংস্পর্শে এলে স্বকের ক্যান্ডার হতে পারে।

স্বল্প সময়ের জন্যও ব্যবহৃত অয়েলের সংস্পর্শে এলে স্বকে স্ফালা হতে পারে।

অয়েল পরিবর্তন করার সময়ে ব্যবহৃত অয়েলের সংস্পর্শ এড়াতে পুরো হাতের শার্ট এবং আর্দ্রতা-নিরোধক গ্লাভস (যেমন বাসনপত্র ধোয়ার গ্লাভস) পরুন। স্বকে অয়েল লেগে গেলে সাবান আর জল দিয়ে ভাল করে ধুয়ে ফেলবেন।

অয়েলে পোশাক অথবা কাপড় ভিজে গেলে ভাল করে ধুয়ে নেবেন।

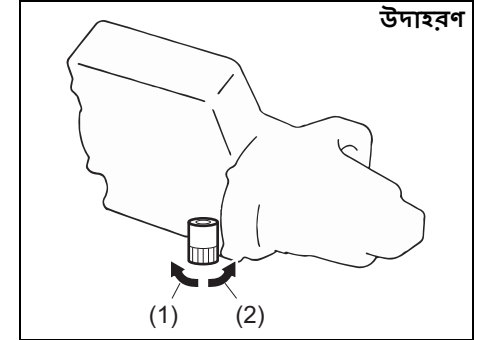
ব্যবহার করা অয়েল এবং ফিল্টার রিসাইকেল করুন বা সঠিকভাবে ফেলুন।

- 4) ডেন প্লাগ এবং গ্যাসকেট রিইন্সটল করুন। নির্দিষ্ট টর্কে প্লাগটি রেষ দিয়ে টাইট করুন।

অয়েলের ফিল্টার পালতে ফেলুন

- 1) একটি অয়েলের ফিল্টারের রেষ ব্যবহার, ঘড়ির উল্টো দিকে অয়েলের ফিল্টারটি ঘোরান এবং সেটি সরিয়ে দিন।
- 2) একটি পরিষ্কার ন্যাট্রা ব্যবহার করে, ইঞ্জিনে খাটানোর জায়গাটি পরিষ্কার করুন যেখানে নতুন ফিল্টার লাগানো হবে।
- 3) নতুন অয়েলের ফিল্টারের গ্যাসকেটের চারপাশে অল্প ইঞ্জিন অয়েল ছরিয়ে দিন।
- 4) নতুন ফিল্টারটি হাত দিয়ে লাগান যতক্ষণ না ফিল্টার গ্যাসকেটটি খাটানোর জায়গা ছুঁচ্ছে।

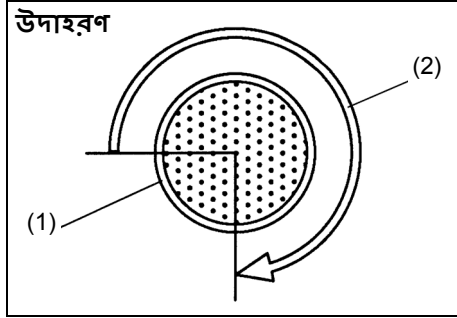
উদাহরণ



77PH017

- (1) ঢিলা করুন
- (2) টাইট করুন

টাইট করা(ফিল্টারের ওপর থেকে দেখা)



- (1) অয়েলের ফিল্টার
- (2) 3/4 বার ঘোরানো

লক্ষণীয় বিষয়

অয়েলের ফিল্টারটি সঠিকভাবে টাইট করতে, সঠিকভাবে জানার দরকার আছে সেই জায়গাটি যেখানে ফিল্টার গ্যাসকেটটি খাটানোর জায়গার সাথে এসে যোগ হয়।

- 5) একটি অয়েল ফিল্টার রেক্স দিয়ে ফিল্টারটিকে মাউন্টিং সার্ফেসের কন্টাক্ট পয়েন্ট থেকে পূর্ব নির্দিষ্ট করা বারে (অথবা নির্দিষ্ট করা টর্কে) ঘুরিয়ে টাইট করুন।

অয়েলের ফিল্টারের জন্য টর্ক টাইট করুন
3/4 বার ঘুরিয়ে বা
14 Nm (1.4 kgf-m, 10.3 lbf-ft)

লক্ষণীয় বিষয়

অয়েল লিক হওয়া আটকাতে, নিশ্চিত করুন যে অয়েলের ফিল্টারটি টাইট আছে, কিন্তু সেটি বেশি টাইট করবেন না।

অয়েল দিয়ে রিফিল করুন এবং লিক আছে কি না চেক করে নিন।

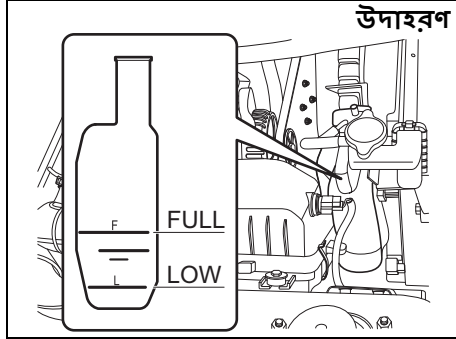
- 1) ফিলারের ফুটো দিয়ে অয়েল ঢালুন এবং ফিলার ক্যাপটি ইন্সটল করুন। অয়েলের পর্যাপ্ত ক্ষমতা জানতে, "স্পেসিফিকেশন" সেকশনটিতে "ক্যাপাসিটি" দেখুন।
- 2) ইঞ্জিন স্টার্ট করুন এবং লিকের জন্য মনোযোগ সহকারে অয়েলের ফিল্টার এবং ডেন প্লাগ দেখুন। নিদেনপক্ষে 5 মিনিট ইঞ্জিন বিভিন্ন গতিতে চালান।
- 3) ইঞ্জিনটি বন্ধ করুন এবং অন্তত 5মিনিট অপেক্ষা করুন। অয়েলের পরিমাণ দেখে নিন এবং প্রয়োজন পড়লে অয়েল যোগ করুন। আবার দেখে নিন লিক আছে কি না।

লক্ষণীয় বিষয়

- অয়েলের ফিল্টারটি যখন পরিবর্তন করবেন, আসল মারুতি ফিল্টার ব্যবহার করার প্রস্তাব দেওয়া হয়। যদি আপনি একটি অনামা ফিল্টার ব্যবহার করেন, নিশ্চিত করুন সেটিতে যেন সমপরিমাণ প্রবাহ থাকে এবং প্রস্তুতকারকের নির্দেশাবলী অনুসরণ করুন।
- অয়েলের ফিল্টারের চারদিক থেকে অথবা ডেন প্লাগ থেকে অয়েল লিক করে যা জানান দেয় সেটি ঠিক ভাবে ইন্সটল হয়নি, অথবা গ্যাসকেট খারাপ আছে। যদি আপনি কোন লিক খুঁজে পান বা যদি নিশ্চিত না হন যে ফিল্টারটি সঠিকভাবে টাইট করা হয়েছে কিনা, তাহলে আপনার বাহনটি স্বীকৃত মারুতি সুজুকি কমার্শিয়াল ওয়ার্কশপ থেকে পরীক্ষা করিয়ে নিন।

ইঞ্জিন কুল্যান্ট

কুল্যান্ট লেভেল পরীক্ষা



77PM07010

রিজার্ভার ট্যাঙ্কে কুল্যান্টের লেভেল পরীক্ষা করুন, রেডিমেটরে নয়। ইঞ্জিন যখন ঠাণ্ডা থাকবে, তখন কুল্যান্টের লেভেল “FULL” এবং “LOW” চিহ্ন দুটির মাঝখানে থাকতে হবে। কুল্যান্টের লেভেল যদি “LOW” চিহ্নের নিচে থাকে, তাহলে কুল্যান্ট যোগ করতে হবে।

কুল্যান্ট যোগ করা এবং পরিবর্তন করা

আপনি যখন কুল্যান্ট যোগ করবেন, তখন রিজার্ভার ট্যাঙ্কের ক্যাপ খুলে নেবেন এবং রিজার্ভার ট্যাঙ্কের লেভেল “FULL” চিহ্নে না পৌঁছানো পর্যন্ত কুল্যান্ট ঢালতে থাকবেন এবং সেই সময়ে ইঞ্জিন ঠাণ্ডা থাকতে হবে। রিজার্ভার ট্যাঙ্ক কখনই “FULL” চিহ্নের উপরে ভর্তি করবেন না।

কুল্যান্ট পরিবর্তন করার জন্য যেহেতু বিশেষ পদ্ধতির প্রয়োজন হয়, তাই এই কাজ করার জন্য

মারুতি সুজুকির কোনও একটি অনুমোদিত ওয়ার্কশপে যাবেন।

⚠️ সতর্কতা

ইঞ্জিন কুল্যান্ট গিলে ফেললে গুরুতর আঘাত অথবা মৃত্যুও হতে পারে। কুল্যান্টের কুমাশা অথবা বাষ্প নাক দিয়ে প্রবেশ করলে অথবা আপনার চোখে লাগলে গুরুতর আঘাত লাগতে পারে।

- অ্যান্টিফ্রিজ অথবা কুল্যান্টের দ্রবণ পান করবেন না। গিলে ফেললে বমি করবেন না। অবিলম্বে বিষ নিয়ন্ত্রণ কেন্দ্র অথবা চিকিৎসকের সঙ্গে যোগাযোগ করবেন।
- নাক দিয়ে কুল্যান্টের কুমাশা অথবা গরম বাষ্প প্রবেশ করা এড়াবেন। যদি প্রবেশ করে, তাহলে তাজা বাতাস আছে এমন স্থানে যাবেন।
- চোখে কুল্যান্ট লাগলে জল দিয়ে ধুয়ে নেবেন এবং চিকিৎসকের পরামর্শ নেবেন।
- কুল্যান্ট নিয়ে কাজ করার পরে ভাল করে হাত ধুয়ে নেবেন।
- শিশু ও পোষ্য প্রাণীদের থেকে ইঞ্জিন কুল্যান্ট দূরে রাখবেন।

লক্ষণীয় বিষয়

রিজার্ভার ট্যাঙ্কে ক্যাপ লাগানোর সময়ে ক্যাপের চিহ্ন এবং ট্যাঙ্কের চিহ্ন এক লাইনে আনবেন। এটি করতে ব্যর্থ হলে কুল্যান্টের লিকেজ হতে পারে।

কুল্যান্ট নির্বাচন

ইঞ্জিনের কর্মক্ষমতা সেরা রাখতে এবং ইঞ্জিনের আয়ু বাড়াতে আসল **MARUTI SUZUKI** কুল্যান্ট অথবা তার সমতুল্য ব্যবহার করবেন। নিম্নলিখিত কারণগুলির জন্য এই ধরনের কুল্যান্ট সবচেয়ে ভাল হয়:

- কুল্যান্ট সঠিক ইঞ্জিন তাপমাত্রা বজায় রাখতে সাহায্য করে।
 - ফ্রিজিং এবং বয়েলিংয়ের বিরুদ্ধে যথাযথ সুরক্ষা দেয়।
 - ক্ষয় ও জং ধরার বিরুদ্ধে যথাযথ সুরক্ষা দেয়।
- সঠিক কুল্যান্ট ব্যবহার না করলে আপনার গাড়ির কুলিং সিস্টেম ক্ষতিগ্রস্ত হতে পারে। সঠিক কুল্যান্ট নির্বাচন করতে মারুতি সুজুকি ওয়ার্কশপ আপনাকে সাহায্য করতে পারে।

লক্ষণীয় বিষয়

আপনার গাড়ির কুলিং সিস্টেমের ক্ষতি হওয়া এড়াতে:

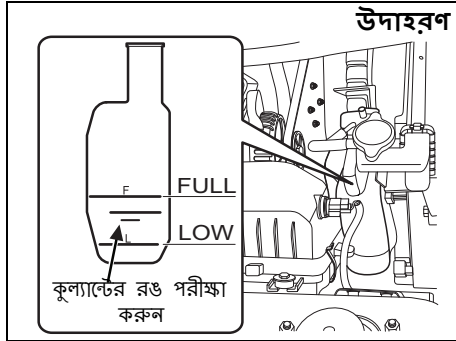
- সর্বদা একটি উচ্চ মানের ইথিলিন গ্লাইকল ভিত্তিক নন-সিলিকেট প্রকারের কুল্যান্টের সঙ্গে সঠিক অনুপাতে ডিস্টিল ওয়াটার মিশিয়ে সঠিক ঘনত্বে এনে ব্যবহার করবেন।
- অতিরিক্ত ইনহিবিটার অথবা অ্যাডিটিভ ব্যবহার করবেন না। সেগুলি আপনার গাড়ির কুলিং সিস্টেমের সঙ্গে সামঞ্জস্যপূর্ণ নাও হতে পারে।
- বিভিন্ন ধরনের ভিত্তিক কুল্যান্ট মেশাবেন না। এটি করলে সিল দ্রুত ক্ষয়ে যেতে পারে এবং/অথবা ইঞ্জিন অত্যধিক গরম হয়ে যেতে পারে এবং ইঞ্জিনের / ড্র্যান্সমিশনের গুরুতর ক্ষতি হতে পারে। কুল্যান্ট যদি মিশে যায়, তাহলে কোনও একটি মারুতি সুজুকির অনুমোদিত ওয়ার্কশপে গাড়ি পরিদর্শন করিয়ে নেবেন।

পরিদর্শন ও রক্ষণাবেক্ষণ

মন্তব্য:

মারুতি সুজুকি দুটোভাবে আসল মারুতি সুজুকি কুল্যান্ট ব্যবহার করতে সুপারিশ করে। আসল মারুতি সুজুকি কুল্যান্ট আপনার মারুতি সুজুকি পণ্যের জন্য বিশেষভাবে প্রস্তুত করা হয়েছে। এটি গাড়ির আকাঙ্ক্ষিত কর্মক্ষমতা এবং গাড়ি চালানোর সময় আদর্শ অভিজ্ঞতা পাওয়াতে অবদান রাখে।

আপনার গাড়িটি তৈরি করার সময়কালের উপরে নির্ভর করে নতুন গাড়িতে ভর্তি করা কুল্যান্টের প্রকার ভিন্ন ভিন্ন হয়। দুই ধরনের কুল্যান্ট হয়, **SUZUKI LLC: Super (Blue)** কুল্যান্ট এবং **SUZUKI LLC: Standard (Yellow)** কুল্যান্ট। গাড়ির রিজার্ভার ট্যাঙ্কে কুল্যান্টের রঙ দেখে আপনি জানতে পারবেন যে আসলে কোন কুল্যান্ট ভর্তি করা হয়েছিল (নিচের চিত্র দেখুন)।



77PM07033

কুল্যান্টের রঙ	কুল্যান্টের প্রকার
Blue	Suzuki LLC : Super
Yellow	Suzuki LLC : Standard

মন্তব্য:

একদম নতুন একটি গাড়িতে যে ধরনের কুল্যান্ট ভর্তি করা হয়েছিল, পুনরায় কুল্যান্ট ভর্তি করার সময় অথবা পরিবর্তন করার সময় সেই একই ধরনের কুল্যান্ট ব্যবহার করতে হবে।

SUZUKI LLC: Super (Blue) কুল্যান্ট:

লক্ষণীয় বিষয়

- এই কুল্যান্টটি ইতিমধ্যেই সঠিক পার্সেন্টেজে পাতলা করা হয়েছে। অতিরিক্ত জল মিশিয়ে আর পাতলা করবেন না। এটি করলে কুল্যান্ট জমে যেতে পারে এবং/অথবা অতিরিক্ত গরম হয়ে যেতে পারে।
- আপনার গাড়িতে প্রথমে (মূলত) যখন **SUZUKI LLC: Super (Blue)** কুল্যান্ট ভর্তি করা হয়েছিল, তখন **SUZUKI LLC: Standard (Yellow)** কুল্যান্ট অথবা ডিস্টিল ওয়াটার অথবা অন্য কিছু যোগ করবেন না। যদি এই বকম হয়, তাহলে গাড়িটিকে মারুতি সুজুকির কোনও একটি অনুমোদিত ওয়ার্কশপে পরিদর্শন করিয়ে নেবেন।

SUZUKI LLC: Standard (Yellow) কুল্যান্ট:

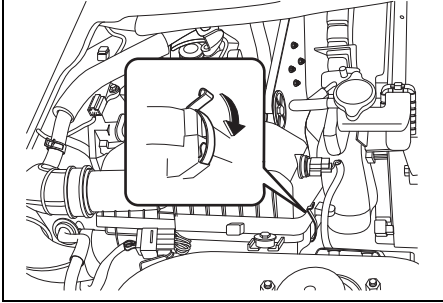
লক্ষণীয় বিষয়

- যে ঘনত্বে মিশ্রণ ব্যবহার করতে হবে, সেটি হল 30% অ্যান্টিফ্রিজ এবং 70% ডিস্টিল ওয়াটার। শুধু কুল্যান্ট অথবা শুধু জল ব্যবহার করবেন না।
- আপনার অঞ্চলে আবহাওয়ার সর্বনিম্ন তাপমাত্রা যদি -15°C (5°F) অথবা তার নিচে হওয়ার সম্ভাবনা থাকে, তাহলে আরও বেশি ঘনত্বে, 60% পর্যন্ত, ব্যবহার করতে হবে - এর জন্য অ্যান্টিফ্রিজের কন্টেনারে দেওয়া নির্দেশিকা অনুসরণ করবেন। 60%-এর চেয়ে বেশি ঘনত্ব হলে অতিরিক্ত গরম হওয়ার মতো অবস্থা হবে।
- আপনার গাড়িতে প্রথমে (মূলত) যখন **SUZUKI LLC: Standard (Yellow)** কুল্যান্ট ভর্তি করা হয়েছিল, **SUZUKI LLC: Standard (Yellow)** কুল্যান্ট-এর রক্ষণাবেক্ষণের সময়সূচী অনুসরণ করুন। এই অনুচ্ছেদে **Standard (Yellow)** কুল্যান্ট। আপনি যদি **Suzuki LLC** দিয়ে পরিবর্তন করেন: **Super (Blue)** কুল্যান্ট, তাহলে মারুতি সুজুকির কোনও একটি অনুমোদিত ওয়ার্কশপে পরিদর্শন করিয়ে নেবেন।

এয়ার ক্লিনার

এয়ার ক্লিনার ধুলোয়ে আটকে গেলে, ভিতরে যাওয়ার বাধা তীব্রতর হবে, যার ফলে পাওয়ার আউটপুট কমবে এবং জ্বালানীর ব্যবহার বাড়বে।

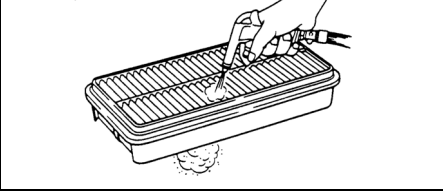
উদাহরণ



77PM07011

সাইড ক্ল্যাম্পগুলি খুলুন, এবং এয়ার ক্লিনার কেস থেকে সেটি সরিয়ে দিন।

উদাহরণ



60A183

যদি সেটি নোংরা দেখায়, ক্লিনারটি পরিষ্কার করুন এবং পরিবর্তন করে ফেলুন নতুন একটি দিয়ে পিরিওডিক টাইম টেবিল মেইন্টেনেন্স শেডিউল অনুযায়ী।

স্পার্ক প্লাগগুলি

স্পার্ক প্লাগগুলির পর্যবেক্ষণ এবং পরিবর্তন

বিশেষ পদ্ধতির পর থেকে, জিনিষপত্র এবং যন্ত্রপাতি প্রয়োজন, এটি প্রস্তাব দেওয়া হয় যে এই কাজটির জন্য আপনার মার্কতি সুজুকি স্বীকৃত ওয়ার্কশপেই করান।

গিয়ার অয়েল

ম্যানুয়াল ট্রান্সমিশন অয়েল / ডিফারেন্সিয়াল অয়েল

গিয়ার অয়েল যোগ করার সময়ে, উপযুক্ত চটচটেভাব আছে এরকম গিয়ার অয়েল ব্যবহার করুন এবং এবং নীচে দেওয়া চার্ট অনুযায়ী গ্রেড করুন।

ম্যানুয়াল ট্রান্সমিশন অয়েল

উদাহরণ	
← 75W →	
°C	-30 -20 -10 0 10 20 30 40
°F	-22 -4 14 32 50 68 86 104

68LM728

আমরা খুব জোরের সাথে প্রস্তাব করি:
"মার্কতি জেনুইন গিয়ার অয়েল **75W**"
ট্রান্সমিশন গিয়ার অয়েলের জন্য।

পিছনের ডিফারেন্সিয়াল অয়েল

উদাহরণ	
← 85W-140 →	
°C	-30 -20 -10 0 10 20 30 40
°F	-22 -4 14 32 50 68 86 104

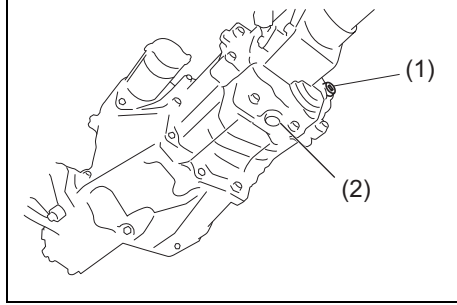
77PH075

আমরা খুব জোরের সাথে প্রস্তাব করি:
"TOTALFINAELF TRANSELF LL **85W-140**"
ট্রান্সমিশন গিয়ার অয়েলের জন্য।

গিমার অয়েল লেভেল চেক

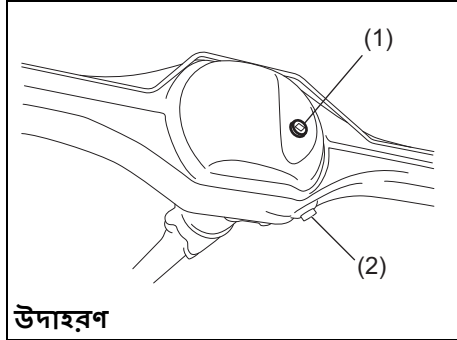
ম্যানুয়াল ট্রান্সমিশন

উদাহরণ



77PH078

পিছনের ডিফারেন্সিয়াল



77PH047

উদাহরণ

1. অয়েল ফিল্টার এবং লেভেল প্লাগ (পুনর্ব্যবহার করবেন না)
2. অয়েল ডেন প্লাগ

গিমার অয়েল লেভেল চেক করতে, নিম্নলিখিত পদ্ধতি ব্যবহার করুন:

- 1) পার্কিং ব্রেক ব্যবহার করে একটি সমতল স্থানে গাড়িটিকে দাঁড় করান। তারপরে ইঞ্জিন বন্ধ করুন।
- 2) অয়েল ফিল্টার এবং লেভেল প্লাগ সরিয়ে ফেলুন।
- 3) ফুটোর ভিতর অঙ্গুল দিয়ে চেক করুন। যদি অয়েল নীচের প্লাগের ফুটো থেকে আসে, তার মানে হল অয়েলের পরিমাণ ঠিক আছে। যদি তাই হয়, প্লাগটি রি-ইন্সটল করুন।
- 4) অয়েলের পরিমাণ কম থাকলে অয়েল ফিলার প্লাগ হোল (1) দিয়ে গিমার অয়েল ঢালতে থাকুন যতক্ষণ পর্যন্ত না অয়েলের পরিমাণ ফিলার হোলের নীচ পর্যন্ত পৌঁছায়। তারপরে প্লাগ লাগিয়ে দিন।

অয়েল ফিলার এবং লেভেল প্লাগের টর্ক টাইট করুন

- ম্যানুয়াল ট্রান্সমিশন: (1):
 23 Nm (2.3 kgf-m, 17.0 lbf-ft)
 পিছনের ডিফারেন্সিয়াল: (1):
 25 Nm (2.5 kgf-m, 18.5 lbf-ft)

মন্তব্য:

পিছনের ডিফারেন্সিয়ালের জন্য সবসময়ে নতুন অয়েল ফিলার এবং লেভেল প্লাগ ব্যবহার করুন (1)

⚠ সতর্কতা

বাহনটি ড্রাইভ করার পরে, গিমার অয়েল তাপমাত্রা আপনার স্বক জালিয়ে দেওয়ার জন্য যথেষ্ট। অয়েল ফিলার প্লাগ খালি হাতে ছোঁওয়ার মতো ঠাণ্ডা হয়ে এলে গিমার অয়েল লেভেল পরীক্ষা করুন।

লক্ষণীয় বিষয়

প্লাগ টাইট করার সময়ে, সিলিং কম্পাউন্ড প্রয়োগ করুন বা সমগোত্রীয় কিছু প্লাগে প্রয়োগ করুন অয়েল লিকেজ থামাতে।

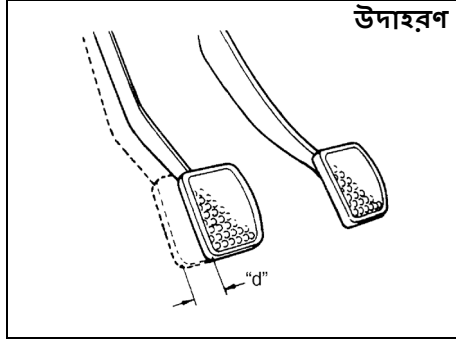
মারুতি সুজুকি বন্ড নং "1216E" অথবা "1217G"

গিমার অয়েল চেঞ্জ

বিশেষ পদ্ধতির পর থেকে, জিনিষপত্র এবং যন্ত্রপাতি প্রয়োজন, এটি প্রস্তাব দেওয়া হয় যে এই কাজটির জন্য আপনার মারুতি সুজুকি স্বীকৃত ওয়ার্কশপেই করান।

ক্লাচ প্যাডেল

কেবেল কন্ট্রোল ক্লাচ



উদাহরণ

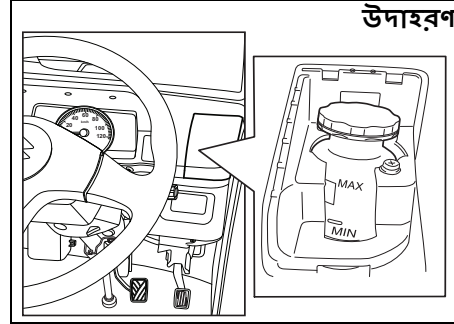
54G274

ক্লাচ প্যাডেল প্লে "d":
10 - 15 mm (0.4 - 0.6 in.)

ক্লাচ প্যাডেল প্লে হাতে নাড়িয়ে মেপে নিন সেটি নিন এবং সামান্য বিরোধিতা না পাওয়া অবধি হাত দিয়ে সেটি নারাতে থাকুন। ক্লাচ প্যাডেলে প্লে-টি নির্দিষ্ট ভোল্টের মাঝে থাকবে। যদি প্লে ওপরের কমবেশি থাকে, বা ক্লাচটি প্যাডেল পুরো ঠেলে দেওয়ার পরেও টানার অনুভব করে, আপনার ক্লাচটি স্বীকৃত মারুতি সুজুকি কমার্শিয়াল ওয়ার্কশপ।

ব্রেক

ব্রেক ফ্লুয়িড



উদাহরণ

77PM706

ইন্সট্রুমেন্ট প্যানেলের রিসারভারের দিকে তাকিয়ে ব্রেক ফ্লুয়িড পরীক্ষা করুন। স্টিয়ারিং উইলের ডানদিকে কভার খুলুন ব্রেক ফ্লুয়িড রিসারভার লেভেল চেক করার জন্য। "ম্যাক্স" এবং "মিন" লাইনগুলির ফ্লুয়িড লেভেল চেক করে নিন। ব্রেক ফ্লুয়িড লেভেল "মিন" লাইনের কাছে হলে, মারুতি জেনুইন ব্রেক ফ্লুয়িড (এমজিবিএফ) বা DOT 3 দিয়ে সেটি "ম্যাক্স" লাইন অবধি ভরুন। আমরা "মারুতি জেনুইন ব্রেক ফ্লুয়িড" (MGBF) ব্যবহার করার জন্য সুপারিশ করি।

⚠ সতর্কতা

নীচের নির্দেশিকাগুলি না মানলে ব্যক্তিগত আঘাত লাগতে পারে অথবা ব্রেক সিস্টেমের গুরুতর ক্ষতি হতে পারে।

- বিসর্ভাবে ব্রেক ফ্লুয়িডের পরিমাণ যদি একটি নির্দিষ্ট মাত্রার নীচে নেমে যায়, তাহলে ইনস্ট্রুমেন্ট প্যানেলের ব্রেক ওয়ার্নিং লাইট অন হয়ে যাবে (পার্কিং ব্রেক না লাগানো অবস্থায় ইঞ্জিন অবশ্যই চালু থাকবে)। এই আলোটি যদি জ্বলে ওঠে, তাহলে অবিলম্বে আপনার অনুমোদিত মারুতি সুজুকি কমার্শিয়াল কর্মশালাকে ব্রেক সিস্টেমটি পরীক্ষা করে দেখতে বলুন।
- ফ্লুয়িড দ্রুত কমে যাওয়ার অর্থ হল ব্রেক সিস্টেমে লিকেজ আছে, যা অবিলম্বে আপনার অনুমোদিত মারুতি সুজুকি কমার্শিয়াল কর্মশালায় পরীক্ষা করিয়ে নিতে হবে।
- মারুতি জেনুইন ব্রেক ফ্লুয়িড (MGBF) অথবা DOT 3 ছাড়া অন্য কোন ফ্লুয়িড ব্যবহার করবেন না। আমরা খুব জোরালোভাবে মারুতি জেনুইন ব্রেক ফ্লুয়িড (এমজিবিএফ) -এর প্রস্তাব দিই। পুনরুদ্ধার করা ফ্লুয়িড ব্যবহার করবেন না বা যেই ফ্লুয়িড পুরনো এবং খোলা কন্টেইনারে জমিয়ে রাখা হয়েছে সেটি ব্যবহার করবেন না। এটি গুরুত্বপূর্ণ যে বাইরের কণা এবং অন্যান্য লিকুইড ব্রেক ফ্লুয়িড রিসারভারের থেকে দূরে থাকবে।

⚠ সতর্কতা

ব্রেক ফ্লুয়িড ক্ষতিকারক বা মারণ পর্যায়েব যদি গৈলা হয়, এবং এটি ক্ষতিকারক যদি এটি স্বক বা চোখের সংস্পর্শে আসে।

⚠ সতর্কতা

- গাড়িটিকে যদি ওভার-লোড অবস্থায় চালানো হয়, তাহলে ব্রেকিং দূর্বল বেড়ে যেতে পারে এবং প্যাডেলে অনেক বেশি চাপ দিতে হতে পারে।

⚠ সতর্কতা

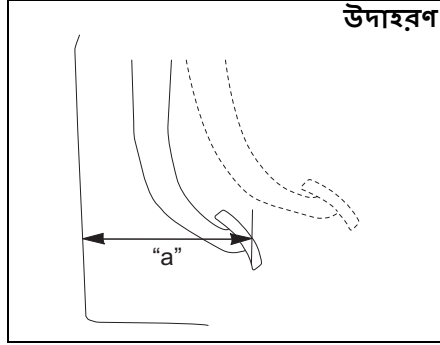
ব্রেক ফ্রিমিড ক্ষতিকারক বা মারণ পর্যায়ে যদি গেলা হয়, এবং এটি ক্ষতিকারক যদি এটি ছক বা চোখের সংস্পর্শে আসে। যদি গিলে ফেলেন, বমি করবেন না। তৎক্ষণাৎ একটি বিষ নিয়ন্ত্রণ সেন্টারে বা একজন চিকিৎসকের সাথে যোগাযোগ করুন। ব্রেক ফ্রিমিড যদি চোখে চলে যায়, চোখে জলের ঝাঁপটা দিন এবং মেডিকাল পরামর্শ নিন। কাজ করার পর ভালমতো ধুয়ে নিন। মিশ্রণটি পশুপাখির জন্য ক্ষতিকারক। বাচ্চাদের এবং পশুপাখিদের নাগালের বাইরে রাখুন।

মন্তব্য:

ডিস্ক ব্রেকের ক্ষেত্রে ব্রেক প্যাডগুলি যত ক্ষয় হতে থাকবে ফ্লুইডের পরিমাণ ধীরে ধীরে ততোই কমে যাবে বলে প্রত্যাশা করা যেতে পারে।

ব্রেক প্যাডেল

পরীক্ষা করে দেখুন যে যখন আপনি ব্রেক প্যাডেলে চাপ দিবেন তখন সেটি স্পঞ্জের মতো কোনও অনুভূতি ছাড়াই সঠিক উচ্চতায় এসে থেমে যাচ্ছে কিনা। যদি তা না হয়, তাহলে আপনার অনুমোদিত মার্কতি সুজুকি কমার্শিয়াল কর্মশালায় ব্রেক সিস্টেমটি পরীক্ষা করিয়ে নিন। যদি ব্রেক প্যাডেলের উচ্চতা নিয়ে আপনার সন্দেহ থাকে, তাহলে নীচে দেওয়া উপায়ে পরীক্ষা করুন:



উদাহরণ

54G108S

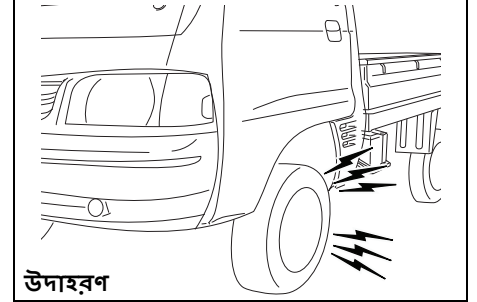
প্যাডেল থেকে ফ্রন্ট প্যানেল "a":
এর নিম্নতম দূর্বল: পেট্রল এবং CNG ইঞ্জিন মডেল:
150 mm

যখন ইঞ্জিন চলছে, ব্রেক প্যাডেল এবং ফ্রন্ট প্যানেলের দূর্বল মাপুন যখন প্যাডেল চেপা থাকে মোটামুটি **30 kg (66 lbs)** ওজনে নিম্নতম প্রয়োজনীয় দূর্বল নির্দিষ্ট করা আছে। যেহেতু আপনার বাহনের ব্রেক সিস্টেম স্বয়ংক্রিয়, আপনার বাহনটিকে স্বীকৃত মার্কতি সুজুকি কমার্শিয়াল ওয়ার্কশপে দেখিয়ে নিন।

প্যাডেল থেকে ফ্রন্ট প্যানেলের দূর্বল যা ওপরে মাপা হয়েছে সেটি নির্দিষ্ট করা নিম্নতম দূর্বলের চেয়ে কম, আপনার বাহনটিকে স্বীকৃত মার্কতি সুজুকি কমার্শিয়াল ওয়ার্কশপে দেখিয়ে নিন।

মন্তব্য:

ব্রেক প্যাডেল এবং সামনের প্যানেলের মধ্যের দূর্বল মাপার সময় ক্লোর ম্যাট অথবা সামনের প্যানেলের রাবার যাতে আপনার পরিমাপের মধ্যে না আসে তা নিশ্চিত করবেন।



উদাহরণ

77PM07013

⚠ সতর্কতা

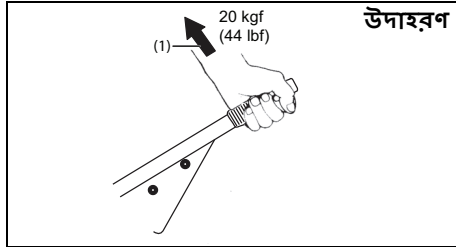
আপনার গাড়ির ব্রেক সিস্টেমে যদি নীচে দেওয়া যে কোনও একটি সমস্যার সম্মুখীন হন, তাহলে অবিলম্বে আপনার অনুমোদিত মার্কতি সুজুকি কমার্শিয়াল কর্মশালায় গাড়িটির পরীক্ষা করিয়ে নেবেন।

- দুর্বল ব্রেকিং পারফরমেন্স
- অসম ব্রেকিং(ব্রেক সব চাকায় সমানভাবে কাজ করছে না)
- অতিরিক্ত প্যাডেল নিয়ন্ত্রণ
- ব্রেক ড্র্যাগিং
- অতিরিক্ত আওয়াজ
- প্যাডেল স্পন্দন(প্যাডেল চেপা হলে কাঁপে)

⚠ সতর্কতা

যদি ব্রেক প্যাডের আয়তন জীর্ণ হয়ে যায় এবং এটি তার ন্যূনতম পুরুত্বে পৌঁছে যায়, ব্রেক করার সময় স্কুইলিং শব্দ হয়। আপনি যদি এই আওয়াজটি শুনতে পান, তাহলে অবিলম্বে একটি MARUTI SUZUKI অনুমোদিত ওয়ার্কশপে গাড়িটি পরিষ্কা করান। এই অবস্থার সাথে ক্রমাগত গাড়ি চালানো দুর্ঘটনার কারণ হতে পারে।

পারকিং ব্রেক



উদাহরণ

77PM702

**ব্যাচেট টুথ স্পেসিফিকেশন 6ষ্ঠ-9ম দাঁত
লিয়ার পুল ফোর্স (1):
200 N (20 kgf, 44 lbf)**

সঠিক অ্যাডজাস্টমেন্টের জন্য পারকিং ব্রেক পরীক্ষা করুন ক্লিকের সংখ্যা গুনে যা ব্যাচেট দাঁতের দ্বারা তৈরি হয় যখন আপনি পারকিং ব্রেক লিভার আসতে আসতে টানেন পুরোপুরি নিয়োগ করতে। পারকিং ব্রেক লিভার নির্দিষ্ট ব্যাচেট দাঁত এবং পিছনের চাকার মধ্যে খামতে হবে যখন পিছনের চাকা সঠিকভাবে লোক করা হয়েছে। পারকিং ব্রেক যদি সঠিকভাবে অ্যাডজাস্ট না করা হয় বা ব্রেক লিভার পুরোপুরি ছেড়ে দেওয়ার পর

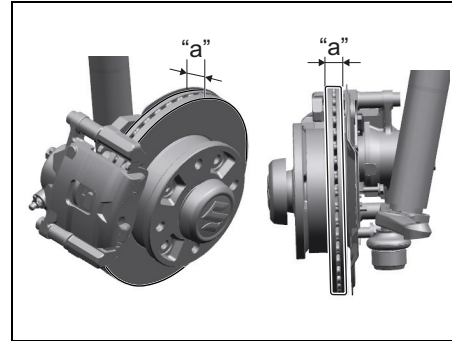
যদি ব্রেক তান ঠিকঠাক না হয়, আপনার পারকিং ব্রেক স্বীকৃত মারুতি সুজুকি কমার্শিয়াল ওয়ার্কশপে দেখিয়ে নিন।

⚠ সতর্কতা

- গাড়িটি ওভার-লোড থাকলে পারকিং ব্রেক কার্যকর নাও হতে পারে। বাড়তি চোক লাগিয়ে গাড়িটিকে দাঁড় করাবেন।

ব্রেক ডিস্ক এবং ব্রেক ড্রাম

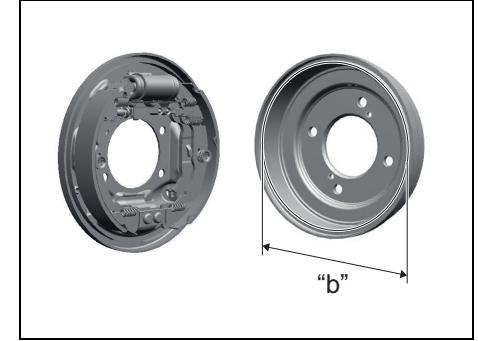
ব্রেক ডিস্ক



77PM709

ব্রেকের অবস্থান	সর্বনিম্ন পুরুত্ব "a"
সামনের চাকা	18.0 mm

ব্রেক ড্রাম

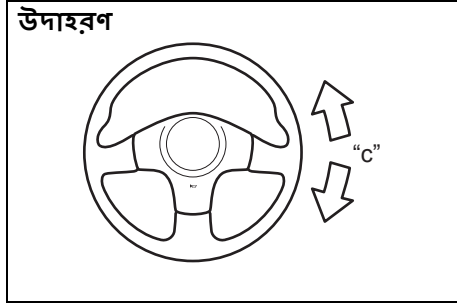


77PM708

ব্রেকের অবস্থান	সর্বাধিক ভিতরের ব্যাস "b"
পিছনের চাকা	202 mm

যদি পরিমাপ করা পুরুত্ব বা সবচেয়ে জীর্ণ অংশের ভিতরের ব্যাস উপরে নির্দেশিত মানের নিচে বা তার বেশি হয়, তবে ওই পার্ট গুলি নতুন প্রতিস্থাপন করা উচিত। পরিমাপের জন্য প্রতিটি ব্রেক বিচ্ছিন্ন করতে হবে এবং একটি মাইক্রোমিটার বা ক্যালিপার ব্যবহার করতে হবে, যা অবশ্যই প্রাসঙ্গিক সার্ভিস ম্যানুয়ালে বর্ণিত নির্দেশাবলী অনুযায়ী বা প্রাসঙ্গিক রিপিয়ার ইনফরমেশন সাইট থেকে উপলব্ধ।

স্টিয়ারিং



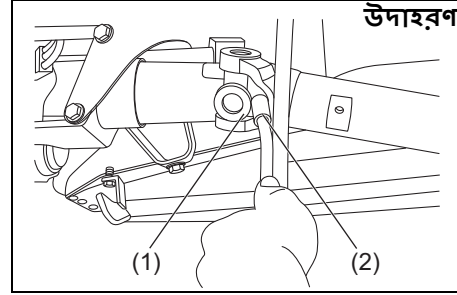
77PH042

স্টিয়ারিং উইলের প্লে চেক করুন
0 – 30 mm (0.0 – 1.2 in.)

স্টিয়ারিং উইলের প্লে চেক করুন আলতোভাবে সেটি বাদিক থেকে ডানদিক এবং ডানদিক থেকে বাদিকে ঘুরিয়ে, চাকা সোজা অবস্থায় রেখে অফ অবস্থায়। স্টিয়ারিং কতটা ঘুরছে সেটি মাপুন সামান্যতম বিরোধিতা অনুভব করার আগে। প্লে নির্দিষ্ট পরিমাণের মধ্যে থাকতে হবে। স্টিয়ারিং উইল সহজে এবং নরমভাবে ঘুরছে কিনা পুরোপুরি ডানদিকে ঘুরিয়ে এবং তারপর বাঁদিকে খোলা জায়গায় আসতে গাড়ি চালিয়ে। ফ্রি প্লে-এর পরিমাণ নির্দিষ্ট পরিমাণের বাইরে থাকে এবং আপনি অন্য কোন কিছু ভুল দেখতে পান, স্বীকৃত মারুতি সুজুকি কমাশিয়াল ওয়ার্কশপে পর্যবেক্ষণে রাখুন।

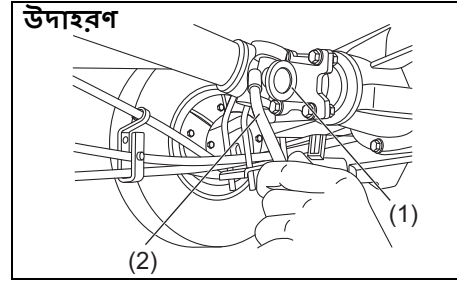
প্রোপেলার শ্যাফট ইউনিভার্সাল জয়েন্ট

ক্রম



77PM703

পিছনে

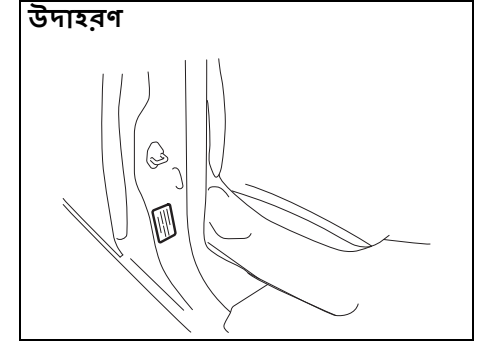


77PM704

লিউব্রিকেট প্রোপেলার শ্যাফট ইউনিভার্সাল জয়েন্ট(1)(সামনে এবং পিছনে) সার্ভিস শেডিউলে।

প্রোপেলার শ্যাফট ইউনিভার্সাল জয়েন্ট লিউব্রিকেট করতে আপনার গ্রিস বন্ধুক (2) ব্যবহার করা উচিত এবং নির্দিষ্ট গ্রিস এনএলজিআই গ্রেড 2

টায়ার



77PM705

আপনার বাহনের সামনের এবং পিছনের চাকার প্রেসার স্পেসিফিকেশন টায়ার ইনফরমেশন লেবেলে তালিকাভুক্ত করা আছে। সামনের এবং পিছনের চাকার নির্দিষ্ট টায়ার প্রেশার থাকা বাঞ্ছনীয়। মনে রাখবেন, যে এই মূল্যটি কম্প্যাক্ট স্পেশার টায়ারে যেন না থাকে, যখন লাগানো হবে।

টায়ার পরীক্ষা

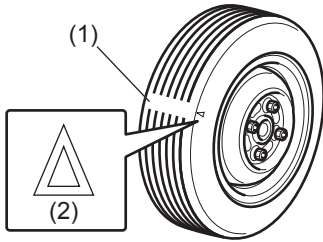
আপনার বাহনের চাকা অন্ততপক্ষে মাসে একবার পরীক্ষা করান নিম্নলিখিত পরীক্ষাগুলি করে:

- 1) একটি টায়ার প্রেশার গজের সাহায্যে চাকার হাওর প্রেশার মাপুন। প্রয়োজন হলে প্রেশার অ্যাডজাস্ট করুন। স্পেশার চাকাটিও পরীক্ষা করুন।

⚠ সতর্কতা

- এয়ার প্রেশার চেক করা উচিত কারণ যখন চাকা ঠাণ্ডা থাকে আপনি ভুল রিডিং পেতে পারেন।
- নিয়মিত ভাবে বিভিন্ন সময়ে ইনফ্লেশন প্রেশার পরীক্ষা করুন যখন টায়ারটি ক্রমশ ফুলছে, যতক্ষণ না নির্দিষ্ট প্রেশার পাওয়া যাচ্ছে।
- টায়ার কখনই অতিরিক্ত বা প্রয়োজনের চেয়ে কম ফলাবেন না।
- হাওয়া কম দিলে কিছু অদ্ভুত নিয়ন্ত্রণের সমস্যা দেখা দিতে পারে বা টায়ারের প্রান্তভাগ টায়ার ব্রেডে স্লিপ করে যেতে পারে, যার ফলে দুর্ঘটনা বা ক্ষতি হতে পারে টায়ার বা রিম।
- বেশি ফলালে টায়ার ফেটে যেতে পারে, যার ফলে ব্যক্তিগত আঘাত হতে পারে। অতিরিক্ত ফোলালে কিছু অদ্ভুত নিয়ন্ত্রণের সমস্যা দেখা দিতে পারে যার ফলে দুর্ঘটনাও ঘটতে পারে।

উদাহরণ



52KM110

- (1) ট্রেড ওয়্যার সূচক
- (2) ইনডিকেটর লোকেশন মার্ক

- 2) পরীক্ষা করে দেখুন ট্রেড গ্রভের গভীরতা **1.6মিমি (0.06 in)**-এর বেশি না হয়। এটি পরীক্ষা করতে আপনার সাহায্য করতে, চাকাতে মোস্ত করা ট্রেড ওয়্যার সূচক দেওয়া রয়েছে গ্রভে। যখন ইনডিকেটর ট্রেডের ওপর দেখা দেবে, ট্রেডের অবশিষ্ট গভীরত্ব হবে **1.6 mm (0.06 in)** বা তার কম এবং চাকাটি পালতে দিতে হবে।
- 3) অস্বাভাবিক ক্ষয়, ক্ষতি অথবা ফাটল আছে কিনা তা পরীক্ষা করুন। কোনও টায়ারে যদি কোনও ফাটল অথবা অন্য কোনও ক্ষতি হয়ে থাকে তাহলে টায়ারটিকে পরিবর্তন করতে হবে। টায়ারে যদি অস্বাভাবিক ক্ষয় দেখা যায়, তাহলে তা আপনার অনুমোদিত মার্কতি সুজুকি কমার্শিয়াল কর্মশালায় পরীক্ষা করিয়ে নেবেন।

⚠ সতর্কতা

বাঁধাতে ধাক্কা খাওয়া এবং পাথরের ওপর দিয়ে যাওয়া টায়ারকে খারাপ করে দিতে পারে এবং চাকার সমান থাকা বিঘ্নিত হতে পারে। টায়ার এবং চাকতির ভারসাম্য বিভিন্ন সময়ে নিয়মিত পরীক্ষা করিয়ে নিতে স্বীকৃত মার্কতি সুজুকি কমার্শিয়াল ওয়ার্কশপ দেখিয়ে নিন।

- 4) চাকার টিলা নাট পরিক্ষাক করুন।
- 5) পরীক্ষা করে নিন যাতে কোন পেরেক, পাথর বা অন্যান্য কিছু আটকে না থাকে।

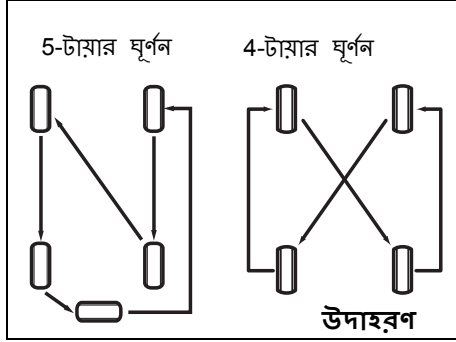
⚠ সতর্কতা

- আপনার বাহনটি সমস্ত একই ধরণের টায়ার এবং সাইজের দ্বারা তৈরি। বাহনটির সঠিক নিয়ন্ত্রণ এবং স্টিয়ারিং-এর জন্য এটি গুরুত্বপূর্ণ। কখনও বিভিন্ন সাইজের বা ধরণের চারটি চাকা আপনার বাহনে মেলানোর চেষ্টা করবেন না। টায়ারের সাইজ এবং ধরণ স্বীকৃত মার্কতি সুজুকি কমার্শিয়াল ওয়ার্কশপের দ্বারা স্বীকৃত হতে হবে আপনার বাহনের স্ট্যাণ্ডার্ড অথবা বৈকল্পিক একুইপমেন্ট হিসেবে।
- আপনার গাড়িতে লাগানো চাকা এবং টায়ারগুলিকে বাজারে পাওয়া বিভিন্ন সংমিশ্রণের চাকা আর টায়ার দিয়ে পরিবর্তন করলে আপনার গাড়ির স্টিয়ারিং এবং চালানোর বৈশিষ্ট্যের উল্লেখযোগ্য পরিবর্তন হয়ে যেতে পারে।
- সূতবাং, আপনার গাড়ির জন্য শুধুমাত্র মার্কতি সুজুকি অনুমোদিত স্ট্যান্ডার্ড অথবা বিকল্প সরঞ্জাম দিয়েই পরিবর্তন করবেন।

লক্ষণীয় বিষয়

আসল টায়ারগুলি বিভিন্ন সাইজের টায়ার দিয়ে পরিবর্তন করলে ভুল স্পিডোমিটার বা ওডোমিটার রিডিং দেবে। আসল টায়ারের জায়গায় পরিবর্তনের টায়ার পরিবর্তন করার আগে স্বীকৃত মার্কতি সুজুকি কমার্শিয়াল ওয়ার্কশপের সাথে চেক করে নিন।

টায়ার ঘূর্ণন



আপনার টায়ার অসম হওয়া আতকাত্তে এবং টায়ারের দীর্ঘায়ু ঘটতে, যেভাবে দেখানো হয়েছে সেভাবে টায়ার ঘোরান। প্রতি 10000 km-তে টায়ার ঘোরান। ঘোরানোর পর, সামনের এবং পিছনের চাকা অ্যাডজাস্ট করুন টায়ার ইনফ্লেশন লেবেলে দেওয়া আপনার বাহনের টায়ারের স্পেসিফিকেশন অনুযায়ী।

চাকার ব্যালেন্স

যদি বাহনটি মসৃণ রাস্তাতেও অস্বাভাবিকভাবে কাঁপে, তাহলে চাকা স্বীকৃত মার্কতি সুজুকি কমার্শিয়াল ওয়ার্কশপে ব্যালেন্স করিয়ে নিন।

চাকার সমতা

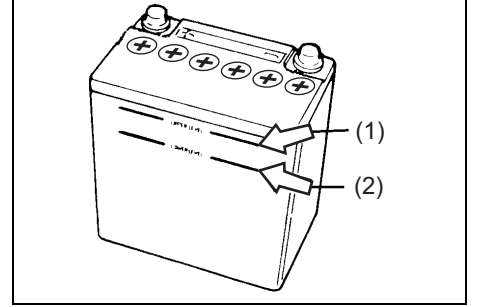
অস্বাভাবিক টায়ার ওয়্যার বা যেকোনো একটি ধারে তান অনুভব না করলে, চাকাগুলি স্বীকৃত মার্কতি সুজুকি কমার্শিয়াল ওয়ার্কশপে পরীক্ষা করিয়ে নিন।

ব্যাটারি

⚠ সতর্কতা

- ব্যাটারি তৈরি করে দাহনশিল হাইড্রজেন গ্যাস। ব্যাটারির থেকে আগুন বা স্পার্ক দূরে রাখুন ন্যত একটি বিক্ষরন ঘটতে পারে। ব্যাটারির ধারেকাছে কাজ করার সময়ে ধূম্পান করবেন না।
- ব্যাটারি পরীক্ষা অথবা সার্ভিসিংয়ের সময় নেগেটিভ কেবলটি বিচ্ছিন্ন করে নেবেন। সতর্ক থাকবেন যাতে ব্যাটারির পোস্ট এবং গাড়ির অন্য অংশের মধ্যে একই সঙ্গে কোনও ধাতব বস্তুর ছোয়া লেগে শর্ট সার্কিট না হয়ে যায়।
- নিজের ক্ষতি বা আপনার বাহনের ক্ষতি এড়াতে, চটজলদি স্টার্ট করার নির্দেশাবলী অনুসরণ করুন যা দেওয়া আছে "এম্বারজেন্সি সার্ভিস" খণ্ডটিতে যদি সেটি চটজলদি স্টার্ট করতে হয়।

উদাহরণ



54GM701

মেইল্টেনান্স-বিহীন ফ্রি ব্যাটারি (গাড়ি বিহীন ধরণের), আপনার জল যোগ করার প্রয়োজন নেই। পুরাতন ব্যাটারির জন্য, যার মধ্যে জল ভরার ঢাকনা রয়েছে, ব্যাটারির মিশ্রণটি উপরের লেভেল লাইন (1) এবং নীচের লেভেল লাইন (2)-এর মাঝামাঝি সবসময়ে থাকতে হবে। বিভিন্ন সময়ে নিয়মিত ব্যাটারি, ব্যাটারি টার্মিনালের কেস, এবং ব্যাটারি ধরে রাখার ব্র্যাকেট চেক করুন ক্ষয় আছে কিনা দেখে নিন। একটি শুষ্ক ব্রাশ এবং জলের সাথে এমনিয়ার মিশ্রণ দিয়ে ক্ষয় তুলে ফেলুন, অথবা জলের সাথে বেকিং সোডার মিশ্রণ।

আপনার গাড়িটি যদি এক মাস অথবা তার বেশি সময়ের জন্য চালানোর প্রয়োজন না হয়, তাহলে ব্যাটারি যাতে ডিসচার্জ না হয়ে যায় তার জন্য ব্যাটারির নেগেটিভ টার্মিনাল থেকে কেবলটি বিচ্ছিন্ন করে রাখবেন।

⚠ সতর্কতা

ব্যাটারির মাত্রা লোয়ার লেভেল লাইনের (2) নীচে থাকা অবস্থায় যদি ব্যাটারিটির ব্যবহার করা হয়, তাহলে ব্যাটারির জীবন কমে যেতে পারে, ব্যাটারি উত্তপ্ত হতে পারে, অথবা ব্যাটারি থেকে বেড়িয়ে আসা হাইড্রোজেন গ্যাসের বিস্ফোরণ হতে পারে। ব্যাটারির মাত্রা লোয়ার লেভেল লাইনের (2) নীচে থাকলে ব্যাটারিটি ব্যবহার করবেন না।

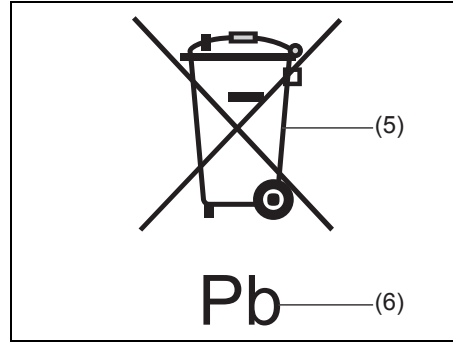
লক্ষণীয় বিষয়

যদি ব্যাটারি লিকুইড উপরের লেভেল লাইনের(1) বেশি হয়, কল্পনে লিকুইড লিক অবতে পারে ড্রাইভ করার সময়ে অথবা ব্যাটারি চার্জ করার সময়ে লিকুইড স্প্র করে বেরতে পারে কিছু ক্ষেত্রে। এতে ব্যাটারির কাছাকাছি অংশে ক্ষতি হতে পারে। যদি ব্যাটারি লিকুইড উপচে পড়ে, তৎক্ষণাৎ জল দিয়ে ধুয়ে ফেলুন। ব্যাটারি লিকুইড উপরের লেভেল লাইনের(1) বেশি দেবেন না।

মন্তব্য:

ব্যাটারি ব্যবহার করার সময় ব্যাটারির তরলটি খরচ হয়ে যায়। যদি দেখা যায় যে তরলটির মাত্রা উপরের লেভেল (1) এবং নীচের লেভেলের (2) মাঝখানের চেয়ে নীচে আছে, তাহলে ডিস্টিল করা জল ঢেলে উপরের লেভেল (1) পর্যন্ত নিয়ে আসুন।

(ব্যাটারির লেবেল)



- (5) ক্রস-আউট হইল বিন প্রতীক
- (6) "Pb" এর রাসায়নিক প্রতীক

ব্যাটারি লেবেলে অবস্থিত ক্রস-আউট হইলড বিন চিহ্ন (5) নির্দেশ করে যে ব্যবহৃত ব্যাটারিটি সাধারণ পরিবারের আবর্জনা থেকে আলাদাভাবে সংগ্রহ করা উচিত। "Pb" (6) এর রাসায়নিক প্রতীক নির্দেশ করে যে ব্যাটারিতে 0.004% এর বেশি সীসা রয়েছে।

ব্যবহৃত ব্যাটারিটি সঠিকভাবে নিষ্পত্তি বা পুনর্ব্যবহার করা হয়েছে তা নিশ্চিত করে, আপনি পরিবেশ এবং মানুষের স্বাস্থ্যের জন্য সম্ভাব্য নেতিবাচক পরিণতি রোধ করতে সহায়তা করবেন, যা অনাথায় ব্যাটারির অনুপযুক্ত আবর্জনা পরিচালনার কারণে হতে পারে। উপকরণের পুনর্ব্যবহার প্রাকৃতিক সম্পদ সংরক্ষণে সহায়তা করবে। ব্যবহৃত ব্যাটারির নিষ্পত্তি বা পুনর্ব্যবহার সম্পর্কে আরও বিস্তারিত তথ্যের জন্য, একটি **MARUTI SUZUKI** অনুমোদিত ওয়ার্কশপের পরামর্শ নিন।

ফিউজ

আপনার বাহনের তিন ধরনের ব্যবহার আছে, না নীচে বিস্তৃত আছে:

ফিউজেবেল লিঙ্ক তার এবং মেইন ফিউজ

মেইন ফিউজ সরাসরি ব্যাটারি থেকে কারেন্ট নেয়।

প্রাইমারি ফিউজ

এই ফিউজগুলি মেইন ফিউজ এবং একক ফিউজের মাঝখানে থাকে, এবং ইলেক্ট্রিক্যাল লোড গ্রুপের জন্য থাকে।

একক ফিউজ

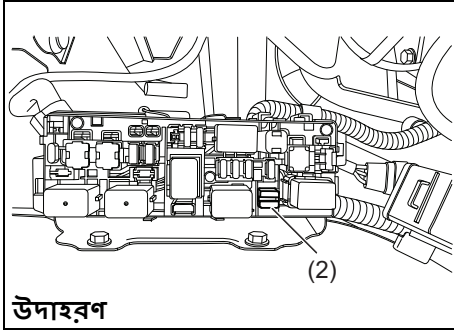
এই ফিউজগুলি হল একক ইলেক্ট্রিক্যাল সার্কিট।

মন্তব্য:

- "ব্ল্যাক" অর্থাৎ ফিউজ এই ধরনে প্রয়োজ্য নয়, যদিও ফিউজের নাম বাহনের ফিউজ বক্সের কভারে পাওয়া যাবে।
- কিছু ফিউজ গাড়ির ধরণ অনুযায়ী প্রয়োজ্য নাও হতে পারে, যদিও সেটি ব্ল্যাক হিসেবে বলা যাবে না।

একটি ফিউজ সরিয়ে ফেলতে ফিউজ পুলার (2) ব্যবহার করুন যেটি রিলে বক্সে রয়েছে।

পরিদর্শন ও রক্ষণাবেক্ষণ

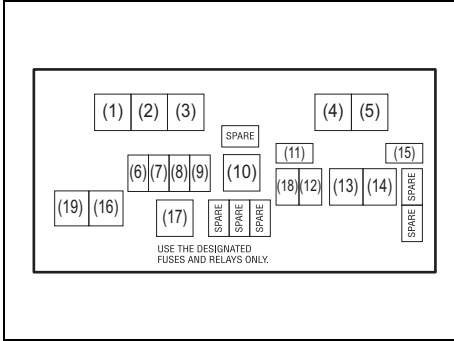


77PM07012

মন্তব্য:

কিছু ফিউজ গাড়ির ধরণ অনুযায়ী প্রযোজ্য নাও হতে পারে, যদিও সেটি ব্ল্যাক হিসেবে বলা যাবে না।

ইঞ্জিন কম্পার্টমেন্টে ফিউজ

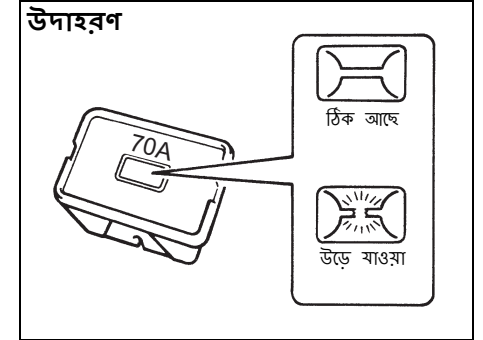


77PM07034

মেইন ফিউজ/প্রধান ফিউজ/রিলে		
S. No.	রেটিং	ফিউজ / রিলে
(1)	–	CNG ভালভ রিলে*
(2)	–	ফিউজ পুলার
(3)	–	রেডিমেটর ফ্যান রিলে
(4)	–	ফুএল পাম্প রিলে
(5)	–	স্টার্টিং মোটর রিলে
(6)	7.5A	CNG ভালভ*
(7)	20A	ফুএল ইনজেকশন
(8)	30A	স্টার্টিং মোটর
(9)	15A	হর্ন
(10)	70A	অল্টারনেটর
(11)	7.5A	CNG*
(12)	10A	বিপদ ওয়ার্নিং লাইট
(13)	40A	ব্যাটারি
(14)	40A	ইঞ্জিন সূইচ
(15)	7.5A	ST SIG 2 (স্টার্টিং সিগন্যাল)
(16)	30A	রেডিমেটর ফ্যান
(17)	–	এফএল মেইন রিলে
(18)	25A	ABS SOL
(19)	40A	ABS MOT

*: CNG মডেলের জন্য

মেইন ফিউজ, প্রধান ফিউজ, এবং কিছু একক ফিউজ ইঞ্জিন কম্পার্টমেন্টে রয়েছে যদি মেইন ফিউজ উড়ে যায়, কোন ইলেকট্রিক্যাল সামগ্রী কাজ করবে না। যদি প্রধান ফিউজ উড়ে যায়, কোন ইলেকট্রিক্যাল সামগ্রী পরবর্তী লোড গ্রুপের সাথে কাজ করবে না। মেইন ফিউজ পরিবর্তন করার সময়ে, একটি প্রাইমারি ফিউজ এবং একটি একক ফিউজ, একটি মার্কটি জেনুইন রিপ্লেসমেন্ট ব্যবহার করুন। একটি ফিউজ সরিয়ে ফেলতে ফিউজ পুলার (2) ব্যবহার করুন যেটি রিলে বক্সে রয়েছে। ফিউজ বক্স কভারে আকৃতি ফিউজের অ্যামপারেজ দেওয়া রয়েছে।



60G111

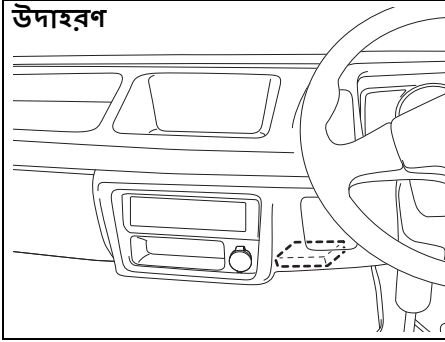
⚠ সতর্কতা

যদি মেইন ফিউজ অথবা প্রাইমারি ফিউজ উড়ে যায়, তাহলে নিশ্চিত ভাবে কোনও মার্কটি সুজকি কমার্শিয়াল কর্মশালায় আপনার গাড়িটি পরীক্ষা করিয়ে নেবেন। পরিবর্তনের জন্য সর্বদাই মার্কটি জেনুইন পার্ট ব্যবহার করবেন। অমের-এব (তীর) মতো কোনও বিকল্প, এমনকি অস্থায়ী ভাবে হলেও, ব্যবহার করবেন না, অন্যথায় বৈদ্যুতিক ক্ষতি / আগুন লাগার মতো ঘটনা ঘটতে পারে।

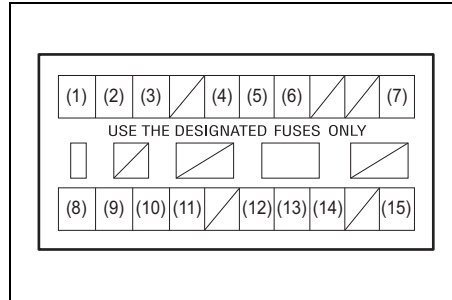
মন্তব্য:

ফিউজ বাক্সে সর্বদাই অতিরিক্ত ফিউজ এবং ফিউজ পুন্ড থাকা নিশ্চিত করবেন।

ড্যাশ বোর্ডের নীচের ফিউজ



77PH048

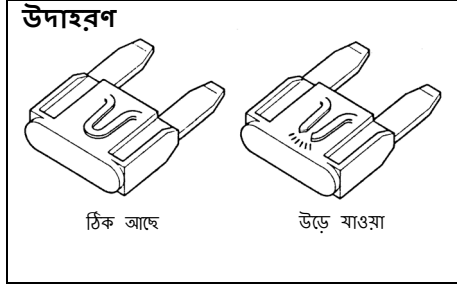


77PH043

মেইন ফিউজ/প্রধান ফিউজ		
(1)	10A	হেডলাইট (ডান)
(2)	10A	হেডলাইট (বাম)
(3)	10A	ডোমলাইট
(4)	10A	টেইল লাইট
(5)	10A	স্টপ লাইট
(6)	15A	রেডিও
(7)	10A	স্টার্টিং সিগনাল
(8)	10A	মিটার
(9)	15A	ইঞ্জিন
(10)	10A	ব্যাক-আপ লাইট
(11)	15A	সামনের ওয়াইপার
(12)	15A	আনুষঙ্গিক 2
(13)	10A	আনুষঙ্গিক
(14)	7.5A	CNG ইঞ্জিন*
(15)	10A	ABS

*: CNG মডেলের জন্য

ফিউজ বক্স ড্যাশবোর্ড।



65D046

⚠ সতর্কতা

সর্বদা সঠিক অ্যাম্পিয়ারেজের ফিউজ দিয়ে উড়ে যাওয়া ফিউজ বদল সুনিশ্চিত করবেন। উড়ে যাওয়া ফিউজ কখনই অ্যালুমিনিয়াম ফয়েল অথবা তারের মতো বিকল্প দিয়ে বদল করবেন না। যদি ফিউজ বদল করার অল্প সময়ের মধ্যে নতুন ফিউজটি উড়ে যায়, তাহলে আপনার গাড়িতে একটি বড় বৈদ্যুতিক সমস্যা থাকতে পারে। অবিলম্বে আপনার অনুমোদিত MARUTI SUZUKI কমার্শিয়াল কর্মশালায় আপনার গাড়িটি পরীক্ষা করান।

বাল্ব রিপ্লেসমেন্ট

⚠ সতর্কতা

- আলোর বাল্ব নেভানোর ঠিক পরেই সেগুলি আপনার আঙুল পোড়ানোর মতো যথেষ্ট গরম থাকতে পারে। বিশেষ করে হ্যালোজেন হেডলাইট বাল্বের ক্ষেত্রে এটি সত্য। তাই বাল্ব যথেষ্ট ঠাণ্ডা হওয়ার পরে বদল করবেন।
- হেডলাইট বাল্বগুলি চাপে থাকা হ্যালোজেন গ্যাসে পূর্ণ থাকে। আঘাত লাগলে অথবা পড়ে গেলে সেইগুলি ফেটে গিয়ে আপনাকে আহত করতে পারে। এইগুলির ব্যবহার করার সময় সতর্ক থাকবেন।

নক্ষণীয় বিষয়

আপনার স্বকে থাকা তেলের স্পর্শে একটি হ্যালোজেন বাল্ব অতিরিক্ত গরম হয়ে যেতে পারে এবং আলো জ্বালালে তা ফেটে যেতে পারে। একটি পরিষ্কার কাপড় দিয়ে একটি নতুন বাল্ব ধরবেন।

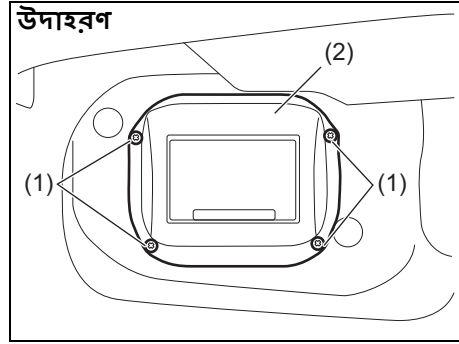
নক্ষণীয় বিষয়

- প্রায়শই সেই বাল্বের রিপ্লেসমেন্ট জানান দেয় যে ইলেকট্রিক্যাল সিস্টেম চেক করার প্রয়োজন আছে। এটি মার্কতি সুজুকি স্বীকৃত ওয়ার্কশপে করা উচিত।
- বাল্ব রিপ্লেসমেন্টের সময়ে সবসময়ে একই বাল্ব নম্বরের ব্যবহার করবেন যা গাড়িতে ব্যবহৃত বাল্ব/ইউনিট এবং/বা বলে দেওয়া স্পেসিফিকেশন অনুযায়ী।

মন্বব্য:

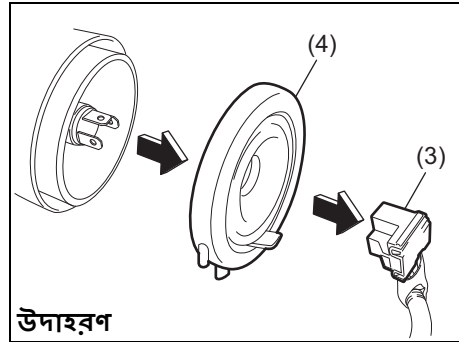
বাইরের লাইটে বাষ্প জমতে পারে (হেডলাইট, পিছনের কম্বিনেশন লাইট ইত্যাদিতে) বৃষ্টির সময়ে ড্রাইভ করার সময়ে বা তার পরে অথবা গাড়ি ধোওয়ার পরে। এতটি একটি প্রাকৃতিক প্রতিক্রিয়া যা ল্যাম্পের বাইরের এবং ভিতরের তাপমাত্রার বিভেদের জন্য হয়। সাময়িক বাষ্প লেন্সে জমা কোন ক্ষতি নয় এবং ড্রাইভ করার সময়ে কোন অসুবিধার কারণ হয়না। বাষ্প পরিষ্কার হয়ে যায় যখন প্রাকৃতিক পরিবেশ পরিবর্তন হয় রোদ উথলে বা হেডলাম্প জালিয়ে রাখলে। যদি ল্যাম্পের ভিতরে লিকেজ থাকে, স্বীকৃত মার্কতি সুজুকি ওয়ার্কশপে যোগাযোগ করুন।

হেডলাইট



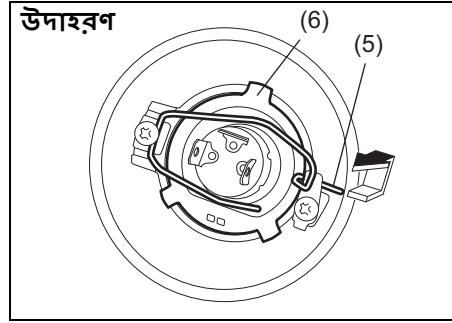
77PH050

- 1) স্ক্রু খুলে ফেলুন(1) এবং এয়ার ইনলেট বক্স খুলে ফেলুন(2)



77PH051

- 2) কান্ডার খুলে ফেলুন(3), সিলিং রবার খুলে ফেলুন(4)।



77PH052

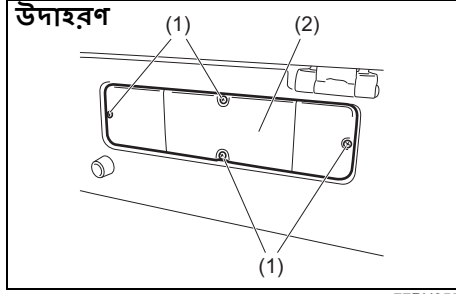
- 3) ধরে রাখার স্প্রিংটি ঠেলুন(5)সামনে দিকে এবং সেটি হুক থেকে খুলুন। এরপর বাস্‌ট্রি খুলে ফেলুন (6)। যেভাবে খুলেছেন ঠিক তার উল্টোদিকে ঘুরিয়ে একটি নতুন বাস্‌ট্রি লাগান।

সামনে ঘোরার আলোর সিগনাল সামনের দিকের আলো

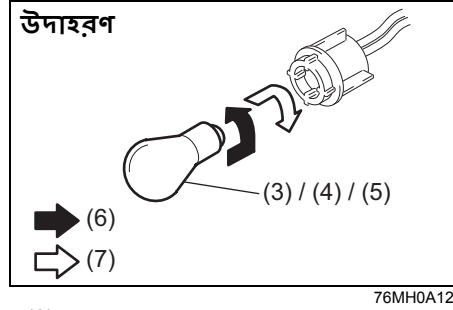
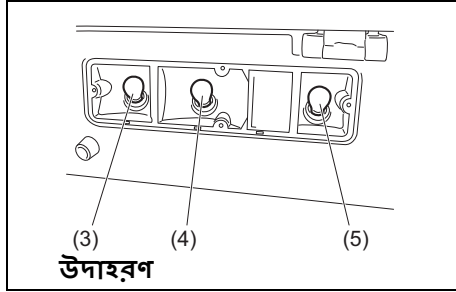
যেহেতু বিশেষ কাজ প্রয়োজন, আমরা প্রস্তাব দিই আপনার বাহন স্বীকৃত মার্কটি সূজুকি কমার্শিয়াল ওয়ার্কশপে নিয়ে যান।

পরিদর্শন ও রক্ষণাবেক্ষণ

পশ্চাৎ সংযোগ আলো

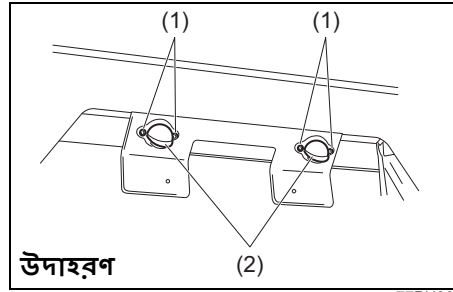


- 1) স্ক্রু গুলি খুলুন (1) এবং ঢাকা টি খুলে দিন (2)।

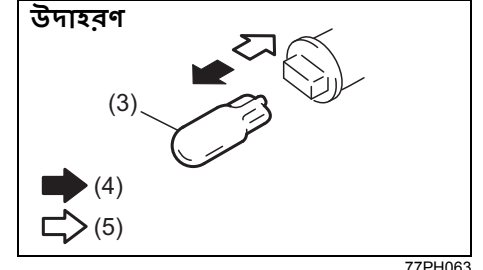


- (6) অপসারণ
- (7) প্রতিস্থাপন
- 2) দিক পরিবর্তন আলোর বাস্ব (3), পেছনের/রেকের আলোর বাস্ব (4) বা পিছনের দিকে যাওয়ার আলোর (5) বাস্ব হোল্ডার খোলার জন্য বাস্বটিকে সামনে ঠেলুন এবং ঘড়ির কাটার বিপরীতে ঘোরান। নতুন বাস্ব লাগানোর জন্য, বাস্বটিকে সামনে ঠেলুন এবং ঘড়ির কাটার দিকে ঘোরান।

লাইসেন্স প্লেটের আলো



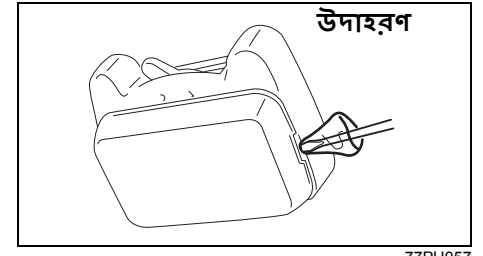
- 1) স্ক্রু গুলি (1) খুলে ফেলুন এবং ঢাকা (2) টিও খুলে ফেলুন



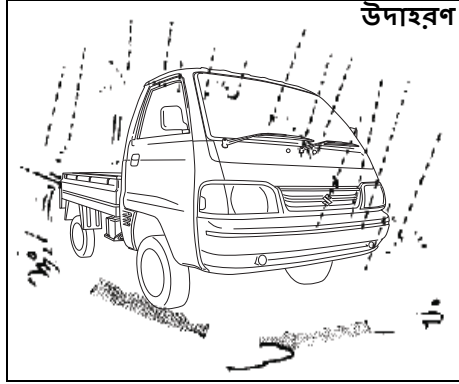
- (4) অপসারণ
- (5) প্রতিস্থাপন
- 2) লাইসেন্স প্লেটের আলোর (3) বাস্ব খুলতে বা লাগাতে, বাস্বটিকে ধরে টানুন অথবা সামনে ঠেলুন।

অভ্যন্তরস্থ আলো

নরম কাপড়ের টুকরো দিয়ে ঢাকা কোনো চ্যাপ্টা রেড স্কুডাইভার দিয়ে যেমন ভাবে দেখানো আছে, তেমন ভাবে লেন্স টাকে খুলুন। এটিকে লাগাতে, শুধুমাত্র সামনের দিকে ঠেলে দিন।



ওয়াইপার ব্লেডস



77PM07028

ওয়াইপার ব্লেডস ভঙ্গুর বা ক্ষতিগ্রস্ত হলে, বা মোছার সময় দাগ তৈরী করলে, ওয়াইপার ব্লেডস বদলে নিন।

নতুন ওয়াইপার ব্লেডস লাগানোর জন্য, নিম্নলিখিত পদ্ধতি অনুসরণ করুন।

লক্ষণীয় বিষয়

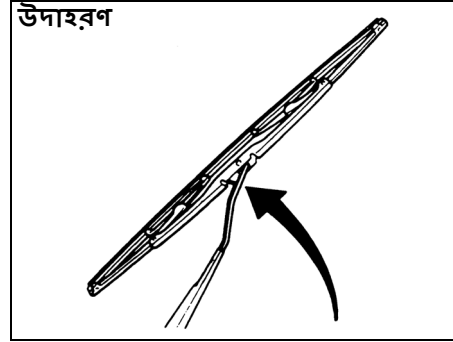
ওয়াইপার ব্লেড বদলানোর সময় জানালার কাঁচকে আঁচড় লাগা বা ভেঙে যাওয়ার হাত থেকে বাঁচাতে, খেয়াল রাখবেন যাতে ওয়াইপার আর্মটি জানালায় ধাক্কা না মারে।

মন্তব্য:

গাড়ির স্পেসিফিকেশনের উপর নির্ভর করে এখানে দেওয়া বর্ণনার সাথে কিছু ওয়াইপার ব্লেডস আলাদা হতে পারে। এই ক্ষেত্রে, আপনার

অনুমোদিত মার্কটি সুজুকি কমার্শিয়াল ওয়ার্কশপের সাথে কথা বলে বদল করার সঠিক উপায় জেনে নিন।

উইন্ডশিল্ড ওয়াইপারের জন্য:



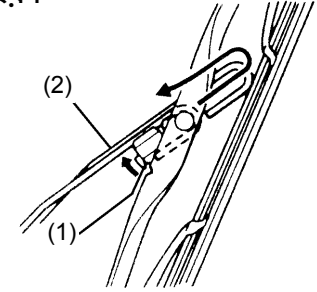
70G119

- 1) ওয়াইপার আর্মটিকে উইন্ডশিল্ড থেকে দূরে ধরুন

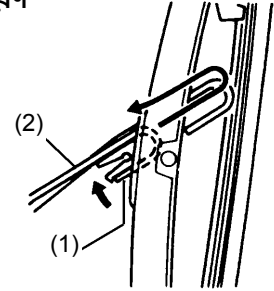
মন্তব্য:

সামনের দুটো ওয়াইপার আর্মস তুলে ধরার ক্ষেত্রে, চালকের দিকের টি আগে টেনে তুলুন। যখন ওয়াইপার আর্মস গুলো নামাবেন, তখন যাত্রীর দিকের টি আগে নামাবেন। নইলে, দুটো ওয়াইপার আর্মস একে অপরের প্রতি বাধা সৃষ্টি করতে পারে।

উদাহরণ



উদাহরণ

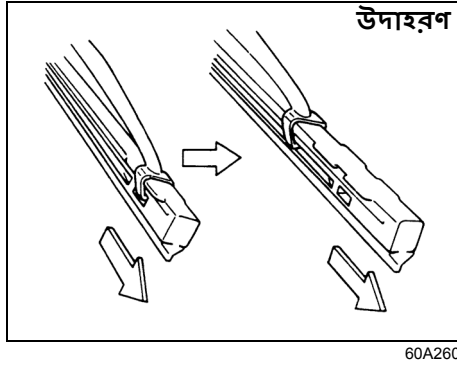


54G130

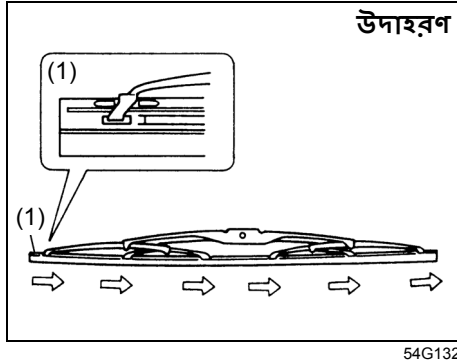
- 2) লকটিকে (1) ওয়াইপার আর্মের (2) দিকে চেপে দিন, এবং যেমন দেখানো হয়েছে সেই ভাবে আর্ম থেকে ওয়াইপার ব্লেডটি খুলুন।
- 3) ওয়াইপার ব্লেডের আটকে থাকা প্রান্তটি খুলুন এবং যেমনটি এখানে দেখানো আছে তেমন ভাবে ব্লেডটি গলিয়ে দিন।

পরিদর্শন ও রক্ষণাবেক্ষণ

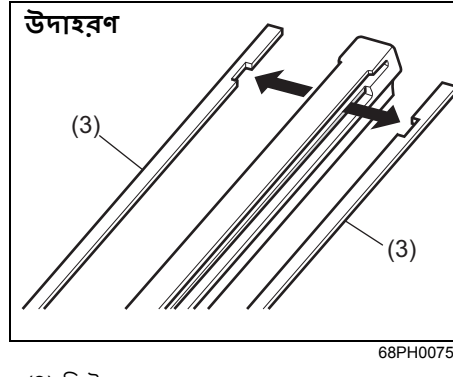
অপসারণ



প্রতিস্থাপন

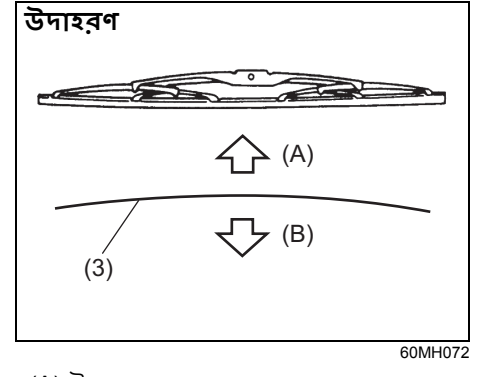
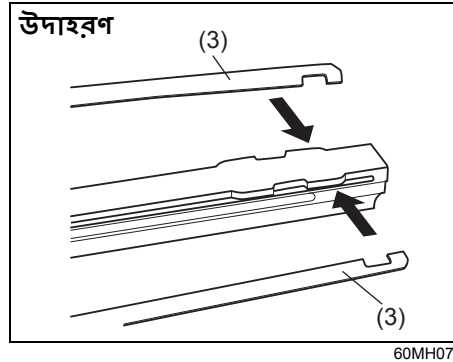


(1) লক করা প্রান্ত



(3) রিটেনার

4) যদি নতুন ব্লেডের সাথে দুটো ধাতব ধারক না দেয়া থাকে, তবে পুরোনো ব্লেড থেকে খুলে নিয়ে নতুনটি তে লাগান।

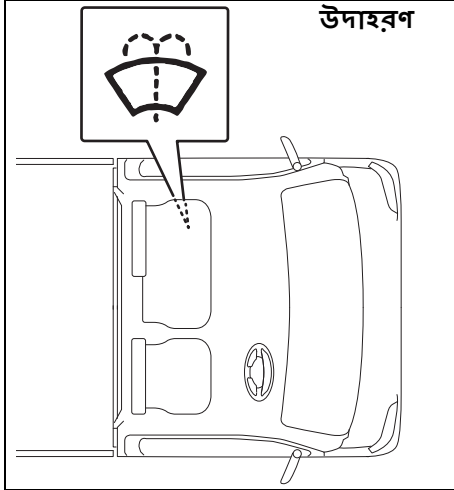


(A) উপরে
(B) নীচে

মন্তব্য:
ধাতব ধারকগুলি (3) লাগানোর সময় খেয়াল রাখবেন যাতে, সেগুলি উপরের ছবিতে যেমন আছে সেদিকেই যেন লাগানো হয়।

- খোলার একদম বিপরীত ক্রমে নতুন ব্লেডটি লাগাতে হবে, সাথে আটকানোর প্রান্তটি যেন ওয়াইপার আর্মের দিকে তাক করা থাকে। ব্লেডটি যেন যথাযথ ভাবে সমস্ত হকের সাহায্যে আটকানো থাকে তা নিশ্চিত করতে হবে। ব্লেডের প্রান্তটি সঠিক জায়গায় আটকান।
- ওয়াইপারের ফ্রেমটি আর্মের সঙ্গে প্রতিস্থাপন করুন, সাথে নিশ্চিত করতে হবে যে আটকানোর লিভারটি যেন সুরক্ষিতভাবে আর্মের ভেতর লাগানো থাকে।

উইন্ডশিল্ড ধোয়ার ফ্লুইড (যদি দেয়া থাকে)



77PM07027

ট্যাকে ওই ধোয়ার ফ্লুইড আছে কিনা দেখে বুঝে নিন। প্রয়োজন হলে ভরিয়ে নিন। একটি ভাল মানের উইন্ডশিল্ড ধোয়ার ফ্লুইড ব্যবহার করবেন, দরকারমত জল মিশিয়ে নেবেন।

লক্ষণীয় বিষয়

গাড়িতে লাইম স্কেল জমা এড়াতে খর জল (হার্ড ওয়াটার) ব্যবহার করবেন না।

⚠ মতর্কতা

উইন্ডশিল্ড ওয়াশার রিজার্ভারে রেডিমেটের অ্যান্টিফ্রিজ ব্যবহার করবেন না। উইন্ডশিল্ডে এটি স্প্রে করলে দৃশ্যমানতাকে মারাত্মকভাবে কমিয়ে দিতে পারে, এবং আপনার গাড়ির পেইন্টেরও ক্ষতি করতে পারে।

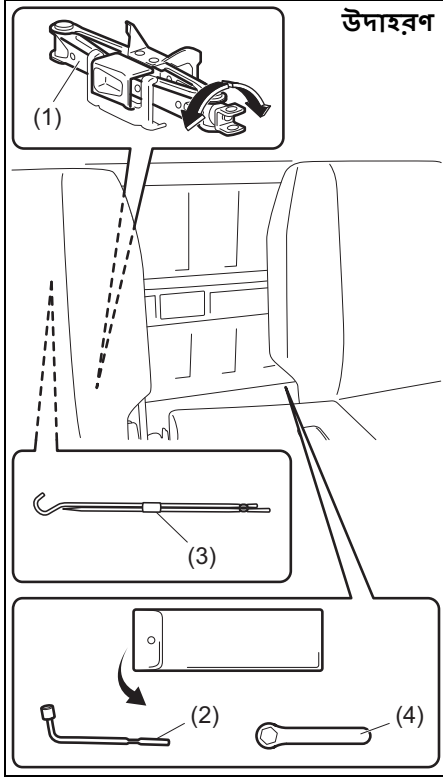
লক্ষণীয় বিষয়

ট্যাকে কোনো ফ্লুইড না থাকা অবস্থায় যদি মোটর চালানো হয়, তবে তা ক্ষতিগ্রস্ত হতে পারে।

জরুরী পরিষেবা

টায়ার পরিবর্তনের সরঞ্জাম	8-1
জ্যাকিং এর নির্দেশাবলী	8-2
চাকা পরিবর্তন	8-5
জাম্প স্টার্ট করার নির্দেশাবলী	8-6
টেনে নিয়ে যাওয়া	8-7
যদি স্টার্টার কাজ না করে	8-8
যদি ইঞ্জিন জলমগ্ন হয়	8-8
যদি ইঞ্জিন অতিরিক্ত গরম হয়ে যায়	8-8
ধাক্কা লেগে নীচের অংশে সমস্যা	8-9
সতর্কীকরণ ত্রিভুজ	8-9
আগুন নিবোধক (যদি দেয়া থাকে)	8-10

টায়ার পরিবর্তনের সরঞ্জাম

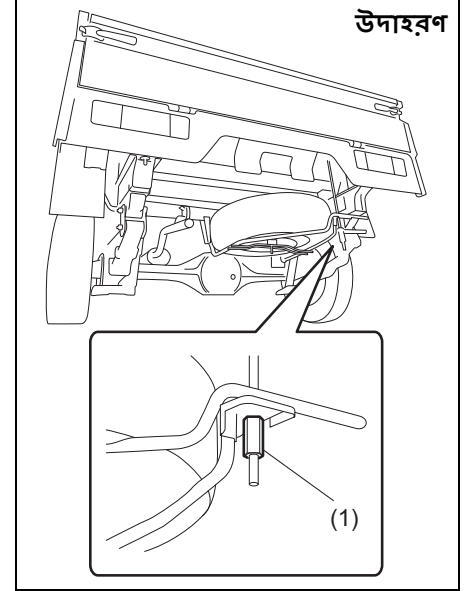


77PH202

- (1) জ্যাক
- (2) হুইল ব্রেস
- (3) জ্যাকের হ্যান্ডল
- (4) স্প্যার

চালকের আসনের পিছনে টায়ার পরিবর্তনের সরঞ্জামগুলি রাখা আছে। জ্যাক টিকে খুলতে, এর দন্ডটি ঘড়ির কাঁটার বিপরীতে ঘোরান এবং স্টোরেজ ব্রাকেট থেকে টান দিয়ে বের করুন। আবার জ্যাকটিকে রাখার সময়, স্টোরেজ ব্রাকেটটিতে রাখুন এবং জ্যাকটি সুরক্ষিতভাবে সঠিক জায়গায় আটকানো অবধি ঘড়ির কাঁটার দিকে দন্ডটি ঘোরান।

অতিরিক্ত টায়ার বেডের তলায় রাখা আছে। অতিরিক্ত টায়ারটি খুলতে:



77PH099

- 1) অতিরিক্ত টায়ার হোল্ডারের হুক নাটটি টিলে দিন (1)।
- 2) অতিরিক্ত টায়ার হোল্ডারটি হুক থেকে খুলুন এবং ধীরে ধীরে নীচে নামান।
- 3) অতিরিক্ত টায়ারটির মাঝের স্ক্রু টি খুলুন এবং টায়ার টি বের করে নিন।

⚠ সতর্কতা

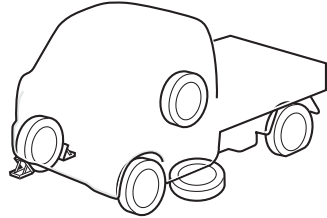
টায়ার পরিবর্তনের সরঞ্জাম গুলি ব্যবহারের পূর্ব, সুবক্ষিত ভাবে রাখুন অন্যথায় দুর্ঘটনা ঘটলে সেগুলি থেকে আঘাত লাগতে পারে।

⚠ সতর্কতা

জ্যাকটি শুধুমাত্র চাকা পরিবর্তনের সময়েই ব্যবহার করুন। জ্যাকটি ব্যবহার করার আগে এই অধ্যায়ের জ্যাকিং এর নির্দেশাবলী পড়ে নেওয়া ভীষণ গুরুত্বপূর্ণ।

জ্যাকিং এর নির্দেশাবলী

উদাহরণ



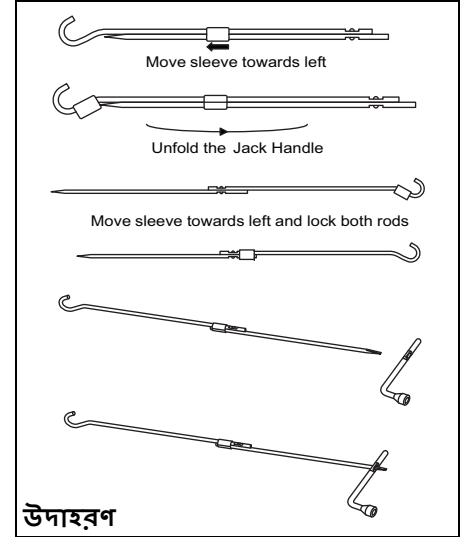
77PH054

- 1) গাড়িটিকে সমতলে, শক্ত মাটিতে দাঁড় করান।
- 2) পার্কিং ব্রেক দৃঢ়ভাবে লাগান এবং "R" (পশ্চাৎ) এ দিন।

⚠ সতর্কতা

- গাড়িটিকে জ্যাকের সাহায্যে উঁচু করার সময় "R" (পশ্চাৎ) এ দেওয়া নিশ্চিত করুন।
- ট্রান্সমিশন "N" (নিউট্রাল) এ রেখে কখনও গাড়িকে জ্যাক দিয়ে উঁচু করবেন না। অন্যথায় জ্যাকের ভারসাম্যহীনতায় দুর্ঘটনা ঘটতে পারে।

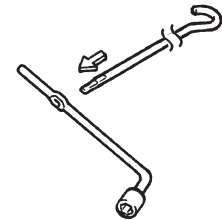
- 3) আপনার গাড়ি ট্রাক্টরের কাছে থাকলে আপৎকালীন সতর্কতামূলক আলো জ্বালিয়ে দিন।
- 4) যে চাকাটি তুলছেন, সেটার তির্যকভাবে বিপরীত চাকাটির সামনে ও পিছনে কিছু দিয়ে আটকে রাখুন।
- 5) জ্যাক পিছলে যাওয়ার ক্ষেত্রে যে চাকাটি তোলা হচ্ছে, অতিরিক্ত চাকাটি তার কাছে ছবিতে যেমন দেখানো আছে তেমনভাবে রাখুন।



উদাহরণ

77PH802

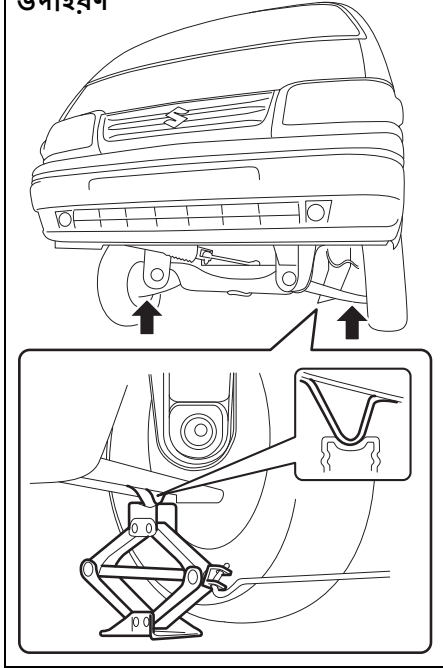
উদাহরণ



54G253

সামনের জ্যাকিং পয়েন্ট

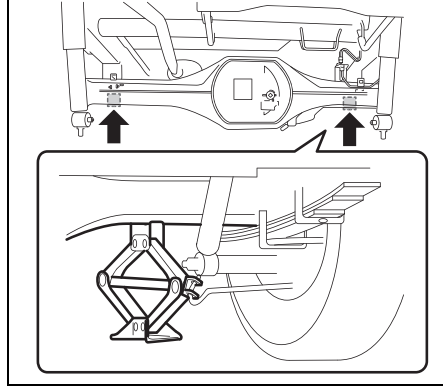
উদাহরণ



77PH084

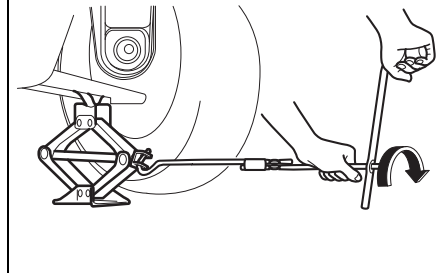
পিছনের জ্যাকিং পয়েন্ট

উদাহরণ



77PH106

উদাহরণ



77PS052

- 6) জ্যাকটিকে উল্লম্বভাবে রাখুন এবং জ্যাকের হ্যান্ডল ঘড়ির কাঁটার দিকে ঘুরিয়ে জ্যাকটিকে তুলুন, যতক্ষণ না গাড়ির নীচের জ্যাকিং বারে জ্যাকের মাথার খাঁজটি সুন্দর ভাবে এঁটে যায়। ছবিতে দেখুন।
- 7) জ্যাকটিকে ধীরে ধীরে এবং মসৃণভাবে তুলতে থাকুন টায়ার মাটি থেকে ওঠা পর্যন্ত। গাড়িটিকে প্রয়োজনের অতিরিক্ত উঁচু করবেন না।

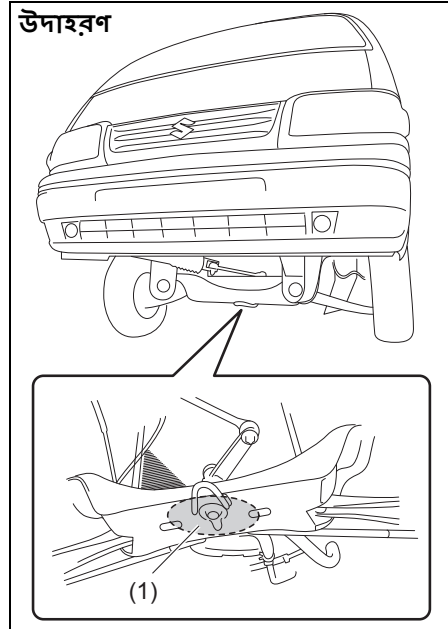
⚠ সতর্কতা

- জ্যাকটিকে শুধুমাত্র সমতল, শক্ত মাটিতে চাকা বদল করতে ব্যবহার করুন।
- ঢালু তলে কখনও জ্যাক দিয়ে গাড়ি উঁচু করবেন না।
- যে চাকাটি বদলানো হবে তার কাছে নির্দিষ্ট জ্যাকিং পয়েন্ট (ছবিতে যেমন দেখানো হয়েছে) ছাড়া গাড়িটিকে অন্যকোথাও জ্যাক দিয়ে উঁচু করবেন না।
- কাঠের পাটাতন বা সমজাতীয় কোনো জিনিস জ্যাকের নীচে ব্যবহার করবেন না।
- গাড়িতে জ্যাক লাগানো থাকলে কখনও গাড়ির নীচে যাবেন না। গাড়িতে জ্যাক লাগানো থাকলে আপনার হাত এবং পা কখনও গাড়ির নীচে দেবেন না।
- গাড়িতে জ্যাক লাগানো থাকলে কখনও ইঞ্জিন চালু করবেন না এবং কোনো যাত্রীকেও গাড়িতে বসার অনুমতি দেবেন না।

গ্যারেজ জ্যাক দিয়ে গাড়ি উঁচু করা

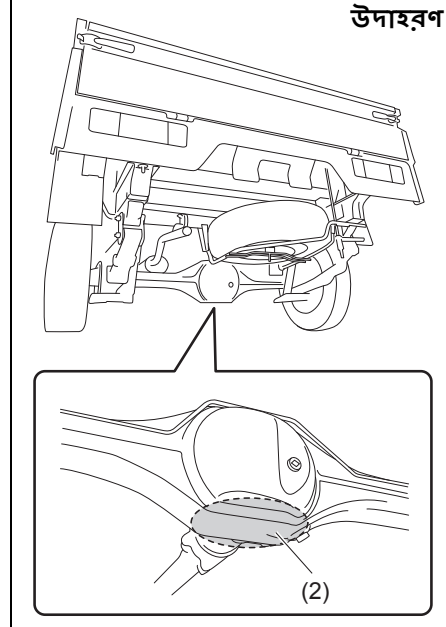
- নীচে দেখানো পয়েন্ট গুলোর কোনো একটা তে গ্যারেজ জ্যাক লাগান
- সবসময় নীচের ছবিতে দেখানো পয়েন্ট গুলোতে জ্যাক স্ট্যান্ড (বাগিজ্যাক ভাবে উপলব্ধ) দিয়ে গাড়িতে ঠেক দেবেন।

গ্যারেজ জ্যাকের জন্য নির্দিষ্ট সামনের জ্যাকিং পয়েন্ট (1)



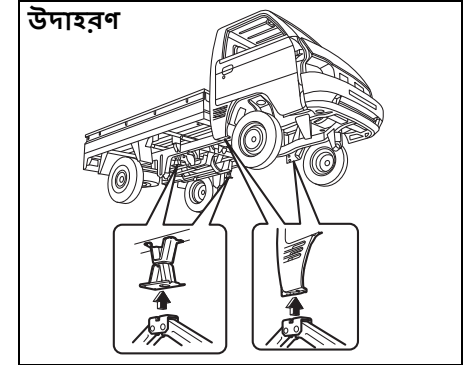
77PH060

গ্যারেজ জ্যাকের জন্য নির্দিষ্ট পিছনের জ্যাকিং পয়েন্ট (2)



77PH101

জ্যাক স্ট্যান্ড (3) বা দ্বি-স্তম্ভ লিফট লাগানোর পয়েন্ট



77PS055 (2)

লক্ষণীয় বিষয়

- কখনও গ্যারেজ জ্যাক এক্সহস্ট পাইপের উপর লাগাবেন না।
- পিছনের পয়েন্টে জ্যাক স্ট্যান্ড বা দ্বি-স্তম্ভ লিফট লাগানোর সময়, খেয়াল রাখবেন যাতে আশেপাশের যন্ত্রাংশ যেমন পার্কিংয়ের তার বা আলানি ট্যাঙ্কের ক্ল্যাঞ্চার সাথে ধাক্কা না লাগে।

মন্তব্য:

আরও বিশদে জানতে, দয়া করে অনুমোদিত মার্কতি সুজুকি কমার্শিয়াল ওয়ার্কশপের সাথে যোগাযোগ করুন।

চাকা বদলানো

⚠ সতর্কতা

ট্রাফিক লেনে কখনও চাকা বদলাবেন না। চাকা বদলানোর জন্য সর্বদা গাড়িটিকে ট্রাফিক থেকে দূরে সমতল, শক্ত মাটিতে সরিয়ে নিয়ে যাবেন। আরও অতিরিক্ত সহযোগিতার জন্য আপনার নিকটবর্তী মারুতি সুজুকি অনুমোদিত ওয়ার্কশপে যোগাযোগ করুন।

চাকা বদলানোর জন্য নিম্নলিখিত পদ্ধতি মেনে চলুন:

- 1) গাড়ি থেকে সমস্ত যাত্রী এবং মালপত্র নামিয়ে দিন
- 2) গাড়ি থেকে জ্যাক, সরঞ্জাম এবং অতিরিক্ত চাকাটি বের করে নিন।
- 3) চাকার নাটগুলি টিলে করুন, কিন্তু একদম খুলে ফেলবেন না
- 4) জ্যাক লাগিয়ে গাড়ি তুলুন।

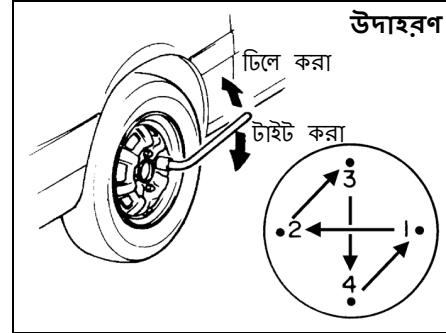
⚠ সতর্কতা

গাড়িটি চালানো হয়ে থাকলে চাকাগুলি, চাকার নাটগুলি এবং ব্রেকের আশেপাশের অংশ গুলি প্রচন্ড গরম হবে। এই অংশগুলিতে হাত দিলে পুড়ে যেতে পারে। গাড়ি চালানোর পর সঙ্গে সঙ্গে এই সমস্ত অংশগুলিতে হাত দেবেন না।

- 5) চাকার নাটগুলি খুলুন এবং চাকাটি খুলে ফেলুন।
- 6) নতুন চাকাটি লাগানোর আগে, চাকার গায়ে বা হাবে কোনো মাটি বা ধূলে লেগে থাকলে পরিষ্কার কাপড় দিয়ে মুছে নিন। হাবাটি সতর্ক

হয়ে পরিষ্কার করবেন; গাড়ি চলার ফলে গরম হয়ে থাকতে পারে।

- 7) নতুন চাকাটি লাগিয়ে ফেলুন এবং চাকার নাট গুলি এমন ভাবে বদলান যাতে শকু আকৃতির প্রান্তটি চাকার দিকে মুখ করে থাকে। প্রত্যেকটি নাট হাত দিয়ে সুন্দর ভাবে আঁটতে থাকুন যতক্ষণ না চাকাটি হাবের উপর সুরক্ষিতভাবে বসে যায়।



54G116

চাকার নাট আঁটার টর্ক হতে হবে
100 Nm (10.2 kgf-m, 73.8 lbf-ft)

- 8) জ্যাকটি নীচে নামান এবং একটি রেঞ্চ দিয়ে নাটগুলি আড়াআড়ি ভাবে একদম এঁটে দিন ছবিতে যেমন দেখানো আছে তেমনভাবে।

⚠ সতর্কতা

জেলুইন হুইল নাট ব্যবহার করবেন এবং চাকা পরিবর্তন করার পরে যত তাড়াতাড়ি সম্ভব নির্দিষ্ট টর্কে টাইট করবেন। ভুল হুইল নাট অথবা ভুলভাবে টাইট করা হুইল নাট টিলে হয়ে যেতে পারে অথবা খুলে পড়ে যেতে পারে, ফলে দুর্ঘটনা ঘটতে পারে। আপনার কাছে যদি টর্ক রেঞ্চ না থাকে, তাহলে একটি অনুমোদিত মারুতি সুজুকি কমার্শিয়াল ওয়ার্কশপে গিয়ে হুইল নাটের টর্ক পরীক্ষা করিয়ে নিন।

জাম্প স্টার্ট করার নির্দেশাবলী

⚠ মতর্কতা

- ব্যাটারি জন্মে গিয়ে থাকলে কখনও জাম্প স্টার্ট দিয়ে গাড়ি চালু করার চেষ্টা করবেন না। এই অবস্থায় আপৎকালীন গাড়ি চালু করার চেষ্টা করলে ব্যাটারির ফেটে যেতে পারে বা ভেঙে যেতে পারে।
- জাম্প লেড সংযোগ করার সময় নিশ্চিত করবেন যে আপনার হাত এবং জাম্প লেড পুলি, বেল্ট বা ফ্যানের থেকে দূরে আছে।
- ব্যাটারি দাহ্য হাইড্রোজেন গ্যাস তৈরী করে। আগুন বা স্পার্ক থেকে ব্যাটারি দূরে রাখুন অন্যথায় বিস্ফোরণ ঘটতে পারে। ব্যাটারির আশেপাশে কাজ করলে কখনও ধূমপান করবেন না।
- জাম্প স্টার্টিংয়ের জন্য আপনার ব্যবহারের বুস্টার ব্যাটারিটি যদি অন্য আরেকটি গাড়িতে ইনস্টল করা থাকে, তাহলে একটি গাড়ি যে অন্য গাড়িটিকে স্পর্শ করছে না তা সুনিশ্চিত করবেন।
- যদি কোনো কারণ ছাড়াই, আপনার গাড়ির ব্যাটারির চার্জ ক্রমাগত শেষ হয়ে যেতে থাকে, তাহলে কোনো অনুমোদিত মার্কতি সুজুকি কমার্শিয়াল ওয়ার্কশপে আপনার গাড়ি পরীক্ষা করিয়ে নেবেন।
- আপনার নিজের বা গাড়ির বা ব্যাটারির ক্ষতি এড়াতে, নীচে লেখা জাম্প স্টার্ট নির্দেশাবলী সঠিক ভাবে এবং ক্রমানুসারে মেনে চলুন।
- যদি কোনো সন্দেহ হয়, তবে প্রশিক্ষিত সড়ক পরিষেবাকে খবর দিন।

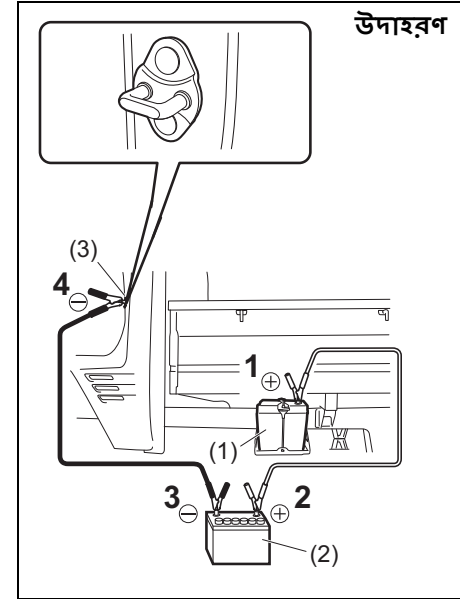
লক্ষণীয় বিষয়

আপনার গাড়ি কে ধাক্কা দিয়ে বা টেনে চালু করবেন না। গাড়ি চালু করার এই পদ্ধতিতে ক্যাটালিটিক কন্ডিটারের চিরস্থায়ী ক্ষতি হতে পারে। দুর্বল বা চার্জ শেষ হওয়া ব্যাটারি যুক্ত গাড়ি চালু করতে জাম্প লেড ব্যবহার করুন।

আপনার গাড়ি জাম্প স্টার্ট করার ক্ষেত্রে, নীচের নিয়মাবলী মেনে চলুন:

- 1) আপনার গাড়ি জাম্প স্টার্ট করতে একটি 12 ভোল্ট ব্যাটারি ব্যবহার করুন। ভাল 12 ভোল্ট ব্যাটারিটি গাড়ির কাছে রাখুন যাতে জাম্প লেডটি দুটো ব্যাটারির কাছেই পৌঁছতে পারে। অন্য কোনো গাড়ির ব্যাটারি ব্যবহার করলে সেই গাড়িটিকে স্পর্শ করবেন না। দুটো গাড়িতেই পার্কিং ব্রেক গুলো সম্পূর্ণভাবে লাগিয়ে দিতে হবে।
- 2) নিরাপত্তার প্রয়োজন ছাড়া (যেমন, হেডলাইট বা হ্যাঞ্জার্ড লাইট) যানবাহনের বাকি সমস্ত অ্যাক্সেসরিগুলি বন্ধ করে দিন।

উদাহরণ



77PS056

- 3) নীচের বিবরণ অনুসারে জাম্প লেড সংযোগ করুন:
 1. চার্জ শেষ হয়ে যাওয়া ব্যাটারির (1) পজিটিভ (+) প্রান্তে প্রথম জাম্প লেডের প্রান্তটি লাগিয়ে দিন।
 2. বাকি প্রান্তটি বুস্টার ব্যাটারির (2) পজিটিভ (+) প্রান্তে লাগান।

জরুরী পরিষেমা

3. দ্বিতীয় জাম্প লেডটির একটি প্রান্ত বুস্টার ব্যাটারির (2) নেগেটিভ (-) প্রান্তে লাগিয়ে দিন।
4. সবশেষে চার্জ শেষ হয়ে যাওয়া গাড়ির (1) রং না করা, ভারী ধাতব অংশে (যথা দরজার ল্যাচ স্ট্রাইকার (3)) চূড়ান্ত সংযোগটি করুন।

⚠ সতর্কতা

কোনোভাবেই জাম্প লেড সরাসরি চার্জ শেষ হয়ে যাওয়া ব্যাটারির নেগেটিভ (-) প্রান্তে সংযোগ করবেন না, অন্যথায় বিস্ফোরণ ঘটতে পারে।

- 4) আপনি যে বুস্টার ব্যাটারি ব্যবহার করছেন তা যদি কোনো গাড়িতে লাগানো থাকে, তবে সেই গাড়ি চালু করুন। ইঞ্জিন মাঝারি গতিতে চালু রাখুন।
- 5) চার্জ শেষ হয়ে যাওয়া ব্যাটারি যুক্ত গাড়ির ইঞ্জিন চালু করুন।
- 6) জাম্প লেড গুলো যে ক্রমে লাগিয়েছেন ঠিক তার বিপরীত ক্রমে খুলুন।

গাড়ি টেনে নিয়ে যাওয়া

আপনার গাড়ি যদি টেনে নিয়ে যেতে হয়, তবে পেশাদার পরিষেবা প্রদানকারীর সাথে যোগাযোগ করুন। আপনার ডিলারের কাছ থেকে গাড়ি টেনে নিয়ে যাওয়ার ব্যাপারে বিশদ নির্দেশাবলী পেয়ে যাবেন।

লক্ষণীয় বিষয়

গাড়ি টেনে নিয়ে যাওয়ার সময় ক্ষতি এড়াতে, সঠিক সরঞ্জাম এবং পদ্ধতি অবলম্বন করা জরুরি।

2-হুইল ড্রাইভ (2WD) ম্যানুয়াল ট্রান্সমিশন

ম্যানুয়াল ট্রান্সমিশন বিশিষ্ট গাড়ি টেনে নিয়ে যাওয়ার ক্ষেত্রে নীচের যেকোনো একটি পদ্ধতি অবলম্বন করুন।

- 1) সামনে থেকে, সামনের চাকা উঠিয়ে এবং পেছনের চাকা মাটিতে রেখে। টানার আগে, ট্রান্সমিশন নিউট্রালে আছে কিনা নিশ্চিত করুন এবং পার্কিং ব্রেক উঠিয়ে দিন।
- 2) পেছন থেকে, পেছনের চাকা উঠিয়ে এবং সামনের চাকা মাটিতে রেখে, স্টিয়ারিং এবং ড্রাইভট্রেন সক্রিয় অবস্থায় রেখে। টানার আগে, স্টিয়ারিং হুইল ছেড়ে রাখবেন (ইগনিশন চাবি "ACC" এর দিকে ঘোরানো থাকবে) এবং এই পরিষেবার জন্য নির্মিত ক্ল্যাম্প দিয়ে স্টিয়ারিং হুইল সুরক্ষিত করবেন।

লক্ষণীয় বিষয়

গাড়ি টানার সময় সামনের চাকা থেকে যে ঘাত তৈরী হবে তা সামলানোর পক্ষে স্টিয়ারিং এর কলাম টি অতটা শক্তিশালী নয়। টেনে নিয়ে যাওয়ার আগে সর্বদা স্টিয়ারিং হুইল খোলা রাখবেন।

যদি স্টার্টার কাজ না করে

- 1) ইগনিশন সুইচ "স্টার্ট" এর দিকে ঘুরিয়ে চেপ্টা করুন সামনের আলো জ্বালিয়ে ব্যাটারির অবস্থা বোঝার। যদি সামনের আলো একেবারেই কম হয় বা না জ্বলে, তবে বুঝতে হবে যে হয় ব্যাটারিতে চার্জ নেই অথবা ব্যাটারির প্রান্তের সংযোগ খারাপ। ব্যাটারিটি চার্জ দিন অথবা প্রয়োজনমত ব্যাটারির প্রান্তের সংযোগ ঠিক করে নিন।
- 2) যদি সামনের আলো উজ্জ্বল থাকে, তাহলে ফিউজ পরীক্ষা করুন যদি স্টার্টারের কাজ না করার সচরাচর কারণ না পাওয়া যায়, তাহলে কোনো বড় মাপের বৈদ্যুতিক সমস্যা হতে পারে। আপনার গাড়িটি অনুমোদিত মার্কতি সুজুকি কমার্শিয়াল ওয়ার্কশপে দেখিয়ে নিন।

যদি ইঞ্জিন জলমগ্ন হয়

ইঞ্জিনে অতিরিক্ত পরিমাণে ফুয়েল চলে গেলে ইঞ্জিন চালু করা কঠিন হতে পারে। এই ক্ষেত্রে অ্যাক্সিলারেটর প্যাডেলটিকে মেঝের সঙ্গে চেপে ধরে রেখে ইঞ্জিন ক্র্যাঙ্ক করার চেষ্টা করুন।

- স্টার্টার মোটর 30 সেকেন্ডের বেশি চালাবেন না।

যদি ইঞ্জিন অতিরিক্ত গরম হয়ে যায়

সাংঘাতিক মাত্রায় গাড়ি চালানো হলে ইঞ্জিন অল্প সময়ের জন্য প্রচন্ড গরম হতে পারে। যদি গাড়ি চালানোর সময় ইঞ্জিন ঠান্ডা রাখার কুল্যান্টের তাপমাত্রার সতর্কতামূলক আলো জ্বলে ওঠে:

- 1) গাড়িটি একটি নিরাপদ জায়গায় নিয়ে যান এবং পার্ক করুন।
- 2) ইঞ্জিনকে সাধারণ ভাবে দাঁড়িয়ে থাকার মত করে চালু রাখুন যতক্ষণ না ইঞ্জিন ঠান্ডা রাখার কুল্যান্টের তাপমাত্রার সতর্কতামূলক আলো নিভে যায়।

⚠ সতর্কতা

যদি বাষ্প বেরোতে দেখতে পান বা শব্দ শুনতে পান, তবে গাড়িটিকে একটি নিরাপদ জায়গায় থামান এবং তৎক্ষণাৎ ইঞ্জিন বন্ধ করে ঠান্ডা হতে দিন। বাষ্প বেরোতে থাকলে ইঞ্জিনের প্রকোষ্ঠ খুলবেন না। বাষ্প আর দেখা না গেলে বা শব্দ শোনা না গেলে ইঞ্জিন প্রকোষ্ঠ খুলে দেখুন কুল্যান্ট ফুটছে কিনা। যদি ফুটতে থাকে, তবে তা না থামা অন্ধি অপেক্ষা করুন।

যদি ইঞ্জিন ঠান্ডা রাখার কুল্যান্টের তাপমাত্রার সতর্কতামূলক আলো না নেভে:

- 1) ইঞ্জিন বন্ধ করুন এবং পরীক্ষা করুন যে জলের পাম্প বেল্ট এবং পুলিগুলো ক্ষতিগ্রস্ত হয়েছে কিনা বা পিছলে যাচ্ছে কিনা। যদি কোনো অস্বাভাবিক ধরা পড়ে, ঠিক করে নিন।

- 2) যদি "লো" লেখা দাগের নীচে থাকে তবে, রেডিমেটর, জলের পাম্প এবং রেডিমেটর ও হিটার হোজে কোনো ছিদ্র হয়েছে কিনা খুঁজুন। যদি ছিদ্র খুঁজে পান এবং তার জন্যই যদি ইঞ্জিন মাত্রাতিরিক্ত গরম হয়ে থাকে তবে এগুলো না সরিয়ে ইঞ্জিন চালু করবেন না।
- 3) আপনি যদি কোনও লিক দেখতে না পান, তাহলে সাবধানে রিজার্ভারে কুল্যান্ট ঢালুন এবং তারপরে প্রয়োজন হলে রেডিমেটরে ঢালুন। ("পরিদর্শন ও রক্ষণাবেক্ষণ" বিভাগে "ইঞ্জিন কুল্যান্ট" দ্রষ্টব্য।)

মন্তব্য:

যদি আপনার গাড়ির ইঞ্জিন মাত্রাতিরিক্ত গরম হয় এবং আপনি কি করবেন বুঝতে না পারলে, অনুমোদিত মার্কতি সুজুকি কমার্শিয়াল ওয়ার্কশপে যোগাযোগ করুন।



উদাহরণ

65D3500

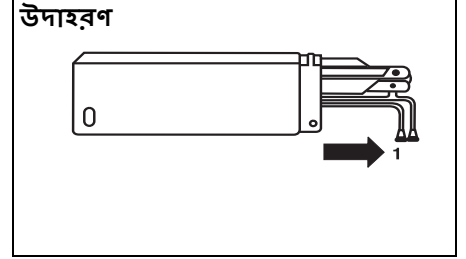
⚠ সতর্কতা

- জলের তাপমাত্রা বেশি থাকলে বেডিমেটরের ঢাকনা (বা ডিজেল ইঞ্জিনের ডিগেসিং ট্যাঙ্কের ঢাকনা) খোলা বিপদজনক, কারণ পুড়ে যাওয়া ফুইড এবং বাষ্প চাপের প্রভাবে বাইরে বেরিয়ে আসতে পারে। কুল্যান্টের তাপমাত্রা কমে গেলে তবেই ঢাকনা খোলা উচিত।
- ব্যক্তিগত আঘাত থেকে রক্ষা পেতে হাত, সরঞ্জাম এবং জামাকাপড়, ইঞ্জিন ঠান্ডা করার ফ্যান থেকে দূরে রাখুন। এই বৈদ্যুতিক পাখা গুলি কোনো সতর্কবার্তা না দিয়েই চালু হয়ে যেতে পারে।

আঘাত জনিত কারণে গাড়ির নীচে সমস্যা

যদি আপনার গাড়ির নীচে আঘাত লেগে থাকে, অনুমোদিত মার্কতি সুজুকি কমার্শিয়াল ওয়ার্কশপে যোগাযোগ করে পরীক্ষা করিয়ে নিন। নতুবা স্টিয়ারিং, সাসপেনশন, ড্রাইভলাইন এবং ব্রেক ইত্যাদির ক্ষতি হলে আপনার নিরাপদে গাড়ি চালানো বিঘ্নিত হবে।

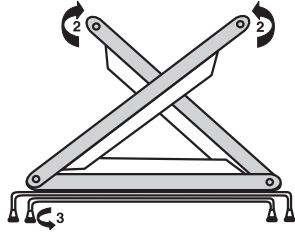
সতর্কীকরণ ত্রিভুজ



MHO-07-001

আপনার গাড়ি খারাপ হয়ে গেলে বা জরুরি কারণে দাঁড়াতে হলে, যদি আপনার গাড়ির জন্য ট্রাফিকের সমস্যা হওয়ার সম্ভাবনা থাকে, তাহলে আপনার গাড়ির সাথে দেয়া সতর্কীকরণ ত্রিভুজ চালিয়ে রাখুন, আপনার গাড়ির পিছন যেন কিছুতে ঢাকা না পড়ে, যাতে এই অভিমুখে আসা ট্রাফিক কে সতর্ক করা যায়, **50-100** মিটারের আনুমানিক দূরত্ব বজায় রেখে। ত্রিভুজের প্রতিফলন যেন এই অভিমুখে আগত ট্রাফিকের সামনে পড়ে গাড়ির সতর্কীকরণ ত্রিভুজ চালু করার আগে গাড়ির অপৎকালীন হ্যাজার্ড আলো স্থালিয়ে দেবেন।

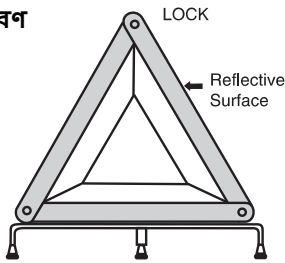
উদাহরণ



MHO-07-014-1

- যেভাবে 1 নম্বর তীরচিহ্ন দিয়ে দেখানো হয়েছে, সেভাবে ঢাকা থেকে সতর্কীকরণ ত্রিভুজ খুলে নিন।
- যেভাবে তীর দিয়ে দেখানো হয়েছে দুটো রিস্ট্রেক্টর আমই খুলে নিন এবং ডান দিকের হাতে দেয়া ক্লিপ দিয়ে দুটো হাত একে অপরের সাথে আটকে দিন। যেভাবে 3 নম্বর তীর দিয়ে দেখানো হয়েছে সেভাবে নীচের স্ট্যান্ডটি ঘড়ির কাটার বিপরীতে ঘুরিয়ে খুলুন। সমতল মাটিতে সতর্কীকরণ ত্রিভুজটিকে গাড়ির পিছনে রাখুন।
- কভারের ভিতরে রাখার জন্য খোলার পদ্ধতি বিপরীত পদক্ষেপ করুন

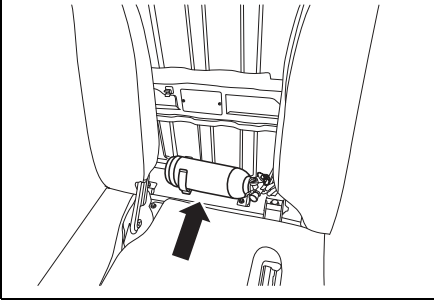
উদাহরণ



MHO-07-014

অগ্নি নিরোধক (যদি দেয়া থাকে)

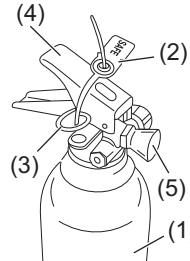
উদাহরণ



77PM08009

অগ্নি নিরোধক সিটের পেছনে রাখা আছে (চালক এবং যাত্রী সিটের মাঝামাঝি)

উদাহরণ



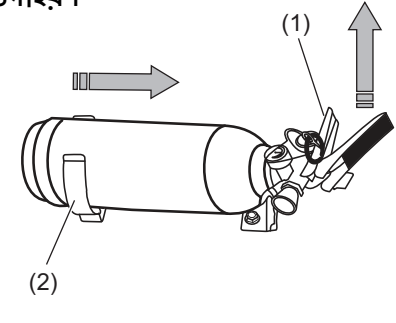
77PM08003

- (1) অগ্নি নিরোধক সিলিন্ডার
- (2) সিল
- (3) সেফটি পিন
- (4) লিভার
- (5) নজল

অগ্নি নিরোধক খোলা এবং পুনঃস্থাপন

অগ্নি নিরোধক খোলার জন্য

উদাহরণ

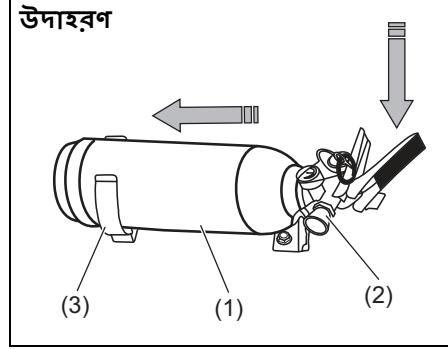


77PM08004

অগ্নি নিরোধকের লিভারটি (1) অল্প উপরের দিকে তুলুন এবং ছবিত্তে যেমন দেখানো হয়েছে সেভাবে অগ্নি নিরোধকটি টানুন, ক্ল্যাম্প (2) থেকে সেটি খুলে নিতে।

জরুরী পরিশেষা

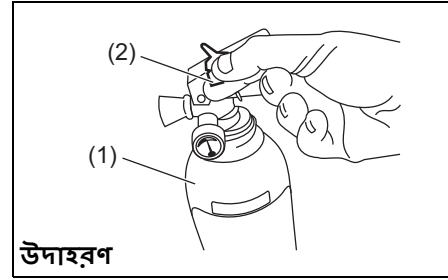
অগ্নি নিরোধক পুনঃস্থাপনের জন্য



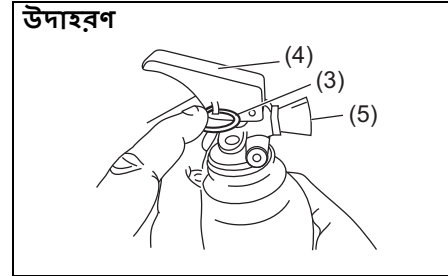
ক্ল্যাম্প (3) অগ্নি নিরোধকটি (1) রাখুন এবং নজল টি (2) ধীরে ধীরে নীচের দিকে করুন, ক্ল্যাম্পের উপরে।

মন্তব্য:
অগ্নি নিরোধকের নজল টি ক্ল্যাম্পের উপর ঠিকমত বসেছে কিনা নিশ্চিত করুন।

চালানোর প্রক্রিয়া



- 1) অগ্নি নিরোধকটি (1) সোজা করে ধরুন।
- 2) সেফটি পিন (3) ঘুরিয়ে সিল (2) ভাঙুন।



- 3) সেফটি পিনটি (3) টানুন
- 4) লিভারে (4) চাপ দিন এবং আগুনের নিকটবর্তী অংশের দিকে নজল (5) দিয়ে বেরোনো জেটের অভিমুখ রেখে ক্ষিপ্ততার (দ্রুত) সাথে বাঁটানোর মত করতে থাকুন।

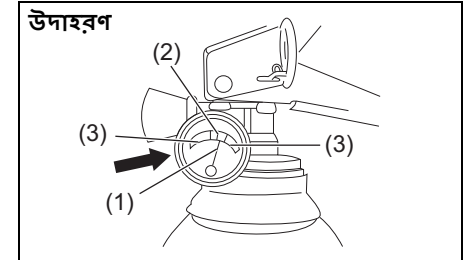


77PM08008

- 5) যতক্ষণ না আগুন নিভেছে আগুন দূরবর্তী অংশের দিকে ঠেলে তে থাকুন।

মন্তব্য:
অগ্নি নিরোধকটি গাড়ির বাইরের কোনো কারণে ঘটা ছোট আকারের আগুনের জন্য বানানো।

কী করবেন এবং কী করবেন না



77PM08001

কী করবেন

- 1) সময়ের সাথে প্রেসার গেজ পরীক্ষা করবেন।
সর্বোচ্চ চার্জিং প্রেসার **15** কেজি/বল/সেমি²
(সবুজ জোলে **(2)**)
- 2) প্রেসার কমে গেলে, নির্ণায়ক কাঁটা লাল জোলের দিকে ঘুরে যাবে। অগ্নি নিরোধকের গায়ে লাগানো নির্দেশ মেনে দ্রুত অগ্নি নিরোধক প্রস্তুতকারকের সাথে যোগাযোগ করুন।
- 3) অগ্নি নিরোধকটি শুধুমাত্র প্রস্তুতকারকের কাছ থেকেই সার্ভিস করাবেন। অগ্নি নিরোধকের সাথে দেয়া তথ্য থেকে নিকটবর্তী সার্ভিস সেন্টার খুঁজে নিন।
- 4) গাড়ির যেখানে থাকার কথা, অগ্নি নিরোধকটি সেখানেই আছে কিনা নিশ্চিত করবেন।
- 5) ব্যবহারের পরেই অগ্নি নিরোধকটি রিফিল করিয়ে নেবেন।

কী করবেন না

- 1) অগ্নি নিরোধকটি পরিষ্কার করার সময় জল ব্যবহার করবেন না। (ধুলো মোছার জন্য পরিষ্কার কাপড় ব্যবহার করুন)
- 2) ব্যবহৃত বা শেষ হয়ে যাওয়া অগ্নি নিরোধকের উপর ভরসা করবেন না।

মন্তব্য:

- প্রত্যেক বার ব্যবহারের পর রিফিল করা আবশ্যিক।
- যদি ব্যবহার নাও করা হয়, প্রতি **3** বছর অগ্নি নিরোধকটি রিফিল করা প্রয়োজন।

চেহাৰাৰ যত্ন

ক্ষয় ৰোধ	9-1
গাড়ি পৰিষ্কাৰ	9-2

ক্ষয় রোধ

ক্ষয় থেকে বাঁচাতে আপনার গাড়ির বিশেষ যন্ত্র নেয়া ভীষণ গুরুত্বপূর্ণ। ক্ষয় থেকে বাঁচাতে আপনার গাড়ি কেমন ভাবে রাখবেন সে সম্পর্কিত নির্দেশাবলীর তালিকা নীচে দেয়া আছে। এই নির্দেশাবলী ভালো করে পড়ুন এবং অনুসরণ করুন।

ক্ষয় সম্পর্কে গুরুত্বপূর্ণ তথ্য

ক্ষয়ের সাধারণ কারণসমূহ

- 1) গাড়ির নীচে বা ফ্রেমের হাত না পৌঁছানো অংশে রাস্তার লবণ, নোংরা, আর্দ্রতা বা রাসায়নিক জমা হওয়া।
- 2) সারানো বা রং করা ধাতব পৃষ্ঠে চিড ধরা, আঁচড় লাগা বা ছোট খাটো দুর্ঘটনার জন্য কোনো রকমের ক্ষতি হলে বা নুড়ি ও পাথরের ঘর্ষণ লাগা।
- 3) যেকোনো বা নীচের সবগুলি:
 - দীর্ঘক্ষণ সূর্যালোকের সংস্পর্শ
 - গাড়ির সাথে ভারী জল বা সমুদ্রের জলের সংস্পর্শ।
 - পা ঘষা (স্কাটিং)।

ক্ষয়ের অনুকূল পরিবেশগত অবস্থাসমূহ

- 1) রাস্তার লবণ, ধূলা নিয়ন্ত্রক রাসায়নিক, সামুদ্রিক হাওয়া বা শিল্পের কারণে দূষণ এসব কিছুই ধাতুর ক্ষয় স্বরাশিত করে।
- 2) হিমাক্তের একটু উপরের তাপমাত্রায় আর্দ্রতার আধিক্য ক্ষয়ের হার বাড়িয়ে দেয়।
- 3) গাড়ির অন্যান্য অংশ শুকনো থাকলেও যদি কিছু কিছু নির্দিষ্ট অংশ ভেজা থাকে দীর্ঘ সময় ধরে, তাহলেও ক্ষয় হয়।

4) গাড়ির যে সমস্ত অংশে বায়ুচলাচলের ভাল ব্যবস্থা নেই দ্রুত শুকানোর জন্য, সেখানে তাপমাত্রা বেশি হলে ক্ষয় স্বরাশিত হয়।

এই তথ্য গাড়ি (বিশেষ করে গাড়ির নীচের অংশ) যতটাসম্ভব পরিষ্কার এবং শুকনো রাখার প্রয়োজনীয়তা সম্পর্কে অবহিত করে। গাড়ির রংয়ের বা প্রোটেক্টিভ কোটিংয়ের কোনো ক্ষতি হলে যত দ্রুত সম্ভব সরিয়ে ফেলাও সমান গুরুত্বপূর্ণ।

ক্ষয় রোধ করতে কী করা যেতে পারে

গাড়ি নিয়মিত পরিষ্কার করবেন

গাড়ি ফিনিশ গাড়ি কেনার সময়ের মত অবস্থায় রাখতে এবং ক্ষয় রোধ করতে নিয়মিত গাড়ি ধুয়ে পরিষ্কার করতে হবে। শীতের সময় অন্তত একবার এবং শীতের একদম পরেই আর একবার গাড়ি ধুয়ে নেবেন। আপনার গাড়ি, বিশেষ করে নীচের দিক, যতটা সম্ভব পরিষ্কার এবং শুকনো রাখুন। যদি লবণ ছড়ানো রাস্তায় গাড়ি চালান নিয়মিত, তাহলে শীতের সময় মাসে অন্তত একবার করে গাড়ি ধুয়ে নেবেন। যদি আপনি সমুদ্রের কাছাকাছি থাকেন, তবে বছরভর প্রতি মাসে অন্তত একবার করে গাড়ি ধুয়ে নেবেন।

ধোয়ার নির্দেশাবলীর জন্য, "যানবাহন পরিষ্কার" বিভাগটি দ্রষ্টব্য।

জমে থাকা বাইরের বস্তু পরিষ্কার করুন

গাড়ির রঙের উপরে বাইরের বস্তু, যেমন নুন, রাসায়নিক, রাস্তার তেল অথবা আলকাতরা, গাছের রস, পাখির বিষ্ঠা এবং কারখানা থেকে নির্গত বস্তু পতনের ফলে আপনার গাড়ির ফিনিশ ক্ষতি হতে পারে। এই ধরনের জমা বস্তু যত তাড়াতাড়ি সম্ভব পরিষ্কার করবেন। যদি এই বস্তুগুলি ধুয়ে পরিষ্কার করা কঠিন হয় তবে একটি অতিরিক্ত ক্লিনার প্রয়োজন হতে পারে। নিশ্চিত হয়ে নেবেন যে আপনি যে ক্লিনার ব্যবহার করবেন তা যাতে গাড়ির রঙের পক্ষে ক্ষতিকারক না হয় এবং সেই বিশেষভাবে এই জন্যই তৈরি করা হয়েছে। এই বিশেষ ক্লিনারগুলি ব্যবহার করার সময় প্রস্তুতকারকের নির্দেশাবলী মেনে চলবেন।

গাড়ির ফিনিশের ক্ষতি হলে সারিয়ে নিন

যেখানে যেখানে রং করা আছে, গাড়ির সেসব জায়গা ভালভাবে পরীক্ষা করুন। যদি রঙে কোন চিড বা আঁচড় দেখতে পান, তাহলে ক্ষয় শুরু হওয়া থেকে বাঁচাতে দ্রুত রং করিয়ে নিন। যদি চিড বা আঁচড় ধাতুর ভেতর চলে গিয়ে থাকে, তবে কোনো ভাল বডি শপ থেকে সারিয়ে নিন।

যাত্রীদের স্থান ও লাগেজ বগি পরিষ্কার রাখুন

ক্লোর ম্যাটের তলায় আর্দ্রতা, ধূলা বা মাটি জমে থাকতে পারে এবং তা থেকে ক্ষয় হতে পারে। মাঝে মাঝে এই ম্যাটগুলোর নীচে পরীক্ষা করে দেখবেন তা পরিষ্কার এবং শুষ্ক আছে কিনা। যদি ধূলাবালি ভরা রাস্তা বা ভেজা আবহাওয়ায় গাড়িটি ব্যবহার করা হয়, তবে বেশিমাাত্রায় পরীক্ষা করা জরুরি।

কয়েক ধরনের সামগ্রী, যেমন রাসায়নিক, সার, ক্লিনার, নুন ইত্যাদিগুলি ক্ষয়কারী পদার্থ। এই পণ্যগুলি মিল করা পাত্রে অথবা ধারকে পরিবহন পরিবহন করতে হবে। যদি ছিটকে পুরে অথবা লিকেজ হয়, তাহলে অবিলম্বে জায়গাটি পরিষ্কার করে শুকিয়ে নেবেন।

আপনার গাড়ি শুষ্ক এবং মথেষ্ট বায়ু চলাচলের উপযোগী জায়গায় রাখবেন।

আপনার গাড়ি ক্রমাগত সরাসরি সূর্যের আলো পড়া থেকে বাঁচিয়ে পার্ক করুন। স্যাঁতসোতে এবং বায়ু চলাচলের অযোগ্য জায়গায় গাড়ি পার্ক করবেন না। যদি আপনি মাঝেমাঝেই গ্যারেজেই গাড়ি ধুয়ে থাকেন বা গাড়িটিকে ভেজা অবস্থাতেই চালাতে থাকেন, তাহলে গ্যারেজ স্যাঁতসোতে হয়ে গিয়ে থাকতে পারে। গ্যারেজের উষ্ণ আর্দ্রতা ক্ষয় শুরু বা স্বরাশ্বিত করতে পারে। যদি গ্যারেজ বায়ু চলাচলের অযোগ্য হয়, তাহলে গরম গ্যারেজেও ভেজা গাড়ি ক্ষয়ে যেতে পারে।

⚠ সতর্কতা

এক্সহস্ট সিস্টেমের অংশগুলি, যেমন ক্যাটালাইটিক কনভার্টার, এক্সহস্ট পাইপ ইত্যাদির উপরে অথবা তার চারপাশে অতিরিক্ত আন্ডারকোটিং অথবা মরিচা প্রতিরোধমূলক আবরণ প্রয়োগ করবেন না। আন্ডারকোটিং পদার্থ অতিরিক্ত গরম হয়ে গেলে আগুন লেগে যেতে পারে।

গাড়ি পরিষ্কার

উদাহরণ



77PM09001

⚠ সতর্কতা

গাড়ির ভেতর বা বাইরে পরিষ্কার করার সময়, কখনোই দাহ্য দ্রব্য যেমন ল্যাকার থিনার, পেট্রল, বেঞ্জিন বা পরিষ্কার করার জিনিস যেমন ব্রিচ বা শক্তিশালী ডিটারজেন্ট ব্যবহার করবেন না। এইসমস্ত দ্রব্যাদি আপনার নিজের এবং গাড়ির ক্ষতি করতে পারে।

গাড়ির ভেতর পরিষ্কার করা

ভিনাইলের অন্দরসজ্জা

উষ্ণ গরম জলে সাবান বা মৃদু ডিটারজেন্টের দ্রবণ তৈরি করুন। এই দ্রবণটি স্পঞ্জ বা নরম কাপড় দিয়ে ভিনাইলের উপর লাগান এবং কয়েক মিনিট ভিজিয়ে রাখুন যাতে ময়লা গুলো খুলে আসে।

একটি পরিষ্কার, ভেজা কাপড় দিয়ে ঘষে ময়লা এবং সাবান জল তুলে ফেলুন। যদি গায়ে আরো ময়লা থেকে যায়, তবে আবার এই পদ্ধতি পুনরায় করুন।

ফ্যাব্রিক আপহোলস্ট্রি সামনের যাত্রী আসন ছাড়া

ভ্যাকুয়াম ক্লিনার দিয়ে আলগা হয়ে থাকা ধুলো পরিষ্কার করে নিন। দাগ লেগে থাকা অংশে পরিষ্কার কাপড় মৃদু সাবান জলে ভিজিয়ে ঘষুন। সাবান তুলতে জলে ভেজানো কাপড় দিয়ে ওই অংশ ঘষুন।

দাগ না ওঠা অর্থাৎ এই পদ্ধতি চালিয়ে যান অথবা শক্তিশালী দাগের ক্ষেত্রে কমার্শিয়াল ফ্যাব্রিক ক্লিনার ব্যবহার করুন। যদি ফ্যাব্রিক ক্লিনার ব্যবহার করেন তবে প্রস্তুতকারকের নির্দেশাবলী এবং সতর্কতামূলক ব্যবস্থা মেনে চলুন।

▲ সতর্কতা

- সামনের যাত্রীর সিটে তরল অথবা আধা-কঠিন বস্তু পড়তে দেবেন না। সামনের যাত্রীর আসনে এই ধরনের বস্তু যদি পড়ে যায়, তাহলে অবিলম্বে এটি একটি নরম কাপড় দিয়ে মুছে শুকিয়ে নিন। সেন্সরে এই তরলের স্পর্শ লাগলে সিট বেল্ট রিমাইন্ডার সেন্সরের কাজকে প্রভাবিত করতে পারে।
- যাত্রীর সিটে কোনও ধারালো অথবা ভারী বস্তু রাখবেন না, এটি সিটের আপহোলস্ট্রি মধ্য দিয়ে ঢুকে গিয়ে সেন্সরের ক্ষতি করতে পারে।

ফ্যাব্রিকের অন্দরসজ্জা (সামনের যাত্রী সিটের জন্য)
পরিষ্কার করার জন্য কোনো ফ্লুইড ব্যবহার করবেন না যেহেতু ফ্লুইড ফ্যাব্রিক ভেদ করতে পারে এবং সিটের সেন্সর নষ্ট করে দিতে পারে

চামড়ার অন্দরসজ্জা
ভ্যাকুয়াম ক্লিনার দিয়ে আলগা ময়লা পরিষ্কার করে নিন। মৃদু বা খিতানো সাবান জলে একটি নরম পরিষ্কার কাপড় ভিজিয়ে ময়লা পরিষ্কার করুন। সাবান তুলতে নরম কাপড় জলে ভিজিয়ে ওই অংশ গুলি পরিষ্কার করে নিন। একটি শুকনো কাপড় দিয়ে ওই অংশগুলো মুছে শুষ্ক করে ফেলুন। ময়লা বা দাগ না ওঠা অঙ্গি এই পদ্ধতি চালিয়ে যান বা শক্তিশালী দাগের ক্ষেত্রে কমার্শিয়াল লেদার ক্লিনার ব্যবহার করুন। লেদার ক্লিনার ব্যবহারের ক্ষেত্রে মনোযোগ দিয়ে প্রস্তুতকারকের নির্দেশাবলী এবং সতর্কতা অবলম্বন করুন। দ্রাব্য বা ঘষা লাগবে এমন কোনো ক্লিনার ব্যবহার করবেন না।

- মন্তব্য:**
- চামড়ার আপহোলস্ট্রি দেখতে সুন্দর রাখার জন্য প্রতি বছরে অন্তত দুইবার এইগুলি পরিষ্কার করতে হবে।
 - চামড়ার আপহোলস্ট্রি ভিজে গেলে অবিলম্বে টিসু পেপার অথবা কোনও নরম কাপড় দিয়ে মুছে শুকিয়ে নিন। জল না মুছে ফেললে চামড়া শক্ত এবং কুঁচকে যেতে পারে।
 - রৌদ্রোজ্জ্বল দিনে গাড়ি কোনও ছায়াময় স্থানে অথবা কোনও সানশেডের নীচে পার্কিং করবেন। চামড়ার আপহোলস্ট্রিতে দীর্ঘ সময়ের জন্য সরাসরি ভাবে রৌদ্র পড়লে সেটি বিবর্ণ এবং কৃষ্ণিত হতে পারে।
 - প্রাকৃতিক বস্তুর ক্ষেত্রে সাধারণ যেমন দেখা যায়, চামড়ায় জন্মগত ভাবে অনিয়মিত ছোট বড় দানা থাকে। গোচর্মে প্রাকৃতিক অবস্থায় দাগ থাকে। কিন্তু এগুলি কোনও ভাবেই চামড়ার কার্যকারিতাকে প্রভাবিত করে না।

সিট বেল্ট
সিট বেল্টগুলো নরম সাবান এবং জল দিয়ে পরিষ্কার করুন। বেল্টগুলোর উপর রিচ বা ডাই ব্যবহার করবেন না। এগুলি বেল্টের ফেব্রিককে নষ্ট করতে পারে।

ভিনাইল ফ্লোর ম্যাট
নরম সাবান এবং জলের সাথে ভিনাইল সাধারণ ময়লা তুলে ফেলতে পারে। আলগা ময়লা তুলতে ব্রাশ ব্যবহার করুন। ময়লা আলগা হওয়ার পর, জল দিয়ে ম্যাটটি পুরো ধুয়ে ফেলুন এবং ছায়াতে শুকিয়ে নিন।

কাপেট
ভ্যাকুয়াম ক্লিনার দিয়ে যতটা সম্ভব ময়লা এবং মাটি তুলে ফেলুন। নরম সাবানের দ্রবণ ব্যবহার করার সময়, পরিষ্কার ভেজা কাপড় দিয়ে দাগের জায়গাগুলো ঘষুন। সাবান দূর করতে, জল দিয়ে

ভেজা কাপড়ের সাথে ওই জায়গা আবার ঘষুন। দাগ দূর না হওয়া পর্যন্ত পুনরায় করুন, অথবা কঠিন দাগের জন্য কোন কমার্শিয়াল কাপেট ক্লিনার ব্যবহার করুন। যদি আপনি কাপেট ক্লিনার ব্যবহার করেন, প্রস্তুতকারকের নির্দেশাবলী এবং সাবধানতা যত্নসহকারে পড়ুন।

ইন্ট্রুমেন্ট প্যানেল এবং কনসোল
ভ্যাকুয়াম ক্লিনার দিয়ে আলগা হয়ে থাকা ধুলো পরিষ্কার করে নিন। একটি পরিষ্কার ভেজা কাপড়কে ভাল ভাবে চিপে নিয়ে তা দিয়ে আলতো করে ময়লা মুছে ফেলুন। যতক্ষণ পর্যন্ত না পরিষ্কার হয় ততক্ষণ মুছতে থাকুন।

<p>নক্ষত্রীয় বিষয়</p> <p>সুইচের মতো বৈদ্যুতিক উপাদানগুলি পরিষ্কার করার জন্য মিলিকনযুক্ত বাসায়নিক পণ্যের ব্যবহার করবেন না। এগুলি উপাদানগুলির ক্ষতি করবে।</p> <p>সরাসরি কোন যান্ত্রিক ক্লাস্টার বা ইলেকট্রিকাল বা ইলেক্ট্রনিক যন্ত্রাংশের উপর জল বা অন্য কোন ফ্লুইড স্প্রে করবেন না। তাতে ওই যন্ত্রাংশটির ক্ষতি এবং বা অকার্যকর হতে পারে।</p>

উদাহরণ



81RM08005

এক্সটেরিওর পরিষ্কার

লক্ষণীয় বিষয়

আপনার গাড়ি পরিষ্কার বা নোংরা থেকে দূরে রাখা জরুরী। গাড়ি পরিষ্কার রাখতে ব্যর্থ হলে তার রঙ বিবর্ণ হতে পারে এবং গাড়ির বিভিন্ন অংশের ক্ষয় হতে পারে।

ধোয়া

উদাহরণ



82DY0

⚠ সতর্কতা

- ইঞ্জিন চালু অবস্থায় কখনও গাড়ি পরিষ্কার এবং মুছতে যাবেন না।
- গাড়ির নীচের অংশ এবং ফেন্ডার পরিষ্কার করার সময়, যেখানে ধারালো কোণ আছে, লম্বা হাতা জামা এবং গ্লাভস পরে নেবেন নিজের হাতকে কেটে যাওয়া থেকে বাঁচিয়ে রাখতে।
- আপনার গাড়ি ধোয়ার পর, গাড়ি চালানোর আগে তার ব্রেক স্বাভাবিক সক্রিয়তায় আছে কিনা তা নিশ্চিত করতে ভাল করে দেখে নেবেন।

গাড়ি যখন ধুচ্ছেন, যেখানে সূর্যালোক সরাসরি পরে না এমন জায়গায় রাখুন এবং নীচের নির্দেশ অনুসরণ করুন।:

- 1) নীচের অংশ এবং চাকা থেকে কাঁদা এবং রাবিশ দূর করতে জোরে জল স্প্রায় করুন। অনেক জল ব্যবহার করুন।

লক্ষণীয় বিষয়

যখন গাড়ি ধোবেন:

- প্লাস্টিকের অংশে 80°C (176°F) -এর বেশি তাপমাত্রার গরম জল বা বাষ্প সরাসরি দেওয়া এড়িয়ে চলুন।
- ইঞ্জিনের যন্ত্রগুলির ক্ষতি এড়িয়ে যেতে, সেখানে চাপমুক্ত জলের ব্যবহার করবেন না।

- 2) ময়লা আলগা করতে গাড়ি ধুয়ে নিন। বহুমান জল দিয়ে গাড়ির এক্সটেরিওর থেকে নোংরা এবং কাঁদা তুলে ফেলুন। আপনি নরম স্পঞ্জ বা ব্রাশ ব্যবহার করতে পারেন। শক্ত জিনিস ব্যবহার করবেন না যাতে রঙ বা প্লাস্টিকে দাগ পরে। মনে রাখবেন বহু ক্ষেত্রে হেডলাইটের কভার এবং লেম্প প্লাস্টিক দিয়ে তৈরি হয়।

লক্ষণীয় বিষয়

রঙ অথবা প্লাস্টিকের তলের যাতে ক্ষতি না হয় তার জন্য পর্যাপ্ত পরিমাণে জল ছাড়া ময়লা মুছবেন না। অবশ্যই উপরের পদ্ধতি অনুসরণ করবেন।

- 3) স্পঞ্জ অথবা নরম কাপড় ব্যবহার করে মৃদু ডিটারজেন্ট অথবা কার ওয়াশ সাবান দিয়ে গাড়ির বাইরের দিকটি ধুয়ে নেবেন। স্পঞ্জ অথবা কাপড়টিকে বারে বারে সাবান জলে ডুবিয়ে নেবেন।

লক্ষণীয় বিষয়

যখন গাড়ি ধোয়ার কোন কমাশিয়াল পন্য ব্যবহার করছেন, প্রস্তুতকারকের বিশেষভাবে দেওয়া সাবধানতা লক্ষ্য করবেন। কখনই গৃহস্থ সাবান বা ডিটারজেন্ট ব্যবহার করবেন না।

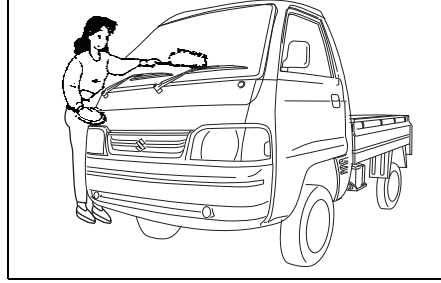
- 4) একবার ময়লা পুরোপুরি পরিষ্কার হয়ে গেলে, বহমান জল দিয়ে ডিটারজেন্ট ধুয়ে ফেলুন।
- 5) ধোয়ার পর, ভেজা চামই বা কাপড় দিয়ে গাড়িটি মুছে ফেলুন এবং ছায়াতে শুকিয়ে নিন।
- 6) রঙের চারিদিকে কোন ক্ষতি হয়েছে কি না ভাল করে দেখে নিন। যদি কোন ক্ষতি হয়ে থাকে, নীচের পদ্ধতি অনুযায়ী সেগুলো ঠিক করে নিন:
 1. সমস্ত ক্ষতিগ্রস্ত জায়গাগুলো পরিষ্কার করে শুকিয়ে নিন।
 2. একটা ছোট্ট ব্রাশ দিয়ে হালকা করে রঙ ছড়িয়ে দিয়ে ক্ষতিগ্রস্ত জায়গাগুলো ঠিক করে নিন।
 3. রঙটাকে পুরোপুরি শুকিয়ে নিন।

লক্ষণীয় বিষয়

যদি অটোমেটিক কার ওয়াশ ব্যবহার করেন, নিশ্চিত করবেন যেন স্পয়লারের মতো গাড়ির অংশগুলোর কোন ক্ষতি না হয়। আপনার যদি কোন জিজ্ঞাস্য থাকে, পরামর্শের জন্য কার ওয়াশ অপারেটরের সাথে যোগাযোগ করুন।

ওয়াশিং

উদাহরণ



77PM09002

গাড়ি ধোয়ার পর, তার পরবর্তী সুরক্ষা এবং সুন্দর রঙ বজায় রাখতে ওয়াশিং এবং পালিশ সুপারিশ করা হয়ে থাকে।

- শুধুমাত্র ভাল মানের ওয়াশ এবং পালিশ ব্যবহার করবেন।
- ওয়াশ এবং পালিশ ব্যবহার করার সময়, প্রস্তুতকারক দ্বারা নির্দেশিত সাবধানতা লক্ষ্য করবেন।

সাধারণ তথ্য

গাড়ি সনাক্তকরণ	10-1
ফাস্টিয়াগ (যদি দেওয়া হয়)	10-1
CNG কিট নাম্বার সনাক্তকরণ (যদি দেওয়া হয়)	10-2
হাই সিকিউরিটি রেজিস্ট্রেশন প্লেট (HSRP) (যদি প্রযোজ্য হয়)	10-3

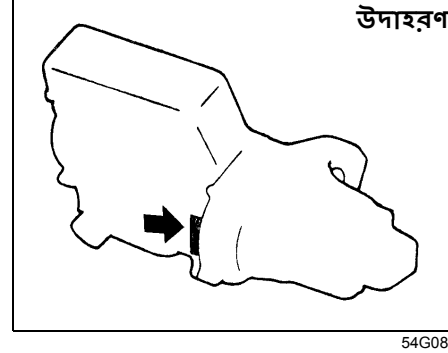
গাড়ি সনাক্তকরণ

চেসিস সিরিয়াল নাম্বার



গাড়ি রেজিস্টার করার জন্য চেসিস এবং/ অথবা ইঞ্জিন সিরিয়াল নাম্বার ব্যবহৃত হয়। বিশেষ সার্ভিস তথ্য দেওয়ার বা অর্ডার করার সময় আপনার ডিলারকে সাহায্য করতে সেগুলি ব্যবহার করা হয়ে থাকে। যখনই আপনার অনুমোদিত মার্কুতি সুযুক্তি কমার্শিয়াল ওয়ার্কশপের সাথে পরামর্শ করার অবকাশ থাকে, নিজের গাড়িকে এই নাম্বারের সাহায্যে চিনতে মনে রাখবেন। যদি নাম্বারটি পড়তে আপনার কঠিন মনে হয়, সেটি আপনি আইডেন্টিফিকেশন প্লেটেও দেখতে পাবেন।

ইঞ্জিনের ক্রমিক সংখ্যা

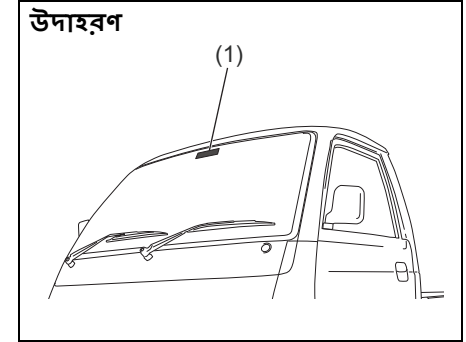


চিত্রে যেমন দেখানো হয়েছে সেইভাবে ইঞ্জিন ব্লকে ইঞ্জিনের ক্রমিক সংখ্যাটি স্ট্যাম্প করা থাকে।

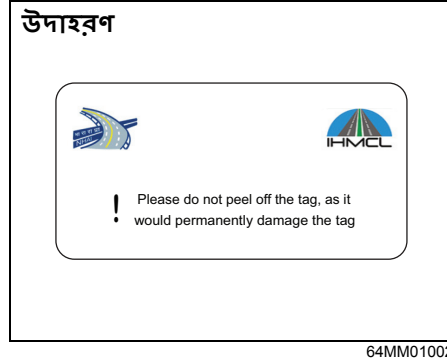
ফাস্ট্যাগ (যদি দেওয়া হয়)

রোড ট্রান্সপোর্ট এবং হাইওয়েজ মন্ত্রালয় অনুযায়ী, ফাস্ট্যাগ(1) ইলেক্ট্রনিক টোল বা ভারতীয় সরকার প্রদত্ত অন্যান্য নানান জিনিসের উদ্দেশ্যে প্রতিটি গাড়ির জন্য অত্যাবশ্যকীয়।

ফাস্ট্যাগের বা সামনের উইন্ডস্ক্রিনের প্রতিস্থাপনের ক্ষেত্রে, দয়াকরে আপনার নিকটবর্তী অনুমোদিত মার্কুতি সুযুক্তি ওয়ার্কশপের সাথে যোগাযোগ করুন।

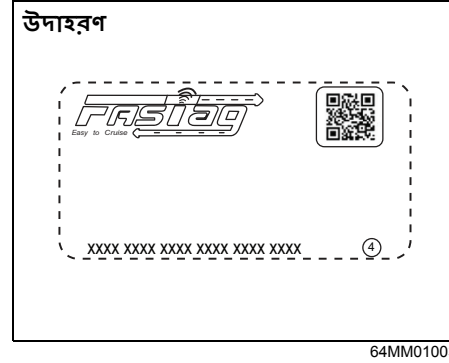


গাড়ির ভিতর থেকে মেরুপ দেখা যায়



মন্তব্য:
ছবিটি শুধুমাত্র ইঙ্গিতের উদ্দেশ্যে দেওয়া হয়েছে।
গাড়িতে দেওয়া আসল ডিভাইসের ভিতরের গঠন
আলাদা হতে পারে।

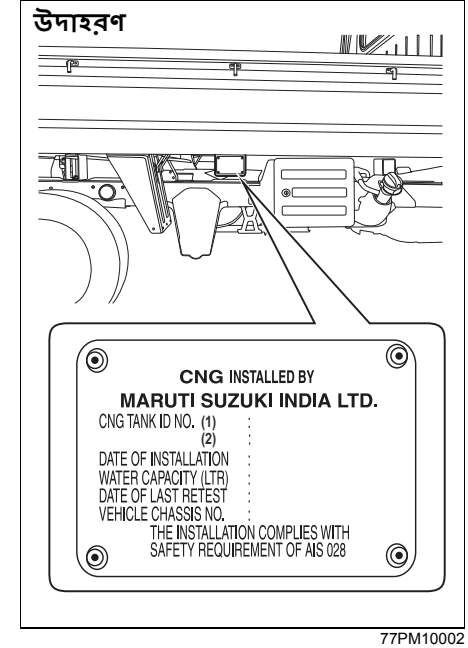
গাড়ির বাইরে থেকে মেরুপ দেখা যায়



মন্তব্য:
ছবিটি শুধুমাত্র ইঙ্গিতের উদ্দেশ্যে দেওয়া হয়েছে।
গাড়িতে দেওয়া আসল ডিভাইসের ভিতরের গঠন
আলাদা হতে পারে।

- মন্তব্য:
- উইন্ডস্ক্রিন থেকে ট্যাগ তুলে নেওয়ার চেষ্টা করলে তা ট্যাগের স্থায়ী ক্ষতির ফল হতে পারে।
 - উইন্ডস্ক্রিন জায়গার যেখানে ট্যাগ লাগানো আছে সেখানে রাসায়নিক ক্লিনারের ব্যবহার ট্যাগটিকে ক্ষতি করতে পারে।
 - কোন ধরনের জিনিসের ব্যবহার ট্যাগকে ক্ষতি করতে পারে।

CNG কিট নাম্বার সনাক্তকরণ
(যদি দেওয়া হয়)



CNG সিলিন্ডার আইডেন্টিফিকেশন নাম্বার এবং
CNG কিট ইন্সটলেশন তারিখ কারগো বডি
ডানদিকে দেওয়া থাকে।

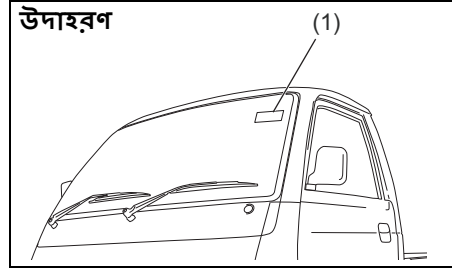
হাই সিকিউরিটি রেজিস্ট্রেশন প্লেট (HSRP) (যদি প্রযোজ্য হয়)

রোড ট্রান্সপোর্ট এবং হাইওয়েজ মন্ত্রালয় অনুযায়ী, প্রত্যেক গাড়ির HSRP অবশ্যই থাকবে।

HSRP-এর মধ্যে যা আছে:

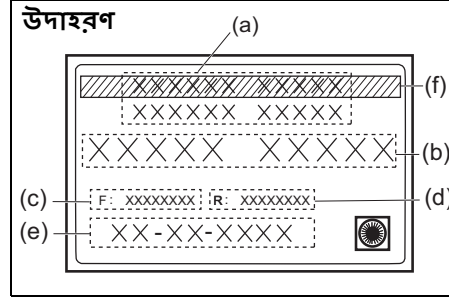
- সামনে এবং পিছনে HSRP, যা প্রতিটি নম্বার প্লেটে 2টো করে স্লাপ-লক দিয়ে আটকানো আছে।
- সামনের উইন্ডশিল্ডে তৃতীয় লাইসেন্স প্লেট আছে।

তৃতীয় লাইসেন্স প্লেট



(1) তৃতীয় লাইসেন্স প্লেট

তৃতীয় লাইসেন্স প্লেট - গাড়ির বাইরে থেকে যেরূপ দেখা যায়



- (a) HSRP বের করা অথরিটির নাম
- (b) গাড়ি রেজিস্ট্রেশন নম্বার
- (c) ইউনিক লেজার নম্বার- সামনের প্লেট
- (d) ইউনিক লেজার নম্বার- পিছনের প্লেট
- (e) প্রথম রেজিস্ট্রেশনের তারিখ (DD-MM-YYYY ফরম্যাটে)
- (f) সবুজ রেখা (BS6 গাড়ি)

মন্তব্য:
ছবিটি শুধুমাত্র ইঙ্গিতের উদ্দেশ্যে দেওয়া হয়েছে।
গাড়িতে দেওয়া আসল লেবেলের ভিতরের গঠন
আলাদা হতে পারে।

- মন্তব্য:
- উইন্ডস্ক্রিন থেকে তৃতীয় লাইসেন্স প্লেট তুলে নেওয়ার চেষ্টা লেবেলের স্বামী ক্ষতির ফল হতে পারে।
 - উইন্ডস্ক্রিন জায়গা যেখানে লেবেল লাগানো আছে সেখানে কোন কেমিক্যাল ক্লিনারের ব্যবহার একই ক্ষতি করতে পারে।

- লেবেলের উপর ধারালো জিনিসের ব্যবহার লেবেলকে ক্ষতি করতে পারে।
- তৃতীয় লাইসেন্স প্লেটের কোন প্রতিস্থাপনের ঘটনা হলে, দয়াকরে অনুমোদিত অথরিটির সাথে যোগাযোগ করতে পারেন।

তৃতীয় লাইসেন্স প্লেট - গাড়ির ভিতর থেকে যেরূপ দেখা যায়



মন্তব্য:
ছবিটি শুধুমাত্র ইঙ্গিতের উদ্দেশ্যে দেওয়া হয়েছে।

মন্তব্য:
তৃতীয় লাইসেন্স প্লেট (পিছনের) -এর রঙ HSRP অনুযায়ী হবে যা রোড ট্রান্সপোর্ট এবং হাইওয়েজ মন্ত্রালয় দ্বারা নির্দেশিত।

নির্দিষ্টকরণ

নির্দিষ্টকরণ

মন্তব্য:

নির্দিষ্টকরণ কোন নোটিস ছাড়াই পরিবর্তন করা যায়।

"চেসিস" ভ্যারিয়েন্ট সংক্রান্ত স্পেসিফিকেশন দেখার জন্য "ইন্সট্রাকশনস ফর বডি ফ্যাব্রিকেশন" দ্রষ্টব্য।

সামগ্রী: মাপ		ইউনিট: mm
মোট দৈর্ঘ্য		3800
মোট প্রস্থ		1562
মোট উচ্চতা		1883
হুইলবেস		2110
ট্র্যাক	সামনে	1345
	পিছনে	1330

সামগ্রী: ভর (ওজন)		ইউনিট: kg
প্রশমিত ভর (ওজন)	Petrol	870
	CNG	990
মোট গাড়ির ভর (ওজন) রেটিং		1620
অনুমোদিত সর্বাধিক অ্যাক্সেল ওজন	সামনে	900
	পিছনে	1020

নির্দিষ্টকরণ

সামগ্রী: ইঞ্জিন	পেট্রোল এবং CNG
টাইপ	K12N (DOHC)
সিলিন্ডারের সংখ্যা	4
ছিদ্র	73.0 mm
স্ট্রোক	71.5 mm
পিষ্টোনের স্থান পরিবর্তন	1197 cm ³ (1197 cc)
সংকোচন অনুপাত	12.0: 1

সামগ্রী: ইলেকট্রিকাল	
স্পার্ক প্লাগ	NGK ILZKR6F11
ব্যাটারি	12V 38B20R
ফিউজ	"ইনপেক্সন এবং মেন্টেনেন্স" সেক্সন দেখুন

সামগ্রী: লাইট		ওয়াটেজ	বাল্ব নাম্বার
হেডলাইট		12V 60/55W	H4
পজিশন লাইট		12V 5W	W5W
টার্ন সিগনাল লাইট	সামনে	12V 21W	PY21W
	পিছনে	12V 21W	P21W
ব্রেক/টেইল লাইট		12V 21/5W	P21/5W
রিভারসিং লাইট		12V 21W	P21W
লাইসেন্স প্লেট লাইট		12V 5W	W5W
ইন্টেরিওর লাইট		12V 5W	C5W

সামগ্রী: চাকা এবং টায়ার	
টায়ার সাইজ, সামনে, পিছনে এবং স্পায়ার	155R13 LT 8PR 89/88S* / 155R13 LT 8PR 90/89Q*
রিম সাইজ	13X4J
টায়ারের প্রেশার	নির্দিষ্ট টায়ার প্রেশারের জন্য, চালকের দরজার পিলারের উপর লেখা টায়ার তথ্য লেবেল দেখুন।

* যদি আপনি নির্দিষ্ট লোড ইনডেক্স রেট এবং স্পিড সঙ্কেত অনুযায়ী টায়ার না তৈরি করতে পারেন, একটু উচ্চ লোড ইনডেক্স রেট এবং স্পিড সঙ্কেত অনুযায়ী টায়ার তৈরি করে নিন।

সামগ্রী: প্রস্তুতকৃত জ্বালানি/ তৈলাক্ত বস্তু এবং ক্ষমতা (প্রায়)			
জ্বালানি	Petrol		30 L [#]
	CNG	Petrol	5 L [#]
		CNG	35 L × 2 ট্যাঙ্ক [#]
ইঞ্জিন অয়েল	Petrol		শ্রেণীবিভাগ : API SN ভিস্কোসিটি : SAE 0W-16
	CNG		3.8 L (অয়েল ফিল্টার ছাড়া প্রতিস্থাপন) 4.2 L (অয়েল ফিল্টার দিয়ে প্রতিস্থাপন)
ইঞ্জিন কুলেন্ট	Petrol		"SUZUKI LLC: Super (Blue) Coolant" *1
	CNG		"SUZUKI LLC: Standard (Yellow) Coolant" *1
ম্যানুয়াল ট্রান্সমিশন অয়েল		মারুতি জেনুইন গিয়ার অয়েল 75W	3.6 L (রিজার্ভার ট্যাঙ্ক সহ) 3.65 L (রিজার্ভার ট্যাঙ্ক সহ)
রিয়ার ডিফ্রেশিয়াল অয়েল		"TOTALFINAELF TRANSELF LL 85W-140"	1.4 L
ব্রেক ফ্লুইড		মারুতি জেনুইন ব্রেক ফ্লুইড (MGBF) বা DOT 3	1.6 L
			"ইন্সপেকশন এবং মেইনটেনেন্স" সেক্সনে নির্দেশ অনুযায়ী অয়েলের সঠিক লেবেল পূরণ করুন।

*1: আপনার গাড়িটির উপরে নির্ভর করে সুপারিশ করা কুল্যান্ট ভিন্ন হবে। "পরিদর্শন ও রক্ষণাবেক্ষণ" অনুচ্ছেদ দ্রষ্টব্য।

: ফুয়েল ট্যাঙ্কের ধারণ ক্ষমতা আপনি যতটা ভর্তি করতে পারেন বলে সুপারিশ করা হয় তার থেকে একটু বেশি। সুরক্ষা এবং বৈজ্ঞানিক কারণের জন্য এই অতিরিক্ত জায়গাটি দেওয়া হয়।

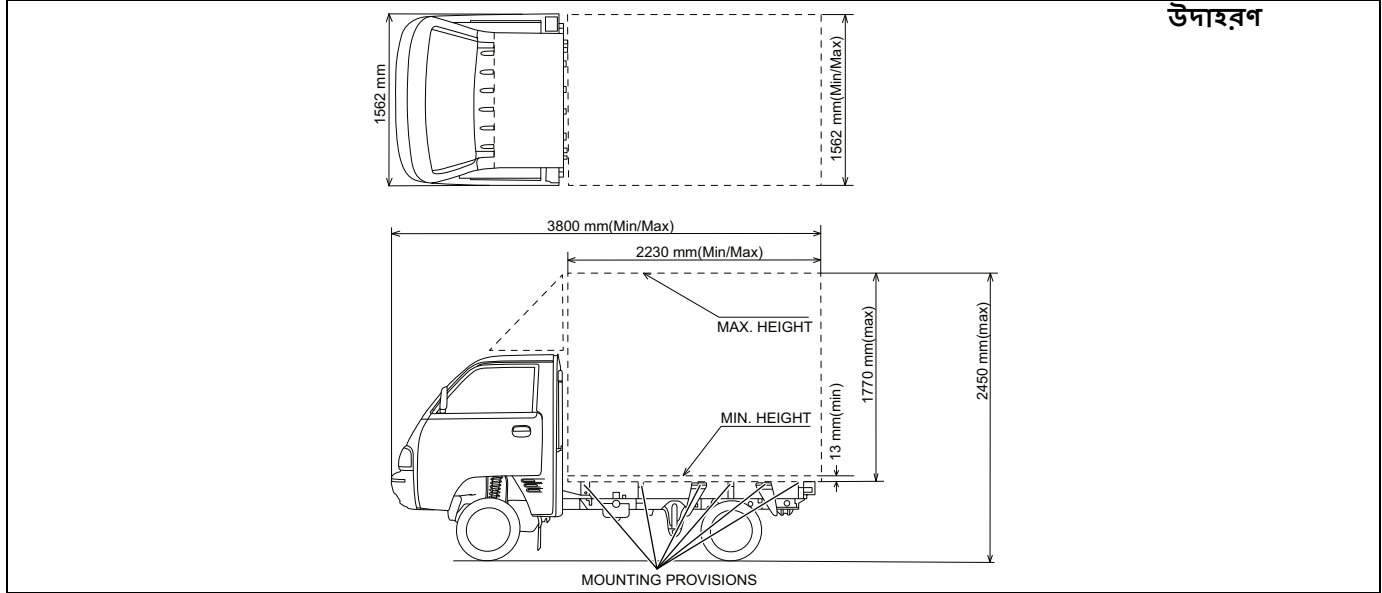
বডি ফেরিকেশনের জন্য নির্দেশাবলী

বডি ফেরিকেশনের জন্য নির্দেশাবলী (চেসিস বিকল্প)

ক্যাব-চেসিস গাড়ির বডি তৈরি করার সময় নিম্নলিখিত নির্দেশিকা এবং বাউন্ডারির শর্তাবলী নিশ্চিতভাবে মেনে চলতে হবে।

- (a) **বডির বাইরের দিকের অংশ:** লোড বডি/অ্যাপ্লিকেশন এমনভাবে তৈরি করতে হবে যাতে গাড়ির বাইরের দিকে কোনও তীক্ষ্ণ প্রান্ত না থাকে অথবা ধারালো কোনও অংশ বেড়িয়ে না থাকে। কোনও সংঘর্ষ ঘটলে এই বেড়িয়ে থাকা অংশগুলি যদি কোনও ব্যক্তির দেহে আঘাত করে অথবা দেহের সঙ্গে ঘষে যায় তাহলে গুরুতর দৈহিক আঘাতের ঝুঁকি বাড়িয়ে তুলবে। গাড়িটির স্থির হয়ে দাঁড়িয়ে থাকা অথবা চলমান অবস্থা, উভয় ক্ষেত্রেই এটি হতে পারে। বাইরের দিকের প্রান্তের এবং বেড়িয়ে থাকা অংশগুলির ন্যূনতম **2.5 mm** অথবা তার চেয়ে বেশি ব্যাসার্ধের বক্রতা থাকা নিশ্চিত করতে হবে। গাড়ির বডি **CMVR** বিধি **124(1)-11**-এ যেমন বলা আছে সেই অনুযায়ী হতে হবে।
- বডি লেআউটগুলির ক্ষেত্রে (যেমন টিপার অ্যাপ্লিকেশন), যেখানে ব্যাটারি মাউন্টিংগুলি খোলা থাকে, সেক্ষেত্রে **CMVR** বিধি **124(1)-11** অনুযায়ী বাইরের দিকের বেড়িয়ে থাকা অংশগুলির জন্য একটি ঢাকনার ব্যবস্থা করতে হবে।
- (b) **রিফ্লেক্টিভ টেপ:** গাড়ির বডি নির্মাতা গাড়ির পিছনের সমগ্র প্রস্থ জুড়ে একটি লাল রিফ্লেক্টিভ টেপ লাগাবেন (**20** মিমি প্রস্থের কম নয়)। এটি **CMVR** বিধি নং **104** অনুযায়ী হতে হবে।
- (c) **হেড ল্যাম্প:** বডি তৈরি করার পরে হেডল্যাম্প চিহ্নিত করা হেড ল্যাম্পের ইনিশিয়াল ইনস্ক্রিপশন অ্যাডজাস্ট করতে হবে (**CMVR 124 (1)-20** অনুসারে)। **GVW** অবস্থার জন্য হেড ল্যাম্প লেভেলিং সুইচের অবস্থান বডি নির্মাতা গ্রাহককে নির্দিষ্ট ভাবে জানিয়ে দেবেন।
- (d) **বডি বিস্তার প্লেট:** **CMVR** বিধি **122** অনুযায়ী বডি নির্মাতা বডি-বিস্তার প্লেটে আনল্যাডেন ওজন, পে-লোড এবং অন্যান্য বিবরণ উল্লেখ করবেন।
- (e) **ফর্ম 22A পার্ট II:** **CMVR** বিধি **47** অনুযায়ী বডি নির্মাতা ফর্ম **22A** পার্ট II প্রদান করবেন।
- (f) বডি তৈরি করার সময় বডি নির্মাতা বৈদ্যুতিক তার, বৈদ্যুতিক সরঞ্জাম, ব্রেক সংযোগ, ব্রেক পাইপিং, জ্বালানী সংযোগ, নিষ্কাশন ব্যবস্থা এবং চেসিসের কম্পোনেন্টগুলি পরিবর্তন করবেন না।

- (g) **আয়তন:** গাড়ি নির্মাতার সরবরাহ করা ক্যাব চেসিস গাড়ির উপর তৈরি করা লোড বডি/অ্যাপ্লিকেশনটিকে নীচের চিত্র অনুযায়ী ন্যূনতম এবং সর্বাধিক স্থানের মধ্যে ফিট করার জন্য ডিজাইন করতে হবে।



77PM12003

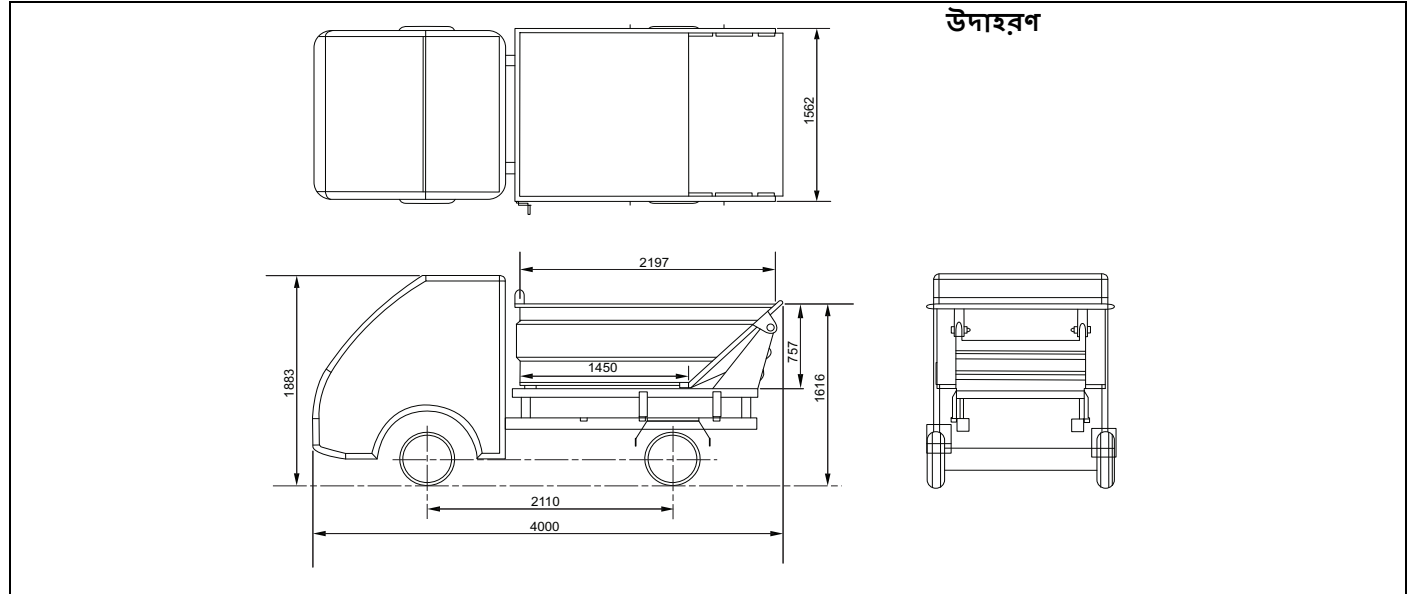
বডি ফেরিকেশনের জন্য নির্দেশাবলী

বডি ফেরিকেশনের জন্য নির্দেশাবলী

পেট্রোল মডেল টিপারের জন্য (ওপেন টিপার এবং ক্লোজড টিপার)

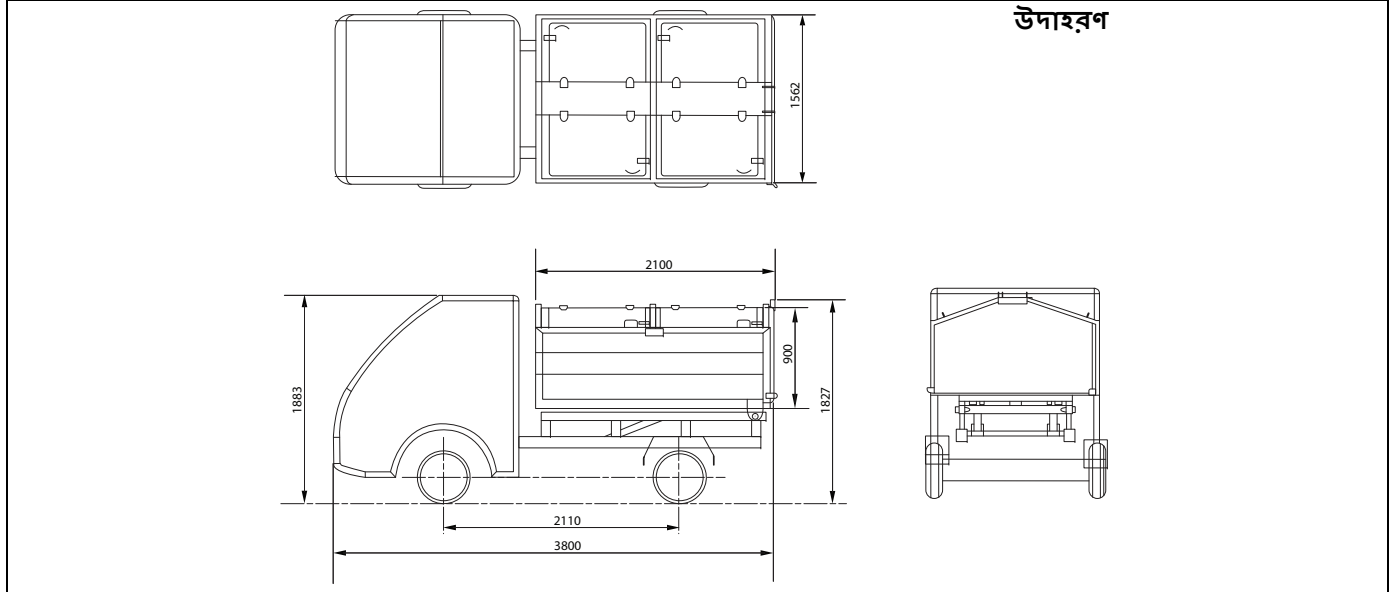
গাড়ি নির্মাতার সরবরাহ করা ক্যাব চেসিস গাড়ির উপর তৈরি করা লোড বডি/অ্যাপ্লিকেশনটিকে নীচের চিত্র অনুযায়ী নির্দিষ্ট জায়গার মধ্যে ফিট করার জন্য ডিজাইন করতে হবে।

- ওপেন টিপার:



77PM12006

- ক্লোজড টিপার:



77PM12007

- (h) **ওজন এবং এর বন্টন:** লোড বডি/অ্যাপ্লিকেশনটি সম্পূর্ণ গাড়ির ন্যূনতম কার্ব ওজন **870kg** (পেট্রোল), **990kg (CNG)** এবং সম্পূর্ণ গাড়ির সর্বোচ্চ কার্ব ওজন **1140kg** (পেট্রোল), **1255kg (CNG)** হিসাবে বিবেচনা করে তৈরি করতে হবে। ফ্রন্ট এক্সেল এবং রিয়ার এক্সেল কার্বের ওজনের অনুপাত **1.45** (পেট্রোল), **1.25 (CNG)** এর বেশি হবে না।

পেট্রোল মডেল টিপার অ্যাপ্লিকেশনের জন্য, লোড বডি/অ্যাপ্লিকেশনটি নীচে উল্লেখ করা কার্ব ওজন বিবেচনা করে তৈরি করতে হবে।

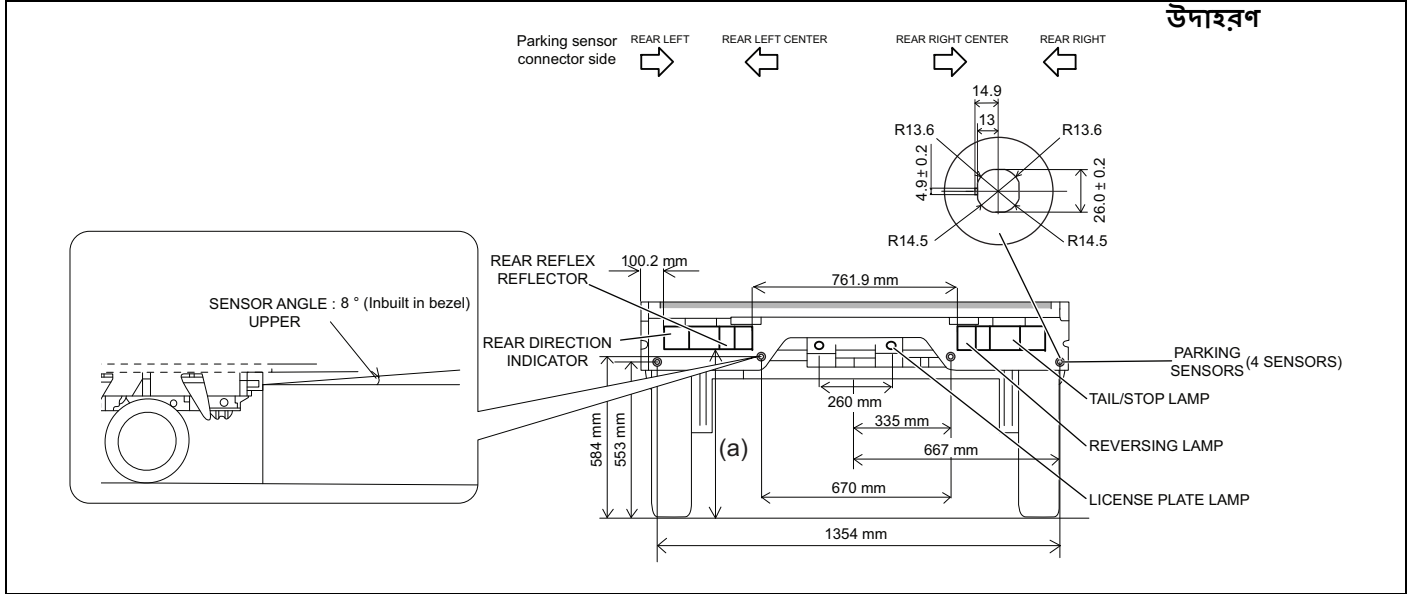
ওপেন টিপারের কার্ব ওজন: **1070kg**

ক্লোজড টিপারের কার্ব ওজন: **1140kg**

ফ্রন্ট এক্সেল এবং রিয়ার এক্সেল কার্বের ওজনের অনুপাত **1.45** এর বেশি হবে না।

বডি ফেরিকেশনের জন্য নির্দেশাবলী

- (i) **লাইটিং এবং সিগন্যালিং ডিভাইস:** ক্যাব চেসিসে ক্যাবে ইন-বিল্ট হেড ল্যাম্প অ্যাসেম্বলি, পিছনের কম্বিনেশন ল্যাম্প এবং রেজিস্ট্রেশন প্লেট ল্যাম্প সহ একটি অস্থায়ী প্যানেল সরবরাহ করা হয়। হেড ল্যাম্প অ্যাসেম্বলির অবস্থানে কোনও পরিবর্তন করা যাবে না। পিছনের কম্বিনেশন ল্যাম্প, রেজিস্ট্রেশন প্লেট ল্যাম্প এবং পার্কিং সেন্সর (গ্লাভ বক্সে গাড়ির সঙ্গে দেওয়া) লোড বডি/অ্যাপ্লিকেশনে নীচের চিত্র অনুযায়ী নির্দিষ্ট অবস্থান অনুযায়ী লাগাতে হবে।

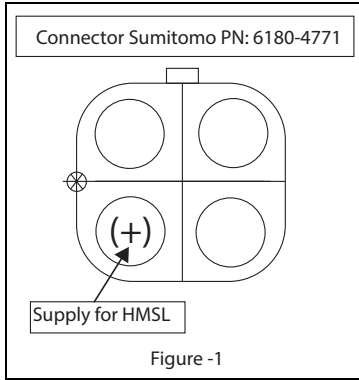


77PM12008

“a” মান	
চেসিস অ্যাপ্লিকেশন (পেট্রোল এবং CNG)	612 mm
পেট্রোল মডেল ওপেন টিপার অ্যাপ্লিকেশন	620 mm
পেট্রোল মডেল ক্লোজড টিপার অ্যাপ্লিকেশন	660 mm

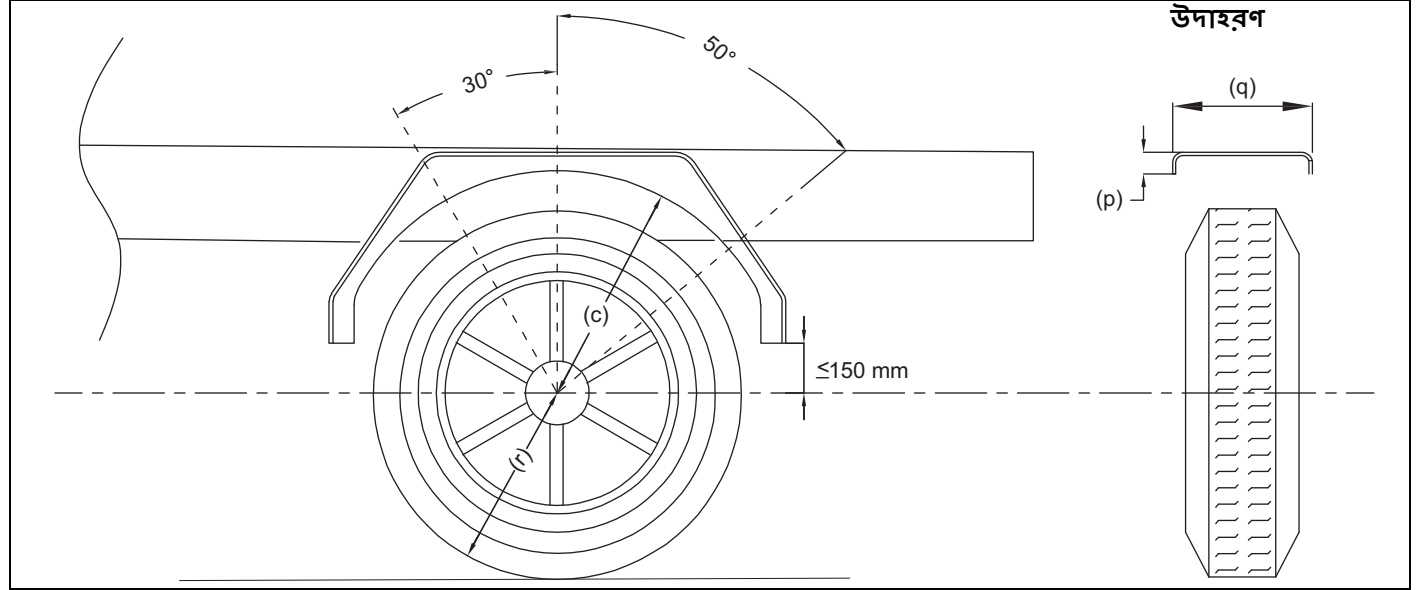
(j) **HMSL ইনস্টলেশন:** (সম্পূর্ণ মেটাল বডি অ্যাপ্লিকেশনের জন্য প্রযোজ্য)

- বডি ফ্যাব্রিকেটর সর্বোচ্চ **25** ওয়াট পাওয়ার সীমা সহ এবং **CMVR** রুল **124(1)-20** মেনে হাই মাউন্ট স্টপ ল্যাম্প (**HMSL**) ইনস্টল করার বিষয়টি নিশ্চিত করবে।
- **HMSL** ওয়্যারিং ব্যবস্থা এবং এর কার্যকারিতার জন্য, রিয়ার কন্সলেশন ল্যাম্প (**RCL**) সংযোগকারীগুলির ইতিমধ্যে পজেটিভ সাল্লাইয়ের প্রয়োজন রয়েছে যেমন চিত্র-1-এ দেখানো হয়েছে। বডি ফ্যাব্রিকেটরকে অবশ্যই বৈদ্যুতিক তারের গোছা নষ্ট না করে এটি করতে হবে। গ্রাউন্ডিং ফিক্স টার্মিনাল **RCL** গ্রাউন্ড পয়েন্টের সাথে সঠিকভাবে সংযুক্ত থাকতে হবে।



বডি ফেরিকেশনের জন্য নির্দেশাবলী

(k) **হুইল গার্ড:** হুইল গার্ডগুলি **CMVR** বিধি নং **124(1)-13** মেনে চলবে। হুইল গার্ড (পিছন) নীচের চিত্রে উল্লেখ করা ডিজাইন অনুসারে তৈরি করতে হবে।



7PM12106

c	$\leq 2r$
p	$> 30 \text{ mm}$
q	$>$ টায়ারের মোট প্রস্থ
r	টায়ারের স্ট্যাটিক ব্যাসার্ধ

(I) CNG ভ্যারিয়েন্টের ক্ষেত্রে প্রযোজ্য:

CNG লেবেল:

বডি নির্মাতা নীচের নির্দেশিকা অনুযায়ী লোড বডিতে পিছনের দিকে "CNG লেবেল" (গাড়ির টুল কিট প্যাকেটের সঙ্গে দেওয়া) লাগাবেন।

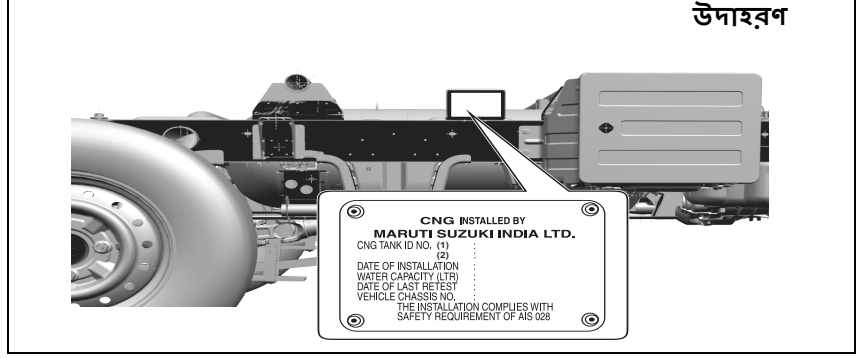
উদাহরণ



77PM12011

- লেবেলটিকে গাড়ির নম্বর প্লেটের যতটা কাছাকাছি সম্ভব একটি সমতল স্থানে খাড়া করে (উপরে যেমন দেখানো হয়েছে) লাগাতে হবে।
- লাগানোর পরে লেবেলটিকে পিছনের দিক থেকে দেখতে পাওয়া নিশ্চিত করতে হবে।
- "লেবেলটি সর্বদাই ভাল অবস্থায় সেই স্থানে থাকবে এবং এর আকৃতি, রঙ এবং অক্ষর সহজেই চেনা যেতে হবে।"

CNG কিট নম্বর শনাক্তকরণ:



77PM07032

লোড বডি/অ্যাপ্লিকেশনটিকে এমনভাবে নির্মাণ করতে হবে যাতে এটি CNG কমপ্লায়েন্স প্লেটটিকে দেখতে পাওয়াকে বাধা না দেয়।




দাবি পরিত্যাগ:

সুপার ক্যারি চেসিস ভ্যারিয়েন্টের বডি নির্মাণের ক্ষেত্রে মালিক/বডি-নির্মাতা প্রযোজ্য CMVR প্রয়োজনীয়তাগুলি এবং সময়ে সময়ে প্রযোজ্য রাজ্য মোটর ভেহিকেল বিধিগুলিও মেনে চলবেন। বডি/অ্যাপ্লিকেশন নির্মাণে গাড়ির নির্মাতার নির্দেশিকা সহ প্রযোজ্য আইনের সঙ্গে কোনও অসঙ্গতি থাকলে সেই ক্ষেত্রে গাড়ির নির্মাতা দায়ী হবে না।

⚠ সতর্কতা

ডেক/বডি ফেরিকেশন ছাড়া আপনার সুপার ক্যারি গাড়ি নেবেন না।

ব্যাটারির লেবেলের প্রতীকের অর্থ

	ধোঁয়া নেই, খোলা আগুনের শিখা নেই, স্কুলিঙ্গ নেই		ব্যাটারি অ্যাসিড
	চোখ ঢেকে রাখুন		অপারেটিং নির্দেশাবলী নোট করুন
	শিশুদের থেকে দূরে রাখুন		বিস্ফোরক গ্যাস

Prepared by
MARUTI SUZUKI INDIA LIMITED

Service Division
February, 2025

Part No. 99011M77P13-748
Printed in India

For round-the-clock on-road assistance, call Maruti On-road Service at 1800 102 1800[#] / 1800 1800 180[#]
#No STD code to be prefixed.

চব্বিশ ঘন্টা অন-রোড সাহায্য, এই নম্বরে মারুতি অন-রোড সার্ভিসকে কল করুন 1800 102 1800[#] / 1800 1800 180[#]
#STD (এসটিডি) কোড লাগতে হবে না।

Service Division

MARUTI SUZUKI INDIA LIMITED

Palam Gurgaon Road, Gurgaon - 122 015 (Haryana)

www.marutisuzuki.com

