

SUPER CARRY

OWNER'S MANUAL

Refer for vehicle usage at all time. Contains warranty policy and important information on safety, operation & maintenance

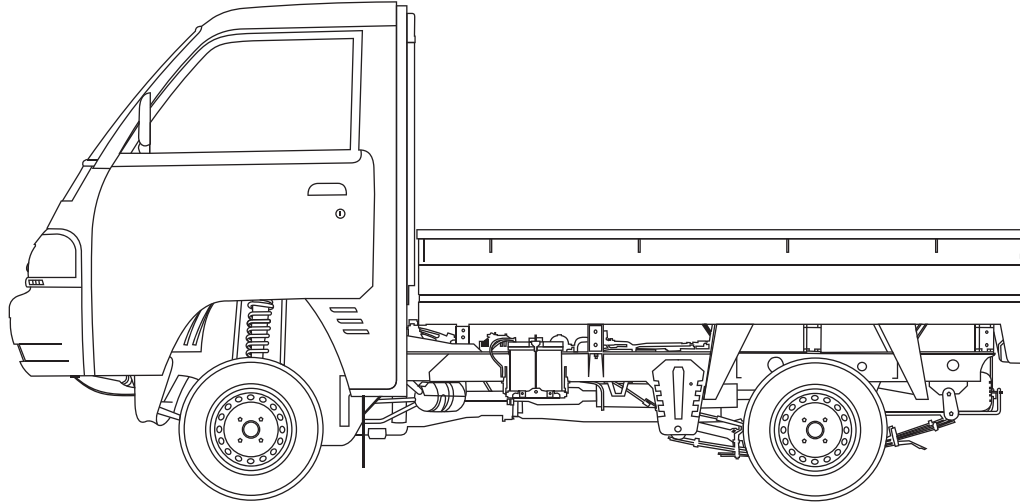
গৰাকীৰ মেনুৱেল

সকলো সময়তে বাহনৰ ব্যৱহাৰৰ বাবে চাওঁক। ব্ৰাৰেণ্টি পলিচি তথা সুৰক্ষা, পৰিচালন আৰু ঠ মেনুৱেলৰ বিষয়ে গুৰুত্বপূৰ্ণ তথ্য সম্বলিত।

Part No. 99011M77P12-74A
February, 2025 (ENG.) (ASSM.)

This owners manual applies to the Super Carry series
produced by MARUTI SUZUKI INDIA LIMITED.

এই মেনুৱেল মাৰুতী চুজুকী ইণ্ডিয়া লিমিটেডৰদ্বাৰা প্ৰস্তুত চুপাৰ
কেৰী চিৰিজৰ ক্ষেত্ৰত প্ৰযোজ্য।



© COPYRIGHT MARUTI SUZUKI INDIA LIMITED 2025

© কপিৰাইট মাৰুতী চুজুকী ইণ্ডিয়া লিমিটেড 2025

NOTE: The illustrated models are one of the Super Carry series.

টোকা: এই বাখ্যাকৃত মডেলটো চুপাৰ কেৰী চিৰিজৰ এখন।

FOREWORD

The digital Owner's Manual is an essential part of your vehicle a rich document which familiarizes you with the vehicle by providing information such as features, warnings, operations and equipment description etc. Please read this manual carefully before operating your new MARUTI SUZUKI vehicle and review the manual from time to time. It is recommended to download this manual (from "Maruti Suzuki Rewards" mobile application with your registered mobile number) and save a soft copy of the same for easy access all times. Please visit MARUTI SUZUKI authorised workshop for availing any service.

To prolong the life of your vehicle and reduce maintenance cost, the periodic maintenance must be carried out according to "PERIODIC MAINTENANCE SCHEDULE" described in "INSPECTION AND MAINTENANCE" section of this manual. It is essential for preventing trouble and accidents to ensure your satisfaction and safety.

Daily inspection and care as per "DAILY INSPECTION CHECKLIST" described in the "OPERATING YOUR VEHICLE" section of this manual is essential for prolonging the life of the vehicle and for safe driving.

Vehicle and the available features/accessories therein should be used and plied by the owner/user in accordance with the applicable legal requirements.

MARUTI SUZUKI INDIA LIMITED believes in conservation and protection of Earth's natural resources.

To that end, we encourage every vehicle owner to recycle, trade-in or properly dispose of, as appropriate, used Engine Oil, coolant and other fluids, batteries and tyres etc.

MARUTI SUZUKI INDIA LIMITED

All information in this manual is based on the latest product information available at the time of publication. Due to improvements or other changes, there may be discrepancies between information in this manual and your vehicle. MARUTI SUZUKI INDIA LIMITED reserves the right to make production changes at any time, without notice and without incurring any obligation to make the same or similar changes to vehicles previously built or sold.

This vehicle may not comply with standards or regulations of other countries. Before attempting to register this vehicle in any other country, check all applicable regulations and make any necessary modifications.

IMPORTANT

▲ WARNING/ ▲ CAUTION/NOTICE/ NOTE

Please read this manual and follow its instructions carefully. To emphasize special information, the symbol ▲ and the words **WARNING**, **CAUTION**, **NOTICE** and **NOTE** have special meanings. Pay particular attention to messages highlighted by these signal words:

▲ WARNING

Indicates a potential hazard that could result in death or serious injury.

▲ CAUTION

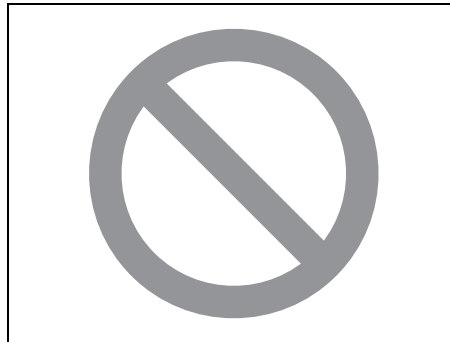
Indicates a potential hazard that could result in minor or moderate injury.

NOTICE

Indicates a potential hazard that could result in vehicle damage.

NOTE:

Indicates special information to make maintenance easier or instructions clearer.



75F135

The circle with a slash in this manual means “Don’t do this” or “Don’t let this happen”.

NOTE:

- Words like *car*, *model/variant* are invariably used in this manual to denote the “Vehicle”.
- Pictorial representations used in this manual are for reference purposes only.

MODIFICATION WARNING

▲ WARNING

Do not modify your vehicle. Modification could adversely affect safety, handling, performance, or durability and may violate governmental regulations. In addition, damage or performance problems resulting from modification shall not be covered under warranty.

NOTICE

Improper installation of mobile communication equipment such as cellular telephones or CB (Citizen’s Band) radios may cause electronic interference with your vehicle’s ignition system, resulting in vehicle performance problems. Consult your authorized **MARUTI SUZUKI COMMERCIAL** dealer for advice on installing such mobile communication equipment.

NOTICE

Severe damage may be caused by the use of either poor quality fuel and/or lubricants not recommended by **MARUTI SUZUKI**.

“WARNING”



Vehicle may **break-down**, meet with an **accident** or **catch fire** due to

1. Installation of
 - High wattage bulbs
 - Non genuine lamps / horns
 - Modified suspension / wheels
 - Non genuine parts / accessories etc.
2. Retrofitment of LPG / CNG fuel systems/kits.
3. Usage of domestic LPG.
4. Short circuiting due to tampering of wiring harness.

CAUTION: DO NOT STORE OR CARRY INFLAMMABLE MATERIALS IN THE VEHICLE.



Avoid driving into or starting the vehicle in a heavily water logged area. Vehicle may break-down or engine may fail due to

1. Water entry into the engine (which may lead to hydrostatic lock).
2. Short circuiting of the electrical systems.

If the vehicle is stuck in deep water, do not start / crank the vehicle until the level of water drops below the level of exhaust pipe.

NOTE:
IF THE VEHICLE IS SUBMERGED IN WATER, REPORT TO THE NEAREST AUTHORIZED WORKSHOP.

“CAUTION”

1. Retro-fitting of LPG / CNG kit may deteriorate vehicle performance, reduce engine & engine related component's life and also warranty will be null and void for such vehicles.
2. Do not use domestic LPG/LPG cylinder for your factory fitted LPG vehicles.
3. Usage of domestic LPG for running vehicles is prohibited as per law.
4. Do not remove company fitted LPG/CNG kit to install some other kit. It may affect vehicle performance and may cause fire.
5. Drive slowly on wet roads. Tires may slip while braking at higher speeds due to aquaplaning. (reduced contact area between tire and road due to presence of water)
6. Do not leave engine running in garages or confined areas, with passengers inside. This may result in accumulation of carbon-monoxide in cabin and may lead to suffocation or breathing problems.
7. Do not park vehicle on dry leaves or grass. This may lead to fire due to hot catalytic converter, igniting the dry leaves/grass.
8. If the vehicle is equipped with CNG/LPG, ensure availability of fire extinguisher in the vehicle all the time.
9. Always wear seat belt at all the times.
10. Do not use mobile phone while driving.
11. Avoid Smoking in the car, live bud thrown in car may cause fire.
12. Do not put any body part under the vehicle when it is supported on a Jack.
13. Do not use non-genuine accessories in your vehicle.
14. Do not fit accessories from unauthorized workshops/sources.
15. Usage of non-approved electrical accessories in your vehicle may result in spark, fire or personal injury.

To experience and use the Digital Owner's Manual, download Maruti Suzuki app



Maruti Suzuki Rewards app ensures a hassle free car ownership experience. Get easy access to all the services and information you need by downloading the app



How to download Owners manual from Maruti Suzuki application

Step 1: Download "Maruti Suzuki Rewards" application from apple app store / google play store on your mobile phone

Step 2: Input registered mobile number and the OTP received from SMS

Step 3: Select "S-Assist BOT" icon and click "View Owner's Manual" to access digital Owner's Manual

Step 4: Click "Down Arrow" download and save Owner's Manual on your mobile phone

Now, the Owner's Manual is available on your mobile phone for reference at all times.

(For assistance, contact Maruti Suzuki authorised workshop)

WARRANTY POLICY

Maruti Suzuki India Limited (hereinafter called “Maruti Suzuki”), warrants that each new Maruti Suzuki vehicle distributed in India by Maruti Suzuki and sold by a Maruti Suzuki authorised dealer will be free, under normal use and service, from any defects in material and workmanship at the time of manufacture SUBJECT TO THE FOLLOWING TERMS AND CONDITIONS:

(1) Qualification:

To qualify for this warranty the vehicle must be delivered by a Maruti Suzuki authorised dealer and set-up, and serviced by a Maruti Suzuki authorised workshop.

(2) Term:

The term of the warranty shall be thirty-six (36) months or 1,00,000 kilometers (whichever occurs first) from the date of invoice to the first owner.

(3) Maruti Suzuki Warranty Obligation:

If any defect(s) should be found in a Maruti Suzuki vehicle within the term stipulated above, Maruti Suzuki's only obligation is to repair or replace at its sole discretion any part shown to be defective, with a new part or the equivalent at no cost to the owner for parts or labour, when Maruti Suzuki acknowledges that such a defect is attributable to faulty material or workmanship at the time of manufacture. Such defective parts, which have been replaced, will become the property of Maruti Suzuki. The owner is responsible for any repair or replacements which are not covered by this warranty. The decision of Maruti Suzuki shall be final & binding.

(4) Limitation:

This warranty shall not apply to:

- (a) Normal maintenance service required other than the four free services, including without limitation, oil and fluid changes, Consumables, headlight aiming, fastener retightening, wheel balancing, wheel alignment and tyre rotation, cleaning of injectors, adjustments of clutch and valve clearance.
- (b) The normal wear of parts including without limitation, bulbs, tyres and tubes, spark plugs, belts, hoses, filters, wiper blades, brushes, contact points, fuses, clutch disc, brake shoes, brake pads, cable and all rubber parts (except oil seal and glass run).
- (c) Any vehicle which has been used for competition, rallies or racing.
- (d) Any repairs or replacement arising from accidents or collision.
- (e) Any defect/ damage caused by misuse, negligence, abnormal use, insufficient care, vandalism, theft, riot, fire, flooding - not limited to entry of water in the components resulting in engine seizure, hydrostatic lock, etc. or external damages to the body/ components.
- (f) Any damage resulting due to usage of adulterated fuel/ lubricants/ oil/ coolant/ fluids/ polishing products and fuel/ lubricants/ oil/ coolant/ fluids used other than those specified in the Owner's Manual.
- (g) Any vehicle which has been modified or altered, including without limitation, the installation of performance accessories, enlargements of lights, other changes and external/ consequential reasons.
- (h) Any vehicle on which parts or accessories not approved by Maruti Suzuki (Non-MSGA, Non-MSGP) have been used.
- (i) Any vehicle which has not been operated in accordance with the operating instructions in this Owner's Manual and Service Booklet.

-
- (j) Any vehicle which has not received the service inspections prescribed in this Owner's Manual and Service Booklet.
 - (k) Any vehicle which has been assembled, disassembled, adjusted or repaired by other than a Maruti Suzuki authorised workshop.
 - (l) Any vehicle which has been used for purposes other than what it was designed for.
 - (m) Any damage or deterioration caused by airborne fallout, industrial fallout, acid rain, hail or hail storm, wind storm, lightning, bird droppings, rodents bite / rat bite and such other thing that result in damage to the vehicle.
 - (n) Insignificant defects/noise which do not affect the function of the vehicle including without limitation, sound, vibration and fluid seep.
 - (o) Any natural wear and tear including without limitation, ageing, wear & tear or deterioration such as discoloration, fading, deformation or blurring and fabric discoloration.
 - (p) Installation and usage of domestic LPG gas/LPG Cylinder.
 - (q) V-belts, hoses and gas leaks.
 - (r) Any vehicle retrofitted with LPG/CNG kits.
 - (s) Repainting including patchwork, bodywork and mouldings and interior trims.
 - (t) Corrosion, rusting of body parts and/ or components.
 - (u) Any vehicle on which odometer has been changed unauthorisedly or odometer reading has been modified/ tampered with/ or not matching the service records.
 - (v) The damage(s) caused to the vehicle being unattended despite knowledge that the defect exists and ignorance by the owner/ user of the vehicle.
 - (w) Any damage(s) caused to vehicle including battery/ tyre due to parking of the vehicle in idle condition for long duration of time periods.
 - (x) Any vehicle on which the retro-fitment is not authorized and/ or type approved as per the standards prescribed by the relevant authority including but not limited to Automotive Standards of India.

- (y) Any vehicle on which the retro-fitment is such which directly or indirectly causes any damage to the vehicle or affects the functions of the vehicle in any manner whatsoever.

(5)Extent of Warranty:

This warranty is the entire written warranty given by Maruti Suzuki for Maruti Suzuki vehicles and no dealer or its or his agent or employee is authorised to extend or enlarge this warranty and no dealer or its or his agent or employee is authorised to make any oral warranty or representation or assurance on behalf of Maruti Suzuki.

Maruti Suzuki reserves the right to add any improvements or change the design of any model at any time with no obligation to make the same changes on units previously sold.

(6) Warranty Service:

To obtain warranty service, the complete vehicle must be presented at the owner's expenses to Maruti Suzuki authorised workshop.

The customer shall be responsible for his belongings or accessories fitted in the vehicle at the time of presenting the vehicle for service and no claim shall be entertained in any manner under any circumstances.

(7) Owner's Warranty Obligations:

NOTICE
The owner shall not use the vehicle in a damaged condition and report the same immediately to the nearest Maruti Suzuki authorized workshop. This would result in early inspection and repair of the vehicle and any possible harm to the person or aggravation of damage to the vehicle can be prevented.

It is responsibility of each owner to:

- Have performed, at his own expenses, by a Maruti Suzuki authorised workshop all the service inspections specified in the Owner's Manual described in "INSPECTION AND MAINTENANCE" section".
- Should you resell the vehicle, please guide the new users/ owners to download this manual (from "Maruti Suzuki Rewards" mobile application with your registered mobile number). Also the soft copy of the manual must be passed on to new users/ owners when resold or otherwise transferred.

If the Owner's Manual is lost due to any reason, the owner or user may download a soft copy of the same (from "Maruti Suzuki Rewards" mobile application with the mobile number) and save it for easy access at any point of time.

(8) Disclaimer of Consequential Damage:

Maruti Suzuki assumes no responsibility for loss of vehicle, loss of time, inconvenience or any other indirect incidental or consequential damage resulting from the vehicle not being available to the owner because of any defect covered by this warranty.

(9) Change of Owner

Even if ownership of the vehicle changes, the remaining warranty period is effective for the new owner.

This Warranty is applicable only in India and not transferable to any other country.

FUEL RECOMMENDATION

Fuel Recommendation 1-1

FUEL RECOMMENDATION

Fuel Recommendation

(For Petrol and CNG Engine Model)

For Petrol Engine Model

To avoid damaging catalytic converter, you must use unleaded petrol with an octane number (RON) of 91 or higher.

Gasoline/Ethanol blends

Blends of unleaded gasoline and ethanol, also known as gasohol, are commercially available in the country and can vary with location. Gasoline Ethanol blend up to E20 can be used as fuel for this vehicle.

Gasoline containing MTBE

Unleaded gasoline containing MTBE (methyl tertiary butyl ether) may be used in your vehicle if the MTBE content is not greater than 15%. This oxygenated fuel does not contain alcohol.

CAUTION

Use of spurious, low quality, adulterated fuel can cause damage to the engine and engine auxiliaries, affect functioning of engine and degrade engine performance including but not limited to engine seizure.

NOTICE

- The fuel tank has an air space to allow for fuel expansion in hot weather. If you continue to add fuel after the filler nozzle has automatically shut off or an initial blowback occurs, the air chamber will become full. Exposure to heat when fully fuelled in this manner will result in leakage due to fuel expansion. To prevent such fuel leakage, stop filling after the filler nozzle has automatically shut off, or when initial vent blowback occurs, if using an alternative non-automatic system.
- Be careful not to spill fuel containing alcohol while refueling. If fuel is spilled on the vehicle body, wipe it up immediately. Fuels containing alcohol can cause paint damage, which is not covered under the New Vehicle Limited Warranty.

For CNG Engine Model

CNG

CNG (Compressed Natural Gas) is principally constituted by methane. CNG is considered as clean burning fuel. Due to low density of CNG, it is compressed at a pressure of around 200 bars to enhance the vehicle on-board storage capacity.

CAUTION

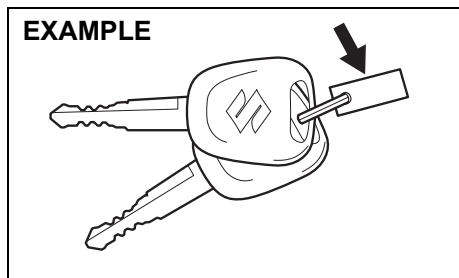
- In case of any symptom of CNG leakage or releasing noise or any external damage to CNG piping or during accident, do not panic.**
- Stop the vehicle and switch off the engine, roll down the windows and open all the doors.
 - Ensure to close manual shut off valve.
 - Contact authorised **MARUTI SUZUKI COMMERCIAL** workshop immediately for further assistance.

BEFORE DRIVING

Keys	2-1
Door Locks	2-2
Tailgate	2-2
Windows	2-3
Mirrors	2-4
Seats	2-5
Seat Belts	2-5
Instrument Cluster	2-11
Speedometer	2-12
Fuel Gauge	2-12
Information Display	2-12
Warning and Indicator Lights	2-16
Lighting Control Lever	2-20
Headlight Leveling Switch	2-21
Turn Signal Control Lever	2-21
Hazard Warning Switch	2-22
Windshield Wiper and Washer Lever	2-22
Horn	2-24
CNG Cylinder Warning Label (if equipped)	2-24
CNG Warning Label (if equipped)	2-24
CNG Manual Shut-OFF Valve (if equipped)	2-25

BEFORE DRIVING

Keys



51KM024

Your vehicle comes with a pair of keys. The key(s) may or may not be equipped with a transmitter depending on model variant. Keep the spare key in a safe place. One key can open all of the locks on the vehicle.

The key identification number is stamped on a metal tag provided with the keys or on the keys. Keep the tag (if equipped) in a safe place. If you lose your keys, you will need this number to have new keys made. Write the number below for your future reference.

KEY NUMBER:

Immobilizer system

This system is designed to help prevent vehicle theft by electronically disabling the engine starting system.

The engine can be started only with your vehicle's original immobilizer ignition key, which has an electronic identification code programmed into it. The key communicates the identification code to the vehicle when the ignition switch is turned to "ON" position. If you need to make spare keys, see a Maruti Suzuki authorised workshop. The vehicle must be programmed with the correct identification code for the spare. A key made by an ordinary locksmith will not work.



65D239

If the immobilizer system warning light blinks when the ignition switch is in "ON" position, the engine will not start.

If this light blinks, turn the ignition switch to "LOCK" position, and then turn it back to "ON" position.

If the light still blinks after the ignition switch is turned back to "ON" position, there may be something wrong with your

key or with the immobilizer system. Ask a Maruti Suzuki authorised workshop to have the system inspected.

NOTE:

- If you lose your immobilizer ignition key, ask a Maruti Suzuki authorised workshop as soon as possible to deactivate the lost one, and to make a new key.
- If you own other vehicles with immobilizer keys, keep those keys away from the ignition switch when using your MARUTI SUZUKI vehicle. Otherwise, the engine may not be started because they may interfere with your MARUTI SUZUKI vehicle's immobilizer system.
- If you attach any metal objects to the immobilizer key, it may not start the engine.
- This immobilizer system is maintenance-free.

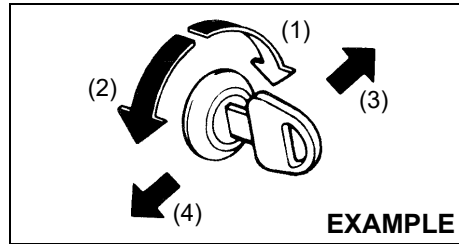
NOTICE

The immobilizer key is sensitive electronic instrument. To avoid damaging it:

- Do not expose it to impacts, moisture or high temperature such as on the dashboard under direct sunlight.
- Keep it away from magnetic objects.

Door Locks

**Side Door Locks
Driver's door**



EXAMPLE

76MH0A001

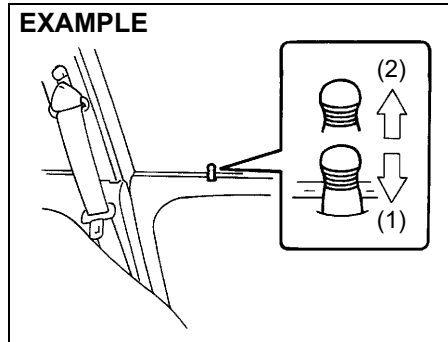
- (1) LOCK
- (2) UNLOCK
- (3) Front
- (4) Rear

To lock a driver's door from outside the vehicle:

- Insert the key and turn the top of the key toward the front of the vehicle, or
- Push the lock knob down, then pull and hold the door handle as you close the door.

To unlock a driver's door from outside the vehicle, insert the key and turn the top of the key toward the rear of the vehicle.

To lock a passenger's door from outside the vehicle, push the lock knob down, then pull and hold the door handle as you close the door.

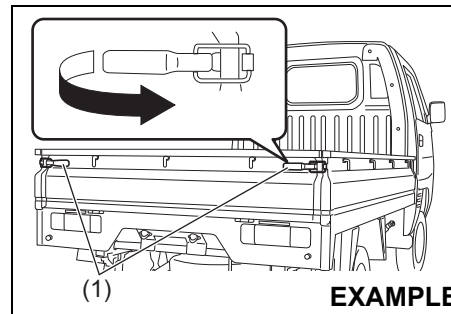


EXAMPLE

- (1) LOCK
- (2) UNLOCK

54G005

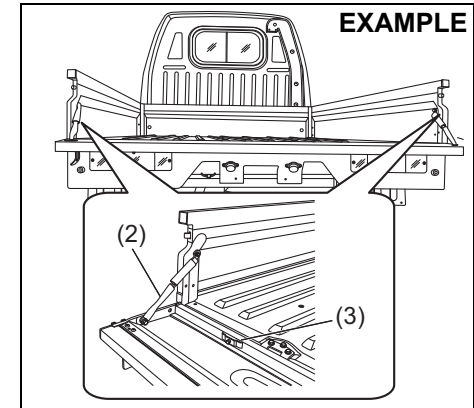
Tailgate



EXAMPLE

77PH025

The tailgate can be opened by pulling the lock handles (1). When closing, lock them firmly.



EXAMPLE

77PM201

The tailgate can also be locked in an intermediate position with the help of tailgate chain (2).

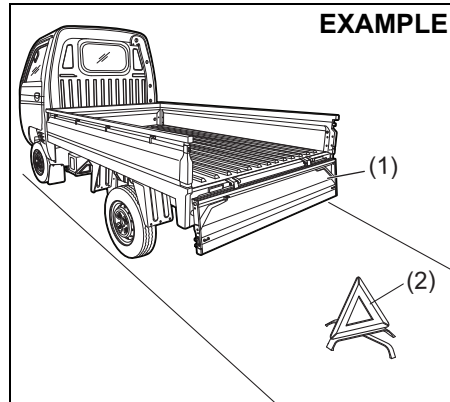
NOTICE

Lock the tailgate chain (2) with pin (3) when not in use.

BEFORE DRIVING

⚠ WARNING

- Driving with the tailgate in open / intermediate position will allow the tailgate to swing and hit others, causing injury or even death.
- The tailgate in open / intermediate position will hinder other drivers from seeing the taillights, causing accidents. Make sure the tailgate is closed and locked firmly before driving.
- Make sure that the tailgate is always closed and locked firmly to prevent cargo from being thrown out of the vehicle in the event of an accident.
- Do not stand, put load or put cargo on the tailgate when locked at an intermediate position.
- If the tailgate is in fully open condition, vehicle rear lighting devices such as position lamp, turn signal indicator and stop lamp get hidden, and are not visible.



77PM202

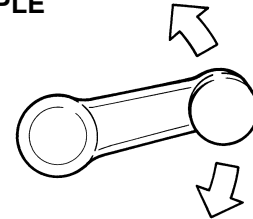
⚠ WARNING

- If the loading and unloading is done while tailgate (1) is in fully open position, a warning triangle (2) must be placed on the road in visible manner to alert other users about the presence of the vehicle.

Windows

Manual Window Control

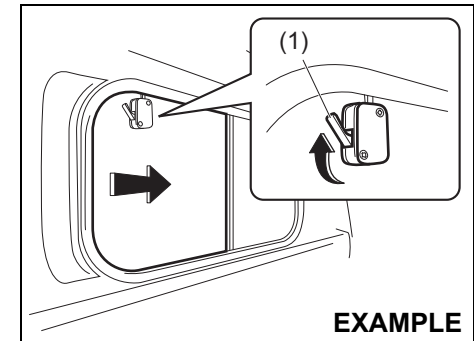
EXAMPLE



60G010

Raise or lower the door windows by turning the handle located on the door panel.

Rear Window



77PH073

To open the window, push the lock (1) and slide the window.

Mirrors

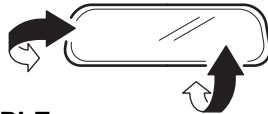
⚠ WARNING

Failure to observe following point may result in loss of vehicle control and cause an accident, leading to death or serious injury. Always follow below points while driving.

- Do not adjust the mirrors while driving.
- Always unfold all the outside rearview mirrors and adjust properly before driving.
- Do not place objects in the rear of the vehicle which may hinder visibility or interfere with your vision from the rear window glass.

Inside Rearview Mirror

You can adjust the inside rearview mirror by hand so as to see the rear of your vehicle in the mirror.



EXAMPLE

74LHT0235

⚠ CAUTION

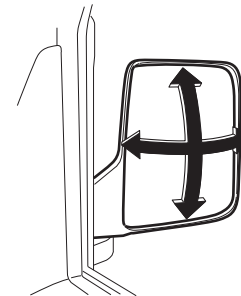
Do not modify the inside rearview mirror or install a non-genuine wide mirror. It could result in injury during accident.

Outside Rearview Mirror(s)

Adjust the outside rearview mirror(s) so you can just see the side of your vehicle in the mirror(s).

⚠ WARNING

Be careful when judging the size or distance of a vehicle or other object seen in the side convex mirror. Be aware that objects look smaller and appear farther away than when seen in a flat mirror.



EXAMPLE

64P0190

BEFORE DRIVING

Seats

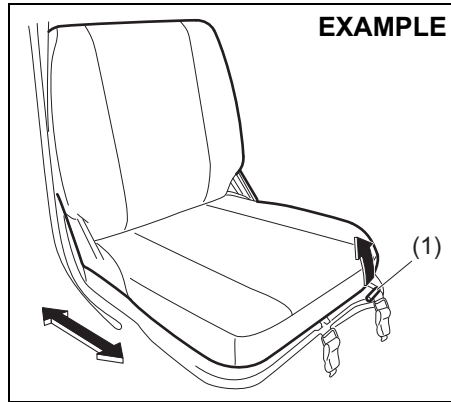
Seat Adjustment (driver's seat)

⚠ WARNING

Never attempt to adjust the driver's seat while driving. The seat could move unexpectedly, causing loss of control. Make sure that the driver's seat is properly adjusted before you start driving.

⚠ WARNING

To avoid excessive seat belt slack, which reduces effectiveness of the seat belts as a safety device, make sure that the seats are adjusted before the seat belts are fastened.



77PH087

Seat position adjustment lever (1)

Pull the lever up and slide the seat.

After adjustment, try to move the seat forward and rearward to ensure that it is securely latched.

⚠ CAUTION

While adjusting the seat, be careful that the seat does not pinch your hands, or hit your body.

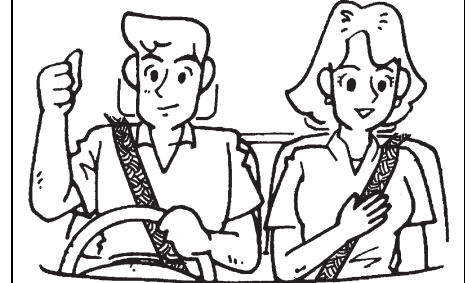
NOTE:

To operate the seat back smoothly, pull the seat back adjustment lever (2) in upward direction. Ensure to move seat back only after lever is moved to fully up position. After adjustment of seat back, release the

lever gently. Check that seat back is locked by moving it forward and backward.

Seat Belts

EXAMPLE



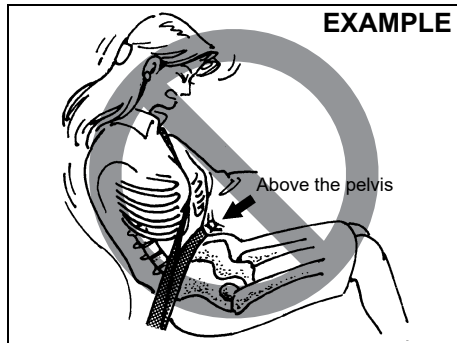
65D231S

⚠ WARNING

Wear Your Seat Belts at All Times.

⚠ WARNING

The driver and the passenger must be properly restrained by wearing seat belts at all times even if driving for a very short distance, whether or not an air bag is mounted at their seating position, to minimize the risk of severe injury or death in the event of a crash.

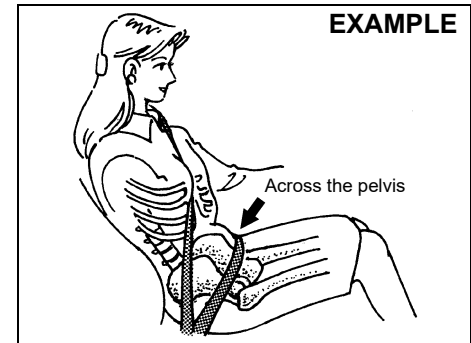


65D606

⚠ WARNING

- Never allow persons to ride in the cargo area of a vehicle. In the event of an accident, there is a much greater risk of injury for persons who are not riding in a seat with their seat belt securely fastened.
- Ensure that all seat belts are worn correctly. An improperly worn seat belt increases the risk of injury or death if a collision occurs.
- Seat belts should always be adjusted as follows:
 - the lap portion of the belt should be worn low across the pelvis, not across the waist.
 - the shoulder straps should be worn on the outside shoulder only, and never under the arm.
 - the shoulder straps should be away from your face and neck, but not falling off your shoulder.

(Continued)



65D201

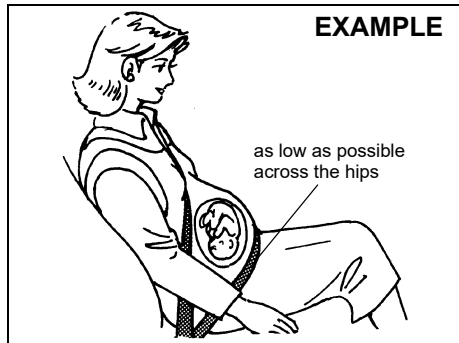
⚠ WARNING

(Continued)

- Seat belts should never be worn with the straps twisted and should be adjusted as tightly as is comfortable to provide the protection for which they have been designed. A slack belt will provide less protection than one which is snug.
- Make sure that each seat belt buckle is inserted into the proper buckle catch.

(Continued)

BEFORE DRIVING



65D199

⚠ WARNING

(Continued)

- **Pregnant women should use seat belts, although specific recommendations about driving should be made by the woman's medical advisor. Remember that the lap portion of the belt should be worn as low as possible across the hips, as shown in the diagram.**
- **Do not wear seat belts over hard, fragile, or sharp items such as pens, keys, eyeglasses, etc. in pockets or on clothing. The pressure from seat belt on such items can cause injury in case of an accident.**
- **Do not wear your seat belt over hard or breakable objects in your pockets or on your clothing. If an accident occurs, objects such as glasses, pens, etc. under the seat belt can cause injury.**

(Continued)

⚠ WARNING

(Continued)

- **Never use the same seat belt on more than one occupant and never attach a seat belt over an infant or child being held on an occupant's lap. Such seat belt use could cause serious injury in the event of an accident.**
- **Periodically inspect seat belt assemblies for excessive wear and damage. Seat belts should be replaced if webbing becomes frayed, contaminated, or damaged in any way. It is essential to replace the entire seat belt assembly after it has been worn in a severe impact, even if damage to the assembly is not obvious.**
- **Infants and small children should never be transported unless they are properly restrained.**
- **For children, if the shoulder belt irritates the neck or face, move the child closer to the center of the vehicle.**
- **Avoid contamination of seat belt webbing by polishes, oils, chemicals, and particularly battery acid. Cleaning may safely be carried out using mild soap and water.**

(Continued)

⚠ WARNING

(Continued)

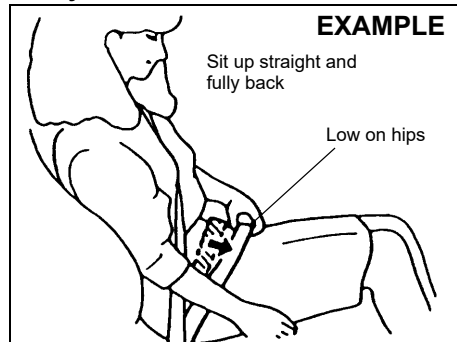
- Do not insert any items such as coins, clips, etc. into the seat belt buckles, and be careful not to spill liquids into these parts. If foreign materials get into a seat belt buckle, the seat belt may not work properly.

Lap-Shoulder Belt

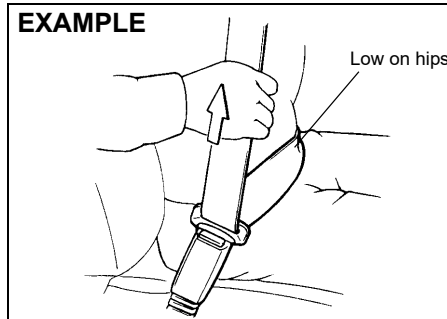
Emergency Locking Retractor (ELR)

The seat belt has an emergency locking retractor (ELR), which is designed to lock the seat belt only during a sudden stop or impact. It also may lock if you pull the belt across your body very quickly. If this happens, let the belt go back to unlock it, then pull the belt across your body more slowly.

Safety reminder

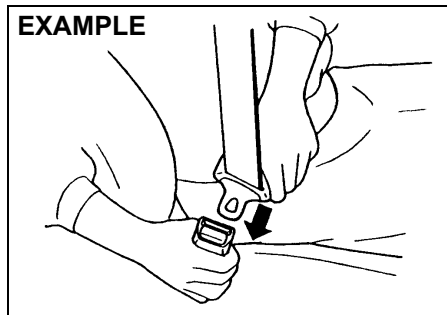


60A038



60A040

To reduce the risk of sliding under the belt during a collision, position the lap portion of the belt across your lap as low on your hips as possible and adjust it to a snug fit by pulling the shoulder portion of the belt upward through the latch plate. The length of the diagonal shoulder strap adjusts itself to allow freedom of movement.

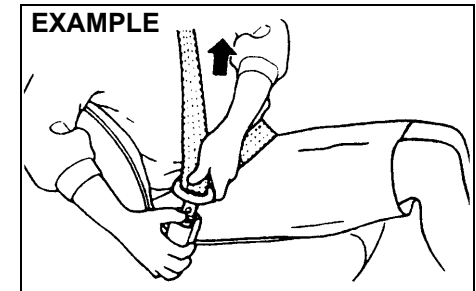


60A036

To fasten the seat belt, sit up straight and well back in the seat, pull the latch plate attached to the seat belt across your body and press it straight into the buckle until you hear a click.

NOTE:

If the seat belt cannot be pulled from its fully retracted position, firmly pull the belt and release it. Then smoothly pull the belt out of the retractor.

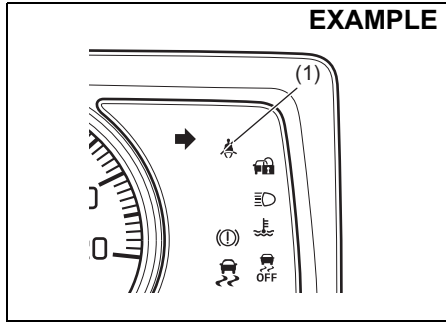


60A039

To unfasten the seat belt, push the button on the buckle and retract the belt slowly while attaching a hand to the belt or/and the latch plate.

BEFORE DRIVING

Seat Belt Reminder



77PM02020

- (1) Driver's seat belt reminder light / front passenger's seat belt reminder light

When the driver and / or front passenger do / does not fasten their seat belts, the seat belt reminder light will come on or blink and a buzzer will sound to remind the driver and/or passenger to fasten their seat belts. For more details, refer to the explanation below.

⚠ WARNING

It is absolutely essential that the driver and passengers fasten their seat belts at all times. Persons who are not fastening seat belts have a much greater risk of injury if an accident occurs. Make a regular habit of buckling your seat belt before putting the key in the ignition switch.

NOTE:

The driver's seat belt reminder light / front passenger's seat belt reminder light is for both the driver and front passenger.

Driver's or front passenger's seat belt reminder

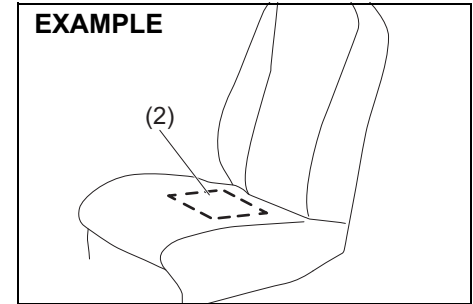
If the driver's or front passenger's seat belt remains unbuckled when the ignition switch is turned "ON", the reminder works as follows:

- 1) The driver's or front passenger's seat belt reminder light will come on.
- 2) After the vehicle's speed has reached about 15 km/h, the driver's or front passenger's seat belt reminder light will blink and a buzzer will sound for about 95 seconds.
- 3) After step 2) has finished, the reminder light will remain on until the driver's or front passenger's seat belt is buckled.

If the driver or front passenger has buckled his or her seat belt and later unbuckles the seat belt, the reminder system will be activated from Step 1) or 2) according to the vehicle's speed. When the vehicle's speed is less than 15 km/h, the reminder will start from Step 1). When the vehicle's speed is more than 15 km/h, the reminder will start from Step 2). The reminder will be automatically canceled when the driver's or front passenger's seat belt is buckled or the ignition switch is turned off.

Front passenger's seat belt reminder

If there is a person sitting on the front passenger seat and the front passenger seat belt is unbuckled when the ignition switch is turned to "ON" position, the front passenger's seat belt reminder will activate.



69RH203

- (2) The sensor of the front passenger's seat belt reminder

The seat belt reminder sensor (2) detects whether a person is sitting in the front seat. The sensor of the front passenger's seat belt reminder is located in the seat cushion. The front passenger's seat belt reminder works in the same manner as the driver's seat belt reminder.

NOTICE

- The sensor of the front passenger's seat belt reminder is located in the seat cushion. If heavy or sharp objects are put on the seat cushion, or a removal, disassembly and modification of the passenger's seat are performed, the sensor may not work properly or can be damaged. Do not put heavy or sharp objects on the seat cushion. Do not remove, disassemble and modify the passenger's seat.
- Depending on the variety of seat cover, operation of the sensor may be adversely affected. MARUTI SUZUKI highly recommends that you use MARUTI SUZUKI genuine seat cover exclusively for this vehicle.
- If you spill liquid such as liquid aromatics, soft drinks or juice on the front passenger's seat cushion, the sensor of the front passenger's seat belt reminder located in the seat cushion can be damaged. Immediately wipe it dry with a soft cloth when spilled.

(Continued)

NOTICE

(Continued)

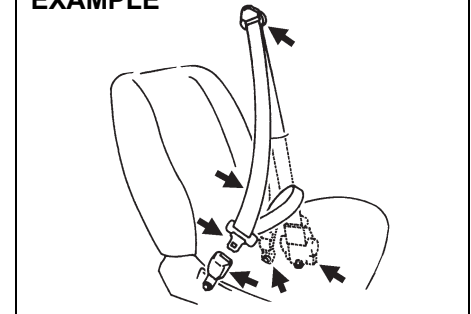
- When sitting on the front passenger's seat, it is very important that the passenger sits upright, leaning against the seat backrest and centered on the seat cushion in order for the seatbelt reminder system to function effectively. An occupant sitting improperly (slouches, turns sideways, sits forward or sideways) may hamper the functioning of this system as it may not detect the occupant.

NOTE:

- If you put an object on the passenger's seat, the weight of the object will be sensed by the sensor and the front passenger's seat belt reminder light will come on and then the interior buzzer may beep.
- If a child or a small sized person sits on the front passenger's seat or the cushion is put on the front passenger's seat, the weight may not be sensed by the sensor and the interior buzzer may not beep.

NOTE:

Maruti Suzuki recommends use of Maruti Suzuki Genuine accessory of "Seat cover".

Seat Belt Inspection**EXAMPLE**

65D209S

Periodically inspect the seat belts to make sure they work properly and are not damaged. Check the webbing, buckles, latch plates, retractors, anchorages, and guide loops. Replace any seat belts which do not work properly or are damaged.

⚠ WARNING

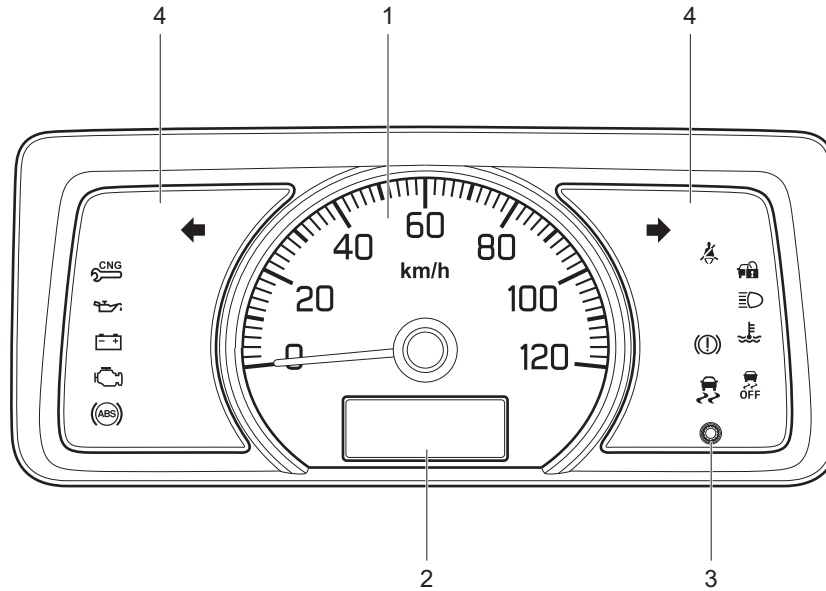
Be sure to inspect all seat belt assemblies after any collision. Any seat belt assembly which was in use during a collision (other than a very minor one) should be replaced, even if damage to the assembly is not obvious. Any seat belt assembly which was not in use during a collision should be replaced if it does not function properly or if it is damaged in any way.

BEFORE DRIVING

Instrument Cluster

1. Speedometer
2. Information display
3. Trip meter selector knob
4. Warning and indicator lights

EXAMPLE



77PM02021

Speedometer

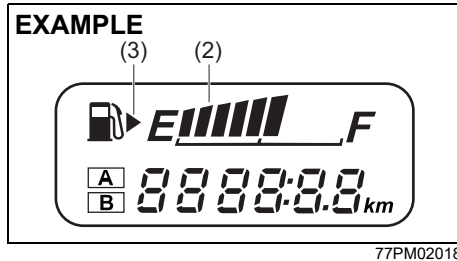
The speedometer indicates vehicle speed.

NOTE:

Maximum speed of the vehicle is 80 km/hr as per government regulation.

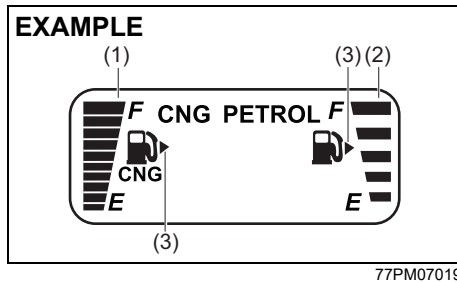
Fuel Gauge

Petrol Model



77PM02018

CNG Model



77PM07019

- (1) Indicates CNG fuel gauge.
- (2) Indicates Petrol fuel gauge.

When the ignition switch is in the “ON” position, this gauge gives an approximate indication of the amount of fuel in the fuel tank. “F” stands for full and “E” stands for empty.

If the fuel meter indicator shows only one segment to “E”, refill the tank as soon as possible.

The mark (3) indicates that the fuel filler door is located on the right side of the vehicle.

NOTICE

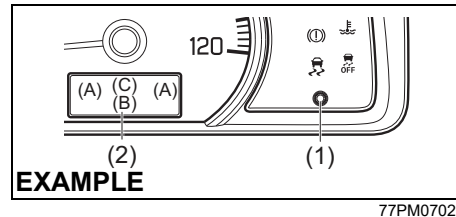
To minimize the possibility of damage to catalytic converter or other components of the vehicle, avoid driving the vehicle near empty fuel tank level.

NOTE:

If the last segment blinks, it means that the fuel is almost empty.

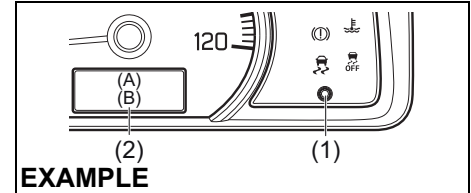
Information Display

For CNG Model



77PM07026

For Petrol Model



77PM07035

- (1) Trip meter selector knob
- (2) Information display

When the ignition switch is in the “ON” position, the information display shows the following information.

Display (A)

Fuel gauge

Display (B)

Odometer / Trip meter / Clock / Brightness control

Display (C)

Fuel modes (if equipped)

Fuel Gauge

When the ignition switch is in the “ON” position, the display (A) shows the fuel gauge.

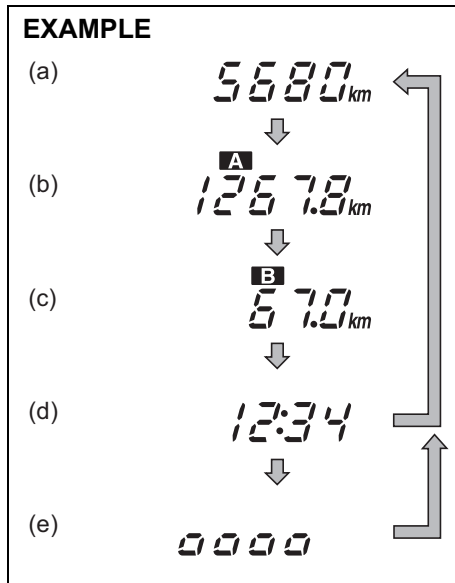
Refer to “Fuel Gauge” in this section.

BEFORE DRIVING

Odometer / Trip meter / Clock / Brightness Control

When the ignition switch is in the "ON" position, the display (B) shows one of the following indications, odometer, trip meter A, trip meter B or clock.

To switch the display indication (B), push the trip meter selector knob (1) quickly.



- (a) Odometer
(b) Trip meter A

- (c) Trip meter B
(d) Clock
(e) Brightness control*

* The brightness control will appear when the position lights and/or headlights are on.

⚠ WARNING

If you attempt to adjust the display while driving, you could lose control of the vehicle.

Do not attempt to adjust the display while driving.

NOTE:

Indications will change when you push and release the knob.

Odometer

The odometer records the total distance for which the vehicle has been driven.

NOTICE

Keep track of your odometer reading and check the maintenance schedule regularly for required services. Increased wear or damage to certain parts can result from failure to perform required services at the proper mileage intervals.

Trip meter

The trip meter can be used to measure the distance traveled on short trips or between fuel stops.

You can use the trip meter A or trip meter B independently.

To reset the trip meter to zero, push and hold the trip meter selector knob (1) for a while when the display shows the trip meter.

NOTE:

The indicated maximum value of the trip meter is 9999.9. When you run past the maximum value, the indicated value will return to 0.0.

Clock

The display shows the time.

To change the time indication:

- 1) Push and hold the trip meter selector knob (1) until the minute indication blinks.
- 2) To change the minute indication, push the trip meter selector knob (1) repeatedly when the minute indication blinks. To change the minute indication quickly, push and hold the trip meter selector knob (1). To set the minute indication, wait for about 5 seconds till the hour indication starts to blink.
- 3) To change the hour indication, push the trip meter selector knob (1) repeatedly till the minute indication begins to blink. Wait for about 5 seconds and hour indication will begin to blink. To change the

hour indication, quickly push and hold the trip meter selector knob (1). To set the hour indication, wait for about 5 seconds.

⚠ WARNING

If you attempt to adjust the display while driving, you could lose control of the vehicle.

Do not attempt to adjust the display while driving.

NOTE:

When you reconnect the negative (-) terminal to the battery, the clock indication will be reinitialized. Change the indication again to your preference.

Brightness control

When the position lights and/or headlights are ON, you can control the meter illumination intensity.

To change the brightness of the instrument panel lights, push and hold the trip meter selector knob (1).

⚠ WARNING

If you attempt to adjust the display while driving, you could lose control of the vehicle.

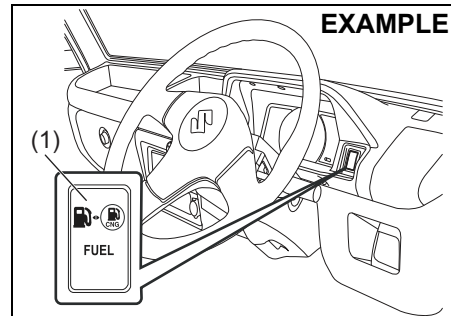
Do not attempt to adjust the display while driving.

NOTE:

- *If you do not push the trip meter selector knob within about 10 seconds of activating the brightness control display, the brightness control display will be canceled automatically.*
- *When you reconnect the battery, the brightness of the instrument panel lights will be reinitialized. Readjust the brightness according to your preference.*

Fuel Modes for CNG model (if equipped)

There are three fuel modes in the vehicle Petrol, Auto and Forced CNG modes which are selectable by pressing the selector switch(1) located on the right side of the steering wheel on the dashboard.



77PM02005

Petrol Mode

EXAMPLE



77PM02002

In this mode vehicle starts in petrol and continue running in petrol mode. In this mode, petrol indicator is continuously displayed and CNG indicator will remain "OFF".

Auto Mode

EXAMPLE



77PM02003

In this mode engine starts in petrol mode and then automatically changes to CNG after reaching programmed warming up condition. With ignition switch ON and vehicle started in "AUTO MODE", CNG indicator blinks on the display and PETROL indicator is displayed. After change-over to CNG, CNG indicator will be

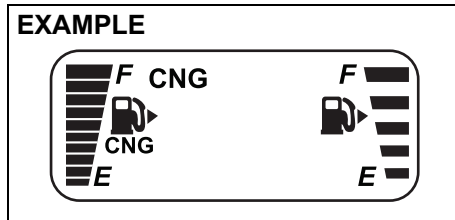
BEFORE DRIVING

displayed and Petrol indicator will switch OFF automatically.

NOTE:

- It is always recommended to start the vehicle in AUTO MODE or PETROL MODE to enhance the engine life.
- The fuel changeover to CNG may not happen if the vehicle is started when the ambient / engine temperature is below Zero Degree Celsius. In such a case, run the engine in PETROL MODE till it warms up and then try restarting the engine to changeover to CNG.

Forced CNG Mode



77PM02004

This is emergency mode and may be used in cases where there is no petrol in petrol tank. In this mode vehicle starts in CNG mode and continues running in CNG mode. With ignition "ON" and engine not running, press and hold the changeover switch till only CNG indicator is displayed. In this mode, CNG indicator is displayed and Petrol indicator remains "OFF".

NOTE:

- It is recommended to keep sufficient amount of petrol in the petrol tank.
- The vehicle may not start in Forced CNG mode if the ambient / engine temperature is below Zero Degree Celsius. It is recommended to start the vehicle in Auto mode.

Automatic Changeover From CNG Mode To Petrol Mode

If CNG is finished while the engine is running, vehicle will automatically changeover from CNG mode to Petrol mode & CNG malfunction warning lamp will start blinking. Petrol indicator will be displayed continuously and CNG indicator will switch OFF automatically.

To acknowledge this information, press the changeover switch once. The CNG malfunction warning lamp will stop blinking after the changeover switch is pressed and Petrol indicator will glow continuously. However the CNG malfunction indicator lamp will continue to blink after every subsequent Ignition ON - Ignition OFF condition until the vehicle is refilled with CNG. In case CNG is refilled, please press the fuel changeover switch once to changeover to CNG. Then, vehicle can run on CNG.

NOTE:

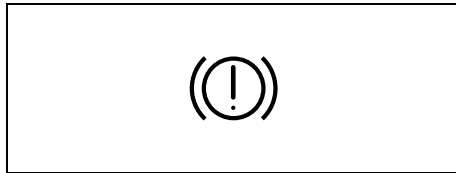
- It is recommended to keep sufficient amount of petrol in the petrol tank to prevent engine stalling while automatic changeover from CNG mode to Petrol mode.
- In case the CNG malfunction warning lamp does not stop blinking after pressing the changeover switch, have the vehicle inspected at the nearest authorised MARUTI SUZUKI COMMERCIAL workshop.

Warning and Indicator Lights

NOTE:

If warning and indicator lights blink or come on, the corresponding messages may be shown on the information display.

Brake System Warning Light



82K170

Four different types of operations exist depending on the vehicle's specification.

- 1) The light comes on briefly when the ignition switch is turned to the "ON" position.
- 2) The light comes on when the parking brake is engaged with the ignition switch in the "ON" position.
- 3) The light comes on when under either or both of above two conditions.
- 4) The light also comes on when the fluid in the brake fluid reservoir falls below the specified level.

The light should go out after starting the engine and fully releasing the parking brake, if the fluid level in the brake fluid reservoir is adequate.

The light also comes on together with the ABS warning light when the rear brake force control function (proportioning valve function) of the ABS system fails.

If the brake system warning light comes on while you are driving the vehicle, it may mean that there is something wrong with the vehicle's brake system. If this happens, you should:

- 1) Pull off the road and stop carefully.

⚠ WARNING

Remember that stopping distance may be longer, you may have to push harder on the pedal, and the pedal may go down farther than normal.

- 2) Test the brakes by carefully starting and stopping at the side of the road.
 - If you determine that it is safe, drive carefully at low speed to the nearest dealer for repairs, or
 - Have the vehicle towed to the nearest authorised MARUTI SUZUKI COMMERCIAL workshop for repairs.

⚠ WARNING

If any of the following conditions occur, you should immediately ask your authorised MARUTI SUZUKI COMMERCIAL workshop to inspect the brake system.

- If the brake system warning light does not go out after the engine has been started and the parking brake has been fully released.
- If the brake system warning light does not come on when the ignition switch is turned to the "ON" position.
- If the brake system warning light comes on at any time during vehicle operation.

NOTE:

Because the brake system is self-adjusting, the fluid level will drop as the brake pads become worn. Replenishing the brake fluid reservoir is considered normal periodic maintenance.

BEFORE DRIVING

Anti-lock Brake System (ABS) warning light (if equipped)



65D529

When the ignition switch is turned to "ON" position, the light comes on briefly so you can check that the light is working.

If the light stays on, or comes on when driving, there may be something wrong with the ABS.

If this happens:

- 1) Pull off the road and stop carefully.
- 2) Turn the ignition switch to "LOCK" position and then start the engine again.

If the warning light comes on briefly and then turns off, the system is normal. If the warning light still stays on, something is wrong with the system.

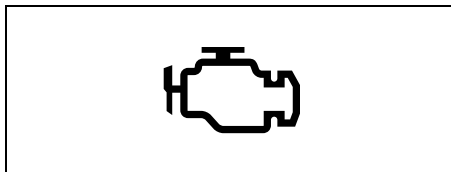
If the light and the brake system warning light stay on, or come on simultaneously when driving, your ABS system is equipped with the rear brake force control function (proportioning valve function) and there may be something wrong with both the rear brake force control function and the anti-lock function of the ABS system.

If one of the above occur, have the system inspected by a MARUTI SUZUKI authorized workshop.

If the ABS becomes inoperative, the brake system will function as an ordinary brake system that does not have this ABS system.

For details of ABS system, refer to "Anti-lock Brake System (ABS)" in "OPERATING YOUR VEHICLE" section.

Malfunction Indicator Light



63J031

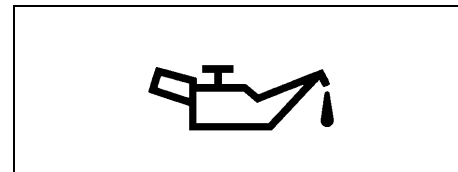
Your vehicle has a computer-controlled emission control system. A malfunction indicator light is provided on the instrument panel to indicate when it is necessary to have the emission control system serviced. The malfunction indicator light comes on when the ignition switch is turned to "ON" position to let you know the light is working and goes out when the engine is started.

If the malfunction indicator light comes on when the engine is running, there is a problem with the emission control system. Take the vehicle to your nearest authorised MARUTI SUZUKI COMMERCIAL workshop to have the damage fixed.

NOTICE

Continuing to drive the vehicle when the malfunction indicator light is on can cause permanent damage to the vehicle's emission control system, and can affect fuel economy and driveability.

Oil Pressure Light



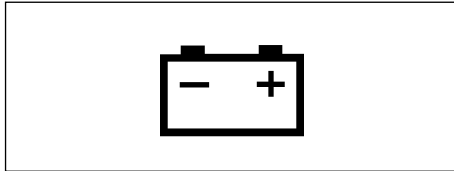
50G051

This light comes on when the ignition switch is turned to the "ON" position, and goes out when the engine is started. The light will come on and remain on if there is insufficient oil pressure. If the light comes on when driving, pull off the road as soon as you can and stop the engine. Check the oil level and add recommended engine oil if necessary. If there is enough oil, the lubrication system should be inspected by your authorised MARUTI SUZUKI COMMERCIAL workshop before you drive the vehicle again.

NOTICE

- If you operate the engine with this light on, severe engine damage can result.
- Do not rely on the Oil Pressure Light to indicate the need to add oil. Be sure to periodically check the engine oil level.

Charging Light



50G052

This light comes on when the ignition switch is turned to the "ON" position, and goes out when the engine is started. The light will come on and remain on if there is something wrong with the battery charging system. If the light comes on when the engine is running, the charging system should be inspected immediately by your authorised MARUTI SUZUKI COMMERCIAL workshop.

Driver's Seat Belt Warning Light / Front Passenger's Seat Belt Warning Light

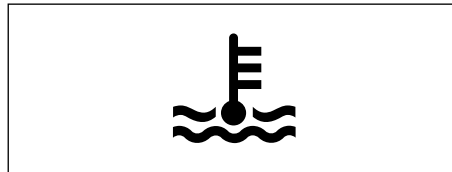


60G049

When the driver or front passenger does not buckle his or her seat belt, this light will come on and/or blink.

For details about the seat belt reminder, refer to "Seat Belts and Child Restraint Systems" in this section.

High Engine Coolant Temperature Warning Light (red color)



54G344

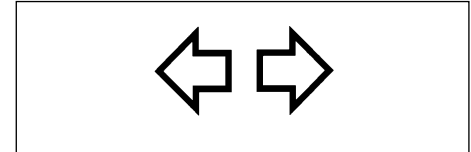
When the ignition switch is turned to the "ON" position, this light comes on briefly so you can check that the light is working. If this light blinks while driving, it means the engine is running hot. Avoid driving conditions that may lead to actual overheating. If the light stays on without blinking, then the

engine is overheating. Follow the instructions in the "If the Engine Overheats" of "EMERGENCY SERVICE" section.

NOTICE

Continuing to drive the vehicle when engine overheating is indicated can result in severe engine damage.

Turn Signal Indicators



50G055

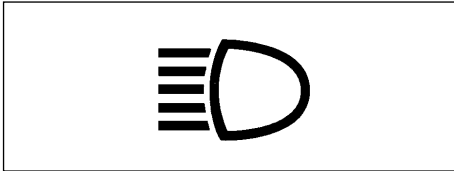
When you turn on the left or right turn signals, the corresponding green arrow on the instrument panel will flash along with the respective turn signal lights. When you turn on the hazard warning switch, both arrows will flash along with all of the turn signal lights.

NOTE:

If any abnormality of the turn signals is observed, such as fast blinking, there may be malfunction in the turn signal system. Ask your Maruti Suzuki authorized workshop to inspect the system.

BEFORE DRIVING

Main Beam (high beam) Indicator Light



50G056

This indicator comes on when headlight main beams (high beams) are turned on.

Immobilizer system warning light



65D239

When the ignition switch is turned to the "ON" position, this light comes on to let you know the light is working. If this light blinks with the ignition switch turned to "ON", there may be something wrong with the immobilizer system. Ask a Maruti Suzuki authorised workshop to have the system inspected.

ESP® Warning light (if equipped)



56RM02033

ESP® is a registered trademark of Daimler AG.

This light blinks 5 times per second when one of the following systems is activated.

- Stability control system
- Traction control system

If this light blinks, drive carefully.

When the ignition switch is turned to "ON" position, the light comes on briefly so you can check that the light is working. If the light stays ON, or comes on when driving and remains ON, there may be something wrong with the ESP® systems (other than ABS). You should have the system inspected by a Maruti Suzuki authorized workshop.

For details of the ESP® systems, refer to "Electronic Stability Program (ESP®) (if equipped)" in "OPERATING YOUR VEHICLE" section.

WARNING

The ESP® systems cannot prevent accidents. Always drive carefully.

ESP® OFF indicator light (if equipped)



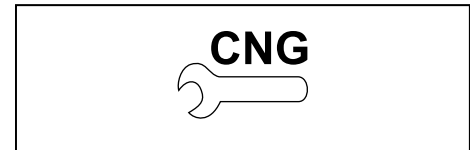
56RM02034

When the ignition switch is turned to the "ON" position, this light comes on briefly so you can check that the light is working.

When the ESP® OFF switch is pushed to turn off the ESP® systems (other than ABS), the ESP® OFF indicator light comes on and stays on.

For details of the ESP® systems, refer to "Electronic Stability Program (ESP®) (if equipped)" in "OPERATING YOUR VEHICLE" section.

CNG Malfunction Warning Light (if equipped)



77PMC015

When the ignition switch is turned "ON", this CNG malfunction warning lamp comes

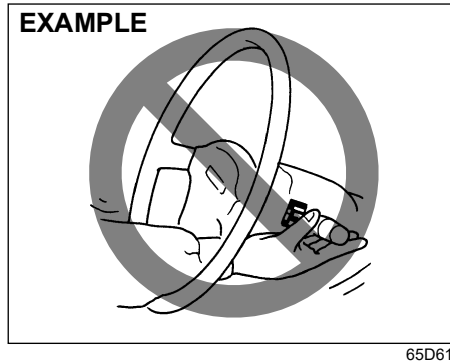
on briefly, to check that the CNG malfunction lamp is trouble free.

- If CNG malfunction warning lamp glows continuously, with ignition "ON" there is some problem with the CNG system. Immediately get your vehicle checked by authorised MARUTI SUZUKI COMMERCIAL workshop.
- If CNG malfunction warning lamp blinks during engine running, it means there is some problem in CNG system in which vehicle cannot continue running in CNG-MODE and automatically switchover to petrol mode. Have your vehicle checked at authorised MARUTI SUZUKI COMMERCIAL workshop.

NOTE:

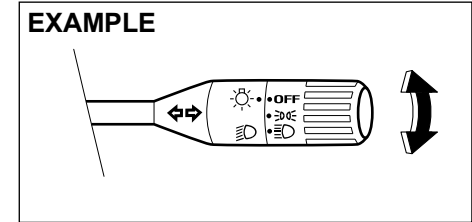
With ignition switch "ON" and engine not running, blinking of CNG lamp indicates that fuel lid is open. Vehicle will not start in this condition. Close the lid in order to start the vehicle.

Lighting Control Lever



⚠ WARNING
To avoid possible injury, do not operate controls by reaching through the steering wheel.

Lighting Operation



To turn the lights on or off, twist the knob at the end of the lever. There are three positions:

OFF

All lights are off.



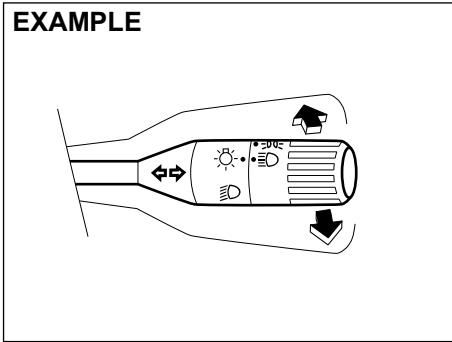
Front position lights, tail lights, license plate lights and instrument lights are on, but headlights are off.



Front position lights, tail lights, license plate lights, instrument lights and headlights are on.

BEFORE DRIVING

EXAMPLE

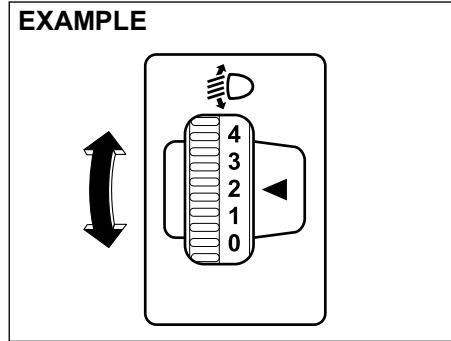


77PH111

With the headlights on, push the lever forward to switch to the high beams (main beams) or pull the lever toward you to switch to the low beams. When the high beams (main beams) are on, main beam (high beam) indicator light on the instrument panel will come on. To momentarily activate the high beams (main beams) as a passing signal, pull the lever slightly toward you and release it when you have completed the signal.

Headlight Leveling Switch

EXAMPLE



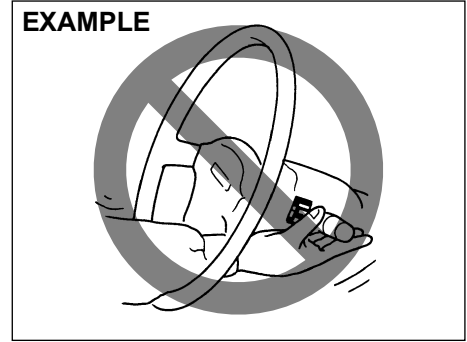
77PH010

Level the headlight beam according to the load condition of your vehicle by turning this switch. The chart below shows the appropriate switch position for different vehicle-load conditions.

Vehicle Load Condition	Switch Position
Driver only	0
Driver + full cargo	3

Turn Signal Control Lever

EXAMPLE



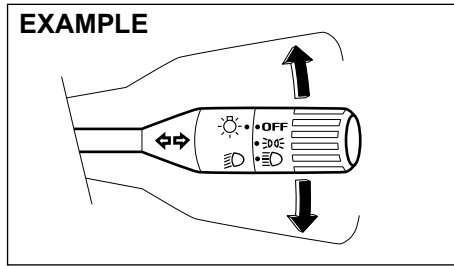
65D611

⚠ WARNING

To avoid possible injury, do not operate controls by reaching through the steering wheel.

Turn Signal Operation

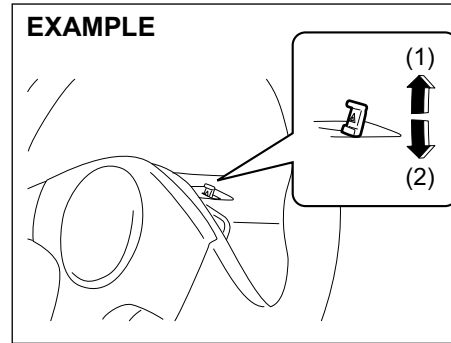
With the ignition switch in the “ON” position, move the lever up or down to activate the right or left turn signals.



77PH112

Move the lever upward or downward to signal. When the turn is completed, the signal will cancel and the lever will return to its normal position.

Hazard Warning Switch



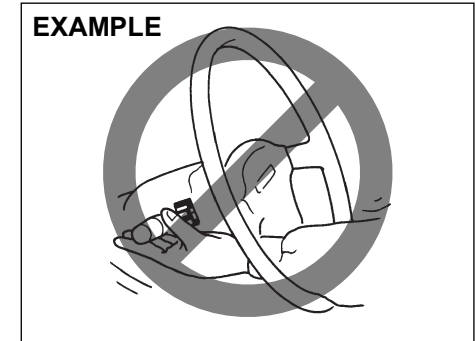
77PH028

- (1) ON
- (2) OFF

Pull up the hazard warning switch to activate the hazard warning lights. All turn signal lights and both turn signal indicators will flash simultaneously. To turn off the lights, push down the switch.

Use the hazard warning lights to warn other traffic during emergency parking or when your vehicle could otherwise become a traffic hazard.

Windshield Wiper and Washer Lever



65D611

⚠ WARNING

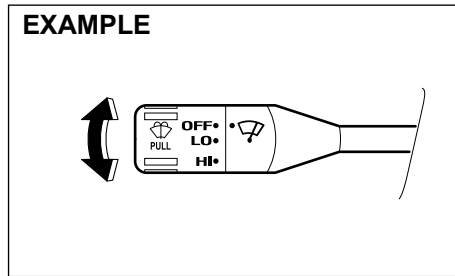
To avoid possible injury, do not operate controls by reaching through the steering wheel.

Wiper Operation

When the ignition switch is in the “ON” position, you can use the wiper lever.

BEFORE DRIVING

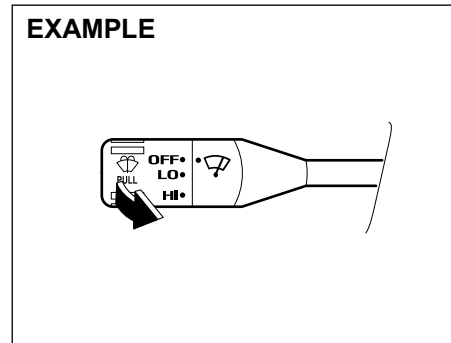
Windshield Wipers



77PM02015

To turn the windshield wipers on, twist the knob at the end of the lever to one of the operating positions. In the “LO” position, the wipers operate at a steady low speed. In the “HI” position, the wipers operate at a steady high speed. To turn off the wipers, twist the lever back to the “OFF” position.

Windshield Washer



77PM02016

To spray windshield washer fluid, pull the lever towards you.

⚠ WARNING

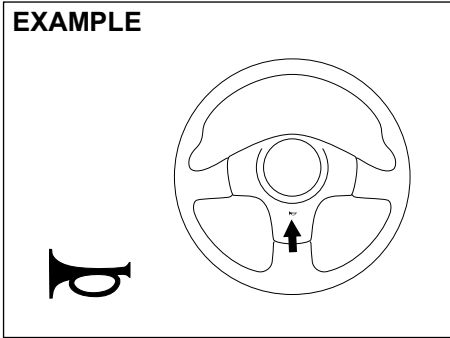
Do not use radiator antifreeze in the windshield washer reservoir. It can severely impair visibility when sprayed on the windshield, and can also damage your vehicle's paint.

NOTICE

To help prevent damage to the windshield wiper and washer system components, you should take the following precautions:

- Do not continue to hold in the lever when there is no windshield washer fluid being sprayed or the washer motor can be damaged.
- Do not attempt to remove dirt from a dry windshield with the wipers or you can damage the windshield and the wiper blades. Always wet the windshield with washer fluid before operating the wipers.
- Clear ice or packed snow from the wiper blades before using the wipers.
- Check the washer fluid level regularly. Check it often when the weather is bad.
- Only fill the washer fluid reservoir 3/4 full during cold weather to allow room for expansion if the temperature falls low enough to freeze the solution.

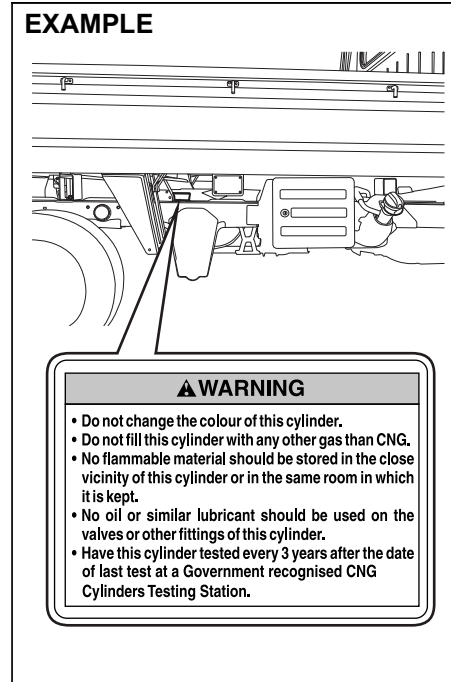
Horn



77PH029

Press the horn button of the steering wheel to sound the horn. The horn will sound with the ignition switch in any position.

CNG Cylinder Warning Label (if equipped)

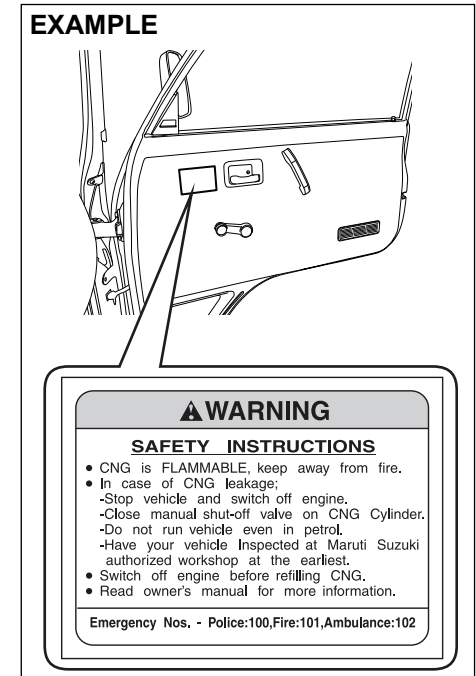


77PM02006

You may find this label on the CNG cylinder.

CNG Warning Label (if equipped)

Front Driver Door

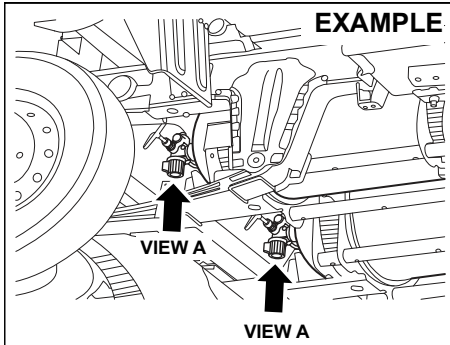


77PM02007

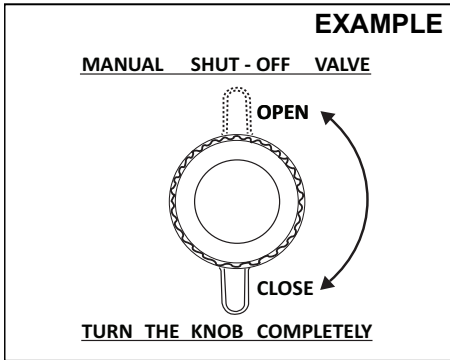
CNG warning label is located on front right door.

BEFORE DRIVING

CNG Manual Shut-OFF Valve (if equipped)

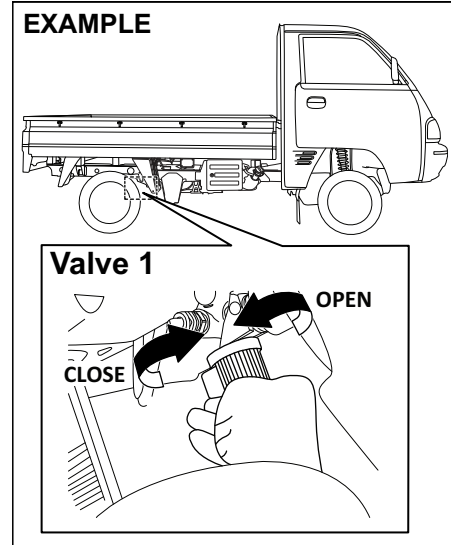


77PM02011



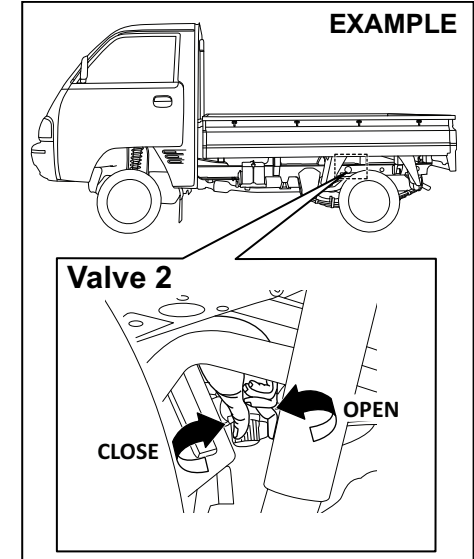
77PM02014

Right Hand Side (RHS)



77PM02012

Left Hand Side (LHS)



77PM02013

Manual shut off valve is located on CNG cylinders which are provided in vehicle under body.

There are two CNG cylinders in the vehicle under body, each containing one manual shut off valve.

The manual shutoff valve 1 and valve 2 are accessed from right hand side (RHS) and left hand side (LHS) of the vehicle respectively.

CNG supply can be switched off by closing the manual shut-off valve on both the CNG cylinders.

Valve closing: Turn the knob completely in clockwise direction (from view A) to close the CNG supply to Engine.

Valve opening: Turn the knob completely in anti-clockwise direction (from view A) to open the CNG supply to Engine.

▲ CAUTION

Be careful that your hand does not touch exhaust pipe while accessing the manual shut off valve 2 (LHS). After driving, exhaust pipe can be hot enough to burn your hand.

NOTE:

- If the manual shut-off valve is not opened fully, then the engine may not run properly.
- If the manual shut-off valve is in closed condition, it is not possible to fill CNG into the cylinder.

NOTE:

- As per Government regulation, CNG cylinder needs to be checked and certified every three (3) years from the date of initial testing as mentioned on the CNG cylinder identification plate.
- Customer has to present the vehicle to a government approved testing agency.
- Failure to test the cylinder may result in denying of CNG filling by the CNG dispensing stations or may result in confiscating the vehicle by enforcement authorities.
- All the expenses for CNG cylinder testing has to be borne by the customer.
- As per Government regulation, CNG cylinder has to be discarded at 20 years from the date of initial testing as mentioned in the CNG cylinder identification plate.
- Customer has to discard the cylinder at his / her expense through government approved scrap agencies.
- No person shall refill any cylinder, which has been repaired under sub-rule (2) with any gas unless a full report on the repairs and test carried out on the cylinder, accompanied by the repairer's certificate of testing are furnished to the Chief Controller and his permission is obtained for its refilling.

▲ WARNING

- Never remove the cylinder valve from the cylinder assembly. For any assistance consult authorised MARUTI SUZUKI COMMERCIAL workshop.
- Never try to clean the cylinder. In case of any problem, contact authorised MARUTI SUZUKI COMMERCIAL workshop.
- Do not reuse the cylinder valve, once it is replaced / removed from cylinder assembly.
- Even if the CNG from the cylinder is consumed till engine stops, some amount of CNG will be left out in the tank under pressure.

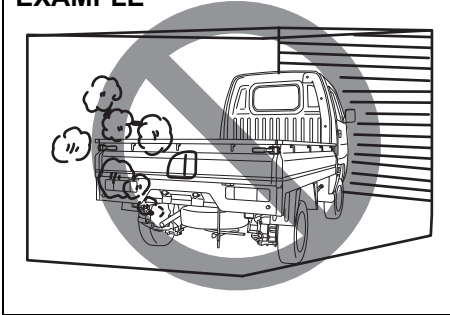
OPERATING YOUR VEHICLE

- Exhaust Gas Warning 3-1
- Daily Inspection Checklist 3-1
- Engine Oil Consumption 3-2
- Ignition Switch 3-2
- Parking Brake Lever 3-4
- Pedal 3-5
- Starting the Engine 3-5
- Using the Transmission 3-6
- Parking Sensors 3-8
- Braking 3-11
- Anti-Lock Brake System (ABS) 3-12
- Electronic Stability Program (ESP®) 3-15

OPERATING YOUR VEHICLE

Exhaust Gas Warning

EXAMPLE



82DY03

⚠ WARNING

Avoid breathing exhaust gases. Exhaust gases contain carbon monoxide, a potentially lethal gas that is colorless and odorless. Since carbon monoxide is difficult to detect by itself, be sure to take the following precautions to help prevent carbon monoxide from entering your vehicle.

- Do not leave engine running in garages or confined areas, with passengers inside. This may result in accumulation of carbon-monoxide in cabin and may lead to suffocation or breathing problems and lead to death.

(Continued)

⚠ WARNING

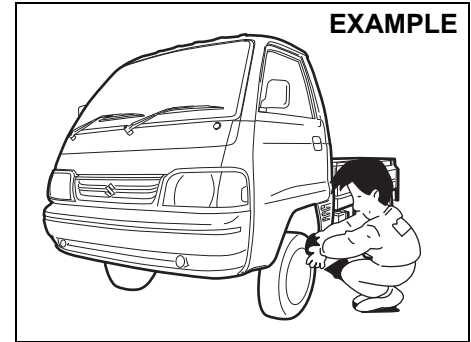
(Continued)

- Do not park with the engine running for a long period of time, even in an open area. In case of long periods, danger of choking and death on being inside the vehicle is a possibility when the engine is running. If it is necessary to sit for a short time in a parked vehicle with the engine running, make sure the air intake selector is set to "FRESH AIR" and the blower is at high speed.
- To allow proper operation of your vehicle's ventilation system, keep the air inlet grille in front of the vehicle clear of snow, leaves, or other obstructions at all times.
- Keep the exhaust pipe area clear of snow and other material to help reduce the buildup of exhaust gases under the vehicle. This is particularly important when parked in blizzard conditions.
- Have the exhaust system inspected periodically for damage and leaks. Any damage or leaks should be repaired immediately.

Daily Inspection Checklist

Before Driving

EXAMPLE



77PM03001

- 1) Make sure that windows, mirrors, lights, and reflectors are clean and unobstructed.
- 2) Visually check the tyres for the following points:
 - the depth of the tread groove
 - abnormal wear, cracks and damage
 - loose wheel nuts
 - existence of foreign material such as nails, stones, etc.

Refer to "Tyres" in "INSPECTION AND MAINTENANCE" section for details.

- 3) Look for fluid and oil leaks.
- 4) Make sure the engine compartment is fully closed and latched.
- 5) Check the headlights, turn signal lights, brake lights and horn for proper operation.

- 6) Adjust the driver's seat.
- 7) Check the brake pedal and the parking brake lever.
- 8) Adjust the mirrors.
- 9) Make sure that you and passenger have properly fastened seat belts.
- 10) Make sure that all warning lights come on as the key is turned to the "ON" position.
- 11) Check all gauges.
- 12) Make sure that the BRAKE SYSTEM WARNING light turns off when the parking brake is released.

Once a week, or each time you fill your fuel tank or before a long distance driving (like highway driving), perform the following under-hood checks:

- 1) Engine oil level
- 2) Coolant level
- 3) Brake fluid level
- 4) Windshield washer fluid (if equipped) level
- 5) Battery electrolyte level
- 6) Latch operation
See "All latches, hinges & locks" of "CHASSIS AND BODY" in the "Periodic Maintenance Schedule" in the "INSPECTION AND MAINTENANCE" section for lubrication schedule.

Once a month, or each time you fill your fuel tank or before a long distance driving (like highway driving), check the tyre pressure using a tyre pressure gauge. Also check the tyre pressure of the spare tyre.

Engine Oil Consumption

It is normal for the engine to consume some engine oil during normal vehicle operation.

The amount of engine oil consumed depends on the viscosity of the oil, the quality of the oil and the conditions the vehicle is driven under.

More oil is consumed during high-speed driving and when there is frequent acceleration and deceleration. Under high loads, your engine also will consume more oil.

A new engine also consumes more oil, since its pistons, piston rings and cylinder walls have not yet become conditioned. New engines reach the normal level of oil consumption only after approximately 5000 km (3000 miles) driving.

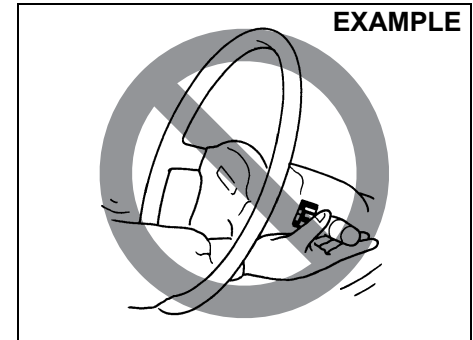
Oil consumption:
Max. 1.0 L per 1000 km
(1 Qt. per 600 miles)

When judging the amount of oil consumption, note that the oil may become diluted and make it difficult to accurately judge the true oil level.

As an example, if a vehicle is used for repeated short trips, and consumes a normal amount of oil, the dipstick may not show any drop in the oil level at all, even after 1000 km (600 miles) or more of driving. This is because the oil is gradually becoming diluted with fuel or moisture, making it appear that the oil level has not changed.

You should also be aware that the diluting ingredients evaporate out when the vehicle is subsequently driven at high speeds, such as on an expressway, making it appear that oil is excessively consumed after high-speed driving.

Ignition Switch

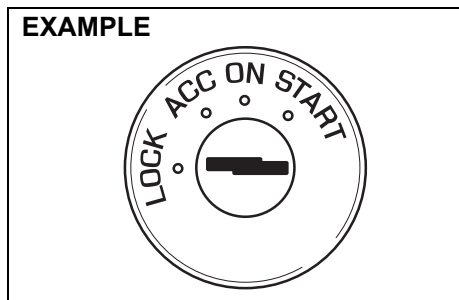


65D611

⚠ WARNING

To avoid possible injury, do not operate controls by reaching through the steering wheel.

OPERATING YOUR VEHICLE



77PH002

The ignition switch has the following four positions:

LOCK

This is the normal parking position. It is the only position in which the key can be removed.

To release the steering lock, insert the key and turn it clockwise to one of the other positions. If you have trouble turning the key to unlock the steering, try turning the steering wheel slightly to the right or left while turning the key.

ACC

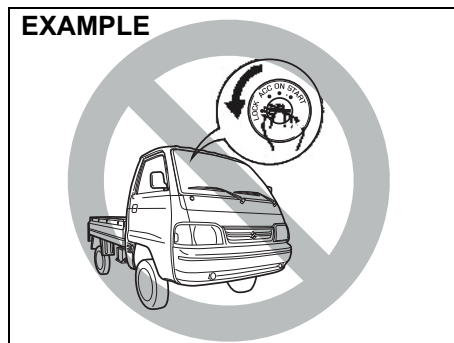
Accessories such as the accessory socket can operate, but the engine is off.

ON

This is the normal operating position. All electrical systems are on.

START

This is the position for starting the engine using the starter motor. The key should be released from this position as soon as the engine starts.



82DY04

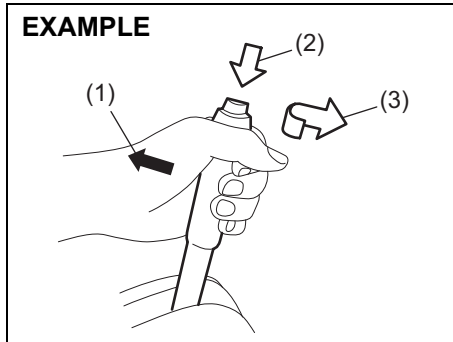
⚠ WARNING

- **Never remove the ignition key while the vehicle is moving. The steering wheel will lock and you will not be able to steer the vehicle.**
- **Always remove the ignition key when leaving the vehicle even if only for a short time. Also do not leave children alone in a parked vehicle. They also could suffer from heat stroke in warm or hot weather. These could result in severe injury or even death.**

NOTICE

- **Do not use the starter motor for more than 30 seconds at a time. If the engine does not start, wait 15 seconds before trying again. If the engine does not start after several attempts, check the fuel and ignition systems or consult your authorised MARUTI SUZUKI COMMERCIAL workshop.**
- **Do not leave the ignition switch in the "ON" position if the engine is not running as the battery will discharge.**

Parking Brake Lever



77PH030

- (1) To set
- (2) To release
- (3) To release

The parking brake lever is located between the front seats. To set the parking brake, depress the brake pedal down and pull the parking brake lever all the way up. To release the parking brake, depress the brake pedal down, pull up slightly on the parking brake lever, push the button on the end of the lever with your thumb, and lower the lever to its original position.

⚠ WARNING

- Never drive your vehicle with the parking brake on: rear brake effectiveness can be reduced from overheating, brake life may be shortened, or permanent brake damage may result.
- If the parking brake does not hold the vehicle securely or does not fully release, have your vehicle inspected immediately by an authorised MARUTI SUZUKI COMMERCIAL workshop.

⚠ WARNING

Always set the parking brake fully before leaving your vehicle or it may move, causing injury or damage. When parking, make sure the gear-shift lever is in reverse or first gear. Remember, even though the transmission is in gear, you must set the parking brake fully.

⚠ WARNING

When parking the vehicle in extremely cold weather, the following procedure should be used:

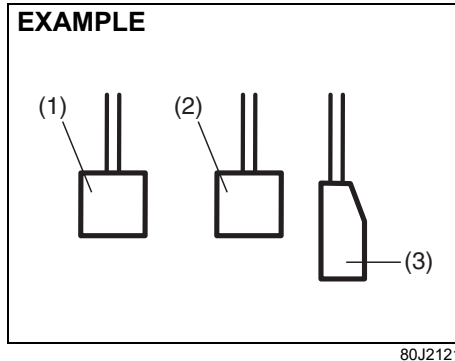
- 1) Set the parking brake.
- 2) Turn off the engine, then shift into reverse or first gear.
- 3) Get out of the vehicle and put chocks under the wheels.
- 4) Release the parking brake. When you return to your vehicle, you must remember to first set the parking brake, then remove the wheel chocks.

- Do not leave cigarette lighters, spray cans, soft drink cans or plastic articles (such as glasses, CD cases, etc.) in sun-heated vehicle. The temperature inside the vehicle may cause as follows:

- Gas may leak from a cigarette lighter or spray can and may lead to a fire.
- The glasses, plastic cards or CD cases, etc. may deform or crack.
- Soft drink cans may fracture.

OPERATING YOUR VEHICLE

Pedal



Clutch Pedal (1)

The clutch pedal is used to disengage the drive to the wheels when starting the engine, stopping, or shifting the gearshift lever. Depressing the pedal disengages the clutch.

⚠ WARNING

Do not drive with your foot resting on the clutch pedal. It could result in excessive clutch wear, clutch damage, or unexpected loss of engine braking.

Brake Pedal (2)

Your vehicle is equipped with front disc brakes and rear drum brakes. Depressing the brake pedal applies both sets of brakes.

You may hear occasional brake squeal when you apply the brakes. This is a normal condition caused by environmental factors such as temperature, humidity, snow or dust, etc.

⚠ WARNING

If brake squeal is excessive and occurs each time the brakes are applied, you should have the brakes checked by your authorised MARUTI SUZUKI COMMERCIAL workshop.

⚠ WARNING

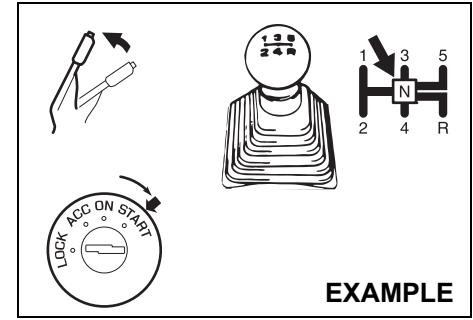
Do not ride the brakes by applying them continuously or resting your foot on the pedal. This will result in overheating of the brakes which could cause unpredictable braking action, longer stopping distances, or permanent brake damage.

Accelerator Pedal (3)

This pedal controls the speed of the engine. Depressing the accelerator pedal increases power output and speed.

Starting the Engine

Before Starting the Engine



- 1) Make sure the parking brake is set fully.
- 2) Shift into "N" (Neutral) and depress the clutch pedal all the way to the floor. Hold the clutch pedal while starting the engine.

⚠ WARNING

Make sure that the parking brake is set fully and the transmission is in neutral before attempting to start the engine.

Starting a Cold and Warm Engine

With your foot off the accelerator pedal, crank the engine by turning the ignition key to "START". Release the key when the engine starts.

CAUTION

- Stop turning the starter immediately after the engine has started or the starter system can be damaged.
- Do not crank the engine for more than 12 seconds at a time. If the engine doesn't start on the first try, wait about 30 seconds before trying again.

If the engine does not start after 12 seconds of cranking, wait about 30 seconds, then press down the accelerator pedal to 1/3 of its travel and try cranking the engine again. Release the key and accelerator pedal when the engine starts. If the engine still does not start, try holding the accelerator pedal all the way to the floor while cranking. This should clear the engine if it is flooded.

NOTE:

(For CNG Engine Model)

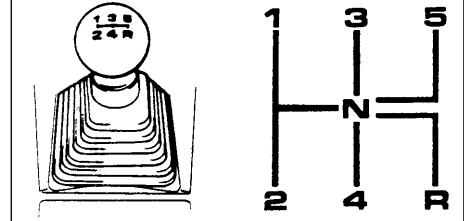
- Do not press the accelerator pedal to changeover from petrol to CNG mode.
- With ignition switch "ON" and engine not running, blinking of CNG malfunction warning lamp indicates that fuel lid is open. Vehicle will not start in this condition.

- It is always recommended to start the vehicle in AUTO MODE or PETROL MODE to enhance the engine life.
- The fuel changeover to CNG may not happen if the vehicle is started when the ambient / engine temperature is below Zero Degree Celsius. In such a case, run the engine in PETROL MODE till it warms up and then try restarting the engine to changeover to CNG.
- It is recommended to keep sufficient amount of petrol in the petrol tank.
- The vehicle may not start in Forced CNG mode if the ambient / engine temperature is below Zero Degree Celsius. It is recommended to start the vehicle in Auto mode.
- It is recommended to keep sufficient amount of petrol in the petrol tank to prevent engine stalling while automatic changeover from CNG mode to Petrol mode.
- In case the CNG malfunction warning lamp does not stop blinking after pressing the changeover switch, take the vehicle to the nearest authorised MARUTI SUZUKI COMMERCIAL workshop.

Using the Transmission

Manual Transmission

EXAMPLE



65D038

Starting off

To start off, depress the clutch pedal all the way to the floor and shift into 1st or 2nd gear. After releasing the parking brake, gradually release the clutch. When you hear a change in the engine's sound, slowly press the accelerator while continuing to gradually release the clutch.

NOTE:

- The recommended gear position for start off during normal driving is 2nd gear.
- In case of the cross country driving, crawling or loading driving that needs big driving force, shift position recommended is 1st gear.

Shifting

All forward gears are synchronized, which provides for quiet and easy shifting. Always push in the clutch pedal fully before shifting gears.

OPERATING YOUR VEHICLE

Downshifting maximum allowable speeds (For Petrol Model)

Downshifting	km/h
2nd to 1st	10
3rd to 2nd	65
4th to 3rd	100
5th to 4th	140*

Downshifting maximum allowable speeds (For CNG Model)

Downshifting	km/h
2nd to 1st	10
3rd to 2nd	55
4th to 3rd	90
5th to 4th	125*

***NOTE:**

You may not accelerate to the maximum allowable speed because of the driving situation and/or the vehicle condition.

NOTICE

When downshifting to a lower gear, make sure not to downshift at the speed faster than the maximum allowable speeds, or severe engine damage can result.

⚠ WARNING

- Reduce your speed and downshift to a lower gear before going down a long or steep hill. A lower gear will allow the engine to provide braking. Avoid riding the brakes or they may overheat, resulting in brake failure.
- When driving on slippery roads, be sure to slow down before downshifting. Excessive and or sudden changes in engine speed may cause loss of traction, which could cause you to lose control.

NOTICE

- To help avoid clutch damage, do not use the clutch pedal as a foot-rest while driving or use the clutch to keep the vehicle stationary on a slope. Depress the clutch fully when shifting.
- When shifting or starting off, do not race the engine. Racing the engine can shorten engine life and affect smooth shifting.

NOTICE

Before engaging reverse gear "R", check that the vehicle is completely stationary and gear lever is in neutral [N] position. After depressing clutch pedal fully, shift to [R].

NOTE:

If it is difficult to engage reverse gear "R", follow below procedure:-

1. Put gear lever in neutral "N".
2. Release the clutch pedal once.
3. Again depress the clutch pedal, and shift from "N" to "R".

Parking Sensors

- The parking sensor system uses ultrasonic sensors to detect obstacles near the rear bumper. If obstacles are sensed while you are parking or moving the vehicle slowly, the system warns you by sounding a buzzer.
- The system emits an ultrasonic wave and the relevant sensor detects the return of the wave reflected by an obstacle. The system measures the time taken by the ultrasonic wave to reach the obstacle and return from it, from which it determines the obstacle's position.
- The parking sensor function can be used when you turn the ignition switch to "ON" position and the gearshift lever is in the "R" position. This function is helpful in the following cases: pulling over to the curb; parallel parking the vehicle; steering the vehicle into a garage; driving along an alley; and moving slowly in a place with obstacles.

⚠ WARNING

- **The parking sensor warns you of obstacles with buzzers. However, you still have to drive with particular care.**
- **The sensors can detect obstacles only within a limited area and only when the vehicle is moving within a limited speed range. So, in tricky areas, you must move the vehicle slowly while checking around it using your direct vision or rearview mirrors. There is increased risk of an accident if you control the vehicle relying only on the parking sensor.**

NOTE:
When the gearshift lever is shifted to the "R" position, a buzzer will sound once.

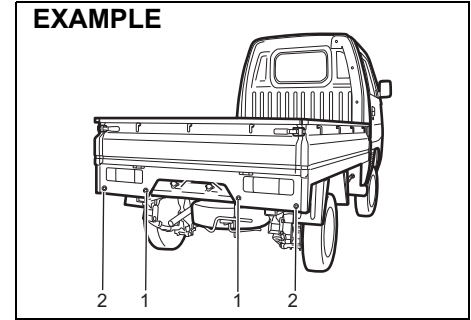
NOTICE

Parking sensors are only for driver's assistance.

Sensor locations

On rear bumper

EXAMPLE



77PM03003

- (1) Rear center sensors (2 places)
- (2) Rear corner sensors (2 places)

NOTICE

- **Avoid hitting the sensor areas or directing the nozzle of a high-pressure car washer onto the sensor areas. Otherwise, the sensors may be damaged.**
- **If the bumper hits a hard object, the sensors on it may not work properly. If this occurs, have the sensors inspected by a Maruti Suzuki authorised workshop.**

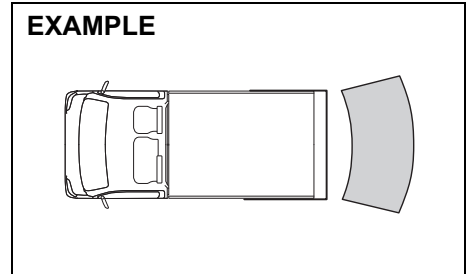
OPERATING YOUR VEHICLE

Working sensors

The sensors work depending on the gearshift lever position as follows:

Gearshift lever position	R	N, 1st – 5th
Rear sensors	On	Off

Approximate areas where obstacles can be detected



78MM05003

- An obstacle within about 20 cm (8 in) from a sensor or just below a sensor is not detectable.

The sensors can detect an obstacles such as wall up to about 1.8 m (6 ft) from the rear of vehicle.

⚠ WARNING

Under the following conditions, the parking sensor system may not work normally because the sensors cannot detect obstacles correctly.

- Sensors are covered with mud, ice or other materials. (Such materials must be removed for normal operation.)
- Sensors are wet from water splashes or heavy rain.
- Sensors are covered by a hand, sticker, accessory, etc.
- There is an accessory or other object attached within the sensor's sensing area.
- Items such as tow hooks, commercially available corner poles, radio antenna, etc. are installed on the bumper.
- The height of the bumper is changed due to alteration to the suspension or other causes.
- The sensor areas are extremely hot from direct sunlight or cold due to freezing weather.
- The vehicle is on a rough surface, slope, gravel road or grass field.
- The vehicle is at a steep angle.

(Continued)

⚠ WARNING

(Continued)

- Sensors have intercepted ultrasonic noise from another vehicle's horn, engine, air braking system (large vehicles), or parking sensor.
- Obstacles are too close to the sensors.
- Sensors are at an angle to a highly reflective object such as glass. (Ultrasonic waves are not reflected back from the obstacle.)
- Sensors may not be able to correctly detect the following types of obstacles:
 - Objects made of a thin material such as wire netting and ropes
 - Square-shaped curbstones or other objects with sharp edges
 - Tall objects with a large upper part such as a road sign
 - Low-profile objects such as curbstones
 - Sound-absorbing objects such as cotton and snow

NOTE:

Thin poles or obstacles lower than the sensors may become undetectable as the vehicle moves closer to them even if they have been detected from longer distances.

- *The system may calculate the distance to a road sign or similar obstacle to be shorter than the actual distance.*

Obstacle indication by parking sensor

Upon detecting an obstacle, the parking sensor causes an interior buzzer to sound.

- A buzzer located behind the rear seat sounds when a sensor at the rear detects an obstacle.
- Warnings when obstacles such as wall are detected by sensors

Distance (approx.)	Buzzer
100-180 cm	Short beeps at long intervals
80-100 cm	Short beeps at short intervals
70-80 cm	Short beeps at very short intervals
Less than 70 cm	Continuous beep

Warning and indicator messages

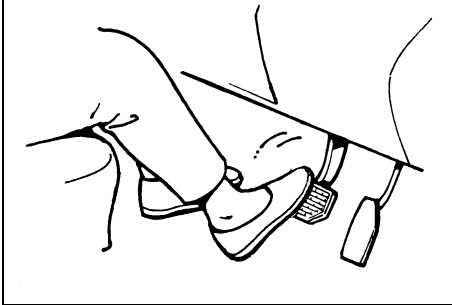
If there is a problem or warning regarding the parking sensor system, a buzzer informs it. Follow below instruction.

The buzzer sounds for some time and then stops. The sensor may be contaminated. Wipe it clean with a soft cloth. If the same issue (Buzzer sounds and stops) persists after ignition mode turned OFF to ON, there may be problem with the parking sensor system. Have your vehicle inspected by a Maruti Suzuki authorized workshop.

OPERATING YOUR VEHICLE

Braking

EXAMPLE



60G165S

The distance needed to bring any vehicle to a halt increases with the speed of the vehicle. The braking distance needed, for example, at 60 km/h will be approximately 4 times greater than the braking distance needed at 30 km/h. Start to brake the vehicle when there is plenty of distance between your vehicle and the stopping point, and slow down gradually.

⚠ WARNING

If water gets into the brake devices, brake performance may become poor and unpredictable. After driving through water or washing the underside of the vehicle, test the brakes while driving at a slow speed to see if they have maintained their normal effectiveness. If the brakes are less effective than normal, dry them by repeatedly applying the brakes while driving slowly until the brakes have regained their normal effectiveness.

NOTE:

While braking you may hear operational noise due to friction between brake disc/drum and brake lining. This is a normal phenomenon and does not indicate any abnormality or affect normal functioning of the vehicle.

Power-Assisted Brakes

Your vehicle has power-assisted brakes. If power assistance is lost due to a stalled engine or other failures, the system is still fully operational on reserve power and you can bring the vehicle to a complete stop by pressing the brake pedal once and holding it down. The reserve power is partly used up when you depress the brake pedal and reduces each time the pedal is pressed. Apply smooth and even pressure to the pedal. Do not pump the pedal.

⚠ WARNING

Even without reserve power in the brake system, you can still stop the vehicle by pressing the brake pedal harder than normally required. However, the stopping distance may be longer.

Brake Assist System

When you slam the brakes on, the brake assist system determines it to be an emergency stop and provides more powerful braking for a driver who cannot hold down the brake pedal firmly.

NOTE:

During brake pedal application & release, you may hear some operational noise owing to activation and functioning of components in the brake system. This is a normal phenomenon and does not indicate any abnormality or malfunction. Also, it does not affect the brake function.

Anti-Lock Brake System (ABS) (if equipped)

ABS will help you avoid skidding by electronically controlling braking pressure. It will also help you maintain steering control when braking on slippery surfaces or when braking hard.

The ABS works automatically, so you do not need any special braking technique. Just push the brake pedal down without pumping. The ABS will operate whenever it senses that the wheels are locking up. You may feel the brake pedal move a little while the ABS is operating.

WARNING

- Always check the surrounding conditions and drive the vehicle in a safe manner, as controlling the vehicle by ABS has limits and the system may not function properly depending on the surrounding conditions.
- If tyre grip performance is over the limit or hydroplaning occurs, ABS cannot work properly.

NOTE:

- If the ABS system is activated, you may hear a clunking noise and/or feel pulsating in the brake pedal. This is normal and indicates that the brake fluid pressure is being controlled properly.

- You may hear an operation sound when you start the engine or after the vehicle begins to move. This means that the above systems are in the self-check mode. This sound does not indicate a malfunction.

Braking Distance

ABS is not designed to shorten the stopping distance.

WARNING

- In the following situations, the braking distance required for a vehicle with ABS may be slightly greater than the one required for a vehicle without ABS, resulting in an accident. Drive the vehicle slowly and maintain ample distance between your vehicle and the vehicle in front of you.
 - When driving on rough roads such as unpaved or stone-paved roads
 - When driving on gravel roads or fresh snow roads
 - When driving over bumps on the roads such as joint seams
 - When passing over metal plates such as manholes
 - When snow chains are installed

NOTE:

- When applying sudden brake or applying brake on slippery roads, the braking distance required for a vehicle with ABS is almost the same as the one required for a vehicle without ABS.
- If you would like to suddenly apply brake, just push the brake pedal down firmly without pumping. Otherwise, the longer braking distance will be required.
- The ABS will not work if vehicle speed is under about 9 km/h. This depends on the road conditions.

Vibration and Sound during ABS Operation

When strongly depressing the brake pedal, you might feel vibration of the brake pedal, the steering wheel, and the vehicle body. This is due to ABS operation, and does not indicate a malfunction; continue strongly depressing the brake pedal at this time.

NOTE:

Immediately after starting the engine and beginning to drive, you might temporarily hear a motor sound. This means that the systems are in self-check mode. This sound does not indicate a malfunction.

OPERATING YOUR VEHICLE

Tyres

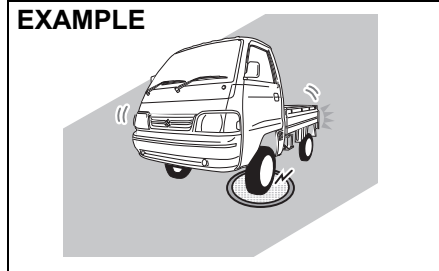
⚠ WARNING

ABS detects each wheel rotation speed via a sensor. If tyres or wheels other than those specified in the owner's manual are used for size, type, tread pattern, or if worn conditions of tyres are different, the correct wheel rotation speed cannot be detected and ABS will not work properly. This may result in an accident. When replacing tyres, use the tyres with the size, type, and tread patterns which are specified in this owner's manual. Also, do not use the tyres which are excessively worn.

Situations where ABS may Activate by Chance when Applying Brake

- When driving on slippery roads

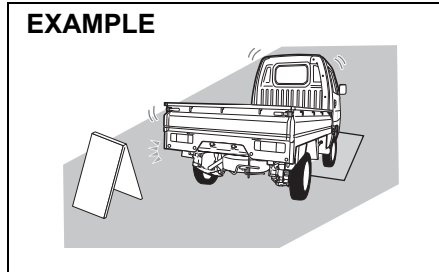
EXAMPLE



78MM05002

- Manholes

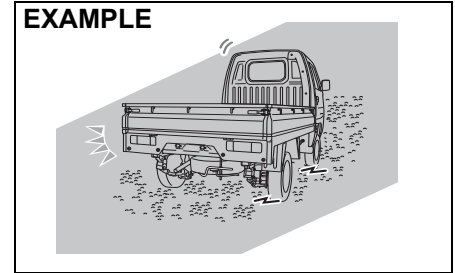
EXAMPLE



78MM05006

- Metal plates in construction zones

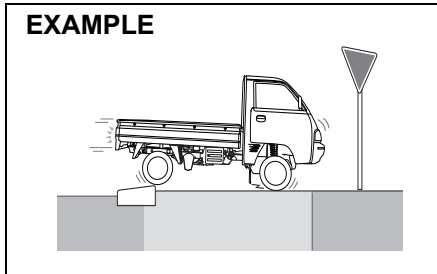
EXAMPLE



78MM05004

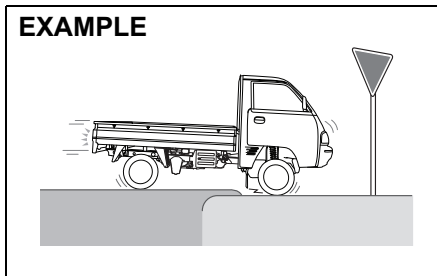
- Gravel roads

- When driving over joints in roads and other height differences



78MM05007

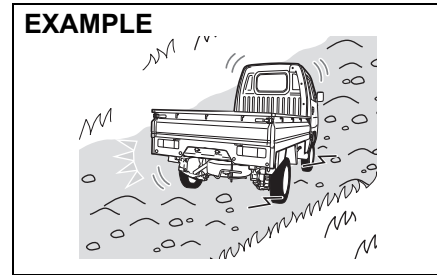
- Joints in roads



78MM05005

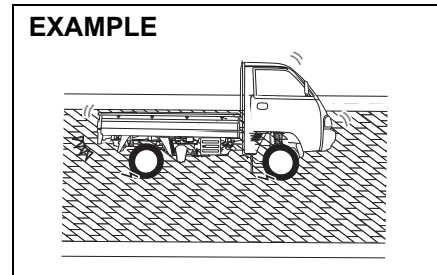
- Height differences in roads

- When driving on rough roads



78MM05008

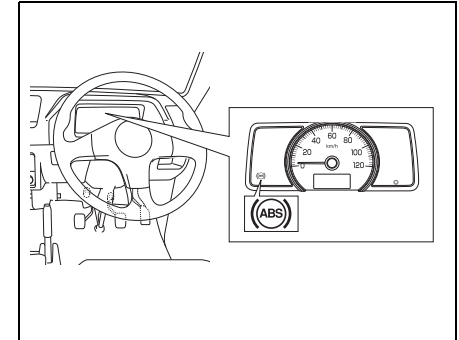
- Bumpy roads



78MM05009

- Cobblestone

ABS Warning Light



78MM05010

If there is a problem in the ABS system with the ignition switch in "ON" position, this light will come on.

Braking Assist

This function assists you in applying more force when operating the brake. When sudden braking is applied, the time until the ABS comes into full effect is shortened.

- If you do not depress the brake pedal firmly, braking assist will not operate.
- Brake assist is not a device that provides control beyond the original braking performance.

OPERATING YOUR VEHICLE

Electronic stability program (ESP®) (if equipped)

ESP® is a registered trademark of Daimler AG.

The Electronic Stability Program (ESP®) helps to control the vehicle during cornering if front wheels or rear wheels skid. It also assists you in maintaining traction while accelerating on loose or slippery road surfaces. It does this by regulating the engine's output, and by selectively applying the brakes. In addition, ESP® helps to avoid skidding by controlling braking pressure.

WARNING

The ESP® cannot enhance the vehicle's driving stability in all situations and does not control your vehicle's entire braking system. The ESP® cannot prevent accidents, including those resulting from excessive speed in turns, or hydroplaning. Only safe and attentive drive can prevent accidents.

The capabilities of an ESP®-equipped vehicle must never be used as a substitute for careful driving.

The ESP® has the following systems:

Anti-lock Brake System (ABS)

Refer to "Anti-lock Brake System (ABS)" in this section.

Brake Assist System

Refer to "Brake Assist System" in this section.

Traction Control System

The traction control system automatically helps prevent the spinning of wheels when the vehicle is started or accelerated on slippery road surfaces. The system operates only if it senses that some of the wheels are spinning or beginning to lose traction. When this happens, the system operates the front or rear brakes and reduces engine power to limit wheel spin.

NOTE:

You may hear an operation sound when you start the engine or after the vehicle begins to move. This means that the above systems are in the self-check mode. This sound does not indicate a malfunction.

Stability control system

The vehicle stability control system helps provide integrated control of systems such as anti-lock brakes, traction control, engine control, etc. This system automatically controls the brakes and engine to help prevent the vehicle from skidding when cornering on a slippery road surface or when turning the steering wheel abruptly.

WARNING

Always check the surrounding conditions and drive the vehicle in a safe manner, as controlling the vehicle by ESP® has limits and ESP® may not function properly depending on the surrounding conditions.

CAUTION

- **Observe the following points. Otherwise, ESP® may not operate properly or it may result in a malfunction.**
 - **Adjust the tyre pressure as specified.**
 - **When replacing tyres, use the same tyres with the size, type, and tread patterns.**
 - **Do not use the tyres which have excessively worn conditions.**
 - **Do not modify the suspension or the brake and do not change vehicle height or suspension hardness.**
 - **Do not drive the vehicle with suspension or brake excessively deteriorated.**
 - **Do not modify the engine or the muffler.**

(Continued)

▲ CAUTION

(Continued)

- Do not install LSD (limited slip differential).
- When you install the snow chains, ESP® may not operate properly.

NOTE:

- If you perform the following operations, you may hear an operation sound or a clicking sound. This means that the ESP® system is in the self-check mode and this does not indicate a malfunction.
 - When ignition switch is turned to the "ON" position.
 - When releasing your foot from the brake pedal, after the ignition switch is in "ON" position.
 - When starting the engine
 - When starting the vehicle after starting the engine
 - When engine revolutions is high and ESP® operates, you may feel the change of engine revolutions or vibration of vehicle body. However, this is normal.

ESP® warning light (if equipped)

EXAMPLE



56RM03011

- If there is a problem in the ESP® system with the ignition switch in "ON" position, this light will come on. While this light comes on, the following situations will occur. In this case, ask a Maruti Suzuki authorised workshop for inspection.
 - The following functions will not work:
 - Traction control system
 - Stability control system
 - ABS will work.
 - Depending on the malfunction condition, brake assist system may not work.
- If any of the following situations occurs, this light will blink at very short intervals of 0.2 seconds.
 - Traction control system is activated when starting or accelerating the vehicle
 - Stability control system is activated when making a sharp turn or whirling round.

- If the system is in normal condition, when you turn the ignition switch to "ON" position, this light will come on for about 2 seconds and then come off.

▲ CAUTION

If this light blinks at very short intervals, there is high possibility that the vehicle will be stuck or skid on a slippery road surface. In this case, drive the vehicle very carefully.

NOTE:

While this light comes on, traction control system and stability control system will not be activated. However, you can use ABS.

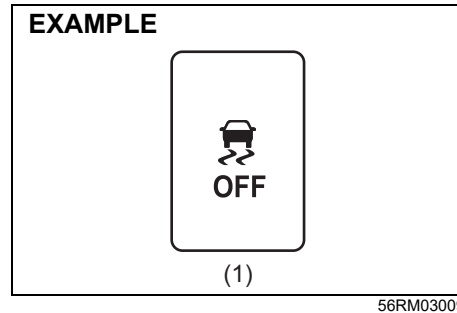
OPERATING YOUR VEHICLE

ESP® OFF indicator light (if equipped)



- If you press and hold the ESP® OFF switch with the ignition switch is in “ON” position or the ignition mode is “ON”, this light will come on.
 - While this light comes on, traction control system and stability control system will not work.
- If the system is in normal condition, when you turn the ignition switch to “ON” position, this light will come on for about 2 seconds and then come off.

ESP® OFF switch (if equipped)



- (1) ESP® OFF switch
- In the following situation, keep pressing the ESP® OFF switch until the ESP® OFF indicator light in the instrument cluster comes on. Traction control system and stability control system will not work.
 - When placing the vehicle on the tester for automobile inspection, traction control system and stability control system needs to be deactivated.
 - If your vehicle is stuck and you try to get out of the stuck condition, traction control system may not be suitable.
 - If you perform the following operations, the ESP® OFF indicator light will come off. Also, traction control system and stability control system will return to be in the activated condition.
 - Pressing the ESP® OFF switch again

- Stopping the engine and then restarting the engine
- When the vehicle speed exceeds approximately 20 km/h.

- If you would like to perform normal driving after escaping from the stuck condition, press the ESP® OFF switch again. This will allow the ESP® OFF indicator light to come off and the vehicle will return to the original condition. Traction control system and stability control system will not be activated automatically. (except when stopping the engine and then restarting the engine) or When the vehicle speed exceeds approximately 20 km/h.

NOTE:

For safety reasons, even if you press the ESP® OFF switch, ABS and brake assist system will not be deactivated.

ABS warning light / brake system warning light

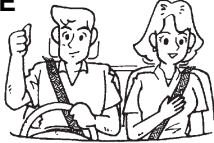
Refer to “Braking” in this section.

DRIVING TIPS

- Running-in 4-1
- Catalytic Converter 4-1
- Improving Fuel Economy 4-2
- Highway Driving 4-3
- Driving on Hills 4-3
- Driving on Slippery Roads 4-4
- Driving on Wet Roads 4-5
- Do's and Dont's for Safe Driving 4-6
- Margin for Safety 4-7

DRIVING TIPS

EXAMPLE



52D078S

⚠ WARNING

- **WEAR YOUR SEAT BELTS AT ALL TIMES.** The driver and passenger should be properly restrained at all times, using the seat belts provided. Refer to the “Seat Belts” section for instructions on proper use of the seat belts.
- **Never drive while under the influence of alcohol or other drugs.** Alcohol and drugs can seriously impair your ability to drive safely, greatly increasing the risk of injury to yourself and others. You should also avoid driving when you are tired, sick, irritated, or under stress.

Running-in

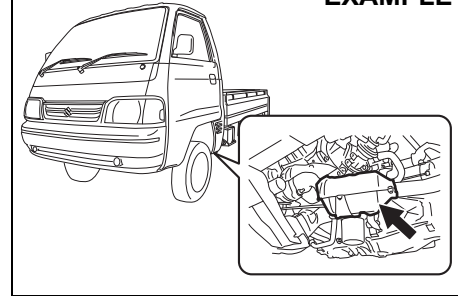
NOTICE

The future performance and reliability of the engine depends on the care and restraint exercised during its early life. It is especially important to observe the following precautions during the initial 960 km of vehicle operation.

- After starting, do not race the engine. Warm it up gradually.
- Avoid prolonged vehicle operation at a constant speed. Moving parts will break in better if you vary your speed.
- Start off from a stop slowly. Avoid full throttle starts.
- Avoid hard braking, especially during the first 320 km of driving.
- Do not drive slowly with the transmission in a high gear.
- Drive the vehicle at moderate engine speeds.
- Do not tow a trailer.

Catalytic Converter

EXAMPLE



77PH201

The purpose of the catalytic converter is to minimize the amount of harmful pollutants in your vehicle's exhaust. Use of leaded fuel in vehicles equipped with catalytic converters is prohibited, because lead deactivates the pollutant-reducing components of the catalyst system.

The converter is designed to last the life of the vehicle under normal usage and when unleaded fuel is used. No special maintenance is required on the converter. However, it is very important to keep the engine properly tuned. Engine misfiring, which can result from an improperly tuned engine, may cause overheating of the catalyst. This may result in permanent heat damage to the catalyst and other vehicle components.

NOTICE

To avoid damaging catalyst or other vehicle damage:

- Maintain the engine in the proper operating condition.
- In the event of an engine malfunction, particularly one involving engine misfiring or other apparent loss of performance, have the vehicle serviced promptly.
- Do not turn off the engine or interrupt the ignition when the transmission is in gear and the vehicle is in motion.
- Do not try to start the engine by pushing or towing the vehicle, or coasting down a hill.
- Do not idle the engine with any spark plug wires disconnected or removed, such as during diagnostic testing.
- Do not idle the vehicle for prolonged periods if idling seems rough or there are other malfunctions.
- Do not allow the fuel tank to get near the empty level.
- Avoid driving your vehicle at excessively high engine speed.

⚠ WARNING

Be careful in areas where you park and drive; the catalytic converter and other exhaust components can get very hot. As with any vehicle, do not park or operate this vehicle in areas where combustible materials such as dry grass or leaves can come in contact with a hot exhaust system.

EXAMPLE



82DY05

NOTE:
Non-usage of vehicle for long duration may cause gradual rusting of brake disc surface as it is made of cast iron. This may result in noise/vibration. Th same has no bearing on functioning of the vehicle. Regular driving of vehicle may prevent/remove rust, thus reducing the noise and vibration.

Improving Fuel Economy

NOTE:

Fuel economy (mileage) of the vehicle may vary due to several factors i.e., driving habits - gear change pattern, usage of A.C, Air pressure in the tyres, wind speed, traffic conditions, fuel quality- non adulterated standard fuel, maintenance of vehicle, road conditions, braking etc.

The following instructions will help you improve fuel economy.

Avoid excessive idling

If you are to wait for more than a minute while you are parked, stop the engine and start it again later. When warming up a cold engine, do not allow the engine to idle or apply full throttle until the engine has reached operating temperature. Allow the engine to warm up while driving.

Avoid sudden acceleration

Sudden acceleration starting from rest or while driving will consume fuel unnecessarily and shorten engine life. Start off slowly.

Avoid unnecessary stops

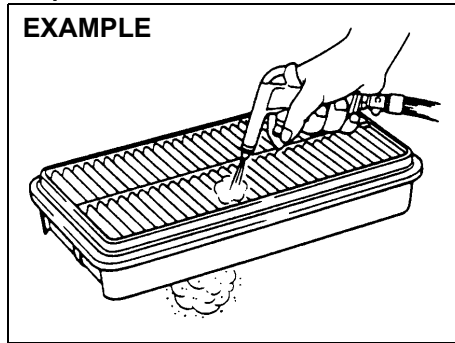
Avoid unnecessary deceleration and stopping. Try to maintain a slow, steady speed whenever possible. Slowing down and then accelerating again uses more fuel.

Keep a steady cruising speed

Keep as constant a speed as road and traffic conditions will permit.

DRIVING TIPS

Keep the air cleaner clean



60A183S

If the air cleaner is clogged with dust, there will be greater intake resistance, resulting in decreased power output and increased fuel consumption.

Keep weight to a minimum

Heavier the load, more fuel the vehicle consumes. Take out any luggage or cargo when it is not necessary.

Keep tyre pressures correct

Underinflation of the tyres can waste fuel due to increased running resistance of the tyres. Keep your tyres inflated to the correct pressure shown on the label on the driver's door lock pillar.

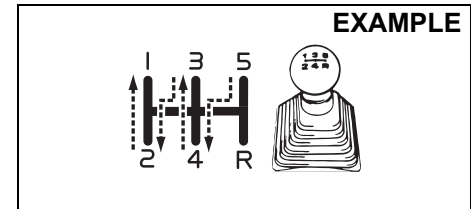
Highway Driving

When driving at highway speeds, pay attention to the following:

- Stopping distance progressively increases with vehicle speed. Apply the brakes far enough ahead of the stopping point to allow for the extra stopping distance.
- On rainy days, hydroplaning can occur. Hydroplaning is the loss of direct contact between the road surface and the vehicle's tyres due to a water film forming between them. Steering or braking the vehicle while hydroplaning can be very difficult, and loss of control can occur. Keep speed down when the road surface is wet.
- At high speeds, the vehicle may be affected by side winds. Therefore, reduce speed and be prepared for unexpected buffeting, which can occur at the exits of tunnels, when passing by a cut of a hill, or when being overtaken by large vehicles, etc.

Driving on Hills

- When climbing steep hills, the vehicle may begin to slow down and show a lack of power. If this happens, you should shift to a lower gear so that the engine will again be operating in its normal power range. Shift rapidly to prevent the vehicle from losing momentum.
- When driving down a hill, the engine should be used for braking by shifting into a lower gear.



77PH003

⚠ WARNING

Try not to hold the brake pedal down too long or too often while going down a steep or long hill. This could cause the brakes to overheat, resulting in reduced braking efficiency. Failure to take this precaution could result in loss of vehicle control.

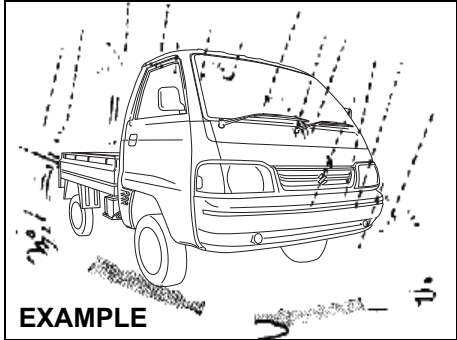
While moving uphill/gradient from a stand still condition

- Apply the parking brake firmly so that the vehicle does not roll backwards.
- Depress the Clutch pedal and Shift the gearshift lever to 1st Select position.
- Do not slip the clutch.
- When ready to start, press accelerator pedal and slowly release the clutch pedal simultaneously. When the vehicle starts to move, gradually release the parking brake.

NOTICE

When descending down a hill, NEVER turn the ignition key to the "LOCK" position. Emission control system damage may result.

Driving on Slippery Roads



82DY06

Under wet road conditions you should drive at a lower speed than on dry roads due to possible slippage of tyres during braking. When driving on icy, snow-covered, or muddy roads, reduce your speed and avoid sudden acceleration, abrupt braking, or sharp steering movements.

If Your Vehicle Gets Stuck

If your vehicle gets stuck in snow, mud, or sand, follow the directions below:

- 1) Shift the transmission back and forth between first gear and reverse. This will create a rocking motion which may give you enough momentum to free the vehicle. Press gently on the accelerator to keep wheel spinning to a minimum wheel rpm. Remove your foot from the accelerator while shifting.

Do not race the engine. Excessive wheel spin will cause the tyres to dig deeper, making it more difficult to free the vehicle.

- 2) If your vehicle remains stuck after a few minutes of rocking, get another vehicle to pull your vehicle out.

⚠ WARNING

Do not allow anyone to stand near the vehicle when you are rocking it, and do not spin the wheels faster than an indicated 40 km/h on the speedometer. Personal injury and/or vehicle damage may result from spinning the wheels too fast.

NOTICE

Do not continue rocking the vehicle for more than a few minutes. Prolonged rocking can cause engine overheating or transmission damage.

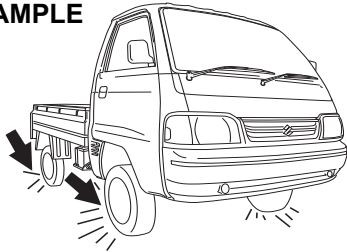
DRIVING TIPS

Driving on Wet Roads

NOTICE

- When driving on wet roads, avoid driving through large amount of standing water on the road. Large amount of water entering the engine compartment may cause damage to the engine and or electrical components.
- If stuck in deep water, do not start till water level drops.
- Water is incompressible substance, water inside engine is harmful to the engine.

EXAMPLE



82DY07

⚠ WARNING

In addition to following the driving tips in this section, it is important to observe the following precautions.

- Make sure your tyres are in good condition and always maintain the specified tyre pressure. Refer to “Tyres” in the “INSPECTION AND MAINTENANCE” section for details.
- Do not use tyres other than those specified by MARUTI SUZUKI. Never use different sizes or types of tyres on the front and rear wheels. For information regarding the specified tyres, refer to the Tyre Information Label located on the driver’s door lock pillar.
- Never use oversized tyres or special shock absorbers and springs to raise (jack up) your vehicle. This will change the handling characteristics. Oversized tyres may also rub against the vehicle body over bumps, causing vehicle damage or tyre failure.
- After driving through water, test the brakes while driving at a slow speed to see if they have maintained their normal effectiveness. If they are less effective than normal, dry them by repeatedly applying the brakes while driving slowly until the brakes have regained their normal effectiveness.

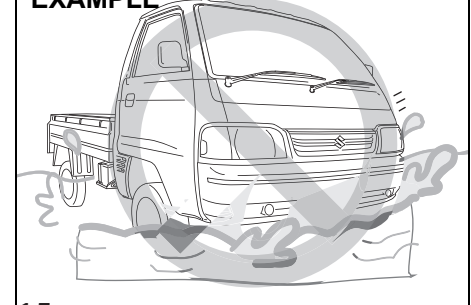
Off-road Driving

Do not drive in the field covered with grown grass.

If you drive in the field covered with grass, it may cause accident or fire or vehicle damage by getting caught in grown grass.

When Encountering a Flooded Area

EXAMPLE



77PM04011

Avoid driving in a flooded area or a deep puddle. If driving in a flooded area is unavoidable, go slowly in the lowest gear. In case that you have driven in a flooded area, stop the vehicle in a safe and non flooded place while checking the brake effectiveness. Then, ask a Maruti Suzuki authorised workshop to check the following inspection items.

- Function of brake
- Function of electrical components

- Changes in oil level and quality for engine and transmission. In case that the oil is turbid whitish, water has been mixed in the oil and an oil change is required.
- Lubricant condition of the bearings, suspension joints, etc.

NOTICE
<ul style="list-style-type: none">• Avoid driving in a flooded area or a deep puddle. It may cause an engine stall, short in electrical components, engine and transmission damages, etc.• If the vehicle gets stuck in deep water do not start the engine.

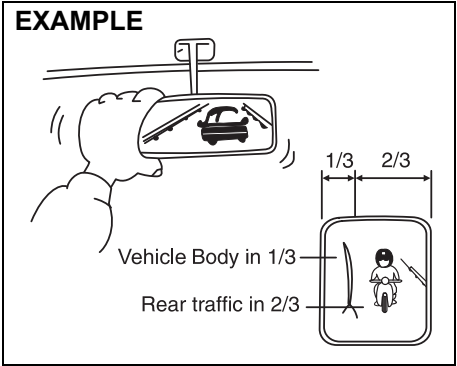
Do's and Dont's for Safe Driving

Exercise care in handling your vehicle. Be conscious of not only your own safety but also the safety of others on the road, and thus enjoy the best and most comfortable driving experience.

Following are basic rules for safe driving. Read them carefully for good understanding of the content so that you can enjoy safe and pleasant driving in your vehicle.

Starting

- 1) Adjust the driver's seat for the proper driving posture.
- 2) Adjust the rear view mirror so as to obtain the best possible rear view.



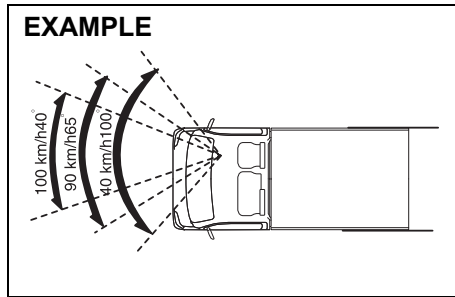
77PM04002

- 3) Before moving, look around your vehicle to confirm safety.
- 4) Don't accelerate suddenly, since it is dangerous and wastes fuel.

General driving

- 1) Be sure to stop before a stop light or stop sign. When moving into an intersection without any traffic lights or signs, drive slowly to confirm safety.
- 2) Always follow other vehicles at a safe distance in order to prevent a rear-end collision, in case the vehicle ahead makes a sudden stop.
- 3) Turn ON the turn signal at least 30 meters before making a turn or changing the lane so as to not be hit.
- 4) Before entering a corner, decelerate to a safe speed. Don't apply brakes during cornering, or skidding may occur.
- 5) When overtaking other vehicles, watch out for oncoming vehicles and carefully ensure safety.
- 6) Don't attempt zigzag driving as it will hinder your control over the vehicle and may cause an accident.
- 7) Avoid reckless high speed driving and try to drive at a safe speed suitable for the road conditions while maintaining a constant speed.
- 8) The higher the speed, the narrower the driver's visual range becomes. In such a state, it is difficult to anticipate any hazard and the driver feels fatigued.

DRIVING TIPS



77PM04001

- 9) Do not attempt sharp handling during high speed driving. You may lose your control over your vehicle.
- 10) When overtaking or changing lanes while driving at a high speed, keep ample vehicle-to-vehicle distance.

Braking

- 1) Use the parking brake when parking your vehicle and shift the gear shift lever into the first gear or reverse gear position for the sake of safety.
- 2) Don't use hand-braking unless unavoidable. It causes the vehicle to skid and a collision may occur. It is especially dangerous when the tyres are worn out as they skid more.

Use foot brake in three stages

1. Warn the vehicle behind you
2. Gradually apply the brake.
3. Bring the vehicle to a halt.

- 3) When driving downhill, try not to apply the brake but use the engine brake effectively. Overuse of the foot-brake may result in reduction of brake effectiveness.

Long distance driving

- 1) Be sure to perform safety checks before starting a trip.
- 2) Take rest at regular intervals to prevent accidents which may occur due to feeling sleepy or tired.

Night time driving

- 1) Drive at lower speeds during the night than in the daytime, as the visual range is restricted at night.
- 2) Avoid overtaking other vehicles at night. Darkness bothers your sense of speed and hinders your judgment of vehicle-to-vehicle distance.
- 3) Don't use headlights on high beam unless its use is inevitable. It may cause visual impairment to the driver of the oncoming vehicle or the vehicle ahead of you, which may cause an accident.
- 4) Always keep the window glasses clean. Don't operate the windshield wiper when the windshield glass is dry else the wiper blade and glass may get damaged.

Margin for Safety

It is important to allow yourself a margin for safety during driving so that you can cope with erroneous or unexpected driving of other drivers. For that, observe the following.

- Drive at a safe speed.
- Maintain a sufficient distance between your vehicle and the vehicle ahead.
- Don't force yourself to overtake other vehicles.
- Don't accelerate suddenly, steer sharply or stop suddenly.
- Keep ample gaps between driving schedules.
- Observe traffic rules and regulations.

Conclusion

A perfect driver does not exist. The endeavour of every motorist should be to strive for perfection. Safety consciousness not only ensures your safety and the safety of other road users, it also helps reduce the wear and tear on your vehicle, lengthens its life, gives better fuel efficiency and ensures a comfortable driving experience.

Follow the do's and don'ts listed, and driving will never be the same again.

OTHER CONTROLS AND EQUIPMENT

Fuel Filler Cap 5-1
Engine Compartment 5-3
Sun Visor 5-4
Interior Light 5-5
Accessory Socket 5-5
Glove Box 5-5
Storage Area 5-6
Air Vent 5-6
Frame Hook 5-7
Assist Grip 5-7

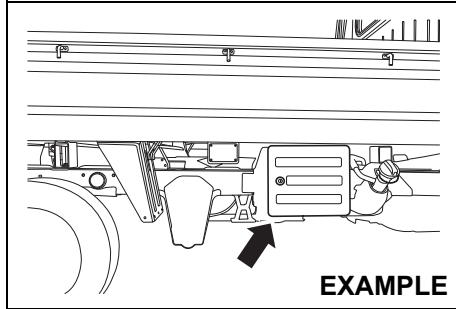
OTHER CONTROLS AND EQUIPMENT

Fuel Filler Cap

(For Petrol and CNG Engine Model)

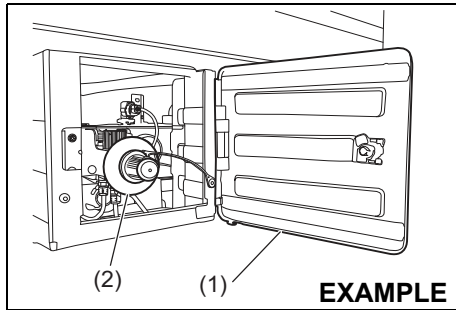
CNG filler valve

(For CNG engine model)



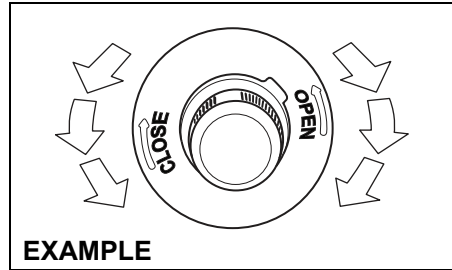
77PM05003

The CNG filler valve is located on the right side of the vehicle.



77PM05001

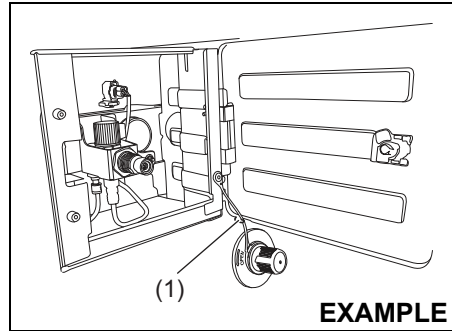
To unlock CNG filler door (1), insert the key and turn top of the key towards front of the vehicle.



77PM05005

To remove the CNG filler valve cover:

- 1) Open the CNG filler door (1).
- 2) Remove the CNG filler valve cover (2) by turning it anticlockwise direction.



77PM05006

NOTE:

If the fuel filler door is equipped with the cap holder (3), then use the cap holder to hold fuel filler cap while refueling.

Filling automatically gets cut off when the cylinder pressure becomes equal to dispenser pressure.

To reinstall the CNG filler valve cover:

- 1) Turn the CNG filler valve cover (2) clockwise direction until its completely closed.
- 2) Close the CNG filler door (1).

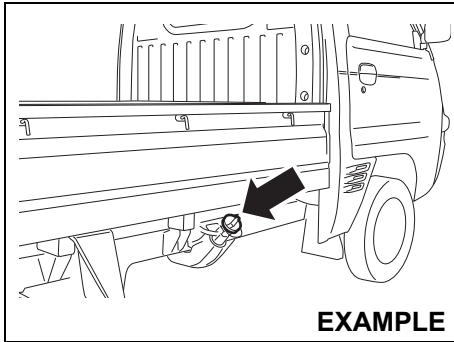
NOTE:

- *If the CNG filler cover (2) is not closed properly, you will not be able to start the vehicle.*
- *Engine will stop if the CNG filler cover (2) is opened in vehicle stationary condition.*

NOTE:

During vehicle operation gravels may enter the CNG filler box. Remove whenever observed.

**Petrol filling cap
(For Petrol engine model)**

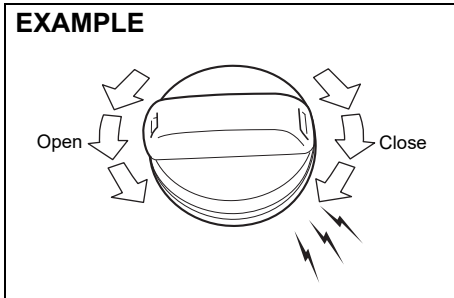


EXAMPLE

77PH031

The fuel filler cap is located on the right side of the vehicle.

EXAMPLE



68KN048

To remove the fuel filler cap, turn it counterclockwise. To reinstall the fuel filler cap, turn it in clockwise direction until you hear several clicks.

⚠ CAUTION

Remove the fuel filler cap slowly. The fuel may be under pressure and may spray out, causing injury.

⚠ WARNING

Fuel is extremely flammable. Do not smoke when refueling, and make sure there are no open flames or sparks in the area.

⚠ WARNING

If you need to replace the fuel cap, use a MARUTI genuine cap. Use of an improper cap can result in a malfunction of the fuel system or emission control system. It may also result in fuel leakage in the event of an accident.

⚠ CAUTION

Remove the fuel filler cap slowly. The fuel may be under pressure and may spray out, causing injury.

⚠ WARNING

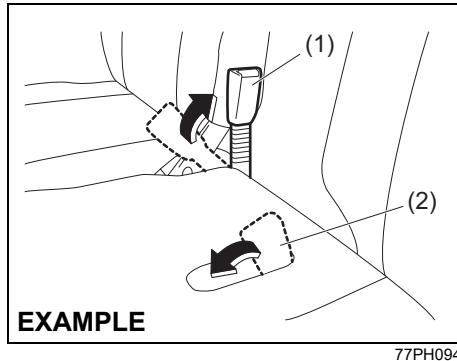
Fuel is extremely flammable. Do not smoke when refueling, and make sure there are no open flames or sparks in the area.

⚠ WARNING

If you need to replace the fuel cap, use a MARUTI genuine cap. Use of an improper cap can result in a malfunction of the fuel system or emission control system. It may also result in fuel leakage in the event of an accident.

OTHER CONTROLS AND EQUIPMENT

Engine Compartment

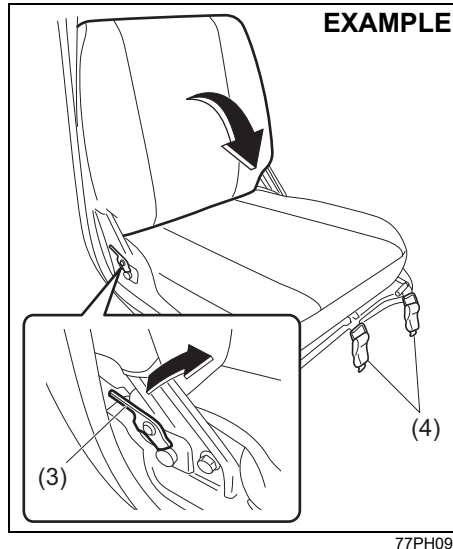


To open the engine compartment:

- 1) Raise the driver's seat belt buckle (1) to the seatback position. Store the passenger's seat belt buckle (2).
- 2) For the driver's seat, slide the seat to the most rearward position.

CAUTION

When you slide the driver's seat rearward, push the seatback. If you hold the seatback top, your hand could be pinched between the seatback and cabin back panel, may result in personal injury.

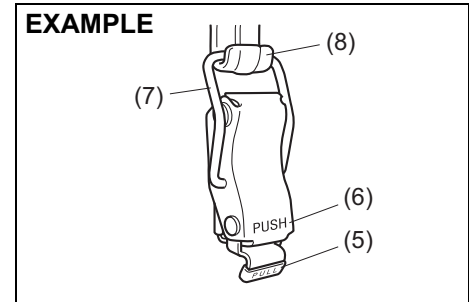


- 3) For the driver's seat, pull the lock lever (3) to fold the seatback forward.

NOTE:

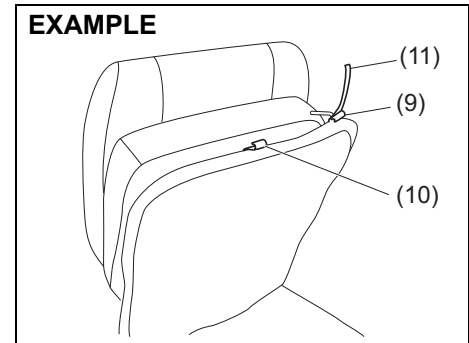
The seatback can be folded only up to the position where it comes in contact with the steering wheel.

- 4) Unhook the lock handles (4) on the front end of each seat.

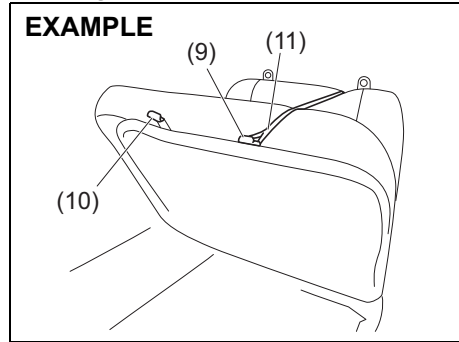


- To unhook the lock handle, pull the "PULL" part (5) and unhook the ring (7) from the hook (8).
- To lock the lock handle, put the ring (7) on the hook (8) and then push the "PUSH" part (6).

Driver side



Passenger side



77PH103

NOTE:

The straps (11) are available behind the seatback of passenger seat.

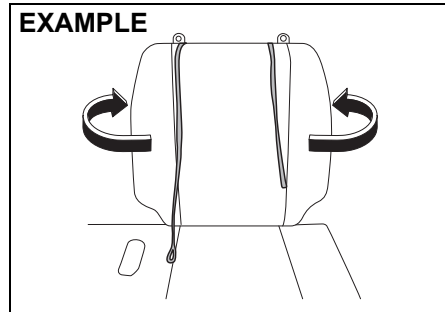
- 5) Raise the seat and hook the strap (11) to the hook (9). The hook (10) is not used for attaching the seat strap.

NOTICE

Do not hook the strap to the driver's seat position adjustment lever or do not apply undue force to the seats when being hooked by the straps. Doing so could break the straps, hooks and/or the driver's seat position adjustment lever.

- To close the engine compartment, reverse the steps in which you have opened it.

- After closing, try to move the seats to ensure that they are securely latched.
- Store the straps in space behind the passenger's seat as shown in the illustration.



77PH097

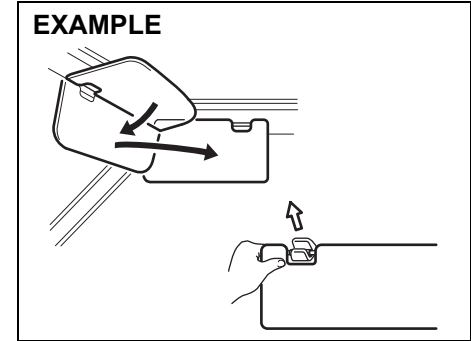
⚠ WARNING

Store the straps in space behind the passenger's seat. If an occupant's body gets caught by the straps, there is a risk of serious injury such as suffocation. If this happens, cut the straps with scissors.

⚠ CAUTION

When closing the engine compartment, be careful that the seats do not pinch your hands or the driver's seat belt buckle, or hit your body.

Sun Visor



77PH004

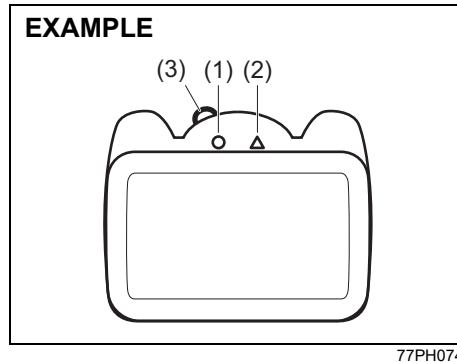
Sun visor is available on the driver side of the vehicle. The sun visor can be pulled down to block the glare coming through the windshield, or they can be unhooked and turned to the side to block the glare coming through the side window.

NOTICE

When unhooking and hooking a sun visor, be sure to handle it by side of the sun visor as shown in the figure else sun visor may get damaged.

OTHER CONTROLS AND EQUIPMENT

Interior Light



This light switch has two positions. These positions can be selected using knob (3). The functions of the two positions are:

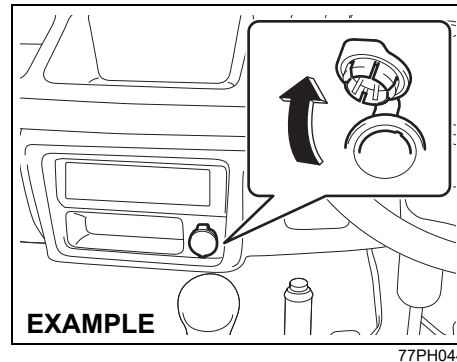
ON (1)

The light comes on and stays on.

OFF (2)

The light remains off.

Accessory Socket

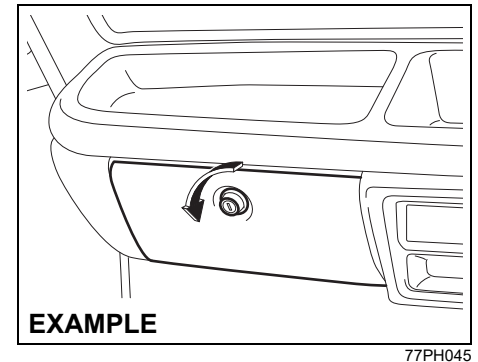


The accessory socket will work when the ignition switch is in the "ACC" or "ON" position. This socket can be used to provide 12 volt/120 watt power for electrical accessories.

NOTICE

Use of inappropriate electrical accessories can cause damage to your vehicle's electrical system. Make sure that any electrical accessories you use are designed to plug into this type of socket.

Glove Box

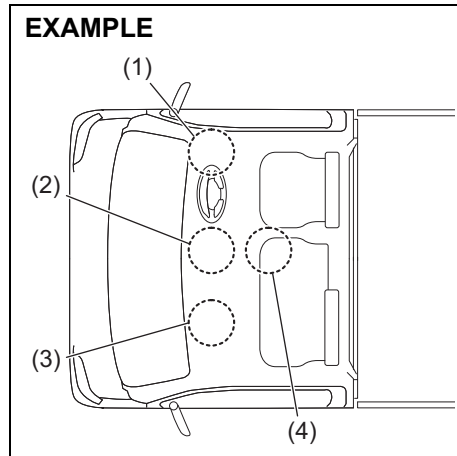


To open the glove box, twist the knob counterclockwise. To close it, push the lid until it latches securely. To lock the glove box, insert the key into the knob and turn it clockwise. To unlock the glove box, insert the key into the knob and turn it counterclockwise.

⚠ WARNING

Never drive with the glove box lid open. It could cause injury if an accident occurs.

Storage Area



77PH104

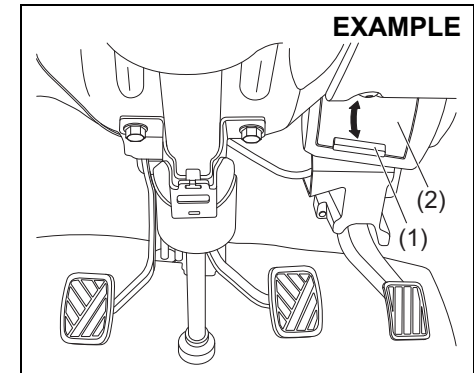
- (1) Instrument panel pocket (driver's side)
- (2) Instrument panel tray (center) / Instrument panel pocket (center)
- (3) Instrument panel tray (passenger's side)
- (4) Center pocket

Instrument Panel Pocket (1)/(2) / Instrument Panel Tray (2)/(3) / Center Pocket (4)

⚠ WARNING

Do not place any objects which may fall out from the pocket/tray when the vehicle is moving. Failure to take the precaution may result in an object interfering with the pedals and causing a loss of vehicle control or an accident.

Air Vent



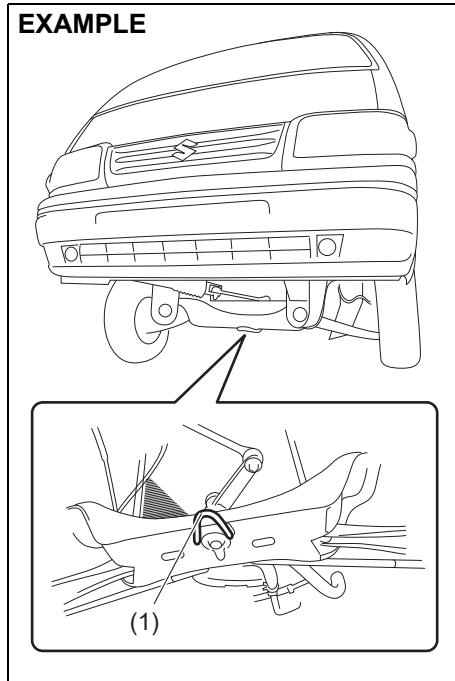
77PM502

Air vents are located on driver side and passenger side of the vehicle. For opening or closing the air vent, move the knob (1) vertically to open or close the flap (2). When "OPEN", fresh air will come inside the cabin.

OTHER CONTROLS AND EQUIPMENT

Frame Hook

Front



The frame hook (1) is provided on the front of the vehicle for use in emergency situations and shipping purposes only.

To tow your vehicle on the road or highway, follow the instruction of “Towing” in “EMERGENCY SERVICE” section.

⚠ WARNING

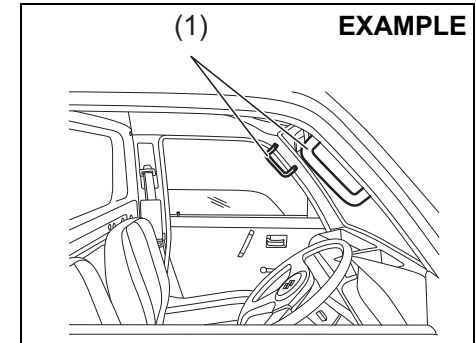
Do not use the frame hook to tow another vehicle or to have your vehicle towed on the road or highway. The hook (1) is designed for use in emergency situations only, such as if your vehicle or another vehicle gets stuck in deep mud or snow.

NOTICE

When you use the frame hook (1), avoid driving in the manner that may give significant shock to the hook. Such operation can damage the hook, or the vehicle body.

Do not accelerate suddenly.

Assist Grip



Assist grips (1) are available on driver side and passenger side of the vehicle. The assist grips are meant for driver / passenger to get in and get out of the vehicle easily.

VEHICLE LOADING AND TOWING

Vehicle Loading	6-1
Trailer Towing	6-1

VEHICLE LOADING AND TOWING

Vehicle Loading

Your vehicle was designed for specific weight capacities. The weight capacities of your vehicle are indicated by the Gross Vehicle Weight Rating (GVWR) and the Permissible maximum Axle Weight (PAW, front and rear). The GVWR and PAW (front and rear) are listed in the "SPECIFICATIONS" section.

GVWR – Maximum permissible overall weight of the fully loaded vehicle (including all the occupants, accessories and cargo plus the trailer nose weight if towing a trailer).

PAW – (Front and Rear) Maximum permissible weight on an individual axle.

Actual weight of the loaded vehicle and actual loads at the front and rear axles can only be determined by weighing the vehicle. Compare these weights to the GVWR and PAW (front and rear). If the gross vehicle weight or the load on either axle exceeds these ratings, you must remove enough weight to bring the load down to the rated capacity.

WARNING

Never overload your vehicle. The gross vehicle weight (sum of the weights of the vehicle, all the occupants, accessories, cargo plus trailer nose weight if towing a trailer) must never exceed the Gross Vehicle Weight Rating (GVWR). In addition, never distribute a load so that the weight on either the front or rear axle exceeds the Permissible maximum Axle Weight (PAW).

WARNING

Always distribute cargo evenly. To avoid personal injury or damage to your vehicle, always secure cargo to prevent it from shifting if the vehicle moves suddenly. Place heavier objects on the floor and as far forward in the cargo area as possible. Never pile cargo higher than the top of the seat backs.

Trailer Towing

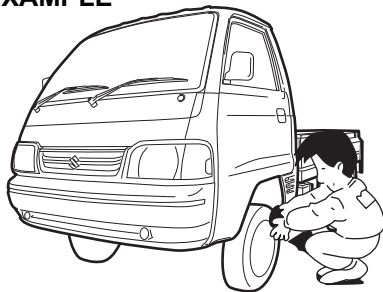
Your vehicle was originally designed to carry one driver, one passenger and a certain amount of cargo, not to tow a trailer. MARUTI does not recommend you to use your vehicle to tow a trailer. Towing a trailer can adversely affect handling, durability, and fuel economy.

INSPECTION AND MAINTENANCE

Maintenance Schedule 7-1
Periodic Maintenance Schedule 7-2
Inspection and Maintenance operations to be
performed by customer 7-6
Drive Belt 7-8
Engine Oil and Filter 7-8
Engine Coolant 7-12
Air Cleaner 7-14
Spark Plugs 7-14
Gear Oil 7-14
Clutch Pedal 7-16
Brakes 7-16
Steering 7-19
Propeller Shaft Universal Joint 7-19
Tyres 7-19
Battery 7-21
Fuses 7-22
Bulb Replacement 7-25
Wiper Blades 7-28
Windshield Washer Fluid (If equipped) 7-30

INSPECTION AND MAINTENANCE

EXAMPLE



77PM07008

⚠ WARNING

You should take extreme care when working on your vehicle to prevent accidental injury. Here are a few precautions that you should be especially careful to observe:

- Do not leave the engine running in garages or other confined areas.
- When the engine is running, keep hands, clothing, tools, and other objects away from the fan and drive belt. Even though the fan may not be moving, it can automatically turn on without warning.

(Continued)

⚠ WARNING

(Continued)

- When it is necessary to do service work with the engine running, make sure that the parking brake is set fully and the transmission is in Neutral.
- Do not touch ignition wires or other ignition system parts when starting the engine or when the engine is running, or you could receive an electric shock.
- Be careful not to touch a hot engine, exhaust manifold and pipes, muffler, radiator and water hoses.
- Do not allow smoking, sparks, or flames around fuel or the battery. Flammable fumes are present.
- Do not get under your vehicle if it is supported only with the portable jack provided in your vehicle.
- Be careful not to cause accidental short circuits between the positive and negative battery terminals.
- Keep used oil, coolant, and other fluids away from children and pets. Dispose of used fluids properly; never pour them on the ground, into sewers, etc.

Maintenance Schedule

The following table shows the times when you should perform regular maintenance on your vehicle. This table shows in kilometers and months when you should perform inspections, adjustments, lubrication and other services.

⚠ WARNING

MARUTI SUZUKI recommends that maintenance on your vehicle should be performed by your authorised MARUTI SUZUKI COMMERCIAL workshop.

NOTICE

Whenever it becomes necessary to replace parts on your vehicle, it is recommended that you use MARUTI genuine replacement parts or their equivalent.

Periodic Maintenance Schedule

“C”: Clean

“R”: Replace or Change

“I”: Inspect, clean, adjust, lubricate or replace as necessary

“L”: Lubricate

“T”: Tighten to Specified Torque

“O”: Rotate

NOTE:

This table includes services as scheduled up to 90,000 km mileage. Beyond 90,000km, carry out the same services at the same intervals respectively.

For free inspection the cost of materials and consumables to be borne by customer.

INSPECTION AND MAINTENANCE

Interval: This interval should be judged by odometer reading or months, whichever comes first.		FREE INSPECTION				PERIODIC MAINTENANCE AT COST						
		km (x1000)	5	10	20	30	40	50	60	70	80	90
		months	2	4	8	12	16	20	24	28	32	36
ENGINE												
1-1.	Water pump drive belt (Tension, Wear)		-	I	I	I	I	I	I	I	R	I
1-2.	Engine Coolant SUZUKI LLC: Super (Blue) (#1,2)	First time only:	Replace at 100000 km or 60 months whichever comes first.									
		Second time and after:	Replace every 40000 km or 24 months whichever comes first.									
	Engine Coolant SUZUKI LLC: Standard (Yellow) (#1,3)		I	I	R	I	R	I	R	I	R	I
1-3.	Engine oil, engine oil filter and drain plug gasket (Level, Leakage)		I	R	R	R	R	R	R	R	R	R
1-4.	Cooling system hoses and connections (Leakage and Damage)		I	I	I	I	I	I	I	I	I	I
1-5.	Engine Mounting and Manifold fixing (Loose, Damage)		I	I	I	I	I	I	I	I	I	I
1-6.	Exhaust System (Noise, Leakage etc.)		I	-	I	-	I	-	I	-	I	-
1-7.	Positive Crank Case Ventilation System (Hoses, Connections and Valve)		I	-	I	-	I	-	I	-	I	-
1-8.	Exhaust Gas Recirculation Valve		-	-	-	C	-	-	C	-	-	C
IGNITION												
2-1.	Ignition wire (Damage, Deterioration)		-	-	I	-	I	-	I	-	I	-
2-2.	Spark Plug	Petrol	Replace every 100000 km or 84 months whichever comes first									
		CNG	Replace every 50000 km or 48 months whichever comes first									
FUEL												
3-1.	Air cleaner filter element	Paved-road	Clean every 5000 km. Replace every 40000 km									
		Dusty Condition	Clean every 2500 km. Replace every 40000 km. More frequent replacement if the conditions are severe.									
3-2.	Fuel tank cap, fuel lines and connections (Leakage and Damage)		I	-	-	-	I	-	-	-	I	-
3-3.	Fuel Filter (Leakage)		I	I	I	I	R	I	I	I	R	I

#1: Perform the engine coolant level check under the daily inspection in the "OPERATING YOUR VEHICLE" section.

The same type of coolant that is filled at the time of a brand new car should be used when you add or replace the coolant. Refer to "Engine coolant" in this section.

#2: Do not add SUZUKI LLC: Standard (Yellow) Coolant or distilled water or others when your vehicle is originally filled with SUZUKI LLC: Super (Blue) Coolant.

#3: When your vehicle is originally filled with SUZUKI LLC: Standard (Yellow) Coolant, follow the maintenance schedule of SUZUKI LLC: Standard (Yellow) Coolant.

INSPECTION AND MAINTENANCE

Interval: This interval should be judged by odometer reading or months, whichever comes first.		FREE INSPECTION				PERIODIC MAINTENANCE AT COST						
		km (x1000)	5	10	20	30	40	50	60	70	80	90
		months	2	4	8	12	16	20	24	28	32	36
3-4.	CNG fuel line joints (Gas leakage)											
3-5.	CNG low pressure filter cartridge with O-Ring	-	-	R	-	R	-	R	-	R	-	
3-6.	CNG cylinder leak testing and certification	Every 3 years from the date of initial testing by govt. approved testing agency										
3-7.	CNG filler receptacle O-Ring	Replace every 4 years or 300000 km whichever comes earlier										
CLUTCH AND TRANSMISSION												
4-1.	Clutch Pedal (Play)											
4-2.	Clutch slipping (Dragging or Excess Damage)											
4-3.	Gear shifter (Operation)											
4-4.	Manual Transmission Oil (Level, Leakage)											
4-5.	Rear Differential Oil (Level, Leakage)	Replace at 80000 km or 4 years whichever comes first										
4-6.	Propeller shaft / Universal joint (Loose, Damage)		I&L	I&L	I&L	I&L	I&L	I&L	I&L	I&L	I&L	
BRAKE												
5-1.	Brake Fluid (Level, Leakage)											
		Replace every 40000 km or 24 months whichever comes first										
5-2.	Brake pedal (Pedal - Front Panel Clearance)											
5-3.	Parking brake lever and cable (Play, Damage)											
5-4.	Brake disc and pad (Wear)											
5-5.	Brake drum and shoes (Wear)	-	-									
5-6.	Master cylinder, wheel cylinder and caliper piston (Fluid Leakage, Boot/Seal Damage)											
5-7.	Brake hoses and pipes (Leakage, Damage)											
WHEEL												
6-1.	Tyres (Air pressure, Abnormal wear, Crack and Rotation)	I&O	I&O	I&O	I&O	I&O	I&O	I&O	I&O	I&O	I&O	
6-2.	Wheels (Damage)											
6-3.	Front/Rear wheel bearing (Loose, Damage)											

INSPECTION AND MAINTENANCE

Interval: This interval should be judged by odometer reading or months, whichever comes first.		FREE INSPECTION				PERIODIC MAINTENANCE AT COST						
		km (x1000)	5	10	20	30	40	50	60	70	80	90
		months	2	4	8	12	16	20	24	28	32	36
FRONT / REAR SUSPENSION												
7-1.	Front suspension strut and shock absorber (Oil leakage, Damage)											
7-2.	Front suspension arms, Knuckle support and Tension rods (Loose, Damage)											
7-3.	Rear leaf spring (Damage)											
7-4.	Rear shock absorber (Oil leakage, Damage)											
7-5.	All bolts and nuts (Loose)	T	T	T	T	T	T	T	T	T	T	
STEERING												
8-1.	Steering wheel (Play, Loose)											
8-2.	Steering column rods and arms (Loose, Damage, Wear)											
ELECTRICAL												
9-1.	Battery - Electrolyte (Level, Leakage) and voltage											
9-2.	Wiring harness connection (Loose, Damage)											
9-3.	Lighting system (Operation)											
9-4.	Wiper (Operation, Stains, Damage)											
9-5.	Horn (Operation)											
9-6.	Accessory socket (Operation)											
BODY												
10-1.	All chassis bolts and nuts (Tighten)		T	T	T	T	T	T	T	T	T	
10-2.	All latches, hinges and locks (Function)	I&L	I&L	I&L	I&L	I&L	I&L	I&L	I&L	I&L	I&L	
10-3.	Cargo bed (Inspect)											
ROAD TEST												
11-1.	Operation of brakes, clutch, gear shifting and speedometer											
11-2.	Body and chassis noise											

Inspection & Maintenance operations to be performed by customer

The following table shows the inspection & maintenance operations that you can perform.
This table shows the frequency when you should perform inspection, greasing, lubrication & other services.

FREQUENCY	SR.NO.	OPERATION	REFERENCE	
Daily	1	Inspect all tyres (including spare wheel) for air pressure, abnormal wear, cracks and damage.	Page No. 7-19	
Weekly	2	Inspect engine oil level, if necessary, top up with Maruti Genuine Engine oil.	Page No. 7-9	
	3	Inspect coolant level in coolant reservoir and if necessary, top up with a mixture of recommended Maruti Genuine Coolant and distilled water in specified ratio.	Page No. 7-12	
	4	Inspect transmission oil level and differential oil level.	Page No. 7-15	
	5	Inspect brake fluid level in brake fluid reservoir and if necessary, top up with Maruti Genuine Brake Fluid.	Page No. 7-16	
	6	Inspect vehicle for <ul style="list-style-type: none"> • Engine oil leakage • Coolant leakage • Brake fluid leakage 	<ul style="list-style-type: none"> • Front suspension strut leakage • Rear shock absorber leakage • Fuel leakage • Transmission oil and differential oil leakage 	Inspection & maintenance Section
	7	Inspect battery electrolyte level, terminals and bracket.	Page No. 7-20	
	8	Inspect wheel mounting nuts and tighten if necessary.	Page No. 8-5	

INSPECTION AND MAINTENANCE

Monthly	9	Inspect drive belt for damage or deterioration.	Page No. 7-8
	10	Clean air filter element.	Page No. 7-13
	11	Grease all latches, hinges and locks using multi purpose grease.	Page No. 7-5
	12	Grease propeller shaft universal joint with grease gun.	Page No. 7-18
As and when required	13	Inspect clutch pedal play.	Page No. 7-16
	14	Inspect the brake pedal to floor panel distance by applying the brakes, when engine is running.	Page No. 7-17
	15	Inspect parking brake for proper adjustment.	Page No. 7-18

*** Inspect and/or adjust wheel alignment and balancing if the vehicle pulls to one side or vibrates at high speed.**

Drive Belt

⚠ WARNING
When the engine is running, keep hands, hair, clothing, tools, etc. away from the moving fan and drive belts.

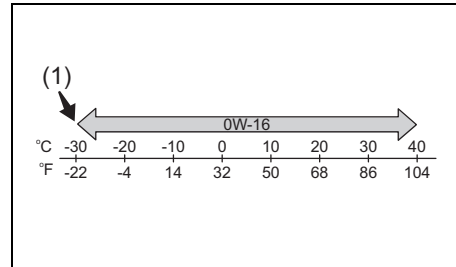
Make sure the drive belt tension is correct. If the belt is too loose, insufficient battery charging, engine overheating, or excessive belt wear can result.

The belts should also be examined to ensure that they are not damaged.

If you need to replace or adjust the belt have it done by your Maruti Suzuki authorised workshop.

Engine Oil and Filter Specified Oil

For India



56RM07013

(1) Recommended

Check that the engine oil you use comes under the quality classification of API SN. Select the appropriate oil viscosity according to the above chart

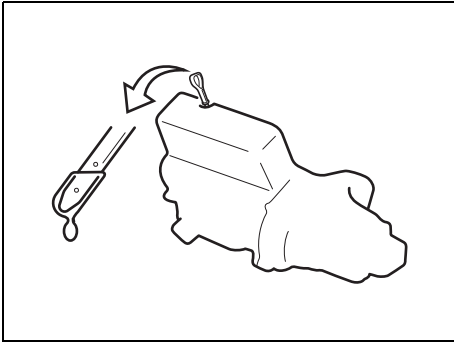
SAE 0W-16 (1) is the best choice for good fuel economy and good startability in cold weather.

NOTE:

- *The replacement timing varies with the type of engine oil that you choose. Refer to "Maintenance schedule" in this section for corresponding maintenance schedule.*
- *We recommend that you use MARUTI SUZUKI genuine oil. To purchase it, see a Maruti Suzuki authorised workshop.*

INSPECTION AND MAINTENANCE

Oil Level Check



55RH07002

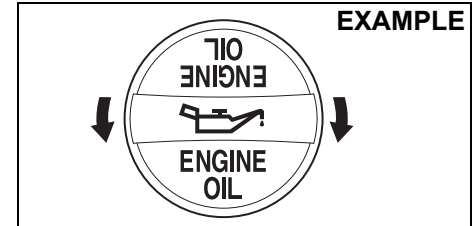
It is important to keep the engine oil at the correct level for proper lubrication of your vehicle's engine. Check the oil level with the vehicle on a level surface. The oil level indication may be inaccurate if the vehicle is on a slope. The oil level should be checked either before starting the engine or at least 5 minutes after stopping the engine.

Pull out the oil dipstick, wipe the oil off with a clean cloth, insert the dipstick all the way into the engine, and then remove it again. The oil on the stick should be between the upper and lower limits shown on the stick. If the oil level indication is near the lower limit, add enough oil to raise the level to the upper limit.

NOTICE

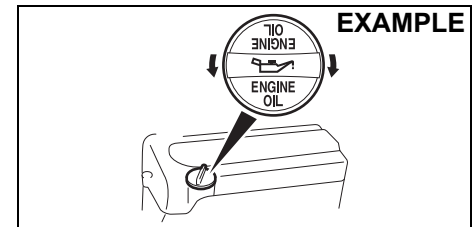
Failure to check the oil level regularly could lead to serious engine trouble due to insufficient oil.

Refilling



68PH00762

Remove the oil filler cap and pour oil slowly through the filler hole to bring the oil level to the upper limit on the dipstick. Be careful not to overfill. Too much oil is almost as bad as too little oil. After refilling, start the engine and allow it to idle for about a minute. Stop the engine, wait about 5 minutes and check the oil level again.



68PM00703

Changing Engine Oil and Filter

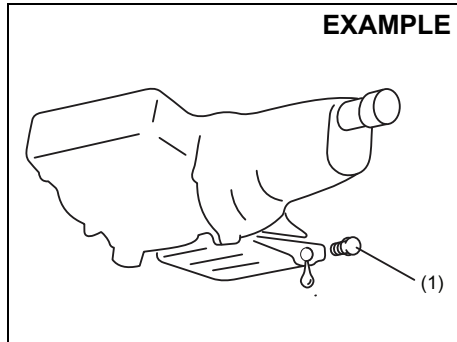
Drain the engine oil while the engine is still warm.

- 1) Remove the oil filler cap.
- 2) Place a drain pan under the drain plug.
- 3) Using a wrench, remove the drain plug and drain out the engine oil.

CAUTION

The engine oil temperature may be high enough to burn your fingers when the drain plug is loosened. Wait until the drain plug is cool enough to touch with your bare hands.

EXAMPLE



77PM07007

Tightening torque for drain plug (1):
50 Nm (5.1 kg-m, 36.9 lb-ft)

WARNING

New and used oil can be hazardous. Children and pets may be harmed by swallowing new or used oil. Keep new and used oil and used oil filters away from children and pets. Repeated, prolonged contact with used engine oil may cause skin cancer.

Brief contact with used oil may irritate skin.

To minimize your exposure to used oil, wear a long-sleeve shirt and moisture-proof gloves (such as dish-washing gloves) when changing oil. If oil contacts your skin, wash thoroughly with soap and water. Launder any clothing or rags if wet with oil.

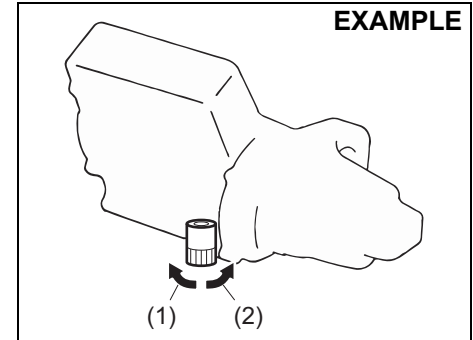
Recycle or properly dispose of used oil and filters.

- 4) Reinstall the drain plug and gasket. Tighten the plug with a wrench to the specified torque.

Replace the Oil Filter

- 1) Using an oil filter wrench, turn the oil filter counterclockwise and remove it.
- 2) Using a clean rag, wipe off the mounting surface on the engine where the new filter will be seated.
- 3) Smear a little engine oil around the rubber gasket of the new oil filter.
- 4) Screw on the new filter by hand until the filter gasket contacts the mounting surface.

EXAMPLE

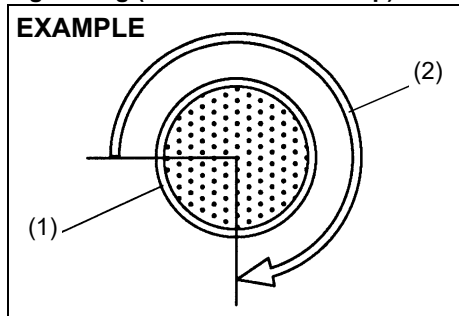


77PH017

- (1) Loosen
- (2) Tighten

INSPECTION AND MAINTENANCE

Tightening (viewed from filter top)



- (1) Oil filter
(2) 3/4 turn

NOTICE

To tighten the oil filter properly, it is important to accurately identify the position at which the filter gasket first contacts the mounting surface.

- 5) Tighten the filter specified turn from the point of contact with the mounting surface (or to the specified torque) using an oil filter wrench.

Tightening torque for oil filter
3/4 turn or
14 Nm (1.4 kgf-m, 10.3 lbf-ft)

NOTICE

To prevent oil leakage, make sure that the oil filter is tight, but do not over-tighten it.

Refill with Oil and Check for Leaks

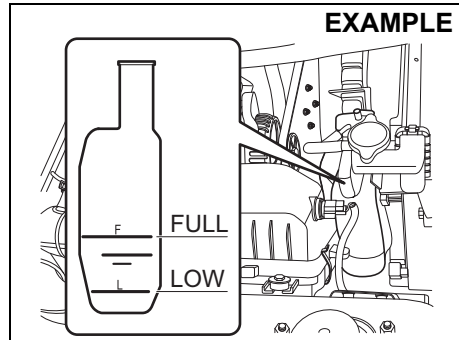
- 1) Pour oil through the filler hole and install the filler cap.
For the approximate capacity of the oil, refer to the "CAPACITIES" item in the "SPECIFICATIONS" section.
- 2) Start the engine and look carefully for leaks at the oil filter and drain plug. Run the engine at various speeds for at least 5 minutes.
- 3) Stop the engine and wait about 5 minutes. Check the oil level again and add oil if necessary. Check for leaks again.

NOTICE

- When replacing the oil filter, it is recommended that you use a MARUTI genuine filter. If you use an after market filter, make sure it is of equivalent quality and follow the manufacturer's instructions.
- Oil leaks from around the oil filter or drain plug indicate incorrect installation or gasket damage. If you find any leaks or are not sure that the filter has been properly tightened, have the vehicle inspected by your authorised MARUTI SUZUKI COMMERCIAL workshop.

Engine Coolant

Coolant Level Check



77PM07010

Check the coolant level at the reservoir tank, not at the radiator. With the engine cool, the coolant level should be between “FULL” and “LOW” marks.

If the coolant level is below “LOW” mark, coolant should be added.

Coolant addition and replacement

When you add the coolant, remove the reservoir tank cap and add coolant until the reservoir tank level reaches “FULL” mark while the engine is cool. Never fill the reservoir tank above “FULL” mark.

Since special procedures are required for coolant replacement, ask a Maruti Suzuki authorised workshop for this job.

⚠ WARNING

Swallowing engine coolant can cause severe injury or death. Inhaling coolant mist or vapors or getting coolant in your eyes could result in severe injury.

- **Do not drink antifreeze or coolant solution. If swallowed, do not induce vomiting. Immediately contact a poison control center or a physician.**
- **Avoid inhaling coolant mist or hot vapors. If inhaled, remove to a fresh air area.**
- **If coolant gets in the eyes, flush with water and seek medical attention.**
- **Wash thoroughly after handling coolant.**
- **Keep engine coolant out of the reach of children and pets.**

NOTICE

When putting the cap on the reservoir tank, line up the mark on the cap and the mark on the tank. Failure to follow this can result in coolant leakage.

Selection of coolant

To maintain optimum performance and durability of your engine, use MARUTI SUZUKI genuine coolant or equivalent.

This type of coolant is the best for cooling system for the following reasons:

- The coolant helps maintain proper engine temperature.
- It gives proper protection against freezing and boiling.
- It gives proper protection against corrosion and rust.

Failure to use the proper coolant can damage your cooling system. A Maruti Suzuki authorised workshop can help you select the proper coolant.

NOTICE

To avoid damaging your cooling system:

- **Always use a high quality ethylene glycol base non-silicate type coolant diluted with distilled water at the correct mixture concentration.**
- **Do not add extra inhibitors or additives. They may not be compatible with your cooling system.**
- **Do not mix different types of base coolants. Doing so may result in accelerated seal wear and/or the possibility of severe overheating and extensive engine/transmission damage. In case of coolant mix-up**

(Continued)

INSPECTION AND MAINTENANCE

NOTICE

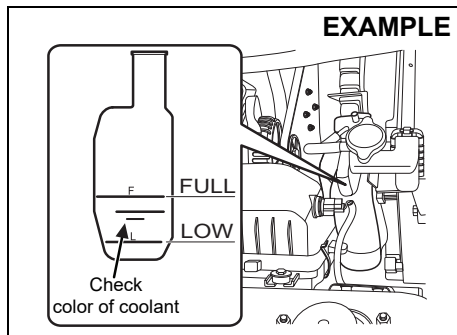
(Continued)

have your vehicle inspected by a Maruti Suzuki authorised workshop.

NOTE:

Maruti Suzuki highly recommends the use of Maruti Suzuki genuine coolant. Maruti Suzuki genuine coolant has been specially formulated for your Maruti Suzuki product and contributes to the desired vehicle performance and ideal driving experience.

Depending on the production period of your vehicle, the coolant type filled at the time of a brand new car differs. There are two coolant types, SUZUKI LLC: Super (Blue) Coolant and SUZUKI LLC: Standard (Yellow) Coolant. You can check the original coolant type in your vehicle by the color of the coolant in the reservoir tank (Refer below figure).



77PM07033

Coolant Color	Coolant Type
Blue	Suzuki LLC : Super
Yellow	Suzuki LLC : Standard

NOTE:

The same type of coolant that is filled at the time of a brand new car should be used when you add or replace the coolant.

SUZUKI LLC: Super (Blue) Coolant:

NOTICE

- This coolant is already diluted to the proper percentage. Do not dilute with distilled water additionally. Doing so may result in the possibility of freezing and/or overheating coolant.
- Do not add SUZUKI LLC: Standard (Yellow) Coolant or distilled water or others when your vehicle is originally filled with SUZUKI LLC: Super (Blue) Coolant. If such a case occurs, then get the vehicle inspected by a Maruti Suzuki authorised workshop.

SUZUKI LLC: Standard (Yellow) Coolant:

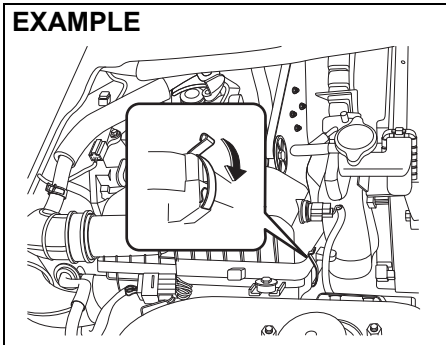
NOTICE

- The concentration of the mixture to be used shall be 30% antifreeze and 70% distilled water. Do not use straight coolant nor plain water.
- If the lowest ambient temperature in your area is expected to be -15°C (5°F) or below, use higher concentrations up to 60% following the instructions on the antifreeze container. Concentrations greater than 60% will cause overheating conditions.
- When your vehicle is originally filled with SUZUKI LLC: Standard (Yellow) Coolant, follow the maintenance schedule of SUZUKI LLC: Standard (Yellow) Coolant in this section. In case you replace with Suzuki LLC: Super (Blue) Coolant, then get the vehicle inspected by a Maruti Suzuki authorised workshop.

Air Cleaner

If the air cleaner is clogged with dust, there will be greater intake resistance, resulting in decreased power output and increased fuel consumption.

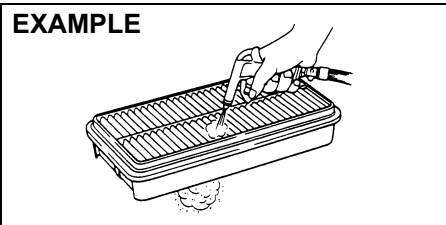
EXAMPLE



77PM07011

Unclamp the side clamps, and remove the element from the air cleaner case.

EXAMPLE



60A183

If it appears to be dirty, clean or replace the air cleaner with a new one as per periodic maintenance schedule.

Spark Plugs

Replacing and inspection of spark plugs

Since special procedures, materials and tools are required, it is recommended that you trust this job to your Maruti Suzuki authorised workshop.

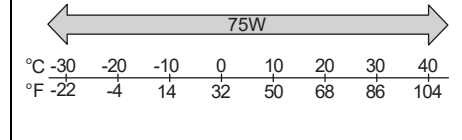
Gear Oil

**Manual Transmission Oil/
Differential Oil**

When adding gear oil, use gear oil with the appropriate viscosity and grade as shown in the chart below.

Manual transmission oil

EXAMPLE

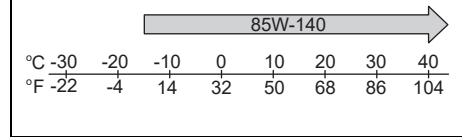


68LM728

We highly recommend you use: "MARUTI GENUINE GEAR OIL 75W" for manual transmission gear oil.

Rear differential oil

EXAMPLE



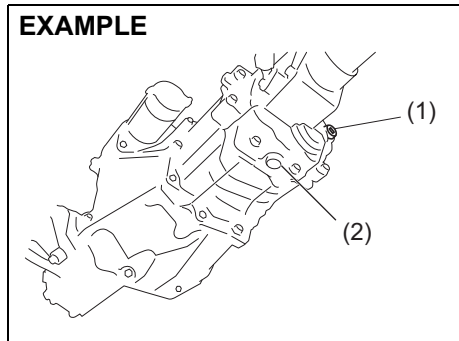
77PH075

We highly recommend you use: "TOTALFINAELF TRANSELF LL 85W-140" for rear differential oil.

INSPECTION AND MAINTENANCE

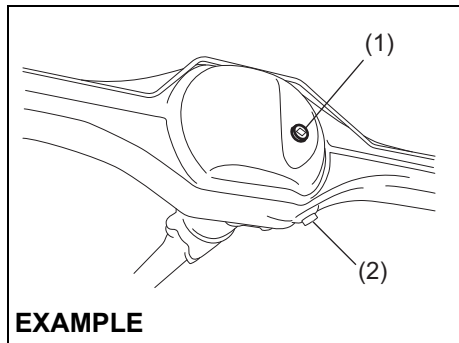
Gear Oil Level Check

Manual transmission



77PH078

Rear differential



77PH047

1. Oil filler and level plug (Do not reuse).
2. Oil drain plug.

To check the gear oil level, use the following procedure:

- 1) Park the vehicle on a level surface with the parking brake applied. Then, stop the engine.
- 2) Remove the oil filler and level plug (1).
- 3) Check the inside of the hole with your finger. If the oil level comes up to the bottom of the plug hole, the oil level is correct. If so, reinstall the plug.
- 4) If the oil level is low, add gear oil through the oil filler plug hole (1) until the oil level reaches the bottom of the filler hole, then reinstall the plug.

Tightening torque for oil filler and level plug

Manual transmission (1):

23 Nm (2.3 kgf-m, 17.0 lbf-ft)

Rear differential (1):

25 Nm (2.5 kgf-m, 18.5 lbf-ft)

NOTE:

For Rear differential always use a new oil filler and level plug (1).

▲ CAUTION

After driving the vehicle, the gear oil temperature may be high enough to burn your skin. Wait until the oil filler plug is cool enough to touch with your bare hands before inspecting gear oil level.

NOTICE

When tightening the plug, apply the following sealing compound or equivalent to the plug threads to prevent oil leakage.

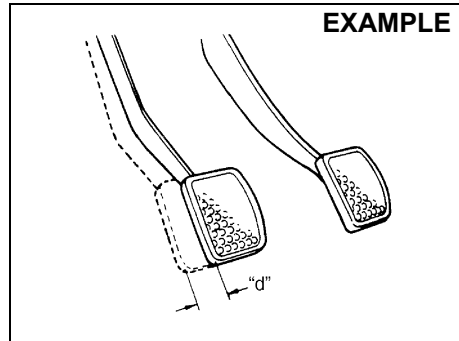
MARUTI SUZUKI Bond No. "1216E" or "1217G"

Gear Oil Change

Since special procedures, materials and tools are required, it is recommended that you trust this job to your authorised MARUTI SUZUKI COMMERCIAL workshop.

Clutch Pedal

Cable control clutch



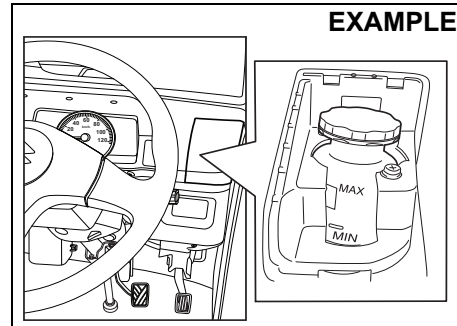
54G274

Clutch pedal play "d": 10 - 15 mm (0.4 - 0.6 in.)

Measure the clutch pedal play by moving the clutch pedal with your hand and measuring the distance it moves until you feel slight resistance. The play in the clutch pedal should be between the specified values. If the play is more or less than the above, or clutch dragging is felt with the pedal fully depressed, have the clutch inspected by your authorised MARUTI SUZUKI COMMERCIAL workshop.

Brakes

Brake Fluid



77PM706

Check the brake fluid level by looking at the reservoir in the instrument panel. Remove the cover on right hand side of steering wheel to check the brake fluid reservoir level. Check that the fluid level is between the "MAX" and "MIN" lines. If the brake fluid level is near the "MIN" line, fill it up to the "MAX" line with Maruti Genuine Brake Fluid (MGBF) or DOT 3. We highly recommend to use "Maruti Genuine Brake Fluid" (MGBF).

⚠ WARNING

Failure to follow the guidelines below can result in personal injury or serious damage to the brake system.

- If the brake fluid in the reservoir drops below a certain level, the brake warning light on the instrument panel will come 'ON' (the engine must be running with the parking brake fully disengaged). Should the light come on, immediately ask your authorised MARUTI SUZUKI COMMERCIAL workshop to inspect the brake system.
- A rapid fluid loss indicates a leak in the brake system which should be inspected by your authorised MARUTI SUZUKI COMMERCIAL workshop immediately.
- Do not use any fluid other than Maruti Genuine Brake Fluid (MGBF) or DOT 3. We highly recommend to use Maruti Genuine Brake Fluid (MGBF). Do not use reclaimed fluid or fluid that has been stored in old or open containers. It is essential that foreign particles and other liquids are kept out of the brake fluid reservoir.

⚠ CAUTION

Brake fluid can harm your eyes and damage painted surfaces. Use caution when refilling the reservoir.

INSPECTION AND MAINTENANCE

⚠ WARNING

- In case vehicle is driven in overloaded condition, the braking distance may be longer and higher pedal force may be required.

⚠ WARNING

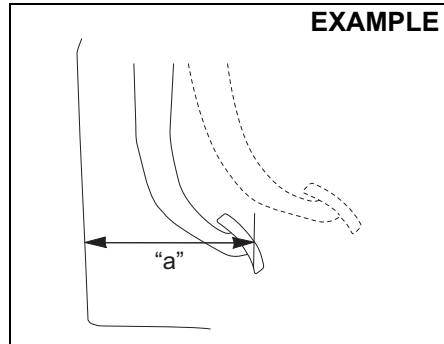
Brake fluid is harmful or fatal if swallowed, and harmful if it comes in contact with skin or eyes. If swallowed, do not induce vomiting. Immediately contact a poison control center or a physician. If brake fluid gets in eyes, flush eyes with water and seek medical attention. Wash thoroughly after handling. Solution can be poisonous to animals. Keep out of the reach of children and animals.

NOTE:

With disc brakes, the fluid level can be expected to gradually fall as the brake pads wear.

Brake Pedal

Check if the brake pedal stops at the regular height without spongy feeling when you depress it. If not, have the brake system inspected by your authorised MARUTI SUZUKI COMMERCIAL workshop. If you doubt the brake pedal for the regular height, check it as follows:



54G108S

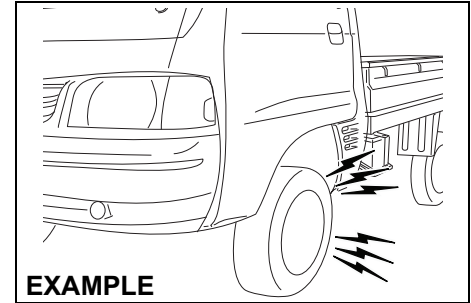
Pedal to Front Panel minimum distance "a":
Petrol and CNG Engine Model:
150 mm

With the engine running, measure the distance between the brake pedal and front panel when the pedal is depressed with approximately 30 kg (66 lbs) of force. The minimum distance required is as specified. Since your vehicle's brake system is self-adjusting, there is no need for pedal adjustment.

If the pedal to front panel distance as measured above is less than the minimum distance required, have your vehicle inspected by your authorised MARUTI SUZUKI COMMERCIAL workshop.

NOTE:

When measuring the distance between the brake pedal and front panel, be sure not to include the floor mat or rubber on the front panel in your measurement.



77PM07013

⚠ WARNING

If you experience any of the following problems with your vehicle's brake system, have the vehicle inspected immediately by your authorised MARUTI SUZUKI COMMERCIAL workshop.

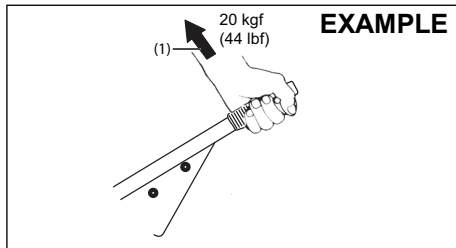
- Poor braking performance
- Uneven braking (brakes not working uniformly on all wheels)
- Excessive pedal travel
- Brake dragging
- Excessive noise
- Pedal pulsation (pedal pulsates when depressed)

⚠ WARNING

If the brake pad lining becomes worn and it has reached its minimum thickness, squealing noise sounds during braking.

If you hear this noise, have the vehicle inspected immediately by a MARUTI SUZUKI authorized workshop. Continued driving with this condition can cause an accident.

Parking Brake



Ratchet tooth specification
6th – 9th teeth
Lever pull force (1):
200 N (20 kgf, 44 lbf)

Check the parking brake for proper adjustment by counting the number of clicks made by the ratchet teeth as you slowly pull up on the parking brake lever to the point of full engagement. The parking brake lever should stop between the specified ratchet

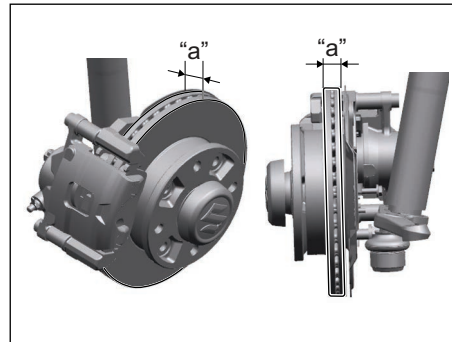
teeth and the rear wheels should be securely locked. If the parking brake is not properly adjusted or the brakes drag after the lever has been fully released, have the parking brake inspected and/or adjusted by your authorised MARUTI SUZUKI COMMERCIAL workshop.

⚠ WARNING

- **Parking Brake may not be effective in case vehicle is over-loaded. Use additional chocks to hold the vehicle.**

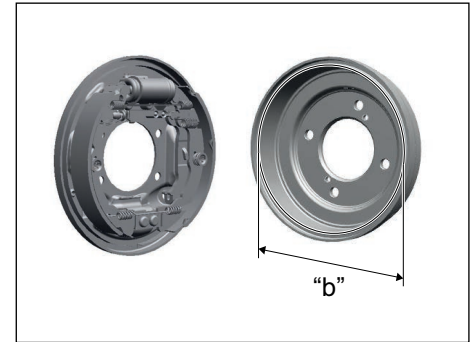
Brake discs and brake drums

Brake disc



Brake location	Minimum thickness "a"
Front wheels	18.0 mm

Brake drum

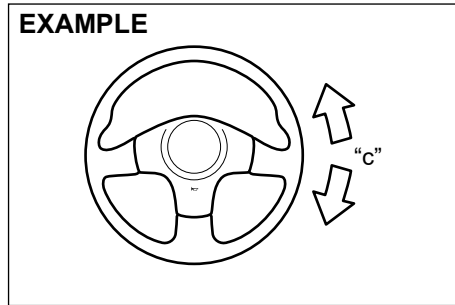


Brake location	Maximum inner diameter "b"
Rear wheels	202 mm

If the measured thickness or inner diameter of the most worn part falls below or exceeds the value indicated above, the parts should be replaced with a new one. The measurement involves disassembling each brake and requires the use of a micrometer or caliper, which must be done according to the instructions described in the relevant service manual or available from the relevant repair information site.

INSPECTION AND MAINTENANCE

Steering



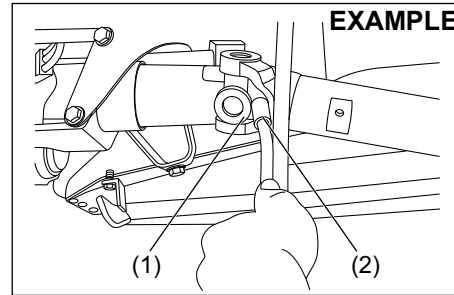
77PH042

**Steering wheel play "c":
0 – 30 mm (0.0 – 1.2 in.)**

Check the play of the steering wheel by gently turning it from left to right and right to left, with wheels in straight ahead position and engine in OFF condition. Measure the distance that the steering moves before you feel slight resistance. The play should be between the specified values. Check that the steering wheel turns easily and smoothly without rattling by turning it all the way to the right and to the left while driving very slowly in an open area. If the amount of free play is outside the specification or you find anything else to be wrong, an inspection must be performed by your authorised MARUTI SUZUKI COMMERCIAL workshop.

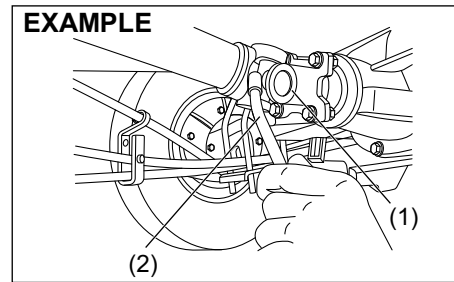
Propeller Shaft Universal Joint

Front



77PM703

Rear

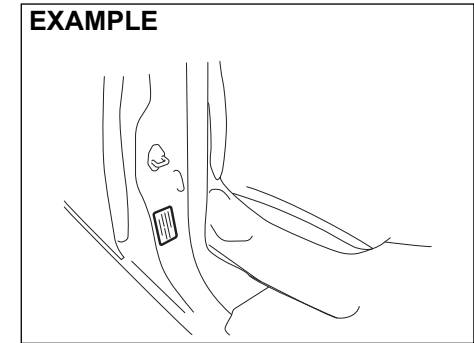


77PM704

Lubricate propeller shaft universal joint (1) (front & rear) as per the service schedule.

To lubricate the propeller shaft universal joint you should use grease gun (2) and specified grease NLGI GRADE 2.

Tyres



77PM705

The front and rear tyre pressure specifications for your vehicle are listed on the Tyre Information Label. Both the front and rear tyres should have the specified tyre pressure.

Note that the value does not apply to the compact spare tyre, if equipped.

Tyre Inspection

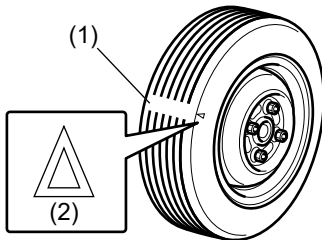
Inspect your vehicle's tyres at least once a month by performing the following checks:

- 1) Measure the air pressure with a tyre pressure gauge. Adjust the pressure if necessary. Remember to check the spare tyre, too.

⚠ WARNING

- Air pressures should be checked when the tyres are cold or you may get inaccurate readings.
- Check the inflation pressure from time to time while inflating the tyre gradually, until the specified pressure is obtained.
- Never under-inflate or over inflate the tyres.
- Under inflation can cause unusual handling characteristics or can cause the rim to slip on the tyre bead, resulting in an accident or damage to the tyre or rim.
- Overinflation can cause the tyre to burst, resulting in personal injury. Overinflation can also cause unusual handling characteristics which may result in an accident.

EXAMPLE



52KM110

- (1) Tread wear indicator
 - (2) Indicator location mark
- 2) Check that the depth of the tread groove is more than 1.6 mm (0.06 in.). To help you check this, the tyres have molded-in tread wear indicators in the grooves. When the indicators appear on the tread surface, the remaining depth of the tread is 1.6 mm (0.06 in.) or less and the tyre should be replaced.
 - 3) Check for abnormal wear, cracks and damage. Any tyres with cracks or other damage should be replaced. If any tyres show abnormal wear, have them inspected by your authorised MARUTI SUZUKI COMMERCIAL workshop.

⚠ CAUTION

Hitting curbs and running over rocks can damage tyres and affect wheel alignment. Be sure to have tyres and wheel alignment checked periodically by your authorised MARUTI SUZUKI COMMERCIAL workshop.

- 4) Check for loose wheel nuts.
- 5) Check that there are no nails, stones or other objects sticking into the tyres.

⚠ WARNING

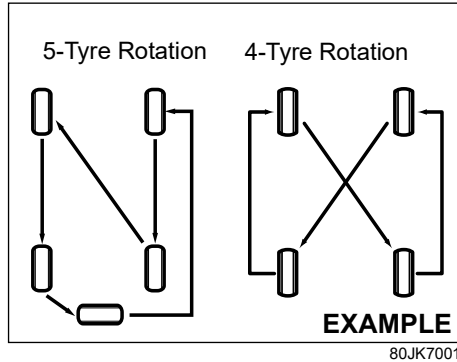
- Your Vehicle is equipped with tyres which are all the same type and size. This is important to ensure proper steering and handling of the vehicle. Never mix tyres of different size or type on the four wheels of your vehicle. The size and type of tyres used should be only those approved by MARUTI SUZUKI as standard or optional equipment for your vehicle.
- Replacing the wheels and tyres equipped on your vehicle with certain combinations of aftermarket wheels and tyres can significantly change the steering and handling characteristics of your vehicle.
- Therefore, use only those wheel and tyre combinations approved by MARUTI SUZUKI as standard or optional equipment for your vehicle.

NOTICE

Replacing the original tyres with tyres of a different size may result in incorrect speedometer or odometer readings. Check with your authorised MARUTI SUZUKI COMMERCIAL workshop before purchasing replacement tyres that differ in size from the original tyres.

INSPECTION AND MAINTENANCE

Tyre Rotation



To avoid uneven wear of your tyres and to prolong their life, rotate the tyres as illustrated. Tyres should be rotated every 10000 km. After rotation, adjust front and rear tyre pressures to the specification listed on your vehicle's Tyre Information Label.

Wheel Balancing

If the vehicle vibrates abnormally on smooth road, have the wheel balanced at authorised MARUTI SUZUKI COMMERCIAL workshop.

Wheel Alignment

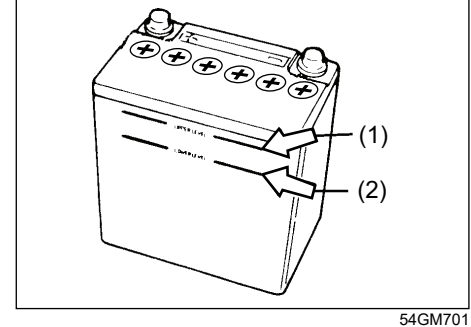
In case of abnormal tyre wear or pulling towards one side, have the wheel aligned at authorised MARUTI SUZUKI COMMERCIAL workshop.

Battery

⚠ WARNING

- Batteries produce flammable hydrogen gas. Keep flames and sparks away from the battery or an explosion may occur. Never smoke when working in the vicinity of the battery.
- When checking or servicing the battery, disconnect the negative cable. Be careful not to cause a short circuit by allowing metal objects to contact the battery posts and the vehicle at the same time.
- To avoid harm to yourself or damage to your vehicle or battery, follow the jump starting instructions in the "EMERGENCY SERVICE" section of this manual if it is necessary to jump start your vehicle.

EXAMPLE



For maintenance-free battery (cap-less type), you need not add water. For traditional type battery, which has water filler caps, the level of the battery solution must be kept between the upper level line (1) and lower level line (2) at all times. You should periodically check the battery, case battery terminals, and battery hold-down bracket for damage or corrosion. Remove corrosion using a stiff brush and ammonia mixed with water, or baking soda mixed with water. After removing corrosion, rinse with clean water.

If your vehicle is not going to be driven for a month or longer, disconnect the cable from the negative terminal of the battery to help prevent discharge.

WARNING

If the battery is used with battery level being less than the lower level line (2), it may cause reduced battery life, an exothermic heat, or an explosion by hydrogen gas occurring from the battery. Do not use the battery with battery level being less than the lower level line (2).

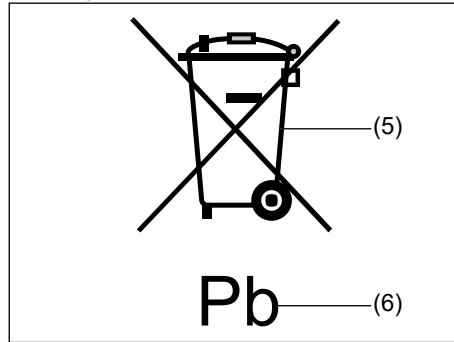
NOTICE

If the battery liquid is added more than the upper level line (1), liquid may leak by vibrations during driving or liquid may spray out in some case depending on the condition of battery charging. These may cause damage to the parts near the battery. If the battery liquid overflows, immediately wash away with water. Do not add the battery liquid more than the upper level line (1).

NOTE:

The battery liquid is consumed when the battery is used. If the level is found to be less than the center of upper level (1) and lower level (2), add distilled water till it reaches the upper level line (1).

(Battery label)



51KM042

- (5) Crossed-out wheeled bin symbol
- (6) Chemical symbol of "Pb"

The crossed-out wheeled bin symbol (5) located on the battery label indicates that the used battery should be collected separately from ordinary household trash. The chemical symbol of "Pb" (6) indicates the battery contains more than 0.004% lead.

By ensuring the used battery is disposed of or recycled correctly, you will help prevent potential negative consequences for the environment and human health, which could otherwise be caused by inappropriate trash handling of the battery. The recycling of materials will help to conserve natural resources. For more detailed information about disposing of or recycling the used battery, consult a MARUTI SUZUKI authorized workshop.

Fuses

Your vehicle has three types of fuses, as described below:

Fusible Link Wire and Main fuse

The main fuse takes current directly from the battery.

Primary fuses

These fuses are between the main fuse and individual fuses, and are for electrical load groups.

Individual fuses

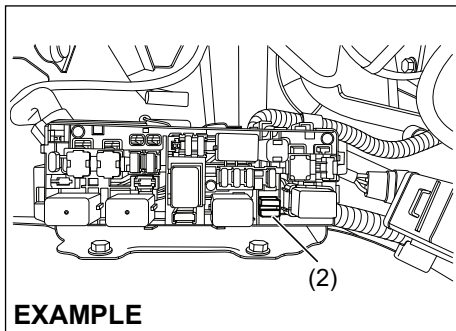
These fuses are for individual electrical circuits.

NOTE:

- "Blank" indicates that fuse is not applicable in the variant, even though name of fuse might be available on cover of fuse box of your vehicle.
- Some fuse may not be applicable to your vehicle according to the variant of vehicle, even though it is not mentioned as blank.

To remove a fuse, use the fuse puller (2) provided in the relay box.

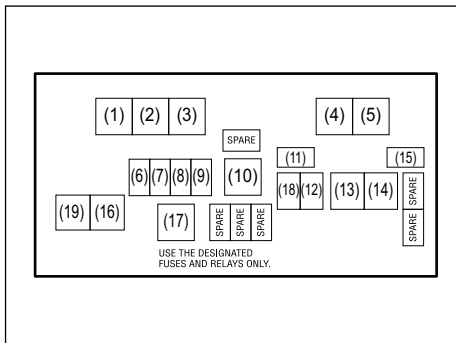
INSPECTION AND MAINTENANCE



NOTE:

Some fuse may not be applicable to your vehicle according to the variant of vehicle, even though it is not mentioned as blank.

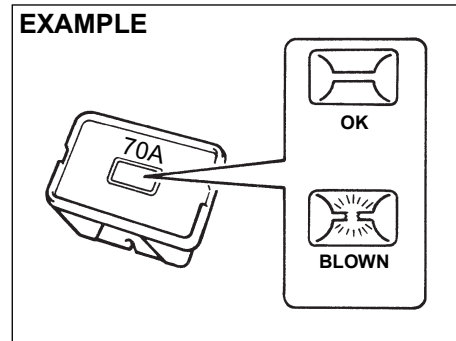
Fuses in the Engine Compartment



MAIN FUSE/PRIMARY FUSE / RELAY		
S. No.	Rating	Fuse / Relay
(1)	–	CNG valve relay*
(2)	–	Fuse puller
(3)	–	Radiator fan relay
(4)	–	Fuel pump relay
(5)		Starting motor relay
(6)	7.5A	CNG valve*
(7)	20A	Fuel Injection
(8)	30A	Starting motor
(9)	15A	Horn
(10)	70A	Alternator
(11)	7.5A	CNG*
(12)	10A	Hazard warning light
(13)	40A	Battery
(14)	40A	Ignition switch
(15)	7.5A	ST SIG 2 (starting signal)
(16)	30A	Radiator fan
(17)	–	FI main relay
(18)	25A	ABS SOL
(19)	40A	ABS MOT

*: For CNG model

The main fuse, primary fuses and some of the individual fuses are located in the engine compartment. If the main fuse blows, no electrical component will function. If a primary fuse blows, no electrical component in the corresponding load group will function. When replacing the main fuse, a primary fuse or an individual fuse, use a MARUTI genuine replacement. To remove a fuse, use the fuse puller (2) provided in the relay box. The amperage of each fuse is shown inside of the fuse box cover.



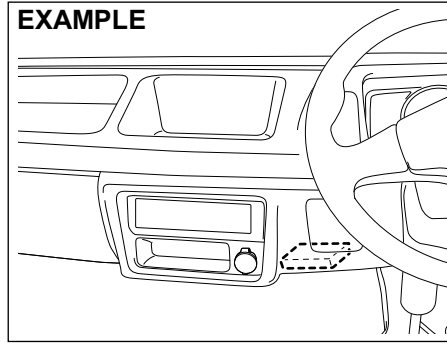
⚠ WARNING

If the main fuse or a primary fuse blows, be sure to have your vehicle inspected by an authorised MARUTI SUZUKI COMMERCIAL workshop. Always use a MARUTI genuine replacement part. Never use a substitute such as a wire even for temporary repair, or extensive electrical damage / fire can result.

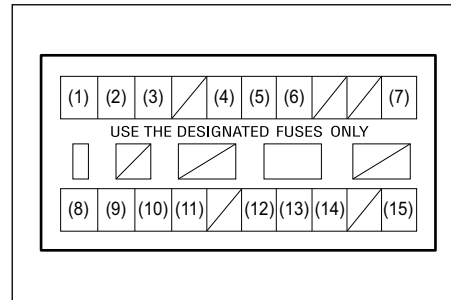
NOTE:
Make sure that the fuse box always carries spare fuses and fuse puller.

Fuses under the Dash Board

EXAMPLE



77PH048



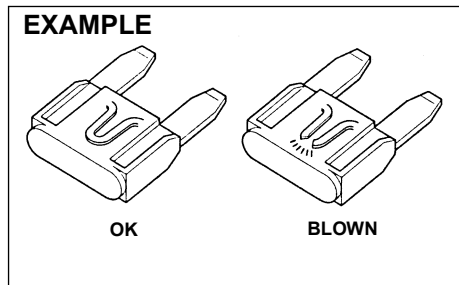
77PH043

MAIN FUSE/PRIMARY FUSE		
(1)	10A	Headlight (Right)
(2)	10A	Headlight (Left)
(3)	10A	Dome light
(4)	10A	Tail light
(5)	10A	Stop light
(6)	15A	Radio
(7)	10A	Starting signal
(8)	10A	Meter
(9)	15A	Ignition
(10)	10A	Back-up light
(11)	15A	Front wiper
(12)	15A	Accessory 2
(13)	10A	Accessory
(14)	7.5A	CNG Ignition*
(15)	10A	ABS

*: For CNG model

INSPECTION AND MAINTENANCE

The fuse box is located under the dashboard.



▲ WARNING

Always be sure to replace a blown fuse with a fuse of the correct amperage. Never use a substitute such as aluminum foil or wire to replace a blown fuse. If you replace a fuse and the new one blows in a short period of time, you may have a major electrical problem. Have your vehicle inspected immediately by your authorised MARUTI SUZUKI COMMERCIAL workshop.

Bulb Replacement

▲ CAUTION

- Light bulbs can be hot enough to burn your finger right after being turned off. This is true especially for halogen headlight bulbs. Replace the bulbs after they become cool enough.
- The headlight bulbs are filled with pressurized halogen gas. They can burst and injure you if they are hit or dropped. Handle them carefully.

NOTICE

The oils from your skin may cause a halogen bulb to overheat and burst when the lights are on. Grasp a new bulb with a clean cloth.

NOTICE

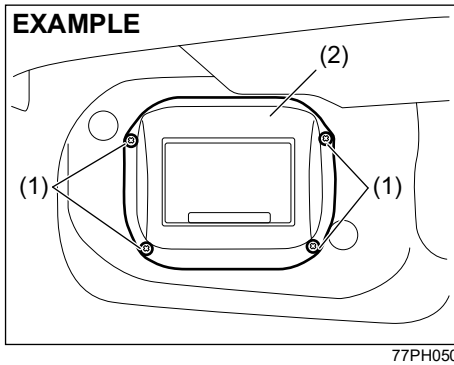
- Frequent replacement of a bulb indicates the need for an inspection of the electrical system. This should be carried out by your Maruti Suzuki authorised workshop.
- During bulb replacement always use same bulb number as used in vehicle which is imprinted on the said bulb/unit and/or mentioned in SPECIFICATIONS.

NOTE:

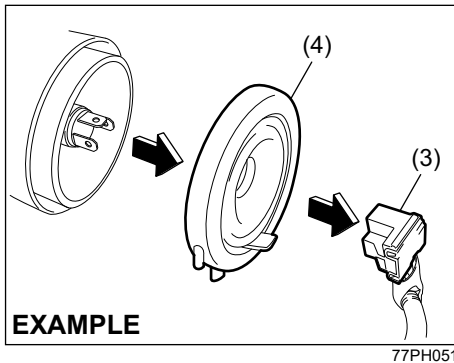
Mist may form on the lenses of exterior lights (Headlight, Rear combination light etc.) during or after driving in the rain or after car washing. This is a natural phenomenon which occurs due to temperature difference between lamp inside and outside. Temporary mist on the lens is not a malfunction and will not cause any discomfort during vehicle driving.

The mist would get cleared when the environmental condition change to sunny or when headlamp is kept on. However if there is water leakage inside the lamp, contact your authorised Maruti Suzuki workshop.

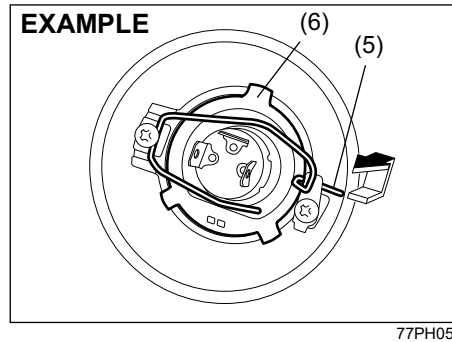
Headlights



- 1) Remove the screws (1) and remove the air inlet box (2).



- 2) Disconnect the coupler (3). Remove the sealing rubber (4).



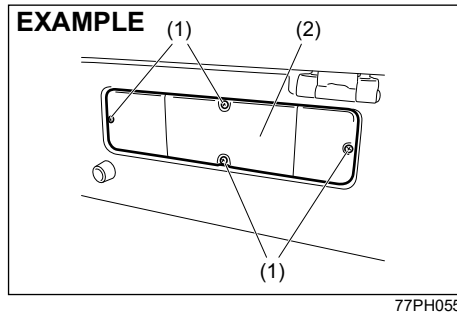
- 3) Push the retaining spring (5) forward and unhook it. Then remove the bulb (6). Install a new bulb in the reverse order of removal.

**Front Turn Signal Light
Front Position Light**

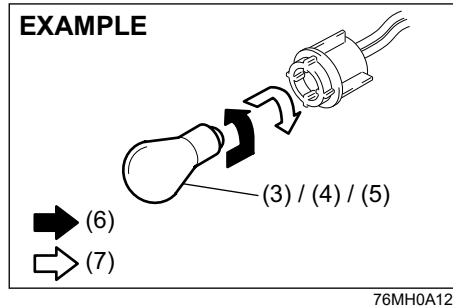
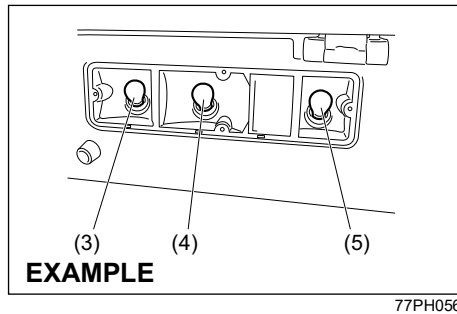
Since special procedures are required, we recommend you take your vehicle to your authorised MARUTI SUZUKI COMMERCIAL workshop for bulb replacement.

INSPECTION AND MAINTENANCE

Rear Combination Light

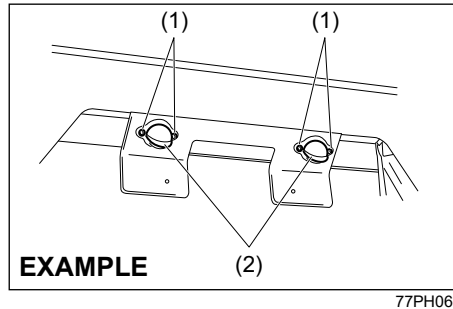


- 1) Remove the screws (1) and remove the cover (2).

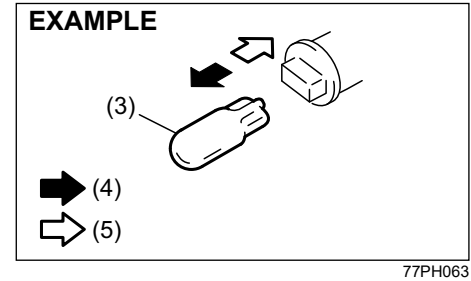


- (6) Removal
(7) Install
- 2) To remove the bulb of the turn signal light (3), the tail/brake light (4) or the reversing light (5) bulb holder, push in the bulb and turn it counterclockwise. To install a new bulb, push it in and turn it clockwise.

License Plate Light



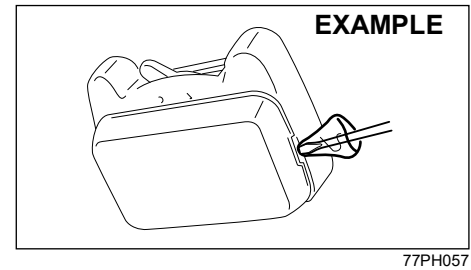
- 1) Remove the screws (1) and remove the cover (2).



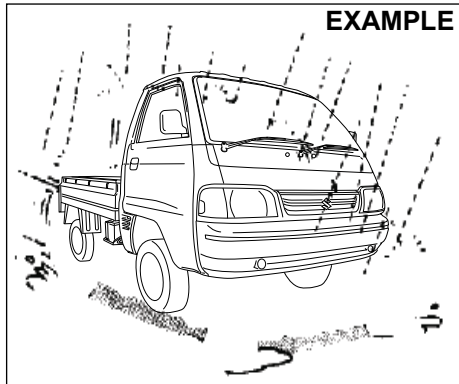
- (4) Removal
(5) Install
- 2) To remove and install the bulb of the license plate light (3), simply pull out or push in the bulb.

Interior Light

Remove the lens by using a flat blade screwdriver covered with a soft cloth as shown. To install it, simply push it back in.



Wiper Blades



77PM07028

If the wiper blades become brittle or damaged, or make streaks when wiping, replace the wiper blades.

To install new wiper blades, follow the procedures below.

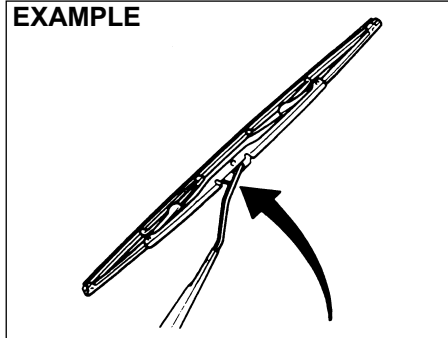
NOTICE

To avoid scratching or breaking the window, do not let the wiper arm strike the window while replacing the wiper blade.

NOTE:

Some wiper blades may be different from the ones described here depending on vehicle specifications. If so, consult your authorised MARUTI SUZUKI COMMERCIAL workshop for proper replacement method.

For windshield wipers:



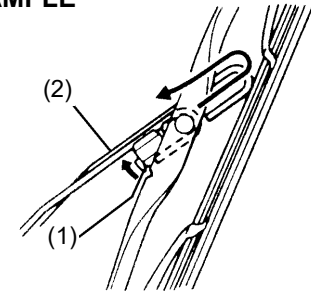
70G119

- 1) Hold the wiper arm away from the windshield.

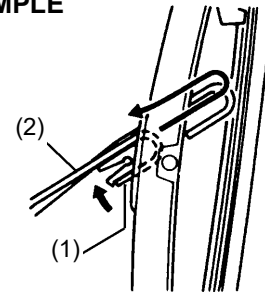
NOTE:

When raising both of the front wiper arms, pull the driver's side wiper arm up first. When returning the wiper arms, lower the passenger's side wiper arm first. Otherwise, the wiper arms may interfere with each other.

EXAMPLE



EXAMPLE

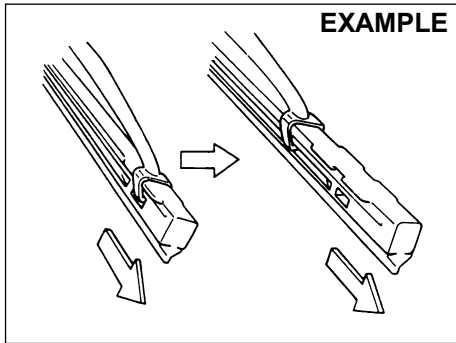


54G130

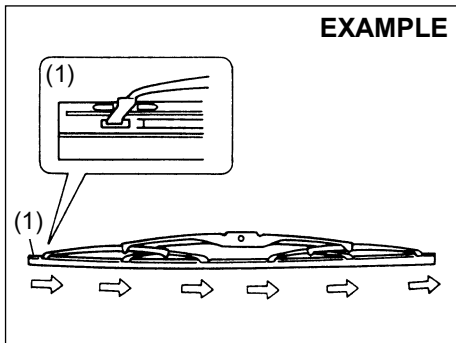
- 2) Squeeze lock (1) towards wiper arm (2) and remove the wiper frame from the arm as shown.
- 3) Unlock the lock end of the wiper blade and slide the blade out as shown.

INSPECTION AND MAINTENANCE

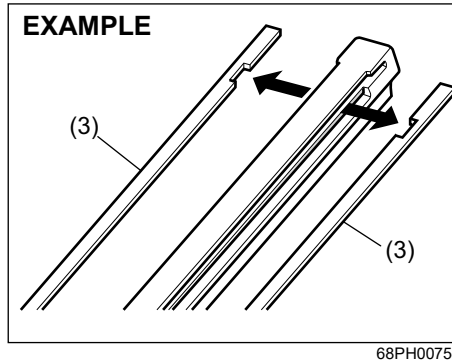
Removal



Installation

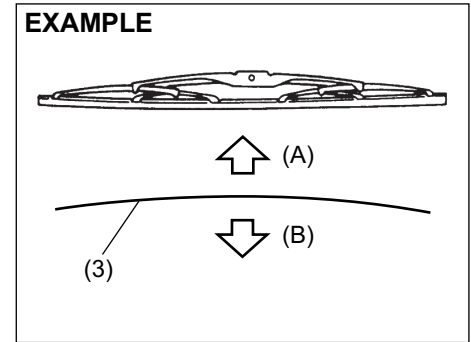
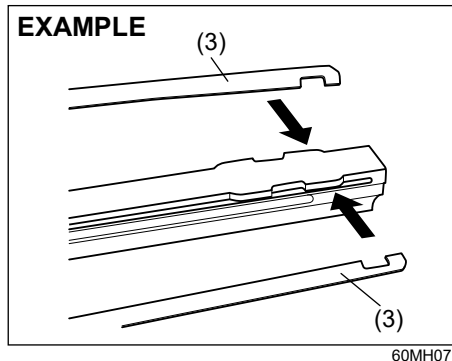


(1) Locked end



(3) Retainer

- 4) If the new blade is provided without the two metal retainers, move them from the old blade to the new one.



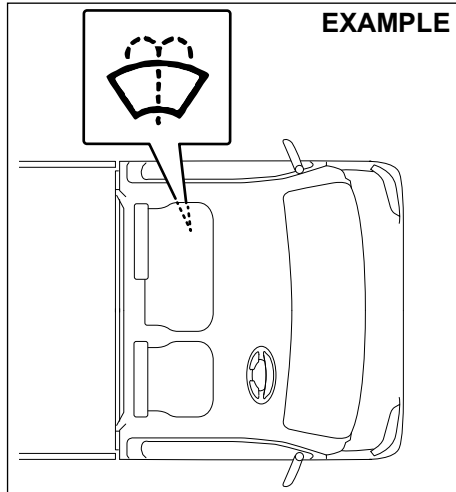
(A) Up
(B) Down

NOTE:

When you install the metal retainers (3), make sure the direction of metal retainers is as shown in the above illustrations.

- 5) Install the new blade in the reverse order of removal, with the locked end positioned toward the wiper arm. Make sure the blade is properly retained by all the hooks. Lock the blade end into place.
- 6) Reinstall wiper frame to arm, making sure that the lock lever is snapped securely into the arm.

Windshield Washer Fluid (If equipped)



77PM07027

Visually inspect that there is washer fluid in the tank. Refill it if necessary. Use a good quality windshield washer fluid, diluted with water as necessary.

NOTICE

Avoid use of hard water to prevent building of lime scale on the vehicle.

⚠ WARNING

Do not use radiator antifreeze in the windshield washer reservoir. This can severely impair visibility when sprayed on the windshield, and can also damage your vehicle's paint.

NOTICE

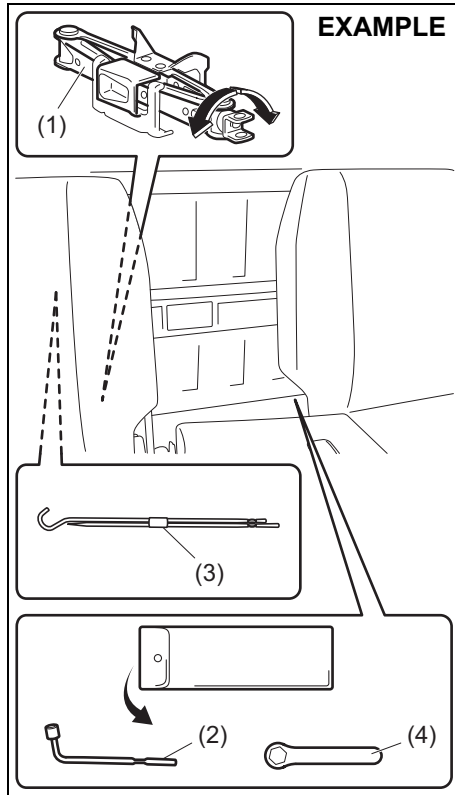
Damage may result if the washer motor is operated with no fluid in the washer tank.

EMERGENCY SERVICE

Tyre Changing Tool	8-1
Jacking Instructions	8-2
Changing Wheels	8-5
Jump Starting Instructions	8-6
Towing	8-7
If the Starter Does Not Operate	8-8
If the Engine is Flooded	8-8
If the Engine Overheats	8-8
Underbody Trouble by Hitting	8-9
Warning Triangle	8-9
Fire Extinguisher (if equipped)	8-10

EMERGENCY SERVICE

Tyre Changing Tool



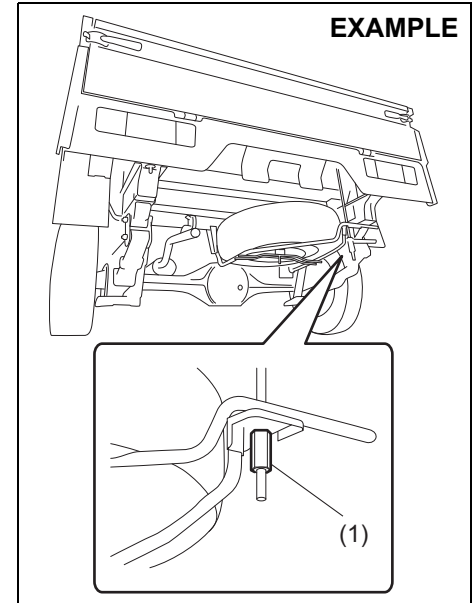
77PH202

- (1) Jack
- (2) Wheel brace
- (3) Jack handle
- (4) Spanner

The tyre changing tools are stowed behind the driver seat.

To remove the jack, turn its shaft counter-clockwise and pull the jack out of the storage bracket. To stow the jack, place it in the storage bracket and turn the shaft clockwise until the jack is securely held in place.

The spare tyre is stowed under the bed. To remove the spare tyre:



77PH099

- 1) Loosen the spare tyre holder hook nut (1).
- 2) Unhook the spare tyre holder and lower it slowly.
- 3) Remove the screw in the center of the spare tyre, and remove the tyre.

⚠ WARNING

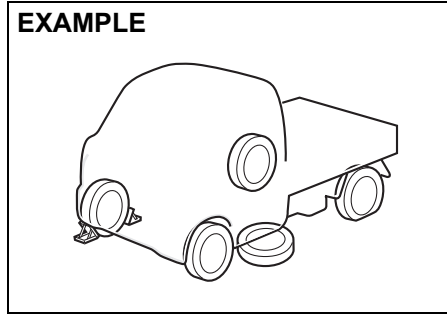
After using the tyre changing tools, be sure to stow them securely or they can cause injury if an accident occurs.

⚠ CAUTION

The jack should be used only to change wheels. It is important to read the jacking instructions in this section before attempting to use the jack.

Jacking Instructions

EXAMPLE



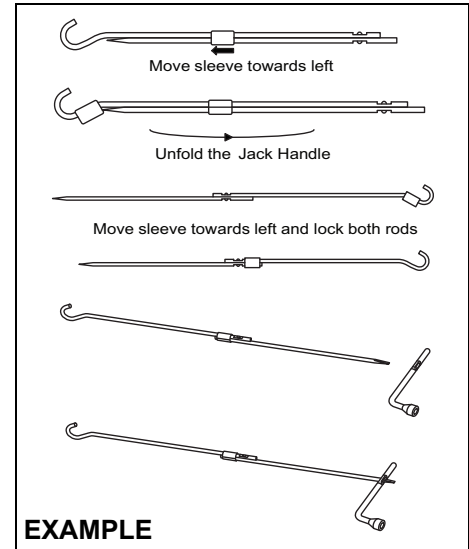
77PH054

- 1) Place the vehicle on level, hard ground.
- 2) Set the parking brake firmly and shift into "R" (Reverse).

⚠ WARNING

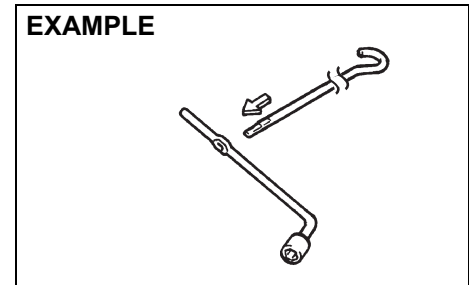
- Be sure to shift into "R" (Reverse) when you jack up the vehicle.
- Never jack up the vehicle with the transmission in "N" (Neutral). Otherwise, unstable jack may cause an accident.

- 3) Turn on the hazard warning flasher if your vehicle is near traffic.
- 4) Block the front and rear of the wheel diagonally opposite of the wheel being lifted.
- 5) Place the spare wheel near the wheel being lifted as shown in the illustration in case the jack slips.



EXAMPLE

77PH802

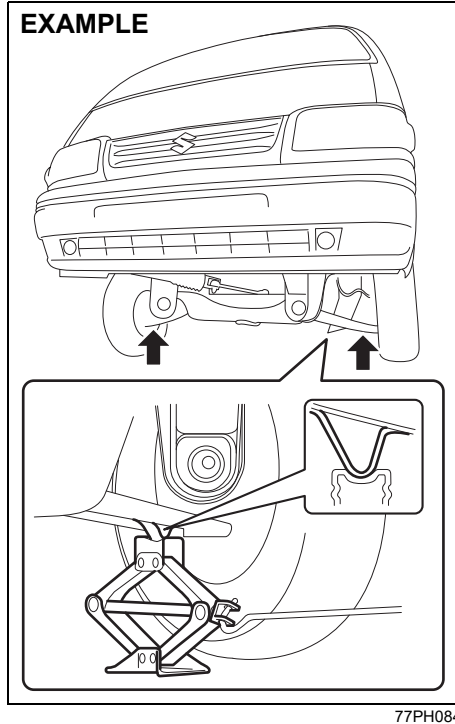


EXAMPLE

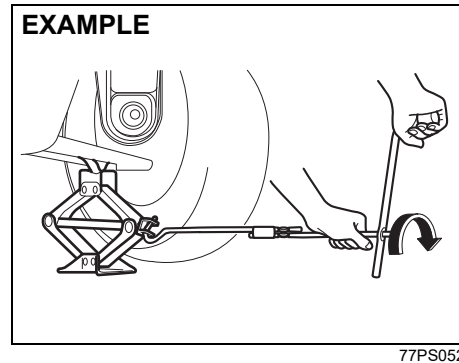
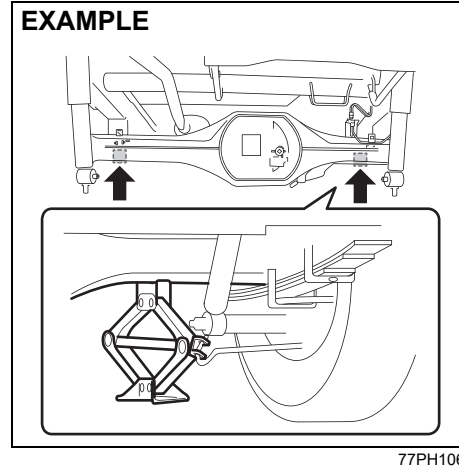
54G253

EMERGENCY SERVICE

Front jacking point



Rear jacking point



- 6) Position the jack vertically and raise the jack by turning the jack handle clockwise until the jack head groove fits around the jacking bar beneath the vehicle body. See illustrations.
- 7) Continue to raise the jack slowly and smoothly until the tyre clears the ground. Do not raise the vehicle more than necessary.

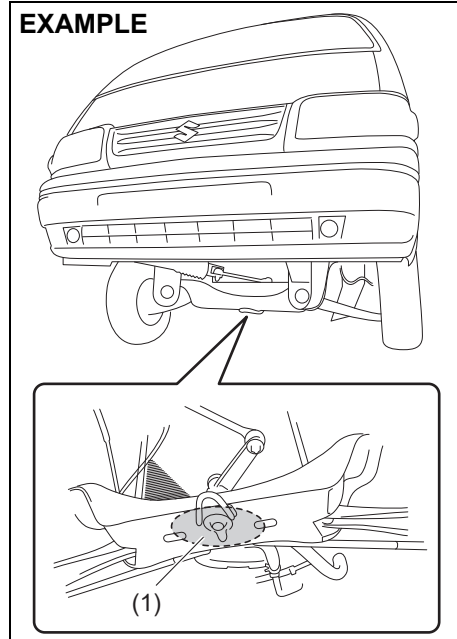
⚠ WARNING

- Use the jack only to change wheels on level, hard ground.
- Never jack up the vehicle on an inclined surface.
- Never raise the vehicle with the jack in a location other than the specified jacking point (shown in the illustration) near the wheel to be changed.
- Do not use wooden blocks or similar objects as a jack underlay.
- Never get under the vehicle when it is supported by the jack. Never place your hands and feet under the raised vehicle when it is supported by a jack.
- Never run the engine when the vehicle is supported by the jack and never allow passengers to remain in the vehicle.

To Raise the Vehicle with a Garage Jack

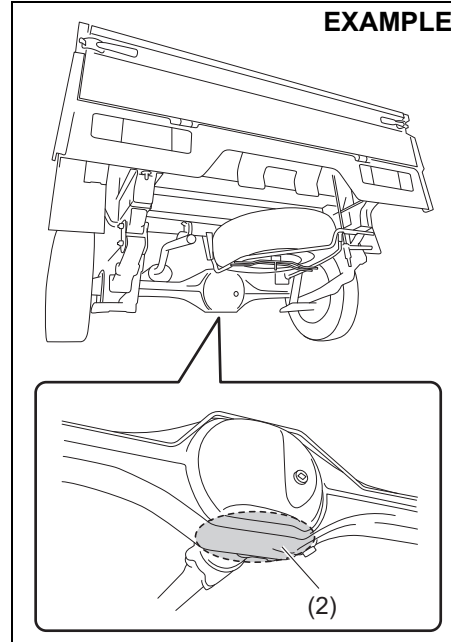
- Apply the garage jack to one of the points indicated below.
- Always support the raised vehicle with jack stands (commercially available) at the points indicated below.

Front jacking point for garage jack (1)



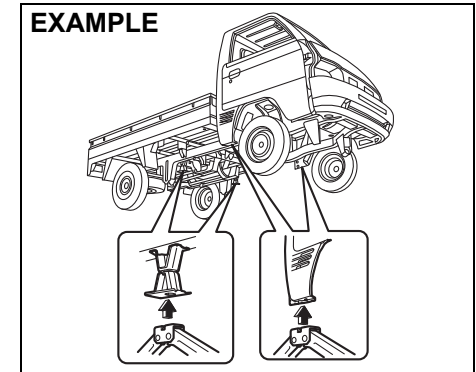
77PH060

Rear jacking point for garage jack (2)



77PH101

Application point for jack stand (3) or two-column lift



77PS055 (2)

NOTICE

- Never apply a garage jack to the exhaust pipe.
- When applying the jack stand or the two-column lift to the application point of the rear side, be careful not to interfere with the surrounding parts such as the parking cable or the flange of the fuel tank.

NOTE:

For more details, please contact an authorised MARUTI SUZUKI COMMERCIAL workshop.

EMERGENCY SERVICE

Changing Wheels

⚠ WARNING

Never change a wheel in traffic lane. Always move the vehicle off the road on level, hard ground away from traffic for changing a wheel. For any further assistance contact your nearest Maruti Suzuki authorised workshop.

To change a wheel, use the following procedure:

- 1) Clear all passengers and cargo from the vehicle.
- 2) Remove the jack, tools and spare wheel from the vehicle.
- 3) Loosen, but do not remove the wheel nuts.
- 4) Jack up the vehicle.

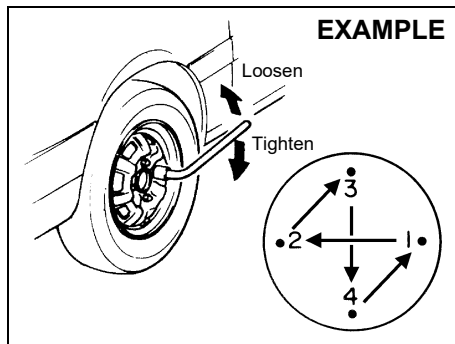
⚠ CAUTION

Immediately after the vehicle has been driven, the wheels, the wheel nuts and the area around the brakes might be extremely hot. Touching these areas may cause burn injury. Do not touch these areas immediately after the vehicle has been driven.

- 5) Remove the wheel nuts and wheel.
- 6) Before installing the new wheel, clean any mud or dirt off from the surface of

the wheel and hub with a clean cloth. Clean the hub carefully; it may be hot from driving.

- 7) Install the new wheel and replace the wheel nuts with their cone shaped end facing the wheel. Tighten each nut snugly by hand until the wheel is securely seated on the hub.



54G116

**Tightening torque for wheel nut
100 Nm (10.2 kgf-m, 73.8 lbf-ft)**

- 8) Lower the jack and fully tighten the nuts in a crisscross fashion with a wrench as shown in the illustration.

⚠ WARNING

Use genuine wheel nuts and tighten them to the specified torque as soon as possible after changing wheels. Incorrect wheel nuts or improperly tightened wheel nuts may come loose or fall off, which can result in an accident. If you do not have a torque wrench, have the wheel nut torque checked by an authorised MARUTI SUZUKI COMMERCIAL workshop.

Jump Starting Instructions

⚠ WARNING

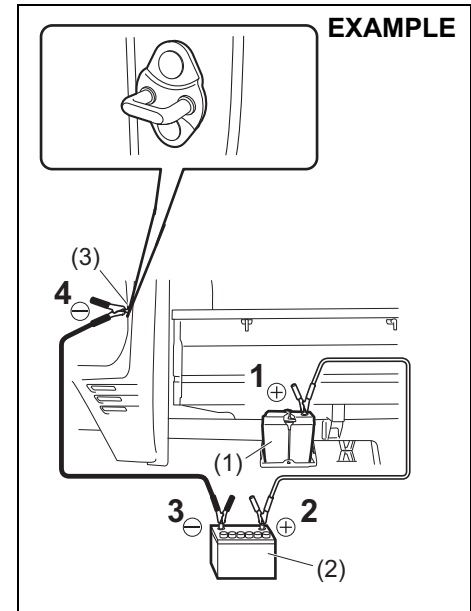
- Never attempt to jump start your vehicle if the battery appears to be frozen. Batteries in this condition may explode or rupture if jump starting is attempted.
- When making jump lead connections, be certain that your hands and the jump leads remain clear from pulleys, belts, or fans.
- Batteries produce flammable hydrogen gas. Keep flames and sparks away from the battery or an explosion may occur. Never smoke when working in the vicinity of the battery.
- If the booster battery you use for jump starting is installed in another vehicle, make sure the two vehicles are not touching each other.
- If your battery discharges repeatedly, for no apparent reason, have your vehicle inspected by an authorised MARUTI SUZUKI COMMERCIAL workshop.
- To avoid harm to yourself or damage to your vehicle or battery, follow the jump starting instructions below precisely and in order. If you are in doubt, call for qualified road service.

NOTICE

Your vehicle should not be started by pushing or towing. This starting method could result in permanent damage to the catalytic converter. Use jump leads to start a vehicle with a weak or flat battery.

When Jump Starting Your Vehicle, Use the Following Procedure:

- 1) Use only a 12-volt battery to jump start your vehicle. Position the good 12-volt battery close to your vehicle so that the jump leads will reach both batteries. When using a battery installed on another vehicle, DO NOT LET THE VEHICLES TOUCH. Set the parking brakes fully on both vehicles.
- 2) Turn off all vehicle accessories, except those necessary for safety reasons (for example, headlights or hazard lights).



77PS056

- 3) Make jump lead connections as follows:
 1. Connect one end of the first jump lead to the positive (+) terminal of the flat battery (1).
 2. Connect the other end to the positive (+) terminal of the booster battery (2).

EMERGENCY SERVICE

3. Connect one end of the second jump lead to the negative (-) terminal of the booster battery (2).
4. Make the final connection to an unpainted, heavy metal part (i.e. door latch striker (3)) of the vehicle with the flat battery (1).

WARNING

Never connect the jump lead directly to the negative (-) terminal of the discharged battery, or an explosion may occur.

- 4) If the booster battery you are using is fitted to another vehicle, start the engine of the vehicle with the booster battery. Run the engine at moderate speed.
- 5) Start the engine of the vehicle with the flat battery.
- 6) Remove the jump leads in the exact reverse order in which you connected them.

Towing

If you need to have your vehicle towed, contact a professional service. Your dealer can provide you with detailed towing instructions.

NOTICE

To help avoid damage to your vehicle during towing, proper equipment and towing procedures must be used.

2-Wheel Drive (2WD) Manual Transmission

Manual transmission vehicles may be towed using either of the following methods.

- 1) From the front, with the front wheels lifted and the rear wheels on the ground. Before towing, make sure that the transmission is in neutral and the parking brake is released.
- 2) From the rear, with the rear wheels lifted and the front wheels on the ground, provided the steering and drivetrain are in operational condition. Before towing, make sure that the steering wheel is unlocked (the ignition key should be in the "ACC" position), and the steering wheel is secured with a clamping device designed for towing service.

NOTICE

The steering column is not strong enough to withstand shocks transmitted from the front wheels during towing. Always unlock the steering wheel before towing.

If the Starter Does Not Operate

- 1) Try turning the ignition switch to the "START" position with the headlights turned on to determine the battery condition. If the headlights go excessively dim or go off, it usually means that either the battery is flat or the battery terminal contact is poor. Recharge the battery or correct battery terminal contact as necessary.
- 2) If the headlights remain bright, check the fuses. If the reason for failure of the starter is not obvious, there may be a major electrical problem. Have the vehicle inspected by your authorised MARUTI SUZUKI COMMERCIAL workshop.

If the Engine is Flooded

If the engine is flooded with fuel, it may be hard to start. If this happens, press the accelerator pedal all the way to the floor and hold it there while cranking the engine.

- Do not operate the starter motor for more than 30 seconds.

If the Engine Overheats

The engine could overheat temporarily under severe driving conditions. If the high engine coolant temperature warning light comes on during driving:

- 1) Take the vehicle to a safe place and park.
- 2) Let the engine run at the normal idle speed for a few minutes until the high engine coolant temperature warning light goes off.

⚠ WARNING

If you see or hear escaping steam, stop the vehicle in a safe place and immediately turn off the engine to let it cool. Do not open the engine compartment when steam is present. When the steam can no longer be seen or heard, open the engine compartment to see if the coolant is still boiling. If it is, you must wait until it stops boiling before you proceed.

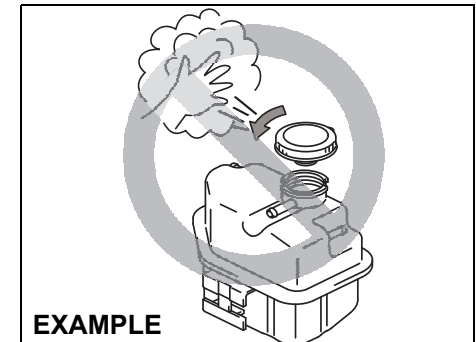
If the high engine coolant temperature warning light does not go off:

- 1) Turn off the engine and check that the water pump belt and pulleys are not damaged or slipping. If any abnormality is found, correct it.

- 2) Check the coolant level in the reservoir. If it is found to be lower than the "LOW" line, look for leaks at the radiator, water pump, and radiator and heater hoses. If you locate any leaks that may have caused the overheating, do not run the engine until these problems have been corrected.
- 3) If you do not find a leak, carefully add coolant to the reservoir and then the radiator, if necessary. (Refer to "Engine Coolant" in the "INSPECTION AND MAINTENANCE" section.)

NOTE:

If your engine overheats and you are unsure what to do, contact your authorised MARUTI SUZUKI COMMERCIAL workshop.



65D350d

EMERGENCY SERVICE

WARNING

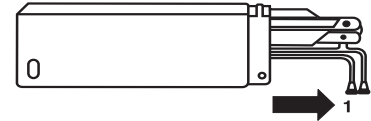
- It is hazardous to remove the radiator cap (or degassing tank cap for a diesel engine) when the water temperature is high, because scalding fluid and steam may be blown out under pressure. The cap should only be taken off when the coolant temperature has lowered.
- To help prevent personal injury, keep hands, tools and clothing away from the engine cooling fan. These electric fans can automatically turn on without warning.

Underbody Trouble by Hitting

If you hit underbody of your vehicle, ask an authorised MARUTI SUZUKI COMMERCIAL workshop for inspection. Otherwise damage to steering, Suspension, Drive-line, and Brake etc. could prevent your safe driving.

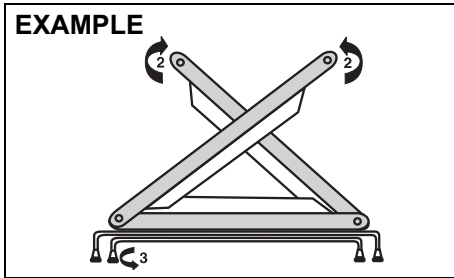
Warning Triangle

EXAMPLE



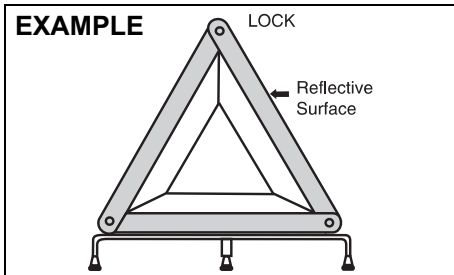
MHO-07-001

In case of vehicle break-down or during emergency stopping, where, your vehicle could become a potential traffic hazard, keep the warning triangle, provided with your vehicle, on the road free from any obstacles behind your vehicle so as to warn the approaching traffic, at an approximate distance of 50-100 m. The reflecting side of the triangle should face the on coming traffic. Please activate the hazard warning lamps before alighting the vehicle to keep the warning triangle.



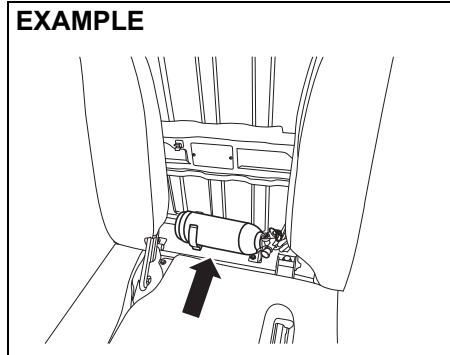
MHO-07-014-1

- Remove the warning triangle carefully from the cover as shown by arrow 1.
- Open both the reflector arms as shown by arrow 2 and lock the arms with each other with the clip provided in the right arm. Open the bottom stand in counter clock-wise direction as shown by arrow 3. Position the warning triangle behind the vehicle on a plain surface.
- Reverse the removal procedure for keeping inside the cover.



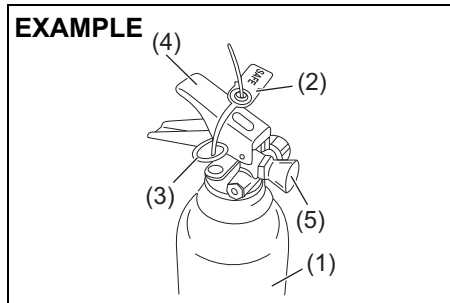
MHO-07-014

Fire Extinguisher (if equipped)



77PM08009

Fire extinguisher is stowed behind the seats (between driver seat and passenger seat).

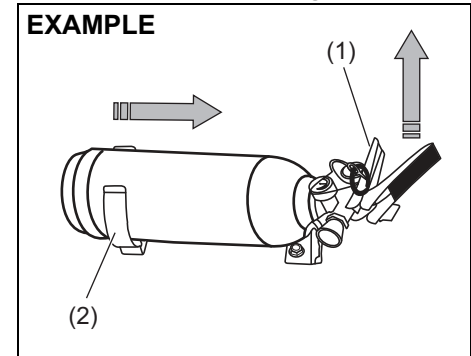


77PM08003

- (1) Fire extinguisher cylinder
- (2) Seal
- (3) Safety Pin
- (4) Lever
- (5) Nozzle

Removal and Refitment of Fire Extinguisher

For Removal of Fire Extinguisher

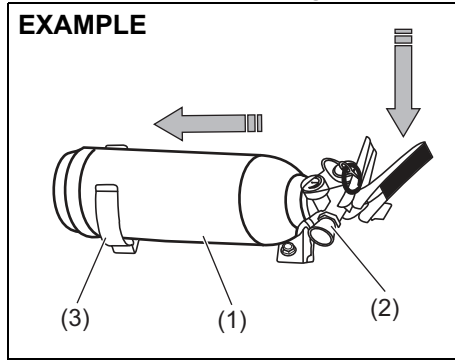


77PM08004

Lift Lever (1) of fire extinguisher slightly upwards and pull the fire extinguisher in the direction as shown in the figure, in order to disengage it from clamp (2).

EMERGENCY SERVICE

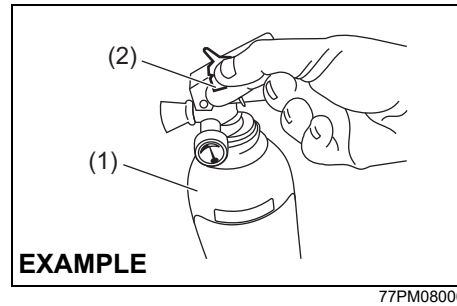
For Refitment of Fire Extinguisher



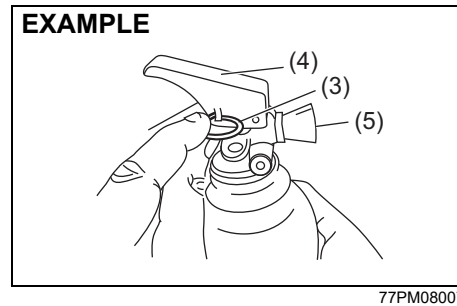
Insert the body of fire extinguisher (1) in to the clamp (3) and place the nozzle (2) carefully downwards, on the clamp.

NOTE:
Ensure that the nozzle of fire extinguisher is properly seated on the clamp.

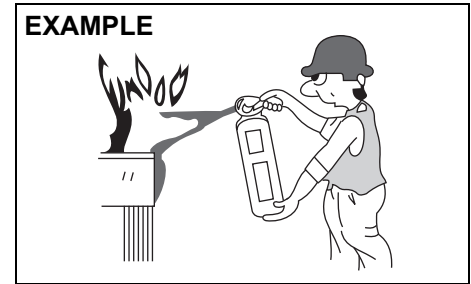
Procedure of Operation



- 1) Hold the fire extinguisher (1) upright.
- 2) Break seal (2) by rotating the safety pin(3).



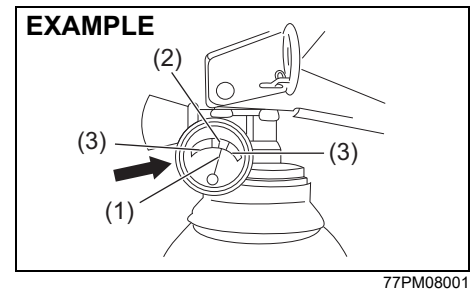
- 3) Pull Safety pin (3)
- 4) Squeeze lever (4) and direct the jet from nozzle (5) towards the near edge of the fire with a rapid (fast) sweeping motion.



- 5) Drive the fire towards the far edge until flames are extinguished.

NOTE:
Fire extinguisher is only meant for small fire caused in vehicle by external source only.

Do's and Dont's



Do's

- 1) Check pressure gauge periodically. Max charging pressure is 15Kgf/cm² (in green zone (2)).
- 2) When pressure drops, indicator needle(1) will shift to the red zone (3).Immediately contact the fire extinguisher manufacturer as per the information provided on the fire extinguisher.
- 3) Get the fire extinguisher serviced only through the manufacturer service centre.Refer the information provided on the fire extinguisher to locate the nearest service centre.
- 4) Ensure that the Fire extinguisher is always kept at its prescribed position in the vehicle.
- 5) Refill the fire extinguisher immediately after use.

Don't

- 1) Do not use water for cleaning fire extinguisher. (Use clean cloth for removing dust)
- 2) Do not rely on used or discharged fire extinguisher.

NOTE:

- *Refilling is necessary after every use.*
- *Fire extinguisher needs refilling after every 3 years even if it is not used.*

APPEARANCE CARE

Corrosion Prevention	9-1
Vehicle Cleaning	9-2

APPEARANCE CARE

Corrosion Prevention

It is important to take good care of your vehicle to protect it from corrosion. Listed below are instructions for how to maintain your vehicle to prevent corrosion. Please read and follow these instructions carefully.

Important Information About Corrosion

Common causes of corrosion

- 1) Accumulation of road salt, dirt, moisture, or chemicals in hard-to-reach areas of the vehicle underbody or frame.
- 2) Chipping, scratches and any damage to treated or painted metal surfaces resulting from minor accidents or abrasion by stones and gravel.
- 3) Any or all of the below mentioned points:
 - Continuous exposure to sunlight
 - Hard water and sea water coming in contact with vehicle.
 - Foot rubbing (skirting).

Environmental conditions which accelerate corrosion

- 1) Road salt, dust control chemicals, sea air or industrial pollution will all accelerate the corrosion of metal.
- 2) High humidity will increase the rate of corrosion particularly when the temperature range is just above the freezing point.

- 3) Moisture in certain areas of a vehicle for an extended period of time may promote corrosion even though other body sections may be completely dry.
- 4) High temperatures will cause an accelerated rate of corrosion to parts of the vehicle which are not well ventilated to permit quick drying.

This information illustrates the necessity of keeping your vehicle (particularly the underbody) as clean and dry as possible. It is equally important to repair any damage to the paint or protective coatings as soon as possible.

How to Help Prevent Corrosion

Wash your vehicle frequently

The best way to preserve the finish on your vehicle and to help avoid corrosion is to keep it clean with frequent washing. Wash your vehicle at least once during the winter and once immediately after the winter. Keep your vehicle, particularly the underside, as clean and dry as possible. If you frequently drive on salted roads, your vehicle should be washed at least once a month during the winter. If you live near the ocean, your vehicle should be washed at least once a month throughout the year.

For washing instructions, refer to the "Vehicle Cleaning" section.

Remove foreign material deposits

Foreign material such as salts, chemicals, road oil or tar, tree sap, bird droppings and industrial fall-out may damage the finish of your vehicle if it is left on painted surfaces. Remove these types of deposits as quickly as possible. If these deposits are difficult to wash off, an additional cleaner may be required. Be sure that any cleaner you use is not harmful to painted surfaces and is specifically intended for your purposes. Follow the manufacturer's directions when using these special cleaners.

Repair finish damage

Carefully examine your vehicle for damage to the painted surfaces. If you find any chips or scratches in the paint, touch them up immediately to prevent corrosion from starting. If the chips or scratches have gone through to the bare metal, have a qualified body shop make the repair.

Keep passenger and luggage compartments clean

Moisture, dirt or mud can accumulate under the floor mats and may cause corrosion. Occasionally, check under these mats to ensure that this area is clean and dry. More frequent checks are necessary if the vehicle is used off road or in wet weather.

Certain cargos such as chemicals, fertilizers, cleaners, salts, etc. are extremely corrosive by nature. These products should be transported in sealed containers. If a spill or leak does occur, clean and dry the area immediately.

Store your vehicle in a dry, well-ventilated area

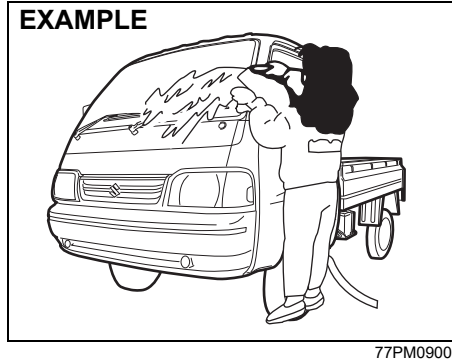
Park your vehicle to save it from continuous exposure to direct sunlight. Do not park your vehicle in a damp, poorly ventilated area. If you often wash your vehicle in the garage or if you frequently drive it in when wet, your garage may be damp. The high humidity in the garage may cause or accelerate corrosion. A wet vehicle may corrode even in a heated garage if the ventilation is poor.

⚠ WARNING

Do not apply additional undercoating or rust preventive coating on or around exhaust system components such as the catalytic converter, exhaust pipes, etc. A fire could be started if the undercoating substance becomes overheated.

Vehicle Cleaning

EXAMPLE



77PM09001

⚠ WARNING

When cleaning the interior or exterior of the vehicle, **NEVER USE** flammable solvents such as lacquer thinners, Petrol, benzene or cleaning materials such as bleaches or strong household detergents. The materials could cause personal injury or damage to the vehicle.

Cleaning the Interior

Vinyl upholstery

Prepare a solution of soap or mild detergent mixed with warm water. Apply the solution to the vinyl with a sponge or soft cloth and let it soak for a few minutes to loosen dirt. Rub the surface with a clean, damp cloth to remove dirt and the soap solution. If some dirt still remains on the surface, repeat this procedure.

Fabric upholstery (Except front passenger seat)

Remove loose dirt with a vacuum cleaner. Using a mild soap solution, rub stained areas with a clean damp cloth. To remove soap, rub the areas again with a cloth dampened with water. Repeat this until the stain is removed, or use a commercial fabric cleaner for tougher stains. If you use a fabric cleaner, carefully follow the manufacturer's instructions and precautions.

⚠ CAUTION

- Do not spill liquid or semi-solid on the front passenger's seat. If you spill it on the front passenger's seat, immediately wipe it dry with a soft cloth. Contact of liquid with sensor may impact the function of seat belt reminder sensor.
- Do not place any sharp or heavy object on passenger seat which can penetrate through seat upholstery and can cause damage to sensor.

APPEARANCE CARE

Fabric upholstery (For front passenger seat)

Do not use liquid for cleaning as it may penetrate the fabric and damage the seat sensor.

Leather upholstery

Remove loose dirt with a vacuum cleaner. Using a mild soap or saddle soap solution, wipe dirt off with a clean damp soft cloth. To remove soap, wipe the areas again with a soft cloth dampened with water. Wipe the areas dry with a soft dry cloth. Repeat this until the dirt or stain is removed, or use a commercial leather cleaner for tougher dirt or stains. If you use a leather cleaner, carefully follow the manufacturer's instructions and precautions. Do not use solvent type cleaners or abrasive cleaners.

NOTE:

- In order to keep leather upholstery looking good, it should be cleaned at least twice a year.
- If leather upholstery becomes wet, immediately wipe it dry with tissue paper or a soft cloth. Water may cause leather to harden and shrink if it is not wiped off.
- When parking on sunny days, select a shady place or use a sunshade. If leather upholstery is exposed to direct sunlight for a long time, it may discolor and shrink.
- As is common with natural materials, leather is inherently irregular in grain and cowhide has spots in its natural state. These do not affect the performance of the leather in any way.

Seat belts

Clean seat belts with a mild soap and water. Do not use bleach or dye on the belts. They may weaken the fabric in the belts.

Vinyl floor mats

Ordinary dirt can be removed from vinyl with water or mild soap. Use a brush to help loosen dirt. After the dirt is loosened, rinse the mat thoroughly with water and dry it in the shade.

Carpets

Remove dirt and soil as much as possible with a vacuum cleaner. Using a mild soap solution, rub stained areas with a clean damp cloth. To remove soap, rub the areas again with a cloth dampened with water. Repeat this until the stain is removed, or use a commercial carpet cleaner for tougher stains. If you use a carpet cleaner, carefully follow the manufacturer's instructions and precautions.

Instrument panel and console

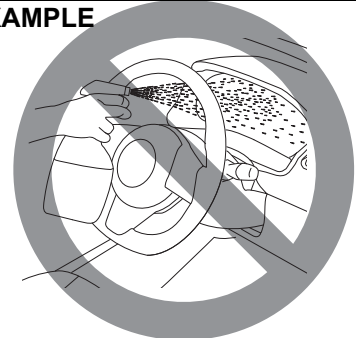
Remove loose dirt with a vacuum cleaner. Gently wipe dirt off with a tightly squeezed damp clean cloth. Repeat this until the dirt is removed.

NOTICE

Do not use chemical products that contain silicon to wipe electrical components such as the switches. These will cause damage to the components.

Do not spray water or any liquid directly on instrument cluster or any other electrical or electronic components. This may cause damage and/or lead to non-functioning of the part.

EXAMPLE



81RM08005

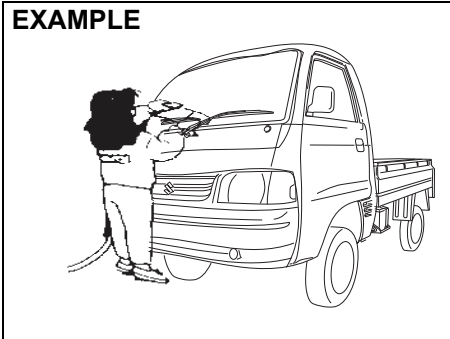
Cleaning the Exterior

NOTICE

It is important that your vehicle to be kept clean and free from dirt. Failure to keep your vehicle clean may result in fading of the paint or corrosion to various parts of the vehicle body.

Washing

EXAMPLE



82DY0

⚠ WARNING

- Never attempt to wash and wax your vehicle with the engine running.
- When cleaning the underside of the body and fender, where there may be sharp-edged parts, you should wear gloves and a long-sleeved shirt to protect your hands and arms from being cut.
- After washing your vehicle, carefully test the brakes before driving to make sure they have maintained their normal effectiveness.

When washing the vehicle, park it where direct sunlight does not fall on it and follow the instructions below:

- 1) Flush the underside of body and wheel housings with pressurized water to remove mud and debris. Use plenty of water.

NOTICE

- When washing the vehicle:**
- Avoid directing steam or hot water of more than 80°C (176°F) on plastic parts.
 - To avoid damaging engine components, do not use pressurized water in the engine compartment.

- 2) Rinse the body to loosen the dirt. Remove dirt and mud from the body exterior with running water. You may use a soft sponge or brush. Do not use hard materials which can scratch the paint or plastic. Remember that the headlight covers or lenses are made of plastic in many cases.

NOTICE

To avoid damage to the paint or plastic surface, do not wipe the dirt off without ample water. Be sure to follow above procedure.

- 3) Wash the entire exterior with a mild detergent or car wash soap using a sponge or soft cloth. The sponge or cloth should be frequently soaked in the soap solution.

NOTICE

When using a commercial car wash product, observe the cautions specified by the manufacturer. Never use strong household detergents or soaps.

- 4) Once the dirt has been completely removed, rinse off the detergent with running water.
- 5) After rinsing, wipe off the vehicle body with a wet chamois or cloth and allow it to dry in the shade.

APPEARANCE CARE

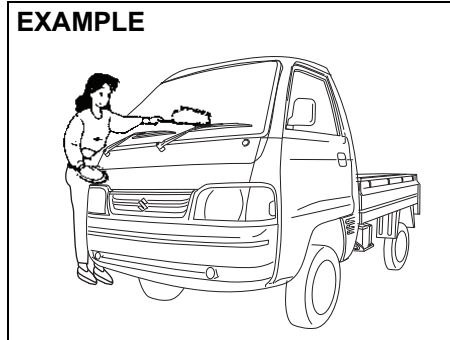
- 6) Check carefully for damage to painted surfaces. If there is any damage, touch up the damage following the procedure below:
1. Clean all damaged spots and allow them to dry.
 2. Stir the paint and touch up the damaged spots lightly using a small brush.
 3. Allow the paint to dry completely.

NOTICE

If you use an automatic car wash, make sure that your vehicle's body parts, such as spoilers, cannot be damaged. If you are in doubt, consult the car wash operator for advice.

Waxing

EXAMPLE



77PM09002

After washing the vehicle, waxing and polishing are recommended to further protect and beautify the paint.

- Only use waxes and polishes of good quality.
- When using waxes and polishes, observe the precautions specified by the manufacturers.

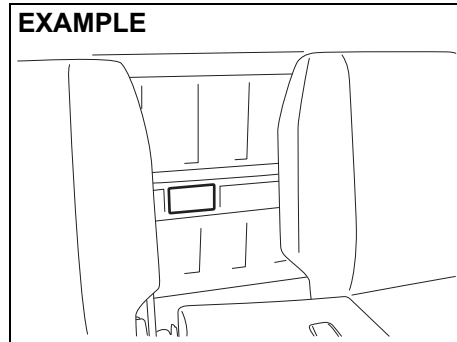
GENERAL INFORMATION

Vehicle Identification 10-1
FASTag (if equipped)..... 10-1
CNG Kit Number Identification (if equipped) 10-2
High Security Registration Plate (HSRP)
(if applicable) 10-3

GENERAL INFORMATION

Vehicle Identification

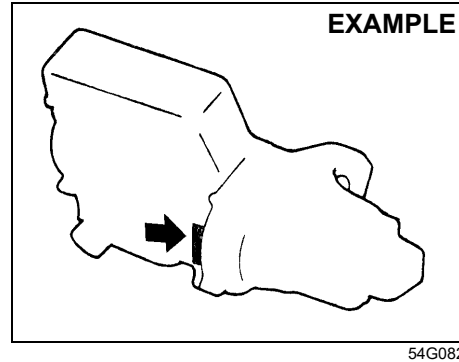
Chassis Serial Number



77PH059

The chassis and/or engine serial numbers are used to register the vehicle. They are also used to assist your dealer when ordering or referring to special service information. Whenever you have occasion to consult your authorised MARUTI SUZUKI COMMERCIAL workshop, remember to identify your vehicle with this number. If you find the number difficult to read, you can also find it on the identification plate.

Engine Serial Number



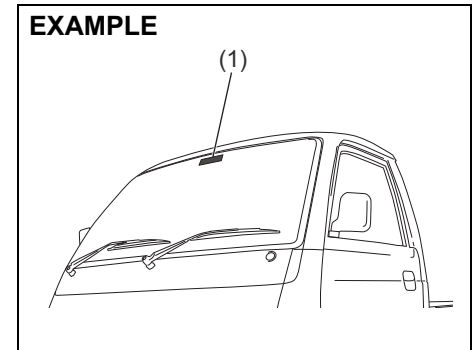
54G082

The engine serial number is stamped on the cylinder block as shown in the illustration.

FASTag (if equipped)

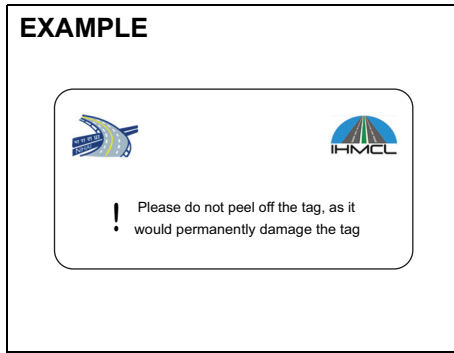
As per Ministry of Road Transport and Highways, the FASTag (1) is mandatory for each vehicle for the purpose of electronic toll collection or any other purpose as may be defined by the Government of India.

In case of any damage to FASTag or replacement of front windscreen, please contact your nearest authorised Maruti Suzuki workshop.



66MM01001

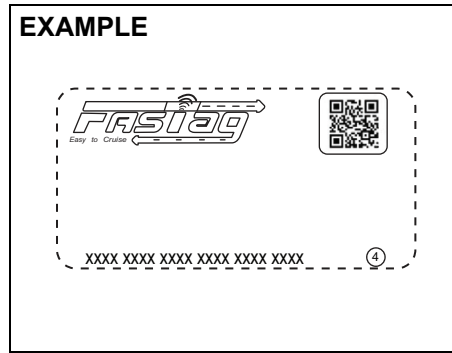
As seen from inside of the vehicle



64MM01002

NOTE:
The picture shown is for indicative purpose only. Internal structure of actual device mounted on vehicle may be different.

As seen from outside of the vehicle

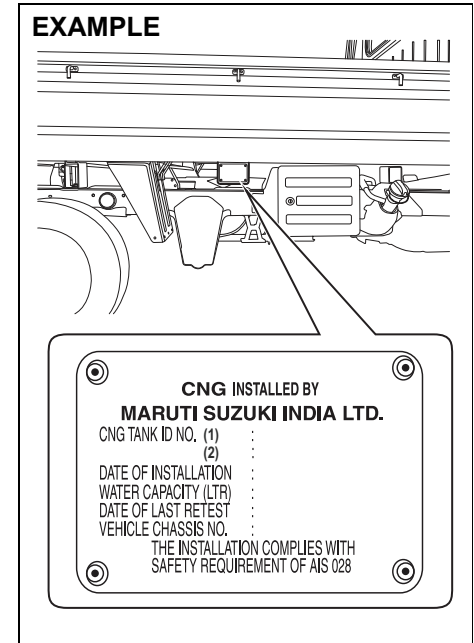


64MM01003

NOTE:
The picture shown is for indicative purpose only. Internal structure of actual device mounted on vehicle may be different.

- NOTE:**
- Any attempt to remove the tag from the windscreen will result in permanent damage to the tag.
 - Use of chemical cleaners to clean the windscreen area where the tag is mounted can damage the tag.
 - Use of any sharp objects on the tag can damage the tag.

CNG Kit Number Identification (if equipped)



77PM10002

CNG cylinder identification number and CNG kit installation date is located on right side of cargo body as shown.

GENERAL INFORMATION

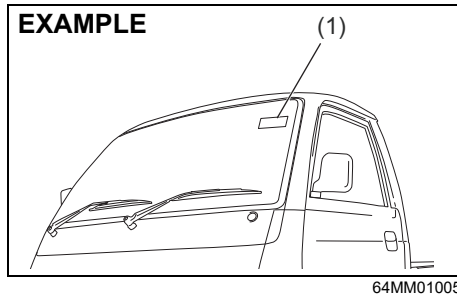
High Security Registration Plate (HSRP) (if applicable)

As per Ministry of Road Transport and Highways, every new vehicle must have HSRP.

HSRP contains;

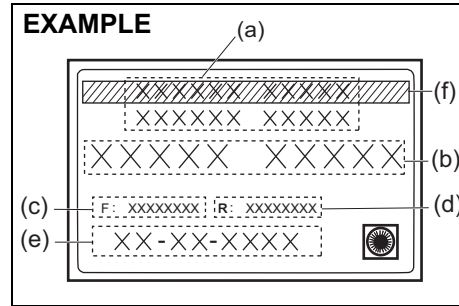
- Front and rear HSRP, which will be fitted with 2 snap-locks each on number plate area.
- Third license plate on front windshield.

Third License Plate



(1) Third license plate

Third license plate - As seen from outside of the vehicle



- (a) HSRP issuing authority name
- (b) Vehicle registration number
- (c) Unique laser number - Front plate
- (d) Unique laser number - Rear plate
- (e) Date of 1st registration
(in DD-MM-YYYY format)
- (f) Green strips (BS6 vehicle)

NOTE:

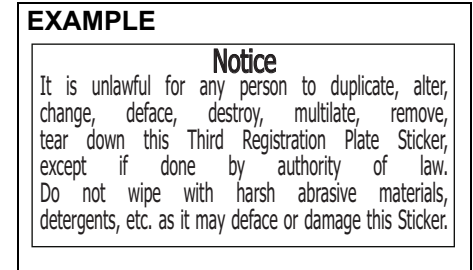
The picture shown is for indicative purpose only. Internal structure of actual label mounted on vehicle may be different.

NOTE:

- Any attempt to remove the third license plate from the windscreen will result in permanent damage to the label.
- Use of chemical cleaners to clean the windscreen area where the label is mounted can damage the same.

- Use of any sharp objects on the label can damage the label.
- In the event of any replacement of the third license plate, may please contact the approved authority.

Third license plate - As seen from inside of the vehicle



NOTE:

The picture shown is for indicative purpose only.

NOTE:

Color of third license plate (back) is as per HSRP regulation as defined by Ministry of Road Transport and highways.

SPECIFICATIONS

SPECIFICATIONS

NOTE:

Specifications are subject to change without notice.

*Specification related to “chassis” variants refer “**Instructions For Body Fabrication**”*

ITEM: Dimensions		UNIT: mm
Overall length		3800
Overall width		1562
Overall height		1883
Wheelbase		2110
Track	Front	1345
	Rear	1330

ITEM: Mass (weight)		UNIT: kg
Curb mass (weight)	Petrol	870
	CNG	990
Gross Vehicle Mass (weight) Rating		1620
Permissible maximum Axle Weight	Front	900
	Rear	1020

SPECIFICATIONS

ITEM: Engine	Petrol and CNG
Type	K12N (DOHC)
Number of cylinders	4
Bore	73.0 mm
Stroke	71.5 mm
Piston displacement	1197 cm ³ (1197 cc)
Compression ratio	12.0: 1

ITEM: Electrical	
Spark plug	NGK ILZKR6F11
Battery	12V 38B20R
Fuses	See "INSPECTION AND MAINTENANCE" section.

ITEM: Lights	WATTAGE	BULB No.
Headlight	12V 60/55W	H4
Position light	12V 5W	W5W
Turn signal light	Front	PY21W
	Rear	P21W
Brake/tail light	12V 21/5W	P21/5W
Reversing light	12V 21W	P21W
License plate light	12V 5W	W5W
Interior light	12V 5W	C5W

SPECIFICATIONS

ITEM: Wheels and Tyres	
Tyre size, front, rear and spare	155R13 LT 8PR 89/88S* / 155R13 LT 8PR 90/89Q*
Rim size	13X4J
Tyre pressures	For the specified Tyre pressure, see the Tyre Information Label located on the driver's door lock pillar.

* If you cannot prepare a tyre with the specified load index rate and speed symbol, prepare a tyre with higher load index rate and speed symbol.

ITEM: Recommended Fuel / Lubricants and Capacities (approx.)			
Fuel	Petrol		30 L [#]
	CNG	Petrol	5 L [#]
		CNG	35 L × 2 tanks [#]
Engine oil	Petrol		Classification: API SN Viscosity: SAE 0W-16 3.8 L (replacement without oil filter) 4.2 L (replacement with oil filter)
	CNG		
Engine coolant	Petrol		3.6 L (including reservoir tank)
	CNG		3.65 L (including reservoir tank)
Manual transmission oil		MARUTI GENUINE GEAR OIL 75W	1.4 L
Rear differential oil		“TOTALFINAELF TRANSELF LL 85W-140”	1.6 L
Brake fluid		Maruti Genuine Brake Fluid (MGBF) or DOT 3	Refill to the proper oil level according to the instructions in the “INSPECTION AND MAINTENANCE” section.

*1: The recommended coolant varies depending on your vehicle. Refer to “INSPECTION AND MAINTENANCE” section.

#: The fuel tank capacity is slightly more than the recommended quantity of fuel that you can fill. The additional voluminous space is provided for safety and scientific reasons.

INSTRUCTIONS FOR BODY FABRICATION

INSTRUCTIONS FOR BODY FABRICATION (Chassis Variant)

The body fabrication on the cab-chassis vehicle shall be carried out ensuring the following instructions and boundary conditions:

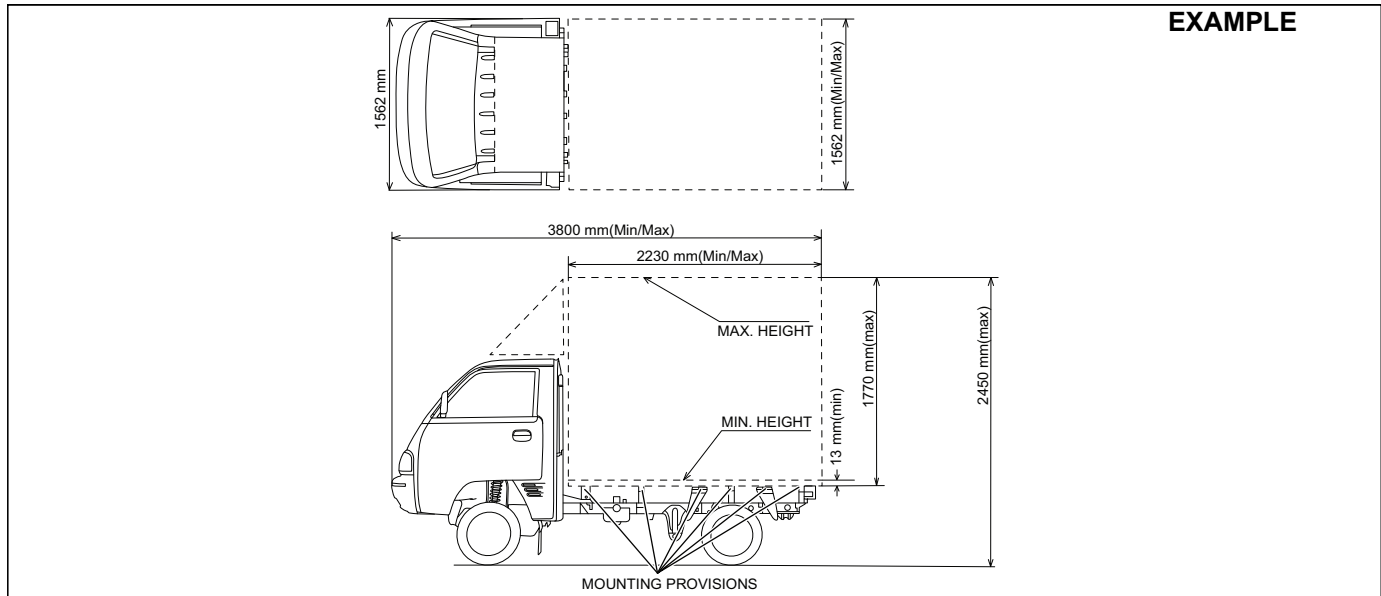
- (a) **Body exteriors:** The load body/ application shall be fabricated such that the external surface of the vehicle shall not have sharp edges or sharp projecting parts which are likely to increase the risk or seriousness of bodily injury to a person hit by the bodywork or brushing against it in the event of a collision. This is valid both when the complete vehicle is stationary and in motion. It is to be ensured a minimum 2.5mm or more radius of curvature on external edges and projecting parts. Body shall meet the stipulated requirement as defined under CMVR Rule 124(1)-11.

For body layouts (like Tipper Application), where battery mountings are exposed, a cover shall be provided in order to meet the necessary requirements of exterior projections as defined under CMVR Rule 124(1)-11.

- (b) **Reflective Tape:** The body builder shall paste a red reflective tape (of not less than 20mm width) running across the width of the body on the rear of the vehicle and shall comply with requirements under CMVR Rule No. 104.
- (c) **Head Lamp:** After the body fabrication, Initial inclination of Head lamp shall be adjusted as marked on the headlamp (as per CMVR 124 (1)-20). The head lamp leveling switch position for GVW condition shall be specified by Body Fabricator to the Customer.
- (d) **Body Builder's Plate:** The body builder shall place the body-builder's plate specifying the unladen weight, payload and other details as per requirement under CMVR Rule 122.
- (e) **Form 22A Part II:** The body builder shall provide Form 22A Part II as per requirement under CMVR Rule 47.
- (f) The body builder shall not alter with the electrical wiring, electrical equipment, brake connections, brake piping, fuel connection, exhaust system and chassis components during the body fabrication.

INSTRUCTIONS FOR BODY FABRICATION

- (g) **Dimensions:** The load body/application to be built upon the manufacturer supplied cab chassis vehicle shall be designed to fit within a minimum and maximum envelop as specified in below illustration.



77PM12003

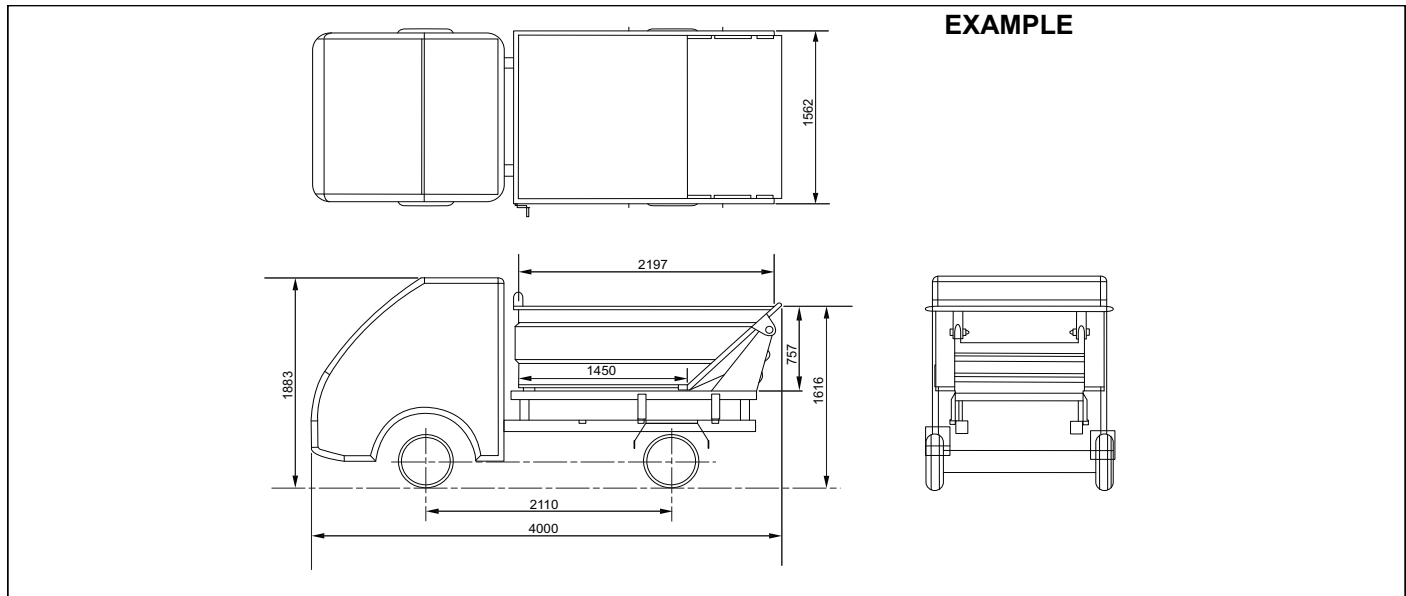
INSTRUCTIONS FOR BODY FABRICATION

INSTRUCTIONS FOR BODY FABRICATION

For Petrol Model Tipper (Open Tipper & Closed Tipper)

The load body/application to be built upon the manufacturer supplied cab chassis vehicle shall be designed to fit within specified dimension as in the below illustration.

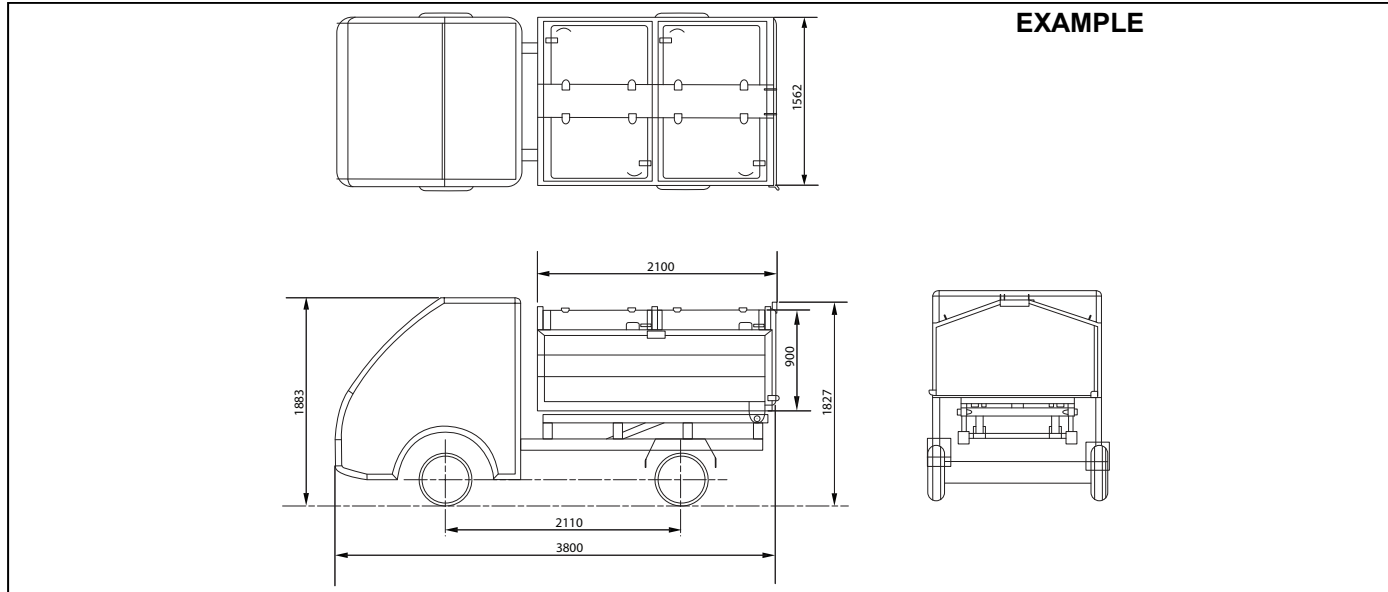
- Open Tipper:



77PM12006

INSTRUCTIONS FOR BODY FABRICATION

- Closed Tipper:



EXAMPLE

77PM12007

(h) **Weight and its distribution:** The load body/application shall be fabricated considering the minimum kerb weight of complete vehicle as 870kg (Petrol), 990kg (CNG) and maximum kerb weight of complete vehicle as 1140kg (Petrol), 1255kg (CNG). The ratio of front axle and rear axle kerb weight shall not exceed 1.45 (Petrol), 1.25 (CNG).

For Petrol Model Tipper Application, the load body/application shall be fabricated considering the following Kerb weight.

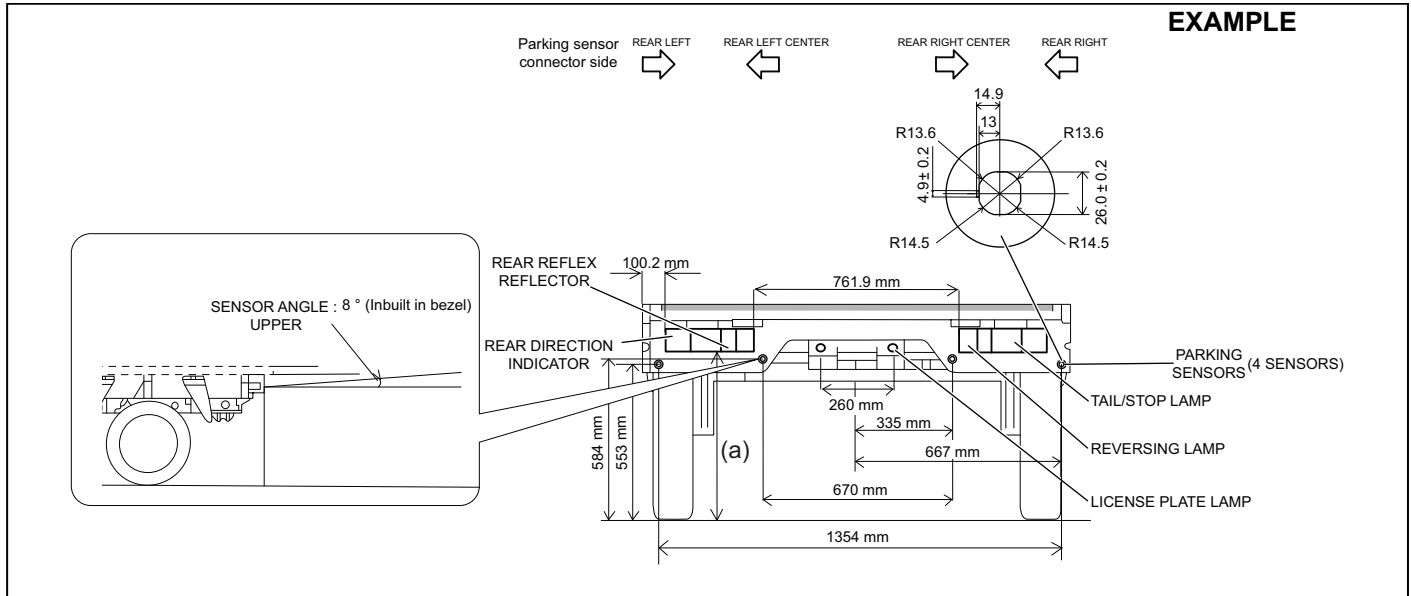
Kerb weight of open tipper: 1070kg

Kerb weight of closed tipper: 1140kg

The ratio of front axle and rear axle kerb weight shall not exceed 1.45.

INSTRUCTIONS FOR BODY FABRICATION

- (i) **Lighting and signaling devices:** The cab chassis is being supplied with head lamp assembly inbuilt with the cab and a temporary panel with rear combination lamps and registration plate lamps. There shall not be any modifications done with the position of Head lamp assembly. The rear combination lamps, registration plate lamps and parking sensors (provided along with vehicle in glove box) shall be fitted on the load body/ application as per the specified position as in below illustration.



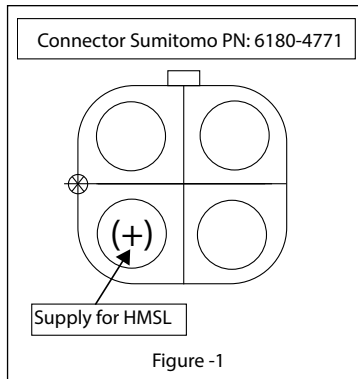
77PM12008

"a" Value	
Chassis Applications (Petrol & CNG)	612 mm
Petrol Model Open Tipper Application	620 mm
Petrol Model Closed Tipper Application	660 mm

INSTRUCTIONS FOR BODY FABRICATION

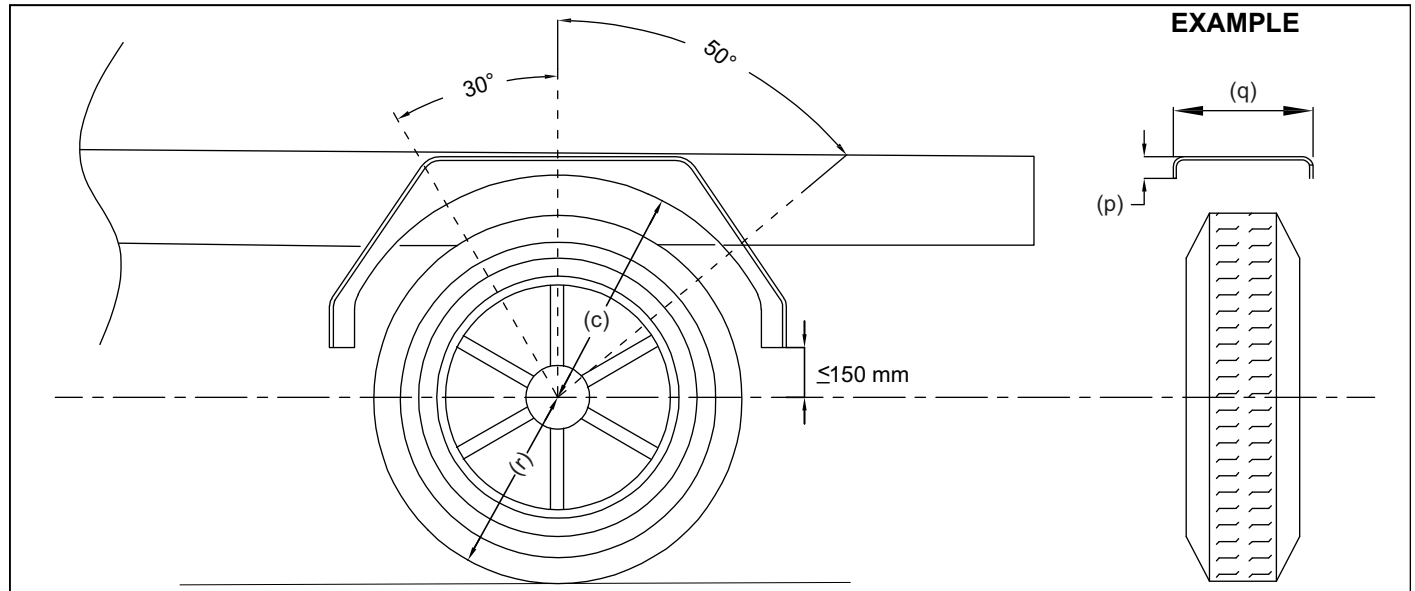
(j) **HMSL installation:** (Applicable for full metal body application)

- Body fabricator shall ensure to install High Mount Stop Lamp (HMSL) with a maximum power limit of 25 watts and in compliance to CMVR Rule 124(1)-20.
- For HMSL wiring provision and its functioning, Rear combination lamp (RCL) connectors already have required positive supply as shown in below figure-1. Body fabricator must use this without tampering the electrical wiring harness. Grounding fix terminal shall be connected properly with RCL ground point.



INSTRUCTIONS FOR BODY FABRICATION

(k) **Wheel Guard:** Wheel guards shall comply with requirements under CMVR Rule No. 124(1)-13. The wheel guard (rear) must be fabricated as per design parameters specified in below illustration.



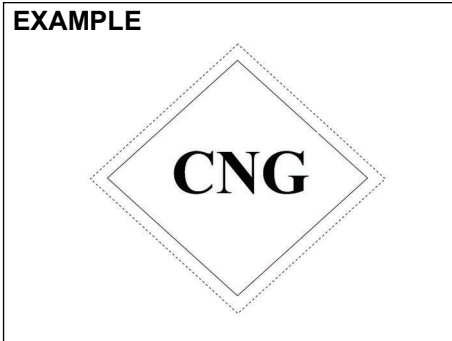
7PM12106

c	$\leq 2r$
p	> 30 mm
q	> Total Tyre Width
r	Tyre Static Radius

(l) Application for CNG Variant:

CNG Label:

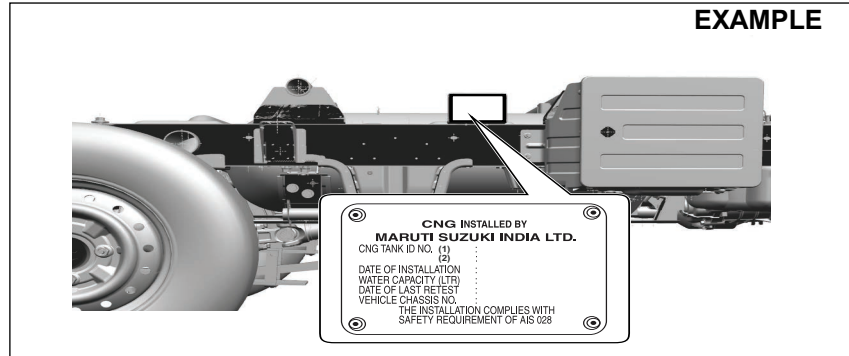
The body builder shall paste “CNG Label” (provided along with vehicle Tool kit packet) on the load body on rear side as per below guidelines.



77PM12011

- (a) Label shall be affixed in a vertical position (as shown above) on flat surface as close to the vehicle number plate as practical.
- (b) Affixed label shall ensure visibility from rear sides.
- (c) The label shall be in position at all times, shall be in good condition, and the shape, colouring and lettering shall be easily identifiable.

CNG Kit Number Identification:



77PM07032

The load body/application shall be fabricated such that it does not impact the visibility of CNG compliance plate.

Disclaimer:

The owner/body-builder shall comply to applicable CMVR requirements and also State Motor vehicle Rules as applicable from time to time in respect of body fabrication of super carry chassis variant.

The vehicle manufacturer shall not be liable for any non-conformity of applicable laws arising due to fabrication of body/ application, in contradiction to manufacturer's instructions and prevailing regulations.

<p>⚠ CAUTION</p> <p>Do not keep your super carry vehicle without deck/body fabrication</p>
--

প্ৰস্তাৱনা

ডিজিটেল গৰাকীৰ মেনুৱেল হৈছে আপোনাৰ বাহনৰ এক অপৰিহাৰ্য অংশ, এক সমৃদ্ধ দস্তাবেজ যি বিশেষত্ব, সতৰ্কবাৰ্তা, সঞ্চালন আৰু সঁজুলিৰ বিৱৰণ আদিৰ দৰে তথ্য প্ৰদান কৰি আপোনাক বাহনখনৰ সৈতে পৰিচিত কৰে। অনুগ্ৰহ কৰি আপোনাৰ নতুন মাৰুতি চুজুকী বাহনখন চলোৱাৰ আগতে এই মেনুৱেলখন সাৱধানে পঢ়ক আৰু সময়ে সময়ে মেনুৱেলখন পুনৰীক্ষণ কৰিব। এই মেনুৱেলখন ডাউনলোড কৰিবলৈ (আপোনাৰ পত্ৰীভুক্ত ম'বাইল নম্বৰৰ সৈতে “মাৰুতি চুজুকী ৱিৱাৰ্ডেচ” ম'বাইল এপ্লিকেচনৰ পৰা) আৰু সকলো সময়তে সহজে প্ৰাপ্ত কৰাৰ বাবে ইয়াৰ এটা কোমল প্ৰতিলিপি সঞ্চিত কৰি ৰাখিবলৈ পৰামৰ্শ দিয়া হৈছে। অনুগ্ৰহ কৰি যিকোনো সেৱা প্ৰাপ্ত কৰাৰ বাবে মাৰুতি চুজুকী কৰ্তৃত্বপ্ৰাপ্ত কৰ্মশালালৈ যাব।

আপোনাৰ গাড়ীখন দীৰ্ঘকাল ভাল কৰি ৰখাৰ লগতে ত্ৰাস্বাৰধানৰ খৰচ কম কৰিবলৈ হ'লে এইখনৰ “পৰীক্ষণ আৰু মেৰামতি” অংশত উল্লেখ কৰা “পিৰিয়ডিক মেৰামতিৰ সূচী” মতে ত্ৰাস্বাৰধান লওক। সমস্যা আৰু দুৰ্ঘটনা প্ৰতিৰোধৰ লগতে আপোনাৰ সুৰক্ষা, সন্তুষ্টি নিশ্চিত কৰাৰ বাবে এই নিৰ্দেশনাবোৰ মানি চলাটো প্ৰয়োজন।

সুৰক্ষিত ড্ৰাইভিং আৰু গাড়ীখনৰ দীৰ্ঘম্যাদিতাৰ বাবে ইয়াৰ “পৰীক্ষণ আৰু মেৰামতি” অংশত উল্লেখ কৰা “দৈনিক নিৰীক্ষণ কৰিবলগা তালিকা” মতে দৈনিক পৰীক্ষণ আৰু যত্ন লওক।

বাহনবোৰ আৰু সেইবোৰৰ সৈতে উপলব্ধ সুবিধা/ আনুষঙ্গিকবোৰ প্ৰযোজ্য আইনী প্ৰয়োজনীয়তা অনুসৰি গৰাকী/ব্যৱহাৰকৰ্তাই ব্যৱহাৰ কৰিব আৰু চলাব লাগে।

পৃথিৱীত থকা প্ৰকৃতিৰ সম্পদসমূহৰ সুৰক্ষা আৰু সংৰক্ষণৰ কথা মাৰুতি চুজুকী ইণ্ডিয়া লিমিটেডে বিশ্বাস কৰে।

সেয়েহে আমি গাড়ী মালিকক ব্যৱহাৰ ইঞ্জিন অইল, কুলেণ্ট আৰু অনন্য ইন্ধন বেটাৰী টায়াৰ আদি সঠিক সময়ত চাৰ্ভিচিং কৰি সলনি কৰিব লগা বস্তুবোৰ পেলাই দিবলৈ উৎসাহ দিও।

মাৰুতি চুজুকী ইণ্ডিয়া লিমিটেড

এই নিয়মাৱলীখনত দিয়া সকলোবোৰ তথ্য প্ৰকাশৰ সময়ত উপলব্ধ হোৱা সকলোবোৰ তথ্য ওপৰত ভিত্তি কৰি দিয়া হৈছে। আৰু অধিক বিকাশ কৰাৰ বাবে আপোনাৰ গাড়ী আৰু নিয়মাৱলী তথ্যৰ মাজত পাৰ্থক্য থাকিব পাৰে। মাৰুতি চুজুকী ইণ্ডিয়া লিমিটেডে যিকোনো সময়ত কোনো জাননী নিদিয়াকৈ নাইবা পূৰ্বে নিৰ্মাণ বা বিক্ৰী কৰা গাড়ীৰ উৎপাদনৰ সলনি কৰাৰ বা কোনো দায়িত্ব গ্ৰহণ নকৰাৰ অধিকাৰ সুৰক্ষিত কৰি ৰাখিছে।

এই গাড়ীয়ে আন কোনো দেশৰ উৎকৰ্ষৰ মান অথবা আইন কানুন পালন নকৰে। আন কোনো দেশত ৰেজিষ্টাৰ কৰাৰ প্ৰয়োজনীয় আইন কানুন পৰীক্ষা কৰক আৰু প্ৰয়োজনীয় পৰিবৰ্তন কৰি লওক।

প্ৰয়োজনীয়

▲ সাবধান/ ▲ সাবধানতা/জাননী/টোকা

অনুগ্রহ কৰি নিয়মারলীখন সারধানে পঢ়ক আৰু তাৰ নিয়মারলীবোৰ পালন কৰক। বিশেষ তথ্যৰ প্ৰতি জোৰ দিবলৈ চিহ্ন ▲ আৰু সাবধান, সাবধানতা, জাননী আৰু টোকা আদি শব্দৰ বিশেষ অৰ্থ আছে। এই সাংকেতিক শব্দবোৰ দিয়া দাঙি ধৰা বাৰ্তাবোৰৰ প্ৰতি বিশেষ মনযোগ দিয়ক।

▲ সাবধান

শব্দটোৱে সম্ভাব্য এনে বিপদৰ ইংগিত দিয়ে যিটোৰ পৰিণামত গভীৰ আঘাত নাইবা মৃত্যু পৰ্যন্ত হ'ব পাৰে।

▲ সাবধানতা

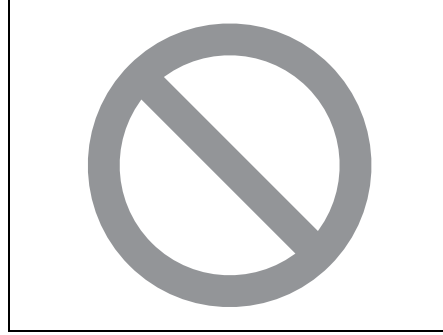
শব্দটোৱে এনে এক বিপদৰ সংকেত দিয়ে যাৰ পৰিণামত সামান্য অথবা মধ্যমীয়া আঘাত পাব পাৰে।

জাননী

শব্দটোৱে এনে এক বিপদৰ সংকেত দিয়ে যাৰ পৰিণামত গভীৰ ক্ষতি হ'ব পাৰে।

টোকা*

বিশেষ তথ্য সহজে পালন কৰা নাইবা উপদেশ সূনিশ্চিত কৰাৰ কথা বুজায়।



75F135

নিয়মারলীত থকা মাজত এটা কটা চিহ্নৰ বৃত্তটোৰ অৰ্থ হ'ল “এইটো নকৰিব”, “এনে হ'বলৈ নিদিব”।

টোকা :

- মেনুৱেলখনত “বাহন” বুজোৱাৰ বাবে কাৰ, মডেল/ভেৰিয়েন্ট আদিৰ দৰে শব্দ অৱধাৰিত ভাৱে ব্যৱহাৰ কৰা হৈছে।
- এই মেনুৱেলত ব্যৱহাৰ কৰা চিত্ৰমূলক উপস্থাপনবোৰ কেৱল উদাহৰণৰ উদ্দেশ্যৰ বাবে।

সালসলনি বিষয়ক সতৰ্কবাণী

▲ সাবধান

বাহনখনত সাল-সলনি নকৰিব। সাল-সলনিমে সুৰক্ষা, সঞ্চালন, প্ৰদৰ্শন বা দীৰ্ঘম্যাদিত্য প্ৰতিকূলভাৱে প্ৰভাৱিত কৰিব পাৰে আৰু চৰকাৰী নিয়মারলী উলংঘন কৰিব পাৰে। ইয়াৰ উপৰিও, সাল-সলনিৰ ফলত হোৱা ক্ষতি বা প্ৰদৰ্শনৰ সমস্যা ব্ৰাৰেণ্টৰ অধীনত আৱৰা নহব।

জাননী

ম'বাইল যোগাযোগৰ বস্তু যেনে চেণুলাৰ টেলিফোন অথবা চি বি (চিটিজেন বেণ্ড) ৰেডিঅ' আদি সংস্থাপনৰ ফলত গাভীৰ স্বলন ব্যৱহাৰ লগত ইলেক্ট্ৰনিক অন্তৰায় হৈ দেখা দিব পাৰে। ফলত গাভীৰ কাৰ্যক্ষমতাত সমস্যাই দেখা দিব পাৰে। তেনেধৰণৰ ব্যৱস্থা সংস্থাপনৰ বাবে স্বীকৃতিপ্ৰাপ্ত মাৰ্কটি চুজুকী কমাৰ্চিয়েল ডিলাৰৰ পৰামৰ্শ গ্ৰহণ কৰক।

জাননী

মাৰ্কটি চুজুকীয়ে অনুমোদিত নকৰা গুণগতভাৱে দুৰ্বল ইন্ধন / লুব্ৰিকেণ্ট ব্যৱহাৰ কৰিলে গাভীৰ ক্ষতি কৰিব পাৰে।

ডিজিটেল গৰাকীৰ মেনুৱেলৰ অভিজ্ঞতা প্ৰাপ্ত আৰু ব্যৱহাৰ কৰিবলৈ, মাৰুতি চুজুকী এপ ডাউনলোড কৰক



মাৰুতি চুজুকী ৰিৱাৰ্ডছ (Maruti Suzuki Rewards) এপটোৱে এক অসুবিধামুক্ত গাড়ীৰ মালিকীস্বত্বৰ অভিজ্ঞতা নিশ্চিত কৰে। এপটো ডাউনলোড কৰি আপোনাক প্ৰয়োজন হোৱা সকলো সেৱা আৰু তথ্য সহজে প্ৰাপ্ত কৰক



মাৰুতি চুজুকী এপ্লিকেচনৰ পৰা গৰাকীৰ মেনুৱেল কেনেদৰে ডাউনলোড কৰিব

পদক্ষেপ 1: আপোনাৰ ম'বাইল ফোনত এপল এপ ষ্টোৰ / গুগল প্লে ষ্টোৰৰ পৰা "মাৰুতি চুজুকী ৰিৱাৰ্ডছ" এপ্লিকেচন ডাউনলোড কৰক

পদক্ষেপ 2: পঞ্জীভুক্ত ম'বাইল নম্বৰ আৰু এছ.এম.এছ.-ৰ পৰা প্ৰাপ্ত ও.টি.পি. প্ৰবিষ্ট কৰক

পদক্ষেপ 3: "S-Assist BOT" আইকনটো বাছনি কৰক আৰু ডিজিটেল গৰাকীৰ মেনুৱেল প্ৰাপ্ত কৰিবলৈ "গৰাকীৰ মেনুৱেল চাওক" ক্লিক কৰক

পদক্ষেপ 4: "নিম্নমুখী কাড়" ডাউনলোড ক্লিক কৰক আৰু আপোনাৰ ম'বাইল ফোনত গৰাকীৰ মেনুৱেল সঞ্চিত কৰক

এতিয়া, সকলো সময়তে চোৱাৰ বাবে আপোনাৰ ম'বাইল ফোনত গৰাকীৰ মেনুৱেল উপলব্ধ থাকিব।

(সহায়ৰ বাবে, মাৰুতি চুজুকী কৰ্তৃস্থপ্ৰাপ্ত কৰ্মশালাৰ সৈতে যোগাযোগ কৰক)

ব্ৰাৰেণ্টি পলিচি

মাৰুতি ছুজুকী ইণ্ডিয়া লিমিটেডে (এতিয়াৰেপৰা "মাৰুতি ছুজুকী" বুলি উল্লেখ কৰা হ'ব) এই কথৰ নিশ্চয়তা দিয়ে যে মাৰুতি ছুজুকীয়ে ভাৰতত আবন্টন দিয়া আৰু এটা স্বীকৃতিপ্ৰাপ্ত মাৰুতি ছুজুকী ডীলাৰে বিক্ৰী কৰা প্ৰত্যেকজন গাড়ীৰ উৎপাদনৰ সময়ত কোনো উপাদান আৰু কাৰিকৰী ত্ৰুটি স্বাভাৱিক ব্যৱহাৰ আৰু সেৱাত ধৰা পৰিলে বিনামূল্যে ব্ৰাৰেণ্টৰ নিশ্চয়তা দিছে। এই সম্পৰ্কীয় সময়সীমা আৰু চৰ্তাৱলীৰ প্ৰতি ধ্যান দিয়ক:

(1) যোগ্যতা:

এই ব্ৰাৰেণ্টীৰ বাবে অৰ্হতা সম্পন্ন হ'বলৈ বাহনখন এটা স্বীকৃতিপ্ৰাপ্ত মাৰুতি ছুজুকী ডীলাৰৰ দ্বাৰা যোগান ধৰা আৰু এটা স্বীকৃতিপ্ৰাপ্ত মাৰুতি ছুজুকী ৱৰ্কশ্বপত ছেট-আপ কৰা তথা ছাৰ্ভিচিং কৰোৱাটো অপৰিহাৰ্য।

(2) সময়সীমা:

ব্ৰাৰেণ্টীৰ সময়সীমা প্ৰথমজন গৰাকীক দিয়া চালানৰ তাৰিখৰ পৰা ছয়ত্ৰিশ (36) মাহ নাইবা 1,00,000 কিলোমিটাৰ (মিটোৱে প্ৰথম পূৰ্ণ হয়) হয়।

(3) মাৰুতি ছুজুকী ব্ৰাৰেণ্টি বাধ্যবাধকতা:

যদি উল্লেখ কৰি অহা সময়সীমাৰ ভিতৰত মাৰুতি ছুজুকী গাড়ীৰ কিবা ত্ৰুটি ধৰা পৰে, তেতিয়া উক্ত ত্ৰুটি ধৰা পৰা অংশটো মেৰামতি নাইবা সলনি কৰি দিয়াত মাৰুতি ছুজুকীৰ বাধ্যবাধকতা থাকিব। কিন্তু এই ক্ষেত্ৰত মাৰুতি ছুজুকীয়ে উক্ত ত্ৰুটি অংশটোৰ বিজুতি নাইবা নিৰ্মাণৰ সময়ত কিবা বিজুতি হোৱা বুলি পতিয়ন যাব লাগিব। তেনেধৰণৰ ত্ৰুটিপূৰ্ণ পাৰ্টছবোৰ, যিবোৰ সলনি কৰা হৈছিল, সেইবোৰ মাৰুতি ছুজুকীৰ সম্পত্তি হৈ পৰিব। এই ব্ৰাৰেণ্টীৰ পৰিধিৰ ভিতৰত নপৰিলে যিকোনো অংশৰ মেৰামতি অথবা সলনিৰ বাবে গৰাকী সম্পূৰ্ণৰূপে দায়বদ্ধ হ'ব। মাৰুতি ছুজুকীৰ সিদ্ধান্তই চূড়ান্ত তথা বাধ্যতামূলক হ'ব।

(4) সীমাবদ্ধতা:

এই ব্ৰাৰেণ্টি প্ৰযোজ্য নহ'ব:

- প্ৰথম চাৰিটা ছাৰ্ভিচিঙৰ বাদে অইল আৰু ফ্লুইড সলনি, উপভোগ্য সামগ্ৰী, হেডলাইট এইমিং, ফাষ্টেনাৰ ৰিটাইটেনিং, হুইল বেলেঞ্চিং, হুইল এলাইনমেন্ট আৰু টায়াৰ ৰ'টেশ্বন, ইলজেক্টৰ ক্লিনিং, ক্লাচ আৰু ভেল্ট ক্লীয়েৰেণ্টৰ এডজাষ্টমেন্ট, কাৰ্ভুৰেটৰ এডজাষ্টমেন্ট, ইগনিশ্বন টাইমিং, ক্লাচ আৰু ভেহিক'ল ক্লিনাৰ সহ আন ছাৰ্ভিচিঙৰ বাবদ ত্ৰাৱধানৰ মাননি দিব লাগিব।
- কোনো সীমাবদ্ধতা নথকাকৈ পাৰ্টছবোৰৰ স্বাভাৱিক অৱক্ষয়, বাষ্প, টায়াৰ আৰু টিউব, স্পাৰ্ক প্লাগ, বেণ্ট, হচেছ, ফিল্টাৰ, ৰাইপাৰ ৱেড, ব্ৰাচ, কণ্টেক্ট পইন্ট, ফিউজ, ক্লাচ ডিষ্ট্ৰ, ব্ৰেক চুজ, ব্ৰেক পেড, কেব'ল আৰু সকলোবোৰ বাবাৰ পাৰ্টছ (অইল চিল আৰু গ্লাচ ৰাণ)।
- প্ৰতিযোগিতা, ৰেলী অথবা ৰেচিঙত ব্যৱহাৰ কৰি অহা যিকোনো গাড়ী।
- দুৰ্ঘটনা বা খুন্দা খোৱাৰ ফলত কৰিবলগীয়া যিকোনো মেৰামতি বা সলনি কৰা কাৰ্য।
- অপব্যৱহাৰ, অৱহেলা, অস্বাভাৱিক ব্যৱহাৰ, অনুপযুক্ত যত্ন, ধ্বংস প্ৰৱণতা, চুৰি, আইন ভঙ্গ কৰা গওগোল, জুইৰ বাবে হোৱা যিকোনো ত্ৰুটি/ক্ষয়-ক্ষতি, পানী সোমোৱা যন্ত্ৰ-পাতিবোৰত পানী সোমোৱাৰ ফলত ইঞ্জিন ছিজুৰ, হাইড্ৰষ্ট্ৰটিক লক ইত্যাদি হোৱাত বা বড়ী/যন্ত্ৰ-পাতিবোৰ ক্ষতিগ্ৰস্ত হোৱাত সীমাবদ্ধ নহয়।
- ভেজাল ইন্ধন /লুৱিকেন্ট /তেল /কুলেন্ট /তৰল পদাৰ্থ /পলিশ্ব কৰা সামগ্ৰী ব্যৱহাৰ আৰু ও'নাৰ্ছ মেনুৱেলত দিয়াৰ বাহিৰে বেলেগ ইন্ধন লুৱিকেন্ট /তেল /কুলেন্ট /তৰল পদাৰ্থ ব্যৱহাৰ কৰাৰ ফলত হোৱা যিকোনো ক্ষয়-ক্ষতিৰ ক্ষেত্ৰত।
- কোনোধৰণৰ সীমাবদ্ধতা নোহোৱাকৈ, সালসলনি কৰা যিকোনো গাড়ী, পাৰফৰমেন্স এল্লেছৰী সংস্থাপন কৰা গাড়ী-নাইটবোৰৰ পৰিৱৰ্তন, অন্যান্য সাল-সলনি আৰু বাহ্যিক /পৰিণতিস্বৰূপ কাৰণসমূহৰ ক্ষেত্ৰত।
- মাৰুতি ছুজুকী (এম.এছ.জি.এ.-বিহীন, এম.এছ.জি.পি.-বিহীন) য়ে অনুমোদন নকৰা পাৰ্টছ ব্যৱহাৰ কৰা গাড়ীৰ ক্ষেত্ৰত।

- (i) এই ও'নাৰ্ছ মেন্যুৱেল আৰু ছাৰ্ভিচ বুকলেটত থকা মাৰুতি ছুজুকী মালিকৰ নিয়মাৱলীত দিয়া নিৰ্দেশনাৱলীত উল্লেখ থকা মতে নচলোৱা গাড়ীৰ ক্ষেত্ৰত।
- (j) এই ও'নাৰ্ছ মেন্যুৱেল আৰু ছাৰ্ভিচ বুকলেটত থকা মাৰুতি ছুজুকী মালিকৰ নিয়মাৱলীত দিয়া নিৰ্দেশনাৱলীত উল্লেখ থকা মতে ছাৰ্ভিচ পৰিদৰ্শন লাভ নকৰা গাড়ীৰ ক্ষেত্ৰত।
- (k) এটা স্বীকৃতিপ্ৰাপ্ত মাৰুতি ছুজুকী ৰৰ্কস্বপৰ বাদে আন কোনো ঠাইত গাড়ীৰ যন্ত্ৰাংশ খোলা, লগোৱা, মিলোৱা নাইবা মেৰামতি কৰা গাড়ীৰ ক্ষেত্ৰত।
- (l) যি উদ্দেশ্যত নিৰ্মাণ কৰা হৈছিল তাৰ সলনি আন কামত ব্যৱহাৰ কৰা গাড়ীৰ ক্ষেত্ৰত।
- (m) বায়ুমণ্ডলীয় বিপৰ্যয়, ঔদ্যোগিক বিপৰ্যয়, এচিড বৰষুণ, শিলাবৃষ্টি বা শিল ধুমুহা, বতাহ ধুমুহা, বজ্ৰপাত, চৰাই-চিৰিকতিৰ বিষ্ঠা, এন্দুৰ/নিগনি বা তেনেধৰণৰ অন্য জীৱই কুটাৰ ফলত বাহনখনত হোৱা যিকোনো ক্ষয়-ক্ষতি বা অৱনতি।
- (n) সীমাবদ্ধতাহীন, শব্দ, কম্পন ক্লুইড নিগৰা আদি কোনোধৰণৰ সমস্যা যিবোৰে গাড়ীৰ কাৰ্যক্ষমতাত হানি নকৰা বিধিনিৰ বাবে।
- (o) সীমাবদ্ধতাহীন সহ কোনো স্বাভাৱিক ক্ষয় আৰু ক্ষতি, বিবৰ্ণ হোৱা, বং উৰি যোৱা, বিকৃত বা নিষ্প্ৰভ হৈ পৰা আৰু ফেব্ৰিকবোৰ মলিয়ন হৈ পৰাৰ নিচিনা উৰলি যোৱা বা অৱনতি ঘটাব বাবদ।
- (p) ঘৰুৱা গেছ/এলুপিজি চিলিণ্ডাৰৰ সংস্থাপন আৰু ব্যৱহাৰ কৰা গাড়ীৰ ক্ষেত্ৰত।
- (q) ভি বেল্ট, হছেজ আৰু গেছ লিকেজ।
- (r) এল পি জি / চি এন জি কিটৰ দ্বাৰা কিনাৰ পাছত পৰিৱৰ্তন কৰা গাড়ী।
- (s) পেঞ্চৱৰ্ক, বডীৱৰ্ক আৰু ম'ল্ডিং তথা ইন্টেৰিয়ৰ অলংকৰণকে ধৰি পুনৰ ৰং কৰা।
- (t) বডী পাৰ্টছ আৰু /বা যন্ত্ৰ-পাতিবোৰ বখলা বখলে এৰাই যোৱা /মামৰে খোৱা।
- (u) যিকোনো বাহন যাৰ অড'মিটাৰটো অকৰ্তৃত্বশীলভাৱে সলনি কৰা হয় বা অড'মিটাৰৰ বিডীং সংশোধিত /বিকৃত কৰা হয় / বা ছাৰ্ভিচ ৰেকৰ্ডৰ লগত মিল নাথাকে।

- (v) ক্ৰটি আছে বুলি জনা সত্ত্বেও বাহনখন চোৱা-চিতা নকৰা আৰু গৰাকী/মালিকৰ দ্বাৰা আওকাণ কৰাৰ ফলত বাহনখনত হোৱা ক্ষয়-ক্ষতি(সমূহ)।
- (w) দীৰ্ঘ কালৰ বাবে আইডল অৱস্থাত বাহনখন পাৰ্কিং কৰি থোৱাৰ বাবে বেটাৰী/টায়াকৰে ধৰি বাহনখনত হোৱা যিকোনো ক্ষয়-ক্ষতি(সমূহ)।
- (x) যিকোনো বাহন যাৰ ওপৰত কৰা ৰেট্ৰো-ফিটমেন্ট প্ৰাসঙ্গিক কৰ্তৃত্বৰ দ্বাৰা, যাৰ ভিতৰত আছে অটোমোটিভ ষ্টেণ্ডাৰ্ডচ অফ ইণ্ডিয়া কিন্তু ইয়াতে সীমিত নহয়, নিৰ্ধাৰিত কৰা মানদণ্ড অনুসৰি কৰ্তৃত্বপ্ৰাপ্ত আৰু/বা অনুমোদিত নহয়।
- (y) এনে বাহন যাৰ ওপৰত কৰা ৰেট্ৰো-ফিটমেন্ট এনে ধৰণৰ হয় যি বাহনখনৰ যিকোনো প্ৰকাৰৰ ক্ষতি কৰে বা বাহনখনৰ প্ৰদৰ্শন যিকোনো প্ৰকাৰে প্ৰভাৱিত কৰে।

(5) ৱাৰেণ্টিৰ প্ৰসাৰ সম্পৰ্কত:

মাৰুতি ছুজুকীয়ে মাৰুতি ছুজুকী গাড়ীৰ বাবে সম্পূৰ্ণ লিখিত ৰূপত দিয়া এই ৱাৰেণ্টি। কোনো ডিলাৰ, ইয়াৰ এজেণ্ট, কৰ্মচাৰীয়ে ইয়াৰ নীতি-নিয়ম উলংঘা কৰিব নোৱাৰে আৰু কোনো ডিলাৰ ইয়াৰ এজেণ্ট কৰ্মচাৰীয়ে মাৰুতি ছুজুকীৰ হৈ মৌখিকভাৱে ৱাৰেণ্টি দিব বা প্ৰতিনিধিত্ব অথবা নিশ্চয়তা প্ৰদান কৰিব নোৱাৰে।

মাৰুতি ছুজুকীয়ে যিকোনো সময়ত কোনো জাননী নিদিয়াকৈ নাইবা পূৰ্বে নিৰ্মাণ বা বিক্ৰী কৰা গাড়ীৰ উৎপাদনৰ সলনি কৰাৰ বা কোনো দায়িত্ব গ্ৰহণ নকৰাৰ অধিকাৰ সুৰক্ষিত ৰাখিছে।

(6) ৱাৰেণ্টি সেৱা:

ৱাৰেণ্টি সেৱা গ্ৰহণ কৰিবলৈ সম্পূৰ্ণ গাড়ীখন মালিকে নিজৰ খৰচত স্বীকৃতিপ্ৰাপ্ত মাৰুতি ছুজুকী ৰৰ্কস্বপত উপস্থিত কৰাব লাগিব।

ছাৰ্ভিচিঙৰ বাবে বাহনখন উপস্থিত কৰোৱাৰ সময়ত বাহনখনত লগাই থোৱা তেওঁৰ সম্পত্তি বা আনুসংগিক অংশবোৰৰ বাবে গ্ৰাহকজনেই দায়বদ্ধ থাকিব আৰু কোনো পৰিস্থিতিতে কোনো পথেই কোনো ধৰণৰ দাবী মানি লোৱা নহ'ব।

(7) গৰাকীৰ ৱাৰেণ্টি দায়বদ্ধতাবোৰ:

জাননী

গৰাকীয়ে বাহনখন এক ক্ষতিগ্ৰস্ত স্থিতিত ব্যৱহাৰ কৰিব নালাগিব আৰু এই বিষয়ে অবিলাম্বে নিকটতম মাৰুটি কৰ্তৃস্থপ্ৰাপ্ত কৰ্মশালাত অৱগত কৰিব লাগিব। ইয়াৰ ফলত বাহনখন আগতীয়াকৈ পৰীক্ষা আৰু মেৰামতি কৰা হব আৰু ব্যক্তিৰ যিকোনো সাস্থ্যব্য ক্ষতি বা বাহনখনৰ ক্ষতিৰ অৱনতি হোৱা প্ৰতিহত কৰিব পৰা যাব।

সকলো মালিকৰ কৰণীয় হ'ল:

- এক মাৰুটি চুজুকী কৰ্তৃস্থপ্ৰাপ্ত কৰ্মশালাত গৰাকীৰ মেনুৱেলৰ “পৰিদৰ্শন আৰু ত্ৰাহাৰধান” শাখাত নিৰ্ধাৰিত কৰা অনুসৰি সকলো সেৱা পৰীক্ষণ তেওঁৰ নিজৰ ব্যয়ত সম্পাদন কৰা।
- আপুনি বাহনখন পুনৰ বিক্ৰী কৰিলে, অনুগ্রহ কৰি নতুন ব্যৱহাৰকাৰী/গৰাকীসকলক এই মেনুৱেল ডাউনলোড কৰিবলৈ নিৰ্দেশনা দিব (আপোনাৰ পত্ৰীভুক্ত ম'বাইল নম্বৰৰ সৈতে “মাৰুটি চুজুকী ৱিৱাৰ্ডছ” মোবাইল এপ্লিকেচনৰ পৰা)। লগতে মেনুৱেলৰ কোমল প্ৰতিলিপিটো পুনৰ বিক্ৰী বা অন্যথা হস্তান্তৰ কৰাৰ সময়ত নতুন ব্যৱহাৰকাৰী/গৰাকীলৈ প্ৰেৰণ কৰিব লাগিব।

যদি গৰাকীৰ মেনুৱেল কোনো কাৰণত হেৰাই যায়, গৰাকী বা ব্যৱহাৰকাৰীয়ে ইয়াৰ এটা কোমল প্ৰতিলিপি ডাউনলোড কৰিব পাৰে (ম'বাইল নম্বৰৰ সৈতে “মাৰুটি চুজুকী ৱিৱাৰ্ডছ” মোবাইল এপ্লিকেচনৰ পৰা) আৰু যিকোনো সময়তে ইয়াক সহজ ব্যৱহাৰৰ বাবে সঞ্চিত কৰিব পাৰে।

(8) পৰিণামস্বৰূপে হোৱা ক্ষতিৰ অস্বীকাৰকৰণ:

গাড়ী হেৰুওৱা, সময় নষ্ট হোৱা, অসুচলতা নাইবা আন কোনো প্ৰত্যক্ষ ঘটনা অথবা পৰিণামস্বৰূপে হোৱা ক্ষতিৰ বাবদ মালিকৰ হাতত গাড়ীখন উপলব্ধ থাকিলেও তাৰ বাবে মাৰুটি চুজুকীয়ে কোনো দায়বদ্ধতা স্বীকাৰ নকৰে।

(9) মালিকৰ সলনি

যদি গাড়ীৰ মালিক সলনি হয়, বাকী থকা ৱাৰেণ্টিৰ সময়সীমা নতুন মালিকৰ ক্ষেত্ৰত প্ৰযোজ্য হ'ব।

এই ৱাৰেণ্টি কেৱল ভাৰতত প্ৰযোজ্য আৰু ইয়াক আন কোনো দেশলৈ স্থানান্তৰ কৰিব নোৱাৰিব।

সূচীপত্ৰ

ইন্ধনৰ পৰামৰ্শ	1
গাড়ী চলোৱাৰ আগত	2
আপোনাৰ বাহন সঞ্চালন	3
ড্ৰাইভিঙৰ কিটিপসমূহ	4
অন্যান্য নিয়ন্ত্ৰণ আৰু সঁজুলি	5
বাহন লোডিং আৰু	6
পৰিদৰ্শন আৰু ৰক্ষণাবেক্ষণ	7
জৰুৰীকালীন সেৱা	8
অৱয়বৰ ৰক্ষণাবেক্ষণ	9
সাধাৰণ তথ্য	10
বিস্তৃত নিৰ্দেশনা	11
বডি ফেব্ৰিকেচনৰ বাবে নিৰ্দেশনা (চেছিছ ভেৰিয়েন্ট)	12

ইক্কনৰ পৰামৰ্শ

ইক্কনৰ পৰামৰ্শ 1-1

ইন্ধনৰ পৰামৰ্শ

(পেট্ৰল আৰু CNG ইঞ্জিন মডেলৰ বাবে)

পেট্ৰল ইঞ্জিন মডেলৰ বাবে

কেটোলাইটিক কনভাৰ্টাৰৰ ক্ষতি নহ'বলৈ আপুনি 91 বা তাতকৈ অধিক অক্টেন নম্বৰ (RON) থকা সীহবিহীন পেট্ৰ'ল ব্যৱহাৰ কৰিব লাগিব।

গেছলিন / ইথানলৰ মিশ্ৰণ

সীহবিহীন গেছলিন আৰু ইথানলৰ মিশ্ৰণ, যাক গেছ'হ'ল বুলিও কোৱা হয়, দেশত ই বাণিজ্যিকভাৱে উপলব্ধ আৰু স্থান অনুসৰি ভিন্ন হ'ব পাৰে। E20 লৈকে কৰা গেছলিন ইথানলৰ মিশ্ৰণ এই বাহনৰ বাবে ইন্ধন হিচাপে ব্যৱহাৰ কৰিব পাৰি।

MTBE যুক্ত গেছলিন।

যদিহে MTBEৰ পৰিমাণ 15%তকৈ বেছি নহয় তেন্তে আপোনাৰ বাহনত MTBE (মিথাইল টাৰ্চিয়েৰী বুটাইল ইথাৰ) যুক্ত সীহবিহীন গেছলিন ব্যৱহাৰ কৰিব পাৰি। এই অক্সিজেনযুক্ত ইন্ধনত এলকহল নাথাকে।

▲ সৱধান

ভুৱা, নিম্নমানৰ, মিশ্ৰিত ইন্ধনৰ ব্যৱহাৰে ইঞ্জিন আৰু ইঞ্জিনৰ সহায়কসমূহৰ ক্ষতি কৰিব পাৰে, ইঞ্জিনৰ কাৰ্যকলাপত প্ৰভাৱ পেলাব পাৰে আৰু ইঞ্জিনৰ জশকৰণকে ধৰি ইঞ্জিনৰ কাৰ্যক্ষমতা হ্ৰাস কৰিব পাৰে।

জাননী

- ইন্ধনৰ টেংকটোত বায়ুৰ স্থান থাকে যাতে গৰম বতৰত ইন্ধন সম্প্ৰসাৰণ কৰিব পৰা যায়। যদি আপুনি ফিলাৰ নজেল স্বয়ংক্রিয়ভাৱে বন্ধ হোৱাৰ পিছত বা প্ৰাৰম্ভিক ৱ'বেক হোৱাৰ পিছত ইন্ধন যোগ কৰি থাকে, তেন্তে এয়াৰ চেঞ্চাৰটো ভৰি পৰিব। ইন্ধন সম্পূৰ্ণৰূপে ভৰ্তি কৰি যেতিয়া তাপৰ সংস্পৰ্শলৈ আহে এনে ক্ষেত্ৰত ইন্ধন প্ৰসাৰণৰ বাবে লিকেজ হ'ব। এনে ইন্ধন লিকেজ ৰোধ কৰিবলৈ, ফিলাৰ নজেল স্বয়ংক্রিয়ভাৱে বন্ধ হোৱাৰ পিছত, বা যেতিয়া প্ৰাৰম্ভিক ভেণ্ট ৱ'বেক হয়, যদি বিকল্প অস্বয়ংক্রিয় ব্যৱস্থা ব্যৱহাৰ কৰা হয়, ভৰোৱা বন্ধ কৰক।
- ইন্ধন ভৰোৱাৰ সময়ত এলকহলযুক্ত ইন্ধন যাতে নগলিব তাৰ প্ৰতি সৱধান হওক। যদি বাহনত ইন্ধন ছিটিকি যায় তেন্তে লগে লগে মচি পেলাওক। এলকহল থকা ইন্ধনে ৰঙৰ ক্ষতি কৰিব পাৰে, যিটো নিউ ভেহিকেল লিমিটেড ৱাৰেণ্টীৰ অধীনত সামৰি লোৱা হোৱা নাই।

CNG ইঞ্জিন মডেলৰ বাবে

CNG

CNG (Compressed Natural Gas) মূলতঃ মিথেনৰ দ্বাৰা গঠিত। CNGক পৰিষ্কাৰ জ্বলন্ত ইন্ধন হিচাপে গণ্য কৰা হয়। CNGৰ ঘনত্ব কম হোৱাৰ বাবে ইয়াক প্ৰায় 200 বাৰৰ চাপত সংকোচিত কৰি বাহনখনৰ অন-বৰ্ড সংৰক্ষণ ক্ষমতা বৃদ্ধি কৰা হয়।

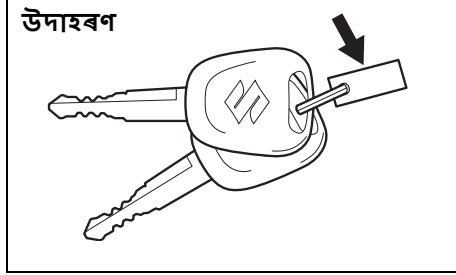
▲ সৱধান

- CNG লিকেজ বা শব্দ মুক্ত হোৱাৰ কোনো লক্ষণ বা CNG পাইপিঙৰ কোনো বাহ্যিক ক্ষতি হ'লে বা দুৰ্ঘটনাৰ সময়ত আতংকিত নহ'ব।
- বাহনখন ৰখাই ইঞ্জিনটো বন্ধ কৰি থিৰিকীবোৰ তললৈ গুটিয়াই সকলো দুৱাৰ খুলি দিব।
- মেনুৱেল শ্বট অফ ভালভ বন্ধ কৰাটো নিশ্চিত কৰক।
- অধিক সহায়ৰ বাবে অনুমোদিত MARUTI SUZUKI COMMERCIAL কৰ্মশালাৰ সৈতে তৎক্ষণাত যোগাযোগ কৰক।

গাড়ী চলোৱাৰ আগতে

চাবি	2-1
দুৱাৰৰ তলা	2-2
টেলিগেট.....	2-2
খিৰিকী	2-3
আইনা	2-4
আসন	2-5
চীট বেণ্ট	2-5
ইনষ্ট্ৰুমেন্ট ক্লাষ্টাৰ	2-11
স্পীডমিটাৰ	2-12
ইন্ধন গেজ	2-12
তথ্য প্ৰদৰ্শন	2-12
সতৰ্কবাণী আৰু সূচক লাইট	2-16
লাইটিং কন্ট্ৰল লিভাৰ	2-20
হেডলাইট লেভেলিং চুইচ	2-21
টাৰ্ণ চিগনেল কন্ট্ৰল লিভাৰ	2-21
বিপদ সতৰ্কবাণী চুইচ	2-22
উইণ্ডশ্বিল্ড ব্ৰাইপাৰ আৰু ব্ৰাশ্বাৰ লিভাৰ	2-22
হৰ্ন	2-24
CNG চিলিণ্ডাৰ সতৰ্কবাণী লেবেল (যদিহে সংযোজিত)	2-24
CNG সতৰ্কবাণী লেবেল (যদিহে সংযোজিত)	2-24
CNG মেনুৱেল শ্বট-অফ ভালভ (যদিহে সংলগ্ন)	2-25

চাবি



51KM024

আপোনাৰ বাহনখনৰ সৈতে এযোৰ চাবি আছে। মডেলৰ ভিন্নতাৰ ওপৰত নিৰ্ভৰ কৰি চাবি (সমূহ) এটা ট্ৰেন্সমিটাৰৰ সৈতে সংলগ্ন হ'ব পাৰে বা নহ'বও পাৰে। অতিৰিক্ত চাবিটো সুৰক্ষিত ঠাইত ৰাখক। এটা চাবিয়ে বাহনখনৰ সকলো তলা খুলিব পাৰে।

চাবিৰ চিনাক্তকৰণ নম্বৰটো চাবিৰ সৈতে দিয়া ধাতুৰ টেগ বা চাবিৰ ওপৰত ষ্টাম্প কৰা হয়। টেগটো (যদি সংলগ্ন হয়) নিৰাপদ ঠাইত ৰাখক। যদি আপুনি আপোনাৰ চাবিসমূহ হেৰুৱায়, নতুন চাবিসমূহ নিৰ্মাণ কৰিবলৈ আপুনি এই নম্বৰৰ প্ৰয়োজন হ'ব। আপোনাৰ ভৱিষ্যতৰ ৰেফাৰেন্সৰ বাবে তলত নম্বৰটো লিখক।

চাবি নম্বৰ:

ইম'বিলাইজাৰ ব্যৱস্থা

ইঞ্জিন ষ্টাৰ্ট ব্যৱস্থাটো ইলেক্ট্ৰনিকভাৱে নিষ্ক্ৰিয় কৰি বাহন চুৰি ৰোধ কৰাত সহায় কৰিবলৈ এই ব্যৱস্থাটো ডিজাইন কৰা হৈছে।

ইঞ্জিনটো কেৱল আপোনাৰ বাহনৰ মূল ইম'বিলাইজাৰ ইগনিচন চাবিৰেহে ষ্টাৰ্ট কৰিব পাৰি, য'ত ইলেক্ট্ৰনিক চিনাক্তকৰণ ক'ড প্ৰগ্ৰেম কৰা থাকে। ইগনিচন চুইচটো "ON" অৱস্থালৈ ঘূৰাই দিলে চাবিটোৱে বাহনখনৰ চিনাক্তকৰণ ক'ডটোৰ সৈতে যোগাযোগ স্থাপন কৰে। যদি আপুনি অতিৰিক্ত চাবি বনাব লাগে, তেন্তে মাৰুতি চুজুকিৰ অনুমোদিত কাৰখানাৰ সৈতে যোগাযোগ কৰক। বাহনখন অতিৰিক্ত চাবিৰ বাবে সঠিক চিনাক্তকৰণ ক'ডৰ সৈতে প্ৰগ্ৰেম কৰিব লাগিব। এজন সাধাৰণ তলাবন্ধীয়ে বনোৱা চাবি এটাই কাম নকৰে।



65D0239

ইগনিচন চুইচটো "ON" অৱস্থাত থকাৰ সময়ত যদি ইম'বিলাইজাৰ চিষ্টেমৰ সতৰ্কবাণী লাইটটো টিপটিপায়, তেন্তে ইঞ্জিনটো ষ্টাৰ্ট নহ'ব।

যদি এই লাইটটো টিপটিপায়, তেন্তে ইগনিচন চুইচটো "LOCK" অৱস্থালৈ ঘূৰাই দিয়ক, আৰু তাৰ পিছত ইয়াক পুনৰ "ON" অৱস্থালৈ ঘূৰাই দিয়ক।

যদি ইগনিচন চুইচটো পুনৰ "ON" অৱস্থালৈ ঘূৰাই অনাৰ পিছতো লাইটটো টিপটিপায়, আপোনাৰ

চাবি অথবা ইম'বিলাইজাৰ চিষ্টেমত কিবা ত্ৰুটি থাকিব পাৰে। মাৰুতি চুজুকিৰ অনুমোদিত কাৰখানা এখনক ব্যৱস্থাটো পৰিদৰ্শন কৰিবলৈ কওক।

টোকা:

- যদি আপুনি আপোনাৰ ইম'বিলাইজাৰ ইগনিচন চাবি হেৰুৱাই পেলায়, তেন্তে হেৰুৱাটো চাবিটো নিষ্ক্ৰিয় কৰিবলৈ, আৰু এটা নতুন চাবি বনাবলৈ যিমান সোনকালে পাৰি মাৰুতি চুজুকিৰ অনুমোদিত কাৰখানাত যোগাযোগ কৰক।
- যদি আপুনি ইম'বিলাইজাৰ চাবি থকা আন বাহনৰ মালিক, তেন্তে আপোনাৰ **MARUTI SUZUKI** বাহন ব্যৱহাৰ কৰাৰ সময়ত সেই চাবিবোৰ ইগনিচন চুইচৰ পৰা আঁতৰত ৰাখক। অন্যথা ইঞ্জিনটো ষ্টাৰ্ট নহ'বও পাৰে কাৰণ ই আপোনাৰ **MARUTI SUZUKI** বাহনৰ ইম'বিলাইজাৰ চিষ্টেমত বাধা দিব পাৰে।
- যদি আপুনি ইম'বিলাইজাৰ চাবিত কোনো ধাতুৰ বস্তু সংলগ্ন কৰে, তেন্তে ই ইঞ্জিন ষ্টাৰ্ট নকৰিবও পাৰে।
- এই ইম'বিলাইজাৰ ব্যৱস্থাটো যতনমুক্ত।

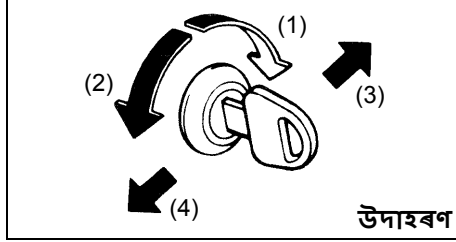
জাননী

ইম'বিলাইজাৰ চাবিটো হৈছে সংবেদনশীল ইলেক্ট্ৰনিক যন্ত্ৰ। ইয়াৰ ক্ষতি নহ'বলৈ:

- ইয়াক ডেচব'ৰ্ডত পোনপটীয়াকৈ সূৰ্যৰ পোহৰত, আৱৰ্তা বা উষ্ণ উষ্ণতাৰ সন্মুখীন নকৰাব।
- চুস্কীয় বস্তুৰ পৰা আঁতৰত ৰাখক।

দুৱাৰৰ তলা

কাষৰ দুৱাৰৰ তলা
ডাইভাৰৰ দুৱাৰ।



উদাহৰণ

76MH0A001

- (1) লক
- (2) আনলক
- (3) সন্মুখ
- (4) পিছফাল

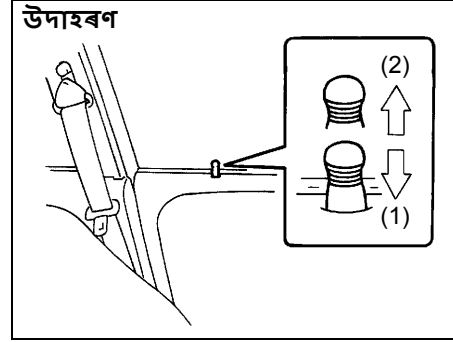
বাহনৰ বাহিৰৰ পৰা চালকৰ দুৱাৰত তলা মাৰিবলৈ:

- চাবিটো সুমুৱাই দিয়ক আৰু চাবিটোৰ ওপৰৰ অংশটো বাহনখনৰ সন্মুখৰ ফালে ঘূৰাই দিয়ক, অথবা
- লক নবটো তললৈ ঠেলি দিয়ক, তাৰ পিছত দুৱাৰখন বন্ধ কৰাৰ সময়ত দুৱাৰৰ হেণ্ডেলটো টানি ধৰি ৰাখক।

গাড়ীৰ বাহিৰৰ পৰা চালকৰ দুৱাৰৰ তলা খুলিবলৈ চাবিটো সুমুৱাই চাবিটোৰ ওপৰৰ অংশটো গাড়ীৰ পিছফালৰ ফালে ঘূৰাই দিব লাগে।

গাড়ীৰ বাহিৰৰ পৰা যাত্ৰী-দুৱাৰত তলা মাৰিবলৈ লক নবটো তললৈ ঠেলি দিয়ক, তাৰ পিছত

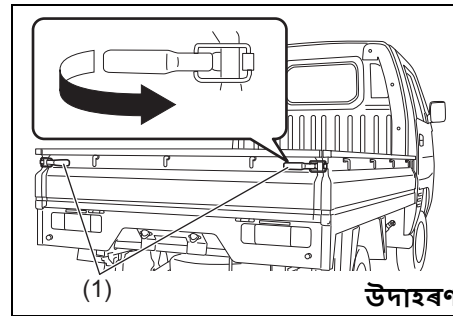
দুৱাৰখন বন্ধ কৰাৰ সময়ত দুৱাৰৰ হেণ্ডেলটো টানি ধৰি ৰাখক।



- (1) লক
- (2) আনলক

54G005

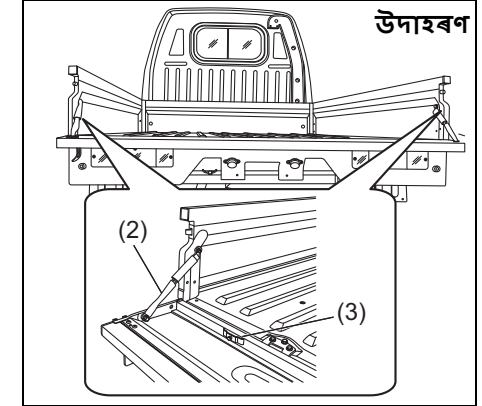
টেইলগেট



উদাহৰণ

77PH025

লক হেণ্ডেল (1) টানি টেইলগেট খুলিব পাৰি। বন্ধ কৰাৰ সময়ত সেইবোৰ সুদুটভাৱে লক কৰক।



উদাহৰণ

77PM201

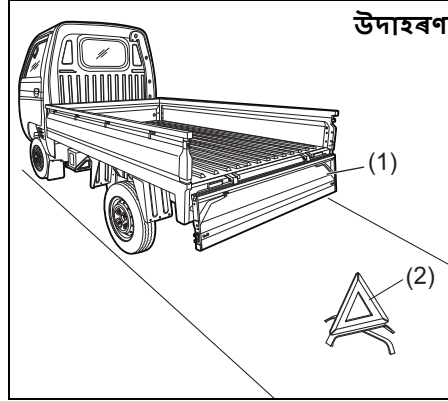
টেইলগেট চেইন (2)ৰ সহায়তো টেইলগেটটো মধ্যৱৰ্তী অৱস্থাত লক কৰিব পাৰি।

জাননী

ব্যৱহাৰ নকৰাৰ সময়ত টেইলগেট চেইন (2) পিন (3)ৰ সহায়ত লক কৰক।

⚠ সতৰ্কবাণী

- টেইলগেট খোলা বা মধ্যৱৰ্তী অৱস্থাত ৰাখি গাড়ী চলালে টেইলগেট দোল খাব আৰু আনক খুন্দা মাৰিব পাৰে, আঘাত নাইবা মৃত্যুও হ'ব।
- খোলা বা মধ্যৱৰ্তী অৱস্থাত থকা টেইলগেটে আন চালকসকলে টেইললাইট দেখাত বাধা দিব পাৰে, যাৰ ফলত দুৰ্ঘটনা হ'ব পাৰে। গাড়ী চলোৱাৰ আগতে নিশ্চিত হওক যে টেইলগেট বন্ধ আৰু লক হৈ আছে।
- নিশ্চিত হওক যে টেইলগেট সদায় বন্ধ আৰু লক কৰি থোৱা থাকে যাতে দুৰ্ঘটনা হ'লে গাড়ীৰ পৰা সামগ্ৰী বাহিৰলৈ ওলাই নপৰে।
- মধ্যৱৰ্তী অৱস্থাত লক কৰিলে থিম্ব নহ'ব, বোজা নিদিব বা টেইলগেটত মাল ৰাখিব নালাগে।
- যদি টেইলগেট সম্পূৰ্ণ মুকলি অৱস্থাত থাকে, তেন্তে বাহনৰ পিছফালৰ পোহৰ যন্ত্ৰ যেনে পজিচন লেম্প, টাৰ্ণ চিগনেল ইন্ডিকেটৰ আৰু ষ্টপ লেম্প লুকাই থাকে, আৰু দেখা নাযায়।

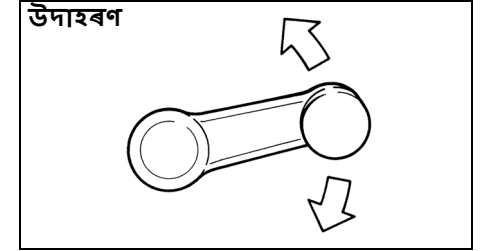


⚠ সতৰ্কবাণী

- যদি টেইলগেট (1) সম্পূৰ্ণ মুকলি অৱস্থাত থকাৰ সময়ত লোডিং আৰু আনলোডিং কৰা হয়, তেন্তে পথত এটা সতৰ্কবাণী ত্ৰিভুজ (2) দুশ্যমানভাৱে স্থাপন কৰি আন ব্যৱহাৰকাৰীক বাহনখনৰ উপস্থিতিৰ বিষয়ে সতৰ্ক কৰি দিব লাগে।

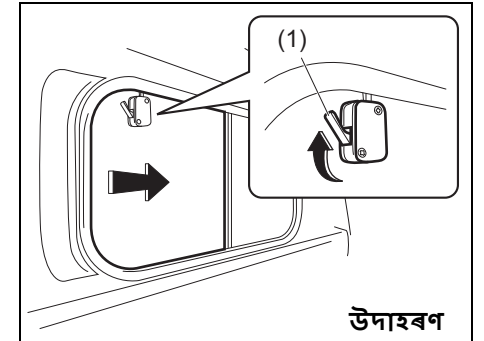
থিৰিকীবোৰ

মেনুৱেল থিৰিকী নিয়ন্ত্ৰণ



দুৱাৰৰ পেনেলত থকা হেণ্ডেলটো ঘূৰাই দুৱাৰৰ থিৰিকীবোৰ ওপৰ বা তললৈ নমাওক।

পিছফালৰ থিৰিকী



থিৰিকীখন খুলিবলৈ, লক (1) ঠেলি দিয়ক আৰু থিৰিকীখন পিছলাই দিয়ক।

আইনাবোৰ

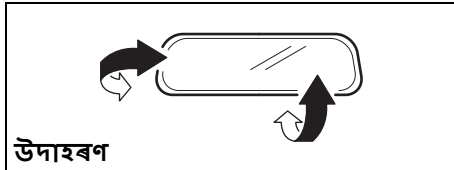
⚠ সতৰ্কবাণী

তলত দিয়া কথাটো পালন নকৰিলে বাহনৰ নিয়ন্ত্ৰণ হেৰুৱাব পাৰে আৰু দুৰ্ঘটনা সংঘটিত হ'ব পাৰে, যাৰ ফলত মৃত্যু বা গুৰুতৰভাৱে আঘাতপ্ৰাপ্ত হ'ব পাৰে। গাড়ী চলোৱাৰ সময়ত সদায় তলৰ পইন্টবোৰ অনুসৰণ কৰক।

- গাড়ী চলোৱাৰ সময়ত আইনাবোৰ এডজাষ্ট কৰিবলৈ চেষ্টা নকৰিব।
- গাড়ী চলোৱাৰ আগতে সদায় বাহিৰৰ সকলো ৰিম্যাৰভিউ মিৰ'ৰ খুলি লওক আৰু সঠিকভাৱে এডজাষ্ট কৰক।
- গাড়ীৰ পিছফালে এনেকুৱা বস্তু ৰাখিব নালাগে যিয়ে দৃশ্যমানতাৰ বাধাৰ সৃষ্টি কৰিব পাৰে বা পিছফালৰ খিৰিকীৰ কাঁচৰ পৰা আপোনাৰ দৃষ্টিত বাধা দিব পাৰে।

ভিতৰৰ ৰিম্যাৰভিউ মিৰ'ৰখন

আপুনি হাতেৰে এডজাষ্ট কৰিব পাৰে যাতে আপোনাৰ বাহনৰ পিছফালটো আইনাত দেখা যায়।



74LHT0235

⚠ সতৰ্কবাণী

ভিতৰৰ ৰিম্যাৰভিউ মিৰ'ৰ সলনি নকৰিব বা অপ্ৰকৃত বহল মিৰ'ৰ ইনষ্টল নকৰিব। ইয়াৰ ফলত দুৰ্ঘটনাৰ সময়ত আঘাতপ্ৰাপ্ত হ'ব পাৰে।

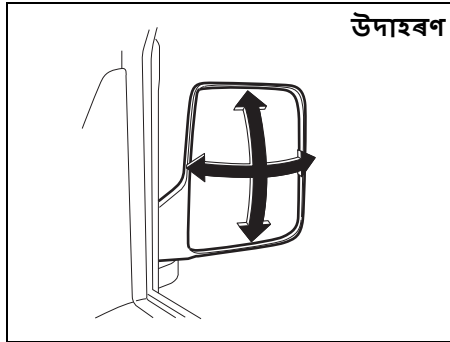
বাহিৰৰ ৰিম্যাৰভিউ মিৰ'ৰ(সমূহ)

বাহিৰৰ ৰিম্যাৰভিউ মিৰ'ৰ(সমূহ) এডজাষ্ট কৰক যাতে আপুনি কেৱল মিৰ'ৰ(সমূহ)ত আপোনাৰ বাহনৰ কাষটো চাব পাৰে।

⚠ সতৰ্কবাণী

কাষৰ উত্তল দাপোনত দেখা বাহন বা আন বস্তুৰ আকাৰ বা দূৰত্ব বিচাৰ কৰাৰ সময়ত সতৰ্ক হওক। সচেতন হওক যে বস্তুবোৰ সমতল আইনাত দেখাতকৈ সৰু আৰু বহু দূৰত দেখা যায়।

উদাহৰণ



64P0190

গাড়ী চলোৱাৰ আগতে

আসনসমূহ

আসন এডজাষ্টমেন্ট (চালকৰ আসন)

⚠ সতৰ্কবাণী

গাড়ী চলোৱাৰ সময়ত কেতিয়াও চালকৰ আসনখন এডজাষ্ট কৰিবলৈ চেষ্টা নকৰিব। আসনখন অভাৱনীয়ভাৱে লৰচৰ কৰিব পাৰে, যাৰ ফলত নিয়ন্ত্ৰণ হেৰুৱাব পাৰে। গাড়ী চলাবলৈ আৰম্ভ কৰাৰ আগতে নিশ্চিত হওক যে চালকৰ আসনখন সঠিকভাৱে এডজাষ্ট কৰা হৈছে।

⚠ সতৰ্কবাণী

ছিটবেল্টৰ অত্যধিক শিথিলতাৰপৰা হাত সাৰিবলৈ, যিয়ে সুৰক্ষা-সঁজুলি হিচাপে ছিটবেল্টৰ ফলপ্ৰসূতা হ্রাস কৰে, নিশ্চিত হওক যে ছিট বেল্ট বান্ধি লোৱাৰ আগতে ছিটবোৰ এডজাষ্ট কৰা হৈছে।



উদাহৰণ

77PH087

আসনৰ অৱস্থান এডজাষ্টমেন্ট লিভাৰ (1)

লিভাৰটো ওপৰলৈ টানি আসনখন পিছলৈ দিয়ক।

এডজাষ্টমেন্ট কৰাৰ পিছত আসনখন আগলৈ আৰু পিছলৈ লৈ যাবলৈ চেষ্টা কৰক যাতে ইয়াক সুৰক্ষিতভাৱে সংযুক্ত কৰা হয়।

⚠ সাৱধান

আসনখন এডজাষ্ট কৰোঁতে সাৱধান হওক যাতে হাত দুখন আসনত চেপা নাযায়, বা শৰীৰত খুন্দা না মাৰে।

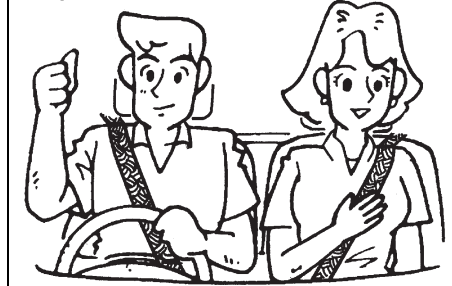
টোকা:

ছিট বেচক মসৃণভাৱে চলাবলৈ, ছিট বেচক এডজাষ্টমেন্ট লিভাৰ (2) ওপৰলৈ টানিব। লিভাৰ সম্পূৰ্ণৰূপে ওপৰলৈ স্থানান্তৰ কৰাৰ পিছতহে আসনখন পিছলৈ লৈ যোৱাটো নিশ্চিত কৰক।

চীট বেচক এডজাষ্ট কৰাৰ পিছত লিভাৰটো লাহে লাহে এৰি দিব। আসনৰ আগলৈ আৰু পিছলৈ লৈ গৈ চীট বেচক লক কৰা হৈছে নে নাই পৰীক্ষা কৰক।

চীট বেচক

উদাহৰণ



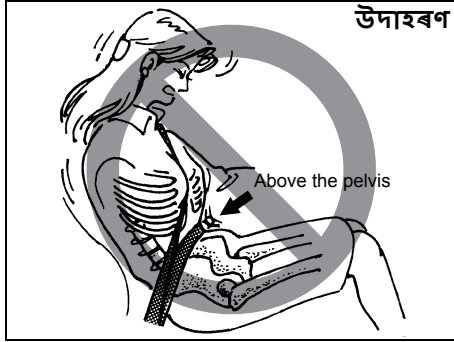
65D231S

⚠ সতৰ্কবাণী

সকলো সময়তে আপোনাৰ ছিট বেচক পিন্ধক।

⚠ সতৰ্কবাণী

চালক আৰু যাত্ৰীক অতি কম দূৰত্বৰ বাবে গাড়ী চলোৱাৰ সময়তে ছিটবেল্ট পিন্ধি সঠিকভাৱে সংযত কৰিব লাগিব, তেওঁলোকৰ বহাৰ স্থানত এয়াৰ বেগ লগোৱা হওক বা নহওক, যাতে সেই পৰিস্থিতিত গুৰুতৰভাৱে আঘাতপ্ৰাপ্ত বা মৃত্যুৰ আশংকা কম হয় ক্ৰেচৰ।



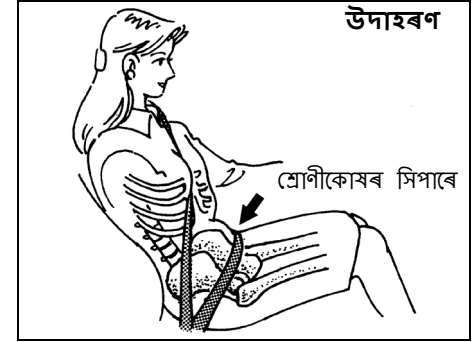
উদাহৰণ

65D606

⚠ সতৰ্কবাণী

- বাহনৰ মালবাহী ঠাইত কেতিয়াও ব্যক্তিক চলাবলৈ নিদিবা। দুৰ্ঘটনা সংঘটিত হ'লে যিসকল ব্যক্তিয়ে ছিটবেল্ট সুৰক্ষিতভাৱে বান্ধি চিটত বহি নাথাকে, তেওঁলোকৰ আঘাতৰ আশংকা বহু বেছি।
- সকলো ছিটবেল্ট সঠিকভাৱে পিন্ধাটো নিশ্চিত কৰক। অনুচিতভাৱে পিন্ধা ছিটবেল্টৰ ফলত সংঘৰ্ষ হ'লে আঘাত বা মৃত্যুৰ সম্ভাৱনা বৃদ্ধি পায়।
- ছিট বেল্ট সদায় তলত দিয়া ধৰণে সামঞ্জস্য ৰাখিব লাগে:
 - বেল্টৰ লেপ অংশটো কঁকালৰ ওপৰেৰে নহয়, পেলভিছৰ ওপৰেৰে নিম্নভাৱে পিন্ধিব লাগে।
 - কান্ধৰ ষ্টেপবোৰ কেৱল বাহিৰৰ কান্ধতহে পিন্ধিব লাগে, আৰু কেতিয়াও বাহুৰ তলত পিন্ধিব নালাগে।
 - কান্ধৰ ষ্টেপবোৰ মুখ আৰু ডিঙিৰ পৰা আঁতৰত থাকিব লাগে, কিন্তু কান্ধৰ পৰা সৰি নাযাব লাগে।

(অবিৰত)



উদাহৰণ

65D201

⚠ সতৰ্কবাণী

(অব্যাহত)

- ছিটবেল্ট কেতিয়াও ষ্টেপবোৰ পেচোৱাকৈ পিন্ধিব নালাগে আৰু যি সুৰক্ষাৰ বাবে ডিজাইন কৰা হৈছে, সেই সুৰক্ষা প্ৰদান কৰিবলৈ আৰামদায়কভাৱে যিমান টানকৈ সামঞ্জস্য কৰিব লাগে। এটা শিথিল বেলেট যিটো চেপেটা বেলেটকৈ কম সুৰক্ষা প্ৰদান কৰিব।
- নিশ্চিত হওক যে প্ৰতিটো ছিটবেল্টৰ বাকল সঠিক বাকল কেচত সুমুৱাই দিয়া হৈছে।
- নিশ্চিত হওক যে প্ৰতিটো ছিটবেল্টৰ বাকল সঠিক বাকল কেচত সুমুৱাই দিয়া হৈছে।

(অবিৰত)



65D199

⚠ সতৰ্কবাণী

(অব্যাহত)

- গৰ্ভৱতী মহিলাই ছিটবেল্ট ব্যৱহাৰ কৰিব লাগে, যদিও গাড়ী চলোৱাৰ বিষয়ে মহিলাগৰাকীৰ চিকিৎসা উপদেষ্টাই নিৰ্দিষ্ট পৰামৰ্শ দিব লাগে। মনত ৰাখিব যে বেল্টৰ লেপ অংশটো নিতম্বৰ ওপৰেৰে যিমান পাৰি নিম্নভাৱে পিন্ধিব লাগে, যেনেকৈ ডামাগ্ৰামত দেখুওৱা হৈছে।
- পকেটত বা কাপোৰত কঠিন, ভংগুৰ বা চোকা বস্তু যেনে কলম, চাবি, চশমা আদিৰ ওপৰত ছিটবেল্ট পিন্ধিব নালাগে। এনে বস্তুৰ ওপৰত ছিটবেল্টৰ চাপে দুৰ্ঘটনা সংঘটিত হ'লে আঘাতৰ সৃষ্টি কৰিব পাৰে।
- পকেটত বা কাপোৰত থকা কঠিন বা ভাঙিব পৰা বস্তুৰ ওপৰত ছিটবেল্ট পিন্ধিব নালাগে। কোনো দুৰ্ঘটনা সংঘটিত হ'লে ছিটবেল্টৰ তলত থকা চশমা, কলম আদি বস্তুৱে আঘাত কৰিব পাৰে।

(অবিৰত)

⚠ সতৰ্কবাণী

(অব্যাহত)

- এজনতকৈ অধিক লোকৰ ওপৰত কেতিয়াও একেটা ছিটবেল্ট ব্যৱহাৰ নকৰিব আৰু এজন ব্যক্তিৰ কোলাত ধৰি ৰখা কেঁচুৱা বা শিশুৰ ওপৰত কেতিয়াও ছিটবেল্ট সংলগ্ন নকৰিব। এনে ছিটবেল্ট ব্যৱহাৰ কৰিলে দুৰ্ঘটনা সংঘটিত হ'লে গুৰুতৰভাৱে আঘাতপ্ৰাপ্ত হ'ব পাৰে।
- সময়ে সময়ে ছিটবেল্টৰ সমাবেশসমূহ অত্যধিক পৰিধান আৰু ক্ষতিৰ বাবে পৰীক্ষা কৰক। যদি ৱেবিং ছিগি যায়, দূষিত হয় বা কোনো ধৰণে ক্ষতিগ্ৰস্ত হয় তেন্তে ছিটবেল্ট সলনি কৰিব লাগে। গুৰুতৰ প্ৰভাৱত পৰিধান কৰাৰ পিছত গোটেই ছিটবেল্ট সমাবেশটো সলনি কৰাটো অতি প্ৰয়োজনীয়, যদিও সমাবেশটোৰ ক্ষতি স্পষ্ট নহয়।
- কেঁচুৱা আৰু সৰু শিশুক সঠিকভাৱে সংযত নকৰাকৈ কেতিয়াও পৰিবহণ কৰিব নালাগে।
- শিশুৰ বাবে যদি কান্ধৰ বেলেটোৱে ডিঙি বা মুখত বিৰক্তিকৰ কৰে তেন্তে শিশুটিক বাহনৰ কেন্দ্ৰৰ ওচৰলৈ লৈ যাব লাগে।
- পলিচ, তেল, ৰাসায়নিক পদাৰ্থ আৰু বিশেষকৈ বেটাৰী এচিডৰ দ্বাৰা ছিটবেল্টৰ ৱেবিং দূষিত হোৱাটো এৰক। মুদু চাবোন আৰু পানী ব্যৱহাৰ কৰি নিৰাপদে চাফাই কৰিব পাৰি।

(অবিৰত)

⚠ সতৰ্কবাণী

(অব্যাহত)

- ছিটবেল্টৰ বাকলত কোনো ধৰণৰ মুদ্ৰা, ক্লিপ আদি বস্তু সুমুৱাই নিদিব, আৰু সান্ধীন হওক যাতে এই অংশবোৰত তৰল পদাৰ্থ ছিটিকি নাযায়। যদি আচহুৱা সামগ্ৰী ছিটবেল্টৰ বাকল এটাত সোমাই যায় তেন্তে ছিটবেল্টটোৱে সঠিকভাৱে কাম নকৰিবও পাৰে।

লেপ-হোল্ডাৰ বেল্ট

জৰুৰীকালীন লক ৰিট্ৰেক্টৰ (ELR)

ছিট বেল্টত জৰুৰীকালীন লক কৰা ৰিট্ৰেক্টৰ (ELR) থাকে, যিটো হঠাতে বন্ধ বা আঘাতৰ সময়তহে ছিট বেল্ট লক কৰিব পৰাকৈ ডিজাইন কৰা হয়। বেল্টটো শৰীৰৰ ওপৰেৰে অতি সোনকালে টানিলেও ই লক হ'ব পাৰে। যদি এনেকুৱা হয়, তেন্তে তেওঁক হ'বলৈ দিয়ক, তাৰ পিছত বেল্টটো আপোনাৰ শৰীৰৰ ওপৰেৰে অধিক লাহে লাহে টানিব।

সুৰক্ষাৰ স্মৰণলিপি



60A038

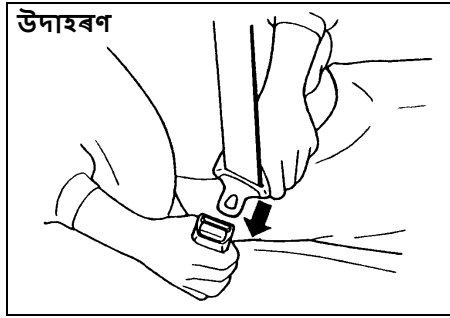
উদাহৰণ



60A040

সংঘৰ্ষৰ সময়ত বেল্টৰ তলত পিছলি যোৱাৰ আশংকা হ্রাস কৰিবলৈ বেল্টৰ লেপ অংশটো আপোনাৰ কোলাৰ ওপৰেৰে যিমান পাৰি নিম্নভাৱে নিতম্বৰ ওপৰত ৰাখক আৰু বেল্টৰ কান্ধৰ অংশটো লেচ প্লেটৰ মাজেৰে ওপৰলৈ টানি ইয়াক এটা স্লাগ ফিটত সামঞ্জস্য কৰক। তিৰ্যক কান্ধৰ ষ্টেপৰ দৈৰ্ঘ্যই নিজকে সামঞ্জস্য কৰি লয় যাতে স্বাধীনভাৱে চলাচল কৰিব পৰা যায়।

উদাহৰণ



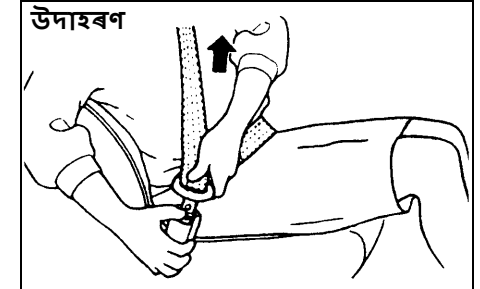
60A036

ছিট বেল্টটো বান্ধিবলৈ পোনে পোনে উঠি ছিট ভালদৰে পিছলৈ বহি লওক, ছিটবেল্টৰ লগত সংলগ্ন লেচ প্লেটখন শৰীৰৰ ওপৰেৰে টানি লওক আৰু ক্লিক শুনালৈকে পোনে পোনে বাকলত টিপি দিয়ক।

টোকা:

যদি ছিটবেল্টটো সম্পূৰ্ণৰূপে পিছুৱাই লোৱা অৱস্থাৰ পৰা টানিব নোৱাৰি তেন্তে বেল্টটো সুদৃঢ়ভাৱে টানি এৰি দিয়ক। তাৰ পিছত বেল্টটো মসৃণভাৱে ৰিট্ৰেক্টৰৰ পৰা উলিয়াই আনিব।

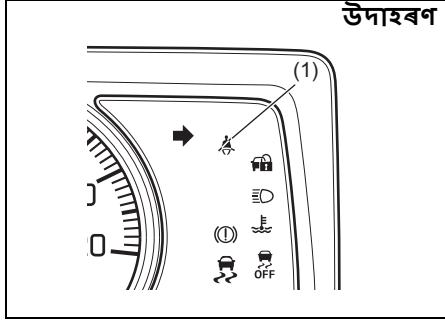
উদাহৰণ



60A039

ছিটবেল্ট খুলিবলৈ, বাকলৰ বুটামটো টিপি দিয়ক আৰু বেল্ট বা/আৰু লেচ প্লেটত হাত এখন সংলগ্ন কৰি থকাৰ সময়ত বেল্টটো লাহে লাহে পিছুৱাই দিয়ক।

ছিট বেল্ট সোঁৱৰাই দিয়া



77PM02020

- (1) ডাইভাৰৰ ছিট বেল্ট ৰিমাইণ্ডাৰ লাইট / সম্মুখৰ যাত্ৰীৰ ছিট বেল্ট ৰিমাইণ্ডাৰ লাইট

যেতিয়া চালক আৰু/বা সম্মুখৰ যাত্ৰীয়ে নিজৰ ছিটবেল্ট বান্ধি নিদিয়ে, তেতিয়া ছিট বেল্টৰ সোঁৱৰাই দিয়া লাইটটো জ্বলি উঠিব বা টিপটিপিয়া হ'ব আৰু চালক আৰু/বা যাত্ৰীক তেওঁলোকৰ ছিটবেল্ট বান্ধিবলৈ সোঁৱৰাই দিবলৈ বাজাৰ বাজিব। অধিক বিৱৰণৰ বাবে তলৰ ব্যাখ্যাটো চাওক।

⚠ সতৰ্কবাণী

চালক আৰু যাত্ৰীসকলে সকলো সময়তে ছিটবেল্ট বান্ধি ৰখাটো নিতান্তই প্ৰয়োজনীয়। যিসকল ব্যক্তিয়ে ছিটবেল্ট বান্ধি থোৱা নাই তেওঁলোকৰ কোনো দুৰ্ঘটনা হ'লে আঘাত পোৱাৰ আশংকা বহু বেছি। ইগনিচন চুইচত চাবিটো লগোৱাৰ আগতে ছিট বেল্টটো বাকল কৰাৰ নিয়মীয়া অভ্যাস কৰক।

টোকা:

ডাইভাৰৰ ছিট বেল্ট ৰিমাইণ্ডাৰ লাইট / সম্মুখৰ যাত্ৰীৰ ছিট বেল্ট ৰিমাইণ্ডাৰ লাইট চালক আৰু সম্মুখৰ যাত্ৰী উভয়েৰে বাবে।

ডাইভাৰ বা সম্মুখৰ যাত্ৰীৰ ছিট বেল্ট ৰিমাইণ্ডাৰ

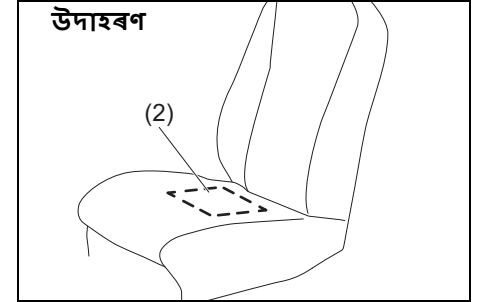
দহন চুইচ "অন" থাকোতে যদি ডাইভাৰ বা সম্মুখৰ যাত্ৰীৰ ছিট বেল্ট বাকলত লগোৱা নাথাকে, তেতিয়া ৰিমাইণ্ডাৰ তলত দিয়া ধৰণে কাম কৰে:

- 1) ডাইভাৰ বা সম্মুখৰ যাত্ৰীৰ ছিট বেল্ট ৰিমাইণ্ডাৰ লাইট অন হয়।
- 2) বাহনৰ স্পীড **15km/h** পোৱাৰ পাছত, ডাইভাৰ বা সম্মুখৰ যাত্ৰীৰ ছিট বেল্ট ৰিমাইণ্ডাৰ লাইট টিমিক চামাক কৰিব আৰু প্ৰায় **95** ছেকেণ্ড মানলৈকে বাজাৰটোৱে শব্দ কৰিব।
- 3) ষ্টেপ **2**) শেষ হোৱাৰ পাছত, ডাইভাৰ বা সম্মুখৰ যাত্ৰীৰ ছিট বেল্ট বাকলত লগোৱালৈকে ৰিমাইণ্ডাৰ লাইট অন হৈ থাকিব।

যদি ডাইভাৰ বা সম্মুখৰ যাত্ৰীয়ে তেওঁৰ বা তেখেতৰ ছিট বেল্ট বাকলত লগাইছে আৰু পাছত ছিট বেল্ট বাকলৰ পৰা আঁতৰাইছে, তেতিয়া বাহনৰ স্পীড অনুসৰি ষ্টেপ **1**) বা **2**)ৰ পৰা ৰিমাইণ্ডাৰ চিষ্টেম সক্ৰিয় হ'ব। যদি বাহনৰ স্পীড **15km/h** তকৈ কম হয়, তেন্তে ষ্টেপ **1**)ৰ পৰা ৰিমাইণ্ডাৰ আৰম্ভ হ'ব। যদি বাহনৰ স্পীড **15km/h** তকৈ বেছি হয়, তেন্তে ষ্টেপ **2**)ৰ পৰা ৰিমাইণ্ডাৰ আৰম্ভ হ'ব। ৰিমাইণ্ডাৰ স্বয়ংক্ৰিয়ভাৱে বাতিল হ'ব যেতিয়া ডাইভাৰ বা সম্মুখৰ যাত্ৰীৰ ছিট বেল্ট বাকলত লগোৱা থাকে বা দহন চুইচ অফ কৰা হয়।

সম্মুখৰ যাত্ৰীৰ ছিটবেল্টৰ সোঁৱৰাই দিয়া

যদি সম্মুখৰ যাত্ৰীৰ আসনত কোনো ব্যক্তি বহি থাকে আৰু ইগনিচন চুইচটো "অন" অৱস্থাত থকাৰ সময়ত সম্মুখৰ যাত্ৰীৰ ছিটবেল্টটো খুলি দিয়া হয়, তেন্তে সম্মুখৰ যাত্ৰীৰ ছিটবেল্টৰ সোঁৱৰাই দিয়াটো সক্ৰিয় হ'ব।



69RH203

- (2) সম্মুখৰ যাত্ৰীৰ ছিটবেল্টৰ সোঁৱৰাই দিয়াৰ চেষ্টা

ছিট বেল্ট ৰিমাইণ্ডাৰ চেষ্টাৰে **(2)** এজন ব্যক্তি সম্মুখৰ চিটত বহি আছে নে নাই ধৰা পেলায়। সম্মুখৰ যাত্ৰীৰ ছিট বেল্ট ৰিমাইণ্ডাৰৰ চেষ্টাৰ ছিট কুখনত থাকে। সম্মুখৰ যাত্ৰীৰ ছিটবেল্ট ৰিমাইণ্ডাৰে ডাইভাৰৰ ছিটবেল্ট ৰিমাইণ্ডাৰৰ দৰেই কাম কৰে।

জাননী

- সন্মুখৰ যাত্ৰীৰ ছিট বেলেট ৰিমাইণ্ডাৰৰ চেঞ্চাৰ ছিট কুশ্বনত থাকে। যদি আসনৰ কুশ্বনত গধুৰ বা চোকা বস্তু ৰখা হয়, বা যাত্ৰীৰ আসনখন আঁতৰোৱা, বিভাজিত কৰা আৰু পৰিৱৰ্তন কৰা হয়, তেন্তে চেঞ্চাৰে সঠিকভাৱে কাম নকৰিবও পাৰে বা ক্ষতিগ্ৰস্ত হ'ব পাৰে। আসনৰ কুশ্বনত গধুৰ বা চোকা বস্তু নাৰাখিব। যাত্ৰীৰ আসনখন আঁতৰাই, ছিল্লভিল্ল আৰু পৰিৱৰ্তন নকৰিব।
- আসনৰ কভাৰৰ বিভিন্নতাৰ ওপৰত নিৰ্ভৰ কৰি চেঞ্চাৰৰ কাৰ্যকলাপত বিৰূপ প্ৰভাৱ পৰিব পাৰে। MARUTI SUZUKI এ আপোনাক এই বাহনখনৰ বাবে একান্তভাৱে MARUTI SUZUKI প্ৰকৃত আসনৰ কভাৰ ব্যৱহাৰ কৰিবলৈ অতিশয় পৰামৰ্শ দিয়ে।
- যদি আপুনি সন্মুখৰ যাত্ৰীৰ আসনৰ কুশ্বনত তৰল পদাৰ্থ যেনে তৰল সুগন্ধি, শীতল পানীয় বা ৰস ঢালি দিয়ে, তেন্তে ছিট কুশ্বনত অৱস্থিত সন্মুখৰ যাত্ৰীৰ ছিট বেলেট সোঁৱৰাই দিয়াৰ চেঞ্চাৰ ক্ষতিগ্ৰস্ত হ'ব পাৰে। ছিটকিলে লগে লগে কোমল কাপোৰেৰে শুকুৱাই মাচি দিব লাগে।

(অবিৰত)

জাননী

(অব্যাহত)

- সন্মুখৰ যাত্ৰীৰ আসনত বহি থকাৰ সময়ত, ছিটবেলেট সোঁৱৰাই দিয়া ব্যৱস্থাটোৱে ফলপ্ৰসুভাৱে কাম কৰিবলৈ যাত্ৰীজনে আসনৰ পিছফালৰ ৰেষ্টৰ ওপৰত হেলান দি আৰু আসনৰ কুশ্বনত কেন্দ্ৰ কৰি উলম্বভাৱে বহি থকাটো অতি গুৰুত্বপূৰ্ণ। অনুচিতভাৱে বহি থকা এজন বাসিন্দা (প্লাউচ, কাষলৈ ঘূৰি, আগলৈ বা কাষলৈ বহে) এই ব্যৱস্থাৰ কাৰ্যকলাপত বাধাৰ সৃষ্টি কৰিব পাৰে কাৰণ ই বসবাসকাৰীক ধৰা পেলাব নোৱাৰে।

টোকা:

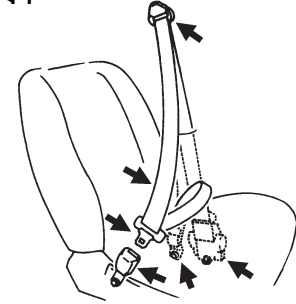
- যদি আপুনি যাত্ৰীজনৰ আসনত কোনো বস্তু ৰাখে, তেন্তে বস্তুটোৰ ওজন চেঞ্চাৰে অনুভৱ কৰিব আৰু সন্মুখৰ যাত্ৰীৰ ছিটবেলেটৰ সোঁৱৰাই দিয়া লাইট জ্বলি উঠিব আৰু তাৰ পিছত ভিতৰৰ বাজাৰে বিপ কৰিব পাৰে।
- যদি কোনো শিশু বা সৰু আকাৰৰ ব্যক্তিয়ে সন্মুখৰ যাত্ৰীৰ আসনত বহি থাকে বা কুশ্বন সন্মুখৰ যাত্ৰীৰ আসনত ৰখা হয়, তেন্তে চেঞ্চাৰে ওজন অনুভৱ নকৰিবও পাৰে আৰু ভিতৰৰ বাজাৰে বিপ নকৰিবও পাৰে।

টোকা:

মাৰুতি চুজুকিয়ে মাৰুতি চুজুকি "ছিট কভাৰ"ৰ প্ৰকৃত আনুশংগিক ব্যৱহাৰৰ পৰামৰ্শ দিয়ে।

ছিট বেলেট পৰিদৰ্শন

উদাহৰণ



65D209S

মাজে মাজে ছিটবেলেটবোৰ পৰীক্ষা কৰি চাওক যে ই সঠিকভাৱে কাম কৰে আৰু ক্ষতিগ্ৰস্ত হোৱা নাই। ৰেবিং, বাকল, লেচ প্লেট, ৰিডেক্টৰ, এংকৰেজ, আৰু গাইড লুপ পৰীক্ষা কৰক। যিবোৰ ছিটবেলেট সঠিকভাৱে কাম নকৰে বা ক্ষতিগ্ৰস্ত হয় সেইবোৰ সলনি কৰক।

⚠ সতৰ্কবাণী

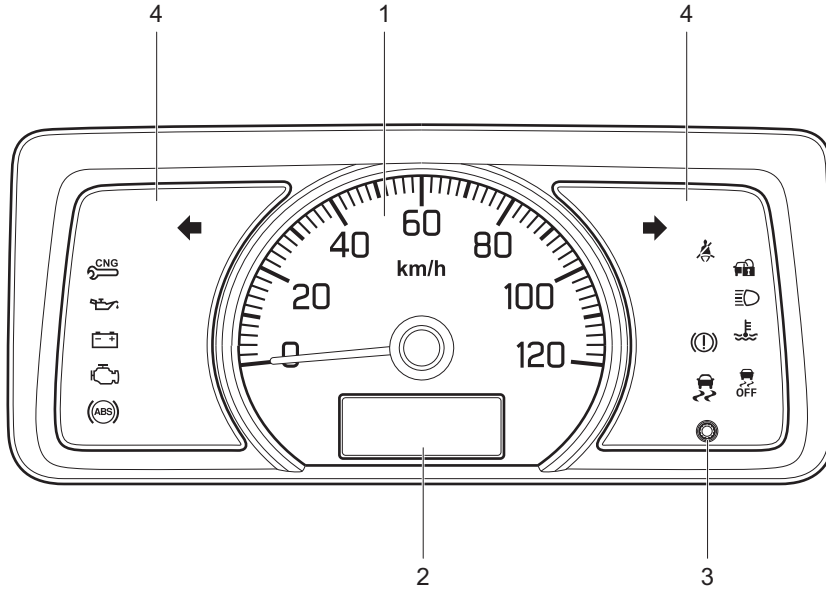
যিকোনো সংঘৰ্ষৰ পিছত সকলো ছিটবেলেট এছেম্বলি নিশ্চিতভাৱে পৰীক্ষা কৰক। সংঘৰ্ষৰ সময়ত ব্যৱহাৰ কৰা যিকোনো ছিটবেলেট সমাবেশ (অতি সৰু এটাৰ বাহিৰে) সলনি কৰিব লাগে, যদিও সমাবেশৰ ক্ষতি স্পষ্ট নহয়। সংঘৰ্ষৰ সময়ত ব্যৱহাৰ নোহোৱা যিকোনো ছিটবেলেট সমাবেশ যদি সঠিকভাৱে কাম নকৰে বা কোনো ধৰণে ক্ষতিগ্ৰস্ত হয় তেন্তে সলনি কৰিব লাগে।

গাড়ী চলোৱাৰ আগতে

ইনষ্ট্ৰুমেণ্ট ক্লাষ্টাৰ

1. স্পীড মিটাৰ
2. তথ্য প্ৰদৰ্শন
3. ড্ৰিপ মিটাৰৰ নিৰ্বাচক নব
4. সতৰ্কবাণী আৰু সূচক লাইট

উদাহৰণ



77PM02001

স্পীড'মিটাৰ

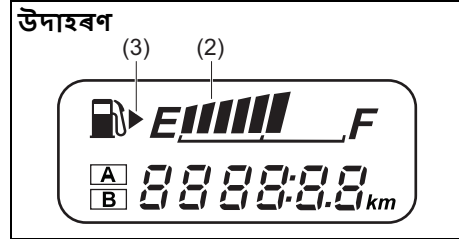
স্পীড'মিটাৰে বাহনৰ গতি সূচায়।

টোকা:

চৰকাৰী নিয়ম অনুসৰি গাড়ীখনৰ সৰ্বোচ্চ গতিবেগ 80 km/h।

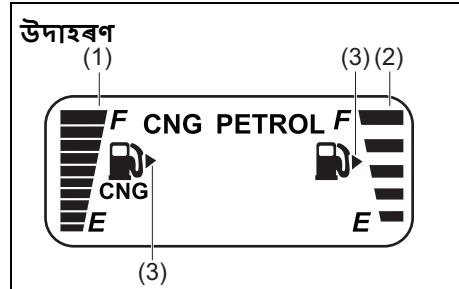
ইন্ধন গেজ

পেট্ৰল মডেল



77PM02018

CNG মডেল



77PM07019

- (1) CNG ইন্ধন গেজ সূচায়।
- (2) পেট্ৰল ইন্ধন গেজ সূচায়।

যেতিয়া ইগনিচন চুইচটো “ON” অৱস্থাত থাকে, তেতিয়া এই গেজে ইন্ধনৰ টেংকত থকা ইন্ধনৰ পৰিমাণৰ আনুমানিক ইংগিত দিয়ে। “F” ৰ অৰ্থ হ’ল সম্পূৰ্ণ আৰু “E” ৰ অৰ্থ হ’ল খালী।

যদি ইন্ধন মিটাৰ সূচকে “E” লৈ মাত্ৰ এটা খণ্ডে দেখুৱায়, তেন্তে টেংকটো যিমান সোনকালে পাৰি পুনৰ ভৰাই লওক।

(3) চিহ্নটোৱে বুজায় যে ইন্ধন ভৰোৱা দুৱাৰখন বাহনখনৰ সোঁফালে অৱস্থিত।

জাননী

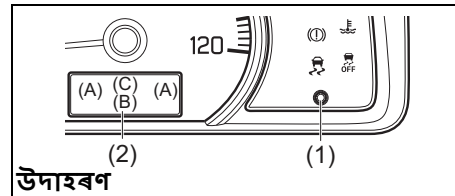
কেটলাইটিক কনভাৰ্টাৰ বা বাহনখনৰ অন্যান্য উপাদানৰ ক্ষতিৰ সম্ভাৱনা কম কৰিবলৈ খালী ইন্ধনৰ টেংকৰ স্তৰৰ ওচৰত বাহনখন চলোৱা এৰক।

টোকা:

যদি শেষৰ খণ্ডটো টিপটিপিয়া হয় তেন্তে ইয়াৰ অৰ্থ হ’ল ইন্ধন প্ৰায় খালী হৈ গৈছে।

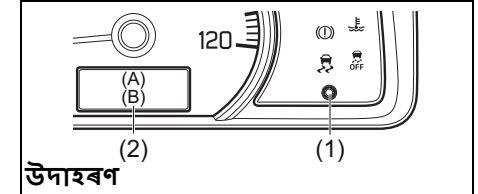
তথ্য প্ৰদৰ্শন

CNG মডেলৰ বাবে



77PM07026

পেট্ৰল মডেলৰ বাবে



77PM07035

- (1) ট্ৰিপ মিটাৰ নিৰ্বাচক নব
- (2) তথ্য প্ৰদৰ্শন

যেতিয়া ইগনিচন চুইচটো “ON” অৱস্থাত থাকে, তেতিয়া তথ্য প্ৰদৰ্শনে তলত দিয়া তথ্যসমূহ দেখুৱায়।

প্ৰদৰ্শন (A)
ইন্ধন গেজ

প্ৰদৰ্শন (B)

অড'মিটাৰ / ট্ৰিপ মিটাৰ / ঘড়ী / উজ্জ্বলতা নিয়ন্ত্ৰণ

প্ৰদৰ্শন (C)

ইন্ধনৰ ধৰণ (যদি সজ্জিত)

ইন্ধন গেজ

যেতিয়া ইগনিচন চুইচটো “ON” অৱস্থাত থাকে, তেতিয়া ডিছপ্লে (A) ত ইন্ধন গেজ দেখা যায়।

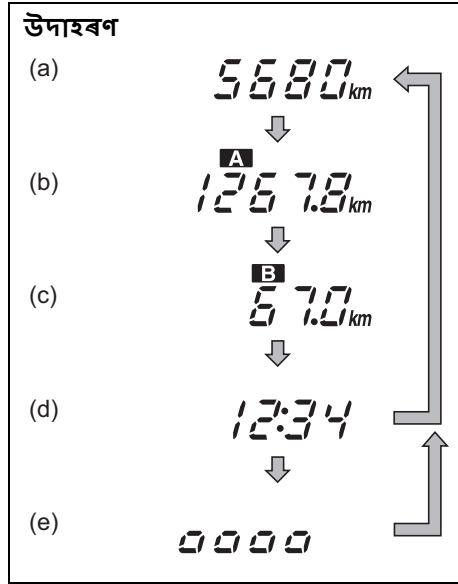
এই বিভাগত “ইন্ধন গেজ” চাওক।

গাড়ী চলোৱাৰ আগতে

অড'মিটাৰ / ট্ৰিপ মিটাৰ / ঘড়ী / উজ্জ্বলতা নিয়ন্ত্ৰণ

যেতিয়া ইংগিনচন চুইচটো “ON” অৱস্থাত থাকে, যেতিয়া ডিছপ্লে (B) য়ে তলত দিয়া.

ইংগিতসমূহৰ এটা দেখুৱায়, অড'মিটাৰ, ট্ৰিপ মিটাৰ A, ট্ৰিপ মিটাৰ B বা ঘড়ী। ডিছপ্লে ইংগিত (B) সলনি কৰিবলৈ, ট্ৰিপ মিটাৰ নিৰ্বাচক নব (1) দ্ৰুতভাৱে টিপক।



- (a) অড'মিটাৰ
- (b) ট্ৰিপ মিটাৰ A
- (c) ট্ৰিপ মিটাৰ B
- (d) ঘড়ী
- (e) উজ্জ্বলতা নিয়ন্ত্ৰণ*

* পজিচন লাইট আৰু/বা হেডলাইট জ্বলি থকাৰ সময়ত উজ্জ্বলতা নিয়ন্ত্ৰণ দেখা যাব।

⚠ সতৰ্কবাণী

যদি আপুনি গাড়ী চলোৱাৰ সময়ত ডিছপ্লে এডজাষ্ট কৰিবলৈ চেষ্টা কৰে, তেন্তে আপুনি বাহনখনৰ ওপৰত নিয়ন্ত্ৰণ হেৰুৱাব পাৰে।

গাড়ী চলোৱাৰ সময়ত ডিছপ্লে সামগ্ৰস্য কৰিবলৈ চেষ্টা নকৰিব।

টোকা:
আপুনি নবটো ঠেলি এৰি দিলে ইংগিতসমূহ সলনি হ'ব।

অড'মিটাৰ

অড'মিটাৰত গাড়ীখন কিমান দূৰত্বৰ বাবে চলোৱা হৈছে সেইখিনি লিপিবদ্ধ কৰা হয়।

জাননী

আপোনাৰ অড'মিটাৰ ৰিডিঙৰ হিচাপ ৰাখক আৰু প্ৰয়োজনীয় সেৱাৰ বাবে নিয়মিতভাৱে ৰক্ষণাবেক্ষণৰ সময়সূচী পৰীক্ষা কৰক।

সঠিক মাইলেজৰ ব্যৱধানত প্ৰয়োজনীয় সেৱাসমূহ সম্পন্ন নকৰাৰ ফলত কিছুমান পাৰ্টছৰ ক্ষয় বৃদ্ধি বা নষ্ট হ'ব পাৰে।

ট্ৰিপ মিটাৰ

ট্ৰিপ মিটাৰৰ সহায়ত চুটি ভ্ৰমণ বা ইন্ধন ষ্টপৰ মাজত যাত্ৰাৰ দূৰত্ব জুখিব পাৰি। আপুনি ট্ৰিপ মিটাৰ A বা ট্ৰিপ মিটাৰ B স্বতন্ত্ৰভাৱে ব্যৱহাৰ কৰিব পাৰে।

ট্ৰিপ মিটাৰক শূন্যলৈ পুনৰায় ছেট কৰিবলৈ, ট্ৰিপ মিটাৰ নিৰ্বাচক নব (1) কিছু সময়ৰ বাবে হেঁচি ৰাখক যেতিয়া ডিছপ্লেই ট্ৰিপ মিটাৰ দেখুৱায়।

টোকা:

ট্ৰিপ মিটাৰৰ নিৰ্দেশিত সৰ্বোচ্চ মান 9999.9। যেতিয়া আপুনি সৰ্বোচ্চ মান অতিক্ৰম কৰে, নিৰ্দিষ্ট মান 0.0 লৈ ঘূৰি যাব।

ঘড়ী

ডিছপ্লেত সময় দেখুওৱা হয়।

সময় সূচনা সলনি কৰিবলৈ:

- 1) মিনিটৰ সূচক টিমিক-ঢামাক কৰালৈকে ট্ৰিপ মিটাৰ নিৰ্বাচক নব (1) হেঁচি ধৰি ৰাখক।
- 2) মিনিটৰ সূচক সলনি কৰিবলৈ মিনিটৰ সূচকটো টিমিক-ঢামাক কৰিলে ট্ৰিপ মিটাৰ নিৰ্বাচক নব (1)টো বাৰে বাৰে হেঁচি দিব লাগে। মিনিটৰ সূচক দ্ৰুতভাৱে সলনি কৰিবলৈ, ট্ৰিপ মিটাৰ নিৰ্বাচক নব (1) হেঁচি ধৰি ৰাখক। মিনিটৰ সূচক ছেট কৰিবলৈ প্ৰায় 5 ছেকেণ্ড অপেক্ষা কৰক যেতিয়ালৈকে ঘণ্টাৰ সূচক টিমিক-ঢামাক কৰিবলৈ আৰম্ভ নকৰে।
- 3) ঘণ্টাৰ সূচক সলনি কৰিবলৈ ট্ৰিপ মিটাৰ নিৰ্বাচক নব (1)টো বাৰে বাৰে হেঁচি দিয়ক যেতিয়ালৈকে মিনিটৰ সূচকটো টিমিক-ঢামাক কৰিবলৈ আৰম্ভ নকৰে। প্ৰায় 5 ছেকেণ্ড অপেক্ষা কৰক আৰু ঘণ্টাৰ সূচকটো টিমিক-ঢামাক কৰিবলৈ আৰম্ভ কৰিব। ঘণ্টাৰ ইংগিত ছেট কৰিবলৈ প্ৰায় 5 ছেকেণ্ড অপেক্ষা কৰক।

⚠ সতৰ্কবাণী

যদি আপুনি গাড়ী চলোৱাৰ সময়ত ডিছপ্লে এডজাষ্ট কৰিবলৈ চেষ্টা কৰে, তেন্তে আপুনি বাহনখনৰ ওপৰত নিয়ন্ত্ৰণ হেৰুৱাব পাৰে।
গাড়ী চলোৱাৰ সময়ত ডিছপ্লে সামঞ্জস্য কৰিবলৈ চেষ্টা নকৰিব।

টোকা:

যেতিয়া আপুনি ঋণাত্মক (-) টার্মিনেলক বেটাৰীৰ সৈতে পুনৰ সংযোগ কৰে, ঘড়ীৰ ইংগিত পুনৰাৰম্ভ কৰা হ'ব। ইণ্ডিকেটৰটো পুনৰ আপোনাৰ পছন্দ অনুসৰি সলনি কৰক।

উজ্জ্বলতা নিয়ন্ত্ৰণ

যেতিয়া অৱস্থান লাইট আৰু/বা হেডলাইট অন থাকে, আপুনি মিটাৰৰ আলোকসজ্জাৰ তীব্রতা নিয়ন্ত্ৰণ কৰিব পাৰে।

ইনষ্ট্ৰুমেন্ট পেনেল লাইটৰ উজ্জ্বলতা সলনি কৰিবলৈ, ট্ৰিপ মিটাৰ নিৰ্বাচক নব (1) ঠেলি ধৰি ৰাখক।

⚠ সতৰ্কবাণী

যদি আপুনি গাড়ী চলোৱাৰ সময়ত ডিছপ্লে এডজাষ্ট কৰিবলৈ চেষ্টা কৰে, তেন্তে আপুনি বাহনখনৰ ওপৰত নিয়ন্ত্ৰণ হেৰুৱাব পাৰে।
গাড়ী চলোৱাৰ সময়ত ডিছপ্লে সামঞ্জস্য কৰিবলৈ চেষ্টা নকৰিব।

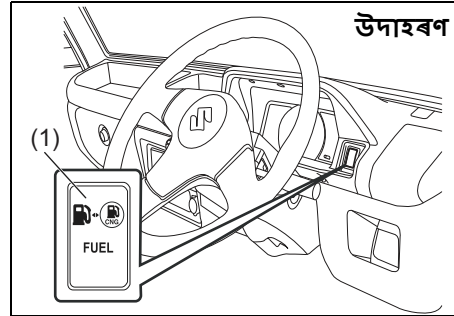
টোকা:

• যদি আপুনি উজ্জ্বলতা নিয়ন্ত্ৰণ প্ৰদৰ্শন সক্ৰিয় কৰাৰ প্ৰায় 10 ছেকেণ্ডৰ ভিতৰত ট্ৰিপ মিটাৰ নিৰ্বাচক নব ঠেলি নিদিয়ে, উজ্জ্বলতা নিয়ন্ত্ৰণ প্ৰদৰ্শন স্বয়ংক্ৰিয়ভাৱে বাতিল কৰা হ'ব।

• যেতিয়া আপুনি বেটাৰী পুনৰ সংযোগ কৰে, ইনষ্ট্ৰুমেন্ট পেনেল লাইটৰ উজ্জ্বলতা পুনৰ আৰম্ভ হ'ব। আপোনাৰ পছন্দ অনুসৰি উজ্জ্বলতা পুনৰ সামঞ্জস্য কৰক।

CNG মডেলৰ বাবে ইন্ধনৰ ধৰণ (যদি সংযোজিত)

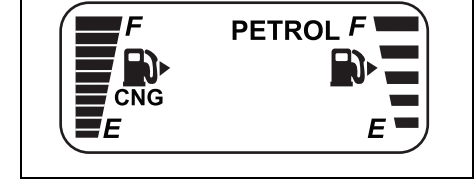
বাহনখনত তিনিটা ইন্ধন মোড আছে পেট্ৰল, অটো আৰু ফুৰ্ডে CNG মোড যিবোৰ ডেচবৰ্ডত ষ্টিয়াৰিঙৰ সোঁফালে থকা নিৰ্বাচক চুইচ(1) টিপি নিৰ্বাচন কৰিব পাৰি।



77PM02005

পেট্ৰল মোড

উদাহৰণ



77PM02002

এই মোডত বাহনখন পেট্ৰলত আৰম্ভ হয় আৰু পেট্ৰল মোডত চলি থাকে। এই মোডত পেট্ৰল সূচক অবিৰতভাৱে প্ৰদৰ্শিত হয় আৰু CNG সূচক “অফ” হৈ থাকিব।

অটো মোড

উদাহৰণ



77PM02003

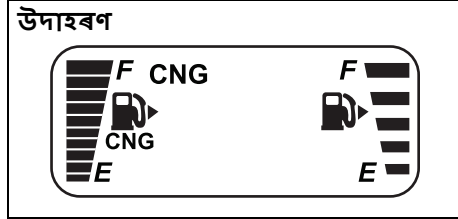
এই মোডত ইঞ্জিন পেট্ৰল মোডত আৰম্ভ হয় আৰু তাৰ পিছত প্ৰগ্ৰম কৰা ৰাফিং আপ অৱস্থাত উপনীত হোৱাৰ পিছত স্বয়ংক্ৰিয়ভাৱে CNGলৈ সলনি হয়। ইংগিত চুইচ অন আৰু বাহনখন “AUTO MODE” ত আৰম্ভ কৰিলে, ডিছপ্লেত CNG সূচক টিপিটিপিয়া হয় আৰু PETROL সূচক প্ৰদৰ্শিত হয়। CNGলৈ সলনি হোৱাৰ পিছত CNG সূচক প্ৰদৰ্শিত হ'ব আৰু পেট্ৰল সূচক স্বয়ংক্ৰিয়ভাৱে অফ হ'ব।

গাড়ী চলোৱাৰ আগতে

টোকা:

- ইঞ্জিনৰ জীৱনকাল বৃদ্ধি কৰিবলৈ বাহনখন সদায় **AUTO MODE** বা **PETROL MODE** ত ষ্টাৰ্ট কৰাটো বাঞ্ছনীয়।
- পৰিৱেশ / ইঞ্জিনৰ উষ্ণতা শূন্য ডিগ্ৰী চেলছিয়াছৰ তলত থাকিলে বাহনখন ষ্টাৰ্ট কৰিলে **CNG** লৈ ইন্ধন সলনি নহ'বও পাৰে। এনে ক্ষেত্ৰত ইঞ্জিনটো গৰম নোহোৱালৈকে **PETROL MODE** ত চলাওক আৰু তাৰ পিছত ইঞ্জিনটো **CNG** লৈ সলনি কৰিবলৈ পুনৰ আৰম্ভ কৰি চাওক।

বলপূৰ্বক CNG মোড



এইটো জৰুৰীকালীন অৱস্থা আৰু পেট্ৰ'লৰ টেংকিত পেট্ৰ'ল নথকা ক্ষেত্ৰত ব্যৱহাৰ কৰিব পাৰি। এই মোডত বাহনখন **CNG** মোডত আৰম্ভ হয় আৰু **CNG** মোডত চলি থাকে। ইগনিচন "ON" আৰু ইঞ্জিন চলি নথকা অৱস্থাত, কেৱল **CNG** সূচক প্ৰদৰ্শিত নোহোৱালৈকে চেঞ্জঅভাৰ চুইচটো টিপক আৰু ধৰি ৰাখক। এই মোডত, **CNG** সূচক প্ৰদৰ্শিত হয় আৰু পেট্ৰল সূচক "OFF" হৈ থাকে।

টোকা:

- পেট্ৰ'লৰ টেংকিত পৰ্যাপ্ত পৰিমাণৰ পেট্ৰ'ল ৰখাটো বাঞ্ছনীয়।
- যদি পৰিৱেশ / ইঞ্জিনৰ উষ্ণতা শূন্য ডিগ্ৰী চেলছিয়াছৰ তলত থাকে তেন্তে বাহনখন বলপূৰ্বক **CNG** মোডত আৰম্ভ নহ'বও পাৰে। অটো মোডত বাহনখন ষ্টাৰ্ট কৰাটো বাঞ্ছনীয়।

CNG মোডৰ পৰা পেট্ৰল মোডলৈ স্বয়ংক্রিয় পৰিৱৰ্তন

ইঞ্জিন চলি থকাৰ সময়ত যদি **CNG** শেষ হয় তেন্তে বাহনখন স্বয়ংক্রিয়ভাৱে **CNG** মোডৰ পৰা পেট্ৰল মোডলৈ সলনি হ'ব & **CNG** ৰ বিজুতিৰ সতৰ্কবাণী লেম্প টিপটিপিয়া হ'বলৈ আৰম্ভ কৰিব। পেট্ৰল ইনডিকেটৰ অবিৰতভাৱে প্ৰদৰ্শিত হ'ব আৰু **CNG** ইনডিকেটৰ স্বয়ংক্রিয়ভাৱে অফ হ'ব।

এই তথ্য স্বীকাৰ কৰিবলৈ, চেঞ্জঅভাৰ চুইচ এবাৰ টিপক। চেঞ্জ অভাৰ চুইচ টিপিলে **CNG** ৰ বিজুতিৰ সতৰ্কবাণী লেম্পটো টিমিক-ঢামাক কৰি বন্ধ হৈ যাব আৰু পেট্ৰল সূচক অবিৰতভাৱে জিলিকি থাকিব। কিন্তু **CNG** ৰ বিজুতি সূচক লেম্পটো পৰৱৰ্তী প্ৰতিটো ইগনিচন অন - ইগনিচন অফ অৱস্থাৰ পিছত টিমিক-ঢামাক হৈ থাকিব যেতিয়ালৈকে বাহনখনত **CNG** পুনৰ ভৰোৱা নহয়। যদি **CNG** পুনৰ ভৰোৱা হয়, তেন্তে অনুগ্ৰহ কৰি **CNG** লৈ সলনি কৰিবলৈ ইন্ধন সলনি চুইচটো এবাৰ টিপক। তাৰ পিছত, **CNG** ত চলাব পাৰিব বাহন।

টোকা:

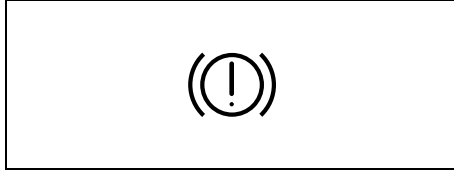
- CNG** মোডৰ পৰা পেট্ৰল মোডলৈ স্বয়ংক্রিয়ভাৱে সলনি হোৱাৰ সময়ত ইন্ধনৰ অভাৱত ইঞ্জিন বন্ধ হোৱা ৰোধ কৰিবলৈ পেট্ৰ'ল টেংকিত পৰ্যাপ্ত পৰিমাণৰ পেট্ৰ'ল ৰখাটো বাঞ্ছনীয়।
- যদি চেঞ্জ অভাৰ চুইচ টিপিলে **CNG** ৰ বিজুতিৰ সতৰ্কবাণী লেম্পটো টিমিক-ঢামাক কৰা বন্ধ নহয়, তেন্তে ওচৰৰ অনুমোদিত **MARUTI SUZUKI COMERCIAL** কাৰখানাত বাহনখন পৰিদৰ্শন কৰক।

সতৰ্কবাণী আৰু সূচক লাইট

টোকা:

যদি ৱাৰ্ণিং আৰু ইণ্ডিকেটৰ লাইটবোৰ ৱিংক বা অন হয়, সংশ্লিষ্ট বাৰ্তাবোৰ তথ্য প্ৰদৰ্শনত দেখুওৱা হ'ব পাৰে।

ব্ৰেক চিষ্টেম সতৰ্কবাণী লাইট



82K170

বাহনখনৰ স্পেচিফিকেশ্যনৰ ওপৰত নিৰ্ভৰ কৰি চাৰিটা ভিন্ন ধৰণৰ কাৰ্যকলাপ আছে।

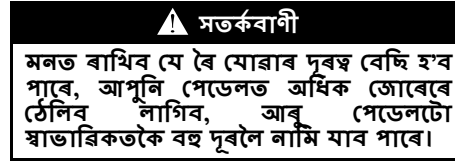
- 1) ইগনিচন চুইচটো “ON” অৱস্থাত দিলে লাইটটো অলপ সময়ৰ বাবে জ্বলি উঠে।
- 2) পাৰ্কিং ব্ৰেক “ON” অৱস্থাত ইগনিচন চুইচৰ সৈতে সংযুক্ত হ'লে লাইটটো জ্বলি উঠে।
- 3) ওপৰৰ দুটা অৱস্থাৰ যিকোনো এটা বা দুয়োটা অৱস্থাতে লাইট জ্বলি উঠে।
- 4) ব্ৰেক ক্লুইড ৰিজাৰভইৰত থকা ক্লুইড নিৰ্দিষ্ট স্তৰৰ তললৈ পৰিলেও লাইট জ্বলি উঠে।

ইঞ্জিন ষ্টাৰ্ট কৰাৰ পিছত আৰু পাৰ্কিং ব্ৰেক সম্পূৰ্ণৰূপে এৰি দিয়াৰ পিছত লাইটটো নুমাই যাব লাগে, যদিহে ব্ৰেক ক্লুইড ৰিজাৰভইৰত ক্লুইডৰ মাত্ৰা পৰ্যাপ্ত হয়।

এ.বি.এছ. প্ৰণালীৰ পিছফালৰ ব্ৰেক ফুৰ্চ নিয়ন্ত্ৰণ ফাংচন (ভালভ ফাংচন অনুপাত) বিফল হ'লে এ.বি.এছ. ৱাৰ্ণিং লাইটৰ সৈতে লাইটটো একেলগে আহে।

যদি আপুনি গাড়ী চলাই থকাৰ সময়ত ব্ৰেক চিষ্টেমৰ সতৰ্কবাণী লাইট জ্বলি উঠে, তেন্তে ইয়াৰ অৰ্থ হ'ব পাৰে যে বাহনখনৰ ব্ৰেক চিষ্টেমত কিবা ত্ৰুটি আছে। যদি এনেকুৱা হয়, তেন্তে আপুনি নিম্নলিখিত কৰিব লাগে:

- 1) ৰাস্তাৰ পৰা টানি সৱধানে ৰৈ যাওক।



- 2) ৰাস্তাৰ কাষত সৱধানে আৰম্ভ কৰি ৰৈ ব্ৰেক পৰীক্ষা কৰক।
 - যদি আপুনি ভাবে যে ই নিৰাপদ, তেন্তে মেৰামতিৰ বাবে কম গতিৰে ওচৰৰ ডিলাৰলৈ সৱধানে গাড়ী চলাওক, বা
 - মেৰামতিৰ বাবে বাহনখন ওচৰৰ অনুমোদিত **MARUTI SUZUKI COMMERCIAL** কাৰখানালৈ tow কৰি নিব লাগে।

⚠ সতৰ্কবাণী

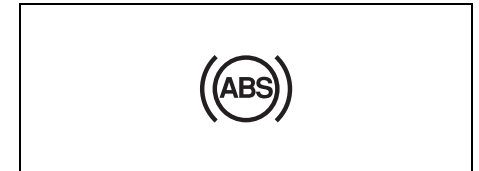
যদি তলত দিয়া কোনো অৱস্থাৰ সৃষ্টি হয়, তেন্তে আপুনি তৎক্ষণাত আপোনাৰ অনুমোদিত **MARUTI SUZUKI COMMERCIAL** কৰ্মশালাক ব্ৰেক চিষ্টেম পৰীক্ষা কৰিবলৈ ক'ব লাগে।

- যদি ইঞ্জিন ষ্টাৰ্ট কৰাৰ পিছত আৰু পাৰ্কিং ব্ৰেক সম্পূৰ্ণৰূপে এৰি দিয়াৰ পিছত ব্ৰেক চিষ্টেমৰ সতৰ্কবাণী লাইট নুমাই নাযায়।
- যদি ইগনিচন চুইচটো “ON” অৱস্থাত ৰখাৰ সময়ত ব্ৰেক চিষ্টেমৰ সতৰ্কবাণী লাইট জ্বলি নাথাকে।
- যদি বাহন চলোৱাৰ সময়ত যিকোনো সময়তে ব্ৰেক চিষ্টেমৰ সতৰ্কবাণী লাইট জ্বলি উঠে।

টোকা:

যিহেতু ব্ৰেক চিষ্টেমটো স্বয়ং নিয়ন্ত্ৰণশীল, গতিকে ব্ৰেক পেডবোৰ জীৰ্ণ হোৱাৰ লগে লগে তৰল পদাৰ্থৰ মাত্ৰা কমি যাব। ব্ৰেক ক্লুইড জলাশয় পূৰণৰ ভৰাই তোলাটো স্বাভাৱিক সময়ে সময়ে ৰক্ষণাবেক্ষণ বুলি গণ্য কৰা হয়।

এণ্টি-লক ব্ৰেক চিষ্টেম (এ.বি.এছ.) ৱাৰ্ণিং লাইট (যদি সজিত)



65D529

গাড়ী চলোৱাৰ আগতে

যেতিয়া ইগনিছন চুইচটো "ON" স্থিতিতৈ ঘূৰাই দিয়া হয়, লাইটটো চমুকৈ জ্বলে যাতে আপুনি লাইটটোৱে কাম কৰি আছে নেকি পৰীক্ষা কৰিব পাৰে।

যদি লাইট জ্বলি থাকে, বা গাড়ী চলোৱাৰ সময়ত আহে, এ.বি.এছ.-ত কিবা ভুল হ'ব পাৰে।

যদি এনে হয়:

- 1) ৰাস্তাত ঠেলি দিয়ক আৰু সাৱধানে বন্ধ হ'ল।
- 2) ইগনিছন চুইচটো "LOCK" অৱস্থানলৈ ঘূৰাওক আৰু তাৰ পিছত ইঞ্জিনটো পুনৰ ষ্টাৰ্ট কৰক।

যদি ৱাৰ্ণিং লাইট চমুকৈ জ্বলে আৰু তাৰ পিছত অফ হয়, প্ৰণালীটো স্বাভাৱিক। যদি ৱাৰ্ণিং লাইট এতিয়াও চলি থাকে, চিষ্টেমটোত কিবা ভুল হৈছে।

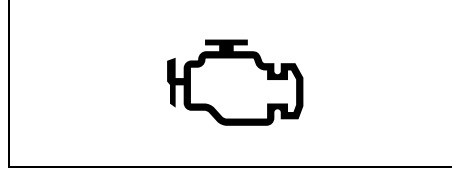
যদি লাইট আৰু ব্ৰেক চিষ্টেমৰ ৱাৰ্ণিং লাইট জ্বলি থাকে, বা ডাইভিং কৰোঁতে একেলগে আহে, আপোনাৰ এ.বি.এছ. চিষ্টেমটো পিছফালৰ ব্ৰেক ফৰ্ট নিয়ন্ত্ৰণ ফাংচন (ভাল্ভ ফাংচন অনুপাত) ৰে সজ্জিত আৰু পিছফালৰ ব্ৰেক ফৰ্ট নিয়ন্ত্ৰণ ফাংচন আৰু এ.বি.এছ. চিষ্টেমৰ এন্টি-লক ফাংচন দুয়োটাতে কিবা ভুল হ'ব পাৰে।

যদি ওপৰোক্ত বোৰৰ এটা মটে, মাৰুতি চুজুকি কৰ্তৃপ্ৰাপ্ত কৰ্মশালাৰ দ্বাৰা প্ৰণালীটো পৰীক্ষা কৰাওক।

যদি এ.বি.এছ. নিষ্ক্ৰিয় হৈ পৰে, ব্ৰেক ছিষ্টেমে এক সাধাৰণ ব্ৰেক চিষ্টেম হিচাপে কাম কৰিব য'ত এই এ.বি.এছ. প্ৰণালী নাই।

এ.বি.এছ. প্ৰণালীৰ বিৱৰণৰ বাবে, "আপোনাৰ বাহন পৰিচালনা কৰা" শাখাত "এন্টিলক ব্ৰেক চিষ্টেম (এ.বি.এছ.) চাওক।

আপোনাৰ বাহনত এটা



63J031

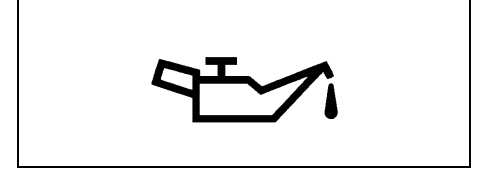
কম্পিউটাৰ-নিয়ন্ত্ৰিত নিৰ্গমন নিয়ন্ত্ৰণ ব্যৱস্থা আছে। যন্ত্ৰ পেনেলত এটা বিজুতি সূচক লাইট প্ৰদান কৰা হয় যাতে নিৰ্গমন নিয়ন্ত্ৰণ ব্যৱস্থাতোক কেতিয়া চাৰ্ভিচ কৰাটো প্ৰয়োজনীয় হয় তাক সূচায়। ইগনিছন চুইচটো "ON" অৱস্থানলৈ ঘূৰাই দিলে লাইটটোৱে কাম কৰি আছে বুলি জানিবলৈ মেলফাংচন ইন্ডিকেটৰ লাইটটো জ্বলি উঠে আৰু ইঞ্জিন ষ্টাৰ্ট কৰিলে নুমাই যায়।

ইঞ্জিন চলি থকাৰ সময়ত যদি বিকলতা সূচক লাইট জ্বলি উঠে তেন্তে নিৰ্গমন নিয়ন্ত্ৰণ ব্যৱস্থাত সমস্যা হয়। ক্ষতি ঠিক কৰিবলৈ গাড়ীখন আপোনাৰ ওচৰৰ অনুমোদিত **MARUTI SUZUKI COMMERCIAL** কাৰখানালৈ লৈ যাওক।

জাননী

বিজুতি সূচক লাইট জ্বলি থকাৰ সময়ত বাহনখন চলাই থাকিলে বাহনখনৰ নিৰ্গমন নিয়ন্ত্ৰণ ব্যৱস্থাৰ স্থায়ী ক্ষতি হ'ব পাৰে, আৰু ইন্ধনৰ ব্যয় আৰু চলোৱাৰ ক্ষমতাত প্ৰভাৱ পেলাব পাৰে।

অইল প্ৰেছাৰ লাইট



50G051

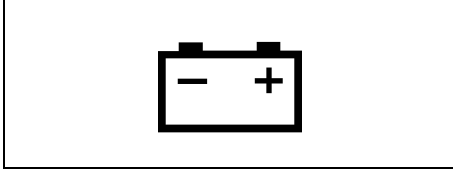
এই লাইটটো ইগনিছন চুইচটো "ON" অৱস্থানত দিলে জ্বলি উঠে, আৰু ইঞ্জিন ষ্টাৰ্ট কৰিলে নুমাই যায়। তেলৰ চাপ পৰ্যাপ্ত নহ'লে লাইট জ্বলি থাকিব আৰু জ্বলি থাকিব। গাড়ী চলোৱাৰ সময়ত লাইট জ্বলিলে যিমান সোনকালে পাৰে ৰাস্তাৰ পৰা টানি ইঞ্জিন বন্ধ কৰক।

তেলৰ মাত্ৰা পৰীক্ষা কৰি প্ৰয়োজন হ'লে পৰামৰ্শ দিয়া ইঞ্জিনৰ তেল দিব। যদি পৰ্যাপ্ত পৰিমাণৰ তেল থাকে, তেন্তে আপুনি পুনৰ গাড়ী চলোৱাৰ আগতে আপোনাৰ অনুমোদিত **MARUTI SUZUKI COMMERCIAL** কাৰখানাত লুব্ৰিকেচন ব্যৱস্থাটো পৰীক্ষা কৰিব লাগে।

জাননী

- যদি আপুনি এই লাইটটো জ্বলাই ইঞ্জিনটো চলায় তেন্তে ইঞ্জিনৰ গুৰুতৰ ক্ষতি হ'ব পাৰে।
- তেল যোগ কৰাৰ প্ৰয়োজনীয়তা বুজাবলৈ অইল প্ৰেছাৰ লাইটৰ ওপৰত নিৰ্ভৰ নকৰিব। সময়ে সময়ে ইঞ্জিনৰ তেলৰ মাত্ৰা নিশ্চিতভাৱে পৰীক্ষা কৰক।

চাৰ্জিং লাইট



50G052

এই লাইটটো ইগনিচন চুইচটো “ON” অৱস্থাত দিলে জ্বলি উঠে, আৰু ইঞ্জিন ষ্টাৰ্ট কৰিলে নুমাই যায়। বেটাৰী চাৰ্জিং চিষ্টেমত কিবা ভুল হ’লে লাইট জ্বলি থাকিব আৰু জ্বলি থাকিব। ইঞ্জিন চলি থকাৰ সময়ত যদি লাইট জ্বলি উঠে, তেন্তে আপোনাৰ অনুমোদিত **MARUTI SUZUKI COMMERCIAL** কৰ্মশালাৰ দ্বাৰা চাৰ্জিং চিষ্টেমটো তৎক্ষণাত পৰীক্ষা কৰিব লাগে।

ড্ৰাইভাৰৰ ছিট বেল্ট সতৰ্কবাণী লাইট / সন্মুখৰ যাত্ৰীৰ ছিট বেল্ট সতৰ্কবাণী লাইট



60G049

যেতিয়া চালক বা সন্মুখৰ যাত্ৰীয়ে নিজৰ ছিটবেল্ট বাকল নকৰে, তেতিয়া এই লাইটটো জ্বলি উঠিব আৰু/বা টিপটিপিয়া হ’ব।

ছিট বেল্ট সোঁৱৰাই দিয়াৰ বিষয়ে বিৱৰণৰ বাবে, এই বিভাগত “ছিট বেল্ট আৰু শিশু নিয়ন্ত্ৰণ ব্যৱস্থা” চাওক।

উচ্চ ইঞ্জিন শীতল পদাৰ্থৰ উষ্ণতা সতৰ্কবাণী লাইট (ৰঙা ৰং)



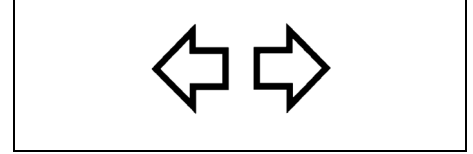
54G344

যেতিয়া ইগনিচন চুইচটো “ON” অৱস্থালৈ ঘূৰাই দিয়া হয়, তেতিয়া এই লাইটটো অলপ সময়ৰ বাবে জ্বলি উঠে যাতে আপুনি লাইটটোৱে কাম কৰি আছে নে নাই পৰীক্ষা কৰিব পাৰে। গাড়ী চলাওঁতে যদি এই লাইটটো টিপটিপিয়া হয় তেন্তে ইয়াৰ অৰ্থ হ’ল ইঞ্জিনটো গৰম হৈ চলি আছে। গাড়ী চলোৱাৰ অৱস্থা এৰক যিয়ে প্ৰকৃততে অতিমাত্ৰা উত্তাপৰ সৃষ্টি কৰিব পাৰে। যদি লাইটটো টিপটিপিয়াকৈ জ্বলি থাকে তেন্তে ইঞ্জিনটো অতিমাত্ৰা গৰম হৈ আছে। “**EMERGENCY SERVICE**” অংশৰ “যদি ইঞ্জিন অতিমাত্ৰা গৰম হয়” অংশত দিয়া নিৰ্দেশনা অনুসৰণ কৰক।

জাননী

ইঞ্জিন অতি উত্তাপ হোৱাৰ ইংগিত পোৱাৰ সময়ত বাহনখন চলাই থাকিলে ইঞ্জিনৰ গুৰুতৰ ক্ষতি হ’ব পাৰে।

টাৰ্ণ চিগনেল সূচক



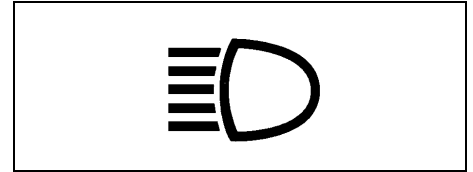
50G055

যেতিয়া আপুনি বাওঁ বা সোঁ টাৰ্ণ সংকেত অন কৰে, যন্ত্ৰ পেনেলত সংশ্লিষ্ট সেউজীয়া কাঁড় চিহ্ন নিজ নিজ টাৰ্ণ সংকেত লাইটৰ সৈতে ফিটফিটাই থাকিব। যেতিয়া আপুনি বিপদ সতৰ্কবাণী চুইচ অন কৰে, দুয়োটা কাঁড় চিহ্ন সকলো টাৰ্ণ চিগনেল লাইটৰ সৈতে জিলিকি উঠিব।

টোকা:

যদি টাৰ্ণ চিগনেলৰ কোনো অস্বাভাৱিকতা দেখা যায়, যেনে দ্ৰুতভাৱে টিপটিপিয়া হোৱা, তেন্তে টাৰ্ণ চিগনেল ব্যৱস্থাত বিজুতি হ’ব পাৰে। Ask আপোনাৰ মাৰুতি চুজুকিৰ অনুমোদিত কৰ্মশালাক ব্যৱস্থাটো পৰিদৰ্শন কৰিবলৈ কওক।

মূল ৰশ্মি (উচ্চ ৰশ্মি) সূচক পোহৰ



50G056

এই সূচকটো জ্বলি উঠে যেতিয়া হেডলাইটৰ মূল বিম (হাই বিম) অন কৰা হয়।

গাড়ী চলোৱাৰ আগতে

ইম'বিলাইজাৰ চিষ্টেমৰ সতৰ্কবাণী লাইট



65D239

যেতিয়া ইগনিচন চুইচটো "ON" অৱস্থালৈ ঘূৰাই দিয়া হয়, তেতিয়া এই লাইটটো জ্বলি উঠে যাতে আপুনি লাইটটোৱে কাম কৰি আছে বুলি জনায়। যদি এই লাইটটো ইগনিচন চুইচটো "ON" কৰি ৰখাৰ লগে লগে টিপটিপিয়া হয়, তেন্তে ইম'বিলাইজাৰ চিষ্টেমত কিবা এটা ভুল হ'ব পাৰে। মাৰুতি চুজুকিৰ অনুমোদিত কৰ্মশালা এখনক ব্যৱস্থাটো পৰিদৰ্শন কৰিবলৈ কওক।

ESP® ৱাৰ্ণিং লাইট (যদি সজ্জিত)



56RM02033

ইএছপি হৈছে ডায়েমলাৰ এজিৰ পঞ্জীভূত ট্ৰেডমাৰ্ক হয়।

নিম্নলিখিত প্ৰণালীবোৰৰ এটা সক্ৰিয় হ'লে এই লাইট প্ৰতি ছেকেণ্ডত 5 বাৰ ব্লিংক কৰে।

- স্থিৰতা নিয়ন্ত্ৰণ প্ৰণালী
- ট্ৰেক্সন নিয়ন্ত্ৰণ প্ৰণালী

যদি এই লাইটটো ব্লিংক কৰে, সাৱধানে গাড়ী চলাওক।

যেতিয়া ইগনিচন চুইচটো "ON" স্থিতিতৈ ঘূৰাই দিয়া হয়, লাইটটো চমুকৈ জ্বলে যাতে আপুনি লাইটটোৱে কাম কৰি আছে নেকি পৰীক্ষা কৰিব পাৰে। যদি লাইট অন থাকে, বা গাড়ী চলোৱাৰ সময়ত আহে আৰু অন থাকে, ESP® প্ৰণালীত (এ.বি.এছ.ৰ বাহিৰে) কিবা ভুল হ'ব পাৰে। আপুনি প্ৰণালীটো **Maruti Suzuki** কৰ্তৃপ্ৰাপ্ত কৰ্মশালাৰ দ্বাৰা পৰীক্ষা কৰা উচিত।

ESP® প্ৰণালীৰ বিৱৰণৰ বাবে, "আপোনাৰ বাহন পৰিচালনা" শাখাত "ইলেক্ট্ৰনিক স্থিৰতা কাৰ্যসূচী (ESP®.) (যদি সজ্জিত)" চাওক।

ESP® অফ ইণ্ডিকেটৰ লাইট (যদি সজ্জিত)



56RM02034

যেতিয়া ইগনিচন চুইচটো "অন" স্থিতিতৈ ঘূৰাই দিয়া হয়, এই লাইটটো চমুকৈ আহে যাতে আপুনি লাইটটোৱে কাম কৰি আছে নেকি পৰীক্ষা কৰিব পাৰে।

যেতিয়া ই.এছ.পি. অফ চুইচটো ESP® চিষ্টেমবোৰ অফ কৰিবলৈ ঠেলি দিয়া হয় (এ.বি.এছ.-ৰ বাহিৰে), ESP® অফ ইণ্ডিকেটৰ লাইট জ্বলে আৰু অন থাকে।

ESP® প্ৰণালীৰ বিৱৰণৰ বাবে, "আপোনাৰ বাহন পৰিচালনা" শাখাত "ইলেক্ট্ৰনিক স্থিৰতা কাৰ্যসূচী (ESP®.) (যদি সজ্জিত)" চাওক।

⚠ সতৰ্কবাণী

ESP® প্ৰণালীয়ে দুৰ্ঘটনা প্ৰতিৰোধ কৰিব নোৱাৰে। সদায়ে সাৱধানে গাড়ী চলাব।

CNG বিজুতি সতৰ্কবাণী লাইট (যদি সংলগ্ন)



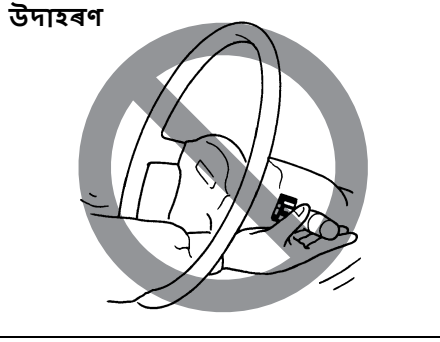
77PMC015

যেতিয়া ইগনিচন চুইচটো "অন" কৰা হয়, এই CNG বিজুতিৰ সতৰ্কবাণী লেম্পটো চমুকৈ জ্বলি উঠে, CNG বিজুতিৰ লেম্পটো সমস্যামুক্ত নেকি পৰীক্ষা কৰিবলৈ।

- যদি CNGৰ বিজুতিৰ সতৰ্কবাণী লেম্প অবিৰতভাৱে জিলিকি থাকে, ইগনিচন "অন" কৰিলে CNG ব্যৱস্থাৰ কিছু সমস্যা হয়। লগে লগে আপোনাৰ বাহনখন অনুমোদিত **MARUTI SUZUKI COMMERCIAL** কৰ্মশালাৰ দ্বাৰা পৰীক্ষা কৰাওক।
- ইঞ্জিন চলি থকাৰ সময়ত যদি CNGৰ বিজুতিৰ সতৰ্কবাণী লেম্প টিপটিপিয়া হয়, তেন্তে ইয়াৰ অৰ্থ হ'ল CNG ব্যৱস্থাত কিছু সমস্যা আছে য'ত বাহনখন CNGএমঅ'ডিট চলি থাকিব নোৱাৰে আৰু স্বয়ংক্রিয়ভাৱে পেট্ৰ'ল মোডলৈ সলনি হ'ব নোৱাৰে। অনুমোদিত **MARUTI SUZUKI COMMERCIAL** কৰ্মশালাত আপোনাৰ বাহনখন পৰীক্ষা কৰাওক।

টোকা:
ইগনিচন চুইচ "ON" আৰু ইঞ্জিন চলি নথকাৰ বাবে CNG লেম্পৰ টিপটিপিয়াটোৱে ইন্ধনৰ ঢাকনি খোলা বুলি সূচায়। এই অৱস্থাত বাহন আৰম্ভ নহ'ব। বাহনখন ষ্টাৰ্ট কৰিবলৈ ঢাকনিখন বন্ধ কৰক।

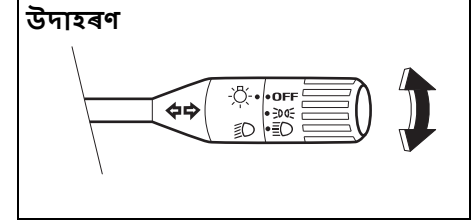
লাইটিং কন্ট্ৰল লিভাৰ



65D611

⚠ সতৰ্কবাণী
সম্ভাৱ্য আঘাতৰ পৰা হাত সাৰিবলৈ ষ্টিয়াৰিঙৰ মাজেৰে হাতখন আগবঢ়াই নিয়ন্ত্ৰণসমূহ চলাব নালাগে।

লাইটিং অপাৰেচন



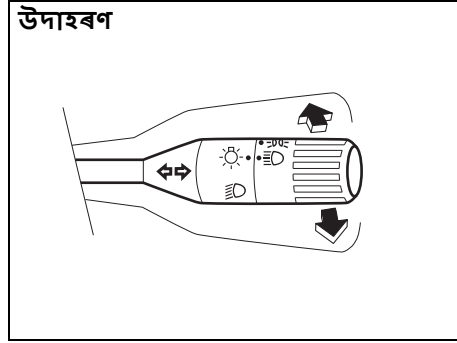
77PH110

লাইট অন বা অফ কৰিবলৈ লিভাৰৰ শেষৰ নবটো পেলাই দিব লাগে। তিনিটা স্থান আছে:

বন্ধ কৰা
সকলো লাইট বন্ধ হৈ আছে।

☞
ফ্ৰন্ট পজিচন লাইট, টেইল লাইট, নম্বৰ প্লেট লাইট আৰু ইনষ্ট্ৰুমেণ্ট লাইট জ্বলি আছে, কিন্তু হেডলাইট বন্ধ।

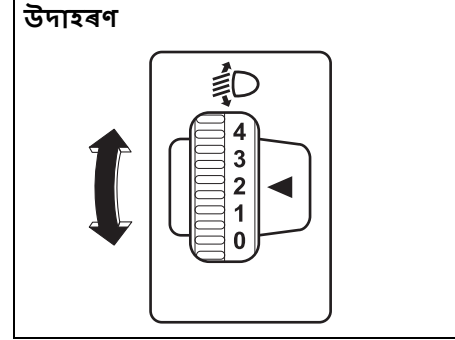
☝
ফ্ৰন্ট পজিচন লাইট, টেইল লাইট, লাইচেন্স প্লেট লাইট, ইনষ্ট্ৰুমেণ্ট লাইট আৰু হেডলাইট জ্বলি আছে।



77PH111

হেডলাইট জ্বলাই থকাৰ সময়ত, হাই বিমলৈ (মূল বিম) চুইচ কৰিবলৈ লিভাৰটো আগলৈ ঠেলি দিয়ক বা লো বিমলৈ চুইচ কৰিবলৈ লিভাৰটো আপোনাৰ ফালে টানিব। যেতিয়া হাই বিম (মূল বিম) অন হ'ব, তেতিয়া ইনষ্ট্ৰুমেন্ট পেনেলত মেইন বিম (হাই বিম) সূচক লাইট জ্বলি উঠিব। উচ্চ ৰশ্মিসমূহ (মূল ৰশ্মিসমূহ) এটা পাছ কৰা সংকেত হিচাপে সন্মতিকৰণ বাবে সক্ৰিয় কৰিবলৈ, লিভাৰটো আপোনাৰ ফালে অলপ টানিব আৰু সংকেত সম্পূৰ্ণ কৰাৰ পিছত ইয়াক এৰি দিয়ক।

হেডলাইট লেভেলিং চুইচ



77PH010

এই চুইচটো ঘূৰাই আপোনাৰ বাহনৰ লোডৰ অৱস্থা অনুসৰি হেডলাইটৰ বিমটো সমতল কৰক। তলৰ চাৰ্টটোৱে বিভিন্ন বাহন-লোড অৱস্থাৰ বাবে উপযুক্ত চুইচৰ অৱস্থান দেখুৱাইছে।

বাহনৰ বোজাৰ অৱস্থা	অৱস্থান সলনি কৰক
কেৱল ড্ৰাইভাৰ	0
ড্ৰাইভাৰ + সম্পূৰ্ণ কাৰ্গো	3

টাৰ্ণ চিগনেল কন্ট্ৰল লিভাৰ



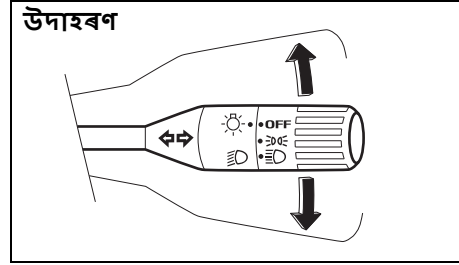
65D611

⚠ সতৰ্কবাণী

সম্ভাৱ্য আঘাতৰ পৰা হাত সাৰিবলৈ ষ্টিয়াৰিঙৰ মাজেৰে হাতখন আগবঢ়াই নিয়ন্ত্ৰণসমূহ চলাব নালাগে।

টাৰ্ণ চিগনেল অপাৰেচন

ইগনিচন চুইচটো “ON” অৱস্থাত ৰাখি, সোঁ বা বাওঁ টাৰ্ণ সংকেত সক্ৰিয় কৰিবলৈ লিভাৰটো ওপৰলৈ বা তললৈ লৈ যাওক।



77PH112

সংকেত দিবলৈ লিভাৰটো ওপৰলৈ বা তললৈ লৈ যাওক। যেতিয়া টাৰ্ণ সম্পূৰ্ণ হ'ব, তেতিয়া সংকেত বাতিল হ'ব আৰু লিভাৰটো স্বাভাৱিক অৱস্থালৈ ঘূৰি আহিব।

বিপদ সতৰ্কবাণী চুইচ



77PH028

- (1) অন
- (2) অফ

বিপদ সতৰ্কবাণী লাইট সক্ৰিয় কৰিবলৈ বিপদ সতৰ্কবাণী চুইচটো ওপৰলৈ টানিব। সকলো টাৰ্ণ চিগনেল লাইট আৰু দুয়োটা টাৰ্ণ চিগনেল ইন্ডিকেটৰ একেলগে জিলিকি উঠিব। লাইট বন্ধ কৰিবলৈ চুইচটো তললৈ ঠেলি দিয়ক। জৰুৰীকালীন পাৰ্কিঙৰ সময়ত বা যেতিয়া আপোনাৰ বাহনখন অন্যথা যাতায়তৰ .বিপদত পৰিব পাৰে তেতিয়া অন্য যাতায়তক সতৰ্ক কৰিবলৈ বিপদ সতৰ্কবাণী লাইট ব্যৱহাৰ কৰক।

উইণ্ডশিল্ড ৰাইপাৰ আৰু ৰাখাৰ লিভাৰ



65D611

⚠ সতৰ্কবাণী

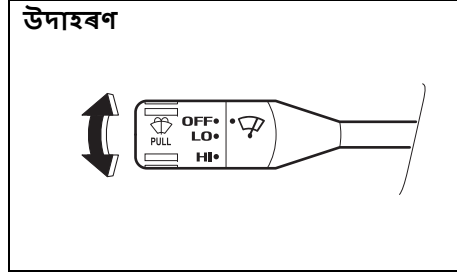
সম্ভাৱ্য আঘাতৰ পৰা হাত সাৰিবলৈ ষ্টিয়াৰিঙৰ মাজেৰে হাতখন আগবঢ়াই নিয়ন্ত্ৰণসমূহ চলাব নালাগে।

ৰাইপাৰ অপাৰেচন

যেতিয়া ইগনিচন চুইচটো “ON” অৱস্থাত থাকে, তেতিয়া আপুনি ৰাইপাৰ লিভাৰ ব্যৱহাৰ কৰিব পাৰে।

গাড়ী চলোৱাৰ আগতে

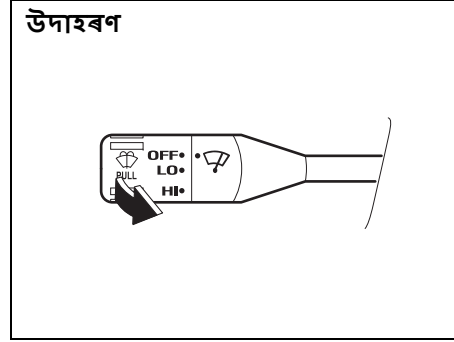
উইণ্ডশ্বিল্ড ৱাইপাৰ



77PM02015

উইণ্ডশ্বিল্ড ৱাইপাৰবোৰ অন কৰিবলৈ লিভাৰৰ শেষৰ নবটো এটা অপাৰেটিং স্থানলৈ ঘূৰাই দিয়ক। “LO” অৱস্থাত ৱাইপাৰবোৰে অবিৰত কম গতিৰে কাম কৰে। “HI” অৱস্থাত ৱাইপাৰবোৰে অবিৰত তীব্ৰ গতিৰে কাম কৰে। ৱাইপাৰবোৰ বন্ধ কৰিবলৈ লিভাৰটো পুনৰ “OFF” অৱস্থালৈ ঘূৰাই দিয়ক।

উইণ্ডশ্বিল্ড ৱায়াৰ



77PM02016

উইণ্ডশ্বিল্ড ৱায়াৰৰ তৰল পদাৰ্থ স্প্ৰে কৰিবলৈ লিভাৰটো আপোনাৰ ফালে টানিব।

⚠ সতৰ্কবাণী

উইণ্ডশ্বিল্ড ৱায়াৰৰ জলাশয়ত ৰেডিমেটৰ এক্টিফ্ৰিজ ব্যৱহাৰ নকৰিব। উইণ্ডশ্বিল্ডত স্প্ৰে কৰিলে দৃশ্যমানতা যথেষ্ট ক্ষতিগ্ৰস্ত কৰিব পাৰে, আৰু আপোনাৰ বাহনৰ ৰংও ক্ষতিগ্ৰস্ত কৰিব পাৰে।

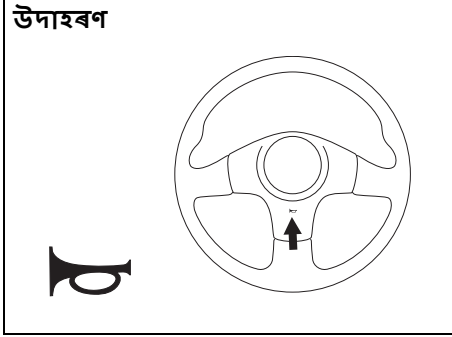
জাননী

উইণ্ডশ্বিল্ড ৱাইপাৰ আৰু ৱায়াৰ চিষ্টেমৰ উপাদানসমূহৰ ক্ষতি প্ৰতিৰোধ কৰাত সহায় কৰিবলৈ, আপুনি নিম্নলিখিত সাৱধানতাসমূহ ল'ব লাগে:

- যেতিয়া উইণ্ডশ্বিল্ড ৱায়াৰৰ তৰল পদাৰ্থ স্প্ৰে কৰা নহয় বা ৱায়াৰৰ মটৰৰ ক্ষতি হ'ব পাৰে তেতিয়া লিভাৰত ধৰি ৰাখিব নালাগে।
- ৱাইপাৰৰ সহায়ত শুকান উইণ্ডশ্বিল্ডৰ পৰা মলি আঁতৰাবলৈ চেষ্টা নকৰিব, নহলে উইণ্ডশ্বিল্ড আৰু ৱাইপাৰ ৱ্লেডৰ ক্ষতি হ'ব পাৰে। ৱাইপাৰ চলোৱাৰ আগতে সদায় উইণ্ডশ্বিল্ডখন ৱায়াৰৰ তৰল পদাৰ্থে তিয়াই লওক।
- ৱাইপাৰ ব্যৱহাৰ কৰাৰ আগতে ৱাইপাৰ ৱ্লেডৰ পৰা বৰফ বা পেক কৰা বৰফ পৰিষ্কাৰ কৰক।
- ৱায়াৰৰ তৰল পদাৰ্থৰ মাত্ৰা নিয়মিতভাৱে পৰীক্ষা কৰক। বতৰ বেয়া হ'লে সমনাই পৰীক্ষা কৰক।
- ঠাণ্ডা বতৰত ৱায়াৰৰ তৰল ৰিজাৰভম্বৰ 3/4 ভৰাই দিব যাতে প্ৰসাৰণৰ বাবে ঠাই পায় যদিহে উষ্ণতা যথেষ্ট কম হৈ দ্ৰৱটো জমা হৈ পৰে।

হৰ্ণ

উদাহৰণ

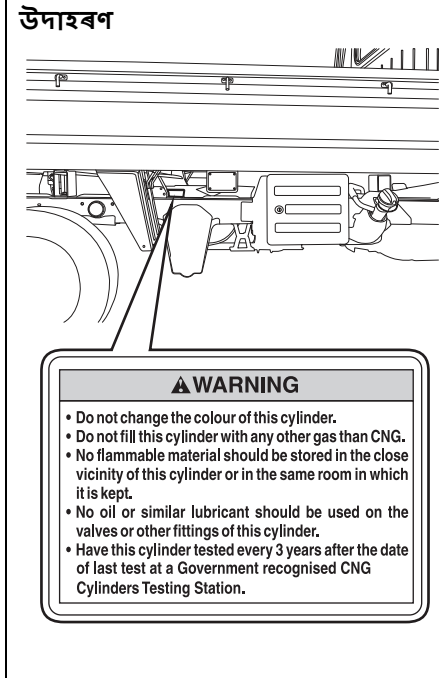


77PH029

হৰ্ণ বজাবলৈ ষ্টিয়াৰিঙৰ হৰ্ণ বুটামটো টিপিব। ইগনিচন চুইচটো যিকোনো অৱস্থাত থাকিলে হৰ্ণ বাজিব।

CNG চিলিণ্ডাৰ সতৰ্কবাণী লেবেল
(যদি সংলগ্ন)

উদাহৰণ



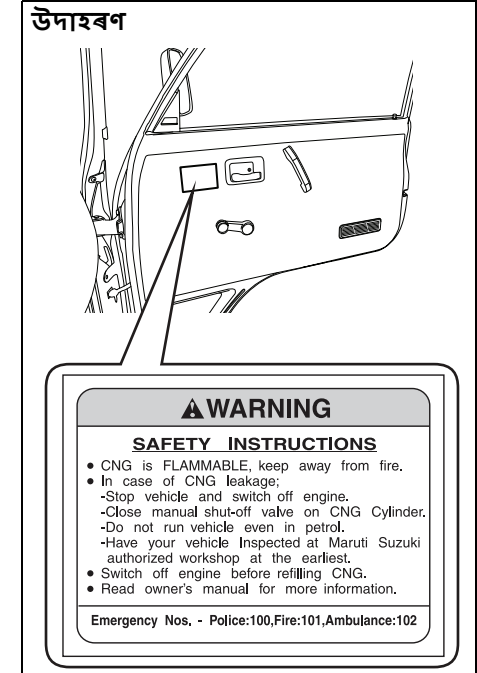
77PM02006

এই লেবেলটো আপুনি CNG চিলিণ্ডাৰত পাব পাৰে।

CNG সতৰ্কবাণী লেবেল (যদি
সংলগ্ন)

ফ্রন্ট ড্ৰাইভাৰ দুৱাৰ

উদাহৰণ

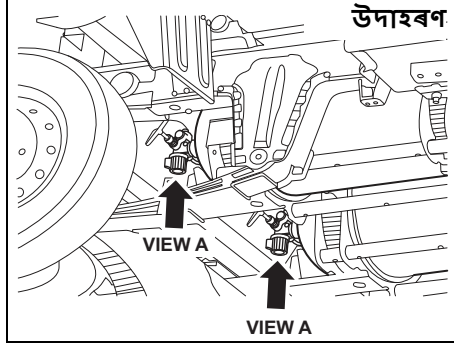


77PM02007

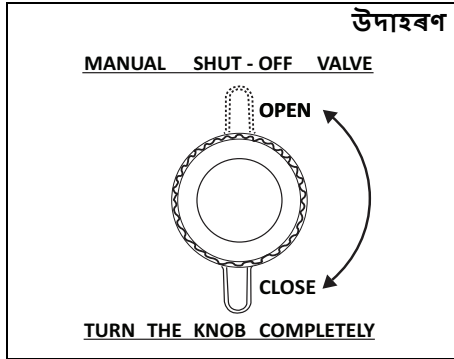
সন্মুখৰ সোঁ দুৱাৰত CNG সতৰ্কবাণী লেবেল আছে।

গাড়ী চলোৱাৰ আগতে

CNG মেনুৱেল শ্বট-অফ ভালভ (যদি সংলগ্ন)

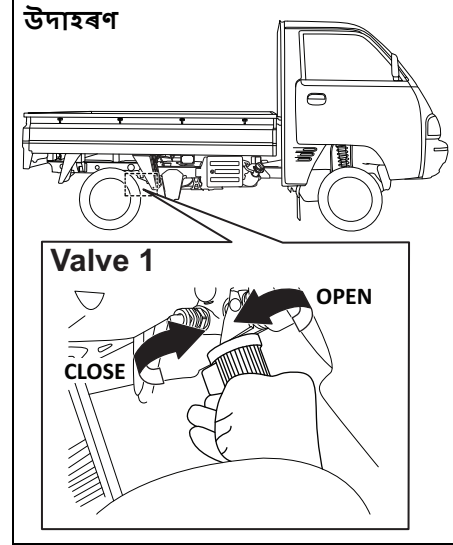


77PM02011



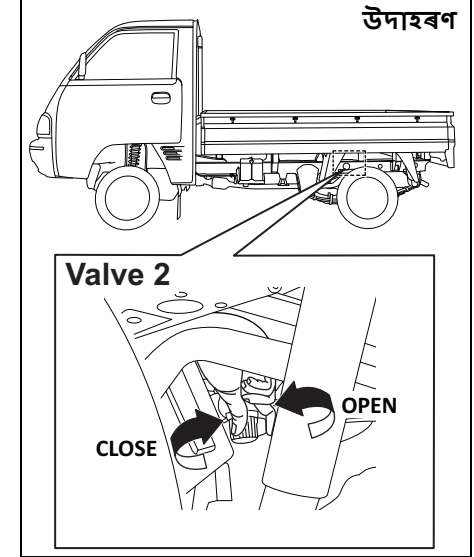
77PM02014

সোঁহাতৰ ফালে(RHS)



77PM02012

বাওঁ হাতৰ ফালে (LHS)



77PM02013

মেনুৱেল শ্বট অফ ভালভ **CNG** চিলিণ্ডাৰত থাকে যিবোৰ বাহনৰ বডিৰ তলত দিয়া হয়। বাহনখনৰ বডিৰ তলত দুটা **CNG** চিলিণ্ডাৰ থাকে, প্ৰত্যেকটোতে এটাকৈ মেনুৱেল শ্বট অফ ভালভ থাকে। মেনুৱেল শ্বট অফ ভালভ **1** আৰু ভালভ **2** ক্ৰমে বাহনখনৰ সোঁফালৰ পৰা (আৰু এইচ এছ) আৰু বাওঁফালৰ পৰা (এল এইচ এছ) প্ৰৱেশ কৰিব পাৰি।

দুয়োটা **CNG** চিলিণ্ডাৰৰ মেনুৱেল ষ্টাট অফ ভালভ বন্ধ কৰি **CNG** যোগান বন্ধ কৰিব পাৰি।

ভালভ বন্ধ কৰা: ইঞ্জিনলৈ **CNG** যোগান বন্ধ কৰিবলৈ নবটো সম্পূৰ্ণৰূপে ঘড়ীৰ কাটাৰ দিশত (দৰ্শন **A** ৰ পৰা) ঘূৰাওক।

ভালভ খোলা: ইঞ্জিনলৈ **CNG** যোগান খুলিবলৈ নবটো সম্পূৰ্ণৰূপে ঘড়ীৰ কাটাৰ বিপৰীত দিশত (দৰ্শন **A** ৰ পৰা) ঘূৰাই দিয়ক।

সৱধান

মেনুৱেল ষ্টাট অফ ভালভ 2 (LHS)ত প্ৰৱেশ কৰাৰ সময়ত যাতে আপোনাৰ হাতখনে একজষ্ট পাইপ স্পৰ্শ নকৰে। After driving, গাড়ী চলোৱাৰ পিছত একজষ্ট পাইপ ইমান গৰম হ'ব পাৰে যে হাতখন জ্বলাই দিব পাৰে।

টোকা:

- যদি মেনুৱেল ষ্টাট-অফ ভালভ সম্পূৰ্ণৰূপে খোলা নহয়, তেন্তে ইঞ্জিনটো সাঠকভাৱে চলিব নোৱাৰিবও পাৰে।
- যদি মেনুৱেল ষ্টাট-অফ ভালভটো বন্ধ অৱস্থাত থাকে, তেন্তে চিলিণ্ডাৰত **CNG** ভৰোৱা সম্ভৱ নহয়।

টোকা:

- চৰকাৰী নিয়ম অনুসৰি **CNG** চিলিণ্ডাৰ চিনাক্তকৰণ শ্লেটত উল্লেখ কৰা ধৰণে প্ৰাৰম্ভিক পৰীক্ষাৰ তাৰিখৰ পৰা প্ৰতি তিনি (3) বছৰৰ মূৰে মূৰে **CNG** চিলিণ্ডাৰ পৰীক্ষা আৰু প্ৰমাণীকৰণ কৰিব লাগিব।
- গ্ৰাহকে বাহনখন চৰকাৰী অনুমোদিত পৰীক্ষণ সংস্থাৰ ওচৰত উপস্থাপন কৰিব লাগিব।

- চিলিণ্ডাৰটো পৰীক্ষা নকৰিলে **CNG** বিতৰণ ষ্টেচনসমূহে **CNG** ভৰোৱাটো অস্বীকাৰ কৰিব পাৰে বা বলবৎকাৰী কৰ্তৃপক্ষই বাহনখন জব্দ কৰিব পাৰে।
- **CNG** চিলিণ্ডাৰ পৰীক্ষাৰ বাবে সকলো খৰচ গ্ৰাহকে বহন কৰিব লাগিব।
- চৰকাৰী নিয়ম অনুসৰি **CNG** চিলিণ্ডাৰ চিনাক্তকৰণ শ্লেটত উল্লেখ কৰা ধৰণে প্ৰাৰম্ভিক পৰীক্ষাৰ তাৰিখৰ পৰা 20 বছৰত পেলাই দিব লাগিব।
- চৰকাৰী অনুমোদিত স্ক্ৰিপ এজেন্সীৰ জৰিয়তে গ্ৰাহকে নিজৰ খৰচত চিলিণ্ডাৰটো পেলাই দিব লাগিব।
- কোনো ব্যক্তিয়ে উপ-নিয়ম (2)ৰ অধীনত মেৰামতি কৰা কোনো চিলিণ্ডাৰত কোনো গেছ পুনৰ ভৰাই ন'ব নোৱাৰিব যদিহে চিলিণ্ডাৰটোত কৰা মেৰামতি আৰু পৰীক্ষাৰ সম্পূৰ্ণ প্ৰতিবেদন, মেৰামতিকাৰীৰ পৰীক্ষাৰ প্ৰমাণপত্ৰৰ সৈতে মুখ্য নিয়ন্ত্ৰকক প্ৰদান কৰা নহয় আৰু ইয়াক পুনৰ ভৰোৱাৰ বাবে তেওঁৰ অনুমতি লোৱা হয়।

সতৰ্কবাণী

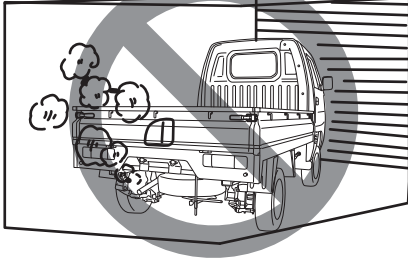
- চিলিণ্ডাৰৰ ভালভটো চিলিণ্ডাৰৰ এছেম্বলীৰ পৰা কেতিয়াও আঁতৰাই নিদিব। For any যিকোনো সহায়ৰ বাবে অনুমোদিত MARUTI SUZUKI COM-MERCIAL কাৰখানৰ পৰামৰ্শ লওক।
- কেতিয়াও চিলিণ্ডাৰ পৰিষ্কাৰ কৰিবলৈ চেষ্টা নকৰিব। কোনো সমস্যা হ'লে অনুমোদিত MARUTI SUZUKI COM-MERCIAL workshop ৰ সৈতে যোগাযোগ কৰক।
- চিলিণ্ডাৰ ভালভটো পুনৰ ব্যৱহাৰ নকৰিব, এবাৰ ইয়াক চিলিণ্ডাৰ এছেম্বলীৰ পৰা সলনি / আঁতৰাই পেলোৱাৰ পিছত।
- ইঞ্জিন বন্ধ নোহোৱালৈকে চিলিণ্ডাৰৰ পৰা **CNG** খৰচ হ'লেও, চাপত কিছু পৰিমাণৰ **CNG** টেংকত বাহিৰত থাকিব।

আপোনাৰ বাহন চলোৱা

এক্সজেষ্ট গেছ সতৰ্কবাণী	3-1
দৈনিক পৰিদৰ্শন পৰীক্ষা তালিকা	3-1
ইঞ্জিনৰ তেল খৰচ	3-2
ইগনিচন চুইচ	3-2
পাৰ্কিং ব্ৰেক লিভাৰ	3-4
পেডেল	3-5
ইঞ্জিন ষ্টাৰ্ট কৰা	3-5
ড্ৰেপ্সমিছন ব্যৱহাৰ কৰি	3-6
পাৰ্কিং চেম্বাৰ	3-8
ব্ৰেকিং	3-11
এন্টি-লক ব্ৰেক চিষ্টেম (এ.বি.এছ.)	3-12
ইলেক্ট্ৰনিক স্থিৰতা কাৰ্যসূচী (ESP®).....	3-15

এক্সজেষ্ট গেছ সতৰ্কবাণী

উদাহৰণ



82DY03

⚠ সতৰ্কবাণী

নিৰ্গমন গেছ উশাহ লোৱাৰ পৰা বিৰত থাকক। নিৰ্গমন গেছত কাৰ্বন মনোক্সাইড থাকে, যিটো সম্ভাৱ্য মাৰাত্মক গেছ যিটো ৰংহীন আৰু গন্ধহীন। যিহেতু কাৰ্বন মনোক্সাইড নিজে ধৰা পেলোৱাটো কঠিন, গতিকে আপোনাৰ বাহনত কাৰ্বন মনোক্সাইড প্ৰৱেশ কৰাত সহায় কৰিবলৈ তলত দিয়া সাৱধানতাসমূহ নিশ্চিতভাৱে গ্ৰহণ কৰক।

- গেৰেজ বা আৱদ্ধ ঠাইত ইঞ্জিন চলি থাকিব নালাগে, ভিতৰত যাত্ৰী থাকিব। ইয়াৰ ফলত কেবিনত কাৰ্বন-মনোক্সাইড জমা হৈ শ্বাসৰুদ্ধ বা উশাহ-নিশাহৰ সমস্যা হ'ব পাৰে আৰু মৃত্যু হ'ব পাৰে।

(অব্যাহত)

⚠ সতৰ্কবাণী

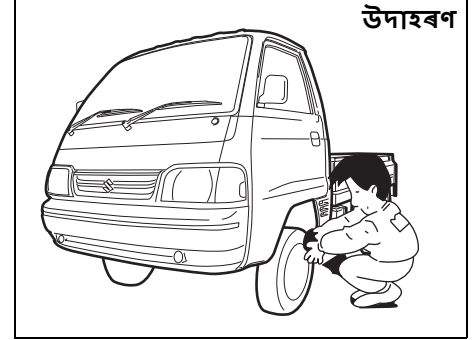
(অব্যাহত)

- ইঞ্জিন চলি থকা অৱস্থাত দীৰ্ঘ সময়ৰ বাবে গাড়ী ৰখাৰ নালাগে, আনকি মুকলি ঠাইতো। দীৰ্ঘ সময়ৰ ক্ষেত্ৰত ইঞ্জিন চলি থকাৰ সময়ত গাড়ীৰ ভিতৰত থকাৰ বাবে শ্বোক আৰু মৃত্যুৰ সম্ভাৱনা থাকে। যদি ইঞ্জিন চলি থকা অৱস্থাত ৰখাই থোৱা বাহনত কম সময়ৰ বাবে বহিবলগীয়া হয়, তেন্তে নিশ্চিত হওক যে এয়াৰ ইনটেক চেলেষ্টৰটো “FRESH AIR” ত ছেট কৰা হৈছে আৰু ব্ৰাৰটো তীব্ৰ বেগত আছে।
- আপোনাৰ বাহনৰ ভেণ্ডিলেচন চিষ্টেম সঠিকভাৱে চলাবলৈ অনুমতি দিবলৈ, বাহনৰ সন্মুখৰ এয়াৰ ইনলেট গ্ৰীলটো সকলো সময়তে বৰফ, পাত বা অন্যান্য বাধাৰ পৰা আঁতৰাই ৰাখক।
- বাহনৰ তলত এক্সজেষ্ট গেছৰ জমা হোৱা হ্ৰাস কৰাত সহায়ক হোৱাকৈ এক্সজেষ্ট পাইপৰ অংশটো বৰফ আৰু অন্যান্য সামগ্ৰীৰ পৰা আঁতৰাই ৰাখক। বিশেষকৈ তুষাৰপাতৰ পৰিস্থিতিত গাড়ী ৰখাই থোৱাৰ সময়ত এইটো গুৰুত্বপূৰ্ণ।
- এক্সজেষ্ট চিষ্টেমটো সময়ে সময়ে স্ফুটি আৰু লিক হোৱাৰ বাবে পৰীক্ষা কৰাৰ লাগে। যিকোনো স্ফুটি বা লিক হলে তৎক্ষণাত মেৰামতি কৰিব লাগে।

দৈনিক পৰিদৰ্শন পৰীক্ষা তালিকা

গাড়ী চলোৱাৰ আগতে

উদাহৰণ



77PM03001

- খিৰিকী, আইনা, লাইট, ৰিফ্ৰেক্টৰ পৰিষ্কাৰ আৰু বাধাহীন হোৱাটো নিশ্চিত কৰক।
- টায়াবোৰ তলত দিয়া কথাবোৰৰ বাবে দৃষ্টিগোচৰভাৱে পৰীক্ষা কৰক:
 - ড্ৰেড খাঁজৰ গভীৰতা
 - অস্বাভাৱিক পৰিধান, ফাট আৰু স্ফুটি
 - টিলা চকাৰ বাদাম
 - বিদেশী বস্তু যেনে নথ, শিল আদিৰ অস্তিত্ব।
 বিৱৰণৰ বাবে “পৰীক্ষণ আৰু ৰক্ষণাবেক্ষণ” অংশত “টয়াৰ” চাওক।
- তৰল পদাৰ্থ আৰু তেল লিক হোৱা নেকি চাওক।
- ইঞ্জিনৰ ডবাটো সম্পূৰ্ণৰূপে বন্ধ আৰু লেচ কৰা হোৱাটো নিশ্চিত কৰক।
- হেডলাইট, টাৰ্ণ সিগনেল লাইট, ব্ৰেক লাইট আৰু হৰ্ণ সঠিকভাৱে চলি আছে নে নাই পৰীক্ষা কৰক।
- ড্ৰাইভাৰৰ আসনখন সামঞ্জস্য কৰি লওক।

- 7) ব্ৰেক পেডেল আৰু পাৰ্কিং ব্ৰেক লিভাৰ পৰীক্ষা কৰক।
- 8) আইনাবোৰ সামঞ্জস্য কৰি লওক।
- 9) নিশ্চিত হওক যে আপুনি আৰু যাত্ৰীজনে ছিটবেল্ট সঠিকভাৱে বান্ধি ৰাখিছে।
- 10) চাবিটো “ON” অৱস্থাত ৰখাৰ লগে লগে সকলো সতৰ্কবাণী লাইট জ্বলি থকাটো নিশ্চিত কৰক।
- 11) সকলো গেজ পৰীক্ষা কৰক।
- 12) পাৰ্কিং ব্ৰেক এৰিলে **BRAKE SYSTEM WARNING** লাইটটো বন্ধ হোৱাটো নিশ্চিত কৰক।

সপ্তাহত এবাৰ, বা প্ৰতিবাৰ আপুনি আপোনাৰ ইন্ধনৰ টেংক ভৰোৱাৰ সময়ত বা দীৰ্ঘ দূৰত্বৰ গাড়ী চলোৱাৰ আগতে (যেনে হাইৱে ড্ৰাইভিং), নিম্নলিখিত আঙাৰ-হুড পৰীক্ষাসমূহ কৰক:

- 1) ইঞ্জিনৰ তেলৰ মাত্ৰা
- 2) শীতল পদাৰ্থৰ মাত্ৰা
- 3) ব্ৰেক ফ্লুইডৰ মাত্ৰা
- 4) উইণ্ডশ্বিল্ড ব্ৰাশ্বাৰৰ তৰল পদাৰ্থ (যদি সজ্জিত থাকে) স্তৰ
- 5) বোটাৰীৰ ইলেক্ট্ৰলাইটৰ মাত্ৰা
- 6) লেচ
অপাৰেচন লুৱিক্কেচন সময়সূচীৰ বাবে “পৰীক্ষণ আৰু ৰক্ষণাবেক্ষণ” অংশত “সাময়িকভাৱে ৰক্ষণাবেক্ষণ সূচী”ত “চেছিছ আৰু শৰীৰ”ৰ “সকলো লেচ, হিঞ্জ আৰু লক” চাওক।

মাহত এবাৰ, বা প্ৰতিবাৰ আপুনি আপোনাৰ ইন্ধনৰ টেংক ভৰোৱাৰ সময়ত বা দীৰ্ঘ দূৰত্বৰ গাড়ী চলোৱাৰ আগতে (যেনে হাইৱে ড্ৰাইভিং), টায়াৰৰ চাপ গেজ ব্যৱহাৰ কৰি টায়াৰৰ চাপ পৰীক্ষা কৰক। অতিৰিক্ত টায়াৰৰ চাপো পৰীক্ষা কৰক।

ইঞ্জিনৰ তেল খৰচ

সাধাৰণ বাহন চলোৱাৰ সময়ত ইঞ্জিনে কিছু ইঞ্জিনৰ তেল খোৱাটো স্বাভাৱিক।

ইঞ্জিনৰ তেলৰ পৰিমাণ তেলৰ আঠায়ুক্ততা, তেলৰ মানদণ্ড আৰু বাহনখন চলোৱা অৱস্থাৰ ওপৰত নিৰ্ভৰ কৰে।
তীব্ৰবেগী গাড়ী চলোৱাৰ সময়ত আৰু সঘনাই ঘৰণ আৰু মন্থৰতা হ’লে অধিক তেল খোৱা হয়। উচ্চ লোডৰ অধীনত, আপোনাৰ ইঞ্জিনেও অধিক তেল খৰচ কৰিব।

নতুন ইঞ্জিনেও অধিক তেল খৰচ কৰে, কিয়নো ইয়াৰ পিষ্টন, পিষ্টন ৰিং আৰু চিলিণ্ডাৰৰ বেৰ এতিয়াও কণ্ডিচন কৰা হোৱা নাই। ৬নতুন ইঞ্জিনসমূহে প্ৰায় **5000km (3000 মাইল)** গাড়ী চলোৱাৰ পিছতহে তেলৰ ব্যৱহাৰৰ স্বাভাৱিক স্তৰত উপনীত হয়।

তেলৰ	ব্যৱহাৰ:
সৰ্বোচ্চ।	প্ৰতি 1000kmত
(প্ৰতি 600 মাইলত 1 Qt.)	1.0 L

তেলৰ ব্যৱহাৰৰ পৰিমাণ বিচাৰ কৰোঁতে মন কৰিব যে তেল পাতল হৈ যাব পাৰে আৰু প্ৰকৃত তেলৰ মাত্ৰা সঠিকভাৱে বিচাৰ কৰাটো কঠিন হৈ পৰিব পাৰে।

উদাহৰণস্বৰূপে, যদি কোনো বাহন বাৰে বাৰে চুটি ভ্ৰমণৰ বাবে ব্যৱহাৰ কৰা হয়, আৰু সাধাৰণ পৰিমাণৰ তেল ব্যৱহাৰ কৰা হয়, তেন্তে ডিপষ্টিকটোৱে **1000 km (600 মাইল)** বা তাতকৈ অধিক গাড়ী চলোৱাৰ পিছতো তেলৰ মাত্ৰা একেবাৰেই হ্ৰাস দেখা নাপাৰেও পাৰে। ইয়াৰ কাৰণ হ’ল তেলটো ক্ৰমান্বয়ে ইন্ধন বা আৰ্দ্ৰতাৰে পাতল হৈ আহিছে, যাৰ ফলত তেলৰ মাত্ৰা সলনি হোৱা নাই যেন লাগে।

আপুনি এইটোও সচেতন হ’ব লাগে যে পৰৱৰ্তী সময়ত গাড়ীখন তীব্ৰ বেগত চলালে, যেনে

এক্সপ্ৰেছৱে’ত, পাতল কৰা উপাদানসমূহ বাষ্পীভৱন হৈ ওলাই যায়, যাৰ ফলত তীব্ৰবেগী গাড়ী চলোৱাৰ পিছত তেল অত্যধিক খৰচ হোৱা যেন লাগে, such as on an expressway, making it appear that oil is excessively consumed after high-speed driving.

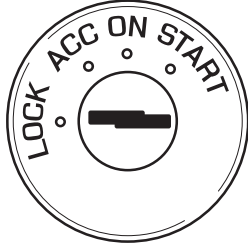
ইগনিচন চুইচ



65D611

⚠ সতৰ্কবাণী
সম্ভাৱ্য আঘাতৰ পৰা হাত সাৰিবলৈ ষ্টিমাৰিঙৰ মাজেৰে হাতখন আগবঢ়াই নিয়ন্ত্ৰণসমূহ চলাব নালাগে।

উদাহৰণ



77PH002

ইগনিচন চুইচৰ তলত দিয়া চাৰিটা অৱস্থান আছে:

LOCK

এইটো সাধাৰণ পাৰ্কিং পজিচন। ই একমাত্ৰ অৱস্থান য'ত চাবি আঁতৰাব পাৰি।

ষ্টিয়াৰিং লক এৰি দিবলৈ, চাবিটো সুমুৱাওক আৰু ইয়াক ঘড়ীৰ কাঁটাৰ দিশত আন এটা অৱস্থানলৈ ঘূৰাই দিয়ক। যদি আপুনি ষ্টিয়াৰিং আনলক কৰিবলৈ চাবি ঘূৰাবলৈ অসুবিধা পায়, চাবি ঘূৰাওঁতে ষ্টিয়াৰিং চকাটো অলপ সোঁ বা বাওঁফালে ঘূৰাবলৈ চেষ্টা কৰক।

এচিচি

আনুষংগিক বস্তু যেনে আনুষংগিক চকেট চলিব পাৰে, কিন্তু ইঞ্জিন বন্ধ।

অন

এইটো সাধাৰণ অপাৰেটিং অৱস্থান। সকলো বৈদ্যুতিক ব্যৱস্থা অন হৈ আছে।

আৰম্ভ কৰক

ষ্টাৰ্টাৰ মটৰ ব্যৱহাৰ কৰি ইঞ্জিন ষ্টাৰ্ট কৰাৰ বাবে এই অৱস্থান। ইঞ্জিন ষ্টাৰ্ট হোৱাৰ লগে লগে এই অৱস্থাৰ পৰা চাবিটো এৰি দিব লাগে।

উদাহৰণ



82DY04

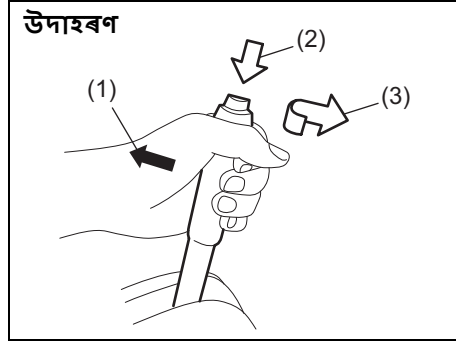
⚠ সতৰ্কবাণী

- বাহন চলি থকাৰ সময়ত ইগনিচন চাবি কেতিয়াও আঁতৰাই নিদিব। ষ্টিয়াৰিং লক হ'ব আৰু আপুনি গাড়ীখন ষ্টিয়াৰিং কৰিব নোৱাৰিব।
- বাহন এৰি যোৱাৰ সময়ত ইগনিচন চাবিটো সদায় আঁতৰাই পেলাওক যদিও কম সময়ৰ বাবে। লগতে ৰখাই থোৱা বাহনত শিশুক অকলে এৰি নাযাব। উষ্ণ বা গৰম বতৰতো ইহঁতে হিট ষ্ট্ৰ'কত আক্ৰান্ত হ'ব পাৰে। এইবোৰৰ ফলত গুৰুতৰভাৱে আঘাতপ্ৰাপ্ত বা আনকি মৃত্যুও হ'ব পাৰে।

জাননী

- ষ্টাৰ্টাৰ মটৰটো এটা সময়ত 30 ছেকেণ্ডতকৈ অধিক ব্যৱহাৰ নকৰিব। যদি ইঞ্জিন ষ্টাৰ্ট নহয়, পুনৰ চেষ্টা কৰাৰ আগতে 15 ছেকেণ্ড অপেক্ষা কৰক। যদি কেইবাবাৰো চেষ্টা কৰাৰ পিছত ইঞ্জিন ষ্টাৰ্ট নহয়, ইন্ধন আৰু ইগনিচন চিষ্টেম পৰীক্ষা কৰক বা আপোনাৰ অনুমোদিত MARUTI SUZUKI COMMERCIAL কৰ্মশালাৰ পৰামৰ্শ লওক।
- ইঞ্জিন চলি নাথাকিলে ইগনিচন চুইচটো "ON" অৱস্থাত নাৰাখিব কাৰণ বেটাৰী ডিচাৰ্জ হ'ব।

পাৰ্কিং ব্ৰেক লিভাৰ



77PH030

- (1) ছেট কৰিবলৈ
- (2) মুকলি কৰিবলৈ
- (3) মুকলি কৰিবলৈ

পাৰ্কিং ব্ৰেক লিভাৰটো সন্মুখৰ আসনবোৰৰ মাজত অৱস্থিত। পাৰ্কিং ব্ৰেক ছেট কৰিবলৈ, ব্ৰেক পেডেলটো তললৈ হেঁচা দিয়ক আৰু পাৰ্কিং ব্ৰেক লিভাৰটো গোটেই ওপৰলৈ টানি নিয়ক। পাৰ্কিং ব্ৰেক টো মুকলি কৰিবলৈ, ব্ৰেক পেডেলটো তললৈ হেঁচা দিয়ক, পাৰ্কিং ব্ৰেক লিভাৰৰ ওপৰত সামান্য ওপৰলৈ টানি নিয়ক, আপোনাৰ বুঢ়া আঙুলিৰে লিভাৰৰ শেষৰ বুটামটো ঠেলি দিয়ক, আৰু লিভাৰটো ইয়াৰ মূল স্থিতিলৈ নমাই দিয়ক।

⚠ সতৰ্কবাণী

- পাৰ্কিং ব্ৰেক স্ফলাই কেতিয়াও আপোনাৰ বাহন চলাব নালাগে: পিছফালৰ ব্ৰেকৰ ফলপ্ৰসূতা অতি উতাপৰ ফলত হ্ৰাস পাব পাৰে, ব্ৰেকৰ জীৱনকাল কম হ'ব পাৰে, বা ব্ৰেকৰ স্বামী ক্ষতি হ'ব পাৰে।
- যদি পাৰ্কিং ব্ৰেক বাহনখনক সুৰক্ষিতভাৱে ধৰি ৰাখিব নোৱাৰে বা সম্পূৰ্ণৰূপে মুকলি নকৰে, তেন্তে আপোনাৰ বাহনখন তৎক্ষণাত অনুমোদিত MARUTI SUZUKI COMMERCIAL কৰ্মশালাৰ দ্বাৰা পৰিদৰ্শন কৰক।

⚠ সতৰ্কবাণী

আপোনাৰ বাহন এৰি যোৱাৰ আগতে সদায় পাৰ্কিং ব্ৰেক সম্পূৰ্ণৰূপে ছেট কৰক নহ'লে ই লৰচৰ কৰিব পাৰে, আঘাত বা ক্ষতিৰ সৃষ্টি কৰিব পাৰে। পাৰ্কিং কৰাৰ সময়ত নিশ্চিত কৰক যে গিমাৰস্থিতি লিভাৰটো ৰিভাৰ্ছ বা ফাৰ্ষ্ট গিমাৰত আছে। মনত ৰাখিব, ট্ৰেন্সমিছন গিমাৰত থাকিলেও আপুনি পাৰ্কিং ব্ৰেক সম্পূৰ্ণৰূপে ছেট কৰিব লাগিব।

⚠ সতৰ্কবাণী

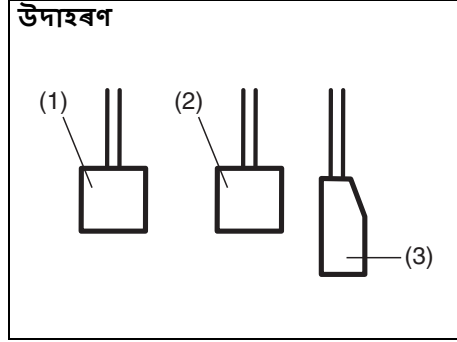
অতি ঠাণ্ডা বতৰত গাড়ী ৰখাওঁতে তলত দিয়া পদ্ধতি ব্যৱহাৰ কৰিব লাগে:

- 1) পাৰ্কিং ব্ৰেক ছেট কৰক।
- 2) ইঞ্জিন বন্ধ কৰক, তাৰ পিছত ৰিভাৰ্ছ বা ফাৰ্ষ্ট গিমাৰলৈ স্থানান্তৰিত কৰক।
- 3) গাড়ীৰ পৰা নামি চকাৰ তলত চক ৰাখক।
- 4) পাৰ্কিং ব্ৰেক এৰি দিয়ক। যেতিয়া আপুনি আপোনাৰ বাহনলৈ উভতি যাব, আপুনি মনত ৰাখিব লাগিব যে প্ৰথমে পাৰ্কিং ব্ৰেক ছেট কৰিব লাগে, তাৰ পিছত চকাৰ চকবোৰ আঁতৰাই দিব লাগে।

- ৰ'দত গৰম কৰা বাহনত চিগাৰেট লাইটাৰ, স্প্ৰে কেন, কোমল পানীয়ৰ কেন বা প্লাষ্টিকৰ সামগ্ৰী (যেনে গ্লাছ, চিডি কেচ আদি) এৰি নিদিব। বাহনখনৰ ভিতৰৰ তাপমাত্ৰাৰ ফলত নিম্নলিখিত ধৰণে হ'ব পাৰে:

- চিগাৰেট লাইটাৰ বা স্প্ৰে কেনৰ পৰা গেছ লিক হ'ব পাৰে আৰু জুই লাগিব পাৰে।
- চশমা, প্লাষ্টিক কাৰ্ড বা চিডি কেচ আদি বিকৃত বা ফাৰ্টিব পাৰে।
- কোমল পানীয়ৰ কেন বোৰ ভাঙিব পাৰে।

পেডেল



80J2121

ক্লাচ পেডেল (1)

ইঞ্জিন ষ্টাৰ্ট কৰাৰ সময়ত, বন্ধ কৰাৰ সময়ত বা গিয়াৰশ্বিফ্ট লিভাৰ স্থানান্তৰ কৰাৰ সময়ত ড্ৰাইভক চকাসমূহৰ পৰা ডিচেংগেজ কৰিবলৈ ক্লাচ পেডেল ব্যৱহাৰ কৰা হয়। পেডেলটো টিপিলে ক্লাচটো ডিচেংগেজ হয়।

⚠ সতৰ্কবাণী

ভৰিখন ক্লাচ পেডেলত থৈ গাড়ী চলাব নালাগে। ইয়াৰ ফলত ক্লাচ অত্যধিক পৰিধান, ক্লাচৰ ক্ষতি, বা ইঞ্জিনৰ ব্ৰেকিং অপ্ৰত্যাশিতভাৱে হেৰুৱাব পাৰে।

ব্ৰেক পেডেল (2)

আপোনাৰ বাহনখনত সন্মুখৰ ডিস্ক ব্ৰেক আৰু পিছফালৰ ড্ৰাম ব্ৰেক আছে। ব্ৰেক পেডেল হেঁচিলে ব্ৰেকৰ দুয়োটা ছেট প্ৰয়োগ হয়।

ব্ৰেক লগোৱাৰ সময়ত মাজে মাজে ব্ৰেকৰ শব্দ শুনিব পাৰে। পৰিৱেশৰ কাৰক যেনে উষ্ণতা, আৰ্দ্ৰতা, নিয়ৰ বা ধূলি আদিৰ ফলত হোৱা এইটো এটা স্বাভাৱিক অৱস্থা।

⚠ সতৰ্কবাণী

যদি ব্ৰেকৰ শব্দ অত্যধিক হয় আৰু প্ৰতিবাৰ ব্ৰেক লগোৱাৰ সময়ত হয়, তেন্তে আপুনি আপোনাৰ অনুমোদিত MARUTI SUZUKI COMMERCIAL কৰ্মশালাত ব্ৰেক পৰীক্ষা কৰাব লাগে।

⚠ সতৰ্কবাণী

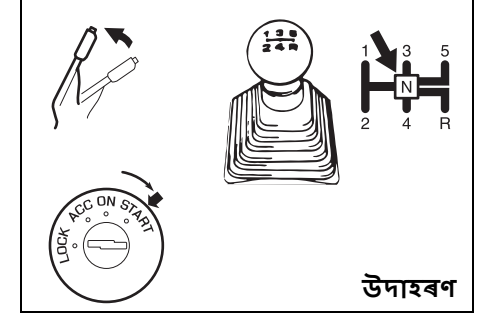
ব্ৰেকবোৰ অবিৰতভাৱে প্ৰয়োগ কৰি বা ভৰিখন পেডেলত থৈ দি চলাব নালাগে। ইয়াৰ ফলত ব্ৰেকসমূহ অতি উত্তাপ হ'ব যিয়ে অভাৱলীয়া ব্ৰেকিং ক্ৰিয়া, দীঘলীয়া বৰখাৰ দুৰ্ঘটনা, বা ব্ৰেকৰ স্বাভাৱিক ক্ষতিৰ সৃষ্টি কৰিব পাৰে।

এক্সিলেটৰ পেডেল (3)

এই পেডেলে ইঞ্জিনৰ গতি নিয়ন্ত্ৰণ কৰে। এক্সিলেটৰ পেডেল টিপিলে শক্তি উৎপাদন আৰু গতি বৃদ্ধি পায়।

ইঞ্জিন ষ্টাৰ্ট কৰা

ইঞ্জিন আৰম্ভ কৰাৰ আগতে



77PH014

- 1) পাৰ্কিং ব্ৰেক সম্পূৰ্ণৰূপে ছেট হোৱাটো নিশ্চিত কৰক।
- 2) “N” (Neutral) লৈ স্থানান্তৰিত কৰক আৰু ক্লাচ পেডেলটো মজিয়ালৈকে টিপি দিয়ক। ইঞ্জিন ষ্টাৰ্ট কৰাৰ সময়ত ক্লাচ পেডেল ধৰি ৰাখক।

⚠ সতৰ্কবাণী

ইঞ্জিন ষ্টাৰ্ট কৰিবলৈ চেষ্টা কৰাৰ আগতে নিশ্চিত কৰক যে পাৰ্কিং ব্ৰেক সম্পূৰ্ণৰূপে ছেট কৰা হৈছে আৰু ট্ৰেন্সমিছন নিউট্ৰেলত আছে।

ঠাণ্ডা আৰু উষ্ণ ইঞ্জিন আৰম্ভ কৰা

আপোনাৰ ভৰিখন এক্সিলেটৰ পেডেলৰ পৰা আঁতৰাই ৰাখি, ইগনিচন কি'টো "START" লৈ ঘূৰাই ইঞ্জিনটো ক্ৰেংক কৰক। ইঞ্জিন ষ্টাৰ্ট হ'লে চাবিটো এৰি দিয়ক।

⚠ সাবধানতা

- ইঞ্জিন ষ্টাৰ্ট হোৱাৰ লগে লগে ষ্টাৰ্টাৰ ঘূৰোৱা বন্ধ কৰক নহলে ষ্টাৰ্টাৰ ব্যৱস্থাটো ক্ষতিগ্ৰস্ত হ'ব পাৰে।
- এটা সময়ত 12 ছেকেণ্ডতকৈ অধিক ইঞ্জিন ক্ৰেংক নকৰিব। যদি প্ৰথম চেষ্টাত ইঞ্জিন ষ্টাৰ্ট নহয়, তেন্তে পুনৰ চেষ্টা কৰাৰ আগতে প্ৰায় 30 ছেকেণ্ড অপেক্ষা কৰক।

যদি ইঞ্জিনটো ক্ৰেংক কৰাৰ 12 ছেকেণ্ডৰ পিছতো ষ্টাৰ্ট নহয়, তেন্তে প্ৰায় 30 ছেকেণ্ড অপেক্ষা কৰক, তাৰ পিছত এক্সিলেটৰৰ পেডেলটো ইয়াৰ ভ্ৰমণৰ 1/3 ভাগলৈকে তললৈ টিপক আৰু ইঞ্জিনটো পুনৰ ক্ৰেংক কৰিবলৈ চেষ্টা কৰক। ইঞ্জিন ষ্টাৰ্ট হ'লে চাবি আৰু এক্সিলেটৰ পেডেল এৰি দিয়ক।

যদি ইঞ্জিন এতিয়াও ষ্টাৰ্ট নহয়, তেন্তে ক্ৰেংকিং কৰাৰ সময়ত এক্সিলেটৰৰ পেডেলটো মজিয়ালৈকে ধৰি ৰাখিবলৈ চেষ্টা কৰক। ইয়াৰ দ্বাৰা ইঞ্জিনটো বানপানী হ'লে ক্লিয়াৰ কৰিব লাগে।

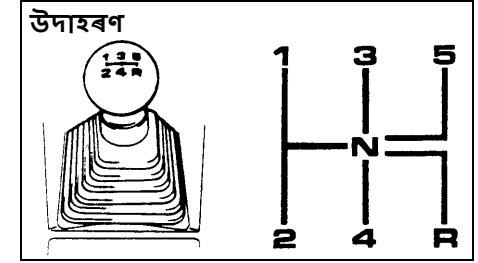
টোকা:

(CNG ইঞ্জিন মডেলৰ বাবে)

- পেট্ৰ'লৰ পৰা CNG মোডলৈ সলনি কৰিবলৈ এক্সিলেটৰ পেডেল টিপিব নালাগে।
- ইগনিচন চুইচ "ON" আৰু ইঞ্জিন চলি থকা নাই, CNG বিজুতি সতৰ্কবাণী লেম্পৰ টিপটিপিয়াটোৱে ইন্ধনৰ ঢাকনি খোলা বুলি এই অৱস্থাত বাহন আৰম্ভ নহ'ব।
- ইঞ্জিনৰ জীৱনকাল বৃদ্ধি কৰিবলৈ বাহনখন সদায় AUTO MODE বা PETROL MODE ত ষ্টাৰ্ট কৰাটো বাঞ্ছনীয়।
- পৰিৱেশ / ইঞ্জিনৰ উষ্ণতা শূন্য ডিগ্ৰী চেলছিয়াছৰ তলত থাকিলে বাহনখন ষ্টাৰ্ট কৰিলে CNG লৈ ইন্ধন সলনি নহ'বও পাৰে। এনে ক্ষেত্ৰত ইঞ্জিনটো গৰম নোহোৱালৈকে PETROL MODE ত চলাওক আৰু তাৰ পিছত ইঞ্জিনটো CNG লৈ সলনি কৰিবলৈ পুনৰ আৰম্ভ কৰিবলৈ চেষ্টা কৰক।
- পেট্ৰ'লৰ টেংকিত পৰ্যাপ্ত পৰিমাণৰ পেট্ৰ'ল ৰখাটো বাঞ্ছনীয়।
- যদি পৰিৱেশ / ইঞ্জিনৰ উষ্ণতা শূন্য ডিগ্ৰী চেলছিয়াছৰ তলত থাকে তেন্তে বাহনখন বলপূৰ্বক CNG মোডত আৰম্ভ নহ'বও পাৰে। বাহনখন অটো মোডত ষ্টাৰ্ট কৰাটো বাঞ্ছনীয়।
- CNG মোডৰ পৰা পেট্ৰ'ল মোডলৈ স্থায়ক্ৰিয়ভাৱে সলনি হোৱাৰ সময়ত ইঞ্জিন ষ্টলিং ৰোধ কৰিবলৈ পেট্ৰ'ল টেংকিত পৰ্যাপ্ত পৰিমাণৰ পেট্ৰ'ল ৰখাটো বাঞ্ছনীয়।
- যদি চেঞ্জঅভাৰ চুইচ টিপাৰ পিছত CNG ৰ বিজুতিৰ সতৰ্কবাণী লেম্পটো টিপটিপিয়া বন্ধ নহয়, তেন্তে বাহনখনক ওচৰৰ অনুমোদিত MARUTI SUZUKI COMMERCIAL কৰ্মশালালৈ লৈ য়াওক।

ট্ৰেন্সমিছন ব্যৱহাৰ কৰা

মেনুৱেল ট্ৰেন্সমিছন



65D038

আৰম্ভ কৰি আছে

আৰম্ভ কৰিবলৈ, ক্লাচ পেডেলটো মজিয়ালৈকে টিপক আৰু 1st বা 2nd গিয়াৰলৈ স্থানান্তৰিত কৰক। পাৰ্কিং ব্ৰেক এৰি দিয়াৰ পিছত লাহে লাহে ক্লাচ এৰি দিব। যেতিয়া আপুনি ইঞ্জিনৰ শব্দৰ পৰিৱৰ্তন শুনিব, তেতিয়া ক্ৰমান্বয়ে ক্লাচটো এৰি দি থাকিলে লাহে লাহে এক্সিলেটৰটো টিপক।

টোকা:

- সাধাৰণ ড্ৰাইভিংৰ সময়ত ষ্টাৰ্ট অফৰ বাবে পৰামৰ্শ দিয়া গিয়াৰৰ অৱস্থান হৈছে 2য় গিয়াৰ।
- ক্ৰছ কান্টি ড্ৰাইভিং, ক্ৰলিং বা লোডিং ড্ৰাইভিংৰ ক্ষেত্ৰত যিটোক ডাঙৰ ড্ৰাইভিং ফৰ্চৰ প্ৰয়োজন হয়, শ্বিফ্ট পজিচনৰ পৰামৰ্শ দিয়া হৈছে 1st গিয়াৰ।

শ্বিফ্টিং:

সকলো ফৰৱাৰ্ড গিয়াৰ সমন্বিত, যিয়ে নিস্তক্ক আৰু সহজ শ্বিফ্টিং প্ৰদান কৰে। গিয়াৰ সলনি কৰাৰ আগতে সদায় ক্লাচ পেডেলটো সম্পূৰ্ণৰূপে ঠেলি দিয়ক।

আপোনাৰ বাহন চলোৱা

সৰ্বোচ্চ অনুমোদিত গতি ডাউনশ্বিফটিং
(পেট্ৰ'ল মডেলৰ বাবে)

ডাউনশ্বিফটিং	km/h
2য়ৰ পৰা 1মলৈ	10
3ৰ পৰা 2য়লৈ	65
4ৰ্থৰ পৰা 3য়লৈ	100
5মৰ পৰা 4ৰ্থলৈ	140

সৰ্বোচ্চ অনুমোদিত গতি ডাউনশ্বিফটিং
(CNG মডেলৰ বাবে)

ডাউনশ্বিফটিং	km/h
2য়ৰ পৰা 1মলৈ	10
3ৰ পৰা 2য়লৈ	55
4ৰ্থৰ পৰা 3য়লৈ	90
5মৰ পৰা 4ৰ্থলৈ	125

টোকা:

ড্ৰাইভিং পৰিস্থিতি আৰু/বা বাহনৰ অৱস্থাৰ বাবে আপুনি সৰ্বোচ্চ অনুমোদিত গতিলৈ গতি কৰিব নোৱাৰিব।

জাননী

নিম্ন গিয়াৰলৈ ডাউনশ্বিফট কৰাৰ সময়ত, সৰ্বোচ্চ অনুমোদিত গতিতকৈ বেছি গতিৰে ডাউনশ্বিফট নকৰাটো নিশ্চিত কৰক, নহলে ইঞ্জিনৰ গুৰুতৰ ক্ষতি হ'ব পাৰে।

⚠ সতৰ্কবাণী

- দীঘল বা ঠেক পাহাৰৰ পৰা নামি যোৱাৰ আগতে আপোনাৰ গতি হ্ৰাস কৰক আৰু তলৰ গিয়াৰলৈ ডাউনশ্বিফট কৰক। তলৰ গিয়াৰে ইঞ্জিনে ব্ৰেকিং প্ৰদান কৰিবলৈ অনুমতি দিব। ব্ৰেক চলোৱা এৰক নহ'লে ই অতিমাত্ৰা গৰম হ'ব পাৰে, যাৰ ফলত ব্ৰেক বিকল হ'ব পাৰে।
- পিছল পথত গাড়ী চলাওঁতে ডাউনশ্বিফট কৰাৰ আগতে গাড়ী চলোৱাৰ গতি নিশ্চিতভাৱে কমাই দিব। ইঞ্জিনৰ গতিৰ অত্যধিক আৰু বা হঠাৎ পৰিৱৰ্তনে ট্ৰেকচন হেৰুৱাব পাৰে, যাৰ ফলত আপুনি নিয়ন্ত্ৰণ হেৰুৱাব পাৰে।

জাননী

- ক্লাচৰ ক্ষতিৰ পৰা হাত সাৰিবলৈ সহায় কৰিবলৈ, গাড়ী চলোৱাৰ সময়ত ক্লাচ পেডেলটো ফুটৰেট হিচাপে ব্যৱহাৰ নকৰিব বা বাহনখনক ঢালত থিয় হৈ ৰাখিবলৈ ক্লাচ ব্যৱহাৰ নকৰিব। শ্বিফট কৰাৰ সময়ত ক্লাচ সম্পূৰ্ণৰূপে টিপি দিয়ক।
- শ্বিফট বা ষ্টাৰ্ট অফ কৰাৰ সময়ত ইঞ্জিন ৰেচ নকৰিব। ইঞ্জিন ৰেচিং কৰিলে ইঞ্জিনৰ আয়ুস কম হ'ব পাৰে আৰু মসৃণ শিফটিঙত প্ৰভাৱ পৰিব পাৰে।

জাননী

ৰিভাৰ্ছ গিয়াৰ “R” সংযোগ কৰাৰ আগতে, বাহনখন সম্পূৰ্ণৰূপে স্থবিৰ আৰু গিয়াৰ লিভাৰ নিউট্ৰেল [N] অৱস্থাত আছে নে নাই পৰীক্ষা কৰক। ক্লাচ পেডেল সম্পূৰ্ণৰূপে টিপি দিয়াৰ পিছত, [R] লৈ স্থানান্তৰিত কৰক।

টোকা:

- যদি ৰিভাৰ্ছ গিয়াৰ “R” সংযোগ কৰাটো কঠিন হয়, তেন্তে তলৰ পদ্ধতি অনুসৰণ কৰক:
- গিয়াৰ লিভাৰ নিউট্ৰেল “N” ত ৰাখক।
 - ক্লাচ পেডেল এবাৰ এৰি দিয়ক।
 - আকৌ ক্লাচ পেডেলটো টিপি, আৰু “N”ৰ পৰা “R” লৈ স্থানান্তৰিত কৰক।

পাৰ্কিং চেম্বৰ

- পাৰ্কিং চেম্বৰ ব্যৱস্থাই পিছফালৰ বাম্পাৰৰ ওচৰৰ বাধা ধৰা পেলাবলৈ আল্ট্ৰাছ'নিক চেম্বৰ ব্যৱহাৰ কৰে। যদি আপুনি গাড়ীখন ৰখাই থোৱাৰ সময়ত বা বাহনখন লাহে লাহে লৰচৰ কৰাৰ সময়ত বাধাসমূহ অনুভৱ কৰা হয়, চিষ্টেমে আপোনাক এটা বাজাৰ বজাই সতৰ্ক কৰে।
- ব্যৱস্থটোৱে এটা আল্ট্ৰাছ'নিক তৰংগ নিৰ্গত কৰে আৰু প্ৰাসংগিক চেম্বৰে এটা বাধাৰ দ্বাৰা প্ৰতিফলিত তৰংগৰ উভতি অহা ধৰা পেলায়। এই ব্যৱস্থাই আল্ট্ৰাছ'নিক তৰংগে বাধাটোত উপনীত হ'বলৈ আৰু তাৰ পৰা উভতি আহিবলৈ লোৱা সময় জুখিব পাৰে, য'ৰ পৰা ই বাধাটোৰ অৱস্থান নিৰ্ধাৰণ কৰে।
- পাৰ্কিং চেম্বৰৰ কাৰ্য্য ব্যৱহাৰ কৰিব পাৰি যেতিয়া আপুনি ইগনিচন চুইচটো "ON" অৱস্থালৈ ঘূৰাই দিয়ে আৰু গিয়াৰশ্বিষ্ট লিভাৰটো "R" অৱস্থাত থাকে। এই কাৰ্য্য নিম্নলিখিত ক্ষেত্ৰত সহায়ক: টানি টানি কাৰ্বলে; বাহনখন সমান্তৰালভাৱে ৰখাই থোৱা; বাহনখনক গেৰেজত ঠিয়াৰিং কৰা; এটা গলিৰে গাড়ী চলোৱা; আৰু বাধা থকা ঠাইত লাহে লাহে গতি কৰা।

⚠ সতৰ্কবাণী

- পাৰ্কিং চেম্বৰে আপোনাক বাজাৰৰ সৈতে বাধাৰ বিষয়ে সতৰ্ক কৰে। অৱশ্যে তথাপিও বিশেষ যত্ন লৈ গাড়ী চলাব লাগিব।
- চেম্বৰসমূহে বাধাসমূহ কেৱল সীমিত অঞ্চলৰ ভিতৰতহে ধৰা পেলাব পাৰে আৰু কেৱল যেতিয়া বাহনখন সীমিত গতিৰ পৰিসৰৰ ভিতৰত গতি কৰে। গতিকে, কৌশলী অঞ্চলত, আপুনি আপোনাৰ প্ৰত্যক্ষ দৃষ্টি বা পিছফালৰ দাপোন ব্যৱহাৰ কৰি ইয়াৰ চাৰিওফালে পৰীক্ষা কৰাৰ সময়ত বাহনখন লাহে লাহে লৰচৰ কৰিব লাগিব। কেৱল পাৰ্কিং চেম্বৰৰ ওপৰত নিৰ্ভৰ কৰি বাহনখন নিয়ন্ত্ৰণ কৰিলে দুৰ্ঘটনাৰ আশংকা বৃদ্ধি পায়।

টোকা:

যেতিয়া গিয়াৰশ্বিষ্ট লিভাৰটো "R" অৱস্থালৈ স্থানান্তৰ কৰা হ'ব, তেতিয়া এবাৰ বাজাৰ এটা বাজিব।

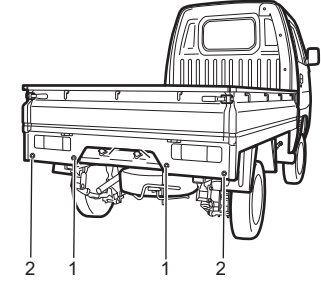
জাননী

পাৰ্কিং চেম্বৰ কেৱল চালকৰ সহায়ৰ বাবেহে।

চেম্বৰৰ স্থান

পিছফালৰ বাম্পাৰত

উদাহৰণ



77PM03003

- (1) পিছফালৰ কেন্দ্ৰ সেম্বৰ (2 স্থান)
- (2) পিছফালৰ কোণৰ চেম্বৰ (2 স্থান)

জাননী

- চেম্বৰ অঞ্চলত খুন্দা মৰাৰ পৰা বা উচ্চ চাপৰ গাড়ী ব্ৰায়াৰৰ নজেল চেম্বৰৰ অঞ্চলত নিৰ্দেশিত কৰা এৰক। অন্যথা, চেম্বৰসমূহৰ ক্ষতি হব পাৰে।
- যদি বাম্পাৰে এটা কঠিন বস্তুত খুন্দা মাৰে, তেন্তে ইয়াৰ ওপৰত থকা চেম্বৰবোৰে সঠিকভাৱে কাম নকৰিবও পাৰে। যদি এনেকুৱা হয়, তেন্তে চেম্বৰসমূহ মাৰুতি চুজুকিৰ অনুমোদিত কৰ্মশালাৰ পৰা পৰিদৰ্শন কৰক।

আপোনাৰ বাহন চলোৱা

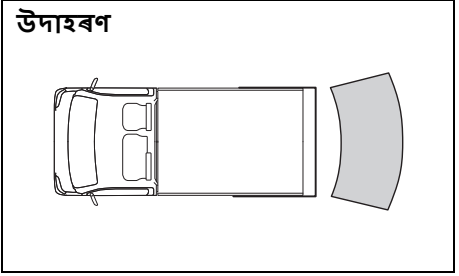
কাম কৰা চেপ্সৰ

চেপ্সৰসমূহে গিয়াৰস্থিষ্ট লিভাৰৰ অৱস্থানৰ ওপৰত নিৰ্ভৰ কৰি তলত দিয়া ধৰণে কাম কৰে:

গিয়াৰস্থিষ্ট লিভাৰৰ অৱস্থান	R	N, 1st – 5th
পিছফালৰ চেপ্সৰ	অন	অফ

আনুমানিক অঞ্চল য'ত বাধা ধৰা পেলাব পাৰি

উদাহৰণ



78MM05003

- এটা চেপ্সৰৰ পৰা প্ৰায় **20 চে.মি. 20 cm (8 in)** দূৰত্বলৈকে বা চেপ্সৰৰ তলৰ বাধা ধৰা পেলাব নোৱাৰে।

চেপ্সৰসমূহে বাহনৰ পিছফালৰ পৰা প্ৰায় **1.8 m (6 ft)** দূৰত্বলৈকে বেৰৰ দৰে বাধা ধৰা পেলাব পাৰে।

⚠ সতৰ্কবাণী

নিম্নলিখিত অৱস্থাত, পাৰ্কিং চেম্বৰ ব্যৱস্থাপণালীয়ে সাধাৰণভাৱে কাম নকৰিবও পাৰে কাৰণ চেম্বৰসমূহে বাধাসমূহ সঠিকভাৱে ধৰা পেলাব নোৱাৰে।

- চেম্বৰবোৰ বোকা, বৰফ বা অন্যান্য সামগ্ৰীৰে ঢাকি ৰখা হয়। (সাধাৰণ কাৰ্যৰ বাবে এনে সামগ্ৰী আঁতৰাই পেলাব লাগিব।)
- পানীৰ ছিটিকনি বা প্ৰচণ্ড বৰষুণৰ ফলত চেম্বৰ ভিত্তি যায়।
- চেম্বৰবোৰ হাত, ষ্টীকাৰ, আনুষংগিক বস্তু আদিৰে আবৃত কৰা হয়।
- চেম্বৰৰ চেমিং এৰিয়াৰ ভিতৰত এটা এক্সেচৰি বা অন্য বস্তু সংযুক্ত থাকে।
- বাম্পাৰত ট'লুক, বাণিজ্যিকভাৱে উপলব্ধ কোণৰ খুঁটা, ৰেডিঅ' এন্টেনা আদি বস্তু স্থাপন কৰা হয়।
- ছাচপেনচনৰ পৰিৱৰ্তন বা অন্যান্য কাৰণত বাম্পাৰৰ উচ্চতা সলনি হয়।
- চেম্বৰৰ অঞ্চলবোৰ প্ৰত্যক্ষ সূৰ্যৰ পোহৰৰ পৰা অত্যন্ত গৰম বা ঠাণ্ডা বতৰৰ বাবে।
- বাহনখন ৰুম্ব পৃষ্ঠ, ঢাল, শিলগুটি পথ বা ঘাঁহনি পথাৰত আছে।
- বাহনখন ঠেক কোণত।

(অব্যাহত)

⚠ সতৰ্কবাণী

(অব্যাহত)

- চেম্বৰে আন এখন বাহনৰ হৰ্ণ, ইঞ্জিন, এয়াৰ ব্ৰেকিং চিষ্টেম (বৃহৎ বাহন), বা পাৰ্কিং চেম্বৰৰ পৰা আন্দ্রাছ'নিক শব্দক বাধা দিছে।
- বাধাবোৰ চেম্বৰৰ অতি ওচৰত।
- চেম্বৰবোৰ কাঁচৰ দৰে অতি প্ৰতিফলিত বস্তুৰ কোণত থাকে। (আন্দ্রাছনিক তৰংগ বাধাৰ পৰা পিছলৈ প্ৰতিফলিত নহয়।)
- চেম্বৰসমূহে নিম্নলিখিত ধৰণৰ বাধাসমূহ সঠিকভাৱে ধৰা পেলাব নোৱাৰিবও পাৰে:
 - পাতল পদাৰ্থৰে তৈয়াৰী বস্তু যেনে তাঁৰৰ জাল আৰু ৰছী
 - বৰ্গক্ষেত্ৰৰ আকৃতিৰ কাৰ্বটোন বা চোকা প্ৰান্ত থকা অন্যান্য বস্তু
 - ওখ বস্তুৰ ওপৰৰ অংশ যেনে পথৰ চিন
 - কাৰ্বটোনৰ দৰে কম প্ৰফাইলৰ বস্তু
 - কপাহ আৰু নিয়ৰৰ দৰে শব্দ শোষণকাৰী বস্তু

টোকা:

চেম্বৰৰ তুলনাত তলৰ পাতল খুঁটা বা বাধাবোৰ দীঘলীয়া দূৰত্বৰ পৰা ধৰা পৰিলেও বাহনখনে ইয়াৰ ওচৰলৈ যোৱাৰ লগে লগে ধৰা নপৰা হৈ পৰিব পাৰে।

- ব্যৱস্থাটোৱে পথৰ চিন বা অনুৰূপ বাধাৰ দূৰত্ব প্ৰকৃত দূৰত্বতকৈ কম বুলি গণনা কৰিব পাৰে।

পাৰ্কিং চেম্বৰৰ দ্বাৰা বাধাৰ ইংগিত

এটা বাধা ধৰা পেলোৱাৰ পিছত, পাৰ্কিং চেম্বৰে এটা অভ্যন্তৰীণ বাজাৰৰ শব্দ কৰে।

- পিছফালৰ আসনৰ পিছফালে থকা এটা বাজাৰ বাজি উঠে যেতিয়া পিছফালে থকা এটা চেম্বৰে কোনো বাধা ধৰা পেলায়।
- সতৰ্কবাণী যেতিয়া বেৰৰ দৰে বাধাসমূহ চেম্বৰৰ দ্বাৰা ধৰা পৰে

দূৰত্ব (প্ৰায়)	বাজাৰ
100 – 180 cm	দীঘলীয়া ব্যৱধানত চুটি বিপ
80 – 100 cm	কম সময়ৰ ব্যৱধানত চুটি বিপ
70 – 80 cm	অতি কম ব্যৱধানত চুটি বিপ
কম 70 cm	অবিৰত বিপ

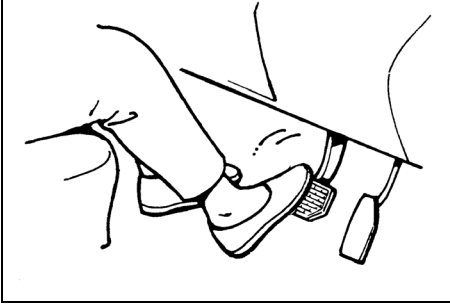
সতৰ্কবাণী আৰু সূচক বাৰ্তাসমূহ

যদি পাৰ্কিং চেম্বৰ চিষ্টেমৰ সম্পৰ্কে কোনো সমস্যা বা সতৰ্কবাণী থাকে, এটা বাজাৰে ইয়াক জনায়। তলৰ নিৰ্দেশনা অনুসৰণ কৰক।

বাজাৰটো কিছু সময়ৰ বাবে শুনা যায় আৰু তাৰ পিছত বন্ধ হয়। চেম্বৰটো দৃশ্য হ'ব পাৰে। কোমল কাপোৰেৰে ইয়াক পৰিষ্কাৰ কৰি মচি দিয়ক। যদি ইগনিছন মোড অনলৈ অফ হোৱাৰ পিছত একেটা সমস্যা (বাজাৰ ধ্বনি আৰু ষ্টপ) অব্যাহত থাকে, পাৰ্কিং চেম্বৰ প্ৰণালীত সমস্যা হ'ব পাৰে। আপোনাৰ বাহনখন **Maruti Suzuki** কৰ্তৃপ্ৰাপ্ত কৰ্মশালাৰ দ্বাৰা পৰীক্ষা কৰাওক।

ব্ৰেকিং

উদাহৰণ



60G165S

যিকোনো বাহন বন্ধ কৰিবলৈ প্ৰয়োজনীয় দূৰত্ব বাহনৰ গতিৰ লগে লগে বাঢ়ি যায়। উদাহৰণস্বৰূপে, 60 km/h প্ৰয়োজনীয় ব্ৰেকিং দূৰত্ব 30 km/h প্ৰয়োজনীয় ব্ৰেকিং দূৰত্বতকৈ প্ৰায় 4 গুণ বেছি হ'ব। আপোনাৰ বাহন আৰু ষ্টপিং পইন্টৰ মাজত যথেষ্ট দূৰত্ব থাকিলে বাহনখন ব্ৰেক কৰিবলৈ আৰম্ভ কৰক, আৰু লাহে লাহে লেহেমীয়া কৰক।

⚠ সতৰ্কবাণী

যদি পানী ব্ৰেক ডিভাইচত মোমাই যায়, ব্ৰেক প্ৰদৰ্শন দুৰ্বল আৰু অপ্ৰত্যাশিত হ'ব পাৰে। পানীৰ মাজেৰে গাড়ী চলোৱাৰ পিছত বা গাড়ীৰ তলৰ ফাল ধোৱাৰ পিছত লাহে লাহে গাড়ী চলোৱাৰ সময়ত ব্ৰেক পৰীক্ষা কৰি চাব লাগে যে ইয়াৰ স্বাভাৱিক ফলপ্ৰসূতা বজাই ৰাখিছে নেকি। যদি ব্ৰেকবোৰ স্বাভাৱিকতকৈ কম ফলপ্ৰসূ হয়, তেন্তে লাহে লাহে গাড়ী চলাই থাকোঁতে বাৰে বাৰে ব্ৰেক লগাই শুকুৱাই লওক যেতিয়ালৈকে ব্ৰেকবোৰে স্বাভাৱিক ফলপ্ৰসূতা ঘূৰাই নাপায়।

⚠ সতৰ্কবাণী

ব্ৰেক চিষ্টেমত সংৰক্ষিত শক্তি নাথাকিলেও, আপুনি ব্ৰেক পেডেলটো সাধাৰণতে প্ৰয়োজনতকৈ বেছি জোৰেৰে টিপি বাহনখন ৰখাব পাৰে। অৱশ্যে, বৈ মোৱাৰ দূৰত্ব বেছি হ'ব পাৰে।

ব্ৰেক সহায়ক প্ৰণালী

যেতিয়া আপুনি ব্ৰেক অন কৰে, ব্ৰেক সহায়ক প্ৰণালীয়ে ইয়াক জৰুৰীকালীন ষ্টপ হিচাপে নিৰ্ধাৰণ কৰে আৰু ব্ৰেক পেডেল দৃঢ়ভাৱে ধৰি ৰাখিব নোৱাৰা চালকজনৰ বাবে অধিক শক্তিশালী ব্ৰেকিং প্ৰদান কৰে।

টোকা:

ব্ৰেক ডিষ্ট্ৰ / ড্ৰাম আৰু ব্ৰেক লাইনিংৰ মাজত ঘৰনি খোৱাৰ ফলত ব্ৰেকৰ মৰাৰ সময়ত আপুনি শব্দ শুনিব পাৰে। এইটো এটা স্বাভাৱিক ঘটনা আৰু ই কোনো অস্বাভাৱিকতা বা বাহনৰ স্বাভাৱিক গতিবিধিত বেমেজালিৰ ইংগিত বহন নকৰে।

পাৱাৰ-এচিষ্টেড ব্ৰেক

আপোনাৰ বাহনত পাৱাৰ-এচিষ্টেড ব্ৰেক আছে। যদি এটা স্ববিধ ইঞ্জিন বা অন্য বিফলতাৰ বাবে শক্তি সহায় হেৰাই যায়, চিষ্টেমটো এতিয়াও সংৰক্ষিত শক্তিত সম্পূৰ্ণৰূপে কাৰ্যক্ষম আৰু আপুনি ব্ৰেক পেডেল এবাৰ টিপি ধৰি ৰাখি বাহনখনক সম্পূৰ্ণৰূপে বন্ধ কৰি দিব পাৰে। The reserve আপুনি ব্ৰেক পেডেল টিপিলে সংৰক্ষিত শক্তি আংশিকভাৱে শেষ হয় আৰু প্ৰতিবাৰ পেডেল টিপিলে হ্ৰাস পায়। পেডেলত মসৃণ আৰু সম চাপ প্ৰয়োগ কৰক। পেডেল পাম্প নকৰিব।

টোকা:

ব্ৰেক পেডেল প্ৰয়োগ আৰু মুকলি কৰাৰ সময়ত, ব্ৰেক চিষ্টেমত উপাদানবোৰ সক্রিয় আৰু কাৰ্যকৰী হোৱাৰ বাবে আপুনি কিছু কাৰ্যকৰী শব্দ শুনিব পাৰে। এইটো এটা স্বাভাৱিক পৰিঘটনা আৰু ই কোনো অস্বাভাৱিকতা বা বিজুতি সূচিত নকৰে। লগতে, ই ব্ৰেক ফাংচনপ্ৰভাৱিত নকৰে।

এন্টি-লক ব্ৰেক চিষ্টেম (এ.বি.এছ.) (যদি সজ্জিত)

এ.বি.এছ.-য়ে আপোনাক ইলেক্ট্ৰনিকভাৱে ব্ৰেকিং চাপ নিয়ন্ত্ৰণ কৰি পিছলি যোৱা পৰিহাৰ কৰাত সহায় কৰিব। পিছল পৃষ্ঠত ব্ৰেক মাৰিখাকোঁতে বা জোৰেৰে ব্ৰেক মাৰিলে ই আপোনাক ষ্টিয়েৰিং নিয়ন্ত্ৰণ বজাই ৰখাত সহায় কৰিব।

এ.বি.এছ.-এ স্বয়ংক্রিয়ভাৱে কাম কৰে, সেয়েহে আপোনাক কোনো বিশেষ ব্ৰেকিং পদ্ধতিৰ প্ৰয়োজন নাই। পাম্প নকৰাকৈ কেৱল ব্ৰেক পেডেলটো তললৈ ঠেলি দিয়ক। যেতিয়াই ই অনুভৱ কৰে যে চকবোৰ লক হৈ আছে তেতিয়াই এবিএচ চলিব। এ.বি.এছ. চলি থাকোঁতে আপুনি ব্ৰেক পেডেলটো অলপ লৰচৰ কৰা অনুভৱ কৰিব পাৰে।

⚠ সতৰ্কবাণী

- সদায়ে চাৰিওফালৰ স্থিতি পৰীক্ষা কৰিব আৰু বাহনখন সুৰক্ষিত ভাৱে চলাব, কিয়নো এ.বি.এছ.-ৰ দ্বাৰা বাহনখন নিয়ন্ত্ৰণ কৰাৰ সীমা আছে আৰু চাৰিওফালৰ স্থিতিৰ ওপৰত নিৰ্ভৰ কৰি প্ৰণালীটোৱে সঠিকভাৱে কাম নকৰিব পাৰে।
- যদি টায়োৰ গ্ৰিপৰ প্ৰদৰ্শন সীমাতক্ৰম কৰে বা হাইড্ৰ'প্লেইনিং হয়, এ.বি.এছ.-য়ে সঠিকভাৱে কাম কৰিব নোৱাৰে।

টোকা:

- যদি এ.বি.এছ. ছিষ্টেম সক্ৰিয় হয়, আপুনি ক্লংকিং শব্দ শুনিব পাৰে আৰু/বা ব্ৰেক পেডেলত স্পন্দন অনুভৱ কৰিব পাৰে। এইটো স্বাভাৱিক আৰু ই সূচায় যে ব্ৰেক ক্লুইড চাপ সঠিকভাৱে নিয়ন্ত্ৰণ কৰা হৈছে।

- আপুনি ইঞ্জিন ষ্টাৰ্ট কৰিলে বা বাহনখন চলাচল কৰিবলৈ আৰম্ভ কৰাৰ পিছত অপাৰেচন শব্দ শুনিব পাৰে। ইয়াৰ অৰ্থ হৈছে যে ওপৰোক্ত প্ৰণালীবোৰ স্ব-পৰীক্ষা মোডত আছে। এই শব্দটোৱে কোনো বিজুতি সূচিত নকৰে।

ব্ৰেকিং দূৰ্ঘ

এ.বি.এছ. বন্ধ কৰা দূৰ্ঘ হ্রাস কৰাৰ বাবে ডিজাইন কৰা হোৱা নাই।

⚠ সতৰ্কবাণী

- নিম্নলিখিত পৰিস্থিতিত, এ.বি.এছ. থকা বাহন এখনৰ বাবে প্ৰয়োজনীয় ব্ৰেকিং দূৰ্ঘ এ.বি.এছ. অবিহনে বাহনএখনৰ বাবে প্ৰয়োজনীয় দূৰ্ঘতকৈ অলপ বেছি হ'ব পাৰে, যাৰ ফলত দুৰ্ঘটনা হ'ব পাৰে। বাহনখন লাহে লাহে চলাওক আৰু আপোনাৰ বাহন আৰু আপোনাৰ সন্মুখৰ বাহনখনৰ মাজত পৰ্যাপ্ত দূৰ্ঘ বজাই ৰাখক।
 - খহটা ৰাস্তাখনে কেঁচা বা শিল-পকী ৰাস্তাত গাড়ী চলোৱাৰ সময়ত
 - গ্ৰেভেল ৰাস্তা বা সতেজ বৰফৰ ৰাস্তাত গাড়ী চলোৱাৰ সময়ত
 - ৰাস্তাত খুন্দা ৰখাৰ সময়ত যেনে গাঠিৰ চিম
 - ধাতুৰ প্লেট যেনে মেনহোলৰ ওপৰেৰে পাৰ হৈ যাওঁতে
 - যেতিয়া স্লো চেইন স্থাপন কৰা হয়

টোকা:

- হঠাতে ব্ৰেক প্ৰয়োগ কৰোঁতে বা পিছল ৰাস্তাত ব্ৰেক প্ৰয়োগ কৰোঁতে, এ.বি.এছ. থকা বাহন এখনৰ বাবে প্ৰয়োজনীয় ব্ৰেকিং দূৰ্ঘ এ.বি.এছ. অবিহনে বাহন এখনৰ বাবে প্ৰয়োজনীয় দূৰ্ঘৰ সমান।
- যদি আপুনি হঠাতে ব্ৰেক প্ৰয়োগ কৰিব বিচাৰে, কেৱল পাম্প নকৰাকৈ ব্ৰেক পেডেলটো দুটোভাৱে তললৈ ঠেলি দিয়ক। অন্যথা, ব্ৰেকিং দূৰ্ঘ দীঘলীয়া হ'ব।
- যদি বাহনৰ গতি প্ৰায় 9 কিমি/ঘণ্টাৰ তলত থাকে তেন্তে এ.বি.এছ.-য়ে কাম নকৰিব। এইটো ৰাস্তাৰ পৰিস্থিতিৰ ওপৰত নিৰ্ভৰ কৰে।

এ.বি.এছ. অপাৰেচনৰ সময়ত কম্পন আৰু শব্দ

যেতিয়া ব্ৰেক পেডেলটো তীব্ৰভাৱে হতাশ হয়, আপুনি ব্ৰেক পেডেল, ষ্টিয়েৰিং হুইল, আৰু বাহনৰ শৰীৰৰ কম্পন অনুভৱ কৰিব পাৰে। এইটো এ.বি.এছ. অপাৰেচনৰ বাবে হয়, আৰু কোনো বিজুতি সূচিত নকৰে; এই সময়ত ব্ৰেক পেডেলক তীব্ৰভাৱে হতাশ কৰা অব্যাহত ৰাখিব।

টোকা:

ইঞ্জিন আৰম্ভ কৰাৰ লগে লগে আৰু গাড়ী চলাবলৈ আৰম্ভ কৰাৰ লগে লগে, আপুনি অস্থায়ীভাৱে মটৰৰ শব্দ শুনিব পাৰে। ইয়াৰ অৰ্থ হৈছে যে ছিষ্টেমবোৰ স্ব-পৰীক্ষা মোডত আছে। এই শব্দটোৱে কোনো বিজুতি সূচিত নকৰে।

টায়াম

⚠ সতৰ্কবাণী

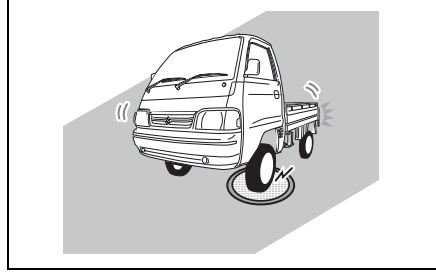
এ.বি.এছ.-এ চেম্বৰৰ জৰিয়তে প্ৰতিটো চকাৰ ঘূৰ্ণন গতি চিনাক্ত কৰে। যদি মালিকৰ মেনুৱেলত নিৰ্ধাৰিত টায়াম বা চকাবোৰ আকাৰ, প্ৰকাৰ, ট্ৰেড পেটাৰ্ণ, বা টায়ামৰ পিন্ধা স্থিতি পৃথক হলে ব্যৱহাৰ কৰা হয়, সঠিক চকা ঘূৰ্ণন গতি চিনাক্ত কৰিব নোৱাৰি আৰু এ.বি.এছ. সঠিকভাৱে কাম নকৰিব। ইয়াৰ ফলত দুৰ্ঘটনা হ'ব পাৰে।

টায়াম সলনি কৰোঁতে, এই গৰাকীৰ মেনুৱেলত নিৰ্ধাৰিত আকাৰ, টাইপ আৰু ট্ৰেড পেটাৰ্ণৰ সৈতে টায়ামবোৰ ব্যৱহাৰ কৰক।

লগতে, অত্যধিক পিন্ধা টায়ামবোৰ ব্যৱহাৰ নকৰিব।

ব্ৰেক প্ৰয়োগ কৰোঁতে এ.বি.এছ. সুযোগঅনুসৰি সক্ৰিয় হ'ব পৰা পৰিস্থিতি

- পিছল ৰাস্তাত গাড়ী চলোৱাৰ সময়ত



78MM05002

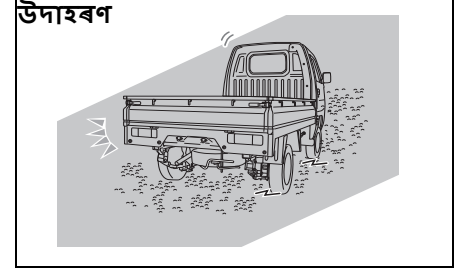
- মেনহোল



78MM05006

- নিৰ্মাণ ক্ষেত্ৰত ধাতুৰ প্লেট

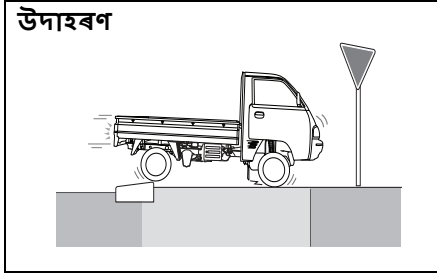
উদাহৰণ



78MM05004

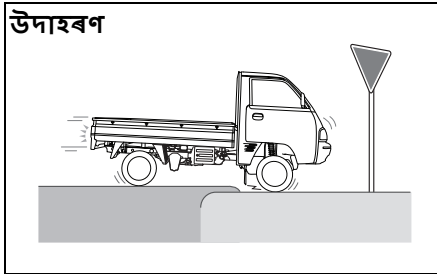
- গ্ৰেভেল ৰাস্তা

- ৰাস্তাত গাঁঠিৰ ওপৰেৰে গাড়ী চলোৱাৰ সময়ত আৰু উচ্চতাৰ অন্যান্য পাৰ্থক্য



78MM05007

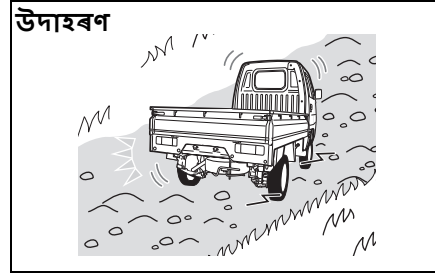
– ৰাস্তাত গাঁঠি



78MM05005

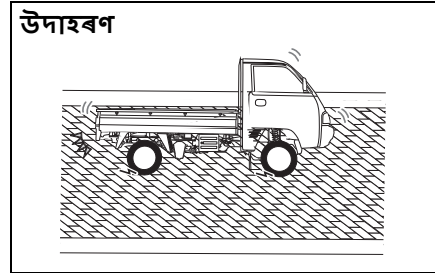
– ৰাস্তাত উচ্চতাৰ পাৰ্থক্য

- খহটা ৰাস্তাত গাড়ী চলোৱাৰ সময়ত



78MM05008

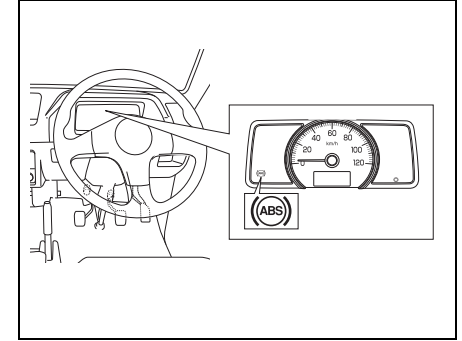
– উখল মাখল ৰাস্তা



78MM05009

– ককিষ্টোন

এ.বি.এছ. ৱাৰ্শিং লাইট



78MM05010

যদি "অন" স্থিতিত ইগনিশ্বন চুইচৰ সৈতে এ.বি.এছ. প্ৰণালীত কোনো সমস্যা হয়, এই লাইট টো জ্বলি ব'ব।

ব্ৰেকিং সহায়ক

এই ফাংচনে ব্ৰেক চলোৱাৰ সময়ত অধিক বল প্ৰয়োগ কৰাত আপোনাক সহায় কৰে। যেতিয়া হঠাতে ব্ৰেকিং প্ৰয়োগ কৰা হয়, এ.বি.এছ. সম্পূৰ্ণৰূপে কাৰ্যকৰী নোহোৱালৈকে সময় হ্রাস হয়।

- যদি আপুনি ব্ৰেক পেডেলদূৰত্বাৰে নিষ্ক্ৰিয় নকৰে, ব্ৰেকিং সহায়ক কাম নকৰিব।
- ব্ৰেক সহায় ক'ব পৰা এটা ডিভাইচ নহয় যিমূল ব্ৰেকিং প্ৰদৰ্শনৰ বাহিৰত নিয়ন্ত্ৰণ প্ৰদান কৰে।

ইলেক্ট্ৰনিক স্থিৰতা কাৰ্যসূচী (ESP®) (যদি সজ্জিত)

ইএছপি হৈছে ডায়েমলাৰ এজিৰ পঞ্জীভূত ট্ৰেডমাৰ্ক হয়।

ইলেক্ট্ৰনিক স্থিৰতা কাৰ্যসূচীয়ে (ESP®) সন্মুখৰ চকা বা পিছফালৰ চকা পিছলি গলে কোণৰ সময়ত বাহনখন নিয়ন্ত্ৰণ কৰাত সহায় কৰে। ই আপোনাক টিলা বা পিছল ৰাস্তাৰ পৃষ্ঠত স্থিৰাৱিত্ত কৰাৰ সময়ত আকৰ্ষণ বজাই ৰখাত সহায় কৰে। ই ইঞ্জিনৰ আউটপুট নিয়ন্ত্ৰণ কৰি, আৰু নিৰ্বাচিতভাৱে ব্ৰেক প্ৰয়োগ কৰি এনে কৰে। ইয়াৰ উপৰিও, ESP® য়ে ব্ৰেকিং চাপ নিয়ন্ত্ৰণ কৰি পিছলি যোৱা পৰিহাৰ কৰাত সহায় কৰে।

⚠ সতৰ্কবাণী

ই.এছ.পি.-® য়ে সকলো পৰিস্থিতিত বাহনখনৰ ড্ৰাইভিং স্থিৰতা বৃদ্ধি কৰিব নোৱাৰে আৰু আপোনাৰ বাহনৰ সমগ্ৰ ব্ৰেকিং প্ৰণালী নিয়ন্ত্ৰণ নকৰে। ESP®-য়ে দুৰ্ঘটনা প্ৰতিৰোধ কৰিব নোৱাৰে, যাৰ ভিতৰত আছে ঘূৰ্ণনত অত্যধিক গতি, বা হাইড্ৰপ্লেনিং। কেৱল সুৰক্ষিত আৰু মনোযোগী ড্ৰাইভেৰে দুৰ্ঘটনা প্ৰতিহত কৰিব পাৰে।

ESP®-সজ্জিত বাহন এখনৰ সামৰ্থ্য বোৰ কেতিয়াও সාරধানে গাড়ী চলোৱাৰ বিকল্প হিচাপে ব্যৱহাৰ কৰিব নালাগে।

ESP® ৰ নিম্নলিখিত প্ৰণালীবোৰ আছে:

এন্টি-লক ব্ৰেক চিষ্টেম (ABS)

এই শাখাত "এন্টি-লক ব্ৰেক চিষ্টেম (এ.বি.এছ.) চাওক।

ব্ৰেক সহায়ক প্ৰণালী

এই শাখাত "ব্ৰেক এচিষ্ট চিষ্টেম" চাওক।

ট্ৰেক্সন নিয়ন্ত্ৰণ প্ৰণালী

ট্ৰেক্সন নিয়ন্ত্ৰণ প্ৰণালীয়ে স্বয়ংক্রিয়ভাৱে চকাৰ ঘূৰ্ণন প্ৰতিহত কৰাত সহায় কৰে যেতিয়া বাহনখন পিছল ৰাস্তাৰ পৃষ্ঠত আৰম্ভ কৰা হয় বা স্থিৰাৱিত্ত কৰা হয়। প্ৰণালীটো কেৱল তেতিয়াহে কাম কৰে যদি ই অনুভৱ কৰে যে কিছুমান চকা ঘূৰি আছে বা ট্ৰেক্সন হেৰুৱাবলৈ আৰম্ভ কৰিছে। যেতিয়া এনে হয়, ছিষ্টেমে সন্মুখৰ বা পিছফালৰ ব্ৰেক বোৰ চলায় আৰু হুইল স্পিন সীমিত কৰিবলৈ ইঞ্জিনৰ শক্তি হ্ৰাস কৰে।

টোকা:

আপুনি ইঞ্জিন ষ্টাৰ্ট কৰিলে বা বাহনখন চলাচল কৰিবলৈ আৰম্ভ কৰাৰ পিছত অপাৰেচন শব্দ শুনিব পাৰে। ইয়াৰ অৰ্থ হৈছে যে ওপৰোক্ত প্ৰণালীবোৰ স্ব-পৰীক্ষা মোডত আছে। এই শব্দটোৱে কোনো বিজুতি সূচিত নকৰে।

স্থিৰতা নিয়ন্ত্ৰণ প্ৰণালী

বাহনৰ স্থিৰতা নিয়ন্ত্ৰণ প্ৰণালীয়ে এন্টি-লক ব্ৰেক, ট্ৰেক্সন নিয়ন্ত্ৰণ, ইঞ্জিন নিয়ন্ত্ৰণ আদিৰ দৰে প্ৰণালীৰ একত্ৰিত নিয়ন্ত্ৰণ প্ৰদান কৰাত সহায় কৰে। পিছল ৰাস্তাৰ পৃষ্ঠত কোণত কোণ তৈয়াৰ কৰোঁতে বা ষ্টিয়েৰিং হুইলটো হঠাতে ঘূৰাৰ সময়ত বাহনখন পিছলি যোৱাপ্ৰতিহত কৰিবলৈ এই প্ৰণালীয়ে স্বয়ংক্রিয়ভাৱে ব্ৰেক আৰু ইঞ্জিন নিয়ন্ত্ৰণ কৰে।

⚠ সতৰ্কবাণী

সদায়ে চাৰিওফালৰ স্থিতি পৰীক্ষা কৰিব আৰু বাহনখন সুৰক্ষিত ভাৱে চলাব, কিয়নো ESP®-ৰ দ্বাৰা বাহনখন নিয়ন্ত্ৰণ কৰাৰ সীমা আছে আৰু চাৰিওফালৰ স্থিতিৰ ওপৰত নিৰ্ভৰ কৰি ESP®-য়ে সঠিকভাৱে কাম নকৰিব পাৰে।

⚠ সাবধানতা

- নিম্নলিখিত বিন্দুবোৰ পৰ্যবেক্ষণ কৰক। অন্যথা, ESP® য়ে সঠিকভাৱে কাম নকৰিব পাৰে বা ইয়াৰ ফলত বিজুতি হ'ব পাৰে।
 - নিৰ্ধাৰিত অনুসৰি টায়ামৰ ৰ চাপ মিলাওক।
 - টায়ামৰ সলনি কৰোঁতে, আকাৰ, টাইপ আৰু ড্ৰেড পেটাৰ্ণৰ সৈতে একেটা টায়ামৰ ব্যৱহাৰ কৰক।
 - অত্যধিক পৰিধান কৰা টায়ামৰ ব্যৱহাৰ নকৰিব।
 - চাচপেনশ্বন বা ব্ৰেক সলনি নকৰিব আৰু বাহনৰ উচ্চতা বা চাচপেনশ্বনৰ কঠিনতা সলনি নকৰিব।
 - চাচপেনশ্বন বা ব্ৰেকৰ সৈতে বাহনখন নচলাব অত্যধিক অৱনতি ঘটিব।
 - ইঞ্জিন বা মাফলাৰ সংশোধন নকৰিব। (অব্যাহত)

⚠ সাবধানতা

(অব্যাহত)

- এলএছডি ইনষ্টল নকৰিব (সীমিত স্লিপ ডিফাৰেন্সিয়েল)।
- যেতিয়া আপুনি য়ো চেইন ইনষ্টল কৰে, ESP®-য়ে সঠিকভাৱে কাম নকৰিব পাৰে।

টোকা:

- যদি আপুনি নিম্নলিখিত অপাৰেচনবোৰ কৰে, আপুনি অস্লোপচাৰৰ শব্দ বা ক্লিক কৰা শব্দ শুনিব পাৰে। ইয়াৰ অৰ্থ হৈছে যে ESP® প্ৰণালীটো স্ব-পৰীক্ষা মোডত আছে আৰু ই কোনো বিজুতি সূচিত নকৰে।
 - যেতিয়া ইগনিছন চুইচটো "ON" স্থিতিলৈ ঘূৰাই দিয়া হয়।
 - ব্ৰেক পেডেলৰ পৰা আপোনাৰ ভৰি মুকলি কৰোঁতে, ইগনিছন চুইচটো "ON" স্থিতিত থকাৰ পিছত।
 - ইঞ্জিন আৰম্ভ কৰোঁতে
 - ইঞ্জিন আৰম্ভ কৰাৰ পিছত বাহন খন আৰম্ভ কৰোঁতে
- যেতিয়া ইঞ্জিন বিপ্লৱ উচ্চ হয় আৰু ESP® কাম কৰে, আপুনি ইঞ্জিন বিপ্লৱৰ পৰিৱৰ্তন বা বাহনৰ শৰীৰৰ কম্পন অনুভৱ কৰিব পাৰে। অৱশ্যে, এয়া স্বাভাৱিক।

ESP® ৱাৰ্ণিং লাইট (যদি সক্ষিত)

উদাহৰণ



56RM03011

- যদি ESP® প্ৰণালীত "ON" স্থিতিত ইগনিছন চুইচৰ সৈতে কোনো সমস্যা হয়, এই লাইট টো আহিব। এই লাইট জ্বলি থকাৰ সময়ত, নিম্নলিখিত পৰিস্থিতিবোৰ ঘটিব। এই ক্ষেত্ৰত, পৰিদৰ্শনৰ বাবে মাৰুতি চুজুকি কৰ্তৃস্থাপিত কৰ্মশালা এখন কওঁক।
 - নিম্নলিখিত ফাংচনবোৰে কাম নকৰিব:
 - ট্ৰেক্সন নিয়ন্ত্ৰণ প্ৰণালী
 - স্থিৰতা নিয়ন্ত্ৰণ প্ৰণালী
 - এ.বি.এছ.-য়ে কাম কৰিব।
 - বিজুতিৰ স্থিতিৰ ওপৰত নিৰ্ভৰ কৰি, ব্ৰেক সহায়ক প্ৰণালীয়ে কাম নকৰিবপাৰে।
- যদি নিম্নলিখিত যিকোনো পৰিস্থিতি ঘটে, এই লাইট 0.2 ছেকেণ্ডৰ অতি কম সময়ৰ ব্যৱধানত চকু টিপিব।
 - বাহনখন আৰম্ভ বা স্বৰূপিত কৰোঁতে ট্ৰেক্সন নিয়ন্ত্ৰণ প্ৰণালী সক্রিয় কৰা হয়
 - ভীক্ষ ঘূৰণ বা ঘূৰ্ণী ঘূৰাৰ সময়ত স্থিৰতা নিয়ন্ত্ৰণ প্ৰণালী সক্রিয় হয়।

- যদি ছিষ্টেমটো স্বাভাৱিক অৱস্থাত থাকে, যেতিয়া আপুনি ইগনিছন চুইচটো "ON" স্থিতিলৈ ঘূৰাই দিয়ে, এই লাইটটো প্ৰায় 2 ছেকেণ্ডৰ বাবে অন হ'ব আৰু তাৰ পিছত ওলাই আহিব।

⚠ সাবধানতা

যদি এই লাইট অতি কম সময়ৰ ব্যৱধানত চকু টিপি থাকে, বাহনখন পিছল ৰাস্তাৰ পৃষ্ঠত লাগি থকা বা পিছলি যোৱাৰ সম্ভাৱনা অধিক। এই ক্ষেত্ৰত, বাহনখন অতি সাৱধানে চলাওক।

টোকা:

এই লাইট জ্বলি থকাৰ সময়ত, ট্ৰেক্সন নিয়ন্ত্ৰণ প্ৰণালী আৰু স্থিৰতা নিয়ন্ত্ৰণ প্ৰণালী সক্রিয় নহ'ব। অৱশ্যে, আপুনি এ.বি.এছ. ব্যৱহাৰ কৰিব পাৰে।

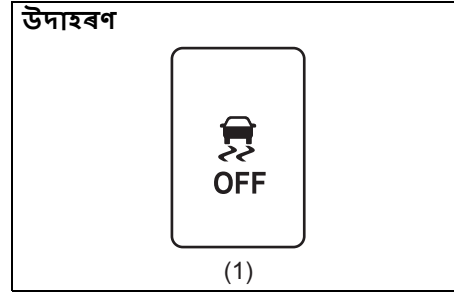
ESP® অফ ইণ্ডিকেটৰ লাইট (যদি সক্ষিত)



56RM03010

- যদি আপুনি ইগনিছন চুইচৰ সৈতে **ESP® OFF** চুইচটো টিপি ধৰে আৰু ধৰি ৰাখে তেন্তে ইগনিছন মোড "ON" অৱস্থানত আছে বা ইগনিছন মোড "ON" আছে, এই লাইট টো অন হ'ব।
– এই লাইট জ্বলি থকাৰ সময়ত, ট্ৰেক্সন নিয়ন্ত্ৰণ প্ৰণালী আৰু স্থিৰতা নিয়ন্ত্ৰণ প্ৰণালীয়ে কাম নকৰিব।
- যদি ছিষ্টেমটো স্বাভাৱিক অৱস্থাত থাকে, যেতিয়া আপুনি ইগনিছন চুইচটো "ON" স্থিতিলৈ ঘূৰাই দিয়ে, এই লাইটটো প্ৰায় 2 ছেকেণ্ডৰ বাবে অন হ'ব আৰু তাৰ পিছত ওলাই আহিব।

ESP® OFF চুইচ (যদি সক্ষিত)



56RM03009

(1) ESP® OFF চুইচ

- নিম্নলিখিত পৰিস্থিতিত, ইনষ্ট্ৰুমেন্ট ক্লাষ্টাৰত ইএছপি অফ ইণ্ডিকেটৰ লাইট অন নোহোৱালৈকে **ESP®** অফ চুইচটো হেঁচি থাকিব। ট্ৰেক্সন নিয়ন্ত্ৰণ প্ৰণালী আৰু স্থিৰতা নিয়ন্ত্ৰণ প্ৰণালীয়ে কাম নকৰিব।
– অটোমোবাইল পৰিদৰ্শনৰ বাবে বাহনখন পৰীক্ষকত ৰাখিলে, ট্ৰেক্সন নিয়ন্ত্ৰণ প্ৰণালী আৰু স্থিৰতা নিয়ন্ত্ৰণ প্ৰণালী নিষ্ক্ৰিয় কৰিব লাগিব।
– যদি আপোনাৰ বাহনখন আৱদ্ধ হৈ থাকে আৰু আপুনি আৱদ্ধ অৱস্থাৰ পৰা ওলাই আহিবলৈ চেষ্টা কৰে, ট্ৰেক্সন নিয়ন্ত্ৰণ প্ৰণালী উপযুক্ত নহ'বও পাৰে।
- যদি আপুনি নিম্নলিখিত কাৰ্যবোৰ সম্পাদন কৰে, **ESP®** অফ ইণ্ডিকেটৰ লাইট বন্ধ হ'ব। লগতে, ট্ৰেক্সন নিয়ন্ত্ৰণ প্ৰণালী আৰু স্থিৰতা নিয়ন্ত্ৰণ প্ৰণালী সক্ৰিয় অৱস্থাত ঘূৰি আহিব।
– **ESP® OFF** চুইচপুনৰ টিপিও
– ইঞ্জিন বন্ধ কৰা আৰু তাৰ পিছত ইঞ্জিনপুনৰ আৰম্ভ কৰা

– যেতিয়া বাহনৰ গতি বেগ প্ৰায় 20 কিমি/ঘণ্টা অতিক্ৰম কৰে।

- যদি আপুনি আৱদ্ধ অৱস্থাৰ পৰা আঁতৰি থাকি পিছত স্বাভাৱিক ড্ৰাইভিং কৰিব বিচাৰে, **ESP®** অফ চুইচটো পুনৰ টিপিও। ই **ESP®** অফ ইণ্ডিকেটৰ লাইট বন্ধ হ'বলৈ অনুমতি দিব আৰু বাহনখন মূল অৱস্থালৈ ঘূৰি আহিব। ট্ৰেক্সন নিয়ন্ত্ৰণ প্ৰণালী আৰু স্থিৰতা নিয়ন্ত্ৰণ প্ৰণালী স্বয়ংক্ৰিয়ভাৱে সক্ৰিয় নহ'ব। (ইঞ্জিন টো বন্ধ কৰা আৰু তাৰ পিছত ইঞ্জিন টো পুনৰ আৰম্ভ কৰাৰ বাহিৰে) বা যেতিয়া বাহনৰ গতি প্ৰায় 20 কিমি/ঘণ্টা অতিক্ৰম কৰে।

টোকা:

স্বৰক্ষাজনিত কাৰণত, আপুনি **ESP®** অফ চুইচ টিপিলেও, এ.বি.এছ. আৰু ব্ৰেক সহায়ক প্ৰণালী নিষ্ক্ৰিয় কৰা নহ'ব।

এ.বি.এছ. ব্ৰাৰ্ণিং লাইট / ব্ৰেক চিষ্টেম সতৰ্কবাৰ

এই শাখাত "ব্ৰেকিং" চাওক।

ড্রাইভিং টিপছ

বান-ইন	4-1
অনুষ্টকীয় বৃপান্তৰক	4-1
ইন্ধন অৰ্থনীতিৰ উন্নতি	4-2
হাইৱে ড্রাইভিং	4-3
ড্রাইভিং অন হিলছ	4-3
পিছল পথত গাড়ী চলোৱা	4-4
ভিজা পথত গাড়ী চলোৱা	4-5
নিৰাপদ ড্রাইভিংৰ বাবে ডু'ছ এণ্ড ডন'ছ	4-6
সুৰক্ষাৰ বাবে মাৰ্চিন	4-7

উদাহৰণ



52D078S

⚠ সতৰ্কবাণী

- সকলো সময়তে আপোনাৰ ছিট বেণ্ট পিন্ধক। চালক আৰু যাত্ৰীক সকলো সময়তে সঠিকভাৱে সংযত কৰিব লাগে, প্ৰদান কৰা ছিটবেণ্ট ব্যৱহাৰ কৰি। ছিট বেণ্টৰ সঠিক ব্যৱহাৰৰ নিৰ্দেশনাৰ বাবে “ছিট বেণ্ট” অংশ চাওক।
- মদ্যপান বা অন্যান্য ড্ৰাগছৰ প্ৰভাৱত কেতিয়াও গাড়ী চলাব নালাগে। মদ আৰু ড্ৰাগছে আপোনাৰ নিৰাপদে গাড়ী চলোৱাৰ ক্ষমতাক গুৰুতৰভাৱে ক্ষতিগ্ৰস্ত কৰিব পাৰে, যাৰ ফলত আপোনাৰ আৰু আনৰ আঘাতৰ সম্ভাৱনা বহু পৰিমাণে বৃদ্ধি পায়। আপুনি ভাগৰুৱা, অসুস্থ, বিৰক্ত বা মানসিক চাপৰ সময়তো গাড়ী চলোৱাৰ পৰা বিৰত থাকিব লাগে।

বান-ইন

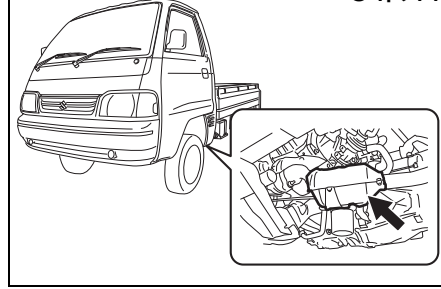
জাননী

ইঞ্জিনৰ ভৱিষ্যতৰ কাৰ্যক্ষমতা আৰু নিৰ্ভৰযোগ্যতা ইয়াৰ প্ৰাৰম্ভিক জীৱনত প্ৰয়োগ কৰা যত্ন আৰু সংযমৰ ওপৰত নিৰ্ভৰ কৰে। প্ৰাৰম্ভিক 960 কিলোমিটাৰ বাহন চলোৱাৰ সময়ত তলত দিয়া সাৱধানতাসমূহ পালন কৰাটো বিশেষভাৱে গুৰুত্বপূৰ্ণ।

- ষ্টাৰ্ট কৰাৰ পিছত ইঞ্জিন ৰেচ নকৰিব। লাহে লাহে গৰম কৰি লওক।
- দীৰ্ঘদিন ধৰি বাহন চলাচল স্থিৰ গতিৰে এৰক।
- ষ্টপৰ পৰা লাহে লাহে আৰম্ভ কৰক। সম্পূৰ্ণ থ্ৰ’টল ষ্টাৰ্ট এৰক।
- হাৰ্ড ব্ৰেকিং এৰক, বিশেষকৈ প্ৰথম 320 কিলোমিটাৰ গাড়ী চলোৱাৰ সময়ত।
- হাই গিয়ারত ট্ৰেন্সমিছন লৈ লাহে লাহে চলাব নালাগে।
- ইঞ্জিনৰ মধ্যমীয়া গতিৰে বাহনখন চলাওক।
- ট্ৰেইলাৰ টানিব নালাগে।

অনুঘটকীয় ৰূপান্তৰক

উদাহৰণ



77PH201

অনুঘটকীয় ৰূপান্তৰকৰ উদ্দেশ্য হৈছে আপোনাৰ বাহনৰ নিৰ্গমনত ক্ষতিকারক প্ৰদূষকৰ পৰিমাণ কম কৰা। অনুঘটকীয় ৰূপান্তৰকৰে সজ্জিত বাহনত সীহযুক্ত ইন্ধনৰ ব্যৱহাৰ নিষিদ্ধ, কাৰণ সীহে অনুঘটক ব্যৱস্থাৰ প্ৰদূষক হ্ৰাস কৰা উপাদানসমূহ নিষ্ক্ৰিয় কৰি পেলায়।

কনভাৰ্টাৰটো সাধাৰণ ব্যৱহাৰত আৰু সীহবিহীন ইন্ধন ব্যৱহাৰ কৰাৰ সময়ত বাহনখনৰ আয়ুস স্থায়ী হ’ব পৰাকৈ ডিজাইন কৰা হৈছে। কনভাৰ্টাৰত কোনো বিশেষ ৰক্ষণাবেক্ষণৰ প্ৰয়োজন নাই। অৱশ্যে ইঞ্জিনটো সঠিকভাৱে টিউন কৰি ৰখাটো অতি প্ৰয়োজনীয়। ইঞ্জিনৰ ভুল ফায়াৰিং, যিটো ইঞ্জিনৰ ভুলকৈ টিউন কৰাৰ ফলত হ’ব পাৰে, যাৰ ফলত অনুঘটক অতি উত্তপ্ত হ’ব পাৰে। ইয়াৰ ফলত অনুঘটক আৰু অন্যান্য বাহনৰ উপাদানসমূহৰ স্থায়ী তাপৰ ক্ষতি হ’ব পাৰে।

জাননী

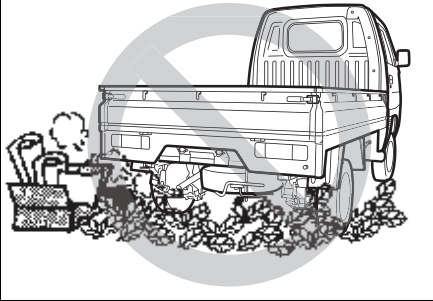
অনুষটক বা অন্য বাহনৰ ক্ষতিৰ পৰা হাত সাৰিবলৈ:

- ইঞ্জিনটো সঠিক অপাৰেটিং অৱস্থাত ৰাখিব লাগে।
- ইঞ্জিনৰ বিজুতিৰ ক্ষেত্ৰত, বিশেষকৈ ইঞ্জিনৰ ভুল ফায়াৰিং বা অন্যান্য আপাত কাৰ্যক্ষমতা হেৰুৱাৰ ক্ষেত্ৰত, বাহনখনক তৎকালীনভাৱে চাৰ্ভিচ কৰাওক।
- ড্ৰেপ্সমিছন গিয়াৰত থাকিলে আৰু বাহনখন গতিশীল হলে ইঞ্জিন বন্ধ নকৰিব বা ইগনিচনত বাধা নিদিব।
- বাহনখন ঠেলি বা টানি, বা পাহাৰৰ তললৈ এৰি দি ইঞ্জিন ষ্টাৰ্ট কৰিবলৈ চেষ্টা নকৰিব।
- কোনো স্পাৰ্ক প্লাগৰ তাঁৰ বিচ্ছিন্ন বা আঁতৰাই ইঞ্জিন অচল নকৰিব, যেনে ডাইগনেষ্টিক পৰীক্ষাৰ সময়ত।
- যদি অচল হোৱাটো বৃক্ষ যেন লাগে বা অন্য বিজুতি নাথাকে তেন্তে বাহনখন দীৰ্ঘ সময়ৰ বাবে অচল নকৰিব।
- ইন্ধনৰ টেংকিটো খালী শ্বৰৰ ওচৰলৈ যাবলৈ নিদিব।
- আপোনাৰ বাহনখন ইঞ্জিনৰ অত্যধিক বেগত চলোৱাৰ পৰা বিৰত থাকক।

⚠ সতৰ্কবাণী

আপুনি গাড়ী ৰখোৱা বা গাড়ী চলোৱা ঠাইত সাৱধান হওক; অনুষটকীয় বৃষান্তৰক আৰু অন্যান্য নিৰ্গমন উপাদানসমূহ অতি গৰম হ'ব পাৰে। যিকোনো বাহনৰ দৰেই এই বাহনখন এনে ঠাইত ৰখাৰ বা চলাব নালাগে য'ত শুকান ঘাঁহ বা পাতৰ দৰে জ্বলনীয় সামগ্ৰী গৰম এল্মেণ্ট চিষ্টেমৰ সংস্পৰ্শলৈ আহিব পাৰে।

উদাহৰণ



82DY05

টোকা:

বাহনখন বেছি দিনলৈকে অব্যৱহৃত অৱস্থাত ৰাখিলে ব্ৰেক ডিস্কত ক্ৰমান্বয়ে মামৰে ধৰিব পাৰে কাৰণ ইয়াৰ পৃষ্ঠ আইৰণেৰে নিৰ্মিত। ইয়াৰ ফলত শব্দ / কঁপনিৰ সৃষ্টি হ'ব পাৰে। বাহনৰ স্বাভাৱিক কাৰ্য সম্পাদনা ইয়াৰ বাবে বাধাগ্ৰস্ত নহয়। বাহনৰ নিয়মিত ব্যৱহাৰে মামৰ দূৰ কৰে / ধূলি আঁতৰাই, সেয়ে শব্দ আৰু কঁপনি কমকৈ হয়।

ইন্ধন মিতব্যয়ীতাৰ উন্নতি

টোকা:

কেইবাটাও কাৰণত বাহনখনৰ ইন্ধনৰ মিতব্যয়ীতা (মাইলেজ) ভিন্ন হ'ব পাৰে। i.e., অৰ্থাৎ গাড়ী চলোৱাৰ অভ্যাস - গিয়াৰ সলনিৰ ধৰণ, A.C. ৰ ব্যৱহাৰ, টায়োৰত বায়ুৰ চাপ, বতাহৰ গতি, যান-জঁটৰ অৱস্থা, ইন্ধনৰ গুণাগুণ- অবিহ্বত মানক ইন্ধন, বাহনৰ ৰক্ষণাবেক্ষণ, ৰাস্তাৰ অৱস্থা, ব্ৰেকিং ইত্যাদি।

তলৰ নিৰ্দেশনাই আপোনাক ইন্ধন ৰাহি কৰাত সহায় কৰিব।

অত্যধিক অচল অৱস্থা এৰক।

যদি আপুনি ৰখাই থোৱাৰ সময়ত এমিনিটতকৈ অধিক সময় অপেক্ষা কৰিব লাগে, তেন্তে ইঞ্জিনটো বন্ধ কৰক আৰু পিছত পুনৰ আৰম্ভ কৰক। ঠাণ্ডা ইঞ্জিন গৰম কৰাৰ সময়ত ইঞ্জিনটো কাৰ্যকৰী উষ্ণতাত উপনীত নোহোৱালৈকে ইঞ্জিনটোক অচল হ'বলৈ নিদিব বা সম্পূৰ্ণ থ্ৰ'টেল প্ৰয়োগ নকৰিব। গাড়ী চলোৱাৰ সময়ত ইঞ্জিনটো গৰম হ'বলৈ দিয়ক।

হঠাতে স্বৰণ কৰিবলৈ

এৰক। শ্বিৰ অৱস্থাৰ পৰা বা গাড়ী চলোৱাৰ সময়ত হঠাতে স্বৰণে অপ্ৰয়োজনীয়ভাৱে ইন্ধন খৰচ কৰিব আৰু ইঞ্জিনৰ আয়ুস কমাই দিব। লাহে লাহে আৰম্ভ কৰক।

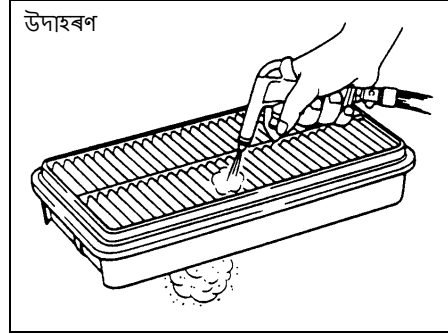
অপ্ৰয়োজনীয়ভাৱে ৰখিবলৈ এৰক

অপ্ৰয়োজনীয়ভাৱে ৰখিবলৈ এৰক, অপ্ৰয়োজনীয় মন্থৰতা আৰু ৰখিবলৈ এৰক। সম্ভৱ হ'লে লেহেমীয়া, শ্বিৰ গতি বজাই ৰাখিবলৈ চেষ্টা কৰক। গতি লেহেমীয়া কৰি তাৰ পিছত আকৌ স্বৰাশ্বিত কৰিলে অধিক ইন্ধন ব্যৱহাৰ হয়।

এটা স্থিৰ কুজিং গতি ৰাখক

এটা স্থিৰ কুজিং গতি ৰাখক পথ আৰু যাতায়তৰ অৱস্থাই যিমান পাৰে সিমানখিনি গতি স্থিৰ ৰাখক।

এয়াৰ ক্লিনাৰ পৰিষ্কাৰ কৰি ৰাখক



60A183S

যদি এয়াৰ ক্লিনাৰটো ধূলিৰে বন্ধ হৈ থাকে, তেন্তে ইয়াৰ ইনটেক ৰেজিষ্টেঞ্চ অধিক হ'ব, যাৰ ফলত শক্তি উৎপাদন হ্রাস পাব আৰু ইন্ধনৰ ব্যৱহাৰ বৃদ্ধি পাব।

ওজন ন্যূনতম কৰি ৰাখক

ওজন ন্যূনতম কৰি ৰাখক, বোজা গধুৰ হ'লে বাহনখনে অধিক ইন্ধন খৰচ কৰে। প্ৰয়োজনীয় নহ'লে যিকোনো লাগেজ বা সামগ্ৰী উলিয়াই লওক।

টায়োৰৰ চাপ সঠিক ৰাখক

টায়োৰৰ চাপ সঠিক ৰাখক, টায়োৰৰ আনডাৰ ইনফ্লেচনে টায়োৰৰ ঘূৰ্ণন প্ৰতিৰোধ ক্ষমতা বৃদ্ধিৰ বাবে ইন্ধন অপচয় কৰিব পাৰে। ডাইভাৰৰ দুৱাৰৰ লক পিলাৰ লেবেলত দেখুওৱা সঠিক চাপত আপোনাৰ টায়োৰ বায়ু ৰাখক।

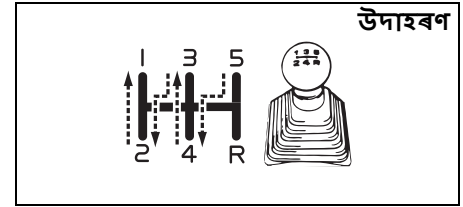
হাইৱে ডাইভিং:

হাইপথৰ গতিবেগত গাড়ী চলাওঁতে তলত দিয়া কথাবোৰত গুৰুত্ব দিব:

- বাহনৰ গতিৰ লগে লগে ৰৈ যোৱাৰ দৃশ্য ক্ৰমান্বয়ে বৃদ্ধি পায়। অতিৰিক্ত ষ্টপিং দৃশ্যৰ পাবলৈ ষ্টপিং পইন্টৰ পৰা যথেষ্ট আগতে ব্ৰেক প্ৰয়োগ কৰক।
- বৰষুণৰ দিনত হাইড্ৰ'প্লেনিং হ'ব পাৰে। হাইড্ৰ'প্লেনিং হৈছে পথৰ পৃষ্ঠ আৰু বাহনৰ টায়োৰৰ মাজত পানীৰ তৰপ গঠন হোৱাৰ বাবে প্ৰত্যক্ষ সংস্পৰ্শ হেৰুৱাই পেলাৱা। হাইড্ৰ'প্লেনিং কৰাৰ সময়ত বাহনখনৰ ষ্টিয়াৰিং বা ব্ৰেক কৰাটো অতি কঠিন হ'ব পাৰে, আৰু নিয়ন্ত্ৰণ হেৰুৱাব পাৰে। পথৰ পৃষ্ঠভাগ তিতিলে গতি কম ৰাখক।
- তীব্ৰ বেগত, গাড়ীখন কাষৰীয়া বতাহৰ দ্বাৰা প্ৰভাৱিত হ'ব পাৰে। গতিকে, গতি কমাব লাগে আৰু অপ্ৰত্যাশিত ব্ৰেকটিঙৰ বাবে সাজু থাকক, যিটো সুৰংগৰ বাহিৰ ওলোৱা ঠাইত, পাহাৰৰ কাটি যোৱা ঠাইৰ কাষেৰে পাৰ হৈ যোৱাৰ সময়ত, বা বৃহৎ যান-বাহন ইত্যাদিয়ে অভাৱটেক কৰাৰ সময়ত হ'ব পাৰে।

পাহাৰত ডাইভিং কৰোঁতে

- ঠেক পাহাৰ বগাওঁতে বাহনখনৰ গতি কমিবলৈ আৰম্ভ কৰিব পাৰে আৰু শক্তিৰ অভাৱ দেখুৱাব পাৰে। যদি এনেকুৱা হয়, তেন্তে আপুনি এটা তলৰ গিয়াৰলে স্থানান্তৰিত কৰিব লাগে যাতে ইঞ্জিনটোৱে পুনৰ নিজৰ সাধাৰণ শক্তিৰ পৰিসৰত কাম কৰে। বাহনখনৰ গতিবেগ নেহেৰোৱাকৈ দ্ৰুতগতিত স্থানান্তৰিত কৰক।
- পাহাৰৰ পৰা নামি যোৱাৰ সময়ত ইঞ্জিনটো তলৰ গিয়াৰত স্থানান্তৰিত কৰি ব্ৰেকটিঙৰ বাবে ব্যৱহাৰ কৰিব লাগে।



77PH003

⚠ সতৰ্কবাণী

ঠেক বা দীঘলীয়া পাহাৰৰ পৰা নামি যোৱাৰ সময়ত ব্ৰেক পেডেলটো বেছি সময় বা সঘনাই হেঁচি নাৰাখিবলৈ চেষ্টা কৰক। ইয়াৰ ফলত ব্ৰেক অতিমাত্ৰা গৰম হব পাৰে, যাৰ ফলত ব্ৰেকটিঙৰ কাৰ্যক্ষমতা হ্রাস পাব পাৰে। এই সাৱধানতা অৱলম্বন নকৰিলে বাহনৰ নিয়ন্ত্ৰণ হেৰুৱাব পাৰে।

স্বিচ বা অচল অৱস্থাৰ পৰা ওপৰলৈ/গেডিয়েন্টলৈ যোৱাৰ সময়ত

- পাৰ্কিং ব্ৰেকটো ভালদৰে লগাওক যাতে বাহনখন পিছলৈ নাযায়।
- ক্লাচ পেডেল টিপক আৰু গিয়াৰশ্বিফ্ট লিভাৰক 1st চিলেকশ্বন অৱস্থালৈ স্থানান্তৰ কৰক।
- কেতিয়াও ক্লাচ স্লিপ নকৰিব।
- আৰম্ভ কৰিবলৈ সাজু হ'লে, এক্সিলেটৰ পেডেল টিপক আৰু একেলগে ক্লাচ পেডেল লাহে লাহে এৰি দিয়ক। গাড়ীখন চলিবলৈ আৰম্ভ কৰিলে লাহে লাহে পাৰ্কিং ব্ৰেক এৰি দিব।

জাননী
পাহাৰৰ তললৈ নামি যোৱাৰ সময়ত, ইগনিচন চাবিটো কেতিয়াও "LOCK" অৱস্থালৈ ঘূৰাই নিদিব। নিৰ্গমন নিয়ন্ত্ৰণ ব্যৱস্থাৰ ক্ষতি হব পাৰে।

পিছল পথত গাড়ী চলোৱা



82DY06

ব্ৰেকিঙৰ সময়ত টায়াৰ পিছলি যোৱাৰ সম্ভাৱনাৰ বাবে শুকান পথতকৈ ভিজা পথত কম বেগত গাড়ী চলাব লাগে। হিমযুক্ত, হিমঢকা বা বোকাময় বাটত চলাওতে গতি কমাওক আৰু ক্ষণিক স্থৰণ, হঠাতে ব্ৰেক প্ৰয়োগ বা দৃঢ়ভাৱে ষ্টিয়েৰিঙৰ সঞ্চালন বন্ধ কৰক।

যদি আপোনাৰ গাড়ী আৱদ্ধ হৈ যায়

যদি আপোনাৰ গাড়ী বৰফ, বোকা, বা বালিত আৱদ্ধ হয়, তলৰ নিৰ্দেশনা অনুসৰণ কৰক

- 1) প্ৰথম গিয়েৰ আৰু ৰিভাৰ্চৰ মাজত ট্ৰেন্সমিছ্যন অগা-পিছা কৰক। এইটোৱে গাড়ীখনক এটা ৰকিঙ গতি প্ৰদান কৰিব যিয়ে গাড়ীখন মুকলি কৰাৰ বাবে আপোনাক যথেষ্ট মোমেন্টাম প্ৰদান কৰিব। চকাৰ ঘূৰ্ণনক নিম্ন rpmত ৰাখিবলৈ নিৰ্খতকৈ এক্সিলাৰেটৰত হেঁচা দিয়ক। ছিফ্ট কৰাৰ সময়ত এক্সিলাৰেটৰ পৰা ভৰি আঁতৰাওক। ইঞ্জিনক বেগ প্ৰদান নকৰিব। চকাৰ

অত্যধিক ঘূৰ্ণনে টায়াৰ ভিতৰলৈ সোমাই যোৱাত সহায় কৰে, যাৰ ফলত গাড়ী মুকলি কৰাত টান হয়।

- 2) যদি আপোনাৰ গাড়ীখন কিছুসময় লৰচৰ কৰি আৱদ্ধ হৈ যায়, আন এখন গাড়ী ব্যৱহাৰ কৰি আপোনাৰ গাড়ীখন টানক।

⚠ সতৰ্কবাণী
যেতিয়া আপুনি গাড়ীখন উঠাবলৈ চেষ্টা কৰি থাকে, কোনো কাষত থিয় হবলৈ নিদিব, আৰু স্পীডমিটাৰত 40 km/hতকৈ বেছি গতিত চকা নুঘূৰাব। বেছি গতিত চকা ঘূৰোৱাৰ ফলত ব্যক্তিগত আঘাত আৰু/বা গাড়ীৰ ক্ষতি হব পাৰে।

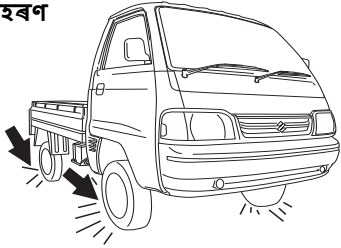
জাননী
কেইমিনিটমানতকৈ বেছি গাড়ীখন লৰচৰ নকৰাব। দীঘলীয়া সময়ধৰি লৰচৰ কৰিলে ইঞ্জিন গৰম হব পাৰে বা ট্ৰান্সমিছ্যন ক্ষয় হব পাৰে।

ভিজা পথত গাড়ী চলোৱা

জাননী

- তিতা ৰাস্থাত চলাওঁতে বেছি পানী জমা হৈ থকা ঠাইৰে গাড়ী নচলাবা। ইঞ্জিন কম্পাৰ্টমেন্টত বেছি পানী সোমালে ইঞ্জিন আৰু ইলেক্ট্ৰিকেল কম্পনেটৰ ক্ষতি হব পাৰে।
- যদি দ পানীত অৱদ্ধ হয়, পানীৰ সীমা ট্ৰাস লোহোৱালৈ ষ্টাৰ্ট নকৰিবা।
- পানী ইনকম্প্ৰেচেল চাৰ্জেষ্টপ, ইঞ্জিনৰ ভিতৰত পানী সোমোৱাটো ক্ষতিকাৰক।

উদাহৰণ



82DY07

⚠ সতৰ্কবাণী

এইটো শিতানত উল্লেখ কৰা ড্রাইভিং টিপছ অনুসৰণ কৰাৰ উপৰিও তলৰ সাৱধানতাসমূহ নিৰীক্ষণ কৰাটো প্ৰয়োজনীয়।

- নিশ্চিত কৰক যে টায়াম্বোৰ ভাল অৱস্থাত আছে আৰু সদায় নিৰ্দিষ্ট টায়াম্বোৰ প্ৰেচাৰ মানি চলক। সবিশেষৰ বাবে “ইন্সপেক্সন আৰু মেইনটেনেন্স” শাখাত “টায়াম্বোৰ” চাওঁক।
- **MARUTI SUZUKI**য়ে নিৰ্দিষ্টকৈ উল্লেখ কৰাৰ বাহিৰে অন্য টায়াম্বোৰ ব্যৱহাৰ নকৰিবা। ফ্ৰন্ট আৰু ৰিয়েৰ চকাত ভিন্ন আকাৰ বা ভিন্নধৰণৰ টায়াম্বোৰ ব্যৱহাৰ নকৰিবা। নিৰ্দিষ্ট টায়াম্বোৰ বিষয়ে জানিবলৈ ড্রাইভাৰৰ ডৰ লক পিলাৰত থকা টায়াম্বোৰ ইনফৰমেশ্যন লেবেল চাওঁক।
- আপোনাৰ গাড়ীখন ওখ (জেক আপ) কৰিবলৈ অভাৰচাইজ টায়াম্বোৰ বা স্পেচিয়েল চক এবজৰবাৰ ব্যৱহাৰ নকৰিবা। এইটোৱে হেণ্ডলিঙৰ বৈশিষ্ট সলনি কৰিবা। অভাৰচাইজ টায়াম্বোৰে বাষ্পত গাড়ীৰ বড়িত ঘৰ্হনি খুৱাৰ পাৰে যাৰ ফলত গাড়ীৰ ক্ষতি বা টায়াম্বোৰ ফেইলৰ হয়।
- পানীৰ মাজেৰে চলোৱাৰ পিছত, ব্ৰেকৰ সক্ৰিয়তা পৰীক্ষা কৰিবলৈ কম গতিত চলাই ব্ৰেক পৰীক্ষা কৰক। যদি স্বাভাৱিক অৱস্থাতকৈ ব্ৰেকৰ সক্ৰিয়তা কমে, চলাই থাকোতে বাৰে বাৰে ব্ৰেক ব্যৱহাৰ কৰি শুকুৱাই লওঁক যাতে ব্ৰেকৰ সক্ৰিয়তা স্বাভাৱিক অৱস্থালৈ ঘূৰি আহে।

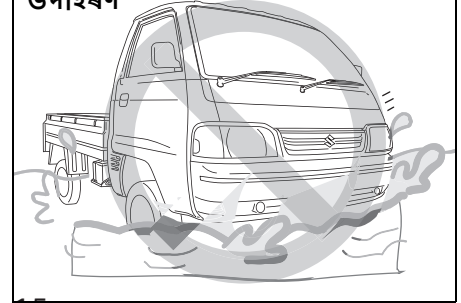
অফ-ৰোড ড্রাইভিং

গাউণ গ্ৰাছেৰে চকা পথাৰৰ মাজেৰে গাড়ী নচলাবা।

যদি গাউণ গ্ৰাছেৰে চকা পথাৰৰ মাজেৰে আপুনি গাড়ী চলায়, গাউণ গ্ৰাছত অৱদ্ধ হৈ দুৰ্ঘটনা বা জুই বা গাড়ীৰ ক্ষতি হব পাৰে।

যেতিয়া বানপানীৰ এলেকাত সোমায়

উদাহৰণ



77PM04011

বানপানীৰ এলেকাত বা দ খাৱৈত গাড়ী চলোৱাৰ পৰা বিৰত থাকক। অনিবাৰ্যবশত যদি বানপানীৰ এলেকাত চলাবলগীয়া হয়, নিম্ন গিয়েৰত লাহে লাহে চলাওঁক। যদি আপুনি বানপানীৰ এলেকাত গাড়ী চলায়, ব্ৰেকৰ সক্ৰিয়তা পৰীক্ষা কৰিবলৈ সুৰক্ষিত আৰু বানপানীমুক্ত এলেকাত গাড়ীখন ৰখাওঁক। তেতিয়া, **MARUTI SUZUKI** স্বীকৃত ৱৰ্কচপক কে তলৰ ইন্সপেক্সন আইটেমসমূহ পৰীক্ষা কৰক।

- ব্ৰেকৰ ফাংশ্যন

- ইলেক্ট্ৰিকেল কম্পনেণ্টৰ ফাংশ্যন
- ইঞ্জিন আৰু ট্ৰান্সমিছ্যনৰ বাবে অইল লেভেল আৰু কোৱালিটি সলনি কিবা কাৰণত যদি অইল শেতা বগাৰঙৰ হৈছে, অইলৰ সৈতে পানী মিহলি হৈছে আৰু অইল সলনি কৰাৰ প্ৰয়োজন।
- বিয়ৰিঙ, চাচপেনশ্যন জইন্ট, আদিৰ লুৱিকেন্ট কণ্ডিচন।

জাননী

- বানপানীৰ এলেকাত বা দ খাৱেত গাড়ী চলোৱাৰ পৰা বিৰত থাকক। ইয়ে ইঞ্জিন ষ্টল, ইলেক্ট্ৰিকেল কম্পনেণ্টৰ চৰ্ট, ইঞ্জিন আৰু ট্ৰান্সমিছ্যনৰ ক্ষতি আদি ঘটাব পাৰে।
- যদি দ পানীত গাড়ী আৱদ্ধ হয় ইঞ্জিন ষ্টাৰ্ট নকৰিব।

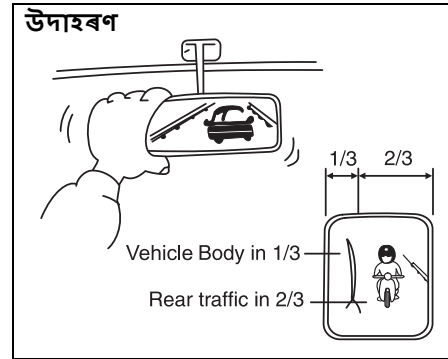
সুৰক্ষিত ডাইভিঙৰ বাবে কৰিবলগীয়া আৰু কৰিবনলগীয়া

গাড়ী হেণ্ডলিঙ কৰোতে যত্ন লওঁক। কেৱল নিজৰ সুৰক্ষাৰ নহয়, ৰাস্তাত থকা আনৰ সুৰক্ষাৰ ক্ষেত্ৰতোসারধান হওঁক, আৰু এনেকৈ শ্ৰেষ্ঠ আৰু আটাইতকৈ আৰামদায়ক যাত্ৰাৰ আমেজ লওঁক।

সুৰক্ষিত ডাইভিঙৰ বাবে অনুসৰণ কৰাটোৱে আটাইতকৈ উত্তম নিয়ম। কন্টেইনমূহ ভালদৰে বুজি পাবলৈ সেইসমূহ সারধানে পঢ়ক যাতে আপুনি সুৰক্ষিত আৰু আনন্দদায়ক যাত্ৰা উপভোগ কৰিব পাৰে।

আৰম্ভণি

- 1) উপযুক্ত ডাইভিঙ পৰিচালনাৰ বাবে ডাইভাৰৰ চিটটো এডজাষ্ট কৰি লওঁক।
- 2) আটাইতকৈ উত্তম ৰিয়েৰ ভিউ লাভ কৰিবৰ বাবে ৰিয়েৰ ভিউ মিলোৱাৰখন এডজাষ্ট কৰি লওঁক।

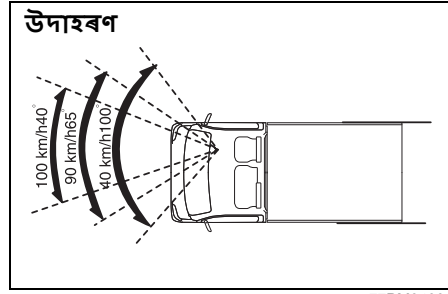


77PM04002

- 3) সুৰক্ষা নিশ্চিত কৰিবলৈ টলাচল কৰাৰ আগতে গাড়ীখনৰ চাৰিওফালে চাই লওঁক।
- 4) হঠাতে এক্সিলাৰেট নকৰিব, যিহেতু এয়া বিপজ্জনক আৰু ইন্ধনো অপচয় কৰে।

জেনেৰেল ডাইভিঙ

- 1) ষ্টপ লাইট বা ষ্টপ চিহ্নৰ সন্মুখত ৰৈ যোৱাটো নিশ্চিত কৰক। যেতিয়া ট্ৰাফিক চিগনেল বা লাইট নোহোৱা ঠাইত ৰাস্তা পাৰ হয়, সুৰক্ষা নিশ্চিত কৰিবলৈ লাহে লাহে চলাওঁক।
- 2) সন্মুখৰ গাড়ীখন হঠাত ৰৈ গলে ৰিয়েৰ-এণ্ড সংঘৰ্ষৰ পৰা বাচিবলৈ গাড়ীখনৰ সৈতে এটা সুৰক্ষিত দূৰত্ব বৰ্তাই ৰাখক।
- 3) সংঘৰ্ষৰ পৰা বাচিবলৈ যিকোনো টাৰ্ণত ঘূৰোতে বা লেন সলনি কৰোতে **30 meter** আগতে টাৰ্ণ চিগনেল **ON** কৰক।
- 4) এটা কৰ্ণাৰত প্ৰৱেশ কৰাৰ আগত, সুৰক্ষিত গতি লাভ কৰিবলৈ এক্সিলাৰেচন কমোঁক। কৰ্ণাৰত প্ৰৱেশ কৰোতে ব্ৰেক প্ৰয়োগ নকৰিব, অন্যথা স্ক্ৰিডিঙ হব পাৰে।
- 5) অন্য গাড়ীক অভাৱটেক কৰোতে, আহি থকা গাড়ী ভালদৰে লক্ষ্য কৰক আৰু সারধানে সুৰক্ষা নিশ্চিত কৰক।
- 6) জিগজাগ ডাইভিঙ নকৰিব যিহেতু ইয়ে আপোনাৰ গাড়ীৰ ওপৰৰ নিয়ন্ত্ৰণ কমায় আৰু দুৰ্ঘটনাৰ প্ৰৱণতা বঢ়ায়।
- 7) উচ্চ স্পীডত অনিয়ন্ত্ৰিত গতি পৰিহাৰ কৰক আৰু ৰাস্তাৰ অৱস্থাৰ লগত খাপ খুৱাই সুৰক্ষিত গতিত চলাওঁক।
- 8) যিমানে গতি বেছি হয়, ডাইভাৰৰ ভিজুৱেল ৰেঞ্জ সিমানে কম হয়। এনেকুৱা অৱস্থাত, কোনো বিপদ মোকাবিলা কৰাটো টান হৈ পৰে আৰু ডাইভাৰে খেলিমেলি অনুভৱ কৰে।



- ৭) বেছি গতিত গাড়ী চলাই থাকোতে চাপ হেণ্ডলিঙ গ্ৰহণ নকৰিবা। আপুনি আপোনাৰ গাড়ীৰ ওপৰৰ নিয়ন্ত্ৰণ হেৰুৱাব পাৰে।
- ১০) বেছি গতিত গাড়ী চলাই থাকোতে যেতিয়া অভাৱটেক বা লেন সলনি কৰে, গাড়ীৰ পৰা গাড়ীলৈ নিৰ্দিষ্ট দূৰত্ব মানি চলক।

ৱেকিঙ

- ১) পাৰ্কিঙৰ সময়ত পাৰ্কিঙ ৱেক ব্যৱহাৰ কৰক আৰু সুৰক্ষাৰ বাবে গিয়েৰ ছিফ্ট লিভাৰ প্ৰথম বা ৰিভাৰ্চ গিয়েৰ পজিশ্যনত ৰাখক।
- ২) অনিৱাৰ্য কাৰণ নোহোৱাকৈ হেণ্ডৱেক ব্যৱহাৰ নকৰিবা। ইয়ে গাড়ীখন পিছলি যোৱাত সহায় কৰে আৰু সংঘৰ্ষ হব পাৰে। এইটো বিশেষভাৱে বিপজ্জনক যেতিয়া টায়োৰ ক্ষয় হয় কাৰণ তেতিয়া বেছি পিছলে।

তিনিটা পৰ্যায়ত ভৰিৰ ৱেক ব্যৱহাৰ কৰক

- আপোনাৰ পিছফালে থকা গাড়ীখনক সাৱধান কৰিবৰ বাবে
- লাহে লাহে ৱেক প্ৰয়োগ কৰক।
- এটা স্থিৰ অৱস্থালৈ গাড়ীখন লৈ আহক।

- ৩) তললৈ নামি যোৱাৰ ক্ষেত্ৰত, ৱেক প্ৰয়োগ নকৰিবলৈ চেষ্টা কৰিব কিন্তু সক্ৰিয়ভাৱে ইঞ্জিন ৱেক প্ৰয়োগ কৰিবা। ভৰিৰ ৱেক বেছিকৈ ব্যৱহাৰ কৰাৰ ফলত ৱেকৰ সক্ৰিয়তা হ্রাস হব পাৰে।

বেছি দূৰত্বৰ ডাইভিঙ

- যাত্ৰী এটা আৰম্ভ কৰাৰ আগতে চেকটি চেক সম্পাদন কৰি লওঁক।
- টোপনি বা ভাগৰুৱা অনুভৱৰ বাবে দুঘটনা সংঘটিত হোৱাৰ পৰা ৰক্ষা পাবলৈ নিৰ্দিষ্ট অন্তৰালৰ মূৰে মূৰে জিৰণি লওঁক।

ৰাতিৰ সময়ত ডাইভিঙ

- যিহেতু ৰাতি ভিজুৱেল ৰেঞ্জত বাধা আহি পৰে, সেয়ে দিনৰ তুলনাত ৰাতি কম গতিত গাড়ী চলাওঁক।
- ৰাতিৰ সময়ত অন্য গাড়ী অভাৱটেক কৰাৰ পৰা বিৰত থাকক। আন্ধাৰে আপোনাৰ গতিৰ সংবেদনত ব্যাঘাত জন্মায় আৰু আপোনাৰ গাড়ীৰ পৰা গাড়ীলৈ দূৰত্বৰ বিবেচনা কমায়।
- অনিৱাৰ্য নোহোৱাকৈ উচ্চ বীমত হেডলাইট ব্যৱহাৰ নকৰিবা। ইয়ে আহি থকা গাড়ী বা আপোনাৰ সন্মুখত থকা গাড়ীৰ ডাইভাৰৰ দৃষ্টিত ব্যাঘাত জন্মাব পাৰে, যাৰফলত দুঘটনা সংঘটিত হব পাৰে।
- সদায় থিৰিকীৰ গ্লাছ পৰিষ্কাৰ কৰি ৰাখক। উইণ্ডচিল্ড গ্লাছ শুকাই থাকিলে উইণ্ডচিল্ড ৰাইপাৰ ব্যৱহাৰ নকৰিব, অন্যথা ৰাইপাৰ ৱেড আৰু গ্লাছৰ ক্ষতি হব পাৰে।

সুৰক্ষাৰ বাবে ব্যৱধান

সুৰক্ষাৰ বাবে আপুনি এটা ব্যৱধান বৰ্তাই ৰখা উচিত যাতে অন্য ডাইভাৰৰ অনাকাঙ্ক্ষিত বা ভুল ডাইভিঙৰ পৰা আপোনাৰ ক্ষতি নহয়।

- সেইটোৰ বাবে তলৰ নিয়মখিনি পৰ্যবেক্ষণ কৰক।
- সুৰক্ষিত গতিত গাড়ী চলাওঁক।
 - আপোনাৰ গাড়ী আৰু সন্মুখৰ গাড়ীৰ মাজত পৰ্যাপ্ত দূৰত্ব মানি চলক।
 - অন্য গাড়ীক অভাৱটেক কৰিবলৈ নিজকে বাধা নকৰিব।
 - হঠাতে এক্সিলাৰেট, দৃঢ় ঘূৰ্ণন বা বন্ধ নকৰিব।
 - ডাইভিঙ সময়সূচীৰ মাজত উপযুক্ত বিৰতি ৰাখিবা।
 - যান-বাহনৰ নিয়ম আৰু নিৰ্দেশনা মানি চলক।

সামৰণি

এগৰাকী সৰ্বোপযুক্ত ডাইভাৰ অস্তিত্বহীন। সকলো চালকৰ লক্ষ্যই হব লাগে সৰ্বোপযুক্তৰ অন্বেষণ। সুৰক্ষাৰ প্ৰতি সাৱধান হৈ থাকিলে ইয়ে কেৱল আপোনাৰ বা ৰাস্তাৰ অন্য পথিকৰ বাবে সুৰক্ষা নিশ্চিত নকৰে, বৰং আপোনাৰ গাড়ীৰ ক্ষয়-ক্ষতি হ্রাস কৰে, ইয়াৰ জীৱনকাল বৃদ্ধি কৰে, ইন্ধনৰ কাৰ্যদক্ষতা বঢ়ায় আৰু এটা আৰামদায়ক ডাইভিঙ অভিজ্ঞতা প্ৰদান কৰে।

তালিকাত থকা কৰিবলগীয়া আৰু কৰিবনলগীয়াখিনি অনুসৰণ কৰক, আৰু ডাইভিঙ পুনৰ একে হৈ নাথাকিবা।

অন্য কন্ট্ৰল আৰু ইকুইপমেন্ট

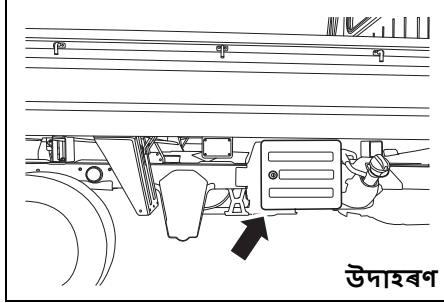
ফুৱেল ফিল্টাৰ কেপ	5-1
ইঞ্জিন কম্পাৰ্টমেন্ট	5-3
চাল ভাইজাৰ	5-4
ইন্টেলিঅৰ লাইট	5-5
এচেছৰি চকেট	5-5
গ্লোভ বক্স	5-5
ষ্টোৰেজ এৰিয়া	5-6
এমাৰ ভেণ্ট	5-6
ফ্ৰেম হুক	5-7
এচিষ্ট গ্ৰিপ	5-7

ফুৱেল ফিল্টাৰ কেপ

(পেট্রল আৰু CNG ইঞ্জিন মডেলৰ বাবে)

CNG ফিলাৰ ভাল্ভ

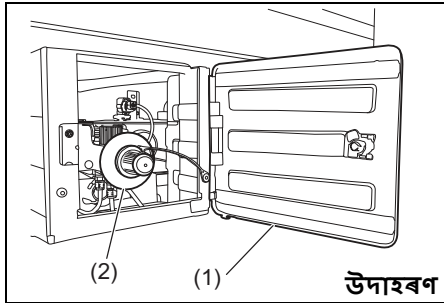
(CNG ইঞ্জিন মডেলৰ বাবে)



উদাহৰণ

77PM05003

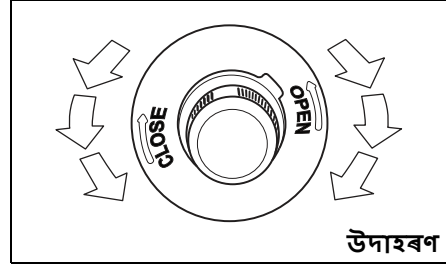
CNG ফিলাৰ ভাল্ভ সোঁফালে অৱস্থিত গাড়ীখনৰ কাষত.



উদাহৰণ

77PM05001

CNG ফিলাৰ ডৰ (1) আনলক কৰিবলৈ, চাৰিডাল সোমাওক আৰু চাৰিডালৰ মূৰটো গাড়ীৰ সন্মুখৰ ফালে ঘূৰাওক।

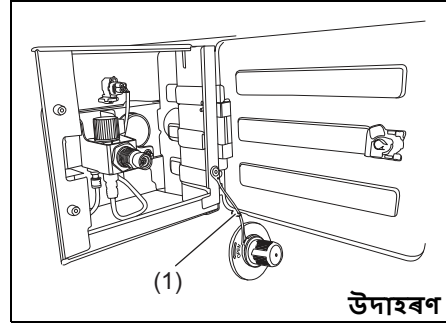


উদাহৰণ

77PM05005

CNG ফিলাৰ ভাল্ভ কভাৰ আঁতৰাবলৈ:

- 1) CNG ফিলাৰ ডোৰ (1) খোলক।
- 2) CNG ফিলাৰ ভাল্ভ কভাৰ (2) ঘঁড়ীৰ কাটাৰ বিপৰীতে ঘূৰাই খোলক।



উদাহৰণ

77PM05006

নোট:

যদি ফুৱেল ফিলাৰ ডোৰ কেপ হোল্ডাৰ (3)ৰ আৱদ্ধ থাকে, তেন্তে ৰিফুৱেলিঙৰ সময়ত ফুৱেল ফিলাৰ কেপ ঢৰি ৰাখিবলৈ কেপ হোল্ডাৰ ব্যৱহাৰ কৰক।

যেতিয়া চিলিণ্ডাৰৰ প্ৰেছাৰ ডিচপেন্সাৰৰ প্ৰেছাৰৰ সমান হয়, অটোমেটিক ফিলিঙ বন্ধ হৈ যাব।

CNG ফিলাৰ ভেল্যু কভাৰ ৰিইনষ্টল কৰিবলৈ:

- 1) সম্পূৰ্ণ বন্ধ নোহোৱালৈ 1) CNG ফিলাৰ ভাল্ভ কভাৰ (2) ঘঁড়ীৰ কাটাৰ দিশত ঘূৰাওক।
- 2) CNG ফিলাৰ ডোৰ (1) বন্ধ কৰক।

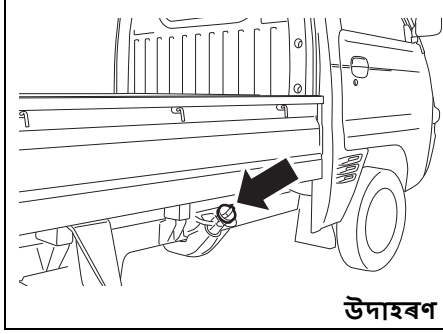
নোট:

- যদি CNG ফিলাৰ কভাৰ (2) ভালদৰে বন্ধ নহয়, আপুনি গাড়ীখন ষ্টাৰ্ট কৰিব নোৱাৰিব।
- যদি ভেহিকল ষ্টেশ্যনাৰী কণ্ডিশ্যনত CNG ফিলাৰ কভাৰ (2) খোলা থাকে, ইঞ্জিন বন্ধ হৈ যাব।

নোট:

ভেহিকল অপাৰেশ্যনৰ সময়ত CNG ফিলাৰ বন্ধত গ্ৰেভেল সোমাব পাৰে।

পেট্রল ফিলিঙ কেপ
(পেট্রল ইঞ্জিন মডিউলৰ বাবে)

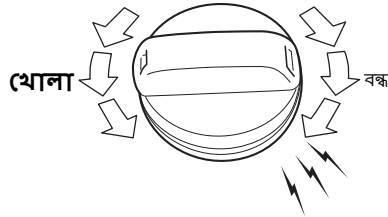


উদাহৰণ

77PH031

ফুৱেল ফিল্টাৰ কেপ গাড়ীখনৰ সোঁফালে
অৱস্থিত।

উদাহৰণ



খোলা

বন্ধ

68KN048

ফুৱেল ফিল্টাৰ কেপ খুলিবলৈ, ঘঁড়ীৰ কাঁটাৰ
বিপৰীতে ঘূৰাওক। ফুৱেল ফিল্টাৰ কেপ ৰিইনষ্টল
কৰিবলৈ, কেইবাটাও ক্লিক নুশুনালৈ তাক ঘঁড়ীৰ
কাঁটাৰ দিশত ঘূৰাওক।

⚠ সৱধানত

ফুৱেল ফিল্টাৰ কেপ লাহে লাহে আঁতৰাওক।
ইন্ধন চাপত থাকিব পাৰে, যাৰফলত জখম
হব পাৰে।

⚠ সতৰ্কবাণী

ইন্ধন অত্যাধিক প্ৰস্ফলনশীল ৰিফুৱেলিঙৰ
সময়ত ধূমপান নকৰিব, আৰু নিশ্চিত কৰিব
যাতে এলেকাটোত কোনো জুই বা স্পাৰ্ক হৈ
থকা নাই।

⚠ সতৰ্কবাণী

যদি আপুনি ফুৱেল কেপ সলনি কৰিব
বিচাৰে, মাৰুটীৰ প্ৰকৃত কেপ ব্যৱহাৰ কৰক।
অনুপযুক্ত কেপ ব্যৱহাৰ কৰাৰ ফলত ফুৱেল
চিষ্টেম বা ইমিছ্যন কন্ট্ৰল চিষ্টেমৰ কামত
বাধা আহিব পাৰে। ইয়ে ফুৱেল লিকেজৰ
দৰে দুৰ্ঘটনাও সংঘটিত কৰিব পাৰে।

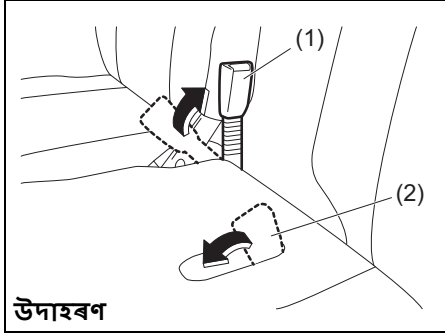
⚠ সৱধানত

ফুৱেল ফিল্টাৰ কেপ লাহে লাহে আঁতৰাওক।
ইন্ধন চাপত থাকিব পাৰে, যাৰফলত জখম
হব পাৰে।

⚠ সতৰ্কবাণী

ইন্ধন অত্যাধিক প্ৰস্ফলনশীল ৰিফুৱেলিঙৰ
সময়ত ধূমপান নকৰিব, আৰু নিশ্চিত কৰিব
যাতে এলেকাটোত কোনো জুই বা স্পাৰ্ক হৈ
থকা নাই।

ইঞ্জিন কম্পাৰ্টমেন্ট



77PH094

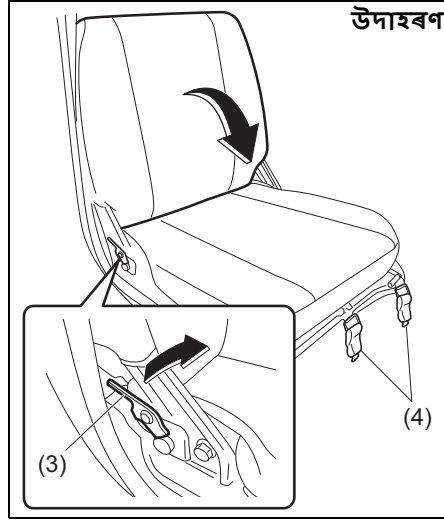
ইঞ্জিন কম্পাৰ্টমেন্ট খুলিবলৈ:

- 1) ড্ৰাইভাৰ চিটবেল্ট বাকেল (1) চিটবেক পজিশ্যনলৈ উঠাওঁক। পেছজাৰৰ চিটবেল্ট বাকেল (2) ষ্টোৰ কৰক।
- 2) ড্ৰাইভাৰৰ চিটৰ বাবে, চিটটো আটাইতকৈ পিছলৈ ঠেলি দিয়ক।

⚠ সৱধানত

যেতিয়া আপুনি ড্ৰাইভাৰৰ চিটটো পিছলৈ ঠেলে, চিটবেক ঠেলক।

যদি আপুনি চিটবেকৰ ওপৰত ধৰি থাকে, আপোনাৰ হাত চিটবেক আৰু কেবিন পেনেলৰ মাজত আৱদ্ধ হলে জখম হিব পাৰে।



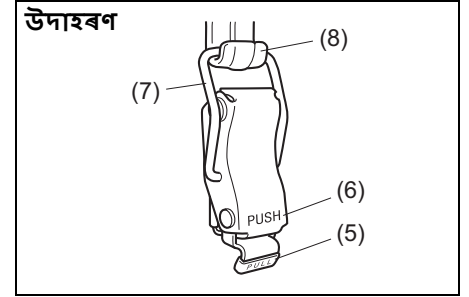
77PH093

- 3) ড্ৰাইভাৰৰ চিটৰ বাবে চিটবেক ফৰৱাৰ্ড কৰিবলৈ লক লিভাৰ (3) টানক।

নোট:

চিটবেক সেই পজিশ্যনটোলৈহে ভাঁজ কৰিব পাৰি যত ই ষ্টিয়েৰিঙ হুউলৰ সৈতে স্পৰ্শত আছে।

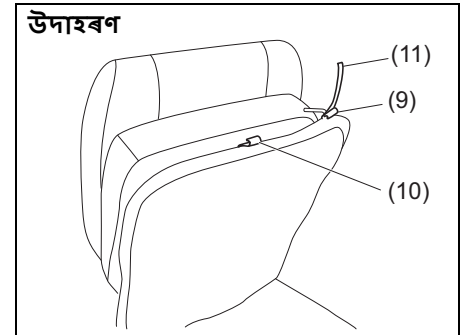
- 4) প্রতিটো চিটৰ ফ্রন্ট এণ্ডৰ লক হেণ্ডেল (4) আনহুক কৰক।



77PH081

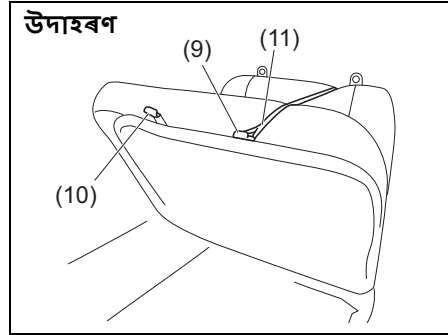
- লক হেণ্ডেল আনহুক কৰিবলৈ, “PULL” পাৰ্ট (5) টানক আৰু হুক (8)ৰ পৰা ৰিঙ (7) আনহুক কৰক।
- লক হেণ্ডেল লক কৰিবলৈ, হুক (8)ত ৰিঙ (7) স্থাপন কৰক আৰু “PUSH” পাৰ্ট (6) হেঁচি দিয়ক।

ড্ৰাইভাৰ চাইড



77PH102

পেছেঞ্জাৰ চাইড



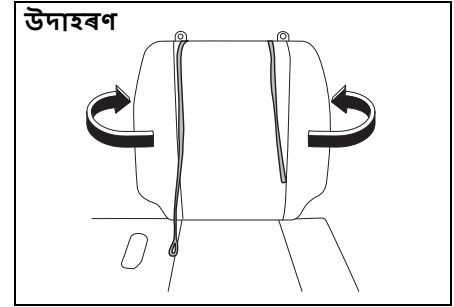
নোট:
পেছেঞ্জাৰ ছিটৰ চিটবেকৰ পিছফালে ষ্টেপ (11) থাকে।

- 5) চিটটো উঠাওঁক আৰু হুক (9)ত ষ্টেপ (11)টো হুক কৰক। চিট ষ্টেপ স্থাপনৰ ক্ষেত্ৰত হুক (10) ব্যৱহাৰ কৰা নহয়।

জাননী
ষ্টেপেৰে হুক কৰি থকাৰ সময়ত ড্ৰাইভাৰ চিট পজিশ্যন এডজাষ্টমেন্ট লিভাৰত হুক ষ্টেপ নকৰিব বা চিটত অপ্রয়োজনীয় বল প্ৰয়োগ নকৰিব। এইটো কৰিলে ষ্টেপ, হুক আৰু/বা ড্ৰাইভাৰৰ চিট পজিশ্যন এডজাষ্টমেন্ট লিভাৰ ভাঙিব পাৰে।

- ইঞ্জিন কম্পাৰ্টমেন্ট বন্ধ কৰিবলৈ, খোলাৰ পৰা পৰ্যায়বোৰ ওলোটাকৈ সম্পাদন কৰক।

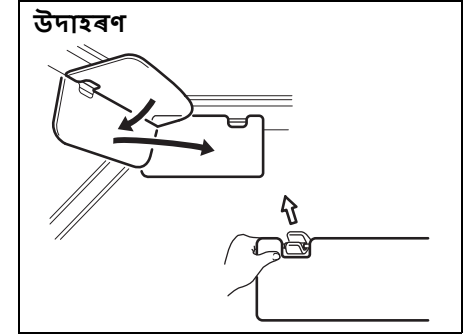
- বন্ধ কৰাৰ পিছত চিটবোৰ লৰাবলৈ চেপ্টা কৰক যাতে সেইসমূহ সুৰক্ষিতভাৱে স্থাপন হৈ থাকে।
- বৰ্ণিত চিত্ৰত দেখুওৱাৰ ধৰণে পেছেঞ্জাৰৰ চিটৰ পিছফালৰ ঠাইত ষ্টেপ ষ্টোৰ কৰক।



⚠ সতৰ্কবাণী
পেছেঞ্জাৰৰ চিটৰ পিছফালৰ ঠাইত ষ্টেপ ষ্টোৰ কৰক। যদি কোনো যাত্ৰীৰ দেহ ষ্টেপেৰ আৱদ্ধ হয়, চাকুশ্যনৰ দৰে গুৰুত্বপূৰ্ণ জখম হ'ব পাৰে। যদি এয়া হয়, কেঁচীৰে ষ্টেপবোৰ কাটি পেলাওঁক।

⚠ সৱধানত
ইঞ্জিন কম্পাৰ্টমেন্ট বন্ধ কৰোতে চিটটোৱে যাতে আপোনাৰ হাত বা ড্ৰাইভাৰৰ চিট বেণ্ট বাকল বা আপোনাৰ শৰীৰত আঘাত নকৰে, সেইসম্পৰ্কে সৱধান হওঁক।

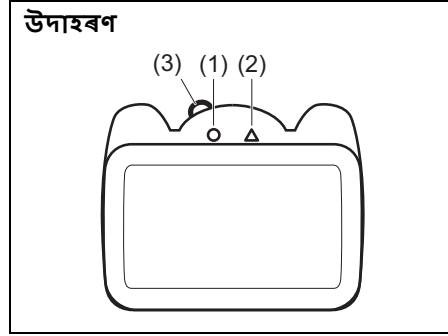
চান ভাইজৰ



গাড়ীখনৰ ড্ৰাইভাৰৰ ফালে চান ভাইজৰ থাকে। উইণ্ডচিল্ডৰ মাজেৰে অহা গ্লেয়াৰ বাধা দিবলৈ চান ভাইজৰ তললৈ টানিব পাৰি, বা কাষৰ খিৰিকীৰে অহা গ্লেয়াৰ বাধা দিবলৈ চান ভাইজৰ আনহুক কৰি ঘূৰাব পাৰি।

জাননী
চান ভাইজৰ হুকিং বা আনহুকিং কৰাৰ সময়ত, চিত্ৰত দেখুওৱাৰ দৰে চান ভাইজৰৰ কাষত ধৰক অন্যথা চান ভাইজৰৰ ক্ষতি হ'ব পাৰে।

ইন্টেলিঅব লাইট

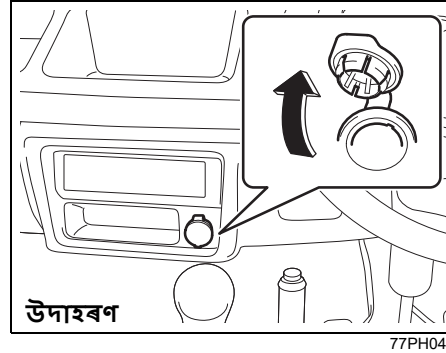


এই লাইট ছুইছটোৰ দুটা পজিশ্যন আছে। নব (3) ব্যৱহাৰ কৰি এই পজিশ্যনবোৰ চিলেক্ট কৰিব পাৰি। এই দুটা পজিশ্যনৰ ফাংশ্যনসমূহ হৈছে:

অন (1)
লাইট অফ হৈ থাকে।

অফ (2)
লাইট অফ হৈ থাকে।

এছেচৰি চকেট

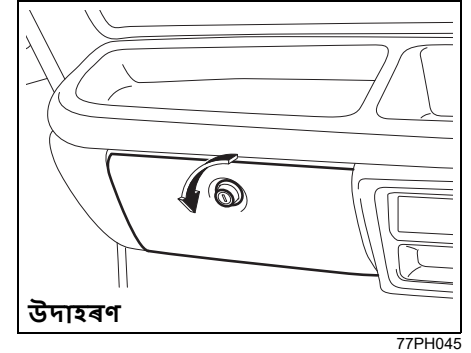


ইগনিশ্যন ছুইছটো “ACC” বা “ON” পজিশ্যনত থাকিলে এছেচৰি চকেটে কাম কৰিব। ইলেক্ট্ৰিকেল এছেচৰিজৰ বাবে **12 volt/120 watt** শক্তি যোগান ধৰিবলৈ এই চকেটটো ব্যৱহাৰ কৰিব পাৰি।

জাননী

অনুপযুক্ত ইলেক্ট্ৰিকেল এছেচৰিজ ব্যৱহাৰে আপোনাৰ গাড়ীৰ ইলেক্ট্ৰিকেল চিষ্টেমত ক্ষতি কৰিব পাৰে। নিশ্চিত কৰক যে আপুনি ব্যৱহাৰ কৰা যিকোনো ইলেক্ট্ৰিকেল এছেচৰিজ এনেধৰণৰ চকেটত খাপ খোৱাকৈ ডিজাইন কৰা হৈছে।

গ্লভ বক্স

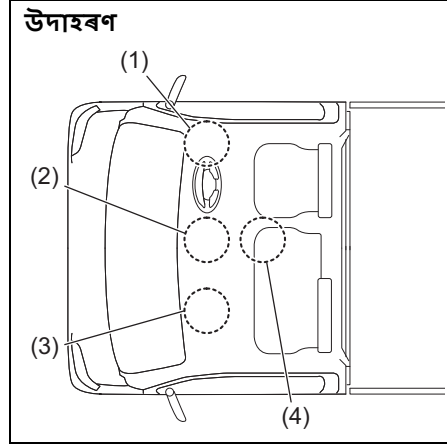


গ্লভ বক্সটো খুলিবলৈ, ঘঁড়ীৰ কাঁটাৰ বিপৰীতে নবটো ঘূৰাওঁক। এইটো বন্ধ কৰিবলৈ, লিডটো সম্পূৰ্ণকৈ স্থাপন নোহোৱালৈ ঠেলক। গ্লভ বক্স লক কৰিবলৈ, নবত ছাবিটো সোমাওক আৰু ঘঁড়ীৰ কাঁটাৰ দিশত ঘূৰাওঁক। গ্লভ বক্স আনলক কৰিবলৈ, নবত ছাবিটো সোমাওক আৰু ঘঁড়ীৰ কাঁটাৰ বিপৰীত দিশত ঘূৰাওঁক।

⚠ সতৰ্কবাণী

গ্লভ বক্সৰ লিড খুলি থৈ কেতিয়াও গাড়ী নচলাব। ইয়াৰ দ্বাৰা দুৰ্ঘটনাত জখম হ'ব পাৰে।

ষ্টৰেজ এৰিয়া



77PH104

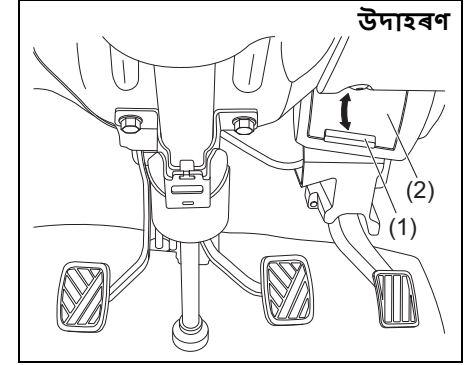
- (1) ইনষ্ট্ৰুমেন্ট পেনেল পকেট (ড্ৰাইভাৰৰ ফালে)
- (2) ইনষ্ট্ৰুমেন্ট পেনেল ট্ৰে (চেন্টাৰ) / ইনষ্ট্ৰুমেন্ট পেনেল পকেট (চেন্টাৰ)
- (3) ইনষ্ট্ৰুমেন্ট পেনেল ট্ৰে (পেছ্জাৰৰ ফালে)
- (4) চেন্টাৰ পকেট

ইনষ্ট্ৰুমেন্ট পেনেল পকেট (1)/(2) /
ইনষ্ট্ৰুমেন্ট পেনেল ট্ৰে (2)/(3) / চেন্টাৰ
পকেট (4)

⚠ সতৰ্কবাণী

গাড়ী চলি থকা সময়ত পকেট/ট্ৰেৰ পৰা ওলাই পৰিব পৰা যিকোনো সামগ্ৰী নাৰাখিব।
আগতীয়া সৱধানতা গ্ৰহণ নকৰিলে পেডেলৰ সৈতে কোনো সামগ্ৰী খুন্দা খাব পাৰে আৰু গাড়ীৰ ভাৰসাম্য হেৰুৱাব বা দুৰ্ঘটনাও সংঘটিত হব পাৰে।

এয়াৰ ভেণ্ট



77PM502

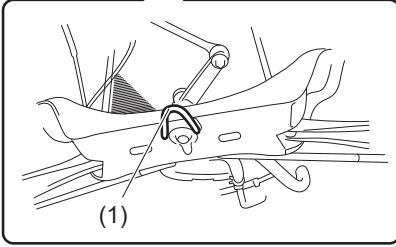
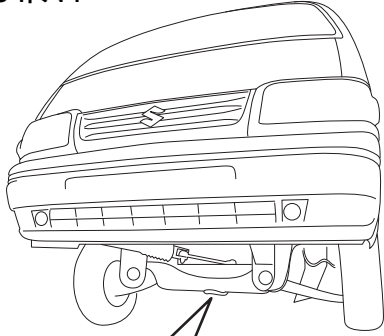
ড্ৰাইভাৰৰ ফালে আৰু পেছ্জাৰৰ ফালে এয়াৰ ভেণ্ট থাকে। এয়াৰ ভেণ্ট খুলিবলৈ বা বন্ধ কৰিবলৈ ফ্লেপ (2) খোলাৰ বাবে নব(1) টো উলম্বভাৱে ঘূৰাওঁক। যেতিয়া “OPEN” হৈ থাকে, কেবিনৰ ভিতৰলৈ সতেজ বতাহ সোমাই আহে।

অন্য কন্ট্রল আৰু ইকুইপমেন্ট

ফ্রেম হুক

ফ্রন্ট

উদাহৰণ



77PH035

জৰুৰী অৱস্থাত বা বস্তু টনাৰ ক্ষেত্ৰত ব্যৱহাৰৰ বাবে গাড়ীখনৰ সন্মুখত ফ্রেম হুক (1) থাকে।

আপোনাৰ গাড়ীখন ৰাস্তা বা ঘাইপথত টনাৰ বাবে “EMERGENCY SERVICE” শাখাৰ “Towing”ত থকা নিৰ্দেশনা অনুসৰণ কৰক।

⚠ সতৰ্কবাণী

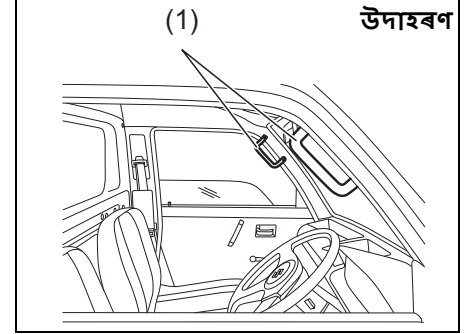
আপোনাৰ গাড়ীৰে অন্য গাড়ী টানিবলৈ বা ৰাস্তাত বা ঘাইপথত আপোনাৰ গাড়ী টনাবলৈ ফ্রেম হুক ব্যৱহাৰ নকৰিব। আপোনাৰ গাড়ী বা অন্য গাড়ী এখন দু বোকা বা বৰফত আৱদ্ধ হোৱাৰ দৰে জৰুৰী অৱস্থাত ব্যৱহাৰ কৰিবলৈহে হুক (1) ডিজাইন কৰা হৈছে।

জাননী

আপুনি ফ্রেম হুক (1) যেতিয়া ব্যৱহাৰ কৰি থাকে, হুকক ক্ষতি কৰিব পৰাধৰণে গাড়ী চলোৱাৰ পৰা বিৰত থাকক। এনেকুৱা কাৰ্য্যই হুক বা আপোনাৰ গাড়ীৰ বডিৰ ক্ষতি কৰিব পাৰে।

হঠাতে এক্সিলাৰেট নকৰিব।

এছিষ্ট গ্ৰীপ



77PM501

গাড়ীখনৰ ড্ৰাইভাৰৰ ফালে বা পেছেঞ্জাৰৰ ফালে এছিষ্ট গ্ৰীপ (1) থাকে। ড্ৰাইভাৰ / পেছেঞ্জাৰে গাড়ীখনৰ পৰা সহজে ওলাবলৈ এছিষ্ট গ্ৰীপ ব্যৱহাৰ কৰা হয়।

ভেহিকল লোডিঙ আৰু টাৰিঙ

ভেহিকল লোডিঙ	6-1
ড্ৰেইলাৰ টাৰিঙ	6-1

ভেহিকল লোডিঙ আৰু টাৰিঙ

ভেহিকল লোডিঙ

বিশেষ ৱেইট কেপাচিটিৰ বাবে আপোনাৰ গাড়ীখন ডিজাইন কৰা হৈছিল। গৃহ ভেহিকল ৱেইট ৰেটিঙ (GVWR) আৰু পাৰ্মিচিবল মেক্সিমাম এজেল ৱেইট (PAW, ফ্রন্ট আৰু ৰিয়েৰ)ৰ দ্বাৰা আপোনাৰ গাড়ীৰ ৱেইট কেপাচিটি নিৰ্দেশ কৰা হয়। **The GVWR** আৰু **PAW** (ফ্রন্ট আৰু ৰিয়েৰ) “**SPECIFICATIONS**”ত তালিকাভুক্ত কৰা আছে।

GVWR – সম্পূৰ্ণকৈ বোজা দিয়া গাড়ীৰ সৰ্বোচ্চ পাৰ্মিচিবল অভাৰঅল ৱেইট (সকলো অকুপেণ্টছ, এছেচৰিজ আৰু কাৰ্গো আৰু ট্ৰেইলাৰ বন্ধাৰ ক্ষেত্ৰত ট্ৰেইলাৰ নোজ ৱেইট অন্তর্ভুক্ত কৰি)।

PAW – (ফ্রন্ট আৰু ৰিয়েৰ) এটা ইণ্ডিভিজুৱেল এজেলত সৰ্বোচ্চ পাৰ্মিচিবল ৱেইট।

সম্পূৰ্ণকৈ বোজা দিয়া গাড়ী এখনৰ প্ৰকৃত ৱেইট আৰু ফ্রন্ট আৰু ৰিয়েৰ এজেলৰ প্ৰকৃত ৱেইট গাড়ীখন ওজন কৰিয়ে জুখিব পৰা যায়। **GVWR** আৰু **PAW** (ফ্রন্ট আৰু ৰিয়েৰ)ৰ সৈতে এই ৱেইট তুলনা কৰক। যদি গৃহ ভেহিকল ৱেইট বা যিকোনো এজেলৰ লোড ৰেটিঙতকৈ বেছি হয়, আপুনি ওপৰৰ ৱেইট কমাৰ লাগিব যাতে লোড ৰেটিঙ কেপাচিটিলৈ ঘূৰি আহে।

⚠ সৱধানতা

আপোনাৰ গাড়ী কেতিয়াও অভাৰলোড নকৰিব। গাড়ীখনৰ গৃহ ভেহিকল ৱেইট ((সকলো অকুপেণ্টছ, এছেচৰিজ আৰু কাৰ্গো আৰু ট্ৰেইলাৰ বন্ধাৰ ক্ষেত্ৰত ট্ৰেইলাৰ নোজ ৱেইট যোগ কৰি কৰি) গৃহ ভেহিকল ৱেইট ৰেটিঙ (GVWR) তকৈ বেছি হব নালাগিব। তাৰোপৰি, ফ্রন্ট বা ৰিয়েৰ কোনোবাটো এজেলত ৱেইট ভগাই নিদিব যাতে এই ৱেইট পাৰ্মিচিবল মেক্সিমাম এজেল ৱেইট (PAW)তকৈ বেছি হয়।

⚠ সৱধানতা

কাৰ্গো সমানকৈ ভগাই দিব। জখম বা গাড়ীৰ ক্ষতিৰ পৰা ৰক্ষা পাবলৈ কাৰ্গোসমূহ গাড়ীত এনেদৰে লোড কৰক যাতে গাড়ীখন ঘূৰোতে সেয়া লৰচৰ নহয়। বেছি ওজন থকা বস্তুসমূহ যথাসম্ভৱ ক্ৰমত আৰু কাৰ্গো এৰিয়াত থওক। চিটবেকতকৈ ওখ কাৰ্গো গাড়ীত নোসোমাব।

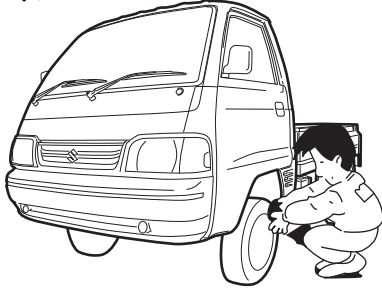
ট্ৰেইলাৰ টাৰিঙ

আপোনাৰ গাড়ীখন প্ৰকৃততে এগৰাকী ড্ৰাইভাৰ, এগৰাকী পেছেঞ্জাৰ আৰু কিছুপৰিমাণৰ কাৰ্গো কঢ়িয়াই নিয়াৰ বাবে ডিজাইন কৰা হৈছিল, ট্ৰেইলাৰ বান্ধিবলৈ নহয়। **MARUTI** আপোনাৰ গাড়ীত ট্ৰেইলাৰ বান্ধিবলৈ মাৰুটীয়ে ৰিকমেণ্ড নকৰে। ট্ৰেইলাৰ বন্ধা কাৰ্য্যই হেণ্ডলিঙ, ডিউৰেবিলিটি আৰু ইন্ধনৰ ইকনমিত প্ৰভাৱ পেলাব পাৰে।

পৰিদৰ্শন আৰু ৰক্ষণাবেক্ষণ

মেইক্টেনেৰ্স চিডিউল	7-1
পৰিষ্কাৰিক মেইক্টেনেৰ্স চিডিউল	7-2
ইন্সপেকশ্যন আৰু মেইক্টেনেৰ্স গ্ৰাহকৰ দ্বাৰা সম্পাদন কৰিব লাগে.....	7-6
ড্ৰাইভ বেণ্ট	7-8
ইঞ্জিন অইল আৰু ফিল্টাৰ	7-8
ইঞ্জিন কুলেণ্ট	7-12
এয়াৰ ক্লিনাৰ	7-14
স্পাৰ্ক প্লাগ	7-14
গিমেৰ অইল	7-15
ক্লাটছ পেডেল	7-16
ব্ৰেক.....	7-16
ষ্টিমেৰিঙ	7-19
প্ৰপেলাৰ ছাফ্ট মূনিভাৰ্ছেল জইণ্ট	7-19
টায়ামাৰ	7-20
বেটাৰী	7-21
ফিউজ	7-23
বাল্ব ৰিপ্লেচমেণ্ট	7-25
ব্ৰাইপাৰ ৱেডছ	7-28
উইণ্টিল্ড ৱাছাৰ ফ্লুইড (যদি লগোৱা হৈছে)	7-30

উদাহৰণ



77PM07008

⚠ সতৰ্কবাণী

সাময়িক দুৰ্ঘটনা ৰোধ কৰিবলৈ আপুনি গাড়ীখনৰ কাম কৰি থাকোতে বিশেষ যত্ন গ্ৰহণ কৰিব লাগিব। ইয়াত কিছু সাৱধানতা দিয়া হৈছে যিসমূহ আপুনি সম্বন্ধে মানি চলিব লাগে:

- গেৰেজ বা অন্য কোনো বন্ধ এলেকাত গাড়ীখনৰ ইঞ্জিন চলাই নথব।
- যেতিয়া গাড়ীৰ ইঞ্জিনটো চলি থাকে, হাত, কাপোৰ, নানা সঁজুলি, আৰু অন্য সামগ্ৰী ফেন আৰু ড্ৰাইভাৰ বেল্টৰ পৰা আঁতৰাই ৰাখক। যদিও ফেনখন ঘূৰি থকা নাই, কোনো ৱাৰ্নিঙ অবিহনে ই নিজে নিজে চলিব পাৰে।

(ক্ৰমশ)

⚠ সতৰ্কবাণী

(ক্ৰমশ)

- যিহেতু ইঞ্জিন চলাই চাৰ্ভিছ ৱৰ্ক কৰাৰ প্ৰয়োজন, নিশ্চিত কৰক যাতে পাৰ্কিঙ ব্ৰেক ভালদৰে লগোৱা আছে আৰু ট্ৰান্সমিছ্যন নিউট্ৰেল হৈ আছে।
- যেতিয়া ইঞ্জিনটো ষ্টাৰ্ট কৰা হয় বা ইঞ্জিনটো চলি থাকে ইগনিছ্যন ৱায়াৰ বা অন্য ইগনিছ্যন চিষ্টেমৰ পাৰ্ট নুচুব অন্যথা আপুনি ইলেক্ট্ৰিক শ্বক অনুভৱ কৰিব পাৰে।
- সাৱধানে থাকক যাতে গৰম হৈ থকা ইঞ্জিন, এক্সষ্ট মেনিফল্ড আৰু পাইপ, মাফলাৰ, ৰেডিমেটৰ আৰু ৱাটাৰ হৰ্ট নুচুৱে।
- ধোঁৱা, স্পাৰ্ক, বা জুই ইন্ধন বা বেটাৰীৰ চৌকাশে নথকাটো নিশ্চিত কৰিব। প্ৰস্থলনশীল ফিউম থাকে।
- গাড়ীৰ ভিতৰত নোসোমাব যদি এয়া অৰ্কল গাড়ীত থকা পোটেবল জেকেৰে সমৰ্থিত হৈ থাকে।
- বেটাৰীৰ পজিটিভ আৰু নিগেটিভ টাৰ্মিনেলৰ মাজত যাতে শ্বাৰ্ট চাৰ্কিট সংঘটিত নহয় সেইসম্পৰ্কে সচেতন হওক।
- ব্যৱহৃত অইল, কুলেণ্ট, আৰু অন্য ফুইড চিল্ড্ৰেন আৰু পোহনীয়া জন্তুৰ পৰা আঁতৰত ৰাখক ব্যৱহৃত ফুইড ভালদৰে পেলাই দিয়ক, কেতিয়াও গ্ৰাউণ্ডত বা নলা আদিত নপেলাব।

মেইন্টেনেন্স চিডিউল

আপোনাৰ গাড়ী ক্ৰমানুসাৰে কেনেদৰে মেইন্টেনেইন কৰিব লাগিব, তলৰ তালিকাই সেই সময়সূচী দেখুৱায়। আপুনি কেতিয়া ইন্সপেকশ্যন, এডজাষ্টমেন্ট, লুব্ৰিকেছ্যন আৰু অন্য চাৰ্ভিছ সম্পন্ন কৰিব লাগিব, তলৰ তালিকাই সেই অনুসাৰে মাহ আৰু কিলোমিটাৰ দেখুৱায়।

⚠ সতৰ্কবাণী

MARUTI SUZUKI য়ে নিৰ্দেশ প্ৰদান কৰে যে স্বীকৃত MARUTI SUZUKI COMMERCIAL ৱৰ্কছপতহে আপোনাৰ গাড়ীৰ মেইন্টেনেন্স কৰা উচিত।

জাননী

যেতিয়া আপোনাৰ গাড়ীৰ পাৰ্টছ সলনি কৰিবলগীয়া হয়, এইটো মনকৰিবলগীয়া যে আপুনি মাৰুটীৰ জেনুইন ৰিপ্লেছমেণ্ট পাৰ্টছ বা তেনেকুৱা সমতুল্য কিবাহে ব্যৱহাৰ কৰে।

পিৰিয়ডিক মেইন্টেনেন্স চিডিউল

“C”: ক্লিন

“R”: ৰিপ্লেচ বা চেঞ্জ

“I”: ইন্সপেক্ট, ক্লিন, এডজাষ্ট, লুব্ৰিকেট বা ৰিপ্লেচ যিদৰে প্ৰয়োজনীয়

“L”: লুব্ৰিকেট

“T”: নিৰ্দিষ্ট টৰ্কলৈকে টান কৰক

“O”: ঘূৰাওক

টোকা:

- **90,000 km** মাইলেজলৈকে থকা চাৰ্ভিছসমূহ এই তালিকাত অন্তৰ্ভুক্ত হৈ আছে। **90,000 km**ৰ পিছত, সমান সমান সময়ৰ অন্তৰালত একেই চাৰ্ভিছ সম্পন্ন কৰক।
- বিনামূলীয়া পৰিদৰ্শনৰ বাবে গ্ৰাহকে সামগ্ৰী আৰু ব্যৱহাৰযোগ্য সামগ্ৰীৰ ব্যয় বহন কৰিব লাগিব।

ইন্সপেকশ্যন আৰু মেইন্টেনেন্স

ইন্টাৰভেল: এই ইন্টাৰভেলটো অডমিটাৰ ৰিডিঙ বা মাহ, যিটোৱে প্ৰথমে আহে তাৰদ্বাৰা জুখিব লাগে। বা মাহ, যিটোৱে প্ৰথম আহে।		ফ্ৰী ইন্সপেকশ্যন				খৰছসহ পিৰিয়ডিক মেইন্টেনেন্স					
		km (x1000)	5	10	20	30	40	50	60	70	80
মাহ		2	4	8	12	16	20	24	28	32	36
ইঞ্জিন											
1-1.	পানী পাম্প ড্ৰাইভ বেল্ট (টেনচন, ফ্ৰয়)	-								R	
1-2.	ইঞ্জিন কুলেট SUZUKI LLC: Super (Blue) (#1,2)	প্ৰথমবাৰৰ বাবে: 1,00,000 কিলোমিটাৰ বা 60 মাহত, যিটো প্ৰথমে আহিব, তেতিয়া সলনি কৰক।									
	ইঞ্জিন কুলেট SUZUKI LLC: Standard (Yellow) (#1,3)	দ্বিতীয়বাৰ আৰু তাৰ পিছত: প্ৰতি 40,000 কিলোমিটাৰ বা 24 মাহৰ মাজত যি প্ৰথমে আহে, সেইয়া প্ৰতিস্থাপন কৰক।									
1-3.	ইঞ্জিনৰ তেল, ইঞ্জিনৰ তেল ফিল্টাৰ আৰু ড্ৰেইন প্লাগ (গেছকেট (স্বৰ, লিকেজ))		R	R	R	R	R	R	R	R	R
1-4.	শীতল ব্যৱস্থাৰ নলী আৰু সংযোগ (লিকেজ আৰু ক্ষতি)										
1-5.	ইঞ্জিন মাউণ্টিং আৰু মেনিফল্ড ফিল্টিং (টিলা, ক্ষতি)										
1-6.	এক্সজেষ্ট চিষ্টেম (কোলাহল, লিকেজ আদি)		-		-		-		-		-
1-7.	পজিটিভ ক্ৰেংক কেছ ভেন্টিলেচন চিষ্টেম (নলী, সংযোগ আৰু ভালত)		-		-		-		-		-
1-8.	এক্সজেষ্ট গেছ পুনৰ পৰিবহন ভালত	-	-	-	C	-	-	C	-	-	C
ইগনিচন											
2-1.	ইগনিচন তাৰি (ক্ষতি, অৱক্ষয়)	-	-		-		-		-		-
2-2.	স্পাৰ্ক প্লাগ	Petrol	প্ৰতি 1,00,000 KM বা 84 মাহ যিটো সোনকালে হয়, তাৰ মূৰে মূৰে সলনি কৰক								
		CNG	প্ৰতি 50,000 KM বা 48 মাহ যিটো সোনকালে হয়, তাৰ মূৰে মূৰে সলনি কৰক।								
ইন্ধন											
3-1.	এয়াৰ ফিল্টাৰ এলিমেন্ট	বঁকা-ৰাস্তাল	প্ৰতি 5,000 KMৰ মূৰে মূৰে চাফা কৰক। প্ৰতি 40,000 KMৰ মূৰে মূৰে সলনি কৰক।								
		বেয়া অৱস্থা	প্ৰতি 2,500 KMৰ মূৰে মূৰে চাফা কৰক। প্ৰতি 40,000 KMৰ মূৰে মূৰে সলনি কৰক। যদি কণ্ডিশ্যন শোচনীয়, অতি সোনকালে সলনি কৰক।								
3-2.	ফুৱেল টেংক কেপ, ফুৱেল লাইন আৰু কানেকছন (লিকেজ আৰু ডেমেজ)		-	-	-		-	-	-		-

#1: "আপোনাৰ বাহন চলোৱা" অংশত থকা দৈনিক পৰিদৰ্শনৰ অধীনত ইঞ্জিনৰ শীতল পদাৰ্থৰ মাত্ৰা পৰীক্ষা কৰক।

শীতল পদাৰ্থ যোগ বা সলনি কৰাৰ সময়ত একেবাৰে নতুন গাড়ীৰ সময়ত ভৰোৱা শীতল পদাৰ্থৰ একে ধৰণৰ শীতল পদাৰ্থ ব্যৱহাৰ কৰিব লাগে। এই অংশত "ইঞ্জিনৰ শীতল পদাৰ্থ" চাওক।

#2: **SUZUKI LLC: Standard (Yellow)** যোগ নকৰিব শীতল পদাৰ্থ বা ডিষ্টিলড পানী বা অন্যান্য যেতিয়া আপোনাৰ বাহনখন প্ৰথমে **SUZUKI LLC: Super (Blue)** ৰে ভৰোৱা হয় শীতল পদাৰ্থ।

#3: যেতিয়া আপোনাৰ বাহনখন প্ৰথমে **SUZUKI LLC: Standard (Yellow)** ৰে ভৰি থাকে শীতল পদাৰ্থ, **SUZUKI LLC: Standard (Yellow)** ৰ ৰক্ষণাবেক্ষণ সূচী অনুসৰণ কৰক শীতল পদাৰ্থ।

ইন্সপেকশ্যন আৰু মেইন্টেনেন্স

ইন্টাৰভেল: এই ইন্টাৰভেলটো অডমিটাৰ ৰিডিঙ বা মাহ, যিটোৱে প্রথমে আহে তাৰদ্বাৰা জুখিব লাগে। বা মাহ, যিটোৱে প্রথম আহে.	km (x1000)	ফ্রী ইন্সপেকশ্যন				খৰছসহ পিৰিয়ডিক মেইন্টেনেন্স					
		5	10	20	30	40	50	60	70	80	90
		মাহ	2	4	8	12	16	20	24	28	32
3-3.	ফুৱেল ফিল্টাৰ (লিকেজ)					R				R	
3-4.	CNG ফুৱেল লাইন জইন্ট (গেছ লিকেজ)										
3-5.	O-ৰিঙৰ সৈতে CNG ল প্ৰেছাৰ ফিল্টাৰ কাৰ্টিজ	-	-	R	-	R	-	R	-	R	-
3-6.	CNG চিৰিঙাৰ লিক টেষ্টিং আৰু চাৰ্টিফিকেশ্যন	চৰকাৰৰ দ্বাৰা প্ৰাৰম্ভিক পৰীক্ষা কৰাৰ তাৰিখৰ পৰা প্ৰতি 3 বছৰ স্বীকৃত টেষ্টিং এজেন									
3-7.	CNG ফিলাৰ ৰিচেঞ্জকেল O-ৰিঙ	প্ৰতি 4 বছৰ বা 3,00,000 Km যিটো সোনকালে হয়, সলনি কৰক									
ক্লাটছ আৰু ড্ৰামশিয়ান											
4-1.	ক্লাটছ পেডেল (প্লে)										
4-2.	ক্লাটছ স্লিপিঙ (ড্ৰেগিঙ বা অত্যাধিক ক্ষতি)										
4-3.	গিয়েৰ ছিফ্টাৰ (অপাৰেশ্যন)										
4-4.	মেনুৱেল ড্ৰামশিয়ান অইল (লেভেল, লিকেজ)										
4-5.	ৰিয়েৰ ডিফাৰেন্সিয়েল অইল (লেভেল, লিকেজ)	80,000 km বা 4 বছৰ যিটোৱে প্রথমে আহে সলনি কৰক									
4-6.	প্ৰপেলাৰ ছাফ্ট/ যুনিভাৰ্ছেল জইন্ট (লুজ, ক্ষতি)		I&L	I&L	I&L	I&L	I&L	I&L	I&L	I&L	I&L
ব্ৰেক											
5-1.	ব্ৰেক ক্লুইড (লেভেল, লিকেজ)										
		প্ৰতি 40,000 km বা 24 মাহ, যিটোৱেই প্রথমতে আহে, সলনি কৰক।									
5-2.	ব্ৰেক পেডেল (পেডেল - ফ্ৰন্ট পেডেল ক্ৰিয়াৰক্ষ)										
5-3.	পাৰ্কিঙ ব্ৰেক লিভাৰ আৰু কেবল (প্লে, ডেমেজ)										
5-4.	ব্ৰেক ডিস্ক আৰু পেড (ব্ৰেক)										
5-5.	ব্ৰেক ডাম আৰু শ্ব (ব্ৰেক)	-	-								
5-6.	মাষ্টাৰ চিৰিঙাৰ, হুইল চিৰিঙাৰ আৰু কেলিপাৰ পিষ্টন (ক্লুইড লিকেজ, ব্লুট/চিডেমেজ)										
5-7.	ব্ৰেক হজ আৰু পাইপ (লিকেজ, ডেমেজ)										
চকা											
6-1.	টায়াৰ (এয়াৰ প্ৰেছাৰ, এবনমেণ্ট ব্ৰেক, ক্ৰেক আৰু ৰোটেশ্যন)	I&O	I&O	I&O	I&O	I&O	I&O	I&O	I&O	I&O	I&O
6-2.	চকা (ডেমেজ)										
6-3.	ফ্ৰন্ট/ৰিয়েৰ হুইল বিয়েৰিঙ (লুজ, ডেমেজ)										

ইন্সপেকশ্যন আৰু মেইন্টেনেন্স

ইন্টাৰভেল: এই ইন্টাৰভেলটো অডমিটাৰ ৰিডিঙ বা মাহ, যিটোৱে প্রথমে আছে তাৰদ্বাৰা জুখিব লাগে। বা মাহ, যিটোৱে প্রথম আছে.	km (x1000)	ফ্রী ইন্সপেকশ্যন				খৰছসহ পিৰিয়ডিক মেইন্টেনেন্স					
		5	10	20	30	40	50	60	70	80	90
		মাহ	2	4	8	12	16	20	24	28	32
ফ্রন্ট / ৰিয়েৰ চাচপেনশ্যন											
7-1.	ফ্রন্ট চাচপেনশ্যন ষ্টুট আৰু শ্বক এবজৰবাৰ (অইল লিকেজ, ডেমেজ)										
7-2.	ফ্রন্ট চাচপেনশ্যন আৰ্ম, নাকল চাপৰ্ট আৰু টেনচন ৰড (লুজ, ডেমেজ)										
7-3.	ৰিয়েৰ লিফ স্প্ৰীঙ (ডেমেজ)										
7-4.	ৰিয়েৰ শ্বক এবজৰবাৰ (অইল লিকেজ, ডেমেজ)										
7-5.	সকলো বল্ট আৰু নট (লুজ)	T	T	T	T	T	T	T	T	T	T
ষ্টিয়েৰিঙ											
8-1.	ষ্টিয়েৰিঙ হইল (প্ৰে, লুজ)										
8-2.	ষ্টিয়েৰিঙ কলম ৰড আৰু আৰ্ম (লুজ, ডেমেজ, ৰেৰ)										
ইলেক্ট্ৰিকেল											
9-1.	বেটাৰী- ইলেক্ট্ৰলাইট (নেভেল, লিকেজ) আৰু ভল্টেজ										
9-2.	ৰায়াৰিঙ হাৰনেছ কানেকশ্যন (লুজ, ডেমেজ)										
9-3.	লাইট্ৰিঙ চিষ্টেম (অপাৰেশ্যন)										
9-4.	ৰাইপাৰ (অপাৰেশ্যন, ষ্টেইন, ডেমেজ)										
9-5.	হৰ্ন (অপাৰেশ্যন)										
9-6.	এছচৰি চকেট (অপাৰেশ্যন)										
বডি											
10-1.	সকলো চেছিছ বল্ট আৰু নট (টান অৱস্থাত)		T	T	T	T	T	T	T	T	T
10-2.	সকলো লেটছ, হিঞ্জ আৰু লক (ফাংশ্যন)	I&L	I&L	I&L	I&L	I&L	I&L	I&L	I&L	I&L	I&L
10-3.	কাৰ্গো বেড (ইন্সপেক্ট)										
ৰোড টেই											
11-1.	ব্ৰেক, ক্লাটছ, গিয়েৰ ছিষ্ট আৰু স্পীডোমিটাৰৰ অপাৰেশ্যন										
11-2.	বডি আৰু চেছিছ নইজ										

ইন্সপেকশ্যন আৰু মেইন্টেনেন্স অপাৰেশ্যন গ্ৰাহকৰ দ্বাৰা সম্পন্ন কৰিব লাগে।

আপুনি সম্পাদন কৰিব পৰা ইন্সপেকশ্যন আৰু মেইন্টেনেন্স অপাৰেশ্যন তলৰ তালিকাখনে দেখুৱায়।
আপুনি কেতিয়া ইন্সপেকশ্যন, গ্ৰীজিং, লুব্ৰিকেশ্যন আৰু অন্য চাৰ্ভিছ সম্পন্ন কৰা উচিত, তলৰ তালিকাখনে সেয়া দেখুৱায়।

ফ্ৰিকুৱেন্সি	SR.NO.	অপাৰেশ্যন	ৰেফাৰেন্স	
সদায়	1	এয়াৰ প্ৰেছাৰ, এভনৰ্শ্বল ৱেৰ, ক্ৰেক আৰু ডেমেজ আদিৰ বাবে সকলো টায়াৰ (স্পেয়াৰ চকা ধৰি) পৰ্যবেক্ষণ কৰক।	পৃষ্ঠা নং. 7-20	
সাপ্তাহিকভাৱে	2	যদি প্ৰয়োজন হয়, মাৰুটী জেনুইন ইঞ্জিন অইলেৰে পূৰ্ণ ইঞ্জিন অইল লেভেল পৰ্যবেক্ষণ কৰক।	পৃষ্ঠা নং. 7-9	
	3	কুলেণ্ট ৰিজাৰ্ভয়েৰত কুলেণ্ট লেভেল পৰীক্ষা কৰক আৰু যদি প্ৰয়োজন হয়, নিৰ্দেশিত অনুপাতত মাৰুটী জেনুইন কুলেণ্ট আৰু ডিষ্টিল্ড ৱাটাৰেৰ মিশ্ৰণেৰে সেয়া পৰিপূৰ্ণ কৰক।	পৃষ্ঠা নং. 7-12	
	4	ট্ৰান্সমিশ্যন অইল লেভেল আৰু ডিফাৰেন্সিয়েল অইল লেভেল পৰীক্ষা কৰক।	পৃষ্ঠা নং. 7-15	
	5	ব্ৰেক ফ্লুইড ৰিজাৰ্ভয়েৰত ব্ৰেক ফ্লুইড লেভেল পৰীক্ষা কৰক আৰু যদি প্ৰয়োজনীয়, মাৰুটী জেনুইন ব্ৰেক ফ্লুইডেৰে পূৰ্ণ কৰক।	পৃষ্ঠা নং. 7-16	
	6	গাডীখন পৰীক্ষা কৰক • ইঞ্জিন অইল লিকেজ • কুলেণ্ট লিকেজ • ব্ৰেক ফ্লুইড লিকেজ	<ul style="list-style-type: none"> • ফ্ৰন্ট চাচপেনশ্যন ষ্টুট লিকেজ • ৰিয়েৰ শ্বক এভজৰবাৰ লিকেজ • ফুৱেল লিকেজ • ট্ৰান্সমিশ্যন অইল আৰু ডিফাৰেন্সিয়েল অইল লিকেজ 	ইন্সপেকশ্যন আৰু মেইন্টেনেন্স শাখা
	7	বেটাৰী ইলেক্ট্ৰলাইট লেভেল, টাৰ্মিনেল আৰু ব্ৰেকট পৰীক্ষা কৰক।	পৃষ্ঠা নং. 7-22	
	8	হুইল মাউণ্টিঙ নট পৰীক্ষা কৰক আৰু যদি প্ৰয়োজনীয়, টান কৰক।	পৃষ্ঠা নং. 8-5	

ইন্সপেকশ্যন আৰু মেইন্টেনেন্স

সদায়	9	ক্ষয় ক্ষতিৰ বাবে ড্ৰাইভ বেল্ট পৰীক্ষা কৰক।	পৃষ্ঠা নং. 7-8
	10	এয়াৰ ফিল্টাৰ এলিমেন্ট চাফা কৰক।	পৃষ্ঠা নং. 7-14
	11	সকলো লেটছ, হিঞ্জ আৰু লক মাৰ্লেট পাৰপাজ গ্ৰীজ ব্যৱহাৰ কৰি গ্ৰীজ কৰক।	পৃষ্ঠা নং. 7-5
	12	গ্ৰীজ গান ব্যৱহাৰ কৰি প্ৰপেলাৰ ছাফ্ট মুনিভাৰ্ছেল জইন্ট গ্ৰীজ কৰক।	পৃষ্ঠা নং. 7-19
সাপ্তাহিকভাৱে	13	ক্লাচিছ পেডেল প্লে পৰীক্ষা কৰক	পৃষ্ঠা নং. 7-16
	14	ইঞ্জিন চলি থকাৰ সময়ত ব্ৰেক প্ৰয়োগ কৰি ব্ৰেক পেডেলৰ পৰা ক্লৰ পেনেল ব্যৱধান পৰীক্ষা কৰক।	পৃষ্ঠা নং. 7-17
	15	উপযুক্ত এডজাষ্টমেণ্টৰ বাবে পাৰ্কিঙ ব্ৰেক পৰীক্ষা কৰক।	পৃষ্ঠা নং. 7-18

*আৰু / বা যদি গাড়ীখন এফালে টানে বা উচ্চ গতিত কঁপে, হুইল এলাইনমেন্ট আৰু বেলেমিঙ পৰীক্ষা কৰক।

ড্ৰাইভ বেল্ট

⚠ সতৰ্কবাণী

যেতিয়া ইঞ্জিন চলি থাকে, হাত, চুলি, কাপোৰ, সঁজুলি ইত্যাদি ঘূৰি থকা ফেন আৰু ড্ৰাইভ বেল্টৰ পৰা আঁতৰত ৰাখিব।

নিশ্চিত কৰক যে ড্ৰাইভ বেল্ট টেনচন ঠিক হৈ আছে। যদি বেল্টডাল খুব টিলা হৈ থাকে, অপযাপ্ত বেটাৰী চাৰ্জিং, ইঞ্জিন অভাৱহিটিং বা অত্যাধিক বেল্ট ৱেৰ ঘটিব পাৰে।

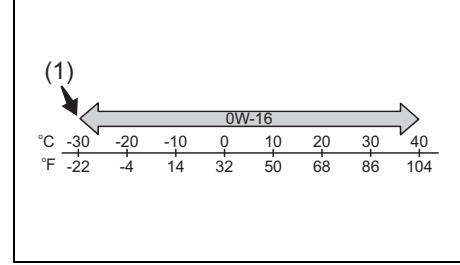
বেল্ট যাতে ডেমেজ হোৱা নাই, সেইটোও পৰীক্ষা কৰা উচিত।

যদি আপুনি বেল্ট মিলোৱা বা নতুনকৈ বদলি কৰিব লগীয়া হয়, সেয়া কেৱল আপোনাৰ মাৰুটী চুজুকিৰ দ্বাৰা অনুমোদিত ৱৰ্কছপতহে কৰাব।

ইঞ্জিন অইল আৰু ফিলটাৰ

নিৰ্দিষ্ট অইল

ভাৰতৰ বাবে



56RM07013

(1) ৰিকমেণ্ডেড

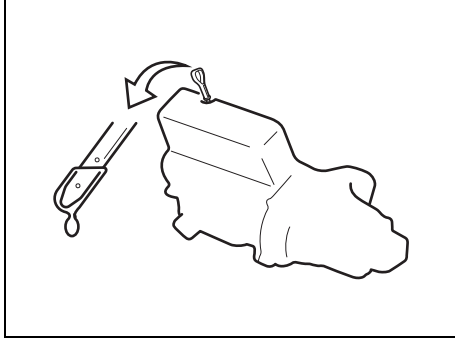
পৰীক্ষা কৰক যে আপুনি ব্যৱহাৰ কৰা ইঞ্জিন অইল **API SN**ৰ কোৱালিটি ক্লাছিফিকেশ্যনৰ অন্তৰ্গত। ওপৰৰ তালিকাৰ লেখীয়াৰে প্ৰকৃত অইল ভিস্কোচিটি বাচনি কৰক।

ভাল ফুৱেল ইকনমিৰ ক্ষেত্ৰত আৰু ঠাণ্ডা বতৰত শীঘ্ৰে ষ্টাৰ্ট কৰাৰ ক্ষেত্ৰত **SAE 0W-16 (1)** আটাইতকৈ উত্তম চইছ।

নোট:

- সলনি কৰাৰ সময় আপুনি ব্যৱহাৰ কৰা ইঞ্জিন অইল সাপেক্ষে বেলেগ বেলেগ হয়। এই শিতানৰ “মেইন্টেনেন্স চিডিউল” চাওঁক। নিৰ্দিষ্ট মেইন্টেনেন্স চিডিউলৰ বাবে
- আমি ৰিকমেণ্ড কৰো যে আপুনি **MARUTI SUZUKI** জেনুইন অইল ব্যৱহাৰ কৰক। এইটো কিনিবলৈ, মাৰুটী স্বীকৃত ৱৰ্কছপ চাই লওঁক।

অইল লেভেল পৰীক্ষা



55RH07002

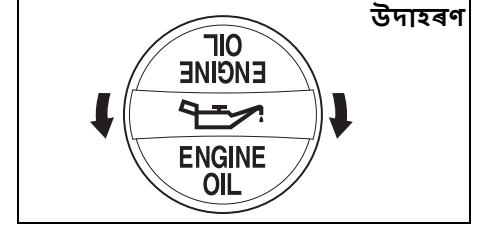
আপোনাৰ গাড়ীৰ ইঞ্জিনৰ প্ৰকৃত লুব্ৰিকেশ্যনৰ বাবে ইঞ্জিন অইল উচিত লেভেলত ৰখাটো প্ৰয়োজনীয়। গাড়ীখন লেভেল চাৰফেচত ৰাখি অইল লেভেল পৰীক্ষা কৰক। যদি গাড়ীখন হেলনীয়া ঠাইত থাকে, অইল লেভেল ইণ্ডিকেশ্যন অশুদ্ধও হব পাৰে। ইঞ্জিন ষ্টাৰ্ট কৰাৰ আগত বা ইঞ্জিন বন্ধ কৰাৰ অতি কমেও 5 মিনিট পিছত অইল লেভেল পৰীক্ষা কৰিব লাগে।

অইল ডিপষ্টিকডাল উলিয়াওক, এখন চাফা কাপোৰেৰে অইলখিনি মচি লওঁক, ইঞ্জিনত ডিপষ্টিকডাল সোমাই দিয়ক, আৰু তেতিয়া পুনৰ উলিয়াই দিয়ক। ষ্টিকডালত দেখুওৱা আপাৰ আৰু লৱাৰ লিমিটৰ মাজত ষ্টিকডালৰ অইল থাকিব লাগে। যদি অইল লেভেল ইণ্ডিকেশ্যন লৱাৰ লিমিটৰ কাষত আছে, আপাৰ লিমিটলৈ বৃদ্ধি কৰিবলৈ যথেষ্ট তেল যোগ কৰক।

জাননী

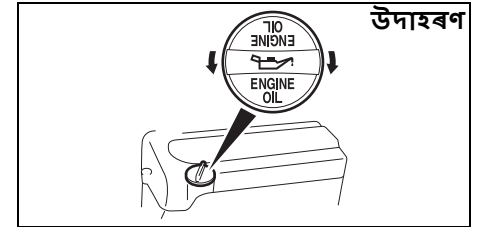
অইল লেভেল নিয়মিতভাৱে পৰীক্ষা নকৰিলে অপৰ্যাপ্ত অইলৰ বাবে গুৰুতৰ ইঞ্জিন ট্ৰাবল ঘটিব পাৰে।

পুনৰ ভৰোৱা



68PH00762

তেল ভৰোৱা টুপিটো আঁতৰাই ফিলাৰৰ ফুটাটোৰে লাহে লাহে তেল ঢালি ডিপষ্টিকত তেলৰ মাত্ৰা ওপৰৰ সীমালৈ আনিব লাগে। সাৱধান হওক যাতে অতিৰিক্তভাৱে ভৰ্তি হৈ নাযায়। অত্যধিক বেছি তেল, অত্যধিক তেল কম হোৱাৰ দৰেই সমানে বেয়া। পুনৰ ভৰোৱাৰ পিছত ইঞ্জিনটো ষ্টাৰ্ট কৰি প্ৰায় একমিনিটমান অচল কৰি ৰাখিব। ইঞ্জিন বন্ধ কৰি 5 মিনিটমান অপেক্ষা কৰি আকৌ তেলৰ মাত্ৰা পৰীক্ষা কৰক।



68PM00703

ইঞ্জিনৰ তেল আৰু ফিল্টাৰ সলনি কৰা

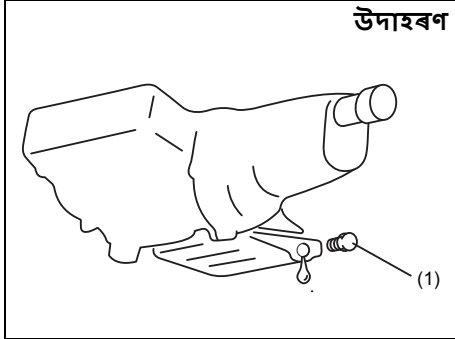
ইঞ্জিনটো গৰম হৈ থাকোতেই ইঞ্জিন অইল উলিয়াই দিয়ক।

- 1) অইল ফিলাৰ কেপ আঁতৰাওক।
- 2) ড্ৰেইন প্লাগৰ তলত ড্ৰেইন পেন এখন বহুৱাওক।
- 3) এডাল ৰেম ব্যৱহাৰ কৰি ড্ৰেইন প্লাগ আঁতৰাওক আৰু ইঞ্জিন অইল উলিয়াই দিয়ক।

⚠ সৱধান

ড্ৰেইন প্লাগ টিলা কৰি থাকোতে ইঞ্জিন অইল টেম্পাৰেছাৰ উচ্চ হোৱাৰ বাবে আপোনাৰ আঙুলি পুৰিব পাৰে। আপুনি খালী হাতেৰে চুব পৰাকৈ ড্ৰেইন প্লাগ ঠাণ্ডা হোৱালৈ অপেক্ষা কৰক

উদাহৰণ



77PM07007

ড্ৰেইন প্লাগ (1)ৰ বাবে টান কৰাৰ টৰ্ক
50 Nm (5.1 kg-m, 36.9 lb-ft)

⚠ সতৰ্কবাণী

নতুন আৰু ব্যৱহৃত অইল বিপক্ষনক হব পাৰে নতুন বা ব্যৱহৃত অইল চুই সব লৰা-ছোৱালী আৰু পোহনীয়া জন্তুৰ আঁঠু হব পাৰে। নতুন আৰু ব্যৱহৃত অইল আৰু ব্যৱহৃত অইল ফিল্টাৰ সব লৰা ছোৱালী আৰু পোহনীয়া জন্তুৰ পৰা আতৰত ৰাখক। ব্যৱহৃত ইঞ্জিন অইল বাৰে বাৰে বা দীঘলীয়া সংস্পৰ্শলৈ আহিলে ছালৰ কৰ্কট ৰোগ হব পাৰে।

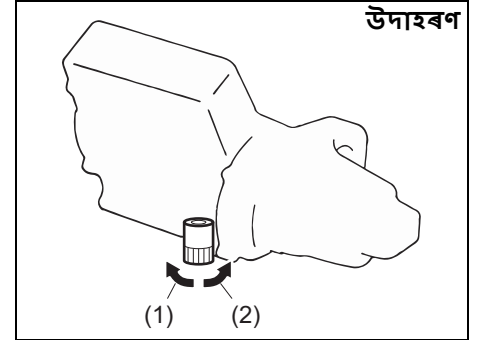
ব্যৱহৃত তেলৰ সৈতে সামান্যকৈ সংস্পৰ্শ কৰিলেও ছাল জ্বলা-পোৰা কৰিব পাৰে। ব্যৱহৃত তেলৰ সংস্পৰ্শ কম কৰিবলৈ তেল সলনি কৰাৰ সময়ত দীঘল হাতৰ চাৰ্ট আৰু আৱৃততা প্ৰতিৰোধী হাতমোজা (যেনে বাচন ধোৱাৰ হাতমোজা) পিন্ধক। যদি তেল আপোনাৰ ছালৰ সংস্পৰ্শলৈ আহে তেন্তে চাবোন আৰু পানীৰে ভালদৰে ধুব লাগে। অইলৰ দ্বাৰা তিতা কাপোৰ বা ফটাকানি ভালদৰে ধুই দিয়ক। ব্যৱহৃত অইল আৰু ফিল্টাৰ ভালদৰে পুনৰ্যৱহাৰ কৰক বা নিষ্পত্তি কৰক।

- 4) ড্ৰেইন প্লাগ আৰু গাছকেট পুনৰ স্থাপন কৰক। নিৰ্দিষ্ট টৰ্কলৈকে এডাল ৰেমৰ সহায়ত প্লাগটো টান কৰক।

অইল ফিল্টাৰ সলনি কৰক।

- 1) অইল ফিল্টাৰ ৰেম এডাল ব্যৱহাৰ কৰি, অইল ফিল্টাৰটো ঘঁড়ীৰ কাঁটাৰ বিপৰীতে ঘূৰাওক আৰু আঁতৰাওক।
- 2) এখন চাম্বা ফটাকানি ব্যৱহাৰ কৰি, নতুন ফিল্টাৰ বহুৱাবলগীয়া ইঞ্জিনৰ মাউন্টিঙ পৃষ্ঠ চাম্বা কৰক।
- 3) নতুন অইল ফিল্টাৰৰ বাবাৰ গাছকেটৰ চাৰিওফালে সামান্য পৰিমাণৰ ইঞ্জিন অইল লগাই দিয়ক।
- 4) ফিল্টাৰ গাছকেটে মাউন্টিঙ পৃষ্ঠ স্পৰ্শ নকৰালে নতুন ফিল্টাৰৰ স্কু হাতেৰে ঘূৰাই থাকক।

উদাহৰণ

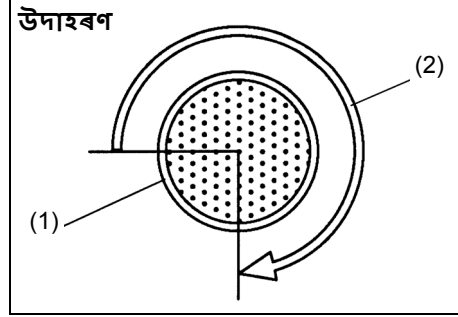


77PH017

- (1) টিলা
- (2) টান

ইন্সপেকশ্যন আৰু মেইন্টেনেন্স

টান কৰক (ফিল্টাৰৰ ওপৰৰ পৰা লক্ষ্য কৰি)



- (1) অইল ফিল্টাৰ
- (2) 3/4 টাৰ্ণ

জাননীজাননী

অইল ফিল্টাৰ ভালকৈ টান কৰিবলৈ, ফিল্টাৰ গাছকেটে মাউন্টিঙ পৃষ্ঠ স্পৰ্শ কৰিবলগীয়া স্থানটো ভালদৰে বিচাৰি উলিওৱাটো প্ৰয়োজন।

- এটা তেল ফিল্টাৰ বেঞ্চ ব্যৱহাৰ কৰি মাউন্টিং পৃষ্ঠৰ সংস্পৰ্শ বিন্দুৰ পৰা (বা নিৰ্দিষ্ট টৰ্কলৈ) ফিল্টাৰৰ নিৰ্দিষ্ট পাক টান কৰক।

অইল ফিল্টাৰৰ বাবে টান কৰা টৰ্ক 3/4 টাৰ্ণ বা 14 Nm (1.4 kgf-m, 10.3 lbf-ft)

জাননী

অইল লিকেজ বাধা দিবলৈ, নিশ্চিত কৰক যে অইল ফিল্টাৰটো টান হৈ আছে, কিন্তু এইটো বেছি টানো নকৰিব।

অইলেৰে ৰিফিল কৰক আৰু লিক আছে নেকি পৰীক্ষা কৰক

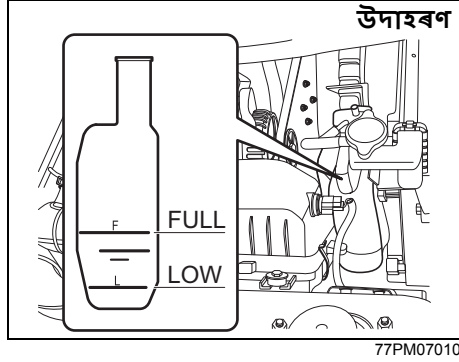
- ফিলাৰ হোলেৰে অইল ঢালি দিয়ক আৰু ফিলাৰ কেপ ইনষ্টল কৰক। অইলৰ এপ্ৰক্সিমেট কেপাচিটিৰ বাবে “স্পেসিফিকেশ্যন” শাখাত “কেপাচিটিছ” চাওঁক।
- ইঞ্জিনটো ষ্টাৰ্ট কৰক আৰু অইল ফিল্টাৰ আৰু ড্ৰেইন প্লাগত থাকিব পৰা লিক সাৱধানে পৰীক্ষা কৰক। ভিন্ন গতিত ইঞ্জিনটো অতি কমেও 5 মিনিট চলাওঁক।
- ইঞ্জিনটো বন্ধ কৰক আৰু প্ৰায় 5 মিনিট সময় ৰওঁক। পুনৰ অইল লেভেল পৰীক্ষা কৰক আৰু যদি প্ৰয়োজনীয় পুনৰ অইল যোগ কৰক। পুনৰ লিকৰ বাবে পৰীক্ষা কৰক।

জাননী

- যেতিয়া অইল ফিল্টাৰ সলনি কৰে, এইটো উপযোগী যে আপুনি মাৰুটি জেনুইন ফিল্টাৰহে ব্যৱহাৰ কৰক। আপুনি যদি বজাৰৰ অন্য ফিল্টাৰ ব্যৱহাৰ কৰে, নিশ্চিত কৰক যাতে সেয়া সমপৰ্যায়ৰ গুণাগুণসম্পন্ন আৰু উত্পাদনকাৰীৰ মেনুৱেল অনুসৰণ কৰক।
- অইল ফিল্টাৰ বা ড্ৰেইন প্লাগৰ কাষেৰে অইল লিক হোৱাটোৱে অশুদ্ধ ইনষ্টলেশ্যন বা গাছকেট ডেমেজ হোৱাটোকে বুজায়। যদি আপুনি কিবা লিক লক্ষ্য কৰে, আৰু ফিল্টাৰটো উপযুক্তভাৱে টান কৰা হৈছে নাই সেয়া নিশ্চিত নহয়, MARUTI SUZUKI ব্যৱসায়িক ৱৰ্কশ্বপৰ দ্বাৰা গাড়ীখন পৰীক্ষা কৰাই লওঁক।

ইঞ্জিন কুল্যান্ট

কুলেণ্ট লেভেল পৰীক্ষা



ৰেডিমেটৰত নহয়, জলাশয়ৰ টেংকত শীতল পদাৰ্থৰ মাত্ৰা পৰীক্ষা কৰক। ইঞ্জিন ঠাণ্ডা হ'লে শীতল পদাৰ্থৰ মাত্ৰা “FULL” আৰু “LOW” চিহ্নৰ মাজত হ'ব লাগে।

যদি শীতল পদাৰ্থৰ মাত্ৰা “LOW” চিহ্নৰ তলত থাকে, তেন্তে শীতল পদাৰ্থ যোগ কৰিব লাগে।

শীতল পদাৰ্থ যোগ কৰা আৰু সলনি কৰা

যেতিয়া আপুনি শীতল পদাৰ্থ যোগ কৰে, তেতিয়া জলাশয়ৰ টেংকৰ টুপিটো আঁতৰাই ইঞ্জিন ঠাণ্ডা হৈ থকাৰ সময়ত জলাশয়ৰ টেংকৰ স্তৰ “FULL” চিহ্নত উপনীত নোহোৱালৈকে শীতল পদাৰ্থ যোগ কৰক। জলাশয়ৰ টেংকটো কেতিয়াও “FULL” চিহ্নৰ ওপৰত ভৰাই নিদিব।

যিহেতু শীতল পদাৰ্থ সলনি কৰাৰ বাবে বিশেষ পদ্ধতিৰ প্ৰয়োজন হয়, গতিকে এই কামৰ বাবে

মাৰুতি চুজুকিৰ অনুমোদিত ৱৰ্কশ্বপ এখনক সুধিব।

শীতল পদাৰ্থৰ বাছনি

আপোনাৰ ইঞ্জিনৰ অনুকূল কাৰ্যদক্ষতা আৰু স্থায়িত্ব বজাই ৰাখিবলৈ, মাৰুতিৰ চুজুকি প্ৰকৃত শীতল পদাৰ্থ বা সমতুল্য ব্যৱহাৰ কৰক।

শীতল ব্যৱস্থাৰ বাবে এই ধৰণৰ শীতল পদাৰ্থ তলত দিয়া কাৰণসমূহৰ বাবে সৰ্বোত্তম:

- শীতল পদাৰ্থই ইঞ্জিনৰ সঠিক উষ্ণতা বজাই ৰখাত সহায় কৰে।
- ই জমা আৰু উতলাৰ পৰা সঠিক সুৰক্ষা প্ৰদান কৰে।
- ই অৱক্ষয় আৰু মামৰে ধৰাৰ পৰা সঠিক সুৰক্ষা প্ৰদান কৰে।

সঠিক শীতল পদাৰ্থ ব্যৱহাৰ নকৰিলে আপোনাৰ শীতল ব্যৱস্থাটোৰ ক্ষতি হ'ব পাৰে। মাৰুতি চুজুকিৰ অনুমোদিত ৱৰ্কশ্বপ এখনে আপোনাক সঠিক শীতল পদাৰ্থ বাছনি কৰাত সহায় কৰিব পাৰে।

সতৰ্কবাণী

ইঞ্জিনৰ শীতল পদাৰ্থ গিলিলে গুৰুতৰভাৱে আঘাতপ্ৰাপ্ত বা মৃত্যু হ'ব পাৰে। শীতল পদাৰ্থৰ ভাপ বা বাষ্প, উশাহ ল'লে বা চকুত শীতল পদাৰ্থ সোমাই গ'লে গুৰুতৰভাৱে আঘাত পাব পাৰে।

- এন্টিক্ৰিজ বা শীতল পদাৰ্থৰ দ্ৰৱ নাখাব। গিলিলে বমি নকৰিব। লগে লগে কোনো বিষ নিয়ন্ত্ৰণ কেন্দ্ৰ বা চিকিৎসকৰ সৈতে যোগাযোগ কৰক।
- শীতল পদাৰ্থৰ ভাপ বা গৰম বাষ্প উশাহ লোৱাৰ পৰা বিৰত থাকক। উশাহ ল'লে শুদ্ধ বতাহৰ ঠাইলৈ উলিয়াই দিয়ক।
- চকুত শীতল পদাৰ্থ সোমালে পানীৰে ধুই চিকিৎসকৰ কাষ চাপক।
- শীতল পদাৰ্থৰ কামৰ পিছত ভালদৰে ধুই লওক।
- ইঞ্জিনৰ শীতল পদাৰ্থ শিশু আৰু পোহনীয়া জন্তুৰ হাত নলগাকৈ আঁতৰত ৰাখক। ইঞ্জিনৰ শীতল পদাৰ্থ শিশু আৰু পোহনীয়া জন্তুৰ হাত নলগাকৈ আঁতৰত ৰাখক।

জাননী

জলাশয়ৰ টেংকত টুপিটো লগাওঁতে টুপিটোৰ ওপৰত থকা চিনটো আৰু টেংকত থকা চিনটো একেই শাৰী পাতি ৰাখক। এইটো অনুসৰণ নকৰিলে শীতল পদাৰ্থ লিক হ'ব পাৰে।

জাননী

আপোনাৰ শীতল ব্যৱস্থাৰ ক্ষতি এৰাই চলিবলৈ:

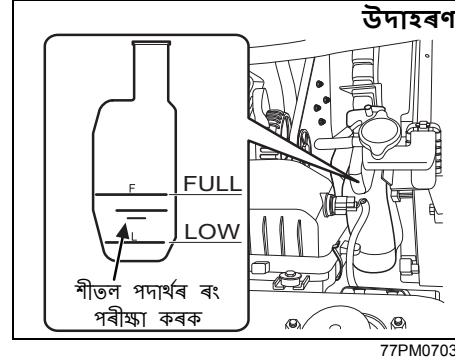
- সদায় সঠিক মিশ্ৰণৰ ঘনত্বত ডিষ্টিলড পানীৰে পাতল কৰা উচ্চমানৰ ইথিলিন গ্লাইকল বেচ নন-চিলিকেট ধৰণৰ শীতল পদাৰ্থ ব্যৱহাৰ কৰক।
- অতিৰিক্ত প্ৰতিৰোধক বা যোগকৰণ যোগ নকৰিব। আপোনাৰ শীতল ব্যৱস্থাৰ সৈতে মেইবিলাক সামগ্ৰ্যসম্পূৰ্ণ নহ'বও পাৰে।
- বিভিন্ন ধৰণৰ বেচ শীতল পদাৰ্থ মিহলি নকৰিব। তেনে কৰিলে ছিলৰ ক্ষতি হৰাশিত হ'ব পাৰে আৰু/বা গুৰুতৰভাৱে অতি উত্তাপ আৰু ইঞ্জিন/ট্ৰেন্সমিছনৰ ব্যাপক ক্ষতিৰ সম্ভাৱনা হ'ব পাৰে। শীতল পদাৰ্থ মিহলি হলে আপোনাৰ বাহনখন মাৰুতি চুজুকিৰ অনুমোদিত ব্ৰক্ৰম্পত নিৰীক্ষণ কৰাই লওক।

নোট:

মাৰুতি চুজুকিয়ে মাৰুতি চুজুকিৰ প্ৰকৃত শীতল পদাৰ্থ ব্যৱহাৰ কৰিবলৈ আভিষয় পৰামৰ্শ দিয়ে। মাৰুতি চুজুকিৰ প্ৰকৃত শীতল পদাৰ্থ আপোনাৰ মাৰুতি চুজুকি সামগ্ৰীৰ বাবে বিশেষভাৱে প্ৰস্তুত কৰা হৈছে আৰু ই আকাংক্ষিত বাহনৰ কাৰ্যক্ষমতা আৰু আদৰ্শ ড্ৰাইভিং অভিজ্ঞতাত অৰিহণা যোগায়।

আপোনাৰ বাহনখনৰ উৎপাদনৰ সময়ৰ ওপৰত নিৰ্ভৰ কৰি একেবাৰে নতুন গাড়ী এখনৰ সময়ত ভৰোৱা শীতল পদাৰ্থৰ ধৰণ বেলেগ বেলেগ হয়। শীতল পদাৰ্থ দুটা প্ৰকাৰৰ, SUZUKI LLC: Super (Blue) শীতল পদাৰ্থ আৰু SUZUKI

LLC: Standard (Yellow) শীতল পদাৰ্থ। আপুনি আপোনাৰ বাহনত থকা মূল শীতল পদাৰ্থৰ ধৰণ জলাশয়ৰ টেংকত থকা শীতল পদাৰ্থৰ ৰঙৰ দ্বাৰা পৰীক্ষা কৰিব পাৰে (তলৰ চিত্ৰত চাওক)।



শীতল পদাৰ্থৰ ৰং	শীতল পদাৰ্থৰ প্ৰকাৰ
Blue	SUZUKI LLC: Super
Yellow	SUZUKI LLC: Standard

নোট:

শীতল পদাৰ্থ যোগ বা সলনি কৰাৰ সময়ত একেবাৰে নতুন গাড়ীৰ সময়ত ভৰোৱা শীতল পদাৰ্থৰ একে ধৰণৰ শীতল পদাৰ্থ ব্যৱহাৰ কৰিব লাগে।

SUZUKI LLC: Super (Blue) শীতল পদাৰ্থ:

জাননী

- এই শীতল পদাৰ্থ ইতিমধ্যে উপযুক্ত শতাংশলৈ পাতল কৰা হৈছে। অতিৰিক্তভাৱে ডিষ্টিলড পানীৰে পাতল নকৰিব। তেনে কৰিলে শীতল পদাৰ্থ জমা হোৱা আৰু/বা অতি উত্তাপৰ সম্ভাৱনা থাকিব পাৰে।
- SUZUKI LLC: Standard (Yellow) যোগ নকৰিব শীতল পদাৰ্থ বা ডিষ্টিলড পানী বা অন্যান্য যেতিয়া আপোনাৰ বাহনখন প্ৰথমে SUZUKI LLC: Super (Blue): Super (Blue) ৰে ভৰোৱা হয় শীতল পদাৰ্থ। যদি এনে ঘটনা ঘটে, তেন্তে মাৰুতি চুজুকিৰ অনুমোদিত ব্ৰক্ৰম্পত নিৰীক্ষণ কৰাই লওক।

SUZUKI LLC: Standard (Yellow) শীতল পদাৰ্থ:

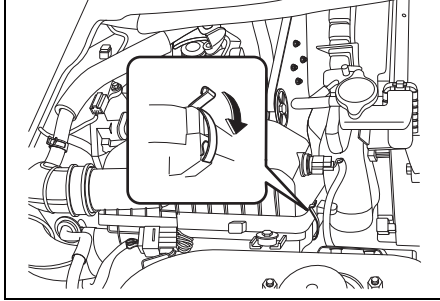
জাননী

- ব্যৱহাৰ কৰিবলগীয়া মিশ্ৰণৰ ঘনত্ব 30% এক্টিফ্ৰিজ আৰু 70% ডিষ্টিলড পানী হ'ব লাগে। পোলে পোলে শীতল পদাৰ্থ বা সাধাৰণ পানী ব্যৱহাৰ নকৰিব।
- যদি আপোনাৰ অঞ্চলৰ পৰিৱেশৰ সৰ্বনিম্ন উষ্ণতা -15°C (5°F) বা তাৰ তলত হ'ব বুলি আশা কৰা হৈছে, তেন্তে এক্টিফ্ৰিজ পাত্ৰত দিয়া নিৰ্দেশনা অনুসৰণ কৰি 60% পৰ্যন্ত অধিক ঘনত্ব ব্যৱহাৰ কৰক। 60%তকৈ অধিক ঘনত্বই অতি উত্তাপৰ পৰিস্থিতিৰ সৃষ্টি কৰিব।
- যেতিয়া আপোনাৰ বাহনখন প্ৰথমে SUZUKI LLC ৰে ভৰি থাকে: Standard (Yellow) শীতল পদাৰ্থ, SUZUKI LLCৰ ৰক্ষণাবেক্ষণ সূচী অনুসৰণ কৰক: এই অংশত Standard (Yellow) শীতল পদাৰ্থ। যদি আপুনি SUZUKI LLC ৰ সৈতে সলনি কৰে: Super (Blue) শীতল পদাৰ্থ, তাৰ পিছত মাৰুতি চুজুকিৰ অনুমোদিত ৱৰ্কশ্বপত গাৰ্ডাখন নিৰীক্ষণ কৰাই লওক।

এয়াৰ ক্লিনাৰ

যদি এয়াৰ ক্লিনাৰ ধুলিৰে পোত খায়, তেতিয়া ইনটেক ৰেজিষ্ট্ৰেছ বেছি হ'ব, যাৰফলত পাৰাৰ আউটপুট কমিব আৰু ইন্ধন কনজাম্পশ্যন বাঢ়িব

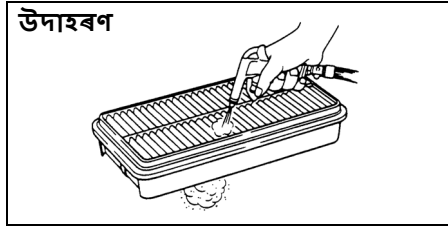
উদাহৰণ



77PM07011

চাইড ক্লেম্প আনক্লেম্প কৰক, আৰু এয়াৰ ক্লিনাৰ কেচৰ পৰা ইলিমেন্ট আঁতৰাওক।

উদাহৰণ



60A183

যদি এইটো লেতেৰা দেখা হয়, পিৰিয়ডিক মেইন্টেনেন্সৰ মতে নতুন এটাৰে এয়াৰ ক্লিনাৰ সলনি কৰক বা চাফা কৰক।

স্পাৰ্ক প্লাগ

স্পাৰ্ক প্লাগৰ সলনি আৰু পৰীক্ষা

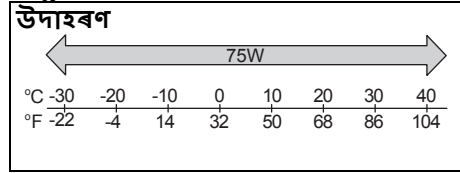
যিহেতু বিশেষ প্ৰণালী, সামগ্ৰীৰ প্ৰয়োজন, আপুনি এই কামটোৰ বাবে **MARUTI SUZUKI** স্বীকৃত ৱৰ্কশ্বপকে বিশ্বাস কৰাৰ বাবে আমি পৰামৰ্শ আগবঢ়াওঁ।

গি়েৰ অইল

মেনুৱেল ট্ৰান্সমিছ্যন অইল/ডিফাৰেন্সিয়েল অইল

গি়েৰ অইল যোগ কৰোতে তালিকাত দেখুওৱাৰ ধৰণে উপযুক্ত ভিস্কচিটি আৰু গ্ৰেডৰ গি়েৰ অইল ব্যৱহাৰ কৰক।

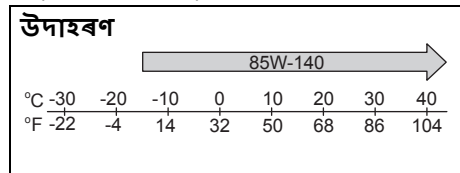
মেনুৱেল ট্ৰান্সমিছ্যন অইল



68LM728

আমি ৰিকমেণ্ড কৰোঁ: “মাৰুটী জেনুইন গি়েৰ অইল **75W**” মেনুৱেল ট্ৰান্সমিছ্যন গি়েৰৰ বাবে।

ৰিয়েৰ ডিফাৰেন্সিয়েল অইল

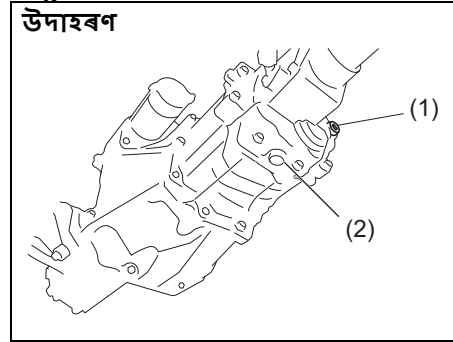


77PH075

ৰিয়েৰ ডিফাৰেন্সিয়েল অইলৰ বাবে “**TOTALFI-NAELF TRANSELF LL 85W-140**” আমি ৰিকমেণ্ড কৰোঁ

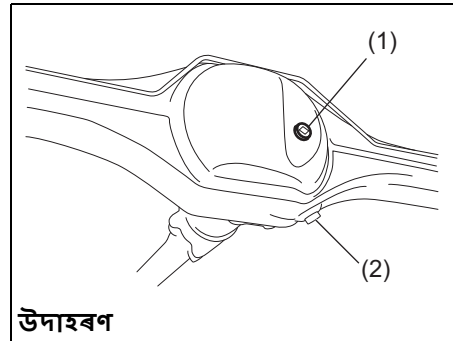
গি়েৰ অইল লিভাৰ পৰীক্ষা

মেনুৱেল ট্ৰান্সমিছ্যন



77PH078

ৰিয়েৰ ডিফাৰেন্সিয়েল



77PH047

1. অইল ফিল্টাৰ আৰু লেভেল প্লাগ (পুনৰ ব্যৱহাৰ নকৰিব).
2. অইল ড্ৰেইন প্লাগ।

গি়েৰ অইল লেভেল পৰীক্ষা কৰাৰ বাবে, তলৰ প্ৰণালী অনুসৰণ কৰক:

- 1) পাৰ্কিঙ ব্ৰেক প্ৰয়োগ কৰি সমান পৃষ্ঠত গাড়ীখন পাৰ্ক কৰক।
- 2) অইল ফিল্টাৰ আৰু লেভেল প্লাগ (1) আঁতৰাওক।
- 3) ফুটাটোৰ ভিতৰভাগ আপোনাৰ আঙুলিৰে পৰীক্ষা কৰি চাওক। যদি প্লাগ হলৰ একেবাৰে তললৈ অইল লেভেল আছে, তেন্তে অইল লেভেল ঠিকেই আছে। যদি তেনেকুৱা হৈ আছে, প্লাগটো ৰিইনষ্টল কৰক।
- 4) যদি তেলৰ মাত্ৰা কম হয়, তেন্তে তেল ভৰোৱা প্লাগৰ ফুটা (1)ৰ মাজেৰে গি়াৰ তেল যোগ কৰক যেতিয়ালৈকে তেলৰ মাত্ৰা ভৰোৱা ফুটাটোৰ তললৈ নপৰে, তাৰ পিছত প্লাগটো পুনৰ সংস্থাপন কৰক।

অইল ফিল্টাৰ আৰু লেভেল প্লাগৰ বাবে টাইটেনিঙ টৰ্ক

মেনুৱেল ট্ৰান্সমিছ্যন (1):

23 Nm (2.3 kgf-m, 17.0 lbf-ft)

ৰিয়েৰ ডিফাৰেন্সিয়েল (1):

25 Nm (2.5 kgf-m, 18.5 lbf-ft)

নোট:

ৰিয়েৰ ডিফাৰেন্সিয়েলৰ কাৰণে সদায় এটা নতুন অইল ফিল্টাৰ আৰু লেভেল প্লাগ (1) ব্যৱহাৰ কৰক।

সাবধান

গাড়ীখন চলোৱাৰ পিছত গি়েৰ অইল উষ্ণতা ইমান বেছি হব পাৰে যে আপোনাৰ ছাল পুৰিব পাৰে। গি়েৰ অইল লেভেল পৰীক্ষা কৰাৰ আগত অপেক্ষা কৰক যাতে আপোনাৰ খালী হাতৰে চুব পৰাকৈ অইল ফিলাৰ প্লাগটো ঠাণ্ডা হয়।

জাননী

যেতিয়া প্লাগ টান কৰি থাকে, অইল লিকেজ বোধ কৰিবলৈ তলৰ চিহ্নিং কম্পাউণ্ড বা সমতুল্য যিকোনো প্লাগ খেঁড়ত ব্যৱহাৰ কৰক।

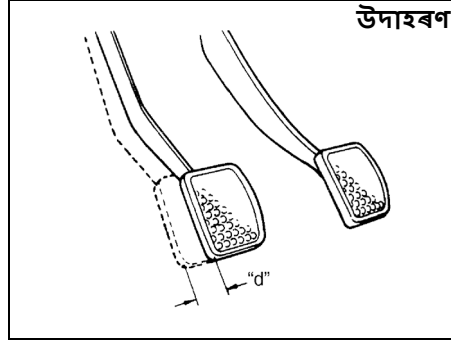
MARUTI SUZUKI বগু নং. “1216E” বা “1217G”

গিষেৰ অইল চেঞ্জ

যিহেতু বিশেষ প্ৰণালী, সামগ্ৰীৰ প্ৰয়োজন, আপুনি এই কামটোৰ বাবে **MARUTI SUZUKI** স্বীকৃত ৱৰ্কশ্বপকে বিশ্বাস কৰাৰ বাবে আমি পৰামৰ্শ আগবঢ়াওঁ।

ক্লাটছ পেডেল

কেবল কন্ট্ৰল ক্লাটছ



54G274

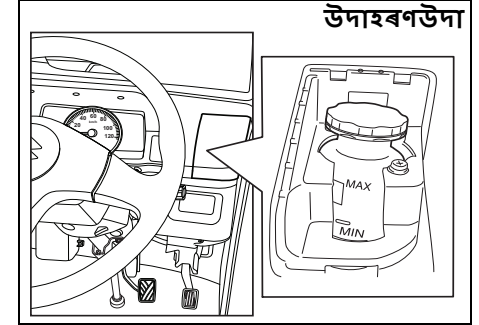
ক্লাটছ পেডেল প্লে “d”:

10 - 15 mm (0.4 - 0.6 in.)

ক্লাটছ পেডেল হাতেৰে ঘূৰাই আৰু আপুনি সামান্য বাধা অনুভৱ নকৰালৈ ই অতিশ্ৰম কৰা দৃশ্যৰ দ্বাৰা ক্লাটছ পেডেল প্লে জোখক ক্লাটছ পেডেলৰ প্লে নিৰ্দিষ্ট মানৰ ভিতৰত থাকিব লাগিব। যদি প্লে বেছি বা কম হয়, বা পেডেলডাল সম্পূৰ্ণকৈ কাম নকৰি ক্লাটছ ড্ৰেগিঙ অনুভৱ হয়, **MARUTI SUZUKI** স্বীকৃত ৱৰ্কশ্বপৰ দ্বাৰা আপোনাৰ ক্লাটছ পৰীক্ষা কৰি লওঁক।

ব্ৰেক

ব্ৰেক ফ্লুইড



77PM706

ইনষ্ট্ৰুমেন্ট পেনেলৰ ৰিজাৰ্ভয়েৰ চাই ব্ৰেক ফ্লুইড লেভেল পৰীক্ষা কৰক। ব্ৰেক ফ্লুইড ৰিজাৰ্ভয়েৰ লেভেল পৰীক্ষা কৰিবলৈ ষ্টিয়েৰিঙ হইলৰ সোঁফালে থকা কভাৰ আঁতৰাওক। পৰীক্ষা কৰক যাতে ফ্লুইড লেভেল “সৰ্বোচ্চ” আৰু “সৰ্বনিম্ন” লাইনৰ মাজত আছে। যদি ব্ৰেক ফ্লুইড লেভেল “সৰ্বনিম্ন” লাইনৰ কাষত আছে, মাৰুটা জেনুইন ব্ৰেক ফ্লুইড (MGBF) বা DOT 3 ৰে ইয়াক “সৰ্বোচ্চ” লৈ পূৰ্ণ কৰক। “মাৰুটা জেনুইন ব্ৰেক ফ্লুইড” (MGBF) ব্যৱহাৰ কৰাৰ বাবে আমি ৰিকমেণ্ড কৰোঁ।

⚠ সতৰ্কবাণী

তলৰ নিৰ্দেশনাসমূহ মানি চলাত ব্যৰ্থ হ'লে ব্যক্তিগত আঘাত বা ব্ৰেক ব্যৱস্থাৰ গুৰুতৰ ক্ষতি হ'ব পাৰে।

- যদি ৰিজাৰভম্বৰত থকা ব্ৰেক ফ্লুইড এটা নিৰ্দিষ্ট স্তৰৰ তললৈ নামি যায়, তেন্তে ইনষ্ট্ৰুমেন্ট পেনেলৰ ব্ৰেক ৱাৰ্নিং লাইটটো 'অন' হ'ব (পাৰ্কিং ব্ৰেক সম্পূৰ্ণৰূপে সংযোগচ্যুত কৰি ইঞ্জিন চলি থাকিব লাগিব)। লাইট জ্বলিলে তৎক্ষণাত আপোনাৰ অনুমোদিত **MARUTI SUZUKI COMMERCIAL WORKSHOP**ত ব্ৰেক চিষ্টেম পৰীক্ষা কৰিবলৈ কওক।
- দ্রুতভাৱে তৰল পদাৰ্থ নিৰ্গত হৈ ব্ৰেক চিষ্টেমত লিক হোৱাৰ ইংগিত দিয়ে, যিটো আপোনাৰ অনুমোদিত **MARUTI SUZUKI COMMERCIAL WORKSHOP**ৰ দ্বাৰা তৎক্ষণাত পৰীক্ষা কৰিব লাগে।
- "মাৰুটী জেনুইন ব্ৰেক ফ্লুইড" (MGBF) ব্যৱহাৰ কৰাৰ বাবে আমি ৰিকমেণ্ড কৰোঁ। মাৰুটী জেনুইন ব্ৰেক ফ্লুইড (MGBF) ব্যৱহাৰ কৰাৰ বাবে আমি ৰিকমেণ্ড কৰোঁ। ৰিক্লেইন্ড ফ্লুইড বা পুৰণি আৰু খোলা কন্টেইনাৰত ৰখা ফ্লুইড ব্যৱহাৰ নকৰিব। এইটো প্ৰয়োজনীয় যে বাহিৰা সামগ্ৰী আৰু অন্য লিকুইড ব্ৰেক ফ্লুইড ৰিজাৰভম্বৰৰ পৰা বাহিৰত ৰাখিব লাগে।

⚠ সৱধান

ব্ৰেক ফ্লুইডে আপোনাৰ চকুৰ ক্ষতি সাধন আৰু প্ৰিন্ট কৰা পৃষ্ঠ নষ্ট কৰিব পাৰে। জলাধাৰ পূৰ কৰোঁতে সৱধানতা অৱলম্বন কৰক।

⚠ সতৰ্কবাণী

- যদি বাহনখন অতিৰিক্ত বোজাই কৰা অৱস্থাত চলোৱা হয়, তেন্তে ব্ৰেকিং দূৰত্ব বেছি হ'ব পাৰে আৰু অধিক পেডেল বলৰ প্ৰয়োজন হ'ব পাৰে।

⚠ সতৰ্কবাণী

যদি সেৱন কৰা হয়, ব্ৰেক ফ্লুইড বিপজ্জনক বা ক্ষতিকাৰক, যদি চকু বা ছালৰ সংস্পৰ্শলৈ আহে, ই অতি বিপজ্জনক। যদি সেৱন কৰা হৈছে, বমিৰ ভাৱ নানিব। শীঘ্ৰে এটা পইজন কন্ট্ৰল চেণ্টাৰ বা এগৰাকী চিকিতসকক যোগাযোগ কৰক। যদি কুলেণ্ট চকুত লাগে, পানীৰে চকু ধুই দিয়ক আৰু চিকিতসাৰ পৰামৰ্শ গ্ৰহণ কৰক। হেণ্ডলিঙৰ পিছত ভালদৰে ধুৱক। জীৱ-জন্তুৰ কাৰণে এই চলুচন বিষাক্ত হ'ব পাৰে। সবু লৰা-ছোৱালী আৰু জীৱ জন্তুৰ পৰা আঁতৰত ৰাখক।

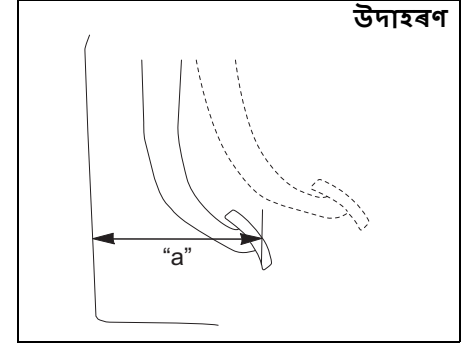
নোট:

ডিস্ক ব্ৰেকৰ সহায়ত ব্ৰেক পেড ফ্ৰয় হোৱাৰ লগে লগে তৰল পদাৰ্থৰ মাত্ৰা ক্ৰমান্বয়ে কমি যাব বুলি আশা কৰিব পাৰি।

ব্ৰেক পেডেল

ব্ৰেক পেডেলটো হেঁচিলে স্পঞ্জৰ দৰে অনুভৱ নোহোৱাকৈ নিয়মীয়া উচ্চতাত ৰৈ যায় নেকি পৰীক্ষা কৰক। যদি নহয়, তেন্তে আপোনাৰ

অনুমোদিত **MARUTI SUZUKI COMMERCIAL WORKSHOP**ৰ পৰা ব্ৰেক চিষ্টেম পৰিদৰ্শন কৰক। যদি আপুনি নিয়মীয়া উচ্চতাৰ বাবে ব্ৰেক পেডেলৰ ওপৰত সন্দেহ কৰে, তেন্তে ইয়াক তলত দিয়া ধৰণে পৰীক্ষা কৰক:



পেডেলৰ পৰা ফ্ৰন্ট পেনেললৈ নিম্নতম দূৰত্ব "a":

পেট্ৰল আৰু CNG ইঞ্জিন মডেল: 150 mm

ইঞ্জিনটো চলি থাকোঁতে পেডেলডাল প্ৰায় **30 kg (66 lbs)** বলেৰে হেঁচি ৰাখি ব্ৰেক পেডেল আৰু ফ্ৰন্ট পেনেলৰ মাজৰ দূৰত্ব জোখক। উল্লেখিত ধৰণে নিম্নতম দূৰত্ব থাকিব লাগিব। যিহেতু আপোনাৰ গাড়ীৰ ব্ৰেক চিষ্টেম ছেল্ফ-এডজাষ্টিং, পেডেল এডজাষ্টিমেন্টৰ কোনো দৰকাৰ নাই। যদি পেডেলৰ পৰা ফ্ৰন্ট পেনেলৰ দূৰত্ব প্ৰয়োজনীয় নিম্নতম দূৰত্বতকৈ কম হয়, আপোনাৰ গাড়ীখন স্বীকৃতিপ্ৰাপ্ত **MARUTI SUZUKI COMMERCIAL** ৱৰ্কশপৰ দ্বাৰা পৰীক্ষা কৰাই লওঁক।

নোট:

ব্ৰেক পেডেল আৰু সন্মুখৰ পেনেলৰ মাজৰ দূৰত্ব জুখিলে, নিশ্চিত হওক যে সন্মুখৰ পেনেলত থকা মজিয়াৰ মেট বা ববৰ আপোনাৰ জোখত অন্তৰ্ভুক্ত নহয়।



উদাহৰণ

77PM07013

⚠ সতৰ্কবাণী

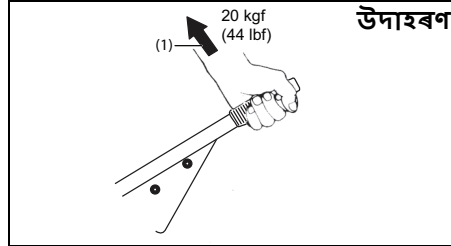
যদি আপুনি আপোনাৰ বাহনৰ ব্ৰেক চিষ্টেমত তলত দিয়া কোনো সমস্যাৰ সন্মুখীন হয়, তেন্তে তৎক্ষণাত আপোনাৰ অনুমোদিত **MARUTI SUZUKI COMMERCIAL WORKSHOP**ত বাহনখন পৰিদৰ্শন কৰাওক।

- দুৰ্বল ব্ৰেকিং পাৰ্ফৰমেন্স
- অসমান ব্ৰেকিং (আটাইকেইটা চকাত ব্ৰেকে সমানকৈ কাম কৰা নাই)
- অতিৰিক্ত পেডেল ট্ৰেভেল
- ব্ৰেক ড্ৰেগিং
- অতিৰিক্ত নইজ
- পেডেলৰ কম্পন (হেঁচি ধৰোতে পেডেল কঁপে)

⚠ সতৰ্কবাণী

যদি ব্ৰেক পেডৰ আৱৰণ সিন্কা হয় আৰু ই ইয়াৰ নিম্নতম ডাঠত উপনীত হয়, ব্ৰেকিংৰ সময়ত চিঞৰ-বাখৰ কৰা শব্দ। যদি আপুনি এই শব্দ শুনিছে, বাহনখন মাৰুতি চুতীকি কৰ্তৃস্থাপিত কৰ্মশালাৰ দ্বাৰা লগে লগে পৰীক্ষা কৰক। এই অৱস্থাৰ সৈতে গাড়ী চলোৱা অব্যাহত ৰখাৰ ফলত দুৰ্ঘটনা ঘটিব পাৰে।

পাৰ্কিঙ ব্ৰেক



উদাহৰণ

77PM702

শাপলাৰ দাঁত নিৰ্দিষ্টকৰণ
6ষ্ঠ - 9ম দাঁত
লিভাৰ পুল ফোর্চ (1):
200 N (20 kgf, 44 lbf)

আপুনি লাহে লাহে পাৰ্কিঙ ব্ৰেক লিভাৰ পূৰ্ণ এংগেজমেন্টলৈ উঠাই থাকোতে শাপলাৰ দাঁতৰ দ্বাৰা সৃষ্টি হোৱা ক্লিক গণনা কৰি প্ৰকৃত এডজাষ্টমেন্টৰ বাবে পাৰ্কিঙ ব্ৰেক পৰীক্ষা কৰক। নিৰ্দিষ্ট শাপলাৰ দাঁতৰ মাজত পাৰ্কিঙ ব্ৰেক লিভাৰ ৰব লাগিব আৰু ৰিয়েৰ হুইল সুৰক্ষিতভাৱে লক কৰা থাকিব লাগিব। যদি পাৰ্কিঙ ব্ৰেক সম্পূৰ্ণকৈ এডজাষ্ট হৈ নাথাকে আৰু

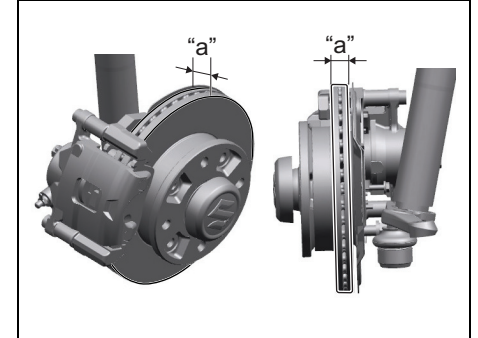
লিভাৰ সম্পূৰ্ণকৈ এৰি দিয়াৰ পিছত ব্ৰেক পিছলে, পাৰ্কিঙ ব্ৰেক ভালদৰে পৰীক্ষা কৰি লওক আৰু/ বা **MARUTI SUZUKI COMMERCIAL** ৰৰ্কশ্বপত পৰীক্ষা কৰাওক।

⚠ সতৰ্কবাণী

- বাহনত অতিৰিক্ত বোজা হ'লে পাৰ্কিং ব্ৰেক ফলপ্ৰসূ নহ'বও পাৰে। বাহনখন ধৰি ৰাখিবলৈ অতিৰিক্ত ব্যৱহাৰ কৰক।

ব্ৰেক ডিস্ক আৰু ব্ৰেক ড্ৰাম

ব্ৰেক ডিস্ক

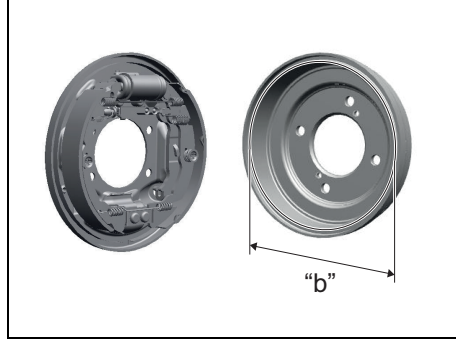


77PM709

ব্ৰেক অৱস্থান	নিম্নতম ডাঠ "a"
সন্মুখৰ চকাসমূহ	18.0 mm

ইন্সপেকশ্যন আৰু মেইন্টেনেন্স

ব্ৰেক ড্ৰাম

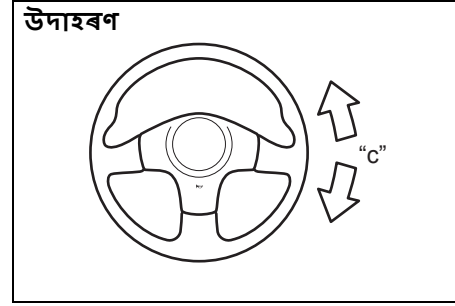


77PM708

ব্ৰেক অৱস্থান	সৰ্বাধিক আভ্যন্তৰীণ ব্যাস “b”
পিছফালৰ চকাসমূহ	202 mm

যদি আটাইতকৈ বেছি জীৰ্ণ অংশটোৰ জোখা ডাঠ বা ভিতৰৰ ব্যাস তললৈ পৰে বা ওপৰত উল্লেখ কৰা মূল্যতকৈ অধিক হয়, অংশবোৰ নতুন এটাৰ সৈতে সলনি কৰিব লাগে। জোখটোত প্ৰতিটো ব্ৰেক বিচ্ছিন্ন কৰা অন্তৰ্ভুক্ত থাকে আৰু মাইক্ৰ’মিটাৰ বা কেলিপাৰ ব্যৱহাৰৰ প্ৰয়োজন হয়, যিটো প্ৰাসঙ্গিক সেৱা মেনুৱেলত বৰ্ণনা কৰা নিৰ্দেশনা অনুসৰি কৰিব লাগিব বা প্ৰাসঙ্গিক মেৰামতি তথ্য স্থানৰ পৰা উপলব্ধ হ’ব লাগিব।

ষ্টিয়েৰিঙ



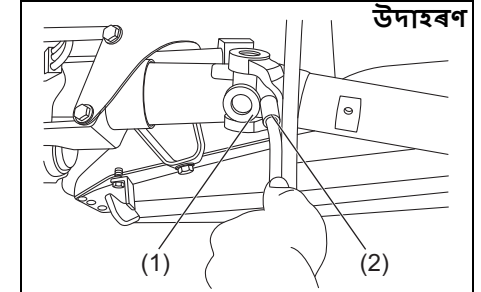
77PH042

ষ্টিয়েৰিঙ হুইল প্লে “C”:
0 – 30 mm (0.0 – 1.2 in.)

ইঞ্জিন বন্ধ হৈ থকা অৱস্থাত আৰু চকা পোনকৈ থাকোতে ষ্টিয়েৰিঙ হুইল সোঁফালৰ পৰা বাওঁফাললৈ আৰু বাওঁফালৰ পৰা সোঁফাললৈ ঘূৰাই ষ্টিয়েৰিঙ হুইলৰ প্লে পৰীক্ষা কৰক। আপুনি সামান্য বাধা অনুভৱ কৰাৰ আগতে ষ্টিয়েৰিঙে অতিক্ৰম কৰা দূৰত্ব নিৰ্ণয় কৰক। নিৰ্দিষ্ট মানৰ ভিতৰত প্লে থকা উচিত। এখন মুকলি ঠাইত লাহে লাহে ড্ৰাইভ কৰি থাকোতে পৰীক্ষা কৰক যাতে ষ্টিয়েৰিঙ হুইল সহজে আৰু মসৃণভাৱে কোনোধৰণে নৰুপাকৈ সম্পূৰ্ণকৈ সোঁফালে বা বাওঁফালে ঘূৰি থাকে। যদি ক্ৰী প্লেৰ মান নিৰ্দিষ্ট মানৰ বাহিৰত হয় বা আপুনি অন্য কোনো খেলিমেলি অনুভৱ কৰে, স্বীকৃত **MARUTI SUZUKI** ৱৰ্কশ্বপৰ দ্বাৰা আপোনাৰ গাড়ীখন পৰীক্ষা কৰোৱা উচিত।

প্ৰপেলাৰ ছাফ্ট মুনিভাৰ্ছেল জইন্ট

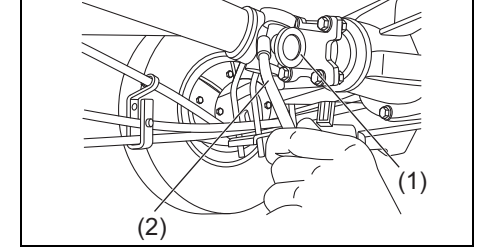
ফ্ৰন্ট



77PM703

বাৰিয়েৰ

উদাহৰণ



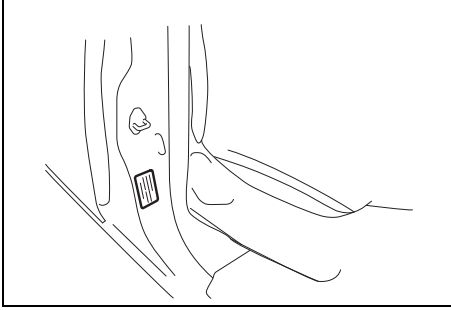
77PM704

চাৰ্ভিছ চিডিউল অনুসৰি প্ৰপেলাৰ ছাফ্ট মুনিভাৰ্ছেল জইন্ট (1) (ফ্ৰন্ট আৰু বাৰিয়েৰ) লুব্ৰিকেট কৰক।

প্ৰপেলাৰ ছাফ্ট মুনিভাৰ্ছেল জইন্ট লুব্ৰিকেট কৰিবলৈ আপুনি গ্ৰীজ গান (2) আৰু নিৰ্দিষ্ট গ্ৰীজ **NLGI GRADE 2** ব্যৱহাৰ কৰা উচিত।

টায়ার

উদাহৰণ



77PM705

টায়ার ইনফৰমেশ্যন লেবেলত আপোনাৰ গাড়ীৰ বাবে ফ্রন্ট আৰু ৰিয়েৰ টায়ার স্পেচিফিকেশ্যন তালিকাভুক্ত কৰা আছে। ফ্রন্ট আৰু ৰিয়েৰ টায়ার দুয়োটাতে নিৰ্দিষ্ট টায়ার প্ৰেছাৰ থকা উচিত। মন কৰিব যে এই মান স্পেয়াৰ টায়ারৰ ক্ষেত্ৰত প্ৰযোজ্য নহয়, যদি লগোৱা হৈছে।

টায়ার পৰীক্ষা

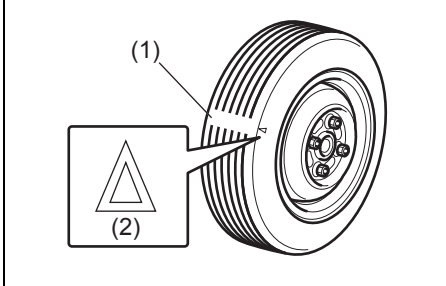
তলৰ পৰীক্ষাসমূহ সম্পন্ন কৰি আপোনাৰ গাড়ীৰ টায়ার মাহত অতি কমেও এবাৰ পৰীক্ষা কৰক

- 1) এডাল টায়ার প্ৰেছাৰ গজৰ দ্বাৰা এয়াৰ প্ৰেছাৰ জোখক যদি প্ৰয়োজনীয়, প্ৰেছাৰ এডজাষ্ট কৰক। স্পেয়াৰ টায়াৰো পৰীক্ষা কৰিবলৈ মনত ৰাখিব।

⚠ সতৰ্কবাণী

- টায়ার যেতিয়া ঠাণ্ডা হৈ থাকে, তেতিয়াহে এয়াৰ প্ৰেছাৰ জুখিব লাগে নহলে আপুনি অশুদ্ধ মান লাভ কৰিব পাৰে।
- নিৰ্দিষ্ট প্ৰেছাৰ লাভ নকৰালে টায়ারটো ক্ৰমে ক্ৰমে হেঁচি সময়ে সময়ে ইনফ্লেশ্যন প্ৰেছাৰ পৰীক্ষা কৰক।
- কেতিয়াও কম বা বেছিকৈ টায়ার নেহেঁচিব।
- কমকৈ হেঁচিলে অস্বাভাৱিক হেণ্ডলিঙ বা টায়ার বিডত ৰিম পিছলাৰ দৰে ঘটনাৰ সৃষ্টি হব পাৰে যাৰ ফলত দুৰ্ঘটনা বা টায়ার বা ৰিমৰ ক্ষতি হব পাৰে।
- বেছিকৈ হেঁচাৰ ফলত টায়ার বাষ্ট হব পাৰে, ফলত জখমৰ দৰে ঘটনা সংঘটিত হব পাৰে। বেছিকৈ হেঁচিলে অস্বাভাৱিক হেণ্ডলিঙৰো সৃষ্টি হব পাৰে যাৰফলত দুৰ্ঘটনা হয়।

উদাহৰণ



52KM110

- (1) ট্ৰেড ৱেৰ ইণ্ডিকেটৰ

- (2) ইণ্ডিকেটৰ লোকেশ্যন মাৰ্ক

- 2) পৰীক্ষা কৰক যাতে ড্ৰেড গ্ৰাভৰ গভীৰতা **1.6 mm (0.06 in.)**তকৈ বেছি হয়। আপোনাক এই পৰীক্ষাত সহায়ৰ বাবে, গ্ৰাভত টায়ার ট্ৰেড ৱেৰ ইণ্ডিকেটৰত মোল্ড কৰা আছে। যেতিয়া ইণ্ডিকেটৰ ট্ৰেড পৃষ্ঠত থাকে, ড্ৰেডৰ বাকী গভীৰতা **1.6 mm (0.06 in.)** বা কম হলে টায়ার সলনি কৰিব লাগে।
- 3) অস্বাভাৱিক ক্ষয়, ফাট আৰু ক্ষতিৰ বাবে পৰীক্ষা কৰক। যিকোনো টায়াৰত ফাট বা আন ক্ষতি হ'লে সলনি কৰিব লাগে। যদি কোনো টায়াৰত অস্বাভাৱিক ক্ষয় দেখা যায়, তেন্তে আপোনাৰ অনুমোদিত **MARUTI SUZUKI COMMERCIAL WORK-SHOP**ত পৰিদৰ্শন কৰাওক।

⚠ সাৱধান

বাটত খুন্দিয়ালে আৰু শিলৰ ওপৰেৰে চলালে টায়াৰৰ ক্ষতি হব পাৰে আৰু হুইল এলাইনমেন্টত প্ৰভাৱ পেলাব পাৰে। নিশ্চিত কৰিব যাতে সময়ে সময়ে **MARUTI SUZUKI** স্বীকৃত **COMMERCIAL** ৱৰ্কশপৰ দ্বাৰা হুইল এলাইনমেন্ট পৰীক্ষা কৰা হয়।

- 4) টিলা হোৱা চকাৰ নট পৰীক্ষা কৰক।
- 5) পৰীক্ষা কৰক যাতে টায়াৰত কোনো গজাল, শিল বা অন্য বস্তু লাগি থকা নাই।

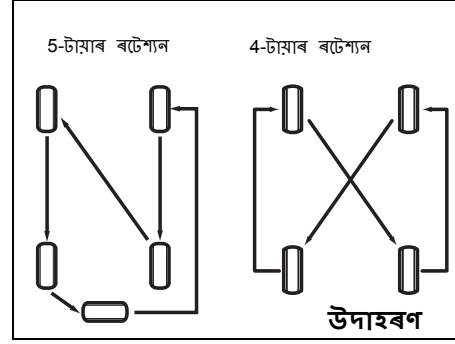
⚠ সতৰ্কবাণী

- আপোনাৰ গাড়ীত সমান আকাৰৰ আৰু একেধৰণৰ টায়ামৰ লগোৱা থাকোঁ গাড়ীখনৰ প্ৰকৃত ষ্টিমেৰিঙ আৰু হেণ্ডলিঙ নিশ্চিত কৰাটো প্ৰয়োজনীয়। আপোনাৰ গাড়ীখনৰ চাৰিওটা চকাত কেতিয়াও বেলেগ বেলেগ আকাৰ বা প্ৰকাৰৰ টায়ামৰ সানুহিহি কৰি নলগাব। আপোনাৰ গাড়ীখনৰ বাবে ষ্টেণ্ডাৰ্ড বা অপশ্যনেল ইকুইপমেন্ট হিচাপে MARUTI SUZUKI য়ে অনুমোদন কৰা আকাৰ আৰু প্ৰকাৰৰ টায়ামৰে ব্যৱহাৰ কৰা উচিত।
- আপোনাৰ বাহনত সংলগ্ন চকা আৰু টায়ামসমূহ আফটাৰমাৰ্কেট চকা আৰু টায়ামৰ কিছুমান সংমিশ্ৰণেৰে সলনি কৰিলে আপোনাৰ বাহনৰ ষ্টিমাৰিং আৰু হেণ্ডলিং বৈশিষ্ট্য যথেষ্ট সলনি হ'ব পাৰে।
- গতিকে আপোনাৰ বাহনৰ বাবে কেৱল MARUTI SUZUKI দ্বাৰা অনুমোদিত চকা আৰু টায়ামৰ সংমিশ্ৰণ মানিক বা ঐচ্ছিক সজুলি হিচাপে ব্যৱহাৰ কৰক।

জাননী

মূল টায়ামবোৰ অন্য কোনো বেলেগ আকাৰৰ টায়ামেৰে সলনি কৰিলে স্পীডমিটাৰ বা অড'মিটাৰৰ ৰিডিং ভুল হ'ব পাৰে। সলনি কৰিবলৈ, মূল টায়ামৰ পৰা আকাৰত পৃথক টায়ামৰ কিনাৰ আগতে আপোনাৰ অনুমোদিত MARUTI SUZUKI COMMERCIAL ৱৰ্কশ্বপৰ সৈতে কথা পাতি লওক।

টায়ামৰ ৰটেচ্যন



80JK7001

টায়ামৰ অসমানতাৰ পৰা হাত সাৰিবলৈ আৰু ইয়াৰ আয়ুস দীঘলীয়া কৰিবলৈ চিত্ৰত দেখুওৱাৰ দৰে টায়ামবোৰ ৰ'টেট কৰিব। প্ৰতি 10000 kmত টায়াম ৰ'টেট কৰিব। ৰটেচ্যনৰ পাছত, আপোনাৰ গাড়ীখনৰ টায়াম ইনফৰ্মেশ্যন লেবেলত দিয়া অনুযায়ী সলুথৰ আৰু পিছফালৰ টায়ামৰ চাপ মিলাই লওক।

হুইল বেলেঞ্চিং

যদি মসৃণ বাট এটাতো আপোনাৰ গাড়ীখন অস্বাভাৱিকভাৱে কঁপে, তেন্তে অনুমোদিত MARUTI SUZUKI COMMERCIAL ৱৰ্কশ্বপত চকাৰ ভাৰসাম্য অৰ্থাৎ হুইল বেলেঞ্চিং নিশ্চিত কৰাওক।

হুইল এলাইগমেন্ট

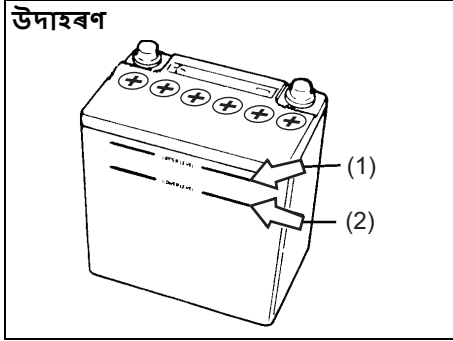
অস্বাভাৱিকভাৱে টায়াম ৰেৰৰ ক্ষেত্ৰত বা চলি থাকোঁতে কোনোবা এটা চকাই একালে টানিলে অনুমোদিত MARUTI SUZUKI COMMERCIAL ৱৰ্কশ্বপত চকাটোৰ এলাইগমেন্ট কৰাওক।

বেটেৰী

⚠ সতৰ্কবাণী

- বেটেৰীবোৰে ফ্লেমেবল অৰ্থাৎ জ্বলনশীল হাইড্ৰজেন গেছ উৎপন্ন কৰে। সেয়েহে বিস্ফোৰণৰ পৰা হাত সাৰিবলৈ জুই আৰু ফিৰিঙতিৰ পৰা বেটেৰীবোৰ আঁতৰত ৰাখিব। বেটেৰীৰ ওচৰত কাম কৰাৰ সময়ত কেতিয়াও ধূমপান নকৰিব।
- বেটাৰী পৰীক্ষা বা চাৰ্ভিচ কৰাৰ সময়ত, ঋণাত্মক কেবুল বিচ্ছিন্ন কৰক। শ্বৰ্ট চাৰ্কিটৰ সৃষ্টি নকৰিবলৈ ধাতুৰ বস্তুবোৰ একে সময়তে বেটাৰীৰ পোষ্ট আৰু বাহনৰ সংস্পৰ্শলৈ যাতে নাহে তাৰবাবে সাৱধান হওক।
- নিজৰ বা আপোনাৰ গাড়ীখন তথা ইয়াৰ বেটেৰীৰ সম্ভাৱ্য ক্ষতিৰ পৰা হাত সাৰিবলৈ, যদিহে আপোনাৰ বাহনখন জাম্প ষ্টাৰ্ট কৰাটো প্ৰয়োজনীয় বুলি বোধ কৰে, এই হাতপুথিখনৰ জৰুৰী চাৰ্ভিছ অংশত থকা জাম্প ষ্টাৰ্ট নিৰ্দেশনা বিধি অনুসৰণ কৰক।

উদাহৰণ



54GM701

মেইন্টেনেন্স-ফ্রী অৰ্থাৎ ৰক্ষণা-বেক্ষণৰ প্ৰয়োজন নথকা বেটেৰীৰ বাবে (কেপ-লেছ ধৰণৰ), পানী ভৰোৱাৰ প্ৰয়োজন নাথাকে। পানী ভৰোৱা ফিলাৰ কেপ থকা পৰম্পৰাগত ধৰণৰ বেটেৰীৰ ক্ষেত্ৰত বেটেৰী চলিউশ্যনৰ পৰিমাণ সকলো সময়তে আপাৰ লেভেল লাইন (1) আৰু লৱাৰ লেভেল লাইন (2)ৰ মাজত থাকিব লাগে। সময়ে সময়ে বেটাৰি, কেছ বেটাৰি টাৰ্মিনেলসমূহ, আৰু বেটাৰি হন্ড-ডাউন ব্ৰেকটসমূহ কোনো ক্ষয়-ক্ষতি বা জং (মামৰে) ধৰিছে নেকি অৰ্থাৎ কৰ'জ্যন হৈছে নেকি পৰীক্ষা কৰা উচিত। টান ব্ৰাছ আৰু এমোনিয়া অথবা বেকিং চ'ডা পানীত মিহলাই এনে মামৰ আঁতৰাই পেলাব পাৰি। ইয়াৰ পাছত পৰিষ্কাৰ পানীৰে ধুই পেলালেই চাফা হৈ পৰে।

যদি আপোনাৰ বাহনখন এমাহ বা তাতকৈ অধিক সময়ৰ বাবে চলাব নালাগে, তেন্তে ডিচাৰ্জ ৰোধ কৰাত সহায় কৰিবলৈ বেটাৰীৰ নেগেটিভ টাৰ্মিনেলৰ পৰা তাঁৰডাল বিচ্ছিন্ন কৰক।

⚠ সতৰ্কবাণী

যদি বেটাৰীৰ স্তৰৰ নিম্ন স্তৰ লাইনতকৈ কম হোৱালৈকে বেটাৰীটো ব্যৱহাৰ কৰা হয় (2), ই বেটাৰীৰ জীৱনকাল হ্রাস কৰিব পাৰে, বহিঃতাপীয় তাপ, বা বেটাৰীৰ পৰা হাইড্ৰজেন গেছৰ দ্বাৰা বিস্ফোৰণ ঘটিব পাৰে। বেটাৰীৰ স্তৰৰ তলৰ স্তৰ লাইনতকৈ কম হোৱা বেটাৰী ব্যৱহাৰ নকৰিব (2)।

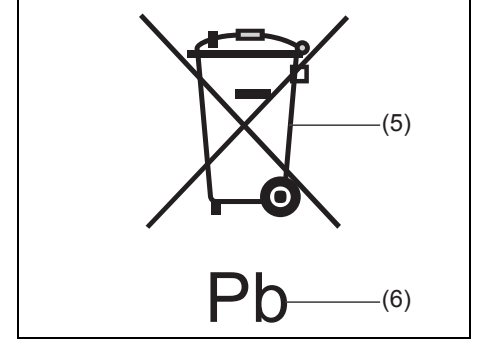
জাননী

যদি বেটেৰী লিকুইডটো আপাৰ লেভেল লাইন(1)ৰ ওপৰলৈকে যোগ কৰা হয়, তেন্তে গাড়ীখন চলাৰ সময়ত, কঁপনি উঠিলে লিকুইডটো লিক হ'ব পাৰে বা বেটেৰী চাৰ্জিঙৰ অৱস্থাৰ ওপৰত নিৰ্ভৰ কৰি কেতিয়াবা স্পে আউট হ'ব পাৰে। এই ধৰণৰ কথাই বেটেৰীৰ ওচৰ-পাজৰৰ অংশৰ ক্ষতি কৰিব পাৰে যদি বেটেৰী লিকুইড উপচি পৰে, তেন্তে তৎক্ষণাত পানীৰে ধুই পেলোৱা উচিত। আপাৰ লেভেল লাইন (1)ৰ ওপৰলৈ কোনো কাৰণতে বেটেৰী লিকুইড নভৰাব।

নোট:

বেটাৰী ব্যৱহাৰ কৰিলে বেটাৰীৰ তলৰ পদাৰ্থ খৰচ হয়। যদি স্তৰটো ওপৰৰ স্তৰ (1) আৰু তলৰ স্তৰ (2)ৰ কেন্দ্ৰতকৈ কম হোৱা দেখা যায়, তেন্তে ওপৰৰ স্তৰৰ ৰেখা (1) পোৱালৈকে ডিষ্টিল্ড পানী যোগ কৰক।

(বেটাৰী লেবেল)



51KM042

(5) ক্ৰছ-আউট হুইলযুক্ত বিন চিহ্ন
(6) "Pb"ৰ ৰাসায়নিক চিহ্ন

বেটাৰি লেবেলত অৱস্থিত ক্ৰছ-আউট হুইলযুক্ত বিন চিহ্ন (5)য়ে সূচায় যে ব্যৱহৃত বেটাৰী সাধাৰণ ঘৰুৱা আৱৰ্জনাৰ পৰা পৃথকে সংগ্ৰহ কৰিব লাগে। "Pb" (6)ৰ ৰাসায়নিক চিহ্নই সূচায় যে বেটাৰীত 0.004% তকৈ অধিক লীড থাকে।

ব্যৱহৃত বেটাৰীটো সঠিকভাৱে নিষ্কাশন বা পুনৰ্ব্যৱহাৰ কৰা নিশ্চিত কৰি, আপুনি পৰিৱেশ আৰু মানৱ স্বাস্থ্যৰ বাবে সাম্ভাৱ্য নেতিবাচক পৰিণাম প্ৰতিহত কৰাত সহায় কৰিব, যি অনাথা বেটাৰিৰ অনুপযুক্ত আৱৰ্জনা সঞ্চালনৰ ফলত হ'ব পাৰে। সামগ্ৰীৰ পুনৰ্ব্যৱহাৰে প্ৰাকৃতিক সম্পদ সংৰক্ষণত সহায় কৰিব। ব্যৱহৃত বেটাৰী নিষ্কাশন বা পুনৰ্ব্যৱহাৰৰ বিষয়ে অধিক বিতং তথ্যৰ বাবে, **MARUTI SUZUKI** কৰ্তৃস্থাপ্ত কৰ্মশালা এখনৰ পৰামৰ্শ লওক।

ইন্সপেকশ্যন আৰু মেইন্টেনেন্স

ফিউজ

আপোনাৰ গাড়ীখনত তলত দিয়া অনুযায়ী তিনি ধৰণৰ ফিউজ থাকে:

ফিউজিবল লিংক ব্ৰায়াৰ আৰু মেইন ফিউজ

মেইন ফিউজে বেটেৰীৰ পৰা পোনে পোনে কাৰ্ভেন্ট লয়।

প্ৰাইমেৰী ফিউজ

মেইন ফিউজ আৰু ইণ্ডিভিজুৱেল ফিউজৰ মাজৰ এই ফিউজসমূহ ইলেক্ট্ৰিকেল লোড গ্ৰুপৰ বাবে নিৰ্ধাৰিত।

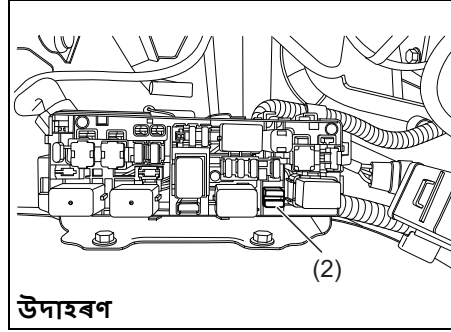
ইণ্ডিভিজুৱেল ফিউজ

এইধৰণৰ ফিউজবোৰ ইণ্ডিভিজুৱেল ইলেক্ট্ৰিকেল চাৰ্কিটৰ বাবে ব্যৱহাৰ হয়।

নোট:

- “ব্লেক” বুলি উল্লেখ কৰা থাকিলে বজিব লাগিব যে, যদিও আপোনাৰ গাড়ীৰ ফিউজ বক্সৰ কভাৰত ফিউজৰ নামটো উপলব্ধ হৈছে, সেই ক্ষেত্ৰত তাৰ প্ৰয়োগ নহয়।
- কেতিয়াবা ব্লেক বুলি উল্লেখ নকৰিলেও কিছুমান ফিউজ গাড়ীৰ প্ৰকাৰ অনুযায়ী আপোনাৰ গাড়ীখনৰ বাবে প্ৰযোজ্য নহ’বও পাৰে।

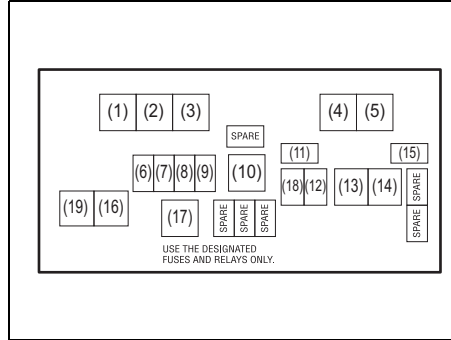
ফিউজ আঁতৰাবলৈ ৰিলে বাকচত দিয়া ফিউজ পুল্লাৰ (2) ব্যৱহাৰ কৰিব।



নোট:

কেতিয়াবা ব্লেক বুলি উল্লেখ নকৰিলেও কিছুমান ফিউজ গাড়ীৰ প্ৰকাৰ অনুযায়ী আপোনাৰ গাড়ীখনৰ বাবে প্ৰযোজ্য নহ’বও পাৰে।

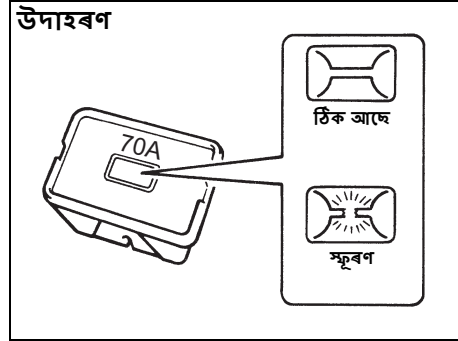
ইঞ্জিন কম্পাৰ্টমেণ্টত ফিউজ



মেইন ফিউজ/প্ৰাইমেৰী ফিউজ / ৰিলে		
S. No.	ৰেটিং	ফিউজ/ৰিলে
(1)	–	চি এন জি ভাল্ড ৰিলে*
(2)	–	ফিউজ পুল্লাৰ
(3)	–	ৰেডিমেটৰ ফেন ৰিলে
(4)	–	ফুৱেল পাম্প ৰিলে
(5)	–	ষ্টাৰ্টিং মটৰ ৰিলে
(6)	7.5A	চি এন জি ভাল্ড*
(7)	20A	ফুৱেল ইঞ্জেকশ্যন
(8)	30A	ষ্টাৰ্টিং মটৰ
(9)	15A	হৰ্ণ
(10)	70A	অল্টাৰ্ণেটৰ
(11)	7.5A	চি এন জি*
(12)	10A	হেজাৰ্ড ব্ৰাণিং লাইট
(13)	40A	বেটেৰী
(14)	40A	ইগনিশ্যন চুইচ
(15)	7.5A	এচটি এচআইজি 2 (ষ্টাৰ্টিং চিগনেল)/ আৰম্ভণিৰ চিগনেল
(16)	30A	ৰেডিমেটৰ ফেন
(17)	–	এফআই মেইন ৰিলে
(18)	25A	ABS SOL
(19)	40A	ABS MOT

*: চি এন জি মডেলবোৰৰ কাৰণে

মেইন ফিউজ, প্ৰাইমেৰী ফিউজ আৰু কিছুমান ইণ্ডিভিজুৱেল ফিউজ ইঞ্জিন অঞ্চলত থাকে। যদি মেইন ফিউজটোৱেই উৰি যায় তেন্তে কোনো বৈদ্যুতিক উপাদানে কাম নকৰে। যদি এটা প্ৰাইমেৰী ফিউজ উৰি যায়, তেন্তে তাৰ সংশ্লিষ্ট লোড গ্ৰুপৰ কোনো বৈদ্যুতিক উপাদানে কাম নকৰে। মেইন ফিউজ, প্ৰাথমিক ফিউজ বা এটা ইণ্ডিভিজুৱেল ফিউজ সলনি কৰাৰ সময়ত, মাৰুটাৰ খাৰ্টি অংশৰেহে সলনি কৰক। ফিউজ আঁতৰাবলৈ ৰিলে বাকচত দিয়া ফিউজ পুলাৰ (2) ব্যৱহাৰ কৰক। প্ৰতিটো ফিউজৰ এম্পিয়াৰ ফিউজ বক্সৰ কভাৰৰ ভিতৰত দেখুওৱা হৈছে।



60G111

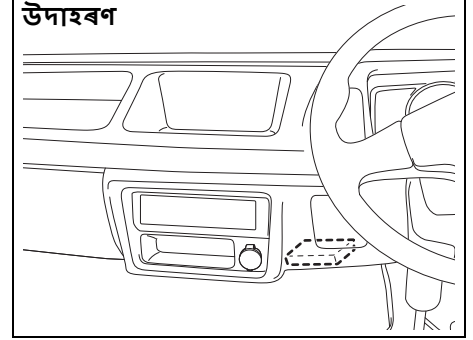
সতৰ্কবাণী

যদি মূল ফিউজ বা এটা প্ৰাইমেৰী ফিউজ উৰি যায়, তেন্তে নিশ্চিতভাৱে আপোনাৰ বাহনখনক অনুমোদিত MARUTI SUZUKI COMMERCIAL WORKSHOPৰ পৰা পৰীক্ষা কৰাৰ লাগে। সদায় MARUTI জেনুইন ৰিপ্লেচমেণ্ট পাৰ্ট ব্যৱহাৰ কৰক। অস্থায়ী মেৰামতিৰ বাবেও কেতিয়াও তাৰৰ দৰে বিকল্প ব্যৱহাৰ নকৰিব, নহ'লে বৈদ্যুতিক ক্ষতি/জুই লাগিব পাৰে।

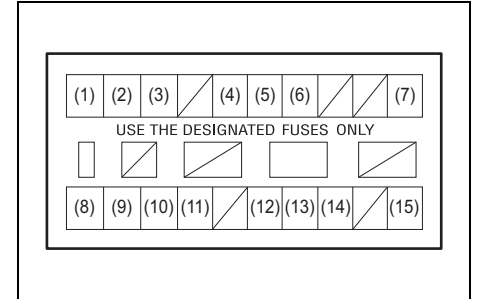
নোট:

নিশ্চিত হওক যে ফিউজ বক্সত সদায় অতিৰিক্ত ফিউজ আৰু ফিউজ পুলাৰ থাকে।

ডেচ ব'ৰ্ডৰ তলত ফিউজ



77PH048

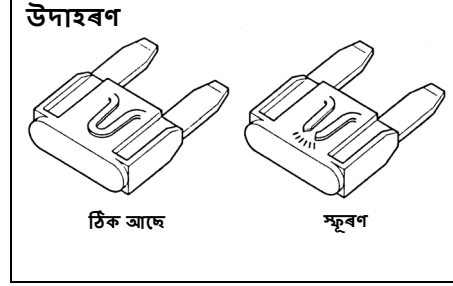


77PH043

মেইন ফিউজ/প্ৰাইমেৰী ফিউজ		
(1)	10A	হে'ডলাইট (সোঁ-ফালৰ)
(2)	10A	হে'ডলাইট (বাওঁ-ফালৰ)
(3)	10A	ড'ম লাইট
(4)	10A	টেইল লাইট
(5)	10A	ষ্টপ লাইট
(6)	15A	ৰেডিঅ'
(7)	10A	ষ্টাৰ্টিং চিগনেল/আৰম্ভণিৰ চিগনেল
(8)	10A	মিটাৰ
(9)	15A	ইগনিশ্যন
(10)	10A	বেক-আপ লাইট
(11)	15A	ফ্ৰন্ট ৰাইপাৰ
(12)	15A	একচেচৰী 2
(13)	10A	একচেচৰী
(14)	7.5A	চি এন জি ইগনিশ্যন*
(15)	10A	ABS

* চি এন জি মডেলবোৰৰ কাৰণে

ফিউজ বক্সটো ডেচৰ'ৰ্ডৰ তলত থাকে।



⚠ সতৰ্কবাণী

সদায় নিশ্চিত হওক যে উৰি যোৱা ফিউজ এটা সঠিক এম্পিয়াৰৰ ফিউজেৰে সলনি কৰক। উৰি যোৱা ফিউজ সলনি কৰিবলৈ কেতিয়াও এলুমিনিয়াম ফয়েল বা তাঁৰৰ দৰে বিকল্প ব্যৱহাৰ নকৰিব। যদি আপুনি এটা ফিউজ সলনি কৰে আৰু নতুনটো কম সময়ৰ ভিতৰতে ফুটি যায় তেন্তে আপোনাৰ এটা ডাঙৰ বৈদ্যুতিক সমস্যা হ'ব পাৰে। আপোনাৰ বাহনখন তৎক্ষণাত আপোনাৰ অনুমোদিত MARUTI SUZUKI COMMERCIAL WORKSHOPৰ দ্বাৰা পৰিদৰ্শন কৰক।

বাল্ব ৰিপ্লেচমেন্ট

⚠ সৱধান

- লাইট বাল্ব বন্ধ কৰাৰ ঠিক পিছতেই আঙুলি পুৰিব পৰাকৈ গৰম হ'ব পাৰে। বিশেষকৈ হেল'জেন হেডলাইট বাল্বৰ ক্ষেত্ৰত এই কথা সত্য। বাল্ববোৰ যথেষ্ট ঠাণ্ডা হোৱাৰ পিছত সলনি কৰক।
- হেডলাইটৰ বাল্ববোৰ চাপমুক্ত হেল'জেন গোছেৰে ভৰপূৰ। আঘাত পালে বা পেলাই দিলে ফাটি আঘাত কৰিব পাৰে। সৱধান হ'ব লাগে।

জাননী

আপোনাৰ ছালৰ পৰা ওলোৱা তেলৰ ফলত হেল'জেন বাল্ব এটা অতিমাত্ৰা গৰম হৈ লাইট জ্বলিলে ফাটি যাব পাৰে। পৰিষ্কাৰ কাপোৰেৰে নতুন বাল্ব এটা ধৰি লওক।

জাননী

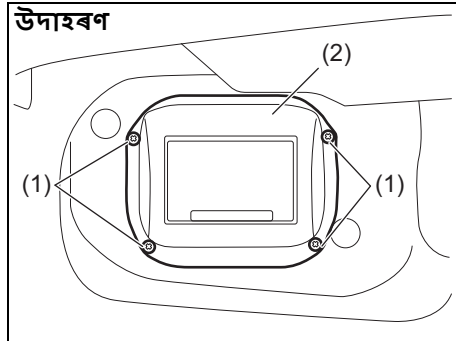
- বাল্ব এটা সঘনাই সলনি কৰিব লগীয়া হ'লে ইলেক্ট্ৰিকেল চিষ্টেমটোৰো পৰীক্ষা কৰাৰ প্ৰয়োজনীয়তা আহি পৰে। এই কাম আপোনাৰ MARUTI SUZUKI অনুমোদিত ৱৰ্কশপত কৰিব পৰা যায়।
- বাল্ব সলনি কৰাৰ সময়ত, উক্ত বাল্ব/ইউনিটত ছপা কৰা আৰু স্পেচিফিকেশ্যনত উল্লেখ কৰা অনুযায়ী, সদায় গাড়ীখনত ব্যৱহাৰ কৰা বাল্ব নম্বৰহে ব্যৱহাৰ কৰিব।

নোট:

বৰষুণত গাড়ী চলোৱাৰ সময়ত, গাড়ী চলোৱাৰ পাছত বা গাড়ী ধোৱাৰ পাছত বাহিৰৰ লাইটৰ লেম্পত (হেডলাইট, ৰিয়াৰ কম্বিনেচন লাইট আদি) ভাপৰ সৃষ্টি হ'ব পাৰে। লাইটটোৰ ভিতৰ আৰু বাহিৰৰ উষ্ণতাৰ পাৰ্থক্যৰ বাবে এই প্ৰাকৃতিক পৰিঘটনাটো ঘটে। লেম্পত অস্থায়ীভাৱে ভাপ সৃষ্টি হোৱাটো কোনো বিজুতি নহয় আৰু বাহন চলোৱাৰ সময়ত ই কোনো অস্বস্তিৰো সৃষ্টি নকৰে।

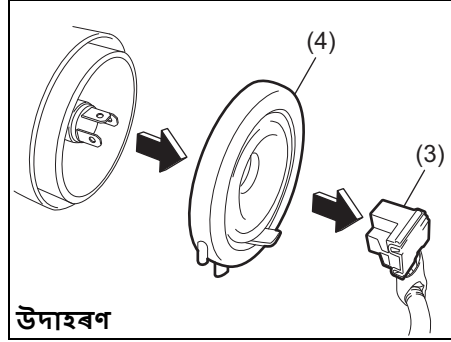
বতৰ ৰ'দমাই হ'লে বা হেডলেম্প জ্বলি থাকিলে এই ভাপ পৰিষ্কাৰ হৈ পৰিব। কিন্তু যদি লেম্পৰ ভিতৰলৈয়ো পানী নিগৰিছে তেন্তে আপোনাৰ অনুমোদিত **MARUTI SUZUKI** ৱৰ্কশ্বপৰ সৈতে যোগাযোগ কৰক।

হেডলাইট



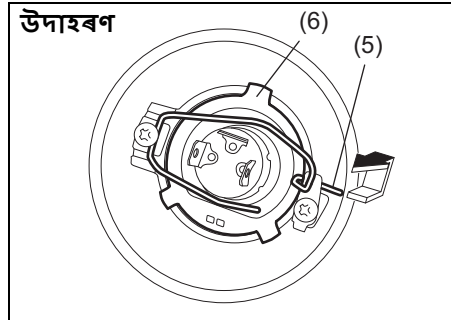
77PH050

- 1) স্ক্ৰুবাৰ আঁতৰাওক (1) আৰু এয়াৰ ইনলেট বাঁচটো (2) আঁতৰাওক।



77PH051

- 2) কাপলাৰটো বিচ্ছিন্ন কৰক (3)। ছিলিং ৰবৰ আঁতৰাই পেলাওক (4)।



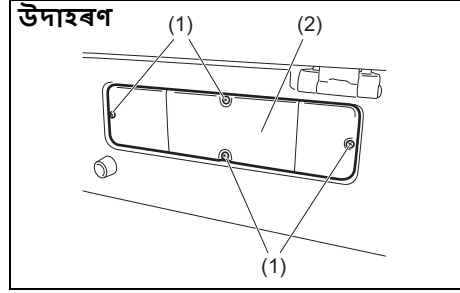
77PH052

- 3) ৰিটেইনিং স্প্ৰিং (5) আগলৈ ঠেলি দি হুকটো খুলি দিয়ক। তাৰ পিছত বাষ্পটো (6) আঁতৰাই পেলাওক। খোলাৰ ওলোটা ক্ৰমত নতুন বাষ্পটো লগাওক।

ফ্ৰন্ট টাৰ্ণ চিগনেল লাইট ফ্ৰন্ট পজিচ্যন লাইট

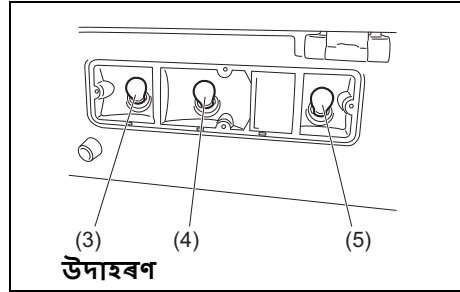
যিহেতু বাষ্প সলনি কৰাৰ কামটো এক বিশেষ পদ্ধতি, সেয়েহে বাষ্প সলনি কৰাৰ বাবে আমি আপোনাক আপোনাৰ গাড়ীখন অনুমোদিত **MARUTI SUZUKI** ৱৰ্কশ্বপলৈ লৈ যাবলৈ পৰামৰ্শ দিওঁ।

ৰিয়েৰ কন্সিৰ্বেশ্যন লাইট



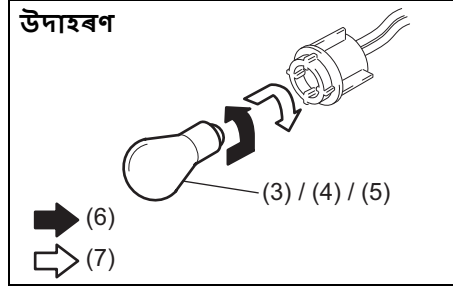
77PH055

- 1) স্ক্ৰুবোৰ আঁতৰাই (1) কভাৰ আঁতৰাই দিয়ক (2)।



77PH056

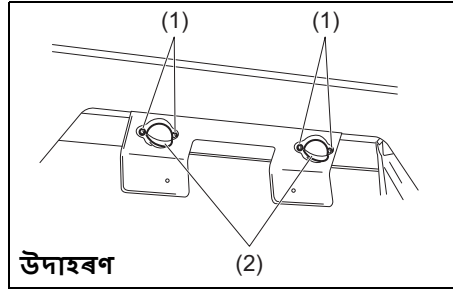
- উদাহৰণ



76MH0A123

- উদাহৰণ
- (6) আঁতৰাওক
(7) ইনষ্টল কৰক
- 2) টাৰ্ণ চিগনেল লাইট (3), টেইল/ব্ৰেক লাইট (4) বা ৰিভাৰ্ছিং লাইট (5)ৰ বাহু হোন্ডাৰৰ পৰা বাহু আঁতৰাবলৈ বাহুটো ঠেলি ঘড়ীৰ কাঁটাৰ বিপৰীত দিশত ঘূৰাব লাগে। নতুন বাহু এটা ইনষ্টল কৰিবলৈ বাহুটো ভিতৰলৈ ঠেলি দি, ঘড়ীৰ কাঁটাৰ দিশত ঘূৰাই দিয়ক।

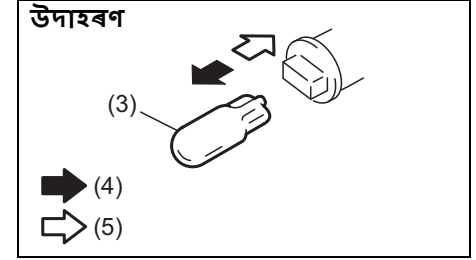
লাইচেন্স প্লেট লাইট



77PH066

- উদাহৰণ

- 1) স্ক্ৰুবোৰ আঁতৰাই (1) কভাৰ আঁতৰাই দিয়ক (2)।

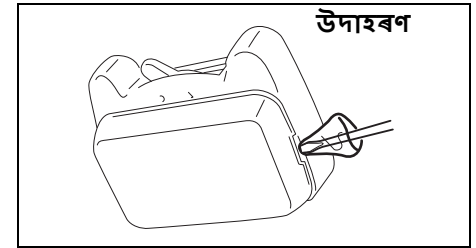


77PH063

- উদাহৰণ
- (4) আঁতৰাওক
(5) ইনষ্টল কৰক
- 2) নম্বৰ প্লেটৰ লাইটৰ বাহুটো আঁতৰাই পুনৰ ইনষ্টল কৰিবলৈ (3) বাহুটো লাহেকৈ টানি উলিয়াই, পাছত ঠেলি লগাব লাগে।

ইনটেৰিয়ৰ লাইট

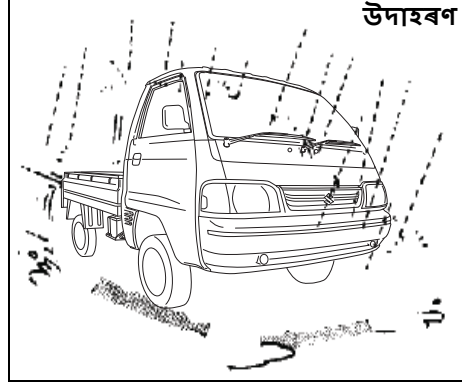
দেখুওৱাৰ দৰে এখন কোমল কাপোৰেৰে ঢকা ক্লেট ব্লেড স্ক্ৰু ডাইভাৰ ব্যৱহাৰ কৰি লেঞ্চখন আঁতৰাই পেলাওক ইয়াক ইনষ্টল কৰিবলৈ, পুনৰ ভিতৰলৈ ঠেলি দিয়ক।



77PH057

- উদাহৰণ

বাইপাৰ ৱেডছ



77PM07028

বাইপাৰ ৱেডবোৰ ভাঙি-ছিঙি গ'লে বা পানী ঠেলোতে গ্লাচত আঁচোৰ পৰিলে, বাইপাৰ ৱেডবোৰ সলনি কৰক।

নতুন বাইপাৰ ৱেড ইনষ্টল কৰিবলৈ তলৰ নিৰ্দেশনা অনুসৰণ কৰক।

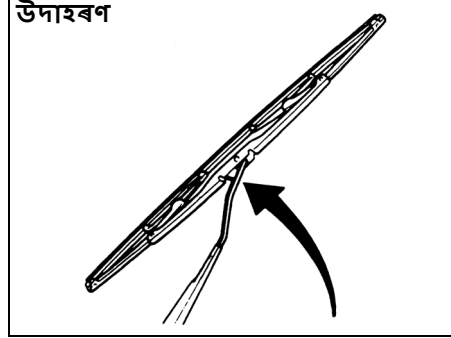
জাননী

খিৰিকীখনত আঁচোৰ লগাৰ পৰা বা ভাঙি যোৱাৰ পৰা হাত সাৰিবলৈ বাইপাৰৰ ৱেড সলনি কৰাৰ সময়ত বাইপাৰৰ আৰ্মটোৰে খিৰিকীত খুন্দা মাৰিবলৈ নিদিব।

নোটে:
গাড়ীৰ প্ৰকাৰ অনুযায়ী কিছুমান বাইপাৰ ৱেড ইয়াত বৰ্ণনা কৰাতকৈ বেলেগ হ'ব পাৰে। তেনে ক্ষেত্ৰত সঠিক পদ্ধতিৰ বাবে আপোনাৰ

অনুমোদিত **MARUTI SUZUKI** বৰ্কষপৰ পৰামৰ্শ লওক।

উইণ্ডশিল্ড বাইপাৰৰ বাবে

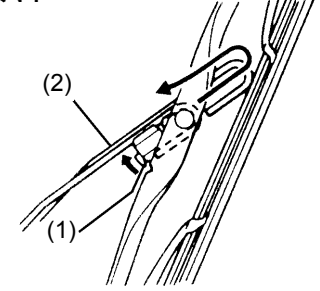


70G119

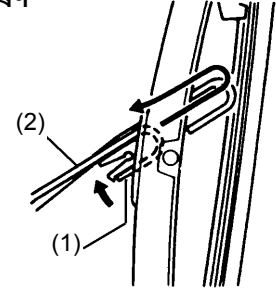
1) বাইপাৰ আৰ্মটো উইণ্ডশিল্ডৰ পৰা আঁতৰাই ৰাখক।

নোটে:
সন্মুখৰ বাইপাৰ আৰ্ম দুটা তোলোতে, প্ৰথমে ড্ৰাইভাৰৰ দিশৰ বাইপাৰ আৰ্মটো ওপৰলৈ টানিব। বাইপাৰ আৰ্ম ঘূৰাই নমাওতে যাত্ৰীৰ দিশৰ বাইপাৰ আৰ্মটো প্ৰথমে তললৈ নমাব লাগে অন্যথা বাইপাৰ আৰ্ম দুটাৰ ইটোৰ লগত সিটোৰ খুন্দা লাগিব পাৰে।

উদাহৰণ



উদাহৰণ

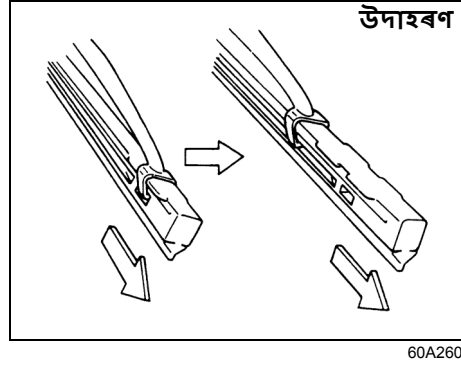


54G130

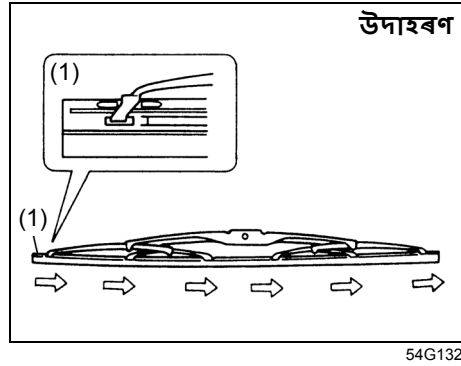
- 2) লক (1) বাইপাৰ আৰ্ম (2) ৰ ফালে চেপি দিয়ক আৰু দেখুওৱাৰ দৰে বাইপাৰ ফ্ৰেমটো আৰ্মৰ পৰা আঁতৰাই দিয়ক।
- 3) বাইপাৰ ৱেডৰ লক এণ্টো আনলক কৰি ৱেডখন দেখুওৱাৰ দৰে বাহিৰলৈ স্লাইড কৰক।

ইন্সপেকশ্যন আৰু মেইন্টেনেন্স

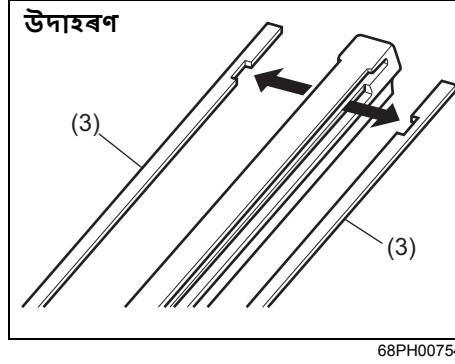
আঁতৰাওক



ইনষ্টল কৰক

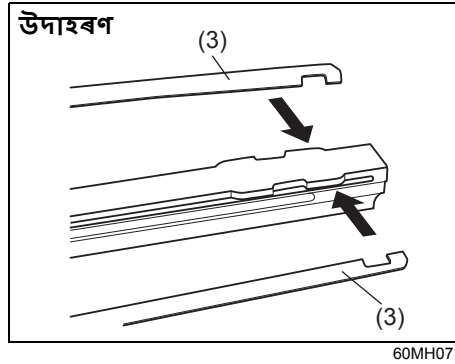


(1) লকড এণ্ড

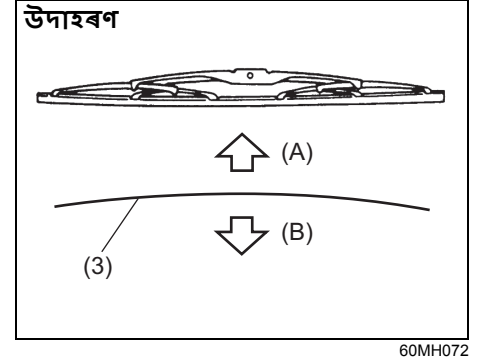


(3) ৰিটেইনাৰ

4) যদি নতুন ৱেডখনৰ লগত মেটেল ৰিটেইনাৰ দুটা দিয়া হোৱা নাই, তেন্তে পুৰণি ৱেডখনৰ পৰা নতুন ৱেডলে নিয়ক।



60MH071



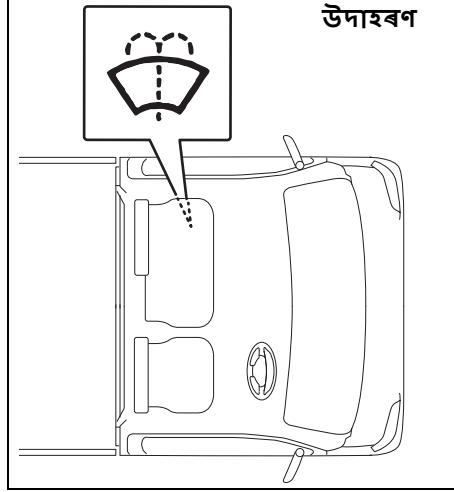
(A) আপ/ ওপৰলৈ
(B) ডাউন/তললৈ

নোট:

ধাতুৰ ৰিটেইনাৰ (3) ইনষ্টল কৰাৰ সময়ত ৰিটেইনাৰৰ দিশ ওপৰৰ ছবিত দেখুওৱাৰ দৰে হ'ব লাগে।

- আঁতৰোৱাৰ ওলোটা ক্ৰমত নতুন ৱেডখন ইনষ্টল কৰক আৰু লক কৰা দিশটো ৰাইপাৰ আৰম্ভ ফালে ৰাখক। ৱেডখন সকলো হকেৰে সঠিকস্থানত ধৰি ৰখাটো সুনিশ্চিত কৰক আৰু ৱেডৰ মূৰ দুটা সঠিক ঠাইত লক কৰক।
- ৰাইপাৰ ফ্ৰেমটো আৰম্ভ পুনৰ ইনষ্টল কৰোঁতে লক লিভাৰটো আৰম্ভ সুৰক্ষিতভাৱে সোমাই থকাটো সুনিশ্চিত কৰক।

উইণ্ডশিল্ড ব্ৰাশ্বাৰ ফ্লুইড (থাকিলে)



77PM07027

টেংকত ব্ৰাশ্বাৰ ফ্লুইড আছে নে নাই মন কৰক।
প্ৰয়োজন হ'লে পুনৰ ভৰাওক। যোজন অনুসৰি
পানীৰে পাতল কৰি ভাল মানৰ উইণ্ডশিল্ড ব্ৰাশ্বাৰ
ফ্লুইড ব্যৱহাৰ কৰক।

জাননী

বাহনত লাইম স্কেল সৃষ্টি হোৱা ৰোধ
কৰিবলৈ বেছি মিনাৰেলযুক্ত পানী ব্যৱহাৰৰ
পৰা দূৰত থাকিব।

⚠ সতৰ্কবাণী

উইণ্ডশিল্ড ব্ৰাশ্বাৰৰ জলাশয়ত ৰেডিমেটৰ
এন্টিফ্ৰিজ ব্যৱহাৰ নকৰিব। ই উইণ্ডশিল্ডত
স্প্ৰে কৰিলে দৃশ্যমানতা যথেষ্ট ক্ষতিগ্ৰস্ত
কৰিব পাৰে, আৰু আপোনাৰ বাহনৰ ৰংও
ক্ষতিগ্ৰস্ত কৰিব পাৰে।

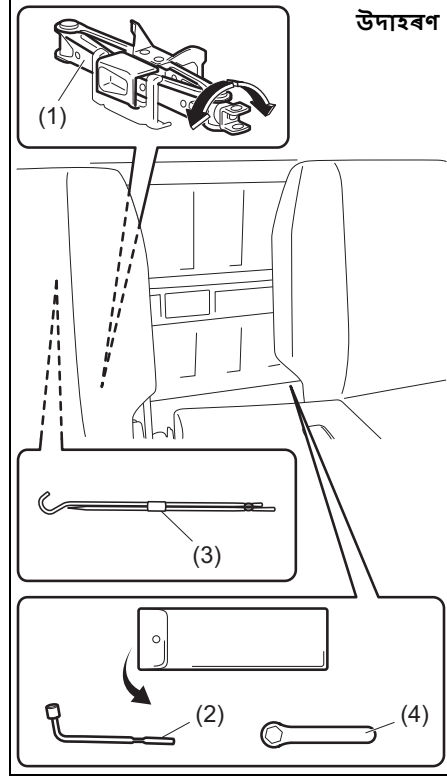
জাননী

ব্ৰাশ্বাৰৰ টেংকত একো নোহোৱাকৈ ব্ৰাশ্বাৰ
মটৰটো চলালে ক্ষতি হ'ব পাৰে।

ইমার্জেন্সি চাৰ্ভিচ/জৰুৰীকালীন সেৱা

টায়ৰ চেঞ্জিং টুল	8-1
জেকিং ইনষ্ট্ৰুমেন্টচ	8-2
চেঞ্জিং হুইলচ	8-5
জাম্প ষ্টাৰ্টিং ইনষ্ট্ৰাকশ্যনচ.....	8-6
টাৱিং বা টানি নিয়া	8-7
যদি ষ্টাৰ্টাৰে কাম নকৰে	8-8
যদি ইঞ্জিনটো বানপানীত ডুবি গৈছে	8-8
যদি ইঞ্জিনটো অতিমাত্ৰা গৰম হয়	8-8
গৰম হোৱাৰ ফলত আগুৰবডি ট্ৰাবল	8-9
ৱাৰ্শিং ট্ৰায়েংগল	8-9
ফায়ৰ এক্সটিংগুইশাৰ বা জুই নমোৱা যতন (যদি থাকে)	8-10

টায়ার চেঞ্জিং টুল

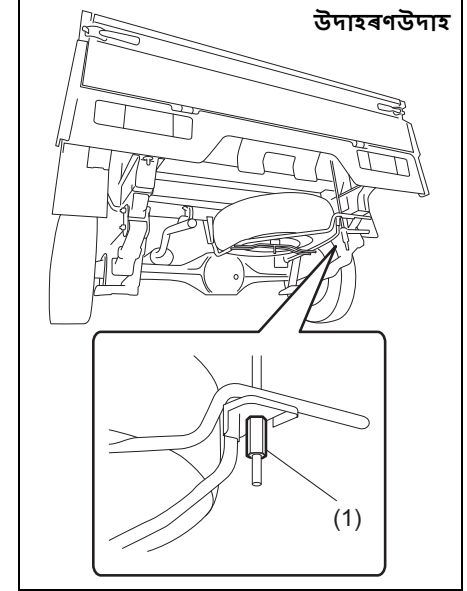


77PH202

- (1) জেক
- (2) হুইল ব্ৰেচ
- (3) জেক হেণ্ডল
- (4) স্পেনাৰ

টায়ার সলনি কৰা সঁজুলিবোৰ ড্ৰাইভাৰৰ আসনৰ পিছফালে থাকে। জেকটো আঁতৰাবলৈ, ইয়াক ঘড়ীৰ কাঁটাৰ বিপৰীত দিশত ঘূৰাই জেকটো ষ্ট্ৰেজ ব্ৰেকেটৰ পৰা উলিয়াই আনিব। জেকটো আকৌ আগৰ ঠাইত ৰাখিবলৈ ইয়াক ষ্ট্ৰেজ ব্ৰেকেটত ৰাখক আৰু সঠিক অৱস্থান নোপোৱালৈকে ঘড়ীৰ কাঁটাৰ দিশত ঘূৰাওক।

অতিৰিক্ত টায়ারটো বেডৰ তলত থোৱা হয়। অতিৰিক্ত টায়ারটো আঁতৰাবলৈ :



77PH099

- 1) অতিৰিক্ত টায়ার ধৰি ৰখাৰ হক নাট (1)টো টিলা কৰক।
- 2) স্পেনাৰ টায়ার হোল্ডাৰটো খুলি লাহে লাহে নমাওক।
- 3) অতিৰিক্ত টায়ারটোৰ মাজত থকা স্কুটো খুলি, টায়ারটো আঁতৰাই দিয়ক।

⚠ সতৰ্কবাণী

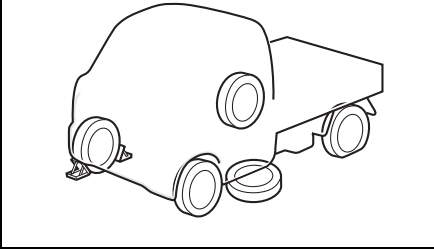
টায়ৰ সলনি কৰা সঁজুলিবোৰ ব্যৱহাৰ কৰাৰ পাছত সঠিক ঠাইত সুৰক্ষিতভাৱে থোৱা উচিত, নহলে কোনো দুৰ্ঘটনা হ'লে আঘাত পাব পাৰে।

⚠ সাৱধান

জেকটো কেৱল চকা সলনি কৰিবলৈহে ব্যৱহাৰ কৰিব লাগে। জেক ব্যৱহাৰ কৰিবলৈ চেষ্টা কৰাৰ আগতে এই বিভাগত থকা জেকিং নিৰ্দেশনাসমূহ পঢ়াটো জৰুৰী।

জেকিং ইনষ্ট্ৰুমেন্টচ

উদাহৰণ



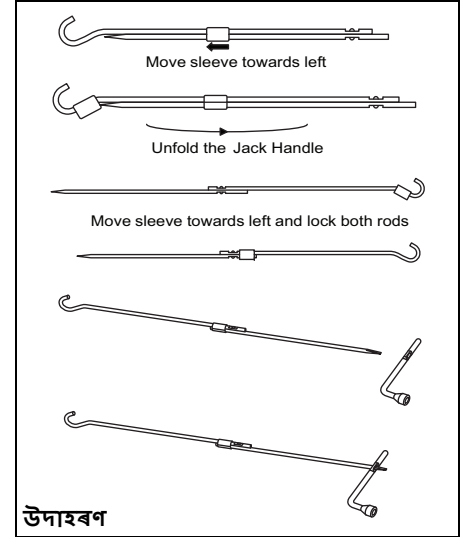
77PH054

- 1) গাড়ীখন সমান আৰু টান মাটিত ৰাখক
- 2) পাৰ্কিং ব্ৰেক ভালকৈ লগাই, "R" (ৰিভাৰ্ছ) ত ৰাখক

⚠ সতৰ্কবাণী

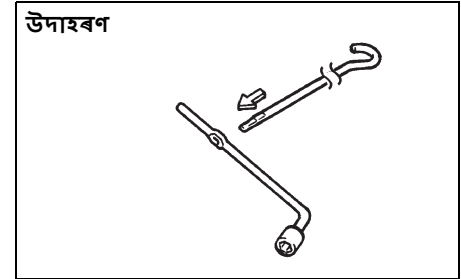
- গাড়ীখন জেক আপ কৰাৰ সময়ত "R" (ৰিভাৰ্ছ) ত ৰখাটো সুনিশ্চিত কৰক
- ট্ৰেন্সমিছন "N" (নিউট্ৰেল) ত থকা অৱস্থাত গাড়ীখন কেতিয়াও জেক আপ নকৰিব. অন্যথা অস্থিৰ জেকৰ ফলত দুৰ্ঘটনা হ'ব পাৰে

- 3) আপোনাৰ গাড়ীখন টেফিকত থাকিলে হেজাৰ্ড ৰাৰ্ণিং ফ্লেচাৰ জ্বলাই ৰাখক.
- 4) চকাটোৰ সন্মুখৰ আৰু পিছৰ অংশদুটা উঠাই থোৱা চকাটোৰ বিপৰীতে ব্লক কৰক
- 5) জেক পিছলি গ'লে ছবিত দেখুওৱাৰ দৰে তুলি লোৱা চকাটোৰ ওচৰত অতিৰিক্ত চকাটো ৰাখক।



উদাহৰণ

77PH802

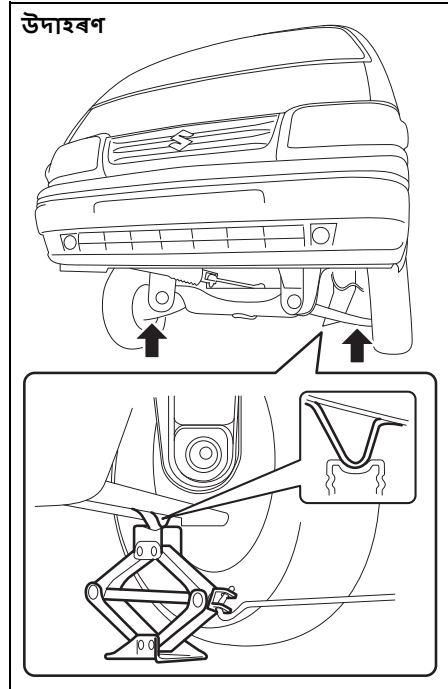


উদাহৰণ

54G253

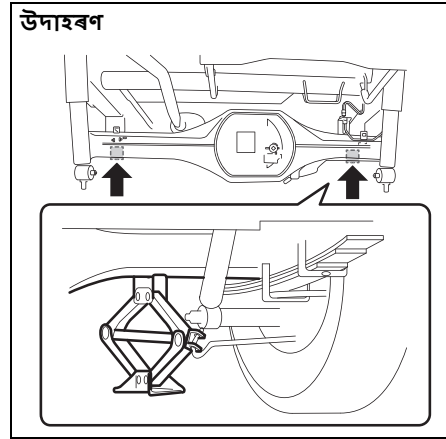
জৰুৰীকালীন সে

ফ্রন্ট জেকিং পইন্ট

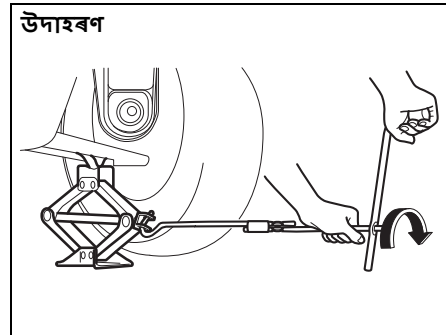


77PH084

ৰিয়েৰ জেকিং পইন্ট



77PH106



77PS052

- 6) জেকটো থিয়কৈ ৰাখি জেক হেডৰ খাঁজটো গাড়ীখনৰ তলৰ জেকিং বাৰৰ চাৰিওফালে ফিট নোহোৱালৈকে, জেকৰ হেণ্ডলটো ঘড়ীৰ কাঁটাৰ দিশত ঘূৰাই জেকটো ওপৰলৈ তোলাক। ছবি চাও
- 7) টায়ালটো মাটিৰ পৰা ওপৰলৈ নুঠালৈকে, জেকটো লাহে লাহে আৰু মসৃণভাৱে ওপৰলৈ তুলি থাকিব। গাড়ীখন প্ৰয়োজনতকৈ বেছি ওপৰলৈ তুলিব নালাগে

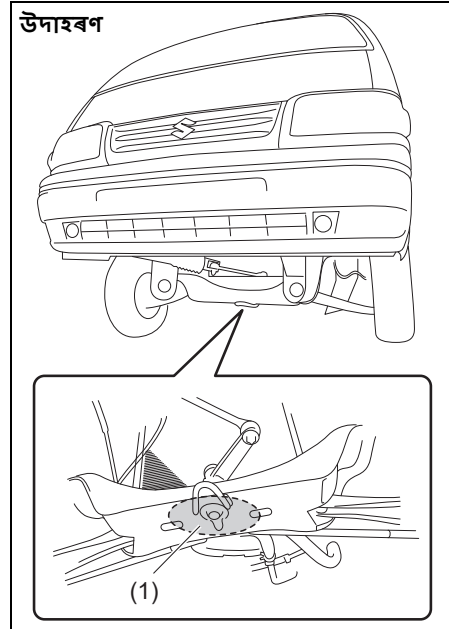
⚠ সতৰ্কবাণী

- কেৱল সমান আৰু টান মাটিত চকা সলনি কৰিবলৈহে জেক ব্যৱহাৰ কৰক।
- গাড়ীখন কেতিয়াও হেলনীয়া ঠাইত জেক আঁপ নকৰিব।
- সলনি কৰিবলগীয়া চকাৰ ওচৰৰ নিৰ্দিষ্ট জেকিং পইন্ট (চিত্ৰত দেখুওৱা অনুসৰি)ৰ বাহিৰে আন ঠাইত জেকৰ সৈতে গাড়ীখন কোনো কাৰণতে উঠাব নালাগে।
- কাঠৰ ৰুক বা একেধৰণৰ বস্তু জেকৰ সলনি ব্যৱহাৰ নকৰিব।
- জেক লাগি থকা অৱস্থাত কেতিয়াও গাড়ীৰ তললৈ নাশাব। জেকৰ সহায়ত উঠাই খোৱা গাড়ী এখনৰ তলত কেতিয়াও হাত-ভৰি সোমোৱাব নেলাগে।
- জেক লাগি থকা অৱস্থাত কেতিয়াও গাড়ীখনৰ ইঞ্জিন চালু কৰিব নালাগে আৰু তেন্তে অৱস্থাত যান্ত্ৰিক কোনো কাৰণত গাড়ীখনত থকা উচিত নহয়।

গেৰেজ জেকৰ সহায়ত গাড়ীখন ওপৰলৈ উঠোৱা

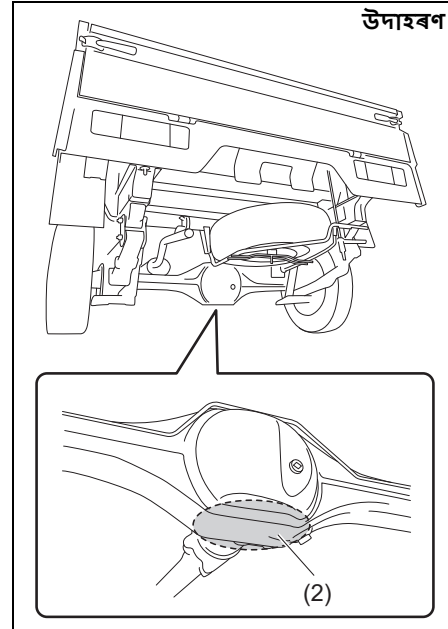
- তলত দিয়া অনুসৰি এটা পইন্টত গেৰেজ জেক প্ৰয়োগ কৰক।
- (বাণিজ্যিকভাৱে উপলব্ধ) জেক ষ্টেণ্ডৰ সহায়ত গাড়ীখন উঠোৱাৰ সময়ত তলত দিয়া পইন্টসমূহত গুৰু দিয়ক।

গেৰেজ জেকৰ বাবে ফ্ৰন্ট জেকিং পইন্ট (1)



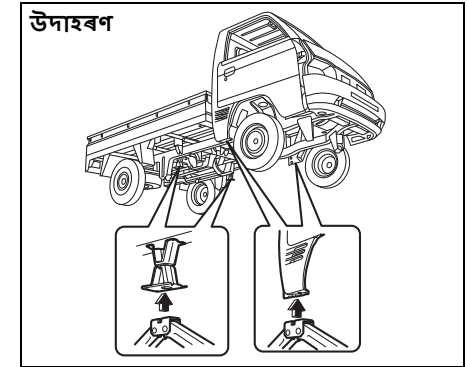
77PH060

গেৰেজ জেকৰ বাবে ৰিয়েৰ জেকিং পইন্ট (2)



77PH101

জেক ষ্টেণ্ড (3) বা টু কলাম লিফ্টৰ বাবে এপ্লিকেশ্যন পইন্ট



77PS055 (2)

জাননী

- এম্ব্ৰষ্ট পাইপত কেতিয়াও গেৰেজ জেক প্ৰয়োগ নকৰিব।
- জেক ষ্টেণ্ড বা টু কলাম লিফ্টটো ৰিয়েৰ জেকিং পইন্টত প্ৰয়োগ কৰাৰ সময়ত কাষৰ পাৰ্কিং কেবল বা ফ্লুৱেল টেংকৰ স্ক্ৰেপৰ দৰে অংশবিলাকত বাধাৰ সৃষ্টি নকৰিব।

টোকা:

অধিক জানিবৰ বাবে অনুমোদিত **MARUTI SUZUKI COMMERCIAL** ৱৰ্কশ্বপৰ সৈতে যোগাযোগ কৰক।

চেঞ্জিং হুইল

⚠ সতৰ্কবাণী

ট্ৰেফিক লেনত কেতিয়াও চকা সলনি নকৰিব। চকা সলনি কৰাৰ সময়ত গাড়ীখন সদায় সমান আৰু কঠিন মাটিত, ট্ৰেফিকৰ পৰা আঁতৰাই ৰাখিব। অধিক সহায়ৰ বাবে আপোনাৰ ওচৰৰ MARUTI SUZUKI অনুমোদিত ৱৰ্কশপৰ সৈতে যোগাযোগ কৰক।

চকা এটা সলনি কৰিবলৈ, তলৰ পদ্ধতি অনুসৰণ কৰক:

- 1) গাড়ীৰ পৰা প্ৰথমে সকলো যাত্ৰীকে নমাওক আৰু কাৰ্গো বা সামগ্ৰীসমূহ আঁতৰাই লওক
- 2) গাড়ীৰ পৰা জেক, সঁজুলি আৰু অতিৰিক্ত চকা উলিয়াই লওক।
- 3) হুইল নাটবোৰ টিলা কৰক; কিন্তু আঁতৰাই নিদিব
- 4) গাড়ীখন জেক আপ কৰক।

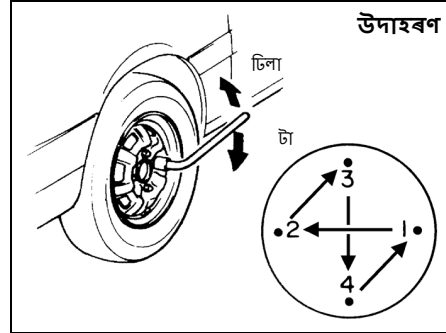
⚠ সৱধান

গাড়ীখন চলাৰ লগে লগে চকা, হুইল নাট আৰু ব্ৰেকৰ চাৰিওফালে থকা অংশবোৰ অত্যন্ত গৰম হ'ব পাৰে এইবোৰত হাত লাগিলে পৰিব পাৰে। সেয়েহে, গাড়ীখন চলাৰ ঠিক পাছতে এইবোৰত স্পৰ্শ নকৰিব।

- 5) হুইল নাটবোৰ আৰু হুইলটো অৰ্থাৎ চকাটো আঁতৰাই লওক।
- 6) নতুন চকাটো লগোৱাৰ আগতে চকাটো আৰু হাবটোত লাগি থকা বোকা বা মলি পৰিষ্কাৰ

কাপোৰেৰে পৰিষ্কাৰ কৰি লওক। হাবটো পৰিষ্কাৰ কৰোঁতে সৱধান হ'ব। গাড়ীখন চলাতে ই গৰম হ'ব পাৰে।

- 7) নতুন চকাটো লগাওতে কৰি হুইল নাটবোৰ সলনি কৰি তাৰ কণ শ্বেপড, জোঙা মূৰটো চকাৰ ফালে মুখ কৰি লগাব। চকাটো হাবত ভালকৈ খাপ খাই নপৰালৈকে, প্ৰতিটো নাট হাতেৰে ভালদৰে টানিব।



54G116

টান কৰক (ফিল্টাৰৰ ওপৰৰ পৰা লক্ষ্য কৰি)
100 Nm (10.2 kgf-m, 73.8 lbf-ft)

- 8) জেকটো তললৈ নমাই ছবিত দেখুওৱাৰ দৰে ৰেঞ্চৰে ক্ৰিছক্ৰছ ফেশ্বনত নাটবোৰ টান কৰক।

⚠ সতৰ্কবাণী

আচল হুইল নাট ব্যৱহাৰ কৰক আৰু চকা সলনি কৰাৰ পিছত যিমান পাৰি সোনকালে নিৰ্দিষ্ট টৰ্কত টান কৰক। ভুল চকাৰ নাট বা ভুলকৈ টান কৰা চকাৰ নাট টিলা বা সৰি পৰিব পাৰে, যাৰ ফলত দুৰ্ঘটনা হ'ব পাৰে। যদি আপোনাৰ হাতত টৰ্ক ৰেঞ্চ নাই, তেন্তে চকা নাটৰ টৰ্ক অনুমোদিত MARUTI SUZUKI COMMERCIAL WORKSHOPৰ পৰা পৰীক্ষা কৰাওক।

জাম্প ষ্টাৰ্টিং ইনষ্ট্ৰাকশ্যনচ বা নিৰ্দেশনা

⚠ সতৰ্কবাণী

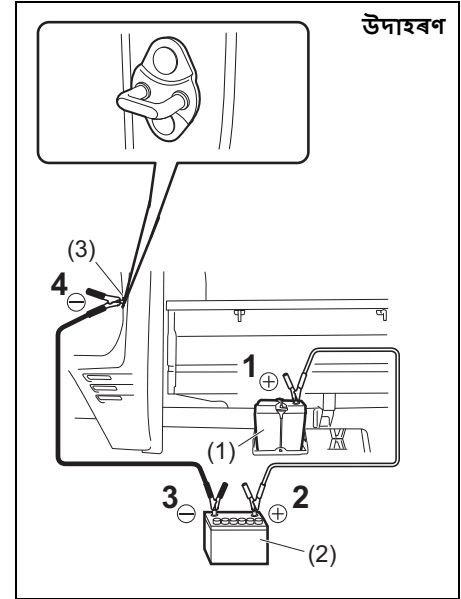
- যদি বেটেৰীটো ক্ৰুজেন হৈ থাকে, তেন্তে আপোনাৰ গাড়ীখন কেতিয়াও জাম্প ষ্টাৰ্ট কৰিবলৈ চেষ্টা নকৰিব। এনেকুৱা অৱস্থাত জাম্প ষ্টাৰ্ট কৰিলে বেটেৰীৰ বিস্ফোৰণ হ'ব পাৰে বা ফাটি যাব পাৰে।
- জাম্প লিড কানেক্ট কৰাৰ সময়ত আপোনাৰ হাত আৰু জাম্প লিড পুলি, বেল্ট বা ফেনৰ পৰা দূৰৈত ৰাখিব।
- বেটেৰীয়ে ফ্লেমেবল অৰ্থাৎ জ্বলনশীল হাইড্ৰজেন গেছ উৎপন্ন কৰে। বেটেৰীবোৰ জুইৰ শিখা আৰু ফিৰিঙতিৰ পৰা আঁতৰত ৰাখিব, নহ'লে বিস্ফোৰণ হ'ব পাৰে। বেটেৰীৰ ওচৰত কাম কৰাৰ সময়ত কেতিয়াও ধূমপান নকৰিব।
- যদি আপুনি জাম্প ষ্টাৰ্টৰ বাবে ব্যৱহাৰ কৰা বুষ্টাৰ বেটাৰীটো আন এখন বাহনত স্থাপন কৰা হৈছে, তেন্তে নিশ্চিত হওক যে দুয়োখন বাহনে ইটোৱে সিটোক স্পৰ্শ কৰা নাই।
- যদি কোনো কাৰণ নোহোৱাকৈ আপোনাৰ গাড়ীৰ বেটেৰী বাৰে বাৰে ডিচাৰ্জ হয়, তেন্তে গাড়ীখন অনুমোদিত MARUTI SUZUKI COMMERCIAL ব্ৰক্ৰস্বপত দেখুৱাবলৈ নিয়ক।
- নিজৰ বা আপোনাৰ গাড়ী বা বেটাৰীৰ সম্ভাৱ্য ক্ষতিৰ পৰা হাত সাৰিবলৈ, তলৰ জাম্প ষ্টাৰ্টৰ নিৰ্দেশনাসমূহ নিখুঁতভাৱে আৰু ক্ৰমত অনুসৰণ কৰক। সন্দেহ থাকিলে যোগ্য ৰ'ড চাৰ্ভিচৰ বাবে ফোন কৰক।

জাননী

আপোনাৰ গাড়ীখন কেতিয়াও ঠেলি বা টানি ষ্টাৰ্ট কৰিব নালাগে। এই পদ্ধতিয়ে কেটালিটিক কনভাৰ্টাৰটোৰ স্থায়ী ক্ষতি কৰিব পাৰে। দুৰ্বল বা ফ্লেট বেটেৰী থকা গাড়ী এখন ষ্টাৰ্ট কৰিবলৈ জাম্প লিড ব্যৱহাৰ কৰক।

আপোনাৰ গাড়ীখন জাম্প ষ্টাৰ্ট কৰাৰ সময়ত, তলৰ পদ্ধতিটো অনুসৰণ কৰক:

- 1) গাড়ীখন জাম্প ষ্টাৰ্ট কৰিবলৈ কেৱল 12 ভল্টৰ বেটাৰী ব্যৱহাৰ কৰক। জাম্প লিডে দুয়োটা বেটেৰী চুকি পোৱাকৈ, ভাল 12 ভল্টৰ বেটাৰীটো আপোনাৰ গাড়ীখনৰ ওচৰত ৰাখক। আন এখন গাড়ীত ইনষ্টল হৈ থকা বেটেৰী ব্যৱহাৰ কৰাৰ সময়ত, গাড়ী দুখন স্পৰ্শ কৰিবলৈ নিদিব।
- 2) সুৰক্ষাৰ কাৰণে প্ৰয়োজনীয় সামগ্ৰীৰ বাহিৰে বাহনৰ সকলো আনুষংগিক বস্তু বন্ধ কৰক। (যেনে, হেডলাইট বা বিপদজনক লাইট)।



3) তলত দিয়া ধৰণে জাম্প লিড লগাওক ::

1. প্ৰথম জাম্প লিডৰ এটা মূৰ ফ্লেট বেটেৰীৰ ধনাত্মক অৰ্থাৎ পজিটিভ (+) টাৰ্মিনেলত লগাওক (1)
2. আনটো মূৰ বুষ্টাৰ বেটাৰীৰ ধনাত্মক (+) টাৰ্মিনেলত লগাওক (2)
3. দ্বিতীয় জাম্প লিডৰ এটা মূৰ বুষ্টাৰ বেটেৰীৰ ঋণাত্মক অৰ্থাৎ নিগেটিভ (-) টাৰ্মিনেলত লগাওক (2)

4. অৱশেষত, গাড়ীখনৰ ৰং নকৰা, গধুৰ ধাতুৰ অংশ (অৰ্থা দূৱাৰৰ লেচ ষ্টাইকাৰ ইত্যাদি) (3)ৰ সৈতে স্কেট বেটাৰী (1) ৰ সংযোগ স্থাপন কৰক।

⚠ সতৰ্কবাণী

ডিচচাৰ্জ বেটাৰীৰ নিগেটিভ (-) টাৰ্মিনেলত জাম্প লিড কেতিয়াও পোনপটীয়াকৈ লগাব নালাগে। নহলে বিস্ফোৰণ ঘটিব পাৰে।

- 4) যদি আপুনি ব্যৱহাৰ কৰা বুষ্টাৰ বেটাৰীটো আন এখন গাড়ীত লগোৱা থাকে তেন্তে বুষ্টাৰ বেটাৰীৰে গাড়ীখনৰ ইঞ্জিনটো ষ্টাৰ্ট কৰক আৰু ইঞ্জিনটো মধ্যম গতিত চলাই ৰাখক।
- 5) স্কেট বেটাৰীটোৰ সহায়ত গাড়ীখনৰ ইঞ্জিন ষ্টাৰ্ট কৰক।
- 6) লগোৱাৰ একদম বিপৰীত ক্ৰমত জাম্প লিডকেইডাল আঁতৰাওক।

টাৰিং বা টানি নিয়া

আপোনাৰ গাড়ীখন টানি নিব লগীয়া হ'লে কোনো পেছাদাৰী সংস্থাবে যোগাযোগ কৰিব। আপোনাৰ ডিলাৰে আপোনাক এইক্ষেত্ৰত বিতং তথ্য দিব পাৰিব।

জাননী

আপোনাৰ গাড়ীখনৰ সম্ভাৱ্য ক্ষতি ৰোধ কৰিবলৈ টানি নিয়া বা টাৰিংৰ সময়ত সঠিক পদ্ধতি আৰু সঁজুলিৰ ব্যৱহাৰ কৰা উচিত।

2-টু হুইল ড্ৰাইভ (2WD) মেনুৱেল ট্ৰেন্সমিশ্যন
মেনুৱেল ট্ৰেন্সমিশ্যন গাড়ীবোৰ তলত দিয়া যিকোনো টাৰিং পদ্ধতিৰে টানি নিব পৰা যায়।

- 1) আগৰ চকাবোৰ ওপৰলৈ তুলি পিছৰ চকাবোৰ মাটিত ৰাখি, সন্মুখৰ পৰা টানি লোৱাৰ আগতে ট্ৰেন্সমিছন নিউট্ৰেলত ৰাখি, পাৰ্কিং ব্ৰেক এৰি দিয়াটো বাধ্যতামূলক।
- 2) যদিহে ষ্টিয়াৰিং আৰু ড্ৰাইভট্ৰেইন কাৰ্যক্ষম অৱস্থাত থাকে, পিছফালৰ চকাবোৰ ওপৰলৈ তুলি আৰু সন্মুখৰ চকাবোৰ মাটিত ৰাখি পিছফালৰ পৰাও টানিব পাৰি। গাড়ীখন টনাৰ আগতে ষ্টিয়াৰিং আনলক কৰক (ইগনিচন কী “ACC” ত থাকিব লাগিব), আৰু ষ্টিয়াৰিংডাল টাৰিংৰ কাৰণে ডিজাইন কৰা ক্লেম্পিং ডিভাইচেৰে সুৰক্ষিত কৰক।

জাননী

টাৰিংৰ সময়ত সন্মুখৰ চকাৰ পৰা অহা জোকাৰণি সহ্য কৰিব পৰাকৈ ষ্টিমেৰি কলামডাল ইমান শক্তিশালী নহয়। সেয়েহে, টানিবলৈ লোৱাৰ বা টাৰিংৰ আগতে সদায় ষ্টিয়াৰিংৰ লক খুলি ল'ব লাগে।

যদি ষ্টাৰ্টাৰে কাম নকৰে

- বেটেৰীৰ অৱস্থা নিৰ্ণয় কৰিবলৈ হেডলাইট অন ৰাখি ইগনিচন চুইচটো “START” লৈ আনিবলৈ চেষ্টা কৰক। যদি হেডলাইটৰ পোহৰ অতি স্পন্দিত হয় বা নাথাকেই, তেন্তে বেটেৰী হয়তোবা ক্লেট হৈছে অথবা টাৰ্মিনেলৰ সংস্পৰ্শত থকা নাই। বেটেৰী পুনৰ চাৰ্জ কৰক বা প্ৰয়োজন অনুসৰি টাৰ্মিনেলৰ সৈতে সংযোগ ঠিক কৰক।
- যদি হেডলাইটৰ পোহৰ উজ্জ্বল হৈয়েই আছে, তেন্তে ফিউজবোৰ পৰীক্ষা কৰক ষ্টাৰ্টাৰ বিকল হোৱাৰ কাৰণ স্পষ্ট নহ'লে, বৈদ্যুতিক সমস্যাৰ কোনো ডাঙৰ কাৰণ থাকিব পাৰে। তেনে ক্ষেত্ৰত অনুমোদিত **MARUTI SUZUKI COMMERCIAL** ৱৰ্কশ্বপত গাড়ীখন পৰীক্ষা কৰক।

যদি ইঞ্জিনটো বানপানীত ডুবি গৈছে

- ইঞ্জিনটো যদি ইন্ধনেৰে ভৰি পৰে তেন্তে ষ্টাৰ্ট কৰাটো কঠিন হ'ব পাৰে। যদি এনেকুৱা হয়, তেন্তে এক্সিলেটৰৰ পেডেলটো মজিয়ালৈকে হেঁচক আৰু ইঞ্জিনটো ফ্ৰেংক কৰাৰ সময়ত তাতেই ধৰি ৰাখক।
- ষ্টাৰ্টাৰ মটৰটো 3০ ছেকেণ্ডতকৈ অধিক সময় চলাব নালাগে।

যদি ইঞ্জিনটো অতিমাত্ৰা গৰম হয়

- গাড়ীখন বহুত বেছি চলোৱাৰ কাৰণেও ইঞ্জিনটো সাময়িকভাৱে অতি গৰম হ'ব পাৰে। যদি গাড়ীখন চলি থাকোঁতেই হাই ইঞ্জিন কুলেণ্ট টেম্প্ৰেচাৰ ৱাৰ্ণিং লাইট জ্বলি উঠে
- বাহনখন নিৰাপদ স্থানলৈ নি ৰখাওক।
 - হাই ইঞ্জিন কুলেণ্ট টেম্প্ৰেচাৰ ৱাৰ্ণিং লাইটটো বন্ধ নোহোৱালৈকে ইঞ্জিনটোক সাধাৰণভাৱে ঠাইতে কেইমিনিটমান চলিবলৈ দিয়ক।

⚠ সতৰ্কবাণী

ভাপ ওলাই অহা দেখিলে, গাড়ীখন নিৰাপদ ঠাইত ৰখাই তৎক্ষণাত ইঞ্জিনটো বন্ধ কৰি ঠাণ্ডা হ'বলৈ দিয়ক। ভাপ ওলাই থকা অৱস্থাত ইঞ্জিনৰ কম্পাৰ্টমেণ্টটো নুখুলিব। ভাপ নোহোৱা হ'লে, ইঞ্জিনৰ কম্পাৰ্টমেণ্টটো খুলি কুলেণ্ট উতলিয়েই আছে নেকি চাওক। উতলি থাকিলে, উতল বন্ধ হোৱালৈকে অপেক্ষা কৰক।

যদি হাই ইঞ্জিন কুলেণ্ট টেম্প্ৰেচাৰ ৱাৰ্ণিং লাইট বন্ধ নহয়:

- ইঞ্জিন বন্ধ কৰি পানী পাম্পৰ বেণ্ট আৰু পুলিবোৰ নষ্ট হৈছে বা পিছলি গৈছে নেকি পৰীক্ষা কৰক। যিকোনো ধৰণৰ অস্বাভাৱিকতা ধৰা পৰিলে, ঠিক কৰক।

- বিজাৰ্ভাৰত কুলেণ্টৰ পৰিমাণ পৰীক্ষা কৰক। যদি কুলেণ্ট “LOW” লাইনতকৈ কম আছে, তেন্তে ৰেডিমেটৰ, পানী পাম্প আৰু ৰেডিমেটৰ তথা হিটাৰৰ নলীত ফুটা আছে নেকি চাওক। সমস্যা সৃষ্টি কৰিব পৰা ফুটা বা লিক বিচাৰি পালে, সেয়া ঠিক নোহোৱালৈকে ইঞ্জিন চলাব নালাগে।
- যদি আপুনি লিক দেখা নাপায়, তেন্তে বিজাৰ্ভাৰত সৰাধানে কুলেণ্ট যোগ কৰক আৰু তাৰ পিছত প্ৰয়োজন হ'লে ৰেডিমেটৰত যোগ কৰক। (“আৰুপৰিদৰ্শন ৰক্ষণাবেক্ষণ” অংশৰ “ইঞ্জিন কুলেণ্ট” চাওক।)

টোকা:

আপোনাৰ ইঞ্জিনটো অতিমাত্ৰা গৰম হৈ, কি কৰিব লাগে উৱাদিহ নেপালে, অনুমোদিত **MARUTI SUZUKI COMMERCIAL** ৱৰ্কশ্বপৰ সৈতে যোগাযোগ কৰক।



65D350d

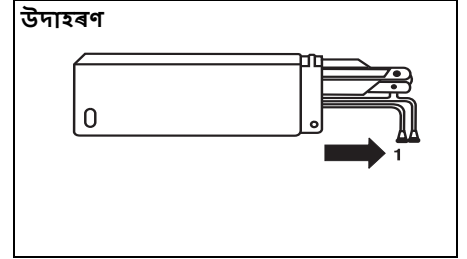
⚠ সতৰ্কবাণী

- পানীৰ উষ্ণতা বেছি থকা অৱস্থাত ৰেডিমেটৰ কেপ (বা ডিজেল ইঞ্জিনৰ বাবে ডিগেছিং টেংক কেপ) আঁতৰোৱাটো বিপদজনক, কাৰণ চাপত থকা তৰল পদাৰ্থ আৰু ভাপ এনে কৰিলে উৰি আহিব পাৰে। কুলেণ্টৰ তাপ কমিলেহে কেপটো খুলিব।
- আঘাত নাপাবলৈ হাত, মঁজুলি আৰু পিন্ধা কাপোৰ ইঞ্জিনৰ কুলিং ফেনৰ পৰা আঁতৰত ৰাখিব। এই বৈদ্যুতিক ফেনবোৰ কোনো আগতীয়া সন্ধানবাণী নোহোৱাকৈ নিজে নিজে চলিবলৈ আৰম্ভ কৰিব পাৰে।

হিটিঙৰ পৰা আণ্ডাৰভি ড্ৰাবল

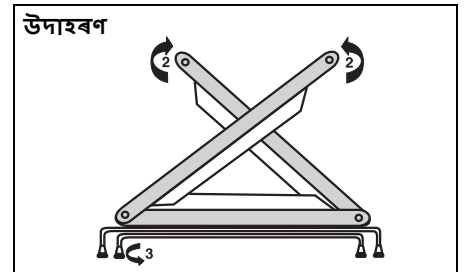
যদি আপুনি আপোনাৰ গাড়ীখনৰ আণ্ডাৰভিডিত খুন্দা মাৰে, তেন্তে অনুমোদিত **MARUTI SUZUKI COMMERCIAL** ৱৰ্কশ্বপত পৰীক্ষা কৰাওক বাবে অনুৰোধ কৰক। অন্যথা স্টিয়াৰিং, ছাচপেনচন, ড্ৰাইভলাইন, আৰু ব্ৰেক আদিত ক্ষতি হোৱাৰ ফলত আপোনাৰ নিৰাপদ গাড়ী চলোৱাত বাধা আহিব পাৰে।

ৱাৰ্ণিং ট্ৰায়েংগল



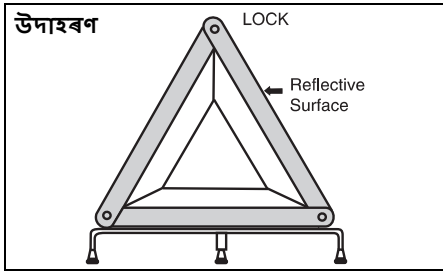
MHO-07-001

আপোনাৰ গাড়ীখন বিকল হ'লে বা জৰুৰীকালীনভাৱে ৰখাই থোৱা অৱস্থাত, সম্ভাব্য বিপদ ৰোধ কৰিবলৈ, গাড়ীৰ লগত দিয়া ৱাৰ্ণিং ট্ৰায়েংগলটো, গাড়ীৰ পিছফালে আনুমানিক 50-100 মিটাৰ দূৰত্বৰ পৰা অন্য যান-বাহনে দেখা পোৱাকৈ মুকলিত ৰাখিব। ৱাৰ্ণিং ট্ৰায়েংগলৰ ৰিক্লেস্টিং অৰ্থাৎ প্ৰতিফলিত ফালটো যান-বাহন অহাৰ দিশত ৰাখিব। অনুগ্রহ কৰি ৱাৰ্ণিং ট্ৰায়েংগলৰ ব্যৱহাৰৰ আগতে হেজাৰ্ড লেম্প জ্বলাওক।

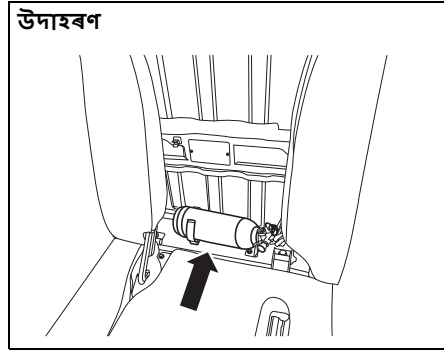


MHO-07-014-1

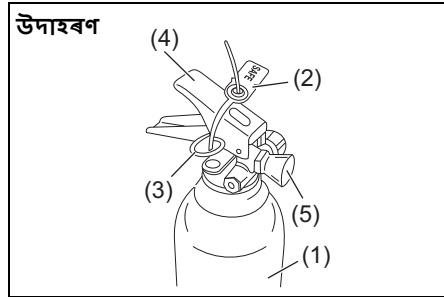
- কাঁড় চিহ্ন 1 ত দেখুওৱাৰ দৰে ৱাৰ্ণিং ট্ৰায়েংগলটো কভাৰৰ পৰা সাৱধানে মোকলাওক।
- কাঁড় চিহ্নৰে দেখুওৱাৰ দৰে দুয়োটা ৰিক্লেস্টৰ আৰ্ম খুলি সোহাতিত দিয়া ক্লিপটোৰে দুয়োটা ইটোৱে সিটোৰ লগত লক কৰক। কাঁড় চিহ্ন 2ত দেখুওৱাৰ দৰে বটম ষ্টেণ্ডটো ঘড়ীৰ কাঁটাৰ বিপৰীত দিশত খোলক গাড়ীখনৰ পিছফালে ৱাৰ্ণিং ট্ৰায়েংগলটো সমান ঠাইত ৰাখক।
- Reverse the removal procedure for keeping inside the cover.



ফায়াৰ এক্সটিংগুইচাৰ বা জুঁই নুমোৱা যতন (যদি থাকে)



ফায়াৰ এক্সটিংগুইচাৰ বা জুঁই নুমোৱা যতনটো আসনৰ পিছফালে (চালকৰ আসন আৰু যাত্ৰীৰ আসনৰ মাজত) ৰখা হয়।

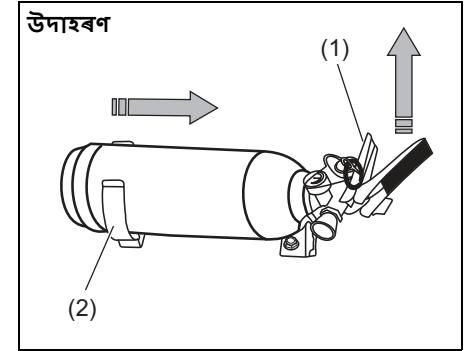


- (1) ফায়াৰ এক্সটিংগুইচাৰ চিলিণ্ডাৰ
- (2) ঢৌল
- (3) চেফটি পিন

- (4) লিভাৰ
- (5) নজল

ফায়াৰ এক্সটিংগুইচাৰ উলিয়াই অনা আৰু আকৌ ঠাইত থোৱা

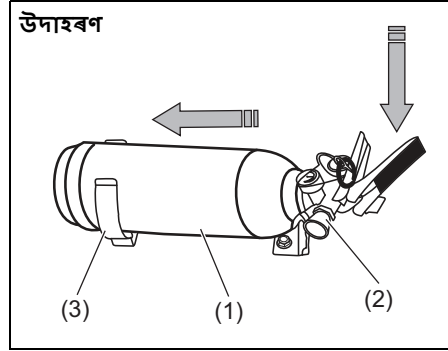
ফায়াৰ এক্সটিংগুইচাৰ উলিয়াই আনিবলৈ



ফায়াৰ এক্সটিংগুইচাৰ লিভাৰ (1)ডাল অলপ ওপৰলৈ তুলি যন্ত্ৰটো ছবিত দেখুওৱাৰ দৰে টানিব ধৰিব লাগে, যাতে ইয়াক ক্লেম্প (2)ৰ পৰা আঁতৰাই পেলাব পাৰি।

জৰুৰীকালীন সে

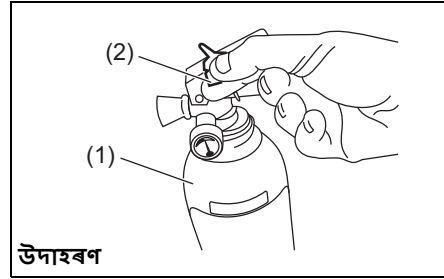
ফায়াৰ এক্সটিংগুইচাৰটো আকৌ আগৰ ঠাইত থা'বৰ কাৰণে



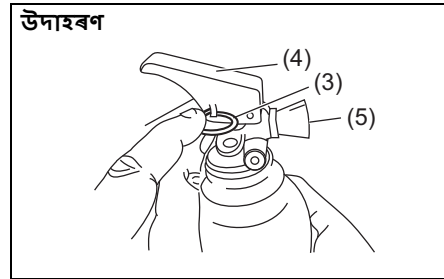
ফায়াৰ এক্সটিংগুইচাৰটো (1) ক্লেম্প (3)ত সুমুৱাই দিয়ক আৰু নজল (2)টো সান্নাধ্যানে তললৈ নমাই ক্লেম্পটোৰ ওপৰত ৰাখক।

টোকা:
ফায়াৰ এক্সটিংগুইচাৰৰ নজলটো ক্লেম্পত সঠিকভাৱে বহুৱাওক।

কাৰ্য্যকলাপৰ পদ্ধতি

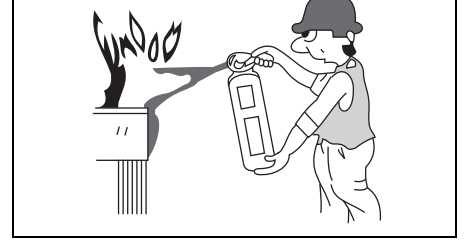


- ফায়াৰ এক্সটিংগুইচাৰটো(1) থিয়কৈ ধৰি ৰাখক।
- ছেফটি পিন(3) টো ঘূৰাই টীল(2) টো ভাঙি পেলাওক।



- ছেফটি পিন(3)টো টানি উলিয়াওক।
- লিভাৰ(4)ডাল চেপি ধৰি নজল(5)ৰ পৰা জেটটো থৰকৈ বাদুু দিয়া গতিৰে জুইৰ ফালে পোনাই ধৰক।

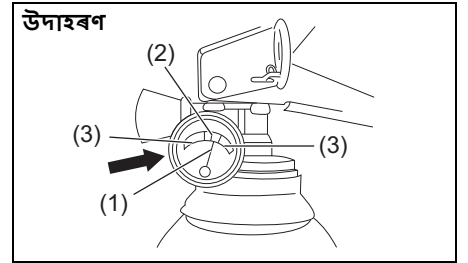
উদাহৰণ



- নুমাই নোমোৱালৈকে জুইকুৰা দূৰলৈ ঠেলি দিবলৈ চাওক।

টোকা:
ফায়াৰ এক্সটিংগুইচাৰটো বাহিৰা কাৰণত গাড়ীত লাগিব পৰা কম পৰিসৰৰ জুইৰ ক্ষেত্ৰতহে ব্যৱহাৰ কৰিব পৰা যায়।

কৰণীয় আৰু অকৰণীয়



কৰণীয়

- 1) নিয়মিতভাবে প্ৰেছাৰ গ'জটো পৰীক্ষা কৰিব । সৰ্বোচ্চ চাৰ্জিং প্ৰেছাৰ **15Kgf/cm²** (গ্ৰীণ জ'নত **(2)**)
- 2) চাপ বা প্ৰেছাৰ কমি গ'লে ইণ্ডিকেটৰ নীডল**(1)**টো ৰঙা অঞ্চললৈ **(3)** যাব। তেনেক্ষেত্ৰত ফায়াৰ এক্সটিংগুইচাৰত দিয়া তথ্য অনুসৰি তৎক্ষণাত নিৰ্মাতা কোম্পানীটোৰ সৈতে যোগাযোগ কৰক।
- 3) মেন্যুফেক্চাৰ চাৰ্ভিচ চেণ্টাৰৰ পৰাহে ফায়াৰ এক্সটিংগুইচাৰ সম্পৰ্কীয় সেৱা গ্ৰহণ কৰক । নিকটতম চাৰ্ভিচ চেণ্টাৰৰ স্থান নিৰ্ণয় কৰিবলৈ ফায়াৰ এক্সটিংগুইচাৰত দিয়া তথ্যসমূহ চাওক।
- 4) ফায়াৰ এক্সটিংগুইচাৰটো সদায় গাড়ীখনৰ নিৰ্দিষ্ট স্থানত ৰখা উচিত ।
- 5) ব্যৱহাৰৰ পাছত ফায়াৰ এক্সটিংগুইচাৰটো পুনৰ আগৰ ঠাইত ভৰাই থ'ব লাগে।

অকৰণীয়

- 1) ফায়াৰ এক্সটিংগুইচাৰটো পৰিষ্কাৰ কৰিবলৈ কেতিয়াও পানী ব্যৱহাৰ কৰিব নালাগে । (ধূলি আঁতৰোৱাৰ বাবে পৰিষ্কাৰ কাপোৰ ব্যৱহাৰ কৰক)
- 2) পূৰ্বে ব্যৱহৃত বা নিৰ্গত অৰ্থাৎ ডিচচাৰ্জড ফায়াৰ এক্সটিংগুইচাৰৰ ওপৰত নিৰ্ভৰ কৰা উচিত নহয় ।

টোকা:

- প্ৰতিবাৰৰ ব্যৱহাৰৰ পিছত ৰিফিলিং কৰাটো প্ৰয়োজনীয়।
- ফায়াৰ এক্সটিংগুইচাৰটোৰ ব্যৱহাৰ নহলেও প্ৰতি **3** বছৰৰ পিছত ৰিফিলিং কৰাটো প্ৰয়োজন।

এপিয়াৰেন্স কেয়াৰ

ক'ৰ'জ্যন প্ৰিভেনচন	9-1
গাড়ীৰ চাফাই বা ভেহিকল ক্লিনিং	9-2

ক'ৰ'জ্যন প্ৰিভেনচন

ক'ৰ'জ্যন অৰ্থাৎ সামৰে নোখোৱাকৈ ৰাখিবলৈ আপোনাৰ গাড়ীখনৰ ভালদৰে যত্ন লোৱাটো প্ৰয়োজন। তলত আপোনাৰ গাড়ীখন ক'ৰ'জ্যনৰ পৰা কেনেকৈ ৰক্ষণাবেক্ষণ কৰিব লাগে তাৰ নিৰ্দেশনা দিয়া হৈছে। অনুগ্ৰহ কৰি এই নিৰ্দেশনাসমূহ ভালদৰে পঢ়ক আৰু পালন কৰক।

জাৰণৰ বিষয় গুৰুত্বপূৰ্ণ তথ্য

ক'ৰ'জ্যনৰ সাধাৰণ কাৰণসমূহ

- 1) গাড়ীৰ আগৰ ব'ডি অৰ্থাৎ তলৰ অংশ বা ফ্ৰেমৰ দৰে সততে ঢুকি নোপোৱা ঠাইত ধূলি-বালি, ভাপ বা ৰাসায়নিক পদাৰ্থ জমা হয়।
- 2) সৰু দুৰ্ঘটনা বা শিলগুটিৰ দ্বাৰা ঘৰ্ষণৰ ফলত ৰং কৰা ধাতুৰ পৃষ্ঠত আঁচৰ আৰু যিকোনো ক্ষতিৰ ফলতো ক'ৰ'জ্যন হ'ব পাৰে।
- 3) তলত দিয়া সকলোবোৰ বা যিকোনো এটা কাৰকৰ ফলতো ক'ৰ'জ্যন হ'ব পাৰে।
 - অবিৰতভাৱে সূৰ্যৰ পোহৰত থাকিলে
 - গাড়ীখন সাগৰীয় বা অন্য হাৰ্ড ব্ৰাটাৰ সংস্পৰ্শত থাকিলে
 - ফুট ৰাৰিং (স্কাটিং)

ক'ৰ'জ্যন খৰতকীয়া কৰিব পৰা পৰিবেশগত কাৰণ

- 1) ধূলি-বালি, ধূলি নিয়ন্ত্ৰণ কৰা ৰাসায়নিক পদাৰ্থ, সাগৰীয় বায়ু বা উদ্যোগিক প্ৰদূষণ এই সকলোবোৰে ক'ৰ'জ্যন বা সামৰে ধৰা কামটো খৰতকীয়া কৰিব পাৰে।
- 2) সেমেকা জলবায়ু বিশেষকৈ বৰফ জমা হোৱাতকৈ অলপহে ওপৰত থকা তাপমাত্ৰাত ক'ৰ'জ্যনৰ হাৰ বৃদ্ধি পায়।
- 3) গাড়ীৰ কিছুমান বিশেষ অংশত দীঘলীয়া সেমেকা ভাবে, আন অংশবোৰ সম্পূৰ্ণ

শুকানকৈ থাকিলেও ক'ৰ'জ্যনৰ সৃষ্টি কৰিব পাৰে।

- 4) অতি উষ্ণ তাপমাত্ৰাই গাড়ীখনৰ ভালদৰে বায়ু চলাচল নোহোৱাৰ ফলত নুশুকোৱা অঞ্চলবোৰত ক'ৰ'জ্যনৰ হাৰ বৃদ্ধি কৰিব।

এই তথ্যসমূহৰ পৰা এই কথা স্পষ্ট হয় যে আপোনাৰ গাড়ীখন (বিশেষকৈ আগৰবডি) যিমান পাৰি পৰিষ্কাৰ আৰু শুকান কৰি ৰখাটো প্ৰয়োজনীয়। ৰং বা অন্য সুৰক্ষামূলক আৱৰণত হোৱা যিকোনো ক্ষতি অতি সোনকালে মেৰামতি কৰাটোও গুৰুত্বপূৰ্ণ।

ক'ৰ'জ্যন প্ৰতিৰোধত কেনেকৈ সহায় কৰিব পাৰি

আপোনাৰ গাড়ীখন সঘনাই ধুব

সঘনাই ধুই পৰিষ্কাৰ কৰি ৰখাটোৱেই আপোনাৰ গাড়ীখন ক'ৰ'জ্যনৰ পৰা বচাই ৰখাৰ সৰ্বোত্তম উপায়।

শীত অহাৰ আগতে আৰু শীত যোৱাৰ লগে লগে অন্ততঃ এবাৰ আপোনাৰ গাড়ীখন ভালকৈ ধুব। আপোনাৰ গাড়ীখন, বিশেষকৈ তলটো, যিমান পাৰি সিমান চাফা আৰু শুকানকৈ ৰাখিব।

যদি আপুনি লণীয়া পৰিবেশত সঘনাই গাড়ী চলায়, তেন্তে শীতকালত মাহত অন্ততঃ এবাৰকৈ আপোনাৰ গাড়ীখন ধুব। যদি আপুনি সাগৰৰ পাৰত বাস কৰে, তেন্তে গোটেই বছৰটো প্ৰতিমাহে অন্ততঃ এবাৰকৈ আপোনাৰ গাড়ীখন ধুব।

ধোৱাৰ নিৰ্দেশনাৰ বাবে “বাহন পৰিষ্কাৰ কৰা” অংশ চাওক।

অলাগতিয়াল সামগ্ৰীৰ জমাবোৰ আঁতৰাই পেলাওক

অলাগতিয়াল সামগ্ৰী যেনে নিমখ, ৰাসায়নিক পদাৰ্থ, পথৰ তেল বা আলকাভৰা, গছৰ ৰস, চৰাইৰ মল আৰু ঔদ্যোগিক আবৰ্জনা ই আপোনাৰ বাহনখনৰ ফিনিচিং ক্ষতি কৰিব পাৰে, যদিহে ইয়াক ৰং কৰা পৃষ্ঠত এৰি দিয়া হয়। এই ধৰণৰ জমাবোৰ যিমান পাৰি সোনকালে আঁতৰাই পেলাওক। যদি এই জমাবোৰ ধুই পেলাৱাটো কঠিন হয়, তেন্তে অতিৰিক্ত চাফাইৰ প্ৰয়োজন হ'ব পাৰে। নিশ্চিত হওক যে আপুনি ব্যৱহাৰ কৰা যিকোনো ক্লিনাৰ ৰং কৰা পৃষ্ঠৰ বাবে ক্ষতিকাৰক নহয় আৰু বিশেষভাৱে আপোনাৰ উদ্দেশ্যৰ বাবে নিৰ্মিত। এই বিশেষ ক্লিনাৰসমূহ ব্যৱহাৰ কৰাৰ সময়ত প্ৰস্তুতকাৰকৰ নিৰ্দেশনা অনুসৰণ কৰক।

ফিনিচ ডেমেজৰ বা হৈ যোৱা ক্ষতিৰ মেৰামতি

আপোনাৰ গাড়ীখনৰ ৰং কৰা ঠাইসমূহৰ ক্ষয়-ক্ষতিৰ বুজ লওক। যদি আপুনি কোনো ধৰণৰ আঁচৰৰ চিন পায়, তেন্তে তাৰ ওপৰত পুনৰ ৰং দিয়ক যাতে মাৰে নধৰে। যদি আঁচৰ ৰং পাৰ হৈ ধাতুৰ তললৈকে যায়, তেন্তে এক যোগ্য বডি শ্বপৰ ওচৰত মেৰামতি কৰিবলৈ নিব।

যাত্ৰী আৰু লাগেজ কম্পাৰ্টমেণ্ট পৰিষ্কাৰ কৰি ৰাখক।

মজিয়াৰ মেটৰ তলতো জলীয় ভাপ, মলি বা বোকা জমা হ'ব পাৰে আৰু ইয়াৰ ফলতো ক'ৰ'জ্যন সৃষ্টি হ'ব পাৰে। মাজে-সময়ে মেটসমূহৰ তলসমূহ শুকান আৰু চাফা হৈ থকাটো সুনিশ্চিত কৰিব। যদি গাড়ীখন অফ ৰোড বা ভিজা বতৰত চলোৱা হয় তেন্তে অধিক সঘনাই পৰীক্ষা কৰাটো প্ৰয়োজনীয়।

কিছুমান বিশেষ সামগ্ৰী যেনে বাসায়নিক পদাৰ্থ, সাৰ, পৰিষ্কাৰক, নিমখ আদি প্ৰকৃতিত অভ্যন্ত জাৰণকাৰী। এই সামগ্ৰীসমূহ বন্ধ পাত্ৰত পৰিবহণ কৰিব লাগে। যদিহে ছিটিকি পৰা বা লিক হয় তেন্তে তৎক্ষণাত সেই ঠাইখিনি পৰিষ্কাৰ কৰি শুকুৱাই লওক।

আপোনাৰ গাড়ীখন শুকান আৰু ভালদৰে বায়ু চলাচল কৰা ঠাইত ৰাখিব।
আপোনাৰ গাড়ীখন সূৰ্যৰ অবিৰত পোহৰ নপৰা ঠাইত ৰখাব।

সেমেকা আৰু বেয়াকৈ বায়ু চলাচল কৰা ঠাইত আপোনাৰ বাহনখন ৰখাব নালাগে। যদি আপুনি প্ৰায়ে গেৰেজতে বাহনখন ধোৱে বা ভিজা অৱস্থাতে গাড়ীখন গেৰেজলৈ সোমোৱাই, তেন্তে আপোনাৰ গেৰেজটো সেমেকি থাকিবই। গেৰেজত অধিক সেমেকা পৰিবেশে ক'ৰ'জ্যনৰ সৃষ্টি কৰিব পাৰে বা ইয়াৰ হাৰ বৃদ্ধি কৰিব পাৰে। ভিজা গাড়ী এখনত উষ্ণ গেৰেজ এটাতো ক'ৰ'জ্যন হ'ব পাৰে যদিহে গেৰেজটোৰ বায়ু চলাচলৰ ব্যৱস্থাটো বেয়া হয়।

⚠ সতৰ্কবাণী

একজষ্ট চিষ্টেমৰ উপাদান যেনে কেটলাইটিক কনভাৰ্টাৰ, একজষ্ট পাইপ আদিৰ ওপৰত বা চাৰিওফালে অতিৰিক্ত আণ্ডাৰকোটিং বা মামৰ প্ৰতিৰোধী আৱৰণ প্ৰয়োগ নকৰিব। যদি আণ্ডাৰকোটিং পদাৰ্থটো অতিমাত্ৰা গৰম হয়, তেন্তে জুই লাগিব পাৰে।

গাড়ীৰ চাফাই বা ভেহিকল ক্লিনিং

উদাহৰণ



77PM09001

⚠ সতৰ্কবাণী

গাড়ীৰ ভিতৰ বা বাহিৰৰ অংশ পৰিষ্কাৰ কৰাৰ সময়ত কেতিয়াও স্ক্ৰলিব পৰা পদাৰ্থ যেনে লেকাৰ থিনাৰ, পেট্ৰল, বেনজিন বা চাফাই সামগ্ৰী যেনে ব্লিচ বা শক্তিশালী ঘৰুৱা ডিটাৰজেন্ট ব্যৱহাৰ নকৰিব। এই সামগ্ৰীসমূহে আপোনাক আঘাত কৰাৰ লগতে বাহনখনৰো ক্ষতি কৰিব পাৰে।

ইণ্টেৰিয়ৰ বা আভ্যন্তৰীণ অংশ চাফা কৰা

ভিনাইল আপহলষ্টী

গৰম পানীৰ লগত চাবোন বা কোনো মৃদু ডিটাৰজেন্ট মিহলাই লওক। ভিনাইলত স্পঞ্জ বা কোমল কাপোৰেৰে চাবোন পানী লগাই ধুৱি-বালি কোমল হৈ পৰাকৈ কেইমিনিটমান তিয়াই থওক। পৰিষ্কাৰ ভিজা কাপোৰেৰে ঘঁহি মলি আৰু চাবোনৰ দ্ৰৱটো আঁতৰাই পেলাওক। থাকি যোৱা মলিৰ কাৰণে প্ৰক্ৰিয়াটো আকৌ কৰক।

ফেব্ৰিক আপহলষ্টেৰী (যাত্ৰীৰ সমুখৰ আসনৰ বাহিৰে)।

ধূলি-বালিবোৰ ভেকুৱাম ক্লিনাৰেৰে আঁতৰাই পেলাওক। পাতল চাবোন ব্যৱহাৰ কৰি দাগ পৰা ঠাইবোৰ পৰিষ্কাৰ ভিজা কাপোৰেৰে ঘঁহি লওক। চাবোন আঁতৰাবলৈ পানীত তিয়াই লোৱা কাপোৰেৰে সেই অংশবোৰ পুনৰ মচি দিয়ক। দাগ আঁতৰ নোহোৱালৈকে এই প্ৰক্ৰিয়াৰ পুনৰাবৃত্তি কৰক, বা কঠিন দাগবোৰৰ বাবে কমাৰ্চিয়েল ফেব্ৰিক ক্লিনাৰ ব্যৱহাৰ কৰক। ফেব্ৰিক ক্লিনাৰ ব্যৱহাৰ কৰিলে, নিৰ্মাতাই দিয়া নিৰ্দেশনা আৰু বিধি পালন কৰক।

⚠ CAUTION

- সন্মুখৰ যাত্ৰীৰ আসনত তৰল বা অৰ্ধকঠিন পদাৰ্থ ঢালি নিদিব। যদিহে এনেকুৱা হয় তেন্তে লগে লগে কোমল কাপোৰেৰে শুকুৱাই মচি দিব। চেম্বৰৰ সৈতে তৰল পদাৰ্থৰ সংস্পৰ্শই ছিট বেল্ট ৰিমাইণ্ডাৰ চেম্বৰৰ কাৰ্য্যত প্ৰভাৱ পেলাব পাৰে।
- যাত্ৰীৰ আসনত কোনো চোকা বা গধুৰ বস্তু ৰাখিব নালাগে যিয়ে আসনৰ আচবাবৰ মাজেৰে সোমাই যাব পাৰে আৰু চেম্বৰৰ ক্ষতি কৰিব পাৰে।

এপিয়াৰেন্স কেয়াৰ

ফেব্ৰিক আপহলষ্ট্ৰী (সমুখৰ যাগ্ৰী আসনৰ বাবে)
চাফাইৰ বাবে তৰল পদাৰ্থ ব্যৱহাৰ নকৰিব কাৰণ ই কাপোৰত সোমাই চিট চেম্বৰৰ ক্ষতি কৰিব পাৰে।

লেডাৰ বা চামৰাৰ আপহলষ্ট্ৰী

ধূলি-বালিবোৰ ভেকুৱাম ক্লিনাৰেৰে আঁতৰাই পেলাওক। পাতল চাবোন ব্যৱহাৰ কৰি দাগ পৰা ঠাইবোৰ পৰিষ্কাৰ ভিজা কাপোৰেৰে ঘঁহি লওক। চাবোন আঁতৰাবলৈ পানীত তিয়াই লোৱা কাপোৰেৰে সেই অংশবোৰ পুনৰ মচক। এখন কোমল কাপোৰেৰে ঠাইবোৰ শুকালকৈ মচি দিয়ক। দাগ আঁতৰ নোহোৱালৈকে এই প্ৰক্ৰিয়াৰ পুনৰাবৃত্তি কৰক, বা কঠিন দাগবোৰৰ বাবে কমাৰ্চিয়েল লেডাৰ ক্লিনাৰ ব্যৱহাৰ কৰক। লেডাৰ ক্লিনাৰ ব্যৱহাৰ কৰিলে, নিৰ্মাতাই দিয়া নিৰ্দেশনা আৰু বিধি পালন কৰক। চলভেণ্ট ক্লিনাৰ বা এট্ৰেচিভ ক্লিনাৰ ব্যৱহাৰ নকৰিব।

টোকা:

- চামৰাৰ আপহলষ্ট্ৰী শুৱনি দেখাবলৈ হ'লে বহুত কমও দুবাৰ চাফা কৰিব লাগে।
- চামৰাৰ আপহলষ্ট্ৰী ভিত্তিলে লগে লগে টিছু পেপাৰ বা কোমল কাপোৰেৰে শুকুৱাই মচি দিব লাগে। মচি নিদিলে পানীয়ে চামৰা কঠিন কৰি সংকুচিত কৰিব পাৰে।
- ৰ'দঘাই দিনত গাড়ী ৰখাওঁতে ছাঁয়াময় ঠাই বাছি লওক বা ছানশ্বেড ব্যৱহাৰ কৰক। চামৰাৰ আপহলষ্ট্ৰী যদি দীৰ্ঘদিন ধৰি প্ৰত্যক্ষ সূৰ্যৰ পোহৰত থাকে তেন্তে ইয়াৰ ৰং সলনি হৈ সংকুচিত হ'ব পাৰে।
- প্ৰাকৃতিক সামগ্ৰীৰ দৰেই সহজাতভাৱে গৰুৰ চামৰা অনিয়মিত আৰু প্ৰাকৃতিকভাৱে দাগ থাকে। এইবোৰে চামৰাৰ কাম-কাজত কোনো ধৰণৰ প্ৰভাৱ পেলোৱা নাই।

চীট বেণ্ট

চিট বেণ্টবোৰ পাতল চাবোন আৰু পানীৰে পৰিষ্কাৰ কৰক। বেণ্টত ব্লিচ বা ডাই ব্যৱহাৰ নকৰিব। এইবোৰে বেণ্টৰ ফেব্ৰিক দুৰ্বল কৰি পেলাব পাৰে।

ভিনাইল ফ্ল'ৰ মেট

ভিনাইলৰ পৰা সাধাৰণ ময়লা চাবোন আৰু পানীৰেই আঁতৰাই পেলাব পাৰি। ময়লাবোৰ কোমলাবলৈ এডাল ব্ৰাছৰ ব্যৱহাৰ কৰক। ময়লা কোমল হ'লে, পানীৰে মেটবোৰ ধুই ছাঁত শুকাবলৈ দিয়ক।

কাৰ্পেট

ধূলি-বালিবোৰ ভেকুৱাম ক্লিনাৰেৰে আঁতৰাই পেলাওক। পাতল চাবোন ব্যৱহাৰ কৰি দাগ পৰা ঠাইবোৰ পৰিষ্কাৰ ভিজা কাপোৰেৰে ঘঁহি লওক। চাবোন আঁতৰাবলৈ পানীত তিয়াই লোৱা কাপোৰেৰে সেই অংশবোৰ পুনৰ মচক। দাগ আঁতৰ নোহোৱালৈকে এই প্ৰক্ৰিয়াৰ পুনৰাবৃত্তি কৰক, বা কঠিন দাগবোৰৰ বাবে কমাৰ্চিয়েল কাৰ্পেট ক্লিনাৰ ব্যৱহাৰ কৰক। কাৰ্পেট ক্লিনাৰ ব্যৱহাৰ কৰিলে, নিৰ্মাতাই দিয়া নিৰ্দেশনা আৰু বিধি পালন কৰক।

যন্তু পেনেল আৰু কনছল

ধূলি-বালিবোৰ ভেকুৱাম ক্লিনাৰেৰে আঁতৰাই পেলাওক। ভালকৈ আতি লোৱা ভিজা পৰিষ্কাৰ কাপোৰেৰে লাহে লাহে মলি মচি পেলাওক। মলি নোহোৱা হোৱালৈকে এইদৰে পুনৰাবৃত্তি কৰক।

জাননী

ভালকৈ আতি লোৱা ভিজা পৰিষ্কাৰ কাপোৰেৰে লাহে লাহে মলি মচি পেলাওক। মলি নোহোৱা হোৱালৈকে এইদৰে পুনৰাবৃত্তি কৰক।

ইনষ্ট্ৰুমেণ্ট ক্লাষ্টাৰ বা আন কোনো ইলেক্ট্ৰনিক উপাদানত পোনপটীয়াকৈ পানী বা কোনো তৰল পদাৰ্থ স্প্ৰে নকৰিব। ইয়াৰ ফলত সামগ্ৰিক ক্ষতি হ'ব পাৰে অথবা অংশটোৰ কাম ৰৈ যাব পাৰে।

উদাহৰণ



81RM08005

ক্লিনিং দা এঞ্জাটেৰিয়ৰ বা বাহিৰৰ অংশ
পৰিষ্কাৰ কৰণ

জাননী

আপোনাৰ গাড়ীখন পৰিষ্কাৰকৈ আৰু ধুলি-
মাকতি মুক্ত কৰি ৰখাটো প্ৰয়োজনীয়।
পৰিষ্কাৰ কৰি ৰাখিব নোৱাৰিলে গাড়ীৰ ৰং
প্লান হৈ যাব পাৰে বা গাড়ীখনৰ বিভিন্ন
অংশত ক'ৰ'জ্যন হ'ব পাৰে।

ৰাশ্বিং বা ধোৱন

উদাহৰণ



82DY0

⚠ সতৰ্কবাণী

- ইঞ্জিন চলি থকাৰ সময়ত কেতিয়াও
বাহনখন ধুই ৰেঞ্জ কৰিবলৈ চেষ্টা
নকৰিব।
- চোকা, ধাৰ থকা অংশ থাকিব পৰা
গাড়ীৰ তল ফাল আৰু ফেণ্ডাৰ পৰিষ্কাৰ
কৰাৰ সময়ত, হাত আৰু বাহু কাটি
যোৱাৰ পৰা ৰক্ষা কৰিবলৈ হাতমোজা
আৰু দীঘল হাতৰ চাৰ্ট পিন্ধিব।
- গাড়ীখন ধোৱাৰ পিছত চলোৱাৰ আগতে
ব্ৰেকবোৰ সুচাৰুৰূপে কাম কৰিছে নে নাই
সৱধানে পৰীক্ষা কৰক।

গাড়ীখন ধোৱাৰ সময়ত সূৰ্যৰ পোহৰ
পোনপটীয়াকৈ নপৰা ঠাইত ৰখাই, তলৰ নিৰ্দেশনা
অনুযায়ী আগবাঢ়ক:

- 1) বোকা আৰু ময়লা আঁতৰাবলৈ গাড়ীৰ তল
আৰু হুইল হাউচিং জোৰেৰে পানী মাৰি
ধোৱক। প্ৰচুৰ পৰিমাণে পানী ব্যৱহাৰ কৰক

জাননী

- গাড়ীখন ধোৱাৰ সময়ত:
- প্লাষ্টিকৰ ওপৰত 80 ডিগ্ৰী চেলছিয়াছ
(176 ডিগ্ৰী ফাৰেনহাইট)তকৈ অধিক ভাপ
বা গৰম পানী ব্যৱহাৰ নকৰিব।
 - ইঞ্জিনৰ কোনো ক্ষতি নহ'বলৈ ইঞ্জিন
কম্পাৰ্টমেণ্টত জোৰত পানী ব্যৱহাৰ
নকৰিব।

- 2) পানীৰে ধুই ধুলি-মাকতিবোৰ কোমলাই লওক
। ৰাশ্বিং ৱাৰ্টাৰ ব্যৱহাৰ কৰি গাড়ীখনৰ
বাহিৰৰ পৰা মলি আৰু বোকাবোৰ আঁতৰাই
পেলাওক। আপুনি এটুকুৰা কোমল স্পঞ্জ বা
ব্ৰাছ ব্যৱহাৰ কৰিব পাৰে। ৰং বা প্লাষ্টিকত

দাগ লগাব পৰা কোনো টান বস্তু ব্যৱহাৰ
নকৰিব। মনত ৰাখিব হেডলাইটৰ ক'ভাৰ
আৰু লেঞ্চবোৰ বহুসময়ত প্লাষ্টিকৰ হয়।

জাননী

ৰং বা প্লাষ্টিকৰ পৃষ্ঠৰ ক্ষতি নহ'বলৈ যথেষ্ট
পৰিমাণে পানী নোহোৱাকৈ মলি মচি পেলাব
নালগে। ওপৰৰ পদ্ধতি নিশ্চয় মানি চলক।

- 3) স্পঞ্জ বা কোমল কাপোৰ ব্যৱহাৰ কৰি মৃদু
ডিটাৰজেণ্ট বা গাড়ী ধোৱাৰ চাবোনেৰে
গোটেই বাহিৰৰ অংশটো ধুব লাগে। চাবোনেৰ
দ্রৱত স্পঞ্জ বা কাপোৰখন সঘনাই তিয়াই
ৰাখিব লাগে।

জাননী

কমাৰ্চিয়েল কাৰ ব্ৰাথ প্ৰডাক্ট ব্যৱহাৰ কৰাৰ
সময়ত প্ৰস্তুতকাৰকে নিৰ্দিষ্ট কৰা বিধিসমূহ
পালন কৰিব। ঘৰুৱাভাৱে ব্যৱহাৰ কৰা
শক্তিশালী ডিটাৰজেণ্ট বা চাবোন কোনো
কাৰণতে ব্যৱহাৰ নকৰিব।

- 4) ধুলি-বালি সম্পূৰ্ণৰূপে আঁতৰি গ'লে ৰৈ
ডিটাৰজেণ্টৰ ৰৈ যোৱা অংশ ৰাশ্বিং ৱাৰ্টাৰেৰে
ধুই পেলাব লাগে।
- 5) ধোৱাৰ পাছত, গাড়ীখন এখন কোমল ভিজা
কাপোৰেৰে মোহাৰি, ছাঁত শুকাবলৈ দিয়ক।
- 6) গাড়ীৰ বডিৰ ৰঙত কৰবাত দাগ লাগিছে
নেকি লক্ষ্য কৰক। যদি দাগ আছে, তলৰ
বিধি অনুসৰণ কৰক:
 1. দাগ লগা ঠাইবোৰ চাফা কৰি শুকাবলৈ
দিয়ক।

এপিয়াৰেন্স কেয়াৰ

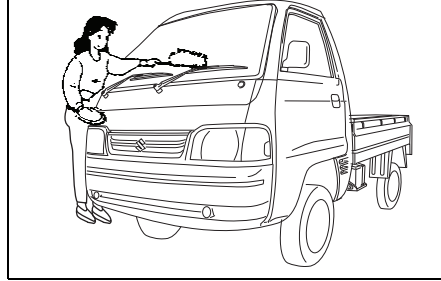
১. ৰংবোৰ সাৱধানে লৰাই, সবু ব্ৰাছ এডালেৰে দাগ লগা ঠাইৰ ওপৰেৰে বুলাই দিয়ক।
২. ৰঙৰ প্ৰলেপটো সম্পূৰ্ণৰূপে শুকাবলৈ দিয়ক।

জাননী

জাননী/জাননী আপুনি যদি অটোমেটিক কাৰ ব্ৰাশ ব্যৱহাৰ কৰে, আপোনাৰ গাড়ীখনৰ বিবিধ অংশ যেনে স্পইলাৰ ইত্যাদি যাতে ক্ষতিগ্ৰস্ত নহয়, তাৰ বাবে সচেতন হওক। সলহে থাকিলে কাৰ ব্ৰাশ অপাৰেটৰৰ সৈতে যোগাযোগ কৰক।

ৱেক্সিং

উদাহৰণ



77PM09002

গাড়ীখন ধোৱাৰ পাছত ৱেক্সিং আৰু পলিষ্টিং কৰিলে গাড়ীৰ ৰং অধিক সুৰক্ষিত আৰু ভাল দেখা হয়।

- কেৱল ভাল মানদণ্ডৰ ৱেক্স আৰু পলিষ্টিং ব্যৱহাৰ কৰিব।
- ৱেক্স আৰু পলিষ্টিং ব্যৱহাৰ কৰিলে প্ৰস্তুতকাৰকে নিৰ্দিষ্ট কৰা বিধিসমূহ পালন কৰিব।

সাধাৰণ তথ্য

ভেহিকেল আইডেণ্টিফিকেচন বা বাহনৰ চিনাক্তকৰণ	10-1
ফাষ্ট টেগ বা FASTag (যদি আছে).....	10-1
CNG কিট নাম্বাৰ আইডেণ্টিফিকেচন বা (যদি আছে)	10-2
হাই চিকিউৰিটী বেজিষ্ট্ৰেশ্যন প্লেট (এইচ এচ আৰ পি/HSRP) (যদি প্ৰযোজ্য).....	10-3

ভেহিকেল আইডেণ্টিফিকেচন বা বাহনৰ চিনাক্তকৰণ

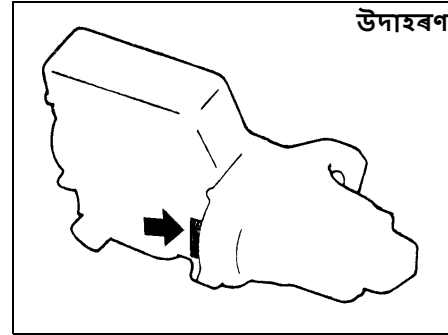
চেছিছ চিৰিয়েল নাম্বাৰ



77PH059

বাহনখন পঞ্জীয়ন কৰিবলৈ চেছিছ আৰু/বা ইঞ্জিনৰ ক্ৰমিক নম্বৰ ব্যৱহাৰ কৰা হয়। বিশেষ কোনো সেৱাৰ তথ্য দিওঁতে বা সেই বিষয়ে উল্লেখ কৰাৰ সময়তো আপোনাৰ ডিলাৰক সহায় কৰিবলৈ ইয়াৰ ব্যৱহাৰ হয়। আপোনাৰ অনুমোদিত **MARUTI SUZUKI COMMERCIAL** ৱৰ্কশ্বপৰ পৰা পৰামৰ্শ লোৱাৰ সময়ত এই নম্বৰেৰে আপোনাৰ বাহনখন চিনাক্ত কৰিবলৈ মনত ৰাখিব। নম্বৰটো পঢ়িবলৈ অসুবিধা পালে আইডেণ্টিফিকেচন প্লেটতো নাম্বাৰটো বিচাৰি পাব।

ইঞ্জিনৰ ক্ৰমিক নম্বৰ



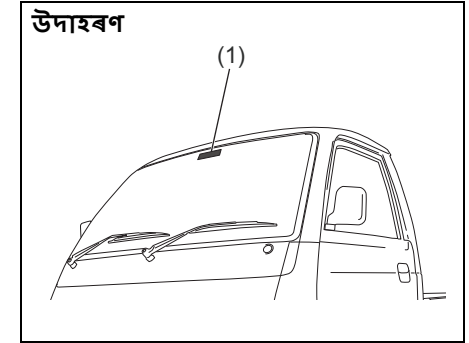
54G082

ইঞ্জিনৰ ছিৰিয়েল নম্বৰটো চিলিণ্ডাৰ ব্লকত চিত্ৰত দেখুওৱাৰ দৰে ষ্টাম্প কৰা হয়।

ফাষ্ট টেগ বা FASTag (যদি আছে)

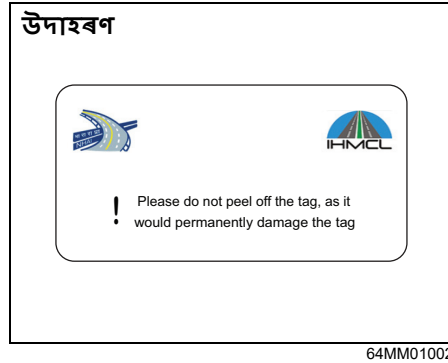
পথ পৰিবহণ আৰু ঘাইপথ মন্ত্ৰালয়ৰ মতে, ইলেক্ট্ৰনিক টোল সংগ্ৰহ অথবা ভাৰত চৰকাৰে নিৰ্ধাৰণ কৰা অন্যান্য উদ্দেশ্যৰ কাৰণে প্ৰতিখন বাহনৰ বাবে **FASTag (1)** বাধ্যতামূলক।

FASTag ৰ কোনো ক্ষতি হ'লে বা সন্মুখৰ উইণ্ড্ৰীণ সলনি কৰিলে আপোনাৰ ওচৰৰ অনুমোদিত **MARUTI SUZUKI** ৱৰ্কশ্বপৰ সৈতে যোগাযোগ কৰক।



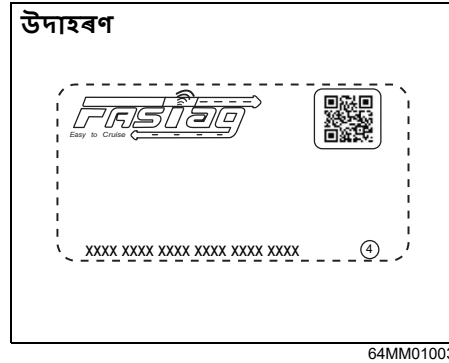
66MM01001

গাড়ীখনৰ ভিতৰৰ পৰা দেখা অনুসৰি



টোকা:
দেখুওৱা ছবিখন ইংগিতধৰ্মী। গাড়ীখনত থকা
প্ৰকৃত ডিভাইচৰ আভ্যন্তৰীণ গঠন বেলেগ হ'ব
পাৰে।

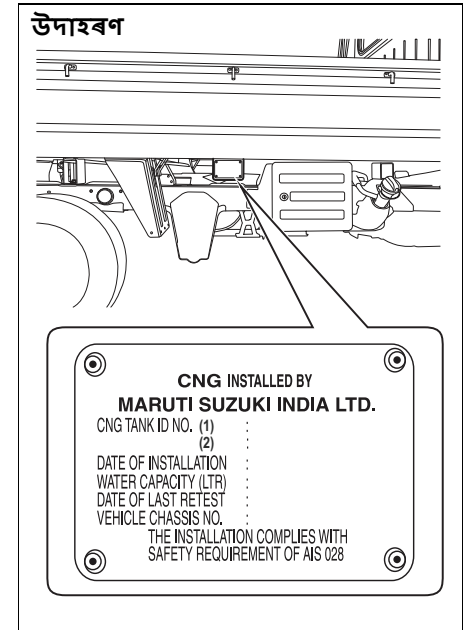
গাড়ীখনৰ বাহিৰৰ পৰা দেখা অনুসৰি



টোকা:
দেখুওৱা ছবিখন ইংগিতধৰ্মী। গাড়ীখনত থকা
প্ৰকৃত ডিভাইচৰ আভ্যন্তৰীণ গঠন বেলেগ হ'ব
পাৰে।

- টোকা:
- টেগটো ব্ৰিঙস্ক্ৰীণৰ পৰা টানি আঁতৰাবলৈ চালে
টেগটো ক্ষতিগ্ৰস্ত হ'ব পাৰে।
 - ব্ৰিঙস্ক্ৰীণৰ টেগটো থকা ঠাইখনত কেমিকেল
ক্লীনাৰ ব্যৱহাৰ কৰিলে টেগটো ক্ষতিগ্ৰস্ত হ'ব
পাৰে।
 - কোনো চোকা বস্তুৰে টেগটো আঘাত কৰিলেও
টেগটো ক্ষতিগ্ৰস্ত হ'ব পাৰে।

CNG চি এন জি কিট নাম্বাৰ
আইডেণ্টিফিকেচন বা (যদি আছে)



CNG চিলিণ্ডাৰ আইডেণ্টিফিকেচন নাম্বাৰ আৰু
CNG কিট ইনষ্টলেচনৰ তাৰিখ ছবিত দেখুওৱাৰ
দৰে কাৰ্গোৰ সোঁ-ফালে দিয়া থাকে।

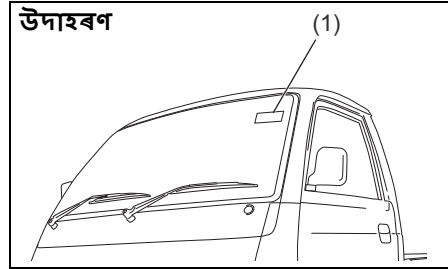
হাই চিকিউৰিটী ৰেজিষ্ট্ৰেশ্যন প্লেট (এইচ এচ আৰ পি/HSRP) (যদি প্ৰযোজ্য)

পথ পৰিবহণ আৰু ঘাইপথ মন্ত্ৰালয়ৰ মতে প্ৰতিখন
নতুন বাহনত HSRP থাকিব লাগিব।

HSRP হৈছে:

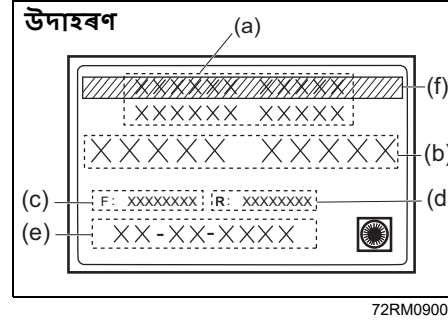
- ফ্ৰন্ট আৰু ৰিয়েৰ HSRP, নম্বৰ প্লেট
এৰিয়াত 2টাকৈ স্লেপ-লকৰ সহায়ত লগোৱা
হয়।
- সন্মুখৰ ৰিওশ্বিল্ডত থাৰ্ড লাইচেন্স প্লেটখন
লগোৱা হয়।

থাৰ্ড লাইচেন্স প্লেট/তৃতীয়খন লাইচেন্স প্লেট



(1) থাৰ্ড লাইচেন্স প্লেট

থাৰ্ড লাইচেন্স প্লেট- বাহিৰৰ পৰা দেখা অনুযায়ী



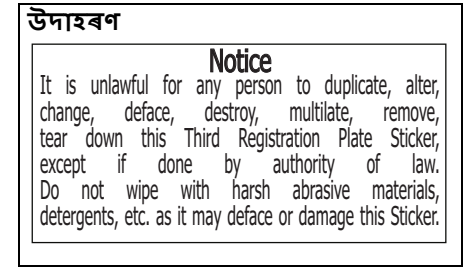
- (a) HSRP ইচ্ছু কৰা কৰ্তৃপক্ষৰ নাম
- (b) বাহনৰ পঞ্জীয়ন নাম্বাৰ
- (c) ইউনিক লেজাৰ নাম্বাৰ- ফ্ৰন্ট প্লেট
- (d) ইউনিক লেজাৰ নাম্বাৰ- ৰিয়েৰ প্লেট
- (e) প্ৰথম পঞ্জীয়নৰ তাৰিখ
(DD-MM-YYYY ফৰ্মেটত)
- (f) গ্ৰীণ ষ্টাইপ (BS6 vehicle)

টোকা:
দেখুওৱা ছবিখন ইংগিতধৰ্মী। গাড়ীখনত থকা
প্ৰকৃত ডিভাইচৰ আভ্যন্তৰীণ গঠন বেলেগ হ'ব
পাৰে।

টোকা:
• থাৰ্ড লাইচেন্স প্লেটৰ লেবেলটো ৰিওস্ক্ৰীণৰ পৰা
টানি আঁতৰাবলৈ চালে ক্ষতিগ্ৰস্ত হ'ব পাৰে।
• ৰিওস্ক্ৰীণৰ লেবেলটো থকা ঠাইখনত কেমিকেল
ক্লীনাৰ ব্যৱহাৰ কৰিলে লেবেলটো ক্ষতিগ্ৰস্ত হ'ব
পাৰে। কোনো চোকা বস্তুৰে লেবেলটোত
আঘাত কৰিলেও লেবেলটো ক্ষতিগ্ৰস্ত হ'ব পাৰে।

- থাৰ্ড লাইচেন্স প্লেটৰ লেবেলটো সলাব খুজিলে,
অনুমোদিত কৰ্তৃপক্ষৰ সৈতে যোগাযোগ কৰক।

বাহিৰৰ পৰা দেখা অনুযায়ী থাৰ্ড লাইচেন্স প্লেটৰ লেবেল



টোকা:
দেখুওৱা ছবিখন ইংগিতধৰ্মী।

টোকা:
পথ পৰিবহণ আৰু ঘাইপথ মন্ত্ৰালয়ে নিৰ্ধাৰণ কৰা
এইচ এছ আৰ পি নিয়ম অনুসৰি থাৰ্ড লাইচেন্স
প্লেটৰ ৰং (পিছফালে)

বিস্তৃত নিৰ্দেশনা

বিস্তৃত নিৰ্দেশনা

টোকা:

স্পেচিফিকেশনসমূহ বিনা জাননীত সলনি হ'ব পাৰে।

"বডী ফেব্ৰিকেশ্যনৰ বাবে নিৰ্দেশনা" চাই "চেছিছ" প্ৰকাৰৰ বাবে বিস্তৃত নিৰ্দেশনা

আইটেম: ডাইমেনছন		UNIT: mm
বা সামগ্ৰিক দৈৰ্ঘ্য		3800
বা সামগ্ৰিক প্ৰস্থ		1562
বা সামগ্ৰিক উচ্চতা		1883
বা হুইলবেচ		2110
বা ড্ৰেক	বা ফ্ৰন্ট	1345
	বা ৰিয়েৰ	1330

আইটেম:ভৰ (ওজন)		UNIT: kg
কাৰ্ব ভৰ (ওজন)	পেট্ৰল (Petrol)	870
	বা চি এন জি (CNG)	990
গ্ৰছ ভেহিকল মাছ (ওজন) ৰেটিঙ		1620
পাৰ্মিচিবল মেক্সিমাম এজেল ৱেইট তকৈ বেছি হয়।	বা ফ্ৰন্ট	900
	বা ৰিয়েৰ	1020

আইটেম: ইঞ্জিন	বা পেট্রল আৰু চি এন জি
বা প্ৰকাৰ	K12N (DOHC)
চিলিণ্ডাৰৰ সংখ্যা	4
বা ব'ৰ	73.0 mm
বা ষ্ট্ৰ'ক	71.5 mm
বা পিষ্টন ডিচপ্লেচমেন্ট	1197 cm ³ (1197 cc)
বা কম্প্ৰেচন ৰেচিঅ'	12.0: 1

আইটেম: ইলেক্ট্ৰিকেল	
বা স্পাৰ্ক প্লাগ	NGK ILZKR6F11
বা বেটেৰী	12V 38B20R
বা ফিউজ	“পৰিদৰ্শন আৰু ৰক্ষণাবেক্ষণ” অংশ চাওক

আইটেম: লাইট/ লাইট	ব্ৰাটেজ	বাল্ব নং.
হেডলাইট	12V 60/55W	H4
পজিশ্যন লাইট	12V 5W	W5W
টাৰ্ণ চিগনেল লাইট	বা ফ্ৰন্ট	12V 21W
	বা ৰিয়েৰ	12V 21W
বা ব্ৰেক বা টেইল লাইট	12V 21/5W	P21/5W
বা ৰিভাৰ্চিং লাইট	12V 21W	P21W
বা লাইচেন্স প্লেট লাইট	12V 5W	W5W
বা ইন্ট'ৰিয়ৰ লাইট	12V 5W	C5W

বিস্তৃত নিৰ্দেশনা

বা হুইল আৰু টায়ৰ	
টায়ৰৰ আকাৰ, ফ্ৰন্ট, ৰিয়েৰ আৰু স্পিয়াৰ অৰ্থাৎ অতিৰিক্ত টায়ৰ	155R13 LT 8PR 89/88S* / 155R13 LT 8PR 90/89Q*
ৰিম চাইজ	13X4J
টায়ৰ প্ৰেচাৰ	নিৰ্দিষ্ট টায়ৰ প্ৰেছাৰৰ তথ্যৰ বাবে ড্ৰাইভাৰ ড'বল'ক পিলাৰত থকা টায়ৰ ইনফৰ্মেশ্যন লেবেলখন চাওক ।

* যদি আপুনি নিৰ্দিষ্ট লোড ইনডেক্স ৰেট আৰু স্পীড চিম্বলৰ সৈতে এটা টায়ৰ সাজু কৰিব নোৱাৰে, তেন্তে অধিক লোড ইনডেক্স ৰেট আৰু স্পীড চিম্বলৰ এটা টায়ৰ সাজু কৰক ।

আইটেম: বা নিৰ্ধাৰিত তেল/ লুব্ৰিকেণ্টচ আৰু কেপাচিটি (আনুমানিক)			
ফুৱেল	পেট্ৰল (Petrol)		30 L [#]
	চি এন জি (CNG)	পেট্ৰল (Petrol)	5 L [#]
		চি এন জি (CNG)	35 L × 2 টেংকি [#]
ইঞ্জিন অইল	পেট্ৰল (Petrol)	ক্লাছিফিকেশ্যন: API SN	3.8 L (অইল ফিল্টাৰৰ বিকল্প)
	চি এন জি (CNG)	ভিষ্কচিটি SAE 0W-16	4.2 L (অইল ফিল্টাৰৰ বিকল্প)
ইঞ্জিন কুলেণ্ট	পেট্ৰল (Petrol)	"SUZUKI LLC: Super (Blue) Coolant" *1	3.6 L (ৰিজাৰ্ভাৰ টেংক সহ)
	চি এন জি (CNG)	"SUZUKI LLC: Standard (Yellow) Coolant" *1	3.65 L (ৰিজাৰ্ভাৰ টেংক সহ)
মেনুৱেল ট্ৰেন্সমিছ্যন অইল পেট্ৰল		মাৰুটা জেনুইন গীয়েৰ অইল 75W	1.4 L
ৰিয়েৰ ডিফাৰেনশিয়েল অইল		"TOTALFINAELF TRANSELF LL 85W-140"	1.6 L
ব্ৰেক ফ্লুইড		মাৰুটা জেনুইন ব্ৰেক ফ্লুইড (MGBF) বা DOT 3	"পৰিদৰ্শন আৰু ৰক্ষণাবেক্ষণ" অংশত দিয়া নিৰ্দেশনা অনুসৰি সঠিক মাত্ৰালৈকে তেল ভৰাব।

*1: আপোনাৰ বাহনৰ ওপৰত নিৰ্ভৰ কৰি পৰামৰ্শিত শীতল পদাৰ্থ বেলেগ বেলেগ হয়। "নিৰীক্ষণ আৰু ব্যৱস্থাপনা" অংশত চাওক।

: ফুৱেল টেংকৰ ক্ষমতা নিৰ্দেশনাত দিয়া পৰিমাণতকৈ অলপ বেছি। নিৰাপত্তাজনিত আৰু বৈজ্ঞানিক কাৰণত অতিৰিক্ত ঠাইখিনি ৰখা হৈছে।

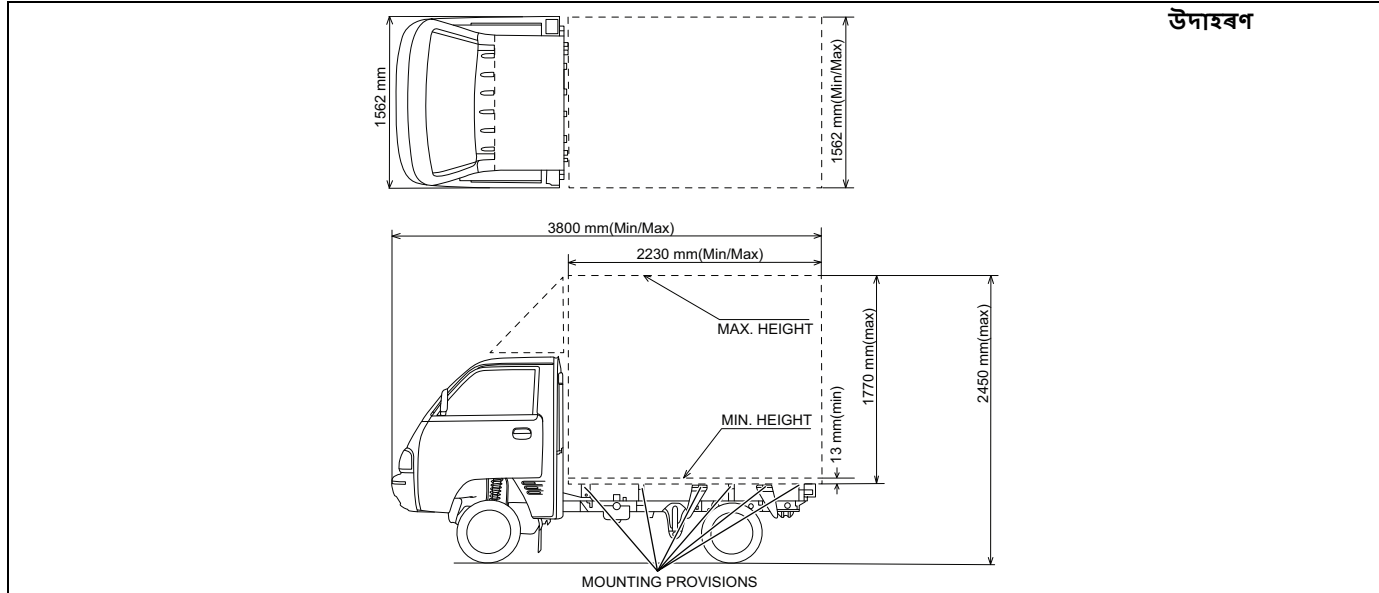
বডি ফেলিকেশ্যনৰ বাবে নিৰ্দেশনা

বডি ফেলিকেশ্যনৰ বাবে নিৰ্দেশনা (চেচিছ প্ৰকাৰ)

নিম্নোক্ত নিৰ্দেশনাসমূহ আৰু পৰিসীমা পৰিস্থিতি মানি চলি কেব-চেচিছ বাহনত বডি ফেলিকেশ্যন কৰিব লাগে:

- বডি এম্ব্ৰেচিং:** ল'ড বডি/এম্ব্ৰেচিং এনেদৰে ফেলিকেষ্টেট কৰিব লাগে যাতে বাহনৰ বাহিৰ পৃষ্ঠৰ কোনো জোঙা দাতি বা ওলাই থকা অংশ থাকিব নালাগে যি মুখামুখি সংঘৰ্ষৰ ক্ষেত্ৰত কোনো ব্যক্তিৰ ব্যাপক শাৰীৰীক ক্ষতি সাধন বা সেই ভয়াবহতাৰ সৃষ্টি কৰে। এইটো এখন সম্পূৰ্ণকৈ নিৰ্মাণ হোৱা গাড়ীৰ চলিত বা স্থিত দুয়োটা অৱস্থাৰ ক্ষেত্ৰতে প্ৰযোজ্য। এইটো নিশ্চিত কৰিব লাগে যাতে বাহিৰ পৃষ্ঠৰ কোনো জোঙা দাতি বা ওলাই থকা অংশত অন্তত **2.5mm** বা ততোধিক ব্যাসাৰ্ধৰ বহুতা থাকিব লাগে। বডিৰ ক্ষেত্ৰত **CMVR** নীতি **124(1)-11**ৰ অধীনত থকা নিয়ম মানি চলিব লাগে।
বডিৰ লে-আউটৰ বাবে (টিপ্পাৰ এম্ব্ৰেচিংৰ দৰে), য'ত বেটেৰিৰ মাউন্টিং ওলাই থাকে, **CMVR** নীতি **124(1)-11**ত উল্লেখ কৰা অনুসৰি এম্ব্ৰেচিংৰ প্ৰজেকশ্যনৰ দৰকাৰী প্ৰয়োজনসমূহ দূৰ কৰিবলৈ এখন ক'ভাৰ যোগান ধৰিব লাগে।
- বিফ্লেক্টিভ টেপ:** বডি নিৰ্মাণ কৰোঁতাই বাহনৰ পাছফালে বডীত বহলকৈ লাগি থকাকৈ এটা ৰঙা ৰঙৰ বিফ্লেক্টিভ টেপ (**20mm**তকৈ কম বহল) লগাব লাগে আৰু **CMVR** নীতিৰ **104**ৰ অধীনত উল্লেখ কৰা দৰকাৰী প্ৰয়োজনসমূহ মানি চলিব লাগে।
- হেড লেম্প:** বডি ফেলিকেশ্যনৰ পাছত, হেড লেম্পৰ প্ৰাৰম্ভিক ভাজ হেড লেম্পত চিহ্নিত কৰাৰ দৰে (**CMVR** নীতিৰ নং **104**) মিলাব লাগে। বডি ফেলিকেষ্টেটৰ দ্বাৰা গ্ৰাহকক **GVW** পৰিস্থিতিৰ বাবে হেড লেম্প লেবেলিং চুইচৰ অৱস্থান নিৰ্দিষ্টকৈ দেখুৱাই দিব লাগে।
- বডি বিল্ডাৰ প্লেট:** বডি বিল্ডাৰ প্লেটত **CMVR** নীতিৰ **122**ৰ অধীনত উল্লেখ কৰা প্ৰয়োজন অনুসৰি প্ৰচুৰ ওজন, পে-ল'ড আৰু অন্যান্য বিৱৰণসমূহ নিৰ্দিষ্টকৈ দেখুৱাই বডি বিল্ডাৰ লগাব লাগে।
- ফৰ্ম 22A খণ্ড II:** **CMVR** নীতিৰ **47**ৰ অধীনত উল্লেখ কৰা প্ৰয়োজন অনুসৰি বডি বিল্ডাৰে ফৰ্ম **22A** খণ্ড II যোগান ধৰিব লাগে।
- বডি বিল্ডাৰে তলৰ বাখ্যাচিত্ৰত দেখুওৱাৰ দৰে বডি ফেলিকেশ্যনৰ সময়ত বৈদ্যুতিক তাৰ, বৈদ্যুতিক সঁজুলি, ব্ৰেক কানেকশ্যন, ব্ৰেক পাইপিং, ইন্ধন কানেকশ্যন, একজ'ষ্ট চিষ্টেম আৰু চেচিছ উপাদান সলনি কৰিব নালাগে।

- (g) **আয়তন:** নিৰ্মাতাই যোগান ধৰা কেব চেছিছ বাহনৰ ওপৰত তলৰ বাখ্যাচিত্ৰত দেখুওৱাৰ দৰে এক সৰ্বনিম্ন আৰু সৰ্বাধিক এনভেলপৰ ভিতৰত খাপ খোৱাকৈ ল'ড বডী /এপ্লিকেছন নিৰ্মাণ কৰিব লাগিব।



77PM12003

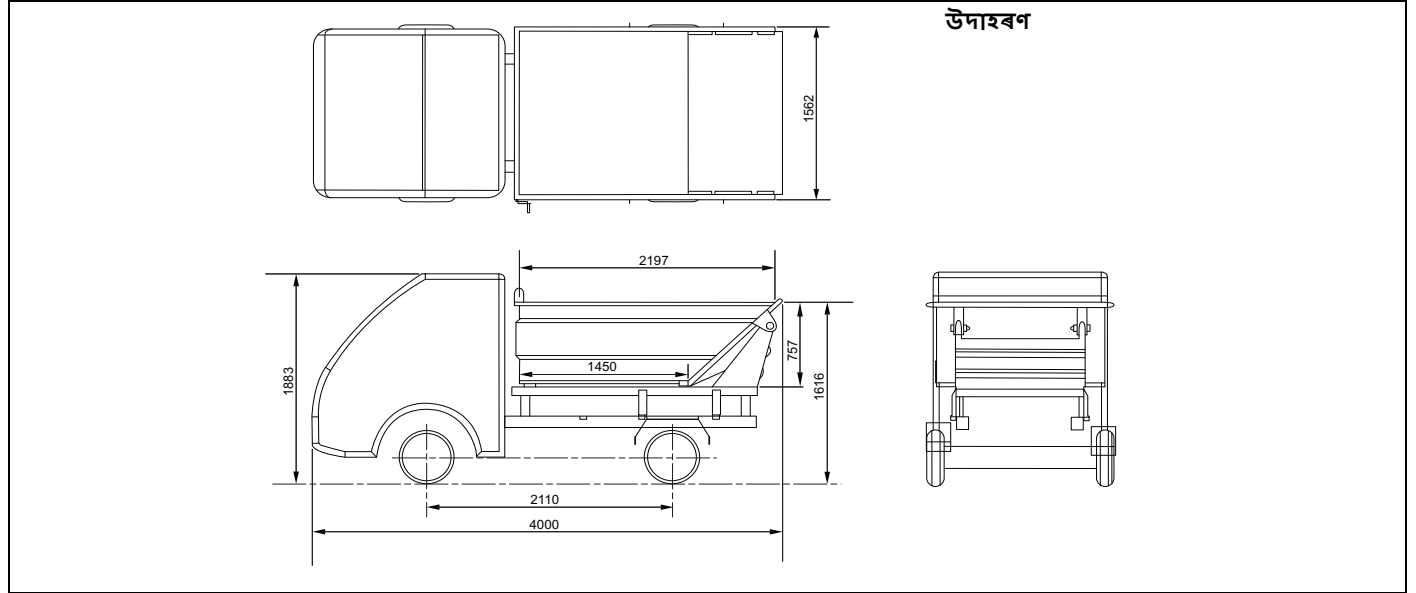
বডি ফেব্রিকেচনৰ বাবে নিৰ্দেশনা

বডি ফেব্রিকেচনৰ বাবে নিৰ্দেশনা

পেট্ৰ'ল মডেল টিঞ্জাৰ (মুক্ত টিঞ্জাৰ আৰু বন্ধ টিঞ্জাৰ)

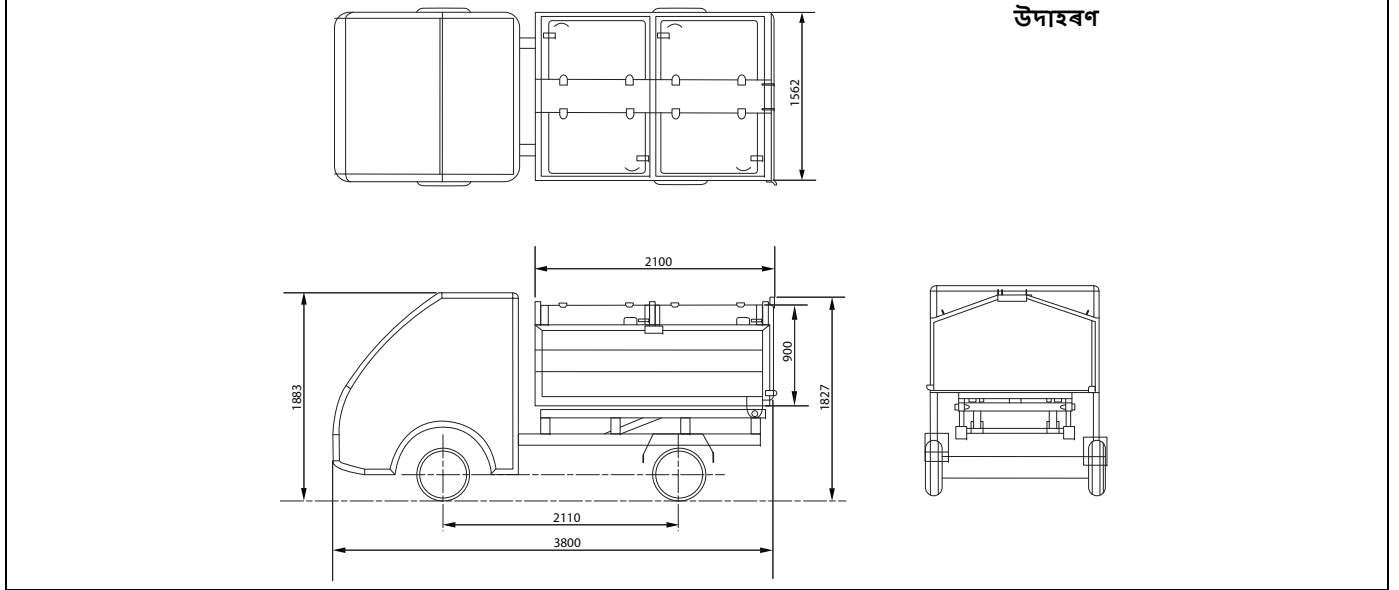
নিৰ্মাতাই যোগান ধৰা কেব চেছিছ বাহনৰ ওপৰত তলৰ বাখ্যাচিত্ৰত দেখুওৱাৰ দৰে এক নিৰ্দিষ্ট আয়তনৰ ভিতৰত খাপ খোৱাকৈ ল'ড বডী / এপ্লিকেছন নিৰ্মাণ কৰিব লাগিব।

- মুক্ত টিঞ্জাৰ:



77PM12006

- বন্ধ টিপ্পাৰ:



77PM12007

- (h) **ওজন আৰু ইয়াৰ বিতৰণ:** সম্পূৰ্ণকৈ নিৰ্মাণ কৰা বাহনৰ সৰ্বনিম্ন কাৰ্ব ওজন **870kg** (পেট্ৰ'ল), **990kg (CNG)** আৰু সম্পূৰ্ণকৈ নিৰ্মাণ কৰা বাহনৰ সৰ্বাধিক কাৰ্ব ওজন **1140kg** (পেট্ৰ'ল), **1255kg (CNG)** হোৱাকৈ, সেই কথা মন দি ল'ড বডী /এপ্লিকেছন ফেব্রিকেট কৰিব লাগিব। সমুখৰ এক্সেল আৰু পাছফালৰ এক্সেলৰ কাৰ্ব ওজনৰ গড় **1.45** (পেট্ৰ'ল), **1.25 (CNG)**তকৈ বেছি হ'ব নালাগিব।

পেট্ৰ'ল মডেল টিপ্পাৰ এপ্লিকেছনৰ বাবে, ল'ড বডী /এপ্লিকেছন নিম্নোক্ত কাৰ্ব ওজনৰ কথা মন দি ফেব্রিকেট কৰিব লাগিব।

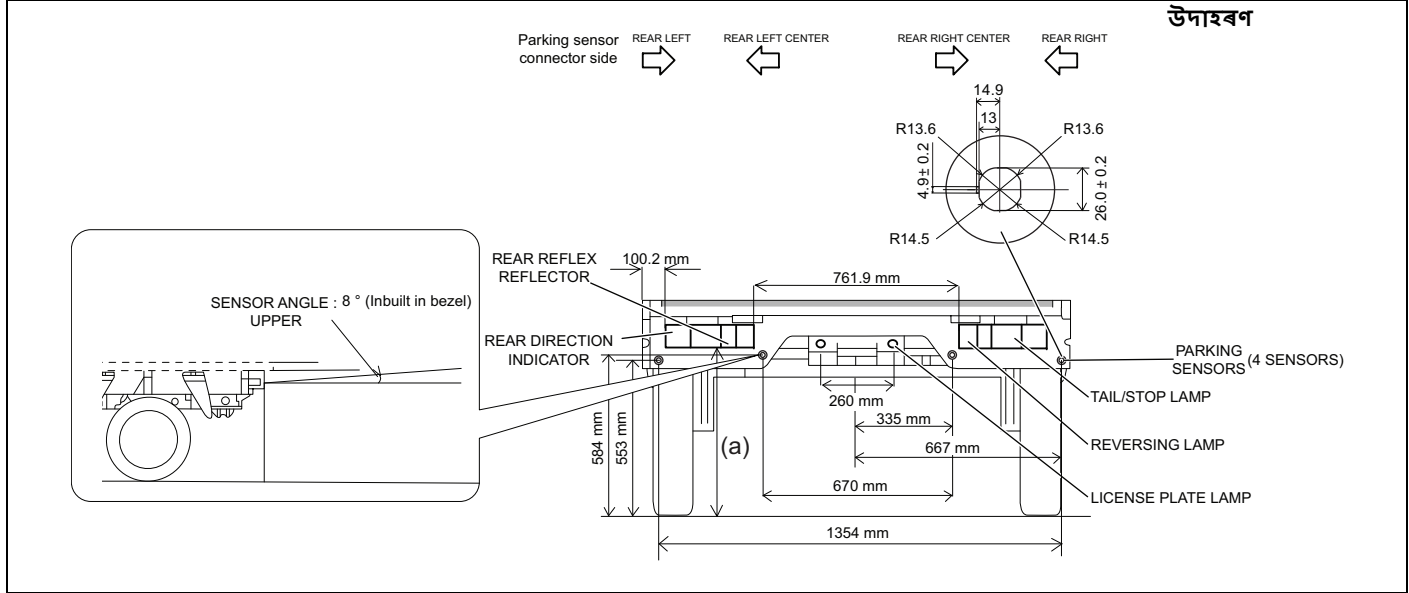
মুক্ত টিপ্পাৰৰ কাৰ্ব ওজন: **1070kg**

বন্ধ টিপ্পাৰৰ কাৰ্ব ওজন: **1140kg**

সমুখৰ এক্সেল আৰু পাছফালৰ এক্সেলৰ কাৰ্ব ওজনৰ গড় **1.45**তকৈ বেছি হ'ব নালাগিব।

বডি ফেলিক্ৰেচনৰ বাবে নিৰ্দেশনা

- (i) **লাইটিং আৰু ডিগেইনিং ডিভাইচ:** বাহনত নিৰ্মাণৰ সময়তে লগাই থোৱাকৈ হেড লাইট এছেম্বলিৰ সৈতে কেব চেছিছ আৰু পাছফালৰ কেবিনেট লেম্পৰ সৈতে এটা অস্থায়ী পেনেল আৰু ৰেজিষ্ট্ৰেছন প্লেট লেম্প যোগান ধৰা হয়। হেড লাইট এছেম্বলিৰ অৱস্থানৰ কোনো সালসলনি কৰা নহয়। তলৰ বাখ্যাচিত্ৰত দেখুওৱাৰ দৰে নিৰ্দিষ্ট অৱস্থানত পাছফালৰ কেবিনেট লেম্প, ৰেজিষ্ট্ৰেছন প্লেট লেম্প আৰু পাৰ্কিং চেঞ্চৰ (বাহনৰ সৈতে গ্ল'ভ বক্সত যোগান ধৰা হয়) ল'ড বডী /এপ্লিকেছনত লগাব লাগিব।

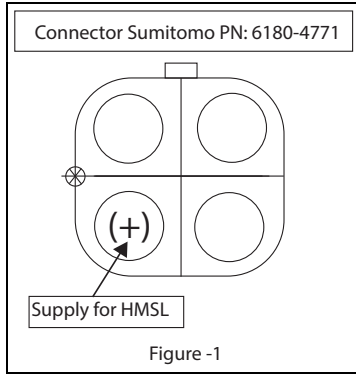


77PM12008

“a” মান	
চেছিছ এপ্লিকেছন (পেট্ৰ'ল আৰু CNG)	612 mm
পেট্ৰ'ল মডেল মুক্ত টিল্লাৰ এপ্লিকেছন	620 mm
পেট্ৰ'ল মডেল বন্ধ টিল্লাৰ এপ্লিকেছন	660 mm

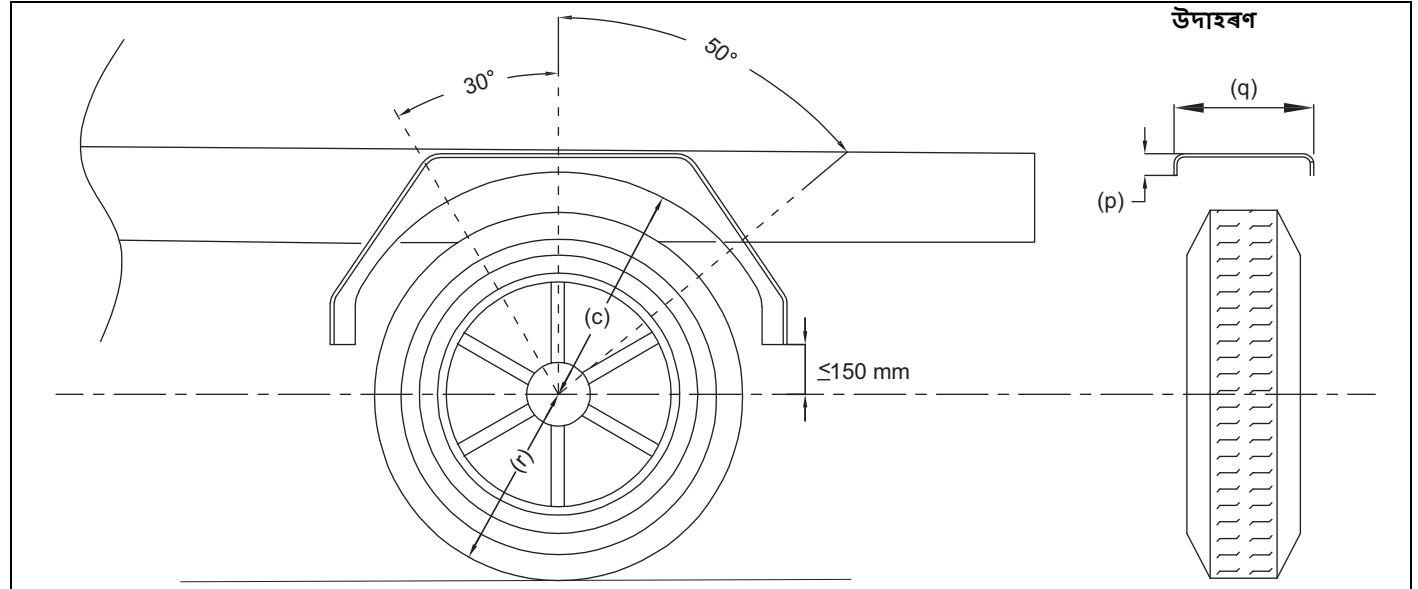
(j) **HMSL স্থাপন:** (সম্পূৰ্ণ ধাতুৰ শৰীৰপ্ৰয়োগৰ বাবে প্ৰযোজ্য)

- বডী ফেব্রিকেটেৰে সৰ্বাধিক **25** ৰাট শক্তিসীমাৰ সৈতে আৰু চিএমভিআৰ নিয়ম **124(1)-20** অনুসৰণ কৰি হাই মাউণ্ট ষ্টপ লেম্প (**HMSL**) স্থাপন কৰাটো নিশ্চিত কৰিব।
- **HMSL** ৰায়াৰিং ব্যৱস্থা আৰু ই কাম কৰি আছে, পিছফালৰ সংমিশ্ৰণ লেম্প (**RCL**) সংযোজকবোৰক ইতিমধ্যে তলৰ চিত্ৰ-1-ত দেখুওৱাৰ দৰে ধনাত্মক যোগানৰ প্ৰয়োজন। বডী ফেব্রিকেটেৰে বৈদ্যুতিক ৰায়াৰিং হাৰ্নেছত টেম্পাৰিং নকৰাকৈ ইয়াক ব্যৱহাৰ কৰিব লাগিব। গ্ৰাউণ্ডিং ফিঞ্চ টাৰ্মিনেলআৰুচিএল গ্ৰাউণ্ড পইণ্টৰ সৈতে সঠিকভাৱে সংযোগ কৰা হ'ব।



বডি ফেব্রিকেচনৰ বাবে নিৰ্দেশনা

(k) **হুইল গাৰ্ড:** হুইল গাৰ্ডে **CMVR** নীতি নং **124(1)-13**ৰ অধীনত সকলো প্ৰয়োজনীয়তা মানি চলিব লাগিব। তলৰ বাখ্যাচিত্ৰত দেখুওৱাৰ দৰে নিৰ্দিষ্ট ডিজাইন পৰিসৰত হুইল গাৰ্ড (পাছফালৰ) ফেব্রিকেট কৰিবই লাগিব।



77PM12106

c	$\leq 2r$
p	$> 30 \text{ mm}$
q	$>$ মুঠ টায়ৰৰ প্ৰস্থ
r	টায়ৰৰ ষ্টেটিক(স্থিৰ) ব্যাসার্ধ

(I) CNG প্ৰকাৰৰ বাবে এপ্লিকেছন:

CNG লেবেল:

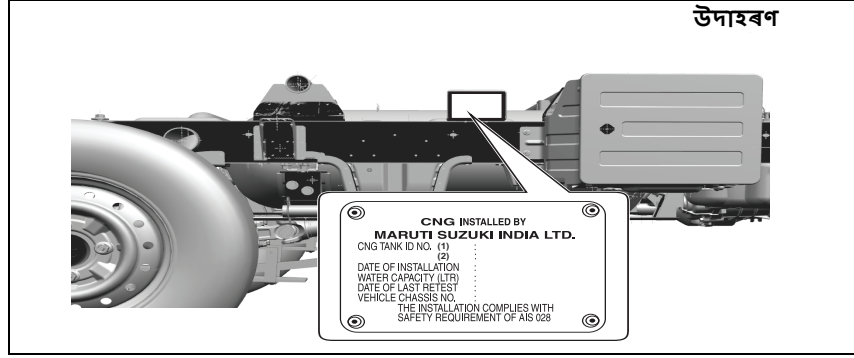
নিম্নোক্ত নিৰ্দেশনা অনুসৰি বড়ী বিল্ডাৰে পাছফালৰ ল'ড বড়ীত "CNG লেবেল" (বাহনৰ টুল কিটৰ সৈতে যোগান ধৰা) লগাব লাগিব।



77PM12011

- বাহন নম্বৰ প্লেটৰ ওচৰৰ সমতল পৃষ্ঠত ব্যৱহাৰযোগ্যভাবে উলম্ব অৱস্থানত (ওপৰত দেখুওৱাৰ দৰে) লেবেল লগাব লাগিব।
- পাছফালৰ পৰা স্পষ্টকৈ দেখাকৈ লেবেল লগাব লাগিব।
- লেবেল সকলো সময়তে নিৰ্দিষ্ট অৱস্থানত, ভাল অৱস্থাত আৰু আকৃতিত থাকিব লাগিব আৰু ৰঙ আৰু আখৰ সহজে স্পষ্টকৈ ধৰিব পৰা হ'ব লাগিব।

CNG কিট নম্বৰ চিনাক্তকৰণ:



77PM07032

ল'ড বড়ী /এপ্লিকেছন এনেদৰে ফেব্রিকেট কৰিব লাগিব যাতে ই CNG কম্পাইয়েন্স প্লেটৰ দৃশ্যমানতাত কোনো প্ৰভাৱ নেপেলায়।

অস্বীকাৰমূলক ঘোষণা:

চুপাৰ কেৰি চেছিছ প্ৰকাৰৰ বড়ী ফেব্রিকেছনৰ ক্ষেত্ৰত মালিক /বড়ী বিল্ডাৰে প্ৰযোজ্য CMVR প্ৰযোজনীয়তা আৰু সময়ে সময়ে প্ৰযোজ্য ৰাজ্যিক মটৰ বাহন নিয়ম মানি চলিব লাগিব। ল'ড বড়ী /এপ্লিকেছন ফেব্রিকেছন কৰাৰ ফলত সৃষ্টি হোৱা প্ৰযোজ্য নিয়ম মানি নচলাৰ বাবে, নিৰ্মাতাৰ নিৰ্দেশনাৱলী আৰু প্ৰচলিত নিয়ম ভংগ কৰাৰ ক্ষেত্ৰত, বাহনৰ নিৰ্মাতা কোনো প্ৰকাৰে জগৰীয়া নহয়।

সাবধান
ডেক/বডি ফেব্রিকেছন নোহোৱাকৈ চুপাৰ কেৰী বাহন নাৰাখিব

বেটাৰি লেবেল চিহ্নৰ অৰ্থবোৰ

	ধূমপান নিষেধ, অনাবৃত জুই নিষেধ, স্ফুলিঙ্গ নিষেধ		বেটাৰি এচিড
	চকু আৰুবিব		টোকা সঞ্চালন নিৰ্দেশনাবলী
	শিশুৰ পৰা আঁতৰাই ৰাখিব		বিস্ফোৰক গেছ

Prepared by
MARUTI SUZUKI INDIA LIMITED

Service Division
February, 2025

Part No. 99011M77P12-74A
Printed in India

For round-the-clock on-road assistance, call Maruti On-road Service at 1800 102 1800[#] / 1800 1800 180[#]
#No STD code to be prefixed.

চৌবিশ ঘণ্টাই পথত সাহায্যৰ বাবে, মাৰুতী অন-ৰোড সেৱাত 1800 102 1800[#] / 1800 1800 180[#] ত কল কৰক।
কোনো ধৰণৰ এচটিডি কোডৰ লগোৱাৰ প্ৰয়োজন নাই।

Service Division

MARUTI SUZUKI INDIA LIMITED

Palam Gurgaon Road, Gurgaon - 122 015 (Haryana)

www.marutisuzuki.com

