

S-PRESSO

OWNER'S MANUAL

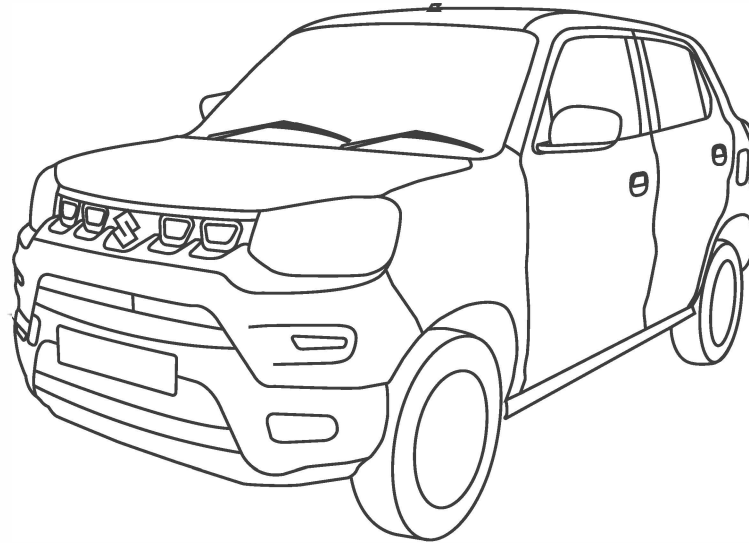
For vehicle fitted with CNG fuel system, use S-Presso CNG Supplementary Owner's Manual

Refer for vehicle usage at all times.

Contains Warranty policy and important information on Safety, Operation & Maintenance.

Part No. 99011 M62S10-74W
July, 2024 **(ENG.)**

This Owner's Manual applies to S-PRESSO models produced by
MARUTI SUZUKI INDIA LIMITED.



NOTE : The illustrated Model is one of the S-PRESSO series
Accessories shown in the picture are not part of standard equipment

© Copyright 2024 **Maruti Suzuki India Limited**. All rights reserved.

No part of this manual can be reproduced in any manner whatsoever or transmitted
in any form or by any means without prior written consent of Maruti Suzuki India Limited.

FOREWORD

The digital Owner's Manual is an essential part of your vehicle a rich document which familiarizes you with the vehicle by providing information such as features, warnings, operations and equipment description etc. Please read this manual carefully before operating your new MARUTI SUZUKI vehicle and review the manual from time to time. It is recommended to download this manual (from "Maruti Suzuki Rewards" mobile application with your registered mobile number) and save a soft copy of the same for easy access all times. Please visit MARUTI SUZUKI authorised workshop for availing any service.

To prolong the life of your vehicle and reduce maintenance cost, the periodic maintenance must be carried out according to "PERIODIC MAINTENANCE SCHEDULE" described in "INSPECTION AND MAINTENANCE" section of this manual. It is essential for preventing trouble and accidents to ensure your satisfaction and safety.

Daily inspection and care as per "DAILY INSPECTION CHECKLIST" described in the "OPERATING YOUR VEHICLE" section of this manual is essential for prolonging the life of the vehicle and for safe driving.

Vehicle and the available features/accessories therein should be used and plied by the owner/user in accordance with the applicable legal requirements.

MARUTI SUZUKI INDIA LIMITED believes in conservation and protection of Earth's natural resources.

To that end, we encourage every vehicle owner to recycle, trade-in or properly dispose of, as appropriate, used Engine Oil, coolant and other fluids, batteries and tyres etc.

MARUTI SUZUKI INDIA LIMITED

All information in this manual is based on the latest product information available at the time of publication. Due to improvements or other changes, there may be discrepancies between information in this manual and your vehicle. MARUTI SUZUKI INDIA LIMITED reserves the right to make production changes at any time, without notice and without incurring any obligation to make the same or similar changes to vehicles previously built or sold.

This vehicle may not comply with standards or regulations of other countries. Before attempting to register this vehicle in any other country, check all applicable regulations and make any necessary modifications.

IMPORTANT

▲ WARNING/ ▲ CAUTION/NOTICE/ NOTE

Please read this manual and follow its instructions carefully. To emphasize special information, the symbol and the words **WARNING**, **CAUTION**, **NOTICE** and **NOTE** have special meanings. Pay particular attention to messages highlighted by these signal words:

▲ WARNING

Indicates a potential hazard that could result in death or serious injury.

▲ CAUTION

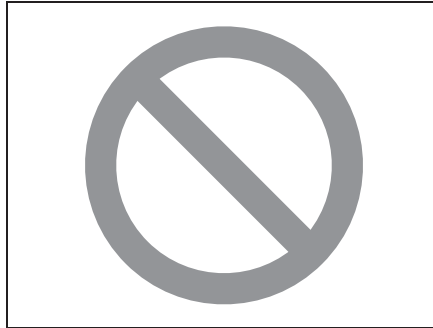
Indicates a potential hazard that could result in minor or moderate injury.

NOTICE

Indicates a potential hazard that could result in vehicle damage.

NOTE:

Indicates special information to make maintenance easier or instructions clearer.



75F135

The circle with a slash in this manual means “Don’t do this” or “Don’t let this happen”.

NOTE:

- *Words like car, model/variant are invariably used in this manual to denote the “Vehicle”.*
- *Pictorial representations used in this manual are for reference purposes only.*

MODIFICATION WARNING

▲ WARNING

Do not modify your vehicle. Modification could adversely affect safety, handling, performance, or durability and may violate governmental regulations. In addition, damage or performance problems resulting from modification shall not be covered under warranty.

NOTICE

Improper installation of mobile communication equipment such as cellular telephones, CB (Citizen’s Band) radios may cause electronic interference with your vehicle’s ignition system, resulting in vehicle performance problems. Consult your Maruti Suzuki authorised workshop or qualified service technician for advice on installing such mobile communication equipment.

NOTICE

The diagnostic connector of your vehicle is prepared only for the specific diagnostic tool for inspection and service purpose. Connecting any other tool or device may interfere with electronic parts operations and cause running out of batteries.

“WARNING”



Vehicle may **break-down**, meet with an **accident** or **catch fire** due to

1. Installation of
 - High wattage bulbs
 - Non genuine lamps / horns
 - Modified suspension / wheels
 - Non genuine parts / accessories etc.
2. Retrofitment of LPG / CNG fuel systems/kits.
3. Usage of domestic LPG.
4. Short circuiting due to tampering of wiring harness.

CAUTION: DO NOT STORE OR CARRY INFLAMMABLE MATERIALS IN THE VEHICLE.



Avoid driving into or starting the vehicle in a heavily water logged area. Vehicle may **break-down** or engine may fail due to

1. Water entry into the engine (which may lead to hydrostatic lock).
2. Short circuiting of the electrical systems.

If the vehicle is stuck in deep water, do not start / crank the vehicle until the level of water drops below the level of exhaust pipe.

NOTE:

IF THE VEHICLE IS SUBMERGED IN WATER, REPORT TO THE NEAREST AUTHORIZED WORKSHOP.

“CAUTION”

1. Retro-fitment of LPG / CNG kit may deteriorate vehicle performance, reduce engine & engine related component's life and also warranty will be null and void for such vehicles.
2. Do not use domestic LPG/LPG cylinder for your factory fitted LPG vehicles.
3. Usage of domestic LPG for running vehicles is prohibited as per law.
4. Do not remove company fitted LPG/CNG kit to install some other kit. It may affect vehicle performance and may cause fire.
5. Drive slowly on wet roads. Tires may slip while braking at higher speeds due to aquaplaning.(reduced contact area between tire and road due to presence of water)
6. Do not leave engine running in garages or confined areas, with passengers inside. This may result in accumulation of carbon-monoxide in cabin and may lead to suffocation or breathing problems.
7. Do not park vehicle on dry leaves or grass. This may lead to fire due to hot catalytic converter, igniting the dry leaves/grass.
8. If the vehicle is equipped with CNG/LPG, ensure availability of fire extinguisher in the vehicle all the time.
9. Always wear seat belt at all the times.
10. Do not use mobile phone while driving.
11. Avoid Smoking in the car, live bud thrown in car may cause fire.
12. Do not put any body part under the vehicle when it is supported on a Jack.
13. Do not use non-genuine accessories in your vehicle.
14. Do not fit accessories from unauthorized workshops/sources.
15. Usage of non-approved electrical accessories in your vehicle may result in spark, fire or personal injury.
16. Do not use camphor, incense sticks inside cabin room. Doing so may cause fire.
17. Avoid usage of cellular phones while refueling. Electric current and/or electronic interference from cellular phones can potentially ignite fuel vapors and cause fire.
18. Avoid entry inside vehicle immediately once after you have begun refueling. You can generate a build up of static electricity by touching, rubbing or sliding against any item or fabric capable of producing static electricity. Static electricity discharge can ignite fuel vapors and may causing a fire.
19. Do not check the engine room / open the hood near the fire area (Outside the vehicle). Fuel, washer fluid, etc. are flammable oils that may cause fire.
20. Avoid driving when vehicle has met with an accident . Before driving, Please contact with authorized MSIL dealership.

To experience and use the Digital Owner's Manual, download Maruti Suzuki app



Maruti Suzuki Rewards app ensures a hassle free car ownership experience. Get easy access to all the services and information you need by downloading the app



How to download Owners manual from Maruti Suzuki application

Step 1: Download "Maruti Suzuki Rewards" application from apple app store / google play store on your mobile phone

Step 2: Input registered mobile number and the OTP received from SMS

Step 3: Select "S-Assist BOT" icon and click "View Owner's Manual" to access digital Owner's Manual

Step 4: Click "Down Arrow" download and save Owner's Manual on your mobile phone

Now, the Owner's Manual is available on your mobile phone for reference at all times.

(For assistance, contact Maruti Suzuki authorised workshop)

WARRANTY POLICY

Maruti Suzuki India Limited (hereinafter called "Maruti Suzuki"), warrants that each new Maruti Suzuki vehicle distributed in India by Maruti Suzuki and sold by a Maruti Suzuki authorised dealer will be free, under normal use and service, from any defects in material and workmanship at the time of manufacture SUBJECT TO THE FOLLOWING TERMS AND CONDITIONS:

(1) Qualification:

To qualify for this warranty the vehicle must be delivered by a Maruti Suzuki authorised dealer and set-up, and serviced by a Maruti Suzuki authorised workshop.

(2) Term:

The term of the warranty shall be Thirty-Six (36) months or 1,00,000 kilometers (whichever occurs first) from the date of invoice to the first owner.

NOTE:

Maruti Suzuki offers warranty for the below parts in vehicle, if equipped, as follows:

- *Lithium-ion battery, Integrated Starter Generator (ISG), Hybrid ECU, Inverter / Converter Unit, Power Management ECU - Sixty (60) months or 1,00,000 kilometers (whichever occurs first).*
- *Hybrid Electric Vehicle (HEV) Battery- Ninety six (96) months or 1,60,000 kilometers (whichever occurs first).*

(3) Maruti Suzuki Warranty Obligation:

If any defect(s) should be found in a Maruti Suzuki vehicle within the term stipulated above, Maruti Suzuki's only obligation is to repair or replace at its sole discretion any part shown to be defective, with a new part or the equivalent at no cost to the owner for parts or labor, when Maruti Suzuki acknowledges that such a defect is attributable to faulty material or workmanship at the time of manufacture. Such defective parts, which have been replaced, will become the property of Maruti Suzuki. The owner is responsible for any repair or replacements which are not covered by this warranty. The decision of Maruti Suzuki shall be final & binding.

(4) Limitation:

This warranty shall not apply to:

- (a) Normal maintenance service required other than the three free services, including without limitation, oil and fluid changes, Consumables, headlight aiming, fastener retightening, wheel balancing, wheel alignment and tyre rotation, cleaning of injectors, adjustments of clutch and valve clearance.
- (b) The normal wear of parts including without limitation, bulbs, tyres* and tubes, spark plugs, belts, hoses, filters, wiper blades, brushes, contact points, fuses, clutch disc, brake shoes, brake pads, cable and all rubber parts (except oil seal and glass run).
- (c) Any vehicle which has been used for competition, rallies or racing.
- (d) Any repairs or replacement arising from accidents or collision.

(* - If there is a complaint related to tyre, the customer may contact respective tyre manufacturer.)

-
- (e) Any defect/ damage caused by misuse, negligence, abnormal use, insufficient care, vandalism, theft, riot, fire, flooding - not limited to entry of water in the components resulting in engine seizure, hydrostatic lock, etc. or external damages to the body/ components.
 - (f) Any damage resulting due to usage of adulterated fuel/ lubricants/ oil/ coolant/ fluids/ polishing products and fuel/ lubricants/ oil/ coolant/ fluids used other than those specified in the Owner's Manual.
 - (g) Any vehicle which has been modified or altered, including without limitation, the installation of performance accessories, enlargements of lights, other changes and external/ consequential reasons.
 - (h) Any vehicle on which parts or accessories not approved by Maruti Suzuki (Non-MSG A, Non-MSG P) have been used.
 - (i) Any vehicle which has not been operated in accordance with the operating instructions in this Owner's Manual and Service Booklet.
 - (j) Any vehicle which has not received the service inspections prescribed in this Owner's Manual and Service Booklet.
 - (k) Any vehicle which has been assembled, disassembled, adjusted or repaired by other than a Maruti Suzuki authorised workshop.
 - (l) Any vehicle which has been used for purposes other than what it was designed for.
 - (m) Any damage or deterioration caused by airborne fallout, industrial fallout, acid rain, hail or hail storm, wind storm, lightning, bird droppings, rodents bite / rat bite and such other thing that result in damage to the vehicle.
 - (n) Insignificant defects which do not affect the function of the vehicle including without limitation, sound, vibration and fluid seep.
 - (o) Any natural wear and tear including without limitation, ageing, wear & tear or deterioration such as discoloration, fading, deformation or blurring and fabric discoloration.
 - (p) Installation and usage of domestic LPG gas/LPG Cylinder.
 - (q) V-belts, hoses and gas leaks.
 - (r) Any vehicle retrofitted with LPG/CNG kits.
 - (s) Repainting including patchwork, bodywork and mouldings and interior trims.
 - (t) Corrosion, rusting of body parts and/ or components.
 - (u) Any vehicle on which odometer has been changed unauthorisedly or odometer reading has been modified/ tampered with/ or not matching the service records.
 - (v) The damage(s) caused to the vehicle being unattended despite knowledge that the defect exists and ignorance by the owner/ user of the vehicle.
 - (w) Any damage(s) caused to vehicle including battery/ tyre due to parking of the vehicle in idle condition for long duration of time periods.
 - (x) Any vehicle on which the retro-fitment is not authorized and/ or type approved as per the standards prescribed by the relevant authority including but not limited to Automotive Standards of India.
 - (y) Any vehicle on which the retro-fitment is such which directly or indirectly causes any damage to the vehicle or affects the functions of the vehicle in any manner whatsoever.

(5) Extent of Warranty:

This warranty is the entire written warranty given by Maruti Suzuki for Maruti Suzuki vehicles and no dealer or its or his agent or employee is authorised to extend or enlarge this warranty and no dealer or its or his agent or employee is authorised to make any oral warranty or representation or assurance on behalf of Maruti Suzuki.

Maruti Suzuki reserves the right to add any improvements or change the design of any model at any time with no obligation to make the same changes on units previously sold.

(6) Warranty Service:

To obtain warranty service, the complete vehicle must be presented at the owner's expenses to Maruti Suzuki authorised workshop.

The customer shall be responsible for his belongings or accessories fitted in the vehicle at the time of presenting the vehicle for service and no claim shall be entertained in any manner under any circumstances.

(7) Owner's Warranty Responsibilities:

NOTICE
The owner shall not use the vehicle in a damaged condition and report the same immediately to the nearest Maruti Suzuki authorized workshop. This would result in early inspection and repair of the vehicle and any possible harm to the person or aggravation of damage to the vehicle can be prevented.

It is responsibility of each owner to:

- Have performed, at his own expenses, by a Maruti Suzuki authorised workshop all the service inspections specified in the Owner's Manual described in "INSPECTION AND MAINTENANCE" section".
- Should you resell the vehicle, please guide the new users/ owners to download this manual (from "Maruti Suzuki Rewards" mobile application with your registered mobile number). Also the soft copy of the manual must be passed on to new users/ owners when resold or otherwise transferred.

If the Owner's Manual is lost due to any reason, the owner or user may download a soft copy of the same (from "Maruti Suzuki Rewards" mobile application with the mobile number) and save it for easy access at any point of time".

(8) Disclaimer of Consequential Damage:

Maruti Suzuki assumes no responsibility for loss of vehicle, loss of time, inconvenience or any other indirect incidental or consequential damage resulting from the vehicle not being available to the owner because of any defect covered by this warranty.

(9) Change of Owner

Even if ownership of the vehicle changes, the remaining warranty period is effective for the new owner.

This warranty is applicable only in India and not transferable to any other country.

NOTE:

Notwithstanding the warranty obligations, Maruti Suzuki may reuse reworked (refurbished) parts for undertaking rectification of recalled vehicles in terms of applicable laws.

EMISSION WARRANTY POLICY

Maruti Suzuki offers the Emission Warranty on all Maruti Suzuki vehicles (apart from the Regular Warranty and will run parallel to the regular product warranty) only in four metropolitan cities (**New Delhi, Kolkata, Mumbai and Chennai**) with effect from July 1st, 2001.

Terms:

The Emission Warranty will be applicable for **80,000 kms or 3 years** (Whichever comes earlier) from the date of invoice to the first owner. The remaining warranty terms will be valid in case of any change in ownership provided the production of all valid documents.

Conditions:

1. Under Emission Warranty, Warranty claims will be admitted for a prima-facie examination, in case vehicle fails to meet the Emission Standard as specified in sub rule (2) of rule no. 115 of Central Motor Vehicles Rules (CMVR), 1989.
2. The warranty claims will only be accepted after examination carried out by Maruti Suzuki or Maruti Suzuki authorised workshop which leads to firm conclusions that the
 - a) Original settings have not been tampered in any case.
 - b) Part (as given in Annexure - A) has a manufacturing defect.
 - c) Vehicle is unable to meet the Emission Standards (as given in 1.), inspite of the vehicle having been maintained and used in accordance with the instructions as specified in Owner's Manual and Service Booklet and the used fuel and different oils (Engine oil, Transmission oil, Brake oil etc.) are also as per specification.
3. The method of examination for deciding the warranty of the parts will be at the sole discretion of Maruti Suzuki and Maruti Suzuki authorised workshop and results of the examination will be final and binding. If after examination, the warrantable condition is not established, Maruti Suzuki and Maruti Suzuki authorised workshop has the right to charge all, or part of the cost of such examination.
4. Under Emission Warranty, the parts (as given in Annexure - A) will be changed free of cost, but the consumables will be charged as per actual.
5. If the part covered under Emission Warranty or the associated parts, are not independently replaceable, on account of these being integral parts of a complete assembly, Maruti Suzuki and Maruti Suzuki authorised workshop will have the sole discretion to replace either the entire assembly or by using some of the parts of the system through suitable repairs or modifications.
6. Any consequential repairs or replacement of parts which may be found necessary to establish compliance of Emission Warranty, will not be considered under warranty, unless the same is under product warranty. The consumable will be charged as per actual under such repair or replacement.
7. Maruti Suzuki will not be responsible for the cost of transportation of the vehicle to the nearest Maruti Suzuki authorised workshop or any loss due to non-availability of the vehicle during the period of lodging of a warranty claim and examination and/or repair by Maruti Suzuki authorised workshop.
8. Maruti Suzuki will not be responsible for any penalty that may be charged by statutory authorities on account of failure to comply with the EMISSION STANDARDS.
9. Emission Warranty will not be affected by the change of owner, provided all the documents are available.

-
10. All maintenance actions (as specified in the Owner's Manual) need to be followed for emission warranty.
 11. The customer needs to produce the PUC (Pollution Under Control) certificate valid for the period preceding the test during which the failure is discovered. The records/receipts (for the maintenance of the vehicle as per maintenance schedule specified in the Owner's Manual and Service Booklet from the date of original purchase of the vehicle) will also be required.

NOTE:

To keep the engine running at idle speed (for strong hybrid model, if equipped) switch to maintenance mode by performing following steps within 60 seconds:

- *Turn the ignition switch to ON*
- *Move the shift lever to P or select park (P) and fully depress the accelerator pedal twice*
- *Move the shift lever to N or select neutral (N) and fully depress the accelerator pedal twice*
- *Move the shift lever to P or select park (P) and fully depress the accelerator pedal twice.*
- *Start the engine by turning the ignition switch ON (READY) while depressing the brake pedal.*
- *Check that the 2WD maintenance mode message is displayed on the multi-information display.*
- *Post completion of test:*
- *Turn the Ignition Switch OFF and wait for at least 30 seconds, the hybrid system will turn off.*
- *After deactivating maintenance mode, turn the Ignition Switch ON and check corresponding message is no longer displayed.*

Conditions under which the Emission Warranty is not APPLICABLE

1. In the absence of valid PUC certificate.
2. Vehicle not serviced from Maruti Suzuki authorised workshop as per the schedule specified in the Owner's Manual.
3. Vehicle subjected to abnormal use (accident, motor race, rallies or for the purpose of establishing the records etc).
4. Use of non MSGP (Maruti Suzuki Genuine Part).
5. Vehicle that has been tampered with.
6. Tampering with odometer so that the actual kilometer reading cannot be determined.
7. Use of adulterated fuel and/or unspecified oils (Engine oil, Transmission oil and Brake oil etc).

Annexure - A

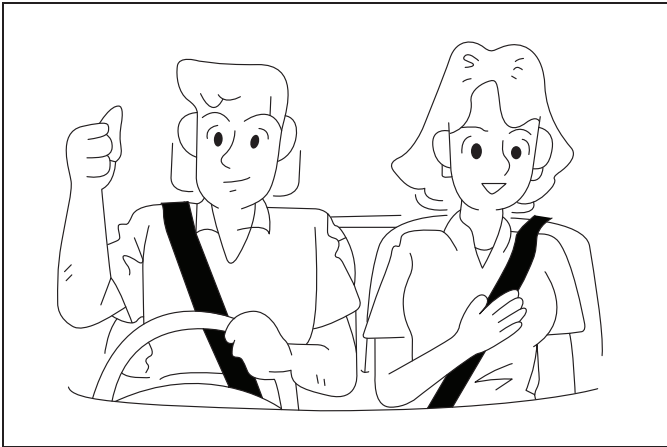
List of parts (if applicable) covered under Emission Warranty

1. Fuel Injection Assembly, Pressure Regulator, Throttle Body Assembly.
2. ECM (Electronic Control Module).
3. Intake Manifold.
4. EGR valve.
5. Ignition Coil.
6. Canister Assembly.
7. Vapour Liquid Separator.
8. Fuel Tank and Filler Cap.
9. PCV (Positive Crankcase Ventilation) Valve.
10. Oil Filler Cap.
11. Catalytic Converter.
12. Exhaust Manifold.
13. All Fuel Injection System related Sensors.
14. High Pressure Fuel Pump.
15. Glow Plug.
16. Glow Plug Controller.

TABLE OF CONTENTS

FOR SAFE DRIVING	1
BEFORE DRIVING	2
OPERATING YOUR VEHICLE	3
DRIVING TIPS	4
OTHER CONTROLS AND EQUIPMENT	5
INSPECTION AND MAINTENANCE	6
EMERGENCY SERVICE	7
APPEARANCE CARE	8
SPECIFICATIONS	9
SERVICE NETWORK	10

FOR SAFE DRIVING

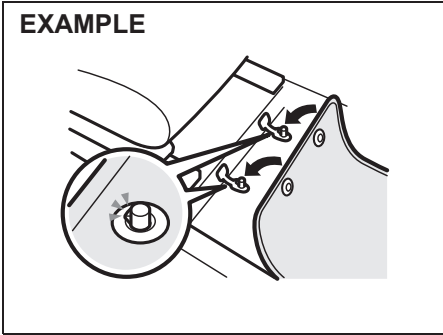


52D078S

- Floor mats (if equipped) 1-1
- Front seats 1-1
- Rear seats 1-2
- Seat belts and child restraint systems 1-4
- Supplemental restraint system (airbags) 1-18
- Exhaust gas warning 1-27

Floor mats (if equipped)

EXAMPLE



72M10201

To prevent the driver's side floor mat from sliding forward and possibly interfering with the operation of the pedals, MARUTI SUZUKI genuine floor mats are recommended.

Whenever you put the driver's side floor mat back in the vehicle after it has been removed, hook the floor mat grommets to the fasteners and position the floor mat properly in the footwell.

When you replace the floor mats in your vehicle with a different type such as all-weather floor mats, we highly recommend to use MARUTI SUZUKI genuine floor mats for proper fitting.

⚠ WARNING

Failure to take the following precautions may result in the driver's side floor mat interfering with the pedals and causing a loss of vehicle control or an accident.

- Make sure that the floor mat grommets are hooked to the fasteners.
- Never place additional floor mats on top of the existing floor mat.
- Never use a floor mat which does not fit the floor as the same may cause hindrance/damage in vehicle and its functioning
- Never use damaged floor mats.

Front seats

Precaution for front passenger seat

For seat with seat belt reminder, refer to the NOTICE in the "Front passenger's seat belt reminder" section.

Seat adjustment

⚠ WARNING

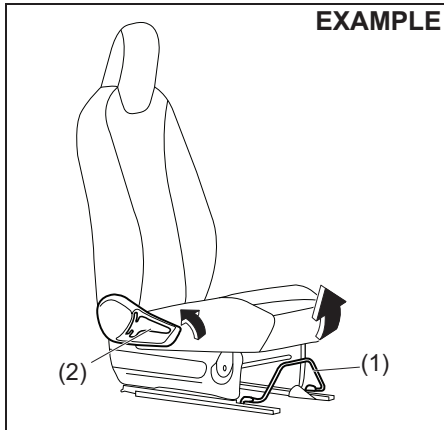
- Never attempt to adjust the driver's seat or seatback while driving. The seat or seatback could move unexpectedly, causing loss of control. Check that the driver's seat and seatback are properly adjusted before you start driving.
- To avoid excessive seat belt slack, which reduces the effectiveness of the seat belts as a safety device, check that the seats are adjusted before the seat belts are fastened.
- All seatbacks should always be in an upright position when driving, or seat belt effectiveness may be reduced. Seat belts are designed to offer maximum protection when seatbacks are in the upright position.
- Do not place any object under the front seat. If an object gets caught under the front seat, the seat shall not be latched.

(Continued)

⚠ WARNING

(Continued)

- **Do not leave cigarette lighters or spray cans on the floor. If a cigarette lighter or spray can is on the floor, it may light accidentally when luggage is loaded or the seat is adjusted, causing a fire.**



62SM01015

Seat position adjustment lever (1)

Pull the lever up and slide the seat.

Seatback angle adjustment lever (2)

Pull the lever up and move the seatback.

After adjustment, move the seat and seat-back forward and backward to check that it is securely latched.

NOTE:

To operate the seat back smoothly, pull the seat back adjustment lever (2) in upward direction. Ensure to move seat back only after lever is moved to fully up position. After adjustment of seat back, release the lever gently. Check that seat back is locked by moving it forward and backward.

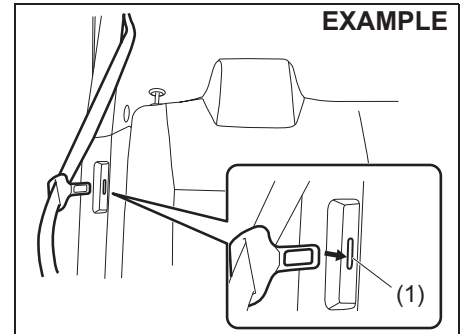
NOTICE

To operate the seat back smoothly, pull the seat back adjustment lever (2) in upward direction. Ensure to move seat back only after lever is moved to fully up position. After adjustment of seat back, release the lever gently. Check that seat back is locked by moving it forward and rearward.

Rear seats**Folding rear seats**

The rear seat(s) of your vehicle can be folded forward to provide additional cargo space.

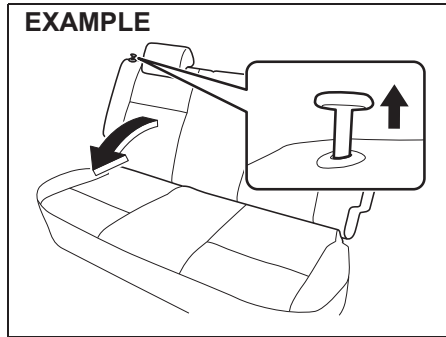
To fold the rear seat(s) forward:



62SM01016

- 1) Insert the latch plate of the outboard lap-shoulder belts into the slit (1).

FOR SAFE DRIVING



62SM01010

- 2) Pull the release knob(s) on the top of the seat(s) and fold the seatback forward.

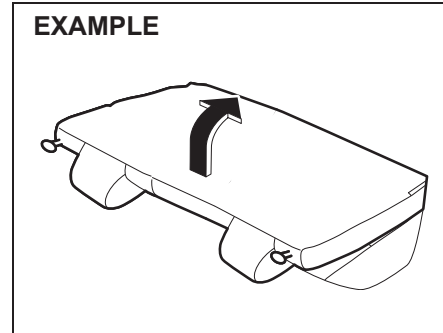
NOTICE

After folding the rear seatback forward, do not allow any foreign material to enter the lock opening. This may cause damage to the inside of the lock and prevent the seatback from being locked securely.

⚠ WARNING

If you need to carry cargo in the passenger compartment with the rear seatback folded forward, secure the cargo or it may be thrown about, causing injury. Never pile cargo higher than the seatbacks.

To return the seat to the normal position, follow the procedure below.



62SM01019

Raise the seatback until it locks into place.

After returning the seat, move the seatback forward and backward to check that it is securely latched.

⚠ CAUTION

When returning the rear seatback to the normal position, be careful that your finger is not caught between the lock and the striker.

NOTICE

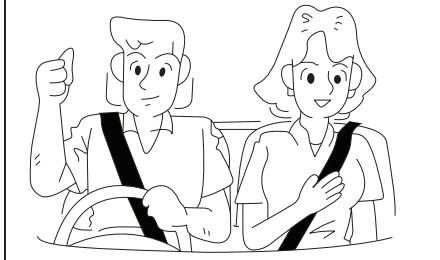
- When returning the rear seatback to the normal position, check that there is nothing around the striker. Any foreign materials prevent the seatback from being locked securely.
- When you move the seatback, make sure the belt webbing is inserted in the seat belt slits so the seat belts are not caught by the seatback, seat hinge, or seat latch. This helps to prevent damage to the belt system.
- Make sure the belt webbing is not twisted.
- When fold the seat back, make sure all the belt latch plate is out from the belt buckles. It may damage the seat back and seatbelt.

⚠ CAUTION

Do not put your hand into the rear seatback lock opening, or your finger may get caught and be injured.

NOTICE

- When returning the rear seatback to the normal position, do not allow any foreign material to enter the lock opening. This may prevent the seatback from being locked securely.
- When returning the rear seatback to the normal position, handle it carefully by hand to avoid any damage to the lock itself. Do not push it by using some material or by applying excessive force.
- As the lock is designed exclusively for securing the rear seatback, do not use the lock for any other purpose. Incorrect use of it may cause damage to the lock and prevent the seatback from being locked securely.

Seat belts and child restraint systems**EXAMPLE**

52D078S

⚠ WARNING

- Wear your seat belts at all times.
- An air bag supplements, or adds to, the frontal crash protection offered by seat belts. The driver and all passengers must be properly restrained by wearing seat belts at all times even if driving for a very short distance, whether or not an air bag is mounted at their seating position, to minimize the risk of severe injury or death in the event of a crash.

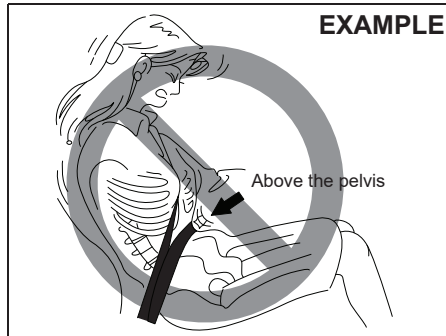
(Continued)

⚠ WARNING

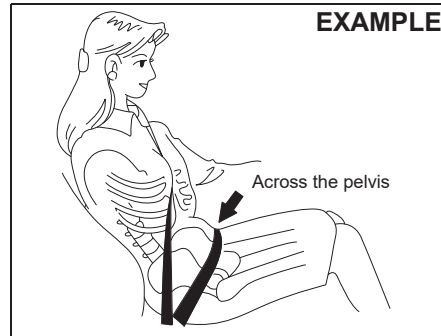
(Continued)

- Do not modify, remove, disassemble seat belts. Doing so may prevent them from functioning properly and cause the risk of severe injury or death in the event of a collision.
- Never allow persons to ride in the cargo area of a vehicle. In the event of an accident, there is a much greater risk of injury for persons who are not riding in a seat with their seat belt securely fastened.
- Ensure that all seat belts are worn correctly. An improperly worn seat belt increases the risk of injury or death if a collision occurs.

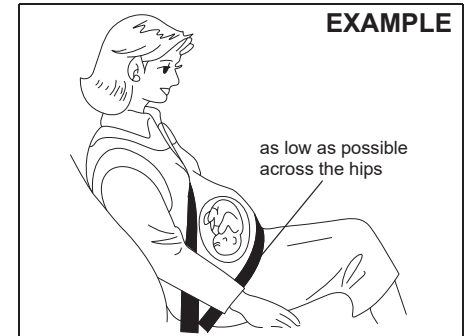
FOR SAFE DRIVING



65D606



65D201A



65D199A

⚠ WARNING

- Seat belts should always be adjusted as follows:
 - the lap portion of the belt should be worn low across the pelvis, not across the waist.
 - the shoulder straps should be worn on the outside shoulder only, and never under the arm.
 - the shoulder straps should be away from your face and neck, but not falling off your shoulder.

(Continued)

⚠ WARNING

(Continued)

- Seat belts should never be worn with the straps twisted and should be adjusted as tightly as is comfortable to provide the protection for which they have been designed. A slack belt will provide less protection than a snug belt.
- Check that seat belt latch plate (tongue) is inserted into the proper buckle especially in the rear seats. It is not possible to insert into the wrong buckles in the rear seats.

(Continued)

⚠ WARNING

(Continued)

- Pregnant women should use seat belts, although specific recommendations about driving should be made by the woman's medical advisor. Remember that the lap portion of the belt should be worn as low as possible across the hips, as shown in the illustration.
- Do not wear seat belts over hard, fragile, or sharp items such as pens, keys, eyeglasses, etc. in pockets or on clothing. The pressure from seat belt on such items can cause injury in case of an accident.

(Continued)

⚠ WARNING

(Continued)

- Never use the same seat belt for more than one occupant and never attach a seat belt over an infant or child being held on an occupant's lap. Such seat belt use could cause serious injury in the event of an accident.
- Periodically inspect seat belt assemblies for excessive wear and damage. Seat belts should be replaced if webbing becomes frayed, contaminated or damaged in any way. It is essential to replace the entire seat belt assembly after it has been worn in a severe impact, even if the damage to the assembly is not obvious.
- Children aged 12 and under should ride properly restrained in the rear seat.
- Infants and small children should never be transported unless they are properly restrained. Restraint systems for infants and small children can be purchased locally and should be used. Check that the system you purchase meets applicable safety standards. Read and follow all the directions provided by the manufacturer.

(Continued)

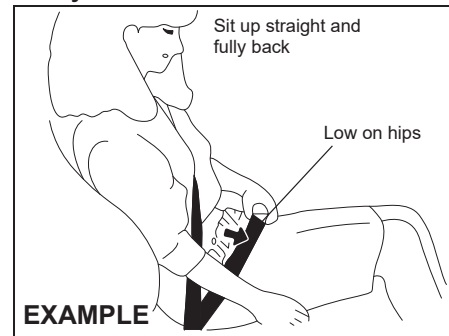
⚠ WARNING

(Continued)

- For child, if the seat belt irritates the neck or face, use a child restraint system appropriately for the child. The seat belts of your vehicle are principally designed for persons of adult size.
- Avoid contamination of seat belt webbing by polishes, oils, chemicals, and particularly battery acid. Cleaning may safely be carried out using mild soap and water.
- Do not insert any items such as coins and clips into the seat belt buckles and be careful not to spill liquids into these parts. If foreign materials get into a seat belt buckle, the seat belt may not work properly.
- All seatbacks should always be in an upright position while driving, or seat belt effectiveness may be reduced. Seat belts are designed to offer maximum protection when seatbacks are in the upright position.

Lap-shoulder belt**Emergency locking retractor (ELR) (if equipped)**

The seat belt has an emergency locking retractor (ELR), which is designed to lock the seat belt only during a sudden stop or impact. It also may lock if you pull the belt across your body very quickly. If this happens, let the belt go back to unlock it, and then pull the belt across your body more slowly.

Safety reminder**Non-Emergency locking retractor (Non-ELR) (if equipped)**

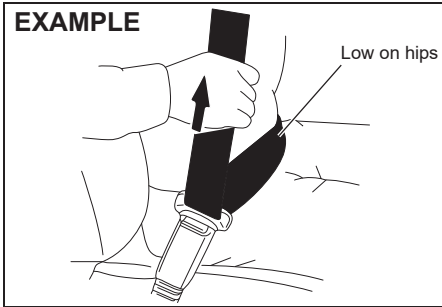
Use the strap adjuster to adjust the length of the seat belt, so that it is secured tightly after wearing. Hold the latch plate and press it straight into buckle until you hear a "click".

FOR SAFE DRIVING

NOTICE

In case Non ELR belt, ensure that the belt strap does not get caught between door and seal area while closing the door.

EXAMPLE

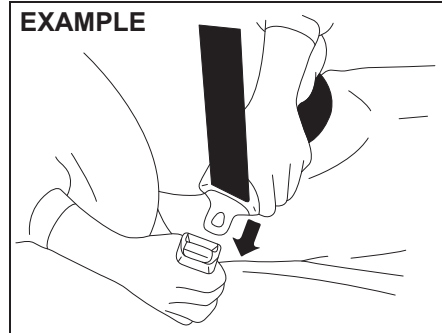


To reduce the risk of sliding under the belt during a collision, position the lap portion of the belt across your lap as low on your hips as possible and adjust it to a snug fit by pulling the shoulder portion of the belt upward through the latch plate. The length of the diagonal shoulder strap adjusts itself to allow freedom of movement.

All seat belts except rear center

All seat belts except rear center are the lap-shoulder belt.

EXAMPLE

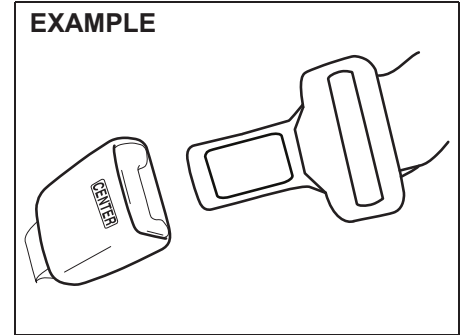


To fasten the seat belt, sit up straight and far back into the seat, pull the latch plate attached to the seat belt across your body and press it straight into the buckle until you hear a “click”.

NOTE:

If the seat belt cannot be pulled from its fully retracted position, firmly pull the belt and release it. Then smoothly pull the belt out of the retractor.

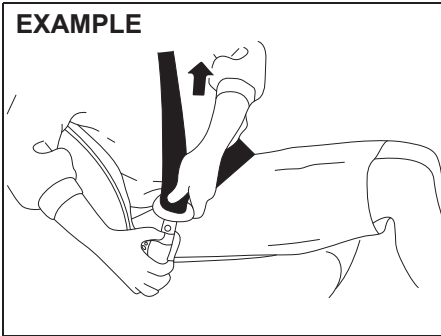
EXAMPLE



62SM01017

NOTE:

For five-seater vehicle, the word “CENTER” is marked on the buckle for the rear center belt (if equipped). The buckles are designed so a latch plate cannot be inserted into the wrong buckle.



60A039

To unfasten the seat belt, push the red “PRESS” button on the buckle and retract the belt slowly while holding the belt or/and the latch plate.

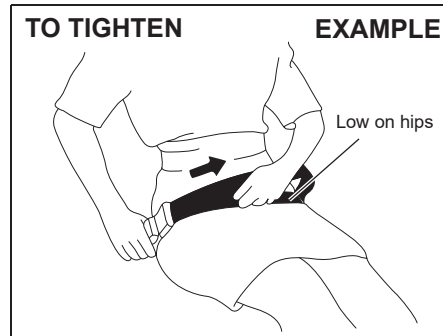
NOTICE

If the seat belt cannot be pulled from its fully retracted position, firmly pull the belt and release it. Then smoothly pull the belt out of the retractor.

Lap belt (if equipped)

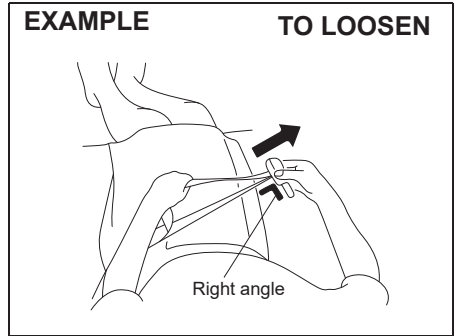
Rear center seat belt (if equipped)

Sit up straight and well back in the seat. To fasten the belt, pull the latch plate attached to the seat belt across your hips and press it straight into the buckle until you hear a “click”. To reduce the risk of sliding under the belt during a collision, position the belt across your lap as low on your hips as possible and adjust it to a snug fit.



80JS028

To tighten the belt, pull the free end of the belt across alongside the lap strap.

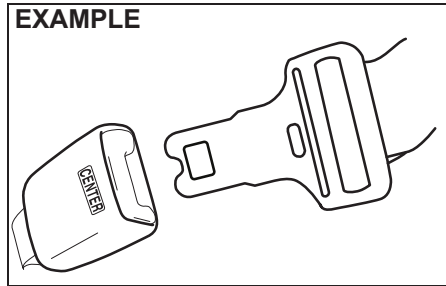


80JS029

To lengthen, release the latch plate from the buckle, pull the latch plate (adjuster) in the direction of the arrow, at right angles to the belt. The latch plate should then be refitted into the buckle and the belt tightened as previously described.

FOR SAFE DRIVING

To unfasten the belt, press the release button on the buckle catch.

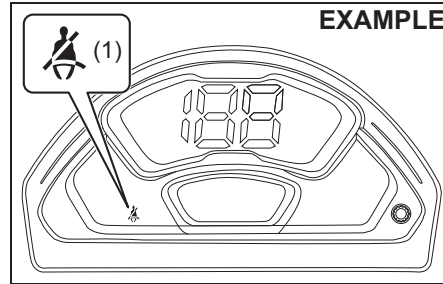


62SM01011

NOTE:

The word "CENTER" is marked on the buckle for the rear center belt (if equipped). The buckles are designed so a latch plate cannot be inserted into the wrong buckle.

Seat belt reminder



62SM01012

- (1) Driver's seat belt reminder light / front passenger's seat belt reminder light / rear passenger's seat belt reminder light*

When the driver and/or passenger (front passenger and/or rear passenger*) do(does) not fasten their seat belts, the seat belt reminder lights will come on or blink and a buzzer will sound to remind the driver and/or passenger (front passenger and/or rear passenger*) to fasten their seat belts. For more details, refer to the explanation below.

⚠ WARNING

It is absolutely essential that the driver, front passenger and rear passenger* fasten their seat belts at all times. Persons who are not fastening seat belts have a much greater risk of injury if an accident occurs. Make a regular habit of buckling your seat belt before starting the engine.

NOTE:

Along with the seat belt reminder light, a reminder message shall also come on the information display (if equipped), for unrestrained driver and/or front passenger.

NOTE:

The driver's seat belt reminder light / front passenger's seat belt reminder light / rear passenger's seat belt reminder light* is for all the driver, front passenger and rear passenger.

*: If equipped

Driver's seat belt reminder

If the driver's seat belt remains unbuckled when the ignition switch is turned to "ON" position, the reminder works as follows:

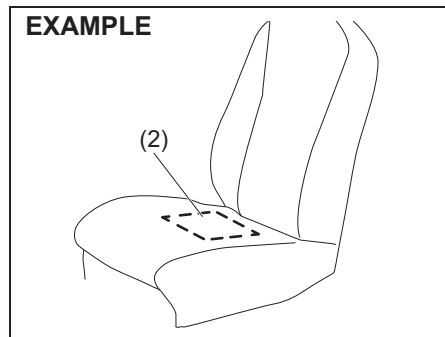
- 1) The driver's seat belt reminder light will come on.
- 2) After the vehicle's speed has reached about 15 km/h, the driver's seat belt reminder light will blink and a buzzer will sound for about 95 seconds.
- 3) The reminder light will remain on until the driver's seat belt is buckled.

If the driver has buckled his or her seat belt and later unbuckles the seat belt, the reminder system will be activated from Step 1) or 2) according to the vehicle's speed. When the vehicle's speed is less than 15 km/h, the reminder will start from Step 1). When the vehicle's speed is more than 15 km/h, the reminder will start from Step 2).

The reminder will be automatically canceled when the driver's seat belt is buckled or the ignition switch is turned off.

Front passenger's seat belt reminder

If there is a person sitting on the front passenger seat and the front passenger seat belt is unbuckled when the ignition switch is turned to "ON" position, the front passenger's seat belt reminder will activate.



69RH203

- (2) The sensor of the front passenger's seat belt reminder

The seat belt reminder sensor (2) detects whether a person is sitting on the front seat. The sensor of the front passenger's seat belt reminder is located in the seat cushion. The front passenger's seat belt reminder works in the same manner as the driver's seat belt reminder.

NOTICE

- The sensor of the front passenger's seat belt reminder is located in the seat cushion. If heavy or sharp objects are put on the seat cushion, or a removal, disassembly and modification of the passenger's seat are performed, the sensor may not work properly or can be damaged. Do not put heavy or sharp objects on the seat cushion. Do not remove, disassemble and modify the passenger's seat.
- Depending on the variety of seat cover, operation of the sensor may be adversely affected. MARUTI SUZUKI highly recommends that you use MARUTI SUZUKI genuine seat cover exclusively for this vehicle. If a seat cover is installed, consult with a Maruti Suzuki authorised workshop.
- If you spill liquid such as liquid aromatics, soft drinks or juice on the front passenger's seat cushion, the sensor of the front passenger's seat belt reminder located in the seat cushion can be damaged. Immediately wipe it dry with a soft cloth when spilled.

(Continued)

NOTICE

(Continued)

- **When sitting on the front passenger's seat, it is very important that the passenger sits upright, leaning against the seat backrest and centered on the seat cushion in order for the seatbelt reminder system to function effectively. An occupant sitting improperly (slouches, turns sideways, sits forward or sideways) may hamper the functioning of this system as it may not detect the occupant.**

NOTE:

- *If you put an object on the passenger's seat, the weight of the object will be sensed by the sensor and the front passenger's seat belt reminder light will come on and then the interior buzzer may beep.*
- *If a child or a small sized person sits on the front passenger's seat or the cushion is put on the front passenger's seat, the weight may not be sensed by the sensor and the interior buzzer may not beep.*

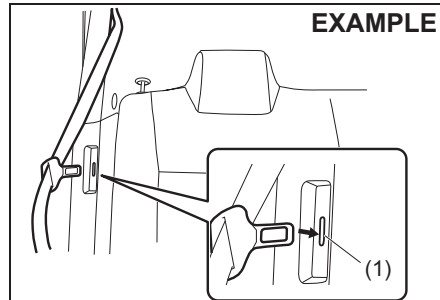
Rear passenger's seat belt reminder (if equipped)

If the engine switch is pressed to change the ignition mode to "ON", the seat belt reminder light comes on unless all rear passenger's seat belts are fastened for irrespective of the presence or absence of passenger. The rear passenger's seat belt reminder works in the same manner as the driver's seat belt reminder.

NOTICE

- **Do not remove, disassemble and modify the rear seat cushion, it may damage seat belt webbing or harness.**
- **Do not place heavy or sharp object near to rear cushion. It may damage seatbelt webbing or belt harness.**

Seat belt slit



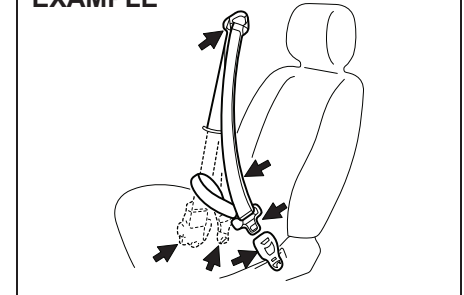
62SM01016

NOTICE

- **When you move a seatback, make sure the latch plate is inserted into the slit (1) securely so the seat belts are not caught by the seatback, seat hinge, or seat latch. This helps prevent damage to the belt system.**
- **Make sure the belt webbing is not twisted.**

Seat belt inspection

EXAMPLE



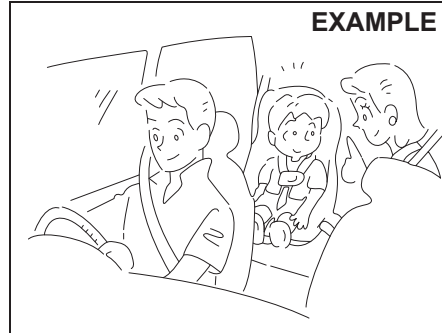
65D209S

Periodically inspect the seat belts if they work properly and are not damaged. Check the webbing, buckles, latch plates, retractors, anchorages and guide loops. Replace any seat belts which do not work properly or are damaged.

⚠ WARNING

Inspect all seat belt assemblies after any collision. Any seat belt assembly which was in use during a collision (other than a very minor one) should be replaced, even if damage to the assembly is not obvious. Any seat belt assembly which was not in use during a collision must be replaced if the airbags and the seat belt pretensioners (if equipped) activated. The airbags, the pretensioners and the load limiter will only function once. In case they did not activate, consult with a Maruti Suzuki authorised workshop.

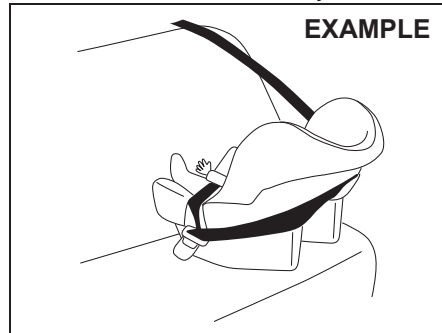
Child restraint systems



60G332

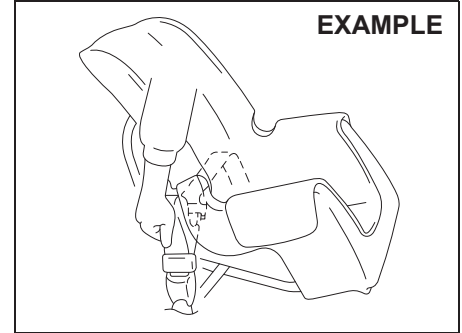
Following types of child restraint systems are generally available:

Infant restraint – rear seat only



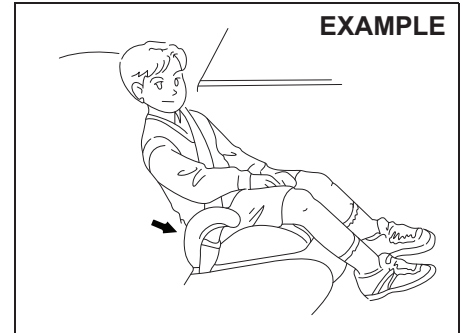
80JC007

Child restraint



80JC016

Booster seat



80JC008

FOR SAFE DRIVING

MARUTI SUZUKI highly recommends that you use a child restraint system to restrain infants and small children. Many different types of child restraint systems are available; check that the restraint system you select meets applicable safety standards.

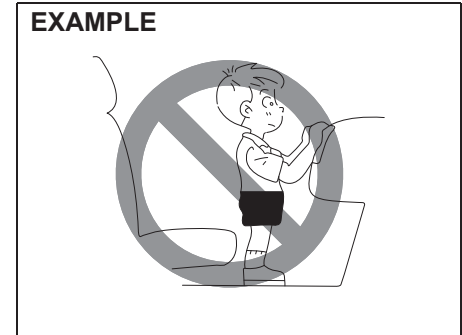
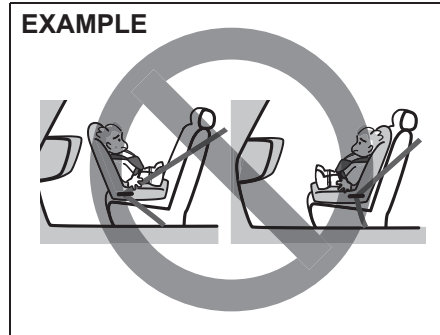
All child restraint systems are designed to be secured in vehicle seats either by seat belts (lap belts or the lap portion of lap-shoulder belts) or by special rigid lower anchor bars built into the seat.

NOTE:

Observe any statutory regulation about child restraints.

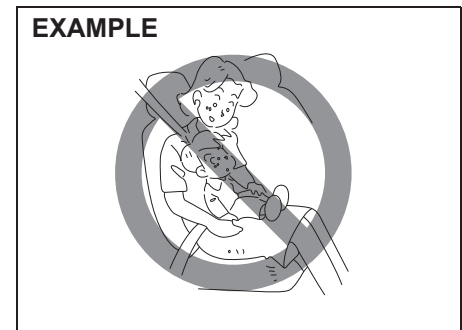
NOTE:

Maruti Suzuki recommends use of Maruti Suzuki Genuine accessory child seat.



⚠ WARNING

- Do not install a child restraint system on the front passenger's seat since a child restraint system cannot be installed appropriately.
- If you install a child restraint system in the rear seat, slide the front seat far enough forward so that the child's feet do not touch the front seatback. This will help avoid injury to the child in the event of an accident.

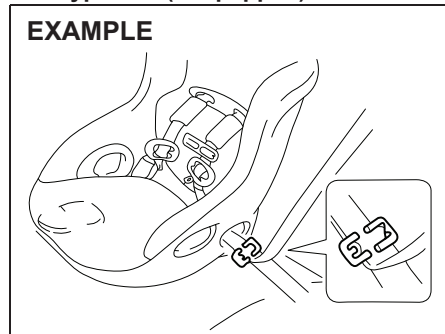


⚠ WARNING

Children could be endangered in a collision if their child restraint systems are not properly secured in the vehicle. When installing a child restraint system, follow the instructions below. Be sure to secure the child in the restraint system according to the manufacturer's instructions.

⚠ WARNING

Do not hold a child on a passenger's lap when the vehicle is in motion. Even if the passenger holds the child tightly, he/she would not be supported enough in the event of an accident and it could result in a serious injury of the child.

Installation with lap-shoulder seat belts**ELR type belt (if equipped)**

80JC021

Install your child restraint system according to the instructions provided by the child restraint system manufacturer.

Check that the seat belt is securely latched. Move the child restraint system in all directions to check that it is securely installed. When you put your child in the child restraint system, appropriately slide the front seat forward not to touch a part of your child's body.

FOR SAFE DRIVING

Child restraint system

Child restraint

The suitability of each passenger's seat position for carriage of children and fitting of child restraint system is shown in the table below. Whenever you carry children up to 12 years of age, properly use the child restraints which conform to AIS 072, the standard for child restraints, referring to the table.

MASS GROUP	Seating position (or other site)				
	Front Passenger	Rear Outboard	Rear Center	Intermediate Outboard	Intermediate Center
Group 0 Up to 10 kg	X	U	X	N.A	N.A
Group 0+ Up to 13 kg	X	U	X	N.A	N.A
Group I 9 to 18 kg	X	U	X	N.A	N.A
Group II 15 to 25 kg	X	U	X	N.A	N.A
Group III 22 to 36 kg	X	U	X	N.A	N.A

Key of letters to be inserted in the above table:

U =Suitable for 'universal' category restraints approved for use in this mass group

X =Seat position not suitable for children in this mass group

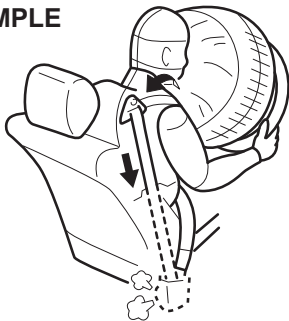
N.A = Seat position not available for children in this mass group.

NOTE: 'universal' is the category in the AIS 072.

: 'Outboard' indicates window side seat.

Seat belt pretensioner system (if equipped)

EXAMPLE



69RH196

⚠ WARNING

This section describes your MARUTI SUZUKI vehicle's seat belt pretensioner system. Read and follow all these instructions carefully to minimize your risk of severe injury or death.

You can use the pretensioner seat belts in the same manner as ordinary seat belts. Read this section and “Supplemental restraint system (airbags)” section to learn more about the pretensioner system.

The seat belt pretensioner system works with the supplemental restraint system (airbags). The collision sensors and the electronic controller of the airbag system also control the seat belt pretensioners. The pretensioners are triggered only when there is a frontal collision severe enough to trigger the airbags and the seat belts are fastened. For precautions and general information including servicing the pretensioner system, refer to “Supplemental restraint system (airbags)” section in addition to this “Seat belt pretensioner system” section, and follow all those precautions.

The pretensioner is located in each front seat belt retractor. The pretensioner tightens the seat belt so the belt fits the occupant's body more snugly in the event of a frontal collision. The retractors will remain locked after the pretensioners are activated. Upon activation, some noise will occur and some smoke may be released. These conditions are not harmful and do not indicate a fire in the vehicle.

The driver and all passengers must be properly restrained by fastening seat belts at all times, whether or not a pretensioner is equipped at their seating position, to minimize the risk of severe injury or death in the event of a collision.

Sit fully back in the seat; sit up straight; do not lean forward or sideways. Adjust the belt so the lap portion of the belt is worn low across the pelvis, not across the waist. Please refer to “Seat adjustment” section and the instructions and precautions about the seat belts in this “Seat belts and child restraint systems” section for details on proper seat and seat belt adjustments.

Please note that the pretensioners along with the airbags will activate in severe frontal collisions. They are not designed to activate in rear impacts, roll-overs, or minor frontal collisions. The pretensioners can be activated only once. If the pretensioners are activated (that is, if the airbags are activated), have the pretensioner system serviced by a Maruti Suzuki authorised workshop as soon as possible.

FOR SAFE DRIVING

The pretensioner system or the airbag system may not work properly if any of the following conditions occurs.

- If the air bag light on the instrument cluster does not come on briefly, when the ignition switch is turned to the “ON” position.
- If the air bag light comes on and stays on for more than 10 seconds, when the ignition switch is turned to the “ON” position.
- If the air bag light comes on while driving.

Have both systems inspected by a Maruti Suzuki authorised workshop as soon as possible.

Service on or around the pretensioner system components or wiring must be performed only by a Maruti Suzuki authorised workshop who is specially trained. Improper service could result in unintended activation of pretensioners or could render the pretensioner inoperative. Either of these two conditions may result in personal injury.

To prevent damage or unintended activation of the pretensioners, check that the battery is disconnected and the ignition switch has been in “LOCK” position for at least 90 seconds before performing any electrical service work on your MARUTI SUZUKI vehicle.

Do not touch pretensioner system components or wiring. The wires are wrapped with yellow tape or yellow tubing, and the

couplers are yellow. When scrapping your MARUTI SUZUKI vehicle, ask a Maruti Suzuki authorised workshop, body repair shop, or scrap yard for assistance.

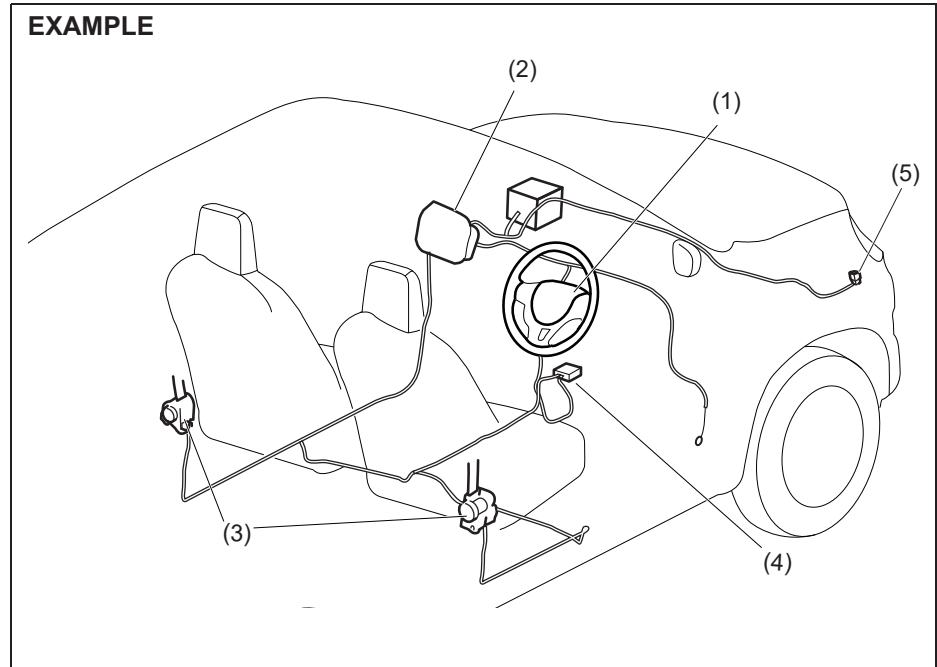
Supplemental restraint system (airbags)

⚠ WARNING

This section describes the protection provided by your MARUTI SUZUKI vehicle's supplemental restraint system (airbags). Read and follow all instructions carefully to minimize your risk of severe injury or death in the event of a collision.

Your vehicle is equipped with a supplemental restraint system consisting of the following components in addition to a lap-shoulder belt at each seating position.

- (1) Driver's front airbag module
- (2) Front passenger's front airbag module
- (3) Front seat belt pretensioners
- (4) Airbag controller
- (5) Forward collision sensor



62SM01020

⚠ WARNING

- SRS airbag system is not a substitute for seat belts. SRS airbag system is the supplemental restraint system and will provide the effectiveness by using the seat belts at the same time.

If you and the passengers do not fasten their seat belts, it may result in severe injury in a sudden braking or a collision.

Even when you drive the vehicle equipped with SRS airbag system, make sure to fasten seat belt.

- If the seat belts are not fastened properly, airbags may not provide the best performance. This may cause severe injury in a sudden braking and a collision.

Make sure that the driver and all the passengers fasten the seat belts properly in a correct posture.

(Continued)

⚠ WARNING

(Continued)

- As the airbag may not provide the best performance and it may result in severe injury in case of emergency, observe the following points.
 - Do not modify the suspension. If the vehicle height or the stiffness of the suspension were to change, airbag malfunction may result.
 - When installing a grille guard, etc., on the front of the vehicle, consult a authorised Maruti Suzuki Workshop. If you modify the front part of the vehicle, the airbag system may not work properly.
 - When installing radio equipment, etc., consult a authorised Maruti Suzuki Workshop. Radio waves, etc., from a radio may adversely affect the computer module used in the airbag system.

(Continued)

⚠ WARNING

(Continued)

- If the airbag-related parts are replaced or repaired, which has an impact on the airbag functions, the airbag may activate unnecessarily or may not activate when necessary.

The following situations may give a negative impact to the airbag system. In these cases, consult a authorised Maruti Suzuki Workshop beforehand.

- Removing the steering wheel, repairing the areas around the steering wheel, etc.
- Center console repair, repairs around the instrument cluster, repairs under the front seat, and repairs of electrical wiring
- Installation of audio equipment, etc.
- Sheet metal painting and repairs around the dashboard

(Continued)

⚠ WARNING

(Continued)

- If you place any objects on the instrument panel, these objects may move and interfere with driver's view or safe driving. Also, the front passenger's front airbag may not work properly or these objects may be thrown out when the airbag inflates in an accident. Do not place any objects on the instrument panel.

AIRBAG warning light



63J030

If AIRBAG warning light on the instrument cluster does not blink or come on when the ignition switch is first turned to "ON" position, or comes on while driving, the airbag system (or the seat belt pretensioner system (if equipped)) may not work properly. Have the airbag system inspected by a Maruti Suzuki authorised workshop as soon as possible.

Airbag symbol meaning



72M00150

You may find this label on the sun visor.

⚠ WARNING

NEVER use a rearward facing child restraint on a seat protected by an ACTIVE AIRBAG in front of it, DEATH or SERIOUS INJURY to the CHILD can occur.

Make Sure to Fasten Seat Belt



65J106

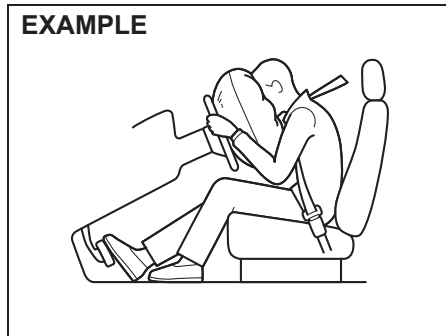
⚠ WARNING

SRS airbag system is not a substitute for seat belts. SRS airbag system is the supplemental restraint system and will provide the effectiveness by using the seat belts at the same time. If you and the passengers do not fasten their seat belts, it may result in severe injury in a sudden braking or a collision.

Even when you drive the vehicle equipped with SRS airbag system, make sure to fasten seat belt.

FOR SAFE DRIVING

Front airbags



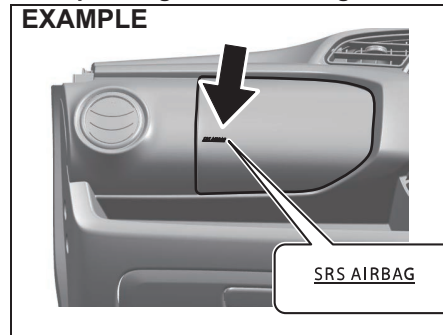
Front airbags are designed to inflate in severe frontal collisions when the ignition switch is in "ON" position.

Front airbags are not designed to inflate in rear impacts, side impacts, rollovers or minor frontal collisions, since they would offer no protection in those types of accidents. Since an airbag deploys only one time during an accident, seat belts are needed to restrain occupants from further movements during the accident. Therefore, an airbag is not a substitute for seat belts. To maximize your protection, always fasten your seat belts. Be aware that no system can prevent all possible injuries that may occur in an accident.

Driver's front airbag



Front passenger's front airbag

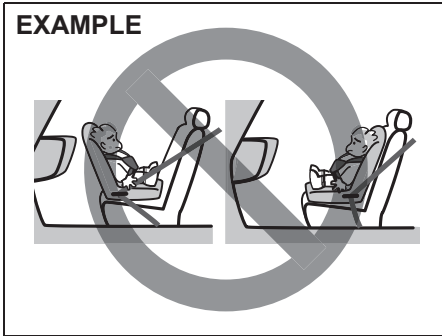


The driver's front airbag is located behind the center pad of the steering wheel and the front passenger's front airbag is located behind the passenger's side of the dashboard.

The words "SRS AIRBAG" are molded into the airbag covers to identify the location of the airbags.

WARNING

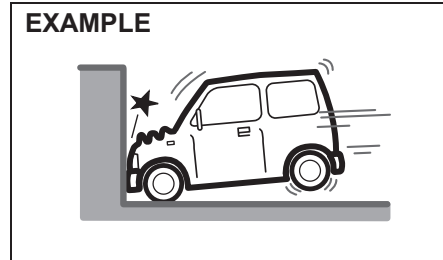
- If the airbag stored place is damaged or cracked, the airbag system may not work properly, which could result in serious injury in the event of a collision. Have your vehicle inspected by a authorised Maruti Suzuki Workshop.
- If you smash the airbag stored place or apply a strong impact to it, the airbag may not work properly or may inflate unexpectedly, resulting in serious injury. Do not smash the airbag stored place or apply a strong impact to it.



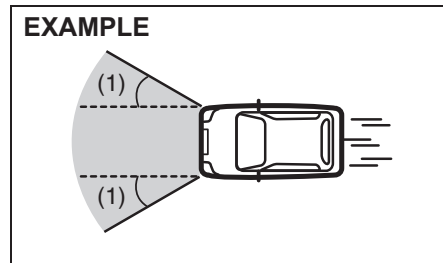
⚠ WARNING
Do not install a child restraint system on the front passenger's seat since a child restraint system cannot be installed appropriately.

Refer to "Seat belts and child restraint systems" section for details on securing your child.

Conditions of front airbags deployment (inflation)



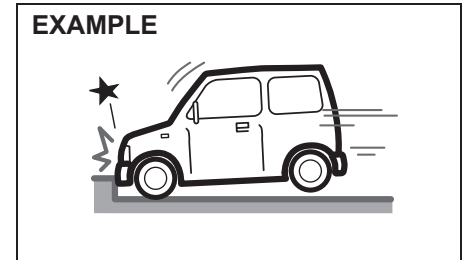
- Frontal collision with a fixed wall that does not move or deform at more than about 25 km/h



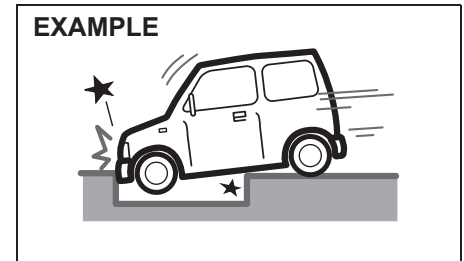
- Strong impact equivalent to frontal collision such as above at left and right angles of about 30 degrees (1) or less from the front of your vehicle

Conditions when front airbags may inflate

Receiving a strong impact to the lower body of your vehicle, the front airbags may inflate.



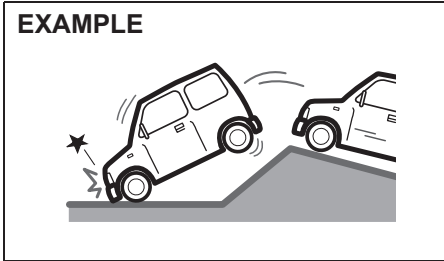
- Hitting a curb or medial strip



- Falling into a deep hole or ditch

FOR SAFE DRIVING

EXAMPLE



80J101

- Landing hard or falling

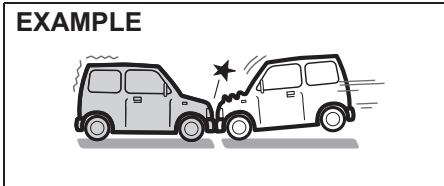
Front airbags may not inflate

The front airbags may not inflate when a strong impact has not occurred since the collision object (including living beings like animals) was easy to be deformed or moved, or the collided portion of your vehicle was easy to be deformed.

Also, front airbags may not inflate in many cases when the collision angle is greater than about 30 degrees at left and right angles from the front of your vehicle.

Also, in certain collisions at low speed, the air bags may not inflate.

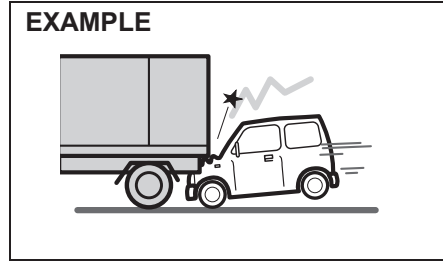
EXAMPLE



80J102

- Frontal collision to a stopped vehicle at less than about 50 km/h

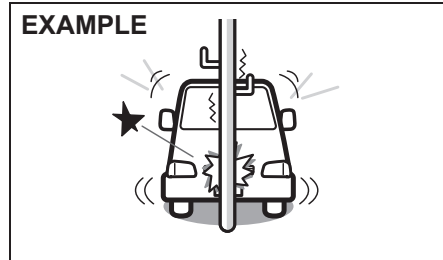
EXAMPLE



80J103

- Collision that the front of your vehicle goes under the bed of a truck etc.

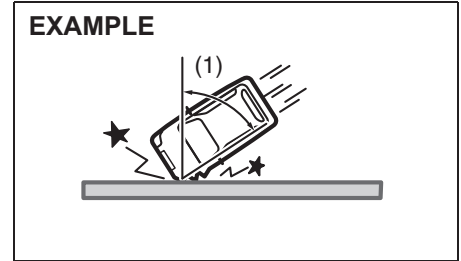
EXAMPLE



80J104

- Collision with a utility pole or stumpage

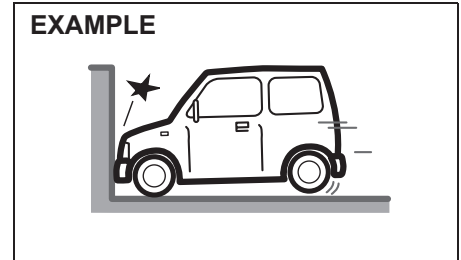
EXAMPLE



80J105E

- Collision with a fixed wall or guardrail at left and right angles of greater than about 30 degrees (1) from the front of your vehicle

EXAMPLE

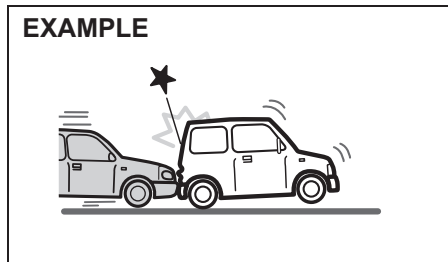


80J106

- Frontal collision with a fixed wall that does not move or deform at less than about 25 km/h

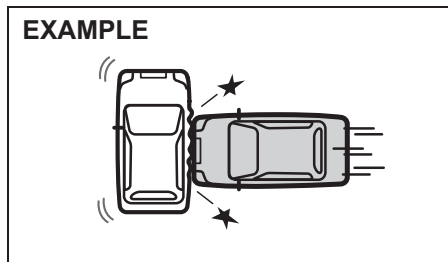
Front airbags do not inflate

Front airbags do not inflate in rear impacts, side impacts or rollovers, etc. However, these might inflate in a strong impact.



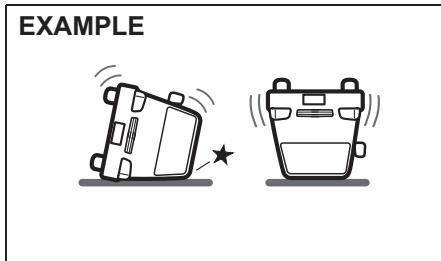
80J120

- Impact from the rear



80J119

- Impact from the side




80J110

- Vehicle rollover

How the system works

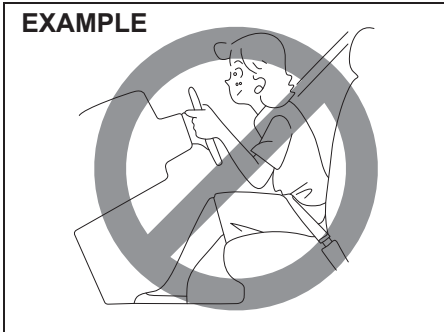
In a frontal collision, the collision sensors will detect rapid deceleration, and if the controller judges that the deceleration represents a severe frontal collision, the controller will trigger the inflators. The inflators inflate the appropriate airbags with nitrogen or argon gas. The inflated airbags provide a cushion for your head and upper body. The airbag inflates and deflates so quickly that you may not even realize that it has activated. The airbag will neither hinder your view nor make it harder to exit the vehicle.

 CAUTION
<p>Airbags must inflate quickly and forcefully in order to reduce the chance of serious or fatal injuries. However, an unavoidable consequence of the quick inflation is that the airbag may irritate bare skin, such as the facial area against a front airbag. Wash off any residue as soon as possible to prevent skin irritation. Also, upon inflation, a loud noise will occur and some powder and smoke will be released. These conditions are not harmful and do not indicate a fire in the vehicle. Be aware, however, that some airbag components may be hot for a while after inflation. This may cause burn injury.</p>

FOR SAFE DRIVING

A seat belt helps keep you in the proper position for maximum protection when an airbag inflates. Adjust your seat as far back as possible while still maintaining control of the vehicle. Sit fully back in your seat; sit up straight; do not lean over the steering wheel or dashboard. Front occupants should not lean on or sleep against the door. Refer to “Seat adjustment” section and “Seat belts and child restraint systems” section in this section for details on proper seat and seat belt adjustments.

EXAMPLE

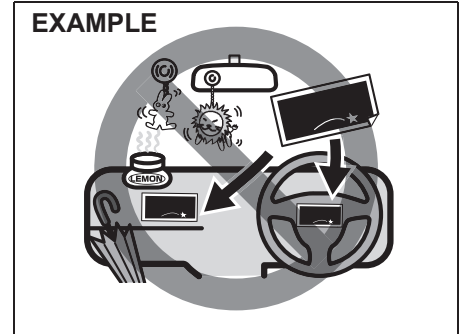


62SM01018

⚠ WARNING

- The driver should not lean over the steering wheel. The front passenger should not rest his or her body against the dashboard, or otherwise get too close to the dashboard. In these situations, the out-of-position occupant would be too close to an inflating airbag, and may suffer severe injury.
- Do not attach any objects to, or place any objects over, the steering wheel or dashboard. Do not place any objects between the airbag and the driver or front passenger. These objects may interfere with airbag operation or may be propelled by the airbag in the event of a collision. Also, these objects may move when you start moving vehicle or while vehicle is moving, they may interfere with driver's view or safe driving. In each conditions may cause severe injury.
- Do not strike or apply significant levels of impact to the airbag component areas. It can cause the airbags to malfunction.
- Do not attach accessories (except for MARUTI SUZUKI genuine products), etc., to the windshield or the inside rearview mirror.

EXAMPLE



69RHS169

⚠ WARNING

- Do not modify the steering wheel, such as replacing it, placing stickers on it, painting it or putting the cover on it.
- Do not place stickers on the airbag units or the surrounding areas or paint them. Also, do not attach any accessories, fragrances, electronic toll control units, portable car navigation systems, etc. to this area, and do not lean umbrellas or other objects against it.

⚠ WARNING

- **Even though your vehicle is moderately damaged by a collision, it may not be severe enough to trigger front airbags to inflate. If your vehicle sustains any front-end or side damage, have the airbag system inspected by a authorised Maruti Suzuki Workshop to ensure that it works properly. If the original function of air bag system is damaged, air bag may not function effectively and fully in case of an emergency.**

Your vehicle is equipped with a diagnostic module which records information about the airbag system if the airbags deploy in a collision. The module records information about overall system status, and which sensors activated the deployment.

Servicing the airbag system

If the airbags inflate, have the airbags and related components replaced by a Maruti Suzuki authorised workshop as soon as possible.

If your vehicle ever gets in deep water and the driver's floor is submerged, the airbag controller could be damaged. If this happens, ask a Maruti Suzuki authorised workshop to check the airbag system as soon as possible.

Special procedures are required for servicing or replacing an airbag. For that reason, only a Maruti Suzuki authorised workshop should be allowed to service or replace your airbags. Remind anyone who services your MARUTI SUZUKI vehicle that it has airbags.

Service on or around airbag components or wiring must be performed only by a Maruti Suzuki authorised workshop. Improper service could result in unintended airbag deployment or could render the airbag inoperative. Either of these two conditions may result in severe injury.

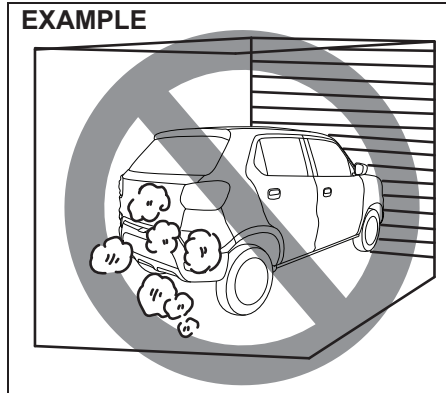
To prevent damage or unintended inflation of the airbag system, check that the battery is disconnected and the ignition switch has been in "LOCK" position for at least 90 seconds before performing any electrical service work on your MARUTI SUZUKI vehicle. Do not touch airbag system components or wires. The wires are wrapped with yellow tape or yellow tubing, and the couplers are yellow for easy identification.

Scrapping a vehicle that has an uninflated airbag can be hazardous. Ask a Maruti Suzuki authorised workshop, body repair shop or scrap yard for help with disposal.

⚠ CAUTION

If you do not handle the airbags properly, they may inflate unexpectedly, resulting in personal injury. When scrapping the airbags or the vehicle that has the airbags, consult a authorised Maruti Suzuki Workshop.

Exhaust gas warning



62SM01001

⚠ WARNING

Avoid breathing exhaust gases. Exhaust gases contain carbon monoxide, a potentially lethal gas that is colorless and odorless. Since carbon monoxide is difficult to detect by itself, take the following precautions to help prevent carbon monoxide from entering your vehicle.

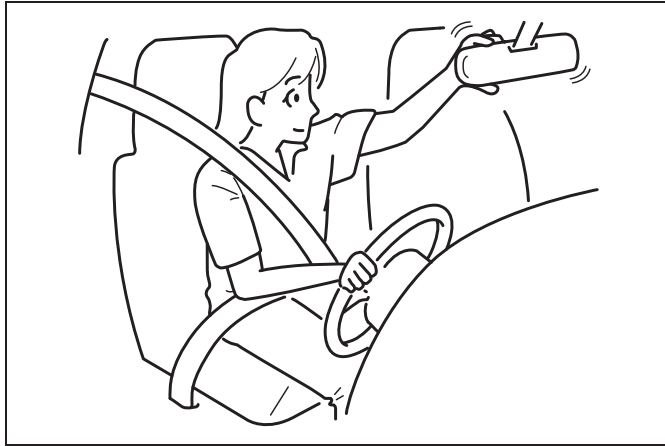
- Do not leave engine running in garages or confined areas, with passengers inside. This may result in accumulation of carbon-monoxide in cabin and may lead to suffocation or breathing problems and lead to death.
- Do not park with the engine running for a long period of time, even in an open area. In case of long periods, danger of choking and death on being inside the vehicle is a possibility when the engine is running. If it is necessary to sit for a short time in a parked vehicle with the engine running, make sure the air intake selector is set to "FRESH AIR" and the blower is at high speed.

(Continued)

⚠ WARNING

(Continued)

- Avoid operating the vehicle with the tailgate open. If it is necessary to do so, check that the all windows are closed, and the blower is at high speed with the air intake selector set to FRESH AIR.
- To allow proper operation of your vehicle's ventilation system, keep the air inlet grill in front of the windshield clear of snow, leaves or other obstructions at all times.
- Keep the exhaust tailpipe area clear of snow and other material to help reduce the buildup of exhaust gases under the vehicle. This is particularly important when parked in blizzard conditions.
- Have the exhaust system inspected periodically for damage and leakage. Any damage or leakage should be repaired immediately.



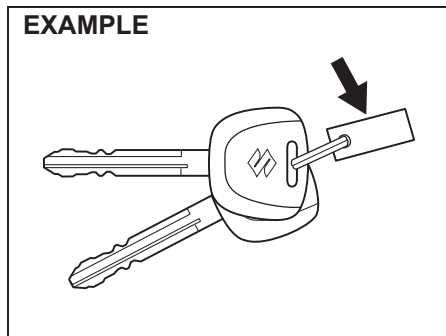
60G404

BEFORE DRIVING

Keys	2-1
Door locks	2-2
Keyless entry system transmitter (if equipped)	2-4
Theft deterrent light (if equipped)	2-6
Windows	2-7
Mirrors	2-8
Instrument cluster	2-10
Speedometer	2-10
Fuel gauge	2-11
Brightness control	2-11
Information display	2-12
Warning and indicator lights	2-18
Lighting control lever	2-24
Headlight leveling knob	2-26
Turn signal control lever	2-26
Hazard warning switch	2-27
Windshield wiper and washer lever	2-28
Horn	2-30
Vehicle loading	2-30
Trailer towing	2-31

BEFORE DRIVING

Keys



Your vehicle comes with a pair of keys. The key(s) may or may not be equipped with a transmitter depending on model variant. Keep the spare key in a safe place. One key can open all of the locks on the vehicle.

The key identification number is stamped on a metal tag provided with the keys or on the keys. Keep the tag (if equipped) in a safe place. If you lose your keys, you will need this number to have new keys made. Write the number below for your future reference.

KEY NUMBER:

Immobilizer system

This system is designed to help prevent vehicle theft by electronically disabling the engine starting system.

The engine can be started only with your vehicle's original immobilizer ignition key, which has an electronic identification code programmed into it. The key communicates the identification code to the vehicle when the ignition switch is turned to "ON" position. If you need to make spare keys, see a Maruti Suzuki authorised workshop. The vehicle must be programmed with the correct identification code for the spare. A key made by an ordinary locksmith will not work.



If the immobilizer system warning light blinks when the ignition switch is in "ON" position, the engine will not start.

If this light blinks, turn the ignition switch to "LOCK" position, and then turn it back to "ON" position.

If the light still blinks after the ignition switch is turned back to "ON" position, there may be something wrong with your key or with the immobilizer system. Ask a

Maruti Suzuki authorised workshop to have the system inspected.

NOTE:

- If you lose your immobilizer ignition key, ask a Maruti Suzuki authorised workshop as soon as possible to deactivate the lost one, and to make a new key.
- If you own other vehicles with immobilizer keys, keep those keys away from the ignition switch when using your MARUTI SUZUKI vehicle. Otherwise, the engine may not be started because they may interfere with your MARUTI SUZUKI vehicle's immobilizer system.
- If you attach any metal objects to the immobilizer key, it may not start the engine.
- This immobilizer system is maintenance-free.

NOTICE

The immobilizer key is sensitive electronic instrument. To avoid damaging it:

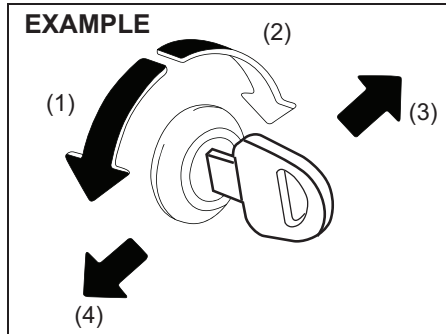
- Do not expose it to impacts, moisture or high temperature such as on the dashboard under direct sunlight.
- Keep it away from magnetic objects.

Ignition key reminder (if equipped)

A buzzer sounds intermittently to remind you to remove the ignition key if it is in the ignition switch when the driver's door is opened.

Door locks

Side door locks



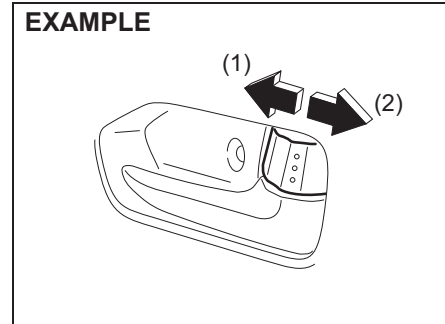
62SM02022

- (1) UNLOCK
- (2) LOCK
- (3) Front
- (4) Rear

To lock front doors from the outside of the vehicle:

- Insert a key and turn the top of the key toward the front of the vehicle, or
- Turn the lock knob forward, then pull and hold the door handle as you close the door.

To unlock front doors from the outside of the vehicle, insert the key and turn the top of the key toward the rear of the vehicle.



69RH002

- (1) LOCK
- (2) UNLOCK

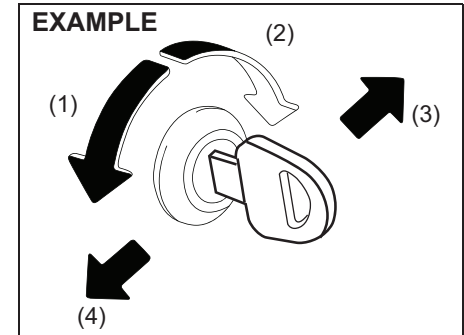
To lock a door from the inside of the vehicle, turn the lock knob forward. Turn the lock knob backward to unlock the door.

To lock a rear door from the outside of the vehicle, turn the lock knob forward and close the door. You do not need to pull and hold the door handle as you close the door.

NOTE:

Hold the door handle when you close a locked front door, or the door will not remain locked.

Central door locking system



62SM02022

- (1) UNLOCK
- (2) LOCK
- (3) Front
- (4) Rear

You can lock and unlock all doors (except the tailgate) simultaneously by using the key in the driver's door lock.

To lock all doors simultaneously, insert the key in the driver's door lock and turn the top of the key toward the front of the vehicle once.

To unlock all doors simultaneously, insert the key in the driver's door lock and turn the top of the key toward the rear of the vehicle twice.

BEFORE DRIVING

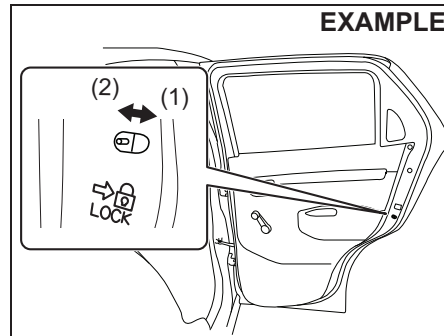
NOTE:

If your vehicle is equipped with the keyless entry system, you can also lock or unlock all doors by operating the transmitter. Refer to “Keyless entry system transmitter” in this section.

NOTE:

- All doors are automatically unlocked when you turn the ignition switch to the “LOCK” position and pull out the key.
- If your vehicle is equipped with keyless entry system transmitter, all doors are automatically locked for safety when the vehicle speed reaches 15 km/h.
- You can change the automatic locking or unlocking function mentioned above via the setting mode of the information display. For details on how to use the information display, refer to “Information display” in this section.

Child-proof locks (rear door)



- (1) LOCK
- (2) UNLOCK

Each of the rear doors is equipped with a child-proof lock which can be used to help prevent unwanted opening of the door from inside the vehicle. When the lock lever is in LOCK position (1), the rear door can only be opened from outside. When the lock lever is in UNLOCK position (2), the rear door can be opened from inside or outside.

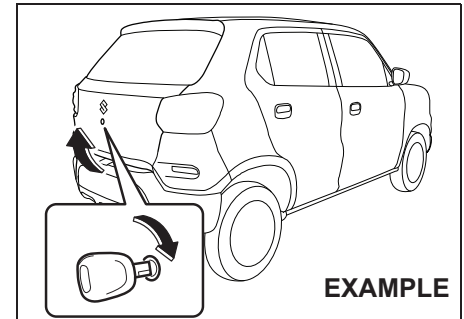
⚠ WARNING

Place the child-proof lock in LOCK position whenever children are seated in the rear.

Tailgate

⚠ WARNING

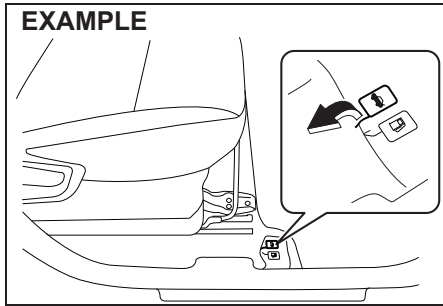
Always check that the tailgate is closed and latched securely. Completely closing the tailgate helps prevent occupants from being thrown from the vehicle in the event of an accident. Completely closing it also helps keep exhaust gases from entering the vehicle.



To open the tailgate, insert the key and turn it clockwise to unlatch and lift the tailgate.

NOTICE

Do not use the key to lift up the tailgate, or the key may break off in the lock.



62SM02024

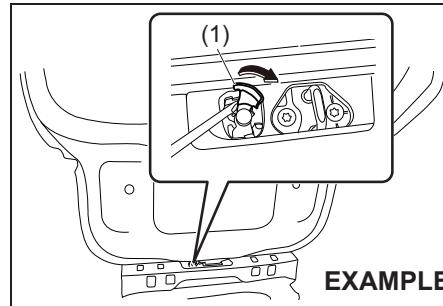
You can also unlatch the tailgate by pulling the release lever located on the outboard side of the driver's seat.

▲ CAUTION

Do not step over the release lever to avoid any damage.

If you cannot unlock the tailgate by using the key or by pulling the release lever due to malfunction, follow the procedure below to unlatch the tailgate from inside the vehicle.

- 1) Fold the rear seat forward for easier access. Refer to "Folding rear seats" section for details on how to fold the rear seat forward.



62SM02011

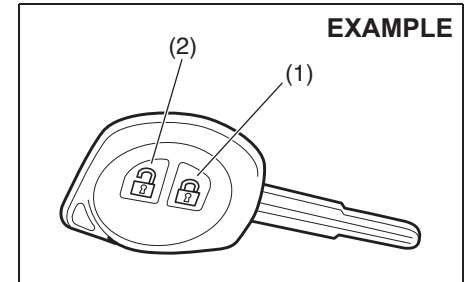
- 2) To unlock the tailgate lock, push the lever (1) to the direction of the arrow with flat blade screw driver as shown in the illustration.
- 3) Push open the tailgate from inside. The tailgate will be latched again by simply closing the tailgate.

If the tailgate cannot be unlocked, have the vehicle inspected by a Maruti Suzuki authorised workshop.

▲ CAUTION

Make sure there is no one near the tailgate when pushing open the tailgate from inside the vehicle.

Keyless entry system transmitter (if equipped)



76MS011

- (1) LOCK button
(2) UNLOCK button

You can lock or unlock all doors (except the tailgate) simultaneously by operating the transmitter near the vehicle.

- To lock all doors, push LOCK button (1) once.
- To unlock all door, push UNLOCK button (2) once.

The turn signal lights will flash once when the doors are locked.

When the doors are unlocked:

- The turn signal lights will flash twice.
- If the interior light switch is in DOOR position, the interior light will turn on for about 15 seconds and then fade out. If

BEFORE DRIVING

you close the driver and insert the key into the ignition switch during this time, the light will start to fade out immediately.

Check that the doors are locked after you operate LOCK button (1).

NOTE:

If no door is opened within about 30 seconds after UNLOCK button (2) is operated, the doors will automatically lock again.

NOTE:

- The maximum operating distance of the keyless entry system transmitter is about 5 m (16 ft.), but this can vary depending on the surroundings, especially near other transmitting devices such as radio towers or CB (Citizen's Band) radios.
- The door locks cannot be operated with the transmitter, if the ignition key is inserted in the ignition switch.
- When any door is open, the door locks can only be unlocked with the transmitter, and the turn signal light will flash.
- If you lose the transmitter, ask a Maruti Suzuki authorised workshop as soon as possible for a replacement. Have your dealer program the new transmitter code in your vehicle's memory so that the old code is erased.

NOTICE

The transmitter is a sensitive electronic instrument. To avoid damaging the transmitter:

- Do not expose it to impacts, moisture or high temperature such as by leaving it on the dashboard under direct sunlight.
- Keep the transmitter away from magnetic objects such as a television.

Car locator function

This function is to get the attention of others. Push both of the LOCK button (1) and UNLOCK button (2) for more than 3 seconds.

The turn signal lights will blink for about 27.5 seconds.

To cancel the car locator function, press any button (LOCK or UNLOCK). You can also cancel the car locator function by turning the ignition switch to "ON" position.

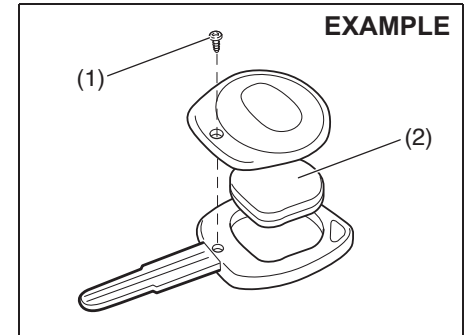
NOTE:

The car locator function will not activate when the key is in the ignition switch.

Battery replacement

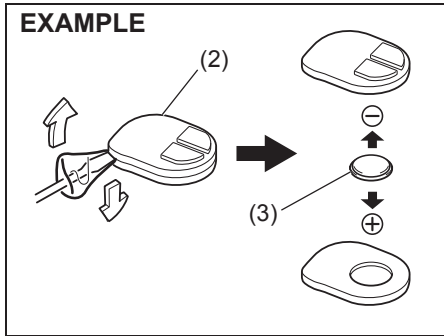
If the transmitter becomes unreliable, replace the battery.

To replace the battery of the transmitter:



68LM248

- 1) Remove the screw (1), and open the transmitter cover.
- 2) Remove the transmitter (2).



73R0197

(3) Lithium disc type battery:
CR1616 or equivalent

- 3) Put the edge of a flat-bladed screwdriver covered with a soft cloth in the slot of the transmitter (2) and pry it open.
- 4) Replace the battery (3) so its + terminal faces "+" mark of the transmitter.
- 5) Close the transmitter and install it into the transmitter holder.
- 6) Close the transmitter cover, install and tighten the screw (1).
- 7) Check that the door locks can be operated with the transmitter.
- 8) Dispose of the used battery properly according to applicable rules or regulations. Do not dispose of lithium batteries with ordinary household trash.

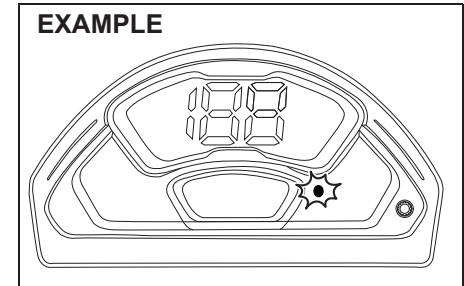
⚠ WARNING

Swallowing a lithium battery may cause serious internal injury. Do not allow anyone to swallow a lithium battery. Keep lithium batteries away from children and pets. If swallowed, contact a physician immediately.

NOTICE

- The transmitter is a sensitive electronic instrument. To avoid damaging it, do not expose it to dust or moisture or tamper with internal parts.
- When replacing the battery by yourself, the transmitter could be damaged affected by static electricity. Discharge the static electricity built up in your body by touching metal before replacing the battery.

**Theft deterrent light
(if equipped)**



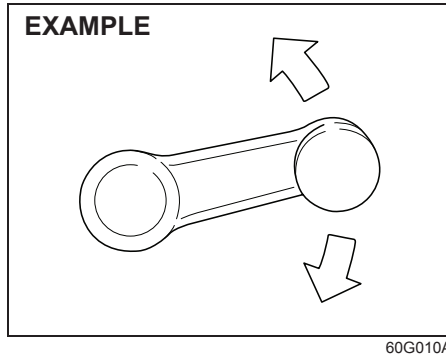
62SM02012

This light will blink with the ignition switch in "LOCK" or "ACC" position. The blinking light is intended to deter theft by leading others to believe that the vehicle is equipped with a security system.

BEFORE DRIVING

Windows

Manual window control (if equipped)

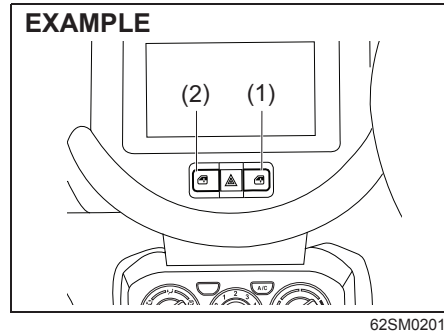


Raise or lower the door windows by turning the handle located on the door panel.

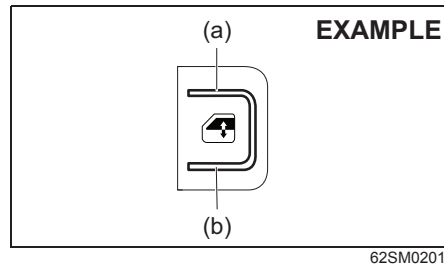
Power window controls (if equipped)

The power windows can only be operated when the ignition switch is in "ON" position.

Driver's side



The center console has a switch (1) to operate the driver's window and a switch (2) to operate the front passenger's window.



To open a window, push the bottom part (b) of the switch. To close the window, push the top part (a) of the switch.

WARNING

- To avoid injuring an occupant by window entrapment, check that no part of the occupant's body such as hands or head is in the path of the power windows when closing them.
- Always remove the ignition key with you when leaving the vehicle even only for a short time. Also do not leave children alone in a parked vehicle. Unattended children could use the power window switches and get trapped by the window.

NOTE:

If you drive with one of the rear windows open, you may hear a loud sound caused by air vibration. To reduce the sound, open the driver's or front passenger's window, or narrow the rear window opening.

Mirrors

⚠ WARNING

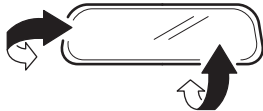
Failure to observe following point may result in loss of vehicle control and cause an accident, leading to death or serious injury. Always follow below points while driving.

- Do not adjust the mirrors while driving.
- Always unfold all the outside rearview mirrors and adjust properly before driving.
- Do not place objects in the rear of the vehicle which may hinder visibility or interfere with your vision from the rear window glass.

Inside rearview mirror

You can adjust the inside rearview mirror by hand to see the rear of your vehicle in the mirror.

EXAMPLE



74LHT0235

⚠ CAUTION

Do not modify the inside rearview mirror or install a non-genuine wide mirror. It could result in injury during accident.

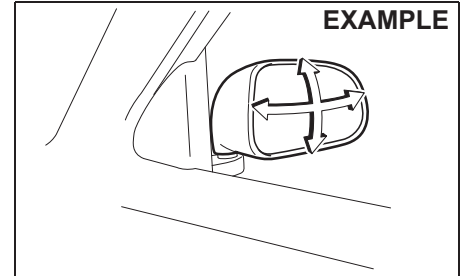
Outside rearview mirrors

Adjust the outside rearview mirrors so you can just see the side of your vehicle in the mirrors.

⚠ WARNING

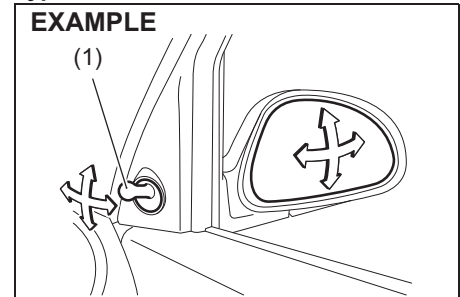
Be careful when judging the size or distance of a vehicle or other object seen in the side convex mirror. Be aware that objects look smaller and appear farther away than when seen in a flat mirror.

Type A



69RH166

Type B



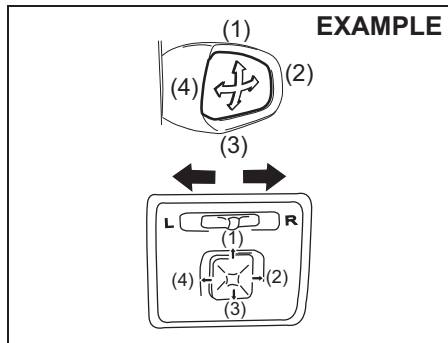
62SM02002

You can adjust the outside rearview mirrors by hand or with the knob (1) located on the driver's or front passenger's door panel.

BEFORE DRIVING

Type C

Electric Mirrors (if equipped)



The switch to control the electric mirrors is located on the instrument panel. You can adjust the mirrors when the ignition switch is in the "ACC" or "ON" position, or the ignition mode is "ACC" or "ON". To adjust the mirrors:

- 1) Move the selector switch (L - R knob) to the left or right to select the mirror you wish to adjust.
- 2) Press the control knob of the switch in the direction that corresponds to the direction in which you wish to move the mirror.
- 3) Return the selector switch to the center position to help prevent unintended adjustment.

⚠ WARNING

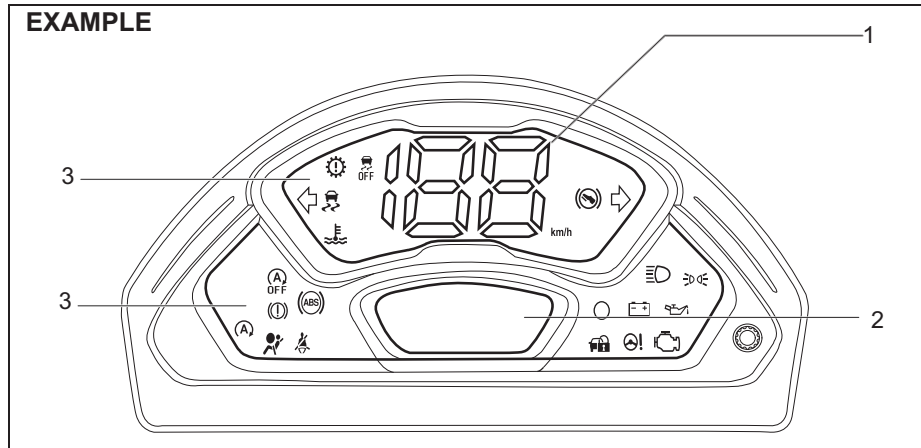
If you adjust the outside rearview mirrors while driving, you could lose control of the vehicle, resulting in an accident.
Adjust the outside rearview mirrors before driving.

NOTICE

- The electric type outside rearview mirror operates even though the ignition switch is in the ACC position. However, to prevent unnecessary battery discharge, do not adjust the mirrors longer than necessary while the engine is not running.
- The mirrors stop moving when they reach the maximum adjusting angles, but the motor continues to operate while the switch is pressed. Do not continue to press the switch in such a situation, as the motor may be damaged.
- Do not attempt to adjust the outside rearview mirror by hand which may cause damage to the motor.

Instrument cluster

1. Speedometer
2. Information display
3. Warning and indicator lights



69RM02008

Speedometer

The speedometer indicates vehicle speed.

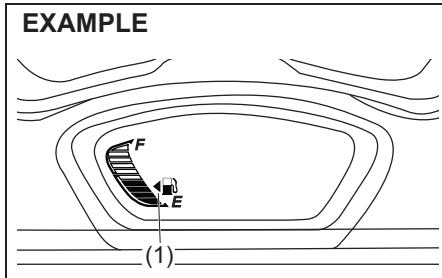
Speed alert system

The speed alert system gives audible warning for alert of over-speed to driver. When vehicle speed exceeds about 80 km/h, primary level warning with two beeps will sound every minute. When the vehicle speed exceeds about 120 km/h, secondary level warning with continuous beeps will sound.

If the vehicle speed is slowed down to about 118 km/h, primary warning will resume. If the vehicle is slowed down to about 78 km/h, speed alert warning will stop. This buzzer does not indicate any malfunction in vehicle.

BEFORE DRIVING

Fuel gauge



When the ignition switch is in “ON” position, this gauge gives an approximate indication of the amount of fuel in the fuel tank.

“F” stands for full and “E” stands for empty.

- If the indicator shows only one segment to “E”, refill the tank as soon as possible. If the last segment blinks, it means that the fuel is almost empty.

NOTICE

To minimize the possibility of damage to catalytic converter or other components of the vehicle, avoid driving the vehicle near empty fuel tank level.

NOTE:

The indicator moves a little depending on road conditions (for example, slope or curve) and driving conditions because of fuel moving in the tank.

The mark (1) indicates that the fuel filler door is located on the left side of the vehicle.

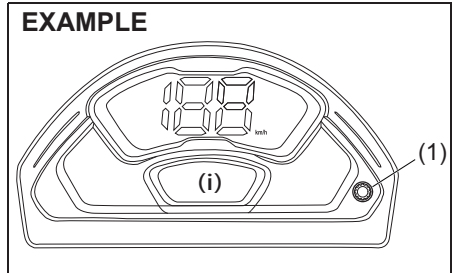
Brightness control

Your vehicle has a system to automatically dim the brightness of the instrument cluster lights when the position lights or headlights are on.

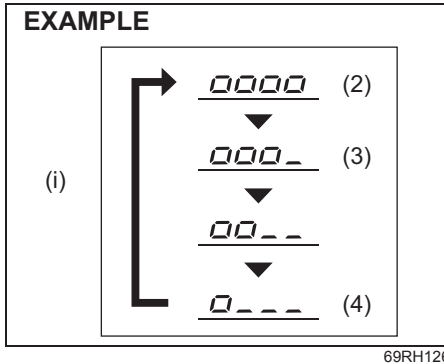
When the position lights and/or headlights are on, you can control the meter illumination intensity.

WARNING

Do not adjust the brightness of the instrument panel lights while driving. Otherwise, you could lose control of the vehicle.



(1) Indicator selector knob



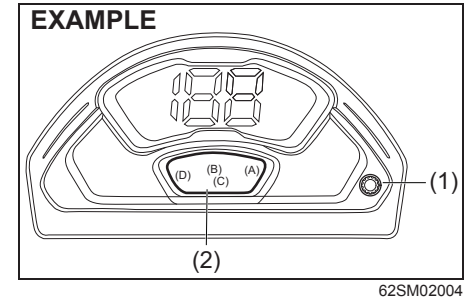
To switch the display indication to the brightness control (i), select the indication as shown in the illustration by pushing the indicator selector knob (1) when the position lights and/or headlights are on.

To change the brightness of the instrument cluster lights, continue to hold in the indicator selector knob (1). The indication will change as shown in the illustration. The illumination gets dimmer then returns to the brightest condition after it reaches the dimmest.

NOTE:

- If you do not push the indicator selector knob (1) within several seconds of activating the brightness control, the brightness control display will be canceled automatically.

Information display



- (1) Indicator selector knob
(2) Information display

When the ignition switch is in “ON” position, the information display shows the following information.

Display (A)

Gearshift indicator (if equipped)/
Gear position indicator (for Auto Gear Shift models)

Display (B)

Odometer / Trip meter / Fuel consumption (if equipped) / Driving range (if equipped)

Display (C)

Clock (if equipped)

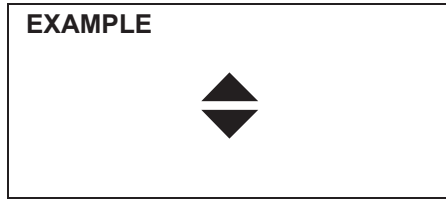
Display (D)

Fuel gauge

BEFORE DRIVING

Gearshift indicator (if equipped)

The display (A) shows the gearshift indicator.

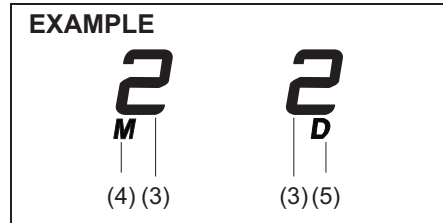


62SM02006

Refer to “Gearshift indicator” in the “OPERATING YOUR VEHICLE” section.

Gear position indicator (for Auto Gear Shift models)

The display (A) shows some of the following indications.



62SM02007

- (3) Gear position
- (4) Manual mode indicator
- (5) Drive mode indicator

NOTE:

For Auto Gear Shift models, when the gearshift lever position and the gear position indication in the information display are unmatched, the indication will blink and the interior buzzer will sound. Refer to “Auto Gear Shift” in the “OPERATING YOUR VEHICLE” section for details.

Manual mode indicator

When you are using the manual mode, the display shows the manual mode indicator (4).

NOTE:

The manual mode indicator will only appear when the gearshift lever is in “M” position.

Drive mode indicator

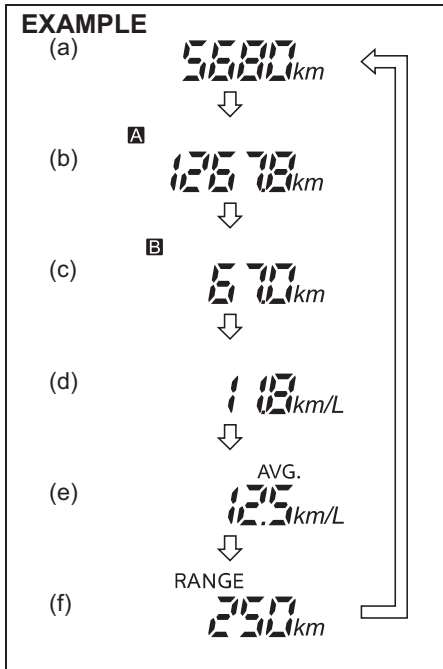
When the gearshift lever is in “D” position, the display shows the drive mode indicator (5).

For details on how to use the transmission, refer to “Using transmission” in the “OPERATING YOUR VEHICLE” section.

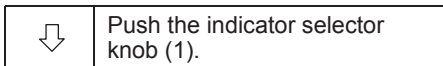
Odometer / Trip meter / Fuel consumption (if equipped) / Driving range (if equipped)

The display (B) shows one of the following indications: odometer, trip meter A, trip meter B, instantaneous fuel consumption (if equipped), average fuel consumption (if equipped) or driving range (if equipped).

To switch the display indication (B), push the indicator selector knob (1) quickly.



62SM02016



- (a) Odometer
- (b) Trip meter A
- (c) Trip meter B
- (d) Instantaneous fuel consumption (if equipped)
- (e) Average fuel consumption (if equipped)
- (f) Driving range (if equipped)

⚠ WARNING

If you attempt to adjust the display while driving, you could lose control of the vehicle. Do not attempt to adjust the display while driving.

NOTE:

- *Indications will change when you push and release a knob.*
- *The display shows estimated values. Indications may not be same as the actual values.*

Odometer

The odometer records the total distance the vehicle has been driven.

NOTICE

Keep track of your odometer reading and check the maintenance schedule regularly for required services. Increased wear or damage to certain parts can result from failure to perform required services at the proper mileage intervals.

Trip meter

The trip meter can be used to measure the distance traveled on short trips or between fuel stops.

You can use the trip meter A or trip meter B independently.

To reset the trip meter to zero, push and hold the indicator selector knob (1) for a while when the display shows the trip meter.

NOTE:

The indicated maximum value of the trip meter is 9999.9. When you run past the maximum value, the indicated value will return to 0.0.

Instantaneous fuel consumption (if equipped)

The display shows the value of instantaneous fuel consumption only when the vehicle is moving.

BEFORE DRIVING

NOTE:

- The display does not show the value unless the vehicle is moving.
- The indicated maximum value of instantaneous fuel consumption is 50 km/l. No more than the maximum value will be indicated on the display even if the actual instantaneous fuel consumption is higher.
- The indication on the display may be delayed if fuel consumption is greatly affected by driving conditions.
- The display shows estimated values. Indications may not be the same as actual values.

Average fuel consumption (if equipped)

If you previously selected average fuel consumption setting, the display shows average fuel consumption from the last reset to the present when the ignition switch is turned to "ON" position.

To reset the average fuel consumption to zero, push and hold the indicator selector knob (1) for a while when the display shows the average fuel consumption.

NOTE:

When you reset the indication or reconnect the negative (-) terminal to the battery, the value of average fuel consumption will be shown after driving for a while.

Driving range (if equipped)

If you selected driving range the last time you drove the vehicle, the display indicates "---" for a few seconds and then indicates the current driving range when the ignition switch is turned to the "ON" position or the engine switch is pressed to change the ignition mode to "ON".

The driving range shown in the display is an indicative unit of the approximate distance you can drive until the fuel gauge indicates "E", based on current driving conditions and the current fuel level in the fuel tank.

When the last segment of the fuel gauge indicator is ON, the display "---" will appear.

When the fuel indicator shows only one segment, fill the fuel tank immediately regardless of the value of driving range shown in the display.

As the driving range after refueling is calculated based on the most recent driving condition, the value is different each time you refuel.

NOTE:

- If you refuel when the ignition switch is in "ON" position, the driving range may not indicate the correct value.
- When you reconnect the negative (-) terminal to the battery, the value of driving range will be shown after driving for a while.

- If there are substantial changes in the driving pattern or vehicle usage, the displayed range may vary significantly.

Clock (if equipped)

The display (C) shows the time.

To set the clock, follow "Setting mode" instructions in this section.

WARNING

If you attempt to adjust the display while driving, you could lose control of the vehicle.

Do not attempt to adjust the display while driving.

NOTE:

When you disconnect either of the terminals to the battery and keep it for a minute, the clock indication will be initialized. Change the indication again to your preference after the reconnection.

Fuel gauge


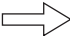
The display (D) shows the fuel gauge.

Refer to "Fuel gauge" in this section.

Setting mode

In the setting mode, you can set up the following functions.

Indication		Functions
<i>door</i>	<i>d2</i>	Automatic door locking function “ <i>d2</i> ”
	<i>d3</i>	Automatic door unlocking function “ <i>d3</i> ”
<i>LIght</i>	<i>L2</i>	Additional flashes of the turn signal “ <i>L2</i> ”
<i>CLoCK</i>	<i>CL-RdJ</i>	Clock setting “ <i>CL-RdJ</i> ”
<i>deFAUL</i>	<i>dE-on</i>	Initialization setting “ <i>dE-on</i> ”
<i>End</i>		Exit the setting mode “ <i>End</i> ”

	Push the indicator selector knob (1).
	Push and hold the indicator selector knob (1).

NOTE:

Depending on vehicle’s specifications, some items may not be displayed.

BEFORE DRIVING

How to operate the setting mode:

- 1) When the ignition switch is in "ON" position and the vehicle is stationary, push the indicator selector knob (1) to switch the information display indication (B) to the odometer.
- 2) Push and hold the indicator selector knob (1) until the setting mode appears on the information display.
- 3) Push and/or hold the indicator selector knob (1) to select a function that you want to set up according to the above chart.
- 4) Push and/or hold the indicator selector knob (1) to register settings of the following functions.

EXAMPLE



The image shows a digital display with two small boxes labeled 'A' and 'B' at the top left. Below them, the text 'd2-SL 1' is displayed in a stylized font.

62SM02020

NOTE:

- As shown in the above illustration, "AB" is indicated on the display of currently selected item.
- To go back to the higher level display during operation, push the indicator selector knob (1) to display "bRRCH" or "-bRR" and then push and hold the indicator selector knob (1).

Automatic door locking function "d2"

- *d2-SL 1*: Disable the automatic door locking function
- *d2-SL 2*: Lock all doors when the vehicle speed reaches 15 km/h (default setting)

Automatic door unlocking function "d3"

- *d3-SL 1*: Disable the automatic door unlocking function
- *d3-SL 2*: Unlock all doors when the key is pulled out from the ignition switch (default setting)

Additional flashes of the turn signal "L2"

- *L2-SL 1*: Turn signal flashes three times after the turn signal lever is returned (default setting)
- *L2-SL 2*: Disable the additional flashes of turn signal

Clock setting "CL-Adj" (if equipped)

- To change the hour indication, push the indicator selector knob (1) repeatedly when the hour indication blinks. To change the hour indication quickly, push and hold the indicator selector knob (1).
To set the hour indication, wait for a while without pushing the indicator selector knob (1) and the minute indication will blink.
- To change the minute indication, push the indicator selector knob (1) repeatedly when the minute indication blinks. To change the minute indication quickly, push and hold the indicator selector knob (1).
To set the minute indication, wait for a while without pushing the indicator selector knob (1).

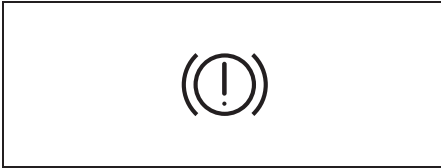
Initialization setting "dE-on"

- *dE-on*: Initialize all settings

- 5) To exit the setting mode, switch the display to show "End" and then push and hold the indicator selector knob (1).

Warning and indicator lights

Brake system warning light



82K170

Three different types of operations exist depending on the vehicle's specification.

- The light comes on briefly when the ignition switch is turned to "ON" position.
- The light comes on when the parking brake is engaged with the ignition switch in "ON" position.
- The light comes on under either or both of above two conditions.

The light also comes on when the fluid in the brake fluid reservoir falls below the specified level.

The light should go out after starting the engine and fully releasing the parking brake, if the fluid level in the brake fluid reservoir is adequate.

The light also comes on together with the ABS warning light when the rear brake force control function (proportioning valve function) of the ABS system fails.

If the brake system warning light comes on while you are driving the vehicle, it may mean that there is something wrong with the vehicle's brake system.

If this happens:

- 1) Pull off the road and stop carefully.

⚠ WARNING

Remember that stopping distance may be longer, you may have to push harder on the pedal, and the pedal may go down farther than normal.

- 2) Test the brakes by carefully starting and stopping the vehicle on the shoulder of the road.
- 3) If you determine that it is safe, drive the vehicle cautiously at low speed to the nearest Maruti Suzuki authorised workshop for repairs or tow the vehicle to the nearest Maruti Suzuki authorised workshop for repairs.

⚠ WARNING

If any of the following conditions occur, you should immediately ask a Maruti Suzuki authorised workshop to inspect the brake system.

- If the brake system warning light does not go out after the engine has been started and the parking brake has been fully released.
- If the brake system warning light does not come on when the ignition switch is turned to "ON" position.
- If the brake system warning light comes on at any time during vehicle operation.

NOTE:

Because the brake system is self-adjusting, the fluid level will drop as the brake pads become worn. Replenishing the brake fluid reservoir is considered normal periodic maintenance.

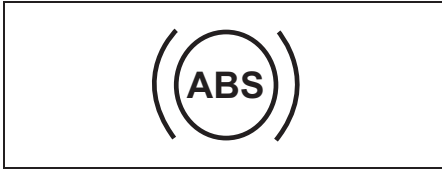
NOTE:

Parking brake reminder buzzer

A buzzer sounds intermittently to remind you to release the parking brake if you start the vehicle without releasing the parking brake. Check that the parking brake is fully released and the brake system warning light turns off.

BEFORE DRIVING

Anti-lock brake system (ABS) warning light



65D529

When the ignition switch is turned to “ON” position, this light comes on briefly so you can check that the light is working. If the light stays on or comes on when driving, there may be something wrong with the ABS.

If this happens:

- 1) Pull off the road and stop carefully.
- 2) Turn the ignition switch to “LOCK” position and then start the engine again.

If the warning light comes on briefly and then turns off, the system is normal. If the warning light still stays on, something is wrong with the system.

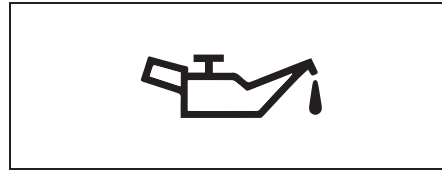
If the light and the brake system warning light stay on or come on simultaneously when driving, your ABS system is equipped with the rear brake force control function (proportioning valve function) and there may be something wrong with both the rear brake force control function and the anti-lock function of the ABS system.

If one of the above occurs, have the system inspected by a Maruti Suzuki authorised workshop.

If the ABS becomes inoperative, the brake system will function as an ordinary brake system that does not have this ABS system.

For details of ABS system, refer to “Anti-lock brake system (ABS)” in the “OPERATING YOUR VEHICLE” section.

Oil pressure light



50G051

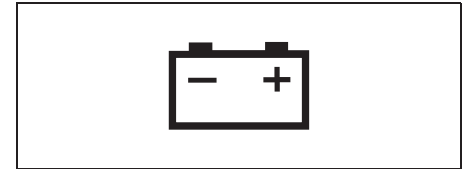
When the ignition switch is turned to “ON” position, this light comes on. When the engine is started, the light goes out. The light will come on and remain on if there is insufficient oil pressure. If the light comes on when driving, pull off the road as soon as you can and stop the engine.

Check the engine oil level and add oil if necessary. If there is enough oil, the lubrication system should be inspected by a Maruti Suzuki authorised workshop before you drive the vehicle again.

NOTICE

- If you operate the engine with this light on, severe engine damage can result.
- Do not rely on the oil pressure light to indicate the need to add oil. Periodically check the engine oil level.

Charging light



50G052

When the ignition switch is turned to “ON” position, this light comes on. When the engine is started, the light goes out. The light will come on and remain on if there is something wrong with the battery charging system. If the light comes on when the engine is running, the charging system should be inspected immediately by a Maruti Suzuki authorised workshop.

Seat belt reminder light

60G049

When the driver and/or passenger (front passenger and/or rear passenger*) do(does) not buckle his or her seat belt, this light will come on and/or blink.

For details of the seat belt reminder, refer to "Seat belts and child restraint systems" section.

*: If equipped

NOTE:

Along with the seat belt reminder light, a reminder message shall also come on the information display (if equipped), for unrestrained driver and/or front passenger.

AIRBAG warning light

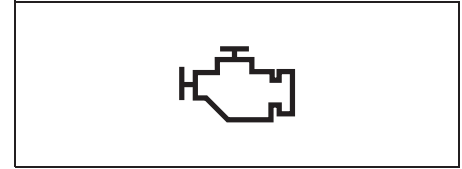
63J030

When the ignition switch is turned to "ON" position, this light comes on for several seconds so you can check that the light is working.

The light will come on and stay on if there is a problem in the airbag system or the seat belt pretensioner system (if equipped).

⚠ WARNING

If AIRBAG warning light does not blink or come on briefly when the ignition switch is turned to "ON" position, stays on for more than 10 seconds, or comes on while driving, the airbag system or the seat belt pretensioner system (if equipped) may not work properly, which could result in serious injury in the event of a collision. Have both systems inspected by a Maruti Suzuki authorised workshop.

Malfunction indicator light

65D530

Your vehicle has a computer-controlled emission control system. A malfunction indicator light is provided on the instrument cluster to indicate when it is necessary to have the emission control system serviced. When the ignition switch is turned to "ON" position, this light comes on. When the engine is started, the light goes out.

If the malfunction indicator light comes on or blinks when the engine is running, there is a damage in the emission control system.

Bring the vehicle to a Maruti Suzuki authorised workshop to have the damage fixed.

Also, if this light comes on when the engine is running, there is a problem with the Auto Gear Shift system (if equipped). Ask a Maruti Suzuki authorised workshop to have the system inspected.

BEFORE DRIVING

CAUTION

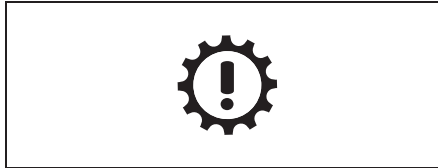
If this light blinks, stop your vehicle immediately in a safe place to avoid catalyst's melting problem since there may be a misfire in the engine.

- Do not drive or stop over such as withered grasses.
- Drive slowly if required to move the vehicle.

NOTICE

Continuing to drive the vehicle when the malfunction indicator light is on or blinking can cause permanent damage to the vehicle's emission control system, and can affect fuel economy and driveability.

Transmission warning light (for Auto Gear Shift)



80J219

When the ignition switch is turned to "ON" position, this light comes on for several seconds so you can check that the light is working.

If this light comes on when the engine is running, there is a problem with the Auto Gear Shift system. Ask a Maruti Suzuki authorised workshop to have the system inspected.

NOTE:

If the Auto Gear Shift clutch temperature becomes too high, this light will blink. Stop the vehicle in a safe place and let the system cool down.

Immobilizer system warning light



65D239

When the ignition switch is turned to the "ON" position, this light comes on to let you know the light is working. If this light blinks with the ignition switch turned to "ON", there may be something wrong with the immobilizer system. Ask a Maruti Suzuki authorised workshop to have the system inspected.

Electric power steering light



79J039

When the ignition switch is turned to “ON” position, this light comes on. When the engine is started, the light goes out.

If this light comes on while driving, the power steering system may not work properly. Have the system inspected by a Maruti Suzuki authorised workshop.

NOTE:

The following steering wheel operations may gradually take more effort while parking or driving at a very low speed. This is not a malfunction of the steering system, but the power steering control system limits the power assist in order to prevent it from overheating.

- The steering wheel is operated very often.
- The steering wheel is kept in a fully turned position for a long while.

When the power steering control system cools down, the power steering system will return to its original condition.

However, repeating these operations could cause damage to the power steering system.

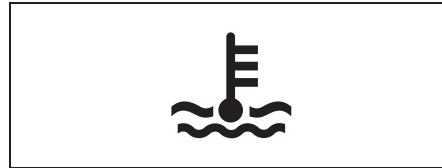
NOTE:

If the power steering system does not work properly, it will require greater effort to steer, but you still will be able to steer.

NOTE:

If the steering is operated, you may hear noise caused by electric power steering operation. This is normal and indicates that the power steering system works properly.

High engine coolant temperature warning light



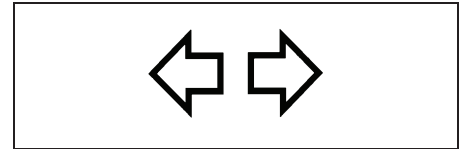
69RH179

When the ignition switch is turned to “ON” position, this light comes on briefly so you can check that the light is working. If this light blinks while driving, it means the engine is running hot. Avoid driving conditions that may lead to actual overheating. If the light stays on without blinking, then the engine is overheating. Follow the instructions in “Engine trouble: Overheating” in the “EMERGENCY SERVICE” section.

NOTICE

Continuing to drive the vehicle when engine overheating is indicated can result in severe engine damage.

Turn signal indicators



50G055

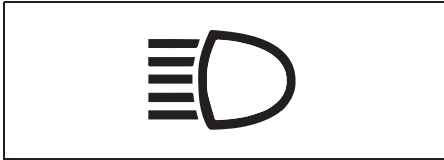
When you turn on the left or right turn signals, the corresponding green arrow on the instrument cluster will flash along with the respective turn signal lights. When you turn on the hazard warning switch, both arrows will flash along with all of the turn signal lights.

NOTE:

If any abnormality of the turn signals is observed, such as fast blinking, there may be malfunction in the turn signal system. Ask your Maruti Suzuki authorized workshop to inspect the system.

BEFORE DRIVING

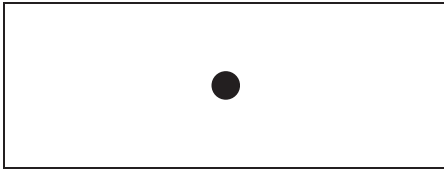
Main beam (high beam) indicator light



50G056

This indicator comes on when headlight main beams (high beams) are turned on.

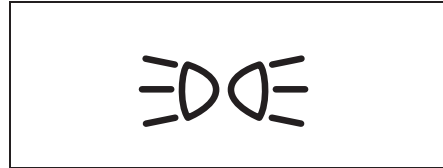
Theft deterrent light (if equipped)



82K269

For details, refer to “Theft deterrent light” in this section.

Illumination indicator light



64J045

This indicator light comes on while the position lights, tail light and/or the headlights are on.

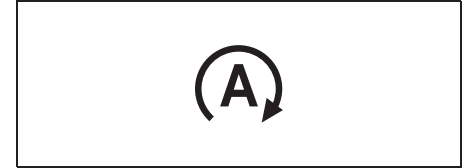
Depress brake pedal indicator (for Auto Gear Shift)



76MH0A047

Refer to “Auto Gear Shift” in the “OPERATING YOUR VEHICLE” section for details.

ENG A-STOP Indicator Light

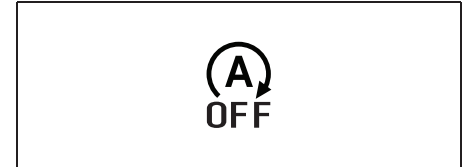


72M00032

When the ignition switch is turned to “ON” position, this light comes on briefly if the system works properly.

When the engine is stopped by the “ENG A-STOP” system, this light comes on. For details, refer to “ENG A-STOP System (Engine Auto Stop System)” in “OPERATING YOUR VEHICLE” section.

ENG A-STOP OFF Light



56RM02036

When the ignition switch is turned to “ON” position, this light comes on briefly if the system works properly.

When you push the ENG A-STOP OFF switch, this light comes on. If this light blinks when driving, there may be something wrong with the ENG A-STOP

system.

You should have the system inspected by a authorised Maruti Suzuki workshop.

ESP® Warning Light (if equipped)



56RM02033

ESP® is a registered trademark of Daimler AG.

This light blinks 5 times per second when one of the following systems is activated.

- Stability control system
- Traction control system

If this light blinks, drive carefully.

When the ignition is pushed to “ON” mode, the light comes on briefly so you can check that the light is working. If the light stays on or comes on when driving, there may be something wrong with the ESP® systems (other than ABS). You should have the system inspected by a Maruti Suzuki authorised workshop.

For details of the ESP® systems, refer to “Electronic Stability Program (ESP®) (if equipped)” in “OPERATING YOUR VEHICLE” section.

⚠ WARNING

The ESP® systems cannot prevent accidents. Always drive carefully.

ESP® OFF Indicator Light (if equipped)



56RM02034

When the ignition is pushed to “ON” mode, this light comes on briefly so you can check that the light is working.

When the ESP® OFF switch is pushed to turn off the ESP® systems (other than ABS), the ESP® OFF indicator light comes on and stays on.

For details of the ESP® systems, refer to “Electronic Stability Program (ESP®) (if equipped)” in “OPERATING YOUR VEHICLE” section.

Lighting control lever

EXAMPLE



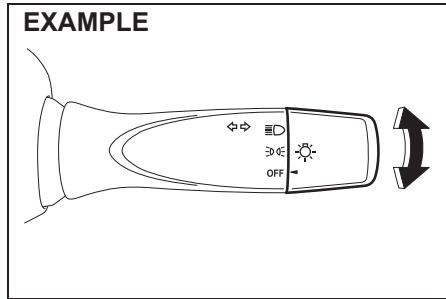
65D611

⚠ WARNING

To avoid possible injury, do not operate controls by reaching through the steering wheel.

BEFORE DRIVING

Lighting operation



66RH032

To turn the lights on or off, twist the knob on the end of the lever. There are three positions:

OFF

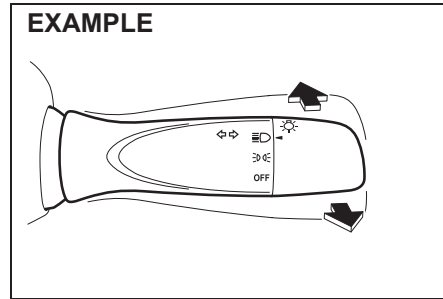
All lights are off.



Front position lights, tail lights, license plate light and instrument lights are on, but headlights are off.



Front position lights, tail lights, license plate light, instrument lights and headlights are on.



66RH033

With the headlights on, push the lever forward to switch to the high beams (main beams) or pull the lever toward you to switch to the low beams. When the high beams (main beams) are on, a light on the instrument cluster will come on, to momentarily activate the high beams (main beams) as a passing signal, pull the lever slightly toward you and release it when you have completed the signal.

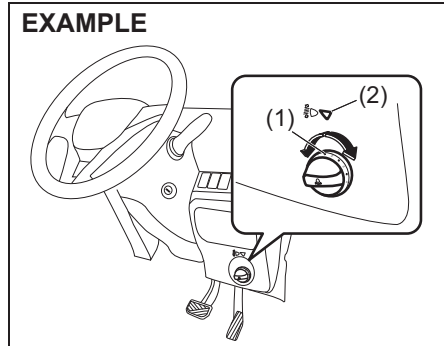
Light reminder buzzer

The interior buzzer continuously beeps if you open the driver's door without turning off the headlights and position lights. This function is triggered under the following condition:

The headlights and/or position lights are on even after the ignition switch is turned off.

The buzzer stops sounding when you turn off the headlights and position lights.

Headlight leveling knob



62SM02021

Level the headlight beam according to the load condition of your vehicle by turning this knob. Turn the knob anticlockwise to lower the beam and clockwise to raise the beam.

Align the marking (1) on the knob with the marking (2) provided on the dashboard for setting the required knob position. The chart below shows the appropriate knob position for different vehicle load conditions.

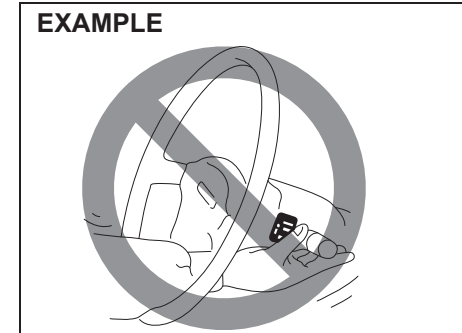
For petrol model

Vehicle Load Condition	Knob Position
Driver only	0
Driver + 1 passenger (in front seat)	0
Driver + 4 passengers, no cargo	2
Driver + 4 passengers, cargo added	2
Driver + full cargo	3

For CNG model

Vehicle Load Condition	Knob Position
Driver only	0
Driver + 1 passenger (in front seat)	0
Driver + 1 passenger (in front seat) + 2 passengers (in rear seat)	1

Turn signal control lever



65D611

▲ WARNING

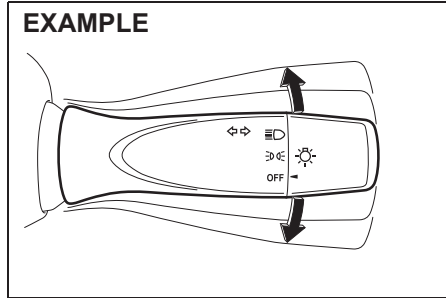
To avoid possible injury, do not operate controls by reaching through the steering wheel.

Turn signal operation

With the ignition switch in "ON" position, move the lever upward or downward to activate the right or left turn signals.

BEFORE DRIVING

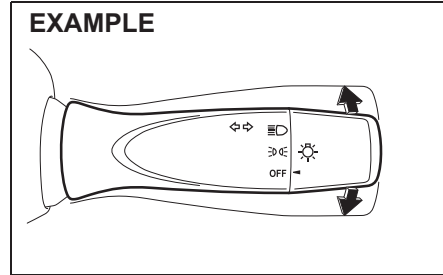
Normal turn signal



66RH035

Move the lever all the way upward or downward to signal. When the turn is completed, the signal will cancel and the lever will return to its normal position.

Lane change signal



66RH036

Move the lever partway upward or downward to turn right or left and hold the lever in the moved position.

- The turn signal and its indicator flash while the lever is held at the moved position.

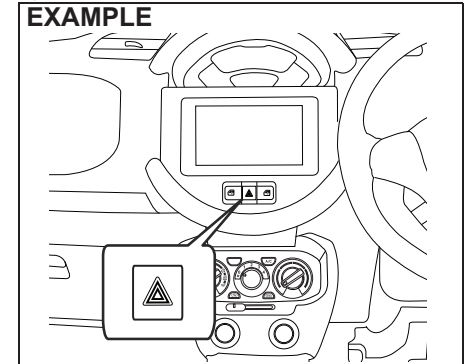
The turn signal and its indicator flash 3 times even if you return the lever immediately after moving it.

NOTE:

The turn signal and its indicator can be set whether they flash 3 times after the turn signal lever is returned via the information display. Refer to "Information display" in this section.

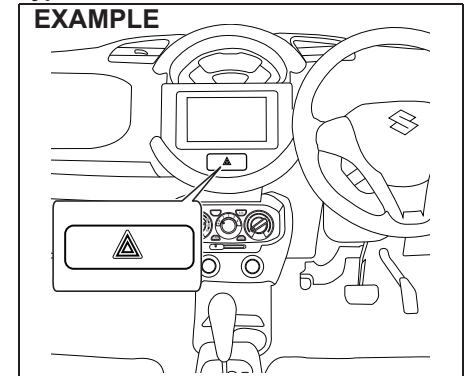
Hazard warning switch

Type A



62SM02009

Type B

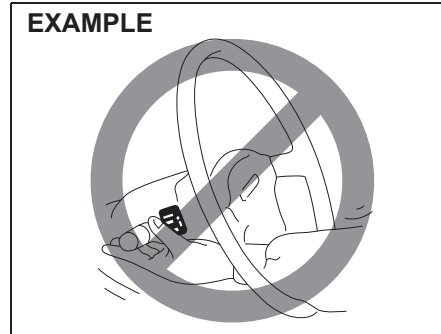


62SM02023

Push in the hazard warning switch to activate the hazard warning lights. All turn signal lights and both turn signal indicators will flash simultaneously. To turn off the lights, push the switch again.

Use the hazard warning lights to warn other drivers of possible risk of traffic hazard when you park your vehicle in case of emergency.

Windshield wiper and washer lever



57L21128

WARNING

To avoid possible injury, do not operate controls by reaching through the steering wheel.

Wiper and washer operation

When the ignition switch is in "ON" position, you can use the wiper/washer lever.

When the wipers are under heavy load such as covered by snow, the breaker will be activated and the wipers will stop operating to protect the wiper motor from overheating.

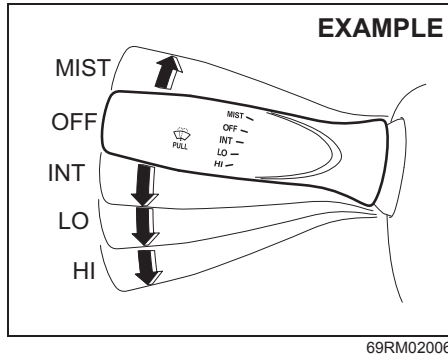
If the wiper stops during operation, do the following methods.

- 1) Stop the vehicle in a safe place, and turn the engine off.
- 2) Move the wiper lever to "OFF" position.
- 3) Remove obstacles such as snow on the wipers.
- 4) After a while, when the temperature of the wiper motor becomes low enough, the breaker will be reset automatically and the wipers will be able to use.

If you cannot use the wipers after a while, there may be another problem. Ask a Maruti Suzuki authorised workshop to have the wipers inspected.

BEFORE DRIVING

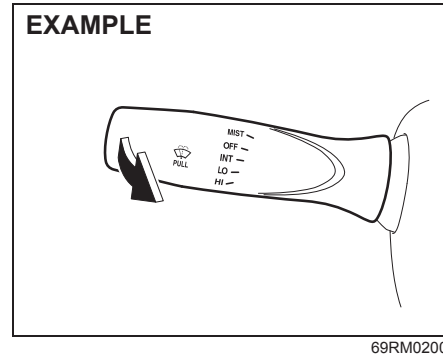
Windshield wipers



To turn the windshield wipers on, move the lever down to one of the three operating positions. In “INT” position, the wipers operate intermittently. The “INT” position is very convenient for driving in mist or light rain. In “LO” position, the wipers operate at a steady low speed. In “HI” position, the wipers operate at a steady high speed. To turn off the wipers, move the lever back to “OFF” position.

Move the lever up and hold it to “MIST” position, the windshield wipers will turn on continuously at low speed.

Windshield washer



To spray windshield washer fluid, pull the lever toward you. The windshield wipers will automatically turn on at low speed if they are not already on and your vehicle is equipped with “INT” position.

⚠ WARNING

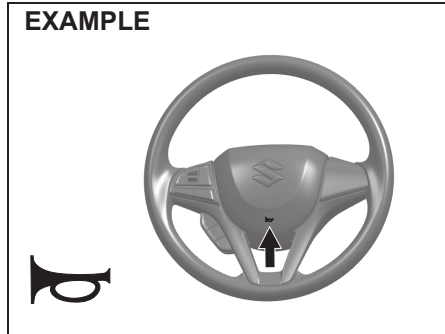
- To prevent windshield icing in cold weather, turn on the defroster to heat the windshield before and during windshield washer use.
- Do not use radiator antifreeze in the windshield washer reservoir. It can severely impair visibility when sprayed on the windshield, and can also damage your vehicle's paint.

NOTICE

To help prevent damage to the windshield wiper and washer system components, you should take the following precautions:

- Do not continue to hold in the lever when there is no windshield washer fluid being sprayed or the washer motor can be damaged.
- Do not attempt to remove dirt from a dry windshield with the wipers or you can damage the windshield and the wiper blades. Always wet the windshield with washer fluid before operating the wipers.
- Clear ice or packed snow from the wiper blades before using the wipers.
- Check the washer fluid level regularly. Check it often when the weather is bad.
- Fill a reservoir 3/4 full with washer fluid to for its expansion, if temperature falls low enough to freeze the fluid.

Horn



Press the horn button of the steering wheel to sound the horn. The horn will sound with the ignition switch in any position.

Vehicle loading

Your vehicle was designed for specific weight capacities. The weight capacities of your vehicle are indicated by the Gross Vehicle Weight Rating (GVWR) and the Permissible maximum Axle Weight (PAW, front and rear). The GVWR and PAW (front and rear) are listed in the “SPECIFICATIONS” section.

GVWR – Maximum permissible overall weight of the fully loaded vehicle (including all the occupants, accessories and cargo plus the trailer nose weight if towing a trailer).

PAW (front and rear) – Maximum permissible weight on an individual axle.

Actual weight of the loaded vehicle and actual loads at the front and rear axles can only be determined by weighing the vehicle. Compare these weights to the GVWR and PAW (front and rear). If the gross vehicle weight or the load on either axle exceeds these ratings, you must remove enough weight to bring the load down to the rated capacity.

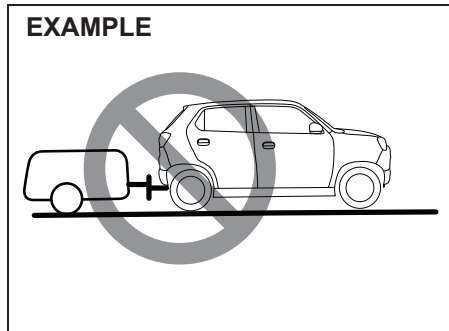
⚠ WARNING

- **Never overload your vehicle. The gross vehicle weight (sum of the weights of the vehicle, all the occupants, accessories, cargo plus trailer nose weight if towing a trailer) must never exceed the Gross Vehicle Weight Rating (GVWR). In addition, never distribute a load so that the weight on either the front or rear axle exceeds the Permissible maximum Axle Weight (PAW).**
- **Always distribute cargo evenly. To avoid personal injury or damage to your vehicle, always secure cargo to prevent it from shifting if the vehicle moves suddenly. Place heavier objects on the floor and as far forward in the cargo area as possible. Never pile cargo higher than the top of the seat backs.**

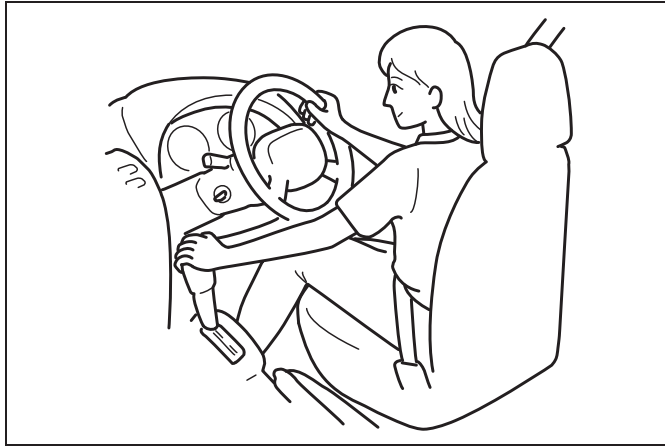
BEFORE DRIVING

Trailer towing

Your vehicle was originally designed to carry people and a normal amount of cargo, not to tow a trailer.



62SM02025



60G408

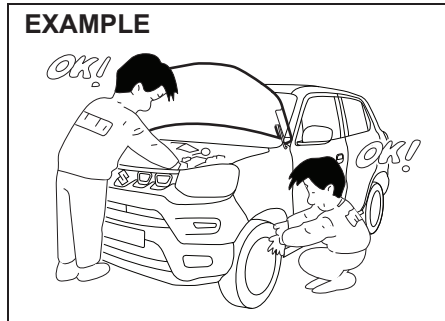
OPERATING YOUR VEHICLE

Daily inspection checklist	3-1
Engine oil consumption	3-2
Ignition switch	3-2
Parking brake lever	3-5
Pedal	3-6
Starting engine	3-7
Using transmission	3-8
Gearshift indicator (if equipped)	3-18
ENG A-STOP System	
(EngineAuto Stop Start System)	3-19
Parking sensors	3-25
Braking	3-29
Electronic Stability Program (ESP®) (if equipped)	3-33

OPERATING YOUR VEHICLE

Daily inspection checklist

Before driving



- 1) Check that windows, mirrors, lights and reflectors are clean and unobstructed.
- 2) Visually check the tires for the following points:
 - the depth of the tread groove
 - abnormal wear, cracks and damage
 - loose wheel nuts
 - existence of foreign material such as nails, stones, etc.

Refer to “Tires” in the “INSPECTION AND MAINTENANCE” section for details.

- 3) Look for fluid and oil leakage.

NOTE:

It is normal for water to drip from the air conditioning system after use.

- 4) Check that the hood is fully closed and latched.
- 5) Check the headlights, turn signal lights, brake lights and horn for proper operation.
- 6) Adjust the seat.
- 7) Check the brake pedal and the parking brake lever.
- 8) Adjust the mirrors.
- 9) Check that you and all passengers have properly fastened your seat belts.
- 10) Check that all warning lights come on as the ignition switch is turned to “ON” position.
- 11) Check all gauges.
- 12) Check that the brake system warning light turns off when the parking brake is released.

Once a week, or each time you fill your fuel tank or before a long distance driving (like highway driving), perform the following under-hood checks:

- 1) Engine oil level
- 2) Coolant level
- 3) Brake fluid level
- 4) Battery fluid (acid) level
- 5) Windshield washer fluid level
- 6) Hood latch operation

Pull the hood release handle inside the vehicle. Check that you cannot open the hood all the way without releasing the secondary latch. Close the hood securely after checking for proper latch operation. See the item “All latches, hinges and locks” of “Chassis, body and others” in “Maintenance schedule” in the “INSPECTION AND MAINTENANCE” section for lubrication schedule.

▲ WARNING

Check that the hood is fully closed and latched before driving. If it is not, it can fly up unexpectedly during driving, obstructing your view and resulting in an accident.

Once a month, or each time you fill your fuel tank or before a long distance driving (like highway driving), check the tire pressure using a tire pressure gauge. Also check the tire pressure of the spare tire.

Engine oil consumption

It is normal for the engine to consume some engine oil during normal vehicle operation.

The amount of engine oil consumption depends on viscosity and quality of the oil and your driving conditions.

More oil is consumed during high-speed driving and when there is frequent acceleration and deceleration. Under high loads, your engine also will consume more oil.

A new engine also consumes more oil, since its pistons, piston rings and cylinder walls have not yet become conditioned. New engines reach the normal level of oil consumption only after approximately 5000 km driving.

Oil consumption:

Max. 1.0 L per 1000 km

When judging the amount of oil consumption, note that the oil may become diluted and it is difficult to judge the accurate oil level.

As an example, if a vehicle is used for repeated short trips, and consumes a normal amount of oil, the dipstick may not show any drop in the oil level at all, even after 1000 km or more of driving. This is because the oil gradually becomes diluted with fuel or moisture, making it appear that the oil level has not changed.

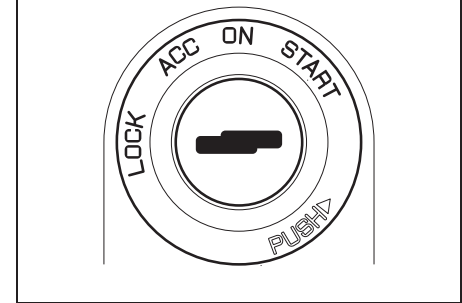
You should also be aware that the diluting ingredients evaporate out when the vehicle is subsequently driven at high speeds, such as on an expressway, making it appear that oil is excessively consumed after high-speed driving.

Ignition switch

WARNING

To avoid possible injury, do not operate controls by reaching through the steering wheel.

EXAMPLE



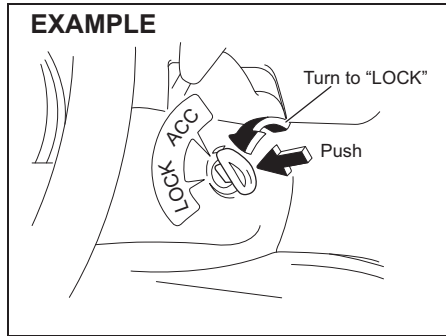
68PH00310

The ignition switch has the following four positions:

LOCK

This is the normal parking position. It is the only position in which the key can be removed.

OPERATING YOUR VEHICLE



You must push in the key to turn it to "LOCK" position. It locks the ignition, and prevents normal use of the steering wheel after the key is removed.

To release the steering lock, insert the key and turn it clockwise to one of the other positions. If you have trouble turning the key to unlock the steering, try turning the steering wheel slightly to the right or left while turning the key.

ACC

Accessories such as the radio can operate, but the engine is off.

ON

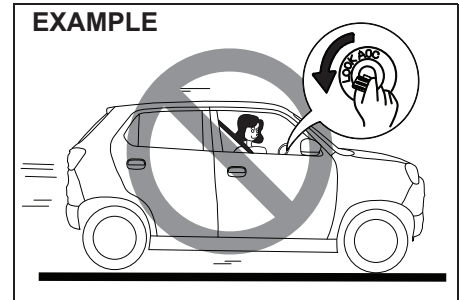
This is the normal operating position. All electrical systems are on.

START

This is the position for starting the engine using the starter motor. The key should be released from this position as soon as the engine starts.

Ignition key reminder (if equipped)

A buzzer sounds intermittently to remind you to remove the ignition key if it is in the ignition switch when the driver's door is opened.



⚠ WARNING

- **Never return the ignition switch to "LOCK" position and remove the ignition key while the vehicle is moving. The steering wheel will lock and you will not be able to steer the vehicle.**

(Continued)

⚠ WARNING

(Continued)

- Always return the ignition switch to “LOCK” position and remove the ignition key when leaving the vehicle even only for a short time. Also do not leave children alone in a parked vehicle. Unattended children may be able to start the vehicle or shift the transmission into neutral, which could result in an accident. There is also a danger that children may injure themselves by playing with the power windows or other moving features of the vehicle.

In addition, heat build-up or extremely cold temperatures inside the vehicle can be fatal to children.

NOTICE

- Do not leave the ignition switch in “ON” position if the engine is not running as the battery will discharge.

(Continued)

NOTICE

(Continued)

(For manual transmission models)

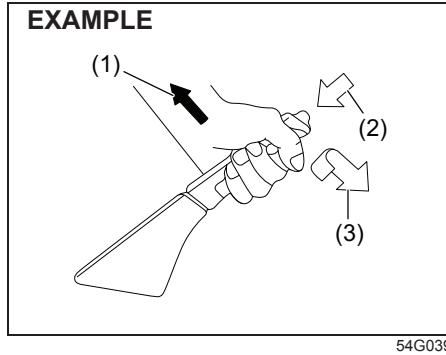
- For protection of a lead-acid battery and a starter motor, if you use the starter motor by turning the key to “START” for more than 12 seconds at a time, the starter motor stops automatically. Turn the key to “LOCK” position and wait for more than 30 seconds before trying again. If the engine does not start after several attempts, check the fuel and ignition system or consult a Maruti Suzuki authorised workshop.
- If the engine starts, the starter motor stops automatically.

(For Auto Gear Shift models)

- For protection of a lead-acid battery and a starter motor, do not use the starter motor by turning the key to “START” for more than 12 seconds at a time. If the engine does not start, turn the key to “LOCK” position and wait for more than 30 seconds before trying again. If the engine does not start after several attempts, check the fuel and ignition system or consult a Maruti Suzuki authorised workshop.

OPERATING YOUR VEHICLE

Parking brake lever



- (1) To set
- (2) To release
- (3) To release

The parking brake lever is located between the seats. To set the parking brake, hold the brake pedal down and pull the parking brake lever all the way up. To release the parking brake, hold the brake pedal down, pull up slightly on the parking brake lever, push the button on the end of the lever with your thumb, and lower the lever to its original position.

⚠ WARNING

- Never drive your vehicle with the parking brake on: rear brake effectiveness can be reduced from overheating, brake life may be shortened, or permanent brake damage may result.
- If the parking brake does not hold the vehicle securely or does not fully release, have your vehicle inspected immediately by a Maruti Suzuki authorised workshop.
- When parking on an uphill, turn the steering wheel so that the front wheels point to the center of the road.
- When parking on a downhill, turn the steering wheel so that the front wheels point to the curb.

(Continued)

⚠ WARNING

(Continued)

- Always set the parking brake fully before leaving your vehicle or it may move, causing injury or damage. When parking, check that the gearshift lever is in one of the following positions;
 - 1st gear or “R” (Reverse) for manual transmission vehicles.
 - “D”, “M” or “R” for Auto Gear Shift vehicles. Also, check the instrument cluster to make sure that the transmission is engaged in “1” or “R” position.
- Remember, even though the transmission is in gear, you must set the parking brake fully.

⚠ WARNING

When parking the vehicle in extremely cold weather, the following procedure should be used:

- 1) Set the parking brake.
- 2) Manual transmission – turn off the engine, then shift into reverse or first gear.

Auto Gear Shift – shift into “D”, “M” or “R” and check the gear position indicator in the instrument cluster to make sure that the transmission is engaged in “1” or “R” position, then turn off the engine.

- 3) Get out of the vehicle and put chocks under the wheels.

- 4) Release the parking brake. When you return to your vehicle, first set the parking brake, and then remove the wheel chocks.

⚠ CAUTION

The hill hold control system (if equipped) will not activate while the parking brake is engaged.

NOTE:

(For Auto Gear Shift models)

For details on how to use the gearshift lever to park the vehicle, refer to “Parking” in “Auto Gear Shift” in this section.

⚠ WARNING

Do not leave cigarette lighters, spray cans, soft drink cans or plastic articles (such as glasses, CD cases, etc.) in sun-heated vehicle. The temperature inside the vehicle may cause as follows:

- Gas may leak from a cigarette lighter or spray can and may lead to a fire.
- The glasses, plastic cards or CD cases, etc. may deform or crack.
- Soft drink cans may fracture.

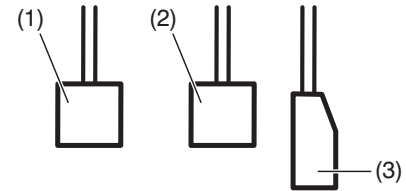
Parking brake reminder buzzer

A buzzer sounds intermittently to remind you to release the parking brake if you start the vehicle without releasing the parking brake. Check that the parking brake is fully released and the brake system warning light turns off.

Pedal

Manual transmission

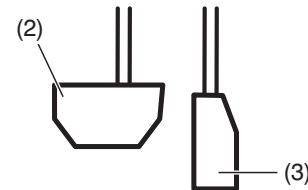
EXAMPLE



80J2121

Auto Gear Shift

EXAMPLE



80J2122

Clutch pedal (1)

A clutch pedal is used to disengage the drive to the wheels when starting the engine, stopping, or shifting the gearshift lever. Depressing the pedal disengages the clutch.

⚠ WARNING

Do not drive with your foot resting on the clutch pedal. It could result in excessive clutch wear, clutch damage, or unexpected loss of engine braking.

Brake pedal (2)

Your MARUTI SUZUKI vehicle is equipped with front disc brakes and rear drum brakes. Depressing a brake pedal applies both sets of brakes.

You may hear occasional brake squeal when you apply the brakes. This is a normal condition caused by environmental factors such as temperature, humidity, snow or dust, etc

Auto gear shift - You may hear occasional sound when you release brake pedal while vehicle is in "D" (Drive) mode and about to move. This is a normal phenomenon.

⚠ WARNING

• If brake squeal is excessive and occurs each time the brakes are applied, you should have the brakes checked by Maruti Suzuki authorised workshop.

(Continued)

⚠ WARNING

(Continued)

• Do not apply brakes continuously or rest your foot on the brake pedal. This will result in overheating of the brakes which could cause unpredictable braking action, longer stopping distances, or permanent brake damage.

Accelerator pedal (3)

An accelerator pedal controls the speed of the engine. Depressing the accelerator pedal increases power output and speed.

NOTE:

Your vehicle is equipped with Brake Override System. If you depress both the accelerator pedal and the brake pedal simultaneously, the engine power output may be suppressed.

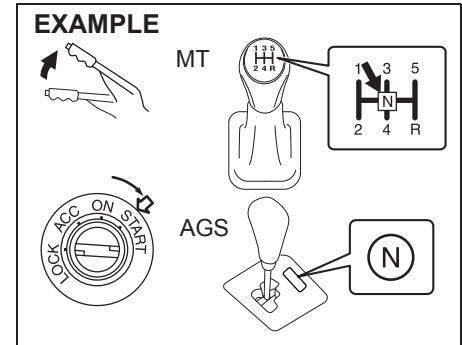
Do not Drive with Your Foot on the Brake Pedal

⚠ CAUTION

Driving with your foot resting on the brake pedal could cause brake parts to become worn out more quickly than normal or cause brake components to overheat, making them less effective.

Starting engine

Before starting engine



- 1) Check that the parking brake is set fully.
- 2) Manual transmission – Shift into "N" (Neutral) and depress the clutch pedal all the way to the floor. Hold the clutch pedal while starting the engine.
Auto Gear Shift – Shift into "N" (Neutral) and depress the brake pedal. Hold the brake pedal while starting the engine.

NOTE:

For Auto Gear Shift vehicles, if the engine cannot be started, make sure the gearshift lever is in "N" before restarting the engine.

⚠ WARNING

Check that the parking brake is set fully and the transmission is in Neutral before attempting to start the engine.

Starting a cold and warm engine

With your foot taken off the accelerator pedal, crank the engine by turning the ignition key to "START". Release the key when the engine starts.

NOTICE

- Stop turning the starter immediately after the engine has started or the starter system can be damaged.

(For manual transmission models)

- For protection of a lead-acid battery and a starter motor, if you use the starter motor by turning the key to "START" for more than 12 seconds at a time, the starter motor stops automatically. Turn the key to "LOCK" position and wait for more than 30 seconds before trying again. If the engine does not start after several attempts, check the fuel and ignition system or consult a Maruti Suzuki authorised workshop.
- If the engine starts, the starter motor stops automatically.

(Continued)

NOTICE

(Continued)

(For Auto Gear Shift models)

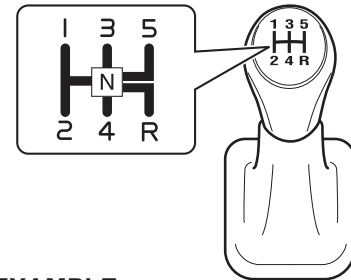
- For protection of a lead-acid battery and a starter motor, do not use the starter motor by turning the key to "START" for more than 12 seconds at a time. If the engine does not start, turn the key to "LOCK" position and wait for more than 30 seconds before trying again. If the engine does not start after several attempts, check the fuel and ignition system or consult a Maruti Suzuki authorised workshop.

Using transmission

⚠ WARNING

Do not hang any items on the gearshift lever and do not use the gearshift lever as a handrest. Otherwise, it could prevent proper operation of the gearshift lever and cause its malfunction, resulting in an accident.

Manual transmission



EXAMPLE

69RH016

OPERATING YOUR VEHICLE

Starting off

To start off, depress the clutch pedal all the way to the floor and shift into 1st gear. After releasing the parking brake, gradually release the clutch. When you hear a change in the engine's sound, slowly press the accelerator while continuing to gradually release the clutch.

Shifting

All forward gears are synchronized and provide quiet and easy shifting. Always depress the clutch pedal all the way to the floor before shifting gears.

Downshifting maximum allowable speeds

Downshifting	km/h
2nd to 1st	20
3rd to 2nd	75
4th to 3rd	115
5th to 4th	160

**NOTE:*

You may not accelerate to the maximum allowable speed because of the driving situation and/or the vehicle condition.

NOTICE

Do not downshift to a lower gear at the speed faster than the maximum allowable speeds for the next lower speed, or severe damage to engine and transmission can result.

⚠ WARNING

- Reduce your speed and downshift to a lower gear before going down a long or steep hill. A lower gear will allow the engine to provide braking. Avoid riding the brakes or they may overheat, resulting in brake failure.
- When driving on slippery roads, slow down before downshifting. Excessive and/or sudden changes in engine speed may cause loss of traction, which could cause you to lose control.

NOTICE

Before engaging reverse gear "R", check that the vehicle is completely stationary and gear lever is in neutral "N" position. After depressing clutch pedal fully, shift to "R".

If it is difficult to engage reverse gear "R", follow below procedure:-

- 1) Put gear lever in neutral "N".
- 2) Release the clutch pedal once.
- 3) Again depress the clutch pedal, and shift from "N" to "R".

NOTICE

- To help avoid clutch damage, do not use the clutch pedal as a foot-rest while driving or use the clutch to keep the vehicle stationary on a slope. Depress the clutch fully when shifting.
- When shifting or starting off, do not race the engine. Racing the engine can shorten engine life and cause negative effect to smooth shifting.

Auto Gear Shift

Auto Gear Shift is a 5-speed forward/reverse transmission.

Auto Gear Shift has the basic features of conventional manual transmission, but clutch operation and transmission gear shifting are controlled electronically.

NOTICE

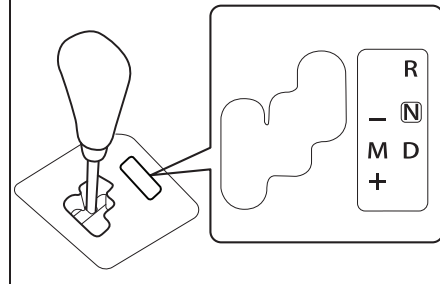
Do not depress both the brake pedal and accelerator pedal simultaneously. This can cause damage or overheating to the clutch.

NOTE:

When you open the driver's door, the Auto Gear Shift systems run automatically and you may hear an operating noise. This sound does not indicate malfunction.

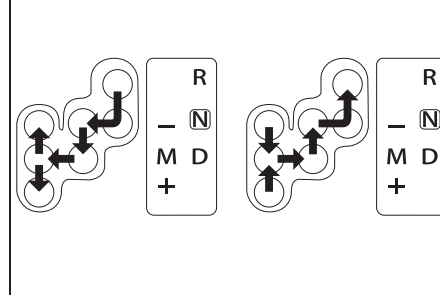
The features are as follows:

EXAMPLE



62SM03005

EXAMPLE



62SM03006

Depress brake pedal indicator



76MH0A047

This light will come on if you do not depress the brake pedal in the following situations.

- When starting the engine.
- When the engine is on and the gearshift lever is shifted from "N" position to "D", "M" or "R" position.
- When the ignition switch is in the "ON" position, and the engine is off, the gearshift lever is shifted into any position.

This light will also come on if one of the gears cannot be engaged and the system is unable to re-try shifting when you shift the gearshift lever from "N" position to "D", "M" or "R" position.

OPERATING YOUR VEHICLE

Starting the engine

When starting the engine, always place the gearshift lever in the “N” position and depress the brake pedal firmly. The engine cannot be started unless the gearshift lever is in the “N” position and the brake pedal is depressed.

If you parked vehicle with gear engaged on last time (if you can see “1” or “R”), shift into “N” (Neutral) and depress the brake pedal. Hold the brake pedal while starting the engine. You can hear buzzer in short time.

NOTE:

NOTE:

- If you start the engine without the gearshift lever in the “N” position, the gear position indicator in the instrument cluster will blink.
- For vehicles with ENG A-STOP system, if the engine restarts automatically, the gear position indicator in instrument cluster may display “N” temporarily. This is a normal phenomenon.

Clutch operation

You can select either the Drive (D) mode or the Manual (M) mode. Since this vehicle controls clutch operation electronically in either mode, you do not need to operate the clutch.

Creeping function

This vehicle has a creeping function that helps the vehicle to start smoothly by engaging the clutch. When the gearshift lever is in any of the positions “D”, “M” or “R”, and you release your foot from the brake pedal, the vehicle starts slowly without depressing the accelerator pedal. However, creep is not possible in manual (M) mode with 2nd gear engaged. The creeping function is disabled if you depress the brake pedal or pull up the parking brake lever.

NOTE:

If the driver’s door is opened and/or the parking brake lever is engaged with the gear in the “M”, “D” or “R” position, the creeping function will not operate.

Parking and Stopping the vehicle

Auto Gear Shift does not have a parking position. Park the vehicle with a gear engaged. Make sure that the gearshift lever is “D”, “M”, or “R”.

Also, check the instrument cluster to make sure that the transmission is engaged in “1” or “R” position.

NOTICE

A buzzer will sound continuously if the vehicle is operated with the gearshift lever in-between of each shift positions. The vehicle will become inoperative if you continue to operate the vehicle with the gearshift lever in-between shift positions.

Drive (D) mode

When the Drive (D) mode is activated, the most appropriate gear position is automatically selected upon operation of the accelerator pedal and variation of vehicle speed.

Normal driving:

- 1) Start the engine as instructed in “Starting the engine” in this section.
- 2) With your foot on the brake pedal, shift the gearshift lever to the “D” position. When the gearshift lever is shifted to the “D” position, the gear will be shifted to 1st.

NOTE:

- If 1st gear cannot be engaged even though the gearshift lever has been shifted from the “N” to the “D” position, the system will re-try shifting automatically. This will take some time, noise may be heard from the gears, and shifting gear shock may occur. However, they do not indicate malfunction.

- The “N” indicator will flash, the depress brake pedal indicator will come on and a warning buzzer (long pulse sound) will sound if any of the following cases occur;
 - If you shift the gearshift lever from the “N” to the “D” position without depressing the brake pedal
 - If the system is unable to re-try shifting You should depress the brake pedal and shift the gearshift lever to “N” position, then shift to “D” again.
- 3) Release the parking brake and brake pedal.
- 4) Depress the accelerator pedal slowly.

WARNING

- While driving the vehicle, do not shift the gearshift lever to the “N” position. The engine brake may not work and you may get involved in an accident. If you return the gearshift lever from “N” to “D” because of unintended shifting, the gear position will be shifted according to the current vehicle speed.
- Always keep your foot on the brake pedal while stopped with the engine running. This operation prevents the vehicle from moving due to unintended activation of the creeping function.

NOTICE

- If the gearshift lever cannot shift into any position, or the gear is changed to “N” position automatically when the vehicle speed becomes less than 10 km/h, there may be a systematic malfunction. In this case, ask a Maruti Suzuki authorised workshop to inspect the Auto Gear Shift system as soon as possible.
- Do not operate the system as described below. The life cycle of the clutch may be reduced.
 - Using the accelerator pedal to hold the vehicle on an uphill slope with the gearshift lever in the “D” or “M” position. If you perform this operation for a certain period of time, a warning buzzer will sound.
 - Shifting the gearshift lever to the “D”, “M” or “R” position while racing the engine.
 - Driving at low speed using a high gear.
 - Holding the vehicle on an uphill slope using the creeping function. If you perform this operation for a certain period of time, a warning buzzer will sound.

Starting off on an uphill/downhill:

CAUTION

The hill hold control system (if equipped) will not activate while the parking brake is engaged.

Uphill

- 1) Apply the parking brake firmly so that the vehicle does not roll backwards.
- 2) Shift the gearshift lever to the “D” position while depressing the brake pedal. Make sure that the gear position indicator in the instrumental cluster displays 1st gear.
- 3) Release the brake pedal and depress the accelerator pedal gradually, and when the vehicle starts to move, release the parking brake and depress the accelerator pedal to start off.

NOTICE

On an uphill slope, never hold the vehicle at a stop using only the accelerator pedal or the creeping function. If you perform this operation for a certain period of time, a warning buzzer will sound, and in some cases the engine will stall. This can also cause excessive damage to the clutch.

OPERATING YOUR VEHICLE

Downhill

- 1) Depress the brake pedal and shift the gearshift lever to the “D” position. Make sure that the gear is in 1st by checking the gear position indicator.
- 2) Release the brake pedal and depress the accelerator pedal slowly. Even if the accelerator pedal is not depressed, the clutch will be engaged when the vehicle speed increases.

Using engine braking:

When driving on a downhill slope, downshifting is recommended. So you can use engine braking.

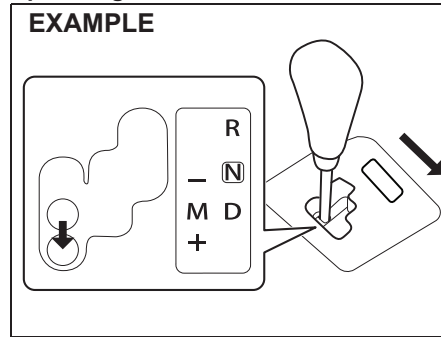
By placing the gearshift lever in the “M” position, the Manual (M) mode is selected, and you can shift to a lower gear manually. For details of downshift operation, refer to “Upshift and downshift” in the “Manual (M) mode”.

Manual (M) mode

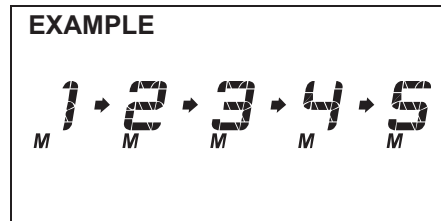
The gears are not automatically up-shifted. To shift the transmission, the driver must operate the gearshift lever to the “+” or “-” direction. As for conventional manual transmission vehicles, releasing the accelerator pedal a little may help the transmission to shift smoothly.

Upshift and downshift:

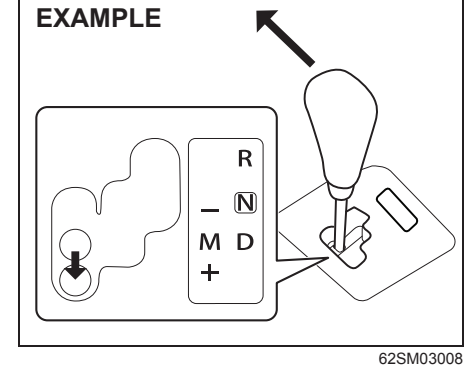
Upshifting



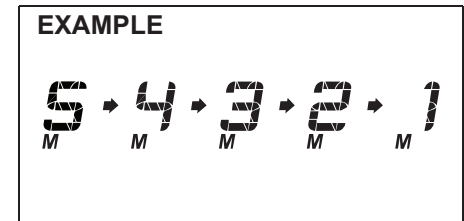
Pull the gearshift lever to the “+” direction and release it. Every time the lever is operated, the transmission is upshifting 1 step in the order of 1st → 2nd → 3rd → 4th → 5th gear.



Downshifting



Push the gearshift lever to the “-” direction and release it. Every time the lever is operated, the transmission is downshifted in the order 5th → 4th → 3rd → 2nd → 1st gear.



The gear position is displayed on the gear position indicator. The gear position indicator shows the transmission gear position.

Before starting off, always check the gear position indicator to make sure that the transmission is engaged in 1st or reverse, then depress the accelerator pedal. It is possible to start vehicle in 2nd gear using manual mode, from stop condition.

NOTE:

- *Always use 1st gear while starting off on an uphill slope otherwise you can damage the clutch.*
- *To downshift smoothly, the engine runs fast in some cases. This is done intentionally by the system and is not malfunction.*
- *When driving down a hill, downshift and use the engine braking appropriately. If necessary, continuous downshifting is possible. However, if downshifting more than 3 steps, gear shifting will take more time.*
- *When the gear is shifting, a noise can be heard in some case. This is not malfunction.*

⚠ WARNING

- **Be careful when accelerating, upshifting, downshifting or braking on a slippery surface. Sudden acceleration or engine braking could cause the vehicle to spin or skid. While starting off on a slippery or snowy roads, please use 2nd gear.**
- **To drive down a long or steep hill, reduce your speed and downshift. Remember, if you ride the brakes excessively, they may overheat and fail.**
- **While driving the vehicle, do not shift the gearshift lever to “N” position. The engine brake may not work and you may get involved in an accident. If you return the gearshift lever from “N” to “M” because of unintended shifting, the gear position will be shifted according to the current vehicle speed.**
- **Do not apply the parking brake while driving. Otherwise, it could cause a skid and you may get involved in an accident.**

NOTICE

- **If the gearshift lever cannot shift into any position, or the gear is changed to “N” position automatically when the vehicle speed becomes less than 10 km/h, there may be a systematic malfunction. In this case, ask a Maruti Suzuki authorised workshop to inspect the Auto Gear Shift system as soon as possible.**
- **The manual (M) mode does not upshift even if the engine speed reaches the rev-limit.**
- **The system will not allow shifting up or down to a gear that would cause engine over-revving or under-revving.**
- **If frequently driving at low speed using a high gear position, the life cycle of the clutch may be reduced.**
- **Frequent downshifting (more than 3 positions consecutively) causes the reduction of transmission life.**

OPERATING YOUR VEHICLE

Starting off:

- 1) Start the engine as instructed in “Starting the engine” in this section.
- 2) With your foot on the brake pedal, shift the gearshift lever to the “M” position. When the gearshift lever is shifted to the “M” position, the gear will be shifted to 1st. Before starting off, always make sure that the intended gear is engaged by checking the gear position indicator, then depress the accelerator pedal.

NOTE:

- *If 1st gear cannot be engaged even though the gearshift lever has been shifted from the “N” to the “M” position, the system will re-try shifting automatically. This will take some time, noise may be heard from the gears, and shifting gear shock may occur. However, they do not indicate malfunction.*
- *The “N” indicator will flash, the depress brake pedal indicator will come on and a warning buzzer (long pulse sound) will sound if any of the following cases occur;*
 - *If you shift the gearshift lever from the “N” to the “M” position without depressing the brake pedal*
 - *If the system is unable to re-try shifting**You should depress the brake pedal and shift the gearshift lever to “N” position, then shift to “M” position again a few seconds later.*

- 3) Release the parking brake and brake pedal. Depress the accelerator pedal slowly for smooth starting.

WARNING

Always keep your foot on the brake pedal while stopped with the engine running. These operations prevent the vehicle from starting due to unintended activation of the creeping function.

NOTICE

Do not operate the system as described below. The life cycle of the clutch may be reduced.

- **Using the accelerator pedal to hold the vehicle on an uphill slope operation with the gearshift lever in the “M” or “D” position. If you perform this operation for a certain period of time, a warning buzzer will sound.**
- **Shifting the gearshift lever to the “M”, “D” or “R” position while racing the engine.**
- **Driving at low speed using a high gear.**
- **Stopping on a slope using the creeping function. If you perform this operation for a certain period of time, a warning buzzer will sound.**

Starting off on an uphill/downhill slope:

Uphill

- 1) Apply the parking brake firmly so that the vehicle does not roll backwards.
- 2) Shift the gearshift lever to the “M” position while depressing the brake pedal. Make sure that the gear position indicator in the instrumental cluster displays 1st gear.
- 3) Release the brake pedal and depress the accelerator pedal gradually, and when the vehicle starts to move, release the parking brake and depress the accelerator pedal to start off.

NOTICE

On an uphill slope, never hold the vehicle at a stop using only the accelerator pedal or creeping function. If you perform this operation for a certain period of time, a warning buzzer will sound, and in some cases the engine will stall. This can also cause excessive damage to the clutch. In case the warning buzzer is on, shifting to 2nd gear will not be possible in manual mode. Always use 1st gear while starting off on an uphill slope. Otherwise you may damage the clutch.

Downhill

- 1) Depress the brake pedal and shift the gearshift lever to the “M” position. Check the gear position indicator to make sure that the gear is in 1st.
- 2) Release the brake pedal and depress the accelerator pedal slowly. Even though the accelerator pedal is not depressed, the clutch will be engaged when the vehicle speed increases.

Backing up

After the vehicle has stopped completely, depress the brake pedal and shift the gearshift lever to the “R” position. Depress the accelerator pedal slowly as when starting off in 1st gear. Before backing up, make sure that reverse gear is selected by checking the gear position indicator.

NOTE:

- *If reverse gear cannot be engaged even though the gearshift lever has been shifted from the “N” to the “R” position, the system will re-try shifting automatically. This will take some time, noise may be heard from the gears, and shifting gear shock may occur. However, they do not indicate malfunction.*
- *The “N” indicator will flash, the depress brake pedal indicator will come on and a warning buzzer (long pulse sound) will sound if any of the following cases occur;*

- *If you shift the gearshift lever from the “N” to the “R” position without depressing the brake pedal*
- *If the system is unable to re-try shifting You should depress the brake pedal and shift the gearshift lever to “N” position, then shift to “R” position again a few seconds later.*
- *The system will not allow shifting to the “R” position if the vehicle speed is over about 3 km/h. If the gearshift lever is operated under this condition, the “N” indicator in the instrument cluster will blink. However, when the vehicle speed drops below about 3 km/h, the gear will be shifted to reverse. Make sure that the vehicle has stopped completely before shifting to the “R” position.*

NOTICE

On a downhill slope, never hold the vehicle at a stop using only the accelerator pedal or the creeping function. If you perform this operation for a certain period of time, a warning buzzer will sound, and in some cases the engine will stall. This can also cause excessive damage to the clutch.

Stopping

The vehicle can be stopped by depressing the brake pedal regardless of the gear position. This is because the clutch is automatically disengaged to prevent the engine from stopping.

- If the gearshift lever is in the “D” position, the gear will be downshifted to 1st when the vehicle stops.
- If the gearshift lever is in the “M” position, the gear will be downshifted to 1st when the vehicle stops.

WARNING

- **When stopping, for example, at a traffic light, be sure to depress the brake pedal firmly. For your safety, apply the parking brake, too, when stopping on a hill.**
- **When racing the engine, make sure that the gear is in the “N” position by checking the gear position indicator. If the accelerator is operated with the gear in any other position, the vehicle may move resulting in an accident.**
- **Do not leave your vehicle unattended while the engine is running.**

(Continued)

OPERATING YOUR VEHICLE

WARNING

(Continued)

- **When leaving the vehicle, stop the engine and park the vehicle with a gear engaged. If you need to leave the vehicle with the engine running, apply the parking brakes firmly, and shift the gearshift lever to the “N” position. Otherwise, the vehicle may move unexpectedly and may cause an accident.**

NOTICE

- **On a slope, never hold the vehicle at a stop using only the accelerator pedal or the creeping function. If you perform this operation for a certain period of time, a warning buzzer will sound, and in some cases the engine will stall. This can also cause excessive damage to the clutch.**
- **If the gearshift lever is operated more than necessary, the system may not allow operation of the gearshift for a certain period of time, and the gear may not be shifted appropriately. Therefore, do not operate the gearshift lever if not necessary.**

Parking

Unlike an automatic transmission, Auto Gear Shift does not have a parking position. The vehicle can be parked with the gearshift lever at “D” or “R” position. Remember, even though the transmission is in gear, you must set the parking brake firmly. Park the vehicle with a gear engaged.

- 1) Apply the parking brake firmly.
- 2) While depressing the brake pedal, shift the gearshift lever to the “R” position on a downhill slope, and to the 1st position in the drive (D) mode or the “M” position in the manual (M) mode on an uphill slope and confirm the gear position by checking the gear position indicator.
- 3) Stop the engine.
- 4) In the case of uphill/downhill slope, release the parking brake and brake pedal slowly in order to check the gear is engaged.
- 5) After check the vehicle stopped by the gear engaged, Apply the parking brake and the brake pedal firmly again.
- 6) Get out of the vehicle and put chocks under the wheels.

When you return to your vehicle, you must remember to remove the wheel chocks.

NOTE:

- *After the engine is stopped, the gear in the transmission does not change even if you shift the gearshift lever in any position. Always shift the gearshift lever before stopping the engine.*

- *Check the transmission gear position by looking at the gear position indicator, then turn the ignition switch to “LOCK” position, to stop the engine. Release the brake pedal after a few seconds.*

WARNING

- **If the gear is not engaged properly and completely before the ignition switch is turned to “LOCK” position, the vehicle may not be parked with the gear engaged. Always confirm the gear position by checking the gear position indicator when parking.**
- **On a downhill slope, the gear should be put in reverse, and in 1st gear on an uphill slope. In case of uphill/downhill slope, after checking the vehicle stopped by the gear engaged, put the chocks under the wheels. Otherwise, the vehicle may move, and cause an accident. If the gear is left in the “N” position, the vehicle cannot be parked with a gear engaged.**

Parking cancel

Depress the brake pedal, turn the ignition switch to “ON” position, and shift the gearshift lever to the “N” position. The gear will be disengaged.

Warning functions

A warning buzzer will sound or the indicator will blink under the following conditions.

Warning buzzer

- The clutch is heated due to excessive load.
- The creeping function is being activated for a long period of time.

NOTICE

In the above cases, pull over to the side of the road and stop the engine, and then ask a Maruti Suzuki authorised workshop to inspect your vehicle. Otherwise, the clutch disc may be damaged.

- The ignition switch is turned to the "LOCK" position with the gear in 2nd, 3rd, 4th or 5th. In this case, turn the ignition switch to "ON" position, and shift the gearshift lever in the "N" position, shift it to the "D" or "M" or "R" position, then turn the ignition switch to "LOCK" position.
- During a stop, the driver's door is opened with the gearshift lever in the "R", "D" or "M" position while the engine is running.

"N" indicator blinking

When the gear indicator lamp blinks "N", you should depress the brake pedal and shift the gearshift lever to "N" position.

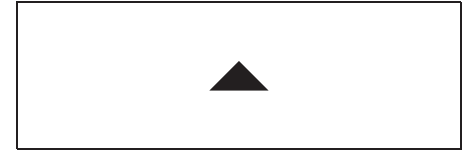
"1" indicator blinking

When the gear indicator lamp blinks "1st", you should depress the brake pedal and shift the gearshift lever to "N" position, then shift to "D" or "M" position again a few seconds later.

"R" indicator blinking

When the gear indicator lamp blinks "R", you should depress the brake pedal and shift the gearshift lever to "N" position, then shift to "R" position again a few seconds later.

Gearshift indicator (if equipped)



69RH050

When the gearshift lever is in a position other than "N" (Neutral), the gearshift indicator is indicated on the information display when the ignition switch is in "ON" position.

The electronic control system monitors driving condition (such as vehicle speed and/or engine revolution), and it shows which gear position is optimal for your driving with the indication on the display.

If UP/DOWN arrow is indicated on the display while driving, we recommend you to shift up or down the gear until the arrow disappears. It is the optimal gear position for a driving condition that reduces the over revolution and stress to the engine, and improves fuel consumption.

For details on how to use the transmission, refer to "Using transmission" in this section.

OPERATING YOUR VEHICLE

WARNING



The gearshift indicator is designed to indicate optimal gear position for your driving, however, a driver will not be relieved from the duty of care of driving operation or gear change with this indicator.

To drive safe, do not gaze the gearshift indicator, pay attention to your driving situation and shift up or down if necessary.

NOTE:

- The gearshift indicator is not indicated when the gear position is in "N" (Neutral).
- If you depress the clutch pedal while UP/DOWN arrow is indicated, the indication will disappear.
- In ordinary driving, UP arrow will disappear when you release your foot from the accelerator pedal.
- The indication of gearshift indicator timing may differ depending on the vehicle condition and/or driving situation even in the same vehicle speed and engine revolution.

Example of the gearshift indicator

Indication	Description
	Lower gear position is selected for the vehicle speed and/or engine revolution. Changing to a higher gear position is recommended.
	Higher gear position is selected for the vehicle speed and/or engine revolution. Changing to a lower gear position is recommended.

ENG A-STOP System (Engine Auto Stop Start System)

The ENG A-STOP system (engine auto stop start system) automatically stops the engine while waiting briefly at a traffic light, etc., and automatically restarts the engine afterward. This system helps reduce emissions, improve fuel consumption and lower engine noise.

This system stops the engine temporarily under specific conditions. Before parking the vehicle for an extended period of time or leaving the vehicle, properly apply the parking brake and stop the engine with the engine switch.

Once the specific conditions are met, the engine will stop automatically after the vehicle has stopped. However, the engine will not be stopped automatically until confirmation of the system function is finished.

⚠ CAUTION

- Do not get out of the vehicle while the engine is automatically stopped by the ENG A-STOP system. Doing so may lead to an accident.
 - Manual transmission vehicle – If the driver's seat belt is unfastened and the driver's door is opened, the engine will stall.
 - Auto Gear Shift vehicle – If the driver's seat belt is unfastened, even if the brake pedal is pressed down, or the driver's door is opened, the engine will be restarted to warn you that the engine was stopped automatically by the ENG A-STOP system.
- If the engine does not restart automatically after having been stopped automatically by the ENG A-STOP system, turn the ignition key to "START" to start the engine. Trying to move the vehicle when the engine has not yet restarted requires a strong force to turn the steering wheel or depress the brake pedal, potentially leading to an accident.

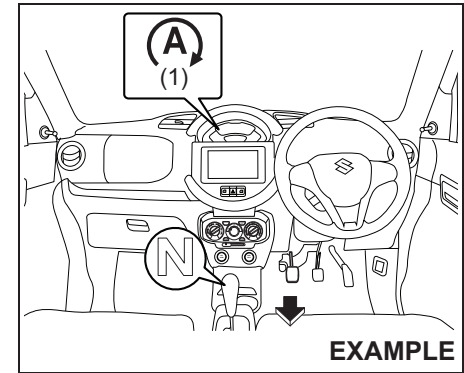
NOTICE

- The vehicle equipped with this system uses a dedicated high-performance battery that supports ENG A-STOP system. Accordingly, observe the instructions listed below. If these instructions are not observed, the system may not actuate properly or the battery may die prematurely.
- When replacing the battery, use a MARUTI SUZUKI genuine battery specified in the Specification.
 - Do not draw power from the battery terminals for electrical products.

Automatic Stopping/Restarting of the Engine

Manual transmission vehicle

- 1) With the brake pedal depressed, decelerate the vehicle.



62SM03012

- 2) After the vehicle has stopped with the clutch pedal depressed and the gear-shift lever shifted to "N", and then release the clutch pedal, the engine will stop automatically.

The ENG A-STOP indicator light (green) (1) will come on.

- The ENG A-STOP system will not stop the engine automatically if all the automatic engine stop conditions are not met. For details, refer to the section, "Automatic engine stop conditions".

OPERATING YOUR VEHICLE

- During the automatic engine stop, the engine may shut down, accompanied by an interior buzzer or restarted, to ensure safety.

For details, refer to the section, “Points to note during the automatic engine stop”.

NOTICE

The engine will not restart if the following operations are performed during the automatic engine stop.

- Do not shift the gearshift lever to a position other than “N” without depressing the clutch pedal. If the gear shift lever is in a position other than “N”, the engine will not restart automatically even if the clutch pedal is depressed.
- If the driver unfastens the seat belt, the engine does not restart automatically even if the clutch pedal is depressed. Also a buzzer will sound to alert the driver. In this case, fasten the seat belt.

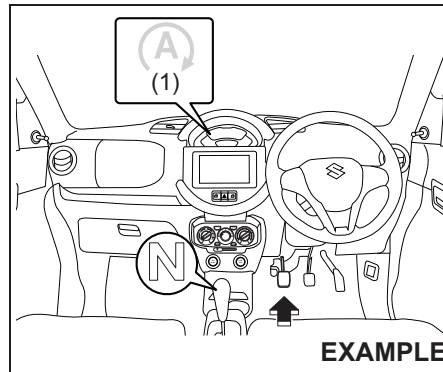
NOTE:

During the automatic engine stop, electric equipment will be in the following condition:

- The audio and other electrical component can be used during the automatic engine stop, but the air conditioner will switch to the fan mode.

NOTE:

For manual transmission vehicles, if the engine stalled by a rapid clutch operation, the engine will restart with the gear positioned “N” (neutral) and the clutch pedal depressed.



- 3) Regardless of whether the vehicle has stopped or not, depressing the clutch pedal will restart the engine and ENG A-STOP indicator light (green) (1) will go off.

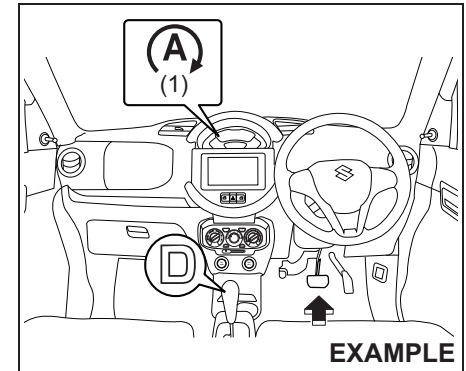
While the engine is stopped automatically, depressing the clutch pedal will restart the engine consuming fuel. Therefore, for fuel economy, it is recommended to depress the clutch pedal just before the vehicle start.

- Without depressing the clutch pedal, the engine may restart automatically if the automatic engine restart conditions are met.

For details, refer to the section, “Automatic engine restart conditions”.

Auto Gear Shift vehicle

- 1) With the brake pedal depressed, stop the vehicle.



- 2) While depressing the brake pedal, place the gearshift lever in “D” position. “ENG A-STOP” indicator light (green) (1) in the instrument cluster will illuminate and the engine will stop automatically.
- The ENG A-STOP system will not stop the engine automatically if all the automatic engine stop conditions are not

met. For details, refer to the section, "Automatic engine stop conditions".

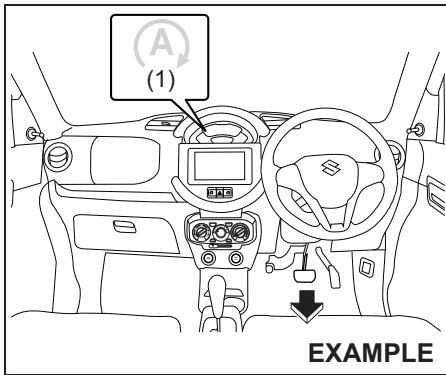
- During the automatic engine stop, the engine may shut down, accompanied by an interior buzzer or restarted, to ensure safety.

For details, refer to the section, "Points to note during the automatic engine stop".

NOTE:

During the automatic engine stop, electric equipment will be in the following condition:

- *The audio and other electrical component can be used during the automatic engine stop, but the air conditioner will switch to the fan mode.*



62SM03015

- 3) Remove your foot from the brake pedal. "ENG A-STOP" indicator light (green)

(1) in the instrument cluster will be turned off and the engine will restart automatically.

When restarting the engine, keeping brake force temporarily prevents the vehicle from moving forward by the creeping function.

Also, this prevents the vehicle from rolling downward on a hill. For details, refer to the section "Hill hold control system (if equipped)".

NOTE:

When the engine is restarted automatically, the following conditions may be found as the hill hold control system (if equipped) is activated, but this is not a malfunction.

- *You may hear a sound from the engine room.*
- *As brake pedal becomes heavy, it may be difficult for you to depress it.*

NOTE:

When the engine does not restart automatically when the brake pedal is released, an interior buzzer will sound and the engine will come out of the automatic engine stop mode and shut down. The ENG A-STOP indicator light (green) will go off.

Points to note during the automatic engine stop

When the following operations are performed during the automatic engine stop, the engine may shut down, accompanied

by an interior buzzer or restarted, to ensure safety.

- When the hood is opened, an interior buzzer will sound intermittently and the engine will come out of the automatic engine stop mode and shut down. The ENG A-STOP indicator light (green) will go off.
- For manual transmission vehicle, when the driver releases the seat belt and opens the driver's door, the buzzer sounds for 5 times and the ENG A-STOP indicator light (green) turns off and then the engine will stall.
- For Auto Gear Shift vehicle, if the engine does not start 2 seconds after the brake is released, the buzzer will sound, the ENG A-STOP light will go off, and the engine will stall.

NOTE:

The power steering warning light, oil pressure warning light and charge warning light on the meter panel do not come on during the automatic engine stop, but they will come on once the engine shuts down.

When the engine stalls, restart the engine by usual operation.

Refer to "Starting engine" in this section for details.

OPERATING YOUR VEHICLE

NOTICE

The ENG A-STOP system will not operate and engine does not restart automatically or the engine stalls with warning buzzer under the following conditions:

- Engine hood is open.

For manual transmission vehicle

- Driver's seat belt is not fastened and driver's door is open.
- The gearshift lever is moved to a position other than "N" (Neutral) position without depressing the clutch pedal.

When the engine stalls, restart the engine by usual operation. Refer to "Starting the engine" in this section for details.

NOTE:

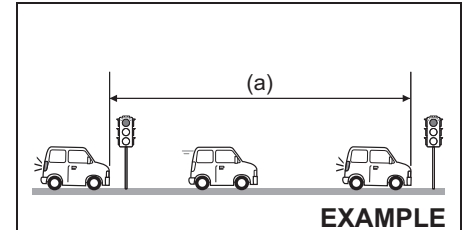
For manual transmission vehicles, if the engine stalled by a rapid clutch operation, the engine will restart with the gear positioned "N" (neutral) and the clutch pedal depressed.

Actuation conditions for ENG A-STOP system

Standby conditions

When all of the following conditions are met while the vehicle is traveling, ENG A-STOP system will be permitted:

- The engine is started with the hood completely closed.
- The hood is completely closed.
- The ENG A-STOP OFF switch has not been pressed to deactivate the ENG A-STOP system.
- The battery is fully charged and the temperature inside the battery is within the specified range (#1).
- The engine has warmed up and the engine coolant temperature is within the specified range.
- The driver is wearing seat belts.
- The driver's door is completely closed.
- No electronically controlled system besides the ENG A-STOP system is issuing a signal to inhibit stopping of the engine (#2).
- The negative pressure of the brake booster is normal.



55RH03001

- The ABS system has not been activated during one driving cycle (a) from the engine start to the vehicle start and stop.
- The gearshift lever is in "D" or "N" (for Auto Gear Shift vehicle).

#1: If the vehicle has not been in use for an extended period of time or the audio or other electrical component was used for an extended period of time while the engine was stopped, the battery may have discharged and it may take some time before the standby mode is achieved.

#2: If any of the warning and indicator lights affecting the ENG A-STOP system come on, the engine will not be stopped automatically.

Automatic engine stop conditions

When all of the following conditions are met under the standby conditions, the engine will stop automatically after the vehicle has stopped:

- The gearshift lever is in “N” (Neutral) position (for manual transmission vehicle).
- The clutch pedal is released (for manual transmission vehicle).
- The vehicle has stopped.
- The accelerator pedal is not depressed.
- The vehicle is not stopped on a steep hill (for auto gear shift vehicle).
- The gearshift lever is in “D” or “N” position. (for Auto Gear Shift vehicle).
- The brake pedal is depressed appropriately. (for Auto Gear Shift vehicle).

NOTICE

For Auto Gear Shift vehicle, the ENG A-STOP system will not operate, if the brake pedal is depressed weakly or very strongly.

Automatic engine restart conditions

If one of the following operations is performed or the vehicle enters one of the following modes during the automatic engine stop, the engine will restart automatically and the ENG A-STOP indicator light (green) will go off:

- The clutch pedal is depressed (for manual transmission vehicle).

- When the brake pedal is released (for Auto Gear Shift vehicle).
 - The ENG A-STOP OFF switch is pressed to deactivate the ENG A-STOP system.
 - The battery has discharged substantially (#).
 - A malfunction of the system is detected (#).
 - The negative pressure of the brake booster has dropped (#).
 - The accelerator pedal depressed (for Auto Gear Shift vehicle).
 - The gearshift lever is put in “R” or in “M” position (for auto gear shift vehicle).
 - After the gearshift lever is shifted to “N”, it is returned to “D” (for auto gear shift vehicle).
 - The driver releases the seat belt (for Auto Gear Shift vehicle) (#).
 - The driver’s door is opened (for Auto Gear Shift vehicle) (#).
 - The vehicle starts to move on a slope, etc. (#).
 - Some time (2 minutes or so) has elapsed after the start of the automatic engine stop (#).
- # The ENG A-STOP indicator light (green) will blink and then go off.

NOTICE

For manual transmission vehicle, if driver’s seat belt is not fastened or the gear shift lever is in a position other than “N”, the engine will not restarted automatically.

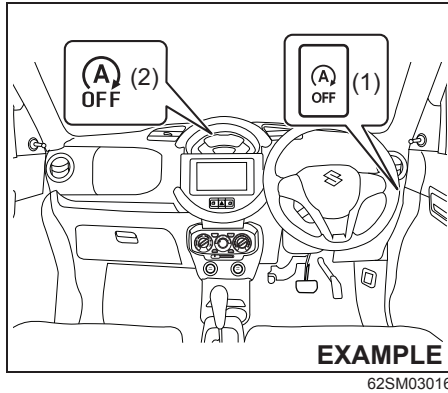
ENG A-STOP OFF Switch

The ENG A-STOP system can be deactivated.

- To deactivate the system, press the ENG A-STOP OFF switch (1) to turn on ENG A-STOP OFF light (2).
- To activate the system once again, press the switch (1) again to turn off the indicator.

Every time the engine is stopped manually, the system is enabled again and the ENG A-STOP OFF light (2) goes off.

OPERATING YOUR VEHICLE

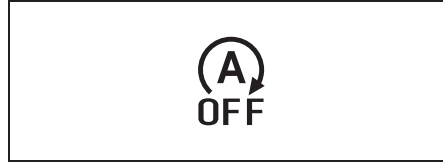


62SM03016

NOTE:

Pressing the ENG A-STOP OFF switch (1) during the automatic engine stop will restart the engine automatically and the ENG A-STOP OFF light (2) will come on.

ENG A-STOP OFF Light



56RM03012

When the ignition switch is turned to “ON” position, this light comes on briefly if the system works properly.

When you push the ENG A-STOP OFF switch, this light comes on.

If this light blinks when driving, there may be something wrong with the ENG A-STOP system.

You should have the system inspected by a authorised Maruti Suzuki workshop.

Parking sensors

- The parking sensor system uses ultrasonic sensors to detect obstacles near the rear bumper. If obstacles are sensed while you are parking or moving the vehicle slowly, the system warns you by sounding a buzzer.
- The system emits an ultrasonic wave and the relevant sensor detects the return of the wave reflected by an obstacle. The system measures the time taken by the ultrasonic wave to reach the obstacle and return from it, from which it determines the obstacle's position.
- The parking sensor function can be used when you turn the ignition switch to “ON” position and the gearshift lever is in the “R” position. This function is helpful in the following cases: pulling over to the curb; parallel parking the vehicle; steering the vehicle into a garage; driving along an alley; and moving slowly in a place with obstacles.

⚠ WARNING

- The parking sensor warns you of obstacles with buzzers. However, you still have to drive with particular care.
- The sensors can detect obstacles only within a limited area and only when the vehicle is moving within a limited speed range. So, in tricky areas, you must move the vehicle slowly while checking around it using your direct vision or rearview mirrors. There is increased risk of an accident if you control the vehicle relying only on the parking sensor.

NOTE:

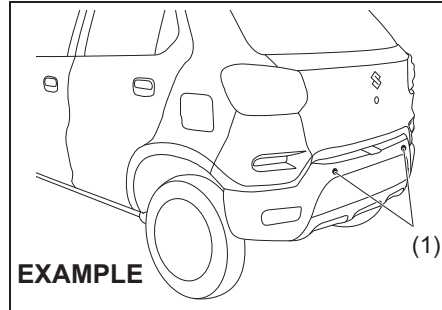
When the gearshift lever is shifted to the "R" position, a buzzer will sound once.

NOTICE

Parking sensors are only for driver's assistance.

Sensor locations

On rear bumper



62SM03003

(1) Rear sensors (2 places)

NOTICE

- Avoid hitting the sensor areas or directing the nozzle of a high-pressure car washer onto the sensor areas. Otherwise, the sensors may be damaged.
- If the bumper hits a hard object, the sensors on it may not work properly. If this occurs, have the sensors inspected by a Maruti Suzuki authorised workshop.

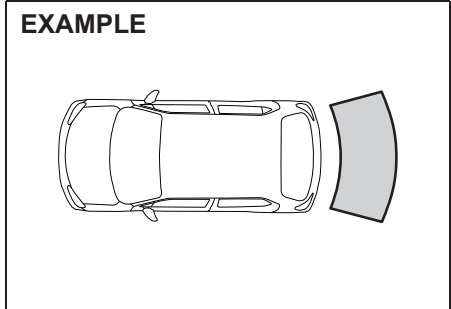
OPERATING YOUR VEHICLE

Working sensors

The sensors work depending on the gearshift lever position as follows:

Gearshift lever position	Manual transmission		Auto Gear Shift	
	R	N, 1st – 5th	R	N, D, M
Rear sensors	On	Off	On	Off

Approximate areas where obstacles can be detected



62SM03009

- An obstacle within about 20 cm (8 in) from a sensor or just below a sensor is not detectable.
- The sensors can detect obstacles such as a wall up to about 1.5 m (5 ft) from the rear of vehicle.

⚠ WARNING

Under the following conditions, the parking sensor system may not work normally because the sensors cannot detect obstacles correctly.

- Sensors are covered with mud, ice or other materials. (Such materials must be removed for normal operation.)
- Sensors are wet from water splashes or heavy rain.
- Sensors are covered by a hand, sticker, accessory, etc.
- There is an accessory or other object attached within the sensor's sensing area.
- Items such as tow hooks, commercially available corner poles, radio antenna, etc. are installed on the bumper.
- The height of the bumper is changed due to alteration to the suspension or other causes.
- The sensor areas are extremely hot from direct sunlight or cold due to freezing weather.
- The vehicle is on a rough surface, slope, gravel road or grass field.
- The vehicle is at a steep angle.

(Continued)

⚠ WARNING

(Continued)

- Sensors have intercepted ultrasonic noise from another vehicle's horn, engine, air braking system (large vehicles), or parking sensor.
- Obstacles are too close to the sensors.
- Sensors are at an angle to a highly reflective object such as glass. (Ultrasonic waves are not reflected back from the obstacle.)
- Sensors may not be able to correctly detect the following types of obstacles:
 - Objects made of a thin material such as wire netting and ropes
 - Square-shaped curbstones or other objects with sharp edges
 - Tall objects with a large upper part such as a road sign
 - Low-profile objects such as curbstones
 - Sound-absorbing objects such as cotton and snow

NOTE:

- *Thin poles or obstacles lower than the sensors may become undetectable as the vehicle moves closer to them even if they have been detected from longer distances.*

- *The system may calculate the distance to a road sign or similar obstacle to be shorter than the actual distance.*

Obstacle indication by parking sensor

Upon detecting an obstacle, the parking sensor causes an interior buzzer to sound.

- A buzzer located behind the rear seat sounds when a sensor at the rear detects an obstacle.
- Warnings when obstacles such as wall are detected by sensors

Distance (approx.)	Buzzer
100 – 150 cm (39 – 59 in)	Short beeps at short intervals
60 – 100 cm (24 – 39 in)	Short beeps at very short intervals
Less than 60 cm (24 in)	Continuous beep

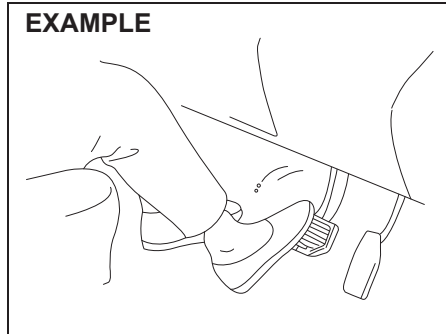
Warning and indicator messages

If there is a problem or warning regarding the parking sensor system, a buzzer informs it. Follow its instruction.

The buzzer sounds intermittently. The indicated sensor is contaminated. Wipe it clean with a soft cloth. If the buzzer does not stop after wiping, there may be problem with the parking sensor system. Have your vehicle inspected by a Maruti Suzuki authorised workshop.

OPERATING YOUR VEHICLE

Braking



60G165S

The distance needed to bring any vehicle to a halt increases with the speed of the vehicle. The braking distance needed, for example, at 60 km/h will be approximately 4 times greater than the braking distance needed at 30 km/h. Start to depress the brake pedal when there is plenty of distance between your vehicle and the stopping point, and slow down gradually.

⚠ WARNING

If water gets into the brake devices, brake performance may become poor and unpredictable.

(Continued)

⚠ WARNING

(Continued)

After driving through water or washing the underside of the vehicle, test the brakes while driving at a slow speed to see if they have maintained their normal effectiveness. If the brakes are less effective than normal, dry them by repeatedly applying the brakes while driving slowly until the brakes have regained their normal effectiveness.

NOTE:

While braking you may hear operational noise due to friction between brake disc/drum and brake lining. This is a normal phenomenon and does not indicate any abnormality or affect normal functioning of the vehicle.

Power-assisted brakes

Your vehicle has power-assisted brakes. If power assistance is lost due to a stalled engine or other failures, the system is still fully operational on reserve power and you can bring the vehicle to a complete stop by pressing the brake pedal once and holding it down. The reserve power is partly used up when you depress the brake pedal and reduces each time the pedal is pressed. Apply smooth and even pressure to the pedal. Do not pump the brake pedal.

⚠ WARNING

Even without reserve power in the brake system, you can still stop the vehicle by pressing the brake pedal harder than normally required. However, the stopping distance may be longer.

Brake assist system (if equipped)

When you slam the brakes on, the brake assist system determines it to be an emergency stop and provides more powerful braking for a driver who cannot hold down the brake pedal firmly.

NOTE:

If you quickly and forcefully depress the brakes, you may hear clicking sound by the brake assist system operation. This is normal and indicates that the brake assist system is activated properly.

Anti-lock brake system (ABS)

ABS will help you avoid skidding by electronically controlling braking pressure. It will also help you maintain steering control when braking on slippery surfaces or when braking hard.

The ABS works automatically, so you do not need any special braking technique. Just push the brake pedal down without pumping. The ABS will operate whenever it senses that the wheels are locking up. You may feel the brake pedal move a little while the ABS is operating.

NOTE:

- If the ABS system is activated, you may hear a clunking noise and/or feel pulsating in the brake pedal. This is normal and indicates that the brake fluid pressure is being controlled properly.
- You may hear an operation sound when you start the engine or after the vehicle begins to move. This means that the above systems are in the self-check mode. This sound does not indicate a malfunction.

⚠ WARNING

- Always check the surrounding conditions and drive the vehicle in a safe manner, as controlling the vehicle by ABS has limits and the system may not function properly depending on the surrounding conditions.
- If tyre grip performance is over the limit or hydroplaning occurs, ABS cannot work properly.

EXAMPLE



54MN069

- (1) ABS warning light
 (2) Brake system warning light

If there is a problem in the ABS system with the ignition switch in "ON" position or the engine switch in ON mode, the ABS system warning light (1) will come on.

⚠ WARNING

- If the ABS warning light (1) on the instrument cluster comes on and stays on while driving, there may be a problem with the ABS system. Ask a Maruti Suzuki authorised workshop to inspect the ABS system immediately. If the ABS system becomes inoperative, the brake system will function as an ordinary brake system that has no ABS.
- If the ABS warning light (1) and the brake system warning light (2) on the instrument cluster simultaneously stay on or come on while driving, both anti-lock function and rear brake force control function (proportioning valve function) of the ABS system may have failed. If so, the rear wheels may easily skid or the vehicle can even spin in the worst case when braking on a slippery road or when hard braking even on a dry paved road. Ask a Maruti Suzuki authorised workshop to inspect the ABS system immediately. Drive carefully, avoiding hard braking as much as possible.

Braking Distance

ABS is not designed to shorten the stopping distance.

⚠ WARNING

- In the following situations, the braking distance required for a vehicle with ABS may be slightly greater than the one required for a vehicle without ABS, resulting in an accident. Drive the vehicle slowly and maintain ample distance between your vehicle and the vehicle in front of you.
 - When driving on rough roads such as unpaved or stone-paved roads
 - When driving on gravel roads or fresh snow roads
 - When driving over bumps on the roads such as joint seams
 - When passing over metal plates such as manholes
 - When snow chains are installed

NOTE:

- When applying sudden brake or applying brake on slippery roads, the braking distance required for a vehicle with ABS is almost the same as the one required for a vehicle without ABS.
- If you would like to suddenly apply brake, just push the brake pedal down firmly without pumping. Otherwise, the longer braking distance will be required.
- The ABS will not work if vehicle speed is under about 9 km/h. This depends on the road conditions.

Vibration and Sound during ABS Operation

When strongly depressing the brake pedal, you might feel vibration of the brake pedal, the steering wheel, and the vehicle body. This is due to ABS operation, and does not indicate a malfunction; continue strongly depressing the brake pedal at this time.

NOTE:

Immediately after starting the engine and beginning to drive, you might temporarily hear a motor sound. This means that the systems are in self-check mode. This sound does not indicate a malfunction.

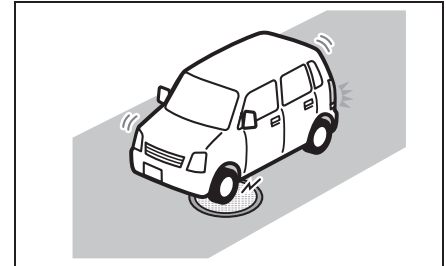
Tyres

⚠ WARNING

ABS detects each wheel rotation speed via a sensor. If tyres or wheels other than those specified in the owner's manual are used for size, type, tread pattern, or if worn conditions of tyres are different, the correct wheel rotation speed cannot be detected and ABS will not work properly. This may result in an accident. When replacing tyres, use the tyres with the size, type, and tread patterns which are specified in this owner's manual. Also, do not use the tyres which are excessively worn.

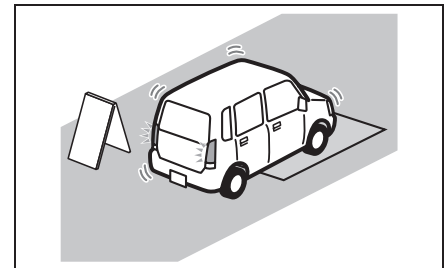
Situations where ABS may Activate by Chance when Applying Brake

- When driving on slippery roads



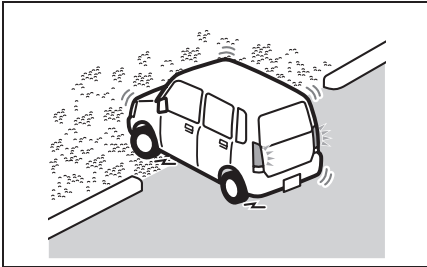
69RHS150

- Manholes



69RHS151

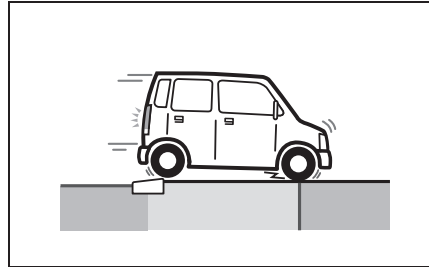
- Metal plates in construction zones



69RHS152

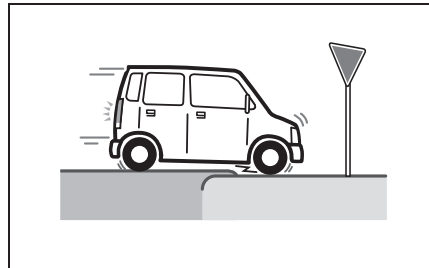
– Gravel roads

- When driving over joints in roads and other height differences



69RHS153

– Joints in roads



69RHS154

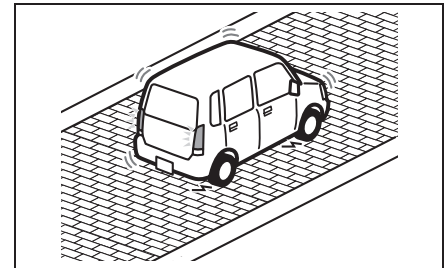
– Height differences in roads

- When driving on rough roads



69RHS155

– Bumpy roads



69RHS156

– Cobblestone

OPERATING YOUR VEHICLE

How ABS works

A computer continuously monitors wheel speed. The computer compares the changes in wheel speed when braking. If the wheels slow suddenly, indicating a skidding situation, the computer will change braking pressure several times each second to prevent the wheels from locking. When you start your vehicle or when you accelerate after a hard stop, you may hear a momentary motor or clicking noise as the system resets or checks itself. "This is absolutely normal and indicates that ABS is functioning properly".

WARNING

The ABS may not work properly if tires or wheels other than those specified in the owner's manual are used. This is because the ABS works by comparing changes in wheel speed. When replacing tires or wheels, use only the size and type specified in this owner's manual.

Electronic stability program (ESP®) (if equipped)

ESP® is a registered trademark of Daimler AG.

The Electronic Stability Program (ESP®) helps to control the vehicle during cornering if front wheels or rear wheels skid. It also assists you in maintaining traction while accelerating on loose or slippery road surfaces. It does this by regulating the engine's output, and by selectively applying the brakes. In addition, ESP® helps to avoid skidding by controlling braking pressure.

WARNING

The ESP® cannot enhance the vehicle's driving stability in all situations and does not control your vehicle's entire braking system. The ESP® cannot prevent accidents, including those resulting from excessive speed in turns, or hydroplaning. Only safe and attentive drive can prevent accidents.

The capabilities of an ESP®-equipped vehicle must never be used as a substitute for careful driving.

The ESP® has the following systems:

Anti-lock Brake System (ABS)

Refer to "Anti-lock Brake System (ABS)" in this section.

Brake Assist System

Refer to "Brake Assist System" in this section.

Traction Control System

The traction control system automatically helps prevent the spinning of wheels when the vehicle is started or accelerated on slippery road surfaces. The system operates only if it senses that some of the wheels are spinning or beginning to lose traction. When this happens, the system operates the front or rear brakes and reduces engine power to limit wheel spin.

NOTE:

You may hear an operation sound when you start the engine or after the vehicle begins to move. This means that the above systems are in the self-check mode. This sound does not indicate a malfunction.

Stability control system

The vehicle stability control system helps provide integrated control of systems such as anti-lock brakes, traction control, engine control, etc. This system automatically controls the brakes and engine to help prevent the vehicle from skidding when cornering on a slippery road surface or when turning the steering wheel abruptly.

⚠ WARNING

Always check the surrounding conditions and drive the vehicle in a safe manner, as controlling the vehicle by ESP® has limits and ESP® may not function properly depending on the surrounding conditions.

⚠ CAUTION

- Observe the following points. Otherwise, ESP® may not operate properly or it may result in a malfunction.
 - Adjust the tyre pressure as specified.
 - When replacing tyres, use the same tyres with the size, type, and tread patterns.
 - Do not use the tyres which have excessively worn conditions.
 - Do not modify the suspension or the brake and do not change vehicle height or suspension hardness.
 - Do not drive the vehicle with suspension or brake excessively deteriorated.
 - Do not modify the engine or the muffler.

(Continued)

⚠ CAUTION

(Continued)

- Do not install LSD (limited slip differential).
- When you install the snow chains, ESP® may not operate properly.

NOTE:

- If you perform the following operations, you may hear an operation sound or a clicking sound. This means that the ESP® system is in the self-check mode and this does not indicate a malfunction.
 - When ignition switch is turned to the “ON” position or pressing the engine switch to change the ignition mode to “ON”
 - When releasing your foot from the brake pedal, after the ignition switch is in “ON” position or the ignition mode is “ON” with the brake pedal depressed
 - When starting the engine
 - When starting the vehicle after starting the engine
 - When engine revolutions is high and ESP® operates, you may feel the change of engine revolutions or vibration of vehicle body. However, this is normal.

ESP® warning light (if equipped)



56RM03011

- If there is a problem in the ESP® system with the ignition switch in “ON” position or the engine switch in ON mode, this light will come on. While this light comes on, the following situations will occur. In this case, ask a Maruti Suzuki authorised workshop for inspection.
 - The following functions will not work:
 - Traction control system
 - Stability control system
 - ENG A-STOP system (if equipped)
 - Hill hold control system (if equipped) may not work.
 - ABS will work.
 - Depending on the malfunction condition, brake assist system may not work.
- If any of the following situations occurs, this light will blink at very short intervals of 0.2 seconds.
 - Traction control system is activated when starting or accelerating the vehicle
 - Stability control system is activated when making a sharp turn or whirling round.

OPERATING YOUR VEHICLE

- If the system is in normal condition, when you turn the ignition switch to “ON” position or press the engine switch to change the ignition mode to ON, this light will come on for about 2 seconds and then come off.

CAUTION

If this light blinks at very short intervals, there is high possibility that the vehicle will be stuck or skid on a slippery road surface. In this case, drive the vehicle very carefully.

NOTE:

While this light comes on, traction control system and stability control system will not be activated. However, you can use ABS.

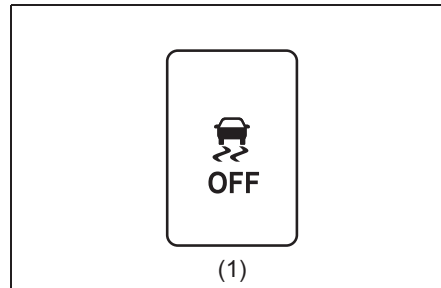
ESP® OFF indicator light (if equipped)



- If you press and hold the ESP® OFF switch with the ignition switch is in “ON” position or the ignition mode is “ON”, this light will come on.
 - While this light comes on, traction control system and stability control system will not work.

If the system is in normal condition, when you turn the ignition switch to “ON” position or press the engine switch to change the ignition mode to ON, this light will come on for about 2 seconds and then come off.

ESP® OFF switch (if equipped)



(1) ESP® OFF switch

- In the following situation, keep pressing the ESP® OFF switch until the ESP® OFF indicator light in the instrument cluster comes on. Traction control system and stability control system will not work.
 - When placing the vehicle on the tester for automobile inspection, traction control system and stability control system needs to be deactivated.
 - If your vehicle is stuck and you try to get out of the stuck condition, traction control system may not be suitable.

- If you perform the following operations, the ESP® OFF indicator light will come off. Also, traction control system and stability control system will return to be in the activated condition.
 - Pressing the ESP® OFF switch again
 - Stopping the engine and then restarting the engine
- If you would like to perform normal driving after escaping from the stuck condition, press the ESP® OFF switch again. This will allow the ESP® OFF indicator light to come off and the vehicle will return to the original condition. Traction control system and stability control system will not be activated automatically. (except when stopping the engine and then restarting the engine)

NOTE:

For safety reasons, even if you press the ESP® OFF switch, ABS and brake assist system will not be deactivated.

ABS warning light / brake system warning light

Refer to “Braking” in this section.

Hill Hold Control System (if equipped)

The hill hold control system is designed to assist you in starting to move up hills. When you start to move up a hill, the system helps to prevent the vehicle from rolling downward (for approximately 2

seconds) while you move your foot from the brake pedal to the accelerator pedal.

- The hill hold control system is not designed to stop the vehicle on a hill.



56RM03009

⚠ WARNING

- Always check the surrounding conditions and drive the vehicle in a safe manner by depressing the brake pedal as necessary, as controlling the vehicle by the hill hold control system has limits and the system may not function properly depending on the surrounding conditions.
- If you do not depress the brake pedal firmly enough, the hill hold control system may not work.

(Continued)

⚠ WARNING

(Continued)

- If you release your foot from the brake pedal for more than 2 seconds, the hill hold control system will be canceled. If so, the vehicle may roll downward, which can result in an accident depending on the degree of a slope. Also, the engine may stall and the power assist for the steering and brakes will not work so steering and braking will be much harder than usual which can result in an accident or vehicle damage. After you release your foot from the brake pedal, accelerate the vehicle to move up immediately.

NOTE:

- If there is a problem with the hill hold control system, the ESP[®] warning light in the instrument cluster may come on and the hill hold control system may not work. Also, ENG A-STOP system (if equipped) may not work. In this case, consult a Maruti Suzuki authorised workshop.
- If you move up an excessively sharp slope, a frozen road or a mud track, or depending on laden weight, the vehicle may roll downward when you start the vehicle.
- If you move up an excessively sharp slope, a frozen road or a mud track and

the hill hold control system activates, the tyres may be locked and the vehicle may not be controlled properly.

Activation conditions for the hill hold control system

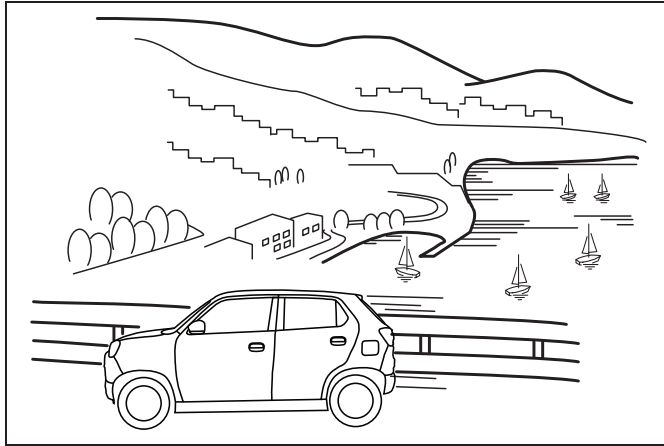
The hill hold control system activates to prevent the vehicle from rolling downward for about 2 seconds if your foot is moved from the brake pedal when the following conditions are all met.

- The gearshift lever is in the forward gear or reverse position.
- The parking brake is released.
- The vehicle is on an upward slope.
- The brake pedal is depressed firmly.

For the vehicles with ENG A-STOP system (if equipped), the hill hold control system is activated when the engine is restarted after being stopped automatically, even if the previous conditions are not met.

NOTE:

When the hill hold control system is activated, you may hear a sound coming from the engine, or you may feel hardness of the brake pedal. These are normal and do not indicate a malfunction.

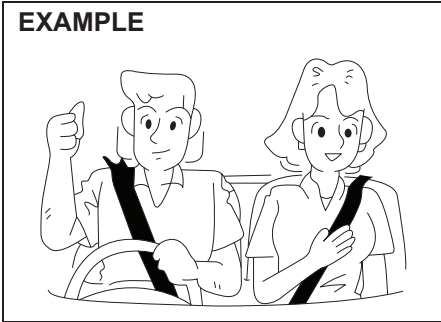


60G409A

DRIVING TIPS

Running-in	4-1
Catalytic converter	4-1
Improving fuel economy	4-2
Highway driving	4-3
Driving on hills	4-3
Driving on slippery roads	4-4
Off-road driving	4-6
When encountering a flooded area	4-6
Do's and Don'ts for safe driving.....	4-7
Margin for safety	4-9

EXAMPLE



55RM04002

⚠ WARNING

- Fasten your seat belts at all times. Even though airbags are equipped at the front seating positions, the driver and all passengers should be properly restrained at all times, using the seat belts provided. Refer to “Seat belts and child restraint systems” section for instructions on proper use of the seat belts.
- Never drive under the influence of alcohol or other drugs. Alcohol and drugs can seriously impair your ability to drive safely, greatly increasing the risk of injury to yourself and others. You should also avoid driving when you are tired, sick, irritated or under stress.

Running-in

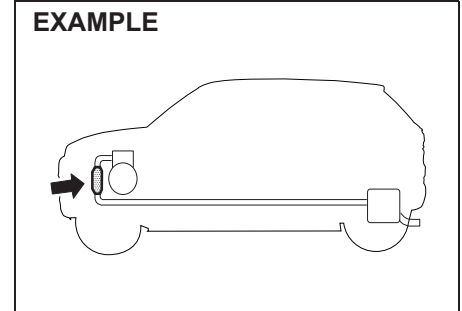
NOTICE

The future performance and reliability of the engine depends on the care and restraint exercised during its early life. It is especially important to observe the following precautions during the first 960 km of vehicle operation.

- After starting, do not race the engine. Warm it up gradually.
- Avoid prolonged vehicle operation at a constant speed. Moving parts will break in better if you vary your speed.
- Start off from a stop slowly. Avoid full throttle starts.
- Avoid hard braking, especially during the first 320 km of driving.
- Do not drive slowly with the transmission in a high gear.
- Drive the vehicle at moderate engine speeds.

Catalytic converter

EXAMPLE



62SM04011

The purpose of the catalytic converter is to minimize the amount of harmful pollutants in your vehicle's exhaust. Use of leaded fuel in vehicles equipped with catalytic converters is prohibited, because lead deactivates the pollutant-reducing components of the catalyst system.

The converter is designed to last the life of the vehicle under normal usage and when unleaded fuel is used. No special maintenance is required on the converter. However, it is very important to keep the engine properly tuned. Engine misfiring, which can result from an improperly tuned engine, may cause overheating of the catalytic converter. This may result in permanent heat damage to the catalytic converter and other vehicle components.

NOTICE

To minimize the possibility of catalytic converter or other vehicle damage:

- Maintain the engine in the proper operating condition.
- In the event of an engine malfunction, particularly one involving engine misfire or other apparent loss of performance, have the vehicle serviced promptly.
- Do not turn off the engine or interrupt the ignition when the transmission is in gear and the vehicle is in motion.
- Do not try to start the engine by pushing or towing the vehicle, or coasting down a hill.
- Do not idle the engine with any spark plug wires disconnected or removed, such as during diagnostic testing.
- Do not idle the vehicle for prolonged periods if idling seems rough or there are other malfunctions.
- Do not allow the fuel tank to get near the empty level.

EXAMPLE

62SM04002

⚠ WARNING

Be careful where you park and drive; the catalytic converter and other exhaust components can get very hot. As with any vehicle, do not park or operate this vehicle in areas where combustible materials such as dry grass or leaves can come in contact with a hot exhaust system.

Improving fuel economy**NOTE:**

Fuel economy (mileage) of the vehicle may vary due to several factors i.e., driving habits - gear change pattern, usage of A.C., air pressure in the tyres, wind speed, traffic conditions, fuel quality- non adulterated standard fuel, maintenance of vehicle, road conditions, braking etc.

The following instructions will help you improve fuel economy.

Avoid excessive idling

If you are to wait for more than a minute while you are parked, stop the engine and start it again later. When warming up a cold engine, do not allow the engine to idle or apply full throttle until the engine has reached operating temperature. Allow the engine to warm up by driving.

Avoid sudden acceleration

Sudden acceleration starting from rest or while driving will consume fuel unnecessarily and shorten engine life. Start off slowly.

Avoid unnecessary stops

Avoid unnecessary deceleration and stopping. Try to maintain a slow, steady speed whenever possible. Slowing down and then accelerating again uses more fuel.

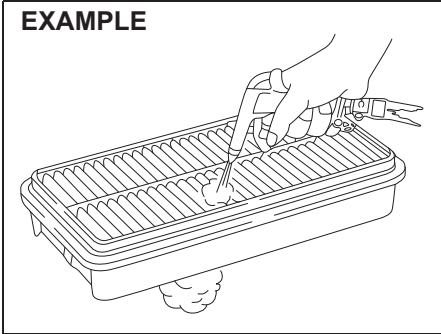
Keep a steady cruising speed

Drive at a constant speed that road and traffic conditions will permit.

DRIVING TIPS

Keep the air cleaner clean

EXAMPLE



60A183S

If the air cleaner is clogged with dust, there will be greater intake resistance, resulting in decreased power output and increased fuel consumption.

Keep weight to a minimum

The heavier the load is, the more fuel the vehicle consumes. Unload any unnecessary luggage or cargo.

Keep tire pressures correct

Under-inflation of the tires can waste fuel due to increased running resistance of the tires. Keep your tires inflated to the correct pressure shown on the label on the driver's side door or the driver's door lock pillar.

Highway driving

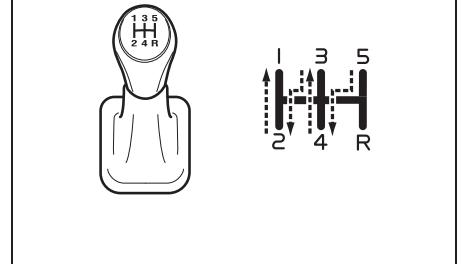
When driving at highway speeds, pay attention to the following:

- Stopping distance progressively increases with vehicle speed. Apply the brakes far enough ahead of the stopping point to allow for the extra stopping distance.
- On rainy days, hydroplaning can occur. Hydroplaning is the loss of direct contact between the road surface and the vehicle's tires due to a water film forming between them. Steering or braking the vehicle during hydroplaning can be very difficult, and loss of control can occur. Keep speed down when the road surface is wet.
- At high speeds, the vehicle may be affected by side winds. Therefore, reduce speed and be prepared for unexpected buffeting, which can occur at the exits of tunnels, when passing by a cut of a hill, or when being overtaken by large vehicles, etc.

Driving on hills

Manual transmission

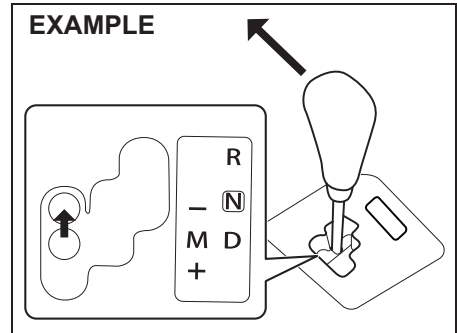
EXAMPLE



69RH021

Auto Gear Shift

EXAMPLE



62SM04012

- When climbing steep hills, the vehicle may begin to slow down and show a lack of power. If this happens, you should shift to a lower gear so that the engine will again be operating in its normal power range. Shift rapidly to prevent the vehicle from losing momentum.
- When driving down a hill, the engine should be used for braking by shifting to the next lower gear.

While moving uphill/gradient from a stand still condition

(For manual transmission models)

- 1) Apply the parking brake firmly so that the vehicle does not roll backwards.
- 2) Depress the clutch pedal and shift the gearshift lever to 1st select position.
- 3) When ready to start, depress the accelerator pedal while at the same time releasing the clutch pedal slowly. When the vehicle starts to move, gradually release the parking brake.

(For Auto Gear Shift models)

Refer to “Using transmission” in the “OPERATING YOUR VEHICLE” section.

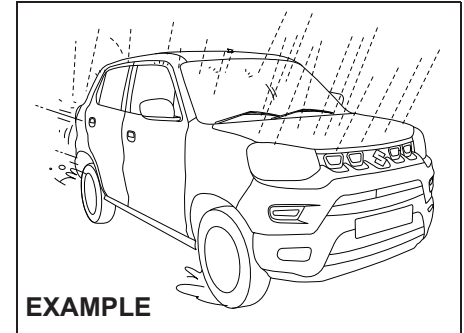
⚠ WARNING

Do not hold the brake pedal down too long or too often while going down a steep or long hill. This could cause the brakes to overheat, resulting in reduced braking efficiency. Failure to take this precaution could result in loss of vehicle control.

NOTICE

When descending a downhill, Never turn the ignition key to “LOCK” position. Emission control system damage may result.

Driving on slippery roads



62SM04003

On wet roads, you should drive at a lower speed than you do on dry roads due to possible slippage of tires during braking. When driving on icy, snow-covered or muddy roads, reduce your speed and avoid sudden acceleration, abrupt braking, or sharp steering movements.

Snow chains

Snow chains should only be used if they are needed to increase traction or as required by law. Check that the chains you use are of correct size for your vehicle’s tires. Also check that there is enough clearance between the fenders and the chains as installed on the tires.

Install the chains on the front tires tightly, according to the chain manufacturer’s instructions. Retighten the chains after

DRIVING TIPS

driving about 1.0 km if necessary. With the chains installed, drive slowly.

NOTICE

- If you hear the chains hitting against the vehicle body while driving, stop and tighten them.
- If your vehicle is equipped with full wheel caps, remove the wheel caps before installing the chains or the wheel caps can be damaged by the chain bands.

Stuck vehicle

If your vehicle gets stuck in snow, mud or sand, follow the directions below:

- 1) Shift the transmission back and forth between a forward range (or first gear for manual transmission) and reverse. This will create a rocking motion which may give you enough momentum to free the vehicle. Press gently on the accelerator to keep wheel spinning to a minimum wheel rpm. Remove your foot from the accelerator while shifting. Do not race the engine. Excessive wheel spin will cause the tires to dig deeper, making it more difficult to free the vehicle.
- 2) If your vehicle remains stuck after a few minutes of rocking, we recommend you to consult a Maruti Suzuki authorised workshop or a roadside assistance service. If a towing service is not available in an emergency, your vehicle may be

temporarily towed by a towing cable or chain secured to the towing eye either on the front of the vehicle or on the rear of the vehicle. Refer to “Frame hooks” in the “OTHER CONTROLS AND EQUIPMENT” section.

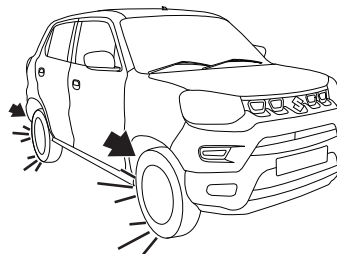
⚠ WARNING

Do not allow anyone to stand near the vehicle when you are rocking it, and do not spin the wheels faster than an indicated 40 km/h on the speedometer. Personal injury and/or vehicle damage may result from spinning the wheels too fast.

NOTICE

Do not continue rocking the vehicle for more than a few minutes. Prolonged rocking can cause engine overheating or transmission damage.

EXAMPLE



62SM04004

⚠ WARNING

In addition to following the driving tips in this section, it is important to observe the following precautions.

- Check that your tires are in good condition and always maintain the specified tire pressure. Refer to “Tires” in the “INSPECTION AND MAINTENANCE” section for details.
- Do not use tires other than those specified by MARUTI SUZUKI. Never use different sizes or types of tires on the front and rear wheels. For information regarding the specified tires, refer to the tire information label located on the driver’s door lock pillar.

(Continued)

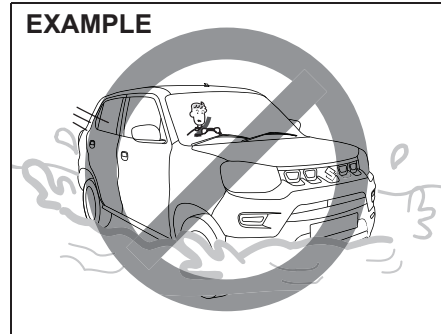
⚠ WARNING

(Continued)

- Never use oversized tires or special shock absorbers and springs to raise (jack up) your vehicle. This will change the handling characteristics. Oversized tires may also rub against the fender over bumps, causing vehicle damage or tire failure.
- After driving through water, test the brakes while driving at a slow speed to see if they have maintained their normal effectiveness. If the brakes are less effective than normal, dry them by repeatedly applying the brakes while driving slowly until the brakes have regained their normal effectiveness.

Off-road driving**Do not drive in the field covered with grown grass**

If you drive in the field covered with grass, it may cause accident or vehicle damage by getting caught in grown grass.

When encountering a flooded area

62SM04005

Avoid driving in a flooded area or a deep puddle. If driving in a flooded area is unavoidable, go slowly in the lowest gear. In case that you have driven in a flooded area, stop the vehicle in a safe and non flooded place while checking the brake effectiveness. Then, ask a Maruti Suzuki authorised workshop to check the following inspection items.

- Function of brake
- Function of electrical components
- Changes in oil level and quality for engine and transmission. In case that the oil is turbid whitish, water has been mixed in the oil and an oil change is required.
- Lubricant condition of the bearings, suspension joints, etc.

NOTICE

- Avoid driving in a flooded area or a deep puddle. It may cause an engine stall, short in electrical components, engine and transmission damages, etc.
- If the vehicle gets stuck in deep water do not start the engine.

DRIVING TIPS

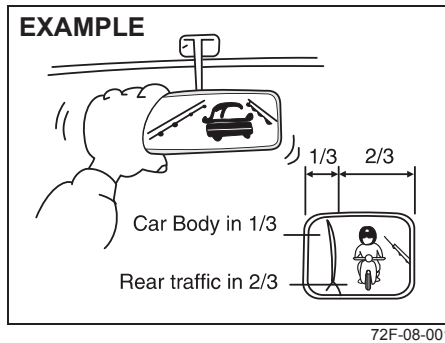
Do's and Dont's for safe driving

Exercise care in handling your vehicle. Be conscious of not only your own safety but also the safety of others on the road, and thus enjoy the best and most comfortable driving experience.

Following are basic rules for safe driving. Read them carefully for good understanding of the content so that you can enjoy safe and pleasant driving in your vehicle.

Starting

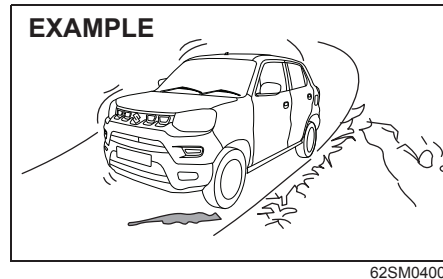
- 1) Adjust the driver's seat for the proper driving posture.
- 2) Adjust the rear view mirror so as to obtain the best possible rear view.



- 3) Before moving, look around your vehicle to confirm safety.
- 4) Don't accelerate suddenly, since it is dangerous and wastes fuel.

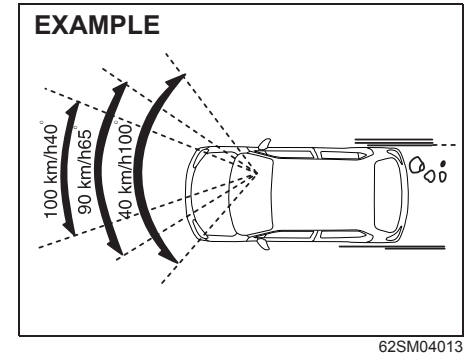
General Driving

- 1) Be sure to stop before a stop light or stop sign. When moving into an intersection without any traffic lights or signs, drive slowly to confirm safety.
- 2) Always follow other vehicles at a safe distance in order to prevent a rear-end collision, in case the vehicle ahead makes a sudden stop.



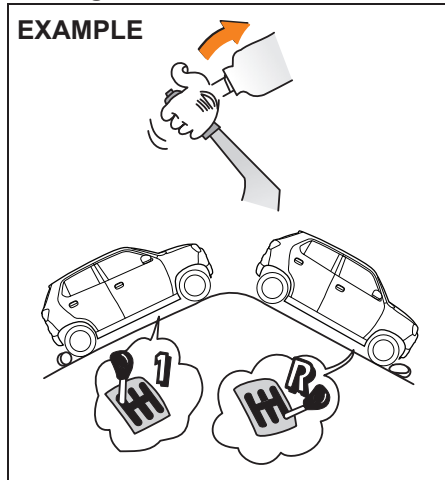
- 3) Turn on the turn signal at least 30 meters before making a turn or changing the lane so as not to be hit.
- 4) Before entering a corner, decelerate to a safe speed. Don't apply brakes during cornering, or skidding may occur.
- 5) When overtaking other vehicles, watch out for oncoming vehicles and carefully ensure safety.

- 6) Don't attempt zigzag driving as it will hinder your control over the vehicle and may cause an accident.
- 7) Avoid reckless high speed driving and try to drive at a safe speed suitable for the road conditions while maintaining a constant speed.
- 8) The higher the speed, the narrower the driver's visual range becomes. In such a state, it is difficult to anticipate any hazard and the driver feels fatigued.



- 9) Do not attempt sharp handling during high speed driving. You may lose your control over your vehicle.
- 10) When overtaking or changing lanes while driving at a high speed, keep ample vehicle-to-vehicle distance.

Braking

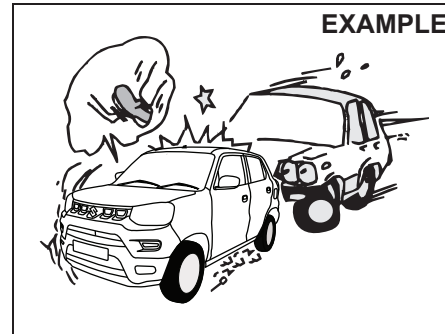


- 1) Use the parking brake when parking your vehicle and shift the gear shift lever into the first gear or reverse gear position for the sake of safety.
- 2) Don't use hand-braking unless unavoidable. It causes the vehicle to skid and a collision may occur. It is especially dangerous when the tires are worn out as they skid more.

NOTE:

Non-usage of vehicle for long duration may cause gradual rusting on brake disc surface as it is made of cast iron. This may result in noise/vibration. The same has no

bearing on functioning of the vehicle. Regular driving of vehicle may prevent/remove rust, thus reducing the noise and vibration.



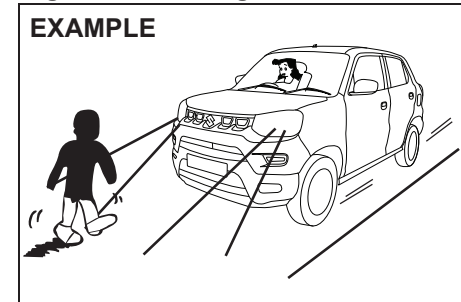
Use foot brake in three stages

1. Warn the vehicle behind you.
 2. Gradually apply the brake.
 3. Bring the vehicle to a halt.
- 3) When driving downhill, try not to apply the brake but use the engine brake effectively. Overuse of the foot-brake may result in reduction of brake effectiveness.

Long Distance Driving

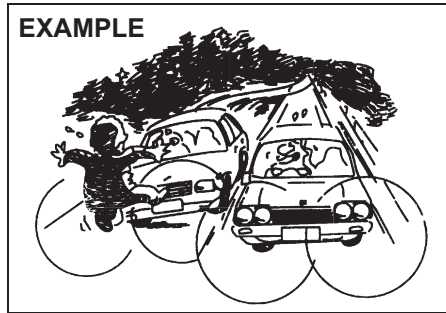
- 1) Be sure to perform safety checks before starting a trip.
- 2) Take rest at regular intervals to prevent accidents which may occur due to feeling sleepy or tired.

Night Time Driving



62SM04008

- 1) Drive at lower speeds during the night than in the daytime, as the visual range is restricted at night.
- 2) Avoid overtaking other vehicles at night. Darkness bothers your sense of speed and hinders your judgment of vehicle-to-vehicle distance.



72F-08-021

- 3) Don't use headlights on high beam unless its use is inevitable. It may cause visual impairment to the driver of the oncoming vehicle or the vehicle ahead of you, which may cause an accident.
- 4) Always keep the window glasses clean. Don't operate the windshield wiper when the windshield glass is dry else the wiper blade and glass may get damaged.

Margin for safety

It is important to allow yourself a margin for safety during driving so that you can cope with erroneous or unexpected driving of other drivers. For that, observe the following.

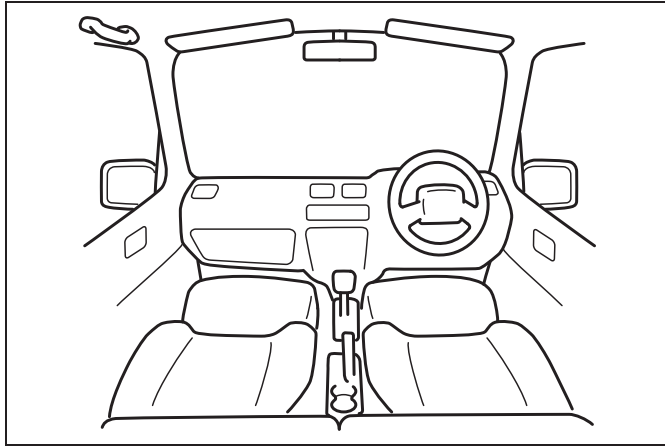
- Drive at a safe speed.
- Maintain a sufficient distance between your vehicle and the vehicle ahead.
- Don't force yourself to overtake other vehicles.
- Don't accelerate suddenly, steer sharply or stop suddenly.
- Keep ample gaps between driving schedules.
- Observe traffic rules and regulations.

Conclusion

A perfect driver does not exist. The endeavour of every motorist should be to strive for perfection. Safety consciousness not only ensures your safety and the safety of other road users, it also helps reduce the wear and tear on your vehicle, lengthens its life, gives better fuel efficiency and ensures a comfortable driving experience.

Follow the do's and don't's listed, and driving will never be the same again.

OTHER CONTROLS AND EQUIPMENT



60G407

Fuel filler cap 5-1

Engine hood 5-2

Sun visor 5-4

Interior light 5-4

Accessory socket (if equipped) 5-5

AUX/USB socket (if equipped) 5-6

Assist grips 5-6

Glove box 5-7

Cup holder and storage area 5-7

Luggage compartment cover (if equipped) 5-8

Frame hooks 5-9

Heating and air conditioning system (if equipped)..... 5-12

Manual heating and air conditioning system (if equipped) ...5-13

Radio antenna 5-17

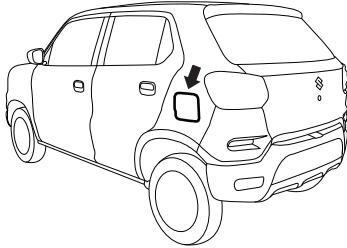
Installation of radio frequency transmitters 5-17

Audio system (if equipped) 5-18

OTHER CONTROLS AND EQUIPMENT

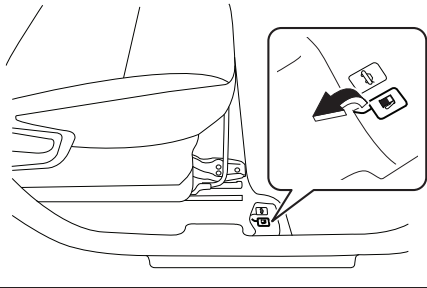
Fuel filler cap

EXAMPLE



62SM05001

EXAMPLE



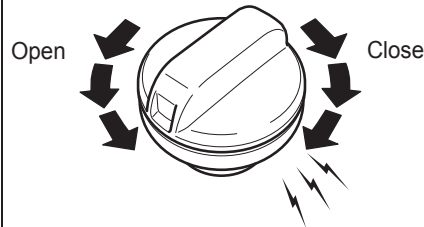
62SM05005

The fuel filler cap is located on the left rear side of the vehicle. The fuel filler door can be unlocked by pulling up the opener lever located on the outboard side of the driver's seat and locked by simply closing the door.

CAUTION

Do not step over the release lever to avoid any damage.

EXAMPLE



57L51093

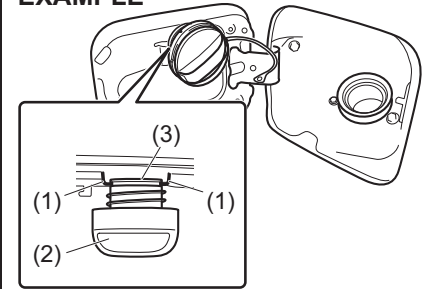
To remove the fuel filler cap:

- 1) Stop the engine and close all the doors and window while refueling.
- 2) Open the fuel filler door.
- 3) Remove the cap by turning it counter-clockwise.

CAUTION

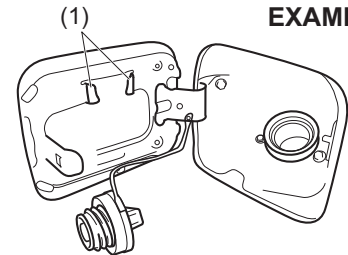
Remove the fuel filler cap slowly. The fuel may be under pressure and may spray out, causing injury.

EXAMPLE



62SM05006

EXAMPLE



62SM05007

NOTE:

The cap holder (1) holds the fuel filler cap (2) by hooking the groove (3), or the hook (4) also holds the fuel filler cap when refueling.

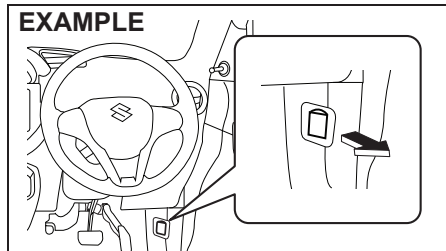
To reinstall the fuel filler cap:

- 1) Turn the cap clockwise until you hear several clicks.
- 2) Close the fuel filler door.

⚠ WARNING

- Fuel is extremely flammable. Do not smoke when refueling, and check that there are no open flames or sparks in the area.
- If you need to replace the fuel cap, use a MARUTI SUZUKI genuine cap. Use of an improper cap can result in a malfunction of the fuel system or emission control system. It may also result in fuel leakage in the event of an accident.

Engine hood



62SM05008

To open the engine hood:

- 1) Pull the hood release handle located on the outboard side of the driver's side. This will disengage the engine hood lock halfway.

⚠ WARNING

- Never allow children to open or close the hood. Children may injure themselves because the hood is heavy. Contact with the engine compartment and related parts may cause burns when this area/these parts are hot.
- Do not allow children to be near the vehicle when opening the hood.

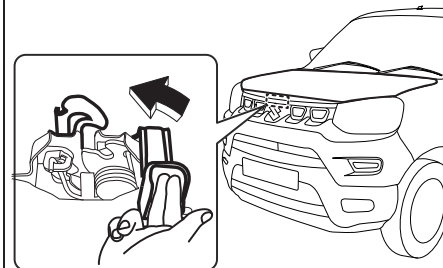
(Continued)

⚠ WARNING

(Continued)

- Do not leave tools, cloths, and other objects, which were used to clean or perform maintenance and inspections, in the engine compartment. Doing so may cause operational failures or even the vehicle to catch fire when the engine compartment becomes hot.

EXAMPLE



62SM05009

- 2) Push the under-hood release lever sideways with your finger, as shown in the illustration. While pushing the lever, lift up the engine hood.

OTHER CONTROLS AND EQUIPMENT

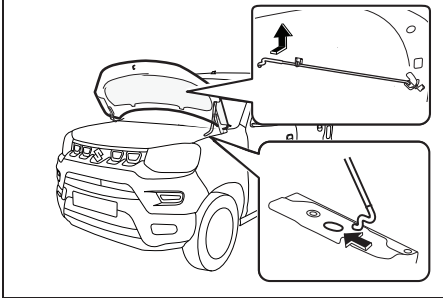
⚠ CAUTION

The release lever and its peripheral or engine hood can be hot enough to burn your finger right after driving. Touch the lever after it becomes cool enough.

NOTICE

Check that the wiper arms are not raised before you lift up the engine hood to avoid damaging the wiper arms and the engine hood.

EXAMPLE



62SM05024

- 3) While holding the hood, pull the prop rod out from the holding clip, and then insert the end of the rod into the designated hole.

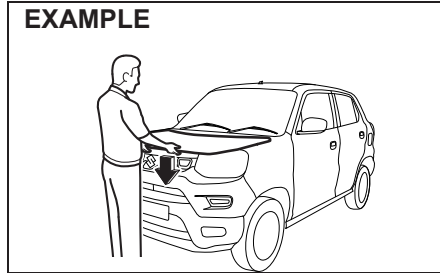
⚠ CAUTION

- The prop rod and its peripheral can be hot enough to burn your finger right after driving. Touch the rod after it becomes cool enough.
- Insert the end of the rod into the hole securely. If the rod slips out, you may get caught in the closing hood.
- The rod may slip out when the hood is blown by wind. Be careful on windy days.

To close the engine hood:

- 1) Lift the hood up slightly and remove the prop rod from the hole. Put the prop rod back into the holding clip.

EXAMPLE



62SM05004

- 2) Lower the hood to about 20 cm above the hood latch, and then let it drop down. Check that the hood is securely latched after closing.

⚠ WARNING

Check that the hood is fully closed and latched before driving. If it is not, it can fly up unexpectedly during driving, obstructing your view and resulting in an accident.

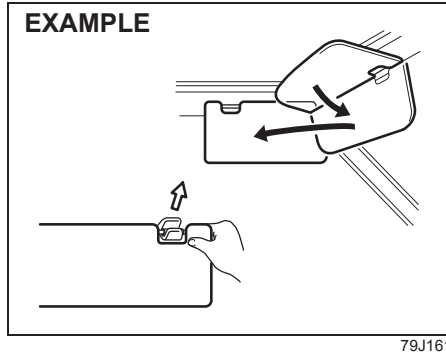
⚠ CAUTION

To avoid injury, check that no part of the occupant's body such as hands or head is in the path of the hood when closing it.

NOTICE

Pushing the hood from the top may damage it.

Sun visor



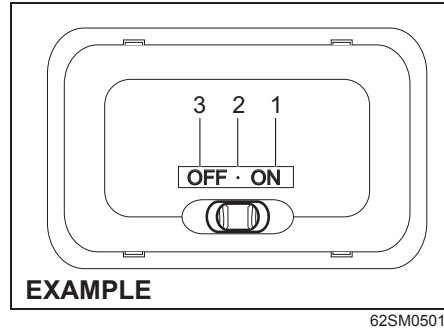
79J161

The sun visors can be pulled down to block glare coming through the windshield, or they can be unhooked and turned to the side to block glare coming through the side window.

NOTICE

When unhooking and hooking a sun visor, handle it from near the hook as shown in figure or the sun visor can be damaged.

Interior light



62SM05010

Interior light switch has three positions which function as described below:

ON (1)

- The light comes on and stays on regardless of whether the door is open or closed.
- If your vehicle is equipped with keyless entry system transmitter, the light will be automatically turned off to save the battery when the following conditions are simultaneously met.
 - The ignition switch is in “LOCK” position.
 - A period of 15 minutes has elapsed after the light comes on and other operations are not done.
 - The hazard warning lights, the position lights and the headlights are off.

DOOR (2)

- The light comes on while any of the doors (including the tailgate) is opened. For about 15 seconds after all doors are closed, the light will remain on and then fade out.
- If all doors are closed, the light comes on for about 15 seconds when the ignition key is pulled out from the ignition switch. After 15 seconds, the light will fade out.
- The light will be automatically turned off to save the battery when the following conditions are simultaneously met.
 - The ignition switch is in “LOCK” position.
 - A period of 15 minutes has elapsed after any of the doors (including the tailgate) is opened and other operations are not done.

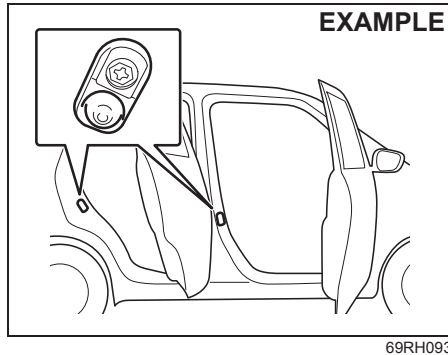
If you perform any of the following procedures before the light fading out, the light will start to fade out immediately.

- Inserting the ignition key into the ignition switch
- Locking all doors by operating the key, keyless entry transmitter or power door locking switch

OFF (3)

The light remains off even when the door is opened.

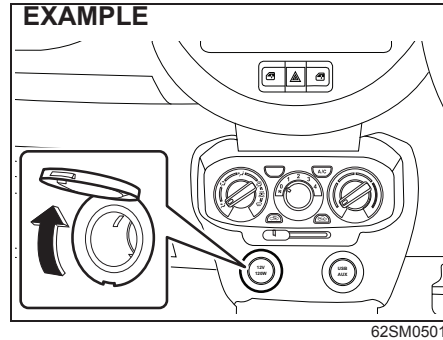
OTHER CONTROLS AND EQUIPMENT



NOTE:

The number of doors involved in the lighting operation of the interior light depends on the vehicle specification. If there is a switch (rubber protrusion) at the door opening as shown, the door is involved in the lighting operation.

Accessory socket (if equipped)



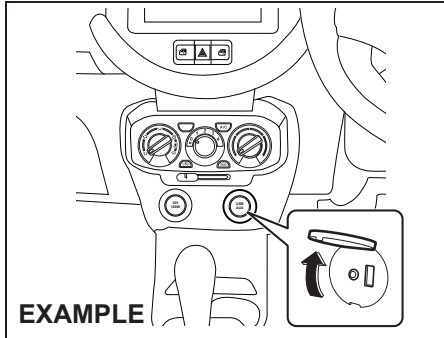
The accessory socket will work when the ignition switch is in “ACC” or “ON” position. This can be used to provide 12 volt/120 watt/10 ampere power for electrical accessories.

NOTICE

- Use of inappropriate electrical accessories can cause damage to your vehicle's electrical system. Make sure that any electrical accessories you use are designed to plug into this type of socket.
- When the accessory socket is not in use, close the rubber cap. If any foreign material enters the accessory socket, it may cause a malfunction or short circuit.
- When the ignition switch is in “LOCK” position while using the accessory socket, the following may occur;
 - the audio or navigation system does not turn off.
 - the keyless entry system does not work, etc.If they occur, disconnect the item from the accessory socket and check whether the electrical equipments work properly. If the problem persists, ask a Maruti Suzuki authorised workshop to have the system inspected.

AUX/USB socket (if equipped)

Type A



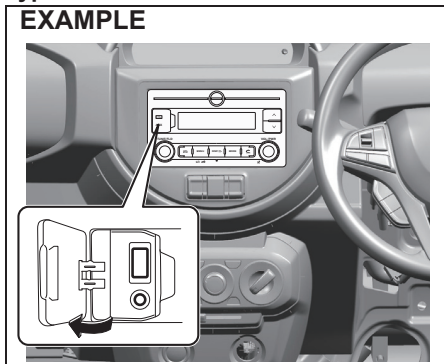
62SM05012

Connect your portable digital music player, etc. to this socket to enjoy music through the vehicle's audio system. Refer to "Audio system" in this section.

NOTICE

Always close the cap when not in use, since entry of foreign material, dust, water, conductive liquids may damage the audio system or USB device.

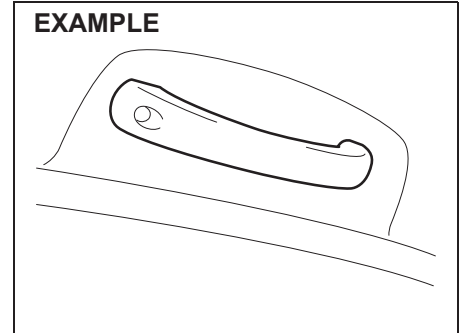
Type B



62SM05013

Assist grips

EXAMPLE



76MH0A072

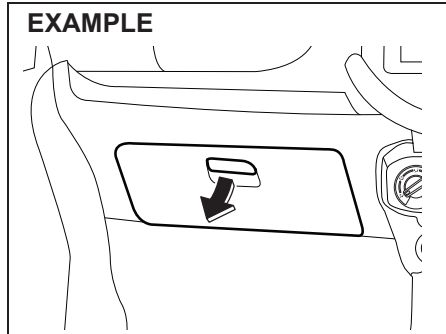
Assist grips are provided for convenience.

NOTICE

To avoid damaging the assist grip and the molded headlining, do not hang down the assist grip.

OTHER CONTROLS AND EQUIPMENT

Glove box



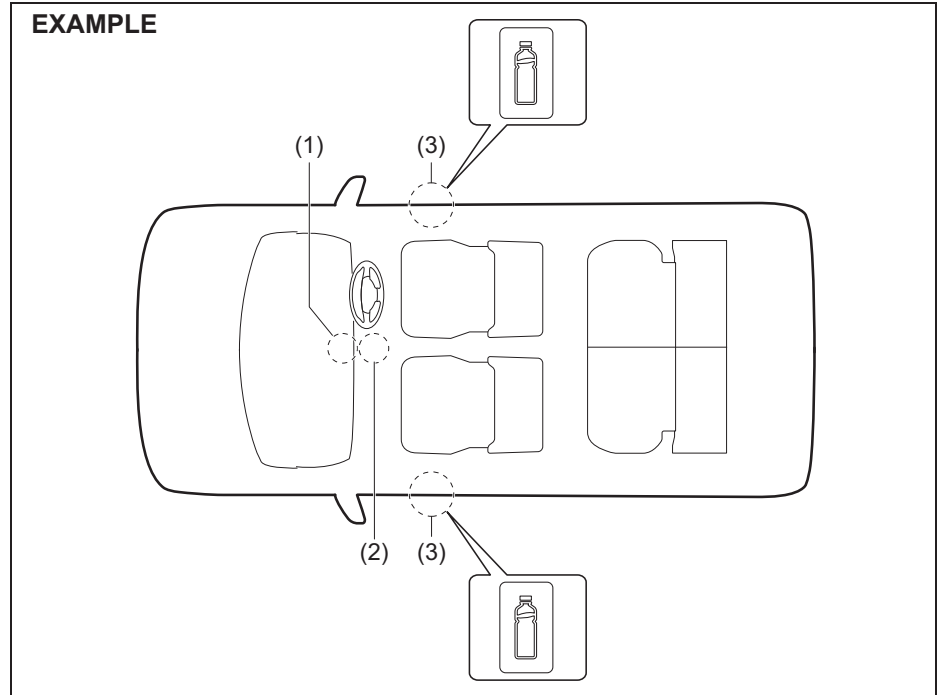
62SM05015

To open the glove box, pull the latch lever. To close it, push the lid until it latches securely.

WARNING

- Never drive with the glove box lid open. It could cause injury if an accident occurs.
- Do not leave cigarette lighters or spray cans in the glove box. If a cigarette lighter or spray can is in a place such as the glove box, it may light accidentally causing a fire.

Cup holder and storage area



62SM05014

- (1) Center console tray
(2) Front cup holder

- (3) Front bottle holder

Center console tray (1)**⚠ WARNING**

Do not place any objects which may fall out from the pocket when the vehicle is moving.

Failure to take the precaution may result in an object interfering with the pedals and causing a loss of vehicle control or an accident.

Front cup holder (2)

Use the front cup holder to put a cup with a lid or a bottle with a cap. Also, you can put small articles in the front cup holder.

⚠ WARNING

Failure to take the precautions listed below could cause personal injury or vehicle damage.

- Be careful and use a lid for a drink not to spill out liquid. Spilling out hot liquid can cause burn injury. In addition, if liquid spills out on the following parts, it may cause a fire or a malfunction and an airbag system may not work properly.
 - Navigation system, audio system or the relevant switches
 - Wiring or electrical components under the floor
- – Moving part of the gearshift lever or the seatbelt buckle

(Continued)

⚠ WARNING

(Continued)

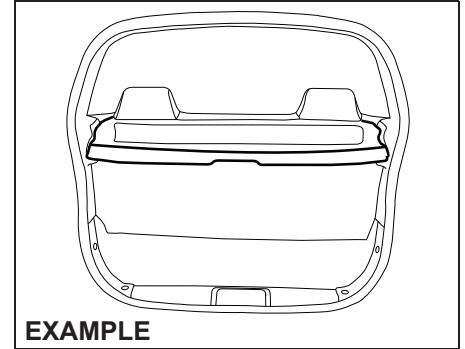
- Do not use the cup holders to hold sharp-edged, hard or breakable objects. Objects in the cup holders may be thrown about during a sudden stop or impact, and could cause personal injury.
- Be careful not to spill liquid or insert any foreign materials into the moving part of the gearshift lever, or any electrical components. Liquid or foreign materials may damage these parts.
- If you spill, or drop liquid accidentally, have your vehicle inspected by a authorised Maruti Suzuki workshop.
- Do not leave cigarette lighters or spray cans in the front cup holder. Otherwise, gas may leak from them and may cause a fire.

Front bottle holder (3)

You should only place a bottle with a cap in the holder.

NOTE:

Maruti Suzuki recommends to use maximum 1 liter capacity of bottle.

Luggage compartment cover (if equipped)

EXAMPLE

62SM05031

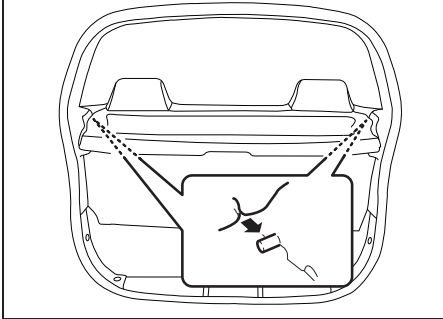
Luggage or other cargo placed in the luggage compartment is hidden from view by a luggage compartment cover.

⚠ WARNING

Do not carry items on top of the luggage compartment cover, even if they are small and light. Objects on top of the cover could be thrown about in an accident, causing injury, or could obstruct the driver's rear view.

OTHER CONTROLS AND EQUIPMENT

EXAMPLE



62SM05037

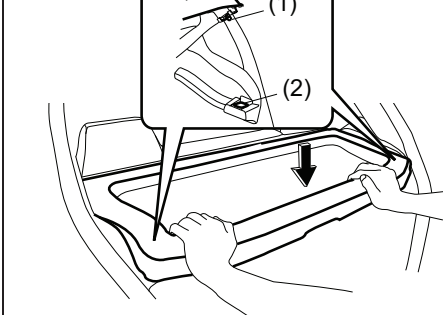
While closing luggage compartment cover, ensure that snap (1) locks in the latch (2) provided on the trim.

For locking the snap (1) in the latch (2), press the luggage compartment cover gently as shown in figure.

⚠ WARNING

Do not carry objects that extend higher than top of seatbacks. Objects that extend higher than top of seatbacks will obstruct the driver's rear view and may cause an accident. These objects may also get damaged or may damage the tailgate.

EXAMPLE



62SM05034

Frame hooks

It is not recommended that you use the frame hooks for towing another vehicle. They are originally designed to tow your vehicle in emergency situation.

If your vehicle needs to be towed in an emergency, refer to "Towing your vehicle" in the "EMERGENCY SERVICE" section.

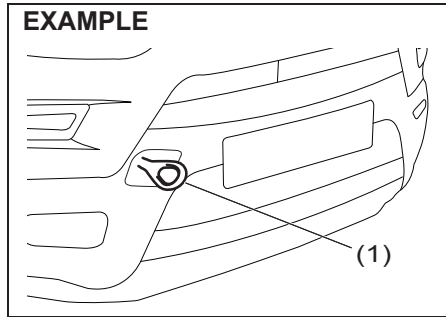
⚠ WARNING

Observe the following instructions when using frame hooks. The towing hook or vehicle body may break and cause serious injury or damage:

- Do not use the frame hooks for towing another vehicle.
- Avoid pulling the vehicle to get out of severe snowy, muddy or sandy conditions, sudden starts or erratic driving maneuvers which could cause excessive stress on the towing hook.

In such case, we recommend that you contact a professional service.

Front

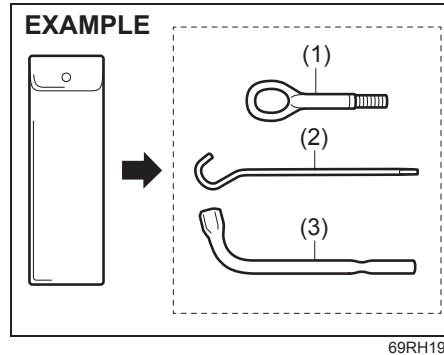


The towing hook (1) is provided on the front of the vehicle for use in emergency situations and sea shipping purpose only.

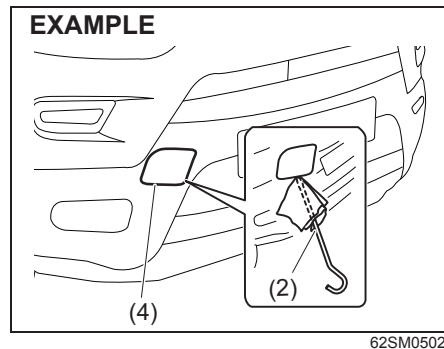
NOTICE

To prevent damage to the vehicle never use the towing eye (1) for trailer/ train shipping purpose.

To install the towing hook (1), follow the procedure below.



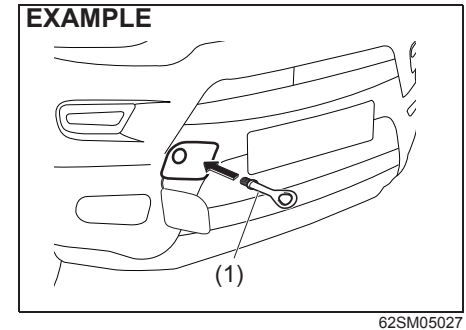
- 1) Pick up the towing hook (1), jack handle (2) and wheel wrench (3).



- 2) Remove the cover (4) by using a jack handle (2) covered with a soft cloth as shown in the illustration.

NOTE:

Do not use excessive force as it may damage the cover strap.

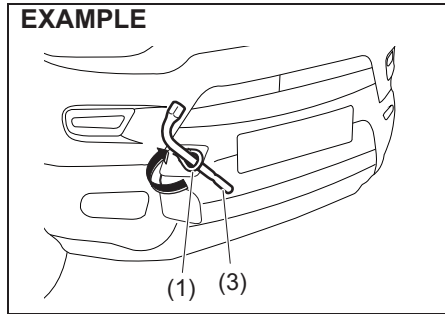


- 3) Install the towing hook (1) by hand.

NOTE:

We recommend to fasten the cover with tape to prevent damage during towing.

OTHER CONTROLS AND EQUIPMENT



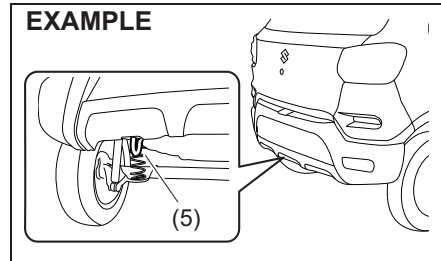
- 4) To tighten the towing hook (1), turn it clockwise by using a wheel wrench (3) until the towing hook (1) is securely installed.

! WARNING

Use extreme caution when you use the towing eye (1). Avoid pulling the vehicle to get out of severe snowy, muddy or sandy conditions, sudden starts or erratic driving maneuvers which would give excessive stress on the towing eye. The towing eye or vehicle body may break and cause serious injury or damage.

To remove the towing hook (1), reverse the installation procedure.

Rear



The frame hook (5) is provided on the rear of the vehicle for use in emergency situations and sea shipping purposes only.

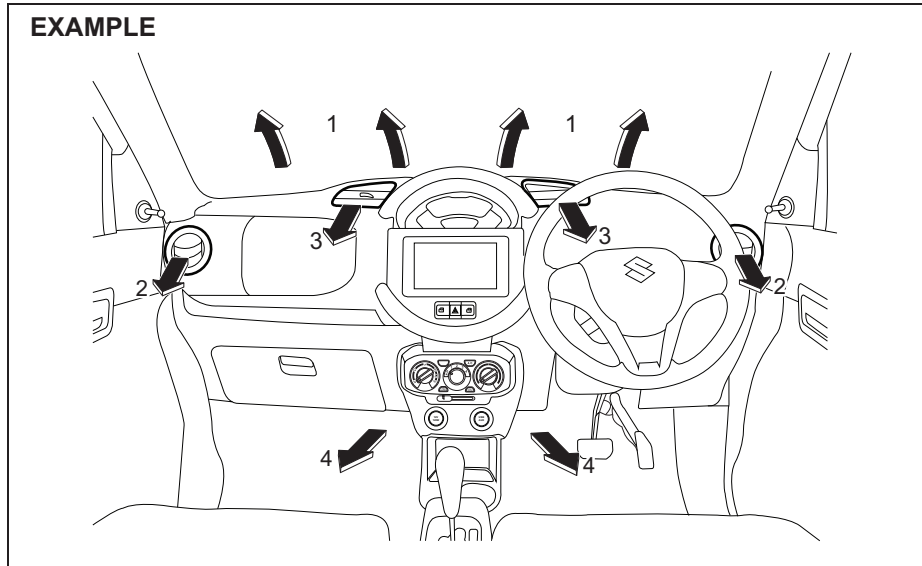
NOTICE

- Your vehicle was originally designed to carry people and a normal amount of cargo, not to tow a trailer.
- The frame hook (5) is provided on the rear of the vehicle for use in emergency situations and sea shipping purposes only. Do not use the frame hook for towing another vehicle, being towed by another vehicle or transporting your vehicle by a car carrier trailer, etc. Otherwise, the frame hook or the vehicle body may break and cause serious injury or damage.

To tow your vehicle on the road or highway, follow the instruction of “Towing” in “EMERGENCY SERVICE” section.

Heating and air conditioning system (if equipped)

Air outlet



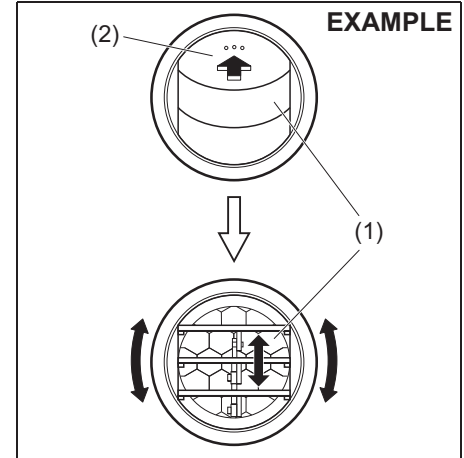
EXAMPLE

62SM05016

- 1. Windshield defroster outlet
- 2. Side outlet

- 3. Center outlet
- 4. Floor outlet

Side outlet



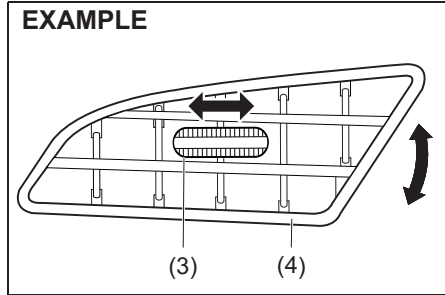
EXAMPLE

62SM05017

To open the louver (1), push the arrow part (2) as shown in the illustration. To adjust the direction of the air flow, move up or down or turn the opened louver (1).

OTHER CONTROLS AND EQUIPMENT

Center outlet



62SM05029

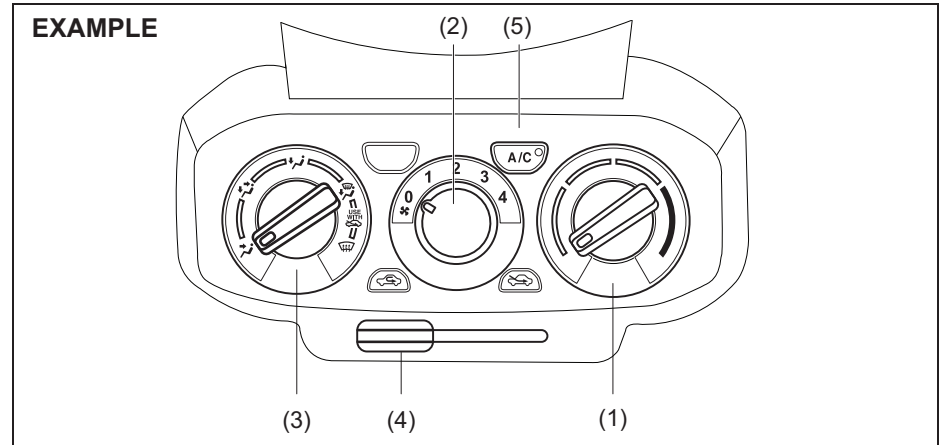
Move the knob (3) horizontally or the case (4) vertically to adjust the direction of air-flow as desired.

⚠ CAUTION

Prolonged exposure to hot air from the heater or air conditioner could result in low temperature burns. All vehicle occupants, particularly children, the elderly, those with special needs, individuals with delicate skin, and sleeping individuals, should maintain sufficient distance from the air outlets to prevent prolonged exposure to hot airflow.

Manual heating and air conditioning system (if equipped)

Description of controls



62SM05018

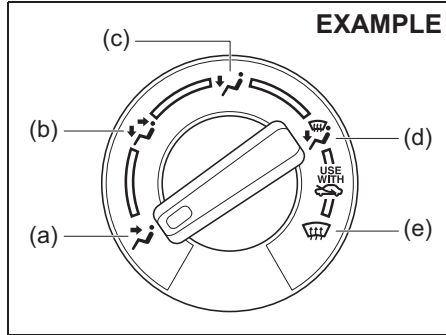
Temperature selector (1)

This is used to adjust the temperature.

Blower speed selector (2)

This is used to turn on the blower and to select blower speed.

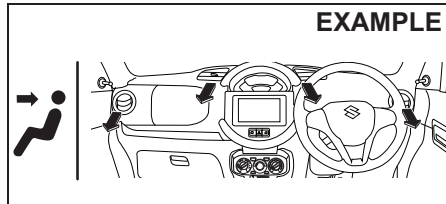
Air flow selector (3)



75RM022

This selector is used to select the following mode.

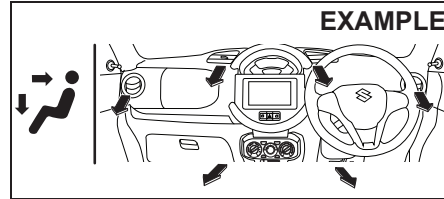
VENTILATION (a)



62SM05019

Temperature-controlled air comes out of the center and side air outlets.

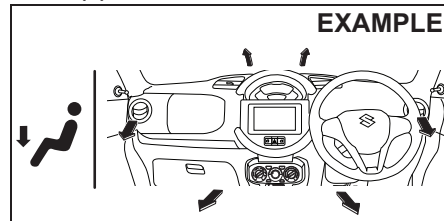
BI-LEVEL (b)



62SM05020

Temperature-controlled air comes out of the floor outlets and cooler air comes out of the center and side outlets. When the temperature selector (1) is in the fully cold position or fully hot position, however, the air from the floor outlets and the air from the center and side outlets will be the same temperature.

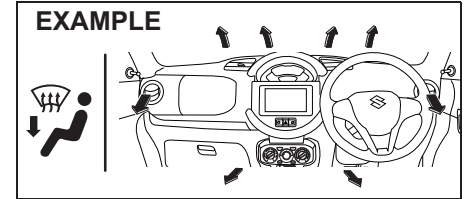
HEAT (c)



62SM05021

Temperature-controlled air comes out of the floor outlets and the side outlets, small amount of air also comes out of the windshield defroster outlets.

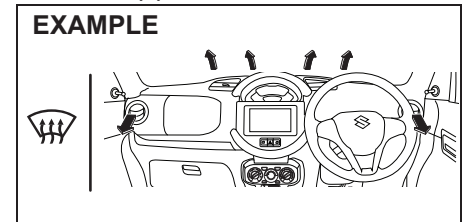
HEAT & DEFROST (d)



62SM05022

Temperature-controlled air comes out of the floor outlets, the windshield defroster outlets and the side outlets.

DEFROST (e)

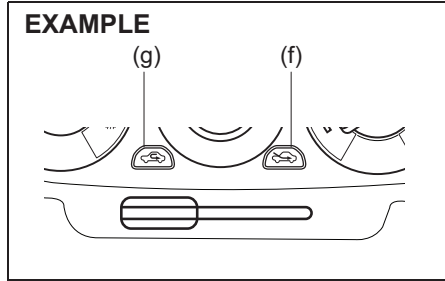


62SM05023

Temperature-controlled air comes out of the windshield defroster outlets and the side outlets.

OTHER CONTROLS AND EQUIPMENT

Air intake selector (4)



62SM05033

This selector is used to select the following modes.

FRESH AIR (f)

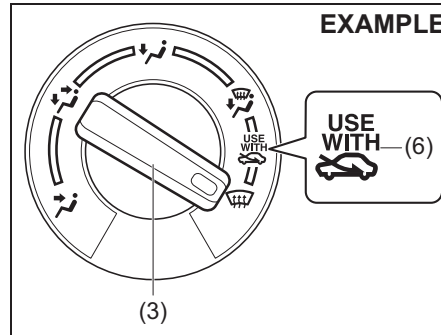
When this mode is selected by moving the lever to right, outside air is used.

RECIRCULATED AIR (g)

When this mode is selected by moving the lever to left, outside air is shut out and inside air is recirculated. This mode is suitable when driving through dusty or polluted air such as in a tunnel, or when attempting to quickly cool down or warm up the interior or to reduce unwanted odor from entering the vehicle.

NOTE:

If you select RECIRCULATED AIR for an extended period of time, the air in the vehicle may become contaminated and the windows tend to get misted. Therefore, you should occasionally select FRESH AIR.



75RM403

NOTE:

*The mark of "USE WITH" (6)
To clear fog on the windshield and/or the side windows quickly, set the air flow selector (3) to HEAT & DEFROST or DEFROST and air intake selector (4) to FRESH AIR. These positioning will clear the fogged windshield and/or the side windows faster than the RECIRCULATED AIR.*

Air conditioning switch (if equipped) (5)

To turn on the air conditioning system, set the blower speed selector to a position other than off and push in "A/C" switch. With this "A/C" switch operation, a indicator light will come on when the air conditioning system is on. To turn off the air conditioning system, push "A/C" switch again.

During operation of the air conditioner, you may notice slight changes in engine speed. These changes are normal, the system is designed so that the compressor turns on or off to maintain the desired temperature.

Less operation of the compressor results in better fuel economy.

System operating instructions

Natural ventilation

Select VENTILATION and FRESH AIR, the temperature selector to the desired temperature position, and the blower speed selector to off. Fresh air will flow through the vehicle during driving.

Forced ventilation

The control settings are the same as for natural ventilation except you set the blower speed selector to a position other than off.

Normal heating (using outside air)

Select HEAT and FRESH AIR, the temperature selector to the desired temperature position and the blower speed selector to the desired blower speed position. Setting the blower speed selector to a higher blower speed position increases heating efficiency.

Quick heating (using recirculated air)

The control settings are the same as for normal heating except you select RECIRCULATED AIR. If you use this heating method for an extended period of time, the air in the vehicle may become contaminated and the windows can become misty. Therefore, use this method only for quick heating and change to the normal heating method as soon as possible.

Head cooled/Feet warmed heating

Select BI-LEVEL and FRESH AIR, the temperature selector to the desired temperature position, and the blower speed selector to the desired blower speed position. Unless the temperature selector is in the fully cold position or fully hot position, the air that comes out of the center and side outlets will be cooler than the air that comes out of the floor outlets.

Normal cooling

Set the air flow selector to VENTILATION, the temperature selector to the desired temperature position and the blower speed selector to the desired blower speed position, and turn on "A/C" switch (if equipped).

Setting the blower speed selector to a higher blower speed position increases cooling efficiency.

You can switch the air intake selector to either FRESH AIR or RECIRCULATED AIR as you desire. Choosing RECIRCULATED AIR increases cooling efficiency.

Quick cooling (using recirculated air)

The control settings are the same as for normal cooling except you select RECIRCULATED AIR and the highest blower speed.

NOTE:

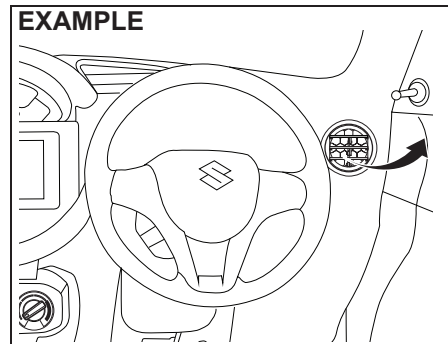
- If you select RECIRCULATED AIR for an extended period of time, the air in the vehicle may become contaminated and the windows tend to get misted. Therefore, you should occasionally select FRESH AIR.
- If your vehicle has been left in the sun with the windows closed, it will cool faster if you open the windows briefly while you operate the air conditioner with the air intake selector at FRESH AIR and the blower at high speed.

Dehumidifying

Set the air flow selector to a desired air flow selector position, the temperature selector to the desired temperature position and the blower speed selector to the desired blower speed position. Also select FRESH AIR and turn on "A/C" switch (if equipped).

NOTE:

Because the air conditioner dehumidifies the air, turning it on will help keep the windows clear, even when blowing heated air using DEFROST or HEAT & DEFROST functions.



62SM05036

NOTE:

If you need maximum defrosting:

- select DEFROST and FRESH AIR,
- set the blower speed selector to high,
- adjust the temperature selector to the hot end,
- turn on "A/C" switch (if equipped), and
- adjust the side outlets so the air blows on the side windows.

OTHER CONTROLS AND EQUIPMENT

Maintenance

If you do not use the air conditioner for a long period, such as during winter, it may not give the best performance when you start using it again. To help maintain optimum performance and durability of your air conditioner, it needs to be run periodically. Operate the air conditioner at least once a month for one minute with the engine idling. This circulates the refrigerant and oil and helps protect the internal components.

If your air conditioner is equipped with air filters, clean or replace them as specified in "Maintenance schedule" in the "INSPECTION AND MAINTENANCE" section. Have this job done by a authorised Maruti Suzuki workshop as the lower glove box must be lowered for this job.

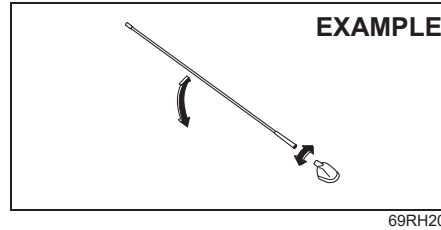
NOTE:

Your vehicle uses the air conditioning refrigerant HFC-134a, commonly called R-134a. R-134a replaced R-12 around 1993 for automotive applications. Other refrigerants are available, including recycled R-12, but only R-134a should be used in your vehicle.

NOTICE

Using the wrong refrigerant may damage your air conditioning system. Use R-134a only. Do not mix or replace the R-134a with other refrigerants.

Radio antenna



The radio antenna on the roof is removable. To remove the antenna, turn it counterclockwise. To reinstall the antenna, turn it clockwise firmly by hand.

NOTE:

Adjust the antenna angle to maximum for optimum radio reception.

NOTICE

To avoid damage to the radio antenna:

- Remove the antenna when using an automatic car wash.
- Remove the antenna when the antenna hits anything such as a low ceiling in a parking garage or putting a car cover over your vehicle.
- If radio antenna angle is kept in lower position. There is possibility of antenna hitting the roof while driving. Adjust the antenna angle to maximum.

NOTE:

Due to poor quality of FM/AM signal, some disturbance/noise may be heard from speakers. It is recommended to switch off the tuner system to prevent the said disturbance/noise in the speaker.

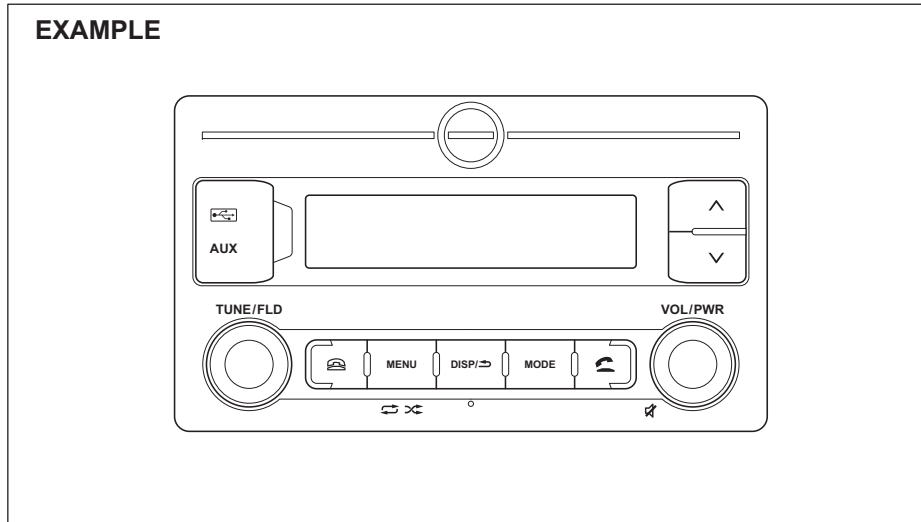
Installation of radio frequency transmitters

We recommend that you always ask a Maruti Suzuki authorised workshop about frequency band, max output power, antenna position at vehicle and specific conditions for installation and/or use before installing a radio transmitter in your vehicle. Such equipments may cause the electronic control system to malfunction if they are incorrectly installed or they are not suited for the vehicle.

NOTICE

Improper installation of mobile communication equipment such as cellular telephones, CB (Citizen's Band) radios or any other wireless transmitters may cause electronic interference with your vehicle's ignition system, resulting in vehicle performance problems. Consult your authorised Maruti Suzuki workshop or qualified service technician for advice.

Audio system (if equipped)



69RM05009

NOTE:

For vehicle equipped with SMARTPLAY STUDIO INFOTAINMENT SYSTEM, refer to audio manual available with the vehicle.

OTHER CONTROLS AND EQUIPMENT

Safety information

WARNING

If you pay too much attention to operating the audio system or viewing the audio system display while driving, an accident can occur. If you set the sound volume too loud, it could prevent you from being aware of road and traffic conditions.

- Keep your eyes on the road and your mind on the drive. Avoid paying too much attention to operating the audio system or viewing the audio system display.
- Familiarize yourself with the audio system controls and operation of the audio system before driving.
- Preset your favorite radio stations before driving so that you can quickly tune to them using the presets.
- Set the sound volume to a level that will allow you to continue to be aware of road and traffic conditions while driving.

NOTICE

- Avoid spraying or spilling of clearing solutions, perfumes, car fresheners, beverages, chemicals or any liquids on the audio system surface. Also ensure that any liquid does not enter the system, it can damage the screen and the system. The warranty of the system will be void, if liquid ingress marks are observed inside the system.
- Avoid exposure of the audio system to water or excessive moisture as it can cause electric shocks, fire or other damages.

Open source definition

This Product includes following open source software.
mbedtls version 2.5.1

Copyright © 2006–2015, ARM Limited,
All Rights Reserved
SPDX-License-Identifier: Apache-2.0

Licensed under the Apache License, Version 2.0 (the “License”); you may not use this file except in compliance with the License.

You may obtain a copy of the License at <http://www.apache.org/licenses/LICENSE-2.0>

Unless required by applicable law or agreed to in writing, software distributed

under the License is on an “AS IS” BASIS, WITHOUT WARRANTIES OR CONDITIONS OF ANY KIND, either express or implied.

See the License for specific language governing permissions and limitations under the License.

This file is part of mbed TLS (<https://tls.mbed.org>)

Please be noted that a portion of this software is made by changing or modifying original source files.



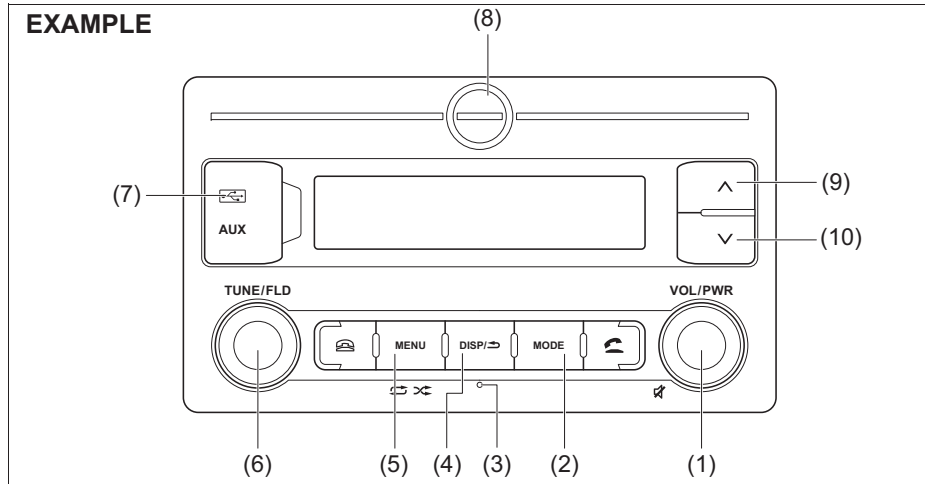
The Bluetooth® word mark and logo are registered trademarks and are owned by the Bluetooth SIG, Inc.

Stop using this unit and a Bluetooth® ready device whenever requested.

This unit shares the communication frequency with other private or public wireless communication equipment such as a wireless LAN and other wireless communication radios.

You should stop using this unit whenever you are notified that your unit disturbs other wireless communication immediately.

Basic operations



69RM05001

- (1) "VOL/PWR" knob
- (2) "MODE" button
- (3) MICROPHONE (for handsfree)
- (4) "DISP/BACK" button
- (5) "MENU" button
- (6) "TUNE/FLD" knob
- (7) USB/AUX
- (8) SMARTPHONE DOCK CAP*
- (9) UP button
- (10) DOWN button

* To open SMARTPHONE DOCK CAP (8), use the cap opener provided in MGA "SMARTPHONE DOCK". Opening of SMARTPHONE DOCK CAP with any external object may cause damage to CAP.

Turning on/off power

Press "VOL/PWR" knob (1) to turn on the power. The unit starts to operate in the previous mode that the power was turned off.

- To turn off the power, press and hold "VOL/PWR" knob (1) for about 2 seconds.

Adjusting the volume

Turn "VOL/PWR" knob (1).

- Turning it clockwise increases the volume.
- Turning it counterclockwise decreases the volume.

Mute

- Press "VOL/PWR" knob(1) to mute the sound.
- To cancel mute, press any button.

NOTE:

For the purpose of safe driving, adjust the audio volume to a level that allows you to hear sounds outside of the vehicle including car horns and particularly emergency vehicle sirens.

Display & Back setting

Press "DISP/BACK" button (4) to go back to the previous display when a list or menu screen is displayed.

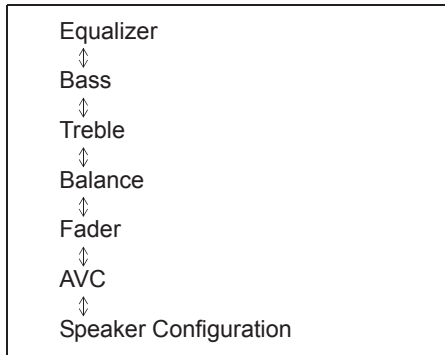
On long pressing "DISP/BACK" button (4), tuner display will be turned OFF. However all operations such as media playing etc will be active. Display will be turned ON by pressing any button on audio unit, steering

OTHER CONTROLS AND EQUIPMENT

switches or any other interrupt such as handsfree calling etc.

Sound settings

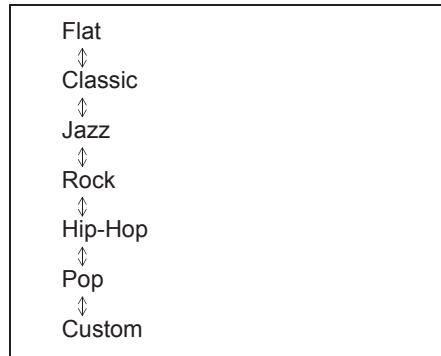
- 1) Press "MENU" button (5). Setup menu will be displayed.
- 2) Turn "TUNE/FLD" knob (6) to select "Sound Settings", and press the knob (6) to determine the selection.
- 3) Turn "TUNE/FLD" knob (6) to select one of the settings as follows, and press the knob (6) to determine the selection.



Equalizer

The equalizer can set various types of sounds depending on the type of music.

- 1) Turn "TUNE/FLD" knob (6) to select "Equalizer", and press the knob (6) to determine the selection.
- 2) Turn "TUNE/FLD" knob (6) to select one of the settings as follows, and press the knob (6) to determine the selection.



NOTE:

- When you select "Custom", the sound curve can be adjusted as your preference. Turn "TUNE/FLD" knob (6) to adjust values of sound, and press the knob (6) to determine the selection.
- ">> <<" mark appears at both left and right ends of the currently selected equalizer.

Adjusting bass/treble/balance/fader

- 1) Turn "TUNE/FLD" knob (6) to select "Bass", "Treble", "Balance" or "Fader", and press the knob (6) to determine the selection.
- 2) Turn "TUNE/FLD" knob (6) to adjust the sound, and press the knob (6) to determine the selection.

- "Bass" / "Treble":
 - Can be adjusted in levels -6 to 0 to +6.
 - Turn "TUNE/FLD" knob (6) clockwise to increase the frequency & counter clockwise to decrease the frequency.
- "Balance":
 - Can be adjusted in 9 level left to right.
 - Turn "TUNE/FLD" knob (6) clockwise to emphasize the right speaker, and turn the knob (6) counterclockwise to emphasize the left speaker.
- "Fader":
 - Can be adjusted in 9 level back to front.
 - Turn "TUNE/FLD" knob (6) clockwise to emphasize the front speaker, and turn the knob (6) counterclockwise to emphasize the rear speaker (if equipped).

NOTE:

When you adjust to emphasize the rear speakers, sound output may fade out completely in case vehicle is not equipped with rear speakers.

Adjusting the AVC (Auto volume control)

The Auto Volume Control (AVC) function automatically adjusts (increases/decreases) the sound volume in accordance with vehicle speed. The AVC control is provided with four selectable levels (LEVEL OFF, 1, 2, 3). The level of volume adjustment increases together with the LEVEL number.

- 1) Turn "TUNE/FLD" knob (6) to select "AVC", and press the knob (6) to determine the selection.
- 2) Turn "TUNE/FLD" knob (6) to adjust the level, and press the knob (6) to determine the selection.

Adjusting the sound parameters as per speaker configuration

- 1) Turn "TUNE/FLD" knob (6) to select "Speaker Configuration", and press the knob (6) to determine the selection.
- 2) Turn "TUNE/FLD" knob (6) to select "2SPK" or "4SPK", and press the knob (6) to determine the selection.

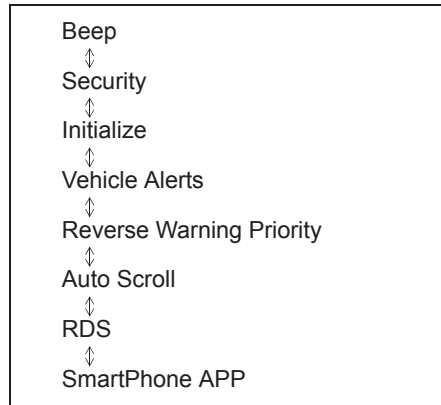
- "2SPK":
Sound is generated from the front speakers.
- "4SPK" (if equipped):
Sound is generated from the all speakers.

NOTE:

For optimal sound experience, ensure that speaker configuration is selected as per the actual speakers present in the vehicle.

System settings

- 1) Press "MENU" button (5). Setup menu will be displayed.
- 2) Turn "TUNE/FLD" knob (6) to select "System Settings", and press the knob (6) to determine the selection.
- 3) Turn "TUNE/FLD" knob (6) to select one of the settings as follows, and press the knob (6) to determine the selection.



Beep on/off

Beep sound is activated when error message is displayed or during operations of few button.

Beep setting can be turned on or off through the following steps:

- 1) Turn "TUNE/FLD" knob (6) to select "Beep".
- 2) Press "TUNE/FLD" knob (6) to select "ON" or "OFF".

Security setting

Refer to "Anti-theft feature" later in this section.

Initialize setting

You can delete the registered Bluetooth® device information.

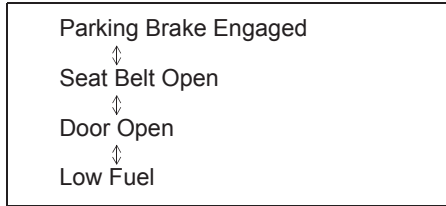
- 1) Turn "TUNE/FLD" knob (6) to select "Initialize", and press the knob (6) to determine the selection.
- 2) Turn "TUNE/FLD" knob (6) to select "Reset BT", and press the knob (6) to determine the selection.
- 3) Turn "TUNE/FLD" knob (6) to select "YES", and press the knob (6) to determine the selection for resetting.

OTHER CONTROLS AND EQUIPMENT

Vehicle alerts setting

You can turn on or off the warning indications related to vehicle system using this setting. By default, this setting is ON for all alerts.

- 1) Turn “TUNE/FLD” knob (6) to select “Vehicle Alerts”, and press the knob (6) to determine the selection.
- 2) Turn “TUNE/FLD” knob (6) to select one of the settings as follows, and press the knob (6) to determine the selection.



- 3) Press “TUNE/FLD” knob (6) to select “ON” or “OFF”.
- 4) Following are the warning display related to vehicle system:
 - “Parking Brake Engaged”:
This message will appear when the vehicle is moved without releasing the parking brake. Check that parking brake is fully released.
 - “Seat Belt Open”:
This message will appear when the vehicle is moving and driver has not fastened his seat belt.

- “Door Open”:
This message will appear when any door (except tailgate) is open when the vehicle is moving.
- “Low Fuel”:
This message will appear to remind to fill the fuel. Fill the fuel immediately.

NOTE:

If you push “DISP/BACK” button (4) while the warning and indicator messages is displayed, the indication will disappear.

Reverse warning priority setting

On applying reverse, volume of audio system gets lowered. By default, this setting is ON. This setting can be turned on or off through the following steps:

- 1) Turn “TUNE/FLD” knob (6) to select “Reverse Warning Priority”, and press the knob (6) to determine the selection.
- 2) Turn “TUNE/FLD” knob (6) to select “No” or “Yes”, and press the knob (6) to determine the selection.

Auto scroll setting

Auto scroll setting is ON by default.

When playing the media files, if the files text contains more characters, “>” mark will appear at the right end up the display screen and the display changes to the next set of characters automatically.

- 1) Turn “TUNE/FLD” knob (6) to select “Auto Scroll”.
- 2) Press “TUNE/FLD” knob (6) to select “ON” or “OFF”.

RDS (Radio Data System) setting

Enabling this setting displays the messages transmitted by FM station. This setting is ON by default. You can choose to turn ON/OFF this setting through the following steps:

- 1) Turn “TUNE/FLD” knob (6) to select “RDS”.
- 2) Press “TUNE/FLD” knob (6) to select “ON” or “OFF”.

NOTE:

- Messages are displayed only when RDS signal is included in FM radio waves.
- The messages are displayed program service name only.

Smartphone app setting

Refer to section 5-49 for details about smartphone application.

Smartphone app can be used only when app setting is enable as ON.

Refer to “Suzuki Smartplay Dock application” later in this section for details.

- 1) Turn “TUNE/FLD” knob (6) to select “SmartPhone APP”.
- 2) Press “TUNE/FLD” knob (6) to select “ON” or “OFF”.

NOTE:

An Apple device can be connected in either Bluetooth® or iPod mode. Bluetooth® mode has higher priority over iPod Mode. In case, you want to connect the Apple device on iPod mode instead and change Smartphone app setting to “OFF”.

Listening to the radio

- (1) UP button
- (2) DOWN button
- (3) "MODE" button
- (4) "TUNE/FLD" knob

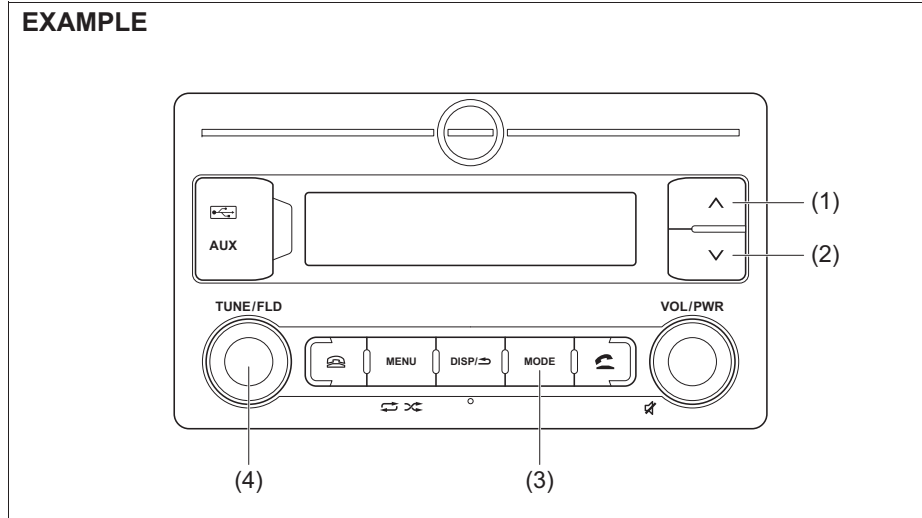
- (A) Frequency
- (B) Band
- (C) Auto store mode indication
- (D) RDS data

NOTE:

Radio Reception

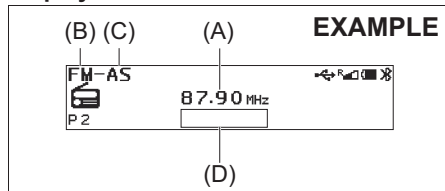
Radio reception can be affected by environment, atmospheric conditions, or radio signal's power and distance from the station.

Nearby mountains and buildings may interfere or deflect radio reception, causing poor reception. Poor reception or radio static can also be caused by electric current from overhead wires or high voltage power lines.



69RH145

Display



69RM05002

OTHER CONTROLS AND EQUIPMENT

Selecting the band

- 1) Press and hold "MODE" button (3) to change to the list of available modes.
- 2) Turn "TUNE/FLD" knob (4) to select "FM" or "AM", and press the knob (4) to determine the selection.

NOTE:

You can also switch the display in sequence by short pressing the "MODE" button (3).

Seek tuning

Press and hold UP button (1) or DOWN button (2) to start searching.

The unit stops searching for a station at a frequency where a broadcast station is available.

Manual tuning

Turn "TUNE/FLD" knob (4).

The frequency being received is displayed.

Preset memory

- 1) Tune to the desired station.
- 2) Press "TUNE/FLD" knob (4) to change the display to the preset channel list.
- 3) To store the station, turn "TUNE/FLD" knob (4) to select one of the channels, and press and hold the knob (4) to determine the selection.
- 4) To select station from the preset channel list, press "TUNE/FLD" knob (4) to change the display to the preset channel list.
Turn "TUNE/FLD" knob (4) to select one of the channels, and press the knob (4) to determine the selection.

NOTE:

12 stations can be stored for FM, and 6 stations can be stored for AM.

In case a station is stored over an existing preset station, previous data will be overridden.

Auto store

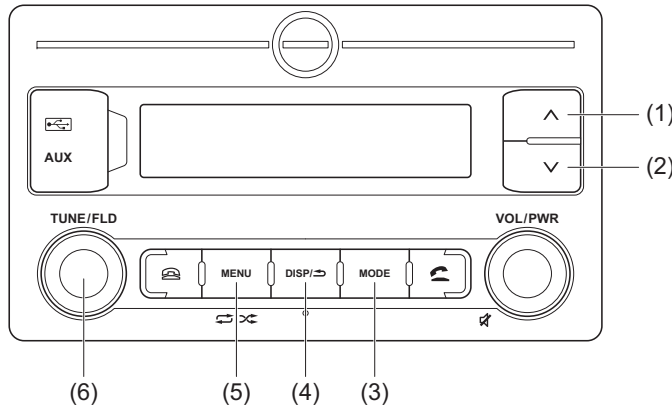
- 1) Press and hold "TUNE/FLD" knob (4) to start searching when in FM/AM mode. Some stations in good reception will automatically be stored to preset channel list in order, starting from a station whose frequency is the lowest.
- 2) To select station from the preset channel list, press "TUNE/FLD" knob (4) to change the display to the preset channel list while auto store mode indication (C) is displayed.

NOTE:

- *Auto Store can be cancelled by pressing the "DISP/BACK" button.*
- *When the auto store is performed, the station previously stored in the memory at the position is overwritten.*
- *6 stations can be preset for FM-AS, and 6 stations can be preset for AM-AS in auto store mode.*

Listening to files stored in a USB device

EXAMPLE



69RH146

- (1) UP button
- (2) DOWN button
- (3) "MODE" button
- (4) "DISP/BACK" button
- (5) "MENU" button
- (6) "TUNE/FLD" knob

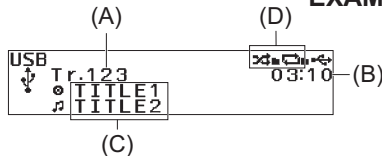
- (A) Track number
- (B) Play time
- (C) Current Active track information
(if supported by audio device)
- (D) Repeat/Random status Indication

NOTICE

Do not connect any USB device other than a USB memory or a USB audio player. Do not connect multiple USB devices to the USB connector using a USB hub, etc. Supplying power to multiple USB devices from the connector could cause overheating, smoke and permanent damage to audio system.

Display

EXAMPLE



69RM05003

OTHER CONTROLS AND EQUIPMENT

Selecting a USB device mode

- 1) Press and hold "MODE" button (3) to change the display.
- 2) Turn "TUNE/FLD" knob (6) to select "USB", and press the knob (6) to determine the selection.

NOTE:

You can also switch the display in sequence by short pressing the "MODE" button (3).

Selecting a folder

Press twice "TUNE/FLD" (6) knob and then turn "TUNE/FLD" (6) to select the desired folder.

Selecting a track

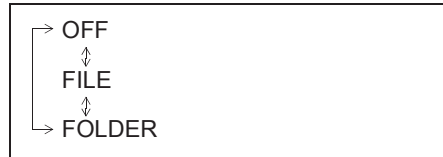
- Press UP button (1) to listen to the next track.
- Press DOWN button (2) twice to listen to the previous track.
When DOWN button (2) is pressed once, the track currently being played will start from the beginning again.

Fast forwarding/rewinding a track

- Press and hold UP button (1) to fast forward the track.
- Press and hold DOWN button (2) to fast rewind the track.
- Releasing the button can stop the fast forwarding/rewinding.

Repeat playback

- 1) Press and hold "MENU" button (5) to change the display.
- 2) Turn "TUNE/FLD" knob (6) to select "Repeat".
- 3) Press and rotate "TUNE/FLD" knob (6) to select one of the settings as below and then press "TUNE/FLD" knob (6) to determine selection.



- FILE
The track currently being played will be played repeatedly.
- FOLDER
All the tracks in the folder currently selected will be played repeatedly.

Random playback

- 1) Press and hold "MENU" button (5) to change the display.
- 2) Turn "TUNE/FLD" knob (6) to select "Random".
- 3) Press and rotate "TUNE/FLD" knob (6) to select one of the settings as below and then press "TUNE/FLD" knob (6) to determine selection.

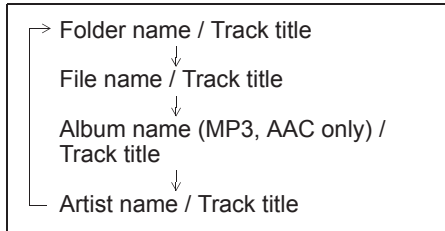


- FOLDER
The tracks in the currently selected folder will be played in random order.
- ALL
The tracks in the connected USB device will be played in random order.

Display change

Press "DISP/BACK" button (4).

Each time the button is pressed, display will change as follows:



NOTE:

- "NO TITLE" will be displayed when there is no text information in the file currently being played.
- If text data contains more characters than the display area, ">" mark will appear at the right end.

Notes on USB device

Compatible USB devices

- USB mass storage class
For details as to whether your USB memory/USB audio is compatible with USB mass storage class, please contact the USB memory/USB audio manufacturer.
- Audio file
MP3 (.mp3) / WMA (.wma) / AAC (.m4a) / AAC (.aac)
- File system
FAT 16/32, VFAT (supporting long file name)
- USB standard compatibility
1.1/2.0 full speed
- Maximum current less than 2.1 A
- If a USB hub or extension cable is connected to the audio system, it may not be recognized. In this case, directly connect the USB device to the audio system.
- Devices such as MP3 players/mobile phones/digital cameras may not be recognized as audio systems for playing music and 'USB READ ERROR' message may be displayed.

USB device connection

- When connecting a USB device, make sure that the connector is pushed all the way into the port present on audio system.
- Depending on the USB flash drive that you are using, (non-brand product, USB flash drive that has been externally damaged) it may disable connection or cause unstable operation.
- Do not leave the USB device for long periods of time in places inside the vehicle where the temperature can rise too high.
- Back up any important data beforehand. We cannot accept responsibility for any lost data.
- It is recommended not to connect a USB device that contains data files other than MP3/WMA format.

Playing MP3/WMA/AAC files on a USB device

- Playback or display may not be possible depending on the type of USB device in use or the condition of the recording.
- Depending on the connected USB memory, the files may be played in different order from the order that the files were stored.
- The DRM (Digital Rights Management) file cannot be played.

OTHER CONTROLS AND EQUIPMENT

Compatible compression formats

MP3

- Bit rate
 - MPEG1 Audio Layer III: 32 up to 320 kbps
 - MPEG2 Audio Layer III: 8 up to 160 kbps
 - MPEG2.5 Audio Layer III: 8 up to 160 kbps
- VBR: up to 384 kbps (MAX.)
- Sampling frequency
 - MPEG1 Audio Layer III: 32/44.1/48 kHz
 - MPEG2 Audio Layer III: 16/22.05/24 kHz
 - MPEG2.5 Audio Layer III: 8/11.025/12 kHz
- Channel
 - Stereo/Joint stereo/Dual channel/
Monaural
- ID3 tag
 - ID3v1.x/ID3v2.x

WMA

- Windows Media Audio Ver.7/Ver.8/Ver.9
 - Standard compliant
- Bit rate: 32 up to 320 kbps
- VBR: up to 384 kbps (MAX.)
- Sampling frequency: 32/44.1/48 kHz
- WMA tag: Ver.8.0
- Channel: 2 Channels

AAC

- Bit rate: 16 up to 320 kbps
- VBR: up to 320 kbps (MAX.)
- Sampling frequency: 32/44.1/48 kHz
- AAC tag: iTunes m4a metadata

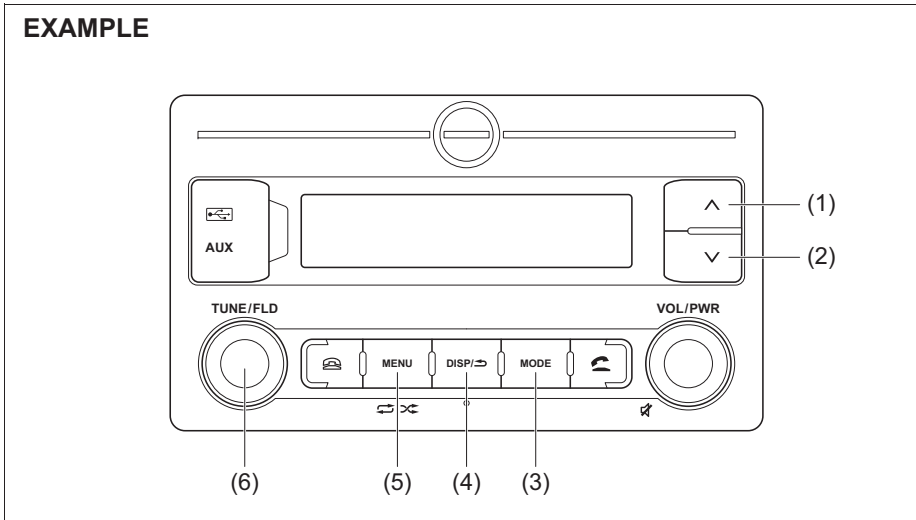
Maximum number of files/folders

- Maximum number of files: 2500
- Maximum number of files in a folder: 255
- Maximum number of folders: 255
 - Root folder and empty folder are included.
- Maximum depth of tree structure: 8

NOTICE
Never use “.mp3”, “.wma” or “.m4a” as a file name extension if it is not in the MP3/WMA/AAC format file. Failure to observe this may result in damage to the speaker due to noise production.

Listening to an iPod

EXAMPLE



69RH146

- (1) UP button
- (2) DOWN button
- (3) "MODE" button
- (4) "DISP/BACK" button
- (5) "MENU" button
- (6) "TUNE/FLD" knob

- (A) Track number
- (B) Play time
- (C) Current Active track information
(if supported by audio device)

Selecting an iPod mode

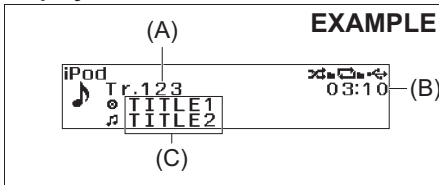
- 1) Press and hold "MODE" button (3) to change the display.
- 2) Turn "TUNE/FLD" knob (6) to select "iPod", and press the knob (6) to determine the selection.

NOTE:

You can also switch the display in sequence by short pressing the "MODE" button (3).

Display

EXAMPLE



69RH159

Selecting a track

- Press UP button (1) to listen to the next track.
 - Press DOWN button (2) twice to listen to the previous track.
- When DOWN button (2) is pressed once, the track currently being played will start from the beginning again.

OTHER CONTROLS AND EQUIPMENT

Fast forwarding/rewinding a track

- Press and hold UP button (1) to fast forward the track.
- Press and hold DOWN button (2) to fast rewind the track.
- Releasing the button can stop the fast forwarding/rewinding.

Repeat playback

- 1) Press and hold "MENU" button (5) to change the display.
- 2) Turn "TUNE/FLD" knob (6) to select "Repeat".
- 3) Press "TUNE/FLD" knob (6) to select one of the settings as follows.



- FOLDER
All the tracks in the folder currently selected will be played repeatedly.
- SONG
The track currently being played will be played repeatedly.

NOTE:

Settings may be displayed depending on the model of iPod.

Random playback

- 1) Press and hold "MENU" button (5) to change the display.
- 2) Turn "TUNE/FLD" knob (6) to select "Random".
- 3) Press "TUNE/FLD" knob (6) to select one of the settings as follows.



- SONG
The tracks in the iPod will be played in random order.

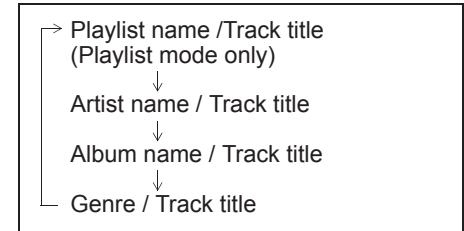
NOTE:

Settings may be displayed depending on the model of iPod.

Display change

Press "DISP/BACK" button (4).

Each time the button is pressed, display will change as follows:



NOTE:

- "NO TITLE" will be displayed when there is no text information in the file currently being played.
- If text data contains more characters than the display area, ">" mark will appear at the right end.

Selecting a category

Categories such as Artist, Album, Podcast, Genre, Audiobook, Playlist, Song may be displayed depending on the model of iPod.

- 1) Press and hold "TUNE/FLD" knob (6) to change the display.
- 2) Turn "TUNE/FLD" knob (6) to select one of the categories, and press the knob (6) to determine the selection.

Notes on iPod/iPhone

Made for iPod/iPhone

- iPod touch (6th generation)*
- iPod touch (5th generation)*
- iPod nano (7th generation)*
- iPhone 8 Plus
- iPhone 8
- iPhone 7 Plus
- iPhone 7
- iPhone SE
- iPhone 6s Plus
- iPhone 6s
- iPhone 6 Plus
- iPhone 6
- iPhone 5s
- iPhone 5c
- iPhone 5

* Some functions may not be available depending on the model of iPod.

iPod



69RH2011

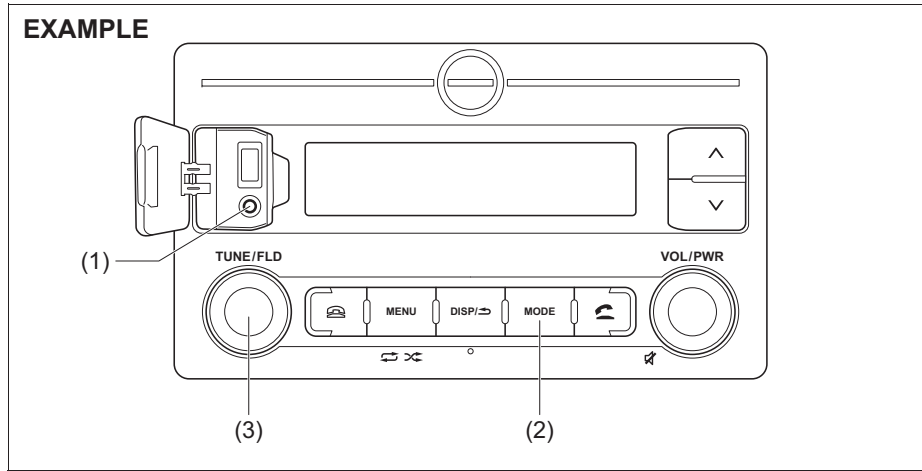
- Made for Apple badge means that an accessory has been designed to connect specifically to the Apple product(s) identified in the badge, and has been certified by the developer to meet Apple performance standards. Apple is not responsible for the operation of this device or its compliance with safety and regulatory standards.
- Please note that the use of this accessory with an Apple product may affect wireless performance.
- Apple, iPod touch, iPod nano, iPhone, and Lightning are trademarks of Apple Inc., registered in the U.S. and other countries.

NOTE:

Please do not connect iPod accessory such as iPod remote control or headphones while connecting the iPod with the unit. Unit may not operate correctly.

OTHER CONTROLS AND EQUIPMENT

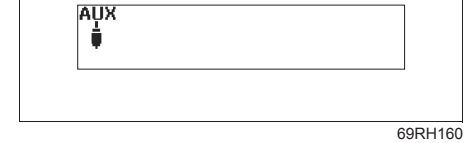
AUX function



- (1) AUX socket
- (2) "MODE" button
- (3) "TUNE/FLD" knob

Display

EXAMPLE



AUX connection

To listen to auxiliary audio sources (sold separately) through the unit, follow the instruction below.

- 1) Connect the auxiliary audio source to the AUX socket (1) with an AUX cable.
- 2) Press and hold "MODE" button (2) to change the display.
- 3) Turn "TUNE/FLD" knob (3) to select "AUX", and press the knob (3) to determine the selection.

NOTE:

You can also switch the display in sequence by short pressing the "MODE" button (2).

 **CAUTION**

- Before connection, mute the unit, and also keep the volume of the auxiliary audio source within a range that will not cause distortion.
- When the audio source is turned off, noise may be emitted. Be sure to turn off the unit or switch to another mode before turning off the audio source.

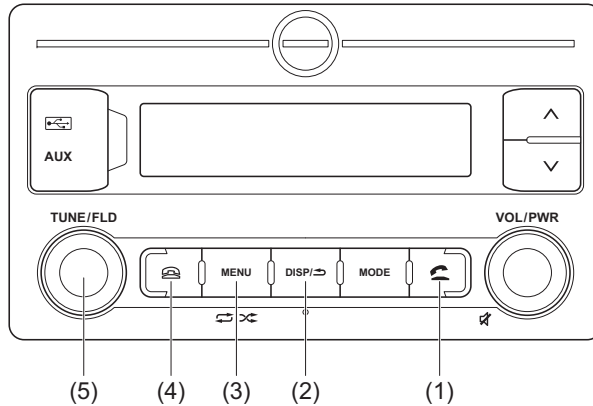
NOTE:

- *Please consult your place of purchase for details about whether a given auxiliary audio source can be connected and the proper auxiliary cord to use.*
- *The volume and tone controls of the auxiliary audio source can be adjusted on the unit.*
- *In AUX mode, the volume which is set is different from another mode.*

OTHER CONTROLS AND EQUIPMENT

Setting of Bluetooth® devices

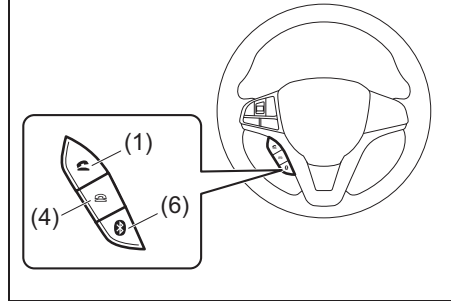
EXAMPLE



69RH185

Steering switch (if equipped)

EXAMPLE



69RM05004

- (1) OFF HOOK button
- (2) "DISP/BACK" button
- (3) "MENU" button
- (4) ON HOOK button
- (5) "TUNE/FLD" knob
- (6) Bluetooth® setting button

⚠ WARNING

Do not register or set the Bluetooth® device while driving. Stop your vehicle in a safe area before registering the device.

Bluetooth® related settings can be entered only when the vehicle is in stationary condition.

Registration of Bluetooth® devices

To use Bluetooth® devices (Bluetooth® audio or mobile phone) on the audio system, it is required to register the Bluetooth® devices to the audio system. Up to 5 Bluetooth® devices can be registered.

NOTE:

- *Certain functions cannot be used depending on the Bluetooth® device.*
- *Refer to the instruction manual of your Bluetooth® device regarding the operation method of Bluetooth®.*
- *If the pairing cannot be established, the connection operation is canceled. For the Bluetooth® device pairing method, refer to the instruction manual of your Bluetooth® device or try pairing again.*

- 1) Press "MENU" button (3). Setup menu will be displayed.
- 2) Turn "TUNE/FLD" knob (5) to select "Bluetooth Settings", and press the knob (5) to determine the selection.
- 3) Turn "TUNE/FLD" knob (5) to select "Pairing", and press the knob (5) to determine the selection.
- 4) Turn "TUNE/FLD" knob (5) to select "Name & Passkey", and press the knob (5) to determine the selection.

NOTE:

If you have no Bluetooth® device to be registered, you can also switch the display to "Pairing Name" and "Passkey" at once by pressing the Bluetooth® setting button (6),

OFF HOOK button (1) or ON HOOK button (4).

- 5) Operate and register the Bluetooth® device.

Secure Simple Pairing (SSP) incompatible Bluetooth® device:

Enter the passkey into the Bluetooth® device.

Secure Simple Pairing (SSP) compatible Bluetooth® device:

Select "Yes" to register the Bluetooth® device.

It is possible to automatically register devices depending on the type of Bluetooth® device.

NOTE:

If the Bluetooth® device contains music player and mobile phone function, both functions will be registered simultaneously. When deleting a Bluetooth® device, both functions will be deleted simultaneously.

Selection from the Bluetooth® phone list

The list of paired mobile phones is displayed and the various settings can be changed.

- 1) Press "MENU" button (3). Setup menu will be displayed.
- 2) Turn "TUNE/FLD" knob (5) to select "Bluetooth Settings", and press the knob (5) to determine the selection.
- 3) Turn "TUNE/FLD" knob (5) to select "Pairing", and press the knob (5) to determine the selection.

NOTE:

If you have the mobile phone which currently connected, you can also switch the display to "Pairing" at once by pressing the Bluetooth® setting button (6).

- 4) Turn "TUNE/FLD" knob (5) to select "Pairing Phone List", and press the knob (5) to determine the selection.
- 5) Turn "TUNE/FLD" knob (5) to select one of the registered mobile phones, and press the knob (5) to determine the selection.

NOTE:

">>" mark appears at the left end of the currently connected mobile phone.

- 6) Turn "TUNE/FLD" knob (5) to select one of the settings as follows, and press the knob (5) to determine the selection.

- "Connect":
Connect a registered mobile phone.
- "Disconnect":
Disconnect a registered mobile phone.
- "Delete":
Delete a registered mobile phone.

NOTE:

If a device is deleted from phone list, it will be deleted from audio list as well.

OTHER CONTROLS AND EQUIPMENT

Selection from the Bluetooth® audio list

The list of paired Bluetooth® audio is displayed and the various settings can be changed.

- 1) Press “MENU” button (3). Setup menu will be displayed.
- 2) Turn “TUNE/FLD” knob (5) to select “Bluetooth Settings”, and press the knob (5) to determine the selection.
- 3) Turn “TUNE/FLD” knob (5) to select “Pairing”, and press the knob (5) to determine the selection.

NOTE:

If you have the Bluetooth® audio which currently connected, you can also switch the display to “Pairing” at once by pressing the Bluetooth® setting button (6).

- 4) Turn “TUNE/FLD” knob (5) to select “Pairing Audio List”, and press the knob (5) to determine the selection.
- 5) Turn “TUNE/FLD” knob (5) to select one of the registered Bluetooth® audio devices, and press the knob (5) to determine the selection.

NOTE:

“>” mark appears at the left end of the currently connected Bluetooth® audio.

- 6) Turn “TUNE/FLD” knob (5) to select one of the settings as follows, and press the knob (5) to determine the selection.

- “Connect”:
Connect a registered Bluetooth® audio.

- “Disconnect”:
Disconnect a registered Bluetooth® audio.
- “Delete”:
Delete a registered Bluetooth® audio.

NOTE:

If a device is deleted from audio list, it will be deleted from phone list as well.

Managing paired devices

The devices paired with the audio unit can be managed from the “Bluetooth® settings” screen. You can connect one Bluetooth® device as audio and another Bluetooth® device as phone from registered Bluetooth® devices simultaneously.

Change of passkey

- 1) Press “MENU” button (3). Setup menu will be displayed.
- 2) Turn “TUNE/FLD” knob (5) to select “Bluetooth Settings”, and press the knob (5) to determine the selection.
- 3) Turn “TUNE/FLD” knob (5) to select “Pairing”, and press the knob (5) to determine the selection.

NOTE:

If you have the Bluetooth® device which currently connected, you can also switch the display to “Pairing” at once by pressing the Bluetooth® setting button (6).

- 4) Turn “TUNE/FLD” knob (5) to select “Edit Passkey”, and press the knob (5) to determine the selection.

- 5) Turn “TUNE/FLD” knob (5) to select a number for the first digit, and press the knob (5) to determine the selection. Select and determine numbers for from the second to fourth digits in order in the same manner.
- 6) Press “TUNE/FLD” knob (5) to determine the passkey setting.

Automatic connection with the Bluetooth® device

If the “BT Power” is set to “ON”, turning the ignition switch to “ON” position will automatically connect the registered Bluetooth® device.

- With the automatic connection, the Bluetooth® device that was connected last will be prioritized.

- 1) Press “MENU” button (3). Setup menu will be displayed.
- 2) Turn “TUNE/FLD” knob (5) to select “Bluetooth Settings”, and press the knob (5) to determine the selection.
- 3) Turn “TUNE/FLD” knob (5) to select “Initial Settings”, and press the knob (5) to determine the selection.
- 4) Turn “TUNE/FLD” knob (5) to select “BT Power”.
- 5) Press “TUNE/FLD” knob (5) to select “ON” or “OFF”.

NOTE:

- When “BT Power” is set to “OFF”, the audio system disconnects from the registered Bluetooth® device.

- If “BT Power” is set to “OFF”, the audio system will not automatically reconnect the next time the ignition is switched on.

The device status will be displayed

- 1) Press “MENU” button (3). Setup menu will be displayed.
- 2) Turn “TUNE/FLD” knob (5) to select “Bluetooth Settings”, and press the knob (5) to determine the selection.
- 3) Turn “TUNE/FLD” knob (5) to select “Pairing”, and press the knob (5) to determine the selection.

NOTE:

If you have the Bluetooth® device which currently connected, you can also switch the display to “Pairing” at once by pressing the Bluetooth® setting button (6).

- 4) Turn “TUNE/FLD” knob (5) to select “Device Information”, and press the knob (5) to determine the selection. The device name and address will be displayed.

Initialize Bluetooth® settings

It is possible to initialize the Bluetooth® settings.

CAUTION

- Do not initialize the settings while driving. Stop your vehicle in a safe area before initializing the device.
- Initialize with caution. Initialized settings cannot be restored.

- 1) Press “MENU” button (3). Setup menu will be displayed.
- 2) Turn “TUNE/FLD” knob (5) to select “Bluetooth Settings”, and press the knob (5) to determine the selection.
- 3) Turn “TUNE/FLD” knob (5) to select “Initial Settings”, and press the knob (5) to determine the selection.
- 4) Turn “TUNE/FLD” knob (5) to select “Initialize BT”, and press the knob (5) to determine the selection.
- 5) Turn “TUNE/FLD” knob (5) to select “YES”, and press the knob (5) to determine the selection.

- Items to be initialized to default value:
 - BT Power
 - Talk Volume
 - Ring Volume

Notes on Bluetooth®



73R0209

- The Bluetooth® word mark and logos are registered trademarks owned by Bluetooth SIG, Inc. and any use of such marks by Panasonic Corporation is under license. Other trademarks and trade names are those of their respective owners.
This telecommunication equipment con-

forms to the requirements of the National Telecommunications Commission.

- Stop using this unit and a Bluetooth® ready device whenever requested. This unit shares the communication frequency with other private or public wireless communication equipment such as a wireless LAN and other wireless communication radios.

You should stop using this unit immediately whenever you are notified that your unit disturbs other wireless communication.

Profile

- SSP (Secure Simple Pairing)
- PBAP (Phone Book Access Profile)
- OPP (Object Push Profile)
- HFP (Hand-Free Profile)
- A2DP (Advanced Audio Distribution Profile)
- AVRCP (Audio/Video Remote Control Profile)
- SPP (Serial Port Profile)

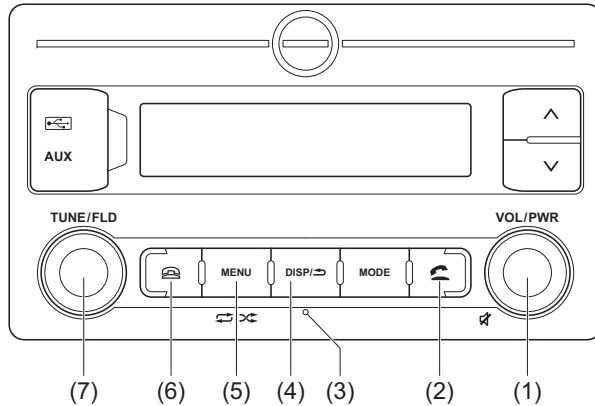
NOTE:

- After the Audio system is turned ON, it takes a few seconds to detect and set up Bluetooth® related settings.
- For Bluetooth related issues, unpair, restart your smartphone and try again.

OTHER CONTROLS AND EQUIPMENT

Bluetooth® hands-free

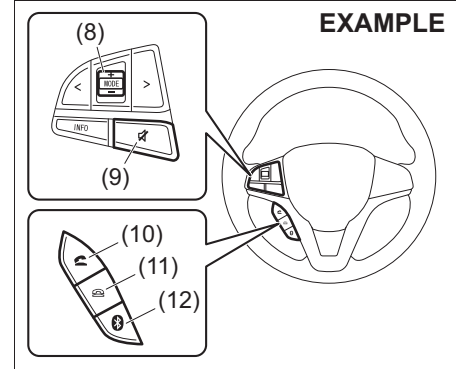
EXAMPLE



69RH187

Steering switch (if equipped)

EXAMPLE



69RH188

- (1) "VOL/PWR" knob
- (2) OFF HOOK button (on audio)
- (3) Microphone
- (4) "DISP/BACK" button
- (5) "MENU" button
- (6) ON HOOK button (on audio)
- (7) "TUNE/FLD" knob
- (8) Volume button
- (9) Mute button
- (10) OFF HOOK button (on steering wheel)
- (11) ON HOOK button (on steering wheel)
- (12) Bluetooth® setting button

NOTICE

- Do not leave your mobile phone inside your vehicle. If the temperature inside the vehicle increases, it may damage your mobile phone.
- When disposing your vehicle, make sure to delete all personal information saved to the audio system.
- The following hands-free data must be deleted from the audio system.
 - Speed dial
 - Reception history/Incoming call history
 - Bluetooth® phonebook data

NOTE:

- Please keep your phone volume low. The person's voice who you are talking to may be heard outside of the vehicle and increase the voice echo. When talking on the phone, speak clearly towards the microphone.
- In the following cases, your voice may not be heard clearly by the person on the other line:
 - When driving on unpaved roads. (If there is loud traffic noise.)
 - When driving at high speeds.
 - When driving with the window open.
 - If the air conditioner is blowing directly towards the microphone.
 - When the sound of the air conditioner fan is loud.

- When there is an adverse effect to the sound quality of the phone or network that you are using.
- The audio system may not function under the following conditions.
 - When the phone power is not turned on.
 - When the mobile phone is out of service.
 - When the mobile phone is not connected.
 - When the mobile phone battery is low
- The Bluetooth®'s hands-free operation is dependent upon the mobile phone's compatibility.
- The Bluetooth®'s hands-free performance is affected by the driving conditions of mobile phone networks, handsets and vehicles.
- The audio system's performance may be restricted due to the model of your mobile phone.
- Bluetooth®, phone battery level and network signal strength status are displayed only when a phone is connected to the system.
- The information depends on status received from the phone.
- The call, contact synchronization action is controlled from the smartphone.

To use the hands-free function with this unit, it is required to register the phone in advance.

It is possible to register a mobile phone and register the phone number to the audio system as follows:

- Up to 1,000 phone numbers can be saved for every registered mobile phone.
- Up to 30 phone numbers of the latest calls can be stored. (30 calls including missed, received and dialed call).
 - When the call history exceeds 30 calls, they are deleted from the oldest one first, and the latest call history information is displayed in descending order.
- Up to 6 phone numbers can be saved to the speed dial list.
- When attempts to establish the pairing fail within 60 seconds, the connecting operation will be canceled. Try to establish the pairing again or refer to the manual of the phone in use for how to establish the pairing with the phone.

Answer the phone

Press OFF HOOK button (2) or (10).

- When you press the ON HOOK button (6) or (11) during an incoming call, you can block the call. (Only for compatible phone units)

OTHER CONTROLS AND EQUIPMENT

NOTE:

- If you receive a call from a registered phone, the caller's name will appear on the screen.
- If you receive a call from an unregistered phone, only the caller's phone number will appear on the screen.

Hang up the phone

When the call is finished, press the ON HOOK button (6) or (11).

Call waiting

When a phone call is interrupted by a second call, it is possible to hold the current call and answer the other incoming call.

To talk to incoming call:

- Press the OFF HOOK button (10) or (2). The current call will be put on hold.
- Every time you press OFF HOOK button (10) or (2), the phone call will be switched to the call which was put on hold.
- When the current call is completed, the call which was put on hold will connect.

To refuse the incoming call:

- Press the ON-HOOK button (11) or (6).

NOTE:

This function can only be used with phone units that are compatible with call waiting.

Move call to Private mode

If you wish to move a call to private mode, press the "DISP/BACK" button (4).

To move the call back to Handsfree mode, press the OFF/ON hook button.

Move call to Handsfree mode

If you wish to move the call back to Handsfree Mode, press the "ON/OFF HOOK" button.

Mute the reception volume

Press "VOL/PWR" knob (1) or mute button (9).

- To deactivate the mute volume, press "VOL/PWR" knob (1) or mute button (9) again.

Adjust the reception volume

- Turn "VOL/PWR" knob (1) during a call. Turning it clockwise increases the volume; turning it counterclockwise decreases the volume.
- Press volume button (8) during a call. Pressing the button up increases the volume; pressing the button down decreases the volume.

NOTE:

The volume and microphone sensitivity settings vary depending on the specifications of each mobile phone.

Adjust the ringtone volume

- Turn "VOL/PWR" knob (1) during an incoming call. Turning it clockwise increases the volume; turning it counterclockwise decreases the volume.
- Press volume button (8) during an incoming call. Pressing the button up increases the volume; pressing the button down decreases the volume.

Adjust the volume with the Bluetooth® settings

- 1) Press "MENU" button (5). Setup menu will be displayed.
- 2) Turn "TUNE/FLD" knob (7) to select "Bluetooth Settings", and press the knob (7) to determine the selection.
- 3) Turn "TUNE/FLD" knob (7) to select "Initial Settings", and press the knob (7) to determine the selection.
- 4) Turn "TUNE/FLD" knob (7) to select "Talk volume" or "Ring volume", and press the knob (7) to determine the selection.
- 5) Turn "TUNE/FLD" knob (7) to adjust the volume, and press the knob (7) to determine the selection.

Make a call

Press the OFF HOOK button (2) or (10) to enter the telephone mode.

Use the phonebook

- 1) Turn "TUNE/FLD" knob (7) to select "Contacts", and press the knob (7) to determine the selection.
- 2) Turn "TUNE/FLD" knob (7) to select the desired initials, and press the knob (7) to determine the selection.
- 3) Turn "TUNE/FLD" knob (7) to select the desired name, and press the knob (7) to determine the selection.
- 4) Turn "TUNE/FLD" knob (7) to select the desired phone number, and press the knob (7) or OFF HOOK button (2) or (10).

Use the call history

- 1) Turn "TUNE/FLD" knob (7) to select "Call Log", and press the knob (7) to determine the selection.
- 2) Turn "TUNE/FLD" knob (7) to select "All", "Missed", "Dialed" or "Received", and press the knob (7) to determine the selection.
- 3) Turn "TUNE/FLD" knob (7) to select the desired name or phone number, and press the knob (7) or OFF HOOK button (2) or (10).

Use the speed dial

- 1) Turn "TUNE/FLD" knob (7) to select "Speed Dial", and press the knob (7) to determine the selection.
- 2) Turn "TUNE/FLD" knob (7) to select the desired name or phone number, and press the knob (7) or OFF HOOK button (2) or (10).

NOTE:

Speed dial numbers must be registered before this function can be used.

Transfer all contacts from your mobile phone

- 1) Press "MENU" button (5). Setup menu will be displayed.
- 2) Turn "TUNE/FLD" knob (7) to select "Bluetooth Settings", and press the knob (7) to determine the selection.
- 3) Turn "TUNE/FLD" knob (7) to select "Dial", and press the knob (7) to determine the selection.
- 4) Turn "TUNE/FLD" knob (7) to select "Setup Contacts", and press the knob (7) to determine the selection.
- 5) Turn "TUNE/FLD" knob (7) to select "Overwrite", and press the knob (7) to determine the selection.
- 6) Turn "TUNE/FLD" knob (7) to select "YES", and press the knob (7) to determine the selection.

Delete the registered phonebook

- 1) Press "MENU" button (5). Setup menu will be displayed.
- 2) Turn "TUNE/FLD" knob (7) to select "Bluetooth Settings", and press the knob (7) to determine the selection.
- 3) Turn "TUNE/FLD" knob (7) to select "Dial", and press the knob (7) to determine the selection.

- 4) Turn "TUNE/FLD" knob (7) to select "Setup Contacts", and press the knob (7) to determine the selection.
- 5) Turn "TUNE/FLD" knob (7) to select "Delete Contacts", and press the knob (7) to determine the selection.
- 6) Turn "TUNE/FLD" knob (7) to select "YES", and press the knob (7) to determine the selection.

Delete the call history

- 1) Press "MENU" button (5). Setup menu will be displayed.
- 2) Turn "TUNE/FLD" knob (7) to select "Bluetooth Settings", and press the knob (7) to determine the selection.
- 3) Turn "TUNE/FLD" knob (7) to select "Dial", and press the knob (7) to determine the selection.
- 4) Turn "TUNE/FLD" knob (7) to select "Setup Contacts", and press the knob (7) to determine the selection.
- 5) Turn "TUNE/FLD" knob (7) to select "Delete Call Log", and press the knob (7) to determine the selection.
- 6) Turn "TUNE/FLD" knob (7) to select "YES", and press the knob (7) to determine the selection.

Registration in speed dial

- 1) Press "MENU" button (5). Setup menu will be displayed.
- 2) Turn "TUNE/FLD" knob (7) to select "Bluetooth Settings", and press the knob (7) to determine the selection.

OTHER CONTROLS AND EQUIPMENT

- 3) Turn "TUNE/FLD" knob (7) to select "Dial", and press the knob (7) to determine the selection.
- 4) Turn "TUNE/FLD" knob (7) to select "Add Speed Dial", and press the knob (7) to determine the selection.
- 5) Turn "TUNE/FLD" knob (7) to select "Add/Modify", and press the knob (7) to determine the selection.
- 6) Turn "TUNE/FLD" knob (7) to select the desired speed dial number, and press the knob (7) to determine the selection.
- 7) Turn "TUNE/FLD" knob (7) to select the desired initials, and press the knob (7) to determine the selection.
- 8) Turn "TUNE/FLD" knob (7) to select the desired name, and press the knob (7) to determine the selection.
- 9) Turn "TUNE/FLD" knob (7) to select the desired Phone number, and press the knob (7) to determine the selection.
- 10) Turn "TUNE/FLD" knob (7) to select "YES", and press the knob (7) to determine the selection.
- 4) Turn "TUNE/FLD" knob (7) to select "Add Speed Dial", and press the knob (7) to determine the selection.
- 5) Turn "TUNE/FLD" knob (7) to select "Delete", and press the knob (7) to determine the selection.
- 6) Turn "TUNE/FLD" knob (7) to select "Delete All" or "Delete Contact", and press the knob (7) to determine the selection.
 - If you select "Delete Contact", select the name for delete.
- 7) Turn "TUNE/FLD" knob (7) to select "YES", and press the knob (7) to determine the selection.
- 6) Press "TUNE/FLD" knob (7) to select "ON" or "OFF".

Automatic transfer of the phonebook/ call history

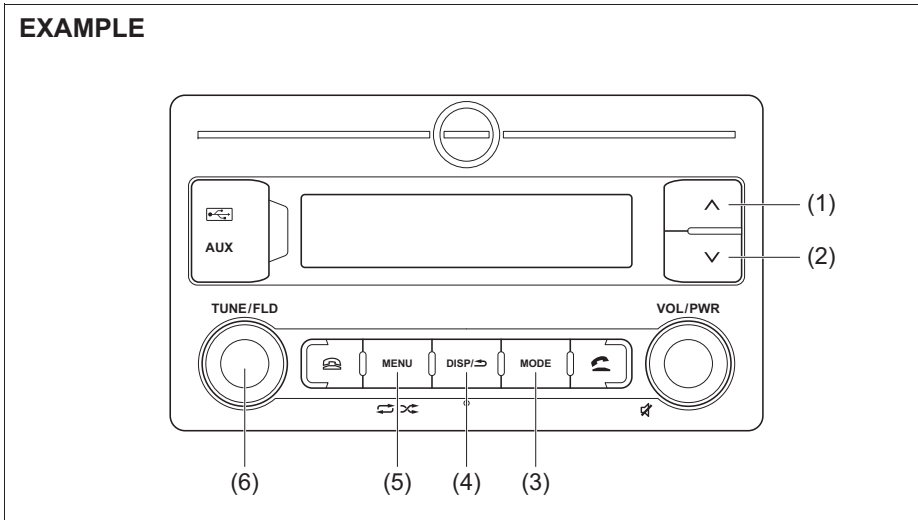
When registering the mobile phone, you can select to automatically transfer the phonebook and call history from your device each time after phone is connected. Select according to the following steps.

Deletion of speed dial

- 1) Press "MENU" button (5). Setup menu will be displayed.
- 2) Turn "TUNE/FLD" knob (7) to select "Bluetooth Settings", and press the knob (7) to determine the selection.
- 3) Turn "TUNE/FLD" knob (7) to select "Dial", and press the knob (7) to determine the selection.
- 1) Press "MENU" button (5). Setup menu will be displayed.
- 2) Turn "TUNE/FLD" knob (7) to select "Bluetooth Settings", and press the knob (7) to determine the selection.
- 3) Turn "TUNE/FLD" knob (7) to select "Dial", and press the knob (7) to determine the selection.
- 4) Turn "TUNE/FLD" knob (7) to select "Setup Contacts", and press the knob (7) to determine the selection.
- 5) Turn "TUNE/FLD" knob (7) to select "Auto Transfer".

Bluetooth® audio

EXAMPLE



69RH146

- (1) UP button
- (2) DOWN button
- (3) "MODE" button
- (4) "DISP/BACK" button
- (5) "MENU" button
- (6) "TUNE/FLD" knob

- (A) Track number
- (B) Play time
- (C) Text information display

NOTE:

Some functions may not be usable on some Bluetooth® devices.

Selecting Bluetooth® audio mode

- 1) Press and hold "MODE" button (3) to change the display.
- 2) Turn "TUNE/FLD" knob (6) to select "Bluetooth", and press the knob (6) to determine the selection.

NOTE:

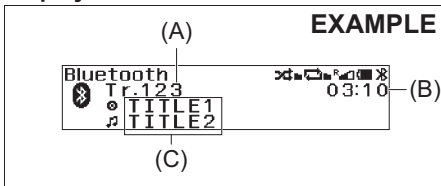
You can also switch the display in sequence by short pressing the "MODE" button (3).

Selecting a group (only for supported models)

Turn "TUNE/FLD" knob (6) to select a group.

Display

EXAMPLE



69RH161

OTHER CONTROLS AND EQUIPMENT

Selecting a track

- Press UP button (1) to listen to the next track.
- Press DOWN button (2) twice to listen to the previous track.
When DOWN button (2) is pressed once, the track currently being played will start from the beginning again.

Fast forwarding/rewinding a track

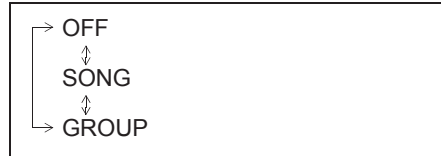
- Press and hold UP button (1) to fast forward the track.
- Press and hold DOWN button (2) to fast rewind the track.
- Releasing the button can stop the fast forwarding/rewinding.

NOTE:

Fast forwarding and fast rewinding function can be performed only if it is supported by the player in which the track is being played.

Repeat playback (if supported by device)

- 1) Press and hold "MENU" button (5) to change the display.
- 2) Turn "TUNE/FLD" knob (6) to select "Repeat".
- 3) Press and then turn "TUNE/FLD" knob (6) to select one of the settings as below and press "TUNE/FLD" knob (6) again to determine the selection.



- SONG
The track currently being played will be played repeatedly.
- GROUP
All the tracks in the group currently selected will be played repeatedly.

NOTE:

Settings may be displayed depending on the Bluetooth® device.

Random playback (if supported by device)

- 1) Press and hold "MENU" button (5) to change the display.
- 2) Turn "TUNE/FLD" knob (6) to select "Random".
- 3) Press "TUNE/FLD" knob (6) to select one of the settings as follows.



- GROUP

The tracks in the currently selected group will be played in random order.

- ALL

The tracks in the connected device will be played in random order.

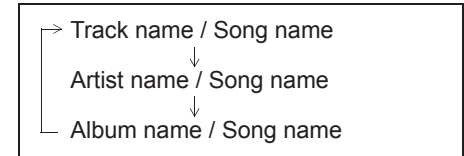
NOTE:

Settings may be displayed depending on the Bluetooth® device.

Display change

Press "DISP/BACK" button (4).

Each time the button is pressed, display will change as follows:



NOTE:

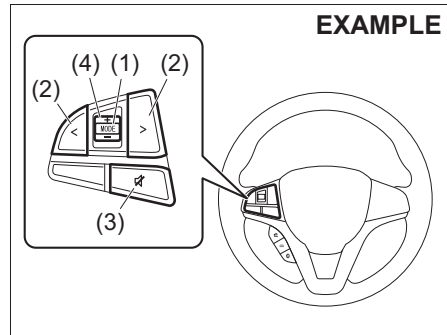
- "NO TITLE" will be displayed when there is no text information in the device currently being played.
- If text data contains more characters than the display area, ">" mark will appear at the right end.

Disclaimer for Bluetooth® function

- Depending on the mobile phone models, some phones may not be compatible fully or partially (some function may be restricted).
- Media playback and handsfree calling through third-party applications is not guaranteed and may have limited support.
- Playback, display contents, connectivity or voice quality etc. may get affected depending on circumstances.
- After the ignition switch is turned to “ON” position the audio system takes few seconds to detect and connect to the Bluetooth® device (if already paired).
- Make sure that you are aware of all applicable local laws and accordingly use Bluetooth® device.

Steering switch (if equipped)

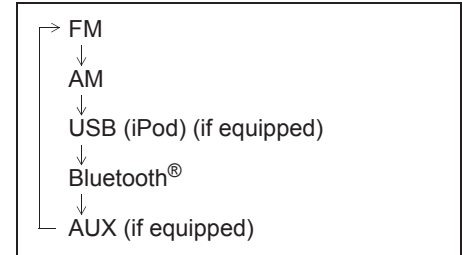
Use the steering wheel button to operate the basic functions of the audio system.



- (1) “MODE” button
- (2) Selection button
 - Selecting the radio station
 - Selecting the track (USB (iPod), Bluetooth® audio mode)
- (3) Mute button
- (4) Volume button

“MODE” button (1)

Each time the button is pressed, the mode will change as follows:



Selection button (2)

- FM, AM mode:
 - Press “>” to transfer to the next preset channel.
 - Press “<” to transfer to the previous preset channel.
 - Press “>” for 1 second or longer, it will search for receivable stations at a high frequency.
 - Press “<” for 1 second or longer, it will search for receivable stations at a low frequency.
- USB (iPod), Bluetooth® audio mode:
 - Press “>” to transfer to the next song. With the folder operation mode, it will transfer to the next folder.

OTHER CONTROLS AND EQUIPMENT

- Press “<” to return to the beginning of the currently playing song. Pressing it twice consecutively will return to the previous song.

With the folder operation mode, it will return to the previous folder.

- Press “>” for 1 second or longer to fast-forward the song.

When the button is released, it will stop fast-forwarding.

- Press “<” for 1 second or longer to rewind the song.

Releasing the button can stop rewinding.

Mute button (3)

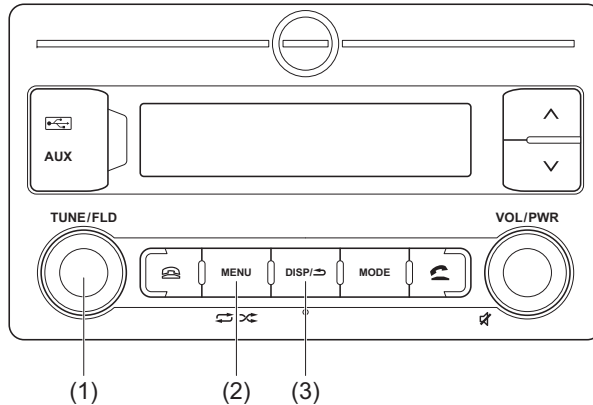
- Hands-free/iPod mode:
Each time you press the button the mute will switch from ON/OFF.
- USB mode:
Press the button during playback to temporarily stop the playback.

Volume button (4)

- Hands-free mode:
 - Press “+” during an outgoing or incoming call, the reception/ringtone sound will increase.
 - Press “-” during an outgoing or incoming call, the reception/ringtone sound will decrease.
 - Press “+” during an outgoing call, the ringtone sound will increase.
 - Press “-” during an outgoing call, the ringtone sound will decrease.
- Radio, USB (iPod), Bluetooth® audio, AUX mode:
 - Press “+”, the volume will increase.
 - Press “-”, the volume will decrease.

Anti-theft feature

EXAMPLE



69RH150

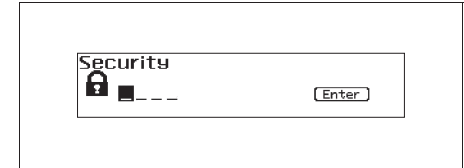
- (1) "TUNE/FLD" knob
- (2) "MENU" button
- (3) "DISP/BACK" button

The anti-theft function is intended to discourage thefts, such as that the audio system becomes inoperable when it is installed on other vehicles.

This function works by entering a Personal Identification Number (PIN).

When the unit is disconnected from its power source, such as when the audio system is removed or the battery is disconnected, the unit will become inoperable until the PIN is reentered.

Display



69RH162

Setting the anti-theft function

- 1) Press "MENU" button (2). Setup menu will be displayed.
- 2) Turn "TUNE/FLD" knob (1) to select "System Settings", and press the knob (1) to determine the selection.
- 3) Turn "TUNE/FLD" knob (1) to select "Security", and press the knob (1) to determine the selection.
- 4) Turn "TUNE/FLD" knob (1) to select "ON", and press the knob (1). "----" will be displayed.
- 5) Enter a 4-digit number to be registered as PIN by turning and pressing the "TUNE/FLD" knob (1).
- 6) After entering 4-digit number, press "TUNE/FLD" knob (1) on "Enter" indication. "Do you want to set XXXX as password" will be displayed.
- 7) Turn "TUNE/FLD" knob (1) to select "YES", and press the knob (1). "XXXX is set as password" will be displayed and the anti-theft function will be set.

NOTE:

Take a note of the registered PIN and keep it for the future use.

OTHER CONTROLS AND EQUIPMENT

Canceling the anti-theft feature

To cancel the anti-theft function, delete the registered PIN.

- 1) Press “MENU” button (2). Setup menu will be displayed.
- 2) Turn “TUNE/FLD” knob (1) to select “System Settings”, and press the knob (1) to determine the selection.
- 3) Turn “TUNE/FLD” knob (1) to select “Security”, and press the knob (1) to determine the selection.
- 4) Turn “TUNE/FLD” knob (1) to select “OFF”, and press the knob (1). “----” will be displayed.
- 5) Enter a 4-digit number to be registered as PIN by turning and pressing the “TUNE/FLD” knob (1).
- 6) After entering 4-digit number, press “TUNE/FLD” knob (1) on “Enter” indication. The anti-theft function will be canceled.

NOTE:

To change your PIN, first delete your current PIN, and then set a new one.

Confirming the Personal Identification Number (PIN)

When the main power source is disconnected such as when the battery is replaced, etc, it is required to enter the PIN to make the unit operable again.

- 1) Set the ignition switch to “ACC” position.
“SECURITY” will be displayed.
- 2) Press “TUNE/FLD” knob (1). “----” will be displayed.
- 3) Enter a 4-digit number to be registered as PIN by turning and pressing the “TUNE/FLD” knob (1).
- 4) Press and hold “TUNE/FLD” knob (1) for a while.

When the same PIN as registered is entered, the power of the audio system will be turned off automatically and it will become operable again.

NOTE:

If an incorrect PIN is entered, “ERROR” and the total number of incorrect entry attempts will be displayed.

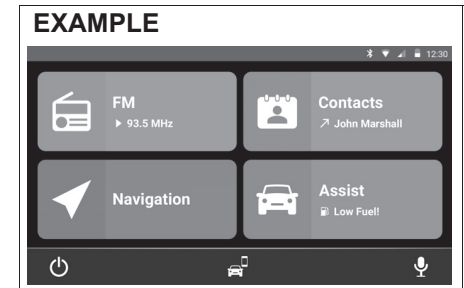
If an incorrect PIN is entered 10 times or more, “Contact Dealer” will be displayed and the audio system will become inoperable.

“Suzuki Smartplay Dock” application

“Suzuki Smartplay Dock” is an application that allows:

- To control the audio system
- Access smartphone features such as calling & messaging.
- *Access vehicle information such as Instantaneous & average fuel consumption, history (last 5 driving cycle & last 5 refuel cycle) fuel consumption, driving range & alerts.

NOTE: *Availability of these features is subject to vehicle or fuel type.



69RM05008

This application can be downloaded on smartphone through Google Play store or Apple App Store.

WARNING

While driving, ensure adherence to all traffic regulations. Insufficient attention to the road and traffic may cause an accident. It is recommended to familiarize with the tutorial section of application before actual usage.

In vehicle running condition, the application can be used in landscape mode only.

merely provides the option to display and operate these applications.

- If many apps are installed, your smartphone might work slowly.*
- For information on using smartphone applications, please read your smartphone instruction manual.*

NOTE:

- For further information on compatible phones and application download process, please refer to MARUTI SUZUKI website.*
- Application is compatible with smartphones supporting iOS version 9.0, Android OS 5.0 and above.*
- Since this audio allows pairing of 2 devices on Bluetooth® simultaneously, application is supported on the phone which is paired through handsfree profile.*
- Application services are subject to change. It is recommended to install the latest updates for optimal experience.*
- Application functioning is dependent on mobile data carrier and smartphone hardware, OS performance.*
- The smartphone manufacturers are responsible for the content and functions of smartphone applications. The device*

OTHER CONTROLS AND EQUIPMENT

Troubleshooting

When encountering a problem, check and follow the instructions below.

If the described suggestions do not solve the problem, it is recommended to take the unit to a Maruti Suzuki authorised workshop.

Problem	Possible cause	Possible solution
---------	----------------	-------------------

Common

Unable to operate	The security function is on.	When "SECURITY" is displayed, enter the PIN. When "Contact Dealer" is displayed, contact a Maruti Suzuki authorised workshop.
Unable to turn on the power (No sound is produced)	Fuse is blown.	Contact a Maruti Suzuki authorised workshop.

Radio

Much noise	It may not be exactly tuned in to the station.	Tune it in exactly to the station.
Unable to receive by auto tuning	There may be no station emitting signals powerful enough.	Pick up a station by manual tuning.

USB

Playback does not start when the USB device is connected	There is no supported format file to play on this unit.	Check the file format.
	The current consumption of the USB device exceeds 2.1 A.	Use a USB device with a current consumption lower than 2.1 A.
Sound skips or noise produced	Sound skipping may occur when playing VBR (Variable Bit Rate) files.	It is not recommended to play VBR files.

Display	Possible solution	Display
Bluetooth®		
Pairing failed	The distance between this unit and the Bluetooth® ready device is too far, or a metallic object may be located between the Bluetooth® ready device and this unit.	Change the location of the Bluetooth® ready device.
	The Bluetooth® function of the Bluetooth® ready device is off.	Refer to the manual of the Bluetooth® ready device. (Some devices have the power saving function that automatically activates after a certain time.)
Unable to receive a call	Your current location may be out of service area.	Drive your vehicle to the service area of the phone.
The voice quality of hands-free is low (Distortion, noise etc.)	Another wireless device may be located near the unit.	Switch off the wireless device or keep it away from the unit. Check the microphone opening for obstruction on audio device.

OTHER CONTROLS AND EQUIPMENT

Error display messages

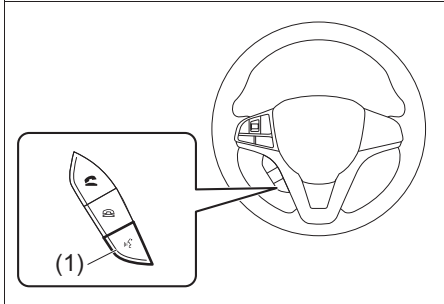
The following messages (flashing) will be displayed onto the screen depending on the condition of the audio system.

Display	Possible solution
USB READ ERROR	When the USB device or iPod reading error occurs, this message will be displayed. Reconnect the USB device or iPod connection cable. When the Bluetooth® audio playback malfunction occurs, this message will be displayed. Check the Bluetooth® audio body.
ERROR 1	When the USB device or iPod communication error occurs, this message will be displayed. Reconnect the USB device or iPod connection cable.
iPod ERROR 1	
ERROR 2	When the USB device or iPod mechanical error occurs, this message will be displayed. Remove the USB device or iPod, and check the USB device or the iPod.
ERROR 3	If the USB device or iPod does not operate due to an over current, this message will be displayed. Remove the USB device or iPod, and check the USB device or the iPod.
HUB NOT SUPPORTED	When the USB hub is connected, this message will be displayed. Disconnect the USB hub.
UNSUPPORTED	When an unsupported iPod is connected, this message will be displayed. Connect the supported iPod.
MEDIA NOT SUPPORTED	When an unsupported USB device is connected, this message will be displayed. Connect the supported USB device. When the Bluetooth® audio playback malfunction occurs, this message will be displayed. Check the Bluetooth® audio body.
NO MUSIC	When an empty USB device or iPod is connected, this message will be displayed. Connect the USB device or iPod containing files with the playable extension.

Display	Possible solution
VEHICLE DATA NOT AVAILABLE	Contact your nearest Maruti Suzuki authorised workshop for troubleshooting.
MEMORY FULL	When the maximum limit for number of phonebook data transfer is reached, this message will be displayed. Delete registered data of unnecessary number in phonebook and try to transfer the register phone numbers in the phonebook again.

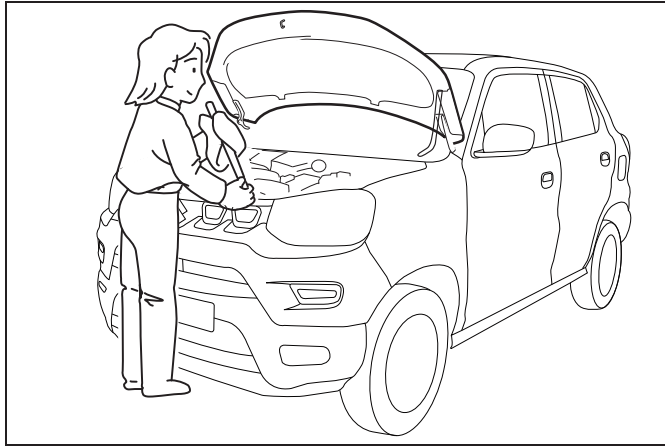
OTHER CONTROLS AND EQUIPMENT

Talk button (if equipped)



(1) Talk button

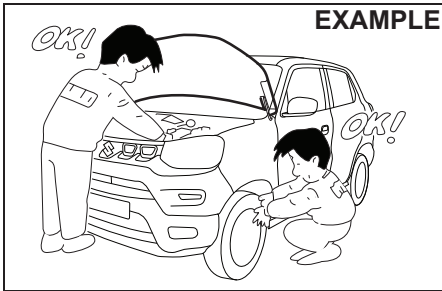
- It can be used with a device having a voice recognition function. To use the function, it is necessary to perform a corresponding setting on your device. For operation of the audio system or the navigation system, refer to the supplementary manual, provided along with it.



62SM06000

INSPECTION AND MAINTENANCE

Maintenance schedule	6-2
Periodic maintenance schedule	6-2
Drive belt	6-6
Engine oil and filter	6-6
Engine coolant	6-9
Air cleaner	6-11
Spark plugs	6-12
Gear oil	6-12
Clutch pedal (if equipped)	6-13
Fuel filter	6-14
Brakes	6-14
Steering	6-16
Tires	6-17
Battery	6-19
Fuses	6-21
Headlight aiming	6-24
Bulb replacement	6-25
Wiper blades	6-30
Windshield washer fluid	6-31
Air conditioning system (if equipped)	6-31



62SM03001

⚠ WARNING

Take extreme care when working on your vehicle to prevent accidental injury. Carefully observe the following precautions:

- To prevent damage or unintended activation of the airbag system or seat belt pretensioner system (if equipped), check that the battery is disconnected and the ignition switch has been in "LOCK" position for at least 90 seconds before performing any electrical service work on your MARUTI SUZUKI vehicle. Do not touch airbag system components, seat belt pretensioner system (if equipped) components or wires.

(Continued)

⚠ WARNING

(Continued)

- The wires are wrapped with yellow tape or yellow tubing, and the couplers are yellow for easy identification.
- Do not leave the engine running in garages or other confined areas.
- When the engine is running, keep hands, clothing, tools, and other objects away from the fan and drive belt. Even though the fan may not be moving, it can automatically turn on without warning.
- When it is necessary to perform service work with the engine running, check that the parking brake is set fully and the transmission is in Neutral (for manual transmission or Auto Gear Shift vehicles).
- Do not touch ignition wires or other ignition system parts when starting the engine or when the engine is running, or you could receive an electric shock.
- Be careful not to touch a hot engine, exhaust manifold and pipes, muffler, radiator and water hoses.
- Do not allow smoking, sparks, or flames around fuel or the battery. Flammable fumes are present.

(Continued)

⚠ WARNING

(Continued)

- Do not get under your vehicle if it is supported only with the portable jack provided in your vehicle.
- Be careful not to cause accidental short circuits between the positive and negative battery terminals.
- Keep used oil, coolant, and other fluids away from children and pets. Dispose of used fluids properly; never pour them on the ground, into sewers, etc.

Maintenance Schedule

The following table shows the times when you should perform regular maintenance on your vehicle. This table shows in kilometers and months when you should perform inspections, adjustments, lubrication and other services.

WARNING

MARUTI SUZUKI recommends that maintenance on your Maruti Suzuki vehicle should be performed by Maruti Suzuki authorised workshop.

NOTICE

Whenever it becomes necessary to replace parts on your vehicle, it is recommended that you use MARUTI SUZUKI genuine replacement parts or their equivalent.

Periodic Maintenance Schedule

“C”: Clean

“R”: Replace or Change

“I”: Inspect, clean, adjust, lubricate or replace as necessary

“L”: Lubricate

“T”: Tighten to Specified Torque

“O”: Rotate

NOTE:

- This table includes services as scheduled up to 80,000 km mileage. Beyond 80,000 km, carry out the same services at the same intervals respectively.
- For free inspection the cost of materials and consumables to be borne by customer.

INSPECTION AND MAINTENANCE

Interval: This interval should be judged by odometer reading or months, whichever comes first.		FREE INSPECTION			PERIODIC MAINTENANCE AT COST							
		km (x1000)	1	5	10	20	30	40	50	60	70	80
		months	1	6	12	24	36	48	60	72	84	96
ENGINE												
1-1.	Water pump drive belt (Wear)	-	-	I	I	I	I	I	I	I	I	R
1-2.	Engine Coolant SUZUKI LLC: Super (Blue) (#1,2)	First time only:	Replace at 100000 KM or 60 months whichever comes first.									
		Second time and after:	Replace every 40000 KM or 24 months whichever comes first.									
	Engine Coolant SUZUKI LLC: Standard (Yellow) (#1,3)	I	I	I	R	I	R	I	R	I	R	
1-3.	Engine oil, engine oil filter and drain plug gasket (Level, Leakage)	I	I	R	R	R	R	R	R	R	R	
1-4.	Cooling system hoses and connections (Leakage and Damage)	I	I	I	I	I	I	I	I	I	I	
1-5.	Engine mounting and manifold fixing (Loose Damage)	-	-	I	-	I	-	I	-	I	-	
1-6.	Exhaust system (Noise, Leakage etc.)	-	I	-	I	-	I	-	I	-	I	
1-7.	Positive crank case ventilation system (Hoses, Connections and Valve)	-	I	-	I	-	I	-	I	-	I	
IGNITION												
2-1.	Spark plug	For petrol	Replace every 100000 KM or 84 months whichever comes first									
		For CNG	Replace every 50000 KM or 48 months whichever comes first									
FUEL												
3-1.	Air cleaner filter element	Paved-road	Clean every 5000 KM. Replace after every 40000 KM.									
		Dusty Condition	Clean every 2500 KM or as required. Replace after every 40000 KM.									
3-2.	Fuel tank cap, fuel lines and connections (Leakage and Damage)	-	I	-	-	-	I	-	-	-	I	
3-3.	Fuel filter	-	-	-	-	-	-	-	-	-	-	R
CLUTCH AND TRANSMISSION												
4-1.	Clutch pedal (Play)	I	I	I	I	I	I	I	I	I	I	
4-2.	Clutch slipping (Dragging or Excess Damage)	I	I	I	I	I	I	I	I	I	I	

#1: Perform the engine coolant level check under the daily inspection in the "OPERATING YOUR VEHICLE" section.

The same type of coolant that is filled at the time of a brand new car should be used when you add or replace the coolant. Refer to "Engine coolant" in this section.

#2: Do not add SUZUKI LLC: Standard (Yellow) Coolant or distilled water or others when your vehicle is originally filled with SUZUKI LLC: Super (Blue) Coolant.

#3: When your vehicle is originally filled with SUZUKI LLC: Standard (Yellow) Coolant, follow the maintenance schedule of SUZUKI LLC: Standard (Yellow) Coolant.

INSPECTION AND MAINTENANCE

Interval: This interval should be judged by odometer reading or months, whichever comes first.		FREE INSPECTION			PERIODIC MAINTENANCE AT COST							
		km (x1000)	1	5	10	20	30	40	50	60	70	80
		months	1	6	12	24	36	48	60	72	84	96
4-3.	Manual transmission oil / Auto Gear Shift oil (Level, Leakage)											
4-4.	Gear shifter (Operation)											
4-5.	AGS Actuator oil (Level, Leakage)	AGS model										
DRIVE SHAFT												
5-1.	Drive shaft noise											
5-2.	Drive shaft boot (Damage)	-										
BRAKE												
6-1.	Brake fluid (Level, Leakage)											
		Replace every 40000 KM or 24 months whichever comes first										
6-2.	Brake pedal (Pedal - carpet clearance)											
6-3.	Parking brake lever and cable (Play, Damage)											
6-4.	Brake disc and pad (Wear)	-										
6-5.	Brake drum and shoes (Wear)	-	-									
6-6.	Master cylinder, wheel cylinder, caliper piston (Fluid leakage, Boot/Seal damage)											
6-7.	Brake hoses and pipes (Fluid leakage, Damage)											
WHEEL												
7-1.	Tyres (Air pressure, Abnormal wear, Crack and Rotation)		I&O	I&O	I&O	I&O	I&O	I&O	I&O	I&O	I&O	I&O
7-2.	Wheels (Damage)											
7-3.	Front/Rear wheel bearing (Loose, Damage)											
FRONT / REAR SUSPENSION												
8-1.	Suspension strut (Oil leakage, Damage)											
8-2.	Suspension arms / Knuckle support and Torsion rods (Loose, Damage)	-										
8-3.	Rear spring (Damage)											
8-4.	Shock absorbers (Oil leakage, Damage)											
8-5.	All bolts and nuts (Loose)	-	T	T	T	T	T	T	T	T	T	T

INSPECTION AND MAINTENANCE

Interval: This interval should be judged by odometer reading or months, whichever comes first.		FREE INSPECTION			PERIODIC MAINTENANCE AT COST							
		km (x1000)	1	5	10	20	30	40	50	60	70	80
		months	1	6	12	24	36	48	60	72	84	96
STEERING												
9-1.	Steering wheel (Play, Loose)											
9-2.	All rods and arms (Loose, Damage, Wear)											
ELECTRICAL												
10-1.	Battery - Electrolyte (Level, Leakage) and voltage											
10-2.	Wiring harness connection (Loose, Damage)	-										
10-3.	Lighting system (Operation, Stains, Damage)											
10-4.	Wiper (Operation)											
10-5.	Horn (Operation)											
10-6.	AUX, USB (if equipped) and accessory socket (Operation)	-										
BODY												
11-1.	All chassis bolts and nuts (Tighten)	-	T	T	T	T	T	T	T	T	T	
11-2.	All latches, hinges and locks (Function)		I&L	I&L	I&L	I&L	I&L	I&L	I&L	I&L	I&L	
ROAD TEST												
12-1.	Operation of Brakes, gear shifting and speedometer											
12-2.	Body and chassis noise											
AIR CONDITIONER												
13-1.	Check belt tension											
13-2.	Tighten compressor mounting bolt	-	T	T	T	T	T	T	T	T	T	
13-3.	All hose joint (Check, Tighten)											
13-4.	Check functioning of recirculating flap											
13-5.	Clean condenser with low pressure water	-	C	C	C	C	C	C	C	C	C	
13-6.	Check belt for frayed edges											
13-7.	Check all mounting bolts											
13-8.	Air conditioner filter element (if equipped)					R			R			

Drive belt

⚠ WARNING

When the engine is running, keep hands, hair, clothing, tools, etc. away from the moving fan and drive belts.

Check that the drive belt tension is correct. If the belt is too loose, insufficient battery charging, engine overheating, poor power steering, poor air conditioning, or excessive belt wear can result. When you press the belt with your thumb midway between the pulleys, there should be a deflection according to the following chart.

The belts should also be examined to ensure that they are not damaged.

If you need to replace or adjust the belt have it done by a authorised Maruti Suzuki workshop.

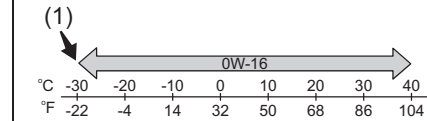
The drive belts tension is adjusted automatically.

If you need to replace or adjust the belt have it done by your authorised Maruti Suzuki workshop.

Engine oil and filter

Specified oil

EXAMPLE



56RM070136

(1) Recommended

Be sure that the engine oil you use comes under the quality classification of SN. Select the appropriate oil viscosity according to the above chart.

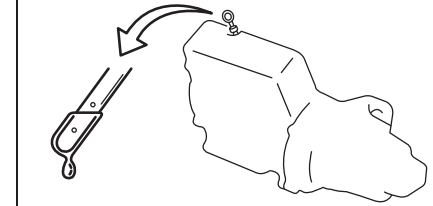
SAE 0W-16 (1) is the best choice for good fuel economy, and good starting in cold weather.

NOTE:

We recommend that you use MARUTI SUZUKI genuine oil. To purchase it, visit an Maruti Suzuki authorised workshop.

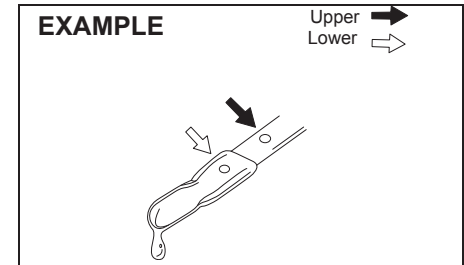
Oil level check

EXAMPLE



80G064

EXAMPLE



62SM06001

INSPECTION AND MAINTENANCE

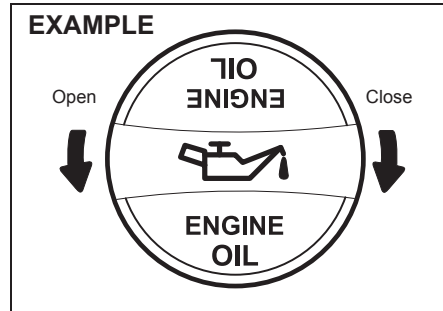
It is important to keep the engine oil at the correct level for proper lubrication of your vehicle's engine. Check the oil level with the vehicle on a level surface. The oil level indication may be inaccurate if the vehicle is on a slope. The oil level should be checked either before starting the engine or at least 5 minutes after stopping the engine.

Pull out the oil dipstick, wipe oil off with a clean cloth, insert the dipstick all the way into the engine, and then remove it again. The oil on the stick should be between the upper and lower limits shown on the stick. If the oil level indication is near the lower limit, add enough oil to raise the level to the upper limit.

NOTICE

Failure to check the oil level regularly could lead to serious engine trouble due to insufficient oil.

Refilling



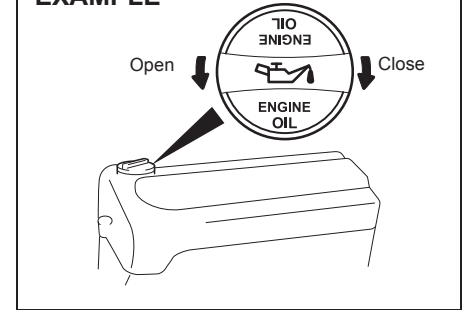
69RM06007

Remove the oil filler cap and pour oil slowly through the filler hole to bring the oil level to the upper limit on the dipstick. Be careful not to overfill the oil. Too much oil is almost as bad as too little oil. After refilling, start the engine and allow it to idle for about a minute. Stop the engine, wait about 5 minutes and check the oil level again.

Changing engine oil and filter

Drain the engine oil while the engine is still warm.

EXAMPLE



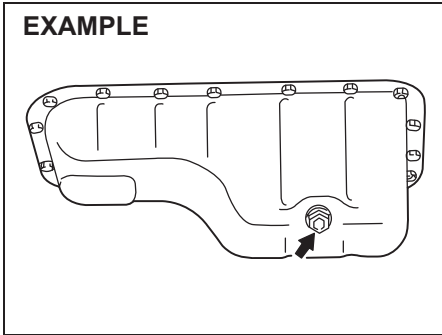
62SM07011

- 1) Remove the oil filler cap.
- 2) Place a drain pan under the drain plug.
- 3) Using a wrench, remove the drain plug and drain the engine oil.

CAUTION

The engine oil temperature may be high enough to burn your fingers when the drain plug is loosened. Wait until the drain plug is cool enough to touch with your bare hands.

EXAMPLE



60G306

**Tightening torque for drain plug:
35 Nm (3.6 kg-m, 25.8 lb-ft)**

⚠ WARNING

- Engine oil can be hazardous. Children and pets may be harmed by swallowing new or used oil. Keep new and used oil and used oil filters away from children and pets.
- Repeated, prolonged contact with used engine oil may cause skin cancer.
- Brief contact with used oil may irritate skin.

(Continued)

⚠ WARNING

(Continued)

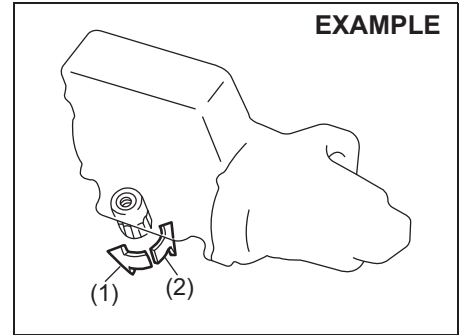
- To minimize your exposure to used oil, wear a long-sleeve shirt and moisture-proof gloves (such as dishwashing gloves) when changing oil. If oil contacts your skin, wash thoroughly with soap and water.
- Launder any clothing or rags if it is with oil.
- Recycle or properly dispose of used oil and oil filters.

- 4) Reinstall the drain plug with new gasket. Tighten the plug with a wrench to the specified torque.

Oil filter replacement

- 1) Using an oil filter wrench, turn the oil filter counterclockwise and remove it.
- 2) Using a clean rag, wipe off the mounting surface on the engine where the new filter will be seated.
- 3) Smear a small amount of engine oil around the rubber gasket of the new oil filter.
- 4) Screw the new filter by hand until the filter gasket contacts the mounting surface.

EXAMPLE

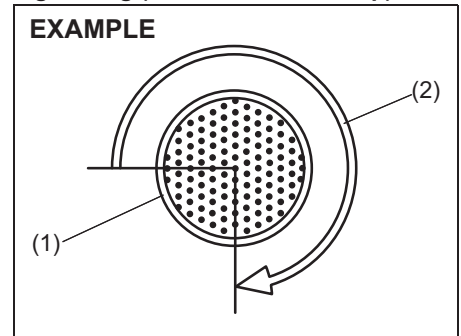


54G092

- (1) Loosen
- (2) Tighten

Tightening (viewed from filter top)

EXAMPLE



54G093

- (1) Oil filter
- (2) 3/4 turn

NOTICE

To tighten the oil filter properly, it is important to accurately identify the position at which the filter gasket first contacts the mounting surface.

- 5) Tighten the filter as specified below from the point of contact with the mounting surface (or to the specified torque) using an oil filter wrench.

Tightening torque for oil filter
3/4 turn or
14 Nm (1.4 kg-m, 10.3 lb-ft)

NOTICE

To prevent oil leakage, check that the oil filter is tight, but do not over-tighten it.

Refill with oil and oil leakage check

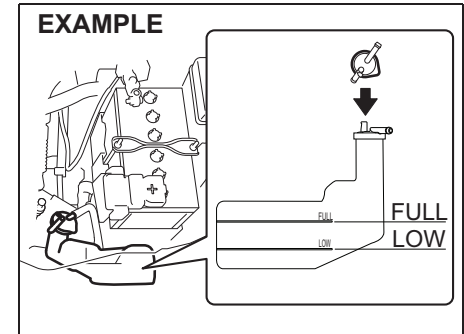
- 1) Pour oil through the filler hole and install the filler cap.
For the approximate capacity of the oil, refer to "Recommended fuel / lubricants and capacities (approx.)" in the "SPECIFICATIONS" section.
- 2) Start the engine and carefully check the oil filter and the drain plug for leakage. Run the engine at various speeds for at least 5 minutes.
- 3) Stop the engine and wait about 5 minutes. Check the oil level again and add oil if necessary. Check for leakage again.

NOTICE

- When replacing the oil filter, it is recommended that you use a **MARUTI SUZUKI** genuine replacement filter. If you use an aftermarket filter, check that it is of equivalent quality and follow the manufacturer's instructions.
- Oil leakage from the periphery of the oil filter or drain plug indicate incorrect installation or gasket damage. If you find any leakage or are not sure that the filter has been properly tightened, have the vehicle inspected by a Maruti Suzuki authorised workshop.

Engine coolant

Coolant Level Check



62SM06010

Check the coolant level at the reservoir tank, not at the radiator. With the engine cool, the coolant level should be between "FULL" and "LOW" marks.

If the coolant level is below "LOW" mark, coolant should be added.

Coolant addition and replacement

When you add the coolant, remove the reservoir tank cap and add coolant until the reservoir tank level reaches "FULL" mark while the engine is cool. Never fill the reservoir tank above "FULL" mark.

Since special procedures are required for coolant replacement, ask a Maruti Suzuki authorised workshop for this job.

⚠ WARNING

Swallowing engine coolant can cause severe injury or death. Inhaling coolant mist or vapors or getting coolant in your eyes could result in severe injury.

- Do not drink antifreeze or coolant solution. If swallowed, do not induce vomiting. Immediately contact a poison control center or a physician.
- Avoid inhaling coolant mist or hot vapors. If inhaled, remove to a fresh air area.
- If coolant gets in the eyes, flush with water and seek medical attention.
- Wash thoroughly after handling coolant.
- Keep engine coolant out of the reach of children and pets.

NOTICE

When putting the cap on the reservoir tank, line up the mark on the cap and the mark on the tank. Failure to follow this can result in coolant leakage.

Selection of coolant

To maintain optimum performance and durability of your engine, use MARUTI SUZUKI genuine coolant or equivalent.

This type of coolant is the best for cooling system for the following reasons:

- The coolant helps maintain proper engine temperature.
- It gives proper protection against freezing and boiling.
- It gives proper protection against corrosion and rust.

Failure to use the proper coolant can damage your cooling system. A Maruti Suzuki authorised workshop can help you select the proper coolant.

NOTICE

To avoid damaging your cooling system:

- Always use a high quality ethylene glycol base non-silicate type coolant diluted with distilled water at the correct mixture concentration.
- Do not add extra inhibitors or additives. They may not be compatible with your cooling system.
- Do not mix different types of base coolants. Doing so may result in accelerated seal wear and/or the possibility of severe overheating and extensive engine/transmission damage. In case of coolant mix-up

(Continued)

NOTICE

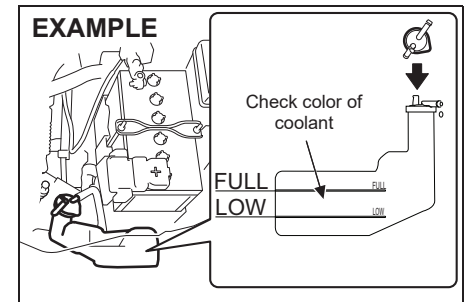
(Continued)

have your vehicle inspected by a Maruti Suzuki authorised workshop.

NOTE:

Maruti Suzuki highly recommends the use of Maruti Suzuki genuine coolant. Maruti Suzuki genuine coolant has been specially formulated for your Maruti Suzuki product and contributes to the desired vehicle performance and ideal driving experience.

Depending on the production period of your vehicle, the coolant type filled at the time of a brand new car differs. There are two coolant types, SUZUKI LLC: Super (Blue) Coolant and SUZUKI LLC: Standard (Yellow) Coolant. You can check the original coolant type in your vehicle by the color of the coolant in the reservoir tank (Refer below figure).



62SM06039

INSPECTION AND MAINTENANCE

Coolant Color	Coolant Type
Blue	Suzuki LLC : Super
Yellow	Suzuki LLC : Standard

NOTE:

The same type of coolant that is filled at the time of a brand new car should be used when you add or replace the coolant.

SUZUKI LLC: Super (Blue) Coolant:

NOTICE

- This coolant is already diluted to the proper percentage. Do not dilute with distilled water additionally. Doing so may result in the possibility of freezing and/or overheating coolant.
- Do not add SUZUKI LLC: Standard (Yellow) Coolant or distilled water or others when your vehicle is originally filled with SUZUKI LLC: Super (Blue) Coolant. If such a case occurs, then get the vehicle inspected by a Maruti Suzuki authorised workshop.

SUZUKI LLC: Standard (Yellow) Coolant:

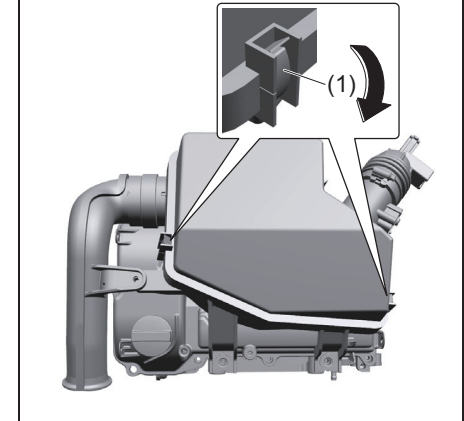
NOTICE

- The concentration of the mixture to be used shall be 30% antifreeze and 70% distilled water. Do not use straight coolant nor plain water.
- If the lowest ambient temperature in your area is expected to be -15°C (5°F) or below, use higher concentrations up to 60% following the instructions on the antifreeze container. Concentrations greater than 60% will cause overheating conditions.
- When your vehicle is originally filled with SUZUKI LLC: Standard (Yellow) Coolant, follow the maintenance schedule of SUZUKI LLC: Standard (Yellow) Coolant in this section. In case you replace with Suzuki LLC: Super (Blue) Coolant, then get the vehicle inspected by a Maruti Suzuki authorised workshop.

Air cleaner

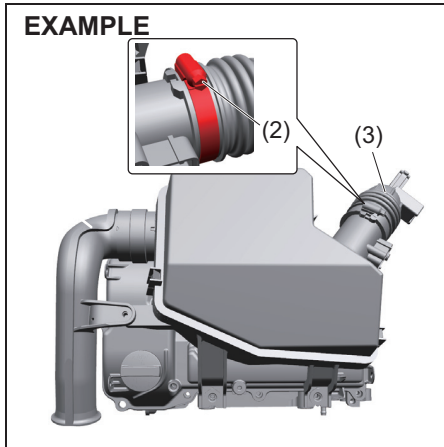
If the air cleaner is clogged with dust, there will be greater intake resistance, resulting in decreased power output and increased fuel consumption.

EXAMPLE



62SM06037

- 1) Unclamp the side clamps (1).



62SM06038

- 2) Loosen the bolt (2) and pull the air cleaner outlet hose (3).
- 3) Remove the element from the air cleaner case. If it appears to be dirty, replace it with a new one.
- 4) Reinstall the air cleaner case and clamp the side clamps securely.
- 5) Insert the air cleaner outlet hose (3). Tighten the bolt (2) securely.

Spark plugs

Spark plug replacement and inspection

Since special procedures, materials and tools are required, it is recommended that you trust this job to an authorized a authorised Maruti Suzuki workshop.

NOTICE

When replacing spark plugs, you should use the brand and type specified for your vehicle. For the specified plugs, refer to "SPECIFICATIONS" section in the end of this book. If you wish to use a brand of spark plug other than the specified plugs, consult a Maruti Suzuki authorised workshop.

Gear oil

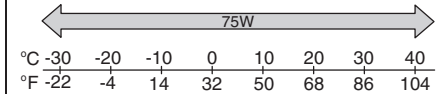
Manual transmission oil / Auto Gear Shift oil

When adding gear oil, use gear oil with the appropriate viscosity and grade as shown in the chart below.

We highly recommend you use "MARUTI GEAR OIL 75W" for manual transmission or Auto Gear Shift oil.

Manual transmission oil / Auto Gear Shift oil

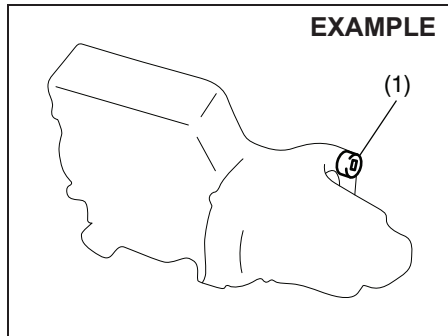
EXAMPLE



54P120706

INSPECTION AND MAINTENANCE

Gear oil level check



(1) Oil filler and level plug

To check the gear oil level, use the following procedure:

- 1) Park the vehicle on a level surface with the parking brake applied. Then, stop the engine.
- 2) Remove the oil filler and level plug.
- 3) If gear oil flows from the plug hole, the oil level is correct. Reinstall the plug. If gear oil does not flow from the plug hole, add oil through the filler plug hole until oil flows a little from the plug hole.
- 4) If the oil level is low, add gear oil through the oil filler and level plug hole (1) until the oil level reaches the bottom of the filler hole, then reinstall the plug.

Tightening torque for oil filler and level plug

Manual transmission (1):
21 Nm (2.1 kg-m, 15.5 lb-ft)

Auto Gear Shift (1):
21 Nm (2.1 kg-m, 15.5 lb-ft)

CAUTION

After driving the vehicle, the gear oil temperature may be high enough to burn you. Wait until the oil filler and level plug are cool enough to touch with your bare hands before inspecting gear oil level.

NOTICE

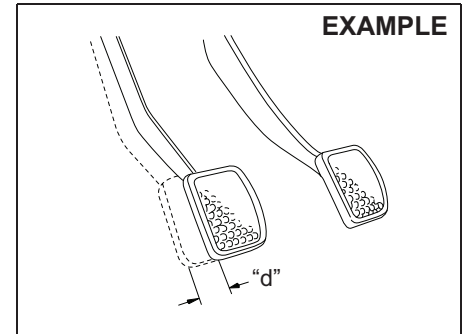
When tightening the plug, apply the following sealing compound or equivalent to the plug threads to prevent oil leakage.
MARUTI SUZUKI Bond No. "1217G"

Gear oil change

Since special procedures, materials and tools are required, ask a Maruti Suzuki authorised workshop for this job.

Clutch pedal (if equipped)

Cable control clutch



Clutch pedal play "d":
10 - 15 mm (0.4 - 0.6 in.)

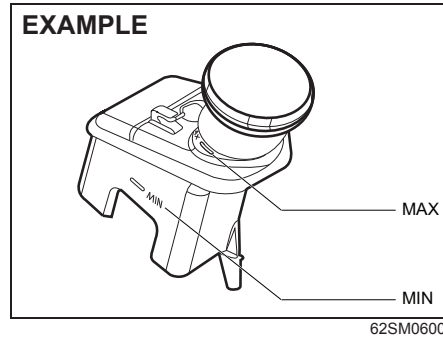
Measure the clutch pedal play by moving the clutch pedal with your hand and measuring the distance it moves until you feel slight resistance. The play in the clutch pedal should be between the specified values. If the play is more or less than the above, or clutch dragging is felt with the pedal fully depressed, have the clutch inspected by a Maruti Suzuki authorised workshop.

Fuel filter

Since special procedures are required, we recommend you take your vehicle to a Maruti Suzuki authorised workshop for fuel filter replacement.

Brakes

Brake fluid



Check the brake fluid level by looking at the reservoir in the engine compartment. Check that the fluid level is between “MAX” and “MIN” lines with Maruti Genuine Brake Fluid (MGBF) or SAE J1703 or DOT 3. We highly recommend to use “Maruti Genuine Brake Fluid” (MGBF).

NOTICE

If your brake fluid level is near the “MIN” line, there is a possibility of brake pad and/or shoe wear and brake fluid leakage.

Consult with a Maruti Suzuki authorised workshop regarding this possibility before filling the reservoir.

⚠ WARNING

Failure to follow the guidelines below can result in personal injury or serious damage to the brake system.

- If the brake fluid in the reservoir drops below a certain level, the brake warning light on the instrument cluster will come on (the engine must be running with the parking brake fully disengaged). Should the light come on, immediately ask a Maruti Suzuki authorised workshop to inspect the brake system.
- A rapid fluid loss indicates leakage in the brake system which should be inspected by a Maruti Suzuki authorised workshop immediately.
- Do not use any fluid other than Maruti Genuine Brake Fluid (MGBF) or SAE J1703 or DOT 3. Do not use reclaimed fluid or fluid that has been stored in old or open containers. It is essential that foreign particles and other liquids are kept out of the brake fluid reservoir.

⚠ CAUTION

Brake fluid can harm your eyes and damage painted surfaces. Be careful when refilling the reservoir.

INSPECTION AND MAINTENANCE

⚠ WARNING

Brake fluid is harmful or fatal if swallowed, and harmful if it comes in contact with skin or eyes. If swallowed, do not induce vomiting. Immediately contact a poison control center or a physician. If brake fluid gets in eyes, flush eyes with water and seek medical attention. Wash thoroughly after handling. Solution can be poisonous to animals. Keep out of reach of children and animals.

NOTICE

- If your brake fluid level is near the “MIN” line, there is a possibility of brake pad and/or shoe wear and brake fluid leakage. In this case, ask a authorised Maruti Suzuki workshop to inspect the brake system.
- Brake fluid can damage painted surfaces. Be careful when refilling the reservoir.

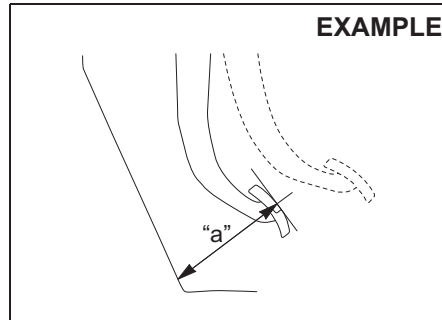
NOTE:

- The fluid level can be expected to gradually fall as the brake pad and/or shoe wear.
- Brake fluid absorbs water over time and brake fluid with high water content may cause vapor lock or brake system malfunction.

Replace your brake fluid in accordance with the maintenance schedule in your Owner's Manual.

Brake pedal

Check if the brake pedal stops at the regular height without “spongy” feeling when you depress it. If not, have the brake system inspected by a Maruti Suzuki authorised workshop. If you doubt the brake pedal is at its normal height, check it as follows:



54G108

**Minimum distance between brake pedal and floor carpet “a”:
81 mm (3.19 in.)**

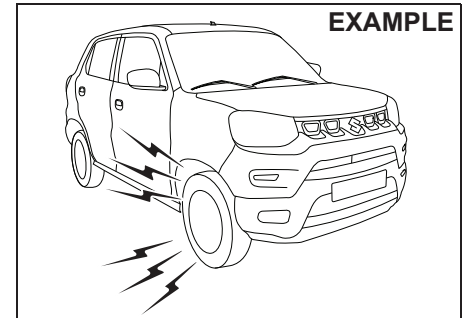
With the engine running, measure the distance between the brake pedal and floor carpet when the pedal is depressed with approximately 30 kg (66 lbs) of force. The minimum distance required is as specified.

Since your vehicle's brake system is self-adjusting, there is no need for pedal adjustment.

If the pedal to floor carpet distance as measured above is less than the minimum distance required, have your vehicle inspected by a Maruti Suzuki authorised workshop.

NOTE:

When measuring the distance between the brake pedal and floor wall, be sure not to include the floor mat or rubber on the floor wall in your measurement.

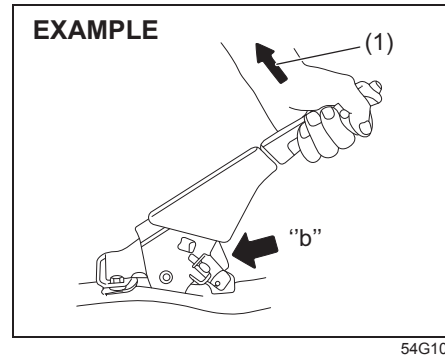


62SM06005

⚠ WARNING

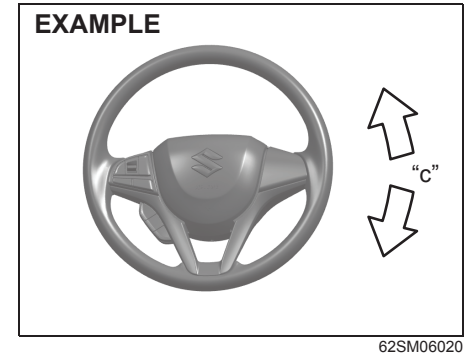
If you experience any of the following problems with your vehicle's brake system, have the vehicle inspected immediately by a Maruti Suzuki authorised workshop.

- Poor braking performance
- Uneven braking (brakes not working uniformly on all wheels.)
- Excessive pedal travel
- Brake dragging
- Excessive noise

Parking brake

Ratchet tooth specification "b":
4th – 9th
Lever pull force (1):
200 N (20 kg, 45 lbs)

Check the parking brake for proper adjustment by counting the number of clicks made by the ratchet teeth as you slowly pull up on the parking brake lever to the point of full engagement. The parking brake lever should stop between the specified ratchet teeth and the rear wheels should be securely locked. If the parking brake is not properly adjusted or the brakes drag after the lever has been fully released, have the parking brake inspected and/or adjusted by a Maruti Suzuki authorised workshop.

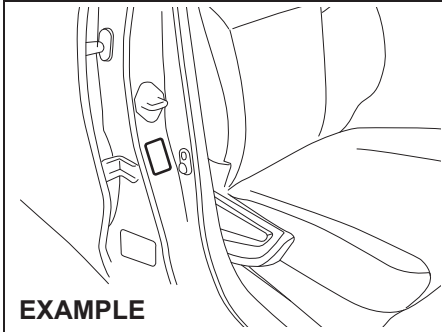
Steering

Steering wheel play "c":
0 – 30 mm (0.0 – 1.2 in.)

Check the play of the steering wheel by gently turning it from left to right and right to left, with wheels in straight ahead position and engine in OFF condition. Measure the distance that the steering moves before you feel slight resistance. The play should be between the specified values.

Check that the steering wheel turns easily and smoothly without rattling by turning it all the way to the right and to the left while driving very slowly in an open area. If the amount of free play is not as specified or you find anything else to be wrong, an inspection must be performed by a Maruti Suzuki authorised workshop.

Tires



The front and rear tire pressure specifications are listed on the tire information label. Both front and rear tires should have the specified tire pressure.

Tire inspection

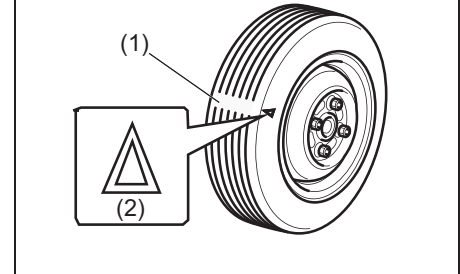
Inspect your vehicle's tires at least once a month by performing the following checks:

- 1) Measure the air pressure with a tire gauge. Adjust the pressure if necessary. Remember to check the spare tire, too.

⚠ WARNING

- Air pressures should be checked when the tires are cold or you may get inaccurate readings.
- Check the inflation pressure from time to time while inflating the tire gradually, until the specified pressure is obtained.
- **Never under-inflate or over-inflate the tires.** Under-inflation can cause unusual handling characteristics or can cause the rim to slip on the tire bead, resulting in an accident or damage to the tire or rim. Over-inflation can cause the tire to burst, resulting in personal injury. Over-inflation can also cause unusual handling characteristics which may result in an accident.

EXAMPLE



- (1) Tread wear indicator (TWI)
 - (2) Indicator location mark
- 2) Check that the depth of the tread groove is more than 1.6 mm (0.06 in.). To help you check this, the tires have molded-in tread wear indicators in the grooves. When the indicators appear on the tread surface, the remaining depth of the tread is 1.6 mm (0.06 in.) or less and the tire should be replaced.
 - 3) Check for abnormal wear, cracks and damage. Any tires with cracks or other damage should be replaced. If any tires show abnormal wear, have them inspected by a Maruti Suzuki authorised workshop.

⚠ CAUTION

Hitting curbs and running over rocks can damage tires and affect wheel alignment. Have tires and wheel alignment checked periodically by a Maruti Suzuki authorised workshop.

- 4) Check for loose wheel nuts.
- 5) Check that there are no nails, stones or other objects sticking into the tires.

⚠ WARNING

- Your MARUTI SUZUKI vehicle is equipped with tires which are all the same type and size (Except spare tire, which may be dependent on vehicle variant). This is important to ensure proper steering and handling of the vehicle. Never mix tires of different size or type on the four wheels of your vehicle. The size and type of tires used should be only those approved by MARUTI SUZUKI as standard or optional equipment for your vehicle.

(Continued)

⚠ WARNING

(Continued)

- Replacing the wheels and tires equipped on your vehicle with certain combinations of aftermarket wheels and tires can significantly change the steering and handling characteristics of your vehicle. Therefore, use only those wheel and tire combinations approved by MARUTI SUZUKI as standard or optional equipment for your vehicle.

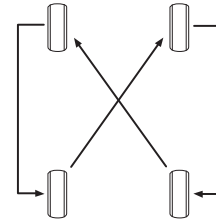
NOTICE

Replacing the original tires with tires of a different size may result in false speedometer or odometer readings. Check with a Maruti Suzuki authorised workshop before purchasing replacement tires that differ in size from the original tires.

Tire rotation

4-tire rotation

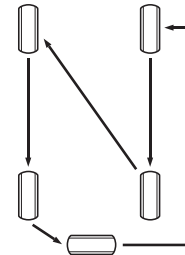
EXAMPLE



54G114

5-tire rotation

EXAMPLE



68PH00755

INSPECTION AND MAINTENANCE

To avoid uneven wear of your tires and to prolong their life, rotate the tires as illustrated. Tires should be rotated as mentioned in periodic maintenance schedule. After rotation, adjust front and rear tire pressures to the specification listed on your vehicle's tire information label.

Wheel Balancing

If the vehicle vibrates abnormally on smooth road, have the wheel balanced at Maruti Suzuki authorised workshop.

Wheel Alignment

In case of abnormal tire wear or pulling towards one side, have the wheel aligned at Maruti Suzuki authorised workshop.

Tubeless Tires

The vehicle is equipped with Tubeless Tires. In tubeless tire, a thin layer of butyl rubber is used for lining the inside of the tubeless tire. This layer is to prevent air loss and fulfilling the purpose of tube. The air pressure is maintained by the sealing between tire bead and wheel rim. Tubeless tires are having advantage of slow air loss and preventing sudden deflation while driving.

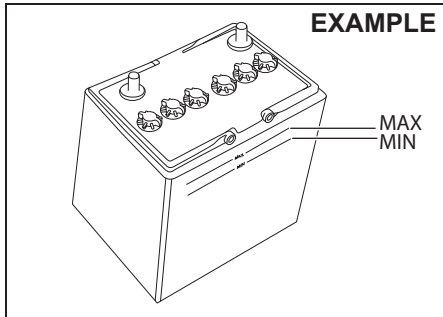
Care and maintenance tips for tubeless tires

- 1) Always maintain recommended inflation pressure. Driving continuously at low inflation pressure can lead to tire damage.
- 2) In case any leakage is found, check for any nail penetration/valve core damage or rim bent. Damaged wheel must not be used.
- 3) In case tire has run at low pressure, it must be inspected for any defect.
- 4) Whenever new tire is fitted, replace the valve.
- 5) If continuous high speed driving is required, increase tires pressure by 5 psi over recommended inflation pressure.
- 6) Never run the tire beyond TWI (Tread wear indicator). The tire is recommended to be replaced when the remaining tread has worn to this point. The indicators are spaced across the tread around the tire marked by a triangular symbol (TWI).
- 7) Always prefer tubeless tire mounting machine. In case of manual mounting tire/ wheel rim damage may occur.
- 8) In case of any problem, please get in touch with Maruti Suzuki authorised workshop.

Battery

WARNING

- Batteries produce flammable hydrogen gas. Keep flames and sparks away from the battery or an explosion may occur. Never smoke when working near the battery.
- When checking or servicing the battery, disconnect the negative cable. Be careful not to cause a short circuit by allowing metal objects to contact the battery posts and the vehicle at the same time.
- To avoid harm to yourself or damage to your vehicle or battery, follow the jump-starting instructions in the "EMERGENCY SERVICE" section if it is necessary to jump-start your vehicle.
- Diluted sulfuric acid spilled from battery can cause blindness or severe burns. Use proper eye protection and gloves. Flush eyes or body with ample water and get medical care immediately if suffered. Keep batteries out of reach of children.



76MM07005

For maintenance-free battery (cap-less type), you need not add water. For traditional type battery, which has water filler caps, the level of the battery fluid (acid) must be kept between the "MAX" and "MIN" at all times. You should periodically check the battery, battery terminals, and battery hold-down bracket for corrosion. Remove corrosion using a stiff brush and ammonia mixed with water, or baking soda mixed with water. After removing corrosion, rinse with clean water.

If your vehicle is not going to be driven for a month or longer, disconnect the cable from the negative terminal of the battery to help prevent discharge.

⚠ WARNING

If the battery is used with battery level being less than the "MIN", it may cause reduced battery life, an exothermic heat, or an explosion by hydrogen gas occurring from the battery. Do not use the battery with battery level being less than the "MIN".

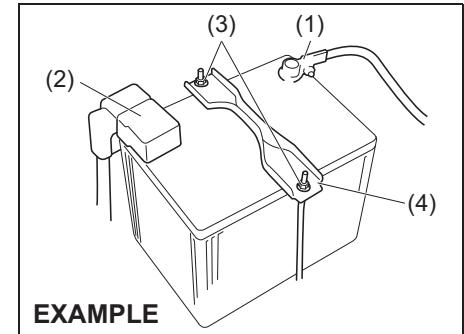
NOTICE

If the battery liquid is added more than the "MAX", liquid may leak by vibrations during driving or liquid may spray out in some case depending on the condition of battery charging. These may cause damage to the parts near the battery. If the battery liquid overflows, immediately wash away with water. Do not add the battery liquid more than the "MAX".

NOTE:

The battery liquid is consumed when the battery is used. If the level is found to be less than the center of "MAX" and "MIN", add distilled water till it reaches the "MAX".

Replacement of the battery



68PM00711

To remove the battery:

- 1) Disconnect the negative cable (1).
- 2) Disconnect the positive cable (2).
- 3) Remove the retainer nuts (3) and remove the retainer (4).
- 4) Remove the battery.

To install the battery:

- 1) Install the battery in the reverse order of removal.
- 2) Tighten the bracket bolt and battery cables securely.

NOTE:

When the battery is disconnected, some of the vehicle's function will be initialized and/ or deactivated.

These function are required to reset after the battery is reconnected.

WARNING

Batteries contain toxic substances including sulfuric acid and lead. They could have potential negative consequences for the environment and human health. Used battery must be disposed or recycled according to the local law and must not be discarded with ordinary household waste. Make sure not to tip over the battery when you remove it from the vehicle. Otherwise, sulfuric acid could run out and you might get injury.

Fuses

Your vehicle has three types of fuses, as described below:

Main fuse

The main fuse takes current directly from the battery.

Primary fuses

These fuses are between the main fuse and individual fuses, and are for electrical load groups.

Individual fuses

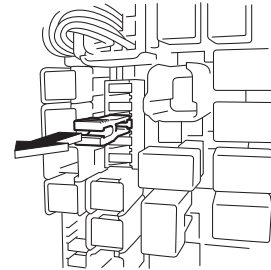
These fuses are for individual electrical circuits.

NOTE:

- “Blank” indicates that fuse is not applicable in the variant, even though name of fuse might be available on cover of fuse box of your vehicle.
- Some fuse may not be applicable to your vehicle according to the variant of vehicle, even though it is not mentioned as blank.

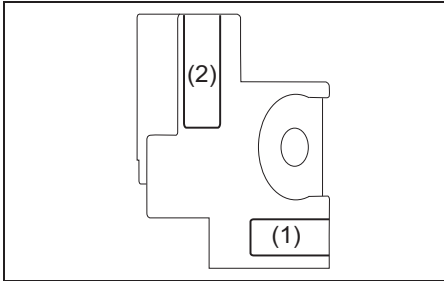
To remove a fuse, use the fuse puller provided in the relay box.

EXAMPLE

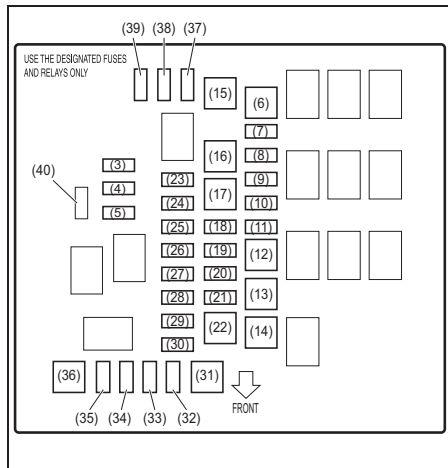


63J095

Fuses in engine compartment



62SM07012



69RH194

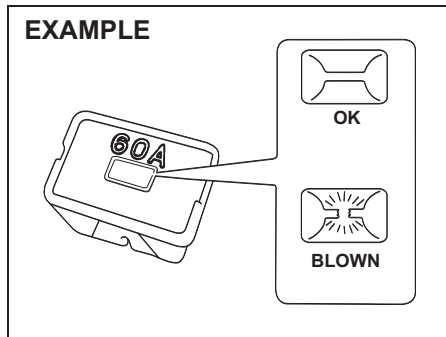
MAIN FUSE / PRIMARY FUSE		
(1)	120 A	FL1
(2)	100 A	FL2
(3)	20 A	Spare fuse
(4)	25 A	Spare fuse
(5)	30 A	Spare fuse
(6)	40 A	P/S (Power steering)
(7)	7.5 A	CNG Valve
(8)	10 A	CPRSR (A/C compressor)
(9)	15 A	FI (Fuel Injection)
(10)	15 A	H/L L (Headlight (Left))
(11)	15 A	H/L R (Headlight (Right))
(12)	30 A	ST (Starting motor)
(13)	30 A	RDTR (Radiator fan)
(14)	-	Blank
(15)	40 A	IGN2 (Ignition switch 2)
(16)	30 A	Lamp
(17)	30 A	T/M Pump (AGS Pump)
(18)	30 A	B/U (battery backup)
(19)	10 A	STOP (Stop Light)
(20)	30 A	DCDC
(21)	15 A	Horn

(22)	30 A	BLW (Blower fan)
(23)	-	Blank
(24)	10 A	ST SIG (Starting signal)
(25)	7.5 A	CNG
(26)	-	Blank
(27)	-	Blank
(28)	-	Blank
(29)	-	Blank
(30)	-	Blank
(31)	40 A	ABS MOT (ABS motor)
(32)	25 A	ABS SOL (ABS solenoid)
(33)	-	Blank
(34)	10 A	T/M (Transmission)
(35)	10 A	T/M2 (Transmission 2)
(36)	40 A	IGN (Ignition switch)
(37)	5 A	Spare fuse
(38)	10 A	Spare fuse
(39)	15 A	Spare fuse
(40)	7.5 A	Spare fuse

INSPECTION AND MAINTENANCE

The main fuse, primary fuses and some of the individual fuses are located in the engine compartment. If the main fuse blows, no electrical component will function. If a primary fuse blows, no electrical component in the corresponding load group will function. When replacing the main fuse, a primary fuse or an individual fuse, use a MARUTI SUZUKI genuine replacement.

To remove a fuse, use the fuse puller provided in the fuse box. The amperage of each fuse is shown in the back of the fuse box cover.



60G111

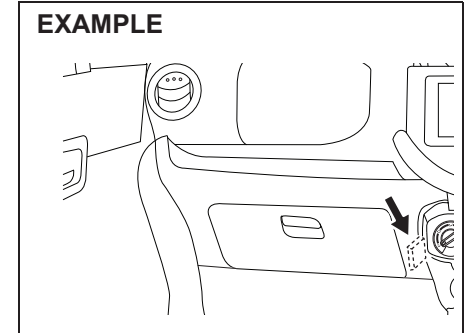
⚠ WARNING

If the main fuse or a primary fuse blows, have your vehicle inspected by a Maruti Suzuki authorised workshop. Always use a MARUTI SUZUKI genuine replacement. Never use a substitute such as a wire even for a temporary repair, or extensive electrical damage and a fire can result.

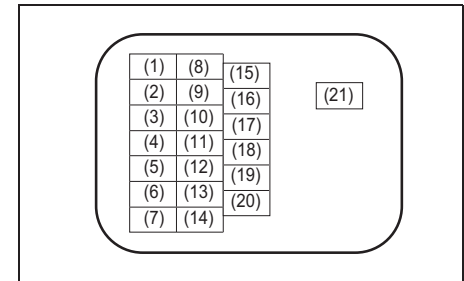
NOTE:

Check that the fuse box always carries spare fuses.

Fuses under dashboard



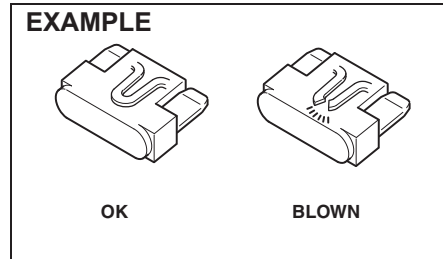
62SM06009



62SM06032

PRIMARY FUSE		
(1)	5 A	CNG IG1 (CNG Ignition-1 signal)
(2)	20 A	WIP WASH (Front wiper & washer)
(3)	10 A	IG2 SIG (Ignition-2 signal)
(4)	10 A	Meter
(5)	15 A	IG COIL (Ignition coil)
(6)	10 A	BACK (Back-up light)
(7)	10 A	ST SIG (Starting signal)
(8)	15 A	ACC2 (Accessory-2)
(9)	5 A	ACC1 (Accessory-1)
(10)	10 A	ACC3 (Accessory-3)
(11)	10 A	A/B (Airbag)
(12)	10 A	ABS
(13)	10 A	IG1 SIG (Ignition-1 signal)
(14)	20 A	DEF (Defogger)
(15)	20 A	D/L (Door lock)
(16)	10 A	HAZ (Hazard warning light)
(17)	10 A	TAIL (Tail light)

(18)	15 A	Radio
(19)	10 A	DOME (Dome light)
(20)	10 A	DOME2 (Dome light-2)
(21)	30 A	P/W (Power window)



81A283

⚠ WARNING

Always replace a blown fuse with a fuse of the correct amperage. Never use a substitute such as aluminum foil or wire to replace a blown fuse. If you replace a fuse and the new one blows in a short period of time, you may have a major electrical problem. Have your vehicle inspected immediately by a Maruti Suzuki authorised workshop.

Headlight aiming

Since special procedures are required, ask a Maruti Suzuki authorised workshop for this job.

INSPECTION AND MAINTENANCE

Bulb replacement

⚠ CAUTION

- Light bulbs can be hot enough to burn your finger right after turning off lights. This is true especially for halogen headlight bulbs. Replace the bulbs after they become cool enough.
- The halogen headlight bulbs are filled with pressurized halogen gas. They can burst and injure you if they are hit or dropped. Handle them carefully.
- To avoid injury by sharp-edged parts of the body, wear gloves and a long-sleeved shirt when replacing light bulbs.

NOTICE

The oils from your skin may cause a halogen bulb to overheat and burst when the lights are on. Grasp a new bulb with a clean cloth.

NOTICE

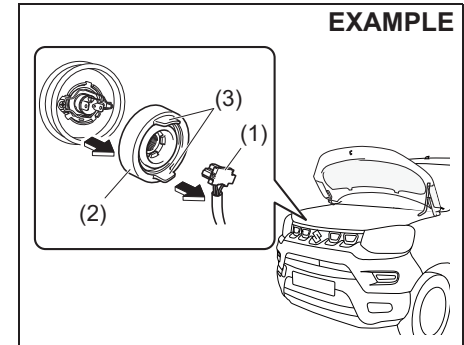
- Frequent replacement of a bulb indicates the need for an inspection of the electrical system. This should be carried out by your Maruti Suzuki authorised workshop.
- During bulb replacement always use same bulb number as used in vehicle which is imprinted on the said bulb/unit and/or mentioned in SPECIFICATIONS.

NOTE:

Mist may form on the lenses of exterior lights (Headlight, Rear combination light etc.) during or after driving in the rain or after car washing. This is a natural phenomenon which occurs due to temperature difference between lamp inside and outside. Temporary mist on the lens is not a malfunction and will not cause any discomfort during vehicle driving.

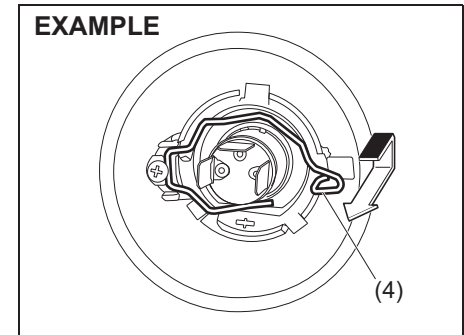
The mist would get cleared when the environmental condition change to sunny or when headlamp is kept on. However if there is water leakage inside the lamp, contact your Maruti Suzuki authorised workshop.

Headlights



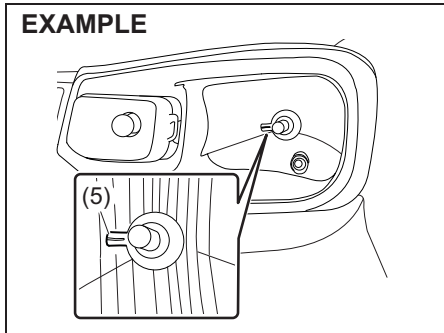
62SM06011

- 1) Open the engine hood while the engine is stopped. Disconnect the coupler (1). Remove the sealing rubber (2) by pulling the grip (3).



69RH085

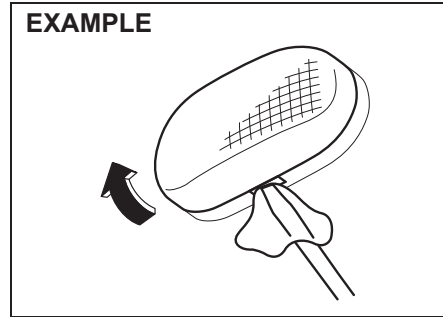
- 2) Push the retaining spring (4) forward and unhook it. Then remove the bulb. Install a new bulb in the reverse order of removal.



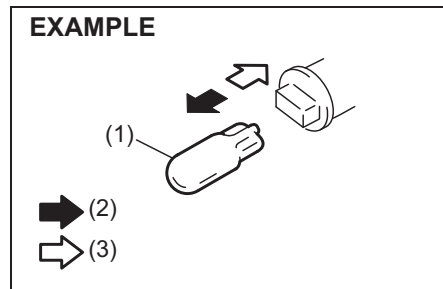
NOTE:
 You can see the position of retaining spring from the hole (5) of headlight.

Side turn signal light

Fender type

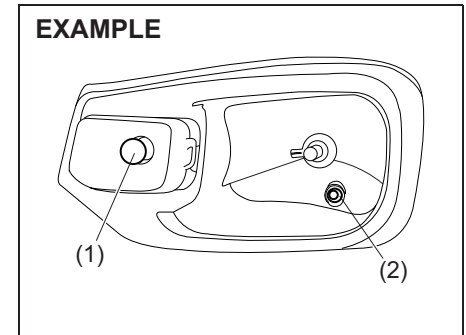


Pull down the lens by using a flat blade screwdriver covered with a soft cloth as shown. The bulb (1) can be removed by simply pulling it out. Then remove the bulb. Install a new bulb in the reverse order.



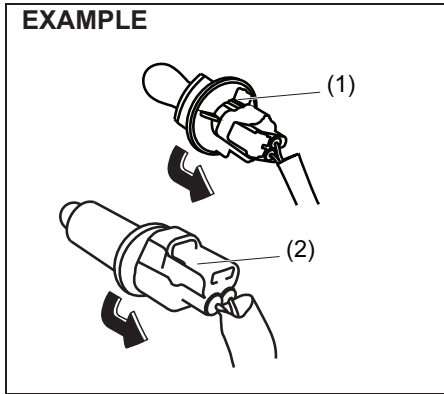
- (2) Removal
- (3) Install

Front turn signal light and front position light

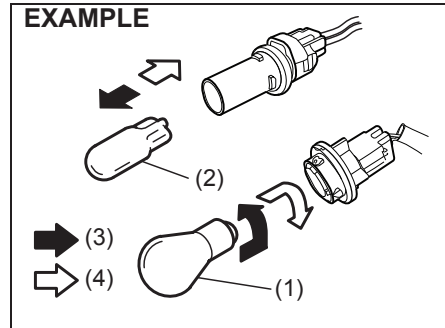


- (1) Front turn signal light
- (2) Front position light

INSPECTION AND MAINTENANCE



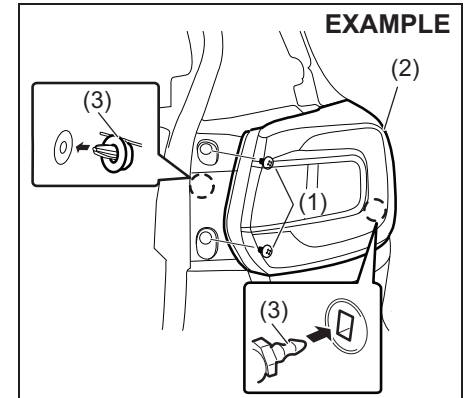
- 1) Open the engine hood while the engine is stopped. To remove the bulb holder of the front turn signal light (1) or the front position light (2) from the light housing, turn the holder counterclockwise and pull it out.



- (3) Removal
- (4) Install

- 2) To remove the bulb of the front turn signal light (1) from the bulb holder, push in the bulb and turn it counterclockwise. To install a new bulb, push it in and turn it clockwise. To remove and install the bulb of the front position light (2), simply pull out or push in the bulb.

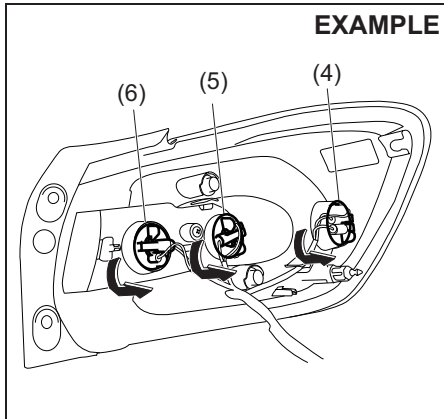
Rear combination light



- 1) Remove the screws (1) and pull the light housing (2) straight.

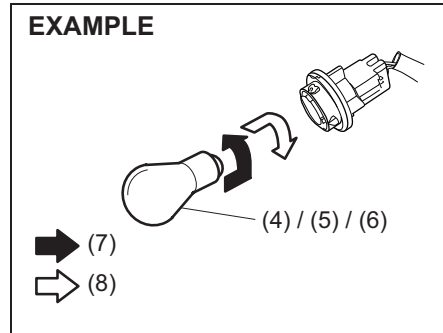
NOTE:

When reinstalling the light housing, check that the clips (3) are properly attached.



62SM06022

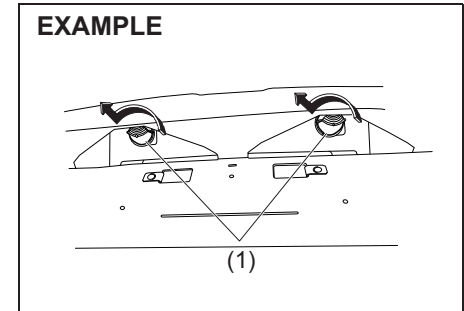
- 2) To remove the bulb holder of the tail/brake light (4), the turn signal light (5) or the reversing light (6) from the light housing, turn the holder counterclockwise and pull it out.



62SM06025

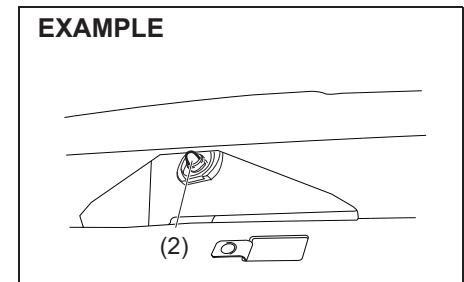
- (7) Removal
- (8) Install
- 3) To remove the bulb of the tail/brake light (4), the turn signal light (5) or the reversing light (6) from bulb holder, push in the bulb and turn it counterclockwise. To install a new bulb, push it in and turn it clockwise.

License plate light



62SM06026

- 1) Turn the lens (1) counterclockwise to remove it.

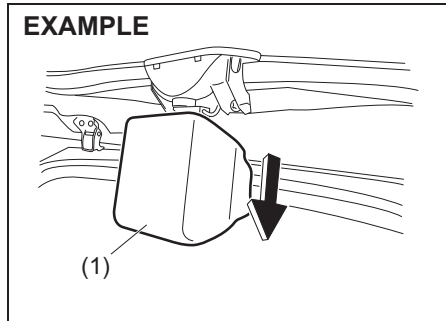


62SM06027

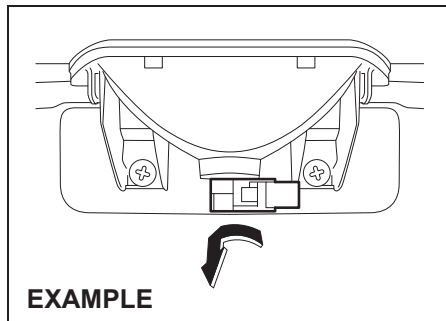
- 2) To remove and install the bulb of the license plate light (2), simply pull out or push in the bulb.

INSPECTION AND MAINTENANCE

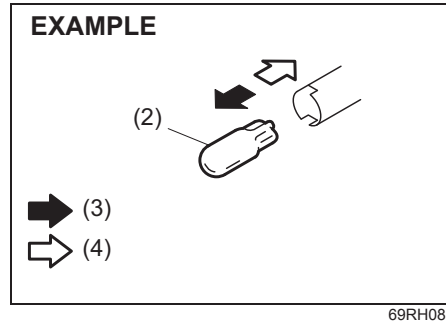
High-mount stop light



- 1) Open the tailgate, and pull the cover (1) straight as shown in the illustration.

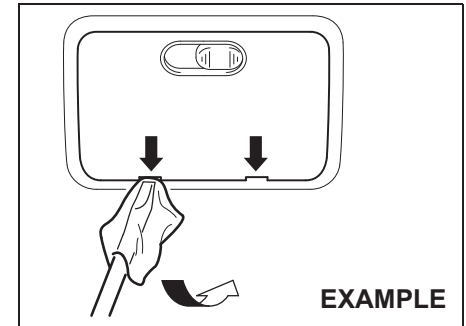


- 2) Remove the bulb holder as shown in the illustration.

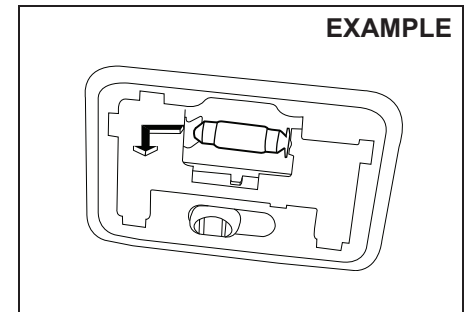


- (3) Removal
 - (4) Install
- 3) To remove and install the bulb of the high-mount stop light (2), simply pull out or push in the bulb.

Interior light

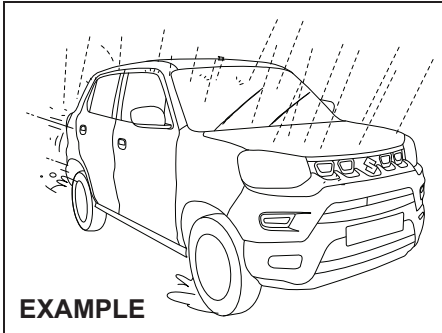


- 1) Remove the lens by using a flat blade screwdriver covered with a soft cloth as shown. To install it, simply push it back in.



- 2) To remove the bulb push the bulb to the left side of holder and pull.

Wiper blades



62SM06012

If the wiper blades become brittle or damaged, or make streaks when wiping, replace the wiper blades.

To install new wiper blade rubber, follow the procedures below.

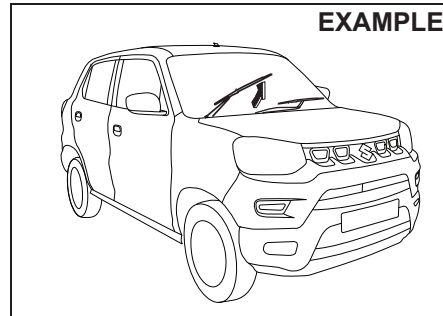
NOTICE

To avoid scratching or breaking the window, do not let the wiper arm strike the window while replacing the wiper blade.

NOTE:

Some wiper blades may be different from the ones described here depending on vehicle specifications. If so, consult a Maruti Suzuki authorised workshop for proper replacement method.

For windshield wipers:



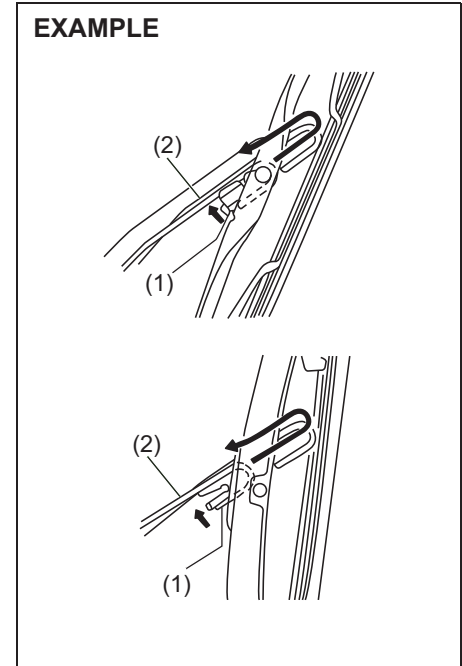
62SM06013

- 1) Hold the wiper arm away from the window.

NOTE:

When raising both of the front wiper arms, pull the driver's side wiper arm up first. When returning the wiper arms, lower the passenger's side wiper arm first. Otherwise, the wiper arms may interfere with each other.

EXAMPLE

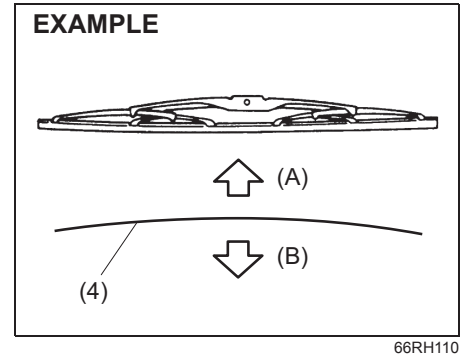
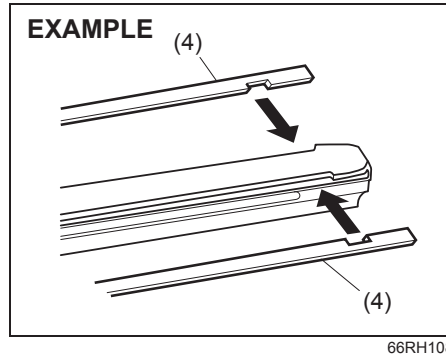
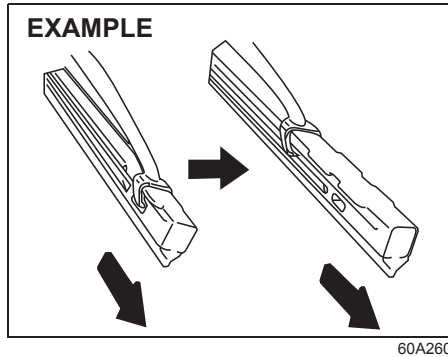


54G130

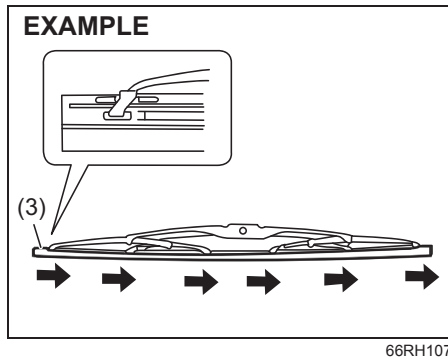
- 2) Squeeze lock (1) towards wiper arm (2) and remove the wiper frame from the arm as shown.
- 3) Unlock the lock end of the wiper blade and slide the blade out as shown.

INSPECTION AND MAINTENANCE

Removal



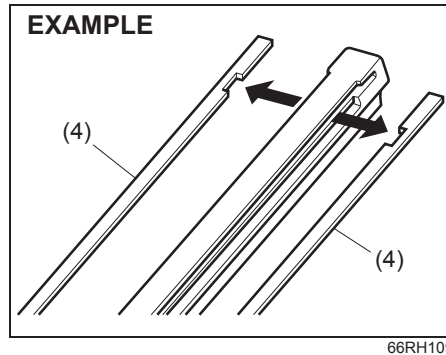
Installation



(3) Locked end

(4) Retainer

- 4) If the new blade is provided without the two metal retainers (4), move them from the old blade to the new one.



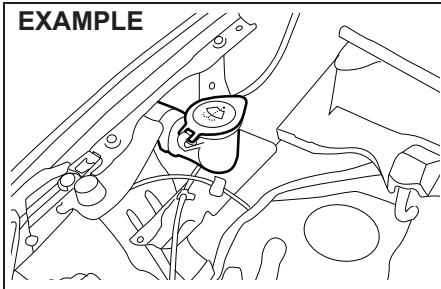
- (A) Up
(B) Down

NOTE:

When you install the metal retainers (4), check that the direction of metal retainers is as shown in the above illustrations.

- 5) Install the new blade in the reverse order of removal, with the locked end positioned toward the wiper arm. Check that the blade is properly retained by all the hooks. Lock the blade end into place.
- 6) Reinstall wiper frame to arm, checking that the lock lever is snapped securely into the arm.

Windshield washer fluid



62SM06031

Check that there is washer fluid in the tank. Refill it if necessary. Use a good quality windshield washer fluid, diluted with water as necessary.

⚠ WARNING

Do not use radiator antifreeze in the windshield washer reservoir. It can severely impair visibility when sprayed on the windshield, and can also damage your vehicle's paint.

NOTICE

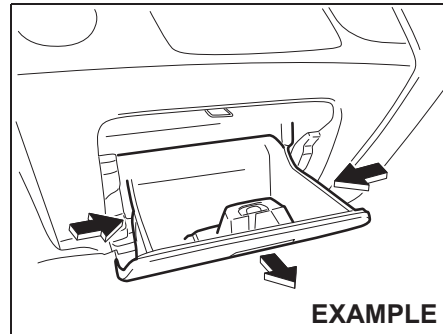
- Damage may result if the washer motor is operated with no fluid in the washer tank.
- Avoid use of hard water to prevent building of lime scale on the vehicle.

Air conditioning system (if equipped)

If you do not use the air conditioner for a long period, such as during winter, it may not give the best performance when you start using it again. To help maintain optimum performance and durability of your air conditioner, it needs to be run periodically. Operate the air conditioner at least once a month for one minute with the engine idling. This circulates the refrigerant and oil and helps protect the internal components.

Air conditioner filter replacement (if equipped)

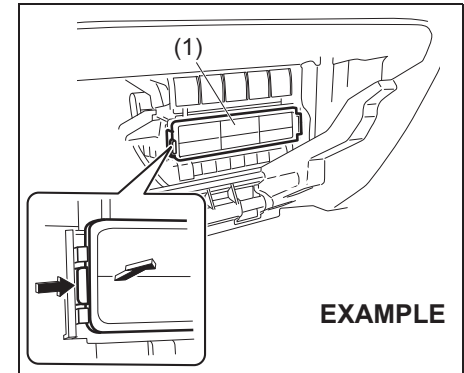
Since special procedures are required, ask a authorised Maruti Suzuki workshop for this job.



EXAMPLE

69RH183

- 1) To approach the air conditioner filter, remove the glove box by pressing both sides of the glove box inward and pulling it out.

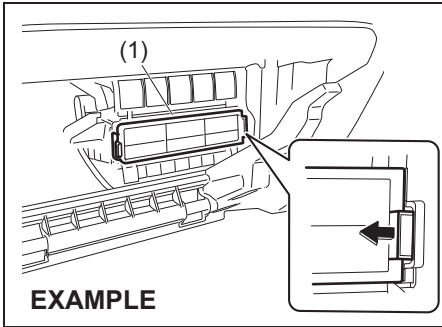


EXAMPLE

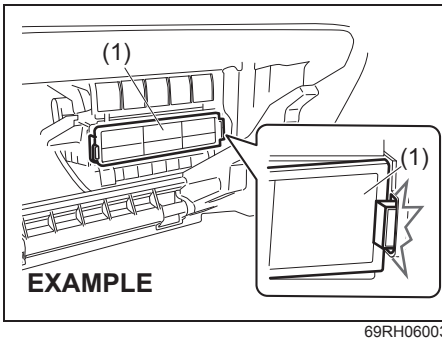
69RH060010

- 2) Unlock the holder (1) and release it **EXAMPLE** from the air conditioner unit.

INSPECTION AND MAINTENANCE

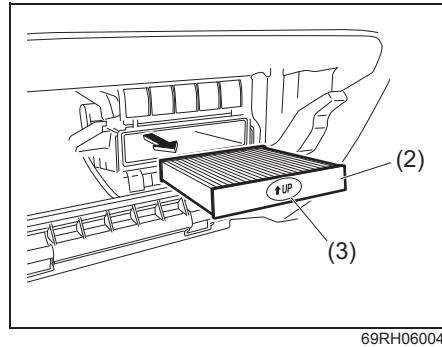


- 3) Slide the tab of the holder (1) in an arrow direction and remove the holder.



NOTICE

Do not apply excessive force to the tab when removing the holder (1). Otherwise, the tab may be damaged.

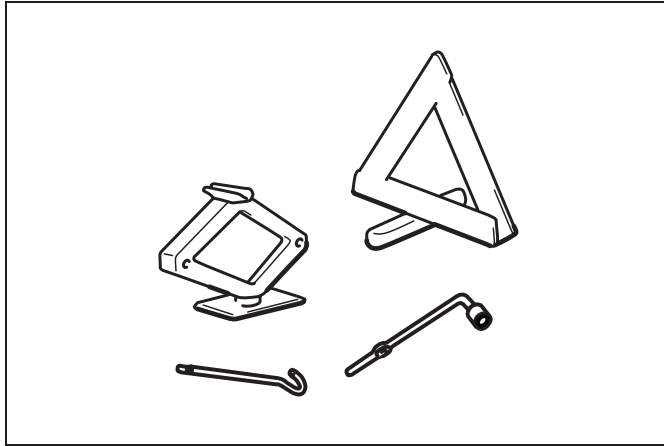


- 4) Pull out the air conditioner filter (2).

NOTE:

When you install a new air conditioner filter, check that the UP mark (3) faces upward.

EMERGENCY SERVICE

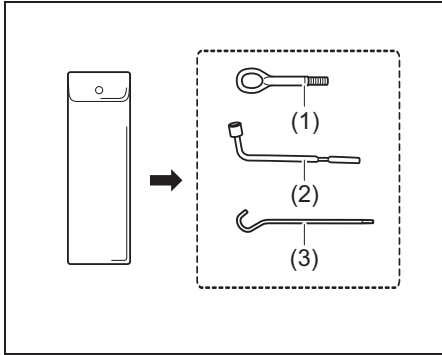


60G411A

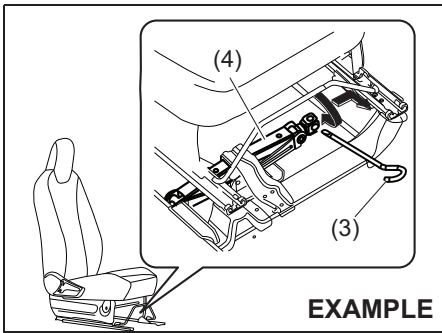
Tire changing tool	7-1
Jacking instructions	7-3
Jump-starting instructions	7-7
Towing your vehicle	7-8
Engine trouble: Starter does not operate	7-9
Engine trouble: Flooded engine	7-10
Engine trouble: Overheating	7-10
Warning triangle	7-11

EMERGENCY SERVICE

Tire changing tool



- (1) Towing hook
- (2) Wheel wrench
- (3) Jack handle



The jack (4) is stowed under the driver's seat.

Slide the driver's seat backward.

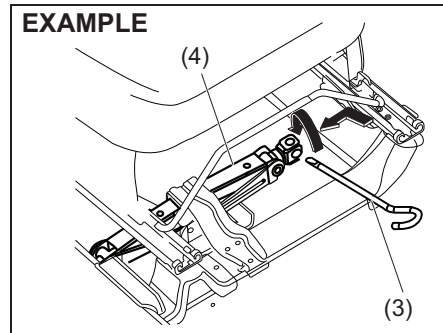
To remove the jack (4), turn the jack shaft counterclockwise by hand and pull the jack out of the storage bracket from the front side of the seat.

NOTE:

If it is difficult to turn the shaft by hand, use jack handle (3) as shown in the illustration and move it downwards to turn the jack shaft counterclockwise.

To stow the jack, place it in the storage bracket and turn the jack shaft clockwise with hand.

Check that jack does not get entangled with any harness while removing or placing it back.



After temporarily holding the jack (4) until it contacts the storage bracket, turn the shaft approximately 60° to 90° by using jack handle (3) to securely hold the jack in place.

⚠ WARNING

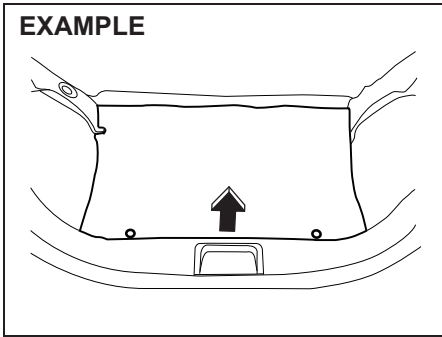
After using the tire changing tools, stow them securely or they can cause injury if an accident occurs.

⚠ CAUTION

The jack should be used only to change wheels. It is important to read the jacking instructions in this section before attempting to use the jack.

NOTICE

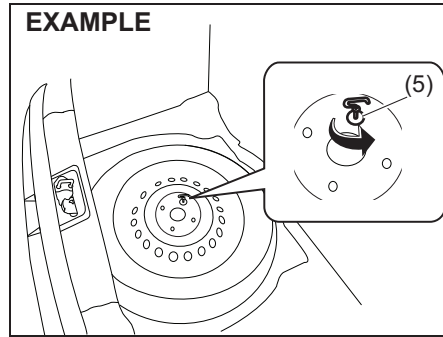
To avoid damaging the storage bracket, do not expand the jack excessively.



62SM07007

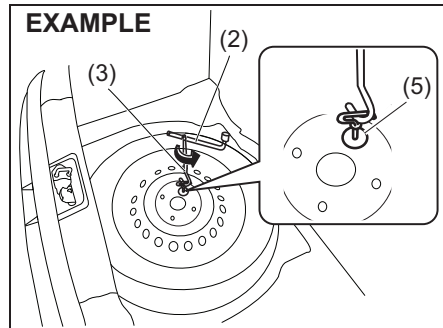
To remove the luggage compartment carpet (if equipped) easily, lift the carpet through the hole provided on the carpet and pull it out.

NOTE:
When installing, install the carpet in the reverse order of removal.



62SM07016

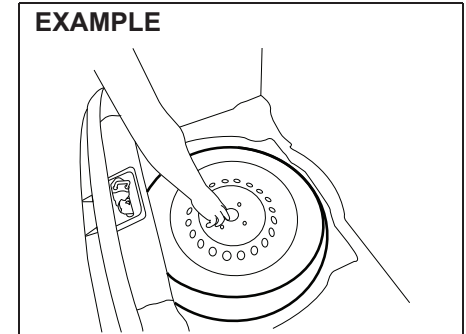
To remove the spare tire, turn its bolt (5) counterclockwise by hand.



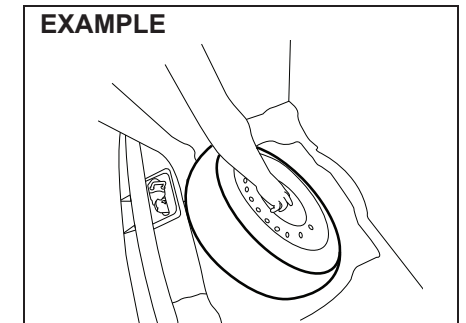
62SM07008

NOTE:
If it is difficult to turn the bolt (5) by hand, use tools has shown in above illustration.

After removing bolt (5), take out the spare tire as shown in below illustrations.



62SM07014



62SM07015

EMERGENCY SERVICE

Store the spare tire in the reverse order of removal. Place the tire gently, do not drop from height to avoid any damage. After storing, verify that the spare tire is stored securely.

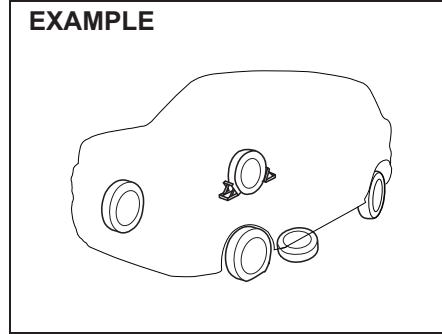
Make sure that there is no looseness by trying to shake the spare tire.

NOTICE

If there is a looseness, it may cause a rattling and damage the paintwork.

Jacking instructions

EXAMPLE



62SM07002

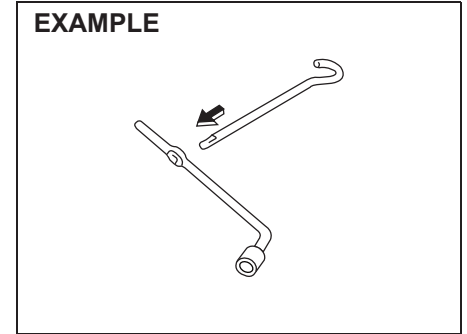
- 1) Place the vehicle on level, hard ground.
- 2) Set the parking brake firmly and shift into "R" (Reverse) if your vehicle has a manual transmission/Auto Gear Shift.

⚠ WARNING

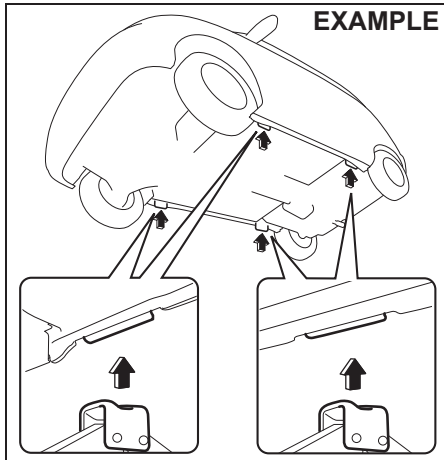
- Shift into "R" (Reverse) for a manual transmission/Auto Gear Shift vehicle when you jack up the vehicle.
- Never jack up the vehicle with the transmission in "N" (Neutral). Otherwise, unstable jack may cause an accident.

- 3) Turn on the hazard warning flasher if your vehicle is near traffic.
- 4) Block the front and rear of the wheel diagonally opposite of the wheel being lifted.
- 5) Place the spare wheel near the wheel being lifted as shown in the illustration in case the jack slips.

EXAMPLE



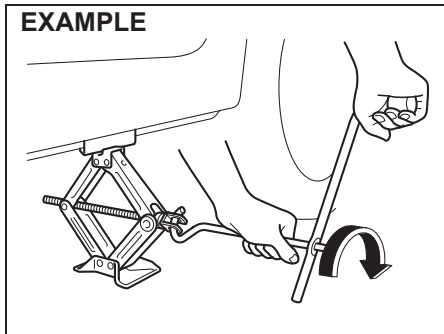
54G25



EXAMPLE

62SM07013

- 6) Position the jack at an angle as shown in the illustration and raise the jack by turning the jack handle clockwise until the jack-head groove fits around the jacking bar beneath the vehicle body.
- 7) Continue to raise the jack slowly and smoothly until the tire clears the ground. Do not raise the vehicle more than necessary.



EXAMPLE

68PM00802

⚠ WARNING

- Use the jack only to change wheels on level, hard ground.
- Never jack up the vehicle on an inclined surface.
- Never raise the vehicle with the jack in a location other than the specified jacking point (shown in the illustration) near the wheel to be changed.
- Make sure that the jack is raised at least 50 mm (2 inch) before it contacts the flange. Use of the jack when it is within 50 mm (2 inch) of being fully collapsed may result in failure of the jack.
- Do not use wooden blocks or similar objects as a jack underlay.
- Never get under the vehicle when it is supported by the jack. Never place your hands and feet under the raised vehicle when it is supported by a jack.
- Never run the engine when the vehicle is supported by the jack and never allow passengers to remain in the vehicle.

EMERGENCY SERVICE

Raising vehicle with garage jack

- Apply the garage jack to one of the points indicated below.
- Always support the raised vehicle with jack stands (commercially available) at the points indicated below.

- (1) Jack stand
- (2) Garage jack
- (3) Jacking Point for on-board Jack/Jack stand/ Two-column lift
- (4) Jacking point for garage jack

NOTE:

For more details, contact a Maruti Suzuki authorised workshop.

NOTICE

Never apply a garage jack to the exhaust pipe, side under spoiler (if equipped), engine undercover (if equipped) or rear torsion beam

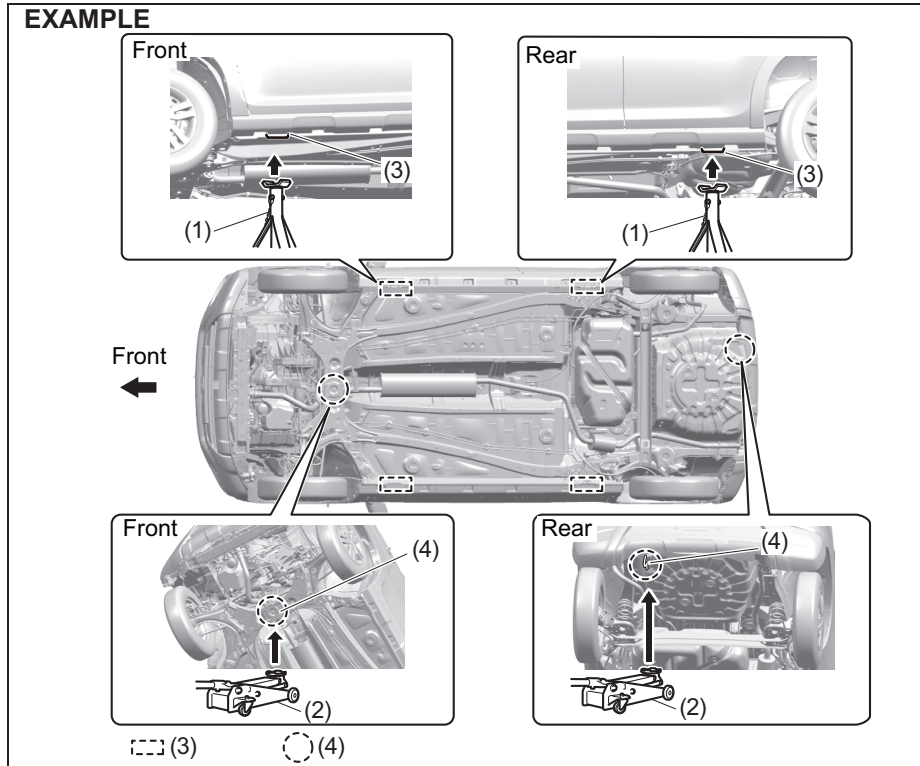
Changing wheels

⚠ WARNING

Never change a wheel in traffic lane. Always move the vehicle off the road on level, hard ground away from traffic for changing a wheel. For any further assistance contact your nearest Maruti Suzuki authorised workshop.

To change a wheel, use the following procedure:

- 1) Remove the jack, tools and spare wheel from the vehicle.
- 2) Loosen, but do not remove the wheel nuts.



62SM07009

- 3) Jack up the vehicle (follow the jacking instructions in this section).

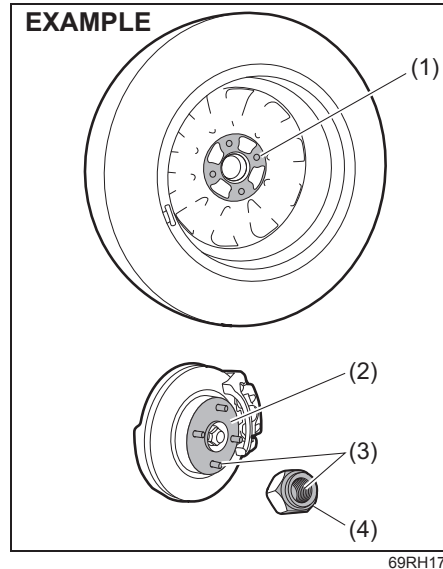
⚠ WARNING

- Shift into “R” (Reverse) for a manual transmission/Auto Gear Shift vehicle when you jack up the vehicle.
- Never jack up the vehicle with the transmission in “N” (Neutral). Otherwise, unstable jack may cause an accident.

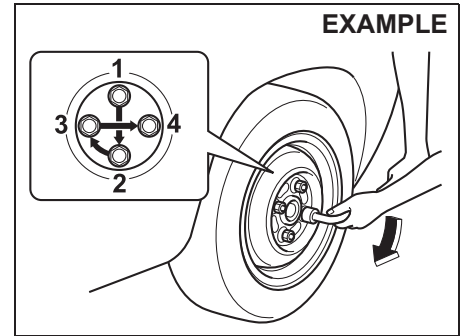
⚠ CAUTION

Immediately after the vehicle has been driven, the wheels, the wheel nuts and the area around the brakes might be extremely hot. Touching these areas may cause burn injury. Do not touch these areas, immediately after the vehicle has been driven.

- 4) Remove the wheel nuts and wheel.



- 5) Clean any mud or dirt off from the surface of the wheel (1), hub (2), thread part (3) and surface of the wheel nuts (4) with a clean cloth. Clean the hub carefully; it may be hot from driving.
- 6) Install the new wheel and replace the wheel nuts with their cone shaped end facing the wheel. Tighten each nut snugly by hand until the wheel is securely seated on the hub.



Tightening torque for wheel nut
100 Nm (10.1 kg-m, 73.7 lb-ft)

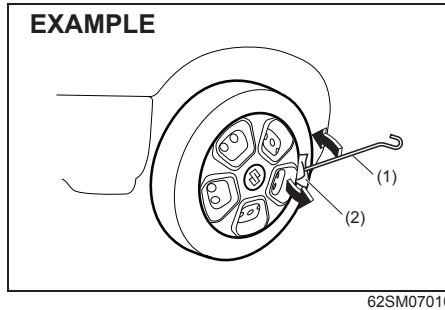
- 7) Lower the jack and fully tighten the nuts with a wrench in numerical order as shown in the illustration.

⚠ WARNING

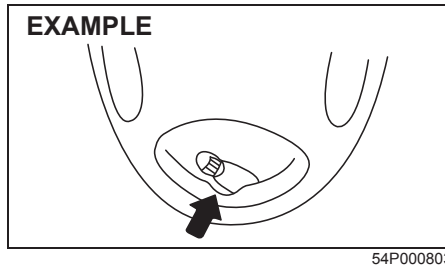
Use genuine wheel nuts and tighten them to the specified torque as soon as possible after changing wheels. Incorrect wheel nuts or improperly tightened wheel nuts may come loose or fall off, which can result in an accident. If you do not have a torque wrench, have the wheel nut torque checked by a Maruti Suzuki authorised workshop.

EMERGENCY SERVICE

Full wheel cover (if equipped)



Remove the full wheel cover by using jack handle (1) covered with a soft cloth (2), as shown in the illustration.



Ensure not to cover or foul the air valve while installing the full wheel cover.

Jump-starting instructions

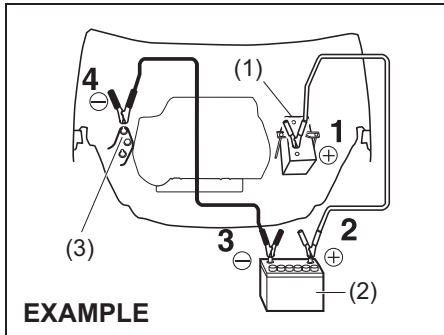
⚠ WARNING

- Never attempt to jump-start your vehicle if the battery appears to be frozen. Batteries in this condition may explode.
 - When making jump lead connections, check that your hands and the jump leads remain clear from pulleys, belts or fans.
 - Batteries produce flammable hydrogen gas. Keep flames and sparks away from the battery or an explosion may occur. Never smoke when working near the battery.
 - If the booster battery you use for jump-starting is installed in another vehicle, check that the two vehicles are not touching each other.
 - If your battery discharges repeatedly, for no apparent reason, have your vehicle inspected by a Maruti Suzuki authorised workshop.
 - To avoid harm to yourself or damage to your vehicle or battery, follow the jump-starting instructions below.
- If you are in doubt, call for qualified road service.

NOTICE

Your vehicle should not be started by pushing or towing. This starting method could result in permanent damage to the catalytic converter. Use jump leads to start a vehicle with a weak or discharged battery.

- 1) Use only a 12-volt battery to jump-start your vehicle. Position the good 12-volt battery close to your vehicle so that the jump leads will reach both batteries. When using a battery installed on another vehicle, check that two vehicles do not touch each other. Set the parking brakes fully on both vehicles.
- 2) Turn off all vehicle accessories, except those necessary for safety reasons (for example, headlights or hazard lights).



EXAMPLE

54P000804

3) Connect jump leads as follows:

1. Connect one end of the first jump lead to the positive (+) terminal of the discharged battery (1).
2. Connect the other end to the positive (+) terminal of the booster battery (2).
3. Connect one end of the second jump lead to the negative (-) terminal of the booster battery (2).
4. Make the final connection to an unpainted, heavy metal part (i.e. engine mount bracket (3)) of the engine of the vehicle with the discharged battery (1).

⚠ WARNING

Never connect the jump lead directly to the negative (-) terminal of the discharged battery, or an explosion may occur.

⚠ CAUTION

Connect the jump lead to the engine mount bracket securely. If the jump lead disconnects from the engine mount bracket because of vibration at the start of the engine, the jump lead could be caught in the drive belts.

- 4) If the booster battery you are using is fitted to another vehicle, start the engine of the vehicle with the booster battery. Run the engine at moderate speed.
- 5) Start the engine of the vehicle with the discharged battery.
- 6) Remove the jump leads in the exact reverse order in which you connected them.

Towing your vehicle

If you need to have your vehicle towed, contact a professional service. Maruti Suzuki authorised workshop can provide you with detailed towing instructions.

NOTICE

Observe the following instructions when towing your vehicle.

- To help avoid damage to your vehicle during towing, proper equipment and towing procedures must be used.
- Using the frame hook, tow your vehicle on paved roads for short distances at low speed.

EMERGENCY SERVICE

2-wheel drive (2WD) manual transmission or Auto Gear Shift

Manual transmission vehicles or Auto Gear Shift vehicles may be towed using either of the following methods.

- 1) From the front, with the front wheels lifted and the rear wheels on the ground. Before towing, check that the parking brake is released.
- 2) From the rear, with the rear wheels lifted and the front wheels on the ground, provided the steering and drivetrain are in operational condition. Before towing, check that transmission is in neutral, the steering wheel is unlocked (the ignition key should be in "ACC" position), and the steering wheel is secured with a clamping device designed for towing service.

NOTICE

- **The steering column is not strong enough to withstand shocks transmitted from the front wheels during towing. Always unlock the steering wheel before towing.**
- **After shifting the Auto Gear Shift gearshift lever to the "N" position, always check the gear position indicator in the instrument cluster shows the "N" position to make sure that the transmission is disengaged.**
If the transmission cannot be put in neutral, turn the key from the "LOCK" to the "ON" position, and move the Auto Gear Shift gearshift lever from "N" to "D", "M" or "R", then back to "N" again. Then turn the key from the "ON" to the "LOCK" position. These procedures may help put the transmission in neutral. If the transmission still cannot be put in neutral, you cannot tow the vehicle without using a towing dolly.

Engine trouble: Starter does not operate

- 1) Try turning the ignition switch to "START" position with the headlights turned on to determine the battery condition. If the headlights go excessively dim or go off, it usually means that either the battery is discharged or the battery terminal contact is poor. Recharge the battery or correct battery terminal contact as necessary.
- 2) If the headlights remain bright, check the fuses. If the reason for failure of the starter is not obvious, there may be a major electrical problem. Have the vehicle inspected by a Maruti Suzuki authorised workshop.

Engine trouble: Flooded engine

If the engine is flooded with petrol, it may be hard to start. If this happens, press the accelerator pedal all the way to the floor and hold it there while cranking the engine. Do not operate the starter motor for more than 12 seconds.

Engine trouble: Overheating

The engine could overheat temporarily under severe driving conditions. If the high engine coolant temperature warning light comes on as overheating during driving:

- 1) Turn off the air conditioner, if equipped.
- 2) Take the vehicle to a safe place and park.
- 3) Let the engine run at the normal idle speed for a few minutes until the high engine coolant temperature warning light goes off.

WARNING

If you see or hear escaping steam, stop the vehicle in a safe place and immediately turn off the engine to cool it. Do not open the hood when steam is present. When the steam can no longer be seen or heard, open the hood to see if the coolant is still boiling. If it is, you must wait until it stops boiling before you proceed.

If the high engine coolant temperature warning light does not go off:

- 1) Turn off the engine and check that the water pump belt and pulleys are not damaged or slipping. If any abnormality is found, correct it.
- 2) Check the coolant level in the reservoir. If it is found to be lower than “LOW” line, check radiator, water pump, radiator hoses and heater hoses for leakage.

If leakage that may cause overheating is found, do not run the engine until these problems have been corrected.

- 3) If leakage is not found, carefully add coolant to the reservoir and then the radiator, if necessary. (Refer to “Engine coolant” in the “INSPECTION AND MAINTENANCE” section.)

NOTE:

If engine overheats and you are not sure what to do, contact a Maruti Suzuki authorised workshop.

EXAMPLE



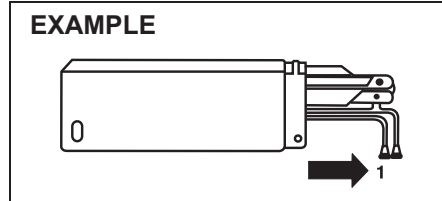
79J007

⚠ WARNING

- It is hazardous to remove the radiator cap when the water temperature is high, because scalding fluid and steam may be blown out under pressure. The cap should only be taken off when the coolant temperature has lowered.
- To help prevent personal injury, keep hands, tools and clothing away from the engine cooling fan and air-conditioner fan (if equipped). These electric fans can automatically turn on without warning.

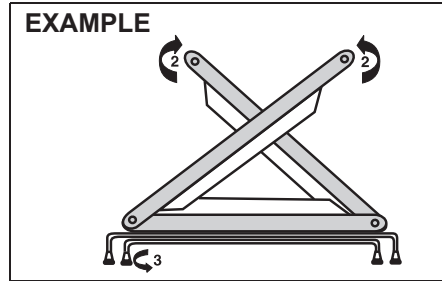
Warning triangle

EXAMPLE



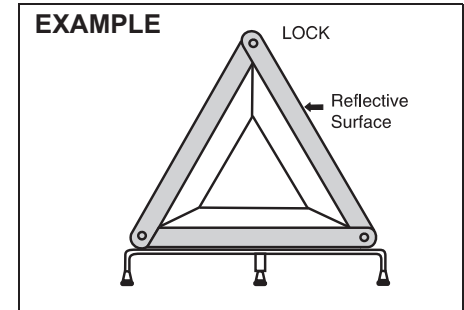
In case of vehicle break-down or during emergency stopping, where, your vehicle could become a potential traffic hazard, keep the warning triangle, provided with your vehicle, on the road free from any obstacles behind your vehicle so as to warn the approaching traffic, at an approximate distance of 50-100 m. The reflecting side of the triangle should face the on coming traffic. Please activate the hazard warning lamps before alighting the vehicle to keep the warning triangle.

EXAMPLE



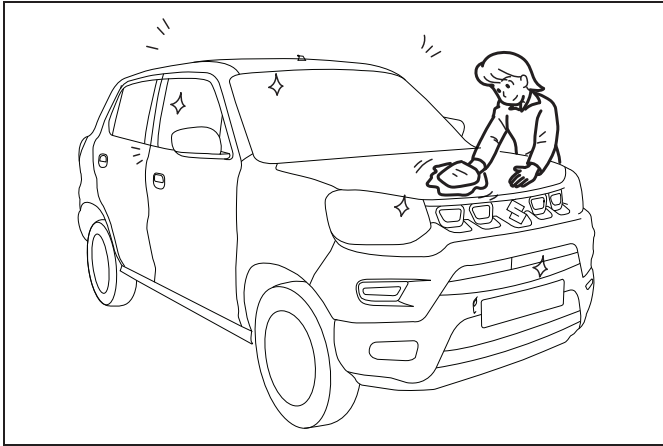
- Remove the warning triangle carefully from the cover as shown by arrow 1.
- Open both the reflector arms as shown by arrow 2 and lock the arms with each other with the clip provided in the right arm. Open the bottom stand in counter-clockwise direction as shown by arrow 3. Position the warning triangle behind the vehicle on a plain surface.
- Reverse the removal procedure for keeping inside the cover.

EXAMPLE



APPEARANCE CARE

Corrosion prevention 8-1
Vehicle cleaning 8-2



62SM08000

APPEARANCE CARE

Corrosion prevention

It is important to take good care of your vehicle to protect it from corrosion. Listed below are instructions for how to maintain your vehicle to prevent corrosion. Please read and follow these instructions carefully.

Important information about corrosion

Common causes of corrosion

- 1) Accumulation of road salt, dirt, moisture or chemicals in hard-to-reach areas of the vehicle underbody or frame.
- 2) Chipping, scratches and any damage to treated or painted metal surfaces resulting from minor accidents or abrasion by stones and gravel.
- 3) Any or all of the below mentioned points:
 - Continuous exposure to sunlight
 - Hard water and sea water coming in contact with vehicle.
 - Foot rubbing (skirting).

Environmental conditions which accelerate corrosion

- 1) Road salt, dust control chemicals, sea air or industrial pollution will all accelerate the corrosion of metal.
- 2) High humidity will increase the rate of corrosion particularly when the temperature range is just above the freezing point.

- 3) Moisture in certain areas of a vehicle for an extended period of time may promote corrosion even though other body sections may be completely dry.
- 4) High temperatures will cause an accelerated rate of corrosion to parts of the vehicle which are not well-ventilated to permit quick drying.

This information illustrates the necessity of keeping your vehicle (particularly the underbody) as clean and dry as possible. It is equally important to repair any damage to the paint or protective coatings as soon as possible.

How to help prevent corrosion

Wash your vehicle frequently

The best way to preserve the finish on your vehicle and to help avoid corrosion is to keep it clean with frequent washing.

Wash your vehicle at least once during the winter and once immediately after the winter. Keep your vehicle, particularly the underside, as clean and dry as possible.

If you frequently drive on salted roads, your vehicle should be washed at least once a month during the winter. If you live near the ocean, your vehicle should be washed at least once a month throughout the year.

For washing instructions, refer to "Vehicle cleaning" section.

Remove foreign material deposits

Foreign material such as salts, chemicals, road oil or tar, tree sap, bird droppings and industrial fall-out may damage the finish of your vehicle if it is left on painted surfaces. Remove these types of deposits as quickly as possible. If these deposits are difficult to wash off, an additional cleaner may be required. Check that any cleaner you use is not harmful to painted surfaces and is specifically intended for your purposes. Follow the manufacturer's directions when using these special cleaners.

Repair finish damage

Carefully examine your vehicle for damage to the painted surfaces. Should you find any chips or scratches in the paint, touch them up immediately to prevent corrosion from starting. If the chips or scratches have gone through to the bare metal, have a qualified body shop make the repair.

Keep passenger and luggage compartments clean

Moisture, dirt or mud can accumulate under the floor mats and may cause corrosion. Occasionally, check under these mats to ensure that this area is clean and dry. More frequent checks are necessary if the vehicle is used for off-road driving or in wet weather.

Certain cargos such as chemicals, fertilizers, cleaners, salts, etc. are extremely corrosive by nature. These products should be transported in sealed containers. If they

are spilled or leaked, clean and dry the area immediately.

Park your vehicle in a dry, well-ventilated area

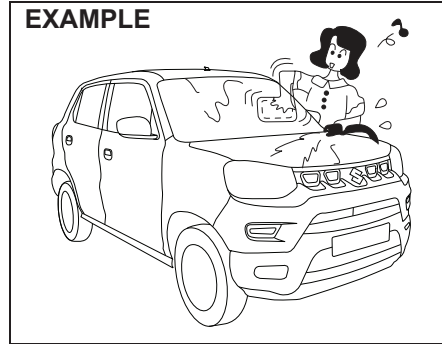
Park your vehicle to save it from continuous exposure to direct sunlight. Do not park your vehicle in a damp, poorly ventilated area. If you often wash your vehicle in the garage or if you frequently drive it in when wet, your garage may be damp. The high humidity in the garage may cause or accelerate corrosion. A wet vehicle may corrode even in a heated garage if the ventilation is poor.

⚠ WARNING

Do not apply additional undercoating or rust preventive coating on or around exhaust system components such as the catalytic converter and exhaust pipes. A fire could be started if the undercoating substance becomes overheated.

Vehicle cleaning

EXAMPLE



62SM08001

⚠ WARNING

When cleaning the interior or exterior of the vehicle, do not use flammable solvents such as lacquer thinners, petrol and benzene. Also, do not use cleaning materials such as bleaches and strong household detergents. The materials could cause personal injury or damage to the vehicle.

Cleaning interior

Vinyl upholstery (Except front passenger seat)

Prepare a solution of soap or mild detergent mixed with warm water. Apply the solution to the vinyl with a sponge or soft cloth and let it soak for a few minutes to loosen dirt.

Rub the surface with a clean, damp cloth to remove dirt and the soap solution. If some dirt still remains on the surface, repeat this procedure.

Fabric upholstery (Except front passenger seat)

Remove loose dirt with a vacuum cleaner. Using a mild soap solution, rub stained areas with a clean damp cloth. To remove soap, rub the areas again with a cloth dampened with water. Repeat this until the stain is removed, or use a commercial fabric cleaner for tougher stains. If you use a fabric cleaner, carefully follow the manufacturer's instructions and precautions.

APPEARANCE CARE

CAUTION

- Do not spill liquid or semi-solid on the front passenger's seat. If you spill it on the front passenger's seat, immediately wipe it dry with a soft cloth. Contact of liquid with sensor may impact the function of seat belt reminder sensor.
- Do not place any sharp or heavy object on passenger seat which can penetrate through seat upholstery and can cause damage to sensor.

Vinyl/ Fabric upholstery (For front passenger seat)

Do not use liquid for cleaning as it may penetrate the fabric and damage the seat sensor.

NOTE:

- In order to keep leather upholstery looking good, it should be cleaned at least twice a year.
- If leather upholstery becomes wet, immediately wipe it dry with tissue paper or a soft cloth. Water may cause leather to harden and shrink if it is not wiped off.
- When parking on sunny days, select a shady place or use a sunshade. If leather upholstery is exposed to direct sunlight for a long time, it may discolor and shrink.
- As is common with natural materials, leather is inherently irregular in grain and

cowhide has spots in its natural state. These do not affect the performance of the leather in any way.

Seat belts

Clean seat belts with a mild soap and water. Do not use bleach or dye on the belts. They may weaken the fabric in the belts.

CAUTION

- Do not spill liquid or semi-solid on the front passenger's seat. If you spill it on the front passenger's seat, immediately wipe it dry with a soft cloth. Contact of liquid with sensor may impact the function of seat belt reminder sensor.
- Do not place any sharp or heavy object on passenger seat which can penetrate through seat upholstery and can cause damage to sensor.

Vinyl floor mats

Ordinary dirt can be removed from vinyl with water or mild soap. Use a brush to help loosen dirt. After the dirt is loosened, rinse the mat thoroughly with water and dry it in the shade.

Carpets

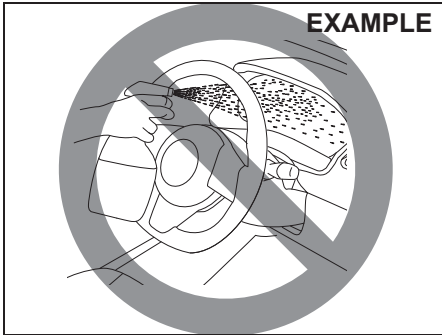
Remove dirt and soil as much as possible with a vacuum cleaner. Using a mild soap solution, rub stained areas with a clean damp cloth. To remove soap, rub the areas again with a cloth dampened with water. Repeat this until the stain is removed, or use a commercial carpet cleaner for tougher stains. If you use a carpet cleaner, carefully follow the manufacturer's instructions and precautions.

Instrument panel and console

Remove loose dirt with a vacuum cleaner. Gently wipe dirt off with a tightly squeezed damp clean cloth. Repeat this until the dirt is removed.

WARNING

Do not use chemical products that contain silicon to wipe electrical components such as the air conditioning system, audio, navigation system, or other switches. These will cause damage to the components. Do not spray water or any liquid directly on instrument cluster or any other electrical or electronic components. This may cause damage and/or lead to non-functioning of the part or may cause fire.



EXAMPLE

81RM08005

NOTICE

- Liquid such as liquid aromatics, soft drinks or juice may cause discoloration, wrinkles, and cracking to resin-based parts and textiles. Immediately wipe it dry with tissue paper or a soft cloth.
- Do not leave leather products with color, fur or vinyl products, etc. in your vehicle for long periods. It may cause discoloration or deterioration of interior.

Cleaning exterior

NOTICE

It is important that your vehicle be kept clean and free from dirt. Failure to keep your vehicle clean may result in fading of the paint or corrosion to various parts of the vehicle body.

Caring for aluminum wheels

NOTE:

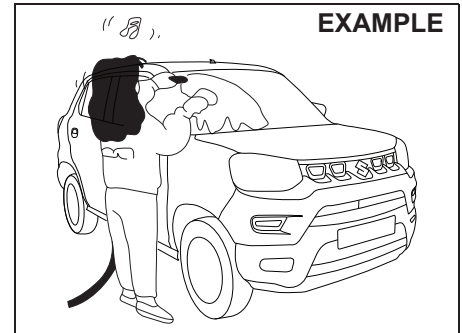
- Do not use an acidic or alkaline detergent, or a cleaner containing petroleum solvent to wash aluminum wheels. These types of cleaner will cause permanent spots, discoloration and cracks on finished surfaces and damage to center caps.
- Do not use a bristle brush and soap containing an abrasive material. These will damage finished surfaces.

Washing

⚠ WARNING

- Never attempt to wash and wax your vehicle with the engine running.
- When cleaning the underside of the body and fender, where there may be sharp-edged parts, wear gloves and a long-sleeved shirt to protect your hands and arms from being cut.
- After washing your vehicle, carefully test the brakes before driving to check that they have maintained their normal effectiveness.

Washing by hand



EXAMPLE

62SM08002

APPEARANCE CARE

When washing the vehicle, park it in the place where direct sunlight does not fall on it and follow the instructions below:

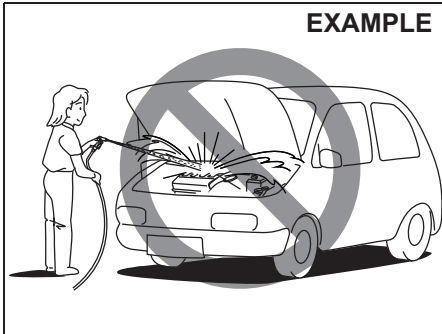
- 1) Flush the underside of body and wheel housings with pressurized water to remove mud and debris. Use plenty of water.

NOTICE

When washing the vehicle:

- Avoid directing steam or hot water of more than 80°C (176°F) on plastic parts.
- To avoid damaging engine components, do not use pressurized water in the engine compartment.

EXAMPLE



81RM08006

- 2) Rinse the body to loosen the dirt. Remove dirt and mud from the body exterior with running water. You may use a soft sponge or brush. Do not use hard materials which can scratch the paint or plastic. Remember that the headlight covers or lenses are made of plastic in many cases.

NOTICE

To avoid damage to the paint or plastic surface, do not wipe the dirt off without ample water. Follow the above procedure.

- 3) Wash the entire exterior with a mild detergent or car wash soap using a sponge or soft cloth. The sponge or cloth should be frequently soaked in the soap solution.

NOTICE

When using a commercial car wash product, observe the cautions specified by the manufacturer. Never use strong household detergents or soaps.

- 4) Once the dirt has been completely removed, rinse off the detergent with running water.
- 5) Wipe off the vehicle body with a wet chamois or cloth and allow it to dry in the shade.

- 6) Check carefully for damage to painted surfaces. If there is any damage, touch up the damage following the procedure below:

1. Clean all damaged spots and allow them to dry.
2. Stir the paint and touch up the damaged spots lightly using a small brush.
3. Allow the paint to dry completely.

Washing by an automatic car wash

NOTICE

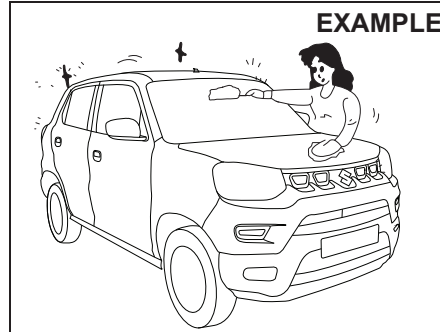
- If you use an automatic car wash, check that your vehicle's body parts, such as spoilers, cannot be damaged. If you are in doubt, consult the car wash operator for advice.
- Remove the antenna when using an automatic car wash.

Washing by a high-pressure cleaner

NOTICE

- If you use a high-pressure cleaner, keep away the nozzle from your vehicle sufficiently.
- Bringing the nozzle to your vehicle too close or pointing the nozzle to the opening of front grill or bumper etc. can cause damage and malfunction of the vehicle body and parts.
 - Pointing the nozzle to the weather-strip of door glasses and doors can allow water to enter the cabin.

Waxing



62SM08003

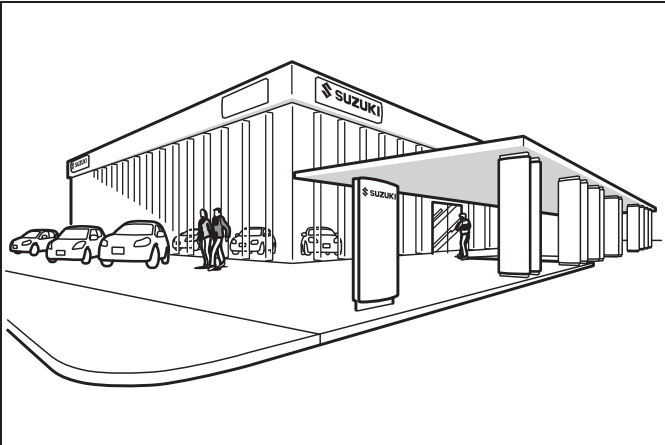
After washing the vehicle, waxing and polishing are recommended to further protect and beautify the paint.

- Only use waxes and polishes of good quality.
- When using waxes and polishes, observe the precautions specified by the manufacturers.

APPEARANCE CARE

SPECIFICATIONS

- Vehicle identification 9-1
- FASTag (if equipped) 9-2
- High Security Registration Plate (HSRP) 9-3
- Fuel Recommendation 9-4
- Specifications 9-5

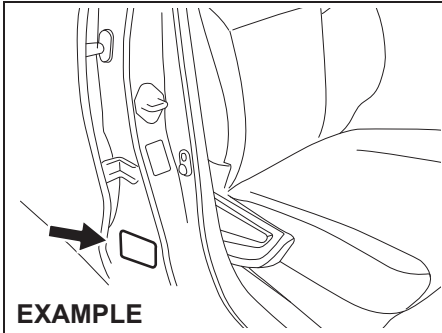


84MM01001

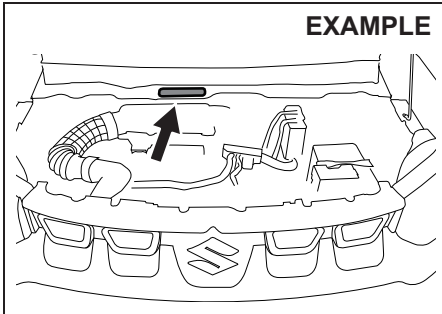
SPECIFICATIONS

Vehicle identification

Chassis serial number



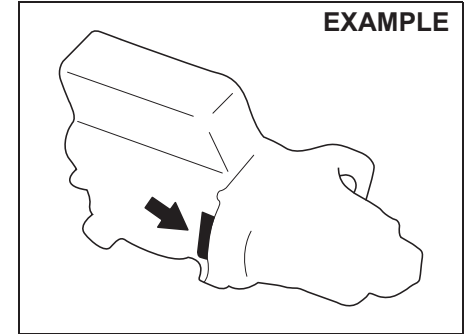
62SM09001



62SM09002

The chassis and/or engine serial numbers are used to register the vehicle. They are also used to assist a Maruti Suzuki authorised workshop when ordering or referring to special service information. Whenever you have occasion to consult a Maruti Suzuki authorised workshop, remember to identify your vehicle with this number. Should you find the number difficult to read, you will also find it on the identification plate.

Engine serial number



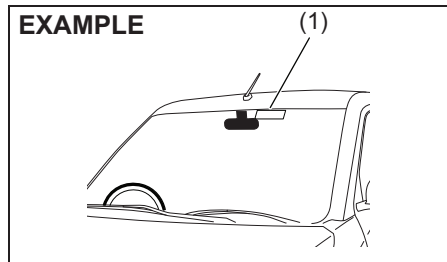
60G128

The engine serial number is stamped on the cylinder block as shown in the illustration.

FASTag (if equipped)

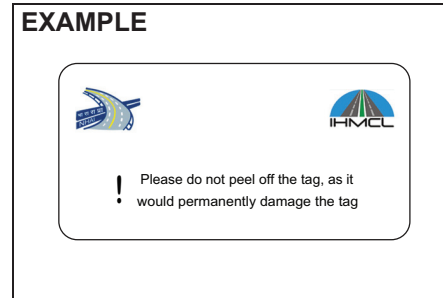
As per Ministry of Road Transport and Highways, the FASTag (1) is mandatory for each vehicle for the purpose of electronic toll collection or any other purpose as may be defined by the Government of India.

In case of any damage to FASTag or replacement of front windscreen, please contact your nearest Maruti Suzuki authorised workshop.



69RM09001

As seen from inside of the vehicle

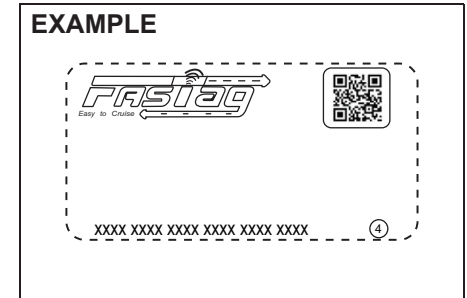


64MM01002

NOTE:

The picture shown is for indicative purpose only. Internal structure of actual device mounted on vehicle may be different.

As seen from outside of the vehicle



64MM01003

NOTE:

The picture shown is for indicative purpose only. Internal structure of actual device mounted on vehicle may be different.

NOTE:

- Any attempt to remove the tag from the windscreen will result in permanent damage to the tag.
 - Use of chemical cleaners to clean the windscreen area where the tag is mounted can damage the tag.
- Use of any sharp objects on the tag can damage the tag.*

SPECIFICATIONS

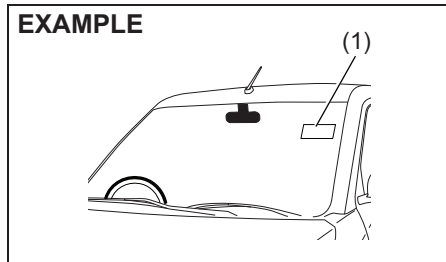
High Security Registration Plate (HSRP)

As per Ministry of Road Transport and Highways, every new vehicle must have HSRP.

HSRP contains;

- Front and rear HSRP, which will be fitted with 2 snap-locks each on number plate area.
- Third license plate on front windshield.

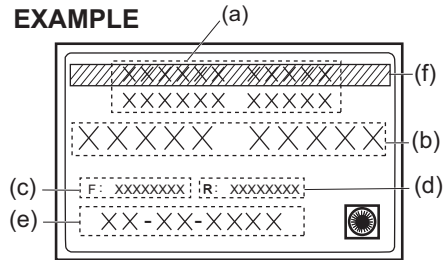
Third License Plate



(1) Third license plate

Third license plate - As seen from outside of the vehicle

EXAMPLE



72RM09002

- (a) HSRP issuing authority name
- (b) Vehicle registration number
- (c) Unique laser number - Front plate
- (d) Unique laser number - Rear plate
- (e) Date of 1st registration
(in DD-MM-YYYY format)
- (f) Green strip (BS6 vehicle)

NOTE:

The picture shown is for indicative purpose only. Internal structure of actual label mounted on vehicle may be different.

NOTE:

- Any attempt to remove the third license plate from the windscreen will result in permanent damage to the label.
- Use of chemical cleaners to clean the windscreen area where the label is mounted can damage the same.

- Use of any sharp objects on the label can damage the label.
- In the event of any replacement of the third license plate, may please contact the approved authority.

Third license plate - As seen from inside of the vehicle

EXAMPLE

Notice

It is unlawful for any person to duplicate, alter, change, deface, destroy, mutilate, remove, tear down this Third Registration Plate Sticker, except if done by authority of law. Do not wipe with harsh abrasive materials, detergents, etc. as it may deface or damage this Sticker.

64MM01009

NOTE:

The picture shown is for indicative purpose only.

NOTE:

Color of third license plate (back) is as per HSRP regulation as defined by Ministry of Road Transport and highways.

Fuel Recommendation

Petrol Engine

To avoid damaging catalytic converter, you must use unleaded petrol with an octane number (RON) of 91 or higher.

Gasoline/Ethanol blends

Blends of unleaded gasoline and ethanol, also known as gasohol, are commercially available in the country and can vary with location. Gasoline Ethanol blend up to E20 can be used as fuel for this vehicle.

Gasoline containing MTBE

Unleaded gasoline containing MTBE (methyl tertiary butyl ether) may be used in your vehicle if the MTBE content is not greater than 15%. This oxygenated fuel does not contain alcohol.

CAUTION

Use of spurious, low quality, adulterated fuel can cause damage to the engine and engine auxiliaries, affect functioning of engine and degrade engine performance including but not limited to engine seizure.

NOTICE

- The fuel tank has an air space to allow for fuel expansion in hot weather. If you continue to add fuel after the filler nozzle has automatically shut off or an initial blowback occurs, the air chamber will become full. Exposure to heat when fully fuelled in this manner will result in leakage due to fuel expansion. To prevent such fuel leakage, stop filling after the filler nozzle has automatically shut off, or when initial vent blowback occurs, if using an alternative non-automatic system.
- Be careful not to spill fuel containing alcohol while refueling. If fuel is spilled on the vehicle body, wipe it up immediately. Fuels containing alcohol can cause paint damage, which is not covered under the New Vehicle Limited Warranty.

SPECIFICATIONS

Specifications

NOTE:

Specifications are subject to change without notice.

M/T: Manual transmission

ITEM: Dimensions		UNIT: mm	
Overall length			3565
Overall width			1520
Overall height	145/80R13 tire		1553
	165/70R14 tire		1567
Wheelbase			2380
Track	Front		1316
	Rear		1318

ITEM: Mass (weight)		UNIT: kg	K10C engine model
Curb mass (weight)	M/T		736-767
	Auto Gear Shift		773-775
Gross vehicle mass (weight) rating			1170
Permissible maximum axle weight	Front		650
	Rear		650

ITEM: Engine	
Type	K10C (DOHC)
Number of cylinders	3
Bore	73.0 mm (2.87 in.)
Stroke	79.5 mm (3.13 in.)
Piston displacement	998 cm ³ (998 cc, 60.9 cu.in)
Compression ratio	11.5 : 1

ITEM: Electrical		
Standard spark plug		NGK ILZKR6F11
Battery	Petrol	ISS M42* ¹ 20HR 38 AH CCA 330 A (JIS)
	CNG	34B19L
Fuses		See "INSPECTION AND MAINTENANCE" section.

*1: Your vehicle is equipped with a lead-acid battery for exclusive use of the ENG A-STOP system.
 When replacing the lead-acid battery, make sure to select the specified type for ENG A-STOP system. Consult a Maruti Suzuki authorised workshop for replacing the lead-acid battery.

SPECIFICATIONS

ITEM: Lights		WATTAGE	BULB No.
Headlight		12V 60/55W	H4
Position light		12V 5W	W5W
Turn signal light	Front	12V 21W	PY21W
	Rear	12V 21W	PY21W
Side turn signal light		12V 5W	W5W
Tail/brake light		12V 21/5W	P21/5W
High-mount stop light		12V 16W	W16W
Reversing light		12V 21W	P21W
License plate light		12V 5W	W5W
Interior light		12V 10W	C10W

ITEM: Wheels and tires		
Tire size (front, rear and spare)	145/80R13 75S*,145/80R13 75T*,165/70R14 81S*, 165/70R14 81T*	
Rim size	145/80R13 tire: 13×4B 165/70R14 tire: 14×5J	
Tire size, spare **	For vehicle equipped with 145/80R13 tire	145/80R13 (Steel Wheel)
	For vehicle equipped with 165/70R14 tire	165/70R14 (Steel Wheel)
Tire pressures	For the specified tire pressure, see the tire information label located on the driver's door lock pillar.	

* If you cannot prepare tires with the specified load index rate and speed symbol, prepare tires with higher load index rate and speed symbol.

** The provision of different spare wheel is as per government notification/regulation (MORTH notification vide GSR 625 (E)).

ITEM: Recommended fuel / lubricants and capacities (approx.)			
Fuel		See "Fuel Recommendation" in this section.	27 L [#]
Engine oil		Classification: API SN, SP ILSAC: GF-6 Viscosity: SAE 0W-16	2.8 L (replacement with oil filter)
Engine coolant	Petrol	"SUZUKI LLC: Super (Blue) Coolant" *1	3.8 L (including reservoir tank)
	CNG	"SUZUKI LLC: Standard (Yellow) Coolant" *1	3.9 L (including reservoir tank)
Transmission oil	M/T	"MARUTI GEAR OIL 75W"	1.5 L
	Auto gear shift		
Brake fluid		MARUTI GENUINE BRAKE FLUID (MGBF) or SAE J1703 or DOT 3	Refill to the proper oil level according to the instructions in "INSPECTION AND MAINTENANCE" section.
Auto Gear Shift (AGS) actuator oil		–	0.55 L (including reservoir tank)

*1: The recommended coolant varies depending on your vehicle. Refer to "INSPECTION AND MAINTENANCE" section.

#: The fuel tank capacity is slightly more than the recommended quantity of fuel that you can fill. The additional voluminous space is provided for safety and scientific reasons.

MEMO

SERVICE NETWORK (AS ON 31.10.2023)

- **MARUTI SUZUKI AUTHORISED DEALER WORKSHOP** : SALES, SERVICE, WARRANTY & SPARE PARTS
- **MARUTI SUZUKI NEXA DEALER WORKSHOP** : SALES, SERVICE, WARRANTY & SPARE PARTS
- **MARUTI SERVICE MASTER (MSM)** : SERVICE, WARRANTY & SPARE PARTS
- **MARUTI SERVICE ZONE (MSZ)** : SERVICE, WARRANTY & SPARE PARTS
- **MARUTI AUTHORISED SERVICE STATIONS (MASSs)** : 'A' CATEGORY MASSs (**MARKED)
Free & paid Service, Major repairs & Accidental repairs
- 'B' CATEGORY MASSs (* MARKED)
Free & paid Service & Major repairs
- 'C' CATEGORY MASSs (##MARKED)
Free & paid Service & Minor repairs
- 'D' CATEGORY MASSs (#MARKED)
Free Service & Minor repairs

NOTE:

Certain MASSs are not authorised to undertake Warranty jobs. Customers are requested to approach only Maruti Suzuki Authorised Dealer Workshop / Maruti Suzuki Nexa Dealer Workshop / Maruti Service Master / Maruti Service Zone for Warranty jobs.

The charges and services may vary depending upon service network and location.

For latest Service Network details kindly visit www.marutisuzuki.com or contact our regional office / area office as mentioned below.

REGIONAL OFFICE	AREA COVERED
REGIONAL OFFICE (NORTH-I) MARUTI SUZUKI INDIA LIMITED 2nd FLOOR, 157 DIVINE , RAJPUR ROAD, DEHRADUN, UTTARAKHAND - 248001 PH:- 0135-2738549	UTTARAKHAND AND PART OF U.P.
REGIONAL OFFICE (NORTH-II) MARUTI SUZUKI INDIA LIMITED SCO: 39-40, SECTOR 8C, MADHYA MARG, CHANDIGARH - 160009 PH. NO.- 0172-2780056	PUNJAB, CHANDIGARH, PANCHKULA, ZIRAKPUR, MOHALI, JAMMU AND KASHMIR & LADAKH
REGIONAL OFFICE (NORTH-III) MARUTI SUZUKI INDIA LIMITED 4TH FLOOR, SUMMIT, PLOT NO. TCG 3/3, VIBHUTI KHAND, GOMTI NAGAR – LUCKNOW - 226010	PART OF U.P.
REGIONAL OFFICE (NORTH-IV) MARUTI SUZUKI INDIA LIMITED S.C.O. 81, FIRST FLOOR, SECTOR 5, PANCHKULA (HARYANA)-134109 PH : (0172) 2590056, 2580056	PART OF HARYANA AND HIMACHAL PRADESH
REGIONAL OFFICE (EAST-I) MARUTI SUZUKI INDIA LIMITED PLOT NO IID/15, ACTION AREA IID, NEW TOWN KOLKATA-700156	WEST BENGAL, SIKKIM, ANDAMAN & NICOBAR
REGIONAL OFFICE (EAST-II) MARUTI SUZUKI INDIA LIMITED 4TH FLOOR, ROHINI, OPP. HOTEL APSARA, 56, CIRCULAR ROAD, LALPUR RANCHI - 834001, JHARKHAND PH.: - 0651-2563931/61	BIHAR, JHARKHAND
REGIONAL OFFICE (EAST-III) MARUTI SUZUKI INDIA LIMITED 5A, 5TH FLOOR, PEACE ENCLAVE 724, ULUBARI, G.S.ROAD, GUWAHATI-781007 (ASSAM) TELE: 0361-2734308/10/11/12	ARUNACHAL PRADESH, ASSAM, MANIPUR, MEGHALYA, MIZORAM, NAGALAND, TRIPURA

SERVICE NETWORK (AS ON 31.10.2023)

REGIONAL OFFICE (WEST-I) MARUTI SUZUKI INDIA LIMITED Plot No-GEN 25 + 25 B/2,TTC INDUSTRIAL AREA,PAWANE VILLAGE,THANE BELAPUR ROAD,NAVI MUMBAI- 400705 PH NO-022 45042300	PART OF MAHARASHTRA AND GOA
REGIONAL OFFICE (WEST-II) MARUTI SUZUKI INDIA LIMITED SACRED WORLD, 7TH FLOOR, NORTH BLOCK, UNIT NUMBER 708-715; JAGTAP CHOWK, WANAWADI, PUNE – 411 040 (MAHARASHTRA) PH. (020) 26856037 / 38 / 39	PART OF MAHARASHTRA
REGIONAL OFFICE (WEST-III) MARUTI SUZUKI INDIA LIMITED 211-213, 2ND FLOOR, ISCON MALL, ABOVE STAR INDIA BAZAR, SATELLITE, AHMEDABAD - 380015 PH NO - 079 – 40036660	GUJARAT, DADRA & NAGAR HAVELI, DAMAN AND DIU
REGIONAL OFFICE (SOUTH-I) MARUTI SUZUKI INDIA LIMITED 10th Floor, Block A, Global Infocity Park, No.40, Anna Nedunchalai, Kandanchavadi, Perungudi, Chennai, Tamil Nadu – 600096 PH. - 044 - 28233050 – 53	TAMILNADU AND PONDICHERY
REGIONAL OFFICE (SOUTH-II) MARUTI SUZUKI INDIA LIMITED #204, 2ND FLOOR, EMBASSY CLASSIC BUILDING,VITTAL MALLYA ROAD,BANGALORE- 560001, KARNATAKA. PH: (080) 41120018	KARNATAKA
REGIONAL OFFICE (SOUTH-III) MARUTI SUZUKI INDIA LIMITED 2ND FLOOR, TUTUS TOWERS, 32/1787 NH47- BYE PASS, PADIVATTOM, COCHIN- 682024	KERALA
REGIONAL OFFICE (SOUTH EAST-I) MARUTI SUZUKI INDIA LIMITED 101-102 FIRST FLOOR MAHAVIR CHAMBERS, LIBERTY SQUARE STANZA, HIMAYATH NAGAR, HYDERABAD-500029, TELANGANA CONTACT NO: 040-667299999	ANDHRA PRADESH, TELANGANA
REGIONAL OFFICE (SOUTH EAST-II) MARUTI SUZUKI INDIA LIMITED UTKAL SIGNATURE, UNIT NO. 605 & 606 (6TH FLOOR) NH-5, PAHAL, CUTTACK-BHUBANESWAR ROAD, BHUBANESWAR-752101, ODISHA PH. 0674-2914129, 0674-2914139 & 0674-2914229	ODISHA AND CHHATTISGARH
REGIONAL OFFICE (CENTRAL-I & II) MARUTI SUZUKI INDIA LIMITED Nelson Mandela Marg,Vasant Kunj II, Vasant Kunj, New Delhi, Delhi - 110070	DELHI
REGIONAL OFFICE (CENTRAL-III) MARUTI SUZUKI INDIA LIMITED 7TH POOJA TOWER, 3 GOPALPURA BYEPASS, TONK ROAD JAIPUR (RAJASTHAN)- 302018, CONTACT NO.: 0141-2550888	RAJASTHAN
REGIONAL OFFICE (CENTRAL-IV) MARUTI SUZUKI INDIA LIMITED 3RD FLOOR, COMMERCE HOUSE, 7 RACE COURSE ROAD INDORE (M.P) PIN CODE: 452001 CONTACT NO.: 07314069481/852/385.	MADHYA PRADESH

SERVICE NETWORK (AS ON 31.10.2023)

DETAILS OF AREA OFFICES	
Area Office Location	Area Office Address
Agra	Maruti Suzuki India Limited, 7th Floor, B-15/8, Shri Vrindavan Tower, Sanjay Place, Agra-282001 Ph:-0562-4052646/47
Bhopal	Maruti Suzuki India Limited, 522, 5th Floor Corporate Zone, Ashima Mall, Hoshangabad Road, Bhopal (M.P) Pin Code: 462 026 Contact : 0755 6051555
Calicut	Maruti Suzuki India Limited, Ground Floor, Aarpees Arcade, YMCA Cross Road, Opp. Indusind Bank, Kozhikode, Kerala -PIN 673001 Phone:- 0495-2723151
Coimbatore	Maruti Suzuki India Limited, Srivari Gokul Towers, First floor, (East wing), No.108/3, Race course, Coimbatore - 641018 Ph.- 0422-2221091
Hubli	Maruti Suzuki India Limited, Shiva Avenue, 2nd Floor, Gokul Road, Hubli - 580030, Ph: 0836-4259447
Jammu	Maruti Suzuki India Limited, Hall no: 315, A2,3rd Floor, South Block, Bahu Plaza, Jammu-180012 M: 9622066444/9622524343
Ludhiana	Maruti Suzuki India Limited, SCO No. 16/17, 4Th Floor, Fortune Chambers, Feroze Gandhi Market, Ludhiana-141001, Ph: 0161-4649764
Madurai	Maruti Suzuki India Limited, 3rd floor, ADR towers, Kalavasal, Theni Bye pass road, Madurai-625016 Ph. - 0452-4200203
Mangalore	Maruti Suzuki India Limited, F - 4,5,6, 1st Floor, Classic Gateway, Mahaveer Circle Pumpwell Mangalore – 575002 Ph. 0824 - 4112111

SERVICE NETWORK (AS ON 31.10.2023)

DETAILS OF AREA OFFICES	
Area Office Location	Area Office Address
Nagpur	Maruti Suzuki India Limited, Plot No.244, 1st Floor, Narayani House, Hill Road, Dharampeth Extension, Nagpur - 440010 (Maharashtra) Ph. (0712) 2225808
Nashik	Maruti Suzuki India Limited, Plot No.202, Rushiraj Towers, Jehan Circle, Gangapur Road, Nashik - 422 005 (Maharashtra) Ph. (0253) 6698551
Patna	Maruti Suzuki India Limited, 307-308, Vasundhara Metro Mall, Rajapur Pul, East Boring Canal Road, Patna - 800001, Bihar Phone - 0612-2559145
Raipur	Maruti Suzuki India Limited, 629-630, Magneto Offizo,Magneto The Mall, Labhandi, Raipur, Chhattisgarh, Pin - 492001 Ph.- 0771-4039643
Siliguri	Maruti Suzuki India Limited, Unit 401, 4th Floor, Quantum Siliguri, Parivahan Nagar, Matigara Siliguri - 734010 West Bengal
Surat	Maruti Suzuki India Limited, 304, Shivalik Western, Above TGB Restaurant, L.P. Savani Road, Adajan Surat - 395009
Trivandrum	Maruti Suzuki India Limited, 8th Floor, KEK Tower, Opp. Police Head Quarters, Vazhuthacadu, Trivandrum - 695010, Phone:- 0471-2322366
Udaipur	Maruti Suzuki India Limited, 302 & 303, 3rd Floor. Manglam's Fun Square, Durga Nursery Road. Udaipur, (Rajasthan) 313001
Vijayawada	Maruti Suzuki India Limited, Vaishinavi Complex, 4th Floor, Unit 2,Opposite Executive Club, Vijayawada, -530002,
Visakhapatnam	Maruti Suzuki India Limited, Door No. 10-50-58/1, 3rd Floor, Waltair Main Road, Ramnagar, Above westside store, RK Estates, Visakhapatnam-530002, Andhra Pradesh Contact No: 0891 2745299

Dealer Network (AS ON 31.10.2023)

38. REDDY & REDDY MOTORS (1E01-02-), NEAR R&B GUEST HOUSE,ELURU ROAD,JANGAREDDYGUDEM, - 534447 PH :9912563666.	48. MITHRA AUTO AGENCIES PVT LTD (2604-04-), NARASIMHA NAGAR, MACHILIPATNAM, ANDHRA PRADESH - 521001 PH :8886603526.	57. VARUN MOTORS PVT. LTD. (CUB1-01-), RE SURVEY NO. 601/1B, NH-9 ROAD, NANDIGAMA, DIST.-KRISHNA, ANDHRA PRADESH. - 521185 PH :9885576602, 7702624494.	67. VARUN MOTORS PVT. LTD. (CKO1-01-), SURVEY NO. 8, ANAVARAM GRAMAM, PALAKONDA, SRIKAKULAM DISTRICT, ANDHRA PRADESH. - 532440 PH :9966877033, 9885317344.
KAIKALURU	MADANAPALLI	NANDYAL	PALASA
39. SANTOSH AUTOMOTORS PVT. LTD. (CLW1-01-), SY. NO. 12777 &9, OPP. NAIDU COMPLEX, AATAPAKA, KAIKALURU MANDAL, DIST. KRISHNA - 521333 PH :7799787999.	49. BHARGAVI AUTO PVT. LTD. (AAT1-01-), SURVEY NO.762, BASIKONDA VILLAGE, MADANPALLI, CHITTOOR DISTT. ANDHRA PRADESH - 524101 PH :9959893434.	58. MSA MOTORS (CKB1-01-), SURVEY NO. 333, VUDUMALPURAM, MANDAL - NANDYAL, OPP. AUTO NAGAR, NANDYAL, DISTRICT - KURNOOL. - 518501 PH :949066616.	68. JAYABHERI AUTOMOTIVES PVT. LTD. (BWH1-01-), SURVEY NO. 63 OF VILLAGE - JURUSHOTTAPURAM, PALASA MANDAL, KASIBUGGA MUNICIPALITY, DISTRICT - SRIKAKULAM, ANDHRA PRADESH. - 532221 PH :9849054442, 8790946464.
KAKINADA	MADHURAWADA	NARASAROPEET	PARVATHIPURAM
40. S B MOTORS (W701-01-), D. NO. 52-10-36/3, NEAR AMAR GHATI CENTER, KARAPPA ROAD, KAKINADA - 533001 PH :9885119888.	50. JAYABHERI AUTOMOTIVES PVT. LTD. (BQQ1-01-), PLOT NO. 5, SURVEY NO. 4/P, KOMMADI ROAD, MADHURAWADA, VISHAKAPATNAM, ANDHRA PRADESH - 530048 PH :8886669985.	59. JAYALAKSHMI AUTOMOTIVES PVT. LTD (G502-03-), NEAR RELIANCE PETROL PUMP BUNK,VINUKONDA ROAD, NARASAROAPET, GUNTUR, - 522603 PH :7680000502/9100791343.	69. JAYABHERI AUTOMOTIVES (BYS1-01-), SY.NO. 195-1A, NEAR TBR THEATRE, NARSIPURAM, PARVATHIPURAM MANDAL, DISTRICT - VIZIANAGARAM, ANDHRA PRADESH, PINCODE - 535522 - 535522 PH :9100818111.
KANCHIKACHERLA	MALKIPIURAM	NARSAPURAM	PATHAPATNAM
41. VARUN MOTORS PVT. LTD. (GJD1-01-), SURVEY NO. 510/5, DOOR NO. 13-144, 146, 13TH WARD, KANCHIKACHERLA VILLAGE AND MANDAL, KRISHNA DIST., ANDHRA PRADESH. - 521180 PH :9885082222, 9885576602.	51. VARUN MOTORS (SEH1-01-), SURVEY NO 49/6A, MALKIPIURAM VILLAGE AND MANDAL, EAST GODAVARI DISTRICT, ANDHRA PRADESH - 533250 PH :9885317344.	60. NOVELTY REDDY & REDDY (SIU1-01-), SY NO, 98/7, NARSAPURAM- CHINCHINDA BYPASS ROAD,NARSAPURAM, PALAKOLLU MANDAL, WEST GODAVARI DISTRICT T,ANDHRA PRADESH - 534206 PH :9703900011.	70. VARUN MOTORS (SSJ1-01-), D.NO 4-245,SURVEY NO 264/1A, PATHAPATNAM, SRIKAKULAM, ANDHRA PRADESH - 532213 PH :9885317344.
KANDUKURU	MANDAPETA	NARSIPATNAM	PENDURTHI
42. JAYALAKSHMI AUTOMOTIVES PVT. LTD (BEY1-01-), SURVEY NO. 414, MAHADEVAPURAM VILLAGE, O. V. ROAD, KANDUKURU MANDAL, DISTRICT - PRAKASHAM, ANDHRA PRADESH. - 523105 PH :9848131133.	52. S B MOTOR CORPORATION (BJC1-01-), BLOCK NO. 4, D. NO. 4-1-64, MANDAPETA, DISTRICT - EAST GOADAVARI, ANDHRA PRADESH . - 533308 PH :8886664090.	61. JAYABHERI AUTOMOTIVES PVT. LTD. (WTO1-01-), OPP. RDO BUNGLAW, BANK COLONY, VISAKHAPATNAM ROAD, NARSIPATNAM - 531116 PH :7702333513.	71. VARUN MOTORS PVT. LTD. (BAP1-01-), SURVEY NO.107/1B, VELAMPETA, ANAKAPALLI TO PENDURTHI HIGHWAY, NEAR BRIDGE, PENDURTHI DISTT: VISAKAPATNAM - 530047 PH :9885438455.
KANIGIRI	MARKHAPURAM	NELLORE	PIDUGURALLA
43. JAYALAKSHMI AUTOMOTIVES PVT. LTD (SCC1-01-), SURVEY NO 793, PLOT NO 11,12 , KANIGIRI, PRAKASHAM DISTRICT, ANDHRA PRADESH - 523230 PH :9848131133, 9052457512.	53. JAYALAKSHMI AUTOMOTIVES PVT. LTD (CFF1-01-), D. NO. 4-515/12, SURVEY NO. 1167, OPP. INDUSTRIAL ESTATE, ONGOLE ROAD, MARKAPURAM, DISRT.-PRAKASAM, ANDHRA PRADESH. - 523316 PH :9848131133, 7331151674.	62. BHARGAVI AUTO PVT. LTD. (A801-01-), D.NO.25/11/97 INDUSTRIAL ESTATE, A.K. NAGAR, P.B.NO.18, NELLORE(A.P.) - 524004 PH :9248742225.	72. VARUN MOTORS PVT LTD (BAP1-02-), SURVEY NO 240/1.2 & 241, PENDURTHI, VIZAG - 531173 PH :9703843737.
KAVALI	MYLAVARAM	NAIDUPET	PITHAPURAM
44. BHARGAVI AUTO PVT. LTD. (A801-05-), KAVALI NELLORE, ANDHRA PRADESH - 524201 PH :9248702567.	54. VARUN MOTORS PVT. LTD. (GKL1-01-), D.NO. 2-176/2, MAIN ROAD, MYLAVARAM, KRISHNA DISTRICT, PIN-521230, ANDHRA PRADESH - 521230 PH :9885576602, 9581337222.	55. BHARGAVI (BJD1-01-), M/S SURVEY NO 11-2, JUVALAPALEM VILLAGE, NAIDUPETA, ANDHRA PRADESH - 524126 PH :9248747777.	73. JAYALAKSHMI AUTOMOTIVES PVT. LTD (BFN1-01-), SURVEY NO. 897/16, PIDUGURALLA, DISTRICT - GUNTUR, ANDHRA PRADESH. - 522413 PH :9848131133, 9100787058.
KURNOOL	NAIDUPET	NAKKAPALLI	PONNUR
45. MSA MOTORS (C201-01-), AUTO NAGAR,INDUSTRIAL ESTATE, NH-7, KURNOOL - 518004 PH :9912826682.	56. BHARGAVI (BJD1-01-), M/S SURVEY NO 11-2, JUVALAPALEM VILLAGE, NAIDUPETA, ANDHRA PRADESH - 524126 PH :9248747777.	57. VARUN MOTORS (SFR1-01-), SURVEY NO 202/3, 203/4,PEDGUMMULURU GRAM PANCHAYAT, RAYAVARAM MANDAL,NAKKAPALLI,VISHAKAPATNAM, ANDHRA PRADESH - 531081 PH :9885317344.	74. S B MOTORS (CTS1-01-), NO. 11-2-114, 11TH WARD, KAKINADA-KATHIPUDI ROAD, PITHAPURAM, EAST GODAVRI DIST., ANDHRA PRADESH - 533 450 PH :8886677759, 8886677754.
MACHERLA	NAKKAPALLI	ONGOLE	RAJAHMUNDRY
47. JAYALAKSHMI AUTOMOTIVES PVT. LTD (CEY1-01-), D.NO. 343/7, 343/5-3, 15-2-3, MACHERLA, MACHERLA MUNICIPALITY. - 522426 PH :9848131133, 9705261801.	58. VARUN MOTORS (SFR1-01-), SURVEY NO 202/3, 203/4,PEDGUMMULURU GRAM PANCHAYAT, RAYAVARAM MANDAL,NAKKAPALLI,VISHAKAPATNAM, ANDHRA PRADESH - 531081 PH :9885317344.	59. VARUN MOTORS PVT. LTD. (2603-03-), BESIDE R T C BUS DEPOT, OLD D M OFFICE,VIJAYAWADA ROAD, NIZVID - 521201 PH :2544444, 958133722.	75. JAYALAKSHMI AUTOMOTIVES PVT. LTD (CFC1-01-), PLOT NO. 4, D.NO. 213-1, VAISHNAVI NAGAR, PONNUR, GUNTUR, ANDHRA PRADESH. - 522124 PH :9849445639, 9121141913.
MACHILIPATNAM	NANDIGAMA	PALAKONDA	

Dealer Network (AS ON 31.10.2023)

76. S.B. MOTOR CORPORATION (C501-01-), OPP.FCI GOWDOWN,JAILROAD,LALACHERUVIL,RAJAMU NDRY - 533101
PH :0888558667.
77. S B MOTORS (C501-03-), D. NO. 3-243, NH-5, ROAD, HUKUMPETA, RAJAHMUNDRY. - 533 107
PH :08885886262.
78. VARUN MOTORS PVT. LTD. (C502-01-), SURVEY NO. 660, PALACHERLA VILLAGE OF RANJANAGRAM MANDAL, RAJAHMUNDRY, EAST GODAVARI DSIT. - 533102
PH :9642252589.
- RAJAM**
79. VARUN MOTORS PVT. LTD. (BLJ1-01-), PLOT NO. 44, SARATHI NAGAR, RAJAMNAGAR PANCHAYAT, RAJAM, DISTRICT - SRIKAKULAM, ANDHRA PRADESH - 532127
PH :799666998.
- RAMPACHODAVARAM**
80. VARUN MOTORS (SOK1-01-), SURVEY NO 14/1,IRLAPPALLY VILLAGE, RAMPACHODAVARAM,ANDHRA PRADESH - 533288
PH :9885288393.
- REPALLE**
81. JAYALAKSHMI (SKA1-01-), D.NO 430, BESIDE ESAR PETROL BUNK, REPALLE, DISTRICT: GUNTUR, ANDHRA PRADESH - 522265
PH :8374847777.
- S KOTA**
82. JAYABHERI (SIV1-01-), SURVEY NO 113/3,MALLIPUDI MADHURA VENKATARAMANAPETA, SRUNGAVARAPUKOTA, VIZIANAGARAM, ANDHRA PRADESH - 535145
PH :9100818111.
- SOMPETA**
83. VARUN MOTORS PVT LTD (GLX1-01-), KHATA NO 406.407.408 DENOTED IN SURVEY NO 241/1,MOGLIKOTURU VILLAGE, SOMPETA, SRIKAKULAM, ANDHRA PRADESH - 532284
PH :9885217344, 7382112922.
- SRIKAKULAM**
84. VARUN MOTORS PVT. LTD. (4603-09-), PEDDA PADDU ROAD,ARASAVILLI (P.O.),SRIKAKULAM, - 532001
PH :985477155.
85. JAYABHERI AUTOMOTIVE (4606-04-), SURVEY NO 22/7P,22/8 AND SURVEY NO 29/12,16,17, BALAGA RURAL,SRIKAKULAM CITY, DISTRICT: SRIKAKULAM - 532001
PH :9100818111.
- SULURUPETA**
86. BHARGAVI AUTO PVT. LTD. (BZA1-01-), KEERTI ENCLAVE,NEAR RTO OFFICE,NH-5,SULLURPETA - 524121
PH :9848602345, 7997998516.
- TADA**
87. VISHNU CARS PVT.LTD. (SFW1-01-), SURVEY NO 58/3,TADA, NELLORE DISTRICT - 524401
PH :9840434242.
- TANUKU**
88. NOVELTY REDDY & REDDY MOTORS PVT LTD (BAR2-01-), NH-5 ROAD, NEAR WOMEN'S COLLEGE, BESIDE IOC PETROL PUMP, TANUKU, DIST: WEST GODAVARI(ANDHRA PRADESH) - 534211
PH :9912341624.
- TENALI**
89. JAYALAKSHMI AUTOMOTIVES PVT. LTD (PE01-01-), KAVI RAJA NAGAR, GUNTUR ROAD, TENALI, GUNTUR DISTT. - 522002
PH :226100/ 9866111788.
- THAGARAPUVALASA**
90. VARUN MOTORS PVT. LTD. (CQV1-01-), SURVEY NO. 11/2B,11/3,NAGARAMPALEM VILLAGE, NH-16, NAGARAMPALEM GRAMA PANCHAYAT LIMITS, THAGARAPUVALASA, BHEEMUNIPATNAM MANDAL, VISHAKAPATNAM, - 531162
PH :9885317344, 9885280772.
- TIRUPATI**
91. BHARGAVI AUTO PVT. LTD. (A801-02-), 11/66/1,TIRUPATI RENIGUNTA ROAD,TIRUPATI, - 517507
PH :7997969946.
92. BHARGAVI AUTO PVT. LTD. (A801-06-), SURVEY NO. 2/B3, ADJACENT TO PARK HOTEL, RENIGUNTA ROAD, TIRUPATI. - 517501
PH :7997969919.
93. VISHNU CARS (N902-01-), SURVEY NO. 192/3A2A, 200 'CHENNAI - TIRUPATI HIGHWAY, KOTRAMANGALAM,RENIGUNTA MANDAL, TIRUPATI - 517520
PH :9154971551.
- TIRUVURU**
94. SANTOSH AUTOMOTORS PVT. LTD. (CIM1-01-), D NO. 23-1/5, OPP. AYYAPA SWAMY TEMPLE, MAIN ROAD, TIRUVURU. - 521235
PH :7799787969.
- TUNI**
95. SATTIBABU MOTORS (PVT) LTD. (KY01-01-), D. NO. 65-31-15/1, OPP. FCI GODDOWNS, NARAYANAPURAM, TUNI, EAST GODAVARI, ANDHRA PRADESH - 533401
PH :7661893888.
- VENKATAGIRIKOTA**
96. BHARGAVI AUTO PVT. LTD. (CD11-01-), M/S BHARGAVI AUTOMOBILES, BESIDE INDIAL OIL BUNK,GMR FUNTION HALL,DARASALLA,PALLIKUPPAM,KUPPAM ROAD,V KOTA - 517242
PH :9848602345, 7799997720.
- VENKATAGIRI**
97. BHARGAVI AUTOMOBILES (SOL1-01-), SURVEY NO 166, 169/1, 169/2,RTC COLONY,VENKATAGIRI, NELLORE, ANDHRA PRADESH - 524132
PH :9248747777.
- VIJAYAWADA**
98. MITHRA AUTO AGENCIES PVT LTD (2604-01-), 40-17-3-,PICHAIAH STREET,GANDHI COLONY,VIJAYAWADA - 520001
PH :8886063507.
99. VARUN MOTORS PVT. LTD. (2603-01-), 48-17-4/1,RING ROAD,VIJAYAWADA - 520008
PH :9885576602.
100. VARUN MOTORS PVT. LTD. (2603-06-), SURVEY NO.561/1, 562/5 & 561/3, 562/6 KESARAPALLY,VIJAYAWADA, KRISHNA DISTRICT, A.P. - 521102
PH :8297241177.
101. SANTOSH AUTOMOTORS PVT. LTD. (2607-01-), SURVEY NO. 223/5, D. NO. 11-61/2, KANURU PANCHAYAT, PENAMALURU MANDAL, VIJAYAWADA, KRISHNA DISTRICT, ANDHRA PRADESH - 520010
PH :920904999/7799787949.
102. VARUN MOTORS PVT. LTD. (2603-07-), DOOR NO.1-4-208 AND 1-4-208/1, IN R.S. NO. 33/3A, BHAVANIPURAM,VIJAYAWADA, MUNICIPAL CORPORATION, VIJAYAWADA, ANDHRA PRADESH - 520012
PH :9842252521.
103. SANTOSH AUTOMOTORS PVT. LTD (2607-02-), D NO. 77-42-16A, OPP. MUNNA FIRE STATION, PRAKASH NAGAR, INNER RING ROAD, VIJAYAWADA - 520 015
PH :7799787932.
- VINUKONDA**
104. JAYALAXMI AUTOMOTIVES (SSO1-01-), SURVEY NO 239/3A,237/3, VINUKONDA, PALNADU DISTRICT, ANDHRA PRADESH - 522647
PH :8374847777.
- VISHAKAPATNAM**
105. VARUN MOTORS PVT. LTD. (4603-0E-), PLOT NO 88,BESIDES POLICE STATION,SRINAGAR,GAJUWAKA - 530026
PH :9703843737.
106. VARUN MOTORS PVT. LTD. (4603-08-), DOOR NO. 58/2,BLOCK NO. 5,BALAJI NAGAR, OPP. ANDHRA UNIVERSITY, SIRIPURAM - 580003
PH :08912525885.
107. VARUN MOTORS PVT. LTD. (4603-0F-), D-25, INDUSTRIAL ESTATE, MARRIPALLEM, BESIDES COLA MANCHU KONDA GARDENS, VISAKHAPATNAM, - 530007
PH :9885511911.
108. JAYABHERI AUTOMOTIVES PVT. LTD. (4606-01-), PLOT NO. A-9, INDUSTRIAL ESTATE, VISHAKAPATANAM, ANDHRA PRADESH - 530018
PH :8886332209.
109. JAYABHERI AUTOMOTIVES PVT. LTD. (4606-02-), D.NO.51-17-2 , NH-5, KRANTHINAGAR, VISHAKHAPATNAM,(ANDHRA PRADESH) - 530013
PH :7799727272.
110. VARUN MOTORS PVT. LTD. (4607-01-), S. NO. 8, KAPPARADA VILLAGE, BESIDE IOCL PETROL BUNK, MANCHUKONDA GARDENS, MURALI NAGAR, NATIONAL HIGHWAY, VISHAKAPATNAM - 530007
PH :7799124243.
111. JAYABHERI AUTOMOTIVES PVT. LTD. (4606-03-), SURVEY NO. 119/6, KURMANNAPALEM, GAJUWAKA MANDAL, VIZAG, ANDHRA PRADESH - 530046
PH :9897541234.
112. VARUN MOTORS PVT. LTD. (4603-0K-), SURVEY NO. 394 & 395, PLOT NO. 7 AT VILLAGE - DUPPITURU, MANDAL - ACHUTAPURAM, DISTRICT - VISHAKAPATNAM, ANDHRA PRADESH - 531011
PH :9968677133.
113. VARUN MOTORS PVT. LTD. (4603-0L-), SURVEY NO. 408/1 OF MADHURAWADA VILLAGE, RUSHIKONDA ITI SEZ, VISHAKAPATNAM RURAL MANDAL, VISHAKAPATNAM DISTRICT, ANDHRA PRADESH - 530045
PH :9885315344.
114. VARUN MOTORS PVT. LTD. (4603-1B-), SURVEY NO. 2/A, SECTOR XI, MVP COLONY, VISHAKAPATNAM - 530 017
PH :07901644535.
- VISSANNAPETA**
115. VARUN MOTORS (SNO1-01-), RS NO. 434/10, WARD NO. 10, VISSANNAPETA, KRISHNA DISTRICT, ANDHRA PRADESH - 521215
PH :9885576602.
- VIZAG, VISHAKAPATNAM**
116. VARUN MOTORS (4603-10-), SURVEY NO 228/224, WARD NO 19, AGNAMPUDI,VIZAG - 533053
PH :9885317344.
- VIZIANAGARAM**
117. VARUN MOTORS PVT. LTD. (4603-0C-), OPPOSITE SUN SCHOOL, 100 FEET RING ROAD, VIZIANAGARAM, VIZIANAGARAM - 535001
PH :8886721213.

159. MITTAL AUTO ZONE (-), B.B ROAD, KAYAKUCHI, BARPETA, ASSAM - 781352 PH :9864874701.	169. JAYBEE AUTO AGENCIES PVT. LTD. (C101-03-), NAHARKATIYA TOWN PART NO. 4, MOUZA - JAYPORE, NEAR ST. MARY'S SCHOOL, DISTRICT - DIBRUGARH, ASSAM. - 786610 PH :7002722358.	179. BIMAL AUTO AGENCY (CHO1-01-), DAG NO.:121, PATTA NO.101/320, VILLAGE BULLARPARA, MOUZA TANGLA - 784521 PH :9954387619.	189. SEEMANCHAL MOTORS PVT. LTD. (G802-01-), BAUSI ROAD, ALIGANJ, NEAR SAINT TRESA SCHOOL, ALIGANJ, BHAGALPUR - 812005 PH :8797096020.
KHARUPATIA	NALBARI	TEZPUR	BHITA
160. BIMAL (BWR1-01-), VILL -BOLOGARAH, P.O - KHARUPETIA, P.S DHULA, DIST - DARRANG, ASSAM. - 784115 PH :9864074525.	170. BIMAL AUTO AGENCY (9201-01-), CHOWKBAZAR, NALBARI HAJJO ROAD, NALBARI DIST. NALBARI - 781335 PH :7576842484.	180. RAMLAL DURGADUTT MOTORS PVT LTD (T102-01-), NEAR DON BASCO SCHOOL, P.O. NIKAMULSATRA, TEZPUR, ASSAM - 784154 PH :8724087940.	190. REESHAV (CBY2-01-), PLOT NO 1674 & 1676, KHATA NO - 19 & 87 AT MOUZA - MAHADEOPUR PHULARI, P.O - BIHTA, P.S- BIHTA, DISTRICT - PATNA - 801103 PH :7763954585.
KHATKHATI	NORTH LAKHIMPUR	181. RAMLAL DURGADUTT MOTORS PVT LTD (T102-02-), GORAIMARI, VILLAGE - SOLGAON, TEZPUR, ASSAM. - 784001 PH :9836036157.	BIHARSHARIF
161. PODDAR CAR WORLD PVT. LTD. (CAZ1-01-), NEAR TELEPHONE EXCHANGE, NH-39, KHATKHATI, DISTRICT - KARBI ANGLONG - 782460 PH :6000900381.	171. SAIKIA AUTO PVT. LTD. (7P01-01-), HATILUNG, NH-52 ROAD, NORTH LAKHIMPUR, ASSAM - 787031 PH :8473946336.	TINSUKIA	191. REESHAV AUTOMOBILES (MG01-03-), PATNA RANCHI ROAD, NR GAGAN DIWAN SOGARA SCHOOL, THANA-LAHERI MURARPUR, BIHARSHARIF, DISTRICT-NALANDA, BIHAR - 803101 PH :9263632175.
LANKA	172. SAIKIA AUTO PVT. LTD. (7P01-03-), KHELMATI, WARD NO. 14, NH -52, NORTH LAKHIMPUR, ASSAM - 787001 PH :7002571073.	182. VISHAL CAR WORLD PVT LTD (J401-01-), LAIPULY, A.T. ROAD, TINSUKIA, DIST - TINSUKIA, ASSAM - 786183 PH :9435860000.	BUXAR
162. RAMLAL DURGADUTT MOTORS PVT LTD (SDD1-01-), DAG NO 95 OF PP NO 59, DAG NO 96 OF PP NO 26 & DAG NO 418 OF PP NO 73 KISAM LAKHIMPUR, MOUZA - LANKA, DIST - HOJAI, ASSAM. - 782442 PH :9707556688.	PATHSALA	BIHAR	192. PEARL CARS (VV01-01-), C/O DEVDHTRHA UPDHYA, SYNDICATE, BYE PASS ROAD, BUXAR - 802101 PH :8294634605/8294634602.
MANGALDOI	173. PODDAR CAR WORLD PVT. LTD (CLD1-01-), DAP NO. 451, PATTA NO. 151 KMP, PATHSALA, DIST.-BARPETA, ASSAM. - 781325 PH :6000900256.	183. SEEMANCHAL MOTORS PVT. LTD. (O701-01-), NEAR BUS STAND, JAGDISH RICE MILL COMPOUND, HOSPITAL ROAD, FORBESGANJ, DISTT. ARRARIA, BIHAR - 854318 PH :8797096013.	CHAKIA
163. PODDAR CAR WORLD (YW01-01-), PUNIA, NH-52, MANGALDOI, DISTT. DARRANG - 784115 PH :9706970132.	RAJGARH	ARRAH	193. RAM KRISHNA MOTORS PVT. LTD. (CWA1-01-), OJHA TOLA, NEW BYPASS, CHAKIA-845412, PURVI CHAMPARAN DISTT., BIHAR - 845412 PH :980173716.
MARGHERITA	174. JAYBEE AUTO AGENCIES PVT. LTD. (CIJ1-01-), DAG NO.182, PP NO.140 OF 2 NO. BHAGATIA GAON, LAT NO.11, RAJGARH, MOUZA-TINKHONG, DISTT. DIBRUGARH, ASSAM - 786611 PH :9954799273.	184. PEARL CARS (VU01-01-), (A UNIT OF VINDYAVASINI AUTOMOBILES PVT. LTD.), DHANUPRA, NEAR GANPAT CHOUDHARY DWAR, NH-30, ARRAH (BIHAR) - 802301 PH :8294634604.	CHAPRA
164. VISHAL CAR WORLD PVT LTD (YR01-01-), MARGERITA TOWN, BEHIND IOCL PETROL PUMP, NH-38, MARGHERITA, ASSAM - 786181 PH :9435860000.	RANGIA	AURANGABAD	194. REESHAV AUTOMOBILES (MG01-02-), 146, PLOT NO. 381, VILLAGE RAUJA, CHAPRA PATNA ROAD, NEAR BHIKHARI CHOWK, CHAPRA, BIHAR - 841301 PH :7061295296.
MORIGAOAN	175. PODDAR CAR WORLD PVT. LTD. (6X01-01-), RANGIA TOWN, WARD NO. 5, SHANTIPUR, BHUTAN ROAD, NEAR POLYCLINIC HOSPITAL, RANGIA DISTT. KAMRUP (ASSAM) - 781354 PH :8724877892.	185. KARLO AUTO MOBILES (SNG1-01-), KARLO AUTOMOBILES PVT LTD, GT ROAD, NEAR, RAIPURA MORE, BABHANDI, AURANGABAD - 824101 PH :7019085212.	DANAPUR
165. RAMLAL DURGADUTT MOTORS PVT LTD (RB01-01-), DAG NO. 423 OF PP NO. 221, KISSAM BACHNAGHAT, MORIGAOAN, ASSAM. - 782105 PH :7002239592.	SILCHAR	BANKA	195. ALANKAR AUTO SALES & SERVICE PVT LTD (1504-02-), ADJASCENT ARYA SAMAJ MANDIR, NEAR SAGUNA MORE, DANAPUR, - 800018 PH :9386898458.
NAGAON	176. JAIN UDYOG (6901-02-), KAUSHAL COMPLEX, SONAI ROAD, SILCHAR, ASSAM - 788006 PH :9706002524.	186. SEEMANCHAL MOTORS PVT. LTD. (CEQ1-01-), KHATA NO. 134, KHESRA NO. 118, BEHIND MARUTI SHOWROOM, STATION ROAD, BANKA, BIHAR. - 813101 PH :8797096020.	DANAPUR, PATNA
166. RAMLAL DURGADUTT MOTORS PVT LTD (7J01-01-), KHUTIKHATIA, HAIBARGON, NAGAON - 782002 PH :9706007918.	SIVASAGAR	BEGUSARAI	196. ALANKAR AUTO SALES & SERVICE PVT LTD (1504-05-), TOUZI NO. 5057, THANA NO. 35, MOUZA - BABAKARPUR, DANAPUR, PATNA. - 801503 PH :9334415434.
167. BAJRANG CAR WORLD (A UNIT OF MAA VAISHNAVI AUTOMOTIVE PVT. LTD.) (7J03-01-), DAG NO. 255, 1508(N)/254(O), 1509(N)/257(O) AND 291, PATTA NO. 506(N)/15(O), 507(N)/15(O), 507(N)/97(O) AND 98, VILLAGE - DEODHAR, MOUZA - PAKHIMORIA, DIST.-NAGAON. - 782002 PH :9435060474/9864191169.	177. RAMLAL DURGADUTT MOTORS PVT LTD (G902-02-), RANGHAR CHARIALI, DHAPROTA, AT ROAD, OPPOSITE RANGHAR, SHIVASAGAR - 785640 PH :7002099547.	187. GS MOTORS PVT. LTD. (1U01-01-), HARHAR MAHADEV CHOWK, NH 31, BEGUSARAI, BIHAR - 851101 PH :9204756206.	DARBHANGA
168. RAMLAL DURGADUTT MOTORS PVT LTD (7J01-03-), PAKHIMURIA, NEAR BHUGDOI DHABA, NAGAON, ASSAM - 782003 PH :9706007918.	SORBHOG	BETTIAH	197. RAJKRISHNA MOTORS LLP (1V02-01-), KHATA NO 61936, RAUSHAN CHOWK, BAJITPUR, B.M.P. -13, ROAD, DARBHANGA, BIHAR - 846009 PH :7004529271.
NAHARKATIYA	178. MITTAL AUTOZONE (SGS1-01-), VILLAGE DAHALAPARA, KISMAT DWARIKA, PS SORBHOG, SUB DIVISION- BARPETA- ASSAM. - 781317 PH :8011042222.	188. SHREE GOPAL AUTO PVT. LTD. (O401-01-), BETTIAH - MOTIHARI HIGHWAY , NH-28 B, NEAR MACHALI LOK, BETTIAH (BIHAR) - 845438 PH :9771486183.	198. RAJKRISHNA MOTORS LLP (1V02-02-), VIP ROAD, ALLALPATTI, DARBHANGA (BIHAR) - 846003 PH :9693127351.
	TANGLA	BHAGALPUR	DEHRI ON SONE

Dealer Network (AS ON 31.10.2023)

199. PEARL CARS (1X01-02-), MOUZA - KHASRA, KHATA NO. 141, PLOT NO. 186, SAAT KATDA THANA - DEHRI-ONE-SONE, DIST.-ROHTAS, BIHAR - 821307
PH :8294634602.

GAYA

200. KARLO AUTOMOBILES PVT LTD (Y601-01-), BODHI GAYA, GAYA. - 824231
PH :700457463/18539063615.
201. DMC CARS (A UNIT OF DHANRAAJ AGENCIES PVT LTD (Y602-01-), DHANRAAJ AGENCIES PRIVATE LIMITED, MARUTI SUZUKI ARENA SHOWROOM, OPPOSITE AIRPORT RUNWAY, GAYA-DOBHI ROAD,GAYA, PIN 823004 - 823004
PH :9031011806/9900024001.

GOPALGANJ

202. SHREE GOPAL AUTO PVT. LTD. (O301-01-), NH-28, DANAPUR, TEHSIL-MANJAGARH,GOPALGANJ (BIHAR) - 800023
PH :9771486170/9771486139.

HAIJIPUR

203. REESHAV AUTOMOBILES (MG01-01-), KHATA 617 & KHASHRA 354/1605, NEAR RELIANCE PETROL PUMP, M G SETU ROAD, HAIJIPUR (VAISHALI) . - 844101
PH :9060945038.

JEHANABAD

204. DMC CARS (SNV1-01-), KHATA NO - 80, PLOT NO -1490, MOUZA - MUTHER, PS- JEHANBAD, DIST - JEHANABAD. - 804408
PH :9031011806/9900024001.

KATIHAIR

205. SEEMANCHAL MOTORS PVT. LTD. (O601-01-), NEAR SBP VIDHYA VIHAR SCHOOL, SIRSA, KATIHAIR PURNEA ROAD, KATIHAIR - 854105
PH :7762893700.

KISHANGANJ

206. SEEMANCHAL MOTORS PVT. LTD. (PX01-01-), PASCHEM PALI ROAD, COLLEGE ROAD, THANA:KNE. WARD NO.1, KISHANGANJ (BIHAR) - 855101
PH :8797096019.

LAKHISARAI

207. GS MOTORS PVT. LTD. (CHU1-01-), TAUZI NO. 39, KHATA NO. 3, KHESRA NO. 496, MOUZA - JAINAGAR, ANCHAL - LAKHISARAI, DIST. -LAKHISARAI, BIHAR. - 811311
PH :9204756206.

MADHUBANI

208. RAJKRISHNA MOTORS LLP (CAJ2-01-), BHOWRA TOLA, BARDIBAN, MADHUBANI, BIHAR - 847211
PH :9304481978
9693127351.

MOHANIA

209. PEARL CARS (VW01-01-), MOHANIA-BUXAR ROAD, SH-14,MOHANIA - 821109
PH :8294634632/8294634649.

MOTIHARI

210. RAJIV AUTOMOBILES PVT LTD (T401-03-), NEAR CHHATAUNI CHOWK, BESIDE NH 28 A, MOTIHARI TOWN , BIHAR - 845401
PH :9234609669.

MUZAFFARPUR

211. RAJIV AUTOMOBILES PVT LTD (T401-01-), RAMDAYALU NAGAR, PATNA HAZIPUR ROAD, MUZAFFARPUR, BIHAR - 842002
PH :9910347908.
212. RAM KRISHNA MOTORS PRIVATE LTD. (T402-01-), KRISHNA TALKIES CAMPUS, AKHARAGHAT ROAD, MUZAFFARPUR, BIHAR. - 842001
PH :9102173333.
213. RAJIV AUTOMOBILES PVT LTD (T401-04-), KHABRA POKHAR LANE NO -1, PANCHAYAT -KHABRA, CITY- MUZAFFARPUR - 843146
PH :9234609671.

NAUGACHIA

214. SEEMANCHAL MOTORS PVT. LTD. (CFS1-01-), NEAR GAYATRI PLY ROOM, NH-31, NAUGACHIA MARKET, NAUGACHIA, DISTRICT – BHAGALPUR, BIHAR. - 853204
PH :8797096014, 8797096020.

NAWADA

215. REESHAV AUTOMOBILES (MG01-04-), 191 & 400, KHSARA NO. 3105 & 3102, NEAR DM'S OFFICE, PATNA-RANCHI MAIN ROAD, NAWADA, BIHAR - 805110
PH :6206162228.

PATNA

216. VAU'S AUTOMOBILE (1503-01-), BESIDES GODAVARI APPARTMENT, ASHIANA ROAD, PATNA - 800014
PH :9771446012.
217. KARLO AUTOMOBILES PVT LTD (1502-04-), NEAR BATA GUNJ, DINGA PATNA, BIHAR. - 800013
PH :09304212119/7004573547.
218. ALANKAR AUTO SALES & SERVICE PVT LTD (1504-03-), PLOT NO.118-119, BEHIND DURGA MARINE DRIVE APARTMENTS, DUJRA DEVI STHAN, ASHOK RAJPATH, PATNA - 800001
PH :9934020200.
219. REESHAV AUTOMOBILES PVT.LTD. (1506-01-), PLOT NO.25/1581 KHATA NO.494, MOUZA KUMHRAR, PARGANA AZEEMABAD, KANKARBAGH, PATNA. - 800004
PH :7632995356.

220. KARLO AUTOMOBILES PVT LTD (1502-05-), JAGDEOPATH , NEAR SAI CORPORATE PARK, PATNA - 801506
PH :9264190675.
221. ALANKAR (1504-06-), ALANKAR COMPOUND, BESIDE ALANKAR SUN CITY, SANDALPUR, KUMHRAR, PATNA – 800006 - 800006
PH :9304403916.

PURNEA

222. SEEMANCHAL MOTORS PVT. LTD. (6V01-01-), NH-31, NEAR MARKETING YARD, GULAB BAGH, PURNEA (BIHAR) - 854326
PH :8797096014.

SAHARSA

223. GS MOTORS PVT. LTD. (AAP1-02-), PATUAHA, NH 107 SAHARSA,BIHAR - 852201
PH :9263638456.

SAMASTIPUR

224. RAJKRISHNA MOTORS LLP (1W02-01-), KHESRA NO. 3190-95, KHATA NO. 76, HERPUR ALLOTH, SAMASTIPUR, BIHAR. - 848101
PH :9204552405.

SASARAM

225. PEARL CARS (1X01-01-), PLOT NO.7, 9 & 11, NH-2 MORE SARAI, SASARAM (BIHAR) - 821115
PH :8294634602/8294634649.

SITAMARHI

226. RAJIV AUTOMOBILES PVT. LTD. (EO01-01-), DUMRA ROAD, SHANTI NAGAR, SITAMARHI. - 843301
PH :9234609671
7280074124.

SIWAN

227. SHREE GOPAL AUTO PVT. LTD. (O501-01-), CHAPRA ROAD, NEAR CHAPDHALA, NH 85, SIWAN - 841236
PH :9771486132.

CHANDIGARH

CHANDIGARH

228. MODERN AUTOMOBILES (702-01-), 4 M.W. INDL AREA, CHANDIGARH - 160002
PH :9646000190.
229. AUTOPACE NETWORK PVT LTD (705-01-), PLOT #112-113, INDUSTRIAL AREA, PHASE-1, CHANDIGARH - 160002
PH :9878422201.
230. TRIGITY AUTOS (9M01-02-), PLOT NO 29/6, INDUSTRIAL AREA PHASE-2, CHANDIGARH - 160002
PH :9988882335.
231. NAVDESH AUTO LLP (708-01-), PLOT NO. 42, INDUSTRIAL AREA PHASE-1, CHANDIGARH. - 160002
PH :7087035482.

CHHATTISGARH

CHARODA

232. SPARSH AUTO (SIZ1-01-), NH-6, OPP. RAIL NAGAR, CHARODA, BHILAI - 490025
PH :8770554701.

GHARGHODA

233. M SQAURE (SML1-01-), M/S M SQAURE,VILLAGE BHENGARI, NAVAPARA-TENDA,GHARGHODA,DISTRICT – RAIGARH CHHATTISGARH. PIN CODE: 496111 - 496111
PH :7987690484.

KURUD

234. HDN MOTORS (SKS1-01-), KHASRA NO 601/9 & 601/10, DHAMTARI-RAIPUR ROAD, KURUD, CHHATTISGARH - 493663
PH :7909800004.

PHULBANI

235. SKY AUTO (CEP1-01-), PLOT NO. 54/533, GUDRISAIH, KHAJURIAPADA,DISTRICT – KANDHAMAL ODISHA. PIN CODE: 762001 - 762001
PH :9776900333.

CHHATTIGARH

PENDRA

236. M SQAURE (SCZ1-01-), – M SQUARE MOTORS, NEAR SEMRA CLOCK MAIN ROAD, PENDRA GOURELA PENDRA MARWAHI-495119 - 495119
PH :7987590484.

CHHATTISGARH

AKALTARA

237. M SQAURE (SKE1-01-), SHOP NO 4,5,6,7 & 8, SHRI NARAYAN COMPLEX & GODOWN, NEAR INDLA UDYAN, SHEORINARAYAN ROAD,AKALTARA-495552, CHHATTISGARH - 495552
PH :7987590484.

AMBIKAPUR

238. MAHAMAYA AUTOCARS PVT LTD (AE01-01-), MANEDRAGARH ROAD, AMBIKAPUR, CHATTISGARH. - 497001
PH :7987741432.

BAGBAHARA

239. HDN MOTORS (SEB1-01-), M/S HDN MOTORS, BESIDE R.N RICE MILL, NEW MAHAVEER COMPLEX, MAHASAMUND ROAD, BAGBAHARA - 493449
PH :7909800004.

BAIKUNTHPUR

Dealer Network (AS ON 31.10.2023)

240. MAHAMAYA AUTOCARS PVT LTD (CQU1-01-), WARD NO.01, KHATA NO.91/6, TEHSIL - BAIKUNTHPUR, DISTT. - KORIYA, CHATTISGARH - 497335 PH :9179350707.	250. SATYA AUTO PVT LTD (C303-01-), SECTOR C, PLOT NO. 42, SIRGITI INDUSTRIAL AREA, BILASPUR, CHATTISGARH - 495001 PH :9109194833.	260. SKY AUTOMOBILES (5001-06-), RAZA NAGAR, SINGARBHAT, NH-30, KANKER, DISTRICT - KANKER, CHHATTISGARH - 494334 PH :8889998625.	270. SPARSH AUTOMOBILES (CCG1-01-), PLOT NO. 284/1, RAMSAGAR PARA, RAIPUR ROAD, PITHORA, CHHATTISGARH. - 761008 PH :9926280700.
BALOD		KAWARDHA	RAIGARH
241. CHOUHAN (SFE1-01-), H.NO 185, WARD NO 25, NAYA MARKET, DALLIRAJHARA, BALOD -491228 - 491228 PH :9837325267.	251. SATYA AUTO PVT LTD (C303-02-), PLOT NO. 848/20, 848/26, 848/40, MOPKA BYPASS ROAD, BILASPUR, CHHATTISGARH. - 495006 PH :9977879698.	261. CHOUHAN AUTOMOBILES LLP (DI02-01-), KHASRA NO. 100/6, TALPUR BILASPUR ROAD, KAWARDHA, CHHATTISGARH. - 491 995 PH :626200222.	271. SATYA AUTO PVT LTD (7Y03-01-), JINDAL ROAD, RAIGARH - 496001 PH :7024398350.
BALODA BAZAR		KHAIRAGARH	RAIPUR
242. SKY AUTOMOBILES (5001-04-), AMBEDKAR CHOWK, RAIPUR ROAD, BALODA BAZAAR, CHATTISGARH. - 493332 PH :9893307429.	252. M SQUARE MOTORS (A UNIT OF MAHAVIR MOTORCORP PRIVATE LIMITED) (C302-01-), KHASRA NO. 420 AND 414/1, NEAR RELIANCE PETROLEUM PUMP, BESIDES TRANSPORT NAGAR GATE, RAIPUR ROAD, PARSADA, BILASPUR. - 495223 PH :6262622560.	262. SPARSH AUTOMOBILES PVT LTD (GMG1-01-), KHAIRAGARH -JHALBANDHA ROAD,AMLIPARA, OPP - BIJALI OFFICE, KHAIRAGARH -491881 - 491881 PH :9926626662.	272. SKY AUTOMOBILES (5001-01-), G.E.ROAD, MOHABA BAZAR, RAIPUR. - 492010 PH :9584433102.
BASNA	DALLIRAJHARA	KHARSIA	273. SKY AUTOMOBILES (5001-02-), K.K. ROAD, MOUDHAPARA, RAIPUR. - 492001 PH :9584460290.
243. VISHWABHARTI (VT01-01-), M/S VISHWABHARTHI AUTO, PADAMPUR ROAD, BASNOUL, BASNA, CHHATTISGARH - 493554 PH :6262620060.	253. CHOUHAN (SMZ1-01-), H.NO 185, WARD NO 25, NAYA MARKET,DALLIRAJHARA,BALOD DISTRICT-491228 - 491228 PH :6262002022.	263. SATYA AUTO (SET1-01-), M/S SATYA AUTO , BESIDE GOVT HIGH SCHOOL, RANISAGAR, KHARSIA, DISTRICT: RAIGARH, CHHATTISGARH - 496661 PH :9993092051.	274. SPARSH AUTOMOBILES (5002-01-), PACHPADI NAKA, OPP. DUTTA DRY CLEANER, DHAMKARI, JAGDALPUR ROAD, RAIPUR. - 492001 PH :9669792000.
BEMETRA	DEOBHOG	KONDAGOAN	275. SKY AUTOMOBILES (5001-05-), NEAR R.K. MALL, KOTA ROAD, RAIPUR - 492001 PH :9893000161.
244. CHOUHAN AUTOMOBILES LLP (CBC2-01-), KHASRA NO. 88/2, CHOUHAN AUTOMOBILE LLP, KAWARDHA ROAD, NAVGHAD CHOWK, BEMETRA CHATTISGARH - 491335 PH :6262000222.	254. SPARSH AUTO (SIQ1-01-), M/S SPARSH AUTOMOBILES PVT LTD SANTOSHI NAGAR,NEAR BHARAT PETROL PUMP, DHARAMGARH ROAD, DEOBHOG - 493890 - 493890 PH :9926626662.	264. SKY AUTO (SDF1-01-), - M/S SKY AUTO, NH-90 RAIPUR ROAD, NEAR INDIAN OIL PETROL PUMP, KONDAGOAN, CHHATTISGARH - 494226 PH :8425204051.	276. SKY AUTOMOBILES (5003-01-), AVANTI VIHAR ROAD, TELEBANDHA, RAIPUR (C.G) - 492006 PH :9522314155.
BHATAPARA	DHAMTARI	KORBA	277. SPARSH AUTOMOBILES (5002-04-), OPP. UNION BANK, MAIN ROAD, PANDRI, RAIPUR - 492004 PH :9099666400.
245. SPARSH AUTOMOBILES (BBJ1-01-), RAIPUR ROAD, BHATAPARA (CHATTISGARH) - 493118 PH :8921326361/ 9285505780.	255. SKY AUTOMOBILES (7V01-01-), KASRA NO.238/2, SEHARA DABRI, RAIPUR ROAD, DHAMTARI-493773 CHATTISGARH - 492009 PH :8889998612.	265. SATYA AUTO PVT LTD (U702-01-), SHED NO. 1, INDUSTRIAL AREA, KORBA - 495681 PH :8462000861.	278. SPARSH AUTOMOBILES (5002-05-), PLOT - 31, INDUSTRIAL ESTATE, OPP MAHESH COLD STORAGE, BHANPURI, RAIPUR - ?? PH :9977202396.
BHILAI	DURG	MAHASAMUND	279. SKY AUTOMOBILES (5001-07-), ADJOINING WALLFORT CITY, BHATGAON, RING ROAD NO. 2, RAIPUR, CHHATTISGARH. - 492013 PH :9584460289.
246. CHOUHAN AUTOMOBILES LLP (8305-01-), PLOT NO.1 & 34, SHIVNATH COMPLEX, BEHIND CHOUHAN ESTATE, G.E. ROAD, SUPELA, BHILAI. - 490023 PH :9111100140.	256. SPARSH AUTOMOBILES PVT LTD (7W03-01-), OPP. JAINAM PLACE, BEFORE PULGAON CHOWK, PULGAON NAKA, DURG, CHHATTISGARH - 491001 PH :9840437544.	266. SPARSH AUTOMOBILES (5002-02-), BARONDA CHOWNK, BAGBAHRA ROAD, MAHASAMUND. - ?? PH :9926280700.	280. HDN MOTORS PVT. LTD. (5005-01), BESIDES BHARAT BENZ SHOWROOM, DURG-BHILAI ROAD, TATIBANDH, RAIPUR, CHHATTISGARH. - 492001 PH :7909800093.
247. SPARSH AUTOMOBILES PVT LTD (8304-01-), R-17, INDUSTRIAL AREA, NANDNI ROAD, CHHAWANI CHOWK, BHILAI, CHHATTISGARH - 490026 PH :8779064848.	GARIYABANDH	MANENDRAGARH	281. VISHWABHARTI AUTOMOBILES PRIVATE LIMITED (5004-01-), VIDHAN SABHA ROAD, MOWA, RAIPUR DISTT. CHHATTISGARH - 492005 PH :6262620057.
248. CHOUHAN AUTOMOBILES LLP (8305-02-), NH-6, DURG BYPASS ROAD, KHASRA NO.1/14, 1/23, 1/192, VILLAGE-KATULBOD, BHILAI, TEHSIL & DISTT. DURG, BHILAI, CHHATTISGARH - 491001 PH :6262000222.	257. SPARSH AUTOMOBILES (CCH1-01-), NEAR HP PETROL PUMP, RAIPUR ROAD, GARIYABAND, CHHATTISGARH. - 756032 PH :9669638883.	267. MAHAMAYA AUTOCARS PVT LTD (AE01-02-), WARD NO.21, NH-43, AMBIKAPUR ROAD, NEAR HP PETROL PUMP, MANENDRAGARH, DISTT. KORIYA - 497442 PH :9584136234.	RAJIM
BHILLAI	JAGDALPUR	MUNGELI	282. SPARSH AUTOMOBILES (5002-03-), RAIPUR ROAD, NEAR AMMANI PETROL PUMP, NAYAPARA, RAJIM. - 493881 PH :966963883.
249. SPARSH AUTOMOBILES (8304-02-), M/S. SPARSH AUTO, VEERSAVARKAR MARKET, G.E ROAD, SUPELA, BHILLAI-490023 - 490023 PH :9926626662.	258. SKY AUTOMOBILES (EC01-01-), GEEDAM ROAD, JAGDALPUR, CHATTISGARH. - 494001 PH :9109996511.	268. SATYA AUTO PVT LTD (BLE2-01-), KHASRA NO. 270/2, BILASPUR ROAD, MUNGELI, CHHATTISGARH - 861468 PH :8462000844.	RAJNANDGAON
BILASPUR	JANJGIR	PATHALGAON	283. SPARSH AUTOMOBILES PVT LTD (LQ02-01-), NEAR HANUMAN TEMPLE, VILL-MANKI , NH-6, RAJNANDGAON, CHHATTISGARH - 491441 PH :7887518100.
	259. SATYA AUTO PVT LTD (9N02-01-), NEAR KHOKSHA RAILWAY CROSSING, CHAMPA ROAD, NH-200, JANJGIR - 495668 PH :7747000446.	269. MAHAMAYA AUTOCARS PVT LTD (BXO1-01-), KHASRA NO. 567/2, PHATALGAON, DISTRICT - JASPUR, CHHATTISGARH. - 496118 PH :9752195523.	SARAIPELLI
	KANKER	PITHORA	

Dealer Network (AS ON 31.10.2023)

284. SKY AUTOMOBILES PVT. LTD. (BUF1-01-), KHASRA NO.482/5 AND 482/6, RAIPUR ROAD, SARAIPALI, DIST-MASAMUND, SARAIPALI - 493558 PH :7000723259.	293. BAGGA LINK MOTORS PVT LTD. (811-01-), 395 PATPAR GANJ INDL. AREA,PATPARGANJ,NEW DELHI - 110092 PH :46488830, 46488831. 294. DD MOTORS (A DIVISION OF D.D. PREM PVT.LTD.) (08F1-01-), A-100 MAYAPURI,PHASE-II,NEW DELHI - 110064 PH :41845000, 49305232.	307. COMPETENT AUTOMOBILES CO. LTD. (806-06-), 650/1A, 14, SHIVAJI MARG, NAGAFGARH ROAD, NEW DELHI - 110015 PH :8377007988.	320. RANA MOTORS (08A1-08-), B-83, GT KARNAL ROAD, INDUSTRIAL AREA, OPP. GUJRANWALA TOWN, NEAR BIKANER WALA, DELHI - 110033 PH :9289496300.
SARANGARH	295. COMPETENT AUTOMOBILES CO. LTD. (806-03-), PLOT NO.3,GAZIPUR,DELHI, - 110096 PH :45300000.	308. PREM MOTORS PVT. LTD. (08D4-01-), KH. NO.804/2,MAHIPALPUR MATA CHOWK, DELHI - 110037 PH :011 42390000.	321. AAA VEHICLEADES (08B9-G1-), KHASRA NO. 204, MAIN CHHATARPUR ROAD, CHHATARPUR, NEAR SAI BABA MANDIR, DELHI, PIN-110030 - 110030 PH :9829342761.
SATYA AUTO PVT LTD (BUC2-01-), KASRA NO. 71/4, 73/2, 74/2, 75/1 AND 76/2, SARANGARH BIKAS KHAND, SARANGARH, DISTT. RAIGARH - 733751 PH :8462000841.	296. T.R. SAWHNEY MOTORS PVT LTD (819-01-), 33 & 34, HARICHAND MELARAM COMPLEX, EAST GOKULPUR, WAZIRABAD ROAD, DELHI - 110094 PH :9999399104, 9999399110.	309. AAA VEHICLEADES PVT. LTD. (08B9-03-), VILLAGE GHEVRA, KHASRA NO.87/3, 87/8 & 87/13/1, DELHI-ROHTAK ROAD, METRO PILLAR NO.616, MUNDKA, NEW DELHI - 110041 PH :9717092903.	322. SHREYASH AUTOMOTIVES PRIVATE LIMITED (08F8-01-), PLOT NO.9, SSI INDUSTRIAL ESTATE, GT KARNAL ROAD, NEW DELHI, - 110063 PH :43288888.
SIMGA	297. RANA MOTORS PVT LTD (08A1-02-), C-47,OKHLA INDUSTRIAL AREA,PHASE-II,NEW DELHI - 110020 PH :41707777.	310. RANA MOTORS PVT LTD (08A1-05-), A-8, RAJASTHANI UDYOG NAGAR, NEAR AZADPUR FRUIT MARKET, G.T. KARNAL ROAD, OPP. METRO PILLAR NO.119, DELHI, - 110033 PH :41609999, 42474444.	323. SHREYASH AUTOMOTIVES PRIVATE LIMITED (08F8-02-), A-3, WAZIRPUR INDUSTRIAL AREA, DELHI, - 110052 PH :42020000, 9910114255.
HDN MOTOR (SS21-01-), PLOT NO 2, WARD NUMBER 05, SHANKAR NAGAR, SIMGA, BALODA BAZAR, CHHATTISGARH - 493101 PH :9826686000.	298. T.R. SAWHNEY MOTORS PVT LTD (819-02-), B-6 INDUSTRIAL AREA, PHASE I, OPP SECTOR 18, BADLI, NEW DELHI - 110042 PH :71118333.	311. T.R. SAWHNEY MOTORS PVT LTD (08D2-01-), B-19, MAYAPURI INDUSTRIAL AREA, PHASE-1, NEW DELHI, - 110064 PH :71119333, 9999049337.	324. SHREYASH AUTOMOTIVES PRIVATE LIMITED (08F8-02-), A-3, WAZIRPUR INDUSTRIAL AREA, DELHI - 110052 PH :9811233385.
TILDA	299. DD MOTORS (A DIVISION OF D.D. PREM PVT.LTD.) (08F2-01-), 5, WAZIRPUR,INDUSTRIAL AREA,ADJACENT TO WAZIRPUR DEPOT,RING ROAD, NEW DELHI - 110035 PH :999900389, 8860637394, 8860637306, 8448594691.	312. DD MOTORS (A DIVISION OF D.D. PREM PVT.LTD.) (08F1-02-), 9/55 KIRTI NAGAR, INDUSTRIAL AREA, NEW DELHI - 110015 PH :995903888.	OKHLA, DELHI
SKY AUTOMOBILES (CWR1-01-), KASRA NO. 29/31, TILDA, DIST.-RAIPUR, CHHATTISGARH. - 493 114 PH :9425204051.	300. ROHAN MOTORS LTD (886-01-), F-9/B-1, MOHAN COOPERATIVE INDUSTRIAL ESTATE, MATHURA ROAD, DELHI - 110044 PH :40567900, 41679252-259.	313. DD MOTORS (A DIVISION OF D.D. PREM PVT.LTD.) (08F1-03-), PLOT NO. 87/1, RANAJI ENCLAVE, NAGLI SAKRAWATI,BEHIND NAGLI METRO STATION, NAJAFGARH, NEW DELHI - 110043 PH :8448487126, 8448095528.	325. AAA VEHICLEADES PVT LTD (08B4-01-), B243, OKHLA PHASE-1, OKHLA, DELHI - 110020 PH :8448582912.
TITLAGARH	301. MAGIC AUTO PVT. LTD. (888-01-), A-93, PHASE-2,MAYAPURI INDL AREA,DELHI - 110064 PH :41847777.	314. DD MOTORS (A DIVISION OF D.D. PREM PVT.LTD.) (08F1-03-), PLOT NO. 87/1, RANAJI ENCLAVE, NAGLI SAKRAWATI,BEHIND NAGLI METRO STATION, NAJAFGARH, NEW DELHI - 110043 PH :8448487126, 8448095528.	WAZIRPUR - DELHI
ODYSSEY MOTORS (SQE1-01-), M/S PLOT NO 687/1216, MOUZA PIPALPADAR, TITLAGARH,BALANGIR, ODISHA - 767033 PH :9439314464.	302. DD MOTORS (A DIVISION OF D.D. PREM PVT.LTD.) (08F3-01-), KHASRA NO. 544/1, MUNDKA, NEW DELHI - 110041 PH :25963535, 48616500.	315. DD MOTORS (A DIVISION OF D.D. PREM PVT.LTD.) (08F5-01-), 36/22, NEAR RAMDEV CHOWK, NARELA, DELHI - 110040 PH :9999127953, 9873578740.	326. DD MOTORS (08F1-05-), A-90, WAZIRPUR INDUSTRIAL AREA, NEW DELHI-110052 - 110052 PH :9310367233.
CHHATTISGARJH	303. T.R. SAWHNEY MOTORS PVT LTD (819-04-), PLOT NO.-508, FUNCTIONAL INDUSTRIAL ESTATE, PATPARGANJ - 110092 PH :9999044326, 9999525756.	316. DD MOTORS (A DIVISION OF D.D. PREM PVT.LTD.) (08F1-04-), 32/19, OPP SHANTI GARDEN, DWARKA SECTOR-3, MATIALA DELHI - 110059 PH :9873173005.	GOA
SHIVRINARAYAN	304. MAGIC AUTO PVT. LTD. (08B7-01-), PLOT NO. 68/3,MOTINAGAR,NEW DELHI, - 110015 PH :43777777, 43777721.	317. FAIR DEAL WHEELS PVT. LTD (08E3-01-), PLOT NO.25, KHATA KHATAUNI NO.97/98, KHASRA NO.48/17, OPP. BRAHMISHAKTI HOSPITAL, BUDH VIHAR, POOTH KALAN, MAIN KANJAWALA ROAD, DELHI - 110086 PH :8448690737.	BICHOLIM
SATYA AUTO (SMQ1-01-), M/S SATYA AUTO,DEORI, SHIVRINARAYA, JANJGIR - CHAMPA, CHATTISGARH - PIN 495556 - 495556 PH :9993920251.	305. SAYA AUTOMOBILES (808-2B-), KHASRA NO.2,G.T. KARNAL ROAD,OPP. GURUDUARA HARGOVIND SINGH,SIRAS PUR BADLI,DELHI - 110033 PH :27731325, 27731856.	318. COMPETENT AUTOMOBILES CO. LTD. (806-07-), 23/2, MATIALA PHIRNI, POKCKET C, SECTOR 3, DWARKA, DELHI, - 110059 PH :9582797774.	327. SAI SERVICE PRIVATE LIMITED (BHN1-01-), CITY SURVEY NO. 46/1, MUSLIM WADDO, BICHOLIM, GOA - 403529 PH :2385500, 9881746566.
DADRA AND NAGAR HAVELI	306. RANA MOTORS PVT LTD (08A1-04-), B-6/6, OKHLA INDUSTRIAL AREA PHASE-II, NEW DELHI - 110020 PH :40877777, 26389930.	319. JAGMOHAN AUTOMOTIVES (08F6-01-), PLOT NO. 69/2, WAZIRPUR INDUSTRIAL AREA, NEW DELHI, PIN-110052 - 110052 PH :9650790351.	CANACONA
KATARIA AUTOMOBILES PVT. LTD. (ED01-01-), NEAR ATHAL CHAR RASTA,DADAR & NAGAR HAVELI, SILVASSA - 396230 PH :9723816223.			328. CHOWGULE INDUSTRIES PVT. LTD. (IT01-01-), PLOT NO.40, CANCONA INDUSTRIAL ESTATE, SHREESTAL, CANCONA, SOUTH GOA - 403702 PH :0832-2633010/8805024916.
DAMAN AND DIU			CUNCOLIM
DAMAM			329. SAI SERVICE PRIVATE LIMITED (3402-06-), SURVEY NO.64/7, SHOP NO.3-A-11, CANCNAMEODDI, CUNCOLIM, SOUTH GOA - 403703 PH :2763062, 2763063, 9850398057.
KATARIA AUTOMOBILES PVT. LTD. (104-08-), NEAR AKASWANI CENTER, RINGANWADA, NANI DAMAN , DAMAN UNION TERRITORY - 396210 PH :9924130655.			DHARBADORA
DELHI			330. CHOWGULE INDUSTRIES PVT. LTD. (3408-07-), AT- KHANDEPAR- USGAON, TAL-DHARBADORA, SOUTH GOA - 403401 PH :0832-6623470/7888004357.
SAYA AUTOMOBILES PVT. LTD. (808-03-), A 21-22, G.T.KARNAL ROAD, NEW DELHI - 110033 PH :47088888.			MAPUSA

Dealer Network (AS ON 31.10.2023)

331.	SAI SERVICE PRIVATE LIMITED (3402-05-), D-2/9,MAPUSA INDUSTRIAL ESTATE,MAPUSA, GOA. - 403507 PH :2267000, 86660432266.	342.	SAI SERVICE PRIVATE LIMITED (3402-01-), SURVEY NO: 36/1,PENHA DE FRANCE, TAL : BARDEZ, ALTO PCRVRIM,GOA - 403501 PH :2149200, 2414324, 9881746567.	353.	KATARIA AUTOMOBILES PVT. LTD. (110-01-), BEHIND ADANAL PUMP, NEAR MAKARBA CROSSING, MAKARBA,SG HIGHWAY - 380051 PH :7069054900.	364.	PEGASUS (A UNIT OF VISUAL AUTOLINK PVT. LTD.) (117-01-), PLOT NO.116 & 1182, SARDAR PATEL RING ROAD, VASTRAL, AHMEDABAD - 382418 PH :7623089000.		
332.	CHOWGULE INDUSTRIES PVT. LTD. (3408-03-), PLOT NO. 19/20,THIVIM INDUSTRIAL ESTATE,KARASWADA, MAPUSA,GOA - 403507 PH :0832-6631666/6631608/8888817955.	SANVORDEM	343.	CHOWGULE INDUSTRIES PVT. LTD. (BTK1-01-), SURVEY NO. 4, SUBDIVISION-3, VILLAGE – CACORA, TALUKA – CURCHOREM, SANVORDEM, DIST. – SOUTH GOA, GOA. - 403706 PH :9850477607.	354.	POPULAR WHEELERS (INDIA) PVT. LTD. (111-01-), BESIDE SOLA ROAD BRIDGE, S. G. HIGHWAY SOLA,AHMEDABAD - 380054 PH :65058111.	365.	STARLINE CARS PVT. LTD. (D101-09-), SR NO – TP - 57, PLOT NO. 67, NEAR GOTA FLYOVER BRIDGE, OPP. SHANKU FARM HOUSE, S. G. HIGHWAY, GOTA, AHMEDABAD. - 382481 PH :9824601729.	
MARGAO		SATTARI	344.	CHOWGULE INDUSTRIES PVT. LTD. (3408-10-), H.NO.17, WARD NO.5, SURVEY NO.34/3, 34/4, MARGAON PONDA HIGHWAY, SONFAOR AMBORA, CAMURLIN, SALSCETE ,GOA - 403722 PH :9545454826/8380013499.	355.	KIRAN MOTORS LTD (112-01-), SURVEY NO. 82/1/1, NEAR H.P. PETROL PUMP, MOTERA ROAD, CHANDKHEDA, AHMEDABAD - 380005 PH :8347491800/9824023122.	366.	KATARIA AUTOMOBILES PVT. LTD. (110-02-), PLOT NO. 112, 116 & 119, SURVEY NO. 283/3.7.10, B/H SILVER STAR, BESIDE HARI VILLA BUNGLOWS, GOTA ROAD, CHANDLODIYA, AHMEDABAD. - 382481 PH :9824000378.	
333.	CHOWGULE INDUSTRIES PVT. LTD. (3408-01-), OPP DAMODAR TEMPLE, FATORDA, MARGOA, GOA - 403602 PH :0832-6623444/4207796630235.	TALEIGAON	345.	CHOWGULE INDUSTRIES PVT. LTD. (3408-10-), SURVEY NO. 60, SUB DIV NO. 05, VILLAGE ARVALEM, VILLAGE PANCHAYAT ARVALEM, TALUKA SATTARI, NORTH GOA, GOA - 403505 PH :9923464422.	356.	NANDA AUTOMOBILES PVT. LTD. (114-01-), SURVEY NO. 229/3, OPP. GOKULESH PETROL PUMP, NAROL - ASLALI ROAD, NAROL, AHMEDABAD, GUJARAT. - 382405 PH :8866558787 / 8460088883.	367.	DB MOTORS PRIVATE LIMITED (119-01-), SURVEY NO. 131A, NH-8, ASLALI, OPP.-OCTROI NAKA, AHMEDABAD. - 382427 PH :9726031111.	
334.	SAI POINT CARS PVT LTD (3409-01-), H.NO.17, WARD NO.5, SURVEY NO.34/3, 34/4, MARGAON PONDA HIGHWAY, SONFAOR AMBORA, CAMURLIN, SALSCETE ,GOA - 403722 PH :9545454826/8380013499.	VASCO	346.	SAI SERVICE PRIVATE LIMITED (3402-04-), NEXT TO SHIKALIM CHURCH,SHIKALIM,VASCO,GOA - 403802 PH :2542581/2526008/2526000/9850398058.	357.	STARLINE CARS (AHMEDABAD) PVT LTD (115-01-), PLOT NO. 103/2, NANDA CHILODA, NEAR RAILWAY CROSSING, KRISHNANAGAR ROAD, NARODA, AHMEDABAD - 382330 PH :9824601729.	368.	POPULAR WHEELS (111-02-), SAVAN SQUARE, SHOP NO. 1, 2, 3, 4, 5, SERVE NO. 39/1, P. T. NO. 92, T.P. NO. 66/A, CHENPUR, NEW RANIP, AHMEDABAD. - 382 427 PH :9925203344.	
335.	SAI SERVICE PRIVATE LIMITED (3402-02-), SURVEY NO. 212/4, VILLAGE - VERNA, TAL : SALSCETE. NEXT TO AGNEL POLYTECHNIC, MARGAO - 403718 PH :2883000, 2791195, 9834398096.		347.	CHOWGULE INDUSTRIES PVT. LTD. (3408-09-), OPP BHRAMASTAL TEMPLE, PATRONG BAINA, VASCO,GOA - 403802 PH :0832-2500407/427/9921943608/9850986904.	358.	KIRAN MOTORS LTD (112-02-), FINAL PLOT NO.33/1/1, NEAR SHRUSHTI LAVISH, OPP. SHYAM VILLA-II, NARODA-NIKOL ROAD, NIKOL DISTT. AHMEDABAD - 382330 PH :7069868374/9173840458/7383651643/9173044104 -	369.	DB MOTORS PRIVATE LIMITED (119-02-), PLOT NO. 716, ASHRAM ROAD, OPPOSITE GANDHI ASHRAM, OLD VADAJ, HRIDAYA KINJ, AHMEDABAD - 380013 PH :9909048260.	
336.	CHOWGULE INDUSTRIES PVT. LTD. (3408-08-), PLOT NO. M-58 AND M-59, PHASE 3B, VERNA INDUSTRIAL ESTATE, MARGAO, VERNA, SALSCETE SOUTH GOA, GOA - 403722 PH :0832-6621800/9922950800.	GUJARAT		359.	KIRAN MOTORS LTD (102-04-), SURVEY NO. 245/3, TP SCHEME NO. 43, NEAR KARGIL PETROL PUMP, SCIENCE CITY ROAD, AHMEDABAD - 380060 PH :9327617447, 9327214890.	AMBAJI	370.	TANU MOTORS (SKO1-01-), OPP KUMBHARIYA JAIN DERASAR, GIDC ROAD, AMBAJI, DIST-BANASKANTHA, GUJARAT 385110 - 385110 PH :9927709227.	
PANAJI		AHMEDABAD	348.	KIRAN MOTORS LTD (102-01-), SARKHEJ - GANDHINAGAR HIGHWAY, OPP. RAJPATH CLUB, AHMEDABAD - 380054 PH :9824055445.	360.	POPULAR WHEELERS (INDIA) PVT. LTD. (109-01-), BEHIND G. B. SHAH COLLEGE, NEAR SWAMINARAYAN PARK, VAISHALI TOWNSHIP ROAD, VASNA, AHMEDABAD, GUJARAT. - 380007 PH :9099993830.	AMOD	371.	RAVIRATNA MOTORS (F801-03-), ROYAL PARK, JAMBUSAR-BHARUCH ROAD, AMOD, DISTRICT: BHARUCH, GUJARAT. - 392210 PH :9687691106/9687699383.
337.	CHOWGULE INDUSTRIES PVT. LTD. (3408-02-), D.B BANDODKAR MARG,CAMPAL,PANAJI,GOA - 403001 PH :9922950798/9922925701.		349.	KATARIA AUTOMOBILES PVT. LTD. (104-01-), D/8 BEHIND ESI HOSPITAL, OUTSIDE DARIAPUR DARWAJA,AHMEDABAD - 380016 PH :9824543500.	361.	PEGASUS (A UNIT OF VISUAL AUTOLINK PVT. LTD.) (129-01-), PLOT NO. 116, BOPAL – AMBIL ROAD, BOPAL , AHMEDABAD, DISTRICT – AHMEDABAD, GUJARAT. - 380058 PH :7211140026, 7211130053.	AMRELI	372.	ALPHA AUTOLINK LLP (9E02-01-), LATHI BY PASS ROAD, AMRELI, GUJARAT. - 365601 PH :9978938858/9978938833.
338.	SAI SERVICE PRIVATE LIMITED (3402-07-), SHED NO. 18/329, PLOT NO.5A, SURVEY NO.117/6, TELEIGAON, ST. INEZ, PANJIM, GOA-403 002. - 403001 PH :22229222/2225222.9923865179.	PERNEM	350.	POPULAR WHEELERS (INDIA) PVT. LTD. (105-01-), PATEL TRUST BUILDING, AVTAR HALL,NAROL, NARODA HIGHWAY,ISANPURA ROAD,AHMEDABAD - 382443 PH :61903232.	362.	TANU MOTORS PVT. LTD. (118-01-), SURVEY NO. 1155/1-2, 1154 & 1156, PLOT NO. 39, SARKHEJ-SANAND ROAD, SANAND, AHMEDABAD (GUJARAT) - 382110 PH :9512009110.	ANAND	373.	AMAR CARS PVT. LTD. (F702-01-), JANTHA CROSSING,SOJITRA ROAD,ANAND - 388121 PH :9909960772.
POLEM		PONDA	351.	KIRAN MOTORS LTD (102-02-), BEHIND L&T GODDOWN,SARKHEJ SANAND HIGHWAY, AHMEDABAD - 382210 PH :26891863, 26891009, 26891294.	363.	STARLINE CARS PVT. LTD. (F703-01-), SURVEY NO. 189/1+2/A+3/A/K 190/P, OPP. OLD JAKAT NAKA, NEAR RAILWAY OVERBRIDGE, ANAND-CHIKHODRA ROAD, ANAND, GUJARAT. - 388 120 PH :7698954666.	ANAKLAV	374.	KATARIA AUTOMOBILES PVT. LTD. (F703-01-), SURVEY NO. 189/1+2/A+3/A/K 190/P, OPP. OLD JAKAT NAKA, NEAR RAILWAY OVERBRIDGE, ANAND-CHIKHODRA ROAD, ANAND, GUJARAT. - 388 120 PH :7698954666.
340.	CHOWGULE INDUSTRIES (SHO1-01-), DULGAL-SHELM,VILLAGE POLEM-LOLIEM ,SOUTH GOA,403728 - 403728 PH :9049555395.		352.	KATARIA AUTOMOBILES PVT. LTD. (104-05-), NEAR KOKHRA BRIDGE,MANINAGAR - 380008 PH :7567568182.					
PONDA									
341.	SAI SERVICE PRIVATE LIMITED (3402-03-), OFF PANJIM HIGHWAY,PONDA,GOA. - 403401 PH :2324106, 2311499, 2324120, 9518349559.								
PORVORIM									

Dealer Network (AS ON 31.10.2023)

375. KATARIA AUTOMOBILES (SEO1-01-), AMBICA COMPLEX, GROUND FLOOR SHOP NO. B, C AND D, ASODAR CHOKDI, TAL. ASODAR, CITY ANKLAV, DIST. ANAND, PIN-388510, GUJARAT - 388510 PH :7227917151.	BHABHAR 385. STARLINE CARS (CWD1-01-), SHOP NO. 7, 8, 9, SIDDIHI VINAYAK BUSINESS HUB, R.S. NO. 225, PANJRAPOLE ROAD, BHABAR, DIS. -BANASKANTHA, GUJARAT. - 385320 PH :9909043244, 9824601729.	395. KATARIA AUTOMOBILES (AP03-19-), PLOT NO.13, SURVEY NO 33,34, AND 35 PAIKKI VILLAGE, HADADAD, OPP. PATEL HYUNDAI SHOWROOM, PALIYAD BOTAD ROAD - 364710 PH :9558060658.	CHUDA 404. DREAM AUTOMOBILES (SOC1-01-), NR. GOVT HOSPITAL, CHATARLIYA ROAD, CHUDA, SURENDRANAGAR. - 363410 PH :9313802500.
ANKLESHWAR 376. RAVIRATNA MOTORS PVT LTD (P901-01-), PLOT NO. 624/25A, GIDC, VALIA ROAD, ANKLESHWAR - 393002 PH :9687691063.	BHACHAU 386. K.D. MOTORS (P501-02-), SUNRISE MALL,OPP. BUS STAND,BHACHAU BHUJ ROAD, BHACHAU, GUJARAT - 370140 PH :9909953036, 9879390919.	CHANASMA 396. STARLINE CARS (CVF1-01-), 16/17, PASABHI COMPLEX, NEAR ROYAL PALACE HOTEL, MEHSANA HIGHWAY, CHANASMA. - 384220 PH :9909043244, 9824601729.	DABHOI 405. KATARIA AUTOMOBILES PVT. LTD. (UU01-01-), OPP. VEGA BUS STOP, NEAR VEGA CROSS ROAD, DABHOI-BODELI ROAD, DABHOI, TA:DABHOI, DI:VADODARA - 391110 PH :8156000463.
BAGODRA 377. NANDA AUTOMOBILES PVT. LTD. (CVQ1-01-), SHOP NO. 9, 10, 11, 12, KAMDHENU COMPLEX, BAGODRA HIGHWAY, NR. SBI BANK, BAGODRA. - 382240 PH :9727822000, 9726269111.	BHANVAD 387. ATUL MOTORS JAM LLP (BN2-01-), R.S. NO.439, PLOT NO.19, BHANVAD (GUJARAT) - 360510 PH :9574005964 / 9574004714.	CHANDIYAL 397. DB MOTORS (SJT1-01-), SHOP NO-1,2,3 SWAPNIL ARCADE, GRAM-CHANDIYAL, TAL.-DASKROI, DIST-AHEMDABAD, GUJARAT. - 382433 PH :9909048301.	DAHOD 406. R B CARS PVT. LTD. (2C01-02-), NEAR SIMANDHAR JAIN TEMPLE, OLD INDORE HIGHWAY, DAHOD - 389151 PH :9099043715, 9727700823.
BALASINOR 378. AMAR CARS PVT. LTD. (CJE1-01-), SR. NO. 1451, OPP. OIC PETROL PUMP, AHMEDABAD HIGHWAY (NH-47), KANTHARAJINA MUVADA, VILLAGE - VADALA, TALUKA - BALASINOR, DISTRICT - MAHISAGAR, GUJARAT. - 388255 PH :7211109960.	BHARUCH 388. RAVIRATNA MOTORS (F801-01-), NH 8, OPP YOGI PETROL PUMP,P.O. ZADESHWAR,BHARUCH - 392011 PH :9687691044; 9687632647.	CHANDKHEDA - AHMEDABAD 398. KATARIA AUTOMOBILES PVT. LTD. (104-10-), SURVEY NO. 247, TP NO. 73, OPP. PAVITRA ENCLAVE, MANSAROVER ROAD, NEAR HARI OM FARM, TRAGAD, CHANDKHEDA, AHMEDABAD - 382470 PH :9723302111.	DANTIWADA 407. TANU MOTORS (SSX1-01-), VISHWAS COMPLEX, OPP HIMGLAJ PETROL PUMP, NR. JAIN DERASAR, DANTIWADA HIGHWAY, AT-PO PANTHWADA, TALUKA-DANTIWADA, DIST-BANASKANTHA - 385545 PH :9099904424.
BARDOLI 379. DHRU MOTORS (4002-02-), G.I.D.C.SURAT BARDOLI ROAD,BARDOLI, - 394601 PH :9825413113/9879104454.	BHAVNAGAR 389. KATARIA AUTOMOBILES (C902-01-), SURVEY NO 137/2, PLOT NO 301/2&3 AND 301/4&5, VERTEJ GIDC, NARI CHOWKDI, RAJKOT ROAD, BHAVNAGAR, - 364004 PH :9426168286.	CHANDRALA 399. NANDA AUTOMOBILES PVT. LTD. (GLT1-01-), HIMMATNAGAR HIGHWAY NO.8, NEAR DEVANSHI PARTY PLOT, CHANDRALA, DIST-GANDHINAGAR, GUJARAT - 382320 PH :9725062187, 9727726003.	DEESA 408. TANU MOTORS PVT. LTD. (Q801-03-), NH-14, NR. ESSAR PETROL PUMP, RADHANPUR HIGHWAY, HANUMAN NAGAR, MALGADH, DEESA - 385535 PH :9909006099.
380. KATARIA AUTOMOBILES PVT. LTD. (Q106-02-), BLOCQ NO.13, NANDIDA CROSS ROAD, BARASADI VILLAGE, SURAT-BARDOLI ROAD, BARDOLI, GUJARAT - 394310 PH :7698022665/9924138860.	390. KATARIA AUTOMOBILES (C902-02-), PLOT NO-29, NR. TALAJA OCTROI CIRCLE, JAKATNAKA, AT-ADHEWADA, DIST-BHAVNAGAR, GUJARAT - 364002. - 364002 PH :9638884422.	CHANGODAR 400. PEGASUS (A UNIT OF VISUAL MOTORS PVT. LTD.) (CTD2-01-), SURVEY NO.393, VILLAGE - MORAIYA, CHANGODAR, TALUKA - SANAND, SUN DISTT - AHEMDABAD. - 382210 PH :7211120014.	DEHGAM 409. NANDA AUTOMOBILES PVT. LTD. (2B01-03-), NEAR UMIYA MATAJI TEMPLE, COLLEGE ROAD, AHMEDABAD ROAD, DEHGAM - 382305 PH :234567.
BAREJA 381. KATARIA AUTOMOBILES PVT. LTD. (BAN1-01-), 5/6/7, ADITYA COMPLEX NATIONAL HIGHWAY-8, BAREJA , TALUKA - DASKROI, DISTRICT - AHMEDABAD, GUJARAT - 382425 PH :7046079997.	BHUJ 391. K.D. MOTORS (P501-01-), PLOT NO. 5/6/14, UMANAGAR, MIRZAPUR HIGHWAY ROAD , BHUJ, GUJARAT - 370001 PH :92832-232534/5, 9879898799, 8780351870.	CHIKHLI 401. KATARIA AUTOMOBILES PVT. LTD. (BCB1-01-), SURVEY NO.461, VILLAGE-MAJIJAM, TALUKA-CHIKHALI, DISTT-NAVSARI, GUJARAT - 389521 PH :7698953899.	DETROROJ 410. PEGASUS (A UNIT OF VISUAL AUTOLINK PVT LTD) (GLC1-01-), PLOT NO-61,MILKAT NO-2534, AT-DETROROJ, TALUKA-DETROROJ-RAMPURA-382120 - 382120 PH :7971846442.
BARWALA (AHMEDABAD) 382. UDAY AUTOLINK PVT. LTD. (I401-01-), OPP. HILTON HOTEL, BHAVNAGAR HIGHWAY, TA BARWALA, DIST. AHMEDABAD - 382450 PH :7567449999/9687677611.	BODELI 393. KIRAN MOTORS LTD (0R01-01-), OPP.NARMADA GUEST HOUSE,DABHOI ROAD, BODELI, TALUKA: SANKHEDA,VADODARA - 391135 PH :9714592999.	CHILODA 402. PEGASUS (A UNIT OF VISUAL AUTOLINK PVT. LTD.) (GJO1-01-), PLOT NO. 332, BESIDES GALLOPS TATA, NH-8, CHILODA-HIMMATNAGAR HIGHWAY, CHILODA. - 382355 PH :7211168938, 7623039000.	DEVGADH BARIA 411. R B CARS PVT. LTD. (2C01-05-), BESIDE ARIHANT PETROL PUMP, PIPLOD ROAD, DEVGADH BARIA - 389380 PH :9099049344, 6352384846, 9099043715.
BAVLA 383. KATARIA AUTOMOBILES PVT. LTD. (104-07-), NEAR ESSAR PETROL PUMP, BAVLA -AHMEDABAD HIGHWAY, BAVLA - 382220 PH :9824344889.	BORSAD 394. AMAR CARS PVT. LTD. (BJM1-01-), BORSAD - TARAPUR HIGHWAY, BORSAD , DISTRICT - ANAND, GUJARAT - 388540 PH :9586477744.	CHOTILA 403. DREAM VEHICLES PVT LTD (CF11-01-), SURVEY NO. 31, PLOT NO. 1, NILKANTH SOCIETY, NH NO. 8A, AHMEDABAD-RAJKOT, AT & PO - CHOTILA, DISTRICT - SURENDRANAGAR, GUJARAT. - 363520 PH :9227775709.	DHANERA 412. TANU MOTORS PVT. LTD. (BZW1-01-), 01 & 02, MARUTI NANDAN COMPLEX, NEAR ESSAR PETROL PUMP, DHANERA-DEESA HIGHWAY, DHANERA. - 385310 PH :9909006099, 8401784018.
BECHRAJI 384. STARLINE CARS PVT. LTD. (GJM1-01-), R.S. NO. 336 PAIKI, MOJE-BECHAR (BECHARAJI), TALUKA - BECHARAJI, DIST.-MEHSANA. - 384210 PH :9909043244.	BOTAD		DHARAMPUR

Dealer Network (AS ON 31.10.2023)

413. KATARIA AUTOMOBILES PVT. LTD. (BSK1-01-), SURVEY NO.29/3/P1, VILLAGE ASHURA NR. ASHURA CIRCALE, DHARAMPUR DISTT. VALSHAD, GUJARAT - 396050 PH :9723455291.	423. NANDA AUTOMOBILES PVT. LTD. (2B01-05-), PLOT NO. 805, GIDC, SECTOR-28, GANDHINAGAR. - 382028 PH :079-23212692/93/94 9727726003.	433. RAVIRATNA (SKR1-01-), SURVEY NO-2939-2954, PLOT NO-2, VILLAGE-JAMBUSAR, TALUKA-JAMBUSAR, DIST-BHARUCH. - 392150 PH :9687667595.	444. RB CARS (SDN1-01-), SURVEY NO.618/2, PAKI PLOT NO. 29,30,31 AT. KAKANPUR, TAL. GODHRA, DISTRICT. PANCHMAHAL PIN-388713. - 388713 PH :9099049347.
DHARI	GODHRA	JAMJODHPUR	KALAVAD
414. ALPHA AUTOLINK LLP (GG02-01-), PLOT NO. 9, DHARI - KHAMBHA ROAD, NEAR RAILWAY FATAK DHARI, TALUKA - DHARI, DIST. - AMRELI, GUJARAT. - 365640 PH :9904549999/9978938658.	424. R B CARS PVT. LTD. (2C01-01-), PLOT NO. 112/11, 12-VAVDI,GODARA - DAHOD HIGHWAY, GODHRA, PANCHMAHAL, GUJARAT - 389001 PH :9099043715, 9727700823.	434. ATUL MOTORS (JAM LLP) (CSN3-01-), NEAR HDFC BANK, GAYATRI MANDIR ROAD, JAMJHODPUR, DIST-JAMNAGAR (GUJARAT) - 360530. - 360530 PH :9537888988.	445. ATUL MOTORS JAM LLP (BNC2-01-), SANIDHYA ARCADE, NEAR SANIDHYA PARTY PLOT, KALAVAD - DHORAJI ROAD, KALAVAD. - 361160 PH :9574222111.
DHOLKA	425. R B CARS PVT. LTD. (2C01-04-), SURVEY NO.107, LUNAWADA ROAD, GIDC, GODHRA, DISTT. PANCHMAHAL-389001. - 389001 PH :9099043715, 9727700823.	JAMNAGAR	KALOL
415. TANU MOTORS PVT. LTD. (CQ02-01-), SURVEY NO. 722, OPPOSITE RANI RUDY MATAJI MANDIR, DHOLKA KALIKUND HIGHWAY, DHOLKA, GUJARAT - 382 225 PH :9512009104.	GONDAL	435. ATUL MOTORS JAM LLP (F402-01-), SURVEY NO.422, PLOT NO. 16,17 & 19, JAMNAGAR, GUJARAT - 361001 PH :9574004710 / 9574004716.	446. NANDA AUTOMOBILES PVT. LTD. (2B01-02-), PLOT NO. - 162-168, GIDC, KALOL MEHSANA HIGHWAY, NEAR CHIRAG CINEMA ROAD, KALOL. - 383028 PH :220781 / 82 / 83.
DHORAJI	426. ATUL MOTORS PVT LTD (5503-05-), 8-B NATIONAL HIGHWAY, OPP. DAULAT OIL MILL, NR. NILKANTH VIRUDASHRAM, RAJKOT HIGHWAY,GONDAL - 360311 PH :9904922333.	436. STARLINE CARS PVT. LTD. (D101-02-), CHANASMA HIGHWAY, PATAN - 384265 PH :7046046187.	KAPADVANJ
416. PERFECT AUTO SERVICE (5502-09-), JETPUR ROAD, OPP. SHRINATHJI SOCIETY, DHORAJI - - 360410 PH :9099027402, 8200969617.	GOZARIA	437. ATUL MOTORS JAM LLP (F402-02-), C-36, MP SHAH ARUN UDYOG, SARUSECTION ROAD, JAMNAGAR - 361002 PH :9574004704 / 9574004717.	447. AMAR CARS PVT. LTD. (NC01-01-), SAMARTH SQUARE, SHOP NO. 1, MODASA KAPADVANJ ROAD, KAPADVANJ, GUJARAT-387620 - 387620 PH :9909960761.
DHRANGADHRA	427. VIMCO MOTORS PVT. LTD. (GJN1-01-), 1597/339 P4 VISHNAGAR-GOZARIYA ROAD, GOZARIYA, DIST.-MEHSANA. - 382825 PH :7016623842.	438. ATUL MOTORS (JAM LLP) (F402-03-), OPP MADHAV BAUG1, NEAR RAILWAY OVER BRIDGE, JAMNAGAR, GUJARAT-361006. - 361006 PH :9574004709.	KARJAN
417. DREAM VEHICLES PVT LTD (IM01-01-), PLOT NO. 79, SURENDRANAGAR-DHRANGADHRA ROAD, OPP. ARMY WORKSHOP, DISTRICT-SURENDRANAGAR. - 363310 PH :9227775725.	HALOL	JASDAN	448. AMAR CARS PVT. LTD. (UZ01-01-), SURVEY NO.851/787 BESIDE PMT TOOLS, KANDARI, N.H. -8, KARJAN, DISTT-VADODARA (GUJARAT) - 391210 PH :7567299666/99252462929.
DIYODAR	428. R B CARS PVT. LTD. (BKC1-01-), PLOT NO. 104/6 & 104/8, VADODARA - GODHRA HIGHWAY, NEAR NAVJIVAN HOTEL, HALOL, DISTRICT - PANCHMAHAL, GUJARAT - 389350 PH :9099043715, 9727700823.	439. ATUL MOTORS PVT LTD (5503-09-), SURVEY NO. 1253, PLOT NO. 4, NEAR KALYAN PETROL PUMP, JASDAN-ATKOT HIGHWAY, JASDAN, DIST.-RAJKOT, GUJARAT. - 360050 PH :9265404142.	KATHLAL
418. TANU MOTORS (SFU1-01-), NR.HP PETROL PUMP, BHESANA CROSS ROAD, BHABHAR HIGWAY,DIYODAR-385330 - 385330 PH :9099017756.	HALVAD	JHALOD	449. AMAR CARS PVT. LTD. (CXA1-01-), MAHAVEER AUTO SHOWROOM, NADIAD ROAD, JB PLAZA, KATHLAL, GUJARAT. - 387 630 PH :9909960761.
DWARKA	429. DREAM VEHICLES PVT LTD (GX01-01-), PLOT NO.5 & 6, NAKLANKDHAM TOWNSHIP, OPP. HONEST RESTAURANT, AHMEDABAD HIGHWAY, HALVAD DISTT. SURENDRANAGAR (GUJARAT) - 363330 PH :8238000965.	440. R B CARS PVT. LTD. (CJF1-01-), SURVEY NO. 2550B/10, 11, AT - JHALOD, TALUKA- JHALOD, DISTRICT - DAHOD. - 389170 PH :9099684363, 9099043715.	KESHOD
419. ATUL MOTORS JAM LLP (CJG2-01-), SURVEY NO. 41, NEAR, SHRI SANTAN SEVA MANDAL, CORNER PLOT OF STATION ROAD AND HIGHWAY ROAD, DWARKA, DISTRICT - DWARKA - , - 361335 PH :9712212900 / 9574004714.	HANSOT	JUNAGADH	450. PERFECT AUTO SERVICES (BZY1-01-), R S NO. 125/1, GODOWN NO. 01, SONDARDH, TALUKA - KESHOD, DISTRICT - JUNAGADH, GUJARAT. - 362220 PH :7043999073.
GANDHIDHAM	430. RAVIRATNA MOTORS (BG01-01-), AT UTRAJ, HANSOT, DISTRICT - BHARUCH - 393030 PH :9687691063.	441. PERFECT AUTO SERVICES (5502-06-), SURVEY NO.45/1, PLOT NO. 214-C/D/E/F, GIDC-I, DOLATPARA, JUNAGADH - 362001 PH :9879518052, 7043999073, 9909022618.	KHAMBHAT
420. B M AUTOLINK (7702-01-), EAST OF PLOT NO. 30-35,NATIONAL HIGHWAY, GANDHIDHAM - 370201 PH :9727725723.	HIMMATNAGAR	JUNAGARH	451. AMAR CARS PVT. LTD. (BNF1-01-), PLOT NO. 7/8/9, RAJMAHAL PARK, OPP. SARDAR CHATRALAY, LAL DARWAJA, GAYATRINAGAR ROAD, KHAMBHAT, TALUKA KHAMBHAT, ANAND DISTRICT, GUJARAT - 388620 PH :9909960772.
421. B M AUTOLINK (7702-03-), SURVEY NO.129/26 P, GALPADAR HIGHWAY, GANDHIDHAM , DISTT.KACHCHH, GUJARAT. - 370110 PH :9727725723, 9727739550.	IDER	442. PERFECT AUTO SERVICES (5502-02-), PLOT NO. 81-82,G.I.D.C. DOLATPURA,RAJKOT-JUNAGARH HIGHWAY, JUNAGARH - 362001 PH :9909006980, 7043999073, 9909022618.	KHEDA
GANDHINAGAR	432. KIRAN MOTORS LTD (UX01-01-), SURVEY NO.69 IDAR-AMBAJI ROAD, IDAR DIST: SABARKANTHA - 383430 PH :8155994111.	KADI	452. AMAR CARS PVT. LTD. (BNA1-01-), S.NO.708, PLOT NO.1, VILLAGE-SOKHDA, TAL: MATER, DISTT. KHEDA, GUJARAT - 387570 PH :9909960761.
422. NANDA AUTOMOBILES PVT. LTD. (2B01-01-), 1003,SECTOR-28,GANDHI NAGAR - 382028 PH :(079)23212692 / 93 / 94.	JAMBUSAR	443. STARLINE CARS PVT. LTD. (D101-07-), OPP. COTTON MARKETING YARD, KADI-CHATRAL ROAD, TAL: KADI, DIST: MEHSANA - 382715 PH :8160707156.	KHEDBRAHMA

Dealer Network (AS ON 31.10.2023)

453.	KIRAN MOTORS (CMU1-01-), AMBAJI ROAD, KHEDBRAHMA, DIST. – SABARKANTHA, PIN – 383255 - 383255 PH :9824010721.	462.	KATARIA (BRM1-01-), BLOCK NO. 14/2, VILLAGE BUDHALESHWAR, SURAT SAPUTARA STATE HIGHWAY.TAL. MAHUVA, DIST. SURAT - 394250 PH :9824051060/9824094498.	472.	VIMCO MOTORS (D103-02-), SHOP # 7&8, TIRUPATI SAHIBAGH MARKET, MEHSANA – RUDHANPUR ROAD, NEAR SAHAJ VILLA, MEHSANA - 380002 - 380002 PH :8909953333.	NANA PONDHA 482. AMAR CAR (SEL1-01-), SHOP NO 7-11, JALASHAI SHOPPING CENTER, AT-NANA PONDHA, TALUKA- KAPRADA, DIST-VALSAD - 396126 PH :7227971155.
KHERALU		MANAVADAR		METODA		
454.	STARLINE CARS (SN02-01-), R S NO. 4962 MAHAVIR COMPLEX, KHERALU, DIST. -MEHSANA - 384325 PH :909043244, 9824601729.	463.	PERFECT AUTO SERVICE (CU11-01-), RS NO. 13/1, 14. PLOT NO. 48, BHAKTINAGAR, TALUKA - MANAVADAR, DIST.-JUNAGADH. - 362 630 PH :7043999073.	473.	ATUL MOTORS PVT LTD (5503-08-), PLOT NO. 2328, GATE NO. 2, METODA GIDC, METODA, TALUKA LODHIKA, DISTRICT - RAJKOT, GUJARAT - 360021 PH :8140909095, 9924688774.	NASWADI 483. RAVIRATNA MOTORS (SCV1-01-), HOUSE NO-301,302,303, IN VALPURA-RAMLALNAGAR, VILLAGE AT-NASWADI, DIST: CHOTTA UDEPUR - 391150 PH :9687691047.
KIM		MANDAL		MODASA		
455.	KATARIA AUTOMOBILES PVT. LTD. (UW01-01-), PLOT NO. 116-121, DAL MILL COMPOUND, OPP. SURAT JILLA SANGH, KIM CROSS ROAD, NH-8, KIM - 394110 PH :9723555185.	464.	KIRAN MOTORS LTD (IW01-01-), SURVEY NO. 708, MANDAL - DETROJ HIGHWAY, NR. RELIANCE PETROL PUMP, MANDAL , DI: AHMEDABAD, GUJARAT. - 382130 PH :9408803925.	474.	KIRAN MOTORS LTD (P601-02-), SHAMLAL JI ROAD,SABARKANTHA DIST., MODASA - 383315 PH :8155995111.	NAVSARI 484. KATARIA AUTOMOBILES PVT. LTD. (Q701-01-), PLOT NO.-891, OPP PALUVA MILL, NH-8,NEAR GANESH SISODRA CHOKDI,GANESH SISODIA NAVSARI, GUJRAT - 396463 PH :9723430012.
KODINAR		MANDVI		MORBI		
456.	PERFECT AUTO SERVICES (A DIVISION OF PERFECT RETREADS PVT LTD) (CSO1-01-), R.S.NO.222, PLOT NO.2, 3 SHOPS, KODINAR-362720 DISTT. JUNAGADH, GUJARAT - 362720 PH :7043998293, 7043340792.	465.	K.D. MOTORS (UY01-01-), PLOT NO.25.26 & 27, RAJ COMMERCIAL, SURVEY NO.246, NEAR "THE BEACH RESORT", MANDVI NALIYA ROAD, MANDVI-KUTCH - 370465 PH :9909953088, 9825353679.	475.	PERFECT AUTO SERVICES (5502-07-), SURVEY NO. 351/2, PLOT NO. 10, DHARTI INDUSTRIAL AREA, RAJUPURA ROAD, SANALA, MORBI , TEHSIL-MORBI, DISTT.-MORBI, GUJARAT. - 363641 PH :9099058044, 9925199569, 9879499088.	NETRANG 485. RAVIRATNA MOTORS (CUZ1-01-), SURVEY NO. 184, PLOT NO. 1 & 2, VILLAGE - NETRANG, TALUKA - VALIA, DIST.-BHARUCH. - 393130 PH :9687691063.
KUKARWADA		MANGROL		476.	DREAM VEHICLES (LC01-03-), NR. PRIME FILLINGS, PLOT-6 ,DHARMA Siddhi VILLAGE:MAHENDRANAGAR, TALUKA: MORBI, DIST:-MORBI. - 363642 PH :7069089532.	OLPAD 486. COMET CAR SALES & SERVICE PVT LTD (4006-02), 1906/1907, OPP. KUMBHARVAD, JUNA PURA, OLPAD - 394540 PH :9099916099.
457.	STARLINE CARS PVT. LTD (CSC1-01-), SHOP NO.1741, 1742 AND PLOT NO.1752, KUKARWADA TALUKA, VIJAPUR, DISTT MAHESANA (GUJARAT) - 382830 PH :909043244, 9824601729.	466.	KATARIA AUTOMOBILES PVT. LTD. (CAH1-01-), PLOT NO. 12-28, MOSALI, MANGROL, DISTRICT-SURAT. - 394410 PH :6357071775.	MOTI KHAVADI		
LAVANA		MANSA		477.	ATUL MOTORS JAM LLP (AAU2-01-), PLOT NO.22 & 29, NEAR PADANA POLICE STATION, JAMNAGAR-KHAMBHALYA HIGHWAY, MOTI KHAVADI, ZANKHAR, TA: LALPUR, DIST - JAMNAGAR, GUJARAT. - 361140 PH :9574004709 / 9574004743.	PADRA 487. AMAR CARS PVT. LTD. (2205-02-), NEAR WESTERN BYPASS, AT SAMIYALA, PADRA, DIST. – VADODARA, GUJARAT - 391440 PH :8980036200, 8980006795.
458.	RB MOTORS (SLW1-01-), AT PO -LAVANA, NEAR BABILIYA CROSSING, MODASA ROAD, LAVANA-389230 - 389230 PH :9860999470.	467.	NANDA AUTOMOBILES PVT. LTD. (2B01-04-), OPP. GIDC, VISNAGAR ROAD, MANSA, DISTRICT-GANDHINAGAR, GUJARAT - 382845 PH :9727921000.	MUNDRA		
LIMBDI		MEHMADABAD		478.	B M AUTOLINK (7702-02-), PRAGPAR ROAD,MUNDRA,DISTRICT-KUTCH, GUJARAT. - 370421 PH :9687632631, 9978940978.	PALANPUR 488. TANU MOTORS (Q801-01-), OPP.DHARTI RESORT, ABU- AHMEDABAD HIGHWAY, PALANPUR - 385001 PH :9099017756.
459.	DREAM VEHICLES PVT LTD (BSG1-01-), SURVEY NO.276/1, NEAR PANCHVATI HOTEL, LIMDI CROSS ROAD, AHMEDABAD-RAJKOT HIGHWAY,LIMDI, DISTT. SURENDRANAGAR, GUJARAT - 363421 PH :02755-261262/ 9227775728.	468.	AMAR CARS PVT. LTD. (BRA1-01-), PATEL FALIYA, KHATRAJ, MEHMEDABAD, DIST. -KHEDA, GUJARAT. - 387130 PH :9909960761.	NADIAD		
LUNAWADA		MEHSANA		479.	AMAR CARS PVT. LTD. (F702-02-), NEAR RAJHANS MULTIPLEX,NADIAD-UTTARSANDA ROAD - 387370 PH :9909960761.	PALEJ 489. STARLINE CARS PVT. LTD. (D101-08-), SURVEY NO.4 & 5/2, OPPOSITE L K PETROL PUMP, PALANPUR-DEESA HIGHWAY, PALANPUR-385001, DISTT BANASKANTHA, GUJARAT - 385001 PH :9824601793.
460.	R B CARS PVT. LTD. (BYN1-01-), SURVEY NO.90, AT-BHAYASAR, GODHRA-LUNAWADA HIGHWAY, LUNAWADA , TALUK-LUNAWADA, DISTT-MAHISAGAR, GUJARAT. - 389230 PH :909043715, 9727700823.	469.	STARLINE CARS PVT. LTD. (D101-01-), NAGALPUR HIGHWAY,MAHESANA , GUJRAT - 384002 PH :9909043635.	NAKHATARANA		
MAHUVA (BHAVNAGAR)		470.	TANU MOTORS PVT. LTD. (Q801-04-), SURVEY NO.78, NEAR SUNRISE AUTOMOBILES (AMW DEALER), GUJARAT STATE HIGHWAY NO.41, MEHSANA - 384002 PH :9909006076.	480.	KD MOTORS (CMV1-01-), PLOT NO-1, RS NO-19, AT-NANA ANGIYA, TALUKA-NAKHATRANA, KUTCH - 370615 PH :9909953119.	PALITANA 490. RAVIRATNA MOTORS (BGR1-01-), PLOT NO 15,626/6, GIDC AREA, PALEJ, DISTRICT - BHARUCH - 392220 PH :9687691044; 9687632647.
461.	KATARIA AUTOMOBILES (IV03-01-), V.P. COMPLEX, BUNDER RD, NR. GAUSHALA, BARPARA, MAHUVA, GUJARAT 364290. - 364290 PH :6357327534.	471.	VIMCO MOTORS PVT. LTD. (D103-01-), SURVEY NO. 104 & 104 PAKI 1, AT P.O. - PALAVASANA, MEHSANNA, GUJARAT. - 384 002 PH :8909953333.	NALIYA		
MAHUVA (SURAT)				481.	KD MOTORS (SLX1-01-), AT PO - SHAKTI SOCIETY, MAHAVIR NAGAR, PLOT(1), OPP. BANK OF BARODA, NALIYA, TAL-ABDASA, KUTCH. - 370655 PH :9909953119.	PALITANA 491. KATARIA AUTOMOBILES (CSD2-01-), PLOT NO 15, YASOVJIAYNAGAR, NEAR RAILWAY CROSSING, PALITANA HIGHWAY, PALITANA-364270 DIST BHAVNAGAR. - 364270 PH :6357314891.

<p>PALSANA</p> <p>492. KATARIA AUTOMOBILES PVT. LTD. (4004-07-), BESIDE SAINATH COMPLEX, KADODARA AHMEDABAD ROAD , NH-8, UMBHEL GAM, TALUKA: PALSANA KADODARA, SURAT. - 382721 PH :9224446895.</p>	<p>501. ATUL MOTORS PVT LTD (5503-01-), PLOT NO.49/1 & 2, GIDC, BHAKTI NAGAR INDUSTRIAL ESTATE, RAJKOT. - 360002 PH :8140909093.</p> <p>502. PERFECT AUTO SERVICES (5502-04-), 150 RING ROAD,OPP. GANDHIGRAM POLICE CHOWKI,RAJKOT - 360005 PH :9925238691, 9925117104.</p>	<p>SANTEJ</p> <p>513. NANDA AUTOMOBILES PVT. LTD. (CXC1-01-), SUB PLOT NO. 05, SHOP NO. 3 & 4, BLOCK NO. 1162, SANTEJ, KALOL. - 380000 PH :9727822000.</p> <p>SANTRAMPUR</p> <p>514. R B CARS PVT. LTD. (2C01-03-), NEAR PTC COLLEGE, SANT ROAD, SANTRAMPUR, DISTT.- PANCHMAHAL - 389260 PH :8980588581, 9099043715.</p>	<p>522. STARLINE CARS PVT LTD (SFV1-01-), SHOP NO. 2, RUDRA ARCADE, REVENUE SURVEY NO. 129, VITHLAPUR (SITAPUR) BECHARAJI – VIRAMGAM HIGHWAY, DIST. AHMEDABAD, PIN CODE: 382120 - 382120 PH :99099043244.</p> <p>SONGADH</p> <p>523. COMET CAR SALES & SERVICE PVT LTD (GWE1-01-), LAXMI PLAZA, SHOP NO. 21 & 22, SURAT DHULIYA HIGHWAY, TALUKA - SONGADH, DIST.-TAPI. - 384220 PH :9099916099.</p>
<p>PARDI</p> <p>493. AMAR CARS (SLJ1-01-), OPPOSITE MORARJI DESAI MEMORIAL HALL, SERVICE ROAD N.H-48, KILLA-PARDI, DIST-VALSAD - 396125 PH :7228007077.</p> <p>PATDI</p> <p>494. DREAM VEHICLES PVT LTD (BFS1-01-), R.S. NO.1614/2, PLOT NO.16, PATDI TALUKA DASADA, DISTT. SURENDRANAGAR, GUJARAT - 382765 PH :9227775709.</p>	<p>503. ATUL MOTORS PVT LTD (5503-02-), BEHIND HP PUMP,UNIVERSITY ROAD ,NEAR SNK SCHOOL, RAJKOT - 360005 PH :8347005382.</p> <p>504. ATUL MOTORS PVT LTD (5503-06-), RAJKOT AHMEDABAD HIGHWAY, NR. CHANDARANA PETROL PUMP, OPP. GUJARAT SAMACHAR PRESS, AT. NAVAGAM RAJKOT - 360003 PH :9924688774.</p> <p>505. PERFECT AUTO SERVICES (5502-08-), R.S. NO. 50/1, 150 FEET RING ROAD, RAIL NAGAR, RONKI, RAJKOT, GUJARAT. - 360006 PH :9979861995, 9925117104.</p>	<p>SAVLI</p> <p>515. KIRAN MOTORS LTD (CFD1-01-), SURVEY NO. 2592/1 PAKKI 2, NEAR RELIANCE PETROL PUMP, BHADRVA CHOWKDI, SAVLI – TIMBA ROAD, SAVLI, TALUK – SAVLI DISTRICT – VADDODARA, GUJARAT. - 391770 PH :7984799054.</p> <p>SAYAN</p> <p>516. KIRAN MOTORS LTD (OO01-01-), PLOT NO.6 TO 10 OF R BLOCK, SURVEY NO.209, VILLAGE PARIYA, TALUKA: OLPAD, SAYAN - 394130 PH :8155888862/9662330480.</p>	<p>SUPEDI</p> <p>524. KATARIA AUTOMOBILES (SEM1-01-), SURVEY NO-482/7, PAKI PLOT NO-18, MATRAVAD ROAD, GRAM-SUPEDI, DIST - RAJKOT - 360440 PH :3409497902.</p> <p>SURAT</p> <p>525. KIRAN MOTORS LTD (4001-01-), SURAT-BAR DOLI ROAD ,DUMBHAL,NEAR PUNA JAKAT NAKA,SURAT - 395010 PH :9924448715/9924637898.</p> <p>526. DHRU MOTORS (4002-01-), JEEVAN GANGA NAGAR, NEAR JEEVAN JYOT THEATRE,UDHNA MAIN ROAD,SURAT - 394210 PH :9925155911/9925155907.</p>
<p>PAVI JETPUR</p> <p>495. PERFECT AUTO SERVICES (PK01-01-), NEAR ANKUR HOTEL, OPP. DHARESHWAR GEB STATION, PITHADIA, RAJKOT HIGHWAY, JETPUR (GUJARAT) - 360370 PH :9099027402, 8200969617.</p>	<p>506. KATARIA AUTOMOBILES PVT. LTD. (5504-01-), S. NO. 10/1, TPS NO. – 10, KALAVAD ROAD, MOTAMAVA, RAJKOT, GUJARAT. - 360001 PH :7573870001.</p> <p>RAJPARDI</p> <p>507. RAVIRATNA MOTORS PVT. LTD. (CAI1-01-), R.S.NO.973, CTS NO. 1298, SHOPS PLOT NO.29 & 30, MOJE RAJPARDI, TALUKA-JHAGADIA, DISTT. BHARUCH - 393115 PH :9687691044; 9687632647.</p>	<p>SAYLA</p> <p>517. DREAM VEHICLES (SJM1-01-), LALGURU COMPLEX, SUDAMDA ROAD, SAYLA, DISTRICT SURENDRANAGAR, GUJARAT PIN 363430 - 363430 PH :9227775709.</p> <p>SHANKESHWAR</p> <p>518. STARLINE CARS (SLY1-01-), MANIBHADRA SHOPPING CENTRE, SHANKKESHWAR HIGHWAY, SHANKKESHWAR (GUJARAT)- DIST: PATAN - 384246 PH :9824601729.</p>	<p>527. KIRAN MOTORS LTD (4001-02-), PANDESARA,BAMROLI ROAD,SURAT - 395002 PH :9824603880.</p> <p>528. KATARIA AUTOMOBILES PVT. LTD. (4004-04-), TP NO. 6, SURVEY NO. 317/2, FINAL PLOT NO. 39, OPP SMS GARDEN, NEAR VIP ROAD, VESU, SURAT -395007 - 395007 PH :9714612700, 9924401000.</p>
<p>PETLAD</p> <p>496. AMAR CARS PVT. LTD. (CMW1-01-), SURVEY NO. 396/2, RANGAIPUR VILLAGE, PETLAD, DIST. -ANAND, - 388450 PH :9099017068.</p> <p>PORBANDAR</p> <p>497. ATUL MOTORS JAM LLP (T601-01-), PLOT NO. 208, GIDC VANANA, NATIONAL HIGHWAY , PORBANDAR, DIST. PORBANDAR GUJARAT - 360577 PH :974004746 / 7228819123.</p>	<p>RAJPIPLA</p> <p>508. RAVIRATNA MOTORS PVT. LTD. (9X01-01-), OPP. JALARAM SAW MILL, NEAR HARSIDDHI MATAJI TEMPLE, RAJPIPLA, DIST: NARMADA, GUJARAT - 393145 PH :9687691062/9687645880.</p> <p>RAJULA</p> <p>509. ALPHA AUTOLINK (BAK2-01-), R.S NO 96/3, PLOT NO-6 & 7, HINDORNA ROAD, RAJULA CITY, TALUKA-RAJULA. - 365560 PH :9033409043.</p>	<p>SHAPAR</p> <p>519. ATUL MOTORS PVT LTD (BQZ1-01-), SHOP NO. 1 TO 4, SURVEY NO. 305/1, PLOT NO. 169, SHAPAR, DISTRICT – RAJKOT, GUJARAT - 360024 PH :9714008492, 9624711397.</p> <p>SIDDHPUR</p> <p>520. STARLINE CARS PVT. LTD. (CMY1-01-), PLOT NO. 140-1285/7, SIDHPUR, TALUKA – VADGAM, DISTRICT – PATAN - 384151 PH :9909043244, 9824601729.</p>	<p>529. DHRU MOTORS (4002-1B-), 207, NEW INDUSTRIAL ESTATE,ROAD NO.-6,UDHNA UDYOG NAGAR, SURAT - 394210 PH :0261-2272118/ 9978900862.</p> <p>530. KATARIA AUTOMOBILES PVT. LTD. (4004-05-), KATARIA ARCADE,OPP. RAJHANS CINEMA,DUMAS ROAD, PIPLOD, SURAT - 395007 PH :7698022449/9624477252.</p>
<p>PRANTIJ</p> <p>498. KIRAN MOTORS LTD (AAH1-01-), NO.6/P, OPP. VEGEABLE MARKET, PRANTIJ HIGHWAY, VILLAGE-KHAMALPUR, TALUKA-PRANTIJ, DISTT. SABARKANTHA, GUJARAT - 383205 PH :9624401888.</p> <p>RADHANPUR</p> <p>499. STARLINE CARS PVT. LTD. (BNH1-01-), SURVEY NO. 208/A, MOJUA – RADHANPUR, RADHANPUR MAIN ROAD, DISTRICT – PATAN, GUJARAT. - 385340 PH :9909043244, 9824601729.</p>	<p>RAPAR</p> <p>510. B.M. AUTOLINK (SCO1-01-), PARAGPAR CHAAR RASTA RAPAR GHANDHIDHAM KUTCH - 370165 PH :9727725723.</p> <p>SAMI</p> <p>511. STARLINE CARS (BNH1-01-), SHOP NO. 55-56, AMBESHWAR PLAZA, SAMI-HARIJ ROAD. - 384240 PH :9909043244, 9824601729.</p> <p>512. VIMCO MOTORS (BNH2-01-), SURVEY NO 917, VIRA SHOPPING CENTER, AT-SAMI, TALUKA-HARIJ, DIST-PATAN, GUJARAT. - 384245 PH :8909953333.</p>	<p>SINOR</p> <p>521. RAVIRATNA MOTORS PVT LTD (GML1-01-), NEAR SEVGA CHOKDI, SEVGA DABHOI ROAD, AT AND POST SEVGA, TALUKA SINOR, DIST. VADODARA, PIN-391105, GUJARAT - 391105 PH :7227055065.</p> <p>SITAPUR</p>	<p>531. COMET CAR SALES & SERVICE PVT LTD (4008-01-), CHIKUWADI COMPLEX, GHB ROAD, PANDESARA, SURAT. - 394221 PH :9099915995.</p> <p>532. KATARIA AUTOMOBILES PVT. LTD. (4004-08-), BLOCK NO.233, TP NO.8, OPP. SHIRAL LEKHA RESIDENCY, PALANPORE, ADAJAN, SURAT - 394310 PH :9924119020.</p> <p>533. KIRAN MOTORS LTD (4005-01-), PLOT NO. 443, PF NO. 26 MOJE PALGAM, ADAJAN, SURAT - 395009 PH :9824611153/9824701590.</p>

Dealer Network (AS ON 31.10.2023)

534. AMAR CARS PVT. LTD. (4009-02-), PLOT NO.10&11, SURVEY NO.7 & 9, SONARAS COMPOUND, NEAR DGVCL OFFICE, KARMNATH MAHADEV TEMPLE LANE, KAPODARA, VARACHUDA ROAD, SURAT - 395006 PH :7069026512.	544. TANU MOTORS PVT. LTD. (CDM1-01-), PLOT NO. 21 & 22, VAJEGADH, DEESA HIGHWAY, THARAD, DIST.-BANASKANTHA - 384220 PH:9909006099, 9724219565.	553. VIMCO MOTORS PVT LTD (GKU1-01-), SHILALEKH COMPLEX, BLOCK-D, SURVEY NO-2713, VADNAGAR-VISNAGAR HIGHWAY, NEAR FOOD PARADISE HOTEL, VADNAGAR, GUJARAT - 385355 PH :7016623842.	565. KATARIA AUTOMOBILES PVT. LTD. (Q701-02-), JAMNABA PARK, VANSDA HANUMAN BARI CHAR RASTA, VANSDA-DHARAMPUR ROAD, RANI FALIYA, VANSDA, DISTRICT - NAVSARI, GUJARAT - 396580 PH :7624088188.
535. COMET CAR SALES & SERVICE PVT LTD (4006-03-), R. S. NO. 311, T. P. SCHEME-3, FINAL PLOT NO. 102/A, KATARGAM, SURAT, DISTRICT - SURAT, GUJARAT. - 395004 PH :9099916099.	THASARA 545. KATARIA AUTOMOBILES (SIM1-01-), PLOT NO 1 & 2, GIDC THASRA, BESIDES NARMADA VASAHAT, DAKORE THASRA ROAD, GUJARAT-388250 - 388250 PH :7984092780.	VADODARA 554. KIRAN MOTORS LTD (2201-01-), 909/H, G.I.D.C.MAKARPURA,VADODARA - 390010 PH :9624472999.	VAPI 566. KATARIA AUTOMOBILES PVT. LTD. (104-03-), PLOT NO. C-29,NATIONAL HIGHWAY-8,G. I. D. C., VAPI, TAL. PARDI - 396195 PH :9924204423
536. DHRU MOTORS (4002-03-), PLOT NO.54/A, LAXMINARAYAN LNDUSTRIAL ESTATE, UDHNA, SURAT-394210 - 394210 PH :9978900862.	TILAKVADA 546. RAVIRATNA (-), SURVEY NO-157, VILLAGE- MOTI KAMSOLI, TALUKA-TILAKVADA, DIST-NARMADA, PIN-391120. - 391120 PH :9687691044.	555. KIRAN MOTORS LTD (2201-02-), PLOT NO.160,SUBJ NUTAN GUJ.INDL ESTATE,OLD CHHANI ROAD, VADODARA - 390002 PH :9824207889.	567. KATARIA AUTOMOBILES PVT. LTD. (104-09-), PLOT NO. 304/2, VILLAGE BALIHTA, NH-8, OPP BABA SITARAM TEMPLE, NEAR SWAMINARAYAN SCHOOL, SALAV, VAPI , DISTRICT -VALSAD, GUJARAT - 369191 PH :9723462612.
SURENDRNAGAR 537. DREAM VEHICLES PVT LTD (LC01-01-), 261/P, OPP MARKETING YARD,GIDC AREA,WADHWAN CITY, SURENDRNAGAR - 363030 PH :02752-241314 / 02752-651516/ 9227757521.	UMERGAON 547. KATARIA AUTOMOBILES PVT. LTD. (BNB1-01-), PLOT NO. 239, LORD COMPLEX, SHOP NO. B-9 AND B-10, UMERGAON, DISTRICT - VALSAD, GUJARAT. - 396174 PH :9624001794.	556. AMAR CARS PVT. LTD. (2203-01-), GORWA ROAD,YARODARA,GUJARAT. - 390016 PH :9081311990, 9723742425, 8980036184.	568. AMAR CARS PVT. LTD. (9701-01-), SURVEY NO. 1034, 1035, NEAR WOODLAND HOTEL, NH-8, VILLAGE - BALIHTA, VAPI. - 396145 PH :9327909504.
538. DREAM VEHICLES (LC01-02-), PLOT NO-504/B, GIDC PHASE-3, WADHWAN, SURENDRANAGAR, GUJARAT-363030 - 363030 PH :9227757524.	UMRETH 548. AMAR CARS PVT. LTD. (CFE1-01-), R. S. NO. 30/2, NADIAD-DAKOR ROAD, UMRETH , DIST .ANAND, GUJARAT. - 388220 PH :9909960772.	557. AMAR CARS PVT. LTD. (2203-02-), KALA GHODA, OPP. KIRTI MANDIR, VADODARA, DIS: VADDODARA, GUJARAT - 390001 PH :7211109952.	VERAVAL 569. PERFECT AUTO SERVICES (5502-05-), NR. BALIYA HANUMAM,VERAVAL - JUNAGADH HIGHWAY, JUNAGADH, GUJARAT - 362265 PH :9988994550, 9988121122.
TALAJA 539. KATARIA (BCI2-01-), SURVEY NO-168, DHANJIBHAI BALADHIYA NI VADI, NEAR MAHUVA PALITANA CROSS ROAD, MAHUVA BHAVNAGAR HIGHWAY, TALAJA-364140. - 364140 PH :9318626475.	UNA 549. PERFECT AUTO SERVICES (BFD1-01-), SURVEY NO. 113, PLOT NO. 6, OPP. SWAMI VIVEKANAND VIDYALAYA, NEAR BANSIDHAR PETROL PUMP, BHAVNAGAR HIGHWAY, VAYAJPUR, UNA, DISTRICT - GIR SOMNATH, GUJARAT. - 362560 PH :7043992893, 7043340792.	558. KATARIA AUTOMOBILES PVT. LTD. (2204-01-), 984/A, GIDC, OLD NH-8,MAKARPURA ROAD, VADODARA, GUJARAT - 390010 PH :9904033422.	VIJAPUR 570. STARLINE CARS PVT. LTD. (D101-04-), HIMMATNAGAR HIGHWAY, ANANDPURA CHAR RASTA, VIJAPUR - 382870 PH :9909043635.
TALALA 540. PERFECT (JV01-01-), SURVEY NO-55/9/1, PLOT NO-10, TALALA-VERAWAL HIGHWAY, AT-TALALA, DIST-GIR SOMNATH, 362150 - 362150 PH :8511147524.	UNJHA 550. TANU MOTORS (Q801-02-), OPP. DHANA DAL FACTORY,MEHSANA PALANPUR HIGHWAY, UNJHA - 384170 PH :9727762079.	559. AMAR CARS PVT. LTD. (2205-01-), VARASIYA AIRPORT ROAD, OPP POONAM CINEMA, KARELIBAUG, VADODARA,GUJARAT - 390016 PH :8980006756.	VIRAMGAM 571. KIRAN MOTORS LTD (AAB1-01-), SURVEY NO 319/P, NILKI CHOKDI, VIRAMGAM, DISTT: AHMEDABAD, GUJARAT. - 382150 PH :8156016222.
TANKARA 541. ATUL MOTORS PVT LTD (BGY1-01-), PLOT NO. 8/1, S. NO. 107, VILLAGE - JABALPUR, TALUKA - TANKARA, SUB DISTRICT - MORBI, DISTRICT - RAJKOT. - 363850 PH :9714008492, 9624711397.	UPLETA 551. PERFECT AUTO SERVICE (CH01-01-), S. NO. 184/1, PLOT NO. 15-16, UPLETA, GUJARAT - 360490 PH :9099027402, 8200969617.	560. KIRAN MOTORS LTD (2201-03-), C/O ARBU DA COLD STORAGE, 823 POWER CABLE ROAD, DHARMSINH ROAD, OPP. UMA AMAR PARTY PLOT, NEAR CHHANI JAKAT NAKA, VADODARA - 390002 PH :2771122.	VISNAGAR 572. STARLINE CARS PVT. LTD. (D101-05-), VISNAGAR -AMBAJI ROAD, OPP. DHAROI COLONY, VISNAGAR, DISTT. - MEHSANA - 384315 PH :7046046174.
TARAPUR 542. AMAR CARS PVT. LTD. (GH01-01-), NEAR N K STEEL, TARAPUR ROAD, TARAPUR, DIST. -ANAND. - 388180 PH :9909980772.	VADGAM 552. VIMCO MOTORS (CMX1-01-), SURVEY NO-177, BESIDE ESSAR PETROL PUMP, VADGAM - PALANPUR ROAD, VADGAM, DIST - BANASKANTHA, GUJARAT - 385410. - 385410 PH :8909953333.	561. KATARIA AUTOMOBILES PVT. LTD. (2204-02-), OPPOSITE SHARDA MANDIR HIGH SCHOOL, VINOBA BHAVE ROAD, SALATWADA, VADODARA - 390001 PH :8156017770.	VYARA 573. COMET CAR SALES & SERVICE PVT LTD (BIY1-01-), SHOP NO. 11 & 12, BLOCK NO. 175/1/A, RS NO. 113, VYARA-SURAT ROAD, VYARA, DISTRICT - TAPI, GUJARAT - 394650 PH :9099916099.
THARA 543. TANU MOTORS PVT. LTD. (0V01-01-), SHOP NO.17 & 18, SIHORI HIGHWAY, R.B. THAKKAR COMPLEX, THARA, KAKREJ TALUKA, BANASKANTHA DISTT. - 385555 PH :9909006099, 9913830329.	VADNAGAR	562. RAVIRATNA MOTORS PVT LTD (2206-01-), SURVEY NO. 1581, MILES HOUSE, ATLADARA ROAD, VADODARA. - 390012 PH :7227055065, 7227055064.	WAGHODIA 574. KATARIA AUTOMOBILES PVT. LTD. (BZZ1-01-), OPPOSITE BHARAT PETROLEUM, WAGHODIA, TALUKA - WAGHODIA, DISTRICT - VADODARA, GUJARAT. - 391760 PH :7203013712.
THARAD		VALOD 563. DHRU MOTORS (CSW1-01-), PLOT NO.5 TO 9, TAIYABA PARK SOCIETY, AT & PO - VALOD, TALUKA - VALOD, DISTT. - TAPI, GUJARAT. - 394640 PH :9712984522.	WANKANER
THASARA		VALSAD 564. KATARIA AUTOMOBILES PVT. LTD. (104-06-), SURVEY NO. 211 ATUL-ALSAD ROAD,PARNERA,AVALSAD, GUJARAT - 396020 PH :9904133306.	
		VANSDA	

575. ATUL MOTORS PVT LTD (BAL1-01-),
RAJKOT-WANKANER HIGHWAY, NEAR
JADESHWAR CHAMBERS, NEAR
INTERNATIONAL CERAMIC, WANKANER
(GUJARAT) - 363621
PH :9904922333.

GUJRAT

KHERGAM

576. KATARIA AUTOMOBILES (STR1-01-), SANVIRA
HAT BAZAAR, KHERGAM-DHARAMPUR
HIGHWAY ROAD, SH-67, KHERGAM, PIN-396040.
- 396040
PH :9624007774.

SOJITRA

577. AMAR CARS (SMT1-01-), RAMDEV ARCADE,
OPP. BUS STATION, AT – SOJITRA, DIST. -
ANAND GUJARAT PIN 387240 - 387240
PH :9662357557.

HARAYANA

GURGAON

578. PASCO AUTO (9506-04-), KHASRA NO. 191/2 &
190/2, MAIN DAULTABAD ROAD, OPP. OLD
BHALLA CHEMICALS FACTORY, DAULTABAD
INDUSTRIAL AREA, GURGAON, HARYANA -
122006 - 122006
PH :8851227233.

KARNAL

579. MODERN AUTOMOBILES (8907-03-), 117-118 KM
MILE STONE NH1, NEAR VILLAGE KAMBOPURA,
GT ROAD, KARNAL - 132001
PH :7419900042.

SAMALKHA

580. RKH AUTOGALLERY (LY02-01-), GT ROAD,
SAMALKHA, PANIPAT, HARYANA PIN- 132101 -
132101
PH :9053700003.

HARYANA

ADAMPUR (HARYANA)

581. SARAOGI AUTOMOBILES (P) LTD. (CWW2-01-),
KEWAT NO. 663, KHAT NO. 1147, KHESRI NO.
44/211/2(1-0), MANDI ADAMPUR, TEHSIL -
ADAMPUR, DIST.-HISSAR, STATE - HARYANA -
125052
PH :8607777153.

AMBALA

582. MODERN AUTOMOBILES (1801-01-), MODEL
TOWN CROSSING, G.T.ROAD, AMBALA,
HARYANA - 134003
PH :9215016044.
583. MODERN AUTOMOBILES (1801-02-), NEAR
AMAR PALI RESTAURANT, G.T. ROAD, AMBALA
- 134003
PH :9215016044.

584. EAKANSH WHEELS (1802-01-), STONE NO. 126,
JAGADARI ROAD, VILLAGE TEPLA, AMBALA -
133001
PH :9991703000.

585. EAKANSH WHEELS (1802-03-), PLOT NO. 8,
BASANT VIHAR, BEHIND SWASTIK MARBLE,
NEAR MOTOR MARKET, AMBALA CITY,
HARYANA - 133001
PH :88813874888.

586. TR SAWHNEY (1803-01-), JAGGI GARDEN,
BALDEV NAGAR, OPPOSITE AMBALA
PASSPORT OFFICE, AMBALA - 134003
PH :9990110068.

ASSANDH

587. KARNAL MOTORS PVT. LTD. (8906-04-), OPP.
NEW GRAIN MARKET, KARNAL ROAD
ASSANDH, DISTT. KARNAL - 272032
PH :7082111325.

BABARPUR

588. AUTO GALLERY(A UNIT OF RKH AUTOMOBILES
P LTD) (CKX1-01-), G. T. ROAD, NEAR PARK
RESIDENCY, SHIMLA MAULANA, BADOLI,
BABARPUR, DISTT. PANIPAT - 132103
PH :7009396727.

BAHADURGARH

589. COMPETENT AUTOMOBILES CO. LTD.
(2G02-01-), PLOT NO. 1202, MIE PART B,
BAHADURGARH, HARYANA - 124 507
PH :8929648144.

BAPOLI

590. AUTO GALLERY(A UNIT OF RKH AUTOMOBILES
P LTD) (CWI1-01-), KHEWAT NO. 136, VILLAGE –
JHAMBHA, TEHSIL – BAPOLI, DISTRICT –
PANIPAT, T. 132103
PH :9053400583.

BARARA

591. EAKANSH WHEELS (NX01-01-), SH-4, KALA AMB
- SHAHBAD - BARARA ROAD, BARARA - 133201
PH :9991478100.

BARWALA

592. MODERN AUTOMOBILES (BSA2-01-),
KHEWAT/KHATONI NO. 388, KHASARA NO. 46/9,
10, OPPOSITE AXIS BANK, VILLAGE BATAPUR,
P.O. BARWALA, TEHSIL AND DISTT.
PANCHKULA, HARYANA - 134118
PH :9896217059.

BAWAL

593. DINCO 4 WHEELS LLP (AUTO VIBES)
(BBD2-01-), KHATA NO. 326 AND KHATAUNI NO.
362, OPPOSITE PRATHAM HOUSING, NH-8,
BAWAL, DISTRICT – REWARI, HARYANA -
123501
PH :7082100250.

BHIWANI

594. JAGMOHAN MOTORS PVT LTD (X301-01-),
DELHI ROHTAK ROAD, NEAR RADHA SWAMI
SATSANG MANDIR, BHIWANI - 127021
PH :8685005592.

BILASPUR

595. PANDIT AUTOMOBILES PVT. LTD. (BGH1-01-),
NEAR GRAMIN BANK, JAGADHRI ROAD,
BILASPUR, DISTRICT – YAMUNANAGAR,
HARYANA. - 135102
PH :9992113854.

BILASPUR (HARYANA)

596. PLATINUM MOTOCORP LLP (2L04-02-), KHASRA
NO.54/67, CHOUDHARY NIHAL SINGH MARKET,
BILASPUR CHOWK, NH-8, BILASPUR, DISTRICT
– GURUGRAM. - 122413
PH :9953345329/9953345403.

CHARKHI DADRI

597. JAGMOHAN MOTORS PVT LTD (X301-02-),
BHIWANI LOHARU ROAD, CHARKHI DADRI,
BHIWANI - 127306
PH :8059900538.

CHEEKA

598. EAKANSH MOTORS PVT. LTD. (U802-04-),
MARBLE MARKET, PATIALA ROAD, CHEEKA,
HARYANA. - 136034
PH :8053086000.

CHHACHHARAULI

599. PANDIT AUTOMOBILES PVT. LTD. (CQZ1-01-),
HB NO. 311, NEAR MDVA SCHOOL, TEHSIL –
CHHACHHARAULI, DISTRICT – YAMUNA NAGAR.
- 135103
PH :9812455895.

DADRI TOE

600. COMPETENT AUTOMOBILES CO. LTD.
(BVH2-01-), KHEWAT NO. – 270 MIN, KHATONI
NO. – 319,
DADRI TOYE, DISTT. JHAJJAR, HARYANA PIN
124103 - 124103
PH :9821308849.

DAHINA

601. DINCO 4 WHEELS LLP (AUTO VIBES)
(GLH1-01-), REWARI MAHENDERGARH ROAD,
NEAR RAILWAY STATION, DAHINA, REWARI -
123411
PH :7082100201.

DHAND

602. EAKANSH MOTORS (BEU1-01-), PANCHMUKHI
CHOWK, KARNAL ROAD, DHAND, DISTT.
KAITHAL, HARYANA. - 136020
PH :8395906111.

DHARUHERA

603. DINCO 4 WHEELS LLP (AUTO VIBES)
(CRP1-01-), KHASRA NO. 57, KILLA NO. 7,
SOHNA-DHARUHERA ROAD, OFF SECTOR-4A,
DHARUHERA, DIST.-REWARI.
PH :7082100270.

ELLENABAD

604. SHAKTI MOTORS PVT.LTD. (E401-03-), SURERA
CHOWNK, NEAR GHAUDHARI MANI RAM
COLLEGE, SIRSA ROAD, ELLENABAD - 125055
PH :8222900250.

FARIDABAD

605. VIPUL MOTORS PVT. LTD. (5801-01-), 27/5 KM,
MAIN MATHURA ROAD, FARIDABAD - 121002
PH :2555011
2555013
97114 14556.

606. VIPUL MOTORS PVT. LTD. (5801-03-), UNIT-II,
PLOT NO. 1A 19/6, MATHURA ROAD,
FARIDABAD - 121006
PH :4286000
4286024
9311321419.

607. TCS AUTOBIMOBILES (5804-01-), PLOT NO-1A,
SECTOR-6, FARIDABAD. - 121001
PH :4292929; 7503036200.

608. FAIR DEAL PREMIUM WHEELS PVT.LTD.
(5807-01-), PLOT NO.-17A, NIT INDUSTRIAL
AREA, NIT FARIDABAD - 121003
PH :8448296866.

609. TCS AUTOWORLD PVT. LTD. (TCS &
ASSOCIATES PVT. LTD.) (5804-02-), 20.4 KMS
MILESTONE, BHASKAR COMPOUND, AMAR
NAGAR, MAIN MATHURA ROAD, FARIDABAD,
HARYANA - 121003
PH :2277225; 7290082911.

610. AUTO NATION (A UNIT OF TAYAL INDIA
MOTORS PVT. LTD) (5806-01-), 15/3, MATHURA
ROAD, NEAR SECTOR-28, METRO STATION,
FARIDABAD - 121003
PH :4180500
7290032501.

611. AUTO NATION (A UNIT OF TAYAL INDIA
MOTORS PVT. LTD) (5806-02-), BYE PASS
ROAD, PLOT NO. 12 SECTOR-9, FARIDABAD . -
121006
PH :74287 48467.

FARRUKHNAGAR

612. PLATINUM MOTOCORP LLP (KE01-01-), KHEVAT
NO. 299, MUSTIL NO.-12, KHASRA NO.-19/3 AND
2/2, VILLAGE – SEHADPUR MOHAMADPUR,
TEHSIL – FARRUKHNAGAR, DISTRICT –
GURGAON. - 125068
PH :9599007357/9953345380.

FATEHABAD

Dealer Network (AS ON 31.10.2023)

613. SHAKTI MOTORS PVT.LTD. (2H02-01-), NH-10, SIRSA ROAD, FATEHABAD - 125050 PH :8222900217.	624. PREM MOTORS PVT. LTD. (9512-01-), PLOT NO. 3, IDC, OPPOSITE SECTOR-14, GURGAON - 122001 PH :7065003373, 7065003377, 0124-4319000.	ISMALABAD 637. KARNAL MOTORS PVT. LTD. (I901-01-), KHEWAT NO. 928, KHASRA NO. 2760(5-14), 2761(800), VILLAGE - ISMAILABAD, TEHSIL - PEHOW, DIST.-KURUKSHETRA, HARYANA. - 136 129 PH :7802007138.	647. KARNAL MOTORS PVT. LTD. (8906-01-), 71/3 MILESTONE, G.T.ROAD, KARNAL - 132001 PH :8222022399.
GANAUAR 614. JAGMOHAN AUTOMOTIVES PVT. LTD. (NA04-01-), RAILWAY ROAD, GANAUR - 131101 PH :81999911106.	625. RANA MOTORS PVT LTD (9509-02-), PLOT NO.60, IDC, GURGAON - 122001 PH :48677777, 9873400882.	ISRANA 638. AUTO GALLERY (A UNIT OF RKH AUTOMOBILES PRIVATE LIMITED) (I802-01-), MUSHTL NO.-119, NEAR MANDI MOD, MAIN GOHANA ROAD, ISRANA - 132107 PH :9053400417.	648. KARNAL MOTORS PVT. LTD. (8906-02-), KHEWAT NO. 59, JHANJHARI GT ROAD, KARNAL - 132001 PH :8222022430.
GHARAUNDA 615. KARNAL MOTORS PVT. LTD. (8906-05-), WARD NO.-1, BEHIND GOVT. SR. SEC. SCHOOL COLONY, GHARAUNDA, - 132114 PH :8222022321.	626. PASCO AUTOMOBILES (9510-01-), PLOT NO. 34/3, DINESH JAIN COMPLEX, DELHI-AJMER EXPRESSWAY (NH-8), RAJIV CHOWK, GURGAON, HARYANA, - 122001 PH :9953669444/9953669222.	JHAJJAR 639. COMPETENT (0802-01-), PLOT NO 5, NEAR GOVT POLYTECHNIC COLLEGE, JHAJJAR-BAHADURGARH ROAD, JHAJJAR, HARYANA - 124101 PH :9999493040.	649. MODERN AUTOMOBILES (8907-01-), NEAR NAMASTE CHOWK, OLD G.T.ROAD, KARNAL - 132001 PH :7419900042.
GOHANA 616. JAGMOHAN AUTOMOTIVES PVT. LTD. (CU03-01-), NEAR KHANPUR CHOWNK ROHTAK PANIPAT HIGHWAY, GOHANA, DISTT. - SONEPAT - 131301 PH :8685005521.	627. PREM MOTORS PVT. LTD. (9512-02-), PLOT NO. 122, PALAM VIHAR EXTENSION, NEAR KRISHNA CHOWK, GURUGRAM - 122017 PH :4337933, 7065003442.	JIND 640. EAKANSH MOTORS PVT. LTD. (2K01-01-), ROHTAK ROAD, NATIONAL HIGHWAY-71, OPP. GRAIN MARKET, JIND, HARYANA - 126102 PH :9876008184.	KATHURA 650. JAGMOHAN AUTOMOTIVES (SFJ1-01-), GOHANA MAHAM ROAD, KATHURA, GOHANA. - 131301 PH :8685005400.
GURGAON 617. PASCO AUTOMOBILES (9506-01-), PASCO HOUSE, 6 PALAM GURGAON ROAD, INDUSTRIAL ESTATE, GURGAON - 122006 PH :09650790323/7290069623/9999239959/4952100.	628. PLATINUM MOTO CORP (2L04-03-), 5/13 SOHNA ROAD VILL-TIKRI ADJACENT TO POLARIS HOSPITAL GURGAON HARYANA - 122018 PH :995345370/9899118867.	JULANA 641. EAKANSH MOTORS PVT. LTD. (MA01-01-), JIND ROHTAK MAIN ROAD, OPP. NEW BUS STAND, JULANA, DIST. JIND, HARYANA - 126101 PH :8816802111.	KHARKHODA 651. JAGMOHAN AUTOMOTIVES PVT. LTD. (BU02-01-), NEAR KANYA GURUKUL MAHAVIDYALYA, DELHI ROAD, NEAR UNION BANK, KHARKHODA (HARYANA) - 131402 PH :8685005593.
618. VIPUL MOTORS PVT. LTD. (5801-02-), 5/4, UDYOG VIHAR, PHASE-III, GURGAON - 122001 PH :4395701 4395704 8448487921.	629. PREM MOTORS (9512-G1-), QILA NUMBER 8/2, MUSTAKIL NO - 25, SECTOR 17-18, DIVIDING ROAD, GURGAON, - 122015 PH :8800009817.	KALATHAL 642. EAKANSH MOTORS PVT. LTD. (U802-01-), AMBALA ROAD, NH-65, KALTHAL - 136027 PH :9671788801.	KOSLI 652. DINCO 4 WHEELS LLP (AUTO VIBES) (CAN1-01-), OPPOSITE RAJIV GANDHI STADIUM, TEHSIL ROAD KOSLI, DISTRICT - REWARI, HARYANA - - 123302 PH :8872100202.
619. COMPETENT AUTOMOBILES CO. LTD. (9505-01-), A-25, INFOCITY, SECTOR-33, GURGAON - 122004 PH :42500002, 9582797735.	630. PLATINUM MOTOCORP (2L04-04-), KILA NO. 15, SECTOR 93, NEAR HAYATPUR POLICE CHOWK1, HAYATPUR, GURGAON, PIN-122050, HARYANA - 122050 PH :9899118850.	KALANAUR 643. JAGMOHAN MOTORS (SPQ1-01-), BHIWANI ROAD, KALANAUR, DISTRICT ROHTAK. - 124113 PH :9812000425.	KUNDI 653. DINCO 4 WHEELS LLP (AUTO VIBES) (CJL1-01-), NEAR KUND BARRIER, OPP. SBI BANK, NARNAUL ROAD, VILLAGE - MANETHI, KUND, DISTRICT - REWARI, HARYANA. - 123102 PH :8569998928, 97082100000.
620. PASCO AUTOMOBILES (9506-02), SECTOR 17-18, DIVIDER ROAD, GURGAON, HARYANA, - 122015 PH :07015804442/7982087767/9650701958/	HANSI 631. JAGMOHAN MOTORS PVT LTD (GT02-01-), G. T. HIGHWAY ROAD, MAIN ROHTAK HANSI ROAD, NEAR HOLLAND TRACTORS AGENCY & HP PETROL, HANSI - 124001 PH :8059900546.	KALAYAT 644. PANDIT AUTOMOBILES (SSN1-01-), VPO. KALANAUR, DISTRICT- YAMUNANAGAR, HARYANA - 124113 PH :9053055550.	KURUKSHETRA 654. JAGMOHAN AUTOMOTIVES PVT. LTD. (GU03-01-), 34 E, SECTOR 57, PHASE 4, KUNDLI INDUSTRIAL AREA, KUNDLI - 131001 PH :8059900518.
621. SECTOR-52A, WAZIRABAD VILLAGE, OPP. AARDI CITY MALL, GURGAON - 122001 PH :08860076163/8130593202/8130593201/8130593203.	632. MODERN AUTOMOBILES (7602-01-), OPP. VIDYUT NAGAR, DELHI ROAD, HISSAR, - 125005 PH :9355473000.	KALAYAT 645. EAKANSH MOTORS PVT. LTD. (BJP1-01-), NEAR BUS STAND, KALTHAL-KALAYAT ROAD, (VILLAGE-KALAYAT, DISTT. KALTHAL (HARYANA) - 136117 PH :9671788801.	LADWA 655. KARNAL MOTORS PVT. LTD. (8906-03-), PLOT NO. 156, INDUSTRIAL AREA, SECTOR-2, KURUKSHETRA - 136 118 PH :8222022371.
622. VIPUL MOTORS PVT. LTD. (5801-04-), PLOT NO.5/22/1, SARHAUL VILLAGE,SECTOR-18, MAIN ROAD, GURGAON. (HARYANA) - 201102 PH :4395800 4395806 844848936.	633. SARAOGI AUTOMOBILES (P) LTD. (7604-01-), 5TH KM STONE, SIRSA ROAD, HISSAR, HARYANA - 125001 PH :8607777043.	KALKA 646. MODERN AUTOMOBILES (EG02-01-), ADJOINING INDIAN OIL PETROL PUMP, RAM NAGAR, NH-22, KALKTA, DISTRICT - PANCHKULA, HARYANA - 133302 PH :9896217059.	LOHARU 657. JAGMOHAN MOTORS (HB02-01-), BHIWANI ROAD, OPP. ITI, CITY: LOHARU - 127201 PH :9812000425.
623. PREM MOTORS PVT. LTD. (9511-01-), PLOT NO.101, SAINI PLAZA MARKET, OPP. H BLOCK, NEAR RAM MANDIR, PALAM VIHAR, GURGAON - 122017 PH :4337900, 7065003445.	634. MODERN AUTOMOBILES (7602-02-), OPP. BBMB, HISSAR DELHI ROAD, HISSAR - 125001 PH :9355473000.	KARNAL	
	635. UNIQUE MOTORS PVT. LTD. (7603-01-), OPP. BHANU INDUSTRIES, DELHI ROAD, VILLAGE: SATROD, HISSAR (HARYANA) - 125006 PH :8818055535.		
	HODAL 636. ROHAN MOTORS (EE01-02-), KILA NO. 8/2(7-11), (9-5-06), 12(5-0), 13(8-0), HIGHWAY ROAD, NEAR RAILWAY BYEPASS CHOWK, TEHSIL - HODAL, DIST. -PALWAL PH :8930202088 ; 9413080376.		

Dealer Network (AS ON 31.10.2023)

698. JAGMOHAN MOTORS PVT LTD (DY01-01)-
BHIWANI ROAD, TEH. TOSHAM, DIST. BHIWANI.
- 127040
PH :8059900566.

YAMUNANAGAR

699. PANDIT AUTOMOBILES PVT. LTD. (D201-01-),
GOVINDPURI ROAD, JAGADRI, YAMUNANAGAR
- 135501
PH :9812455896
700. PANDIT AUTOMOBILES PVT. LTD. (D201-03-),
PLOT NO E-8, INDUSTRIAL AREA, ITI ROAD,
YAMUNA NAGAR (HARYANA) - 135001
PH :9812455896.

HIMACHAL PRADESH

ALAMPUR

701. KANGRA VEHICLAEDES (RL01-01-), KHASRA
NO. 1606/1582, STATE HIGHWAY
PALAMPUR,SUJJANPUR AT JANGAL, VILLAGE -
ALAMPUR, DIST -KANGRA. - 176082
PH :8988002269.

BADDI

702. GOYAL MOTORS PVT LTD (7D01-04-),
KHATA/KHATAUNI NO. 26/26, KHASRA NO.
93/56/32 AND 94/56/32, KITAS 2, REVENUE
MAUZA – CHAK JANGI, HADBAST NO. 203,
TEHSIL – BADDI, DISTRICT – SOLAN, HIMACHAL
PRADESH. - 173205
PH :9418076972.

BAIJNATH

703. KANGRA VEHICLAEDES (BBC1-01-), TASHI
JONG, PAPROLA-BAIJNATH, NH-20, KANGRA
-MANDI ROAD, TEHSIL BAIJNATH, DISTT.
KANGRA - 176115
PH :8628820603.

BANIKHET

704. PATHANKOT VEHICLAEDES PVT. LTD.
(BWN1-01-), KHASRA NO.709, KHATA KHATOONI
NO.23, BANIKHET, THE-DALHOUSE, DISTT.
CHAMBA - 176303
PH :254186, 232036, 9418048803.

BILASPUR

705. COMPETENT AUTOMOBILES CO. LTD.
(6Y01-01-), KHEWAT NO. 8/8 KHATAUNI,
KHASRA NO. 137/30, 31, MAUZA KOTHI,
PARGANA 9, P. O. – CHANDPUR, TEHSIL –
SADAR, DIST. – BILASPUR, HIMACHAL
PRADESH. - 174001
PH :7807166832, 7807800330 / 7807800440.

CHAMBA

706. KANGRA VEHICLAEDES (D902-03-), MOHALLA
SULTANPUR, BALU BRIDGE, CHAMBA - 176310
PH :9418059252, 9418045778.

707. KANGRA VEHICLAEDES (D902-05-), KHASRA
NO.88/96,1 & KHASRA NO.628/276, VILLAGE &
PO SAROO, THE. & DISTT. CHAMBA, HIMACHAL
PRADESH. - 176310
PH :9418059252, 9418013810.

CHOWARI

708. PATHANKOT VEHICLAEDES PVT. LTD.
(CWW1-01-), KHATA KHATNI NO. 24/32 MIN,
KHASRA NO. 90, VILLAGE - LAHRU, P.O. -
PARCHHORE, TEHSIL - BHATTIYAT, DIST.
-CHAMBA, HIMACHAL PRADESH. - 144416
PH :8894569632.

DEHRA

709. KANGRA VEHICLAEDES (D902-02-), VILLAGE &
P.O. SUNHET, TEHSIL DEHRA, DIST. KANGRA -
177101
PH :9817013058.

GAGGAL

710. KANGRA VEHICLAEDES (BBV1-01-), NATIONAL
HIGHWAY -20, ZAMANABAD ROAD, ICHHI,
GAGGAL, DISTT. KANGRA, HIMACHAL
PRADESH - 176209
PH :9418988832.

HAMIRPUR

711. COMPETENT AUTOMOBILES CO. LTD.
(W901-01-), VILLAGE TIKKAR, P.O DIDWIN
TEHSIL & DISTT. HAMIRPUR - 177401
PH :9805510276.

INDORA

712. PATHANKOT VEHICLAEDES PVT. LTD.
(BHE1-01-), VILLAGE CHANDOR, PO & TEHSIL
INDORA, DISTT. KANGRA, PIN-176401,
HIMACHAL PRADESH - 176401
PH :9418008627.

JAISINGHPUR

713. KANGRA VEHICLAEDES (BVA1-01-), Harsi
PATTAN ROAD, OPP. SABJI MANDI, TEHSIL –
JAISINGHPUR, DIST. – KANGRA, HIMACHAL
PRADESH. - 176095
PH :9418477756.

JAWALI

714. PATHANKOT VEHICLAEDES PVT. LTD.
(BXE1-01-), VILLAGE - TIUKARI, NEAR MAHAVIR
HOSPITAL LUBH ROAD, TEHSIL - JAWALI, DIST.
-KANGRA, HAMACHAL PRADESH. - 176023
PH :9418195333.

JOGINDER NAGAR

715. COMPETENT AUTOMOBILES CO. LTD.
(BBO1-01-), VILL. DHELU PO DOHAG, JOGINDER
NAGAR (H.P.) - 175015
PH :9805005754.

JWALAMUKHI

716. KANGRA VEHICLAEDES (CND1-01-), KHASRA
880/613, MAUJA BOHAN, TEHSIL JWALAMUKHI,
DISTRICT KANGRA - 176031
PH :9418488999.

KULLU

717. COMPETENT AUTOMOBILES CO. LTD.
(SHAM1-01-), PLOT 3&4, INDUSTRIAL AREA,
SHAMSHI, KULLU (HP) - 175126
PH :7018035136.

KUNIHAR

718. GOYAL MOTORS PVT LTD (BBX1-01-), KHATA
NO. - 77, VILLAGE KOTHI, P.O. KUNNIHAR,
TEHSIL – ARKI, DISTRICT – SOLAN, HIMACHAL
PRADESH - 173207
PH :9418312472.

MANALI

719. COMPETENT AUTOMOBILES CO. LTD.
(BKU1-01-), VILL. CHOURI VIHAR (AALU
GROUND), P.O. & TEHSIL- MANALI, DIST.
KULLU, (H.P.) - 175131
PH :9418387465.

MANDI

720. COMPETENT AUTOMOBILES CO. LTD.
(B301-01-), GUTKAR INDUSTRIAL AREA, DELHI
MANDI ROAD, N.H.21 GUTKAR, MANDI - 124501
PH :9805513208/9816664891.

NADAUN

721. COMPETENT AUTOMOBILES CO. LTD.
(BXA1-01-), VILLAGE JALAN, KHASRA NO.183,
PO & TEHSIL NADAUN, DISTT. HAMIRPUR,
HIMACHAL PRADESH - 177041
PH :9805737436.

NAGROTA

722. KANGRA VEHICLAEDES (D902-01-), MALAN,
NAGROTA - BAGWAN, KANGRA, H.P. - 176047
PH :7018268819.

NAGROTA BAGWAN

723. KANGRA VEHICLAEDES (D902-06-), JHIKLI
AMBARI, MOUZA AMBARI, MALAN, NAGROTA
BAGWAN, TEHSIL & DISTT. KANGRA,
HIMACHAL PRADESH - 176047
PH :7018268819.

NAGROTA SURIAN

724. KANGRA VEHICLAEDES (BGH1-01-), KHEWAT
NO. 115, KHATAUNI NO. 127, KHASRA NO. 2037,
MAHAL BASSA, SUB TEHSIL – NAGROTA,
SURIAN, DISTRICT – KANGRA. - 176027
PH :9418488999.

NALAGARH

725. GOYAL MOTORS PVT LTD (IB02-01-), NEAR HP
PETROL PUMP, VILLAGE PEERSTHAN, P.O &
TEHSIL NALAGARH, DISTT. SOLAN (H.P.) -
174101
PH :9418704572.

NERWA

726. GOYAL MOTORS PVT LTD (CRS1-01-), KHASRA
NO. 482, VILLAGE – KEDI, TEHSIL – NERWA,
DISTRICT – SHIMLA, HIMACHAL PRADESH. -
171210
PH :9418663572.

NURPUR

727. KANGRA VEHICLAEDES (D902-04-), VILLAGE
JACHH, PO JASSUR, TEHSIL NURPUR, DISTT.
KANGRA - 176201
PH :9418195333, 9418041778.

PALAMPUR

728. KANGRA VEHICLAEDES (Z701-01-), NEAR IOCL
PUMP, KANGRA MANDI ROAD, PALAMPUR,
DISTT. KANGRA, HIMACHAL PRADESH. - 176061
PH :941822622/ 9463265072.

PAONTA SAHIB

729. GOYAL MOTORS PVT LTD (A901-02-), OPP
BIBIJET KAUR SENIOR SECONDARY SCHOOL,
SHAMSHERPUR , NH-72, PAONTA SAHIB -
173025
PH :9459210872.

RAJGARH

730. GOYAL MOTORS PVT LTD (BJX1-01-), KHATA
NO. 517/505, 478/3, KHASRA NO. – 38/98
VILLAGE NERI RATAULI, P.O. RAJGARH TEHSIL
– RAJGARH, DISTRICT – SIRMAUR , HIMACHAL
PRADESH - 173101
PH :9418312472.

RAMPUR

731. GOYAL MOTORS PVT LTD (CEZ1-01-), KHASRA
NO. 824/825, MINN NO. 155/396, 163/411, NAGLI,
ROHRU ROAD, RAMPUR, TEHSIL – RAMPUR,
DISTRICT – SHIMLA - 172001
PH :9459296572.

ROHRU

732. GOYAL MOTORS PVT LTD (JZ01-01-),
CHARGAON SHIMLA ROAD, ROHRU, DISTRICT
-SHIMLA - 171207
PH :9418016072.

SALOONI

733. PATHANKOT VEHICLAEDES (SES1-01-),
KHASRA NO. 299/174, VILLAGE. MANJEEER,
TEHSIL -SALOONI, DISTT. CHAMBA, PIN-176320,
HIMACHAL PRADESH - 176320
PH :9418059252.

SHAHPUR

734. KANGRA VEHICLAEDES (SCR1-01-), VILLAGE
MANJHGRAN, P.O. DRAMMAN, TEHSIL
SHAHPUR, DISTT. KANGRA, HIMACHAL
PRADESH - 176206
PH :9459900241.

SHIMLA

Dealer Network (AS ON 31.10.2023)

777. JAMKASH VEHICLEADES (KASHMIR) PVT LTD (1205-05), NARBAL CROSSING, NH-1A, SRINAGAR, JAMMU & KASHMIR - 190017
PH :9796700705.

SUNDERBANI

778. PEAKS AUTO JAMMU PVT. LTD. (AAM3-01-), MOUZA THANDA PANI, TEH. SUNDERBANI - 185153
PH :9697001125.

SURANKOTE

779. PEAKS AUTO JAMMU PVT. LTD. (TY03-01-), NEAR KNIET KING FILLING STATION, BHARAT PETROLEUM, POONCH MUGHAL ROAD, SURANKOTE, DISTT: POONCH - 185101
PH :9697001125.

THANA MANDI

780. JAMKASH VEHICLEADES PVT. LTD. (SO01-01-), HASPLOTE(CHRUNG), TEHSIL THANAMANDI, DISTRICT RAJOURI -185212 - 185212
PH :9419267607.

UDHAMPUR

781. J & K VEHICLEADES PVT. LTD (D801-01-), NATIONAL HIGHWAY 1A, NEAR DAK BANGLOW, UDHAMPUR - 182101
PH :7006881028.

URI (CHAAAL BONIYAAR)

782. JAMKASH VEHICLEADES (KASHMIR) PVT LTD (CCK1-01-), KHASRA NO.346/118, KEWAT NO.15, KHATA NO.30, MOUZ-CHALAL (URI), TEHSIL-BONIYAR, DISTT. BARAMULLA - 193123
PH :9419074012.

JHARKHAND

BAGODAR

783. RELIABLE INDUSTRIES PVT. LTD. (BHA1-01-), SONTURPI, GT ROAD, GAIDA, BAGODAR, GIRIDIH, JHARKHAND. - 825322
PH :9507102036
9835814404.

BALIAPUR

784. CARONE (SNI1-01-), WARD NO 53, HOLDING NO - SAF3797, KANDRA SINDRI, BALIAPUR. - 828123
PH :7980074797.

BOKARO

785. HINDUSTAN AUTO AGENCY (B501-02-), R1, CITY CENTRE, SECTOR-4, BOKARO STEEL CITY, BOKARO - 827004
PH :9831550033/7070403002/9431128683.

786. HINDUSTAN AUTO AGENCY (B501-03-), M2, SECTOR-4, CITRY CENTRE, BOKARO STEEL CITY (JHARKHAND) - 827004
PH :9431127983/9431128683.

CHAIBASA

787. PEBCO MOTORS (BOY1-01-), KOLHAN TIMBER MERCHANT, NEAR RAILWAY CROSSING, TATA ROAD, CHAIBASA, DISTRICT - WEST SINGHDHUM, JHARKHAND. - 833201
PH :7070449718.

CHANDWA

788. HILLTOP MOTORS (A UNIT OF HIRALAH MOTORS PVT LTD) (SCS1-01-), HILLTOP MOTORS, MAIN ROAD, CHANDWA, PO AND PS, CHANDWA - 829203, DIST - LATEHAR, JHARKHAND - 829203
PH :7061157502.

CHIRKUNDA

789. RELIABLE INDUSTRIES (CQ1-01-), PLOT NO. 109-110, KHAITAN NO. 12, MOUZA NO. 251, P.S. - CHIRKUNDA, DISTRICT - DHANBAD, JHARKHAND. - 828202
PH :9905937751
9835814404.

DALTONGANJ

790. PREMSONS MOTORS UDYOG PVT LTD (5103-02-), KACEHRI ROAD, DALTONGANJ, PALAMU - 822101
PH :9835507004.

DEOGHAR

791. RELIABLE INDUSTRIES (5202-01-), SHAHEED ASHRAM ROAD, JHAUNSAGARHI, DEOGHAR. - 814112
PH :6207129088
7001553251.

792. RELIABLE INDUSTRIES (KR02-01-), MOUZA - CHAKRIPAHARI, NO. 587, WARD NO. 36, DEOGHAR, JHARKHAND. - 814114
PH :9835811220, 9835814404.

DHANBAD

793. RELIABLE INDUSTRIES (5202-01-), KATRAS ROAD, DHANBAD, JHARKHAND. - 826001
PH :9835830202
7369945040.

794. RELIABLE INDUSTRIES (5202-02-), BEHIND PRABHAT KHABAR, AT: KOLAKUSMA, P.O.K.G. ASHRAM, SARAIHELDA , DHANBAD - 828127
PH :8102333474
7369945043.

795. RELIABLE INDUSTRIES (5202-06-), SUGIADIH, HIRAK ROAD, SARAIHELDA, DHANBAD, JHARKHAND. - 828127
PH :9334094940.

796. CAR ONE (A UNIT OF RAJHANS AUTOMOBILES PRIVATE LIMITED) (5205-01-), NH-2, GT ROAD, SAHARJORI, BARWADA, DHANBAD. - 828 109
PH :9006828000, 9835740433.

797. RELIABLE INDUSTRIES (5202-09-), TILAKRAIDIH, K G ASHRAM, NH-52, GOVINDPUR, DHANBAD, JHARKHAND - 828109
PH :9031096662.

DUMKA

798. RELIABLE INDUSTRIES (L701-01-), OPP DUDHANI PETROL PUMP, DEOGHAR-PAKUR ROAD,DUMKA (JHARKHAND) - 814101
PH :6205161170.

GARHWA

799. PREMSONS MOTOR UDYOG PVT. LTD. (VX01-01-), KHATA NO. 4, KHESRA NO. 108, 109, THANA NO. 342, PIPRAKALA, GARHWA, JHARKHAND. - 822114
PH :8862888002
9835507004.

GHATSHILA

800. PEBCO MOTORS LTD. (AIA1-01-), PLOT NO. 68, KHASRA NO.128, MAUZA PAORA, NH-33, NEAR FULL-DUNGRI CHOWK,GHATSHILA, EAST SINGHDHUM (JHARKHAND) - 832303
PH :9308433388.

GIRIDIH

801. RELIABLE INDUSTRIES (5202-04-), MOHANPUR, PACHAMBA ROAD, GIRIDIH. - 815301
PH :8102924860
8102924858.

802. RELIABLE INDUSTRIES PVT. LTD (5202-08-), PLOT NO. 7, HALKA NO. 12, KHATA NO. 2, THANA NO. 266, MOUZA - CHATRO, GIRIDIH, JHARKHAND. - 815301
PH :9835835101.

GODDA

803. RELIABLE INDUSTRIES (5202-05-), ASANBANI CHOWK, MAIN ROAD, GODDA. - 814133
PH :6207129088.

GUMLA

804. PREMSONS MOTOR UDYOG PVT. LTD. (5103-04-), VANASTHALI COMPLEX PUGUCHAMPA NAGAR,NH-23,SISAI ROAD,GUMLA - 835207
PH :9835507004.

HAZARIBAGH

805. HINDUSTAN AUTO AGENCY (Y901-01-), NEAR SBI MAIN BRANCH, MAIN ROAD, HAZARIBAGH. - 825301
PH :9304051949,
9263631327.

806. HINDUSTAN AUTO AGENCY (Y901-02-), MASIPIRHI, BABHANBAY ,HAZARIBAGH , JHARKHAND. - 825301
PH :9216888118
9263631327.

JAMSHEDPUR

807. PEBCO MOTORS LTD. (3101-01-), MEDIUM SECTOR, INDUSTRIAL AREA, ADITYAPUR, JAMSHEDPUR - 831001
PH :9308433388.

808. PEBCO MOTORS LTD. (3101-02-), 16 BALICHALA, CONTRACTORS & GODOWN AREA, SONARI, JAMSHEDPUR - 831011
PH :9308433388.

809. MOTOR WORLD (3102-01-), N.H-33, NEAR PARDIH CHOWK, MANGO, JAMSHEDPUR - 831012
PH :9431347164, 9570168342.

JAMTARA

810. RELIABLE INDUSTRIES (BOX1-01-), PLOT NO. 483, PARWAT BIHAR, DUMKA ROAD, JAMTARA, JHARKHAND. - 815351
PH :9835814404.

KATRAS

811. CAR ONE (A UNIT OF RAJHANS AUTOMOBILES PRIVATE LIMITED) (GLP1-01-), RAJHANS REFRACTORIES, OPP. LIC OFFICE, RAJGANJ ROAD, KATRAS, DISTT. DHANBAD, JHARKHAND-828114 - 828114
PH :8910900556.

KHELARI

812. SUDHA MOTORS(A UNIT OF SUDHA BUSINESS ENTERPRISES PVT LTD) (CFO1-01-), PLOT 113, MOUZA- BUKBUKA, BESIDE PAHADI MANDIR, KHELARI, RANCHI - 829205
PH :9458222, 9534199997.

KHUNTI

813. PREMSONS MOTOR UDYOG PVT. LTD (B0L1-01-), PLOT NO. 747, KHATA NO. 2, DAHUGUTU, CHAIBASA ROAD, KHUNTI, JHARKHAND. - 835 210
PH :9835507004.

KODARMA

814. HINDUSTAN AUTO AGENCY (Vr01-01-), AT LALMAN DIGTHU, BESIDE KRISHNA SURYA COLD STORAGE, JHUMRI TILAIYA, P.S. - TILAIYA, DISTRICT - KODERMA, JHARKHAND. - 825409
PH :6201998936.

LOHARDAGA

815. SUDHA MOTORS(A UNIT OF SUDHA BUSINESS ENTERPRISES PVT LTD) (CX01-01-), PLOT NO. 14P, 15, 23, RIADA, LOHARDAGA, JHARKHAND. - 835302
PH :9534199997.

MURI

816. HILLTOP MOTORS (BVE2-01-), NEAR BANK OF INDIA, SILLI MAIN ROAD, MURI, PIN - 835102 - 835102
PH :7061157502.

PAKUR

Dealer Network (AS ON 31.10.2023)

817. RELIABLE (CLO1-01-), C/O KHOKHAN RAY,HIRANPUR,,PAKUR, MAIN ROAD,VILL_SAHERKOL,PS PAKUR REGISTRY OFFICE - 816107 PH :9031096662.	828. PRATHAM MOTORS PVT. LTD (205-04-), SY#45/3, KAVAL HOSAHALLI, KASABA HOBLI, ANEKAL TALUK - 562106 PH :9945540131.	838. MANDOVI MOTORS PVT LTD. (201-05-), NO.2/106 (NEXT TO KASSIA BLDG.),17TH CROSS,MAGADI CHORD ROAD EXTN. VJAYANAGAR,BANGALORE - 560079 PH :9945235529.	851. KALYANI MOTORS PVT. LTD. (211-04-), 119/1, 11TH CROSS,MALLESHWARAM,BANGALORE, - 560003 PH :9886026519.
RAMGARH	ANKOLA	839. RNS MOTORS (7301-03-), 2275 TUMKUR ROAD, GURGUNTEPALYA, YESHWANTPUR, BANGALORE - 560022 PH :9606933236.	852. MANDOVI MOTORS PVT LTD. (201-0D-), 6/8, SHREE GANGA GARDEN, GANGA NILAYA, HENNUR CROSS, KALYANAGAR POST - 560043 PH :9845132048.
818. HINDUSTAN AUTO AGENCY (AV01-01-), MARAR, RANCHI ROAD (NH-33), RAMGARH - 829122 PH :9263631345.	829. BHARATH AUTO CARS PVT. LTD. (FC02-01-), NEAR NARAYANA TEMPLE KAKKAR MUTTA, BELEGULI CROSS, ANKOLA, UK DISTRICT - 581314 PH :7829567400.	840. BIMAL AUTO AGENCY INDIA PVT. LTD. (218-01-), NO - 60/3, VENKATALA VILLAGE, YELAHANKA HOBLI, BANGALORE NORTH TALUK - 560064 PH :9945541034.	853. MANDOVI MOTORS PVT LTD. (201-0E-), SY NO.26,AMBILIPURA VILLAGE,VATHUR HOBLI,BANGALORE,EAST TALUKA, - 560102 PH :9945235518.
RANCHI	ATHANI	841. BIMAL AUTO AGENCY INDIA PVT. LTD. (216-01-), 60/2, MAHADEVPURA, WHITE FIELD ROAD, BANGALORE - 560048 PH :99723 98105.	854. MANDOVI MOTORS PVT LTD. (201-9B-), PLOT NO :257/11-13, BANNERGHATTA ROAD, N.S. PALYA, BANGALORE - 560076 PH :9945238559.
819. PREMSONS MOTORS UDYOG PVT LTD (5103-01-), 502, KANKE ROAD, RANCHI - 834008 PH :9304807355.	830. SHANTESHA MOTORS (BWA1-01-), RS NO. 605, SHIVAYOGI NAGAR, BIJAPUR ROAD, ATHANI, DIST. - BELGAUM. - 591304 PH :8884472587.	842. RNS MOTORS (7301-04-), HOSUR ROAD,BOMMANAHALLI,MADIVALA POST,BANGALORE - 560068 PH :9148001412.	855. KALYANI MOTORS PVT. LTD. (213-02-), SY. NO. :58/1A & 61/22. AVALAHALLI, NH-4, K.R. PURAM, BANGALORE. - 560049 PH :9900037122.
820. PREMSONS MOTOR UDYOG PVT. LTD. (5103-03-), 10/P, NAMKUM INDUSTRIAL ESTATE,BEHIND HIGH TENSION INSULATOR FACTORY, LOWER CHUTIA, RANCHI - 834010 PH :9262899033.	ATHRADI	843. MANDOVI MOTORS PVT LTD. (201-08-), NO. 70 SARAKKI INDUSTRIAL LAYOUT,J.P NAGAR,3RD PHASE, BANGALORE - 560078 PH :9954235522.	856. SURAKSHAA CAR CARE PVT LTD (280-01-), 30/3 K AGRAHARA, HOSUR MAIN ROAD, ELECTRONIC CITY, BANGALORE - 580100 PH :9449865605.
821. PREMSONS MOTOR UDYOG PVT. LTD. (5103-05-), PLOT NO.31 & 134, JOHNSON MORH, TUPUDANA INDUSTRIAL AREA, TUPUDANA, RANCHI - 834003 PH :9835507004.	831. ABHARAN MOTORS PVT LTD (G601-04-), HERABETTU ROAD ATHARDI UDUPI - 576107 PH :9845472500.	844. PRATHAM MOTORS PVT. LTD (205-01-), 16, BALLANDUR, SARJAPUR RING ROAD, BANGALORE - 560037 PH :9945540126.	857. KALYANI MOTORS PVT. LTD. (213-03-), NO.129/4, KUNDALAHALLI VILLAGE, OPP. TO BROOKE FIELD HOSPITAL, BROOKFIELD, BENGALURU. - 574239 PH :9900038119.
822. SUDHA MOTORS(A UNIT OF SUDHA BUSINESS ENTERPRISES PVT LTD) (5107-02-), PLOT NO. 74, OPPOSITE OTC GROUND, HEHAL, RATU ROAD, RANCHI, JHARKHAND - 834005 PH :9534199997, 8227996660.	ATTIBELE	845. BIMAL AUTO AGENCY INDIA PVT. LTD. (216-02-), NO. 69/2, SARAKKI, KANAKAPURA ROAD, BANGALORE - 560078 PH :9972398139.	858. SURAKSHAA CAR CARE PVT. LTD. (280-02-), #54/1, BOMMANAHALLI, HOSUR MAIN ROAD, BANGALORE - 560068 PH :9449865655.
823. SUDHA MOTORS(A UNIT OF SUDHA BUSINESS ENTERPRISES PVT LTD) (5107-03-), PLOT NO. 39, NEAR BOOTY MORE, RANCHI-RAMGARH ROAD, RANCHI. - 835217 PH :9534199997.	832. SURAKSHAA CAR CARE PVT. LTD. (BMM1-01-), SURVEY NO.22/7/8, SARJAPUR MAIN ROAD, INDIABELE VILLAGE, OPP. TO GOLDEN LIBERTY, ATTIBELE P.O., BANGALORE - 562107 PH :9449865665.	846. PRATHAM MOTORS PVT. LTD (205-02-), STHANKAM'S ARCADE, OPP. ST THERESA HOSPITAL, DR. RAJ KUMAR ROAD, A BLOCK,RAJAJINAGAR 2 STAGE, BANGALORE - 560010 PH :9900061378.	859. KALYANI MOTORS PVT. LTD. (213-04-), 250/1, BILEKAHALLI, BANNERGHATTA ROAD, BENGALURU - 560076 PH :9686445406.
824. PREMSONS MOTOR UDYOG PVT. LTD. (5103-06-), PLOT NO.14 (P) KOKAR INDUSTRIAL AREA KOKAR, RANCHI. - 834001 PH :9835507004.	BAGALKOT	847. KALYANI MOTORS PVT. LTD. (211-01-), MYSORE ROAD,PANTHARAPALYA,KENGRI HOBLI,BANGALORE - 583201 PH :9538887078.	860. BIMAL AUTO AGENCY INDIA PVT. LTD. (218-04-), PLOT NO.37/38, 2ND STAGE, PEENYA INDUSTRIAL AREA, BANGALORE - 560058 PH :9945237213.
825. HILLTOP MOTORS (A UNIT OF HIRALAL MOTORS PVT LTD) (5109-01-), KHATA NO. 247, MOUZA - PUNDAG.P. S - PUNDAG, RANCHI, JHARKHAND. - 834004 PH :7061157502.	833. VIJAY MOTOWINGS (ZL01-01-), 180/2-4,BELGUM RAICHUR ROAD,NEAR APMC MARKET YARD, BAGALKOT - 587103 PH :9481289167.	848. BIMAL AUTO AGENCY INDIA PVT. LTD. (216-03-), NO.7/1, KALANAAGRAHARA VILLAGE, MOUNT ST. JOSEPH TRAINING COLLEGE FOR JESUITS COMPOUND, IIMB POST, BANNERGHATTA RD. , BANGALORE - 560076 PH :9845166612.	861. RNS MOTORS (7301-0G-), 106/7, BELLARY ROAD, NEAR IOC PETROL BUNK, AMRUTHAALLI, NEAR HEBBAL FLYOVER, BENGALURU (KARNATAKA) - 560092 PH :6364884787.
826. HILLTOP MOTORS (A UNIT OF HIRALAL MOTORS PVT LTD) (5109-02-), NEAR KATHAL MORE, ARGORA RANCHI RD, NEAR EKLABBA TOWER, DHIPATOLI, ARGORA, RANCHI - 834004 PH :7061157502.	BAGEPALLI	849. BIMAL AUTO AGENCY INDIA PVT. LTD. (216-04-), 6TH CROSS, OFF OLD AIRPORT ROAD, HAL 2ND STAGE POST, BANGALORE - 560038 PH :9972398106.	862. PRATHAM MOTORS PVT. LTD (205-05-), #56/5 KUDLU VILLAGE, NEXT TO ZEE SCHOOL, SARJAPUR HOBLI, ANEKAL TALUK, BANGALORE - 560034 PH :9900058466.
SIMDEGA	834. BIMAL AUTO AGENCY INDIA PVT. LTD. (BTV1-01-), H.L. NO. 423 AND 436 SRI SATHYA SAI NAGAR, ON NH-7, THIMAKALAPPALI BLOCK-II, PARAGODI GRAM PANCHAYATH, KASABA HOBLI, BAGEPALLI TALUK, CHIKKABALLAPUR DIST. - 561 207 PH :9742458888.	850. MANDOVI MOTORS PVT LTD. (201-0C-), NO 1 TO 5, NAVODAYA HBSC, 4TH STAGE, 4TH MAIN, RAJAJINAGAR INDUSTRIAL TOWN, BASAWESHWAR NAGAR - 560044 PH :9945235537.	863. RNS MOTORS LIMITED (7301-0H-), PLOT NO.129, KIADB INDUSTRIAL AREA, HEBBAGODI VILLAGE, BOMMASANDRA, JIGINI LINK ROAD, BANGALORE - 562158 PH :9538965771.
827. PREMSON (BU01-01-), R.S PLOT NO 4674 UNDER KHATA NO 157, SITUATED AT VILLAGE - GOTRA, NEAR GOUSHALA, MAIN ROAD, SIMDEGA, JHARKHAND. - 835223 PH :9835507004.	BANDAHALLI		
	835. BIMAL AUTO AGENCY INDIA PVT. LTD. (STB1-01-), SURVEY NO: 44/11, TAVARAKERE VILLAGE, NANDAGUDI HOBLI, BANDHALLI, HOSKOTE TALUK, BANGALORE RURAL DIST, KARNATAKA- 562122 - 562122 PH :95137 48707.		
	BANGALORE		
	836. MANDOVI MOTORS PVT LTD. (201-01-), 244,7TH MAIN,WILSON GARDENS,BANGALORE - 560027 PH :9945235511.		
	837. MANDOVI MOTORS PVT LTD. (201-07-), 17/A-2&3 IND.SUBURB.IIND STAGE, GORAGUNTEPALYA, TUMKUR ROAD, YESWANTHPUR, BANGALORE - 560022 PH :9945235537.		

KARNATAKA
ANEKAL

Dealer Network (AS ON 31.10.2023)

864. KALYANI MOTORS PVT. LTD. (291-02-), 10/1, HEBBAL , AMANIKERE KASABA HOBLI, YOGESH NAGAR, BANGALORE - 560024 PH :9740985324 , 7760983887.	876. KATARIA AUTOMOBILES PVT. LTD. (293-01-), SURVEY NO. 8/3, 10/4, 10/2, VILLAGE – THALAGHATTAPURA, KANAKAPURA MAIN ROAD, NEAR NANDI TOYOTA, UTTARAHALLI HOBLI, TALUK - BENGALURU SOUTH, BANGALORE, KARNATAKA. - 560109 PH :8884434340.	886. KALYANI MOTORS (213-06-), SURVEY NO. 67, NH-209, NAVARATAN GARDENS, (NEAR IOCL PETROL BUNK) DODDAKALASANDRA VILL., UTTARAHALLI HOBLI, KONANAKUNTE, KANAKAPURA-KENGERI ROAD, BANGALORE, KARNATAKA - 560026 PH :9900039844/9900073254.	896. SHRUTI MOTORS (FB01-01-), SURVEY NO. 18/4, BH ROAD,KADADAKATTE HOBLI, KADADAKATTE, BHADRAVATI, SHIMOGA DIST., KARNATAKA - 577229 PH :789985404.
865. BIMAL AUTO AGENCY INDIA PVT. LTD. (286-01-), #184/185, OPP. FORUM VALUE MALL, WHITE FIELD MAIN ROAD, BANGALORE - 560066 PH :9900245979.	877. RNS MOTORS LIMITED (7301-0J-), SY. NO. 11/2 & 12/1, VILLAGE – ARAKERE, BEGUR HOBLI, BANNERGHATTA ROAD, BANGALORE – 560 076. PH :7760982836.	BANGARPET	BHATKAL
866. SURAKSHAA CAR CARE PVT. LTD. (280-04-), PLOT NO. 8 & 9, NEXT TO BDA COMPLEX, 4TH BLOCK, 100 FT ROAD, KORAMANGALA, BANGALORE, KARNATAKA - 560034 PH :8884419010.	878. SURAKSHAA CAR CARE PVT. LTD. (280-05-), SURVEY NO.216, BERTENA AGRAHARA, OPP. METRO CASH & CARRY, HOSUR MAIN ROAD, BANGALORE. - 560100 PH :8884471200.	887. SURAKSHA CAR CARE PVT. LTD. (OR04-01-), 180/4 OPP. AFMC YARD, KOLAR-BANGARPET ROAD, BANGARPET (KARNATAKA) - 563114 PH :9449865601.	897. BHARATH AUTO CARS PVT. LTD. (CEF1-01-), SURVEY NO. 157/2A, SUSGADI VILLAGE, NH66, BHATKAL, UTTARKANNADA DISTRICT, KARNATAKA. - 581320 PH :9006893940.
867. KALYANI MOTORS PVT. LTD. (287-01-), # 10/5, NAGADEVANHALLI, KENGERI, MYSORE ROAD, BANGALORE, KARNATAKA - 560056 PH :9900119961.	879. KALYANI MOTORS PVT. LTD. (211-05-), SY.NO.8/4, G HOSAHALLI MAIN ROAD, GOLLARAHATTI, V N POST, YESHWANTPURA HOBLI, MAGADI MAIN ROAD, BANGALORE - 560091 PH :9900080229.	BANGLORE - BOMMANAHALLI	BIDAR
868. BIMAL AUTO AGENCY INDIA PVT. LTD. (216-06-), PLOT NO. 82, DODDA BANASWADI MAIN ROAD, BEHIND IOC PETROL PUMP, NEXT TO AIYAPPA TEMPLE, BANASWADI, BANGALORE, KARNATAKA - 560033 PH :9738501996.	880. SURAKSHA CAR CARE (280-06-), BEARING NO. 54/4-320/2, BEGUR HOBLI, BOMMANAHALLI VILLAGE, BEGUR HOBLI, BANGALORE, KARNATAKA - 560 068 PH :3449865665.	888. VARUN MOTORS PVT LTD (292-03-), SY NO: 136 (OLD NO 54/8) SANGEGURUVANAHALLI(VP) KAMAKSHIPALAYA, WARD NO: 17, VRISHABHAVATHI NAGAR, MAGADI ROAD, BANGALORE NORTH THALUK, BANGALORE,KARNATAKA - 560079 PH :9513683052.	898. LAHOTI MOTORS PVT. LTD (EX01-01-), SI 50/51,PRATAP NAGAR, UDGIR ROAD, KIADB INDUSTRIAL AREA, NAUBAD, BIDAR - 585402 PH :8884412049.
869. MANDОВI MOTORS PVT LTD. (201-04-), BBMP NO 4C, WARD NO.83, JOLLY ESTATE, OLD MADRAS ROAD, NAGAWARAPALYA, BANGALORE - 590093 PH :9945235533.	881. PRATHAM MOTORS PVT. LTD (205-07-), SUVEY NO. 43/1, ON SH-35, VILLAGE - YAMARE, SARJAPUR MAIN ROAD, POST - DOMMASANDRA, TALUKA - ANEKAL, BENGALURU RURAL, KARNATAKA - 562125 PH :9611834659.	BANTWAL	899. LAHOTI MOTORS PVT. LTD (EX01-02-), PLOT NO. 58, NAUBAD INDUSTRIAL AREA, PRATAP NAGAR, BIDAR. - 585 401 PH :9108707709.
870. VARUN MOTORS PVT. LTD. (292-01-), HNO. 72/19-6 & HNO. 67/2, YESHWANTPUR INDUSTRIAL SUBURB, WARD NO. 10, RAJAJI NAGAR, BANGALORE. - 560022 PH :7337834582.	882. SURAKSHAA CAR CARE PVT. LTD. (280-07-), SURVEY NO 106/2A, CHANDAPURA MUNICIPAL TOWN,MUTHASANDRA HOSUR MAIN ROAD, ANEKAL TO, BANGALORE, KARNATAKA - 560099 PH :94498 65666.	889. MANDОВI MOTORS PVT LTD. (TR01-01-), NH-75, PANEMANGALORE, B.C ROAD, BANTWAL, KARNATAKA - 574231 PH :9008810123.	BIJAPUR
871. KALYANI MOTORS PVT. LTD. (213-05-), PLOT NO. 74/5, HORMAVU MAIN ROAD, NEAR BBMP OFFICE, KR PURAM HOBLI, BANGALORE. - 560043 PH :9900037114.	883. KALYANI MOTORS (291-03-), SURVEY NO. 194/5, HUNSEMARANAHALLI, JALA HOBLI, DEVANAHALLI TALUK, (YELAHANKA NEW TALUK), NEW KEMPEGOWDA INTERNATIONAL AIRPORT ROAD, NORTH PH :9740985324.	BELGAUM	900. RNS MOTORS (7301-0I-), SURVEY NO.25K/1, CHITRADURGA SHOLAPUR ROAD, VIJAYPURA, BIJAPUR DISTT. KARNATAKA - 586109 PH :8861208998.
872. KATARIA AUTOMOBILES PVT. LTD. (294-01-), NO. 5, 15TH CROSS, KOLANDAPPA GARDEN, ANEPALYA, POST – AADUGODI, BANGALORE. - 560030 PH :7349291802.	884. MANDОВI MOTORS (201-09-), MUNICIPAL NO. 133 (OLD NO.S 133 & 133/1), BULL TEMPLE ROAD, BBMP WARD NO. 49, K G NAGAR, BANGALORE, KARNATAKA-560018 PH :9945235516.	890. SHANTESHA MOTOR (P) LTD (E801-01-), MUJAWAR COMPOUND,NEHRU NAGAR,BELGAUM. - 590010 PH :9902043711.	BUDHIGERE
873. MANDОВI MOTORS PVT LTD. (201-0I-), KATHA NO 4, SITUATED AT GANAKAL DHAKALE, SRINIVASAPURA, KENGERI HOBLI, UTTARAHALLI, BANGALORE - 560060 PH :9945235516.	885. RNS MOTORS (210-01-), SURVEY NO. 48, HEBBAGODI, HOSUR MAIN ROAD,ANEKAL TALUK, BANGALORE URBAN DIST, KARNATAKA - 560 099 PH :6366938829.	891. SHANTESHA MOTOR (P) LTD (E801-04-), PLOT NO. 8, SURVEY NO. 251/51, HAVLOCK ROAD CAMP, BELGAUM - 290010 PH :9588645387.	901. BIMAL (SGM1-01-), KHATTA NO:115,SY. NO. 128/33, MANDUR MAIN ROAD, BUDHIGERE CROSS, MANDUR VILLAGE, NEXT TO IOCL PETROL BUNK, BANGALORE EAST TALUK, BANGALORE. - 560049 PH :9742259528.
874. VARUN MOTORS PVT. LTD. (292-02-), BEARING NO. 27/1 & 27/2, SURVEY NO. 41/3 & 42/7 BAGALAGUNTA, HESSARGHATTA MAIN ROAD, NEAR WIDIA SCHOOL BUS STOP, NAGASANDRA POST, BANGALORE. - 560073 PH :7338286729.	BANGALORE (HEBBAGODI)	892. SHANTESHA MOTOR (P) LTD (E801-03-), PLOT NO. 39, RS NO. 670, CTS NO. 1612/3, KHANAPUR ROAD, UDAYMBA, BELGAUM (SCREE SHOT ATTACHED) - 590006 PH :8884433911.	BYNDOOR
875. MANDОВI MOTORS PVT LTD. (201-0J-), SITE NO. 58/1, J.B. KAVAL, MAJOR SANDEEP UNNIKRIISHNAN ROAD, VIDYARANYAPURA, BANGALORE. - 560097 PH :9945235514.	BANGALORE- KP ROAD	893. SHANTESHA MOTORS (P) LTD (E801-06-), PLOT NO. 2/1, RS NO. 29, KIADB INDUSTRIAL AREA, KIADB BALUXITE ROAD, KANGRALI BK, BELGAUM - 590010 PH :9731396805.	902. ABHARAN MOTORS PVT LTD (BUH1-01-), 3-256 & 3-257, SOUPARNIKA COMPLEX, NH 66, VILLAGE - YEDATHRE, BYNDOOR, KUNDAPUR TALUK, UDUPI DISTT. - 576214 PH :7899751777.
		BELLARY	CHALLAKERE
		894. K.P.F. PVT. LTD. (G201-01-), P.B. NO. 58,BELLARY HOSPET ROAD,ALLIPURA,BELLARY - 583101 PH :9449876025.	903. SAKETH AUTOMOBILES (CKN1-01-), SITE NO. 9 & 10, SY. NO. 96/1, OPP. SUIJIMALLESHWARA NAGAR, BELLARY ROAD, CHALLAKERE. - 577522 PH :9686550126.
		BELTHANGADY	CHAMARAJANAGAR
		895. BHARATH AUTO CARS PVT. LTD. (4503-04-), MAIN ROAD, BELTHANGADY, BELTHANGADY TALUK DK DISTRICT - 574214 PH :9886543230.	904. MANDОВI MOTORS PVT LTD. (0E01-01-), RAJ KAMAL BUILDING, SATHYAMANGALA ROAD, KUVEMPU EXTENSION, CHAMARAJANAGAR (KARNATAKA) - 577133 PH :9845445586.
		BHADRAWATI	CHANNAGIRI

905. SHRUTI MOTORS (BUQ1-01-), SURVEY NO.5, MACHANAYAKANAHALLI, OPP. FIRE STATION, CHITRADURGA ROAD, N.H.13, CHANNAGIRI DISTT. DAVANGERE - 577213
PH :789934143.

CHANNAPATNA

906. KALYANI MOTORS PVT. LTD. (BSX1-01-), PROPERTY NO.58, MALUR GRAMA, MALLUR HOBLI, CHANNAPATNA TALUKA RAMANAGARA DISTRICT - 562160
PH :845066662.

CHANNARAYAPATNA

907. VENKAT MOTORS (HC01-01-), PLOT NO. 389, 36/3, 132/1, BESIDES THIRUMALA RICE MILL, MYSORE ROAD, CHANNARAYAPATNA, DISTRICT: HASSAN, KARNATAKA. - 573116
PH :8147077144.

CHICKBALLAPUR

908. BIMAL AUTO AGENCY INDIA PVT. LTD. (CRQ1-01-), NO. 169/1, AMMANI KANDAVARAKERE VILLAGE, KASABA HOBLI, CHIKBALLAPURA DISTRICT - 562101
PH :9742262499.

CHICKMAGALUR

909. SHRUTI MOTORS (B701-02-), AIT CIRCLE, KM ROAD, CHIKMANGALUR - 577102
PH :9898157446.

CHIKODI

910. SHANTESHA MOTORS (E801-05-), OPP. IOC PUMP, NEAR B.K.COLLEGE, MIRAJ ROAD, CHIKKODI, KARNATAKA - 591201
PH :7829925790.

CHINTAMANI

911. PRATHAM MOTORS PVT. LTD (205-06-), SURVEY NO. 33, NEXT TO VIJAYA P U COLLEGE, OPP. GOPASANDRA LAKE, SREENIVASAPURA MAIN ROAD, CHINTAMANI, KARNATAKA - 563125
PH :7899761301.

CHITRADURGA

912. SAKETH AUTOMOBILES (AL01-01-), NEAR VEDA COMPLEX, NH-4, M H ROAD, CHITRADURGA - 572130
PH :9866550313.

DAVANGERE

913. SHRUTI MOTORS (S101-01-), NEAR PANCHDEVASTHANA, P. B. ROAD, DAVANGERE, KARNATAKA - 577004
PH :9880401284.

DAVANGERE

914. SHRUTI MOTORS (S101-02-), DOOR NO. 473/1, SURVEY NO. 18/1, BESIDE GMIT COLLEGE, OPP. M&M SHOWROOM, OLD P. B. ROAD, DAVANGERE, KARNATAKA - 577001
PH :9880401284.

DEVANAHALLI

915. BIMAL AUTO AGENCY INDIA PVT. LTD. (WH01-01-), SURVEY NO.241/1146, 11TH WARD, BB ROAD, DEVANAHALLI, BANGALORE DISTT. - 562110
PH :9742262514.

DHARWAD

916. REVANKAR MOTORS PVT. LTD. (BIX1-01-), SURVEY NO.1, PLOT NO. 10, OLD PB ROAD, OPP. KVG BANK, SAYDAPUR VILLAGE, DHARWAD, KARNATAKA - 580001
PH :8861006707.

DODDABALLAPUR

917. PRATHAM MOTORS PVT. LTD. (BUA1-01-), PLOT NO. 50, OBADENAHALLI INDUSTRIAL AREA, DODDABALLAPUR 3RD PHASE, SY. NO. 107, AREHALLI GUDDADAHALLI, KASABA HOBLI TALUK - DODDABALLAPUR, DISTRICT - BENGALURU RURAL. - 561203
PH :9886671687.

GADAG

918. RNS MOTORS (7301-0E-), PLOT NO. 64, DIAGONALLY OPP. REGIONAL TRANSPORT OFFICE, HUBLI GADAG MAIN ROAD, GADAG - 582103
PH :9538925602.

GANGAVATI

919. MUNEEER ENTERPRISES PVT. LTD. (N701-03-), JAGANMATHA COMPLEX, RAICHUR ROAD, GANGAVATI. - 583227
PH :9449870754.

GAURIBIDANUR

920. MANDОВI MOTORS PVT LTD. (BUY1-01-), NO 592/522, E DIVISION, OPP. PUSHPANUALI TALKIES, B.H. ROAD, GAURIBIDANUR TOWN, DISTT. CHIKBALLAPUR - 562120
PH :8217453513.

GOKAK

921. SHANTESHA MOTORS PVT. LTD. (IR01-01-), RS NO.106/3D/2A, APMC ROAD, GOKAK, BELGAUM DISTT. - 591307
PH :7829925760.

GONIKOPPAL

922. MANDОВI MOTORS PVT LTD. (2501-07-), KAIKERY VILLAGE, GONIKOPPAL., - 571213
PH :9900064873.

GUDBANDHA

923. BIMAL AUTO AGENCY INDIA PVT. LTD. (SGT1-01-), DOOR NO:160, 1ST WARD, OPP TO GOVERNMENT BUS STAND, BAGEPALLI ROAD, GUDIBANDA, CHICKABALLAPURA DISTRICT KARNATAKA. - 561209
PH :9742261903.

GULBARGA

924. LAHOTI MOTORS PVT. LTD (E902-01-), LAHOTI GARDENS NEAR KMF, HUMNABAD ROAD GULBARGA - 585104
PH :9490825014.

925. LAHOTI MOTORS PVT. LTD (E902-02-), DOOR NO. 7-12-11, 2ND BLOCK, OPP. GUNJI BUS STAND, HUMNABAD ROAD, GULBARGA, KARNATAKA. - 585104
PH :7619342035.

GUNDLUPET

926. KALYANI MOTORS PVT. LTD (BPU2-01-), ASSESSMENT NO. 2491/S. NO. 51/1, 2, 3, N.S. 11 AND ASSESSMENT NO. 2494/S. NO. 51/N.S. 11, MYSORE-OOTY ROAD, GUNDLUPET. - 571111
PH :9686855799.

HAGARIBOMMANAHALLI

927. MUNEEER ENTERPRISES PVT. LTD. (BUX1-01-), SITE NO.112A/2 & 112A/3, BLOCK NO.2, WARD NO.:3, HAGARIBOMMANAHALLI PANCHAYAT, BELLARY DISTRICT. - 583212
PH :9481343007.

HALIYAL

928. RNS MOTORS (SFM1-01-), SURVEY NO: 347P/27, DOOR NO:B1180/15 & B1180/16, HANUMAN COMPLEX, HALIYAL CIRCLE, MAIN ROAD, HALIYAL TOWN & TALUK, UTTARA KANNADA DISTRICT, KARNATAKA - 581329
PH :8284200200.

HARAHOLLI

929. SURAKSHA (SIH1-01-), SURVEY NO. 40/4, HOSAKOTE VILLAGE, HAROHALLI HOBLI, KANAKAPURA TALUK, RAMANAGARA. - 562112
PH :9449865608.

HASSAN

930. VENKAT MOTORS (C802-01-), NO. 326, HASSAN GROWTH CENTRE, H.N. PURA ROAD, HASSAN - 573201
PH :9844044038.

HAVERI

931. REVANKAR MOTORS PVT LTD (BBM1-01-), NEAR TMAE SOCIETY CAMPUS, IJARILAKAMAPUR, PB ROAD, HAVERI - 581110
PH :7022016903.

H-CROSS

932. BIMAL AUTO AGENCY INDIA PVT. LTD. (CRQ1-01-), PART NO.1, SITE NO.36, SBT COMPLEX, HOSKOTE-BANGALORE ROAD, KARIYANAPURA, H CROSS, SHIDLAGHATTA TALUK, BANGALORE RURAL DISTT. CHIKKABALLAPURA - 562122
PH :9738948126.

HEBRI

933. ABHARAN MOTORS PVT LTD (BGD1-01-), SURVEY NO. 61-7C1P1 & 61-2P1, VILLAGE & TALUK - HEBRI, KARKALA, DIST.-UDUPI, KARNATAKA. - 576112
PH :9900077605.

HEGGADAVEVANA KOTE (H D KOTE)

934. KALYANI MOTORS PVT. LTD (CJC2-01-), SURVEY NO. 5/4, VILLAGE - YARAHALLI, KASABA HOBLI, TALUK - H.D.KOTE, DISTRICT - MYSORE. - 571125
PH :966885799.

HESSARGHATA

935. BIMAL (SGN1-01-), SY NO 294/3, HESARGHATTA VILLAGE YELAHANKA TALUK, BENGALURU, KARNATAKA - 560088
PH :9743658662.

HOSDURGA

936. SAKETH AUTOMOBILES (BWO1-01-), ASSESSMENT NO. 9310/6, PLOT NO. 6, HOSADURGA TOWN, SARASWATI BADAVANE, HOSADURGA, DIST.-CHITRADURGA, KARNATAKA. - 577 527
PH :7625088946.

HOSKOTE

937. BIMAL AUTO AGENCY INDIA PVT. LTD. (216-05-), NO. 205/108, SITUATED AT HOSKOTE TALUK, KASABA HOSKOTE TOWN, DISTT.- BANGALORE - 562114
PH :9742281726.

HOSPET

938. MUNEEER ENTERPRISES PVT. LTD. (N701-01-), BELLARY ROAD, SANKLAPUR, HOSPET , - 583203
PH :7619505001.

HUBLI

939. RNS MOTORS (7301-01-), PUNE - BANGALOR ROAD, UNKAL, HUBLI - 580025
PH :9538965902.

940. RNS MOTORS (7301-0F-), GOKUL ROAD MUREDESHWAR BHAVAN, HUBLI - 580030
PH :8861208532.

941. REVANKAR MOTORS PVT. LTD. (7303-01-), CTS NO.165/A, WARD NO.III, DESHPANDE NAGAR, HUBLI (KARNATAKA) - 580029
PH :8792008301.

HUNSUR

Dealer Network (AS ON 31.10.2023)

942. KALYANI MOTORS PVT. LTD (GLI2-01-), M-18 & M-19, KSSID INDUSTRIAL ESTATE, BM BYPASS ROAD, HUNSUR, MYSORE DISTRICT, KARNATAKA - 571105 PH :7022669699.	KOPPAL 951. K.P.F. PVT. LTD. (ER01-01-), SL. 283/10, NEAR MINI VIDHAN SOUDHA, KOPPAL HOSPEPT ROAD NH63, KOPPAL - 583238 PH :9449876027.	960. KALYANI MOTORS PVT. LTD (QX02-01-), BASAPPA THEATRE BUILDING, DASAWAL ROAD, MADIKERI KODAGA DISTRICT. - 571201 PH :9606073867.	971. BHARATH AUTO CARS PVT. LTD. (4503-03-), BHARATH BEEDI COMPOUND, NEAR ALVAR'S HOSPITAL, MOODBIRI - 574227 PH :9886785430.
JEWARGI 943. LAHOTI (SLI1-01-), S. NO: 125, PLOT NO.7, FILTER BED ROAD, OPP. BUS DEPOT, JEWARGI, KALABURGI DISTRICT (FORMERLY GULABARGA), KARNATAKA-585310 - 585310 PH :9480825004.	KRISHNARAJANAGARA (KRNAGARA) 952. KALYANI MOTORS PVT. LTD (SCQ2-01-), NO.D, DORNAHALLI.DODDEKOPPALU GROMA PANCHAYAT,KASABA HOBOLI, KRISHNARAJANAGARA, MYSORE DISTRICT,KARNATAKA - 571602 PH :8971159430.	MAGADI 961. PRATHAM MOTORS PVT. LTD. (BHX1-01-), SY NO:92/2, THIRUMALAI VILLAGE, KASABA HOBLI, MAGADI TOWN & TALUK, RAMANAGARA DISTRICT, KARNATAKA - 562120 PH :9900058483.	MUDHOL 972. VIJAY MOTOWINGS (ET01-01-), PLOT NO. 3B, IN NARS NO. 15-2, WARD NO. 5, VISHWESHWAR COLONY, LOKAPUR ROAD, MUDHOL TOWN, BAGALKOT DIST. - 587 313 PH :9606046173.
KADABA 944. MANDОВI MOTORS PVT LTD. (BYE1-01-), SURVEY NO.-11/20, KALARA, KADABA POST, DAKSHIN KANNADA DISTT., KARNATAKA - 574221 PH :9740912365.	KRISHNARAJAPET 953. MANDОВI MOTORS PVT LTD. (BMP1-01-), KHATA NO.3094, SY. NO.278, MYSORE CHENNERAYAPATNA ROAD (OPP. TO K.B.C. FUEL STATION), KRISHARAJAPET TOWN, TALUK MANDYA DISTT. KARNATAKA - 571423 PH :9845132038.	MANCHENAHALLI 962. VARUN MOTORS (SRU1-01-), NO:1219,GOLAPPA COMPUND, MAHESHWARI CIRCLE, MANCHENAHALLI, GOWRIBIDANUR TALUK, CHIKKABALLAPUR DIST, KARNATAKA- 561211 - 561211 PH :9513979162.	MULKI 973. BHARATH AUTO CARS PVT. LTD. (4503-05-), BHARATH BEEDI COMPOUND, NH-17 MULKI - 574154 PH :9886020730.
KADUR 945. SHRUTI MOTORS (BQS1-01-), SHOP NO. 1 & 2, DAGA COMPLEX, ULUKINAKALLU, NEAR PEARLS CLUB, B. H. ROAD, KADUR, DISTRICT – CHIKMAGALUR. - 577548 PH :8904823736.	KUMTA 954. BHARATH AUTO CARS PVT. LTD. (AFA2-01-), MALLYA'S COMPOUND, NH-66, ALVEKODI KALBAGH VILLAGE, KUMTA (KARNATAKA) - 581334 PH :9448979530.	MANDYA 963. MANDОВI MOTORS PVT LTD. (2501-06-), 1660/A, KALLAHALLI EXTENSION, M.C. ROAD, - 571401 PH :9611165873.	MURUDESHWAR 974. RNS MOTORS (7301-02-), NH-17, MANGALORE-BOMBAY ROAD, MURUDESHWAR, KARNATAKA - 581350 PH :9538965969.
KANAKAPURA 946. KALYANI MOTORS PVT. LTD. (BXY1-01-), SURVEY NO. 447/1B, KASABA HOBILI, BUDIGUPPE GRAMA, TALUKA- KANAKAPURA, DISTRICT- RAMANAGARA, KARNATAKA. - 562117 PH :9900599933.	KUNDAPUR 955. ABHARAN MOTORS PVT LTD (G601-02-), NH-17, THAKKATTE, KUNDAPURA - 272877 PH :9880197524.	MANGALORE 964. MANDОВI MOTORS PVT LTD. (4502-01-), ARVIND BUILDING, BALMATTIA ROAD, HAMPANKATTA, MANGALORE - 575001 PH :9845107701.	MYSORE 975. MANDОВI MOTORS PVT LTD. (2501-01-), NO: 5 K.R.S.ROAD, MYSORE - 570005 PH :9945248860.
KARKALA 947. ABHARAN MOTORS PVT LTD (G601-03-), NH-13, MANGALORE KUDREMUKH ROAD, PULKERI, KARKALA - 574104 PH :9880232666.	KUNIGAL 956. SAKETH AUTOMOBILES (VQ01-01-), NEAR KRS AGRAHARA, BM ROAD, KUNIGAL, TUMKUR DISTRICT, KARNATAKA - 572130 PH :9886550127.	965. BHARATH AUTO CARS PVT. LTD. (4503-01-), NH-17, KUNTIKAN JUNCTION, DEREBAII, NEAR A.J. HOSPITAL, MANGALORE - 575004 PH :9886785730.	976. MANDОВI MOTORS PVT LTD. (2501-05-), NO: 182/145/C, BANNU ROAD, SIDHARTHANAGAR, MYSORE, KARNATAKA - 570011 PH :9845939936.
KARWAR 948. BHARATH AUTO CARS PVT. LTD. (8J01-01-), SURVEY NO. 459/2B, 456/2B AND 459/3, CHITTAKULA VILLAGE, KARWAR TALUKA, UTTARKANNADA DISTRICT, KARNATAKA. - 581301 PH :7829567400.	KUSHAL NAGAR 957. MANDОВI MOTORS PVT LTD. (VN01-01-), SY NO.88,MADAPATANAKUSHAL NAGAR,SOMVARPUR,NORTH KODAGU, KARNATAKA - 571234 PH :9900080893.	966. MANDОВI MOTORS PVT LTD. (4502-03-), NO., HASSAN GROWTH CENTRE,ADYAR,N.H. -4/8, MANGALORE - 575007 PH :9845514146.	977. KALYANI MOTORS PVT. LTD (2503-01-), MANATHAVADI ROAD, VIDYARANYA PURAM, MYSORE - 570008 PH :7259255558.
KITTUR BELGAUM 949. SHANTESHA (SFO1-01-), PLOT NO. 219, KITTUR INDUSTRIAL AREA (KIADB), POONA BANGALORE HIGHWAY (NH-4),KITTUR TOWN AND TALUK, BELGAUM DISTRICT, - 591115 PH :9731396808.	LINGASUGUR 958. MUNEEER ENTERPRISES PVT. LTD. (BOQ1-01-), PLOT NO. 11, BASAMMA COMPLEX, RAICHUR ROAD, LINGSUGUR, RAICHUR, KARNATAKA - 584122 PH :9480830255.	967. MANDОВI MOTORS PVT LTD. (4502-07-), BALLAL INDUSTRIAL ESTATE, YAYYADI, MANGALORE KARNATAKA - 575008 PH :9880079235.	978. MANDОВI MOTORS PVT LTD. (2501-08-), 217/2., HUNSUR ROAD, HINKAL POST, MYSORE, KARNATAKA - 570017 PH :9845939937.
KOLAR 950. MANDОВI MOTORS PVT LTD. (201-0F-), 67/3 BANGALORE-CHENNAI HIGHWAY, KONDARAJANA HALLI, OPP HOTEL SHANTHI SAGAR, KOLAR. - 563101 PH :9740020734.	MADDUR 959. MANDОВI MOTORS PVT LTD. (BMK1-01-), SURVEY NO 802/2A4B, NEAR SANJAY THEATRE, BM ROAD, MADDUR TOWN,MANDYA DISTRICT, KARNATAKA - 571428 PH :90080 31608.	969. MANDОВI MOTORS PVT LTD. (4502-08-), DOOR NO. 2-63/4, SUJITH BAGH LANE, YEYYADE, MANGALORE, DISTRICT – DAKSHINA KANNADA, KARNATAKA - 575008 PH :9880278077.	NAGAMANGALA 979. MANDОВI MOTORS PVT. LTD (SFK1-01-), SURVEY NO:3316/2327,VISHALAXAMMA COMPLEX, T B BADAVANE B M ROAD, NAGAMANGALA TOWN, MANGALA DISTRICT, KARNATAKA - 571432 PH :9845132038.
	MADIKERI	970. BHARATH AUTO CARS PVT. LTD. (4503-08-), S. NO. 1376/1-41, 1375/41-2-A1P1, 2A1P3, 1373/1-40, 1369/1-40-A2, KASABA BAZAR, KANDADAPALLI, KUDROLI, TALUK - MANGALORE, MANGALORE, KARNATAKA. - 575003 PH :9886785730.	NANJANGUD 980. KALYANI MOTORS PVT. LTD (BYK2-01-), 4340/4159/4, HULLAHALLI ROAD, NANJANGUD, DISTRICT – MYSORE, KARNATAKA. - 571301 PH :9686855799.
	MADIBIRI		NARASIMHARAJAPURA 981. SHRUTI MOTORS (SPP1-01-), SURVEY NO # SURVEY NO.173/P KOPPA ROAD, NAGALAPURA VILLAGE, NARASIMHARAJAPURA, CHIKMAGALUR DIST.,KARNATAKA - 577134 PH :8310187660.

NARAVI	990. VARUN MOTORS (SLE1-01-), SURVEY NO. 3/1, SITE NO. 6 , SINGANAYAKANAHALLI, RAJANKUNTE, BANGALORE NORTH TALUK, BANGALORE URBAN, KARNATAKA - 560064 PH :9513979162.	1000. RNS MOTORS LTD (MQ01-01-), SURVEY NO 43/B, LANDAKANALLI VILLAGE, DODNALLI GRAMA,SIRSI TALUK AND HOBALLI, UTTARA KANNADA, KARNATAKA - 581402 PH :9895979023.	1009. SHRUTI MOTORS (BQR1-01-), PLOT NO. 1507/2187, OPP. TO HEGDE PETROL PUMP, AGUMBRE ROAD, THIRTHAHALLI . - 577342 PH :7795851011.
982. MANDОВI MOTORS (SR51-01-), SURVEY NO:122/1B1, DOOR NO:4/59, SHRI CHAITHANYA , ARASAKATTE, NARAVI, BELTHANGADY TALUK, DAKSHINA KANNADA DIST, KARNATAKA- 574109. - 574109 PH :9740392005.	RAMANAGARAM	SIRSI	THOKOTU
NELAMANGALA	991. KALYANI MOTORS PVT. LTD. (211-02-), #K1318/2034C,OPP TO ROTARY HOSPITAL,BM ROAD, RAMNAGARAM - 571511 PH :9686689007.	1001. RNS MOTORS (7301-0D-), K H B COLONY, SIRSI - 581402 PH :9538925606.	1010. BHARATH AUTO CARS PVT. LTD. (QW01-01-), NH-66, KAPIKAD, ULLAL,THOKOTTU, DAKSHINA KANNADA DISTT. - 575017 PH :9538796330.
983. RNS MOTORS LIMITED (BBH1-01-), NO.167/2, TUMKUR ROAD, KASABA HOBLI, NH4, NELAMANGALA, BANGALORE RURAL DT., BENGALURU, KARNATAKA - 562123 PH :7259875385.	RANEENNUR	SIRUGUPPA	TIPTUR
NELYADI	992. REVANKAR MOTORS (BXV1-01-), SCHEDULE A-2, OPP. STJIT ENGINEERING COLLEGE, P B ROAD, RANEENUR, KARNATAKA. - 581115 PH :8830947883.	1002. MUNEER ENTERPRISES PVT. LTD. (CTN1-01-), SITE NO:31C/1B & PLOT NO.1, BELLARY - SIRUGUPPA MAIN ROAD, SIRUGUPPA TALUK, BELLARY DISTRICT. - 583121 PH :7619505001.	1011. SAKETH AUTOMOBILES (H101-03-), BANDIHALLI INDUSTRIAL ESTATE, N.H.:206, TIPTUR, KARNATAKA - 572201 PH :9945301023.
984. BHARATH AUTO CARS PVT. LTD. (BPF1-01-), SURVEY NO. 97/11P AND SURVEY NO. 97/9, VILLAGE - HOSAMAJALU KAUKRADY, POST - NELYADI, TALUK - PUTTUR, DIST.-DAKSHIN KANNADA - 574229 PH :9886072730.	SAGAR	SOMWARPET	TUMKUR
OORGAUMPET	993. SHRUTI MOTORS (WF01-01-), BESIDE H GANAPATHIYAPPA PETROL BUNK (BP), B H ROAD, NH-206, SAGAR, SHIMOGA DISTT. - 577401 PH :9740014703.	1003. MANDОВI MOTORS PVT LTD. (CSG1-01-), SURVEY NO.130 SITUATED AT MADIKERI ROAD, NAGROOR VILLAGE, BALAGUNDA POST, SOMWARPET TALUK, NORTH KODAGU DISTT. - 571236 PH :9845115665.	1012. SAKETH AUTOMOBILES (H101-01-), SIRA ROAD, TUMKUR - 572106 PH :9686550323.
985. BIMAL AUTO AGENCY (SRJ1-01-), SITE NO:10, NEW KATHA NO: 251, ROBERTSONPET, KGF, OORGAUMPET, KOLAR DIST, KARNATAKA- 563122 - 563122 PH :9513748707.	SAKLESHPUR	SRINIVASAPURA	UDUPI
PADUBIDRI	994. VENKAT MOTORS (BPW1-01-), SITE NO. 19, 3RD WARD, SARASWATHIPURAM, SAKLESHPUR TOWN, DISTRICT - HASSAN. - 573134 PH :7892809634.	1004. SURAKSHAA CAR CARE PVT. LTD. (BUR1-01-), SY NO. 40, VPRD NO. 86, PROPERTY NO. 84 & 87, CHALDIGANA HALLI GRAMA PANCHAYATH, PANNASAMAKANA HALLI VILLAGE, SRINIVASAPURA POST & TALUK, DIST.-KOLAR, KARNATAKA - 563 135 PH :9449865601.	1013. ABHARAN MOTORS PVT LTD (G601-01-), N.H. 17, NITTUR, UDUPI - 576103 PH :9880232999.
986. ABHARAN MOTORS PVT LTD (CSI1-01-), PLOT NO. 51/20, VILLAGE – PADUBETTU, PADUBIDRI TOWN, TALUKA & DISTRICT – UDUPI, KARNATAKA. - 574111 PH :9880232999.	SARJAPURA	1005. SURAKSHAA CAR CARE PVT. LTD. (BUR1-01-), SY NO. 40, VPRD NO. 86, PROPERTY NO. 84 & 87, CHALDIGANA HALLI GRAMA PANCHAYATH, PANNASAMAKANA HALLI VILLAGE, SRINIVASAPURA POST & TALUK, DIST.-KOLAR, KARNATAKA - 563 135 PH :9449865601.	1014. ABHARAN MOTORS PVT LTD (G601-05-), NO. 305/1C, DOOR NO. 5-51A, RAILWAY STATION ROAD, INDRALI, UDUPI, DISTT. - UDUPI. - 576101 PH :9686694341.
PERESANDRA	995. PRATHAM MOTORS PVT. LTD. (BSY1-01-), SURVEY NO. 476/3, SARJAPUR TOWN, TALUKA – ANEKAL, SARJAPUR HOBLI, DISTRICT – BANGALORE URBAN, KARNATAKA. - 562125 PH :7760962890.	SULLIYA	UJIRE
987. BIMAL AUTO AGENCY INDIA PVT. LTD (SMU1-01-), SURVEY NO # NO.39,NO:113, SAMRUDDHI NILAYA GROUND FLOOR, NH7, ARURU VILLAGE, PERESANDRA, CHIKKABALLAPUR DISTRICT, KARNATAKA- 562104 - 562104 PH :8660799820.	SHIMOGA	1005. MANDОВI MOTORS PVT LTD. (4502-04-), ODABAI SULLIA,MANGALORE MYSORE ROAD,KARNATAKA - 574239 PH :9900002325.	1015. BHARATH AUTO CARS PVT. LTD. (BWT1-01-), SURVEY NO.237-2B1, MANGALORE-CHARMADY ROAD, NEAR INDIAN OIL PETROL PUMP, SAMPIGE NAGAR, UJIRE, BELTHANGADY TALUKA, DISTT. DAKSHINA KANNADA, KARNATAKA. - 574240 PH :9886176130.
PUTTUR	996. SHRUTI MOTORS (B701-01-), K.NO 599, SHANKARMUTT ROAD, SHIMOGA - 577201 PH :9880401283.	SURATHKAL	UPPINANGADI
988. BHARATH AUTO CARS PVT. LTD. (4503-02-), NEAR RAILWAY STATION, HARADY, PUTTUR - 517583 PH :9886072730.	997. SHRUTI MOTORS (B701-03-), BLOCK L-1, INDUSTRIAL ESTATE, BEHIND HP PETROL BUNK, SAGAR ROAD, SHIMOGA. - 577204 PH :9886829239.	1006. MANDОВI MOTORS PVT LTD. (4502-02-), KANA ROAD, SURATHKAL - 574158 PH :9845514143.	1016. MANDОВI MOTORS PVT LTD. (4502-05-), NR.PADMA VIDYA IOC PETROL STATION-34, NEKKILADY, UPPINANGADY - 574241 PH :9740912365.
RAICHUR	998. SHRUTI MOTORS (B701-05-), SURVEY NO. 41/3 & 41/4, HONNALI ROAD, SHANTHI NAGAR, SHIMOGA. - 577201 PH :9986825115.	T. NARASIPURA	VIJAYPURA
989. MUNEER ENTERPRISES PVT. LTD. (N701-02-), #12-10-64,GUSHAL ROAD,SIYA TALAB AREA,RAICHUR - 584101 PH :9480830264.	SIDDAPUR	1007. MANDОВI MOTORS (SFL1-01-), KHATA NO:472/473/474, OPP TO SRI RAGHAVENDRA SWAMY MUTT, CHAMARAJANAGAR ROAD, T. NARASIPURA TOWN, MYSORE DISTRICT, KARNATAKA - 571124 PH :9845132038.	1017. BIMAL AUTO AGENCY (BTZ1-01-), DOOR NO 563, MARUTHI NAGAR, CHIKKABALLAPUR ROAD, VIJAYAPURA TOWN, DEVANAHALLI TALUK, BANGALORE RURAL DISTRICT KARNATAKA. - 562135 PH :8884433996.
RAJANUKUNTE	999. BHARATH AUTO CARS PVT. LTD. (BPY1-01-), SURVEY NO. 211, NEAR IOCL PETROL BUNK, JOG ROAD, VILLAGE – HOSUR, TALUK – SIDDAPUR, DISTRICT – UTTARA KANNADA. - 581355 PH :9449402730.	TEKAL	VITTAL
	SIRISI	1008. PRATHAM MOTORS PVT. LTD. (SUE1-01-), SURVEY NO: 12, NEAR NANJUNDESHWARA PETROL BUNK, MALUR ROAD, K G HALLI, TEKAL HOBLI, KOLAR DIST., KARNATAKA-563137 - 563137 PH :9900058466.	1018. MANDОВI MOTORS PVT LTD. (CCE1-01-), DOOR NO. 1-287 (9), JISHAN COMPLEX, VITTAL TOWN, TALUKA – BANTWAL, DISTRICT – DAKSHIN KANNADA - 574243 PH :9008810123.
		THIRTHAHALLI	YADGIR

Dealer Network (AS ON 31.10.2023)

1098. INDUS MOTOR COMPANY PRIVATE LIMITED (ZN01-01-), KATTAPPANA-IDUKKI KAVALA, BYE PASS ROAD, KATTAPPANA, IDUKKI (DIST.) - 685508
PH :9746743460.
1099. POPULAR VEHICLES (ZN02-01-), RE-SURVEY NO. 81/3, VILLAGE & TOWN - KATTAPPANA, TALUK & DIST.-IDUKKI, KERALA. - 685 515
PH :9746818407.
- KAYAMKULAM**
1100. INDUS MOTOR COMPANY PRIVATE LIMITED (2702-05-), KARIVILAKULANGARA, KAYAMKULAM P.O., ALAPPUZHA DISTT. - 690572
PH :9745998005.
1101. POPULAR VEHICLES & SERVICES LTD. (B802-03-), NH 47, KOTTUKULANGARA, KAYAMKULAM P.O., ALAPPUZHA DISTT. - 690502
PH :9946105601.
- KODUNGALLUR**
1102. SAI SERVICE PRIVATE LIMITED (2705-03-), NH-17,T.K.S.PURAM,,KODUNGALLOOR - 680667
PH :9645106571.
1103. INDUS MOTOR COMPANY PRIVATE LIMITED (8K02-01-), RE-SURVEY NO. 116/1-6, 116/2-5, BUILDING NO. 560/A, WARD NO. VII, AALA VILLAGE, (OLD VILLAGE-SREENARAYANAPURAM), KODUNGALLUR TALUK, MADHILAKOM SRO, SANTHIPURAM PO, THRISSUR DIST., KERALA - 680 008
PH :9747513444.
- KODUVALLY**
1104. A M MOTORS (BGX1-01-), SURVEY NO:91/9, 91/10,NALLANKADY, VAVAD POST, KODUVALLY, KOZHAIKODE DISTRICT, KERALA - 673572
PH :9895979023.
- KOLANCHERRY**
1105. SAI SERVICE (SJO1-01-), SURVEY NO.138/7, BLOCK NO. 47, WARD-8. KOLENCHERY TOWN, NH-85, AIKARANADU NORTH VILL., KUNNATHUNADU TALUK, ERNAKULAM DIST., KERALA-682311 - 682311
PH :7356605955.
- KOLLAM**
1106. SARATHY AUTO CARS (C701-01-), NH-47 BYE PASS,AYATHIL(P.O.),QUILON - 691017
PH :9744552265.
1107. POPULAR VEHICLES & SERVICES LTD (1601-04-), H & C COMPOUND, MUNDDACKAL, KOLLAM - 680006
PH :7594977550.
1108. INDUS MOTOR COMPANY PRIVATE LIMITED (1602-03-), OLD SARATHY THEATRE, PUNALLOOR ROAD, KOLLAM - 691005
PH :9745998004.
1109. SARATHY AUTO CARS (C701-13-), SURVEY NO. 431/13-42, NEAR SN PUBLIC SCHOOL, VADAKKEVILA, AYATHIL, KILLILLOOR PO, PUNTHALATHAZHAM-PALATHARA ROAD, KOLLAM, KERALA - 691004
PH :8606430765.
- KOLLAM/QUILON**
1110. SARATHY AUTO CARS (C701-08-), SURVEY NO. (SIDCO) 318/1, SHED NO. B12, UMAYANALLUR SIDCO INDUSTRIAL ESTATE, KOLLAM. - 691589
PH :9947127565.
1111. SARATHY AUTO CARS (C701-12-), BUILDING NO. 15/620, SURVEY NO. 234/1, 235/2, SITHARA JUNCTION, ADICHANALLOOR VILLAGE, KOTTIYAM PO, KOLLAM DIST., KERALA - 691571
PH :9847936165.
- KONDOTTY**
1112. INDUS MOTOR COMPANY PRIVATE LIMITED (ID02-01-), SURVEY NO. 16/1, BLOCK NO. 36 (OLD SURVEY NO. 100/1), NEDIYURUPPU VILLAGE, KONDOTTY PO, ERNAD TALUKA, MALAPURAM DISTRICT, KERALA - 683573
PH :9746743178.
- KOOTHATTUKULAM**
1113. SAI SERVICE PRIVATE LIMITED (VM01-01-), EDAPUTHUSSERY BUILDING, M.C. ROAD, OPP. MARYGIRI PUBLIC SCHOOL, KOOTHATHUKULAM P.O., ERNAKULAM DT. - 686662
PH :9645106258.
- KOPPAM**
1114. AM MOTORS (CUJ1-01-), SURVEY NOS: 3313/6, 3313/-10, NEAR SALAFIYYA TRAINING COLLEGE, PERINTHALMANNA-PATTAMBI ROAD, KARINGANDU, VILAVUR POST, KOPPAM, PALLAKKAD DIST., KERALA-679309 - 679309
PH :9048666635.
- KOTHAMANGALAM**
1115. POPULAR VEHICLES & SERVICES LTD. (2701-0B-), NEAR BSNL OFFICE, THANGALAM, KOTOHAMANGALAM, KERALA - 686691
PH :9846027990.
1116. INDUS MOTOR COMPANY PRIVATE LIMITED (7E01-03-), PALAKKADAN BUILDING,CHANKLAM,KOTHAMANGALAM - 686691
PH :9745998479.
- KOTTAKKAL**
1117. INDUS MOTOR COMPANY PRIVATE LIMITED (4701-09-), NEAR MATHRUBHUMI PRESS, P.O. KOTTAKKAL, MALAPPURAM DIST. - 676503
PH :9745998017.
1118. POPULAR VEHICLES & SERVICES LTD. (4702-03-), NH-17, CHANDAPARAMBU, ,RANBATHANI P.O, MALAPPURAM, KOTTAKAL - 676510
PH :9946104631.
- KOTTARAKARA**
1119. POPULAR (S801-02-), BUILDING NO. MP/207/49,20/426, 20/746, INCHAKADU, KALAYAPURAM VILLAGE, MYLOM, PANCHAYATH, KOTTARAKKARA TALUKA, KOLLAM DISTRICT, KERALA- 691560 - 691560
PH :8086073466.
- KOTTARKKARA**
1120. POPULAR VEHICLES & SERVICES LTD. (S801-01-), MYLOM, MC ROAD, KOTTARAKKARA, DISTT-KOLLAM, KERELE - 691531
PH :8086073466.
1121. SARATHY AUTO CARS (S802-01-), WARD NO.40, MELILLIA PANCHAYATH, IPPALLOOR LOWER KARIKAM, KOTTARKARA DISTT. KOLLAM (KERALA) - 691531
PH :9847423365.
1122. INDUS MOTOR COMPANY PRIVATE LIMITED (S804-01-), RE SURVEY NO.20773-2, KIZHAKKARA MURIYIL, KNS HOSPITAL JUNCTION, KOTTARAKKARA VILLAGE AND TALUKA, KOLLAM DISTT. - , 691531
PH :9747562299.
1123. INDUS MOTOR COMPANY PRIVATE LIMITED (S804-02-), RE-SURVEY NO.1413/4, 142/1-2,15-16,143/1-2,143/2,143/15-2,1 43/15-2-2, BEARING NOS. 25/36 & 38, KOTTARAKKARA VILLAGE, KOTTARAKKARA TALUK, KOLLAM DISTRICT, KERALA- 691506 - 691506
PH :9747562299.
- KOTTAYAM**
1124. AVG MOTORS LTD. (B801-01-), ERAYILKADAVU, KOTTAYAM - 686001
PH :7510982222.
1125. INDUS MOTOR COMPANY PRIVATE LIMITED (2702-04-), MULANKUZZHA JN., NATTAKOM P.O., KOTTAYAM, KERALA - 686013
PH :9745998148.
1126. POPULAR VEHICLES & SERVICES LTD. (B802-01-), NEAR ST. THOMAS CHURCH, S.H. MOUNT, P.O. KOTTAYAM - 686006
PH :8086073454.
1127. INDUS MOTOR COMPANY PRIVATE LIMITED (2702-0C-), MANIPPUZZHA, NATTAKOM P.O.,KOTTAYAM - 686013
PH :9745998007 .
- KOZHENCHERRY**
1128. AVG MOTORS LTD. (W801-03-), KOZHENCHERRY, COLLEGE JUNCTION, DISTRICT- PATHANAMTHITTA. - 689641
PH :9446092995.
- KUNNAMKULAM**
1129. POPULAR VEHICLES & SERVICES LTD. (2701-07-), CHOONDAL,TRISSUR ROAD, KUNNAMKULAM, TRISSUR DIST - 680502
PH :9946105695.
- LAKKIDI PERUR**
1130. A M MOTORS (CER1-01-), 217/7, 217/2, 278/2, 278/1, PALAPPURAM, P.O. OTTAPPALAM, LEKKIDI PERUR DISTT. PALAKKAD. - 679302
PH :8086305555.
- MALAPURAM**
1131. A M MOTORS (E601-01-), VARANGODE, DOWNHILL, MALAPURAM, - 676519
PH :9895705325.
- MALLAPALLY**
1132. INDUS MOTOR COMPANY PRIVATE LIMITED (I201-01-), THOPPIL COMPLEX, MALLAPPALLY KOTTAYAM RD, MALLAPPALLY WEST, MALLAPPALLY (KERALA) - 689585
PH :9747541400.
- MANATHAVADY**
1133. INDUS MOTOR COMPANY PRIVATE LIMITED (IE02-01-), SURVEY NO. 1/2A1, A1, B1, RY 1/210, 1/99, MYSORE ROAD, CHETTAPALAM, MANATHAVADY CITY & TALUK, WYANAD DIST., KERALA - 670645
PH :9745997002.
- MANJERI**
1134. A M MOTORS (E601-05-), THURAKKAL BYEPASS, MANJERI, MALAPPURAM, KERALA - 676121
PH :9895756035.
1135. KVR AUTOCARS PVT LTD (8V02-01-), CH BYE PASS ROAD, MANJERI, MALAPPURAM, KERALA - 676123
PH :9747020901.
1136. POPULAR VEHICLES & SERVICES LTD. (4702-0E-), NARUKARA VILLAGE, RAJIV GANDHI BYEPASS JN., THURUKKAL, MANJERI (KERALA) - 676121
PH :8589992406.
- MANNARKAD**
1137. A M MOTORS (E601-07-), NH-213, MANNARKAD, DIST.-PALAKKAD - 678582
PH :9895979048.
1138. INDUS MOTOR COMPANY PRIVATE LIMITED (2702-0K-), ANAKATTY ROAD, AANDIPPADAM, NELLIPPUZZHA-P.O. MANNARKAD,KERALA - 678583
PH :9745995946.
- MAVELIKARA**

INDORE			
1299. PATEL MOTORS (INDORE) PVT. LTD. (5303-01-), 428/3/3, NIRANJANPUR, A B ROAD, INDORE - 452010 PH :99777-03609/99777-03512.	1312. KTL AUTOMOBILES (5309-C1-), PLOT NO.5/R.C, SCHEME NO 134, MR 10, VILLAGE KHAJRANA, DIST INDORE-452010, MADHYA PRADESH - 452010 PH :6263455899.	1322. PATEL MOTORS (INDORE) PVT. LTD. (AAR1-01-), INDORE AHMEDABAD ROAD, MEGHNAGAR NAKA, JHABUA ,MADHYA PRADESH. - 457661 PH :9826634449.	1332. KAMTHI MOTORS LLP (SCL1-01-), RANI DURGAVATI CHOWK, NH-7, WARD NO. - 05, JABALPUR ROAD, LAKHNADOD, MADHYA PRADESH. - 480886 PH :9265560128.
1300. RUKMANI MOTORS (P) LTD (5304-01-), 2-3, A.B. ROAD, INDORE - 452001 PH :99071-57890/90390-88702.	1313. RUKMANI MOTORS (P) LTD-C4 (5304-05-), 109, BHAWRASLA NEAR PRATAP AUTO. FRONT OF VINAYAK TOL KANTE, SANWER ROAD, INDORE, PIN-453111, MADHYA PRADESH - 453111 PH :9109978301.	JOBAT	MAHESHWAR
1301. PATEL MOTORS (INDORE) PVT. LTD. (5303-02-), 176/1, PIPLYA RAJ A.B. ROAD, INDORE - 452017 PH :9977-03512/99777-03280.	JABALPUR	1323. RUKMANI MOTORS (SOA1-01-), BYEPASS ROAD, OPPOSITE JP COLLEGE, JOBAT, MP - 457990. - 457990 PH :6202505181.	1333. NIMAR MOTORS (SHH1-01-), OPPOSITE DEVRAJ HOTEL, MAIN MANDLESHWAR-DHAMNOD ROAD, MAHESHWAR, MP - 451224 PH :9669569504.
1302. RUKMANI MOTORS (P) LTD (5304-03-), NO. -4/5, MANORAMA GANJ, INDORE - 452001 PH :99071-57890/90390-88702.	1314. STANDARD MOTOCORP PVT LTD (5405-01-), OPPOSITE ALLAHABAD BANK, DELITE TALKIES ROAD, CIVIL LINES, JABALPUR - 482001 PH :4040405 / 4040406 07771003012 07771003374.	KARERA	MAHIDPUR
1303. OCEAN MOTORS PVT. LTD. (5306-01-), PLOT NO.49, SCHEME NO.97, PART 4, COMMERCIAL MANDI, CAIT SQUARE, RING ROAD, INDORE, MP. - 452001 PH :6627500, 6627505.	1315. SHUBH MOTORS (5403-01-), MAHANADDA, MADAN MAHAL ROAD, JABALPUR, MADHYAPRADESH - 482001 PH :9755545540.	1324. PREM MOTORS (SMO1-01-), GRAM - JHASI ROAD, KARERA, DISTRICT - SHIVPURI, MADHYA PRADESH - 473660. - 473660 PH :9926823596.	1334. YUG CARS (A UNIT OF RUKMARANI CARS INDORE PVT. LTD) (CWN1-01-), 264/3, BHIMAKHEDA, MAHIDPUR, UJJAIN - 456443 PH :9109130402.
1304. OCEAN MOTORS PVT. LTD. (5306-02-), NEAR QUEENS COLLEGE, ASHARAM BAPU ASHRAM, KHANDWA ROAD, INDORE - 452017 PH :6617505, 2877505.	1316. STANDARD MOTOCORP PVT LTD (5405-02-), DEENDAYAL CHECK, DAMOH NAKA, JABALPUR - 482002 PH :4038001 9301190205 7771006920.	KATNI	MAIHAR
1305. PATEL MOTORS (INDORE) PVT. LTD. (5303-03-), M.O.G. LINES, NEAR GANGWAL BUS STAND, DHAR ROAD, INDORE (M.P.) - 452006 PH :7314293919.	1317. SHUBH MOTORS PVT LTD (5403-03-), 156/5/1, 156/3KA, 156/3KHA, 156/3GHA, BEHIND OM PETROLEUM, ADHARTAL TIRAHA, JABALPUR, MADHYA PRADESH - 482002 PH :9755595496.	1325. SHUBH MOTORS PVT LTD (FK01-01-), KHASRA NO.850, NH-7, JHINIJARI, INFRONT OF POLICE STATION, JABALPUR ROAD, KATNI, MADHYA PRADESH. - 483501 PH :9755515839.	1335. CITY CARS (UNIT OF AGARWAL WHEELS) (D702-04-), UNIT OF AGARWAL WHEELS PVT. LTD., NEAR RELIANCE PETROL PUMP, NH-7, REVVA ROAD, MAIHAR (M.P.) - 485771 PH :7354252525.
1306. OCEAN MOTORS PVT. LTD. (5306-03-), 171A, 174A, 175A, 180A, 181A, 82A, 182A, BRAJESHWARI EXTENSION, PIPLIYAHANA, INDORE - 452001 PH :9685333331, 7389936451.	1318. STANDARD MOTOCORP PVT LTD (5405-03-), CHIMNEY PLOT, MADAN MAHAL, NEAR GULZAR HOTEL, JABALPUR - 482001 PH :9303568517 9300008708.	KHANDWA	MAJHAULI
1307. KATHED MOTOCORP(A UNIT OF KATHED MOTORS PVT. LTD.) (5307-01-), PLOT NO. 483/2/2, MAIN DHAR ROAD, NEAR CHANDAN NAGAR POLICE STATION, INDORE, MADHYA PRADESH. - 452002 PH :7471111132.	1319. MAA GAYTRI (AGGARWAL) (5404-01-), MOUZA KARMETA N.B. 497, P.H. NO 23/26, KHASRA NO. 497 & DIV. KHASRA NO. 484/6, DIV. SHEET NO 2, PLOT NO 63/1, JABALPUR-PATAN ROAD, JABALPUR. - 482002 PH :7489901021.	1326. NIMAR MOTORS PVT. LTD. (AU01-03-), BEFORE VIKAS UDYOG, INDORE ROAD, KHANDWA - 450001 PH :9575105697, 9669569496.	1336. CITY CARS (SPN1-01-), WARD NUMBER 14, NAGAR PARISAD MAJHAULI, DIST. SIDHI (M.P.) - 486666. - 486666 PH :7970003171.
1308. RANA MOTORS (5308-01-), KHASRA NO. 293/2, 299/1, TEJJPUR, GADBADI PUL, A.B. ROAD, INDORE. - 452009 PH :9109975566.	1320. STANDARD MOTOCORP PVT LTD (5405-04-), NEW WARD NO. 71, IN FRONT OF ORIENTAL COLLEGE, KATNI BYPASS, JABALPUR, MP. - 452003 PH :7800806222 9303568517.	KHARGONE	MAJHOLI
1309. PATEL MOTORS (INDORE) PVT. LTD. (5303-05-), SURVEY NO. 174/5 AND 174/6, PIPLIYA RAO, INDORE, MADHYA PRADESH. - 452012 PH :99777-03512/99777-03260.	JAORA	1327. NIMAR MOTORS PVT. LTD. (AU01-01-), JETAPUR, SANAWAD ROAD, KHARGAONE, - 462026 PH :9669569504, 9669569496.	1337. SHUBH MOTORS (STJ1-01-), INDRANA ROAD, SUHAJINI TIRAHA, MAJHOLI, MADHYA PRADESH - 483336 PH :911155580.
1310. RUKMANI MOTORS (P) LTD (5304-04-), MANGAL COMPOUND, GODOWN NO. 11-12, VILLAGE 15/1, PIPLYA KUMAR, MR 11 RING ROAD, DEWAS NAKA, INDORE, MADHYA PRADESH. - 452010 PH :99071-57890/90390-88702.	1321. PATEL MOTORS (INDORE) PVT. LTD. (P801-04-), SURVEY NO.57/11/1, RATLAM ROAD, RATLAM NAKA, OPP. KOTHARI AGRICO, INDUSTRIAL AREA, INFRONT OF ST. PAUL SCHOOL, JAORA, DISTT. RATLAM, MADHYA PRADESH - 457226 PH :243399, 7089901505, 9926932221.	1328. NIMAR MOTORS PVT. LTD. (AU01-06-), PH. NO. 35, VILLAGE - DANAPUR, TEHSIL - KHARGONE, DISTRICT - KHARGONE, MADHYA PRADESH. - 451001 PH :7694011436, 9669569496.	MANASA
1311. OCEAN MOTORS PVT. LTD. (5306-04-), PLOT NO. 142 AND 151, SCHEME NO. 97, PART-4, COMMERCIAL MANDI, NEAR CAT SQUARE, INDORE. - 452012 PH :7389936405.	JHABUA	1329. UNITARA (BXB2-01-), NEMAWAR-INDORE ROAD, KHATEGAON, M.P. - 455336 - 455336 PH :9993406993.	1338. PATEL MOTORS (INDORE) PVT. LTD. (BZX1-01-), 982/1, RAMPURA ROAD, MANASA, DIST. NEEMUCHI, MADHYA PRADESH. - 458110 PH :9644405368.
		KOTMA	MANAWAR
		1330. SHUBH MOTORS (DO01-01-), WARD NO.7, ANNUPPUR KOTMA ROAD, DISTT. ANNUPUR, KOTMA (M.P.) - 484336 PH :9755581441.	1339. OCEAN MOTORS PVT. LTD. (BVS1-01-), NEAR SHANTIKUNJ COLONY, INDORE-MANAWAR MAIN ROAD, TEHSIL - MANAWAR, DISTRICT - DHAR. - 454335 PH :7389936477.
		KUKSHI	MANDLA
		1331. OCEAN MOTORS PVT. LTD. (BIO1-01-), SURVEY NO.593/5/1, 593/6/1, BARWANI ROAD, TOLL KANTE KE PASS, TEHSIL-KUKSHI - 454331 PH :9009780030, 7389945443, 8085999990.	1340. STANDARD MOTOCORP PVT LTD (WD02-01-), KATARA ROAD, MANDLA, DIST. MANDLA MP - 481661 PH :260600, 260622 9301090184 8959280899.
		LAKHNADON	MANDSAUR

Dealer Network (AS ON 31.10.2023)

1341. PATEL MOTORS (INDORE) PVT. LTD. (WC01-01-1), NEAR SHIVANA BRIDGE,RATLAM MANDSAUR ROAD,MANDSAUR - 458001 PH :07422-400450, 220372.	1350. JEEWAN MOTORS PVT. LTD. (CIN1-01-), KHASRA NO. 458, VILLAGE – RALA, TEHSIL – NASRULLAGANJ, DISTRICT – SEHORE, MADHYA PRADESH. - 466331 PH :9826017799, 8959900110.	1359. INFINITY CARS (A UNIT OF FOUZDAR CARS PVT. LTD) (CGB1-01-), HATHWA TIRAHA, SHOBHAPUR ROAD, PIPARIYA, MADHYA PRADESH. - 461775 PH :8889285555, 8889282222.	1370. RANA MOTORS PVT LTD (CWX1-01-), S.NO. 356/3/1, OLD UJJAIN BYPASS ROAD, TALUKA SANWER, DIST.-INDORE, MADHYA PRADESH. - 453551 PH :9109975566.
1342. PATEL MOTORS (INDORE) PVT. LTD. (WC01-02-), BLOCK 'C', SHED-5, WARD NO. 1, INDUSTRIAL AREA, CITY - MANDSAUR, MADHYA PRADESH. - 458001 PH :07422-400450, 220372.	NEEMUCH 1351. PATEL MOTORS (INDORE) PVT. LTD. (P801-02-), MHOW-NEEMUCH ROAD,NEEMUCH(MP), - 458441 PH :9977703907.	PITHAMPUR 1360. PATEL MOTORS (INDORE) PVT. LTD. (5303-04-), 254-A, SECTOR-1, INDUSTRIAL AREA, PITHAMPUR, DIST.T. DHAR - 454775 PH :9826360699.	SATNA 1371. CITY CARS (UNIT OF AGARWAL WHEELS) (D702-05-), (A UNIT OF AGRAWAL WHEELS PVT. LTD.), BESIDE BHASKAR PRESS, BEHIND MARUTI SHOWROOM, WARD NO.27, AMOUDHA KALA, PANNA ROAD, SATNA - 485001 PH :9754301199, 7354252525.
MANPUR 1343. PATEL MOTORS (INDORE) PVT. LTD. (BRL1-01-), KHASRA NO. 302/1/3, AB ROAD, MANPUR, DIST-INDORE - 453661 PH :9826360699.	NIWARI 1352. ADINATH MOTORS (SFC1-01-), ATKHASRA NO 2017/11, NEAR HDFC BANK MAIN ROAD, NIWARI, MADHYA PRADESH -472442. - 472442 PH :9009787562.	RAISEN 1361. RAJRUP MOTORS (RF03-01-), OPPOSITE S P OFFICE, NEAR ST. FRANCIS SCHOOL, VIDISHA ROAD, RAISEN, MADHYA PRADESH. - 464551 PH :7869755501.	SAUSAR 1372. KAMTHI MOTORS (SRX1-01-), BESIDE SAUSAR COTTON INDUSTRIES, CIVIL LINE, NAGPUR-CHHINDWARA ROAD, SAUSAR, DIST-CHHINDWARA, M.P. - 480106. - 480106 PH :9111535777.
MAUGANJ 1344. CITY CARS (SEY1-01-), NEAR SENGAR PETROL PUMP, CHACK MODE WARD NUMBER 03,NH 7, MAUGANJ, DISTT – REWA, MADHYA PRADESH – 486331. - 486331 PH :975301199.	PANDHURNA 1353. KAMTHI MOTORS (SFG1-01-), SHANKAR NAGAR, PANDHURNA, DIST. - CHHINDWARA, MADHYA PRADESH - 480334. - 480334 PH :9111535777.	1362. JEEWAN MOTORS (RF02-01-), WARD NO 14, PATANDEV, SAGAR ROAD, RAISEN, MADHYA PRADESH - 464551 PH :9826017799.	SEHORE 1373. JEEWAN MOTORS PVT. LTD. (302-02-), 869/1/2, OFFICERS COLONY, IN FRONT OF CHURCH GROUND, BHOPAL, INDORE ROAD - 466001 PH :2226400 9926009735.
MHOW 1345. OCEAN MOTORS PVT. LTD. (WA01-01-), A.B. ROAD, NEAR KISANGANJ POLICE STATION, MHOW - 453441 PH :7389936478, 266211.	PANNA 1354. CITY CARS (UNIT OF AGARWAL WHEELS) (EQ01-01-), KHASRA NO. 378, MOHAN RAJ VILAS CHOURAHA, BESIDE MOHAN RAJ HOTEL, CIVIL LINE NH-75, PANNA, MADHYA PRADESH . - 488001 PH :7354252525.	RAJGARH 1363. RUKMANI MOTORS (P) LTD (GKE1-01-), CHANDRA SHEKHAR AZAD MARG, NEAR TRIMURTI NAGAR, RAJGARH, DIST. - DHAR, MP. - 454116 PH :9755549200.	SENDHWA 1374. NIMAR MOTORS PVT. LTD. (CIH1-01-), KHASRA NO. 286/10 AND 287/14, HALKA NO. 11, VARLA ROAD, SENDHWA, TEHSIL – SENDHWA, DISTRICT – BARWANJI, MADHYA PRADESH. - 451666 PH :7694011408, 9669569496.
MORENA 1346. PREM MOTORS PVT. LTD. (RG01-01-), NEAR SALES TAX BARRIER SQUARE, AB ROAD MORENA - 476001 PH :992600279.	PARASIA 1355. KAMTHI MOTORS LLP (GKF1-01-), KHIRSADOHMAL, PARASIA, CHHINDWARA. MP - 480441 PH :9285506109.	RATLAM 1364. PATEL MOTORS (INDORE) PVT. LTD. (P801-01-), 76 C,D&E, INDUSTRIAL AREA, RATLAM - 452001 PH :99269-32221/93404-31858.	SEONI 1375. KUNAL MOTORS (U501-05-), JYARAT NAKA, JABALPUR NAGPUR ROAD, SEONI (M.P.) - 480661 PH :8349999269.
NAGDA 1347. YUG CARS (A UNIT OF RUKMARANI CARS INDORE PVT. LTD) (CHR2-01-), PLOT NO. 17, STATE HIGHWAY NO.17, INDORIYA ROAD, NAGDA, DISTRICT – UJJAIN, MADHYA PRADESH. - 456335 PH :9755044300/9755512100.	PATAN 1356. MAA GAYATRI (SHP1-01-), BESIDE KRISHI UPAJ MANDI, PATAN, PIN-483119, MADHYA PRADESH - 483119 PH :9770415141.	1365. PATEL MOTORS (INDORE) PVT. LTD. (P801-03-), 181/17/18, DOSHI GOAN, INDUSTRIAL AREA JAORA ROAD, RATLAM - 457001 PH :99269-32221/93404-31858.	SEONI MALWA 1376. INFINITY (SRW1-01-), NEAR AXIS BANK, SEONI MALWA, MP - 481223 - 461223 PH :8889281113.
NARAYANGARH 1348. PATEL MOTORS (SFN1-01-), 1742/11, NARAYANGARH, TEHSIL - MALHARGARH, DISTRICT- MANDSAUR, MADHYA PRADESH. - 458553 PH :9977703907.	PAWAI 1357. CITY CARS (UNIT OF AGARWAL WHEELS) (SIX1-01-), NEAR ETORI PETROL PUMP, PANNA ROAD, PAWAI, DIST. – PANNA, MP- 488446 - 488446 PH :9754301199.	REWA 1366. CITY CARS (UNIT OF AGARWAL WHEELS) (D702-03-), NYPASS CHURHATA, DIST. REWA - 482001 PH :7354252525.	SHADOL 1377. SHUBH MOTORS (MF01-01), JAMUA, NEAR GYAN GUPTA, BUDHAR ROAD, SHAHDOL, - 484771 PH :9755595423.
NARSINGHPUR 1349. STANDARD MOTOCORP PVT LTD (BB02-01-), KH. NO. 82/44 & 83/44, NB NO.519, PC NO. 19(42), OLD 46 (NEW) MOUZA RONRSRA R.I.M. 2, TEHSIL & DISTRICT – NARSINGHPUR, MADHYA PRADESH. - 487001 PH :232757 9303513711.	PETLAWAD 1358. PATEL MOTORS (INDORE) PVT. LTD. (CJ1D1-01-), NEAR H. P. PETROL PUMP, THANDLA ROAD, PETLAWAD, DISTRICT – JHABUA, MADHYA PRADESH. - 457773 PH :9111160868.	SADALPUR 1368. OCEAN MOTORS (SPS1-01-), JAIN SHRI SUPER MARKET, SERVICE ROAD, MHOW- NEEMUCH ROAD, SADALPUR, DISTRICT DHAR (M.P.) - 454001. - 454001 PH :7389936423.	SHAHPURA 1378. STANDARD MOTOCORP PVT LTD (CRD2-01-), KHASARA NO.1723, BHERAV MATA MANDIR NEAR TOLL NAKA MAIN ROAD, JABALPUR NARSINGHPUR ROAD, SHAHPURA. - 483119 PH :7771000392.
NASRULLAGANJ	PIPARIYA	SAGAR 1369. ADINATH CARS PRIVATE LIMITED (G102-01-), STATION ROAD, TILAK GANJ, SAGAR (M.P.) - 470001 PH :9009780030.	SHAJAPUR
		SANWER	

Dealer Network (AS ON 31.10.2023)

1418. PAGARIYA AUTO PVT. LTD. (2103-01-), OPP. OLD HIGH COURT, NEAR HOTEL ASHOKA EXECUTIVE, JALANA ROAD, AURANGABAD - 431005 PH :02406659902.	BHIGWAN 1428. MAHALAXMI AUTO (SMP1-01-), GAT NUMBER-342, NEXT TO HOTEL SAGAR, PUNE-SOLAPUR HIGHWAY, BHIGWAN - 413130. - 413130 PH :9922979653.	CHIPLUN 1438. JAGRUT MOTORS PVT LTD (9A01-01-), SURVEY NO-543, NH-17, MUMBAI-GOA HIGHWAY, AT-KALAMBASTE, TAL-CHIPLUN, DIST-RATNAGIRI, MAHARASHTRA - 415605 PH :7083687172/8308917693.	1447. ARYA CARS (UNIT OF BARBATE AUTOMOTIVE (I) PVT. LTD) (ZK02-01-), PLOT NO. 10, GANESH NAGAR, MUL ROAD, GADCHIROLI , MAHARASHTRA - 442702 PH :8669929188.
1419. AUTOMOTIVE MANUFACTURERS PVT. LTD. (2102-03-), C-27,MIDC, CHIKALTHANA , N/R LUPIN LABORATORIES, AURANGABAD, MAHARASHTRA - 431006 PH :9158000059.	BHOR 1429. SEHGAL AUTORIDERS PVT. LTD. (BSV1-01-), GUT NO. 929/1, UTTROLI, BHOR, TALUKA - BHOR, DISTRICT - PUNE, MAHARASHTRA. - 412206 PH :9527771016.	CHOUK 1439. SIMRAN MOTORS (SNK1-01-), SIMRAN MOTORS PVT LTD STOCKYARD , AT WAVANDAL ,SURVEY NO- 62/2A POST- CHOWK, NEAR ARUN HOTEL ,MUMBAI-PUNE HIGHWAY, TALUKA - KHALAPUR, DISTRICT - RAIGAD - 412026 PH :8691988895.	GADINGLAJ 1448. SAI SERVICE PRIVATE LIMITED (3802-04-), 581/7B, PLOH NO-12, SANKESHWAR ROAD, OPP. HOTEL NEELKAMAL, TAL. GADINGLAJ - 416502 PH :92327-222239.
1420. PAGARIYA AUTO PVT. LTD. (2103-05-), GAT NO. 46, PLOT NO. 50, NEAR MASTER COOK RESTAURANT (KAILASH HOTEL) BEED BYPASS ROAD, AURANGABAD, MAHARASHTRA - 431005 PH :9860999484/9860999468.	BHUSAWAL 1430. MANRAJ AUTO (C401-02-), NATIONAL HIGHWAY 6, NEAR KHADKA ROAD CROSSING, BHUSAWAL 425201. - 425201 PH :9422867242.	DAHANU 1440. SAI SERVICE PRIVATE LIMITED (V901-03-), DAHANU-JAWAHAR ROAD, DAHANU(E), TAL-DAHANU, DIST. TAHNE - 401602 PH :9730302821/9167980005/9594952211.	GONDIA 1449. ARYA CARS (UNIT OF BARBATE AUTOMOTIVE (I) PVT. LTD) (2004-02-), ITI ROAD,NR. FULCHUR NAKA,OPP LAXMI FLOUR MILL,GONDIA - 441601 PH :8888837023/8888859487.
1421. PAGARIYA AUTO PVT. LTD. (2103-06-), PLOT NO A-35 MIDC, NEAR MAIN RAILWAY STATION, AURANGABAD - 431001 PH :8408886768/7387279311.	BOISAR 1431. SHIVAM AUTO ZONE (ES02-01-), PLOT NO. J-240, MIDC ROAD, BOISAR, TARAPUR INDUSTRIAL, MUMBAI, PIN-401501, MAHARASHTRA - 401501 PH :8082551155.	DAPOLI 1441. JAGRUT MOTORS PVT LTD (G301-06-), AT/POST-DAPOLI, DAPOLI-KHED ROAD,DAPOLI.DIST RATANAGIRI. - 415712 PH :8308816572/7447752372.	1450. ARYA CARS (UNIT OF BARBATE AUTOMOTIVE (I) PVT. LTD) (2004-03-), ITI KAWLEWADA ROAD, NEAR HIMGIRI LAYOUT, KARANJA, GONDIA, MAHARASHTRA. - 441 601 PH :8888837023/8888859487.
BADLAPUR 1422. PRAKASH AUTO PVT. LTD. (9001-01-), SHOP NO. 2, S. NO. 16, PLOT NO. 25 & 26, KRISHNA WATER SUPPLY, OPP. INDIAN OIL PETROL PUMP, MIDC ROAD, KATRAP, BADLAPUR (EAST) - 421503 PH :8655791288/9870453155.	BRAMHAPURI 1432. TRISTAR CARS PVT LTD (H302-02-), 165, NAVEGAON, NEAR VIDYANIKETAN SCHOLL, WADSA ROAD, BRAHPURI, DIST: CHANDARPUR, MAHARASHTRA - 441206 PH :7745883000.	DHAMANGAON 1442. ASPA (SFZ1-01-), RAMDEVBABA NAGAR, ANJANISINGH ROAD, DHAMANGAON RAILWAY, DIST- AMRAVATI - 444709 PH :8590333558.	GUHAGAR 1451. JAGRUT MOTORS PVT LTD (BJV1-01-), SURVEY NO. 23A, SHRUNGAL Tali, GUHAGAR-CHIPLUN ROAD, GUHAGAR, RATNAGIRI, MAHARASHTRA - 415703 PH :7218548798/7447752072.
BALLARPUR 1423. TRISTAR CARS (H302-04-), PLOT NO.11, BEHIND ZAWERI PETROL PUMP, NEAR GURU NANAK COLLEGE, ALLAPALLI ROAD, BAMINI, TAH. BALLARPUR - DIST. - 442701 PH :7447473304.	BULDHANA 1433. MANRAJ MOTORS PVT LTD (COU1-01-), GAT NO. 94, PLOT NO. 11, SUNDERKHED, BULDHANA, MAHARASHTRA. - 443 001 PH :7875051521.	DHULE 1443. SEVA AUTOMOTIVE LTD. (P301-01-), GATE NO. 90,AWADHAN,MUMBAI AGRA ROAD,DHULE - 424001 PH :02562-281128/29.	HINGANGHAT 1452. SEVA AUTOMOTIVE PVT. LTD. (CDZ1-01-), PLOT NO. P-1, HINGANGHAT INDUSTRIAL AREA, NH-7, AJANTI, HINGANGHAT, TALUK - HINGANGHAT, DISTRICT - WARDHA, MAHARASHTRA. - 442301 PH :7722067843.
BARAMATI 1424. MAHALAXMI AUTOMOTIVES PVT. LTD. (7R01-01-), BARAMATI- PHALTAN RD., KASBA, BARAMATI, DIST. PUNE - 413102 PH :9881370310.	CHALISGAON 1434. MANRAJ MOTORS PVT LTD (AAE1-01-), SL. NO 406, PLOT NO. 2, NEAR HOTEL RANI PARK, DHULE ROAD, CHALISGAON, DIST: JALGAON, MAHARASHTRA. - 424101 PH :8408889861.	DINDORI 1444. AUTOMOTIVE MANUFACTURERS PVT. LTD. (AAF1-01-), S.NO.753, NEAR PANDAV PETROL PUMP,NASIK DINDORI ROAD, TAL. DINDORI, DISTT. NASIK - 422202 PH :9673000822.	HINGOLI 1453. PAGARIYA AUTO PVT. LTD. (IF03-01-), PLOT NO.5,7 & 8, SURVEY NO.29/2, AKOLA BY PASS ROAD, HINGOLI. - 431513 PH :8411961177.
BARSHI 1425. CHAVAN MOTORS DIVISION INDIA PVT LTD (BBA1-01-), GAT NO.1407/1, LATUR ROAD, NEAR ESSAR PETROL PUMP, BARSHI. - 413401 PH :0217-229666/8378983726.	CHANDGAD 1435. SAI SERVICE PRIVATE LIMITED (BTF1-01-), GAT NO.360, G.P.M NO.157, A/P HALKARNI TALUKA CHANDGAD, DISTT. KOLHAPUR, MAHARASHTRA. - 416507 PH :9673339103.	DOMBIVALI 1445. AUTOMOTIVE MANUFACTURERS PVT. LTD. (3901-02-), PLOT NO. B-43, PHASE-1, DOMBIVALI INDUSTRIAL AREA, DOMBIVALI, DISTT-THANE, MAHARASHTRA. - 421201 PH :8879050913/9769206095/9769206101.	HUPARI 1454. SAI SERVICE PRIVATE LIMITED (CIQ1-01-), GAT NO.825/8/2, PLOT NO.7, HUPARI TO YALGUD ROAD, HUPARI, TAL-HATKANANGALE, DISTRICT - KOLHAPUR. - 416203 PH :9923208454.
BEED 1426. PAGARIYA AUTO PVT. LTD. (V602-01-), GUT NO. 61, VILLAGE - GHOSAPURI, TALUKA AND DISTRICT - BEED, MAHARASHTRA. - 431122 PH :9834161614/02442256058/02442256056/02442256057.	CHANDRAPUR 1436. TRISTAR CARS PVT LTD (H302-01-), NR. HOTEL KUNDAN PLAZA,NAGPUR ROAD,CHANDRAPUR - 442401 PH :7722068612.	1446. FORT POINT AUTOMOTIVE (CARS) PVT. LTD. (3906-02-), SURVEY NO.13, NEAR PIMPLESHWAR TEMPLE, OPP. MAHANAGAR CNG PUMP, KALYAN-SHILPHATA ROAD, MANGOAN, SONARPADA, DOMBIVLI EAST. - 421203 PH :8422800740, 8422978490.	ICHALKARANJI 1455. SAI SERVICE PRIVATE LIMITED (4D01-01-), GATE NO. 107, KOLHAPUR ROAD, KANBLOOR, ICHALKARANJI - 416122 PH :0230-2425282.
BHANDARA 1427. AUTOMOTIVE MANUFACTURERS PVT. LTD. (2001-03-), JINDAL'S BLDG, NEAR NAVKAR PETROL PUMP, SAINATH NAGAR, NH-6, BHANDARA - 441904 PH :7030932330/9673004280.	1437. TRISTAR CARS PVT LTD (H302-03-), NAGPUR ROAD, CHANDRAPUR - 442401 PH :7722068603.	GADCHIROLI	INDAPUR 1456. MAHALAXMI AUTOMOTIVES PVT. LTD. (7R01-02-), STATE HIGHWAY NO. 151, INDAPUR - 412219 PH :8308807314.

Dealer Network (AS ON 31.10.2023)

1495. SEHGAL AUTORIDERS PVT. LTD. (CGA1-01), GATE NO. 120/1, VILLAGE – WAKSAI, TALUKA – MAVAL, LUNAVALA, DISTRICT – PUNE, MAHARASHTRA. - 410405
PH :89753 73431.
- MAHAD**
1496. SIMRAN MOTORS PVT. LTD. (7S01-04-), NEAR RELIENCE PUMP, PANVEL-GOIA ROAD, MAHAD, DIST. RAIGAD - 402301
PH :9870409323.
- MALEGAON**
1497. SHAAN CARS PRIVATE LIMITED (3703-02-), PLOT NO. 572/81, CHANDANPURI SHIVAR, OLD MUMBAI, AGRA ROAD, DIST- NASIK, MALEGAON - 423203
PH :9822969620/9922969656.
- MANCHARI**
1498. KOTHARI AUTO WHEELS PVT LTD (CSH2-01-), SOHAM NAGARI, A-WING, SHOP NO.8 & 16, PUNE NASIK HIGHWAY, A/P MANCHARI, TALUKA: AMBEGAON, DISTT: PUNE, MAHARASHTRA - 410503
PH :8411003608.
- MANGALVEDHA**
1499. CHAVAN MOTORS (SQR1-01-), NEAR SWARAJYA HOTEL, PANDHARPUR ROAD, CHOKAMELANAGAR, MANGALVEDHA, MAHARASHTRA, PIN-413305 - 413305
PH :8805778881.
- MANGAON**
1500. SIMRAN MOTORS PVT. LTD. (BAM1-01-), SURVEY NO.97, AT-POST-NANORE, NH-17, MUMBAI-GOIA HIGHWAY, MANGAON, RAIGAD, MAHARASHTRA. - 402104
PH :9223181120.
- MANMAD**
1501. SHAAN CARS PRIVATE LIMITED (BNX1-01-), GAT NO. 11/3, PLOT NO. 1 AND SHOP NO. 3 & 4, NANDGAON ROAD, MANMAD - 423104
PH :9075028780, 8888832369.
- MANOR**
1502. SAI SERVICE PRIVATE LIMITED (CRE1-01-), GUT NO. 37, NEAR MSEB POWER STATION, PALGHAR MANOR ROAD, AT POST – TAKVAHAL, DISTRICT – PALGHAR, MANOR. - 401403
PH :9167980005.
- MAYANI**
1503. CHOWGULE INDUSTRIES (STQ1-01-), GAT NO - 2101/11, 560/1, MAYANI VADJU ROAD, A/P- MAYANI, TAL-KHATAV, DIST-SATARA-415102. - 415102
PH :8888866659.
- MIRA ROAD, THANE**
1504. SUPREME AUTOMOBILES (3915-01-), BRILLIANT COMPLEX, WESTERN EXPRESS HIGHWAY, MIRA ROAD, THANE- 401107. - 401107
PH :8591942704.
- MIRAJ**
1505. CHOWGULE INDUSTRIES PVT. LTD. (J102-03-), 42C, OPP. WHISPERING WOODS, MIDC AREA, TALUKA MIRAJ, DISTT. SANGLI, MAHARASHTRA - 416410
PH :0233-264321,0233-264322.
- MORGAON**
1506. MAHALAXMI AUTO (SRN1-01-), GAT NO-179, MORGAON. - TALUKA- BARAMATI, DIST-PUNE - 412304
PH :9850994014.
- MUMBAI**
1507. SAI SERVICE PRIVATE LIMITED (504-01-), 462 SENAPATI BAPAT MARG, WORLI NAKA, LOWER PAREL, MUMBAI - 400013
PH :9594952122/9594952088/9167980082.
1508. SAI SERVICE PRIVATE LIMITED (504-02-), ARVIND CHAMBERS, 194 ANDHERI KURLA ROAD, ANDHERI(EAST), MUMBAI - 400069
PH :43030606 /600, 95949552341 / 9594952084 / 9594952250.
1509. VITESSE PRIVATE LIMITED (503-01-), SHAH INDL. ESTATE, PLOT 11 LINK ROAD, ANDHERI (WEST), MUMBAI - 400058
PH :02226730787/02226730280/02226730296/02261642500/02261642500.
1510. VITESSE PRIVATE LIMITED (503-02-), 77 AF PALKY GULLY, OFF VEER SAVARKAR MARG, PRABHADEVI, MUMBAI - 400025
PH :24229747/24223933/9821894915.
1511. SAH & SANGHI AUTO AGENCIES PVT. LTD (505-01-), PRAKASH MILLS COMPOUND, OFF. GLOBE MILLS PASSAGE, WORLI, MUMBAI - 400013
PH :02224925452/02224925453/02224925454.
1512. SAI SERVICE PRIVATE LIMITED (504-04-), C/O SHAKTI INDUSTRIAL WIRE COMPOUND, DATTA PADA ROAD, BORIVILI (EAST), MUMBAI - 400066
PH :28707000 / 9594057006 / 9594952344 / 9594952417.
1513. EXCELL AUTOVISTA PVT LTD (510-01-), RESHAM SINGH COMPOUND, EAST ROAD, KALINA, SANTACRUZ EAST, MUMBAI - 400098
PH :87743888, 26653242, 43, 46 / 7666703636 / 9594972889 / 7715804477.
1514. AUTOMOTIVE MANUFACTURERS PVT. LTD. (3901-04-), PLOT NO. 108, BAZAR WARD, KURLA(WEST), MUMBAI - 400070
PH :61563734 / 61563744 / 61563713 /9167773925.
1515. FORT POINT AUTOMOTIVE (CARS) PVT. LTD. (521-02-), D-9, STREET NO. 21, OPP PATNI COMPUTERS, SEEEEP, MIDC, ANDHERI, MUMBAI - 400096
PH :9694973889, 8422800747.
1516. SHIVAM AUTO ZONE (I) PVT. LTD. (531-01-), CHARKOP INDUSTRIAL ESTATE, KANDIVLI(WEST), MUMBAI, MAHARASHTRA - 400067
PH :7718893072/9152001329/8082551017/9870938888
1517. VITESSE PRIVATE LIMITED (503-07-), PLOT NO A59, KANDIVALI INDUSTRIAL CO-OP. SOC., GOVERNMENT INDUSTRIAL ESTATE, CHARKOP, KANDIVALI (W), MUMBAI - 400067
PH :02228674753.
1518. FORT POINT AUTOMOTIVE (CARS) PVT. LTD. (521-03-), C/O VARUN STEEL INDUSTRIES, AAM TOOL COMPOUND, BOAT HURT ROAD, BEHIND SEWARI POLICE STATION, DARUKHANA, REAY ROAD, MUMBAI - 400010
PH :9594974678, 8691045341.
1519. SHIVAM AUTO ZONE (I) PVT. LTD. (531-02-), PLOT NO. 485, RAMCHANDRA LANE EXTN., OFF LINK ROAD, KANCHPADA, MALAD-WEST. MUMBAI, 400064 - 400084
PH :808251115/9382721124/9870938888.
1520. VELOX MOTORS (A UNIT OF CARCRAFT AUTOMOBILES PVT LTD) (05A3-01-), PLOT NO. 115/116/117 MIVVERA INDUSTRIAL ESTATE, MULUND-WEST, MUMBAI - 400080
PH :8104989839/8104989847.
1521. KIRAN MOTORS (05A7-01-), CTS NO. 170 & 4081, BOMBAY AGRA ROAD, LB SHASTRI MARG, GHATKOPAR (WEST), MUMBAI, MAHARASHTRA, PINCODE: 400086. - 400086
PH :9152004223/7700988886.
1522. MY CAR (PUNE) PVT LTD (05A8-01-), PLOT NO. 10, CHANDIVALI ESTATE, CHANDIVALI FARM ROAD, OPP LAKE HOMES, ANDHERI EAST, MUMBAI, MAHARASHTRA - 400072
PH :8104907081.
- MURBAD**
1523. PRAKASH AUTO PVT. LTD. (BYO1-01-), SURVEY NO. 6/2, KALYAN - MURBAD ROAD, VILLAGE – DAHAGAON, TALUKA – MURBAD, DISTRICT – THANE, MAHARASHTRA - 421605
PH :7798725728.
- MURGUD**
1524. SAI SERVICE PRIVATE LIMITED (AWA1-01-), R.S. NO. 188A, A/P MURGUD, TALUKA: KAGAL, DIST: KOLHAPUR - 416219
PH :02325-265553.
- MURTIZAPUR**
1525. KHANDLWAL AUTOWHEELS (SHE1-01-), SURVEY NO 38, MAUJA SONORI, NH 06, NEAR HOTEL DEVA, MURTIZAPUR, DISTRICT-AKOLA - 444107
PH :8484063274.
- NAGPUR**
1526. SEVA AUTOMOTIVE LTD. (2002-01-), 34/3, KACHIMET AREA, NEAR VAYUSENA NAGAR BUS STOP, WADI, AMRAVATI ROAD, NAGPUR - 440023
PH :0712-6652863.
1527. AUTOMOTIVE MANUFACTURERS PVT. LTD. (2002-02-), 575 KAMPTEE ROAD, NAGPUR-26, - 440028
PH :9673004228/9673004223.
1528. SEVA AUTOMOTIVE LTD. (2002-03-), PLOT NO. 33A, CENTRAL MIDC, HIGNA ROAD, NAGPUR, MAHARASHTRA - 440016
PH :0712-666444.
1529. ARYA CARS (UNIT OF BARBATE AUTOMOTIVE (I) PVT. LTD) (2004-01-), NEAR PARDY NAKA (OUTSIDE), NH-6, BHANDARA ROAD, NAGPUR - 440035
PH :8888859506/8888859534.
1530. AUTOMOTIVE MANUFACTURERS PVT. LTD. (2001-05-), PLOT NO. 38/1, NEAR BOODHA VIHAR, OPP. DELHI PUBLIC SCHOOL, KAMPTEE ROAD, NAGPUR, MAHARASHTRA - 441001
PH :9186899701/9673004277.
1531. ARYA CARS (UNIT OF BARBATE AUTOMOTIVE (I) PVT. LTD) (2007-01-), PLOT NO. 4, NEW COTTON MARKET, GHAT ROAD, NAGPUR, MAHARASHTRA - 440018
PH :8888859542.
1532. ARYA CARS (UNIT OF BARBATE AUTOMOTIVE (I) PVT. LTD) (2007-02-), PLOT NO. 131, NH-6, BHANDARA ROAD, MAHALGAON, NAGPUR, MAHARASHTRA - 441202
PH :8888820312.
1533. SEVA AUTOMOTIVE PVT. LTD. (2002-04-), PLOT NO. 05, 12, 13A, 13B CHANDRABHAGA GRUHA NIRMAN SAHAKARI LIMITED, KH NO.45/3, CITY SURVEY NO. 150, MANEWADA RING ROAD, NAGPUR, MAHARASHTRA - 440027
PH :8390446644.
1534. ARUN MOTORS (2008-01-), PLOT NO-98/10, PATNI PLAZA, KHAMLA RING ROAD, SAWARKAR NAGAR, NAGPUR, MAHARASHTRA - 440025
PH :7757988800/702888800.
1535. ARUN MOTORS (2008-02-), C-48/1, MIDC HINGNA MAIN ROAD, WADI, NAGPUR, PIN-440028, MAHARASHTRA - 440028
PH :7757988800.
- NALASOPARA**

Dealer Network (AS ON 31.10.2023)

1581. MAHALAXMI AUTOMOTIVES PVT. LTD. (1912-03-), 59/A, MUNDHWA KHARADI ROAD, OPP. MUNDHWA POLICE STATION, MUNDHWA, PUNE, MAHARASHTRA - 411036 PH :8888874980.	1592. SUMANKIRTI CARS PVT. LTD. (1915-02-), SURVEY NO. 9, NEAR BALEWADI SPORTS STADIUM MUMBAI-BANGALORE HIGHWAYS, MAHALUNGE PUNE, MAHARASHTRA. - 411045 PH :8551990106.	ROHA 1602. EXCELL AUTOVISTA (COS1-01-), SHOP NO. 1 & 2, PANCHARATNA APARTMENTS, ROHA, ROHA KOLAD ROAD, RAIGAD - 402109 PH :9209200073.	1611. JAGRUT MOTORS PVT LTD (BBL1-01-), SHIVSHAMBHO APARTMENT, 1190, A/P KOLGAON, SURVEY NO.187, HISSA NO.33B, TAL-SAWANTWADI, DISTT. SINDHUDURG. - 416510 PH 99706546599, 9689533472.
1582. WONDER CARS PVT LTD (1903-03-), PLOT NO.52/1 BLOCK F2, MIDC, PIMPRI, PUNE. - 411018 PH :020-46608888.	1593. MY CAR (PUNE) PVT. LTD. (1918-01-), GAT NO. 625, HISSA NO. 1/3/1, VILLAGE – KURLU, TALUKA – KHED, CHAKAN, DISTRICT – PUNE. - 410501 PH :7755900000.	SANGAMNER 1603. SHAAN CARS PRIVATE LIMITED (HE03-01-), GAT NO. 173/4/5/6, A/P VELHALE, NASHIK PUNE HIGHWAY, SANGAMNER , DIST AHMEDNAGAR, MAHARASHTRA - 422605 PH :02425-259197.	SHAHAPUR 1612. SHIVAM AUTO ZONE (I) PVT. LTD. (BZU1-01-), DR. DESHPANDE COMPOUND, NEAR BHATSIA COLONY, VILLAGE – GOTHEGHAR, TALUKA – SHAHPUR, DISTRICT – THANE, MAHARASHTRA - 421601 PH :97718893483.
1583. SAI SERVICE PRIVATE LIMITED (1901-07-), 4/A/1A, 1/3 A, SALUNKE VIHAR ROAD, BORADE NAGAR, KONDWA, PUNE, MAHARASHTRA. - 411048 PH :9923203858.	1594. WONDER CARS PVT LTD (1903-04-), SURVEY NO. 20, HISSA NO. 1/1/2, THERGAON, BAL KRISHNA MANGAL KARYALAYA, TALUKA – MULSHI, DANGE CHOWK, PUNE – 411 033. - 411033 PH :7887883311.	SANGLI 1604. CHOWGULE INDUSTRIES PVT. LTD. (J102-01-), GAT NO.243 SANGLI KOLHAPUR ROAD, OPP. TO GAJANAN MAHARAJ MANDIR, ANKALI, TAL-SANGLI, DISTT. SANGLI. - 416416 PH :9850966805.	SHAHUWADI 1613. SAI SERVICE (BFT1-01-), GATE NO. 1213, R/AT DONOLI, TALUKA - SHAHUWADI, DIST. -KOLHAPUR - - 416 213 PH :9923208448.
1584. MAHALAXMI AUTOMOTIVES PVT. LTD. (1912-04-), NO.485/1, CTS NO.1041, OM SUPER MARKET, GHOKALE CROSS ROAD, MODEL COLONY, SHIVAJI NAGAR, PUNE - 411016 PH :8888842887.	PUNE (LOHEGAON) 1595. MAHALAXMI AUTO (1912-05-), LANE NO 9, SANT NAGAR, BEHIND IOCL PETROL PUMP, LOHEGAON, PUNE, MAHARASHTRA-411047 PH :8956045026.	1605. SIDDIH WHEELS (J104-01-), SR NO. 917/2/B, SANGLI MIRAJ ROAD, MIRAJ, DISTRICT - SAGLI. - 416410 PH :9371727001, 0233-2211610/1620/1630.	SHILTPATA 1614. VELOX MOTORS (SGJ1-01-), SURVEY NO-99/2B, VILLAGE-DAIGHAR, KALYAN SHIL-PHATA ROAD, NEAR DATTA MANDIR, POST-PADALE, DIST-THANE, PIN-421204. - 421204 PH :9419984188.
1585. CHOWGULE INDUSTRIES PVT. LTD. (1908-05-), 129/2B/1, NEW PUNE MUMBAI HIGHWAY, KATRAJ DEHU ROAD BYPASS, TATHWADE, TAL-MULASHI, DISTT. PUNE (MAHARASHTRA) - 411033 PH :020-67915700.	RAHATA 1596. KANKARIYA AUTOMOBILES PVT. LTD. (ZV03-01-), SHIRDI ROAD, SAKORI, RAHATA, - 423107 PH :8275033313.	SANGOLA 1606. CHAVAN MOTORS DIVISION INDIA PVT LTD (CUE1-01-), GAT NO. 276/14/A, MAIN ROAD, KOLHAPUR HIGHWAY, A/P & TALUKA - SANGOLA, DIST.-SOLAPUR. - 413307 PH :8806665691.	SHIRUR 1615. MAHALAXMI AUTOMOTIVES PVT. LTD. (1912-02-), 1023/1, NEXT INDIAN OIL PETROL PUMP, SARADWADI, PUNE-AHMEDNAGAR HIGHWAY, TAL- SJURIR, DIST: PUNE, MAHARASHTRA - 412210 PH :8888837082 /9011038682.
1586. SAI SERVICE PRIVATE LIMITED (1901-08-), SURVEY NO. 37, HISSA NO. 2, SITUATED AT WADGAON KHURD, NEAR NANDED CITY, SINHAGAD ROAD, TALUKA - HAVELI, DISTRICT - PUNE, MAHARASHTRA - 411 041 PH :9923208312.	RAHURI 1597. KANKARIYA AUTOMOBILES PVT. LTD. (COZ1-01-), TRIMURTI CRANE SERVICE, NAGAR-MANMAD ROAD, RAHURI, MAHARASHTRA. - 413705 PH :9420036767.	SASWAD 1607. CHOWGULE INDUSTRIES PVT. LTD. (1908-03-), SOLAPUR HIGHWAY, SASWAD, DIST. PUNE - 412301 PH :02115224450/02115225210.	SHIRWAL 1616. CHOWGULE INDUSTRIES PVT. LTD. (BSD1-01-), GAT NO.175, A/P SHINDEWADI, SHIRWAL-BHOR ROAD, SHIRWAL, TAL KHANDALA, DISTT. SATARA - 412801 PH :9637399003.
1587. KOTHARI AUTO WHEELS PVT LTD (1984-05-), PLOT NO. 24/B, HADAPSR INDUSTRIAL ESTATE, PUNE - 411028 PH :8411002005, 8087060432.	RAJAPUR 1598. JAGRUT MOTORS PVT LTD (AHA1-01-), SURVEY NO. 14/8, TARALWADI, RAJAPUR, DIST: RATNAGIRI - 416702 PH :9527623663/8806665572.	SATANA 1608. SHAAN CARS (BSW1-01-), GAT NO 322/2/A/7, PUNDLIK NAGAR MALEGAON ROAD, AT POST SATANA DIST NASHIK - 423301 - 423301 PH :9922969656.	SHIRAMPUR 1617. KANKARIYA AUTOMOBILES PVT. LTD. (LV03-01-), S.NO.139/1/3, NEAR NAKA NO.4, SANGAMNER ROAD, SHIRAMPUR DISTT. AHMEDNAGAR - 413709 PH :9420494543.
1588. CHOWGULE INDUSTRIES PVT. LTD. (1908-06-), SR. NO. - 434/4/S, 7 PARVATI INDUSTRIAL ESTATE, OPP. ADINATH SOCIETY, PUNE-SATARA ROAD, PUNE. - 411009 PH :020-67273200.	RAJGURUNAGAR 1599. MY CAR (PUNE) PVT. LTD. (CBZ1-01-), SURVEY NO.94, SANDBHORWADI, NEAR TUKAI MANDIR, RAJGURUNAGAR DISTT. PUNE. - 410505 PH :9112231553.	SATARA 1609. CHOWGULE INDUSTRIES PVT. LTD. (F303-01-), PLOT NO. B-2, OLD MIDC,SATARA - 415002 PH :9011015066/9850966823.	SIKRAPUR 1618. EXCELL AUTOVISTA PVT LTD (GKJ1-01-), AT POST SHIKARPUR MALHAN PHATA, OPP. CHAURASIYA CHANA CENTER, PUNE NAGAR ROAD, TALUKA SHIRUR, DIST. PUNE, PIN-412208, PUNE - 412208 PH :9146194973.
1589. EXCELL AUTOVISTA PVT LTD (1917-01-), GATE NO.1232, 10TH MALL, PUNE SASWAD ROAD, VILLAGE – WADKI, TAL – HAVELI, DIST PUNE. - 412308 PH :9594632888/9146052651.	RAMTEK 1600. SEVA AUTO (BTU1-01-), MOUZA NO 275, P H NO 24, GRAM PANCHAYAT - MANSAR,THEHSIL -RAMTEK, DISTRICT - NAGPUR, MAHARASHTRA. - 441401 PH :7758028060.	SAVANER 1610. ARYA CARS (UNIT OF BARBATE AUTOMOTIVE (I) PVT. LTD) (BTJ1-01-), PLOT NO.2, MADANE LAYOUT, MOUZA GUJARKHEDI, NR. INDIAN PETROL PUMP, NAGPUR ROAD, SAVNER DISTT. NAGPUR, - 441107 PH :8888859546.	SILLOD 1619. PARGARIYA AUTO PVT. LTD. (2103-04-), PLOT NO. 19/20, SURVEY NO. 386, AURANGABAD NAKA, SILLOD, AURANGABAD - 431112 PH :8600037213.
1590. KOTHARI AUTO WHEELS PVT LTD (1984-06-), SURVEY NO.46, HISSA 9/1 (CITY SURVEY NO.6181+6180), WADGAON SHERI, CHANDAN NAGAR, PUNE NAGAR ROAD, TAL-HAVELI, PUNE. - 411014 PH :8411003631.	RATNAGIRI 1601. JAGRUT MOTORS PVT LTD (G301-01-), D-25, MIDC MIRJOLE, MAHARASTRA, RATNAGIRI - 415639 PH :2352228380/9130013172.		
1591. ACE KUDALE CAR PVT. LTD. (1910-03-), SURVEY NO. 272, 1/4, NEAR MOSHI TOLL PLAZA, MOSHI GAON, TALUKA – HAVELI, DISTRICT – PUNE. - 412105 PH :7767814381.			

<p>SINNAR</p> <p>1620. SHAAN CARS PRIVATE LIMITED (3703-03)-, A-24, MIDC AREA MALEGAON, SINNAR TAL- SINNAR, - 422103 PH :02551-230305.</p> <p>SOLAPUR</p> <p>1621. CHAVAN MOTORS DIVISION INDIA PVT LTD (B102-02)-, 150, AKALKOT ROAD, OPP. SVCS HIGH SCHOOL, SOLAPUR, - 413006 PH :99217-260666/8805986818.</p> <p>1622. CHAVAN MOTORS DIVISION INDIA PVT LTD (B102-01)-, 18.39, INDUSTRIAL ESTATE, HOTAJI ROAD, SOLAPUR, - 413224 PH :8805778881.</p> <p>1623. CHAVAN MOTORS DIVISION INDIA PVT LTD (B102-06)-, PLOT NO.95, IND. ESTATE, HOTAJI ROAD, SOLAPUR, - 413003 PH :8805986826.</p> <p>TALASARI</p> <p>1624. SHIVAM AUTO ZONE (I) PVT. LTD. (BIN1-01)-, SURVEY NO. 191/1 PLOT NO. 5, AT-POST – VADAVALI, NH-8, TALASARI, THANE, MAHARASHTRA - 401606 PH :6355248143/777002930.</p> <p>TALEGAON</p> <p>1625. MY CAR (PUNE) PVT. LTD. (4K01-01)-, SR.NO.113, HISSA NO.1/3/2/A, MUMBAI PUNE OLD HIGHWAY, MAVAL, TALEGAON - 410506 PH :9730855855.</p> <p>TALOJA</p> <p>1626. EXCELL AUTOVISTA PVT LTD (AAC1-02)-, PLOT NO-9,MIDC,NAVADE,TALOJA, TAL-PANVEL ,DIST-RAIGAD - 410208 PH :9136948195/9320357300.</p> <p>TASGAON</p> <p>1627. SIDDIHI WHEELS (A UNIT OF TARALEKAR MOTORS PVT. LTD.) (GK81-01)-, SHETKARI MARKET, NEAR ISHA HOTEL, TASGAON-SANGLI ROAD, TALUKA - TASGAON, DIST.-SANGLI - 416312 PH :8275030748.</p> <p>THANE</p> <p>1628. FORT POINT AUTOMOTIVE (CARS) PVT. LTD. (3906-01)-, KOTHARI WAREHOUSE NO. 111,POKHRAN ROAD NO. 11,MANPADA, CHATALSAR,THANE - 400607 PH :9594974656, 8691039873,.</p> <p>1629. NAVNEET MOTORS (3908-02)-, B R T PLOT ,THANE (W), MAHARASHTRA - 400607 PH :9664496732, 9167215178.</p>	<p>1630. VELOX MOTORS (A UNIT OF CARCRAFT AUTOMOBILES PVT LTD) (05A3-02)-, NEW SURVEY NO. 17/1/B, NEAR BLUE ROOF CLUB, VILLAGE - OWALE, GHODBUNDER ROAD, THANE (W) - 400615 PH :8104989847,96536 88455.</p> <p>TITWALA</p> <p>1631. AHER AUTOPRIME (BYP2-01)-, SURVEY NO. 23/2, SHOP NO. 3, NEAR GOVELI, TITWALA ROAD, GHOTSAI, TITWALA, PIN-421301, MAHARASHTRA - 421301 PH :18008334369.</p> <p>TUMSAR</p> <p>1632. AML (SLV1-01)-, GAT NOS. 1350/149 & 1350/150, VILLAGE TUMSAR, TO TUMSAR, DIST.-BHANDARA, STATE-MAHARASHTRA - 441912 PH :7391075992.</p> <p>TURBHE</p> <p>1633. SAI SERVICE (504-06)-, D 42, TTC INDUSTRIAL AREA, NAVI MUMBAI, PIN-400705 - 400705 PH :022-26861111/ 8976999060.</p> <p>ULHASNAGAR</p> <p>1634. PRAKASH AUTO PVT. LTD. (3903-01)-, U NO-3,SHEET NO. 30,VITHALWADI STATION ROAD, ULHASNAGAR - 421003 PH :9987992127/9870453155.</p> <p>URALI KANCHAN</p> <p>1635. EXCELL AUTOVISTA PVT LTD (GK11-01)-, GAT NO-244, VILLAGE-SORTAPWADI, TALUKA -HAVELI, URULI KANCHAN, DIST-PUNE, PIN-412201 - 412201 PH :8097452280.</p> <p>VADUJ</p> <p>1636. CHOWGULE INDUSTRIES PVT. LTD. (F303-03)-, KALEVASTI, VADUJ DAHWADI ROAD , VADUJ - 415506 PH :8888866659.</p> <p>VAIJAPUR</p> <p>1637. PAGARIYA AUTO PVT. LTD. (BNR1-01)-, NEAR SUBHASH BUNGLOW, STATION ROAD, VAIJAPUR, AURANGABAD. - 423701 PH :9922994237.</p> <p>VASAI</p> <p>1638. SAI SERVICE PRIVATE LIMITED (V901-01)-, ANDRADESH BHAVAN, SURVEY #27 A,NEAR UMELA PHATAK, VASAI (WEST), DIST. THANE, MAHARASTRA - 401202 PH :9167980080/9167980036/9594952211.</p> <p>1639. SAI SERVICE PRIVATE LIMITED (504-03)-, C/O MR. KENNETH NICHOLAS D'SOUZA, SURVEY NO-89, SATIVALI ROAD, VILLAGE-WALIV, VASAI (EAST), DIST-PALGHAR, MAHARASHTRA, PIN-410208 - 401208 PH :9167980004/9167980084/9594959000.</p>	<p>VASHI</p> <p>1640. MY CAR (PUNE) PVT. LTD. (05A4-01)-, A-751/2, MIDC TTC, TURBHE MAHAPE ROAD, PAWANE, NAVI MUMBAI - 400 071 PH :8104906953, 9372802861, 9326713481.</p> <p>VELHE</p> <p>1641. SUMANKIRTI CARS (SLO1-01)-, MAUZA NO-492/2, A/P-VELHA, TAL- VELHA, DIST-PUNE-412212 - 412212 PH :8554981603/8550995444.</p> <p>VIKRAMGADH</p> <p>1642. SHIVAM AUTOZONE (SKV1-01)-, NEAR GOVERNINNET DISPENSARY HOSPITAL, DAHANU ROAD, TEHSIL-VIKRAMGADH, DIST-PALGHAR-401605 - 401605 PH :8082551080.</p> <p>VIRAR</p> <p>1643. SAI SERVICE PRIVATE LIMITED (V901-02)-, SURVEY NO.16, AGASHI ROAD, PADMAN NAGAR, VIRAR-WEST, DISTT. PALGHAR. - 401301 PH :9594952343/9167980036/9594952211.</p> <p>VITA</p> <p>1644. CHOWGULE INDUSTRIES PVT. LTD. (BSE1-01)-, S.NO. 900, HISSA NO. 1,2,3/1/2, SANGLU VITA ROAD, VITA, TALUKA – KHANAPUR, DISTRICT – SANGLI, MAHARASHTRA - 415311 PH :8888870120.</p> <p>WAGHOLI</p> <p>1645. SAI SERVICE PRIVATE LIMITED (1901-04)-, GAT NO 2406/1440, VILLAGE- WAGHOLI,TAL- HAVELI, DIST- PUNE - 412207 PH :9923208313/9923208221/9923208133.</p> <p>WAI</p> <p>1646. CHOWGULE INDUSTRIES PVT. LTD. (BYC1-01)-, GAT NO. 407, A/P SHENDURJANE, MIDC ROAD, NEAR HOTEL GANDHARVA, OPP. DHOM LEFT CANAL, TAL – WAI, DISTT. SATARA - 412803 PH :8380080501.</p> <p>WALUJ</p> <p>1647. PAGARIYA AUTO PVT. LTD. (2103-03)-, E-16,WALLIJ,AURANGABAD - 431001 PH :3860999466.</p> <p>WARANANAGAR</p> <p>1648. SAI SERVICE PRIVATE LIMITED (CRB1-01)-, GAT NO :1122/A, KODOLI, TALUKA: PANHALA, DIST. KOLHAPUR - 416114 PH :9923204173.</p> <p>WARDHA</p> <p>1649. SEVA AUTOMOTIVE LTD. (2002-02)-, GOPURI CHOWK , OPP. BANK OF INDIA COLONY, NAGPUR ROAD, WARDHA - 442001 PH :07152-253545/253525.</p>	<p>1650. SEVA AUTOMOTIVE PVT. LTD. (2002-05)-, PLOT NO. 177, WARDHA-NAGPUR HIGHWAY, AT, PAVNAR, TEHSIL – WARDHA, DIST –WARDH, PIN-442111, MAHARASHTRA - 442111 PH :7720094444.</p> <p>WARUD</p> <p>1651. ASPA BANDSONS AUTO PVT. LTD. (F201-04)-, SURVEY NO. 50/3, SETURJANAGHAT ROAD, TALUKA: WARUD, DIST. AMRAWATI - 444906 PH :7248925887.</p> <p>WASHIM</p> <p>1652. ASPA BANDSONS AUTO PVT. LTD. (F201-02)-, NEAR RAILWAY CROSSING,HIGOLI ROAD,WASHIM, - 444505 PH :9922500981/9146191534.</p> <p>YAVATMAL</p> <p>1653. HIMALAYA CARS (4M01-01)-, OPPOSITE RAUT PETROL PUMP, DARWIHA ROAD, YAVATMAL, MAHARASHTRA - 445001 PH :07232-249991.</p> <p>YEOLA</p> <p>1654. SEVA AUTOMOTIVES PVT LTD (BST1-01)-, GAT NO. 65-A, PLOT NO. 41, AHMED NAGAR-MANMAD ROAD, NEAR TEHSIL OFFICE, YEOLA, TALUKA – YEOLA, DISTRICT – NASHIK, MAHARASHTRARA. - 423401 PH :885033944.</p> <p>YEWAT</p> <p>1655. MAHALAXMI AUTOMOTIVES PVT. LTD. (AZA1-01)-, SOLAPUR PUNE NATIONAL HIGHWAY, SAHAJAPUR, YEWAT, TALUKA: DAUND, DISTT: PUNE (MAHARASHTRA), - 412202 PH :8308818946.</p>
			<p>MANIPUR</p> <p>BISHNUPUR</p> <p>1656. EASTERN MOTORS (CSA1-01)-, BISHNUPUR BAZAR, TIDIM ROAD, BISHNUPUR DISTT. MANIPUR, - 795126 PH :8415945626.</p> <p>CHANDEL</p> <p>1657. EASTERN MOTORS (CSB1-01)-, KAKCHING LAMKHAJ, AH1 (INDO BURMA ROAD), CHANDEL (MANIPUR) - 795103 PH :8415945626.</p> <p>CHURACHANDPUR</p> <p>1658. EASTERN MOTORS (BBE1-01)-, HMUIA VENG, TEDDIM ROAD, CHURACHANDPUR, MANIPUR - 795128 PH :03874235969, 9862555472.</p> <p>IMPHAL</p> <p>1659. EASTERN MOTORS (7401-01)-, CHINGMEIRONG EAST, IMPHAL, MANIPUR - 795 001 PH :8415945626.</p>

Dealer Network (AS ON 31.10.2023)

<p>1700. ODYSSEY MOTORS (SIA1-01)- M/S ODYSSEY MOTORS, NEAR SATSANG KENDRA, DUMERMUNDA COLLEGE ROAD, BAMRA, GOVINDPUR-768221 - 768221 PH :9439314464.</p> <p>BARGARH</p> <p>1701. ODYSSEY MOTORS PVT LTD (D401-04), AT/PO -BARGARH, NH-6, DISTT.-BARGARH, ORISSA - 768028 PH :8908944206.</p> <p>BARIPADA</p> <p>1702. JYOTE MOTORS (BALASORE) PVT. LTD (L501-02)-, PLOT NO. 90/523/904, SWARUP VILLA, NH-5, BARIPADA - 757001 PH :7381072624.</p> <p>BERHAMPUR</p> <p>1703. SKY AUTOMOBILES (E203-01)-, PLOT NO.80/1191 DHARMA NAGAR, MAIN ROAD, BERHAMPUR - 760002 PH :7381266000.</p> <p>1704. SKY AUTOMOBILES (E203-02)-, PLOT NO. 876, WESTERN ROW NH-5, KONISI HATO, VILAGE – KONISI, BERHAMPUR, GANJAM, ODISHA - 761008 PH :7381026600.</p> <p>BHADRAK</p> <p>1705. JYOTE MOTORS (BALASORE) PVT. LTD (I201-01)-, PLOT NO. 14/4837, KHATA NO. 1345/1087, TRISHALPUR, CHARMPA, BHADRAK , ODISHA - 756101 PH :9776345311.</p> <p>BHAWANIPATNA</p> <p>1706. LEGEND CARS PVT. LTD. (SW01-02)-, NH-201, KESINGA ROAD, BHAWANIPATNA - 766001 PH :9937198684.</p> <p>BHUBANESHWAR (NAYAPALLI)</p> <p>1707. JYOTE MOTORS PVT LTD (405-01)-, A/62, NAYAPALLI, NH-5, BHUBANESHWAR, ORISSA-751003 - 751003 PH :7381028525.</p> <p>BHUBANESHWAR</p> <p>1708. NARAYANI MOTORS PVT. LTD. (403-01)-, 217, CUTTACK ROAD, JHARPARA, BHUBANESHWAR - 751006 PH :9583022031.</p> <p>1709. JYOTE MOTORS PVT LTD (402-01)-, A-62, NAYAPALLI, NEAR CRPF SQUARE, BHUBANESHWAR - 751003 PH :7064493302.</p> <p>1710. SKY AUTOMOBILES (404-01)-, PLOT NO. -435/1866, NEAR KIIT SQUARE PATIA, BHUBANESHWAR - 751022 PH :8117829611.</p>	<p>1711. NARAYANI MOTORS PVT. LTD. (403-02)-, PLOT NO 56 AND 57, RASULGARH, BHUBANESHWAR, ODISHA - 751010 PH :9583022046.</p> <p>1712. JYOTE MOTORS PVT LTD (402-04)-, PLOT NO. 22 & 23, SECTOR-A, ZONE-D, MANCHESWAR INDUSTRIAL ESTATE AREA, BHUBANESHWAR - 751010 PH :7978910223.</p> <p>1713. SKY AUTOMOBILES (404-02)-, KHATA NO. 457/675, PLOT NO. 543, 756, 789 AND 546, SRIVIHAR, INFRONT OF IOCL OFFICE, P. S. -CHADRASHEKARPUR, BHUBANESHWAR, ODISHA - 751 024 PH :7440011604.</p> <p>BOLANGIR</p> <p>1714. ODYSSEY MOTORS PVT LTD (D401-03)-, NH-201, MADHIAPALI, SAMBALPUR ROAD, BOLANGIR, ORISSA - 767001 PH :8895418122.</p> <p>CHANDIKHOLE</p> <p>1715. SKY AUTOMOBILES (BXL1-01)-, PLOT NO.285/3, SHANTI MANDAP MOUZA -SUNGUDA, TEHSIL-DARPANI, PO CHANDIKHOL, DISTT. -JAJPUR, ODISHA, - 755044 PH :9776645798.</p> <p>CUTTACK</p> <p>1716. SKY AUTOMOBILES (6701-02)-, BHANPUR, NH-5, CUTTACK - 753011 PH :9776645798.</p> <p>1717. TUSHI MOTORS PVT. LTD. (6702-01)-, PLOT NO. C-14, PLOT NO.C-13, INDUSTRIAL ESTATE ,KHAPURIA,TAHASIL - CUTTACK SADAR ,CUTTACK DISTRICT,BHUBANESWAR - 753001 PH :9692912345.</p> <p>DEOGARH</p> <p>1718. ORBIT MOTORS PVT. LTD. (CBB1-01)-, KHATA NO. 270, OI MOUZA, DEOGARH, ODISHA - 768108 PH :9437607865.</p> <p>DHENKENAL</p> <p>1719. SKY AUTOMOBILES (6701-04)-, PLOT NO-136/1103, KATHAGARA , NEARASSAM OIL, NH-42, DHENKANAL - 759001 PH :7440025919.</p> <p>GANDAI</p> <p>1720. SPARSH AUTOMOBILES (SHU1-01)-, M/S SPARSH AUTOMOBILES, WARD NO – 7, NEAR KRISHI UPAJ MANDI, GANDAI RAJNANDGAON ROAD, GANDAI – 491888 - 491888 PH :9926626662.</p> <p>JAGATSINGHPUR</p>	<p>1721. NARAYANI MOTORS PVT. LTD. (CFM1-01)-, KHATTA NO. 827/221 & 827/222, PLOT NO. 1197 & 1199/3065, MOUZA-MARKHANDPUR, PO PUNABGA, DISTT. JAGATSINGHPUR, ODISHA - 754103 PH :9566511213.</p> <p>JAJPUR</p> <p>1722. SKY AUTOMOBILES (6701-05)-, P.O JAHNA, P. S KORAI, KEONJHAR ROAD, JAJPUR, ORRISSA - 7553019 PH :9583011010.</p> <p>JALESWAR</p> <p>1723. JYOTE MOTORS (BALASORE) PVT. LTD (BXP1-01)-, KHATA NO. 422/744, PLOT NO. 2304 AT P. O. - NAYABAZAR, JALESWAR, DIST.- BALASORE, ODISHA - 756032 PH :7381072600.</p> <p>JEYPORE</p> <p>1724. LEGEND CARS PVT. LTD. (SW01-03)-, SOURAGUDA, JEYPORE, DISTT-KORAPUT, ORISSA A.INDIA - 764001 PH :9437575188.</p> <p>JHARSUGUDA</p> <p>1725. ODYSSEY MOTORS PVT LTD (BUJ1-01)-, KHATA NO. 466/502, PLOT NO. 966, JHARSUGUDA TOWN, UNIT NO. 7, SARBAHAL P. S. JHARSUGUDA, ORISSA - 768201 PH :9439548823.</p> <p>KEONJHAR</p> <p>1726. JYOTE MOTORS PVT LTD (7001-01)-, NH 215, DHRUPADA, BARBIL ROAD, KEONJHAR - 758001 PH :7064499047.</p> <p>NAYAGARH</p> <p>1727. JYOTE MOTORS PVT LTD (402-02)-, PLOT NO. 1319/3750, KHANDAPADA, NAYAGARH - 752069 PH :7064499048.</p> <p>NIMPARA</p> <p>1728. NARAYANI MOTORS PVT. LTD. (CFL1-01)-, PLOT NO. 345/1344, GANESH BAZAR, NIMAPARA, DISTRICT – PURI, ODISHA - 752106 PH :7381093622.</p> <p>PALLAHARA</p> <p>1729. ODYSSEY MOTORS PVT LTD (CHV1-01)-, KHATA NO. 280, PLOT NO. 998/3720, PAHALLARA, ODISHA - 759119 PH :9439817308.</p> <p>PARADEEP</p> <p>1730. NARAYANI MOTORS PVT. LTD. (OE01-01)-, PLOT NO. 1438, UDAYA VIHAR, NEAR DO CHOWKI SQAURE, PARADEEP, ODISHA - 754141 PH :9583022020.</p> <p>PARLAKHEMUNDI</p>	<p>1731. SKY AUTOMOBILES (CLG1-01)-, PLOT NO. 273, KHATA NO. 78, WARD NO. 1, PARLAKHEMUNDI, GAJAPATI, ORISSA - 761211 PH :9776999977.</p> <p>PURI</p> <p>1732. NARAYANI MOTORS PVT. LTD. (4Q01-01)-, PLOT NO. 1797/2449, KHATA NO. 187A/32, AT. BATAAMANGLA, PO HAREKRISHNAPUR, BATAGAON, PURI. ODISHA - 752002 PH :9583022220.</p> <p>RAIRANGPUR</p> <p>1733. JYOTE MOTORS (BALASORE) PVT. LTD (CES1-01)-, PLOT NO.1077/2466, PURNAGHATI, RAIRANGPUR, DISTT: MAYURBHANJ, ODISHA - 757046 PH :7064499936.</p> <p>RAYAGADA</p> <p>1734. LEGEND CARS (YB01-01)-, M/S LEGEND CARS, JK PUR ROAD, KOMTALPETA, NEAR ENFIELD SHOWROOM, RAYAGADDA, ODISHA - 765001 PH :7008771180.</p> <p>ROURKELA</p> <p>1735. ORBIT MOTORS PVT. LTD. (8701-01)-, VEDVYAS, NEAR PAAHADI BAR, ROURKELA, ORISSA - 769041 PH :9437061040.</p> <p>SAMBALPUR</p> <p>1736. ODYSSEY MOTORS PVT LTD (D401-01)-, AINTHPALI, SAMBALPUR, ORISSA - 768004 PH :7381083571.</p> <p>1737. APARNAA MOTORS (A UNIT OF APARNAA VAHAN) (D402-01)-, PLOT NO 969/4497, PANCHGACHIA SAMBALPUR - 768019 PH :8260966698.</p> <p>1738. ODYSSEY (D401-05)-, ODYSSEY MOTORS, AINTHPALI, SAMBALPUR - 768004 PH :9692200963.</p> <p>SORO</p> <p>1739. JYOTE MOTORS (SOF1-01)-, PLOT NO 15/1268, KHATA NO 442, SORO, BALASORE, ODISHA STATE - 756045 PH :9776615001.</p> <p>SUBARNAPUR</p> <p>1740. ODYSSEY MOTORS PVT LTD (BUK1-01)-, KHATA NO. 32, MOUZA – SANJHNIK, SONEPUR (ALSO KNOWN AS SUBARNAPUR), DISTRICT – SUBARNAPUR, ODISHA - 767017 PH :8895418122.</p> <p>SUNDERGARH</p> <p>1741. ORBIT MOTORS PVT. LTD. (BWJ1-01)-, M/S ORBIT MOTORS, AT - PATRAPALI, PO SUNDERGARH, BY PASS ROAD, NEAR BJP OFFICE, SUNDERGARH - 770001 PH :8249354447.</p>
---	---	--	--

Dealer Network (AS ON 31.10.2023)

2157. VISHNU CARS PVT. LTD. (5Q02-01-), SURVEY NO. 35/8, 35/8A, 35/21, 35/6, 35/6A1A, 35/20, VILLAGE - PERIYA KANANGAKUPPAM, CUDDALORE - 607 001 PH :7338884131.	2166. SRI CITY AUTO (A UNIT OF CITY AUTO PVT LTD) (H702-01-), OLD G.S. NO. 337 (1 TO 4), RS NO. 259/11A,10.9.8., SATHY ROAD, PERIYA SEMUR VILLAGE, ERODE,TAMILNADU - 638003 PH :9171791991.	2175. ABT LIMITED (CHG1-01-), SURVEY NO. 215/4,NEAR AKT SCHOOL, DURUGAM ROAD, NEAR DOORDARSHAN BLDG, NEELAMANGALAM VILLAGE., KALLAKURICHI TALUK & DIST., TAMILNADU - 606 202 PH :9047514890.	KATPADI 2185. GANESH CARS PVT. LTD. (C601-04-), 170/2B THIRUVALLAM ROAD, ARUMPARUTHI VILLAGE, KATPADI, VELLORE DISTT. - 632004 PH :9842313139.
CUMBUM 2158. MEENAKSHI AUTO ZONE PRVT. LTD. (CJS1-01-), PATTI NO. 4398, SURVEY NO. 1003/2 & 1003, VILLAGE - UTHAMAPURAM, SUB DIST. -CUMBUM, TAMIL NADU. - 625516 PH :9940954981.	2167. SRCITY AUTO (H702-02-), R.S. NO:1098/3, VINAYAGAR KOVIL STREET, TELEPHONE NAGAR, POONDURAI MAIN ROAD , ERODE, TAMILNADU - 638002 PH :9626671444.	2176. S M CARS (CHG2-01-), SF: 31/3B, NO. 19 EMAPPER VILLAGE, KALLAKURICHI, TAMILNADU - 606213 PH :7094440010.	KATTMANNARKOIL 2186. VISHNU CARS (SKG1-01-), SURVEY NO. 6& 7, PERIYAKULAM VADA KARAI, OPP TO GNANAVINAYAGAR KOIL, KATTMANNARKOIL TOWN AND TALUK, CUDDALORE DIST., TAMILNADU - 608301 PH :7358004555.
DEVAKOTTAI 2159. SIVA AUTOMOTIVE TRADING PVT LTD (GKV1-01-), SURVEY NO. 5/1A, MULL IGUNDU (SOMANENTHAL VILLAGE), DEVAKOTTAI TALUK, SIVAGANGAI DISTRICT,TAMILNADU - 630 303 PH :7094688870.	GOBICHETTIPALAYAM 2168. SREE SARADHAMBAL AUTOMOBILES PVT LTD (H701-03-), NO. 318, CUTCHERY, GOBICHETTIPALAYAM - 638476 PH :9597560777.	KANCHEEPURAM 2177. GANESH CARS PVT. LTD. (C601-02-), ANBU NAGAR, DHIMMA SAMUDRAM POST, NEAR VELLA GATE, CHENNAI BANGALORE NH-4, KANCHEEPURAM - 631502 PH :9842306061.	KELAMBAKKAM 2187. CRESO (A UNIT OF NEXGEN VENTURE PVT LTD) (SJV1-01-), AGP MAHAAL, SURVEY NO.43, OMR, 60 FEET VEERANAM HIGH ROAD, PADUR, KELAMBAKKAM, CHENGALPATTU DISTRICT, TAMIL NADU - 603 103 PH :7305087002.
DHARAPURAM 2160. SREE SARADHAMBAL AUTOMOBILES PVT LTD (H701-04-), OPP. TO ANJANEYAR TEMPLE, NEAR FIVE CORNER, MADURAI ROAD, DHARAPURAM - 638666 PH :9597550777.	GUDIYATHAM 2169. GANESH CARS PVT. LTD. (CQW1-01-), SURVEY NO.250/1, NEAR NH-75, GANDHI NAGAR, SETHUVADAI, GUDIYATTAM. - 653803 PH :04171-290172.	KANGAYAM 2178. SREE SARADHAMBAL AUTOMOBILES PVT LTD (GJ11-01-), NO. 407/263, TIRUPPUR ROAD, KANGAYAM TALUK & TOWN, TIRUPPUR DIST. ,TAMIL NADU. - 638701 PH :7708531777.	KINATHUKADAVU 2188. AADHI CARS PVT. LTD. (BBI1-01-), NO.212, KAMARAJ NAGAR, SOLVALALAM PALAYAM PANJAYYATH, KINATHUKADAVU DISTT. COIMBATORE (T.N.) - 642109 PH :0422-3000506/ 3000505.
DHARMAPURI 2161. SRI AMMAN CARS INDIA PVT. LTD. (7Q01-02-), NEAR COLLECTOR BUNGALOW, OLD HOSUR ROAD, JETHTHALLI (PO), DHARMAPURI , TAMILNADU - 636807 PH :9750939892/ 9159086222.	GUDUVANCHERY 2170. VISHNU CARS PVT. LTD. (BAD1-01-), 52, THAILAVARAM VILLAGE, BEHIND HOTEL PATTIKADU, GUDUVANCHERRY, KANCHEEPURAM DISTT. - 603203 PH :9500121553/ 9677122225.	KARAIKUDI 2179. ABT LIMITED (4202-05-), 42-43 KOVLOOR ROAD, OPP. TNSTC DEPOT - 630302 PH :4565-232484, 232486.	KODUMUDI 2189. SREE SARADHAMBAL AUTOMOBILES PVT LTD (CUY1-01-), SURVEY NO.548/A, KARUR MAIN ROAD, NEAR BUS STAND, KODUMUDI - 638151 PH :7574056777.
DINDIGUL 2162. PLA MOTORS (S401-01-), NO. 5, TRICHY MADURAI BY PASS ROAD, NH-45, DINDIGUL - 624001 PH :7010075200.	GUMMIDIPOONDI 2171. RAJALAKSHMI CARS PVT. LTD. (BIZ1-01-), PLOT NO. F-13, SURVEY NO. 262/2, SIPCOT INDUSTRIAL COMPLEX, VILLAGE - PAPPANAKUPPAM, GUMMIDIPOONDI, THIRUVALLUR - 601201 PH :044-27922060.	KARUMATHAMPATTI 2181. SREE SARADHAMBAL AUTOMOBILES PVT LTD (CJ01-01-), SF: NO.281/B, NEAR BHARAT PETROL BUNK, VILLAGE - VAGUTHANKADU, SOMANUR ROAD, KARUMATHAMPATTI TOWN, TALUK-PALLADAM, DISTT. COIMBATORE. - 641659 PH :9159210008.	KOTAGIRI 2190. AADHI CARS PVT. LTD. (BAS1-01-), SURVEY NO.89/79, OOTY MAIN ROAD, KOTAGIRI, DISTT. NILGIRIS, TAMIL NADU. - 643217 PH :8754045891/ 8754045442.
EDAYARPALAYAM, COIMBATORE 2163. SREE SARADHAMBAL AUTOMOBILES PVT LTD (CJ1K1-01-), SITE NO. 2, SY. NO. 404/1A1, THADAGAM ROAD, TVS NAGAR, EDAYARPALAYAM, COIMBATORE. - 641025 PH :9047081914.	HARUR 2172. SRI AMMAN CARS INDIA PVT. LTD. (AAV1-01-), 429/9, HARUR SALEM MAIN ROAD, HARUR POST, DHARMAPURI, TAMIL NADU - 636903 PH :8220014360/7339071500.	KARUNGAL 2182. ATHEN (SGE1-01-), SURVEY NO. 639/5, KARUNGAL TOWN, VILAVANCODE TALUK, KANYAKUMARI DISTRICT, TAMILNADU - 629157 PH :7094434179.	KOVIIPATTI 2191. ASIR AUTOMOBILES PVT LTD (NO01-01-), OLD NO.1, NEW NO.13, SATTUR MAIN ROAD, KOVIIPATTI (TAMIL NADU) - 628501 PH :4632-232220.
ERODE 2164. SREE SARADHAMBAL AUTOMOBILES PVT LTD (H701-01-), 23/1, PERUND, URAI ROAD, ERODE, - 638011 PH :9677987777.	HOSUR 2173. SRI AMMAN CARS INDIA PVT. LTD. (7Q01-01-), P.O. -PERANDAPALLI,NH-7, KRISHNAGIRI MAIN ROAD, HOSUR, TAMILNADU - 635109 PH :9790036377/8883259555.	KARUNGALPALAYAM, ERODE 2183. SREE SARADAMBAL AUTOMOBILES PVT. LTD. (H701-08-), RF. NO. 17/1, 2, CAVERI ROAD, KARUNGALPALAYAM, ERODE ,TAMILNADU - 638003 PH :8098825000.	KRISHNAGIRI 2192. SRI AMMAN CARS INDIA PVT. LTD. (7Q01-03-), NH-7,NR. AAVIN DAIRY,MOTTUR,SALEM BYPASS ROAD, KRISHNAGIRI, TAMILNADU - 635001 PH :9500202416/ 8220004270.
2165. SREE SARADHAMBAL AUTOMOBILES PVT LTD (H701-06-), SURVEY NO. 1363/3, 1363/5, 1363/6, BEHIND MANIKAVASAKAR COLONY BUS STOP, OPPOSITE TO CANARA BANK, KARUR BYPASS ROAD, SOLAR, ERODE. - 638 002 PH :6385805777.	IDAPPADI 2174. THRIVENI CAR COMPANY PVT LTD. (H01-01-), SURVEY NO.330/3B1B, AVANI PERUR KILMUGAM VILLAGE, IDAPPADI DISTT. SALEM - 637101 PH :9003311488.	KARUR 2184. ABT LIMITED (K401-01-), SF NO. 529/1, SALEM BY PASS, ROAD, VENGAMEDU CIRCLE, SEMMADAI - 639002 PH :04324-22226162/63.	KUMBAKONAM 2193. PILLAI & SONS MOTOR CO. (E701-02-), 369/2 B, KUMBAKONAM CHENNAI MAIN ROAD, KUMBAKONAM , TANJAVUR - 612501 PH :0435-2442566, 2442565, 9443264696.

Dealer Network (AS ON 31.10.2023)

2194. ABT LIMITED (4202-02-), MADURAI-DINDIGAL BYE PASS ROAD, NEAR FATHIMA COLLEGE, MADURAI - 625018 PH :9994400615.	2205. PILLAI AND SONS MOTOR COMPANY (SKW1-01-), PLOT NO.262, TRICHY DINDIGUL BYPASS ROAD, VENGAIKURUCHI VILLAGE, MANAPPARAI, TRICHY, TN - 621307 PH :8489900908.	2214. PILLAI & SONS MOTOR CO. (CQ01-01-), NO.181, KEELA ANTHANAPETTAI, ANTHANAPETTAI, P.O. - MANJAKOLLA, PUTHUR, NAGAPATTINAM DISTT. TAMIL NADU - 611106 PH :4365220250.	2223. JAIKRISHNAA AUTOSALES PVT. LTD. (4107-04-), NO.12/190 SRKV PORT, MTR ROAD, P.N. PALAYAM, COIMBATORE - 641020 PH :0422-698899.
2195. ABT LIMITED (4202-04-), 09, 109A, GST ROAD, TIRUPARANKUNDRAM, MADURAI - 625005 PH :9600966164.	MANGALAPURAM	NAGARCOIL	PADAPPAI
2196. SIVA AUTOMOTIVE TRADING PVT. LTD. (4205-01-), 2C, GATE LOCK ROAD, NEAR NEW RAMNAD ROAD, MADURAI - 625016 PH :7402780000.	2206. SREE SARADHAMBAL AUTOMOBILES PVT LTD (CLX1-01-), DOOR NO. 1/518, SURVEY NO. 75/1, ATTUR MAIN ROAD, MANGALAPURAM (POST), TALUK - RASIPURAM, DISTRICT - NAMAKKAL. - 636202 PH :7094447871.	2215. ATHEN (S503-01-), RESURVEY NO. G.3/9-7, BUILDING NO. 254-A/3 & 4 K.P ROAD ,PARAVATHIPURAM, NAGERCOIL -KANYAKUMARI DISTRICT TAMILNADU - 629003 PH :8012029777.	2224. VISHNU CARS PVT. LTD. (CRO1-01-), SURVEY NO.368/2A/1, 368/2A/2, VANDALLUR-WALAJABAD MAIN ROAD, PADAPPAI EAST, CHENNAI. - 601301 PH :8754417168.
2197. SIVA AUTOMOTIVE TRADING PVT. LTD. (4205-02-), NO. 6-A, TPK ROAD, NEAR SAIBABA TEMPLE, ANDALPURAM, MADURAI. - 625003 PH :7402788840.	MANNARGUDI	NAMAKKAL	PALANI
2198. ASIR AUTOMOBILES PVT LTD (4206-01-), 9, CHAMBAKULAM, MELUR MAIN ROAD, MATTUTHAVANI, MADURAI, TAMIL NADU - 625007 PH :9944059911.	2207. PILLAI & SONS MOTOR CO. (BKR1-01-), NO. 37, THIRUTHURAIPONDI ROAD, MANNARGUDI, THIRUVARUR DISTRICT, TAMIL NADU. - 614001 PH :7094411675.	2216. SREE SARADHAMBAL AUTOMOBILES PVT LTD (X401-01-), SURVEY NO. 1/10-11, NEAR MURUGAN TEMPLE, SALEM ROAD, NAMAKKAL - 637001 PH :937164888.	2225. PLA MOTORS (S401-02-), NO:13-1-11C-1, WEST AYAKUDI, DINDIGUL ROAD, PALANI, DINDIGUL DISTRICT, TAMIL NADU - 624613 PH :04545-290908.
2199. MEENAKSHI AUTO ZONE PVT. LTD. (4207-01-), PLOT NO. 25 D, SIDCO INDUSTRIAL ESTATE, KAPPALUR, MADURAI, TAMIL NADU. - 625008 PH :9442799561.	MAYILADUTHURAI	2217. SREE SARADHAMBAL AUTOMOBILES PVT LTD (X401-03-), 1/412/1 NEAR PON NAGAR, MUDALAI PATTY, SALEM ROAD, NH-7, NAMAKKAL (TAMIL NADU) - 637001 PH :737192888.	PARAMATHIVELUR
2200. MEENAKSHI AUTO ZONE PVT. LTD. (4207-02-), SURVEY NO. 238/2A, PLOT NO. 36, 37, 38, TALLAKULAM VILLAGE, SIVAGAMI NAGAR, NATHAM MAIN ROAD, MADURAI - 652 014 PH :9940224881.	MECHERI	NATRAMPALLI	2226. SREE SARADHAMBAL AUTOMOBILES PVT LTD (CC01-01-), SURVEY NO. 171, NEAR KONGU SCHOOL, NAMAKKAL BYPASS ROAD, PADAMUDI PALAYAM, TALUKA - PARAMATHIVELUR, NAMAKKAL , TAMIL NADU. - 638182 PH :8870666599.
MADURANTHAKAM	2209. SM CARS (CVK1-01-), SURVEY NO. 139A/5, PATT A NO. 653, AMANI M.KALIPATTY VILLAGE, MECHE RI TOWN, METTUR TALUK, SALEM DIST., TAMIL NADU. - 636 453 PH :7094440010.	2218. GANESH CARS PVT. LTD. (SPR1-01-), NO:8/12-1, NEAR ARJUNA SULOCHANA MAHAL, BENGALURU - CHENNAI MAIN ROAD, VELAKALNATHAM, NATRAMPALLI, TIRUPATTUR DIST. TAMIL NADU - 635854 - 635854 PH :73977 53146.	PATTUKKOTTAI
2201. AIE CARS (A UNIT OF AI ENTERPRISES PVT LTD) (CEW1-01-), SURVEY NO. 38/3 A2B, NH-45, MADURANTHAKAM, KANCHIPURAM. - 603306 PH :7401212797.	MELUR	NEGAMAM	2227. PILLAI & SONS MOTOR CO. (CJA1-01-), SURVEY NO. 85/6, 85/4, 84/6, DOOR NO.314/11, SRI JANAGALAKSHMI NAGAR, THANJAVUR ROAD, ALADIKUMULAI VILLAGE, TALUK PATTUKOTTAI, THANJAVUR. - 614615 PH :7094433074.
MALLASAMUDRAM	2210. SIVA AUTOMOTIVE TRADING PVT. LTD. (CHC1-01-), OLD SN. 138/1, SURVEY WARD C, BLOCK NO. 1, T.S. NO. 21/7, VILLAGE AND TOWN - MELUR, MELUR , DIST.-MADURAI. - 625109 PH :8098120000.	2219. ABT LIMITED (CHD1-01-), 68, 69, ABT BUS STAND, PALLADAM ROAD, PERIA NEGAMAM, POLLACHI, TAMIL NADU - 642120 PH :99948 76794.	PAVITHRAM
2202. SREE SARADHAMBAL AUTOMOBILES PVT LTD (CWY1-01-), SF NO. 194/3C, MALLASAMUDRAM MAIN ROAD, MALLASAMUDRAM TOWN, TIRUCHENGODE TALUK, NAMAKKAL DIST., TAMIL NADU. - 637503 PH :9894932019.	METTUPALAYAM	OMALUR	2228. SREE SARADHAMBAL AUTOMOBILES PVT LTD (CWT1-01-), SURVEY NO. 102/1B, NAMAKKAL MAIN ROAD, PAVITHRAM - 637 021 PH :9600320888.
MALLUR	2211. ABT LIMITED (4101-0C-), PLOT NO. 6 TO 9, PONVIZHA NAGAR, KARAMADAI KOVAI MAIN ROAD, METTUPALAYAM - 641043 PH :95009 45094.	2220. SRI AMMAN CARS INDIA PVT. LTD. (7Q01-04-), 123, 3B, NH-7, BANGALORE BYE PASS ROAD, KOTTAMETTUPATTI, OMALUR, SALEM (DIST.), TAMIL NADU - 636012 PH :8220010070/8883529888.	PENNAGARAM
2203. THRIVENI CAR COMPANY PVT LTD. (CDH1-01-), SURVEY NO.50/4A, AMANI AMMAPALAYAM VILLAGE, DISTT.: DADHAGAPATTY SUB REGISTRATION : MALLUR DISTT. SALEM - 636309 PH :0427-2422399.	METTUR	2221. THRIVENI CAR COMPANY PVT LTD. (UM01-01-), PLOT NO. 44 & 45, PALANIYAPPA NAGAR LAYOUT, NH-7, KAMALAPURAM VILLAGE, OMALUR, DISTRICT - SALEM, TAMIL NADU - 636309 PH :4290-222711.	2229. SRI AMMAN CARS INDIA PVT. LTD. (BXZ1-01-), SURVEY NO. 419/1, VILLAGE - PARUVADHANALLI, PENNAGARAM, DHARMAPURI. - 636810 PH :9715044700.
MANAMADURAI	2212. THRIVENI CARS (BU11-01-), S.F. NO. 73/7A3C, METTUR TO BHAVANI ROAD, NEAR NATAMANGALAM BUS STOP, MADHAIYANKUTTAI (PO), METTUR TALUK, SALEM, TAMILNADU - 636452 PH :9159566999.	OOTY	PERAMBALUR
2204. ABT LIMITED (CHF1-01-), NO. 35, OLD RAMNAD ROAD, MANAMADURAI TOWN, DISTRICT - SIVANGALI - 630606 PH :9994450331.	MINJUR	2222. SREE SARADHAMBAL AUTOMOBILES PVT LTD (4103-05-), VIJAYANAGARAM FARM ROAD, NEAR ROSE GARDEN, OOTY - 643001 PH :97511 09229.	2230. PLA MOTORS (2305-04-), SURVEY NO.88/1, A3,NH45, ELAMBALUR VILLAGE, PERAMBALUR, TAMILNADU - 621212 PH :8870004960.
MANAPPARAI	2213. RAJALAKSHMI CARS PVT. LTD. (BPE1-01-), PLOT NO. 27, SRI JANAKI RATHINA NAGAR, VILLAGE AND TOWN - MINJUR, PONNERI - 601 203, DISTRICT - THIRUVALUR. - 601203 PH :044-27933331.	P.N. PALAYAM, COIMBATORE	PERNAMBU
	NAGAPATTINAM		2231. SRI AMMAN CARS INDIA PVT LTD (SRA1-01-), SURVEY NO.708, PLOT NO: 87, 88 & 89, PERNAMBU TO GUDIYATTAM ROAD, PERNAMBU, VELLORE DISTRICT, TAMIL NADU - 635810 - 635810 PH :7094403100.

2269. GANESH CARS PVT. LTD. (C601-03)-, NO.-5, NH-78, KRISHANAGIRI PONDY ROAD, CHINA KANKEYANUR, OPP SKP ENGG. COLLEGE, THIRUVANNAMALAI - 606601
PH :9842305072.

THIRUVARUR

2270. PILLAI & SONS MOTOR CO. (E701-03)-, THANJAI NAGARI ROAD, OPP. TO S. P. OFFICE - 610001
PH :04366-250250, 9442163707.

2271. PILLAI & SONS MOTOR COMPANY (LJ01-01)-, NO. 9, WARD NO.-4, BLOCK NO.10, NEW SY. NO. 801/6B1, SUNDARAVILAGAM, NARSINGHAMPT, THIRUVARUR TOWN & DIST., TAMIL NADU - 610001
PH :9442163509.

THISAYANVILLAI

2272. AADHI CARS PVT. LTD. (CVL1-01)-, SURVEY NO. 240/1, 7/1, HIGHWAYS ROAD, OPP. TO VO OFFICE, SELVA MARUTHUR, THISAYANVILLAI. - 627 657
PH :7339511187.

THUCKALAY

2273. ATHENS (BWQ2-01)-, DOOR NO. 5/76B, (RE SURVEY NO-5307) THIRUVITHANCODE ROAD, KERALAPURAM, MUTHALAKURICHI, VILLAGE – MUTHALAKURICHI, KALKULAM-TALUK, THUCKALAY, DISCTRICT – KANYAKUMARI, TAMILNADU - 629174
PH :801290988.

THURAIYUR

2274. PLA MOTORS (CSE1-01)-, D.NO.:5/300, SINGALANDHAPURAM VILLAGE, THURAIYUR DISTT. TRICHY (TAMIL NADU) - 621010
PH :9486763725.

TIRUCHENDUR

2275. ASIR AUTOMOBILES PVT LTD (CCJ1-01)-, SURVEY NO. 220/1D1A, 221/3, 221/4, 221/5, 221/5A, 221/5B, PODHIGAI NAGAR, VILLAGE-VEERAPANDIYAPATINAM, THIRUCHENDUR, TUTUCORIN. - 628215
PH :737390020.

TIRUCHENGODE

2276. SREE SARADHAMBAL AUTOMOBILES PVT LTD (X401-02)-, PLOT NO-10, OPP TO PONNUSWAMY KALYANA MANDAPAM, KOOTAPALLI COLONY, TIRUCHENGODE - 637001
PH :4288-282292.

TIRUNELVELI

2277. AADHI CARS PVT. LTD. (A303-01)-, PLOT NO. 261, MADURAI MAIN ROAD, KARAIERUPPU, TIRUNELVELI, TAMIL NADU - 627357
PH :9500991610.

2278. AADHI CARS PVT. LTD. (A303-03)-, DOOR NO. 37, RAMNAGAR, KTC NAGAR, TIRUNELVELI, TAMIL NADU. - 627 011.
PH :9500991610.

TIRUNELVI

2279. AADHI CARS PVT. LTD. (A303-04)-, SF NO:161/4, SF NO: 893/2, NORTH BYEPASS ROAD, GALAXY HOSPITAL BACKSIDE, PALAYANKOTTAI, TIRUNELVELI, TAMILNADU - 627001
PH :95009 91479.

TIRUPATHUR

2280. GANESH CARS PVT. LTD. (BPD1-01)-, SURVEY NO.54/4, TIRUPATHUR TO KRISHNAGIRI ROAD, PALLIPET VILLAGE, TIRUPATHUR DISTT. VELLORE - 635601
PH :9842308909.

TIRUPATTUR(SIVANGANGAI)

2281. ABT LIMITED (CHH1-01)-, DOOR NO. 8/2/29A, KARAIKUDI ROAD, TIRUPATHUR, DISTRICT – SIVANGANGAI. - 630211
PH :9994450331.

TIRUPUR

2282. ABT LIMITED (4101-09)-, NO. 4, SABHAPATHI PURAM, NEAR TMF HOSPITAL, TIRUPUR - 641601
PH :95009 98368.

2283. SHASHTI CAR PVT LTD (Y701-01)-, SRI PADMINI GARDENS, KANGEYAM ROAD, OPP. ST JOSEPH SCHOOL, TIRUPUR - 641604
PH :044-2430275/ 2430276.

TIRUTHANI

2284. CARS INDIA PVT. LTD. (CIC1-01)-, NO. 9/13, CHENNAI BY PASS ROAD, OLD CHENNAI ROAD, DISTT. THIRUVALLUR, TIRUTHANI, TAMILNADU - 631209
PH :7358773860.

TIRUVANNAMALAI

2285. SRI AMMAN CARS INDIA PVT LTD. (LX02-01)-, SURVEY NO. 3676/3, ANNA SALAI, TIRUVANNAMALAI-CHENNAI NH-101, TIRUVANNAMALAI TOWN AND DIST., TAMILNADU - 602601
PH :7094471293.

TONDI

2286. SIVA AUTOMOTIVES (SHW1-01)-, SURVEY NO: 85/16, WARD 10/78, SOUTH THOPU STREET, ECR MAIN ROAD, ECR, THONDI, RAMANATHAPURAM DISTRICT, TAMIL NADU - 623409
PH :7402788820.

TRICHY

2287. ABT LIMITED (2302-02)-, 4/40, COLLECTOR OFFICE ROAD, CANTONMENT, TRICHY - 620001
PH :0431-4221620.

2288. PLA MOTORS (2305-01)-, NO. 18/2, NA-45, DHEERAN NAGAR, TRICHY-DINDUGAL MAIN ROAD, TRICHY - 620009
PH :9994599777/9600950960.

2289. ABT LIMITED (2302-03)-, MADRAS TRUNK ROAD, MAMBALASALAI, TRICHY - 620005
PH :0431-4221555.

2290. PLA MOTORS (2305-03)-, 10A & B, ALXANDRIA ROAD, CANTONMENT, TRICHY - 620001
PH :0431-2411540/530.

2291. PILLAI & SONS MOTOR CO. (2306-01)-, SURVEY NO. 10B, 1A/D, CHENNAI TRICHY BY-PASS ROAD, VILLAGE - THIRUNALLUR, TRICHY. - 620002
PH :8489900902, 9384826814.

TUTICORIN

2292. ASIR AUTOMOBILES PVT LTD (S603-01)-, SURVEY NO. 25/1B, MAPPILLAIURINI VILLAGE, ETTAYAPURAM ROAD, TUTICORIN, TAMIL NADU - 628002
PH :7373501220.

UDUMALPET

2293. ABT LIMITED (OR01-01)-, 2/3, PERIYAKOTTAI PIRIVU, S.V. MILL POST, UDUMALPET - 642126
PH :99944 41645.

USILAMPATTI

2294. SIVA AUTOMOTIVE TRADING PVT LTD (SNC1-01)-, NO. 33/1B2A, USILAMPATTI - MADURAI HIGHWAY,POTTULUPATTI PANCHAYATH, USILAMPATTI, MADURAI DISTRICT, TAMILNADU-625532 - 625532
PH :7868088840.

UTHANGARAI

2295. SRI AMMAN CARS INDIA PVT. LTD. (CFY1-01)-, SURVEY NO. 104/1, 104/1B, VILLAGE – THANDIYAPANNUR, UTHANGARAI, KRISHNAGIRI. - 635304
PH :9715044600.

UTHUKOTTAI

2296. KHIVRAJ MOTORS PVT LTD. (CUC1-01)-, SURVEY NO. 442/1, NEHRU BAZZAR STREET, UTHUKOTTAI, DIST.-THIRUVALLUR - 602 026
PH :7296635536.

VALLIYUR

2297. AADHI CARS PVT. LTD. (BXQ1-01)-, DOOR NO. 314/11-14, WITHIN VADAKU VALLIOOR, REVENUE VILLAGE, VADAKU VALLIOOR PANCHAYAT, RADHAPURAM TALUK, VALLIOOR. - 627002
PH :7373091462.

VANDAVASI

2298. GANESH CARS PVT. LTD. (CRN1-01)-, SURVEY NO.272, KEELSATHAMANGALAM VILLAGE, CHETPET ROAD, VANDAVASI, TIRUVANNAMALAI, DISTT. T.N. - 604408
PH :7395802484.

VANIYAMBADI

2299. GANESH CARS PVT. LTD. (BJY1-01)-, NO. 1977/B1, NH-46 (AH-7), PETHAKALLUPALLI VILLAGE, NEAR TOLL GATE, VANIYAMBADI , VELLORE (DIST), TAMIL NADU. - 635801
PH :9842327709.

VELLORE

2300. GANESH CARS PVT. LTD. (C601-01)-, 91 NEW BY-PASS ROAD, VELLORE - 632004
PH :9842377110.

2301. SRI AMMAN CARS INDIA PVT. LTD. (C602-01)-, DOOR NO. 68, SURVEY NO. 66/7, NEAR RANGALAYA KALYANA MANDAPAM, VELLORE-KATPADI ROAD, KALINJUR VILLAGE, KATPADI TALUKA, GANDHINAGAR, VELLORE DIST., TAMIL NADU. - 632006
PH :7094471320, 7094471321.

2302. SRI AMMAN CARS INDIA PVT. LTD. (C602-02)-, SURVEY NO. 316/3B2, 316/8A, 316/8B, NEAR SHELL PETROL PUMP, MELMONAVUR VILLAGE, VELLORE TALUK & DIST. ON NH48 (CHENNAI – BANGALURU HIGHWAY), VELLORE, TAMILNADUR - 632010
PH :7094471320.

VILLUPURAM

2303. ABT LIMITED (5Q01-02)-, 264/1, GINGEE MAIN ROAD, AYINAMPALAYAM, VILLUPURAM - 605602
PH :04146-225509 / 225590.

VIRUDHACHALAM

2304. ABT LIMITED (BMA1-01)-, PLOT NO. 56, JUNCTION ROAD, NEAR SHANMUGA LODGE, VIRUDHACHALAM, DISTRICT – CUDDALORE, TAMIL NADU. - 606101
PH :04143-262631/262632/262633.

VIRUDHUNAGAR

2305. MEENAKSHI AUTO ZONE PVT LTD (SCF1-0A)-, DOOR NO:6/504, SURVEY NO. 11/6, PELAMPATTI VILLAGE, VIRUDHUNAGAR MADURAI HIGH WAY, OPPOSITE TO VVV COLLEGE , TALUK & DIST. VIRUDHUNAGAR, TAMILNADU - 626001
PH :9400948881.

TAMILNADU

ALANGUDI

2306. PLA MOTORS (SLR1-01)-, S. NO. 400/6-A-2, NO. 1/85, MANGALAPURAM, PUDDUKOTTAI TO ALANGUDI ROAD, NEAR KNP KALYANA MANDAPAM, ALANGUDI TOWN & TALUK, PUDUKOTTAI DIST., TN - 622301 - 622301
PH :8870454466.

Dealer Network (AS ON 31.10.2023)

CHENNAI

2307. VISHNU CARS (1488-01-), DOOR NO. 8, NP INDUSTRIAL ESTATE, JAWAHARLAL NEHRU ROAD, EKKATUTHANGAL, CHENNAI, TN - 600032 PH :7550360444.

CHENNAI- MAMBAKKAM

2308. KHIVRAJ MOTORS (1404-G1-), SURVEY NO:76/A, NO:27, PLOT NO. D-2, KEELAKOTTAYUR, VANDALAR TO KEELAMBAKKAM MAIN ROAD, MAMBAKKAM, CHENGALPET, CHENNAI, TN - 600127 PH :9841591558.

CHETPET

2309. GANESH CARS (SGY1-01-), DOOR NO: 35/C, CHETPET TOWN, CHETPET TALUKA, TIRUVANNAMALAI DIST., TAMILNADU - 606 801 PH :98423 06337.

CHINNAMANUR

2310. ABT LIMITED (SKX1-01-), SF NO. 446 /1A, WARD A, BLOCK-2, TS NO.8/15, PERIYAKULAM TO CHINNAMANUR MAIN ROAD, KEELAPOOLANANDHAPURAM, CHINNAMANUR MUNICIPAL TOWN & TALUK, THENI DIST., TN- 625515 - 625515 PH :9715863213.

DENKANIKOTTAI

2311. AMMAN CARS (SDT1-01-), SURVEY NO:766/ 1B11, THABILAGOUNDAN THOTTI, DENKANIKOTTAI , KRISHNAGIRI DISTRICT, TAMILNADU - 635107 PH :9585599935.

DHARAPURAM

2312. SREE SARADHAMBAL AUTOMOBILES PVT LTD (QNO1-01-), SF 134/4A3, DINDIGUL BYPASS ROAD, NEAR INDIAN OIL PETROL PUMP, DHARAPURAM TOWN AND TALUKA, TIRUPPUR DIST., TAMILNADU-638658 - 638656 PH :9787853000.

GANGAVALI

2313. THIRIVENI CARS (SOS1-01-), SURVEY NO # SF NO. 22/3A1A, 106 ATTUR MAIN ROAD, GANGAVALLI, SALEM, TN - 636105 PH :9159722999.

KAWALKINARU

2314. AADHI CARS PVT. LTD. (CSU1-01-), SURVEY NO:1943/1, SURESH COMPLEX, KANYAKUMARI BYEPASS ROAD, KAVALKINARU JUNCTION, KAVALKINARU (VADAKANKULAM), TIRUNELVELLI - 627105 PH :7339111259.

KULASEKHARAM

2315. ATHEN CARS (SIL1-01-), ITE NO :409/17A – ARANIVILAI, NEAR RANGE OFFICE, CONVENT ROAD – KULASEKARAM, KALKULAM –TALUK,KANIYAKUMARI DIST. TN - 629 161 PH :7094471569.

KUMBAKONAM

2316. PILLAI AND SONS MOTOR CO. (E701-06-), D, NO. HP-1, GOVT. INDUSTRIAL ESTATE, SIDCO, THIRUBHUVANAM TOWN & POST, KUMBAKONAM, THANJAVUR DISTRICT, TAMILNADU - 612103 PH :8489900136.

MADURAI

2317. SIVA AUTOMOTIVE TRADING PVT LTD (4205-03-), PATA NO. 615, SURVEY NO. 32/2, THENI MAIN ROAD, ACHAMPATHU, MADURAI, TN - 625019 PH :7402738888.

NEYVELI

2318. VISHNU CARS (CPN1-01-), SURVEY NO:545/2A1A, NH-45C, OPP. NATIONAL COLLEGE, KUMBAKONAM - CHENNAI HIGH WAY , NEAR NEYVELI ARCH GATE, NEYVELI T.S. KEELAKOLLAI, MARUNGUR POST, PANRUTI, CUDDALORE DISTRICT, TAMILNADU - 607103 PH :9384059575.

PERUMBAKKAM

2319. KHIVRAJ MOTORS PVT LTD (SSL1-01-), NO.1, VARALAKSHMI NAGAR, THIRUVALLUR ROAD, PERAMBAKKAM, KANCHIPURAM DIST, TAMILNADU- 631402 - 631402 PH :7338786693.

SIVANGANGAI

2320. ASIR AUTOMOBILES (SDC1-01-), S. NO: 144/1, SIVANGANGAI-THONDI ROAD, PAIYAUROPILLAIVAYAL, SIVANGANGAI, TAMILNADU - 630561 PH :9750372220.

THANJAVUR

2321. PLA MOTORS FIRM (E702-01-), SURVEY NO. 173/68A, TRICHY-THANJAVUR ROAD, NANJIKOTTAI BYPASS, THANJAVUR, TAMILNADU - 613005 PH :9344006433/9344003877.

THIRUMAZHISAI

2322. CARS INDIAPVT.LTD (SMH1-01-), DP 30, SIDCO INDUSTRIAL ESTATE, THIRUMAZHISAI , - 600124 PH :9500064259.

THOPPUR

2323. SRI AMMAN CARS (SLU1-01-), SITE NO. 422 /2A, BANGALORE TO SALEM HIGH WAY, AMMANI, THOPPUR VILLAGE & TOWN, NALLAMPALLI TK, DHARMAPURI DISTRICT, - 636352 PH :9790004273.

TINDIVARAM

2324. VISHNU CARS (SDI1-01-), SURVEY NO. 50/4, 50/5 & 63, NEAR RTO OFFICE, MOLASUR, TINDIVANAM, VILUPPURAM, TAMILNADU - 604102 PH :9500039023.

TIRUPPUVANAM

2325. MEENAKSHI AUTO ZONE PVT LTD (SQZ1-01-), NO:21, BAKHYA NAGAR, WARD NO:1, MANDAPAM MAIN ROAD, TIRUPPUVANAM, SIVAGANGA DISTRICT, TAMIL NADU - 630611 - 630611 PH :9442799581.

UTHIRAMERUR

2326. AIE CARS (SHG1-01-), SURVEY NO:383/3B-B2, UTHIRAMERUR MAIN ROAD, UTHIRAMERUR, KANCHEEPURAM DISTRICT, TAMILNADU - 603406 PH :7299057387.

VELLAKOVI

2327. SRI CITI AUTO (SGO1-01-), SURVEY NO:502/C &371/D, NO. 196, 197, KOVAI KARUR MAIN ROAD, VELLAKOVI, TIRUPUR DIST., TAMILNADU - 638111 PH :9994606000.

VENGAL

2328. VISHNU CARS PVT LTD (STC1-01-), NEW SURVEY NO:67/1B, 67/20, CHINMAYA NAGAR, THAMARAIPAKKAM VILLAGE, VENGAL, THIRUVALLUR DIST., TAMILNADU- 601103 - 601103 PH :9500121559.

TELANGANA

ADILABAD

2329. ADARSHA AUTOMOTIVES PVT LTD (BTM1-01-), SURVEY NO:131/6 & 131/7, NH-44, ADILABAD TOWN ROAD, MAVALA, ADILABAD, TELANGANA - 504001 PH :9133307724.

ARMUR

2330. VARUN MOTORS PVT. LTD. (BBN1-01-) SURVEY NO.277, ARGUL VILLAGE, JAKARANPALLY (MANDAL), ARMUR, NIZAMABAD DISTT. (A.P.) - 503224 PH :9052901888.

BASARA

2331. ADARSHA (SSY1-01-), URVEY NO 59/E, RAVINDRAPUR , BASARA, NIRMAL DISTRICT, TELANGANA - 504101 PH :8886092222.

BATCHUPALLY , HYDERABAD

2332. SAI SERVICE PRIVATE LIMITED (1011-09-), SURVEY NO 499/1, MIYAPUR TO BACHUPALLY ROAD, BACHUPALLY, HYDERABAD. - 500090 PH :7330771111.

BELLAMPALLY

2333. ADARSHA AUTOMOTIVES (SIZ1-01-), SURVEY NO 5/31, PEDANAPALLI, BELLAMPALLY, MANCHERAL DISTRICT, TELANGANA - 504251 PH :8886092222.

BHADRACHALAM

2334. VARUN MOTORS (CLZ1-01-), H-NO 1-138/1B-OLD SARPAKA ROAD, BHADRACHALAM, BHADRADI-KOTHAGUDEM, TELANAGANA - 507111 PH :9885576602.

BHUPALAPALLY

2335. ADARSHA AUTOMOTIVES PVT LTD (D502-04-), 6-113, JAWAHAR NAGAR, MAIN ROAD, SBH MAIN BRANCH ROAD, BHUPPALPALLY, DISTRICT - RANGAL, ANDHRA PRADESH - 506169 PH :7799790526.

BODHAN

2336. VARUN MOTORS PVT. LTD. (O801-01-), PLOT NO. 5/2, ACHANAPALLY CROSS ROAD, BODHAN, DIST.-NIZAMABAD, TELANGANA. - 503 185 PH :9885576602, 9553714189.

CHEVELLA

2337. GEM MOTORS (INDIA) PVT. LTD. (CBL1-01-), SURVEY NO. 17/A, MANDAL - CHEVELLA, DISTRICT – RANGA REDDY, TELANGANA. - 510101 PH :9912899128, 9912834567.

DUBBAK

2338. AADARSHA (-), ADARSHA AUTOMOTIVE PVT LTD, OPP. BUS DEPOT, BYPASS ROAD, SIDDIPET, TELANGANA - 502108 PH :9160746833.

ETUNAGARAM

2339. WIN MOTORS (SOJ1-01-), H.NO 12-412 & 12-413, AKULAVARI GHANPUR, ETURNAGARAM, MULUGU DISTRICT, TELANGANA - 506165 PH :8688828005.

GADWAL

2340. SRI JAYARAMA MOTORS PVT. LTD. (WP01-02-), PLOT NO. 5 & 6, BESIDE RURAL POLICE STATION, KURNOL ROAD, MAHABUB NAGAR DISTRICT, ANDHRA PRADESH - 500125 PH :8096990074, 8096996671.

GAJWEL

2341. ACER MOTORS (A DIVISION OF KRISHNAIAH MOTORS PVT. LTD) (BYU1-01-), SURVEY NO. 220, VILLAGE – PRAGNAYPUR, GAJWEL, DISTRICT – MEDAK, TELANGANA. - 502311 PH :888508080, 9849017827.	2352. THE MITHRA AGENCIES (1002-03-), PLOT NO. 3-4-10, NEAR MADHAPUR POLICE STATION, MADHAPUR, HYDERABAD - 500081 PH :04023113399 04023113388 9959912702.	2364. VARUN MOTORS PVT. LTD. (4603-0H-), PLOT NO. 1354/1, ROAD NO. 1, NEAR IOC PETROL PUMP, JUBLEE HILLS, HYDERABAD, ANDHRA PRADESH - 500033 PH :8886322776.	2375. KALYANI MOTORS PVT. LTD. (1018-02-), M/S VIDHATA BINNY MODERN RICE MILL, BEARING NO. 8-4-15 IN SURVEY NO. 239 & 240 OF VILLAGE – KARMANGHAT, MANDAL – SAROORNAGAR, DISTRICT – RANGA REDDY, HYDERABAD - 500079 PH :9100223277.
GHATKESAR	2353. RKS MOTORS PVT. LTD. (1003-05-), 11-6-191/192, OPP. HOTEL HARSHA, PUBLIC GARDEN ROAD, NAMPALLY, HYDERABAD - 500001 PH :9848811158.	2365. VARUN MOTORS PVT. LTD. (4603-0J-), PLOT NO. 1-45, SY.NO:1 TO 7, GOPINATH COMPLEX, TARANAGAR, LINGAMPALLY, HYDERABAD, RANGAREDDY DISTRICT, TELANGANA STATE - 500019 PH :8886067847.	2376. ADARSHA AUTOMOTIVES PVT LTD (1019-01-), H. NO. 2-4-43/15, SURVEY NO. 34, SOGBOWLI (PILLER NO. 185 OF P.V. NARSIMHA RAO EXPRESSWAY), RAJENDRANAGAR, UPPERPALLY, ATTAPUR, RANGA REDDY, HYDERABAD, TELANGANA - 500048 PH :9705436633, 8297426633.
2342. ACER MOTORS (A DIVISION OF KRISHNAIAH MOTORS PVT. LTD) (BYL1-01-), 3-21, JODIMETLA, CHOUDA RIGID VILLAGE GHATKESAR MANDAL, DISTRICT – RANGA REDDY. - 501301 PH :8885088075, 9849017827.	2354. VARUN MOTORS PVT. LTD. (4603-0A-), 1-11-200, SHAMLA BUILDING BEGUMPET, HYDERABAD - 500016 PH :9885206555.	2366. SAI SERVICE PRIVATE LIMITED (1011-07-), PLOT NO. B-21 & B-34, BHEL ANCILLARY INDUSTRIAL ESTATE, RAMACHANDRAPURM, HYDERABAD - 502032 PH :9703811411.	2377. THE MITHRA AGENCIES (1002-06-), SURVEY NO.57, D.NO.8-2-108, BIRAMALGUDA, KARMANGHAT NAGARJUN SAGAR ROAD, HYDERABAD, TELANGANA - 500079 PH :8886621232.
HUSNABAD	2355. THE MITHRA AGENCIES (1002-04-), 8-18-138, PLOT NO. 8, NEAR MARGADARSI CHIT FUND, L.B. NAGAR RING ROAD, RR DIST, HYDERABAD - 500074 PH :9963551265.	2367. ADARSHA AUTOMOTIVES PVT LTD (1014-01-), 18-2-45 NEAR FLYOVER, CHANDRAYANGUTTA "X" ROAD, HYDERABAD - 500005 PH :8142326633.	2378. VARUN MOTORS PVT. LTD. (4603-0M-), KSN GARDENS, 5-162/6, BORABANDA MAIN ROAD, HYDERABAD - 500018 PH :9885579623.
2343. ADARSHA AUTOMOTIVES PVT LTD (GJE1-01-), SURVEY NO. 202/E, H. NO. 12-1/4 & 12-1/A, VILLAGE & MANDAL - HUSNABAD, DIST. -SIDDIPET, TELANGANA. - 505467 PH :8886092222, 7995835552.	2356. GEM MOTORS (INDIA) PVT. LTD. (1009-01-), RAGHUVENDRA SOCIETY, KONDAPUR, HYDERABAD , ANDHRA PRADESH - 500084 PH :991289128.	2368. RKS MOTORS PVT. LTD. (1003-09-), SURVEY NO.434, 5-5-33/19, BEHIND HUDA TRUCK PARKING, KUKATPALLY, DISTT: RANGAREDDY, HYDERABAD - 500072 PH :9010811131.	2379. JAYABHERI AUTOMOTIVES PVT. LTD. (1017-03-), SURVEY NO.283, PLOT NO D-46 & 47, PHASE-V, IDA, JEEDIMETLA, QUTUBULLAPUR MANDAL, RANGA REDDY DISTT., HYDERABAD (TELANGANA). - 500055 PH :7799784567.
HYDERABAD	2357. GEM MOTORS (INDIA) PVT. LTD. (1009-02-), 2-11, SURVEY NO. 165, 172, HYDERNAGAR, KUKATPALLY, HYDERABAD, ANDHRA PRADESH - 500072 PH :9912344538.	2369. SAI SERVICE PRIVATE LIMITED (1011-08-), DOOR NO.7-2-C33 & C34, INDUSTRIAL ESTATE, SANATH NAGAR, HYDERABAD - 500018 PH :7799360003.	2380. ADARSHA AUTOMOTIVES PVT LTD (1014-03-), SURVEY NO. 220/A, AMBEDKAR ROAD, OPP HERITAGE FRESH, NEAR AMBAEDKAR STATUE, NEAR ALWAL, SECUNDERABAD - 500 010 PH :9291859954.
2344. THE MITHRA AGENCIES (1002-01-), 1-8-670, NEAR RTC CROSS ROAD AZAMABAD INDUSTRIAL AREA, HYDERABAD, - 500020 PH :9968838294.	2358. SAI SERVICE PRIVATE LIMITED (1011-01-), PLOT NO. 88, INDUSTRIAL AREA.C.I.E. GANDHI NAGAR, BALANAGAR, HYDERABAD - 500037 PH :9010827755.	2370. KALYANI MOTORS PVT. LTD. (1018-01-), PLOT NO. A-23 & A31/1, I.D.A, NACHARAM, HYDERABAD - 500076 PH :9100114863.	2381. KALYANI MOTORS PVT. LTD. (1018-03-), SURVEY NO. 305, NIZAMPET, MANDAL - QUTUBULLAPUR, DIST. RANGA REDDY, HYDERABAD - 500 072 PH :040 68158999, 9121223221.
2345. RKS MOTORS PVT. LTD. (1003-01-), SABOC TOWERS, RAJBHAVAN ROAD, SOMAJIGUDA, HYDERABAD - 500482 PH :040 44454443, 9010811166.	2359. THE MITHRA AGENCIES (1002-05-), PLOT NO. 19,20 & 21, ROAD NO. 10, IDA NACHARAM, HYDERABAD - 500076 PH :04027176999 04027177999 9963551267.	2371. GEM MOTORS (INDIA) PVT. LTD. (1009-03-), SURVEY NO. 135/A & 135/AA, MANIKONDA, RAJENDRA NAGAR MANDAL, RANGAREDDY DISTRICT, HYDERABAD, TELANGANA - 500089 PH :9912341524.	2382. THE MITHRA AGENCIES (1002-07-), SURVEY NO. 12,13,14& 15, MEDIPALLY, GHATKESAR MANDAL, RANGA REDDY DISTRICT, HYDERABAD, TELANGANA - 500098 PH :8886697954.
2346. RKS MOTORS PVT. LTD. (1003-02-), R-4/A, IDA BLOCK, INDUSTRIAL ESTATE, UPPAL, HYDERABAD - 500039 PH :040 23434504, 9010822210.	2360. VARUN MOTORS PVT. LTD. (1012-01-), MARUTI AUTHORISED DEALER, SURVEY NO.115, IT PARK, NANAKRAMGUDA, GACHIBOWLI, HYDERABAD - 500008 PH :9985104860, 69997979.	2372. ADARSHA AUTOMOTIVES PVT LTD (1014-02-), H. NO. 8-64/1, RUDRA COLONY, SHAMSHABAD, HYDERABAD - 501218 PH :9603296633.	2383. JAYABHERI (1085-01-), SURVEY NO 686, UPPAL, MEDCHAL-MALKAJGIRI DISTRICT, HYDERABAD, TELANGANA - 500013 PH :8142506666.
2347. VARUN MOTORS PVT. LTD. (4603-04-), B-11 CO-OPERATIVE INDUSTRIAL ESTATE, BALANAGAR, HYDERABAD, - 500037 PH :9885208555, 9985745222.	2361. RKS MOTORS PVT. LTD. (1003-08-), D.NO.1-10-1/285/1, OPP. VEGITABLE MARKET, ECIL CROSS ROADS, KUSAIGUDA, HYDERABAD - 500062 PH :7799779810.	2373. JAYABHERI AUTOMOTIVES PVT. LTD. (1017-01-), PLOT NO. 113, 114, 115 IN LUMBINI ENCLAVE CB SQUARE, VILLAGE – GACHIBOWLI, SHERLINGAMPALLY MNADAL, HYDERABAD, TELANGANA STATE. - 500032 PH :9100909401.	IBRAHIMPATNAM
2348. VARUN MOTORS PVT. LTD. (4603-0B-), ADITYA NAGAR COLONY, (ADITYA NAGAR COLONY, TOLICHOWKI, SHAIKPET (VILLAGE, HYDERABAD, HYDERABAD - 500008 PH :64551700, 8886114856.	2362. SAI SERVICE PRIVATE LIMITED (1011-04-), H.NO.16-2-839/4/10, SAIDABAD, L.B.NAGAR, HYDERABAD. - 500059 PH :7799352000.	2374. JAYABHERI AUTOMOTIVES PVT. LTD. (1017-02-), SURVEY NO.11/36, PLOT NO.32, 39 & 40, NEAR N CONVENTION CENTRE, KHANAMET, HYDERABAD, SHERLINGAMPALLY MANDAL, HYDERABAD. - 500081 PH :7799916666.	2384. PAVAN MOTORS PVT. LTD (CSF1-01-), S.NO.123/E, MP PATELGUDA, IBRAHIMPATNAM, RANGA REDDY - 501506 PH :8790144499.
2349. VARUN MOTORS PVT. LTD. (1010-01-), PLOT NO. VI - VII A & B, UNDER WARD NO. 10, AUTONAGAR, VANASTALIPURAM, HYDERABAD, R. R. DISTT - 500070 PH :9885208555.	2363. VARUN MOTORS PVT. LTD. (4603-0G-), X-10-28/1 SY. NO.285, KUSAIGUDA, NEAR ECIL X ROADS, HYDERABAD - 500062 PH :7799600093.		JAGITAL
2350. VARUN MOTORS PVT. LTD. (4603-06-), SHOP NO. 31, SRIKRUPA MARKET, D.NO. 16-10-1/F/31, MALAKAPET, HYDERABAD - 500036 PH :4553385, 4547676, 9885093360.			
2351. RKS MOTORS PVT. LTD. (1003-04-), 16-11-19/5/2/C, SALEEM NAGAR COLONY, MALAKPET (NEAR FARHAT HOSPITAL), HYDERABAD - 500036 PH :9010811192.			

Dealer Network (AS ON 31.10.2023)

2385. ADARSHA AUTOMOTIVES PVT LTD (N601-04-), HOUSE NO.-1-5-216/A, OPPOSITE TO KVA SUBSTATION, KARIMNAGAR ROAD, JAGTIAL, - 505327
PH :8886152222.

JANGAON

2386. ADARSHA AUTOMOTIVES PVT LTD (KI01-01-), H.NO.339, HYDERABAD ROAD, JANGAON, - 505167
PH :7799626633.

KAMAREDDY

2387. VARUN MOTORS PVT. LTD. (KX01-01-), H.NO.11-107/61, BESIDE:GURU RAGHAVENDRA COLONY, CHINNA MALLAREDDY VILLAGE, KAMAREDDY. - 503111
PH :9985557570.

KARIMNAGAR

2388. ADARSHA AUTOMOTIVES PVT LTD (N601-01-), H.NO. 8-6-31/31, HYDERABAD ROAD, BY-PASS JUNCTION, KARIMNAGAR - 505001
PH :8886600315.

2389. ADARSHA AUTOMOTIVES PVT LTD (N601-05-), H.NO.8-6-301/18, BY-PASS ROAD, AUTONAGAR, KARIM NAGAR, TELANGANA. - 505001
PH :8886152222.

2390. VARUN MOTORS PVT. LTD. (N603-01-), BEARING NO. 1-81/3/10/2, SURVEY NO. 221 & 222, REKURTHI VILLAGE, KARIMNAGAR-JAGTIAL ROAD, KARIMNAGAR MANDAL & DIST., TELANGANA. - 505 001
PH :09133376762, 8886619373.

2391. VARUN MOTORS (N603-02-), SURVEY NO. 277,278/B, AREPALLY VILLAGE, TEEGALAGUTTAPALLI GRAM PANCHAYAT, KARIMNAGAR - 505001
PH :9885210555.

KEESARA

2392. JAYABHERI AUTO (SEI1-01-), H-NO 3-56/9/6A, SURVEY NO 5,KEESARA, MEDCHAL-MALKAJGIRI, TELANGANA - 501301
PH :9676076666.

KHAMMAM

2393. MITHRA AUTO AGENCIES PVT LTD (2604-02-), SURVY NO. 182, WARANGAL ROAD, OPP. FCI GODOWNS, PEDA THANDA, KHAMMAM - 507003
PH :8886063527.

KHANAPUR

2394. VARUN MOTORS (SND1-01-), NO:14-10A, NEAR SAI BABA TEMPLE, OPP. GIRLS HIGH SCHOOL, VILL & MANDAL: KHANAPOOR, DIST- NIRMAL - 504203
PH :8886619373.

KODAD

2395. PAVAN MOTORS PVT. LTD (BRP2-01-), SURVEY NO. 42, KOMARBANDA REVENUE LIMITED, KODAD , DISTRICT – NALGONDA, TELANGANA - 508206
PH :8008899995.

KOLLAPUR

2396. SRI JAYARAMA (SHC1-01-), SURVEY NO 259/A/2, 259/E/2, KOLLAPUR, NAGAR KURNOOL DISTRICT, TELANGANA - 509102
PH :9985880015.

KOSGI

2397. JAYARAMA (-), SY. NO. 1798/B, KOSGI TOWN, SITUATED TANDOR ROAD KOSGI(G.P & MANDAL), NARAYANPET DIST, TELANGANA - 509339
PH :8096990069.

KOTHAGUDEM

2398. VARUN MOTORS PVT. LTD. (2603-04-), DOOR NO- 5-35/4/B, LAKSHMIDAVI PALLI, BHADRACHALAM ROAD, KOTTHAGUDEM - 507101
PH :8297168222/9052549111.

LUXITIPET

2399. VARUN MOTORS (SFS1-01-), SURVEY NO 289/E, NEAR BY SSR GARDENS, LUXITIPET, MANCHERIAL DISTRICT, TELANGANA - 504215
PH :8297848999.

MAHABUBABAD

2400. ADARSHA AUTOMOTIVES PVT LTD (CQS1-01-), SY. NO.38/A, MAHBUBABAD REVENUE VILLAGE AND MANDAL, MAHBUBABAD. - 506101
PH :9177746333, 7799700525.

MAHABUBNAGAR

2401. SRI JAYARAMA MOTORS PVT. LTD. (WP01-01-), PLOT NO.C1 & C2, INDUSTRIAL ESTATE, METTUGADA, MEHBOOBNAGAR - 504001
PH :8096998946.

MAHESHWARAM

2402. ADARSHA AUTOMOTIVES PVT LTD (CQR1-01-), (BEARING #5-187, SURVEY NO.336/A1, VILLAGE & MANDAL: MAHESHWARAM DISTT. RANGA REDDY - 501359
PH :8142326633, 9703152222.

MANCHERIAL

2403. ADARSHA AUTOMOTIVES PVT LTD (N601-03-), BEHIND MAHINDRA TRACTORS SHOWROOM, BELLAMPALLY ROAD, MANCHIRIAL , DISTT. ADILABAD - 504208
PH :8886302222.

MANTHANI

2404. VARUN MOTORS (SHS1-01-), SURVEY NO 1018, H NO 16-4/D2, PLOT NO 5, LAINGADDA STREET, MANTHANI, - 505184
PH :8886619373.

MEDAK

2405. VARUN MOTORS PVT. LTD. (KF01-01-), SY.NO.:1486/A3, HYDERABAD ROAD, MEDAK (MDL & TOWN) - 502110
PH :9154953337.

MEDCHAL

2406. AUTOFIN LIMITED (CID1-01-), H. NO. 11-27/1, SURVEY NO.401, MEDCHAL VILLAGE AND MANDAL, DIST. - MEDCHAL. - 501401
PH :8885040020.

METAPALLY

2407. ADARSHA (BJF1-01-), SURVEY NO. 40/U/2 CHOULAMADHI, METPALLY PIN CODE 505325 - 505325
PH :8886092222.

MIRYALGUDA

2408. PAVAN MOTORS PVT. LTD (WR01-01-), SURVEY NO-940 &943, (OPPOSITE TO MINA ENGINEERING COLLEGE) NARKETPALLY ADDANKI BY-PASS ROAD, MIRYALGUDA - NALGONDA DISTRICT, ANDHRA PRADESH - 508207
PH :8790900399.

MOINABAD

2409. GEM MOTORS (INDIA) PVT. LTD. (CFN1-01-), SURVEY NO. 70, PLOT NO. 4, VILLAGE AND GRAM PANCHAYAT – HIMAYATH NAGAR, MANDAL – MOINABAD, DISTRICT – RANGA REDDY. - 500075
PH :9912899128, 799794845.

NAGARKURNOOL

2410. SRI JAYARAMA MOTORS PVT. LTD. (EV01-01-), SURVEY NO.44/A AND 45/A, UYYALWADA VILLAGE, NAGARKURNOOL, TELANGANA - 509209
PH :8096990074.

NALGONDA

2411. PAVAN MOTORS PVT. LTD (AN01-01-), CHERLAPALLY VILLAGE, NALGONDA ROAD, NALGONDA - 508001
PH :247399,8790344499.

NARAYANKHED

2412. VARUN MOTORS PVT. LTD. (CG1-01-), D. NO. 1-6-111/25/B/5/A1, SY. NO. 57/2, BHUMAN COLONY, GRAM PANCHAYAT & MANDAL - NARAYANKHED, DISTRICT – MEDAK, TELANGANA. - 502286
PH :9885210555.

NARAYANPET

2413. SRI JAYARAMA MOTORS PVT. LTD. (BPG1-01-), SURVEY NO. 468/4, MAHABUBNAGAR ROAD, NARAYANPET TOWN, DIST.-MAHABUBNAGAR, STATE - TELANGANA. - 509210
PH :8096997701, 7893177448.

NARSAPUR

2414. KALYANI MOTORS PVT. LTD. (SCX1-01-), SURVEY NO 66, BLOCK NO-19, NARSAPUR, DISTRICT: MEDAK, TELANGANA. - 534275
PH :9100067766.

NIRMAL

2415. ADARSHA AUTOMOTIVES PVT LTD (N601-02-), H. NO. 1-1-131, ,SHASTRINAGAR, MANCHIRIAL ROAD, DISTT. ADILABAD, NIRMAL - 504106
PH :8886342222.

NIZAMABAD

2416. VARUN MOTORS PVT. LTD. (1H02-01-), PLOT NO. GP 1-57/4/1, PANGARA BORGON, NIZAMABAD - 503230
PH :8297848999, 9052080444.

PALWANCHA

2417. VARUN MOTORS PVT. LTD. (HF01-01-), SURVEY NO.758 & 757, NHRU NAGAR, PALWANCHA (NEW POLANCHA) MANDAL & TOWN, BHADRADRI KOTHAGUDEM DISTT., TELANGANA. - 507115
PH :8297163222.

PARGI

2418. VARUN MOTORS PVT. LTD. (CBO1-01-), HOUSE NO.2-356 JANGAIAH COMPLEX, SURVEY NO. 217/EE4, JAYANTHI NAGAR COLONY, MANDAL – PARGI, DISTRICT – RANGA REDDY. - 510501
PH :9885210555, 9885200000.

PARKAL

2419. ADARSHA (SEK1-01-), SY.NO 946, H.NO 5-27, VIKAS NAGAR, PARKAL, WARANGAL. - 506164
PH :8886742222.

PEDAPALLY

2420. ADARSHA AUTOMOTIVES PVT LTD (GKN1-01-), SURVEY NO 142, H NO 185, RANGAMPALLI VILLAGE, PEDDAPALLI , TELANGANA - 505172
PH :8886618155, 8886672222.

RAMAGUNDAM

2421. ADARSHA AUTOMOTIVES PVT LTD (BGA1-01-), 5-6-172 SURVEY NO. – 259/B, MEDIPALLY SHIVAR, RAMAGUNDAM MUNICIPALITY, DISTRICT – KARIM NAGAR, ANDHRA PRADESH - 505209
PH :8886144550.

RAMAYAMPET

2422. VARUN MOTORS PVT. LTD. (CDO1-01-), SURVEY NO. 1626 & 1626/2 SITUATED AT BLOCK NO. 16, RAMAYAMPET, DISTRICT – MEDAK. - 502101
PH :9885208555, 9703803399.

SADHASHIPET

2423. SAI SERVICE (SFQ1-01-), PLOT NO. 2, SY NO. 974, GURUNAGAR COLONY, OLD BOMBAY HIGHWAY ROAD, SADASHIVPET, SANGAREDDY DIST. 502291. - 502291
PH :9966377888.

SANGAREDDY

2424. SAI SERVICE PRIVATE LIMITED (1011-05-), H.NO.4-8-92/114/S, AHMED NAGAR, OPP GOVT.ITI, SANGAREDDY, MEDAK (DIST), ANDHRA PRADESH - 502001
PH :7661811000.

SATUPALLI

2425. MITHRA AUTO AGENCIES PVT LTD (SHD1-01-), SURVEY NO. 75 NEAR VIVEKANANDA STATUE,SATHUPALLI, KHAMMAM. - 507303
PH :9848988312.

SECUNDERABAD

2426. ACER MOTORS (A DIVISION OF KRISHNAIAH MOTORS PVT. LTD) (K601-01-), A1, MOTI VALLEY,TRIMULGHERRY,SECUNDERABAD, - 500015
PH :040 44554747, 8885088080.

2427. AUTOFIN LIMITED (K606-01-), SURVEY NO. 33, MEDCHAL ROAD, BOWENPALLY, SECUNDERABAD - 500011
PH :8885040130.

2428. VARUN MOTORS PVT. LTD. (4603-01-), 1-10-176/1, BEHIND VARUN TOWERS-I, OPP. HYDERABAD PUBLIC SCHOOL, BEGUMPET, SECUNDERABAD, HYDERABAD, TELANGANA STATE. - 500016
PH :9985552452.

2429. RKS MOTORS PVT. LTD (K605-01-), PLOT NO. 207, TADBUND, SECUNDERABAD. - 500009
PH :9010801004.

2430. AUTOFIN LIMITED (K606-02-), SURVEY NO. 177/B & 178/C SITUATED AT VILLAGE – KOMPALLY, MANDAL – OUTHBULLAPUR, HYDERABAD. - 500090
PH :8885040126.

2431. PAVAN MOTORS PVT. LTD (K608-02-), PLOT NO. 1-12, 749, 750, SURVEY NO. 751/2, VENKATADRI NAGAR, NEW MIRJALGUDA, MALKAJGIRI, SECUNDERABAD, TELANGANA - 500047
PH :9121293690.

SHAD NAGAR

2432. SRI JAYARAMA MOTORS (P) LTD. (WS01-01-), SERVEY NO.445, FAROOQ NAGAR, SHADNAGAR, MAHABUB NAGAR DISTT. ANDHRA PRADESH. - 500216
PH :8096996671.

SHAMIRPET

2433. RKS MOTOR PVT. LTD. (SDE1-01-), SHED NO 2-242, MAJEEDPUR CROSS ROADS SHAMIRPET, MEDCHAL-MALKAJGIRI, TELANGANA - 500078
PH :9848866618.

SHANKARPALLY

2434. SAI SERVICE PRIVATE LIMITED (CEX1-01-), SURVEY NO. 203, HYDERABAD ROAD OPP. SM FUNCTION HALL ROAD, SHANKARPALLY, RANGA REDDY DISTT. - 501203
PH :9966377888, 9912899128, 9703811011.

SIDDIPET

2435. ADARSHA AUTOMOTIVES PVT LTD (CAL1-01-), SURVEY 197/A, VILLAGE – PONNALA, SIDDIPET, DISTRICT – MEDAK, TELANGANA. - 502103
PH :09703716633, 9160746633.

SIRCILLA

2436. ADARSHA AUTOMOTIVES PVT LTD (BYW1-01-), H. NO. 10-1-7/2, 10-1-7/3, 10-1-7/3/A/1, KARIMNAGAR ROAD, SIRCILLA, DISTRICT – KARIMNAGAR, TELANGANA - 505301
PH :8886618155, 8142244131.

SURYAPET

2437. PAVAN MOTORS PVT. LTD (BLC1-01-), SURVEY NO. 493, THALLAGADDA, SURYAPET MANDAL, NALGONDA DISTRICT, ANDHRA PRADESH. - 508213
PH :8008899995, 27502750.

TALLADA

2438. MITHRA AUTO (SOU1-01-), SURVEY NO 890/A, D.NO 7-8, NARAYANAPURAM, TALLADA, TELANGANA - 507167
PH :9848988312.

TANDUR

2439. VARUN MOTORS PVT. LTD. (CFR1-01-), H. NO. 2-1-20/3, 2-1-20/3/A & 2-1-20/9, PLOT NO. 45, 46, 47, SURVEY NO. 57 OF MALREDDYPALLY VILLAGE, TANDUR MUNICIPALITY, VIKARABAD DISTRICT, TELANGANA. - 501141
PH :8886619370.

THORRUR

2440. ADARSHA AUTOMOTIVES PVT LTD (BYV1-01-), SURVEY NO.1 TO 5, BEARING M. NO.4-153/1, VILLAGE & MANDAL THORRUR DISTT. WARANGAL - 506163
PH :9059438007, 7799790527.

TOOPRAN

2441. ADARSHA (SEJ1-01-), PLOT NO 7&8, SY NO 185, 184, 179U, NAGULAPALLY VILLAGE, TOOPRAN MANDAL, TELANGANA STATE: TELANGANA CITY: TOOPRAN PIN : 502334 CITY CATEGO - 502334
PH :9291859954.

UTNOOR

2442. ADARSHA AUTOMOBILES (SEG1-01-), OPP., KB COMPLEX, UTNOOR, DIST- ADILABAD - 504311
PH :7075792221.

VIKARABAD

2443. GEM MOTORS (INDIA) PVT. LTD. (BYM1-01-), SHOP NO. 3-2-93/2, VILLAGE – YENNAPALLY, VIKARABAD MUNICIPALITY, VIKARABAD, DISTRICT – RANGA REDDY, TELANGANA. - 501101
PH :9912349840.

WANAPARTHY

2444. SRI JAYARAMA MOTORS (P) LTD. (WQ01-01-), SURVEY NO.1149, KURNOOL ROAD, WANAPARTHY (A.P.) - 509103
PH :8096903879.

WARANGAL

2445. ADARSHA AUTOMOTIVES PVT LTD (D502-02-), PLOT NO.10, INDUSTRIAL AREA, MULUGU ROAD, WARRANGAL - 506007
PH :8886132222.

2446. ADARSHA AUTOMOTIVES PVT LTD (D502-03-), OPPOSITE TO ORUGALLU FILLING STATION, HUNTER ROAD, SHAYAMPET, HUNAMKONDA, WARANGAL - 506001
PH :8886492222.

2447. WIN MOTORS (A UNIT OF BHADRAKALI AUTOCARE PVT. LTD) (D503-01-), SURVEY NO. 16, 16/A & 16/B, OPPOSITE KAKATIYA UNIVERSITY GATE-2, LASHKERSINGARAM REVENUE VILLAGE, HANAMKONDA MANDAL, WARANGAL. - 506 001
PH :8688828010.

2448. WIN MOTORS (A UNIT OF BHADRAKALI AUTOCARE PVT. LTD) (D503-02), PLOT NUMBER 9, 10, 11 & 13/A, SURVEY NUMBER 148/A&B OF BHEEMRAM VILLAGE, WARANGAL. - 506015
PH :8688828015.

ZAHIRABAD

2449. SAI SERVICE PRIVATE LIMITED (BAT1-01-), PLOT NO-5, NEAR IBP PETROL BUNK, NH-9, ALIPUR, ZAHIRABAD, MEDAK (DIST), ANDHRA PRADESH - 502220
PH :7660005206.

TELENGANA

KAGHAZNAGAR

2450. ADARSHA AUTOMOTIVES (SCN1-01-), H.NO :1-61/3, BORIGAON, KAGHAZNAGAR, KOMARAMB HEEM - 504296
PH :8886902222.

PALAKURTHY

2451. WIN MOTORS (SCY1-01-), SURVEY NO 537/B, MAIN ROAD, PALAKURTHY, JANGAON DISTRICT, TELANGANA. - 506317
PH :8688838005.

TRIPURA

AGARTALA

2452. JAIN UDYOG (6901-01-), ARUNDHUTI NAGAR, OPP. INDUSTRIAL ESTATE, AGARTALA - 799003
PH :9862149275.

2453. JAIN UDYOG (6901-05-), 58-B/C, INDUSTRIAL AREA ARUNDHATI NAGAR, AGARTALA - 799003
PH :70057 71216.

2454. JAIN UDYOG (6901-06-), KHATIAN NO. 1843, MOUJA & TEHSIL – KHAYERPUR, JIRANIA SUBDIVISION, AGARTALA - 799008
PH :97746 16831.

2455. PALLAVI MOTORS (6902-01-), 44 NH ROAD, DAG NO. 495, DAG NO. 1748, DAG NO. 867, POST OFFICE KHERPUR, AGARTALA (TRIPURA) - 799008
PH :9864052488.

AMARPUR

2456. JAIN UDYOG (CVR1-01-), NEAR MOTOR STAND, AMARPUR, TRIPURA - 799101
PH :97748 45751.

AMBASSA

2457. JAIN UDYOG (CDT1-01-), A.A. ROAD, OPPOSITE OF CHANDRAI PARA HS SCHOOL, AMBASSA, DHALAI, TRIPURA. - 799289
PH :70052 88437.

DHARMANAGAR

2458. JAIN UDYOG (6901-03-), DHARMANAGAR COLLEGE ROAD, DHARMANAGAR, TRIPURA(NORTH). - 799250
PH :97747 93164.

UDAIPUR

2459. JAIN UDYOG (YU01-01-), DHWAJANAGAR INDUSTRIAL ESTATE, UDAIPUR, TRIPURA (SOUTH) - 799116
PH :9774020152.

UP

GREATER NOIDA

2460. VIPUL MOTORS (T202-01-), PLOT NO. 64, ECOTECH 12, GREATER NOIDA (WEST), UP. - 201009
PH :9811233385.

UTTAR PRADESH

AGRA

2461. MADHUSUDAN MOTORS PVT LTD (6603-01-), B-5 LAWYERS COLONY, BYE PASS ROAD, AGRA - 282005
PH :531102-05.

2462. MADHUSUDAN MOTORS PVT LTD (6603-02-), GANESH GANJ, PRATAPPURA, AGRA - 282001
PH :9837097887.

2463. MADHUSUDAN MOTORS PVT LTD (6603-03-), 6-A, VIBHAV INDUSTRIAL STATE, AGRA - 282007
PH :3299221.

Dealer Network (AS ON 31.10.2023)

2464. MADHUSUDAN MOTORS PVT LTD (6603-04-), 26/253, SULTAN GANJ KI PULIA, MAUZA LASKARPUR, AGRA - 283203 PH :9837097894.	2476. STAR CARS (A UNIT OF SARASWATI VEHICLES LLP) (NJ02-01-), KAHUWA NALA, AURI-BINA ROAD, AURI ANPARA, DISTRICT – SONEBHADRA - 232101 PH :7052547903, 9721905002, 9151154306, 9450544961.	2485. KTL PVT. LTD, (CHI1-01-), 16B, DHOBAIR, VILLAGE - BAH, DIST.-AGRA, UTTAR PRADESH. - 283104 PH :7055707169, 8449715033.	2496. CORAL MOTORS (P) LTD. (5602-01-), STATION ROAD, BAREILLY - 243001 PH :559191.
2465. KTL PVT. LTD. (6606-01-), MUGHAL ROAD, KAMLA NAGAR, AGRA - 282004 PH :8449715033,8449715099.	ANUPSHAHR 2477. SK UNIVERSE (SI01-01-), KHASRA NO. 341, BULANDSHAHR ROAD, ANOOPSHAHR, DIST. BULANSHAHR, PIN-203390, UTTAR PRADESH - 203390 PH :7055118430.	BAHERI 2486. KAVISHA MOTORS PVT LTD (BSB1-01-), KASRA NO. 530, 531, 532, 533, NAINITAL ROAD, OPP. RAMLILA GROUND, BAHERI, DISTRICT – BAREILLY, UTTAR PRADESH - 243201 PH :8756000000, 7607696666.	2497. CORAL MOTORS (P) LTD. (5602-03-), PILIBHIT BYE PASS ROAD, EXECUTIVE CLUB CROSSING, BAREILLY, UTTAR PRADESH - 243002 PH :0581-2554922.
2466. PREM MOTORS PVT. LTD. (6607-01-), 45, OPPOSITE AGRA COLLEGE, GOKULPURA, AGRA, UTTAR PRADESH - 282002 PH :9690010799.	AONLA 2478. KAVISHA MOTORS PVT LTD (CV11-01-), COMMERCIAL PLOT, RAN NAGAR ROAD, NEAR MUNICIPALITY OFFICE, TEHSIL - AONLA, DIST., BAREILLY, STATE- UTTAR PRADESH. - 243301 PH :07895980222, 07895980300.	BAHRAICH 2487. ANAND MOTORS AGENCIES LTD (1301-05-), LUCKNOW ROAD, BEHRAICH, UTTAR PRADESH - 271801 PH :9519596080.	2498. KAVISHA MOTORS PVT LTD (5601-01-), 4TH KM, RAMPUR ROAD, CLUTTER BUCKGANJ, BAREILLY - 243502 PH :8756000000, 7607696666.
2467. KTL PVT. LTD. (6602-06-), KHASRA NO. 171, SEWLA JAT, GWALIOR ROAD, AGRA, UTTAR PRADESH - 282001 PH :8449715099.	AURAI 2479. VARANASI MOTORS PVT LTD (CBM1-01-), KHATA / KHATAUNI NO. 00045, GT ROAD (EHAH BHATURA), OPP. CHINI MILL, VILLAGE & TEHSIL AURAI, DISTT: BHADHOI, UTTAR PRADESH, PIN 2221 301 - 2221301 PH :9838360662, 7617002786.	BALLIA 2488. DEEP MOTORS (K501-03-), MAIDEYUPUR, RAJDHANI ROAD, BALLIA - 277001 PH :9838072917.	2499. ETERNITY MOTORS LLP (5603-01-), KHASRA NO. 803/2, PILIBHIT BYPASS ROAD, PEER BAHORA, OPP. FUN CITY, BAREILLY, UTTAR PRADESH. - 243001 PH :9105555746.
2468. MERAK VEHICLES (6609-01-), KHASRA NO 65 & 74, MAUZA MOHAMMADPUR, AGRA-DELHI ROAD (NH-2), SIKANDRA, AGRA UTTAR PRADESH-282007. - 282007 PH :9690486139.	AURAIYA 2480. KULDEEP MOTORS (QJ01-01-), NEAR INDIAN OIL TIRAHA, KANPUR ROAD, AURAIYA. - 206241 PH :9235358444.	BALRAMPUR 2489. ANAND MOTORS AGENCIES LTD (XB01-01-), NEAR BALRAMPUR CHINI MILLS, GONDA ROAD, BALRAMPUR-UTTAR PRADESH - 271201 PH :6307995976.	BASTI 2500. SMARTWHEELS PVT. LTD. (7201-05-), MANORI CHAURAHA, DUMARIYA GANJ ROAD, BASTI - 270002 PH :286294.
AKBARPUR 2469. KTL PVT. LTD. (2801-03-), KANPUR ROAD, AKBARPUR - 209206 PH :7408409348.	AYODHYA (FAIZABAD) 2481. SMART WHEELS (7201-03-), GHATAMPUR MAGALS, OPP TRIMURTI HOTEL, TEHSIL SOHAWAL, FAIZABAD, UTTAR PRADESH - 224001 PH :7705800602.	BANDA 2490. MY CAR PVT. LTD. (2803-03-), KALKUKUAN, TINDWARI ROAD, BANDA - 210001 PH :9792971223.	2501. ARBIT AUTOMOBILES (7203-03-), SANSARPUR FUTAHIA POST GANDHI NAGAR DISTRICT BASTI UTTAR PRADESH - 271282 PH :8953412821.
2470. SMARTWHEELS PVT. LTD. (7201-08-), TANDA ROAD, VILL-BUDHAEPPUR, PO-KATRIYA YAKOOPPUR, AKBARPUR , DIST-AMBEDKAR NAGAR (U.P.) - 224122 PH :7705803248.	AZAMGARH 2482. DEEP MOTORS (K501-01-), HARBANSHPUR NARAULI, AZAMGARH - 276001 PH :9838072905.	2491. SUMITRA DS MOTORS (SPB1-01-), PURANPUR ROAD, BANDA, TEHSIL BANDA, THANA BANDA, DISTT. SHAHAJAHANPUR – U.P. - 242042 PH :9336408074.	BEHTA 2502. MEGA MOTORS (A UNIT OF AKM MOTORS PVT. LTD) (GM11-01-), KHASRA NO. 254, OPPOSITE SANGAM MOTORS, KURSI ROAD, BEHTA - 226026 PH :6388901514.
ALIGARH 2471. DEV MOTORS (P) LTD (B601-01-), NEAR BANNA DEVI, G.T. ROAD, ALIGARH - 202001 PH :521771.	BABRALA 2483. AKANKSHA AUTOMOBILES PVT. LTD. (SUJ1-01-), CHANDAUSI ROAD, BABRALA, DISTRICT SAMBHAL, UTTAR PRADESH. - 243751 PH :7895600005.	BANSI 2492. ARBIT AUTOMOBILES PVT LTD (GMD1-01-), KHASRA NO. 66 M, GRAM: BHAWNI, TAPPA: KUNDARANA, PARGANA: BANSI EAST, TEHSIL BANSI, DISTT : SIDARTHANAGAR - 272153 PH :89534 12821.	BHADHOI 2503. VARANASI MOTORS PVT. LTD. (8402-02-), VARNASI ROAD, BHADHOI - 221401 PH :9838360662.
2472. DEV MOTORS (B601-04-), PLOT NO 97, VILLAGE SIKANDERPUR, BHUKRAVALI, GT ROAD BYE PASS, ALIGARH - 202002 PH :7351345577.	BACHRAWAN 2484. KTL AUTOMOBILE PVT. LTD. (CGX2-01-), VISHNUPUR, PHARWAN, RAEBARELI-LUCKNOW ROAD, DIST. -RAEBARELI. - 229301 PH :99184512222.	BANTHRA 2493. MEGA MOTORS (SGQ1-01-), KHASRA NO.1628 AMARPUR, SIKANDARPUR MARKET, BANTHRA, KANPUR ROAD LUCKNOW - 226401 PH :9919101456.	BHINGA 2504. ANAND MOTORS (BVG1-01-), PATNAKHARGAURA, BHINGA, SHRAVASTI - 271831 PH :9415013059.
ALLAHABAD 2473. AMITDEEP MOTORS (2901-01-), 26 SULEM SARAI, G.T ROAD, ALLAHABAD - 211001 PH :8948122749, 9026111339, 7738555692, 9839890333, 9936413399.	BACHRAWAN 2484. KTL AUTOMOBILE PVT. LTD. (CGX2-01-), VISHNUPUR, PHARWAN, RAEBARELI-LUCKNOW ROAD, DIST. -RAEBARELI. - 229301 PH :99184512222.	BARABANKI 2494. BRIGHT 4 WHEEL SALES PVT. LTD. (1305-03-), VILL. DHARSANIA, LUCKNOW ROAD, NAWABGANJ, BARABANKI - 225001 PH :9838075960.	BHOJPUR 2505. MOTORCRAFT SALES INDIA PVT LTD (SDQ1-01-), OPPOSITE PRIMARY GOVERNMENT SCHOOL, HAPUR ROAD, VILLAGE BHOJPUR, TEHSIL – MODINAGAR, DISTRICT – GHAZIABAD. - 201204 PH :9410038456.
AMETHI 2474. KTL AUTOMOBILE PVT. LTD. (BBB2-01-), PLOT NO – E 32, INDUSTRIAL AREA TEKARIA, UPSIDC, GAURIGANJ, DIST: C.S.M.NAGAR - 227409 PH :7379557377.	BAH	BARAUT 2495. TANYA AUTOMOBILES (LL02-01-), 240/2 SHAPUR-BADOLI, DELHI SAHARANPUR ROAD, BARAUT, BAGHPAT, UTTAR PRADESH. - 250611 PH :7055300019.	BIJNOR 2506. SHAKUMBARI AUTOMOBILES (P) LTD (BDJ1-01-), PLOT & KHASRA NO. 253/3 & 258/1 ADJACENT KHEDI CHAURAH, NEAR PULKIT HOSPITAL, DELHI-BIJNOR HIGHWAY, BIJNOR, DIST. – BIJNOR, UTTAR PRADESH. - 246701 PH :8630881409.
AMROHA 2475. AKANKSHA AUTOMOBILES PVT. LTD. (AO01-01-), AMROHA – JOYA ROAD, NEAR PUNJAB NATIONAL BANK, AMROHA, UTTAR PRADESH, PIN CODE: 244221 - 244221 PH :7247800064.		BAREILLY	BILARI
ANPARA			

Dealer Network (AS ON 31.10.2023)

2550. SMARTWHEELS PVT. LTD. (7202-01-), PLOT NO.AL-4, SECTOR-9, GIDA, GORAKHPUR. - 273209 PH :9235401004.	IGLAS 2561. DEV MOTORS (SOD1-01-), MATHURA ROAD, IGLAS, DISTRICT ALIGARH. - 202124 PH :9837549000.	2572. KTL PVT. LTD. (2801-02-), SHVAATRA KRISHNA NAGAR, G T ROAD, KANPUR - 208007 PH :7408409253.	KHAIR 2585. DEV MOTORS (SHQ1-01-), PLOT 117, ALIGARH PALWAL ROAD, VILLAGE CHAMAN NAGARIYA, KHAIR - 202138 PH :7351345577.
2551. ARBIT AUTOMOBILES PVT LTD (7203-01-), ARAZI NO. 66/1/1 MI & 66/2/1MI, 66 MI, MAUZA - MAHEWA MUSTAKIL, NEAR FALMANDI CHOWK, TRANSPORT NAGAR, GORAKHPUR, UTTAR PRADESH. - 273016 PH :8953412821.	ITUNJA 2562. BRIGHT 4 WHEEL (SJD1-01-), 90M GATA GRAM MANDOLI, ITTAUNJA, LUCKNOW, UTTAR PRADESH-226203. - 226203 PH :7011482503.	2573. MY CAR PVT. LTD. (2803-02-), C-16, SITE-1, PANKI INDUSTRIAL AREA, KANPUR - 208022 PH :9792970086.	KHANDAULI 2586. MADHUSUDAN MOTORS PVT LTD (BVV1-01-), KHASRA NO. 97, AGRA-SADABAD, HATHRAS ROAD, OPP. HDFC BANK, VILL.-LAKHADA, TEHSIL ETHMADPUR, DIST. AGRA, UTTAR PRADESH. - 283126 PH :9837097863, 9690003034.
2552. ARBIT AUTOMOBILES (7203-1B-), MEDICAL COLLEGE ROAD, NEAR SPORTS COLLEGE, GORAKHPUR, UTTAR PRADESH - 273016 PH :8953412821.	JAGDISHPUR 2563. BRIGHT 4 WHEEL SALES PVT. LTD. (XC01-01-), KATHORA,MUSAFIRKHANDA,LUCKNOW SULTANPUR ROAD,JAGDISPUR-UTTAR PRADESH - 227817 PH :9721526961 , 9628374814.	2574. S B CARS PVT.LTD (2806-01-), 77B , FAZALGANJ, KANPUR - 208012 PH :2241660.	KHURJA 2587. SK UNIVERSE (SKP1-01-). OLD GT ROAD, KHURJA, DISTRICT- BULANDSHAHR, UTTAR PRADESH - 203131. - 203131 PH :7055118430.
GOSAIGANJ 2553. BRIGHT 4 WHEEL SALES PVT. LTD. (CWK1-01-), KHASRA NO. 24, VILLAGE - SHEKHANPUR, PARGANA MOHANLALGANJ, TEHSIL - MOHANLALGANJ, DIST.-LUCKNOW, UTTAR PRADESH. - 226501 PH :9838075929.	JAGNER 2564. MERAK VEHICLES (SPJ1-01-), SHRI RAM GARDEN, AGRA ROAD, NEAR RADHA KRISHNA MANDHIR, JAGNER, UTTAR PRADESH, 283115 - 283115 PH :7896500400.	2575. MY CAR PVT. LTD. (2803-05-), 88, BLOCK-T, FACTORY AREA, FAZALGANJ, KANPUR -208004 PH :9792970081.	KHUTAR 2588. SUMITRA DS MOTORS PVT LTD (CIO1-01-), VILLAGE - NARAINPUR, VIKRAMPUR GOLA ROAD, KHUTAR, DISTRICT - SHAHJAHANPUR, UTTAR PRADESH. - 242405 PH :9336408074.
GREATER NOIDA 2554. ROHAN MOTORS LTD. (T201-01-), 63-A, UDYOG VIHAR, GREATER NOIDA, UTTER PRADESH - 201306 PH :4513739, 4513736, 4513734, 4513700/9358506111.	JALALABAD 2565. SUMITRA DS MOTORS PVT. LTD. (GJX1-01-), GRAM: SUJAWALPUR, BAREILLY ROAD, TEHSIL: JALALBAD, DIST. SHAHJAHANPUR - 242221 PH :9336408074, 9897019488.	2576. MY CAR PVT. LTD. (2803-07-), ARAZI NO. 1110, VILLAGE BAIRI, AKBARPUR, KACHHAR, INDIRA NAGAR, KANPUR, UTTAR PRADESH - 208 026 PH :7408409379.	KIRAOLI 2589. PREM MOTORS PVT. LTD. (BJZ1-01-), GOVIND PALACE, NEAR KIRAWALI TEHSIL, AGRA - JAIPUR HIGHWAY, KIRAWALI, DISTRICT - AGRA, UTTAR PRADESH. - 283122 PH :9690010799.
HAIDERGARH 2555. BRIGHT 4 WHEEL SALES PVT. LTD. (CVU1-01-), PROPERTY SHOP NO. 5, 6 AND 7, VILLAGE - GOTAUINA, PARGANA - HAIDERGARH, TEHSIL - HAIDERGARH, DISTRICT - BARABANKI. - 225124 PH :9935275786, 9838075929.	JAUNPUR 2566. KIRTIKUNJ AUTOMOBILES PVT. LTD. (6H01-01-), KANPUR AKBAR, KUTTUPUR TIRAHA - 222001 PH :9554951026.	KARWI 2579. MY CAR PVT. LTD. (CBU1-01-), ARAJI NO. 58, MAUJA - AMANPUR, TEHSIL - KARWI, DIST. -CHITRAKOOT, UTTAR PRADESH. - 210205 PH :9839029868, 9792970391.	KONCH 2590. KULDEEP MOTORS (SNZ1-01-), NEW PATEL NAGAR, CITY KONCH, DISTRICT - JALAUIN, UTTAR PRADESH - 285205 PH :9839015046.
HAMIRPUR 2556. KTL PVT. LTD. (QH01-01-), VILLAGE RAMEDI,KANPUR ROAD, HAMIRPUR - 210301 PH :7704907587.	JHANSI 2567. SURI AUTOMOBILES (6001-01-), BALAJI UNNA ROAD, ANSAL COLONY, JHANSI PIN - 284002. - 284002 PH :8881811383.	KASGANJ 2580. MADHUSUDAN VEHICLES PRIVATE LTD. (BVX1-01-), ARAJI NO. 646, SAURO ROAD, KASGANJ, DISTRICT - KASGANJ, UTTAR PRADESH. - 207123 PH :9837097863, 9690003034.	KOSI 2591. UMA MOTORS PVT. LTD. (CPV1-01-), KHASRA NO. 245, CITY - KOSI, DIST.-MATHURA. - 281004 PH :9997883333, 9997511006.
HAPUR 2557. ROHAN MOTORS (6G01-01-), DELHI-HAPUR ROAD, OPPOSITE SSV INTERCOLLEGE,HAPUR, DISTRICT- GHAZIABAD - 245101 PH :8476853930, 9536129292.	2568. VELOCITY CARS (A UNIT OF BASERA VELOCITY AUTOHUB PVT. LTD) (6002-01-), PLOT NO 486, 487, 488, 489 AND 477 (PATTA NUMBERS), MAUZA - KOCCHABHANWAR, BLOCK - BADAGAON, TEHSIL AND DISTT - JHANSI. - 284128 PH :9889440999.	KASIA 2581. ARBIT AUTOMOBILES PVT LTD (GMJ1-01-), MAUJA BHAIASAHA, HETIMPUR KASIA, KUSHINAGAR, UTTAR PRADESH - 274206 PH :8953412821.	KUBERPUR 2592. KTL PVT. LTD. (6606-04-), KHASRA NO 248,249,251, NAWALPUR, BHAGPUR, POST-ETHMADPUR, NH-2, KUBERPUR, AGRA, UTTAR PRADESH - 282006 PH :8449715099.
HARDOI 2558. CONCEPT CARS PVT. LTD. (QE01-01-), NANAK GANJ, LUCKNOW ROAD, HARDOI - 241001 PH :8756000000, 7607696666.	KANNAUJ 2569. KTL PVT. LTD. (2801-05-), PLOT NO. - 377, AKBARPUR, KANNAUJ - 209725 PH :7408409305.	KATRA 2582. SUMITRA DS (SHY1-01-), GRAM: SAALPUR NAVADIYAM, NH24, KATRA, TEHSIL - TILHAR, SHAHJAHANPUR - 242301 PH :9336408074.	KUNDA 2593. SARASWATI MOTORS (CBF2-01-), ALLAHABAD-LUCKNOW HIGHWAY, KUNDA, DISTRICT PRATAPGARH. - 230204 PH :8090854005.
2559. CONCEPT CARS PVT. LTD. (QE01-04-), PLOT NO. 1609 & 1605 GANGA BUX PURVA, BILGRAM ROAD, HARDOI KANPUR HIGHWAY, HARDOI, UTTAR PRADESH. - 241001 PH :7607696666, 8756000000.	KANPUR 2570. KTL PVT. LTD. (2801-01-), 9/46, BENAJHABAR ROAD, HARSH NAGAR, KANPUR - 208002 PH :7408409341.	KAUSHAMBI 2583. SARASWATI MOTORS (SLQ1-01-), ARAZI NO 1228, KORRO MANJHANPUR, KAUSHAMBI, UTTAR PRADESH. PINCODE - 212207. - 212207 PH :8090854005.	LAKHIMPUR 2594. SUMITRA DS MOTORS PVT LTD (W201-02-), GATA NO. 66, LRP ROAD, TOWARDS GOLA, LAKHIMPUR KHERI - 242001 PH :7522888333, 9415770000.
HATHRAS 2560. DEV MOTORS (P) LTD (B601-03-), NEAR NAGLA UMMED, ALIGARH ROAD, HATHRAS - 204101 PH :9917435500.	2571. MY CAR PVT. LTD. (2803-01-), 84/54 C, JARIB CHOWKI, G.T. ROAD, KANPUR - 208003 PH :9792970511.	KAYAMGANJ 2584. MY CAR PVT. LTD. (CBV1-01-), BYE PASS ROAD , NEAR KHAN PETROL PUMP, VILLAGE : KAYAMGANJ , DISTT: FARUKHABAD - 209502 PH :9839029868, 9792970391.	

2595. SUMITRA DS (M301-01-), GATE NO 604, PALIA ROAD, NEAR FCI WAREHOUSE, VILLAGE - BHARDSARIYA, KHERI, LAKHIMPUR - 262702
PH :752288833, 9415770000.

LALGANJ

2596. KTL AUTOMOBILE PVT. LTD. (CSL2-01-), JEEDWAN DEEP COMPOUND, ALLAHABAD ROAD, LALGANJ, DISTT. RAIBARELLI - 229206
PH :9918451222.

LALITPUR

2597. SURI AUTOMOBILES (6001-03-), JAHANSI SAGAR ROAD, LALITPUR - 284001
PH :9451496015.

2598. VELOCITY CARS (6J02-01-), LALITPUR BYPASS ROAD, NH26 (LALITPUR-MEHRUANI HIGHWAY), IN FRONT OF RMV COLLEGE ROAD, MAIN HIGHWAY, LALITPUR, UTTAR PRADESH - 284403
PH :9560998709.

LUCKNOW

2599. ANAND MOTORS AGENCIES LTD (1301-01-), 11TH KMS, FAIZABAD ROAD, CHINHAT, LUCKNOW - 227105
PH :7080000462.

2600. KTL AUTOMOBILE PVT. LTD. (1311-01-), MATIYARI CHAURAHA, CHINHAT, FAIZABAD ROAD, LUCKNOW - 227105
PH :7408411453.

2601. ANAND MOTORS AGENCIES LTD (1301-02-), 47, NEHRU ROAD, SADAR BAZAR, LUCKNOW - 226016
PH :3098257, 7080000463.

2602. BRIGHT 4 WHEEL SALES PVT. LTD. (1305-01-), 11/CP- 6, VIKAS NAGAR, RING ROAD, LUCKNOW - 226022
PH :2739501.

2603. ONE UP MOTORS INDIA PVT. LTD. (1306-01-), C-16A, TRANSPORT NAGAR, KANPUR ROAD, LUCKNOW, KANPUR ROAD, LUCKNOW - 226012
PH :9918100801.

2604. KTL AUTOMOBILE PVT. LTD. (1311-02-), INDRA NAGAR, OPP. HALFAIZABAD ROAD, LUCKNOW, UTTAR PRADESH - 226016
PH :7408411478.

2605. KTL AUTOMOBILE PVT. LTD. (1311-03-), BEHIND N S KOHLI PETROL PUMP, SARDARI KHEDA, KANPUR ROAD, ALAMBAGH, LUCKNOW - 226005
PH :9918451222.

2606. ANAND MOTORS AGENCIES LTD (1301-04-), G-3, LDA MARKET, LALGANJ, LUCKNOW - 226024
PH :4103406/407/408, 7080000464.

2607. ONE UP MOTORS INDIA PVT. LTD. (1306-03-), CHHANNILAL CROSSING, MANDIR MARG, LUCKNOW - 226005
PH :9918500451.

2608. BRIGHT 4 WHEEL SALES PVT. LTD. (1305-02-), PARGANNA MOHANA, STP ROAD, CHATMEEL, LUCKNOW - 226021
PH :9838075960.

2609. BRIGHT 4 WHEEL SALES PVT. LTD. (1305-04-), PLOT NO: 57 TO 60, KAUSHALABAD, BADHAULI BKT, PARGANA MOHANA, SITAPUR ROAD, BAKSHI KA TALAB, LUCKNOW - 226020
PH :7317049000.

2610. BRIGHT 4 WHEEL SALES PVT. LTD. (1305-05-), PLOT NO. 88, BUTLER GANJ, BAALU ADDA, LUCKNOW. - 226001
PH :8756000000, 7607696666.

2611. MEGA MOTORS (A UNIT OF AKM MOTORS PVT. LTD) (1313-01-), CP1 (COMMERCIAL PLOT 1), VIBHAV KHAND, GOMTI NAGAR, LUCKNOW. - 226 010
PH :9935096417, 7054631666.

2612. KTL AUTOMOBILE PVT. LTD. (1311-07-), B-6/1A, AMAUSI INDUSTRIAL AREA, NADARGANJ, LUCKNOW, UTTAR PRADESH. - 226008
PH :7800007376.

2613. BRIGHT 4 WHEEL SALES PVT. LTD. (1305-06-), KHASRA NO. 418, MISHRAPUR PARGANA MAHONA, KURSI ROAD, LUCKNOW. - 226022
PH :9935275786.

2614. ONE UP MOTORS INDIA PVT. LTD. (1314-01-), KHASRA NO. 20 TO 25, 30, 35, 37, 42, 43, 45, 47, 48, 49, 67, 68, 71 & 99, RAJJABGANJ, HARDOI ROAD, LUCKNOW. - 226003
PH :9821026545, 7800005200.

2615. MEGA MOTORS (A UNIT OF AKM MOTORS PVT. LTD) (1313-02-), KHASRA NO. 614, VILLAGE: BHADRIKUH, VIP CANNEL RINGI ROAD, DEVI KHERA, TELIBAGH (VIP ROAD), TEHSIL: SAROJNI NAGAR, LUCKNOW, U.A.R PRADESH 226002 - 226002
PH :6388901514.

MADHOGANJ

2616. CONCEPT CARS PVT. LTD. (BH1-01-), KANPUR ROAD, NEAR RAILWAY CROSSING, MADHOGANJ DIST. HARDOI. - 241001
PH :220016, 220064, 7607696666.

MAHARAJGANJ

2617. SMARTWHEELS PVT. LTD. (EI01-01-), NEAR PHARENDA TAXI STAND, NAHAR ROAD, PIPAR DEORA, MAHARAJGANJ, DIST. MAHARAJGANJ, UTTAR PRADESH. - 273303
PH :7705800602, 7705803109.

2618. KTL AUTOMOBILE PVT. LTD. (CSM2-01-), MUNNA MARKET HAIDERGARH ROAD TOWN AREA, TEHSIL - MAHARAJGANG, DISTRICT - RAIBAREILLY, UTTAR PRADESH. - 229306
PH :99184512222.

MAHMUDABAD

2619. CONCEPT CARS PVT. LTD. (AAN1-01-), IN FRONT OF POWER HOUSE, SIDAULI ROAD, MAHMUDABAD (U.P.) - 261203
PH :7607696666, 8756000000.

MAHOBA

2620. SURI AUTOMOBILES (6001-02-), NEAR PARMANAND CHOWK, GANDHINAGAR, MAHOBA, UTTAR PRADESH. - 284001
PH :244344, 9451496015.

2621. VELOCITY MOTORS (RM02-01-), BAJRANG CHOWK, SAGAR-KANPUR HIGHWAY, MAHOBA - 210427
PH :9560998709.

MAHOLI

2622. CONCEPT CARS PVT. LTD. (CWS1-01-), MUSKAN TRACTORS, NEAR MELA MAIDAN, SHAHJHANPUR ROAD, MAHSUNIYAGANJ, MAHOLI, DIST.-SITAPUR, UTTAR PRADESH. - 261141
PH :7607696666.

MAINPURI

2623. KULDEEP MOTORS (6E01-02-), SKP-4A, MAINPURI - 205001
PH :9235258444.

MALIHABAD

2624. ONE UP MOTORS INDIA PVT. LTD. (BOD1-01-), KHASRA NO. 326/1 AND 327, VILLAGE PARGANA, TEHSIL - MALIHABAD, DISTRICT - LUCKNOW, UTTAR PRADESH. - 227111
PH :9918100781.

MANDURI

2625. DEEP MOTORS (K501-04-), VILLAGE - BALDEV MADURI, TEHSIL - SAGRI, DISTRICT - AZAMGARH, UTTAR PRADESH. - 276138
PH :09838072902.

MATHURA

2626. UMA MOTORS PVT. LTD. (H801-01-), 68, MAHOLI NEAR JAI GURUDEW TEMPLE, NH-2, KM STONE 146, MATHURA - 281004
PH :2463043/ 6290700.

MATI

2627. MEGA MOTORS (A UNIT OF AKM MOTORS PVT. LTD) (SCG1-01-), GATA NO 761, NEAR MATI POLICE CHOWKI, VILLAGE- MATI, PARGANA-DEWA, TEHSIL- NAWABGANJ, BARABANKI, UTTAR PRADESH - 225 003
PH :6388901514.

MAU

2628. DEEP MOTORS (BWK1-01-), DARI CHATTI , KHUKHUNDVA, MAU, UTTAR PRADESH. - 275305
PH :7704000552.

MAURANIPUR

2629. VELOCITY CARS (A UNIT OF BASERA VELOCITY AUTOHUB PVT. LTD) (GJJ1-01-), BASERA CITY, MAURANIPUR - GARUTHA ROAD, MAURANIPUR, DISTT: JHANSI, UTTAR PRADESH - 282404
PH :8299202863.

MAWANA

2630. RADHA GOVIND AUTOMOBILES PVT LTD (CWZ1-01-), IMUN SHANTI NAGAR ROAD, MAWANA KLAN, SUBDIVISION HASTINAPUR, TEHSIL MAWANA, DISTRICT MEERUT - 250401
PH :7456001002.

MEERUT

2631. TANYA AUTOMOBILES PVT. LTD. (4802-01-), GOVT. INDUSTRIAL TRAINING INSTITUTE, BACHHA PARK, MEERUT - 250001
PH :9837077003.

2632. TANYA AUTOMOBILES PVT. LTD. (4802-03-), 90, NAUCHANDI GROUND, GARH ROAD, MEERUT - 250001
PH :9837077004.

2633. RADHA GOVIND AUTOMOBILES PVT. LTD. (4807-01-), VILLAGE - BARAL, KUNDA GATE NEAR YOGI FARM HOUSE, PARTAPUR, DELHI ROAD, MEERUT. - 250002
PH :7456001030, 7456003222.

2634. TANYA AUTOMOBILES PVT. LTD. (4802-04-), MUNICIPAL NO. 9, 9/2, 9/3, 9/4, 11, 11/1, VILLAGE - ROSHANPUR DORLI, OPP. KONARK COLONY, NEAR RAJMANDIR MANDAP, ROORKEE ROAD, TEHSIL - SARDHANA, MEERUT, U.P. - 250001
PH :7900201515.

2635. TR SAWHNEY (4808-01-), MUNICIPAL NO 101, KHASRA NO 1926/ MINJUMA & 1927/11, MAHAL LEKHRAJ MUJBITA, MAIN DELHI ROAD, MEERUT, UP - 250002 - 250002
PH :9999163125.

MIRZAPUR

2636. STAR CARS (6K02-01-), PILI KO THI, STATION ROAD, MIRZAPUR, UTTAR PRADESH - 231001
PH :7052547903, 9721905002, 9151154306, 9450544961.

MISHRIKH

2637. CONCEPT CAR (SKJ1-01-), NEAR ARYAVART BANK, SITAPUR ROAD, MISHRIKH, SITAPUR, U.P. PINCODE: 261401 - 261401
PH :7607696666.

MODINAGAR

2638. MOTORCRAFT SALES PVT. LTD. (5903-02-), OPPOSITE SONIA ENCLAVE, ADJACENT SUMAN CINEMA, NH-58, MODINAGAR - 201204
PH :0955738222 & 07042427140.

MOHANLAL GANJ

Dealer Network (AS ON 31.10.2023)

2639. BRIGHT 4 WHEEL SALES PVT. LTD. (BWU1-01-), KHASARA PLOT NO.581, VILLAGE PURSANI, PARGANA AND TEHSIL MOHANLALGANJ, LUCKNOW DISTT., UTTAR PRADESH - 227305 PH :7571905966.	2649. KAVISHA MOTORS PVT LTD (CHT1-01-), VILLAGE – EIDH JAGIR NEAR GURUDWARA AT NH-74, TEHSIL – NAWABGANJ, DISTRICT – BAREILLY. - 262406 PH :07895980222, *07895980300.	2661. TANYA AUTOMOBILES (4802-05-), 354/1, MAIN HAPUR ROAD, PHAPHUNDA. - 245206 PH :9917547777.	2671. AKANKSHA AUTOMOBILES PVT. LTD. (B401-02-), SHAHZAD NAGAR BAREILLY ROAD RAMPUR UTTAR PRADESH - 244901 PH :7895500007.
MOOSANAGAR	NIGOHA	PEPPEGANJ	RAYA
2640. MY CAR (SLP1-01-), VILL GAUSGANJ, POST MOOSANAGAR, KANPUR DEHAT, UTTAR PRADESH. - 209208 PH :97929 70005.	2650. BRIGHT 4 WHEELS (SGV1-01-), GATA NO 146, VILL NIGOHA, TEHSIL MOHANLALGANJ, LUCKNOW - 226302 PH :7011482503.	2662. ARBIT AUTOMOBILES PVT LTD (GKG1-01-), GHATA NO. 466, 465 & 472, PEPPEGANJ, MOUZA - SAHABGANJ, TEHSIL - CAMPIERGANJ, DISTT: GORAKHPUR - 273165 PH :89534 12821.	2672. UMA MOTORS PVT. LTD. (BXX1-01-), CHAUDHARY PADAM SINGH MARKET, NEAR INDIA INTER COLLEGE, RAYA - MAANT ROAD, RAYA, DISTT. MATHURA (U.P.) - 281204 PH :9997683333, 9997511006.
MORADABAD	NOIDA	PILIBHIT	ROBERTSGANJ
2641. AKANKSHA AUTOMOBILES PVT. LTD. (B401-01-), DELHI ROAD, 5TH.KM, MORADABAD (U.P.) - 244001 PH :7247800008.	2651. ROHAN MOTORS LTD. (A102-01-), C-8/9, SECTOR - I, NOIDA - 201301 PH :4071900, 4071909, 4071931, 4071932, 4071209, 4071949/9582210152.	2663. CORAL MOTORS (P) LTD. (ILO1-01-), BISALPUR ROAD, PILIBHIT, U.P. - 262001 PH :9837891846.	2673. STAR CAR (CTY1-01-), UMRAURA, PIMPRI ROAD, ROBERTSGANJ, UTTAR PRADESH. - 231216 PH :7052547903, 9721905002, 9151154306, 9450544961.
2642. AKANKSHA AUTOMOBILES PVT. LTD. (B401-03-), 5TH KM DELHI ROAD, MORADABAD - 244001 PH :9568200001.	2652. ROHAN MOTORS LTD. (A102-02-), C-11, SECTOR-1, NOIDA, UTTAR PRADESH - 201301 PH :4071900, 209,31,32/9582210152.	POOTH KHAS	RUNKATA
2643. AKANKSHA AUTOMOBILES PVT. LTD. (B401-04-), KHASRA NO. 569-570, VILLAGE – KAJIIPURA, KANTARA ROAD, MORADABAD, UTTAR PRADESH. - 244001 PH :7895600007.	2653. FAIR DEAL PREMIUM WHEELS PVT LTD (A108-01-), D-39, SEC-10, NOIDA - 201301 PH :08448296694 & 09654326008.	2664. TR SAWHNEY (SSM1-01-), POOTH KHAS, ROHTA ROAD, MEERUT, UTTAR PRADESH. - 250502 PH :9999790229.	2674. PREM MOTORS (SLS1-01-), ROYAL BANDHAN RESORT, KHASRA NO 108, NH-2, RUNKATA, AGRA - 282101 PH :7060111245.
MUZAFFARNAGAR	2654. VIPUL MOTORS PVT. LTD. (A101-02-), B-124 & B-125, SECTOR – 5, NOIDA, UTTAR PRADESH - 201301 PH :4603100/28/33/8527835888.	PRAYAGRAJ	SAHARANPUR
2644. RADHA GOVIND (H903-01-), NH -58 , 121 KM STONE, BY-PASS ROAD, NEAR TRANSPORT NAGAR, MUZAFFARNAGAR - 251001 PH :9760092009 , 7535007026.	2655. VIPUL MOTORS PVT. LTD. (A106-01-), J-14, SECTOR-63, NOIDA, DISTT. GAUTAM BUDDH NAGAR (U.P.) - 201301 PH :4758800/01/02/9446589759.	2665. SARASWATI MOTORS (2904-01-), PLOT NO 24, INDUSTRIAL AREA MNIT COLLEGE, TELIYARGANJ, PRAYAGRAJ, UTTAR PRADESH. - 211004 PH :8090854053.	2675. ATELIER AUTOMOBILES (S203-01-), NEAR BARI NAHAR, AMBALA ROAD, SAHARANPUR - 247001 PH :7500250070.
NAJIBABAD	2656. MOTORCRAFT SALES PVT. LTD. (5903-04-), PLOT NO.15, SECTOR-140, NOIDA (U.P.) - 201305 PH :09818532222 & 09971733233.	2666. BRIGHT 4WHEELS (2905-01-), ARAZI NO 390 AND 389 AT KATKA, ANDAWA SAHSON BYPASS, PRAYAGRAJ - 211002 PH :9415324201.	2676. TANYA AUTOMOBILES PVT. LTD. (S204-01-), AAWAS VIKAS YOUNA, DELHI ROAD, SAHARANPUR, UTTAR PRADESH - 247001 PH :9837077004.
2645. SHAKUMBARI AUTOMOBILES (P) LTD (CPS1-01-), NEAR BUS STAND, BUNORE BYPASS ROAD, NAJIBABAD, DIST.-BIJNORE, UTTAR PRADESH. - 246 701 PH :8630881459.	2657. MOTORCRAFT SALES (5903-05-), PLOT NO 19 ECOTECH 12 GREATER NOIDA WEST .GB NAGAR, UP - 201306 PH :8826312222.	PURANPUR	SAHASWAN
NARWAL	ORAI	2667. CORAL MOTORS (P) LTD. (CAD1-01-), KHASRA NO. 768 & 770, VILLAGE – KHAMRIYA PATTI, PURANPUR – PILIBHIT ROAD, TEHSIL AND PARGANA – PURANPUR, DIST. PILIBHIT. - 262124 PH :9837891846, 9927001120.	2677. CORAL MOTORS, (SGA1-01-), OPP BHARAT PETROL PUMP, BADAUN ROAD, SAHASWAN, DISTT. BADAUN. - 243638 PH :9837891846.
2646. MY CAR (SSB1-01-), GATA NO. 821 , KARIBGWANA ROAD , NARWAL , KANPUR, UTTAR PRADESH. - 209401 PH :9792970005.	2658. S B CARS PVT.LTD (2806-02-), KANPUR ROAD, ORAI - 285001 PH :9307219303.	RAIBAREILLY	SAHIBABAD
NAUGARH	PADRONA	2668. KTL AUTOMOBILE PVT. LTD. (HS07-01-), PLOT NO. 1550, GULLUPUR, P O KATWARA, HIJARCHANDRAPUR, RAIBAREILLY - 229303 PH :7800001801.	2678. FAIR DEAL WHEELS PVT. LTD (80-01-), 12/67 SITE 4, INDUSTRIAL AREA, SAHIBABAD, GHAZIABAD - 110095 PH :4740409/102/436, 8860088659.
2647. SMARTWHEELS PVT. LTD. (QG01-01-), NEAR PAKARI CHAURAHA, NAUGARH ROAD, SIDDHARTHINAGAR - 272205 PH :7705803129.	2659. SMARTWHEELS PVT. LTD. (BGJ1-01-), AARJI NO. 37 & 38, MAUJA - BELWA MISRA, TAPPA PAKDI, PARAGNA - SIDHUWA JAUBNA, TEHSIL - PADRAUNA, DIST.-KUSHINAGAR, UTTAR PRADESH. - 274304 PH :7705803259.	RAM SANEHI GHAT	2679. MOTORCRAFT SALES PVT. LTD. (5903-01-), S-7 SITE-IV, SAHIBABAD INDUSTRIAL AREA, NEAR DABUR CHOWK, SAHIBABAD - 201010 PH :4172222 / 4102222, 09958562222 & 09560605122.
NAUTANWA	PANWARI	2669. BRIGHT 4WHEELS (SDH1-01-), GATA NO 76, VILLAGE - BHENDUWA BRAHMANAN, TEHSIL - RAM SANEHI GHAT, BARABANKI, UTTAR PRADESH, PIN 225409 - 225409 PH :9935275786.	2680. T.R. SAWHNEY MOTORS PVT LTD (819-03-), 28/1/1, SITE-IV, SAHIBABAD INDUSTRIAL AREA, DISTT- GHAZIABAD, UTTAR PRADESH - 201010 PH :9999399152, 9999399143.
2648. SMARTWHEELS PVT LTD (SDW1-01-), OPP. RAJIV GANDHI DEGREE COLLEGE, BYPASS ROAD, NAUTANWA, DISTT – MAHARAJGANJ - 273184 PH :77058 00602.	2660. SURI AUTOMOBILES (SLC1-01-), PANWARI, NEAR RAM LEELA GROUND, TEHSIL KULPAHAR, DISTRICT MAHOBA. - 210429 PH :9452287690.	RAMNAGAR	SALEMPUR
NAWABGANJ	PAPHUNDA	2670. BRIGHT 4 WHEEL SALES PVT. LTD. (BRK1-01-), KHASRA NO. 629, VILLAGE - BUDHAWAL, TEHSIL - RAMNAGAR, DIST -BARABANKI, UTTAR PRADESH. - 225205 PH :9935275786, 9838075929.	
		RAMPUR	

Dealer Network (AS ON 31.10.2023)

2793. BHANDARI AUTOMOBILES PVT LTD (BPO1-01), JL NO. 1103, KHATIAN NO. 1103, PLOT NO. 438, VILLAGE + P.O. + P.S. – GOPIBALLPUR, MOUZA – GOPIBALLPUR, WEST MIDNAPUR, WEST BENGAL. - 721506
PH :9933055539, 8170018577.

GUMA (ASHOKNAGAR)

2794. STARBURST MOTORS PVT LTD (BXJ1-03)- JESSORE ROAD, MANIKNAGAR, KHOSDELPUR MORE, P.S. – ASHOKNAGAR, NORTH 24 PARGANAS, WEST BENGAL. - 743222
PH :8697731763, 8336933447.

HALDIA

2795. BHANDARI AUTOMOBILES PVT LTD (G701-04)-, BALGHASIPUR, BHABANIPUR, PURBA MEDIANPUR, HALDIA - 721657
PH :8016082344, 9233502421.

HOWRAH

2796. BHANDARI AUTOMOBILES PVT LTD (X701-01)-, BANKRA THANA,DOMJIUR,HOWRAH, - 711403
PH :9674735304.
2797. PREMIER CARWORLD PVT. LTD. (611-02)-, MOUZA – PRASASTHA, P.S. – DOMJIUR, UNDER MOHIARY 2 NO. GRAM PANCHAYAT, ANKURHATI, HOWRAH, WEST BENGAL - 711302
PH :8420122402.

JALPAIGURI

2798. PODDAR CAR WORLD PVT. LTD. (XY01-01)-, COLLEGE PARA, SIRISHITALA, NEAR ASSAM MORE, JALPAIGURI, WEST BENGAL. - 735101
PH :8945533002.

JAYGAON

2799. SEVOKE MOTORS PVT. LTD. (CHS1-01)-, HOUSE NO.43, WARD NO.11/26, N.S ROAD DARAGAON, P.S - JAYGAON, DISTT. ALIPURDUAR, WEST BENGAL - 736182
PH :9433825851.

JHARGRAM

2800. BHANDARI AUTOMOBILES PVT LTD (BUG1-01)-, DAG NO.383, KHATAN NO. JL.396, WARD NO.11, RAJBATI CAMPUS, JHARGRAM, WEST BENGAL - 721507
PH :8016087297, 9933055539.

KADAMBAGACHI

2801. STARBURST MOTORS PVT LTD (BXJ1-04)-, MOUZA - PURBA ICHAPUR, J.L NO. 111, RESU NO. 131, DAG NO. 385, KHATIAN NO. L R 754, KADAMBAGACHI, P.S. - BARASAT, DIST.-NORTH 24 PARGANAS, WEST BENGAL - 700125
PH :8336933410.

KALIMPONG

2802. BEEKAY AUTO (BWF1-01)-, 10TH MILE, GUMBA HATTA, PO&PS -KALIMPONG, DIST - KALIMPONG, WB. - 734301
PH :9932049347.

KALNA

2803. BEEKAY AUTO PVT LTD (WZ01-01)-, KALNA ROAD, NEAR KALNA SUB DIVISIONAL HOSPITAL, KALNA, PO+PS: KALNA, DISTT. BURDWAN, (W.B.) - 713409
PH :9932251493.

KALYANI

2804. STARBURST MOTORS PVT LTD (IJ01-01)-, KALYANI INDUSTRIAL GROWTH CENTRE, PHASE-III, A-5 (OPP. U I C UDYOG, NEAR: J I S COLLEGE), KALYANI. - 741234
PH :8584040215, 8336933447.

KHARAGPUR

2805. BHANDARI AUTOMOBILES PVT LTD (G701-01)-, BHANDARI BUILDING, JHAPATAPUR, KHARAGPUR, WEST BENGAL - 721301
PH :755537.
2806. PODDAR CARWORLD (G702-01)-, RS DAG NO - 147, RS KHATIAN NO 7, MOUZA - MOBARAKCHAK, JL NO-210, PS - KHARAGPUR - 721301
PH :9831348626.

KHATRA

2807. BHANDARI AUTOMOBILES PVT LTD (BG21-01)-, VILLAGE - SENAPATI, P.O & P.S - KHATRA, MOUZA-SENAPATI, JL NO.189, KHATIAN NO.659, PLOT NO.33/34, DISTT. BANKURA, WEST BENGAL. - 722140
PH :9933055539.

KOLKATA

2808. MACHINO TECHNO SALES LTD. (601-02)-, 48 A, TARATALA ROAD, KOLKATA - 700066
PH :9073330177.
2809. DEWAR'S GARAGE (605-01)-, (PROP. DELTA INTERNATIONAL LTD.), 14 BRITISH INDIAN STREET, CALCUTTA - 700069
PH :8584015205.
2810. MACHINO TECHNO SALES LTD. (601-01)-, 21/1 DARGA ROAD, (PARK CIRCUS), CALCUTTA - 700017
PH :9073330178.
2811. PREMIER CARWORLD PVT. LTD. (611-01)-, AGARPARA JUTE MILL, 28-B.T.ROAD, P.O.: -KAMARHATI, DISTT.-KOLKATA - 700058
PH :8697730344.
2812. BHANDARI AUTOMOBILES PVT LTD (609-01)-, BUDGE BUDGE TRUNK ROAD, NEW GOPALPUR, SARKARPOOL, MAHESHTALA, DISTT. SOUTH 24 PARGANAS, WEST BENGAL - 700143
PH :9674476000.

2813. BHANDARI AUTOMOBILES PVT LTD (609-02)-, 37, GULAM JILANI KHAN ROAD, KOLKATA. - 700039
PH :9903850402.

2814. SANEI MOTORS PVT. LTD. (612-01)-, 16/2 CANAL EAST ROAD, NEAR MANIKTALA POLICE STATION,KOLKATA - 700067
PH :8584050184.

2815. ONE AUTO PVT. LTD. (614-02)-, 62 EAST TOPSIA ROAD, P.S. TILJALA, ARUPOTA, KOLKATA , WEST BENGAL - 700105
PH :8584878802.

2816. ONE AUTO PVT. LTD. (614-01)-, JL NO.3, MOUZA-JAGADIPOTA, P.S:SONARPUR, KHEYADAH NO.2, GRAM PANCHAYAT, DISTT. SOUTH 24 PARGANAS. - 700099
PH :8584870725.

2817. DEWAR'S GARAGE (605-03)-, P-2/72, TARATALA ROAD, KOLKATA - 700088
PH :8584015293.

2818. SANEI MOTORS PVT LTD (612-02)-, 235, HATTIYARA ROAD, SITALATALA, BAGUIATI, KOLKATA, WEST BENGAL - 700059
PH :8584050184.

2819. OSL MOTOCORP PVT LTD (616-01)-, 49 DEBENDRA CHANDRA DEY ROAD, LANE BESIDE SILVER SPRING CLUB, E.M. BYE-PASS, KOLKATA - 700015
PH :8336996355
8697982283.

2820. JYOTE MOTORS (624-01)-, NAZIRABAD MAIN ROAD, NAZIRABAD, ANANDAPUR, NEAR BISHNU BIJOLI GARDEN, KOLKATA, PIN-700150, WEST BENGAL - 700150
PH :8334930830.

KOLKATA

2821. BHANDARI AUTOMOBILES (619-C1)-, PLOT NO. IID/15, ACTION AREA 2D, NEW TOWN, P.S. RAJARHAT, KOLKATA, WEST BENGAL - PIN-700156 - 700156
PH :6291042160.

KOTULPUR

2822. BHANDARI AUTOMOBILES PVT LTD (BIP1-01)-, KHATIAN NO.644, PLOT NO.373, JL NO. 101, VILLAGE - MULDARA, P.S. + P.S. - KOTULPUR, DISTT.-BANKURA, WEST BENGAL. - 722141
PH :9933055539.

KRISHNANAGAR

2823. BHANDARI AUTOMOBILES PVT LTD (X701-02)-, PLOT NO.-1874, MOUZA-GOBINDSARAK J.K. NO. 64, PS-KOTWAL, OLD WARD NO. 20, LAL MOHAN GHOSH ROAD, KRISHNANAGAR - 742011
PH :9051999742.

MADHYAMGRAM

2824. STARBURST MOTORS PVT LTD (BXJ1-01)-, 9/1, HEMANTA BOSE SARANI, BASUNAGAR, NEAR DEAF & DUMB SCHOOL, UDAYRAJPUR, MADHYAMGRAM - 700129
PH :9836075989, 8336933447.

MALBAZAR

2825. BEEKAY AUTO PVT LTD (BVG1-01)-, CALTEX MORE, VILLAGE + P.S. – MALBAZAR AND DISTRICT – JALPAIGURI. - 735221
PH :9932049347
9932049382
7478004430
747785203.

MALDA

2826. J K WHEELS PVT. LTD. (L801-01)-, GABGACHHI, N.H. 34, MALDA, - 732103
PH :9851520855, 9735003949.

MATHABHANGA

2827. BEEKAY AUTO PVT LTD (BQF1-01)-, SITAULCHI ROAD, WARD NO.8,MATHABHANGA, DISTRICT – COOCHBEHAR, - 736146
PH :7477785202
9932049347
9932049382
7478004430.

MOHANPUR

2828. BHANDARI AUTOMOBILES PVT LTD (CIV1-01)-, VILLAGE-NAYAGAON, P.O.-PAROI, P.S. -MOHANPUR, MOUZA - NAYAGAON, JL NO.395, KHATIAN NO. 175/1, PLOT NO.895, DISTT. -PASCHIM MIDNAPUR,W.BENGAL. - 721436
PH :9933055539.

NAIHATI

2829. PREMIER CARWORLD PVT. LTD. (YD01-01)-, P.O. BHATPARA, GRAM-MUKTARPUR, P.S. - JAGATDAL, DIST-24 PGS (N), NAIHATI (WB) - 743123
PH :801700824.

NAKASHIPARA

2830. BHANDARI AUTOMOBILES PVT LTD (BMJ1-01)-, L R DAG NO. 7271, UNDER L R KHATIAN NO. 6734, MOUZA - DEBAGRAM, J.L NO. 60, POLICE STATION - KALIGANJ, BLOCK - KALIGANJ, NAKASHIPARA, DIST.-NADIA, WEST BENGAL. - 741138
PH :91863314418.

NAXALBARI

2831. BEEKAY AUTO PVT LTD (CSJ1-01), MOUZA – GENI, KHATIAN NO.275, PARGANA-HATIGHISHA, P.S. NAXALBARI, DISTT. DARJEELING, WEST BENGAL - 734429
PH :9932049347
9932049382
7478004430
9563370099.

PANCHLA

2832. BHANDARI AUTOMOBILES PVT. LTD. (BPI1-01-), L/R DAG NO 3274, UNDER L/R KHATIAN NO 3044, MOUZA-MALLICKBAGAN, JL NO-7, POLICE STATION – PANCHLA, DIST- HOWRAH - 711310
PH :9073664926.

PANDUA

2833. BHANDARI AUTOMOBILES PVT LTD (BOS1-01-), GT ROAD, PANDUA, NEAR KAKOLI CINEMA HALL, OPP. POWER HOUSE, HOOGLY, WEST BENGAL. - 712149
PH :9073912566.

PANSKURA

2834. BHANDARI AUTOMOBILES PVT LTD (BPS1-01-), MOUZA – PASCHIM NEKRA, JL NO.98, LR NO.1154, LR NO.1156, PANSKURA, WEST BENGAL. - 721139
PH :9933055539.

PURULIA

2835. SAINATH AUTOLINKS PVT. LTD. (4402-02-), PO. LAKDA, VILLAGE-DADKA , ON RANCHI ROAD, PURULIA - 723149
PH :9647444888
8927895511.

RAGHUNATHPUR

2836. BEEKAY AUTO PVT LTD (CKZ1-01-), MOUZA – BUNDLA, J.L. NO. 197, PLOT NO. 2656, KHATIAN NO. LR 207, P.O. – RAGHUNATHPUR, P.S. – RAGHUNATHPUR, DISTRICT – PURULIA, - 723133
PH :9932049425,
9932049435.

RAIGANJ

2837. J K WHEELS PVT. LTD. (BN02-01-), JL NO. 150, KHATIAN NO. 168/3 & 168/4, PLOT NO. 4158, P.S. – RAIGANJ, MUNICIPALITY – RAIGANJ, WARD NO. 11, HOLDING NO. 577/IN, MOUZA – RAIGANJ, DISTRICT – UTTAR DINAJPUR, - 733134
PH :9735008842.

RAJARHAT - KOLKATA

2838. STARBURST MOTORS PVT LTD (BXJ1-05-), R.S & L.R. DAG NO. 3434, MOUZA- GOPALPUR, JL NO. -02, RS NO. -140, LR KHATIAN NO. -5638, NEW TOWN, RAJARHAT - 700136
PH :9681080301.

RANAGHAT

2839. STARBURST MOTORS PVT LTD (BBW1-01-), THANA: GANGNAPUR, ADSR OFFICE, 151 NO.MOUZA PATULI, PLOT NO.309, RANAGHAT, DISTT: NADIA - 741256
PH :8145821191, 8584040215.

RUPNARAYANPUR

2840. BEEKAY AUTO PVT LTD (BWS1-01-), P.S. – SALANOUR, UNDER MOUZA – JEMARI, J.L. NO. 32, PLOT NO: 343-344, KHATIAN NO. 933, RUPNARAYANPUR, PASCHIM BARDHAMAN DISTRICT, WEST BENGAL. - 713335
PH :9932049425,
9932049435.

SABANG

2841. BHANDARI AUTOMOBILES PVT LTD (CCL1-01-), VILLAGE - PAIKAN DAKSHINBARH, P.O. - DHANSWARPUR & P.S. - PINGLA, DIST. -PASCHIM MIDNAPORE, SABANG - 721 166, WEST BENGAL. - 721166
PH :9933055539.

SEORI

2842. BEEKAY AUTO PVT LTD (F601-02-), RAMBADANPUR, NEAR SP MORE, DIST-BIRBHUM, SEORI - 731101
PH :9932049425,
9932049406.

SHYAMPUR

2843. SANEI MOTORS PVT LTD (CAW1-01-), VILLAGE + P.O. – GOBINDAPUR, P.S. – SHYAMPUR, DISTRICT – HOWRAH, WEST BENGAL. - 711314
PH :8584050184.

SILIGURI

2844. BEEKAY AUTO PVT LTD (4301-01-), NH-31, P.O. MATIGARA,SILIGURI. - 734428
PH :9932049347
9932049382
7478004430.

2845. BEEKAY AUTO PVT LTD (4301-04-), AMAI DIGHI, PHOOL BARI,STATE HIGHWAY -12, SILIGURI - 734001
PH :9932049347
9932049380.

2846. SEVOKE MOTORS PVT. LTD. (4302-01-), 233, SEVOKE ROAD,2ND MILE, SILIGURI - 734001
PH :9706010366.

2847. PODDAR CAR WORLD PVT LTD (XY01-02-), VILL. EAST DHANTALLA, FULBARI II G.P, P.O SATELLITE TOWNSHIP, DIST- JALPAIGURI - 734015
PH :8945533002.

SONADA

2848. SEVOK (SDX1-01-), RATO MATEY DARA, NEAR PETROL PUMP,P.O- SONADA, WEST BENGAL
PIN - 734209 - 734209
PH :9800069144.

SONAMUKHI

2849. BHANDARI AUTOMOBILES PVT LTD (CAU1-01-), J L NO. 77, KHATIAN NO. 360, PLOT NO. 114/287, SONAMUKHI BISHNUPUR ROAD, VILLAGE - CHURAMANIPUR, P.O. & P.S. - SONAMUKHI, WEST BENGAL. - 722207
PH :9933055539.

SREERAMPURE (SREERAMPUR)

2850. BHANDARI AUTOMOBILES PVT LTD (BBT1-01-), BANGIHATI (MADPUR) DELHI ROAD, SREERAMPUR, DISTT: HOOGHLY, WB - 712203
PH :86137505, 66137585, 9674741544.

TAMLUK

2851. BHANDARI AUTOMOBILES PVT LTD (OL01-01-), MOUZA PADUMBASAN, WARD NO 10, JL NO:144, DISTT: EAST MIDNAPUR, WEST BENGAL. - 721636
PH :9933055539.

TARAKESHWAR

2852. SANEI MOTORS PVT. LTD. (YH01-01-), MOUZA BAIDYAPUR, UNDER BALIGORI(1), GRAM PANCHAYET, TARAKESHWAR, DISTT. HOOGLY, WEST BENGAL. - 712410
PH :8584050184.

TOOFANGANJ

2853. PODDAR CAR (SDG1-01-), POWER HOUSE PARA, PO ANDARANFULBARI (WEST), TUFANGANJ, COOCHBEHAR, PIN-736159, WEST BENGAL - 736159
PH :8945533002.

UDAYNARAYANPUR

2854. BHANDARI AUTOMOBILES PVT LTD (BOO1-01-), VILLAGE-JANGALPARA BELGRAM, PS- UDAYNARAYANPUR, DIST- HOWRAH, WEST BENGAL. - 711226
PH :9073664902.

ULUBERIA

2855. BHANDARI AUTOMOBILES PVT LTD (2401-01-), HOLDING 1242A, BANITABLA, P.O+P.S: ULUBERIA, NH-6, DISTT: HOWRAH, WEST BENGAL - 711316
PH :8335052335.

221. KTL (28NB-28-01), ARAZI NO. 352, SINGHPUR KACHHAR, BITHOOR ROAD, NORTHERN RAILYWAY COLONY, KANPUR, UTTAR PRADESH. - 208017
PH :7408409312.

LUCKNOW

222. ANAND MOTORS (13NC-13-01), GATA NO. 1062 PARAGANA RAJA BIJLI PASI VILLAGE AJRANGASAD, SHAHEED PATH (OPPOSITE TO RAMABAI AMBEDKAR MANDAN), LUCKNOW, UTTAR PRADESH - 226012

223. KTL AUTOMOBILE PVT LTD (13ND-13-01), PLOT NO - 513, VILL HARIHARPUR BIJNAUR, OPP ANSAL APL, AMAR SHAHEED PATH, LUCKNOW - 227105
PH :7311190503.

MATHURA

224. UMA MOTORS (H8NA--01), PLOT NO 222, MAHOLI, NEAR KIRAN HOSPITAL, MATHURA - 281004
PH :9997385999.

MEERUT

225. TR SAWHNEY (48NB-48-01), 1183/17 RITHANI, ZONE - A, SECTOR 4 NEAR PETROL PUMP, MEERUT, UTTAR PRADESH - 250103
PH :18002704142.

NOIDA

226. FAIR DEAL (A1ND--01), A-107, SECTOR-5, NOIDA - 201301
PH :9810542222.

227. MOTOR CRAFT (59NB-59-01), C 42 SECTOR 57, NOIDA, UTTAR PRADESH - 201301

RAIBAREILY

228. KTL AUTOMOBILE PVT LTD (HSNA--01), 1481, NEAR KATHWARA BUS STAND, LUCKNOW RAIBAREILI HIGHWAY, HARCHANDPUR, RAIBAREILI - 229303
PH :7311190503.

SAHIBABAD

229. MSM (M983-N1), MARUTI SERVICE MASTERS, NEXA SERVICE, PLOT NUMBER 58/4, SITE 4, SAHIBABAD INDUSTRIAL AREA, - 201010
PH :9711474930.

SHAHJHANPUR

230. SUMITRA DS (W2NA--01), SH25 , RETI ROAD SHAHJHANPUR

UTTARAKHAND

HALDWANI

231. NAINITAL MOTORS (J6NA--01), 5TH KM RAMPUR ROAD, JEETPUR NEGI, NEAR AMAR UJALA PRINTING PRESS, HALDWANI, UTTARAKHAND - 263139

ROORKEE

232. SHAKUMBARI (H2NA--01), 5 KM MILESTONE ,NH-58,ROORKEE-DELHI ROAD, NEAR HOTEL GODWARI,ROORKEE, UTTARAKHAND - 247667

RUDRAPUR

233. AKANKSHA AUTOMOBILES (RUDRAPUR) PVT. LTD. (U4NB--01), KASHIPUR ROAD, OPPOSITE GREEN PARK COLONY, VILLAGE DIBDIBA, TEHSIL BILASPUR, RAMPUR, UTTRAKHAND - 244901

WEST BENGAL

ASANSOL

234. BEEKAY AUTO (F6NA--01), NH-2 ,CHANDA MORE ,POST KALI PAHARDI, JAMMURIA DISTRICT WEST BARDHAMAN - 713339
PH :9932049425.

HOWRAH

235. MACHINOTECHNO (X7NA--01), 109, 1, UPPER FORESHORE RD, CHOURA BUSTEE, SHIBPUR, HOWRAH, WEST BENGAL 711102 - 711102
PH :9830081632.

JALPAIGURI

236. PODDAR AUTO (XYNA--01), ASSAM MORE BUS STOP, SH12A, JALPAIGURI, WEST BENGAL 735102 - 735102
PH :8945533002.

KHARAGPUR

237. BHANDARI AUTOMOBILES (G7NA--01), CHOWRANGEE, PLOT NO-138 & 139, O T ROAD, KHARAGPUR - 721301
PH :7603076061.

KOLKATA

238. JYOTE MOTORS (06ND--01), MIRANIA ROAD, ARUPOTA ON BASANTI HIGHWAY, - 700105
PH :9074158220.

126.##	BHAGIRATHI MOTORS (4737), PLOT NO. 153/543, POOTH KHURD, DELHI-110039, PH :110039-9810804556	139.##	NORTHERN SERVICE STATION (337), SARAI BASTI, ROAD NO.40, OPP. SHASTRI NAGAR, DELHI-35, PH :110035-9213710643.
127.##	BHASIN SERVICE STATION (830), DR.K.S.KRISHNAN ROAD, NEAR PUSA GATE, NEW DELHI-110 012., PH :110012-9971977992.	140.**	P R G MOTORS (365), A-99,103CH.TEKCHAND MARKET, GANESH NAGAR - TILAK NAGAR, DELHI-110 018, DELHI, PH :110018-9711196811.
128.**	BRIGHT MOTORS (P) LTD. (885), C-263 PEERAGARHI, OUTER RING ROAD, DELHI - 110 087, PH :110087-9810203018.	141.##	QUTAB SERVICE STATION (8078), MEHRAULI ROAD, NEW DELHI-110 017, , PH :110017-9811021862.
129.*	DRIVE WELL SERVICE STN. (866), 1/486 G.C.S. COMPLEX.MAIN G.T. ROAD , DILSHAD GARDEN.NEW DELHI-110095 , DELHI , PH :110095-9811020603.	142.**	RAJINDRA SERVICES P.LTD. (826), B-55 G.T.KARNAL ROAD, INDUSTRIAL AREA, DELHI-110 033., PH :110033-9899580820.
130.##	ENGINEERS SERVICE STATION (834), SHRI AUROBINDO MARG, (SAFDARJANG AIRPORT), NEW DELHI-110 003, PH :110003-9854262692.	143.##	ROHAN SERVICES (5444), PLOT NO:125.VILLAGE POCHANPUR, SECTOR - 23 DWARKA, DISTRICT - DELHI (WEST), DELHI, PH :110075-9911180827.
131.##	EXCEL AUTOMOBILES (3342), PLOT NO. 78, BAGDOLA VILLAGE, SECTOR 8, DWARKA, NEW DELHI-110 077, PH :110077-7011765194.	144.*	SATYA SERVICE STATION PVT. LTD. (3625), L-BLOCK HARI NAGAR, JAIL ROAD, NEW DELHI-64, PH :110064-9873461414.
132.*	EXCLUSIVE AUTOMOBILES PVT. LTD. (3546), 98 MANGOLPUR KALAN, SECTOR-2 NEAR JAIPUR GOLDEN HOSPITAL, ROHINI, DELHI-110 085, PH :110085-9910782127.	145.**	SEVEN HILLS AUTOMOBILES PVT LTD. (848), D-20/1 OKHLA INDUSTRIAL AREA, PHASE II, NEW DELHI-110 020., PH :110020-9811037954.
133.##	GLOBE SERVICE STATION (8961), A-17, B1, EXTENSION M/02, MATHURA ROAD, BADARPUR, DELHI-110 044, PH :110044-9540944009.	146.**	SHALIMAR AUTOMOBILES PVT. LTD (871), C-91/9 WAZIRPUR INDUSTRIAL AREA, ASHOK VIHAR CROSSING, DELHI-110052, DELHI, PH :110052-9811171489.
134.##	HUNDRED PERCENT (8967), LSC, SECTOR-9, OPP. NHAJ, DWARKA, NEW DELHI-110075, PH :110075-9910586999.	147.##	SHIKHAR AUTOMOBILES (5546), A-2/1CHOTTEY LAL PARK,SHIVAJI MARG, OPP KIRTI NAGAR,METRO PILLAR NO.341, DISTRICT -WEST DELHI, NEW DELHI-110015, PH :110015-9810047047.
135.##	IMAGE (2561), IOC PUMP, NEAR SAMACHAR APT. OPP. KIRTI APT., MAYUR VIHAR PHASE-I EXT., DELHI-110 091, PH :110091-9312082213.	148.##	SINTEX SERVICE STATION (777), 883.RITHALA INDUSTRIAL AREA,, FIRNI NALA ROAD., DELHI - 85, DELHI, PH :110085-9868030802.
136.**	R S AUTOMOBILES (273), 111/9 KISHANGARH, OPP. CNG PUMP NEAR SPYM INSTITUTE, ARUNA ASAF ALI ROAD, VASANT KUNJ, NEW DELHI - 110070, PH :110070-9540944009.	149.##	SRI BALAJI AUTOMOBILE (8038), KHASRA NO.33, 132-12 MAIN BAWANA ROAD, SAMEYPUR (NEAR DELHI COLLEGE OF ENGG.), DELHI, PH :110085-9811039601.
137.**	KUMAR AUTOMOBILES (855), B-281 OKHLA INDUSTRIAL AREA, PHASE-I, NEW DELHI-110 020, PH :110020-9810001625.	150.##	SRI SAI AUTO ENGINEERS (8074), 487/59 PEERA GARHI, INDUSTRIAL AREA, DELHI, PH :110087-9650531612.
138.**	NAVEAN AUTOMOBILES (4934), 37, PATPARGANJ INDUSTRIAL AREA, NEW DELHI-110092, , PH :110092-9911278537.	151.##	WIG AUTOMOBILES (8012), D-3, S.M.A CO-OP. INDL. ESTATE, (OPP. JAHANGIR PURI CHOWK), G.T. KARNAL ROAD, DELHI-110 033, PH :110033-9811297607.

** A-Category Mass : Free & paid Service, Major repairs & Accidental repairs
C-Category Mass : Free & paid Service & Minor repairs

152.##	YASHWANT PLACE SER.STN. (8022), AFRICA AVENUE, (OPP.CHANAKYA CINEMA), NEW DELHI-21, PH :110021-9868255788.	153.*	CMP AUTOMOBILES (8073), C-18 SHASHI GARDEN, OPP. MAYUR VIHAR, DELHI-110 092, PH :110092-9818278323.
154.##	KITCHNER ROAD SERVICE STATION (864), ROAD NO.41, SAHEED LALA JAGAT NARAYAN MARG, NEAR T.V. TOWER PITAMPURA, DELHI-110 034, PH :110034-9211728002.	155.**	SUBHYATRA AUTOMOBILES (5045), PLOT NO 31, N BLOCK SECTOR - 3, BAWANA INDUSTRIAL AREA BAWANA, PH :110039-9810668715.
156.##	GAPTA SERVICE STATION (872), MOTI BAGH SOUGH, NEW DELHI-110021, , PH :110021-9810118027.	157.##	SHARMA AUTOMOBILES (1939), 11/78 VILLAGE MOTI BAGH, NEAR NANAKPURA GURDWARA, RING ROAD, NEW DELHI-110 021, PH :110021-9911699999.
158.*	STAR AUTOMOBILES (2574), MAIN SAFIABAD ROAD, NARELA, DELHI-110 040, PH :110040-9266661213.	159.**	MULTAN AUTOMOBILE ENGINEERS (853), B-7/1 OKHLA INDUSTRIAL AREA, PHASE II, NEW DELHI-110 020., PH :110020-9810186699.
160.##	BAJAJ MOTORS (4940), T-5/242, MANGOLPURI INDUSTRIAL AREA, PHASE-1, NEW DELHI-110083, PH :110083-9811418505.	161.##	SHRI BALAJI CAR SCAN (2677), 43/12 OPP, NEW ANAJ MANDI, NAJAFGARH, NEW DELHI-110 043, PH :110043-9811891740.

GOA

BICHOLIM	
162.##	SHREE GURUKRUPA AUTOWORLD (1249), PLOT NO.76 , BICHOLIM, GOA-403 529, PH :403529-9422052722.
CURCHOREM	
163.##	VIPUL AUTOMOBILES (5376), PLOT NO.7,8,9,KAKODA INDUSTRIAL ESTATE, KAKODA CURCHOREM, DISTRICT - SOUTH GOA, GOA, PH :403706-9422018746.
KUNDAIM	
164.*	VIKAS ENGINEERING WORKS (4953), BHOMA, KUNDAIM, GOA-403107, PH :403107-9823780335.

MAPUSA

165.##	SARDESAI AUTOMOBILES (2176), 194, GAUNSAWADA , NEAR MILAGRES CHURCH, MAPUSA, GOA-403 507, PH :403507-976448741.
--------	---

PONDA

166.*	DHAVLIKAR AUTOMOBILES (2041), NO.5 TIP TOP MANSION IV, INDIRA NAGAR, DHAVALI, PONDA, GOA-403 401, PH :403401-9890669879.
-------	--

VERNA

167.*	LUBRICARE SERVICES (261), 7-D GOULLOY, NH.17 NUVEM, SALTETE, GOA-403 601, PH :403601-9822124376.
-------	--

GUJARAT

AHMEDABAD

168.*	AUTOWAY (125), MANGALYA COMPLEX, NEAR ANJALI CINEMA CROSS ROAD, BATTHA, AHMEDABAD, PH :380007-9825016888.
169.##	DAHISON MOTORS (143), NEAR MANAV MANDIR, DRIVE IN ROAD, AHMEDABAD-380 052, PH :380052-9898096242.
170.##	MEGHDOOT MOTORS (3437), MASONIC LODGE COMPOUND, SHAHIBAUG ROAD, AHMEDABAD-4, PH :380004-9825972345.
171.*	POKAR AUTO REPAIRERS (2479), NEAR UNION CO. BANK, SAJIPUR BOGHA, NARODA ROAD, AHMEDABAD-382 345, PH :382345-9422608515.
172.*	RAJAN MOTORS (8968), 60, MADHUVAN PARK SOCIETY, B.H. TRAFFIC CHOWKDI, GHODASAR CHAR RASTA, GHODASAR, AHMEDABAD - 380050, PH :380008-9825972345.
173.**	SPEED AUTO CARE PVT. LTD (5524), GIDC PLOT NO.12, ODHAV INDUSTRIAL ESTATE, NEAR BRTS GRID STATION, NEXT TORRENT POWER SUB STATION, ODHAV, AHMEDABAD, PH :380023-9979992779.

AMRELI

174.*	CAR CARE CENTRE (2734), PATEL GARAGE, CHAKRAGADH ROAD, AMRELI-365 601, (GUJARAT), PH :365601-9825422922.
175.*	KHODIAR MOTORS (3029), GAVADKA ROAD, AMRELI-365 601, (GUJARAT), PH :365601-9825672657.

ANAND

* B-Category Mass : Free & paid Service & Major repairs
D-Category Mass : Free Service & Minor repairs

Mass Network (AS ON 31.10.2023)

176.*	PATEL TRACTOR COMPANY (2221). (SERVICE DIVISION), BEHIND SUNIL CHAMBERS, STATION ROAD, ANAND-388 001, PH :388001-992553494.	CHIKHLI (GUJ.)	186.##	INAL MOTORS (3929), POST MAJIGAM, CHIKLI BILIMORA ROAD, DISTT NAVSARI, PH :396521-9099033773.	196.##	MEHTA SERVICE STATION (135), NEAR SHANTI GARDEN, RESTAURANT, DIWALI BAG MOTIPURA, N.H.B. HIMMATNAGAR GUJARAT-383 001, PH :383001-9426555664.	205.##	DISHA MOTORS (5960), MAHAMADPURA,KAPADVANJ-NADIAD ROAD, KAPADVANJ-387620, DISTRICT-KHEDA, GUJARAT, PH :387620-982561244.		
177.##	SHAKTI MOTORS (2226), OPP. J.K. PARK, NATIONAL HIGHWAY NO.8, P.O. VAGHASHI-388 320, TA: ANAND DIST. KHEDA, PH :388320-9825792999.	187.##	SHREE AMBICA MOTORS (2663), KUNDI FATAK, NEAR ADARSH NURSERY, N.H.8, CHIKHLI DISTT. VALSAD (GUJARAT)-396 001, PH :396001-9825131520.	IDAR	197.##	SUN MOTORS (5175), IDAR-HIMMATNAGAR HIGHWAY ROAD, AT. KRUSHNAGAR.PO NETRAMLI., TA.IDER DISTRICT SABARKANTA, GUJARAT, PH :383430-9228286768.	KESHOD	206.##	PRASAD MOTORS (3969), VERAVAL HIGHWAY, KESHOD., PH :362220-9825024488.	
ANJAR		DAHOD	188.*	CAR SEVA (2438), SAINT STEPHEN SCHOOL ROAD, GODHRA ROAD., DAHOD. PIN-389151, PH :389151-9426469122.	198.##	ADINATH AUTOMOBILE & WORKSHOP (3136), NEAR HOTEL GREEN PARK, AMBAJI HIGHWAY ROAD, IDAR-383 430, (GUJARAT), PH :383430-9825052940.	KHEDBRAHMA	207.##	MARUTI AUTO CARE (5342), OPP POLICE STATION, AHMEDABAD-AMBAJI STATE HIGHWAY, KHEDBRAHMA , GUJARAT, PH :383255-9427369512.	
178.#	CAR AGE (5542), PLOT NO.11, MAHATMA NAGAR-1 ANJAR- , GADHPADAR ROAD,NR.MAHAKALESHWAR, MAHADEV MANDIR,ANJAR , GUJARAT, PH :370110-9427216886.	DEESA	189.##	VAKHARIA MOTORS (3970), G L PADIAR COMPLEX, PALANPUR PATHAN HIGHWAY, OPP. RAJMANDIR TALKIES, DEESA, PH :385535-9377728841.	JAMKHAMBHALIA	199.##	SHRI HARI OM MOTORS (4539), JADESWAR ROAD CHAR RASTA, OPP. KRISHNA WAY BRIDGE, JAM KHAMBHALIA-361305, GUJARAT, PH :361305-9426955344.	LIMDI	208.##	PARTH AUTOMOBILES (4171), OPP.SWAMINARAYAN TEMPLE, NH NO-8A, LIMBDI DIST, SURENDRNAGAR , PIN-363421, PH :363421-9426714510.
BARDOLI		DHARI	190.##	GURUKRUPA MOTORS (5876), NR. NARMADESHWAR MAHADEV TEMPLE, DHARI,AMRELI ROAD,DHARI-365640, DISTRICT-AMRELI, GUJARAT, PH :365640-9825374658.	JAMNAGAR	200.*	LANDMARK AUTOMOBILES (1973), PLOT NO-4/2, JAMNAGAR- KALVAD ROAD, MAHAPRABHUJI BETHAK ROAD, OPP SUBHASH BRIDGE, JAMNAGAR-361 006, (GUJARAT), PH :361006-760000733.	LUNAWADA	209.##	N.J. MOTORS (4370), MODASSA ROAD, NR. SAIFEE HOSPITAL, LUNAWADA, DIST: PANCHMAHAL (GUJARAT), PH :389230-9924252700.
179.**	POOJA MOTORS (361), NEAR GIDC, SURAT ROAD, BARDOLI-394 601, (GUJARAT), PH :394601-9825762621.	DHORAJI	191.##	UNIVERSE AUTO (5837), SARDAR CHOWK,DHORAJI-360410, DISTRICT- RAJ.KOT, GUJARAT, PH :360410-9727714643.	JETPUR	201.##	GIRIRAJ MOTORS (3971), JUNAGADH HIGHWAY, NEAR JALARAM TEMPLE, JETPUR, PH :360370-9727154392.	MEHSANA	210.*	SANSKAR MOTORS (5468), PALAVASANA -BECHARAJI ROAD , NR.ONGC FIRE STATION, MEHSANA-384002 , DISTRICT-MEHSANA, GUJARAT, PH :384002-9825106359.
BHARUCH		GANDHI NAGAR	192.*	LABH MOTORS (4527), PLOT NO - B - 206+207 , GIDC, SECTOR -25., GANDHINAGAR GUJARAT, PH :382024-9825020030.	JUNAGADH	202.##	MARUTI MOTORS (286), G.I.D.C. - I, RAJKOT HIGHWAY, DOLATPARA, JUNAGADH(GUJARAT), PH :362001-9099849888.	211.**	SHUBH AUTO SERVICES (3367), NEAR AGRO PETROL PUMP, OLD RTO, RAMOSNA JAKAT NAKA, MEHSANA (GUJARAT), PH :384001-9825322460.	
180.*	NEW MARUTI MOTORS (5156), 9/16 AKASH GANGA,BIH CNG PUMP, OLD NH -8,BHOLAV , DISTRICT - BHARUCH, GUJARAT, PH :392001-98998611424.	BHARUCH	193.*	RIDDHI MARUTI(A DIVISION OF SHREE ARBODA PVT. LTD (2151), E-19/10 G.I.D.C. SECTOR 26, NEAR K-7, GANDHINAGAR-382 044, PH :382044-9825041331.	KALOL	203.##	SUNRISE AUTO CENTRE (146), BLOCK SURVEY NO. 1141, OPP JANPATH PETROLEUM, NEAR SINDBAD HOTEL, AHMEDABAD-MEHSANA HIGHWAY, KALOL, DISTRICT - GANDHINAGAR, GUJARAT, PH :382721-9879542207.	MORBI	212.##	ARUN MOTORS SERVICE (2071), SANALA BYE PASS, NEAR G.P. GINING MILLS, MORBI -363641, GUJARAT, PH :363641-9825222825.
BHAVNAGAR		HALOL	194.##	SHITAL MOTORS P.LTD. (134), 304 G.I.D.C., SECTOR-28, GANDHINAGAR - 382 028 (GUJARAT),. PH :382028-9924127065.	KAMREJ	204.*	PATEL MOTOR GARAGE (2764), PLOT NO 1,2,3, NAVAGAM, NR. MANISHA HOTEL, OPP. DADABHAGWAN TEMPLE, NAVAGAM, KAMREJ., DIST: SURAT-394185, PH :394185-9825127413.	NAKHATRANA	214.#	ASHA MOTORS (4340), NANA ANGLADESH, NAKHATRANA HIGHWAY ROAD, NAKHATRANA, KUTCH, PH :370615-9727499383.
181.##	VIKRAM MOTOR GARAGE (127), TAKHTESHWAR PLOT, NEAR CHANDRA BHUVAN, BHAVNAGAR - 364 002., PH :364002-9427145452.	HIMMATNAGAR	195.##	MAA MOTORS (4767), GODHRA ROAD, NEAR TELEPHONE EXCHANGE, HALOL, GUJARAT, PH :389350-9898610212.	KAPADVANJ			NAVSARI		
BHUJ										
182.*	ASHA MOTORS (3629), NEAR JAY NAGAR BUS STOP, MIRZAPUR HIGHWAY, BHUJ KUTCH, GUJARAT - 370001., PH :370001-9825225088.									
BILIMORA										
183.##	PATEL AUTOMOBILES (4030), DANDEKAR COMPOUND, GANDEVI ROAD, BILIMORA, PH :396321-9824123875.									
BORSAD										
184.##	SPEED AUTO (8953), I B PETROL PUMP, VASAD-TARAPUR HIGHWAY ROAD, VILLAGE BORSAD, TALUKA BORSAD, DISTRICT ANAND, GUJARAT- 388540, PH :388540-9979992779.									
CHAND KHEDA										
185.*	BALVINDER AUTOMOBILES (8948), ZUNDAL CIRCLE, BEHINDDWARIKESH PARTY PLOT,NEAR SHAGUN 108,CHANDKHERA, VILLAGEZUNDAL, DISTRICTGANDHINAGAR, GUJARAT -382421, PH :382424-9924016000.									

** A-Category Mass : Free & paid Service, Major repairs & Accidental repairs

* B-Category Mass : Free & paid Service & Major repairs

C-Category Mass : Free & paid Service & Minor repairs

D-Category Mass : Free Service & Minor repairs

Mass Network (AS ON 31.10.2023)

215.## JIGAR MOTORS (133), N.H-8,KABILAPORE, NAVSARI, VALSAD DIST.-396 424 (GUJARAT), PH :396424-9879549533.

PALANPUR

216.## PANCHAL AUTO REPAIRING WO (138), HIGHWAY ROAD, NEAR RAILWAY CORSSING, PALANPUR-385001, PH :385001-8758048385.

PETLAD

217.## SIDDIH MOTORS (4166), OPP. GEB. NEAR RAILWAY CROSSING, NADIAD-KHAMBHAT HIGHWAY, PETLAD, ANAND, PIN-388450, PH :388450-7359465067.

PULSANA

218.## ZEBA MOTORS (4535), PLOT NO. 5, ZAIBUNISHA MANZIL, ANUKOOL NAGAR, BEHIND SAFED CHAL, UNN SURAT (GUJARAT), PH :394305-9913278658.

RAJKOT

219.** KHODIYAR MOTORS (356), DHEBAR ROAD (SOUTH), ATIKA INDUSTRIAL ESTATE, RAJKOT-360 001, PH :360001-9426202885.

220.* UNIVERSE AUTO (5544), C/O DELHI GUJARAT TRANSPORT,NR. NAVAGAM, OCTROI POINT, AHMEDABAD HIGHWAY, RAJKOT-380002, DISTRICT - RAJKOT , GUJARAT, PH :380002-9879616643.

RAJPIPLA

221.## R. N. MOTORS (5255), 22-GIDC NEAR PETROL PUMP , RAJPIPLA, DISTRICT - NARMADA , GUJARAT, PH :393145-9925325300.

SAVARKUNDLA

222.## SHYAM MOTORS (8925), OPP. ESSAR PETROL PUMP, AMRELI ROAD, SAVARKUNDLA-364515, DISTRICT-AMRELI, GUJARAT, PH :364515-9427742134.

SIDDHPUR

223.## GOOD LUCK MOTORS (5341), 2 UMIYA COMPLEX, NEAR GURUKUL , HIGH SCHOOL SIDDHPUR, DISTRICT -PATAN, GUJARAT, PH :384151-9898428989.

SIHOR

224.# MOMAI MOTORS (6032), NR. RAJ MOMAI PETROLIUM , BHAVNAGAR-RAJKOT HIGHWAY, SIHOR-364240, DISTRICT-BHAVNAGAR, GUJARAT, PH :364240-9510201800.

SILVASSA

225.## SHREE KRISHNA MOTORS (5374), PLON NO.43.66 KVA ROAD AMLI , SILVASSA-396230, DISTRICT -(UT), GUJARAT, PH :396230-8155000345.

SURAT

226.## EMPEROR CAR TECH (1748), F.PLOT NO.124 NEAR RELIANCE COMPLEX, BESIDE SHEETAL MARBLE, SURAT-DUMAS ROAD PIPLD, SURAT-395 007, PH :395007-9825033396.

227.** J.K.MOTORS (5158), LUHAR MOHALLA .POSTT PALGAM, DISTRICT -SURAT, SURAT -394510, GUJARAT, PH :394510-9909920902.

228.* NILESH MOTORS (5347), AMBER SHOPPING CENTRE,OPP.SADHNA CHAMBERS, VARACHHA ROAD , DISTRICT - SURAT , GUJARAT, PH :395004-9377762660.

229.** PATEL MOTORS (3060), 64 BAJRANG NAGAR, NEAR OCTROI CHECK POST, NANA VARCHA, SURAT-395 006, PH :395006-9909149498.

230.* TARUN MOTORS (5254), PLOT NO.A-10/14, ROAD NO.4, MAHATMA GANDHI ROAD,UDYOG NAGAR , UDHNA - SURAT , GUJARAT, PH :395210-9712976141.

231.## SEIKON MOTORS (3161), PLOT NO.49.50.51 SAI AASHISH INDL. ESTATE, NEAR BAMROLI BRIDGE, 120 FT. BAMROLI ROAD, SURAT (GUJARAT), PH :394210-9426149996.

SURENDERANAGAR

232.## ADIT MOTORS (1247), PLOT NO 101.4/B, OPP ANAND BHAVAN, NEAR SHITAL MOTORS (MAHINDRA DEALERSHIP), WADHWAN CITY, GUJARAT -363035, PH :363035-9879114222.

TALALA

233.* RUBY MOTORS (5942), TALALA ROAD , RAMRECHI(GIR), DIST - GIR, SOMNATH - 362150 , PH :362150-9824061044.

UMBERGAON

234.## KARAN AUTOMOBILES (2571), OPP. DAMRU WADI, UMBERGAON SANJAN ROAD, UMBERGAON DIST. VALSAD, GUJARAT-396 170, PH :396170-9824336583.

UNJHA

235.## AMBIKA MOTORS (3932), SADGURU COMPLEX, AHMEDABAD PALAM PUR HIGHWAY ROAD, UNJHA, MEHSANA-384170, PH :384170-9824517382.

VADALI

236.# VRAJ MOTORS (4560), UMIYA PARK, HIGHWAY ROAD, VADALI TA, VADALI, SABARKANTA (GUJARAT), PH :383235-9427364109.

VADGAM

237.# CHAUDHARY & CHAUDHARY MOTORS (5651), OPP.RELIANCE PETROL PUMP, PALAMPUR ROAD - VADGAM, DISTRICT - BANASKANTHA, GUJARAT, PH :385410-9664590698.

VADODARA

238.** CAR CARE (2229), NEAR GANDHI OIL MILL, GORWA INDUSTRIAL ESTATE, BARODA-390 016, PH :390016-9825044610.

239.* CAR CLINIC (4640), PLOT NO. B-7 (PART), ANUR ESTATE, NEAR DABHOI ROAD, JAKATNAKA, VADODARA (GUJARAT), PH :390004-9925003558.

240.## DREAM MACHINES (2933), 19 MULJINAGAR COLONY, OPP. GHELANI PETROL PUMP, NIZAMPURA, VADODARA-390 002, PH :390005-7575809940.

241.* GENERAL MOTOR REPAIRING WORKS (2529), NEAR LOK SATTA PRESS, NAGARWADA, VADODARA-390 001, PH :390001-9825026106.

242.** HONEST AUTO STRUCTURE WORKS (279), 9, VINODBAUG BEHIND HOTEL SANMAN, JETPUR ROAD, VADODARA, PIN : 390005, PH :390002-9824014046.

243.## MAYUR SERVICE STATION (2224), NEAR POLICE STATION, PRATAPNAGAR ROAD, BARODA-390 004, PH :390001-9879453031.

VALIA

244.## HARI OM AUTO CARE (5750), NEAR MAZDA HOTEL - VALIA, ANKALESHWAR ROAD-VALIA, DISTRICT-BHARUCH, GUJARAT, PH :393135-9427336094.

VALSAD

245.* HONEST AUTO GARAGE (2220), SUGHAR FALIA, BEHIND MOTU GHANCHIHWAD, VALSAD-396 001 (GUJARAT), PH :396001-9426110767.

VANTHLI

246.* INFINITY MOTORS (5963), RAVI RATAN VADLA FATAK , OPP.HP PETROL PUMP ,POST VADLA, TAL VANTHLI-362205, DISTRICT-JUNAGADH, GUJARAT, PH :362001-9898990120.

VIRAMGAM

247.## KRISHNA MOTOR GARAGE (4038), OUTSIDE BHARWADI GATE, NEAR BHARAT PETROL PUMP, VIRAMGAM, PH :382150-9426415274.

VYARA

248.# PARTH MOTORS (8928), D-1,CITY LIGHT TOWER KAKRAPAR, BYPASS ROAD-VYARA, DISTRICT-SURAT, GUJARAT, PH :394650-9898292020.

HARYANA

AMBALA

249.## BASSAN MOTORS (4964), 99 TH MALL, AMBALA CATT - 133001, HARYANA, PH :133001-9466000000.

250.** GURU NANAK MOTORS (2036), POLICE LINES CHOWK, AMBALA CITY, , PH :134003-8708357725.

251.## HIRA MOTORS (2740), 207 MILE STONE, VASANT VIHAR GT ROAD, N.H.-1, AMBALA CITY, PH :134002-9255285212.

252.** RAVI MOTORS (1957), 125 STAFF ROAD, HOTEL SAVOY, AMBALA CANTT-126 102, PH :133001-9315110209.

BADHARA

253.* S.S MOTORS (5735), NEAR REST HOUSE, BADHARA-123308, DISTRICT-BHIWANI, HARYANA, PH :127308-9255141288.

BAHADURGARH

254.## GL AUTOMOBILES (5263), MAIN ROHTAK ROAD, SANKHOL, OPP.CH. DEVI LAL PARK, DISTRICT - BAHADURGARH, HARYANA, PH :124507-9416303473.

BARARA

255.## LUXMI AUTOZONE (5334), VPO BARARA , DISTRICT - AMBALA, HARYANA, PH :133201-8222020406.

BARWALA (HARYANA)

** A-Category Mass : Free & paid Service, Major repairs & Accidental repairs

C-Category Mass : Free & paid Service & Minor repairs

* B-Category Mass : Free & paid Service & Major repairs

D-Category Mass : Free Service & Minor repairs

Mass Network (AS ON 31.10.2023)

256.** FAQIR CHAND QUALITY FUELS (5435), KILLA NO.20L.H.S. NH-65., CHANDIGARH ROAD - BARWALA, DISTRICT - HISAR, HARYANA, PH :125121-9991000764.

BHIWANI

257.## VEER MOTOR WORKSHOP (8958), 22.23.24 AUTO MARKET, LOHARU ROAD, BHIWANI, HARYANA-127021, PH :127021-9416057857.

BHUNA

258.* MITTAL AUTOMOBILES (5748), NEAR BUS STAND ,JAKHAL ROAD - BHUNA, PIN-125111, DISTRICT-FATEHABAD, HARYANA, PH :125111-9813207221.

FARIDABAD

259.## BALAJI SERVICE STATION (4956), SECTOR 23-24, MAIN ROAD, NEAR BALAJI DHARM KATA, FARIDABAD-121004, HARYANA, PH :121001-.

260.** INSUH AUTO (377), 1/3 MAIN MATHURA ROAD, NEAR NHPD CHOWK, FARIDABAD, HARYANA - 121003, PH :121003-.

261.## KHURANA AUTOMOBILES (2863), 3C/60 B.P. (OPPOSITE ESI HOSPITAL), N.I.T., FARIDABAD, PH :121001-.

262.** PERFECT AUTOZONE (P.) LTD. (5667), PLOT NO 9, ADJACENT TO UNION BANK OF INDIA, ANKHIR, OPP SEC 21-D, MAIN BADHKAL ROAD, DISTT FARIDABAD, HARYANA - 121001, PH :121001-.

263.## SARASWATI AUTOMOBILES (4465), 44 B.P, NEELAM BATA ROAD, N.I.T, FARIDABAD, PH :121001-.

264.## AUTO ENGINEERS (5350), 131, DLF INDUSTRIAL AREA, PHASE-1, DISTRICT - FARIDABAD, HARYANA., PH :121003-.

FARRUKHNAGAR

265.** M R MOTORS (5946), GURGAON-JHAJJAR ROAD,OPP. ANAAZ MANDI, FARRUKHNAGAR-123506, DISTRICT-GURGAON, HARYANA, PH :122506-9810831200.

FATEHABAD (HARYANA)

266.## DHINGRA AUTOMOBILES (1856), G.T. ROAD, FATEHABAD, (HARYANA), PH :125050-9896012906.

267.## INDORA MARUTI SERVICE STATION (3064), OPPOSITE M M COLLEGE, SIRSA ROAD, FATEHABAD, 125050, PH :125050-9254080200.

GANAUR

268.## SITA AUTOMOBILES (4260), 347, WARD NO. 10, BST ROAD, GANAUR, DISTT- SONEPAT, PH :131101-9992022047.

GANGWA

269.** PANCHMUKHI AUTOMOBILES (5968), HISSAR RAJGARH ROAD, GANGWA-125001, DISTRICT-HISSAR, HARYANA, PH :125001-9728100029.

GOHANA

270.## KRISHNA MOTORS (4132), ROHTAK ROAD, GOHANA, , PH :131301-9017062999.

GURGAON

271.## A & A ENTERPRISES (4639), 396, PHASE-IV, UDYOG VIHAR, GURGAON (HARYANA), PH :122015-8851819511.

272.## GANGA MOTORS (363), SHIVPURI, GURGAON-122 001, , PH :122001-.

273.* KUMAR AUTOMOBILES (4848), KILLA NO 12/2, NEAR BMW TRAINING CENTER, SPR ROAD, GURUGRAM, HARYANA, PH :122002-.

274.## MANISH AUTOMOBILES (4777), GHATA ROAD, WAZIRABAD, NEAR SECTOR-56, GURGAON-122001, HARYANA, PH :122001-.

275.** QUTAB AUTOMOBILES (3668), KHEWAT/ KHATA NO 714/909, VILLAGE JHARSA, UNITECH CYBER PARK ROAD, SECTOR 39, GURGAON, HARYANA 122001, PH :122001-9811687333.

276.## RAJASTHAN AUTO WORKS (4760), L.P. ATUL KARATIA MARG, NEAR PETROL PUMP, AKASHI FILLING STATION, AMAN PURA, SECTOR-5 ROAD, GURGAON-122001 (HARYANA), PH :122001-9910070220.

277.## S G MOTORS (5756), PLOT NO.494,SECTOR 37., PACE CITY II,VUDYOG VIHAR VI - GURGAON, DISTRICT-GURGAON, HARYANA, PH :122001-9711770092.

278.** M R MOTORS (8946), VIJAY VIHAR,MAIN SILOKHRA ROAD,SEC-30, GURGAON-122002 , HARYANA , PH :122001-9992111244.

279.** SOMESH AUTOMOBILES (455), PLOT NO 2492/8, BLOCK A, ROAD NO A-56, DLF PHASE 1, GURGAON122002, PH :122002-9717070830.

280.## SRI PARKASH AUTOMOBILES (5862), BAJGHERA ROAD NEAR PARKASH PURI ASHRAM, NEW PALAM VIHAR,GURGAON-122001, DISTRICT-GURGAON, HARYANA, PH :122001-.

281.## TOP GEAR AUTOMOTIVE ENGINEERS (4464), G-34, REZANG LA ROAD, ASHOK VIHAR PHASE 2, GURGAON 122006, PH :122001-.

HANSI

282.** VIKAS AUTOMOBILES (4744), SHANTI NIKETAN, OPP. JIND BYE PASS, G.T. ROAD, HANSI, DISTRICT-HISSAR (HARYANA), PH :125033-9466248037.

HISSAR

283.* PALCO MOTOR GARAGE (4739), 96 AUTO MARKET, HISSAR-125001, HARYANA, PH :125001-9729601111.

284.* SAI AUTOMOBILES (5267), TOSHAM ROAD, NEAR AAKASH INSTITUTE, SECTOR-13, HISSAR, HARYANA, PH :125001-7988238034.

285.** SALASAR AUTO (4735), OPP. VIDYUT NAGAR GATE NO. 2, DELHI ROAD, HISSAR-125001, HARYANA, PH :125001-9355486716.

HODAL

286.## VED MOTORS (2247), HIGHWAY ROAD, NEAR RAILWAY STATION CHOWK, HODAL-121 106, (FARIDABAD), PH :121106-7988978936.

INDRI

287.## ASHOKA MOTORS (6041), OPP. PARTAP FILLING STATION,LADWA ROAD., TEHSIL-INDRI,DISTRICT-KARNAL, HARYANA, PH :132041-8813000316.

ISMAILABAD

288.* VINAYAK MOTORS (6052), OPP. MAHARAJA PALACE , AMBALA HISSAR ROAD , ISMAILABAD-136129 , HARYANA, PH :136129-9034820190.

ISRANA

289.## SHIV DARSHAN AUTOMOBILES (6051), ISRANA PANIPAT ROAD, NR. NC COLLEGE,ISRANA-132103, DISTRICT-PANIPAT , HARYANA, PH :132107-9911366230.

JHAJJAR

290.## VASUNDHRA MOTORS (1467), REWARI ROAD, JHAJJAR-124 103, (HARYANA), PH :124103-9812012180.

JIND

291.## MOHIT MOTORS (1574), SAFIDON GATE, JIND-126 102, , PH :126102-9355129844.

KAITHAL

292.# HIND AUTOMOBILES (1858), AMBALA ROAD, KAITHAL, , PH :136027-7015806781.

KANINA

293.## SHREE KRISHNA MOTORS (5953), BHOOP SINGH MARKET,NEAR PETROL PUMP, MAHINDERGARH ROAD,KANINA-123027, DISTRICT-HISSAR, HARYANA, PH :123027-9467641678.

KARNAL

294.** RUBY MOTORS (4734), 28/3 HSIDC, NEAR NAMASTEY CHOWK INDUSTRIAL AREA, KARNAL-132001, HARYANA, PH :132001-9896345633.

KHARKHODA

295.* PRANAV MOTORS (5771), SAMPLA ROAD,KHARKAUDA-131402, DISTRICT-SONEPAT, HARYANA, PH :131402-9896145161.

KUNDLI

296.## SHIV SHAKTI AUTOMOBILES (4628), SECTOR 53, HSIDC, JANTI ROAD, NEAR K.H.I. COLD STORAGE, KUNDLI, SONEPAT, HARYANA - 131028, PH :131001-9811047480.

KURUKSHETRA

297.## KARTAR MOTORS (1645), RED ROAD, KURUKSHETRA-132 118, , PH :136118-9896245900.

298.** KARTAR MOTORS (5349), PLOT O 65-66, SECTOR -2, HUDA INDUSTRIAL AREA KURUKSHETRA, PH :136118-9896245900.

299.## SAINI MOTORS (2131), G.T. ROAD, UMRJI CHOWK, KURUKSHETRA, (HARYANA), PH :136118-9896183931.

LOHARU

300.## BHAWNA MOTORS (6028), BHIWANI ROAD, LOHARU-127201, DISTRICT-BHIWANI , HARYANA, PH :127201-8901276555.

MAHENDERGARH

301.## SHREE SHYAM MOTORS (8960), NEAR I.O.C PETROL PUMP, MAHENDERGARH-123029, DISTRICT-MAHENDERGARH, (HARYANA), PH :123028-.

MANDI ADAMPUR

302.## MITTAL AUTO AGENCIES (2966), 113-15 AUTO MARKET, MANDI ADAMPUR, (HARYANA), PH :125052-9729173300.

MANESAR

303.## MAITRI SERVICE STATION (2378), N.H.8, DELHI-JAIPUR ROAD, MANESAR (GURGAON), PH :122001-9818001128.

NARNAUL

304.## SHYAM AUTO TRADE (1571), SINGHANA ROAD, NARNAUL-123 001, (HARYANA), PH :123001-.

NILOKHERI

305.## SAHIL MOTORS (5049), NEW NEHSIL ROAD, NILOKHERI. DISTRICT KARNAL , NILOKHERI-132117, HARYANA, PH :132117-9812510190.

PALWAL

306.** D.K. & R.K. MOTORS (1159), NEAR BUS STAND , NH-2 PALWAL, PALWAL, PH :121102-.

307.* SHEELA MOTORS (5141), OPP MUNICIPAL COUNCIL OFFICE, OLD G T ROAD, PALWAL, DISTRICT - FARIDABAD, HARYANA, PH :121102-.

PANCHKULA

308.** PANCHKULA AUTO SERVICES (1949), PLOT NO.300, PHASE-II INDUSTRIAL AREA, PANCHKULA-134 109, (HARYANA), PH :134109-9872441546.

PANIPAT

309.** PREM MOTORS (2266), PLOT NO.134, SECTOR 25 INDUSTRIAL AREA, PANIPAT, PH :132103-9896306380.

PATAUDI

310.** SHUBHAM AUTOMOBILES (4641), REWARI ROAD, PATAUDI, DISTT. GURGAON, PH :122413-.

PEHOWA

311.* AMAR AUTOMOBILES (2270), OPP. DAV COLLEGE, AMBALA ROAD, PEHOWA DISTT. KURUKSHETRA, (HARYANA), PH :136128-9896002974.

RADAUR

312.## SHRI SHIVAM AUTOMOBILES (5852), S.K. ROAD,OPP. ESSAR PETROL PUMP, RADAUR-135133, DISTRICT-YAMUNANAGAR, HARYANA, PH :135133-9034384003.

RANIA

313.## SINGLA MOTORS (3779), NEAR BUS STAND, RANIA-125 076, DISTT. SIRSA (HARYANA), PH :125076-9416011238.

REWARI

314.## GAUTAM MOTORS (1837), NARNAUL ROAD, REWARI-123401 (HARYANA), , PH :123401-9416064894.

315.## PULYANI MOTORS (4663), BEHIND KAMLA PALACE, CIRCULAR ROAD, REWARI-123401, HARYANA, PH :123401-.

316.* SHIVAM SERVICES (1466), OPPOSITE B.D.O. BLOCK OFFICE, GARHI BOLNI ROAD, REWARI, HARYANA - 123401, PH :123401-.

SADHAURA

317.## SHREE GANESH MOTORS (5959), NEAR INDIAN OIL PETROL PUMP, KALA AMB ROAD, SADHAURA-133204, DISTRICT-YAMUNANAGAR, HARYANA, PH :133204-9813376260.

SHAHABAD

318.** MAHALAXMI MOTORS (354), LADIWA ROAD, SHAHABAD MARKANDA-136 135, (HARYANA), PH :136135-9812036433.

SIWANI

319.## GANESH AUTOMOBILES (5931), NEAR RELIANCE PETROL PUMP, HISAR ROAD, SIWANI, DISTRICT-BHIWANI, HARYANA - 127046, PH :127046-8607113000.

SOHNA

320.** SHRI SHYAM MOTORS (8930), OPP.RAGHUNANDAN PETROL PUMP, NEAR GD GOENKA INTERNATIONAL SCHOOL, SOHNA-122103, HARYANA, PH :122103-9582350079.

SONIPAT

321.## NEW HIGHWAY MOTORS (8923), MAIN DELHI ROAD, SONEPAT, HARYANA, PH :131001-9416672009.

TAURU

322.## R M MOTORS (5842), WADE NO-4BEHIND WINE SHOP MAIN REWARI SOHNA ROAD, TAURU-122105, DISTRICT-MEWAT, HARYANA, PH :122105-9812378663.

TOHANA

323.## DHANDA MOTORS (2271), PLOT NO.4, RATIA ROAD, TOHANA, DISTT. FATEHABAD, PH :125120-9466615006.

TOSHAM

324.## MOHINI AUTOMOBILES (6026), OPP.NEW ANAJ MANDI , NEAR MINI BANK,TOSHAM-127040 , DISTRICT-BHIWANI, HARYANA, PH :127040-.

UKLANA

325.* SHREE GANESH MOTORS (5747), PLOT NO#29,UKLANA MANDI, DISTRICT-HISSAR, PIN-125113, HARYANA, PH :125113-8168399836.

YAMUNANAGAR

326.** GOPAL AUTOMOBILE SERVICE STATION (1874), NEAR LAL DAWARA, JAGADHRI ROAD, YAMUNANAGAR-135 001, PH :135001-9896308515.

HIMACHAL PRADESH

ALAMPUR

327.## SUBH AUTOMOBILES (5964), SH-39,ALAMPUR-176110, DISTRICT-KANGRA, HIMACHAL PRADESH, PH :176082-9816675551.

AMB

328.## SHUBHAM MOTORS (5933), NEAR PINDI ASHRAM,HAMIRPUR ROAD, AMB-177203, DISTRICT-UNA, HIMACHAL PRADESH, PH :177203-9418114176.

ANNI

329.## SARAJ AUTO WORLD (6044), VERMA BUILDING,NR. NAGAN HARIPUR , TEHSIL,ANNI-172026 , DISTRICT-KULLU , HIMACHAL PRADESH, PH :172026-.

BADDI

330.** LAJ MOTORS (5541), 436.MAJJA SURAJ,MAJRA LABANA, BADDI, DISTRICT - SOLAN, HIMACHAL PRADESH, PH :173205-9816039189.

BANGANA

331.## TRISHLA AUTOMOBILES (5869), VILLAGE BPO & TEHSIL BANGANA, BANGANA-174307, DISTRICT-UNA, HIMACHAL PRADESH, PH :174307-9817645350.

BANOI

332.## BABA SERVICE STATION (4634), VILL BANOI, TEH SHAHPUR P.O., BANOI, DIST KANGRA (HIMACHAL PRADESH), PH :176209-9418051290.

BARMANA

333.## AVER AUTO (5955), VILLAGE LAGHAT,TEHSIL SADAR, PO BARMANA-174013, HIMACHAL PRADESH, PH :174013-9418064130.

BHAMBLA

334.* DHIMAN MOTORS (3837), PLOT NO. 42., INDUSTRIAL AREA, BHAMBLA, JAHU, DISTT MANDI, PH :175004-9816227437.

BHUNTER

335.## HANDA MOTORS (4262), HANDA COMPLEX, NEAR AIRPORT, BHUNTER, KULLU (H.P), PH :175125-9816007003.

BILASPUR (H.P)

336.## BHASKAR AUTO SPARE & SERVICE (1730), 8-B ROURA SECTOR II, (NEAR DURGA MANDIR), BILASPUR-174 001 (H.P.), PH :174001-9816436001.

CHAMBA

337.* AUTOZONE (5247), PATHANKOT RAOD ,PAREL , SULTANPUR - CHAMBA , DISTRICT - CHAMBA , HIMACHAL PRADESH, PH :176310-9418214848.

338.## KAILASH SERVICE STATION (3527), AMRIT NIWAS MOHALLA, BONGTUA, CHAMBA TOWN, DISTT.CHAMBA, PH :176310-9896679445.

DARLAGHAT

339.## CHANDEL SERVICE STATION (5233), DARLAGHAT , DISTRICT-SOLAN, HIMACHAL PRADESH, PH :171102-9816039865.

DEHRA

340.* WALIA ENTERPRISES (4252), HANUMAN CHOWK, NEAR DEHRA BRIDGE, DEHRA, DISTT. KANGRA, PH :177101-9418152855.

DHARAMSHALA

341.## EAGLE MOTOR SERVICE STN. (6426), SHAM NAGAR, DHARAMSALA-176215 (HIMACHAL PRD.), , PH :176215-8219915841.

342.## HIM AUTO STATION (8964), VPO DARI, DHARAMSHALA, (H.P.), PH :176057-9418029655.

343.## SHIV SHAKTI CAR CARE (1277), NEAR RAINBOW SCHOOL, DARI ROAD, DHARAMSHALA-176 057, PH :176057-9318752074.

GHUMARWIN

** A-Category Mass : Free & paid Service, Major repairs & Accidental repairs

C-Category Mass : Free & paid Service & Minor repairs

* B-Category Mass : Free & paid Service & Major repairs

D-Category Mass : Free Service & Minor repairs

Mass Network (AS ON 31.10.2023)

344.## BHASKAR AUTO SPARES & SERVICES (5147), VILLAGE KULARU, GHUMARWIN, DISTRICT - BILASPUR, HIMACHAL PRADESH, PH :174021-9816090504.

GUMMA

345.## CHAUHAN ENTERPRISES (5660), VILLAGE GUMMA, TEHSIL KOTKHAI, GUMMA, DISTRICT - SHIMLA, HIMACHAL PRADESH, PH :171202-9218690917.

JAWALA JI

346.## SRI PARBHAT MOTORS (5036), VPO & TEHSIL, JAWALI-(BHANEI), DISTRICT - KANGRA, (HIMACHAL PRADESH), PH :176031-98160911205.

JAWALAMUKHI

347.## LAKSHMI AUTO SPARES & SERVICE CENTRE (4630), NEAR GANJU BAGH, DEHRA ROAD, JWALAMUKHI, TEH. DEHRA, DIST. KANGRA (HIMACHAL PRADESH), PH :176031-9418091048.

KARSOG

348.## DEEPAK AUTOMOBILES (4057), MR. DEEPAK SHARMA, C/O SHARMA GENERAL STORE, KARSOG, MAIN BAZAR, DIST MANDI, HIMACHAL PRADESH, PH :175011-.

KAZA

349.## SPITI MOTORS (6033), VILL. & PO,KAZA-172114, DISTRICT-LAHAUL & SPITI, HIMACHAL PRADESH, PH :172114-9418758974.

KEYLONG

350.## YOLAX MOTORS (3830), KEYLONG, DISTT. LAHAUL & SPITI, . PH :175133-7651031580.

KULLU

351.## PURI BROTHER'S (4242), I.O.C DEALER, DHALPUR, KULLU, H.P, PH :175101-9418395358.

352.## SURYA MOTORS & SERVICE CENTRE (2943), NH-21, MANALI ROAD, BABELI, DISTT. KULLU-175 138 (H.P.), PH :175138-9418059956.

KUMARHATTI

353.* SOLAN AUTOMOBILES PVT. LTD. (6420), DAGHOTA(SOLAN), P.O.KUMAR HATTI-173 229 (H.P.), . PH :173229-9816030330.

KUMARSAIN

354.## RED LINE (5965), VILL. KEPU,PO KIRTI SAINZ, TEHSIL,KUMARSAIN-172030, DISTRICT-SHIMLA, HIMACHAL PRADESH, PH :172030-9816027007.

MANDI

355.** BHAGWATI AUTOMOBILES (269), PLOT NO. 13 INDUSTRIAL AREA PHASE 3 SAULI KHAD MANDI (H.P.), PH :175001-9418461897.

MARANDA

356.## MODERN SERVICE CENTRE (1175), PUSHUP COMPLEX, MARANDA-176 102, (H.P.), PH :176102-7018243011.

MEHATPUR

357.## BUDHA AUTO HOUSE (6422), MAIN BAZAR, UNA, MEHATPUR-174315 (H.P.), PH :174315-9815971708.

MUBARAKPUR

358.## SHIV SHAKTI AUTOMOBILES (1732), HOSHIARPUR ROAD, MUBARKPUR, DISTT. UNA, (H.P.), PH :177202-9418328361.

NADAUN

359.** CAR CARE ENGINEERS (4423), HOSHIARPUR ROAD, MANPUL, NADAUN DISTT. HAMIRPUR, HP, PH :177033-9857799080.

NAHAN

360.## AGGARWAL MOTORS (3334), GUNNU GHAT, NEAR TELECOM COLONY, NAHAN-173 001, PH :173001-9418023558.

NALAGARH

361.## KRISHNA MOTOR (5275), PEERTHAN,PO NALAGARH, DISTRICT - SOLAN, HIMACHAL PRADESH, PH :174101-9418094064.

PALAMPUR

362.** SANGRAI AUTO SERVICE (6430), OPP. SITLA MATA MANDIR, PALAMPUR-176 061, DISTT. KANGRA (H.P.), PH :176061-9418085915.

363.## SANTOSHI AUTOMOBILES (4776), VILLAGE & P.O. BHAWARNA, TEHSIL, PALAMPUR, DISTRICT- KANGRA (HIMACHAL PRADESH), PH :176083-9418184367.

PAONTA SAHIB

364.## SUMEET MOTORS (1441), SHAMSHERPUR, PAONTA SAHIB-173 025, (H.P.), PH :173025-9418018329.

PAPROLA

365.## ABROL AUTOMOBILES (3470), VPO PAPROLA, TEHSIL,BAJNATH, DISTT KANGRA, HIMACHAL PRADESH -176115, PH :176115-9418066917.

PARWANOO

366.## DIVYA SALES (6428), DIVYA BHAWAN VILL. KAMLI, SECTOR-1, PARWANOO, PH :173220-9816032002.

PATLI KULH

367.* JAMDAGNI MOTORS (760), VILLAGE PATLI KUHAL, P.O.KATRAN, DISTT.KULLU (H.P.), PH :175129-9816040247.

RAJGARH (H.P)

368.## RAJGARH AUTOMOBILES (5458), PO RAJGARH,TEH RAJGARH, DISTRICT - SIRMOUR, HIMACHAL PRADESH, PH :173101-9418021344.

RAMPUR BUSHAHR

369.** HIGHWAY SERVICE STATION (2649), CHUHA BAG, RAMPUR BUSHAHR, (H.P.) - 172001, PH :172001-9805831627.

370.## KRISHNA AUTOMOBILE (4438), VILL CHUHA BAG, RAMPUR BUSHAHR-172001, . PH :172001-9418036091.

RECONG PEO

371.## KRISH AUTO (4134), RECONG PEO, TEHSIL KALPA, DISTT KINNAUR, HIMACHAL PRADESH - 172707, PH :172107-9816579999.

ROHRU

372.## KAMTA SERVICE STATION (2338), ROHRU, DISTT. SHIMLA, (H.P.), PH :171207-9418040106.

SALASHI

373.## THAKUR AUTOMOBILES (3838), JALANDHAR MANALI NATIONAL HIGHWAY (NH70), NEAR DAY SCHOOL, VILLAGE SALASHI, DISTT HAMIRPUR, PH :177001-9418490904.

SARKAGHAT

374.## SHAKUNTLA MOTORS (5755), MANDI ROAD-SARKAGHAT, DISTRICT-MANDI, PIN-175024, HIMACHAL PRADESH, PH :175024-9817818822.

SHIMLA

375.** GURRAJ AUTO SERVICE (757), NEAR CPRI ROAD, BEMLOI, SHIMLA-171 001, PH :171001-9816233030.

376.** MOTO WORLD (6433), NAVBAHAR, SHIMLA-171 002, . PH :171002-9459050769.

SOLAN

377.## SOLAN SERVICE CENTRE (764), BYE PASS, NEAR PWD OFFICE, SOLAN-173 212, PH :173212-9816022640.

SUBATHU

378.## SHYAM AUTOMOBILES (4558), NEAR SHANTI FILLING STATION, V.P.O RADYANA, SUBATHU, DIST SOLAN (HIMACHAL PRADESH), PH :173206-9418061757.

SUNDERNAGAR

379.** V.M. SERVICE STATION (3777), CHAMUKHA, P O HARABAGH, NH-21, SUNDER NAGAR-174 402 (H.P.), PH :175019-9418064130.

THEOG

380.## JOSHI MOTORS (2778), SHALLI BAZAR, THEOG, DIST. SHIMLA, (H.P.), PH :171201-9459100051.

UNA (H.P)

381.## RUDRA MOTORS (3925), NEAR OLD HOSPITAL CHOWK, NH-22, UNA - 174303 (H.P.), PH :174303-8628803717.

382.## TRINITY AUTO FAST ENGINEERS (1755), JALGRAN TABBA, NANGAL ROAD, UNA, HIMACHAL PRADESH - 174303, PH :174303-9816628020.

JAMMU AND KASHMIR**AWANTIPORA**

383.## KESAR AUTOMOBILES (5938), KHAR MORH,NATIONAL HIGHWAY 1A, AWANTIPORA-192122, DISTRICT-PULWAMA, JAMMU & KASHMIR, PH :192122-7780873161.

BARAMULA

384.* MARUTI MASTERS (4369), KANISPORA, BARAMULA, KASHMIR, PH :193101-9906864748.

CHADOORA

385.* VEHICLE MASTERS (4661), MAIN ROAD, CHADOORA-190001, DIST. BUDGAM, JAMMU & KASHMIR, PH :190001-9419441217.

JAMMU

386.* CARE POINT AUTOMOBILES (4652), OPP. BSF CAMPUS ROAD, AKHNOOR ROAD, JAMMU-180002, PH :180002-9419283151.

Mass Network (AS ON 31.10.2023)

431.##	N.N. GARAGE (4263), T.B. CROSS, NH-7, BAGEPALLI, NEAR RTO OFFICE, KOLAR DISTRICT, KARNATAKA, PH :571603-9845125260.	442.**	LE MANS MOTORS (3460), NEAR AYYAPPA TEMPLE, S. M. ROAD, T. DASARAHALLY, BANGALORE-560 057, PH -9845145001.	454.**	TRINITY CAR CARE PVT. LTD (5851), SURVEY NO 52/1,SRI GANDHADAKAVAL VILLAGE, NAGARBHAVI,BANGALORE-560091, DISTRICT-BANGALORE , KARNATAKA, PH :560091-9880793980.	465.#	OM MOTORS (4445), 1751, ANKALI ROAD, NEAR B K COLLEGE, CHIKODI-591201, KARNATAKA, PH :591201-8861555999.
BAILHONGAL							
432.##	MAHANTH MOTORS (5763), RTO ROAD BAILHONGAL ,TALUK-591102, DISTRICT-BELGAUM, KARNATAKA, PH :591102-9535653166.	443.*	MAYUR ENTERPRISES (249), NEXT TO PIA BHAVAN KIADB MAIN ROAD, PEENYA 1ST STAGE, BANGALORE-58, PH :560058-9845122156.	455.**	TRINITY MOTORS (4638), NO. 36, 4TH STAGE, W.C. ROAD, BASAVESHWARANAGAR, BANGALORE-560079, PH :560079-9845539474.	CHINTAMANI	
BALEHONNUR							
433.##	SRI ANNAPOORNA MOTORS (5253), MALLE GOWDA COMPLEX,JAYAPURA, ROAD BALEHONNUR ROAD, DISTRICT - CHIKAMAGALUR, KARNATAKA, PH :577204-9448000131.	444.*	NEXUS (1153), 2ND MAIN KHB COLONY, GANDHI NAGAR, YELAHANKA, PH :9844013436.	456.**	U.M. CARS PVT. LTD. (2847), KARNATAKA GOLF ASSOCIATION ROAD, KODIHALLI, OFF. AIR PORT ROAD, BANGALORE-560 008, PH :9845165365.	466.##	TIPPU AUTO GARAGE (5770), MG ROAD,NEAR BAGEPALLI CROSS, CHINTAMANI-563125, DISTRICT-KALOR, KARNATAKA, PH :563125-9036698340.
BANGALORE							
434.##	ADARSHA AUTOMOBILES (4553), # 974 VARATHUR MAIN ROAD, NEAR PURVANKARA APARTMENTS, AFTER MARATHAHALLI, RAILWAY BRIDGE, BANGALORE-560037, PH :560037-9880195465.	445.**	NEXUS (2768), #275/301, 80 FEET ROAD, OPP. M.S. RAMAIAH HOSPITAL (BEL ROAD), RMV 2ND STAGE, BANGALORE-560 094, PH -9844013436.	457.*	VISWAS CAR SERVICES PVT. LTD. (3238), NO 2 , (OUT NO OF SY.NO 100/2) OFF SERVICE ROAD , KALYAN NAGAR ROAD, CHELEKERE , BANASWADI POST BANGALORE -560043, PH :560043-9591313379.	467.###	PRINCIPAL (255), J.M.I.T, N.H.4, P.B. NO.73, CHITRADURGA-577 502, PH :9731330300.
435.**	ANEKAR MOTORS (227), 230 MAGADI ROAD, BANGALORE-560 023, (KARNATAKA), PH :9845899911.	446.**	PACE AUTOMOBILES (1057), 6TH MAIN HMT LAYOUT, R.T. NAGAR, BANGALORE-560 032, PH -9845004710.	458.**	MARS ENTERPRISES PVT. LTD. (238), NO.41 SANJAY NAGAR MAIN ROAD, ASWATH NAGAR, BANGALORE-560 094, PH -8861218160.	468.###	SAI AUTOMOBILES (2473), OPP. R.T.O. NH-4, IIND CROSS, JCR EXTN., CHITRADURGA-577 501, PH :9448154945.
436.*	ASHWA CARS (2827), #14, 1ST MAIN, 6TH CROSS, SANJEEVNI NAGAR, MOODAPALYA, BANGALORE 560072, PH :560072-9341228231.	447.##	PUSHPAK MOTORS (4642), 105/1 2ND MAIN NANJAPPA LAYOUT, VIDYARANYAPURA MAIN ROAD, (OPP KRUTHIKA HOSPITAL), BANGALORE-560097, PH :560097-9845087842.	459.###	VAHAN UDYOG (4626), # 45/28 GUBBANNA INDUSTRIAL ESTATE, DR. RAJ KUMAR ROAD, 6TH BLOCK, RAJAJI NAGAR, BANGALORE-560010, PH :560010-8277398624.	COORG	
437.##	BEKA MOTORS (3237), NO.158/2 VIBHUTIPURA, VIGNAN NAGAR BEHIND B.E.M.L., NEAR RENUKA SWIMMING POOL, BANGALORE-560 017, PH :9845212416.	448.##	RAJ MOTORS (2829), NO.10 MAGADI MAIN ROAD, OPP. UNANI MEDICINE INSTITUTE, KOTIGEPALYA, BANGALORE-560 091, PH -9663555677.	469.**	AUTO SERVICE & AGENCIES (2520), GEN.THIMMAIAH ROAD, MADIKERI, KODAGU, (KARNATAKA), PH :577101-9448504378.	DAVANGERE	
438.##	CHANDANA MOTORS (4872), NO 9 UNIVERSITY ROAD, GNANABHARTHI (POST), MARIYAAPPANA PALYA, BANGALORE-560056 (KARNATAKA), PH :560056-9880659864.	449.**	SMART CARS (3571), 3RD CROSS NEAR J.B. TILES, KAGGADASA PURA MAIN ROAD, C.V. RAMAN NAGAR, BANGALORE-560 093, PH :9663324361.	470.###	HEGDE AUTO CENTRE (172), NO 2007/37, NEAR BIET, SHAMANUR ROAD, DAVANGERE, KARNATAKA-577004, PH :577004-8494853646.	DEVANAHALLI	
439.*	GIRIMAJI ENTERPRISES (258), NO.2 27TH CROSS, K R ROAD, B S K II STAGE, BANGALORE-560 070, PH :9844004403.	450.##	SOLOTECH MOTORS (2760), SURVEY NO.82/2,D'SOUZA NAGAR, HOSAKEREHALLI-BANGALURU, DISTRICT-BANGALURU 560085, KARNATAKA, PH :560085.	471.###	SREE MALLIKARJUANA MOTOR (229), NO 68, RMC ROAD, NEAR KSRTC BUS STAND, DAVANGERE, KARNATAKA - 577003, PH :9880701015.	DEVANAHALLI	
440.**	GREEN CARS PVT. LTD. (2154), NO.12/6 80 FEET ROAD, 6TH BLOCK KORAMANGALA, BANGALORE-560 095, PH :9845020796.	451.##	SOLOTECH SERVICE CENTRE (5245), 50 FEET MAIN ROAD ,AVALAHALLI, MUNESHWARA BLOCK , DISTRICT - BANGALORE, KARNATAKA, PH :560010-984572634.	472.#	SAHARA AUTOMOBILES (4731), OPP. A. RTO OFFICE, NH-7, B.B. ROAD, DEVANAHALLI-562110, KARNATAKA, PH :562110-944862364.	DHARWAD	
441.*	KESHKAMAL MOTORS (2075), NO.943 21ST MAIN, BANASHANKARI 2ND STAGE, (NEAR KIMS MEDICAL COLLEGE), BANGALORE-560 070, PH :9448071067.	452.*	SPEED MOTORS (1750), 17/1 SUBRAMANYAPURA MAIN ROAD, KADIRENAHALLI, PADMANABHA NAGAR, BANGALORE-560 070, PH :9845153102.	473.**	MYSORE GARAGE (2468), BELGAUM ROAD, DHARWAD-580 001, (KARNATAKA), PH :9844133273.	DODDABALLAPUR	
		453.##	TEAM TECH AUTOMOBILES (5662), 78/1,SULEKUNDE, NEAR MUTHANALLUR CROSS., SARJAPURA MAIN ROAD, BANGALORE -562125, PH :562125-9538516111.	474.#	PRESTIGE MOTORS (4875), NEAR RAILWAY STATION KHASBHAG, DODDABALLAPUR, , PH :560026-9900274594.	GADAG	
				475.###	MODERN MOTORS (8939), HUBLI ROAD, GADAG-582 103, (KARNATAKA), PH :9448746579.	GULBARGA	
				476.##			
				477.##			
				478.##			
				479.##			
				480.##			
				481.##			
				482.##			
				483.##			
				484.##			
				485.##			
				486.##			
				487.##			
				488.##			
				489.##			
				490.##			
				491.##			
				492.##			
				493.##			
				494.##			
				495.##			
				496.##			
				497.##			
				498.##			
				499.##			
				500.##			

** A-Category Mass : Free & paid Service, Major repairs & Accidental repairs

C-Category Mass : Free & paid Service & Minor repairs

* B-Category Mass : Free & paid Service & Major repairs

D-Category Mass : Free Service & Minor repairs

Mass NetWork (AS ON 31.10.2023)

CALICUT 516.## MALABAR MOTORS (4655), EAST NADAKKAVU, P.O. ERANIPALAM, CALICUT-673006, KERALA, PH :673006-9846089190. 517.## MARUTI SCAN (1675), BYE PASS JUNCTION, MEENCHANDA, CALICUT-673 018, PH :673018-9847130508.	KALLAMBALAM 528.## PRAKASH AUTO ENGINEERS (5548), VADASSERIKONAM P.O. KALLAMBALAM, VARKALA,KALLAMBALAM-695143, DISTRICT-TRIVANDRUM, KERALA, PH :695143-9847159618. KALLUMUTTY 529.## MARUTI CARE (4179), KALLUMUTTY, IRITTY P.O., KANNUR, KERALA - 670703, PH :670703-9946703070.	538.## UNITED SERVICE CENTER (4433), EDASSERT JUNCTION, KATTAPPANA-685508, KERALA, PH :685508-9961432941. KAYAMKULAM 539.## PERFECT MOTORS (4948), MARUTI SERVICE CENTRE, NH-47, CHEPPAD, KAYANKULAM-690507, DISTRICT-ALAPPUZHA (KERALA), PH :690507-9447048338.	548.## AUTO CARE (2541), (SHEEJA AUTO ENGG. WORKS), THALASSERY ROAD, MANANTHAVADY-670 645, WAYANAD (DIST.), PH :670645-9447040068.
CHALAKUDY 518.## STAR MARUTI GARAGE (5367), NH47 BYE PASS, NEAR CRESCENT PUBLIC SCHOOL, _CHALAKKUDY, DISTRICT - THRISSUR, PH :680307-9946009375. 519.* VIJAY AUTO SERVICE (1626), POTTA, CHALAKUDY-680 307. , PH :680307-9995074628.	KALPETTA 530.## VARCO MOTORS (4724), 18/226-1, NEAR VELLARAMKUNNU, NH 212, KALPETTA - 673121. , PH :673121-9961569898.	KOLLAM 540.## QUILON MARUTI SERVICE (2737), CHANDANATHOPE P.O., KOLLAM-691 014, (KERALA), PH :691014-9387307562.	MANJERI 549.## MARUTI AUTO HOUSE (4726), CHERANI, KARUVAMBARAM PO, MANJERI, KERALA. PIN 676123, PH :676123-9447129289.
CHANGANACHERRY 520.* PALATHRA MOTORS & SERVICE CENTRE (1072), VADAKKKEKARA, VEROOR P.O., CHANGANACHERRY-686 104, PH :686104-9447195154. 521.## SAAFAA AUTOMOBILES (1148), PALATHARA CHIRA, BY PASS ROAD, CHANGANACHERRY, KOTTAYAM-686104. , PH :686104-9447042517.	KANJIRAPPALLY 531.## MACK ENTERPRISES (2729), T.B.ROAD, KANJIRAPPALLY. , PH :686507-9447093739.	KONNI 541.## GLOBAL MOTORS (2836), VAKAYAR P.O., KONNI-689 698, (KERALA), PH :689698-9446222944. 542.## MUTTATH AUTOMOBILES (5525), AROORPALAM,KONNI-689691, DISTRICT - PATHANANTHITTA, KERALA, PH :689691-9447431751.	MANNAR 550.## MOHANS AUTOMOBILES (5457), MOHANS AUTOMOBILES & ENGINEERS , KUTTEMPEROOR P.O. MANNAR, DISTRICT - ALAPPUZHA ,(KERALA), PH :689622-9447877377.
CHAVARA 522.## CHITHIRA AUTOMOBILES (4755), KANKATHU MUKKU, CHAVARA, KOLLAM, PH :691583-9447711007.	KANNUR 532.## AREN MOTORS (5139), CHAKKARAKAL,P.O. MUZHAPPALA, DISTRICT - KANNUR, KERALA, PH :670613-9446771237. 533.** PIONEER AUTO & ENGG.WORKS (4722), KANNOTHUMCHAL ROAD, KANNUR - 2, (KERALA), PH :670005-9447798255.	KOOTHATTUKULAM 543.## EXTRA CARE SERVICES (3232), DEVA MATHA JUNCTION, M.C. ROAD, KOOTHATTUKULAM-686 662, ERNAKULAM DIST. (KERALA), PH :689121-9544552080.	MANNUTHY 551.** TOP CLEAN SERVICES (2834), 13/450 MANNUTHI BYE PASS, P.O. OLLUKKARA, THRISSUR, (KERALA), PH :680651-8592947776.
CHENGANNUR 523.* NEW TECH AUTOMOBILES (1978), INDUSTRIAL ESTATE, MUNDANCAVU, CHENGANNUR-689 121, KERALA, PH :689121-9388915757.	KARIMANNOOR 534.## MACS AUTOMOBILES (5745), SILVER SQUARE ,KARIMANNOOR.THODUPUZHA, DISTRICT-IDUKKI, KERALA, PH :685581-9633275410.	KOTHAMANGALAM 544.## EXCEL MARUTI SERVICE (4342), BYE-PASS ROAD, KOTHAMANGALAM, ERNAKULAM-686691, PH :686691-9848605865. 545.## MAJESTIC MOTORS (1253), NEAR THANKALAM BYE-PASS ROAD, KOTHAMANGALAM-686 691, KERALA, PH :686691-9946427528.	MEENANGADI 552.## MOTOR TECH (2440), EAST MEENANGADI, KRISHNAGIRI P.O. , WAYANAD-673 591, (KERALA), PH :673591-9539195850.
CHERTHALA 524.* POZHICKAL CAR WORLD (3037), NEAR BOYS HIGH SCHOOL, CHERTHALA, ALAPPUZHA DIST., KERALA-688 524, PH :688524-9947474752.	KASARGOD 535.## CARS CARE (4579), ANANDPUR, VIDYANAGAR P.O., KASARAGOD, KERALA-671123, PH :671123-9847251115.	KUNDARA 546.## SPARK SERVICE (5772), ELAMPALLOOR,P.O. KUNDARA-691501, DISTRICT-KOLLAM, (KERALA), PH :691501-9809608020.	MOOCHIKKAL 553.## CHELADANS MARUTI ENGINEERS (4659), THANUR ROAD, MOOCHIKKAL-676307, MEENADATHUR, TIRUR, MALAPURAM DIST (KERALA), PH :676307-9895443563.
ERATTUPETA 525.## AUTO COMFORT (3948), PKMS BUILDING, ERATTUPETTA-2. , PH :686121-9447186876.	KATTAKADA 536.## CITY ENGINEERS (4947), MARUTI SERVICE CENTRE, NEYYATTINKARA ROAD, KATTAKADA-695572, DISTRICT-TRIVANDRUM (KERALA), PH :695572-9447206257. 537.## MADATHIL MOTORS (5456), MADATHIL HOUSE,CHOONDUPALAKA , KATTAKADA P.O. - TRIVANDRUM , DISTRICT - TRIVANDRUM ,(KERALA), PH :695543-9495192389.	KUTHUPARAMBA 547.## KRISHNA MOTORS (3435), KUTTIKKUNNU, NEAR 66 KV SUB STATION, KUTHUPARAMBA-670 643, KANNUR DIST. (KERALA), PH :670643-9497296380.	MUNNAR 554.## PLATHOTTAM AUTOMOBILES (4447), COLONY ROAD, IKKA NAGAR, MUNNAR, IDUKKI, KERALA - 685612, PH :685612-9447023073.
ETTUMANNOOR 526.## ROHIT MOTORS (4636), THELLAKOM P.O., M.C. ROAD, ETTUMANNOOR, KERALA, PH :686630-9447079010.	KATTAPPANA	MANANTHAVADY	MUVATTUPUZA 555.** JAWAN AUTOMOBILES (2730), MADAVOOR POST, MUVATTUPUZA-686 669. , PH :686669-8943345500.
KALANJOOR 527.## AGT MOTORS (5937), KIP JUNCTION, KALANJOOR-689694, DISTRICT-PATHANAMTHITTA, KERALA, PH :689698-9744409444.			NEYYATTINKARA 556.## XANON ENGINEERS (8951), RAVELI TOLL JUNCTION, NEYYATTINKARA, TRIVANDRUM-695121, PH :695121-9946357813.

Mass Network (AS ON 31.10.2023)

600.## SHUBHAM AUTOMOBILES (5052), PLOT NO. 1 & 2, TIRANGA ROAD, SHAHPURA, BHOPAL, MADHYA PRADESH -462039, PH :462039-9425009869.

601.* TAURUS AUTOMOBILES (3372), ALAKNANDA COMPLEX, OPP.VIJAY STAMBH PRESS COMPLEX, M.P. NAGAR -ZONE-I, BHOPAL (M.P.), PH :462011-9303131403.

602.** VIDHYA AUTOMOBILES (320), PLOT NO. 235, ZONE II, B, PH :462011-9826053198.

603.** RANJIT AUTOMOBILES (5452), 117.ZONE II . M.P. NAGAR.BHOPAL, DISTRICT - BHOPAL, PIN-462011, MADHYA PRADESH, PH :462011-.

BIAORA

604.## GURUKRUPA MOTORS (5670), OPP PRABHAT BREAD INDUSTRY, AB ROAD - BIAORA, DISTRICT - BIAORA, MADHYA PRADESH, PH :465674-9425038727.

BURHANPUR

605.** SWADESHI MOTORS (4229), NEAR GANPATI MANDIR, GANPATI NAKA, BURHANPUR, MADHYA PRADESH, PH :450331-.

DABRA

606.## MODI MOTORS (3857), BALLA KA DERA, JHANSI ROAD, DABRA, GWALIOR, PH :475110-8770360194.

DAMOH

607.## MARUTI PRIME (1156), BUS STAND, STATION ROAD, DAMOH-470 661, PH :8319706998.

DATIA

608.## HIND MOTORS (4470), NH-75, JHANSI BYPASS ROAD, NEAR S.R.I COLLEGE, KALAMPURAM TIRHA, DATIA, MADHYA PRADESH - 475661, PH :475661-9406969206.

DEWAS

609.## AZAD MOTORS (4534), 10, JAWAHAR NAGAR COMPLEX AB ROAD DEWAS(MP)404051, PH :455001-9827533591.

DHAMNOD

610.## REWANCHAL MOTORS (6027), NEW PRAKASH NAGAR , AB ROAD.DHAMNOD-454552 , DISTRICT-DHAR , MADHYA PRADESH, PH :454552-7974408538.

DHAR

611.## JIYO MOTORS (5031), OPP DAK BANGLA.INDORE ROAD DHAR., DISTRICT - DHAR, DHAR - 454001, MADHYA PRADESH, PH :454001-9893633559.

GWALIOR

612.## CLASSIC MOTORS & SERVICE STATION (5242), CHAUHAN PIAO.M.G. ROAD, THATIPUR, MORAR, GWALIOR , MADHYA PRADESH, PH :474011-9329603001.

613.** MARUTI ENTERPRISES (3021), KHERAPATI ROAD, GWALIOR-474 002, (M.P.), PH :474002-9425116466.

HARDA

614.## MANOJ UDYOG & SERVICE CENTER (4145), 87-88, INDUSTRIAL AREA, CHHIPANER ROAD, HARDA, M.P., PH :461331-9826227245.

INDORE

615.## BADSHAH MOTORS (5027), 150/2,NOORANI NAGAR,NEAR JAIMAL SINGH PETROL PUMP, DHAR ROAD,INDORE-452008, DISTRICT-INDORE, MADHYA PRADESH, PH :452008-9826098427.

616.** BOMBAY MOTORS (1655), 10 Y.N. ROAD, INDORE-452 003, (M.P.), PH :452003-7314222786.

617.## JYOTI RAGHUNATH MOTORS (5149), 3/3 RAMBAGH, BEHIND PETROL PUMP , INDORE -452001, MADHYA PRADESH, PH :452001-9425353568.

618.** KHALSA AUTO SERVICE (5325), 36 KIBE COMPOUND, INDORE-452 001, , PH :452001-.

ITARSI

619.## PITAMBARA MOTORS (5041), NH-69.BETUL ROAD.NEAR PLYBOARD, FACTORY ITARSI , DISTRICT - ITARSI, MADHYA PRADESH, PH :461111-9406525060.

620.** UNITY ENTERPRISES (3270), PLOT NO.97, INDUSTRIAL AREA, KHEDA, ITARSI-461 111 (M.P.), PH :-8120025666.

JABALPUR

621.## SUPER MARUTI SERVICE (4952), 375-A PREM NAGAR, OPP. GURUDWARA, JABALPUR-482001, MADHYA PRADESH, PH :482001-7999993375.

622.** YASH VEHICLES CARE (2169), 1664, WRIGHT TOWN ,OPP. TELEGRAPH GATE NO. 2 JABALPUR (M.P.), PH :482002-9893237505.

JAWAD

623.## SHARMA MOTORS (5764), IN FRONT OF PAWAN MILL, STATION ROAD,JAWAD-458330, DISTRICT-NEEMUCH, MADHYA PRADESH, PH :458330-9425441270.

KATNI

624.## KATNI MOTORS (4949), C/O MAHURANIPUR UNION, TRANSPORT CORPORATION, NH-7, PANNA MORH, KATNI-483501 (MADHYA PRADESH), PH :483501-9425162660.

KHANDWA

625.## M.K.AUTOMOBILES (5326), SANTOSH NAGAR, OPP. JHEELODHYAN, INDORE ROAD, KHANDWA - 450 001, PH :450001-9425085666.

KUKSHI

626.## DILIP MARUTI SERVICE CENTER (4649), OPP. GAYATRI SAROVAR, KUKSHI, DISTT DHAR, PH :454331-9179649974.

MANDSAUR

627.## DEV MOTORS (4562), SITAMAU FATAK, MANDSAUR-458001, MADHYA PRADESH, PH :458001-9826751534.

628.* JANGID MOTORS (2735), NAYAPURA ROAD, NEAR R.K. HOSPITAL, MANDSAUR-458 001, (M.P.), PH :458001-9827266583.

MHOW

629.* HIGHWAY MOTORS (4144), A.B. ROAD, DONGRAGAON, MHOW-453441, INDORE M.P., PH :453441-9826035653.

MORENA

630.## SHYAM MARUTI SERVICE STATION (8935), SHYAM BIHAR COLONY, A.B. ROAD, MORENA-476 001, MADHYA PRADESH, PH :-79999624671.

NAGDA

631.## MARUTI NANDAN (3939), 15 VERDHAMAN NAGAR, MEHATWASA, BIRLAGRAM, NAGDA, DISTT UJJAIN, PH :456335-9910074658.

SAGAR (M.P)

632.## SHREE SAGAR MOTORS (4955), NEAR GURUDWARA, JHANSI BHOPAL ROAD, BHAGWANGANJ, SAGAR-470002, MADHYA PRADESH, PH :470002-9826070549.

SARNI

633.## JHANVI SERVICE STATION (3738), MAIN ROAD, BAGDNA, SARNI-460 449, DISTT. BETUL (M.P.), PH :460449-9589600304.

SATNA

634.* KAPOOR SERVICING CENTER (1162), 90 PREM NAGAR, SATNA-485 001, (M.P.), PH :470661-9827095182.

635.# KAPOOR SERVICING CENTER (, 90 PREM NAGAR, SATNA-485 001, (M.P.), PH :470661-9827095182.

SEONI

636.## HIGHWAY MOTORS (2262), NEAR HOTEL CENTER POINT, SEONI-JABALPUR HIGHWAY, SEONI, (M.P.), PH :480882-9424928978.

SHAHDL

637.## PACE CRAFTERS (2145), NEAR VIRAT TEMPLE, BANGANGA TIRAHA, REWA ROAD, SHAHDOL, (M.P.), PH :484001-9424701495.

SHAJAPUR

638.## SHRIYA MOTORS (2568), 174 A.B. ROAD, SHAHJAPUR-456 001, (M.P.), MADHYA PRADESH, PH :9826783993.

SHEOPUR

639.## GOYAL AUTO (5446), NEAR NABBAN MARKET, BARODA ROAD, SHEOPUR, DISTRICT - SHEOPUR, MADHYA PRADESH, PH :476337-9826240944.

SHIVPURI

640.* KARUN MOTORS (4273), NEAR ARUN DHARAMKANTA, GUNA NAKA, A.B. ROAD, SHIVPURI, PH :473551-9425728285.

SIDHI

641.## KHARE MOTORS (4068), NH-75, SINGRAULI ROAD, SIDHI, MADHYA PRADESH, PH :486661-9425177518.

TIKAMGARH

642.* ASHENDRA AUTOMOBILES (2636), 350 OPP. JAWAHAR NAVODAYA VIDYALAYA, KUNDRESHWAR, TIKAMGARH-472 001, MADHYA PRADESH, PH :472001-9009129909.

UJJAIN

643.## SUGANDBI BROTHERS (324), DEWAS ROAD, UJJAIN (M.P.), MADHYA PRADESH, PH :456010-9406822255.

** A-Category Mass : Free & paid Service, Major repairs & Accidental repairs

* B-Category Mass : Free & paid Service & Major repairs

C-Category Mass : Free & paid Service & Minor repairs

D-Category Mass : Free Service & Minor repairs

Mass Network (AS ON 31.10.2023)

MALEGAON	694.##	HIND AUTOMOBILES (550), 29 SEWREE WADALA ROAD, KING'S CIRCLE, MUMBAI - 400 019 (MHRS), PH :400019-9833876440.	706.**	ZENITA AUTO WORKS (525), BEHIND H.P.PETROL PUMP, NAV PADA MAROL NAKA, ANDHERI E, MUMBAI-400 059 (MHRS.), PH :400059-9833553598.	NASHIK				
682.##	MALEGAON AUTO CENTRE (3721), NEAR MOTI BAUG NAKA, MALEGAON-423 203., PH :423203-9371376911.	695.##	LAXMI AUTO WORKS (2542), PLOT NO.1041, SAYANI ROAD, PRABHADEVI, MUMBAI-400 025, PH :400025-9820303646.	707.##	JAGMAN MOTORS (1556), NEXT TO HOTEL ROYAL SALUTE, ANDHERI KURLA ROAD, SAGBAUG, MUMBAI-400 059, PH :400059-9892752672.	718.##	HITECH AUTO SERVICES (4451), SURVEY NO 89/2, PLOT 1 & 2, OPP MOTIWALA MEDICAL COLLEGE, GANGAPUR SHIWAR., NASHIK, PH :422007-9225142471.		
MANGAON	683.##	KRUPA SERVICES (574), KRUPA SERVICES, AT :NAONRE, POST :MANGAON, DISTT:-RAIGAD-402 104, PH :402104-9422375444.	696.**	ORIX AUTO INFRASTRUCTURE SERVICES LTD (1971), 94 MAROL INDUSTRIAL ESTATE, ANDHERI KURLA ROAD, ANDHERI (EAST), MUMBAI-400 059, PH :400059-9820409079.	708.##	JAYDEEP AUTOMOBILES (5676), MURBAD KALYAN HIGHWAY(NH-222),NEAR NAVDURGA HOTEL, AT-PO-TAL-MURBAD-421401, DISTRICT-THANE, MAHARASHTRA, PH :415621-9423370219.	719.##	RACCA SERVICES (3720), RACCA ESTATE, OLD GANGAPUR NAKA, HANUMAN WADI LINK ROAD, PANCHVATI, NASHIK - 422003, PH :422003-9096846468.	
MIRAJ	684.##	ASHOK AUTOMOBILES (5672), C.S. NO:70-C,CHH - SHIVAJI ROAD, MIRAJ, DISTRICT - SANGLI, MAHARASHTRA, PH :416410-.	697.**	POWAI AUTO WORKS (1660), OPP. PANCH KUTIR BUS STOP, 19 ADI SANKARACHARYA MARG, POWAI, MUMBAI-400 076, PH :400076-9820635317.	MURBAD	720.##	SAI AUTOMOBILES (3722), SAPAT COMPLEX, OPP. PRESS HOSPITAL, NASIK ROAD-422 101, PH :422101-9822027931.		
MUMBAI	685.*	ALLIED AUTO AGENCIES (2666), 86/20 DR. AMBEDKAR ROAD, KHAR, MUMBAI-400 052, PH :400052-9768257450.	698.**	POWAI AUTO WORKS (4966), GALA NO 14/15/16, BUILDING NO1, C WING, KALLAS INDUSTRIAL COMPLEX, PARKSITE VIDHROLI (W), PH :400079-9820635317.	NAGPUR	721.*	BOSS (265), AT/P.O. - TURBHE, SECTOR-22, VASHI, NAVI MUMBAI-400 705, PH :400705-9167766474.		
686.*	ASHA AUTO SERVICE (570), I.O.C. DEALER, L.B.SHASTRI MARG, KURLA, MUMBAI-400 070, PH :400070-9833728833.	699.##	PRINCE SERVICE CENTRE LLP (8931), 34 GAMDEVI ROAD, SANGHANI ESTATE, GHATKOPAR (WEST), MUMBAI-400 086, PH :400086-9869034445.	709.*	BALAJI MOTORS (3078), PLOT NO.18/27, NEAR NAKA NO.-1, KORADI ROAD, NAGPUR-20, PH :440020-9960634068.	722.##	C G MOTORS (4138), PLOT NO R-966, NEAR MK ENGINEERING, RABALE MIDC, RABALE, NAVI MUMBAI, PINCODE 400701, PH :400701-9920205756.		
687.**	AUTO CRAFT (4759), PLOT NO. 1-B, NEXT TO DAMJI SHAMJI IND ESTATE, LBS MARG, VIKHROLI (W), MUMBAI-400083, PH :400083-9820022227.	700.**	RAVI AUTOMOBILE SERVICES (653), GHATKOPAR-MAHUL ROAD, TILAK NAGAR, CHAMBUR, MUMBAI-400 089, PH :400089-8657442190.	710.**	HASAN GARAGE (2021), MOHAN NAGAR, NAGPUR - 440 001 (MHRS), , PH :440001-.	723.**	CHETAN MOTORS (3143), PLOT NO -45, SECTOR-19A, OPP. DANA BAZAR EXIT GATE NO.3, BEHIND SHAMRAO VITHAL CO-OP BANK, VASHI, NAVI MUMBAI - 400705, PH :400705-9892067288.		
688.##	AMAR AUTOMOBILES (526), KING'S CIRCLE, MATUNGA, MUMBAI-400 019 (MHRS), PH :400019-9869473310.	701.**	SHAH CAR CARE (5436), SADANWADI LAKE ROAD, OFF LBS MARG, NEAR KRISHNA TALKIES, DISTRICT - MUMBAI (MAHARASHTRA), PH :400078-9820068380.	711.##	M S SERVICES (5339), 14 HILL ROAD , GANDHI NAGAR - NAGPUR , DISTRICT - NAGPUR , MAHARASHTRA, PH :440010-9373422822.	NIGDI	724.##	SHALU AGENCY (2872), 516/27 PRADHIKARAN, NIGADI, PUNE-411 044, PH :411014-.	
689.##	BANAI AUTO CARE (6053), OPP. MAROL POLICE CAMP, NEXT TO AAREY CHECK POST, MAROL MAROSHI ROAD, MUMBAI-400 059, PH :400059-9819844333.	702.**	SHAMAL MOTORS (1154), VAITY WADI, BHANDUP-SONAPUR ROAD, BHANDUP (WEST), MUMBAI-400 078, PH :400078-9773911111.	712.##	R. K. MOTORS (3023), 69 A V LA YAYOUT, LAKADGANJ, NAGPUR-440 008, PH :440008-9422113088.	NIPHAD	725.##	SHRI SAI SERVICE STATION (4452), NIPHAD AURANGABAD ROAD, NIPHAD, NASIK, MAHARASHTRA, PH :422303-9823679999.	
690.**	CARKRAFT AUTOMOBILES AND INFRASTRUCTURE PVT. LTD. (4654), ABC GODOWN, MINERVA INDUSTRIAL ESTATE, OFF P.K. ROAD, NEAR SAI DHAM MANDHIR, MULUND (W), MUMBAI, PH :400080-9820296924.	703.*	ST.FRANCIS AUTOMOBILES (5154), MOUNT POINSUR BORIVALI (WEST), MUMBAI - 400103, DISTRICT - MUMBAI, MAHARASHTRA, PH :400103-9892876396.	713.*	SAGAR AUTOMOBILES (2667), MARUTI AUTHORISED SERVICE STATION, PLOT NO 3 NEAR PETROL PUMP, WARDHA ROAD UJJWAL NAGAR, NAGPUR-440 025, PH :440025-9960698623.	OMERGA	726.##	SHRI SWAMI SAMARTH SERVICES (5874), 31/1,OPP. H.P. PETROL PUMP,NH-9, OMERGA-413606, DISTRICT-OSMANABAD, MAHARASHTRA, PH :413606-7666018372.	
691.**	CHAMUNDA MOTORS (P) LTD. (520), RAMBAUG NEAR SUNDAR DHAM, OFF S.V.ROAD, BORIVILI (W), MUMBAI-400 092, PH :400092-9820063626.	704.*	SUPER AUTO SERVICE PVT. LTD. (2430), DESAI WADI JAYWANT SAWANT ROAD, NEAR HAPPY HOME SOCIETY, DAHISAR (W), MUMBAI-400 068, PH :400068-9867253000.	714.**	SAGAR AUTOMOBILES (4971), WARDHA ROAD , CHINCHBHAWAN, NAGPUR - 441 108, PH :441108-9422145365.	PACHORA	727.##	POOJA MARUTI SERVICE CENTRE (5564), PLOT NO 75,PREM NAGAR, KRISHNA PURI SHEVAR, PACHORA, DISTRICT - JALGAON , MAHARASHTRA, PH :424201-9890328083.	
692.##	CHEMBUR MOTORS (2526), 31/A ANAND NAGAR, OFF SION TROMBAY ROAD, SINDHI SOCIETY CHEMBUR, MUMBAI-400 071, PH :400071-9820475704.	705.##	SURAJ SANGHI SERVICE STATION (438), DR. ANNE BESANT ROAD, WORLI, MUMBAI-400 018, PH :400018-9821115492.	NANDED	715.##	SHREEJEE SERVICES (2027), CHANDAK KOTHI, SUBASH ROAD, NAGPUR-440 018, PH :440018-9766699321.	PALGHAR	728.##	SIDDHI MOTORS (5553), THEMBEHEDE ROAD,GANESH KUND, PALGHAR,DISTRICT - THANE, MAHARASHTRA, PH :401404-9890609107.
693.##	CHHAGAN MITHA (8945), CORNER OF WARDEN ROAD & PEDDAR ROAD, POST BOX NO. 8521, MUMBAI -400026, MAHARASHTRA, PH :400026-9820861441.			NANDURBAR	717.*	MAULEE MOTORS (4738), SURVEY NO. 130/2, PLOT NO. 43, ADARSHA NAGAR, NIZAR ROAD, NANDURBAR-425412, MAHARASHTRA, PH :425412-9822377931.			

Mass Network (AS ON 31.10.2023)

PANVEL	739.*	ATHARVA CAR SERVICES (5161), 5, BHUSARI COLONY, PAUD ROAD, KOTHRUD ,PUNE-411038 . MAHARASHTRA, PH :411038-9665024803.	749.**	ASHOK AUTOMOBILES (3723), 595/B, M.G.ROAD, SANGLI-416 416, PH :416416.	759.*	PATRICIA AUTOMOBILES (529), ALIGHT CHAMBER, ADJACENT GOLDEN DYES, OLD AGRA ROAD, HARDAS NAGAR, GOKUL NAGAR, THANE, WEST - 400601, PH :400601-9987175866.			
729.**	GANGAL MOTORS (2934), PLOT NO.:132,133 &117, SECTOR 1-S, ROAD NO-5, BEHIND CIDCO GODOWN, NEW PANVEL, DISTRICT - RAIGAD, (MAHARASHTRA), PH :410206-9320226072.	740.*	MANAS AUTOMOTIVE (5443), SURVEY NO 2/4 PARRANKUTI,LANE NO.1, KARVE NAGAR - PUNE, DISTRICT - PUNE, MAHARASHTRA, PH :411052-9822043007.	750.*	AWATI MOTORS (4772), PADMAVATI COLONY, NEMINATH NAGAR VISHRAMBHAG, SANGLI-416415, MAHARASTRA, PH :416415-9422407284.	760.*	SEAN MOTORS (5377), SATPALA NAKA, ARNALA-VASAI ROAD, NEXT TO ZEAL RESTAURANT, VIRAR (W) PIN 401301, PH :401301-9324003123.		
730.**	IDEAL AUTOMOBILES (2279), IDEAL HOUSE,PLOT NO-83., PANVEL INDUSTRIAL CO OP ESTATE LTD., PANVEL , DISTRICT - RAIGAD, (MAHARASHTRA), PH :410206-9969602650.	741.*	MARUTI CARE POINT (3337), S. NO 273/5,BANER ROAD,OPP. VARSHA PARK, BANER,PUNE-411045, MAHARASHTRA, PH :411045-9689901475.	751.###	BALAJI AUTO SERVICE (1564), PLOT NO.43.GOLDEN PARK , BYPASS ROAD,SANGLI-416416 , DISTRICT-SANGLI , MAHARASHTRA, PH :416416-9822106126.	761.**	STERLING MOTOR GARAGE (555), B1/B2, KOTHARI COMPOUND NO.3, 27 ACRES, NEXT TO D'MART, OFF GHODBUNDER ROAD, MANPADA, THANE (WEST), MAHARASHTRA - 400610, PH :400601-9822052926.		
PARBHANI	731.##	SAI SERVICING CENTRE (5252), P7/5 MIDC, PARBHANI-431 401, MAHARASHTRA, PH :431401-9405404111.	742.**	SAINATH AUTOMOBILES INDUSTRIES (1569), SURVEY NO.36 PLOT NO.1, VADGAON KHURD SINHGAD ROAD, NEAR GREEN FIELD HOTEL, PUNE-411 041, PH :411041-9822214282.	SATANA	762.**	THANAWALA MOTOR AGENCY (3724), DHIRAJ BAUG, L.B.S. MARG, NAUPAD, NEAR HARINIWAS CIRCLE, THANE-400 602, PH :400602-9820106904.		
PASHAN	732.*	MARUTI CAR SANJIVANI (5278), SURVEY NO 5/2.SUTARWADI ,SUSROAD.PASHAN, DISTRICT - PUNE, PUNE - 411021, MAHARASHTRA, PH :411021-9960733360.	743.*	SANTOOR CAR CARE (2053), ASHOK PLAZA, 32/2 WADGAON SHERI NEAR WEIKFIELD, PUNE NAGAR ROAD, PUNE-411014, PH :411014-.	752.##	PATHAK MOTORS (5037), YASHWANT NAGAR,TAHARABAD ROAD., SATANA - 423301, DISTRICT - NASIK, (MAHARASHTRA), PH :423301-9890216257.	763.*	TOP GEAR AUTOMOBILES (4840), SAI NAGAR, GHODBUNDER ROAD, KASARVADAVALLI, THANE (W), PH :400615-9833795855.	
PATHARDI	733.##	SAGAR MOTORS (5979), MALIBABHULGAON, NAGAR ROAD PATHARDI, MAHARASHTRA 414102, PH :414102-9822197969.	RAHURI	744.*	ANAND MOTORS (4152), IN FRONT OF ASHWINI HOTEL, NAGAR MANMA ROAD, A/P RAHURI DIST- AHMADNAGAR, MAHARASHTRA, PH :413705-7350008501.	SATARA	764.*	CHIMAN AUTOMOBILES (3845), NEAR KAJAL PETROL PUMP, BALANI COMPOUND, VITHALWADI STATION ROAD, ULHASNAGAR 421003, PH :421003-9850223422.	
PEN	734.##	NAVNATH AUTO (5677), OPPOSITE RAMWADI, S.T. STAND, NATIONAL HIGHWAY-17, TAL PEN-402107, DISTRICT-RAIGAD, MAHARASHTRA, PH :402107-9834279228.	RAVER	745.##	RUCHI MOTORS (2631), MARUTI AUTHORISED SERVICE STATION, RAVER-425 508, DISTT. JALGAON, (MAHARASHTRA), PH :425508-8805373406.	SAWANTWADI	765.*	MODERN CAR CARE (3260), 17/12.RRV INDUSTRIAL AREA, BEHIND SAI BABA MANDIR,SHANTINAGAR, ULHASNAGAR-421 003, MAHARASHTRA, PH :421003-9819774588.	
PHALTAN	735.##	VORA AUTOMOTIVE (2436), SHINGNAPUR ROAD, KOLKI, PHALTAN-415523, PH :415523-7709436262.	ROHA	746.*	AMIT MOTORS (4972), NANA SHANKAR SHETH ROAD , NEAR GOVT REST HOUSE, DISTRICT - RAIGAD ,ROHA - 402109, MAHARASHTRA, PH :402109-9028376141.	SHAHADA	755.##	MATOSHREE AUTOMOBILES (2870), NO.558 SHAHADA DHONDAICHA ROAD, TAL. SHAHADA, NANDURBAR DISTT., (MAHARASHTRA), PH :425409-9421726230.	
PIMPALGAON	736.##	ASHWAMEDHA AUTO (2435), "ASHWAMEDH", MUMBAI-AGRA HIGHWAY, PIMPLEGAON (B), DISTT. NASHIK, PH :422209-9766600064.	SAKURI	747.##	SHREE SAI SERVICE CENTRE (5344), NAGAR-MANMAD ROAD .GODAVARI, HOTEL JEWEL ,PO:SAKURI ,TAL:RAHATA, DISTRICT - AHMEDNAGAR , MAHARASHTRA, PH :423107-9970741777.	SHIRDI	756.##	SHREE GANESH AUTO CARE (4268), POST SAKURI, TALUKA RAHATA, AHMEDNAGAR-423107, PH :423107-.	
PUNE	737.##	APPU AUTOMOBILES (5029), MARUTI AUTHORISED REPAIR STATION , #81.SR NO 164.TALAWAD ROAD , KANBAY ROAD,TRIVENI NAGAR ,AHARASHTRA, PH :411062-9371017595.	SANGAMNER	748.*	SAI MOTORS (2840), NEAR GULEWADI PHATA, PUNE NASIK ROAD, SANGAMNER DIST. AHMEDNAGAR, PIN-422 608 (MHRS.), PH :422608-9860027513.	SHRIRAMPUR	757.*	G.K. MOTORS (2871), K.V. ROAD, SHRIRAMPUR, DISTT. AHMEDNAGAR, PIN-413 709., PH :413709-9822094098.	
738.*	APPU SERVICE STATION (8966), T BLOCK, S-32, NEAR PAWANA COMPLEX, MIDC, PUNE-411026 (MAHARASHTRA), PH :411026-.	SANGLI			SOLAPUR	758.**	BALAJI MOTORS (1930), 8536 B/1 MURARJI PETH, OPP. OLD PUNE NAKA OFFICE, SOLAPUR-413 002, PH :413008-9765111110.		
					THANE			769.##	ADITYA AUTO SERVICE (4271), WAI SATARA ROAD, WAI-412803, SATARA DIST., PH :412803-9423862119.

** A-Category Mass : Free & paid Service, Major repairs & Accidental repairs

C-Category Mass : Free & paid Service & Minor repairs

* B-Category Mass : Free & paid Service & Major repairs

D-Category Mass : Free Service & Minor repairs

Mass Network (AS ON 31.10.2023)

WANI	779.##	IRDIV- TC AUTO WORKS (5744), SVENHT DAY TLANG,ZOTLANG ROAD, NEW CHAMPHAI-CHAMPHAI, DISTRICT-CHAMPHAI, MIZORAM, PH :796321-9862405715.	CUTTACK	798.*	A.P.P. MARUTI MOTORS (2670), PLOT NO 6 GUNDU SALAI ROAD, NATESAN NAGAR, NEAR 100 FEET ROAD, PONDICHERRY-605 005, PH :605009-7094449900.	
770.##	SHEIKH AUTOMOBILES (8950), PLOT NO 101, WANI GHUGUS ROAD, OM NAGRI, LAL GUDA TALAO, WANI, DIST. YAVATMAL, MAHARASHTRA 445304, PH :445304-9422171896.	LUNGLEI	789.*	AUTO MATES (426), BIJU PATNAIK CHHAK, TULASIPUR, CUTTACK, ODISHA-753008, PH :753008-9437020646.	799.###	MARUTI MISSION (5067), 60 RAGAVENDIRA NAGAR,KAMARAJ SALAI, THATTANCHAVADY PONDICHERRY, TINDIVANAM ROAD PONDICHERRY-9, PONDICHERRY, PH :605009-9786589000.
WARDHA	771.##	LAWMA ENGINEERING WORKS (3125) , A O C SQUARE, LUNGLEI, MIZORAM-796 701, PH :796701-9436147141.	DHENKANAL	791.###	S D K MOTORS (471), PLOT NO.12, 100 FEET ROAD, OZHANDAI KEERAPALAYAM MUDALIARPET, PONDICHERRY-605 004, PH :605004-9843045689.	
WARORA	772.##	NAGALAND	JHARSUGUDA		PUNJAB	
771.##	BHARAT MOTOR (1631), NAGPUR ROAD, NALWADI, WARDHA, MAHARASHTRA, PH :442001-9881588388.	DIMPAPUR	792.###	ANAND AUTOMOBILES (5449), ANAND NAGAR,IN FRONT OF TARINI MANDIR , DISTRICT - DHENKANAL , PIN - 759001 , (ORISSA), PH :759001-9437414972.	AHMEDGARH	
YAVATMAL	772.##	ANGUL	793.###	ANAND AUTOMOBILES (5449), ANAND NAGAR,IN FRONT OF TARINI MANDIR , DISTRICT - DHENKANAL , PIN - 759001 , (ORISSA), PH :759001-9437414972.	801.###	GAHIR AUTOMOBILES (2877), LUDHIANA MALER KOTLA ROAD, VILL. GOPALPUR CITY, AHMEDGARH, (PUNJAB), PH :148021-9417553627.
772.##	ROHIT AUTOMOTIVE (5873), NAGPUR,CHANDRAPUR ROAD,VINAYAK-, LAYOUT,TILAK WARD,WARORA-442907, DISTRICT-CHANDRAPUR, MAHARASHTRA, PH :442907-9172060099.	BALANGIR	794.###	AUTO MECHANIKA (2638), S.H.-10 BEHERAMAL, JHARSUGUDA-768 203, ORISSA, PH :768203-9040380001.	AJNALI	
YAVATMAL	773.##	BALASORE	795.###	GANAPATI AUTOMOBILES (3178), B. SITAPUR, PARALAKHEMUNDI, DIST. GAJAPATI-761 200, (ORISSA), PH :761200-9827176849.	802.#	VISHWAKARMA MOTORS (5666), NEAR VIMAL DHARAMKANTA - AJNALI, DISTRICT - FATEHGARH SAHIB, PUNJAB, PH :147301-9814528084.
773.##	M.S. MOTORS (460), AMRAVATI ROAD HIGHWAY, LOHARA, YAVATMAL-445 001, PH :445001-982222579.	BALANGIR	796.###	ANITA AUTO CARE (4834), SALIA BAGICHA, LIONS CLUB ROAD, KUMBHARPARA, SAMPALPUR-768001 (ORISSA), PH :768001-9861248403.	AMLOH	
774.##	RAMESH MOTORS (2024), GARDEN ROAD, YAVATMAL, MAHARASHTRA-445 001, PH :445001-9422855222.	BALANGIR	797.###	ANITA AUTO CARE (4834), SALIA BAGICHA, LIONS CLUB ROAD, KUMBHARPARA, SAMPALPUR-768001 (ORISSA), PH :768001-9861248403.	803.###	BINDRA MOTORS (5844), NEAR DESH BHAGAT COLLEGE SONTI, AMLOH, DISTRICT-FATEH GARH SAHIB, PUNJAB, PH :147203-.
YEOLA	775.##	BALASORE	798.*	TEKNO INDIA (3666), D-2/9 INDUSTRIAL AREA, O.T. ROAD, BALASORE-756 003, (ORISSA), PH :756001-9861034990.	AMRITSAR	
775.##	BIJASANI AUTOMOTIVE (3041), PLOT NO 46, SURVEY NO 35/3, VINCHUR ROAD, YEOLA, DIST. NASIK, MAHARASHTRA, PH :423401-9423185025.	BALASORE	799.*	ASHUTOSH MOTORS (5035), MAIN ROAD, NH-43, SEMILIGUDA, DISTRICT-KORAPUT, (ORISSA), PH :764036-9437405417.	804.**	HANSON AUTOMOBILES (1722), MAQBOOL PURA, G.T. ROAD, AMRITSAR, PH :143001-9815167669.
MANIPUR		BALASORE	SAMBALPUR	799.*	JACKSON LUBRICANTS (364), 16 COURT ROAD, NEAR RAVI GAS AGENCY, AMRITSAR-143 001, PH :143001-9814299944.	
IMPHAL	776.##	BALASORE	799.*	MARUTI TECH (2669), NO.1,AKKARAVATTAM,NAGAORE MAIN ROAD , OPP TO ONGC,KARAIKAL-609604, DISTRICT-KARAIKAL, PONDICHERRY, PH :609604-7373788705.	805.**	KAPOOR'S KAR KARE (737), I/S MAHA LAKSHMI, CALICO PRINTING MILLS, OLD JAIL ROAD, AMRITSAR(PUNJAB), PH :143001-9814213113.
776.##	BORDIN MARUTI GARAGE (4879), SANGAIPROU AIRPORT HO., IMPHAL WEST, MANIPUR - 795001, , PH :795001-.	BALASORE	KARAIKAL	799.*	807.*	SAGGU SERVICE STATION (733), HIDE MARKET, AMRITSAR-143 001 (PUNJAB), , PH :143001-8968497779.
SENAPATI	777.##	BALASORE	PONDICHERRY		BANUR	
777.##	KOMUO MARUTI WORKS (4644), NH-2, MAO TAPHOU, SENAPATI HQ, SENAPATI DISTRICT, MANIPUR - 795106, PH :795106-8794109474.	BALASORE	799.*	MARUTI TECH (2669), NO.1,AKKARAVATTAM,NAGAORE MAIN ROAD , OPP TO ONGC,KARAIKAL-609604, DISTRICT-KARAIKAL, PONDICHERRY, PH :609604-7373788705.	808.###	AMRIK SERVICE STATION (2433), PATIALA ROAD, BANUR, DISTT. MOHALI(PUNJAB), PH :140601-981591325.
MEGHALAYA		BALASORE	PUDUCHERRY		BARNALA	
TURA	778.##	BALASORE				
778.##	MULTI MOBILE PRECISION (3222), AGLANGGRE, PO ARAMILE, NEW TURA, MEGHALAYA, 794101, PH :794101-8974057627.	BALASORE				
MIZORAM		BALASORE				
CHAMPAI		BALASORE				

** A-Category Mass : Free & paid Service, Major repairs & Accidental repairs

* B-Category Mass : Free & paid Service & Major repairs

C-Category Mass : Free & paid Service & Minor repairs

D-Category Mass : Free Service & Minor repairs

809.##	GAURAV MOTORS (4962), DHANAULA ROAD, BARNALA - 148101, DISTRICT SANGRUR, PUNJAB, PH :148101-9317512916.	821.##	BAHL MOTORS (6229), ABOHAR ROAD, FAZILKA-152 123, . PH :152123-9815700550.	KAPURTHALA	845.*	GURU NANAK MOTOR REPAIRING WORKS (732), G.T.ROAD, MOGA-142 001 (PUNJAB), . PH :142001-9914121387.	
810.*	PUNJAB MOTOR GARAGE (6222), DHANAULA ROAD, BARNALA (PUNJAB), . PH :148101-9317512360.	FIROZPUR		833.##	T.S. WALIA MOTORS (267), MANSOORWAL, JALLANDHAR ROAD, KAPURTHALA, PH :144601-9357211525.	MOHALI	
BHADSON		822.##	SUTLEJ AUTOMOBILES (3568), G.T. ROAD, FEROZEPUR CANTT., PIN-152 001 (PUNJAB), PH :152001-9417009985.	834.##	AVTAR AUTO TECH (5329), KANJLI ROAD,NEAR OCTROI, KAPURTHALA, PUNJAB, PH :144601-9888262026.	846.**	BENZ AUTO SCAN (5734), E-153,PHASE 7, INDUSTRIAL AREA -MOHALI, DISTRICT-MOHALI, PUNJAB, PH :160055-9876101806.
811.##	FRIENDS MOTORS (2233), NABHA ROAD, BHADSON-147 202, DISTT. PATIALA, (PUNJAB), PH :147202-9815700778.	823.##	BOBB MOTORS (4378), NEAR BSF COLONY, MOGA ROAD, FEROZEPUR CANTT., PH :152001-9781187142.	KURALI		847.**	MOHALI MOTORS (756), C-55 INDUSTRIAL AREA, PHASE-VI, S.A.S. NAGAR, MOHALI-160 055, PH :160055-9781815959.
BHATINDA		GIDDARBAHA		835.##	V K MOTORS (8943), CHANDIGARH ROPAR ROAD, KURALI, DISTRICT SAS NAGAR (MOHALI), PUNJAB -140103, PH :140103-9814273873.	848.**	SETHI MOTORS (4742), PLOT NO. E-159, INDUSTRIAL AREA, PHASE-7, MOHALI, PUNJAB, PH :160055-9814307002.
812.##	KRISHNA AUTOS (4571), 40FT ROAD NAMDEV MARG NEAR INDRANI HOSPITAL ,BATHINDA (PUNJAB) 151001, PH :151001-9888671810.	824.*	JIWAN CAR CENTRE (3442), BHATINDA ABOHAR, NATIONAL HIGHWAY, GIDDERBAHA-152 101, DIST. MUKETSAR (PUNJAB), PH :152101-9779600086.	LALRU		849.##	UNIPPOINT (5043), PLOT NO.593, . INDUSTRIAL AREA PHASE-IX,MOHALI, DISTRICT - MOHALI (PUNJAB), PH :160062-7814402838.
813.**	MODERN MOTORS (6234), OPP. T.V. TOWER, MANSARA ROAD, BHATINDA, PH :151001-9814177075.	GOINDWAL SAHIB		836.##	VIKAS MOTORS (2777), IOC PETROL PUMP, AMBALA CHANDIGARH ROAD, LALRU DISTT. PATIALA, PUNJAB, PH :140501-9888191444.	MORINDA	
814.##	SUPER AUTOMOBILES (6232), TINKONI, GONIANA ROAD, BHATINDA, PH :151001-9814036163.	825.##	DASS MOTORS (8941), KAPURTHALA CHOWK, GOINDWAL SAHIB, DISTT. AMRITSAR-143 429, (PUNJAB), PH :143429-9914699121.	LUDHIANA		850.##	SONY MOTOR PALACE (1077), SIRHIND ROAD, MORINDA-140 101, . PH :140101-9815612477.
BUDHLADHA		GURDASPUR		837.**	PUNJAB AUTO CENTRE (6221), OPP TELEPHONE EXCHANGE, BHARAT NAGAR CHOWK, LUDHIANA-141 001, PH :141001-9855117003.	MUKERIAN	
815.##	JINDAL AUTOMOBILES (2147), NEAR P.S.E.B., BHIKHI ROAD, BUDHLADA-151 502, DISTT. MANSARA, PH :151502-9815516964.	826.*	VIJAY SERVICE STATION (749), NEAR RAILWAY CROSSING, PATHANKOT ROAD, GURDASPUR, (PUNJAB), PH :143521-9814437637.	838.*	REEHAL AUTOMOBILE SERVICES (1176), OPP. JAMALPUR POWER HOUSE, CHANDIGARH ROAD, LUDHIANA-141 010, PH :141012-9216844220.	851.*	MARSHAL SALES CORPORATION (5251), NEAR RADHA SOAMI SATSANG, PATHANKOT ROAD, MUKERIAN - 144211, DISTRICT HOSHIARPUR, PUNJAB, PH :144211-8283835926.
DERABASSI		HOSHIARPUR		839.##	SATNAM MOTOR WORKSHOP (4533), OPP MILK PLANT, FIROZPUR ROAD, LUDHIANA, PH :141003-9855228591.	852.##	NEW MODERN AUTOMOBILES (4437), G.T. ROAD, MUKERIAN, PUNJAB, PH :144211-9463292013.
816.##	BINDAL AUTOMOBILES (1248), CHANDIGARH AMBALA ROAD, PARAS RAM MARKET, DERA BASSI-140 507, PH :140507-9914449711.	827.##	JOGINDER MOTORS (2268), BYE PASS TANDA ROAD, HOSHIARPUR-146 001, . PH :146001-9803227000.	840.##	STAR AUTOS (4650), JALANDHAR BY PASS, G.T. ROAD, LUDHIANA, PH :141012-9216844220.	MUKTSAR	
DHURI		JAGRAON		841.##	VISHAL AUTOMOBILES (1262), G.T. ROAD, DHOLEWAL, LUDHIANA-141 003, PH :141003-9815206060.	853.##	MALWA MARUTI CENTRE (4764), OPP GOVT COLLEGE KOTKAPURA ROAD, MUKTSAR, PUNJAB, PH :152026-9814622081.
817.##	SHIV MOTORS (1962), NEAR SDM OFFICE, SANGRUR ROAD, DHURI-148 024, PH :148024-9872851068.	828.##	DHALIWAL AUTOMOBILES (2035), NEAR AJANTA PETROL PUMP, G.T. ROAD, JAGRAON DISTT. LUDHIANA, (PUNJAB), PH :142026-9814318600.	MALOUT		NAKODAR	
DINANAGAR		JALANDHAR		842.##	DELHI MOTORS (6225), TINKONI CHOWK, BHATINDA ROAD, MALOUT-152107, PH :152107-9876074061.	854.##	MEHTA MOTORS (3531), KHADDAR BHANDAR ROAD, NAKODAR-144040, PH :144040-9815600082.
818.##	D.S. MARUTI SERVICE STATION (3333), G.T. ROAD, DINA NAGAR, DIST. GURDASPUR-143 531, (PUNJAB), PH :143531-9814873101.	829.##	CITY POINT SERVICE STATION (4528), AVTAR NAGAR ROAD, BEHIND T.V. CENTRE, OPP HOTEL REGENT PARK, JALANDHAR, PH :144003-9779613576.	MANDI GOBINDGARH		PATIALA	
DIRBA		830.**	KAAR KARES (725), G.T.ROAD, JALANDHAR, 144 001 (PUNJAB), . PH :144001-9589295585.	843.##	NATIONAL MOTORS (1070), G.T. ROAD, NEAR P & S BANK, MANDI GOBINDGARH-147 301, PH :147301-9317862000.	855.**	PARAS MOTORS (4778), PLOT NO. 25-A, NEAR HOTEL FLYOVER FACTORY AREA, PATIALA-147001, PUNJAB, PH :147001-9814089861.
819.##	PENTAGON MECHANICAL WORKS (2564), JIND-SANGRUR ROAD, DIRBA, DISTT. SANGRUR, (PUNJAB), PH :148035-9876543400.	831.*	KAPOOR MOTOR GARAGE (1649), OPP. SPORTS COLLEGE, KAPURTHALA ROAD, JALANDHAR CITY, PH :144623-9815040411.	MANSARA (PUNJAB)		856.##	RAJINDRA MOTORS (8924), C-177, INDUSTRIAL FOCAL POINT, PATIALA, PUNJAB, PH :147003-9316200335.
DORAHA		832.*	PUNJAB MOTOR GARAGE (8959), HMV CHOWK, NEW GRAIN MARKET ROAD, JALANDHAR CITY-144 008, PH :144008-9814675433.	MOGA		PATTI	
820.*	FATEH MOTORS (2048), G.T. ROAD, DORAHA, (LUDHIANA), PH :141421-9814031784.						
FAZILKA							

** A-Category Mass : Free & paid Service, Major repairs & Accidental repairs
C-Category Mass : Free & paid Service & Minor repairs

* B-Category Mass : Free & paid Service & Major repairs
D-Category Mass : Free Service & Minor repairs

Mass Network (AS ON 31.10.2023)

857.##	ANU AUTOMOBILE (2747), AMRITSAR ROAD, NEAR RADHA SWAMI SATSANG, PATTI DISTT. AMRITSAR, (PUNJAB), PH :143416-8575210003.	SIRHIND	878.##	VERTEX AUTOMOBILES PVT. LTD. (1944), CHANDUKA BHAWAN, SWARG ROAD, ALWAR-301 001, PH :301001-.	889.##	SHRI JI MOTORS (2174), OPP. KUMBHA STADIUM, KHOJA GATE, BUNDI, (RAJASTHAN), PH :323001-9990270676.
PHAGWARA		868.##	BARMER		CHITTORGARH	
858.##	SWAMI MOTORS (3774), (PAMMI W/SHOP), OPP. B.N. DUGGAL PETROL PUMP, G.T. ROAD, PHAGWARA DIST. KAPURTHALA, PH :144401-9815107989.	869.##	VEW SERVICE (1238), S-181 & 182, RIICO, BARMER-344 001, (RAJASTHAN), PH :344001-.		890.##	SISODIA MOTORS (5673), 31.OLD INDUSTRIAL AREA,BYE PASS ROAD, CHITTORGARH, DISTRICT - CHITTORGARH, RAJASTHAN, PH :312001-9414110657.
859.##	VIVA MOTORS (4740), G.T. ROAD, PHAGWARA-144463, DISTRICT-KAPURTHALA, PUNJAB, PH :144463-9814310021.	SULTANPUR LODHI		BASSI		
QADIAN		870.##	YARDHANI MOTORS (5358), NEAR NALAYA BASSI, DISTRICT - JAIPUR , RAJASTHAN, PH :303301-9950107203.		CHOMU	
860.##	HI-TECH AUTOMOBILES (4945), NEAR VILLAGE NATHPURA, BATALA ROAD, QADIAN, DISTT. - GURDASPUR, PIN - 143516, PUNJAB, PH :143516-9877510294.	SUNAM		CHURU		
RAIKOT		871.##	K.L. INTERNATIONAL AUTOMOBILES (1763), DELHI JAIPUR HIGHWAY, VILLAGE DHAMI, P.O. KANKARDOPA, TEHSIL BEHROR DIST. ALWAR (RAJASTHAN), PH :301701-.		891.##	SHREE LAXMI MOTORS (3072), MORLIJA ROAD, CHOMU, JAIPUR-303702, (RAJASTHAN), PH :303702-9828160281.
861.##	RANA SUPREME MOTOR GARAGE (3732), NEAR GURUDWARA TAHLIANA SAHIB, BARNALA BYE PASS ROAD, RAIKOT, DISTT. LUDHIANA (PUNJAB), PH :141109-9814265791.	TANDA		CHURU		
RAJPURA		872.##	BHARATPUR		892.*	ABS MOTORS (2978), JAIPUR ROAD, CHURU-331 001, (RAJASTHAN), PH :331001-.
862.##	NOOR MOTORS (3045), PATIALA ROAD, RAJPURA-140 401, (PUNJAB), PH :140401-9814507867.	873.##	CLASSIC MOTORS (2348), DEEG ROAD, KUMHER GATE, BHARATPUR-321 001, (RAJASTHAN), PH :321001-9414026545.		DAUSA	
RAMPURAPHUL		TARN TARAN		893.##		
863.##	BALAJI AUTOMOBILES (4443), BARNALA ROAD, RAMPURA PHUL-151103, DISTT BHATINDA, PUNJAB, PH :151103-9417172671.	874.##	NATIONAL SERVICE CENTER (4761), SANGANER COLONY, KOTA ROAD, BHILWARA-311001, RAJASTHAN, PH :311001-9829120285.		894.**	NARAYAN MOTORS (3345), G.T. ROAD, DHOLPUR, (RAJASTHAN), PH :328001-9116013413.
864.##	VIRODI MOTOR GARAGE (3046), BARNALA ROAD, RAMPURAPHUL-151 103, DISTT. BATHINDA, (PUNJAB), PH :151103-9872874175.	ZIRA		884.*	895.##	
SAMANA		874.##	QUICK SERVICES (3473), SABUN MARG, PURAN DAS JI KI BAGICHEE, BHILWARA-311 001, PH :311001-.		896.##	NARSING SERVICE CENTRE (3074), NEAR JAGDISH TALKIES, BARI ROAD, DHOLPUR-328 001, (RAJASTHAN), PH :328001-9414026820.
865.*	CITY MOTORS (1867), P.B.NO.11, MAIN ROAD, SAMANA-147 101, DISTT. PATIALA (PUNJAB), PH :147101-9814221981.	RAJASTHAN		DIDWANA		
SANGRUR		875.##	885.##		896.##	
866.**	RAKESH MARUTI SERVICE (6325), JIND - DELHI ROAD, NEAR E.S.I. DISPENSARY, SANGRUR-148 001, PH :148001-9815103944.	876.##	GURJAR MOTORS (5567), RAMSIN ROAD,OPP PRADEEP PETROL PUMP, BHINMAL, DISTRICT - JALOR, RAJASTHAN, PH :343029-9414374962.		897.##	SANTOSH AUTOMOBILES (5450), SANTOSH AUTOMOBILES, KUCHAMAN ROAD, DIDWANA, DISTRICT - NAGAUR , (RAJASTHAN), PH :341303-9828833363.
867.##	SANGRUR MARUTI CENTRE (1632), PATIALA ROAD, OPP. MILITARY CAMPUS, SANGRUR-148 001, (PUNJAB), PH :148001-9417510111.	ABU ROAD		BHIWADI		
		875.##	886.**			
		876.##	WHEEL-O-CITY (4246), E-7D (A) PHASE-1, NEAR RIICO CHOWK, BHIWADI, RAJASTHAN, PH :301019-.		DUDU	
		ALWAR		898.##		
		877.##	887.##		899.*	
		877.##	GENERAL AUTOMOBILES (1123), RANI BAZAR, RAIWAY CROSSING, BIKANER (RAJASTHAN), PH :334001-.		A-1 MOTORS (4856), D-28 MALVIYA NAGAR., INDUSTRIAL AREA JAIPUR., DISTRICT - JAIPUR, RAJASTHAN, PH :302017-9414047628.	
		877.##	888.##		AIRC E AUTOMOBILES (1938), AIRPORT CIRGLE, KOTA ROAD, JAIPUR-302 011, PH :302011-9828012009.	
		877.##	889.##			
		877.##	890.##			
		877.##	891.##			
		877.##	892.##			
		877.##	893.##			
		877.##	894.##			
		877.##	895.##			
		877.##	896.##			
		877.##	897.##			
		877.##	898.##			
		877.##	899.##			

900.##	AUTONITY JAIPUR (4852), GOPALPURA BYPASS, DELHI KISHANGARH, HIGHWAY JAIPUR, DISTRICT - JAIPUR - 302019, RAJASTHAN, PH :302019-9784377503.	914.##	R.R. AUTOMOBILES (1473), OPP. GEETA ASHRAM, JAISALMER-345 001, (RAJASTHAN), PH :345001-8619638276.	MAKRANA	934.**	RAJ AUTOMOBILES (8949), NEAR RTO ROAD, JAIPUR JHUNJHUNU BYEPASS, SIKAR, DISTRICT - SIKAR, RAJASTHAN, PH :332001-.			
901.**	AUTONITY VKIA (8927), PLOT NO.6, GIRDHAR COLONY, SIKAR ROAD, JAIPUR-302 013, PH :302039-.	JHUNJHUNU		924.##	GEHLOT MOTORS (454), OPPOSITE TO G.S.S. MANGLANA ROAD, MAKRANA, RAJASTHAN, PH :341505-9829024687.	SRI MADHOPUR			
902.##	J.K. AUTOMOBILES (2058), 38 SUSHILPURA, AJMER ROAD, JAIPUR-302 007, PH :302007-.	915.##	VISHWAKARMA AUTOMOBILES (3071), HPC DEALER, RANI SATHI ROAD, JHUNJHUNU-333 001, (RAJASTHAN), PH :333001-9461058839.	MERTA	925.##	DELUX CAR SERVICE CENTRE (3856), KUCHERY ROAD, MERTA CITY, DISTT. NAGAUR, PH :341510-9414004543.	935.##	BHARAT MOTORS (5757), WARD NO 4,BYE PASS ROAD , SRI MADHOPUR-332715, DISTRICT- TONK, (RAJASTHAN), PH :332715-9251377020.	
903.**	JAI SHRI RAM AUTO SERVICE CENTRE (1140), OPP. SHYAM NAGAR TURN, MAIN AJMER ROAD, SODALA JAIPUR, RAJASTHAN, PH :302019-.	JHUNJHUNUN		NAGAUR	926.*	CLASSIC AUTOMOBILES (1179), DIDWANA ROAD, (DELHI GATE), NAGAUR-341 001, (RAJASTHAN), PH :341001-9672501234.	SRIGANGANAGAR		
904.##	KATARIA MOTORS (2577), 9-A NEMINAGAR VISTAR , AMRAPALI MARG, VAISHALI NAGAR, JAIPUR -302021, PH :302021-.	916.##	DADHIMATI MOTORS (1648), OPPOSITE RSEB OFFICE, BAGAR ROAD, JHUNJHUNU, (RAJASTHAN), PH :333001-9587007122.	NEWAI	927.##	HEENA MOTORS (5568), NEWAI BYEPASS NEAR JHILAY MOAD, NEWAI, DISTRICT - TONK, RAJASTHAN, PH :304021-9414228066.	936.##	ROHIT UDYOG (1132), 75 K-BLOCK, SRIGANGANAGAR, , PH :335001-.	
905.##	KRISHNA AUTOMOBILES (5363), B-27 SUNDAR NAGAR, MANSAROVAR , JAIPUR, DISTRICT - JAIPUR, RAJASTHAN, PH :302020-9829968075.	JODHPUR		PILANI	928.##	MARUTI CARE CENTRE (3073), RAJGARH ROAD, SHANTI NAGAR, PILANI DISTT. JHUNJHUNUJ, RAJASTHAN-333 031, PH :333031-.	937.*	NAGPAL MOTORS (3341), NAGPAL COMPLEX, SUKHARIA CIRCLE, SRIGANGANAGAR-335 001, PH :335001-9214094222.	
906.##	LAXMI MOTORS (2576), OPP METRO PILLAR NO 34, GANGA JAMUNA CROSSING, NIRMAN NAGAR, JAIPUR, RAJASTHAN - 302019, PH :302019-9351551181.	KALWAR		929.*	MARUTI CARE CENTRE (), RAJGARH ROAD, SHANTI NAGAR, PILANI DISTT. JHUNJHUNU, RAJASTHAN-333 031, PH :333031-.	SURATGARH	938.##	SHRI CHARBHUJA MARUTI (4924), LANDU ROAD, SUJANGARH, DISTRICT-CHURU, RAJASTHAN, PH :331507-9828118827.	
907.*	M. R. MOTORS (8933), PLOT NO. 120-121 & 125-126, VANE VIHAR, 200FT BYE PASS, JHOTWARA, JAIPUR (RAJASTHAN), PH :302012-.	919.##	ROLANIYA MOTORS (5554), KALWAR MAIN TIRHIA ,NEAR KHARBAS, NEAR PETROL PUMP ,JHOTWARA ROAD, DISTRICT - KALWAR, RAJASTHAN, PH :303706-9983111634.	PINDWARA	930.##	RUNEJA MOTORS (5758), NH-14,OPP PATHIK MIDWAY , PINDWARA-307022, DISTRICT-SIROHI, RAJASTHAN, PH :307022-9610451492.	TIJARA	939.##	ROHIN SERVICE STATION (2646), N.H.15 BIKANER ROAD, OPP. G.S.S. POWER HOUSE, SURATGARH-335 804, (RAJASTHAN), PH :335804-.
908.*	RIGHTWAYS CO. (1131), KISHANPOLE BAZAR, JAIPUR, , PH :302002-.	KISHANGARH		RAINWAL	931.##	MAHALAXMI AUTO CARS (5566), OPP ROHINI NAGAR IST, PHAGU ROAD - RAINWAL, DISTRICT - JAIPUR , RAJASTHAN, PH :303904-.	TONK	941.##	SUMIT MARUTI (4566), G 1 – 103, RIICO INDUSTRIAL AREA, JAIPUR ROAD, TONK-304001, RAJASTHAN, PH :304001-9214494900.
909.**	SAISHA MOTORS (1764), MAIN SHIPRA PATH, OPP. SECTOR 93, AGARWAL FARM, MANSAROVAR, JAIPUR-302 020, PH :302020-.	KOTA		RAJSAMAND	932.##	VIPUL AUTOMOBILES (2170), NH -8, BHAGWANDA , BEHIND GOVT. PRIMARY SCHOOL , RAJASAMAND, RAJASTHAN, PH :313333-.	UDAIPUR (RAJASTHAN)	942.**	ALOK AUTOMOBILES PVT. LTD. (1977), B.N. COLLEGE PREMISES, OPP. DALAL PETROL PUMP, SEVASHRAM ROAD, UDAIPUR, PH :313001-9414166305.
910.*	SERVICE CENTRE (1139), OPP. TOURIST HOTEL, M.I. ROAD, JAIPUR-1, PH :302001-9351551181.	921.##	FRIENDS AUTOMOBILES (), KOTA BUNDI ROAD, NH 12, OPP. HOTEL MENDAL RESIDENCY, KOTA, PH :323021-9829529479.	RAWATBHATA	933.##	APNA MARUTI GARAGE (5940), OPP. RAM TEKRI MANDIR,PRATAP MARKET, MAIN ROAD,RAWATBHATA-323305, DISTRICT-CHITTORGARH, RAJASTHAN, PH :323305-.	TAMIL NADU	943.**	SHREE SAI CAR CARE (2376), PUNJAWATI, PULLA, UDAIPUR-313 001, PH :313001-9414167605.
911.*	SHARP MOTORS (2032), J-3 HIMMAT NAGAR, MAIN TONK ROAD, GOPAL PURA CIRCLE, JAIPUR-302 004, PH :302004-9694420002.	KOTPUTLI		SIKAR			AMBUR	944.##	MARUTHI MOTORS (2864), 10-C M.C. ROAD, AMBUR-635 802, (TAMIL NADU), PH :635802-.
912.##	SUPREME MOTORS (8952), A-25 ASSAM MANSION, TRANSPORT NAGAR, JAIPUR-302 003, PH :302003-7737279332.	922.##	VIKAS MARUTI SERVICE CENTRE (4970), NH-8, NEAR MEENA GAS AGENCY, CODOWN, KOTPUTLI - 303108, RAJASTHAN, PH :303108-9929383045.						
913.##	TOSHNIWAL AUTOMOBILES (3475), 131 SHRI GOPAL NGAR, GOPALPURA BYEPASS, JAIPUR, (RAJASTHAN), PH :302015-9887553836.	KUCHAMAN							
	JAISALMER	923.##	DALUKA AUTO SALES (4565), NEARBY SHARDA PALACE HOTEL., KUCHAMAN YE PASS., KUCHAMAN CITY, 341508, PH :341508-9414433240.						

** A-Category Mass : Free & paid Service, Major repairs & Accidental repairs

C-Category Mass : Free & paid Service & Minor repairs

* B-Category Mass : Free & paid Service & Major repairs

D-Category Mass : Free Service & Minor repairs

Mass Network (AS ON 31.10.2023)

1026.###	PISTONS & SPANNERS (2766), 2-3-37 MAHARANA PRATAP FUNCTION HALL, AMBERPET, HYDERABAD-500 013, PH : -9990649504.	1036.#	SRIRAM AUTHORISED SERVICE STATION (4627), HYDERABAD ROAD, OPP. SUB STATION, NALGONDA, TELANGANA, PH :508001-9848378133.	1045.###	JOY UDYOG (3977), KALINAGAR, BELONIA, SOUTH TRIPURA 799155, PH :799155-9446799415.	AURAIYA	1057.**	SINGH AUTOMOBILES (5248), KANPUR ROAD ,AURAIYA , DISTRICT - AURAIYA , PIN - 206122, UTTAR PRADESH, PH :206122-9808403258.
1027.###	SERWELL AUTOMOBILES (5234), PLOT NO 202.203,ADITYA NAGAR ,OPP. JNTU. KUKA TPALLY,HYDERABAD , TELANGANA, PH :500085-9490105147.	NIZAMABAD		DHARMANAGAR	1046.###	RAJ AUTOMOBILES (2868), STATION ROAD, RAJABARI, DHARMANAGAR, TRIPURA (NORTH)-799 253, PH :799253-9436477578.	1058.##	VINAYAK AUTOMOBILES (2842), OPP. NTPC COLONY IIND GATE, PHAPHUND ROAD, DIBIYAPUR, AURAIYA (U.P.), PH : -9412182060.
JAGTIAL		RAMAGUNDAM		UDAIPUR			BABUGARH	
1028.###	PARAMESHWARA MOTORS (3851), OPP P R OFFICE, DHAROOR CAMP, JAGTIAL 505327, DT. KARIMNAGAR (A.P.), PH :505455-9912664659.	1038.###	ALI AUTOMOBILES (2849), NEAR TV RELAY STATION, NTPC JYOTHINAGAR, RAMAGUNDAM-505 215, DISTT. KARIMNAGAR (TELANGANA), PH :505208-9848219102.	1047.###	SUR UDYOG (3963), TOWN FULKUMARI NO. 1, BRAMHABARI, P O UDAIPUR COURT, UDAIPUR, TRIPURA SOUTH, PH :799120-9862276650.		1059.*	GURUNANAK AUTOMOBILES (5977), NH- 9, VILL SIMROLI, BABUGARH CANTT. , DISTRICT- HAPUR, UTTAR PRADESH, PH :245102-.
KARIMNAGAR		SECUNDERABAD		1048.###	RAMKRISHNA MARUTI ENGINEERING (4865), RAJARBAGH MOTOR STAND, UDAIPUR WEST-799120, DISTRICT-TRIPURA SOUTH, PH :799120-9436135422.	UTTAR PRADESH	BAGHPAT	
1029.###	MYTRI MOTORS (5152), 8-6 188.KOTHI RAMPUR, KARIMNAGAR, DISTRICT - KARIMNAGAR , TELANGANA, PH :505001-9441475357.	1039.###	ANNAPURNA MOTORS (2947) , # 6-3-23/5 JAYANAGAR COLONY, NEAR MEKALMANDI, NEW BHOIGUDA, SECUNDERABAD-500 080, PH : -9849061136.	AGRA			1060.#	KAUSHIK MOTORS (4473), PLOT NO 525, DELHI SAHARANPUR ROAD,PALI, BAGHPAT, UTTAR PRADESH 250609, PH :250609-9837800582.
1030.**	PUSHPAK MOTORS (1032), KOTHI RAMPUR, HYDERABAD ROAD, KARIMNAGAR - 505 001 (A.P.), PH :505001-9849489431.	SIRSILLA		1049.###	GAYATRI MOTORS (4730), 101-102,SHASHI NAGAR,CHANDRAKALA-, COMPLEX.SIKANDRA BODLA ROAD, AGRA - 282008, (UTTAR PRADESH), PH :282007-8077786331.	BALRAMPUR	1061.###	D M AUTOMOBILES (3933), NEAR S.P.AWAS, GONDA ROAD, BAHADURAPUR, DISTT: BALRAMPUR, UTTAR PRADESH - 271201, PH :271201-9415071840.
KHAMMAM		1040.#	SATHVIKA MOTORS (5649), KARIMNAGAR ROAD,OPP HP PETROL PUMP, SIRSILLA-505301, DISTRICT - KARIMNAGAR , TELANGANA, PH :505301-9490284726.	ALIGARH			BANDA	
1031.###	EXCEL AUTO CARE (1043), RAPARTHI NAGAR, BYPASS ROAD, KHAMMAM - 507001, , PH :507001-9848156363.	SURYAPET		1050.###	KAPIL AUTOMOBILES (1344), OLD KHURJA BUS STAND, G.T.ROAD, ALIGARH(U.P.), PH :202002-9837007636.		1062.##	CHAUDHARY TRACTORS (2249), STATION ROAD, BANDA-210 001, (U.P.), PH :210001-9415143033.
KODAD		1041.###	SAI GLOBAL AUTO SERVICES (4550), OPP. AYYAPPA SWAMY TEMPLE, BY PASS ROAD, NH-9, SURYAPET-508213, TELANGANA, PH :508213-9848076108.	1051.###	KAR SCAN CENTRE (449), RAMGHAT ROAD, KWARSII, ALIGARH-202 002, PH :202002-8937000111.	BARAUT	1063.###	HIGH TECH ENGINEERS (4821), 216/5 SAHARANPUR ROAD, BARAUT, , PH :250611-7302352660.
1032.#	SAI KAKATIYA SERVICE STATION (4664), SURYAPETA ROAD, OPPOSITE LORRY ASSOCIATION BUILDING, KODAD-508206, DISTRICT-NALGONDA (TELANGANA), PH :508206-9848057813.	WANAPARTHY		ALLAHABAD			1064.###	SIGNET AUTOMOBILES (4441), NEAR INDUSTRIAL POLICE CHOWKI, DELHI ROAD, BARAUT-250611, DISTT BAGHPAT (U.P), PH :250611-8218779429.
MAHABUB NAGAR		1042.#	SMC MOTORS (5658), K.K.T. ROAD,BASAVANNA GADDA, WANAPARTHY, DISTRICT -MAHABUBNAGAR, TELANGANA, PH :509103-9440142927.	1052.###	ANSHUMAN AUTOMOBILES (4933), 6D, DAUD NAGAR, OPPOSITE BAIDYANATH COMPANY, MIRZAPUR ROAD, NAINI, ALLAHABAD, UTTAR PRADESH - 211008, PH :211008-9335138119.	BAREILLY	1065.##	S P MOTORS (5746), 383.SURKHA CHAWNI,NAINITAL ROAD, BAREILLY-243001, DISTRICT-BAREILLY, UTTAR PRADESH, PH :243001-9568033111.
1033.###	SRI AYYAPPA MARUTI CLINIC (3941), OPP HOSPITAL, HYDERABAD ROAD, YEMUGONDA, MAHABUB NAGAR (TELANGANA), PH :509002-9440569259.	WARANGAL		1053.**	KAY CEE AUTOMOBILES (2155), 72/60 L.B. SHASTRI MARG, ALLAHABAD, , PH :211001-9415317225.		1066.**	SAVVY MOTORS (4559), BALLWANT MOTORS BUILDING, 131 CIVIL LINES, NEAR DAINIK JAGRAN, BAREILLY (UTTAR PRADESH), PH :243001-9837044991.
MANCHERIAL		1043.###	VAISHNAVI AUTOMOBILES (470), OPP. NEW SCIENCE DEGREE COLLEGE, HUNTER ROAD, HANAMKONDA, WARANGAL-506 001, PH :9849002528.	1054.###	TRIBENI MOTORS (2539), 23 KANPUR ROAD, ALLAHABAD-211 001, (U.P.), PH :211001-9415324244.	BIJNOR	1067.##	SARDAR MOTORS (4671), DELHI HIGHWAY ROAD , 4TH KM MILE STONE , BIJNOR - 246701, UTTAR PRADESH, PH :246701-9837265076.
1034.###	PARVATHI MOTORS (4129), 4-53 BPL ROAD, MANCHERIAL, DISTRICT ADILABAD, TELANGANA., PH :504208-988554888.	TRIPURA		ALMORA			BULANDSHAHR	
MIRYALGUDA		1044.###	CHAKRABORTY MECHANICAL WORKSHOP (5351), NH-44,NEAR ZILLA PARISWAD OFFICE , AMBASSA, DISTRICT - DHALAI, TRIPURA, PH :799289-9436136054.	1055.###	AROMA AUTOMOBILES (3149), THE MALL, ALMORA, (UTTRAKHAND), PH :263601-9412093410.			
1035.###	GANESH MOTORS (4536), D.NO. 6-366, P.V. COMPLEX, NALGONDA ROAD, MIRYALGUDA, NALGONDA DISTT (TELANGANA), PH :508207-9393900666.	BELONIA		AMROHA				
NALGONDA				1056.###	SUNNY MOTORS (2165), BIJNORE ROAD, J.P. NAGAR, AMROHA-244 221, (U.P.), PH :244221-9412248884.			

** A-Category Mass : Free & paid Service, Major repairs & Accidental repairs

* B-Category Mass : Free & paid Service & Major repairs

C-Category Mass : Free & paid Service & Minor repairs

D-Category Mass : Free Service & Minor repairs

Mass Network (AS ON 31.10.2023)

1112.###	VARDHMAN MOTORS (1073), SAGAR ROAD, LALITPUR-284 403, (U.P.), PH :284403-945390196.	1125.*	S K. MOTORS (2449), 8/881 VIKAS NAGAR, PICNIC SPOT ROAD, KHURAM NAGAR, LUCKNOW-226 013. PH :226013-9415005564.	1136.###	KRISHNA AUTOMOBILES (5573), PLOT NO D-10,SHRADHA PURI,, KANKARKHERA - MEERUT, DISTRICT - MEERUT, UTTAR PRADESH, PH :250001-9927241738.	1148.*	UNIVERSAL MARUTI SERVICE STATION (4365), BYE PASS ROAD, PILIBHIT, UTTAR PRADESH, PH :243006-9412313499.
LAMBHUA BAZAR		1126.*	THE GARAGE (5479), BEHIND NEW HANUMAN MANDIR,MADIR PARK , MAHANAGAR - LUCKNOW , DISTRICT - LUCKNOW, UTTAR PRADESH, PH :226006-9236711634.	1137.###	SARAN AUTOMOBILES LTD. (1078), DELHI ROAD, RITHANI, MEERUT, PH :250001-93594506555.	PILKHUWA	
1113.###	VIKRAM MOTORS (3729), LAMBHUA BAZAR, SULTANPUR (DIST.), UTTAR PRADESH-222 302, PH :222302-9450215996.	1127.*	V.S. MOTORS (4745), RAMADHIN SINGH INTER COLLEGE CAMPUS, BABU GANJ, LUCKNOW-226007, UTTAR PRADESH, PH :226007-9984749000.	MIRZAPUR		1149.*	SHREE BANKEY BIHARI MOTORS (6025), NH-24,DELHI-GARH ROAD,PILKHUWA-245307, DISTRICT-GHAZIABAD, UTTAR PRADESH, PH :245304-9045548101.
LONI		MAHOBA		1138.###	PRABHAT MOTORS (4131), NH-7 REWA ROAD, CHANDAIPUR LAKHAMPUR, MIRZAPUR, U P, PH :231309-9838940382.	PRATAPGARH (U P)	
1114.###	SAMBHAV AUTOMOBILES (5168), 31,RURAL INDUSTRIAL ESTATE , ARYA NAGAR INDUSTRIAL AREA, MAIN DELHI SHAHRANPUR HIGHWAY, UTTAR PRADESH, PH :201102-.	1128.###	ROYAL SERVICE STATION (2238), HAMIRPUR CHUNGH, KANPUR ROAD, MAHOBA, (U.P.), PH :210427-9450269053.	MOHANLAL GANJ		1150.**	SHREE MOTORS (4146), 10, CHIBILA RANJEETPUR, PRAYAGRAJ AYODHYA HIGHWAY, NH-330, PRATAPGARH, UTTAR PRADESH, PIN-230001, PH :230001-9415229257.
LUCKNOW		MAINPURI		1139.**	GURU TEG BAHADUR AUTO ENTERPRISES (4072), 4 SENANI VIHAR, RAI BAREILLY ROAD, MOHANLAL GANJ, LUCKNOW U P, PH :226027-9415229172.	RAI-BARELI	
1115.**	B.K. MOTORS (2537), KALYANPUR, RING ROAD, OPP. CARRIER CONVENT BOARD, LUCKNOW-226 015, PH :226015-9335908130.	1129.#	JATIN MOTORS (5540), GANESH MILL COLONY.RADHA RAMAN ROAD, MAINPURI-205001, DISTRICT-MAINPURI, UTTAR PRADESH, PH :205001-8193825000.	MORADABAD		1151.**	STANDARD GARAGE (4429), MANIKA CENEMA ROAD, NEAR INSPECTION HOUSE, RAE BAREILLY, PH :229206-9415190703.
1116.###	BALAJI MOTORS (1336), 1 NEWAL KISHORE ROAD, LUCKNOW-226 001.(U.P.) , PH :226001-9336253838.	MARIAHU		1140.###	ASHISH AUTOMOBILES (1477), KANTH ROAD, MORADABAD-244 001 , PH :244001-9837055258.	RAMPUR	
1117.###	GALAXY MOTORS (5274), KASHANA SITAPUR ROAD,NEAR SHIA, P G COLLEGE - LUCKNOW , DISTRICT - LUCKNOW, UTTAR PRADESH, PH :226021-9305567878.	1130.###	BABU MOTORS (5740), MACHALISHAHAR ROAD,NEAR POST OFFICE, MARIAHU-222161, DISTRICT - JAUNPUR, UTTAR PRADESH, PH :222161-9919263663.	NAJIBABAD		1152.###	FIZZA MOTORS (2241), NEAR AMBEDKAR PARK, CIVIL LINES, RAMPUR (U.P.), PIN-244 901, PH :244901-9897879111.
1118.**	GUD'S CAR CARE (2538), MAIN ROAD, NISHATGANJ, LUCKNOW-226 006, PH :226006-9415024495.	MATHURA		1141.###	SETHI MOTORS (4557), C/O SETHI BOARD INDUSTRIES LIMITED, OPP. HINDUSTAN COCO-COLA BOTTLING PLANT, NAGINA ROAD, NAJIBABAD-246763, DISTT. BIJNOR (UTTAR PRADESH), PH :246732-9837590800.	RATH	
1119.**	KALYAN MOTORS (1161), GOVT. POLYTECHNIC CROSSING, FAIZABAD ROAD, GOMTI NAGAR, LUCKNOW, PH :226010-9936942527.	1131.###	GIRIRAJ CAR CARE (5624), BIMAL ENGG COMPLEX, BAD, MATHURA-281 006, PH :281006-9837071321.	NOIDA		1153.###	MARUTI POINT (4228), ROOP NAGAR, BUDHOLIYANA, NEAR BUS STAND, ORAI ROAD, RATH, DIST. HAMIRPUR (U.P.), PH :210431-9415331735.
1120.**	KAPOOR MOTORS (1751), PLOT NO.380, NEAR GUNGA BAHARA SCHOOL, TILAK NAGAR , UTTAR PRADESH, PH :206122-9795457050.	1132.**	NAND SERVICE STATION (3578), GOPAL PURA VILLAGE, REFINDERY TOWNSHIP, NH-2, MATHURA, PH :281001-9997982828.	1142.###	AUTOPOINT (2263), G-6,SECTOR 11,NOIDA, PH :201301-9870555981.	RENUKUT	
1121.**	KAPOOR MOTORS (5044), 555/GA/50,BARA BIRWA, KANPUR ROAD., ALAMBAGH LUCKNOW., DISTRICT - LUCKNOW, (UTTAR PRADESH), PH :226005-9795457050.	1133.###	SHREE GOPAL AUTOMOBILES (5664), DELHI BYE PASS ROAD,NEAR GOKUL RESTAURANT, MATHURA - 281001, DISTRICT - MATHURA, UTTAR PRADESH, PH :281001-9412726760.	1143.**	RAHUL MOTORS (4662), A-59 SECTOR-80, PHASE-II, NOIDA-201303, UTTAR PRADESH, PH :201303-	1154.###	AMBIKA MOTORS (1050), PATEL NAGAR, MURDHAWA, RENUKUT-231 217, SONBHADRA (U.P.), PH :231217-9415251724.
1122.*	KRISHNA MOTORS (5026), BALAGANJ HARDOI ROAD, CHOWK LUCKNOW, DISTRICT LUCKNOW, UTTAR PRADESH, PH :226020-9839177777.	1134.*	SIYA RAM MOTORS (1666), JAYSINGHPURA, NEAR BIRLA MANDIR, MATHURA-281 003, (U.P.), PH :281003-9897053962.	1144.**	RAJESH & ANIL MOTOR CO (5330), B-110, SECTOR 2, NOIDA, DISTRICT - GAUTAM BUDDH NAGAR , UTTAR PRADESH, PH :201301-	RIHAND NAGAR	
1123.**	MVV MOTORS (5531), A1/14,VIJAY KHAND,GOMTI NAGAR, LUCKNOW-226010, DISTRICT - LUCKNOW, UTTAR PRADESH, PH :226010-9792877779.	MEERUT		1145.*	SKUNIVERSE AUTOMOBILE PRIVATE LIMITED (8922), C-2 SECTOR 63, NOIDA - 201301, PH :201301-	1155.###	ODUH MOTORS (4421), RIHAND NAGAR, SONEBHADRA, U.P., PH :231207-9415230855.
1124.**	RELIANCE MOTORS CARE (1236), 7-B/1 PRIME PALACE, FAIZABAD ROAD, INDIRA NAGAR, LUCKNOW-226 016, PH :226016-9918100051.	1135.**	EXPERT CAR SCANNER (1174), 83 HILL STREET (KATH-KA-PUL), BEHIND ABU LANE, MEERUT CANTT., (U.P.), PH :250001-9412201195.	1146.###	NANDA MOTORS (5733), B-180,PHASE-2,NOIDA, DISTRICT-NOIDA, PIN-201305, UTTAR PRADESH, PH :201305-9566030839.	ROBERTSGANJ	
				OBRA		1156.*	KAMAKHYA AUTOMOBILES (4163), PIPRI ROAD, ROBERTSGANJ, SONEBHADRA (U.P.), PH :231216-9918301052.
				1147.###	APPRECIATE SERVICES (4678), BILLI RAILWAY STATION ROAD, OBRA, SONEBHADRA, UTTAR PRADESH - 231219, PH :231219-8765833557.	SADABAD	
				PILIBHIT		1157.###	ASHU SERVICE CENTRE (5849), AGRA BYE PASS ROAD, SADABAD-281306, DISTRICT-HATHRAS, UTTAR PRADESH, PH :281306-9058832658.
						SAHARANPUR	

** A-Category Mass : Free & paid Service, Major repairs & Accidental repairs

C-Category Mass : Free & paid Service & Minor repairs

* B-Category Mass : Free & paid Service & Major repairs

D-Category Mass : Free Service & Minor repairs

- 1245.* RAJ AUTO SERVICE (5338), 35.CANAL EAST ROAD, KOLKATA , PIN - 700011, WEST BENGAL,
PH :700011-9831103901.
- 1246.## ROYAL CALCUTTA AUTOMOBILES (4651), 68 BROAD STREET, KOLKATA-700019, ,
PH :700019-8777762005.
- 1247.## RUSSA ROAD SERVICE STATION (622), 30 SP MUKERJEE RROAD, CALCUTTA - 700025 (W.B.), ,
PH :700025-9748757842.
- 1248.## SONA AUTO UDYOG (3144), 1404 PURBACHAL MAIN ROAD, OPP. KALIKAPUR MARKET, KOLKATA-700 099,
PH :700099-9804608684.
- 1249.## TECHNO AUTO WORKS (4669), 619, RAJA RAM MOHAN ROY ROAD, BIREN ROY ROAD EAST, BEHALA, KOLKATA-700008,
PH :700008-983011258.
- 1250.## ULTRA CRAFT (4643), 103/1B, RAJA DINENDRA STREET, KOLKATA-700006, WEST BENGAL,
PH :700006-9831313321.
- 1251.## YOUNG AUTOMOBILES (637), 50/2 HAZARA ROAD, CALCUTTA-700 019.(W.B.), ,
PH :700019-9830778611.
- 1252.## ZENITH AUTO (5529), BOHLA NATH SARANI,CHINAR PARK, RAJARHAT , KOLKATA-700157, DISTRICT - KOLKATA, WEST BENGAL,
PH :700157-9830643781.
- 1253.## ZOVAN AUTOMOBILES PVT. LTD (5578), 42/A1B,RAJA SANTOSH ROAD, KOLKATA, DISTRICT - KOLKATA, WEST BENGAL,
PH :700027-9831082193.
- 1254.## SUNNY AUTOMOBILE (3166), 105/H/18 BIDHAM NAGAR ROAD, KOLKATA-700 067, ,
PH :700067-.
- KRISHNANAGAR**
- 1255.## HIGHWAY SERVICE CENTRE (4455), ASHA DEEP, N.H-34, KRISHNANAGAR, NADIA-741101, WEST BENGAL,
PH :741101-9434165494.
- 1256.## TARA MA AUTOMOBILES (1947), AUROBINDRA SARANI (NEAR KRISHNANAGAR WOMEN'S COLLEGE), KRISHNANAGAR,NADIA, , WEST BENGAL 7411011,
PH :741101-8001100930.
- MADHYAMGRAM**
- 1257.# J G BEHAL AUTO (4653), DOLTALA, GANGANAGAR, MADHYAMGRAM, KOLKATA-700129 (WEST BENGAL),
PH :700129-9831094430.

- 1258.* PAUL AUTOMOBILE (671), JESSORE ROAD, MADHYAMGRAM, DOHARIYA PO GANGANAGAR, DISTT 24 PGNS NORTH, PH :700132-9830239001.
- MALDA**
- 1259.## ABHISEK AUTO CENTRE (1976), N.H.34, NEAR ST. XAVIER SCHOOL, P.O. MOKDUMPUR, DISTT. MALDA-732 101 (W.B.),
PH :732101-9434065360.
- MIDNAPORE**
- 1260.# CHATTERJEE AUTOBOMILE (4960), INDUSTRIAL GROWTH AREA, KHASJANGAL (NEAR KERANICHOTI), MIDNAPORE-721101, DISTRICT-PACHIM MIDNAPORE,
PH :721101-9434043558.
- NARENDRAPUR**
- 1261.## A.M. AUTOMOBILES (3175), KAMALGAZI, NARENDURPUR, KOLKATA-700 103, (WEST BENGAL),
PH :700103-8335860051.
- PURULIA**
- 1262.## BANERJEE AUTO SERVICE (640), ANABILA VILLA, RANCHI ROAD, PURULIA,(W.B),
PH :723101-9434656942.
- RAGHUNATHGANJ**
- 1263.## AUTO WHEEL (4427), NH 34, UMARPUR, PO GHORSALA, DO MURSHIDABAD, WEST BENGAL, PIN 742235,
PH :742235-9434101917.
- RUPNARAYANPUR**
- 1264.## L K MOTORS (3477), NH 2 BYPASS, POINT (CHOWRANGI), RUPNARAYANPUR (CHALBALPUR), BURDWAN-713 343,
PH :713343-9091392314.
- SILIGURI**
- 1265.# BHAWANI MOTOR GARAGE (4844), BIDYASAGAR PALLY, NEAR RISHI BHAWAN, BURDWAN ROAD, SILIGURI-734405, WEST BENGAL,
PH :734405-9641162127.
- 1266.# MUM AUTO WORKS (4835), NEAR DELHI PUBLIC SCHOOL, PANCHANAJ (DAGAPUR), SILIGURI, WEST BENGAL-734003,
PH :734003-9832068537.
- SODEPUR**
- 1267.** CAR CARE (8929), B.T. ROAD, SODEPUR, P.O.: SUKCHAR, 24 PARGANAS (NORTH),
PH :700115-9674907411.
- SRIRAMPUR**

- 1268.* MARUTI AUTO CENTRE (2167), 85/18 G.T. ROAD (WEST), PO : MULLIKPARA, SRIRAMPUR, HOOGLY-712 203 (W.B.),
PH :712203-8777417901.
- SURI**
- 1269.## PANCHANATH AUTOMOBILES (4456), BROJARGRAM BARABAGAN, BAKRESWAR PATHARCHAPURI HIGHWAY MORE, SURI, WEST BENGAL-731101,
PH :731101-9732026250.
- ULUBERIA**
- 1270.## APSARA SERVICE STATION (3374), NEAR BANITABLA CHECKPOST, ON NH-6, ULUBERIA-711 316, (W.B.),
PH :711316-7797484735.

** A-Category Mass : Free & paid Service, Major repairs & Accidental repairs
C-Category Mass : Free & paid Service & Minor repairs

* B-Category Mass : Free & paid Service & Major repairs
D-Category Mass : Free Service & Minor repairs

DELHI

DELHI







1. MARUTI SALES & SERVICE(DELHI) (0810-08-01),
C-119, INDUSTRIAL AREA PHASE-I, NARAINA,
NEW DELHI - 110028
PH :45541113.
2. J J IMPEX (DELHI) LTD(MARUTI SERVICE
MASTERS) (0883-08-01), F-39,OKHLA
INDUSTRIAL AREA,PHASE-II,NEW DELHI -
110020
PH :41612194, 40685500.

TAMIL NADU

CHENNAI

3. J J IMPEX (DELHI) LTD(MARUTI SERVICE
MASTERS) (1485-14-01), # 9, (SP),THIRU-VI-KA
INDUSTRIAL ESTATE, GUINDY, CHENNAI -
600032
PH :044-43563366, 43563367, 9176615000.

BATTERY LABEL SYMBOL MEANINGS

	No smoking, no naked flames, no sparks		Battery acid
	Shield eyes		Note operating instructions
	Keep away from children		Explosive gas

Prepared by

MARUTI SUZUKI INDIA LIMITED

Service Division

July , 2024

Part No. 99011M62S10-74W

Printed in India

**For round-the-clock on-road assistance,
call Maruti On-road Service at 1800 102 1800# / 1800 1800 180#**

No STD code to be prefixed.

 **MARUTI SUZUKI**
GENUINE ACCESSORIES

 **MARUTI SUZUKI**
GENUINE PARTS

 **MARUTI SUZUKI**
COST PROTECT

 **MARUTI SUZUKI**
HELPLINE

 **MARUTI SUZUKI**
ROAD SERVICE

SERVICE DIVISION

MARUTI SUZUKI INDIA LIMITED

Palam-Gurgaon Road, Gurgaon – 122 015 (Haryana), India

Visit us at: www.marutisuzuki.com



99011M62S10-74W