

MODEL 25i AMBULANCE STRETCHER SYSTEM

SAFETY INFORMATION1-1

Warning1-1

Notice1-2

Bloodborne Disease Notice1-2

Safety and Instruction Label1-2

Symbol Glossary1-2

OPERATOR FOCUS2-1

Operator Training2-1

Height and Strength2-1

Using Additional Help2-2

ABOUT THE STRETCHER3-1

Description3-1

General Specifications3-1

Compliance3-2

FEATURES4-1

Control Handles4-1

Sidearms4-1

Shock Frame4-2

Wheel Locks4-2

Backrest4-3

USING THE STRETCHER5-1

Before Placing the Stretcher in Service5-1

General Guidelines for Use5-1

Restraints5-2

Changing Positions5-3

Transferring the Patient Onto the Stretcher5-4

Rolling the Stretcher5-5

Loading the Stretcher5-6

Unloading the Stretcher5-8

MAINTENANCE6-1

Maintenance Schedule6-1

Disinfecting and Cleaning6-1

Buffing the Stretcher6-2

Waxing the Stretcher6-2

Inspecting the Stretcher6-2

Lubricating the Stretcher and Rail6-3

SAFETY INFORMATION

Warning 1-1

Notice..... 1-2

Bloodborne Disease Notice..... 1-2

Safety and Instruction Label 1-2

Symbol Glossary 1-2

WARNING

Warning notices indicate a potentially hazardous situation which, if not avoided, could result in injury or death. Below is a complete list of Warnings for the 25i Ambulance Stretcher System.

 **WARNING**

- Untrained operators can cause injury or be injured. Permit only trained personnel to operate the ambulance stretcher system.
- Helpers can cause injury or be injured. Maintain control of the stretcher, operate the controls, and direct all helpers.
- Improper use of the stretcher can cause injury. Use the stretcher only for the purpose described in this manual.
- Lift the stretcher by grasping the main frame only. Failure to lift from the main frame can cause injury or damage. Operate the stretcher only as described in this manual.
- An uncontrolled shock frame can injure the operator and/or patient. Assume the weight of the shock frame and patient before using the shock frame.
- Operating the shock frame inside the ambulance can lead to operator or patient injury. If possible, adjust the shock frame before loading the stretcher into the ambulance.
- Operating the backrest inside the ambulance can lead to operator or patient injury. If possible, adjust the backrest before loading the stretcher into the ambulance.
- An uncontrolled backrest can injure the operator and/or patient. Assume the weight of the backrest and patient before adjusting the backrest height.

 **WARNING**

- Improper operation can cause injury. Operate the stretcher only as described in this manual.
- An unattended patient can be injured. Stay with the patient at all times.
- An unrestrained patient can be injured. Use patient restraints to secure the patient on the stretcher.
- Improper use of the restraints can cause injury. Attach and use the restraints only as described in this manual.
- Improper use of stretcher control handles, or using both handles at the same time, can cause the stretcher to descend and cause injury to the patient and/or operators. Use stretcher control handles only one at a time, and only as described in this manual.
- Sheets or other objects can interfere with, or become entangled in, the height-adjustment locking mechanism. This can cause injury and/or malfunction, including unexpected stretcher lowering.
- Do not tuck sheets or place other objects where they can interfere with, or become entangled in, the locking mechanism.
- Improper maintenance can cause injury. Maintain the ambulance stretcher system only as described in this manual.
- Improper parts and service can cause injury. Use only Maruti genuine parts and service on the ambulance stretcher system.
- Modifying the ambulance stretcher system can cause injury and damage. Use the stretcher only as designed.
- Attaching improper items to the ambulance stretcher system can cause injury. Use only Maruti genuine parts on the ambulance stretcher system.

SAFETY INFORMATION

NOTICE

Notices emphasize important usage or maintenance information. Failure to follow notices could result in damage to the product or property damage. Notices appear in a box like the one below.

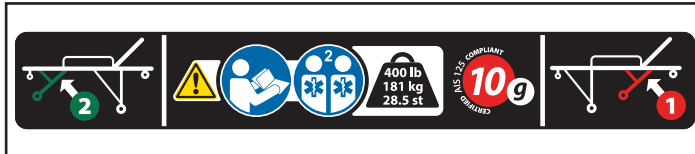


BLOODBORNE DISEASE NOTICE

To reduce the risk of exposure to blood or other potentially infectious materials when using the stretcher, follow the disinfecting and cleaning instructions in this manual.

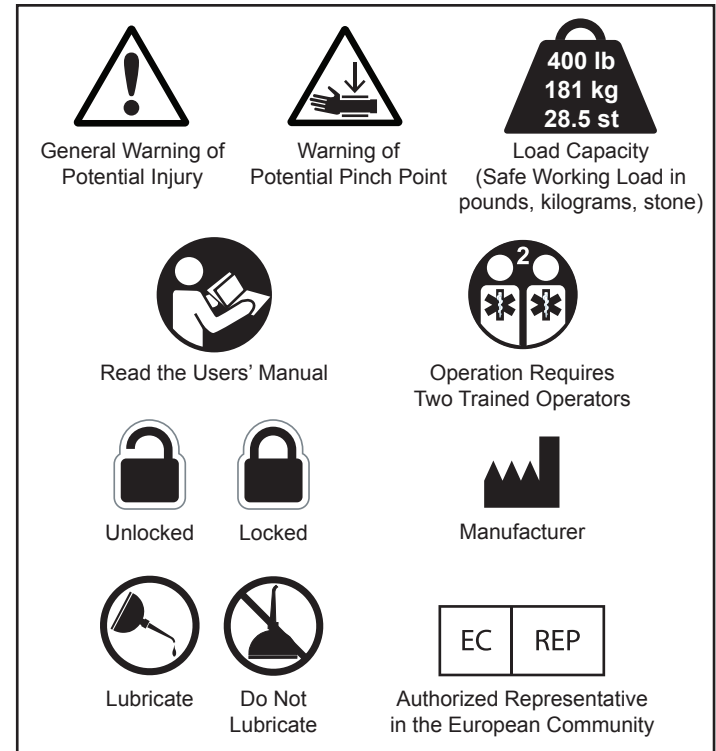
SAFETY AND INSTRUCTION LABEL

The safety and instruction label places important information from the users' manual on the stretcher. Read and follow label instructions. Replace worn or damaged labels immediately.



SYMBOL GLOSSARY

Symbols recognized by the International Standards Organization (ISO), American National Standards Institute (ANSI) and the emergency medical services industry, are used on the stretcher and/or in this manual.



OPERATOR FOCUS

Operator Training	2-1
Height and Strength	2-1
Using Additional Help	2-2

OPERATOR TRAINING

- Operators must read and understand this manual.
- Operators must have training on proper use of the ambulance stretcher system.
- Operators must have training on emergency-medical service and emergency patient-handling procedures.
- Operators must have the physical ability to assist the patient.
- Operators must practice with the stretcher before using it with a patient.
- Operators must keep training records.



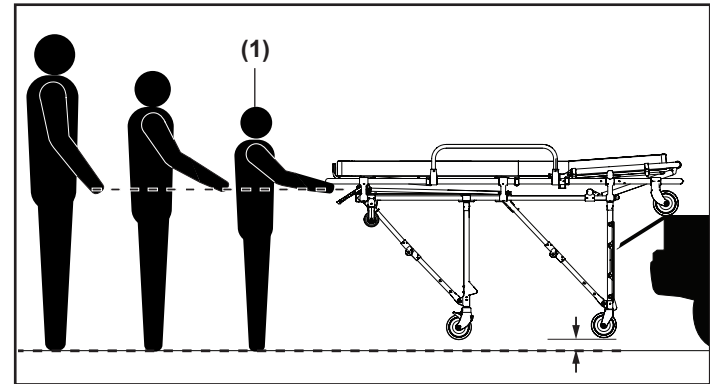
WARNING

- **Untrained operators can cause injury or be injured. Permit only trained personnel to operate the ambulance stretcher system.**
- **Helpers can cause injury or be injured. Maintain control of the stretcher, operate the controls, and direct all helpers.**

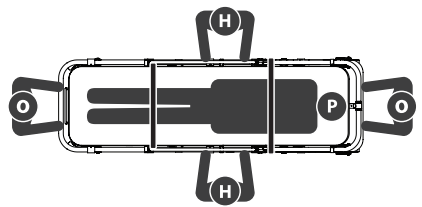
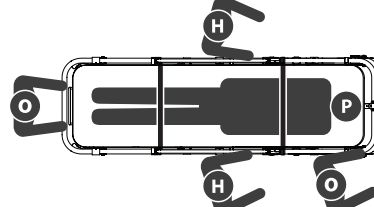
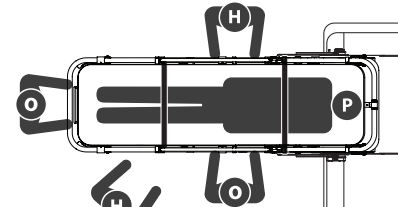
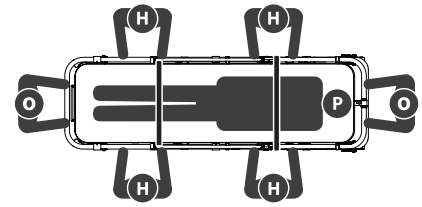
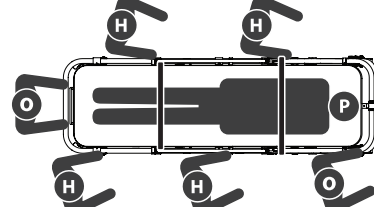
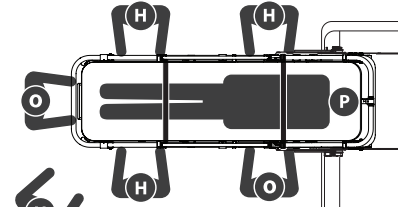
HEIGHT AND STRENGTH

During unloading, the control-end operator must lift and hold the weight of the stretcher, patient and equipment high enough for the wheels to remain off the ground until the legs unfold completely and lock. Supporting this weight requires greater strength from short operators than from tall operators because short operators must raise their arms higher in relation to their shoulders (1).

If the ambulance is on an uneven surface, operators/helpers may need to lift the stretcher higher than normal to allow the legs to unfold and lock.



OPERATOR FOCUS

Helpers	Changing Levels	Rolling	Loading/Unloading
2 Operators, 2 Helpers			
2 Operators, 4 Helpers			

Key: O = Operator H = Helper P = Patient

USING ADDITIONAL HELP

- Stretcher operation requires two trained operators (minimum). Use help when working with heavy loads (patient plus equipment).
- Operators stand at the ends of the stretcher, maintain control of the stretcher, operate the controls, and direct helpers.
- Helpers may need to walk sideways. Follow local protocols. Helpers should work in pairs to help maintain stretcher balance. The chart shows suggested placement for operators and helpers.

NOTICE

- **Trained operators stand at the ends of the stretcher, operate the controls, and direct helpers.**
- **Inspect the stretcher if the load capacity has been exceeded.**

ABOUT THE STRETCHER

Description..... 3-1
General Specifications..... 3-1
Compliance 3-2

DESCRIPTION

The Ferno® Model 25i stretcher (called the stretcher in this manual) is an emergency patient-handling device designed to transport a patient in a ground-based ambulance. The stretcher is for professional use by a minimum of two trained operators. It is designed for roll-in loading to help reduce the risk of back injury to medical service personnel. The stretcher is compatible with the Ferno® SLAM-25 fastening system. A patient mattress and restraints are included.

Features

- 2 Positions (raised and folded)
- 7-Position backrest
- 2-Position shock frame (raised and lowered)
- 2 Swing-down sidearms
- 4 Transport wheels
 - 2 fixed wheels at loading end; 2 swivel wheels at control end
 - Control-end transport wheels with wheel locks
- 4 Loading wheels (two at loading end; two at control end)



WARNING

Improper use of the stretcher can cause injury. Use the stretcher only for the purpose described in this manual.

GENERAL SPECIFICATIONS

General specifications are rounded to the nearest whole number and subject to change without notice.

Weight is without mattress, patient restraints and optional features.

Specifications	
Load Capacity	181 kg
Weight	25 kg
Stretcher Construction	Tubular aluminum

ABOUT THE STRETCHER

COMPLIANCE

Medical Device Directive: Ferno® products meet the requirements of Medical Device Directive 93/42/EEC as established by the European Union.

Certification: The Model 25i stretcher, when used with a Ferno® SLAM-25 fastening system meets Automotive Industry Standard (AIS-125) and European Harmonized Standards.

FEATURES

Control Handles.....	4-1
Sidearms	4-1
Shock Frame.....	4-2
Wheel Locks.....	4-2
Backrest	4-3

CONTROL HANDLES

The leg-control handles (1) unlock the legs and allow them to fold. The red handle on the control-end operator right side unlocks the loading-end legs. The green handle on the left unlocks the control-end legs.

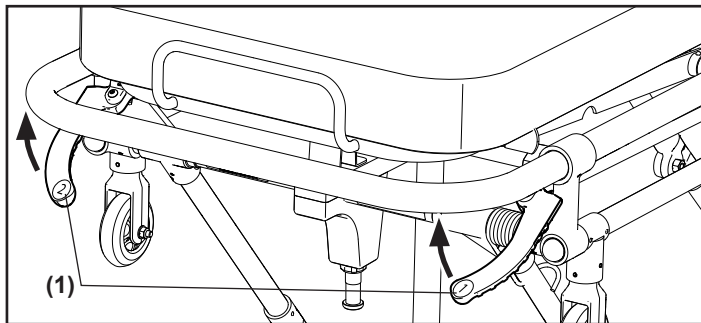
The control handles are not used to unfold the stretcher or unload it from an ambulance. Control handles are used only to unlock and fold the legs.

To load the stretcher into an ambulance, the control-end operator operates one control handle at a time. **The control handles are not used to unload the stretcher from an ambulance.**



WARNING

Improper use of stretcher control handles, or using both handles at the same time, can cause the stretcher to descend and injure the patient and/or operators. Use stretcher control handles only one at a time, and only as described in this manual.



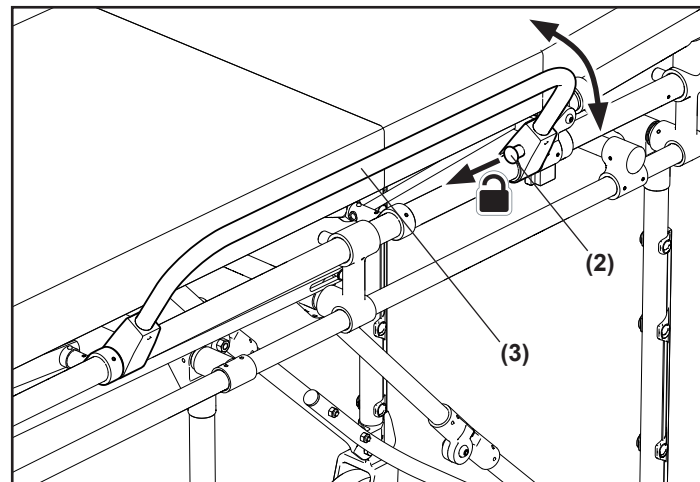
SIDEARMS

Sidearms provide patient security and comfort. Keep sidearms raised except when transferring a patient onto or off the stretcher.

1. **To lower:** Pull the lock pin (2) and swing the sidearm (3) down.
2. **To raise:** Swing the sidearm up until it locks.

NOTICE

- **Do not use sidearms to lift the stretcher. Sidearms are not designed for lifting. Lift the stretcher only by grasping the stretcher main frame.**
- **Sidearms can support light objects. Do not place objects weighing more than 4.5 kg on the sidearms.**

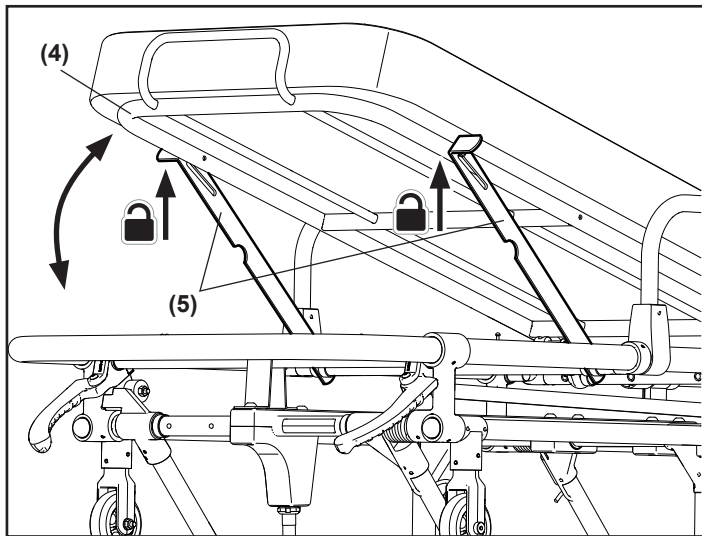


FEATURES

SHOCK FRAME

The shock frame (4) allows the operator to elevate the patient's legs to treat shock or for patient comfort. To use the shock frame:

1. Loosen or unbuckle the leg restraint.
2. **To raise:** Stand at the control-end of the stretcher. Use both hands to lift the shock frame until it locks in the raised position.
3. **To lower:** Stand at the control-end of the stretcher. Lift the shock frame to support the weight, then lift the shock frame control levers (5) and lower the shock frame.
4. Buckle and/or adjust the leg restraint after adjusting the shock frame.



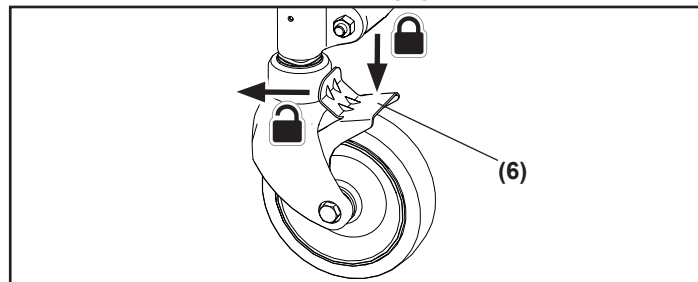
WARNING

- An uncontrolled shock frame can injure the operator and/or patient. Assume the weight of the shock frame and patient before using the shock frame.
- Operating the shock frame inside the ambulance can lead to operator or patient injury. If possible, adjust the shock frame before loading the stretcher into the ambulance.

WHEEL LOCKS

Wheel locks help keep the stretcher stationary during patient transfer and certain medical procedures. When engaged, the wheel lock stops wheel rotation. Press the lever down to engage (6).

Tap the top part of the lever to disengage (6).



BACKREST

The backrest (7) adjusts between seven positions. The lowest position is always unlocked. Positions 2 – 7 lock and unlock using the backrest control handle (8).

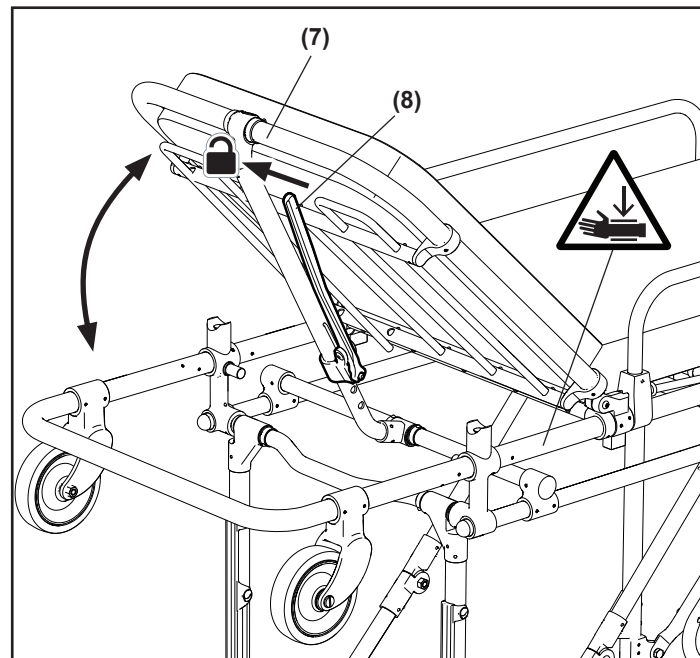
Raising the Backrest

1. If necessary, loosen or unbuckle the restraint.
2. Assume the weight of the backrest and patient.
3. **To raise from the lowest (unlocked) position 1:** From the loading-end of the stretcher, raise the backrest to the second position. The backrest will automatically lock without operating the control handle.
4. **To raise from positions 2 – 6:** From the loading-end of the stretcher, squeeze the backrest control handle (8) to unlock, then raise the backrest to the desired position. Release the backrest control handle to lock it into the new position.
5. Buckle and adjust patient restraints.



WARNING

- Operating the backrest inside the ambulance can lead to operator or patient injury. If possible, adjust the backrest before loading the stretcher into the ambulance.
- An uncontrolled backrest can injure the operator and/or patient. Assume the weight of the backrest and patient before adjusting the backrest height.



FEATURES

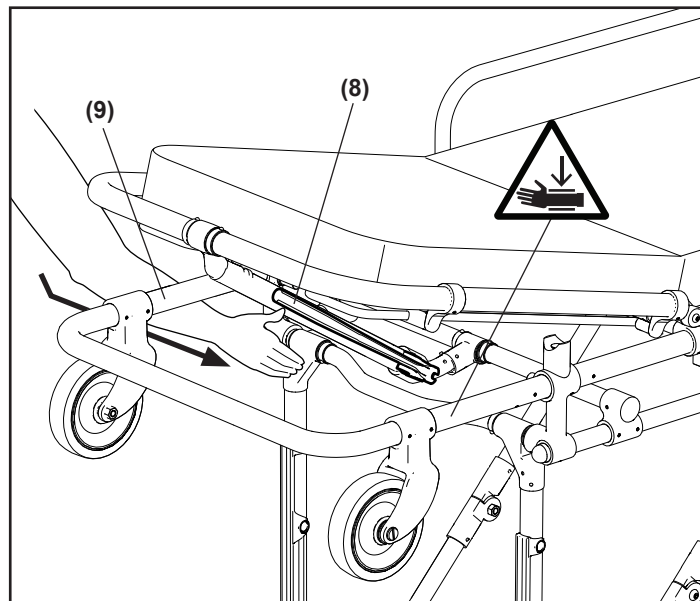
Lowering the Backrest

1. If necessary, loosen or unbuckle the restraint.
2. Assume the weight of the backrest and patient.
3. **To lower from positions 3 – 7:** From the loading-end of the stretcher. Squeeze the backrest control handle (8) to unlock, then lower the backrest to the desired position. Release the backrest control handle to lock it into positions 2 – 6.
4. **To lower from position 2:** Reach under the main frame (9) and squeeze the backrest control handle (8) to unlock. Carefully lower the backrest to the lowest (unlocked) position.
5. Buckle and adjust patient restraints.



WARNING

- Operating the backrest inside the ambulance can lead to operator or patient injury. If possible, adjust the backrest before loading the stretcher into the ambulance.
- An uncontrolled backrest can injure the operator and/or patient. Assume the weight of the backrest and patient before adjusting the backrest height.



MATTRESS

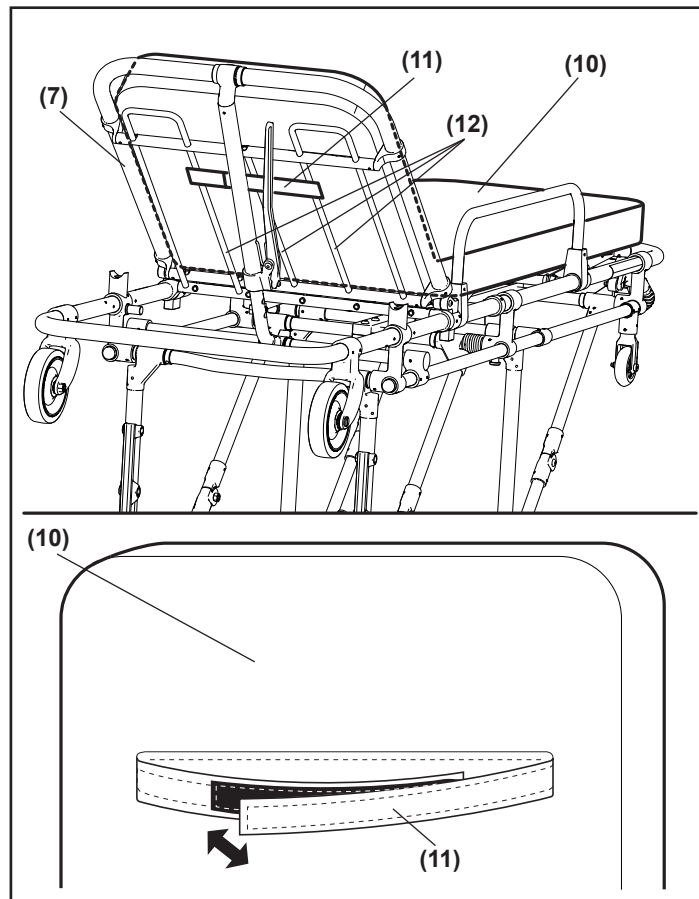
The mattress (10) is fitted with a strap (11) using hook and loop fasteners to secure it to the stretcher backrest (7).

1. Raise the backrest (7).
2. Position the mattress (10) on the backrest and patient surface.
3. Loop the strap (11) around the inner three tubes (12) of the backrest.

To remove the mattress, loosen the hook and loop strap.

NOTICE

Objects with sharp edges may damage the mattress. Do not place sharp objects on the mattress.



USING THE STRETCHER

Before Placing the Stretcher in Service	5-1
General Guidelines for Use	5-1
Restraints	5-2
Changing Positions.....	5-3
Transferring the Patient Onto the Stretcher.....	5-4
Rolling the Stretcher	5-5
Loading the Stretcher	5-6
Unloading the Stretcher.....	5-8

BEFORE PLACING THE STRETCHER IN SERVICE

- Before use, personnel who will work with the stretcher must read and understand this manual. Appropriate skills and training are required.
- Confirm that the stretcher operates properly.
- Primary-use restraints are required and included. “Primary-use” restraint is defined as capable of securing a patient during transport in a motor vehicle. Always use a patient restraint system consisting of two metal-buckle restraints such as the Ferno Model 430 series.
- Attach patient restraints only to the stretcher main frame (6).

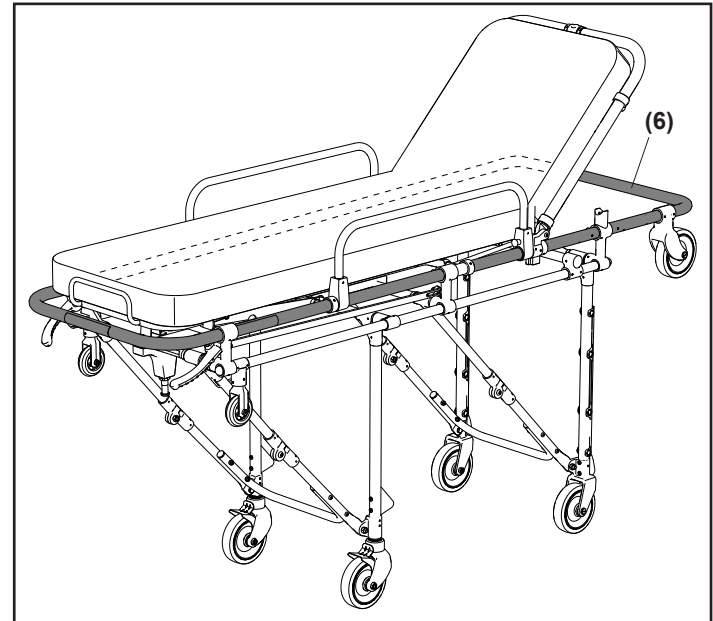
GENERAL GUIDELINES FOR USE

- Medical advice is beyond the parameters of this manual.
- It is the users’ responsibility to ensure safe practices for the patient and themselves.
- A minimum of two trained operators is required.
- Follow standard emergency patient-handling procedures when operating the stretcher.
- Operators work together and maintain control of the stretcher at all times.
- Operators must communicate with one another and use coordinated movements to operate the stretcher.
- Operators must stay with the patient at all times.
- Always use patient restraints to secure the patient on the stretcher.
- Lift only the weight you can safely handle grasping the main frame (6) only. Use additional help when working with heavy loads (patient and equipment).



WARNING

- **Improper operation can cause injury. Operate the stretcher only as described in this manual.**
- **An unattended patient can be injured. Stay with the patient at all times.**
- **An unrestrained patient can be injured. Use patient restraints to secure the patient on the stretcher.**



USING THE STRETCHER



WARNING

Improper use of the restraints can cause injury. Attach and use the restraints only as described in this manual.

RESTRAINTS

- For placement on a patient, follow local protocols.
- Adjust restraints to safely secure the patient to the equipment without causing discomfort or impairing circulation.
- Keep restraints fastened when not in use to prevent interference with equipment operation.

Attaching the Restraints

Attach the lower restraint (1) and the upper restraint (2) to the equipment at points that ensure strong anchorage and proper patient restraint.

1. Unbuckle the restraint and separate the straps.
2. Wrap the loop end of a strap around the selected attachment point and thread the male buckle or female receiver through the loop and pull the webbing until the loop is snug around the attachment point (3).
3. Repeat to attach the other restraints.
4. Confirm that all restraints are attached securely.

Removing the Restraints

1. Unbuckle the restraint(s).
2. Feed the buckles backward through the loops.

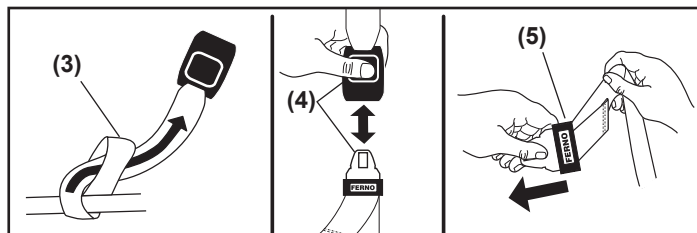
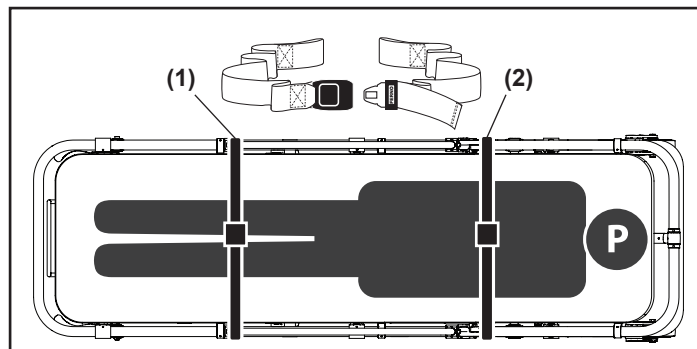
Buckling and Unbuckling the Restraints

1. To buckle the restraint, insert the male buckle into the female receiver until it locks into place (4). Always confirm that the buckle is securely fastened.

2. To unbuckle the restraint, press the release button in the center of the female receiver (4) and separate the straps.

Adjusting the Restraints

1. Unbuckle the restraint.
2. To lengthen, grasp the male buckle and turn it perpendicular to the webbing and pull outward until the strap is the desired length (5).
3. To shorten, grasp the hemmed tab and pull the webbing through the male buckle until the strap is the desired length.



WARNING

Improper use of the stretcher control handles, or using both handles at the same time, can cause the stretcher to descend and cause injury to the patient and/or operators. Use stretcher control handles only one at a time, and only as described in this manual.

CHANGING POSITIONS

Changing stretcher positions with a patient on the stretcher requires a **minimum** of two trained operators who are communicating, working together, and maintaining control of the stretcher at all times. Use additional help as needed.

To unfold:

Do not use the control handles to unfold the stretcher or unload it from an ambulance. Control handles are used only to unlock and fold the legs.

1. **Both Operators:** Stand at opposite ends of the stretcher. Use an underhand grip and grasp the stretcher main frame (6) with both hands.
2. **Both Operators:** Working together, lift the stretcher until both sets of legs lock into the raised position. To verify both legs have fully extended and locked, raise the stretcher slightly off the ground.

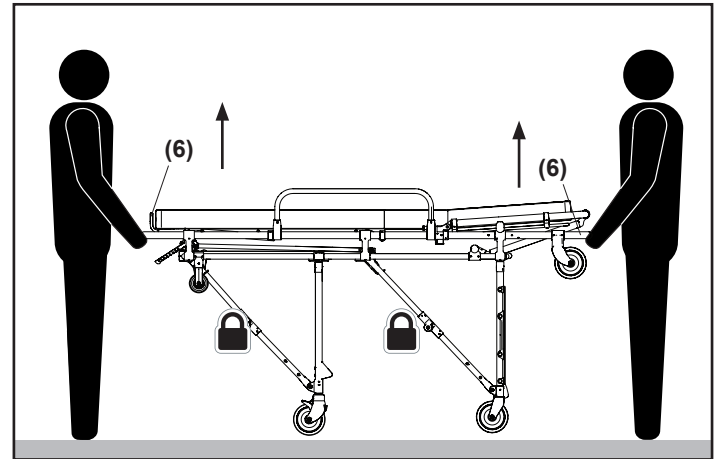
To fold:

1. **Both Operators:** Stand at opposite ends of the stretcher. Use an underhand grip and grasp the stretcher main frame (6) with both hands.
2. **Both Operators:** Lift the stretcher slightly to ensure you have assumed the load (weight of the stretcher, patient, and accessories).

3. As the **Control Operator** squeezes the control handles in the sequence of loading-end (right hand) and then control-end (left hand), **both operators** fold the stretcher.

WARNING

Lift the stretcher by grasping the main frame only. Failure to lift from the main frame can cause injury or damage. Operate the stretcher only as described in this manual.



NOTICE

Operators should expect and be prepared to control the normal downward movement of the stretcher which occurs when a control handle is squeezed.

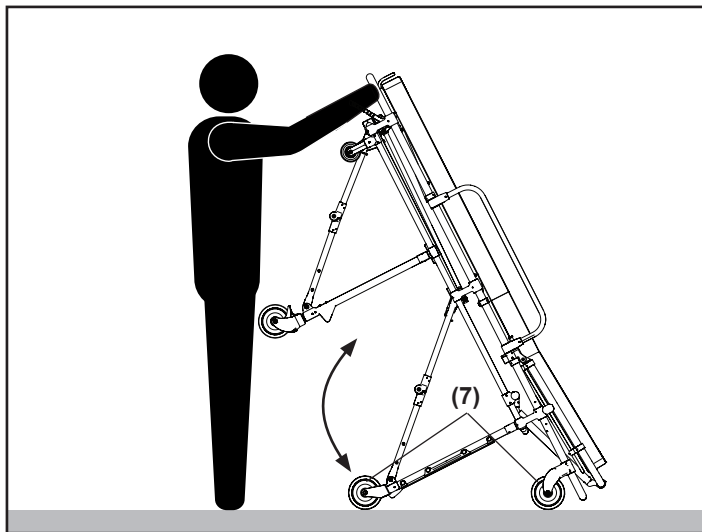
USING THE STRETCHER

One Operator

If local protocols allow, an empty stretcher (no patient), may be operated by one trained operator.

To unfold: Lift the control end of the stretcher until the legs unfold and lock in the raised position, with the stretcher resting on the loading wheels and load-end transport wheels (7). Tip the stretcher toward yourself until all four transport wheels are on the floor or ground.

Folding: Tip the empty stretcher onto its loading wheels (7), squeeze the control handles in the sequence of loading-end (right hand) and then control-end (left hand), and fold the stretcher.



TRANSFERRING THE PATIENT ONTO THE STRETCHER

To transfer a patient onto the stretcher:

1. Roll the stretcher to the patient. Fold the stretcher if desired.
2. Lower the sidearms and engage the wheel locks.
3. Unfasten the patient restraints. Arrange the straps so they will not interfere with transferring the patient onto the stretcher.
4. Transfer the patient onto the stretcher using approved emergency medical procedures and following your local protocols.
5. Raise the sidearms.
6. Adjust the shock frame and/or backrest as needed.
7. Fasten and adjust the patient restraints.
8. Disengage the wheel locks.
9. Before moving the stretcher or changing its position, make sure sheets and other articles will not interfere with stretcher operation.



WARNING

- Sheets or other objects can interfere with, or become entangled in, the height-adjustment locking mechanism. This can cause injury and/or malfunction, including unexpected stretcher lowering.
- Do not tuck sheets or place other objects where they can interfere with, or become entangled in, the locking mechanism.

ROLLING THE STRETCHER

General Guidelines

- Rolling the stretcher with a patient on the stretcher requires a **minimum** of two trained operators who are communicating, working together, and maintaining control of the stretcher at all times.
- Roll the stretcher on smooth, unobstructed surfaces whenever possible.
- To cross a low obstacle such as a door sill, lift the stretcher slightly to take the weight off the wheels so the wheels roll smoothly over the obstacle.
- Lift and carry the stretcher over a high obstacle such as a curb. **Do not** apply downward force on one end of the stretcher in order to raise the other end of the stretcher.
- Use additional help as needed to safely control the weight of the patient and stretcher.
- When rolling over rough terrain, the operators (and helpers) should grasp the stretcher with both hands.

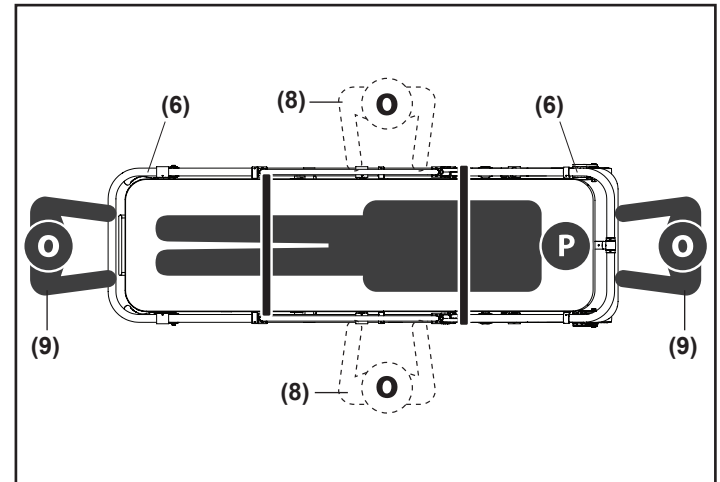
Rolling the Stretcher

1. Securely fasten the patient restraints around the patient.
2. **Both Operators:** Raise the stretcher to the raised position.

3. **Both Operators:** Position yourselves at both sides (8) or both ends (9) of the stretcher, grasp the main frame (6) with both hands, and roll the stretcher. Attend to and communicate with the patient.

One Operator

If permitted by local protocols, one trained operator may roll an empty stretcher (no patient). Follow the standard rolling instructions.



NOTICE

Roll the stretcher downhill control-end first. If it is not medically appropriate to do this, roll the stretcher loading-end first, but do the following: To maintain stretcher balance while rolling the stretcher downhill loading-end first, the Assisting Operator must exert upward force on the main frame.



WARNING

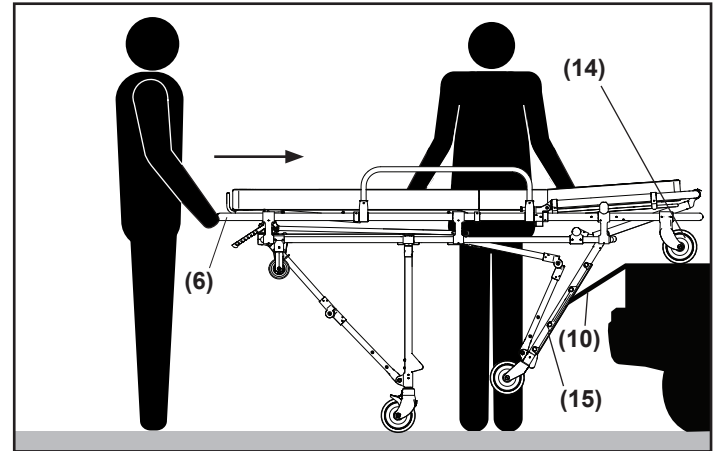
Lift the stretcher by grasping the main frame only. Failure to lift from the main frame can cause injury or damage. Operate the stretcher only as described in this manual.

USING THE STRETCHER

LOADING THE STRETCHER

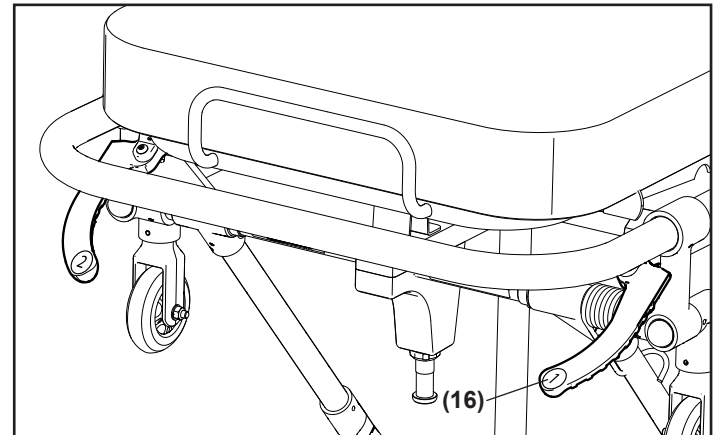
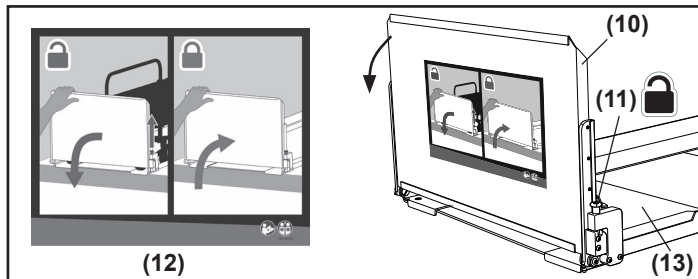
Loading the stretcher into an ambulance with a patient on it requires a **minimum** of two trained operators who are communicating, working together, and maintaining control of the stretcher at all times.

1. **One Operator:** Lower the ramp (10) by pulling up the red knob (11). Be sure to support the ramp as it lowers. See instructions on ramp label (12).
2. **Both Operators:** Grasp the main frame (6) and roll the stretcher into the ambulance until both loading wheels (14) are on the ambulance rail (13) and the loading-end legs (15) contact the ramp.
3. **Assisting Operator:** Ensure the loading wheels remain inside the ambulance rail as the stretcher is rolled into the ambulance.
4. **Control-end Operator:** Use your right hand to squeeze and hold only the right-side (red) control handle (16) to unlock the loading-end legs.

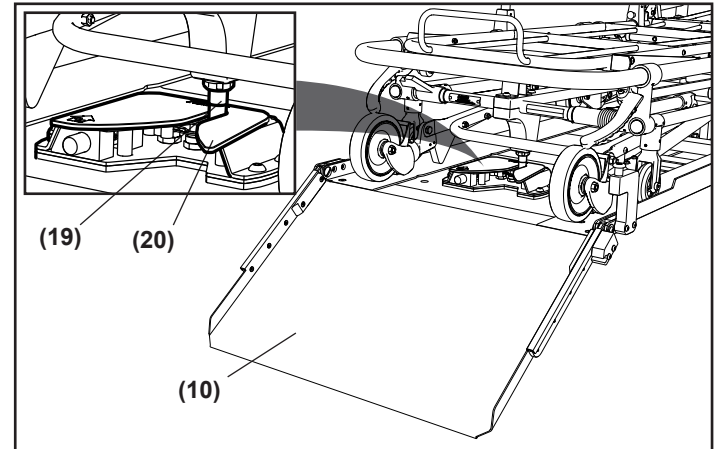
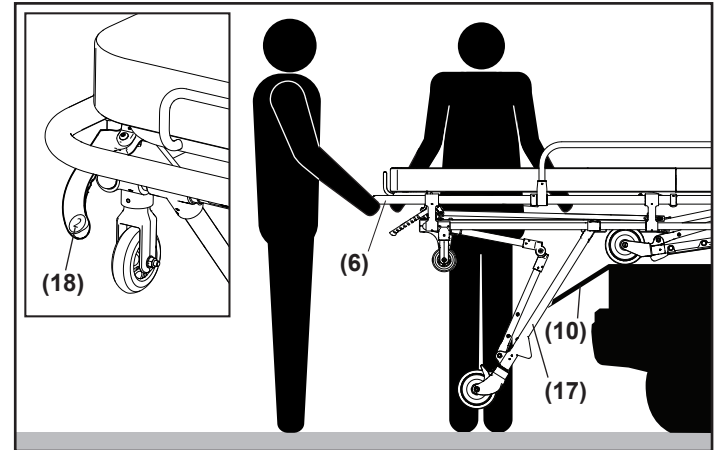


WARNING

Improper use of the stretcher control handles, or using both handles at the same time, can cause the stretcher to descend and cause injury to the patient and/or operators. Use stretcher control handles only one at a time, and only as described in this manual.



5. **Both Operators:** Together, grasp the main frame (6) and push the stretcher into the ambulance rail.
6. **Control-end Operator:** When the control-end legs (17) contact the ramp (10), use your left hand to squeeze the left-side (green) control handle (18) and continue pushing the stretcher into the ambulance.
7. **Both Operators:** Together, grasp the main frame (6) and push the stretcher into the ambulance rail, with the control end loading wheels on the rail, until the stretcher lock pin (19) is secured in the slot of the fastener (20).
8. **One Operator:** Raise the ramp (10) until it automatically locks into place in the upright position.



WARNING

- Lift the stretcher by grasping the main frame only. Failure to lift from the main frame can cause injury or damage. Operate the stretcher only as described in this manual.
- Improper use of the stretcher control handles, or using both handles at the same time, can cause the stretcher to descend and cause injury to the patient and/or operators. Use stretcher control handles only one at a time, and only as described in this manual.

One Operator

If permitted by local protocols, one trained operator may load an empty stretcher (no patient). Follow the standard loading instructions.

USING THE STRETCHER

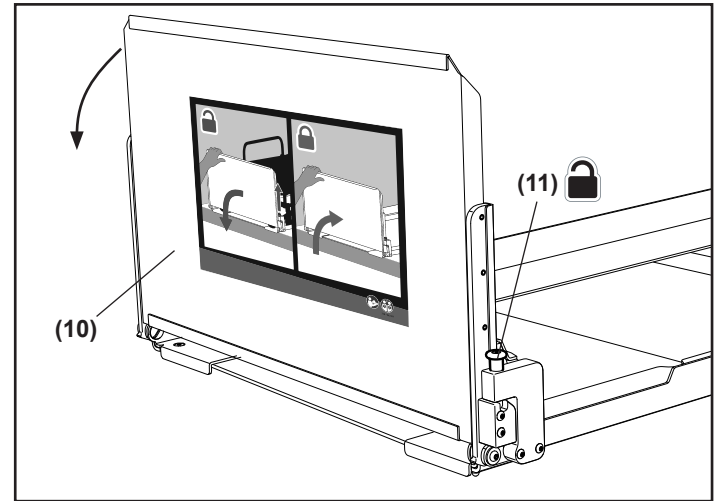
UNLOADING THE STRETCHER

Unloading the stretcher from an ambulance with a patient on the stretcher requires a minimum of two trained operators who are communicating, working together, and maintaining control of the stretcher at all times.

Do not use the control handles to unfold the stretcher or unload it from an ambulance. Control handles are used only to unlock and fold the legs.

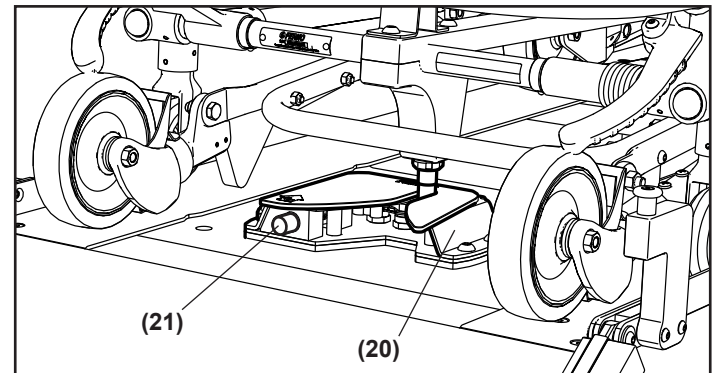
Releasing the Stretcher from the Fastener

1. **One Operator:** Lower the ramp (10) by pulling up the red knob (11). Be sure to support the ramp as it lowers.
2. **Both Operators:** Grasp the main frame only.
3. **Control-end Operator:** Push and hold the red release button (21) on the fastener (20), then pull the stretcher out of the fastener.



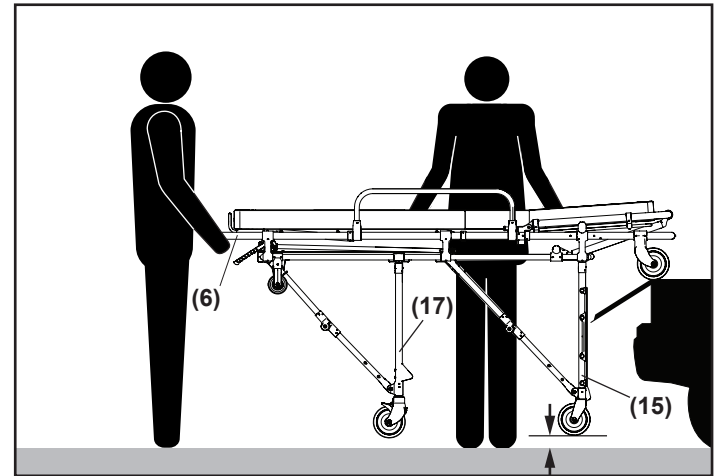
WARNING

Lift the stretcher by grasping the main frame only. Failure to lift from the main frame only can cause injury or damage. Operate the stretcher only as described in this manual.



Removing the Stretcher from the Rail

1. **Both Operators:** Grasp the main frame (6) only.
2. **Both Operators:** Roll the stretcher out of the ambulance rail while lifting and holding the stretcher high enough for the control-end legs to unfold completely and lock into the raised position (17). The control handles are not used.
3. **Loading-end Operator:** Assist the unloading process. Ensure the loading wheels remain inside the ambulance until both legs have locked in place.
4. **Both Operators:** Roll the stretcher out of the ambulance rail while lifting and holding the stretcher high enough for the loading-end legs to unfold completely and lock into the raised position (15). Verify the legs have locked. The control handles are not used.
5. **Both Operators:** Roll the stretcher completely out of and away from the ambulance.



WARNING

- **Lift the stretcher by grasping the main frame only. Failure to lift from the main frame can cause injury or damage. Operate the stretcher only as described in this manual.**
- **Improper use of the stretcher control handles, or using both handles at the same time, can cause the stretcher to descend and cause injury to the patient and/or operators. Use stretcher control handles only one at a time, and only as described in this manual.**

One Operator

If permitted by local protocols, one trained operator may load an empty stretcher (no patient). Follow the standard unloading instructions.

NOTICE

If the ambulance is parked on an uneven surface, the operators (and any helpers) may need to lift the stretcher higher than normal to allow the undercarriage to lock.

MAINTENANCE

Maintenance Schedule..... 6-1
Disinfecting and Cleaning 6-1
Buffing the Stretcher..... 6-2
Waxing the Stretcher..... 6-2
Inspecting the Stretcher 6-2
Lubricating the Stretcher..... 6-3

MAINTENANCE SCHEDULE

The ambulance stretcher system requires regular maintenance. Set up and follow a maintenance schedule. The table below represents minimum intervals for maintenance. Keep maintenance records.

When using maintenance products, follow the manufacturers' directions and read the manufacturers' material safety data sheets.

 **WARNING**

Improper maintenance can cause injury. Maintain the ambulance stretcher system only as described in this manual.

Minimum Maintenance	Each Use	As Needed	Monthly
Disinfect (stretcher and rail)	•		
Clean (stretcher and rail)		•	
Buff (stretcher)		•	
Wax (stretcher)		•	
Inspect (stretcher and rail)		•	•
Lubricate (stretcher and rail)		•	

DISINFECTING AND CLEANING

Restraints

To disinfect, remove the patient restraints from the stretcher. Apply disinfectant to all surfaces following the disinfectant manufacturer's instructions for application method and contact time. Wipe with a clean cloth. Do not immerse the metal buckle in liquid. To clean, add a disinfectant cleaner to warm water, following the disinfectant cleaner manufacturer's instructions. Immerse restraint webbing in the solution for the time directed

by the disinfectant cleaner manufacturer. Do not immerse the metal buckle. Repeatedly dip the webbing in clear water to rinse. Hang the restraint to air-dry. Avoid direct sunlight.

Attach only dry restraints to the equipment.

Mattress

Remove the mattress from the stretcher. To disinfect, apply disinfectant to the mattress, following the disinfectant manufacturer's instructions for application method and contact time. To clean, wash the mattress with warm, soapy water and a soft cloth. Rinse the mattress with clear water. Hang the mattress to air-dry, or dry it with a towel. Avoid direct sunlight.

Replace the mattress if it is ripped, punctured or damaged.

Stretcher and Rail

To disinfect, wipe all surfaces with disinfectant. Follow the disinfectant manufacturer's instructions for application method and contact time. Inspect the stretcher and rail for damage as you disinfect them.

To clean the stretcher, remove the patient restraints, mattress and any accessories. Hand clean all surfaces of the stretcher with warm water and a mild detergent. Rinse with warm, clear water. Dry the stretcher with a towel or allow it to air-dry. Avoid direct sunlight.

NOTICE

- **Disinfectants and cleaners containing bleach, phenolics, or iodines can cause damage. Do not use products containing these chemicals.**
- **Water under high pressure, or steam, can penetrate joints, flush away lubricant, and cause corrosion. Use caution when cleaning moving parts such as joints and hinges, and reapply lubricant if needed.**
- **Using abrasive cleaning compounds or applicators on the stretcher can cause damage. Do not use abrasive materials to clean the stretcher.**

MAINTENANCE

BUFFING THE STRETCHER

While not necessary, buffing the aluminum main frame, patient surface and legs can help maintain the stretcher's appearance. Disinfect and clean the stretcher before buffing. Use a clean cloth to apply an automotive grade aluminum polish as directed by the polish manufacturer.

WAXING THE STRETCHER

It is not necessary to wax the stretcher, but waxing the aluminum main frame, patient surface and legs will not damage them, and will help maintain the stretcher's appearance. Disinfect and clean the stretcher before applying wax. Use an automotive wax as directed by the wax manufacturer.

INSPECTING THE STRETCHER

Have your service's equipment maintenance personnel inspect the stretcher regularly. Follow the inspection checklist and operate the stretcher through all its functions as described in this manual. If inspection shows damage or excessive wear, remove the stretcher from service until repair is made.

Inspection Checklist

- Are all components present?
- Is the stretcher free of excessive wear?
- Are all screws, nuts, bolts, rivets, and roll pins securely in place?
- Do all moving parts operate smoothly and properly?
- Do the legs lock, unlock, and fold properly?
- Does the stretcher load and unload properly?
- Does the stretcher roll smoothly?

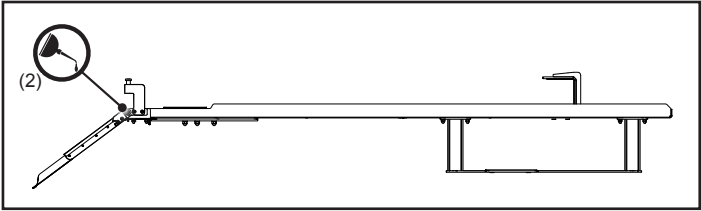
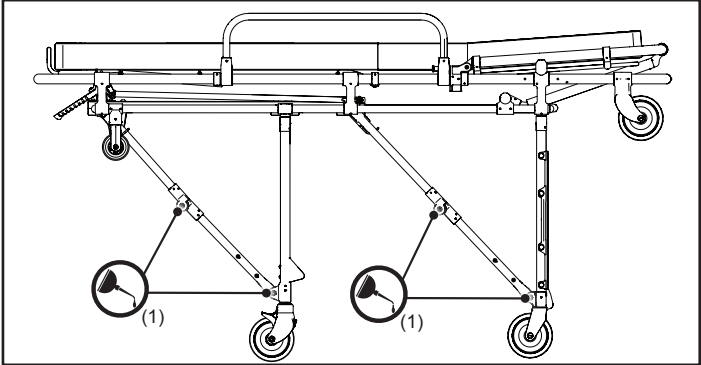
- Do the wheels have excessive wear?
- Are the patient restraints properly installed?
- Is the patient mattress in good condition without rips, tears, or damage?
- Is patient-restraint webbing in good condition with no cuts or frayed edges?
- Are patient-restraint buckles free of visible damage and do they operate properly?
- Is the ambulance properly prepared for the stretcher with an approved fastening system installed?
- Do installed accessories operate properly without interfering with stretcher operation?

LUBRICATING THE STRETCHER AND RAIL






Disinfect and clean the stretcher and rail before applying lubricant. Use the lubricants designated below to lubricate the stretcher and rail. Use a small amount of lubricant. Lubricate identical points on each side of the stretcher and rail. After applying, wipe off excess.

Lubrication points

- (1) Stretcher leg hinges and pivot points SAE 30 or lightweight synthetic oil
- (2) Rail ramp hinges SAE 30 or lightweight synthetic oil




Lubrication-free items

-  Control handle contact points Do not lubricate
-  Sidearm bearings Do not lubricate
-  Backrest adjustment assembly Do not lubricate
-  Control-end loading wheel Do not lubricate
-  Wheels Do not lubricate

NOTICE

Lubricating parts that should not be lubricated allows dirt and foreign particles to collect on those parts, resulting in damage.

 **WARNING**

- Improper parts and service can cause injury. Use only Maruti genuine parts and service on the ambulance stretcher system.
- Modifying the ambulance stretcher system can cause injury and damage. Use the ambulance stretcher system only as designed.
- Attaching improper items to the ambulance stretcher system can cause injury. Use only Maruti genuine parts on the ambulance stretcher system.

