



EECO



FOR VEHICLE FITTED WITH CNG FUEL SYSTEM
SUPPLEMENTARY OWNER'S MANUAL

Refer For Vehicle Usage At All Times.
Contains Important Information
On Safety, Operation & Maintenance.

Use this Supplementary Owner's manual along
with Owner's manual



NOTE:

- **As per Government regulation, CNG cylinder needs to be checked and certified every THREE (3) YEARS from the date of initial testing as mentioned on the CNG cylinder identification plate. Customer has to present the vehicle to a government approved testing agency.**
- **As per Government regulation, CNG cylinder has to be discarded at 20 YEARS from the date of initial testing as mentioned in the CNG cylinder identification plate. Customer has to discard the cylinder at his / her expense through government approved scrap agencies.**
- **DO NOT reuse the cylinder valve, once it is replaced / removed from cylinder assembly.**

CONTENTS

INTRODUCTION TO CNG.....	1
SAFETY PRECAUTIONS (Do's)	1
SAFETY PRECAUTIONS (Don'ts).....	1
LAYOUT OF THE CNG SYSTEM.....	2
FUEL MODES	3
SELECTOR SWITCH POSITION	3
PETROL MODE.....	3
AUTO MODE	3
FORCED CNG MODE	4
CNG LEVEL INDICATOR	4
AUTOMATIC CHANGEOVER FROM CNG MODE TO PETROL MODE.....	4
CNG FILLER VALVE.....	5
CNG CYLINDER.....	5
CNG CYLINDER WARNING LABEL	6
MANUAL SHUT-OFF VALVE	6
MANUAL SHUT-OFF VALVE OPERATION.....	6
LIST OF APPROVED CNG CYLINDER TESTING STATIONS.....	7
KIT IDENTIFICATION	8
CNG WARNING LABEL.....	8
CNG MALFUNCTION WARNING LAMP	8
INSTRUMENT CLUSTER	9
FUSES.....	10
PERIODIC MAINTENANCE SCHEDULE	11
SPECIFICATIONS.....	12
FIRE EXTINGUISHER (if equipped)	13

INTRODUCTION TO CNG:

CNG (Compressed Natural Gas) mainly contains methane. CNG is considered as a clean burning fuel. Due to low density of CNG, it is compressed at a pressure of around 200 bars to enhance the vehicle on-board storage capacity.

CAUTION

In case of any symptom of CNG leakage or releasing noise or any external damage to CNG piping or during accident, do not panic.

- **Stop the vehicle and switch off the engine, roll down the windows and open all the doors**
- **Ensure to close manual shut off valve.**
- **Contact Maruti Suzuki authorised workshop immediately for further assistance.**

SAFETY PRECAUTIONS (Do's)

1. If any service or body repair is to be carried out, turn the manual shut off valve on CNG cylinder valve to close position prior to commencement of the repair work.
2. Get the CNG cylinder checked every three (3) years from the date of last testing / retesting of cylinder by government authorised CNG cylinder testing agency.
3. If the vehicle does not changeover to CNG in AUTO MODE, then have your vehicle checked by Maruti Suzuki authorised workshop at the earliest.
4. Switch "OFF" engine while filling the fuel (CNG/Petrol).
5. After refueling CNG or Petrol, ensure that the fuel filler lid is closed. (Otherwise vehicle cannot be started)
6. In AUTO MODE, the system is programmed to start the vehicle in petrol and automatically shift to CNG based on engine temperature & other parameters. Do not press the accelerator pedal to change from petrol to CNG.

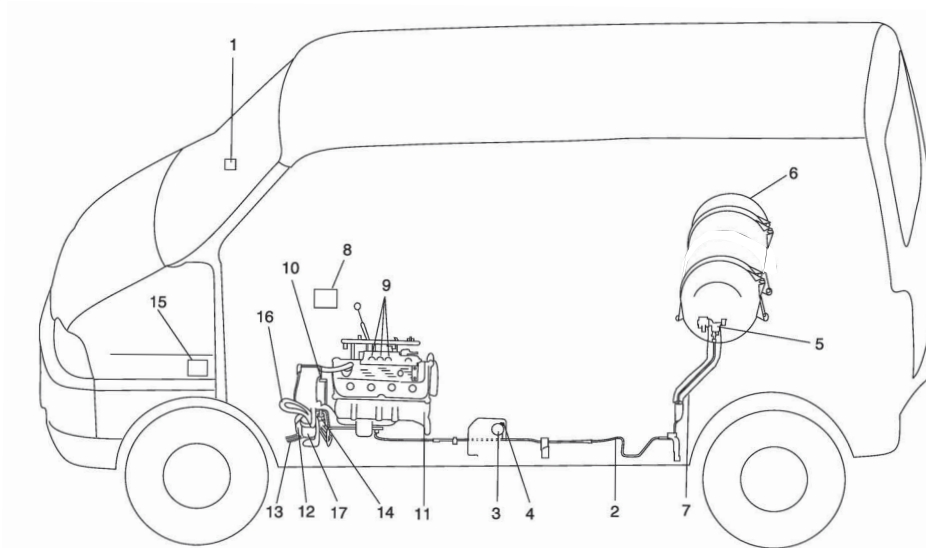
SAFETY PRECAUTIONS (Don'ts):

1. Do not change/modify the configuration, settings or the components from CNG system.
2. The CNG cylinder should not be repaired under any circumstances. In case of any problem, consult with Maruti Suzuki authorised workshop.
3. Do not adjust setting of CNG system.
4. Never install LPG or any other gas cylinder in place of CNG cylinder.
5. Avoid carrying inflammable material near the CNG cylinder.
6. Do not fill any gas other than CNG.
7. Do not press the accelerator pedal to change from petrol to CNG MODE.

FOR VEHICLES FITTED WITH CNG FUEL SYSTEM

LAYOUT OF THE CNG SYSTEM

EXAMPLE



78MMC002

- | | | |
|-----------------------------------|--|---------------------------------|
| (1) Changeover / Selector switch | (7) Vent hose | (13) Water hose |
| (2) High pressure pipe | (8) CNG controller | (14) High pressure sensor |
| (3) CNG Receptacle / Filler valve | (9) CNG injectors & CNG Hoses | (15) CNG controller (For cargo) |
| (4) Fuel lid switch | (10) Low pressure & temperature sensor | (16) Low pressure hose |
| (5) CNG cylinder valve | (11) Engine | (17) CNG filter |
| (6) CNG cylinder | (12) Pressure regulator | |

FOR VEHICLES FITTED WITH CNG FUEL SYSTEM

FUEL MODES

There are three fuel modes in the vehicle (Petrol, Auto and Forced CNG) which are selectable by pressing the selector switch (1) located on the right side of the steering wheel on the dashboard.

⚠ WARNING

Make sure that the parking brake is applied fully and the transmission is in Neutral before attempting to start the engine.

NOTICE

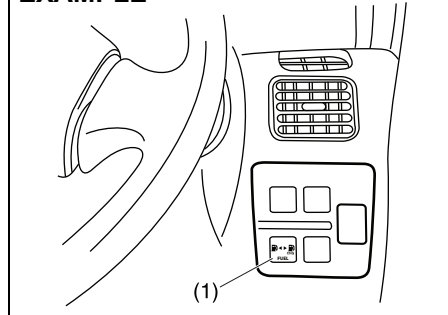
- For protection of a lead-acid battery and a starter motor, if you use the starter motor by turning the key to "START" for more than 12 seconds at a time, the starter motor stops automatically. Turn the key to "LOCK" position and wait for more than 30 seconds before trying again. If the engine does not start after several attempts, check the fuel and ignition system or consult a Maruti Suzuki authorised workshop.
- If the engine starts, the starter motor stops automatically.

NOTE:

- Do not press the accelerator pedal to changeover from petrol to CNG mode.
- With ignition switch "ON" and engine not running, blinking of CNG malfunction warning lamp indicates that fuel lid is open. Vehicle will not start in this condition. For details on CNG malfunction warning lamp, refer to "Instrument cluster" section in this manual.

SELECTOR SWITCH POSITION

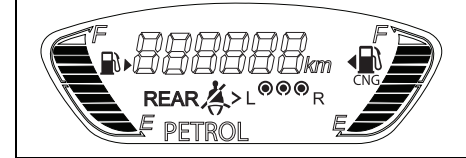
EXAMPLE



78MMC001

PETROL MODE

EXAMPLE

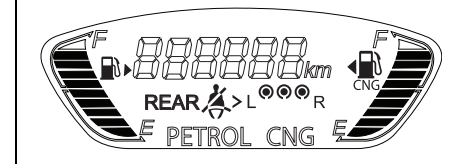


78LMC001

In this mode vehicle starts in petrol and continues to run in petrol mode. In this mode, petrol indicator is continuously displayed and CNG indicator will remain "OFF".

AUTO MODE

EXAMPLE



78LMC002

In this mode engine starts in petrol mode and then automatically changes to CNG mode after reaching programmed warming up condition. With ignition switch ON and vehicle started in "AUTO MODE", CNG indicator blinks on the display and PETROL indicator is displayed. After changeover to CNG, CNG indicator will be

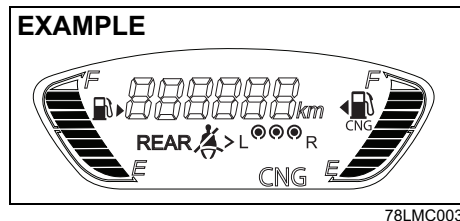
FOR VEHICLES FITTED WITH CNG FUEL SYSTEM

displayed and Petrol indicator will switch OFF automatically.

NOTE:

- It is always recommended to start the vehicle in AUTO MODE or PETROL MODE to enhance the engine life.
- The fuel changeover to CNG may not happen if the vehicle is started when the ambient / engine temperature is below Zero Degree Celsius. In such a case, run the engine in PETROL MODE till it warms up and then try restarting the engine to changeover to CNG.

FORCED CNG MODE

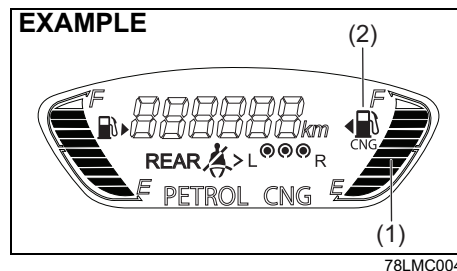


This is an emergency mode and may be used in cases where there is no petrol in the petrol tank. In this mode vehicle starts in CNG mode and continues running in CNG mode. With ignition "ON" and engine not running, press and hold the changeover switch till only CNG indicator is displayed. In this mode, CNG indicator is displayed and Petrol indicator remains "OFF".

NOTE:

- It is recommended to keep sufficient amount of petrol in the petrol tank.
- The vehicle may not start in Forced CNG mode if the ambient / engine temperature is below Zero Degree Celsius. It is recommended to start the vehicle in Auto mode.

CNG LEVEL INDICATOR



CNG level indicator (1) is built into the display. When the ignition switch is in the "ON" position, this gauge gives an approximate indication of the quantity of CNG fuel in the CNG tank. "F" stands for full and "E" stands for empty.

If the CNG level meter indicator shows only one segment to "E" refill the CNG tank as soon as possible.

NOTE:

If the last segment blinks, it means that the fuel is almost empty.

The mark (2) indicates that the fuel filler door is located on the left side of the vehicle.

AUTOMATIC CHANGEOVER FROM CNG MODE TO PETROL MODE

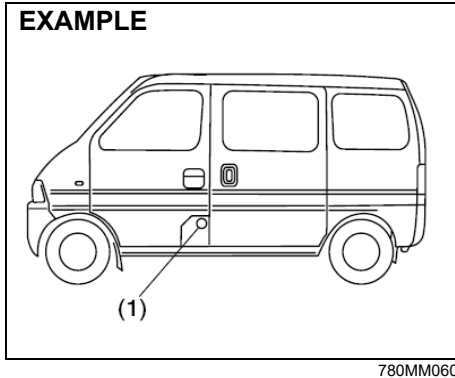
If CNG is finished while the engine is running, vehicle will automatically changeover from CNG mode to Petrol mode & CNG malfunction warning lamp will start blinking. Petrol indicator will be displayed continuously and CNG indicator will switch OFF automatically.

To acknowledge this information, press the changeover switch once. The CNG malfunction warning lamp will stop blinking after the changeover switch is pressed and petrol indicator will be displayed continuously. However the CNG malfunction indicator lamp will continue to blink after every subsequent Ignition ON - Ignition OFF condition until the vehicle is refilled with CNG.

NOTE:

- It is recommended to keep sufficient amount of petrol in the petrol tank to prevent engine stalling while automatic changeover from CNG mode to Petrol mode.
- In case the CNG malfunction warning lamp does not stop blinking after pressing the changeover switch, take the vehicle to the nearest Maruti Suzuki authorised workshop.

CNG FILLER VALVE

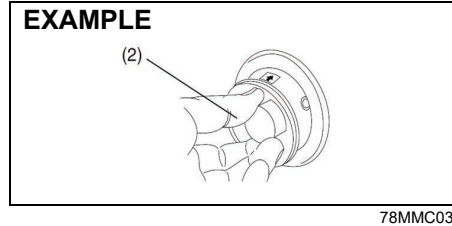


The CNG filler valve (1) is located on the left side of vehicle outboard.

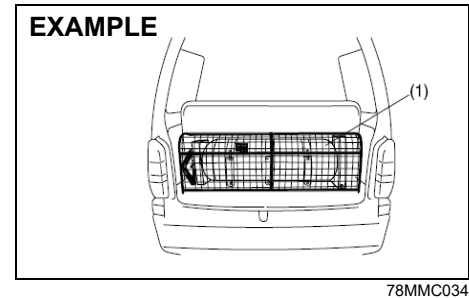
CNG filler valve (1) can be unlocked by pulling out the Filler valve cover (2) and can be covered by simply pushing it back. Filling automatically gets cut off when the cylinder pressure becomes equal to dispenser pressure. After CNG filling, ensure that the filler valve cover (2) is closed.

NOTE:

- If the Fuel filler cover (2) is not closed properly, you will not be able to start the vehicle.
- Engine will stop if the fuel filler cover (2) is opened in vehicle stationary condition.



CNG CYLINDER



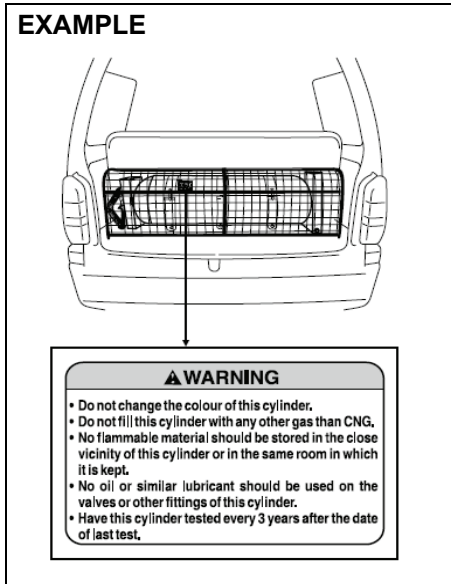
CNG cylinder (1) is installed in the luggage compartment, and is covered with protective cage (if equipped)

▲ CAUTION

Do not sit or carry items luggage or load on the top of cylinder cage, even if items are small & light. Objects on the top of the cage could be thrown about in case of accident, causing injury or obstruct the driver's rear view. Cylinder cage may also get damaged.

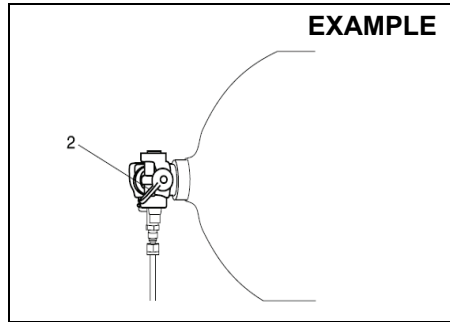
FOR VEHICLES FITTED WITH CNG FUEL SYSTEM

CNG CYLINDER WARNING LABEL



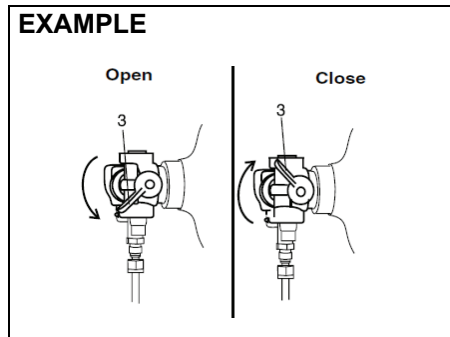
You may find this label on the CNG cylinder.

MANUAL SHUT-OFF VALVE

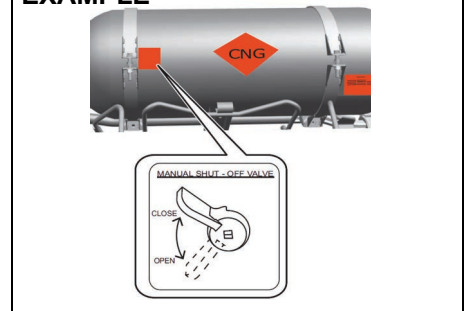


Manual shut-off valve (1) is located on the left hand side of the CNG cylinder.

MANUAL SHUT-OFF VALVE OPERATION



EXAMPLE



CNG supply can be switched off by closing the manual shut-off valve.

Valve closing: Turn the knob completely in clockwise direction to close the CNG supply to Engine.

Valve opening: Turn the knob completely in anti-clockwise direction to open the CNG supply to Engine.

NOTE:

- If the manual shut-off valve is not opened fully, then the engine may not run properly.
- If the manual shut-off valve is in closed condition, it is not possible to fill CNG into the cylinder.

NOTE:

- As per Government regulation, CNG cylinder needs to be checked and certified every three (3) years from the date of initial testing as mentioned on the CNG cylinder identification plate.
For details on CNG cylinder identification plate, refer to "Kit identification" section in this manual.
- Customer has to present the vehicle to a government approved testing agency.
- Failure to test the cylinder may result in denying of CNG filling by the CNG dispensing stations or may result in confiscation of the vehicle by enforcement authorities.
- All the expenses for CNG cylinder testing has to be borne by the customer.
- As per Government regulation, CNG cylinder has to be discarded at 20 years from the date of initial testing as mentioned in the CNG cylinder identification plate.
- Customer has to discard the cylinder at his / her expense through government approved scrap agencies.
- No person shall refill any cylinder, which has been repaired under sub-rule (2) with any gas unless a full report on the repairs and test carried out on the cylinder, accompanied by the repairer's certificate of testing are furnished to the Chief Controller and his permission is obtained for its refilling.

⚠ WARNING

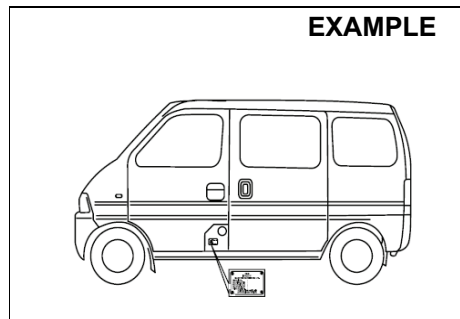
- Never remove the cylinder valve from the cylinder assembly. For any assistance consult Maruti Suzuki authorised workshop.
- Never try to clean the cylinder. In case of any problem, contact Maruti Suzuki authorised workshop.
- Do not reuse the cylinder valve, once it is replaced / removed from cylinder assembly.
- Even if the CNG from the cylinder is consumed till engine stops, some amount of CNG will be left out in the tank under pressure.

LIST OF APPROVED CNG CYLINDERS TESTING STATIONS

To obtain testing stations information visit the following internet website address "www.peso.gov.in"

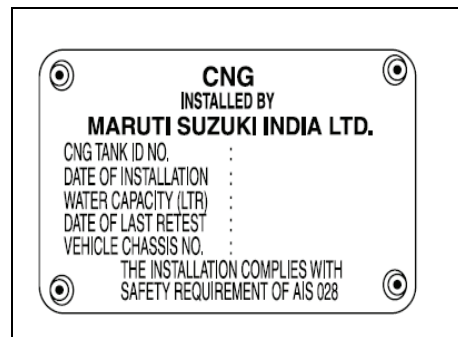
FOR VEHICLES FITTED WITH CNG FUEL SYSTEM

KIT IDENTIFICATION



78MMC038

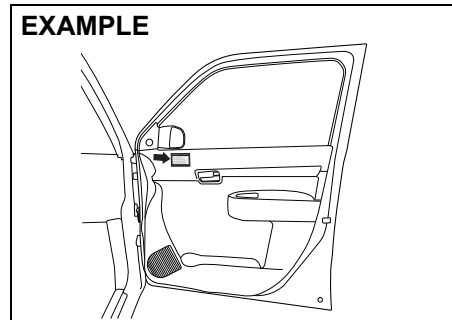
CNG cylinder identification number and CNG kit installation date is located below CNG filler valve as shown.



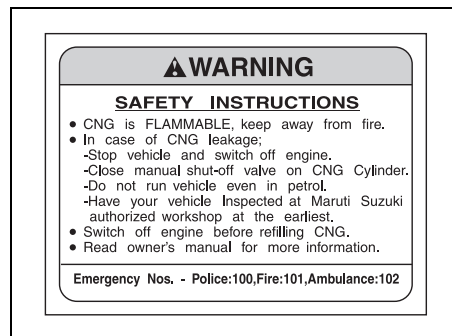
78MMC039

CNG WARNING LABEL

Front Driver Door



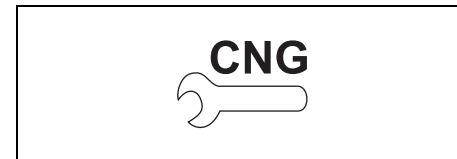
78MMC018



78MMC019

CNG warning label is located on front right door.

CNG MALFUNCTION WARNING LAMP



78MMC021

When the ignition switch is turned "ON", this CNG malfunction warning lamp comes on briefly, to check that the CNG malfunction lamp is trouble free.

- If CNG malfunction warning lamp glows continuously, with ignition "ON" there is some problem with the CNG system. Immediately get your vehicle checked by Maruti Suzuki authorised workshop.
- If CNG malfunction warning lamp blinks during engine running, it means there is some problem in CNG system in which vehicle cannot continue running in CNG-MODE and automatically switches over to petrol mode. Have your vehicle checked at a Maruti Suzuki authorised workshop.

NOTE:

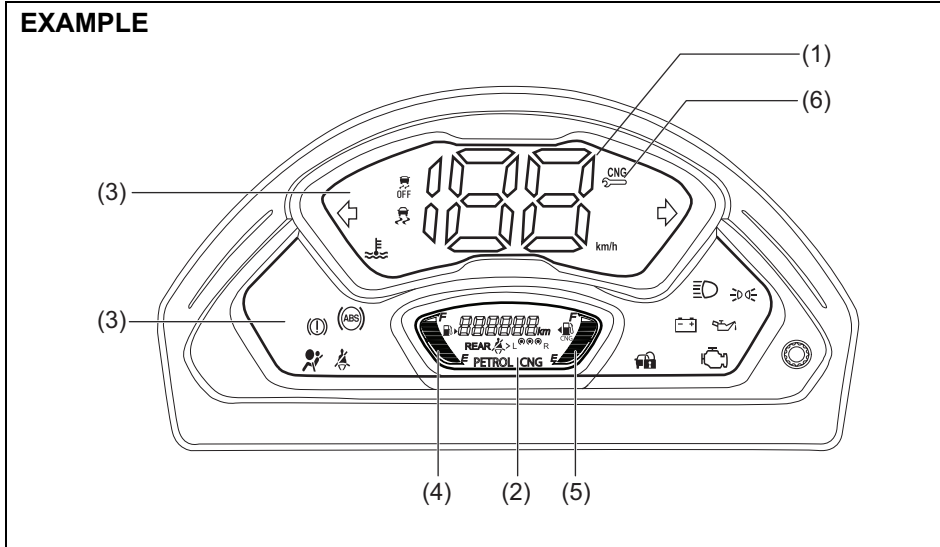
With ignition switch "ON" and engine not running, blinking of CNG lamp indicates that fuel lid is open. Vehicle will not start in this condition. Close the lid in order to start the vehicle.

FOR VEHICLES FITTED WITH CNG FUEL SYSTEM

INSTRUMENT CLUSTER

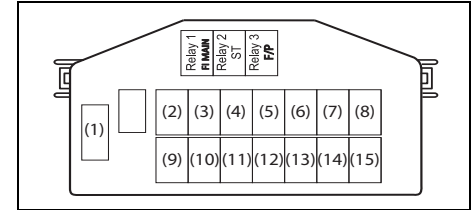
- (1) Speedometer
- (2) Information display
- (3) Other warning and indicator lamps
- (4) Fuel Indicator (Petrol)
- (5) Fuel Indicator (CNG)
- (6) CNG malfunction warning Indicator lamp

EXAMPLE

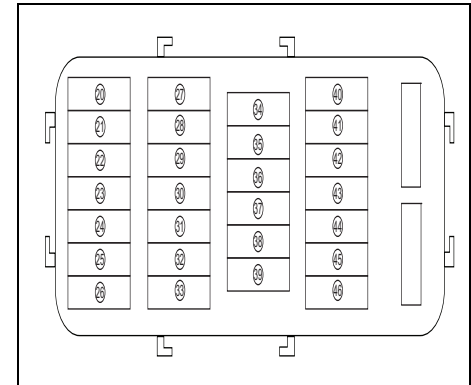


78LMC005

Fuses



78MMC0010



78MMC022

(11)	7.5A	CNG VLV
(31)	5A	CNG SIG

For other fuses, refer “Inspection and maintenance” section in the main owner’s manual.

FOR VEHICLES FITTED WITH CNG FUEL SYSTEM

PERIODIC MAINTENANCE SCHEDULE

Kms (1 x 1000) Month	1 1	5 6	10 12	20 24	30 36	40 48	50 60	60 72	70 84	80 96	90 108	100 120
All Joints (Gas leakage)	I	I	I	I	I	I	I	I	I	I	I	I
Coolant Hoses (Leakage, Damage)	I	I	I	I	I	I	I	I	I	I	I	I
All Fasteners Torque values	T	T	T	T	T	T	T	T	T	T	T	T
CNG low pressure filter cartridge with O-Ring	-	-	-	R	-	R	-	R	-	R	-	R
CNG cylinder leak testing and certification	Every 3 years from the date of initial testing by govt. approved testing agency											
CNG filler receptacle O-Ring	Replace every 4 years or 300,000 Km, whichever comes earlier											

TTighten to Specified Torque

I Inspect and correct or replace if necessary

R Replace

NOTE:

- *This table includes services as scheduled up to 100,000 km mileage. Beyond 100,000 km, carry out the same services at the same intervals respectively.*
- *For other maintenance details refer "Inspection & Maintenance" section in main Owner's Manual.*

FOR VEHICLES FITTED WITH CNG FUEL SYSTEM

SPECIFICATIONS

Mass (Weight) (Kg)	Passenger	Cargo
Kerb Weight	1050 Kg	1010-1030 kg
Gross Weight	1510 Kg	1540 kg
Seating Capacity	5 persons	2 person
Fuel Capacity (litre)		
Petrol	32 L	
CNG (Water Filling Capacity)	65 L	

NOTE:

Specifications are subject to change without notice.

NOTE:

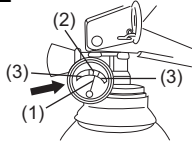
- 1) It is recommended to run the vehicle on petrol mode for 5~10 km after every 300~500 km run in CNG mode to keep fuel system in good condition.*
- 2) Always keep minimum 5 litre of petrol in your petrol tank.*
- 3) For others specifications refer main Owner's Manual provided along with the vehicle*

FOR VEHICLES FITTED WITH CNG FUEL SYSTEM

FIRE EXTINGUISHER (if equipped)

Do's and Don'ts

EXAMPLE



78MMC024

Do's

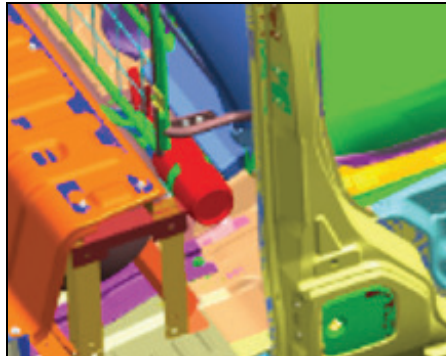
- Check pressure gauge periodically. Max charging pressure is 15Kgf/cm² (in green zone (2)).
- When pressure drops, indicator needle(1) will shift to the red zone (3). Immediately contact the fire extinguisher manufacturer as per the information provided on the fire extinguisher.
- Get the fire extinguisher serviced only through the manufacturer service centre. Refer the information provided on the fire extinguisher to locate the nearest service centre.
- Ensure that the Fire extinguisher is always kept at its prescribed position in the vehicle.
- Refill the fire extinguisher immediately after use.

Don't

- Do not use water for cleaning fire extinguisher. (Use clean cloth for removing dust)
- Do not rely on used or discharged fire extinguisher.

Location (In Cargo)

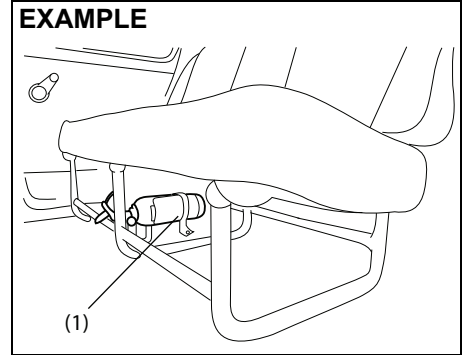
- 1) Position of Fire, Extinguisher is behind Driver seat, between CNG tank and Driver seat.



78MMC040

Location (In Passenger)

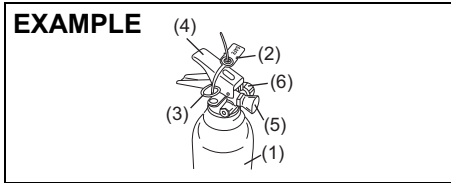
EXAMPLE



78MMC026

Fire extinguisher is located below co passenger's seat.

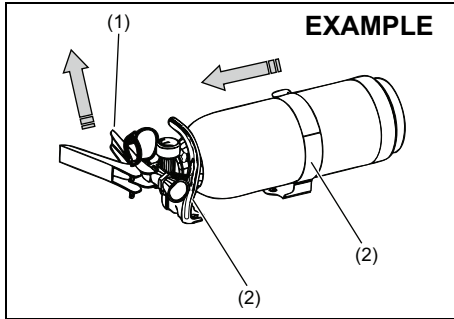
Parts Description



78MMC027

- (1) Fire extinguisher cylinder
- (2) Seal
- (3) Safety Pin
- (4) Lever
- (5) Nozzle

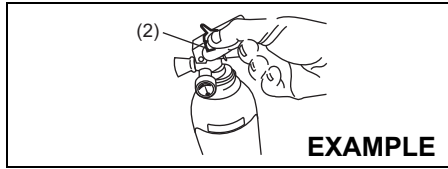
Removal Procedure



78MMC028

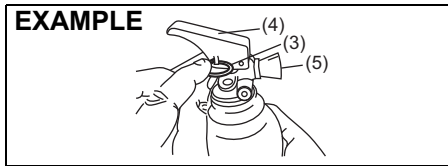
Lift Lever (1) of fire extinguisher slightly upwards and pull the fire extinguisher in the direction as shown in the figure, in order to disengage it from clamps (2).

Procedure of Operation



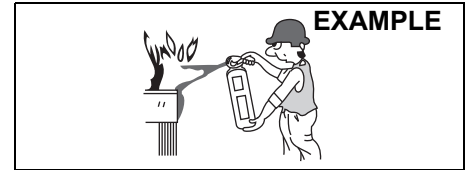
78MMC029

- 1. Hold the fire extinguisher (1) upright.
- 2. Break seal (2) by rotating the safety pin(3).



78MMC030

- 3. Pull Safety pin (3)
- 4. Squeeze lever (4) and direct the jet from nozzle (5) towards the near edge of the fire with a rapid (fast) sweeping motion.



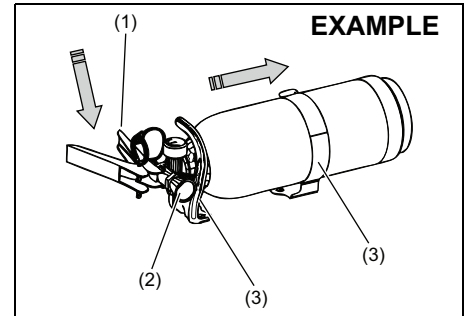
78MMC031

- 5. Drive the fire towards the far edge until flames are extinguished.

NOTE:

Fire extinguisher is only meant for small fire caused in vehicle by external source only.

Fitment Procedure



78MMC032

Insert the body of fire extinguisher (1) into the clamps (3) and place the nozzle (2) carefully downwards, on the clamp.

FOR VEHICLES FITTED WITH CNG FUEL SYSTEM

WARNING

Ensure that fire extinguisher is securely fixed into both the clamps. Otherwise, it may come from the clamps inadvertently that may cause injury.

NOTE:

Ensure that the nozzle of fire extinguisher is properly seated on the clamp.

Refilling Schedules

1. Refilling is necessary after every use.
2. Fire extinguisher needs refilling after every 3 years even if it is not used.
3. Get the fire extinguisher inspected every 6 months through the authorised service center of fire extinguisher manufacturer.

Prepared by
MARUTI SUZUKI INDIA LIMITED

Service Division

September, 2024

Part No. 99011M78L81-74W

Printed in India

For round-the-clock on-road assistance, call Maruti On-road Service at 1800 102 1800[#] / 1800 1800 180[#]
#No STD code to be prefixed.



The sign to trust



Service Division

MARUTI SUZUKI INDIA LIMITED

Palam Gurgaon Road, Gurgaon - 122 015 (Haryana)

www.marutisuzuki.com